

Notice

For the need of technical improvement and system upgrade,
information contained herein may be subject to change
from time to time without prior notice.

Copyright © 2008
All Rights Reserved.
Manual Edition 1.1, Mar. 2008
Printed in China

Edifier

www.edifier.com

EDIFIER INTERNATIONAL LIMITED

Made in China

Edifier



English

E1100 Plus Multimedia Speaker

User's Manual

Please carefully read this manual before operating the system

IMPORTANT SAFETY INSTRUCTION

Thank you for purchasing this Edifier product. For generations, Edifier tries to provide powered speaker products to satisfy the need of our end customers, even the most demanding ones. This product can add to your home entertainment, personal computer, and mini home theater great sound performance. Please read this manual carefully to obtain the best of this system.



The lightning flash with arrowhead inside the triangle, is intended to alert the user to the presence of un-insulated dangerous voltage within the product's enclosure that may be of a sufficient magnitude to constitute a risk of electric shock to persons.



To prevent the risk of electric shock, do not remove cover (or back). No user-serviceable Parts inside. Refer servicing to qualified Service personnel only.



The exclamation point inside the triangle is intended to alert the user to the presence of important operating and maintenance (servicing) instructions in the literature accompanying the product.

SAFETY INSTRUCTIONS

Please read all the instructions herein.

Please retain this manual safely for future reference.

Please heed all safety warnings.

Please install in accordance with the manufacturer's instructions.

Please adjust the volume control to a comfortable level to avoid damaging your hearing and the system.

- Do not expose this apparatus to rain or moisture.
- Do not use the speakers near water, and do not immerse them in any liquid or pour any liquid on them.
- Protect the power cord from being walked on or pinched particularly at plugs, convenience receptacles, and the point where they exit from the apparatus.
- For added protection during lightning storms, unplug the speakers from the electrical outlet and turn off the computer.
- Unplug this apparatus when unused for long periods of time.
- Place the speakers away from all heat sources, such as heaters, stoves, and direct sunlight.
- Do not block the openings in the speaker cabinets. Never push objects into speaker vents or slots.
Prevent risk of fire or electric shock hazards, and provide sufficient space around the speakers for proper ventilation.
- Place the speakers in a stable location so that it will not fall causing damage to the speakers or bodily harm.
- Unplug the speakers from the computer and from the electrical outlet before cleaning them with a damp cloth.
- Servicing is required when the apparatus has been damaged in any way, such as the power-supply cord or plug is damaged, liquid has been spilled or objects have fallen into the apparatus, the apparatus has been exposed to rain or moisture, does not operate normally, or has been dropped. Refer all servicing to qualified service personnel only.
- Use the plug or the coupler inlet to disconnect with mains.

Opening the package

Box content

- 1 x Subwoofer
- 2 x Satellite speakers (with cables)
- 1 x Power adapter
- 1 x 3.5-3.5 audio cable
- 1 x User's Manual

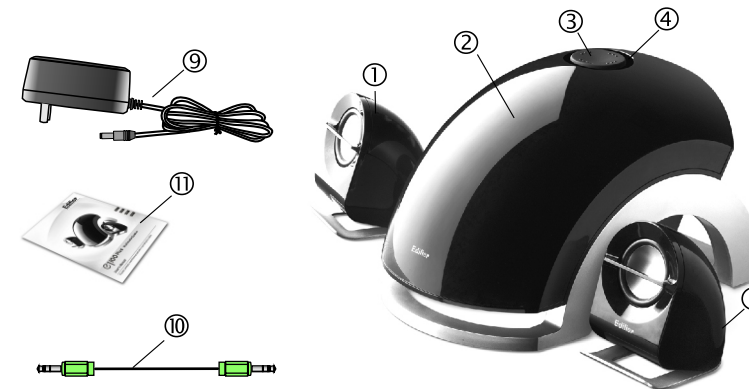
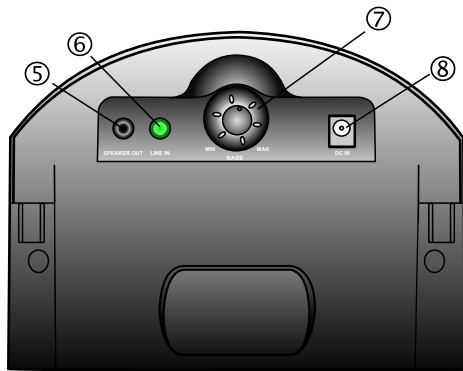
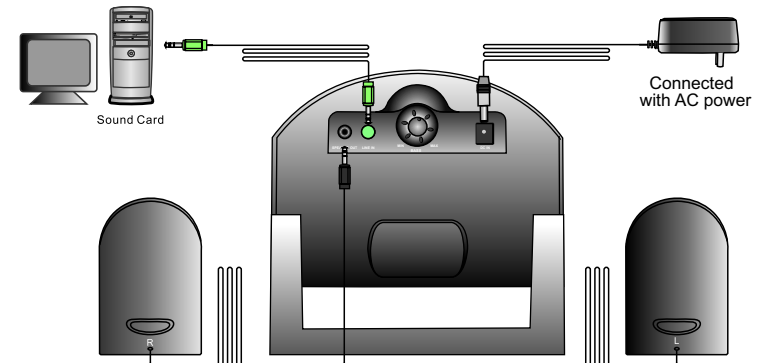


Diagram and Function Description



- | | |
|--------------------------|--------------------|
| 1、 Satellites | 7、 Bass adjustment |
| 2、 Subwoofer | 8、 DC jack |
| 3、 Volume adjusting knob | 9、 Power adapter |
| 4、 Power indicator | 10、 Audio cable |
| 5、 Output for satellite | 11、 User's Manual |
| 6、 Line-in | |

Making connections



- 1、 Operating Instructions.
Connection of the satellite speakers and the subwoofer: Connect the 3.5mm Stereo plug of the satellite speakers to the output socket on the back panel of the subwoofer.
 - 2、 Connection of the sound source.
Connect the sound source to the input jack on the back panel of the subwoofer with the 3.5-3.5 audio cable.
 - 3、 Connection of the speaker system and the AC Power.
Please connect the DC IN jack on the rear panel of the subwoofer to the AC power using the supplied AC adapter.
 - 4、 Playing the music:
Congratulations! All the above connections for the Edifier E1100 Plus are completed and the system is now ready for use. Turn on the power switch of the system and sit back and enjoy the perfect listening experience we have created for you!
- ✱ All illustrations in this manual are subject to change without prior notice.

Specifications

| | |
|---------------------------|--|
| Amplifier power output: | |
| Satellite channel: | RMS 4.5W X 2 (THD=10%,f0=1KHz) |
| Subwoofer channel: | RMS 12W (THD=10%,f0=80Hz) |
| Signal-to-Noise Ratio: | ≥85dBA |
| Distortion: | ≤ 0.5% |
| Input interface: | 3.5mm stereo headphone jack |
| Input impedance: | 10K ohm |
| Sensitivity: | Satellite channel 450mV±50mV Subwoofer channel 150mV±50mV |
| Volume Control: | System Volume, Bass level |
| Bass driver: | 4.5 inch (116mm), magnetically shielded, 6ohm |
| Satellite speaker driver: | 2 inch (52mm), magnetically shielded,4ohm |
| Power Input: | 12V DC 1.65A MAX |
| Subwoofer dimension: | 162(W)×167(H)×267(D)mm |
| Satellite dimension: | 68(W)×105(H)×103(D)mm |
| Weight: | Approximately 3.5kg |

Edifier One Year Limited Warranty

Edifier warrants to the end user that all of its computer speaker systems are free from defects in materials and workmanship in the course of normal and reasonable use for a term of one year from the date of purchase. This warranty is the exclusive and only warranty in effect relative to Edifier multimedia speaker systems and any other warranties, either expressed or implied, are invalid. Neither Edifier nor any authorized Edifier reseller is responsible for any incidental or consequential damages incurred in the use of the speakers. (This limitation of incidental or consequential damage is not applicable where prohibited.) Edifier's obligation under this warranty does not apply to any defect, malfunction or failure as a result of misuse, abuse, improper installation, use with faulty or improper equipment, or the use of the speaker systems with any equipment for which they were not intended. The terms of this warranty apply only to speaker systems when such speakers are returned to the respective authorized Edifier reseller where they were purchased. Under the terms of this warranty, the original consumer purchaser has certain legal rights and may have other rights, which vary worldwide.

Troubleshooting Guide

● Sound from only one Speaker

Check if all speaker cable connections are correct. Try an alternate sound source such as a CD player, MP3 or other player, in case the original sound source is at fault. Check if the computer Soundcard is installed correctly.

● When playing an audio CD from the computer, only one Speaker has sound.

This generally occurs with a new computer: only one satellite works when playing an audio CD, but both speakers function correctly when running a WAV file or playing a game. The reason for this is that the CD-ROM is not matched with the Soundcard, or one signal channel maybe shorted to a ground wire. Please refer to your computer's user manual to adjust the CD-ROM jumper connections.

● No sound from any of the speakers

Check if the AC power is plugged in and the power outlet is switched "On".
Check if the Mute button on Controller and/or PC Sound Card (if applicable) is "Off".
Check if all speaker audio cable connections are correct.
Check if your external sound source equipment is working correctly.

● Excessive noise from Speakers

Edifier speakers feature a very low noise circuit design. Your external sound source equipment may have a poor signal-to-noise ratio. Unplug the input audio cable, and check if the noise is from the CD/DVD player or the computer Soundcard, etc.

● Magnetically Shielded Speakers

The subwoofers and satellite speakers of Edifier speaker system are all magnetically shielded. You can place them near a TV or monitor. However, it is recommended that you leave a 0.2-1 m distance between the speakers and monitor to avoid possible magnetic interference.

● If you have any further questions or concerns regarding Edifier Products

please visit our website at: www.edifier.com ,
or email Edifier Support for further assistance at: main@edifier.com ,
If you prefer, you may contact us by phone Toll Free: 1-877-EDIFIER (334-3437).

CONSIGNES DE SECURITE IMPORTANTES

Merci d'avoir acheté le produit Edifier . Depuis des générations, Edifier essaie de fournir des haut-parleurs puissants afin de satisfaire le besoin de nos clients finaux même les plus exigeants. Ce produit peut ajouter à votre divertissement de maison, à votre ordinateur et à un mini home cinéma une grande performance de son. Veuillez lire soigneusement ce manuel afin d'obtenir le meilleur de votre appareil.



Le symbole d'éclair avec une flèche à l'intérieur d'un triangle équilatéral informe l'utilisateur de la présence d'une tension non isolée et dangereuse dans l'enceinte de l'appareil. Cette dernière peut être de magnitude suffisante pour constituer un risque d'électrocution.



Afin de prévenir les risques de chocs électriques, ne pas retirer le couvercle (ou l'arrière). Aucun élément n'est réparable par l'utilisateur. Veuillez contacter un personnel qualifié pour les réparations.



Le point d'exclamation à l'intérieur d'un triangle équilatéral informe l'utilisateur de la présence, dans ce manuel qui accompagne l'appareil, d'instructions de maintenance (réparation) et d'instructions de fonctionnement importantes.

CONSIGNES DE SECURITE

Veuillez lire les consignes ici présentes.

Veuillez conserver ces instructions pour toute référence ultérieure.

Veuillez prendre garde à tous les avertissements.

Veuillez installer l'appareil en respect des instructions du fabricant.

Veuillez régler le contrôle du volume à un niveau confortable afin d'éviter d'endommager votre audition ainsi que l'appareil.

- Ne pas exposer l'appareil à la pluie ou à l'humidité.
- Ne pas utiliser les haut-parleurs à proximité d'eau, ne pas les immerger dans un liquide ou renverser un liquide dessus.
- Ne faites pas défaut à l'objectif de sécurité de la prise polarisée. Une prise polarisée comporte deux lames dont une plus large que l'autre.
- La lame la plus large est fournie pour votre sécurité. Si la prise fournie ne s'adapte pas à votre prise murale, contactez un électricien pour remplacer la prise obsolète. Protégez le cordon d'alimentation afin qu'on ne marche pas dessus, qu'il ne soit pas pincé et plus particulièrement la prise, les prises de courant et leurs points de sortie de l'appareil.
- Pour davantage de protection pendant les orages, débranchez les haut-parleurs de la prise de courant électrique et éteignez l'ordinateur.
- Débranchez l'appareil lorsqu'il ne sert pas pendant des périodes prolongées.
- Placez les haut-parleurs loin de sources de chaleur telles que des radiateurs, des fours et la lumière du soleil.
- Ne pas obstruer les ouvertures des coffrets des haut-parleurs. Ne jamais insérer d'objets dans les orifices ou les logements.
- Prévenez les risques d'incendie et de dangers de choc électrique et laissez suffisamment d'espace autour des haut-parleurs afin d'assurer une bonne ventilation.
- Placez les haut-parleurs dans un endroit stable afin qu'il ne tombe pas. Cela pourrait les endommager ou entraîner des blessures corporelles.
- Débranchez les haut-parleurs de l'ordinateur et de la prise de courant électrique avant de les nettoyer à l'aide d'un chiffon humide.
- La réparation est nécessaire si l'appareil a été endommagé de quelque manière que ce soit telle qu'un cordon d'alimentation ou une prise endommagé(e), un liquide renversé ou des objets qui sont tombés dans l'appareil, l'appareil a été exposé à la pluie, ne fonctionne pas normalement ou est tombé. Veuillez contacter un personnel qualifié pour les réparations.
- Utilisez la prise ou le raccord d'entrée pour débrancher de l'alimentation principale.