

Height Adjustable Wall Mount for SMART Board 600i and 600i2 Interactive Whiteboard Systems

Specifications – Model HAWM-600i2

Physical Specifications – HAWM-600i2 for SMART Board™ 600i and 600i2 Series Interactive Whiteboard Systems (SB660i, SB680i, SB660i2 and SB680i2)

Size 25 3/4" W × 65 1/8" H × 7 1/4" D
(65.4 cm × 165.5 cm × 18.4 cm)

Weight 170 lb. (77 kg)

Shipping Weight 73 lb. (33 kg)
(3 boxes) 63 lb. (28.5 kg)
47 lb. (21.5 kg)

Shipping Size (3 boxes) 65 3/8" W × 7 7/8" H × 27 1/2" D
(166 cm × 20 cm × 70 cm)

13 3/8" W × 6 1/8" H × 22" D
(34 cm × 15.5 cm × 56 cm)

7 1/8" W × 6 1/8" H × 18 3/8" D
(18 cm × 15.5 cm × 46.5 cm)

SMART Board 660 Interactive Whiteboard (not included)

Size 54 3/4" W × 41 5/8" H × 5 1/8" D
(139.1 cm × 105.7 cm × 13 cm)

Weight 21 lb. 14 oz. (9.9 kg)

SMART Board 680 Interactive Whiteboard (not included)

Size 65 1/4" W × 49 1/2" H × 5 1/8" D
(165.7 cm × 125.7 cm × 13.0 cm)

Weight 30 lb. (13.6 kg)

Unifi™ 35 Projector (not included)

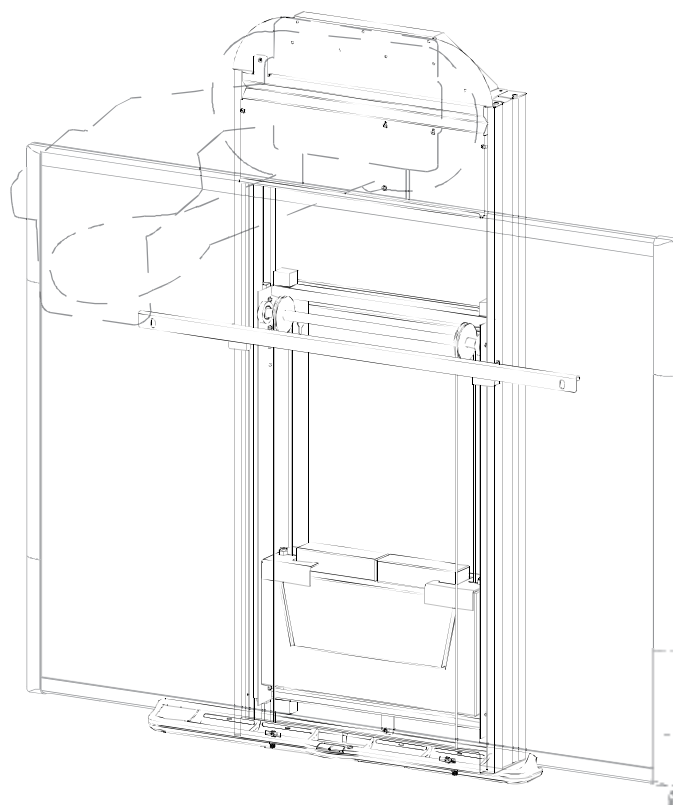
Size 25 7/8" W × 14 3/8" H × 41 1/2" D
(65.7 cm × 36.5 cm × 105.4 cm)

Weight 33 lb. (15 kg)

Unifi™ 45 Projector (not included)

Size 18 1/2" W × 15 1/2" H × 47 1/4" D
(47 cm × 39.4 cm × 120 cm)

Weight 32 lb. (14.5 kg)



NOTE: See the SMART Board [660i](#), [680i](#), [660i2](#) and [680i2](#) interactive whiteboard system specifications for interactive product order numbers, shipping sizes and weights.

All dimensions +/- 1/8" (0.3 cm). All weights +/- 2 lb. (0.9 kg).

Standard Features

Vertical Travel 20" (50 cm) of vertical travel allows taller and shorter users to raise or lower the interactive whiteboard to a convenient height.

Mounting Hardware Includes mounting hardware for solid walls made of brick, cinder block or concrete.

Stud Wall Installation To mount the unit on metal stud or wood framed walls, you must order the Stud Wall Mounting Kit (Part No. STWL-600i). This kit includes two aluminum mounting brackets and the hardware required to install the unit on wood or metal framed walls.

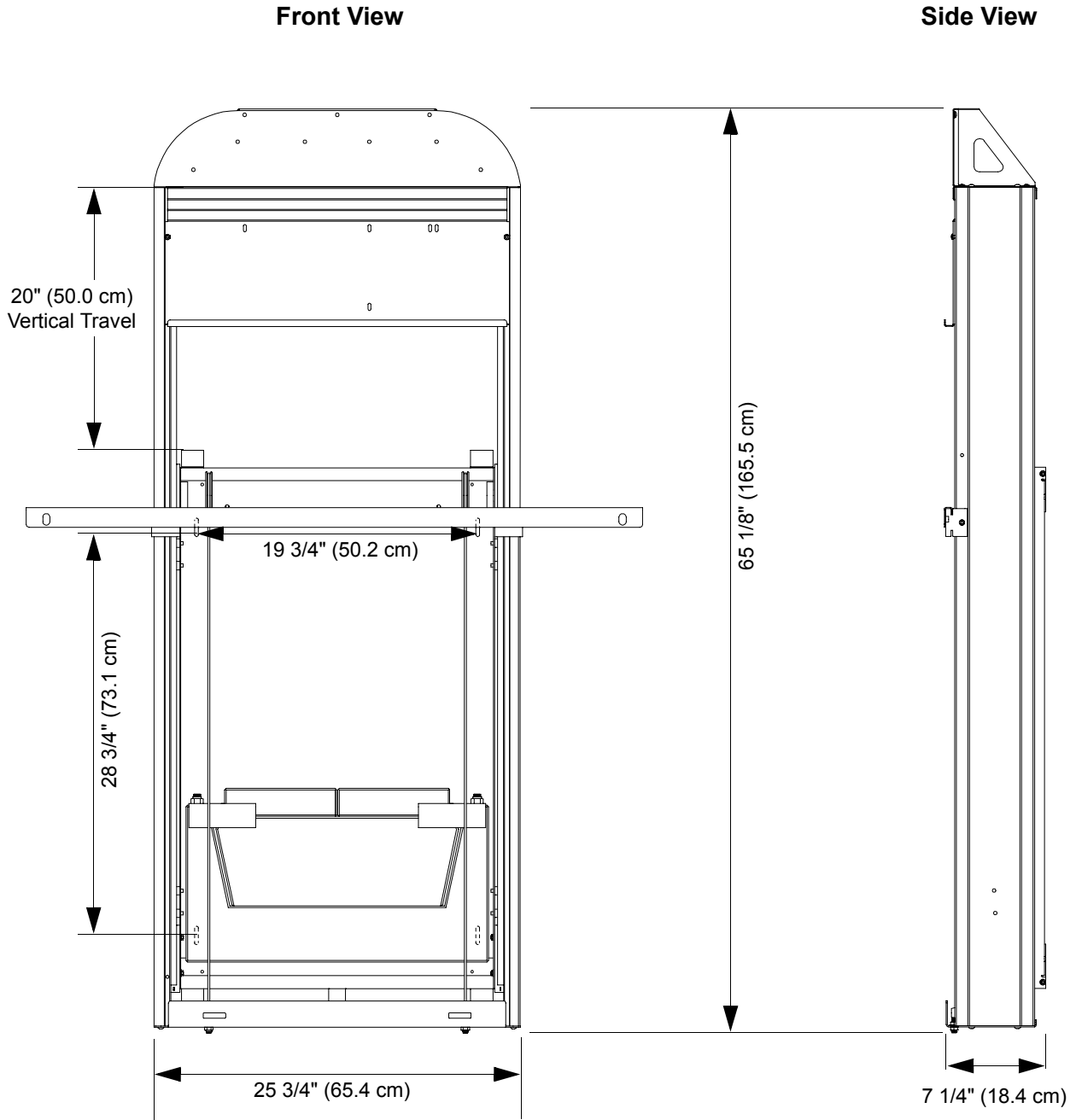
Specifications – Model HAWM-600i2

SB660i and SB660i2 Installation	To mount a SMART Board 660i or 660i2 interactive whiteboard system on the Height-Adjustable Wall Mount, you must order the Adapter Plate Kit (Part No. ADPL-600i). This kit contains mounting hardware and a melamine coated particleboard plate that covers the counterweight assembly and provides additional weight for balance.
Health and Safety	<p>The sliding mechanism is completely encased in the aluminum frame for safe operation.</p> <p>Two people are required to safely assemble the wall mount and install the interactive whiteboard system.</p> <p>The combined weight of the wall mount and interactive whiteboard system is approximately 233 lb. (106 kg). Check your local building codes to ensure that your wall can support this weight.</p>
Security	You can install a padlock (not included) to secure the interactive whiteboard system at its highest position. This ensures that the system is out of reach when not in use.
Certifications and Compliance	CSA, CE, RoHS (Europe), RoHS (China).
Warranty	Two year limited equipment warranty

SMART Order Number

HAWM-600i2	Height-Adjustable Wall Mount
STWL-600i	Stud Wall Mounting Kit (includes two aluminum mounting brackets and mounting hardware)
ADPL-600i	Adapter Plate Kit for the SB660i and Height-Adjustable Wall Mount (includes adapter plate and mounting hardware)
SB660i	SMART Board 660i Interactive Whiteboard System (includes a SMART Board 660 interactive whiteboard integrated with a Unifi 35 projector)
SB680i	SMART Board 680i Interactive Whiteboard System (includes a SMART Board 680 interactive whiteboard integrated with a Unifi 35 projector)
SB660i2	SMART Board 660i2 Interactive Whiteboard System (includes a SMART Board 660 interactive whiteboard and a Unifi 45 projector)
SB680i2	SMART Board 680i2 Interactive Whiteboard System (includes a SMART Board 680 interactive whiteboard and a Unifi 45 projector)

Dimensions



www.smarttech.com/support www.smarttech.com/contactsupport
Support +1.403.228-5940 or Toll Free 1.866.518.6791 (U.S./Canada)

© 2007–2008. SMART Technologies ULC. All rights reserved. SMART Board, Unifi, smarttech and the SMART logo are trademarks or registered trademarks of SMART Technologies ULC in the U.S. and/or other countries. Patent No. US5448263; US6141000; US6326954; US6337681; US6540366; US6741267; US6747636; US7151533; US7289113; US7283126; CA2058219. Other patents pending. Specifications are subject to change without notice. 05/2008.

SMART
Technologies