

# Meter Socket Products



*Powering Business Worldwide*

## Contents

Description	Page
<b>100 Ampere Meter Sockets</b> .....	1-2
Shallow Enclosure .....	1
King Size Enclosure.....	2
<b>200 Ampere Meter Sockets</b> .....	3-5
Standard Size Enclosure .....	3
Oversize Enclosure Combination Overhead/Underground Service .....	4
Oversize Enclosure Underground Service .....	5
<b>Multi-Gang Meter Sockets</b> .....	6-9
200A Main 100A/200A per Position Combination OH/UG Service .....	6
200A Main 100A/200A per Position Underground Service Main Stud Type .....	7
400A Main 200A per Position Combination OH/UG Service.....	8
400A Main 200A per Position Underground Service Main Stud Type .....	9
<b>Specialty Meter Sockets</b> .....	10-17
Transformer Rated with Provision for Test Switch or Block .....	10
20A Transformer Rated with Circuit Closures .....	11
400A Transformer Type.....	12
100A Combination Meter Socket and Circuit Breaker .....	13
200A Combination Meter Socket and Circuit Breaker.....	14
200A Combination Meter Socket and Loadcentre .....	15
100A/200A Seven Jaw Polyphase.....	16
<b>Meter Socket Accessories</b> .....	17-19
Conduit Hubs .....	17
Miscellaneous Accessories.....	18
Fifth Jaw Kits.....	19
<b>Replacement Block Assemblies</b> .....	20
<b>Competitor Cross-Reference</b> .....	21-22
<b>Catalogue Number Index</b> .....	23-24

# 1 100 Ampere Meter Sockets

## Shallow Enclosure

### Product Specifications

- ◆ Available with or without a factory installed hub.
- ◆ Tunnel type line and load lugs (#6 - 1/0AWG Cu).
- ◆ CSA Approved for Copper conductors only.
- ◆ 4 Jaw configuration standard, optional 5<sup>th</sup> jaw available for 6 or 9 o'clock position mounting (See page 20).
- ◆ For applications requiring an insulated neutral a field installable kit is available (See page 19).

### Product Selection

**Table 1. 100A 600VAC Maximum Shallow Enclosure Meter Socket**

Catalogue Number	Service Entrance	Enclosure Rating	Hub	Knockouts (quantity & type)			Weight lbs (kg)	Dimensions in (mm)
				Sides	Bottom	Back		
S1-N1-1/4	Overhead	Type 3R	Factory Installed 1-1/4"	(1) C	(2) B (1) D	(1) C	5 (2.3)	9 x 7-3/8 x 3-1/2 (228.6 x 187.3 x 88.9)
S12-N1-1/4			Factory Installed (2) 1-1/4"					
S1-N			Single Hub Opening with Plate					
S12-N			Two Hub Openings with Plates					
S1-N		Type 1	Single Concentric (1", 1-1/4", 1-1/2") Knockout					

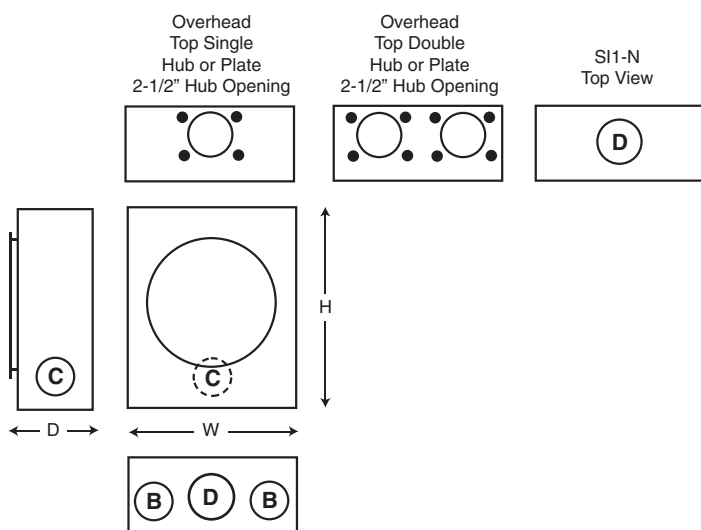
**Table 2. Conduit Knockout Legend**

Knockout Code <sup>Ⓢ</sup>	Conduit Knockout Sizes
B	1/2", 1", 1-1/4"
C	1", 1-1/4"
D	1", 1-1/4", 1-1/2"

**Table 3. Lug Cable Capacities**

Location	Cable Size (Cu)
Line	#6-1/0
Load	
Neutral	

<sup>Ⓢ</sup> To determine knockout locations and quantity refer to knockouts column in table 1 and location map below.



**Figure 1. 100A Shallow Meter Socket Knockout Location Map**



**S1-N1-1/4**

**King Size Enclosure**

**Product Specifications**

- ◆ Available with or without a factory installed hub.
- ◆ Tunnel type line and load lugs (#6 - 1/0AWG Cu/Al).
- ◆ Type 3R enclosure rating.
- ◆ CSA approved for copper or aluminum wiring.
- ◆ 4 Jaw configuration standard, optional 5<sup>th</sup> jaw available for 6 or 9 o'clock position mounting (See page 20).
- ◆ For applications requiring an insulated neutral a field installable kit is available (See page 19).
- ◆ K1MW2-N Features two factory installed 30A, 240V flat rate water heater lugs.

**Product Selection**

**Table 4. 100A 600VAC Maximum King Enclosure Size Meter Socket**

Catalogue Number	Service Entrance	Enclosure Rating	Hub	Factory Installed Water Heater Lugs	Knockouts (quantity & type)			Weight lbs (kg)	Dimensions in (mm)
					Sides	Bottom	Back		
K1-N	Overhead	Type 3R	Single Hub Opening with Plate	—	(1) E	(1) A (1) E	9 (4)	13-5/8 x 7-3/8 x 4-5/16 (346.1 x 187.3 x 109.5)	
K1-N1-1/4			Factory Installed 1-1/4"	—					
K1M-N	Overhead / Underground		Single Hub Opening with Plate	—		(1) A (2) E			
K1MW2-N			Single Hub Opening with Plate	Yes ①					
KU1N	Underground	Solid Steel Top	—						

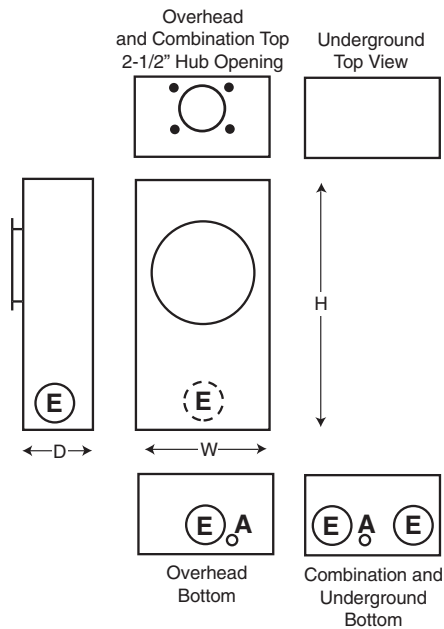
**Table 5. Conduit Knockout Legend**

Knockout Code ②	Conduit Knockout Sizes
A	1/2"
E	1", 1-1/4", 1-1/2", 2"

**Table 6. Lug Cable Capacities**

Location	Cable Size (Cu/Al)
Line	#6-1/0
Load	
Neutral	

① Factory installed flat rate water heater lugs accommodate 1/0 - #12AWG Al or 1/0 - #14AWG Cu cables.  
 ② To determine knockout locations and quantity refer to knockouts column in table 3 and location map below.



**K1M-N**

**Figure 2. 100A King Size Meter Socket Knockout Location Map**

### 3 200 Ampere Meter Sockets

#### Standard Size Enclosure

#### Product Specifications

- ◆ Available with or without a factory installed hub.
- ◆ Tunnel type line and load lugs (#6 - 250MCM Cu/Al).
- ◆ Heavy duty sliding latch holds cover in place and provides invisible, tamper-proof mounting (Approved by Québec Hydro).
- ◆ Type 3R enclosure rating.
- ◆ CSA approved for copper or aluminum wiring.
- ◆ 4 Jaw configuration standard, optional 5<sup>th</sup> jaw available for 6 or 9 o'clock position mounting (See page 20).
- ◆ Neutral assembly allows application of unbroken neutral wire.
- ◆ For applications requiring an insulated neutral a field installable kit is available (See page 19).

#### Product Selection

Table 7. 200A 600VAC Maximum Standard Enclosure Meter Socket

Catalogue Number	Service Entrance	Enclosure Rating	Hub	Knockouts (quantity & type)			Weight lbs (kg)	Dimensions in (mm)
				Sides	Bottom	Back		
J2	Overhead	Type 3R	Single Hub Opening with Blank Plate	(1) F	(1) A (1) F	(1) F	12 (5.5)	15 x 8-1/2 x 4-3/4 (381 x 215.9 x 120.6)
J2-2			Factory Installed 2"					
J2GN ①			Single Hub Opening with Blank Plate					
J2-2GN ①			Factory Installed 2"					
J22			Two Hub Openings with Blank Plates					
JM2	Overhead / Underground	Type 3R	Single Hub Opening with Blank Plate	(1) G	(1) A (2) G	(1) G	17 x 10 x 5-1/8 (431.8 x 254 x 130.2)	
JU2	Underground		Solid Steel Top	(1) F	(1) A (2) F	(1) F		15 x 8-1/2 x 4-3/4 (381 x 215.9 x 120.6)

Table 8. Conduit Knockout Legend

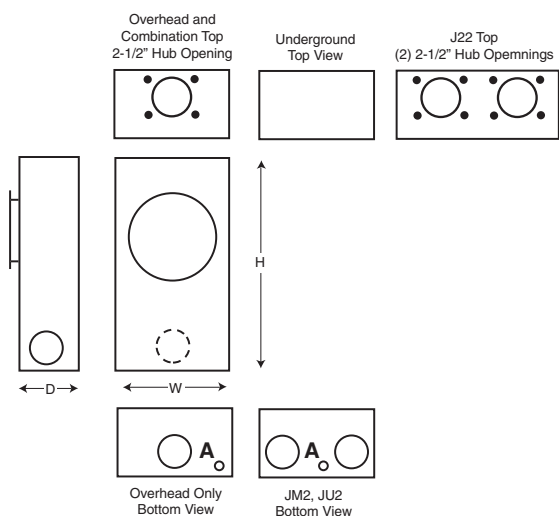
Knockout Code ②	Conduit Knockout Sizes
A	1/2"
F	1-1/4", 1-1/2", 2", 2-1/2"
G	1", 1-1/4", 1-1/2", 2", 2-1/2", 3"

Table 9. Lug Cable Capacities

Location	Cable Size (Cu/Al)
Line	#6-250MCM
Load	
Neutral	

① Comes complete with ground lugs on the neutral assembly.

② To determine knockout locations and quantity refer to knockouts column in table 5 and location map below.



J2

Figure 3. 200A Standard Enclosure Meter Socket Knockout Location Map

**Product Specifications**

- ◆ Overhead or underground service entrance positioning.
- ◆ Tunnel type line and load lugs (#6 - 250MCM Cu/Al).
- ◆ Type 3R enclosure rating.
- ◆ CSA approved for copper or aluminum wiring.
- ◆ 4 Jaw configuration standard, optional 5<sup>th</sup> jaw available for 6 or 9 o'clock position mounting (See page 20).
- ◆ Heavy duty sliding latch holds cover in place and provides invisible, tamper-proof mounting (Approved by Québec Hydro).
- ◆ For applications requiring an insulated neutral a field installable kit is available (See page 19).
- ◆ LM2-SF comes with sub-feed lugs for 1/0 - #12AWG Al or 1/0 - #14AWG Cu.

**Product Selection**

**Table 10. 200A 600VAC Maximum Override Enclosure Combination Overhead/Underground Meter Socket**

Catalogue Number	Service Entrance	Enclosure Rating	Hub	Factory Installed Water Heater Lugs	Knockouts (quantity & type)			Weight lbs (kg)	Dimensions in (mm)
					Sides	Bottom	Back		
LM2	Overhead / Underground	Type 3R	Single Hub Opening with Blank Plate	—	(1) I	(1) A (3) I	(1) I	15 (6.8)	18 x 12 x 4-3/4 (457.2 x 304.8 x 120.6)
LM2-W2				Yes					
LM2-SF <sup>①</sup>				—	(1) F	(1) A (3) F	(1) F		
LMB3			—	(1) E	(1) A (2) G	(3) E			
LU2	Underground	Solid Steel Top.	—	(1) F	(1) A (3) F	(1) F			

**Table 11. Conduit Knockout Legend**

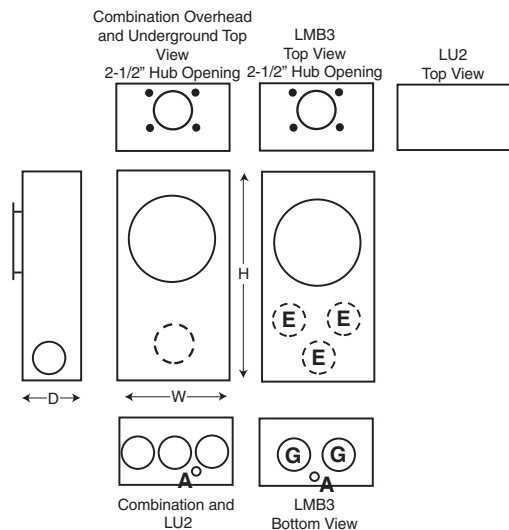
Knockout Code <sup>②</sup>	Conduit Knockout Sizes
A	1/2"
E	1", 1-1/4", 1-1/2", 2"
F	1, 1-1/4", 1-1/2", 2", 2-1/2"
G	1", 1-1/4", 1-1/2", 2", 2-1/2", 3
I	1-1/4", 1-1/2", 2", 2-1/2"

**Table 12. Lug Cable Capacities**

Location	Cable Size (Cu/Al)
Line	#6-250MCM
Load	
Neutral	

① Comes complete with sub feed lugs.

② To determine knockout locations and quantity refer to knockouts column in table 7 and location map below.



**Figure 4. 200A Oversize Enclosure Meter Socket Knockout Location Map**

**LM2**

**5 200 Ampere Meter Sockets**

**Oversize Enclosure Underground Service**

**Product Specifications**

- ◆ Underground service entrance positioning only.
- ◆ 1/2" Studs provide line side termination of crimp-on (compression) connectors.
- ◆ Tunnel type load lugs provide termination for #6 - 250MCM Cu/Al cable.
- ◆ A single tunnel lug and 1/2" compression stud are provided for neutral termination.
- ◆ Type 3R enclosure rating.
- ◆ CSA approved for copper or aluminum wiring.
- ◆ 4 Jaw configuration standard, optional 5<sup>th</sup> jaw available for 6 or 9 o'clock position mounting (See page 20).
- ◆ For applications requiring a flat rate water heater lug order catalogue number WHK200 (Field installed).
- ◆ CLX-SF and CLQ-SF come with factory installed sub-feed lugs that accept 1/0 - #12AWG Al or 1/0 - #14AWG Cu cable.

**Product Selection**

**Table 13. 200A 600VAC Maximum Oversize Enclosure Underground Service Meter Socket**

Catalogue Number	Service Entrance	Enclosure Rating	Hub	Knockouts (quantity & type)			Weight lbs (kg)	Dimensions in (mm)
				Sides	Bottom	Back		
CLX	Underground	Type 3R	Solid Steel Top	(1) H	(1) A (2) G	(1) H	20 (9.1)	18 x 12 x 4-3/4 (457.2 x 304.8 x 120.6)
CLQ					(1) A (2) M			
CLX-SF ①					(1) A (2) G			
CLQ-SF ①					(1) A (2) M			

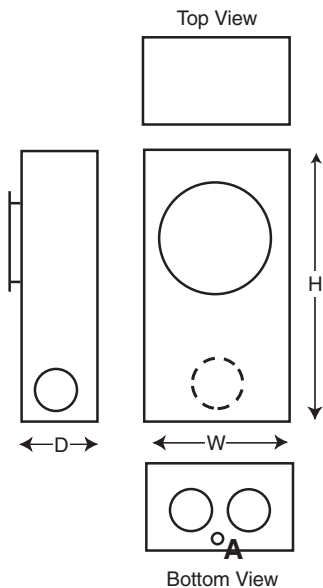
**Table 14. Conduit Knockout Legend**

Knockout Code ②	Conduit Knockout Sizes
A	1/2"
G	1", 1-1/4", 1-1/2", 2", 2-1/2", 3
H	1-1/4", 1-1/2", 2"
M	2", 2-1/2", 3"

**Table 15. Lug Cable Capacities**

Location	Cable Size (Cu/Al)
Line	#6-250MCM
Load	
Neutral	

① Comes complete with sub feed lugs.  
 ② To determine knockout locations and quantity refer to knockouts column in table 9 and location map below.



**Figure 5. 200A Oversize Enclosure Compression Lug Meter Socket Knockout Location Map**

**CLX**

**Product Specifications**

- ◆ Overhead or underground service entrance positioning.
- ◆ For overhead or underground service, main entry (line side) must be via hub provision in left hand trough (See page 18 for hub selection).
- ◆ Two through six position models available
- ◆ Troughs are factory bussed for 200A from main lugs to the line side of all positions.
- ◆ Cable entry trough standard feature for ease of wiring.
- ◆ Left hand service entry only.
- ◆ Type 3R enclosure rating.
- ◆ CSA approved for copper or aluminum wiring.
- ◆ 4 Jaw configuration standard, optional 5<sup>th</sup> jaw available for 6 or 9 o'clock position mounting (See page 20).
- ◆ Tunnel style line, load and neutral lugs.

**Product Selection**

**Table 16. 200A 600VAC Maximum Multi-Gang Combination Overhead/Underground Service Meter Socket**

Catalogue Number	Mains Amperage (A)	Per Position Amperage (A)	Meter Positions	Enclosure Rating	Knockouts (quantity & type)		Weight lbs (kg)	Dimensions in (mm)	Lug Capacity (Cu/Al)		
					Sides	Bottom			Line	Load	
2KN1	200	100	2	Type 3R	(1) I	(3)H, (1)J, (1)A	22 (10.0)	12-1/8 x 23-3/16 x 4-3/4 (308.0 x 589.0 x 120.7)	#6-250MCM	#6-1/0	
3KN1			3			(4)H, (1)J, (1)A	29 (13.8)	12-1/8 x 31 x 4-3/4 (308.0 x 787.4 x 120.7)			
4KN1			4			(5)H, (1)J, (1)A	38 (17.3)	12-1/8 x 38-5/8 x 4-3/4 (308.0 x 981.1 x 120.7)			
5KN1			5			(6)H, (1)J, (1)A	44 (20.0)	12-1/8 x 46-7/16 x 4-3/4 (308.0 x 1179.5 x 120.7)			
6KN1		6	(7)H, (1)J, (1)A			46 (20.9)	12-1/8 x 54-3/16 x 4-3/4 (308.0 x 1376.4 x 120.7)				
2K2		200	2			(3)I, (1)J, (1)A	35 (15.9)	15-1/8 x 26-3/16 x 5-1/8 (384.2 x 660.6 x 130.2)			#6-250MCM
3K2			3			(4)I, (1)J, (1)A	48 (21.8)	15-1/8 x 35 x 5-1/8 (384.2 x 889.0 x 130.2)			
4K2			4			(5)I, (1)J, (1)A	68 (30.9)	15-1/8 x 43-11/16 x 5-1/8 (384.2 x 1109.7 x 130.2)			

**Table 17. Conduit Knockout Legend**

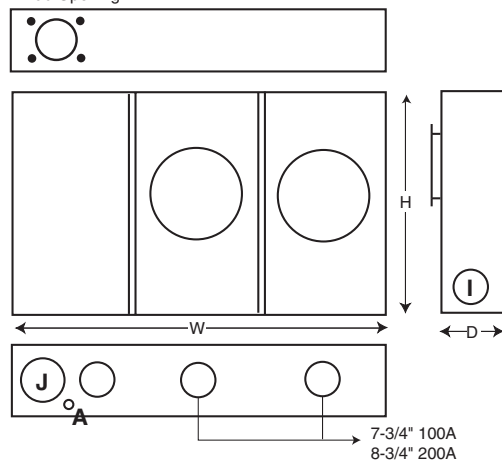
Knockout Code <sup>①</sup>	Conduit Knockout Sizes
A	1/2"
H	1-1/4", 1-1/2", 2"
I	1-1/4", 1-1/2", 2", 2-1/2"
J	1-1/4", 1-1/2", 2", 2-1/2", 3"

**Table 18. Neutral Lug Cable Capacities**

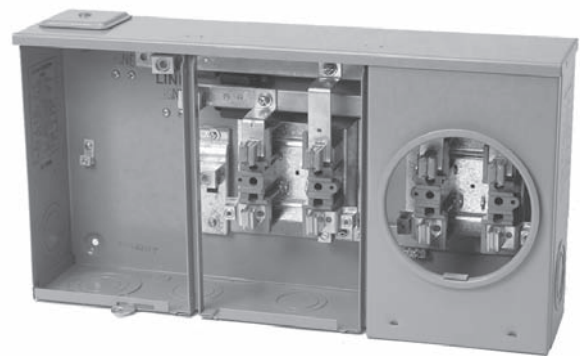
Location	Cable Size (Cu/Al)
Main	#6-250MCM
100A Branch	#14-1/0
200A Branch	#6-250MCM

<sup>①</sup> To determine knockout locations and quantity refer to knockouts column in table 9 and location map below.

2-1/2" Hub Opening



**Figure 6. 200A Overhead /Underground Service Multi-Gang Meter Socket Knockout Location Map**



**2KN1**



# 7 Multi-Gang Meter Sockets

## 200A Main 100A/200A per Position Underground Service Main Stud Type

### Product Specifications

- ◆ Underground service entrance positioning only.
- ◆ Two through six position models available
- ◆ Troughs are factory bussed for 200A from main lugs to the line side of all positions.
- ◆ Cable entry trough standard feature for ease of wiring.
- ◆ Left hand service entry only.
- ◆ Type 3R enclosure rating.
- ◆ CSA approved for copper or aluminum wiring.
- ◆ 4 Jaw configuration standard, optional 5<sup>th</sup> jaw available for 6 or 9 o'clock position mounting (See page 20).
- ◆ Compression (1/2" Stud) type main line and neutral lugs.

### Product Selection

**Table 19. 200A 600VAC Maximum Multi-Gang Underground Service Meter Socket**

Catalogue Number	Mains Amperage (A)	Per Position Amperage (A)	Meter Positions	Enclosure Rating	Knockouts (quantity & type)		Weight lbs (kg)	Dimensions in (mm)	Lug Capacity (Cu/Al)		
					Sides	Bottom			Line	Load	
2KNU1CLX	200	100	2	Type 3R	(1) I	(3)H, (1)J, (1)A	22 (10.0)	12-1/8 x 23-3/16 x 4-3/4 (308.0 x 589.0 x 120.7)	1/2" Stud	#6-1/0	
3KNU1CLX			3			(4)H, (1)J, (1)A	29 (13.8)	12-1/8 x 31 x 4-3/4 (308.0 x 787.4 x 120.7)			
4KNU1CLX			4			(5)H, (1)J, (1)A	38 (17.3)	12-1/8 x 38-5/8 x 4-3/4 (308.0 x 981.1 x 120.7)			
5KNU1CLX			5			(6)H, (1)J, (1)A	44 (20.0)	12-1/8 x 46-7/16 x 4-3/4 (308.0 x 1179.5 x 120.7)			
6KNU1CLX		6	(7)H, (1)J, (1)A			46 (20.9)	12-1/8 x 54-3/16 x 4-3/4 (308.0 x 1376.4 x 120.7)				
2KU2CLX		200	2			(3)I, (1)J, (1)A	35 (15.9)	15-1/8 x 26-3/16 x 5-1/8 (384.2 x 660.6 x 130.2)			#6-250MCM
3KU2CLX			3			(4)I, (1)J, (1)A	48 (21.8)	15-1/8 x 35 x 5-1/8 (384.2 x 889.0 x 130.2)			
4KU2CLX			4			(5)I, (1)J, (1)A	68 (30.9)	15-1/8 x 43-11/16 x 5-1/8 (384.2 x 1109.7 x 130.2)			

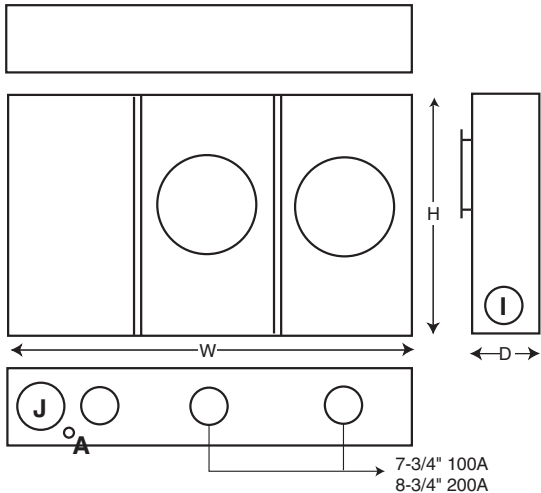
**Table 20. Conduit Knockout Legend**

Knockout Code <sup>ⓐ</sup>	Conduit Knockout Sizes
A	1/2"
H	1-1/4", 1-1/2", 2"
I	1-1/4", 1-1/2", 2", 2-1/2"
J	1-1/4", 1-1/2", 2", 2-1/2", 3"

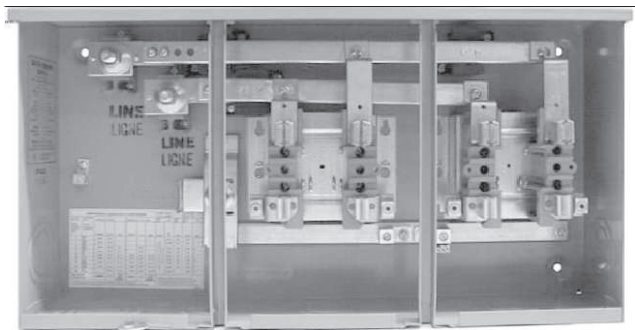
**Table 21. Neutral Lug Cable Capacities**

Location	Cable Size (Cu/Al)
Main	1/2" Stud
100A Branch	#14-1/0
200A Branch	#6-250MCM

<sup>ⓐ</sup> To determine knockout locations and quantity refer to knockouts column in table 9 and location map below.



**Figure 7. 200A Underground Service Multi-Gang Meter Socket Knockout Location Map**



**2KNU1CLX**

**400A Main 200A per Position Combination OH/UG Service**

**Product Specifications**

- ◆ Overhead or underground service entrance positioning.
- ◆ For overhead or underground service, main entry (line side) must be via hub provision in left hand trough (See page 18 for hub selection).
- ◆ Two through six position models available
- ◆ Troughs are factory bussed for 400A from main lugs to the line side of all positions.
- ◆ Cable entry trough standard feature for ease of wiring.
- ◆ Left hand service entry only.
- ◆ Type 3 enclosure rating.
- ◆ CSA approved for copper or aluminum wiring.
- ◆ 4 Jaw configuration standard, optional 5<sup>th</sup> jaw available for 6 or 9 o'clock position mounting (See page 20).
- ◆ Tunnel style line, load and neutral lugs.

**Product Selection**

**Table 22. 400A 600VAC Maximum Multi-Gang Meter Socket**

Catalogue Number	Mains Amperage (A)	Per Position Amperage (A)	Meter Positions	Enclosure Rating	Bottom Knockouts (quantity & type)	Weight lbs (kg)	Dimensions in (mm)	Lug Capacity (Cu/Al)	
								Line	Load
2K4	400	200	2	Type 3	(4)I, (1)P, (1)A	56 (25.4)	22-13/16 x 37-1/16 x 6-1/8 (579.4 x 941.4 x 155.6)	(1) #2-600MCM or (2) 1/0-250MCM	#6-250MCM
3K4			3		(5)I, (1)P, (1)A	71 (32.3)	22-13/16 x 46-5/16 x 6-1/8 (579.4 x 1176.3 x 155.6)		
4K4			4		(6)I, (1)P, (1)A	86 (39.1)	22-13/16 x 55-9/16 x 6-1/8 (579.4 x 1411.3 x 155.6)		
5K4			5		(7)I, (1)P, (1)A	101 (45.9)	22-13/16 x 66-13/16 x 6-1/8 (579.4 x 1697.0 x 155.6)		
6K4			6		(8)I, (1)P, (1)A	117 (53.2)	22-13/16 x 74-1/16 x 6-1/8 (579.4 x 1881.2 x 155.6)		

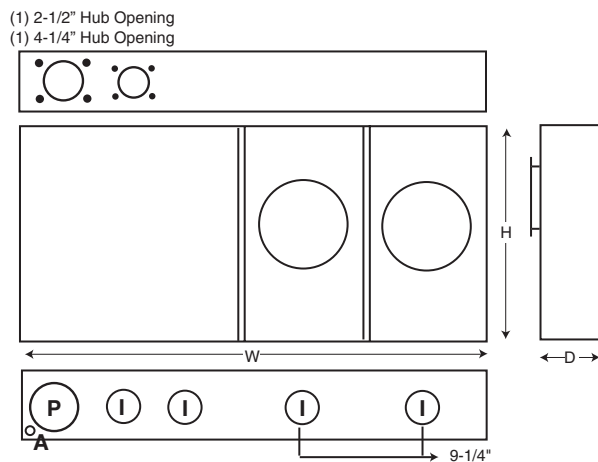
**Table 23. Conduit Knockout Legend**

Knockout Code <sup>①</sup>	Conduit Knockout Sizes
A	1/2"
I	1-1/4", 1-1/2", 2", 2-1/2"
P	3", 3-1/2", 4"

**Table 24. Neutral Lug Cable Capacities**

Location	Cable Size (Cu/Al)
Main	(1) #2-600MCM or (2) 1/0-250MCM
Branch	#6-250MCM

<sup>①</sup> To determine knockout locations and quantity refer to knockouts column in table 9 and location map below.



**Figure 8. 400A Overhead /Underground Service Multi-Gang Meter Socket Knockout Location Map**



**3K4**

# 9 Multi-Gang Meter Sockets

## 400A Main 200A per Position Underground Service Main Stud Type

### Product Specifications

- ◆ Underground service entrance positioning only.
- ◆ Two through six position models available
- ◆ Troughs are factory bussed for 400A from main lugs to the line side of all positions.
- ◆ Cable entry trough standard feature for ease of wiring.
- ◆ Left hand service entry only.
- ◆ Type 3R enclosure rating.
- ◆ CSA approved for copper or aluminum wiring.
- ◆ 4 Jaw configuration standard, optional 5<sup>th</sup> jaw available for 6 or 9 o'clock position mounting (See page 20).
- ◆ Compression (1/2" Stud) type main line and neutral lugs.

### Product Selection

Table 25. 400A 600VAC Maximum Multi-Gang Meter Socket

Catalogue Number	Mains Amperage (A)	Per Position Amperage (A)	Meter Positions	Enclosure Rating	Bottom Knockouts (quantity & type)	Weight lbs (kg)	Dimensions in (mm)	Lug Capacity (Cu/Al)	
								Line	Load
2KU4CLX	400	200	2	Type 3R	(3)I, (1)P, (1)A	56 (25.4)	22-13/16 x 37-1/16 x 6-1/8 (579.4 x 941.4 x 155.6)	(2) 1/2" Stud	#6-250MCM
3KU4CLX			3		(4)I, (1)P, (1)A	71 (32.3)	22-13/16 x 46-5/16 x 6-1/8 (579.4 x 1176.3 x 155.6)		
4KU4CLX			4		(5)I, (1)P, (1)A	86 (39.1)	22-13/16 x 55-9/16 x 6-1/8 (579.4 x 1411.3 x 155.6)		
5KU4CLX			5		(6)I, (1)P, (1)A	101 (45.9)	22-13/16 x 66-13/16 x 6-1/8 (579.4 x 1697.0 x 155.6)		
6KU4CLX			6		(7)I, (1)P, (1)A	117 (53.2)	22-13/16 x 74-1/16 x 6-1/8 (579.4 x 1881.2 x 155.6)		

Table 26. Conduit Knockout Legend

Knockout Code <sup>Ⓞ</sup>	Conduit Knockout Sizes
A	1/2"
I	1-1/4", 1-1/2", 2", 2-1/2"
P	3", 3-1/2", 4"

Table 27. Neutral Lug Cable Capacities

Location	Cable Size (Cu/Al)
Main	(2) 1/2" Stud
Branch	#6-250MCM

<sup>Ⓞ</sup> To determine knockout locations and quantity refer to knockouts column in table 9 and location map below.

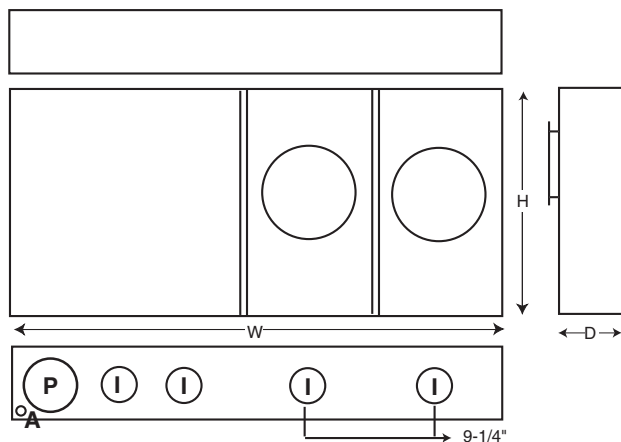
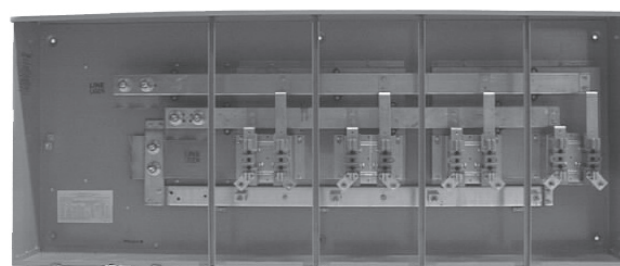


Figure 9. 400A Underground Service Multi-Gang Meter Socket Knockout Location Map



4KU4CLX

**Product Specifications**

- ◆ Suitable for central metering systems.
- ◆ Transformer rated for services above 200 Amperes.
- ◆ Type 3R enclosure rating.
- ◆ CSA approved for copper cabling only.
- ◆ Four <sup>⓪</sup>, five, eight or thirteen jaw configurations.
- ◆ Tunnel style line and load lugs accommodate #14-8 Cu cabling.
- ◆ Complete with provision for test switches or test blocks.

**Product Selection**

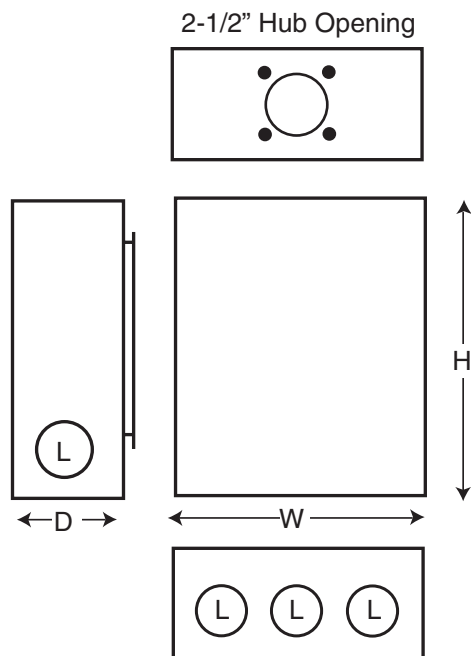
**Table 28. 20A 600VAC Transformer Rated Meter Socket with Provision for Test Switches or Blocks**

Catalogue Number	Jaw Configuration	Enclosure Rating	Knockouts (quantity & type)		Weight lbs (kg)	Dimensions in (mm)	Lug Capacity (Cu)	
			Sides	Bottom			Line	Load
TSU5 <sup>⓪</sup>	5 <sup>⓪</sup>	Type 3R	(1)L	(3)L	24 (10.9)	20 x 12-1/2 x 5-1/8 (508.0 x 317.5 x 130.2)	#14-8	
TSU8	8				26 (11.8)			
TSU13	13				26 (11.8)			

**Table 29. Conduit Knockout Legend**

Knockout Code <sup>⓪</sup>	Conduit Knockout Sizes
L	3/4", 1", 1-1/2"

<sup>⓪</sup> For four jaw applications remove the fifth jaw in the five jaw version from the nine o'clock position.  
<sup>⓪</sup> To determine knockout locations and quantity refer to knockouts column in table 9 and location map below.



**TSU13**

**Figure 10. 20A Transformer Rated Meter Socket with Provision for Test Switch or Block Knockout Location Map**

# 11 Specialty Meter Sockets

## 20A Transformer Rated with Circuit Closures

### Product Specifications

- ◆ Suitable for central metering systems.
- ◆ Transformer rated for services above 200 Amperes.
- ◆ Type 3R enclosure rating.
- ◆ CSA approved for copper cabling only.
- ◆ Four and five jaw configurations.
- ◆ Tunnel style line and load lugs accommodate #14-8 Cu cabling.
- ◆ Complete with circuit closures (Allows CT to short out when the utility meter is removed).
- ◆ Hub opening and hub plate provided.

### Application

Instrument transformer rated meter sockets are required for services that exceed 200 amperes. (Self-contained metres are unavailable in Canada with a greater capacity). Current transformers provide low current directly proportional to the higher service current requirements. For example, a 200/5 current transformer provides 5 amperes to the meter when the current in the service is 200 amperes.

### Product Selection

Table 30. 20A 600VAC Transformer Rated Meter Socket with Circuit Closures

Catalogue Number	Jaw Configuration	Circuit Closure Device Positioning	Enclosure Rating	Knockouts (quantity & type)			Weight lbs (kg)	Dimensions in (mm)	Lug Capacity (Cu)	
				Sides	Bottom	Back			Line	Load
TCC4 <sup>①</sup>	4 <sup>②</sup>	Left Side	Type 3R	(1)C	(2)B, (1)D	(1)C	5 (2.3)	9 x 7-1/2 x 3-1/2 (228.6 x 190.5 x 88.9)	#14-8	
TCC5-0 <sup>②</sup>	5 <sup>②</sup>									
TCC4LR-0	4	Left & Right Side								

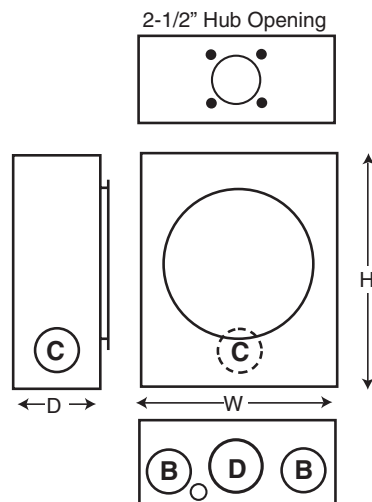
Table 31. Conduit Knockout Legend

Knockout Code <sup>③</sup>	Conduit Knockout Sizes
B	1/2", 1", 1-1/4"
C	1", 1-1/4"
D	1", 1-1/4", 1-1/2"

① Can not be field converted to a five jaw configuration. If a five jaw configuration is required then order TCC5.

② Fifth jaw is installed in the nine o'clock position.

③ To determine knockout locations and quantity refer to knockouts column in table 9 and location map below.



TCC4-0

Figure 11. 20A Transformer Rated Meter Socket with Circuit Closures Knockout Location Map

400A Transformer Type

Product Specifications ①

- ◆ CSA certified for 120/240V residential use.
- ◆ Two piece front cover design.
- ◆ Lower cover has a latch with provision for padlocking and sealing.
- ◆ Factory installed closure (shorting) device in the left hand position.
- ◆ 2-1/2" and 4" Hub openings with factory installed closure plates.  
(See page ?? for hub selection).
- ◆ Overhead or underground service entrance positioning.
- ◆ Five Jaw configuration standard, convertible to four jaw. ②
- ◆ Available factory installed current transformers. ③
- ◆ Available factory installed provision for test switch.
- ◆ Double compression (1/2" Stud) type line lugs accommodate (1) 600MCM or (2) #4-250MCM compression connectors maximum. ④
- ◆ Tunnel style load lugs accommodate (1) #4-600MCM or (2) 1/0-250MCM Cu/Al cabling.

Product Selection

Table 32. 20A 600VAC Transformer Rated Meter Socket with Circuit Closures

Catalogue Number	Current Transformer Ratio	Provision for Test Switch	Enclosure Rating	Bottom Knock-outs (quantity & type)	Weight lbs (kg)	Dimensions in (mm)	Lug Capacity (Cu)					
							Line	Load				
TCC5	Provision for CT	None	Type 3R	(2)A, (3)Q	80 (36.4)	30 x 20-1/2 x 8-1/4 (914.4 x 520.7 x 209.6)	1/2" Stud	(1) #4-600MCM or (2) 1/0-250MCM Cu/AL				
TCC5-2	200:5 ⑤				89.5 (40.7)							
TCC5-3	300:5 ⑤				90 (41)							
TCC5-4	400:5 ⑤				80 (36.4)							
TCC5-TS	Provision for CT	Yes			Type 3R	(2)A, (3)Q			80 (36.4)	36 x 20-1/2 x 8-1/4 (914.4 x 520.7 x 209.6)	1/2" Stud	(1) #4-600MCM or (2) 1/0-250MCM Cu/AL
TCC5-2-TS	200:5 ⑤								89.5 (40.7)			
TCC5-3-TS	300:5 ⑤								90 (41)			
TCC5-4-TS	400:5 ⑤								90 (41)			

Table 33. Conduit Knockout Legend

Knockout Code ⑥	Conduit Knockout Sizes
A	1/2"
Q	2", 2-1/2", 3", 3-1/2", 4"

- ① Specifications refer to latest product design date coded December 1999 to present day.
- ② Fifth jaw installed in the nine o'clock position.
- ③ Three-wire current transformers provide low current for service proportional to higher current draw approved by CSA Canada.
- ④ For overhead applications line side tunnel lug kits are available and must be ordered separately. Kit CHL250 contains three lugs that will accommodate (2) 250MCM Cu/Al cabling. Kit CHL500 contains three lugs that will accommodate (1) 600MCM or (2) #4-250MCM Cu/Al cabling.
- ⑤ Comes with factory installed Schlumberger type MV7 current transformer of indicated ratio.
- ⑥ To determine knockout locations and quantity refer to knockouts column in table 9 and location map below.

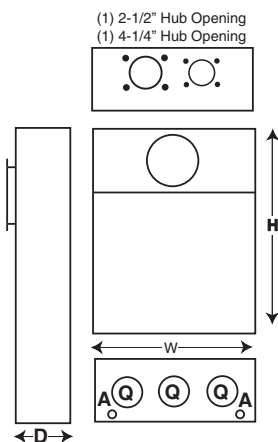
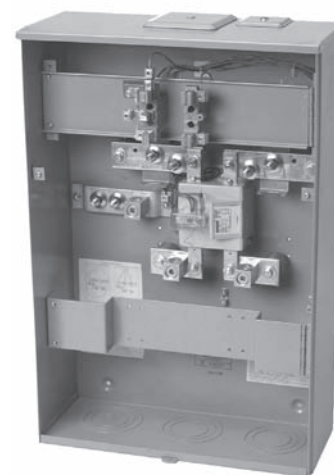


Figure 12. 400A Transformer Rated Meter Socket Knockout Location Map



TCC5-3

# 13 Specialty Meter Sockets

## 100A Combination Meter Socket and Circuit Breaker

### Product Specifications

- ◆ Service entrance approved.
- ◆ 100A Meter socket with provision for a two pole type BR circuit breaker. ①②③
- ◆ Type 3R enclosure rating.
- ◆ 4 Jaw configuration standard, optional 5th jaw available for 6 or 9 o'clock position mounting (See page 20):
- ◆ CSA approved for copper or aluminum cabling.
- ◆ Tunnel style line and load lugs accommodate #6-1/0 Cu/Al cabling.
- ◆ Overhead service entrance positioning only.
- ◆ Single 2-1/2" hub opening with factory installed closure plate (See page 18 for hub selection).

### Application

Suitable for farming, temporary services, construction sites, trailers, and mobile homes.

### Product Selection

**Table 34. 100A Combination Meter Socket and Circuit Breaker**

Catalogue Number	Jaw Configuration	Provision for Circuit Breaker Type	Enclosure Rating	Knockouts (quantity & type)			Weight lbs (kg)	Dimensions in (mm)	Lug Capacity (Cu/Al)	
				Sides	Bottom	Back			Line	Load
RC1N	4	BR	Type 3R	(1)D	(2)K, (1)D	(1)E	18 (8.2)	18-5/8 x 7-3/8 x 3-1/2 (473.1 x 187.3 x 88.9)	#6-3 Cu / #6-1/0 Al	
RC1N-A				(1)E	(1)A, (2)E	(1)E	20 (9.1)	22 x 7-3/8 x 4-3/8 (558.8 x 187.3 x 111.12)		

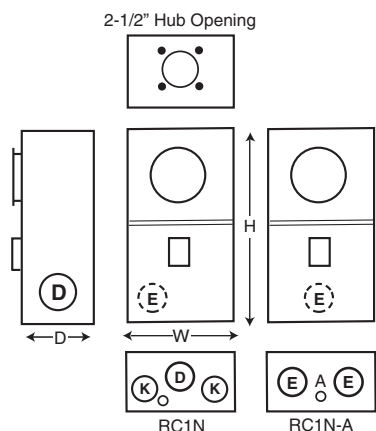
**Table 35. Type BR Plug-In Circuit Breakers**

Catalogue Number	Poles	Amperage (A)	Interrupting Rating (kAIC)	Common Trip
BR215	2	15	10 ③	Yes
BR220		20		
BR230		30		
BR240		40		
BR250		50		
BR260		60		
BR270		70		
BR280		80		
BR2100		100		

**Table 36. Conduit Knockout Legend**

Knockout Code ④	Conduit Knockout Sizes
A	1/2"
D	1", 1-1/4", 1-1/2"
E	1", 1-1/4", 1-1/2", 2"
K	3/4", 1", 1-1/4"

① Two pole type BR plug-in circuit breaker must be ordered separately.  
 ② New design product with calendar date code format (DD/MM/YY) utilizes type BR plug-in circuit breakers. Previous design product with calendar date format commencing with an "F" followed by three numbers utilizes type BQL bolt-on circuit breakers BQL260, BQL270, or BQL2100.  
 ③ For 22kAIC circuit breakers refer to the Residential Distribution Products Guide for BRH plug-in circuit breakers.  
 ④ To determine knockout locations and quantity refer to knockouts column in table 9 and location map below.



RC1N

**Figure 13. 100A Combination Meter Socket and Circuit Breaker Knockout Location Map**

**200A Combination Meter Socket and Circuit Breaker**

**Product Specifications**

- ◆ Service entrance approved.
- ◆ 200A Meter socket with a factory installed two pole Type CSR circuit breaker. ①
- ◆ 125, 150, and 200A two pole type CSR breaker assemblies.
- ◆ Type 3R enclosure rating.
- ◆ 4 Jaw 200A 120/240VAC configuration.
- ◆ CSA approved for copper or aluminum cabling.
- ◆ Tunnel style line lugs accommodate #6-250MCM Cu/Al cabling. (Neutral (2) #6-300MCM Cu/Al cabling)
- ◆ Tunnel style load lugs accommodate #2-300MCM Cu/Al cabling. (Neutral (1) #6-300MCM or (2) #6-2/0 Cu/Al cabling)
- ◆ Overhead or underground service entrance positioning.
- ◆ Two 2-1/2" Hub openings with factory installed closure plate (See page 18 for hub selection).

**Application**

Suitable for farming, temporary services, construction sites, trailers and mobile homes.

**Product Selection**

**Table 37. 200A Combination Meter Socket and Circuit Breaker**

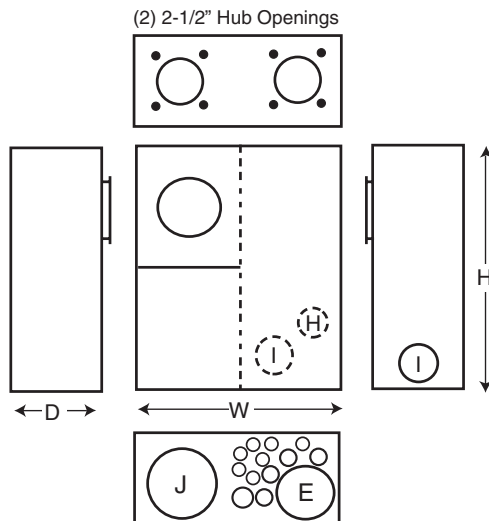
Catalogue Number	Mains Amperage (A)	Circuit Breaker Amperage (A)	Circuit Breaker Type	Circuit Breaker Interrupting Rating (kAIC)	Enclosure Rating	Knockouts (quantity & type)			Weight lbs (kg)	Dimensions in (mm)
						Sides	Bottom	Back		
RCJ2Q-125	200	125	CSR	25	Type 3R	(1)I	(7)A, (4)A1, (1)A2, (1)E, (1)J	(1)I, (1)H	30 (13.6)	28-1/8 x 14 x 5-3/4 (711.3 x 355.6 x 146.0)
RCJ2Q-150		150								
RCJ2Q-200		200								

**Table 38. Conduit Knockout Legend**

Knockout Code ②	Conduit Knockout Sizes
A	1/2"
A1	1/2", 3/4"
A2	1/2", 3/4", 1"
E	1", 1-1/4", 1-1/2", 2"
H	1-1/4", 1-1/2", 2"
I	1-1/4", 1-1/2", 2", 2-1/2"
J	1-1/4", 1-1/2", 2", 2-1/2", 3"

① Previous design RCJ2Q assemblies utilized the bolt-on type QFL circuit breakers QFL22-125C (125A), QFL22-150C (150A), or QFL22-200C (200A).

② To determine knockout locations and quantity refer to knockouts column in table 9 and location map below.



**RCJ2Q-B**

**Figure 14. 200A Combination Meter Socket and Circuit Breaker Knockout Location Map**



# 15 Specialty Meter Sockets

## 200A Combination Meter Socket and Loadcentre

### Product Specifications

- ◆ Service entrance approved.
- ◆ 200A Meter socket with built in 200A loadcentre
- ◆ Loadcentre utilizes standard type BR plug-in circuit breakers.
- ◆ Type 3R enclosure rating.
- ◆ 4 Jaw 200A 120/240VAC configuration.
- ◆ CSA approved for copper or aluminum cabling.

- ◆ Tunnel style line lugs accommodate #6-250MCM Cu/Al cabling. (Neutral (2) #6-300MCM Cu/Al cabling)
- ◆ Tunnel style load lugs accommodate #2-300MCM Cu/Al cabling. (Neutral (2) #6-300MCM Cu/Al cabling)
- ◆ Overhead or underground service entrance positioning.
- ◆ Two 2-1/2" Hub openings with factory installed closure plate (See page 18 for hub selection).

### Application

Suitable for farming, temporary services, construction sites, trailers and mobile homes.

### Product Selection

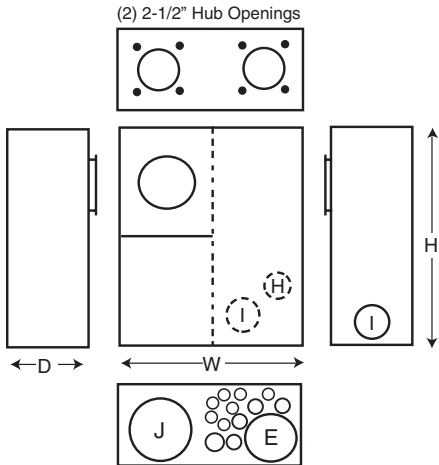
**Table 39. 200A Combination Meter Socket and Loadcentre**

Catalogue Number	Mains Amperage (A)	Circuit Breaker Amperage (A)	Loadcentre Circuits	Loadcentre		Knockouts (quantity & type)			Weight lbs (kg)	Dimensions in (mm)
				Main Circuit Breaker Type	Branch Circuit Breaker Type	Sides	Bottom	Back		
RCPM108M	200	100	8	CSR	BR	(1)I	(7)A, (4)A1, (1)A2, (1)E, (1)J	(1)I, (1)H	35.6 (16.6)	28-3/8 x 14-7/16, 5-3/8 (711.6 x 356.0 x 127.4)
RCPM208M		200								

**Table 40. Conduit Knockout Legend**

Knockout Code <sup>Ⓢ</sup>	Conduit Knockout Sizes
A	1/2"
A1	1/2", 3/4"
A2	1/2", 3/4", 1"
E	1", 1-1/4", 1-1/2", 2"
H	1-1/4", 1-1/2", 2"
I	1-1/4", 1-1/2", 2", 2-1/2"
J	1-1/4", 1-1/2", 2", 2-1/2", 3"

<sup>Ⓢ</sup> To determine knockout locations and quantity refer to knockouts column in table 9 and location map below.



**Figure 15. 200A Combination Meter socket and Loadcentre Knockout Location Map**



**RCPM208M**

**100A/200A Seven Jaw Polyphase**

**Product Specifications**

- ◆ Three phase, four wire, seven jaw.
- ◆ 100 or 200Ampere 600V maximum.
- ◆ Tunnel type line, load and neutral lugs.
- ◆ Type 3R enclosure rating.
- ◆ Overhead or underground service entrance positioning.
- ◆ Single 2-1/2" Hub opening with factory installed closure plate (See page 18 for hub selection).
- ◆ Insulate neutral version.

**Product Selection**

**Table 41. 100A/200A 600V Maximum Polyphase Seven Jaw Meter Socket**

Catalogue Number	Amperage (A)	Insulated Neutral	Service Entrance	Enclosure Rating	Knockouts (quantity & type)			Weight lbs (kg)	Dimensions in (mm)
					Sides	Bottom	Back		
P17-0	100	No	Overhead /Underground	Type 3R	(1)I	(1)A, (1)I	(1)I	12 (5.5)	14-7/8 x 8-1/2 x 4-3/4 (377.8 x 215.9 x 120.6)
P17-0-IN1		Yes							
P27	200	No	Overhead	Type 3R	(1)E	(1)A, (1)M	(1)E	18 (8.2)	24-5/8 x 9-1/4 x 5-3/8 (610.2 x 235.0 x 127.4)
P27-IN2		Yes							

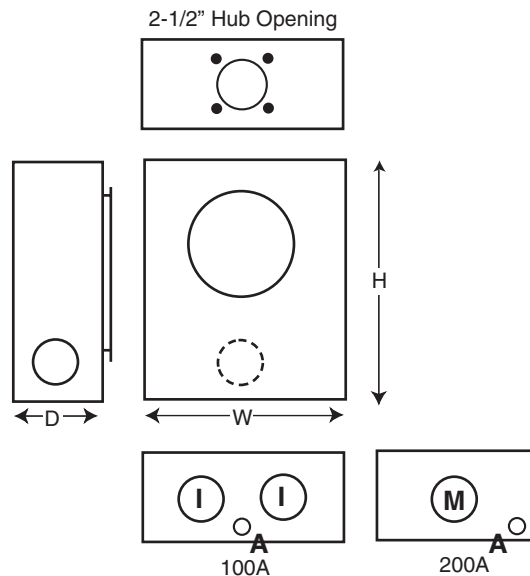
**Table 42. Conduit Knockout Legend**

Knockout Code <sup>ⓐ</sup>	Conduit Knockout Sizes
A	1/2"
E	1-1/4", 1-1/2", 2"
I	1-1/4", 1-1/2", 2", 2-1/2"
M	2", 2-1/2", 3"

**Table 43. Lug Cable Capacities**

Amperage (A)	Cable Size (Cu/Al)	
	Line and Load	Neutral
100	#6-1/0	(2) #14-2
200	#6-250MCM	(2) #14-4

<sup>ⓐ</sup> To determine knockout locations and quantity refer to knockouts column in table 9 and location map below.



**Figure 16 Polyphase Seven Jaw Meter Socket Knockout Location Map**



**P27**



**P17-0**

**17 Meter Socket Accessories**

**Conduit Hubs**

**Product Selection**

**Table 46. Meter Socket Hubs, Adapter and Closure Plates**

Hub Opening Size	Catalogue Number	Description
2-1/2"	H1	Hub for 1" Conduit
	H1-1/4	Hub for 1-1/4" Conduit
	H1-1/2	Hub for 1-1/2" Conduit
	H2	Hub for 2" Conduit
	H2-1/2	Hub for 2-1/2" Conduit
	DS200H2	Hub for 2" Conduit for RCJ2Q-* and RCPM208M Only
	DS250H2	Hub for 2-1/2" Conduit for RCJ2Q-* and RCPM208M Only
	HBP	Blank Cover Plate for 2-1/2" Hub Opening
4-1/4"	HA2-1/2	Hub for 2-1/2" Conduit
	HA3	Hub for 3" Conduit
	HA3-1/2	Hub for 3-1/2" Conduit
	MS-1079	Blank Cover Plate for 4-1/4" Hub Opening
	CHMSADPPLT	Adapter Plate to Convert 4-1/4" Hub Opening to a 2-1/2" Hub Opening



**H2**



**HA2-1/2**



**HBP**



**CHMSADPPLT**

**Miscellaneous Accessories**

**Table 47. Miscellaneous Meter Socket Accessories**

Catalogue Number	Description
SR3	Sealing Ring, Screw-on Stainless Steel
SR4	Peerless Security Collar
1MMACP	Cover Plate, Grey Hard Plastic
1MMPCP	Cover Plate, Clear Lexan with Four Plastic Tabs that Plug Into the Socket Jaws
MS-BCP-P	Cover Plate, Clear Lexan
JB2	Jumper Bar, Insulated Copper, 200A Maximum for Four or Five Jaw Positions. Seven Jaw Requires Three Pieces
J2CVR	Replacement Meter Socket Cover for the J2 Series
CLXCVR	Replacement Meter Socket Cover for the CLX Series
LM2CVR	Replacement Meter Socket Cover for the LM2 Series
JS100	Replacement Jaw Shrouds for 100A or 200A 3/4" Wide Jaws in Sockets with Date Codes Commencing with "F" Followed by Three Numbers
CHJS100	Replacement Jaw Shrouds for 100A or 200A 3/4" Wide Jaws in Sockets with Calendar Date Codes "DD/MM/YY"
JS200	Replacement Jaw Shrouds for 200A 3/4" Wide Jaws in Porcelain Base Sockets Only
NYK30	Flat Rate Water Heater Lug for North York Water Control Assembly. Cable Range #14-8 Cu/Al. Sockets with Date Codes Commencing with "F" Followed by Three Numbers
CHNYK30	Flat Rate Water Heater Lug for North York Water Control Assembly. Cable Range #14-8 Cu/Al. Sockets Calendar Date Codes "DD/MM/YY"
WHK200	Flat Rate Water Heater Lug. Cable Range #14-6 Cu/Al. Fits K2, KU2, KUCLX, KU2CLX, CLX, CLQ, and CL Series. Can Not Be Field Mounted in J, L, or 100A Sockets.
CHK100NW2	Flat Rate Water Heater Lug for 100A Left and Right Hand Position Mounting in K, S, and RC1N Type Sockets with Calendar Date Codes "DD/MM/YY". Kit of Left and Right.
CHJ200W2L	Flat Rate Water Heater Lug for 200A Left Position Mounting in J, and L Type Sockets with Calendar Date Codes "DD/MM/YY".
CHJ200W2R	Flat Rate Water Heater Lug for 200A Right Position Mounting in J and L Type Sockets with Calendar Date Codes "DD/MM/YY"
N100	Isolated Neutral Kit for 100A S and K Type Sockets. For Replacement Purposes Only.
IN1	Insulated Neutral Kit. Cable Range #8-1/0 Cu/Al 100A Maximum for Sockets with Date Codes Commencing with "F" Followed by Three Numbers.
CHIN1	Insulated Neutral Kit. Cable Range #14-1/0 Cu/Al 100A Maximum for K, S and P17 Sockets with Calendar Date Codes "DD/MM/YY".
IN2	Insulated Neutral Kit. Cable Range #6-250MCM Cu/Al 200A Maximum for KP27-IN2 Only
CHIN2	Insulated Neutral Kit. Cable Range #6-250MCM Cu/Al 200A Maximum for J and L Sockets with Calendar Date Codes "DD/MM/YY"
CHL250	Overhead Service Entrance Lug Kit for TCC Type Sockets. Set of Three Tunnel Lugs with Cable Range (2) 250MCM Cu/Al
CHL500	Overhead Service Entrance Lug Kit for TCC Type Sockets. Set of Three Tunnel Lugs with Cable Range (1) 600MCM or (2) #4-250MCM Cu/Al



SR3



SR4



1MMACP



JB2



CHJS100



JS100



JS200



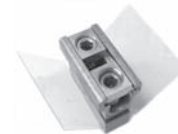
CHNYK30



CHK100NW2



CHIN1



CHIN2

# 19 Meter Socket Accessories

## Fifth Jaw Kits

**Table 48. Fifth Jaw Kits for Meter Sockets with Grey Noryl® Plastic Bases (Current Product Date Code Format “DD/MM/YY”)**

Catalogue Number	Meter Socket Family								Mounting Position	Lug Capacity Cu/Al
	S, K1, KU1	J, L, CL	2KN - 6KN	2K2 - 4K2	2KU2 - 4KU2	2K4 - 6K4	2KU4 - 6KU4	C1N, RC1N		
CHFJ12-L	✓	✓	✓	✓	✓	✓	✓	✓	9 o'clock	#14-1/0
CHFJ1-2BC <sup>Ⓢ</sup>	✓	✓	✓	✓	✓	✓	✓	✓		
CHFJ1-6	✓		✓					✓	6 o'clock	#6-300MCM
CHFJ2-6		✓		✓	✓	✓	✓	✓		#14-1/0
CHFJ1-6N1	✓							✓		

**Table 49. Fifth Jaw Kits for Meter Sockets with Grey Noryl® Plastic Bases (Product Date Code Format “F” Followed by Three Numbers)**

Catalogue Number	Meter Socket Family								Mounting Position	Lug Capacity Cu/Al
	S, K1, KU1	J, L, CL	2KN - 6KN	2K2 - 4K2	2KU2 - 4KU2	2K4 - 6K4	2KU4 - 6KU4	C1N, RC1N		
FJ1-2	✓	✓	✓	✓	✓	✓	✓	✓	9 o'clock	#14-1/0
FJ2-L		✓		✓	✓	✓	✓			#2-250MCM
FJ1-6	✓		✓					✓	6 o'clock	#14-1/0
FJ2-6		✓		✓	✓	✓	✓			#2-250MCM

**Table 50. Fifth Jaw Kits for Meter Sockets with Porcelain Bases**

Catalogue Number	Meter Socket Family									Mounting Position	Lug Capacity Cu/Al
	S	K1, KU1	J, L, CL	2KN - 6KN	2K2 - 4K2	2KU2 - 4KU2	2K4 - 6K4	2KU4 - 6KU4	C1N, RC1N		
FN1-2	✓	✓	✓	✓	✓	✓	✓	✓	✓	9 o'clock	#14-1/0
FN1-L	✓	✓	✓	✓	✓	✓	✓	✓	✓		#10-1/0

<sup>Ⓢ</sup> S-Series and RC1N post April 2003; K-Series post November 2002.

<sup>Ⓢ</sup> Primarily used in the province of British Columbia.

<sup>Ⓢ</sup> Noryl is a registered trademark of General Electric Company



CHFJ12-L



CHFJ1-2BC



CHFJ1-6



CHFJ2-6



FJ1-2



FJ2-L



FJ2-6



FNI-2



FNI-L

**Table 51. Replacement Meter Socket Block Assemblies for Product with Date Code Format Commencing with “F” Followed by Three Numbers**

Catalogue Number	Description
K100N	100A Series S, K1, KU1, and RC1N with Grey Noryl® Bases
J200W2	100A Series S, K1, KU1, and RC1N with Grey Noryl® Bases Including Water Heater Lug
J200SF	100A Series S, K1, KU1, and RC1N with Grey Noryl® Bases Including Sub Feed Lug
J200	200A Series J and L with Grey Noryl® Bases
J200INT	200A Complete Interior Assembly for Series J, L, K2, and KU2 with Porcelain Bases
P17-INT	100A Complete Interior Assembly for P17-0

**Table 52. Replacement Meter Socket Block Assemblies for Product with Calendar Date Code Format “DD/MM/YY”**

Catalogue Number	Description
CHK100N	100A Series K, S, and RC1N Right or Left Hand Position Block
CHK100N1	100A Series K Post November 2002 and Series S and RC1N Post April 2003 Right or Left Hand Position Block
CHK100NW2	100A Series K, S, and RC1N Right Hand and Left Hand Position Blocks Includes Water Heater Lug
CHK100NW2N1	100A Series K Post Nov 2002 and Series S and RC1N Post April 2003 Right and Left Hand Position Blocks Includes Water Heater Lug and Red Shroud
CHJ200	200A Series J and L Right or Left Hand Position Block
CHJ200W2L	200A Series J and L Left Hand Position Block Includes Water Heater Lug
CHJ200W2R	200A Series J and L Right Hand Position Block Includes Water Heater Lug
CHJ200SFL	200A Series J and L Left Hand Position Block Includes Sub Feed Lugs
CHJ200SFR	200A Series J and L Right Hand Position Block Includes Sub Feed Lugs
CHJ200INTL	200A All 200A Multigang Series Left Hand Position Block
CHJ200INTR	200A All 200A Multigang Series Right Hand Position Block
CHCL200L	200A Series CLX Left Hand Position Block
CHCL200R	200A Series CLX Right Hand Position Block
CHP17ENDBK	Polyphase Series P17-0 Right or Left Hand Position End Block
CHP17LCNBK	Polyphase Series P17-0 Left Hand Centre Position Block
CHP17RCNBK	Polyphase Series P17-0 Right Hand Centre Position Block

© Noryl is a registered trademark of General Electric Company



**K100N**



**J200W2**



**J200SF**



**J200**



**CHK100N**



**CHK100NW2**



**CHJ200**



**CHJ200W2L**



**CHJ200SFL**



**CHJ200INTL**



**CHCL200R**



**CHP17ENDBK**



**CHP17LCNBK**



**CHP17RCNBK**

Eaton Cutler-Hammer	Hydel Murray Jensen	Thomas & Betts Microelectric	Eaton Cutler-Hammer	Hydel Murray Jensen	Thomas & Betts Microelectric
S1-N1-1/4	SH400JW	BA3-1-1/4V	3K4	HC43R	BS43-V
S12-N1-1/4	SH400BW	BA33-1-1/4V	4K4	HC44R	BS44-V
S1-N	SH400PW	BA3-V	5K4	HC45R	BS45-V
S12-N	SH400BP	BA33-V	6K4	HC46R	BS46-V
SI1-N	SH400KO	BA4-V	2KU4CLX	MSC820TW	BSC42-VG
K1-N	SE400PW	BE1-V	3KU4CLX	MSC830TW	BSC43-VG
K1-N1-1/4	SE400PW	BE1-11/4V	4KU4CLX	MSC840TW	BSC44-VG
K1M-N	SE400RW	BE1-TCV	5KU4CLX	MSC850TW	BSC45-VG
K1MW2-N	SE420RW	BE1-TCVW	6KU4CLX	MSC860TW	BSC46-VG
KU1N	SE400TW	BE1-TV	TSU5	CTS500PW	CT105
J2	EK400P	BQ2-V	TSU8	CTS800PW	CT108
J2-2	EK400L	BQ2-2V	TSU13	CTS130PW	CT113
J2GN	EK400DP-NS	BQ2-22VNH-GN	TCC4-0	CTS409PW	CL4-V
J2-2GN	EK400L-NS	BQ2-2V-GN	TCC5-0	CTS459PW	CL5-V
J22	EK400DP	BQ2-22VNH	TCC4LR-0	CTS408PW	CL4-LRV
JM2	EK400R	-	TCC5	CT4	JS4A-T
JU2	EK400T	BQ2-TV	TCC5-2	CT4-2	JS4A-200/5
LM2	EK400R0	BS2-TCV	TCC5-3	CT4-3	JS4A-300/5
LM2-W2	SLC420RW	BS2-TVC-W	TCC5-4	CT4-4	-
LM2-SF	SLC402RW	BS2M-V	TCC5-TS	-	JS4B-S
LMB3	EK400ROBC	BS2-TCVBC	TCC5-2-TS	-	JS4A-200/5-S
LU2	EK400T0	BS2-TV	TCC5-3-TS	-	JS4A-300/5-S
CLX	MSC400TW	M02-V	TCC5-4-TS	CT4-TS	-
CLQ	MSC400TW	M02-V	RC1N	JA400PW	C01
CLX-SF	-	M02-V-M	RCJ2Q-B	JA402	C02
CLQ-SF	-	M02-V-M	P17-0	SFC700PW	PL17-TCV
2KN1	SDC220PW	BEC2-VA	P17-0-IN1	SFC703PW	PL17-TCVIN
3KN1	SDC320PW	BEC3-VA	P27	STC700PK	PL27-V
4KN1	SDC420PW	BEC4-VA	P27-IN2	STC703PK	PL27-IN-V
5KN1	SDC520PW	BEC5-VA	2VK1N	SFVC503PW	VT1-6V
6KN1	SDC620PW	BEC6-VA	2VP17	SFVC703PW	VT1-7V
2K2	H22R	BD2-V	2VK2	STVC501PW	VT2-6V
3K2	H23R	BD3-V	2VP27	STVC703PW	VT2-7V
4K2	H24R	BD4-V	H1	SXC100	MH10X
2KNU1CLX	MCC220TW	BEC2-V	H1-1/4	SXC125	MH12X
3KNU1CLX	MCC320TW	BEC3-V	H1-1/2	SXC150	MH15
4KNU1CLX	MCC420TW	BEC4-V	H2	SXC200	MH20
5KNU1CLX	MCC520TW	BEC5-V	H2-1/2	SXC250	MH25
6KNU1CLX	MCC620TW	BEC6-V	RH200	-	-
2KU2CLX	MSC22R	BDC2-V	RH250	-	-
3KU2CLX	MSC23R	BDC3-V	HA2-1/2	HD250	-
4KU2CLX	MSC24R	BDC4-V	HA3	HD300	MH30
2K4	HC42R	BS42-V	CHA4	HD350	MH40

Eaton Cutler-Hammer	Hydel Murray Jensen	Thomas & Betts Microelectric	Eaton Cutler-Hammer	Hydel Murray Jensen	Thomas & Betts Microelectric
HBP	SXC000	BS051	CHJ200	-	-
MS-1079	HD000	BS054	CHJ200W2L	-	-
CHMSADPPLT	HD2025	BS052	CHJ200W2R	-	-
SR3	SX006SS	SM002A	CHJ200SFL	-	-
SR4	SX008M	S102WD	CHJ200SFR	-	-
1MMACP	SX087MD	BS087	CHJ200INTL	-	-
1MMPCP	SX087CB	-	CHJ200INTR	-	-
MS-BCP-P	SX087MC	BS090	CHCL200L	-	-
JB2	JB-2	CM-BS100	CHCL200R	-	-
J2CVR	-	-	CHP17ENDBK	-	-
JS100	-	-	CHP17LCNBK	-	-
CHJS100	SS002	LS500	CHP17RCNBK	-	-
JS200	-	-			
NYK30	SXCONY	KNY			
CHNYK30	SXCONY	KNY			
WHK200	SXC022	WH3			
CHK100NW2	SE-L & SE-R	CM-WH1			
CHJ200W2L	-	WH4			
CHJ200W2R	-	WH4			
IN1	INK100	IN1000BA, BE, PL			
CHIN1	INK100	IN1000BA, BE, PL			
IN2	INK200	IN2000BS, PL			
CHIN2	INK200	IN2000BS, PL			
CHL250	LK250	JS250			
CHL500	LK500	JS500			
FN1-2	-	-			
FN1-L	-	-			
FJ1-2	SXK503	Z105			
FJ2-L	SXK503	Z205			
FJ1-6	INK105	CM-B106			
FJ2-6	INK501	B206			
CHFJ12-L	SXK503	-			
CHFJ1-2BC	-	-			
CHFJ1-6	INK105	CM-B106			
CHFJ2-6	INK501	B206			
K100N	-	-			
J200W2	-	-			
J200SF	-	-			
J200	-	-			
J200INT	-	-			
P17-INT	-	-			
CHK100N	-	-			
CHK100NW2	-	-			



## Index

### Symbols

1MMACP .....	18
1MMPCP .....	18
2K2 .....	6
2K4 .....	8
2KN1 .....	6
2KNU1CLX .....	7
2KU2CLX .....	7
2KU4CLX .....	9
2VK1N .....	17
2VK2 .....	17
2VP27 .....	17
3K2 .....	6
3K4 .....	8
3KN1 .....	6
3KNU1CLX .....	7
3KU2CLX .....	7
3KU4CLX .....	9
4K2 .....	6
4K4 .....	8
4KN1 .....	6
4KNU1CLX .....	7
4KU2CLX .....	7
4KU4CLX .....	9
5K4 .....	8
5KN1 .....	6
5KNU1CLX .....	7
5KU4CLX .....	9
6K4 .....	8
6KN1 .....	6
6KNU1CLX .....	7
6KU4CLX .....	9
<b>C</b>	
CHCL200L .....	20
CHCL200R .....	20
CHFJ1-2BC .....	19
CHFJ1-6 .....	19
CHFJ1-6N1 .....	19
CHFJ12-L .....	19
CHFJ2-6 .....	19
CHIN1 .....	18
CHIN2 .....	18
CHJ200 .....	20
CHJ200INTL .....	20
CHJ200INTR .....	20
CHJ200SFL .....	20
CHJ200SFR .....	20
CHJ200W2L .....	18, 20
CHJ200W2R .....	18, 20
CHJS100 .....	18

CHK100N .....	20
CHK100N1 .....	20
CHK100NW2 .....	18, 20
CHK100NW2N1 .....	20
CHL250 .....	18
CHL500 .....	18
CHMSADPPLT .....	17
CHNYK30 .....	18
CHP17ENDBK .....	20
CHP17LCNBK .....	20
CHP17RCNBK .....	20
CLQ .....	5
CLQ-SF .....	5
CLX .....	5
CLX-SF .....	5
CLXCVR .....	18

### D

DS200H2 .....	17
DS250H2 .....	17

### F

FJ1-2 .....	19
FJ1-6 .....	19
FJ2-6 .....	19
FJ2-L .....	19
FN1-2 .....	19
FN1-L .....	19

### H

H1 .....	17
H1-1/2 .....	17
H1-1/4 .....	17
H2 .....	17
H2-1/2 .....	17
HA2-1/2 .....	17
HA3 .....	17
HA3-1/2 .....	17
HBP .....	17

### I

IN1 .....	18
IN2 .....	18

### J

J2 .....	3
J2-2 .....	3
J2-2GN .....	3
J200 .....	20
J200INT .....	20
J200SF .....	20
J200W2 .....	20

J22 .....	3
J2CVR .....	18
J2GN .....	3
JB2 .....	18
JM2 .....	3
JS100 .....	18
JS200 .....	18
JU2 .....	3

### K

K1-N .....	2
K1-N1-1/4 .....	2
K100N .....	20
K1M-N .....	2
K1MW2-N .....	2
KU1N .....	2

### L

LM2 .....	4
LM2-SF .....	4
LM2-W2 .....	4
LM2CVR .....	18
LMB3 .....	4
LU2 .....	4

### M

MS-1079 .....	17
MS-BCP-P .....	18

### N

N100 .....	18
NYK30 .....	18

### P

P17-0 .....	16
P17-0-IN1 .....	16
P17-INT .....	20
P27 .....	16
P27-IN2 .....	16

### R

RC1N .....	13
RC1N-A .....	13
RCJ2Q-125 .....	14
RCJ2Q-150 .....	14
RCJ2Q-200 .....	14
RCPM108M .....	15
RCPM208M .....	15

### S

S1-N .....	1
------------	---

---

S1-N1-1/4 .....	1
S12-N .....	1
S12-N1-1/4 .....	1
SI1-N .....	1
SR3 .....	18
SR4 .....	18

**T**

TCC4 .....	11
TCC4LR-0 .....	11
TCC5 .....	11, 12
TCC5-2 .....	12
TCC5-2-TS .....	12
TCC5-3 .....	12
TCC5-3-TS .....	12
TCC5-4 .....	12
TCC5-4-TS .....	12
TCC5-TS .....	12
TSU13 .....	10
TSU5 .....	10
TSU8 .....	10

**W**

WHK200 .....	18
--------------	----

Eaton Corporation is a diversified power management company ranked among the largest Fortune 500 companies. The electrical group is Eaton's largest division and is a global leader in electrical control, power distribution, power quality, automation, and monitoring products and services. Eaton's global electrical brands, including Cutler-Hammer<sup>®</sup>, MGE Office Protection Systems<sup>™</sup>, Powerware<sup>®</sup>, Holec<sup>®</sup>, MEM<sup>®</sup>, Santak and Moeller, provide customer-driven PowerChain Management<sup>®</sup> solutions to serve the power system needs of the industrial, institutional, government, utility, commercial, residential, IT, mission critical and OEM markets worldwide.

PowerChain Management solutions help enterprises achieve sustainable and competitive advantages through proactive management of the power system as a strategic, integrated asset throughout its life cycle. With Eaton's distribution, generation and power quality equipment; full-scale engineering services; and information management systems, the power system is positioned to deliver powerful results: greater reliability, operating cost efficiencies, effective use of capital, enhanced safety, and risk mitigation.

