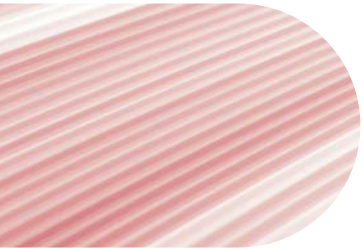
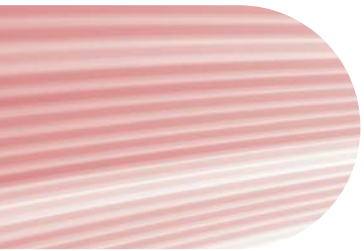


Circuit Protection & Modular Devices





Dorman Smith Switchgear Limited

With over 130 years of experience in switchgear design and production Dorman Smith Switchgear Limited continues to provide high quality equipment for low-voltage electrical distribution and circuit protection.

Our product range begins with single-pole and neutral distribution board systems and continues up to custom designed, factory built low-voltage electrical switchboards for a broad range of commercial, industrial and retrofit applications.

We continue to build on our extensive technical knowledge and awareness of customer and market demands, operating conditions and current regulations.

This breadth of experience supports the development and manufacturing techniques of our electrical products to exceed the industry standards.



Index

Content	Page No
Introduction to Dorman Smith Switchgear Limited	1
Key Features	2-3
MCB, RCBO and RCCB	4-6
MCCBs and Accessories	7-25
Surge Suppression	26-28
Modular Devices	29
Meters and Current Transformers	30-37
Earth Leakage Relay	38-39

Circuit Protection & Modular Devices

Key Features

MCB, RCBO & RCCB

- 10/15kA Miniature Circuit breakers in B,C and D Type up to 63A
- 125A High current Miniature Circuit breaker in 3-pole C Type
- Wide range of accessories available for K Series MCBs including: shunt trip, dolly locks and auxiliary switches.
- 10kA Double module SP&SwN RCBOs up to 40A / 30mA
- 10kA Single-module RCBOs up to 45A / 30mA and 40A / 100mA
- RCCBs available in 2-pole and 4-pole versions with 100A / 100mA Time delay version

PAGES 4-6

SURGE SUPPRESSION

- Type I and Type II Surge suppression devices available for all product board ranges
- Remote indication available with some models for connection to Business Management systems
- Replaceable plug-in modules available for the DSPM Series

PAGES 24-26





MCCB

- MCCBs available from 16A 25kA to 1600A 85kA
- Wide range of frame sizes available to suit all applications
- Wide range of accessories available including; shunt trips, under-voltage release, shrouds, rotary handles and extension terminals
- General purpose enclosure available for each frame size MCCB

PAGES 7-25

METERING

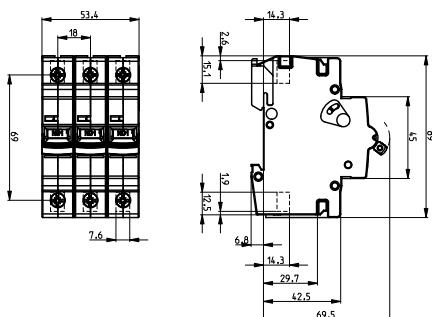
- Panel mount and DIN-rail mount multi-function meters available for single-phase and three-phase application
- Matching range of current transformers and wiring loom kits
- New range of MID approved meters now available
- New Dual Load Meter available for TP&N split load applications
- New Q2C Meter available with plug-in terminal wiring loom

PAGES 30-39

Circuit Protection



Dimensions



Loadlimiter 63 Miniature Circuit Breakers

Main features

- Exceeds the requirements of EN 60898
- 10kA rated to the requirements of EN 60898
- 15kA rated to the requirements of EN 60947
- Contact position indicator
- Maximum cable termination of 35mm²
- Standard MCB widths: Single Pole = 17.5mm, Double Pole = 35mm and Triple Pole = 54mm
- High Current MCB Width = 81mm

Current Rating (A)	B Type Product Code	C Type Product Code	D Type Product Code
Single-pole MCBs			
1	-	K1PC01	-
6	K1PB06	K1PC06	K1PD06
10	K1PB10	K1PC10	K1PD10
16	K1PB16	K1PC16	K1PD16
20	K1PB20	K1PC20	K1PD20
25	K1PB25	K1PC25	K1PD25
32	K1PB32	K1PC32	K1PD32
40	K1PB40	K1PC40	T1PD40 *
50	K1PB50	K1PC50	T1PD50 *
63	K1PB63	K1PC63	T1PD63 *
Double-pole MCBs			
6	K2PB06	K2PC06	K2PD06
10	K2PB10	K2PC10	K2PD10
16	K2PB16	K2PC16	K2PD16
20	K2PB20	K2PC20	K2PD20
25	K2PB25	K2PC25	K2PD25
32	K2PB32	K2PC32	K2PD32
40	K2PB40	K2PC40	T2PD40 *
50	K2PB50	K2PC50	T2PD50 *
63	K2PB63	K2PC63	T2PD63 *
Triple-pole MCBs			
1	-	K3PC01	-
6	K3PB06	K3PC06	K3PD06
10	K3PB10	K3PC10	K3PD10
16	K3PB16	K3PC16	K3PD16
20	K3PB20	K3PC20	K3PD20
25	K3PB25	K3PC25	K3PD25
32	K3PB32	K3PC32	K3PD32
40	K3PB40	K3PC40	T3PD40 *
50	K3PB50	K3PC50	T3PD50 *
63	K3PB63	K3PC63	T3PD63 *
High Current MCB – 15kA			
125	-	K3PC125 **	-

Accessories for MCBs

Device Type	Product Code
Auxiliary Accessories	
240V AC Shunt Trip for MCB	KST240
Auxiliary / Switching contact for MCB	KAUX1
Locking Devices	
MCB Dolly locking device	KDL
Padlock for dolly locking device	XPL

* 6kA rated breaking capacity to EN 60898 and 10kA rated breaking capacity to EN 60947. Please be advised that the "T" series MCBs look physically different to the K series.

** High current MCB needs to be mounted in service centre due to the module width.

Loadlimiter 63 RCBO

Single Module RCBOs

- Exceeds the requirements of EN 61009
- 10kA rated breaking capacity
- Type AC
- Single module width = 17.5mm
- Outgoing terminal capacity is 10mm²
- Busbar side terminal capacity is 35mm²

Current Rating (A)	Sensitivity (mA)	B Type Product Code	C Type Product Code
6	30	KR1PB0630	KR1PC0630
10	30	KR1PB1030	KR1PC1030
16	30	KR1PB1630	KR1PC1630
20	30	KR1PB2030	KR1PC2030
32	30	KR1PB3230	KR1PC3230
40	30	KR1PB4030	KR1PC4030
45	30	KR1PB4530	KR1PC4530
6	100	-	KR1PC06100
10	100	-	KR1PC10100
16	100	-	KR1PC16100
20	100	-	KR1PC20100
32	100	-	KR1PC32100
40	100	-	KR1PC40100

Double Module RCBOs

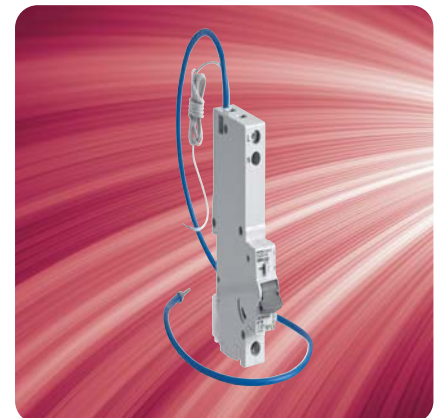
- Exceeds the requirements of EN 61009
- 10kA rated breaking capacity
- SP&SwN configuration
- Contact position indicator
- Rated voltage Ue 230V
- Rated frequency is 50Hz
- Energy limiting class 3
- Type AC
- Maximum cable termination is 35mm²

Current Rating (A)	Sensitivity (mA)	B Type Product Code	C Type Product Code
6	30	KR2PB0630	KR2PC0630
10	30	KR2PB1030	KR2PC1030
16	30	KR2PB1630	KR2PC1630
20	30	KR2PB2030	KR2PC2030
32	30	KR2PB3230	KR2PC3230
40	30	KR2PB4030	KR2PC4030

Note: Please be advised that some double module RCBOs have a minimum order quantity. Please check availability with the Customer Service Team before ordering.

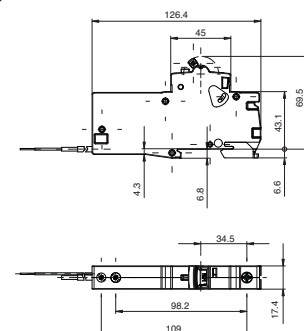
Accessories for Single Module RCBOs

Device Type	Product Code
Locking Devices	
RCBO Dolly locking device	KDL
Padlock for dolly locking device	XPL

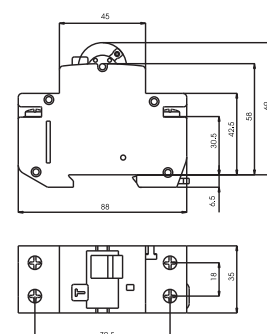


Dimensions

Single Module



Double Module



Circuit Protection

Loadlimiter 63 RCCB

Main features

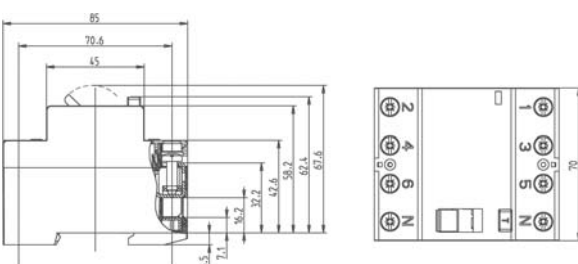
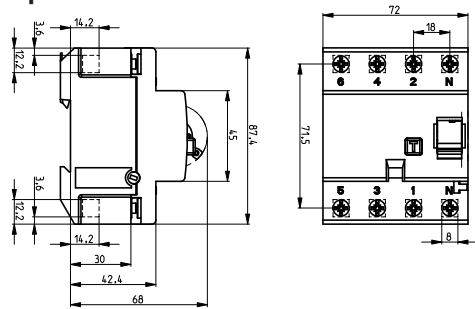
- Exceeds the requirements of EN 61008
- 230V and 400V rated
- Frequency 50 / 60Hz
- Type AC
- Double-pole width is 35mm and Four-pole width is 70mm
- 100A Time delay versions available
- Maximum cable termination for 40A to 63A is 25mm² and 100A is 35mm²



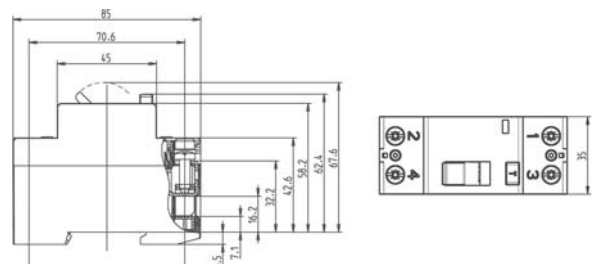
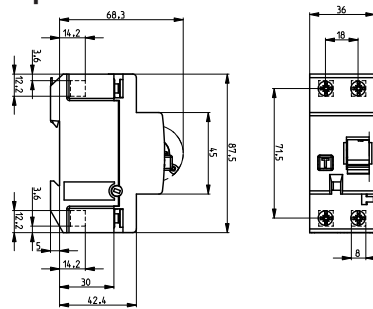
Current Rating (A)	Sensitivity (mA)	Product Code
Double-pole RCCBs		
40	30	EE40/30/2
40	100	EE40/100/2
63	30	EE63/30/2
63	100	EE63/100/2
63	300	EE63/300/2
80	30	EE80/30/2
100	30	EE100/30/2
100	100	EE100/100/2
100 Time delay	100	EES100/100/2
Four-pole RCCBs		
40	30	EE40/30/4
40	100	EE40/100/4
40	300	EE40/300/4
63	30	EE63/30/4
63	100	EE63/100/4
63	300	EE63/300/4
100	30	EE100/30/4
100	100	EE100/100/4
100	300	EE100/300/4
100 Time delay	100	EES100/100/4

Dimensions

4-pole



2-pole



Loadline MCCB YB1 Frame

Main Features

- Exceeds the requirements of EN 60947-2
- Single-pole MCCBs have fixed thermal and magnetic overloads
- Three-pole and four-pole MCCBs have adjustable thermal and fixed magnetic overloads
- Thermal overload adjusts to $1 \times I_n$, $0.8 \times I_n$ and $0.63 \times I_n$
- Ultimate breaking capacity is 25kA or 40kA at 415V AC
- Cable connection is via cable clamps and maximum cable termination is 70mm²
- Rated insulation voltage is 690V AC (Ui)

Current Rating (A)		1-pole Product Code	3-pole Product Code	4-pole Product Code
Max (A)	Min (A)			
Switch Disconnecter				
160	-	-	YB1B3P160DC	YB1B4P160DC
YB1 Frame MCCB Thermal / Magnetic - Icu 25kA				
16	-	YB1N1P16TC	-	-
20	-	YB1N1P20TC	-	-
25	16	YB1N1P25TC	YB1N3P25TC	YB1N4P25TC
32	20	YB1N1P32TC	YB1N3P32TC	YB1N4P32TC
40	25	YB1N1P40TC	YB1N3P40TC	YB1N4P40TC
50	32	YB1N1P50TC	-	-
63	40	YB1N1P63TC	YB1N3P63TC	YB1N4P63TC
80	50	YB1N1P80TC	YB1N3P80TC	YB1N4P80TC
100	63	YB1N1P100TC	YB1N3P100TC	YB1N4P100TC
125	80	YB1N1P125TC	YB1N3P125TC	YB1N4P125TC
160	100	-	YB1N3P160TC	YB1N4P160TC
YB1 Frame MCCB Thermal / Magnetic - Icu 40kA				
25	16	-	YB1S3P25TC	YB1S4P25TC
32	20	-	YB1S3P32TC*	YB1S4P32TC*
40	25	-	YB1S3P40TC	YB1S4P40TC
63	40	-	YB1S3P63TC	YB1S4P63TC
80	50	-	YB1S3P80TC	YB1S4P80TC
100	63	-	YB1S3P100TC	YB1S4P100TC
125	80	-	YB1S3P125TC	YB1S4P125TC
160	100	-	YB1S3P160TC	YB1S4P160TC

*Breakers are rated at 30kA breaking capacity.



Loadline MCCB YB1 Frame enclosure

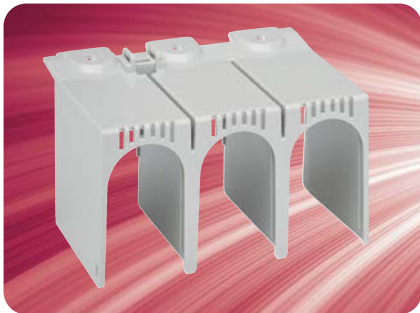
Main features

- To house YB1 MCCB up to 150A
- Meets the requirements of EN 60947-2 and EN 61439-1
- IP3X Ingress protection
- Ideal for space restricted installations
- Neutral link YB1NL available if required

Height (mm)	Width (mm)	Depth (mm)	Product Code
527.4	200	100	LLGPYB13



Circuit Protection



Loadline MCCB YB1 Frame accessories

Description	1 pole Product Code	3 pole Product Code	4 pole Product Code
Rotary Handles			
YB1 Panel mounted IP54 rotary handle for maximum 453mm panel depth (minimum 175mm)	-	YB1RH453	
Slide Interlocks			
YB1 Slide interlock (one between two MCCBs)	-	YB1MS3P	YB1MS4P
Terminal Protection			
YB1 Interphase barrier (1 Off)	YBITB	YBITB	YBITB
YB1 (1, 3 and 4-pole) & YB3 (3 & 4-pole) Handle lock *	YBDL1	YBDL1	YBDL1
Auxiliary and Alarm Switches			
YB Auxiliary changeover switch (AC 250V / 0.1A, DC 125V / 0.4A) *	YBAUX1	YBAUX1	YBAUX1
	YBAL	YBAL	YBAL
Shunt Trips			
YB Shunt trip 100-120V AC *	-	YBST120AC	
YB Shunt trip 200-240V AC *	-	YBST240AC	
YB Shunt trip 380-450V AC *	-	YBST450AC	
YB Shunt trip 24V DC *	-	YBST24DC	
YB Shunt trip 48V DC *	-	YBST48DC	
YB Shunt trip 100-120V DC *	-	YBST120DC	
YB Shunt trip 200-240V DC *	-	YBST240DC	
Under-voltage Release			
YB Under-voltage release 100-120V AC *	-	YBUVR120AC	
YB Under-voltage release 200-240V AC *	-	YBUVR240AC	
YB Under-voltage release 380-450V AC *	-	YBUVR450AC	
YB Under-voltage release 24V DC *	-	YBUVR24DC	
YB Under-voltage release 100-120V DC *	-	YBUVR120DC	

Note: Please be advised that MCCBs can be fitted with either a shunt trip or an under-voltage release device; however the MCCB cannot house both of these together.

* Common accessories for YB1 and YB3 frame MCCBs.

Loadline MCCB YA2 Frame

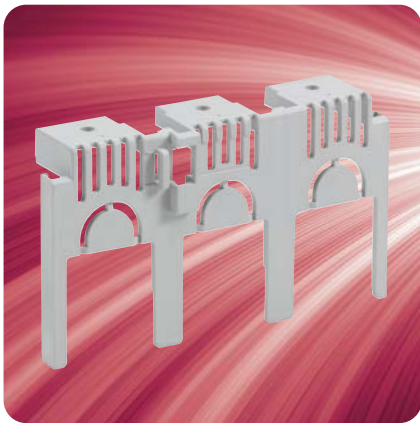
Main Features

- Exceeds the requirements of EN 60947-2
- Single-pole MCCBs have fixed thermal and magnetic overloads
- Three-pole and four-pole MCCBs have adjustable thermal and magnetic overloads
- Thermal overload adjusts to 1 x In, 0.8 x In and 0.63 x In
- Ultimate breaking capacity available as 25kA, 36kA and 65kA at 415V AC
- Maximum cable termination is 50mm² with cable clamps (optional accessory)
- Maximum cable termination is 95mm² with M8 reduced palm width cable lugs
- Standard cable termination is 35mm² using M8 lugs
- Rated insulation voltage is 800V AC (Ui)

Current Rating (A)				
Max (A)	Min (A)	1-pole Product Code	3-pole Product Code	4-pole Product Code
YA2 Frame MCCB Thermal / Magnetic - Icu 25kA				
16	-	YA2N1P16T	-	-
20	-	YA2N1P20T	-	-
32	-	YA2N1P32T	-	-
50	-	YA2N1P50T	-	-
63	-	YA2N1P63T	-	-
80	-	YA2N1P80T	-	-
100	-	YA2N1P100T	-	-
125	-	YA2N1P125T	-	-
YA2 Frame MCCB Thermal / Magnetic - Icu 36kA				
20	13	-	YA2S3P20T	YA2S4P20T
32	20	-	YA2S3P32T	YA2S4P32T
50	32	-	YA2S3P50T	YA2S4P50T
63	40	-	YA2S3P63T	YA2S4P63T
100	63	-	YA2S3P100T	YA2S4P100T
125	80	-	YA2S3P125T	YA2S4P125T
YA2 Frame MCCB Thermal / Magnetic - Icu 65kA				
20	13	-	YA2J3P20T	YA2J4P20T
32	20	-	YA2J3P32T	YA2J4P32T
50	32	-	YA2J3P50T	YA2J4P50T
63	40	-	YA2J3P63T	YA2J4P63T
100	63	-	YA2J3P100T	YA2J4P100T
125	80	-	YA2J3P125T	YA2J4P125T



Loadline MCCB YA2 Frame accessories



Description	1 pole Product Code	3 pole Product Code	4 pole Product Code
Cable Clamps			
YA2 Cable clamps set	-	YA2CC3P	YA2CC4P
Terminals and Protection			
YA2 Terminal shroud for cable lugs	YA2TS1P	YA2TS3P	YA2TS4P
YA2 Interphase barrier (1 Off)	YA2TB	YA2TB	YA2TB
YA2 Terminal shroud for cable clamps	YA2TS1P	YA2TS3P	YA2TS4P
YA2 Rear terminals	-	YA2RT3P	YA2RT4P
YA2 Extension terminals	-	YA2XT3P	YA2XT4P
Plug-in Units			
YA2 Plug-in MCCB conversion	-	YA2PT3P	YA2PT4P
YA2 Plug-in base	-	YA2PB3P	YA2PB4P
YA2 Plug-in base extension terminals	-	YA2PXT3P	YA2PXT4P
YA2 Plug-in base right angle terminals	-	YA2PRA3P	YA2PRA4P
Accessories			
YA2 Handle lock (3 and 4 pole only)	-	YADL1	YADL1
YA2 Neutral link	YA2NL	YA2NL	YA2NL
YA2 Panel mounted rotary handle for maximum 453mm panel depth	-	YA2RH453	YA2RH453
Castell cam for panel mounted rotary handle	-	YABCLCAM	YABCLCAM
Shunt Trips			
YA Frame 100-120V AC	-	YAST115AC	YAST115AC
YA Frame 200-240V AC	-	YAST240AC	YAST240AC
YA Frame 380-450V AC	-	YAST450AC	YAST450AC
YA Frame 24V DC	-	YAST24DC	YAST24DC
Auxiliary and Alarm Switches			
YA Auxiliary changeover switch (AC 240V/3A, DC 125V/0.4A)	-	YAAUX1	YAAUX1
YA Alarm trip indicator changeover switch (AC 240V/3A, DC 125V/0.4A)	-	YAAL	YAAL
Under-voltage Release			
YA Frame Under-voltage release 100-120V AC	-	YAUVR120AC	YAUVR120AC
YA Frame Under-voltage release 200-240V AC	-	YAUVR240AC	YAUVR240AC
YA Frame Under-voltage release 380-450V AC	-	YAUVR450AC	YAUVR450AC
YA Frame Under-voltage release 24V DC	-	YAUVR24DC	YAUVR24DC
Motors and Interlocks			
YA2 Motor actuator 100-110V AC	-	YA2MA110	YA2MA110
YA2 Motor actuator 200-240V AC	-	YA2MA240	YA2MA240
YA2 Mechanical interlock, link type for RHS MCCB	-	YA2MLR	YA2MLR
YA2 Mechanical interlock, link type for LHS MCCB	-	YA2ML3PL	YA2ML4P
YA2 Mechanical interlock, manual slide type (3 Pole or 4 Pole)	-	YA2MS3P	YA2MS4P
YA2 Mechanical interlock, wire type mechanism (1 per MCCB required)	-	YA2MW	

Note: Please be advised that MCCBs can be fitted with either a shunt trip or an under-voltage release device; however the MCCB cannot house both of these together.

Loadline MCCB YA3 Frame

Main Features

- Exceeds the requirements of EN 60947-2
- Single-pole MCCBs have fixed thermal and magnetic overloads
- Three-pole and four-pole MCCBs have adjustable thermal and magnetic overloads
- Thermal overload adjusts to 1 x In, 0.8 x In and 0.63 x In
- Ultimate breaking capacity available as 25kA and 65kA at 415V AC
- Maximum cable termination is 120mm² with cable clamps (optional accessory)
- Maximum cable termination is 150mm² with M8 reduced palm width cable lugs
- Standard cable terminations is 95mm² using M8 lugs
- Rated insulation voltage is 800V AC (Ui)

Current Rating (A)				
Max (A)	Min (A)	1-pole Product Code	3-pole Product Code	4-pole Product Code
YA3 Frame MCCB Thermal / Magnetic - Icu 25kA				
16	-	YA3NIP16T	-	-
20	-	YA3NIP20T	-	-
32	-	YA3NIP32T	-	-
40	-	YA3NIP40T	-	-
50	-	YA3NIP50T	-	-
63	-	YA3NIP63T	-	-
80	-	YA3NIP80T	-	-
100	-	YA3NIP100T	-	-
125	-	YA3NIP125T	-	-
160	-	YA3NIP160T	-	-
YA3 Frame MCCB Thermal / Magnetic - Icu 36kA				
20	13	-	YA3S3P20T	-
32	20	-	YA3S3P32T	-
YA3 Frame MCCB Thermal / Magnetic - Icu 65kA				
50	32	-	YA3J3P50T	YA3J4P50T
63	40	-	YA3J3P63T	YA3J4P63T
100	63	-	YA3J3P100T	YA3J4P100T
125	80	-	YA3J3P125T	YA3J4P125T
160	100	-	YA3J3P160T	YA3J4P160T
200	125	-	YA3J3P200T	YA3J4P200T
250	160	-	YA3J3P250T	YA3J4P250T



Loadline MCCB YA3 Frame accessories



Description	1 pole Product Code	3 pole Product Code	4 pole Product Code
Cable Clamps			
YA3 Cable clamps set	-	YA3CC3P	YA3CC4P
Terminals and Protection			
YA3 Terminal shroud for cable lugs	YA3TS1P	YA3TS3P	YA3TS4P
YA3 Interphase barrier (1 Off)	YA3TB		
YA3 Terminal shroud for cable clamps	YA3TS1P	YA3TS3P	YA3TS4P
YA3 Rear terminals	-	YA3RT3P	YA3RT4P
YA3 Extension terminals	-	YA3XT3P	YA3XT4P
Plug-in Units			
YA3 Plug-in MCCB conversion	-	YA3PT3P	YA3PT4P
YA3 Plug-in base	-	YA3PB3P	YA3PB4P
YA3 Plug-in base extension terminals	-	YA3PXT3P	YA3PXT4P
YA3 Plug-in base right angle terminals	-	YA3PRA3P	YA3PRA4P
Accessories			
YA3 Handle lock	-	YADL1	
YA3 Neutral link	-	YA3NL	
YA3 Panel mounted rotary handle for maximum 453mm panel depth	-	YA3RH453	
Castell cam for panel mounted rotary handle	-	YABCLCAM	YABCLCAM
Shunt Trips			
YA Frame 100-120V AC	-	YAST115AC	
YA Frame 200-240V AC	-	YAST240AC	
YA Frame 380-450V AC	-	YAST450AC	
YA Frame 24V DC	-	YAST24DC	
Auxiliary and Alarm Switches			
YA Auxiliary changeover switch (AC 240V/3A, DC 125V/0.4A)	-	YAAUX1	
YA Alarm trip indicator changeover switch (AC 240V/3A, DC 125V/0.4A)	-	YAAL	
Under-voltage Release			
YA Frame Under-voltage release 100-120V AC	-	YAUVR120AC	
YA Frame Under-voltage release 200-240V AC	-	YAUVR240AC	
YA Frame Under-voltage release 380-450V AC	-	YAUVR450AC	
YA Frame Under-voltage release 24V DC	-	YAUVR24DC	
Motors and Interlocks			
YA3 Motor actuator 100-110V AC	-	YA3MA110	
YA3 Motor actuator 200-240V AC	-	YA3MA240	
YA3 Mechanical interlock, link type for RHS MCCB	-	YA3MLR	
YA3 Mechanical interlock, link type for LHS MCCB	-	YA3ML3PL	YA3ML4P
YA3 Mechanical interlock, manual slide type (3 Pole or 4 Pole)	-	YA3MS3P	YA3MS4P
YA3 Mechanical interlock, wire type mechanism (1 per MCCB required)	-	YA3MW	

Note: Please be advised that MCCBs can be fitted with either a shunt trip or an under-voltage release device; however the MCCB cannot house both of these together.

Loadline MCCB YB3 Frame

Main Features

- Exceeds the requirements of EN 60947-2
- Three-pole and four-pole MCCBs have adjustable thermal and magnetic overloads
- Thermal overload adjusts to 1 x In, 0.8 x In and 0.63 x In
- Ultimate breaking capacity available as 25kA and 40kA at 415VAC
- Maximum cable termination is 120mm² with cable clamps (optional accessory)
- Maximum cable termination is 150mm² with M8 reduced palm width cable lugs
- Standard cable termination is 95mm² using M8 lugs
- Rated insulation voltage is 690V AC (Ui)

Current Rating (A)		3-pole Product Code	4-pole Product Code
Max (A)	Min (A)		
Switch Disconnecter			
250	-	YB3B3P250D	YB3B4P250D
YB3 Frame MCCB Thermal / Magnetic - Icu 25kA			
50	32	YB3N3P50T*	YB3N4P50T*
63	40	YB3N3P63T*	YB3N4P63T*
100	63	YB3N3P100T	YB3N4P100T
125	80	YB3N3P125T	YB3N4P125T
160	100	YB3N3P160T	YB3N4P160T
200	125	YB3N3P200T	YB3N4P200T
250	160	YB3N3P250T	YB3N4P250T
YB3 Frame MCCB Thermal / Magnetic - Icu 40kA			
50	32	YB3S3P50T*	YB3S4P50T*
63	40	YB3S3P63T*	YB3S4P63T*
100	63	YB3S3P100T	YB3S4P100T
125	80	YB3S3P125T	YB3S4P125T
160	100	YB3S3P160T	YB3S4P160T
200	125	YB3S3P200T	YB3S4P200T
250	160	YB3S3P250T	YB3S4P250T

* 50A and 63A YB3 Frame MCCBs have fixed magnetic overload.



Loadline MCCB YB3 Frame enclosure

Main features

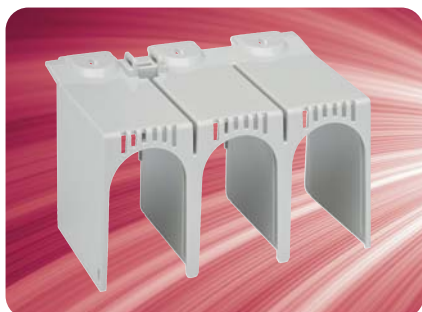
- To house YB3 MCCB up to 250A with metering facility
- Enclosure allows for DIN-rail multi-function meter and/or earth leakage device (ELRP/S-24/240)
- 3-in-1 and core balanced current transformers integrally housed.
- Meets the requirements of EN 60947-2 and EN 61439-1
- IP3X Ingress protection
- Height = 689.4mm, Width = 300mm and Depth = 115mm
- Meter mounting plate LLGPMP required for DIN-rail meter installation

Description	Product Code	Matching CT
YB3 MCCB enclosure	LLGPYB3	N/A
Meter mounting plate	LLGPMP	N/A
DIN-rail multi-function meter with pulse and Modbus	Ri3-01	M3N1-35 range
Earth Leakage Relay Device	ELRP/S-24/240	CBT-94F-035
Neutral Link (if required)	YA3NL	N/A



Circuit Protection

Loadline MCCB YB3 Frame accessories



Description	3 pole Product Code	4 pole Product Code
Cable Clamps		
YB3 Cable clamps (120mm ² cable)	YB3CC3P	YB3CC4P
Extension Terminals		
YB3 Flat extension terminals (Straight type)	YB3XT3P	YB3XT4P
YB3 Flat extension terminals (Spread type)	YB3XTS3P	YB3XTS4P
Rear Terminals		
YB3 Rear terminals	YB3RT3P	YB3RT4P
Motors and Interlocks		
YB3 Motor actuator 100-110V AC	Standard YB3MA110	With Auto Reset YB3MA110R
YB3 Motor actuator 200-220V AC	YB3MA220	YB3MA220R
YB3 Motor actuator 230-240V AC	YB3MA240	YB3MA240R
YB3 Motor actuator 24V DC	YB3MA24DC	YB3MA24DCR
YB3 Motor actuator 48V DC	YB3MA48DC	YB3MA48DCR
YB3 Motor actuator 100-110V DC	YB3MA110DC	YB3MA110DCR
Slide Interlock		
YB3 Slide interlock for front/rear connections	YB3MS3P	YB3MS4P
Rotary Handles		
YB3 Panel mounted IP54 rotary handle for 453mm panel depth	YB3RH453	YB3RH453
Castell cam for panel mounted rotary handle	YABCLCAM	YABCLCAM
Terminal Protection		
YB3 Terminal shroud for cable lugs	YB3TS3P	YB3TS4P
YB3 Terminal cover for rear terminals	YB3TC3P	YB3TC4P
YB3 Terminal shroud for cable clamps	YB3TS3PS	YB3TS4PS
YB3 Interphase barrier (Set of 1)	YB3TB	YB3TB
YB Terminal shroud cover lock *	YB3TSCL	YB3TSCL
YB1 (1, 3 and 4-pole) & YB3 (3 & 4-pole) Handle lock *	YBDL1	YBDL1
Auxiliary and Alarm Switches		
YB Auxiliary changeover switch (AC 250/0.1A and DC 125V/0.4A) *	YBAUX1	YBAUX1
YB Alarm trip indicator changeover switch (AC 250/0.1A and DC 125V/0.4A) *	YBAL	YBAL
Shunt Trips		
YB Shunt trip 100-120V AC *	YBST120AC	YBST120AC
YB Shunt trip 200-240V AC *	YBST240AC	YBST240AC
YB Shunt trip 380-450V AC *	YBST450AC	YBST450AC
YB Shunt trip 24V DC *	YBST24DC	YBST24DC
YB Shunt trip 48V DC *	YBST48DC	YBST48DC
YB Shunt trip 100-120V DC *	YBST120DC	YBST120DC
YB Shunt trip 200-240V DC *	YBST240DC	YBST240DC
Under-voltage Release		
YB Under-voltage release 100-120V AC *	YBUVR120AC	YBUVR120AC
YB Under-voltage release 200-240V AC *	YBUVR240AC	YBUVR240AC
YB Under-voltage release 380-450V AC *	YBUVR450AC	YBUVR450AC
YB Under-voltage release 24V DC *	YBUVR24DC	YBUVR24DC
YB Under-voltage release 100-120V DC *	YBUVR120DC	YBUVR120DC
YB Under-voltage release 200-240V DC *	YBUVR240DC	YBUVR240DC

Note: Please be advised that MCCBs can be fitted with either a shunt trip or an under-voltage release device; however the MCCB cannot house both of these together.

* Common accessories for YB1 and YB3 frame MCCBs.

Loadline MCCB

YA5 Frame

Main Features

- Exceeds the requirements of EN 60947-2
- Thermal/magnetic MCCBs have adjustable long time and instantaneous trip functions
- Long time overload adjusts to $1 \times I_n$, $0.8 \times I_n$ and $0.63 \times I_n$ for thermal / magnetic devices
- Long time overload adjusts between $1 \times I_n$ and $0.4 \times I_n$ for electronic devices
- Electronic MCCBs have adjustable long time, short time and instantaneous trip functions
- Electronic MCCBs are utilisation category B and are specifically intended for discrimination
- Ultimate breaking capacities are 25kA, 50kA, 65kA and 70kA electronic at 415V AC
- Maximum cable termination is 240mm² with cable clamps (optional accessory)
- Maximum cable termination is 185mm² with M10 reduced palm width cable lugs
- Rated insulation voltage is 800V AC (Ui)
- Extension terminals should be ordered separately if required
- Standard cable termination is 95mm² with M10 lugs

Current Rating (A)		3-pole Product Code	4-pole Product Code
Max (A)	Min (A)		
Switch Disconnector			
400	-	YA5B3P400D	YA5B4P400D
YA5 Frame MCCB Thermal / Magnetic - Icu 25kA			
250	157	YA5N3P250T	YA5N4P250T
400	252	YA5N3P400T	YA5N4P400T
YA5 Frame MCCB Thermal / Magnetic - Icu 50kA			
250	157	YA5H3P250T	YA5H4P250T
400	252	YA5H3P400T	YA5H4P400T
YA5 Frame MCCB Thermal / Magnetic - Icu 65kA			
250	157	YA5J3P250T	YA5J4P250T
400	252	YA5J3P400T	YA5J4P400T
YA5 Frame MCCB Electronic - Icu 70kA			
250	100	YA5K3P250E	YA5K4P250E
400	160	YA5K3P400E	YA5K4P400E



Loadline MCCB

YA5 Frame enclosure

Main features

- To house YA5 MCCB up to 400A with metering facility
- Enclosure allows for DIN-rail multi-function meter and/or earth leakage device (ELRP/S-24/240)
- 3-in-1 and core balanced current transformers integrally housed.
- Meets the requirements of EN 60947-2 and EN 61439-1
- IP3X Ingress protection
- Height = 843.2mm, Width = 360mm and Depth = 157.50mm
- Metering achieved via meter mounting plate LLGPMP

Description	Product Code	Matching CT
YA5 MCCB enclosure	LLGPYA5	N/A
Meter mounting plate	LLGPMP	N/A
DIN-rail multi-function meter with pulse and Modbus	Ri3-01	M3N1-45 range
Earth Leakage Relay Device	ELRP/S-24/240	CBT-94F-070
Neutral Link (if required)	YA5NL	N/A



Loadline MCCB YA5 Frame accessories



Description	3 pole Product Code	4 pole Product Code
Cable Clamps		
YA5 Cable clamps set	YA5CC3P	YA5CC4P
Terminals and Protection		
YA5 Terminal shroud for spread type extension terminals and cable lugs	YA5TS3P	YA5TS4P
YA5 Interphase barrier (1 off)	YA5TB	YA5TB
YA5 Terminal cover for cable clamps	YA5TC3P	YA5TC4P
YA5 Rear terminals	YA5RT3P	YA5RT4P
YA5 Spread type extension terminals	YA5XT3P	YA5XT4P
Plug-in Units		
YA5 Plug-in MCCB conversion	YA5PT3P	YA5PT4P
YA5 Plug-in base	YA5PB3P	YA5PB4P
YA5 Plug-in base extension terminals	YA5PXT3P	YA5PXT4P
YA5 Plug-in base right angle terminals	YA5PRA3P	YA5PRA4P
Accessories		
YA5 Dolly lock	YA5DL	YA5DL
YA5 Neutral link	YA5NL	YA5NL
YA5 Panel mounted rotary handle for maximum 456mm panel depth	YA5RH456	YA5RH456
Castell cam for panel mounted rotary handle	YABCLCAM	YABCLCAM
Shunt Trips		
YA Frame 100-120V AC	YAST115AC	YAST115AC
YA Frame 200-240V AC	YAST240AC	YAST240AC
YA Frame 380-450V AC	YAST450AC	YAST450AC
YA Frame 24V DC	YAST24DC	YAST24DC
Auxiliary and Alarm Switches		
YA Auxiliary changeover switch (AC 240V/3A, DC 125V/0.4A)	YAAUX1	YAAUX1
YA Alarm trip indicator changeover switch (AC 240V/3A, DC 125V/0.4A)	YAAL	YAAL
Under-voltage Release		
YA Frame Under-voltage release 100-120V AC	YAUVR120AC	YAUVR120AC
YA Frame Under-voltage release 200-240V AC	YAUVR240AC	YAUVR240AC
YA Frame Under-voltage release 380-450V AC	YAUVR450AC	YAUVR450AC
YA Frame Under-voltage release 24V DC	YAUVR24DC	YAUVR24DC
Motors and Interlocks		
YA5 Motor actuator 100-110V AC	YA5MA110	YA5MA110
YA5 Motor actuator 200-240V AC	YA5MA240	YA5MA240
YA5 Mechanical interlock, link type for RHS MCCB	YA5MLR	YA5MLR
YA5 Mechanical interlock, link type for LHS MCCB	YA5ML3PL	YA5ML4PL
YA5 Mechanical interlock, manual slide type	YA5MS3P	YA5MS4P
YA5 Mechanical interlock, wire type mechanism (1 required per MCCB)	YA5MW	YA5MW

Note: Please be advised that MCCBs can be fitted with either a shunt trip or an under-voltage release device; however the MCCB cannot house both of these together.

Loadline MCCB

YA6 Frame

Main Features

- Exceeds the requirements of EN 60947-2
- Thermal/magnetic MCCBs have adjustable long time and instantaneous trip functions
- Long time overload adjusts to $1 \times I_n$, $0.8 \times I_n$ and $0.63 \times I_n$ for thermal / magnetic devices
- Long time overload adjusts between $1 \times I_n$ and $0.4 \times I_n$ for electronic devices
- Electronic MCCBs have adjustable long time, short time and instantaneous trip functions
- Electronic MCCBs are utilisation category B and are specifically intended for discrimination
- Ultimate breaking capacities available are 50kA and 70kA at 415Vac for thermal/magnetic MCCBs
- Ultimate breaking capacities available are 50kA and 70kA at 415Vac for electronic MCCBs
- Maximum cable termination is 300mm² with reduced palm width cable lugs
- Rated operational voltage is 690V AC (Ue)
- Rated insulation voltage is 800V AC (Ui)
- Extension terminal bars to be ordered separately when not used with Dorman Smith enclosures.

Current Rating (A)		3-pole Product Code	4-pole Product Code
Max (A)	Min (A)		
Switch Disconnecter			
400	Fixed	YA6B3P400D	YA6B4P400D
800	Fixed	YA6B3P800D	YA6B4P800D
YA6 Frame MCCB Thermal / Magnetic - Icu 50kA			
400	Fixed	YA6H3P400T	YA6H4P400T
630	400	YA6H3P630T	YA6H4P630T
800	500	YA6H3P800T	YA6H4P800T
YA6 Frame MCCB Thermal / Magnetic - Icu 70kA			
630	400	YA6K3P630T	YA6K4P630T
800	500	YA6K3P800T	YA6K4P800T
YA6 Frame MCCB Electronic - Icu 50kA			
630	252	YA6H3P630E	YA6H4P630E
800	320	YA6H3P800E	YA6H4P800E
YA6 Frame MCCB Electronic - Icu 70kA			
630	252	YA6K3P630E	YA6K4P630E
800	320	YA6K3P800E	YA6K4P800E



Ground fault protection is available on electronic MCCBs. To specify Ground Fault please add a "G" to the end of the product code e.g. YA6H3P800EG.

Loadline MCCB

YA6 Frame enclosure

Main features

- To house YA6 MCCB up to 630A with metering facility
- Enclosure allows for DIN-rail multi-function meter and/or earth leakage device (ELRP/S-24/240)
- 3-in-1 and core balanced current transformers integrally housed.
- Meets the requirements of EN 60947-2 and EN 61439-1
- IP3X Ingress protection
- Height = 1168mm, Width = 460mm and Depth = 157.50mm
- Metering achieved via meter mounting plate LLGPMP

Description	Product Code	Matching CT
Y6/YA6 MCCB enclosure	LLGPYA6	N/A
Meter mounting plate	LLGPMP	N/A
DIN-rail multi-function meter with pulse and Modbus	Ri3-01	M93L single CT range
Earth Leakage Relay Device	ELRP/S-24/240	CBT-94F-105
Neutral Link (if required)	Y6NL	N/A



Loadline MCCB YA6 Frame accessories



Description	3-pole Product Code	4-pole Product Code
Terminals and Protection		
YA6 Terminal shroud for cable lugs	YA6TS3P	YA6TS4P
YA6 Interphase barrier (1 Off)	YA5TB	YA5TB
YA6 Rear terminals	YA6RT3P	YA6RT4P
400/630A YA6 Extension terminals (1 set required for each end of MCCB)	YA6XT3P630	YA6XT4P630
800A YA6 Extension terminals (1 set required for each end of MCCB)	YA6XT3P800	YA6XT4P800
Accessories		
YA6 Handle lock	YA5DL	YA5DL
YA6 Handle Extension	YA6HE	YA6HE
YA6 Castell * locking cam for panel mounted rotary handle	YABCLCAM	YABCLCAM
YA6 Neutral link	Y6NL	Y6NL
YA6 Panel mounted rotary handle for 456mm panel depth	YA6RH456	YA6RH456
Shunt Trips		
YA6 Shunt trip 100-120V AC	YASTI15AC	YASTI15AC
YA6 Shunt trip 200-240V AC	YAST240AC	YAST240AC
YA6 Shunt trip 380-450V AC	YAST450AC	YAST450AC
YA6 Shunt trip 24V DC	YAST24DC	YAST24DC
YA6 Shunt trip 48V DC	YAST48DC	YAST48DC
YA6 Shunt trip 100-120V DC	YASTI20DC	YASTI20DC
YA6 Shunt trip 200-240V DC	YAST240DC	YAST240DC
Auxiliary and Alarm Switches		
YA6 3 terminal changeover auxiliary switch that indicates ON or OFF status of the MCCB. 3A resistive load or 2A inductive load at 240Vac 0.4A resistive load or 0.05 inductive load at 125Vdc.	YAAUX1	YAAUX1
YA6 3 terminal changeover alarm switch that indicates TRIP status of the MCCB. 3A resistive load or 2A inductive load at 240Vac 0.4A resistive load or 0.05 inductive load at 125Vdc.	YAAL	YAAL
Under-voltage Release		
YA6 Frame Under-voltage release 100-110V AC	YA6UVR110AC	YA6UVR110AC
YA6 Frame Under-voltage release 200-240V AC	YA6UVR240AC	YA6UVR240AC
YA6 Frame Under-voltage release 380-415V AC	YA6UVR415AC	YA6UVR415AC
YA6 Frame Under-voltage release 24V DC	YA6UVR24DC	YA6UVR24DC
Motors and Interlocks		
YA6 Motor actuator 100-240 AC	YA6MA240	YA6MA240
YA6 Motor actuator with auto reset 200-240V AC	YA6MA240R	YA6MA240R
YA6 Slide type interlock (one between two MCCBs)	YA6MS3P	YA6MS4P
YA6 Link type Interlock for right hand MCCB	YA6MLR	Y6MR4PYA6MLR
YA6 Link type Interlock for left hand MCCB	YA6ML3PL	YA6ML4PL
YA6 Wire type Interlock (one for each MCCB)	YA6MW	YA6MW
YA6 Wire interlock Cable 1 metre long	YAMWC1	YAMWC1
YA6 Wire interlock Cable 1.5 metre long	YAMWC2	YAMWC2

Note: Please be advised that MCCBs can be fitted with either a shunt trip or an under-voltage release device; however the MCCB cannot house both of these together.

* Castell is a trademark of Castell Safety International limited.

Loadline MCCB YA7 Frame

Main Features

- Exceeds the requirements of EN 60947-2
- Electronic MCCBs have adjustable long, short and instantaneous trip functions
- Long time overload adjusts between 1 x In and 0.4 x In for electronic devices
- Electronic MCCBs are utilisation category B and are specifically intended for discrimination
- Ultimate breaking capacities available are 50kA and 70kA at 415V AC for electronic MCCBs
- Maximum cable termination is 300mm² with reduced palm width cable lugs
- Rated operational voltage is 690V AC (Ue)
- Rated insulation voltage is 800V AC (Ui)

Current Rating (A)		3-pole Product Code	4-pole Product Code
Max (A)	Min (A)		
Switch Disconnecter			
1250	-	YA7B3P1250D	YA7B4P1250D
YA7 Frame MCCB Electronic - Icu 50kA			
1250	500	YA7H3P1250E	YA7H4P1250E
YA7 Frame MCCB Electronic - Icu 70kA			
1250	500	YA7K3P1250E	YA7K4P1250E

Ground fault protection is available on electronic MCCBs. To specify Ground Fault required please add a "G" to the end of the product code e.g. YA7H3P1250EG



Loadline MCCB YA8 Frame

Main features

- Exceeds the requirements of EN 60947-2
- Electronic MCCBs have adjustable long time, short time and instantaneous trip functions
- Long time overload adjusts between 1 x In and 0.4 x In for electronic devices
- Electronic MCCBs are utilisation category B and are specifically intended for discrimination
- Ultimate breaking capacities available are 50kA and 85kA at 415V AC for electronic MCCBs
- Maximum cable termination is 300mm² with reduced palm width cable lugs
- Rated operational voltage is 690V AC (Ue)
- Rated insulation voltage is 800V AC (Ui)

Current Rating (A)		Type	3-pole Product Code	4-pole Product Code	
Max (A)	Min (A)				
Switch Disconnecter					
1600	1600	-	Front Terminals	YA8B3P1600D	YA8B4P1600D
1600	1600	-	Rear Terminals	YA8B3P1600DR	YA8B4P1600DR
YA8 Frame MCCB Electronic - 50kA					
1600	1600	640	640 Front Terminals	YA8H3P1600E	YA8H4P1600E
1600	1600	640	640 Rear Terminals	YA8H3P1600ER	YA8H4P1600ER
YA8 Frame MCCB Electronic - Icu 85kA					
1600	1600	640	Front Terminals	YA8K3P1600E	YA8K4P1600E
1600	1600	640	Rear Terminals	YA8K3P1600ER	YA8K4P1600ER

Ground fault protection is available on electronic YA8 frame MCCBs. To specify ground fault please add "G" after the letter "E" in the product code e.g. YA8H3P1600EG and YA8H3P1600EGR.



Loadline MCCB YA7 and YA8 Frame accessories



Description	3-pole Product Code	4-pole Product Code
Terminals and Protection		
YA7 Terminal shroud for cable lugs	YA7TS3P	YA7TS4P
YA7 / YA8 Interphase barrier (1 off)	YA5TB	YA5TB
Accessories		
YA7 / YA8 Handle lock	YA7DL	YA7DL
Castell * locking cam for panel mounted rotary handle	YABCLCAM	YABCLCAM
YA7 Neutral Link	Y7NL	Y7NL
YA7 Panel mounted rotary handle for 513mm panel depth	YA7RH513	YA7RH513
Y8 Panel mounted rotary handle for 532mm panel depth	YA7RH513	YA7RH513
Shunt Trips		
YA7 / YA8 Frame 100-120V AC	YA7ST120AC	YA7ST120AC
YA7 / YA8 Frame 200-240V AC	YA7ST240AC	YA7ST240AC
YA7 / YA8 Frame 24V DC	YA7ST24DC	YA7ST24DC
Auxiliary and Alarm Switches		
YA7 / YA8 3 terminal changeover auxiliary switch that indicates ON or OFF status of the MCCB. 3A resistive load or 2A inductive load at 240Vac 0.4A resistive load or 0.05 inductive load at 125Vdc.	YAAUX1	YAAUX1
YA7 / YA8 3 terminal changeover alarm switch that indicates TRIP status of the MCCB. 3A resistive load or 2A inductive load at 240Vac 0.4A resistive load or 0.05 inductive load at 125Vdc.	YAAL	YAAL
Under-voltage Release		
YA7 / YA8 Under-voltage release 100-110V AC	YA6UVR110AC	YA6UVR110AC
YA7 / YA8 Under-voltage release 230-240V AC	YA6UVR240AC	YA6UVR240AC
YA7 / YA8 Under-voltage release 380-415V AC	YA6UVR415AC	YA6UVR415AC
YA7 / YA8 Under-voltage release 24V DC	YA6UVR24DC	YA6UVR24DC
YA7 / YA8 Under-voltage release 100-120V DC	YA6UVR120DC	YA6UVR120DC
YA7 / YA8 Under-voltage release 200-240V DC	YA6UVR240DC	YA6UVR240DC
Motors and Interlocks		
YA7 / YA8 Motor actuator 100-115V AC	YA7MA115	YA7MA115
YA7 / YA8 Motor actuator 200-230V AC	YA7MA230	YA7MA230
YA7 / YA8 Motor actuator 240V AC	YA7MA240	YA7MA240
YA7 / YA8 Slide type interlock (one between two MCCBs)	YA7MS3P	YA7MS4P

Loadline MCCB YA7 Frame enclosure

Main features

- To house YA7 MCCB up to 1000A with metering facility
- Enclosure allows for DIN-rail multi-function meter and/or earth leakage device (ELRP/S-24/240)
- Single and core balanced current transformers integrally housed.
- Meets the requirements of EN 60947-2 and EN 61439-1
- IP3X Ingress protection
- Height = 1273mm, Width = 500mm and Depth = 210mm
- Metering achieved via meter mounting plate LLGPMP

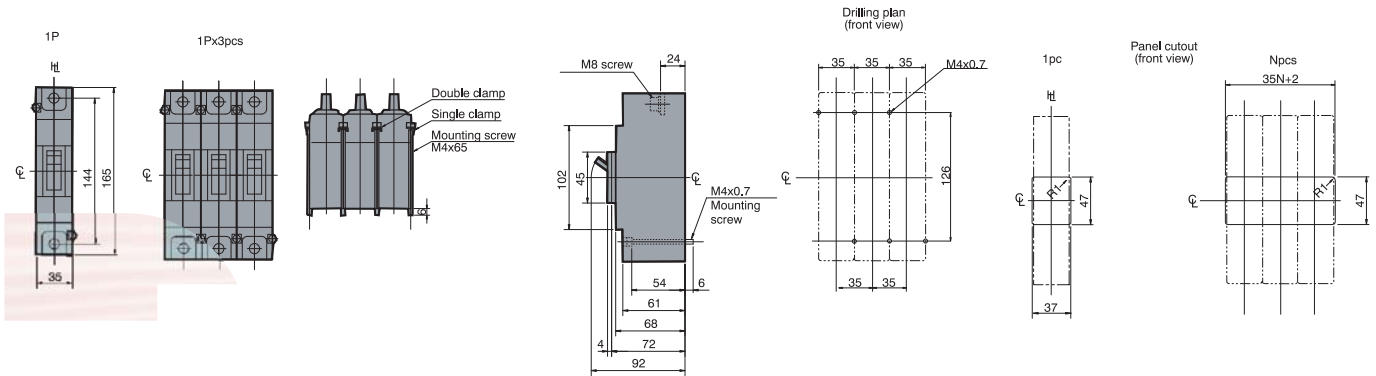
Description	Product Code	Matching CT
YA7 MCCB enclosure	LLGPA7	N/A
Meter mounting plate	LLGPMP	N/A
DIN-rail multi-function meter with pulse and Modbus	Ri3-01	MR-85 single CT range
Earth Leakage Relay Device	ELRP/S-24/240	CBT-94F-140
Neutral Link (if required)	Y7NL	N/A

Loadline MCCB

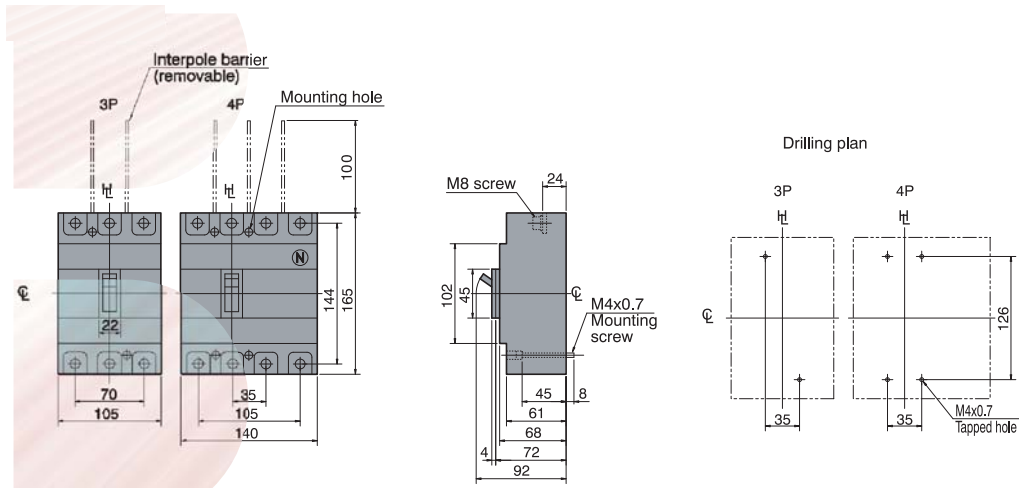
YA3 1-pole, YA3 3-pole and 4-pole dimensions

Dimensions

YA3 1-pole



YA3 3 and 4-pole



MCCB

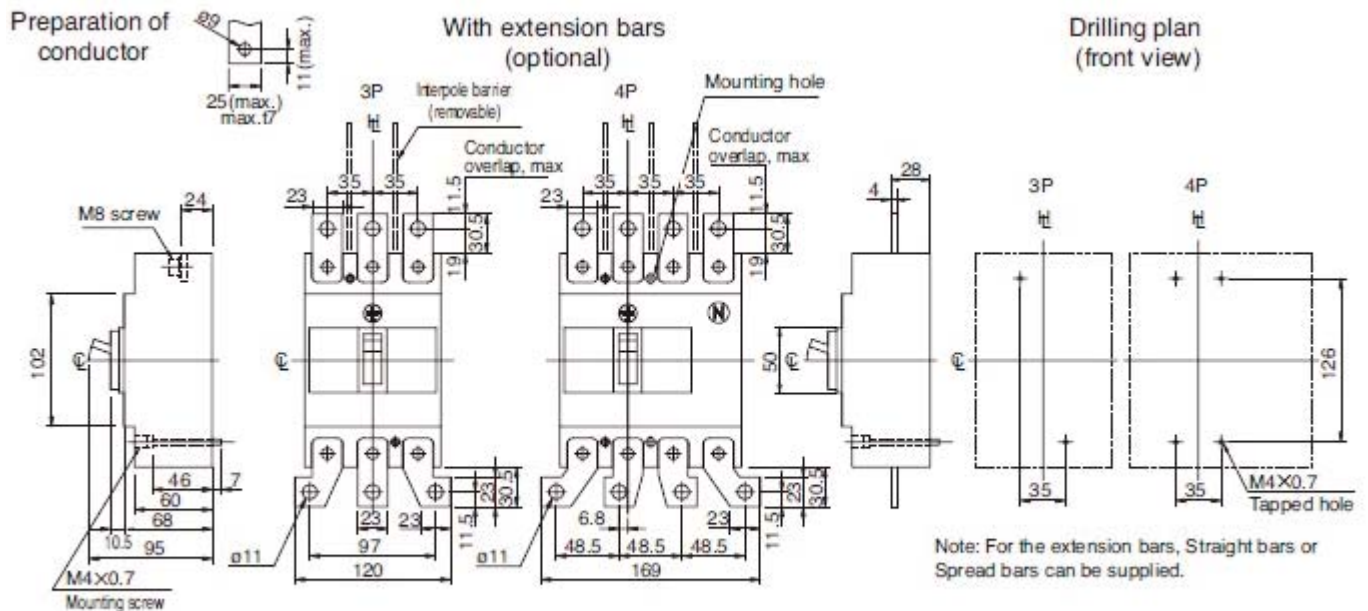
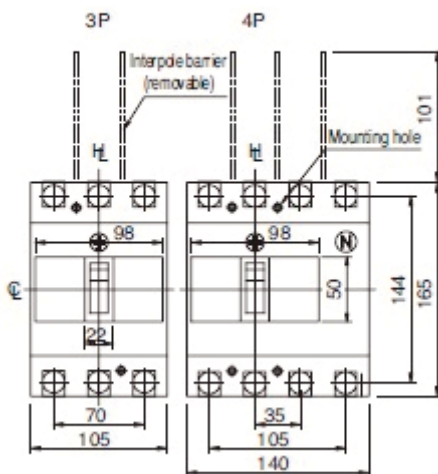
YB3 3-pole and 4 pole dimensions

Circuit Protection

Dimensions

YB3 3-pole and 4-pole

Front connected

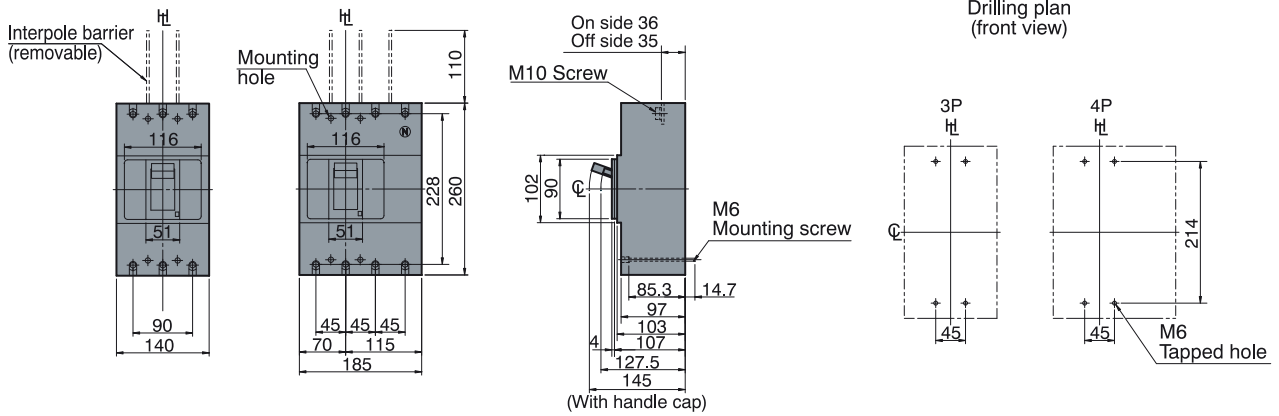


Loadline MCCB YA5 and YA6 3-pole and 4-pole dimensions

Circuit Protection

Dimensions

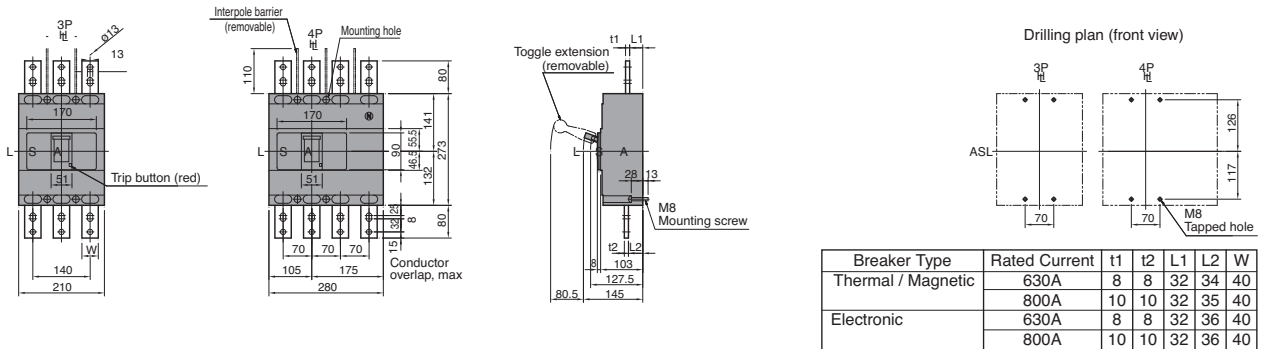
YA5 3 and 4-pole



Dimensions

YA6 3 and 4 pole

Front connected with extension bars (optional)



Extension terminal bars are supplied as standard with all Dorman Smith enclosures.

Handle extension YA6HE is available as an optional accessory for this device.

Type II, Class II Surge Protection DSPM Range

Main Features

- Type II Class II surge suppression device
- Meets the requirements of EN 62305-4:2006 and EN 61643-11/12
- DIN-rail mountable to EN 50022
- Replacement plug-in modules available
- Protection status indication
- Ingress protection rating of IP20
- Remote indication option available

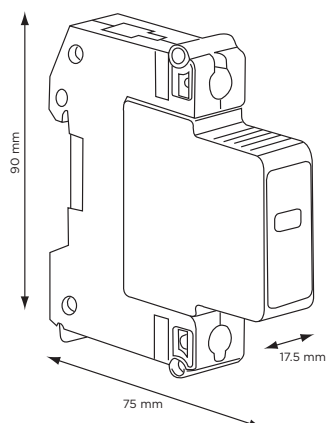


Description	Width (mm)	Product Code
40kA 1-phase with neutral/earth module	35	DSPM1PN
40kA 1-phase with neutral/earth module and remote indication	35	DSPM1PNR
40kA 3-phase with neutral/earth module	70	DSPM3PN
40kA 3-phase with neutral/earth module and remote indication	70	DSPM3PNR
40kA 1-phase (no neutral/earth module)	17.5	DSPM1P
40kA 3-phase (no neutral/earth module)	52.5	DSPM3P
MOV replacement plug-in for phase module	17.5	DSPML
MOV replacement plug-in for neutral/earth module	17.5	DSPMNE

Specification

Description	Product Code
Surge handling capability (8/20ms)	40kA
Surge protection technology	MOV
Nominal voltage rating	1-phase at 230V rms 3-phase at 415V rms
Maximum continuous operating voltage	1-phase is 200-300V 3-phase is 380-515V
Frequency	48-62 Hz
Maximum current rating	Not applicable as parallel connection
Nominal discharge current, I_n (8/20ms)	40kA
Maximum surge current handling, I_{max} (8/20ms)	40kA
Response time	<10ns
Short-circuit withstand capability	40kA with maximum backup fuse (100A gL/gG)
Thermal overload protection	120°C
Nominal power consumption	<10mA
Operating temperature	-40°C to +70°C
Protection at 5kA, U_p (8/20ms)	<1100V peak
Protection at I_{max} (8/20ms)	<1600V peak
Replaceable modules	2 pin plug-in modules available
Protection status indication	Mechanical flag mechanism: Green = Full protection Red = No protection
Remote status indication option	Hard wired
Remote indication connections	Volt free N/O or N/C contacts
Terminals	Base = 16-35mm ² Remote indicator = 2.5mm ² maximum
Remote signalling terminals	230V rms 1A; 30V DC 2A
Module and base material	Flame retardant ABS
Device style	35mm ² Din-rail mounted to EN 50022
Category classification EN 61643-11	SPD Type 2
Ingress Protection rating	IP20

Dimensions



Note: It is recommended that this surge suppression device be installed on the load side of a 63A MCCB or 63A Type C MCB (if fault level permits) for protection.

Type II, Class II Surge Protection DSPE Range

Surge Suppression

Main Features

- Type II Class II surge suppression device
- Meets the requirements of EN 62305-4:2006 and EN 61643-11/12
- Low “let through” voltage of 600V
- Two stage (redundant) protection with pre-failure indication
- Full protection status with remote signalling
- Remote monitoring version available with 1 metre cable
- Easy installation and field serviceability
- Compact size and footprint

Description	Product Code
30kA 2-Stage, 3-pole surge protector	DSPE600
30kA 2-Stage, 3-pole surge protector with remote terminals and monitoring unit	DSPE600R
30kA 2-Stage, 3-pole surge protector with auxiliary contact	DSPE600N

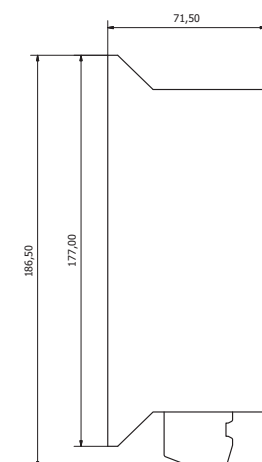
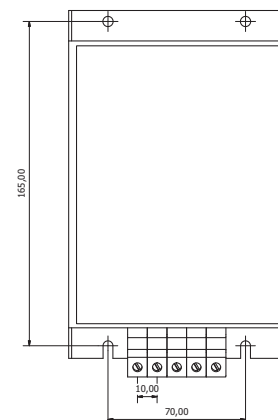


Specification

Description	Product Code
Voltage rating (Nominal), Un	400V rms
Maximum continuous operating voltage, Uc	L-N 200-300V rms L-L 350-500V rms
Maximum load current rating	Unlimited (parallel connection)
Maximum surge current (8/20ms)	30kA per phase
Response time	<10ns
Power consumption (nominal)	18mA per phase
Leakage current to earth	600mA
Terminals	Line, neutral & earth is 16mm ² (maximum) Remote signalling is 2.5mm ² (maximum)
Remote signalling terminals	Rated at 230V rms, 0.2A or 30V DC 2A
Operating temperature	-40°C to +70°C
LED status indication	Green = Full protection Red & Green = Reduced protection Red = No protection
Site fault condition indicator	Red – Lit or flashing means check Neutral / Earth supply
Case	Steel – Epoxy paint
Type according to BS EN 61643-11	SPD Type 2
Dimensions	Height = 176mm Width = 110mm Depth = 72mm
Weight	1.11 kgs

Note: It is recommended that this surge suppression device be installed on the load side of a 63A MCCB or 63A Type C MCB (if fault level permits) for protection.

Dimensions



Type I, Class I or Type II, Class II Surge Protection, DSPT Range

Main features

- Type I Class I surge suppression device
- Meets the requirements of EN 62305 and EN 61643-1
- Remote terminals fitted as standard



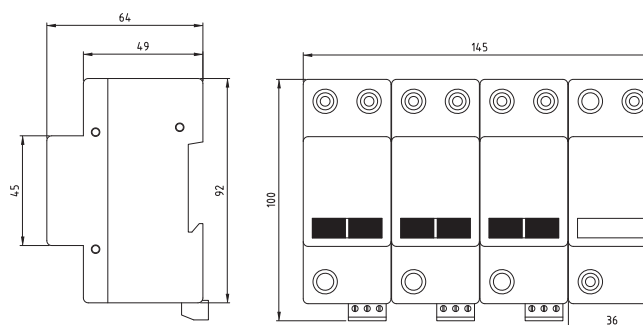
Description	Product Code
1-phase & neutral, 25kA L-N, 25kA surge protector	DSPT1PN
3-phase & neutral, 25kA L-N, 100kA surge protector	DSPT3PN

Specification

Parameter	1-phase & neutral	3-phase & neutral
Maximum continuous operating voltage (Uc)	275V AC rms	275V AC rms
Temporary overvoltage (Ut), L-N	335V / 5 seconds	335V / 5 seconds
Temporary overvoltage (Ut), N-PE	1200V / 0.2 seconds	1200V / 0.2 seconds
Response time L-N	<25ns	<25ns
Response time N-PE	<100ns	<100ns
Maximum backup fuse	315A gL/gG	315A gL/gG
Maximum backup fuse when 'V' connected	63A gL/gG	63A gL/gG
Short-circuit withstand capability at maximum backup fuse (Ip)	80kA rms	80kA rms
Lightning impulse current 10/350ms, L-N (Iimp)	12.5kA	25kA
• Charge (Q)	6As	12.5As
• Specific energy (W/R)	36kJ/Ω	156kJ/Ω
Lightning impulse current 10/350ms, N-PE (Iimp)	25kA	100kA
• Charge (Q)	12.5As	50As
• Specific energy (W/R)	156kJ/Ω	2500kJ/Ω
Total lightning current, 10/350ms (Itotal), L1, L2, L3, N-PE	25kA	100kA
Maximum discharge current, 8/20ms, (Imax), L-N	90kA	120kA
Maximum discharge current, 8/20ms, (Imax), N-PE	50kA	120kA
Nominal discharge current, 8/20ms (In)	25kA	50kA
Voltage protection level at Iimp (Up)	<1.2kV	<1.2kV
Dimensions	Height = 100mm Depth = 64mm Width = 72mm	Height = 100mm Depth = 64mm Width = 145mm

Note: It is recommended that this surge suppression device be installed on the load side of a 63A MCCB or 63A Type C MCB (if fault level permits) for protection.

Dimensions



Switch Disconnectors, Timers and Contactors

Modular Devices

Main Features

- Exceeds the requirements of EN 60947-3
- Maximum cable termination is 50mm²
- Duty category of AC22
- For installation of a 4-pole device as an incoming device for a Loadlimiter 63 TP&N distribution board then an additional connection kit is required with product code DBXCKR.

Current Rating (A)	No of Poles	Product Code
100	2	AV2100
100	3	AV3100
100	4	AV4100
125	2	AV2125
125	3	AV3125
125	4	AV4125



Modular Programmable Timer

Main Features

- 1 or 2 Channel
- Daily / Weekly programming options of up to 30 events per channel
- Maximum rating at 16A
- Backlit LCD easy read display
- Terminal ratings at IP20

Current Rating (A)	Width (mm)	Product Code
16A (AC7A)	35	DRT-DW2



Modular Contactors

Main Features

- Exceeds the requirements of EN 61095
- May require de-rating when used with inductive loads - please see Contactor de-rating table in the Technical Data catalogue for further information.

Current Rating (A)	No. of Poles	Width (mm)	Contact Status	Product Code
20	2	17.5	Normally Open	EE2P20CO
20	2	17.5	Normally Closed	EE2P20CC
25	4	54	Normally Open	EE4P25CO
25	4	54	Normally Closed	EE4P25CC
40	4	54	Normally Open	EE4P40CO
40	4	54	Normally Closed	EE4P40CC
63	4	54	Normally Open	EE4P63CO
63	4	54	Normally Closed	EE4P63CC
Ventilation Kit	-	9	-	LLMV *

*Ventilation module must be fitted between alternate pairs of contactors to prevent overheating.



Meters and Current Transformers

Single Current Transformers

Main features

- Meets the requirements of EN 60044-1
- Provided with plug-in metal feet for wall or base mounting and busbar option.
- DIN-clip versions available
- Up to Class 0.5 accuracy
- System voltage up to 720V
- Secondary output of 5A
- Operating temperature range from -20°C to +70°C



Additional DIN-clips are available as below:

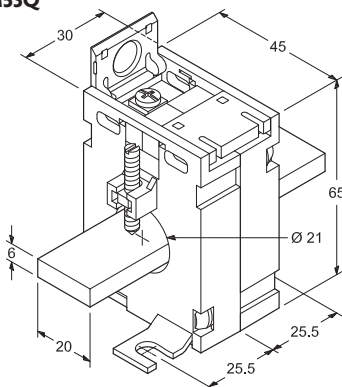
For M53Q, M53J, M63N and M93L CTs please order M30-DINCLIP (1 set required per CT).

For M55E CTs please order M50-DINCLIP (1 set required per CT).

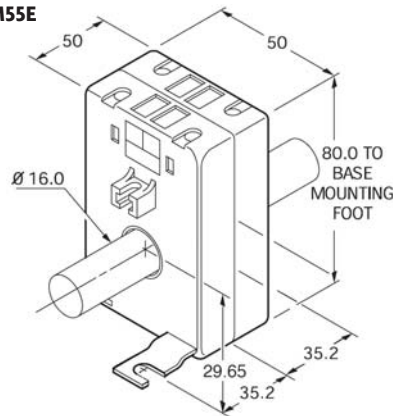
Current Rating (A)	Cable Aperture (mm)	Copper Aperture (mm)	Mounting	Product Code
100	21	Max 20 x 6	Metal plug-in feet	M53Q-100/5
125	21	Max 20 x 6	Metal plug-in feet	M53Q-125/5
30	16	Max 15 x 5	Metal plug-in feet	M55E-30/5
60	16	Max 15 x 5	Metal plug-in feet	M55E-60/5
60	16	Max 15 x 5	DIN-clip & metal plug-in feet	M55E-60/5D
100	25.6	Max 30 x 10	DIN-clip & metal plug-in feet	M53J-100/5D
125	25.6	Max 30 x 10	DIN-clip & metal plug-in feet	M53J-125/5D
200	25.6	Max 30 x 10	DIN-clip & metal plug-in feet	M53J-200/5D
250	25.6	Max 30 x 10	DIN-clip & metal plug-in feet	M53J-250/5D
400	32	Max 40 x 10	DIN-clip & metal plug-in feet	M63N-400/5D
600	32	Max 40 x 10	Metal plug-in feet	M63N-600/5
800	32	Max 40 x 10	Metal plug-in feet	M63N-800/5
400	42	Max 50 x 10 or 40 x 30	Metal plug-in feet	M93L-400/5
600	42	Max 50 x 10 or 40 x 30	Metal plug-in feet	M93L-600/5
800	42	Max 50 x 10 or 40 x 30	Metal plug-in feet	M93L-800/5

Dimensions

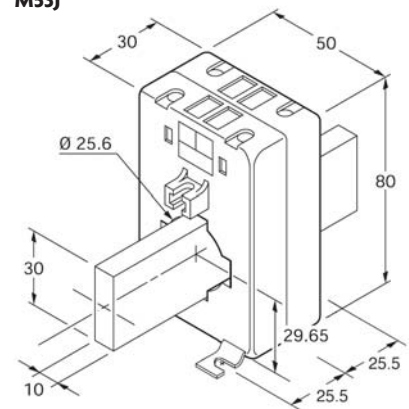
M53Q



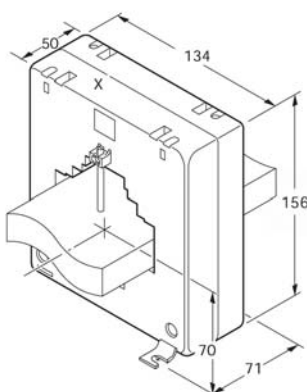
M55E



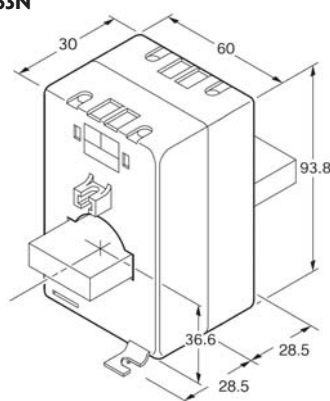
M53J



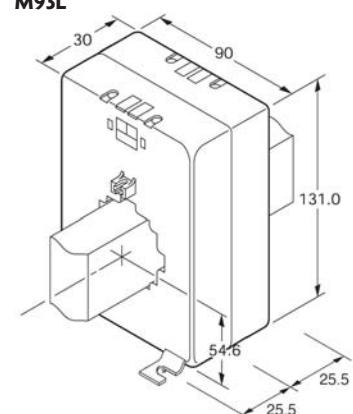
M63N



M63N



M93L



3-in-1 Current Transformers

Main Features

- Meets the requirements of EN 60044-1
- Provided with plug-in metal feet, DIN-rail clips and busbar mounting option as standard.
- Up to Class 0.5 accuracy
- System voltage up to 720V
- Secondary output of 5A
- Operating temperature range from -20°C to $+70^{\circ}\text{C}$

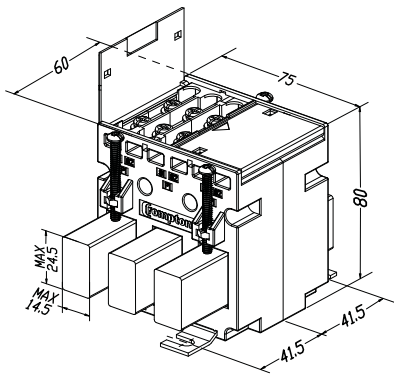
Meters and Current Transformers

Current Rating (A)	Cable Aperture (mm)	Copper Aperture (mm)	Product Code
25mm Core 3-in-1 Current Transformers			
60	50	Max 24 x 14	M3N1-25-60/5
100	50	Max 24 x 14	M3N1-25-100/5
125	50	Max 24 x 14	M3N1-25-125/5
160	50	Max 24 x 14	M3N1-25-160/5
35mm Core 3-in-1 Current Transformers			
100	95	Max 24 x 20	M3N1-35-100/5
125	95	Max 24 x 20	M3N1-35-125/5
160	95	Max 24 x 20	M3N1-35-160/5
200	95	Max 24 x 20	M3N1-35-200/5
250	95	Max 24 x 20	M3N1-35-250/5
45mm Core 3-in-1 Current Transformers			
250	150	Max 30 x 30	M3N1-45-250/5
300	150	Max 30 x 30	M3N1-45-300/5
400	150	Max 30 x 30	M3N1-45-400/5
500	150	Max 30 x 30	M3N1-45-500/5
630	150	Max 30 x 30	M3N1-45-630/5

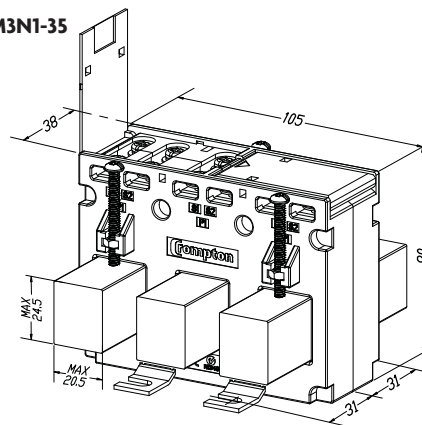


Dimensions

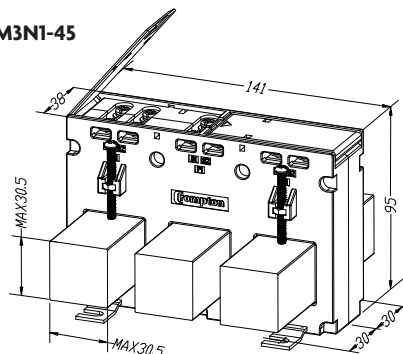
M3N1-25



M3N1-35



M3N1-45



Meters and Current Transformers

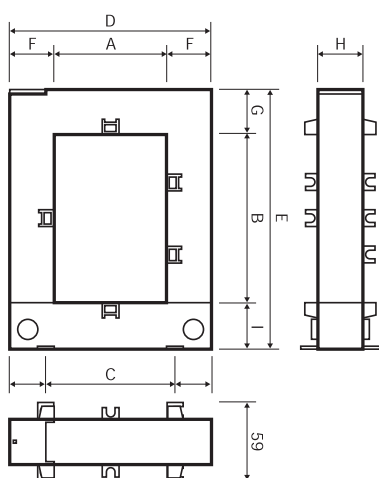
Split Core Current Transformers

Main features

- Meets the requirements of EN 60044-1
- Provided with plug-in metal feet and busbar mounting as standard.
- Up to Class 0.5 accuracy
- System voltage up to 720V
- Secondary output of 5A
- Operating temperature range from -20°C to +70°C



Dimensions



Case Size	Current Rating (A)	Burden VA against class index			Product Code
		0.5	1	3	
Case size 1	100	-	-	1.5	SC1-100/5A
Aperture 20 x 30 mm	150	-	-	2	SC1-150/5A
	200	-	1.5	2.5	SC1-200/5A
	250	-	2	4	SC1-250/5A
	250	1	2	4	SC2-250/5A
Aperture 50 x 80 mm	300	1.5	3	6	SC2-300/5A
	400	1.5	3	10	SC2-400/5A
	500	2.5	5	15	SC2-500/5A
	600	2.5	5	15	SC2-600/5A
	800	3	7.5	20	SC2-800/5A
Case Size 3	600	2.5	5	15	SC3-600/5A
Aperture 80 x 80 mm	800	3	7.5	20	SC3-800/5A
Case Size 4	1000	5	10	20	SC4-1000/5A
Aperture 80 x 120 mm	1200	6	12.5	25	SC4-1200/5A
	1250	7.5	15	30	SC4-1250/5A
	1600	8	17	30	SC4-1600/5A

Measurement	Case Size 1	Case Size 4	Case Size 3	Case Size 4
A (mm)	20	50	80	80
B (mm)	30	80	80	120
C (mm)	51	78	108	108
D (mm)	89	114	144	144
E (mm)	111	145	145	185
F (mm)	34	32	32	32
G (mm)	47	32	32	32
H (mm)	40	32	32	32
I (mm)	32	33	33	33
Weight (kgs)	0.75	0.9	1.05	1.25

Integra DL1 Dual Load Metering System

The Integra DL1 Dual Load metering system provides a cost-effective, intelligent system for measuring energy consumption in split load Power and Lighting applications. This metering system comprises of the Integra DL1 digital dual load meter, dual load 3-in-1 current transformers and RJ12 connectors and wiring looms for easy and quick installation. Designed and manufactured in the UK, the Integra DL1 digital metering system is ideal for low voltage applications and includes the programmable option to measure either a continuous busbar system or individual circuits.

Key Features

- Measurement from two 3-phase loads using a single meter
- User programmable CT ratio and meter configuration
- Built-In Modbus RTU RS485 as standard
- CTs available in 60A, 125A and 250A
- True rms measurement
- CTs supplied with 1.5mtr RJ12 wiring loom

Benefits

- Cost effective, single meter option
- CL0.5 accuracy
- Fully configurable

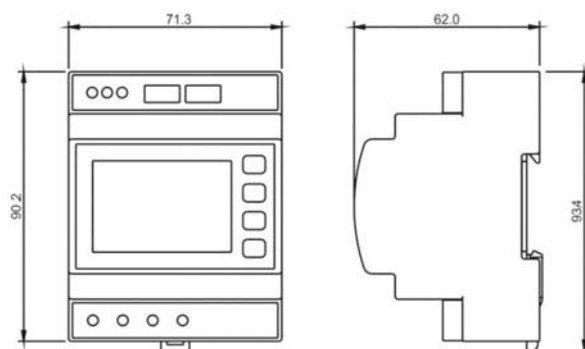
Standards

- IEC 61326
- IEC 61010-1
- IEC 62053-21
- RoHS Compliant

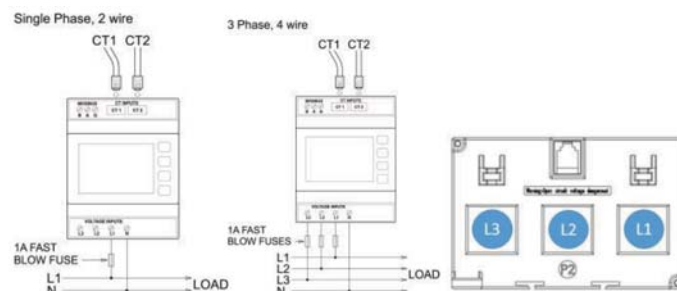
Product Code

Description	Part Number
Integra Dual Load Meter	DL1-01
Dual Load 3-in-1 35 core CT 60A / 0.1A	DL3N1-35-60-0.1
Dual Load 3-in-1 35 core CT 125A / 0.1A	DL3N1-35-125-0.1
Dual Load 3-in-1 35 core CT 250A / 0.1A	DL3N1-35-250-0.1
DIN-rail to Panel mount adaptor kit for Dual Load Meter	DR-96-4MOD

Dimensions



Installation



Meters and Current Transformers

Note: The Integra DL1 Dual Load Meter is not suitable for single phase applications.



Displayed Parameters

Power (Load 1)

- Current L1
- Current L2
- Current L3
- kW L1
- kW L2
- kW L3
- Average system Volts
- Average system Current
- Average system kWh
- kWh Import

Lighting (Load 2)

- Current L1
- Current L2
- Current L3
- kW L1
- kW L2
- kW L3
- Average system Volts
- Average system Current
- Average system kWh
- kWh Import

System

- Current L1
- Current L2
- Current L3
- Voltage L1
- Voltage L2
- Voltage L3
- Average system Volts
- Average system Current
- Average system kWh
- kWh Import – Power
- kWh Import – LighDng
- kWh Import – Total
- Frequency
- Power Factor (PF)

Meters and Current Transformers



Integra Ci3 Energy Meter

The Integra Ci3 digital metering system (dms) represents the first model of a new generation of digital metering systems designed to complement the current Crompton Instruments Integra series.

The Integra Ci3 meter is an accurate and cost effective solution for measurement and display of all major electrical and power quality parameters.

Designed, developed and manufactured in the UK, the Integra Ci3 dms builds on Crompton Instruments' long established reputation for metering product quality.

The product features a DIN 96 panel mounted enclosure, backlit LCD screen and user programmable CT ratios, all accessible via an intuitive user interface. Integra Ci3 dms measures 17 electrical parameters including total harmonic distortion (THD) up to the 31st harmonic.

Programmable Functions

Integra Ci3 dms is programmable to suit single-phase two-wire, three-phase three-wire and three-phase four-wire system configurations. Programmable CT ratios enable to display any current range.

Display

The parameters can be viewed on a backlit LCD screen. The 15 screens are accessible via four buttons on the front panel allowing to scroll between various screens making the navigation very user-friendly, intuitive and above all – simple.

Plug-in Modules

Integra Ci3 dms offers two output ports at the rear of the product, to allow the fitting of either two isolated pulsed output relays or a RS485 communication module such as Modbus® or Johnson Controls communication output. These are configurable via internal settings.

Panel Mounting

Integral retention clips allow fast, safe and secure panel mounting in various material thicknesses without the need for external screws or clips.

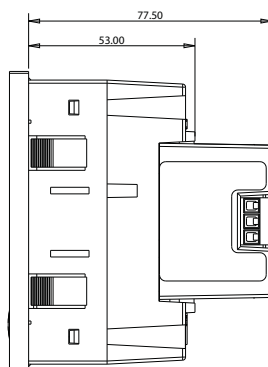
Parameters

Button	Screen	Parameters
V/Hz	1	Volts L1 - N Volts L2 - N Volts L3 - N
	2	Volts L1 - L2 Volts L2 - L3
	3	Frequency
	4	Volts L1 - N THD% Volts L2 - N THD% Volts L3 - N THD%
	5	Volts L1 - L2 THD% Volts L2 - L3 THD% Volts L3 - L1 THD%
A	1	Current L1 Current L2 Current L3
	2	Neutral current
	3	L1 Current max Demand L3 Current max Demand
	4	Neutral current max Demand
	5	Current L1 THD% Current L2 THD% Current L3 THD%
P/PPF	1	kW kVAr kVA
	2	kW Max demand
	3	Power factor
E	1	kWh
	2	kVArh

Product Code

Description	Part Number
Integra Ci3 base unit	Ci3-01
Options	
Optional plug-in pulse output module	PUL-01
Optional RS485 Modbus plug-in module	MOD-01
Accessories	
IP65 protective cover	3G36502
IP54 panel gasket	3C34501

Dimensions



Integra Ci5 Q2C Metering System

The Q2C wiring solution is a unique system that dramatically reduces the wiring and installation time using the Integra Ci5 digital metering system (DMS) and corresponding Q2C current transformers within installations by using pre-cut wiring looms with plug-in terminal connections. This system allows the installer to quickly and correctly connect the Integra Ci5 DMS and current transformer to the incoming or outgoing supply.

The system has three types of pre-cut wiring loom in various lengths to cover fuse to voltage; voltage to voltage; and CT to meter connections. The Q2C 3-in-1 current transformers are available with 25mm or 35mm core and have current ratings from 60A/5A to 250A/5A. They also feature an internal grounding/earthing facility and are supplied with DIN-rail clips and metal feet as standard.

The Integra Ci5 DMS can be used with either a single-phase or three-phase four-wire system configuration. It is fully user and CT programmable with pulsed output and RS485 Modbus RTU fitted as standard. One of the other benefits of the Integra Ci5 DMS is that it is self-powered and therefore there is no need for auxiliary power supply for display screen operation.

Key Features

- User programmable for single-phase or 3-phase 4-wire systems
- Screw-less, vibration proof and maintenance free plug-in terminal connections
- Integra Ci5 DMS with pulse output and RS485 Modbus RTU as standard
- 3-in-1 CTs with pluggable locking connector for quick installation
- Pre-cut wiring looms in required lengths
- Programmable CT ratio
- Tru rms/THD measurement
- Easy "clip-in" panel mounting

Benefits

- Reduces installation time by up to 80% versus standard methods
- Error free installation system
- UK manufactured product

Standards

- IEC 61326
- IEC 62053-21
- IEC 61010-1
- IEC60044-1
- CE Marked

Meters and Current Transformers



Meters and Current Transformers

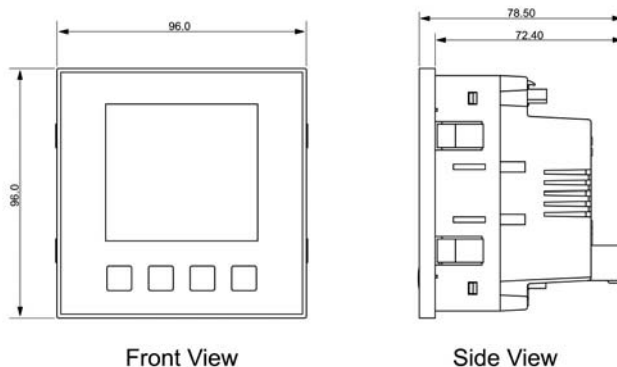
Parameters

Button	Screen	Parameters
V/Hz	1	Volts L1 – N Volts L2 – N Volts L3 – N
	2	Volts L1 – L2 Volts L2 – L3 Volts L3 – L1
	3	Frequency
	4	Volts L1 – N THD% Volts L2 – N THD% Volts L3 – N THD%
	5	Volts L1 – L2 THD% Volts L2 – L3 THD% Volts L3 – L1 THD%
A	1	Current L1 Current L2 Current L3
	2	Neutral Current
	3	L1 Current Max Demand L2 Current Max Demand
	4	L3 Current Max Demand
	5	Neutral Current Max Demand Current L1 THD% Current L2 THD% Current L3 THD%
P/PF	1	kW kVAr kVA
	2	kW Max Demand
	3	Power Factor
E	1	kWh
	2	kVArh

Product Code

Description	Part Number
CI5-01	CI5 Quick Connect Multi-function meter
QC3NI-25-60/5	60/5A Quick Connect 3 Phase Current Transformer
QC3NI-25-100/5	100/5A Quick Connect 3 Phase Current Transformer
QC3NI-25-125/5	125/5A Quick Connect 3 Phase Current Transformer
QC3NI-25-160/5	160/5A Quick Connect 3 Phase Current Transformer
QC3NI-35-100/5	100/5A Quick Connect 3 Phase Current Transformer
QC3NI-35-125/5	125/5A Quick Connect 3 Phase Current Transformer
QC3NI-35-160/5	160/5A Quick Connect 3 Phase Current Transformer
QC3NI-35-250/5	250/5A Quick Connect 3 Phase Current Transformer
QCCTM-01	CT to Meter Loom - Length 1.5 Metre
QCCTM-02	CT to Meter Loom - Length 1.25 Metre
QCCTM-03	CT to Meter Loom - Length 2.5 Metre
QCCTM-04	CT to Meter Loom - Length 0.5 Metre
QCCTO-01	Open Ended Loom CT Fixed / Open at Meter Connection - Length 1.5 Metre
QCCTO-02	Open Ended Loom CT Fixed / Open at Meter Connection - Length 0.5 Metre
QCFV-01	Fuses to Voltage Loom - Length 0.5 Metre
QCFV-02	Fuses to Voltage Loom - Length 1.0 Metre
QCMCTO-01	Open Ended Loom CT Open / Fixed at Meter Connection - Length 1.5 Metre
QCMCTO-02	Open Ended Loom CT Open / Fixed at Meter Connection - Length 0.5 Metre
QCVV-01	Voltage to Voltage Loom - Length 0.6 Metre
QCVV-02	Voltage to Voltage Loom - Length 0.9 Metre
QCVV-03	Voltage to Voltage Loom - Length 1.2 Metre

Dimensions



Front View

Side View

Integra Ri3 Digital Metering System

The product features a DIN-rail enclosure, backlit LCD display and user programmable CT ratios, all accessible via an intuitive user interface. Integra Ri3 dms measures 17 electrical parameters including total harmonic distortion (THD) measurement up to the 31st harmonic.

Specifications

Input	
Nominal input voltage	100-289V AC L-N (173-500V AC L-L)
Max. continuous input overload voltage	120% of nominal
Max. short duration input voltage	2 x range maximum (1 second application repeated 5 times at 5 minute intervals)
Nominal input voltage burden	< 0.2VA per phase
Nominal input current	5A AC rms
Max. continuous input overload current	120% of nominal
Max. short duration input current	10 x nominal (1 second application repeated 5 times at 5 minute intervals)
Nominal input current burden	< 0.6VA per phase
Frequency	45-66Hz
System CT primary values	1 to 9999
Auxiliary	
Operating range	110-400V AC nominal +/-10% (99-440V AC absolute limits) or 120-350V DC +/-20% (96-420V DC absolute limits)
Burden	< 10VA/5W
Accuracy	
Voltage (V)	0.5%
Current (A)	0.5%
Neutral current calculated (A)	4%
Frequency (Hz)	0.1 Hz
Power factor (PF)	1% of unity
Active power (W)	+/- 1% of range
Reactive power (VAr)	+/- 1% of range
Apparent power (VA)	+/- 1% of range
Active energy (kWh)	Class 1 (IEC 62053-21)
Reactive energy (kVArh)	+/- 1% of range
THD	1% up to 31st harmonic
Response time	1sec
Output	
Pulse output relay	1
Contact rating	50mA max at 250V AC
Type	Solid state relay
RS485 Modbus output module	1 Modbus channel
Type	2-wire half duplex
Baud rate	2400, 4800, 9600, 19200, 38400
Enclosure	
Enclosure style	DIN-rail
Dimensions	72x90mm (width x height) as per DIN 43880
Front protection rating	IP52
Case protection rating	IP30
Material	Polycarbonate to UL94V0
Weight	300g
Terminals	Shrouded screw-clamp 0.05-4mm wire
Environment	
Operating temperature	-10°C to +55°C
Storage temperature	-20°C to +70°C
Relative humidity	0-90% non-condensing
Shock	30g in 3 planes
Vibration	10Hz to 50Hz
Dielectric voltage	Withstand test 3.25kV rms 50Hz for 1 minute between comms and measuring inputs, comm and aux, aux and measuring inputs

Meters and Current Transformers



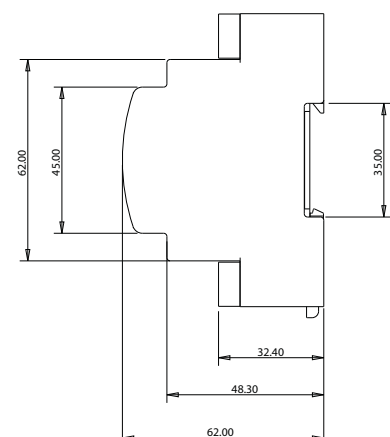
Features

- DIN-rail enclosure DIN 43880
- Backlit LCD screen
- Programmable CT ratio
- True rms measurement
- User programmable system configuration
- Pulsed output and Modbus as standard

Benefits

- Cost effective
- Simple navigation
- Crompton renowned quality
- UK manufactured

Dimensions



Earth Leakage Relay

Earth Leakage Relay

- Supply voltage of 24-240V AC/DC (45-65Hz)
- Adjustable sensitivity from 30mA to 10A
- Adjustable time delay from 0 to 10 seconds
- To be used with a Core Balanced Current Transformer (product details on Page 37)



Description	Product Code
Earth Leakage Relay 24V/240V AC/DC	ELRP/S-24/240

Specifications

Measuring Input	Core Balanced CT
Overload capacity	20 x nominal for maximum 1 second
Frequency	45-65Hz
Supply voltage	24V/240V AC/DC
Supply voltage tolerance	+/- 10%
Burden on supply	3VA / 0.9W
Adjustable current settings	Selectable 30mA, 100mA, 200mA, 300mA, 500mA, 1A, 2A, 3A, 5A or 10A
Trip response time	<40ms
Time delay set points	Selectable 0s, 0.1s, 0.2s, 0.4s, 0.6s, 0.8s, 1s, 2s, 5s or 10s. When a 30mA leakage is selected then the time delay is disabled
Pre-Alarm current level	60% (Imax)
Pre-Alarm difference	10% (Imax)
Dielectric Strength (Power Supply – Contact Relay)	4kV for 1 minute
Analogue output	0 – 1mA = 0 to 100% set value (Imax)
Relay contacts (for general switching operations)	2 x changeover, volt-free
Load capacity – AC	250V @ 8A, Maximum 2kVA
Load capacity – DC	30V / 8A
Mechanical endurance	3 x 10 ⁶ operations at rated load
Excess voltage category	III
Contamination degree	2
Ingress Protection	Front panel is IP40 and terminals are IP20
Terminals	Max. 2 x 1.5mm ² or 1 x 2.5mm ² cable
Compliant with Standards	EN 60255-6 EN 60255-27 EN 61000-6-2 EN 61000-6-4
Operating temperature	-20°C to +55°C
Storage temperature	-30°C to +70°C
Weight	135g
Dimensions	90 x 52 x 64 mm

Core Balance Current Transformers

Core Balanced Current Transformers

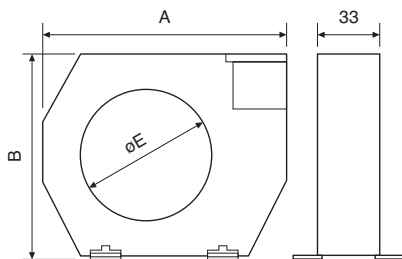
- For use with ELRP/S-24/240 earth leakage protection relay
- Leakage measurement range 0 to 10A
- Integral wire-sealable terminal cover
- Flame retardant, high impact moulded case

Current rating (A)	Dim E Aperture (mm)	Dim A Width (mm)	Dim B Height (mm)	Dim C Depth (mm)	Product Code
250	35	100	79	26	CBT-94F-035
630	70	130	110	32	CBT-94F-070
1000	105	170	146	38	CBT-94F-105
1000	140	220	196	49	CBT-94F-140

Specifications

Input	
System voltage	720V maximum
Test voltage	3kV ac for 1 minute
System frequency	50Hz or 60Hz
Primary ratings	From 30mA to 10A
Secondary terminals	Protected to IP20
Operating temperature	-10°C to +50°C
Enclosure	UL94V0 flame retardant plastic
Compliant with	IEC185, VDE 0414
Mounting hardware	Steel mounting feet for wall or base mounting

Dimensions



Earth Leakage Relay



Contact Us

BRAINTREE

Departments: Customer Service, Logistics, Quality, Finance and HR

Dorman Smith Switchgear Limited Tel: +44 (0) 844 225 1063
8 Swinbourne Drive Fax: +44 (0) 844 225 1064
Springwood Industrial Estate Email: sales@dormansmith.co.uk
Braintree, Essex www.dormansmithswitchgear.com
CM7 2YG

PRESTON

Departments: Modis Estimation, Design/Product Management and Technical

Dorman Smith Switchgear Limited Tel: +44 (0) 1772 325380
1 Nile Close Fax: +44 (0) 1772 325385
Nelson Court Business Centre Email: sales@dormansmith.co.uk
Ashton on Ribble www.dormansmithswitchgear.com
Preston, Lancashire
PR2 2XU

DUBAI

Dorman Smith Switchgear LLC Tel: 00971 4 3470226
P.O. Box 12872 Fax: 00971 4 3470002
Dubai Email: dsdubai@dormansmith.co.uk
U.A.E. www.dormansmithswitchgear.com

For further information or to request one of our product catalogues please contact us from the information above. E&OA. Whilst every effort has been made to ensure accuracy, no liability is accepted for the consequences of any error or omissions in this catalogue. Dorman Smith Switchgear Ltd. reserve the right to change or amend any technical specification or product detail without prior notification.