



Protected LCD for public environment

This high quality 21,5" LCD monitor has a toughened safety glass fitted behind the bezel. It offers 8H hardness rating, capable of resisting above normal pressure and impacts to the display. The high end LCD panel with LED backlights not only reduces the power consumption it also offers a bright image with high contrast. The ProLite P2252HS meets the increasing demands for Protected Economical LCD's within Education, Retail and Industrial applications and can also be used for CCTV through HDMI input.



PROTECTIVE GLASS

The toughened safety glass fitted behind the bezel at 8H hardness rating is capable of resisting above normal impacts to the display making this LCD the ideal choice for Education, Retail and Industrial applications.



KEY LOCK

You can easily lock and unlock the controls preventing unauthorised changes to settings you made.

1. DISPLAY CHARACTERISTICS

DIAGONAL	21.5"; 54.7cm
PANEL	TN LED-Backlit
GLASS THICKNESS	2 mm
GLASS TRANSMISSION RATE	90% up typical
GLASS HARDNESS	8H minimum
DISPLAY AREA H X W	268.11 x 476.64 mm; 10.6" x 18.8"
RESPONSE TIME	5 ms
CONTRAST	1000 : 1 typical
CONTRAST	12 000 000 : 1 ACR
BRIGHTNESS	225 cd/m ² typical
VIEWING ZONE	horizontal/vertical: 170° / 160° ; right/left: 85° / 85° ; up/down: 80° / 80°
DISPLAY COLOUR	16.7 million
PIXEL PITCH H X V	0.248 x 0.248 mm
NATIVE RESOLUTION	Full HD 1080p, 1920 x 1080 (2.1 megapixel)
HORIZONTAL SYNC	24 - 80 KHz
VERTICAL SYNC	55 - 75 Hz
SYNCHRONIZATION	Separate sync
ASPECT RATIO	16 : 9

2. INTERFACES & CONNECTORS

ANALOG INPUT CONNECTOR	VGA
DIGITAL INPUT CONNECTOR	DVI-D, HDMI
HDCP	yes
HEADPHONE CONNECTOR	Yes
OUTPUT CONNECTOR	headphone connector

3. SPECIAL FEATURES

APPLE - MAC	All iiyama monitors are compatible with Apple-Macintosh computers.
PLUG & PLAY	VESA DDC2B™
CONTROLS	Via OSD in 8 languages (EN, FR, DE, NL, PL, RU, Chinese, JP) and 5 front controls (Power, Select/ Input Select, Scroll up/ Audio, Scroll down/ i-style Colour, Menu)
USER CONTROLS	auto adjust, luminance (contrast, brightness, ECO, ACR), input select, audio adjust (volume, mute, HDMI audio), colour adjust, information, image steep (clock, H. position, V. position, phase, sharpness, video mode adjust), setup menu (language, OSD position, OSD time out, OSD background, opening logo, LED), recall
SPEAKERS	2 x 1 W (Stereo)
ANTI-THEFT-DEVICE	Kensington-lock™ prepared
CERTIFICATES	CE, TUV-Bauart, VCCI-B, PSE, CU

TILT ANGLE	20° up; 0° down
VESA MOUNTING	100 x 100 mm
COLOUR	Black

4. ACCESSORIES

DRIVER	Windows 95 / 98 / 2000 / ME / XP / Vista / 7 / 8
INCLUDED ACCESSORIES	power cable, VGA (D-Sub) cable, DVI-D cable, audio cable, cable holder, stand, quick start guide, safety guide

5. POWER MANAGEMENT

POWER SUPPLY	AC 100 - 240 V, 50 / 60 Hz
POWER SUPPLY UNIT	internal
POWER USAGE	18 W typical; max. 0,5 W in Power management mode
POWER MANAGEMENT	VESA DPMS, ENERGY STAR®

6. EU ENERGY EFFICIENCY LABEL

ENERGY EFFICIENCY CLASS	A
ON MODE POWER CONSUMPTION	20.1W
ANNUAL ENERGY CONSUMPTION	29 kWh/annum*
VISIBLE SCREEN DIAGONAL	55 cm; 21.5"; (22" segment)

This is information under Regulation (EU) No 1062/2010.

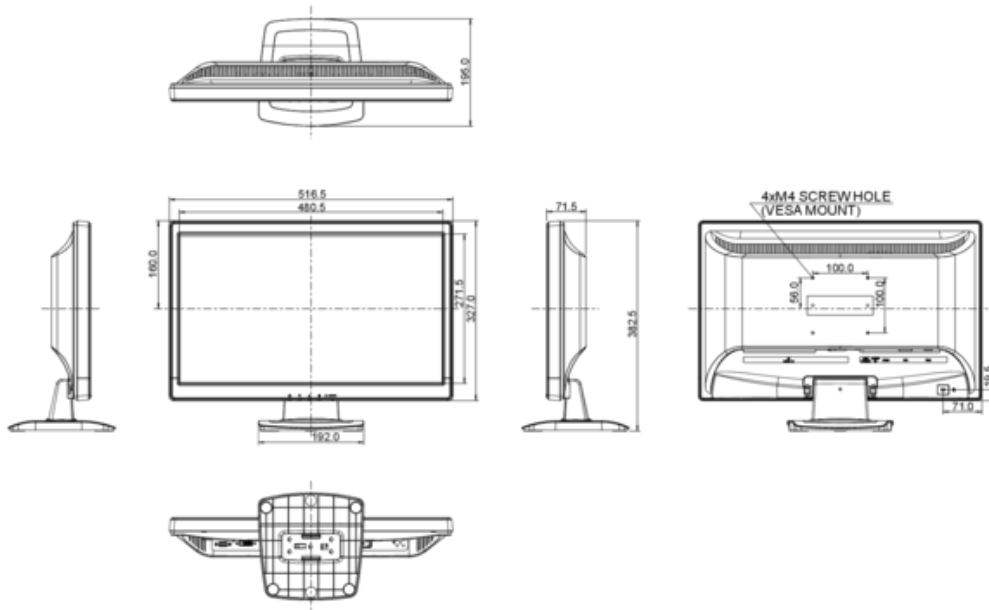
**Based on the power consumption of the television operating 4 hours per day for 365 days. The actual energy consumption will depend on how the television is used.*

7. EPEAT SILVER

EPEAT	EPEAT is a comprehensive environmental rating that helps identify greener computers and other electronic equipment. The Silver certification means the monitor meets all required criteria plus at least 50% of the optional requirements. EPEAT Silver is valid in countries where iiyama registers the product. Please visit www.epeat.net for the registration status in your country.
-------	--

8. DIMENSIONS & WEIGHT

DIMENSIONS W X H X D	516.5 x 382,5 x 195 mm
WEIGHT	4.5 kg



All trademarks and registered trademarks acknowledged. E & O E. Specification subject to change without notice. All LCD's comply with ISO-9241-307:2008 in connection with pixel defects.

© IIYAMA CORPORATION (). ALL RIGHTS RESERVED.