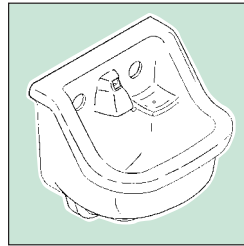




TOTAL MAINTENANCE SOLUTIONS
VITREOUS CHINA
 SINKS, TOILETS AND URINALS



CRANE PARVUS
 14"x13" institutional lavatory
 w/ 5" high back, integral supply
 channel to spout/drinking nozzle.
 Model 1604
 Specify 1-1/4 or 1-1/2 IPS
 outlet connection

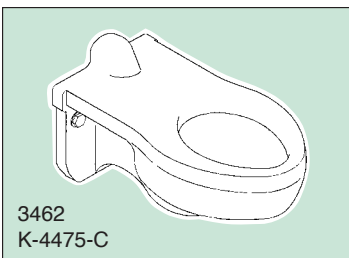


**KOHLER CHARDON
 LAVATORY**
 14"x12" WALL-MOUNT LAVA-
 TORY
 Integral bubbler and soap dish.
 Integral slow draining outlet.
 Model K-2475



**AMERICAN STANDARD
 PRISON LAVATORY**
 14"x12-3/4" wall mount
 fixture. Integral spout,
 bubbler, and soap
 depression.
 Model 0421.018

Specify fixtures with or without valves



3462
 K-4475-C



K-4329



2531.016
 31082
 3481
 K-4398

**VITREOUS CHINA TOILETS BY KOHLER, CRANE & AMERICAN STANDARD
 FLOOR OR WALL MOUNTED WITH OR WITHOUT INTEGRAL SEATS**

Manufacturer	Model #	Description
American Standard	2531.016	Vitreous china, floor mount , back spud, wall outlet, integral seat.
Crane	3481	Vitreous china, floor mount , elongated bowl, siphon jet toilet, back spud w/ integral seat.
Crane	31082	Vitreous china, floor mount , elongated bowl, siphon jet toilet, back spud w/ integral seat, 17-1/4" high bowl. (ADA)
Crane	3462	Vitreous china, wall mount , elongated bowl, blowout (3-bolt) flush toilet, back spud with integral seat.
Kohler	K-4475-C	Vitreous china, wall hung , elongated bowl, blowout flush (3-bolt) rear spud, w/ integral seat.
Kohler	K-4329	Vitreous china, wall hung , elongated bowl, siphon jet (4-bolt), backspud (seat not included)
Kohler	K-4398	Vitreous china, floor mount , elongated bowl, rear spud w/ integral seat.
Kohler	K-4396	Vitreous china, floor mount , elongated bowl, rear spud. (Seat not included).

FOR INFORMATION OR ROUGH IN SPECIFICATIONS PLEASE CALL.

TOTAL MAINTENANCE SOLUTIONS
STAINLESS STEEL
 FIXTURES – ACORN ENGINEERING



Features: Seamless welded construction.
 No accessible voids for concealment.
 Can use Air-Trol valves using metering or non-metering pneumatic systems.



LAVATORIES

- | MODEL # | DESCRIPTION |
|-----------|---|
| 1657 | 18" Multi-Sided lavatory w/ oval bowl, s/s with satin finish. Fast drain, integral soap dish & mounting hardware for up to 8" walls included. |
| 1660-1661 | 13" Corner lavatory, s/s with satin finish, oval bowl. Fast drain, integral soap dish & mounting hardware for up to 8" walls included. |



LAV-TOILET COMBINATIONS

Features: Cabinets made from stainless steel and are of seamless welded construction with satin finish. Cabinets are sound deadened with fire-resistant material. No voids or crevices for concealment of contraband. Air-Trol metering and non-metering valves available for use with combo units.

Front or Rear access, varying bowl styles available.

- | MODEL # | DESCRIPTION |
|---------|---|
| 1415 | 15" Lav-Toilet combo. Toilet has elongated bowl, can be centered or offset and is blowout jet type. |
| 1418 | 18" Lav-Toilet combo. Toilet has elongated bowl, can be centered or offset and is blowout jet type. |
| 1420 | 20" Lav-Toilet combo. Toilet has elongated bowl, can be centered or offset and is blowout jet type. |
| 1435 | ADA compliant Lav-Toilet combo. Offset toilet bowl. |
| 1440 | 18" Suicide resistant Toilet-Lav combo. Toilet has elongated bowl and is blowout jet type. |



TOILETS & URINALS

Features: Fixtures made of S/S with seamless welded construction, w/ satin finish. No accessible voids or crevices for concealment of contraband.

- | MODEL # | DESCRIPTION |
|---------|--|
| 1679 | Compact wall mount blowout toilet w/ elongated bowl & integral seat. |
| 1680 | Siphon jet wall mount toilet w/ elongated bowl & integral seat. |
| 1684 | Siphon jet floor mount toilet w/ elongated bowl & integral seat. |
| 1675 | Blowout jet, off floor toilet with elongated bowl. |
| 1685 | Blowout jet floor mount toilet w/ elongated bowl & integral seat. |
| 1700 | Blowout jet urinal back wall washdown type w/ fully enclosed P-trap. |
| 1702 | Washout urinal back wall washdown type. Fully enclosed P-trap. |
| 1705 | Straddle blowout jet urinal, w/ fully enclosed P-trap. |
| 1707 | Straddle washout urinal, w/ fully enclosed P-trap. |

Model 1420



Model 1415



Model 1435



DRINKING FOUNTAINS

- | MODEL # | DESCRIPTION |
|---------|--|
| 1672 | Barrier Free wall mounted fountain. Seamless welded construction w/ satin finish. Uses Air-Trol pneumatic valve, non-metering, self-closing. Dimensions 13"x 18"x 4" |



Model 1440

Other Models Available – Call For Information

Toll Free Telephone: 877/867-8675 • Toll Free Fax: 877/867-8674
www.tms4parts.com



TOTAL MAINTENANCE SOLUTIONS

STAINLESS STEEL

FIXTURES – ACORN ENGINEERING



Features: Seamless welded construction.
No accessible voids for concealment.
Can use Air-Trol valves using metering or non-metering pneumatic systems.



CABINET SHOWER

Features: Fixtures made from stainless steel and are of seamless welded construction with satin finish. Shower floor has a slip resistant, matte finish. Cabinet has an integral vent. Shower head is mounted on inside door jamb with concealed piping. Other options available.
MODEL #1730



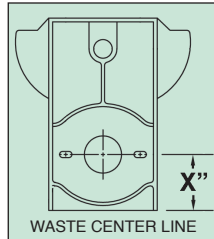
PENAL-PAK WALL SHOWER FRONT ACCESS

Shower panel is fabricated from 14 gauge, type 304 stainless steel and has a satin finish. Trim is stainless steel or chrome-plated brass. Shower valve is Air-Control, metering, nonhold open type. Other options available.
MODEL #1741FA

FLOOR-MOUNTED TOILETS

Wall outlet, back-spud, integral seat

VITREOUS CHINA		
MANUFACTURER/ MODEL	WASTE CENTER LINE "X"	FEATURES
American Standard 2531.016	4-1/4"	
Crane 3481	4-1/2"	Regular height bowl
Crane 31082	4-1/2"	Handicap height bowl – ADA
Kohler K-4398	4-1/2"	



STAINLESS STEEL		
MANUFACTURER/ MODEL	WASTE CENTER LINE	FEATURES
Acorn 1684	5-1/2"	Siphon Jet
Acorn 1685	11-1/4"	Blowout Jet
Bradley 7335	13-1/4"	Blowout Jet – ADA
Bradley 7445	7-1/2"	Siphon Jet
Metcraft 4120	11-1/4"	Blowout Jet
Metcraft 4170	5-1/4"	Siphon Jet
Willoughby ETW-1490-FM-BS	11-1/2"	Blowout Jet
Willoughby ETWS-1490-FM-BS	5-1/2"	Siphon Jet



WALL-MOUNTED TOILETS

Wall outlet, back-spud, integral seat

VITREOUS CHINA (Carrier mounted)	
MANUFACTURER/ MODEL	FEATURES
Crane 3462	Blowout Jet, 3-bolt
Kohler K-4475-C	Blowout Jet, 3-bolt



STAINLESS STEEL (Can use with carrier or wall sleeve)

MANUFACTURER/ MODEL	FEATURES
Acorn 1675	Blowout Jet
Acorn 1679	Compact Blowout Jet
Acorn 1680	Siphon Jet
Bradley WC7230	Blowout Jet
Bradley WC7245	Siphon Jet
Metcraft 4110	Blowout Jet
Metcraft 4160	Siphon Jet
Willoughby ETW-1490-CM-BS	Blowout Jet
Willoughby ETWS-1490-CM-BS	Siphon Jet
Willoughby LFCETW-1490-OF-BS	4-bolt China Replacement



TOTAL MAINTENANCE SOLUTIONS
STAINLESS STEEL
 FIXTURES – BRADLEY CORPORATION



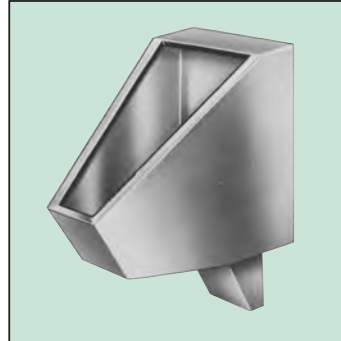
Features: Fixtures made of S/S with satin finish, all accessible seams and voids eliminated. Interior of cabinet contains fire-resistant sound deadening material. Specify manual or pneumatic valves.



Model 6577

LAVATORIES

MODEL #	DESCRIPTION
6577	S/S lavatory, 14-1/2" x 9-1/2" x 5" deep, deck mounted spout. Rear deck is 5". Single or two temperature valves.
6578	Same as above but with an 8" rear deck.
6350	S/S front mounted lavatory, 13-1/4" x 10" x 5" deep. Penal filler/bubbler, integral soap dish. Single or two temperature valves.



TOILETS & URINALS

Features: Fixtures made of S/S with seamless welded construction, w/ satin finish. No accessible voids or crevices for concealment of contraband.

MODEL #	DESCRIPTION
7335	Floor mount toilet w/ elongated bowl & integral seat. Meets ADA. Toilet is blow-out jet type.
7180	Wall mounted toilet w/ elongated bowl & integral seat. Toilet is blowout jet type.
8200	S/S blowout jet straddle type urinal. Features four wall flushing. Fully enclosed P-trap.



Model 6350



LAV-TOILET COMBINATIONS

Features: Fixtures made from S/S and are of seamless welded construction with satin finish. Cabinets are sound deadened with fire-resistant material. No voids or crevices for concealment of contraband. Front or Rear access, varying bowl styles available. Specify manual or pneumatic valves.

MODEL #	DESCRIPTION
5580	S/S Lav-Toilet combo w/ offset elongated bowl, penal filler and bubbler. Lav bowl 13-1/4" x 10" x 5"
5590	S/S Lav-Toilet combo w/ centered elongated bowl, penal filler and bubbler. Lav bowl 13-1/4" x 10" x 5"
5180	S/S Barrier Free Lav-Toilet combo w/ offset elongated bowl, deck mounted spout. Lav bowl 13-1/4" x 10" x 5"

Other Models Available — Call For Information

Toll Free Telephone: 877/867-8675 • Toll Free Fax: 877/867-8674
www.tms4parts.com



TOTAL MAINTENANCE SOLUTIONS
STAINLESS STEEL
 FIXTURES – METCRAFT

METCRAFT



LAVATORY

S/S back mounted lavatory w/ 4" backsplash and integral soap tray. Polished to a satin finish. Welded bottom enclosure. Dimensions 18" x 12-1/2" Model # 5118



DRINKING FOUNTAIN

S/S back mounted drinking fountain w/ 4" backsplash. Polished to a satin finish. Vandal resistant bubbler. Integrally welded bottom enclosure. Pneumatic valve w/ .5 GPM restrictor. Model # 5190



TOILET-LAVATORY COMBINATIONS

S/S Lav-Toilet combo. Offset elongated bowl with integral seat. Seamlessly welded to form one piece. Blowout flushing action, fully enclosed trap. Oval basin w/ fast drain and soap dish. Model # 3118



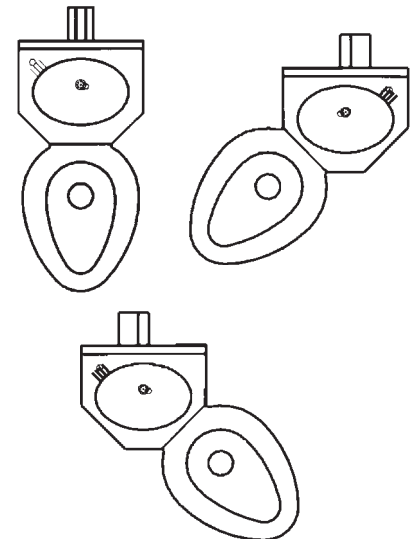
TOILETS

S/S wall mounted toilet w/ elongated bowl, blowout type. Integral seat, seamlessly welded to form a one piece vandal resistant unit. Fully enclosed trap. Model # 4110 Back spud
 4115 Top spud



URINALS

S/S wall hung washdown urinal. Seamlessly welded to form one piece. High volume beehive strainer. Vandal resistant trap enclosure. Model # 7110 Back spud
 7115 Top spud

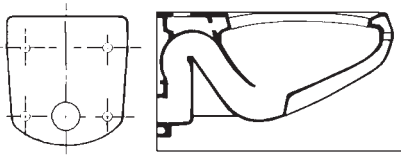


Toilet-Lavatory Combos Centered, Offset Left & Right

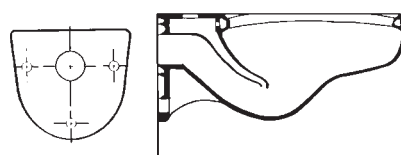
**SIPHON JET or BLOWOUT
 WHAT'S THE DIFFERENCE??**

Siphon Jet toilets attach to wall with 4 bolts, are quieter than blowout. Water enters the bowl via the rim and up let of trap through jets placed to fill the trapway, thus creating siphonic action to evacuate the bowl.

Blowout toilets attach to wall with 3 bolts, are suited for heavy use areas. Flushing action produced by the jet of water in the outlet passage is strong for rapid evacuation of the bowl. Due to powerful flushing action this type is noisy to operate.



Siphon Jet Model



Blowout Model

**LOOKING TO
 REPLACE BROKEN,
 CHIPPED OR DAMAGED
 CHINA FIXTURES?
 CONSIDER S/S
 REPLACEMENT.
 SEE PAGE 7
 FOR INFORMATION.**



Willoughby



LAVATORIES

S/S lavatories w/ 13" x 9-1/2" x 6" oval bowl, S/S penal filler/bubbler, integral soap dishes, seamlessly welded, with sound deadening fire retardant insulation. Specify manual or pneumatic valves.

MODEL #	DESCRIPTION
CS-1013-46R	S/S lavatory designed for in corner installations. Right side supply. CS-1013-46L left side supply.
HS-1013	S/S lavatory wall mounted, features listed above.



TOILETS

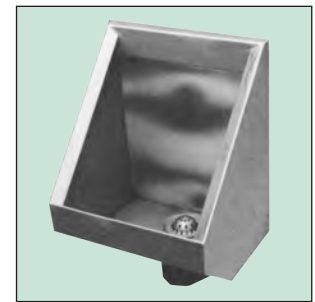
S/S floor mount and compact wall mount toilets. Elongated bowl, seamless all-welded construction. Units available in blowout and siphon jet models.

MODEL #	DESCRIPTION
ETW-1490OF	S/S wall mount blowout toilet, back spud
ETWS-1490OF	S/S wall mount siphon jet toilet, back spud
ETW-1490C	S/S floor mount blowout toilet, back spud
ETWS-1490-FM	S/S floor mount siphon jet toilet, back spud

URINALS

S/S wall hung urinals w/ satin finish, fully enclosed P-trap. Interior insulated w/ fire retardant sound deadening material.

MODEL #	DESCRIPTION
1814	S/S blowout urinal, back spud
1814WB	S/S washout urinal, back spud
UW-1836-MPT-BS	S/S trough urinal, back spud, 36"
1860WB	S/S trough urinal, back spud, 60"



TOILET-LAVATORY COMBINATIONS

S/S combination units with elongated bowls, integral seats, 13" x 9-1/2" x 6" lavatories. S/S penal filler/bubblers, self-draining, integral soap dish. Fully enclosed s/s P-trap, sound deadening, fire retardant insulation. Specify manual or pneumatic valves.

MODEL #	DESCRIPTION
1546	S/S toilet-lav combo, 15" wide cabinet, centered elongated bowl.
1846	S/S toilet-lav combo, 18" wide cabinet, centered elongated bowl.

Units are available with Center, Right & Left offset toilets.



DETOX/FLOOR FIXTURES

In floor toilets for use in detoxification & isolation cells. These function as flushing floor drains, facilitating cell area washdowns. Feature S/S all welded construction, smooth ground edges. No accessible seams or voids.

BRAND	MODEL #	DESCRIPTION
Acorn	1699	In floor toilet, w/ flange
Bradley	7500	In floor toilet w/ flange
Metcraft	4500	In floor toilet, w/ flange
Willoughby	1400	In floor toilet, w/ flange





TOTAL MAINTENANCE SOLUTIONS

REPLACEWARE

FOR DAMAGED VITREOUS CHINA & ALUMINUM FIXTURES



MAKE	MODEL	REPLACES	DESCRIPTION
ACORN	1415	Super Secure A-350, M-350, SA-350-DW A-150, A-154, A-157, M-150, M-154, SA-150, SA-150-DW, A-150F, A-151F	15" Lav-Toilet Combo replacement, S/S seamlessly welded, std. elongated bowl, blowout jet type toilet, lavatory bowl. 12-3/4" x 8-1/4" x 5" deep.
ACORN	1418	Super Secure A-350, M-350, SA-350, SA-350-DW, A-150, A-154, A-157, M-150, M-154, SA-150, SA-150-DW, A-150-F	18" Lav-Toilet Combo replacement, S/S seamlessly welded, std. elongated bowl, blowout jet type, lavatory bowl. 14-3/4" x 9-1/2" x 5" deep.
ACORN	1659	Super Secure Taylor A-50 & M-50, American Standard - Prison 0420 & 0430, Crane - Parvus 1-600, Kohler K-2475, Eljer - Gowanda 051-3467	15" Compact lavatory S/S multi-sided bowl, metering or non-metering valves, fast drain, integral soap holder, 1-1/4" elbow waste. 12-3/4" x 8-1/4" x 5" deep.
ACORN	1657	SAME AS ABOVE MODEL 3325	18" Multi-Sided Lavatory, specifications same as above
ACORN	1675	Super Secure - Walbol A-300, Amer. Std.- Instanto 2512, 2511, 2513, Crane - Rapidway 3-460, 3-462, 3-464, Eljer - Tacoma 111-0355, 111-0365, Kohler - K-4450-ET, K-4460-ER, K-4475-ER	Blowout jet wall mount toilet. S/S seamlessly welded elongated bowl, integral seat. No accessible voids.
BRADLEY	5592	Acorn 1512, Super Secure A-150, Willoughby ECW, 1546-C & 1846-C	S/S Lav-Toilet combo, w/ elongated bowl, integral seat paper holder. 13-1/4" x 10" x 5" deep bowl, integral soap dish, single or dual temp. No open voids / crevices.
BRADLEY	5590	Super Secure A-350	S/S Lav-Toilet combo, w/ elongated bowl, integral seat and paper holder. 13-1/4" x 10" x 5" deep bowl, integral soap dish, single or dual temp. No accessible voids.
BRADLEY	5402	Metcraft 100-45-20 L/R	S/S Lav-Toilet combo, w/ elongated bowl, integral seat, paper holder, bowl offset to left or right. Penal filler and bubbler. No open voids or crevices.
BRADLEY	5582	Metcraft 100-45-15 L/R	S/S Lav-Toilet Combo, w/ elongated bowl, integral seat, paper holder and soap dish. Oval basin.
WILLOUGHBY	1490-OF	Amer. Std. 2509.057, 2510.048, 2511.012, 2512.010, Crane 3-460, 3-462 Eljer 111-0355, 111-0365 Kohler K-4450-ET,	K-4460-ER, K-4475-ER, Super Secure A-300 S/S wall mounted toilet with elongated bowl and integral seat. Blowout type flush, seamlessly welded, fully enclosed trap.
WILLOUGHBY	1490-OF	Amer. Std. 2477.016, 2478.014, 2500.015, 2502.011, Crane 3-446, 3-449 Eljer 111-1405, 111-1425, 111-1475 Kohler K-4430-ET, K-4432-ER	S/S wall mount toilet w/ elongated bowl and integral seat. Siphon jet flush, seamlessly welded, enclosed trap. No open crevices or voids.
WILLOUGHBY	1490-FM	Amer. Std. 2516.037, Crane 3-487, Eljer 111-0580, Kohler 4480ER, Super Sec.A-100	S/S floor mounted toilet w/ elongated bowl and integral seat. Blowout type flush, seamlessly welded. No open crevices or voids.
WILLOUGHBY	1490-FM	Amer. Std. 2529.014, 2530.012, Crane 3-480, 3-481, Super Secure A-100, Kohler K4486-ET, K4498-ER	S/S floor mounted toilet w/ elongated bowl and integral seat, Siphon jet flush, seamlessly welded. No open crevices or voids.
WILLOUGHBY	HS-1013-46	Amer. Std. 0420.018, 0420.026, 0420.034, 0420.067, 0420.075, 0430.025, 0430.033, 0430.066, Crane I-604, I-605 Eljer 051-3436, 051-3437 Kohler K-2475, K-2476, Super Secure M-50, A-50	S/S lavatory, seamless deep bowl. Fast drain outlet, 2 welded self-draining soap dishes, penal filler and bubbler. 9-1/2" x 13" x 6"

Toll Free Telephone: 877/867-8675 • Toll Free Fax: 877/867-8674
www.tms4parts.com



Tubing!

We carry a variety of tubing for your plumbing needs.

POLYETHYLENE TUBING

For water

- Made from non-toxic ingredients conforming to FDA and USDA standards
- Does not impart a taste or odor

(SOLD BY THE FOOT)

PART #	DESCRIPTION
40800586	1/8" ID x 1/4" OD, natural
40621198	1/4" ID x 3/8" OD, natural
41021258	3/8" ID x 1/2" OD, natural

POLYURETHANE TUBING

For air

- Clamps not required when used with properly designed barbed fittings at pressures of 105 psi or less
- Resistant to weathering, kinking, tearing, abrasion, impact, and radiation exposure
- Wide range of temperature resistance: -90°F to 175°F

(SOLD BY THE FOOT)

PART #	DESCRIPTION
40800587	1/16" ID x 1/8" OD, red
40800564	1/16" ID x 1/8" OD, blue
41021263	1/16" ID x 1/8" OD, black

**NEED A SPECIAL SIZE?
SPECIAL ORDERS AVAILABLE!**

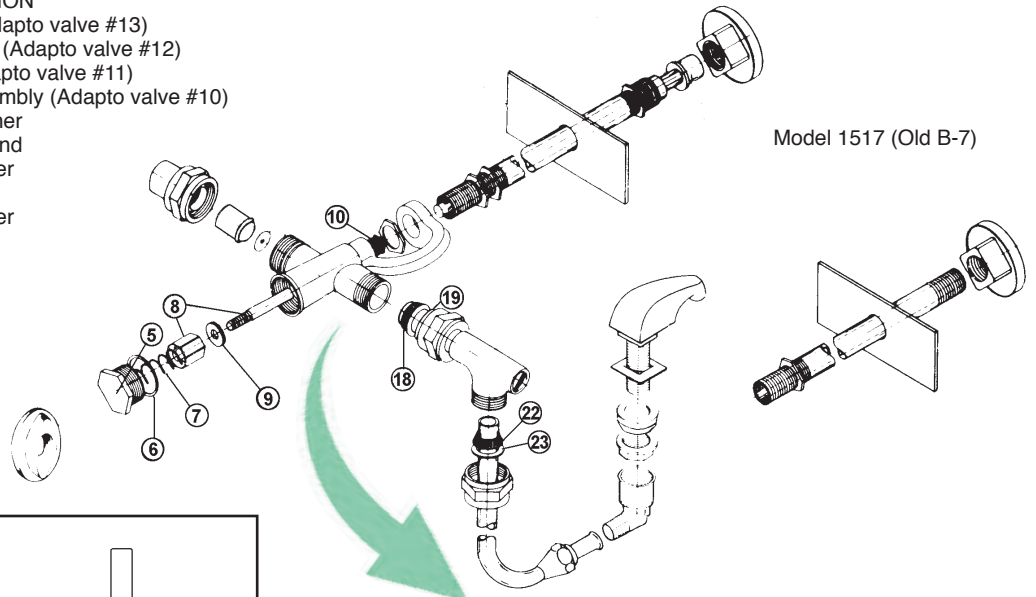




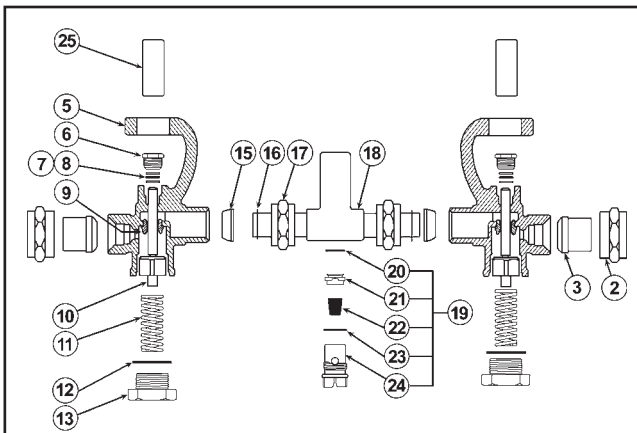
TOTAL MAINTENANCE SOLUTIONS
ACORN ENGINEERING
 FITTINGS AND VALVES

ACORN/SUPER SECURE MODEL 1517 (OLD B-7) AND ACORN/SUPER SECURE MODEL 1518 (OLD B-9)

ITEM	PART #	DESCRIPTION
5	41021271	Cap nut (Adapto valve #13)
6	41011000	Cap gasket (Adapto valve #12)
7	41011001	Spring (Adapto valve #11)
8	41011203	Piston assembly (Adapto valve #10)
9	40700145	Piston washer
10	41011225	Packing gland
18	41021279	Cone washer
19	41021280	Friction ring
22	41011003	Cone washer
23	41011004	Friction ring

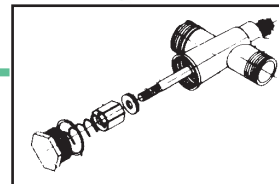


Model 1517 (Old B-7)

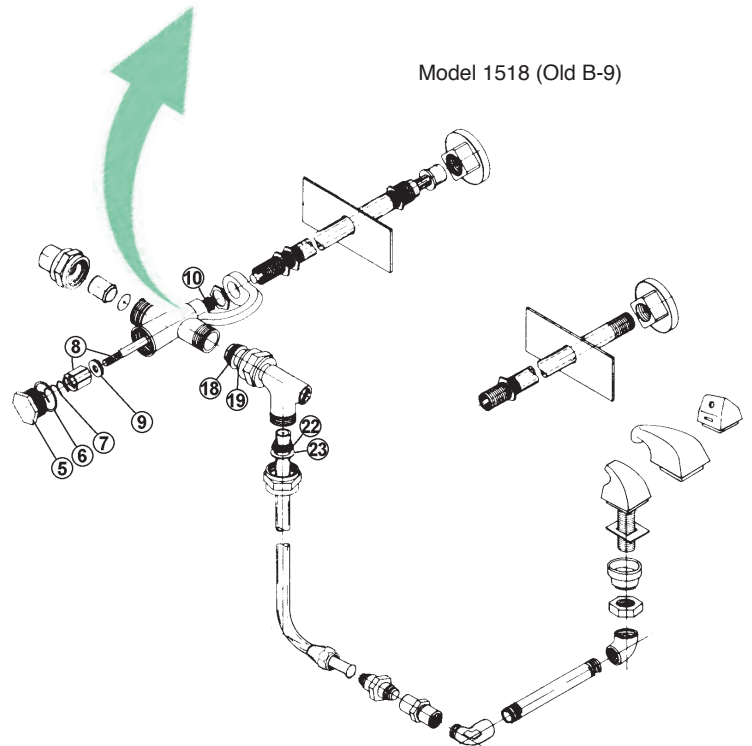


ACORN ADAPTO VALVE

ITEM	PART #	DESCRIPTION
2		Union nut
3		Inlet - 3/8" NCT
5		Valve body
6	41011005	Packing nut
7	41011006	O-ring
8	41011007	Back-up ring
9	41011008	Renewable seat
10	41011203	Stem assembly
11	41011001	Spring
12	41011000	Gasket
13	41011009	Cap
15	41011013	Conical compression gasket
16	41011040	Washer
17		Compression nut
18		Tee
19	41011038	.5 GPM Flo-control assembly
20	41011040	O-ring
21	41011016	Flo-control retainer
22	41011114	.5 GPM Flo-control
23	41011017	O-ring
24	41011018	Flo-control plug
25		Pushrod guide



Stem Repair Kit (ADAPTO VALVE Items 6-13)
 PART # 41011239

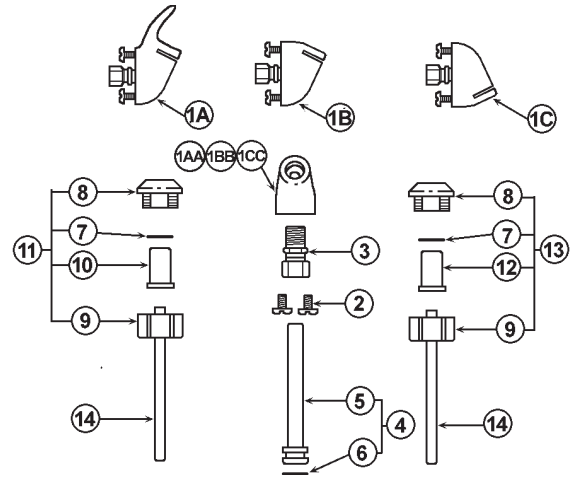


Model 1518 (Old B-9)



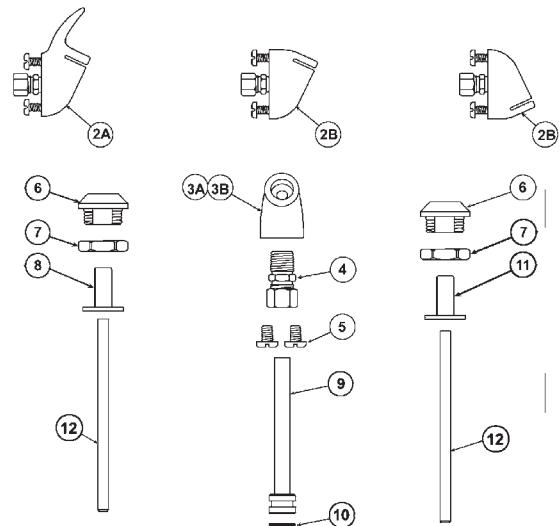
ACORN FIXTURE TRIM FOR PENAL-TROL VALVE BODY — OCTOBER 1978 TO JULY 1986

ITEM	PART #	DESCRIPTION
1A		Filler - bubbler w/mouthguard assembly
1AA		Filler - bubbler w/mouthguard
1B		Filler - bubbler less mouthguard assembly
1BB		Filler - bubbler less mouthguard
1C		Filler only assembly
1CC		Filler only
2	41011019	Screw 1/4-20 x 3/8"
3		Compression fitting
4		Supply tube assembly (8" wall)
5		Supply tube sub-assembly (8" wall)
6	41011020	O-Ring
7	41011021	Gasket
8	41011022	Escutcheon
9		Retainer nut
10	41011023	Pushbutton - cold
11		Escutcheon assembly - cold
12	41011024	Pushbutton - hot
13		Escutcheon assembly - hot
14		Pushrod - 8" wall



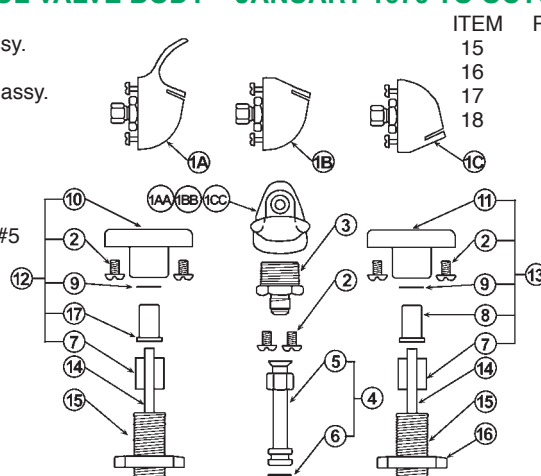
ACORN FIXTURE TRIM FOR PENAL-TROL VALVE BODY JULY 1986 TO APRIL 1998

ITEM	PART #	DESCRIPTION
2A		Code bubbler hardware package
2B		Penal filler/bubbler hardware package
3A		Code bubbler
3B		Penal bubbler/filler
4		3/8" tube x 1/4" NPT compression fitting
5	41011019	#1/4-20 x 3/8" pan head screw
6		Escutcheon
7		Retainer nut
8	41011025	(HOT) Button
9		Supply tube sub-assembly for 8" wall
10	41011020	O-ring
11	41011026	(COLD) button
12		Pushrod



ACORN FIXTURE TRIM FOR PENAL-TROL VALVE BODY – JANUARY 1970 TO OCTOBER 1978

ITEM	PART #	DESCRIPTION
1A		Filler - bubbler w/mouthguard assy.
1AA		Filler - bubbler w/mouthguard
1B		Filler - bubbler less mouthguard assy.
1BB		Filler - bubbler less mouthguard
1C		Filler only assembly
1CC		Filler only
2	41011019	Screw 1/4-20 x 3/8"
3		Flare connection
4		Supply tube assembly NLA use #5
5		Supply tube sub-assy.
6	41011020	O-Ring
7	41011027	Spacer sleeve
8	41011024	Pushbutton - hot
9	41011021	Gasket
10		Oval escutcheon - hot
11		Oval escutcheon - cold
12		Pushbutton assembly "HOT"
13		Pushbutton assembly "COLD"
14		Pushrod (8" Wall)



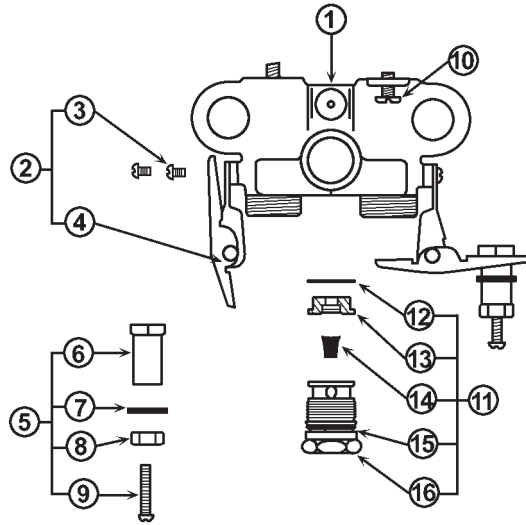
ITEM	PART #	DESCRIPTION
15		1/2" NPS conduit (8" Wall)
16		1/2" NPS conduit nut
17		Pushbutton - cold
18		Assembly items 4 thru 17



TOTAL MAINTENANCE SOLUTIONS
ACORN ENGINEERING
 FITTINGS AND VALVES

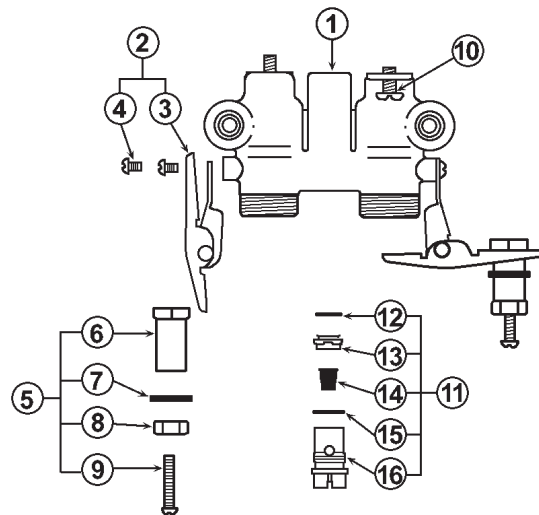
**ACORN VALVE BODY ASSEMBLY FOR PENAL-TROL
 JANUARY 1971 TO JANUARY 1976**

ITEM	PART #	DESCRIPTION
1		Valve body - NLA – Replace w/ 2310-950-001
2	41011028	Rocker/Fulcrum assy.
3		Screw 10-32 x 1/4"
4	41011037	Rocker/Fulcrum sub. assy.
5	41011029	Adj. cup assembly
6	41011030	Adjusting cup
7		Adjusting cup retainer
8		10-32 adjusting nut
9		10-32 x 1" adjusting screw
10		1/4-20 x 3/8" screw
11	41011031	Flo-Control assy.
12	41011032	O-Ring
13	41011033	Flo-Control retainer
14	41011114	.5 GPM Flo-Control
12-14	41011035	.5 GPM Flo-Control assy.
15	41011036	Gasket
16		Flo-Control plug



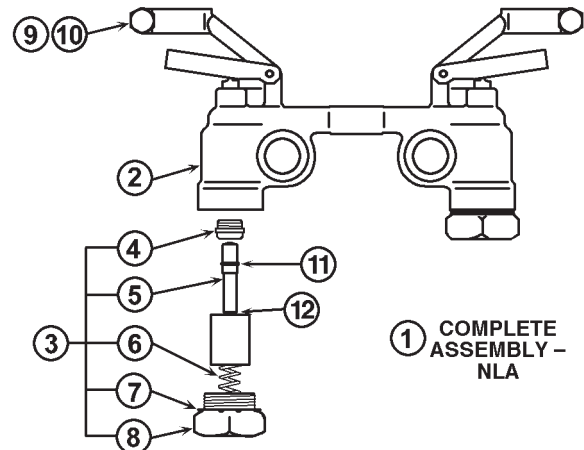
**ACORN VALVE BODY ASSEMBLY FOR PENAL-TROL
 JANUARY 1976 TO APRIL 1998**

ITEM	PART #	DESCRIPTION
1		Valve body
2	41011028	Rocker/Fulcrum assy.
3	41011037	Rocker/Fulcrum sub. assy.
4		Screw 10-32 x 1/4"
5	41011029	Adj. cup assembly
6	41011030	Adjusting cup
7		Adjusting cup retainer
8		10-32 adjusting nut
9		10-32 x 1" adjusting screw
10		1/4-20 x 3/8" screw
11	41011038	.5 GPM Flo-Control assy.
12	41011017	O-Ring
13	41011016	Flo-Control retainer
14	41011114	.5 GPM Flo-Control
15	41011040	O-Ring
16	41011018	Flo-Control plug



**ACORN VALVE BODY ASSEMBLY FOR HOT & COLD B-10
 SEPTEMBER 1980 TO PRESENT**

ITEM	PART #	DESCRIPTION
1		B-10 valve assembly - complete - NLA*
2		Valve body
3	41011041	Stem assembly
4	41011008	Renewable seat
5	40120105	Piston assembly
6	41011042	Spring
7	41011043	Gasket
8	41011009	Cap Nut
9		Hex head bolt 1/4-20 x 1"
10		Nut 1/4-20
11	40950017	O-ring
12	40110163	Washer



NLA - Not available. Please note that retro air unit will not fit female threads.

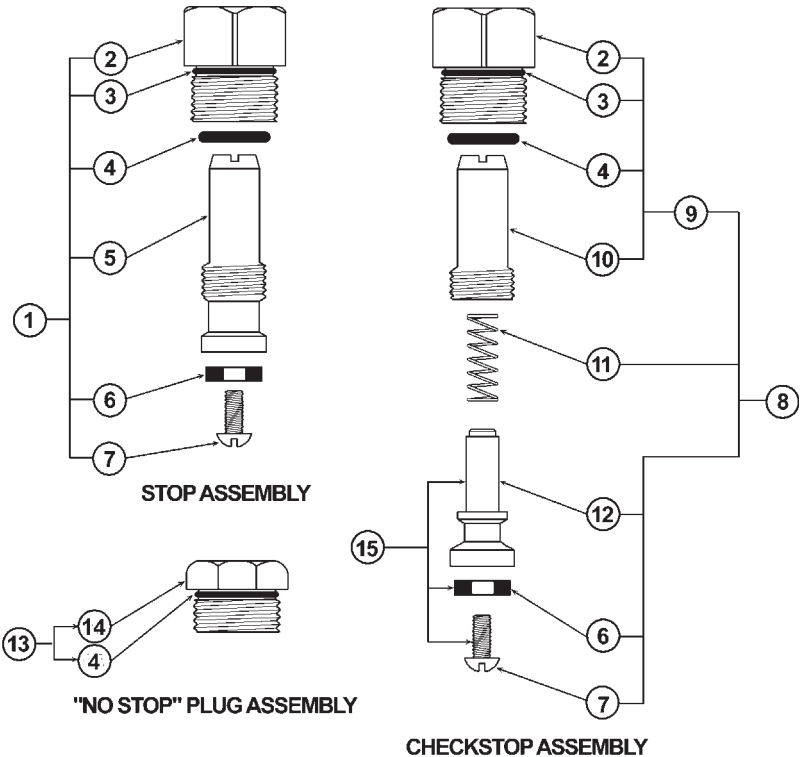
*Bradley 1020 Valve is a direct replacement for this valve.

Toll Free Telephone: 877/867-8675 • Toll Free Fax: 877/867-8674
www.tms4parts.com



ACORN PENAL-TROL STOP ASSEMBLIES AUGUST 1976 TO PRESENT

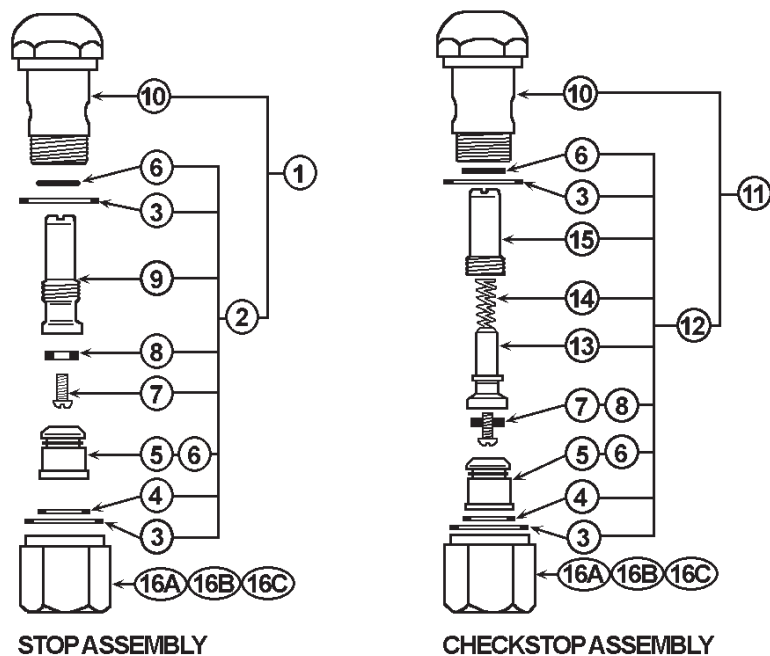
ITEM	PART #	DESCRIPTION
1	41011044	Stop assembly - complete
2	41011045	Stop body
3	41011046	O-Ring
4	41011020	O-Ring
5	41011047	Stop stem
6	41011048	Disc
7	50100020	8-32 x 3/8" screw
8	41011049	Check stop assembly - complete
9	41011050	Check stop assembly w/o plunger assembly
10	41011051	Check stop stem
11	41011052	Spring
12	41011053	Check stop plunger
13		"No stop" plug assy.
14	41011054	Plug
15	41011055	Plunger assembly



TMS Part #41011044 – Stop assembly - less bonnet –
No Longer Available

ACORN REVERSIBLE UNION INLETS FOR PENAL-TROL VALVES – JANUARY 1971 TO AUGUST 1976

ITEM	PART #	DESCRIPTION
1		Stop assy. - less bonnet nut
2	41011056	Stop cartridge assy.
3	41011057	Union gasket
4	41011058	Gasket
5	41011059	Seat
6	41011020	O-Ring
7	50100020	8-32 x 3/8" screw
8	41011048	Disc
9	41011047	Stop stem
10		Union stop body
11		Check stop assembly w/o bonnet nut
12	41011060	Check stop cartridge assy.
13	41011053	Plunger
14	41011052	Spring
15	41011051	Check stop stem
16A		Bonnet nut 1/2" NCT
16B		Bonnet nut 1/2" NPT
16C		Bonnet nut 3/8" NCT

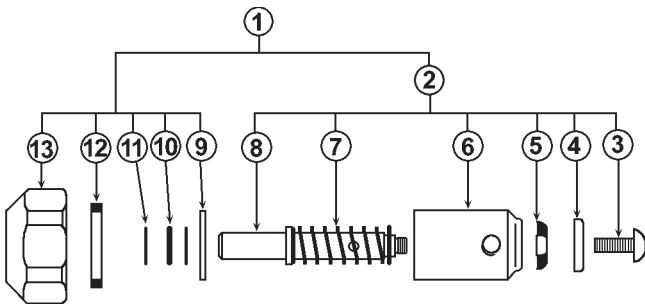




TOTAL MAINTENANCE SOLUTIONS
ACORN ENGINEERING
 FITTINGS AND VALVES

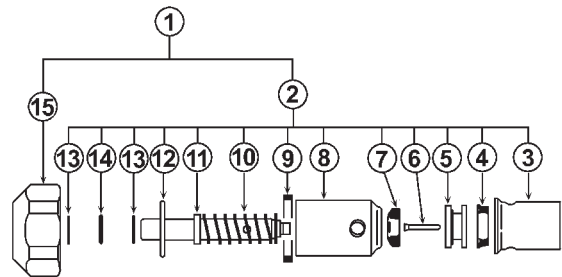
ACORN QUICK-CLOZ VALVE CARTRIDGE FOR PENAL-TROL – JANUARY 1971 TO PRESENT

ITEM	PART #	DESCRIPTION
1	41011061	Cartridge assembly – complete
2	41011062	Cartridge assembly – less bonnet
3	50100013	Screw
4	41011063	Disc retainer
5	41011064	Flat disc
6	41011065	Sleeve & seat
7	41011066	Spring
8	41011067	Rod
9	41011068	O-Ring retainer
10	41011069	O-Ring
11	41011070	Back-up ring
12	41011071	Bonnet gasket
13	41011072	Bonnet



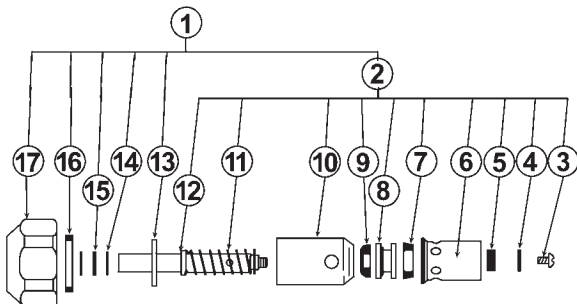
ACORN AUTO-CLOZ CARTRIDGE FOR PENAL-TROL – JUNE 1971 TO APRIL 1973

ITEM	PART #	DESCRIPTION
1		Cartridge assembly - complete
2	41011079	Cartridge assembly - less bonnet
3	41011074	Dashpot
4	41011075	"U" packing
5		Piston
6		Timing needle
7	41011076	Gasket disc
8		Sleeve
9	41011071	Bonnet gasket
10	41011066	Spring
11		Rod
12	41011077	O-Ring retainer
13	41011069	O-Ring
14	41011070	Back-up ring
15	41011072	Bonnet



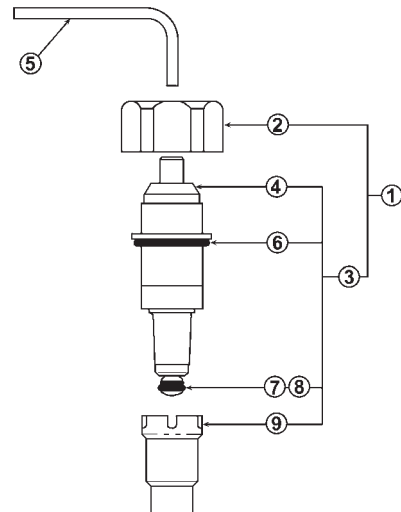
ACORN AUTO-CLOZ MECH. METERING CARTRIDGE PENAL-TROL VALVE – APRIL 1973 TO PRESENT

ITEM	PART #	DESCRIPTION
1	41011078	Auto-Cloz cartridge assembly - complete
2	41011079	Auto-Cloz cartridge less bonnet
3	40120514	Screw
4	40120111	Washer
5	40120112	Felt gasket
6	41011080	Dashpot
7	41011075	"U" packing
8		Piston
9	41011064	Gasket disc
10	41011065	Sleeve and seat
11	41011066	Spring
12	41011081	Rod
13	41011068	O-Ring retainer
14	41011070	Back-up ring (2 required)
15	41011069	O-Ring
16	41011071	Bonnet gasket
17	41011072	Bonnet



ACORN PENAL-MATIC METERING CARTRIDGE FOR PENAL-TROL VALVES JANUARY 1986 TO PRESENT

ITEM	PART #	DESCRIPTION
1		Cartridge assembly w/ bonnet
2	41011231	Penal-matic bonnet
3	40621017	Cartridge assembly – OEM
	41011083	Replacement cartridge assembly w/ Allen wrench
4		Body assembly (less o-rings and seat)
5		3/32" Allen wrench
6	41011032	O-Ring
7	41011084	O-Ring
8	41011085	O-Ring
9	41011086	Seat (5/16" closure)

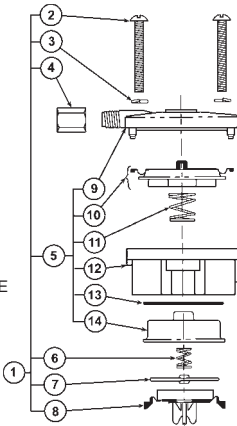




ACORN AIR-CONTROL NON-METERING SERVOMOTOR ASSEMBLY – JANUARY 1984 TO PRESENT

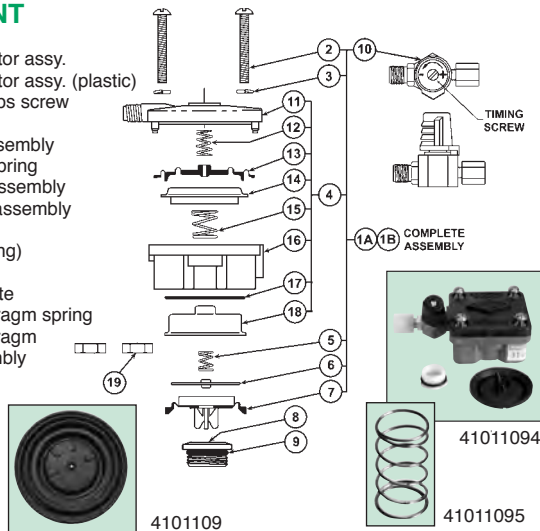
ITEM	PART #	DESCRIPTION
1		Direct acting assembly
2		8-32 x 1-1/4" Phillips screw
3		#8 lockwasher
4	41011087	1/8" plastic compression nut
5		Direct acting motor assembly
6	41011088	Pilot orifice plate spring
7	41011127	Pilot orifice plate assembly
8	41011089	Water diaphragm assembly
9		Direct acting cover plate
10	41011090	Diaphragm assembly
11	41011091	Actuator spring
12		Motor housing
13	41011092	Separator o-ring
14		Separator cup
15	41011137	Seat assembly
16		Air-control valve seat
17		O-ring
18	41011093	Water chamber assembly includes items 6, 7 & 8

NOTE: ITEM 15 IS USED WITH OLD STYLE BRONZE VALVE BODY ONLY



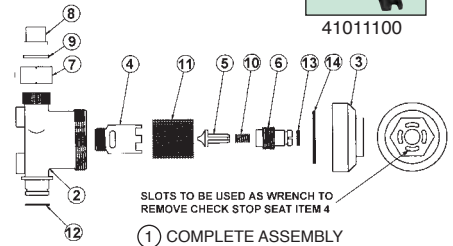
ACORN AIR-CONTROL METERING SERVOMOTOR ASSEMBLY JANUARY 1984 TO PRESENT

ITEM	PART #	DESCRIPTION
1A	41011094	Metering Servomotor assy.
1B		Metering Servomotor assy. (plastic)
2		8-32 x 1-1/4" Phillips screw
3		#8 lockwasher
4		Metering motor assembly
5	41011088	Pilot orifice plate spring
6	41011127	Pilot orifice plate assembly
7	41011089	Water diaphragm assembly
8	41011017	Seat O-ring
9	41011137	Seat (includes o-ring)
10	41011204	Timer assembly
11		Metering cover plate
12	41011095	Metering air diaphragm spring
13	41011096	Metering air diaphragm
14	41011205	Magnet cup assembly
15	41011091	Actuator spring
16		Motor housing
17	41011092	O-ring
18		Separator cup
19		8-32 Hex nut



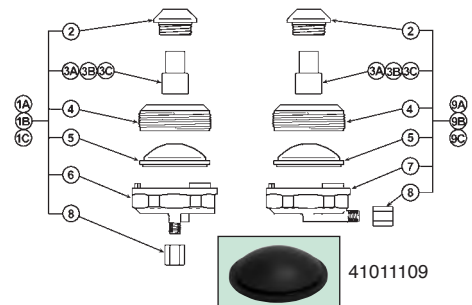
ACORN PLASTIC AIR-CONTROL CHECK STOP STRAINER ASSY. APRIL 1994 TO DECEMBER 1995

ITEM	PART #	DESCRIPTION
1	41011100	Check stop strainer complete assembly
2		Stop body
3		Stop bonnet
4		Check stop seat (non-removable)
5	41011101	Check stem
6		Stop stem
7		Union nut
8		3/8" copper union adapter
9	41011226	Union gasket
10	41011103	Spring
11		Strainer
12	41011104	O-ring
13	41011040	O-ring
14	41011105	O-ring



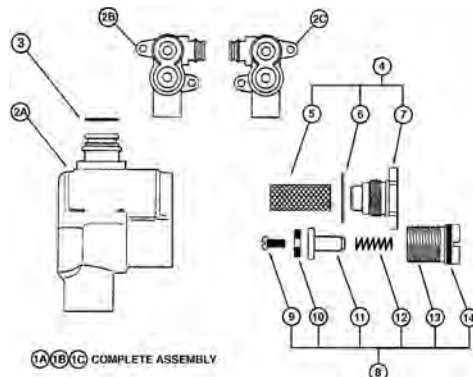
ACORN AIR-CONTROL PUSHBUTTON ASSEMBLY JANUARY 1984 TO PRESENT

ITEM	PART #	DESCRIPTION
1A		Pushbutton assy back outlet (single temp)
1B		Pushbutton assy back outlet (hot)
1C		Pushbutton assy back outlet (cold)
2	41011106	Escutcheon
3A		Pushbutton – single temp.
3B	41011107	Pushbutton – cold
3C	41011108	Pushbutton – hot
4		Escutcheon retainer
5	41011109	Diaphragm
6	41011110	Diaphragm retainer
7	41011232	Diaphragm retainer
8	41011087	1/8" ferrule nut
9A		Pushbutton assembly single temp
9B		Pushbutton assy – Hot
9C		Pushbutton assembly – Cold



ACORN PENAL AIR-TROL CHECK STOP ASSEMBLY JANUARY 1984 TO APRIL 1994

ITEM	PART #	DESCRIPTION
1A		Valve assembly complete - top outlet
1B		Valve assembly complete - RH outlet
1C		Valve assy complete - LH outlet
2A		Stop body - top outlet
2B		Stop body - LH outlet
2C		Stop body - RH outlet
3	40130205	O-ring
4		Strainer assy.
5	41011098	Strainer
6		Red fiber gasket
7		Retainer
8	41011099	Check stop assy.
9	50100011	8-32 RD HD screw
10	40110119	Gasket
11		Check valve
12		Spring
13		Check stop body
14		O-ring

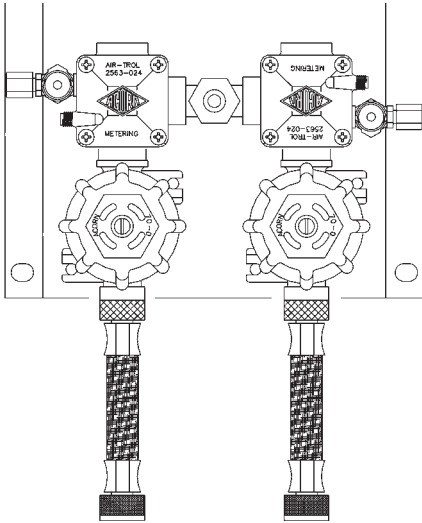




TOTAL MAINTENANCE SOLUTIONS
ACORN ENGINEERING
 FITTINGS AND VALVES

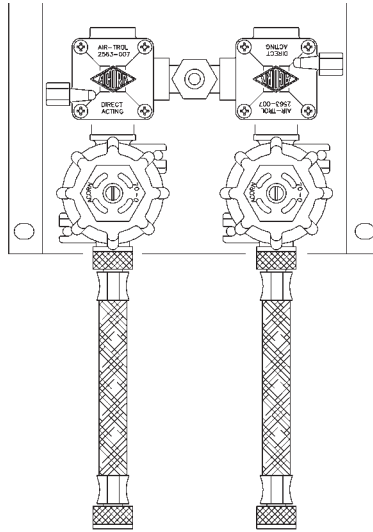
AIR-TROL VALVE ASSEMBLIES

ALSO AVAILABLE IN



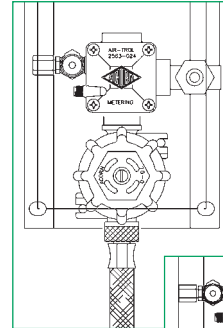
HOT & COLD METERING VALVE
.5 GPM
PART # 41011233

ALSO AVAILABLE IN 2.5 GPM

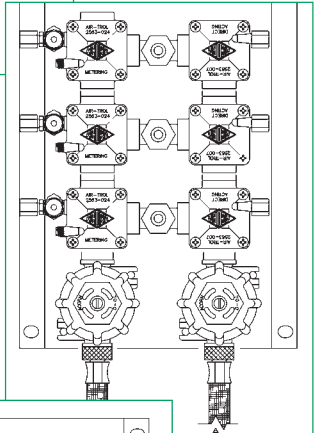


HOT & COLD NON-METERING VALVE - .5 GPM
PART # 41011234

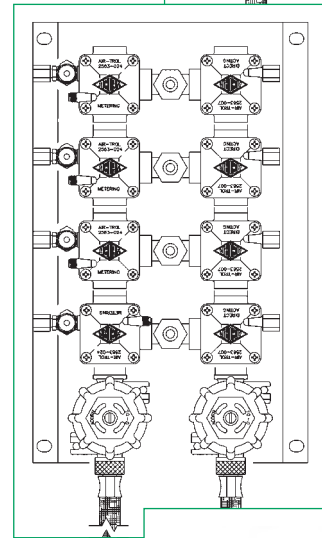
ALSO AVAILABLE IN 2.5 GPM



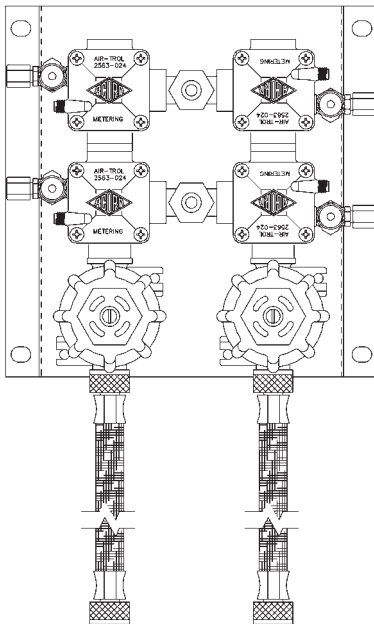
SINGLE TEMP



3-CELL

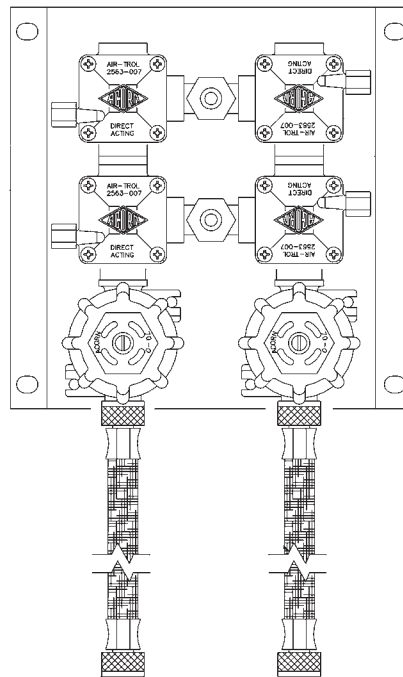


4-CELL



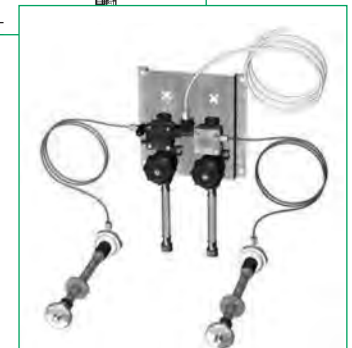
HOT & COLD 2-CELL METERING VALVE
.5 GPM
PART # 41011235

ALSO AVAILABLE IN 2.5 GPM



HOT & COLD 2-CELL NON-METERING VALVE - .5 GPM
PART # 41011236

ALSO AVAILABLE IN 2.5 GPM

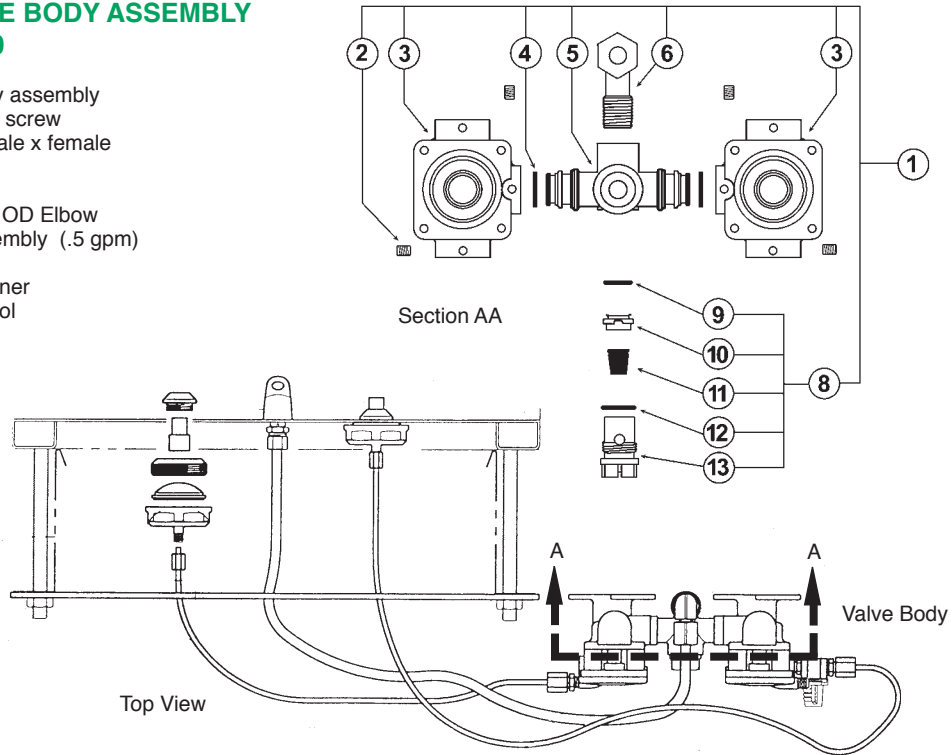
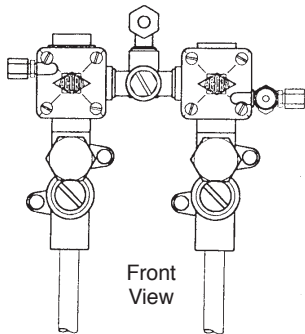


REPLACEWARE



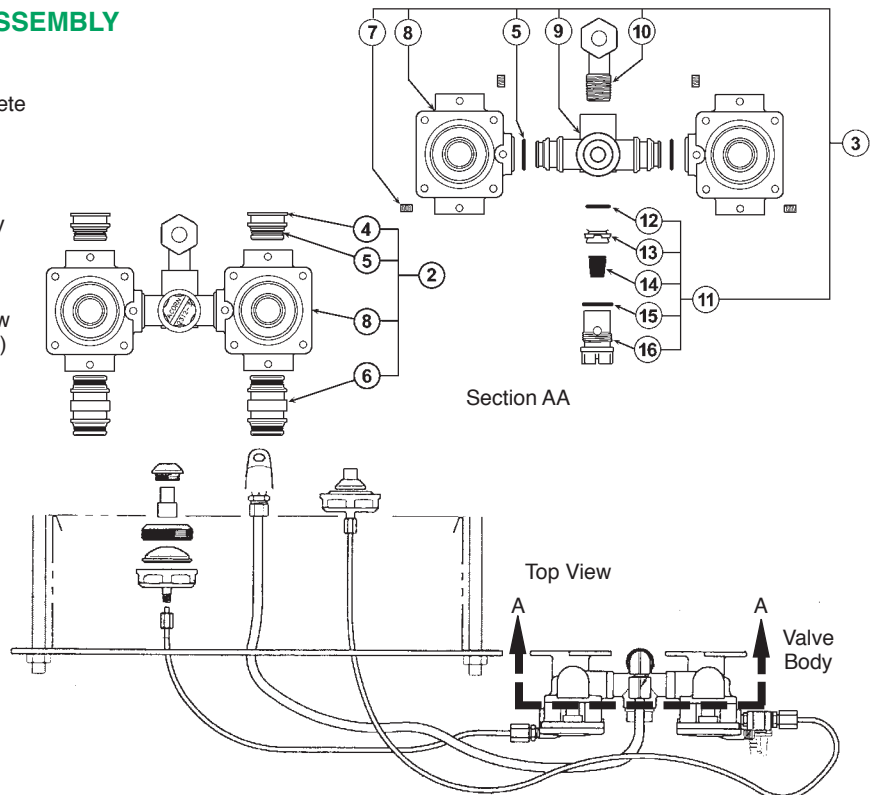
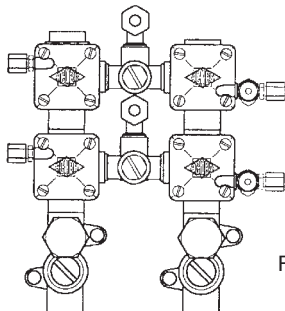
ACORN H&C AIR-TROL VALVE BODY ASSEMBLY
JANUARY 1985 TO JULY 1990

ITEM	PART #	DESCRIPTION
1		H&C valve body assembly
2		8-32 x 3/16" set screw
3		Valve body female x female
4	41011111	O-ring
5	41011112	Flo-Control Tee
6	41011113	1/4" NPT x 1/4" OD Elbow
8	41011038	Flo-control assembly (.5 gpm)
9	41011040	O-ring
10	41011016	Flo-control retainer
11	41011114	.5 gpm flo-control
12	41011017	O-ring
13	41011018	Flo-control plug



ACORN H&C AIR-TROL VALVE BODY ASSEMBLY
JULY 1990 TO APRIL 1994

ITEM	PART #	DESCRIPTION
1		H&C valve assembly – complete
2		Valve assembly – upper
3		Valve assembly – lower
4	41011115	Male O-ring plug
5	41011111	O-ring
6	41011116	Male O-ring adaptor assembly
7		Screw
8		Valve body – female x female
9	41011112	Flo-control tee
10	41011113	1/4" NPT x 1/4" OD tube elbow
11	41011038	Flo-control assembly (.5 gpm)
12	41011040	O-ring
13	41011016	Flo-control retainer
14	41011114	.5 gpm flo-control
15	41011017	O-ring
16	41011018	Flo-control plug

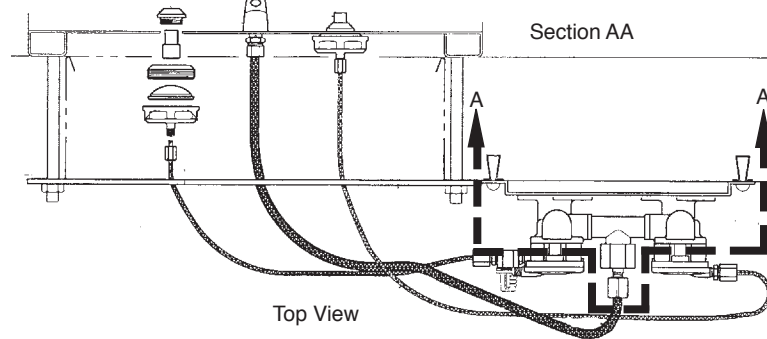
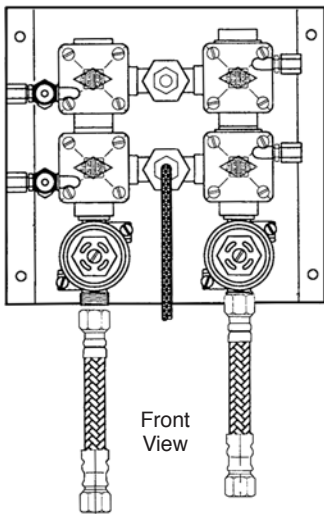
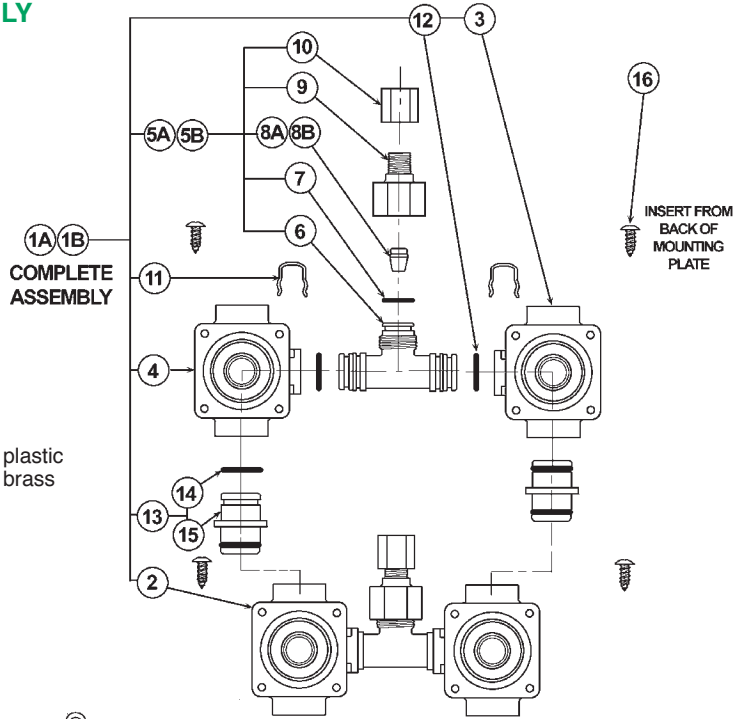




TOTAL MAINTENANCE SOLUTIONS
ACORN ENGINEERING
 FITTINGS AND VALVES

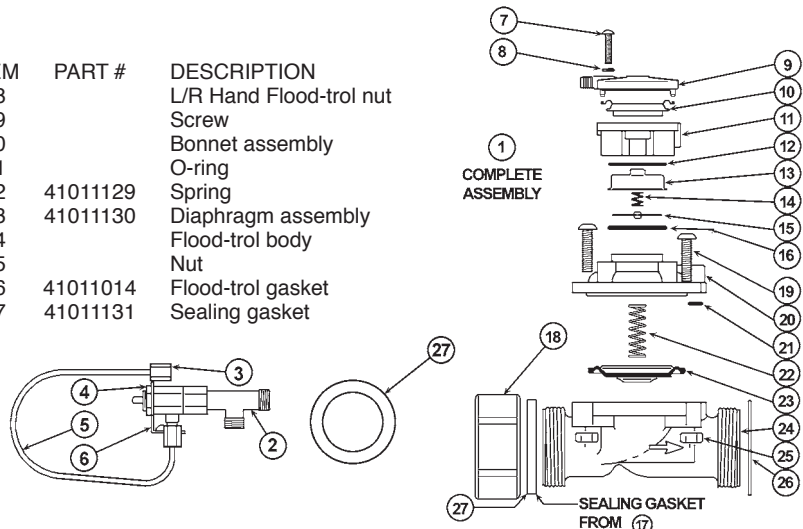
ACORN H&C AIR-TROL VALVE BODY ASSEMBLY
APRIL 1994 TO PRESENT

ITEM	PART #	DESCRIPTION
1A		H&C valve body complete .5 gpm
1B		H&C valve body complete 2.5 gpm
2	41011117	Valve body – lower
3	41011118	RH valve body – upper
4	41011119	LH valve body – upper
5A		H&C mixing tee assembly .5 gpm
5B		H&C mixing tee assembly 2.5 gpm
6	41011120	Dual temp tee body – plastic
	41011237	Dual temp tee body – brass
7	41011017	O-ring
8A	41011114	Flow control .5 gpm
8B	41011134	Flow control 2.5 gpm
9	41011121	Flow control adapter
10	41011122	1/4" ferrule nut
11	41011123	Retainer clip
12	40130205	O-ring
13	41011124	Male x male o-ring coupler assembly – plastic
	41011238	Male x male o-ring coupler assembly – brass
14	41011046	O-ring
15		Male to male o-ring connector
16		Screw



ACORN FLOOD-TROL VALVE ASSEMBLY

ITEM	PART #	DESCRIPTION	ITEM	PART #	DESCRIPTION
1		Flood-trol valve assy, complete	18		L/R Hand Flood-trol nut
2	41011125	Reset valve assembly	19		Screw
3	41011087	1/8" Compression nut	20		Bonnet assembly
4		Locknut	21		O-ring
5	41021263	1/8" OD x 12"	22	41011129	Spring
		Low density PE tube	23	41011130	Diaphragm assembly
6		Mounting bracket assembly	24		Flood-trol body
7		Screw	25		Nut
8		Lockwasher	26	41011014	Flood-trol gasket
9		Coverplate	27	41011131	Sealing gasket
10	41011126	Diaphragm assembly			
11		Motor housing			
12	41011092	O-ring			
13		Separator cup			
14	41011088	Pilot orifice plate spring			
15	41011127	Pilot orifice plate assembly			
16	41011128	O-ring			
17		Reset switch interconnection assembly (not shown)			

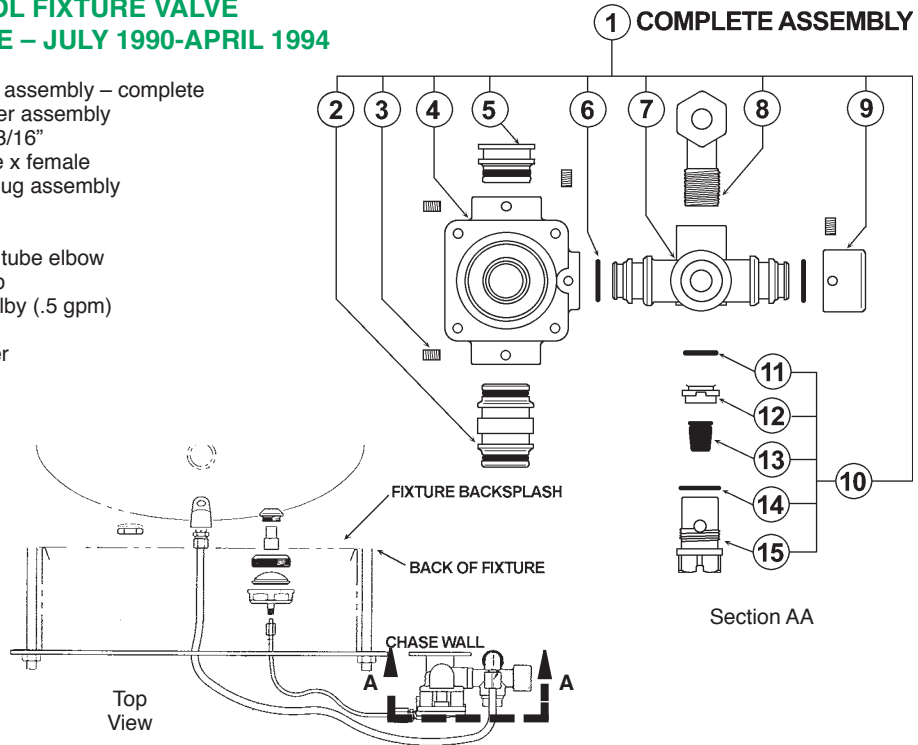
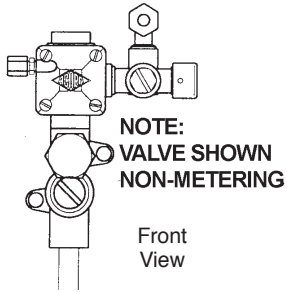


Toll Free Telephone: 877/867-8675 • Toll Free Fax: 877/867-8674
 www.tms4parts.com



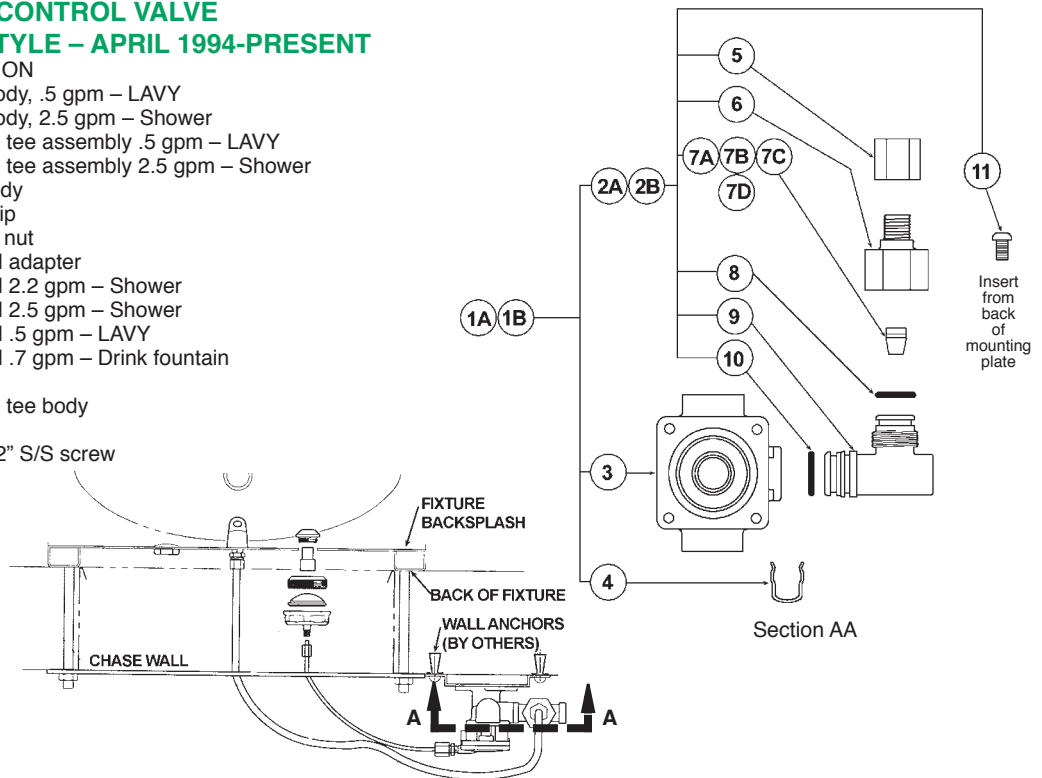
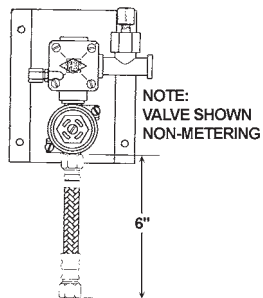
ACORN SINGLE TEMP AIR-TROL FIXTURE VALVE BODY ASSEMBLY – OLD STYLE – JULY 1990-APRIL 1994

ITEM	PART #	DESCRIPTION
1		Single temp valve assembly – complete
2	41011116	Male o-ring adapter assembly
3		Set screw 8-32 x 3/16"
4		Valve body female x female
5	41011115	Male o-ring ring plug assembly
6	41011111	O-ring
7	41011112	Flo-control tee
8	41011113	1/4" NPT 1/4" OD tube elbow
9	41011132	Outlet adapter cap
10	41011038	Flo-control assembly (.5 gpm)
11	41011040	O-ring
12	41011016	Flo-control retainer
13	41011114	.5 gpm flo-control
14	41011017	O-ring
15	41011018	Flo-control plug



ACORN SINGLE TEMP AIR-CONTROL VALVE BODY ASSEMBLY – NEW STYLE – APRIL 1994-PRESENT

ITEM	PART #	DESCRIPTION
1A		S/T valve body, .5 gpm – LAVY
1B		S/T valve body, 2.5 gpm – Shower
2A		Single temp tee assembly .5 gpm – LAVY
2B		Single temp tee assembly 2.5 gpm – Shower
3	41011119	LH valve body
4	41011123	Retaining clip
5	41011122	1/4" Ferrule nut
6	41011121	Flow control adapter
7A		Flow control 2.2 gpm – Shower
7B	41011134	Flow control 2.5 gpm – Shower
7C	41011114	Flow control .5 gpm – LAVY
7D	41011135	Flow control .7 gpm – Drink fountain
8	41011017	O-ring
9	41011136	Single temp tee body
10	40130205	O-ring
11		#10-32 x 1/2" S/S screw

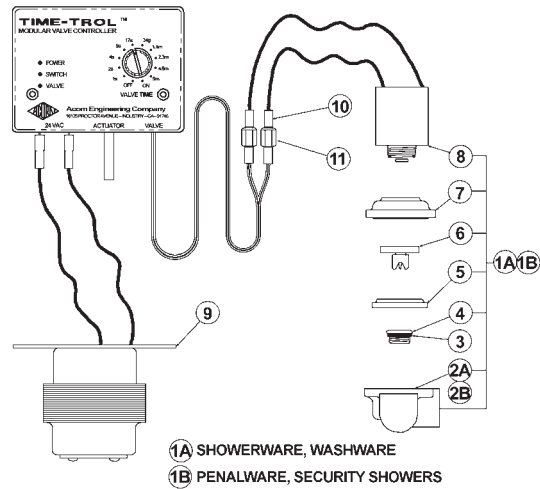




TOTAL MAINTENANCE SOLUTIONS
ACORN ENGINEERING
 FITTINGS AND VALVES

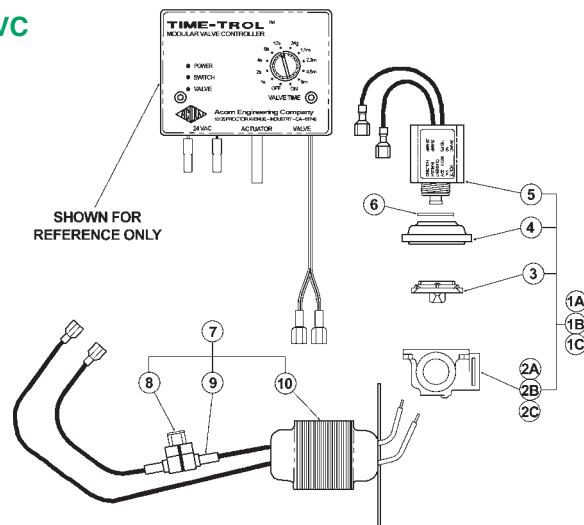
ACORN TIME-TROL CONTROLLER VALVE ASSEMBLY – OLD STYLE – JUNE 1991 – 1994

ITEM	PART #	DESCRIPTION
1A		Solenoid actuated valve assembly 3/8" NPT
1B		Solenoid actuated valve assembly o-ring
2A		Air-trol body 3/8" NPT outlet
2B		Air-trol body o-ring outlet
3	41011017	O-ring
4	41011137	Seat
5-6	41011089	Water diaphragm assembly
7		Solenoid bonnet
8	41011138	24 VAC Solenoid
9		50VA transformer
10		Male spade connector
11		Female spade connector



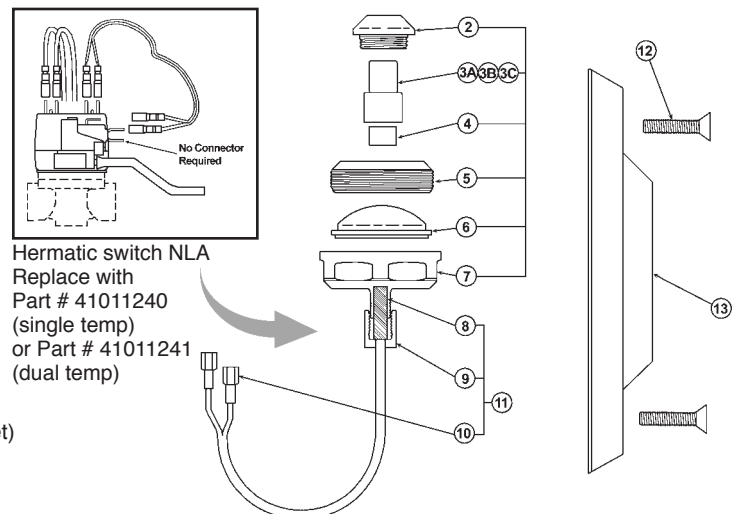
ACORN TIME-TROL CONTROLLER VALVE ASSEMBLY – MVC APRIL 1994 – PRESENT

ITEM	PART #	DESCRIPTION
1A		Solenoid actuated valve assembly LH
1B		Solenoid actuated valve assembly RH
1C		Solenoid actuated valve assembly – MA lower
2A		Valve body left hand
2B		Valve body right hand
2C		Valve body – MA lower LH/RH
3	41011089	Water diaphragm assembly
4		Solenoid bonnet
5	41011139	24 VAC solenoid
6	41011140	O-ring
7		120/24VAC trans 4" sq. plate assembly
8	41011141	3 amp fuse
9		In-line fuseholder
10		120/24VAC transformer



ACORN MASTER-TROL PUSHBUTTON (WITH HERMETICALLY SEALED SWITCH)

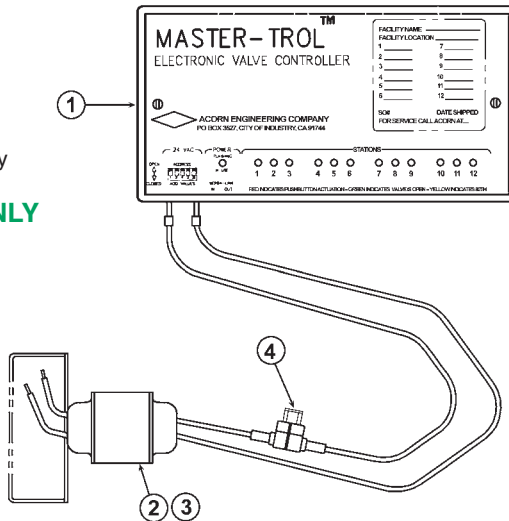
ITEM	PART #	DESCRIPTION
1		Master-trol pushbutton assembly (standard)
1B		Master-trol pushbutton assembly (hot)
1C		Master-trol pushbutton (cold)
2		Escutcheon
3A		Pushbutton (standard)
3B		Pushbutton (hot)
3C		Pushbutton (cold)
4		Magnet
5		Escutcheon retainer
6	41011109	Diaphragm
7		Diaphragm retainer
8	NLA	Hermetic switch
9	NLA	Nut
10	NLA	3/16" Female quick connect
11	NLA	Master-trol hermetic switch assembly (see inset)
12		Screw
13		Oval escutcheon plate





ACORN VALVE CONTROLLER & TRANSFORMER ASSEMBLY

ITEM	DESCRIPTION
1	Controller (complete)
2	50 VA Transformer w/ 4" x 4" mounting plate
3	50 VA Transformer w/ clamp mount
4	3 amp replacement fuse

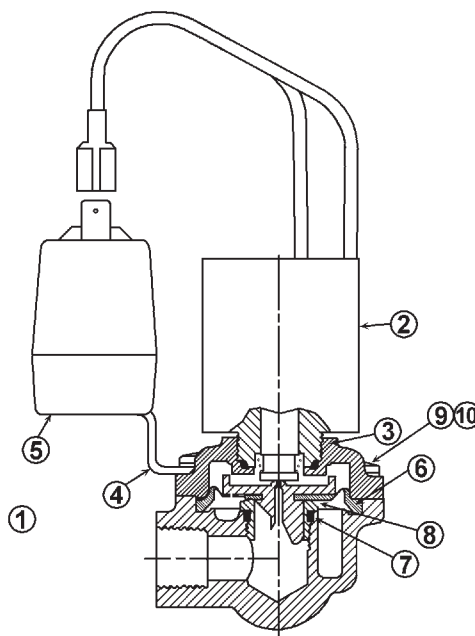


Call for price and availability

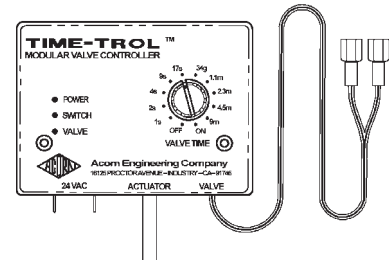
CONTROLLER MAY ONLY BE ORDERED AS A COMPLETE UNIT

ACORN MASTER-TROL SOLENOID OPERATED VALVE ASSEMBLY – OLD STYLE – OCTOBER 1992 – APRIL 1994

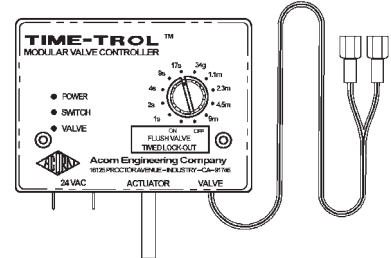
ITEM	PART #	DESCRIPTION
1		Master-trol valve assembly – complete
2	41011142	24 VAC solenoid assembly
3		Solenoid bonnet
4		Branch box z-bracket
5		Branch box assembly
6	41011089	Water diaphragm assembly
7	41011017	O-ring
8		Valve seat
9		Lockwasher
10		Screw



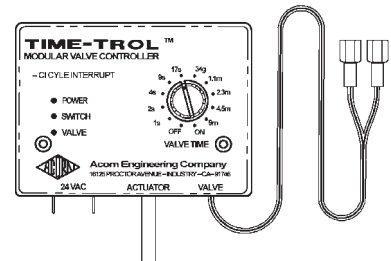
ACORN TIME-TROL VALVE CONTROLLER JUNE 1991 – PRESENT



1A



1B



1C

ITEM	DESCRIPTION
1A	Time-trol – standard configuration
1B	Time-trol w/ FV Lock-out option
1C	Time-trol w/ cycle interrupt option

Call for price and availability

CONTROLLER MAY ONLY BE ORDERED AS A COMPLETE UNIT

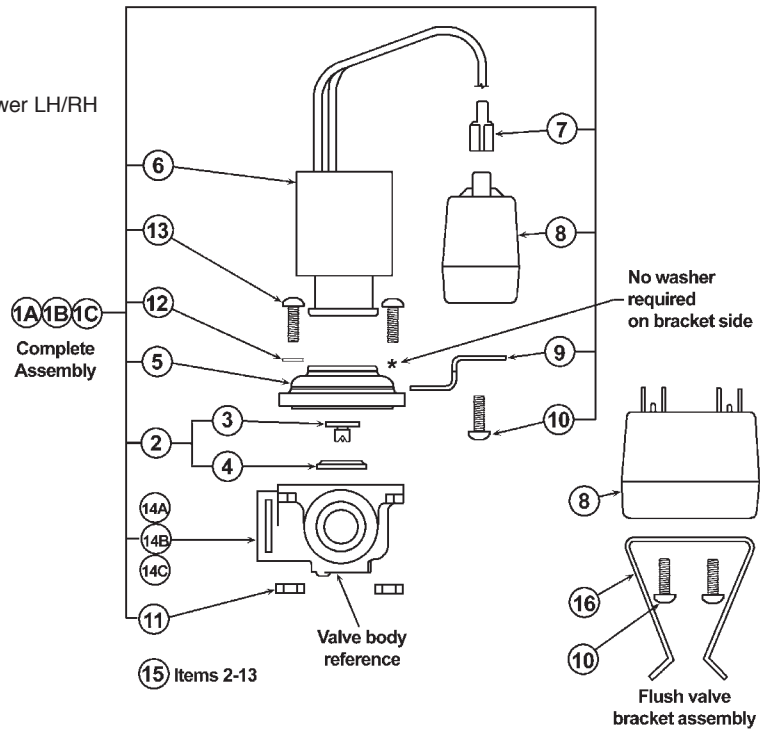


TOTAL MAINTENANCE SOLUTIONS
ACORN ENGINEERING
 FITTINGS AND VALVES

ACORN MASTER-TROL SOLENOID OPERATED VALVE ASSEMBLY

APRIL 1994 – APRIL 1998

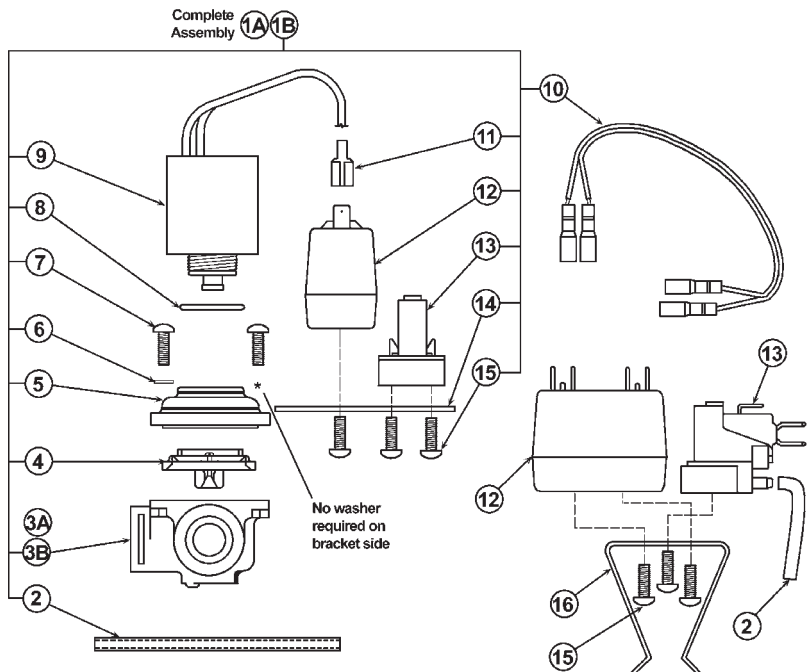
ITEM	PART #	DESCRIPTION
1A		Master-trol valve assembly LH
1B		Master-trol valve assembly RH
1C		Master-trol valve assembly MA lower LH/RH
2	41011089	Water diaphragm assembly (includes items 3 & 4)
5		Plastic solenoid bonnet
6	41011138	24 VAC solenoid assembly
7		Female 1/4" quick connector
8		Branch box assembly
9		Branch box z-bracket
10		Screw
11		Hex nut
12		Lockwasher
13		Screw
14A		Valve body LH
14B		Valve body RH
14C		Valve body MA lower LH/RH
15		Items 2-13
16		Branch box bracket – flush valve



ACORN MASTER-TROL SOLENOID VALVE / BRANCH BOX ASSEMBLY

APRIL 1998 – PRESENT

ITEM	PART #	DESCRIPTION
1A		Master-trol valve assembly LH
1B		Master-trol valve assembly RH
2		Clear tubing
3A	41011119	Valve body LH
3B	41011118	Valve body RH
4	41011089	Water diaphragm assembly
5		Plastic solenoid bonnet
6		Lockwasher
7		Screw
8	41011140	O-ring
9	41011139	24 VAC solenoid assembly
10		Branch box connector wire
11		Female quick connector
12		Branch box assembly
13		Momentary air switch
14		Branch box bracket
15		Screw
16		Branch box bracket – flush valve





AMERICAN STANDARD

FITTINGS AND VALVES

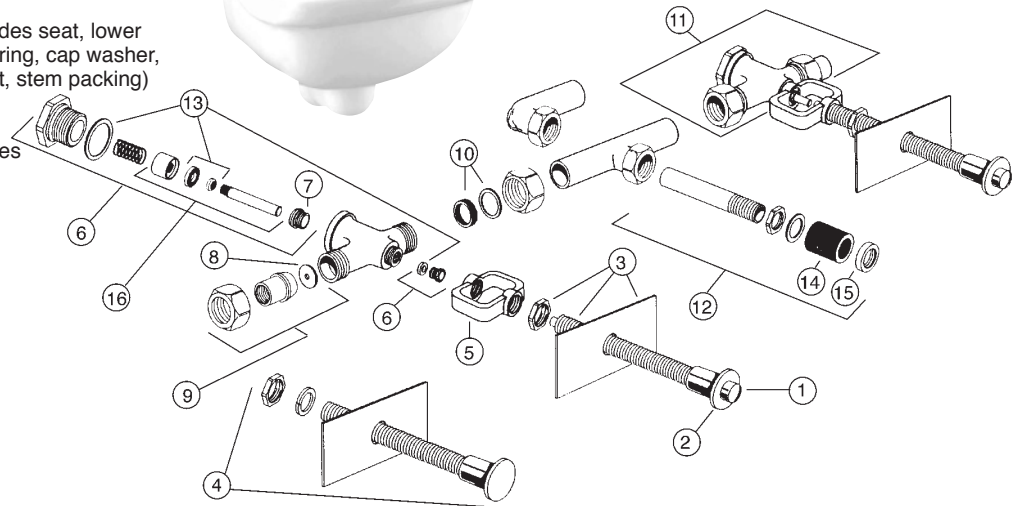
AMERICAN STANDARD PRISON LAVATORY

ITEM	PART #	DESCRIPTION
1	40120119	Push button - cold
	40120120	Push button - hot
2		Flange
3		Actuator pipe and bracket
4		Support bolt
5		Yoke
6	40120121	Valve rebuild kit (includes seat, lower stem, seat washer, spring, cap washer, blank cap, packing nut, stem packing)
7	40120113	Seat
8	40120114	Flow disc
9		Supply inlet kit (includes flow restricting disc and coupling)
10	40120115	Slip joint kit (includes slip joint washer and friction ring)
11	40121324	Valve
12		Supply connection
13	40120116	Packing kit (includes cap washer, brass washer, seat washer and stem packing)
14	40120117	Washer
15	40120118	Slip joint washer
16	40121031	Stem assembly



COMPLETE VALVE ASSEMBLY

0-4" American Standard # 2250.090
4-9" American Standard # 2250.108

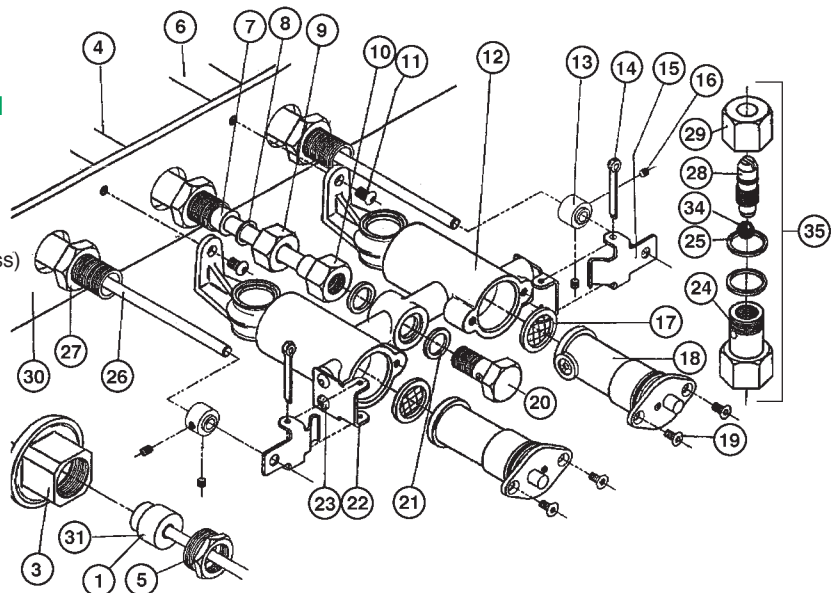


BRADLEY CORP

FITTINGS AND VALVES

BRADLEY HOT & COLD METERING VALVE 1021 (COMPLETE VALVE NO LONGER AVAILABLE)

ITEM	PART #	DESCRIPTION
1	41021252	Hot push button*
2		Filler/bubbler
3		Escutcheon
4		Discharge tube (specify wall thickness)
5		Bushing
6		Push rod guide (0-4" or 4"-8" wall)
7		Slip joint washer
8		Friction ring
9		Slip joint nut
10		Bubbler/filler connection
11		Hex head cap screw
12		Valve body - NLA
13	41021255	Adjusting collar
14	41021320	Pivot pin
15	41021143	Lever bracket
16	41021321	Set screw
17	41021254	Filter disk
18	40120033	Cartridge assembly
19		Flat head screw
20	41021288	Bubbler connection plug
21		O-ring
22		Pivot bracket
23		Button head socket cap screw
24	41021291	Union supply/stop body
25	41021248	O-ring
26		Push rod
27		Locknut
28	41021249	Union supply/stop stem
29	41021250	Union supply/stop cap
30		Anchor plate - NLA



ITEM	PART #	DESCRIPTION
31	41021253	Cold push button*
32		Lockwasher
34	41021171	Ball
35	41021221	Checkstop Repair Kit

* - Push button with collar NLA. Replacement button available to use with existing collar.

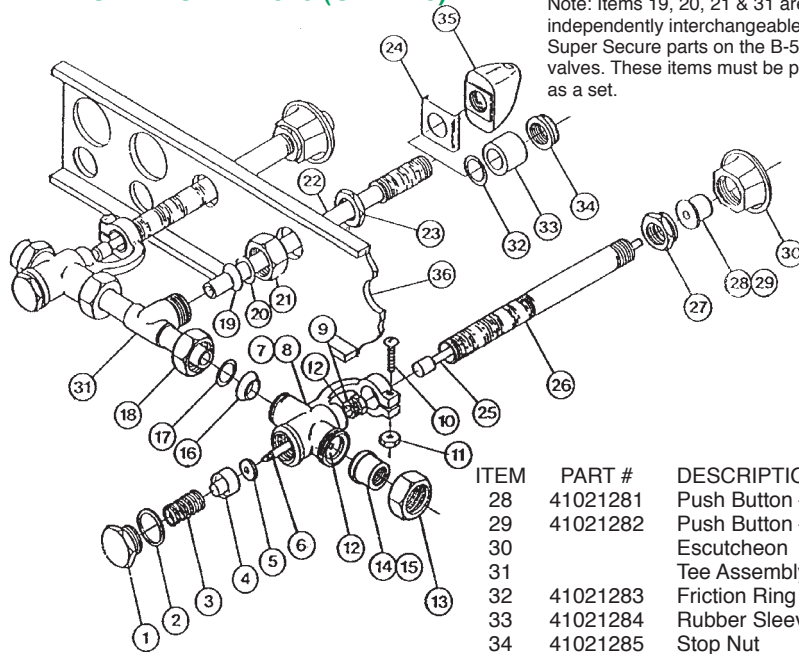


TOTAL MAINTENANCE SOLUTIONS
BRADLEY CORP
 FITTINGS AND VALVES

BRADLEY SUPER SECURE SECURITY FIXTURE MODEL 1025 (OLD B-5)

ITEM	PART #	DESCRIPTION
1	41021271	Cap nut
2	41021272	Cap gasket
3	41021273	Spring
4	41021274	Plunger
5	41021275	Seat washer
6	41021276	Plunger stem
7		Valve body
8	41021008	Renewable seat
9	41021277	Packing nut
10		Screw
11		Nut
12	41021278	Valve stem packing
13		Union nut
14		Union spud 3/8" NPT
15		Union spud 3/8" copper
16	41021279	Cone washer
17	41021280	Friction ring
18		Tee nut
19	41011003	Slip joint washer
20	41011004	Friction washer
21		Slip joint nut
22	*	Discharge tube
23		Locknut
24		Support bracket
25	*	Push rod assembly
26	*	Push rod guide
27		Bushing
	*	Complete valve

Note: Items 19, 20, 21 & 31 are not independently interchangeable with Super Secure parts on the B-5 Series valves. These items must be purchased as a set.



ITEM	PART #	DESCRIPTION
28	41021281	Push Button – Hot
29	41021282	Push Button – Cold
30		Escutcheon
31		Tee Assembly
32	41021283	Friction Ring
33	41021284	Rubber Sleeve
34	41021285	Stop Nut
35		Bubbler w/ mouthguard – code filler
35		Bubbler w/o mouthguard
36		Anchor Plate

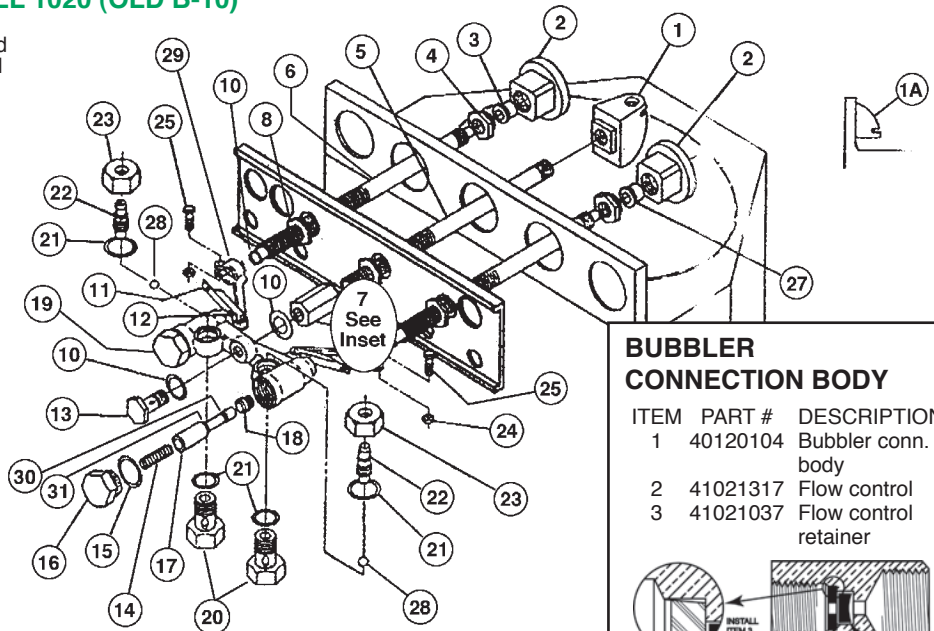


Stem Repair Kit (Items 1-6, 8, 9, 12)
 PART # 41011239

* Specify wall thickness

BRADLEY SECURITY FIXTURE MODEL 1020 (OLD B-10)

ITEM	PART #	DESCRIPTION
1		Bubbler with mouthguard
1		Bubbler w/o mouthguard
1A		Filler only
2		Escutcheon
3	41021282	Cold push button
4		Bushing
5	*	Discharge tube
6	*	Push rod guide
7	40120104	Connection body
8		Locknut
9	*	Push rod
10	41021020	Plug gasket
11	41021286	Lever
12	41021287	Lever roll pin
13	41021288	Bubbler connection plug
14	41021289	Spring
15	41021026	Valve gasket
16	41021290	Cap nut
17	40120105	Main stem assembly
18	41021008	Renewable seat
19		Valve body
20	41021291	Supply stop body
21	41021030	Stop gasket - 1" OD
22	41021249	Supply stop stem assembly
23	41021250	Supply stop cap
24	41021292	Yoke nut
25	41021293	Yoke screw
26		Valve mounting plate
27	41021281	Hot push button
28	41021171	Ball
29		Collar assembly
30	40950017	Stem o-ring
31	40110163	Stem washer
	*	Specify wall thickness



BUBBLER CONNECTION BODY

ITEM	PART #	DESCRIPTION
1	40120104	Bubbler conn. body
2	41021317	Flow control
3	41021037	Flow control retainer



Stem Repair Kit (Items 14-18, 30, 31)
 PART # 41011041



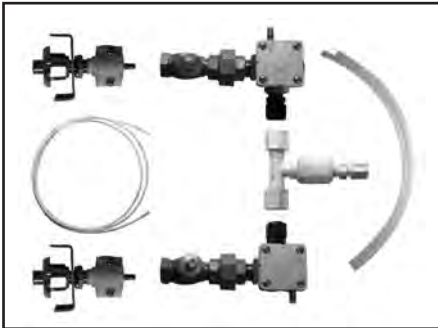
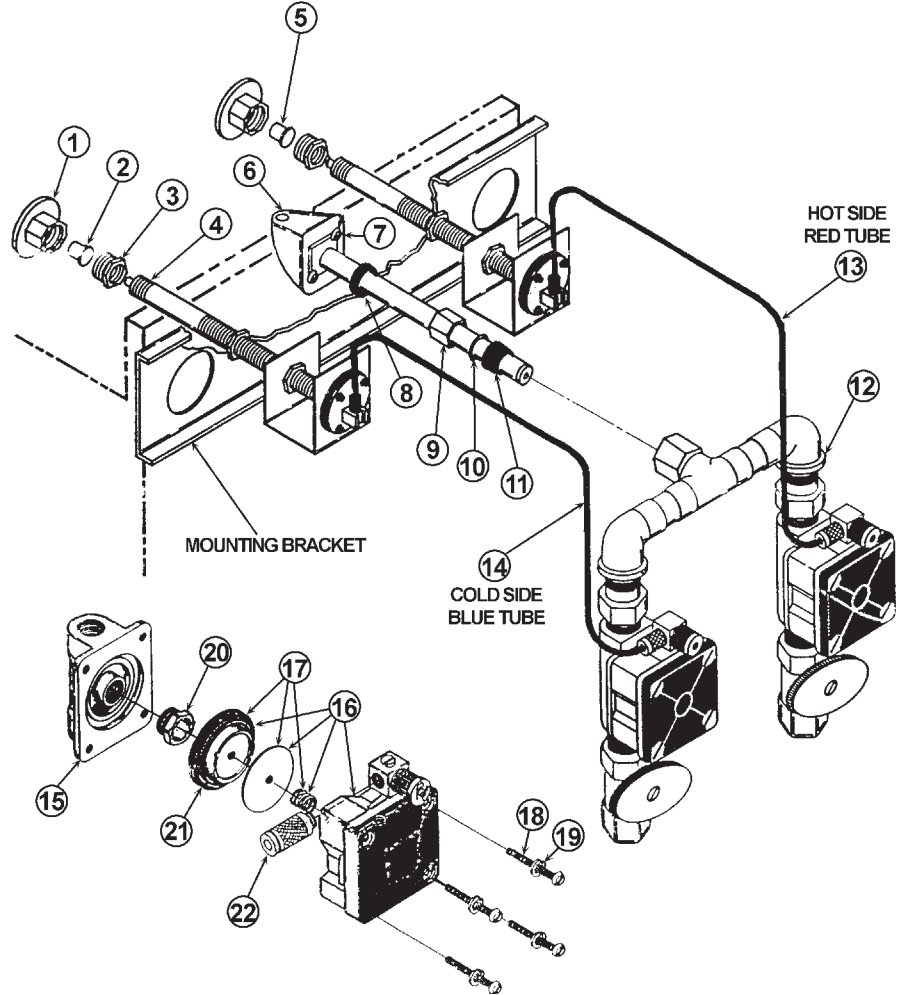
Checkstop Repair Kit (Items 20-23, 28)
 PART # 41021221

TOTAL MAINTENANCE SOLUTIONS
BRADLEY CORP
 FITTINGS AND VALVES



BRADLEY AIR VALVE MODELS 1030 THRU 1036

ITEM	PART #	DESCRIPTION
1	40120623	Escutcheon
2	41021282	Push button - cold
3		Bushing
4		Push button assembly (0"-4", 4"-8")
5	41021281	Push button - hot
6		Penal filler
7		Screw
8		Grommet
9		Nut
10		Friction ring
11	41021294	Washer
12	41021295	Air valve assembly
13	41021296	Red tubing 1/8" x 60"
14	41021318	Blue tubing 1/8" x 60"
15		Valve body
16	41021297	Huba valve repair kit
17	40120099	Diaphragm repair kit
18		Screw
19		Lock washer
20	41021045	Valve seat
21	40120100	Diaphragm
22	41021298	Timer repair kit



RETROFIT KIT FOR BRADLEY MODEL 1020

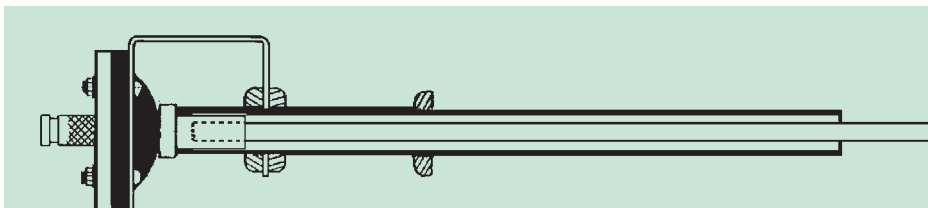
(For fixtures with access to chase) Includes valve assembly, pushbuttons and tubing
 Part # 41021048



PUSHBUTTON ASSEMBLY FOR BRADLEY MODEL 1020

(For fixtures without access to chase)

PART #	DESCRIPTION
41021222	Pushbutton assembly for wall thickness 0 – 4"
41021223	Pushbutton assembly for wall thickness 4" – 8"
40121224	Pushbutton assembly for wall thickness 8" – 12"



PUSHBUTTON ASSEMBLY

ITEM	PART #	DESCRIPTION
1		Tube connector
2	41021299	Diaphragm



TOTAL MAINTENANCE SOLUTIONS
BRADLEY CORP
 FITTINGS AND VALVES

BRADLEY 5180 THRU 5195 BARRIER FREE COMBINATION

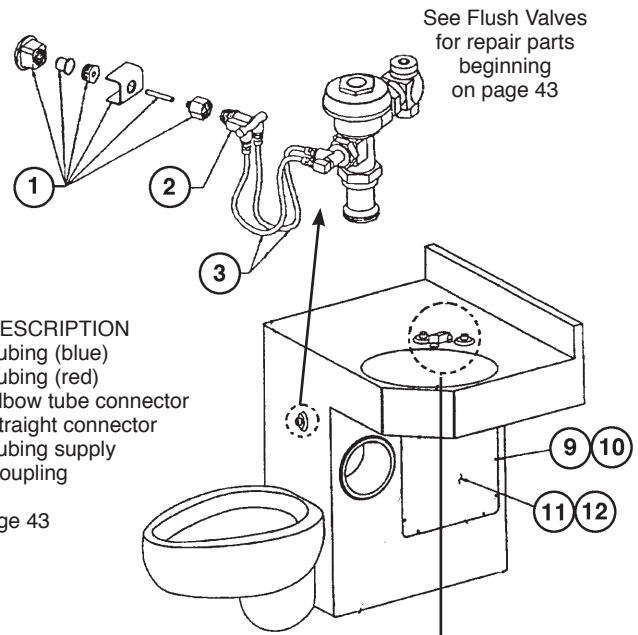


Model 5180

ITEM	PART #	DESCRIPTION
1	*	Flush pushbutton assembly
2	*	Hydraulic actuator
3		Tubing
9		Screw
10		Hex key
11		Toilet access panels (side)
12		Toilet access panel (beneath lavatory)
13		Lavatory spout
14		Abrasive washer

ITEM	PART #	DESCRIPTION
15	41021318	Tubing (blue)
16	41021296	Tubing (red)
17		Elbow tube connector
17A		Straight connector
18	41021300	Tubing supply
19		Coupling

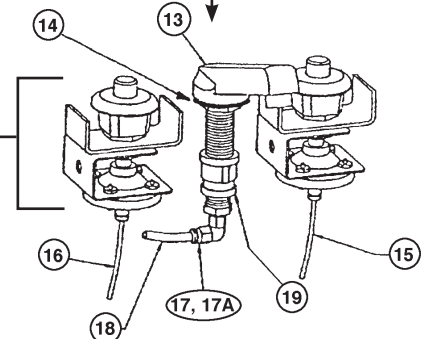
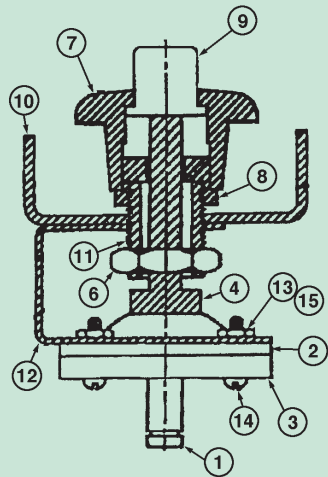
* see Flush Valves page 43



See Flush Valves for repair parts beginning on page 43

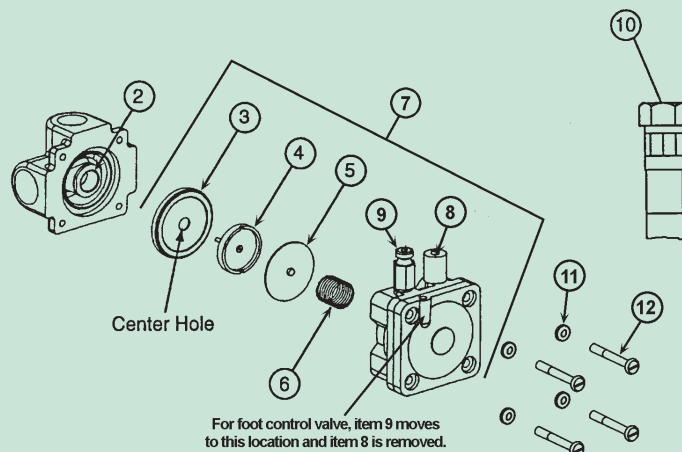
PUSH BUTTON ASSEMBLY

ITEM	PART #	DESCRIPTION
1		Male connector
2	41021299	Diaphragm
3		Back plate
4		Pushrod cap
6		Pipe lock nut
7	41021301	Escutcheon
8		Bushing
9	41021282	Push button - cold
	41021281	Push button - hot
10		Metering bracket
11		Push rod guide
12		Push rod bracket
13		Hex nut
14		Screw
15		Lock washer



BRADLEY AIR METERING VALVE

ITEM	PART #	DESCRIPTION
2	41021045	Valve seat
3	40120100	Rubber diaphragm
4	40120203	Plastic disk
5		Stainless steel disk
6		Spring
3-6	40120099	Universal repair kit
7	41021297	Hand repair kit
7		Foot repair kit
8		Timer assembly
9		Tube connector 1/8" straight
10	41021053	Filter Washer (inside Flex hose)
11		Lockwasher
12		Screw



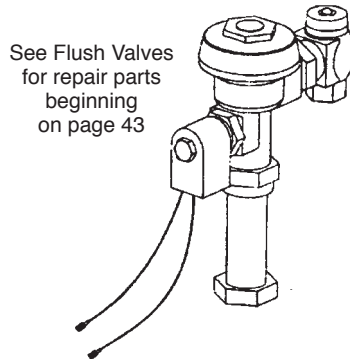
For foot control valve, item 9 moves to this location and item 8 is removed.



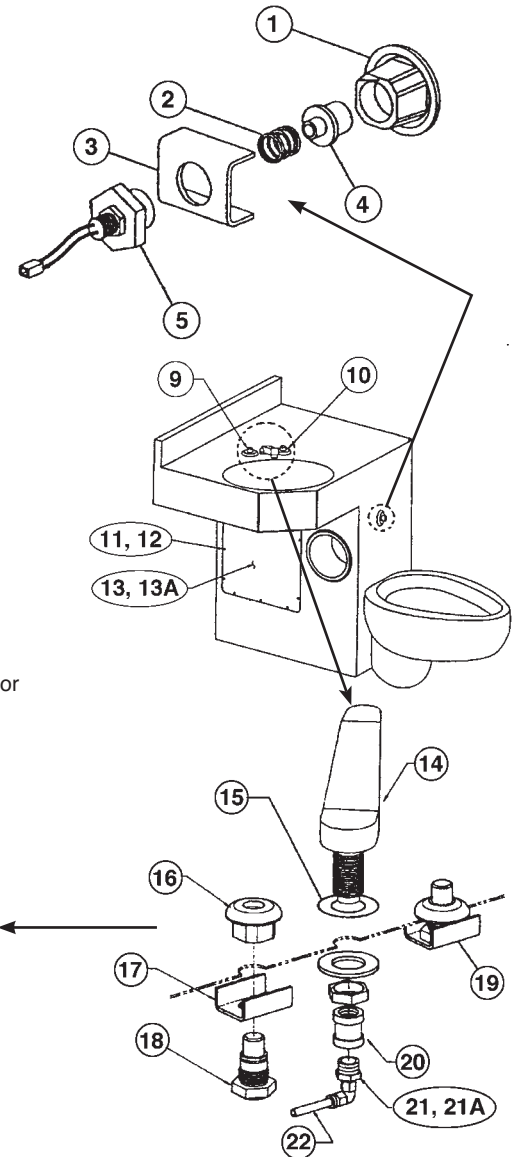
BRADLEY 5180 THRU 5195 BARRIER FREE COMBINATION



Model 5180



See Flush Valves for repair parts beginning on page 43

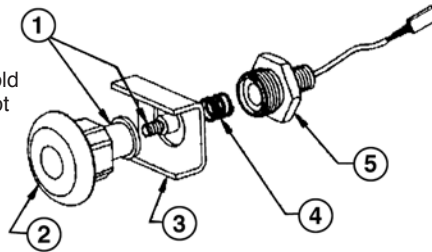


ITEM	PART #	DESCRIPTION
1	40120623	Escutcheon
2		Spring
3		Bracket
4	41021302	Flush pushbutton assembly
5		Sensor bushing assembly
9	41021303	Hot pushbutton
10	41021304	Cold pushbutton
11		Screw
12		Hex key
13		Straight toilet access panels (side)
13A		Straight toilet access panels (beneath lavatory)

ITEM	PART #	DESCRIPTION
14		Lavatory spout
15		Abrasive washer
16	40120623	Escutcheon
17		Bracket
18	41021303	Pushbutton assembly (hot)
19	41021304	Pushbutton assembly (cold)
20		Coupling
21		Elbow tube connector
21A		Straight connector
22	41021300	Tubing supply

MICRO-TOUCH PUSH BUTTON COMPONENTS

ITEM	PART #	DESCRIPTION
1	41021304	Mag. push assy - cold
	41021303	Mag. push assy - hot
2	40120623	Escutcheon
3		Bracket
4		Spring
5		Sensor Bushing Assembly



BRADLEY SOLENOID VALVE ASSEMBLY (FOR FIXTURES WITH ELECTRONIC FLUSH AND LAVATORY VALVES)

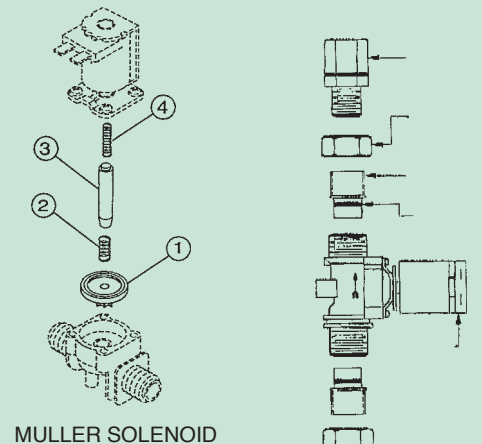
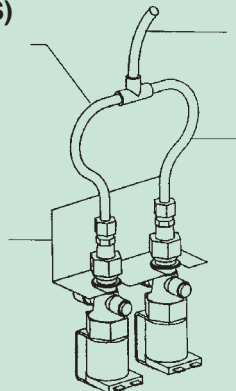
ITEM	PART #	DESCRIPTION
1	40900038	Tee connector (brass 1/4")
2, 4	41021300	Tubing supply (1/4" x 60")
3		Hot and cold solenoid valve assembly

MULLER SOLENOID REPAIR KIT

5-8	41021309	Solenoid repair kit
-----	----------	---------------------

SOLENOID VALVE ASSEMBLY

9		Tube connector
10		Tailpiece nut
11		Tailpiece
12	41021247	O-ring
13	41021310	Solenoid valve



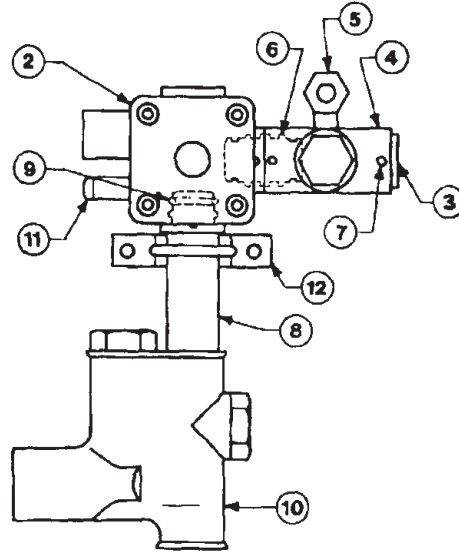
MULLER SOLENOID



TOTAL MAINTENANCE SOLUTIONS
BRADLEY CORP
 FITTINGS AND VALVES

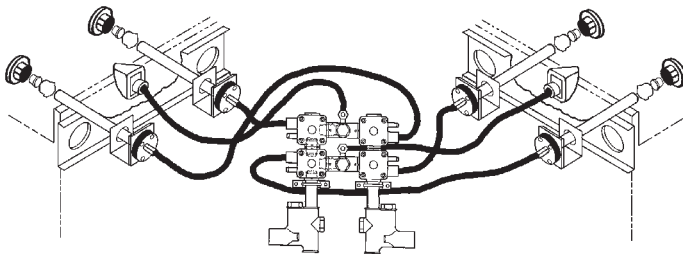
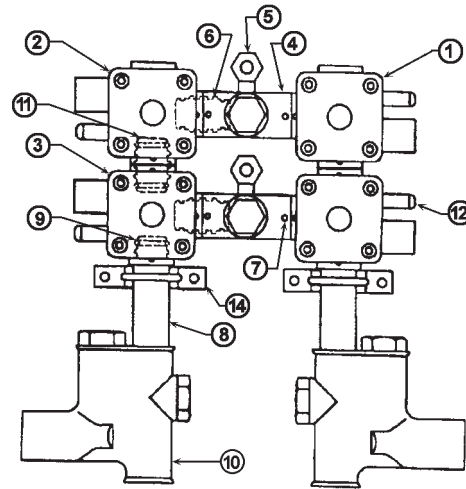
BRADLEY MANIFOLD SERVICE PARTS
BRADLEY MANIFOLD ASSEMBLY NO. 1031 (S45-952)

ITEM	PART #	DESCRIPTION
2		Assembly-R-outlet
3		Manifold plug
4	41021305	Flow control assembly
5	41021306	90° Tube connector
6	41021062	Manifold/check assembly
7	41021063	Set screw
8	41021307	Manifold adaptor
9	41021319	O-ring
10	40120103	Stop/strainer/check
11		Male connector
12		Pipe Strap
13	41021068	Repair kit for check valve



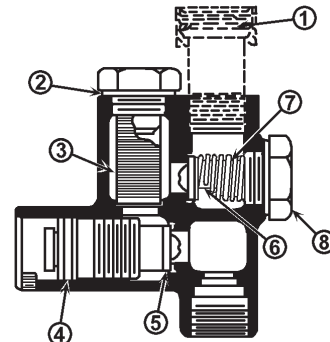
BRADLEY MANIFOLD ASSEMBLY NO. 1034 (2 CELL) AND 1035 (S45-951) – 3 CELL

ITEM	PART #	DESCRIPTION
1		Assembly-L-outlet
2		Assembly-R-outlet
3		Assembly-Flo/thru
4	41021305	Flow control assembly
5	41021306	90° Tube connector
6	41021062	Manifold/check assembly
7	41021063	Set screw
8	41021307	Manifold adaptor
9	41021319	O-ring
10	40120103	Stop/strainer/check
11	41021308	Manifold adaptor
12		Male connector
13	41021068	Repair kit for check valve
14		Pipe strap



BRADLEY COMBINATION CHECK VALVE ASSEMBLY
REPAIR KIT (ITEM 13)

ITEM	DESCRIPTION
1	Tailpiece washer (2)
2	Fiber washer (2)
3	Screen
4	O-ring
5	Stop assembly washer
6	Check assembly
7	Spring
8	Plug – brass (2)

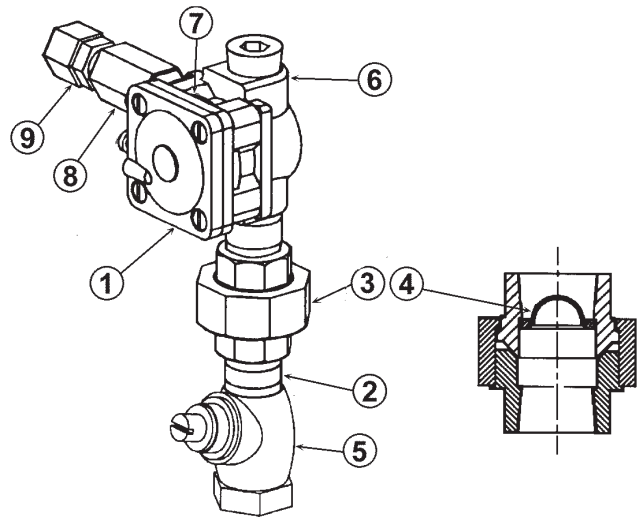




BRADLEY MANIFOLD SERVICE PARTS

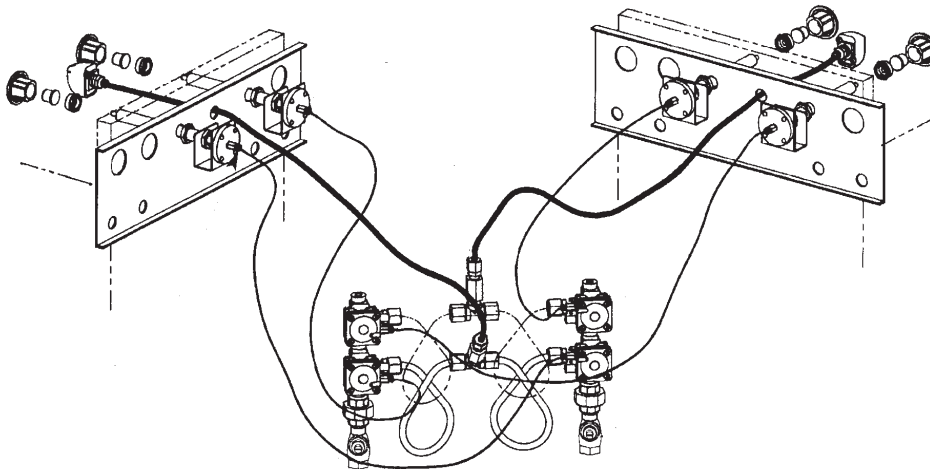
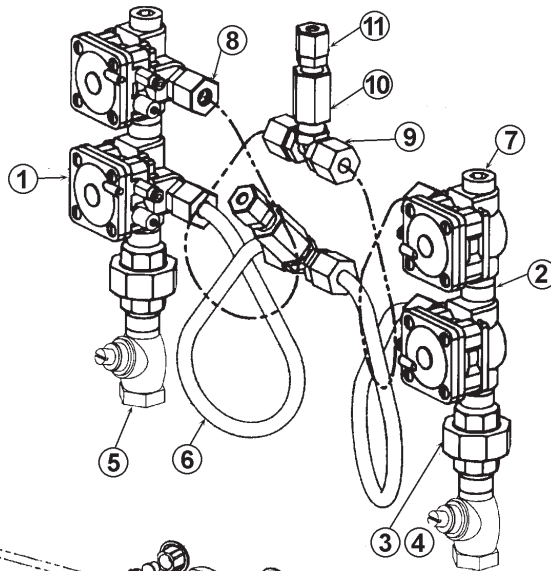
BRADLEY MANIFOLD ASSEMBLY NO. 1031 (S45-1305)

ITEM	PART #	DESCRIPTION
1		Air valve assembly
2		1/2" Nipple
3		Union
4	41021311	Filter washer
5		Check stop
6		Pipe plug
7	40900183	3/8" Close nipple
8	41021312	Housing assembly
9	40900051	Male connector



BRADLEY MANIFOLD ASSEMBLY NO. 1034 (S45-1308)

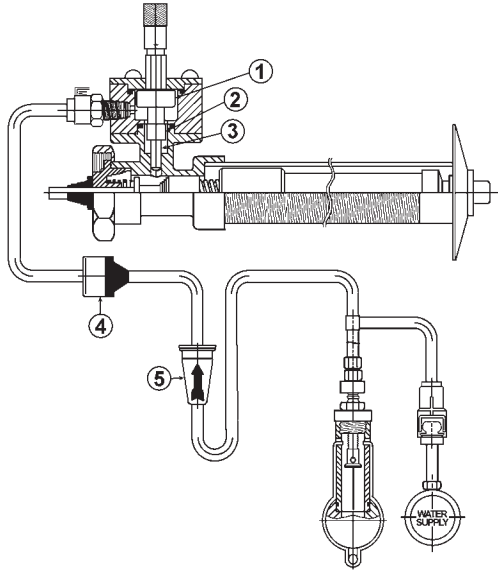
ITEM	PART #	DESCRIPTION
1		Air valve assembly
2		1/2" Nipple
3		Union
4	41021311	Filter washer
5		Check stop
6		3/8" Nylon tubing
7		Pipe plug
8	41021071	Check assembly
9	41021072	3/8" Male tee
10	41021312	Housing assembly
11	40900051	Male connector





TOTAL MAINTENANCE SOLUTIONS
BRADLEY CORP
 FITTINGS AND VALVES

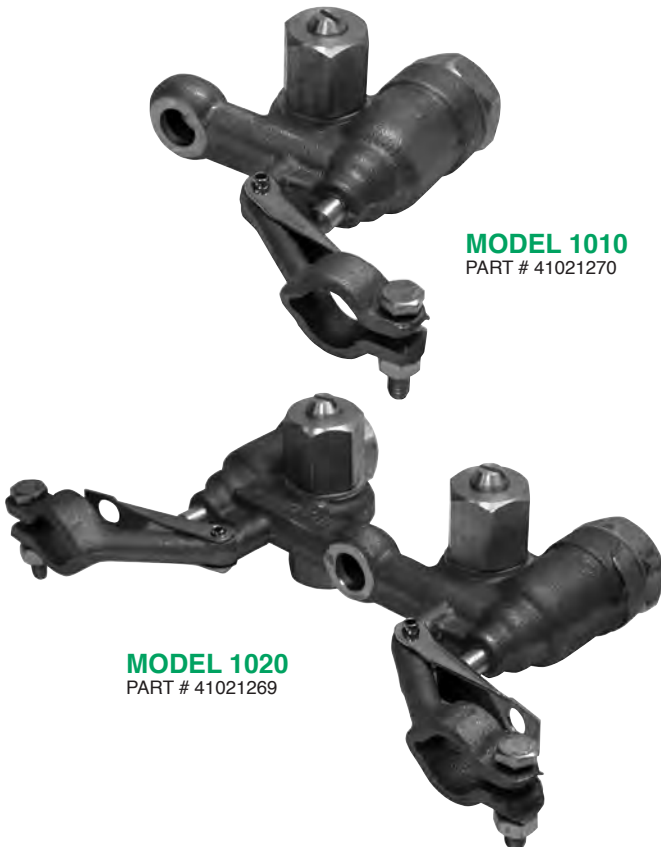
BRADLEY #1800 FLOODBUSTER
 PARTS NO LONGER AVAILABLE



BRADLEY 1" BUBA – NORMALLY OPEN VALVE

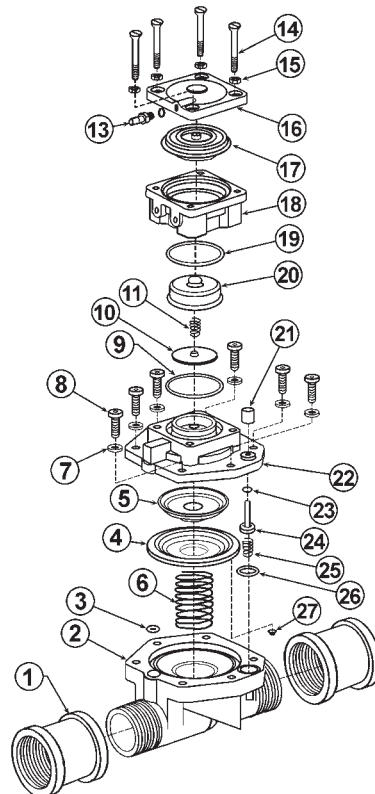
ITEM	PART #	DESCRIPTION
1		Coupling – female
2		Valve body
3		Parker O-ring
4	41021075	Diaphragm
5	41021313	Seat guide
6	41021314	Spring
7		Lockwasher
8		BX screw #10 x 3/4
9	41021315	O-ring
10		Grommet
11	41011088	Spring
13		BX hose barb
14		BX screw 8-32 x 1-1/4
15		BX lock washer
16		BX valve cover remote
17	41021316	Magnet assembly
18		BX valve body
19	41011092	O-ring
20		BX divider plate
21		Button
22		Valve cover
23		O-ring
24		Poppet
25		Spring
26		O-ring
27		Screen
28		Check valve
29		Tube
30		O-ring
31		Coupler – Male

COMPLETE VALVES AVAILABLE FROM BRADLEY



MODEL 1010
 PART # 41021270

MODEL 1020
 PART # 41021269

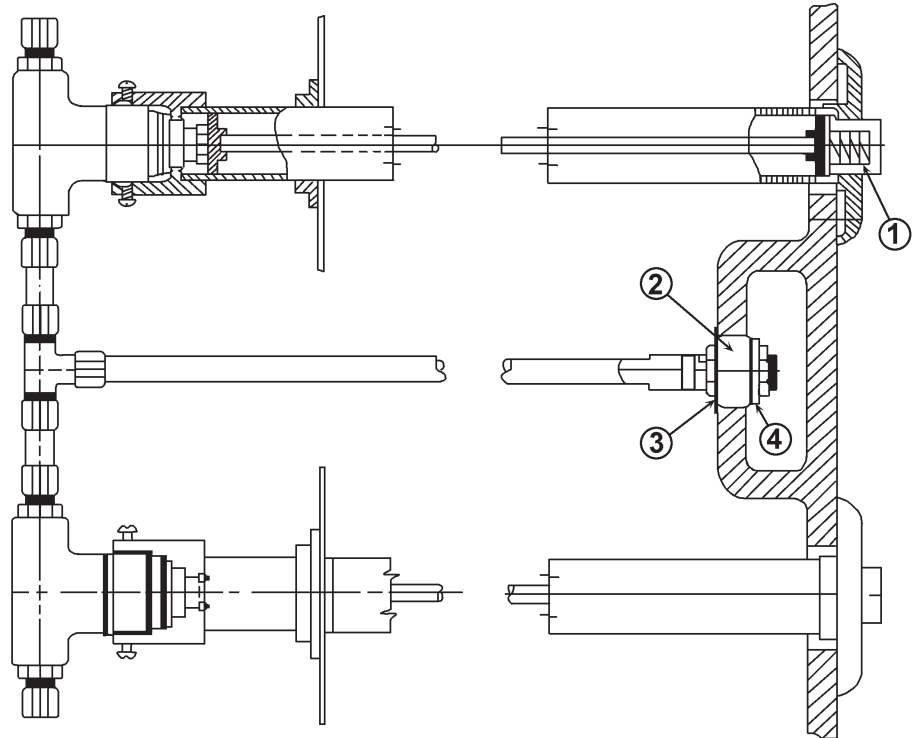


TOTAL MAINTENANCE SOLUTIONS
CRANE PLUMBING
 FITTINGS AND VALVES



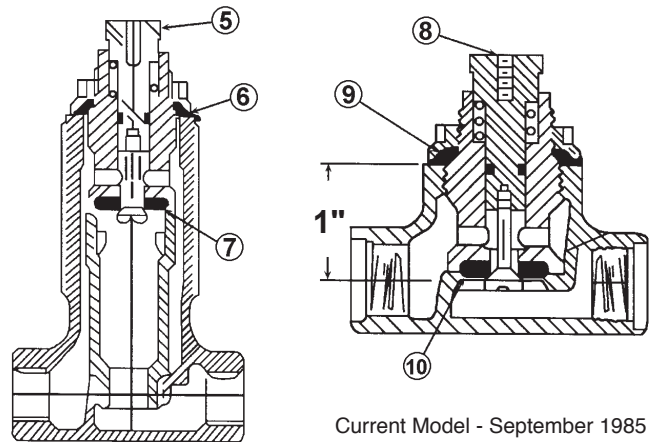
CRANE PRISON LAVATORY FITTING

ITEM	PART #	DESCRIPTION
1	40120122	Spring
2	NLA	Rubber spud
3	40120510	Washer
4	40120511	Washer
5, 8	40120611	Cartridge
6, 9	40120254	Gasket
7, 10	40120524	Seat ring



CRANE PRISON LAVATORY STEM

ITEM	PART #	DESCRIPTION
1	40120611	Cartridge
2	40120524	Washer
3	40120515	Screw (Brass)
3	NLA	Screw (Monel)



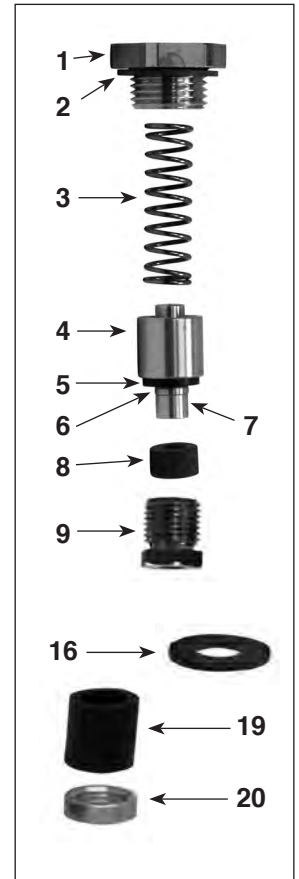
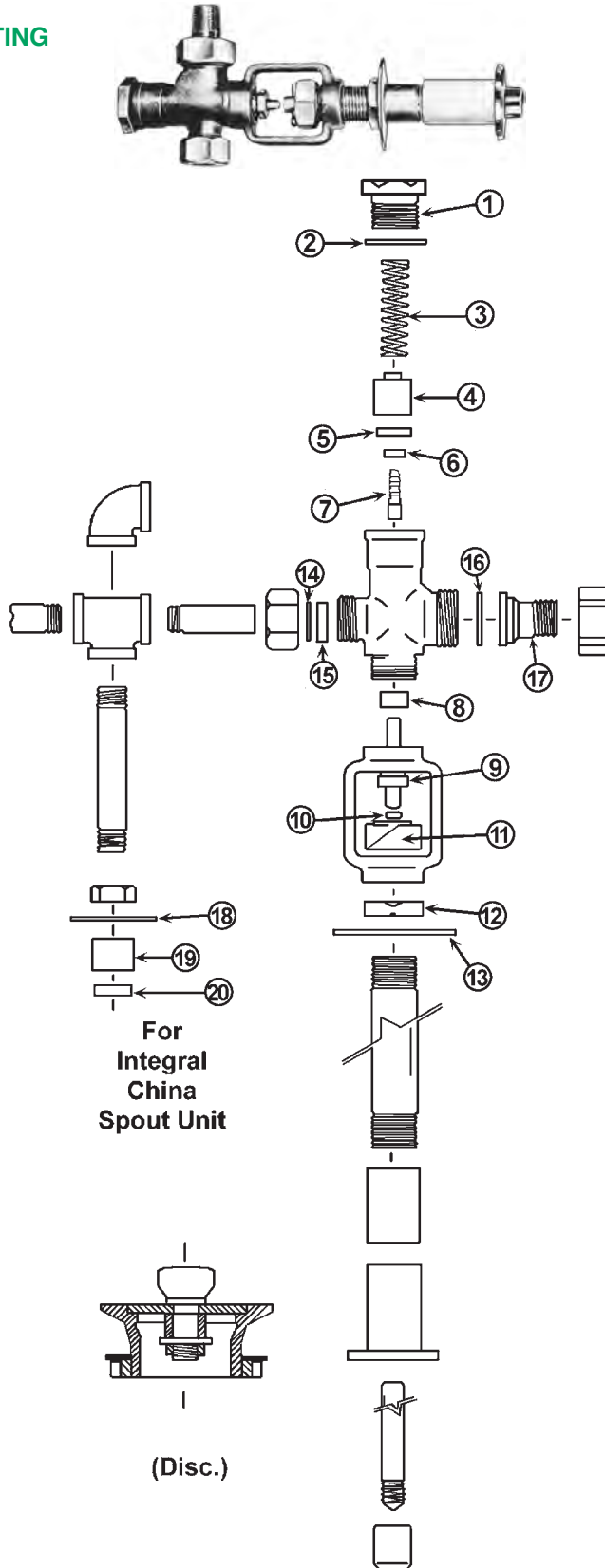
COMPLETE VALVE ASSEMBLIES AVAILABLE:

CRANE PART #	DESCRIPTION
C-1216	0 - 4" wall
C-1217	4" - 8" wall

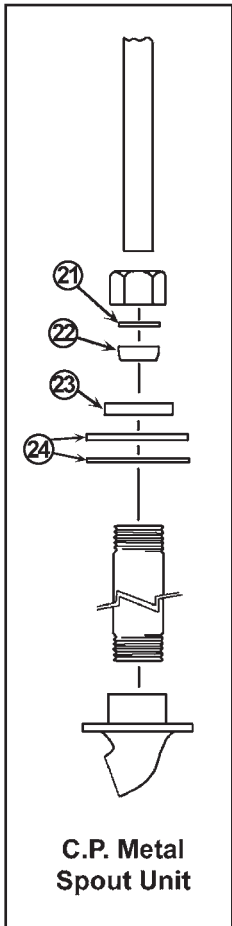


ELJER PRISON LAVATORY FITTING

ITEM	PART #	DESCRIPTION
1	40130111	Cap
2	40130112	Gasket
3	40130526	Spring
4	40130058	Valve head
5	40130059	Seat washer
6	40130060	Collar
7	40130061	Valve stem
8	40130062	Packing
9	40130063	Packing nut
10	40130064	Cotter pin
11	40130065	Friction washer
12	40130066	Locknut
13	40130067	Washer
14	40130068	Friction ring
15	40130069	Slip joint gasket
16	40130070	Gasket
17	40130071	Tailpiece
18	40130072	Washer
19	40130073	Expansion gasket
20	40130074	Collar
21	40130068	Friction ring
22	40130076	Slip joint gasket
23	40130066	Locknut
24	40130078	Washer (2)



Repair Kit PART #40130730
Includes items 1, 2, 3, 4, 5, 6,
7, 8, 9, 16, 19 & 20



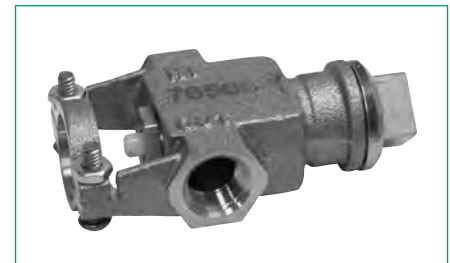


KOHLER INSTITUTIONAL LAVATORY FITTING

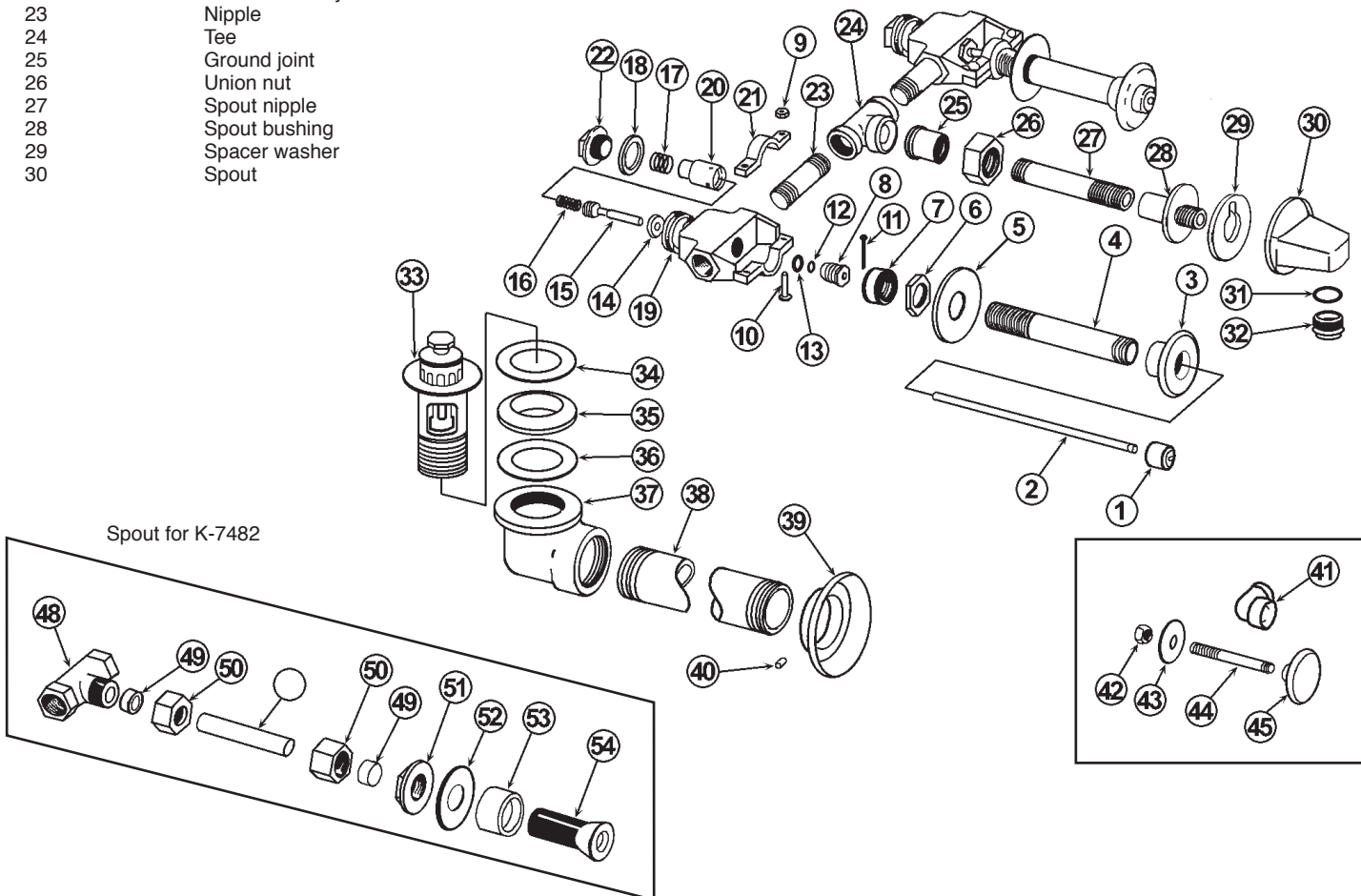
ITEM	PART #	DESCRIPTION	ITEM	PART #	DESCRIPTION
1	40130079	Push button - hot	31	40140056	Gasket
	40130079	Push button - cold	32	40140057	Adapter
2		Push rod (specify length)	33	40140058	Strainer assy.
3		Flange	34	40140059	Washer
4		Tube (specify length)	35	40140060	Gasket
5	40140041	Washer	36	40140059	Washer
6	40140042	Locknut	37		Outlet ell
7	40140043	Adapter	38		Nipple (specify length)
8	40140044	Packing nut	39		Wall flange
9		Nut	40		Set screw
10	40140045	Screw	41		Union ell
11	40140046	Cotter pin	42		Nut
12	40950017	O-Ring	43		Washer
13	40140047	Washer	44		Stud
14	40140048	Seat washer	45		Bolt head
15	40140049	Stem	42-45	40140062	Bolt assy.
16	40140050	Spring	48		Tee
17	40140051	Spring	49-50	40140063	Valve rebuild kit
18	40140052	Washer	51-54	40140064	Spud assy.
19		Valve body			
12-19	40140608	Valve rebuild kit			
20	40140053	Dash pot			
21		Strap			
22	40140054	Cap			
9-22	40140055	Valve assembly			
23		Nipple			
24		Tee			
25		Ground joint			
26		Union nut			
27		Spout nipple			
28		Spout bushing			
29		Spacer washer			
30		Spout			



Valve Rebuild Kit includes items 12-19
PART # 40140608



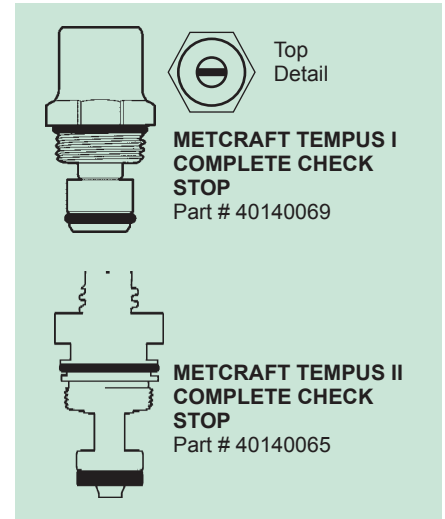
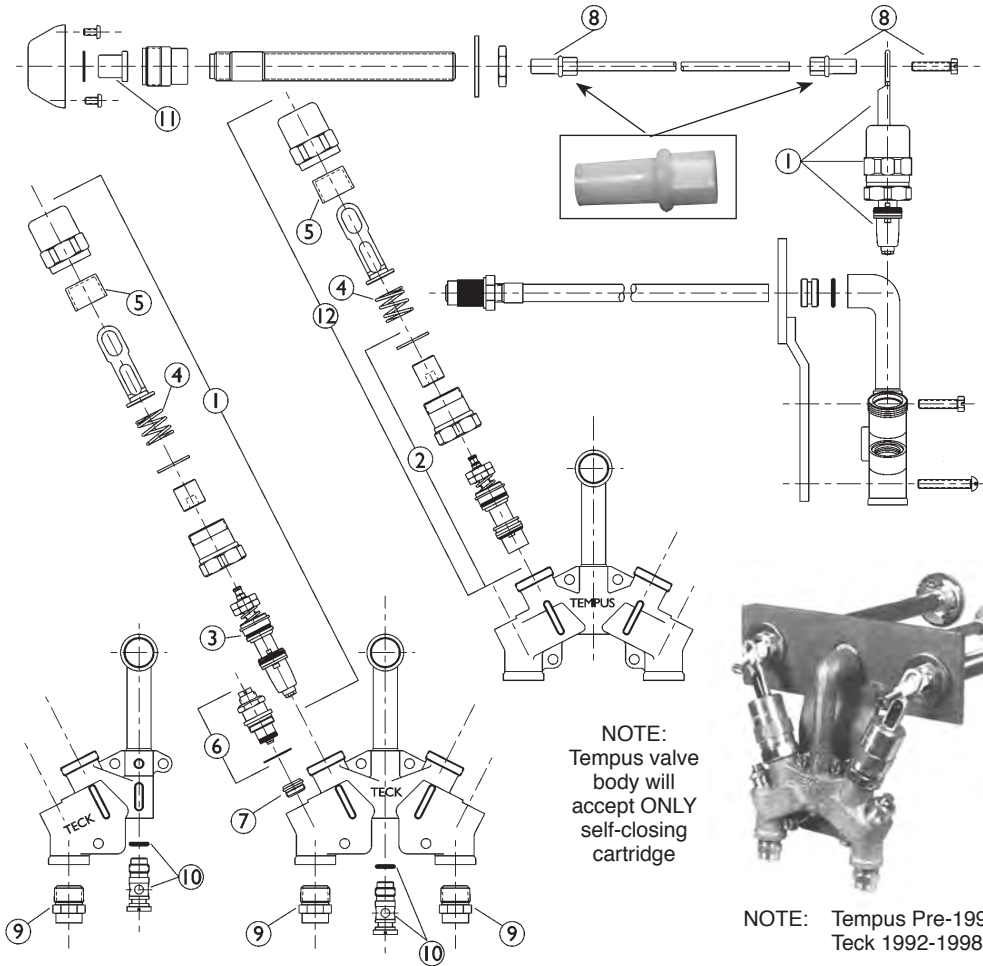
Complete Valve Assembly (items 9-22)
PART # 40140055



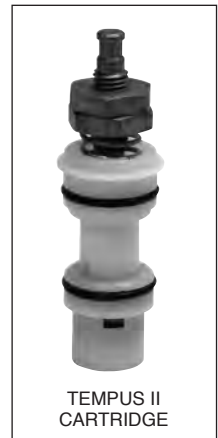


METCRAFT TEMPUS II

ITEM	PART #	DESCRIPTION	ITEM	PART #	DESCRIPTION
1		TECK prison metering assembly	8	40140607	Pushrod tips
2	40140036	TEMPUS Self close cartridge kit less handle	9		1/2" MIP x copper adapter
3	40140174	Teck metering cartridge	10	40140067	2.5 gpm flow control for Eljer & Crane fixtures
4		Springs		40140068	0.7 gpm flow control for American Standard fixtures
5		Plastic insert	11		VR CP push button
6	40140065	Check stop assembly	12	40130736	TEMPUS Self closing cartridge with handle
7		Renewable seat			



NOTE: Tempus Pre-1992
Teck 1992-1998, marking on cast body



OLD STYLE NLA

NEW METERING
(USE ONLY ON TECK VALVE)

NON METERING SHOWN

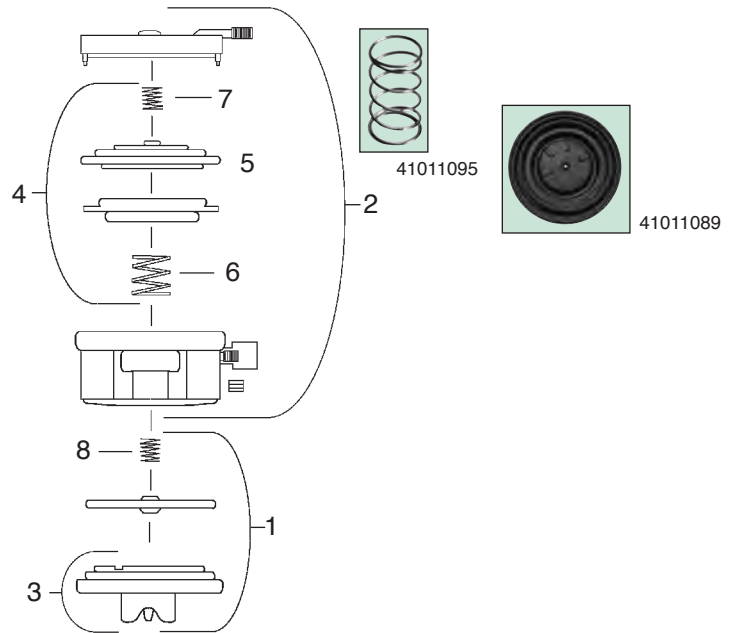
METAL METCRAFT TEMPUS II METERING CARTRIDGE REPLACED BY PLASTIC SELF-CLOSING CARTRIDGE
Part # 40140036

VALVE REPAIR KIT (METERING & NON METERING)
Includes items 1(2), 2, 3 & 4 plus lube capsule
Part # 40140071



**METCRAFT PNEUMATIC & METRO-FIT
SERVO REPLACEMENT PARTS**

ITEM	PART #	DESCRIPTION
1	40140072	PVK-2 water diaphragm kit
	40621002	Replacement water diaphragm kit
2	40140033	PVK-1 pneumatic top assembly
3	41011089	Water diaphragm assembly
4	41021163	Pneumatic diaphragm kit
5	41011096	Pneumatic metering diaphragm
6	41011091	Actuator spring
7	41011095	Diaphragm spring – metering
8	41011088	Orifice spring



**METCRAFT PNEUMATIC
BUTTON ASSEMBLY**

ITEM	PART #	DESCRIPTION
1		Escutcheon
2		Push button
3		Lock nut
4	40140032	Pod assembly
5		Nut for 1/8" tube

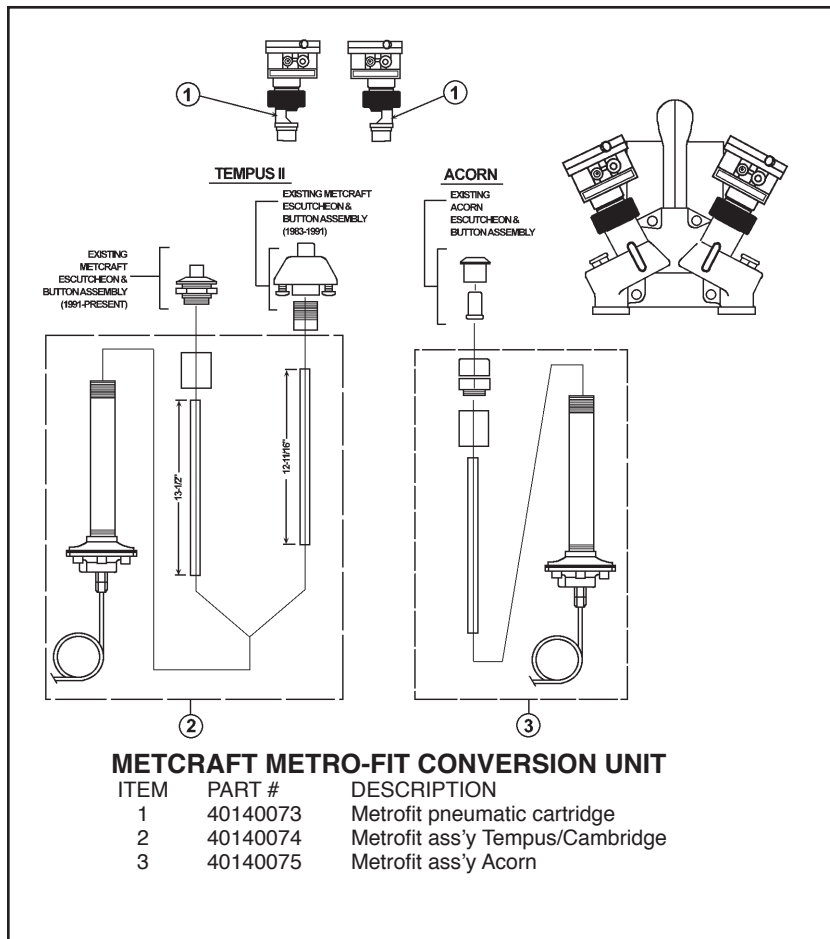
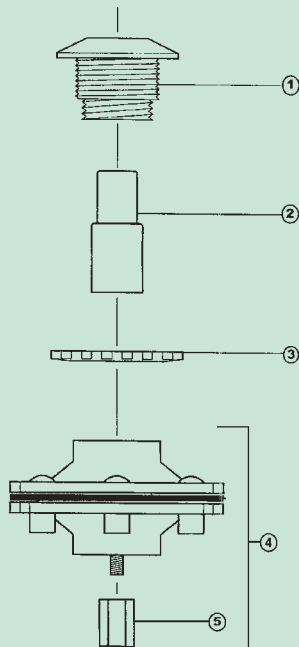
The 1/8" nut is included in the pod assembly. It is also available as an individual part.



OLD STYLE NO LONGER AVAILABLE
Order Part # 40140032



PART #
40140032

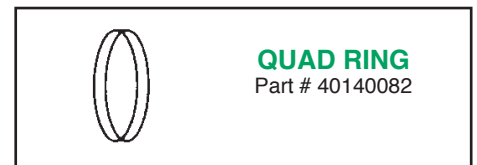
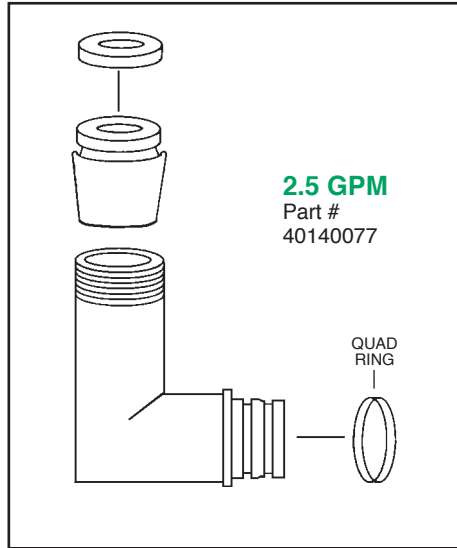
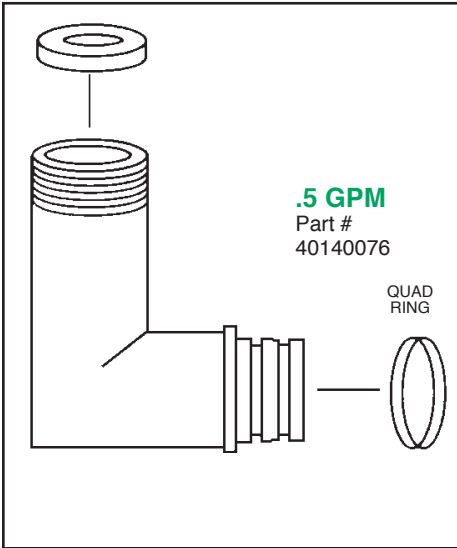


METCRAFT METRO-FIT CONVERSION UNIT

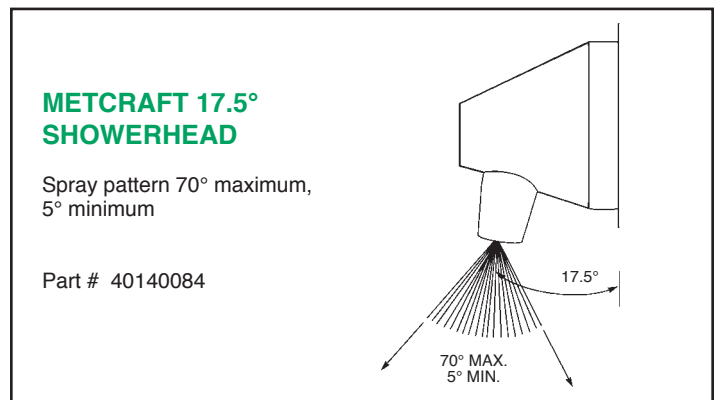
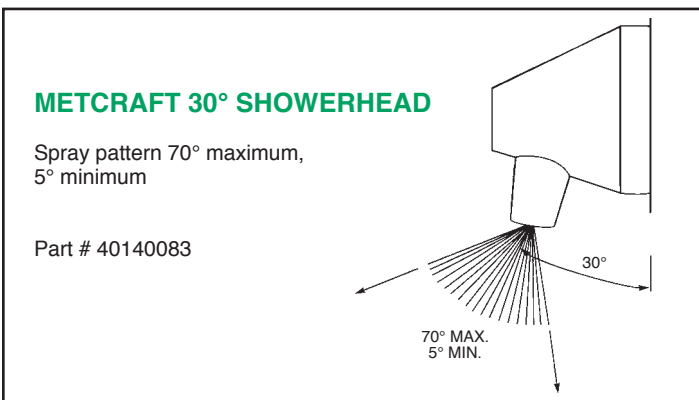
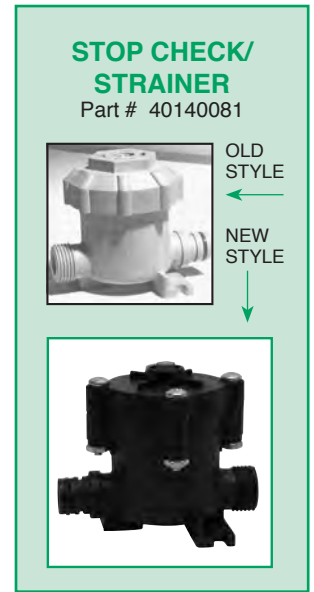
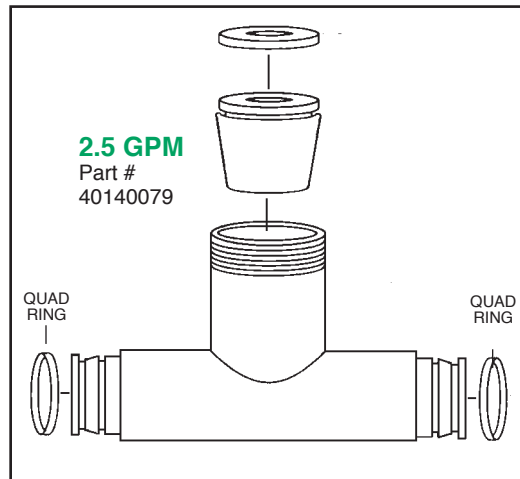
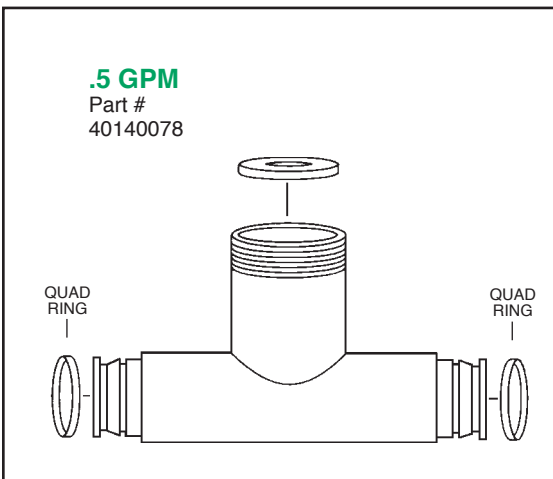
ITEM	PART #	DESCRIPTION
1	40140073	Metrofit pneumatic cartridge
2	40140074	Metrofit ass'y Tempus/Cambridge
3	40140075	Metrofit ass'y Acorn



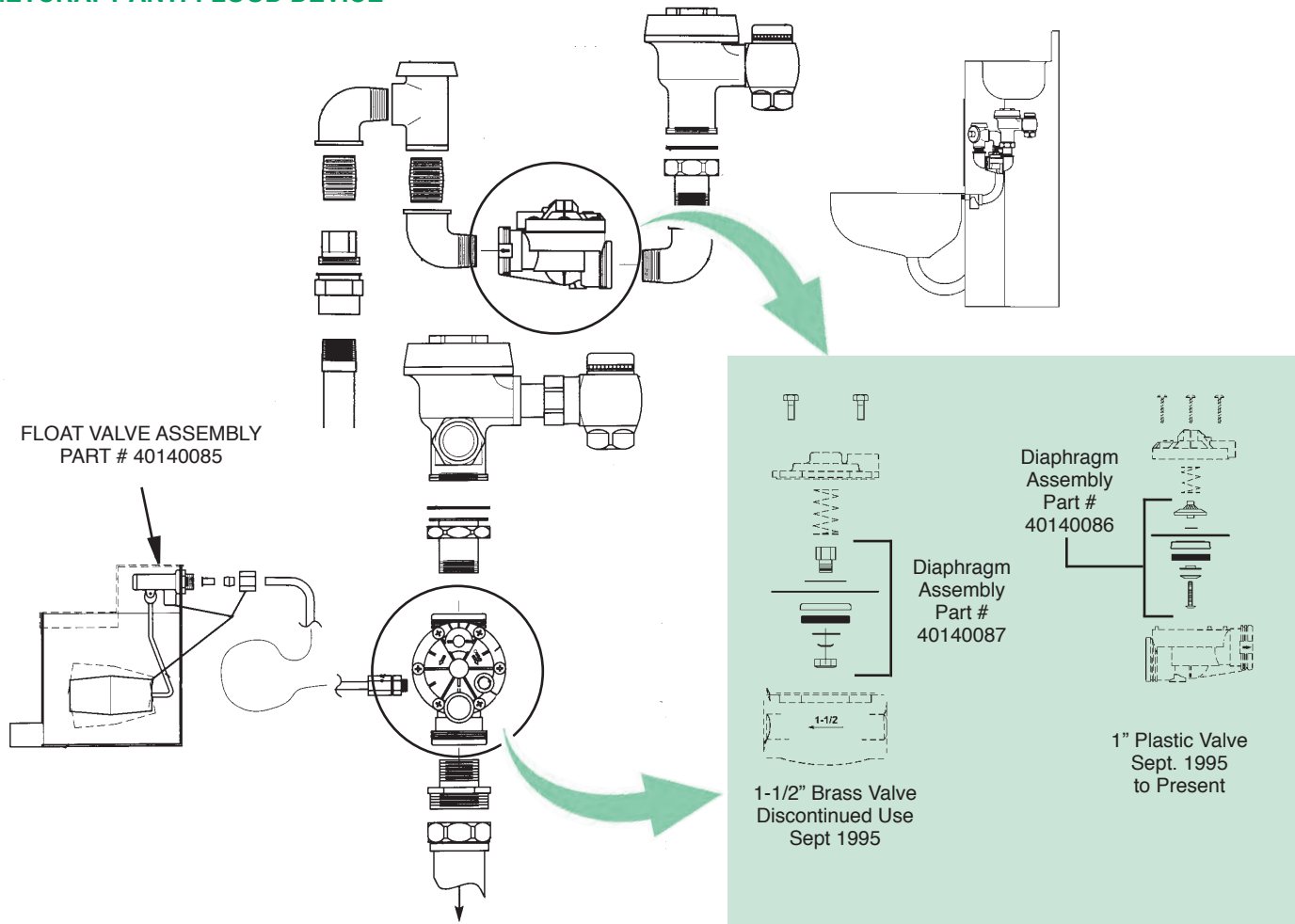
METCRAFT FLOW CONTROL ASSEMBLIES FOR SINGLE TEMP LAVATORY AND SHOWER VALVES



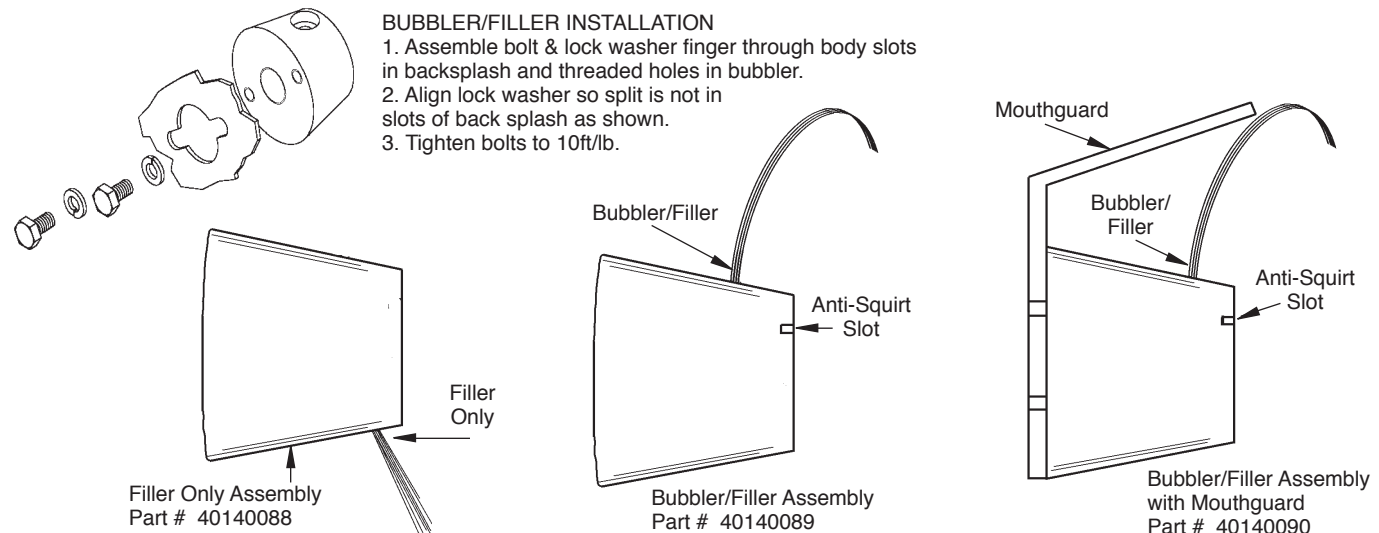
METCRAFT FLOW CONTROL TEE ASSEMBLIES FOR DUAL TEMP LAVATORY AND SHOWER VALVES



METCRAFT ANTI-FLOOD DEVICE



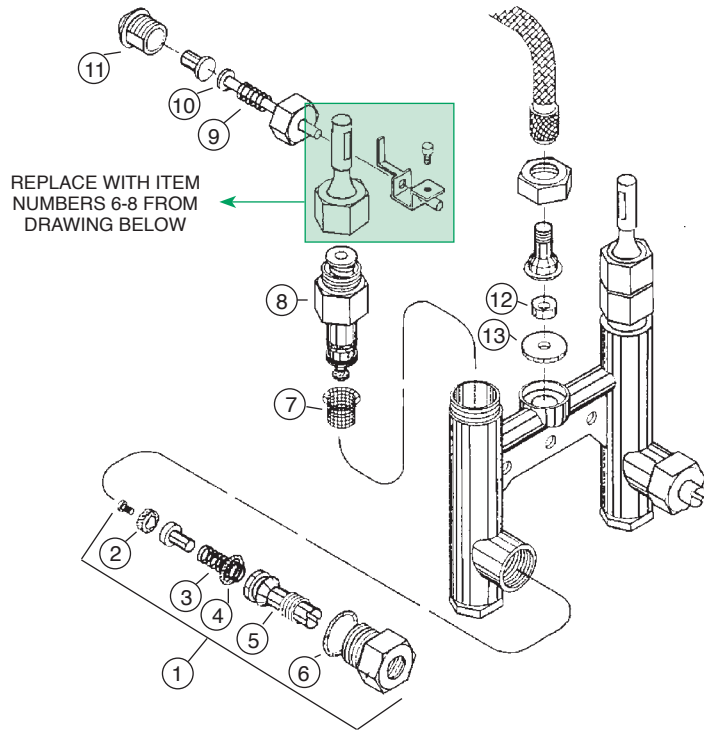
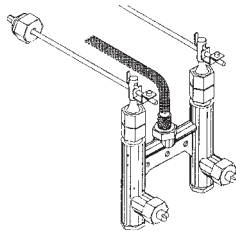
METCRAFT BUBBLER/FILLER ASSEMBLIES





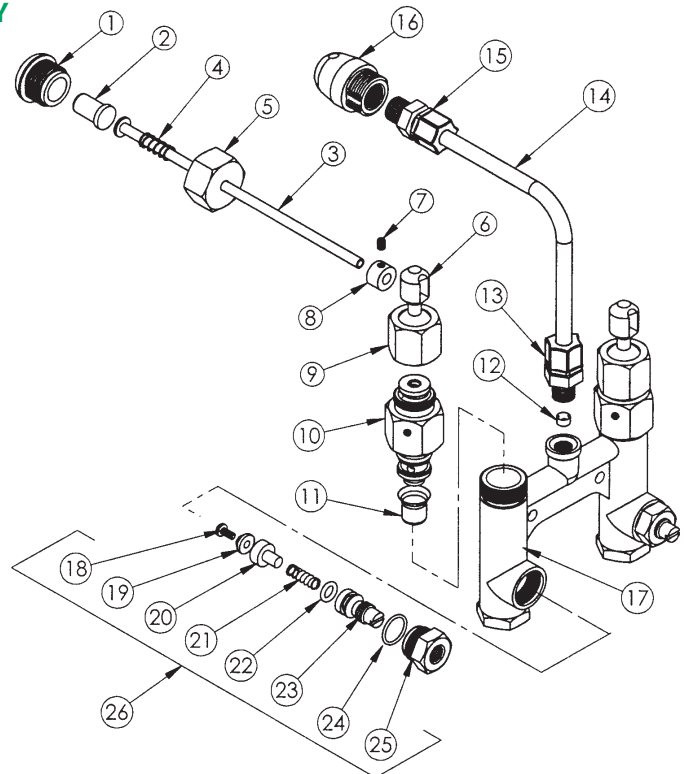
**WILLOUGHBY DUAL TEMP.
 METERING VALVE (AFTER 1990)**

ITEM	PART #	DESCRIPTION
1	41031079	Checkstop assembly
2	41031000	Checkstop plunger seal
3	41031001	Checkstop spring
4	41031002	Checkstop stem o-ring
5	41031003	Checkstop stem
6	41031004	Checkstop nut o-ring
7	41031005	Strainer insert
8	41031006	Metering cartridge
9	41031007	Pushbutton spring
10	41031008	Push rod 8" wall (15" long can be cut)
11	41031009	Pushbutton sleeve
12	41031010	Flow restrictor, 0.5 GPM
13	41031011	Flow control washer



**ME2 MECHANICAL METERING DUAL TEMP LAVATORY
 VALVE ASSEMBLY MODEL #WM2B
 (AFTER MARCH 2000)**

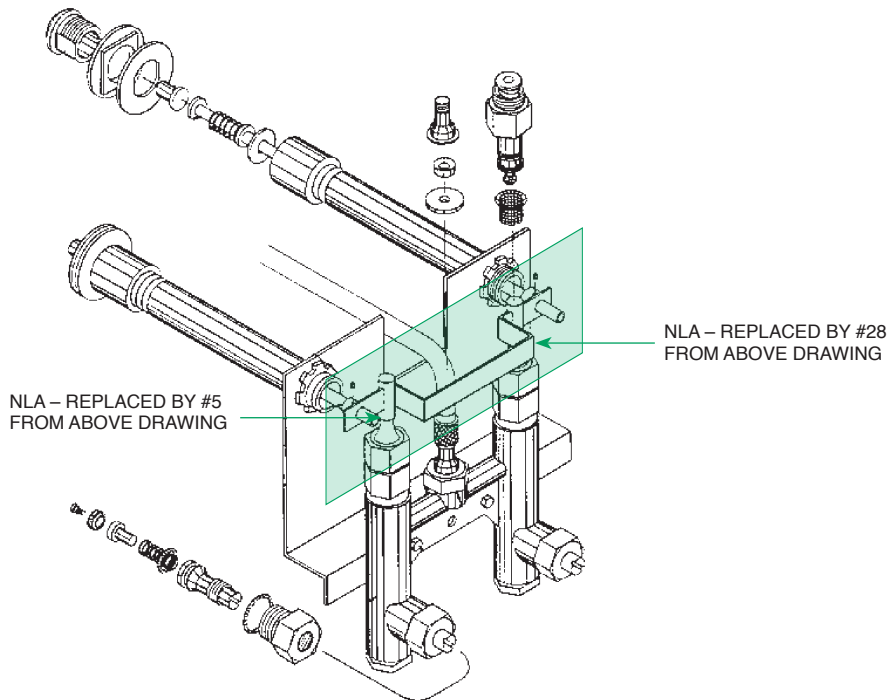
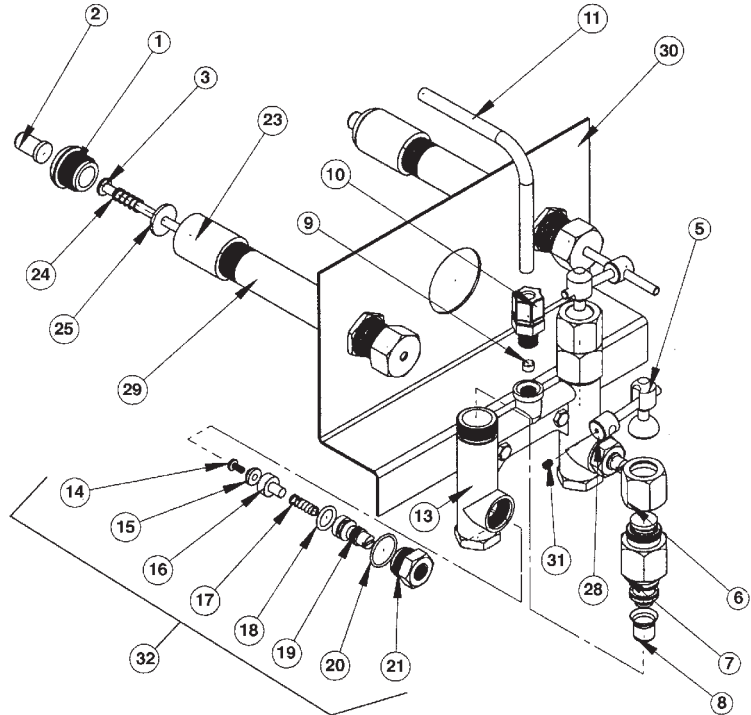
ITEM	PART #	DESCRIPTION
1	41031009	Pushbutton Sleeve
2	41031012	Pushbutton
3		Pushrod (Length = Wall + 6")
4	41031007	Spring for pushrod
5		Pushbutton nut
6		Toggle lever, brass
7		Set screw #10-32 x 1/4" sckt
8		Collar 1/4" brass shaft
9		Toggle nut
10	41031006	Metering cartridge
11	41031005	Strainer insert
12	41031013	Flow control 0.5 gpm (red)
13	40901170	Connector 3/8" x 1/4" MPT
14	40621198	Flexible tubing 3/8" OD
15	40901198	Connector 3/8" tube x 3/8" MPT
16		Bubbler
17		Valve body H-casting
18	50100020	Screw #8-32 x 3/8"
19	41031000	Faucet washer (NSF)
20	41031015	Checkstop plunger
21	41031001	Spring for checkstop
22	41031018	O-ring (#111)
23		Checkstop stem
24	41031004	O-ring (#019)
25		Checkstop nut
26	41031079	Stop assembly





SC2 MODIFIED FOR CHINA LAVATORY INSTALLATION

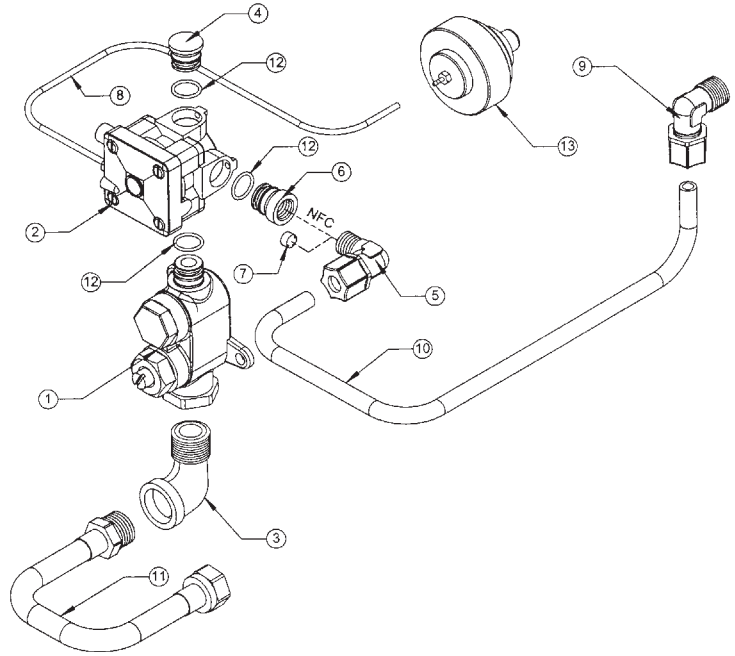
ITEM	PART #	DESCRIPTION
1	41031009	Pushbutton sleeve
2	41031012	Pushbutton
3	41031008	Pushrod (Length = Wall + 6")
5	41031080	Toggle lever, brass
6	40120605	Toggle nut
7	41031020	Cartridge, self-closing
8	41031005	Strainer insert
9	41031013	Flow control 0.5 gpm (red)
10	40901170	Connector 3/8" tube x 1/4" MPT
11	40621198	Flexible tubing 3/8" OD
13		Valve body H-casting
14	40111001	Screw
15	41031000	Faucet washer (NSF)
16	41031015	Checkstop plunger
17	41031001	Spring for checkstop
18	41031018	O-ring (#111)
19	41031003	Checkstop stem
20	41031004	O-ring (#019)
21		Checkstop nut
23		Coupling 3/4" NPT, Galv.
24	41031007	Spring for pushrod
25	41031100	Washer .930 OD x .250 ID x .093
28	41031083	Toggle adaptor
29		Nipple 3/4" x wall thickness + 1"
30		Bracket - 6-1/2" centers
31	41031084	Set screw
32	41031079	Checkstop assembly





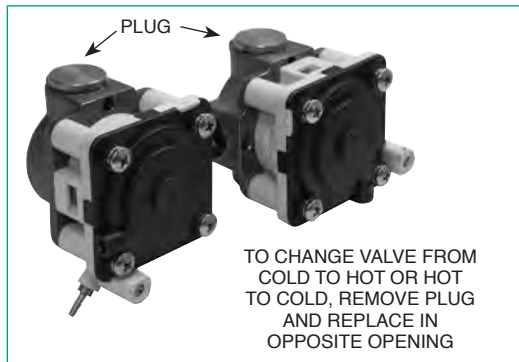
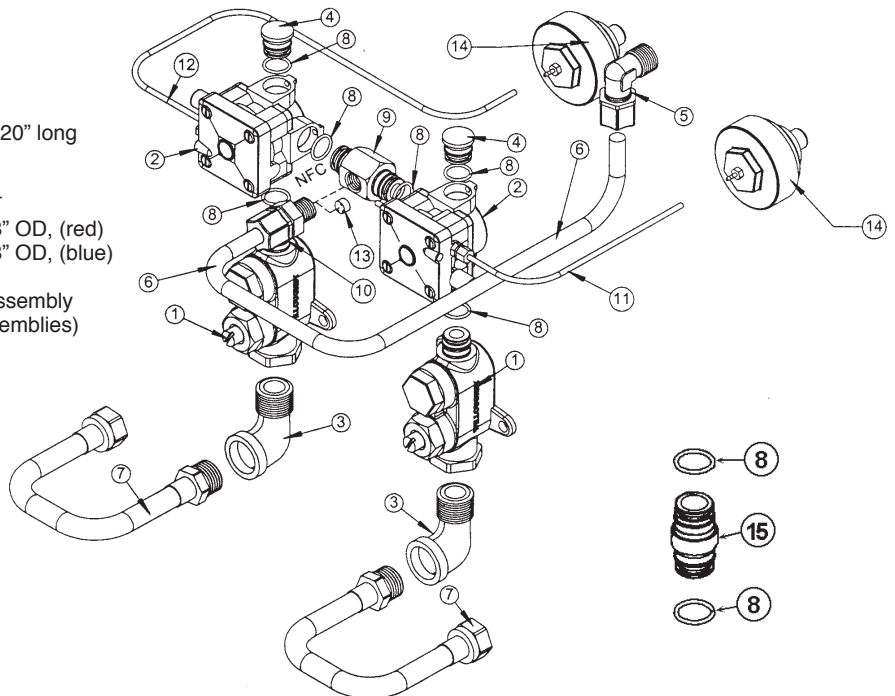
SINGLE TEMPERATURE PNEUMATIC METERING VALVE ASSEMBLY WITH FLEXIBLE SUPPLY

ITEM	PART #	DESCRIPTION
1	41031023	Checkstop strainer assembly
2	41031024	Pneumatic valve assembly
3		Elbow, 1/2" NPT street
4		Plug fitting
5	40900094	3/8" tube x 1/4" MPT Elbow
6	41031025	Single temp outlet adapter
7	41031013	Flow control 0.5 gpm (red)
8	40800587	Pneumatic tubing 1/16" ID x 1/8" OD (red)
9	40900095	Elbow, 3/8" tube x 3/8" MPT
10	40621198	Flexible tubing 3/8" OD
11		Flex hose, 1/2" MPT x 1/2" FPT 20" long
12	41031026	O-ring slipjoint
13	40110101	Pushbutton pump assembly s/s includes pushbutton and sleeve
14	41031027	Coupler fitting (for manifold assemblies)



DUAL TEMPERATURE PNEUMATIC METERING VALVE ASSEMBLY WITH FLEXIBLE SUPPLIES

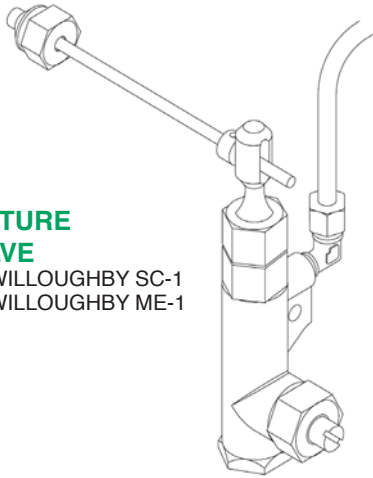
ITEM	PART #	DESCRIPTION
1	41031023	Checkstop strainer assembly
2	41031024	Pneumatic valve assembly
3		Elbow, 1/2" NPT street
4		Plug fitting
5	40901148	Elbow, 3/8" tube x 3/8" MPT
6	40621198	Flexible tubing 3/8" OD
7		Flex hose 1/2" MPT x 1/2" FPT 20" long
8	41031026	O-ring, slipjoint (#014)
9	41031028	Tee, WPPM-F mixing
10	40901170	Connector 3/8" tube x 1/4" MPT
11	40800587	Pneumatic tubing 1/16" ID x 1/8" OD, (red)
12	40800564	Pneumatic tubing 1/16" ID x 1/8" OD, (blue)
13	41031013	Flow control 0.5 gpm (red)
14	40110101	Pushbutton diaphragm pump assembly
15	41031027	Coupler fitting (for manifold assemblies)





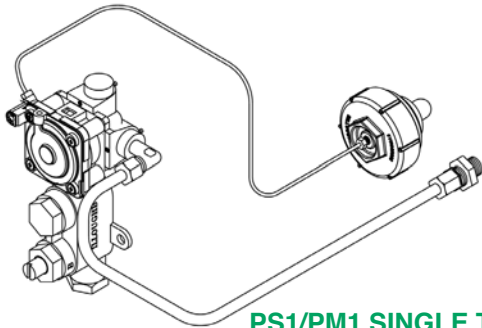
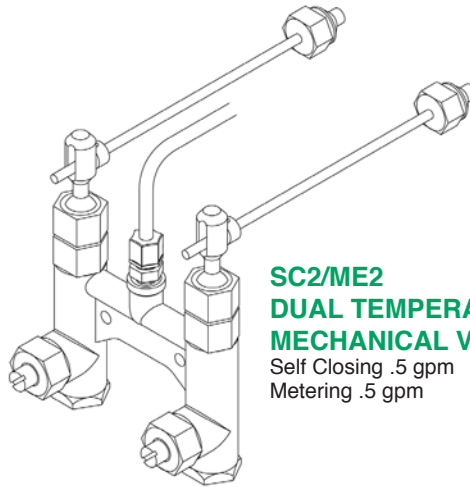
**SC1/ME1
SINGLE TEMPERATURE
MECHANICAL VALVE**

Self Closing .5 gpm WILLOUGHBY SC-1
Metering .5 gpm WILLOUGHBY ME-1



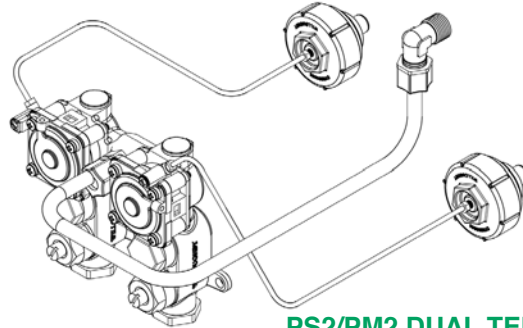
**SC2/ME2
DUAL TEMPERATURE
MECHANICAL VALVE**

Self Closing .5 gpm WILLOUGHBY SC-2
Metering .5 gpm WILLOUGHBY ME-2



**PS1/PM1 SINGLE TEMPERATURE
PNEUMATIC VALVE**

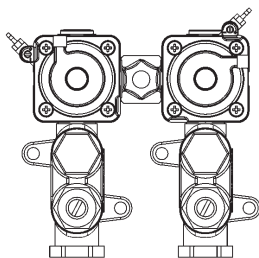
Self Closing .5 gpm WILLOUGHBY PS-1
Metering .5 gpm WILLOUGHBY PM-1



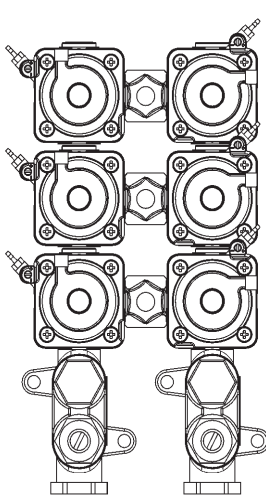
**PS2/PM2 DUAL TEMPERATURE
PNEUMATIC VALVE**

Self Closing .5 gpm WILLOUGHBY PS-2
Metering .5 gpm WILLOUGHBY PM-2

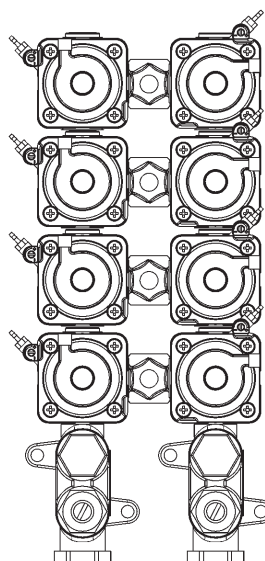
SINGLE MANIFOLD



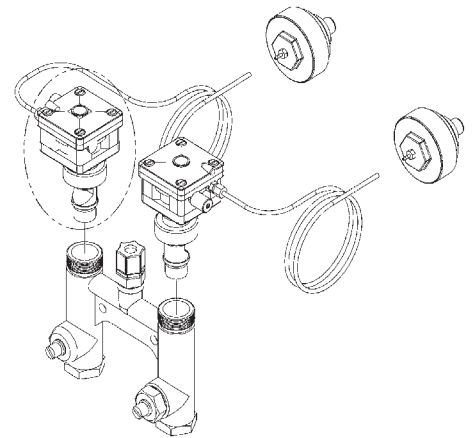
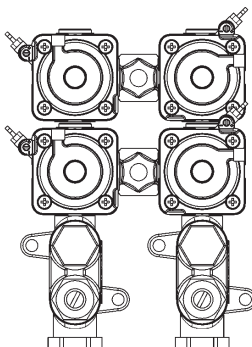
TRI MANIFOLD



QUAD MANIFOLD



DUAL MANIFOLD



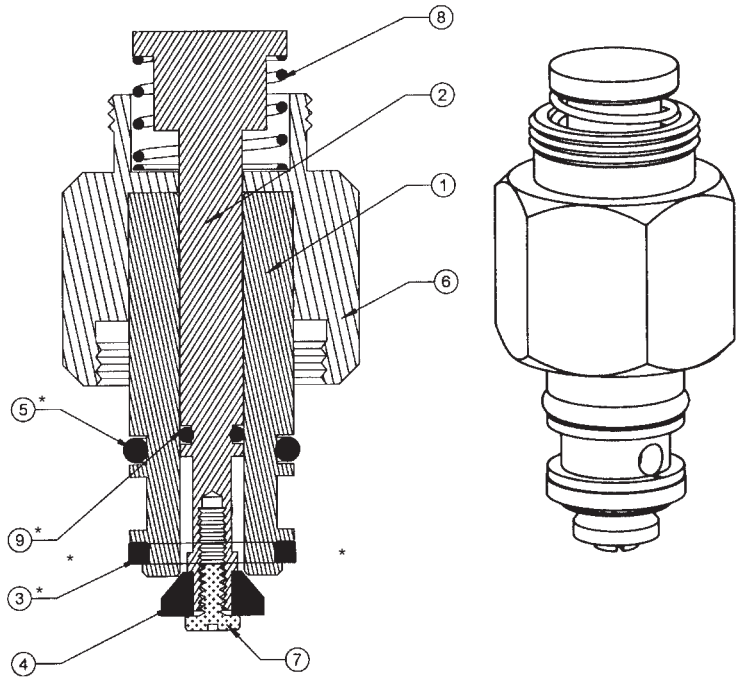
WMRV RETROFIT VALVE ASSEMBLY

Single Temp Metering Valve WILLOUGHBY WRMV-1
Single Temp Self-Closing Vlv WILLOUGHBY WRSCV-1
Dual Temp Metering Valve WILLOUGHBY WRMV-2
Dual Temp Self-Closing Vlv WILLOUGHBY WRSCV-2



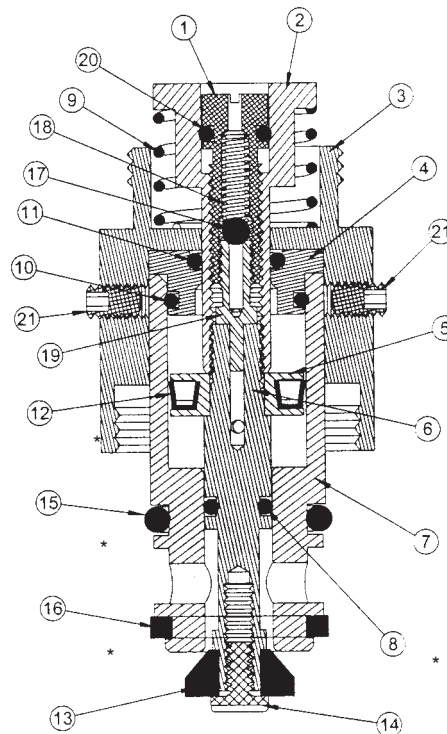
WILLOUGHBY SELF-CLOSING CARTRIDGE

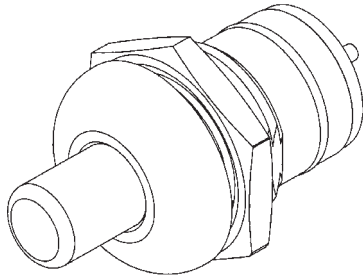
ITEM	PART #	DESCRIPTION
1		Insert body, self closing
2		Bleeder stem
3	41031029	O-ring
4	40110128	Faucet washer
5	41031031	O-ring
6		Intermediate nut
7	41031032	Faucet washer screw
8		Cartridge return spring
9	41031044	Stem O-Ring
	41031020	Complete cartridge
*	41031033	Cartridge reseal kit (includes 1 each items 3, 4, 5, 7 & 9)



METERING CARTRIDGE

ITEM	PART #	DESCRIPTION
1		Screw, bleeder adjust
2		Bleeder stem
3		Intermediate nut
4		Insert cap
5		U-cup holder
6		Faucet washer stem – metering
7		Insert body – Delrin
8		O-ring
9		Cartridge return spring
10		O-ring, slipjoint
11		O-ring (#011) .301 ID x .070 w/ self lube
12		U-cup seal .625 OD x .375 ID
13	40110128	Faucet washer (NSF)
14		Screw
15	41031044	O-ring 15mm ID x 3mm W
16	41031029	O-ring, Tetraseal #77264-R .612 ID x .070 W
17		Check ball, .125" Dia.
18		Spring for checkball
19		Seat check valve
20		O-ring (#008) .176 x .070 W
21		Set screw
	41031006	Complete metering cartridge
*	41031035	Cartridge reseal kit (includes 1 each items 13, 14, 15 & 16)





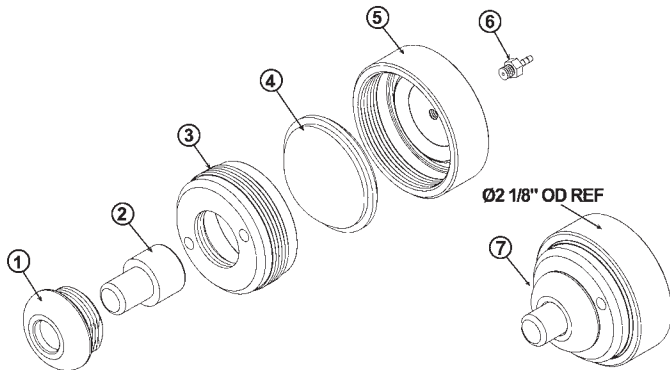
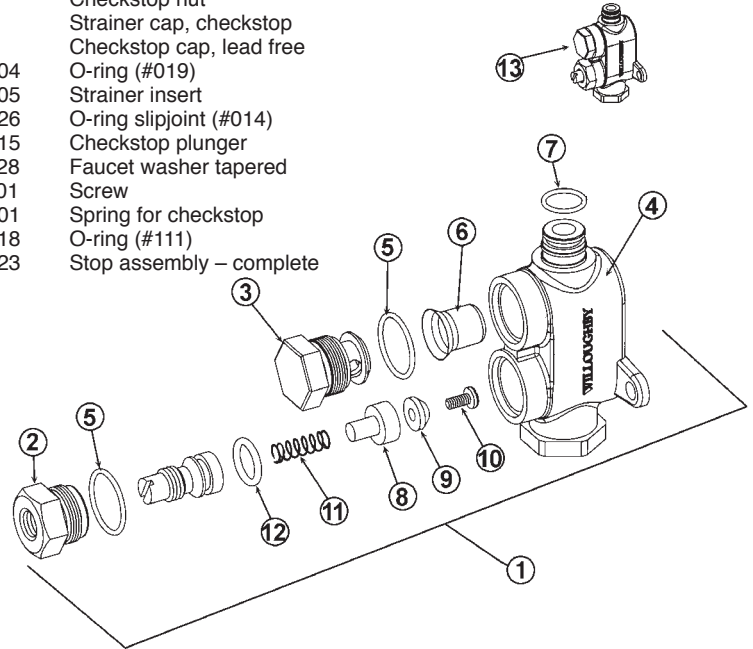
PUSHBUTTON PUMP

For Cabinet Shower Replacement Only
Not Field Serviceable

Part # 40110102

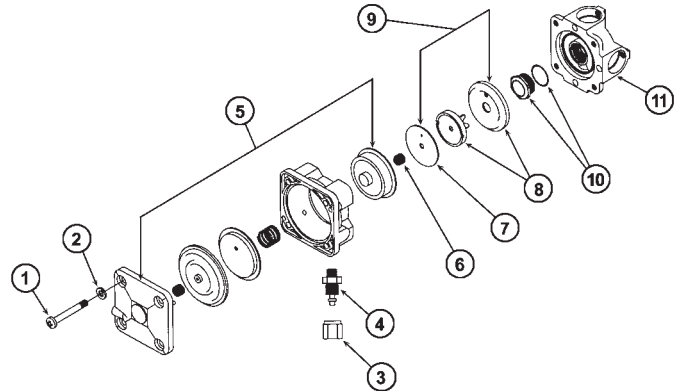
CHECKSTOP/STRAINER ASSEMBLY

ITEM	PART #	DESCRIPTION
1	41031079	Checkstop stem assembly
2		Checkstop nut
3		Strainer cap, checkstop
4		Checkstop cap, lead free
5	41031004	O-ring (#019)
6	41031005	Strainer insert
7	41031026	O-ring slipjoint (#014)
8	41031015	Checkstop plunger
9	40110128	Faucet washer tapered
10	40111001	Screw
11	41031001	Spring for checkstop
12	41031018	O-ring (#111)
13	41031023	Stop assembly – complete



DIAPHRAGM PUSHBUTTON PUMP (STANDARD)

ITEM	PART #	DESCRIPTION
1		Sleeve, diaphragm pump
2		Pushbutton, diaphragm pump
3		Cap, diaphragm pump
4	41011109	Diaphragm for pneumatic pump, neoprene
5		Body, diaphragm pump
6		Willoughby diaphragm
7	40110101	Fitting hosebarb
8		Pushbutton pump assembly



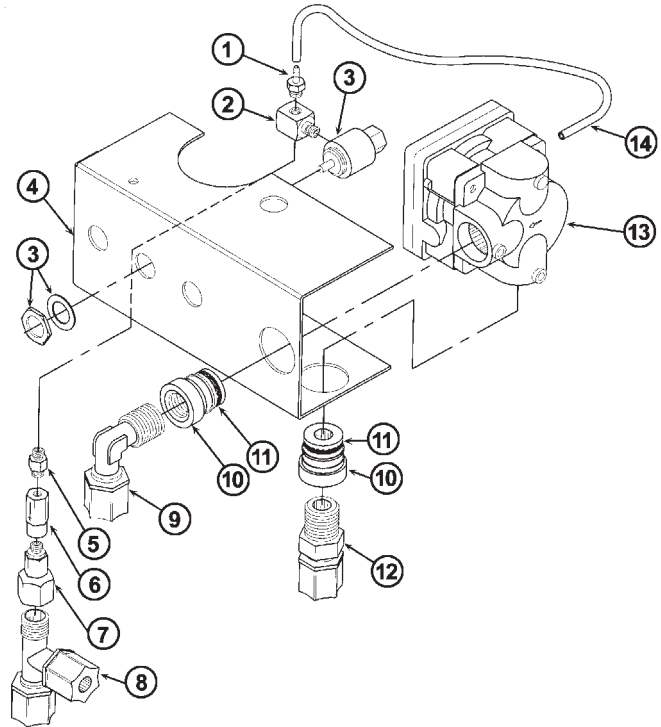
PM SERIES PNEUMATIC VALVE REPAIR KITS

ITEM	PART #	DESCRIPTION
1		Screw
2		Lockwasher
3		Brass hosebarb nut
4		Brass hosebarb fitting
5	40110104	Motor assembly kit (includes items 3 & 4)
6	41011088	Orifice plate spring
7		Orifice plate assembly
8	41011089	Water diaphragm assembly
9	40120099	Diaphragm assembly kit (includes items 6, 7 & 8)
10	41031037	Valve base seat and o-ring
11		Brass valve base



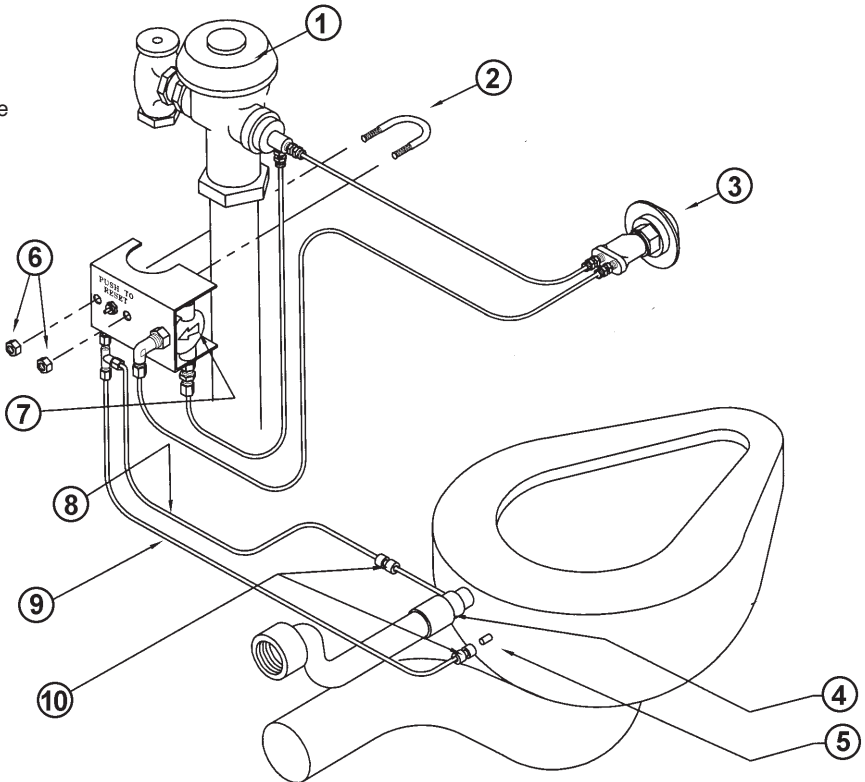
TOP-FOUR ASSEMBLY DETAIL

ITEM	PART #	DESCRIPTION
1		Hosebarb fitting
2		Tee fitting
3	41031038	Poppet Valve w/ locknut & washer
4		Top-four bracket
5		Short coupling
6		Check valve
7		Swivel connector
8		Male run tee
9	40901145	Elbow fitting
10	41031025	Single temperature outlet adapter
11	41031026	Pneumatic valve slipjoint o-ring
12	40901168	Straight connector 1/4" tube
13	41031039	Pneumatic valve motor for top-four
14	40800587	Red tubing



**MODEL T-4 (TOP-FOUR-B)
 OVERFLOW PREVENTER DETAIL**

ITEM	PART #	DESCRIPTION
1	*	Sloan hydraulic flush valve
2		U-bolt
3	*	Flush valve pushbutton
4		Vacuum generator
5		Water level sensor
6		Hex nuts
7	41031040	Disabler valve kit
8		Natural tubing
9		Red tubing
10		Union connector



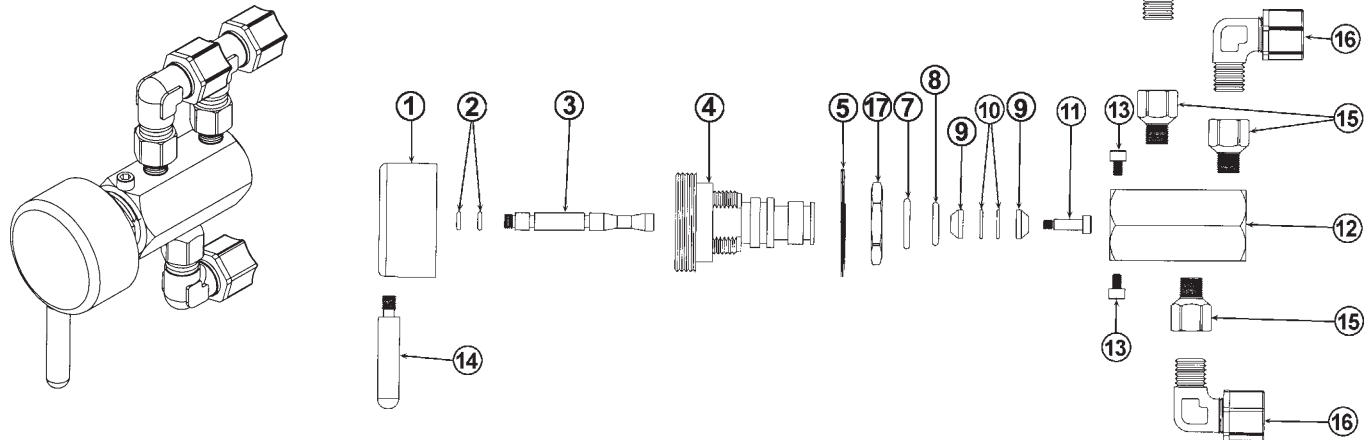
* See Flush Valve section
 beginning on page 43
 for repairs



WILLOUGHBY SECURITY DIVERTER VALVE (920022)

ITEM	PART #	DESCRIPTION
1		Knob, diverter valve s/s
2	41031044	O-ring (#008)
3		Stem, mix/diverter valve s/s
4		Sleeve, WMDV mix/diverter valve, brass
5		Ring, spiral retaining s/s
7	40950028	O-ring
8	40950025	O-ring
9	40110128	Faucet washer tapered

ITEM	PART#	DESCRIPTION
10	41031101	Teflon washer
11	41031044	Screw, shoulder
12		Valve body
13		Cap screw
14		Handle, diverter valve
15		Adaptor
16		3/8" tube x 1/4" elbow
17		Locknut 3/4" NPT brass

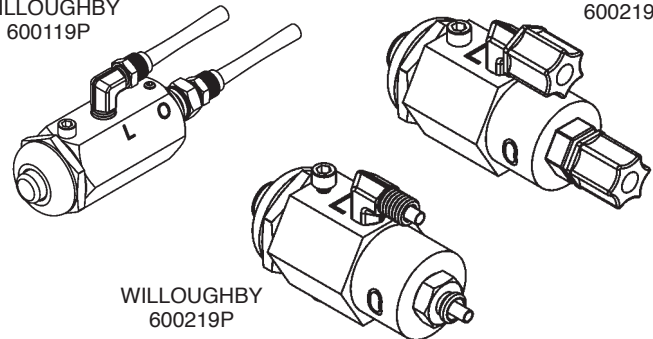


DISCONTINUED WILLOUGHBY ACTUATOR VALVES

PARTS NOT AVAILABLE FOR
600119P, 600219, 600219P
REPLACED BY 600317PM

WILLOUGHBY
600119P

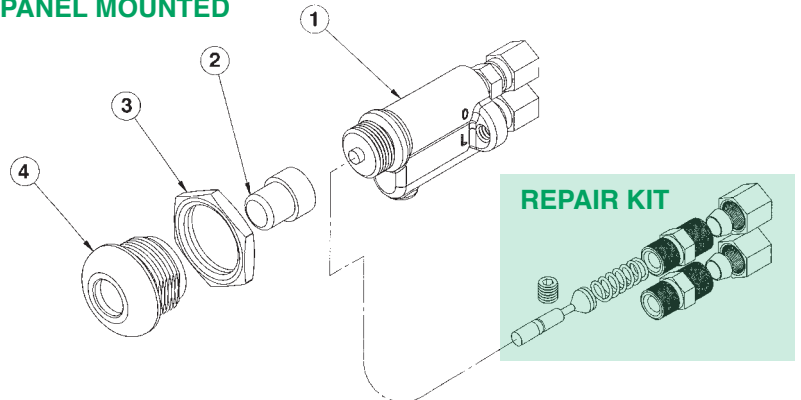
WILLOUGHBY
600219



WILLOUGHBY FLUSH ACTUATOR ASSEMBLY PANEL MOUNTED (600317PM)

ITEM	DESCRIPTION
1	Actuator Housing
2	Pushbutton
3	Hex Nut
4	Sleeve

REPAIR KIT PART # 41031086
COMPLETE ACTUATOR PART # 41031087

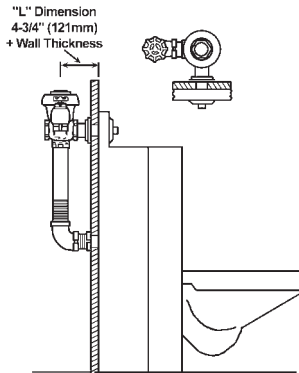




TOTAL MAINTENANCE SOLUTIONS
CONCEALED
 PENAL VALVES

FOR COMBO UNITS

Sloan 601	For Metcraft Series 100 (4-3/4" + wall thickness)
Zurn Z6601AV	
Sloan 603	For Acorn, Bradley, Metcraft Series 3000 & Willoughby
Zurn Z6603AV	
Sloan 681	For Old Style Duraware (6-3/4" + wall thickness)
Zurn Z6681AV	

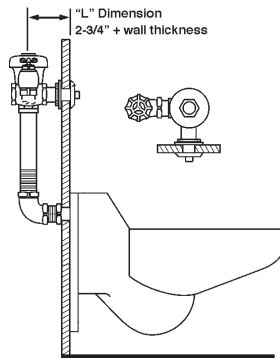


Specify 3.5 or 1.6 gpf



FOR WALL-HUNG BACK SPUD TOILETS

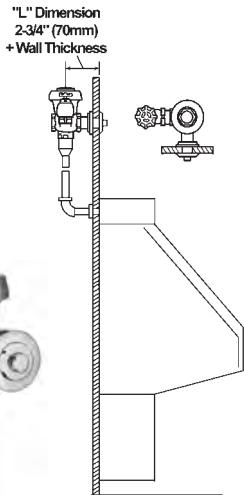
Sloan 611	(2-3/4" + wall thickness)
Zurn Z6611AV	



Specify 3.5 or 1.6 gpf

FOR WALL-HUNG BACK SPUD URINALS

Sloan 613	(2-3/4" + wall thickness) – 3/4" back inlet
Zurn Z613AV	
Sloan 609	(2-3/4" + wall thickness) – 3/4" back inlet
Zurn Z6609AV	



Specify 3.5 or 1.5 or 1.0 gpf



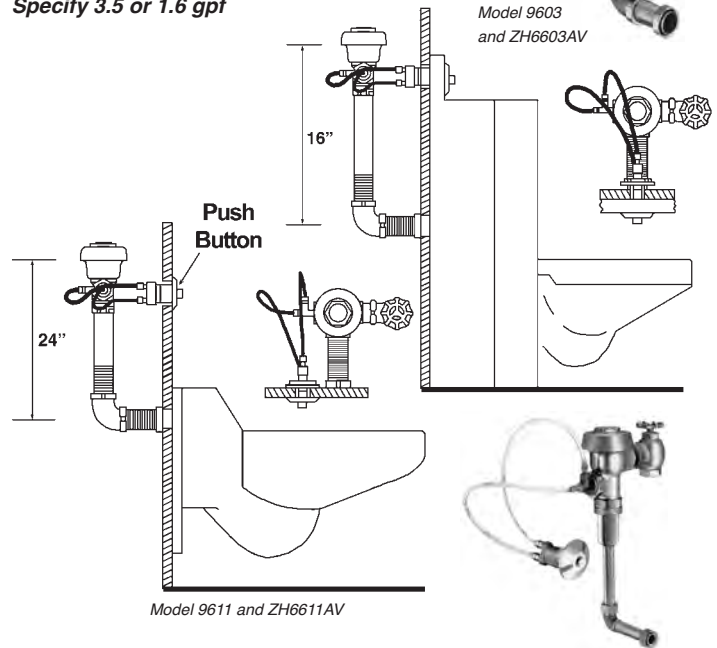
HYDRAULIC PENAL VALVES

Sloan 9603	For back spud toilets and combo units 16" center of supply to waste outlet
Zurn ZH6603AV	
Sloan 9611	For back spud toilets 24" center of supply to waste outlet
Zurn ZH6611AV	

Specify 3.5 or 1.6 gpf



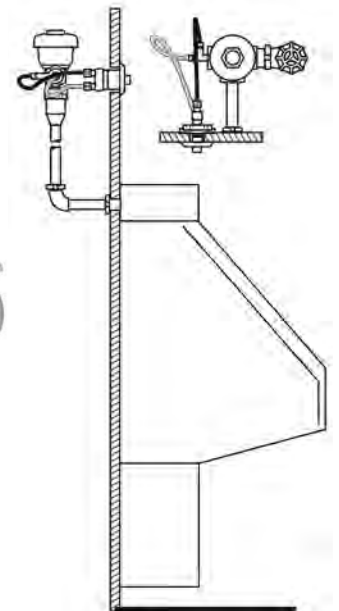
Model 9603 and ZH6603AV



Model 9611 and ZH6611AV

Sloan 9613	For 3/4" back inlet urinals
Zurn ZH6613AV	
Sloan 9609	For 1-1/2" back inlet urinals
Zurn ZH6609AV	

Specify 3.5 or 1.5 or 1.0 gpf



All hydraulic penel valves supplied with Metal Button Fixture Wall (MBFW).

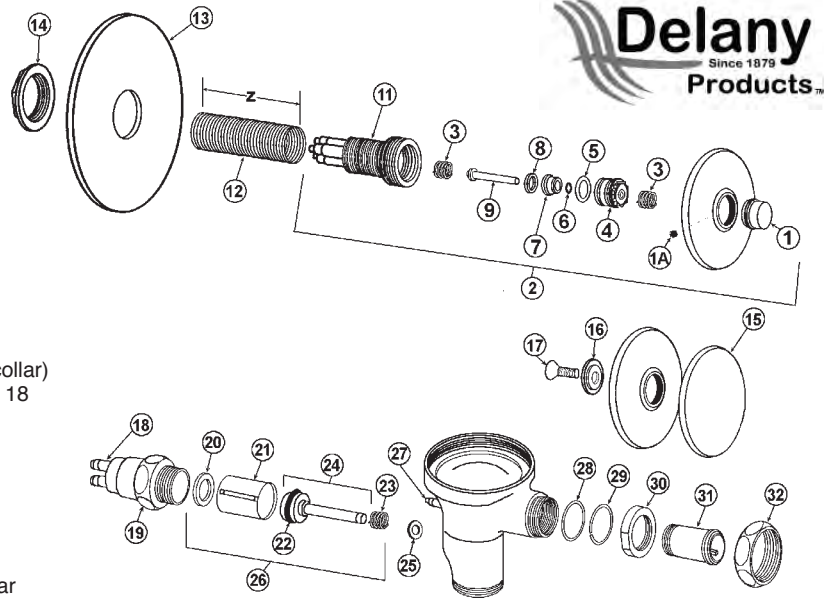
TOTAL MAINTENANCE SOLUTIONS
DELANY
 FLUSH VALVE REPLACEMENT PARTS



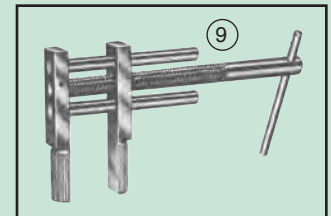
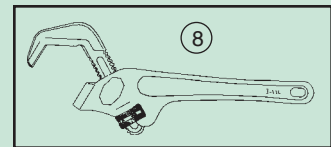
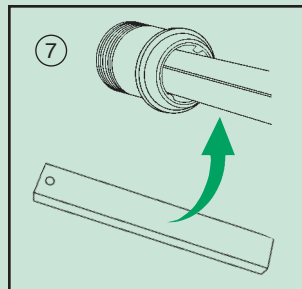
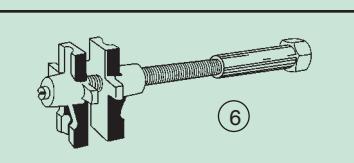
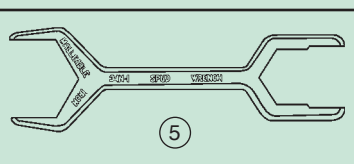
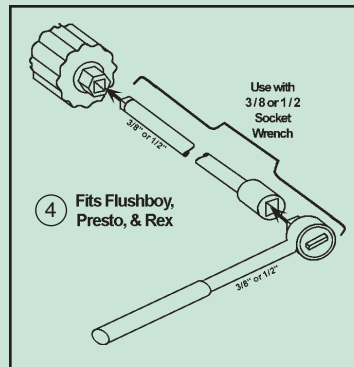
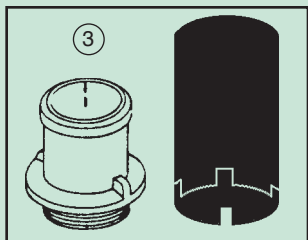
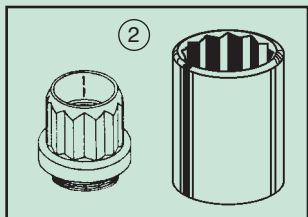
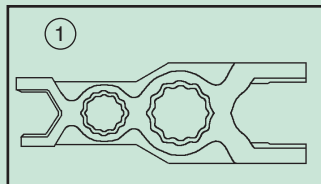
DELANY HYDRO-FLUSH RENEWAL PARTS

ITEM	PART #	DESCRIPTION
1	40221317	1/2" Push button
1A		Set screw
2	40221260	Actuator assembly (1/2" button)
3	40221269	Spring for push button
4	40221318	Spindle guide
5	40221271	O-ring for spindle guide
6	40221270	Spindle O-ring
7	40221272	O-ring holder
8	40221274	Spindle seat washer
9	40221319	Spindle
1-14	40221262	Internal actuator assembly
11	40221273	Actuator body
12	40221320	Wall sleeve (specify "z" length)
13	40221321	Bearing plate
14	40221322	Locknut
15	40221323	3" Oscillating disc
16	40221324	Retainer for disc
17	40221268	Holding screw for disc
18	40221325	Straight release fitting (w/ black collar)
19	40221326	Piston valve body w/ 2 each item 18
20	40221327	Piston bore washer
21	40221152	Piston sleeve
22	40221328	Cup washer
23	40221154	Spring for piston operating stem
24	40221180	Piston operating stem assembly
25	40221329	Handle pad washer
26	40221330	Piston valve assembly
27	40221276	Straight release fitting w/ red collar

ITEM	PART #	DESCRIPTION
28	40950069	O-ring
29	40221018	Clamping ring
30	40221019	Clamping nut
31	40221020	2" Union tailpiece
32	40221021	Union nut



FLUSH VALVE TOOLS



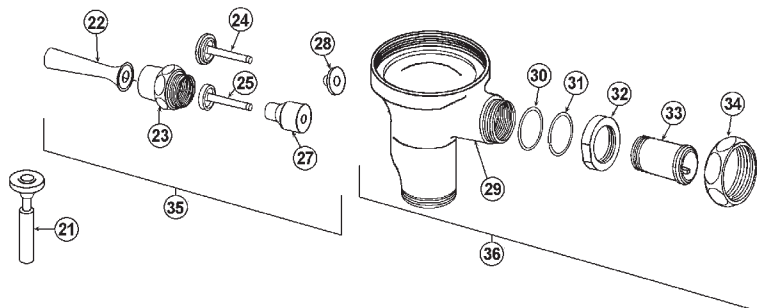
ITEM	PART #	DESCRIPTION
1	20205308	Sloan Super Wrench
	20200226	Sloan valve wrench, fits Royal A72 & A4 covers, coupling nuts (not shown)
2	20200153	Delany seat removal tool for Flushboy
3	40221331	Delany seat removal tool for Flushboy & Presto valves
4	20200165	Easy Out Delany main seat removal tool
5	20200167	3-IN-1 Outside spud wrench
6	20200134	Inside expansion wrench for spuds, basket strainers, pipe nipples 1/2", 3/4", 1", and larger
7	20200171	Tailpiece removal tool – fits Sloan, Delany & Zurn
8	20200147	Ridgid off set smooth jaw hex wrench
9	20200148	Adjustable spud wrench



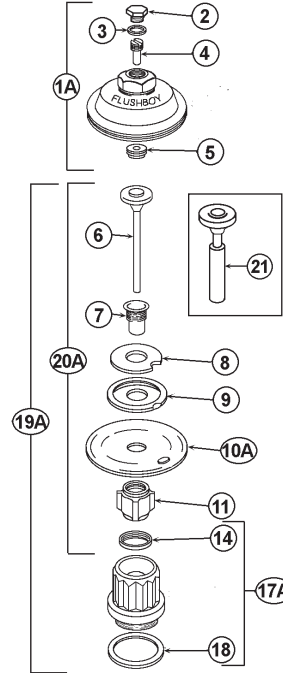
TOTAL MAINTENANCE SOLUTIONS
DELANY
 FLUSH VALVE REPLACEMENT PARTS

DELANY FLUSHBOY RENEWAL PARTS

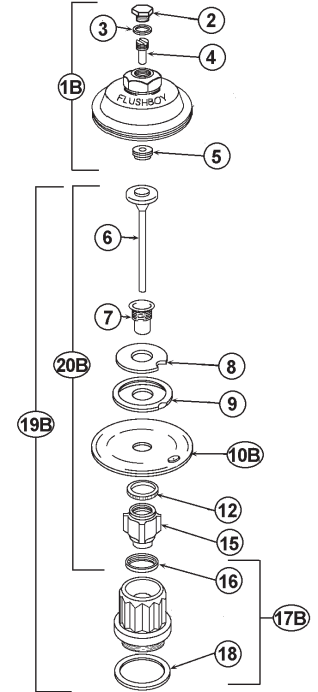
ITEM	PART #	DESCRIPTION
1A	40221024	Cover assembly
1B	40221312	Cover assembly
1C	40221313	Cover assembly
1D	40221314	Cover assembly
2	40221000	Cover screw
3	40221001	Washer for cover screw (omitted in later production)
4	40221002	Regulating screw
5	40221004	Packing for cover
6	40221005	Auxiliary valve
7	40221006	Diaphragm bushing, plastic
7A	40221315	Diaphragm bushing, brass
8	40221007	Auxiliary valve seat
9	40221008	Auxiliary valve seat holder
10A	40221026	Diaphragm w/ auxiliary valve seat 4.5 gpf
	40221100	Diaphragm w/ auxiliary valve seat 4.5 gpf, non OEM
10B	40221065	Diaphragm w/ auxiliary valve seat 3.5 gpf
10C	40221066	Diaphragm w/ auxiliary valve seat 1.6 gpf
10D	40221027	Diaphragm w/ auxiliary valve seat 1.0 gpf
	40221087	Diaphragm w/ auxiliary valve seat 1.0 gpf, non OEM
11	40221009	Seat guide
12	40221067	Refill ring, 3.5/1.6
13	40221028	Seat guide
14	40221010	Choke ring 4.5 gpf valves
15	40221068	Seat guide, 3.5/1.6
16	40221069	Choke ring for main valve seat
17A	40221025	Main valve seat
17B	40221070	Main valve seat
17C	40221071	Main valve seat
18	40221011	Main valve seat washer
19A	40221072	Diaphragm operating assy 4.5 gpf
19B	40221073	Diaphragm operating assy 3.5 gpf
19C	40221182	Diaphragm operating assy 1.6 gpf
	40221074	Diaphragm operating assy 1.6 gpf, non OEM
19D	40221075	Diaphragm operating assy 1.0 gpf
	40221316	Diaphragm operating assy 1.0 gpf, non OEM
20A	40221076	Diaphragm operating assembly (less seat) 4.5 gpf
20B	40221077	Diaphragm operating assembly (less seat) 3.5 gpf
20C	40221078	Diaphragm operating assembly (less seat) 1.6 gpf
20D	40221079	Diaphragm operating assembly (less seat) 1.0 gpf
21	40221080	Auxiliary valve (for non hold open)
22	40221012	Handle
23	40221013	Handle nut
24	40221102	Operating stem (for non hold open, use w/ item 21)
25	40221014	Operating stem (overall length 1-7/8")
27	40221089	Flexer
28		Brass insert converter
29		KwikFit valve body
30	40950069	O-ring
31	40221018	Clamping ring
32	40221019	Clamping nut
33	40221020	KwikFit union tailpiece
34	40221021	Union nut
35	40221022	Handle assembly
36		KwikFit valve body assembly



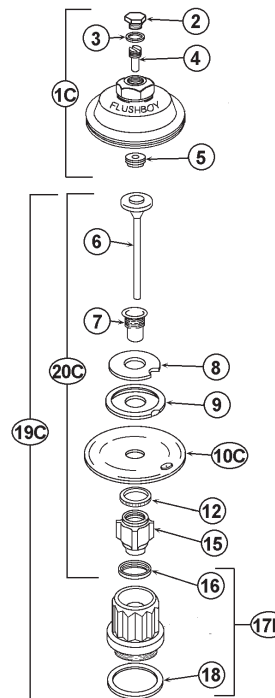
With "Turn-to-silence/ 4.5 gpf"
 on cover
 Valves with 1" supply



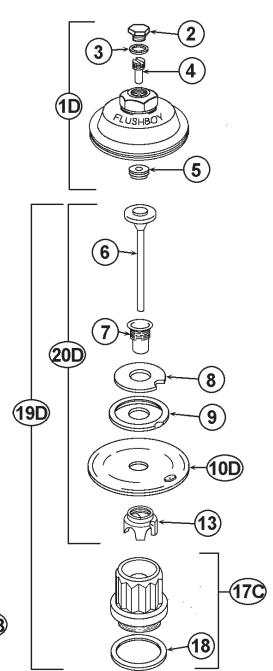
With "Water Saver/ 3.5 gpf"
 on cover
 Valves with 1" supply



With "1.6 gpf"
 on cover
 Valves with 1" supply

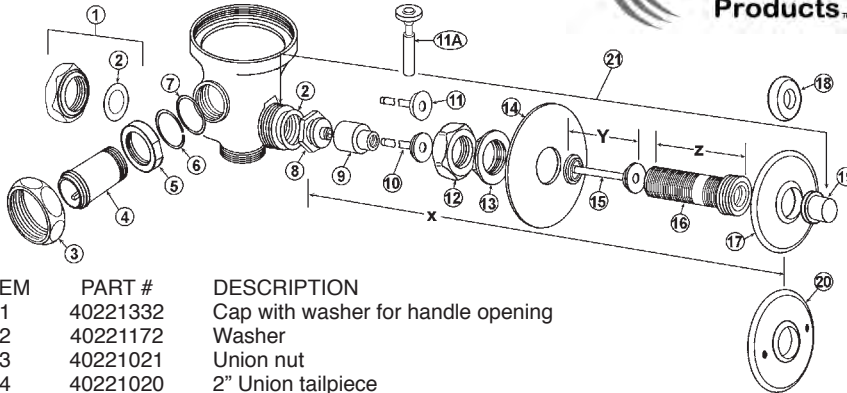


With "1.0 gpf"
 on cover
 Valves with 3/4" supply

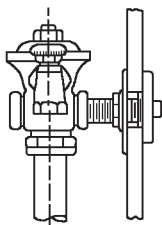




DELANY CONCEALED VALVE HANDLE PARTS



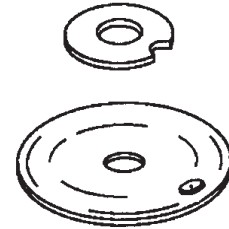
ITEM	PART #	DESCRIPTION
1	40221332	Cap with washer for handle opening
2	40221172	Washer
3	40221021	Union nut
4	40221020	2" Union tailpiece
5	40221019	Clamping nut
6	40221018	Clamping ring
7	40950069	O-ring
8	40221280	Wall sleeve bushing
9	40221089	Flexer
10	40221101	Operating stem 3-1/32" long
11	40221086	Operating stem 2-29/32" long
11A	40221080	Auxiliary valve – non hold open (use with item 11)
12	40221281	Coupling nut
13	40221282	Locknut
14	40221267	Bearing plate
15		Wall sleeve spacer (specify "Y" in inches)
16		Wall sleeve (specify "z" in inches)
17		Wall sleeve (for use w/ 1/2" push button – specify "z")
17		Wall flange (for use w/ disc handle or foot pedal)
18	40221283	Wall flange (for use with 1/2" button only)
19	40221284	Sink flange (for use w/ 1/2" button only)
19		1/2" push button use w/ concealed valves only
20		Wall flange (use w/ access panel)
21		Handle assembly – specify 1/2" push button, 3" oscillating disc, pedal assembly or regular handle assembly
		Specify CTF*F



*Standard CTF*F (centerline of valve to finished face of wall) is 2-3/4" plus actual wall thickness rounded to next higher even inch. Special CTF*F measurements available in 1/2" increments.

Example: 4" block wall + 2-3/4" = 6-3/4" CTF*F

DELANY FLUSHBOY RENEWAL PARTS KITS

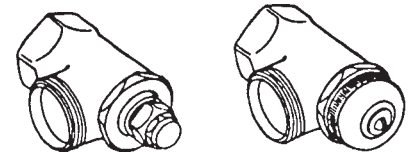


40221107	4.5 gpf closet leather kit
40221026	4.5 gpf closet neoprene kit
40221065	3.0 gpf closet neoprene kit
40221066	1.6 gpf neoprene kit
40221173	Urinal leather kit
40221027	Urinal neoprene kit

REPLACEMENT KITS FOR DELANY

40221100	Vinyl 4.5 gpf closet repair kit
40221087	Vinyl Urinal repair kit

DELANY COMPLETE CONTROL STOPS



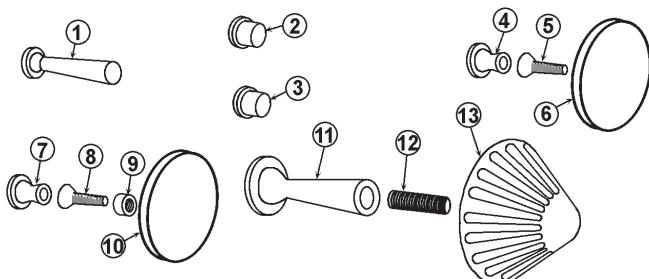
SCREWDRIVER OPERATED

WHEEL HANDLE OPERATED

PART #	DESCRIPTION
40221093	3/4" Angle stop
40221094	1" Turn-to-Silence angle stop
92234105	1" Wheel handle angle stop
40221093	3/4" Turn-to-Silence angle stop

DELANY ACTUATORS FOR FLUSHBOY VALVE

For use with both concealed and exposed valves, except as noted.



ITEM	PART #	DESCRIPTION
1	40221012	Handle
2		1/2" pushbutton for exposed valves
3	40221284	1/2" pushbutton for concealed valves
4		Holder for disc
5		Holder screw for disc
6		3" Oscillating disc
7		Holder for disc*
8		Holder screw for disc*
9		Retaining ring for holding screw
10		3" Oscillating disc*
11		Holder for foot pedal
12		Stud for foot pedal
13		Foot pedal

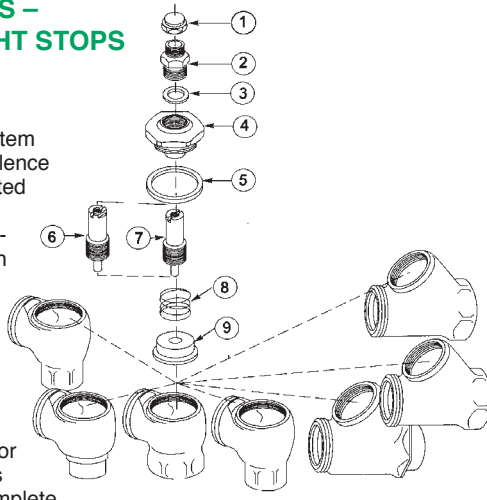
* For use with access panel



TOTAL MAINTENANCE SOLUTIONS
DELANY
 FLUSH VALVE REPLACEMENT PARTS

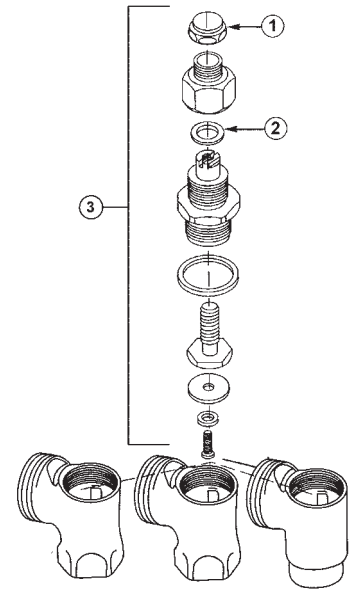
**DELANY CONTROL STOP PARTS –
 TURN-TO-SILENCE OR STRAIGHT STOPS**

ITEM	PART#	DESCRIPTION
1	40221043	Protecting cap
2	40221051	Packing nut
3	40221044	Packing for shut off stem
4	40221045	Bonnet for Turn-to-Silence
5	40221046	Bonnet washer (omitted in later production)
6	40221061	Shut off stem Turn-to-Silence (supplied with wheel handle operating mechanism)
7	40221047	Shut off stem Turn-to Silence
8	40221048	Back check spring (added in later production)
9	40221049	Disc w/ metal insert for Turn-to-Silence stops
	40221095	Bonnet assembly complete



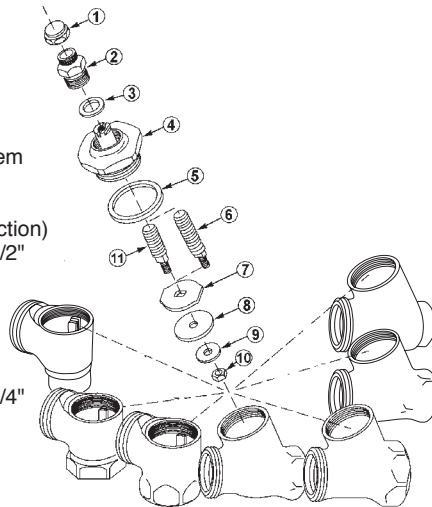
**DELANY CONTROL
 STOP PARTS –
 3/4" & 1/2" ANGLE STOPS**

ITEM	PART#	DESCRIPTION
1	40221043	Protecting cap
2	40221044	Packing for shut off stem
3	40221058	Complete unit



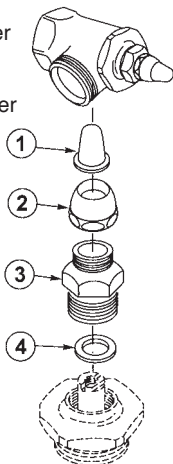
**DELANY CONTROL STOP PARTS –
 ANGLE OR STRAIGHT STOPS**

ITEM	PART#	DESCRIPTION
1	40221043	Protecting cap
2	40221051	Packing nut
3	40221044	Packing for shut off stem
4	40221285	Packing nut
5	40221046	Bonnet washer (omitted in later production)
6	40221052	Male shut off stem 1-1/2"
7	40221054	Guide
8	40221286	Seat washer
9	40221056	Washer for shut off stem nut
10	40221057	Nut for shut off stem
11	40221053	Male shut off stem 1-1/4"

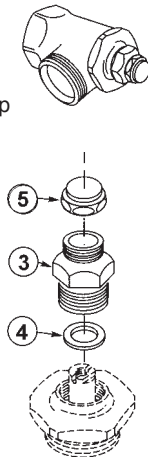


OPERATING MECHANISM VARIATIONS

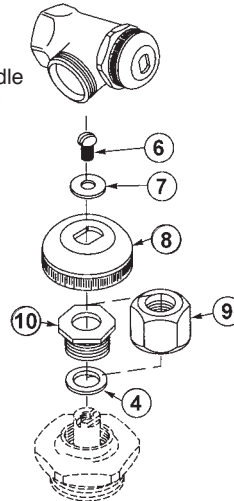
Screwdriver
 Operated
 with
 Seat Bumper



Screwdriver
 Operated
 with
 Protecting Cap



Wheel Handle
 Operated



ITEM	PART #	DESCRIPTION
1	40221287	Seat bumper
2	40221288	Bumper holder
3	40221051	Packing nut
4	40221044	Packing nut for shut off stem
5	40221043	Protecting cap
6	40221289	Screw for wheel handle
7	40221290	Washer for wheel handle
8	40221291	Wheel handle
9	NLA	Packing nut

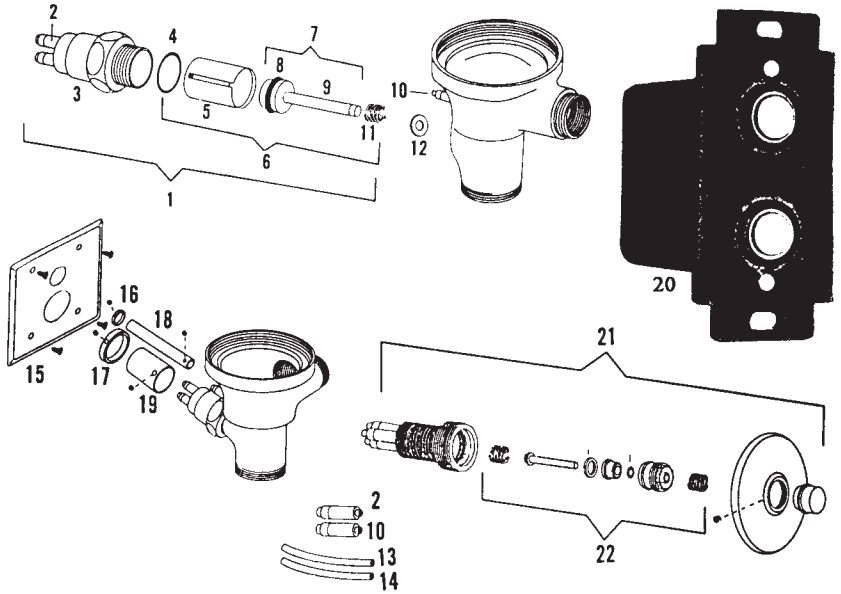
Toll Free Telephone: 877/867-8675 • Toll Free Fax: 877/867-8674
www.tms4parts.com

TOTAL MAINTENANCE SOLUTIONS
DELANY
 FLUSH VALVE REPLACEMENT PARTS

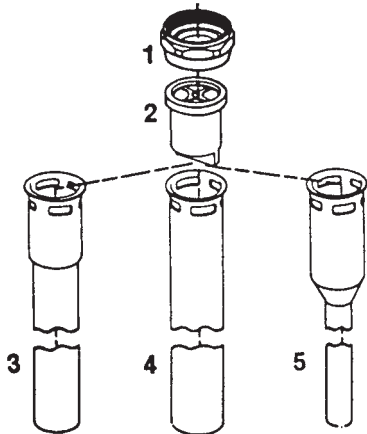


DELANY HYDRO-FLUSH, SENSOR FLUSH

ITEM	PART #	DESCRIPTION
1		Piston valve assembly
2	40221275	Straight release fitting - black
3		Piston valve body w/ 2 item 2
4		Piston bore washer
5		Piston sleeve
6		Piston internal operating assy.
7	40221180	Piston operating stem assy.
8	40221328	Cup washer
9	40221265	Piston operating arm
10	40221276	Straight release fitting - red
11	40221154	Spring
12		Handle pad washer (spec. length)
13	40221122	Nylon tubing - black (sold by foot)
14	40221123	Nylon tubing - red (sold by foot)
15		Wall plate
16		Wall flange w/ set screw
17		Wall flange w/ set screw
18		Cover tube w/ set screw
19		Cover tube w/ set screw
20	40221336	Sensor for closet
	40221091	Sensor for urinal
21	40221260	Actuator assy. (1/2" pushbutton)
22	40221262	Internal actuator assy.



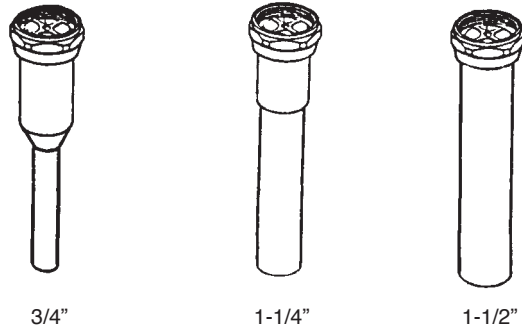
DELANY VACUUM BREAKERS



ITEM	PART #	DESCRIPTION
1	40221125	Cowl nut
2	40221126	Rubber sleeve
3	40221256	1-1/4" x 9" Vented connection
	40221337	1-1/4" x 12" Vented connection
	40221338	1-1/4" x 15" Vented connection
4	40221339	1-1/4" x 22-1/2" Vented connection
	40221176	1-1/2" x 9" Vented connection
	40221340	1-1/2" x 12" Vented connection
	40221341	1-1/2" x 15" Vented connection
	40221342	1-1/2" x 22-1/2" Vented connection
5	40221257	3/4" x 9" Vented connection
	40221343	3/4" x 12" Vented connection
	40221344	3/4" x 15" Vented connection

COMPLETE VACUUM BREAKERS

PART #	BREAKERS
40221345	3/4" x 9"
40221346	1-1/4" x 9"
40221347	1-1/4" x 22-1/2"
40221348	1-1/2" x 9"
40221349	1-1/2" x 12"
40221350	1-1/2" x 22-1/2"

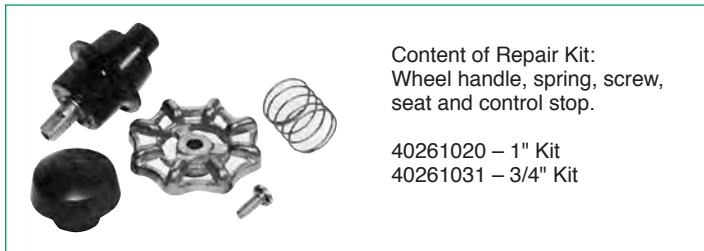
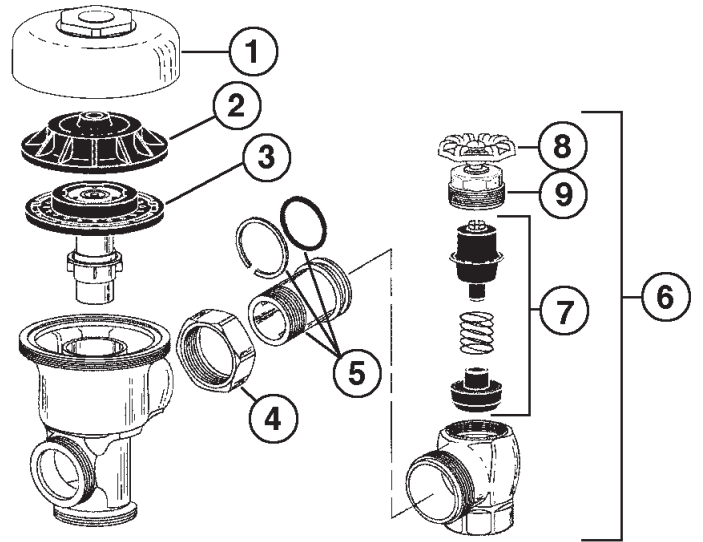




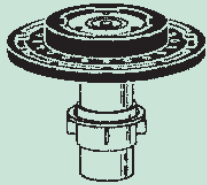
TOTAL MAINTENANCE SOLUTIONS
SLOAN VALVE
 FLUSH VALVE REPLACEMENT PARTS

SLOAN (DIAPHRAGM TYPE) FLUSH VALVES

ITEM	PART #	DESCRIPTION
1		RB Cover
2	40261124	Inside Cover
3	(See Below)	Inside Parts Kit
4		Stop Coupling, RB
5		RB Adjustable Tailpiece, 2-1/16"
6		1" RB Wheel Handle Stop 3/4" RB Wheel Handle Stop
7	40261020	1" Repair Kit
	40261031	3/4" Repair Kit
8	40261017	Wheel Handle
9		RB Bonnet – 1" RB Bonnet – 3/4"

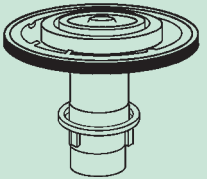


SLOAN INSIDE PARTS KITS



PART #	DESCRIPTION
40260004	4.5 gpf
40261038	3.5 gpf
40261041	1.6 gpf
40261037	1.5 gpf
40261044	1.0 gpf
40261045	.5 gpf

SLOAN DUAL FILTERED INSIDE PARTS KIT



PART #	DESCRIPTION
40261121	3.5 gpf
40261122	1.6 gpf
40261120	1.5 gpf
40261123	1.0 gpf
40268938	.5 gpf

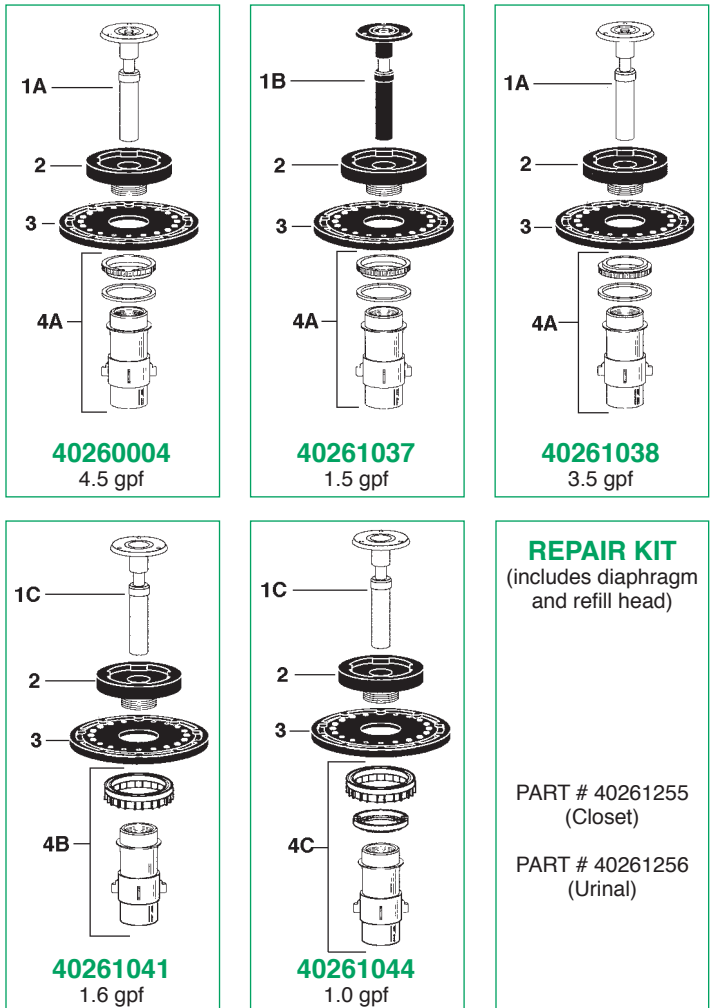
**INSIDE PARTS KITS INDIVIDUAL
 ITEM IDENTIFICATION:**

ITEM	PART #	DESCRIPTION
1A	40261129	Relief Valve – White
1B	40260415	Relief Valve – Black
1C	40261127	Relief Valve – Green
2	40260234	Molded Disc
3	40261161	Diaphragm
4A	40201004	Guide Assembly
4B	40268864	Guide Assembly
4C	40268948	Guide Assembly

SLOAN WASHER SET

PART # 40260009

Includes molded disc,
 diaphragm, handle seal and
 gasket.



TOTAL MAINTENANCE SOLUTIONS
SLOAN VALVE
 FLUSH VALVE REPLACEMENT PARTS



HYDRAULIC REPAIRS

ITEM	PART #	DESCRIPTION
1	40261012	1/4" X 40"
2	40261013	Connecting Tube Tube fitting nut, 2 required
3	40261014	Tube fitting, 2 required
4	40261015	O-ring
5	40260013	Actuator Cartridge

MANUAL PUSH BUTTON FLUSHOMETER

HY-108-A Metal Button Panel Mount (HBPM)

HY-100-A Metal Button Fixture Washer (MBFW)

ACTUATOR REPAIR KIT CARTRIDGE
 (Item 5 above)
 PART # 40260013

MANUAL PUSH BUTTON REPAIRS

ITEM	PART #	DESCRIPTION
1	40261032	Wall flange, 2-3/4"
2		SPL VR Flange for wall box
3	40261033	In-wall sleeve
4	40261024	RB locknut
5	40261025	RB coupling
6		Index push button
7		Filler rod (see box at left)
8		Plunger
9		Spring
10	40262297	Bushing
11	40261139	Handle seal
7-11	40261026	Handle gasket
		Handle repair kit

FILLER RODS
 Specify "L" Dimension – face of finished wall to center of supply

	"L" Dimension
3-3/4"	4-3/4"
5-3/4"	6-3/4"
7-3/4"	8-3/4"
9-3/4"	10-3/4"
11-3/4"	12-3/4"
13-3/4"	14-3/4"

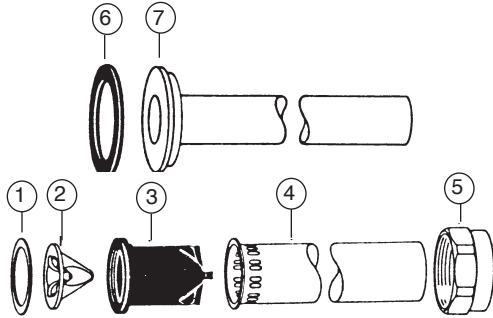
HY-108-A PENALWARE METAL PUSH BUTTON

ITEM	PART #	DESCRIPTION
1	40261027	Flange
2	40261028	Mounting washer
3	40261029	Mounting nut
4	40268946	Pushbutton assembly
5	40261034	Spring
6	HY-20-A	Actuator assembly
7	40260017	HY-32A cartridge

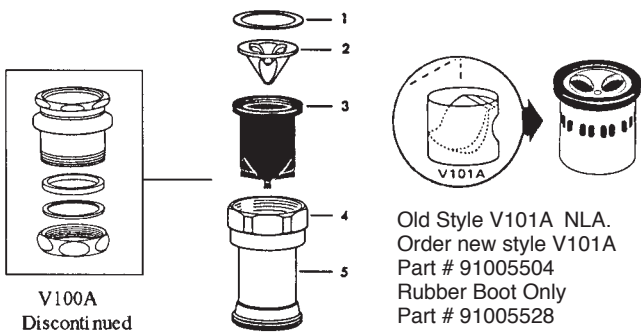


TOTAL MAINTENANCE SOLUTIONS
SLOAN VALVE
 FLUSH VALVE REPLACEMENT PARTS

SLOAN VACUUM BREAKER PARTS

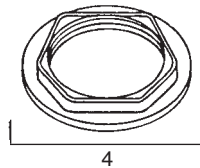
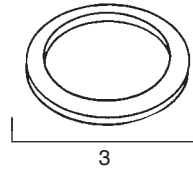


ITEM	PART #	DESCRIPTION
1-3	40201005	Repair kit for V-500 series
	40263005	3/4" x 9" CP vacuum breaker assy.
	40263210	3/4" x 15" CP vacuum breaker assy.
	40263006	1-1/4" x 9" CP vacuum breaker assy.
1-5	40261035	1-1/4" x 13-1/2" CP vacuum breaker assy.
	40261036	1-1/4" x 21-1/2" CP vacuum breaker assy.
	40268947	1-1/4" x 24" CP vacuum breaker assy.
	40261040	1-1/2" x 9" CP vacuum breaker assy.
	40261042	1-1/2" x 13-1/2" CP vacuum breaker assy.
	40261039	1-1/2" x 21-1/2" CP vacuum breaker assy.
	40263016	1-1/2" x 24-1/2" CP vacuum breaker assy.
1	40261047	1-1/2" friction ring
2	40261048	Baffle
3		Rubber sleeve (N/A order kit 40201005)
5	40261049	CP coupling
1	40261050	Gasket
2	40261052	3/4" x 10-1/2" CP outlet



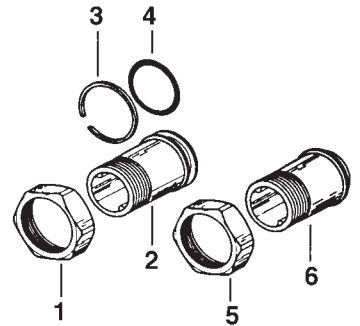
ITEM	PART #	DESCRIPTION
1-3	40201005	Repair kit for V-500 series
1-5	40263010	Vacuum breaker assy. V500A

BRASS SPUD PARTS



ITEM	PART #	DESCRIPTION
1	40210961	3/4" Brass spud assembly
	40210960	1-1/4" Brass spud assembly
	40210959	1-1/2" Brass spud assembly
	40210058	2" Brass spud assembly
	40210020	2" x 1-1/4" Brass spud
	40211068	2" x 1-1/2" Brass spud
2	40211020	3/4" Spud washer
	40211019	1-1/4" Spud washer
	40211018	1-1/2" Spud washer
	40211087	2" Spud washer
	40210022	1" Friction ring for 3/4" spud
3	40210023	1-1/4" Galvanized friction ring
	40210015	1-1/2" Galvanized friction ring
	40210025	2" Galvanized friction ring
4	40210035	3/4" Brass spud nut
	40210036	1-1/4" Brass spud nut
	40210037	1-1/2" Brass spud nut
	40210038	2" Brass spud nut

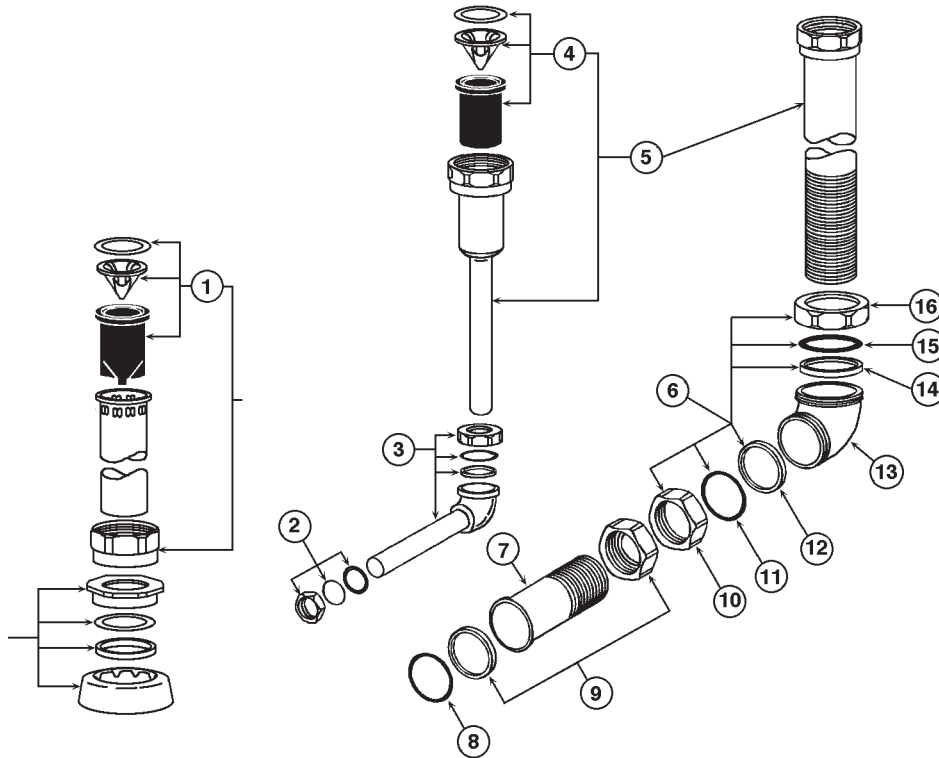
SLOAN TAILPIECE ASSEMBLIES & PARTS



ITEM	PART #	DESCRIPTION
1	40268676	Coupling nut for adj. tlp.
	40268801	2-1/16" Adjusting tlp.
2-4	40268803	3-1/16" Adjusting tlp.
	40268805	4-1/16" Adjusting tlp.
	40268807	5-1/16" Adjusting tlp.
3	40268381	Lock ring
4	40950069	O-ring
5	40261003	Coupling nut for G.J. tlp.
6	40261065	1-1/2" G.J. tailpiece
	40261004	1-3/4" G.J. tailpiece
	40261067	2" G.J. tailpiece
	40261068	3-1/4" G.J. tailpiece
	40261069	3-1/2" G.J. tailpiece

*Adapter For Sloan & Zurn Valves
 To Delany G.J. Stops
 Part No. 40221183

TOTAL MAINTENANCE SOLUTIONS
SLOAN VALVE
 FLUSH VALVE REPLACEMENT PARTS



CONCEALED VACUUM BREAKER PARTS

ITEM	PART #	DESCRIPTION
1	40201005	Vacuum breaker repair kit
2		3/4" RB coupling, friction ring and rubber gasket
3		3/4" RB elbow flush connection with coupling and rubber gasket (specify length)
4	40263183	New style vacuum breaker repair kit
5		3/4" x 10-1/2" V/B assembly CP 3/4" x 15" V/B assembly RB 1-1/2" x 6" V/B assembly RB 1-1/2" x 7-1/2" V/B assembly RB 1-1/2" x 11-1/2" V/B assembly RB 1-1/2" x 13-1/2" V/B assembly RB 1-1/2" x 17-1/2" V/B assembly RB 1-1/2" x 22" V/B assembly RB
6	40261008	1-1/2" RB couplings (2 each), friction rings (2 each), and rubber gaskets (2 each)
7		RB flared end flush connection 1-1/2" x 7-1/2" w/ 3" score 1-1/2" x 9-1/2" w/ 3" score 1-1/2" x 11-1/2" w/ 3" score 1-1/2" x 13-1/2" w/ 3" score 1-1/2" x 19-1/2" w/ 3" score 1-1/2" x 23-1/2" w/ 3" score
8	40261009	1-1/2" Friction ring
9	40261010	1-1/2" RB coupling and rubber gasket
10	40800036	1-1/2" SJ nut – brass
11	40261009	1-1/2" Friction ring
12	40950008	1-1/2" SJ gasket
13		RB elbow
14	40950008	1-1/2" SJ gasket
15	40261009	1-1/2" Friction ring
16	40800036	1-1/2" SJ nut – brass

YOUR ANSWER TO FLOOD CONTROL!

TOTAL MAINTENANCE SOLUTIONS
SLOAN VALVE
 PROGRAMMED WATER TECHNOLOGIES

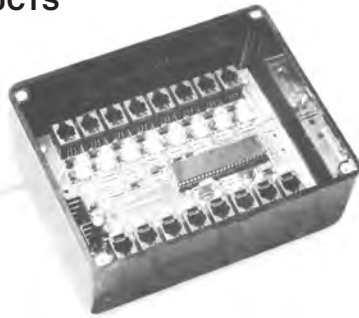


MICROPlumb PROGRAMMED WATER TECHNOLOGIES PRODUCTS AND SYSTEMS FROM SLOAN VALVE

Retrofit your existing air valve systems and provide your facility with dramatic savings in key areas:

- Reduced water usage
- lower sewage cost
- less energy needed to heat water
- reduced maintenance

MCR 800-A MICROPlumb PRODUCTS 8-I/O CONTROLLER
 An eight input/output "Stand Alone" Controller used with MICROPlumb™ push buttons, electronic flushometers and solenoids to control water closets, lavatories and showers.



MCR 1001-A MICROPlumb PRODUCTS SOLENOID OPERATOR RETROFIT KIT
 24 VAC solenoid operator kit used to convert hydraulic flushometers into electronic flushometers for use with MICROPlumb™ Controllers. Can also be used as repair part for existing MICROPlumb™ flushometers.




MICROPlumb PRODUCTS PUSHBUTTON
 Waterproof push button for use with any MICROPlumb™ controller. Mounts on fixture back splashes, wall box covers or wall up to 1" thick. Activates water closets, lavatories and showers.



MICROPlumb PRODUCTS PUSHBUTTON
 Waterproof push button for use with any MICROPlumb™ controller. Activates water closets, lavatories and showers.



SLOAN® OPTIMA SYSTEMS TRANSFORMERS
 Sloan offers a wide range of 24 VAC step down Transformers for use with Sloan OPTIMA® Flushometers and Faucets. All Sloan Transformers are Class II, UL Listed.



EL-154 Shown

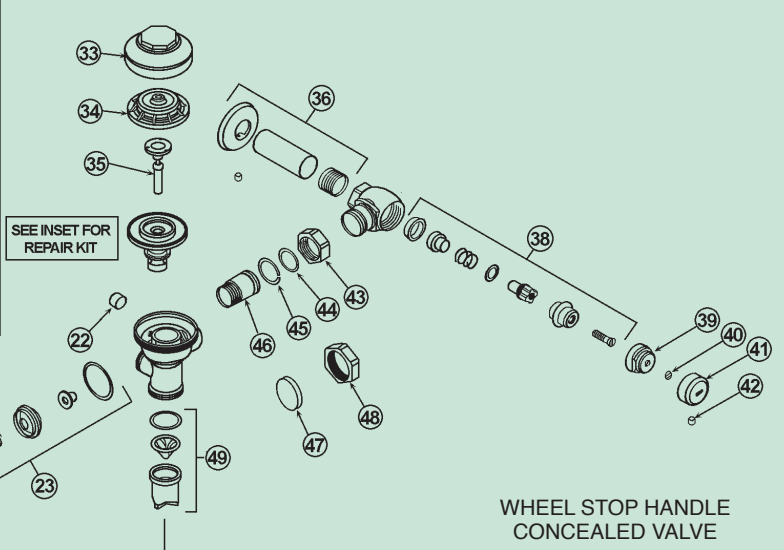
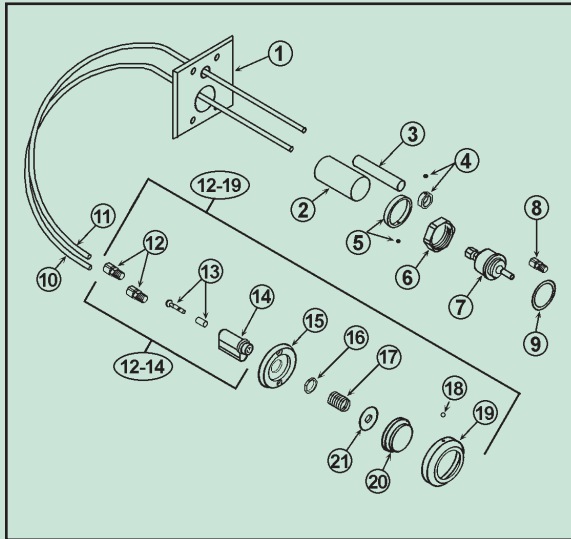
MICROPlumb PRODUCTS LAVATORY/SOWER SOLENOID RETROFIT KIT
 24 VAC retrofit solenoid kit. Converts Acorn, Bradley, Metcraft and Willoughby air valve manifolds from pneumatic operation to electronic operation. Used in conjunction with MICROPlumb™ controllers to provide control over lavatory and shower water usage.



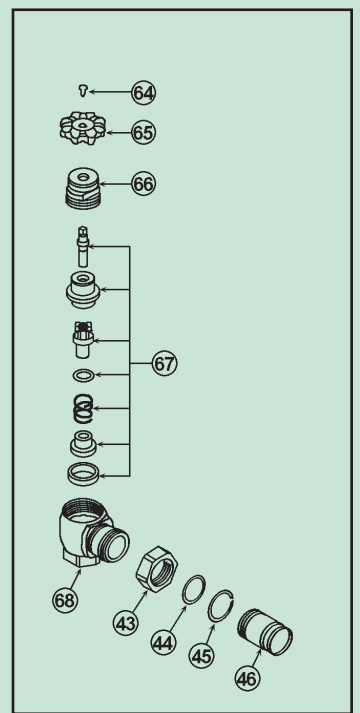
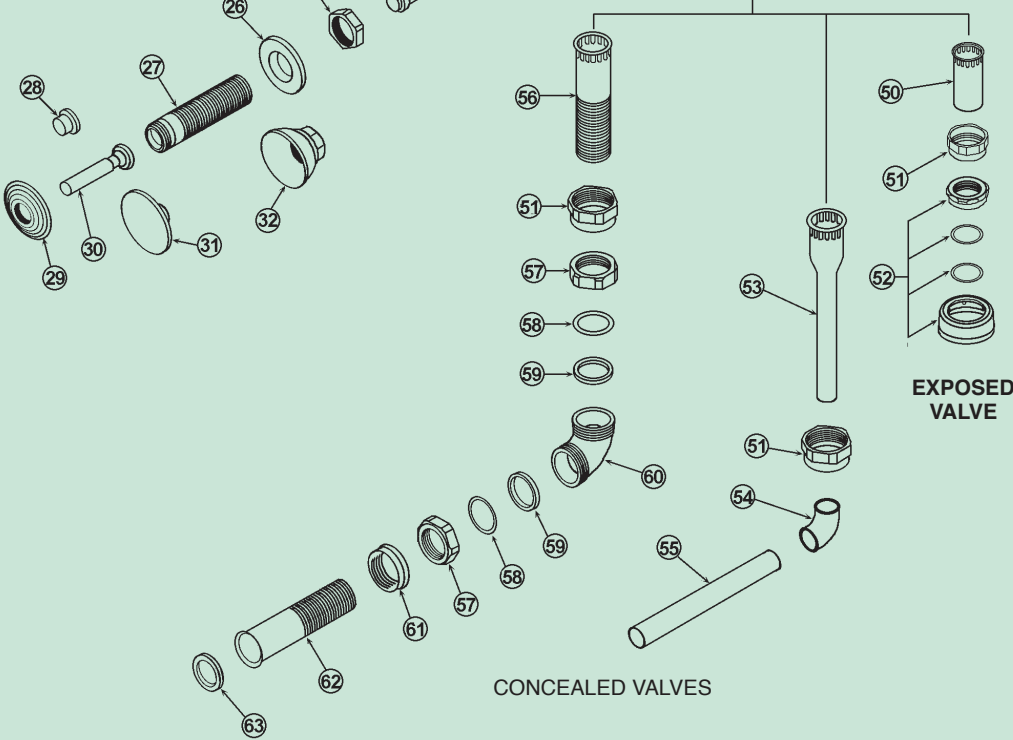
MICROPlumb PRODUCTS RETROFIT FLUSHOMETER ASSEMBLIES
 Concealed electronic operated water closet flushometer, for retrofit of manual, handle operated flushometer.



ZURN AQUAVANTAGE™ FLUSH VALVES –
 EXPOSED AND CONCEALED



WHEEL STOP HANDLE
 CONCEALED VALVE





TOTAL MAINTENANCE SOLUTIONS
ZURN
FLUSH VALVE REPLACEMENT PARTS

ITEM	PART #	DESCRIPTION	ITEM	PART #	DESCRIPTION
1		Chrome cover plate	34	40261124	Plastic cover
2		Return cover tube	35	40261129	Trip mechanism – white
3		Supply cover tube		40260415	Trip mechanism – black
4		Cover tube ring with setscrew	36	40268788	3/4" Sweat adapter kit
5		Cover tube ring with setscrew		40268782	1" Sweat adapter kit
6		Handle nut	37		Stop body
7	40291000	Hydraulic plunger assembly	38	40291210	Stop repair kit 3/4" & 1"
8		1/16" Compression fitting		40291017	VP Stop repair kit 3/4" & 1"
9		Gasket	39	40291018	Stop cap
10		1/4" Return tube	40	40296003	Snap cap screw cover
11		1/4" Supply tube	41	40291019	Vandal-resistant control stop cover
12		1/8" Compression fitting	42	40291020	Set screw for control stop cover
13	40291001	Repair kit for hydraulic actuator	43	40268676	Locking nut
14		Actuator body	44	40950069	Tailpiece o-ring
12-14	40291002	Hydraulic actuator assy. – fixture wall	45	40268381	Snap ring
	40291003	Hydraulic actuator assy. – side wall	46	40268801	Tailpiece – 2-1/16"
15		Mounting plate	47		Solid gasket
16	40291004	Securing nut	48		Solid handle nut
17	40291005	Spring for large push button	49	40201005	Vacuum breaker repair kit
	40291006	Spring for small push button	50		Vacuum breaker tube (see page 23)
18		Escutcheon setscrew	51	40261049	Vacuum breaker tube nut
19		Escutcheon for large push button	52	40266146	1-1/2" Spud coupling assembly
12-19	40291007	Hydraulic metal PB – penal use		40266140	1-1/4" Spud coupling assembly
	40291008	Hydraulic large PB – side wall		40266125	3/4" Spud coupling assembly
	40291022	Hydraulic metal PB assy.	53		Vacuum breaker tube
20	40291009	Large push button	54		3/4" 90° Elbow
	40291010	Small push button	55		3/4" Horizontal tube
21		Spacer for large push button	56		Vacuum breaker tube (see page 51)
22		Filter	57	40800033	Coupling nut
23	40261209	Handle repair kit	58	40261009	Spud friction washer
24		Push rod/filler rod (specify length)	59	40950008	Spud friction gasket
25		Handle nut	60		90° Elbow
26		Adjusting nut	61		Spud nut
27		Sleeve/socket (specify length)	62		Flanged/scored horizontal tube
28	40291014	Optional 1" metal push button	63		P30 flat gasket
29	40291015	Wall escutcheon	64		Wheel handle screw
30		Handle	65		Wheel handle w/ screw
31		Optional 3" metal push button	66		Stop cap
32		Optional bell nut	67	40291021	Wheel handle repair kit
33		Valve body cover	68		Stop body

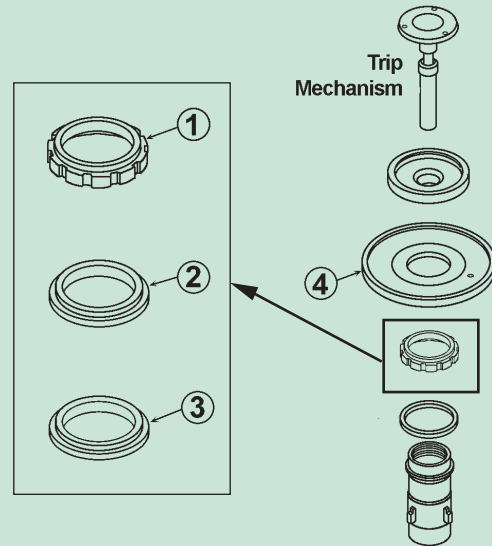
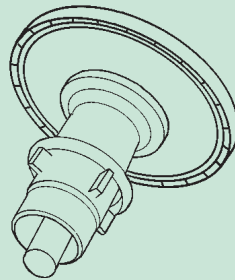
ZURN AQUAFLUSH DIAPHRAGM KIT

Replacement Parts Kit includes items 1, 2, 3 & 4 Part # 92991270

ITEM	DESCRIPTION
1	Black flow ring for 1.0 gpf urinal w/ black trip mechanism
2	White flow ring for 1.6 gpf closet w/ white trip mechanism
3	Yellow flow ring for 3.5 gpf closet w/ white trip mechanism or 1.5 gpf urinal w/ black trip mechanism
4	Diaphragm (Diaphragm only Part # 40291027)

ZURN AQUAFLUSH INSIDE PARTS KIT

PART #	DESCRIPTION
40291036	Closet kit 4.5 gpf
40296035	Closet kit 3.5 gpf
40296039	Closet kit 1.6 gpf
40291025	Urinal kit 1.5 gpf
40291031	Urinal kit 1.0 gpf

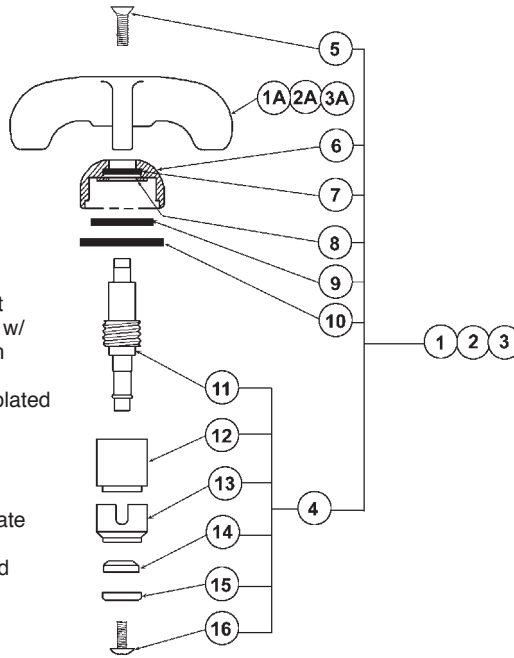




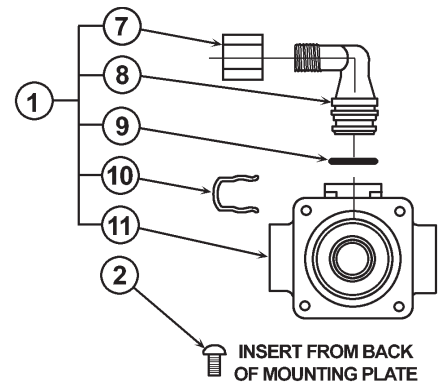
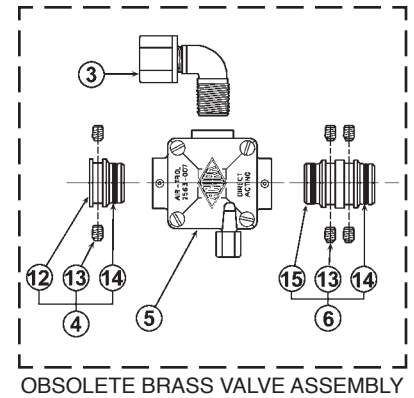
TOTAL MAINTENANCE SOLUTIONS
ACORN ENGINEERING
 SHOWER VALVES AND PARTS

ACORN FLO-CLOZ CARTRIDGE FOR EXPOSED ZENITH
AUGUST 1979 - PRESENT

ITEM	PART #	DESCRIPTION
1		Flo-Cloz cartridge assembly - single temp.
1A		Cross handle - single temp.
2		Flo-Cloz cartridge assembly - cold
2A	41011147	Cross handle - cold
3		Flo-Cloz cartridge assembly - hot
3A	41011148	Cross handle - hot
4	40170022	Flo-Cloz cartridge w/ chrome plate stem
5	41011150	Handle screw
6	41011151	Bonnet - chrome plated
7	40950023	O-Ring
8	40120668	O-Ring retainer
9	41011071	Bonnet gasket
10	41011152	Gasket
11		Stem - chrome plate
12-13		Seat & sleeve
14	40120188	Seat washer - hard
15		Disc retainer
16	50100013	Screw



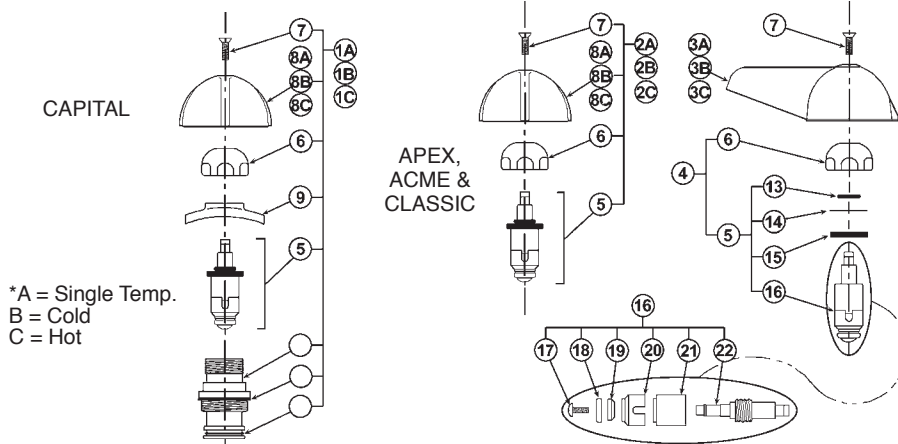
ACORN SINGLE TEMP
AIR-CONTROL VALVE BODY
ASSEMBLY LESS FLOW
CONTROL



ITEM	PART #	DESCRIPTION
1		Air-control s/t valve assy - plastic
2		S/S screw
3		3/8" x 3/8" OD Tube elbow
4		Male O-ring plug assembly
5		Non-metering motor assembly
6		Male-to-male o-ring coupler assembly
7	41011122	1/4" Ferrule nut
8	41011157	Elbow
9	40950041	O-ring
10	41011123	Retaining clip
11		LH valve body
12		Male-to-male plug
13		Set screw
14	40950041	O-ring
15		Male-to-male o-ring coupler

ACORN CONCEALED FLO-CLOZ CARTRIDGE
FOR APEX, ACME, CLASSIC & CAPITAL

ITEM	PART #	DESCRIPTION	ITEM	PART #	DESCRIPTION
1A, 1B, 1C		Capital Flo-Cloz assy.*	11	41011155	Gasket
2A, 2B, 2C		Flo-Cloz valve assy.*	12	41011156	O-Ring
3A, 3B, 3C		Flo-Cloz lever handle*	13	41001003	O-Ring
4		Flo-Cloz cartridge w/ bonnet assembly	14	40140031	O-Ring retainer
5	40170022	Flo-Cloz cartridge assy.	15	41011071	O-Ring
6	41011153	Bonnet	16		Flo-Cloz cartridge
7	41011154	Handle screw	17	50100013	Screw
8A, 8B, 8C		Canopy handle*	18		Disc retainer
9		Escutcheon - Capital only	19	40120188	Seat washer - hard
10		Valve adapter	20, 21		Seat & sleeve
			22		Stem

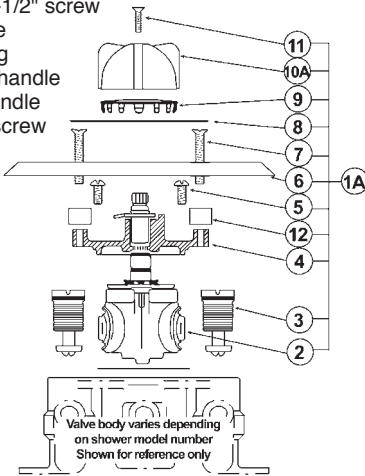


*A = Single Temp.
 B = Cold
 C = Hot



ACORN SAFTI-TROL VALVE FOR APEX, CLASSIC, ACME & ZENITH VALVES APRIL 1977 - PRESENT

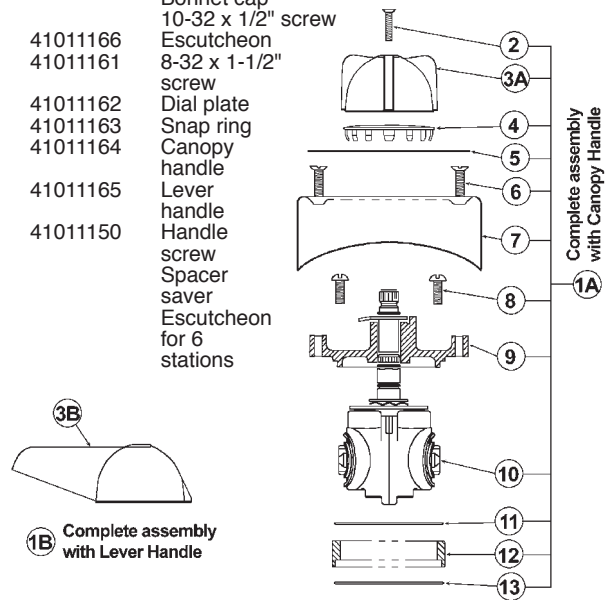
ITEM	PART #	DESCRIPTION
1A		Valve assy. w/canopy handle
1B		Valve assy. w/lever handle
2	41011143	Cartridge w/stem & plate assy.
3	41011159	Cartridge w/stem & plate assy. - Zenith
3	41011099	Check stop assembly
4		Bonnet cap
5		10-32 x 1/2" screw
6	41011160	Escutcheon
7	41011161	8-32 x 1-1/2" screw
8	41011162	Dial plate
9	41011163	Snap ring
10A	41011164	Canopy handle
10B	41011165	Lever handle
11	41011150	Handle screw
12		Spacer



1A
COMPLETE ASSEMBLY
W/ CANOPY HANDLE

ACORN SAFTI-TROL VALVE FOR CAPITAL APRIL 1977 - PRESENT

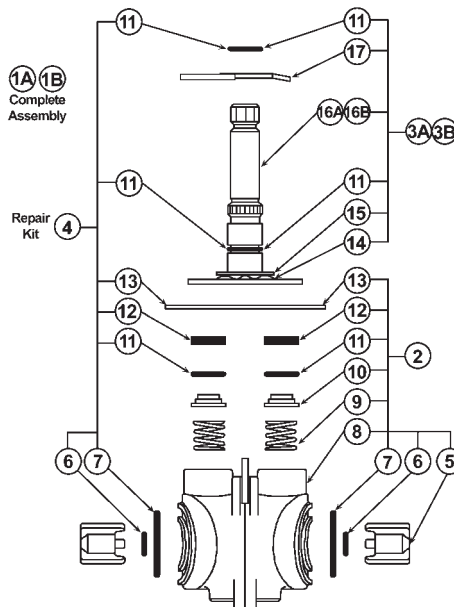
ITEM	PART #	DESCRIPTION
1A		Valve assy. w/ canopy handle
1B		Valve assy. w/ lever handle
10	41011143	Cartridge w/ stem & plate assy.
10	41011099	Check stop assembly (not shown)
9		Bonnet cap
8		10-32 x 1/2" screw
7	41011166	Escutcheon
6	41011161	8-32 x 1-1/2" screw
5	41011162	Dial plate
4	41011163	Snap ring
3A	41011164	Canopy handle
3B	41011165	Lever handle
2	41011150	Handle screw
12		Spacer
13		Escutcheon for 6 stations



1B
Complete assembly
with Lever Handle

ACORN SAFTI-TROL VALVE/CARTRIDGE/STEM & PLATE ASSEMBLY - APRIL 1977 - PRESENT

ITEM	PART #	DESCRIPTION
1A	41011143	Cartridge & stem plate - std.
1B	41011159	Cartridge & stem plate - ext.
2	41011144	Cartridge assy. items 5 thru 13
3A		Safti-trol stem assy.
3B		Safti-trol stem assy. - ext
4	41011168	O-Ring & gasket repair kit
5		Proportional valve cap
6		O-Ring
7		O-Ring
8		Cartridge shell
9		Outlet spring
10		Shut off disc retainer
11	41001027	Outlet o-ring
12		Gasket
13		Bonnet gasket
14		Thrust washer
15		Fibre washer
16A	41011169	Stem & plate assembly - std.
16B	41011170	Stem & plate assy. - ext.
17		Temperature limiting stop

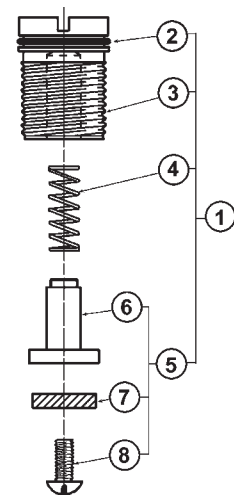


1A 1B
Complete Assembly

Repair Kit 4

ACORN CHECK STOP ASSEMBLY FOR SAFTI-TROL MAY 1970 - PRESENT

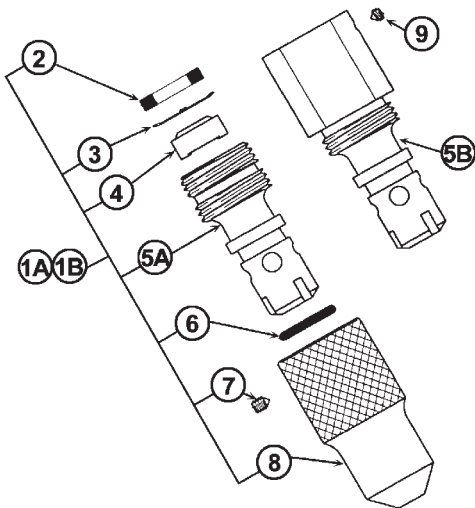
ITEM	PART #	DESCRIPTION
1	41011099	Check stop assy.- comp
2		O-Ring
3		Check stop body
4		Spring
5		Check valve sub-assy
6		Check valve
7	40110119	Washer
8	50100011	Screw





TOTAL MAINTENANCE SOLUTIONS
ACORN ENGINEERING
 SHOWER VALVES AND PARTS

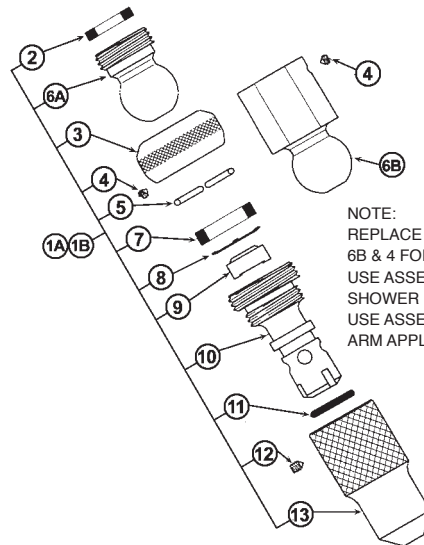
ACORN INSTITUTIONAL SHOWER HEADS



NOTE:
 REPLACE ITEMS 5A WITH ITEMS 5B & 7 FOR ASSEMBLY 1B
 USE ASSEMBLY 1A FOR ACORN SHOWER HEAD BRACKETS
 USE ASSEMBLY 1B FOR BENT ARM APPLICATIONS

ACORN SHOWER NOZZLE ASSEMBLY – RIGID HEAD – AUGUST 1974 - JANUARY 1993

ITEM	PART #	DESCRIPTION
1A		Shower head assembly, male
1B		Shower head assembly, female
2	41011171	Gasket
3	41011172	Retaining washer
4	41011173	2.5 GPM Flo-Control
5A		Cap receiver, male
5B		Cap receiver, female
6	41011181	O-Ring
7	41011175	#6 - 32 x 3/16 set screw
8	41011176	Shower cap
9	41011177	#6 - 32 x 1/8 set screw



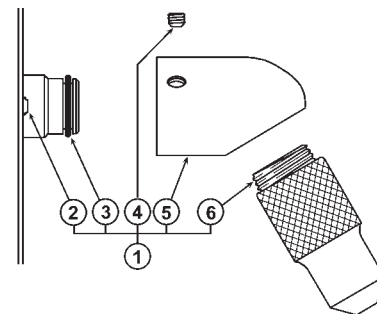
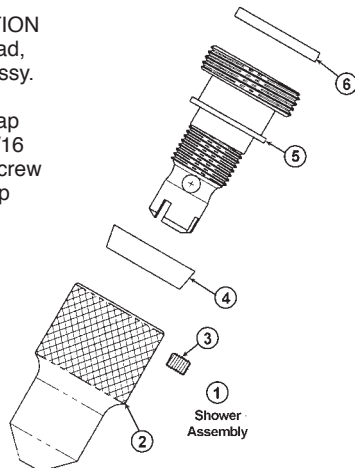
NOTE:
 REPLACE ITEM 6A WITH ITEMS 6B & 4 FOR ASSEMBLY 1B
 USE ASSEMBLY 1A FOR ACORN SHOWER HEAD BRACKETS
 USE ASSEMBLY 1B FOR BENT ARM APPLICATIONS

ACORN UNIVERSAL BALL JOINT (-Y) 1974 - JANUARY 1993

ITEM	PART #	DESCRIPTION
1A		Shower head assembly, male
1B		Shower head assembly, female
2	41011171	Gasket
3	41011178	Ball joint nut
4	41011177	#6 - 32 x 1/8 set screw
5	41011179	Retaining rings
6A		Ball joint body, male
6B		Ball joint body, female
7	41011180	Gasket
8	41011172	Flo-Control retainer
9	41011173	2.5 GPM Flo-Control
10		Cap receiver
11	41011181	O-Ring 401
12	41011175	#6 - 32 x 3/16 set screw
13	41011176	Shower cap

ACORN LOGAN ADJUSTABLE SHOWER HEAD

ITEM	PART #	DESCRIPTION
1	41011182	Shower head, complete assy.
2	41011183	Logan adjusting cap
3	41011175	#6 - 32 x 3/16 cup point screw
4	41011184	Lomaco cap gasket
5	41011185	Logan cap receiver
6	41011186	Gasket



ACORN STANDARD SHOWER HEAD #851

ITEM	PART #	DESCRIPTION
1	41011187	#851 Shower head assembly, std.
2	41011188	#10 - 32 x 1/2 Tri-Slot
3	40950028	O-Ring
4	41011190	1/4 - 28 x 3/16 set screw
5	41011229	Shower head bracket, standard
6	41011145	Shower nozzle assembly



Is your
time
valuable?



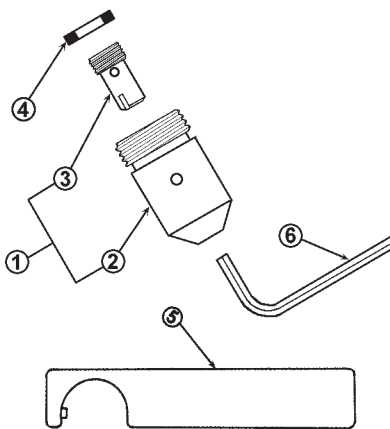
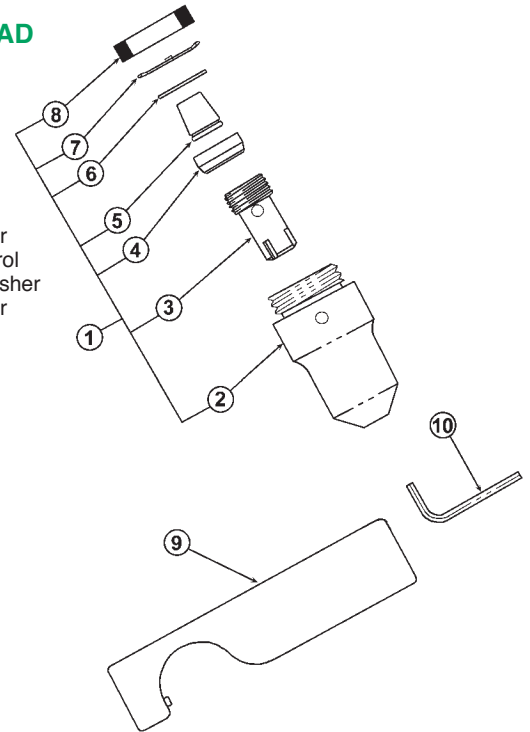
Of course it is!

Call your
TMS Sales
Representative
to get
Maintenance Kits
custom made to
fix the equipment
at your facility.

ACORN INSTITUTIONAL SHOWER HEADS

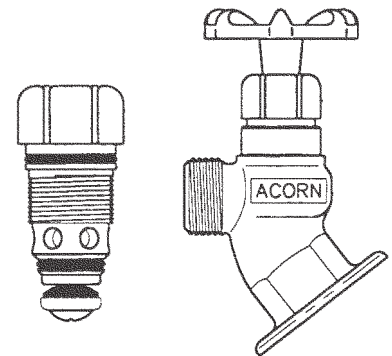
ACORN PENAL SHOWER HEAD WITH FLO-CONTROL

ITEM	PART #	DESCRIPTION
1		Shower head assembly
2		Cap – Internally adjustable
3	41011195	Adjustable insert
4		Flo-control retainer
5	41011135	2.2 GPM Flo-control
6	41011201	Stainless steel washer
7	41011172	Flo-control retainer
8	41011171	Gasket
9	41011196	Penal shower head wrench
10	41011197	1/8" Allen wrench



ACORN PENAL SHOWER HEAD ASSEMBLY

ITEM	PART #	DESCRIPTION
1	41011193	Shower head assembly
2	41011194	Cap – internally adjustable
3	41011195	Adjustable insert
4	41011171	Gasket
5	41011196	Penal shower head wrench
6	41011197	1/8" Allen wrench



ACORN SILL COCK ASSEMBLY

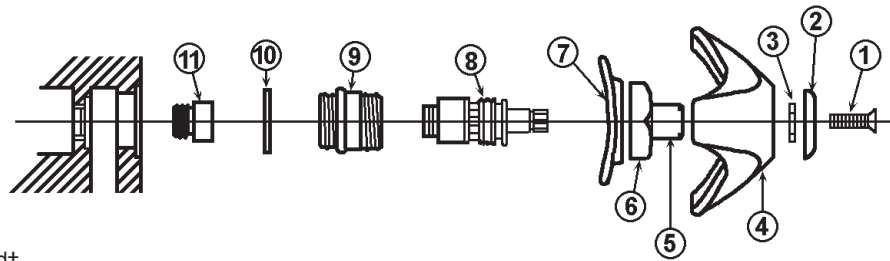
PART #	DESCRIPTION
41011198	3/4" Sill Cock - rough brass
41011230	Lockshield cartridge, brass



TOTAL MAINTENANCE SOLUTIONS
BRADLEY
 SHOWER VALVES AND PARTS

BRADLEY POS-I-PAK (OBSOLETE)

ITEM	PART #	DESCRIPTION
1	40120817	Handle screw
2	37082791	Tempered index
	40121084	Cold index
	40120830	Hot index
3	40121083	Washer
4	41021085	Handle
5	37082867	Adapter
6	NLA	Bonnet
7	NLA	Escutcheon
8	41021225	Valve Unit, Hot & Cold†
9		Valve body – NLA
10	37082536	Washer
11	37082429	Valve seat
	37082430	Valve seat – column shower



NOTE: To convert obsolete Pos-I-Pak to current style compression valve

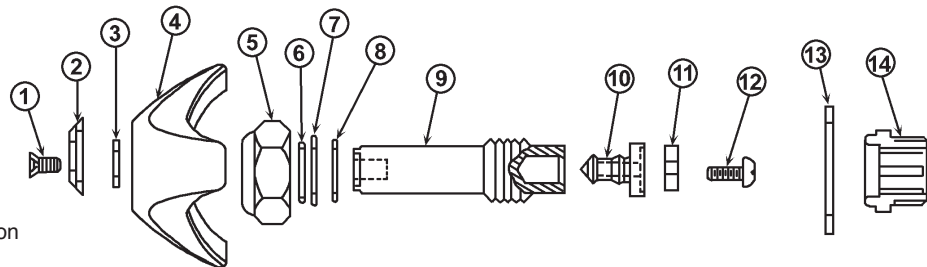
PART #	DESCRIPTION
41020849	For column showers*
41021091	For wall mounted showers*

† No longer available from Bradley. Unit is non OEM.

* Does not include handle, screw or index

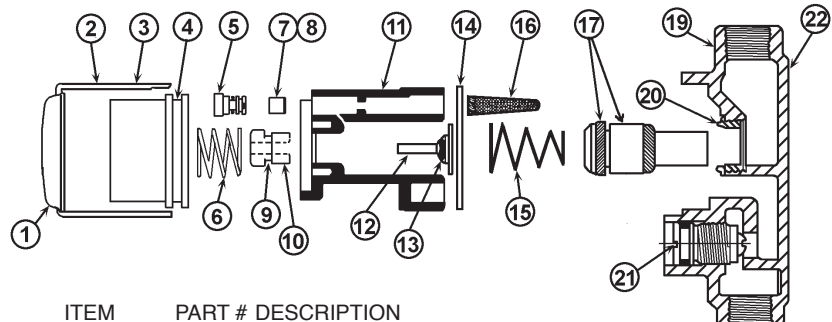
BRADLEY COMPRESSION SHOWER VALVE 1949 - PRESENT – THIRD S02-031 SERIES

ITEM	PART #	DESCRIPTION
1	40120817	Handle screw
2	37082791	White index washer
	40121084	Blue index washer
	40120830	Red index washer
3	37082778	Insert washer
4	41021085	Handle
5	37082515	Bonnet
6	41021093	O-ring
7	41021094	Fiber washer
8	41021095	Brass washer
9	41021096	Valve stem
10	37082490	Valve stem extension
11	40110162	Bibb washer
12		Screw
13		Fiber washer for valve body
14		Valve seat – H & C
15	41021226	Repair kit (includes 6, 7, 10, 11 & 12)



BRADLEY TOUCH'N FLO VALVE

ITEM	PART #	DESCRIPTION
1	40120866	Pushbutton
2	40120867	Cover 1-5/8" long
3	40120868	Cover (indiv.-only) 2-3/4"
4	40120869	Spacer (indiv.-only)
5	41021103	Adjusting screw assy.*
6	37082686	Spring
7	NLA	Orifice**
8		Orifice (ext.)
9	41021105	O-ring
10	NLA	Guide†
11	NLA	Body††
12	37082486	Poppet
13		O-ring
14	40120870	Gasket
15	41021108	Conical spring
16	41021109	Filter
17	41021110	Plunger assy.
19		Bottom body
20	40120871	Seat
21	41021112	Internal stop core



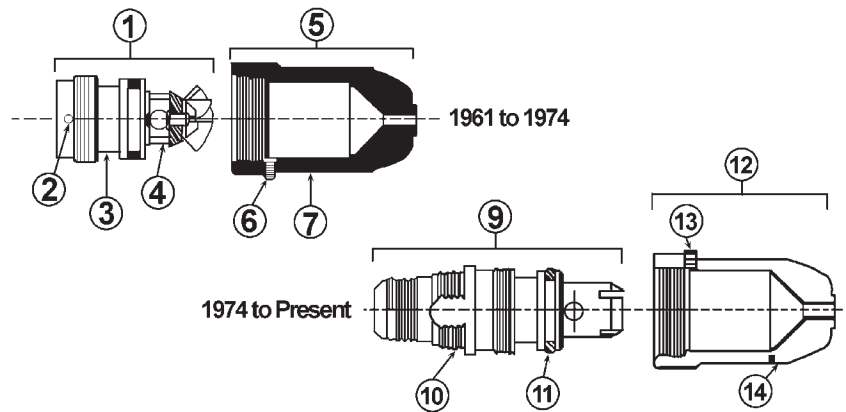
ITEM	PART #	DESCRIPTION
	41021113	Repair kit 1 (items 7, 13, 14, 15, 16 & 17)
	37085330	Body assembly kit (items 5, 7, 10, 11, 12 & 16)
	37085071	Repair kit 2 (items 5, 7, 10, 11, 12, 15 & 16)

* Available in Body assembly kit or repair kit 2
 ** Available in Body assembly kit, repair kit 1 or repair kit 2
 † Available in Body assembly kit or repair kit 2
 †† Available in Body assembly kit or repair kit 2



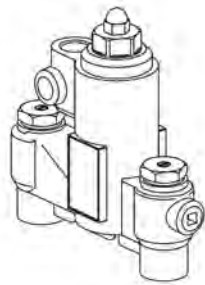
BRADLEY SHOWER HEADS – COLUMN & WALL SHOWERS

ITEM	PART #	DESCRIPTION
1	41021229	Core assembly
2	41021230	Set screw
3		Core - see item 1
4	41021231	O-ring
5	41021232	Shell assembly
6	41021233	Set screw (2)
7		Shell - see item 5
1-7	41021121	Complete shower head w/core assembly
9	41021234	Core assembly
10		Core - see item 9
11	41021231	O-ring
12	41021232	Shell assembly
13	41021233	Set screw (2)
14		Shell - see item 12
15	41021122	Complete shower head w/core assembly



BRADLEY NAVIGATOR – STANDARD TMV25 – MODEL S59-2025 THERMOSTATIC MIXING VALVE

ITEM	DESCRIPTION
1	Valve body
2	O-ring
3	O-ring
4	Liner
5	Spring
6	Hex Nut
7	Seal
8	Piston
9	Spring
10	Retainer
11	Overheat screw
12	Seat
13	Pushrod
14	Thermostat
15	O-ring
16	O-ring
17	Control cap
18	Set screw
19	Acorn Nut
20	O-ring
21	Stem
22	Cap
23	O-ring
24	Spring
25	Holder
26	Seal
27	Strainer
28	Seat
29	O-ring
30	Nameplate
31	Pipe plug (1/2")



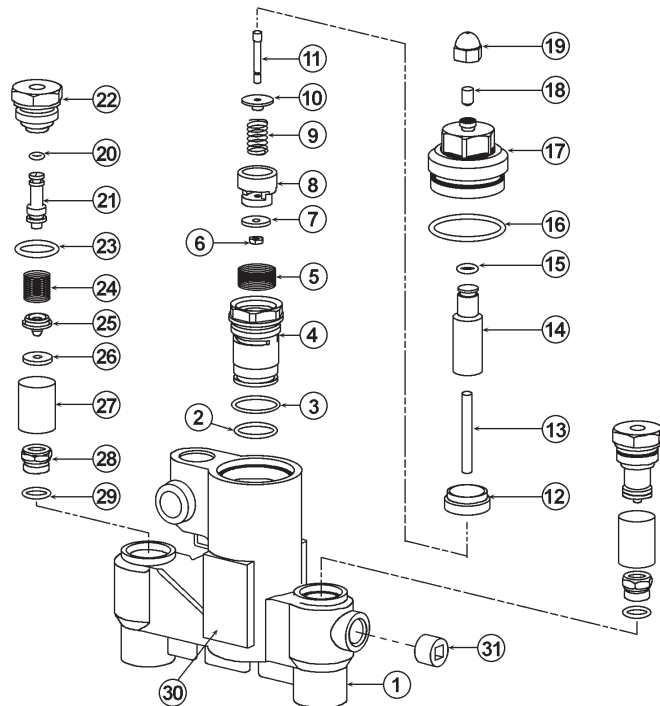
REPAIR KITS

Piston & Liner Kit (includes items 2, 3, 4, 5, 6, 7, 8, 9, 10, 11, & 12)
Part # 41021235

O-ring & Seal Kit (includes items 2, 3, 7, 15, 16, 20(2), 23(2), 26(2), & 29(2))
Part # 41021236

Thermostat Kit (includes 14, 15, & 16)
Part # 41021237

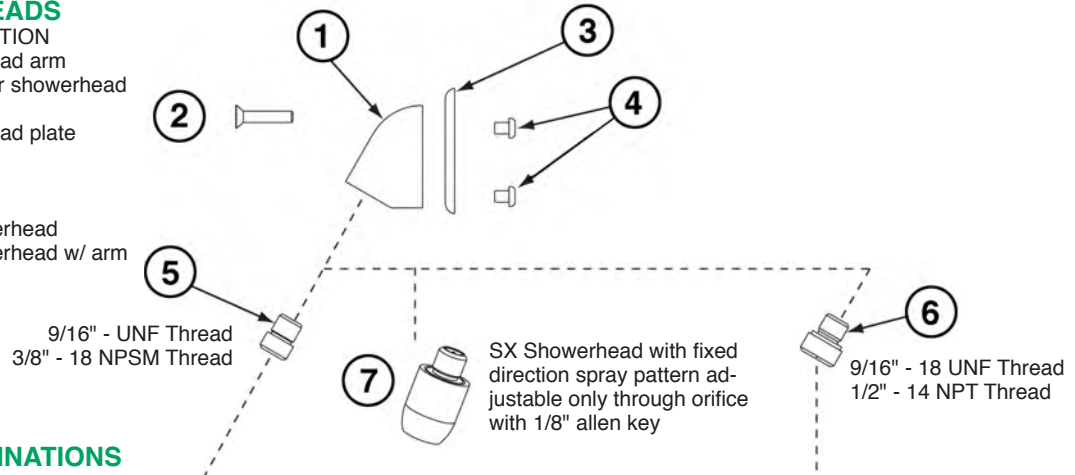
Check/Stop Kit (includes 2 each of 20, 21, 22, 23, 24, 25, 26, 27, 28, & 29)
Part # 41021238





BRADLEY SHOWERHEADS

ITEM	PART #	DESCRIPTION
1		Showerhead arm
2		Screws for showerhead plate
3		Showerhead plate
4		Screw
5		Adapter
6		Adapter
7		SX Showerhead SX Showerhead w/ arm



SHOWERHEAD COMBINATIONS

Standard Showerhead Part #	
Showerhead with Arm and Plate	
Showerhead with Arm and Plate Part #	
Allen Key volume control	
Showerhead with Arm and Plate Part #	
Lever Handle Volume Control	
Showerhead with Arm and Plate Part #	
Lockable Ball Joint Assembly	
Allen Key volume control	
Showerhead with Arm and Plate Part #	
Lockable Ball Joint Assembly	
Lever Handle volume control	

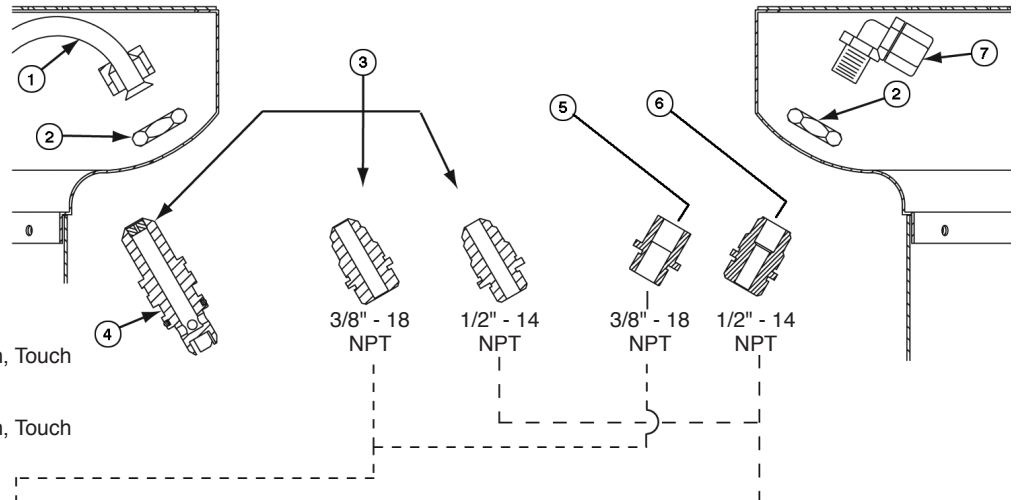
DELUXE SHOWERHEADS

Ball Joint Part #	
Lockable Ball Joint Part #	
Showerhead with Arm and Plate	
Allen Key Volume Control Ball Joint Part #	
Showerhead with Arm and Plate	
Allen Key Control Lockable Ball Joint Part #	
Showerhead with Arm and Plate	
Lever Handle Volume Control Ball Joint Part #	
Showerhead with Arm and Plate	
Lever Handle Volume Control Lockable Ball Joint Part #	
Showerhead with Arm and Plate	
Economy Soft Flow With Ball Joint Part #	
Showerhead with Arm and Plate	



COLUMN SHOWER AND WALL SAVER SHOWERHEADS

Item	Part #	Description
1		Supply Tube
2		Nut
3		Showerhead Adapter for Flared Connection
4	41021234	Plastic Head Core Assembly with 2.5 GPM Max Flow Control Same as above, 3.0 GPM Flow Control Same as above, 1.5 GPM Flow Control
5		Showerhead adapter (for use with Micro-Touch, Touch Time and Air Metering)
6		Showerhead adapter (for use with Micro-Touch, Touch Time and Air Metering)
7		Tube Connector



	3/8" - 18 NPT	Standard Showerhead Part # 41021121
	3/8" - 18 NPT	Standard Showerhead Part # 41021121 Allen Key Volume Control
	3/8" - 18 NPT	Standard Showerhead Part # 41021121 Lever Handle Volume Control
	3/8" - 18 NPT	Standard Showerhead Part # 41021121 Lockable Ball Joint Assembly
	3/8" - 18 NPT	Standard Showerhead Part # 41021121 Lockable Ball Joint Assembly Part # Allen Key Volume Control
	3/8" - 18 NPT	Standard Showerhead Part # 41021121 Lockable Ball Joint Assembly Part # Lever Handle Volume Control
		Beach Shower Foot Spray

DELUXE SHOWERHEADS

	Ball Joint Part # Lockable Ball Joint Assembly		Allen Key Control Volume Ball Joint Part # Allen Key Volume Control Lockable Ball Joint Assembly
	Lever Handle Volume Control Ball Joint		Economy Soft Flow with Ball Joint
	Lever Handle Volume Control Lockable Ball Joint		

Plastic Showerhead Assembly
Part # 41021122
Vandal Resistant
For vandal prone areas, use Part # 41021121

SX Showerhead
Fixed direction spray pattern is adjustable only through orifice with 1/8" Allen Key

SX Showerhead (includes adapter and flow control) for Flared Connection Supply Tubes

SX Showerhead (1/4"-18 NPT Threaded Connector) includes flow control for use with Tube Connector



BRADLEY NAVIGATOR – STANDARD TMV45 – MODEL S59-2045 THERMOSTATIC MIXING VALVE

ITEM	DESCRIPTION
1	Valve body
2	O-ring
3	Liner
4	Washer
5	Screw
6	Spring
7	Overheat spring chamber
8	Spring
9	Washer
11	Piston
13	Overheat nut
15	Thermostat
16	Pushrod
17	O-ring
18	O-ring
19	O-ring
20	Mixing valve cap
21	O-ring
22	Control cap
23	Set screw
24	Screw
25	Cap
26	O-ring
27	Stem
28	O-ring
29	Strainer
30	Spring
31	Holder (for seal)
32	Seal

ITEM	DESCRIPTION
33	Washer
34	Nut
35	Seat
36	O-ring
37	Nameplate
38	Brass Pipe, 3/4" IPS

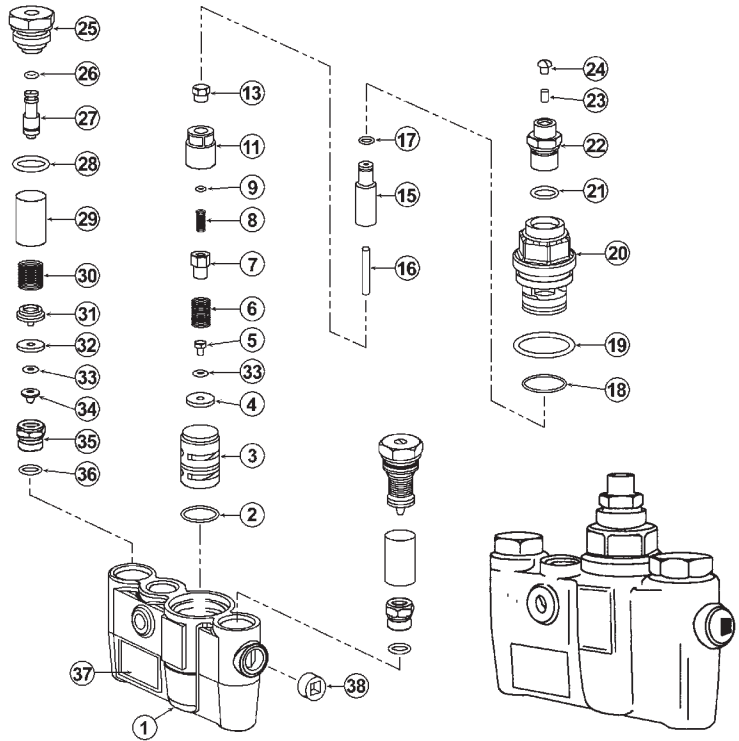
REPAIR KITS

Piston & Liner Kit (includes 2, 3, 4, 5, 6, 7, 8, 9, 11, 13, & 33)
Part # 41021239

O-ring & Seal Kit (includes 2, 4, 9, 17, 18, 19, 21, 26(2), 28(2), 32(2), 33(2), & 36(2))
Part # 41021240

Thermostat Kit (includes 15, 17, & 21)
Part # 41021241

Check/Stop Kit (includes 2 each of 25, 26, 27, 28, 29, 30, 31, 32, 33, 34, 35, & 36)
Part # 41021242



BRADLEY NAVIGATOR – STANDARD TMV80 MODEL S59-2080

ITEM	DESCRIPTION
1	Valve body
2	O-ring
3	Liner
4	Washer
5	Screw
6	Spring
7	Overheat spring chamber
8	Spring
9	Washer
11	Piston
13	Overheat nut
15	Thermostat
16	Pushrod
17	O-ring
18	O-ring
19	O-ring
20	Mixing valve cap
21	O-ring
22	Control cap
23	Set screw
24	Screw
25	Cap
26	O-ring
27	Stem
28	O-ring
29	Strainer
30	Spring
31	Holder (for Seal)
32	Seal

ITEM	DESCRIPTION
33	Washer
34	Nut
35	Seat
36	O-ring
37	Nameplate
38	Brass Pipe, 3/4" IPS

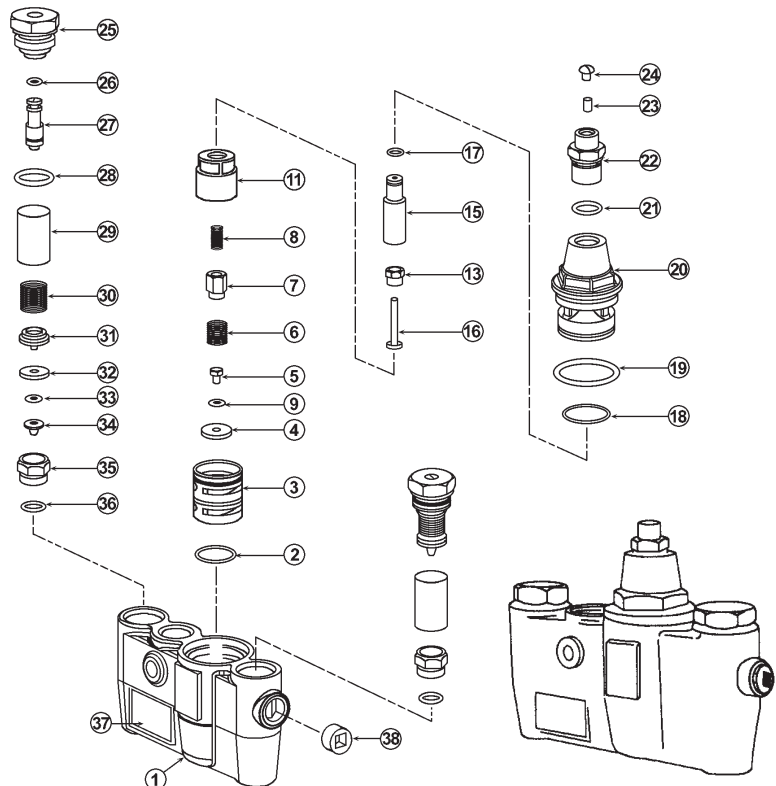
REPAIR KITS

Piston & Liner Kit (includes 2, 3, 4, 5, 6, 7, 8, 9, 11, & 13)
Part # 41021243

O-ring & Seal Kit (includes 2, 4, 9, 17, 18, 19, & 21 and 2 each of 26, 28, 32, 33, & 36)
Part # 41021244

Thermostat Kit (includes 15, 17, & 21)
Part # 41021241

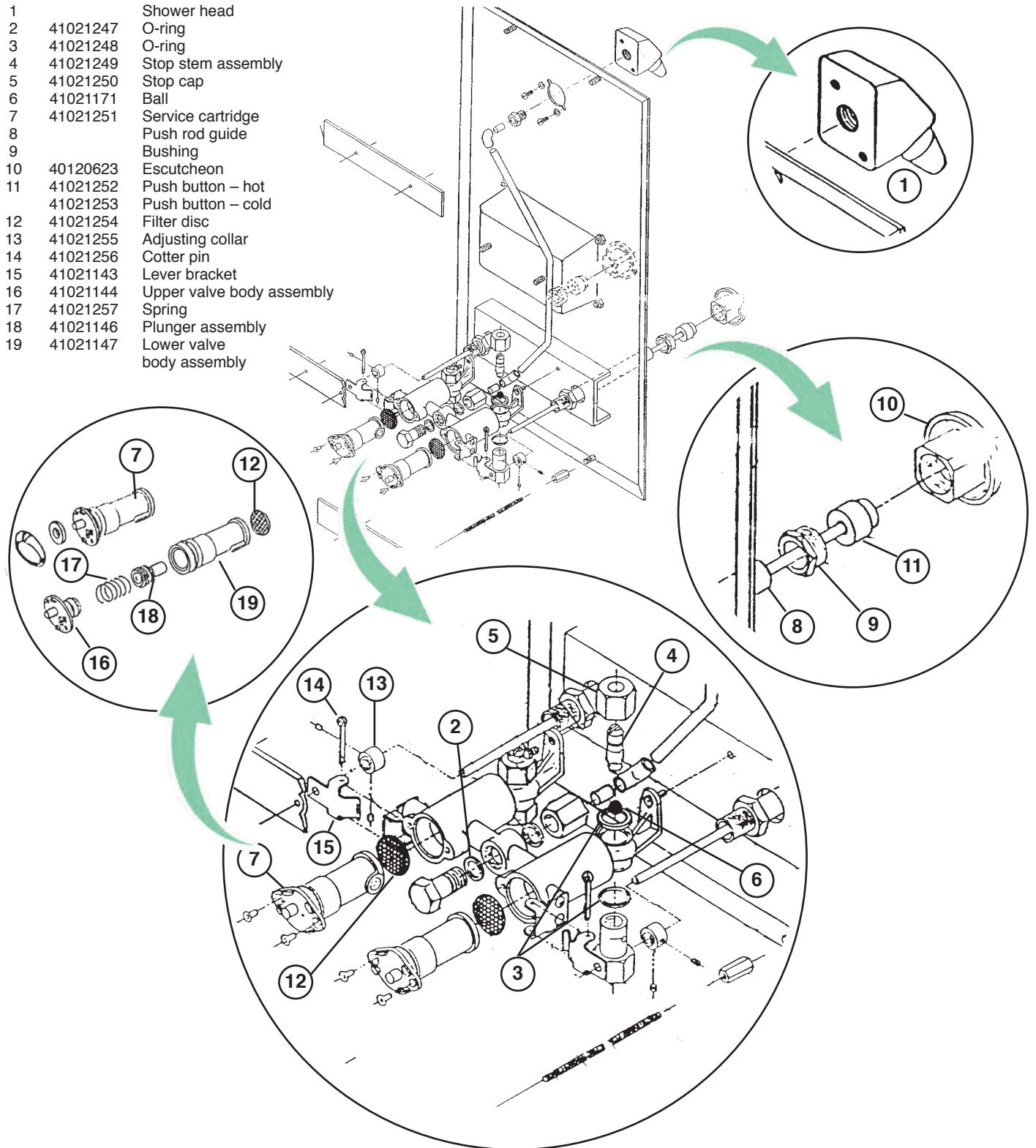
Check/Stop Kit (includes 2 each of 25, 26, 27, 28, 29, 30, 31, 32, 33, 34, 35, & 36)
Part # 41021246





BRADLEY 9052 WITH HOT & COLD METERING VALVE – 1012 (S67-400)

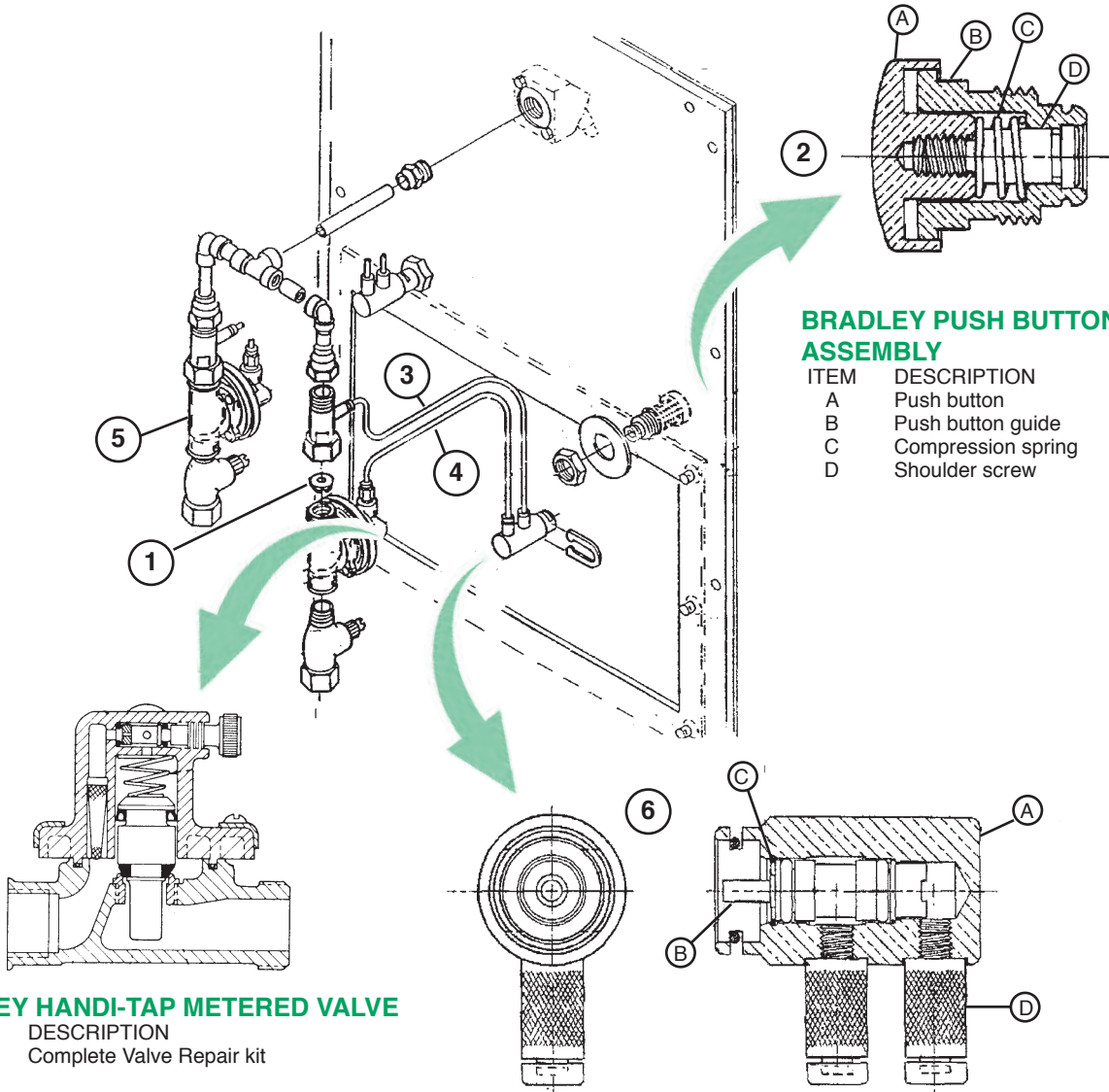
ITEM	PART #	DESCRIPTION
1		Shower head
2	41021247	O-ring
3	41021248	O-ring
4	41021249	Stop stem assembly
5	41021250	Stop cap
6	41021171	Ball
7	41021251	Service cartridge
8		Push rod guide
9		Bushing
10	40120623	Escutcheon
11	41021252	Push button – hot
	41021253	Push button – cold
12	41021254	Filter disc
13	41021255	Adjusting collar
14	41021256	Cotter pin
15	41021143	Lever bracket
16	41021144	Upper valve body assembly
17	41021257	Spring
18	41021146	Plunger assembly
19	41021147	Lower valve body assembly





BRADLEY 9056 WITH HOT & COLD HANDITAP VALVE

ITEM	PART #	DESCRIPTION
1		Flow control
2	41021262	Pushbutton (see exploded view)
3	41021263	Nylon tubing (black)
4	41021264	Nylon tubing (red)
5	41021151	Remote metering valve w/ Legris fittings (See exploded view)
6	41021152	Control valve (See exploded view)



BRADLEY PUSH BUTTON ASSEMBLY

ITEM	DESCRIPTION
A	Push button
B	Push button guide
C	Compression spring
D	Shoulder screw

BRADLEY HANDI-TAP METERED VALVE

PART #	DESCRIPTION
41021265	Complete Valve Repair kit

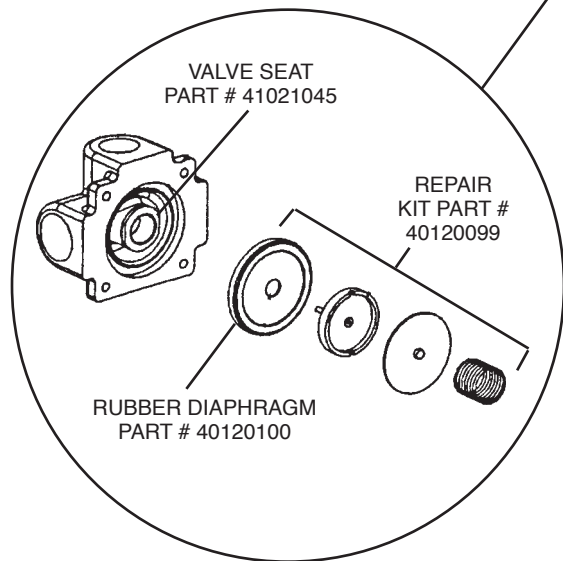
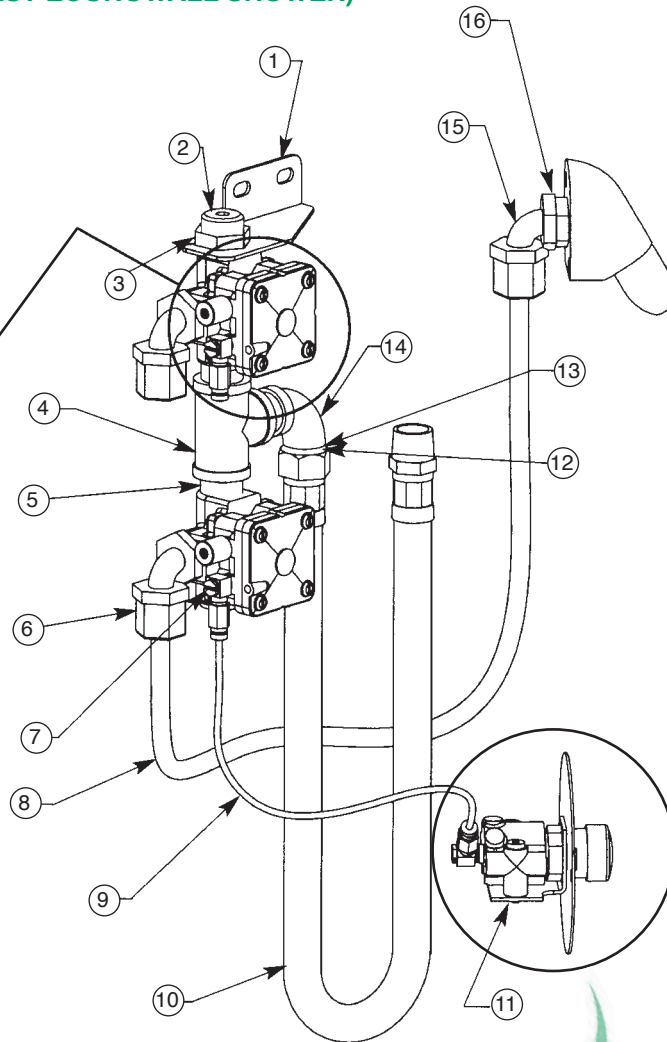
BRADLEY CONTROL VALVE ASSEMBLY

ITEM	DESCRIPTION
A	Valve housing
B	Control valve
C	Retaining ring
D	Connector



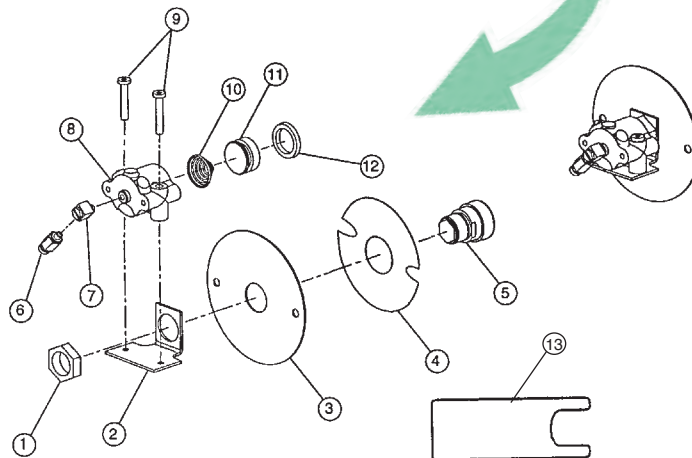
METERING AIR VALVE REPAIR PARTS (FOR 2W AST ECONOWALL SHOWER)

ITEM	PART #	DESCRIPTION
1		Mounting bracket
2		Plug
3		Nut
4		1/2" Tee
5		Nipple
6, 15		Tubing connector
7		"L" Fitting
8	41021258	3/8" Dia. tubing
9	40800587	1/8" Dia. tubing
10	41021259	Flexible hose
11		Pushbutton assembly (see below)
12	41021053	Filter washer
13		Nipple
14		1/2" Elbow
16		Reducing bushing



PUSHBUTTON AIR VALVE REPAIR PARTS

ITEM	PART #	DESCRIPTION
1		Hex Nut 1/2 NPSM
2		Actuator bracket
3		Mounting plate
4		Decal — air valve
5	41021260	Pushbutton assembly
6		1/8" Tube connector
7		Fitting — Adj. "L"
8		Molded actuator body
9		Screw
10		Spring
11		Molded piston
12		U-cup
13		Wrench
6-13	41021261	Repair kit





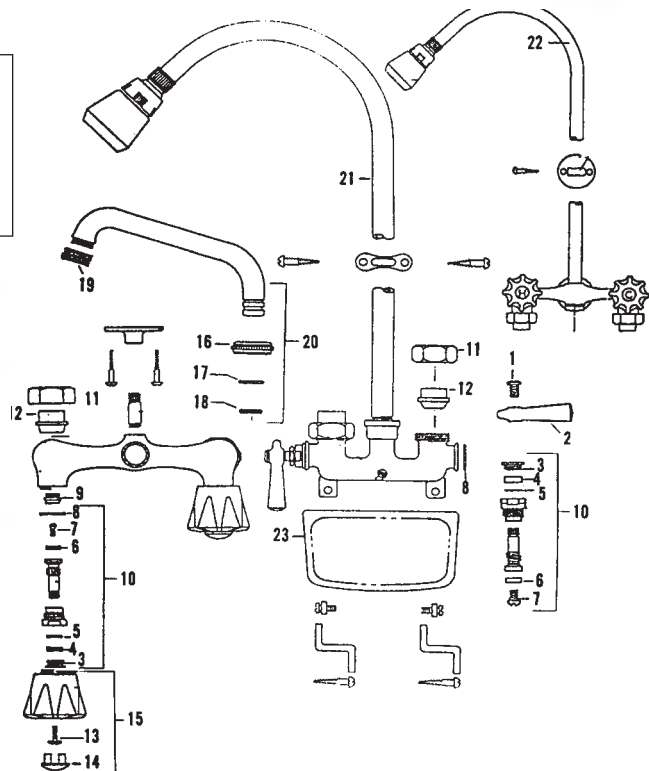
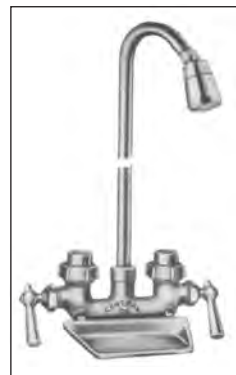
AMERICAN STANDARD EXPOSED SHOWER

ITEM	PART #	DESCRIPTION
1	40120123	Cold index
	40120124	Hot index
2	40120125	Handle screw
3		Handle - see item 24
4	40120126	Cap
5	40120127	Cap washer
6	40120127	Packing
7	40120129	Washer
8	40120076	Stem w/washer & screw
9	40110094	Seat washer
10	40120131	Seat washer screw
11	40120040	Re-Nu sleeve
12		Body
13	40120132	Coupling (N1240, N1241)
14	40120133	Coupling nut (N1240, N1241)
	40120134	Coupling nut (N1261)
15		Supply pipe
16		Plug
17	40120135	Ell washer
18		Supply ell
19		Supply ell flange
20		Wall support screw
21		Wall support
22		Wall bracket for riser
23		Gooseneck riser
24	40120136	Cold handle S/A
	40120137	Hot handle S/A



CENTRAL BRASS EXPOSED SHOWER

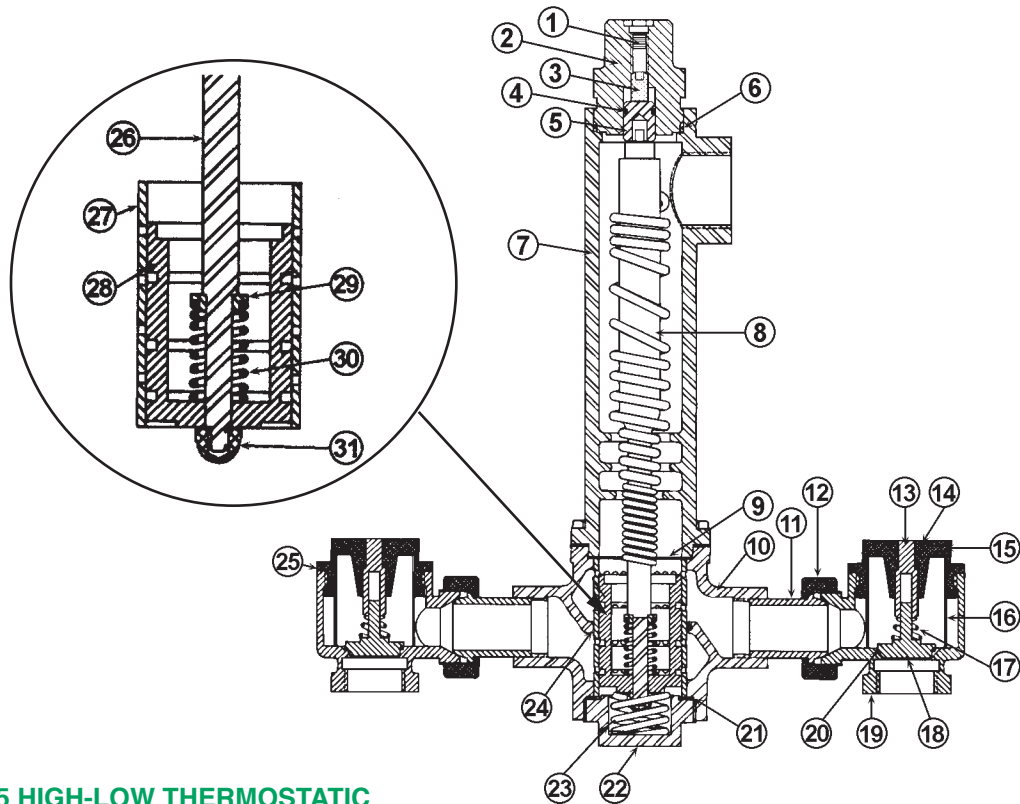
ITEM	PART #	DESCRIPTION
1	40120500	Handle screw
2	40120501	Hot handle
	40120502	Cold handle
3	40120503	Packing nut
4	40120504	Packing
5	40120505	Brass washer
6	40110094	Washer
7	50100011	Screw
8	40120506	Gasket
9	40120001	Seat
10	40121322	Stem assy. R.H. - hot
	40120020	Stem assy. L.H. - cold
11	40120519	Rough brass nut
12	40120520	Rough brass sleeve
13	40120521	Handle screw
14	40120522	Cold index
	40120167	Hot index
15	40120523	Hot handle assy.
	40120138	Cold handle assy.
16	40120139	Spout nut
17	40120140	Snap ring
18	40950025	Spout o-ring
19	40120141	Hose adapter
20	40120142	6" R.B. tube spout
21	40120143	Galvanized riser less head
22	40120144	C.P. brass riser less head
23	40120145	Soap dish





LAWLER 802 & 805 HIGH-LOW THERMOSTATIC MIXING VALVE

ITEM	DESCRIPTION
1	Screw
2	Bonnet
3	Adjusting screw
4	Pusher o-ring
5	Pusher
6	Bonnet gasket
7	Dome
8	Thermostat
9	Liner gasket, upper
10	Valve body
11	Tailpiece
12	Union nut
13	Stop & check stem
14	S & C o-ring
15	S & C bonnet
16	Strainer
17	S & C spring
18	Shutoff disc assembly
19	S & C body
20	Seat o-ring
21	Liner gasket, lower
22	Bottom plug
23	Valve spring
24	Liner o-ring
25	S & C gasket
26	Pushrod
27	Liner
28	Plunger
29	Spring retainer
30	Relief spring
31	Acorn nut



LAWLER 802 & 805 HIGH-LOW THERMOSTATIC MIXING VALVE REPAIR KITS

Model 802 Complete Repair Kit
(includes 4, 6, 8, 9, 16, 17, 20, 23, 24 and inset)
Part # 41001000

Model 802 Stop & Check Repair Kit
(includes 13, 14, 16, 17, 18 and 20)
Part # 41001001

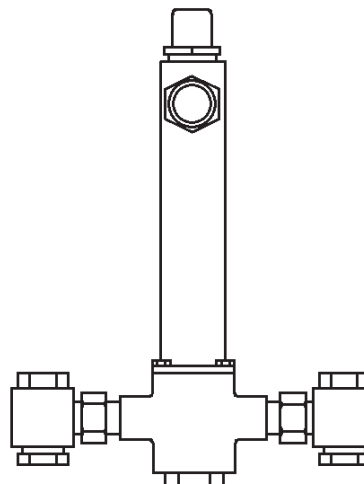
Model 802 O-ring & Gasket Kit
(includes 4, 6, 9, 14, 20, 21, 24 and 25)
Part # 41001002

Model 802 and Model 805 Thermostat Repair Kit
(includes 6 & 8)
Part # 41001003

Model 805 Complete Repair Kit
(includes 4, 6, 8, 9, 16, 17, 20, 23, 24 and inset)
Part # 41001004

Model 805 Stop & Check Repair Kit
(includes 13, 14, 16, 17, 18 and 20)
Part # 41001005

Model 805 O-ring & Gasket Kit
(includes 4, 6, 9, 14, 20, 21, 24 and 25)
Part # 41001006

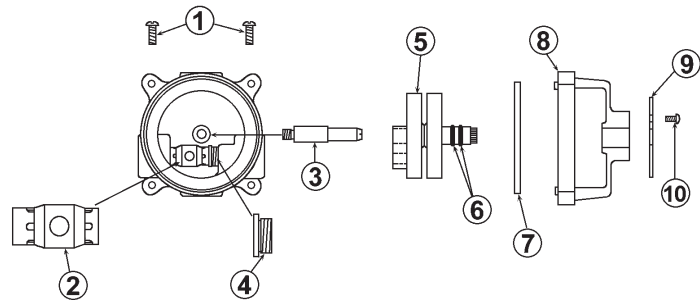




TOTAL MAINTENANCE SOLUTIONS
LEONARD
 SHOWER VALVES AND PARTS

LEONARD 210 MIXING VALVE

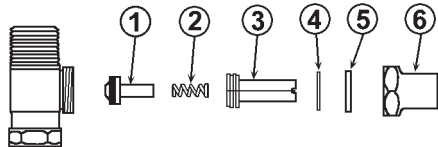
ITEM	DESCRIPTION
1	Cover screw
2	Port sleeve assembly
3	Base stud
4	Port sleeve nut
5	Thermostat group
6	Stem o-ring
7	Cover gasket
8	Cover
9	Dial plate
10	Plate screw



LEONARD 210 ANGLE CHECKSTOP KIT 4/LVC

ITEM	DESCRIPTION
1	Check bonnet packing
2	Lower stem w/ packing
3	Check spring
4	Upper check stem (not included in kit)
5	O-ring
6	Check bonnet (not included in kit)

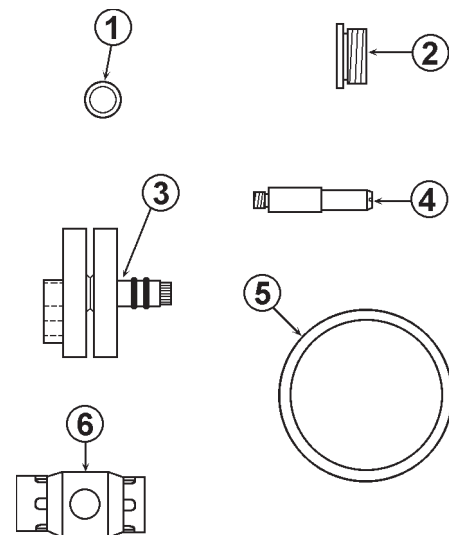
Part # 41001007



LEONARD 210 STRAIGHT CHECKSTOP KIT "B"

ITEM	DESCRIPTION
1	Lower stem and packing
2	Spring
3	Upper stem
4	Washer
5	Packing
6	Bonnet nut

Part # 41001008



LEONARD R/210 REPAIR KIT

ITEM	DESCRIPTION
1	Stem o-ring
2	Port sleeve nut
3	Thermostat group
4	Base stud
5	Cover gasket
6	Port sleeve assembly

Part # 41001009

TROUBLESHOOTING INSTRUCTIONS

PACKING & GASKETS

Problem	Parts Required
Leak at pointer rod.	
Leak between valve cover and base.	Cover gasket & o-ring

PORT SLEEVE ASSEMBLY

Problem	Parts Required
Valve delivers either all hot or all cold water, or will not mix consistently.	Port sleeve assembly or Rebuilding Kit R/210

THERMOSTAT GROUP

Problem	Parts Required
After cleaning or replacing port sleeve assembly, valve will not hold temperature.	Thermostat group or Rebuilding kit R/210

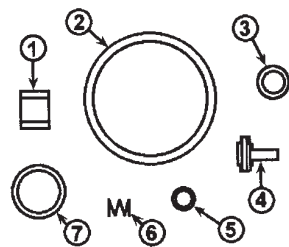
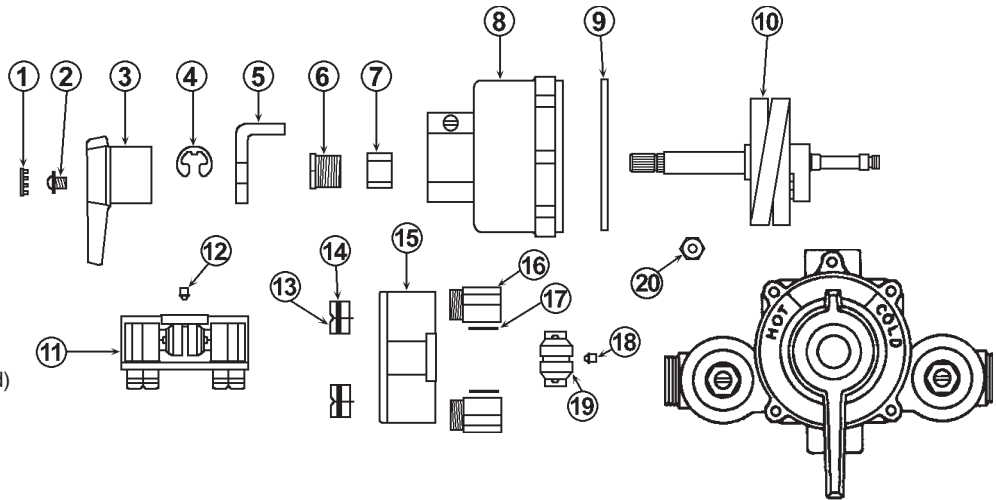
CHECKSTOPS

Problem	Parts Required
Hot water bypass into cold line.	Kit 4LVC (F checkstops)
Supplies cannot be shut off completely.	Kit B (SB, TB checkstops)
Leak at checkstop bonnet.	



LEONARD TM-15/20

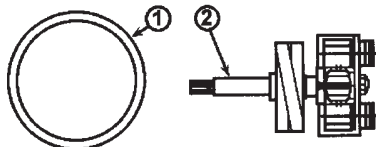
ITEM	DESCRIPTION
1	Snap cap
2	Pointer screw w/ washer
3	Pointer
4	Retaining ring
5	Stop
6	Gland nut
7	Gland packing (2 required)
8	Cover
9	Cover gasket
10	Thermostat group
11	Bridge assembly
12	Driving stud
13	PS holder nut (2 required)
14	PS holder nut o-ring (2 required)
15	Bridge
16	PS holder (2 required)
17	PS packing (2 required)
18	Driving stud
19	Port sleeve assembly
20	Pointer rod nut



LEONARD PACKING & GASKET KIT 1/20

ITEM	DESCRIPTION
1	Gland packing (2 each)
2	Cover gasket
3	Holder nut o-ring (2 each)
4	Lower stem & packing (2 each)
5	O-ring (2 each)
6	Spring (2 each)
7	Bonnet packing (2 each)

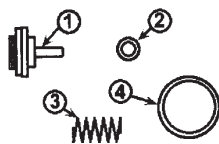
Part # 41001010



LEONARD REBUILDING KIT R/20

ITEM	DESCRIPTION
1	Cover gasket
2	Thermostatic control assembly

Part # 41001011



LEONARD REBUILDING KIT 4/20 (INCLUDES 2 EACH)

ITEM	DESCRIPTION
1	Lower stem & packing
2	Stem o-ring
3	Spring
4	Bonnet packing

Part # 41001012

TROUBLESHOOTING INSTRUCTIONS

PACKING & GASKETS

Problem
Leak at pointer rod.
Leak between valve cover and base.

Parts Required
Kit 1/20

PORT SLEEVE ASSEMBLY

Problem
Valve delivers either all hot or all cold water, or will not mix consistently.

Parts Required
Kit R/20 (Rebuilding Kit)
or Bridge assembly

THERMOSTAT GROUP

Problem
After cleaning or replacing port sleeve assembly, valve will not hold temperature.

Parts Required
Kit R/20 (Rebuilding Kit)
or Thermostat Group

CHECKSTOPS

Problem
Hot water bypass into cold line.
Supplies cannot be shut off completely.
Leak at checkstop bonnet.

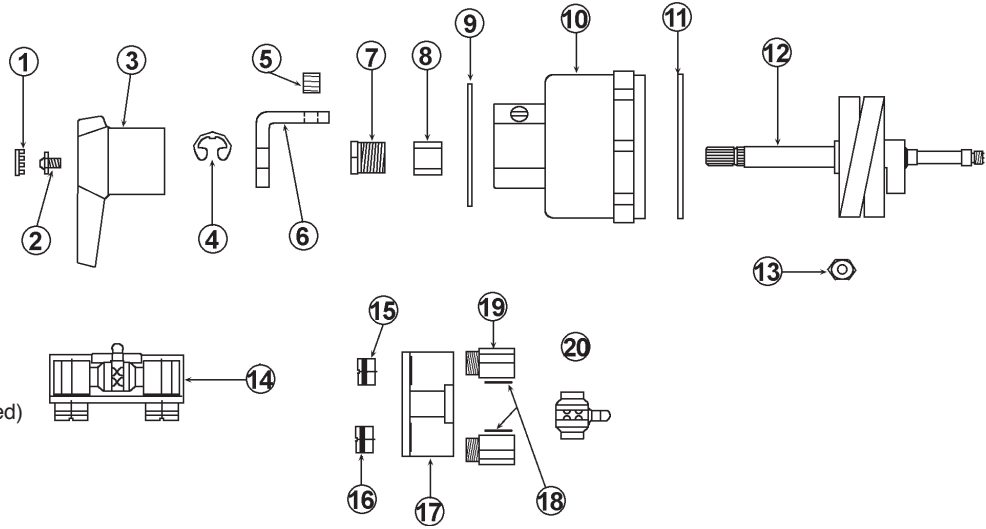
Parts Required
Kit 4/20



TOTAL MAINTENANCE SOLUTIONS
LEONARD
 SHOWER VALVES AND PARTS

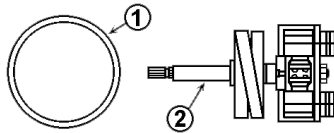
LEONARD TM-28

ITEM	DESCRIPTION
1	Snap cap
2	Pointer screw w/ washer
3	Pointer
4	Retaining ring
5	Stop screw
6	Stop
7	Gland nut
8	Gland packing
9	Dial plate
10	Cover
11	Cover gasket
12	Thermostat group
13	Pointer rod nut
14	Bridge assembly
15	PS holder nut (2 required)
16	Holder nut o-ring (2 required)
17	Bridge
18	PS packing (2 required)
19	PS holder (2 required)
20	Port sleeve assembly

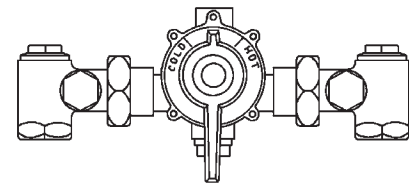


**LEONARD TM-28
 REPAIR KIT R/28
 REBUILDING KIT**

ITEM	DESCRIPTION
1	Cover gasket
2	Thermostatic control assembly

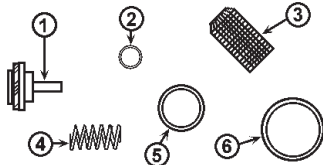


Part # 31412828



**LEONARD TM-28
 REPAIR KIT 2/25
 CHECKSTOP KIT
 (INCLUDES 2 EACH)**

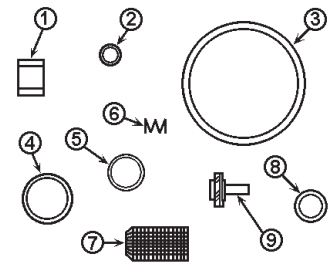
ITEM	DESCRIPTION
1	Lower stem & packing
2	Upper stem o-ring
3	Screen
4	Spring
5	Cap packing
6	Bonnet packing



Part # 41001014

**LEONARD TM-28
 REPAIR KIT 1/25
 PACKINGS &
 GASKETS**

ITEM	DESCRIPTION
1	Gland packing*
2	O-ring*
3	Cover gasket
4	Bonnet packing*
5	Cap packing*
6	Check spring*
7	Screen*
8	O-ring*
9	Lower stem*



*includes 2 each

Part # 41001015

TROUBLESHOOTING INSTRUCTIONS

PACKING & GASKETS

Problem	Parts Required
Leak at pointer rod.	
Leak between valve cover and base.	Kit 1/25

PORT SLEEVE ASSEMBLY

Problem	Parts Required
Valve delivers either all hot or all cold water, or will not mix consistently.	Kit R/28 (Rebuilding kit) or bridge assembly

THERMOSTAT GROUP

Problem	Parts Required
After cleaning or replacing port sleeve assembly, valve will not hold temperature.	Kit R/28 (rebuilding kit) or thermostat group

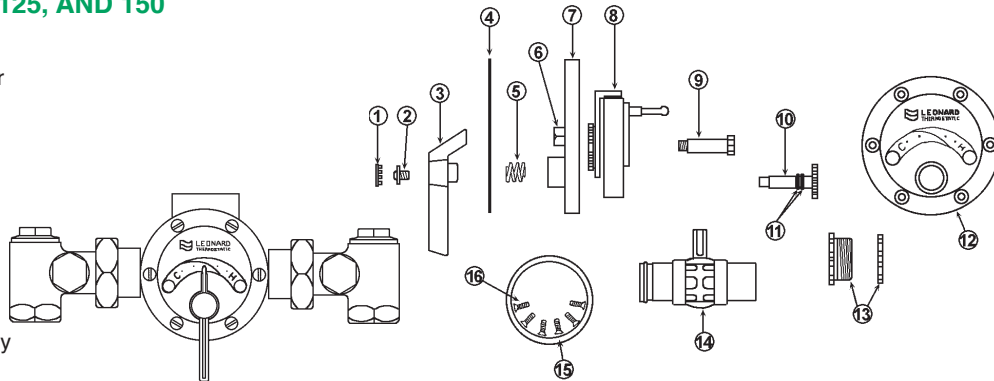
CHECKSTOPS

Problem	Parts Required
Hot water bypass into cold line. Supplies cannot be shut off completely. Leak at checkstop bonnet.	Kit 2/25 (checkstop kit)

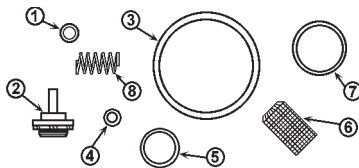


LEONARD TM-30, 50, 80, 125, AND 150

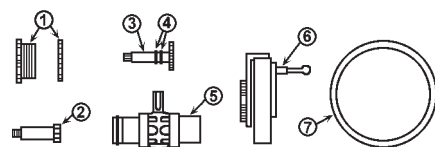
ITEM	DESCRIPTION
1	Snap cap
2	Pointer screw w/ washer
3	Pointer
4	Dial plate
5	Friction spring
6	Stop
7	Cover
8	Thermostat group
9	Coil sleeve stud
10	Pointer rod
11	O-ring (2 required)
12	Dial plate
13	Port sleeve nut assembly
14	Port sleeve assembly
15	Flange packing
16	Cover screws



LEONARD PACKING & GASKET KIT 1

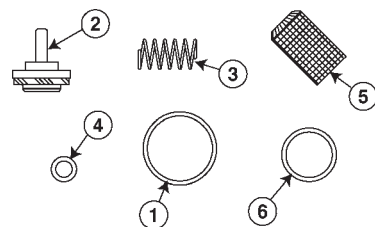


ITEM	DESCRIPTION	Notes
1	O-Ring	Items 1-8 for TM-30, TM-50 or TM-80
2	Lower stem & packing	Part # 41001016
3	Flange packing	
4	Upper stem o-ring	Items 1-8 for TM-125 or TM-150
5	Cap packing	Part # 41001017
6	Screen	
7	Bonnet packing	



LEONARD REBUILDING KIT R

ITEM	DESCRIPTION	Notes
1	Port sleeve nut assembly	Items 1-7 for TM-30
2	Coil sleeve stud	Part # 41001018
3	Pointer rod	
4	Pointer rod o-rings	Items 1-7 for TM-50 or TM 80
5	Port sleeve assembly	Part # 41001019
6	Thermostat group	Items 1-8 for TM-125 or TM-150
7	Flange packing	Part # 41001020



LEONARD CHECKSTOP KIT 2

ITEM	DESCRIPTION	Notes
1	Bonnet packing	Items 1-6 for TM-30, TM-50 or TM-80
2	Lower stem & packing	Part # 41001021
3	Spring	
4	Stem o-ring	Items 1-6 for TM-125 or TM-150
5	Screen	Part # 41001022
6	Cap packing	

TROUBLESHOOTING INSTRUCTIONS

PACKING & GASKETS

Problem

Leak at pointer rod.
Leak between valve cover and base.

Parts Required
Kit 1

THERMOSTAT GROUP

Problem

After cleaning or replacing port sleeve assembly, valve will not hold temperature.

Parts Required
Thermostat group or Rebuilding Kit R

PORT SLEEVE ASSEMBLY

Problem

Valve delivers either all hot or all cold water, or will not mix consistently.

Parts Required
Port sleeve assembly or Rebuilding Kit R

CHECKSTOPS

Problem

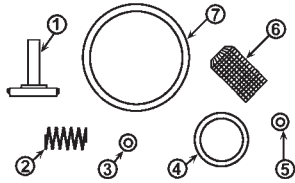
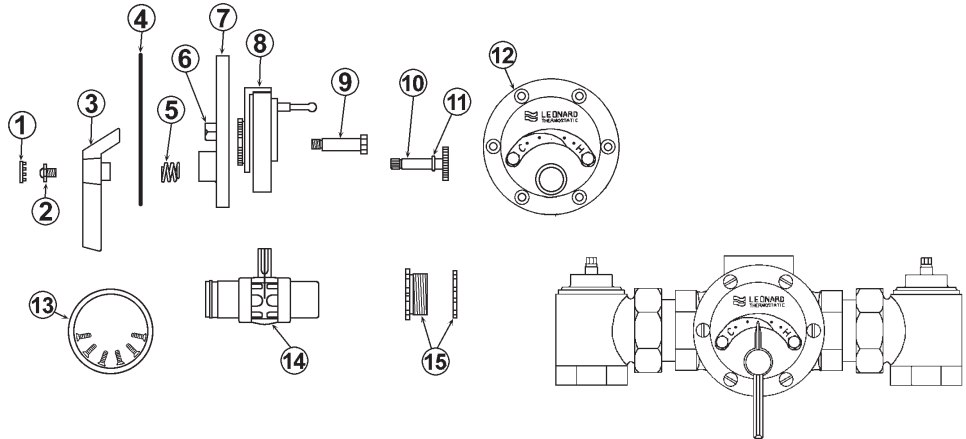
Hot water bypass into cold line.
Supplies cannot be shut off completely.
Leak at checkstop bonnet.

Parts Required
Kit 2



LEONARD TM-200 (NEW STYLE) & TMS-200

- | ITEM | DESCRIPTION |
|------|--------------------------|
| 1 | Snap cap |
| 2 | Pointer screw w/ washer |
| 3 | Pointer |
| 4 | Dial plate |
| 5 | Friction spring |
| 6 | Stop |
| 7 | Cover |
| 8 | Thermostat group |
| 9 | Coil sleeve stud |
| 10 | Pointer rod |
| 11 | O-ring |
| 12 | Dial plate |
| 13 | Flange packing |
| 14 | Port sleeve assembly |
| 15 | Port sleeve nut assembly |

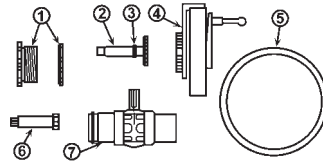


LEONARD 1/200C AND 1/200CS PACKINGS & GASKETS REPAIR KIT

- | ITEM | DESCRIPTION |
|------|-----------------------|
| 1 | Lower stem & packing* |
| 2 | Spring* |
| 3 | O-ring (4) |
| 4 | Bonnet |
| 5 | O-ring |
| 6 | Screen* |
| 7 | Flange packing |

* includes 2 each

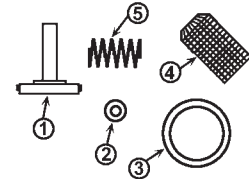
TM-200 Repair Kit Part # 41001023
 TMS-200 Repair Kit Part # 41001024



LEONARD R/200 AND R/200S REBUILDING KIT

- | ITEM | DESCRIPTION |
|------|--------------------------|
| 1 | Port sleeve nut assembly |
| 2 | Pointer rod |
| 3 | O-ring |
| 4 | Thermostat group |
| 5 | Flange packing |
| 6 | Coil sleeve stud |
| 7 | Port sleeve assembly |

TM-200 Repair Kit Part # 41001025
 TMS-200 Repair Kit Part # 41001026



LEONARD 2/200C AND 2/200CS CHECKSTOP KIT

- | ITEM | DESCRIPTION |
|------|-----------------------|
| 1 | Lower stem & packing* |
| 2 | Upper stem o-ring (4) |
| 3 | Packing/washer |
| 4 | Screen |
| 5 | Spring |

TM-200 Repair Kit Part # 41001027
 TMS-200 Repair Kit Part # 41001028

TROUBLESHOOTING INSTRUCTIONS

PACKING & GASKETS

Problem	Parts Required
Leak at stem.	Kit 1/200C or
Leak between valve cover and base.	Kit 1/200CS

PORT SLEEVE ASSEMBLY

Problem	Parts Required
Valve delivers either all hot or all cold water, or will not mix consistently.	Kit R/200 or Kit R/200S

THERMOSTAT GROUP

Problem	Parts Required
After cleaning or replacing port sleeve assembly, valve performance is not consistent.	Kit R/200 or Kit R/200S

CHECKSTOPS

Problem	Parts Required
Hot water bypass into cold line (or cold into hot).	Kit 2/200C or 2/200CS
Supplies cannot be shut off completely.	
Leak at checkstop bonnets.	

Provide valve serial number when ordering parts for either valve!

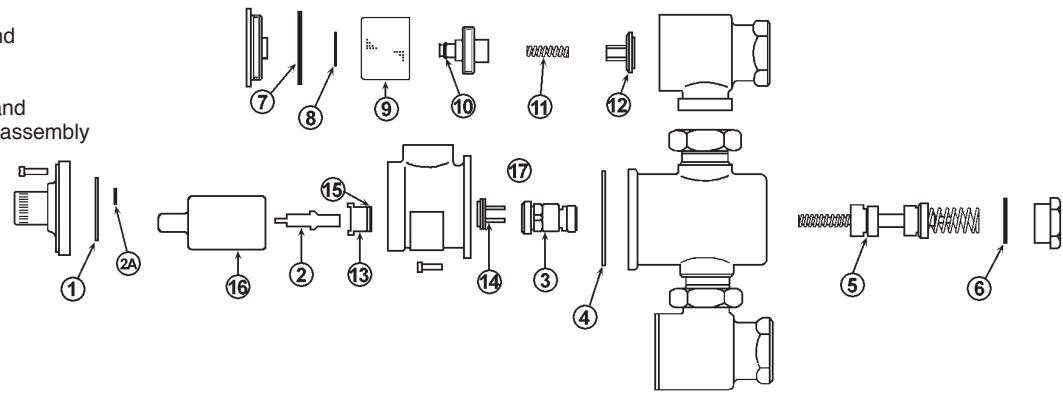


REPAIR KITS FOR HYDROGUARD 430 SERIES VALVES

PART DESCRIPTION	REPAIR KIT INCLUDES	MODEL 431	MODEL 432	MODEL 433	MODEL 434
Thermal actuator	1, 2, 4, 13 & 15	41001029	41001035	41001039	41001044
Strainer replacement	7, 8, 9, & 10	41001030	41001030	41001030	41001030
Checkstop replacement	7, 8, 10, 11, & 12	41001234	41001234	41001040	41001040
Gasket & Disc replacement	1, 2A, 4, 6, 7, 8, 10, & 12	41001032	41001036	41001041	41001045
Mixing valve replacement	3, 4, 5, & 6	41001033	41001037	41001042	41001235
Upgrade kits for older valves	1, 2, 2A, 4, 13-17	41001034	41001038	41001043	41001236
Shipped prior to 1/1/2001					

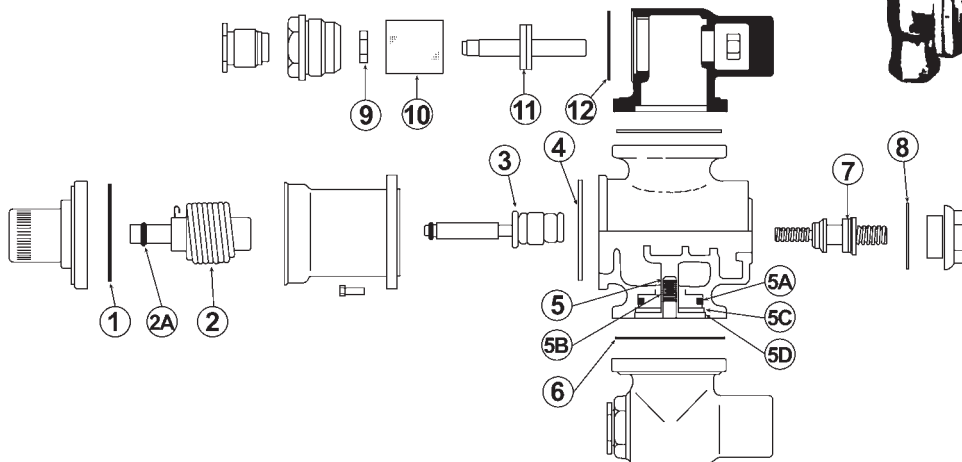
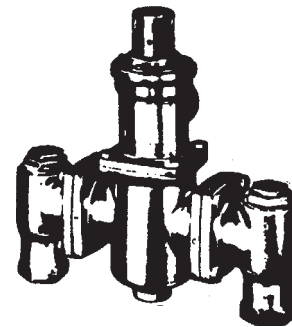


- | | |
|------|---|
| ITEM | DESCRIPTION |
| 1 | Gasket |
| 2 | Actuator |
| 2A | O-ring |
| 3 | Hot water poppet and overload assembly |
| 4 | O-ring |
| 5 | Cold water poppet and motor failure spring assembly |
| 6 | O-ring |
| 7 | O-ring |
| 8 | Gasket |
| 9 | Screen |
| 10 | O-ring |
| 11 | Spring |
| 12 | Poppet assembly |



REPAIR KITS FOR HYDROGUARD 430 "N" SERIES VALVES

KIT	MODEL N-45	MODEL N-125
Upgrade Kit	41001038	41001236
See 430 Series drawing: includes items 1, 2, 2A, 4, 13-17		



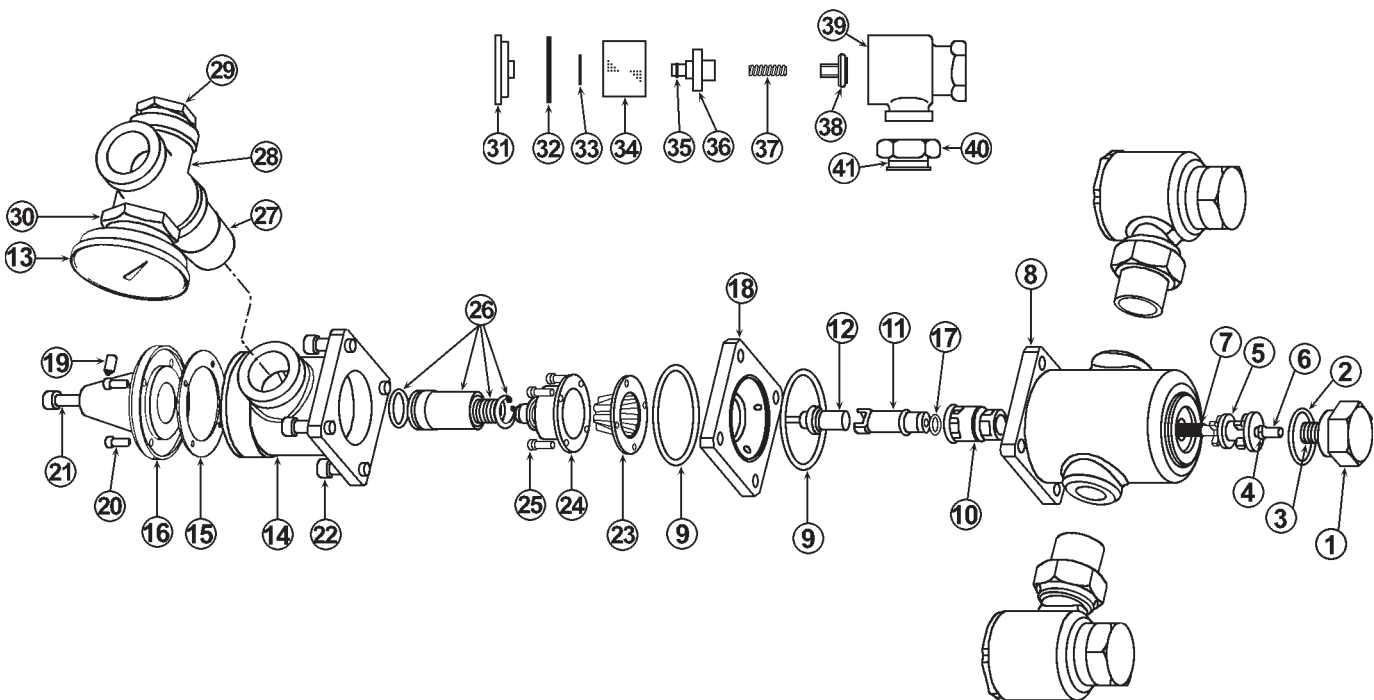


POWERS HYDROGUARD 1432 AND 1434

ITEM	DESCRIPTION	ITEM	DESCRIPTION
1	Body cap	22	Bolts
2	O-ring	23	Expandable restrictor
3	Return spring	24	Retainer
4	Nut	25	Screws (4)
5	Cold water poppet	26	Overload assembly
6	Cold water stem	27	Pipe/nipple
7	Motor failure spring	28	Cross
8	Lower body	29	Hex plug
9	O-ring	30	Hex bushing
10	Hot water poppet	31	Bonnet
11	Motor adapter	32	O-ring
12	Thermal motor	33	Gasket
13	Dial thermometer	34	Screen
14	Motor housing	35	O-ring
15	Motor housing gasket	36	Stem
16	Motor housing cap	37	Spring
17	O-ring	38	Poppet assembly
18	Funnel cage	39	Body
19	Set screw	40	Nut
20	Screw (4)	41	Tailpiece
21	Temp. adjustment screw		

PART DESCRIPTION	REPAIR KIT INCLUDES	MODEL 1432	MODEL 1434
Thermal actuator	12, 23	41001048	41001049
Strainer replacement	32, 33, 34, 35	41001030	41001030
Checkstop replacement	32, 33, 34, 35, 37, 38	41001234	41001040
Mixing valve replacement	3 - 7 & 10	41001037	41001235

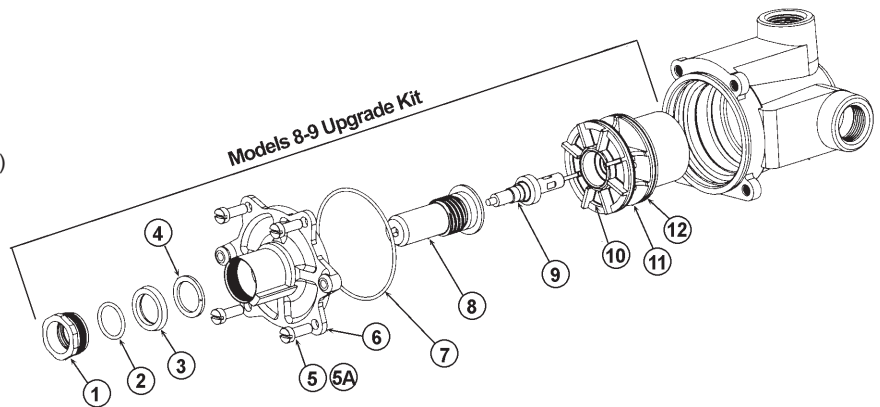
CHECKSTOP SECTION





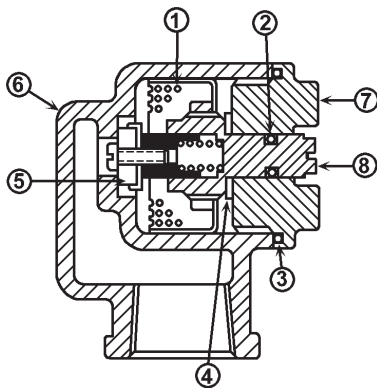
POWERS HYDROGUARD 420UTC

ITEM	PART #	DESCRIPTION
1	41001050	Packing gland
2	41001051	Stem "o-ring"
3	41001052	Huva cup
4		Packing stop o-ring
5		Screw kit (12 pcs.)
5A		Vandal resistant screw kit (12 pcs.)
6	41001053	Bonnet
7	24007128	Bonnet o-ring
8		Stem (use bonnet kit 41001053)
9	41001056	Thermal actuator
10	41001057	O-ring
11	41001058	Cartridge
12		O-ring (use bonnet kit 41001053)



Problem	Recommended Kit Type	Repair Kit #	Includes
Variable or untempered discharge temperature	Thermal Actuator	41001056	Thermal Motor & Bonnet O-ring
Water leaks at bonnet/body	Soft Parts Kit	24004204	Stem O-ring, Bonnet O-ring, & Shutoff Disc
Variable or untempered discharge temperature continues after motor replacement	Cartridge Kit	41001058	Cartridge & O-rings
	Bonnet Kit	41001053	Bonnet O-ring
	Models 8-9 Upgrade Kit	41001061	All items except body

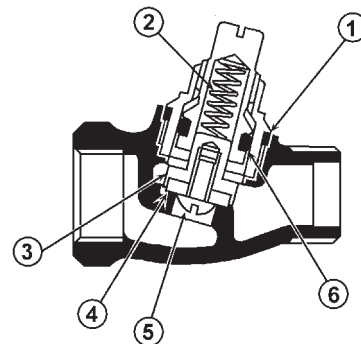
POWERS HYDROGUARD ANGLE STOP CHECK



ITEM	DESCRIPTION
1	Strainer
2	O-ring
3	O-ring/gasket
4	Washer
5	Poppet with spring
6	Body
7	Bonnet
8	Stem

Poppet Kit includes 2 each of items 1, 2, 3, 4, and 5
Part # 41001062

POWERS HYDROGUARD STRAIGHT STOP CHECK



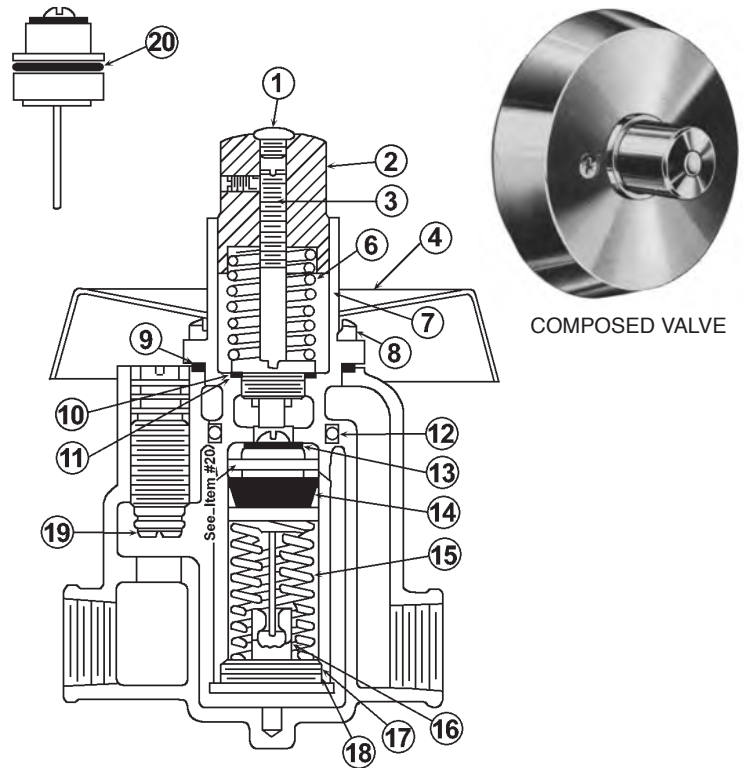
ITEM	DESCRIPTION
1	Bonnet seal ring
2	Poppet spring
3	Poppet
4	Poppet washer
5	Washer retaining screw
6	Seal ring

Check stop plunger kit includes 2 of each item
Part # 41001063



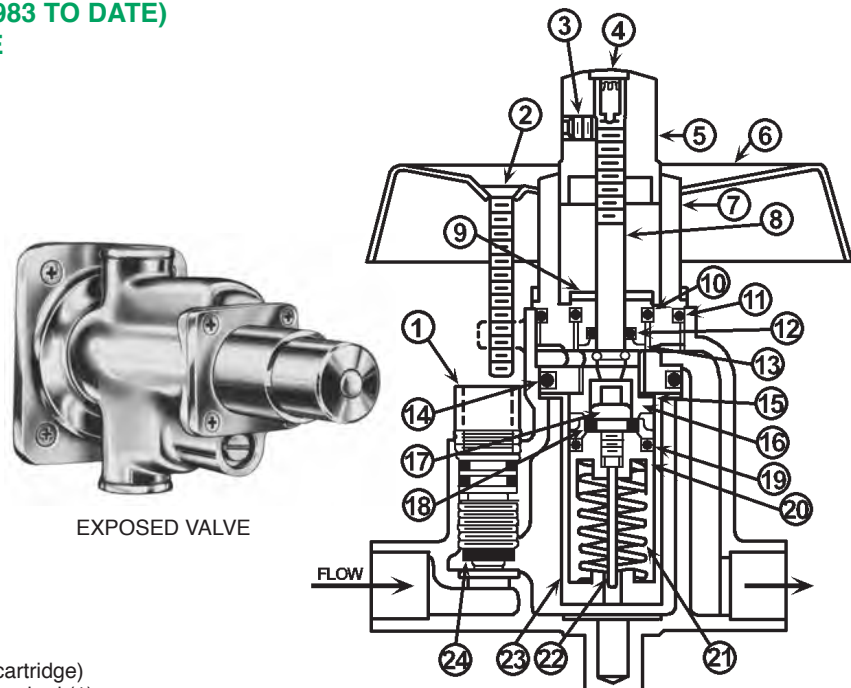
SYMMONS SHOWEROFF "60" (1960 TO 1983) AUTOMATIC SHOWER LIMITING VALVE

ITEM	PART #	DESCRIPTION
1	41001064	Screw
2	41001065	Knob & screw
3	41001085	Push-rod
4	41001238	Escutcheon
5	41001239	Escutcheon screw (not shown)
6	41001069	Knob spring
7	41001240	Cap
8	41001071	Cap screw
9	41001241	Cap gasket
10		Guide nut w/o-ring
11		Guide nut gasket
12		Cap o-ring
13		Shut-off washer & screw
14		Piston unit (1)
15		Spring
16		Control rod sleeve (1)
17		Sleeve retainer (1)
18		Retainer washer
19	41001073	Integral stop unit
20	41001074	Piston o-ring
	41001075	Washer & gasket repair kit Includes items marked (1) plus all necessary washers & gaskets
	40150053	Complete replacement unit (cartridge)
	40150027	Cartridge after 1983



SYMMONS SHOWEROFF MODEL 80 (1983 TO DATE) AUTOMATIC SHOWER LIMITING VALVE

ITEM	PART #	DESCRIPTION
1	41001078	Stop retainer
2	41001079	Escutcheon screws
3	41001080	Knob set screw
4	41001081	Knob plug button
5	41001242	Knob
6	41001083	Escutcheon
7	41001084	Cap
8	41001085	Push rod w/snap ring
9	41001086	Guide nut
10	41001087	Guide nut large o-ring (1)
11	41001088	Cap large o-ring (1)
12	41001089	Guide nut small o-ring (1)
13	41001090	Guide nut washer (1)
14	41001091	Cap small o-ring (1)
15	41001180	Retainer gasket (1)
16	41001093	Retainer (1)
17	41001094	Washer screw (1)
18	41001095	Shut off washer (1)
19	41001095	Piston o-ring (1)
20	41001097	Piston (1)
21	41001098	Piston spring (1)
22	41001099	Control rod (1)
23	41001100	Cylinder (1)
24	41001101	Integral stop unit (1)
	40150027	Complete replacement unit (cartridge)
	40150056	Washer & gasket kit - items marked (1)
	41001103	Adapter plate - not shown

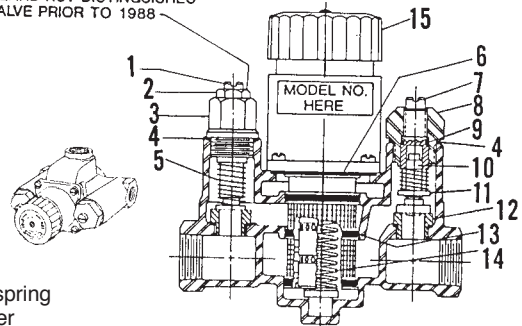




SYMMONS TEMPCONTROL THERMOSTATIC WATER CONTROLLER

ITEM	5-200 PART #	5-400 PART #	5-500 PART #	5-700 PART #	DESCRIPTION
1	N/A	N/A	N/A	N/A	Stop spindle *
2	41001104	41001105	41001106	41001107	Gland nut and packing
3	N/A	N/A	N/A	N/A	Cap *
4	41001108	41001109	41001110	41001111	Cap gasket
5	41001112	41001113	41001114	41001115	Check spindle and spring
6	41001116	41001117	41001118	41001119	Casing gasket
7	41001120	41001121	41001122	41001123	Stop spindle
8	41001124	41001125	41001126	41001127	Cap
9	N/A	N/A	N/A	N/A	Stop spindle o-ring
10	41001128	41001129	41001130	41001131	Check spindle and spring
11	41001132	41001133	41001134	41001135	Check spring retainer
12	41001243	41001137	41001138	41001139	Check seat
13	41001140	41001141	41001142	41001143	Sleeve o-rings (3 required)
14	41001144	41001145	41001146	41001147	Spring with spring saddle
15	41000029	41000030	40150031	40150032	Cartridge unit
*	41001152	41001153	41001154	41001155	Complete spindle assembly

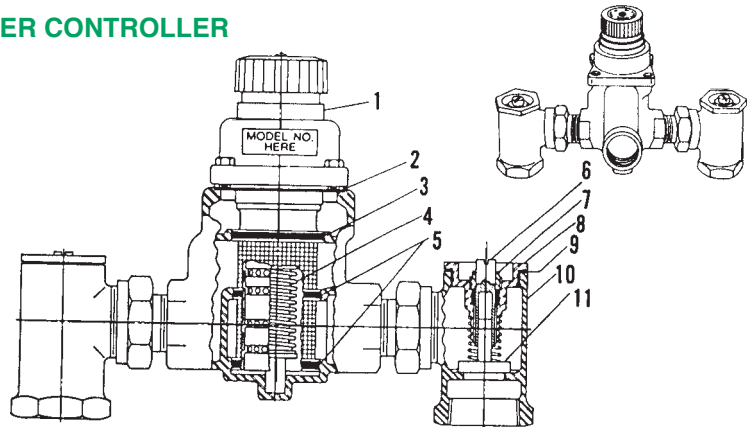
GLAND NUT DISTINGUISHES VALVE PRIOR TO 1988



* Repair kit contains items 7, 8, 9, 10 & 11

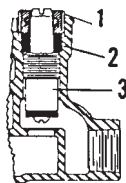
SYMMONS TEMPCONTROL THERMOSTATIC WATER CONTROLLER

ITEM	5-900 PART #	5-1000 PART #	DESCRIPTION
1	41001156	41001157	Cartridge unit
2	41001158	41001159	Casing gasket
3	41001160	41001161	Sleeve large o-ring
4	41001162	41001163	Double spring w/spring saddle
5	41001164	41001165	Sleeve small o-rings
6	41001166	41001167	Stop spindle
7	41001168	41001169	Gland nut & packing
8	41001170	41001171	Cap
9	41001172	41001173	Cap gasket
10	41001174	41001175	Check stop body w/ integral seat
11	41001176	41001177	Check spindle & spring



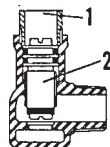
SYMMONS SAFETYMIX, SAFETY MIX'ETTE' & TEMPTROL STOP PARTS SAFETYMIX - PRIOR TO 1956

ITEM	PART #	DESCRIPTION
1	41001178	Packing nut
2	41001179	Packing
3	41001180	Spindle assembly



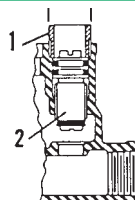
STOP PARTS SAFETYMIX'ETTE' & TEMPTROL 1965 TO 1986

ITEM	PART #	DESCRIPTION
1	41001181	Plaster shield for 5/8"
	41001182	Plaster shield for 11/16"
2	41001183	Spindle assembly for 5/8"
	41001184	Spindle assembly for 11/16"



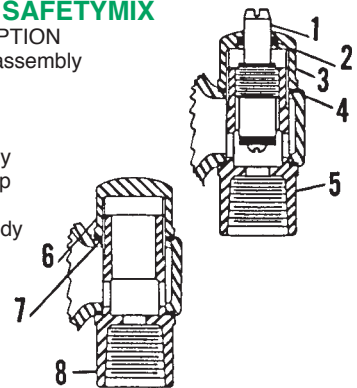
STOP PARTS SAFETYMIX - 1956 TO DATE SAFETYMIX'ETTE' 1964 TO 1965

ITEM	PART #	DESCRIPTION
1	41001185	Plaster shield for 5/8"
	41001186	Plaster shield for 11/16"
2	41001187	Spindle assembly for 5/8"
	41001188	Spindle assembly for 11/16"



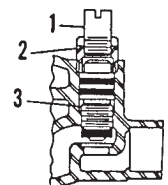
STOP PARTS EXPOSED SAFETYMIX

ITEM	PART #	DESCRIPTION
1	41001189	Spindle assembly
2	41001190	O-Ring
3	41001191	Cap
4	41001192	Gasket
5	41001193	Stop body
6	41001194	Union cap
7	41001192	Gasket
8	41001195	Union body



STOP PARTS TEMPTROL VALVE W/ SWEAT CONNECTION

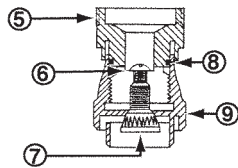
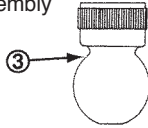
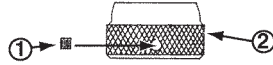
ITEM	PART #	DESCRIPTION
1	41001196	Escutcheon screw retainer
2	41001199	Plaster shield
3	41001198	Spindle assembly





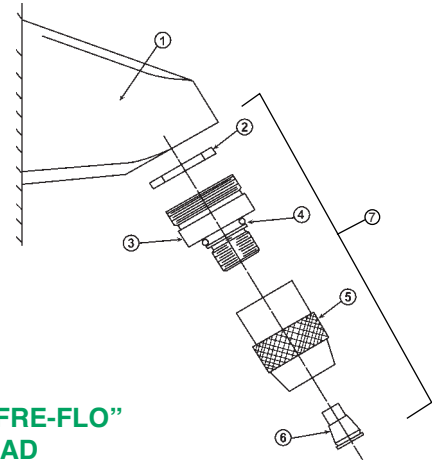
**SPEAKMAN WATER SAVER
 SHOWER HEAD, MODEL S-2288-AF**

ITEM	PART #	DESCRIPTION
1	41001199	Set screw
2	41001200	Coupling nut
3	41001201	Ball joint
4	41001202	Packing
5	41001203	Shower head body
6	41001204	Screw
7	41001205	Plunger
8	40950025	O-ring
9	41001206	Shank and collar assembly



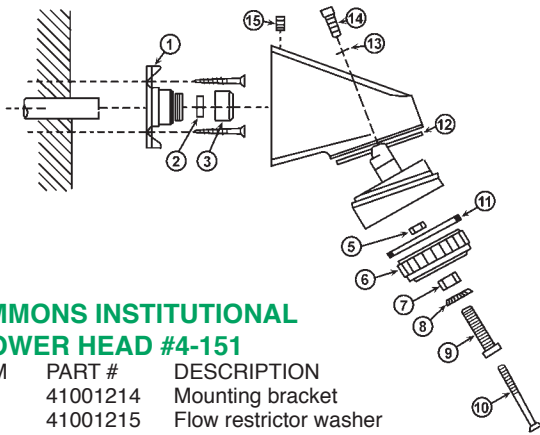
**COMPLETE SHOWERHEAD
 MODEL S-2288-AF**

(Items 1-9)
 PART # 41001230



**SYMMONS "FRE-FLO"
 SHOWER HEAD**

ITEM	PART #	DESCRIPTION
1	41001207	Shower head bracket
2	41001208	Washer
3	41001209	Head Unit
4	40950025	O-Ring
5	41001211	Head body
6	41001212	Spray control
7	41000046	Front assembly (FF-1A) (items 2-6)

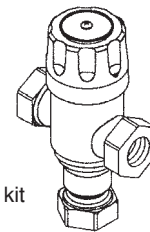
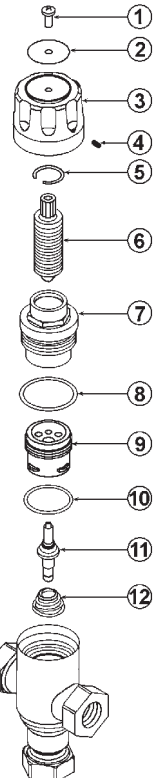


**SYMMONS INSTITUTIONAL
 SHOWER HEAD #4-151**

ITEM	PART #	DESCRIPTION
1	41001214	Mounting bracket
2	41001215	Flow restrictor washer
3	41001216	Flow restrictor retainer
5	41001217	Locking nut
6	41001218	Face plate
7	41001219	Spacer
8	41001220	Spray Insert
9	41001221	Stud screw
10	41001222	Face plate locking screw
11	41001223	Face plate gasket
12	41001224	Insert gasket
13	41001225	Insert Locking screw gasket
14	41001226	Insert Locking screw
15	41001227	Head screw

**SYMMONS THERMIXER®
 THERMOSTATIC MIXING VALVE
 FROM 1998 TO DATE**

ITEM	DESCRIPTION
1	Screw
2	Name plate
3	Handle
4	Set screw
5	Retaining ring
6	Spindle assembly
7	Cap
8	O-ring
9	Piston
10	O-ring
11	Thermal motor
12	Conical spring



REPAIR KITS

Thermal motor replacement kit consists of items 8, 10, & 11
 Part # 41001245

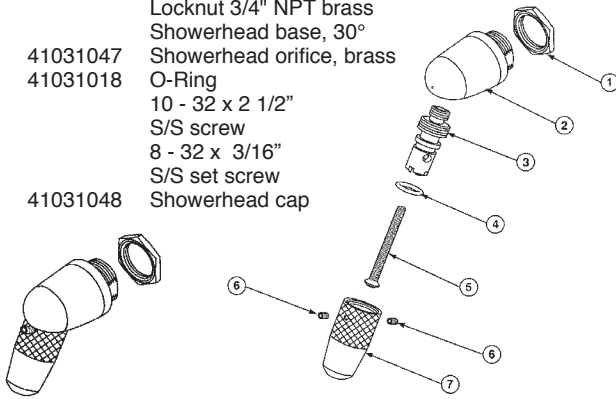
Complete control assembly replacement kit consists of items 8, 9, 10, 11, & 12
 Part # 41001229

TOTAL MAINTENANCE SOLUTIONS
INSTITUTIONAL
 SHOWERHEADS



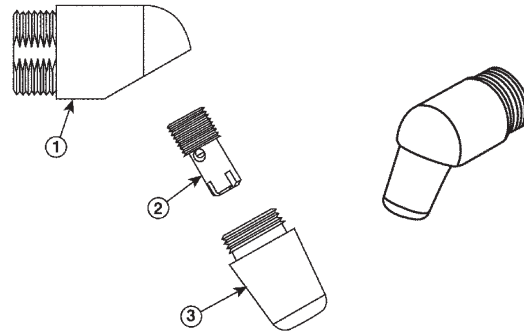
WILLOUGHBY PENAL SHOWER HEAD, WSH-5D

ITEM	PART #	DESCRIPTION
1		Locknut 3/4" NPT brass
2		Showerhead base, 30°
3	41031047	Showerhead orifice, brass
4	41031018	O-Ring
5		10 - 32 x 2 1/2" S/S screw
6		8 - 32 x 3/16" S/S set screw
7	41031048	Showerhead cap

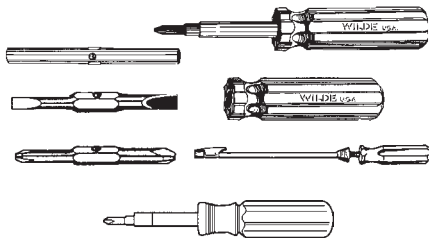


WILLOUGHBY PENAL SHOWER HEAD, WSH-7

ITEM	PART #	DESCRIPTION
1		Showerhead base, 30°
2	41031049	Showerhead insert
3	41031050	Showerhead cap



TOOLS

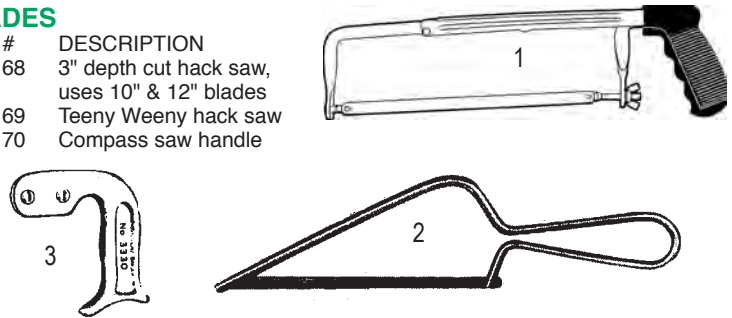


SCREWDRIVERS

PART #	DESCRIPTION
20401005	4 in 1 screwdriver w/ 2 slotted & 2 Phillips bits
20301404	Slotted bit for 4 in 1
20301405	Phillips bit for 4 in 1
20301446	Handle for 4 in 1
20301447	2 in 1 screwdriver with 1 slotted & 1 Phillips bit
20301448	Bit for 2 in 1
20401015	6 in 1 screwdriver

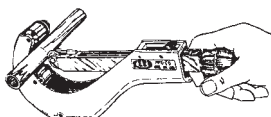
SAWS & BLADES

ITEM	PART #	DESCRIPTION
1	20200168	3" depth cut hack saw, uses 10" & 12" blades
2	20200169	Teeny Weeny hack saw
3	20200170	Compass saw handle



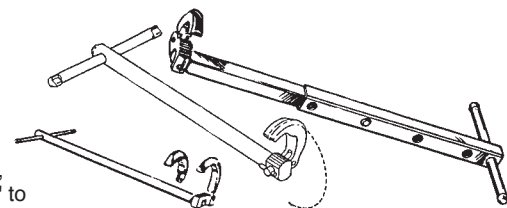
TUBING CUTTERS

PART #	DESCRIPTION
20200160	Quick release cutter 1/4" OD to 2-5/8" OD
20401109	Quick release cutter 1/8" OD to 1-5/16" OD
20401110	Quick release cutter 3/8" OD to 3-1/2" OD
20401111	Quick release cutter 3/8" OD to 1-5/8" OD



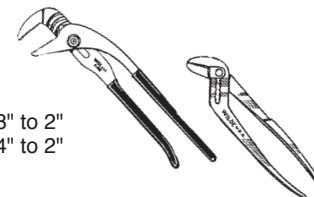
BASIN WRENCHES

PART #	DESCRIPTION
20200149	Basin wrench, 11" handle, 1/2" to 1-1/8" capacity
20200172	Basin wrench, 15" handle, 1/2" to 1-1/8" capacity
20200003	Telescoping basin wrench, 10" to 17" handle with 3/8" to 1-1/4" capacity.



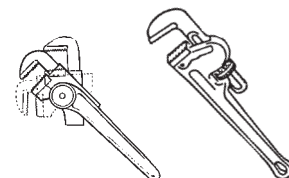
PIPE WRENCH PLIERS

PART #	DESCRIPTION
20200234	10" Heavy duty pipe wrench, capacity 1/8" to 1-1/2"
20200235	12" Heavy duty pipe wrench, capacity 1/8" to 2"
20200173	14" Heavy duty pipe wrench, capacity 1/4" to 2"
20200174	12" Self adjusting pipe wrench
20200175	14" Self adjusting pipe wrench



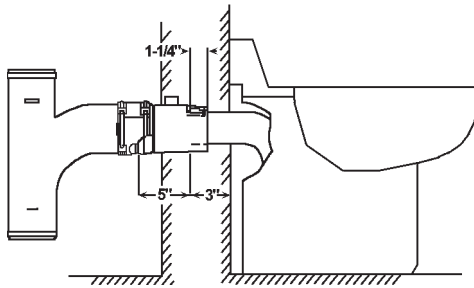
PIPE WRENCHES

PART #	DESCRIPTION
20200176	10" Heavy duty pipe pliers w/ plastic grip
20401112	13" Heavy duty pipe pliers w/ plastic grip
20200180	10" Heavy duty smooth jaw pliers w/ plastic grip





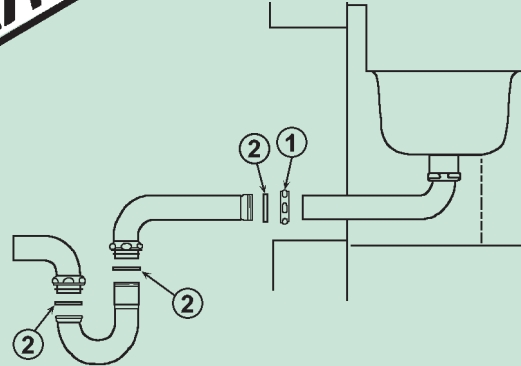
TOTAL MAINTENANCE SOLUTIONS
ACORN/BRADLEY
 WASTE CONNECTIONS



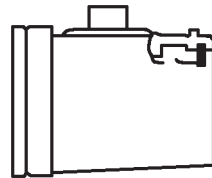
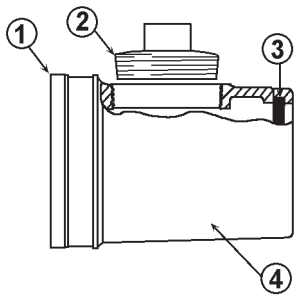
No-Hub Waste Connection With Cleanout



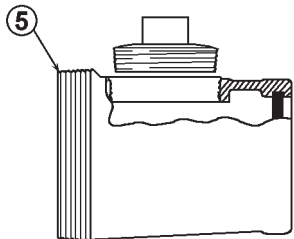
Lavatory Thru-Wall Waste Connection
 w/ P-Trap and Cleanout



ITEM	PART #	DESCRIPTION
1	40800036	Slip joint nut 1-1/2 x 1-1/2 CP
2	40950004	Slip joint washer 1-1/2 Poly



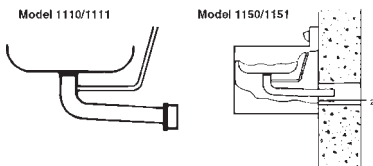
Standard Waste Fitting Available In 3" or 4" No-Hub.



ITEM	PART #	DESCRIPTION
1		No-Hub waste connection
2	41011202	Plug
3	41011174	O-Ring
4		No-Hub waste connection, complete assembly
5		Threaded waste connection, complete assembly

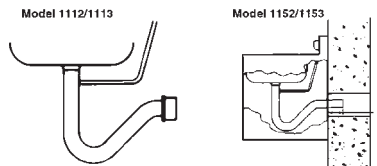


LAVATORY DRAINS AND WASTES



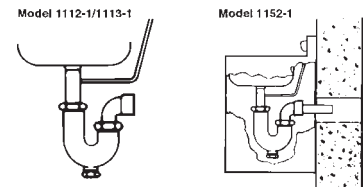
Model # 1110 (1-1/4" NPTF) or #1111 (1-1/2" NPTF) S/S optional elbow waste. Pitched 1/4" per ft., includes air vent tube.

Model # 1150 (1-1/4" No-Hub) elbow waste. Pitched 1/4" per ft., includes air vent tube, extends 2" into the chase.



Model # 1112 (1-1/4" NPTF) or #1113 (1-1/2" NPTF), Integral P-Trap waste, includes air vent tube.

Model #1152 (1-1/4" No-Hub), integral P-Trap waste, includes air vent tube, extends 2" into the chase.



Model 1112-1 (1-1/4" NPTF) or Model 1113-1 (1-1/2" NPTF) removable P-Trap waste. Cast bronze, adj. U-bend.

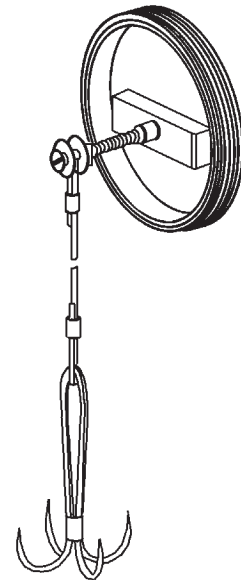
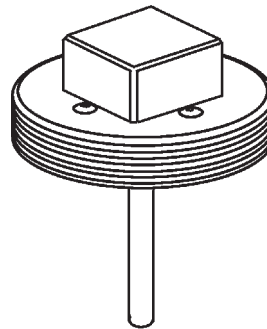
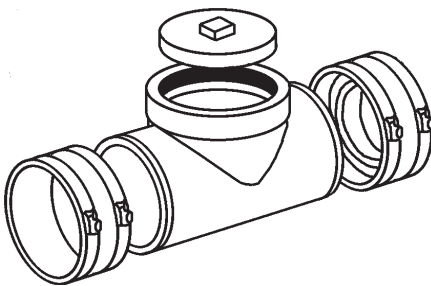
Model 1152-1 (1-1/4" No-Hub) or 1153-1 (1-1/2" No-Hub) removable P-Trap, cast bronze, adj. U-bend.



NO-HUB CONNECTIONS

PART #	FITTINGS	CLEANOUT
41021266	3"	without
41021267	4"	without
41021268	4"	with

MODEL #	DESCRIPTION
920-111	Cleanout Hook
920-142	Cleanout Pin



ANCHOR PIPE AND HARDWARE

Model #1379
 Made of rust proof steel.
 Anchor pipe can be red brass.
 Fixture waste or inlet half coupling is welded to a rigid support bracket in the fixture.
 For Concrete, Block or Steel walls, in 3/4", 1", 1-1/2".

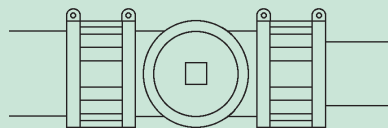
TOILET FLANGE TO NO-HUB WASTE CONNECTIONS

MODEL	FITTINGS	CLEANOUT
1200-1	3"	without
1200-2	4"	without
1200-3	4"	with

AVAILABLE BY SPECIAL ORDER ONLY



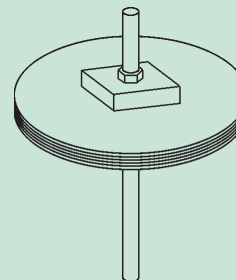
METCRAFT



CLEANOUT TEES

Cast iron no-hub cleanout, w/ brass plug.
 Couplings not included. Cleanout is same size as tee run.

PART #	DESCRIPTION
40140092	No-hub cleanout tee 3"
40140093	No-hub cleanout tee 4"



PINNED CLEANOUT PLUGS

S/S pin, 1/4" dia., assembled to plug prevents objects from entering waste system.

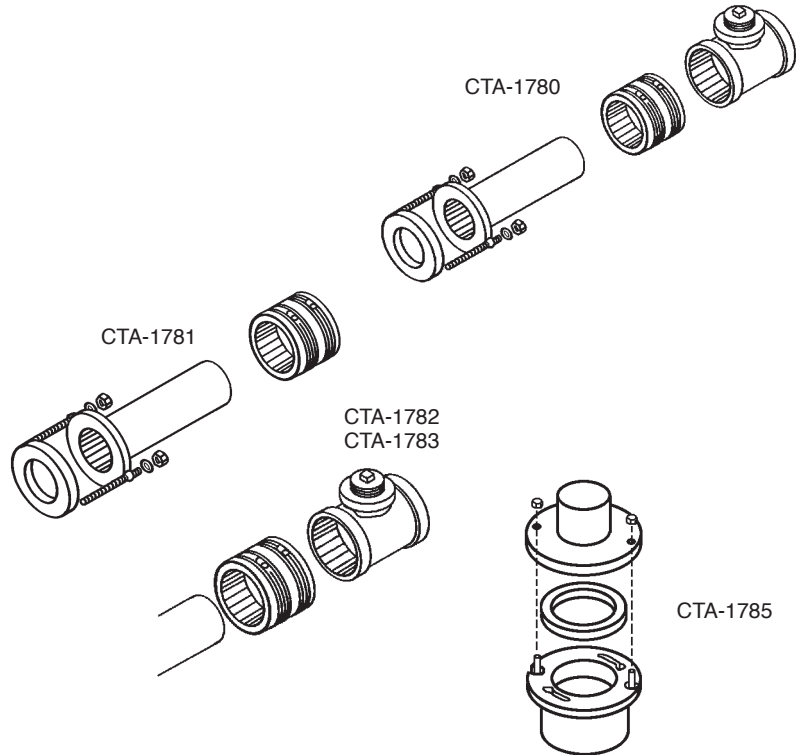
PART #	DESCRIPTION
40140094	Pinned cleanout plug 3"
40140095	Pinned cleanout plug 4"



Willoughby

TOILET WASTE CONNECTIONS

MODEL	DESCRIPTION
CTA-1780	Wall outlet w/ cleanout
CTA-1781	Wall outlet w/out cleanout
CTA-1782	Toilet waste connection w/ 3" CI No-hub test tee
CTA-1783	Toilet waste connection w/ 4" CI No-hub test tee
CTA-1785	Floor outlet



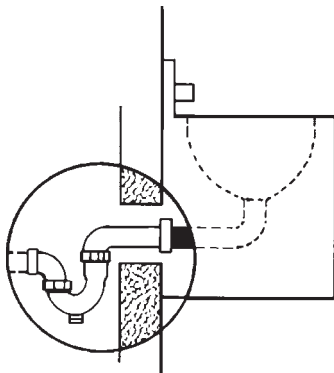
Connections are s/s yoke with 5-1/4" dia. flange and two anchoring ears on 6" centers welded to one end, two 5/16" studs with nuts, 5-1/4" dia. neoprene gasket.

Cleanout tee - 4" x 4" tee with 4" PVC plug.

Specify type and size of pipe when ordering.

Willoughby

LAVATORY CONNECTION TEE
 with cleanout,
 1-1/2" NPT
 Part # 41031051



LAVATORY CONNECTION P-TRAP
 w/ cleanout,
 1-1/2" NPT
 Part # 41031052

PINNED CLEANOUT

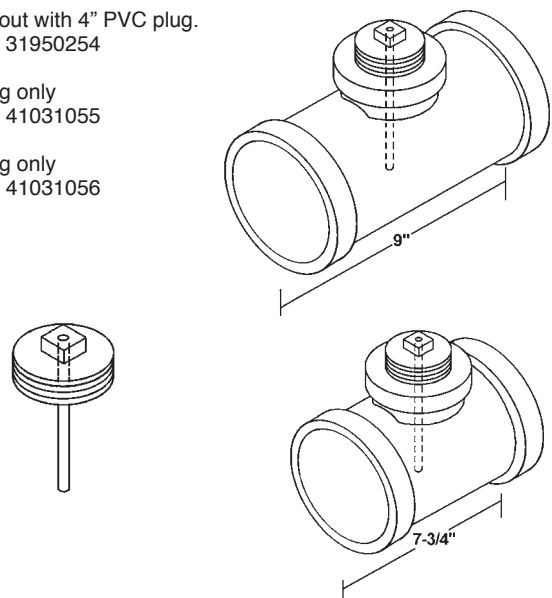
Stops large objects from entering main waste system.

Cleanout with 3" PVC plug
 Part # 41031053

Cleanout with 4" PVC plug.
 Part # 31950254

3" Plug only
 Part # 41031055

4" Plug only
 Part # 41031056



FLEXIBLE

WASTE CONNECTIONS



**Call Us for
All of Your
Sewer
Machine
Needs**

*from Spartan,
General,
Rigid,
and Marco*

Cable Machines

Mini Jetters

Accessories

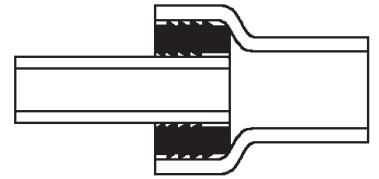
Root Cutters



WASTE ACCESSORIES

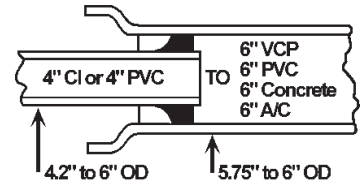
**DONUT FOR CLAY BELL X
CAST IRON OR ABS/PVC
SEWER & DRAIN**

PART #	DESCRIPTION
40800876	4"x 4" Clay Bell x Cast Iron (SV) or ABS/PVC S&D



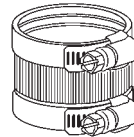
**DONUT FOR CLAY BELL X
CAST IRON OR ABS/PVC DWV**

PART #	DESCRIPTION
40801279	6" x 4" Clay Bell x CixH or ABS/PVC DWV



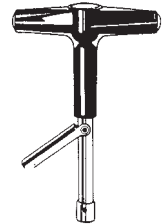
**NO HUB COUPLINGS (IAPMO
APPROVED, STANDARD A74)**

PART #	SIZE
40801270	1-1/2"
40800356	2"
40800953	2"x 1-1/2"
40800353	3"
40800354	4"



**NO HUB TORQUE
WRENCH**

Part # 40800351



**FLEXIBLE COUPLINGS
(FOR CAST IRON AND PVC)**

PART #	DESCRIPTION
40800837	1-1/4"x 1-1/4" CI/PVC x CI/PVC
40800494	1-1/2"x 1-1/2" CI/PVC x CI/PVC
40800472	2"x 2" CI/PVC x CI/PVC
40800647	2"x 1-1/2" CI/PVC x CI/PVC
40800528	3"x 3" CI/PVC/SS x CI/PVC/SS
40800949	3"x 2" CI/PVC x CI/PVC
40900984	4"x 3" CI/PVC x CI/PVC
40800495	4"x 4" CI/PVC/SS x CI/PVC/SS



**FLEXIBLE COUPLINGS (FOR
CLAY X CAST IRON OR PVC)**

PART #	DESCRIPTION
40800950	4"x 4" Clay x CI/PVC
40800951	6" x 4" Clay x CI/PVC



TOTAL MAINTENANCE SOLUTIONS
TOILET
 CONNECTIONS AND HARDWARE

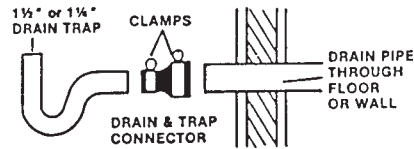
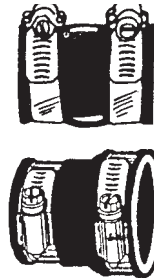
FOR ZURN 1203 & 1204 SERIES

PART NO.	DESCRIPTION
40291211	10" ABS Nipple
40291212	O-ring for sealing at carrier face



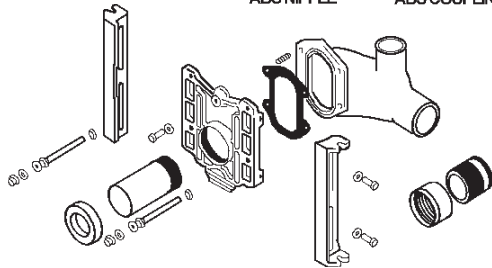
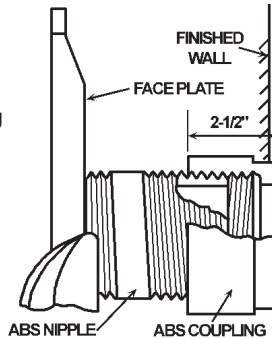
TRAP DRAIN ADAPTERS
 CI/PVC, COPPER X TUBULAR

PART #	DESCRIPTION
40800569	1-1/4" X 1-1/4" or 1-1/2" X 1-1/2" Tubular X Tubular
40800552	1-1/2" x 1-1/2" or 1-1/2" x 1-1/4" Tubular X Tubular
40800503	1-1/2" X 1-1/2" or 1-1/2" X 1-1/4" CI/PVC X Tubular
40800952	2" X 1-1/2" or 2" X 1-1/4" CI/PVC X Tubular



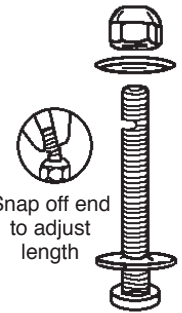
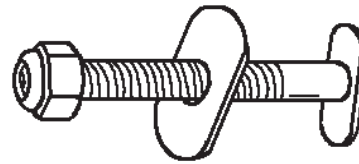
J.R. SMITH "LINEBACKER"
 CLOSET CARRIERS

PART #	DESCRIPTION
40300359	3-1/4" ABS Nipple
40300187	8-1/4" ABS Nipple
40300180	2-1/2" ABS Coupling



CLOSET BOWL BOLTS

PART #	DESCRIPTION
40210043	1/4" x 2-1/4" brass bolts
40211061	1/4" x 2-1/4" "Johni-Bolt"
40210044	1/4" x 3-1/2" brass bolts
40210013	5/16" x 2-1/4" brass bolts
40211322	5/16" x 3-1/2" brass bolts

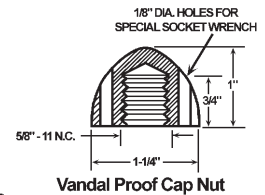
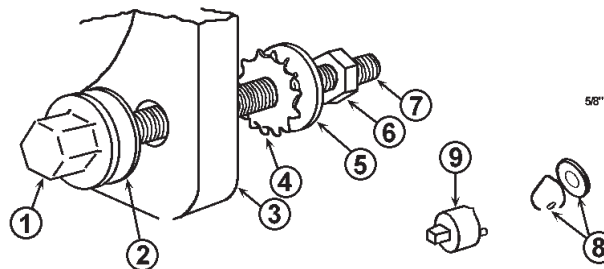


CLOSET BOWL SCREWS

PART #	DESCRIPTION
40210062	1/4" x 2-1/2" brass screws
40211319	1/4" x 3-1/2" brass screws

CLOSET CARRIER PARTS

ITEM	PART #	DESCRIPTION
1	40300214	Chrome washer nut
2	40300209	Fiber washer
3		Closet flange
4	40300211	Bowl stabilizer washer
5	40300360	Metal washer
6		Back-up nut
7	40300710	Mounting stud (specify length) Trim kit (contains 4 each item 1 and item 2)
8	40300361	Vandal proof trim kit
9	40300362	Socket for vandal proof trim kit

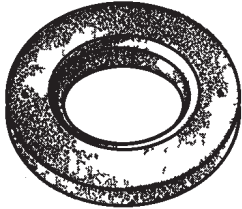


TOILET GASKETS

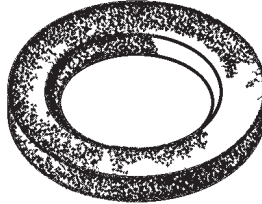


CLOSET GASKETS - WALL & FLOOR MOUNTED

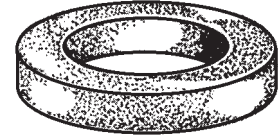
Regular Wax, Urethane Wax, Urethane & Wax with or without Flanges, and Extra Thick



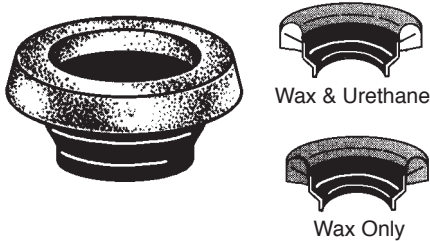
PART # 40212021
DESCRIPTION Wide flange type w/bolt holes
6-3/4"OD x 3-1/2"ID x 3/4"



PART # 40211233
DESCRIPTION Ring type w/no bolt holes
5-3/8"OD x 3-1/2"ID x 3/4"



PART # 40211016
DESCRIPTION Regular wax gasket for floor bowls only.
40211005 Urethane wax gasket for floor or wall bowls



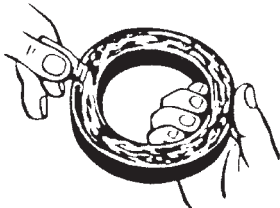
PART # 40210021
DESCRIPTION Regular wax gasket for floor bowls only
40211001 Urethane wax gasket for floor & most wall bowls



PART # 40211014
DESCRIPTION Extra Thick wax seal floor bowls only



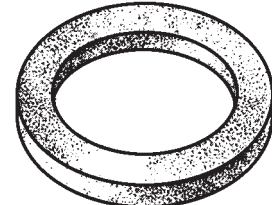
PART # 40211234
DESCRIPTION Urethane wax gasket for floor bowls only (4" lines)



PART # 40291034
DESCRIPTION Zurn "Neo-Seal" Sponge gasket with adhesive.

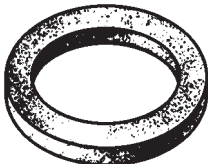


PART # 40211224
DESCRIPTION Felt type gasket for 4" lines.
5" OD x 3-3/8" ID x 3/4"



PART # 40211223
DESCRIPTION Sponge type gasket for 4" lines.
5-1/8" OD x 3-3/8" ID x 3/4"

URINAL GASKETS



PART # 40211237
DESCRIPTION Sponge type gasket
4-3/8"ODx 2-7/8"IDx 1/2"
40210042 Sponge type gasket
3"ODx 2-1/8"IDx 3/8"



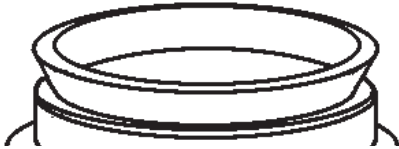
PART # 40211012
DESCRIPTION Urethane wax gasket for 2" outlets



PART # 40210239
DESCRIPTION Felt type gasket
3-1/2"ODx 2"IDx 3/4"



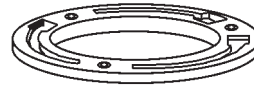
BRASS CLOSET & URINAL SPUDS



- | | |
|---------------|---|
| PART # | FULL SPUDS W/GASKET & RING |
| 40210960 | 1-1/4" x 1-1/4" Spud (urinal) |
| 40210959 | 1-1/2" x 1-1/2" Spud (closet) |
| 40210058 | 2" x 2" Spud (closet) |
| PART # | REDUCING SPUDS W/GASKET & RING |
| 40210961 | 1" x 3/4" Spud (urinal) |
| 40210030 | 2" x 1-1/4" Spud (closet) |
| 40211068 | 2" x 1-1/2" Spud (closet) |
| PART # | SPUD WASHERS |
| 40211020 | 3/4" |
| 40211019 | 1-1/4" |
| 40211018 | 1-1/2" |
| 40211087 | 2" |



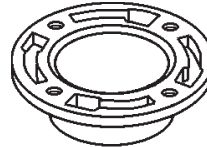
FLANGES



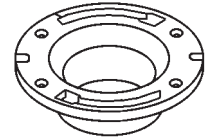
- | | |
|---------------|----------------------------|
| PART # | DESCRIPTION |
| 40212022 | 14 oz. Brass closet flange |



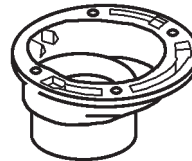
- | | |
|---------------|--------------------|
| PART # | DESCRIPTION |
| 40212023 | 1-1/8" Deep brass |



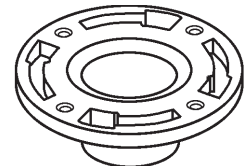
- | | |
|---------------|--------------------|
| PART # | DESCRIPTION |
| 40851116 | 4" PVC closet |



- | | |
|---------------|----------------------------|
| PART # | DESCRIPTION |
| 40851019 | 4" or 3" PVC closet flange |



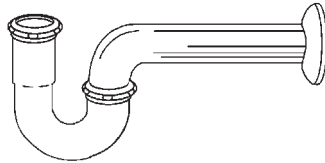
- | | |
|---------------|---|
| PART # | DESCRIPTION |
| 40212024 | 2" Offset closet flange for 3" or 4" line |



- | | |
|---------------|-------------------------|
| PART # | DESCRIPTION |
| 40212025 | 3" Street closet flange |

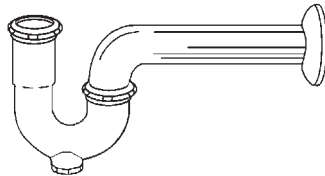
P-TRAPS-NO CLEANOUT

- | | |
|---------------|--------------------|
| PART # | DESCRIPTION |
| 40800853 | 1-1/4" 22 GA |
| 40800508 | 1-1/4" 20 GA |
| 40800005 | 1-1/4" 17 GA |
| 40800540 | 1-1/2" 22 GA |
| 40801062 | 1-1/2" 20 GA |
| 40800006 | 1-1/2" 17 GA |



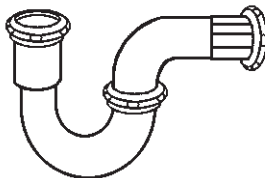
P-TRAPS-WITH CLEANOUT

- | | |
|---------------|--------------------|
| PART # | DESCRIPTION |
| 40800011 | 1-1/4" 17 GA |
| 40800012 | 1-1/2" 17 GA |



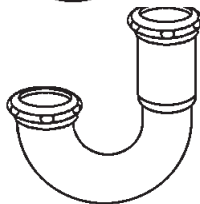
REPAIR TUBE TRAPS

- | | |
|---------------|--------------------|
| PART # | DESCRIPTION |
| 40800466 | 1-1/4" 20 GA |
| 40801096 | 1-1/2" 20 GA |



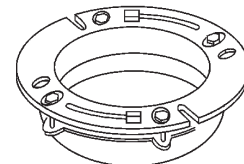
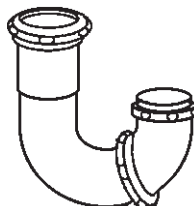
J-BENDS

- | | |
|---------------|--------------------|
| PART # | DESCRIPTION |
| 40801271 | 1-1/4" 22 GA |
| 40801097 | 1-1/4" 20 GA |
| 40800007 | 1-1/4" 17 GA |
| 40801272 | 1-1/2" 22 GA |
| 40801273 | 1-1/2" 20 GA |
| 40800008 | 1-1/2" 17 GA |

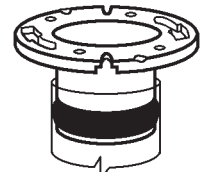


SINK TRAP J-BENDS

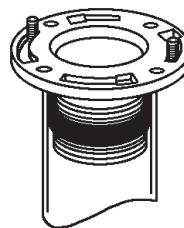
- | | |
|---------------|--------------------|
| PART # | DESCRIPTION |
| 40800479 | 1-1/4" 20 GA |
| 40801274 | 1-1/2" 22 GA |
| 40801063 | 1-1/2" 20 GA |



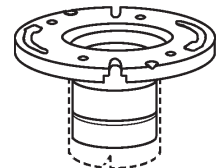
- | | |
|---------------|----------------------------------|
| PART # | DESCRIPTION |
| 40212026 | No Caulk closet flange C.I. (4") |



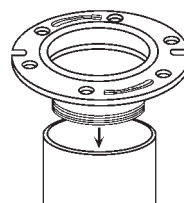
- | | |
|---------------|-------------------------------------|
| PART # | DESCRIPTION |
| 40210016 | 4" Street compression closet flange |



- | | |
|---------------|-------------------------------|
| PART # | DESCRIPTION |
| 40211253 | PVC Twist-N-Set closet flange |



- | | |
|---------------|------------------------------|
| PART # | DESCRIPTION |
| 40211294 | 3" Inside compression flange |



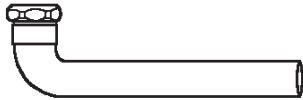
- | | |
|---------------|-------------------------------------|
| PART # | DESCRIPTION |
| 40212027 | 3" x 2" Cast iron two finger flange |
| 40211340 | 4" x 4" Cast iron two finger flange |

WASTE CONNECTIONS



WASTE ARMS

PART #	DESCRIPTION
40801275	1-1/2" X 7" 22 GA Direct Conn.
40801276	1-1/2" x 15" 22 GA Direct Conn.
40801277	1- 1/2" x 24" 22 GA Direct Conn.
40801278	1- 1/2" x 7" 22 GA Slip Joint
40801279	1-1/2" x 15" 22 GA Slip Joint
40801280	1-1/2" x 24" 22 GA Slip Joint
40801281	1-1/2" x 30" 22 GA Slip Joint



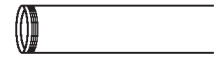
TAILPIECES-THREADED ON 1-1/2" END

PART #	DESCRIPTION
40801298	1-1/2" X 1- 1/4" x 6" 20 GA
40801299	1-1/2" x 1-1/4" x 12" 20 GA



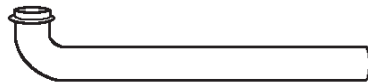
WASTE TUBES- THREADED ON ONE END

PART #	DESCRIPTION
40801066	1-1/4" X 4" 17 GA
40801300	1-1/4" X 6" 17 GA
40801301	1-1/4" X 8" 20 GA
40800541	1-1/4" X 8" 17 GA
40801302	1-1/2" X 4" 20 GA
40801303	1-1/2" X 8" 20 GA



WALL BENDS

PART #	DESCRIPTION
40801282	1-1/4" X 8" 22 GA
40801283	1-1/4" x 8" 17 GA
40801284	1- 1/4" x 12" 22 GA
40800042	1-1/4" x 15" 17 GA
40801285	1-1/2" x 9" 22 GA
40801064	1-1/2" x 9" 17 GA
40801286	1- 1/2" x 12" 22 GA
40800043	1-1/2" x 15" 17 GA



WASTE TUBES-THREADED ON BOTH ENDS

PART #	DESCRIPTION
40800049	1-1/4" X 12" 17 GA
40801304	1- 3/8" X 12" 22 GA
40801067	1-1/2" X 8" 17 GA
40800051	1-1/2" X 12" 20 GA



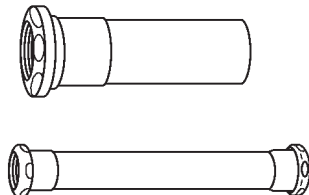
EXTENSION TUBES TO SOLDER

PART #	DESCRIPTION
40801305	1-1/4"X 8" 22 GA
40801069	1-1/4" X 8" 17 GA
40801306	1-1/2" X 6" 22 GA



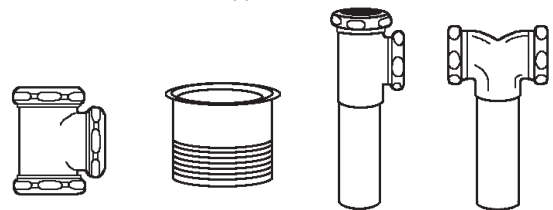
TAILPIECES- EXTENSION TUBES – SLIP JOINT

PART #	DESCRIPTION
40801287	1-1/4" X 6" 22 GA
40800056	1-1/4" x 6" 17 GA
40800626	1-1/4" x 8" 22 GA
40800057	1-1/4" x 8" 17 GA
40800058	1-1/4" x 12" 17 GA
40800627	1-1/2" x 6" 22" GA
40801288	1-1/2" x 8" 22 GA
40800060	1-1/2" x 8" 17 GA
40800061	1-1/2" x 12" 17 GA
40801289	1-1/4" x 16" 22 GA Dble. S.J.
40801290	1-1/2' x 16" 22 GA Dble. S.J.



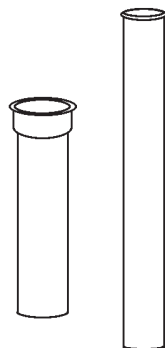
WASTE PARTS-CONTINUOUS WASTE

PART #	DESCRIPTION
40801070	1-1/2" Tee for E.O. waste direct conn.
40801071	1-1/2" Tee for E.O. waste slip joint
40801072	1-1/2" Tee for C.O. waste
40800030	1-1/2" Three-way repair tee
40801307	1-1/2" 17 GA waste nipple



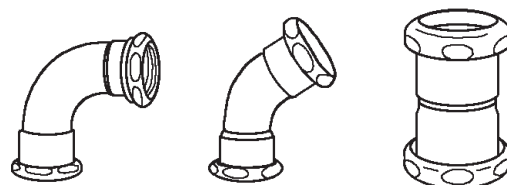
TAILPIECES – FLANGED

PART #	DESCRIPTION
40801291	1-1/2" X 1-1/4" X 6" 17 GA
40801292	1-1/2" x 1-1/4" x 10" 17 GA
40801293	1-1/2" x 1-1/4" x 12" 22 GA
40800854	1-1/4" x 6" 17 GA
40801294	1-1/2" x 4" 22 GA
40801295	1-1/2" x 4" 17 GA
40800045	1-1/2" x 6" 17 GA
40801296	1-1/2" x 8" 22 GA
40800046	1-1/2" x 8" 17 GA
40800047	1-1/2" x 12" 17 GA
40801297	1-1/2" x 12" 22 GA Dble. Flng



DOUBLE SLIP REPAIR CONNECTIONS

PART #	DESCRIPTION
40800024	1-1/2" 90 ELL
40800028	1-1/2" 45 ELL
40800026	1-1/2" Coupling

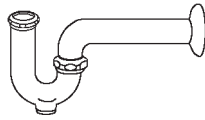




TOTAL MAINTENANCE SOLUTIONS WASTE CONNECTIONS

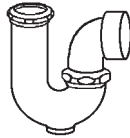
CAST TRAPS-BENT WALL TUBE W/CLEANOUT

PART #	DESCRIPTION
40800013	1-1/4" 17 GA
40800014	1-1/2" 17 GA



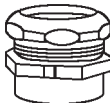
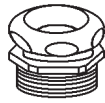
CAST TRAP-GROUND JOINT SWIVEL ELBOW W/ CLEANOUT

PART #	DESCRIPTION
40800575	1-1/4" X 1-1/4" X 1-1/4" SPC outlet
40800022	1-1/2" X 1-1/2" X 1-1/2" SPC outlet



WASTE CONNECTIONS

PART #	DESCRIPTION
40800277	1-1/2" S.J. X 1-1/2" MIP X 1-1/2" SWT
40800280	1-1/2" S.J. X 1-1/2" FIP



44671018

44672502

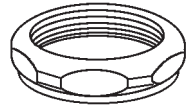
RUBBER SLIP JOINT WASHERS

PART #	DESCRIPTION
40950107	1-1/4" Rubber slip joint washer
40950102	1-1/4" Friction ring
40950008	1-1/2" Rubber slip joint washer
40950103	1-1/2" Friction ring
40950111	1-1/2" x 1-1/4" Rubber slip joint washer
40950156	1-1/2" x 1-3/8" Rubber slip joint washer
40950009	2" Rubber slip joint washer



SLIP JOINT NUTS – CHROME PLATED BRASS

PART #	DESCRIPTION
40950157	1/2" X 9/16" CP Nut & washer
40800034	1-1/4" X 1-1/4" CP Nut & washer
40800035	1-1/2" X 1-1/4" CP Nut & washer
40801074	1-1/2" X 1-3/8" CP Nut & washer
40800036	1-1/2" X 1-1/2" CP Nut & washer
40800037	2" X 2" CP Nut & washer



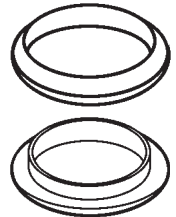
SLIP JOINT NUTS – CHROME PLATED DIE CAST

PART #	DESCRIPTION
40950158	1/2" X 9/16" CP
40950159	3/4" X 9/16" CP
40800031	1-1/4" X 1-1/4" CP
40800032	1-1/2" X 1-1/4" CP
40950160	1-1/2" X 1-3/8" CP
40800033	1-1/2" X 1-1/2" CP
40800071	2" X 1- 1/2" CP
40800072	2" X 2" CP



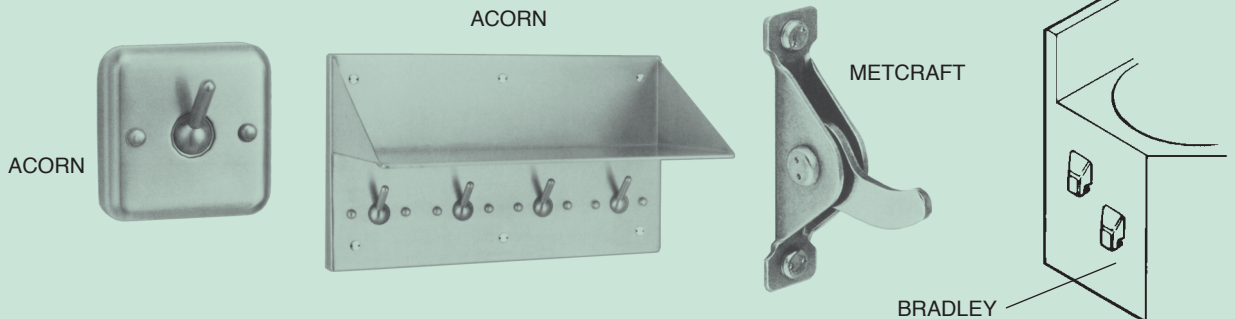
POLY SLIP JOINT & TAILPIECE WASHERS

PART #	DESCRIPTION
40950003	1-1/4" Poly slip joint washer
40950004	1-1/2" Poly slip joint washer
40950119	1-1/2" x 1-1/4" Poly slip joint washer
40950002	2" Poly slip joint washer
40950002	1-1/2" Poly tailpiece washer



SECURITY ACCESSORIES

HOOKS/HOLDERS FOR TOWELS & CLOTHING **NON-SUICIDAL** PRESSURE ACTIVATED HOOKS SUPPORT LIGHT CLOTHING, TOWELS, ETC., BUT WILL RELEASE UNDER EXCESSIVE LOADS.



MAKE	MODEL	DESCRIPTION
ACORN	1829	Single Clothes Hook Panel, Rear Mount
ACORN	1828	Multiple Clothes Hooks Panel, Front Mount
ACORN	1827	Multiple Clothes Hooks Panel, Rear Mount
ACORN	1823	S/S auto-release wall mounted hook panel, 4 hooks w/ s/s bookshelf
BRADLEY	920-119-TH	S/S fixture mounted towel holder, mounted from inside
METCRAFT	A701	S/S auto-release wall mounted hook, single hook.
WILLOUGHBY	TH-3	S/S auto-release wall mounted hook, single hook.

TOTAL MAINTENANCE SOLUTIONS ACCESSORIES



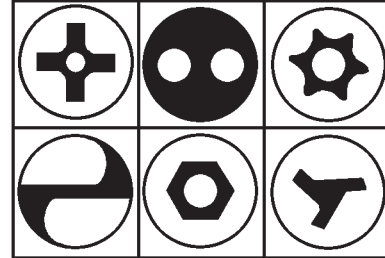
SECURITY ACCESSORIES – MIRRORS



Mirrors designed for use in areas where mirrors are subject to breakage. Mirrors designed from sheets of s/s polished to a bright finish. Frames made of heavy gauge s/s with counter sunk tamper-resistant screws.

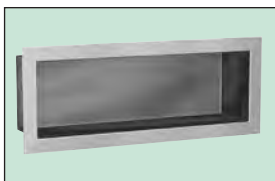
MAKE	MODEL	DESCRIPTION
ACORN	1811	Framed mirror w/ fiberboard backing, available in tempered glass or plexiglas.
ACORN	1817	Framed mirror w/ fiberboard backing, rounded corners.
METCRAFT	A750	Framed security mirror, s/s, 1/4" board backing, 12" x 16"
WILLOUGHBY	FMR-1	Framed security mirror, s/s

SECURITY FASTENERS – TAMPERPROOF FASTENERS



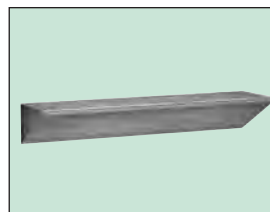
SPANNER SHEET METAL
SPANNER MACHINE
SPANNER NUTS
SPANNER SET SCREWS

PIN HEAD SET SCREWS
BUTTON HEAD SCREWS
TRI-WING SCREWS
SECURITY PHILLIPS



RECESSED SHELF

Ideal for Penal use because it presents no possibility of being used as a suicide device. Shelf is tall enough to hold any item normally used in conjunction with a Lavatory. Recessed Shelf is fabricated from type 304 stainless steel and is of seamless welded construction. Exposed welds are ground smooth. Exposed surfaces have a satin finish. MODEL #1820



SURFACE MOUNTED SHELF

is installed on finished wall from an accessible pipe chase. Shelf is fabricated from type 304 stainless steel, seamless welded construction. All exposed welds are ground smooth and exposed surfaces have a satin finish. MODEL #1821



RECESSED SOAP DISH

Tamper-resistant and die formed from type 304 stainless steel. All exposed surfaces have a satin finish. The wide flange is turned back and trimmed providing a uniform flat surface, and a tight fit between the rim and the wall. Has raised dimples to provide air circulation around the soap bar, keeping it dry. MODEL #1832



RECESSED PAPER HOLDER

is die formed from type 304 stainless steel with exposed surfaces polished to a satin finish.

Paper Holder is perfectly suited for security areas for the following reasons:

- 1. The heavy 14 gage stainless steel construction makes it virtually indestructible.*
- 2. It can be installed in a location which prevents the paper from being accidentally contaminated when the toilet bowl is used as a urinal.*
- 3. Paper Holder is purposely made 5" in diameter and 4-1/2" deep to match a standard roll of toilet paper. Should contraband be hidden in the holder, it will cause the roll to project, making detection simple. MODEL #1840*



TOTAL MAINTENANCE SOLUTIONS ACCESSORIES

SECURITY ACCESSORIES – SECURITY FASTENERS

ONE-WAY TAPPING SCREWS

PART #	SIZE
50300408	8 x 3/4"
50300167	10 x 5/8"
50300165	10 x 3/4"
50300166	10 x 1"



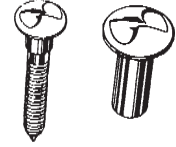
ONE-WAY MACHINE SCREWS

PART NO	SIZE
50300181	8-32 x 3/4"
50300183	8-32 x 1-1/8"
50300186	10-24 x 3/4"
50300228	8-32 Button Head nut
50300222	10-24 One-way slotted nut



ONE-WAY SHOULDER SCREWS & BARREL NUTS (For toilet partitions and thru-bolt application)

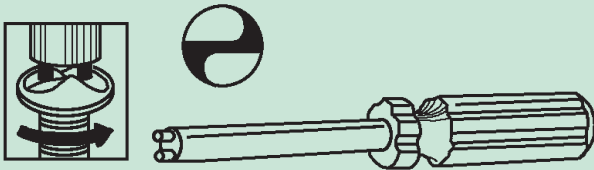
PART #	SIZE
50300217	10-24 x 15/16" shoulder screw (7/8"-1" panel)
50300219	10-24 x 1-5/16" shoulder screw (1-1/4" panel)
50300222	10-24 x 5/8" barrel nut



SECURITY ACCESSORIES – SPECIALTY TOOLS

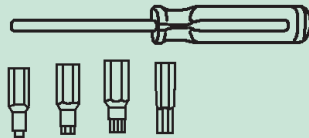
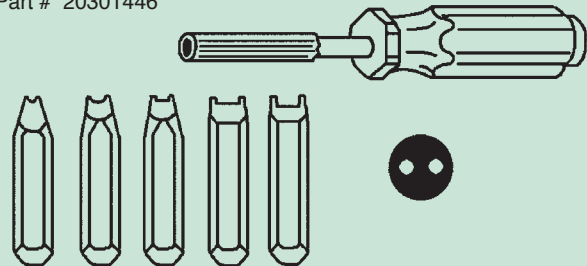
ONE-WAY SCREW REMOVAL TOOLS

PART #	DESCRIPTION
50300225	Removal tool for screw size 4-6-8
50300226	Removal tool for screw size 10-12
50300227	Removal tool for screw size 14, 18, 1/4, 3/8
50300224	Removal tool set



SPANNER DRIVER KIT

Kit contains 1 magnetic hand driver with 5 spanner bits in a vinyl pouch. Bit sizes are 6, 8, 10, 12, & 14.
Part # 20301446



TORX® DRIVER KIT

Kit contains 1 magnetic driver and 4 bits. Bits included are T15, T20, T25, & T30. Bits are stored in handle of driver.
Part # 20301447

Bits for TORX® tamper resistant fasteners are available