

User-configurable connectors

Part no.	Part description	Connection	No. of pins	Interface
50108991	D-ET1	RJ45		Ethernet
50112155	S-M12A-ET	Connector, M12, axial, male	4-pin	Ethernet
50038538	KD 02-5-BA	Connector, M12, axial, female	5-pin	PROFIBUS DP, multiNet Plus
50038537	KD 02-5-SA	Connector, M12, axial, male	5-pin	PROFIBUS DP, multiNet Plus
50020501	KD 095-5A	Connector, M12, axial, female	5-pin	

Further connectors can be found on our website

Mounting systems

Rod mounts

Part no.	Part description	Design	Fastening at device	Fastening at system	Material
50027375	BT 56	Mounting system	Clampable	For 16 mm rod, for 18 mm rod, 20 mm rod	Metal
50111224	BT 59		Clampable	Groove mounting	Metal

Further rod mounts can be found on our website

/// BCL 900i



High-end bar code readers with 1,000 scans/s, an opening angle of 60° and a max. reading range of 1,700 mm for reading 1D-codes with small modulus widths.



Benefits:

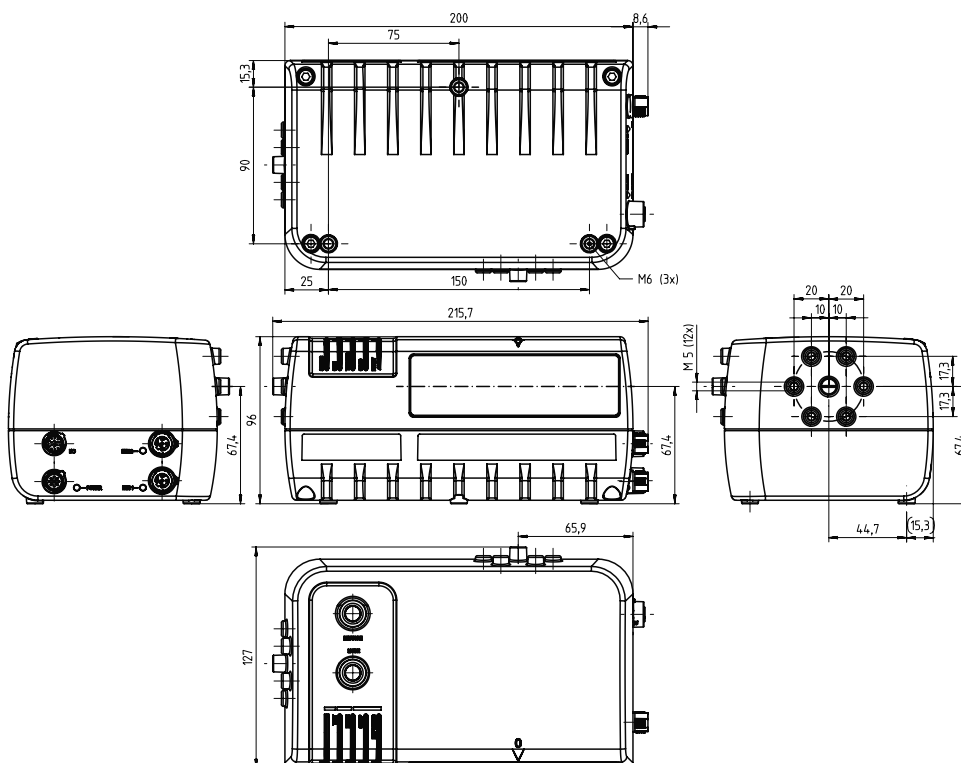
- Integrated interfaces: Ethernet IP, Ethernet TCP/IP, RS 232, RS 422
- No focus switchover
- Configuration and diagnostics via WebConfig
- Integrated switch
- Simple teaching-in of codes using a button



Direct access to the online product selector at www.leuze.com/en/bcl900i

Part no.	Part description	Reading method Light beam exit	Interface	Reading distance	Module size	Scanning rate	Special design Type of display
50129661	BCL 900i SN 102	Line scanner, front	EtherNet IP, Ethernet, RS 232, RS 422	525 ... 1,500 mm	0.25 ... 0.38 mm	1,000 scans/s	LED
50129662	BCL 900i SM 102	Line scanner, front	EtherNet IP, Ethernet, RS 232, RS 422	450 ... 1,700 mm	0.33 ... 0.5 mm	1,000 scans/s	LED

Dimensioned drawings: BCL 900i



BCL 900i bar code readers

Switching sensors

Measuring sensors

Products for safety at work

Identification

Data transmission / Control components

Industrial image processing

Accessories

ACCESSORIES: BCL 900i

Connection technology

Connection units

Part no.	Part description	Connection	Interface
50129663	MA 900	Sub-D, 25-pin, female	RS 232, RS 422

Further connection units can be found on our website

Interconnection cables

Part no.	Part description	Connection 1	Connection 1, no. of pins	Connection 2	Connection 2, no. of pins	Cable length
50135340	KB 900-500-MA 921-MA200i	Sub-D, female, axial	25-pin	JST ZHR		500 mm
50131531	KB 900-1000	Connector, M12, axial, female	17-pin	Sub-HD, male, axial	25-pin	1,000 mm
50131529	KB 900-3000	Connector, M12, axial, female	17-pin	Sub-HD, male, axial	25-pin	3,000 mm
50131532	KB 900-5000	Connector, M12, axial, female	17-pin	Sub-HD, male, axial	25-pin	5,000 mm

Further interconnection cables can be found on our website

Mounting systems

Mounting bracket

Part no.	Part description	Design	Fastening at device	Fastening at system	Material
50131534	BT 900	Angle, L-shape	Screw type	Through-hole mounting	Metal

Further mounting brackets can be found on our website

/// CR50 / CR55



As a module for integration or in light aluminum housing. The scanner is very easily configured by means of PC software.



Benefits:

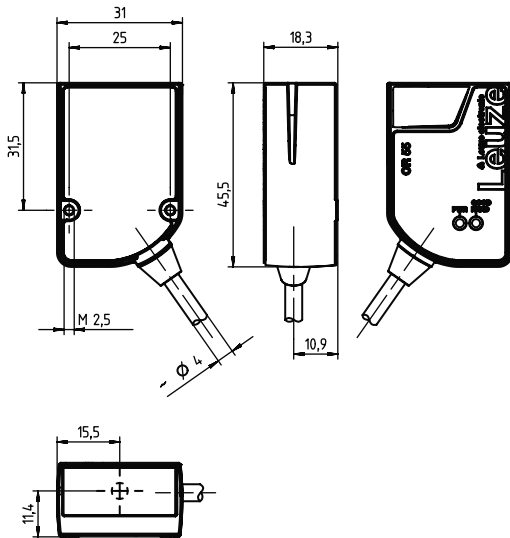
- Available as a module for direct integration or in aluminum housing with a small and light construction
- Ready to read all common codes
- RS 232 and/or USB interface
- Simple configuration with the Sensor Studio PC software tool



Direct access to the online product selector at www.leuze.com/en/cr50_cr55

Part no.	Part description	Reading method Light beam exit	Interface	Reading distance	Module size	Scanning rate	Special design Type of display
50126081	CR50-Starterkit	Line scanner, front	USB, RS 232	40 ... 250 mm	0.1 ... 0.5 mm	330 scans/s	Scan engine module, buzzer
50126082	CR50M2/R2-S5	Line scanner, front	USB, RS 232	40 ... 250 mm	0.1 ... 0.5 mm	330 scans/s	Scan engine module, buzzer
50127723	CR55M2/UB-1800-S6	Line scanner, front	USB	40 ... 250 mm	0.1 ... 0.5 mm	330 scans/s	LED
50126080	CR55M2/R2	Line scanner, front	RS 232	40 ... 250 mm	0.1 ... 0.5 mm	330 scans/s	LED
50131582	CR55M2/R2-150-M12.8	Line scanner, front	RS 232	40 ... 250 mm	0.1 ... 0.5 mm	330 scans/s	Scan engine module, LED

Dimensioned drawings: CR50 / CR55



CR55 bar code reader

Switching sensors

Measuring sensors

/// CR100



With a reading field height of 80 mm and more at short distances, the CR 100 is predestined for readings in analysis automation.



Benefits:

- High-performance CCD scanner with front or lateral beam exit
- Compact design for simple integration, even in constrained spaces
- Scanning rate of 700 scans/s facilitates reliable reading, even while in motion
- Reading of all common codes of modulus sizes 150 ... 500 µm at a reading field height of ≥ 80 mm
- Robust metal housing with cable connection
- RS 232 interface, 1 input, 1 switching output
- Desired configuration can be easily configured via online commands



Direct access to the online product selector at www.leuze.com/en/cr100

Products for safety at work

Identification

Data transmission / Control components

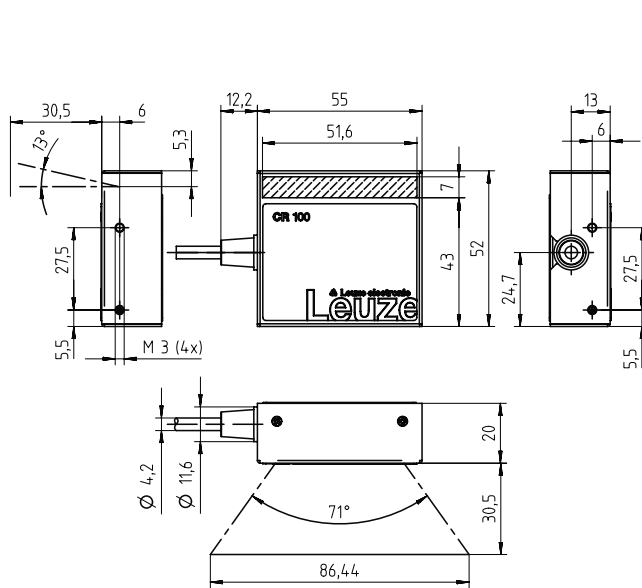
Part no.	Part description	Reading method Light beam exit	Interface	Reading distance	Module size	Scanning rate	Special design Type of display
50127450	CR100M2/R2	Line scanner Front	RS 232	20 ... 72 mm	0.15 ... 0.5 mm	700 scans/s	LED
50127451	CR100M0/R2	Line scanner with deflecting mirror Lateral	RS 232	15 ... 67 mm	0.15 ... 0.5 mm	700 scans/s	LED

Industrial image processing

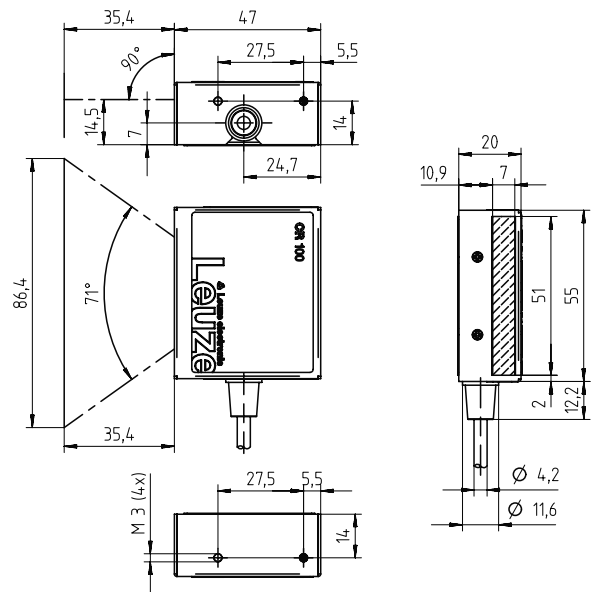
Accessories



Dimensioned drawings: CR100



CR100 bar code reader with lateral beam exit

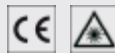


CR100 bar code reader with front beam exit

/// MSPi systems



Reading unaligned bar code labels generally requires two or more bar code scanners that are aligned with respect to one another. The new MSP systems from Leuze electronic are modularly structured and mechanically pre-mounted scanner portals that can read codes omnidirectionally.



Benefits:

- Modular scanner portal for the integration of up to 32 bar code readers of models BCL 500i and BCL 501i for omnidirectional reading
- Object tracking capability based on the BCL 900i
- Full CRT (code reconstruction technology) also detects heavily damaged or soiled codes
- webConfig is an operating-system independent, browser-based configuration tool
- Fast and simple RS 232, RS 422, PROFINET and Ethernet interface connection to the primary host system
- High-quality optics with great depth of field and opening angle, also with heating for use at temperatures down to -35°C
- Set parameters are stored fail-safe
- Simple commissioning and connection through M12-Ultra-Lock™ connection technology



Direct access to the online product selector at www.leuze.com/en/mspi

Part no.	Part description	Interface	Number of bar code readers	Type of bar code reader	Other components
50111412	MSP 290i - 511 F 00	RS 232, RS 422	2x	BCL 500i S F 102, BCL 500i O F 100	
50112415	MSP 290i - 511 L 00	RS 232, RS 422	2x	BCL 500i S L 102, BCL 500i O L 100	
50112416	MSP 290i - 511 M 00	RS 232, RS 422	2x	BCL 500i S M 102, BCL 500i O M 100	
50112417	MSP 290i - 511 N 00	RS 232, RS 422	2x	BCL 500i S N 102, BCL 500i O N 100	
50111413	MSP 290i - 520 F 00	RS 232, RS 422	2x	BCL 500i S F 102	
50132724	MSP 290i - 520 F 88	Ethernet	2x	BCL 508i S F 102	
50132725	MSP 290i - 520 F 4848	PROFINET	2x	BCL 548i S F 102	
50112418	MSP 290i - 520 L 00	RS 232, RS 422	2x	BCL 500i S L 102	
50112419	MSP 290i - 520 M 00	RS 232, RS 422	2x	BCL 500i S M 102	
50130024	MSP 290i - 520 M 88	Ethernet	2x	BCL 508i S M 102	
50112420	MSP 290i - 520 N 00	RS 232, RS 422	2x	BCL 500i S N 102	
50130232	MSP 290i - 620 F 88	Ethernet	2x	BCL 608i S F 102	
50132726	MSP 290i - 620 F 4848	PROFINET	2x	BCL 648i S F 102	
50130821	MSP 290i - 620 M 88	Ethernet	2x	BCL 608i S M 102	
50132799	MSP 290i - 920 M 88	Ethernet, EtherNet IP, PROFIBUS DP, PROFINET, RS 232, RS 422	2x	BCL 900i S M 102	
50132900	MSP 290i - 920 M 88 MSC	Ethernet, EtherNet IP, PROFIBUS DP, PROFINET, RS 232, RS 422	2x	BCL 900i S M 102	1x MSC 900 – 1000 (connection unit)
50132800	MSP 290i - 920 N 88	Ethernet, EtherNet IP, PROFIBUS DP, PROFINET, RS 232, RS 422	2x	BCL 900i S N 102	
50132899	MSP 290i - 920 N 88 MSC	Ethernet, EtherNet IP, PROFIBUS DP, PROFINET, RS 232, RS 422	2x	BCL 900i S N 102	1x MSC 900 – 1000 (connection unit)
50121388	MSP 360i - 530 F 01	RS 232, RS 422	3x	BCL 500i S F 102, BCL 501i S F 102	
50121387	MSP 490i - 540 M 01	RS 232, RS 422	4x	BCL 500i S M 102, BCL 501i S M 102	

Including all mechanical components and interconnection cables, integrated decoder

Switching sensors

Measuring sensors

Products for safety at work

Identification

Data transmission / Control components

Industrial image processing

Accessories

SMART IS TO BE CLOSE



Product selector

Intuitive web applications for convenient product selection



"It's never been easier for you to select sensors: use our product selector"

Martina Weil,
Customer Care Center

Smart is finding the right product for every application: www.leuze.com



//MOBILE BAR CODE READERS

YOU HAVE IT IN YOUR HANDS

Mobile bar code readers can read all common bar codes at various positions in warehousing and logistics omnidirectionally. Depending on the area of application, models with wireless transmission or even combi devices, which can handle 2D-codes as well as RFID, can be chosen.

/// General applications



Mobile bar code readers can read all common bar codes at various positions in warehousing and logistics omnidirectionally. Versions with RF transmission and different reading technologies can be selected according to the specific area of application.



Benefits:

- Various optics models for optimum reading range
- Cable-connected or with Bluetooth for RS 232 or USB interface
- Devices for universal use
- Degree of protection up to IP 42
- Temperature range from 0 to +50 °C



Direct access to the online product selector at www.leuze.com/en/bar-code-reader_aa

Part no.	Part description	Reading distance	Bluetooth	Interface	Drop height	Degree of protection	Connection	Ambient temperature, operation
50116864	IT 1300g-2	10 ... 460 mm		USB, RS 232	1.5 m	IP 41	RJ41	0 ... 50 °C
50130504	IT 1450g 1D-2	37 ... 370 mm		USB, RS 232	1.5 m	IP 40	RJ41	0 ... 40 °C
50130501	IT 1452g 1D-2	37 ... 360 mm	Class 2	PS/2, USB, RS 232	1.5 m	IP 42	Bluetooth	0 ... 50 °C
50118358	Z-3110 + KB-USB	0 ... 20 mm		PS/2, USB, RS 232		IP 20	USB	0 ... 50 °C

ACCESSORIES: IT 1300G

Connection technology

Interconnection cables

Part no.	Part description	Connection 1	Connection 2	Cable length	Interface	Sheathing material
50113397	KB JST-HS-300	JST ZHR	Sub-D, male, axial	300 mm	RS 232	PUR
50114521	KB USB-1 IT190x	USB	RJ41	3,000 mm	USB	PVC
50114523	KB USB-2 IT190x	USB	RJ41	5,000 mm	USB	PVC

Further interconnection cables can be found on our website

Power supply units

Part no.	Part description	Type of power supply unit	Output
50114525	NT f. IT 1900+Base-EU	Plug-in power supply unit	5VDC, 1 A

Further power supply units can be found on our website

Mounting systems

Mounting brackets

Part no.	Part description	Design	Fastening at device	Fastening at system	Material
50109534	BT Cover IT1300g	Protection hood	Insertable	Suspended (rope)	Plastic
50115358	BT Desktop IT1300g	Table foot	Insertable	Self-supporting	Plastic
50107039	BT Flex Neck IT1300g	Table foot	Insertable	Self-supporting	Plastic
50120444	BT Wallholder HS65x8	Wall mounting	Insertable	Through-hole mounting	Plastic

Further holders can be found on our website

ACCESSORIES: IT 145XG

Connection technology

Interconnection cables

Part no.	Part description	Connection 1	Connection 2	Cable length	Interface	Sheathing material
50113397	KB JST-HS-300	JST ZHR	Sub-D, male, axial	300 mm	RS 232	PUR
50114521	KB USB-1 IT190x	USB	RJ41	3,000 mm	USB	PVC
50114523	KB USB-2 IT190x	USB	RJ41	5,000 mm	USB	PVC

Further interconnection cables can be found on our website

Base stations

Part no.	Part description	Interface	Connection 1	Connection 2	Connection 3
50130499	Base IT 1452g	PS/2, RS 232, USB	RJ41	Jack socket	Bluetooth

Further base stations can be found on our website

Power supply units

Part no.	Part description	Type of power supply unit	Output
50114525	NT f. IT 1900+Base-EU	Plug-in power supply unit	5VDC, 1 A

Further power supply units can be found on our website

Mounting systems

Mounting brackets

Part no.	Part description	Design	Fastening at device	Fastening at system	Material
50120444	BT Wallholder HS65x8	Wall mounting	Insertable	Through-hole mounting	Plastic

Further holders can be found on our website

ACCESSORIES: Z SERIES

Connection technology

Interconnection cables

Part no.	Part description	Connection 1	Connection 2	Cable length	Interface	Sheathing material
50113397	KB JST-HS-300	JST ZHR	Sub-D, male, axial	300 mm	RS 232	PUR

Further interconnection cables can be found on our website

/// Industrial applications



In the case of devices from this series which read 1D-codes, special attention is paid to the sturdy housing design. Depending on the desired application, you select the suitable range and equipment e.g. RF transmission and battery operation.



Benefits:

- Various optics models for optimum reading range
- Cable-connected or with Bluetooth for RS 232 or USB interface
- Devices for robust or rough areas of application
- Degree of protection up to IP 65
- Temperature range from -30 to +50 °C



Direct access to the online product selector at www.leuze.com/en/bar-code-reader_ia

Part no.	Part description	Reading distance	Bluetooth	Interface	Drop height	Degree of protection	Connection	Ambient temperature, operation
50127898	IT 1280i FR-3	100 ... 4,460 mm		PS/2, USB, RS 232	2 m	IP 65	RJ41	-30 ... 50 °C
50106238	IT 3800 i SR030E	17 ... 2,080 mm		RS 232	2 m	IP 54	RJ41	-30 ... 50 °C
50106240	IT 3800 i SR050E	17 ... 2,080 mm		PS/2, USB, RS 232	2 m	IP 54	RJ41	-30 ... 50 °C
50106242	IT 3820 SROC0BE	25 ... 914 mm	Class 2	PS/2, USB, RS 232	1.8 m	IP 41	Bluetooth	0 ... 50 °C
50110471	IT 3820i SRE	25 ... 914 mm	Class 2	PS/2, USB, RS 232	2 m	IP 54	Bluetooth	-10 ... 50 °C

ACCESSORIES: IT 128XI

Connection technology

Interconnection cables

Part no.	Part description	Connection 1	Connection 2	Cable length	Interface	Sheathing material
50114521	KB USB-1 IT190x	USB	RJ41	3,000 mm	USB	PVC
50114523	KB USB-2 IT190x	USB	RJ41	5,000 mm	USB	PVC

Further interconnection cables can be found on our website

Power supply units

Part no.	Part description	Type of power supply unit	Output
50114525	NT f. IT 1900+Base-EU	Plug-in power supply unit	5VDC, 1 A

Further power supply units can be found on our website

Mounting systems

Mounting brackets

Part no.	Part description	Design	Fastening at device	Fastening at system	Material
50107034	BT Rope IT		Insertable	Suspended (rope)	Plastic
50120444	BT Wallholder HS65x8	Wall mounting	Insertable	Through-hole mounting	Plastic

Further holders can be found on our website

ACCESSORIES: IT 38XX

Connection technology

Interconnection cables

Part no.	Part description	Connection 1	Connection 1, no. of pins	Connection 2	Cable length	Interface	Sheathing material
50103412	KB RS232/PIN9 IT4xxx	Sub-D, female, axial	9-pin	RJ41	2,300 mm	RS 232	PVC
50113397	KB JST-HS-300	JST ZHR		Sub-D, male, axial	300 mm	RS 232	PUR
50104586	KB TTL-RS232/PIN9 IT4xxx	Sub-D, female, axial	9-pin	RJ41	2,300 mm	RS 232, TTL	PVC
50103404	KB USB IT4xxx	USB		RJ41	2,600 mm	USB	PVC

Further interconnection cables can be found on our website

Base stations

Part no.	Part description	Interface	Connection 1	Connection 2	Connection 3	Drop height
50115738	Access Point f. IT	PS/2, USB, RS 232	Bluetooth	RJ41		
50110663	ST 2020-5BE	RS 232, USB, PS/2	Jack socket	RJ41	Bluetooth	1 m

Further base stations can be found on our website

Power supply units

Part no.	Part description	Type of power supply unit	Output
50103989	NT IT4x2x/ST2020	Desktop power supply unit	9VDC, 2A
50103403	NT ITxx0x	Desktop power supply unit	5VDC, 1 A

Further power supply units can be found on our website

Mounting systems

Mounting brackets

Part no.	Part description	Design	Fastening at device	Fastening at system	Material
50103402	BT Flex Neck IT 4xxx	Table foot	Insertable	Self-supporting	Plastic
50120444	BT Wallholder HS65x8	Wall mounting	Insertable	Through-hole mounting	Plastic

Further holders can be found on our website

/ 2D-CODE IDENTIFICATION

RELIABLE SOLUTIONS FOR READING CODES

Two-dimensional codes mostly consist of square-shaped groups of data cells (matrix) with a typical orientation symbol from which the code type can be recognized. Thus, 2D-identification is ideally suited for additional applications, such as parts tracking, in which codes are directly affixed to the work piece.



Stationary 2D-code readers

Page 430

Mobile 2D-code readers

Page 439



Switching sensors

Measuring sensors

Products for safety at work

Identification

Data transmission / Control components

Industrial image processing

Accessories

//STATIONARY 2D-CODE READERS

FOR STATIONARY USE – BUT STILL HIGHLY DYNAMIC READERS

Our code readers capture 1D- and 2D-codes without fail; depending on the type, printed to directly marked, omnidirectional, static or in fast motion, inverse or mirrored codes. You also benefit from the reference code comparison. Whether small, robust, IP 67/69K, extremely fast or high-end functions, you'll find the optimum solution with us.

/// DCR 200i



The DCR 200i is a small, camera-based 1D and 2D code reader. Thanks to its simple and intuitive operation and configuration, the product can be integrated in different applications extremely quickly. It can be configured either via a web-based software tool with simple installation wizard and menu selection or directly on the device. Additionally, configuration via configuration codes can be carried out via smartphone app. Optics models are available for larger operating ranges or miniature codes. For fieldbus integration, standard interfaces such as PROFINET or Ethernet TCP/IP are provided. The stainless steel housing model with degree of protection IP 67/IP 69K meets the highest requirements regarding resistance against cleaning agents.



Benefits:

- Setup wizard intuitively guides you through the basic settings to speed up commissioning and avoid errors
- Stainless steel model with IP 67/IP 69K
- Configuration via a smartphone app
- Integrated Ethernet, PROFINET, RS 232/422 interfaces
- High reading performance through powerful LED illumination
- Three optics models cover reading distances from approx. 40 ... 360 mm
- With its modular design, the DCR 200i can be flexibly adapted to the respective requirements



Direct access to the online product selector at www.leuze.com/en/dcr200i

Part no.	Part description	Reading distance	Resolution, horizontal Resolution, vertical	Module size	Optics cover	Light source	Interface	Degree of protection	Special design Type of display
50128784	DCR 202i FIX-F1-102-R3	70 ... 360 mm	1,280 px 960 px	0.19 ... 0.5 mm	Plastic	LED, red	Ethernet, RS 232, RS 422	IP 65	LED
50128787	DCR 202i FIX-F1-102-R3-G	70 ... 360 mm	1,280 px 960 px	0.19 ... 0.5 mm	Glass	LED, red	Ethernet, RS 232, RS 422	IP 65	LED
50134101	DCR 202i FIX-F1-102-R3-G-V	70 ... 360 mm	1,280 px 960 px	0.19 ... 0.5 mm	Glass	LED, red	Ethernet, RS 232, RS 422	IP 67, IP 69K	LED
50128790	DCR 202i FIX-F1-102-R3-P	70 ... 360 mm	1,280 px 960 px	0.19 ... 0.5 mm	Glass with polarization filter	LED, red	Ethernet, RS 232, RS 422	IP 65	Polarization filter LED
50134098	DCR 202i FIX-F1-102-R3-V	70 ... 360 mm	1,280 px 960 px	0.19 ... 0.5 mm	Plastic	LED, red	Ethernet, RS 232, RS 422	IP 67, IP 69K	LED
50137570	DCR 202i FIX-L1-102-R3	50 ... 800 mm	1,280 px 960 px	0.35 ... 1 mm	Plastic	LED, red	Ethernet, RS 232, RS 422	IP 65	LED
50137571	DCR 202i FIX-L1-102-R3-G	50 ... 800 mm	1,280 px 960 px	0.35 ... 1 mm	Glass	LED, red	Ethernet, RS 232, RS 422	IP 65	LED
50128783	DCR 202i FIX-M1-102-R3	50 ... 220 mm	1,280 px 960 px	0.19 ... 0.5 mm	Plastic	LED, red	Ethernet, RS 232, RS 422	IP 65	LED
50128786	DCR 202i FIX-M1-102-R3-G	50 ... 220 mm	1,280 px 960 px	0.19 ... 0.5 mm	Glass	LED, red	Ethernet, RS 232, RS 422	IP 65	LED
50134100	DCR 202i FIX-M1-102-R3-G-V	50 ... 220 mm	1,280 px 960 px	0.19 ... 0.5 mm	Glass	LED, red	Ethernet, RS 232, RS 422	IP 67, IP 69K	LED
50128789	DCR 202i FIX-M1-102-R3-P	50 ... 220 mm	1,280 px 960 px	0.19 ... 0.5 mm	Glass with polarization filter	LED, red	Ethernet, RS 232, RS 422	IP 65	Polarization filter LED
50134097	DCR 202i FIX-M1-102-R3-V	50 ... 220 mm	1,280 px 960 px	0.19 ... 0.5 mm	Plastic	LED, red	Ethernet, RS 232, RS 422	IP 67, IP 69K	LED
50128782	DCR 202i FIX-N1-102-R3	40 ... 120 mm	1,280 px 960 px	0.127 ... 0.5 mm	Plastic	LED, red	Ethernet, RS 232, RS 422	IP 65	LED
50128785	DCR 202i FIX-N1-102-R3-G	40 ... 120 mm	1,280 px 960 px	0.127 ... 0.5 mm	Glass	LED, red	Ethernet, RS 232, RS 422	IP 65	LED
50134099	DCR 202i FIX-N1-102-R3-G-V	40 ... 120 mm	1,280 px 960 px	0.127 ... 0.5 mm	Glass	LED, red	Ethernet, RS 232, RS 422	IP 67, IP 69K	LED
50128788	DCR 202i FIX-N1-102-R3-P	40 ... 120 mm	1,280 px 960 px	0.127 ... 0.5 mm	Glass with polarization filter	LED, red	Ethernet, RS 232, RS 422	IP 65	Polarization filter LED
50134096	DCR 202i FIX-N1-102-R3-V	40 ... 120 mm	1,280 px 960 px	0.127 ... 0.5 mm	Plastic	LED, red	Ethernet, RS 232, RS 422	IP 67, IP 69K	LED
50137574	DCR 202i FIX-U2-102-R3	40 ... 75 mm	1,280 px 960 px	0.1 ... 0.25 mm	Plastic	LED, red	Ethernet, RS 232, RS 422	IP 65	LED

Part no.	Part description	Reading distance	Resolution, horizontal Resolution, vertical	Module size	Optics cover	Light source	Interface	Degree of protection	Special design Type of display
50134528	DCR 248i FIX-F2-102-R3	70 ... 360 mm	1,280 px 960 px	0.19 ... 0.5 mm	Plastic	LED, red	Ethernet, PROFINET, RS 232, RS 422	IP 65	LED
50134531	DCR 248i FIX-F2-102-R3-G	70 ... 360 mm	1,280 px 960 px	0.19 ... 0.5 mm	Glass	LED, red	Ethernet, PROFINET, RS 232, RS 422	IP 65	LED
50134535	DCR 248i FIX-F2-102-R3-P	70 ... 360 mm	1,280 px 960 px	0.19 ... 0.5 mm	Glass with polarization filter	LED, red	Ethernet, PROFINET, RS 232, RS 422	IP 65	Polarization filter LED
50137572	DCR 248i FIX-L1-102-R3	50 ... 800 mm	1,280 px 960 px	0.35 ... 1 mm	Plastic	LED, red	Ethernet, PROFINET, RS 232, RS 422	IP 65	LED
50137573	DCR 248i FIX-L1-102-R3-G	50 ... 800 mm	1,280 px 960 px	0.35 ... 1 mm	Glass	LED, red	Ethernet, PROFINET, RS 232, RS 422	IP 65	LED
50134527	DCR 248i FIX-M1-102-R3	50 ... 220 mm	1,280 px 960 px	0.19 ... 0.5 mm	Plastic	LED, red	Ethernet, PROFINET, RS 232, RS 422	IP 65	LED
50134530	DCR 248i FIX-M1-102-R3-G	50 ... 220 mm	1,280 px 960 px	0.19 ... 0.5 mm	Glass	LED, red	Ethernet, PROFINET, RS 232, RS 422	IP 65	LED
50134534	DCR 248i FIX-M1-102-R3-P	50 ... 220 mm	1,280 px 960 px	0.19 ... 0.5 mm	Glass with polarization filter	LED, red	Ethernet, PROFINET, RS 232, RS 422	IP 65	Polarization filter LED
50134526	DCR 248i FIX-N1-102-R3	40 ... 120 mm	1,280 px 960 px	0.127 ... 0.5 mm	Plastic	LED, red	Ethernet, PROFINET, RS 232, RS 422	IP 65	LED
50134529	DCR 248i FIX-N1-102-R3-G	40 ... 120 mm	1,280 px 960 px	0.127 ... 0.5 mm	Glass	LED, red	Ethernet, PROFINET, RS 232, RS 422	IP 65	LED
50134533	DCR 248i FIX-N1-102-R3-P	40 ... 120 mm	1,280 px 960 px	0.127 ... 0.5 mm	Glass with polarization filter	LED, red	Ethernet, PROFINET, RS 232, RS 422	IP 65	Polarization filter LED

Switching sensors

Measuring sensors

Products for safety at work

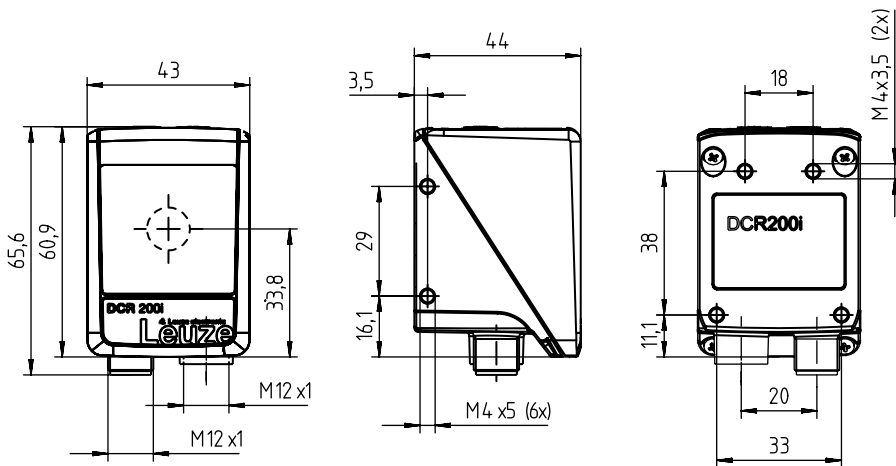
Identification

Data transmission / Control components

Industrial image processing

Accessories

Dimensioned drawings: DCR 200i



DCR 202i stationary 2D-code reader

ACCESSORIES: DCR 200i

Connection technology

Connection cables

Part no.	Part description	Connection 1	No. of pins	Cable length	Sheathing material
50134943	KD S-M12-CW-P1-050	Connector, M12, angled, female	12-pin	5,000 mm	PUR
50130281	KD S-M12-CA-P1-020	Connector, M12, axial, female	12-pin	2,000 mm	PUR
50130282	KD S-M12-CA-P1-050	Connector, M12, axial, female	12-pin	5,000 mm	PUR

Further connection cables can be found on our website

Interconnection cables

Part no.	Part description	Connection 1	Connection 1, no. of pins	Connection 2	Connection 2, no. of pins	Cable length	Sheathing material
50130284	KDS S-M12-CA-M12-CA-P1-020	Connector, M12, axial, female	12-pin	Connector, M12, axial, male	12-pin	2,000 mm	PUR
50130285	KDS S-M12-CA-M12-CA-P1-050	Connector, M12, axial, female	12-pin	Connector, M12, axial, male	12-pin	5,000 mm	PUR

Further interconnection cables can be found on our website

Mounting systems

Rod mounts

Part no.	Part description	Design	Fastening at device	Fastening at system	Material
50132150	BTU 320M-D12	Mounting system	Screw type	For 12 mm rod	Metal

Further rod mounts can be found on our website

Mounting bracket

Part no.	Part description	Design	Fastening at device	Fastening at system	Material
50132151	BT 320M	Angle, L-shape	Screw type	Through-hole mounting	Metal

Further mounting brackets can be found on our website

/// LSIS 220



The LSIS 220, with its optimized optics and resolution, offers large function reserves for reliable code reading, even while in motion. It quickly and reliably detects bar codes, stacked codes and 2D-codes.



Benefits:

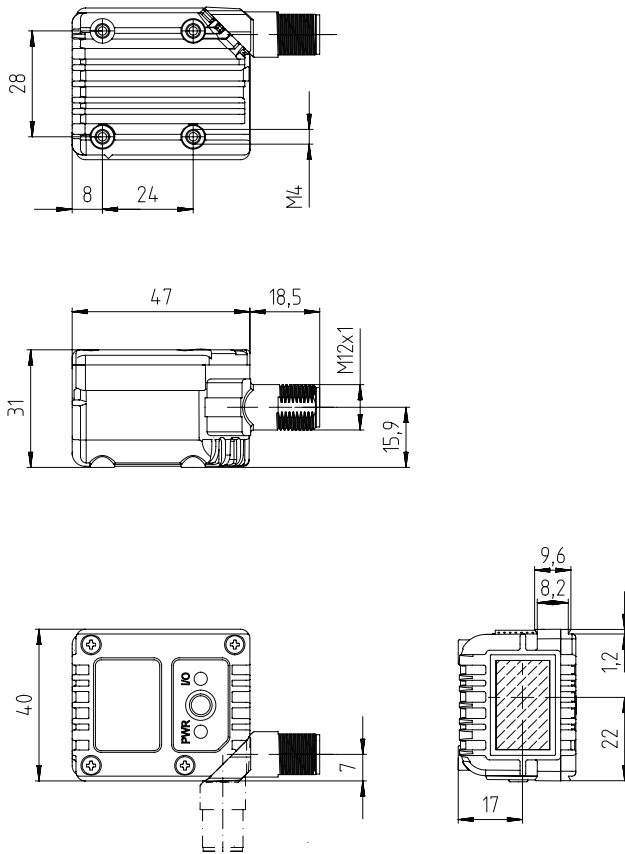
- Improved optics for larger read field and in-focus detection all the way to the edge areas, optimized resolution of 844x640 pixels for fast code reading
- Detection of 2D-codes, stacked codes and bar codes
- RS 232 or USB interface
- Switching input (trigger)
- Trigger button for manual activation and configuration
- Construction without mechanically moved parts, robust metal housing with glass window and degree of protection IP 65 make the devices very well suited for industrial use
- Extremely small construction size, also for installation under difficult conditions



Direct access to the online product selector at www.leuze.com/en/lisis220

Part no.	Part description	Reading distance	Resolution, horizontal Resolution, vertical	Module size	Optics cover	Interface	Degree of protection	Special design Type of display
50117536	LSIS 222 M5M-R1	50 ... 330 mm	844 px 640 px	0.127 ... 1 mm	Glass	RS 232	IP 65	LED
50117534	LSIS 223 M5M-R1	50 ... 330 mm	844 px 640 px	0.127 ... 1 mm	Glass	USB	IP 65	LED

Dimensioned drawings: LSIS 220



LSIS 22x stationary 2D-code reader

Switching sensors

Measuring sensors

Products for safety at work

ACCESSORIES: LSIS 22X

Connection technology

Interconnection cables

Part no.	Part description	Connection 1	Connection 1, no. of pins	Connection 2	Connection 2, no. of pins	Cable length	Interface	Sheathing material
50135145	KDS S-M12-8A-M12-8A-P1-020	Connector, M12, axial, female	8-pin	Connector, M12, axial, male	8-pin	2,000 mm		PUR
50111225	KB JST-M12A-8P-3000	Connector, M12, axial, female	8-pin	JST ZHR		3,000 mm	RS 232	PUR
50111227	KB M12A-8P-USB-3000	Connector, M12, axial, female	8-pin	USB		3,000 mm	USB	PUR

Further interconnection cables can be found on our website

Mounting systems

Rod mounts

Part no.	Part description	Design	Fastening at device	Fastening at system	Material
50117253	BTU 300M-D10	Mounting system, clampable, adjustable, turnable, 360 °	Screw type	For 10 mm rod, sheet-metal mounting	Metal
50117252	BTU 300M-D12	Mounting system, clampable, adjustable, turnable, 360 °	Screw type	For 12 mm rod, sheet-metal mounting	Metal
50117251	BTU 300M-D14	Mounting system, clampable, adjustable, turnable, 360 °	Screw type	For 14 mm rod, sheet-metal mounting	Metal

Further rod mounts can be found on our website

Identification

Data transmission / Control components

Industrial image processing

Accessories

/// LSIS 422



This device combines innovative camera technology and decades of know-how from 1D-code reading. It functions omnidirectionally, with fast motion and even with low contrast.



Benefits:

- Optimized camera resolution of 752x480 pixels for fast identification, even of low-contrast codes
- CMOS code reader for 1D- and 2D-codes with high resolution
- External triggering
- Multiple code reading
- Omnidirectional reading
- Motor-driven focus adjustment
- Construction with integrated illumination for industrial use
- Indicator for completed read operations

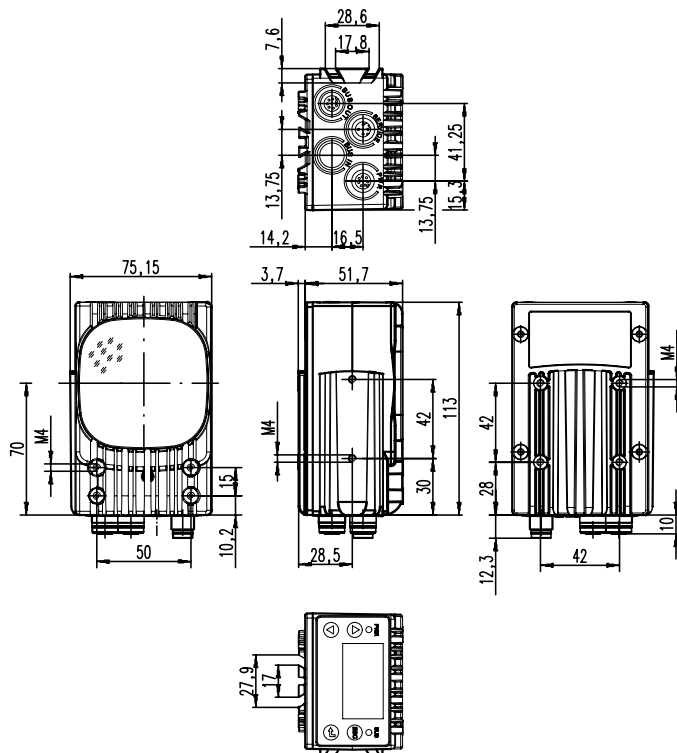


Direct access to the online product selector at www.leuze.com/en/lsis422i

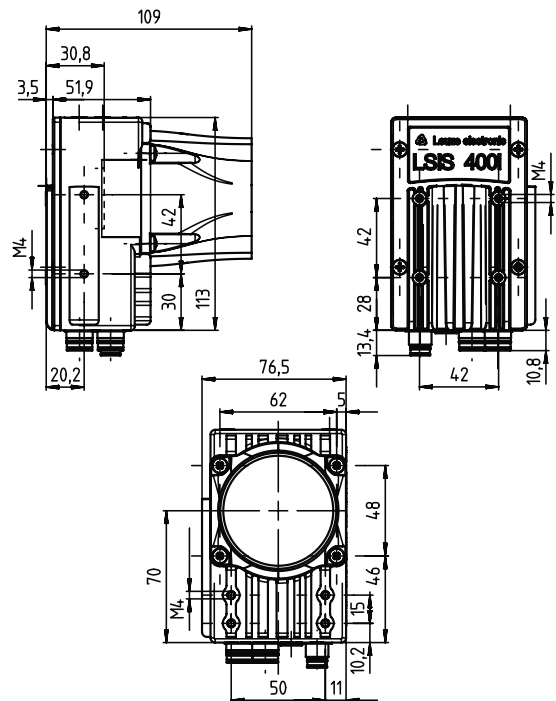
Part no.	Part description	Focal length	Resolution, horizontal Resolution, vertical	Optics cover	Light source	Interface	Degree of protection	Special design Type of display
50116978	LSIS 422i M43-I1	8 mm	752 px, 480 px	Glass	LED, infrared	Ethernet, RS 232	IP 65, IP 67	LED, monochromatic graphical display, 128x64 pixel
50116977	LSIS 422i M43-I1-01	8 mm	752 px, 480 px	Plastic	LED, infrared	Ethernet, RS 232	IP 65, IP 67	LED, monochromatic graphical display, 128x64 pixel
50116980	LSIS 422i M43-M1	8 mm	752 px, 480 px	Glass	LED, RGB	Ethernet, RS 232	IP 65, IP 67	LED, monochromatic graphical display, 128x64 pixel
50116979	LSIS 422i M43-M1-01	8 mm	752 px, 480 px	Plastic	LED, RGB	Ethernet, RS 232	IP 65, IP 67	LED, monochromatic graphical display, 128x64 pixel
50108178	LSIS 422i M43-W1	8 mm	752 px, 480 px	Glass	LED, white	Ethernet, RS 232	IP 65, IP 67	LED, monochromatic graphical display, 128x64 pixel
50113055	LSIS 422i M43-W1-01	8 mm	752 px, 480 px	Plastic	LED, white	Ethernet, RS 232	IP 65, IP 67	LED, monochromatic graphical display, 128x64 pixel
50116982	LSIS 422i M45-I1	16 mm	752 px, 480 px	Glass	LED, infrared	Ethernet, RS 232	IP 65, IP 67	LED, monochromatic graphical display, 128x64 pixel
50116981	LSIS 422i M45-I1-01	16 mm	752 px, 480 px	Plastic	LED, infrared	Ethernet, RS 232	IP 65, IP 67	LED, monochromatic graphical display, 128x64 pixel
50116984	LSIS 422i M45-M1	16 mm	752 px, 480 px	Glass	LED, RGB	Ethernet, RS 232	IP 65, IP 67	LED, monochromatic graphical display, 128x64 pixel
50116983	LSIS 422i M45-M1-01	16 mm	752 px, 480 px	Plastic	LED, RGB	Ethernet, RS 232	IP 65, IP 67	LED, monochromatic graphical display, 128x64 pixel
50109829	LSIS 422i M45-W1	16 mm	752 px, 480 px	Glass	LED, white	Ethernet, RS 232	IP 65, IP 67	LED, monochromatic graphical display, 128x64 pixel
50113054	LSIS 422i M45-W1-01	16 mm	752 px, 480 px	Plastic	LED, white	Ethernet, RS 232	IP 65, IP 67	LED, monochromatic graphical display, 128x64 pixel
50117093	LSIS 422i M49-X9		752 px, 480 px	Glass		Ethernet, RS 232	IP 65, IP 67	LED, monochromatic graphical display, 128x64 pixel

With the LSIS 4xxi...X9, the focal length depends on the used lens
Detailed information can be found online on www.leuze.com/en/lsis422i

Dimensioned drawings: LSIS 422i



LSIS 422 stationary 2D-code reader



LSIS 422 stationary 2D-code reader, C-Mount

ACCESSORIES: LSIS 422i

Connection technology

Connection cables

Part no.	Part description	Connection 1	No. of pins	Cable length	Sheathing material
50135139	KS S-M12-8A-P1-050	Connector, M12, axial, male	8-pin	5,000 mm	PUR
50135122	KD U-M12-8A-P1-050	Connector, M12, axial, female	8-pin	5,000 mm	PUR

Further connection cables can be found on our website

Interconnection cables

Part no.	Part description	Connection 1	Connection 1, no. of pins	Connection 2	Connection 2, no. of pins	Cable length	Interface	Sheathing material
50130631	KSS ET-M12-4A-M12-4A-P7-010	Connector, M12, axial, male	4-pin	Connector, M12, axial, male	4-pin	1,000 mm	Ethernet	PUR
50130632	KSS ET-M12-4A-RJ45-A-P7-010	Connector, M12, axial, male	4-pin	RJ45		1,000 mm	Ethernet	PUR
50137077	KSS ET-M12-4A-M12-4A-P7-020	Connector, M12, axial, male	4-pin	Connector, M12, axial, male	4-pin	2,000 mm	Ethernet	PUR
50137078	KSS ET-M12-4A-M12-4A-P7-050	Connector, M12, axial, male	4-pin	Connector, M12, axial, male	4-pin	5,000 mm	Ethernet	PUR
50137079	KSS ET-M12-4A-M12-4A-P7-100	Connector, M12, axial, male	4-pin	Connector, M12, axial, male	4-pin	10,000 mm	Ethernet	PUR
50137080	KSS ET-M12-4A-M12-4A-P7-150	Connector, M12, axial, male	4-pin	Connector, M12, axial, male	4-pin	15,000 mm	Ethernet	PUR

Further interconnection cables can be found on our website

Mounting systems

Rod mounts

Part no.	Part description	Design	Fastening at device	Fastening at system	Material
50027375	BT 56	Mounting system	Clampable	For 16 mm rod, for 18 mm rod, 20 mm rod	Metal

Further rod mounts can be found on our website

/// DCR 40



Very small and light scan engine with integrated decoder for all common 1D and 2D codes. Data transmission via a configurable RS 232 interface.



Benefits:

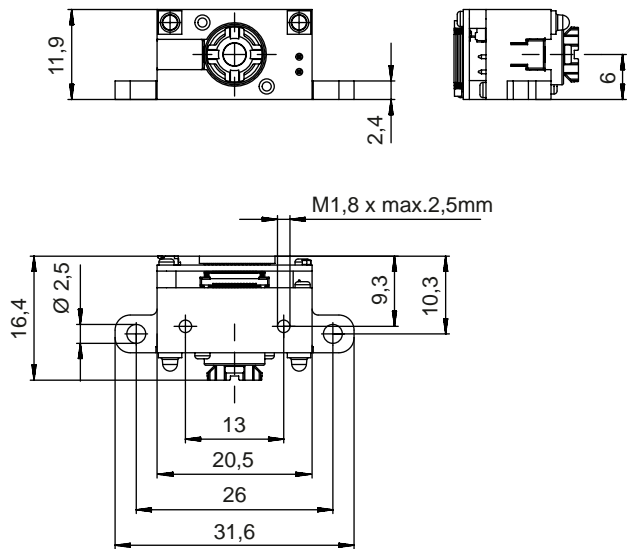
- CMOS Imager Scan Engine for all common 1D and 2D codes
- Excellent reading and decoding characteristics
- Very small construction that can be integrated
- Integrated decoder
- RS 232 interface
- Operating temperature from 0 °C to +50 °C



Direct access to the online product selector at www.leuze.com/en/dcr40

Part no.	Part description	Reading distance	Resolution, horizontal Resolution, vertical	Module size	Interface	Special design Type of display
50134999	DCR40M2/R2	30 ... 425 mm	1,280 px 960 px	0.127 ... 0.528 mm	RS 232	Scan engine module buzzer LED
50136738	DCR40M2/R2-MTX	30 ... 425 mm	1,280 px 960 px	0.127 ... 0.528 mm	RS 232	Scan engine module buzzer LED

Dimensioned drawings: DCR 40



DCR 40 stationary 2D-code reader

ACCESSORIES: DCR 40

Connection technology

Adapter

Part no.	Part description	Description	Connection 1	Connection 2
50136748	DCR40-IFK	Interface kit for operating the DCR 40 on the MA-CR	Molex connector	Molex connector

Further connection cables can be found on our website

Commissioning

Start-up/diagnosis

Part no.	Part description	Description
50128204	MA-CR	Adapter circuit board for laboratory and test purposes

Further rod mounts can be found on our website

/// DCR 50



Compact code reader as module or in aluminum housing. CMOS imager and integrated decoder for all commonly used 1D and 2D codes. RS 232 or USB interface, one trigger input, one switching output, degree of protection IP 54.



Benefits:

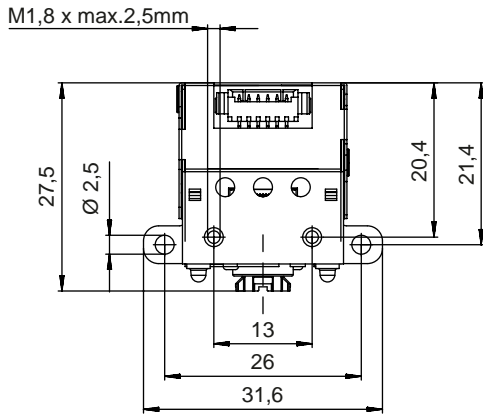
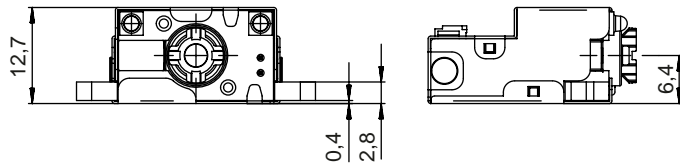
- Very small construction
- Ready to read all common codes
- RS 232 or USB interface
- Simple configuration with the Sensor Studio PC software



Direct access to the online product selector at www.leuze.com/en/dcr50

Part no.	Part description	Reading distance	Resolution, horizontal Resolution, vertical	Module size	Interface	Special design Type of display
50135000	DCR50M2/R2	30 ... 425 mm	1,280 px 960 px	0.127 ... 0.528 mm	RS 232	Scan engine module buzzer LED

Dimensioned drawings: DCR 50



DCR 50 stationary 2D-code reader

Switching sensors

Measuring sensors

ACCESSORIES: DCR 50

Commissioning

Start-up/diagnosis

Part no.	Part description	Description
50128204	MA-CR	Adapter circuit board for laboratory and test purposes

Further rod mounts can be found on our website

Products for safety at work

/// DCR 80 / DCR 85



Available as a module or in light aluminum housing. Data transmission via a configurable RS 232 interface.



Benefits:

- Very small construction
- Ready to read all common codes
- RS 232 interface
- Simple configuration with the Sensor Studio PC software



Direct access to the online product selector at www.leuze.com/en/dcr80_dcr85

Identification

Data transmission / Control components

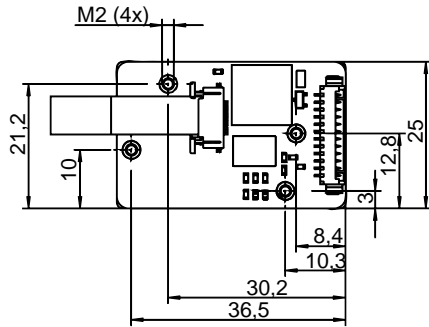
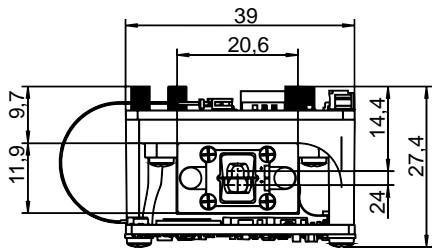
Part no.	Part description	Reading distance	Resolution, horizontal Resolution, vertical	Module size	Optics cover	Interface	Special design Type of display
50129208	DCR80M2/R2-S5	20 ... 300 mm	1,280 px 960 px	0.076 ... 0.5 mm		RS 232	Scan engine module buzzer LED
50131458	DCR85M2/R2	20 ... 300 mm	1,280 px 960 px	0.076 ... 0.5 mm	Plastic	RS 232	LED
50131581	DCR85M2/R2-150-M12.8	20 ... 300 mm	1,280 px 960 px	0.076 ... 0.5 mm	Plastic	RS 232	LED

Industrial image processing

Accessories



Dimensioned drawings: DCR 80 / DCR 85



DCR 80 stationary 2D-code reader

ACCESSORIES: DCR 80 / DCR 85

Commissioning

Start-up/diagnosis

Part no.	Part description	Description
50128204	MA-CR	Adapter circuit board for laboratory and test purposes

Further rod mounts can be found on our website

SMART IS TO THINK EASY

Easy handling, mounting and alignment, uncomplicated integration in fieldbus systems and fast configuration.

Discover our product innovations!



Direct access to our product innovations: www.leuze.com/en/innovations



//MOBILE 2D-CODE READERS

FLEXIBLE AND PRECISE WITH ONE HAND

In addition to 2D-codes, all mobile code readers from Leuze electronic also read bar codes and can, thus, be used very flexibly. Even with low contrast and on surfaces such as metal or plastic, the high-quality reading technology functions absolutely reliably. Available as interfaces are RS 232, PS2, USB and Bluetooth.

/// General applications



In addition to 2D-codes, all mobile code readers from Leuze electronic also read bar codes (1D-codes) and are therefore extremely flexible and versatile. Typical interfaces are RS 232 or USB, and Bluetooth as the wireless interface.



Benefits:

- Various optics models for optimum reading range
- Cable-connected or with Bluetooth for RS 232 or USB interface
- Devices for universal use
- Degree of protection up to IP 41
- Temperature range from 0 to +50 °C



Direct access to the online product selector at www.leuze.com/en/2D-code-reader_aa

Part no.	Part description	Reading distance	Bluetooth	Interface	Drop height	Degree of protection	Connection	Ambient temperature, operation
50114504	IT 1900g ER-2	25 ... 596 mm		PS/2, USB, RS 232	1.8 m	IP 41	RJ41	0 ... 50 °C
50114507	IT 1900g HD-2	0 ... 233 mm		PS/2, USB, RS 232	1.8 m	IP 41	RJ41	0 ... 50 °C
50114509	IT 1900g SR-2	10 ... 584 mm		PS/2, USB, RS 232	1.8 m	IP 41	RJ41	0 ... 50 °C
50114511	IT 1902g ER-2	25 ... 596 mm	Class 2	PS/2, USB, RS 232	1.8 m	IP 41	Bluetooth	0 ... 50 °C
50114513	IT 1902g HD-2	0 ... 233 mm	Class 2	PS/2, USB, RS 232	1.8 m	IP 41	Bluetooth	0 ... 50 °C
50114515	IT 1902g SR-2	10 ... 584 mm	Class 2	PS/2, USB, RS 232	1.8 m	IP 41	Bluetooth	0 ... 50 °C

ACCESSORIES: IT 190X

Connection technology

Interconnection cables

Part no.	Part description	Connection 1	Connection 2	Cable length	Interface	Sheathing material
50113397	KB JST-HS-300	JST ZHR	Sub-D, male, axial	300 mm	RS 232	PUR
50114521	KB USB-1 IT190x	USB	RJ41	3,000 mm	USB	PVC
50114523	KB USB-2 IT190x	USB	RJ41	5,000 mm	USB	PVC

Further interconnection cables can be found on our website

Base station for IT 1902

Part no.	Part description	Connection 1	Connection 2	Connection 3
50115738	Access Point f. IT	Bluetooth	RJ41	
50114492	Base f. IT 1902	RJ41	Jack socket	Bluetooth

Further base stations can be found on our website

Power supply units

Part no.	Part description	Type of power supply unit	Output
50114525	NT f. IT 1900+Base-EU	Plug-in power supply unit	5VDC, 1 A

Further power supply units can be found on our website

Mounting systems

Mounting brackets

Part no.	Part description	Design	Fastening at device	Fastening at system	Material
50114498	BT Holder IT 190x	Table foot	Insertable	Self-supporting	Plastic
50115739	BT Wallholder IT190x	Wall mounting	Insertable	Mounting thread	Plastic

Further holders can be found on our website

Switching sensors

Measuring sensors

Products for safety at work

Identification

Data transmission / Control components

Industrial image processing

Accessories

/// Industrial applications



Even with low contrast and on surfaces such as metal or plastic, the high-quality reading technology functions absolutely reliably. Due to their enormous depth of field, the autofocus versions in particular provide an extremely high degree of flexibility with regard to their application.



Benefits:

- Various optics models for optimum reading range
- Cable-connected or with Bluetooth for RS 232 or USB interface
- Devices for robust or rough areas of application
- Degree of protection up to IP 65
- Temperature range from -30 to +50 °C



Direct access to the online product selector at www.leuze.com/en/2D-code-reader_ia

Part no.	Part description	Reading distance	Bluetooth	Interface	Drop height	Degree of protection	Connection	Ambient temperature, operation
50122436	IT 1910i ER-3	25 ... 596 mm		PS/2, USB, RS 232	2 m	IP 65	RJ41	-30 ... 50 °C
50122434	IT 1911i ER-3	25 ... 596 mm	Class 1	PS/2, USB, RS 232	2 m	IP 65	Bluetooth	-20 ... 50 °C
50130497	IT 1980i FR-3	10 ... 16,000 mm		PS/2, USB, RS 232	2 m	IP 65	RJ41	-30 ... 50 °C
50130495	IT 1981i FR-3	100 ... 16,000 mm	Class 1	PS/2, USB, RS 232	2 m	IP 65	Bluetooth	-20 ... 50 °C

ACCESSORIES: IT 19XX

Connection technology

Interconnection cables

Part no.	Part description	Connection 1	Connection 2	Cable length	Interface	Sheathing material
50113397	KB JST-HS-300	JST ZHR	Sub-D, male, axial	300 mm	RS 232	PUR
50114521	KB USB-1 IT190x	USB	RJ41	3,000 mm	USB	PVC
50114523	KB USB-2 IT190x	USB	RJ41	5,000 mm	USB	PVC

Further interconnection cables can be found on our website

Base station for IT 19x1

Part no.	Part description	Connection 1	Connection 2	Connection 3	Drop height
50115738	Access Point f. IT	Bluetooth	RJ41		
50122431	Base f. IT 1911	RJ41	Jack socket	Bluetooth	1.2 m

Further base stations can be found on our website

Power supply units

Part no.	Part description	Type of power supply unit	Output
50123862	NT Base IT1911-EU	Plug-in power supply unit	5VDC, 1 A
50114525	NT f. IT 1900+Base-EU	Plug-in power supply unit	5VDC, 1 A

Further power supply units can be found on our website

Mounting systems

Mounting brackets

Part no.	Part description	Design	Fastening at device	Fastening at system	Material
50107034	BT Rope IT		Insertable	Suspended (rope)	Plastic
50120444	BT Wallholder HS65x8	Wall mounting	Insertable	Through-hole mounting	Plastic

Further holders can be found on our website

/// Directly marked codes (DPM)



Codes that are engraved, dot-peened or lasered directly on the object pose a real challenge because such codes usually have only a low contrast. The special industrial hand-held scanners in this category are able to perform even the most difficult of detection tasks.



Benefits:

- Various types of optics and illumination for optimum read results
- Cable-connected or with Bluetooth for RS 232 or USB interface
- Devices for robust or rough areas of application also available
- Degree of protection up to IP 65
- Temperature range from -30 to +50 °C



Direct access to the online product selector at www.leuze.com/en/2D-code-reader_dpm

Part no.	Part description	Reading distance	Bluetooth	Interface	Drop height	Degree of protection	Connection	Ambient temperature, operation
50138136	IT 1920i DPM	0 ... 162 mm		USB, RS 232	2.0 m	IP 65	RJ41	0 ... 50 °C
50130487	HCR 6200 DPM	0 ... 200 mm		USB, RS 232	1.8 m	IP 54	RJ41	-20 ... 55 °C
50138140	HS 6608 DPM	0 ... 150 mm		USB, RS 232	2.4 m	IP 67	RJ41	-20 ... 50 °C
50138138	HS 6678 DPM	0 ... 150 mm	Class 1	USB, RS 232	2.4 m	IP 67	Bluetooth	-20 ... 50 °C

ACCESSORIES: IT 1920i

Connection technology

Interconnection cables

Part no.	Part description	Connection 1	Connection 1, no. of pins	Connection 2	Connection 2, no. of pins	Cable length	Interface	Sheathing material
50115069	KB 232-1 f. FIS 6170	Sub-D, female, axial	9-pin	Connector, pluggable, axial, male	8-pin	2,000 mm	RS 232	PVC
50113397	KB JST-HS-300	JST ZHR		Sub-D, male, axial		300 mm	RS 232	PUR

Further interconnection cables can be found on our website

Mounting systems

Mounting brackets

Part no.	Part description	Design	Fastening at device	Fastening at system	Material
50120444	BT Wallholder HS65x8	Wall mounting	Insertable	Through-hole mounting	Plastic

Further holders can be found on our website

ACCESSORIES: HCR 6200

Connection technology

Interconnection cables

Part no.	Part description	Connection 1	Connection 2	Cable length	Interface	Sheathing material
50130489	KSS CR-USB-AA-RJ41-A-T0-018	USB	RJ41	1,800 mm	USB	PVC

Further interconnection cables can be found on our website

Power supply units

Part no.	Part description	Type of power supply unit	Output
50130490	NT HCR 6200	Plug-in power supply unit	5V DC, 1A

Further power supply units can be found on our website

Mounting systems

Mounting brackets

Part no.	Part description	Design	Fastening at device	Fastening at system	Material
50130491	BT Holder HCR 6200	Table foot	Insertable	Self-supporting	Plastic

Further holders can be found on our website

Switching sensors

Measuring sensors

Products for safety at work

Identification

Data transmission / Control components

Industrial image processing

Accessories

ACCESSORIES: HS 66X8

Connection technology

Interconnection cables

Part no.	Part description	Connection 1	Connection 1, no. of pins	Connection 2	Cable length	Interface	Sheathing material
50138353	KDS HS-SUB-9A-RJ41-AA-T1-020	Sub-D, female, axial	9-pin	RJ 41	2,000 mm	RS 232	TPE
50138360	KSS HS-USB-4A-RJ41-AA-T1-020	USB	4-pin	RJ 41	2,000 mm	USB	TPE

Further interconnection cables can be found on our website

Power supply units

Part no.	Part description	Type of power supply unit	Output
50138350	NT HS66x8-Schuko	Desktop power supply unit	12VDC, 1A

Further power supply units can be found on our website

Mounting systems

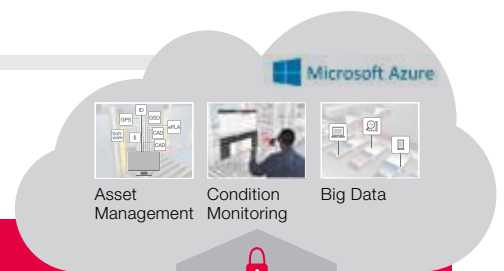
Mounting brackets

Part no.	Part description	Design	Fastening at device	Fastening at system	Material
50120444	BT Wallholder HS65x8	Wall mounting	Insertable	Through-hole mounting	Plastic

Further holders can be found on our website

SMART IS TO CREATE THE FUTURE

Intelligent sensors provide the foundation for Industry 4.0/IIoT. We have a very clear idea of what the future will look like, and we develop innovative sensor concepts for it.



We are creating the future: www.smart-sensor-business.com

/ RF IDENTIFICATION

EVERYTHING CLEAR EVEN WITH POOR VISIBILITY

With RFID, no direct “visual contact” between the read-write unit and transponder is necessary. Information from the transponder is received by means of electromagnetic waves. As a result, these systems can be used practically and reliably under even the most adverse conditions.



Switching sensors

Measuring sensors

Products for safety at work

Identification

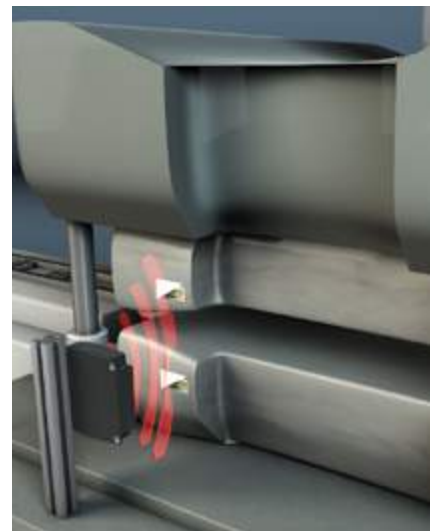
Stationary RFID read/write systems

Page 444

Transponders

Page 446

Data transmission / Control components



Industrial image processing

Accessories

//STATIONARY RFID READ/WRITE SYSTEMS

NEARLY INVISIBLE INTEGRATION

With stationary systems, proximity to the reader suffices for the detection of objects. As a result, readers can be integrated at nearly any location in the system. Our RFID solutions offer various operating ranges and simplify integration in existing systems through maximum connectivity.

/// RFI 32



This stationary reader for fixcode transponders can be used for universal reading tasks, even at high ambient temperatures.



Benefits:

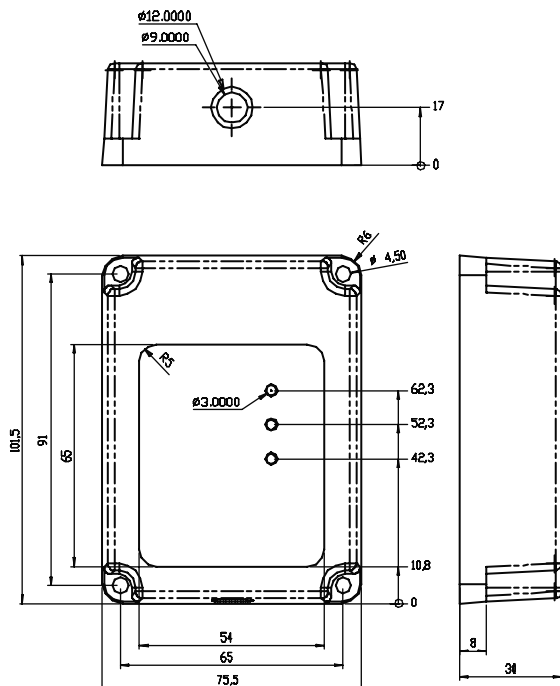
- Max. reading speed up to 0.6 m/s
- Reliable detection in adverse environments to 200 °C
- Max. reading distance to 80 mm
- Highly visible status LEDs, PCB connectors
- Industrial transponder selection
- RS 232 with trigger input and switching output



Direct access to the online product selector at www.leuze.com/en/rfi32

Part no.	Part description	Design	Reading distance	Working frequency	Interface	Connection	Functions
50040500	RFI 32 L 120	Cubic	80 mm	0.125 MHz	RS 232	Cable with socket connector, 1,000 mm	I/O reading-gate control, LED indicators, configurable operating modes

Dimensioned drawings: RFI 32



RFID read device RFI 32

/// RFM 12 / 32 / 62



For ISO15693 transponders, Leuze electronic offers three read/write devices that offer the right range for typical applications. One of the devices is also available in Ex-design.



Benefits:

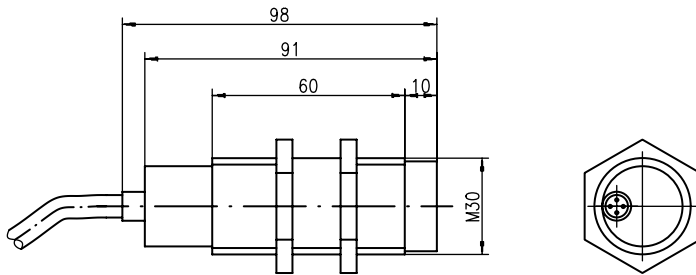
- Max. reading speed of 2.0 ... 6.0 m/s
- Max. reading distance 50 ... 500 mm
- Reliable detection with database updating in adverse environments to 220 °C
- Highly visible status LEDs, PCB connectors
- Large selection of industrial transponders with up to 1024 bytes
- RS 232 with trigger input and switching output
- Configuration via Leuze RF Config



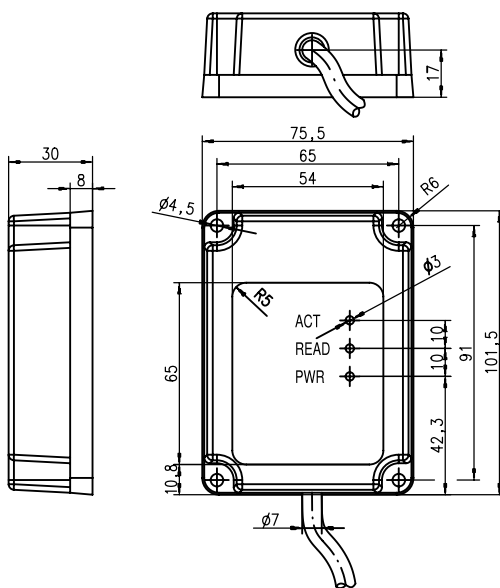
Direct access to the online product selector at www.leuze.com/en/rfm12_32_62

Part no.	Part description	Design	Reading/writing distance	Working frequency	Interface	Ex device group	Connection	Functions
50040497	RFM 12 SL 200	Cylindrical, M30	45 mm	13.56 MHz	RS 232		Cable with socket connector, 1,000 mm	Configurable operating modes, reading gate control, I/O
50040498	RFM 32 SL 200	Cubic	110 mm	13.56 MHz	RS 232		Cable with socket connector, 1,000 mm	I/O, configurable operating modes, reading gate control, LED indicators, multiple read / multiScan
50103087	RFM 32 SL 200 Ex-n	Cubic	110 mm	13.56 MHz	RS 232	II	Cable with socket connector, 10,000 mm	LED indicators, reading gate control, I/O, configurable operating modes, multiple read / multiScan
50040499	RFM 62 SL 200	Cubic	400 mm	13.56 MHz	RS 232		Cable with socket connector, 1,000 mm	I/O, LED indicators, reading gate control, configurable operating modes, multiple read / multiScan

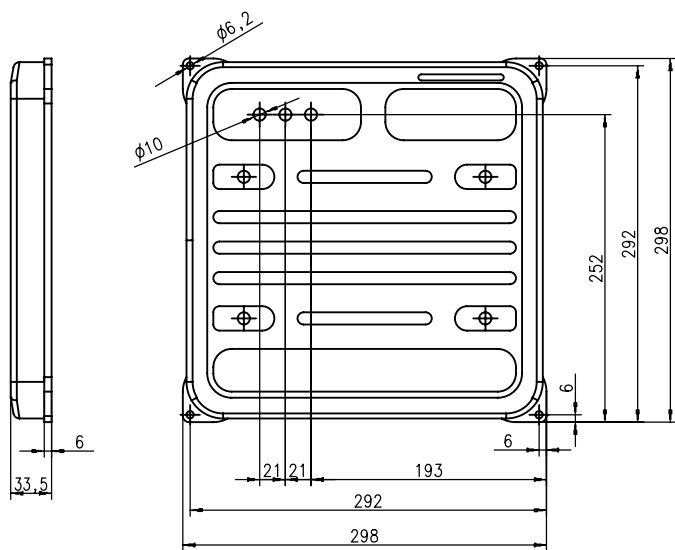
Dimensioned drawings: RFM 12 / 32 / 62



RFID read device RFM 12



RFID read device RFM 32



RFID read device RFM 62

Switching sensors

Measuring sensors

Products for safety at work

Identification

Data transmission / Control components

Industrial image processing

Accessories

//TRANSPONDERS

FROM FLAT TO ROBUST, EVERYTHING IS POSSIBLE

The areas of application for RFID are as broad as the requirements placed on transponders. Leuze electronic offers an extensive and high-quality product segment for all conceivable applications. It includes transponders for fault-free use on metal, high-temperature transponders, self-adhesive SmartLabels or chip cards.

/// TFI



This transponder with EM4002 chip is suitable for readers of the RFI series.



Benefits:

- Fixcode transponder with EM4002 chip (8 bytes), suitable for write/read units of the RFI series
- Industry transponder for temperatures up to 200 °C available as disk



Direct access to the online product selector at www.leuze.com/en/tfi

Part no.	Part description	Design	Dimensions	Working frequency	Memory size	Degree of protection	Ambient temperature, operation
50032396	TFI 03 1101.120	Disc	30 mm x 2.1 mm	0.125 MHz	8 B	IP 65	-20 ... 70 °C
50039070	TFI 03 1601.120	Disc	30 mm x 2.5 mm	0.125 MHz	8 B	IP 67	-20 ... 85 °C
50032395	TFI 05 1101.120	Disc	50 mm x 2.1 mm	0.125 MHz	8 B	IP 65	-20 ... 70 °C
50039069	TFI 05 1601.120	Disc	50 mm x 2.5 mm	0.125 MHz	8 B	IP 67	-20 ... 85 °C

Dimensional tolerances for all specified dimensions: ± 0.5 mm

/// TFM



The HF transponder with various memory sizes is suitable for the RFM / HFM readers as a self-adhesive/disc / card or high-temperature transponder, with Ex certification if necessary.

**Benefits:**

- ISO15693 transponder with 112 to 1024 bytes (I-CodeSLI / HFI or MyD) suitable for write/read units of the RFM... /HFM... series
- Industry transponder for temperatures up to 220 °C, available as disk, stickers and cards
- Special transponders on request



Direct access to the online product selector at www.leuze.com/en/tfm

Part no.	Part description	Design	Dimensions	Working frequency	Memory size	Degree of protection	Ex device group	Ambient temperature, operation
50107790	TFM 02 2210.210	Label	18 mm x 0.3 mm x 36 mm	13.56 MHz	112 B	IP 54		-20 ... 50 °C
50109232	TFM 05 2210.210	Label	50 mm x 0.3 mm x 50 mm	13.56 MHz	112 B	IP 54		-20 ... 50 °C
50102956	TFM 03 5125.220	Card	28 mm x 1 mm x 50 mm	13.56 MHz	256 B	IP 54		-20 ... 70 °C
50109233	TFM 08 2125.220	Card	54 mm x 1 mm x 86 mm	13.56 MHz	256 B	IP 68		-20 ... 70 °C
50102915	TFM 02 1125.220	Disc	22 mm x 3 mm	13.56 MHz	256 B	IP 68		-25 ... 85 °C
50102917	TFM 03 1110.210	Disc	30 mm x 2.5 mm	13.56 MHz	112 B	IP 66		-20 ... 70 °C
50106412	TFM 03 1510.210	Disc	30 mm x 2.5 mm	13.56 MHz	112 B	IP 68		-25 ... 85 °C
50108290	TFM 04 1190.230	Disc	40 mm x 2.5 mm	13.56 MHz	1,024 B	IP 66		-20 ... 70 °C
50102916	TFM 05 1110.210	Disc	50 mm x 2.5 mm	13.56 MHz	112 B	IP 66		-20 ... 85 °C
50108070	TFM 05 1110.Ex	Disc	54 mm x 15 mm	13.56 MHz	112 B	IP 67	II	-25 ... 60 °C
50106413	TFM 05 1510.210	Disc	50 mm x 2.5 mm	13.56 MHz	112 B	IP 68		-25 ... 85 °C
50127101	TFM 06 1110.210	Disc	56 mm x 10 mm	13.56 MHz	112 B	IP 65, IP 67		-25 ... 70 °C
50117412	TFM 08 1110.210	Disc	85 mm x 3 mm	13.56 MHz	112 B	IP 67, IP 65		-20 ... 70 °C
50114962	TFM 08 1610.210	Disc	85 mm x 13.5 mm	13.56 MHz	112 B	IP 68		-25 ... 100 °C

Dimensional tolerances for all specified dimensions: ± 0.5 mm

Switching sensors

Measuring sensors

Products for safety at work

Identification

Data transmission / Control components

Industrial image processing

Accessories

DATA TRANSMISSION / CONTROL COMPONENTS

ACCESS DATA QUICKLY AND SIMPLY

In addition to the actual device technology, the transfer of data and the connection of devices in a wide range of fieldbus environments are also given high priority and decisively influence the user friendliness and flexibility of your system. Discover innovative connection concepts and universal configuration solutions that also reveal unexpected efficiency potentials.



"Accepting technological challenges and integrating these in our optical sensors in dialog with our customers such that a recognizable benefit is gained – that is the focus of our product developments again and again."

Martin Tippmann,
Product Management –
Product Center Measuring Sensors



/ **Modular connection units**

Page 450

/ **Data transmission**

Page 460

/ **Power supply**

Page 470

Switching
sensors

Measuring
sensors

Products for
safety at work

Identification



Data transmission/
Control components

Industrial image
processing

Accessories

/ MODULAR CONNECTION UNITS

PUTTING IT ALL TOGETHER

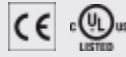
All peripheral devices – such as sensors, protective switches and cameras – are not worth much without networking to the fieldbus or a control unit. Depending on device type and area of application, our modular connection units offer variable interfaces that enable simple connection of the identification devices directly to the fieldbus and thus ensure simple integration of new devices in the system.



/// MA 200i



Fieldbus gateways for field use for connecting bar code readers and identification systems.



Benefits:

- Fieldbus gateway for RS 232 devices with pre-configuration for Leuze electronic Ident devices and sensors
- With service interface, 9 pin SubD
- Degree of protection IP 65



Direct access to the online product selector at www.leuze.com/en/ma200i

Part no.	Part description	Suitable for	Interface	Supply voltage	Degree of protection
50112893	MA 204i Profibus gateway	BCL 2x series bar code readers, BCL 8 series bar code readers, BPS 8 series bar code positioning system, HFxx series mobile RFID read/write systems, RFM 12 / 32 / 62, RFI 32, IT 1900 series mobile 2D-code readers, IT 1902 series mobile 2D-code readers, IT 1910 series mobile 2D-code readers, IT 1911 series mobile 2D-code readers, FIS series mobile 2D-code readers, HS 65x8, LSIS 222 series stationary 2D-code readers, DCR 200i series stationary 2D-code readers	PROFIBUS DP, RS 232	18 ... 30 V, DC	IP 65
50112892	MA 208i Ethernet gateway	BCL 2x series bar code readers, BCL 8 series bar code readers, BPS 8 series bar code positioning system, HFxx series mobile RFID read/write systems, RFM 12 / 32 / 62, RFI 32, IT 1900 series mobile 2D-code readers, IT 1902 series mobile 2D-code readers, IT 1910 series mobile 2D-code readers, IT 1911 series mobile 2D-code readers, FIS series mobile 2D-code readers, HS 65x8, LSIS 222 series stationary 2D-code readers	Ethernet, RS 232, TCP/IP, UDP	18 ... 30 V, DC	IP 65
50114154	MA 235i CANopen gateway	BCL 2x series bar code readers, BCL 8 series bar code readers, BPS 8 series bar code positioning system, HFxx series mobile RFID read/write systems, RFI 32, RFM 12 / 32 / 62, IT 1900 series mobile 2D-code readers, IT 1902 series mobile 2D-code readers, IT 1910 series mobile 2D-code readers, IT 1911 series mobile 2D-code readers, FIS series mobile 2D-code readers, HS 65x8, LSIS 222 series stationary 2D-code readers, DCR 200i series stationary 2D-code readers	CANopen, RS 232	18 ... 30 V, DC	IP 65
50114155	MA 238i EtherCAT gateway	BCL 2x series bar code readers, BCL 8 series bar code readers, BPS 8 series bar code positioning system, HFxx series mobile RFID read/write systems, RFM 12 / 32 / 62, RFI 32, IT 1900 series mobile 2D-code readers, IT 1902 series mobile 2D-code readers, IT 1910 series mobile 2D-code readers, IT 1911 series mobile 2D-code readers, FIS series mobile 2D-code readers, HS 65x8, LSIS 222 series stationary 2D-code readers, DCR 200i series stationary 2D-code readers	EtherCAT, RS 232	18 ... 30 V, DC	IP 65
50112891	MA 248i PROFINET gateway	BCL 2x series bar code readers, BCL 8 series bar code readers, HFxx series mobile RFID read/write systems, BPS 8 series bar code positioning system, RFM 12 / 32 / 62, RFI 32, IT 1900 series mobile 2D-code readers, IT 1902 series mobile 2D-code readers, IT 1910 series mobile 2D-code readers, IT 1911 series mobile 2D-code readers, FIS series mobile 2D-code readers, HS 65x8, LSIS 222 series stationary 2D-code readers, DCR 200i series stationary 2D-code readers, LSIS 4xxi series stationary 2D-code readers	PROFINET, RS 232	18 ... 30 V, DC	IP 65
50114156	MA 255i DeviceNet gateway	BCL 2x series bar code reader, BCL 8 series bar code readers, BPS 8 series bar code positioning system, HFxx series mobile RFID read/write systems, RFM 12 / 32 / 62, RFI 32, Optical distance sensors (ODS/L with RS232), IT 1900 series mobile 2D-code readers, IT 1902 series mobile 2D-code readers, IT 1910 series mobile 2D-code readers, IT 1911 series mobile 2D-code readers, FIS series mobile 2D-code readers, HS 65x8, LSIS 222 series stationary 2D-code readers, DCR 200i series stationary 2D-code readers	RS 232, DeviceNet	18 ... 30 V, DC	IP 67
50114157	MA 258i EtherNet/IP gateway	BCL 2x series bar code readers, BCL 8 series bar code readers, BPS 8 series bar code positioning system, HFxx series mobile RFID read/write systems, RFM 12 / 32 / 62, RFI 32, IT 1900 series mobile 2D-code readers, IT 1902 series mobile 2D-code readers, IT 1910 series mobile 2D-code readers, IT 1911 series mobile 2D-code readers, FIS series mobile 2D-code readers, HS 65x8, LSIS 222 series stationary 2D-code readers, DCR 200i series stationary 2D-code readers	EtherNet IP, RS 232	18 ... 30 V, DC	IP 65

Switching sensors

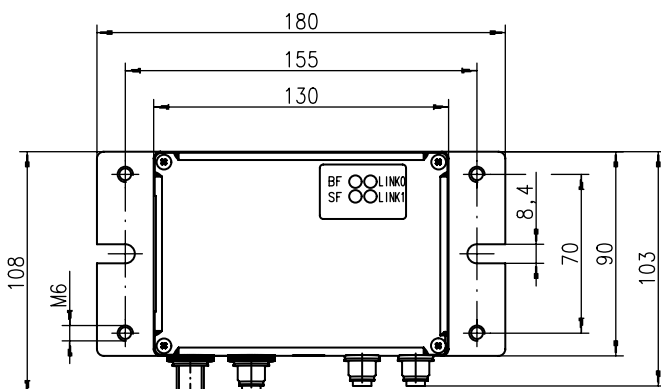
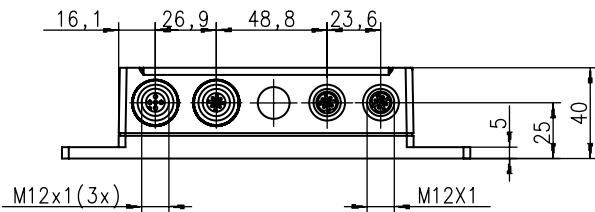
Measuring sensors

Products for safety at work

Identification

Data transmission/Control components

Dimensioned drawings: MA 200i



MA 2xxi modular connection unit

Industrial image processing

Accessories

ACCESSORIES: MA 200i

Connection technology

Connection cables

Part no.	Part description	Connection 1	No. of pins	Cable length	Interface	Sheathing material
50132079	KD U-M12-5A-V1-050	Connector, M12, axial, female	5-pin	5,000 mm		PVC
50114696	KB DN/CAN-5000 BA	Connector, M12, axial, female	5-pin	5,000 mm	DeviceNet, CANopen	PUR
50114697	KB DN/CAN-5000 SA	Connector, M12, axial, male	5-pin	5,000 mm	CANopen, DeviceNet	PUR
50135248	KS PB-M12-4A-P3-050	Connector, M12, axial, male	5-pin	5,000 mm	PROFIBUS DP	PUR
50135243	KD PB-M12-4A-P3-050	Connector, M12, axial, female	5-pin	5,000 mm	PROFIBUS DP	PUR
50115044	KB JST-3000	JST ZHR		3,000 mm	RS 232	PUR

Further connection cables can be found on our website

Interconnection cables

Part no.	Part description	Connection 1	Connection 1, no. of pins	Connection 2	Connection 2, no. of pins	Cable length	Interface	Sheathing material
50115049	K-DS M12A-MA-5P-3m-S-PUR	Connector, M12, axial, female	5-pin	JST ZHR		3,000 mm		PUR
50115050	K-DS M12A-MA-8P-3m-S-PUR	Connector, M12, axial, female	8-pin	JST ZHR		3,000 mm		PUR
50114698	KB DN/CAN-5000 SBA	Connector, M12, axial, male	5-pin	Connector, M12, axial, female	5-pin	5,000 mm	DeviceNet, CANopen	PUR
50130631	KSS ET-M12-4A-M12-4A-P7-010	Connector, M12, axial, male	4-pin	Connector, M12, axial, male	4-pin	1,000 mm	Ethernet	PUR
50130632	KSS ET-M12-4A-RJ45-A-P7-010	Connector, M12, axial, male	4-pin	RJ45		1,000 mm	Ethernet	PUR
50137077	KSS ET-M12-4A-M12-4A-P7-020	Connector, M12, axial, male	4-pin	Connector, M12, axial, male	4-pin	2,000 mm	Ethernet	PUR
50137078	KSS ET-M12-4A-M12-4A-P7-050	Connector, M12, axial, male	4-pin	Connector, M12, axial, male	4-pin	5,000 mm	Ethernet	PUR
50135081	KSS ET-M12-4A-RJ45-A-P7-050	Connector, M12, axial, male	4-pin	RJ45		5,000 mm	Ethernet	PUR
50137079	KSS ET-M12-4A-M12-4A-P7-100	Connector, M12, axial, male	4-pin	Connector, M12, axial, male	4-pin	10,000 mm	Ethernet	PUR
50137080	KSS ET-M12-4A-M12-4A-P7-150	Connector, M12, axial, male	4-pin	Connector, M12, axial, male	4-pin	15,000 mm	Ethernet	PUR
50135254	KDS PB-M12-4A-M12-4A-P3-050	Connector, M12, axial, female	5-pin	Connector, M12, axial, male	4-pin	5,000 mm	PROFIBUS DP	PUR
50113468	KB JST-M12A-8P-Y-3000	Connector, M12, axial, male	8-pin	JST ZHR		3,000 mm	RS 232	PUR
50113467	KB JST-M12A-5P-3000	Connector, M12, axial, female	5-pin	JST ZHR		3,000 mm	RS 232	PUR
50113397	KB JST-HS-300	JST ZHR		Sub-D, male, axial		300 mm	RS 232	PUR

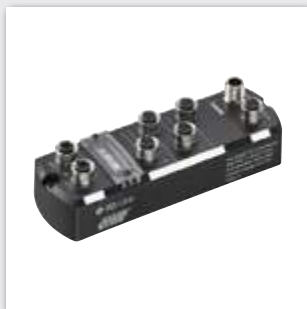
Further interconnection cables can be found on our website

User-configurable connectors

Part no.	Part description	Connection	No. of pins	Interface
50038538	KD 02-5-BA	Connector, M12, axial, female	5-pin	PROFIBUS DP, multiNet Plus
50038537	KD 02-5-SA	Connector, M12, axial, male	5-pin	PROFIBUS DP, multiNet Plus

Further connectors can be found on our website

/// MD 700i / MD 200i



Industrial Ethernet switches and IO-Link masters for connecting up to 4 sensors for integration in the fieldbus, such as PROFINET or Ethernet IP, integrated webConfig for configuration.



Benefits:

- Degree of protection IP 20 or IP 67
- Standardized RJ45 or M12 connection technology
- 4 / 8x Ethernet or IO-Link sensor ports
- Integrated webConfig for configuration and diagnosis of the IO-Link masters
- Power IN and Power OUT as well as switch for setting up a linear topology of the IO-Link masters



Direct access to the online product selector at www.leuze.com/en/md700i_md200i

Part no.	Part description	Suitable for	Interface	Supply voltage	Degree of protection
50131483	MD 248i-12-8K/L4-2R2K	IO-Link sensors	PROFINET	18 ... 30 V, DC	IP 67
50131485	MD 258i-12-8K/L4-2R2K	IO-Link sensors	EtherNet IP, Modbus TCP	18 ... 30 V, DC	IP 67
50135196	MD 708-21-42/D4-12	Ethernet	Ethernet	18 ... 30 V, DC	IP 67
50135197	MD 708-21-82/D4-12	Ethernet	Ethernet	18 ... 30 V, DC	IP 67
50131482	MD 748i-11-42/L5-2222	IO-Link sensors	PROFINET	18 ... 30 V, DC	IP 67
50131484	MD 758i-11-42/L5-2222	IO-Link sensors	EtherNet IP, Modbus TCP	18 ... 30 V, DC	IP 67

/// MA 100



Terminal box for BCL 300i/301i with KB301.



Benefits:

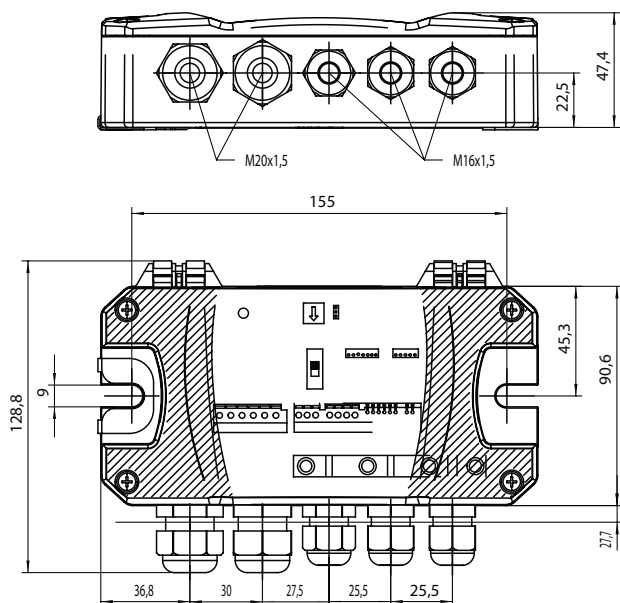
- External terminal box for BCL 300/301i with cable hood and address switch



Direct access to the online product selector at www.leuze.com/en/ma100

Part no.	Part description	Suitable for	Interface	Degree of protection
50114369	MA 100	BCL 300i, BCL 301i	RS 232, RS 485	IP 54

Dimensioned drawings: MA 100



MA 100 modular connection unit

Switching sensors

Measuring sensors

Products for safety at work

Identification

Data transmission/Control components

Industrial image processing

Accessories

/// MA 2

Connection unit with separate RS 232 service interface for BCL 21/22, RFID systems, RFI and RFM.

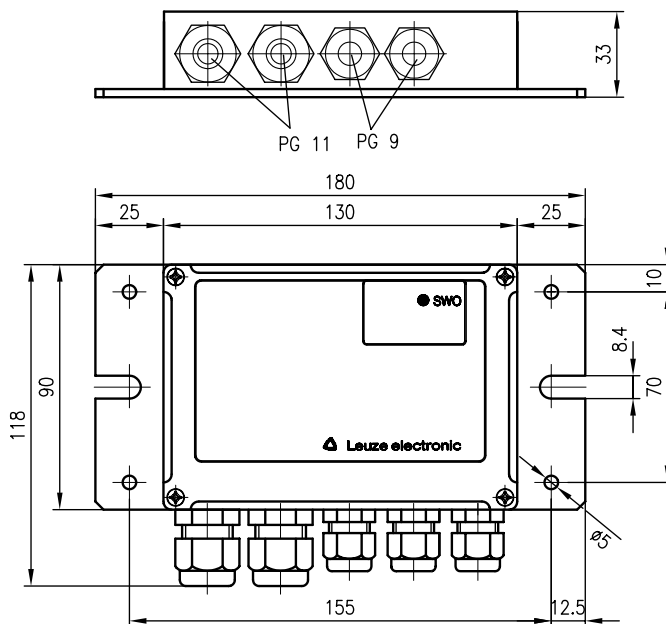
**Benefits:**

- Robust terminal box for connection of the devices with JST (RS 232 or RS 485)
- Rotary switch for addressing
- Double terminals enable wiring through (PWR, RS 485)
- With PG screw fittings on mounting plate
- Degree of protection IP 65



Direct access to the online product selector at www.leuze.com/en/ma2

Part no.	Part description	Suitable for	Interface	Degree of protection
50031256	MA 2	BCL 2x series bar code readers, LSIS 222 series stationary 2D-code readers	RS 232, RS 485	IP 54

Dimensioned drawings: MA 2

MA 2 modular connection unit

/// MA 21

The MA 21 modular connection unit is used to connect Leuze electronic identification systems (IDS) to an RS 232 interface.

**Benefits:**

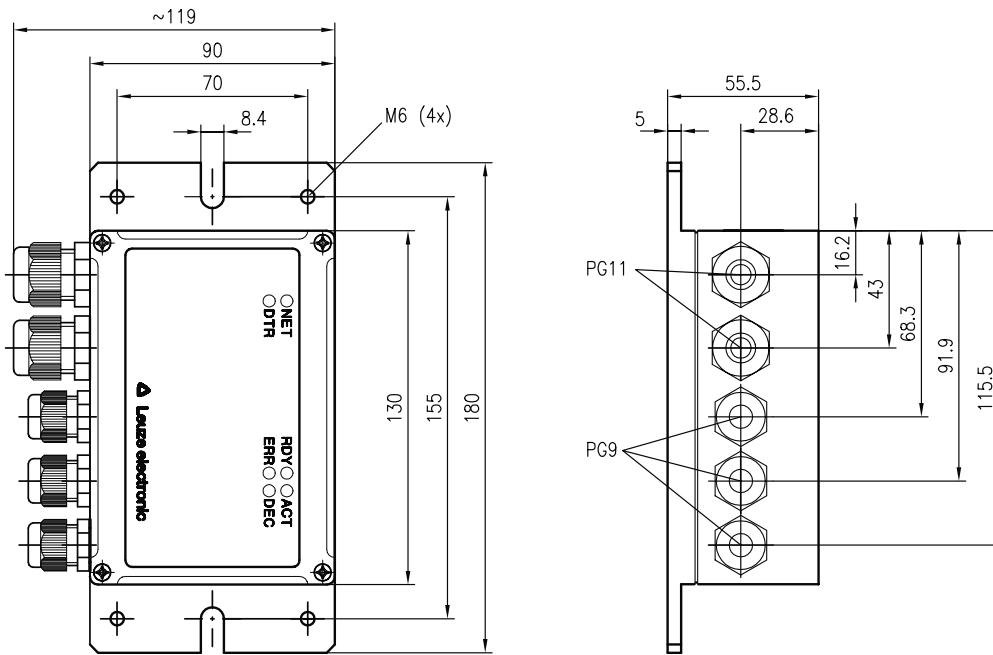
- Universal interface and protocol converter for RS 232 / RS 485 devices with clamp connection
- With separate service interface, 9 pin SubD
- PG screw fittings on mounting plate
- Degree of protection IP 65



Direct access to the online product selector at www.leuze.com/en/ma21

Part no.	Part description	Suitable for	Interface	Supply voltage	Degree of protection
50030481	MA 21 100	BCL 8 series bar code readers, BCL 2x series bar code readers, HFxx series mobile RFID read/write systems, IT 1900 series mobile 2D-code readers	RS 232, RS 485	18 ... 36V, DC	IP 65
50103125	MA 21 100.2	BCL 2x series bar code readers, BCL 8 series bar code readers, RFM 12 / 32 / 62, HFxx series mobile RFID read/write systems, RFI 32, LSIS 222 series stationary 2D-code readers	RS 232, RS 485	18 ... 36V, DC	IP 65

Dimensioned drawings: MA 21



MA 21 modular connection unit

Switching sensors

Measuring sensors

Products for safety at work

/// MA 31



Network master for Leuze electronic multiNet plus.



Benefits:

- Networking of multiple BCL 301i and BCL 501i devices via RS 485 in multiNet plus
- Address setting using rotary and slide switches
- Separate connection for switching inputs and switching outputs
- Degree of protection IP 65



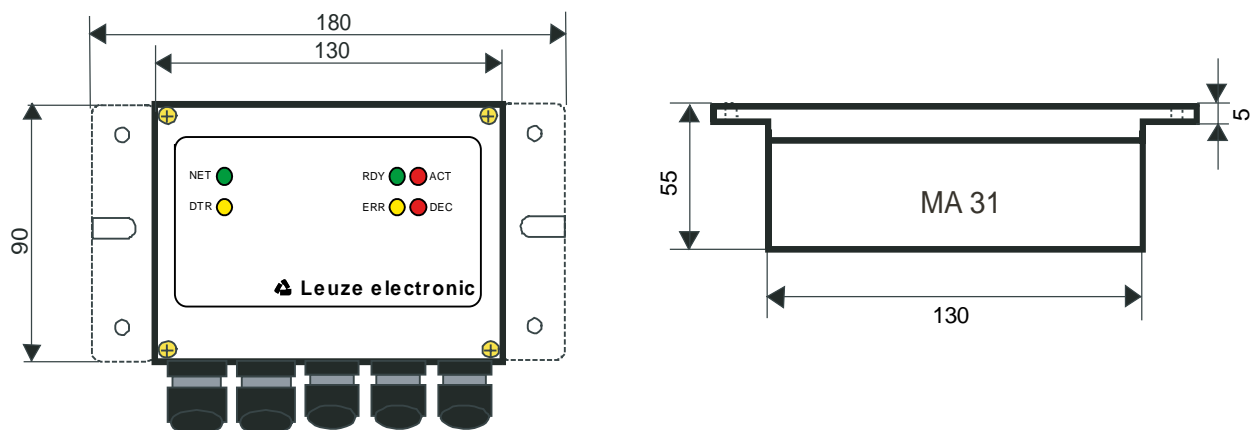
Direct access to the online product selector at www.leuze.com/en/ma31

Identification

Data transmission/Control components

Part no.	Part description	Interface	Supply voltage	Degree of protection
50030835	MA 31 100	RS 485	18...36V, DC	IP 65
50030836	MA 31 110	RS 232, RS 485	18...36V, DC	IP 65
50030838	MA 31 130	RS 422, RS 485	18...36V, DC	IP 65

Dimensioned drawings: MA 31



MA 31 modular connection unit

Industrial image processing

Accessories

/// MA 4



Connection unit with clamp connections for BCL 21/22 and BCL 32 with parameter memory.



Benefits:

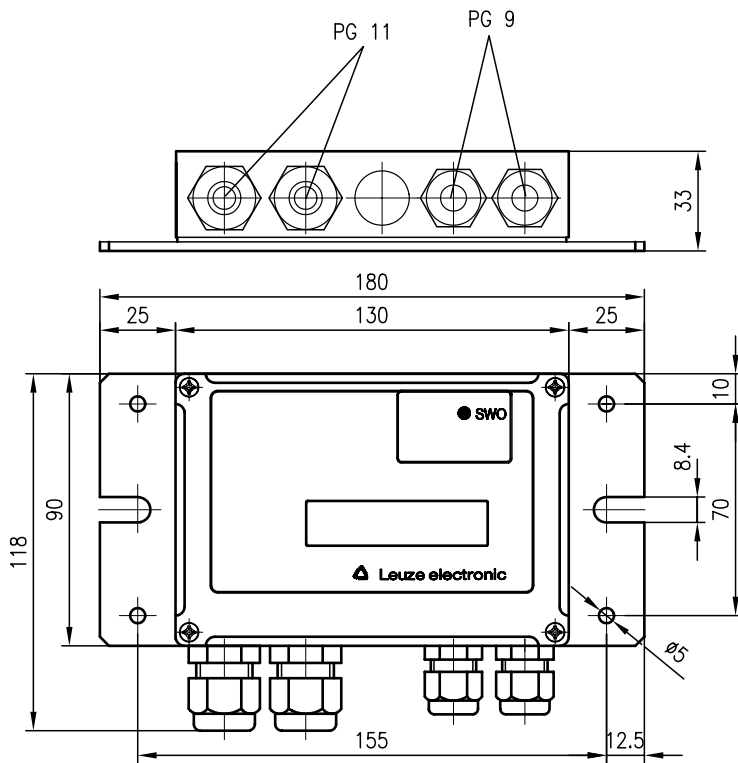
- Parameters of the BCL 21/22 are saved in a fail-safe manner on an EEPROM
- Rotary switch for setting the address for networking via Leuze multiNet plus
- Additional RS 232 service interface (9-pin sub-D connector)
- Integrated two-line display with 16 characters each (MA 4D only)
- PG screw fittings on mounting plate
- Terminals for connecting the switching inputs/outputs, the voltage supply and the communication interface



Direct access to the online product selector at www.leuze.com/en/ma4

Part no.	Part description	Suitable for	Interface	Supply voltage	Degree of protection
50031537	MA 4	BCL 2x series bar code reader, BCL 3x series bar code reader	RS 232, RS 485	10 ... 30V, DC	IP 54

Dimensioned drawings: MA 4



MA 4 modular connection unit

/// MA 4.7



Connection unit with clamp connections for BPS 37.



Benefits:

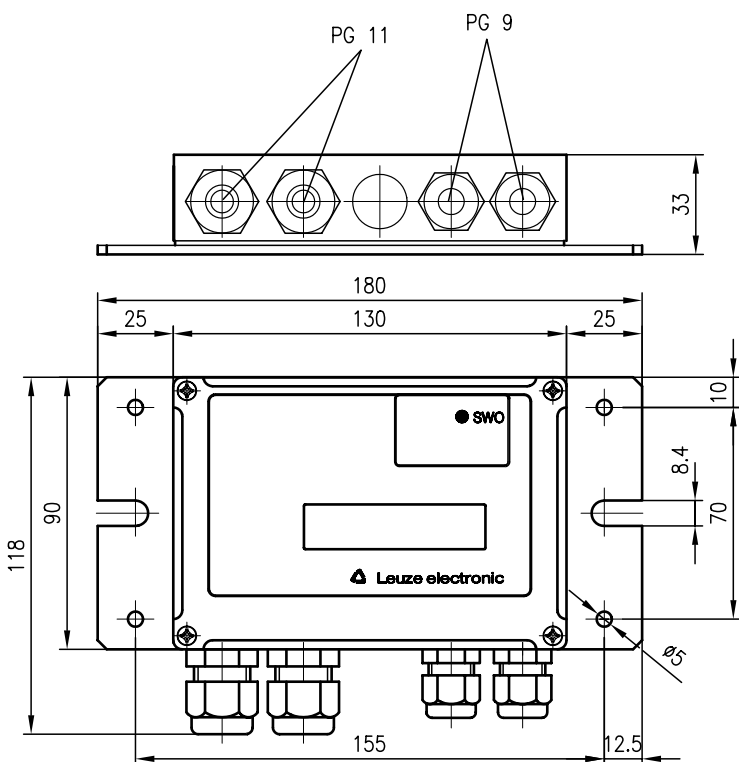
- Parameters of the BPS 37 are saved in a fail-safe manner on an EEPROM
- Rotary switch for adjusting the resolution/speed and jumper for Gray/binary selection
- Additional RS 232 service interface (9-pin sub-D connector)
- PG screw fittings on mounting plate
- Integrated two-line display with 16 characters each (MA 4D.7 only)
- Terminals for connecting the switching inputs/outputs, the voltage supply and the communication interface



Direct access to the online product selector at www.leuze.com/en/ma4_7

Part no.	Part description	Suitable for	Supply voltage	Degree of protection
50037325	MA 4 D.7	BPS 3x series bar code positioning system	10 ... 30V, DC	IP 54
50037324	MA 4.7	BPS 3x series bar code positioning system	10 ... 30V, DC	IP 54

Dimensioned drawings: MA 4.7



MA 4.7 modular connection unit

Switching sensors

Measuring sensors

Products for safety at work

Identification

Data transmission/Control components

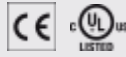
Industrial image processing

Accessories

/// MA 8



Connection unit for simple connection of the BCL 8 or BPS 8.



Benefits:

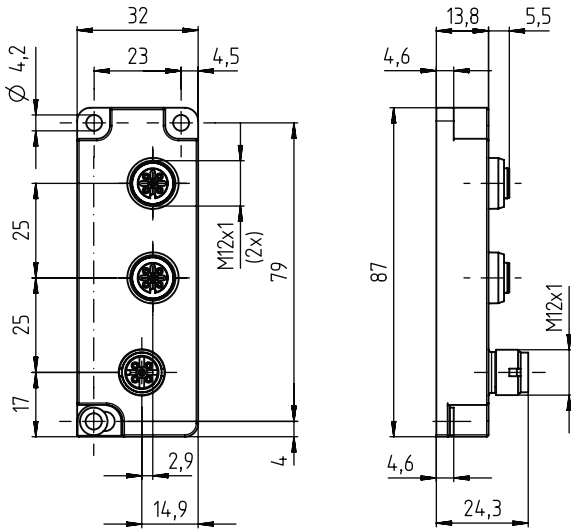
- Connection unit for BCL 8 / BPS 8 with RS 232 or RS 485
- M12 connection
- Degree of protection IP 65



Direct access to the online product selector at www.leuze.com/en/ma8

Part no.	Part description	Suitable for	Interface	Supply voltage	Degree of protection
50104790	MA 8-01	BCL 8 series bar code readers, BPS 8 series bar code positioning system	RS 485	10 ... 30V, DC	IP 67
50104789	MA 8-02	BCL 8 series bar code readers, BPS 8 series bar code positioning system	RS 485	10 ... 30V, DC	IP 67
50101699	MA 8.1	BCL 8 series bar code reader	RS 232	10 ... 30V, DC	IP 67

Dimensioned drawings: MA 8



MA 8 modular connection unit

/// MA 900



Connection unit with clamp connection for BCL 900i.



Benefits:

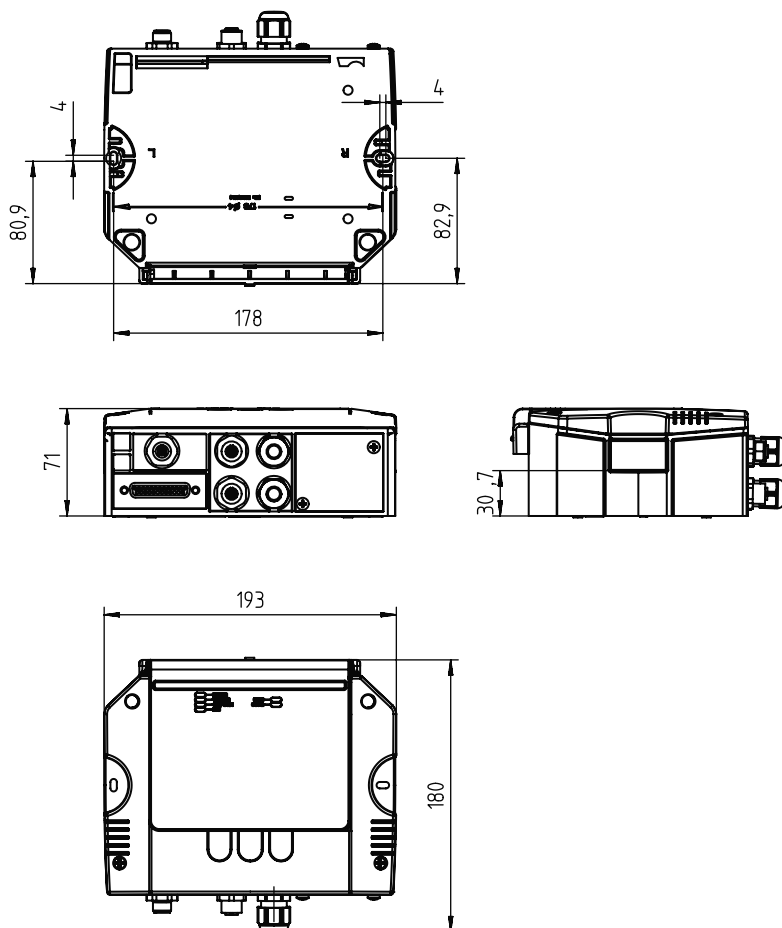
- Easy wiring and configuration
- RS 232 service interface
- Voltage supply terminals dual-installed for wiring through
- 4 LEDs for visualization at the device
- Hardware reset
- Large wiring terminal compartment



Direct access to the online product selector at www.leuze.com/en/ma900

Part no.	Part description	Suitable for	Interface	Supply voltage	Degree of protection
50129663	MA 900	BCL 900i series bar code reader	RS 232, RS 422		IP 65
50129664	MSC 900-1000	BCL 900i series bar code reader	Ethernet, RS 232, TCP/IP, UDP	10 ... 30V, DC	IP 65

Dimensioned drawings: MA 900 / MSC 900



MA 900 modular connection unit

Switching sensors

Measuring sensors

Products for safety at work

Identification

ACCESSORIES: MA 900i

Connection technology

Interconnection cables

Part no.	Part description	Connection 1	Connection 1, no. of pins	Connection 2	Connection 2, no. of pins	Cable length
50135340	KB 900-500-MA 921-MA200i	Sub-D, female, axial	25-pin	JST ZHR		500 mm
50131531	KB 900-1000	Connector, M12, axial, female	17-pin	Sub-HD, male, axial	25-pin	1,000 mm
50131529	KB 900-3000	Connector, M12, axial, female	17-pin	Sub-HD, male, axial	25-pin	3,000 mm
50131532	KB 900-5000	Connector, M12, axial, female	17-pin	Sub-HD, male, axial	25-pin	5,000 mm

Data transmission / Control components

SMART IS TO SHARE EXPERIENCE



Take a look at our product clips: www.leuze.com/en/product-clips

Industrial image processing

Accessories

/ DATA TRANSMISSION

CONTACT-FREE TRANSMISSION OF INFORMATION BY MEANS OF INFRARED LIGHT

Whenever data needs to be communicated without contact, optical devices for data transmission are the right choice. The optical data transceivers are used primarily in plant engineering, especially in applications where industrial networks such as PROFINET, PROFIBUS, DeviceNet or Ethernet etc. are connected to system components which are moved.



/// DDLs 500



The DDLs 500 is a data transmission photoelectric sensor for industrial Ethernet with a bandwidth of 100 Mbit/s. With the alignment laser and the pre-mounted mounting plate, the DDLs 500 sets new standards with respect to usability. The location-independent remote diagnostics function via integrated web server or direct connection in PROFINET is unique worldwide.



Benefits:

- Ranges up to 200 m possible
- 100 Mbit/s transparent data transmission of all Ethernet protocols such as PROFINET, EtherNet IP, EtherCat, etc.
- Laser alignment aid
- Monitoring of availability
- Interference-free parallel operation with AMS 300i
- Integrated "one-man" alignment device
- Optionally with heating (down to -30 °C)
- PROFINET participant
- Remote Control



Direct access to the online product selector at www.leuze.com/en/ddls500

Part no.	Part description	Operating range	Interface	Opening angle	Transmission speed	Connection 1 Connection 2	Description
----------	------------------	-----------------	-----------	---------------	--------------------	------------------------------	-------------

Ethernet

50132913	▶ DDLs 508 40.3	100 ... 40,000 mm	Ethernet	1 °	100 Mbit/s	Connector, M12, 5-pin Connector, M12, 4-pin	
50132914	◀ DDLs 508 40.4	100 ... 40,000 mm	Ethernet	1 °	100 Mbit/s	Connector, M12, 5-pin Connector, M12, 4-pin	
50132919	▶ DDLs 508 40.3 H	100 ... 40,000 mm	Ethernet	1 °	100 Mbit/s	Connector, M12, 5-pin Connector, M12, 4-pin	Heating
50132920	◀ DDLs 508 40.4 H	100 ... 40,000 mm	Ethernet	1 °	100 Mbit/s	Connector, M12, 5-pin Connector, M12, 4-pin	Heating
50132925	▶ DDLs 508 40.3 L	100 ... 40,000 mm	Ethernet	1 °	100 Mbit/s	Connector, M12, 5-pin Connector, M12, 4-pin	Integrated laser alignment aid
50132926	◀ DDLs 508 40.4 L	100 ... 40,000 mm	Ethernet	1 °	100 Mbit/s	Connector, M12, 5-pin Connector, M12, 4-pin	Integrated laser alignment aid
50132931	▶ DDLs 508 40.3 L H	100 ... 40,000 mm	Ethernet	1 °	100 Mbit/s	Connector, M12, 5-pin Connector, M12, 4-pin	Integrated laser alignment aid, heating
50132932	◀ DDLs 508 40.4 L H	100 ... 40,000 mm	Ethernet	1 °	100 Mbit/s	Connector, M12, 5-pin Connector, M12, 4-pin	Integrated laser alignment aid, heating
50134391	▶ DDLs 508i 40.3	100 ... 40,000 mm	Ethernet	1 °	100 Mbit/s	Connector, M12, 5-pin Connector, M12, 4-pin	Remote maintenance via web server
50134392	◀ DDLs 508i 40.4	100 ... 40,000 mm	Ethernet	1 °	100 Mbit/s	Connector, M12, 5-pin Connector, M12, 4-pin	Remote maintenance via web server
50134397	▶ DDLs 508i 40.3 H	100 ... 40,000 mm	Ethernet	1 °	100 Mbit/s	Connector, M12, 5-pin Connector, M12, 4-pin	Heating, remote maintenance via web server
50134398	◀ DDLs 508i 40.4 H	100 ... 40,000 mm	Ethernet	1 °	100 Mbit/s	Connector, M12, 5-pin Connector, M12, 4-pin	Heating, remote maintenance via web server
50134403	▶ DDLs 508i 40.3 L	100 ... 40,000 mm	Ethernet	1 °	100 Mbit/s	Connector, M12, 5-pin Connector, M12, 4-pin	Integrated laser alignment aid, remote maintenance via web server
50134404	◀ DDLs 508i 40.4 L	100 ... 40,000 mm	Ethernet	1 °	100 Mbit/s	Connector, M12, 5-pin Connector, M12, 4-pin	Integrated laser alignment aid, remote maintenance via web server
50134409	▶ DDLs 508i 40.3 L H	100 ... 40,000 mm	Ethernet	1 °	100 Mbit/s	Connector, M12, 5-pin Connector, M12, 4-pin	Integrated laser alignment aid, heating, remote maintenance via web server
50134410	◀ DDLs 508i 40.4 L H	100 ... 40,000 mm	Ethernet	1 °	100 Mbit/s	Connector, M12, 5-pin Connector, M12, 4-pin	Integrated laser alignment aid, heating, remote maintenance via web server
50132915	▶ DDLs 508 120.3	100 ... 120,000 mm	Ethernet	1 °	100 Mbit/s	Connector, M12, 5-pin Connector, M12, 4-pin	
50132916	◀ DDLs 508 120.4	100 ... 120,000 mm	Ethernet	1 °	100 Mbit/s	Connector, M12, 5-pin Connector, M12, 4-pin	
50132921	▶ DDLs 508 120.3 H	100 ... 120,000 mm	Ethernet	1 °	100 Mbit/s	Connector, M12, 5-pin Connector, M12, 4-pin	Heating
50132922	◀ DDLs 508 120.4 H	100 ... 120,000 mm	Ethernet	1 °	100 Mbit/s	Connector, M12, 5-pin Connector, M12, 4-pin	Heating
50132927	▶ DDLs 508 120.3 L	100 ... 120,000 mm	Ethernet	1 °	100 Mbit/s	Connector, M12, 5-pin Connector, M12, 4-pin	Integrated laser alignment aid
50132928	◀ DDLs 508 120.4 L	100 ... 120,000 mm	Ethernet	1 °	100 Mbit/s	Connector, M12, 5-pin Connector, M12, 4-pin	Integrated laser alignment aid
50132933	▶ DDLs 508 120.3 L H	100 ... 120,000 mm	Ethernet	1 °	100 Mbit/s	Connector, M12, 5-pin Connector, M12, 4-pin	Heating, integrated laser alignment aid
50132934	◀ DDLs 508 120.4 L H	100 ... 120,000 mm	Ethernet	1 °	100 Mbit/s	Connector, M12, 5-pin Connector, M12, 4-pin	Integrated laser alignment aid, heating
50134393	▶ DDLs 508i 120.3	100 ... 120,000 mm	Ethernet	1 °	100 Mbit/s	Connector, M12, 5-pin Connector, M12, 4-pin	Remote maintenance via web server
50134394	◀ DDLs 508i 120.4	100 ... 120,000 mm	Ethernet	1 °	100 Mbit/s	Connector, M12, 5-pin Connector, M12, 4-pin	Remote maintenance via web server
50134399	▶ DDLs 508i 120.3 H	100 ... 120,000 mm	Ethernet	1 °	100 Mbit/s	Connector, M12, 5-pin Connector, M12, 4-pin	Heating, remote maintenance via web server
50134400	◀ DDLs 508i 120.4 H	100 ... 120,000 mm	Ethernet	1 °	100 Mbit/s	Connector, M12, 5-pin Connector, M12, 4-pin	Heating, remote maintenance via web server

▶ transmitter / ◀ receiver

Switching sensors

Measuring sensors

Products for safety at work

Identification

Data transmission / Control components

Industrial image processing

Accessories

Part no.	Part description	Operating range	Interface	Opening angle	Transmission speed	Connection 1 Connection 2	Description
50134405	▶ DDLS 508i 120.3 L	100 ... 120,000 mm	Ethernet	1°	100 Mbit/s	Connector, M12, 5-pin Connector, M12, 4-pin	Integrated laser alignment aid, remote maintenance via web server
50134406	◀ DDLS 508i 120.4 L	100 ... 120,000 mm	Ethernet	1°	100 Mbit/s	Connector, M12, 5-pin Connector, M12, 4-pin	Integrated laser alignment aid, remote maintenance via web server
50134411	▶ DDLS 508i 120.3 L H	100 ... 120,000 mm	Ethernet	1°	100 Mbit/s	Connector, M12, 5-pin Connector, M12, 4-pin	Heating, integrated laser alignment aid, remote maintenance via web server
50134412	◀ DDLS 508i 120.4 L H	100 ... 120,000 mm	Ethernet	1°	100 Mbit/s	Connector, M12, 5-pin Connector, M12, 4-pin	Heating, integrated laser alignment aid, remote maintenance via web server
50132917	▶ DDLS 508 200.3	100 ... 200,000 mm	Ethernet	1°	100 Mbit/s	Connector, M12, 5-pin Connector, M12, 4-pin	
50132918	◀ DDLS 508 200.4	100 ... 200,000 mm	Ethernet	1°	100 Mbit/s	Connector, M12, 5-pin Connector, M12, 4-pin	
50132923	▶ DDLS 508 200.3 H	100 ... 200,000 mm	Ethernet	1°	100 Mbit/s	Connector, M12, 5-pin Connector, M12, 4-pin	Heating
50132924	◀ DDLS 508 200.4 H	100 ... 200,000 mm	Ethernet	1°	100 Mbit/s	Connector, M12, 5-pin Connector, M12, 4-pin	Heating
50132929	▶ DDLS 508 200.3 L	100 ... 200,000 mm	Ethernet	1°	100 Mbit/s	Connector, M12, 5-pin Connector, M12, 4-pin	Integrated laser alignment aid
50132930	◀ DDLS 508 200.4 L	100 ... 200,000 mm	Ethernet	1°	100 Mbit/s	Connector, M12, 5-pin Connector, M12, 4-pin	Integrated laser alignment aid
50132935	▶ DDLS 508 200.3 L H	100 ... 200,000 mm	Ethernet	1°	100 Mbit/s	Connector, M12, 5-pin Connector, M12, 4-pin	Heating, integrated laser alignment aid
50132936	◀ DDLS 508 200.4 L H	100 ... 200,000 mm	Ethernet	1°	100 Mbit/s	Connector, M12, 5-pin Connector, M12, 4-pin	Heating, integrated laser alignment aid
50134395	▶ DDLS 508i 200.3	100 ... 200,000 mm	Ethernet	1°	100 Mbit/s	Connector, M12, 5-pin Connector, M12, 4-pin	Remote maintenance via web server
50134396	◀ DDLS 508i 200.4	100 ... 200,000 mm	Ethernet	1°	100 Mbit/s	Connector, M12, 5-pin Connector, M12, 4-pin	Remote maintenance via web server
50134401	▶ DDLS 508i 200.3 H	100 ... 200,000 mm	Ethernet	1°	100 Mbit/s	Connector, M12, 5-pin Connector, M12, 4-pin	Heating, remote maintenance via web server
50134402	◀ DDLS 508i 200.4 H	100 ... 200,000 mm	Ethernet	1°	100 Mbit/s	Connector, M12, 5-pin Connector, M12, 4-pin	Heating, remote maintenance via web server
50134407	▶ DDLS 508i 200.3 L	100 ... 200,000 mm	Ethernet	1°	100 Mbit/s	Connector, M12, 5-pin Connector, M12, 4-pin	Integrated laser alignment aid, remote maintenance via web server
50134408	◀ DDLS 508i 200.4 L	100 ... 200,000 mm	Ethernet	1°	100 Mbit/s	Connector, M12, 5-pin Connector, M12, 4-pin	Integrated laser alignment aid, remote maintenance via web server
50134413	▶ DDLS 508i 200.3 L H	100 ... 200,000 mm	Ethernet	1°	100 Mbit/s	Connector, M12, 5-pin Connector, M12, 4-pin	Integrated laser alignment aid, heating, remote maintenance via web server
50134414	◀ DDLS 508i 200.4 L H	100 ... 200,000 mm	Ethernet	1°	100 Mbit/s	Connector, M12, 5-pin Connector, M12, 4-pin	Heating, integrated laser alignment aid, remote maintenance via web server

PROFINET

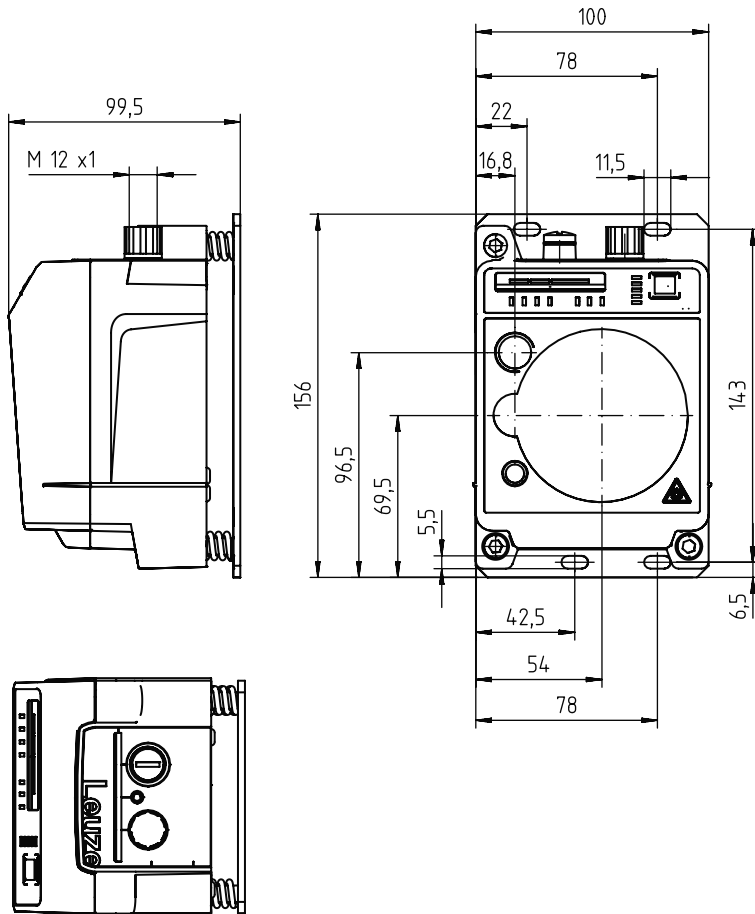
50134415	▶ DDLS 548i 40.3	100 ... 40,000 mm	PROFINET	1°		Connector, M12, 5-pin Connector, M12, 4-pin	Remote maintenance via web server
50134416	◀ DDLS 548i 40.4	100 ... 40,000 mm	PROFINET	1°		Connector, M12, 5-pin Connector, M12, 4-pin	Remote maintenance via web server
50134421	▶ DDLS 548i 40.3 H	100 ... 40,000 mm	PROFINET	1°		Connector, M12, 5-pin Connector, M12, 4-pin	Heating, remote maintenance via web server
50134422	◀ DDLS 548i 40.4 H	100 ... 40,000 mm	PROFINET	1°		Connector, M12, 5-pin Connector, M12, 4-pin	Heating, remote maintenance via web server
50134427	▶ DDLS 548i 40.3 L	100 ... 40,000 mm	PROFINET	1°		Connector, M12, 5-pin Connector, M12, 4-pin	Integrated laser alignment aid, remote maintenance via web server
50134428	◀ DDLS 548i 40.4 L	100 ... 40,000 mm	PROFINET	1°		Connector, M12, 5-pin Connector, M12, 4-pin	Integrated laser alignment aid, remote maintenance via web server
50134433	▶ DDLS 548i 40.3 L H	100 ... 40,000 mm	PROFINET	1°		Connector, M12, 5-pin Connector, M12, 4-pin	Integrated laser alignment aid, heating, remote maintenance via web server
50134434	◀ DDLS 548i 40.4 L H	100 ... 40,000 mm	PROFINET	1°		Connector, M12, 5-pin Connector, M12, 4-pin	Heating, integrated laser alignment aid, remote maintenance via web server
50134417	▶ DDLS 548i 120.3	100 ... 120,000 mm	PROFINET	1°		Connector, M12, 5-pin Connector, M12, 4-pin	Remote maintenance via web server
50134418	◀ DDLS 548i 120.4	100 ... 120,000 mm	PROFINET	1°		Connector, M12, 5-pin Connector, M12, 4-pin	Remote maintenance via web server
50134423	▶ DDLS 548i 120.3 H	100 ... 120,000 mm	PROFINET	1°		Connector, M12, 5-pin Connector, M12, 4-pin	Heating, remote maintenance via web server
50134424	◀ DDLS 548i 120.4 H	100 ... 120,000 mm	PROFINET	1°		Connector, M12, 5-pin Connector, M12, 4-pin	Heating, remote maintenance via web server
50134429	▶ DDLS 548i 120.3 L	100 ... 120,000 mm	PROFINET	1°		Connector, M12, 5-pin Connector, M12, 4-pin	Integrated laser alignment aid, remote maintenance via web server
50134430	◀ DDLS 548i 120.4 L	100 ... 120,000 mm	PROFINET	1°		Connector, M12, 5-pin Connector, M12, 4-pin	Integrated laser alignment aid, remote maintenance via web server
50134435	▶ DDLS 548i 120.3 L H	100 ... 120,000 mm	PROFINET	1°		Connector, M12, 5-pin Connector, M12, 4-pin	Heating, integrated laser alignment aid, remote maintenance via web server
50134436	◀ DDLS 548i 120.4 L H	100 ... 120,000 mm	PROFINET	1°		Connector, M12, 5-pin Connector, M12, 4-pin	Heating, integrated laser alignment aid, remote maintenance via web server
50134419	▶ DDLS 548i 200.3	100 ... 200,000 mm	PROFINET	1°		Connector, M12, 5-pin Connector, M12, 4-pin	Remote maintenance via web server
50134420	◀ DDLS 548i 200.4	100 ... 200,000 mm	PROFINET	1°		Connector, M12, 5-pin Connector, M12, 4-pin	Remote maintenance via web server
50134425	▶ DDLS 548i 200.3 H	100 ... 200,000 mm	PROFINET	1°		Connector, M12, 5-pin Connector, M12, 4-pin	Heating, remote maintenance via web server
50134426	◀ DDLS 548i 200.4 H	100 ... 200,000 mm	PROFINET	1°		Connector, M12, 5-pin Connector, M12, 4-pin	Heating, remote maintenance via web server

▶ transmitter / ◀ receiver

Part no.	Part description	Operating range	Interface	Opening angle	Transmission speed	Connection 1 Connection 2	Description
50134431	▶ DDLS 548i 200.3 L	100 ... 200,000 mm	PROFINET	1°		Connector, M12, 5-pin Connector, M12, 4-pin	Integrated laser alignment aid, remote maintenance via web server
50134432	◀ DDLS 548i 200.4 L	100 ... 200,000 mm	PROFINET	1°		Connector, M12, 5-pin Connector, M12, 4-pin	Integrated laser alignment aid, remote maintenance via web server
50134437	▶ DDLS 548i 200.3 L H	100 ... 200,000 mm	PROFINET	1°		Connector, M12, 5-pin Connector, M12, 4-pin	Heating, integrated laser alignment aid, remote maintenance via web server
50134438	◀ DDLS 548i 200.4 L H	100 ... 200,000 mm	PROFINET	1°		Connector, M12, 5-pin Connector, M12, 4-pin	Heating, integrated laser alignment aid, remote maintenance via web server

▶ transmitter / ◀ receiver

Dimensioned drawings: DDLS 500



DDLS 500 data transmission photoelectric sensor

Switching sensors

Measuring sensors

Products for safety at work

Identification

Data transmission/
Control components

Industrial image processing

Accessories

ACCESSORIES: DDLS 500

Connection technology

Connection cables

Part no.	Part description	Connection 1	No. of pins	Cable length	Interface	Sheathing material
50133841	KD U-M12-5A-P1-050	Connector, M12, axial, female	5-pin	5,000 mm		PUR
50132080	KD U-M12-5A-V1-100	Connector, M12, axial, female	5-pin	10,000 mm		PVC
50134942	KS ET-M12-4W-P7-050	Connector, M12, angled, male	4-pin	5,000 mm	Ethernet	PUR
50135073	KS ET-M12-4A-P7-020	Connector, M12, axial, male	4-pin	2,000 mm	Ethernet	PUR
50135074	KS ET-M12-4A-P7-050	Connector, M12, axial, male	4-pin	5,000 mm	Ethernet	PUR
50135075	KS ET-M12-4A-P7-100	Connector, M12, axial, male	4-pin	10,000 mm	Ethernet	PUR
50135076	KS ET-M12-4A-P7-150	Connector, M12, axial, male	4-pin	15,000 mm	Ethernet	PUR

Further connection cables can be found on our website

Interconnection cables

Part no.	Part description	Connection 1	Connection 1, no. of pins	Connection 2	Cable length	Interface	Sheathing material
50130632	KSS ET-M12-4A-RJ45-A-P7-010	Connector, M12, axial, male	4-pin	RJ45	1,000 mm	Ethernet	PUR
50135080	KSS ET-M12-4A-RJ45-A-P7-020	Connector, M12, axial, male	4-pin	RJ45	2,000 mm	Ethernet	PUR
50135081	KSS ET-M12-4A-RJ45-A-P7-050	Connector, M12, axial, male	4-pin	RJ45	5,000 mm	Ethernet	PUR
50135082	KSS ET-M12-4A-RJ45-A-P7-100	Connector, M12, axial, male	4-pin	RJ45	10,000 mm	Ethernet	PUR
50135083	KSS ET-M12-4A-RJ45-A-P7-150	Connector, M12, axial, male	4-pin	RJ45	15,000 mm	Ethernet	PUR
50135084	KSS ET-M12-4A-RJ45-A-P7-300	Connector, M12, axial, male	4-pin	RJ45	30,000 mm	Ethernet	PUR
50126132	KB 307-3000	Socket connector		Socket connector	3,000 mm	SSI	PVC

Further interconnection cables can be found on our website

User-configurable connectors

Part no.	Part description	Connection	No. of pins	Interface
50108991	D-ET1	RJ45		Ethernet
50112155	S-M12A-ET	Connector, M12, axial, male	4-pin	Ethernet
50020501	KD 095-5A	Connector, M12, axial, female	5-pin	

Further connectors can be found on our website

Adapter

Part no.	Part description	Connection 1	No. of pins	Connection 2
50109832	KDS ET-M12 / RJ45 W-4P	Connector, M12, angled, female, D-coded	4-pin	RJ45

SMART IS TO THINK EASY

Only with the proper accessories is your solution complete.

We place great value on flexible mounting solutions, simple integration through variable connection technology, alignment aids and innovative mounting systems. Pre-configured and pre-mounted systems also facilitate fast and simple commissioning of, e.g., muting systems for applications in safety at work.



Discover our extensive line of accessories on the web at: www.leuze.com/en/accessories

/// DDLS 200



Infrared data transmission protects this series from interference. Systems are available for all common industrial fieldbus interfaces. The ranges are stepped and reach a maximum transmission distance of 500 m.

**Benefits:**

- Ranges up to 500 m possible
- Transmission rates up to 2 Mbit/s
- Network interfaces with integrated repeater function
- Low ambient light sensitivity through special FSK method
- Interfaces: PROFIBUS, Interbus and CAN/DeviceNet



Direct access to the online product selector at www.leuze.com/en/ddls200

Part no.	Part description	Operating range	Interface	Opening angle	Transmission speed	Connection 1 Connection 2	Description
----------	------------------	-----------------	-----------	---------------	--------------------	------------------------------	-------------

CANopen, DeviceNet

50122268	▶ DDLS 200/80.2-50-W-M12	200 ... 80,000 mm	CANopen, DeviceNet	2°	10 ... 1,000 kBit/s / 125 ... 500 kBit/s	Connector, M12, 5-pin Connector, M12, 5-pin	Wide angle version, operation of parallel light axes, not influenced by reflective surfaces
50122267	◀ DDLS 200/80.1-50-W-M12	200 ... 80,000 mm	CANopen, DeviceNet	2°	10 ... 1,000 kBit/s / 125 ... 500 kBit/s	Connector, M12, 5-pin Connector, M12, 5-pin	Wide angle version, operation of parallel light axes, not influenced by reflective surfaces
50039937	▶ DDLS 200/120.1-50	200 ... 120,000 mm	CANopen, DeviceNet	1°	10 ... 1,000 kBit/s / 125 ... 500 kBit/s	Terminal, M16 Terminal, M16	Operation of parallel light axes, not influenced by reflective surfaces
50039938	◀ DDLS 200/120.2-50	200 ... 120,000 mm	CANopen, DeviceNet	1°	10 ... 1,000 kBit/s / 125 ... 500 kBit/s	Terminal, M16 Terminal, M16	Operation of parallel light axes, not influenced by reflective surfaces
50039943	▶ DDLS 200/120.1-50-H	200 ... 120,000 mm	CANopen, DeviceNet	1°	10 ... 1,000 kBit/s / 125 ... 500 kBit/s	Terminal, M16 Terminal, M16	Heating, operation of parallel light axes, not influenced by reflective surfaces
50039944	◀ DDLS 200/120.2-50-H	200 ... 120,000 mm	CANopen, DeviceNet	1°	10 ... 1,000 kBit/s / 125 ... 500 kBit/s	Terminal, M16 Terminal, M16	Heating, operation of parallel light axes, not influenced by reflective surfaces
50113046	▶ DDLS 200/120.1-50-M12	200 ... 120,000 mm	CANopen, DeviceNet	1°	10 ... 1,000 kBit/s / 125 ... 500 kBit/s	Connector, M12, 5-pin Connector, M12, 5-pin	Operation of parallel light axes, not influenced by reflective surfaces
50113045	◀ DDLS 200/120.2-50-M12	200 ... 120,000 mm	CANopen, DeviceNet	1°	10 ... 1,000 kBit/s / 125 ... 500 kBit/s	Connector, M12, 5-pin Connector, M12, 5-pin	Operation of parallel light axes, not influenced by reflective surfaces
50039939	▶ DDLS 200/200.1-50	200 ... 200,000 mm	CANopen, DeviceNet	1°	10 ... 1,000 kBit/s / 125 ... 500 kBit/s	Terminal, M16 Terminal, M16	Operation of parallel light axes, not influenced by reflective surfaces
50039940	◀ DDLS 200/200.2-50	200 ... 200,000 mm	CANopen, DeviceNet	1°	10 ... 1,000 kBit/s / 125 ... 500 kBit/s	Terminal, M16 Terminal, M16	Operation of parallel light axes, not influenced by reflective surfaces
50039945	▶ DDLS 200/200.1-50-H	200 ... 200,000 mm	CANopen, DeviceNet	1°	10 ... 1,000 kBit/s / 125 ... 500 kBit/s	Terminal, M16 Terminal, M16	Heating, operation of parallel light axes, not influenced by reflective surfaces
50039946	◀ DDLS 200/200.2-50-H	200 ... 200,000 mm	CANopen, DeviceNet	1°	10 ... 1,000 kBit/s / 125 ... 500 kBit/s	Terminal, M16 Terminal, M16	Heating, operation of parallel light axes, not influenced by reflective surfaces
50125767	▶ DDLS 200/200.1-50-M12	200 ... 200,000 mm	CANopen, DeviceNet	1°	10 ... 1,000 kBit/s / 125 ... 500 kBit/s	Connector, M12, 5-pin Connector, M12, 5-pin	Operation of parallel light axes, not influenced by reflective surfaces
50125768	◀ DDLS 200/200.2-50-M12	200 ... 200,000 mm	CANopen, DeviceNet	1°	10 ... 1,000 kBit/s / 125 ... 500 kBit/s	Connector, M12, 5-pin Connector, M12, 5-pin	Operation of parallel light axes, not influenced by reflective surfaces
50039941	▶ DDLS 200/300.1-50	200 ... 300,000 mm	CANopen, DeviceNet	1°	10 ... 1,000 kBit/s / 125 ... 500 kBit/s	Terminal, M16 Terminal, M16	Operation of parallel light axes, not influenced by reflective surfaces
50039942	◀ DDLS 200/300.2-50	200 ... 300,000 mm	CANopen, DeviceNet	1°	10 ... 1,000 kBit/s / 125 ... 500 kBit/s	Terminal, M16 Terminal, M16	Operation of parallel light axes, not influenced by reflective surfaces
50039947	▶ DDLS 200/300.1-50-H	200 ... 300,000 mm	CANopen, DeviceNet	1°	10 ... 1,000 kBit/s / 125 ... 500 kBit/s	Terminal, M16 Terminal, M16	Heating, operation of parallel light axes, not influenced by reflective surfaces
50039948	◀ DDLS 200/300.2-50-H	200 ... 300,000 mm	CANopen, DeviceNet	1°	10 ... 1,000 kBit/s / 125 ... 500 kBit/s	Terminal, M16 Terminal, M16	Heating, operation of parallel light axes, not influenced by reflective surfaces

PROFIBUS DP, RS 485

50039704	▶ DDLS 200/30.1-10-W	200 ... 30,000 mm	PROFIBUS DP, RS 485	3°	0.0096 ... 1.5 Mbps	Terminal, M16 Terminal, M16	Wide angle version, operation of parallel light axes, not influenced by reflective surfaces
50039705	◀ DDLS 200/30.2-10-W	200 ... 30,000 mm	PROFIBUS DP, RS 485	3°	0.0096 ... 1.5 Mbps	Terminal, M16 Terminal, M16	Wide angle version, operation of parallel light axes, not influenced by reflective surfaces
50102312	▶ DDLS 200/80.1-10-W	200 ... 80,000 mm	PROFIBUS DP, RS 485	2°	0.0096 ... 1.5 Mbps	Terminal, M16 Terminal, M16	Wide angle version, operation of parallel light axes, not influenced by reflective surfaces
50102313	◀ DDLS 200/80.2-10-W	200 ... 80,000 mm	PROFIBUS DP, RS 485	2°	0.0096 ... 1.5 Mbps	Terminal, M16 Terminal, M16	Wide angle version, operation of parallel light axes, not influenced by reflective surfaces
50102494	▶ DDLS 200/80.1-10-W-H	200 ... 80,000 mm	PROFIBUS DP, RS 485	2°	0.0096 ... 1.5 Mbps	Terminal, M16 Terminal, M16	Heating, wide angle version, operation of parallel light axes, not influenced by reflective surfaces
50102495	◀ DDLS 200/80.2-10-W-H	200 ... 80,000 mm	PROFIBUS DP, RS 485	2°	0.0096 ... 1.5 Mbps	Terminal, M16 Terminal, M16	Heating, wide angle version, operation of parallel light axes, not influenced by reflective surfaces
50036282	▶ DDLS 200/120.1-10	200 ... 120,000 mm	PROFIBUS DP, RS 485	1°	0.0096 ... 1.5 Mbps	Terminal, M16 Terminal, M16	Operation of parallel light axes, not influenced by reflective surfaces
50036283	◀ DDLS 200/120.2-10	200 ... 120,000 mm	PROFIBUS DP, RS 485	1°	0.0096 ... 1.5 Mbps	Terminal, M16 Terminal, M16	Operation of parallel light axes, not influenced by reflective surfaces
50036286	▶ DDLS 200/120.1-10-H	200 ... 120,000 mm	PROFIBUS DP, RS 485	1°	0.0096 ... 1.5 Mbps	Terminal, M16 Terminal, M16	Heating, operation of parallel light axes, not influenced by reflective surfaces
50036287	◀ DDLS 200/120.2-10-H	200 ... 120,000 mm	PROFIBUS DP, RS 485	1°	0.0096 ... 1.5 Mbps	Terminal, M16 Terminal, M16	Heating, operation of parallel light axes, not influenced by reflective surfaces

▶ transmitter / ◀ receiver

Switching sensors

Measuring sensors

Products for safety at work

Identification

Data transmission / Control components

Industrial image processing

Accessories

Part no.	Part description	Operating range	Interface	Opening angle	Transmission speed	Connection 1 Connection 2	Description
50040135	▶ DDLS 200/500.1-20	200 ... 500,000 mm	RS 422, Interbus-S	1 °	2 Mbit/s	Terminal, M16 Terminal, M16	Operation of parallel light axes, not influenced by reflective surfaces
50040136	◀ DDLS 200/500.2-20	200 ... 500,000 mm	RS 422, Interbus-S	1 °	2 Mbit/s	Terminal, M16 Terminal, M16	Operation of parallel light axes, not influenced by reflective surfaces
50040137	▶ DDLS 200/500.1-20-H	200 ... 500,000 mm	RS 422, Interbus-S	1 °	2 Mbit/s	Terminal, M16 Terminal, M16	Heating, operation of parallel light axes, not influenced by reflective surfaces
50040138	◀ DDLS 200/500.2-20-H	200 ... 500,000 mm	RS 422, Interbus-S	1 °	2 Mbit/s	Terminal, M16 Terminal, M16	Heating, operation of parallel light axes, not influenced by reflective surfaces

Rockwell, DH+/RIO

50038300	▶ DDLS 200/120.1-40	200 ... 120,000 mm	Rockwell DH+/RIO	1 °	57.6 ... 230.4 Kbit/s	Terminal, M16 Terminal, M16	Operation of parallel light axes, not influenced by reflective surfaces
50038301	◀ DDLS 200/120.2-40	200 ... 120,000 mm	Rockwell DH+/RIO	1 °	57.6 ... 230.4 Kbit/s	Terminal, M16 Terminal, M16	Operation of parallel light axes, not influenced by reflective surfaces
50038302	▶ DDLS 200/120.1-40-H	200 ... 120,000 mm	Rockwell DH+/RIO	1 °	57.6 ... 230.4 Kbit/s	Terminal, M16 Terminal, M16	Heating, operation of parallel light axes, not influenced by reflective surfaces
50038303	◀ DDLS 200/120.2-40-H	200 ... 120,000 mm	Rockwell DH+/RIO	1 °	57.6 ... 230.4 Kbit/s	Terminal, M16 Terminal, M16	Heating, operation of parallel light axes, not influenced by reflective surfaces
50036300	▶ DDLS 200/200.1-40	200 ... 200,000 mm	Rockwell DH+/RIO	1 °	57.6 ... 230.4 Kbit/s	Terminal, M16 Terminal, M16	Operation of parallel light axes, not influenced by reflective surfaces
50036301	◀ DDLS 200/200.2-40	200 ... 200,000 mm	Rockwell DH+/RIO	1 °	57.6 ... 230.4 Kbit/s	Terminal, M16 Terminal, M16	Operation of parallel light axes, not influenced by reflective surfaces
50036302	▶ DDLS 200/200.1-40-H	200 ... 200,000 mm	Rockwell DH+/RIO	1 °	57.6 ... 230.4 Kbit/s	Terminal, M16 Terminal, M16	Heating, operation of parallel light axes, not influenced by reflective surfaces
50036303	◀ DDLS 200/200.2-40-H	200 ... 200,000 mm	Rockwell DH+/RIO	1 °	57.6 ... 230.4 Kbit/s	Terminal, M16 Terminal, M16	Heating, operation of parallel light axes, not influenced by reflective surfaces
50038296	▶ DDLS 200/300.1-40	200 ... 300,000 mm	Rockwell DH+/RIO	1 °	57.6 ... 230.4 Kbit/s	Terminal, M16 Terminal, M16	Operation of parallel light axes, not influenced by reflective surfaces
50038297	◀ DDLS 200/300.2-40	200 ... 300,000 mm	Rockwell DH+/RIO	1 °	57.6 ... 230.4 Kbit/s	Terminal, M16 Terminal, M16	Operation of parallel light axes, not influenced by reflective surfaces
50038298	▶ DDLS 200/300.1-40-H	200 ... 300,000 mm	Rockwell DH+/RIO	1 °	57.6 ... 230.4 Kbit/s	Terminal, M16 Terminal, M16	Heating, operation of parallel light axes, not influenced by reflective surfaces
50038299	◀ DDLS 200/300.2-40-H	200 ... 300,000 mm	Rockwell DH+/RIO	1 °	57.6 ... 230.4 Kbit/s	Terminal, M16 Terminal, M16	Heating, operation of parallel light axes, not influenced by reflective surfaces

▶ transmitter / ◀ receiver

Switching sensors

Measuring sensors

Products for safety at work

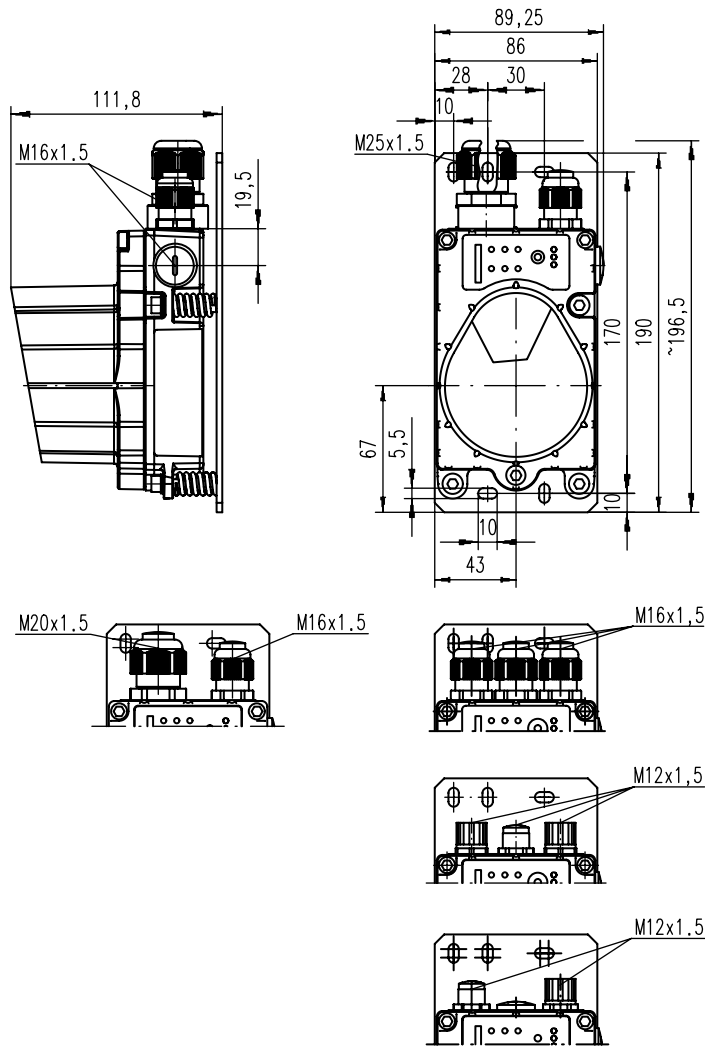
Identification

Data transmission/
Control components

Industrial image processing

Accessories

Dimensioned drawings: DDLS 200



DDLS 200 data transmission photoelectric sensor

ACCESSORIES: DDLS 200

Connection technology

Connection cables

Part no.	Part description	Connection 1	No. of pins	Cable length	Interface	Sheathing material
50133839	KD U-M12-5A-P1-020	Connector, M12, axial, female	5-pin	2,000 mm		PUR
50133841	KD U-M12-5A-P1-050	Connector, M12, axial, female	5-pin	5,000 mm		PUR
50132080	KD U-M12-5A-V1-100	Connector, M12, axial, female	5-pin	10,000 mm		PVC
50135073	KS ET-M12-4A-P7-020	Connector, M12, axial, male	4-pin	2,000 mm	Ethernet	PUR
50135074	KS ET-M12-4A-P7-050	Connector, M12, axial, male	4-pin	5,000 mm	Ethernet	PUR
50135075	KS ET-M12-4A-P7-100	Connector, M12, axial, male	4-pin	10,000 mm	Ethernet	PUR
50135076	KS ET-M12-4A-P7-150	Connector, M12, axial, male	4-pin	15,000 mm	Ethernet	PUR
50135077	KS ET-M12-4A-P7-300	Connector, M12, axial, male	4-pin	30,000 mm	Ethernet	PUR
50135247	KS PB-M12-4A-P3-020	Connector, M12, axial, male	5-pin	2,000 mm	PROFIBUS DP	PUR
50135248	KS PB-M12-4A-P3-050	Connector, M12, axial, male	5-pin	5,000 mm	PROFIBUS DP	PUR
50135249	KS PB-M12-4A-P3-100	Connector, M12, axial, male	5-pin	10,000 mm	PROFIBUS DP	PUR
50135250	KS PB-M12-4A-P3-150	Connector, M12, axial, male	5-pin	15,000 mm	PROFIBUS DP	PUR
50135251	KS PB-M12-4A-P3-300	Connector, M12, axial, male	5-pin	30,000 mm	PROFIBUS DP	PUR
50135242	KD PB-M12-4A-P3-020	Connector, M12, axial, female	5-pin	2,000 mm	PROFIBUS DP	PUR

Further connection cables can be found on our website

Part no.	Part description	Connection 1	No. of pins	Cable length	Interface	Sheathing material
50135243	KD PB-M12-4A-P3-050	Connector, M12, axial, female	5-pin	5,000 mm	PROFIBUS DP	PUR
50135244	KD PB-M12-4A-P3-100	Connector, M12, axial, female	5-pin	10,000 mm	PROFIBUS DP	PUR
50135245	KD PB-M12-4A-P3-150	Connector, M12, axial, female	5-pin	15,000 mm	PROFIBUS DP	PUR
50135246	KD PB-M12-4A-P3-300	Connector, M12, axial, female	5-pin	30,000 mm	PROFIBUS DP	PUR

Further connection cables can be found on our website

Interconnection cables

Part no.	Part description	Connection 1	Connection 1, no. of pins	Connection 2	Connection 2, no. of pins	Cable length	Interface	Sheathing material
50135252	KDS PB-M12-4A-M12-4A-P3-010	Connector, M12, axial, female	5-pin	Connector, M12, axial, male	4-pin	1,000 mm	PROFIBUS DP	PUR
50135253	KDS PB-M12-4A-M12-4A-P3-020	Connector, M12, axial, female	5-pin	Connector, M12, axial, male	4-pin	2,000 mm	PROFIBUS DP	PUR
50135254	KDS PB-M12-4A-M12-4A-P3-050	Connector, M12, axial, female	5-pin	Connector, M12, axial, male	4-pin	5,000 mm	PROFIBUS DP	PUR
50135255	KDS PB-M12-4A-M12-4A-P3-100	Connector, M12, axial, female	5-pin	Connector, M12, axial, male	4-pin	10,000 mm	PROFIBUS DP	PUR
50135256	KDS PB-M12-4A-M12-4A-P3-150	Connector, M12, axial, female	5-pin	Connector, M12, axial, male	4-pin	15,000 mm	PROFIBUS DP	PUR
50135257	KDS PB-M12-4A-M12-4A-P3-300	Connector, M12, axial, female	5-pin	Connector, M12, axial, male	4-pin	30,000 mm	PROFIBUS DP	PUR

Further interconnection cables can be found on our website

Termination/bus termination

Part no.	Part description	Connection 1	Function
50038539	TS 02-4-SA	Connector, M12, axial, male, 4-pin	Bus termination

Further terminator plugs can be found on our website

Switching sensors

Measuring sensors

Products for safety at work

Identification

Data transmission/Control components

Industrial image processing

Accessories

SMART IS TO BE CLOSE



24/7 support

On-Call Service and technical support all around the clock

"In our Service Center in Owen, we have many competent sensor people who can reliably handle your questions and problems – around the clock."

Simone Fischer,
Customer Care Center



You can reach the sensor people around the clock: www.leuze.com/en/support



/ POWER SUPPLY

A reliable and machine-independent power supply is part of an optimal and efficient sensor system.



/// PSU



Controlled 1 and 3 phase power supply units with alarm contact in diverse performance levels for installation in cabinet provide the basis for reliable sensor systems.



Benefits:

- Adjustable stable power supply units with 24 ... 28 VDC
- Alarm contacts for temperature, overload for remote diagnostics
- High overload capacity
- Push-in clamps suitable for many cross sections
- 1 phase standard design PSU110 with 2.5/5/10 A
- Compact heat optimized PSU2x0 in 1 and 3 phase from 5 to 40 A
- Direct parallel connection possible



Direct access to the online product selector at www.leuze.com/en/psu

Part no.	Part description	Number of phases	Output voltage Output current	Input voltage Input current	Power boost	Efficiency
50132582	PSU-02A-1P-24V-S	1x	24 V DC (SELV), ± 1% / 22.5 ... 28 V adjustable 2.5 A	95 ... 265 V AC / 110 ... 300 V DC 1.04 A (110 V AC) / 0.63 A (230 V AC)		87% (230 V AC)
50132585	PSU-05A-1P-24V-H	1x	24 V DC (SELV), ± 1% / 24 ... 28 V adjustable 5 A	85 ... 265 V AC / 90 ... 250 V DC 1.3 A (100 V AC) / 0.61 A (240 V AC)	7.5 A / > 4s	94.5% (230 V AC)
50132583	PSU-05A-1P-24V-S	1x	24 V DC (SELV), ± 1% / 22.5 ... 28 V adjustable 5 A	100 ... 265 V AC 2 A (110 V AC) / 1.16 A (230 V AC)		84% (230 V AC)
50132588	PSU-05A-3P-24V-H	3x	24 V DC (SELV), ± 1% / 24 ... 28 V adjustable 5 A	3 x 324 ... 572 V AC / 450 ... 745 V DC 0.45 A (3 x 360 V AC)	7.5 A / > 5s	92.5% (3 x 400 V AC)
50132586	PSU-10A-1P-24V-H	1x	24 V DC (SELV), ± 1% / 24 ... 28 V adjustable 10 A	85 ... 265 V AC / 90 ... 250 V DC 2.6 A (100 V AC) / 1.1 A (240 V AC)	15 A / > 4s	94.3% (230 V AC)
50132584	PSU-10A-1P-24V-S	1x	24 V DC (SELV), ± 1% / 22.5 ... 28 V adjustable 10 A	100 ... 265 V AC 3.4 A (115 V AC) / 2.2 A (230 V AC)		87% (230 V AC)
50132589	PSU-10A-3P-24V-H	3x	24 V DC (SELV), ± 1% / 24 ... 28 V adjustable 10 A	3 x 324 ... 572 V AC / 450 ... 745 V DC 0.75 A (3 x 360 V AC) / 0.45 A (3 x 500 V AC)	15 A / > 5s	93.7% (3 x 400 V AC)
50132587	PSU-20A-1P-24V-H	1x	24 V DC (SELV), ± 1% / 24 ... 28 V adjustable 20 A	85 ... 265 V AC / 90 ... 250 V DC 5.2 A (100 V AC) / 2.2 A (240 V AC)	30 A / > 4s	94.1% (230 V AC)
50132590	PSU-20A-3P-24V-H	3x	24 V DC (SELV), ± 1% / 24 ... 28 V adjustable 20 A	3 x 324 ... 572 V AC / 450 ... 745 V DC 1.3 A (3 x 360 V AC) / 1.0 A (3 x 500 V AC)	30 A / > 5s	94.8% (3 x 400 V AC)
50132591	PSU-40A-3P-24V-H	3x	24 V DC (SELV), ± 1% / 24 ... 28 V adjustable 40 A	3 x 324 ... 572 V AC / 450 ... 745 V DC 2.3 A (3 x 360 V AC) / 1.6 A (3 x 500 V AC)	60 A / > 5s	93.7% (3 x 400 V AC)

/// PLM / PBM



In addition to industrial power supply units, additional modules are helpful for an intelligent power supply solution:
 PBM: Redundancy modules for optimum load management and safeguarding against failure
 PLM: electronic load circuit monitoring and protection of circuits



Benefits:

PBM

- Reduced heat build-up in the switch cabinet
- Regulation of load distribution with redundant design for maximum safeguarding against failure
- Increased life expectancy of the components and reduced downtimes

PLM

- Staggered switch on of load circuits when switching on
- Safe disconnection in the event of a short-circuit or overload to prevent damage
- Reliable switching on of capacitive loads
- Saves installation material and time



Direct access to the online product selector at www.leuze.com/en/plm_pbm

Part no.	Part description	Input voltage Input current	Efficiency	Signal outputs	Output channels	Function of the signal outputs
50132595	MOD-BA-I2/20-02/40A-24V	Max. 2 x 20A	99.5%	2x		Potential-free relay contact
50132594	MOD-BD-I2/20-02/40A-24V	Max. 2 x 20A	99.5%	2x		Potential-free relay contact
50132592	MOD-EAC-I2-04/06A-24V			1x	4x	Potential-free, contact opens on shutdown, overload, short-circuit
50132593	MOD-EAC-I2-04/10A-24V			1x	4x	Potential-free, contact opens on shutdown, overload, short-circuit

Switching sensors

Measuring sensors

Products for safety at work

Identification

Data transmission/Control components

Industrial image processing

Accessories

INDUSTRIAL IMAGE PROCESSING

BECAUSE SEEING IS SOMETIMES BETTER

In the automated industrial landscape, the use of industrial image processing will increasingly become standard. Our modern camera systems are already used for many tasks, thereby significantly increasing the reliability and availability of your plant systems.



“Always knowing which product is the right one for the task in question requires a great deal of experience as well as a good portion of creativity. Experience because this prevents mistakes in positioning or designing a system being made twice. Creativity because the specific circumstances on site sometimes do not permit a standard installation, making skill and the right ideas necessary to solve the tasks in hand. And knowing this enables us to be extremely helpful to our customers.”

Dr. Falk Hummernbrum
Head of
Application Support Helpline



/ Smart camera

Page 474

/ Industrial IP camera

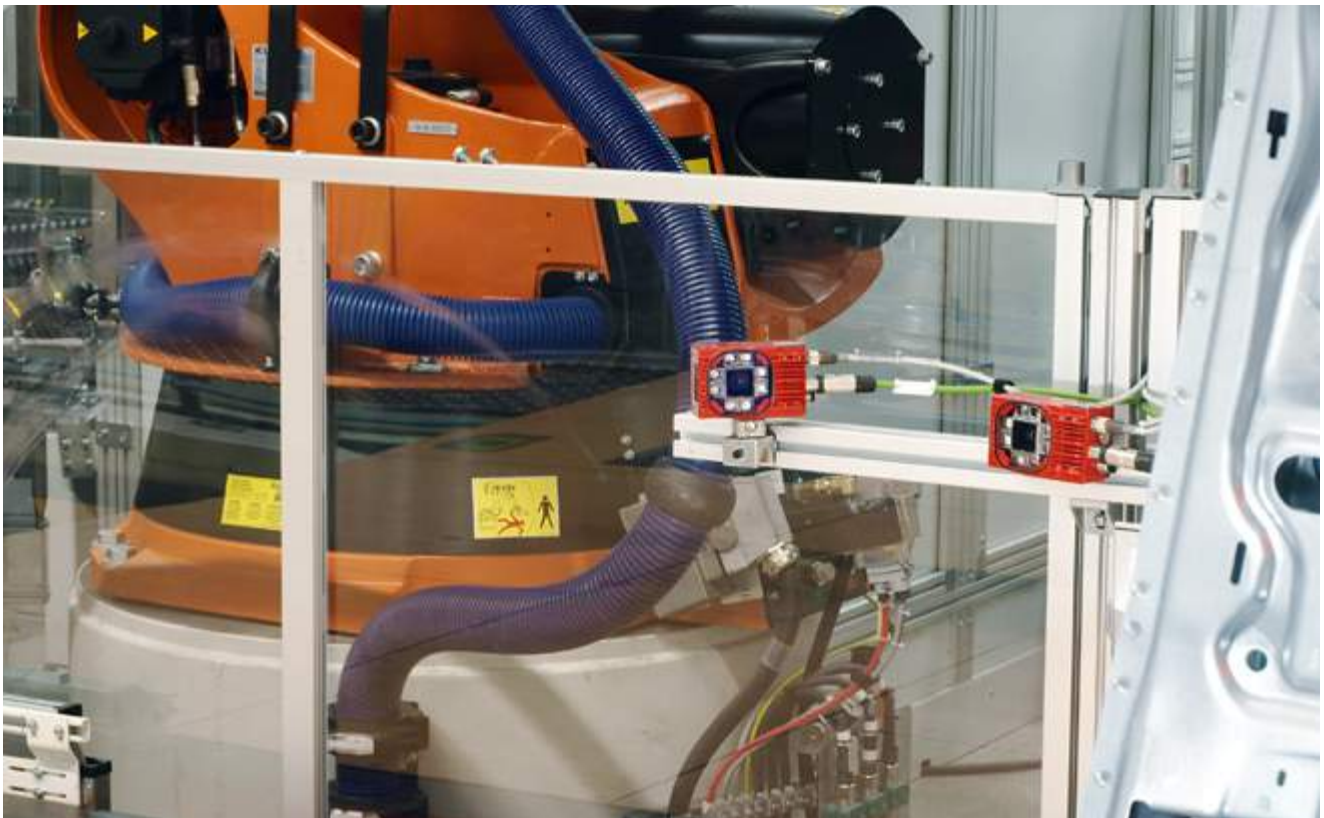
Page 479

Switching sensors

Measuring sensors

Products for safety at work

Identification



Data transmission / Control components

Industrial image processing

Accessories

/ SMART CAMERA

THE INTELLIGENT EYE FOR AUTOMATION

LSIS 400i smart cameras for industrial image processing can be integrated quickly and at low cost. They are used in quality assurance, object detection and position determination, for identification and for production process monitoring. With their sophisticated range of features, LSIS 400i cameras can also reliably handle complex tasks.



/// LSIS 412i / LSIS 462i / LSIS 472i



High-performance smart camera for reliable and convenient quality control, code reading and measurement tasks. Test for presence, completeness, type, position and orientation. The device offers omnidirectional reading of the most important 1D-/2D-codes with reference code comparison. As an additional function, the device can also be used for compartment fine positioning in the X and Y direction.



Benefits:

- Degree of protection IP 65/67
- Operation via WebConfig with any standard browser or display
- The integrated, very homogeneous illumination makes possible working distances of up to 1,900 mm
- All interfaces (Ethernet, RS 232, 8x digital I/O) are integrated, no connection units are necessary
- Simple mounting with dovetail or threaded holes



Direct access to the online product selector at www.leuze.com/en/Isis4xxi

Part no.	Part description	Focal length	Optics cover	Light source	Interface	Software functions	Description
50116970	LSIS 412i M43-I1	8 mm	Glass	LED, infrared	Ethernet, RS 232	BLOB analysis (completeness monitoring), dimension monitoring, BLOB analysis (presence control), position determination, focus adjustment	Degree of protection: IP 65, IP 67
50116969	LSIS 412i M43-I1-01	8 mm	Plastic	LED, infrared	Ethernet, RS 232	BLOB analysis (completeness monitoring), dimension monitoring, BLOB analysis (presence control), position determination, focus adjustment	Degree of protection: IP 65, IP 67
50116972	LSIS 412i M43-M1	8 mm	Glass	LED, RGBW	Ethernet, RS 232	BLOB analysis (completeness monitoring), dimension monitoring, BLOB analysis (presence control), position determination, focus adjustment	Degree of protection: IP 65, IP 67
50116971	LSIS 412i M43-M1-01	8 mm	Plastic	LED, RGBW	Ethernet, RS 232	BLOB analysis (completeness monitoring), dimension monitoring, BLOB analysis (presence control), position determination, focus adjustment	Degree of protection: IP 65, IP 67
50108177	LSIS 412i M43-W1	8 mm	Glass	LED, white	Ethernet, RS 232	BLOB analysis (presence control), dimension monitoring, position determination, BLOB analysis (completeness monitoring), focus adjustment	Degree of protection: IP 65, IP 67
50112928	LSIS 412i M43-W1-01	8 mm	Plastic	LED, white	Ethernet, RS 232	BLOB analysis (presence control), dimension monitoring, position determination, BLOB analysis (completeness monitoring), focus adjustment	Degree of protection: IP 65, IP 67
50116974	LSIS 412i M45-I1	16 mm	Glass	LED, infrared	Ethernet, RS 232	BLOB analysis (completeness monitoring), dimension monitoring, BLOB analysis (presence control), position determination, focus adjustment	Degree of protection: IP 65, IP 67
50116973	LSIS 412i M45-I1-01	16 mm	Plastic	LED, infrared	Ethernet, RS 232	BLOB analysis (completeness monitoring), dimension monitoring, BLOB analysis (presence control), position determination, focus adjustment	Degree of protection: IP 65, IP 67
50116976	LSIS 412i M45-M1	16 mm	Glass	LED, RGBW	Ethernet, RS 232	BLOB analysis (completeness monitoring), dimension monitoring, BLOB analysis (presence control), position determination, focus adjustment	Degree of protection: IP 65, IP 67
50116975	LSIS 412i M45-M1-01	16 mm	Plastic	LED, RGBW	Ethernet, RS 232	BLOB analysis (completeness monitoring), dimension monitoring, BLOB analysis (presence control), position determination, focus adjustment	Degree of protection: IP 65, IP 67
50108990	LSIS 412i M45-W1	16 mm	Glass	LED, white	Ethernet, RS 232	BLOB analysis (presence control), dimension monitoring, position determination, BLOB analysis (completeness monitoring), focus adjustment	Degree of protection: IP 65, IP 67
50112929	LSIS 412i M45-W1-01	16 mm	Plastic	LED, white	Ethernet, RS 232	BLOB analysis (presence control), dimension monitoring, position determination, BLOB analysis (completeness monitoring), focus adjustment	Degree of protection: IP 65, IP 67
50117094	LSIS 412i M49-X9		Glass		Ethernet, RS 232	BLOB analysis (completeness monitoring), dimension monitoring, BLOB analysis (presence control), position determination, focus adjustment	Degree of protection: IP 65, IP 67
50121148	LSIS 412i M49-X9-01		Plastic		Ethernet, RS 232	Dimension monitoring, BLOB analysis (completeness monitoring), BLOB analysis (presence control), position determination, focus adjustment	Degree of protection: IP 65, IP 67
50116986	LSIS 462i M43-I1	8 mm	Glass	LED, infrared	Ethernet, RS 232	Position determination, BLOB analysis (presence control), BLOB analysis (completeness monitoring), reading of 1D codes, dimension monitoring, reading of 2D codes, measuring tool, focus adjustment	Degree of protection: IP 65, IP 67
50116985	LSIS 462i M43-I1-01	8 mm	Plastic	LED, infrared	Ethernet, RS 232	Position determination, BLOB analysis (presence control), BLOB analysis (completeness monitoring), reading of 1D codes, dimension monitoring, reading of 2D codes, measuring tool, focus adjustment	Degree of protection: IP 65, IP 67
50116988	LSIS 462i M43-M1	8 mm	Glass	LED, RGBW	Ethernet, RS 232	Position determination, BLOB analysis (presence control), BLOB analysis (completeness monitoring), reading of 1D codes, dimension monitoring, reading of 2D codes, measuring tool, focus adjustment	Degree of protection: IP 65, IP 67
50116987	LSIS 462i M43-M1-01	8 mm	Plastic	LED, RGBW	Ethernet, RS 232	Position determination, BLOB analysis (presence control), BLOB analysis (completeness monitoring), reading of 1D codes, dimension monitoring, reading of 2D codes, measuring tool, focus adjustment	Degree of protection: IP 65, IP 67
50113053	LSIS 462i M43-W1	8 mm	Glass	LED, white	Ethernet, RS 232	BLOB analysis (presence control), dimension monitoring, reading of 1D codes, reading of 2D codes, position determination, BLOB analysis (completeness monitoring), measuring tool, focus adjustment	Degree of protection: IP 65, IP 67

With the LSIS 4xxi...X9, the focal length depends on the used lens
Detailed information can be found online on www.leuze.com/en/Isis412i_462i

Switching sensors

Measuring sensors

Products for safety at work

Identification

Data transmission / Control components

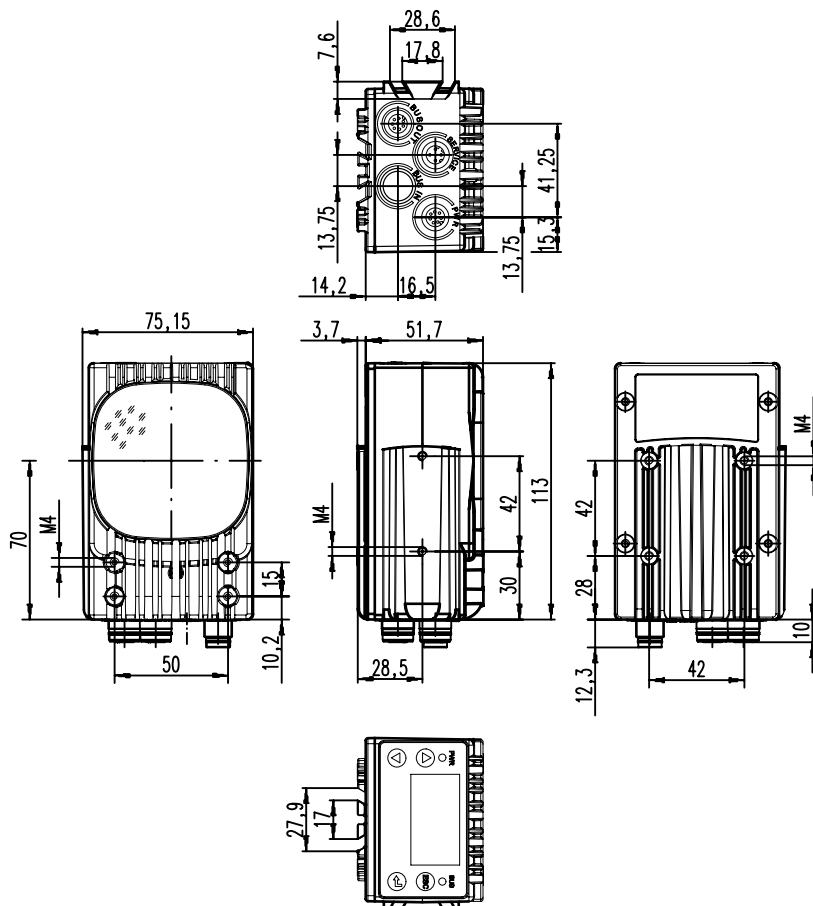
Industrial image processing

Accessories

Part no.	Part description	Focal length	Optics cover	Light source	Interface	Software functions	Description
50113052	LSIS 462i M43-W1-01	8 mm	Plastic	LED, white	Ethernet, RS 232	BLOB analysis (presence control), dimension monitoring, reading of 1D codes, reading of 2D codes, position determination, BLOB analysis (completeness monitoring), measuring tool, focus adjustment	Degree of protection: IP 65, IP 67
50116990	LSIS 462i M45-I1	16 mm	Glass	LED, infrared	Ethernet, RS 232	Position determination, BLOB analysis (presence control), BLOB analysis (completeness monitoring), reading of 1D codes, dimension monitoring, reading of 2D codes, measuring tool, focus adjustment	Degree of protection: IP 65, IP 67
50116989	LSIS 462i M45-I1-01	16 mm	Plastic	LED, infrared	Ethernet, RS 232	Position determination, BLOB analysis (presence control), BLOB analysis (completeness monitoring), reading of 1D codes, dimension monitoring, reading of 2D codes, measuring tool, focus adjustment	Degree of protection: IP 65, IP 67
50116992	LSIS 462i M45-M1	16 mm	Glass	LED, RGBW	Ethernet, RS 232	Position determination, BLOB analysis (presence control), BLOB analysis (completeness monitoring), reading of 1D codes, dimension monitoring, reading of 2D codes, measuring tool, focus adjustment	Degree of protection: IP 65, IP 67
50116991	LSIS 462i M45-M1-01	16 mm	Plastic	LED, RGBW	Ethernet, RS 232	Position determination, BLOB analysis (presence control), BLOB analysis (completeness monitoring), reading of 1D codes, dimension monitoring, reading of 2D codes, measuring tool, focus adjustment	Degree of protection: IP 65, IP 67
50113051	LSIS 462i M45-W1	16 mm	Glass	LED, white	Ethernet, RS 232	BLOB analysis (presence control), dimension monitoring, reading of 1D codes, reading of 2D codes, position determination, BLOB analysis (completeness monitoring), measuring tool, focus adjustment	Degree of protection: IP 65, IP 67
50113037	LSIS 462i M45-W1-01	16 mm	Plastic	LED, white	Ethernet, RS 232	BLOB analysis (presence control), dimension monitoring, reading of 1D codes, reading of 2D codes, position determination, BLOB analysis (completeness monitoring), measuring tool, focus adjustment	Degree of protection: IP 65, IP 67
50117091	LSIS 462i M49-X9		Glass		Ethernet, RS 232	Position determination, BLOB analysis (presence control), BLOB analysis (completeness monitoring), reading of 1D codes, dimension monitoring, reading of 2D codes, measuring tool, focus adjustment	Degree of protection: IP 65, IP 67
50131438	LSIS 472i M43-I1	8 mm	Glass	LED, infrared	Ethernet, RS 232	Compartment fine positioning, focal adjustment	Degree of protection: IP 67, IP 65
50131439	LSIS 472i M43-I1-H	8 mm	Glass	LED, infrared	Ethernet, RS 232	Compartment fine positioning, focal adjustment	Special design: heating; Degree of protection: IP 67, IP 65
50128424	LSIS 472i M45-I1	16 mm	Glass	LED, infrared	Ethernet, RS 232	Compartment fine positioning, focal adjustment	Degree of protection: IP 67, IP 65
50128425	LSIS 472i M45-I1-H	16 mm	Glass	LED, infrared	Ethernet, RS 232	Compartment fine positioning, focal adjustment	Special design: heating; Degree of protection: IP 67, IP 65

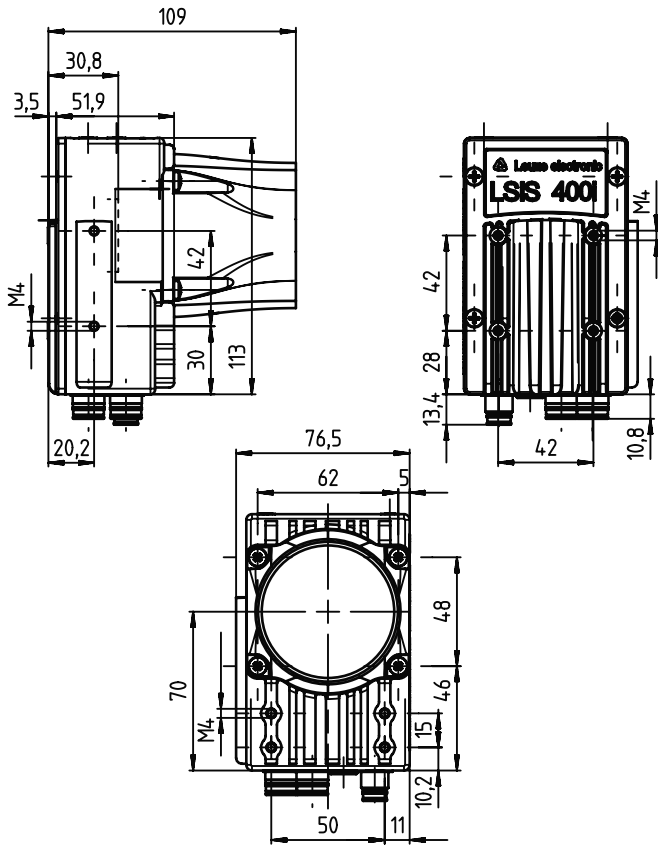
With the LSIS 4xxi...X9, the focal length depends on the used lens
 Detailed information can be found online on www.leuze.com/en/lsis412i_462i

Dimensioned drawings: LSIS 412i / LSIS 462i / LSIS 472i



LSIS 4xx smart camera

Dimensioned drawings: LSIS 412i / LSIS 462i / LSIS 472i



LSIS 4xx smart camera, C-Mount

Switching sensors

Measuring sensors

Products for safety at work

ACCESSORIES: LSIS 412i / LSIS 462i / LSIS 472i

Connection technology

Connection cables

Part no.	Part description	Connection 1	No. of pins	Cable length	Interface	Sheathing material
50135074	KS ET-M12-4A-P7-050	Connector, M12, axial, male	4-pin	5,000 mm	Ethernet	PUR
50135139	KS S-M12-8A-P1-050	Connector, M12, axial, male	8-pin	5,000 mm		PUR
50135122	KD U-M12-8A-P1-050	Connector, M12, axial, female	8-pin	5,000 mm		PUR

Further connection cables can be found on our website

Interconnection cables

Part no.	Part description	Connection 1	Connection 1, no. of pins	Connection 2	Connection 2, no. of pins	Cable length	Interface	Sheathing material
50130631	KSS ET-M12-4A-M12-4A-P7-010	Connector, M12, axial, male	4-pin	Connector, M12, axial, male	4-pin	1,000 mm	Ethernet	PUR
50130632	KSS ET-M12-4A-RJ45-A-P7-010	Connector, M12, axial, male	4-pin	RJ45		1,000 mm	Ethernet	PUR
50137077	KSS ET-M12-4A-M12-4A-P7-020	Connector, M12, axial, male	4-pin	Connector, M12, axial, male	4-pin	2,000 mm	Ethernet	PUR
50137078	KSS ET-M12-4A-M12-4A-P7-050	Connector, M12, axial, male	4-pin	Connector, M12, axial, male	4-pin	5,000 mm	Ethernet	PUR
50135081	KSS ET-M12-4A-RJ45-A-P7-050	Connector, M12, axial, male	4-pin	RJ45		5,000 mm	Ethernet	PUR
50137079	KSS ET-M12-4A-M12-4A-P7-100	Connector, M12, axial, male	4-pin	Connector, M12, axial, male	4-pin	10,000 mm	Ethernet	PUR
50137080	KSS ET-M12-4A-M12-4A-P7-150	Connector, M12, axial, male	4-pin	Connector, M12, axial, male	4-pin	15,000 mm	Ethernet	PUR

Further interconnection cables can be found on our website

Identification

Data transmission / Control components

Industrial image processing

Accessories



Mounting systems

Rod mounts

Part no.	Part description	Design	Fastening at device	Fastening at system	Material
50027375	BT 56	Mounting system	Clampable	For 16 mm rod, for 18 mm rod, 20 mm rod	Metal

Further rod mounts can be found on our website

Reflectors for LSIS 472i

Micro-triad-type reflectors

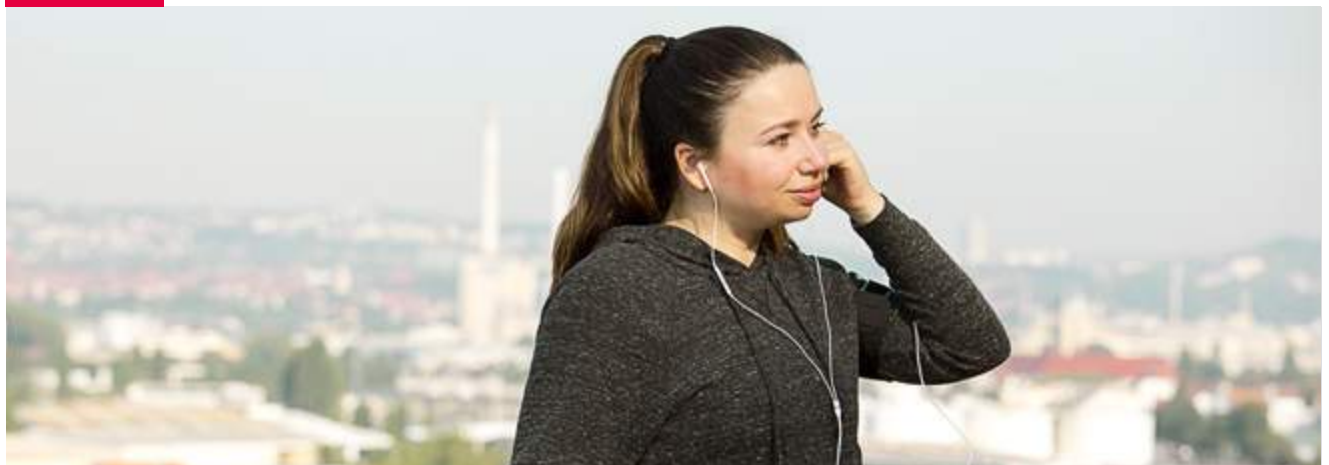
Part no.	Part description	Design	Reflective surface	Fastening	Material
50129092	MTKZ 15-30 SET	Round	15 mm	Clip	Plastic
50132911	REF 7-A-15-30 SET	Round	15 mm	Self-adhesive	

Dimensional tolerances for all specified dimensions: ± 0.2 mm
 Further micro-triad-type reflectors can be found on our website

SMART
SENSOR
 BUSINESS

 **Leuze electronic**

the **sensor** people



SMART IS
 TO THINK **EASY**

Listening to music needs to be straightforward for me – just like using our sensors. My colleagues and I are working on making it even easier for our customers to operate the devices.

Dr. Marie-Theres Heine,
 Product Manager –
 Binary Switching Sensors



www.smart-sensor-business.com

/ INDUSTRIAL IP CAMERA

VISUAL MONITORING OF DIFFICULT TO ACCESS POSITIONS

With the industrial LCAM 408i IP camera, insights into areas which are not accessible by plant operators are possible. Possible collisions are therefore avoided and troubleshooting simplified in case of failure. The robust camera can also be used under harsh environmental conditions due to the industrial design.



Switching sensors

Measuring sensors

Products for safety at work

Identification

Data transmission / Control components

Industrial image processing

Accessories

/// LCAM



The industrial IP camera LCAM 408i offers insights into areas which are not accessible by plant operators. For example, possible collisions can be avoided and troubleshooting simplified in case of failure. The robust camera delivers live streams at high image quality due to its gigabit Ethernet interface and is easily integrated into the machine or system controller via M12 connections.



Benefits:

- Robust for industrial use: Metal housing with degree of protection IP 65 / IP 67 and easy to clean glass pane
- High image quality and fast live image transfer via the 5-Megapixel color camera with gigabit-Ethernet interface
- Easy integration via 24V voltage supply and M12 connections
- Configuration via standard-browser and displayed via standard streaming tools: no additional software necessary
- Universal mounting options via dovetail, threaded holes and an extensive selection of mounting accessories

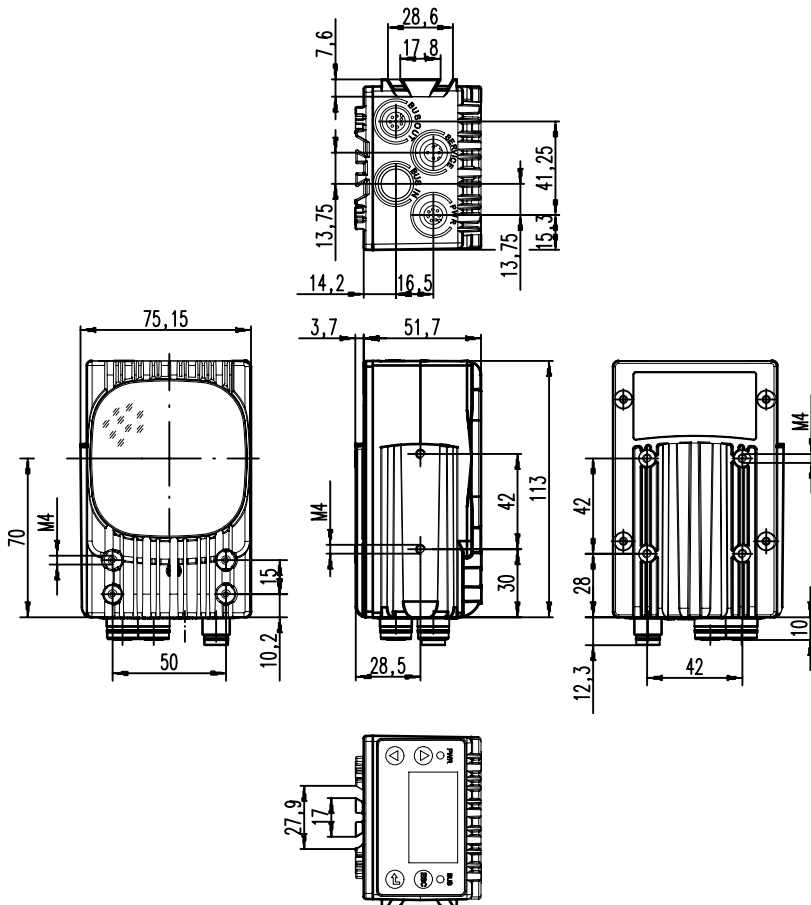


Direct access to the online product selector at www.leuze.com/en/lcam

Part no.	Part description	Focal length	Optics cover	Interface	Software functions	Degree of protection
50132136	LCAM 408i C7F-XX	4 mm	Glass	Ethernet	Image transfer	IP 67, IP 65

With the LSIS 4xxi...X9, the focal length depends on the used lens
 Detailed information can be found online on www.leuze.com/en/lcis412i_462i

Dimensioned drawings: LCAM



LCAM 408i industrial IP camera

ACCESSORIES: LCAM

Connection technology

Connection cables

Part no.	Part description	Connection 1	No. of pins	Cable length	Sheathing material
50130692	KD U-M12-4W-P1-020	Connector, M12, angled, female	4-pin	2,000 mm	PUR
50130694	KD U-M12-4W-P1-050	Connector, M12, angled, female	4-pin	5,000 mm	PUR
50130688	KD U-M12-4W-V1-020	Connector, M12, angled, female	4-pin	2,000 mm	PVC
50130690	KD U-M12-4W-V1-050	Connector, M12, angled, female	4-pin	5,000 mm	PVC
50130654	KD U-M12-4A-P1-020	Connector, M12, axial, female	4-pin	2,000 mm	PUR
50130657	KD U-M12-4A-P1-050	Connector, M12, axial, female	4-pin	5,000 mm	PUR
50130648	KD U-M12-4A-V1-020	Connector, M12, axial, female	4-pin	2,000 mm	PVC
50130652	KD U-M12-4A-V1-050	Connector, M12, axial, female	4-pin	5,000 mm	PVC

Further connection cables can be found on our website

Interconnection cables

Part no.	Part description	Connection 1	Connection 1, no. of pins	Connection 2	Connection 2, no. of pins	Cable length	Interface	Sheathing material
50130741	KDS U-M12-4A-M12-4A-P1-020	Connector, M12, axial, female	4-pin	Connector, M12, axial, male	4-pin	2,000 mm		PUR
50130759	KDS U-M12-4A-M12-4W-P1-020	Connector, M12, axial, female	4-pin	Connector, M12, angled, male	4-pin	2,000 mm		PUR
50130743	KDS U-M12-4A-M12-4A-P1-050	Connector, M12, axial, female	4-pin	Connector, M12, axial, male	4-pin	5,000 mm		PUR
50130761	KDS U-M12-4A-M12-4W-P1-050	Connector, M12, axial, female	4-pin	Connector, M12, angled, male	4-pin	5,000 mm		PUR
50130753	KDS U-M12-4A-M12-4W-V1-020	Connector, M12, axial, female	4-pin	Connector, M12, angled, male	4-pin	2,000 mm		PVC
50130755	KDS U-M12-4A-M12-4W-V1-050	Connector, M12, axial, female	4-pin	Connector, M12, angled, male	4-pin	5,000 mm		PVC
50133387	KSS ET-M12-8A-RJ45-A-P7-050	Connector, M12, axial, male	8-pin	RJ45		5,000 mm	Ethernet	PUR

Further interconnection cables can be found on our website

Mounting systems

Mounting bracket

Part no.	Part description	Design	Fastening at device	Fastening at system	Material
50121433	BT 300 W	Angle, L-shape	Screw type	Through-hole mounting	Metal

Further rod mounts can be found on our website

Rod mounts

Part no.	Part description	Design	Fastening at device	Fastening at system	Material
50027375	BT 56	Mounting system	Clampable	For 16 mm rod, for 18 mm rod, 20 mm rod	Metal

Further rod mounts can be found on our website

Switching sensors

Measuring sensors

Products for safety at work

Identification

Data transmission / Control components

Industrial image processing

Accessories

ACCESSORIES

THE DIVERSITY KNOWS NO LIMITS

For all of our devices, we offer an extensive selection of accessory parts to help you benefit even more in your specific application area. Familiarize yourself with our offerings or let us advise you.



"Find the right accessories for every product. Features that have already become standard when shopping on the Internet are still often missing on industry websites. With our product selector at www.leuze.com, this is different. Here, you not only find exactly the right product but also all suitable accessories – the sensor business can be this smart."

Gerd Eschenbächer,
Product Management –
Product Center Supplementary Products and Accessories



/ Connection technology	Page 484	
/ Mounting systems	Page 494	
/ Device columns	Page 499	Switching sensors
/ Deflecting mirrors / Deflecting mirror columns	Page 501	
/ Protective screens	Page 504	Measuring sensors
/ Signaling devices	Page 505	
/ Reflectors and reflective tapes	Page 509	
/ Alignment aids	Page 513	
/ Bar code tapes	Page 514	Products for safety at work
/ Muting mounting systems	Page 515	



Identification

Data transmission/
Control componentsIndustrial image
processing

Accessories

/ CONNECTION TECHNOLOGY

YOUR CONNECTION TO THE WORLD

Sensors are only as good as the options for integrating them in your controls. For this reason, we offer you an extensive selection of accessories, including everything from the cables, to the plugs to the optional connection box. You can easily find the right parts for your application.



/// Connection cables



Cables with open end, unshielded and shielded with various numbers of wires and various lengths for voltage supply and networks.



Direct access to the online product selector at www.leuze.com/en/a-cables

Part no.	Part description	Connection 1	No. of pins	Cable length	Sheathing material	Number of LEDs
150677	CB-M12-10000-5WM	Connector, M12, angled, male	5-pin	10,000 mm	PUR	
50130683	KD U-M12-3W-P1-020	Connector, M12, angled, female	3-pin	2,000 mm	PUR	
50130701	KD U-M12-3W-P1-020-DP	Connector, M12, angled, female	3-pin	2,000 mm	PUR	1x
50130677	KD U-M12-3W-V1-020	Connector, M12, angled, female	3-pin	2,000 mm	PVC	
50130696	KD U-M12-3W-V1-020-DP	Connector, M12, angled, female	3-pin	2,000 mm	PVC	1x
50130684	KD U-M12-3W-P1-030	Connector, M12, angled, female	3-pin	3,000 mm	PUR	
50130702	KD U-M12-3W-P1-030-DP	Connector, M12, angled, female	3-pin	3,000 mm	PUR	1x
50130678	KD U-M12-3W-V1-030	Connector, M12, angled, female	3-pin	3,000 mm	PVC	
50130697	KD U-M12-3W-V1-030-DP	Connector, M12, angled, female	3-pin	3,000 mm	PVC	1x
50130685	KD U-M12-3W-P1-050	Connector, M12, angled, female	3-pin	5,000 mm	PUR	
50130703	KD U-M12-3W-P1-050-DP	Connector, M12, angled, female	3-pin	5,000 mm	PUR	1x
50130679	KD U-M12-3W-V1-050	Connector, M12, angled, female	3-pin	5,000 mm	PVC	
50130698	KD U-M12-3W-V1-050-DP	Connector, M12, angled, female	3-pin	5,000 mm	PVC	1x
50130687	KD U-M12-3W-P1-100	Connector, M12, angled, female	3-pin	10,000 mm	PUR	
50130704	KD U-M12-3W-P1-100-DP	Connector, M12, angled, female	3-pin	10,000 mm	PUR	1x
50130681	KD U-M12-3W-V1-100	Connector, M12, angled, female	3-pin	10,000 mm	PVC	
50130699	KD U-M12-3W-V1-100-DP	Connector, M12, angled, female	3-pin	10,000 mm	PVC	1x
50130705	KD U-M12-3W-P1-150-DP	Connector, M12, angled, female	3-pin	15,000 mm	PUR	1x
50130700	KD U-M12-3W-V1-150-DP	Connector, M12, angled, female	3-pin	15,000 mm	PVC	1x
50130728	KD S-M12-4W-P1-020	Connector, M12, angled, female	4-pin	2,000 mm	PUR	
50130692	KD U-M12-4W-P1-020	Connector, M12, angled, female	4-pin	2,000 mm	PUR	
50130936	KD U-M12-4W-P1-020-3DP	Connector, M12, angled, female	4-pin	2,000 mm	PUR	3x
50130718	KD U-M12-4W-P1-020-DP	Connector, M12, angled, female	4-pin	2,000 mm	PUR	1x
50104571	K-D M12W-4P-2m-FAB	Connector, M12, angled, female	4-pin	2,000 mm	PVC	
50130688	KD U-M12-4W-V1-020	Connector, M12, angled, female	4-pin	2,000 mm	PVC	

Part no.	Part description	Connection 1	No. of pins	Cable length	Sheathing material	Number of LEDs
50130933	KD U-M12-4W-V1-020-3DP	Connector, M12, angled, female	4-pin	2,000 mm	PVC	3x
50130706	KD U-M12-4W-V1-020-DP	Connector, M12, angled, female	4-pin	2,000 mm	PVC	1x
50130693	KD U-M12-4W-P1-030	Connector, M12, angled, female	4-pin	3,000 mm	PUR	
50130937	KD U-M12-4W-P1-030-3DP	Connector, M12, angled, female	4-pin	3,000 mm	PUR	3x
50130719	KD U-M12-4W-P1-030-DP	Connector, M12, angled, female	4-pin	3,000 mm	PUR	1x
50130689	KD U-M12-4W-V1-030	Connector, M12, angled, female	4-pin	3,000 mm	PVC	
50130708	KD U-M12-4W-V1-030-DP	Connector, M12, angled, female	4-pin	3,000 mm	PVC	1x
50130729	KD S-M12-4W-P1-050	Connector, M12, angled, female	4-pin	5,000 mm	PUR	
50130694	KD U-M12-4W-P1-050	Connector, M12, angled, female	4-pin	5,000 mm	PUR	
50130938	KD U-M12-4W-P1-050-3DP	Connector, M12, angled, female	4-pin	5,000 mm	PUR	3x
50130720	KD U-M12-4W-P1-050-DP	Connector, M12, angled, female	4-pin	5,000 mm	PUR	1x
50104573	K-D M12W-4P-5m-FAB	Connector, M12, angled, female	4-pin	5,000 mm	PVC	
50130690	KD U-M12-4W-V1-050	Connector, M12, angled, female	4-pin	5,000 mm	PVC	
50130934	KD U-M12-4W-V1-050-3DP	Connector, M12, angled, female	4-pin	5,000 mm	PVC	3x
50130709	KD U-M12-4W-V1-050-DP	Connector, M12, angled, female	4-pin	5,000 mm	PVC	1x
50130730	KD S-M12-4W-P1-100	Connector, M12, angled, female	4-pin	10,000 mm	PUR	
50130695	KD U-M12-4W-P1-100	Connector, M12, angled, female	4-pin	10,000 mm	PUR	
50130939	KD U-M12-4W-P1-100-3DP	Connector, M12, angled, female	4-pin	10,000 mm	PUR	3x
50130721	KD U-M12-4W-P1-100-DP	Connector, M12, angled, female	4-pin	10,000 mm	PUR	1x
50112961	K-D M12W-4P-10m-FAB	Connector, M12, angled, female	4-pin	10,000 mm	PVC	
50130691	KD U-M12-4W-V1-100	Connector, M12, angled, female	4-pin	10,000 mm	PVC	
50130935	KD U-M12-4W-V1-100-3DP	Connector, M12, angled, female	4-pin	10,000 mm	PVC	3x
50130710	KD U-M12-4W-V1-100-DP	Connector, M12, angled, female	4-pin	10,000 mm	PVC	1x
50130731	KD S-M12-4W-P1-150	Connector, M12, angled, female	4-pin	15,000 mm	PUR	
50130940	KD U-M12-4W-P1-150-3DP	Connector, M12, angled, female	4-pin	15,000 mm	PUR	3x
50137274	KD U-M12-4W-P1-150	Connector, M12, angled, female	4-pin	15,000 mm	PVC	
50104575	K-D M12W-5P-2m-FAB	Connector, M12, angled, female	5-pin	2,000 mm	PVC	
50104577	K-D M12W-5P-5m-FAB	Connector, M12, angled, female	5-pin	5,000 mm	PVC	
429172	CB-M12-25000S-5WF	Connector, M12, angled, female	5-pin	25,000 mm	PUR	
50134943	KD S-M12-CW-P1-050	Connector, M12, angled, female	12-pin	5,000 mm	PUR	
548363	CB-M12-2000-4GMB	Connector, M12, axial, male	4-pin	2,000 mm	PUR	
50135971	KS U-M12-4A-V1-020	Connector, M12, axial, male	4-pin	2,000 mm	PVC	
50135972	KS U-M12-4A-V1-050	Connector, M12, axial, male	4-pin	5,000 mm	PVC	
150717	CB-M12-2000-5GM	Connector, M12, axial, male	5-pin	2,000 mm	PUR	
50101941	KB-008-3000 A-S	Connector, M12, axial, male	5-pin	3,000 mm	PUR	
150718	CB-M12-5000-5GM	Connector, M12, axial, male	5-pin	5,000 mm	PUR	
678050	CB-M12-5000E-5GM	Connector, M12, axial, male	5-pin	5,000 mm	PUR	
678051	CB-M12-10000E-5GM	Connector, M12, axial, male	5-pin	10,000 mm	PUR	
50102971	KB 008-10000 A-S	Connector, M12, axial, male	5-pin	10,000 mm	PUR	
678052	CB-M12-15000E-5GM	Connector, M12, axial, male	5-pin	15,000 mm	PUR	
678053	CB-M12-25000E-5GM	Connector, M12, axial, male	5-pin	25,000 mm	PUR	
50130643	KD U-M12-3A-P1-020	Connector, M12, axial, female	3-pin	2,000 mm	PUR	
50130664	KD U-M12-3A-P1-020-DP	Connector, M12, axial, female	3-pin	2,000 mm	PUR	1x
50130636	KD U-M12-3A-V1-020	Connector, M12, axial, female	3-pin	2,000 mm	PVC	
50130659	KD U-M12-3A-V1-020-DP	Connector, M12, axial, female	3-pin	2,000 mm	PVC	1x
50130644	KD U-M12-3A-P1-030	Connector, M12, axial, female	3-pin	3,000 mm	PUR	
50130665	KD U-M12-3A-P1-030-DP	Connector, M12, axial, female	3-pin	3,000 mm	PUR	1x
50130637	KD U-M12-3A-V1-030	Connector, M12, axial, female	3-pin	3,000 mm	PVC	
50130660	KD U-M12-3A-V1-030-DP	Connector, M12, axial, female	3-pin	3,000 mm	PVC	1x
50130645	KD U-M12-3A-P1-050	Connector, M12, axial, female	3-pin	5,000 mm	PUR	
50130666	KD U-M12-3A-P1-050-DP	Connector, M12, axial, female	3-pin	5,000 mm	PUR	1x
50130638	KD U-M12-3A-V1-050	Connector, M12, axial, female	3-pin	5,000 mm	PVC	
50130661	KD U-M12-3A-V1-050-DP	Connector, M12, axial, female	3-pin	5,000 mm	PVC	1x
50130646	KD U-M12-3A-P1-100	Connector, M12, axial, female	3-pin	10,000 mm	PUR	
50130667	KD U-M12-3A-P1-100-DP	Connector, M12, axial, female	3-pin	10,000 mm	PUR	1x
50130639	KD U-M12-3A-V1-100	Connector, M12, axial, female	3-pin	10,000 mm	PVC	
50130663	KD U-M12-3A-V1-100-DP	Connector, M12, axial, female	3-pin	10,000 mm	PVC	1x
50136682	KD U-M12-3A-P1-150	Connector, M12, axial, female	3-pin	15,000 mm	PUR	
50130725	KD S-M12-4A-P1-020	Connector, M12, axial, female	4-pin	2,000 mm	PUR	
50130654	KD U-M12-4A-P1-020	Connector, M12, axial, female	4-pin	2,000 mm	PUR	
50130672	KD U-M12-4A-P1-020-DP	Connector, M12, axial, female	4-pin	2,000 mm	PUR	1x
50104570	K-D M12A-4P-2m-FAB	Connector, M12, axial, female	4-pin	2,000 mm	PVC	
50130722	KD S-M12-4A-V1-020	Connector, M12, axial, female	4-pin	2,000 mm	PVC	
50130648	KD U-M12-4A-V1-020	Connector, M12, axial, female	4-pin	2,000 mm	PVC	
50130668	KD U-M12-4A-V1-020-DP	Connector, M12, axial, female	4-pin	2,000 mm	PVC	1x

Switching sensors

Measuring sensors

Products for safety at work

Identification

Data transmission/ Control components

Industrial image processing

Accessories

Part no.	Part description	Connection 1	No. of pins	Cable length	Sheathing material	Number of LEDs
50130656	KD U-M12-4A-P1-030	Connector, M12, axial, female	4-pin	3,000 mm	PUR	
50130674	KD U-M12-4A-P1-030-DP	Connector, M12, axial, female	4-pin	3,000 mm	PUR	1x
50130651	KD U-M12-4A-V1-030	Connector, M12, axial, female	4-pin	3,000 mm	PVC	
50131063	KD U-M12-4A-V1-030-DP	Connector, M12, axial, female	4-pin	3,000 mm	PVC	1x
50130726	KD S-M12-4A-P1-050	Connector, M12, axial, female	4-pin	5,000 mm	PUR	
50130657	KD U-M12-4A-P1-050	Connector, M12, axial, female	4-pin	5,000 mm	PUR	
50130675	KD U-M12-4A-P1-050-DP	Connector, M12, axial, female	4-pin	5,000 mm	PUR	1x
50104572	K-D M12A-4P-5m-FAB	Connector, M12, axial, female	4-pin	5,000 mm	PVC	
50130723	KD S-M12-4A-V1-050	Connector, M12, axial, female	4-pin	5,000 mm	PVC	
50130652	KD U-M12-4A-V1-050	Connector, M12, axial, female	4-pin	5,000 mm	PVC	
50130670	KD U-M12-4A-V1-050-DP	Connector, M12, axial, female	4-pin	5,000 mm	PVC	1x
50130727	KD S-M12-4A-P1-100	Connector, M12, axial, female	4-pin	10,000 mm	PUR	
50130658	KD U-M12-4A-P1-100	Connector, M12, axial, female	4-pin	10,000 mm	PUR	
50130676	KD U-M12-4A-P1-100-DP	Connector, M12, axial, female	4-pin	10,000 mm	PUR	1x
50112960	K-D M12A-4P-10m-FAB	Connector, M12, axial, female	4-pin	10,000 mm	PVC	
50130724	KD S-M12-4A-V1-100	Connector, M12, axial, female	4-pin	10,000 mm	PVC	
50130653	KD U-M12-4A-V1-100	Connector, M12, axial, female	4-pin	10,000 mm	PVC	
50130671	KD U-M12-4A-V1-100-DP	Connector, M12, axial, female	4-pin	10,000 mm	PVC	1x
50132434	KD S-M12-4A-P1-250	Connector, M12, axial, female	4-pin	25,000 mm	PUR	
50104574	K-D M12A-5P-2m-FAB	Connector, M12, axial, female	5-pin	2,000 mm	PVC	
50040757	KB 008-3000 A	Connector, M12, axial, female	5-pin	3,000 mm	PUR	
50133860	KD S-M12-5A-P1-050	Connector, M12, axial, female	5-pin	5,000 mm	PUR	
50104576	K-D M12A-5P-5m-FAB	Connector, M12, axial, female	5-pin	5,000 mm	PVC	
50133861	KD S-M12-5A-P1-100	Connector, M12, axial, female	5-pin	10,000 mm	PUR	
678057	CB-M12-15000E-5GF	Connector, M12, axial, female	5-pin	15,000 mm	PUR	
429075	CB-M12-15000S-5GF	Connector, M12, axial, female	5-pin	15,000 mm	PUR	
429171	CB-M12-25000S-5GF	Connector, M12, axial, female	5-pin	25,000 mm	PUR	
50129553	CB-M12-30000E-5GF	Connector, M12, axial, female	5-pin	30,000 mm	PUR	
429281	CB-M12-50000-5GF	Connector, M12, axial, female	5-pin	50,000 mm	PUR	
678059	CB-M12-50000E-5GF	Connector, M12, axial, female	5-pin	50,000 mm	PUR	
429081	CB-M12-5000S-8GF	Connector, M12, axial, female	8-pin	5,000 mm	PUR	
50135128	KD S-M12-8A-P1-050	Connector, M12, axial, female	8-pin	5,000 mm	PUR	
50135129	KD S-M12-8A-P1-100	Connector, M12, axial, female	8-pin	10,000 mm	PUR	
50135130	KD S-M12-8A-P1-150	Connector, M12, axial, female	8-pin	15,000 mm	PUR	
429288	CB-M12-25000-8GF	Connector, M12, axial, female	8-pin	25,000 mm	PUR	
50135131	KD S-M12-8A-P1-250	Connector, M12, axial, female	8-pin	25,000 mm	PUR	
429289	CB-M12-50000-8GF	Connector, M12, axial, female	8-pin	50,000 mm	PUR	
678064	CB-M12-50000E-8GF	Connector, M12, axial, female	8-pin	50,000 mm	PUR	
50130281	KD S-M12-CA-P1-020	Connector, M12, axial, female	12-pin	2,000 mm	PUR	
50130282	KD S-M12-CA-P1-050	Connector, M12, axial, female	12-pin	5,000 mm	PUR	
50130283	KD S-M12-CA-P1-100	Connector, M12, axial, female	12-pin	10,000 mm	PUR	
50130865	KD U-M8-3W-P1-020	Connector, M8, angled, female	3-pin	2,000 mm	PUR	
50130893	KD U-M8-3W-P1-020-DP	Connector, M8, angled, female	3-pin	2,000 mm	PUR	1x
50130860	KD U-M8-3W-V1-020	Connector, M8, angled, female	3-pin	2,000 mm	PVC	
50130889	KD U-M8-3W-V1-020-DP	Connector, M8, angled, female	3-pin	2,000 mm	PVC	1x
50130866	KD U-M8-3W-P1-030	Connector, M8, angled, female	3-pin	3,000 mm	PUR	
50130894	KD U-M8-3W-P1-030-DP	Connector, M8, angled, female	3-pin	3,000 mm	PUR	1x
50130861	KD U-M8-3W-V1-030	Connector, M8, angled, female	3-pin	3,000 mm	PVC	
50130890	KD U-M8-3W-V1-030-DP	Connector, M8, angled, female	3-pin	3,000 mm	PVC	1x
50130867	KD U-M8-3W-P1-050	Connector, M8, angled, female	3-pin	5,000 mm	PUR	
50130895	KD U-M8-3W-P1-050-DP	Connector, M8, angled, female	3-pin	5,000 mm	PUR	1x
50130862	KD U-M8-3W-V1-050	Connector, M8, angled, female	3-pin	5,000 mm	PVC	
50130891	KD U-M8-3W-V1-050-DP	Connector, M8, angled, female	3-pin	5,000 mm	PVC	1x
50130868	KD U-M8-3W-P1-100	Connector, M8, angled, female	3-pin	10,000 mm	PUR	
50130896	KD U-M8-3W-P1-100-DP	Connector, M8, angled, female	3-pin	10,000 mm	PUR	1x
50130863	KD U-M8-3W-V1-100	Connector, M8, angled, female	3-pin	10,000 mm	PVC	
50130892	KD U-M8-3W-V1-100-DP	Connector, M8, angled, female	3-pin	10,000 mm	PVC	1x
50130998	KD U-M8-3W-P1-200	Connector, M8, angled, female	3-pin	20,000 mm	PUR	
50130864	KD U-M8-3W-V1-200	Connector, M8, angled, female	3-pin	20,000 mm	PVC	
50130873	KD U-M8-4W-P1-020	Connector, M8, angled, female	4-pin	2,000 mm	PUR	
50130880	KD U-M8-4W-P1-020-DP	Connector, M8, angled, female	4-pin	2,000 mm	PUR	1x
50106154	K-D M8W-4P-2m-FAB	Connector, M8, angled, female	4-pin	2,000 mm	PVC	
50130869	KD U-M8-4W-V1-020	Connector, M8, angled, female	4-pin	2,000 mm	PVC	
50130877	KD U-M8-4W-V1-020-DP	Connector, M8, angled, female	4-pin	2,000 mm	PVC	1x
50130874	KD U-M8-4W-P1-030	Connector, M8, angled, female	4-pin	3,000 mm	PUR	
50130870	KD U-M8-4W-V1-030	Connector, M8, angled, female	4-pin	3,000 mm	PVC	

Part no.	Part description	Connection 1	No. of pins	Cable length	Sheathing material	Number of LEDs
50130875	KD U-M8-4W-P1-050	Connector, M8, angled, female	4-pin	5,000 mm	PUR	
50130881	KD U-M8-4W-P1-050-DP	Connector, M8, angled, female	4-pin	5,000 mm	PUR	1x
50106155	K-D M8W-4P-5m-FAB	Connector, M8, angled, female	4-pin	5,000 mm	PVC	
50130871	KD U-M8-4W-V1-050	Connector, M8, angled, female	4-pin	5,000 mm	PVC	
50130878	KD U-M8-4W-V1-050-DP	Connector, M8, angled, female	4-pin	5,000 mm	PVC	1x
50130876	KD U-M8-4W-P1-100	Connector, M8, angled, female	4-pin	10,000 mm	PUR	
50130882	KD U-M8-4W-P1-100-DP	Connector, M8, angled, female	4-pin	10,000 mm	PUR	1x
50110273	K-D M8W-4P-10m-FAB	Connector, M8, angled, female	4-pin	10,000 mm	PVC	
50130872	KD U-M8-4W-V1-100	Connector, M8, angled, female	4-pin	10,000 mm	PVC	
50130879	KD U-M8-4W-V1-100-DP	Connector, M8, angled, female	4-pin	10,000 mm	PVC	1x
50130829	KS U-M8-3A-P1-020	Connector, M8, axial, male	3-pin	2,000 mm	PUR	
50130831	KS U-M8-3A-P1-050	Connector, M8, axial, male	3-pin	5,000 mm	PUR	
50130833	KS U-M8-3A-P1-100	Connector, M8, axial, male	3-pin	10,000 mm	PUR	
50130834	KS U-M8-4A-P1-020	Connector, M8, axial, male	4-pin	2,000 mm	PUR	
50130835	KS U-M8-4A-P1-050	Connector, M8, axial, male	4-pin	5,000 mm	PUR	
50130836	KS U-M8-4A-P1-100	Connector, M8, axial, male	4-pin	10,000 mm	PUR	
50130842	KD U-M8-3A-P1-020	Connector, M8, axial, female	3-pin	2,000 mm	PUR	
50130886	KD U-M8-3A-P1-020-DP	Connector, M8, axial, female	3-pin	2,000 mm	PUR	1x
50130837	KD U-M8-3A-V1-020	Connector, M8, axial, female	3-pin	2,000 mm	PVC	
50130883	KD U-M8-3A-V1-020-DP	Connector, M8, axial, female	3-pin	2,000 mm	PVC	1x
50130843	KD U-M8-3A-P1-030	Connector, M8, axial, female	3-pin	3,000 mm	PUR	
50130838	KD U-M8-3A-V1-030	Connector, M8, axial, female	3-pin	3,000 mm	PVC	
50130844	KD U-M8-3A-P1-050	Connector, M8, axial, female	3-pin	5,000 mm	PUR	
50130887	KD U-M8-3A-P1-050-DP	Connector, M8, axial, female	3-pin	5,000 mm	PUR	1x
50130832	KD U-M8-3A-V1-050	Connector, M8, axial, female	3-pin	5,000 mm	PVC	
50130884	KD U-M8-3A-V1-050-DP	Connector, M8, axial, female	3-pin	5,000 mm	PVC	1x
50130845	KD U-M8-3A-P1-100	Connector, M8, axial, female	3-pin	10,000 mm	PUR	
50130888	KD U-M8-3A-P1-100-DP	Connector, M8, axial, female	3-pin	10,000 mm	PUR	1x
50130839	KD U-M8-3A-V1-100	Connector, M8, axial, female	3-pin	10,000 mm	PVC	
50130885	KD U-M8-3A-V1-100-DP	Connector, M8, axial, female	3-pin	10,000 mm	PVC	1x
50130846	KD U-M8-3A-P1-150	Connector, M8, axial, female	3-pin	15,000 mm	PUR	
50130840	KD U-M8-3A-V1-150	Connector, M8, axial, female	3-pin	15,000 mm	PVC	
50130847	KD U-M8-3A-P1-200	Connector, M8, axial, female	3-pin	20,000 mm	PUR	
50130841	KD U-M8-3A-V1-200	Connector, M8, axial, female	3-pin	20,000 mm	PVC	
50130854	KD U-M8-4A-P1-020	Connector, M8, axial, female	4-pin	2,000 mm	PUR	
50106152	K-D M8A-4P-2m-FAB	Connector, M8, axial, female	4-pin	2,000 mm	PVC	
50130848	KD U-M8-4A-V1-020	Connector, M8, axial, female	4-pin	2,000 mm	PVC	
50130855	KD U-M8-4A-P1-030	Connector, M8, axial, female	4-pin	3,000 mm	PUR	
50130849	KD U-M8-4A-V1-030	Connector, M8, axial, female	4-pin	3,000 mm	PVC	
50130856	KD U-M8-4A-P1-050	Connector, M8, axial, female	4-pin	5,000 mm	PUR	
50106153	K-D M8A-4P-5m-FAB	Connector, M8, axial, female	4-pin	5,000 mm	PVC	
50130850	KD U-M8-4A-V1-050	Connector, M8, axial, female	4-pin	5,000 mm	PVC	
50130857	KD U-M8-4A-P1-100	Connector, M8, axial, female	4-pin	10,000 mm	PUR	
50110274	K-D M8A-4P-10m-FAB	Connector, M8, axial, female	4-pin	10,000 mm	PVC	
50130851	KD U-M8-4A-V1-100	Connector, M8, axial, female	4-pin	10,000 mm	PVC	
50130858	KD U-M8-4A-P1-150	Connector, M8, axial, female	4-pin	15,000 mm	PUR	
50130852	KD U-M8-4A-V1-150	Connector, M8, axial, female	4-pin	15,000 mm	PVC	
50130859	KD U-M8-4A-P1-200	Connector, M8, axial, female	4-pin	20,000 mm	PUR	
50130853	KD U-M8-4A-V1-200	Connector, M8, axial, female	4-pin	20,000 mm	PVC	

Switching sensors

Measuring sensors

Products for safety at work

Identification

Data transmission/ Control components

CANopen / DeviceNet

Part no.	Part description	Connection 1	No. of pins	Cable length	Interface	Sheathing material
50114693	KB DN/CAN-2000 SA	Connector, M12, axial, male	5-pin	2,000 mm	DeviceNet, CANopen	PUR
50114697	KB DN/CAN-5000 SA	Connector, M12, axial, male	5-pin	5,000 mm	CANopen, DeviceNet	PUR
50114700	KB DN/CAN-10000 SA	Connector, M12, axial, male	5-pin	10,000 mm	DeviceNet, CANopen	PUR
50114702	KB DN/CAN-30000 SA	Connector, M12, axial, male	5-pin	30,000 mm	DeviceNet, CANopen	PUR
50114692	KB DN/CAN-2000 BA	Connector, M12, axial, female	5-pin	2,000 mm	DeviceNet, CANopen	PUR
50114696	KB DN/CAN-5000 BA	Connector, M12, axial, female	5-pin	5,000 mm	DeviceNet, CANopen	PUR
50114699	KB DN/CAN-10000 BA	Connector, M12, axial, female	5-pin	10,000 mm	DeviceNet, CANopen	PUR
50114701	KB DN/CAN-30000 BA	Connector, M12, axial, female	5-pin	30,000 mm	DeviceNet, CANopen	PUR

Industrial image processing

Accessories

Ethernet

Part no.	Part description	Connection 1	No. of pins	Cable length	Interface	Sheathing material
50134942	KS ET-M12-4W-P7-050	Connector, M12, angled, male	4-pin	5,000 mm	Ethernet	PUR
50135073	KS ET-M12-4A-P7-020	Connector, M12, axial, male	4-pin	2,000 mm	Ethernet	PUR
50135074	KS ET-M12-4A-P7-050	Connector, M12, axial, male	4-pin	5,000 mm	Ethernet	PUR
50135075	KS ET-M12-4A-P7-100	Connector, M12, axial, male	4-pin	10,000 mm	Ethernet	PUR
50135076	KS ET-M12-4A-P7-150	Connector, M12, axial, male	4-pin	15,000 mm	Ethernet	PUR
50135077	KS ET-M12-4A-P7-300	Connector, M12, axial, male	4-pin	30,000 mm	Ethernet	PUR

Interbus-S

Part no.	Part description	Connection 1	No. of pins	Cable length	Interface	Sheathing material
50108595	KB IBS-2000-SA	Connector, M12, axial, male	5-pin	2,000 mm	Interbus-S	PUR
50108596	KB IBS-5000-SA	Connector, M12, axial, male	5-pin	5,000 mm	Interbus-S	PUR
50108597	KB IBS-10000-SA	Connector, M12, axial, male	5-pin	10,000 mm	Interbus-S	PUR
50108598	KB IBS-15000-SA	Connector, M12, axial, male	5-pin	15,000 mm	Interbus-S	PUR
50108601	KB IBS-30000-SA	Connector, M12, axial, male	5-pin	30,000 mm	Interbus-S	PUR
50104172	KB SSI/IBS-2000-BA	Connector, M12, axial, female	5-pin	2,000 mm	SSI, Interbus-S	PUR
50104171	KB SSI/IBS-5000-BA	Connector, M12, axial, female	5-pin	5,000 mm	SSI, Interbus-S	PUR
50104170	KB SSI/IBS-10000-BA	Connector, M12, axial, female	5-pin	10,000 mm	SSI, Interbus-S	PUR
50104169	KB SSI/IBS-15000-BA	Connector, M12, axial, female	5-pin	15,000 mm	SSI, Interbus-S	PUR
50108446	KB SSI/IBS-30000-BA	Connector, M12, axial, female	5-pin	30,000 mm	SSI, Interbus-S	PUR

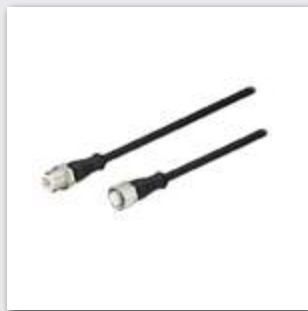
PROFIBUS DP

Part no.	Part description	Connection 1	No. of pins	Cable length	Interface	Sheathing material
50135247	KS PB-M12-4A-P3-020	Connector, M12, axial, male	5-pin	2,000 mm	PROFIBUS DP	PUR
50135248	KS PB-M12-4A-P3-050	Connector, M12, axial, male	5-pin	5,000 mm	PROFIBUS DP	PUR
50135249	KS PB-M12-4A-P3-100	Connector, M12, axial, male	5-pin	10,000 mm	PROFIBUS DP	PUR
50135250	KS PB-M12-4A-P3-150	Connector, M12, axial, male	5-pin	15,000 mm	PROFIBUS DP	PUR
50135251	KS PB-M12-4A-P3-300	Connector, M12, axial, male	5-pin	30,000 mm	PROFIBUS DP	PUR
50135242	KD PB-M12-4A-P3-020	Connector, M12, axial, female	5-pin	2,000 mm	PROFIBUS DP	PUR
50135243	KD PB-M12-4A-P3-050	Connector, M12, axial, female	5-pin	5,000 mm	PROFIBUS DP	PUR
50135244	KD PB-M12-4A-P3-100	Connector, M12, axial, female	5-pin	10,000 mm	PROFIBUS DP	PUR
50135245	KD PB-M12-4A-P3-150	Connector, M12, axial, female	5-pin	15,000 mm	PROFIBUS DP	PUR
50135246	KD PB-M12-4A-P3-300	Connector, M12, axial, female	5-pin	30,000 mm	PROFIBUS DP	PUR

SSI

Part no.	Part description	Connection 1	No. of pins	Cable length	Interface	Sheathing material
50104172	KB SSI/IBS-2000-BA	Connector, M12, axial, female	5-pin	2,000 mm	SSI, Interbus-S	PUR
50104171	KB SSI/IBS-5000-BA	Connector, M12, axial, female	5-pin	5,000 mm	SSI, Interbus-S	PUR
50104170	KB SSI/IBS-10000-BA	Connector, M12, axial, female	5-pin	10,000 mm	SSI, Interbus-S	PUR
50104169	KB SSI/IBS-15000-BA	Connector, M12, axial, female	5-pin	15,000 mm	SSI, Interbus-S	PUR
50108446	KB SSI/IBS-30000-BA	Connector, M12, axial, female	5-pin	30,000 mm	SSI, Interbus-S	PUR

/// Interconnection cables



Cables with connectors on both ends, unshielded and shielded with various numbers of wires and various lengths as well as service cables for networks.



Direct access to the online product selector at www.leuze.com/en/c-cables

Part no.	Part description	Connection 1	Connection 1, no. of pins	Connection 2	Connection 2, no. of pins	Cable length	Sheathing material
50035863	CB-D9-3000-5GF/GM	Sub-D, female, axial	9-pin	Sub-D, male, axial		3,000 mm	
50035865	CB-D9-5000-5GF/GM	Sub-D, female, axial	9-pin	Sub-D, male, axial		5,000 mm	
50035867	CB-D9-10000-5GF/GM	Sub-D, female, axial	9-pin	Sub-D, male, axial		10,000 mm	
50130745	KDS U-M12-3W-M12-3A-P1-006	Connector, M12, angled, female	3-pin	Connector, M12, axial, male	3-pin	600 mm	PUR
50130768	KDS U-M12-3W-M12-3A-P1-006-DP	Connector, M12, angled, female	3-pin	Connector, M12, axial, male	3-pin	600 mm	PUR
50130746	KDS U-M12-3W-M12-3A-P1-010	Connector, M12, angled, female	3-pin	Connector, M12, axial, male	3-pin	1,000 mm	PUR
50130769	KDS U-M12-3W-M12-3A-P1-010-DP	Connector, M12, angled, female	3-pin	Connector, M12, axial, male	3-pin	1,000 mm	PUR
548052	CB-M12-1500X-3WF/WM	Connector, M12, angled, female	3-pin	Connector, M12, angled, male	3-pin	1,500 mm	PUR
50130747	KDS U-M12-3W-M12-3A-P1-020	Connector, M12, angled, female	3-pin	Connector, M12, axial, male	3-pin	2,000 mm	PUR
50130770	KDS U-M12-3W-M12-3A-P1-020-DP	Connector, M12, angled, female	3-pin	Connector, M12, axial, male	3-pin	2,000 mm	PUR
50130748	KDS U-M12-3W-M12-3A-P1-030	Connector, M12, angled, female	3-pin	Connector, M12, axial, male	3-pin	3,000 mm	PUR
50130771	KDS U-M12-3W-M12-3A-P1-030-DP	Connector, M12, angled, female	3-pin	Connector, M12, axial, male	3-pin	3,000 mm	PUR
50130749	KDS U-M12-3W-M12-3A-P1-050	Connector, M12, angled, female	3-pin	Connector, M12, axial, male	3-pin	5,000 mm	PUR
50130772	KDS U-M12-3W-M12-3A-P1-050-DP	Connector, M12, angled, female	3-pin	Connector, M12, axial, male	3-pin	5,000 mm	PUR
50130941	KDS U-M12-4W-M12-4A-P1-006-3DP	Connector, M12, angled, female	4-pin	Connector, M12, axial, male	4-pin	600 mm	PUR
50130942	KDS U-M12-4W-M12-4A-P1-010-3DP	Connector, M12, angled, female	4-pin	Connector, M12, axial, male	4-pin	1,000 mm	PUR
50130943	KDS U-M12-4W-M12-4A-P1-015-3DP	Connector, M12, angled, female	4-pin	Connector, M12, axial, male	4-pin	1,500 mm	PUR
50130944	KDS U-M12-4W-M12-4A-P1-020-3DP	Connector, M12, angled, female	4-pin	Connector, M12, axial, male	4-pin	2,000 mm	PUR
50130945	KDS U-M12-4W-M12-4A-P1-030-3DP	Connector, M12, angled, female	4-pin	Connector, M12, axial, male	4-pin	3,000 mm	PUR
50130946	KDS U-M12-4W-M12-4A-P1-050-3DP	Connector, M12, angled, female	4-pin	Connector, M12, axial, male	4-pin	5,000 mm	PUR
50130732	KDS U-M12-3A-M12-3A-P1-006	Connector, M12, axial, female	3-pin	Connector, M12, axial, male	3-pin	600 mm	PUR
50130733	KDS U-M12-3A-M12-3A-P1-010	Connector, M12, axial, female	3-pin	Connector, M12, axial, male	3-pin	1,000 mm	PUR
150680	CB-M12-1500-3GF/GM	Connector, M12, axial, female	3-pin	Connector, M12, axial, male	3-pin	1,500 mm	PUR
150681	CB-M12-1500-3GF/WM	Connector, M12, axial, female	3-pin	Connector, M12, angled, male	3-pin	1,500 mm	PUR
548051	CB-M12-1500X-3GF/GM	Connector, M12, axial, female	3-pin	Connector, M12, axial, male	3-pin	1,500 mm	PUR
548050	CB-M12-1500X-3GF/WM	Connector, M12, axial, female	3-pin	Connector, M12, angled, male	3-pin	1,500 mm	PUR
50130734	KDS U-M12-3A-M12-3A-P1-020	Connector, M12, axial, female	3-pin	Connector, M12, axial, male	3-pin	2,000 mm	PUR
50130735	KDS U-M12-3A-M12-3A-P1-030	Connector, M12, axial, female	3-pin	Connector, M12, axial, male	3-pin	3,000 mm	PUR
150683	CB-M12-5000-3GF/WM	Connector, M12, axial, female	3-pin	Connector, M12, angled, male	3-pin	5,000 mm	PUR
50130736	KDS U-M12-3A-M12-3A-P1-050	Connector, M12, axial, female	3-pin	Connector, M12, axial, male	3-pin	5,000 mm	PUR
150684	CB-M12-15000-3GF/GM	Connector, M12, axial, female	3-pin	Connector, M12, axial, male	3-pin	15,000 mm	PUR
150685	CB-M12-15000-3GF/WM	Connector, M12, axial, female	3-pin	Connector, M12, angled, male	3-pin	15,000 mm	PUR
50130737	KDS U-M12-4A-M12-4A-P1-003	Connector, M12, axial, female	4-pin	Connector, M12, axial, male	4-pin	300 mm	PUR
50130762	KDS U-M12-4A-M12-4A-P1-003-DP	Connector, M12, axial, female	4-pin	Connector, M12, axial, male	4-pin	300 mm	PUR
50130756	KDS U-M12-4A-M12-4W-P1-003	Connector, M12, axial, female	4-pin	Connector, M12, angled, male	4-pin	300 mm	PUR
50116738	K-DS M12A-M8A-4P-0,3m-PVC	Connector, M12, axial, female	4-pin	Connector, M8, axial, male	4-pin	300 mm	PVC
50130750	KDS U-M12-4A-M12-4W-V1-003	Connector, M12, axial, female	4-pin	Connector, M12, angled, male	4-pin	300 mm	PVC
50130738	KDS U-M12-4A-M12-4A-P1-006	Connector, M12, axial, female	4-pin	Connector, M12, axial, male	4-pin	600 mm	PUR
50130763	KDS U-M12-4A-M12-4A-P1-006-DP	Connector, M12, axial, female	4-pin	Connector, M12, axial, male	4-pin	600 mm	PUR
50130757	KDS U-M12-4A-M12-4W-P1-006	Connector, M12, axial, female	4-pin	Connector, M12, angled, male	4-pin	600 mm	PUR
50130751	KDS U-M12-4A-M12-4W-V1-006	Connector, M12, axial, female	4-pin	Connector, M12, angled, male	4-pin	600 mm	PVC
50130739	KDS U-M12-4A-M12-4A-P1-010	Connector, M12, axial, female	4-pin	Connector, M12, axial, male	4-pin	1,000 mm	PUR
50130764	KDS U-M12-4A-M12-4A-P1-010-DP	Connector, M12, axial, female	4-pin	Connector, M12, axial, male	4-pin	1,000 mm	PUR
50130758	KDS U-M12-4A-M12-4W-P1-010	Connector, M12, axial, female	4-pin	Connector, M12, angled, male	4-pin	1,000 mm	PUR
50130752	KDS U-M12-4A-M12-4W-V1-010	Connector, M12, axial, female	4-pin	Connector, M12, angled, male	4-pin	1,000 mm	PVC
50130740	KDS U-M12-4A-M12-4A-P1-015	Connector, M12, axial, female	4-pin	Connector, M12, axial, male	4-pin	1,500 mm	PUR
50130741	KDS U-M12-4A-M12-4A-P1-020	Connector, M12, axial, female	4-pin	Connector, M12, axial, male	4-pin	2,000 mm	PUR
50130765	KDS U-M12-4A-M12-4A-P1-020-DP	Connector, M12, axial, female	4-pin	Connector, M12, axial, male	4-pin	2,000 mm	PUR
50130759	KDS U-M12-4A-M12-4W-P1-020	Connector, M12, axial, female	4-pin	Connector, M12, angled, male	4-pin	2,000 mm	PUR
50132438	KDS U-M12-4A-M12-4A-V1-020	Connector, M12, axial, female	4-pin	Connector, M12, axial, male	4-pin	2,000 mm	PVC

Switching sensors

Measuring sensors

Products for safety at work

Identification

Data transmission/ Control components

Industrial image processing

Accessories

Part no.	Part description	Connection 1	Connection 1, no. of pins	Connection 2	Connection 2, no. of pins	Cable length	Sheathing material
50130753	KDS U-M12-4A-M12-4W-V1-020	Connector, M12, axial, female	4-pin	Connector, M12, angled, male	4-pin	2,000 mm	PVC
50130742	KDS U-M12-4A-M12-4A-P1-030	Connector, M12, axial, female	4-pin	Connector, M12, axial, male	4-pin	3,000 mm	PUR
50130766	KDS U-M12-4A-M12-4A-P1-030-DP	Connector, M12, axial, female	4-pin	Connector, M12, axial, male	4-pin	3,000 mm	PUR
50130760	KDS U-M12-4A-M12-4W-P1-030	Connector, M12, axial, female	4-pin	Connector, M12, angled, male	4-pin	3,000 mm	PUR
50130754	KDS U-M12-4A-M12-4W-V1-030	Connector, M12, axial, female	4-pin	Connector, M12, angled, male	4-pin	3,000 mm	PVC
50130743	KDS U-M12-4A-M12-4A-P1-050	Connector, M12, axial, female	4-pin	Connector, M12, axial, male	4-pin	5,000 mm	PUR
50130767	KDS U-M12-4A-M12-4A-P1-050-DP	Connector, M12, axial, female	4-pin	Connector, M12, axial, male	4-pin	5,000 mm	PUR
50130761	KDS U-M12-4A-M12-4W-P1-050	Connector, M12, axial, female	4-pin	Connector, M12, angled, male	4-pin	5,000 mm	PUR
50132439	KDS U-M12-4A-M12-4A-V1-050	Connector, M12, axial, female	4-pin	Connector, M12, axial, male	4-pin	5,000 mm	PVC
50130755	KDS U-M12-4A-M12-4W-V1-050	Connector, M12, axial, female	4-pin	Connector, M12, angled, male	4-pin	5,000 mm	PVC
50130744	KDS U-M12-4A-M12-4A-P1-100	Connector, M12, axial, female	4-pin	Connector, M12, axial, male	4-pin	10,000 mm	PUR
548100	CB-M12-25000S-4GF/GM	Connector, M12, axial, female	4-pin	Connector, M12, axial, male	4-pin	25,000 mm	PUR
548361	CB-M12-1000-5GF/GM	Connector, M12, axial, female	5-pin	Connector, M12, axial, male	5-pin	1,000 mm	PUR
50115049	K-DS M12A-MA-5P-3m-S-PUR	Connector, M12, axial, female	5-pin	JST ZHR		3,000 mm	PUR
678032	CB-M12-20000S-5GF/GM	Connector, M12, axial, female	5-pin	Connector, M12, axial, male	5-pin	20,000 mm	PUR
50120999	K-DS M12A-8P-4P-2m-L-PUR	Connector, M12, axial, female	8-pin	Connector, M12, axial, male	4-pin	2,000 mm	PUR
50135145	KDS S-M12-8A-M12-8A-P1-020	Connector, M12, axial, female	8-pin	Connector, M12, axial, male	8-pin	2,000 mm	PUR
50115050	K-DS M12A-MA-8P-3m-S-PUR	Connector, M12, axial, female	8-pin	JST ZHR		3,000 mm	PUR
50121000	K-DS M12A-8P-4P-5m-L-PUR	Connector, M12, axial, female	8-pin	Connector, M12, axial, male	4-pin	5,000 mm	PUR
50135146	KDS S-M12-8A-M12-8A-P1-050	Connector, M12, axial, female	8-pin	Connector, M12, axial, male	8-pin	5,000 mm	PUR
50130284	KDS S-M12-CA-M12-CA-P1-020	Connector, M12, axial, female	12-pin	Connector, M12, axial, male	12-pin	2,000 mm	PUR
50130285	KDS S-M12-CA-M12-CA-P1-050	Connector, M12, axial, female	12-pin	Connector, M12, axial, male	12-pin	5,000 mm	PUR
50130286	KDS S-M12-CA-M12-CA-P1-100	Connector, M12, axial, female	12-pin	Connector, M12, axial, male	12-pin	10,000 mm	PUR
50130917	KDS U-M8-3W-M8-3A-P1-003	Connector, M8, angled, female	3-pin	Connector, M8, axial, male	3-pin	300 mm	PUR
50130921	KDS U-M8-3W-M8-3A-P1-003-DP	Connector, M8, angled, female	3-pin	Connector, M8, axial, male	3-pin	300 mm	PUR
50130918	KDS U-M8-3W-M8-3A-P1-006	Connector, M8, angled, female	3-pin	Connector, M8, axial, male	3-pin	600 mm	PUR
50130922	KDS U-M8-3W-M8-3A-P1-006-DP	Connector, M8, angled, female	3-pin	Connector, M8, axial, male	3-pin	600 mm	PUR
50130919	KDS U-M8-3W-M8-3A-P1-010	Connector, M8, angled, female	3-pin	Connector, M8, axial, male	3-pin	1,000 mm	PUR
50130923	KDS U-M8-3W-M8-3A-P1-010-DP	Connector, M8, angled, female	3-pin	Connector, M8, axial, male	3-pin	1,000 mm	PUR
50130925	KDS U-M8-3W-M8-3A-P1-015-DP	Connector, M8, angled, female	3-pin	Connector, M8, axial, male	3-pin	1,500 mm	PUR
50130920	KDS U-M8-3W-M8-3A-P1-020	Connector, M8, angled, female	3-pin	Connector, M8, axial, male	3-pin	2,000 mm	PUR
50130926	KDS U-M8-3W-M8-3A-P1-020-DP	Connector, M8, angled, female	3-pin	Connector, M8, axial, male	3-pin	2,000 mm	PUR
50130901	KDS U-M8-3A-M8-3A-P1-003	Connector, M8, axial, female	3-pin	Connector, M8, axial, male	3-pin	300 mm	PUR
50130908	KDS U-M8-3A-M8-3A-P1-003-DP	Connector, M8, axial, female	3-pin	Connector, M8, axial, male	3-pin	300 mm	PUR
50130927	KDS U-M8-3A-M12-3A-P1-003	Connector, M8, axial, female	3-pin	Connector, M12, axial, male	3-pin	300 mm	PUR
50130897	KDS U-M8-3A-M8-3A-V1-003	Connector, M8, axial, female	3-pin	Connector, M8, axial, male	3-pin	300 mm	PVC
50130902	KDS U-M8-3A-M8-3A-P1-006	Connector, M8, axial, female	3-pin	Connector, M8, axial, male	3-pin	600 mm	PUR
50130909	KDS U-M8-3A-M8-3A-P1-006-DP	Connector, M8, axial, female	3-pin	Connector, M8, axial, male	3-pin	600 mm	PUR
50130928	KDS U-M8-3A-M12-3A-P1-006	Connector, M8, axial, female	3-pin	Connector, M12, axial, male	3-pin	600 mm	PUR
50130898	KDS U-M8-3A-M8-3A-V1-006	Connector, M8, axial, female	3-pin	Connector, M8, axial, male	3-pin	600 mm	PVC
50130903	KDS U-M8-3A-M8-3A-P1-010	Connector, M8, axial, female	3-pin	Connector, M8, axial, male	3-pin	1,000 mm	PUR
50130910	KDS U-M8-3A-M8-3A-P1-010-DP	Connector, M8, axial, female	3-pin	Connector, M8, axial, male	3-pin	1,000 mm	PUR
50130929	KDS U-M8-3A-M12-3A-P1-010	Connector, M8, axial, female	3-pin	Connector, M12, axial, male	3-pin	1,000 mm	PUR
50130899	KDS U-M8-3A-M8-3A-V1-010	Connector, M8, axial, female	3-pin	Connector, M8, axial, male	3-pin	1,000 mm	PVC
50136448	KDS U-M8-3A-M12-3A-V1-010	Connector, M8, axial, female	3-pin	Connector, M12, axial, male	3-pin	1,000 mm	PVC
50130904	KDS U-M8-3A-M8-3A-P1-015	Connector, M8, axial, female	3-pin	Connector, M8, axial, male	3-pin	1,500 mm	PUR
50130911	KDS U-M8-3A-M8-3A-P1-015-DP	Connector, M8, axial, female	3-pin	Connector, M8, axial, male	3-pin	1,500 mm	PUR
50130930	KDS U-M8-3A-M12-3A-P1-015	Connector, M8, axial, female	3-pin	Connector, M12, axial, male	3-pin	1,500 mm	PUR
50130905	KDS U-M8-3A-M8-3A-P1-020	Connector, M8, axial, female	3-pin	Connector, M8, axial, male	3-pin	2,000 mm	PUR
50130912	KDS U-M8-3A-M8-3A-P1-020-DP	Connector, M8, axial, female	3-pin	Connector, M8, axial, male	3-pin	2,000 mm	PUR
50130931	KDS U-M8-3A-M12-3A-P1-020	Connector, M8, axial, female	3-pin	Connector, M12, axial, male	3-pin	2,000 mm	PUR
50130900	KDS U-M8-3A-M8-3A-V1-020	Connector, M8, axial, female	3-pin	Connector, M8, axial, male	3-pin	2,000 mm	PVC
50130906	KDS U-M8-3A-M8-3A-P1-030	Connector, M8, axial, female	3-pin	Connector, M8, axial, male	3-pin	3,000 mm	PUR
50130907	KDS U-M8-3A-M8-3A-P1-050	Connector, M8, axial, female	3-pin	Connector, M8, axial, male	3-pin	5,000 mm	PUR
50130932	KDS U-M8-3A-M12-3A-P1-050	Connector, M8, axial, female	3-pin	Connector, M12, axial, male	3-pin	5,000 mm	PUR
50130913	KDS U-M8-4A-M8-4A-P1-003	Connector, M8, axial, female	4-pin	Connector, M8, axial, male	4-pin	300 mm	PUR
50107276	K-DS M8A-M12A-4P-0,3m-PVC	Connector, M8, axial, female	4-pin	Connector, M12, axial, male	4-pin	300 mm	PVC
50130914	KDS U-M8-4A-M8-4A-P1-006	Connector, M8, axial, female	4-pin	Connector, M8, axial, male	4-pin	600 mm	PUR
50130915	KDS U-M8-4A-M8-4A-P1-010	Connector, M8, axial, female	4-pin	Connector, M8, axial, male	4-pin	1,000 mm	PUR
50130916	KDS U-M8-4A-M8-4A-P1-020	Connector, M8, axial, female	4-pin	Connector, M8, axial, male	4-pin	2,000 mm	PUR

CANopen / DeviceNet

Part no.	Part description	Connection 1	Connection 1, no. of pins	Connection 2	Connection 2, no. of pins	Cable length	Interface	Sheathing material
50114691	KB DN/CAN-1000 SBA	Connector, M12, axial, male	5-pin	Connector, M12, axial, female	5-pin	1,000 mm	DeviceNet, CANopen	PUR
50114694	KB DN/CAN-2000 SBA	Connector, M12, axial, male	5-pin	Connector, M12, axial, female	5-pin	2,000 mm	DeviceNet, CANopen	PUR
50114698	KB DN/CAN-5000 SBA	Connector, M12, axial, male	5-pin	Connector, M12, axial, female	5-pin	5,000 mm	DeviceNet, CANopen	PUR
50122338	KB DN/CAN-10000 SBA	Connector, M12, axial, male	5-pin	Connector, M12, axial, female	5-pin	10,000 mm	DeviceNet, CANopen	PUR
50122339	KB DN/CAN-20000 SBA	Connector, M12, axial, male	5-pin	Connector, M12, axial, female	5-pin	20,000 mm	CANopen, DeviceNet	PUR
50129779	KDS DN-M12-5A-M12-5A-P3-010	Connector, M12, axial, female	5-pin	Connector, M12, axial, male	5-pin	1,000 mm	IO-Link, DeviceNet, CANopen	PUR
50129780	KDS DN-M12-5A-M12-5A-P3-020	Connector, M12, axial, female	5-pin	Connector, M12, axial, male	5-pin	2,000 mm	IO-Link, DeviceNet, CANopen	PUR
50129781	KDS DN-M12-5A-M12-5A-P3-050	Connector, M12, axial, female	5-pin	Connector, M12, axial, male	5-pin	5,000 mm	IO-Link, DeviceNet, CANopen	PUR
50129782	KDS DN-M12-5A-M12-5A-P3-100	Connector, M12, axial, female	5-pin	Connector, M12, axial, male	5-pin	10,000 mm	IO-Link, DeviceNet, CANopen	PUR
50129783	KDS DN-M12-5A-M12-5A-P3-200	Connector, M12, axial, female	5-pin	Connector, M12, axial, male	5-pin	20,000 mm	IO-Link, DeviceNet, CANopen	PUR

Switching sensors

Measuring sensors

Ethernet

Part no.	Part description	Connection 1	Connection 1, no. of pins	Connection 2	Connection 2, no. of pins	Cable length	Interface	Sheathing material
50136183	KSS ET-M12-4W-RJ45-A-P7-050	Connector, M12, angled, male	4-pin	RJ45		5,000 mm	Ethernet	PUR
50136185	KSS ET-M12-4W-RJ45-A-P7-150	Connector, M12, angled, male	4-pin	RJ45		15,000 mm	Ethernet	PUR
50135079	KSS ET-M12-4A-RJ45-A-P7-006	Connector, M12, axial, male	4-pin	RJ45		600 mm	Ethernet	PUR
50130631	KSS ET-M12-4A-M12-4A-P7-010	Connector, M12, axial, male	4-pin	Connector, M12, axial, male	4-pin	1,000 mm	Ethernet	PUR
50130632	KSS ET-M12-4A-RJ45-A-P7-010	Connector, M12, axial, male	4-pin	RJ45		1,000 mm	Ethernet	PUR
50137077	KSS ET-M12-4A-M12-4A-P7-020	Connector, M12, axial, male	4-pin	Connector, M12, axial, male	4-pin	2,000 mm	Ethernet	PUR
50135080	KSS ET-M12-4A-RJ45-A-P7-020	Connector, M12, axial, male	4-pin	RJ45		2,000 mm	Ethernet	PUR
50137078	KSS ET-M12-4A-M12-4A-P7-050	Connector, M12, axial, male	4-pin	Connector, M12, axial, male	4-pin	5,000 mm	Ethernet	PUR
50135081	KSS ET-M12-4A-RJ45-A-P7-050	Connector, M12, axial, male	4-pin	RJ45		5,000 mm	Ethernet	PUR
50137079	KSS ET-M12-4A-M12-4A-P7-100	Connector, M12, axial, male	4-pin	Connector, M12, axial, male	4-pin	10,000 mm	Ethernet	PUR
50135082	KSS ET-M12-4A-RJ45-A-P7-100	Connector, M12, axial, male	4-pin	RJ45		10,000 mm	Ethernet	PUR
50137080	KSS ET-M12-4A-M12-4A-P7-150	Connector, M12, axial, male	4-pin	Connector, M12, axial, male	4-pin	15,000 mm	Ethernet	PUR
50135083	KSS ET-M12-4A-RJ45-A-P7-150	Connector, M12, axial, male	4-pin	RJ45		15,000 mm	Ethernet	PUR
50106905	KB ET-30000-SSA	Connector, M12, axial, male	4-pin	Connector, M12, axial, male	4-pin	30,000 mm	Ethernet	PUR
50135084	KSS ET-M12-4A-RJ45-A-P7-300	Connector, M12, axial, male	4-pin	RJ45		30,000 mm	Ethernet	PUR
50133387	KSS ET-M12-8A-RJ45-A-P7-050	Connector, M12, axial, male	8-pin	RJ45		5,000 mm	Ethernet	PUR

Products for safety at work

Identification

Data transmission / Control components

IO-Link

Part no.	Part description	Connection 1	Connection 1, no. of pins	Connection 2	Connection 2, no. of pins	Cable length	Interface	Sheathing material
50129779	KDS DN-M12-5A-M12-5A-P3-010	Connector, M12, axial, female	5-pin	Connector, M12, axial, male	5-pin	1,000 mm	IO-Link, DeviceNet, CANopen	PUR
50129780	KDS DN-M12-5A-M12-5A-P3-020	Connector, M12, axial, female	5-pin	Connector, M12, axial, male	5-pin	2,000 mm	IO-Link, DeviceNet, CANopen	PUR
50129781	KDS DN-M12-5A-M12-5A-P3-050	Connector, M12, axial, female	5-pin	Connector, M12, axial, male	5-pin	5,000 mm	IO-Link, DeviceNet, CANopen	PUR
50129782	KDS DN-M12-5A-M12-5A-P3-100	Connector, M12, axial, female	5-pin	Connector, M12, axial, male	5-pin	10,000 mm	IO-Link, DeviceNet, CANopen	PUR
50129783	KDS DN-M12-5A-M12-5A-P3-200	Connector, M12, axial, female	5-pin	Connector, M12, axial, male	5-pin	20,000 mm	IO-Link, DeviceNet, CANopen	PUR

Industrial image processing

Accessories

PROFIBUS DP

Part no.	Part description	Connection 1	Connection 1, no. of pins	Connection 2	Connection 2, no. of pins	Cable length	Interface	Sheathing material
50135252	KDS PB-M12-4A-M12-4A-P3-010	Connector, M12, axial, female	5-pin	Connector, M12, axial, male	4-pin	1,000 mm	PROFIBUS DP	PUR
50135253	KDS PB-M12-4A-M12-4A-P3-020	Connector, M12, axial, female	5-pin	Connector, M12, axial, male	4-pin	2,000 mm	PROFIBUS DP	PUR
50135254	KDS PB-M12-4A-M12-4A-P3-050	Connector, M12, axial, female	5-pin	Connector, M12, axial, male	4-pin	5,000 mm	PROFIBUS DP	PUR
50135255	KDS PB-M12-4A-M12-4A-P3-100	Connector, M12, axial, female	5-pin	Connector, M12, axial, male	4-pin	10,000 mm	PROFIBUS DP	PUR
50135256	KDS PB-M12-4A-M12-4A-P3-150	Connector, M12, axial, female	5-pin	Connector, M12, axial, male	4-pin	15,000 mm	PROFIBUS DP	PUR
50135257	KDS PB-M12-4A-M12-4A-P3-300	Connector, M12, axial, female	5-pin	Connector, M12, axial, male	4-pin	30,000 mm	PROFIBUS DP	PUR

RS 232

Part no.	Part description	Connection 1	Connection 1, no. of pins	Connection 2	Cable length	Interface	Sheathing material
50113396	KB DSub-9P-3000	Sub-D, female, axial	9-pin	Sub-D, female, axial	3,000 mm	RS 232	PVC
50113467	KB JST-M12A-5P-3000	Connector, M12, axial, female	5-pin	JST ZHR	3,000 mm	RS 232	PUR
50114571	KB 301-3000	Socket connector		JST ZHR	3,000 mm	RS 232	PVC
50120463	KB 301-3000-MA200	Socket connector		JST ZHR	3,000 mm	RS 232	PVC
50128318	KB 301-10000	Socket connector		JST ZHR	10,000 mm	RS 232	PVC

SSI

Part no.	Part description	Connection 1	Connection 2	Cable length	Interface	Sheathing material
50126132	KB 307-3000	Socket connector	Socket connector	3,000 mm	SSI	PVC

USB

Part no.	Part description	Connection 1	Connection 2	Cable length	Interface	Sheathing material
50117011	KB USB A - USB miniB	USB 2.0 Standard-A	USB 2.0 Mini-B	1,500 mm	USB	PVC
50107726	KB USB A - USB A	USB	USB	1,800 mm	USB	PVC

/// User-configurable connectors



User-configurable connectors as plugs (male) or sockets (female) for configuration at the system.



Direct access to the online product selector at www.leuze.com/en/connectors

Part no.	Part description	Connection	No. of pins	Interface
50108991	D-ET1	RJ45		Ethernet
50104582	D M8A-3P-SK	Connector, M8, axial, female	3-pin	
50104583	D M8A-4P-SK	Connector, M8, axial, female	4-pin	
50031323	KD 095-4A	Connector, M12, axial, female	4-pin	
429175	CB-M12-5GF	Connector, M12, axial, female	5-pin	
50040097	KD 01-5-BA	Connector, M12, axial, female	5-pin	
50038538	KD 02-5-BA	Connector, M12, axial, female	5-pin	PROFIBUS DP, multiNet Plus
50020501	KD 095-5A	Connector, M12, axial, female	5-pin	
50081461	KD 095-5A-PG9	Connector, M12, axial, female	5-pin	

Further connectors can be found on our website

Part no.	Part description	Connection	No. of pins	Interface
429178	CB-M12-8GF	Connector, M12, axial, female	8-pin	
50040155	KS 095-4A	Connector, M12, axial, male	4-pin	
50112155	S-M12A-ET	Connector, M12, axial, male	4-pin	Ethernet
50040098	KD 01-5-SA	Connector, M12, axial, male	5-pin	
50038537	KD 02-5-SA	Connector, M12, axial, male	5-pin	PROFIBUS DP, multiNet Plus
50114223	KS 095-5A	Connector, M12, axial, male	5-pin	
50112156	KD 01-8-SA	Connector, M12, axial, male	8-pin	
50031324	KD 095-4	Connector, M12, angled, female	4-pin	
50020502	KD 095-5	Connector, M12, angled, female	5-pin	
50101943	KD 01-5-SR	Connector, M12, angled, male	5-pin	
426046	AC-LDH-12GF	Connector, M26, axial, female	12-pin	
426045	AC-LDH-12WF	Connector, M26, angled, female	12-pin	
50132254	D M12A-12P	Connector with solder connection, M12, axial, female	12-pin	
50112157	KD 01-8-BA	Connector with screw terminals, M12, axial, female	8-pin	
520083	AC-D15E-GF	Sub-D, female, axial	15-pin	

Further connectors can be found on our website

Switching sensors

Measuring sensors

/// Distribution box



Sensor distribution box for smart infrastructure for voltage supply and signal collection with M8 and M12 ports.



Direct access to the online product selector at www.leuze.com/en/distrib-boxes

Products for safety at work

Identification

Part no.	Part description	Distribution box connections	Distribution box	Master connection	Degree of protection
50130610	MD 7XXP-11-42105-12	4x	M12, 5-pin, A-coded, female	Connector, M12, 12-pin, A-coded, male	IP 67, IP 65
50130606	MD 7XXP-11-42105-13	4x	M12, 5-pin, A-coded, female	Connector, M23, 12-pin, A-coded, male	IP 67, IP 65
50130994	MD 7XXP-11-82105-FK	8x	M12, 5-pin, A-coded, female	Terminal, 21-pin	IP 67, IP 65
50130603	MD 7XXP-11-82105-K030	8x	M12, 5-pin, A-coded, female	Cable, 3,000 mm	IP 67, IP 65
50130604	MD 7XXP-11-82105-K050	8x	M12, 5-pin, A-coded, female	Cable, 5,000 mm	IP 67, IP 65
50130605	MD 7XXP-11-82105-K100	8x	M12, 5-pin, A-coded, female	Cable, 10,000 mm	IP 67, IP 65
50130608	MD 7XXP-11-82105-13	8x	M12, 5-pin, A-coded, female	Connector, M23, 19-pin, A-coded, male	IP 67, IP 65
50130600	MD 7XXP-11-82104-K030	8x	M12, 4-pin, A-coded, female	Cable, 3,000 mm	IP 67, IP 65
50130601	MD 7XXP-11-82104-K050	8x	M12, 4-pin, A-coded, female	Cable, 5,000 mm	IP 67, IP 65
50130602	MD 7XXP-11-82104-K100	8x	M12, 4-pin, A-coded, female	Cable, 10,000 mm	IP 67, IP 65
50130611	MD 7XXP-11-82104-12	8x	M12, 4-pin, A-coded, female	Connector, M12, 12-pin, A-coded, male	IP 67, IP 65
50130607	MD 7XXP-11-82104-13	8x	M12, 4-pin, A-coded, female	Connector, M23, 12-pin, A-coded, male	IP 67, IP 65
50130594	MD 7XXP-11-48103-K030	4x	M8, 3-pin, A-coded, female	Cable, 3,000 mm	IP 67, IP 65
50130595	MD 7XXP-11-48103-K050	4x	M8, 3-pin, A-coded, female	Cable, 5,000 mm	IP 67, IP 65
50130596	MD 7XXP-11-48103-K100	4x	M8, 3-pin, A-coded, female	Cable, 10,000 mm	IP 67, IP 65
50130592	MD 7XXP-11-48103-12	4x	M8, 3-pin, A-coded, female	Connector, M12, 12-pin, A-coded, male	IP 67, IP 65
50130593	MD 7XXP-11-68103-12	6x	M8, 3-pin, A-coded, female	Connector, M12, 12-pin, A-coded, male	IP 67, IP 65
50130597	MD 7XXP-11-88103-K030	8x	M8, 3-pin, A-coded, female	Cable, 3,000 mm	IP 67, IP 65
50130598	MD 7XXP-11-88103-K050	8x	M8, 3-pin, A-coded, female	Cable, 5,000 mm	IP 67, IP 65
50130599	MD 7XXP-11-88103-K100	8x	M8, 3-pin, A-coded, female	Cable, 10,000 mm	IP 67, IP 65
50130990	MD 7XXP-11-88103-12	8x	M8, 3-pin, A-coded, female	Connector, M12, 12-pin, A-coded, male	IP 67, IP 65
50130993	MD 7XXP-11-108103-12	10x	M8, 3-pin, A-coded, female	Connector, M12, 12-pin, A-coded, male	IP 67, IP 65

Data transmission / Control components

Industrial image processing

Accessories



/ MOUNTING SYSTEMS

OPTIMUM SUPPORT AT ALL TIMES

For sensor mounting, we offer a large selection of standard mounting materials to help you reliably mount and – if necessary – easily align the devices.



/// Mounting bracket



Selection of mounting brackets for the simple and fast mounting of a sensor on the machine or system. Versions in galvanized material or stainless steel in different sizes for various sensors.



Direct access to the online product selector at www.leuze.com/en/m-brackets

Part no.	Part description	Suitable for	Design	Fastening at device	Fastening at system	Material
560120	BT-2S	COMPACTplus safety light curtain, SOLID-4, SOLID-2 safety light curtains, MLD 500, MLD 300 multiple light beam safety devices, CML700i light curtains, MLC 500, MLC 300 safety light curtains		Screw type	Through-hole mounting	Metal
430105	BT-2UM60	UM60 deflecting mirror		Screw type	Through-hole mounting	Metal
424440	BT-MLC-S-C	MLC 520S safety light curtains		Clampable	Screw type	Plastic
424441	BT-MLC-S-L	MLC 520S safety light curtains		Clampable	Screw type	Plastic
424442	BT-MLC-S-O	MLC 520S safety light curtains		Pluggable	Screw type	Plastic
50105585	BT 3.1	3B series sensors, 3C series sensors	Retaining clip	Screw type	Through-hole mounting	Metal
50111830	BT 3.5	3B series sensors	Retaining clip	Screw type	Through-hole mounting	Metal
427302	BT-MSI-MD-FB	MSI-MD-FB safety relay	Mounting plate	Screw type	Through-hole mounting, groove mounting	Metal
50103844	BT 3.2	3B series sensors	Mounting plate	Screw type	Mounting thread	Metal
429056	BT-2L	MLD 500, MLD 300 multiple light beam safety devices, CML700i light curtains, MLC 500, MLC 300 safety light curtains	Angle, L-shape	Screw type	Through-hole mounting	Metal
427303	BT-MSI-MD-FB-L	MSI-MD-FB safety relay	Angle, L-shape	Screw type	Through-hole mounting, groove mounting	Metal
50112206	BT 002M.5	2 series sensors	Angle, L-shape	Screw type	Through-hole mounting	Stainless steel
50115197	BT 003M.1	3B series sensors	Angle, L-shape	Screw type	Through-hole mounting	Metal
50060511	BT 3	3B series sensors, 3C series sensors	Angle, L-shape	Screw type	Through-hole mounting	Metal
50105546	BT 3B	3B series sensors, 3C series sensors	Angle, L-shape	Screw type	Through-hole mounting	Metal
50036195	BT 8	8 series sensors, ODSL 30	Angle, L-shape	Screw type	Through-hole mounting	Metal
50006902	BT 16	78 series sensors	Angle, L-shape	Screw type	Through-hole mounting	Metal
50011791	BT 24	VS 24	Angle, L-shape	Screw type	Through-hole mounting	Metal
50040269	BT 25	25 series sensors, 55 series sensors	Angle, L-shape	Screw type	Through-hole mounting	Metal
50105315	BT 46	46B series sensors, 46C series sensors	Angle, L-shape	Screw type	Through-hole mounting	Metal
50080152	BT 64	LS 64	Angle, L-shape	Screw type	Through-hole mounting	Metal
50016515	BT 66	LS 66, 713 series sensors	Angle, L-shape	Screw type	Through-hole mounting	Metal

Further mounting brackets can be found on our website

Part no.	Part description	Suitable for	Design	Fastening at device	Fastening at system	Material
50003374	BT 78	78 series sensors	Angle, L-shape	Screw type	Through-hole mounting	Metal
50003376	BT 85	85 series sensors	Angle, L-shape	Screw type	Through-hole mounting	Metal
50018415	BT 92	92 series sensors, 97 series sensors	Angle, L-shape	Screw type	Through-hole mounting	Metal
50020833	BT 95	95 series sensors, 18 series sensors	Angle, L-shape	Screw type	Through-hole mounting	Metal
50025570	BT 96	96B series sensors	Angle, L-shape	Screw type	Through-hole mounting	Metal
50080614	BT 96.1	96B series sensors, 49C series sensors	Angle, L-shape	Screw type	Through-hole mounting	Metal
50032319	BT 96.4	96B series sensors, 49C series sensors	Angle, L-shape	Screw type	Through-hole mounting	Metal
50118542	BT 200M.5	3B series sensors, 25B series sensors, 5 series sensors, 18 series sensors, 28 series sensors, 3C series sensors	Angle, L-shape	Screw type	Through-hole mounting	Stainless steel
50124651	BT 205M	5 series sensors, 3B series sensors, 25B series sensors, 28 series sensors, 3C series sensors	Angle, L-shape	Screw type	Through-hole mounting	Metal
50121433	BT 300 W	BCL 3xxi series bar code readers, BCL 3xxi series bar code readers with deflecting mirror	Angle, L-shape	Screw type	Through-hole mounting	Metal
50118543	BT 300M.5	8 series sensors, 46B series sensors, ODSL 9, 46C series sensors	Angle, L-shape	Screw type	Through-hole mounting	Stainless steel, V2A
50132151	BT 320M	DCR 200i series stationary 2D-code readers	Angle, L-shape	Screw type	Through-hole mounting	Metal
50080776	BT 713	713 series sensors	Angle, L-shape	Screw type	Through-hole mounting	Metal
50131534	BT 900	BCL 900i series bar code reader	Angle, L-shape	Screw type	Through-hole mounting	Metal
50009419	BT 910M	TK 100x100 reflector	Angle, L-shape	Screw type	Through-hole mounting	Metal
50113550	BT D08M.5	208 series sensors	Angle, L-shape	Screw type	Through-hole mounting	Stainless steel
50113549	BT D12M.5	212 series sensors, sensors with M12 design	Angle, L-shape	Screw type	Through-hole mounting	Stainless steel
50113548	BT D18M.5	218 series sensors, 318 series sensors	Angle, L-shape	Screw type	Through-hole mounting	Stainless steel
50117257	BT D21M	318 series sensors	Angle, L-shape	Screw type	Through-hole mounting	Metal
50113510	BT D30M.5	230 series sensors, 430 series sensors	Angle, L-shape	Screw type	Through-hole mounting	Stainless steel
429057	BT-2Z	MLD 500, MLD 300 multiple light beam safety devices, CML700i light curtains, MLC 500, MLC 300 safety light curtains	Angle, Z-shape	Screw type	Through-hole mounting	Metal

Further mounting brackets can be found on our website

Switching sensors

Measuring sensors

Products for safety at work

Identification

Data transmission / Control components

Industrial image processing

Accessories

/// Rod mounts



Selection of mounting brackets for the simple and fast mounting of a sensor on the machine or system. Versions in galvanized material or stainless steel in different sizes for various sensors.



Direct access to the online product selector at www.leuze.com/en/r-fastening

Part no.	Part description	Suitable for	Design	Fastening at device	Fastening at system	Material
50111391	BT 20-D10	BCL 2x series bar code readers, 25 series sensors	Mounting system	Screw type	For 10 mm rod, sheet-metal mounting	Metal
50060503	BT 20-D12	BCL 2x series bar code readers, 25 series sensors	Mounting system	Screw type	For 12 mm rod, sheet-metal mounting	Metal
50027375	BT 56	BCL 3x series bar code readers, BCL 5xxi series bar code readers, BPS 3x series bar code positioning system, LSIS 4xxi series stationary 2D-code readers, BCL 3xxi series bar code readers, BCL 3xxi series bar code readers with deflecting mirror, BPS 300i series bar code positioning system, LxS light section sensors	Mounting system	Clampable	For 16 mm rod, for 18 mm rod, 20 mm rod	Metal
50121435	BT 56 - 1	BCL 3xxi series bar code readers, BCL 5xxi series bar code readers, LSIS 4xxi series stationary 2D-code readers, BPS 300i series bar code positioning system, LxS light section sensors	Mounting system	Clampable	For 12 mm rod, for 14 mm rod, 16 mm rod	Metal
50126007	BT 56 - V	LxS light section sensors	Mounting system	Clampable	For 16 mm rod, for 14 mm rod, 12 mm rod	Metal
50121434	BT 300 - 1	BCL 3xxi series bar code readers, BCL 3xxi series bar code readers with deflecting mirror	Mounting system	Screw type	For 12 mm rod, for 14 mm rod, 16 mm rod	Metal
50082084	BT 450.1-96	96B series sensors, 49C series sensors	Mounting system	Screw type	For 10 mm rod	Metal
50104897	BT 450.3-96	96B series sensors, 49C series sensors	Mounting system	Screw type	For 12 mm rod	Metal
50127177	BTU 008M-D10	8 series sensors	Mounting system	Screw type	Sheet-metal mounting, for 10 mm rod	Metal
50116817	BTU 053M.5F-D12-A090	53 series sensors	Mounting system	Screw type	For 12 mm rod	Stainless steel
50116816	BTU 053M.5F-D12-A180	53 series sensors	Mounting system	Screw type	For 12 mm rod	Stainless steel
50116820	BTU 053M.5F-D12-N	53 series sensors	Mounting system	Screw type	For 12 mm rod	Stainless steel
50116819	BTU 053M.5F-D12-SS	53 series sensors	Mounting system	Screw type	For 12 mm rod	Stainless steel
50116815	BTU 053M.5F-D20-N	53 series sensors	Mounting system	Screw type	For 20 mm rod	Stainless steel
50116814	BTU 053M.5F-D20-SS	53 series sensors	Mounting system	Screw type	For 20 mm rod	Stainless steel

Further rod mounts can be found on our website

Part no.	Part description	Suitable for	Design	Fastening at device	Fastening at system	Material
50120426	BTU 200M.5-D12	18 series sensors, 5 series sensors, 25B series sensors, 3B series sensors, 55 series sensors, 28 series sensors, 3C series sensors	Mounting system	Screw type	For 12 mm rod	Stainless steel
50132150	BTU 320M-D12	DCR 200i series stationary 2D-code readers	Mounting system	Screw type	For 12 mm rod	Metal
50132453	BTU 320M-D12-RL70	DCR 200i series stationary 2D-code readers, RL-70/40 illumination	Mounting system	Screw type	For 12 mm rod	Metal
50132605	BTU 360-D18	46B series sensors, 46C series sensors, 49C series sensors, 10 series sensors	Mounting system	Screw type	For 18 mm rod	Plastic, metal
50132606	BTU 360-D30	46B series sensors, 46C series sensors, 49C series sensors, 10 series sensors	Mounting system	Screw type	For 30 mm rod	Plastic, metal
50128379	BTU 460M-D10	49C series sensors, BCL 3xxi series bar code readers, bar code positioning systems, 10 series sensors	Mounting system	Screw type	For 10 mm rod	Metal
50128380	BTU 460M-D12	49C series sensors, BCL 3xxi series bar code readers, bar code positioning systems, 10 series sensors	Mounting system	Screw type	For 12 mm rod	Metal
50120011	BTU 934M-D10-90	PRK retro-reflective photoelectric sensors	Mounting system	Adhesive	For 10 mm rod, sheet-metal mounting	Metal
50120019	BTU 934M-D12-90	PRK retro-reflective photoelectric sensors	Mounting system	Adhesive	For 12 mm rod, sheet-metal mounting	Metal
50120010	BTU 934M-D14-90	PRK retro-reflective photoelectric sensors	Mounting system	Adhesive	Sheet-metal mounting, for 14 mm rod	Metal
50119334	BTU D12M-D12-A090	12 mm rod	Mounting system	Clampable	For 12 mm rod, through-hole mounting	Metal
50119333	BTU D12M-D12-B090	12 mm rod	Mounting system	Clampable	For 12 mm rod, through-hole mounting	Metal
50132567	BTU D12M-VKT-90	12 mm rod	Mounting system	Clampable	Through-hole mounting, for 12 mm rod	Metal
430305	MMS-A-2N55	PRK retro-reflective photoelectric sensor, HRT diffuse reflection sensor	Mounting system	Groove mounting	Through-hole mounting	Metal
430306	MMS-AP-N60	PRK retro-reflective photoelectric sensor, HRT diffuse reflection sensor	Mounting system	Groove mounting	Through-hole mounting	Metal
50026204	UMS 96	96B series sensors	Mounting system	Clampable	For 10 mm rod, for 12 mm rod, 14 mm rod, 16 mm rod	Metal
50027191	UMS 96-82	96B series sensors	Mounting system	Clampable	For 10 mm rod, for 12 mm rod, 14 mm rod, 16 mm rod	Metal
50080334	UMS 96-95	96B series sensors	Mounting system	Clampable	For 10 mm rod, for 12 mm rod, 14 mm rod, 16 mm rod	Metal
50129149	BTU 346M.6-D12	(M)TKS 30x50 reflector, TKS 20x40 reflector, 46B series sensors, TKS 50x50 reflector, (M)TKS 40x60 reflector	Mounting system, turnable, 360°, adjustable, clampable	Screw type	For 12 mm rod, sheet-metal mounting	Metal, stainless steel
50122797	BTU 346M-D12	46B series sensors, (M)TKS 30x50 reflector, TKS 50x50 reflector, 3B series sensors, 25B series sensors, TKS 20x40 reflector, (M)TKS 40x60 reflector, 46C series sensors	Mounting system, turnable, 360°, clampable, adjustable	Screw type	For 12 mm rod, sheet-metal mounting	Metal
50122798	BTU 346M.5-D12	46B series sensors, (M)TKS 30x50 reflector, TKS 50x50 reflector, TKS 20x40 reflector, (M)TKS 40x60 reflector	Mounting system, turnable, 360°, clampable, adjustable	Screw type	For 12 mm rod, sheet-metal mounting	Stainless steel
50119332	BTU 900M-D10	(M)TKS 30x50 reflector, TKS 50x50 reflector, (M)TKS 40x60 reflector, 46C series sensors	Mounting system, clampable, turnable, 360°, swiveling	Screw type	For 10 mm rod, sheet-metal mounting	Metal
50119331	BTU 900M-D12	(M)TKS 30x50 reflector, TKS 50x50 reflector, (M)TKS 40x60 reflector, 46C series sensors	Mounting system, clampable, turnable, 360°, swiveling	Screw type	For 12 mm rod, sheet-metal mounting	Metal
50119330	BTU 900M-D14	(M)TKS 30x50 reflector, TKS 50x50 reflector, (M)TKS 40x60 reflector, 46C series sensors	Mounting system, clampable, turnable, 360°, swiveling	Screw type	For 14 mm rod, sheet-metal mounting	Metal
50117256	BTU 200M-D10	3B series sensors, 25B series sensors, 18 series sensors, 5 series sensors, 55 series sensors, 28 series sensors, 3C series sensors	Mounting system, clampable, adjustable, turnable, 360°	Screw type	For 10 mm rod, sheet-metal mounting	Metal
50117255	BTU 200M-D12	3B series sensors, 25B series sensors, 18 series sensors, 5 series sensors, 55 series sensors, 28 series sensors, 3C series sensors	Mounting system, clampable, adjustable, turnable, 360°	Screw type	For 12 mm rod, sheet-metal mounting	Metal
50117254	BTU 200M-D14	3B series sensors, 25B series sensors, 18 series sensors, 5 series sensors, 55 series sensors, 28 series sensors, 3C series sensors	Mounting system, clampable, adjustable, turnable, 360°	Screw type	For 14 mm rod, sheet-metal mounting	Metal
50117253	BTU 300M-D10	8 series sensors, 46B series sensors, ODSL 9, 46C series sensors, 10 series sensors	Mounting system, clampable, adjustable, turnable, 360°	Screw type	For 10 mm rod, sheet-metal mounting	Metal
50117252	BTU 300M-D12	8 series sensors, 46B series sensors, ODSL 9, 46C series sensors, 10 series sensors	Mounting system, clampable, adjustable, turnable, 360°	Screw type	For 12 mm rod, sheet-metal mounting	Metal
50117251	BTU 300M-D14	8 series sensors, 46B series sensors, ODSL 9, 46C series sensors, 10 series sensors	Mounting system, clampable, adjustable, turnable, 360°	Screw type	For 14 mm rod, sheet-metal mounting	Metal
50120425	BTU 300M.5-D12	46B series sensors, 8 series sensors, ODSL 9, 46C series sensors, 10 series sensors	Mounting system, clampable, adjustable, turnable, 360°	Screw type	For 12 mm rod, sheet-metal mounting	Stainless steel
50117490	BTU D18M-D12	318 series sensors, 28 series sensors, 218 series sensors, sensors with M18 design	Mounting system, clampable, adjustable, turnable, 360°	Screw type	Through-hole mounting	Metal
50119325	BTU D12M.5-045-M8	BTU D12M-D12-B090, BTU D12M-D12-A090	12 mm rod	Clampable	Mounting thread	Stainless steel
424900	BTU D12M.5-100	BTU D12M-D12-A090, BTU D12M-D12-B090	12 mm rod	Clampable	Clampable	Stainless steel
50119323	BTU D12M.5-150	BTU D12M-D12-B090, BTU D12M-D12-A090	12 mm rod	Clampable	Clampable	Stainless steel
50119324	BTU D12M.5-250	BTU D12M-D12-B090, BTU D12M-D12-A090	12 mm rod	Clampable	Clampable	Stainless steel
50135446	BTU D12M-L-140	BTU D12M-D12-A090, BTU D12M-D12-B090, BTU D12M-VKT-90	L-shaped 12 mm rod	Clampable	Clampable	Metal
50132565	BTU D12M-Z-230	BTU D12M-D12-A090, BTU D12M-D12-B090, BTU D12M-VKT-90	Z-shaped 12 mm rod	Clampable	Clampable	Metal
50132564	BTU D12M.5-Z-230	BTU D12M-D12-A090, BTU D12M-D12-B090, BTU D12M-VKT-90	Z-shaped 12 mm rod	Clampable	Clampable	Stainless steel

Further rod mounts can be found on our website

Part no.	Part description	Suitable for	Design	Fastening at device	Fastening at system	Material
50117830	BTP 200M-D10	3B series sensors, 25B series sensors, 18 series sensors, 5 series sensors	Protection hood, clampable, adjustable, turnable, 360°	Screw type	For 10 mm rod	Metal
50117829	BTP 200M-D12	3B series sensors, 25B series sensors, 18 series sensors, 5 series sensors	Protection hood, clampable, adjustable, turnable, 360°	Screw type	For 12 mm rod	Metal
50117828	BTP 200M-D14	3B series sensors, 18 series sensors, 5 series sensors	Protection hood, clampable, adjustable, turnable, 360°	Screw type	For 14 mm rod	Metal
50117827	BTP 300M-D10	46B series sensors, 8 series sensors, ODSL 9	Protection hood, clampable, adjustable, turnable, 360°	Screw type	For 10 mm rod	Metal
50117826	BTP 300M-D12	46B series sensors, 8 series sensors, ODSL 9	Protection hood, clampable, adjustable, turnable, 360°	Screw type	For 12 mm rod	Metal
50117825	BTP 300M-D14	46B series sensors, 8 series sensors, ODSL 9	Protection hood, clampable, adjustable, turnable, 360°	Screw type	For 14 mm rod	Metal

Further rod mounts can be found on our website

Switching sensors

Measuring sensors

Products for safety at work

Identification

Data transmission / Control components

Industrial image processing

Accessories

/// Other mounting systems



Various mounting devices such as mounting clamps, sliding blocks, swiveling mounting brackets, adjustable mounting brackets, cylindrical mounting systems, table and wall mounting brackets, rope, quick-change mounting brackets and much more.



Direct access to the online product selector at www.leuze.com/en/s-fastening

Part no.	Part description	Suitable for	Design	Fastening at device	Fastening at system	Material
50135263	AC MA200-KB	MA 2xxi modular connection units		Adhesive		Metal
50104791	BT 8-01	BPS 8 series bar code positioning system		Screw type	Through-hole mounting	Metal
50037473	BT 21	BCL 2x series bar code reader		Insertable	Mounting thread	Metal
50111224	BT 59	BCL 5xxi series bar code readers, LSiS 4xxi series stationary 2D-code readers, LxS light section sensors		Clampable	Groove mounting	Metal
50107034	BT Rope IT	IT 3800i series mobile bar code readers, FIS series mobile 2D-code readers, IT 1910 series mobile 2D-code readers, IT 1911 series mobile 2D-code readers, IT 1280i series mobile bar code readers, IT 198xi series mobile 2D-code readers		Insertable	Suspended (rope)	Plastic
50124941	BTU 0300M-W	Bar code positioning system, BPS 300i series		Clampable, groove mounting	Through-hole mounting	Metal
50125860	BTX-D18M-D30	Sensors with M18 design		Screw type	Mounting thread	Stainless steel
50132727	AC D08M-CS	Sensors with M8 design	Mounting clamp	Insertable, clampable with limit stop	Screw type, through-hole mounting	Metal
50132728	AC D12M-CS	Sensors with M12 design	Mounting clamp	Insertable, clampable with limit stop	Screw type, through-hole mounting	Metal
50132729	AC D18M-CS	Sensors with M18 design	Mounting clamp	Insertable, clampable with limit stop	Screw type, through-hole mounting	Metal
50132730	AC D30M-CS	Sensors with M30 design	Mounting clamp	Insertable, clampable with limit stop	Screw type, through-hole mounting	Metal
424417	BT-2P40	CML700i light curtains, MLC 500, MLC 300 safety light curtains, Mounting in UDC-S2, DC-S2 device columns, MLD 500, MLD 300 multiple light beam safety devices	Mounting clamp	Groove mounting	Groove mounting	Metal
50128583	BT-GS6X.DT	61/63 series sensors	Mounting clamp	Screw type	Groove mounting	Metal
424421	BT-SB10	MLC 500, MLC 300 safety light curtains, CML700i light curtains, CSL 710 light curtains	Mounting clamp	Clampable	Through-hole mounting	Metal
50036196	BT 8-0	8 series sensors	Mounting clamp	Clampable	Mounting thread	Metal
50121904	BT318B-0M	318 series sensors	Mounting clamp	Screw type	Through-hole mounting	Plastic
50117258	BT 318P-LS	318 series sensors	Mounting clamp	Clampable	Through-hole mounting	Plastic
50126631	BT 328M	328 series sensors, sensors with M18 design	Mounting clamp	Screw type	For 18 mm rod, through-hole mounting	Stainless steel
50115600	BTC 088M-I40	288 series sensors	Mounting clamp	Clampable	Groove mounting	Metal
50134199	MC 003K	206 series sensors, sensors with M3 design	Mounting clamp	Clampable	Through-hole mounting	Plastic
50134200	MC 004K	206 series sensors, sensors with M4 design	Mounting clamp	Clampable	Through-hole mounting	Plastic

Further mounting systems can be found on our website

Part no.	Part description	Suitable for	Design	Fastening at device	Fastening at system	Material
50134201	MC 005K	206 series sensors, sensors with M5 design	Mounting clamp	Clampable	Through-hole mounting	Plastic
50111496	MC 006K	206 series sensors, sensors with M6 design	Mounting clamp	Clampable	Through-hole mounting	Plastic
50111497	MC 008K	208 series sensors, sensors with M8 design	Mounting clamp	Clampable	Through-hole mounting	Plastic
50111498	MC 008K-LS	208 series sensors, sensors with M8 design	Mounting clamp	Clampable with limit stop	Through-hole mounting	Plastic
50111499	MC 012K	212 series sensors, 412 series sensors, sensors with M12 design	Mounting clamp	Clampable	Through-hole mounting	Plastic
50111500	MC 012K-LS	212 series sensors, 412 series sensors, sensors with M12 design	Mounting clamp	Clampable with limit stop	Through-hole mounting	Plastic
50111501	MC 018K	218 series sensors, 418 series sensors, sensors with M18 design	Mounting clamp	Clampable	Through-hole mounting	Plastic
50111502	MC 018K-LS	218 series sensors, 418 series sensors, sensors with M18 design	Mounting clamp	Clampable with limit stop	Through-hole mounting	Plastic
50111503	MC 030K	230 series sensors, 430 series sensors, sensors with M30 design	Mounting clamp	Clampable	Through-hole mounting	Plastic
50111504	MC 030K-LS	230 series sensors, sensors with M30 design	Mounting clamp	Clampable with limit stop	Through-hole mounting	Plastic
50123869	BT-GS6X.H	61/63 series sensors	Mounting plate	Groove mounting	Through-hole mounting	Metal
50112215	BT-GS6X.L	61/63 series sensors	Mounting plate	Groove mounting	Through-hole mounting	Metal
50035030	BT 8-ARH	8 series sensors	Mounting plate	Screw type	Through-hole mounting	Metal
50118539	BT 25-ARH	25 series sensors	Mounting plate	Screw type	Through-hole mounting	Metal
50083189	BT 318-ARH	318 series sensors, 418 series sensors	Mounting plate	Screw type	Through-hole mounting	Metal
50133412	BTX 018M	KRT 18B	Mounting plate	Screw type	Through-hole mounting	Metal
50136665	BTX 046M	46C series sensors	Mounting plate	Screw type	Through-hole mounting	Metal
50126757	BTX 0500 M	DDLS 500 series data transmission systems	Mounting plate	Screw type	Through-hole mounting	Metal
50027167	BT 57	MA 21, MA 31	Mounting system	Screw type	Through-hole mounting	Metal
425740	BT-10NC60	MLC 500, MLC 300 safety light curtains, MLD 300, MLD 500 multiple light beam safety devices	Sliding block	Groove mounting	Mounting thread	Metal
425741	BT-10NC64	MLC 500, MLC 300 safety light curtains, MLD 300, MLD 500 multiple light beam safety devices	Sliding block	Groove mounting	Mounting thread	Metal
425742	BT-10NC65	MLC 500, MLC 300 safety light curtains, MLD 300, MLD 500 multiple light beam safety devices	Sliding block	Groove mounting	Mounting thread	Metal
50128797	BT 1900gCover	IT 1900 series mobile 2D-code readers	Protection hood	Insertable	Suspended (rope)	Plastic
50106109	BT Cover IT4xxx	IT 3820 series mobile bar code readers, IT 3800i series mobile bar code readers	Protection hood	Insertable	Suspended (rope)	Plastic
50109534	BT Cover IT1300g	IT 1300 series mobile bar code readers	Protection hood	Insertable	Suspended (rope)	Plastic
50115358	BT Desktop IT1300g	IT 1300 series mobile bar code readers	Table foot	Insertable	Self-supporting	Plastic
50103402	BT Flex Neck IT 4xxx	IT 3820 series mobile bar code readers, IT 3800i series mobile bar code readers	Table foot	Insertable	Self-supporting	Plastic
50107039	BT Flex Neck IT1300g	IT 1300 series mobile bar code readers	Table foot	Insertable	Self-supporting	Plastic
50130491	BT Holder HCR 6200	HCR 6200 series mobile 2D-code readers	Table foot	Insertable	Self-supporting	Plastic
50114498	BT Holder IT 190x	IT 1900 series mobile 2D-code readers, IT 1902 series mobile 2D-code readers	Table foot	Insertable	Self-supporting	Plastic
50114501	BT Stand 8 IT 190x	IT 1900 series mobile 2D-code readers, IT 1902 series mobile 2D-code readers	Table foot	Insertable	Self-supporting	Plastic
50128795	BT Stand 30 IT 191x	IT 1910 series mobile 2D-code readers, IT 1911 series mobile 2D-code readers	Table foot	Insertable	Self-supporting	Plastic
50034617	Holder for Z-3010	Z-3xxx series mobile bar code readers	Table foot	Insertable	Through-hole mounting	Plastic
50106314	BT VMHolder	FIS series mobile 2D-code readers, IT 1900 series mobile 2D-code readers, IT 1902 series mobile 2D-code readers, IT 3800g series mobile bar code readers, IT 3820 series mobile bar code readers	Wall mounting	Insertable	Mounting thread	Metal
50120444	BT Wallholder HS65x8	HS 65x8, IT 1910 series mobile 2D-code readers, IT 1911 series mobile 2D-code readers	Wall mounting	Insertable	Through-hole mounting	Plastic
50115739	BT Wallholder IT190x	IT 1900 series mobile 2D-code readers, IT 1902 series mobile 2D-code readers	Wall mounting	Insertable	Mounting thread	Plastic
520021	BT-LA-78M	LA-78M laser alignment aids	Angle, L-shape	Screw type	Groove mounting	Metal
520022	BT-LA-78M-UDC	LA-78M laser alignment aids	Angle, L-shape	Screw type		Metal
50107255	MW OMS/AMS 01	AMS 300i	Angle, L-shape	Screw type	Through-hole mounting	Metal

Further mounting systems can be found on our website

/ DEVICE COLUMNS

ROCK SOLID MOUNTING

Owing to their different designs and heights, our robust device columns offer flexible options for freestanding mounting of our safety light curtains and multiple light beam safety devices. Muting mounting systems can be attached extremely easily on the outside.



Direct access to the online product selector at www.leuze.com/en/device-columns

Part no.	Part description	Height	Column height without foot	Mechanical reset function
549620	DC-900-S2	900 mm	900 mm	No
549855	UDC-900-S2	960 mm	900 mm	Yes
549621	DC-1000-S2	1,000 mm	1,000 mm	No
549856	UDC-1000-S2	1,060 mm	1,000 mm	Yes
549881	UDC-1000-S2-R	1,060 mm	1,000 mm	Yes
549627	DC-1070-S2	1,070 mm	1,070 mm	No
549626	DC-1140-S2	1,140 mm	1,140 mm	No
549879	UDC-1140-S2	1,200 mm	1,140 mm	Yes
549622	DC-1300-S2	1,300 mm	1,300 mm	No
549852	UDC-1300-S2	1,360 mm	1,300 mm	Yes
549882	UDC-1300-S2-R	1,360 mm	1,300 mm	Yes
549623	DC-1600-S2	1,600 mm	1,600 mm	No
549853	UDC-1600-S2	1,660 mm	1,600 mm	Yes
549883	UDC-1600-S2-R	1,660 mm	1,600 mm	Yes
549624	DC-1900-S2	1,900 mm	1,900 mm	No
549854	UDC-1900-S2	1,960 mm	1,900 mm	Yes
549884	UDC-1900-S2-R	1,960 mm	1,900 mm	Yes
549867	UDC-2100-S2	2,160 mm	2,100 mm	Yes
549625	DC-2500-S2	2,500 mm	2,500 mm	No
549857	UDC-2500-S2	2,560 mm	2,500 mm	Yes
549885	UDC-2500-S2-R	2,560 mm	2,500 mm	Yes
549865	UDC-3100-S2	3,160 mm	3,100 mm	Yes
549886	UDC-3100-S2-R	3,160 mm	3,100 mm	Yes

Included in delivery: mounting kit for floor assembly (UDC device columns only)
Further device columns can be found on our website

Switching sensors

Measuring sensors

Products for safety at work

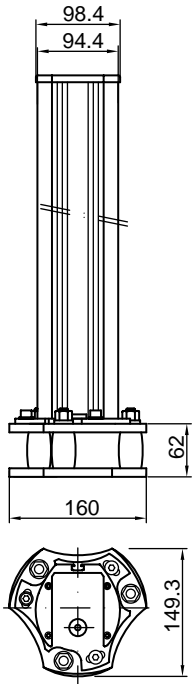
Identification

Data transmission / Control components

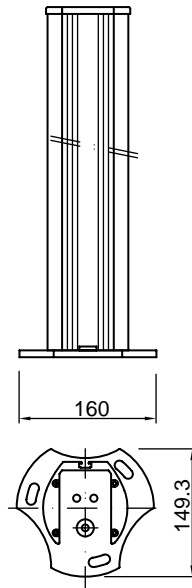
Industrial image processing

Accessories

Dimensioned drawings: Device columns



UDC-S2 device column



DC-S2 device column

SMART
SENSOR
BUSINESS

Leuze electronic

the **sensor** people



SMART IS
TO SHARE **EXPERIENCE**

Jörg Beintner,
Industry Manager –
Machine Tools

In sport, I'm happy to pass on my years of experience – in my profession as well. Benefiting from this are my colleagues and our customers. Together, we are able to find solutions to even tricky tasks.



www.smart-sensor-business.com

/ DEFLECTING MIRRORS / DEFLECTING MIRROR COLUMNS

LETTING LIGHT SHINE – EVEN AROUND CORNERS

It is sometimes necessary for safety at work, to deflect sensor beams on account of structural circumstances. Our deflecting mirrors and columns enable inexpensive solutions for multi-side guarding of danger zones.



Switching
sensors

Measuring
sensors

/// Deflecting mirror columns / continuous



The continuous mirror surface is suitable for the beam deflection of safety light curtains such as the MLC series. Special spring elements offer an automatic resetting after mechanical impacts. For easy alignment, the mirror column can be adjusted in 3 directions.



Direct access to the online product selector at www.leuze.com/en/uss-d

Products for
safety at work

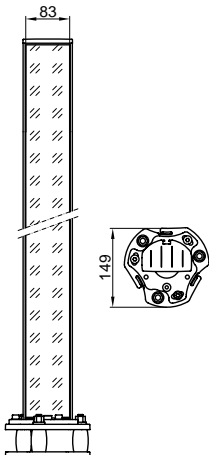
Identification

Part no.	Part description	Mirror length	Height	Mechanical reset function
549780	UMC-1000-S2	970 mm	1,060 mm	Yes
549781	UMC-1300-S2	1,270 mm	1,360 mm	Yes
549782	UMC-1600-S2	1,570 mm	1,660 mm	Yes
549783	UMC-1900-S2	1,870 mm	1,960 mm	Yes

Included in delivery: mounting kit for floor assembly

Data transmission /
Control components

Dimensioned drawings: Deflecting mirror columns / continuous



Deflecting mirror column UMC-S2, continuous mirror

Industrial image
processing

Accessories

/// Deflecting mirror columns / individual mirrors



The deflecting mirror columns with individual mirrors are suitable for the beam deflection of multiple light beam safety devices such as the MLD series. Special spring elements offer an automatic resetting after mechanical impacts. For exact alignment, each mirror can be adjusted in 3 axes.

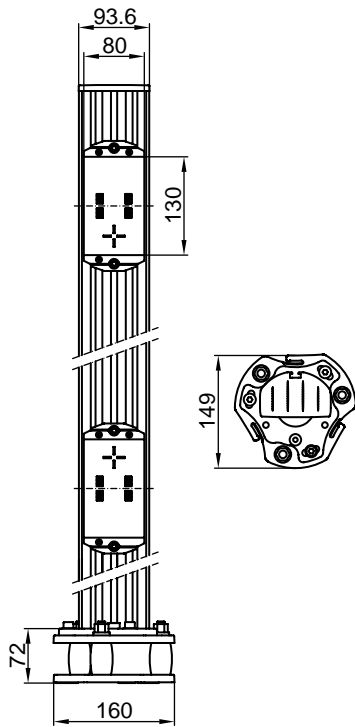


Direct access to the online product selector at www.leuze.com/en/uss-e

Part no.	Part description	Column height without foot	Height	Number of individual mirrors	Center-to-center spacing of individual mirrors
549790	UMC-902-S2	900 mm	960 mm	2x	500 mm
549791	UMC-1002-S2	1,000 mm	1,060 mm	2x	500 mm
549797	UMC-1143-S2	1,140 mm	1,200 mm	3x	400 mm
549792	UMC-1303-S2	1,300 mm	1,360 mm	3x	400 mm
549793	UMC-1304-S2	1,300 mm	1,360 mm	4x	300 mm
549796	UMC-1603-S2	1,600 mm	1,660 mm	3x	400 mm

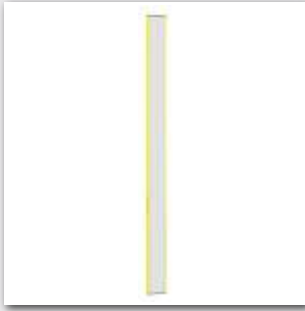
Included in delivery: mounting kit for floor assembly

Dimensioned drawings: Deflecting mirror columns / individual mirrors



UMC-S2 deflecting mirror columns, individual mirrors

/// Deflecting mirrors / continuous



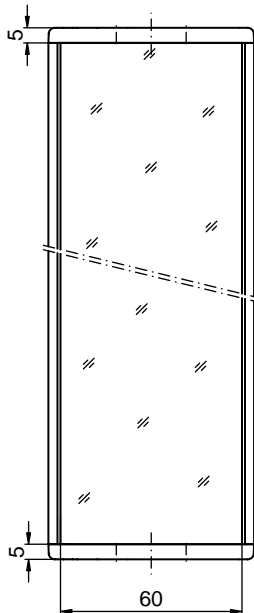
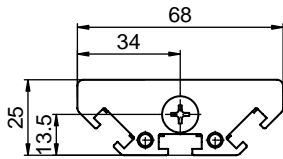
The continuous mirror surface is suitable for the beam deflection of safety light curtains such as the MLC series. The narrow and robust aluminum housing is easy to mount with sliding blocks or swiveling mounting brackets.



Direct access to the online product selector at www.leuze.com/en/usp-d

Part no.	Part description	Mirror length	Protected field height up to
529601	UM60-150	210 mm	150 mm
529602	UM60-225	285 mm	225 mm
529603	UM60-300	360 mm	300 mm
529604	UM60-450	510 mm	450 mm
529606	UM60-600	660 mm	600 mm
529607	UM60-750	810 mm	750 mm
529609	UM60-900	960 mm	900 mm
529610	UM60-1050	1,110 mm	1,050 mm
529612	UM60-1200	1,260 mm	1,200 mm
529613	UM60-1350	1,410 mm	1,350 mm
529615	UM60-1500	1,560 mm	1,500 mm
529616	UM60-1650	1,710 mm	1,650 mm
529618	UM60-1800	1,860 mm	1,800 mm

Dimensioned drawings: Deflecting mirrors / continuous



UM60 deflecting mirror

Switching sensors

Measuring sensors

Products for safety at work

Identification

Data transmission/
Control components

Industrial image processing

Accessories



/ PROTECTIVE SCREENS

PROTECTION FOR YOUR SENSORS

Protective screens in different lengths reliably prevent damage to the device window, e.g. caused by scratching and welding sparks.



Direct access to the online product selector at www.leuze.com/en/protective-screens

Part no.	Part description	Height	Protective field height	Protective screen material	Suitable for
426185	PSC-900-S2	820 mm		PMMA, gray	UDC-S2, DC-S2 device columns
426186	PSC-1000-S2	980 mm		PMMA, gray	UDC-S2, DC-S2 device columns
426187	PSC-1300-S2	1,280 mm		PMMA, gray	UDC-S2, DC-S2 device columns
426188	PSC-1600-S2	1,580 mm		PMMA, gray	UDC-S2, DC-S2 device columns
426189	PSC-1900-S2	1,880 mm		PMMA, gray	UDC-S2, DC-S2 device columns
426190	PSC-2500-S2	2,480 mm		PMMA, gray	UDC-S2, DC-S2 device columns
347070	MLC-PS150	148 mm	150 mm	PMMA, clear	MLC 500, MLC 300 safety light curtains
347071	MLC-PS225	223 mm	225 mm	PMMA, clear	MLC 500, MLC 300 safety light curtains
347072	MLC-PS300	298 mm	300 mm	PMMA, clear	MLC 500, MLC 300 safety light curtains
347073	MLC-PS450	448 mm	450 mm	PMMA, clear	MLC 500, MLC 300 safety light curtains
347074	MLC-PS600	598 mm	600 mm	PMMA, clear	MLC 500, MLC 300 safety light curtains
347075	MLC-PS750	748 mm	750 mm	PMMA, clear	MLC 500, MLC 300 safety light curtains
347076	MLC-PS900	898 mm	900 mm	PMMA, clear	MLC 500, MLC 300 safety light curtains
347077	MLC-PS1050	1,048 mm	1,050 mm	PMMA, clear	MLC 500, MLC 300 safety light curtains
347078	MLC-PS1200	1,198 mm	1,200 mm	PMMA, clear	MLC 500, MLC 300 safety light curtains
347079	MLC-PS1350	1,348 mm	1,350 mm	PMMA, clear	MLC 500, MLC 300 safety light curtains
347080	MLC-PS1500	1,498 mm	1,500 mm	PMMA, clear	MLC 500, MLC 300 safety light curtains
347081	MLC-PS1650	1,648 mm	1,650 mm	PMMA, clear	MLC 500, MLC 300 safety light curtains
347082	MLC-PS1800	1,798 mm	1,800 mm	PMMA, clear	MLC 500, MLC 300 safety light curtains

Notice: If protective screens are used, the range of the safety sensor is reduced by approx. 10 % per screen!

/ SIGNALING DEVICES

CLEAR SIGNALS FOR AUTOMATION

At many critical points in automated systems and installations, the signaling of status information helps to keep productivity and efficiency at a high level. For this purpose, we offer an extensive range of signal columns, single-color and multicolor signal lamps and acoustic signalers – preassembled and individually combinable.



Switching sensors

Measuring sensors

/// Mounting systems



The configurable signaling columns can be mounted horizontally and vertically for 40 mm (E4) and 70 mm (E7).



Benefits:

- Appropriate mounting type
- Up to 5 or 10 lens



Direct access to the online product selector at www.leuze.com/en/mon-sys

Products for safety at work

Identification

Part no.	Part description	Design	Diameter	Length	Module holder	Lens modules	Connection	Description
50135463	A7-MP1-100	Base mounting	70 mm	132 mm	One side	Max. 5 pieces	Terminal	Length: 132 mm; Material: plastic, metal; Fastening, at system: screw type / horizontal
50135464	A7-MP1-250	Base mounting	70 mm	282 mm	One side	Max. 5 pieces	Terminal	Length: 282 mm; Material: metal, plastic; Fastening, at system: screw type / horizontal
50135465	A7-MP1-400	Base mounting	70 mm	432 mm	One side	Max. 5 pieces	Terminal	Length: 432 mm; Material: plastic, metal; Fastening, at system: screw type / horizontal
50130455	E4-MH1	Horizontal mounting	40 mm	43 mm	One side	Max. 5 pieces	Terminal	Length: 43 mm; Material: plastic; Fastening, at system: screw type / horizontal
50130458	E4-MP1-100	Base mounting	40 mm	134 mm	One side	Max. 5 pieces	Terminal	Length: 134 mm; Material: plastic, metal; Fastening, at system: screw type / horizontal
50130459	E4-MP1-250	Base mounting	40 mm	284 mm	One side	Max. 5 pieces	Terminal	Length: 284 mm; Material: plastic, metal; Fastening, at system: screw type / horizontal
50130460	E4-MP1-400	Base mounting	40 mm	434 mm	One side	Max. 5 pieces	Terminal	Length: 434 mm; Material: plastic, metal; Fastening, at system: screw type / horizontal
50130456	E4-MW1	Bracket mounting	40 mm	56 mm	One side	Max. 5 pieces	Terminal	Length: 56 mm; Material: plastic; Fastening, at system: screw type / vertical
50130457	E4-MW2	Bracket mounting	40 mm	56 mm	Two-sided	Max. 10 pieces	Terminal	Length: 56 mm; Material: plastic; Fastening, at system: screw type / vertical
50130436	E7-MH1	Horizontal mounting	70 mm	46 mm	One side	Max. 5 pieces	Terminal	Length: 46 mm; Material: plastic; Fastening, at system: screw type / horizontal
50130440	E7-MP1-100	Base mounting	70 mm	136 mm	One side	Max. 5 pieces	Terminal	Length: 136 mm; Material: plastic, metal; Fastening, at system: screw type / horizontal
50130439	E7-MP1-250	Base mounting	70 mm	286 mm	One side	Max. 5 pieces	Terminal	Length: 286 mm; Material: plastic, metal; Fastening, at system: screw type / horizontal
50130441	E7-MP1-400	Base mounting	70 mm	436 mm	One side	Max. 5 pieces	Terminal	Length: 436 mm; Material: plastic, metal; Fastening, at system: screw type / horizontal
50130437	E7-MW1	Bracket mounting	70 mm	81 mm	One side	Max. 5 pieces	Terminal	Length: 81 mm; Material: plastic; Fastening, at system: screw type / vertical
50130438	E7-MW2	Bracket mounting	70 mm	81 mm	Two-sided	Max. 10 pieces	Terminal	Length: 81 mm; Material: plastic; Fastening, at system: screw type / vertical

Data transmission / Control components

Industrial image processing

Accessories

/// Calottes



Extensive range of colors (6 colors) for the configurable Leuze electronic E4 (40 mm) and E7 (70 mm) signaling columns suitable for the respective mounting system.

**Benefits:**

- Connection by means of bayonet coupling
- Simple mounting by means of base marking
- Exclusively long-lasting and power-saving LED modules
- High degree of protection IP 66 (also with sound module)



Direct access to the online product selector at www.leuze.com/en/lenses

Part no.	Part description	Signaling	Signal image	Diameter	Lens color	Degree of protection
50135460	A7-V1-DS-B-T	Optical	Continuous light	70 mm	Blue	IP 66
50135459	A7-V1-DS-G-T	Optical	Continuous light	70 mm	Green	IP 66
50135458	A7-V1-DS-O-T	Optical	Continuous light	70 mm	Orange	IP 66
50135457	A7-V1-DS-R-T	Optical	Continuous light	70 mm	Red	IP 66
50135461	A7-V1-DS-W-T	Optical	Continuous light	70 mm	Clear	IP 66
50130454	E4-V1-BZ1	Acoustic		40 mm		IP 66
50130451	E4-V1-DB-B	Optical	Flashing light	40 mm	Blue	IP 66
50130450	E4-V1-DB-C	Optical	Flashing light	40 mm	Clear	IP 66
50130452	E4-V1-DB-G	Optical	Flashing light	40 mm	Green	IP 66
50130448	E4-V1-DB-O	Optical	Flashing light	40 mm	Orange	IP 66
50130449	E4-V1-DB-R	Optical	Flashing light	40 mm	Red	IP 66
50130453	E4-V1-DB-Y	Optical	Flashing light	40 mm	Yellow	IP 66
50130445	E4-V1-DS-B	Optical	Continuous light	40 mm	Blue	IP 66
50130444	E4-V1-DS-C	Optical	Continuous light	40 mm	Clear	IP 66
50130446	E4-V1-DS-G	Optical	Continuous light	40 mm	Green	IP 66
50130442	E4-V1-DS-O	Optical	Continuous light	40 mm	Orange	IP 66
50130443	E4-V1-DS-R	Optical	Continuous light	40 mm	Red	IP 66
50130447	E4-V1-DS-Y	Optical	Continuous light	40 mm	Yellow	IP 66
50130435	E7-V1-BZ1	Acoustic		70 mm		IP 66
50130432	E7-V1-DB-B	Optical	Flashing light	70 mm	Blue	IP 66
50130431	E7-V1-DB-C	Optical	Flashing light	70 mm	Clear	IP 66
50130433	E7-V1-DB-G	Optical	Flashing light	70 mm	Green	IP 66
50130429	E7-V1-DB-O	Optical	Flashing light	70 mm	Orange	IP 66
50130430	E7-V1-DB-R	Optical	Flashing light	70 mm	Red	IP 66
50130434	E7-V1-DB-Y	Optical	Flashing light	70 mm	Yellow	IP 66
50130426	E7-V1-DS-B	Optical	Continuous light	70 mm	Blue	IP 66
50130424	E7-V1-DS-C	Optical	Continuous light	70 mm	Clear	IP 66
50130427	E7-V1-DS-G	Optical	Continuous light	70 mm	Green	IP 66
50130422	E7-V1-DS-O	Optical	Continuous light	70 mm	Orange	IP 66
50130423	E7-V1-DS-R	Optical	Continuous light	70 mm	Red	IP 66
50130428	E7-V1-DS-Y	Optical	Continuous light	70 mm	Yellow	IP 66

/// Ready-made signaling columns



Preassembled, multicolor signaling devices with 3 colors as signaling columns or wall-mounted devices for signaling with minimum effort.



Direct access to the online product selector at www.leuze.com/en/preass-sc

Part no.	Part description	Signaling	Lens modules	Connection	Fastening	Degree of protection
50135466	A7-V1-MP1-DS-ROG-T-100	Optical	3 pieces, ready-made, green, orange, red	Terminal	Screw type / horizontal	IP 66
50130472	C3-V1-B-P0-SGSOSR-K1	Optical	3 pieces, ready-made, green, orange, red	Cable	Screw type / horizontal	IP 65
50130473	D9-V1-G-SGSOSRBZ2	Optical and acoustic	3 pieces, ready-made, green, orange, red	Terminal	Screw type / vertical	IP 65

Switching sensors

Measuring sensors

/// Multitone + beacon



In factory buildings or outdoors, a siren continues to be an important signaling element in addition to visual signals, especially in the case of alarm signals. Here, we offer a selection of stand-alone devices or siren/lamp combinations with a particularly high degree of protection (IP 66).



Direct access to the online product selector at www.leuze.com/en/multi_bea

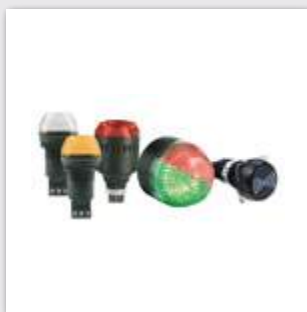
Part no.	Part description	Signaling	Lens color	Tone type	Supply voltage	Degree of protection
50130519	FBA-V1-Q94-0	Optical	Orange		24 V, AC/DC	IP 66
50130521	FBA-V3-Q94-0	Optical	Orange		230 V, AC/DC	IP 66
50130520	FBA-V1-Q94-R	Optical	Red		24 V, AC/DC	IP 66
50130522	FBA-V3-Q94-R	Optical	Red		230 V, AC/DC	IP 66
50130517	EMS-V1-Q94-A32	Acoustic		Multi-tone	24 V, AC/DC	IP 66
50130518	EMS-V3-Q94-A32	Acoustic		Multi-tone	230 V, AC/DC	IP 66

Products for safety at work

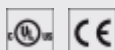
Identification

Data transmission / Control components

/// Panel-mount modules



Single-color and multicolor transducers in an impact-resistant housing, also combined (lamp and sound module) for installation with M22 in 30, 45 and 65 mm diameter.



Direct access to the online product selector at www.leuze.com/en/panel-mod

Part no.	Part description	Signaling	Signal image	Lens color	Illumination type	Diameter	Length in installed state	Degree of protection
50130526	P45-V1-B-DS-0-BZ-098	Optical and acoustic	Continuous or flashing light	Orange	Full	45 mm	48 mm	IP 65
50130531	P45-V1-B-DS-R-BZ-098	Optical and acoustic	Continuous or flashing light	Red	Full	45 mm	48 mm	IP 65
50130524	P65-V1-B-DS-0-BZ-103	Optical and acoustic	Continuous or flashing light	Orange	Full	65 mm	58 mm	IP 65
50130525	P65-V1-B-DS-R-BZ-103	Optical and acoustic	Continuous or flashing light	Red	Full	65 mm	58 mm	IP 65

Industrial image processing

Accessories

Part no.	Part description	Signaling	Signal image	Lens color	Illumination type	Diameter	Length in installed state	Degree of protection
50130510	P30-V1-B-DS-B	Optical	Continuous or flashing light	Blue	Full	30 mm	18 mm	IP 65
50130512	P30-V1-B-DS-Y	Optical	Continuous or flashing light	Yellow	Full	30 mm	18 mm	IP 65
50130511	P30-V1-B-DS-G	Optical	Continuous or flashing light	Green	Full	30 mm	18 mm	IP 65
50130509	P30-V1-B-DS-C	Optical	Continuous or flashing light	Clear	Full	30 mm	18 mm	IP 65
50130507	P30-V1-B-DS-O	Optical	Continuous or flashing light	Orange	Full	30 mm	18 mm	IP 65
50130508	P30-V1-B-DS-R	Optical	Continuous or flashing light	Red	Full	30 mm	18 mm	IP 65
50130515	P30-V1-B-DV	Optical	Continuous light	Red, green	Half	30 mm	18 mm	IP 65
50130483	P45-V1-B-DS-B	Optical	Continuous or flashing light	Blue	Full	45 mm	42 mm	IP 65
50130506	P45-V1-B-DS-Y	Optical	Continuous or flashing light	Yellow	Full	45 mm	42 mm	IP 65
50130502	P45-V1-B-DS-G	Optical	Continuous or flashing light	Green	Full	45 mm	42 mm	IP 65
50130482	P45-V1-B-DS-C	Optical	Continuous or flashing light	Clear	Full	45 mm	42 mm	IP 65
50130480	P45-V1-B-DS-O	Optical	Continuous or flashing light	Orange	Full	45 mm	42 mm	IP 65
50130481	P45-V1-B-DS-R	Optical	Continuous or flashing light	Red	Full	45 mm	42 mm	IP 65
50130514	P45-V1-B-DV	Optical	Continuous light	Red, green	Half	45 mm	42 mm	IP 65
50130477	P65-V1-B-DS-B	Optical	Continuous or flashing light	Blue	Full	65 mm	56 mm	IP 65
50130479	P65-V1-B-DS-Y	Optical	Continuous or flashing light	Yellow	Full	65 mm	56 mm	IP 65
50130478	P65-V1-B-DS-G	Optical	Continuous or flashing light	Green	Full	65 mm	56 mm	IP 65
50130476	P65-V1-B-DS-C	Optical	Continuous or flashing light	Clear	Full	65 mm	56 mm	IP 65
50130474	P65-V1-B-DS-O	Optical	Continuous or flashing light	Orange	Full	65 mm	56 mm	IP 65
50130475	P65-V1-B-DS-R	Optical	Continuous or flashing light	Red	Full	65 mm	56 mm	IP 65
50130516	P65-V1-B-DW	Optical	Continuous light	Red, yellow, green	Full	65 mm	56 mm	IP 65
50130513	P65-V1-B-DV	Optical	Continuous light	Red, green	Half	65 mm	56 mm	IP 65
50130532	PBZ-V1-065	Acoustic				30 mm	12 mm	IP 65
50130533	PBZ-V1-085	Acoustic				30 mm	12 mm	IP 65

/// Muting indicators



A wide range of indicators for displaying possible dangers is what makes a safety-at-work system complete.



Direct access to the online product selector at www.leuze.com/en/muting-indicators

Part no.	Part description	Diameter	Illuminant	Type of fastening	Degree of protection	Certifications
50135452	M7-V1-MW3-DS-C-T-M12-200	70 mm	LED/24V, clear	Mounting bracket	IP 66	CSA; UL
50135453	M4-V1-MW3-DS-C-T-M12	40 mm	LED/24V, clear	Mounting bracket	IP 66	CSA; UL

SMART IS TO THINK EASY

Only with the proper accessories is your solution complete.

We place great value on flexible mounting solutions, simple integration through variable connection technology, alignment aids and innovative mounting systems.

Pre-configured and pre-mounted systems also facilitate fast and simple commissioning of, e.g., muting systems for applications in safety at work.



Discover our extensive line of accessories on the web at: www.leuze.com/en/accessories

/ REFLECTORS AND REFLECTIVE TAPES

REFLECTORS TO RETURN THE LIGHT

Sensors that operate according to the reflection principle need high-quality reflectors in order to function. We offer reflectors for all conceivable applications and environmental conditions to ensure an optimum detection result at all times.



Switching sensors

Measuring sensors

/// Standard reflectors



Different reflectors in various designs with reflective element sizes from 2.3 mm to 4 mm for sensors with medium to large light spot.



Direct access to the online product selector at www.leuze.com/en/stand-refl

Products for safety at work

Identification

Part no.	Part description	Design	Reflective surface	Triple reflector size	Fastening	Material	Special design
50110282	TKS 10x32	Rectangular	10 mm x 32 mm	2.3 mm	Through-hole mounting, adhesive	Plastic	
50003188	TK 20x75	Rectangular	15 mm x 70 mm	2.6 mm	Adhesive	Plastic	
50081283	TKS 20X40	Rectangular	16 mm x 38 mm	2.3 mm	Through-hole mounting, adhesive	Plastic	
50041606	TKS 20X40.1	Rectangular	16 mm x 39 mm	4 mm	Through-hole mounting, adhesive	Plastic	
50117584	TKS 20x20	Rectangular	18 mm x 20 mm	2.3 mm	Through-hole mounting, adhesive	Plastic	
50108215	TKA 30X60	Rectangular	26 mm x 53 mm	4 mm	Self-adhesive	Plastic	
50023525	TKS 30X50	Rectangular	27 mm x 44 mm	3 mm	Through-hole mounting, adhesive	Plastic	
50030433	TKS 30X60	Rectangular	27 mm x 56 mm	4 mm	Through-hole mounting, adhesive	Plastic	
50108216	TKA 30X46	Rectangular	27 mm x 43 mm	4 mm	Self-adhesive	Plastic	
50114617	TKS 30x45	Rectangular	29 mm x 44 mm	4 mm	Adhesive, through-hole mounting	Plastic	
50003189	TK 30x50	Rectangular	29 mm x 45 mm	4 mm	Adhesive	Plastic	
50027097	TKS 30X500	Rectangular	30 mm x 500 mm	2.6 mm	Through-hole mounting	Plastic	
50003190	TK 40x180	Rectangular	36 mm x 176 mm	3 mm	Through-hole mounting	Plastic	
50130291	TK 40 x180.1-Set	Rectangular	36 mm x 176 mm	3 mm	Adhesive	Plastic	
50040820	TKS 40X60	Rectangular	37 mm x 56 mm	4 mm	Through-hole mounting, adhesive	Plastic	
50109257	TKS 40x60.1	Rectangular	37 mm x 56 mm	2.3 mm	Through-hole mounting, adhesive	Plastic	
50120538	TKS 40x60.1.AF	Rectangular	37 mm x 56 mm	2.3 mm	Through-hole mounting, adhesive	Plastic	Anti-fog coating
50130289	TK 50 x100-Set	Rectangular	46 mm x 96 mm	4 mm	Adhesive	Plastic	
50003191	TK 50x100	Rectangular	46 mm x 96 mm	4 mm	Adhesive	Plastic	
50022815	TKS 50X100	Rectangular	46 mm x 96 mm	4 mm	Through-hole mounting, adhesive	Plastic	
50022814	TKS 50X50	Rectangular	47 mm x 48 mm	4 mm	Through-hole mounting, adhesive	Plastic	
50105153	TKS 50X50.1	Rectangular	47 mm x 48 mm	4 mm	Through-hole mounting, adhesive	Plastic	
50113309	TKS 50x50.1.HT	Rectangular	47 mm x 48 mm	4 mm	Through-hole mounting, adhesive	Plastic	Heat resistant
50116725	TKS 85x85	Rectangular	77 mm x 77 mm	4 mm	Through-hole mounting, adhesive	Plastic	

Dimensional tolerances for all specified dimensions: ± 0.2 mm
Further standard reflectors can be found on our website

Data transmission/
Control components

Industrial image
processing

Accessories

Part no.	Part description	Design	Reflective surface	Triple reflector size	Fastening	Material	Special design
50003192	TK 100x100	Rectangular	96 mm x 96 mm	4 mm	Adhesive	Plastic	
50022816	TKS 100x100	Rectangular	96 mm x 96 mm	4 mm	Through-hole mounting, adhesive	Plastic	
50130290	TK 100 x100-Set	Rectangular	96 mm x 96 mm	4 mm	Supplied mounting bracket, adhesive	Plastic	
50104364	Reflective tape 200x200mm-M	Rectangular	200 mm x 200 mm		Through-hole mounting, mounting plate		
50104365	Reflective tape 500x500mm-M	Rectangular	500 mm x 500 mm		Through-hole mounting, mounting plate		
50104366	Reflective tape 914x914mm-M	Rectangular	914 mm x 914 mm		Through-hole mounting, mounting plate		
50041471	TK 20.1	Round	17 mm	2.3 mm	Adhesive	Plastic	
50027696	TKS 25	Round	23 mm	2.3 mm	M4 threaded pin	Plastic	
50041355	TK 25.1	Round	23 mm	2.3 mm	Adhesive	Plastic	
50101867	TK 35.1	Round	29 mm	2.3 mm	Adhesive	Plastic	
50105990	TK 45.1	Round	37 mm	2.3 mm	Adhesive	Plastic	
50003186	TK 60	Round	55 mm	3 mm	Through-hole mounting	Plastic	
50024127	TK 82.2	Round	79 mm	4 mm	Through-hole mounting, adhesive	Plastic	
50111375	TK 82.AF	Round	79 mm	4 mm	Through-hole mounting, adhesive	Plastic	Anti-fog coating

Dimensional tolerances for all specified dimensions: ± 0.2 mm
 Further standard reflectors can be found on our website

/// Micro-triad-type reflectors



Different reflectors in various designs with reflective element sizes from 0.3 mm to 1.2 mm for sensors with small light spot and laser.



Direct access to the online product selector at www.leuze.com/en/microtr-refl

Part no.	Part description	Design	Reflective surface	Triple reflector size	Fastening	Material	Compatibility of materials
50106209	MTKS 14x23	Rectangular	11 mm x 21 mm	1.2 mm	Through-hole mounting, adhesive	Plastic	
50114185	REF 6-S-20x40	Rectangular	16 mm x 38 mm	0.3 mm	Screw type	Plastic	
50104130	MTKS 20x40.1	Rectangular	17 mm x 38 mm	1.2 mm	Through-hole mounting, adhesive	Plastic	
50134985	MTKS 20x30.1	Rectangular	18.5 mm x 28.5 mm	1 mm	Through-hole mounting, adhesive	Plastic	
50040894	MTKS 20x30	Rectangular	19 mm x 29 mm	1.2 mm	Through-hole mounting, adhesive	Plastic	
50040895	MTKS 20x20	Rectangular	20 mm x 20 mm	1.2 mm	Through-hole mounting, adhesive	Plastic	
50124004	REF 6-S-26x280	Rectangular	22 mm x 276 mm	0.3 mm	M4 threaded pin	Plastic	
50104132	MTKS 30x50.1	Rectangular	27 mm x 44 mm	1.2 mm	Through-hole mounting, adhesive	Plastic	
50104131	MTKS 40x60.1	Rectangular	37 mm x 56 mm	1.2 mm	Through-hole mounting, adhesive	Plastic	
50117583	MTKS 50x50.1	Rectangular	50 mm x 50 mm	1.2 mm	Through-hole mounting, adhesive	Plastic	
50109828	MTK 20	Round	17 mm	1.2 mm	Adhesive	Plastic	

Dimensional tolerances for all specified dimensions: ± 0.2 mm
 Further micro-triad-type reflectors can be found on our website

/// Reflectors with higher resistance



Reflectors in different sizes and formats with reflective element sizes from 0.3 to 4 mm with especially resistant surface (e.g., against cleaning agents and for use in the pharmaceutical and food industry).

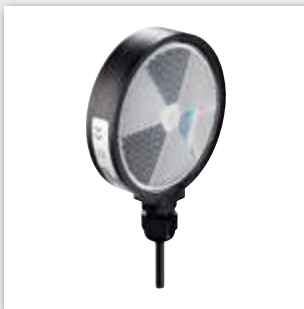


Direct access to the online product selector at www.leuze.com/en/refl-pharma

Part no.	Part description	Design	Reflective surface	Triple reflector size	Fastening	Material	Compatibility of materials
50106961	MTKS 14x23.P	Rectangular	11 mm x 21 mm	1.2 mm	Through-hole mounting, adhesive	Plastic	ECOLAB
50106960	TKS 20x40.P	Rectangular	16 mm x 38 mm	2.3 mm	Through-hole mounting, adhesive	Plastic	Alcohol, H2O2, ECOLAB
50137427	REF 6-S-20x40.P	Rectangular	16 mm x 38 mm	0.3 mm	Screw type	Plastic	Alcohol, H2O2, ECOLAB
50112142	TK BR 53	Rectangular	29 mm x 10 mm	0.3 mm	Housing fit	Plastic	
50136383	TKS 40x60.Chem	Rectangular	37 mm x 56 mm	4 mm	Through-hole mounting, adhesive	Plastic	Alcohol, H2O2, ECOLAB
50106957	TKS 40x60.P	Rectangular	37 mm x 56 mm	4 mm	Through-hole mounting, adhesive	Plastic	ECOLAB
50136823	MTKS 7x7M.5	Rectangular	7 mm x 7 mm	0.3 mm	Through-hole mounting	Stainless steel	Alcohol, CleanProof+, ECOLAB, H2O2
50136824	MTKS 12x20M.5	Rectangular	12 mm x 20 mm	0.3 mm	Through-hole mounting	Stainless steel	Alcohol, CleanProof+, ECOLAB, H2O2
50116939	TK 10.P	Round	8.5 mm	1.5 mm	Adhesive	Plastic	ECOLAB
50106958	TKS 20.P	Round	17 mm	2.3 mm	M4 threaded pin	Plastic	ECOLAB

Dimensional tolerances for all specified dimensions: ± 0.2 mm
Further standard reflectors can be found on our website

/// Reflectors with heating



Different reflectors with heating for AC and DC (e. g., for use in the deep-freeze area).



Direct access to the online product selector at www.leuze.com/en/heatable-reflectors

Part no.	Part description	Design	Reflective surface	Fastening	Material	Special design
50115020	Reflective tape 200x200mm-H	Rectangular	200 mm x 200 mm	Mounting plate, through-hole mounting		Heating
50115021	Reflective tape 500x500mm-H	Rectangular	500 mm x 500 mm	Mounting plate, through-hole mounting		Heating
50115022	Reflective tape 914x914mm-H	Rectangular	914 mm x 914 mm	Mounting plate, through-hole mounting		Heating
50000068	HTK 82	Round	78 mm	Through-hole mounting	Plastic	Heating
50000071	HTK 82-24V	Round	78 mm	Through-hole mounting	Plastic	Heating

Dimensional tolerances for all specified dimensions: ± 0.2 mm
Further standard reflectors can be found on our website

Switching sensors

Measuring sensors

Products for safety at work

Identification

Data transmission / Control components

Industrial image processing

Accessories

/// Reflective tapes for standard applications



Reflective films in various dimensions for sensors with medium to large light spot.



Direct access to the online product selector at www.leuze.com/en/refl-fo-stand

Part no.	Part description	Design	Reflective surface	Fastening	Material
50107057	REF 4-A-20x20	Rectangular	20 mm x 20 mm	Self-adhesive	Plastic
50102604	REF 4-A-25X1000	Rectangular	25 mm x 1,000 mm	Self-adhesive	Plastic
50041876	REF 4-A-25x22800	Rectangular	25 mm x 22,800 mm	Self-adhesive	Plastic
50038060	REF 4-A-50X1000	Rectangular	50 mm x 1,000 mm	Self-adhesive	Plastic
50108300	REF 4-A-50x50	Rectangular	50 mm x 50 mm	Self-adhesive	Plastic
50111772	REF 4-A-50x45700	Rectangular	50 mm x 45,700 mm	Self-adhesive	Plastic
50106119	REF 4-A-100x100	Rectangular	100 mm x 100 mm	Self-adhesive	Plastic
50104657	REF 4-A-100x45700	Rectangular	100 mm x 45,700 mm	Self-adhesive	Plastic
50104361	Reflective tape 200x200mm-S	Rectangular	200 mm x 200 mm	Adhesive	
50104362	Reflective tape 500x500mm-S	Rectangular	500 mm x 500 mm	Adhesive	
50104363	Reflective tape 749x914mm-S	Rectangular	749 mm x 914 mm	Adhesive	
50108988	Reflective tape 914x914mm-S	Rectangular	914 mm x 914 mm	Adhesive	
50038117	REF 4-A-920x749	Rectangular	920 mm x 749 mm	Self-adhesive	Plastic

Further reflective tapes can be found on our website

/// Reflective tapes for laser and clear-glass applications



Reflective films with small reflective element in various dimensions for sensors with small light spot and laser as well as for clear glass applications.



Direct access to the online product selector at www.leuze.com/en/refl-fo-laser

Part no.	Part description	Design	Reflective surface	Triple reflector size	Fastening	Material
50123899	REF 6-A-9x9	Rectangular	9 mm x 9 mm	0.3 mm	Self-adhesive	Plastic
50123861	REF 6-A-14x45	Rectangular	15 mm x 45 mm	0.3 mm	Self-adhesive	Plastic
50110191	REF 6-A-25x25	Rectangular	25 mm x 25 mm	0.3 mm	Self-adhesive	Plastic
50110192	REF 6-A-50x50	Rectangular	50 mm x 50 mm	0.3 mm	Self-adhesive	Plastic
50111829	REF 6-A-77x77	Rectangular	77 mm x 77 mm	0.3 mm	Self-adhesive	Plastic
50111527	REF 7-A-100x100	Rectangular	100 mm x 100 mm		Self-adhesive	Plastic
50116687	REF 7-A-200x300	Rectangular	300 mm x 200 mm		Self-adhesive	Plastic
50115444	REF 7-A-1000x600	Rectangular	1,000 mm x 600 mm		Self-adhesive	Plastic

Further reflective tapes can be found on our website

/ ALIGNMENT AIDS

KEEPING SIGHT OF THE TARGET

Sensor alignment is generally very unproblematic and can even easily be performed without additional tools. For some devices and application cases, it can still sometimes be helpful to make use of one of our alignment aids.



Direct access to the online product selector at www.leuze.com/en/alignment-aids

Part no.	Part description	Light source	Housing material
427300	AC-ALM		Plastic
520101	AC-ALM-M		Plastic
50080537	ARH 10	Laser, red	Metal
50040739	ARH 46	Laser, red	Metal
50129659	ARH 46C	Laser, red	Metal
50129660	ARH 49C	Laser, red	Metal
50080502	ARH 96	Laser, red	Metal
549000	LA-78	Laser, red	Metal
520023	LA-78M	Laser, red	Metal
520024	LA-78M-UDC	Laser, red	Metal
560020	LA-78U	Laser, red	Metal
520004	LA-78UDC	Laser, red	Metal
50109545	SAT 5		Metal

Switching sensors

Measuring sensors

Products for safety at work

Identification

Data transmission / Control components

Industrial image processing

Accessories

/ BAR CODE TAPES

BAR FOR BAR, FOR MORE PRECISION

Bar code positioning systems use bar code tapes to determine positions with millimeter accuracy. For our systems, we offer such tapes in standard lengths from 30 mm to 200 m. In addition, special lengths of up to 10 km are possible. The self-adhesive plastic tape is UV resistant, extremely resilient and mechanically durable.



Direct access to the online product selector at www.leuze.com/en/bar-code-tapes

Part no.	Part description	Suitable for	Dimensions	Grid dimension
50038895	BCB 005	Bar code positioning system, BPS 300i series	47 mm x 5,000 mm	40 mm
50040041	BCB 010	Bar code positioning system, BPS 300i series	47 mm x 10,000 mm	40 mm
50037489	BCB 020	Bar code positioning system, BPS 300i series	47 mm x 20,000 mm	40 mm
50037491	BCB 030	Bar code positioning system, BPS 300i series	47 mm x 30,000 mm	40 mm
50037492	BCB 040	Bar code positioning system, BPS 300i series	47 mm x 40,000 mm	40 mm
50038894	BCB 050	Bar code positioning system, BPS 300i series	47 mm x 50,000 mm	40 mm
50038893	BCB 060	Bar code positioning system, BPS 300i series	47 mm x 60,000 mm	40 mm
50038892	BCB 070	Bar code positioning system, BPS 300i series	47 mm x 70,000 mm	40 mm
50038891	BCB 080	Bar code positioning system, BPS 300i series	47 mm x 80,000 mm	40 mm
50038890	BCB 090	Bar code positioning system, BPS 300i series	47 mm x 90,000 mm	40 mm
50106467	BCB 8 005	BPS 8 series bar code positioning system, BPS 300i series bar code positioning system	47 mm x 5,000 mm	30 mm
50104792	BCB 8 010	BPS 8 series bar code positioning system, BPS 300i series bar code positioning system	47 mm x 10,000 mm	30 mm
50104793	BCB 8 020	BPS 8 series bar code positioning system, BPS 300i series bar code positioning system	47 mm x 20,000 mm	30 mm
50104794	BCB 8 030	BPS 8 series bar code positioning system, BPS 300i series bar code positioning system	47 mm x 30,000 mm	30 mm
50104795	BCB 8 040	BPS 8 series bar code positioning system, BPS 300i series bar code positioning system	47 mm x 40,000 mm	30 mm
50104796	BCB 8 050	BPS 8 series bar code positioning system, BPS 300i series bar code positioning system	47 mm x 50,000 mm	30 mm
50104797	BCB 8 060	BPS 8 series bar code positioning system, BPS 300i series bar code positioning system	47 mm x 60,000 mm	30 mm
50104798	BCB 8 070	BPS 8 series bar code positioning system, BPS 300i series bar code positioning system	47 mm x 70,000 mm	30 mm
50104799	BCB 8 080	BPS 8 series bar code positioning system, BPS 300i series bar code positioning system	47 mm x 80,000 mm	30 mm
50104800	BCB 8 090	BPS 8 series bar code positioning system, BPS 300i series bar code positioning system	47 mm x 90,000 mm	30 mm
50104801	BCB 8 100	BPS 8 series bar code positioning system, BPS 300i series bar code positioning system	47 mm x 100,000 mm	30 mm
50104802	BCB 8 110	BPS 8 series bar code positioning system, BPS 300i series bar code positioning system	47 mm x 110,000 mm	30 mm
50104803	BCB 8 120	BPS 8 series bar code positioning system, BPS 300i series bar code positioning system	47 mm x 120,000 mm	30 mm
50104804	BCB 8 130	BPS 8 series bar code positioning system, BPS 300i series bar code positioning system	47 mm x 130,000 mm	30 mm
50104805	BCB 8 140	BPS 8 series bar code positioning system, BPS 300i series bar code positioning system	47 mm x 140,000 mm	30 mm
50104806	BCB 8 150	BPS 8 series bar code positioning system, BPS 300i series bar code positioning system	47 mm x 150,000 mm	30 mm
50106468	BCB 8 200	BPS 8 series bar code positioning system, BPS 300i series bar code positioning system	47 mm x 200,000 mm	30 mm
50037493	BCB 100	Bar code positioning system, BPS 300i series	47 mm x 100,000 mm	40 mm
50040042	BCB 110	Bar code positioning system, BPS 300i series	47 mm x 110,000 mm	40 mm
50040043	BCB 120	Bar code positioning system, BPS 300i series	47 mm x 120,000 mm	40 mm
50040044	BCB 130	Bar code positioning system, BPS 300i series	47 mm x 130,000 mm	40 mm
50040045	BCB 140	Bar code positioning system, BPS 300i series	47 mm x 140,000 mm	40 mm
50040046	BCB 150	Bar code positioning system, BPS 300i series	47 mm x 150,000 mm	40 mm
50037494	BCB 200	Bar code positioning system, BPS 300i series	47 mm x 200,000 mm	40 mm

Further bar code tapes can be found on our website

/ MUTING MOUNTING SYSTEMS

SAFETY RIGHT OFF THE SHELF

These preassembled systems simplify the creation of your own muting solutions. They can be easily attached to columns and safety sensors.



Switching sensors

Measuring sensors



Direct access to the online product selector at www.leuze.com/en/muting-mounting

Products for safety at work

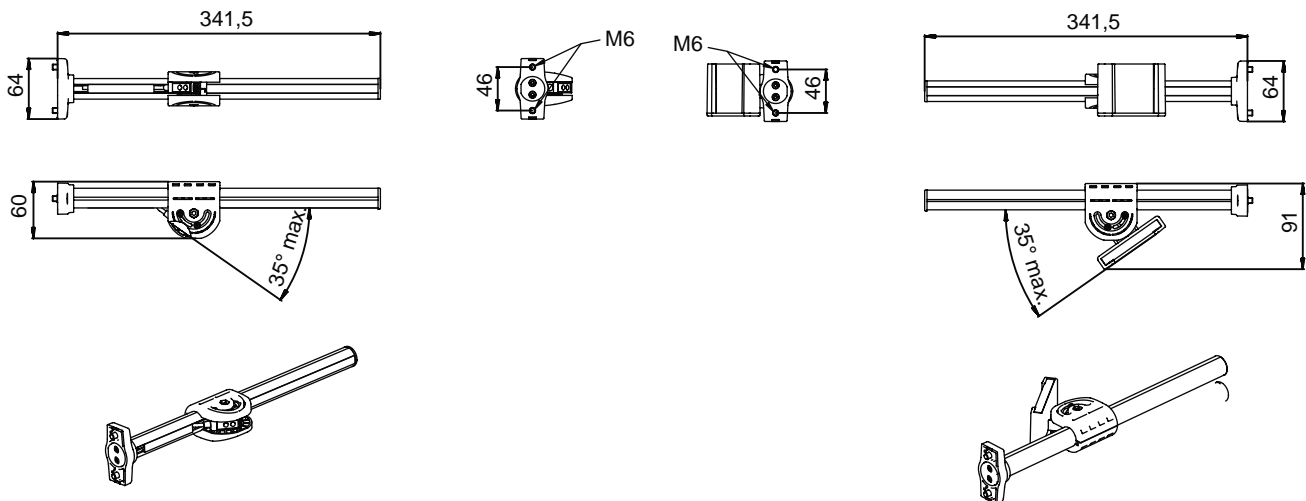
Part no.	Part description	Operating range	Number of muting sensors	Type of muting sensors	Cable length of muting sensors	Number of reflectors	Muting type
426506	Set-AC-MTX.2-1S	0 ... 8 m	1x	PRK 25B retro-reflective photoelectric sensors	2,000 mm	1x	
426490	Set-AC-ML-2SA	0 ... 4 m	2x	PRK 3B retro-reflective photoelectric sensors	300 mm	2x	Sequence controlled 2-sensor muting
426491	Set-AC-ML-2SB	0 ... 4 m	2x	PRK 3B retro-reflective photoelectric sensors	300 mm	2x	Sequence controlled 2-sensor muting
426494	Set-AC-MT-2S	0 ... 4 m	2x	PRK 3B retro-reflective photoelectric sensors	300 mm	2x	Timing controlled 2-sensor muting
426524	Set-AC-MTX-2S	0 ... 8 m	2x	PRK 25B retro-reflective photoelectric sensors	300 mm	2x	Timing controlled 2-sensor muting
426520	Set-AC-MLX-2SA	0 ... 8 m	2x	PRK 25B retro-reflective photoelectric sensors	700 mm	2x	Sequence controlled 2-sensor muting
426521	Set-AC-MLX-2SB	0 ... 8 m	2x	PRK 25B retro-reflective photoelectric sensors	700 mm	2x	Sequence controlled 2-sensor muting
426526	Set-AC-MLX.2-2SA	0 ... 8 m	2x	PRK 25B retro-reflective photoelectric sensors	2,000 mm	2x	Sequence controlled 2-sensor muting
426527	Set-AC-MLX.2-2SB	0 ... 8 m	2x	PRK 25B retro-reflective photoelectric sensors	2,000 mm	2x	Sequence controlled 2-sensor muting
426529	Set-AC-MTX.2-2S	0 ... 8 m	2x	PRK 25B retro-reflective photoelectric sensors	2,000 mm	2x	Timing controlled 2-sensor muting
426492	Set-AC-MT-4S	0 ... 4 m	4x	PRK 3B retro-reflective photoelectric sensors	300 mm	4x	Timing controlled 4-sensor muting
426522	Set-AC-MTX-4S	0 ... 8 m	4x	PRK 25B retro-reflective photoelectric sensors	300 mm	4x	Timing controlled 4-sensor muting
426528	Set-AC-MTX.2-4S	0 ... 8 m	4x	PRK 25B retro-reflective photoelectric sensors	2,000 mm	4x	Timing controlled 4-sensor muting

Further muting mounting systems can be found on our website

Identification

Data transmission / Control components

Dimensioned drawings: Muting mounting systems

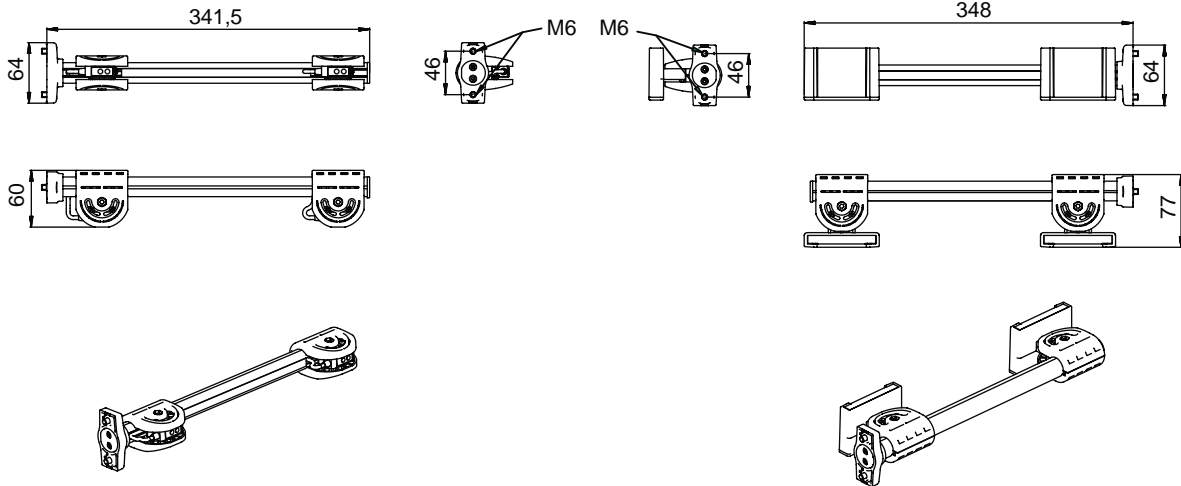


Industrial image processing

Accessories

Muting sensor set for timing controlled 2-sensor muting

Dimensioned drawings: Muting mounting systems



Muting sensor set for timing controlled 4-sensor muting

SMART
SENSOR
BUSINESS

 **Leuze electronic**

the **sensor** people



SMART IS
TO BE **CLOSE**

Junghee Lee,
Customer Service Manager –
Leuze electronic South Korea

I'm happy when my friends feel at ease with me – the same holds for our customers as well. My colleagues and I are therefore constantly further developing our service offerings to meet the needs of our customers.



www.smart-sensor-business.com



Switching sensors

Measuring sensors

Products for safety at work

Identification

Data transmission / Control components

Industrial image processing

Accessories

PART INDEX BY PART NUMBER

150677....484	426306....330	429395....290	547814....381	549992....369	50020501...182	50024127....34
150680....489	426306....330	429396....290	547815....381	560020....513	50020501...237	50024127....40
150681....489	426307....330	430105....494	547820....381	560120....494	50020501...240	50024127....51
150683....489	426308....330	430305....496	547821....381	560340....312	50020501...410	50024127....62
150684....489	426345....330	430306....496	547822....381	560341....312	50020501...417	50024127....66
150685....489	426379....330	430400....328	547823....381	560342....312	50020501...421	50024127....71
150717....485	426415....330	430410....328	547825....381	560343....312	50020501...464	50024127....76
150718....485	426490....312	430414....290	547931....367	560344....318	50020501...492	50024127....99
347070....504	426490....515	430424....290	547932....367	560345....318	50020502...182	50024127...106
347071....504	426491....312	520004....513	547933....374	580020....382	50020502...493	50024127...116
347072....504	426491....515	520021....498	547934....374	580021....382	50020833...55	50024127...510
347073....504	426492....312	520022....498	547935....370	580024....382	50020833...87	50025112...92
347074....504	426492....515	520023....513	547936....370	580025....382	50020833...116	50025114...92
347075....504	426494....515	520024....513	547950....365	580028....383	50020833...153	50025116...92
347076....504	426506....515	520071....312	547951....365	580029....383	50020833...198	50025118...92
347077....504	426520....312	520071....318	547952....366	580032....384	50020833...495	50025124...91
347078....504	426520....515	520083....493	547953....366	580055....382	50022680...85	50025126...91
347079....504	426521....312	520101....290	547954....371	580056....382	50022681...85	50025131...92
347080....504	426521....515	520101....513	547955....371	580057....383	50022814...72	50025132...92
347081....504	426522....312	520140....312	547958....368	580058....383	50022814...88	50025133...92
347082....504	426522....515	520141....312	547959....368	580029....490	50022814...94	50025135...92
349939....290	426524....515	520142....312	547960....368	678050....311	50022814...116	50025163...90
349945....290	426526....515	520150....312	547961....368	678050....318	50022814...509	50025165...90
424417....192	426527....515	520151....312	547962....368	678050....485	50022815...509	50025166...90
424417....266	426528....515	520152....312	547963....368	678051....311	50022816...29	50025167...90
424417....290	426529....515	520160....290	548050....489	678051....318	50022816...34	50025168...90
424417....312	426535....330	520162....290	548051....489	678051....485	50022816...40	50025178...90
424417....497	427300....513	529601....503	548052....489	678052....311	50022816...44	50025182...90
424421....497	427302....494	529602....503	548100....490	678052....318	50022816...51	50025186...90
424422....290	427303....494	529603....503	548361....490	678052....485	50022816...55	50025195...89
424423....290	429005....290	529604....503	548363....485	678053....311	50022816...62	50025197...88
424440....290	429006....290	529606....503	549000....513	678053....318	50022816...66	50025201...89
424440....494	429046....192	529607....503	549620....499	678053....485	50022816...72	50025205...89
424441....290	429046....266	529609....503	549621....499	678057....289	50022816...76	50025217...89
424441....494	429049....192	529610....503	549622....499	678057....311	50022816...79	50025223...89
424442....290	429049....266	529612....503	549623....499	678057....317	50022816...84	50025225...89
424442....494	429056....192	529613....503	549624....499	678057....357	50022816...88	50025228...89
424900....496	429056....266	529615....503	549625....499	678057....486	50022816...94	50025570...75
425740....192	429056....290	529616....503	549626....499	678059....289	50022816...99	50025570...94
425740....266	429056....494	529618....503	549627....499	678059....311	50022816...102	50025570...117
425740....290	429057....192	540350....312	549780....501	678059....317	50022816...106	50025570...221
425740....498	429057....266	540351....312	549781....501	678059....357	50022816...108	50025570...495
425741....192	429057....290	540352....312	549782....501	678059....486	50022816...110	50025609...86
425741....266	429057....495	540353....312	549783....501	678064....289	50022816...114	50025610...86
425741....290	429058....192	540354....318	549790....502	678064....311	50022816...116	50025612...86
425741....498	429058....266	540355....318	549791....502	678064....318	50022816...117	50026204...94
425742....192	429059....192	544000....274	549792....502	678064....357	50022816...209	50026204...221
425742....266	429059....266	544001....274	549793....502	678064....486	50022816...510	50026204...496
425742....290	429075....486	544002....274	549796....502	50000068...511	50023525...34	50026371...178
425742....498	429081....486	544003....274	549797....502	50000071...511	50023525...40	50026835...85
426045....493	429171....486	544004....275	549852....499	50003186...112	50023525...44	50026836...85
426046....493	429172....485	544005....275	549853....499	50003186...510	50023525...55	50027095...86
426185....504	429175....290	544006....275	549854....499	50003188...509	50023525...62	50027097...509
426186....504	429175....311	544007....274	549855....499	50003189...509	50023525...66	50027167...498
426187....504	429175....318	544008....274	549856....499	50003190...509	50023525...72	50027191...496
426188....504	429175....492	544009....274	549857....499	50003191...509	50023525...76	50027375...240
426189....504	429178....191	544010....274	549865....499	50003192...510	50023525...88	50027375...251
426190....504	429178....266	544011....275	549867....499	50003374...495	50023525...94	50027375...411
426280....330	429178....290	544012....275	549879....499	50003376...495	50023525...99	50027375...417
426280....330	429178....311	544013....275	549881....499	50006902...494	50023525...102	50027375...421
426280....330	429178....318	547802....379	549882....499	50009374...55	50023525...106	50027375...435
426281....330	429178....493	547803....379	549883....499	50009419...495	50023525...108	50027375...478
426288....330	429281....486	547804....381	549884....499	50011791...494	50023525...110	50027375...481
426289....330	429288....486	547805....381	549885....499	50016515...494	50023525...112	50027375...495
426296....312	429289....486	547806....380	549886....499	50018415...112	50023525...116	50027696...510
426305....330	429393....290	547812....379	549941....362	50018415...495	50023525...117	50027993...85
426306....330	429394....290	547813....379	549942....362	50019925...86	50023525...509	50028975...90

PART INDEX

BY TYPE DESIGNATION

50136146	289	AC-KL-AH	343	AMS 300i 300	235
50136146	311	AC-KL-AH	345	AMS 300i 300 H	235
A7-MP1-100	505	AC-KL-AHL	346	AMS 301i 40	235
A7-MP1-250	505	AC-KT10-ERS	351	AMS 301i 40 H	235
A7-MP1-400	505	AC-KT20-ERS	351	AMS 301i 120	235
A7-V1-DS-B-T	506	AC-L300-PB30	349	AMS 301i 120 H	235
A7-V1-DS-G-T	506	AC-L300-PB40	349	AMS 301i 200	235
A7-V1-DS-O-T	506	AC-L300-PB50	349	AMS 301i 200 H	235
A7-V1-DS-R-T	506	AC-L300-PB60	349	AMS 301i 300	235
A7-V1-DS-W-T	506	AC-L300-SCA	349	AMS 301i 300 H	235
A7-V1-MP1-DS-ROG-T-100	507	AC-L300-SH-LCK0-B3-P	349	AMS 304i 40	234
AC-ABF70	312	AC-L300-SH-LCK1-A3-P	349	AMS 304i 40 H	234
AC-AH-A	334	AC-L300-UCA	349	AMS 304i 120	234
AC-AH-A	343	AC-LDH-12GF	493	AMS 304i 120 H	234
AC-AH-A	345	AC-LDH-12WF	493	AMS 304i 200	234
AC-AH-F1J2	334	AC-LL-R	336	AMS 304i 200 H	234
AC-AH-F1J2	343	AC-LL-R40	336	AMS 304i 300	234
AC-AH-F1J2	345	AC MA200-KB	497	AMS 304i 300 H	234
AC-AH-F2J2	334	AC-MK1	312	AMS 307i 40	235
AC-AH-F2J2	343	AC-MK1	318	AMS 307i 120	235
AC-AH-F2J2	345	AC-MP1-S400	338	AMS 308i 40	234
AC-AH-F4	334	AC-MP3-S400	338	AMS 308i 40 H	234
AC-AH-F4	343	AC-MSI-CFG1	381	AMS 308i 120	234
AC-AH-F4	345	AC-MSI-TC	381	AMS 308i 120 H	234
AC-AH-F4J2-TK	334	AC-MSI-TCS	381	AMS 308i 200	234
AC-AH-F4J2-TK	343	AC-MSI-USB	381	AMS 308i 200 H	234
AC-AH-F4J2-TK	345	AC-PB15-L200	346	AMS 308i 300	234
AC-AHL-A	346	AC-PB30-L200	346	AMS 308i 300 H	234
AC-AHL-F4J2-TK	346	AC-PB40-L200	346	AMS 335i 40	233
AC-AHL-RM	346	AC-PB60-L200	346	AMS 335i 40 H	233
AC-AHL-S	346	AC-PB500-L200	346	AMS 335i 120	233
AC-AH-S	334	AC-P-ERS	351	AMS 335i 120 H	233
AC-AH-S	343	AC-PL	336	AMS 335i 200	233
AC-AH-S	345	AC-PLM-8	334	AMS 335i 200 H	233
AC-ALM	513	AC-PLM-8	336	AMS 335i 300	233
AC-ALM-M	290	AC-PLM-8	343	AMS 335i 300 H	233
AC-ALM-M	513	AC-PLP-8	333	AMS 338i 40	234
AC-AL-R	336	AC-PLP-8	343	AMS 338i 40 H	234
AC-A-M20-12NPT	333	AC-PLP-8	344	AMS 338i 120	234
AC-A-M20-12NPT	334	AC-SA-ERS	351	AMS 338i 120 H	234
AC-A-M20-12NPT	336	AC-SBO-ERS	351	AMS 338i 200	234
AC-A-M20-12NPT	343	AC-SCM5U	312	AMS 338i 200 H	234
AC-A-M20-12NPT	344	AC-SCM5U-BT	312	AMS 338i 300	234
AC-A-M20-12NPT	346	AC-SCM5U-BT-L	312	AMS 338i 300 H	234
AC-AN-A	333	AC-SCM6U	312	AMS 348i 40	234
AC-AN-AL	333	AC-SCM6U-BT	312	AMS 348i 40 H	234
AC-AN-ASH	333	AC-SCM6U-BT-L	312	AMS 348i 40 H SSI	235
AC-AN-F1J2	333	AC-SCM8U	290	AMS 348i 40 SSI	235
AC-AN-F2J2	333	AC-SCM8U-BT-L	290	AMS 348i 120	234
AC-AN-F4	333	AC-SEPL-S4xx	338	AMS 348i 120 H	234
AC-AN-S	333	AC-SEPL-S4xx	340	AMS 348i 120 H SSI	235
AC-AN-SL	333	AC-SEPL-S4xx	341	AMS 348i 120 SSI	235
AC-AP-ERS	351	AC-SL-ERS	351	AMS 348i 200	235
Access Point f. IT	428	AC-SL-R	336	AMS 348i 200 H	235
Access Point f. IT	439	AC-S-S420	341	AMS 348i 200 H SSI	235
Access Point f. IT	440	AC-STOP-ERS	351	AMS 348i 200 SSI	235
AC D08M-CS	497	AC-STRO-35-ERS	351	AMS 348i 300	235
AC D12M-CS	497	AC-STRO-100-ERS	351	AMS 348i 300 H	235
AC-D15E-GF	493	AC-TR14/30	290	AMS 348i 300 H SSI	235
AC D18M-CS	497	AC-TR14-S	290	AMS 348i 300 SSI	235
AC D30M-CS	497	AC-TR20/40	290	AMS 355i 40	233
AC-ENCLF-ERS	351	AC-TR24-S	290	AMS 355i 40 H	233
AC-Exit-PB	346	AMS 300i 40	235	AMS 355i 120	233
AC-H-S400	338	AMS 300i 40 H	235	AMS 355i 120 H	233
AC-H-S400-S	338	AMS 300i 120	235	AMS 355i 200	233
AC-H-S410	340	AMS 300i 120 H	235	AMS 355i 200 H	233
AC-H-S420	341	AMS 300i 200	235	AMS 355i 300	233
AC-KL-AH	334	AMS 300i 200 H	235	AMS 355i 300 H	233

AMS 358i 40	234	BCB 200	514	BCL 22 R1 N 200	397
AMS 358i 40 H	234	BCL 8 SM 100	393	BCL 22 R1 N 202	397
AMS 358i 120	234	BCL 8 SM 102	393	BCL 22 R1 N 210	397
AMS 358i 120 H	234	BCL 8 SM 550	393	BCL 22 R1 N 212	397
AMS 358i 200	234	BCL 8 SM 552	393	BCL 22 R1 N 300	398
AMS 358i 200 H	234	BCL 8 SN 100	393	BCL 22 R1 N 302	397
AMS 358i 300	234	BCL 8 SN 102	393	BCL 22 R1 N 310	398
AMS 358i 300 H	234	BCL 8 SN 550	393	BCL 22 R1 N 312	397
AMS 384i 40	234	BCL 8 SN 552	393	BCL 22 S B 200	397
AMS 384i 40 H	234	BCL 21 R1 F 200	396	BCL 22 S B 202	397
AMS 384i 120	234	BCL 21 R1 F 202	396	BCL 22 S B 300	397
AMS 384i 120 H	234	BCL 21 R1 F 210	396	BCL 22 S B 302	397
AMS 384i 200	234	BCL 21 R1 F 212	396	BCL 22 S F 200	397
AMS 384i 200 H	234	BCL 21 R1 F 300	396	BCL 22 S F 202	397
AMS 384i 300	234	BCL 21 R1 F 302	396	BCL 22 S F 210	397
AMS 384i 300 H	234	BCL 21 R1 F 310	396	BCL 22 S F 212	397
ARH 10	513	BCL 21 R1 F 312	396	BCL 22 S F 300	397
ARH 46	513	BCL 21 R1 M 200	396	BCL 22 S F 302	397
ARH 46C	513	BCL 21 R1 M 202	396	BCL 22 S F 310	397
ARH 49C	513	BCL 21 R1 M 210	396	BCL 22 S F 312	397
ARH 96	513	BCL 21 R1 M 212	396	BCL 22 S M 200	397
ASM1/1	382	BCL 21 R1 M 300	396	BCL 22 S M 202	397
ASM1/2	382	BCL 21 R1 M 302	396	BCL 22 S M 210	397
ASM1E/1	382	BCL 21 R1 M 310	396	BCL 22 S M 212	397
ASM1E/2	382	BCL 21 R1 M 312	396	BCL 22 S M 300	397
ASM1E-m/1	382	BCL 21 R1 N 200	396	BCL 22 S M 302	397
ASM1E-m/2	382	BCL 21 R1 N 202	396	BCL 22 S M 310	397
ASM2E/1	383	BCL 21 R1 N 210	396	BCL 22 S M 312	397
ASM2E/2	383	BCL 21 R1 N 212	396	BCL 22 S N 200	397
ASM2E-m/1	383	BCL 21 R1 N 300	396	BCL 22 S N 202	397
ASM2E-m/2	383	BCL 21 R1 N 302	396	BCL 22 S N 210	397
ASM-SWC	384	BCL 21 R1 N 310	396	BCL 22 S N 212	397
Base f. IT 1902	439	BCL 21 R1 N 312	396	BCL 22 S N 300	397
Base f. IT 1911	440	BCL 21 S B 200	396	BCL 22 S N 302	397
Base IT 1452g	427	BCL 21 S B 202	395	BCL 22 S N 310	397
BCB 005	514	BCL 21 S B 202	395	BCL 22 S N 312	397
BCB 8 005	514	BCL 21 S B 300	396	BCL 300i OF 100	401
BCB 8 010	242	BCL 21 S B 302	395	BCL 300i OF 100 D	401
BCB 8 010	514	BCL 21 S F 200	396	BCL 300i OF 100 D H	401
BCB 8 020	242	BCL 21 S F 202	396	BCL 300i OL 100	401
BCB 8 020	514	BCL 21 S F 210	396	BCL 300i OL 100 D	401
BCB 8 030	514	BCL 21 S F 212	396	BCL 300i OL 100 D H	401
BCB 8 040	514	BCL 21 S F 300	396	BCL 300i OM 100	401
BCB 8 050	242	BCL 21 S F 302	396	BCL 300i OM 100 D	401
BCB 8 050	514	BCL 21 S F 310	396	BCL 300i OM 100 D H	400
BCB 8 060	514	BCL 21 S F 312	396	BCL 300i R1 F 100	400
BCB 8 070	514	BCL 21 S M 200	396	BCL 300i R1 F 100 D	400
BCB 8 080	514	BCL 21 S M 202	395	BCL 300i R1 F 102	400
BCB 8 090	514	BCL 21 S M 210	396	BCL 300i R1 F 102 D	400
BCB 8 100	240	BCL 21 S M 212	395	BCL 300i R1 J 100	400
BCB 8 100	242	BCL 21 S M 300	396	BCL 300i R1 M 100	400
BCB 8 100	514	BCL 21 S M 302	396	BCL 300i R1 M 100 D	400
BCB 8 110	514	BCL 21 S M 310	396	BCL 300i R1 M 102	400
BCB 8 120	514	BCL 21 S M 312	396	BCL 300i R1 M 102 D	400
BCB 8 130	514	BCL 21 S N 200	396	BCL 300i R1 N 100	400
BCB 8 140	514	BCL 21 S N 202	395	BCL 300i R1 N 100 D	400
BCB 8 140	514	BCL 21 S N 210	396	BCL 300i R1 N 102	400
BCB 8 150	514	BCL 21 S N 212	395	BCL 300i R1 N 102 D	400
BCB 8 200	514	BCL 21 S N 300	396	BCL 300i SF 100	400
BCB 010	240	BCL 21 S N 302	395	BCL 300i SF 100 D	400
BCB 010	514	BCL 21 S N 310	396	BCL 300i SF 100 D H	400
BCB 020	240	BCL 21 S N 312	395	BCL 300i SF 102	400
BCB 020	514	BCL 22 R1 F 200	398	BCL 300i SF 102 D	400
BCB 030	514	BCL 22 R1 F 202	397	BCL 300i SF 102 D H	400
BCB 040	514	BCL 22 R1 F 210	398	BCL 300i SL 100	400
BCB 050	240	BCL 22 R1 F 212	397	BCL 300i SL 100 D	400
BCB 050	514	BCL 22 R1 F 300	398	BCL 300i SL 100 D H	400
BCB 060	514	BCL 22 R1 F 302	397	BCL 300i SL 102	400
BCB 070	514	BCL 22 R1 F 310	398	BCL 300i SL 102 D	400
BCB 080	514	BCL 22 R1 F 312	397	BCL 300i SL 102 D H	400
BCB 090	514	BCL 22 R1 M 200	398	BCL 300i SM 100	400
BCB 100	240	BCL 22 R1 M 202	397	BCL 300i SM 100 D	400
BCB 100	514	BCL 22 R1 M 210	398	BCL 300i SM 100 D H	400
BCB 110	514	BCL 22 R1 M 212	397	BCL 300i SM 102	400
BCB 120	514	BCL 22 R1 M 300	398	BCL 300i SM 102 D	400
BCB 130	514	BCL 22 R1 M 302	397	BCL 300i SM 102 D H	400
BCB 140	514	BCL 22 R1 M 310	398	BCL 300i SN 100	400
BCB 150	514	BCL 22 R1 M 312	397		

BCL 300i SN 100 D	400	BCL 304i SF 102 D	402	BCL 338i R1 F 102	408
BCL 300i SN 100 D H	400	BCL 304i SF 102 D H	402	BCL 338i R1 F 102 D	408
BCL 300i SN 102	400	BCL 304i SL 100	402	BCL 338i R1 J 100	408
BCL 300i SN 102 D	400	BCL 304i SL 100 D	403	BCL 338i R1 M 100	408
BCL 300i SN 102 D H	400	BCL 304i SL 100 D H	402	BCL 338i R1 M 100 D	408
BCL 301i OF 100	404	BCL 304i SL 102	402	BCL 338i R1 M 102	407
BCL 301i OF 100 D	404	BCL 304i SL 102 D	402	BCL 338i R1 M 102 D	408
BCL 301i OF 100 D H	404	BCL 304i SL 102 D H	402	BCL 338i R1 N 100	408
BCL 301i OL 100	404	BCL 304i SM 100	402	BCL 338i R1 N 100 D	408
BCL 301i OL 100 D	404	BCL 304i SM 100 D	402	BCL 338i R1 N 102	407
BCL 301i OL 100 D H	404	BCL 304i SM 100 D H	402	BCL 338i R1 N 102 D	407
BCL 301i OM 100	404	BCL 304i SM 102	402	BCL 338i S F 100	407
BCL 301i OM 100 D	404	BCL 304i SM 102 D	402	BCL 338i S F 100 D	407
BCL 301i OM 100 D H	404	BCL 304i SM 102 D H	402	BCL 338i S F 100 D H	407
BCL 301i R1 F 100	404	BCL 304i SN 100	402	BCL 338i SF 102	407
BCL 301i R1 F 100 D	404	BCL 304i SN 100 D	402	BCL 338i SF 102 D	407
BCL 301i R1 F 102	404	BCL 304i SN 100 D H	402	BCL 338i SF 102 D H	407
BCL 301i R1 F 102 D	404	BCL 304i SN 102	402	BCL 338i S L 100	407
BCL 301i R1 J 100	404	BCL 304i SN 102 D	402	BCL 338i S L 100 D	407
BCL 301i R1 M 100	404	BCL 304i SN 102 D H	402	BCL 338i S L 100 D H	407
BCL 301i R1 M 100 D	404	BCL 308i OF 100	405	BCL 338i SL 102	407
BCL 301i R1 M 102	404	BCL 308i OF 100 D	405	BCL 338i SL 102 D	407
BCL 301i R1 M 102 D	404	BCL 308i OF 100 D H	405	BCL 338i SL 102 D H	407
BCL 301i R1 N 100	404	BCL 308i OL 100	405	BCL 338i S M 100	407
BCL 301i R1 N 100 D	404	BCL 308i OL 100 D	405	BCL 338i S M 100 D	407
BCL 301i R1 N 102	404	BCL 308i OL 100 D H	405	BCL 338i S M 100 D H	407
BCL 301i R1 N 102 D	404	BCL 308i OM 100	405	BCL 338i SM 102	407
BCL 301i SF 100	404	BCL 308i OM 100 D	405	BCL 338i SM 102 D	407
BCL 301i SF 100 D	404	BCL 308i OM 100 D H	405	BCL 338i SM 102 D H	407
BCL 301i SF 100 D H	404	BCL 308i R1 F 100	405	BCL 338i S N 100	407
BCL 301i SF 102	403	BCL 308i R1 F 100 D	405	BCL 338i S N 100 D	407
BCL 301i SF 102 D	403	BCL 308i R1 F 102	405	BCL 338i S N 100 D H	407
BCL 301i SF 102 D H	403	BCL 308i R1 F 102 D	405	BCL 338i SN 102	407
BCL 301i SL 100	404	BCL 308i R1 J 100	405	BCL 338i SN 102 D	407
BCL 301i SL 100 D	404	BCL 308i R1 M 100	405	BCL 338i SN 102 D H	407
BCL 301i SL 100 D H	404	BCL 308i R1 M 100 D	405	BCL 348i OF 100	402
BCL 301i SL 102	403	BCL 308i R1 M 102	405	BCL 348i OF 100 D	402
BCL 301i SL 102 D	403	BCL 308i R1 M 102 D	405	BCL 348i OF 100 D H	402
BCL 301i SL 102 D H	403	BCL 308i R1 N 100	405	BCL 348i OL 100	402
BCL 301i SM 100	404	BCL 308i R1 N 100 D	405	BCL 348i OL 100 D	402
BCL 301i SM 100 D	404	BCL 308i R1 N 102	405	BCL 348i OL 100 D H	402
BCL 301i SM 100 D H	403	BCL 308i R1 N 102 D	405	BCL 348i OM 100	402
BCL 301i SM 102	403	BCL 308i SF 100	405	BCL 348i OM 100 D	402
BCL 301i SM 102 D	403	BCL 308i SF 100 D	405	BCL 348i OM 100 D H	402
BCL 301i SM 102 D H	403	BCL 308i SF 100 D H	405	BCL 348i R1 F 100	402
BCL 301i SN 100	403	BCL 308i SF 102	405	BCL 348i R1 F 100 D	402
BCL 301i SN 100 D	403	BCL 308i SF 102 D	405	BCL 348i R1 F 102	401
BCL 301i SN 100 D H	403	BCL 308i SF 102 D H	404	BCL 348i R1 F 102 D	401
BCL 301i SN 102	403	BCL 308i SL 100	405	BCL 348i R1 J 100	402
BCL 301i SN 102 D	403	BCL 308i SL 100 D	405	BCL 348i R1 M 100	402
BCL 301i SN 102 D H	403	BCL 308i SL 100 D H	405	BCL 348i R1 M 100 D	402
BCL 304i OF 100	403	BCL 308i SL 102	405	BCL 348i R1 M 102	401
BCL 304i OF 100 D	403	BCL 308i SL 102 D	405	BCL 348i R1 M 102 D	401
BCL 304i OF 100 D H	403	BCL 308i SL 102 D H	405	BCL 348i R1 N 100	401
BCL 304i OL 100	403	BCL 308i SM 100	405	BCL 348i R1 N 100 D	402
BCL 304i OL 100 D	403	BCL 308i SM 100 D	405	BCL 348i R1 N 102	401
BCL 304i OL 100 D H	403	BCL 308i SM 100 D H	405	BCL 348i R1 N 102 D	401
BCL 304i OM 100	403	BCL 308i SM 102	404	BCL 348i SF 100	401
BCL 304i OM 100 D	403	BCL 308i SM 102 D	404	BCL 348i SF 100 D	401
BCL 304i OM 100 D H	403	BCL 308i SM 102 D H	404	BCL 348i SF 100 D H	401
BCL 304i R1 F 100	403	BCL 308i SN 100	405	BCL 348i SF 102	401
BCL 304i R1 F 100 D	403	BCL 308i SN 100 D	405	BCL 348i SF 102 D	401
BCL 304i R1 F 102	403	BCL 308i SN 100 D H	405	BCL 348i SF 102 D H	401
BCL 304i R1 F 102 D	403	BCL 308i SN 102	404	BCL 348i SL 100	401
BCL 304i R1 J 100	403	BCL 308i SN 102 D	404	BCL 348i S L 100 D	401
BCL 304i R1 M 100	403	BCL 308i SN 102 D H	404	BCL 348i SL 100 D H	401
BCL 304i R1 M 100 D	403	BCL 338i O F 100	408	BCL 348i SL 102	401
BCL 304i R1 M 102	403	BCL 338i O F 100 D	408	BCL 348i SL 102 D	401
BCL 304i R1 M 102 D	403	BCL 338i O F 100 D H	408	BCL 348i SL 102 D H	401
BCL 304i R1 N 100	403	BCL 338i O L 100	408	BCL 348i SM 100	401
BCL 304i R1 N 100 D	403	BCL 338i O L 100 D	408	BCL 348i SM 100 D	401
BCL 304i R1 N 102	403	BCL 338i O L 100 D H	408	BCL 348i SM 100 D H	401
BCL 304i R1 N 102 D	403	BCL 338i O M 100	408	BCL 348i SM 102	401
BCL 304i SF 100	402	BCL 338i O M 100 D	408	BCL 348i SM 102 D	401
BCL 304i SF 100 D	402	BCL 338i O M 100 D H	408	BCL 348i SM 102 D H	401
BCL 304i SF 100 D H	402	BCL 338i R1 F 100	408	BCL 348i SN 100	401
BCL 304i SF 102	402	BCL 338i R1 F 100 D	408	BCL 348i SN 100 D	401

BCL 348i SN 100 D H.....	401	BCL 501i SL 102 H.....	412	BCL 601i OF 100.....	418
BCL 348i SN 102.....	401	BCL 501i SM 102.....	412	BCL 601i OF 100 H.....	418
BCL 348i SN 102 D.....	401	BCL 501i SM 102 H.....	412	BCL 601i OM 100.....	418
BCL 348i SN 102 D H.....	401	BCL 501i SN 102.....	412	BCL 601i OM 100 H.....	418
BCL 358i OF 100.....	407	BCL 501i SN 102 H.....	412	BCL 601i SF 102.....	418
BCL 358i OF 100 D.....	407	BCL 504i OF 100.....	414	BCL 601i SF 102 H.....	418
BCL 358i OF 100 D H.....	407	BCL 504i OF 100 H.....	414	BCL 601i SM 102.....	418
BCL 358i OL 100.....	407	BCL 504i OL 100.....	414	BCL 601i SM 102 H.....	418
BCL 358i OL 100 D.....	407	BCL 504i OL 100 H.....	414	BCL 604i OF 100.....	419
BCL 358i OL 100 D H.....	407	BCL 504i OM 100.....	414	BCL 604i OF 100 H.....	419
BCL 358i OM 100.....	407	BCL 504i OM 100 H.....	414	BCL 604i OM 100.....	419
BCL 358i OM 100 D.....	407	BCL 504i ON 100.....	414	BCL 604i OM 100 H.....	419
BCL 358i OM 100 D H.....	406	BCL 504i ON 100 H.....	414	BCL 604i SF 102.....	419
BCL 358i R1 F 100.....	406	BCL 504i SF 102.....	414	BCL 604i SF 102 H.....	419
BCL 358i R1 F 100 D.....	406	BCL 504i SF 102 H.....	414	BCL 604i SM 102.....	419
BCL 358i R1 F 102.....	406	BCL 504i SL 102.....	414	BCL 604i SM 102 H.....	419
BCL 358i R1 F 102 D.....	406	BCL 504i SL 102 H.....	414	BCL 608i OF 100.....	419
BCL 358i R1 J 100.....	406	BCL 504i SM 102.....	413	BCL 608i OF 100 H.....	419
BCL 358i R1 M 100.....	406	BCL 504i SM 102 H.....	413	BCL 608i OM 100.....	419
BCL 358i R1 M 100 D.....	406	BCL 504i SN 102.....	413	BCL 608i OM 100 H.....	419
BCL 358i R1 M 102.....	406	BCL 504i SN 102 H.....	413	BCL 608i SF 102.....	419
BCL 358i R1 M 102 D.....	406	BCL 508i OF 100.....	414	BCL 608i SF 102 H.....	419
BCL 358i R1 N 100.....	406	BCL 508i OF 100 H.....	414	BCL 608i SM 102.....	419
BCL 358i R1 N 100 D.....	406	BCL 508i OL 100.....	415	BCL 608i SM 102 H.....	419
BCL 358i R1 N 102.....	406	BCL 508i OL 100 H.....	415	BCL 648i OF 100.....	419
BCL 358i R1 N 102 D.....	406	BCL 508i OM 100.....	414	BCL 648i OF 100 H.....	419
BCL 358i SF 100.....	406	BCL 508i OM 100 H.....	414	BCL 648i OM 100.....	419
BCL 358i SF 100 D.....	406	BCL 508i ON 100.....	414	BCL 648i OM 100 H.....	419
BCL 358i SF 100 D H.....	406	BCL 508i ON 100 H.....	414	BCL 648i SF 102.....	419
BCL 358i SF 102.....	406	BCL 508i SF 102.....	414	BCL 648i SF 102 H.....	419
BCL 358i SF 102 D.....	406	BCL 508i SF 102 H.....	414	BCL 648i SM 102.....	419
BCL 358i SF 102 D H.....	406	BCL 508i SL 102.....	414	BCL 648i SM 102 H.....	419
BCL 358i SL 100.....	406	BCL 508i SL 102 H.....	414	BCL 900i SM 102.....	421
BCL 358i SL 100 D.....	406	BCL 508i SM 102.....	414	BCL 900i SN 102.....	421
BCL 358i SL 100 D H.....	406	BCL 508i SM 102 H.....	414	BK7 KB-092-5000-4A Ex.....	112
BCL 358i SL 102.....	406	BCL 508i SN 102.....	414	BK7 KB-092-5000-4 Ex.....	112
BCL 358i SL 102 D.....	406	BCL 508i SN 102 H.....	414	BPS 8 SM 100-01.....	241
BCL 358i SL 102 D H.....	406	BCL 548i OF 100.....	413	BPS 8 SM 102-01.....	241
BCL 358i SM 100.....	406	BCL 548i OF 100 H.....	413	BPS 300i SM 100.....	238
BCL 358i SM 100 D.....	406	BCL 548i OL 100.....	413	BPS 300i SM 100 D.....	238
BCL 358i SM 100 D H.....	406	BCL 548i OL 100 H.....	413	BPS 300i SM 100 D H.....	238
BCL 358i SM 102.....	406	BCL 548i OM 100.....	413	BPS 301i SM 100.....	238
BCL 358i SM 102 D.....	406	BCL 548i OM 100 H.....	413	BPS 301i SM 100 D.....	238
BCL 358i SM 102 D H.....	406	BCL 548i ON 100.....	413	BPS 301i SM 100 D H.....	238
BCL 358i SN 100.....	406	BCL 548i ON 100 H.....	413	BPS 304i SM 100.....	238
BCL 358i SN 100 D.....	406	BCL 548i SF 102.....	413	BPS 304i SM 100 D.....	238
BCL 358i SN 100 D H.....	406	BCL 548i SF 102 H.....	413	BPS 304i SM 100 D H.....	238
BCL 358i SN 102.....	406	BCL 548i SL 102.....	413	BPS 304i SM 100 H.....	238
BCL 358i SN 102 D.....	406	BCL 548i SL 102 H.....	413	BPS 307i SM 100.....	238
BCL 358i SN 102 D H.....	406	BCL 548i SM 102.....	413	BPS 307i SM 100 D.....	238
BCL 500i OF 100.....	413	BCL 548i SM 102 H.....	413	BPS 307i SM 100 D H.....	238
BCL 500i OF 100 H.....	413	BCL 548i SN 102.....	413	BPS 307i SM 100 H.....	238
BCL 500i OL 100.....	413	BCL 548i SN 102 H.....	413	BPS 348i SM 100.....	238
BCL 500i OL 100 H.....	413	BCL 558i OF 100.....	415	BPS 348i SM 100 D.....	238
BCL 500i OM 100.....	413	BCL 558i OF 100 H.....	415	BPS 348i SM 100 D H.....	238
BCL 500i OM 100 H.....	413	BCL 558i OL 100.....	415	BPS 348i SM 100 H.....	238
BCL 500i ON 100.....	412	BCL 558i OL 100 H.....	415	BT-2HF.....	290
BCL 500i ON 100 H.....	412	BCL 558i OM 100.....	415	BT-2HF-G.....	290
BCL 500i SF 102.....	412	BCL 558i OM 100 H.....	415	BT-2HF-GS.....	290
BCL 500i SF 102 H.....	412	BCL 558i ON 100.....	415	BT-2HF-S.....	290
BCL 500i SL 102.....	412	BCL 558i ON 100 H.....	415	BT-2L.....	192
BCL 500i SL 102 H.....	412	BCL 558i SF 102.....	415	BT-2L.....	266
BCL 500i SM 102.....	412	BCL 558i SF 102 H.....	415	BT-2L.....	290
BCL 500i SM 102 H.....	412	BCL 558i SL 102.....	415	BT-2L.....	494
BCL 500i SN 102.....	412	BCL 558i SL 102 H.....	415	BT-2L-HG.....	290
BCL 500i SN 102 H.....	412	BCL 558i SM 102.....	415	BT 002M.5.....	29
BCL 501i OF 100.....	412	BCL 558i SM 102 H.....	415	BT 002M.5.....	494
BCL 501i OF 100 H.....	412	BCL 558i SN 102.....	415	BT-2P40.....	192
BCL 501i OL 100.....	412	BCL 558i SN 102 H.....	415	BT-2P40.....	266
BCL 501i OL 100 H.....	412	BCL 600i OF 100.....	418	BT-2P40.....	290
BCL 501i OM 100.....	412	BCL 600i OF 100 H.....	418	BT-2P40.....	312
BCL 501i OM 100 H.....	412	BCL 600i OM 100.....	418	BT-2P40.....	497
BCL 501i ON 100.....	412	BCL 600i OM 100 H.....	418	BT-2R1.....	192
BCL 501i ON 100 H.....	412	BCL 600i SF 102.....	418	BT-2R1.....	266
BCL 501i SF 102.....	412	BCL 600i SF 102 H.....	418	BT-2S.....	494
BCL 501i SF 102 H.....	412	BCL 600i SM 102.....	418	BT-2SB10.....	290
BCL 501i SL 102.....	412	BCL 600i SM 102 H.....	418	BT-2SB10-S.....	290

BT-2SSD.....	192	BT 78.....	495	BT D18M.5.....	102
BT-2SSD.....	266	BT 85.....	495	BT D18M.5.....	106
BT-2SSD-270.....	192	BT 92.....	112	BT D18M.5.....	161
BT-2SSD-270.....	266	BT 92.....	495	BT D18M.5.....	226
BT-2UM60.....	494	BT 95.....	55	BT D18M.5.....	229
BT-2Z.....	192	BT 95.....	87	BT D18M.5.....	324
BT-2Z.....	266	BT 95.....	116	BT D18M.5.....	495
BT-2Z.....	290	BT 95.....	153	BT D21M.....	99
BT-2Z.....	495	BT 95.....	198	BT D21M.....	106
BT 3.....	494	BT 95.....	495	BT D21M.....	495
BT 3.1.....	494	BT 96.....	75	BT D30M.5.....	228
BT 3.2.....	494	BT 96.....	94	BT D30M.5.....	231
BT 3.5.....	494	BT 96.....	117	BT D30M.5.....	495
BT 3B.....	34	BT 96.....	221	BT Desktop IT1300g.....	426
BT 3B.....	197	BT 96.....	495	BT Desktop IT1300g.....	498
BT 3B.....	494	BT 96.1.....	495	BTF815M.....	328
BT 003M.1.....	494	BT 96.4.....	495	BTF830M.....	328
BT-4SSD.....	192	BT 200M.5.....	40	BT Flex Neck IT 4xxx.....	428
BT-4SSD.....	266	BT 200M.5.....	65	BT Flex Neck IT 4xxx.....	498
BT 8.....	44	BT 200M.5.....	495	BT Flex Neck IT1300g.....	426
BT 8.....	206	BT 205M.....	40	BT Flex Neck IT1300g.....	498
BT 8.....	214	BT 205M.....	51	BT-GS6X.DT.....	497
BT 8.....	216	BT 205M.....	62	BT-GS6X.H.....	498
BT 8.....	494	BT 205M.....	65	BT-GS6X.L.....	498
BT 8-0.....	242	BT 205M.....	323	BT Holder HCR 6200.....	441
BT 8-0.....	497	BT 205M.....	495	BT Holder HCR 6200.....	498
BT 8-01.....	242	BT 300 - 1.....	411	BT Holder IT 190x.....	439
BT 8-01.....	497	BT 300 - 1.....	495	BT Holder IT 190x.....	498
BT 8-ARH.....	498	BT 300M.5.....	40	BT-LA-78M.....	498
BT-10NC60.....	192	BT 300M.5.....	44	BT-LA-78M-UDC.....	498
BT-10NC60.....	266	BT 300M.5.....	71	BT-L-HG.....	290
BT-10NC60.....	290	BT 300M.5.....	206	BT-MLC-S-C.....	290
BT-10NC60.....	498	BT 300M.5.....	495	BT-MLC-S-C.....	494
BT-10NC64.....	192	BT 300 W.....	240	BT-MLC-S-L.....	290
BT-10NC64.....	266	BT 300 W.....	411	BT-MLC-S-L.....	494
BT-10NC64.....	290	BT 300 W.....	481	BT-MLC-S-O.....	290
BT-10NC64.....	498	BT 300 W.....	495	BT-MLC-S-O.....	494
BT-10NC65.....	192	BT 318-ARH.....	320	BT-MSI-MD-FB.....	494
BT-10NC65.....	266	BT 318-ARH.....	324	BT-MSI-MD-FB-L.....	494
BT-10NC65.....	290	BT 318-ARH.....	498	BTP 200M-D10.....	323
BT-10NC65.....	498	BT318B-OM.....	497	BTP 200M-D10.....	497
BT 16.....	494	BT 318P-LS.....	324	BTP 200M-D12.....	323
BT 20-D10.....	398	BT 318P-LS.....	497	BTP 200M-D12.....	497
BT 20-D10.....	495	BT 320M.....	244	BTP 200M-D14.....	323
BT 20-D12.....	398	BT 320M.....	432	BTP 200M-D14.....	497
BT 20-D12.....	495	BT 320M.....	495	BTP 300M-D10.....	497
BT 21.....	497	BT 328M.....	497	BTP 300M-D12.....	497
BT 24.....	494	BT 450.1-96.....	75	BTP 300M-D14.....	497
BT 25.....	51	BT 450.1-96.....	94	BTP800M.....	328
BT 25.....	62	BT 450.1-96.....	117	BT Rope IT.....	428
BT 25.....	84	BT 450.1-96.....	221	BT Rope IT.....	440
BT 25.....	200	BT 450.1-96.....	495	BT Rope IT.....	497
BT 25.....	323	BT 450.3-96.....	117	BT-SB10.....	497
BT 25.....	494	BT 450.3-96.....	495	BT-SET-240BC.....	312
BT 25-ARH.....	498	BT 713.....	495	BT-SET-240BC-E.....	312
BT 46.....	71	BT800MA.....	328	BT-SET-240BCS.....	312
BT 46.....	314	BT840M.....	328	BT-SET-240BCS-E.....	312
BT 46.....	321	BT856M.....	328	BT-SET-240C.....	318
BT 46.....	494	BT 900.....	422	BT-SET-240CC.....	312
BT 56.....	240	BT 900.....	495	BT-SET-240CC-E.....	312
BT 56.....	251	BT 910M.....	495	BT-SET-240CCS.....	312
BT 56.....	411	BT 1900gCover.....	498	BT-SET-240CCS-E.....	312
BT 56.....	417	BTC 088M-I40.....	497	BT-SET-240C-E.....	318
BT 56.....	421	BT Cover IT4xxx.....	498	BT-SET-240CS.....	318
BT 56.....	435	BT Cover IT1300g.....	426	BT-SET-240CS-E.....	318
BT 56.....	478	BT Cover IT1300g.....	498	BT Stand 8 IT 190x.....	498
BT 56.....	481	BT D08M.5.....	131	BT Stand 30 IT 191x.....	498
BT 56.....	495	BT D08M.5.....	133	BTU 008M-D10.....	214
BT 56 - 1.....	411	BT D08M.5.....	138	BTU 008M-D10.....	242
BT 56 - 1.....	495	BT D08M.5.....	495	BTU 008M-D10.....	394
BT 56 - V.....	495	BT D12M.5.....	108	BTU 008M-D10.....	495
BT 57.....	498	BT D12M.5.....	131	BTU 053M.5F-D12-A090.....	79
BT 59.....	417	BT D12M.5.....	133	BTU 053M.5F-D12-A090.....	495
BT 59.....	421	BT D12M.5.....	133	BTU 053M.5F-D12-A180.....	495
BT 59.....	497	BT D12M.5.....	138	BTU 053M.5F-D12-N.....	495
BT 64.....	494	BT D12M.5.....	495	BTU 053M.5F-D12-SS.....	495
BT 66.....	494	BT D18M.5.....	99	BTU 053M.5F-D20-N.....	495

BTU 053M.5F-D20-SS	495	BTU 346M-D12	323	CB-M12-1500-3GF/GM	489
BTU 200M.5-D12	198	BTU 346M-D12	496	CB-M12-1500-3GF/WM	489
BTU 200M.5-D12	496	BTU 360-D18	496	CB-M12-1500X-3GF/GM	489
BTU 200M-D10	34	BTU 360-D30	496	CB-M12-1500X-3GF/WM	489
BTU 200M-D10	40	BTU 460M-D10	47	CB-M12-1500X-3WF/WM	489
BTU 200M-D10	51	BTU 460M-D10	75	CB-M12-2000-4GMB	485
BTU 200M-D10	55	BTU 460M-D10	218	CB-M12-2000-5GM	485
BTU 200M-D10	62	BTU 460M-D10	496	CB-M12-5000-3GF/WM	489
BTU 200M-D10	65	BTU 460M-D12	47	CB-M12-5000-5GM	485
BTU 200M-D10	84	BTU 460M-D12	75	CB-M12-5000E-5GM	311
BTU 200M-D10	113	BTU 460M-D12	218	CB-M12-5000E-5GM	318
BTU 200M-D10	197	BTU 460M-D12	496	CB-M12-5000E-5GM	485
BTU 200M-D10	198	BTU800M	328	CB-M12-5000S-8GF	486
BTU 200M-D10	323	BTU804MA	328	CB-M12-10000-5WM	484
BTU 200M-D10	496	BTU 900M-D10	314	CB-M12-10000E-5GM	311
BTU 200M-D12	34	BTU 900M-D10	321	CB-M12-10000E-5GM	318
BTU 200M-D12	40	BTU 900M-D10	496	CB-M12-10000E-5GM	485
BTU 200M-D12	51	BTU 900M-D12	314	CB-M12-15000-3GF/GM	489
BTU 200M-D12	55	BTU 900M-D12	321	CB-M12-15000-3GF/WM	489
BTU 200M-D12	62	BTU 900M-D12	496	CB-M12-15000E-5GF	289
BTU 200M-D12	65	BTU 900M-D14	314	CB-M12-15000E-5GF	311
BTU 200M-D12	84	BTU 900M-D14	321	CB-M12-15000E-5GF	317
BTU 200M-D12	113	BTU 900M-D14	496	CB-M12-15000E-5GF	357
BTU 200M-D12	153	BTU 934M-D10-90	496	CB-M12-15000E-5GF	486
BTU 200M-D12	197	BTU 934M-D12-90	496	CB-M12-15000E-5GM	311
BTU 200M-D12	198	BTU 934M-D14-90	496	CB-M12-15000E-5GM	318
BTU 200M-D12	323	BTU D12M.5-045-M8	496	CB-M12-15000E-5GM	485
BTU 200M-D12	496	BTU D12M.5-100	496	CB-M12-15000E-5GM	486
BTU 200M-D14	34	BTU D12M.5-150	496	CB-M12-20000S-5GF/GM	490
BTU 200M-D14	40	BTU D12M.5-250	496	CB-M12-25000-8GF	486
BTU 200M-D14	51	BTU D12M.5-Z-230	496	CB-M12-25000E-5GM	311
BTU 200M-D14	55	BTU D12M-D12-A090	496	CB-M12-25000E-5GM	318
BTU 200M-D14	62	BTU D12M-D12-B090	496	CB-M12-25000E-5GM	485
BTU 200M-D14	65	BTU D12M-L-140	496	CB-M12-25000S-4GF/GM	490
BTU 200M-D14	84	BTU D12M-VKT-90	496	CB-M12-25000S-5GF	486
BTU 200M-D14	113	BTU D12M-Z-230	496	CB-M12-25000S-5WF	485
BTU 200M-D14	197	BTU D18M-D12	99	CB-M12-30000E-5GF	486
BTU 200M-D14	198	BTU D18M-D12	102	CB-M12-50000-5GF	486
BTU 200M-D14	323	BTU D18M-D12	106	CB-M12-50000-8GF	486
BTU 200M-D14	496	BTU D18M-D12	161	CB-M12-50000E-5GF	289
BTU 300M.5-D12	314	BTU D18M-D12	226	CB-M12-50000E-5GF	311
BTU 300M.5-D12	321	BTU D18M-D12	229	CB-M12-50000E-5GF	317
BTU 300M.5-D12	496	BTU D18M-D12	324	CB-M12-50000E-5GF	357
BTU 300M-D10	44	BTU D18M-D12	496	CB-M12-50000E-5GF	486
BTU 300M-D10	71	BT VMHolder	498	CB-M12-50000E-8GF	289
BTU 300M-D10	116	BT Wallholder HS65x8	426	CB-M12-50000E-8GF	311
BTU 300M-D10	206	BT Wallholder HS65x8	427	CB-M12-50000E-8GF	318
BTU 300M-D10	216	BT Wallholder HS65x8	428	CB-M12-50000E-8GF	357
BTU 300M-D10	314	BT Wallholder HS65x8	428	CB-M12-50000E-8GF	486
BTU 300M-D10	321	BT Wallholder HS65x8	440	CB-M12-MLC-S-100-5TP	289
BTU 300M-D10	433	BT Wallholder HS65x8	441	CB-M12-MLC-S-500-5TP	289
BTU 300M-D10	496	BT Wallholder HS65x8	442	CB-M12-MLC-S-1000-5TP	289
BTU 300M-D12	44	BT Wallholder HS65x8	498	CML720i-R05-800.A/CN-M12	256
BTU 300M-D12	71	BT Wallholder IT190x	439	CML720i-R05-800.A/CV-M12	256
BTU 300M-D12	116	BT Wallholder IT190x	498	CML720i-R05-800.A/D3-M12	256
BTU 300M-D12	206	BTX 018M	198	CML720i-R05-800.A/L-M12	256
BTU 300M-D12	216	BTX 018M	498	CML720i-R05-800.A/PB-M12	256
BTU 300M-D12	314	BTX 046M	498	CML720i-R05-800.A/PN-M12	256
BTU 300M-D12	321	BTX 0500 M	498	CML720i-R05-800.R/CN-M12	256
BTU 300M-D12	433	BTX-D18M-D30	161	CML720i-R05-800.R/CV-M12	256
BTU 300M-D12	496	BTX-D18M-D30	497	CML720i-R05-800.R/D3-M12	256
BTU 300M-D14	44	C3-V1-B-P0-SGSOSR-K1	507	CML720i-R05-800.R/L-M12	256
BTU 300M-D14	71	CB-ASM-PK1	384	CML720i-R05-800.R/PB-M12	256
BTU 300M-D14	116	CB-D9-3000-5GF/GM	489	CML720i-R05-800.R/PN-M12	256
BTU 300M-D14	206	CB-D9-5000-5GF/GM	489	CML720i-R10-620.A/CN-M12-EX	260
BTU 300M-D14	216	CB-D9-10000-5GF/GM	489	CML720i-R10-780.A/CN-M12-EX	260
BTU 300M-D14	314	CB-M12-5GF	290	CML720i-R10-800.A/CN-M12	256
BTU 300M-D14	321	CB-M12-5GF	311	CML720i-R10-800.A/CV-M12	256
BTU 300M-D14	433	CB-M12-5GF	318	CML720i-R10-800.A/D3-M12	256
BTU 300M-D14	496	CB-M12-5GF	492	CML720i-R10-800.A/L-M12	256
BTU 0300M-W	497	CB-M12-8GF	191	CML720i-R10-800.A/PB-M12	256
BTU 320M-D12	244	CB-M12-8GF	266	CML720i-R10-800.A/PN-M12	256
BTU 320M-D12	432	CB-M12-8GF	290	CML720i-R10-800.R/CN-M12	256
BTU 320M-D12	496	CB-M12-8GF	311	CML720i-R10-800.R/CV-M12	256
BTU 320M-D12-RL70	496	CB-M12-8GF	318	CML720i-R10-800.R/D3-M12	256
BTU 346M.5-D12	496	CB-M12-8GF	493	CML720i-R10-800.R/L-M12	256
BTU 346M.6-D12	496	CB-M12-1000-5GF/GM	490	CML720i-R10-800.R/PB-M12	256

CML720i-R10-800.R/PN-M12	256	CML730i-R20-790.R/D3-M12	262	CSL505-R25-775-M8	185
CML720i-R10-940.A/CN-M12-EX	260	CML730i-R20-790.R/L-M12	262	CSL505-R25-875-M8	185
CML720i-R20-610.A/CN-M12-EX	260	CML730i-R20-790.R/PB-M12	262	CSL505-R25-975-M8	185
CML720i-R20-770.A/CN-M12-EX	260	CML730i-R20-790.R/PN-M12	262	CSL505-R25-1075-M8	185
CML720i-R20-790.A/CN-M12	257	CML730i-R40-930.A/CN-M12	262	CSL505-R25-1175-M8	185
CML720i-R20-790.A/CV-M12	257	CML730i-R40-930.A/CV-M12	262	CSL505-R25-1275-M8	185
CML720i-R20-790.A/D3-M12	257	CML730i-R40-930.A/D3-M12	262	CSL505-R25-1375-M8	185
CML720i-R20-790.A/L-M12	257	CML730i-R40-930.A/L-M12	262	CSL505-R25-1475-M8	185
CML720i-R20-790.A/PB-M12	257	CML730i-R40-930.A/PB-M12	262	CSL505-R25-1575-M8	185
CML720i-R20-790.A/PN-M12	257	CML730i-R40-930.A/PN-M12	262	CSL505-R25-1675-M8	185
CML720i-R20-790.R/CN-M12	257	CML730i-R40-930.R/CN-M12	262	CSL505-R25-1775-M8	185
CML720i-R20-790.R/CV-M12	257	CML730i-R40-930.R/CV-M12	262	CSL505-R25-1875-M8	185
CML720i-R20-790.R/D3-M12	257	CML730i-R40-930.R/D3-M12	262	CSL505-R25-1975-M8	185
CML720i-R20-790.R/L-M12	257	CML730i-R40-930.R/L-M12	262	CSL505-R25-2175-M8	185
CML720i-R20-790.R/PB-M12	257	CML730i-R40-930.R/PB-M12	262	CSL505-R25-2375-M8	185
CML720i-R20-790.R/PN-M12	257	CML730i-R40-930.R/PN-M12	262	CSL505-R50-350-M8	185
CML720i-R20-930.A/CN-M12-EX	260	CML730i-T05-800.A-M12	261	CSL505-R50-750-M8	185
CML720i-R40-930.A/CN-M12	257	CML730i-T05-800.A-PS-M12	261	CSL505-R50-1150-M8	185
CML720i-R40-930.A/CV-M12	257	CML730i-T05-800.R-M12	261	CSL505-R50-1550-M8	185
CML720i-R40-930.A/D3-M12	257	CML730i-T05-800.R-PS-M12	261	CSL505-R50-1950-M8	185
CML720i-R40-930.A/L-M12	257	CML730i-T10-800.A-M12	261	CSL505-R50-2350-M8	185
CML720i-R40-930.A/PB-M12	257	CML730i-T10-800.R-M12	262	CSL505-R50-2750-M8	185
CML720i-R40-930.A/PN-M12	257	CML730i-T20-790.A-M12	262	CSL505-R50-3150-M8	185
CML720i-R40-930.R/CN-M12	257	CML730i-T20-790.R-M12	262	CSL505-R100-700-M8	185
CML720i-R40-930.R/CV-M12	257	CML730i-T40-930.A-M12	262	CSL505-R100-1100-M8	185
CML720i-R40-930.R/D3-M12	257	CML730i-T40-930.R-M12	262	CSL505-R100-1500-M8	185
CML720i-R40-930.R/L-M12	257	CR50M2/R2-S5	422	CSL505-R100-1900-M8	185
CML720i-R40-930.R/PB-M12	257	CR50- Starterkit	422	CSL505-R100-2300-M8	185
CML720i-R40-930.R/PN-M12	257	CR55M2/R2	422	CSL505-R100-2700-M8	185
CML720i-T05-800.A-M12	256	CR55M2/R2-150-M12.8	422	CSL505-R100-3100-M8	185
CML720i-T05-800.R-M12	256	CR55M2/UB-1800-S6	422	CSL505-T05-35-M8	184
CML720i-T10-620.A-M12-EX	260	CR100M0/R2	423	CSL505-T05-75-M8	184
CML720i-T10-780.A-M12-EX	260	CR100M2/R2	423	CSL505-T05-115-M8	184
CML720i-T10-800.A-M12	256	CRT 20B M/N-12-001-S12	207	CSL505-T05-155-M8	184
CML720i-T10-800.R-M12	256	CRT 20B M/N-12-004-S12	207	CSL505-T05-195-M8	184
CML720i-T10-940.A-M12-EX	260	CRT 20B M/N-60-001-S12	207	CSL505-T05-235-M8	184
CML720i-T20-610.A-M12-EX	260	CRT 20B M/N-60-004-S12	207	CSL505-T05-275-M8	184
CML720i-T20-770.A-M12-EX	260	CRT 20B M/P-12-001-S12	207	CSL505-T05-315-M8	184
CML720i-T20-790.A-M12	257	CRT 20B M/P-12-004-S12	207	CSL505-T05-355-M8	184
CML720i-T20-790.R-M12	257	CRT 20B M/P-60-001-S12	207	CSL505-T05-395-M8	184
CML720i-T20-930.A-M12-EX	260	CRT 20B M/P-60-004-S12	207	CSL505-T12.5-88-M8	184
CML720i-T40-930.A-M12	257	CRT 448.L3/222-M12	208	CSL505-T12.5-188-M8	184
CML720i-T40-930.R-M12	257	CRT 448.L3/444-M12	208	CSL505-T12.5-288-M8	184
CML730i-R05-800.A/CN-M12	261	CRT 448.S3/222-M12	208	CSL505-T12.5-388-M8	184
CML730i-R05-800.A/CV-M12	261	CRT 448.S3/444-M12	208	CSL505-T12.5-488-M8	184
CML730i-R05-800.A/CV-PS-M12	261	CS-KRS/AS	387	CSL505-T12.5-588-M8	184
CML730i-R05-800.A/D3-M12	261	CS-KRS/NM	387	CSL505-T12.5-688-M8	184
CML730i-R05-800.A/L-M12	261	CS-KRS/PS	387	CSL505-T12.5-788-M8	184
CML730i-R05-800.A/PB-M12	261	CS-KRS/SE	387	CSL505-T12.5-888-M8	184
CML730i-R05-800.A/PN-M12	261	CS-KRS/SS	387	CSL505-T12.5-988-M8	184
CML730i-R05-800.R/CN-M12	261	CSL505 interface	187	CSL505-T25-175-M8	184
CML730i-R05-800.R/CV-M12	261	CSL505-R05-35-M8	184	CSL505-T25-275-M8	184
CML730i-R05-800.R/CV-PS-M12	261	CSL505-R05-75-M8	184	CSL505-T25-375-M8	184
CML730i-R05-800.R/D3-M12	261	CSL505-R05-115-M8	184	CSL505-T25-475-M8	184
CML730i-R05-800.R/L-M12	261	CSL505-R05-155-M8	184	CSL505-T25-575-M8	184
CML730i-R05-800.R/PB-M12	261	CSL505-R05-195-M8	184	CSL505-T25-675-M8	184
CML730i-R05-800.R/PN-M12	261	CSL505-R05-235-M8	184	CSL505-T25-775-M8	185
CML730i-R10-800.A/CN-M12	261	CSL505-R05-275-M8	184	CSL505-T25-875-M8	185
CML730i-R10-800.A/CV-M12	261	CSL505-R05-315-M8	184	CSL505-T25-975-M8	185
CML730i-R10-800.A/D3-M12	261	CSL505-R05-355-M8	184	CSL505-T25-1075-M8	185
CML730i-R10-800.A/L-M12	261	CSL505-R05-395-M8	184	CSL505-T25-1175-M8	185
CML730i-R10-800.A/PB-M12	261	CSL505-R12.5-88-M8	184	CSL505-T25-1275-M8	185
CML730i-R10-800.A/PN-M12	261	CSL505-R12.5-188-M8	184	CSL505-T25-1375-M8	185
CML730i-R10-800.R/CN-M12	262	CSL505-R12.5-288-M8	184	CSL505-T25-1475-M8	185
CML730i-R10-800.R/CV-M12	262	CSL505-R12.5-388-M8	184	CSL505-T25-1575-M8	185
CML730i-R10-800.R/D3-M12	262	CSL505-R12.5-488-M8	184	CSL505-T25-1675-M8	185
CML730i-R10-800.R/L-M12	262	CSL505-R12.5-588-M8	184	CSL505-T25-1775-M8	185
CML730i-R10-800.R/PB-M12	262	CSL505-R12.5-688-M8	184	CSL505-T25-1875-M8	185
CML730i-R10-800.R/PN-M12	262	CSL505-R12.5-788-M8	184	CSL505-T25-1975-M8	185
CML730i-R20-790.A/CN-M12	262	CSL505-R12.5-888-M8	184	CSL505-T25-2175-M8	185
CML730i-R20-790.A/CV-M12	262	CSL505-R12.5-988-M8	184	CSL505-T25-2375-M8	185
CML730i-R20-790.A/D3-M12	262	CSL505-R25-175-M8	184	CSL505-T50-350-M8	185
CML730i-R20-790.A/L-M12	262	CSL505-R25-275-M8	184	CSL505-T50-750-M8	185
CML730i-R20-790.A/PB-M12	262	CSL505-R25-375-M8	184	CSL505-T50-1150-M8	185
CML730i-R20-790.A/PN-M12	262	CSL505-R25-475-M8	184	CSL505-T50-1550-M8	185
CML730i-R20-790.R/CN-M12	262	CSL505-R25-575-M8	184	CSL505-T50-1950-M8	185
CML730i-R20-790.R/CV-M12	262	CSL505-R25-675-M8	184	CSL505-T50-2350-M8	185

CSL505-T50-2750-M8	185	CSL710-R20-2390.A/L-M12	190	CSL710-T20-1750.A-M12	190
CSL505-T50-3150-M8	185	CSL710-R20-2550.A/L-M12	190	CSL710-T20-1910.A-M12	190
CSL505-T100-700-M8	185	CSL710-R20-2710.A/L-M12	190	CSL710-T20-2070.A-M12	190
CSL505-T100-1100-M8	185	CSL710-R20-2870.A/L-M12	190	CSL710-T20-2230.A-M12	190
CSL505-T100-1500-M8	185	CSL710-R40-290.A/L-M12	190	CSL710-T20-2390.A-M12	190
CSL505-T100-1900-M8	185	CSL710-R40-610.A/L-M12	190	CSL710-T20-2550.A-M12	190
CSL505-T100-2300-M8	185	CSL710-R40-930.A/L-M12	190	CSL710-T20-2710.A-M12	190
CSL505-T100-2700-M8	185	CSL710-R40-1250.A/L-M12	190	CSL710-T20-2870.A-M12	190
CSL505-T100-3100-M8	185	CSL710-R40-1570.A/L-M12	190	CSL710-T40-290.A-M12	190
CSL710-R05-160.A/L-M12	188	CSL710-R40-1890.A/L-M12	190	CSL710-T40-610.A-M12	190
CSL710-R05-240.A/L-M12	188	CSL710-R40-2210.A/L-M12	190	CSL710-T40-930.A-M12	190
CSL710-R05-320.A/L-M12	188	CSL710-R40-2530.A/L-M12	190	CSL710-T40-1250.A-M12	190
CSL710-R05-400.A/L-M12	188	CSL710-R40-2850.A/L-M12	190	CSL710-T40-1570.A-M12	190
CSL710-R05-480.A/L-M12	188	CSL710-T05-160.A-M12	188	CSL710-T40-1890.A-M12	190
CSL710-R05-560.A/L-M12	188	CSL710-T05-240.A-M12	188	CSL710-T40-2210.A-M12	190
CSL710-R05-640.A/L-M12	188	CSL710-T05-320.A-M12	188	CSL710-T40-2530.A-M12	190
CSL710-R05-720.A/L-M12	188	CSL710-T05-400.A-M12	188	CSL710-T40-2850.A-M12	190
CSL710-R05-800.A/L-M12	188	CSL710-T05-480.A-M12	188	CSR780-01-96/GWHE-M12	192
CSL710-R05-880.A/L-M12	188	CSL710-T05-560.A-M12	188	CSR780-01-96/GWHE-M12	192
CSL710-R05-960.A/L-M12	188	CSL710-T05-640.A-M12	188	CSR780-01-432/GWHE-M12	192
CSL710-R05-1040.A/L-M12	188	CSL710-T05-720.A-M12	188	CSR780-01-432/GWHE-M12	192
CSL710-R05-1120.A/L-M12	188	CSL710-T05-800.A-M12	188	CS-SC1/FR	387
CSL710-R05-1200.A/L-M12	188	CSL710-T05-880.A-M12	188	CS-SC2/FR	387
CSL710-R05-1280.A/L-M12	188	CSL710-T05-960.A-M12	188	CS-SC3/FR	387
CSL710-R05-1360.A/L-M12	188	CSL710-T05-1040.A-M12	188	CS-SC4/FR	387
CSL710-R05-1440.A/L-M12	188	CSL710-T05-1120.A-M12	188	CS-SC5/FR	387
CSL710-R05-1520.A/L-M12	188	CSL710-T05-1200.A-M12	188	CS-SC6/FR	387
CSL710-R05-1600.A/L-M12	188	CSL710-T05-1280.A-M12	188	CS-SC7/FR	387
CSL710-R05-1680.A/L-M12	188	CSL710-T05-1360.A-M12	188	CS-SCF/FR	387
CSL710-R05-1760.A/L-M12	188	CSL710-T05-1440.A-M12	188	CS-SCH/FR	387
CSL710-R05-1840.A/L-M12	188	CSL710-T05-1520.A-M12	188	CS-SCP/FR	386
CSL710-R05-1920.A/L-M12	188	CSL710-T05-1600.A-M12	188	CS-SIO5/FR	386
CSL710-R05-2000.A/L-M12	189	CSL710-T05-1680.A-M12	188	CS-SIO6/FR	386
CSL710-R05-2080.A/L-M12	189	CSL710-T05-1760.A-M12	188	CS-SIO7/FR	386
CSL710-R05-2160.A/L-M12	189	CSL710-T05-1840.A-M12	188	CS-SIO8/FR	386
CSL710-R05-2240.A/L-M12	189	CSL710-T05-1920.A-M12	188	CS-SIF/FR	386
CSL710-R05-2320.A/L-M12	189	CSL710-T05-2000.A-M12	189	CS-SIL/FR	386
CSL710-R05-2400.A/L-M12	189	CSL710-T05-2080.A-M12	189	CS-SIN/FR	386
CSL710-R05-2480.A/L-M12	189	CSL710-T05-2160.A-M12	189	CS-SIO/FR	386
CSL710-R05-2560.A/L-M12	189	CSL710-T05-2240.A-M12	189	CS-SMS/FR	386
CSL710-R05-2640.A/L-M12	189	CSL710-T05-2320.A-M12	189	CS-SMX/FR	386
CSL710-R05-2720.A/L-M12	189	CSL710-T05-2400.A-M12	189	CS-SRS/FR	386
CSL710-R05-2800.A/L-M12	189	CSL710-T05-2480.A-M12	189	CS-SSF/FR	386
CSL710-R05-2880.A/L-M12	189	CSL710-T05-2560.A-M12	189	CS-SSH/FR	386
CSL710-R05-2960.A/L-M12	189	CSL710-T05-2640.A-M12	189	CS-TR01/FR	387
CSL710-R10-160.A/L-M12	189	CSL710-T05-2720.A-M12	189	CS-TR02/FR	387
CSL710-R10-320.A/L-M12	189	CSL710-T05-2800.A-M12	189	CS-TR03/FR	387
CSL710-R10-480.A/L-M12	189	CSL710-T05-2880.A-M12	189	CS-WT1/FR	386
CSL710-R10-640.A/L-M12	189	CSL710-T05-2960.A-M12	189	D9-V1-G-SGSOSRBZ2	507
CSL710-R10-800.A/L-M12	189	CSL710-T10-160.A-M12	189	DC-900-S2	499
CSL710-R10-960.A/L-M12	189	CSL710-T10-320.A-M12	189	DC-1000-S2	499
CSL710-R10-1120.A/L-M12	189	CSL710-T10-480.A-M12	189	DC-1070-S2	499
CSL710-R10-1280.A/L-M12	189	CSL710-T10-640.A-M12	189	DC-1140-S2	499
CSL710-R10-1440.A/L-M12	189	CSL710-T10-800.A-M12	189	DC-1300-S2	499
CSL710-R10-1600.A/L-M12	189	CSL710-T10-960.A-M12	189	DC-1600-S2	499
CSL710-R10-1760.A/L-M12	189	CSL710-T10-1120.A-M12	189	DC-1900-S2	499
CSL710-R10-1920.A/L-M12	189	CSL710-T10-1280.A-M12	189	DC-2500-S2	499
CSL710-R10-2080.A/L-M12	189	CSL710-T10-1440.A-M12	189	DCR40-IFK	436
CSL710-R10-2240.A/L-M12	189	CSL710-T10-1600.A-M12	189	DCR40M2/R2	435
CSL710-R10-2400.A/L-M12	189	CSL710-T10-1760.A-M12	189	DCR40M2/R2-MTX	435
CSL710-R10-2560.A/L-M12	189	CSL710-T10-1920.A-M12	189	DCR50M2/R2	436
CSL710-R10-2720.A/L-M12	189	CSL710-T10-2080.A-M12	189	DCR80M2/R2-S5	437
CSL710-R10-2880.A/L-M12	189	CSL710-T10-2240.A-M12	189	DCR85M2/R2	437
CSL710-R20-150.A/L-M12	189	CSL710-T10-2400.A-M12	189	DCR85M2/R2-150-M12.8	437
CSL710-R20-310.A/L-M12	189	CSL710-T10-2560.A-M12	189	DCR 202i FIX-F1-102-R3	430
CSL710-R20-470.A/L-M12	189	CSL710-T10-2720.A-M12	189	DCR 202i FIX-F1-102-R3-G	430
CSL710-R20-630.A/L-M12	189	CSL710-T10-2880.A-M12	189	DCR 202i FIX-F1-102-R3-G-V	430
CSL710-R20-790.A/L-M12	190	CSL710-T20-150.A-M12	189	DCR 202i FIX-F1-102-R3-P	430
CSL710-R20-950.A/L-M12	190	CSL710-T20-310.A-M12	189	DCR 202i FIX-F1-102-R3-V	430
CSL710-R20-1110.A/L-M12	190	CSL710-T20-470.A-M12	189	DCR 202i FIX-L1-102-R3	430
CSL710-R20-1270.A/L-M12	190	CSL710-T20-630.A-M12	189	DCR 202i FIX-L1-102-R3-G	430
CSL710-R20-1430.A/L-M12	190	CSL710-T20-790.A-M12	190	DCR 202i FIX-M1-102-R3	430
CSL710-R20-1590.A/L-M12	190	CSL710-T20-950.A-M12	190	DCR 202i FIX-M1-102-R3-G	430
CSL710-R20-1750.A/L-M12	190	CSL710-T20-1110.A-M12	190	DCR 202i FIX-M1-102-R3-G-V	430
CSL710-R20-1910.A/L-M12	190	CSL710-T20-1270.A-M12	190	DCR 202i FIX-M1-102-R3-P	430
CSL710-R20-2070.A/L-M12	190	CSL710-T20-1430.A-M12	190	DCR 202i FIX-M1-102-R3-V	430
CSL710-R20-2230.A/L-M12	190	CSL710-T20-1590.A-M12	190	DCR 202i FIX-N1-102-R3	430

DCR 202i FIX-N1-102-R3-G	430	DDLS 200/300.1-20-H	466	DDLS 548i 40.4 L	462
DCR 202i FIX-N1-102-R3-G-V	430	DDLS 200/300.1-40	467	DDLS 548i 40.4 L H	462
DCR 202i FIX-N1-102-R3-P	430	DDLS 200/300.1-40-H	467	DDLS 548i 120.3	462
DCR 202i FIX-N1-102-R3-V	430	DDLS 200/300.1-50	465	DDLS 548i 120.3 H	462
DCR 202i FIX-U2-102-R3	430	DDLS 200/300.1-50-H	465	DDLS 548i 120.3 L	462
DCR 248i FIX-F2-102-R3	431	DDLS 200/300.2-10	466	DDLS 548i 120.3 L H	462
DCR 248i FIX-F2-102-R3-G	431	DDLS 200/300.2-10-H	466	DDLS 548i 120.4	462
DCR 248i FIX-F2-102-R3-P	431	DDLS 200/300.2-10-H-M12	466	DDLS 548i 120.4 H	462
DCR 248i FIX-L1-102-R3	431	DDLS 200/300.2-10-M12	466	DDLS 548i 120.4 L	462
DCR 248i FIX-L1-102-R3-G	431	DDLS 200/300.2-20	466	DDLS 548i 120.4 L H	462
DCR 248i FIX-M1-102-R3	431	DDLS 200/300.2-20-H	466	DDLS 548i 200.3	462
DCR 248i FIX-M1-102-R3-G	431	DDLS 200/300.2-40	467	DDLS 548i 200.3 H	462
DCR 248i FIX-M1-102-R3-P	431	DDLS 200/300.2-40-H	467	DDLS 548i 200.3 L	463
DCR 248i FIX-N1-102-R3	431	DDLS 200/300.2-50	465	DDLS 548i 200.3 L H	463
DCR 248i FIX-N1-102-R3-G	431	DDLS 200/300.2-50-H	465	DDLS 548i 200.4	462
DCR 248i FIX-N1-102-R3-P	431	DDLS 200/500.1-10	466	DDLS 548i 200.4 H	462
DDLS 200/30.1-10-W	465	DDLS 200/500.1-10-H	466	DDLS 548i 200.4 L	463
DDLS 200/30.1-20-W	466	DDLS 200/500.1-20	467	DDLS 548i 200.4 L H	463
DDLS 200/30.2-10-W	465	DDLS 200/500.1-20-H	467	D-ET1	410
DDLS 200/30.2-20-W	466	DDLS 200/500.2-10	466	D-ET1	417
DDLS 200/80.1-10-W	465	DDLS 200/500.2-10-H	466	D-ET1	421
DDLS 200/80.1-10-W-H	465	DDLS 200/500.2-20	467	D-ET1	464
DDLS 200/80.1-20-W	466	DDLS 200/500.2-20-H	467	D-ET1	492
DDLS 200/80.1-50-W-M12	465	DDLS 508 40.3	461	D M8A-3P-SK	492
DDLS 200/80.2-10-W	465	DDLS 508 40.3 H	461	D M8A-4P-SK	492
DDLS 200/80.2-10-W-H	465	DDLS 508 40.3 L	461	D M12A-12P	493
DDLS 200/80.2-20-W	466	DDLS 508 40.3 L H	461	DMU318-300/CT-M12	225
DDLS 200/80.2-50-W-M12	465	DDLS 508 40.4	461	DMU318-300/VT-M12	225
DDLS 200/120.1-10	465	DDLS 508 40.4 H	461	DMU318-400.3/2CK-M12	225
DDLS 200/120.1-10-H	465	DDLS 508 40.4 L	461	DMU318-400.3/2VK-M12	225
DDLS 200/120.1-10-H-M12	466	DDLS 508 40.4 L H	461	DMU318-400.3/4CK-M12	225
DDLS 200/120.1-10-M12	466	DDLS 508 120.3	461	DMU318-400.3/4VK-M12	225
DDLS 200/120.1-20	466	DDLS 508 120.3 H	461	DMU318-400.W3/2CK-M12	225
DDLS 200/120.1-20-H	466	DDLS 508 120.3 L	461	DMU318-400.W3/2VK-M12	225
DDLS 200/120.1-40	467	DDLS 508 120.3 L H	461	DMU318-400.W3/4CK-M12	225
DDLS 200/120.1-40-H	467	DDLS 508 120.4	461	DMU318-400.W3/4VK-M12	225
DDLS 200/120.1-50	465	DDLS 508 120.4 H	461	DMU318-1200/CT-M12	225
DDLS 200/120.1-50-H	465	DDLS 508 120.4 L	461	DMU318-1200/VT-M12	225
DDLS 200/120.1-50-M12	465	DDLS 508 120.4 L H	461	DMU318-1600.3/2CK-M12	225
DDLS 200/120.2-10	465	DDLS 508 200.3	462	DMU318-1600.3/2VK-M12	225
DDLS 200/120.2-10-H	465	DDLS 508 200.3 H	462	DMU318-1600.3/4CK-M12	225
DDLS 200/120.2-10-H-M12	466	DDLS 508 200.3 L	462	DMU318-1600.3/4VK-M12	225
DDLS 200/120.2-10-M12	466	DDLS 508 200.3 L H	462	DMU318-1600.W3/2CK-M12	225
DDLS 200/120.2-20	466	DDLS 508 200.4	462	DMU318-1600.W3/2VK-M12	225
DDLS 200/120.2-20-H	466	DDLS 508 200.4 H	462	DMU318-1600.W3/4CK-M12	225
DDLS 200/120.2-40	467	DDLS 508 200.4 L	462	DMU318-1600.W3/4VK-M12	225
DDLS 200/120.2-40-H	467	DDLS 508 200.4 L H	462	DMU330-3500.3/2CK-M12	227
DDLS 200/120.2-50	465	DDLS 508i 40.3	461	DMU330-3500.3/2CK-M12	230
DDLS 200/120.2-50-H	465	DDLS 508i 40.3 H	461	DMU330-3500.3/2VK-M12	227
DDLS 200/120.2-50-M12	465	DDLS 508i 40.3 L	461	DMU330-3500.3/2VK-M12	230
DDLS 200/200.1-10	466	DDLS 508i 40.3 L H	461	DMU330-3500.3/4CK-M12	227
DDLS 200/200.1-10-H	466	DDLS 508i 40.4	461	DMU330-3500.3/4CK-M12	230
DDLS 200/200.1-10-H-M12	466	DDLS 508i 40.4 H	461	DMU330-3500.3/4VK-M12	227
DDLS 200/200.1-10-M12	466	DDLS 508i 40.4 L	461	DMU330-3500.3/4VK-M12	230
DDLS 200/200.1-20	466	DDLS 508i 40.4 L H	461	DMU330-6000.3/4CK-M12	227
DDLS 200/200.1-20-H	466	DDLS 508i 120.3	461	DMU330-6000.3/4CK-M12	230
DDLS 200/200.1-40	467	DDLS 508i 120.3 H	461	DMU418B-400.X3/LTC-M12	228
DDLS 200/200.1-40-H	467	DDLS 508i 120.3 L	462	DMU418B-400.X3/LTV-M12	228
DDLS 200/200.1-50	465	DDLS 508i 120.3 L H	462	DMU418B-1300.X3/LTC-M12	228
DDLS 200/200.1-50-H	465	DDLS 508i 120.4	461	DMU418B-1300.X3/LTV-M12	228
DDLS 200/200.1-50-M12	465	DDLS 508i 120.4 H	461	DMU430B-3000.X3/LTC-M12	230
DDLS 200/200.2-10	466	DDLS 508i 120.4 L	462	DMU430B-3000.X3/LTV-M12	230
DDLS 200/200.2-10-H	466	DDLS 508i 120.4 L H	462	E4-MH1	505
DDLS 200/200.2-10-H-M12	466	DDLS 508i 200.3	462	E4-MP1-100	505
DDLS 200/200.2-10-M12	466	DDLS 508i 200.3 H	462	E4-MP1-250	505
DDLS 200/200.2-20	466	DDLS 508i 200.3 L	462	E4-MP1-400	505
DDLS 200/200.2-20-H	466	DDLS 508i 200.3 L H	462	E4-MW1	505
DDLS 200/200.2-40	467	DDLS 508i 200.4	462	E4-MW2	505
DDLS 200/200.2-40-H	467	DDLS 508i 200.4 H	462	E4-V1-BZ1	506
DDLS 200/200.2-50	465	DDLS 508i 200.4 L	462	E4-V1-DB-B	506
DDLS 200/200.2-50-H	465	DDLS 508i 200.4 L H	462	E4-V1-DB-C	506
DDLS 200/200.2-50-M12	465	DDLS 548i 40.3	462	E4-V1-DB-G	506
DDLS 200/300.1-10	466	DDLS 548i 40.3 H	462	E4-V1-DB-O	506
DDLS 200/300.1-10-H	466	DDLS 548i 40.3 L	462	E4-V1-DB-R	506
DDLS 200/300.1-10-H-M12	466	DDLS 548i 40.3 L H	462	E4-V1-DB-Y	506
DDLS 200/300.1-10-M12	466	DDLS 548i 40.4	462	E4-V1-DS-B	506
DDLS 200/300.1-20	466	DDLS 548i 40.4 H	462	E4-V1-DS-C	506

E4-V1-DS-G	506	ET328I-400F.3/4P-M12	105	GF-ETG-BR-630-IQ	170
E4-V1-DS-O	506	ET328.W3/2N	104	GF-ETG-BR-650-IQ	170
E4-V1-DS-R	506	ET328.W3/2N-M12	104	GF-ETG-BR-710-SU	171
E4-V1-DS-Y	506	ET328.W3/4P	104	GF-ETG-SI-305-IQ	171
E7-MH1	505	ET328.W3/4P-M12	104	GF-ETG-SI-310-IQ	171
E7-MP1-100	505	FBA-V1-Q94-O	507	GF-ETG-SI-605-IQ	171
E7-MP1-250	505	FBA-V1-Q94-R	507	GF-ETG-SI-610-IQ	171
E7-MP1-400	505	FBA-V3-Q94-O	507	GF-ETG-SI-630-IQ	170
E7-MW1	505	FBA-V3-Q94-R	507	GF-ETG-SI-650-IQ	170
E7-MW2	505	FRK 92/3-300 L Ex	111	GF-ETG-SI-710-SU	171
E7-V1-BZ1	506	FRK 95/44-150 L	86	GF-ETG-SS-305-IQ	171
E7-V1-DB-B	506	FRK 95/44-350 L	86	GF-ETG-SS-310-IQ	171
E7-V1-DB-C	506	FRKR 95/44-150 L	86	GF-ETG-SS-605-IQ	171
E7-V1-DB-G	506	FRKR 95/44-350 L	86	GF-ETG-SS-610-IQ	171
E7-V1-DB-O	506	FT5.3/2-M8.3	38	GF-ETG-SS-630-IQ	170
E7-V1-DB-R	506	FT5.3/2N	38	GF-ETG-SS-650-IQ	170
E7-V1-DB-Y	506	FT5.3/2N-200-M12	38	GF-ETG-SS-710-SU	171
E7-V1-DS-B	506	FT5.3/2N-M8	38	GF-ETM-BR-402-IM	171
E7-V1-DS-C	506	FT5.3/4-M8.3	38	GF-LB-BR-405-IQ	170
E7-V1-DS-G	506	FT5.3/4P	38	GF-LB-BR-410-IQ	170
E7-V1-DS-O	506	FT5.3/4P-200-M12	38	GF-LB-BR-430-IQ	170
E7-V1-DS-R	506	FT5.3/4P-M8	38	GF-LB-BR-450-IQ	170
E7-V1-DS-Y	506	FT5I.3/2N	38	GF-LB-BR-610-SD	170
EMS-V1-Q94-A32	507	FT5I.3/2N-M8	38	GF-LB-BR-610-SU	170
EMS-V3-Q94-A32	507	FT5I.3/4P	38	GF-LB-BR-630-SD	170
ERS200-M0C3-M20-HAL	350	FT5I.3/4P-200-M8P1	38	GF-LB-BR-810-SF	170
ERS200-M0C3-M20-HAR	350	FT5I.3/4P-200-M12P1	38	GF-LB-SI-405-IQ	170
ERS200-M0C3-M20-HLR	350	FT5I.3/4P-M8	38	GF-LB-SI-410-IQ	170
ERS200-M1C1-M20-HAL	350	FT5I.X3/2N	38	GF-LB-SI-430-IQ	170
ERS200-M1C1-M20-HAR	350	FT5I.X3/2N-M8	38	GF-LB-SI-450-IQ	170
ERS200-M1C1-M20-HLR	350	FT5I.X3/4P	38	GF-LB-SI-610-SD	170
ERS200-M4C1-M12-HLR	350	FT5I.X3/4P-M8	38	GF-LB-SI-610-SU	170
ERS200-M4C1-M20-HLR	350	FT28.3/2N	64	GF-LB-SI-630-SD	170
ERS200-M4C3-M20-HAL	350	FT28.3/2N-200-M12	64	GF-LB-SI-810-SF	170
ERS200-M4C3-M20-HAR	350	FT28.3/2N-M12	64	GF-LB-SS-405-IQ	170
ERS200-M4C3-M20-HLR	350	FT28.3/4P	64	GF-LB-SS-410-IQ	170
ESB200-4KR-C	352	FT28.3/4P-200-M12	64	GF-LB-SS-430-IQ	170
ESB200-4KR-M12p	352	FT28.3/4P-M12	64	GF-LB-SS-450-IQ	170
ESB200-4TR-C	352	FT318B.3/2N	97	GF-LB-SS-610-SD	170
ESB200-4TR-M12p	352	FT318B.3/2N-M12	97	GF-LB-SS-610-SU	170
ET5.3/2-M8.3	38	FT318B.3/4P	97	GF-LB-SS-630-SD	170
ET5.3/2N	38	FT318B.3/4P-M12	97	GF-LB-SS-810-SF	170
ET5.3/2N-200-M12	38	FT318BI.3/2N	97	GF-LB-SS-830-SM	170
ET5.3/2N-M8	38	FT318BI.3/2N-M12	97	GK 14/24 L	178
ET5.3/4-M8.3	38	FT318BI.3/4P	97	GK 14/24 L.2	178
ET5.3/4P	38	FT318BI.3/4P-M12	97	GS 04M/N-30-S8	173
ET5.3/4P-200-M12	38	FT318BI-100F.X/4P-M12	97	GS 04M/N-50-S8	173
ET5.3/4P-M8	38	FT318BI.X3/2N	98	GS 04M/N-80-S8	173
ET5I.3/2N	38	FT318BI.X3/2N-M12	97	GS 04M/N-120-S8	173
ET5I.3/4P	38	FT318BI.X3/4P	98	GS 04M/N-220-S8	173
ET5I.3/4P-M8	38	FT318BI.X3/4P-M12	97	GS 04M/P-20-S8	173
ET28.3/2N	64	FT318B.W3/2N	97	GS 04M/P-30-S8	173
ET28.3/2N-200-M12	64	FT318B.W3/2N-M12	97	GS 04M/P-50-S8	173
ET28.3/2N-M12	64	FT318B.W3/4P	97	GS 04M/P-80-S8	173
ET28.3/4P	64	FT318B.W3/4P-M12	97	GS 04M/P-120-S8	173
ET28.3/4P-200-M12	64	FT328.3/2N	104	GS 04M/P-220-S8	173
ET28.3/4P-M12	64	FT328.3/2N-M12	104	GS 61/6	175
ET318B.3/2N	97	FT328.3/4P	104	GS 61/6.2	175
ET318B.3/2N-M12	97	FT328.3/4P-M12	104	GS 61/6.2.200-S12	175
ET318B.3/4P	97	FT328I.3/4P-M12P1	105	GS 61/6.2-S8	175
ET318B.3/4P-M12	97	FT328I.X3/2N	98	GS 61/6.2-S8.3	175
ET318BI.3/2N	97	FT328I.X3/2N	105	GS 61/6.2-S8V	175
ET318BI.3/2N-M12	97	FT328I.X3/2N-M12	98	GS 61/6.3	175
ET318BI.3/4P	97	FT328I.X3/2N-M12	105	GS 61/6.3.200-S12	175
ET318BI.3/4P-M12	97	FT328I.X3/4P	98	GS 61/6.200-S12	175
ET318BI-400F.3/2N	97	FT328I.X3/4P	105	GS 61/6D	175
ET318B.W3/2N	97	FT328I.X3/4P-M12	98	GS 61/6D.2	175
ET318B.W3/2N-M12	97	FT328I.X3/4P-M12	105	GS 61/6D.2.200-S12	175
ET318B.W3/4P	97	FT328.W3/2N	105	GS 61/6D.2-S8	175
ET318B.W3/4P-M12	97	FT328.W3/2N-M12	105	GS 61/6D.2-S8.3	175
ET328.3/2N	105	FT328.W3/4P	105	GS 61/6D.2-S8V	175
ET328.3/2N-M12	104	FT328.W3/4P-M12	105	GS 61/6D.200-S12	175
ET328.3/4P	105	GF-ETB-SS-305-SM	171	GS 61/6D-S8	175
ET328.3/4P-M12	105	GF-ETG-BR-305-IQ	171	GS 61/6D-S8.3	175
ET328I-400F.3/2N	105	GF-ETG-BR-310-IQ	170	GS 61/6D-S8V	175
ET328I-400F.3/2N-M12	105	GF-ETG-BR-605-IQ	171	GS 61/6-S8	175
ET328I-400F.3/4P	105	GF-ETG-BR-610-IQ	171	GS 61/6-S8.3	175

GS 61/6-S8V	175	HRTL 96B M/66.03S-S12	93	HRTR 55/66-V,200-S12	82
GS 63B/6	176	HRTL 96BM/66.04S-S12	93	HRTR 55/66-XL,200-S12	82
GS 63B/6.01,200-S12	176	HRTL 96B M/C66.01S-S12	93	HRTR 55/66-XL,5000	82
GS 63B/6.3,200-S8	176	HRTL 96BM/C66.02S-S12	93	HRTR 55/66-XL-S8	82
GS 63B/6.3-S8	176	HRTL 8/24-150-S12	43	HRTR 318K/66-120	98
GS 63B/6.3-S8V	176	HRTL 8/24-350-S12	43	HRTR 318K/66-120-S12	98
GS 63B/6,200-S12	176	HRTL 8/66.09-150-S12	43	HRTR 318M/66-120	101
GS 63B/6D	177	HRTL 8/66-150-S12	43	HRTR 318M/66-120-S12	101
GS 63B/6D.3-S8	176	HRTL 8/66-350,5000	43	HRTU 412/2NC.2-S12	157
GS 63B/6D.3-S8V	176	HRTL 8/66-350-S12	43	HRTU 412/2NC.2-S-S12	157
GS 63B/6D,200-S8	177	HRTL 46B/66,200-S12 S-Ex n	114	HRTU 412/2NO.2-S12	157
GS 63B/6D,200-S12	177	HRTL 53/66,5000	78	HRTU 412/2NO.2-S-S12	157
GS 63B/6D-S8	176	HRTL 53/66.C2-XL-S8	78	HRTU 412/4NC.2-S12	157
GS 63B/6-S8	176	HRTL 53/66-S8	78	HRTU 412/4NC.2-S-S12	157
GS 63B/6-S8V	176	HRTL 55/66,200-S12	82	HRTU 412/4NO.2-S12	157
GS 754B/C4-27-S12	268	HRTL 55/66,5000	82	HRTU 412/4NO.2-S-S12	157
GS 754B/C4-98-S12	268	HRTL 55/66-S8	82	HRTU 420/2NC.2-L-S8	152
GS 754B/D3-27-S12	268	HRTL 96B M/6.4.02S-S12	92	HRTU 420/2NC.2-S8	152
GS 754B/D3-98-S12	268	HRTL 96B M/6.09.06S-S12	92	HRTU 420/2NC.2-S-S8	152
GS 754B/D24-27-S12	268	HRTL 96B M/6.9S-S12	92	HRTU 420/2NO.2-L-S8	152
GS 754B/D24-98-S12	268	HRTL 96B M/6.49.02S-S12	92	HRTU 420/2NO.2-S8	152
GS 754B/V4-27-S12	268	HRTL 96B M/66.01-S12	92	HRTU 420/2NO.2-S-S8	152
GS 754B/V4-98-S12	268	HRTL 96B M/66.01S-S12	92	HRTU 420/4NC.2-L-S8	152
GSL 04M/N-30-S8	173	HRTL 96B M/66.02S-S12	92	HRTU 420/4NC.2-S8	152
GSL 04M/P-30-S8	173	HRTL 96B M/66.04S-S12	92	HRTU 420/4NC.2-S-S8	152
GSL 04M/P-50-S8	173	HRTL 96B M/66.9.03S-S12	92	HRTU 420/4NO.2-L-S8	152
GSL 04M/P-80-S8	173	HRTL 96B M/666.01S-S12	92	HRTU 420/4NO.2-S8	152
GSU 06/24-2	179	HRTL 96B M/C66.01.C1S-S12	93	HRTU 420/4NO.2-S-S8	152
GSU 06/24-2-S8	179	HRTL 96B M/C66.01S-S12	92	HS 6608 DPM	441
GSU 06/24D-2	179	HRTL 96B M/C66.03S-S12	93	HS 6678 DPM	441
GSU 06/24D-2-S8	179	HRTL 96B M/V66.01S-S12	93	HT3C/2-M8.3	32
GSU 14D/66.3-S12	180	HRTR 2/2-50F,150-S8.3	27	HT3C/2N-M8	32
GSU 14D/66D.3-S12	180	HRTR 2/42-15F	28	HT3C/4-M8.3	32
GSU 14D/66D.31-S12	180	HRTR 2/42-15F,150-S8	27	HT3C/4P-M8	32
HCR 6200 DPM	441	HRTR 2/42-15F,150-S12	27	HT3C/4X-M8	32
Holder for Z-3010	498	HRTR 2/42-30F	27	HT3C/6G-M8	32
HRT 8/66.6-350-S12	43	HRTR 2/42-30F,150-S8	27	HT3CI/4P-M8	32
HRT 25B/L6T.31-2500	60	HRTR 2/42-30F,150-S12	27	HT3C/PX-M8	32
HRT 25B/L6T.31-2500-S12	59	HRTR 2/42-50F	27	HT3C.S/2N-M8	32
HRT 25B/L6X.31-2500	60	HRTR 2/42-50F,150-S8	27	HT3C.S/4-M8.3	32
HRT 25B/L6X.31-2500-S12	60	HRTR 2/42-50F,150-S12	27	HT3C.S/4P-M8	32
HRT 25B/L69.31-2500	60	HRTR 2/42D-15F	28	HT3C.S/6G-M8	32
HRT 25B/L69.31-2500-S12	60	HRTR 2/42D-15F,150-S8	27	HT3C.S/6-M8.3	32
HRT 46B/7-S12	70	HRTR 2/42D-15F,150-S12	27	HT3C.V/2N-M8	33
HRT 46B/66,200-S12 S-Ex n	115	HRTR 2/42D-30F	27	HT3C.V/4P-M8	33
HRT 55/44,200-S12	82	HRTR 2/42D-30F,150-S8	27	HT3C.V/4X-M8	33
HRT 96K/P-1600.1-1200-41	92	HRTR 2/42D-30F,150-S12	27	HT3C.VXL/6G-M8	33
HRT 96K/P-1600-1200-21	92	HRTR 2/42D-50F	27	HT3C.XL/2N-M8	32
HRT 96K/P-1600-1200-41	92	HRTR 2/42D-50F,150-S8	27	HT3C.XL/4P-M8	32
HRT 96K/P-1600-1800-41	91	HRTR 2/42D-50F,150-S12	27	HT5.1/2	39
HRT 96K/P-1607-1200-49	92	HRTR 8/44-350-S12	43	HT5.1/2X-M8	39
HRT 96K/P-1630-800-21	91	HRTR 8/66-350,5000	43	HT5.1/4	39
HRT 96K/P-1630-800-41	91	HRTR 8/66-350-S12	43	HT5.1/4X-200-M12	39
HRT 96K/P-1631-800-47	91	HRTR 25B/66-XL	60	HT5.1/4X-M8	39
HRT 96K/P-1640-800-41	91	HRTR 25B/66-XL,200-S8	60	HT5.1/P	39
HRT 96K/R-1680-1200-25	92	HRTR 25B/66-XL,200-S12	60	HT10L1.3/L6T	46
HRT 96K/R-1690-1200-25	92	HRTR 25B/66-XL-S12	60	HT10L1.3/L6T,200-M12	45
HRT 96M/A-1660-1200-44	92	HRTR 46B/6.22,200-S12	70	HT10L1.3/L6T-M12	45
HRT 96M/A-1670-800-44	91	HRTR 46B/6.22-S12	69	HT10L1.3/L6T.P1-M12	45
HRT 96M/N-1606-1200-27	92	HRTR 46B/66,200-S12 S-Ex n	115	HT10L1.3/L6X	46
HRT 96M/P-1600-2000-42	91	HRTR 46B/66-S-S12	70	HT10L1.3/L6X,200-M12	45
HRT 96M/P-1610-1200-21	92	HRTR 53/66,5000	78	HT10L1.3/L6X-M12	45
HRT 96M/P-1610-1200-41	92	HRTR 53/66-S8	78	HT10L1.3/L66	46
HRT 96M/P-1620-1200-21	92	HRTR 53/66-S,5000	78	HT10L1.3/L66,200-M12	45
HRT 96M/P-1620-1200-41	92	HRTR 53/66-S-S8	78	HT10L1.3/L66-M12	45
HRT 96M/P-1620-1800-41	91	HRTR 53/66-V-S8	78	HT10L1.3/L69	46
HRT 96M/P-1630-800-41	91	HRTR 53/66-VXL-S8	78	HT10L1.3/L69,200-M12	46
HRT 96M/P-1636-800-41	91	HRTR 53/66-XL-S8	78	HT10L1.3/L69-M12	45
HRT 96M/P-1639-800-21 Ex n	116	HRTR 55/22-XL,5000	82	HT10L1-25M.3/L69	45
HRT 96M/P-1640-800-21	91	HRTR 55/44-XL,5000	82	HT10L1-25M.3/L69,200-M12	45
HRT 96M/P-1640-800-41	91	HRTR 55/66,200-S12	82	HT10L1-25M.3/L69-M12	45
HRT 96M/P-1649-800-21 Ex n	116	HRTR 55/66,5000	82	HT15/2	49
HRT 96M/P-3604-2000-42	91	HRTR 55/66-S8	82	HT15/2X-200-M12	49
HRT 96M/R-1680-1200-25	92	HRTR 55/66-S8 Ex	112	HT15/2X-M12	49
HRT 96M/R-1690-1200-25	92	HRTR 55/66-S,200-S12	82	HT15/4	49
HRTL 96BM/6.49.02S-S12	93	HRTR 55/66-S,5000	82	HT15/4X-200-M12	49
HRTL 96B M/66.01S-S12	93	HRTR 55/66-S-S8	82	HT15/4X-M12	49

HT15I/2	49	HT49CI.UC/TS-TB	75	IS 208FM/2NO.5-2E0-S8.3	132
HT15I/2X-200-M12	49	HT49C.UCH/TS-TB	74	IS 208FM/2NO.5-2E0-S8.3	134
HT15I/2X-M12	49	HT49C.UC/M4	74	IS 208FM/4NO.5-2E0	132
HT15I/4	49	HT49C.UC/M4-TB	74	IS 208FM/4NO.5-2E0	134
HT15I/4X-200-M12	49	HT49C.UC/TS	74	IS 208FM/4NO.5-2E0-S8.3	132
HT15I/4X-M12	49	HT49C.UC/TS-TB	74	IS 208FM/4NO.5-2E0-S8.3	134
HT25C/2N	59	HTK 82	511	IS 208MM/2NC-1E5	125
HT25C/2N-200-M12	59	HTK 82-24V	511	IS 208MM/2NC-2E0	124
HT25C/2N-M8	59	HTU318-300/2T-M12	154	IS 208MM/2NC-4NO-S8.3	124
HT25C/2N-M12	59	HTU318-300/4T-M12	154	IS 208MM/2NO-1E5	125
HT25C/4P	59	HTU318-400.3/2NK-M12	154	IS 208MM/2NO-2E0	124
HT25C/4P-200-M12	59	HTU318-400.3/4PK-M12	154	IS 208MM/2NO-2E0-S8.3	124
HT25C/4P-M8	59	HTU318-400.W3/2NK-M12	154	IS 208MM/2NO-2N5	124
HT25C/4P-M12	59	HTU318-400.W3/4PK-M12	154	IS 208MM/2NO-4NO	124
HT25CI/2N	60	HTU318-1200/2T-M12	154	IS 208MM/2NO-4NO-S8.3	124
HT25CI/2N-200-M12	60	HTU318-1200/4T-M12	154	IS 208MM/4NC-1E5	125
HT25CI/2N-M8	60	HTU318-1600.3/2NK-M12	154	IS 208MM/4NC-1E5-S8.3	125
HT25CI/2N-M12	60	HTU318-1600.3/4PK-M12	154	IS 208MM/4NC-1E5-S12	125
HT25CI/4P	60	HTU318-1600.W3/2NK-M12	155	IS 208MM/4NC-2E0	124
HT25CI/4P-200-M12	60	HTU318-1600.W3/4PK-M12	154	IS 208MM/4NC-2E0-S8.3	124
HT25CI/4P-M8	60	HTU330-3500.3/2NK-M12	156	IS 208MM/4NC-2N5-S8.3	124
HT25CI/4P-M12	60	HTU330-3500.3/4PK-M12	156	IS 208MM/4NC-4NO	124
HT25C.S/2N	60	HTU330-6000.3/4PK-M12	156	IS 208MM/4NC-4NO-S8.3	124
HT25C.S/2N-200-M12	60	HTU418B-400/4T4-M12	158	IS 208MM/4NO-1E5	125
HT25C.S/2N-M8	60	HTU418B-400/4TX-M12	158	IS 208MM/4NO-1E5,5000	125
HT25C.S/2N-M12	60	HTU418B-400/PTX-M12	158	IS 208MM/4NO-1E5-S8.3	125
HT25C.S/4P	60	HTU418B-400.W/4T4-M12	158	IS 208MM/4NO-1E5-S12	125
HT25C.S/4P-200-M12	60	HTU418B-400.W/4TX-M12	158	IS 208MM/4NO-2E0	124
HT25C.S/4P-M8	60	HTU418B-400.X3/LT4-M12	158	IS 208MM/4NO-2E0,200-S8.3	124
HT25C.S/4P-M12	60	HTU418B-700/4TX-M12	158	IS 208MM/4NO-2E0-S8.3	124
HT46C/2N	69	HTU418B-1000/4TX-M12	158	IS 208MM/4NO-2N5	124
HT46C/2N-M12	69	HTU418B-1000.W/4TX-M12	158	IS 208MM/4NO-2N5-S8.3	124
HT46C/4P	69	HTU418B-1300/4T4-M12	158	IS 208MM/4NO-2N5-S12	124
HT46C/4P-200-M12	69	HTU418B-1300.W/4T4-M12	158	IS 208MM/4NO-4NO	124
HT46C/4P-M12	69	HTU418B-1300.X3/LT4-M12	158	IS 208MM/4NO-4NO-S8.3	124
HT46C/4W-M12	69	HTU430B-3000.X3/LT4-M12	159	IS 212FM/2NO.5-3E0	132
HT46C/4X-200-M12	69	IGS 63B/6.3	176	IS 212FM/2NO.5-3E0	135
HT46C/4X-M12	69	IGS 63B/6.3,200-S12	176	IS 212FM/2NO.5-3E0-S12	132
HT46C/48-M12	69	IGS 63B/6D.3,200-S12	177	IS 212FM/2NO.5-3E0-S12	135
HT46C.E/4P-M12	69	IGSU 14D/6.3G-S12	181	IS 212FM/4NC.5-3E0-S12	132
HT46CI.01/4X-200-M12	70	IGSU 14D/6.3-S12	181	IS 212FM/4NC.5-3E0-S12	135
HT46CI/2N	70	IGSU 14D/6.3SD-S12	181	IS 212FM/4NO.5-3E0	132
HT46CI/2N-M12	70	IGSU 14D/6.31-S12	181	IS 212FM/4NO.5-3E0	135
HT46CI/4P	70	IGSU 14D/6D.3-S12	181	IS 212FM/4NO.5-3E0-S12	132
HT46CI/4P-200-M12	70	IGSU 14DN/6.3G-S12	181	IS 212FM/4NO.5-3E0-S12	135
HT46CI/4P-M12	70	IGSU 14DN/6.3-S12	181	IS 212FM/4NO.5F-6E0-S12	132
HT46CI/4W-200-M12	70	IHRT 8/4-100-S12	43	IS 212FM/4NO.5F-6E0-S12	135
HT46CI/4W-M12	70	IHRT 8/4-200-S12	43	IS 212FM/4NO.5F-10N-S12	132
HT46CI/4X-M12	70	IHRT 46B/4,200-S12 S-Ex n	115	IS 212FM/4NO.5F-10N-S12	135
HT46CI/48-M12	70	ILS 95/44 E-L.1	85	IS 212MM/1NC.3-2E0	133
HT46CI.E/4P-M12	70	ILSER 25B/4-S12	56	IS 212MM/1NO.3-2E0	133
HT46CI/PX-200-M12	70	ILSER 25B/4-S12	56	IS 212MM/2NC-2E0	127
HT46CI/PX-M12	70	ILSR 95/44 E-L.1	85	IS 212MM/2NC-4E0	127
HT46CI.SL/4P-M12	70	IPRK 8/A-S12	42	IS 212MM/2NC-4E0-S12	127
HT46CI.SL/4X-200-M12	70	IPRK 18/4 DL.41	53	IS 212MM/2NC-4NO	126
HT46CL1/2N-M12	69	IPRK 18/A.1 L.4	54	IS 212MM/2NC-4NO-S12	126
HT46CL1/4P-200-M12	69	IPRK 18/A L.4	54	IS 212MM/2NC-8NO	126
HT46CL1/4P-M12	69	IPRK 18/A L.46	54	IS 212MM/2NO-2E0	127
HT46CL1/48-M12	69	IPRK 18/V L.03	54	IS 212MM/2NO-4E0	127
HT46CL1/P9-M12	69	IPRK 46B/4,200-S12 S-Ex n	114	IS 212MM/2NO-4E0-S12	127
HT46CL2/2N-M12	69	IPRK 95/44 L.2	85	IS 212MM/2NO-4NO	126
HT46CL2/4P-200-M12	69	IPRK 95/44 L.3	85	IS 212MM/2NO-4NO-S12	126
HT46CL2/4P-M12	69	IPRK 95/44 L.5	85	IS 212MM/2NO-6E0	126
HT46CL2/48-M12	69	IPRK 95/44 L.21	85	IS 212MM/2NO-8NO	126
HT46C/PX-200-M12	69	IPS 208i FIX-M3-102-I3	243	IS 212MM/2NO-8NO-S12	126
HT46C/PX-M12	69	IRKR 95/44-250 L	86	IS 212MM/2NO-10N	126
HT46C.SL/4P-M12	70	IS 204MP/4NC-1E5	139	IS 212MM/4NC-2E0	127
HT46C.SL/4P-M12	70	IS 204MP/4NO-1E5	139	IS 212MM/4NC-2E0-S12	127
HT46C.SL/4X-200-M12	70	IS 205MM/4NC-1E5	140	IS 212MM/4NC-4E0	126
HT46C.SL/4X-200-M12	70	IS 205MM/4NO-1E5	140	IS 212MM/4NC-4E0-S12	126
HT49C/2N-TB	74	IS 205MM/4NO-1E5-S8.3	140	IS 212MM/4NC-4NO	126
HT49C/4P-TB	74	IS 206MP/4NO-2E0	141	IS 212MM/4NC-4NO-S12	126
HT49CI/4P-TB	75	IS 206MP/4NO-2E0,150-S8.3W	141	IS 212MM/4NC-8NO	126
HT49CI.UCH/TS-TB	75	IS 206MP/4NO-2E0,300-S8.3W	141	IS 212MM/4NC-8NO-S12	126
HT49CI.UC/M4	75	IS 206MP/4NO-3E0	141	IS 212MM/4NC-10N	126
HT49CI.UC/M4-TB	75	IS 208FM/2NO.5-2E0	132	IS 212MM/4NC-10N-S12	126
HT49CI.UC/TS	75	IS 208FM/2NO.5-2E0	134	IS 212MM/4NO-2E0	127

IS 212MM/4NO-2E0-S12	127	IS 230MM/4NC-15N-S12	130	IT 1900g SR-2	439
IS 212MM/4NO-4E0	127	IS 230MM/4NC-22E-S12	130	IT 1902g ER-2	439
IS 212MM/4NO-4E0-S12	127	IS 230MM/4NO-10E	130	IT 1902g HD-2	439
IS 212MM/4NO-4NO	126	IS 230MM/4NO-10E-S12	130	IT 1902g SR-2	439
IS 212MM/4NO-4NO-S12	126	IS 230MM/4NO-15N	130	IT 1910i ER-3	440
IS 212MM/4NO-6E0	126	IS 230MM/4NO-15N-S12	130	IT 1911i ER-3	440
IS 212MM/4NO-8NO	126	IS 230MM/4NO-22E	130	IT 1920i DPM	441
IS 212MM/4NO-8NO-S12	126	IS 230MM/4NO-22E-S12	130	IT 1980i FR-3	440
IS 212MM/4NO-10N	126	IS 230MM/4NO-25N	130	IT 1981i FR-3	440
IS 218FM/2NO.5-5E0	132	IS 230MM/4NO-25N-S12	130	IT 3800 i SR030E	427
IS 218FM/2NO.5-5E0	136	IS 230MM/4NO-40N	130	IT 3800 i SR050E	427
IS 218FM/2NO.5-5E0-S12	132	IS 230MM/4NO-40N-S12	130	IT 3820i SRE	427
IS 218FM/2NO.5-5E0-S12	136	IS 240PP/4NO-4E0-S8.3	121	IT 3820i SROCOBE	427
IS 218FM/4NO.5-5E0	132	IS 240PP/22-4E0	121	KB 008-3000 A	242
IS 218FM/4NO.5-5E0	136	IS 240PP/22-4E0-S8.4	121	KB 008-3000 A	486
IS 218FM/4NO.5-5E0-S12	132	IS 240PP/22-8NO	121	KB-008-3000 A-S	242
IS 218FM/4NO.5-5E0-S12	136	IS 240PP/22-8NO-S8.4	121	KB-008-3000 A-S	394
IS 218FM/4NO.5F-10E-S12	132	IS 240PP/44-4E0	121	KB-008-3000 A-S	485
IS 218FM/4NO.5F-10E-S12	136	IS 240PP/44-4E0-S8.4	121	KB 008-10000 A-S	394
IS 218FM/4NO.5F-20N-S12	132	IS 240PP/44-8NO	121	KB 008-10000 A-S	485
IS 218FM/4NO.5F-20N-S12	136	IS 240PP/44-8NO-S8.4	121	KB-014S- 5000-14	253
IS 218MM/1NC.3-5E0	133	IS 244PP/22-20E-TB.4	122	KB 232-1 f. FIS 6170	441
IS 218MM/1NO.3-5E0	133	IS 244PP/22-40N-TB.4	122	KB 301-3000	410
IS 218MM/2NC-8E0	129	IS 244PP/44-20E-TB.4	122	KB 301-3000	492
IS 218MM/2NC-8E0-S12	128	IS 244PP/44-40N-TB.4	122	KB 301-3000-MA200	492
IS 218MM/2NC-8NO	128	IS 255MP/2NO-1E5	139	KB 301-10000	492
IS 218MM/2NC-8NO-S12	128	IS 255MP/4NO-1E5	139	KB 307-3000	464
IS 218MM/2NO-5E0	129	IS 255MP/4NO-1E5,200-S8.3	139	KB 307-3000	492
IS 218MM/2NO-8E0	129	IS 288MP/2NO-1E5	120	KB 900-500-MA 921-MA200i	422
IS 218MM/2NO-8E0-S12	129	IS 288MP/4NC-2E0	120	KB 900-500-MA 921-MA200i	459
IS 218MM/2NO-8NO	128	IS 288MP/4NO-1E5	120	KB 900-1000	422
IS 218MM/2NO-8NO-S12	128	IS 288MP/4NO-1E5-S8.3	120	KB 900-1000	459
IS 218MM/2NO-12E	128	IS 288MP/4NO-2E0	120	KB 900-3000	422
IS 218MM/2NO-20N	128	IS 288MP/4NO-2E0-S8.3	120	KB 900-3000	459
IS 218MM/4NC-5E0	129	IS 288MP/4NO-3E0	120	KB 900-5000	422
IS 218MM/4NC-5E0-S12	126	IS 288MP/4NO-3E0-S8.3	120	KB 900-5000	459
IS 218MM/4NC-5E0-S12	129	ISS 206MP/4NO-2E0-S8.3	141	KB DN/CAN-1000 SBA	246
IS 218MM/4NC-8E0	128	ISS 208MM/4NC-2E0-S8.3	124	KB DN/CAN-1000 SBA	491
IS 218MM/4NC-8E0-S12	128	ISS 208MM/4NO-2E0,200-S8.3	124	KB DN/CAN-2000 BA	246
IS 218MM/4NC-8NO	128	ISS 208MM/4NO-2E0-S8.3	124	KB DN/CAN-2000 BA	487
IS 218MM/4NC-8NO-S12	128	ISS 208MM/4NO-2N5-S8.3	124	KB DN/CAN-2000 SA	246
IS 218 mm/4NC-12E-S12	128	ISS 212MM/2NC-4E0-S12	127	KB DN/CAN-2000 SA	487
IS 218MM/4NC-12N-S12	128	ISS 212MM/2NO-4E0-S12	127	KB DN/CAN-2000 SBA	246
IS 218MM/4NC-20N	128	ISS 212MM/2NO-4NO	126	KB DN/CAN-2000 SBA	491
IS 218MM/4NO-5E0	129	ISS 212MM/2NO-6E0-S12	126	KB DN/CAN-5000 BA	236
IS 218MM/4NO-5E0-S12	129	ISS 212MM/4NC-4E0	126	KB DN/CAN-5000 BA	452
IS 218MM/4NO-8E0	128	ISS 212MM/4NC-4E0-S12	126	KB DN/CAN-5000 BA	487
IS 218MM/4NO-8E0-S12	128	ISS 212MM/4NC-6E0-S12	126	KB DN/CAN-5000 SA	236
IS 218MM/4NO-8NO	128	ISS 212MM/4NO-4E0	127	KB DN/CAN-5000 SA	452
IS 218MM/4NO-8NO-S12	128	ISS 212MM/4NO-4E0-S12	127	KB DN/CAN-5000 SA	487
IS 218MM/4NO-12E	128	ISS 212MM/4NO-4NO-S12	126	KB DN/CAN-5000 SBA	236
IS 218 mm/4NO-12E-S12	128	ISS 212MM/4NO-6E0-S12	126	KB DN/CAN-5000 SBA	452
IS 218MM/4NO-12N-S12	128	ISS 212MM/4NO-10N-S12	126	KB DN/CAN-5000 SBA	491
IS 218MM/4NO-20N	128	ISS 218MM/2NC-8E0-S12	129	KB DN/CAN-10000 BA	487
IS 230FM/2NO.5-10E	132	ISS 218MM/2NO-8E0-S12	129	KB DN/CAN-10000 SA	487
IS 230FM/2NO.5-10E	137	ISS 218MM/2NO-12E-S12	128	KB DN/CAN-10000 SBA	491
IS 230FM/2NO.5-10E-S12	132	ISS 218MM/4NC-5E0-S12	129	KB DN/CAN-20000 SBA	491
IS 230FM/2NO.5-10E-S12	137	ISS 218MM/4NC-8E0-200-S12	128	KB DN/CAN-30000 BA	487
IS 230FM/4NO.5-10E	132	ISS 218MM/4NC-8E0-S12	128	KB DN/CAN-30000 SA	487
IS 230FM/4NO.5-10E	137	ISS 218MM/4NC-12E-S12	128	KB DSub-9P-3000	492
IS 230FM/4NO.5-10E-S12	132	ISS 218MM/4NC-20N-S12	128	KB ET-30000-SSA	491
IS 230FM/4NO.5-10E-S12	137	ISS 218MM/4NO-5E0	129	KB IBS-2000-SA	488
IS 230FM/4NO.5F-20E-S12	132	ISS 218MM/4NO-5E0-S12	129	KB IBS-5000-SA	236
IS 230FM/4NO.5F-20E-S12	137	ISS 218MM/4NO-8E0-200-S12	128	KB IBS-5000-SA	488
IS 230FM/4NO.5F-40N-S12	132	ISS 218MM/4NO-8E0-S12	128	KB IBS-10000-SA	488
IS 230FM/4NO.5F-40N-S12	137	ISS 218MM/4NO-12E-S12	128	KB IBS-15000-SA	488
IS 230MM/1NC.3-15N	133	ISS 218MM/4NO-20N-S12	128	KB IBS-30000-SA	488
IS 230MM/1NO.3-15N	133	ISS 244PP.1/22-20E-S12	122	KB JST-3000	452
IS 230MM/2NC-15N	130	ISS 244PP.1/22-40N-S12	122	KB JST-HS-300	426
IS 230MM/2NO-10E	130	ISS 244PP.1/44-20E-S12	122	KB JST-HS-300	427
IS 230MM/2NO-15N	130	ISS 244PP.1/44-40N-S12	122	KB JST-HS-300	427
IS 230MM/2NO-15N-S12	130	IT 1280i FR-3	427	KB JST-HS-300	428
IS 230MM/2NO-22E	130	IT 1300g-2	426	KB JST-HS-300	439
IS 230MM/2NO-40N	130	IT 1450g 1D-2	426	KB JST-HS-300	440
IS 230MM/4NC-10E	130	IT 1452g 1D-2	426	KB JST-HS-300	441
IS 230MM/4NC-10E-S12	130	IT 1900g ER-2	439	KB JST-HS-300	452
IS 230MM/4NC-15N	130	IT 1900g HD-2	439	KB JST-M12A-5P-3000	452

Type designation... Page no.

KB JST-M12A-5P-3000	492	K-D M8A-4P-2m-FAB	83	KD S-M12-4A-P1-100	486
KB JST-M12A-8P-3000	433	K-D M8A-4P-2m-FAB	487	KD S-M12-4A-P1-250	289
KB JST-M12A-8P-Y-3000	452	K-D M8A-4P-5m-FAB	79	KD S-M12-4A-P1-250	328
KB M12A-8P-USB-3000	433	K-D M8A-4P-5m-FAB	83	KD S-M12-4A-P1-250	486
KB-ROD4-CP-5000	253	K-D M8A-4P-5m-FAB	487	KD S-M12-4A-V1-020	485
KB-ROD4PC-3000	253	K-D M8A-4P-10m-FAB	79	KD S-M12-4A-V1-050	486
KB-ROD4 plus-5000	253	K-D M8A-4P-10m-FAB	487	KD S-M12-4A-V1-100	486
KB RS232/PIN9 IT4xxx	428	K-D M8W-4P-2m-FAB	79	KD S-M12-4W-P1-020	484
KB-RS232-USB	253	K-D M8W-4P-2m-FAB	83	KD S-M12-4W-P1-050	485
KB SSI/IBS-2000-BA	488	K-D M8W-4P-2m-FAB	486	KD S-M12-4W-P1-100	485
KB SSI/IBS-2000-BA	488	K-D M8W-4P-5m-FAB	83	KD S-M12-4W-P1-150	485
KB SSI/IBS-5000-BA	236	K-D M8W-4P-5m-FAB	487	KD S-M12-5A-P1-050	289
KB SSI/IBS-5000-BA	240	K-D M8W-4P-10m-FAB	79	KD S-M12-5A-P1-050	311
KB SSI/IBS-5000-BA	410	K-D M8W-4P-10m-FAB	487	KD S-M12-5A-P1-050	317
KB SSI/IBS-5000-BA	488	K-D M12A-4P-2m-FAB	485	KD S-M12-5A-P1-050	357
KB SSI/IBS-5000-BA	488	K-D M12A-4P-5m-FAB	486	KD S-M12-5A-P1-050	486
KB SSI/IBS-10000-BA	488	K-D M12A-4P-10m-FAB	486	KD S-M12-5A-P1-100	289
KB SSI/IBS-10000-BA	488	K-D M12A-5P-2m-FAB	486	KD S-M12-5A-P1-100	311
KB SSI/IBS-15000-BA	488	K-D M12A-5P-5m-FAB	486	KD S-M12-5A-P1-100	317
KB SSI/IBS-15000-BA	488	K-D M12W-4P-2m-FAB	484	KD S-M12-5A-P1-100	357
KB SSI/IBS-30000-BA	488	K-D M12W-4P-5m-FAB	485	KD S-M12-5A-P1-100	486
KB SSI/IBS-30000-BA	488	K-D M12W-4P-10m-FAB	485	KD S-M12-5A-P1-250	289
KB TTL-RS232/PIN9 IT4xxx	428	K-D M12W-5P-2m-FAB	485	KD S-M12-5A-P1-250	311
KB USB-1 IT190x	426	K-D M12W-5P-5m-FAB	485	KD S-M12-8A-P1-020	208
KB USB-1 IT190x	427	KD PB-M12-4A-P3-020	265	KD S-M12-8A-P1-020	209
KB USB-1 IT190x	428	KD PB-M12-4A-P3-020	468	KD S-M12-8A-P1-050	208
KB USB-1 IT190x	439	KD PB-M12-4A-P3-020	488	KD S-M12-8A-P1-050	209
KB USB-1 IT190x	440	KD PB-M12-4A-P3-050	236	KD S-M12-8A-P1-050	289
KB USB-2 IT190x	426	KD PB-M12-4A-P3-050	240	KD S-M12-8A-P1-050	311
KB USB-2 IT190x	427	KD PB-M12-4A-P3-050	251	KD S-M12-8A-P1-050	318
KB USB-2 IT190x	428	KD PB-M12-4A-P3-050	265	KD S-M12-8A-P1-050	328
KB USB-2 IT190x	439	KD PB-M12-4A-P3-050	410	KD S-M12-8A-P1-050	333
KB USB-2 IT190x	440	KD PB-M12-4A-P3-050	417	KD S-M12-8A-P1-050	334
KB USB A - USB A	492	KD PB-M12-4A-P3-050	420	KD S-M12-8A-P1-050	336
KB USB A - USB miniB	378	KD PB-M12-4A-P3-050	452	KD S-M12-8A-P1-050	338
KB USB A - USB miniB	492	KD PB-M12-4A-P3-050	469	KD S-M12-8A-P1-050	340
KB USB IT4xxx	428	KD PB-M12-4A-P3-050	488	KD S-M12-8A-P1-050	341
KD 01-5-BA	237	KD PB-M12-4A-P3-100	265	KD S-M12-8A-P1-050	343
KD 01-5-BA	240	KD PB-M12-4A-P3-100	469	KD S-M12-8A-P1-050	344
KD 01-5-BA	242	KD PB-M12-4A-P3-100	488	KD S-M12-8A-P1-050	349
KD 01-5-BA	394	KD PB-M12-4A-P3-150	265	KD S-M12-8A-P1-050	357
KD 01-5-BA	492	KD PB-M12-4A-P3-150	469	KD S-M12-8A-P1-050	486
KD 01-5-SA	237	KD PB-M12-4A-P3-150	488	KD S-M12-8A-P1-100	208
KD 01-5-SA	493	KD PB-M12-4A-P3-300	469	KD S-M12-8A-P1-100	209
KD 01-5-SR	493	KD PB-M12-4A-P3-300	488	KD S-M12-8A-P1-100	289
KD 01-8-BA	493	KDS BUS OUT M12-T-5P	266	KD S-M12-8A-P1-100	311
KD 01-8-SA	493	KDS DN-M12-5A-M12-5A-P3-010	191	KD S-M12-8A-P1-100	318
KD 02-5-BA	237	KDS DN-M12-5A-M12-5A-P3-010	246	KD S-M12-8A-P1-100	328
KD 02-5-BA	240	KDS DN-M12-5A-M12-5A-P3-010	265	KD S-M12-8A-P1-100	333
KD 02-5-BA	266	KDS DN-M12-5A-M12-5A-P3-010	491	KD S-M12-8A-P1-100	334
KD 02-5-BA	394	KDS DN-M12-5A-M12-5A-P3-010	491	KD S-M12-8A-P1-100	336
KD 02-5-BA	410	KDS DN-M12-5A-M12-5A-P3-020	191	KD S-M12-8A-P1-100	338
KD 02-5-BA	417	KDS DN-M12-5A-M12-5A-P3-020	246	KD S-M12-8A-P1-100	340
KD 02-5-BA	421	KDS DN-M12-5A-M12-5A-P3-020	265	KD S-M12-8A-P1-100	341
KD 02-5-BA	452	KDS DN-M12-5A-M12-5A-P3-020	491	KD S-M12-8A-P1-100	343
KD 02-5-BA	492	KDS DN-M12-5A-M12-5A-P3-020	491	KD S-M12-8A-P1-100	344
KD 02-5-SA	237	KDS DN-M12-5A-M12-5A-P3-050	191	KD S-M12-8A-P1-100	349
KD 02-5-SA	240	KDS DN-M12-5A-M12-5A-P3-050	265	KD S-M12-8A-P1-100	357
KD 02-5-SA	410	KDS DN-M12-5A-M12-5A-P3-050	491	KD S-M12-8A-P1-100	486
KD 02-5-SA	417	KDS DN-M12-5A-M12-5A-P3-050	491	KD S-M12-8A-P1-150	289
KD 02-5-SA	421	KDS DN-M12-5A-M12-5A-P3-100	191	KD S-M12-8A-P1-150	311
KD 02-5-SA	452	KDS DN-M12-5A-M12-5A-P3-100	265	KD S-M12-8A-P1-150	318
KD 02-5-SA	493	KDS DN-M12-5A-M12-5A-P3-100	491	KD S-M12-8A-P1-150	328
KD 095-4	493	KDS DN-M12-5A-M12-5A-P3-100	491	KD S-M12-8A-P1-150	333
KD 095-4A	492	KDS DN-M12-5A-M12-5A-P3-200	191	KD S-M12-8A-P1-150	334
KD 095-5	182	KDS DN-M12-5A-M12-5A-P3-200	265	KD S-M12-8A-P1-150	336
KD 095-5	493	KDS DN-M12-5A-M12-5A-P3-200	491	KD S-M12-8A-P1-150	338
KD 095-5A	182	KDS DN-M12-5A-M12-5A-P3-200	491	KD S-M12-8A-P1-150	340
KD 095-5A	237	KDS ET-M12 / RJ45 W-4P	464	KD S-M12-8A-P1-150	341
KD 095-5A	240	KDS HS-SUB-9A-RJ41-AA-T1-020	442	KD S-M12-8A-P1-150	343
KD 095-5A	410	K-DS M8A-M12A-4P-0,3m-PVC	490	KD S-M12-8A-P1-150	344
KD 095-5A	417	KD S-M12-4A-P1-020	485	KD S-M12-8A-P1-150	349
KD 095-5A	421	KD S-M12-4A-P1-050	289	KD S-M12-8A-P1-150	357
KD 095-5A	464	KD S-M12-4A-P1-050	328	KD S-M12-8A-P1-150	486
KD 095-5A	492	KD S-M12-4A-P1-050	486	KD S-M12-8A-P1-250	289
KD 095-5A-PG9	492	KD S-M12-4A-P1-100	289	KD S-M12-8A-P1-250	311
K-D M8A-4P-2m-FAB	79	KD S-M12-4A-P1-100	328	KD S-M12-8A-P1-250	318

KD S-M12-8A-P1-250.....	333	KDS S-M12-CA-M12-CA-P1-020.....	490	KDS U-M12-4A-M12-4W-P1-020.....	481
KD S-M12-8A-P1-250.....	334	KDS S-M12-CA-M12-CA-P1-050.....	244	KDS U-M12-4A-M12-4W-P1-020.....	489
KD S-M12-8A-P1-250.....	336	KDS S-M12-CA-M12-CA-P1-050.....	432	KDS U-M12-4A-M12-4W-P1-030.....	490
KD S-M12-8A-P1-250.....	338	KDS S-M12-CA-M12-CA-P1-050.....	490	KDS U-M12-4A-M12-4W-P1-050.....	481
KD S-M12-8A-P1-250.....	340	KDS S-M12-CA-M12-CA-P1-100.....	490	KDS U-M12-4A-M12-4W-P1-050.....	490
KD S-M12-8A-P1-250.....	341	KDS U-M8-3A-M8-3A-P1-003.....	490	KDS U-M12-4A-M12-4W-V1-003.....	489
KD S-M12-8A-P1-250.....	343	KDS U-M8-3A-M8-3A-P1-003-DP.....	490	KDS U-M12-4A-M12-4W-V1-006.....	489
KD S-M12-8A-P1-250.....	344	KDS U-M8-3A-M8-3A-P1-006.....	490	KDS U-M12-4A-M12-4W-V1-010.....	489
KD S-M12-8A-P1-250.....	349	KDS U-M8-3A-M8-3A-P1-006-DP.....	490	KDS U-M12-4A-M12-4W-V1-020.....	481
KD S-M12-8A-P1-250.....	357	KDS U-M8-3A-M8-3A-P1-010.....	490	KDS U-M12-4A-M12-4W-V1-020.....	490
KD S-M12-8A-P1-250.....	486	KDS U-M8-3A-M8-3A-P1-010-DP.....	490	KDS U-M12-4A-M12-4W-V1-030.....	490
KD S-M12-8W-P1-050.....	208	KDS U-M8-3A-M8-3A-P1-015.....	490	KDS U-M12-4A-M12-4W-V1-050.....	481
KD S-M12-8W-P1-050.....	209	KDS U-M8-3A-M8-3A-P1-015-DP.....	490	KDS U-M12-4A-M12-4W-V1-050.....	490
KD S-M12-8W-P1-100.....	208	KDS U-M8-3A-M8-3A-P1-020.....	490	KDS U-M12-4W-M12-4A-P1-006-3DP.....	489
KD S-M12-8W-P1-100.....	209	KDS U-M8-3A-M8-3A-P1-020-DP.....	490	KDS U-M12-4W-M12-4A-P1-010-3DP.....	489
K-DS M12A-8P-0,75m-LxS36-CP.....	251	KDS U-M8-3A-M8-3A-P1-030.....	490	KDS U-M12-4W-M12-4A-P1-015-3DP.....	489
K-DS M12A-8P-4P-2m-L-PUR.....	191	KDS U-M8-3A-M8-3A-P1-050.....	490	KDS U-M12-4W-M12-4A-P1-020-3DP.....	489
K-DS M12A-8P-4P-2m-L-PUR.....	265	KDS U-M8-3A-M8-3A-V1-003.....	490	KDS U-M12-4W-M12-4A-P1-030-3DP.....	489
K-DS M12A-8P-4P-2m-L-PUR.....	490	KDS U-M8-3A-M8-3A-V1-006.....	490	KDS U-M12-4W-M12-4A-P1-050-3DP.....	489
K-DS M12A-8P-4P-5m-L-PUR.....	191	KDS U-M8-3A-M8-3A-V1-010.....	490	KD U-M8-3A-P1-020.....	28
K-DS M12A-8P-4P-5m-L-PUR.....	265	KDS U-M8-3A-M8-3A-V1-020.....	490	KD U-M8-3A-P1-020.....	33
K-DS M12A-8P-4P-5m-L-PUR.....	490	KDS U-M8-3A-M12-3A-P1-003.....	490	KD U-M8-3A-P1-020.....	40
K-DS M12A-M8A-4P-0,3m-PVC.....	489	KDS U-M8-3A-M12-3A-P1-006.....	490	KD U-M8-3A-P1-020.....	113
K-DS M12A-MA-5P-3m-S-PUR.....	452	KDS U-M8-3A-M12-3A-P1-010.....	490	KD U-M8-3A-P1-020.....	123
K-DS M12A-MA-5P-3m-S-PUR.....	490	KDS U-M8-3A-M12-3A-P1-015.....	490	KD U-M8-3A-P1-020.....	131
K-DS M12A-MA-8P-3m-S-PUR.....	223	KDS U-M8-3A-M12-3A-P1-020.....	490	KD U-M8-3A-P1-020.....	133
K-DS M12A-MA-8P-3m-S-PUR.....	452	KDS U-M8-3A-M12-3A-P1-050.....	490	KD U-M8-3A-P1-020.....	138
K-DS M12A-MA-8P-3m-S-PUR.....	490	KDS U-M8-3A-M12-3A-V1-010.....	490	KD U-M8-3A-P1-020.....	141
KD S-M12-CA-P1-020.....	244	KDS U-M8-3W-M8-3A-P1-003.....	490	KD U-M8-3A-P1-020.....	167
KD S-M12-CA-P1-020.....	431	KDS U-M8-3W-M8-3A-P1-003-DP.....	490	KD U-M8-3A-P1-020.....	174
KD S-M12-CA-P1-020.....	486	KDS U-M8-3W-M8-3A-P1-006.....	490	KD U-M8-3A-P1-020.....	182
KD S-M12-CA-P1-050.....	244	KDS U-M8-3W-M8-3A-P1-006-DP.....	490	KD U-M8-3A-P1-020.....	487
KD S-M12-CA-P1-050.....	431	KDS U-M8-3W-M8-3A-P1-010.....	490	KD U-M8-3A-P1-020-DP.....	487
KD S-M12-CA-P1-050.....	486	KDS U-M8-3W-M8-3A-P1-010-DP.....	490	KD U-M8-3A-P1-030.....	487
KD S-M12-CA-P1-100.....	486	KDS U-M8-3W-M8-3A-P1-015-DP.....	490	KD U-M8-3A-P1-050.....	28
KD S-M12-CW-P1-050.....	244	KDS U-M8-3W-M8-3A-P1-020.....	490	KD U-M8-3A-P1-050.....	33
KD S-M12-CW-P1-050.....	431	KDS U-M8-3W-M8-3A-P1-020-DP.....	490	KD U-M8-3A-P1-050.....	40
KD S-M12-CW-P1-050.....	485	KDS U-M8-4A-M8-4A-P1-003.....	490	KD U-M8-3A-P1-050.....	113
KD S-M30-16A-V1-050.....	328	KDS U-M8-4A-M8-4A-P1-006.....	490	KD U-M8-3A-P1-050.....	123
KD S-M30-16A-V1-100.....	328	KDS U-M8-4A-M8-4A-P1-010.....	490	KD U-M8-3A-P1-050.....	131
KD S-M30-16A-V1-250.....	328	KDS U-M8-4A-M8-4A-P1-020.....	490	KD U-M8-3A-P1-050.....	133
KD S-M30-30A-V1-050.....	328	KDS U-M12-3A-M12-3A-P1-006.....	489	KD U-M8-3A-P1-050.....	138
KD S-M30-30A-V1-100.....	328	KDS U-M12-3A-M12-3A-P1-010.....	489	KD U-M8-3A-P1-050.....	141
KD S-M30-30A-V1-250.....	328	KDS U-M12-3A-M12-3A-P1-020.....	489	KD U-M8-3A-P1-050.....	167
KDS PB-M12-4A-M12-4A-P3-010.....	469	KDS U-M12-3A-M12-3A-P1-030.....	489	KD U-M8-3A-P1-050.....	174
KDS PB-M12-4A-M12-4A-P3-010.....	492	KDS U-M12-3A-M12-3A-P1-050.....	489	KD U-M8-3A-P1-050.....	182
KDS PB-M12-4A-M12-4A-P3-020.....	265	KDS U-M12-3W-M12-3A-P1-006.....	489	KD U-M8-3A-P1-050.....	487
KDS PB-M12-4A-M12-4A-P3-020.....	469	KDS U-M12-3W-M12-3A-P1-006-DP.....	489	KD U-M8-3A-P1-050-DP.....	487
KDS PB-M12-4A-M12-4A-P3-020.....	492	KDS U-M12-3W-M12-3A-P1-010.....	489	KD U-M8-3A-P1-100.....	487
KDS PB-M12-4A-M12-4A-P3-050.....	237	KDS U-M12-3W-M12-3A-P1-010-DP.....	489	KD U-M8-3A-P1-100-DP.....	487
KDS PB-M12-4A-M12-4A-P3-050.....	240	KDS U-M12-3W-M12-3A-P1-020.....	489	KD U-M8-3A-P1-150.....	487
KDS PB-M12-4A-M12-4A-P3-050.....	265	KDS U-M12-3W-M12-3A-P1-020-DP.....	489	KD U-M8-3A-P1-200.....	487
KDS PB-M12-4A-M12-4A-P3-050.....	410	KDS U-M12-3W-M12-3A-P1-030.....	489	KD U-M8-3A-V1-020.....	28
KDS PB-M12-4A-M12-4A-P3-050.....	417	KDS U-M12-3W-M12-3A-P1-030-DP.....	489	KD U-M8-3A-V1-020.....	33
KDS PB-M12-4A-M12-4A-P3-050.....	420	KDS U-M12-3W-M12-3A-P1-050.....	489	KD U-M8-3A-V1-020.....	40
KDS PB-M12-4A-M12-4A-P3-050.....	452	KDS U-M12-3W-M12-3A-P1-050-DP.....	489	KD U-M8-3A-V1-020.....	113
KDS PB-M12-4A-M12-4A-P3-050.....	469	KDS U-M12-4A-M12-4A-P1-003.....	489	KD U-M8-3A-V1-020.....	123
KDS PB-M12-4A-M12-4A-P3-050.....	492	KDS U-M12-4A-M12-4A-P1-003-DP.....	489	KD U-M8-3A-V1-020.....	131
KDS PB-M12-4A-M12-4A-P3-100.....	265	KDS U-M12-4A-M12-4A-P1-006.....	489	KD U-M8-3A-V1-020.....	133
KDS PB-M12-4A-M12-4A-P3-100.....	469	KDS U-M12-4A-M12-4A-P1-006-DP.....	489	KD U-M8-3A-V1-020.....	138
KDS PB-M12-4A-M12-4A-P3-100.....	492	KDS U-M12-4A-M12-4A-P1-010.....	489	KD U-M8-3A-V1-020.....	141
KDS PB-M12-4A-M12-4A-P3-150.....	265	KDS U-M12-4A-M12-4A-P1-010-DP.....	489	KD U-M8-3A-V1-020.....	167
KDS PB-M12-4A-M12-4A-P3-150.....	469	KDS U-M12-4A-M12-4A-P1-015.....	489	KD U-M8-3A-V1-020.....	174
KDS PB-M12-4A-M12-4A-P3-150.....	492	KDS U-M12-4A-M12-4A-P1-020.....	481	KD U-M8-3A-V1-020.....	182
KDS PB-M12-4A-M12-4A-P3-300.....	469	KDS U-M12-4A-M12-4A-P1-020.....	489	KD U-M8-3A-V1-020.....	487
KDS PB-M12-4A-M12-4A-P3-300.....	492	KDS U-M12-4A-M12-4A-P1-020-DP.....	489	KD U-M8-3A-V1-020-DP.....	487
KDS S-M12-5A-M12-5A-P1-030.....	242	KDS U-M12-4A-M12-4A-P1-030.....	490	KD U-M8-3A-V1-030.....	487
KDS S-M12-5A-M12-5A-P1-030.....	394	KDS U-M12-4A-M12-4A-P1-030-DP.....	490	KD U-M8-3A-V1-050.....	28
KDS S-M12-5A-M12-5W-P1-030.....	242	KDS U-M12-4A-M12-4A-P1-050.....	481	KD U-M8-3A-V1-050.....	34
KDS S-M12-5A-M12-5W-P1-030.....	394	KDS U-M12-4A-M12-4A-P1-050.....	490	KD U-M8-3A-V1-050.....	40
KDS S-M12-8A-M12-8A-P1-020.....	289	KDS U-M12-4A-M12-4A-P1-050-DP.....	490	KD U-M8-3A-V1-050.....	113
KDS S-M12-8A-M12-8A-P1-020.....	433	KDS U-M12-4A-M12-4A-P1-100.....	490	KD U-M8-3A-V1-050.....	123
KDS S-M12-8A-M12-8A-P1-020.....	490	KDS U-M12-4A-M12-4A-V1-020.....	489	KD U-M8-3A-V1-050.....	131
KDS S-M12-8A-M12-8A-P1-050.....	289	KDS U-M12-4A-M12-4A-V1-050.....	490	KD U-M8-3A-V1-050.....	133
KDS S-M12-8A-M12-8A-P1-050.....	490	KDS U-M12-4A-M12-4W-P1-003.....	489	KD U-M8-3A-V1-050.....	138
KDS S-M12-CA-M12-CA-P1-020.....	244	KDS U-M12-4A-M12-4W-P1-006.....	489	KD U-M8-3A-V1-050.....	141
KDS S-M12-CA-M12-CA-P1-020.....	432	KDS U-M12-4A-M12-4W-P1-010.....	489	KD U-M8-3A-V1-050.....	167

Type designation... Page no.

KD U-M8-3A-V1-050.....	174	KD U-M8-4A-P1-020.....	123	KD U-M8-4W-P1-020.....	187
KD U-M8-3A-V1-050.....	182	KD U-M8-4A-P1-020.....	153	KD U-M8-4W-P1-020.....	196
KD U-M8-3A-V1-050.....	487	KD U-M8-4A-P1-020.....	167	KD U-M8-4W-P1-020.....	200
KD U-M8-3A-V1-050-DP.....	487	KD U-M8-4A-P1-020.....	182	KD U-M8-4W-P1-020.....	486
KD U-M8-3A-V1-100.....	487	KD U-M8-4A-P1-020.....	187	KD U-M8-4W-P1-020-DP.....	486
KD U-M8-3A-V1-100-DP.....	487	KD U-M8-4A-P1-020.....	196	KD U-M8-4W-P1-030.....	486
KD U-M8-3A-V1-150.....	487	KD U-M8-4A-P1-020.....	200	KD U-M8-4W-P1-050.....	28
KD U-M8-3A-V1-200.....	487	KD U-M8-4A-P1-020.....	322	KD U-M8-4W-P1-050.....	33
KD U-M8-3W-P1-020.....	28	KD U-M8-4A-P1-020.....	355	KD U-M8-4W-P1-050.....	39
KD U-M8-3W-P1-020.....	33	KD U-M8-4A-P1-020.....	487	KD U-M8-4W-P1-050.....	50
KD U-M8-3W-P1-020.....	39	KD U-M8-4A-P1-030.....	487	KD U-M8-4W-P1-050.....	61
KD U-M8-3W-P1-020.....	123	KD U-M8-4A-P1-050.....	28	KD U-M8-4W-P1-050.....	83
KD U-M8-3W-P1-020.....	131	KD U-M8-4A-P1-050.....	34	KD U-M8-4W-P1-050.....	123
KD U-M8-3W-P1-020.....	133	KD U-M8-4A-P1-050.....	40	KD U-M8-4W-P1-050.....	153
KD U-M8-3W-P1-020.....	138	KD U-M8-4A-P1-050.....	50	KD U-M8-4W-P1-050.....	167
KD U-M8-3W-P1-020.....	141	KD U-M8-4A-P1-050.....	61	KD U-M8-4W-P1-050.....	182
KD U-M8-3W-P1-020.....	167	KD U-M8-4A-P1-050.....	83	KD U-M8-4W-P1-050.....	187
KD U-M8-3W-P1-020.....	174	KD U-M8-4A-P1-050.....	113	KD U-M8-4W-P1-050.....	196
KD U-M8-3W-P1-020.....	182	KD U-M8-4A-P1-050.....	123	KD U-M8-4W-P1-050.....	200
KD U-M8-3W-P1-020.....	486	KD U-M8-4A-P1-050.....	153	KD U-M8-4W-P1-050.....	487
KD U-M8-3W-P1-020-DP.....	486	KD U-M8-4A-P1-050.....	167	KD U-M8-4W-P1-050-DP.....	487
KD U-M8-3W-P1-030.....	486	KD U-M8-4A-P1-050.....	182	KD U-M8-4W-P1-100.....	487
KD U-M8-3W-P1-030-DP.....	486	KD U-M8-4A-P1-050.....	187	KD U-M8-4W-P1-100-DP.....	487
KD U-M8-3W-P1-050.....	28	KD U-M8-4A-P1-050.....	196	KD U-M8-4W-V1-020.....	28
KD U-M8-3W-P1-050.....	33	KD U-M8-4A-P1-050.....	200	KD U-M8-4W-V1-020.....	33
KD U-M8-3W-P1-050.....	39	KD U-M8-4A-P1-050.....	322	KD U-M8-4W-V1-020.....	39
KD U-M8-3W-P1-050.....	123	KD U-M8-4A-P1-050.....	355	KD U-M8-4W-V1-020.....	50
KD U-M8-3W-P1-050.....	131	KD U-M8-4A-P1-050.....	487	KD U-M8-4W-V1-020.....	61
KD U-M8-3W-P1-050.....	133	KD U-M8-4A-P1-100.....	322	KD U-M8-4W-V1-020.....	83
KD U-M8-3W-P1-050.....	138	KD U-M8-4A-P1-100.....	355	KD U-M8-4W-V1-020.....	123
KD U-M8-3W-P1-050.....	141	KD U-M8-4A-P1-100.....	487	KD U-M8-4W-V1-020.....	153
KD U-M8-3W-P1-050.....	167	KD U-M8-4A-P1-150.....	487	KD U-M8-4W-V1-020.....	167
KD U-M8-3W-P1-050.....	174	KD U-M8-4A-P1-200.....	487	KD U-M8-4W-V1-020.....	182
KD U-M8-3W-P1-050.....	182	KD U-M8-4A-V1-020.....	28	KD U-M8-4W-V1-020.....	187
KD U-M8-3W-P1-050.....	486	KD U-M8-4A-V1-020.....	34	KD U-M8-4W-V1-020.....	196
KD U-M8-3W-P1-050-DP.....	486	KD U-M8-4A-V1-020.....	40	KD U-M8-4W-V1-020.....	200
KD U-M8-3W-P1-100.....	486	KD U-M8-4A-V1-020.....	50	KD U-M8-4W-V1-020.....	486
KD U-M8-3W-P1-100-DP.....	486	KD U-M8-4A-V1-020.....	61	KD U-M8-4W-V1-020-DP.....	486
KD U-M8-3W-P1-200.....	486	KD U-M8-4A-V1-020.....	83	KD U-M8-4W-V1-030.....	486
KD U-M8-3W-V1-020.....	28	KD U-M8-4A-V1-020.....	113	KD U-M8-4W-V1-050.....	28
KD U-M8-3W-V1-020.....	33	KD U-M8-4A-V1-020.....	123	KD U-M8-4W-V1-050.....	33
KD U-M8-3W-V1-020.....	39	KD U-M8-4A-V1-020.....	153	KD U-M8-4W-V1-050.....	40
KD U-M8-3W-V1-020.....	123	KD U-M8-4A-V1-020.....	167	KD U-M8-4W-V1-050.....	50
KD U-M8-3W-V1-020.....	131	KD U-M8-4A-V1-020.....	182	KD U-M8-4W-V1-050.....	61
KD U-M8-3W-V1-020.....	133	KD U-M8-4A-V1-020.....	187	KD U-M8-4W-V1-050.....	83
KD U-M8-3W-V1-020.....	138	KD U-M8-4A-V1-020.....	196	KD U-M8-4W-V1-050.....	123
KD U-M8-3W-V1-020.....	141	KD U-M8-4A-V1-020.....	200	KD U-M8-4W-V1-050.....	153
KD U-M8-3W-V1-020.....	167	KD U-M8-4A-V1-020.....	487	KD U-M8-4W-V1-050.....	167
KD U-M8-3W-V1-020.....	174	KD U-M8-4A-V1-030.....	487	KD U-M8-4W-V1-050.....	182
KD U-M8-3W-V1-020.....	182	KD U-M8-4A-V1-050.....	28	KD U-M8-4W-V1-050.....	187
KD U-M8-3W-V1-020.....	486	KD U-M8-4A-V1-050.....	34	KD U-M8-4W-V1-050.....	196
KD U-M8-3W-V1-020-DP.....	486	KD U-M8-4A-V1-050.....	40	KD U-M8-4W-V1-050.....	200
KD U-M8-3W-V1-030.....	486	KD U-M8-4A-V1-050.....	50	KD U-M8-4W-V1-050.....	487
KD U-M8-3W-V1-030-DP.....	486	KD U-M8-4A-V1-050.....	61	KD U-M8-4W-V1-050-DP.....	487
KD U-M8-3W-V1-050.....	28	KD U-M8-4A-V1-050.....	83	KD U-M8-4W-V1-100.....	487
KD U-M8-3W-V1-050.....	33	KD U-M8-4A-V1-050.....	113	KD U-M8-4W-V1-100-DP.....	487
KD U-M8-3W-V1-050.....	39	KD U-M8-4A-V1-050.....	123	KD U-M12-3A-P1-020.....	485
KD U-M8-3W-V1-050.....	123	KD U-M8-4A-V1-050.....	153	KD U-M12-3A-P1-020-DP.....	485
KD U-M8-3W-V1-050.....	131	KD U-M8-4A-V1-050.....	167	KD U-M12-3A-P1-030.....	485
KD U-M8-3W-V1-050.....	133	KD U-M8-4A-V1-050.....	182	KD U-M12-3A-P1-030-DP.....	485
KD U-M8-3W-V1-050.....	138	KD U-M8-4A-V1-050.....	187	KD U-M12-3A-P1-050.....	485
KD U-M8-3W-V1-050.....	141	KD U-M8-4A-V1-050.....	196	KD U-M12-3A-P1-050-DP.....	485
KD U-M8-3W-V1-050.....	167	KD U-M8-4A-V1-050.....	200	KD U-M12-3A-P1-100.....	485
KD U-M8-3W-V1-050.....	174	KD U-M8-4A-V1-050.....	487	KD U-M12-3A-P1-100-DP.....	485
KD U-M8-3W-V1-050.....	182	KD U-M8-4A-V1-100.....	487	KD U-M12-3A-P1-150.....	485
KD U-M8-3W-V1-050.....	486	KD U-M8-4A-V1-150.....	487	KD U-M12-3A-V1-020.....	485
KD U-M8-3W-V1-050-DP.....	486	KD U-M8-4A-V1-200.....	487	KD U-M12-3A-V1-020-DP.....	485
KD U-M8-3W-V1-100.....	486	KD U-M8-4W-P1-020.....	28	KD U-M12-3A-V1-030.....	485
KD U-M8-3W-V1-100-DP.....	486	KD U-M8-4W-P1-020.....	33	KD U-M12-3A-V1-030-DP.....	485
KD U-M8-3W-V1-200.....	486	KD U-M8-4W-P1-020.....	39	KD U-M12-3A-V1-050.....	485
KD U-M8-4A-P1-020.....	28	KD U-M8-4W-P1-020.....	50	KD U-M12-3A-V1-050-DP.....	485
KD U-M8-4A-P1-020.....	34	KD U-M8-4W-P1-020.....	61	KD U-M12-3A-V1-100.....	485
KD U-M8-4A-P1-020.....	40	KD U-M8-4W-P1-020.....	83	KD U-M12-3A-V1-100-DP.....	485
KD U-M8-4A-P1-020.....	50	KD U-M8-4W-P1-020.....	123	KD U-M12-3W-P1-020.....	484
KD U-M8-4A-P1-020.....	61	KD U-M8-4W-P1-020.....	153	KD U-M12-3W-P1-020-DP.....	484
KD U-M8-4A-P1-020.....	83	KD U-M8-4W-P1-020.....	167	KD U-M12-3W-P1-030.....	484
KD U-M8-4A-P1-020.....	113	KD U-M8-4W-P1-020.....	182	KD U-M12-3W-P1-030-DP.....	484

KD U-M12-3W-P1-050	484	KD U-M12-4A-P1-050	204	KD U-M12-4A-V1-050	204
KD U-M12-3W-P1-050-DP	484	KD U-M12-4A-P1-050	226	KD U-M12-4A-V1-050	226
KD U-M12-3W-P1-100	484	KD U-M12-4A-P1-050	314	KD U-M12-4A-V1-050	319
KD U-M12-3W-P1-100-DP	484	KD U-M12-4A-P1-050	321	KD U-M12-4A-V1-050	321
KD U-M12-3W-P1-150-DP	484	KD U-M12-4A-P1-050	322	KD U-M12-4A-V1-050	481
KD U-M12-3W-V1-020	484	KD U-M12-4A-P1-050	324	KD U-M12-4A-V1-050	486
KD U-M12-3W-V1-020-DP	484	KD U-M12-4A-P1-050	481	KD U-M12-4A-V1-050-DP	486
KD U-M12-3W-V1-030	484	KD U-M12-4A-P1-050	486	KD U-M12-4A-V1-100	319
KD U-M12-3W-V1-030-DP	484	KD U-M12-4A-P1-050-DP	486	KD U-M12-4A-V1-100	486
KD U-M12-3W-V1-050	484	KD U-M12-4A-P1-100	314	KD U-M12-4A-V1-100-DP	486
KD U-M12-3W-V1-050-DP	484	KD U-M12-4A-P1-100	321	KD U-M12-4A-V1-200	319
KD U-M12-3W-V1-100	484	KD U-M12-4A-P1-100	322	KD U-M12-4A-V1-200	321
KD U-M12-3W-V1-100-DP	484	KD U-M12-4A-P1-100	324	KD U-M12-4A-V1-300	321
KD U-M12-3W-V1-150-DP	484	KD U-M12-4A-P1-100	486	KD U-M12-4W-P1-020	28
KD U-M12-4A-P1-020	28	KD U-M12-4A-P1-100-DP	486	KD U-M12-4W-P1-020	39
KD U-M12-4A-P1-020	39	KD U-M12-4A-V1-020	28	KD U-M12-4W-P1-020	43
KD U-M12-4A-P1-020	44	KD U-M12-4A-V1-020	39	KD U-M12-4W-P1-020	50
KD U-M12-4A-P1-020	50	KD U-M12-4A-V1-020	44	KD U-M12-4W-P1-020	54
KD U-M12-4A-P1-020	54	KD U-M12-4A-V1-020	50	KD U-M12-4W-P1-020	61
KD U-M12-4A-P1-020	61	KD U-M12-4A-V1-020	54	KD U-M12-4W-P1-020	65
KD U-M12-4A-P1-020	65	KD U-M12-4A-V1-020	61	KD U-M12-4W-P1-020	71
KD U-M12-4A-P1-020	71	KD U-M12-4A-V1-020	65	KD U-M12-4W-P1-020	83
KD U-M12-4A-P1-020	83	KD U-M12-4A-V1-020	71	KD U-M12-4W-P1-020	87
KD U-M12-4A-P1-020	87	KD U-M12-4A-V1-020	83	KD U-M12-4W-P1-020	94
KD U-M12-4A-P1-020	94	KD U-M12-4A-V1-020	87	KD U-M12-4W-P1-020	99
KD U-M12-4A-P1-020	99	KD U-M12-4A-V1-020	94	KD U-M12-4W-P1-020	102
KD U-M12-4A-P1-020	102	KD U-M12-4A-V1-020	99	KD U-M12-4W-P1-020	106
KD U-M12-4A-P1-020	106	KD U-M12-4A-V1-020	102	KD U-M12-4W-P1-020	108
KD U-M12-4A-P1-020	108	KD U-M12-4A-V1-020	106	KD U-M12-4W-P1-020	110
KD U-M12-4A-P1-020	110	KD U-M12-4A-V1-020	108	KD U-M12-4W-P1-020	113
KD U-M12-4A-P1-020	113	KD U-M12-4A-V1-020	110	KD U-M12-4W-P1-020	115
KD U-M12-4A-P1-020	115	KD U-M12-4A-V1-020	113	KD U-M12-4W-P1-020	123
KD U-M12-4A-P1-020	123	KD U-M12-4A-V1-020	115	KD U-M12-4W-P1-020	131
KD U-M12-4A-P1-020	131	KD U-M12-4A-V1-020	123	KD U-M12-4W-P1-020	132
KD U-M12-4A-P1-020	132	KD U-M12-4A-V1-020	131	KD U-M12-4W-P1-020	138
KD U-M12-4A-P1-020	138	KD U-M12-4A-V1-020	133	KD U-M12-4W-P1-020	160
KD U-M12-4A-P1-020	160	KD U-M12-4A-V1-020	138	KD U-M12-4W-P1-020	167
KD U-M12-4A-P1-020	167	KD U-M12-4A-V1-020	160	KD U-M12-4W-P1-020	196
KD U-M12-4A-P1-020	196	KD U-M12-4A-V1-020	167	KD U-M12-4W-P1-020	200
KD U-M12-4A-P1-020	200	KD U-M12-4A-V1-020	196	KD U-M12-4W-P1-020	204
KD U-M12-4A-P1-020	204	KD U-M12-4A-V1-020	200	KD U-M12-4W-P1-020	226
KD U-M12-4A-P1-020	226	KD U-M12-4A-V1-020	204	KD U-M12-4W-P1-020	481
KD U-M12-4A-P1-020	314	KD U-M12-4A-V1-020	226	KD U-M12-4W-P1-020	484
KD U-M12-4A-P1-020	321	KD U-M12-4A-V1-020	319	KD U-M12-4W-P1-020-3DP	484
KD U-M12-4A-P1-020	322	KD U-M12-4A-V1-020	321	KD U-M12-4W-P1-020-DP	484
KD U-M12-4A-P1-020	324	KD U-M12-4A-V1-020	481	KD U-M12-4W-P1-030	485
KD U-M12-4A-P1-020	481	KD U-M12-4A-V1-020	485	KD U-M12-4W-P1-030-3DP	485
KD U-M12-4A-P1-020	485	KD U-M12-4A-V1-020-DP	485	KD U-M12-4W-P1-030-DP	485
KD U-M12-4A-P1-020-DP	485	KD U-M12-4A-V1-030	319	KD U-M12-4W-P1-050	28
KD U-M12-4A-P1-030	486	KD U-M12-4A-V1-030	486	KD U-M12-4W-P1-050	39
KD U-M12-4A-P1-030-DP	486	KD U-M12-4A-V1-030-DP	486	KD U-M12-4W-P1-050	43
KD U-M12-4A-P1-050	28	KD U-M12-4A-V1-050	28	KD U-M12-4W-P1-050	50
KD U-M12-4A-P1-050	39	KD U-M12-4A-V1-050	39	KD U-M12-4W-P1-050	54
KD U-M12-4A-P1-050	44	KD U-M12-4A-V1-050	44	KD U-M12-4W-P1-050	61
KD U-M12-4A-P1-050	50	KD U-M12-4A-V1-050	50	KD U-M12-4W-P1-050	65
KD U-M12-4A-P1-050	54	KD U-M12-4A-V1-050	54	KD U-M12-4W-P1-050	71
KD U-M12-4A-P1-050	61	KD U-M12-4A-V1-050	61	KD U-M12-4W-P1-050	83
KD U-M12-4A-P1-050	65	KD U-M12-4A-V1-050	65	KD U-M12-4W-P1-050	87
KD U-M12-4A-P1-050	71	KD U-M12-4A-V1-050	71	KD U-M12-4W-P1-050	94
KD U-M12-4A-P1-050	83	KD U-M12-4A-V1-050	83	KD U-M12-4W-P1-050	99
KD U-M12-4A-P1-050	87	KD U-M12-4A-V1-050	87	KD U-M12-4W-P1-050	102
KD U-M12-4A-P1-050	94	KD U-M12-4A-V1-050	94	KD U-M12-4W-P1-050	106
KD U-M12-4A-P1-050	99	KD U-M12-4A-V1-050	99	KD U-M12-4W-P1-050	108
KD U-M12-4A-P1-050	102	KD U-M12-4A-V1-050	102	KD U-M12-4W-P1-050	110
KD U-M12-4A-P1-050	106	KD U-M12-4A-V1-050	106	KD U-M12-4W-P1-050	113
KD U-M12-4A-P1-050	108	KD U-M12-4A-V1-050	108	KD U-M12-4W-P1-050	115
KD U-M12-4A-P1-050	110	KD U-M12-4A-V1-050	110	KD U-M12-4W-P1-050	123
KD U-M12-4A-P1-050	113	KD U-M12-4A-V1-050	113	KD U-M12-4W-P1-050	131
KD U-M12-4A-P1-050	115	KD U-M12-4A-V1-050	115	KD U-M12-4W-P1-050	132
KD U-M12-4A-P1-050	123	KD U-M12-4A-V1-050	123	KD U-M12-4W-P1-050	138
KD U-M12-4A-P1-050	131	KD U-M12-4A-V1-050	131	KD U-M12-4W-P1-050	160
KD U-M12-4A-P1-050	132	KD U-M12-4A-V1-050	133	KD U-M12-4W-P1-050	167
KD U-M12-4A-P1-050	138	KD U-M12-4A-V1-050	138	KD U-M12-4W-P1-050	196
KD U-M12-4A-P1-050	160	KD U-M12-4A-V1-050	160	KD U-M12-4W-P1-050	200
KD U-M12-4A-P1-050	167	KD U-M12-4A-V1-050	167	KD U-M12-4W-P1-050	204
KD U-M12-4A-P1-050	196	KD U-M12-4A-V1-050	196	KD U-M12-4W-P1-050	226
KD U-M12-4A-P1-050	200	KD U-M12-4A-V1-050	200	KD U-M12-4W-P1-050	481

Type designation... Page no.

KD U-M12-4W-P1-050	485	KD U-M12-5A-P1-020	44	KD U-M12-5A-V1-020	264
KD U-M12-4W-P1-050-3DP	485	KD U-M12-5A-P1-020	47	KD U-M12-5A-V1-020	269
KD U-M12-4W-P1-050-DP	485	KD U-M12-5A-P1-020	55	KD U-M12-5A-V1-050	44
KD U-M12-4W-P1-100	485	KD U-M12-5A-P1-020	87	KD U-M12-5A-V1-050	47
KD U-M12-4W-P1-100-3DP	485	KD U-M12-5A-P1-020	94	KD U-M12-5A-V1-050	55
KD U-M12-4W-P1-100-DP	485	KD U-M12-5A-P1-020	153	KD U-M12-5A-V1-050	87
KD U-M12-4W-P1-150	485	KD U-M12-5A-P1-020	160	KD U-M12-5A-V1-050	94
KD U-M12-4W-P1-150-3DP	485	KD U-M12-5A-P1-020	167	KD U-M12-5A-V1-050	153
KD U-M12-4W-V1-020	28	KD U-M12-5A-P1-020	182	KD U-M12-5A-V1-050	160
KD U-M12-4W-V1-020	39	KD U-M12-5A-P1-020	193	KD U-M12-5A-V1-050	167
KD U-M12-4W-V1-020	43	KD U-M12-5A-P1-020	198	KD U-M12-5A-V1-050	182
KD U-M12-4W-V1-020	50	KD U-M12-5A-P1-020	202	KD U-M12-5A-V1-050	193
KD U-M12-4W-V1-020	54	KD U-M12-5A-P1-020	206	KD U-M12-5A-V1-050	198
KD U-M12-4W-V1-020	61	KD U-M12-5A-P1-020	208	KD U-M12-5A-V1-050	202
KD U-M12-4W-V1-020	65	KD U-M12-5A-P1-020	214	KD U-M12-5A-V1-050	206
KD U-M12-4W-V1-020	71	KD U-M12-5A-P1-020	216	KD U-M12-5A-V1-050	208
KD U-M12-4W-V1-020	83	KD U-M12-5A-P1-020	218	KD U-M12-5A-V1-050	214
KD U-M12-4W-V1-020	87	KD U-M12-5A-P1-020	221	KD U-M12-5A-V1-050	216
KD U-M12-4W-V1-020	94	KD U-M12-5A-P1-020	226	KD U-M12-5A-V1-050	218
KD U-M12-4W-V1-020	99	KD U-M12-5A-P1-020	228	KD U-M12-5A-V1-050	221
KD U-M12-4W-V1-020	102	KD U-M12-5A-P1-020	229	KD U-M12-5A-V1-050	226
KD U-M12-4W-V1-020	106	KD U-M12-5A-P1-020	231	KD U-M12-5A-V1-050	228
KD U-M12-4W-V1-020	108	KD U-M12-5A-P1-020	264	KD U-M12-5A-V1-050	229
KD U-M12-4W-V1-020	110	KD U-M12-5A-P1-020	269	KD U-M12-5A-V1-050	231
KD U-M12-4W-V1-020	113	KD U-M12-5A-P1-020	468	KD U-M12-5A-V1-050	265
KD U-M12-4W-V1-020	115	KD U-M12-5A-P1-050	44	KD U-M12-5A-V1-050	269
KD U-M12-4W-V1-020	123	KD U-M12-5A-P1-050	47	KD U-M12-5A-V1-050	410
KD U-M12-4W-V1-020	131	KD U-M12-5A-P1-050	55	KD U-M12-5A-V1-050	417
KD U-M12-4W-V1-020	132	KD U-M12-5A-P1-050	87	KD U-M12-5A-V1-050	420
KD U-M12-4W-V1-020	138	KD U-M12-5A-P1-050	94	KD U-M12-5A-V1-050	452
KD U-M12-4W-V1-020	160	KD U-M12-5A-P1-050	153	KD U-M12-5A-V1-100	464
KD U-M12-4W-V1-020	167	KD U-M12-5A-P1-050	160	KD U-M12-5A-V1-100	468
KD U-M12-4W-V1-020	196	KD U-M12-5A-P1-050	167	KD U-M12-5W-P1-020	43
KD U-M12-4W-V1-020	200	KD U-M12-5A-P1-050	182	KD U-M12-5W-P1-020	47
KD U-M12-4W-V1-020	204	KD U-M12-5A-P1-050	193	KD U-M12-5W-P1-020	54
KD U-M12-4W-V1-020	226	KD U-M12-5A-P1-050	198	KD U-M12-5W-P1-020	87
KD U-M12-4W-V1-020	481	KD U-M12-5A-P1-050	202	KD U-M12-5W-P1-020	94
KD U-M12-4W-V1-020	484	KD U-M12-5A-P1-050	206	KD U-M12-5W-P1-020	153
KD U-M12-4W-V1-020-3DP	485	KD U-M12-5A-P1-050	208	KD U-M12-5W-P1-020	160
KD U-M12-4W-V1-020-DP	485	KD U-M12-5A-P1-050	214	KD U-M12-5W-P1-020	167
KD U-M12-4W-V1-030	485	KD U-M12-5A-P1-050	216	KD U-M12-5W-P1-020	182
KD U-M12-4W-V1-030-DP	485	KD U-M12-5A-P1-050	218	KD U-M12-5W-P1-020	193
KD U-M12-4W-V1-050	28	KD U-M12-5A-P1-050	221	KD U-M12-5W-P1-020	198
KD U-M12-4W-V1-050	39	KD U-M12-5A-P1-050	226	KD U-M12-5W-P1-020	202
KD U-M12-4W-V1-050	43	KD U-M12-5A-P1-050	228	KD U-M12-5W-P1-020	206
KD U-M12-4W-V1-050	50	KD U-M12-5A-P1-050	229	KD U-M12-5W-P1-020	208
KD U-M12-4W-V1-050	54	KD U-M12-5A-P1-050	231	KD U-M12-5W-P1-020	214
KD U-M12-4W-V1-050	61	KD U-M12-5A-P1-050	236	KD U-M12-5W-P1-020	216
KD U-M12-4W-V1-050	65	KD U-M12-5A-P1-050	240	KD U-M12-5W-P1-020	218
KD U-M12-4W-V1-050	71	KD U-M12-5A-P1-050	264	KD U-M12-5W-P1-020	221
KD U-M12-4W-V1-050	83	KD U-M12-5A-P1-050	269	KD U-M12-5W-P1-020	226
KD U-M12-4W-V1-050	87	KD U-M12-5A-P1-050	289	KD U-M12-5W-P1-020	228
KD U-M12-4W-V1-050	94	KD U-M12-5A-P1-050	464	KD U-M12-5W-P1-020	229
KD U-M12-4W-V1-050	99	KD U-M12-5A-P1-050	468	KD U-M12-5W-P1-020	231
KD U-M12-4W-V1-050	102	KD U-M12-5A-P1-100	289	KD U-M12-5W-P1-020	264
KD U-M12-4W-V1-050	106	KD U-M12-5A-V1-020	44	KD U-M12-5W-P1-020	269
KD U-M12-4W-V1-050	108	KD U-M12-5A-V1-020	47	KD U-M12-5W-P1-050	43
KD U-M12-4W-V1-050	110	KD U-M12-5A-V1-020	55	KD U-M12-5W-P1-050	47
KD U-M12-4W-V1-050	113	KD U-M12-5A-V1-020	87	KD U-M12-5W-P1-050	54
KD U-M12-4W-V1-050	115	KD U-M12-5A-V1-020	94	KD U-M12-5W-P1-050	87
KD U-M12-4W-V1-050	123	KD U-M12-5A-V1-020	153	KD U-M12-5W-P1-050	94
KD U-M12-4W-V1-050	131	KD U-M12-5A-V1-020	160	KD U-M12-5W-P1-050	153
KD U-M12-4W-V1-050	132	KD U-M12-5A-V1-020	167	KD U-M12-5W-P1-050	160
KD U-M12-4W-V1-050	138	KD U-M12-5A-V1-020	182	KD U-M12-5W-P1-050	167
KD U-M12-4W-V1-050	160	KD U-M12-5A-V1-020	193	KD U-M12-5W-P1-050	182
KD U-M12-4W-V1-050	167	KD U-M12-5A-V1-020	198	KD U-M12-5W-P1-050	193
KD U-M12-4W-V1-050	196	KD U-M12-5A-V1-020	202	KD U-M12-5W-P1-050	198
KD U-M12-4W-V1-050	200	KD U-M12-5A-V1-020	206	KD U-M12-5W-P1-050	202
KD U-M12-4W-V1-050	204	KD U-M12-5A-V1-020	208	KD U-M12-5W-P1-050	206
KD U-M12-4W-V1-050	226	KD U-M12-5A-V1-020	214	KD U-M12-5W-P1-050	208
KD U-M12-4W-V1-050	481	KD U-M12-5A-V1-020	216	KD U-M12-5W-P1-050	214
KD U-M12-4W-V1-050	485	KD U-M12-5A-V1-020	218	KD U-M12-5W-P1-050	216
KD U-M12-4W-V1-050-3DP	485	KD U-M12-5A-V1-020	221	KD U-M12-5W-P1-050	218
KD U-M12-4W-V1-050-DP	485	KD U-M12-5A-V1-020	226	KD U-M12-5W-P1-050	221
KD U-M12-4W-V1-100	485	KD U-M12-5A-V1-020	228	KD U-M12-5W-P1-050	226
KD U-M12-4W-V1-100-3DP	485	KD U-M12-5A-V1-020	229	KD U-M12-5W-P1-050	228
KD U-M12-4W-V1-100-DP	485	KD U-M12-5A-V1-020	231	KD U-M12-5W-P1-050	229

KD U-M12-5W-P1-050	231	KF-ET-620	168	KRTM 3B/2.1121,200-S12	195
KD U-M12-5W-P1-050	264	KF-ETB-38V-20	169	KRTM 3B/2.1121-S8	195
KD U-M12-5W-P1-050	269	KF-ETC-420	168	KRTM 3B/2.1221,200-S12	195
KD U-M12-5W-V1-020	43	KF-ETE-220	169	KRTM 3B/2.1221-S8	195
KD U-M12-5W-V1-020	47	KF-ETH-38H-20	169	KRTM 3B/4.1121,200-S12	195
KD U-M12-5W-V1-020	54	KF-ETW-FU31-20	169	KRTM 3B/4.1121-S8	195
KD U-M12-5W-V1-020	87	KF-ETW-FU47-20	169	KRTM 3B/4.1221,200-S12	195
KD U-M12-5W-V1-020	94	KF-ETW-K10-20	169	KRTM 3B/4.1221-S8	195
KD U-M12-5W-V1-020	153	KF-ETY-20MLSD-20	169	KRTM 3B/4.2121-S8	195
KD U-M12-5W-V1-020	160	KF-L-10ML-10	169	KRTM 3B/6.1121-S8	195
KD U-M12-5W-V1-020	167	KF-L-10MLD-20	169	KRTM 3B/6.1221-S8	195
KD U-M12-5W-V1-020	182	KF-L-15MLD-10	169	KRTM 3B/6.2121-S8	195
KD U-M12-5W-V1-020	193	KF-L-30ML-20	169	KRTM 3B/L6.1121-S8	195
KD U-M12-5W-V1-020	198	KF-L-50ML-20	169	KRTM 20M/C-20-6526-S12	201
KD U-M12-5W-V1-020	202	KF-L-320	168	KRTM 20M/C-20-6626-S12	201
KD U-M12-5W-V1-020	206	KF-L-320-D-T14L	168	KRTM 20M/N-20-3320-S12	201
KD U-M12-5W-V1-020	208	KF-L-420	168	KRTM 20M/N-20-6320-S12	201
KD U-M12-5W-V1-020	214	KF-LC32-12	168	KRTM 20M/P-4.1221,200-S12	201
KD U-M12-5W-V1-020	216	KF-LD-210-32	168	KRTM 20M/P-20-3320-S12	201
KD U-M12-5W-V1-020	218	KF-LE-220	168	KRTM 20M/P-20-6320-S12	201
KD U-M12-5W-V1-020	221	KF-LH-305-D	168	KRTM 20M/P-50-6320-S12	201
KD U-M12-5W-V1-020	226	KF-LH-320-D	168	KRTM 20M/V-12-0004-S12	201
KD U-M12-5W-V1-020	228	KF-LP-FU92-520-Q	168	KRTM 20M/V-20-0001-S12	201
KD U-M12-5W-V1-020	229	KF-LP-FU96-520-Q	168	KRTM 20M/V-20-0004-S12	201
KD U-M12-5W-V1-020	231	KF-LW-FU53-20	169	KRTM 55/2.1121,200-S12	199
KD U-M12-5W-V1-020	264	KF-LW-FU57-20	169	KRTM 55/2.1121-S8	199
KD U-M12-5W-V1-020	269	KF-LY-77TZ-20	168	KRTM 55/2.1221,200-S12	199
KD U-M12-5W-V1-050	44	KF-LY-U09-20	169	KRTM 55/2.1221-S8	199
KD U-M12-5W-V1-050	47	KFX-ET-20ML-20	169	KRTM 55/4.1121,200-S12	199
KD U-M12-5W-V1-050	54	KFX-ET-605	169	KRTM 55/4.1121,5000	199
KD U-M12-5W-V1-050	87	KFX-ET-620	169	KRTM 55/4.1121-S8	199
KD U-M12-5W-V1-050	94	KFX-ETA-320	169	KRTM 55/4.1221,200-S12	199
KD U-M12-5W-V1-050	153	KFX-ETA-420	169	KRTM 55/4.1221-S8	199
KD U-M12-5W-V1-050	160	KFX-ETC7-120	169	KRTM 55/6.1121-S8	199
KD U-M12-5W-V1-050	167	KFX-ETC-320	169	KRTM 55/L6.1121,200-S12	199
KD U-M12-5W-V1-050	182	KFX-ETC-320-Q	169	KRTW 3B/2.1110-S8	195
KD U-M12-5W-V1-050	193	KFX-ETC-420	169	KRTW 3B/2.1121,200-S12	195
KD U-M12-5W-V1-050	198	KFX-ETC-620	169	KRTW 3B/2.1121-S8	195
KD U-M12-5W-V1-050	202	KFX-ETD-320	169	KRTW 3B/2.1321,200-S12	195
KD U-M12-5W-V1-050	206	KFX-ETD-320-Q	169	KRTW 3B/2.1321-S8	195
KD U-M12-5W-V1-050	208	KFX-ETD-420	169	KRTW 3B/4.1110-S8	195
KD U-M12-5W-V1-050	214	KFX-ETH-620	169	KRTW 3B/4.1121,200-S12	195
KD U-M12-5W-V1-050	216	KFX-ETY-67TZ-20	169	KRTW 3B/4.1121-S8	195
KD U-M12-5W-V1-050	218	KFX-L-20ML-20	169	KRTW 3B/4.1321,200-S12	195
KD U-M12-5W-V1-050	221	KFX-L-320	168	KRTW 3B/4.1321-S8	195
KD U-M12-5W-V1-050	226	KFX-L-320-Q	168	KRTW 3B/4.2121-S8	195
KD U-M12-5W-V1-050	228	KFX-L-420	168	KRTW 3B/6.1121-S8	195
KD U-M12-5W-V1-050	229	KFX-LA-220	168	KRTW 3B/6.1321-S8	195
KD U-M12-5W-V1-050	231	KFX-LD-120	168	KRTW 55/2.1121,200-S12	199
KD U-M12-5W-V1-050	264	KFX-LD-320	168	KRTW 55/2.1121-S8	199
KD U-M12-5W-V1-050	269	KFX-LD-320-Q	168	KRTW 55/4.1121,200-S12	199
KD U-M12-8A-P1-010	246	KFX-LD-420	168	KRTW 55/4.1121,5000	199
KD U-M12-8A-P1-020	191	KFX-LH-320	168	KRTW 55/4.1121-S8	199
KD U-M12-8A-P1-020	208	KFX-LH-420	168	KS 095-4A	417
KD U-M12-8A-P1-020	209	KFX-LY-320	168	KS 095-4A	493
KD U-M12-8A-P1-020	223	KFX-LY-420	168	KS 095-5A	493
KD U-M12-8A-P1-020	246	KRT18BM.H2/G6T-M12	197	KS ET-M12-4A-P7-020	464
KD U-M12-8A-P1-020	265	KRT18BM.H2/GCT-M12	197	KS ET-M12-4A-P7-020	468
KD U-M12-8A-P1-050	191	KRT18BM.H3/G6X-M12	197	KS ET-M12-4A-P7-020	488
KD U-M12-8A-P1-050	208	KRT18BM.H5/L6T-M12	197	KS ET-M12-4A-P7-050	236
KD U-M12-8A-P1-050	209	KRT18BM.HS5/L6T-M12	197	KS ET-M12-4A-P7-050	464
KD U-M12-8A-P1-050	223	KRT18BM.HT5/L6T-M12	197	KS ET-M12-4A-P7-050	468
KD U-M12-8A-P1-050	251	KRT18BM.V2/G6T-M12	197	KS ET-M12-4A-P7-050	477
KD U-M12-8A-P1-050	253	KRT18BM.V2/GC1T-M12	197	KS ET-M12-4A-P7-050	488
KD U-M12-8A-P1-050	265	KRT18BM.V2/GCT-M12	197	KS ET-M12-4A-P7-100	464
KD U-M12-8A-P1-050	435	KRT18BM.V2/GV1T-M12	197	KS ET-M12-4A-P7-100	468
KD U-M12-8A-P1-050	477	KRT18BM.V3/G6X-M12	197	KS ET-M12-4A-P7-100	488
KD U-M12-8A-P1-100	191	KRT18BM.V5/L6T-M12	197	KS ET-M12-4A-P7-150	464
KD U-M12-8A-P1-100	208	KRT18BM.VS5/L6T-M12	197	KS ET-M12-4A-P7-150	468
KD U-M12-8A-P1-100	209	KRT18BM.VT5/L6T-M12	197	KS ET-M12-4A-P7-150	488
KD U-M12-8A-P1-100	223	KRT21M-09.PL3/42-M12	203	KS ET-M12-4A-P7-300	468
KD U-M12-8A-P1-100	265	KRTL 3B/2.3111,200-S12	195	KS ET-M12-4A-P7-300	488
KF-ET-10ML-20	169	KRTL 3B/2.3111-S8	195	KS ET-M12-4W-P7-050	464
KF-ET-15MLD-20	169	KRTL 3B/4.3111	195	KS ET-M12-4W-P7-050	488
KF-ET-20MLS-20	169	KRTL 3B/4.3111,200-S12	195	KS PB-M12-4A-P3-020	265
KF-ET-30ML-20	169	KRTL 3B/4.3111-S8	195	KS PB-M12-4A-P3-020	468
KF-ET-50ML-20	169	KRTL 3B/6.3111-S8	195	KS PB-M12-4A-P3-020	488

Type designation... Page no.

KS PB-M12-4A-P3-050.	236	KSS ET-M12-4A-RJ45-A-P7-020.	328	L300-M31M12B8-SLM24-KYPB-SCA	348
KS PB-M12-4A-P3-050.	240	KSS ET-M12-4A-RJ45-A-P7-020.	464	L300-M31M12B8-SLM24-KYPB-UCA	347
KS PB-M12-4A-P3-050.	251	KSS ET-M12-4A-RJ45-A-P7-020.	491	L300-M31M12B8-SLM24-PB-SCA	348
KS PB-M12-4A-P3-050.	265	KSS ET-M12-4A-RJ45-A-P7-050.	237	L300-M31M12B8-SLM24-PB-UCA	347
KS PB-M12-4A-P3-050.	410	KSS ET-M12-4A-RJ45-A-P7-050.	240	L300-M31M12B8-SLM24-SCA	347
KS PB-M12-4A-P3-050.	417	KSS ET-M12-4A-RJ45-A-P7-050.	251	L300-M31M12B8-SLM24-UCA	347
KS PB-M12-4A-P3-050.	420	KSS ET-M12-4A-RJ45-A-P7-050.	253	L300-M31M12B8Y-SLM24-SCA	347
KS PB-M12-4A-P3-050.	452	KSS ET-M12-4A-RJ45-A-P7-050.	328	L300-M31M12L8-SLM24-KYPB-SCA	348
KS PB-M12-4A-P3-050.	468	KSS ET-M12-4A-RJ45-A-P7-050.	410	L300-M31M12L8-SLM24-KYPB-UCA	347
KS PB-M12-4A-P3-050.	488	KSS ET-M12-4A-RJ45-A-P7-050.	417	L300-M31M12L8-SLM24-PB-SCA	348
KS PB-M12-4A-P3-100.	265	KSS ET-M12-4A-RJ45-A-P7-050.	420	L300-M31M12L8-SLM24-PB-UCA	347
KS PB-M12-4A-P3-100.	468	KSS ET-M12-4A-RJ45-A-P7-050.	452	L300-M31M12L8-SLM24-SCA	347
KS PB-M12-4A-P3-100.	488	KSS ET-M12-4A-RJ45-A-P7-050.	464	L300-M31M12L8-SLM24-UCA	347
KS PB-M12-4A-P3-150.	265	KSS ET-M12-4A-RJ45-A-P7-050.	477	L300-M31M12R8-SLM24-KYPB-SCA	348
KS PB-M12-4A-P3-150.	468	KSS ET-M12-4A-RJ45-A-P7-050.	491	L300-M31M12R8-SLM24-KYPB-UCA	347
KS PB-M12-4A-P3-150.	488	KSS ET-M12-4A-RJ45-A-P7-100.	328	L300-M31M12R8-SLM24-PB-SCA	348
KS PB-M12-4A-P3-300.	468	KSS ET-M12-4A-RJ45-A-P7-100.	464	L300-M31M12R8-SLM24-PB-UCA	347
KS PB-M12-4A-P3-300.	488	KSS ET-M12-4A-RJ45-A-P7-100.	491	L300-M31M12R8-SLM24-SCA	347
KSS CR-USB-AA-RJ41-A-T0-018	441	KSS ET-M12-4A-RJ45-A-P7-150.	328	L300-M31M12R8-SLM24-UCA	347
KSS ET-M12-4A-M12-4A-P7-010	236	KSS ET-M12-4A-RJ45-A-P7-150.	464	L300-M32M12B8-MLM24-SCA	348
KSS ET-M12-4A-M12-4A-P7-010	240	KSS ET-M12-4A-RJ45-A-P7-150.	491	L300-M41C3-SLM24-KYPB-UCA	347
KSS ET-M12-4A-M12-4A-P7-010	410	KSS ET-M12-4A-RJ45-A-P7-300.	328	L300-M41C3-SLM24-PB-UCA	347
KSS ET-M12-4A-M12-4A-P7-010	417	KSS ET-M12-4A-RJ45-A-P7-300.	464	L300-M41C3-SLM24-UCA	347
KSS ET-M12-4A-M12-4A-P7-010	420	KSS ET-M12-4A-RJ45-A-P7-300.	491	L300-M41M12B8-MLM24-PB-UCA	347
KSS ET-M12-4A-M12-4A-P7-010	435	KSS ET-M12-4W-RJ45-A-P7-050	491	L300-M41M12B8-MLM24-UCA	347
KSS ET-M12-4A-M12-4A-P7-010	452	KSS ET-M12-4W-RJ45-A-P7-150	491	L300-M41M12B8-SLM24-KYPB-UCA	347
KSS ET-M12-4A-M12-4A-P7-010	477	KSS ET-M12-8A-RJ45-A-P7-050	481	L300-M41M12B8-SLM24-PB-UCA	347
KSS ET-M12-4A-M12-4A-P7-010	491	KSS ET-M12-8A-RJ45-A-P7-050	491	L300-M41M12B8-SLM24-UCA	347
KSS ET-M12-4A-M12-4A-P7-020	237	KSS HS-USB-4A-RJ41-AA-T1-020	442	L300-M41M12L8-SLM24-KYPB-UCA	347
KSS ET-M12-4A-M12-4A-P7-020	240	KS S-M12-8A-P1-050	251	L300-M41M12L8-SLM24-PB-UCA	347
KSS ET-M12-4A-M12-4A-P7-020	410	KS S-M12-8A-P1-050	435	L300-M41M12L8-SLM24-UCA	347
KSS ET-M12-4A-M12-4A-P7-020	417	KS S-M12-8A-P1-050	477	L300-M41M12R8-SLM24-KYPB-UCA	347
KSS ET-M12-4A-M12-4A-P7-020	420	KS S-M12-8A-P1-100	311	L300-M41M12R8-SLM24-PB-UCA	347
KSS ET-M12-4A-M12-4A-P7-020	435	KS S-M12-8A-P1-150	311	L300-M41M12R8-SLM24-UCA	347
KSS ET-M12-4A-M12-4A-P7-020	452	KS S-M12-8A-P1-300	311	LA-78	513
KSS ET-M12-4A-M12-4A-P7-020	477	K-SSPB M12A-M12A-2P-0,3m-S-PUR	266	LA-78M	513
KSS ET-M12-4A-M12-4A-P7-020	491	KS U-M8-3A-P1-020.	487	LA-78M-UDC	513
KSS ET-M12-4A-M12-4A-P7-050	237	KS U-M8-3A-P1-050.	487	LA-78U	513
KSS ET-M12-4A-M12-4A-P7-050	240	KS U-M8-3A-P1-100.	487	LA-78UDC	513
KSS ET-M12-4A-M12-4A-P7-050	410	KS U-M8-4A-P1-020.	487	LCAM 408i C7F-XX	480
KSS ET-M12-4A-M12-4A-P7-050	417	KS U-M8-4A-P1-050.	487	LCS-1M12M-F04NNC-K020P	144
KSS ET-M12-4A-M12-4A-P7-050	420	KS U-M8-4A-P1-100.	487	LCS-1M12M-F04NNC-M12	144
KSS ET-M12-4A-M12-4A-P7-050	435	KS U-M12-4A-V1-020	321	LCS-1M12M-F04NNO-K020P	144
KSS ET-M12-4A-M12-4A-P7-050	452	KS U-M12-4A-V1-020	485	LCS-1M12M-F04NNO-M12	144
KSS ET-M12-4A-M12-4A-P7-050	477	KS U-M12-4A-V1-050	321	LCS-1M12M-F04PNC-K020P	144
KSS ET-M12-4A-M12-4A-P7-050	491	KS U-M12-4A-V1-050	485	LCS-1M12M-F04PNC-M12	144
KSS ET-M12-4A-M12-4A-P7-100	237	K-Y1 M12A-2m-M12A-S-PUR	265	LCS-1M12M-F04PNO-K020P	144
KSS ET-M12-4A-M12-4A-P7-100	240	K-Y1 M12A-5m-M12A-S-PUR	265	LCS-1M12M-F04PNO-M12	144
KSS ET-M12-4A-M12-4A-P7-100	410	K-Y1 M12A-10m-M12A-S-PUR	265	LCS-1M12M-N08NNC-K020P	143
KSS ET-M12-4A-M12-4A-P7-100	417	K-Y1 M12A-20m-M12A-S-PUR	265	LCS-1M12M-N08NNC-M12	143
KSS ET-M12-4A-M12-4A-P7-100	420	K-YCN M12A-5m-M12A-S-PUR	246	LCS-1M12M-N08NNO-K020P	143
KSS ET-M12-4A-M12-4A-P7-100	435	K-YCN M12A-5m-M12A-S-PUR	265	LCS-1M12M-N08NNO-M12	143
KSS ET-M12-4A-M12-4A-P7-100	452	K-YCN M12A-M12A-S-PUR	246	LCS-1M12M-N08PNC-K020P	143
KSS ET-M12-4A-M12-4A-P7-100	477	K-YCN M12A-M12A-S-PUR	265	LCS-1M12M-N08PNC-M12	143
KSS ET-M12-4A-M12-4A-P7-100	491	K-YPB M12A-5m-M12A-S-PUR	265	LCS-1M12M-N08PNO-K020P	143
KSS ET-M12-4A-RJ45-A-P7-006.	491	K-YPB M12A-M12A-S-PUR	265	LCS-1M12M-N08PNO-M12	143
KSS ET-M12-4A-RJ45-A-P7-010.	236	L10-M2C1-M20-SB20.	342	LCS-1M12P-F04NNC-K020P	144
KSS ET-M12-4A-RJ45-A-P7-010.	240	L10-M3C1-M20-K0.	342	LCS-1M12P-F04NNC-M12	144
KSS ET-M12-4A-RJ45-A-P7-010.	251	L10-M3C1-M20-SB20.	342	LCS-1M12P-F04NNO-K020P	144
KSS ET-M12-4A-RJ45-A-P7-010.	253	L10-P2C1-M20-SB20.	342	LCS-1M12P-F04NNO-M12	144
KSS ET-M12-4A-RJ45-A-P7-010.	410	L10-P3C1-M20-K0	342	LCS-1M12P-F04PNC-K020P	144
KSS ET-M12-4A-RJ45-A-P7-010.	417	L10-P3C1-M20-LB10	342	LCS-1M12P-F04PNC-M12	144
KSS ET-M12-4A-RJ45-A-P7-010.	420	L10-P3C1-M20-LB20	342	LCS-1M12P-F04PNO-K020P	144
KSS ET-M12-4A-RJ45-A-P7-010.	435	L10-P3C1-M20-SB20	342	LCS-1M12P-F04PNO-M12	144
KSS ET-M12-4A-RJ45-A-P7-010.	452	L100-P3C3-M20-MLM24	344	LCS-1M12P-N08NNC-K020P	143
KSS ET-M12-4A-RJ45-A-P7-010.	477	L100-P3C3-M20-SLM24	344	LCS-1M12P-N08NNC-M12	143
KSS ET-M12-4A-RJ45-A-P7-010.	491	L100-P4C3-M20-SLM24	344	LCS-1M12P-N08NNO-K020P	143
KSS ET-M12-4A-RJ45-A-P7-010.	491	L200-M0C3-SLM24-L2G.	345	LCS-1M12P-N08NNO-M12	143
KSS ET-M12-4A-RJ45-A-P7-010.	491	L200-M1C3-MLM24-L2G.	345	LCS-1M12P-N08PNC-K020P	143
KSS ET-M12-4A-RJ45-A-P7-010.	491	L200-M1C3-SLM24-L2G.	345	LCS-1M12P-N08PNC-M12	143
KSS ET-M12-4A-RJ45-A-P7-010.	491	L200-M1C3-SLM24-PB-L2G.	345	LCS-1M12P-N08PNO-K020P	143
KSS ET-M12-4A-RJ45-A-P7-010.	491	L300-M31C3-SLM24-KYPB-SCA	347	LCS-1M12P-N08PNO-M12	143
KSS ET-M12-4A-RJ45-A-P7-010.	491	L300-M31C3-SLM24-KYPB-UCA	347	LCS-1M12T-N08NNC-K020T	143
KSS ET-M12-4A-RJ45-A-P7-010.	491	L300-M31C3-SLM24-PB-SCA	347	LCS-1M12T-N08NNC-K020T	148
KSS ET-M12-4A-RJ45-A-P7-010.	491	L300-M31C3-SLM24-PB-UCA	347	LCS-1M12T-N08NNO-K020T	143
KSS ET-M12-4A-RJ45-A-P7-010.	491	L300-M31C3-SLM24-SCA	347	LCS-1M12T-N08NNO-K020T	148
KSS ET-M12-4A-RJ45-A-P7-010.	491	L300-M31C3-SLM24-UCA	347	LCS-1M12T-N08PNC-K020T	143

LCS-1M12T-N08PNC-K020T	148	LCS-1M30P-N25PNO-K020P	143	LCS-2M18P-N15PNC-K020V	145
LCS-1M12T-N08PNO-K020T	143	LCS-1M30P-N25PNO-M12	143	LCS-2M18P-N15PNC-M12	145
LCS-1M12T-N08PNO-K020T	148	LCS-1M30T-N30NNC-K020T	143	LCS-2M18P-N15PNO-K020V	145
LCS-1M18M-F08NNC-K020P	144	LCS-1M30T-N30NNC-K020T	148	LCS-2M18P-N15PNO-M12	145
LCS-1M18M-F08NNC-M12	144	LCS-1M30T-N30NNO-K020T	143	LCS-2M30B-F20NNC-K020V	145
LCS-1M18M-F08NNO-K020P	144	LCS-1M30T-N30NNO-K020T	148	LCS-2M30B-F20NNC-M12	145
LCS-1M18M-F08NNO-M12	144	LCS-1M30T-N30PNC-K020T	143	LCS-2M30B-F20NNO-K020V	145
LCS-1M18M-F08PNC-K020P	144	LCS-1M30T-N30PNC-K020T	148	LCS-2M30B-F20NNO-M12	145
LCS-1M18M-F08PNC-M12	144	LCS-1M30T-N30PNO-K020T	143	LCS-2M30B-F20PNC-K020V	145
LCS-1M18M-F08PNO-K020P	144	LCS-1M30T-N30PNO-K020T	148	LCS-2M30B-F20PNC-M12	145
LCS-1M18M-F08PNO-M12	144	LCS-1Q40P-F20BNP-K020P	147	LCS-2M30B-F20PNO-K020V	145
LCS-1M18M-N15NNC-K020P	143	LCS-1Q40P-F20PNC-K003PM08	147	LCS-2M30B-F20PNO-M12	145
LCS-1M18M-N15NNC-M12	143	LCS-1Q40P-F20PNO-K003PM08	147	LCS-2M30B-N30NNC-K020V	145
LCS-1M18M-N15NNO-K020P	143	LCS-1Q54P-F10NNC-K020P	147	LCS-2M30B-N30NNC-M12	144
LCS-1M18M-N15NNO-M12	143	LCS-1Q54P-F10NNO-K020P	147	LCS-2M30B-N30NNO-K020V	145
LCS-1M18M-N15PNC-K020P	144	LCS-1Q54P-F10PNC-K020P	147	LCS-2M30B-N30NNO-M12	144
LCS-1M18M-N15PNC-M12	143	LCS-1Q54P-F10PNO-K020P	147	LCS-2M30B-N30PNC-K020V	145
LCS-1M18M-N15PNO-K020P	144	LCS-2M12B-F03PNO-K020V	145	LCS-2M30B-N30PNO-M12	144
LCS-1M18M-N15PNO-M12	143	LCS-2M12B-F03NNC-M12	145	LCS-2M30P-F20NNC-K020V	146
LCS-1M18P-F05NNP-M12-LT	149	LCS-2M12B-F03NNO-K020V	145	LCS-2M30P-F20NNC-M12	145
LCS-1M18P-F05PNP-M12-LT	149	LCS-2M12B-F03PNC-K020V	145	LCS-2M30P-F20NNO-K020V	146
LCS-1M18P-F08NNC-K020P	144	LCS-2M12B-F03PNC-M12	145	LCS-2M30P-F20NNO-M12	145
LCS-1M18P-F08NNC-M12	144	LCS-2M12B-F03PNO-K020V	145	LCS-2M30P-F20PNC-K020V	146
LCS-1M18P-F08NNO-K020P	144	LCS-2M12B-F03PNO-M12	145	LCS-2M30P-F20PNC-M12	145
LCS-1M18P-F08NNO-M12	144	LCS-2M12B-N06NNC-K020V	145	LCS-2M30P-F20PNO-K020V	146
LCS-1M18P-F08PNC-K020P	144	LCS-2M12B-N06NNC-M12	144	LCS-2M30P-F20PNO-M12	145
LCS-1M18P-F08PNC-M12	144	LCS-2M12B-N06NNO-K020V	145	LCS-2M30P-N30NNC-K020V	145
LCS-1M18P-F08PNO-K020P	144	LCS-2M12B-N06NNO-M12	144	LCS-2M30P-N30NNC-M12	145
LCS-1M18P-F08PNO-M12	144	LCS-2M12B-N06PNC-K020V	145	LCS-2M30P-N30NNO-K020V	145
LCS-1M18P-N15NNC-K020P	143	LCS-2M12B-N06PNC-M12	144	LCS-2M30P-N30NNO-M12	145
LCS-1M18P-N15NNC-M12	143	LCS-2M12B-N06PNO-K020V	145	LCS-2M30P-N30PNC-K020V	145
LCS-1M18P-N15NNO-K020P	143	LCS-2M12B-N06PNO-M12	144	LCS-2M30P-N30PNC-M12	145
LCS-1M18P-N15NNO-M12	143	LCS-2M12P-F03NNC-K020V	145	LCS-2M30P-N30PNO-K020V	145
LCS-1M18P-N15PNC-K020P	143	LCS-2M12P-F03NNC-M12	145	LCS-2M30P-N30PNO-M12	145
LCS-1M18P-N15PNC-M12	143	LCS-2M12P-F03NNO-K020V	145	LE3C/4W-M8	30
LCS-1M18P-N15PNO-K020P	143	LCS-2M12P-F03NNO-M12	145	LE3C/4W-M8	30
LCS-1M18T-N15NNC-K020T	143	LCS-2M12P-F03PNC-K020V	145	LE3C/6G-M8	30
LCS-1M18T-N15NNC-K020T	148	LCS-2M12P-F03PNC-M12	145	LE3C/6G-M8	30
LCS-1M18T-N15NNO-K020T	143	LCS-2M12P-F03PNO-K020V	145	LE3CL1.1/4W-M8	29
LCS-1M18T-N15NNO-K020T	148	LCS-2M12P-F03PNO-M12	145	LE3CL1.1/4W-M8	30
LCS-1M18T-N15PNC-K020T	143	LCS-2M12P-N06NNC-K020V	145	LE3CL1.1/6G-M8	29
LCS-1M18T-N15PNC-K020T	148	LCS-2M12P-N06NNC-M12	144	LE3CL1.1/6G-M8	30
LCS-1M18T-N15PNO-K020T	143	LCS-2M12P-N06NNO-K020V	145	LE3CL1.1/LP-M8	29
LCS-1M18T-N15PNO-K020T	148	LCS-2M12P-N06NNO-M12	144	LE3CL1.1/LP-M8	30
LCS-1M30M-F15NNC-K020P	144	LCS-2M12P-N06PNC-K020V	145	LE3C/LP-M8	30
LCS-1M30M-F15NNC-M12	144	LCS-2M12P-N06PNC-M12	144	LE3C/LP-M8	30
LCS-1M30M-F15NNO-K020P	144	LCS-2M12P-N06PNO-K020V	145	LE5/2	36
LCS-1M30M-F15NNO-M12	144	LCS-2M12P-N06PNO-M12	144	LE5/2	36
LCS-1M30M-F15PNC-K020P	144	LCS-2M18B-F08NNC-K020V	145	LE5/2-M8.3	35
LCS-1M30M-F15PNC-M12	144	LCS-2M18B-F08NNC-M12	145	LE5/2-M8.3	35
LCS-1M30M-F15PNO-K020P	144	LCS-2M18B-F08NNO-K020V	145	LE5/2-M8.3	35
LCS-1M30M-F15PNO-M12	144	LCS-2M18B-F08NNO-M12	145	LE5/2N	36
LCS-1M30M-N25NNC-K020P	144	LCS-2M18B-F08PNC-K020V	145	LE5/2N	36
LCS-1M30M-N25NNC-M12	143	LCS-2M18B-F08PNC-M12	145	LE5/2N	36
LCS-1M30M-N25NNO-K020P	144	LCS-2M18B-F08PNO-K020V	145	LE5/2N-200-M12	36
LCS-1M30M-N25NNO-M12	143	LCS-2M18B-F08PNO-M12	145	LE5/2N-M8	35
LCS-1M30M-N25PNC-K020P	144	LCS-2M18B-N15NNC-K020V	145	LE5/2N-M8	35
LCS-1M30M-N25PNC-M12	143	LCS-2M18B-N15NNC-M12	144	LE5/2N-M8	35
LCS-1M30M-N25PNO-K020P	144	LCS-2M18B-N15NNO-K020V	145	LE5/2X-200-M12	36
LCS-1M30M-N25PNO-M12	143	LCS-2M18B-N15NNO-M12	144	LE5/2X-M8	35
LCS-1M30P-F10NNP-M12-LT	149	LCS-2M18B-N15PNC-K020V	145	LE5/2X-M8	35
LCS-1M30P-F10PNP-M12-LT	149	LCS-2M18B-N15PNC-M12	144	LE5/4	36
LCS-1M30P-F15NNC-K020P	144	LCS-2M18B-N15PNO-K020V	145	LE5/4	36
LCS-1M30P-F15NNC-M12	144	LCS-2M18P-F08NNC-K020V	146	LE5/4-M8.3	35
LCS-1M30P-F15NNO-K020P	144	LCS-2M18P-F08NNC-M12	145	LE5/4-M8.3	35
LCS-1M30P-F15PNC-K020P	144	LCS-2M18P-F08NNO-K020V	146	LE5/4-M8.3	35
LCS-1M30P-F15PNC-M12	144	LCS-2M18P-F08NNO-M12	145	LE5/4P	36
LCS-1M30P-F15PNO-K020P	144	LCS-2M18P-F08PNC-K020V	146	LE5/4P	36
LCS-1M30P-F15PNO-M12	144	LCS-2M18P-F08PNC-M12	145	LE5/4P	36
LCS-1M30P-N25NNC-K020P	143	LCS-2M18P-F08PNO-K020V	146	LE5/4P-200-M12	36
LCS-1M30P-N25NNC-M12	143	LCS-2M18P-F08PNO-M12	145	LE5/4P-M8	35
LCS-1M30P-N25NNO-K020P	143	LCS-2M18P-N15NNC-K020V	145	LE5/4P-M8	35
LCS-1M30P-N25NNO-M12	143	LCS-2M18P-N15NNC-M12	144	LE5/4P-M8	35
LCS-1M30P-N25PNC-K020P	143	LCS-2M18P-N15NNO-K020V	145	LE5/4X-200-M12	36
LCS-1M30P-N25PNC-M12	143	LCS-2M18P-N15NNO-M12	145		

LE5/4X-M8	35	LE328.W/2N-M12	103	LSE 96M/P-1170-22	89
LE5/4X-M8	35	LE328.W/4P	103	LSE 96M/P-1170-42	88
LE5/4X-M8	35	LE328.W/4P-M12	103	LSE 96M/P-1816-41	88
LE5/N	36	LES 36HI/PB	249	LSE 96M/P-3010-21	89
LE5/N	36	LES 36HI/VC6	249	LSE 96M/P-3010-41	89
LE5/N	36	LES 36HI/VC6.10	249	LSE 96M/P-3012-21	89
LE5/P	36	LES 36/PB	249	LSE 96M/P-3012-21	89
LE5/P	36	LES 36/VC6	249	LSE 96M/P-3012-41	89
LE5/P	36	LPS 36	248	LSE 96M/P-3019-21 Ex n	116
LE28/2N	63	LPS 36/EN	248	LSE 96M/R-176W-25	88
LE28/2N-M12	63	LPS 36HI/EN	248	LSE 96M/R-1310-25	89
LE28/4P	63	LPS 36HI/EN.10	248	LSE 96M/R-3310-25	89
LE28/4P-M12	63	LRS 36/6	250	LSEL 318M/P	100
LE46C.1/4P-200-M12	67	LRS 36/6.10	250	LSEL 318M/P-B5	100
LE46C.1/4P-M12	66	LRS 36/PB	250	LSEL 318M/P-B5-S12	100
LE46C.1/4P-M12	67	LRT 8/24.04-50-S12	205	LSEL 318M/P-S12	100
LE46C/2N-M12	66	LRT 8/24.04-100-S12	205	LSER 2/4,150-S8.3	26
LE46C/2N-M12	67	LRT 8/24.10-150-S12	205	LSER 2/42	26
LE46C/4P	67	LRT 8/24.14-150-S12	205	LSER 2/42,150-S8	26
LE46C/4P-200-M12	67	LRT 8/24.16-80-S12	205	LSER 2/42,150-S12	26
LE46C/4P-M12	66	LRT 8/44.14-150-S12	205	LSER 2/42D	26
LE46C/4P-M12	67	LS3C/8X-M8	30	LSER 2/42D,150-S8	26
LE46C/4W-M12	66	LS3CL1/8X-M8	30	LSER 2/42D,150-S12	26
LE46C/4W-M12	67	LS3CL1/XX-M8	29	LSER 8/44-S12	41
LE46CI.1/4P-M12	67	LS3C/XX-M8	30	LSER 25B/4,200-S8.1	56
LE46C.P/2N-M12	66	LS5	36	LSER 25B/4,200-S12	56
LE46C.P/4P-M12	66	LS5/9D	36	LSER 25B/6-S12	56
LE46C/PX-200-M12	67	LS5/9D-200-M12	36	LSER 25B/6-S12	56
LE49C.1/4P-TB	72	LS5/9D-M8	35	LSER 25B/66	56
LE49C.1/4P-TB	73	LS5I/9D-P1	36	LSER 25B/66.1-S12	56
LE49C/2N-TB	72	LS5/X-M8.3	35	LSER 25B/66-S8	56
LE49C/2N-TB	73	LS5/XX-M8	35	LSER 25B/66-S12	56
LE49C/4P-TB	72	LS28/9D	63	LSER 25B/66-S12	56
LE49C/4P-TB	73	LS28/9D-M12	63	LSER 46B/66,200-S12 S-Ex n	114
LE49C/4W-TB	72	LS46C	67	LSER 53/66-S8	76
LE49C/4W-TB	73	LS46C.8-M12	67	LSER 55/66,200-S12	80
LE49CI.1/2N-TB	73	LS46C-200-M12	67	LSER 55/66,300-S12 Ex	80
LE49CI.1/2N-TB	73	LS46CI-M12	67	LSER 55/66,300-S12 Ex	112
LE49CI.1/4P-TB	73	LS46C-M12	66	LSER 55/66,5000	80
LE49CI.1/4P-TB	73	LS49C.8-TB	73	LSER 55/66-S8	80
LE49CI/4W-TB	73	LS49CI.8-TB	73	LSERL 8/24.01-S12	41
LE49CI/4W-TB	73	LS49CI-TB	73	LSERL 8/24.01-S12	41
LE49CI.UC1/M4	73	LS49CI.UC	73	LSERL 8/44.01-S12	41
LE49CI.UC1/M4-TB	73	LS49CI.UCH/TB	73	LSERL 8/44.01-S12	41
LE49CI.UCH1/M4-TB	73	LS49CI.UC-TB	73	LSEU 18/24-S12	151
LE49CI.UCH/TS-TB	73	LS49C-TB	72	LSIS 222 M5M-R1	432
LE49CI.UC/TS	73	LS49C.UC	72	LSIS 223 M5M-R1	432
LE49CI.UC/TS-TB	73	LS49C.UCH/TB	73	LSIS 412i M43-I1	475
LE49C.UC1/M4	72	LS49C.UC-TB	73	LSIS 412i M43-I1-01	475
LE49C.UC1/M4-TB	73	LS 95/2.8 SE-L1	85	LSIS 412i M43-M1	475
LE49C.UCH1/M4-TB	73	LS318B/9D	96	LSIS 412i M43-M1-01	475
LE49C.UCH/TS-TB	73	LS318B/9D-M12	96	LSIS 412i M43-W1	475
LE49C.UC/TS	72	LS318BI/9D	96	LSIS 412i M43-W1-01	475
LE49C.UC/TS-TB	73	LS318BI/9D-M12	96	LSIS 412i M45-I1	475
LE318B/2N	96	LS318B.W/9D	96	LSIS 412i M45-I1-01	475
LE318B/2N	96	LS318B.W/9D-M12	96	LSIS 412i M45-M1	475
LE318B/2N	96	LS318B.Y1	96	LSIS 412i M45-M1-01	475
LE318B/2N-M12	96	LS328/9D	103	LSIS 412i M45-W1	475
LE318B/2N-M12	96	LS328/9D-M12	103	LSIS 412i M45-W1-01	475
LE318B/2N-M12	96	LS328.W/9D	103	LSIS 412i M49-X9	475
LE318B/2N-M12	96	LS328.W/9D-M12	103	LSIS 412i M49-X9-01	475
LE318B/4P	96	LS328/XX-M12	103	LSIS 422i M43-I1	434
LE318B/4P	96	LS 412M/P	107	LSIS 422i M43-I1-01	434
LE318B/4P	96	LSE 25B/22.2	57	LSIS 422i M43-M1	434
LE318B/4P-M12	96	LSE 25B/22.2-S8	57	LSIS 422i M43-M1-01	434
LE318B/4P-M12	96	LSE 25B/22.2-S12	56	LSIS 422i M43-W1	434
LE318B/4P-M12	96	LSE 25B/44.2	57	LSIS 422i M43-W1-01	434
LE318B/4P-M12	96	LSE 25B/44.2-S8	57	LSIS 422i M45-I1	434
LE318B.W/2N	96	LSE 25B/44.2-S12	56	LSIS 422i M45-I1-01	434
LE318B.W/2N-M12	96	LSE 55/44.H2O,200-S12	80	LSIS 422i M45-M1	434
LE318B.W/4P	96	LSE 55/44.H2O,200-S12	80	LSIS 422i M45-M1-01	434
LE318B.W/4P-M12	96	LSE 96K/P-1140-21	88	LSIS 422i M45-W1	434
LE328/2N	103	LSE 96M/A-182W-44	88	LSIS 422i M45-W1-01	434
LE328/2N-M12	103	LSE 96M/N-1010-27	89	LSIS 422i M49-X9	434
LE328/4P	103	LSE 96M/P-181W-41	88	LSIS 462i M43-I1	475
LE328/4P-M12	103	LSE 96M/P-1040-42	89	LSIS 462i M43-I1-01	475
LE328.W/2N	103	LSE 96M/P-1130-22	89	LSIS 462i M43-M1	475

LSIS 462i M43-M1-01	475	LV463I.XR7/4T4-150-M12	165	MC 030K	498
LSIS 462i M43-W1	475	LV463I.XR7/4T-150-M12	165	MC 030K-LS	498
LSIS 462i M43-W1-01	476	LV463I.XR7/4TC	165	MC330-S1-A	355
LSIS 462i M45-I1	476	LV463I.XR7/4TC-150-M12	165	MC330-S1C2-A	353
LSIS 462i M45-I1-01	476	LV463I.XR7/4TV	165	MC330-S1-C02M12-A	354
LSIS 462i M45-M1	476	LV463I.XR7/4TV-150-M12	165	MC330-S1C5-A	353
LSIS 462i M45-M1-01	476	LV463.XR7/2T	165	MC330-S1C10-A	354
LSIS 462i M45-W1	476	LV463.XR7/2T2	165	MC330-S1M8-A	354
LSIS 462i M45-W1-01	476	LV463.XR7/2T2-150-M12	165	MC330-S1R2-A	353
LSIS 462i M49-X9	476	LV463.XR7/2T-150-M12	165	MC330-S1R5-A	353
LSIS 472i M43-I1	476	LV463.XR7/2TC	165	MC330-S1R10-A	354
LSIS 472i M43-I1-H	476	LV463.XR7/2TC-150-M12	165	MC330-S2-A	355
LSIS 472i M45-I1	476	LV463.XR7/2T-M8	165	MC330-S2C2-A	353
LSIS 472i M45-I1-H	476	LV463.XR7/2TV	165	MC330-S2-C02M12-A	353
LSR 95/2.8 SE-L.1	85	LV463.XR7/2TV-150-M12	165	MC330-S2C5-A	353
LSS 25B.2	57	LV463.XR7/4T	165	MC330-S2M8-A	353
LSS 25B.2-S8	57	LV463.XR7/4T4	165	MC336-S1-A	355
LSS 25B.2-S12	56	LV463.XR7/4T4-150-M12	165	MC336-S1C2-A	353
LSS 55.H2O,200-S12	80	LV463.XR7/4T-150-M12	165	MC336-S1-C02M12-A	353
LSS 96K-1213-24	88	LV463.XR7/4TC	165	MC336-S1C5-A	353
LSS 96M-120W-43	88	LV463.XR7/4TC-150-M12	165	MC336-S1C10-A	353
LSS 96M-175W-26	88	LV463.XR7/4T-M8	165	MC336-S1M8-A	353
LSS 96M-180W-44	88	LV463.XR7/4TV	165	MC336-S1R2-A	353
LSS 96M-1070-23	89	LV463.XR7/4TV-150-M12	165	MC336-S1R5-A	353
LSS 96M-1070-43	89	LV463.XR7/L4	166	MC336-S1R10-A	353
LSS 96M-1079-23 Ex n.	116	LV463.XR7/L4-150-M12	166	MC336-S2-A	355
LSS 96M-1090-24	89	LV463.XR7/L4-M8	166	MC336-S2C2-A	353
LSS 96M-1090-43	89	LV463.XV7/2T	166	MC336-S2-C02M12-A	353
LSS 96M-1093-24	89	LV463.XV7/2T-150-M12	165	MC336-S2C5-A	353
LSS 96M-1200-23	89	LV463.XV7/2T-M8	165	MC336-S2M8-A	353
LSS 96M-1206-43	88	LV463.XV7/4T	165	MC336-SP-8	355
LSS 96M-1350-26	89	LV463.XV7/4T-150-M12	165	MC388-S1-A	355
LSSL 318M	100	LV463.XV7/4T-M8	165	MC388-S1C2-A	353
LSSL 318M-S12	100	LV463.XV7/L4	166	MC388-S1-C02M12-A	353
LSSR 2	26	LV463.XV7/L4-150-M12	166	MC388-S1C5-A	353
LSSR 2.8,150-S8.3	26	LV463.XV7/L4-M8	166	MC388-S1C10-A	353
LSSR 2,150-S8	26	M4-V1-MW3-DS-C-T-M12	508	MC388-S1M8-A	353
LSSR 2,150-S12	26	M7-V1-MW3-DS-C-T-M12-200	508	MC388-S1R2-A	353
LSSR 8-S12	41	MA 2	454	MC388-S1R5-A	353
LSSR 25B.8	56	MA 4	456	MC388-S1R10-A	353
LSSR 25B.8-S8	56	MA 4.7	457	MC388-S2-A	355
LSSR 25B.8-S12	56	MA 4 D.7	457	MC388-S2C2-A	353
LSSR 25B,200-S8.1	56	MA 8-01	242	MC388-S2C2-AL	353
LSSR 25B,200-S12	56	MA 8-01	394	MC388-S2-C02M12-A	353
LSSR 25B-S12	56	MA 8-01	458	MC388-S2C5-A	353
LSSR 46B,200-S12 S-Ex n.	114	MA 8.1	394	MC388-S2C5-AL	353
LSSR 53.8-S8	76	MA 8.1	458	MC388-S2C5-AL-F	353
LSSR 55.8,200-S12	80	MA 8-02	458	MC388-S2M8-A	353
LSSR 55.8,5000	80	MA 21 100	454	MC388-S2R10-A	353
LSSR 55.8-S8	80	MA 21 100.2	454	MC388-SP-8	355
LSSR 55,300-S12 Ex	80	MA 31 100	455	MD 7XXP-11-42IO5-12	493
LSSR 55,300-S12 Ex	112	MA 31 110	455	MD 7XXP-11-42IO5-13	493
LSSRL 8.9-S12	41	MA 31 130	455	MD 7XXP-11-48IO3-12	493
LSSRL 8.98-S12	41	MA 100	409	MD 7XXP-11-48IO3-K030	493
LSSU 18-S12	151	MA 100	453	MD 7XXP-11-48IO3-K050	493
LV461.1/P2	163	MA 204i Profibus gateway	451	MD 7XXP-11-48IO3-K100	493
LV461.1/P2-150-M8	163	MA 208i Ethernet gateway	451	MD 7XXP-11-68IO3-12	493
LV462.4/2	164	MA 235i CANopen gateway	451	MD 7XXP-11-82IO4-12	493
LV462.4/2X-150-M8	164	MA 238i EtherCAT gateway	451	MD 7XXP-11-82IO4-13	493
LV462.4/4	164	MA 248i PROFINET gateway	451	MD 7XXP-11-82IO4-K030	493
LV462.4/4X-150-M8	164	MA 255i DeviceNet gateway	451	MD 7XXP-11-82IO4-K050	493
LV463.7/2-150-M8.3	165	MA 258i EtherNet/IP gateway	451	MD 7XXP-11-82IO4-K100	493
LV463.7/2T	165	MA 900	422	MD 7XXP-11-82IO5-13	493
LV463.7/2T-150-M8	165	MA 900	458	MD 7XXP-11-82IO5-FK	493
LV463.7/2T-150-M12	165	MA-CR	436	MD 7XXP-11-82IO5-K030	493
LV463.7/2T-M8	165	MA-CR	437	MD 7XXP-11-82IO5-K050	493
LV463.7/4-150-M8.3	165	MA-CR	438	MD 7XXP-11-82IO5-K100	493
LV463.7/4T	165	MC 003K	497	MD 7XXP-11-88IO3-12	493
LV463.7/4T-150-M8	165	MC 004K	497	MD 7XXP-11-88IO3-K030	493
LV463.7/4T-150-M12	165	MC 005K	498	MD 7XXP-11-88IO3-K050	493
LV463.7/4T-M8	165	MC 006K	498	MD 7XXP-11-88IO3-K100	493
LV463.7/L4	166	MC 008K	498	MD 7XXP-11-108IO3-12	493
LV463.7/L4-150-M8	166	MC 008K-LS	498	MD 248i-12-8K/L4-2R2K	453
LV463.7/L4-150-M12	166	MC 012K	498	MD 258i-12-8K/L4-2R2K	453
LV463.7/L4-M8	166	MC 012K-LS	498	MD 708-21-42/D4-12	453
LV463I.XR7/4T	165	MC 018K	498	MD 708-21-82/D4-12	453
LV463I.XR7/4T4	165	MC 018K-LS	498	MD 748i-11-42/L5-2222	453

Type designation... Page no.

MD 758i-11-42/L5-2222	453	MLC320R20-450	288	MLC500T14-1050	277
ME 308 103	409	MLC320R20-600	288	MLC500T14-1050	279
ME 308 104	409	MLC320R20-750	288	MLC500T14-1050/A	275
ME 338 103	409	MLC320R20-900	288	MLC500T14-1050G	283
ME 338 104	409	MLC320R20-1050	288	MLC500T14-1050H	281
ME 338 214	409	MLC320R20-1200	288	MLC500T14-1050H/A	281
ME 348 103	239	MLC320R20-1350	288	MLC500T14-1050IP	275
ME 348 103	409	MLC320R20-1500	288	MLC500T14-1050MG	282
ME 348 104	409	MLC320R20-1650	288	MLC500T14-1200	275
ME 348 214	409	MLC320R20-1800	288	MLC500T14-1200	277
MK 300	409	MLC500T14-150	274	MLC500T14-1200	279
MK 301	409	MLC500T14-150	276	MLC500T14-1200/A	275
MK 304	239	MLC500T14-150	279	MLC500T14-1200G	283
MK 304	409	MLC500T14-150/A	274	MLC500T14-1200H	282
MK 307	239	MLC500T14-150G	283	MLC500T14-1200H/A	282
MK 308	409	MLC500T14-150/V	276	MLC500T14-1200-IP	275
MK 338	239	MLC500T14-300	274	MLC500T14-1200MG	283
MK 338	409	MLC500T14-300	276	MLC500T14-1350	275
MK 348	239	MLC500T14-300	279	MLC500T14-1350	277
MK 348	409	MLC500T14-300/A	274	MLC500T14-1350	279
MK 358	409	MLC500T14-300G	283	MLC500T14-1350/A	275
MLC300T20-150	287	MLC500T14-300H	281	MLC500T14-1350G	283
MLC300T20-150	288	MLC500T14-300H/A	281	MLC500T14-1350H	282
MLC300T20-225	287	MLC500T14-300-IP	274	MLC500T14-1350H/A	282
MLC300T20-225	288	MLC500T14-300MG	282	MLC500T14-1350MG	283
MLC300T20-300	287	MLC500T14-300/V	274	MLC500T14-1500	275
MLC300T20-300	288	MLC500T14-300/V	276	MLC500T14-1500	277
MLC300T20-450	287	MLC500T14-300/V	279	MLC500T14-1500	279
MLC300T20-450	288	MLC500T14-450	274	MLC500T14-1500/A	275
MLC300T20-600	287	MLC500T14-450	277	MLC500T14-1500G	283
MLC300T20-600	288	MLC500T14-450	279	MLC500T14-1500H	282
MLC300T20-750	287	MLC500T14-450/A	274	MLC500T14-1500H/A	282
MLC300T20-750	288	MLC500T14-450G	283	MLC500T14-1500MG	283
MLC300T20-900	287	MLC500T14-450H	281	MLC500T14-1650	275
MLC300T20-900	288	MLC500T14-450H/A	281	MLC500T14-1650	277
MLC300T20-1050	287	MLC500T14-450-IP	274	MLC500T14-1650	279
MLC300T20-1050	288	MLC500T14-450MG	282	MLC500T14-1650/A	275
MLC300T20-1200	287	MLC500T14-450/V	274	MLC500T14-1650G	283
MLC300T20-1200	288	MLC500T14-450/V	277	MLC500T14-1650H	282
MLC300T20-1350	287	MLC500T14-450/V	279	MLC500T14-1650H/A	282
MLC300T20-1350	288	MLC500T14-600	274	MLC500T14-1650MG	283
MLC300T20-1500	287	MLC500T14-600	277	MLC500T14-1800	275
MLC300T20-1500	288	MLC500T14-600	279	MLC500T14-1800	277
MLC300T20-1650	287	MLC500T14-600/A	274	MLC500T14-1800	279
MLC300T20-1650	288	MLC500T14-600G	283	MLC500T14-1800/A	275
MLC300T20-1800	287	MLC500T14-600H	281	MLC500T14-1800G	283
MLC300T20-1800	288	MLC500T14-600H/A	281	MLC500T14-1800H	282
MLC301T40-300	287	MLC500T14-600-IP	274	MLC500T14-1800H/A	282
MLC301T40-450	287	MLC500T14-600MG	282	MLC500T14-1800MG	283
MLC301T40-600	287	MLC500T14-600/V	274	MLC500T14-1950	275
MLC301T40-750	287	MLC500T14-600/V	277	MLC500T14-1950	277
MLC301T40-900	287	MLC500T14-600/V	279	MLC500T14-1950	279
MLC301T40-1050	288	MLC500T14-750	274	MLC500T14-2100	275
MLC301T40-1200	288	MLC500T14-750	277	MLC500T14-2100	277
MLC310R20-150	287	MLC500T14-750	279	MLC500T14-2100	279
MLC310R20-225	287	MLC500T14-750/A	274	MLC500T14-2250	275
MLC310R20-300	287	MLC500T14-750G	283	MLC500T14-2250	277
MLC310R20-450	287	MLC500T14-750H	281	MLC500T14-2250	279
MLC310R20-600	287	MLC500T14-750H/A	281	MLC500T14-2400	275
MLC310R20-750	287	MLC500T14-750-IP	274	MLC500T14-2400	277
MLC310R20-900	287	MLC500T14-750MG	282	MLC500T14-2400	280
MLC310R20-1050	287	MLC500T14-750/V	274	MLC500T14-2550	275
MLC310R20-1200	287	MLC500T14-750/V	277	MLC500T14-2550	277
MLC310R20-1350	287	MLC500T14-750/V	279	MLC500T14-2550	280
MLC310R20-1500	287	MLC500T14-900	274	MLC500T14-2700	275
MLC310R20-1650	287	MLC500T14-900	277	MLC500T14-2700	277
MLC310R20-1800	287	MLC500T14-900	279	MLC500T14-2700	280
MLC311R40-300	287	MLC500T14-900/A	274	MLC500T14-2850	275
MLC311R40-450	287	MLC500T14-900G	283	MLC500T14-2850	277
MLC311R40-600	287	MLC500T14-900H	281	MLC500T14-2850	280
MLC311R40-750	287	MLC500T14-900H/A	281	MLC500T14-3000	275
MLC311R40-900	287	MLC500T14-900-IP	275	MLC500T14-3000	277
MLC311R40-1050	288	MLC500T14-900MG	282	MLC500T14-3000	280
MLC311R40-1200	288	MLC500T14-900/V	274	MLC500T20-600-EX2	284
MLC320R20-150	288	MLC500T14-900/V	277	MLC500T20-750-EX2	284
MLC320R20-225	288	MLC500T14-900/V	279	MLC500T20-900-EX2	284
MLC320R20-300	288	MLC500T14-1050	275	MLC500T20-1050-EX2	284

MLC500T20-1200-EX2	284	MLC510R14-1050-IP	275	MLC520R14-1500G	283
MLC500T20-1350-EX2	284	MLC510R14-1200	275	MLC520R14-1500H	282
MLC500T20-1500-EX2	284	MLC510R14-1200/A	275	MLC520R14-1500MG	283
MLC500T30-150	280	MLC510R14-1200H/A	282	MLC520R14-1650	277
MLC500T30-225	280	MLC510R14-1200-IP	275	MLC520R14-1650G	283
MLC500T30-300	280	MLC510R14-1350	275	MLC520R14-1650H	282
MLC500T30-450	280	MLC510R14-1350/A	275	MLC520R14-1650MG	283
MLC500T30-600	280	MLC510R14-1350H/A	282	MLC520R14-1800	277
MLC500T30-750	280	MLC510R14-1500	275	MLC520R14-1800G	283
MLC500T30-900	280	MLC510R14-1500/A	275	MLC520R14-1800H	282
MLC500T30-1050	280	MLC510R14-1500H/A	282	MLC520R14-1800MG	283
MLC500T30-1200	280	MLC510R14-1650	275	MLC520R14-1950	277
MLC500T30-1350	280	MLC510R14-1650/A	275	MLC520R14-2100	277
MLC500T30-1500	280	MLC510R14-1650H/A	282	MLC520R14-2250	277
MLC500T30-1650	280	MLC510R14-1800	275	MLC520R14-2400	277
MLC500T30-1800	280	MLC510R14-1800/A	275	MLC520R14-2550	277
MLC500T30-1950	280	MLC510R14-1800H/A	282	MLC520R14-2700	277
MLC500T30-2100	280	MLC510R14-1950	275	MLC520R14-2850	277
MLC500T30-2250	280	MLC510R14-2100	275	MLC520R14-3000	277
MLC500T30-2400	280	MLC510R14-2250	275	MLC520R20-600-EX2	284
MLC500T30-2550	281	MLC510R14-2400	275	MLC520R20-750-EX2	284
MLC500T30-2700	281	MLC510R14-2550	275	MLC520R20-900-EX2	284
MLC500T30-2850	281	MLC510R14-2700	275	MLC520R20-1050-EX2	284
MLC500T30-3000	281	MLC510R14-2850	275	MLC520R20-1200-EX2	284
MLC501T14-300	276	MLC510R14-3000	275	MLC520R20-1350-EX2	284
MLC501T14-450	276	MLC511R14-300	276	MLC520R20-1500-EX2	284
MLC501T14-600	276	MLC511R14-450	276	MLC520-S-14-150	278
MLC501T14-750	276	MLC511R14-600	276	MLC520-S-14-210	278
MLC501T14-900	276	MLC511R14-750	276	MLC520-S-14-270	278
MLC501T14-1050	276	MLC511R14-900	276	MLC520-S-14-300	278
MLC501T14-1200	276	MLC511R14-1050	276	MLC520-S-14-330	278
MLC501T14-1350	276	MLC511R14-1200	276	MLC520-S-14-360	278
MLC501T14-1500	276	MLC511R14-1350	276	MLC520-S-14-390	278
MLC501T14-1650	276	MLC511R14-1500	276	MLC520-S-14-420	278
MLC501T14-1800	276	MLC511R14-1650	276	MLC520-S-14-450	278
MLC502T14-150	274	MLC511R14-1800	276	MLC520-S-14-480	278
MLC502T14-300	274	MLC520R14-150	276	MLC520-S-14-510	278
MLC502T14-450	274	MLC520R14-150G	283	MLC520-S-14-540	278
MLC502T14-600	274	MLC520R14-150V	276	MLC520-S-14-570	278
MLC502T14-750	274	MLC520R14-300	276	MLC520-S-14-600	278
MLC502T14-900	274	MLC520R14-300G	283	MLC520-S-14-630	278
MLC502T14-1050	275	MLC520R14-300H	281	MLC520-S-14-660	278
MLC502T14-1200	275	MLC520R14-300MG	282	MLC520-S-14-690	278
MLC502T14-1350	275	MLC520R14-300V	276	MLC520-S-14-720	278
MLC502T14-1500	275	MLC520R14-450	277	MLC520-S-14-750	278
MLC502T14-1650	275	MLC520R14-450G	283	MLC520-S-14-780	278
MLC502T14-1800	275	MLC520R14-450H	281	MLC520-S-14-810	278
MLC510R14-150	274	MLC520R14-450MG	282	MLC520-S-14-840	278
MLC510R14-150/A	274	MLC520R14-450V	277	MLC520-S-14-870	278
MLC510R14-300	274	MLC520R14-600	277	MLC520-S-14-900	278
MLC510R14-300/A	274	MLC520R14-600G	283	MLC520-S-14-930	278
MLC510R14-300H/A	281	MLC520R14-600H	281	MLC520-S-14-960	278
MLC510R14-300-IP	274	MLC520R14-600MG	282	MLC520-S-14-990	278
MLC510R14-300V	274	MLC520R14-600V	277	MLC520-S-14-1020	278
MLC510R14-450	274	MLC520R14-750	277	MLC520-S-14-1050	278
MLC510R14-450/A	274	MLC520R14-750G	283	MLC520-S-14-1080	278
MLC510R14-450H/A	281	MLC520R14-750H	281	MLC520-S-14-1110	278
MLC510R14-450-IP	274	MLC520R14-750MG	282	MLC520-S-14-1140	278
MLC510R14-450V	274	MLC520R14-750V	277	MLC520-S-14-1170	279
MLC510R14-600	274	MLC520R14-900	277	MLC520-S-14-1200	279
MLC510R14-600/A	274	MLC520R14-900G	283	MLC530R14-150	279
MLC510R14-600H/A	281	MLC520R14-900H	281	MLC530R14-300	279
MLC510R14-600-IP	274	MLC520R14-900MG	282	MLC530R14-300V	279
MLC510R14-600V	274	MLC520R14-900V	277	MLC530R14-450	279
MLC510R14-750	274	MLC520R14-1050	277	MLC530R14-450V	279
MLC510R14-750/A	274	MLC520R14-1050G	283	MLC530R14-600	279
MLC510R14-750H/A	281	MLC520R14-1050H	281	MLC530R14-600V	279
MLC510R14-750-IP	274	MLC520R14-1050MG	282	MLC530R14-750	279
MLC510R14-750V	274	MLC520R14-1200	277	MLC530R14-750V	279
MLC510R14-900	274	MLC520R14-1200G	283	MLC530R14-900	279
MLC510R14-900/A	274	MLC520R14-1200H	282	MLC530R14-900V	279
MLC510R14-900H/A	281	MLC520R14-1200MG	283	MLC530R14-1050	279
MLC510R14-900-IP	275	MLC520R14-1350	277	MLC530R14-1200	279
MLC510R14-900V	274	MLC520R14-1350G	283	MLC530R14-1350	279
MLC510R14-1050	275	MLC520R14-1350H	282	MLC530R14-1500	279
MLC510R14-1050/A	275	MLC520R14-1350MG	283	MLC530R14-1650	279
MLC510R14-1050H/A	281	MLC520R14-1500	277	MLC530R14-1800	279

Type designation... Page no.

MLC530R14-1950	279	MLD300-T4	304	MLD320-R2	304
MLC530R14-2100	279	MLD300-T4	305	MLD320-R2L	304
MLC530R14-2250	279	MLD300-T4	305	MLD320-R2LM	304
MLC530R14-2400	280	MLD300-T4	306	MLD320-R2M	304
MLC530R14-2550	280	MLD300-T4	306	MLD320-R3	304
MLC530R14-2700	280	MLD300-T4L	303	MLD320-R3L	304
MLC530R14-2850	280	MLD300-T4L	303	MLD320-R3LM	304
MLC530R14-3000	280	MLD300-T4L	304	MLD320-R3M	304
MLC530R30-150-SPG	280	MLD300-T4L	304	MLD320-R4	304
MLC530R30-225-SPG	280	MLD300-T4L	305	MLD320-R4L	304
MLC530R30-300-SPG	280	MLD300-T4L	305	MLD320-R4LM	304
MLC530R30-450-SPG	280	MLD300-T4L	306	MLD320-R4M	304
MLC530R30-600-SPG	280	MLD300-T4L	306	MLD320-RT2	309
MLC530R30-750-SPG	280	MLD300-XT2	302	MLD320-RT2M	309
MLC530R30-900-SPG	280	MLD300-XT2	303	MLD320-RT3	309
MLC530R30-1050-SPG	280	MLD300-XT2	304	MLD320-RT3M	309
MLC530R30-1200-SPG	280	MLD300-XT2	304	MLD320-XR2	304
MLC530R30-1350-SPG	280	MLD300-XT2	305	MLD320-XR2L	304
MLC530R30-1500-SPG	280	MLD300-XT2	306	MLD320-XR2LM	304
MLC530R30-1650-SPG	280	MLD300-XT2L	303	MLD320-XR2M	304
MLC530R30-1800-SPG	280	MLD300-XT2L	303	MLD320-XR3	304
MLC530R30-1950-SPG	280	MLD300-XT2L	304	MLD320-XR3L	304
MLC530R30-2100-SPG	280	MLD300-XT2L	304	MLD320-XR3LM	304
MLC530R30-2250-SPG	280	MLD300-XT2L	305	MLD320-XR3M	304
MLC530R30-2400-SPG	280	MLD300-XT2L	306	MLD320-XR4	304
MLC530R30-2550-SPG	281	MLD300-XT3	303	MLD320-XR4L	304
MLC530R30-2700-SPG	281	MLD300-XT3	303	MLD320-XR4LM	304
MLC530R30-2850-SPG	281	MLD300-XT3	303	MLD320-XR4M	304
MLC530R30-3000-SPG	281	MLD300-XT3	304	MLD330-R2	305
MLC-PS150	504	MLD300-XT3	305	MLD330-R2L	305
MLC-PS225	504	MLD300-XT3	306	MLD330-R2LM	305
MLC-PS300	504	MLD300-XT3L	303	MLD330-R2M	305
MLC-PS450	504	MLD300-XT3L	303	MLD330-R3	305
MLC-PS600	504	MLD300-XT3L	304	MLD330-R3L	305
MLC-PS750	504	MLD300-XT3L	304	MLD330-R3LM	305
MLC-PS900	504	MLD300-XT3L	305	MLD330-R3M	305
MLC-PS1050	504	MLD300-XT3L	306	MLD330-R4	305
MLC-PS1200	504	MLD300-XT4	303	MLD330-R4L	305
MLC-PS1350	504	MLD300-XT4	303	MLD330-R4LM	305
MLC-PS1500	504	MLD300-XT4	304	MLD330-R4M	305
MLC-PS1650	504	MLD300-XT4	304	MLD330-RT2	309
MLC-PS1800	504	MLD300-XT4	305	MLD330-RT2M	309
MLD300-T2	302	MLD300-XT4	306	MLD330-RT3	309
MLD300-T2	303	MLD300-XT4L	303	MLD330-RT3M	309
MLD300-T2	304	MLD300-XT4L	303	MLD330-XR2	305
MLD300-T2	304	MLD300-XT4L	304	MLD330-XR2L	305
MLD300-T2	305	MLD300-XT4L	304	MLD330-XR3	305
MLD300-T2	305	MLD300-XT4L	305	MLD330-XR3L	305
MLD300-T2	306	MLD300-XT4L	306	MLD330-XR4	305
MLD300-T2	306	MLD310-R2	302	MLD330-XR4L	305
MLD300-T2L	303	MLD310-R2L	303	MLD335-R2	306
MLD300-T2L	303	MLD310-R3	303	MLD335-R2L	306
MLD300-T2L	304	MLD310-R3L	303	MLD335-R2LM	306
MLD300-T2L	304	MLD310-R4	303	MLD335-R2M	306
MLD300-T2L	305	MLD310-R4L	303	MLD335-R3	306
MLD300-T2L	305	MLD310-RT2	308	MLD335-R3L	306
MLD300-T2L	306	MLD310-RT3	308	MLD335-R3LM	306
MLD300-T2L	306	MLD310-XR2	302	MLD335-R3M	306
MLD300-T3	303	MLD310-XR2L	303	MLD335-R4	306
MLD300-T3	303	MLD310-XR3	303	MLD335-R4L	306
MLD300-T3	304	MLD310-XR3L	303	MLD335-R4LM	306
MLD300-T3	304	MLD310-XR4	303	MLD335-R4M	306
MLD300-T3	305	MLD310-XR4L	303	MLD335-RT2	310
MLD300-T3	305	MLD312-R2	303	MLD335-RT2M	310
MLD300-T3	306	MLD312-R2L	303	MLD335-RT3	310
MLD300-T3	306	MLD312-R3	303	MLD335-RT3M	310
MLD300-T3L	303	MLD312-R3L	303	MLD335-XR2	306
MLD300-T3L	303	MLD312-R4	303	MLD335-XR2L	306
MLD300-T3L	304	MLD312-R4L	303	MLD335-XR3	306
MLD300-T3L	304	MLD312-RT2	309	MLD335-XR3L	306
MLD300-T3L	305	MLD312-RT3	309	MLD335-XR4	306
MLD300-T3L	305	MLD312-XR2	303	MLD335-XR4L	306
MLD300-T3L	306	MLD312-XR2L	303	MLD500-T1	315
MLD300-T3L	306	MLD312-XR3	303	MLD500-T1	316
MLD300-T4	303	MLD312-XR3L	303	MLD500-T1	317
MLD300-T4	303	MLD312-XR4	303	MLD500-T1/A	315
MLD300-T4	304	MLD312-XR4L	303	MLD500-T1/A	315

MLD500-T1L	315	MLD500-XT2	292	MLD510-RT2E/A	299
MLD500-T1L	316	MLD500-XT2	294	MLD510-RT2M/A	299
MLD500-T1L	317	MLD500-XT2	294	MLD510-RT2ME/A	299
MLD500-T1L/A	315	MLD500-XT2	295	MLD510-RT3	299
MLD500-T1L/A	315	MLD500-XT2	296	MLD510-RT3/A	299
MLD500-T2	292	MLD500-XT2/A	292	MLD510-RT3E/A	299
MLD500-T2	294	MLD500-XT2/A	292	MLD510-RT3M/A	299
MLD500-T2	294	MLD500-XT2L	292	MLD510-RT3ME/A	299
MLD500-T2	295	MLD500-XT2L	294	MLD510-XR1	315
MLD500-T2	295	MLD500-XT2L	294	MLD510-XR1/A	315
MLD500-T2	296	MLD500-XT2L	295	MLD510-XR1E/A	315
MLD500-T2	296	MLD500-XT2L	296	MLD510-XR2	292
MLD500-T2/A	292	MLD500-XT2L/A	292	MLD510-XR2/A	292
MLD500-T2/A	292	MLD500-XT2L/A	292	MLD510-XR2E/A	292
MLD500-T2/A	292	MLD500-XT3	292	MLD510-XR2L	292
MLD500-T2L	292	MLD500-XT3	294	MLD510-XR2L/A	292
MLD500-T2L	294	MLD500-XT3	294	MLD510-XR2LE/A	292
MLD500-T2L	294	MLD500-XT3	295	MLD510-XR3	292
MLD500-T2L	295	MLD500-XT3	296	MLD510-XR3/A	292
MLD500-T2L	295	MLD500-XT3/A	292	MLD510-XR3E/A	292
MLD500-T2L	296	MLD500-XT3/A	292	MLD510-XR3L	293
MLD500-T2L	296	MLD500-XT3L	293	MLD510-XR3L/A	292
MLD500-T2L/A	292	MLD500-XT3L	294	MLD510-XR3LE/A	293
MLD500-T2L/A	292	MLD500-XT3L	294	MLD510-XR4	293
MLD500-T2L/A	292	MLD500-XT3L	295	MLD510-XR4/A	293
MLD500-T2L-UDC-1000-S2	330	MLD500-XT3L	296	MLD510-XR4E/A	293
MLD500-T2L-UDC-1000-S2	330	MLD500-XT3L/A	292	MLD510-XR4L	293
MLD500-T2L-UDC-1000-S2	330	MLD500-XT3L/A	293	MLD510-XR4L/A	293
MLD500-T2-UDC-1000-S2-P	330	MLD500-XT4	293	MLD510-XR4LE/A	293
MLD500-T3	292	MLD500-XT4	294	MLD520-R1	316
MLD500-T3	294	MLD500-XT4	294	MLD520-R1L	316
MLD500-T3	294	MLD500-XT4	295	MLD520-R2	294
MLD500-T3	295	MLD500-XT4	296	MLD520-R2L	294
MLD500-T3	295	MLD500-XT4/A	293	MLD520-R2LM	294
MLD500-T3	296	MLD500-XT4/A	293	MLD520-R2L-UDC-1000-S2	330
MLD500-T3	296	MLD500-XT4L	293	MLD520-R2M	294
MLD500-T3/A	292	MLD500-XT4L	294	MLD520-R3	294
MLD500-T3/A	292	MLD500-XT4L	294	MLD520-R3L	294
MLD500-T3/A	292	MLD500-XT4L	294	MLD520-R3LM	294
MLD500-T3/A	292	MLD500-XT4L	295	MLD520-R3L-UDC-1300-S2	330
MLD500-T3L	293	MLD500-XT4L	296	MLD520-R3M	294
MLD500-T3L	294	MLD500-XT4L/A	293	MLD520-R4	294
MLD500-T3L	294	MLD500-XT4L/A	293	MLD520-R4L	294
MLD500-T3L	295	MLD510-R1	315	MLD520-R4LM	294
MLD500-T3L	295	MLD510-R1/A	315	MLD520-R4M	294
MLD500-T3L	296	MLD510-R1E/A	315	MLD520-RT2	299
MLD500-T3L	296	MLD510-R1L	315	MLD520-RT2M	299
MLD500-T3L/A	292	MLD510-R1L/A	315	MLD520-RT3	299
MLD500-T3L/A	292	MLD510-R1LE/A	315	MLD520-RT3M	299
MLD500-T3L/A	292	MLD510-R2	292	MLD520-RT3M	299
MLD500-T3L/A	293	MLD510-R2/A	292	MLD520-XR1	316
MLD500-T3L-UDC-1300-S2	330	MLD510-R2/A	292	MLD520-XR2	294
MLD500-T3L-UDC-1300-S2	330	MLD510-R2E/A	292	MLD520-XR2L	294
MLD500-T3L-UDC-1300-S2	330	MLD510-R2L	292	MLD520-XR2LM	294
MLD500-T4	293	MLD510-R2L/A	292	MLD520-XR2M	294
MLD500-T4	294	MLD510-R2LE/A	292	MLD520-XR3	294
MLD500-T4	294	MLD510-R2LM/A	292	MLD520-XR3L	294
MLD500-T4	295	MLD510-R2L-UDC-1000-S2	330	MLD520-XR3LM	294
MLD500-T4	295	MLD510-R2M/A	292	MLD520-XR3M	294
MLD500-T4	296	MLD510-R2-UDC-1000-S2-P	330	MLD520-XR4	294
MLD500-T4	296	MLD510-R3	292	MLD520-XR4L	294
MLD500-T4/A	293	MLD510-R3/A	292	MLD520-XR4LM	294
MLD500-T4/A	293	MLD510-R3E/A	292	MLD520-XR4M	294
MLD500-T4/A	293	MLD510-R3L	293	MLD530-R1	317
MLD500-T4L	293	MLD510-R3L/A	292	MLD530-R1L	317
MLD500-T4L	294	MLD510-R3LE/A	293	MLD530-R2	295
MLD500-T4L	294	MLD510-R3LM/A	292	MLD530-R2L	295
MLD500-T4L	295	MLD510-R3L-UDC-1300-S2	330	MLD530-R2LM	295
MLD500-T4L	295	MLD510-R3M/A	292	MLD530-R2LM-UDC-1000-S2	330
MLD500-T4L	296	MLD510-R4	293	MLD530-R2M	295
MLD500-T4L	296	MLD510-R4/A	293	MLD530-R3	295
MLD500-T4L/A	293	MLD510-R4E/A	293	MLD530-R3L	295
MLD500-T4L/A	293	MLD510-R4L	293	MLD530-R3LM	295
MLD500-T4L/A	293	MLD510-R4L/A	293	MLD530-R3LM-UDC-1300-S2	330
MLD500-XT1	315	MLD510-R4LE/A	293	MLD530-R3M	295
MLD500-XT1	316	MLD510-R4LM/A	293	MLD530-R4	295
MLD500-XT1	317	MLD510-R4M/A	293	MLD530-R4L	295
MLD500-XT1/A	315	MLD510-RT2	299	MLD530-R4LM	295
MLD500-XT1/A	315	MLD510-RT2/A	299		

Type designation... Page no.

MLD530-R4M	295	MLDSET-M1-1600T	329	MSI-FB-PROFIBUS	377
MLD530-RT2	300	MLDSET-M1-1600T4	329	MSI-MC310	362
MLD530-RT2M	300	MLDSET-M2-1300L	329	MSI-MC311	362
MLD530-RT2M-UDC-1000-S2	330	MLDSET-M2-1300T	329	MSI-MD-FB	369
MLD530-RT3	300	MLDSET-M2-1600L	329	MSI-RM2B-01	371
MLD530-RT3M	300	MLDSET-M2-1600T	329	MSI-RM2B-02	371
MLD530-XR1	317	MLDSET-M2-1600T4	329	MSI-SD-CARD	378
MLD530-XR2	295	MLD-XM03	299	MSI-SD-COVER	378
MLD530-XR2L	295	MLD-XM03	299	MSI-SR-2H1-01	361
MLD530-XR3	295	MLD-XM03	299	MSI-SR-2H1-03	361
MLD530-XR3L	295	MLD-XM03	299	MSI-SR-2H21-01	360
MLD530-XR4	295	MLD-XM03	299	MSI-SR-2H21-03	360
MLD530-XR4L	295	MLD-XM03	299	MSI-SR4B-01	365
MLD535-R2	296	MLD-XM03	299	MSI-SR4B-02	365
MLD535-R2L	296	MLD-XM03	300	MSI-SR5B-01	366
MLD535-R2LM	296	MLD-XM03	300	MSI-SR5B-02	366
MLD535-R2M	296	MLD-XM03	300	MSI-SR-CM32-01	372
MLD535-R3	296	MLD-XM03	300	MSI-SR-CM32-03	372
MLD535-R3L	296	MLD-XM03	308	MSI-SR-CM42R-01	372
MLD535-R3LM	296	MLD-XM03	309	MSI-SR-CM42R-03	372
MLD535-R3M	296	MLD-XM03	309	MSI-SR-CM43-01	373
MLD535-R4	296	MLD-XM03	309	MSI-SR-CM43-03	373
MLD535-R4L	296	MLD-XM03	309	MSI-SR-CM43DT03-01	373
MLD535-R4LM	296	MLD-XM03	309	MSI-SR-CM43DT03-03	373
MLD535-R4M	296	MLD-XM03	310	MSI-SR-ES20-01	359
MLD535-RT2	300	MLD-XM03	310	MSI-SR-ES20-03	359
MLD535-RT2M	300	MMS-A-2N55	496	MSI-SR-ES31-01	360
MLD535-RT3	300	MMS-AP-N60	496	MSI-SR-ES31-03	360
MLD535-RT3M	300	MOD-BA-I2/20-O2/40A-24V	471	MSI-SR-LC21-01	362
MLD535-XR2	296	MOD-BD-I2/20-O2/40A-24V	471	MSI-SR-LC21-03	362
MLD535-XR2L	296	MOD-EAC-I2-O4/06A-24V	471	MSI-SR-LC21DT03-01	369
MLD535-XR3	296	MOD-EAC-I2-O4/10A-24V	471	MSI-SR-LC21DT03-03	369
MLD535-XR3L	296	MS 300	409	MSI-SR-LC21DT30-01	369
MLD535-XR4	296	MS 301	409	MSI-SR-LC21DT30-03	369
MLD535-XR4L	296	MS 304	239	MSI-SR-LC21M-01	363
MLD-M002	299	MS 304	409	MSI-SR-LC21M-03	363
MLD-M002	299	MS 307	239	MSI-SR-LC31AR-01	364
MLD-M002	299	MS 308	409	MSI-SR-LC31AR-03	364
MLD-M002	299	MS 338	239	MSI-SR-LC31MR-01	364
MLD-M002	299	MS 338	409	MSI-SR-LC31MR-03	364
MLD-M002	299	MS 348	239	MSI-SR-SM42OS-01	375
MLD-M002	299	MS 348	409	MSI-SR-SM42OS-03	375
MLD-M002	300	MS 358	409	MSI-SWC1	381
MLD-M002	300	MSC 900-1000	458	MSI-TR1B-01	368
MLD-M002	300	MSI101	379	MSI-TR1B-02	368
MLD-M002	300	MSI102	379	MSI-TR2B-01	368
MLD-M002	308	MSI201	379	MSI-TR2B-02	368
MLD-M002	309	MSI202	379	MSI-TRMB-01	367
MLD-M002	309	MSI 410-01	376	MSI-TRMB-02	367
MLD-M002	309	MSI 410-03	376	MSI-TSB-01	368
MLD-M002	309	MSI 410.F50-01	376	MSI-TSB-02	368
MLD-M002	309	MSI 410.F50-03	376	MSP 290i - 511 F 00	425
MLD-M002	310	MSI 420-01	376	MSP 290i - 511 L 00	425
MLD-M002	310	MSI 420-03	376	MSP 290i - 511 M 00	425
MLD-M002-UDC-1000-S2	330	MSI 420.F50-01	376	MSP 290i - 511 N 00	425
MLD-M003	299	MSI 420.F50-03	376	MSP 290i - 520 F 00	425
MLD-M003	299	MSI 430-01	376	MSP 290i - 520 F 88	425
MLD-M003	299	MSI 430-03	376	MSP 290i - 520 F 4848	425
MLD-M003	299	MSI 430.F50-01	376	MSP 290i - 520 L 00	425
MLD-M003	299	MSI 430.F50-03	376	MSP 290i - 520 M 00	425
MLD-M003	299	MSI-CM52B-01	374	MSP 290i - 520 M 88	425
MLD-M003	299	MSI-CM52B-02	374	MSP 290i - 520 N 00	425
MLD-M003	300	MSI-DT30B-01	370	MSP 290i - 520 N 88	425
MLD-M003	300	MSI-DT30B-02	370	MSP 290i - 620 F 88	425
MLD-M003	300	MSI-EM201-4RO	381	MSP 290i - 620 F 4848	425
MLD-M003	300	MSI-EM201-8I4IO	381	MSP 290i - 620 M 88	425
MLD-M003	308	MSI-EM202-4RO	381	MSP 290i - 920 M 88	425
MLD-M003	309	MSI-EM202-8I4IO	381	MSP 290i - 920 M 88 MSC	425
MLD-M003	309	MSI-EM-i8-01	378	MSP 290i - 920 N 88	425
MLD-M003	309	MSI-EM-i8-03	378	MSP 290i - 920 N 88 MSC	425
MLD-M003	309	MSI-EM-IO84-01	378	MSP 360i - 530 F 01	425
MLD-M003	309	MSI-EM-IO84-03	378	MSP 490i - 540 M 01	425
MLD-M003	310	MSI-EM-IO84NP-01	378	MTK 20	510
MLD-M003	310	MSI-EM-IO84NP-03	378	MTKS 7x7M.5	511
MLDSET-M1-1300L	329	MSI-EM-IO84NP-03	378	MTKS 12x20M.5	511
MLDSET-M1-1300T	329	MSI-FB-CANOPEN	377	MTKS 14x23	510
MLDSET-M1-1600L	329	MSI-FB-ETHERCAT	377	MTKS 14x23.P	79
		MSI-FB-PB101	380	MTKS 14x23.P	511

MTKS 20x20	62	ODSL 9/D26-450-S12	214	P65-V1-B-DS-O	508
MTKS 20x20	510	ODSL 9/D36-100-S12	215	P65-V1-B-DS-O-BZ-103	507
MTKS 20x30	34	ODSL 9/D36-450-S12	215	P65-V1-B-DS-R	508
MTKS 20x30	510	ODSL 9/D36-650-S12	214	P65-V1-B-DS-R-BZ-103	507
MTKS 20x30.1	510	ODSL 9/L-100-S12	215	P65-V1-B-DS-Y	508
MTKS 20x40.1	79	ODSL 9/L-450-S12	215	P65-V1-B-DV	508
MTKS 20x40.1	84	ODSL 9/L-650-S12	214	P65-V1-B-DW	508
MTKS 20x40.1	114	ODSL 9/V6-100-S12	215	PBZ-V1-065	508
MTKS 20x40.1	510	ODSL 9/V6-200-S12	215	PBZ-V1-085	508
MTKS 30x50.1	510	ODSL 9/V6-450-S12	215	PRK 2/42	27
MTKS 40x60.1	510	ODSL 9/V6-650-S12	214	PRK 2/42,150-S8	27
MTKS 50x50.1	34	ODSL 9/V6.C1-450-S12	215	PRK 2/42,150-S12	27
MTKS 50x50.1	44	ODSL 9/V66-100-S12	215	PRK 2/42D	27
MTKS 50x50.1	51	ODSL 9/V66-450-S12	215	PRK 2/42D,150-S8	27
MTKS 50x50.1	55	ODSL 30/24-30M-S12	222	PRK 2/42D,150-S12	27
MTKS 50x50.1	62	ODSL 30/D232-30M-S12	222	PRK3C/6G-M8	30
MTKS 50x50.1	72	ODSL 30/D485-30M-S12	222	PRK3C/6-M8.3	30
MTKS 50x50.1	76	ODSL 30/V-30M Ex d	222	PRK3C.A3/2N-M8	30
MTKS 50x50.1	79	ODSL 30/V-30M-S12	222	PRK3C.A3/4-M8.3	30
MTKS 50x50.1	84	ODSL 96B M/66-2000-S12	219	PRK3C.A3/4P-M8	30
MTKS 50x50.1	102	ODSL 96B M/C6-2000 Ex d	219	PRK3C.A3/4T-M8	30
MTKS 50x50.1	114	ODSL 96B M/C6-2000-S12	219	PRK3C.A3/LP-M8	30
MTKS 50x50.1	510	ODSL 96B M/C6.C1S-1500-S12	219	PRK3CL1.A3/2-M8.3	30
MTKZ 13-30 SET	244	ODSL 96B M/C6-S12	220	PRK3CL1.A3/4-M8.3	30
MTKZ 15-30 SET	244	ODSL 96B M/C6.S-800-S12	219	PRK3CL1.A3/4P-M8	30
MTKZ 15-30 SET	478	ODSL 96B M/C6.XL-1200-S12	219	PRK3CL1.A3/4T-M8	30
MW OMS/AMS 01	498	ODSL 96B M/C66-S12	220	PRK3CL1.A3/LP-M8	30
NT Base IT1911-EU	440	ODSL 96B M/D26-2000-S12	219	PRK3CL1.A3/P-M8.3	30
NT f. IT 1900+Base-EU	426	ODSL 96B M/D26-S12	220	PRK3CL1.A3/PT-M8	30
NT f. IT 1900+Base-EU	427	ODSL 96B M/D26.S-800-S12	219	PRK3CL1.T3/2N-M8	31
NT f. IT 1900+Base-EU	428	ODSL 96B M/D36-2000-S12	219	PRK3CL1.T3/4-M8.3	31
NT f. IT 1900+Base-EU	439	ODSL 96B M/D36-S12	220	PRK3CL1.T3/4P-M8	31
NT f. IT 1900+Base-EU	440	ODSL 96B M/D36.S-800-S12	219	PRK3CL1.T3/4T-M8	31
NT HCR 6200	441	ODSL 96B M/L-2000 Ex d	219	PRK3CL1.T3/LP-M8	31
NT HS66x8-Schuko	442	ODSL 96B M/L-2000-S12	219	PRK3CL1.TT3/4P-M8	31
NT IT4x2x/ST2020	428	ODSL 96B M/L-S12	220	PRK3CL1.TT3/4T-M8	31
NT ITxxDx	428	ODSL 96B M/V6-2000-S12	219	PRK3CL1.TT3/LP-M8	31
OCS 110x80mm-M reflector	193	ODSL 96B M/V6.C1S-1500-S12	219	PRK3C/LP-M8	30
OCS 450x80mm-M reflector	193	ODSL 96B M/V6-S12	220	PRK3C.T3/2N-M8	31
ODKL 96B M/C6-S12	220	ODSL 96B M/V6.S-800-S12	219	PRK3C.T3/2T-M8	31
ODKL 96B M/D26-S12	220	ODSL 96B M/V6.XL-1200-S12	219	PRK3C.T3/4P-M8	31
ODKL 96B M/D36-S12	220	ODSL 96K/66-2300-S12	220	PRK3C.T3/4T-M8	31
ODKL 96B M/L-S12	220	ODSL 96K/V66-2300-S12	220	PRK3C.T3/6T-M8	31
ODKL 96B M/V6-S12	220	ODSLR 96B M/C6-2000-S12	219	PRK3C.T3/LP-M8	31
ODS10L1.8/L6X-M12	217	ODSLR 96B M/V6-2000-S12	219	PRK3C.T3/P-M8.3	31
ODS10L1.8/LA6	217	ODSR 96B M/C6-600-S12	218	PRK3C.T3/PT-M8	31
ODS10L1.8/LA6,200-M12	217	ODSR 96B M/V6-600-S12	218	PRK3C.TT3/4P-M8	31
ODS10L1.8/LA6-M12	217	OGS 600-140/CN-M12	245	PRK3C.TT3/4T-M8	31
ODS10L1.8/LAK	217	OGS 600-140/D2-M12.8	245	PRK3C.TT3/LP-M8	31
ODS10L1.8/LAK,200-M12	217	OGS 600-140/D3-M12.8	245	PRK5/2	37
ODS10L1.8/LAK-M12	217	OGS 600-280/CN-M12	245	PRK5/2-M8.3	37
ODS10L1-25M.8/LAK	217	OGS 600-280/D2-M12.8	245	PRK5/2N	37
ODS10L1-25M.8/LAK,200-M12	217	OGS 600-280/D3-M12.8	245	PRK5/2N-200-M12	37
ODS10L1-25M.8/LAK-M12	217	OTB 30/100-BK/WH250	246	PRK5/2N-M8	37
ODS 96B M/C6-600-S12	219	OTB 40-BK250	246	PRK5/2X-M8	37
ODS 96B M/C66.01-1400-S12	218	OTB 40-GN250	246	PRK5/4	37
ODS 96B M/V6-600-S12	219	OTB 40-WH250	246	PRK5/4-200-M8.3	37
ODS 96B M/V6-1400-S12	218	OTB SET-GN/BK/WH003	246	PRK5/4-M8.3	37
ODSIL 96B M/C6-S12	220	P30-V1-B-DS-B	508	PRK5/4P	37
ODSIL 96B M/L-S12	220	P30-V1-B-DS-C	508	PRK5/4P-200-M8	37
ODSIL 96B M/V6-S12	220	P30-V1-B-DS-G	508	PRK5/4P-200-M12	37
ODSL 8/66-500-S12	213	P30-V1-B-DS-O	508	PRK5/4P-350-M12	37
ODSL 8/C66-45-S12	213	P30-V1-B-DS-R	508	PRK5/4P-800-M12	37
ODSL 8/C66-200-S12	213	P30-V1-B-DS-Y	508	PRK5/4P-M8	37
ODSL 8/C66-500-S12	213	P30-V1-B-DV	508	PRK5/4X-200-M8.1	37
ODSL 8/V66.01-500-S12	213	P45-V1-B-DS-B	508	PRK5/4X-200-M12	37
ODSL 8/V66-45-S12	213	P45-V1-B-DS-C	508	PRK5/4X-M8	37
ODSL 8/V66-200-S12	213	P45-V1-B-DS-G	508	PRK5.M3/2N	37
ODSL 8/V66-500-S12	213	P45-V1-B-DS-O	508	PRK5.M3/2N-M8	37
ODSL 9/C6-100-S12	215	P45-V1-B-DS-O-BZ-098	507	PRK5.M3/4P	37
ODSL 9/C6-200-S12	215	P45-V1-B-DS-R	508	PRK5.M3/4P-M8	37
ODSL 9/C6-450-S12	214	P45-V1-B-DS-R-BZ-098	507	PRK5/N	37
ODSL 9/C6-650-S12	214	P45-V1-B-DS-Y	508	PRK5/P	37
ODSL 9/C6.C1-450-S12	215	P45-V1-B-DV	508	PRK 8/44-S12	42
ODSL 9/C66-100-S12	215	P65-V1-B-DS-B	508	PRK 8/66	42
ODSL 9/C66-450-S12	214	P65-V1-B-DS-C	508	PRK 8/66.11-S12	42
ODSL 9/D26-100-S12	215	P65-V1-B-DS-G	508	PRK 8/66.41-S12	42

PRK 8/66.42-S12	42	PRK25C.A2/2N-M12	58	PRK49C.UC1/TS-TB	74
PRK 8/66-S12	42	PRK25C.A2/4P	58	PRK49C.UCD1/TS	74
PRK15/2	48	PRK25C.A2/4P-200-M12	58	PRK49C.UCD1/TS-TB	74
PRK15/2X-200-M12	48	PRK25C.A2/4P-M8	58	PRK49C.UCH/M4-TB	74
PRK15/2X-M12	48	PRK25C.A2/4P-M12	58	PRK49C.UCH/TS-TB	74
PRK15/4	48	PRK25C.A/2N	58	PRK49C.UC/M4-TB	74
PRK15/4X-200-M12	48	PRK25C.A/2N-200-M12	58	PRK49C.UC/TS-TB	74
PRK15/4X-M12	48	PRK25C.A/2N-M8	58	PRK 53/6.22,5000	77
PRK15.D1/2	49	PRK25C.A/2N-M12	58	PRK 53/6.22-S8	77
PRK15.D1/2X-200-M12	49	PRK25C.A/4P	58	PRK 53/6.42-S8	77
PRK15.D1/2X-M12	48	PRK25C.A/4P-200-M12	58	PRK 55/6.22,200-S12	81
PRK15.D1/4	49	PRK25C.A/4P-M8	58	PRK 55/6.22,5000	81
PRK15.D1/4X-200-M12	49	PRK25C.A/4P-M12	58	PRK 55/6.22-S8	81
PRK15.D1/4X-M12	48	PRK25C.D1/2N	59	PRK 55/6.42,200-S12	81
PRK15.D1/N	49	PRK25C.D1/2N-200-M12	59	PRK 55/6.42,5000	81
PRK15.D1/NX-M12	48	PRK25C.D1/2N-M8	59	PRK 55/6.42-S8	81
PRK15.D1/P	49	PRK25C.D1/2N-M12	59	PRK 55/6.42-S8 Ex	112
PRK15.D1/PX-200-M12	49	PRK25C.D1/4P	59	PRK 55/6D.42,200-S12	81
PRK15.D1/PX-M12	48	PRK25C.D1/4P-200-M12	59	PRK 55/6D.42-S8	81
PRK15.D/2	49	PRK25C.D1/4P-M8	59	PRK 55/6D.42-S8.3 Ex	112
PRK15.D/2X-200-M12	48	PRK25C.D1/4P-M12	59	PRK 55/66,200-S12	81
PRK15.D/2X-M12	48	PRK25C.D/2N	59	PRK 55/66,5000	81
PRK15.D/4	49	PRK25C.D/2N-200-M12	59	PRK 55/66-S8	81
PRK15.D/4X-200-M12	49	PRK25C.D/2N-M8	59	PRK 92/3 L Ex	111
PRK15.D/4X-M12	48	PRK25C.D/2N-M12	59	PRK 95/4 L.2	85
PRK15.D/N	49	PRK25C.D/4P	59	PRK 95/44 L	85
PRK15.D/NX-M12	48	PRK25C.D/4P-200-M12	59	PRK 95/44 L.4	86
PRK15.D/P	49	PRK25C.D/4P-M8	59	PRK 95/A L.4	86
PRK15.D/PX-M12	48	PRK25C.D/4P-M12	59	PRK 96K/N-1380-46	89
PRK15.D/XP-M12	48	PRK25C.XA2/2N	58	PRK 96K/P-1360.1-41	90
PRK15/N	48	PRK25C.XA2/2N-M12	58	PRK 96K/P-1360-21	90
PRK15/NX-M12	48	PRK25C.XA2/4P	58	PRK 96K/P-1360-41	90
PRK15/P	48	PRK25C.XA2/4P-M12	58	PRK 96K/P-1361-29	90
PRK15/PX-M12	48	PRK28/2N	64	PRK 96K/P-1380-41	90
PRK 18/24 DL.42	53	PRK28/2N-200-M12	63	PRK 96K/P-3368-41	89
PRK 18/24 DL.46	53	PRK28/2N-M12	63	PRK 96K/R-1420.1-25	90
PRK 18/44 L.43	53	PRK28.3/2N	64	PRK 96K/R-1420-25	90
PRK18B.1/2N-6000	52	PRK28.3/2N-200-M12	63	PRK 96K/R-1430-25	90
PRK18B.1/2N-M12	52	PRK28.3/2N-M12	63	PRK 96K/R-3428.1-25	89
PRK18B.1/4P-6000	52	PRK28.3/4P	64	PRK 96K/R-3428-25	89
PRK18B.1/4P-M12	52	PRK28.3/4P-200-M12	63	PRK 96M/A-3410-44	89
PRK18B.FXT3/2N-6000	53	PRK28.3/4P-M12	63	PRK 96M/N-3366-27	89
PRK18B.FXT3/2N-M12	53	PRK28/4P	64	PRK 96M/P-1361.1-47	90
PRK18B.FXT3/2T-6000	53	PRK28/4P-200-M12	63	PRK 96M/P-1361-47	90
PRK18B.FXT3/4P-6000	53	PRK28/4P-M12	63	PRK 96M/P-1362-47	90
PRK18B.FXT3/4P-M12	53	PRK 46B/7D,5000	68	PRK 96M/P-1370-22	90
PRK18B.T2/2N-6000	53	PRK 46B/7D-S12	68	PRK 96M/P-1370-42	90
PRK18B.T2/4P-6000	53	PRK 46B/66.01,200-S12 S-Ex n	115	PRK 96M/P-1375-22	90
PRK18B.T2/4P-M12	52	PRK 46B/66,200-S12 S-Ex n	115	PRK 96M/P-1400-22	90
PRK18B.T2/4X-M12	52	PRK46C.1/4P-M12	68	PRK 96M/P-1400-42	90
PRK18B.T2/NX-M12	52	PRK46C/2N	68	PRK 96M/P-1830-21	90
PRK18B.T2/PX-M12	52	PRK46C/2N-M12	68	PRK 96M/P-1830-41	90
PRK18B.T3/2N-M12	53	PRK46C/4P	68	PRK 96M/P-1832-41	90
PRK18B.T3/4P-M12	53	PRK46C/4P-200-M12	68	PRK 96M/P-1838-21	90
PRK18B.TT3/2N-6000	54	PRK46C/4P-M12	68	PRK 96M/P-1838-41	90
PRK18B.TT3/2N-M12	53	PRK46C/4W-M12	68	PRK 96M/P-2838-28	90
PRK18B.TT3/4P-6000	54	PRK46C/48-M12	68	PRK 96M/P-2838-28 Ex n	116
PRK18B.TT3/4P-M12	53	PRK46C.D1/4P-M12	68	PRK 96M/P-3360-21	89
PRK18B.TT3/6G-M12	53	PRK46C.D1/PX-M12	69	PRK 96M/P-3369-21 Ex n	116
PRK18B.TT3/LP-M12	53	PRK46C.D/2N-M12	68	PRK 96M/P-3380-41	89
PRK18B.TT3/P4-M12	53	PRK46C.D/4P	69	PRK 96M/R-1850-25	90
PRK18B.XT2/4P-M12	53	PRK46C.D/4P-200-M12	69	PRK 96M/R-1858-25	90
PRK18B.XT3/4P-M12	53	PRK46C.D/4P-M12	68	PRK 96M/R-3420-25	89
PRK18B.XT3/P4-M12	53	PRK46C.D/4W-M12	68	PRK 96M/R-3430-25	89
PRK18B.XTT3/4P-M12	53	PRK46C.D/4X-M12	68	PRK318B/2N	96
PRK25C/2N	57	PRK46C.D/4X-M12	68	PRK318B/2N-M12	96
PRK25C/2N-200-M12	57	PRK46C.D/48-M12	68	PRK318B/4P	96
PRK25C/2N-M8	57	PRK46C.D/PX-200-M12	69	PRK318B/4P-M12	96
PRK25C/2N-M12	57	PRK46C.D/PX-M12	68	PRK318B/PX-M12	96
PRK25C/4P	57	PRK46C/LP-M12	68	PRK318B.W/2N	96
PRK25C/4P-200-M12	57	PRK46C/PX-200-M12	68	PRK318B.W/2N-M12	96
PRK25C/4P-M8	57	PRK49C.1/2N-TB	74	PRK318B.W/4P	96
PRK25C/4P-M12	57	PRK49C.1/4P-TB	74	PRK318B.W/4P-M12	96
PRK25C/4W-M12	57	PRK49C/4P-TB	74	PRK328.3/2N	104
PRK25C.A2/2N	58	PRK49C.UC1/M4	74	PRK328.3/2N-M12	104
PRK25C.A2/2N-200-M12	58	PRK49C.UC1/M4-TB	74	PRK328.3/4P	104
PRK25C.A2/2N-M8	58	PRK49C.UC1/TS	74	PRK328.3/4P-M12	104


PRK328.W3/2N	104	REF 4-A-50x50	114	RK18B.1/4P-M12	52
PRK328.W3/2N-M12	104	REF 4-A-50x50	612	RK18B.T2/2N-M12	53
PRK328.W3/4P	104	REF 4-A-50X1000	512	RK18B.T2/4P-M12	53
PRK328.W3/4P-M12	104	REF 4-A-50x45700	512	RK46C.DXL3/2N-M12	67
PRK 412M/P	107	REF 4-A-100x100	44	RK46C.DXL3/4P	68
PRK 412M/P-S12	107	REF 4-A-100x100	55	RK46C.DXL3/4P-200-M12	67
PRK 618/4-S12	109	REF 4-A-100x100	62	RK46C.DXL3/4P-M12	67
PRKL 8/24.91	41	REF 4-A-100x100	72	RK46C.DXL3/LP-M12	67
PRKL 8/24.91-S12	41	REF 4-A-100x100	76	RK46C.DXL3P2/4P-200-M12	68
PRKL 8/24.99-S12	41	REF 4-A-100x100	88	RK46C.DXL3P2/4P-M12	67
PRKL 8/44.91-S12	41	REF 4-A-100x100	94	RK46C.DXL3/PX-200-M12	67
PRKL 25B/4.1,200-S12	57	REF 4-A-100x100	102	RK46C.DXL3/PX-M12	67
PRKL 25B/4D.1-S12	57	REF 4-A-100x100	512	RK 96M/P-1440-21	90
PRKL 25B/6.81-S12	57	REF 4-A-100x45700	512	RKR 55/6.42,200-S12	81
PRKL 25B/66.1	57	REF 4-A-920x749	512	RKR 55/6.42-S8	81
PRKL 25B/66.1-S8	57	REF 6-A-9x9	34	RKU318-300/2T-M12	155
PRKL 25B/66.1-S12	57	REF 6-A-9x9	44	RKU318-300/4T-M12	155
PRKL 25B/66.P-S12	57	REF 6-A-9x9	62	RKU318-400.3/2X-M12	155
PRKL 53/6.22,5000	77	REF 6-A-9x9	79	RKU318-400.3/4X-M12	155
PRKL 53/6.22-S8	77	REF 6-A-9x9	84	RKU318-800/2T-M12	155
PRKL 53/6.42-S8	77	REF 6-A-9x9	102	RKU318-800/4T-M12	155
PRKL 55/6.22,200-S12	81	REF 6-A-9x9	114	RKU318-1600.3/2X-M12	155
PRKL 55/6.22,5000	81	REF 6-A-9x9	512	RKU318-1600.3/4X-M12	155
PRKL 55/6.22-S8	81	REF 6-A-14x45	44	RKU 420/2NC.2-S8	152
PRKL 318M/P	100	REF 6-A-14x45	62	ROD4-08 plus	252
PRKL 318M/P-S12	100	REF 6-A-14x45	79	ROD4-30	252
PSC-900-S2	504	REF 6-A-14x45	84	ROD4-36	252
PSC-1000-S2	504	REF 6-A-14x45	102	ROD4-38	252
PSC-1300-S2	504	REF 6-A-14x45	114	ROD4-50 plus	252
PSC-1600-S2	504	REF 6-A-14x45	512	ROD4-56 plus	252
PSC-1900-S2	504	REF 6-A-25x25	34	ROD4-58 plus	252
PSC-2500-S2	504	REF 6-A-25x25	512	ROD4-MS	253
PSU-02A-1P-24V-S	471	REF 6-A-50x50	34	ROD4 plus	252
PSU-05A-1P-24V-H	471	REF 6-A-50x50	44	RS4-clean-Set1	328
PSU-05A-1P-24V-S	471	REF 6-A-50x50	55	RS4-clean-Set2	328
PSU-05A-3P-24V-H	471	REF 6-A-50x50	79	RSL400 M12 adapter	328
PSU-10A-1P-24V-H	471	REF 6-A-50x50	84	RSL410-L/CU405-2M12	325
PSU-10A-1P-24V-S	471	REF 6-A-50x50	114	RSL410-L/CU408-M12	325
PSU-10A-3P-24V-H	471	REF 6-A-50x50	512	RSL410-L/CU411-RS4	325
PSU-20A-1P-24V-H	471	REF 6-A-77x77	512	RSL410-M/CU405-2M12	325
PSU-20A-3P-24V-H	471	REF 6-S-20x40	44	RSL410-M/CU408-M12	325
PSU-40A-3P-24V-H	471	REF 6-S-20x40	510	RSL410-M/CU411-RS4	325
RD800-MP-M12L	356	REF 6-S-20x40.P	511	RSL410-S/CU405-2M12	325
RD800-MP-M12R	356	REF 6-S-26x280	510	RSL410-S/CU408-M12	325
RD800-MSCA-CB2-L	356	REF 7-A-15-30 SET	244	RSL410-S/CU411-RS4	325
RD800-MSCA-CB2-R	356	REF 7-A-15-30 SET	478	RSL410-XL/CU405-2M12	325
RD800-MSCA-M12L	356	REF 7-A-100x100	47	RSL410-XL/CU408-M12	325
RD800-MSCA-M12R	356	REF 7-A-100x100	94	RSL420-L/CU411-RS4	326
RD800-MUCA-CB2-L	356	REF 7-A-100x100	218	RSL420-L/CU416-5	326
RD800-MUCA-CB2-R	356	REF 7-A-100x100	221	RSL420-L/CU416-10	326
RD800-MUCA-M12L	356	REF 7-A-100x100	512	RSL420-L/CU416-25	326
RD800-MUCA-M12R	356	REF 7-A-200x300	512	RSL420-L/CU416-300-WPU	326
RD800-SSCA-CB2-L	356	REF 7-A-1000x600	512	RSL420-M/CU411-RS4	326
RD800-SSCA-CB2-R	356	Reflective tape 200x200mm-H	511	RSL420-M/CU416-5	326
RD800-SSCA-M12L	356	Reflective tape 200x200mm-M	237	RSL420-M/CU416-10	326
RD800-SSCA-M12R	356	Reflective tape 200x200mm-M	510	RSL420-M/CU416-25	326
RD800-SUCA-CB2-L	356	Reflective tape 200x200mm-S	237	RSL420-M/CU416-300-WPU	326
RD800-SUCA-CB2-R	356	Reflective tape 200x200mm-S	512	RSL420-S/CU411-RS4	326
RD800-SUCA-M12L	356	Reflective tape 500x500mm-H	511	RSL420-S/CU416-5	326
RD800-SUCA-M12R	356	Reflective tape 500x500mm-M	237	RSL420-S/CU416-10	326
RD800-x-SCA	357	Reflective tape 500x500mm-M	510	RSL420-S/CU416-25	326
RD800-x-UCA	357	Reflective tape 500x500mm-S	237	RSL420-S/CU416-300-WPU	326
REF 4-A-20x20	512	Reflective tape 500x500mm-S	512	RSL420-XL/CU416-5	326
REF 4-A-25X1000	512	Reflective tape 749x914mm-S	512	RSL420-XL/CU416-10	326
REF 4-A-25x22800	512	Reflective tape 914x914mm-H	511	RSL420-XL/CU416-25	326
REF 4-A-50x50	29	Reflective tape 914x914mm-M	237	RSL420-XL/CU416-300-WPU	326
REF 4-A-50x50	34	Reflective tape 914x914mm-M	510	RSL430-L/CU429-5	326
REF 4-A-50x50	40	Reflective tape 914x914mm-S	237	RSL430-L/CU429-10	326
REF 4-A-50x50	51	Reflective tape 914x914mm-S	512	RSL430-L/CU429-25	326
REF 4-A-50x50	62	RFI 32 L 120	444	RSL430-L/CU429-300-WPU	326
REF 4-A-50x50	66	RFM 12 SL 200	445	RSL430-M/CU429-5	326
REF 4-A-50x50	72	RFM 32 SL 200	445	RSL430-M/CU429-10	326
REF 4-A-50x50	76	RFM 32 SL 200 Ex-n	445	RSL430-M/CU429-25	326
REF 4-A-50x50	79	RFM 62 SL 200	445	RSL430-M/CU429-300-WPU	326
REF 4-A-50x50	84	RK18B.1/2N-6000	52	RSL430-S/CU429-5	326
REF 4-A-50x50	99	RK18B.1/2N-M12	52	RSL430-S/CU429-10	326
REF 4-A-50x50	106	RK18B.1/4P-6000	52	RSL430-S/CU429-25	326


Type designation... Page no.

RSL430-S/CU429-300-WPU	326	Set-AC-MLX.2-2SB	515	TFI 05 1601.120	446
RSL430-XL/CU429-5	326	Set-AC-MLX-2SA	312	TFM 02 1125.220	447
RSL430-XL/CU429-10	326	Set-AC-MLX-2SA	515	TFM 02 2210.210	447
RSL430-XL/CU429-25	326	Set-AC-MLX-2SB	312	TFM 03 1110.210	447
RSL430-XL/CU429-300-WPU	326	Set-AC-MLX-2SB	515	TFM 03 1510.210	447
RSL440-L/CU429-5	327	Set-AC-MT-2S	515	TFM 03 5125.220	447
RSL440-L/CU429-10	327	Set-AC-MT-4S	312	TFM 04 1190.230	447
RSL440-L/CU429-25	327	Set-AC-MT-4S	515	TFM 05 1110.210	447
RSL440-L/CU429-300-WPU	327	Set-AC-MTX.2-1S	515	TFM 05 1110.Ex	447
RSL440-M/CU429-5	327	Set-AC-MTX.2-2S	515	TFM 05 1510.210	447
RSL440-M/CU429-10	327	Set-AC-MTX.2-4S	515	TFM 05 2210.210	447
RSL440-M/CU429-25	327	Set-AC-MTX-2S	515	TFM 06 1110.210	447
RSL440-M/CU429-300-WPU	327	Set-AC-MTX-4S	312	TFM 08 1110.210	447
RSL440-S/CU429-5	327	Set-AC-MTX-4S	515	TFM 08 1610.210	447
RSL440-S/CU429-10	327	SET LS 412M/P-S12	107	TFM 08 2125.220	447
RSL440-S/CU429-25	327	SET LS 618/4-S12	109	TG 29	55
RSL440-S/CU429-300-WPU	327	SET MD12-US2-IL1.1 + acc.	191	TK 10.P	511
RSL440-XL/CU429-5	327	SET MD12-US2-IL1.1 + acc.	266	TK 20.1	510
RSL440-XL/CU429-10	327	SLE46C-40.K2/4P	320	TK 20x75	509
RSL440-XL/CU429-25	327	SLE46C-40.K2/4P-M12	320	TK 25.1	510
RSL440-XL/CU429-300-WPU	327	SLE46C-40.K4/4P	313	TK 30x50	509
RT 96M/P-1474-800-42	91	SLE46C-40.K4/4P-M12	313	TK 35.1	510
RT 96M/R-1574-800-25	91	SLE46C-70.K2/4P	320	TK 40x180	509
RT 412M/P-200	107	SLE46C-70.K2/4P-M12	320	TK 40 x180.1-Set	509
RT 412M/P-200-S12	107	SLE46C-70.K4/4P	313	TK 45.1	510
RT 618/4-200-S12	109	SLE46C-70.K4/4P-M12	313	TK 50x100	509
RTL 318M/P-300-S12	101	SLE46CI-40.K2/4P	320	TK 50 x100-Set	509
S20-P1C1-M20-FH	332	SLE46CI-40.K2/4P-M12	320	TK 60	112
S20-P1C3-M20-LH	332	SLE46CI-40.K4/4P	313	TK 60	510
S20-P3C1-M20-FH	332	SLE46CI-40.K4/4P-M12	313	TK 82.2	34
S20-P4C1-M12-FH	332	SLE46CI-70.K2/4P	320	TK 82.2	40
S20-P4C1-M20-FH	332	SLE46CI-70.K2/4P-M12	320	TK 82.2	51
S20-P4C1-M20-FH30	332	SLE46CI-70.K4/4P	313	TK 82.2	62
S20-P4C3-M20-LH	332	SLE46CI-70.K4/4P-M12	313	TK 82.2	66
S200-M1C1-M20	333	SLE518I-K4/4-M12	318	TK 82.2	71
S200-M3C1-M20	333	SLE518L1-K4/4-M12	318	TK 82.2	76
S200-M4C1-M12	333	SLS46C-40.K28	320	TK 82.2	99
S200-M4C1-M20	333	SLS46C-40.K28-M12	320	TK 82.2	106
S300-MOC3-M20-15	335	SLS46C-40.K48	313	TK 82.2	116
S300-MOC3-M20-31	335	SLS46C-40.K48-M12	313	TK 82.2	510
S300-M13C3-M20-15	335	SLS46C-70.K28	320	TK 82.AF	510
S300-M13C3-M20-31	335	SLS46C-70.K28-M12	320	TK 100x100	510
S300-M13C3-M20-CB	335	SLS46C-70.K48	313	TK 100 x100-Set	510
S300-M13C3-M20-SB	335	SLS46C-70.K48-M12	313	TKA 30X46	509
S300-POC1-M20-CB	335	SLS46CI-40.K28	320	TKA 30X60	509
S300-P13C1-M12-CB	335	SLS46CI-40.K28-M12	320	TK BR 53	511
S300-P13C1-M12-SB	335	SLS46CI-40.K48	313	TKS 10x32	509
S300-P13C1-M20-CB	335	SLS46CI-40.K48-M12	313	TKS 20.P	511
S300-P13C1-M20-SB	335	SLS46CI-70.K28	320	TKS 20x20	509
S400-M1-CB02M12-W	337	SLS46CI-70.K28-M12	320	TKS 20X40	29
S400-M4CB2-B	337	SLS46CI-70.K48	313	TKS 20X40	34
S400-M4-CB02M12-W	337	SLS46CI-70.K48-M12	313	TKS 20X40	40
S400-M4-CB2PUR-W	337	SLS518I-K48-M12	318	TKS 20X40	44
S400-M4CB2-T	337	SLS518L1-K48-M12	318	TKS 20X40	51
S400-M4M12-B	337	SLSE 318K/P	323	TKS 20X40	55
S400-M4M12-T	337	SLSE 318K/P-S12	323	TKS 20X40	62
S410-M1CB2-B	339	SLSE 318M/P-S12	323	TKS 20X40	66
S410-M1CB2-T	339	SLSER 25B/66	322	TKS 20X40	71
S410-M1M12-B	339	SLSER 25B/66.200-S12	322	TKS 20X40	76
S410-M1M12-T	339	SLSER 25B/66-S8	322	TKS 20X40	79
S410-M4-CB02M12-W	339	SLSER 25B/66-S12	322	TKS 20X40	84
S410-M4-CB2PUR-W	339	SLSS 318K	323	TKS 20X40	88
S420-9CB2-LW	340	SLSS 318K-S12	323	TKS 20X40	94
S420-9-CB02M12-LW	340	SLSS 318M-S12	323	TKS 20X40	99
S420-9CB5-LW	340	SLSSR 25B.8	322	TKS 20X40	102
S420-OS-CB2-LW	340	SLSSR 25B.8.200-S12	322	TKS 20X40	106
S420-OS-CB02M12-LW	340	SLSSR 25B.8-S8	322	TKS 20X40	108
SAT 5	314	SLSSR 25B.8-S12	322	TKS 20X40	110
SAT 5	320	S-M12A-ET	410	TKS 20X40	114
SAT 5	321	S-M12A-ET	417	TKS 20X40	116
SAT 5	323	S-M12A-ET	421	TKS 20X40	117
SAT 5	513	S-M12A-ET	464	TKS 20X40	509
Set-AC-ML-2SA	312	S-M12A-ET	493	TKS 20X40.1	509
Set-AC-ML-2SA	515	ST 2020-5BE	428	TKS 20x40.P	79
Set-AC-ML-2SB	312	TFI 03 1101.120	446	TKS 20x40.P	511
Set-AC-ML-2SB	515	TFI 03 1601.120	446	TKS 25	510
Set-AC-MLX.2-2SA	515	TFI 05 1101.120	446	TKS 30x45	509

TKS 30X50	34	TKS 40x60.P	511	UDC-1300-S2-R	499
TKS 30X50	40	TKS 50X50	72	UDC-1600-S2	499
TKS 30X50	44	TKS 50X50	88	UDC-1600-S2-R	499
TKS 30X50	55	TKS 50X50	94	UDC-1900-S2	499
TKS 30X50	62	TKS 50X50	116	UDC-1900-S2-R	499
TKS 30X50	66	TKS 50X50	509	UDC-2100-S2	499
TKS 30X50	72	TKS 50X50.1	509	UDC-2500-S2	499
TKS 30X50	76	TKS 50x50.1.HT	509	UDC-2500-S2-R	499
TKS 30X50	88	TKS 50X100	509	UDC-3100-S2	499
TKS 30X50	94	TKS 85x85	509	UDC-3100-S2-R	499
TKS 30X50	99	TKS 100X100	29	UM60-150	503
TKS 30X50	102	TKS 100X100	34	UM60-225	503
TKS 30X50	106	TKS 100X100	40	UM60-300	503
TKS 30X50	108	TKS 100X100	44	UM60-450	503
TKS 30X50	110	TKS 100X100	51	UM60-600	503
TKS 30X50	112	TKS 100X100	55	UM60-750	503
TKS 30X50	116	TKS 100X100	62	UM60-900	503
TKS 30X50	117	TKS 100X100	66	UM60-1050	503
TKS 30X50	509	TKS 100X100	72	UM60-1200	503
TKS 30X60	509	TKS 100X100	76	UM60-1350	503
TKS 30X500	509	TKS 100X100	79	UM60-1500	503
TKS 40X60	29	TKS 100X100	84	UM60-1650	503
TKS 40X60	34	TKS 100X100	88	UM60-1800	503
TKS 40X60	40	TKS 100X100	94	UMC-902-S2	502
TKS 40X60	51	TKS 100X100	99	UMC-1000-S2	501
TKS 40X60	55	TKS 100X100	102	UMC-1002-S2	502
TKS 40X60	62	TKS 100X100	106	UMC-1143-S2	502
TKS 40X60	66	TKS 100X100	108	UMC-1300-S2	501
TKS 40X60	72	TKS 100X100	110	UMC-1303-S2	502
TKS 40X60	79	TKS 100X100	114	UMC-1304-S2	502
TKS 40X60	84	TKS 100X100	116	UMC-1600-S2	501
TKS 40X60	99	TKS 100X100	117	UMC-1603-S2	502
TKS 40X60	102	TKS 100X100	209	UMC-1900-S2	501
TKS 40X60	106	TKS 100X100	510	UMS 96	94
TKS 40X60	114	TS 01-5-SA	266	UMS 96	221
TKS 40X60	116	TS 02-4-SA	266	UMS 96	496
TKS 40X60	509	TS 02-4-SA	469	UMS 96-82	496
TKS 40x60.1	509	UDC-900-S2	499	UMS 96-95	496
TKS 40x60.1.AF	509	UDC-1000-S2	499	VRTR 8/66-250-S12	42
TKS 40x60.Chem	79	UDC-1000-S2-R	499	VRTU 430M/P-1110-6000-S12	159
TKS 40x60.Chem	511	UDC-1140-S2	499	VRTU 430M/V-1710-6000-S12	230
TKS 40x60.P	79	UDC-1300-S2	499	Z-3110 + KB-USB	426

GLOSSARY

abeam	Calibrated abeam optics system (precise beam alignment max. $\pm 0.25^\circ$ spread) eliminates complicated alignment of the sensor after mounting
ALC	Automatic switching-threshold correction for maximum function reserve
Alignment mode	A command can be used to activate the bar code reader to read and output the decoding capability on the interface
AOPD	A ctive O ptoelectronic P rotective D evice
AOPDDR	A ctive O ptoelectronic P rotective D evice responsive to D iffuse R election
AS-Interface Safety at Work	For economical, complete solutions including sensor and safety monitor
AutoReflAct (reflector polling)	A stationary bar code reader with this function facilitates control of the reading gate without an external, triggering photoelectric sensor
availabilitycontrol	Function which outputs a warning message even before contamination-related failure of a sensor occurs
A²LS	A ctive A mbient L ight S uppression for reliable detection
Blanking	A function with which one or more areas of the protective field of an ESPE is/ are made ineffective so that work pieces in the ESPE's protective field do not cause the protective device to switch off. Blanking can be stationary or floating
brightvision®	Simplifies the handling and commissioning of sensors by means of a bright, highly visible light spot
CDRH	Laser products which are imported into the USA are to be specified by the manufacturer to the CDRH (Center for Devices and Radiological Health), a branch of the FDA
	The CE certification certifies conformity with the applicable guideline(s)
Contactormonitoring (EDM)	The contactormonitoring monitors the NC contacts of downstream positive-guided contactors and relays
CRT	Code reconstruction technology (CRT) – enables reliable detection, even with soiled or damaged codes
	Products with this certification have been tested by Underwriters Laboratory Inc. (UL) in compliance with the relevant regulations for USA and Canada
	Products with this certification have been tested by the Canadian Standards Association (CSA) in compliance with the relevant regulations for Canada
	Products with this certification are components tested by Underwriters Laboratory Inc. (UL) and comply with the relevant regulations for USA and Canada.
Cycle time	Sum of the response times of all beams of a light curtain plus the internal evaluation
Dark switching	With dark switching optical sensors, the transistor is disabled if the light path is free and switched through if the light path is interrupted

easyhandling	Sophisticated fastening concepts enable simple and robust mounting of the devices. Should replacement be necessary, the devices can be exchanged position-neutral, i.e., without realigning.
ECOLAB+	Under the ECOLAB+ designation, the products are subjected to an entire series of additional aggressive cleaning agents at temperatures of 50 °C before being forced to demonstrate their leak-proofness under the mechanical load of a steam-jet cleaner
EDM	External Device Monitoring
ESPE	Electro Sensitive Protective Equipment (German: BWS)
ESPE	E lectro- S ensitive P rotective E quipment (ESPE) offers protection by telling the machine to move into a safe operating state before a person can get into a dangerous situation
Fieldbus gateways	For field use for connection of bar code readers and identification systems
Function reserve	Receivers of optical sensors require a minimum amount of light to be able to switch (switching threshold). All light over and above this minimum amount is designated as “function reserve”
HI	LPS HI – High resolution versions (HI) with laser line 60 ... 170 mm
HYGIENE design	For the pharmaceutical test, the 53 series sensors are tested against H ₂ O ₂ and 70 % alcohol to ensure that they satisfy these special requirements as well
integratedconnectivity	The devices can be integrated problem-free in all common fieldbus systems and configured directly via the control
integratedlaseralignment	Convenient alignment function for large distances
Interfaces	Variety of interfaces for the common industrial interface systems – among others, PROFIBUS, PROFINET, EtherNet TCP/IP and INTERBUS
IO-Link	Standardized interface for the lowest field level for quick and convenient configuration and inspection of sensors directly via the control
	In order to make the protection of housings against foreign objects and water comparable, the degrees of protection have been defined in DIN 40050
Light switching	With light switching optical sensors, the transistor is switched through if the light path is free and disabled if the light path is interrupted
Machine Safety Services	Our “machine safety” service package
Muting	Temporary safety-related automatic suspension of the ESPE’s protective function during the material transport through the ESPE (see also IEC TS 62046)
Muting override	Manual activation of the muting function by actuating a command device. Moving material out of the muting area (at least one muting sensor must be activated for this, see also IEC TS 62046)
NPN transistor output	The NPN transistor output is a high-impedance switching output. It switches GND to the connected load
omnimount	Integrated mounting and alignment concept without additional components
Operating range	The range recommended for typical installation situations for a sensor with corresponding function reserve
Operating range	Distance between transmitter and receiver, and with reflex systems between sensor and reflector (with light curtains also called protective field width)
Operating range limit	Describes the maximum possible range of the sensor

Operating range Sa (inductive switches)	Also assured operating distance. Value that is guaranteed under all specified operating conditions.
OSSD	O utput S ignal S witching D evice
PNP transistor outputs	The PNP transistor output is a high-impedance switching output. It switches positive potential to the connected load
Point to Point multiNet slave	For easy wiring and configuration
Potentially explosive area	Potentially explosive environments
Protective field	The area in which the defined test object is detected by the ESPE
Protective field height	Height of the active protective field with safety light curtains
Readiness delay	The delay before start-up suppresses sensor operation until all device-internal preparations have been concluded
Reproducibility	The deviation in measurement distance in the case of repeated measurement using an identical object under identical environmental conditions
RES	Start/restart interlock, prevents the automatic restarting of the machine after addressing a safety sensor, after switching on the supply voltage or changing the machine's operating or actuation mode
Response time	Time between penetration/entry into the active protective field and the actual switching off of the OSSDs. Time from entry of an object into the light path to switching of the output.
Sensitivity adjustment	The electrical gain is adjusted using an operational control, e.g. potentiometer or teach button. This adapts the function reserve to the application
<i>slimline</i>-design	Slimline-design of an optical forked sensor for installation directly on the dispensing edge
System integration	Clever and simple with protective sensor sets
Teach-in	For optimum sensitivity adjustment
<i>think</i>modular	Freely selectable range of functions
Tracking	Automatic contamination compensation (tracking function). It compensates the gradual fouling of the sensor, determines the current reception level and compares this with the initial reference value
Typ. operating range limit	Maximum possible operating range of a sensor. If the sensor is used at this operating range limit, the sensor functions without function reserve
Typ. operating range limit Sn (inductive switches)	Also: "rated switching distance". The switching distance for which a sensor is configured
User guidance	User guidance is used to configure detection of highly transparent objects reliably without an object
WASH-DOWN design	For the pharmaceutical test, the 53 series sensors are tested against H ₂ O ₂ and 70 % alcohol to ensure that they satisfy these special requirements as well
<i>web</i>Config	Browser-based software solution for convenient, computer-independent sensor configuration via Ethernet

Copyright

All rights reserved, in particular right of reproduction and translation.

Copying or reproductions in any form require the written consent of Leuze electronic GmbH + Co. KG.

Product names are used without warranty of unrestricted applicability.

Changes reflecting technical improvements may be made.

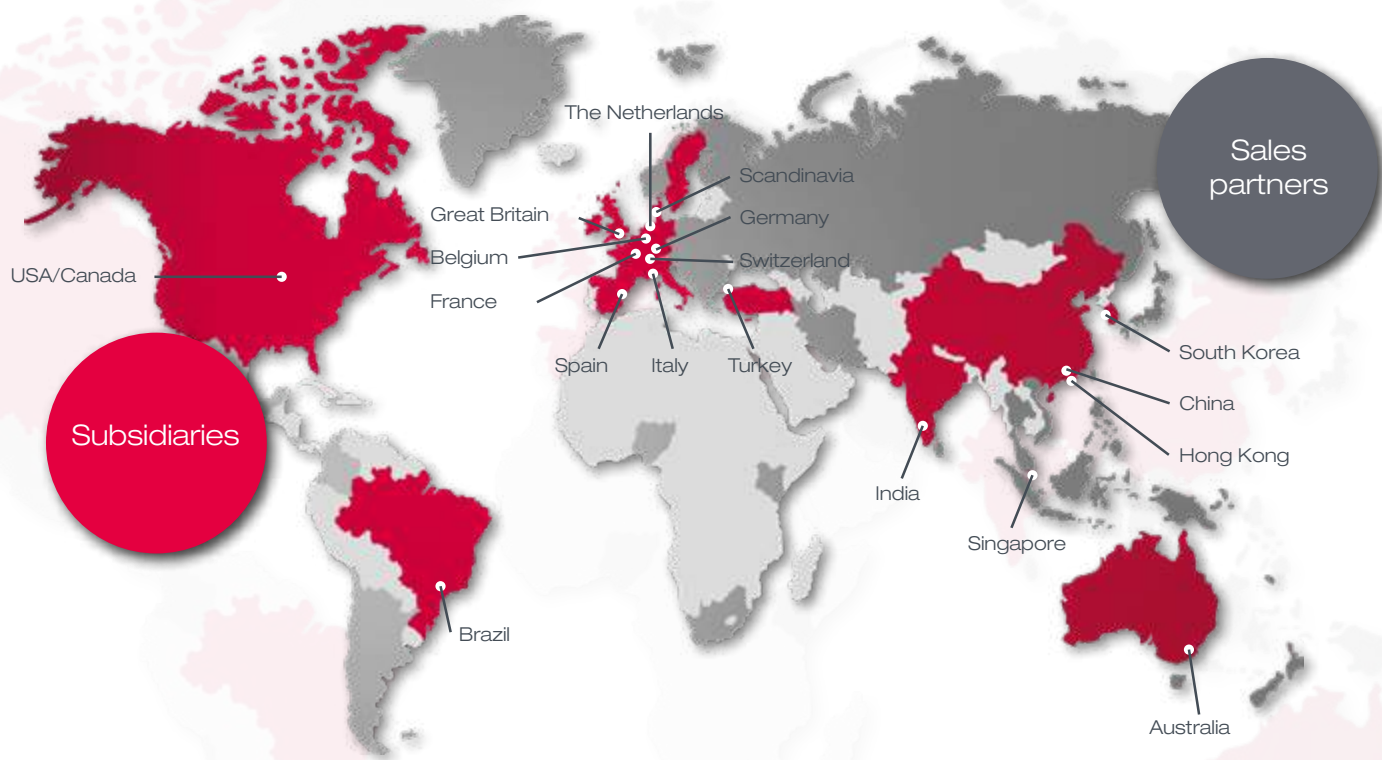
© **Copyright 2018/2019**

Leuze electronic GmbH + Co. KG

In der Braike 1, 73277 Owen/Germany

SALES LOCATIONS WORLDWIDE

With our staff of qualified field representatives and capable Customer Support Centers, we are able to provide you with service worldwide. Our dedication to qualified service and focus on the customer have always been among our distinguishing characteristics.



Contact information of our subsidiaries and sales partners worldwide can be found online:
www.leuze.com/worldwide

SMART
SENSOR
BUSINESS

SMART IS
TO THINK **EASY**,
TO SHARE **EXPERIENCE**,
TO BE **CLOSE**,
TO CREATE THE **FUTURE**

Switching Sensors

Optical Sensors
Ultrasonic Sensors
Fiber Optic Sensors
Inductive Switches
Forked Sensors
Light Curtains
Special Sensors

Measuring Sensors

Distance Sensors
Sensors for Positioning
3D Sensors
Light Curtains
Forked Sensors

Products for Safety at Work

Optoelectronic Safety Sensors
Safe Locking Devices, Switches and Proximity Sensors
Safe Control Components
Machine Safety Services

Identification

Bar Code Identification
2D-Code Identification
RF Identification

Data Transmission / Control Components

MA Modular Connection Units
Data Transmission
Safe Control Components
Signaling Devices
Connection Technology and Passive Distribution Boxes

Industrial Image Processing

Light Section Sensors
Smart Camera

Leuze electronic GmbH + Co. KG
In der Braike 1
73277 Owen/Germany
Phone: +49 7021 573-0
Fax: +49 7021 573-199
info@leuze.com
www.leuze.com