

# LONG-LIFE WATER METERS

For Rate Indication with Pulse Output  
and Totalization



Shown smaller  
than actual size.

FTB7115  
**\$652**  
As Shown

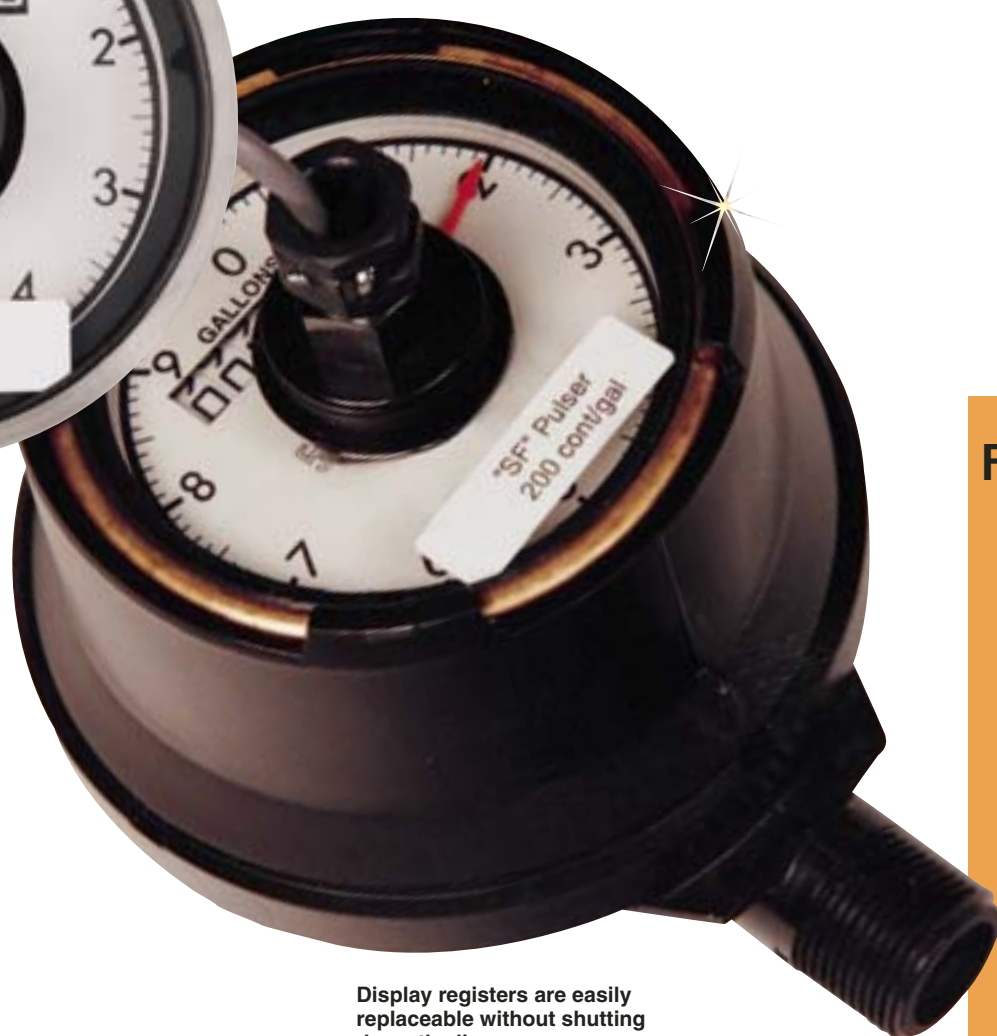
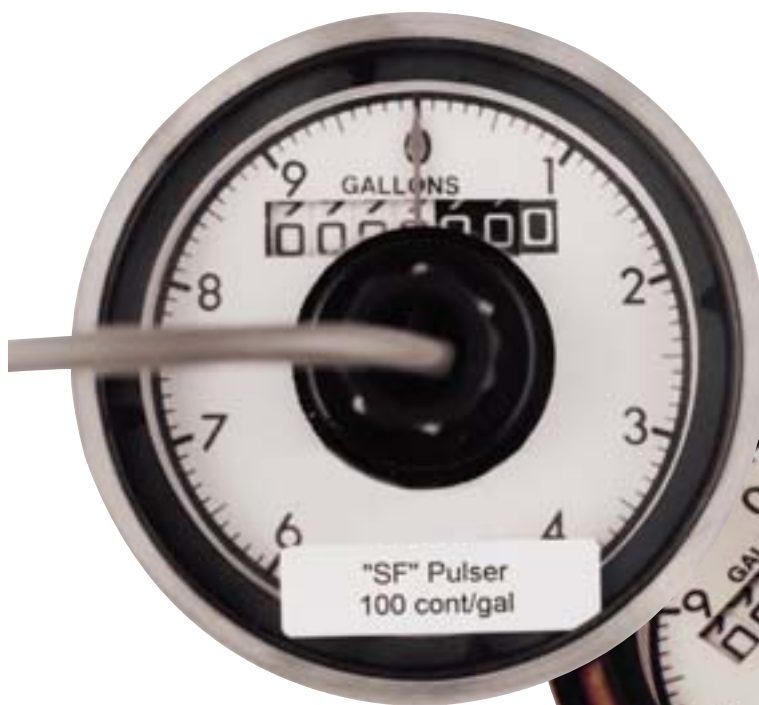


FTB6107-A-PT  
**\$132**  
As Shown



- ✓ For Water Flows from 0.125 to 2500 GPM
- ✓ All-Plastic Version for DI Water and Select Corrosives
- ✓ Scaled Relay Output Optional for Remote Totalization or Rate Indication
- ✓ 1.5% of Reading Accuracy
- ✓ Combination Meter Offers Up to 4,600:1 Turndown

Specifically designed for water billing applications, the FTB6000 and FTB7000 Series flowmeters are highly accurate and feature giant fully rotatable 3", magnetically-driven, permanently hermetically sealed nitrogen-filled registers for extra long life and assured accuracy. The 1/4" thick glass face is tempered to resist breakage, scratching and abrasion. A flow detector located on top of the center spindle provides visual evidence of plumbing leaks. The FTB6000 has a self-lubricating positive displacement design. The precision-machined internal parts are manufactured from graphite-impregnated thermoplastic in combination with a thermoplastic piston, assuring greater accuracy over the entire flow range, longer life and more trouble-free service. Its internal 40-mesh strainer minimizes stoppages due to foreign matter in the pipe. Because of its unique oscillating piston design and low oscillation rate, wear is reduced to a minimum.



FTB6205-PT  
**\$121**



Display registers are easily replaceable without shutting down the line.

The FTB7000 turbine flowmeters feature PTFE sleeve bearings, tough tungsten carbide rotor shafts, sapphire thrust bearings, and a lightweight polypropylene rotor to maximize wear for long-term, accurate service. Integral flow straightening vanes provide flow conditioning. The FTB7000 bolted top plate is easily removed while the flowmeter is in-line for easy servicing. A special PVDF-coated, iron body version is available in line sizes up to 4" for deionized water. Not for acid applications less than a 6 pH. Unit contains a polymer plate. Consult Flow Department for details.

The FTB6700 Series combination meters provide accurate flowmetering with turndown ratios as high as 2,000:1 by combining an FTB6000 and an FTB7000 meter. As the flowrate increases, a built-in changeover valve closes on the FTB6000 so that the higher flow is measured by the companion FTB7000. Specifications and options are the same as for the FTB6000.

## SPECIFICATIONS

**Accuracy:** ±1.5% of reading for all

**Fluid Temperature Range:** -18 to 49°C (0 to 120°F)

**Wetted Parts:**

**FTB6000:** bronze and cast iron (FTB6100) or polyacetal (FTB6200) body; graphite impregnated polystyrene, molybdenum-loaded and glass-filled nylon, nitrile, nylon barium ferrite magnet and polyacetal internal wetted parts, neoprene gaskets (SS filter for 2" unit)

**FTB7000:** bronze body (PVDF coating optional); polyacetal, polypropylene, polyphenylene oxide, PTFE, sapphire, tungsten carbide, 302SS, and barium ferrite magnet for internals; neoprene O-rings

**Maximum Pressure Drop (at 1 CSTK):** 15 psid for FTB6000; 9 psig for FTB7000

**Maximum Pressure:**

150 psig for FTB6000; 230 psid for FTB7000

**Maximum total (millions of gallons):**

10 up to 1", 100 for 1.5" and 2", 1,000 above 2"

# LONG-LIFE WATER METERS

## For Water Totalization

- ✓ For Water Flows from 0.125 to 2500 GPM
- ✓ All-Plastic Version for DI Water and Select Corrosives
- ✓ Scaled Relay Output Optional for Remote Totalization or Rate Indication
- ✓ 1.5% of Reading Accuracy
- ✓ Combination Meter Offers Up to 4,600:1 Turndown



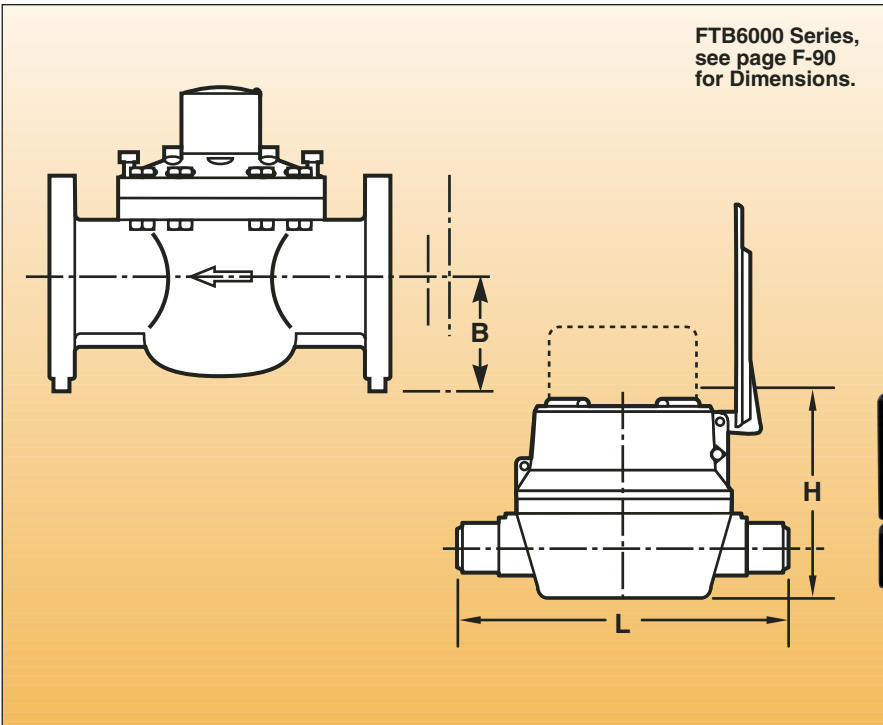
Shown Smaller Than Actual Size.

FTB6720  
**\$1591**



FTB6205-PS  
**\$170**

Polymer Body with Pulse



FTB6000 Series, see page F-90 for Dimensions.



Compatible DPF701 Panel Meter, \$260. See page F-80 for more details.

All models shown smaller than actual size.

FTB7130, \$1134.

FTB7120, \$723.

FTB6105-A, \$73.



  **MOST POPULAR MODELS HIGHLIGHTED!**

<b>To Order (Specify Model Number)</b>										
Model No.	Price	MNPT Port Size (in)	Normal Operating Range	Min. Test Flow* (GPM)	Length of Body mm (in)	Diameter mm (in)	Overall Height mm (in)	Weight kg (lb)	"-PS" pulse/gal	Maximum Pressure Drop (psid)
<b>Bronze Body (Horizontal Mounting Suggested)</b>										
FTB6105-A	\$73	½ <sup>†</sup>	1 to 20 GPM	0.125	191 (7.5)	102 (4.0)	133 (5.5)	1.9 (4.25)	230.0	8.5
FTB6107-A	73	¾ <sup>†</sup>	1 to 20 GPM	0.125	191 (7.5)	102 (4.0)	133 (5.5)	1.9 (4.25)	230.0	8.5
FTB6107X	113	¾ <sup>†</sup>	0.5 to 30 GPM	0.25	229 (9.0)	121 (4.75)	140 (5.5)	4.0 (8.75)	133.2	13.0
FTB6110	169	1.0 <sup>†</sup>	0.75 to 50 GPM	0.5	273 (10.75)	179 (7.06)	176 (6.94)	6.0 (13.25)	60.0	11.5
FTB6115	475	1.5 <sup>††</sup>	5 to 100 GPM	1.5	321 (12.63)	191 (7.5)	216 (8.5)	9.8 (21.6)	22.6	11.5
FTB6120	570	2.0 <sup>††</sup>	8 to 160 GPM	2.0	387 (15.25)	222 (8.75)	260 (10.25)	17.6 (38.8)	16.28	12.75
<b>Polymer Body (Horizontal Mounting Suggested)</b>										
FTB6205	\$63	½ <sup>†</sup>	0.25 to 20 GPM	0.13	191 (7.5)	121 (4.75)	137 (5.38)	1.4 (3.0)	200.0	11.5
FTB6207	63	¾ <sup>†</sup>	0.25 to 25 GPM	0.13	191 (7.5)	121 (4.75)	137 (5.38)	1.4 (3.0)	200.0	13.0
FTB6207X	88	¾ <sup>†</sup>	0.5 to 30 GPM	0.25	229 (9.0)	127 (5.0)	152 (5.97)	1.8 (4.0)	133.2	13.0
FTB6208	138	1	2 to 30 GPM	0.5	229 (9.0)	127 (5.0)	152 (5.97)	1.8 (4.0)	133.2	13.0

\* Minimum measurable with 5% of reading accuracy. <sup>†</sup> Male NPT. <sup>††</sup> Female NPT with adaptor flanges. Add suffix "-PT" for total only or "-PS" for rate and total for pulse output on FTB6000 Series. Add \$59 for "-PT"; add \$108 for "-PS". Register is hermetically sealed or weatherproofed with pulse output. Pulse option adds ¾" to height. With "PT" pulse output option: 1 pulse/gal for 1" and smaller; 1 pulse/10 gal for 1½" and 2". PT pulser is a contact closure rated at 3 A @ 125 Vac. Not compatible with FTB7000 Series. PS pulser is a solid state device that requires a 6 to 24 Vdc external source 3 wire with pull-up resistor.

**FTB7000 Series (Must be mounted horizontally with register facing up)**

Model No.	Price	FNPT Port Size (in)	Flow Range (GPM)	Cont. Duty (GPM)	Overall Length	"B" Dim. mm (in)	Width mm (in)	Ship Wt kg (lb)	Max Pressure Drop (psid)
<b>Bronze Body</b>									
FTB7115	\$652	1.5	3 to 200	160	254 (10)	80 (3.16)	187 (7.37)	10.9 (24.0)	9.0
FTB7120	723	2.0	3 to 200	160	254 (10)	80 (3.16)	187 (7.37)	13.2 (29.0)	9.0
FTB7130	1134	3.0	4 to 750	600	305 (12)	106 (4.16)	187 (7.37)	16.4 (36.0)	8.0
FTB7140	1795	4.0	7 to 1250	1000	356 (14)	127 (5.0)	217 (8.56)	27.3 (60.0)	9.0
FTB7160	3099	6.0	15 to 2500	2000	457 (18)	148 (5.84)	279 (11.00)	50.5 (111.0)	4.5

Add suffix "-LPR" or "-HPR" for pulse output for FTB7000. Add \$255 to list price for either. LPR is a 4-watt reed switch, rated 50 Vac/Vdc @ 50 mA. Pulse rate = 1 pulse/gal for 1½" and 2"; 1 pulse/10 gal all larger sizes. HPR is a solid state optical pickup, 6 to 15 Vdc power input. 10 pulse/gal for 1½" and 2"; 1 pulse/gal all larger sizes. Pulse option adds 0.34 kg (¾ lb) to weight and 32 mm (1¼") to height.

**Combination Meters (Must be mounted horizontally with register facing up)**

Model No.	Price	FNPT Port Size (in)	Flow Range (GPM)	Cont. Duty (GPM)	Overall Length mm (in)	Width mm (in)	Ship Wt kg (lb)	
FTB6720	\$1591	2	0.25 to 160	100	432 (17.0)	319 (12.56)	15.5 (34.0)	
FTB6730	2268	3	0.25 to 650	325	432 (17.0)	337 (13.25)	25.1 (55.25)	
FTB6740	2951	4	0.25 to 1150	575	508 (20.0)	359 (14.12)	30.5 (67.12)	
FTB6760	5669	6	0.75 to 2500	1560	502 (19.75)	446 (17.56)	78.2 (172.0)	
ME-1868	100	Reference Book: Turbulent Flow						

Comes with complete operator's manual.

Ordering Example: FTB7160-LPR, 6" bronze body long-life water meter with 15 to 2500 gpm range and pulser, \$3099+ 255 = \$3354.





#### UNITED STATES

[www.omega.com](http://www.omega.com)  
1-800-TC-OMEGA  
Stamford, CT.

#### CANADA

[www.omega.ca](http://www.omega.ca)  
Laval(Quebec)  
1-800-TC-OMEGA

#### GERMANY

[www.omega.de](http://www.omega.de)  
Deckenpfronn, Germany  
0800-8266342

#### UNITED KINGDOM

[www.omega.co.uk](http://www.omega.co.uk)  
Manchester, England  
0800-488-488

#### FRANCE

[www.omega.fr](http://www.omega.fr)  
Guyancourt, France  
088-466-342

#### CZECH REPUBLIC

[www.omegaeng.cz](http://www.omegaeng.cz)  
Karviná, Czech Republic  
596-311-899

#### BENELUX

[www.omega.nl](http://www.omega.nl)  
Amstelveen, NL  
0800-099-33-44



## More than 100,000 Products Available!

### • Temperature

Calibrators, Connectors, General Test and Measurement Instruments, Glass Bulb Thermometers, Handheld Instruments for Temperature Measurement, Ice Point References, Indicating Labels, Crayons, Cements and Lacquers, Infrared Temperature Measurement Instruments, Recorders Relative Humidity Measurement Instruments, RTD Probes, Elements and Assemblies, Temperature & Process Meters, Timers and Counters, Temperature and Process Controllers and Power Switching Devices, Thermistor Elements, Probes and Assemblies, Thermocouples Thermowells and Head and Well Assemblies, Transmitters, Wire

### • Flow and Level

Air Velocity Indicators, Doppler Flowmeters, Level Measurement, Magnetic Flowmeters, Mass Flowmeters, Pitot Tubes, Pumps, Rotameters, Turbine and Paddle Wheel Flowmeters, Ultrasonic Flowmeters, Valves, Variable Area Flowmeters, Vortex Shedding Flowmeters

### • pH and Conductivity

Conductivity Instrumentation, Dissolved Oxygen Instrumentation, Environmental Instrumentation, pH Electrodes and Instruments, Water and Soil Analysis Instrumentation

### • Data Acquisition

Auto-Dialers and Alarm Monitoring Systems, Communication Products and Converters, Data Acquisition and Analysis Software, Data Loggers Plug-in Cards, Signal Conditioners, USB, RS232, RS485 and Parallel Port Data Acquisition Systems, Wireless Transmitters and Receivers

### • Pressure, Strain and Force

Displacement Transducers, Dynamic Measurement Force Sensors, Instrumentation for Pressure and Strain Measurements, Load Cells, Pressure Gauges, Pressure Reference Section, Pressure Switches, Pressure Transducers, Proximity Transducers, Regulators, Strain Gages, Torque Transducers, Valves

### • Heaters

Band Heaters, Cartridge Heaters, Circulation Heaters, Comfort Heaters, Controllers, Meters and Switching Devices, Flexible Heaters, General Test and Measurement Instruments, Heater Hook-up Wire, Heating Cable Systems, Immersion Heaters, Process Air and Duct, Heaters, Radiant Heaters, Strip Heaters, Tubular Heaters