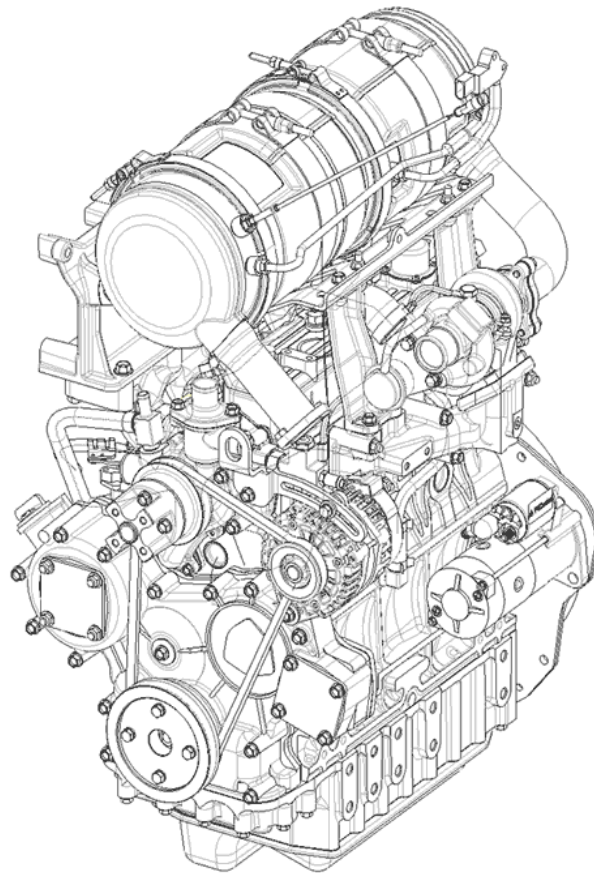


KUKJE A2300T11-UTC_4 Branson Engine

Parts Catalogue



BRANSON TRACTOR

CONTENTS

GROUP NO	GROUP NAME	PAGE
E001	CYLINDER BLOCK	4
E002	OIL JET ASS'Y OPTION	6
E003	CRANK SHAFT	8
E004	PISTON	10
E005	CYLINDER HEAD	12
E006	ROCKER LEVER SHAFT	14
E007	HEAD COVER	16
E008	GEAR CASE	18
E009	IDLE GEAR	20
E010	CAM SHFT	22
E011	OIL PUMP	24
E012	HYD. PUMP DRIVE	26
E013	2ND BALANCE	28
E014	OIL PAN	30
E015	INTAKE MANIFOLD	32
E016	EXHAUST MANIFOLD	34
E017	TURBOCHARGER ASS'Y	36
E018-1	TURBOCHARGER PLUMBING OPTION	38
E018-2	TURBOCHARGER PLUMBING OPTION(2019.08~)	40
E019	BREATHER	42
E020	FUEL INJECITON PUMP	44
E021	FUEL INJECTION VALVE	46
E022	FUEL PIPE	48
E023	OIL FILTER	50
E024	OIL COOLER	52
E025	OIL GAUGE	54
E026	OIL FILLER CAP	56
E027	COOLING WATER PUMP	58
E028	CRANK SHAFT PULLEY	60
E029	COMP. DRIVE PULLEY	62
E030	V-PULLEY	64
E031	COOLING FAN SPACER	66
E032	FLYWHEEL HOUSING	68
E033	FLYWHEEL	70
E034	GLOW PLUG ASS'Y OPTION	72

FIG E001

A2300T11-UTC_4

CYLINDER BLOCK

Year/Month

2020/02

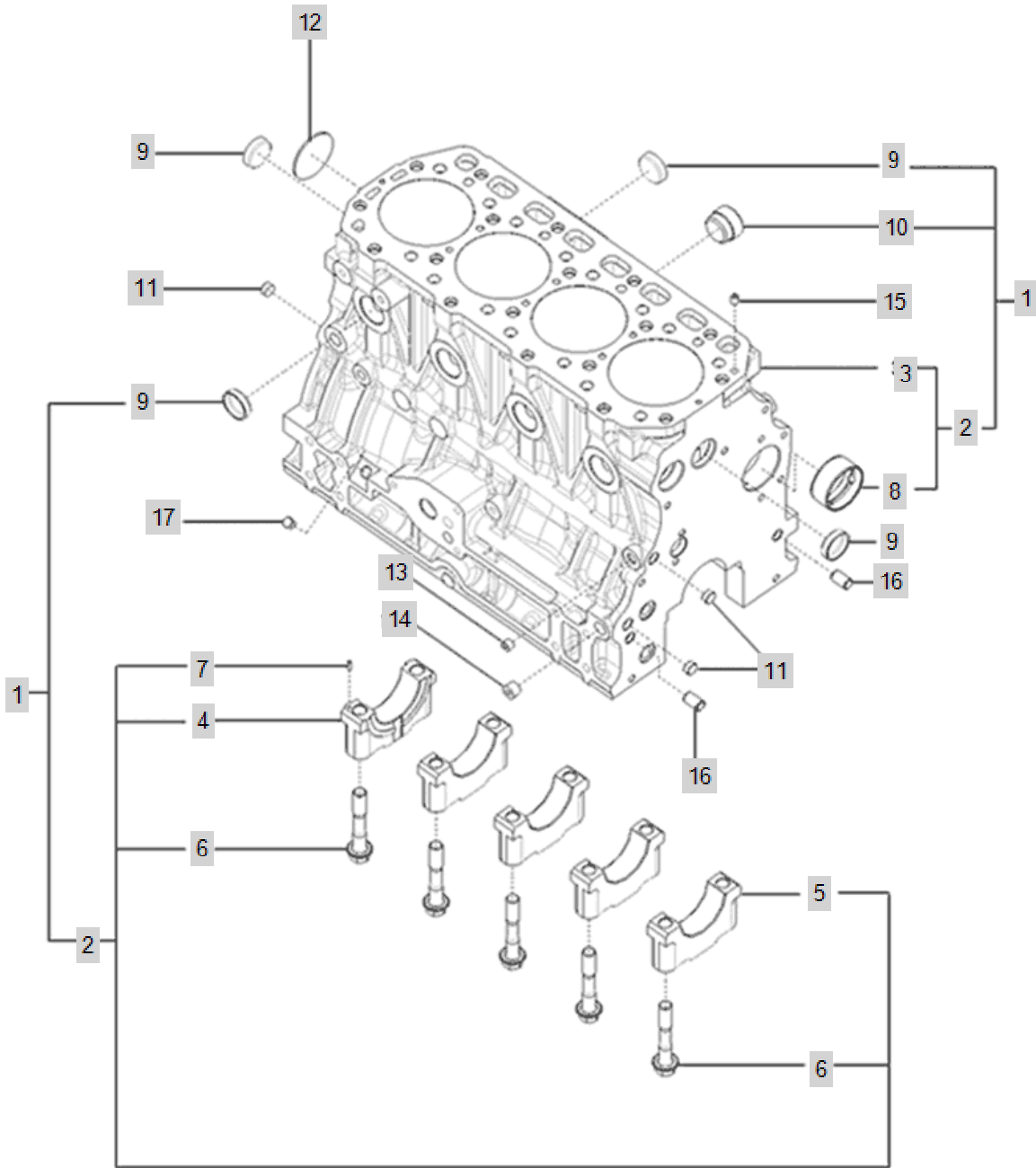


FIG E002

OIL JET ASS'Y OPTION

Year/Month

A2300T11-UTC_4

2020/02

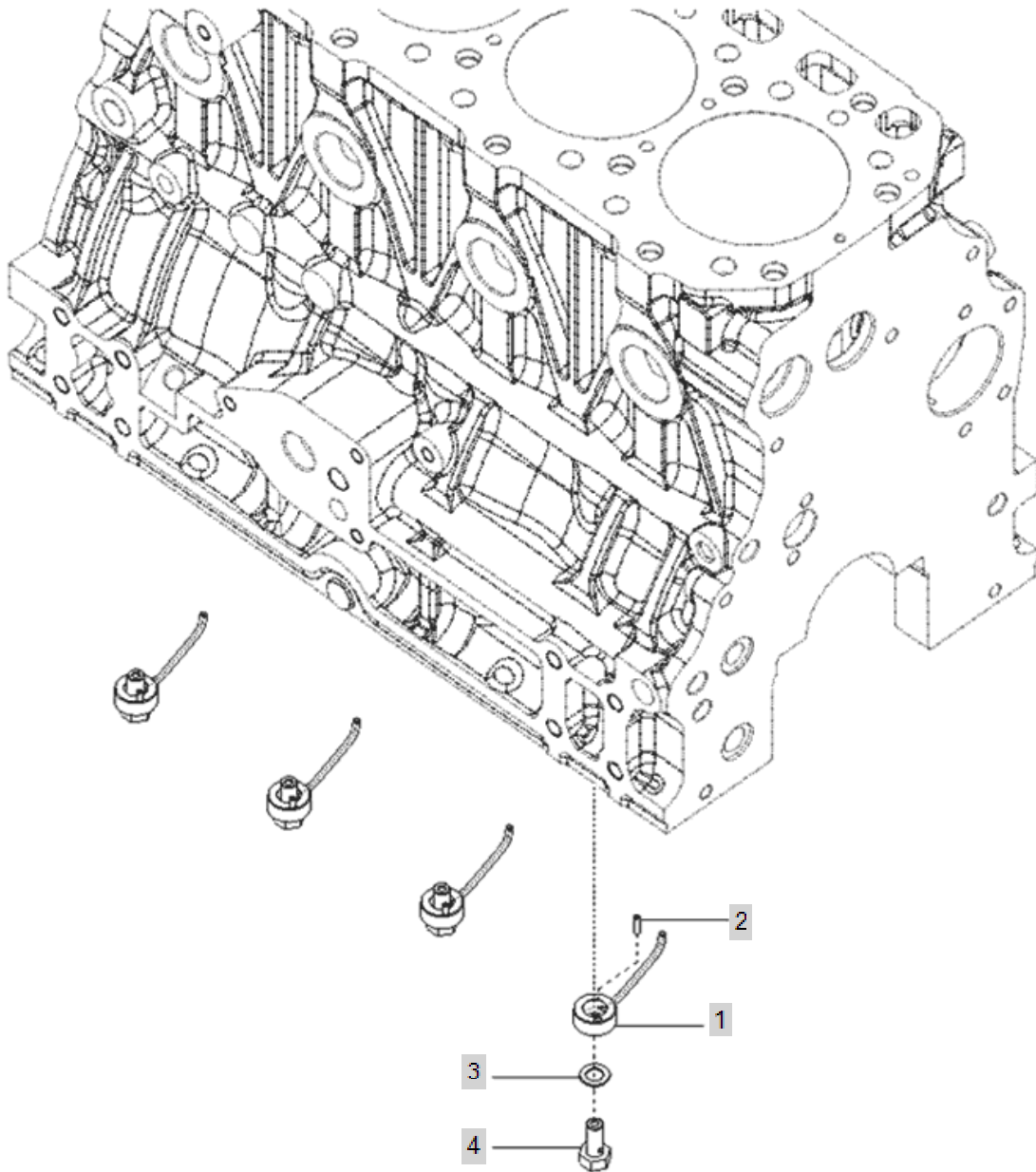


FIG E003

CRANK SHAFT

Year/Month

A2300T11-UTC_4

2020/02

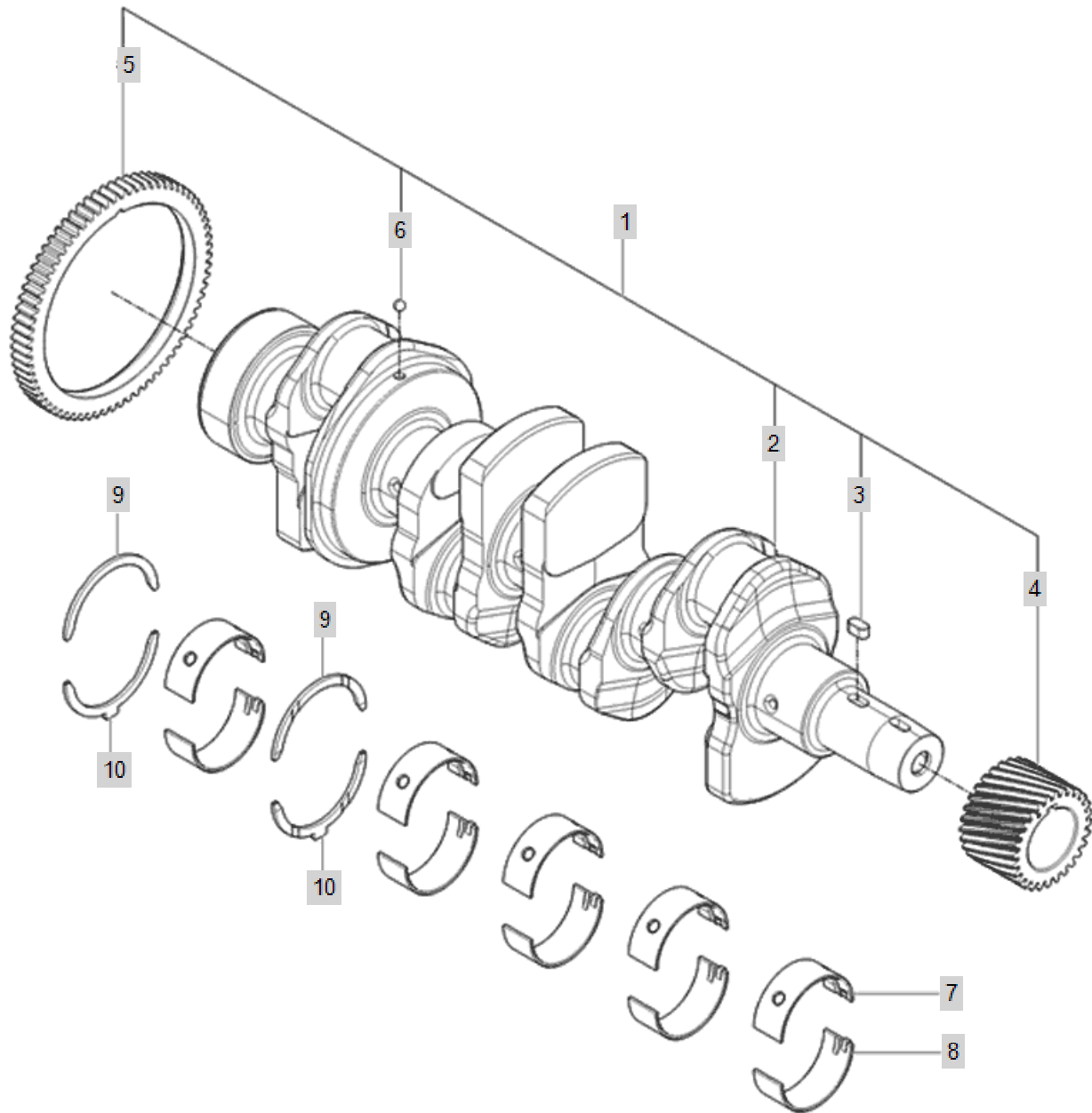


FIG E004

A2300T11-UTC_4

PISTON

Year/Month

2020/02

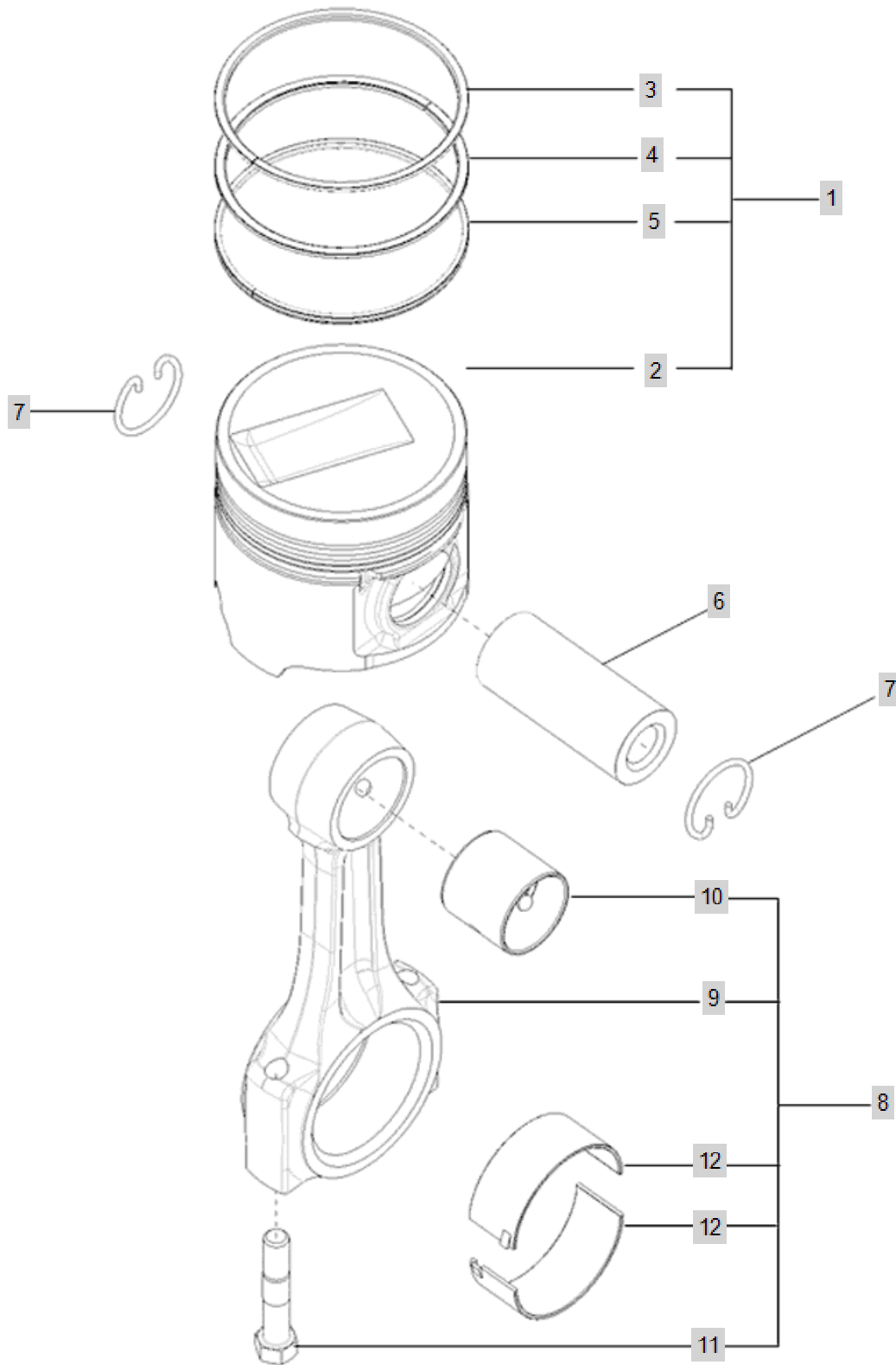


FIG E005

Year/Month

A2300T11-UTC_4

CYLINDER HEAD

2020/02

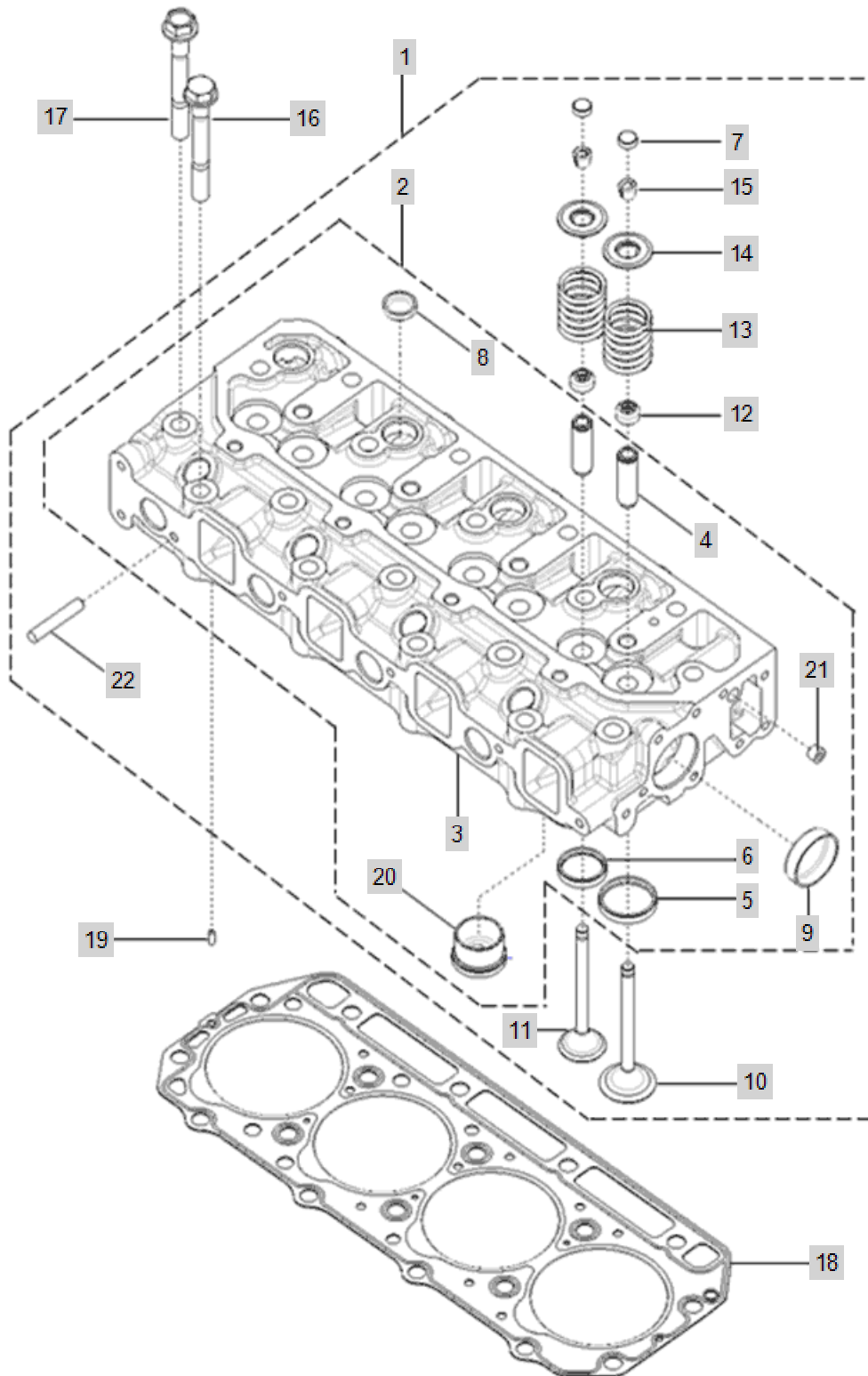


FIG E006

A2300T11-UTC_4

ROCKER LEVER SHAFT

Year/Month

2020/02

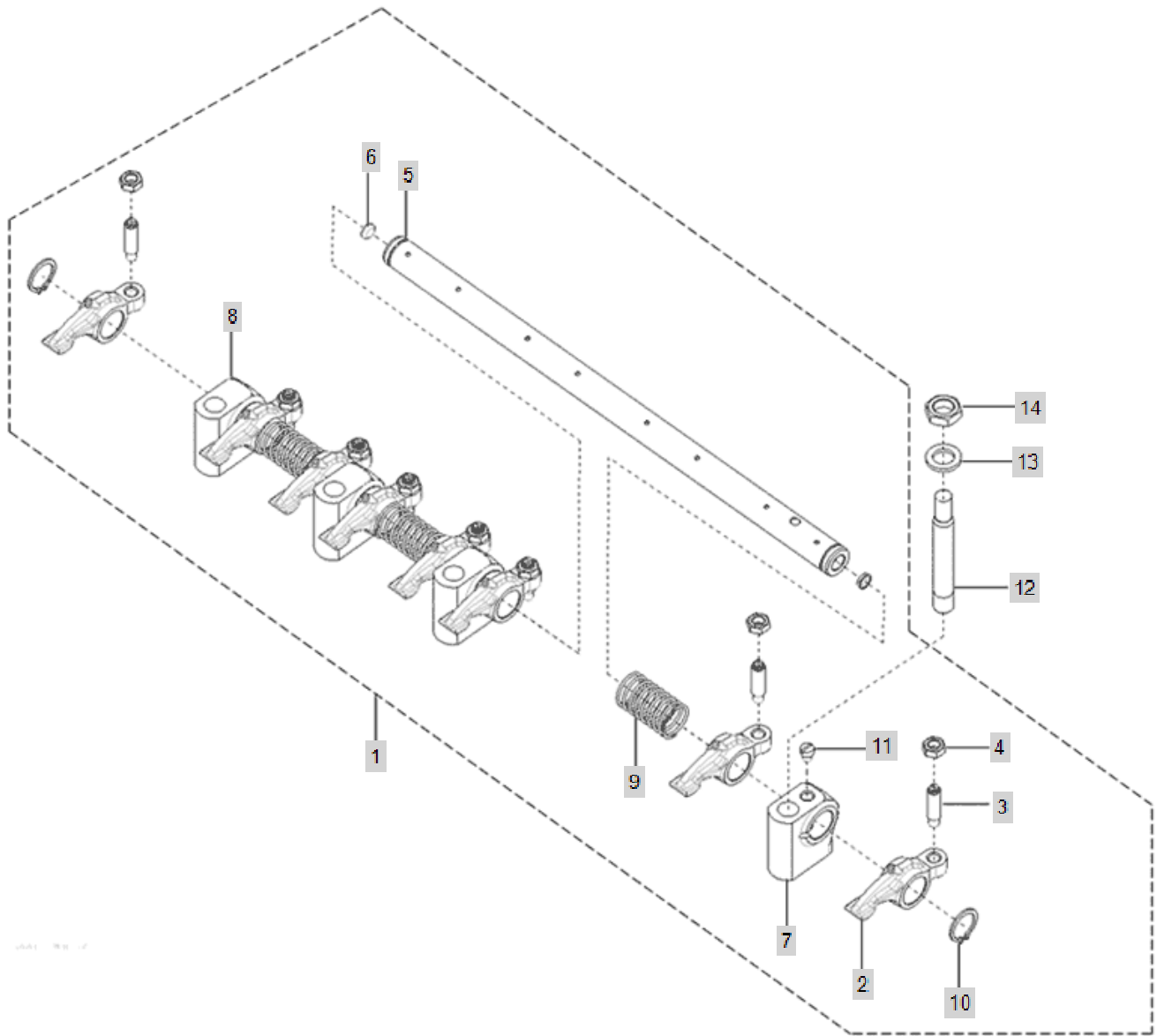


FIG E007

A2300T11-UTC_4

HEAD COVER

Year/Month

2020/02

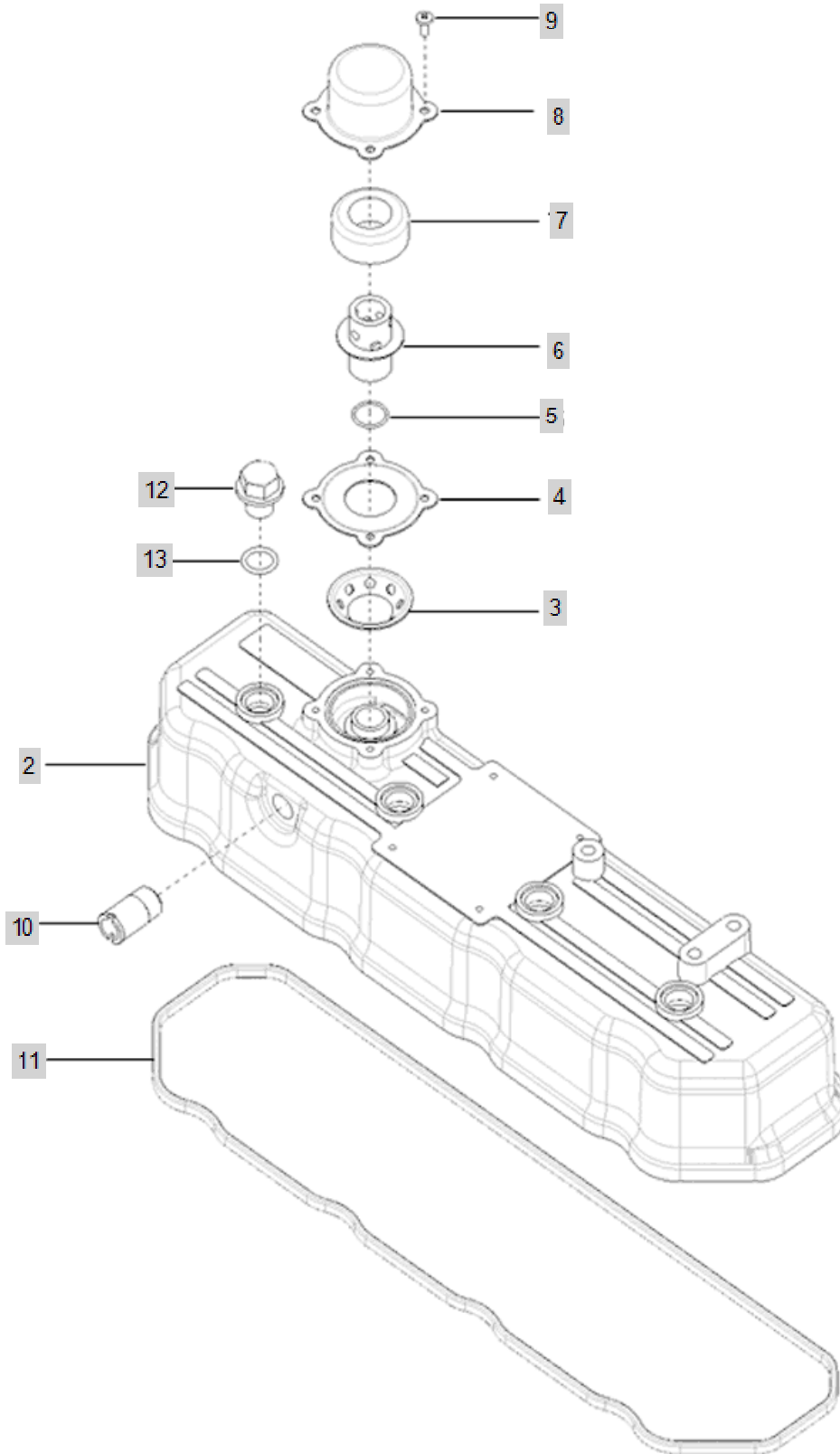


FIG E008

GEAR CASE

Year/Month

A2300T11-UTC_4

2020/02

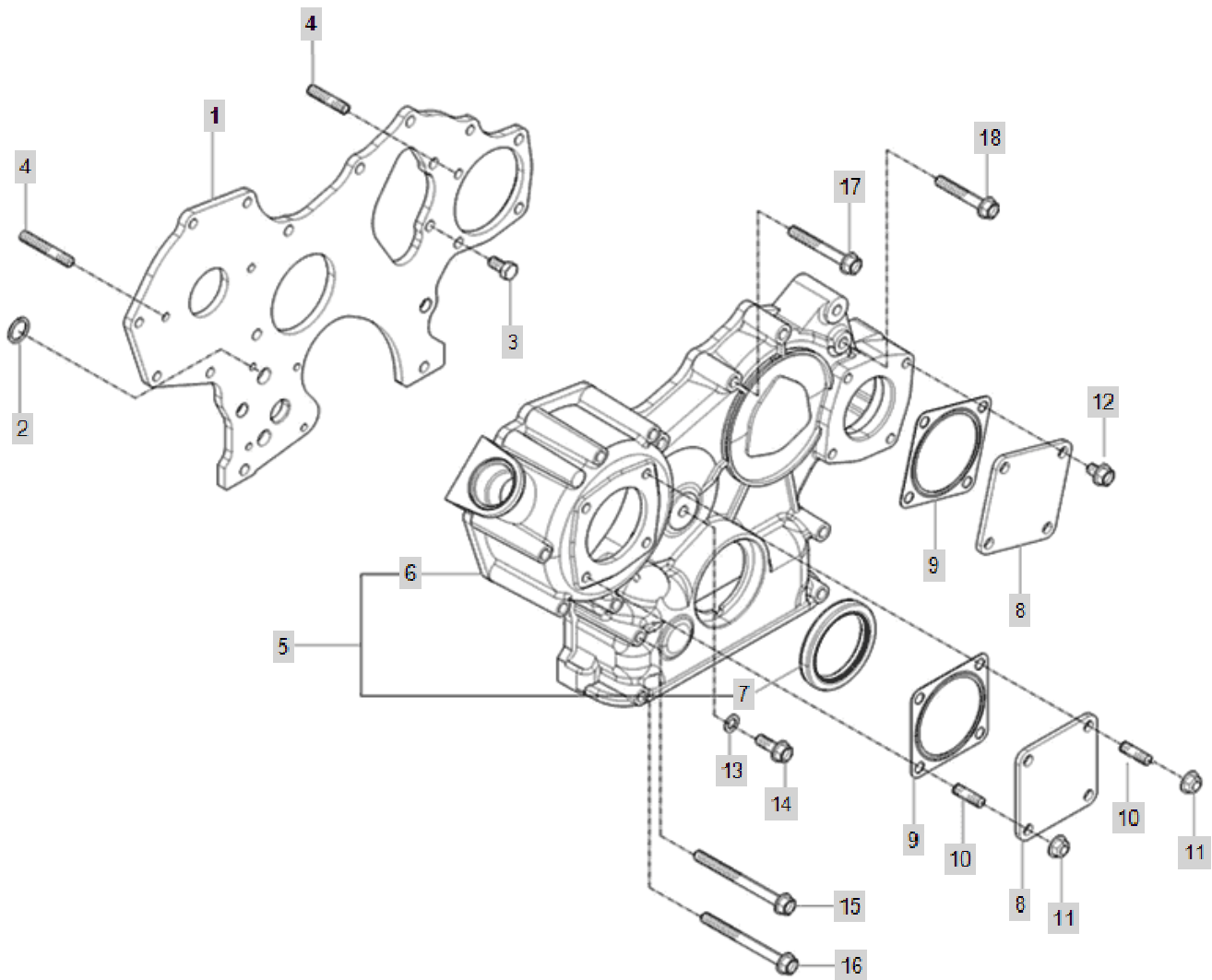


FIG E009

IDLE GEAR

Year/Month

A2300T11-UTC_4

2020/02

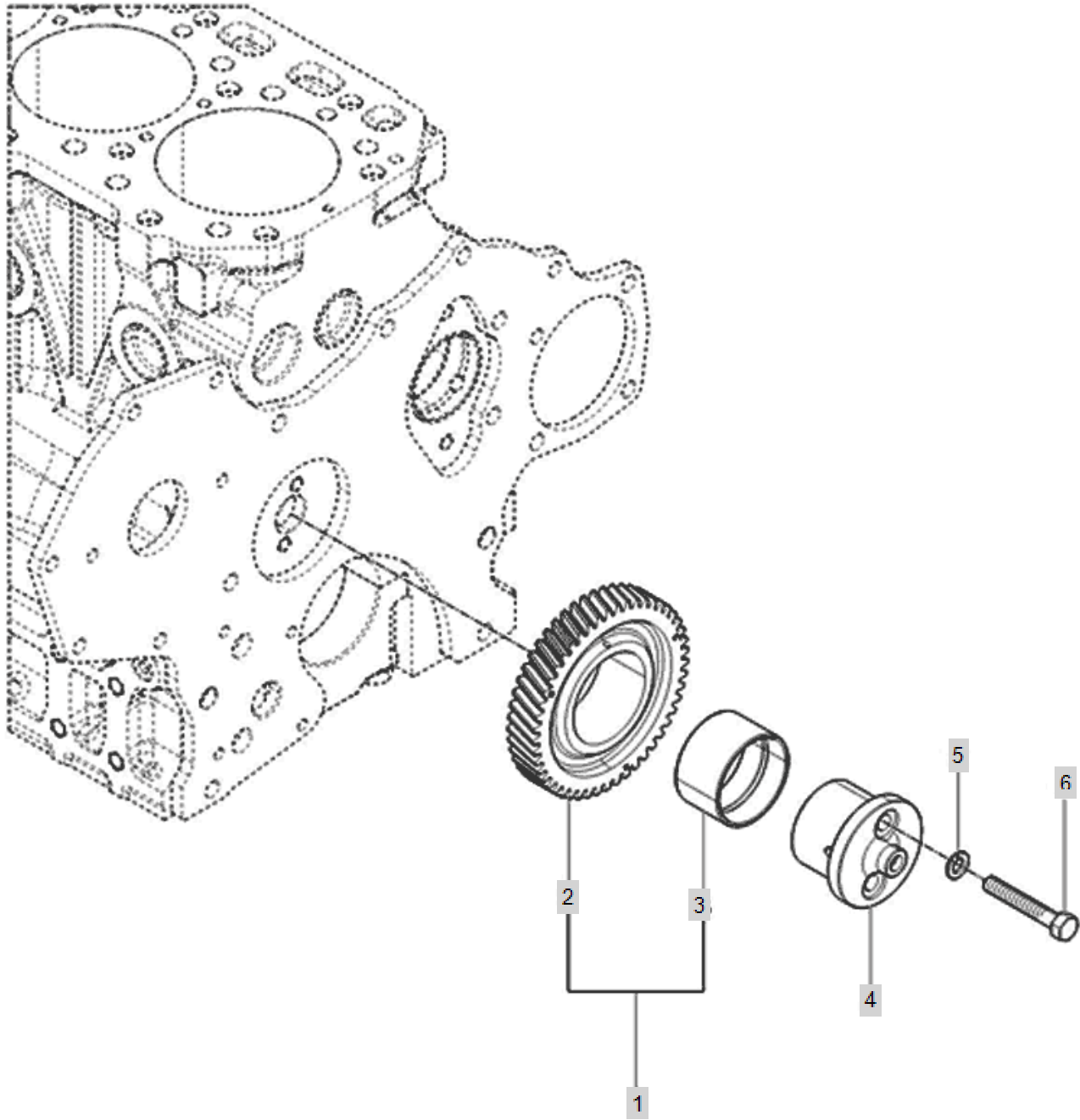


FIG E010

A2300T11-UTC_4

CAM SHFT

Year/Month

2020/02

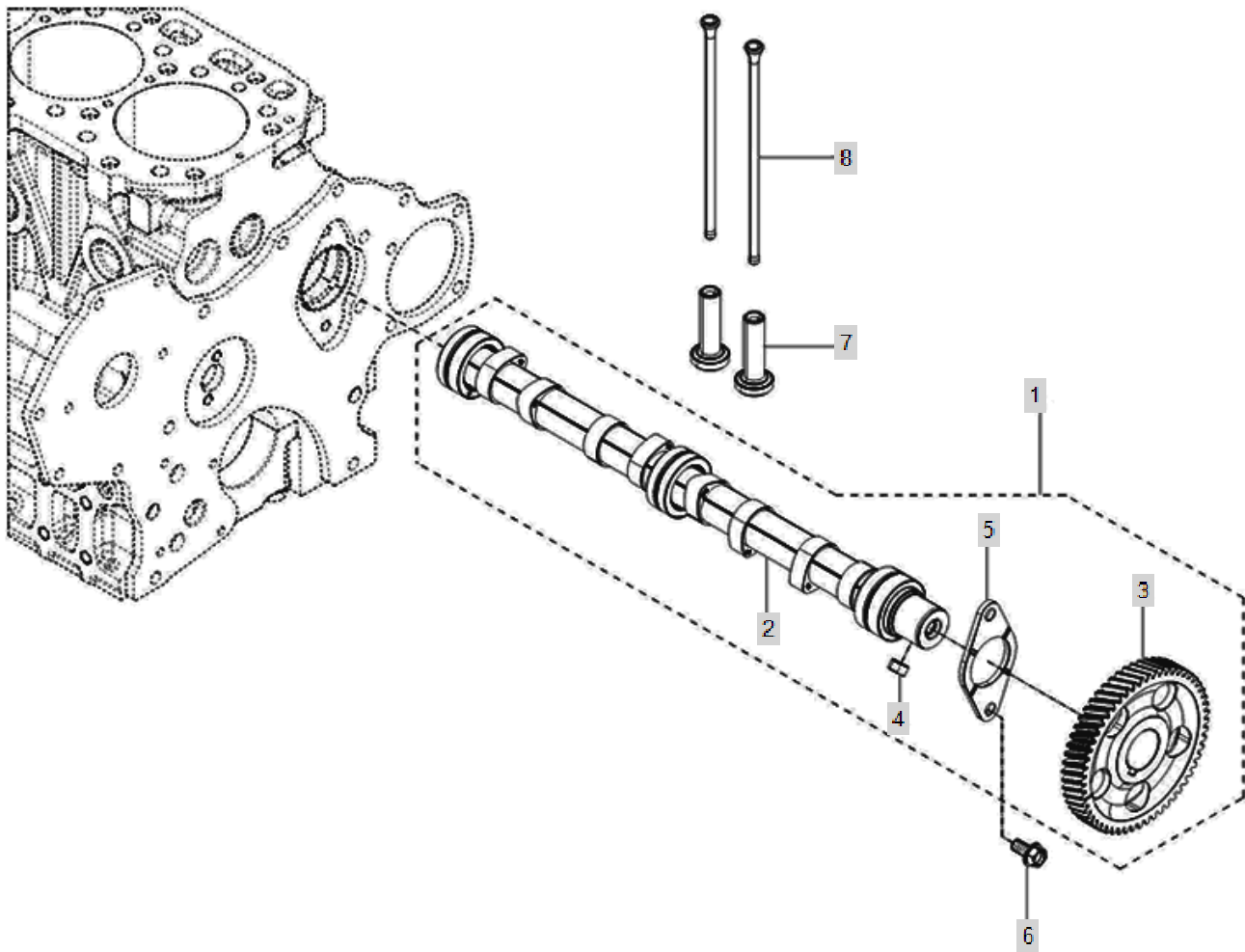


FIG E011

OIL PUMP

Year/Month

A2300T11-UTC_4

2020/02

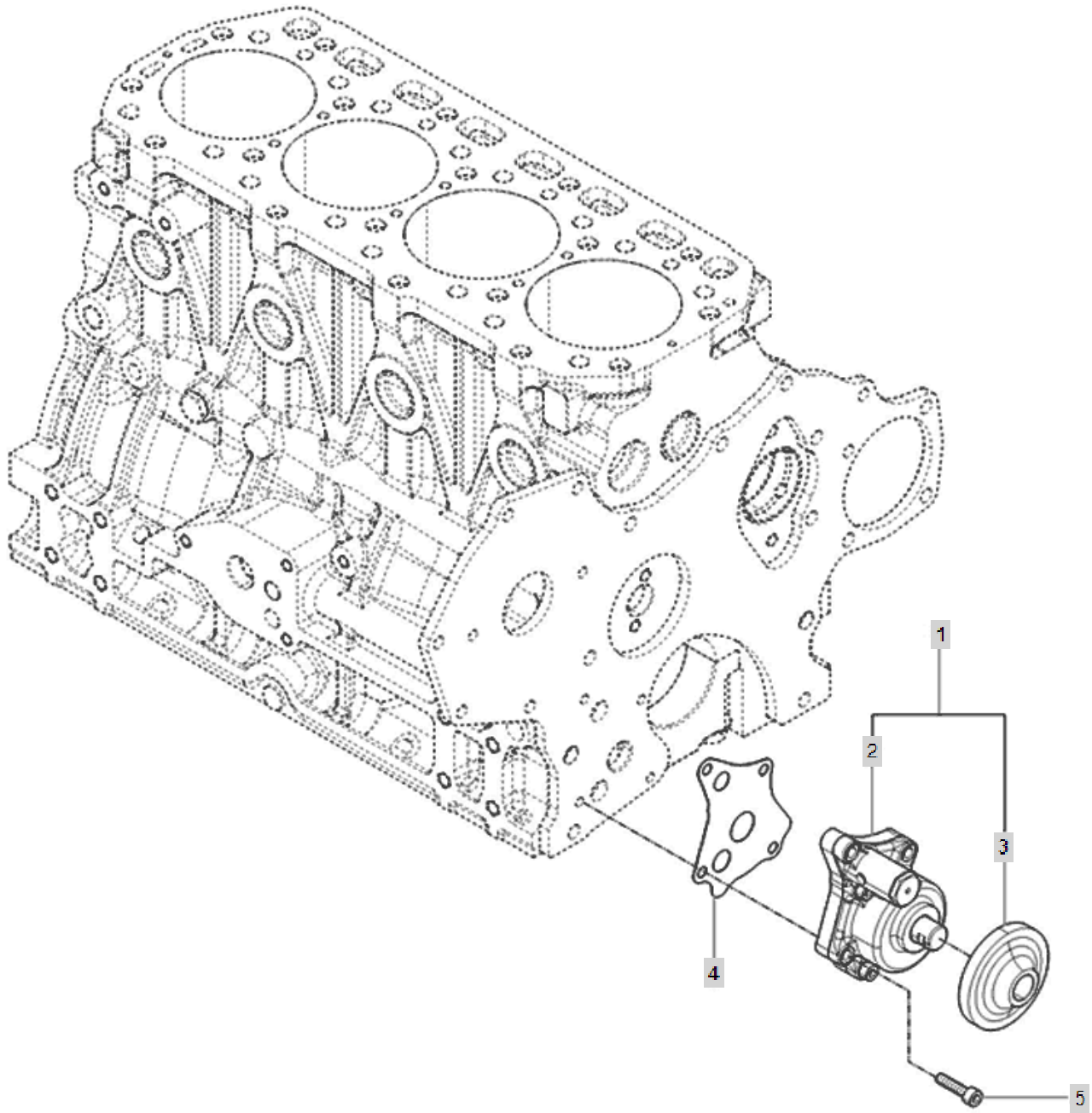


FIG E012

A2300T11-UTC_4

HYD. PUMP DRIVE

Year/Month

2020/02

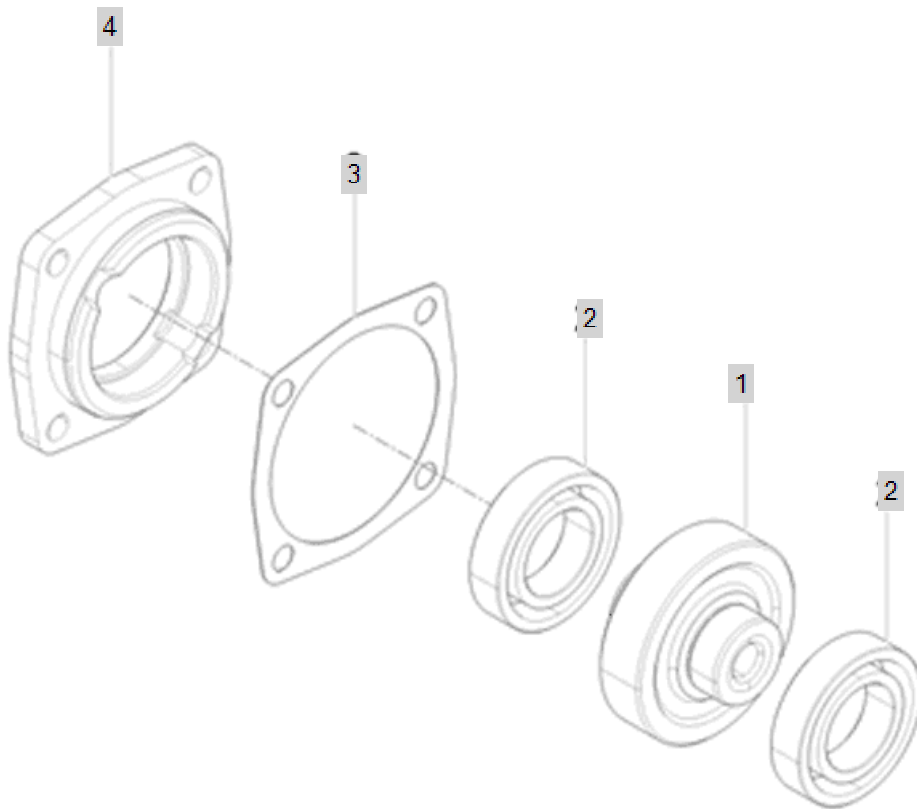


FIG E013

2ND BALANCE

Year/Month

A2300T11-UTC_4

2020/02

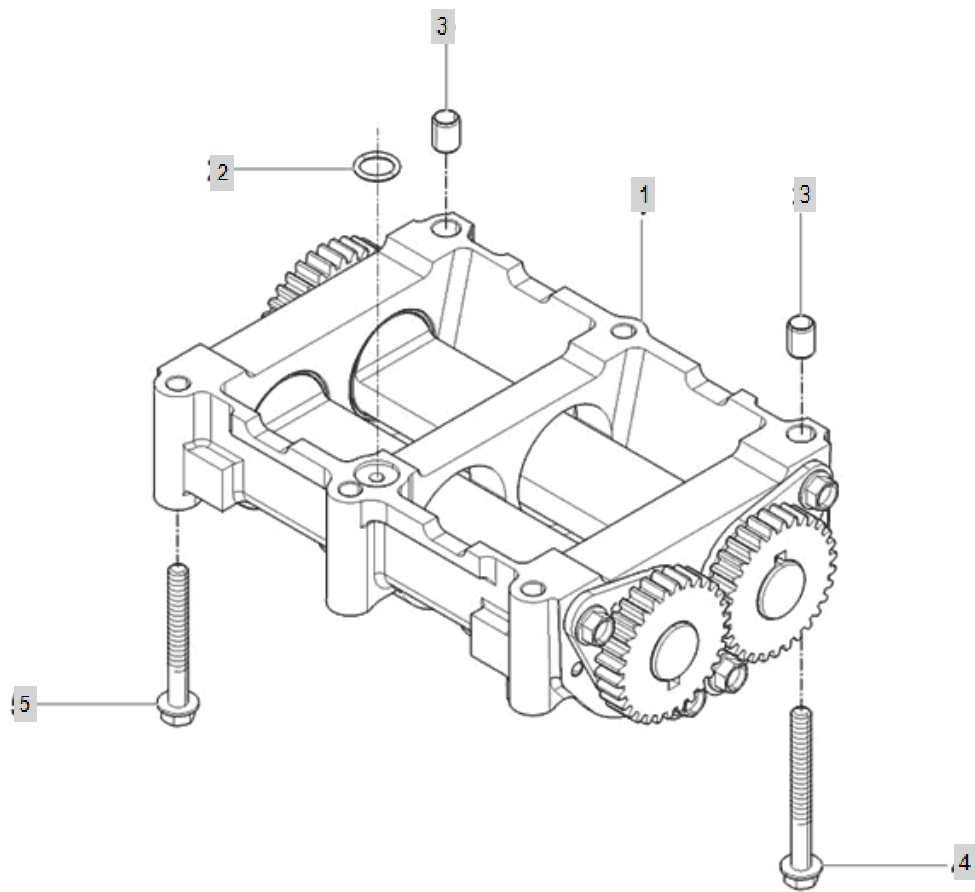


FIG E014

OIL PAN

Year/Month

A2300T11-UTC_4

2020/02

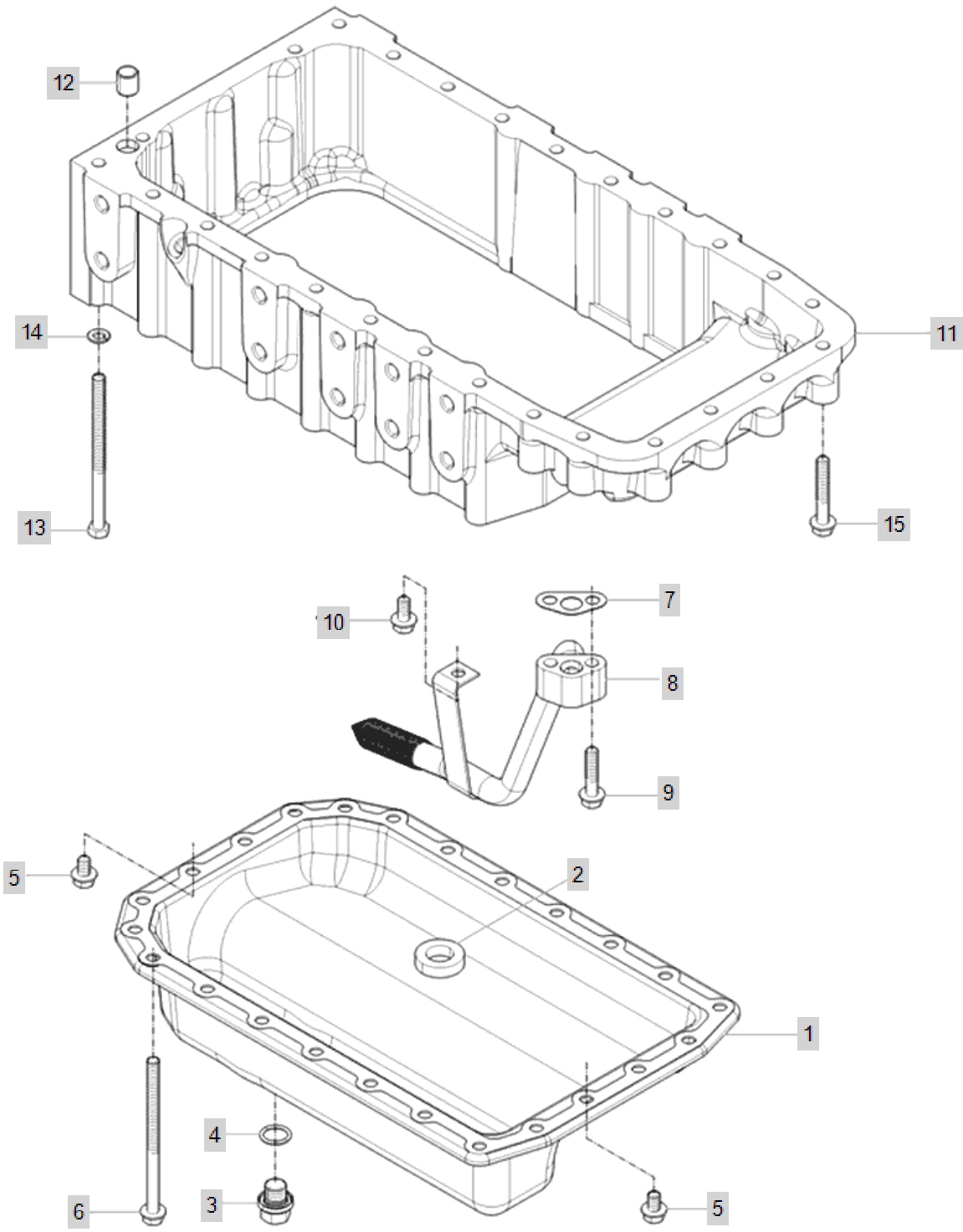


FIG E015

INTAKE MANIFOLD

Year/Month

A2300T11-UTC_4

2020/02

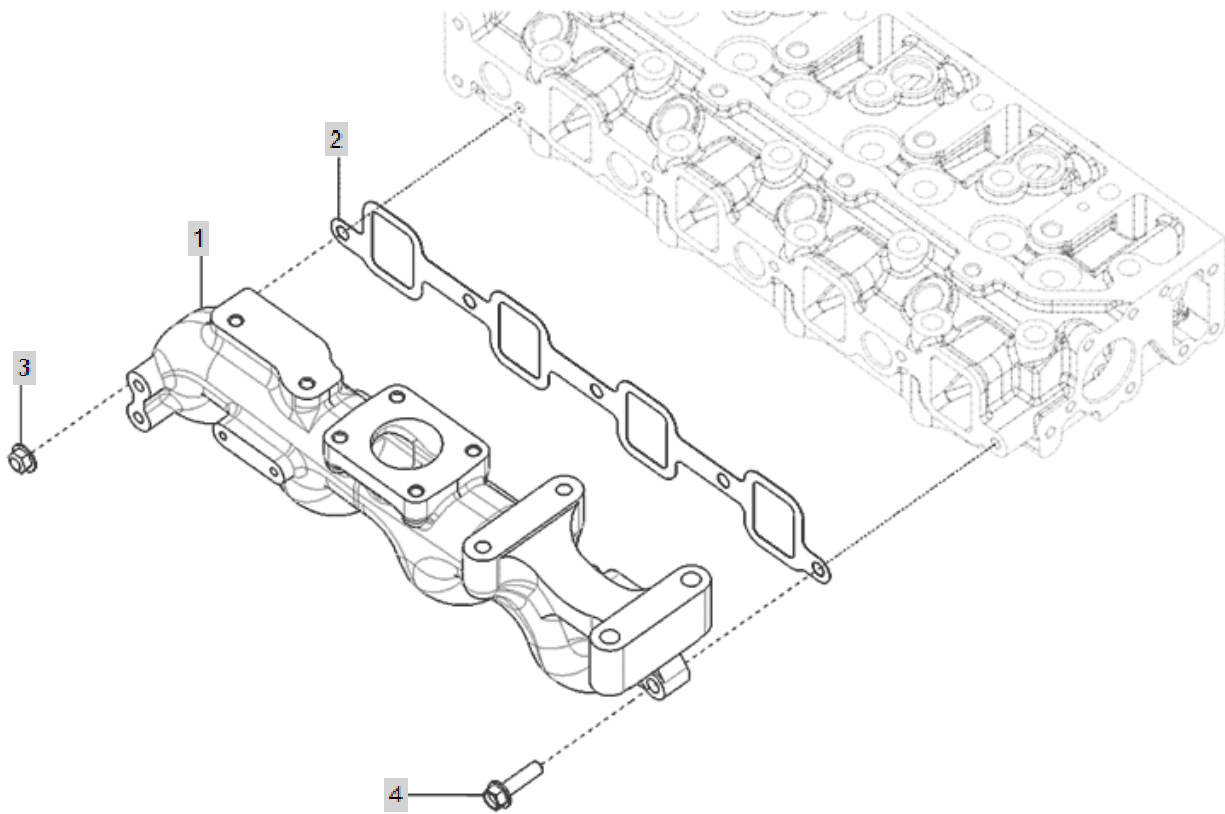


FIG E016

A2300T11-UTC_4

EXHAUST MANIFOLD

Year/Month

2020/02

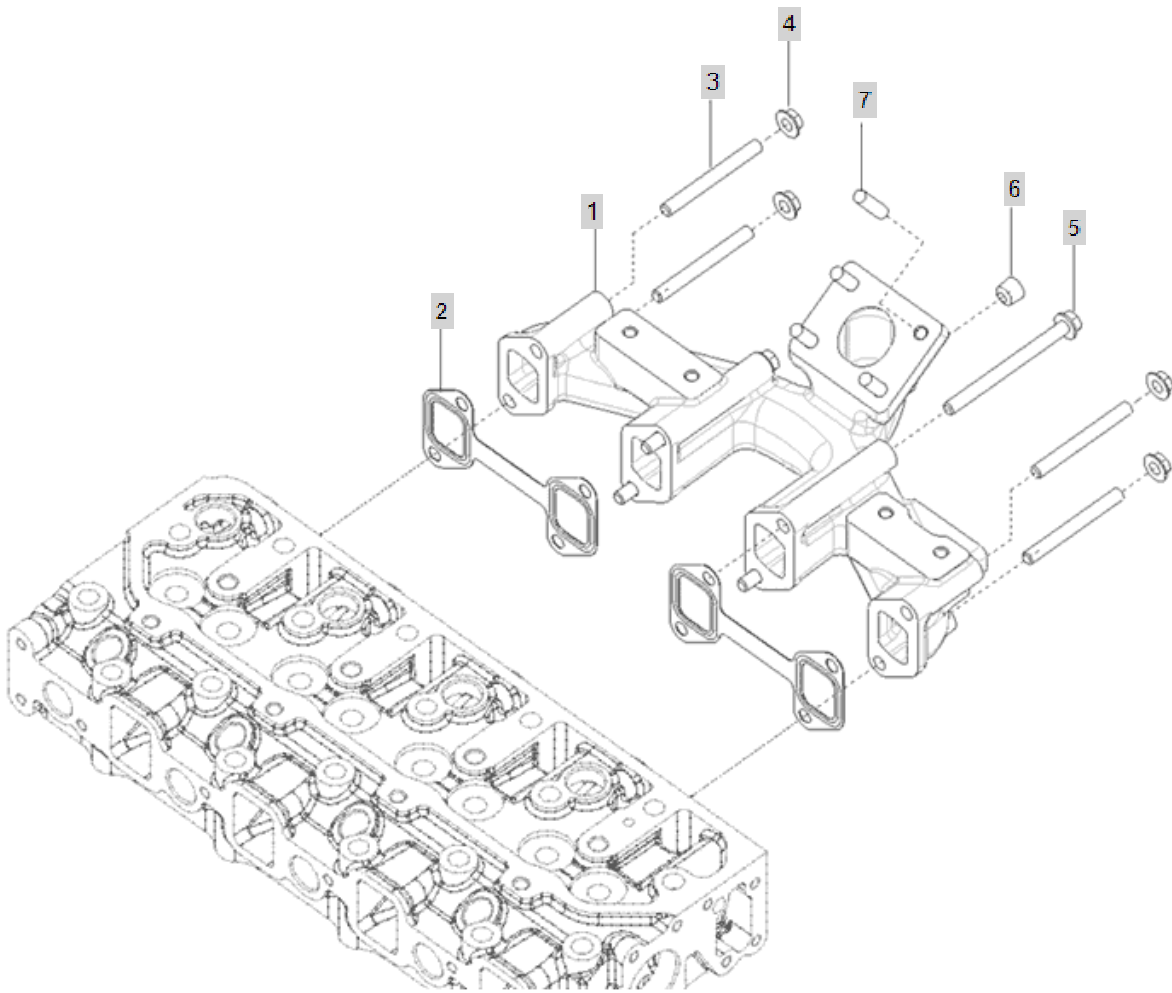


FIG E017

TURBOCHARGER ASS'Y

Year/Month

A2300T11-UTC_4

2020/02

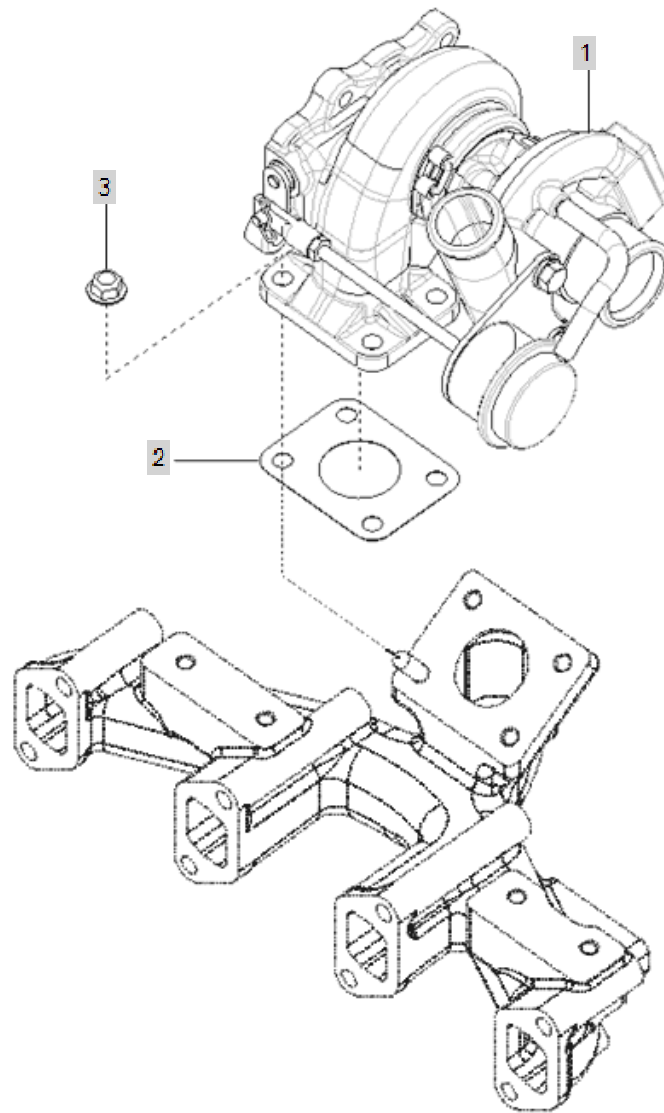


FIG E018-1

TURBOCHARGER PLUMBING OPTION

Year/Month

A2300T11-UTC_4

2020/02

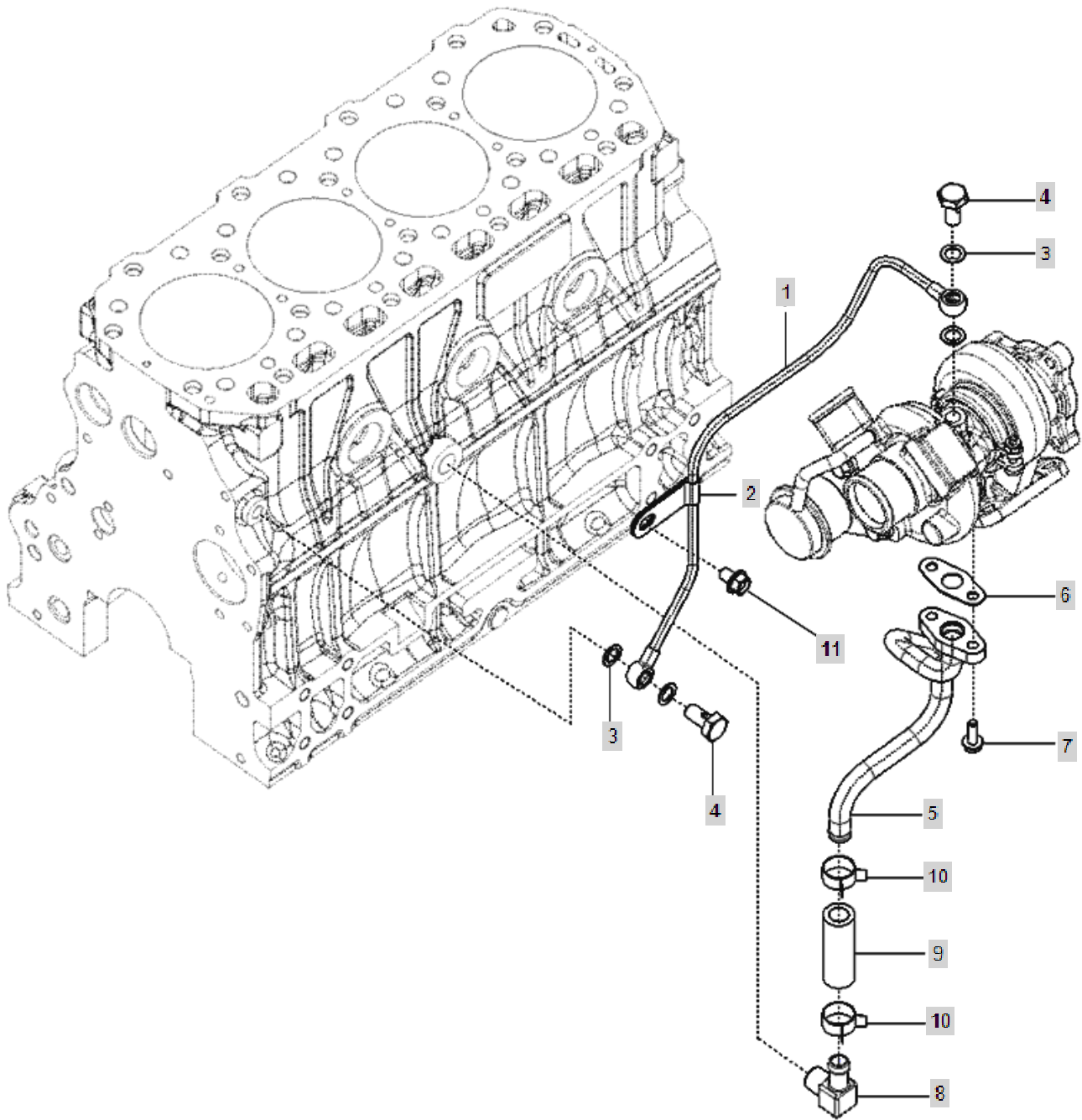


FIG E018-2

TURBOCHARGER PLUMBING OPTION
(2019.08~)

Year/Month

A2300T11-UTC_4

2020/02

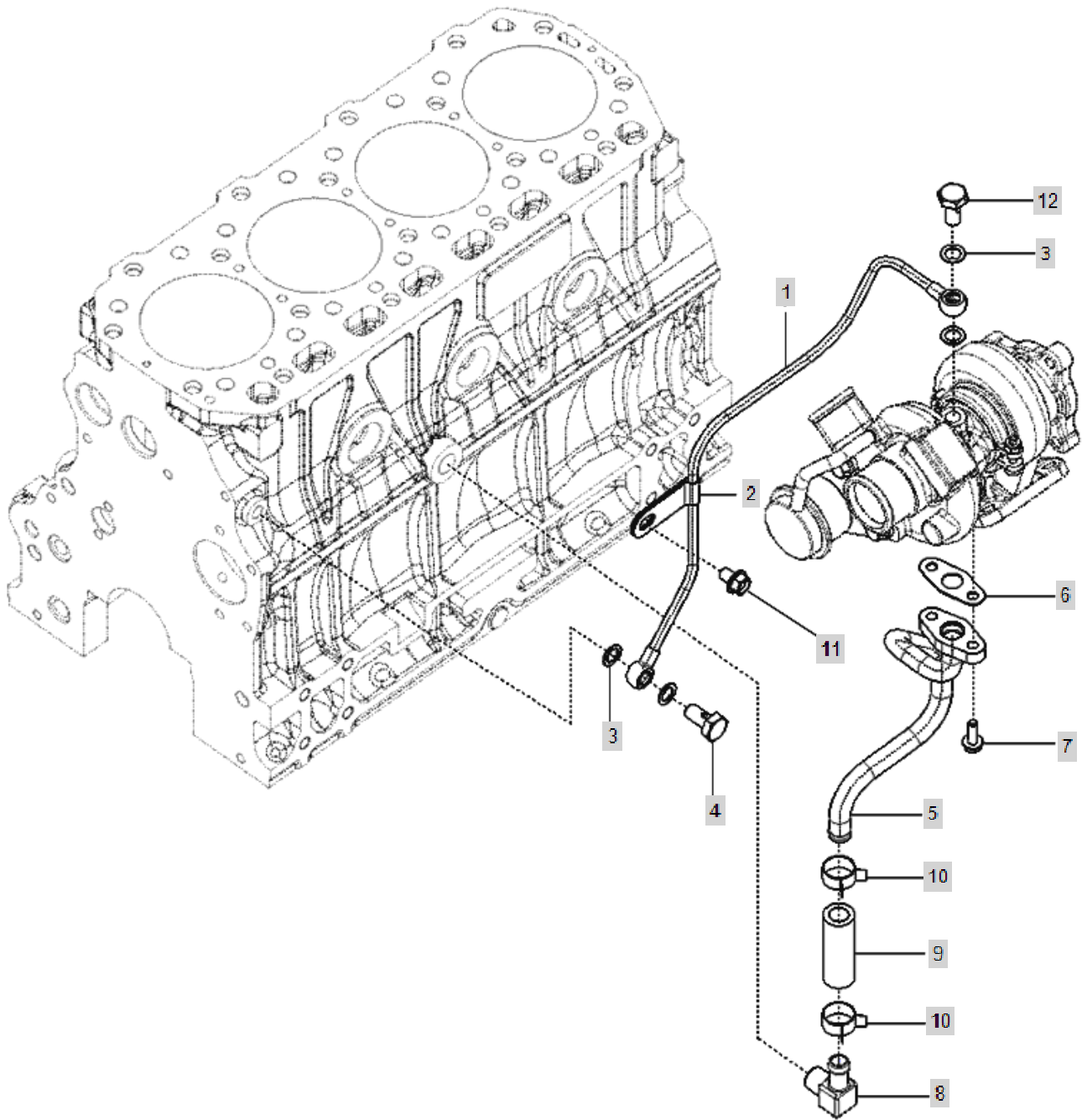


FIG E019

A2300T11-UTC_4

BREATHER

Year/Month

2020/02

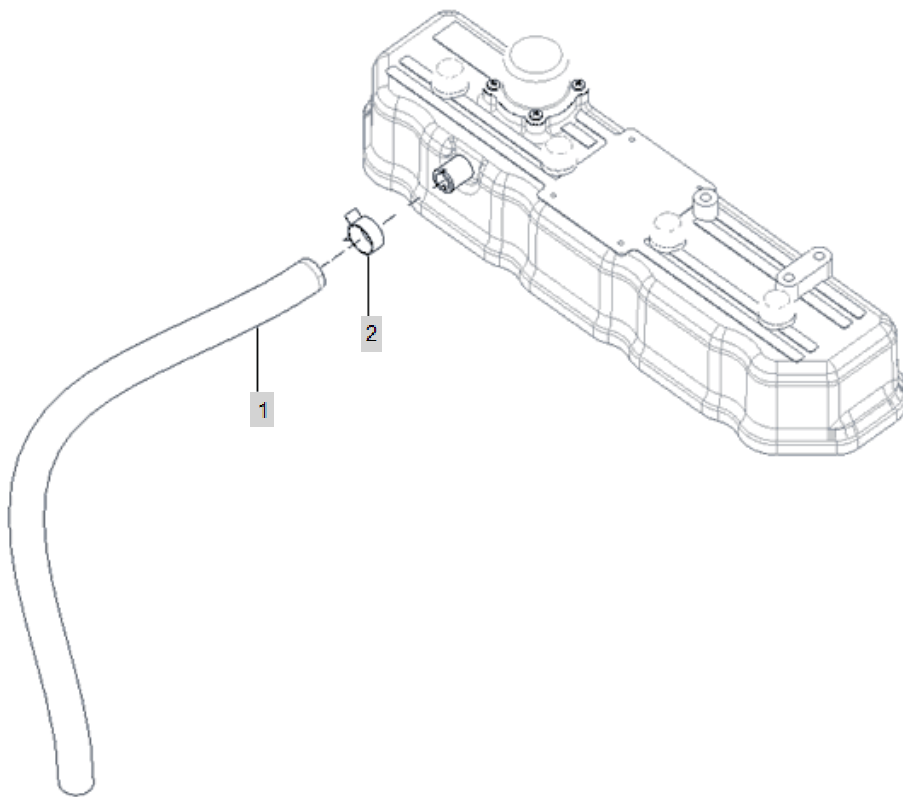


FIG E020

FUEL INJECTON PUMP

Year/Month

A2300T11-UTC_4

2020/02

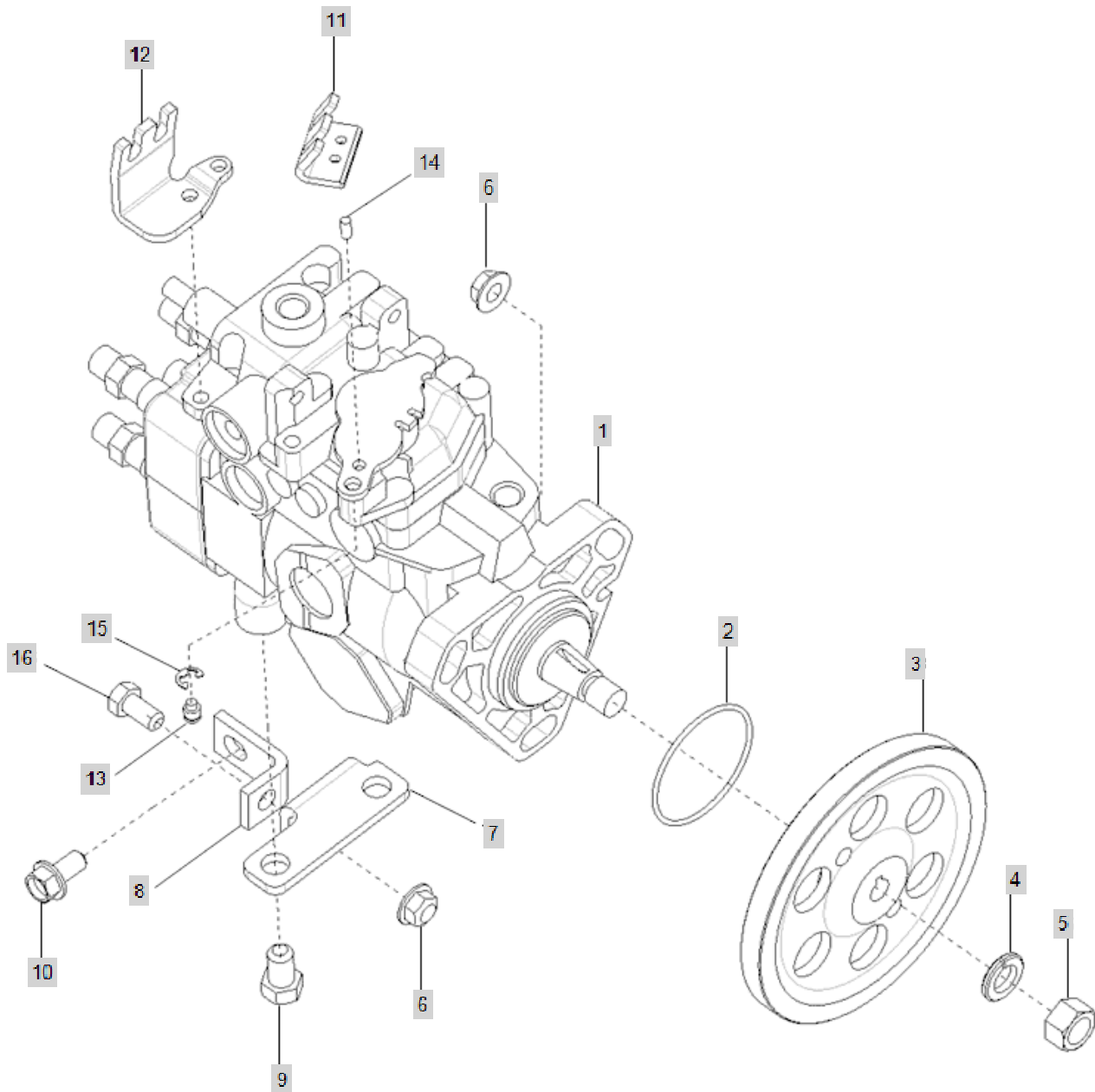


FIG E021

FUEL INJECTION VALVE

Year/Month

A2300T11-UTC_4

2020/02

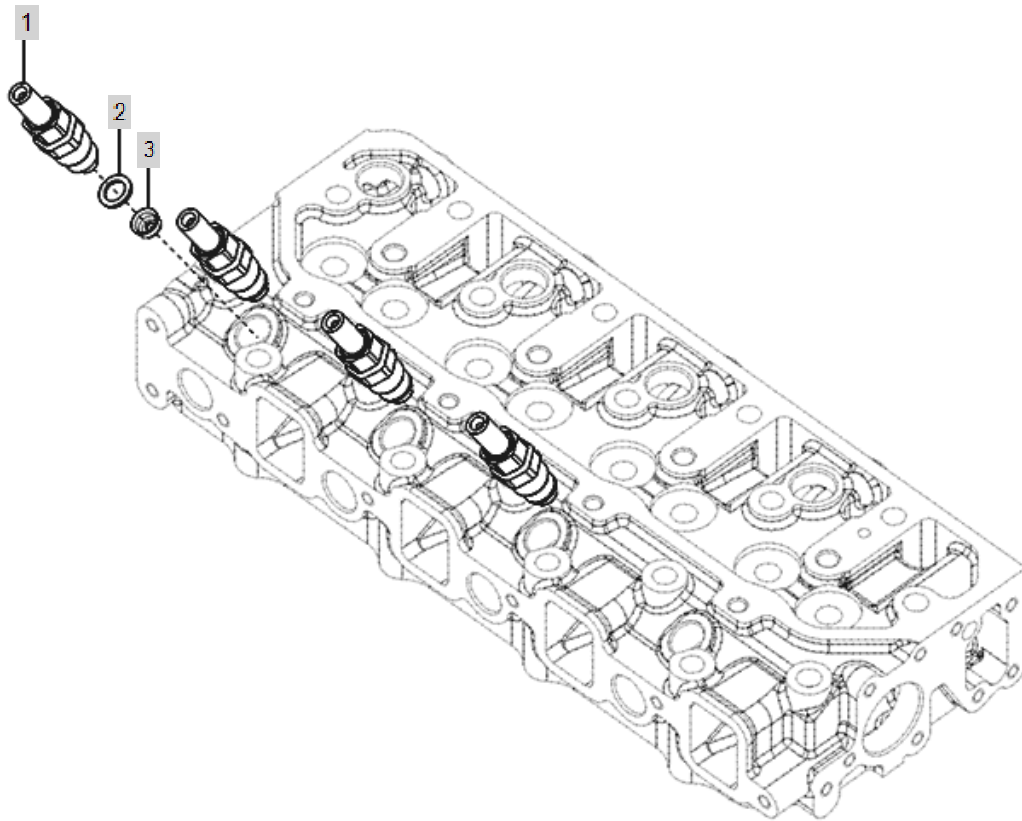


FIG E022

A2300T11-UTC_4

FUEL PIPE

Year/Month

2020/02

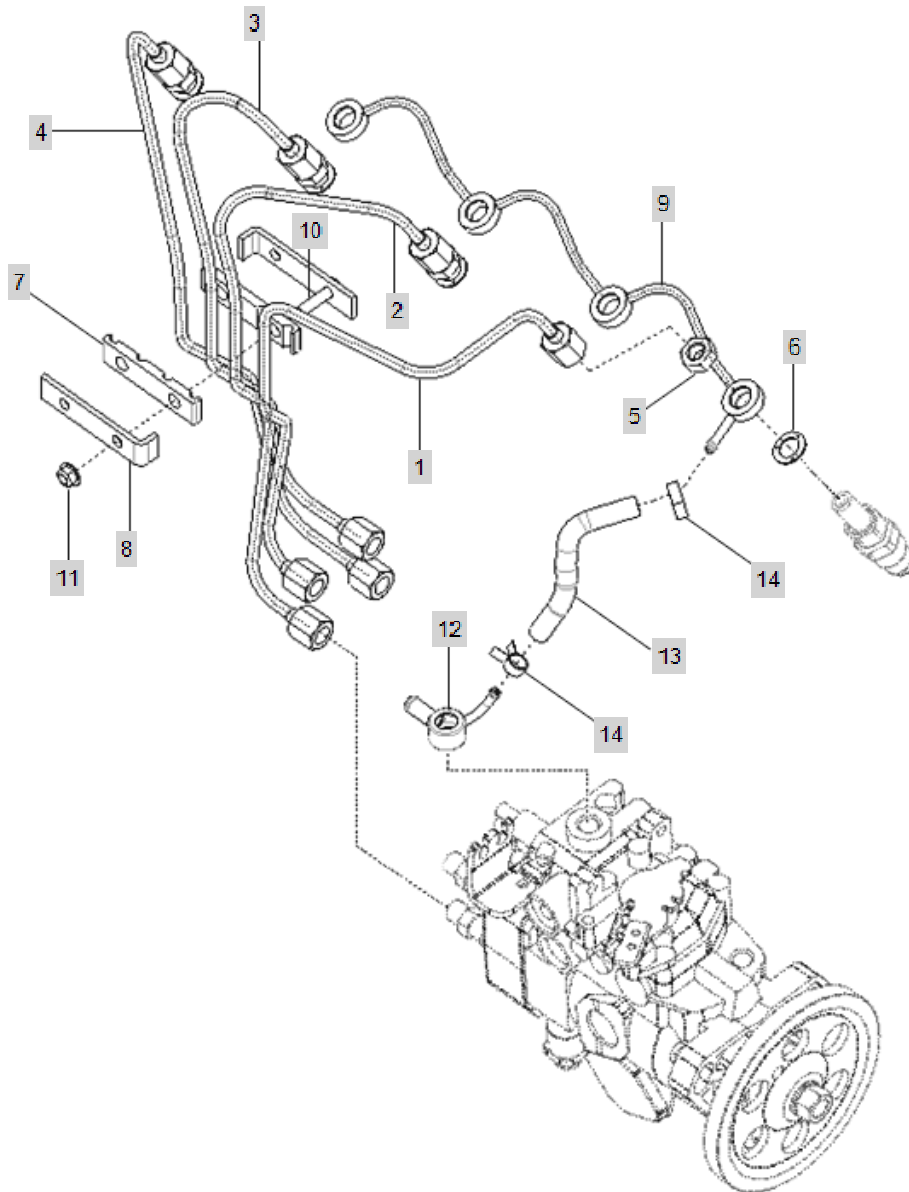


FIG E023

A2300T11-UTC_4

OIL FILTER

Year/Month

2020/02

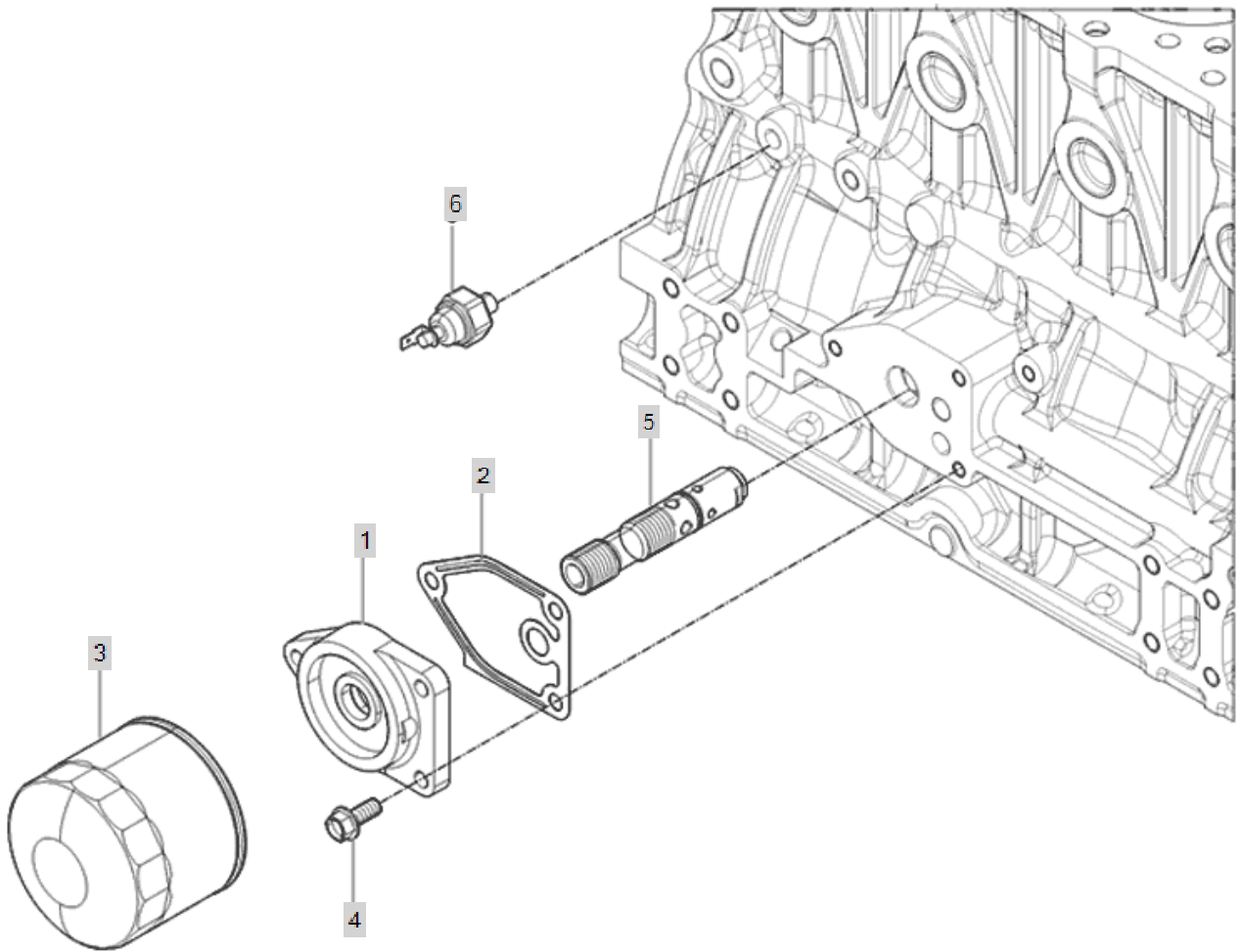


FIG E024

OIL COOLER

Year/Month

A2300T11-UTC_4

2020/02

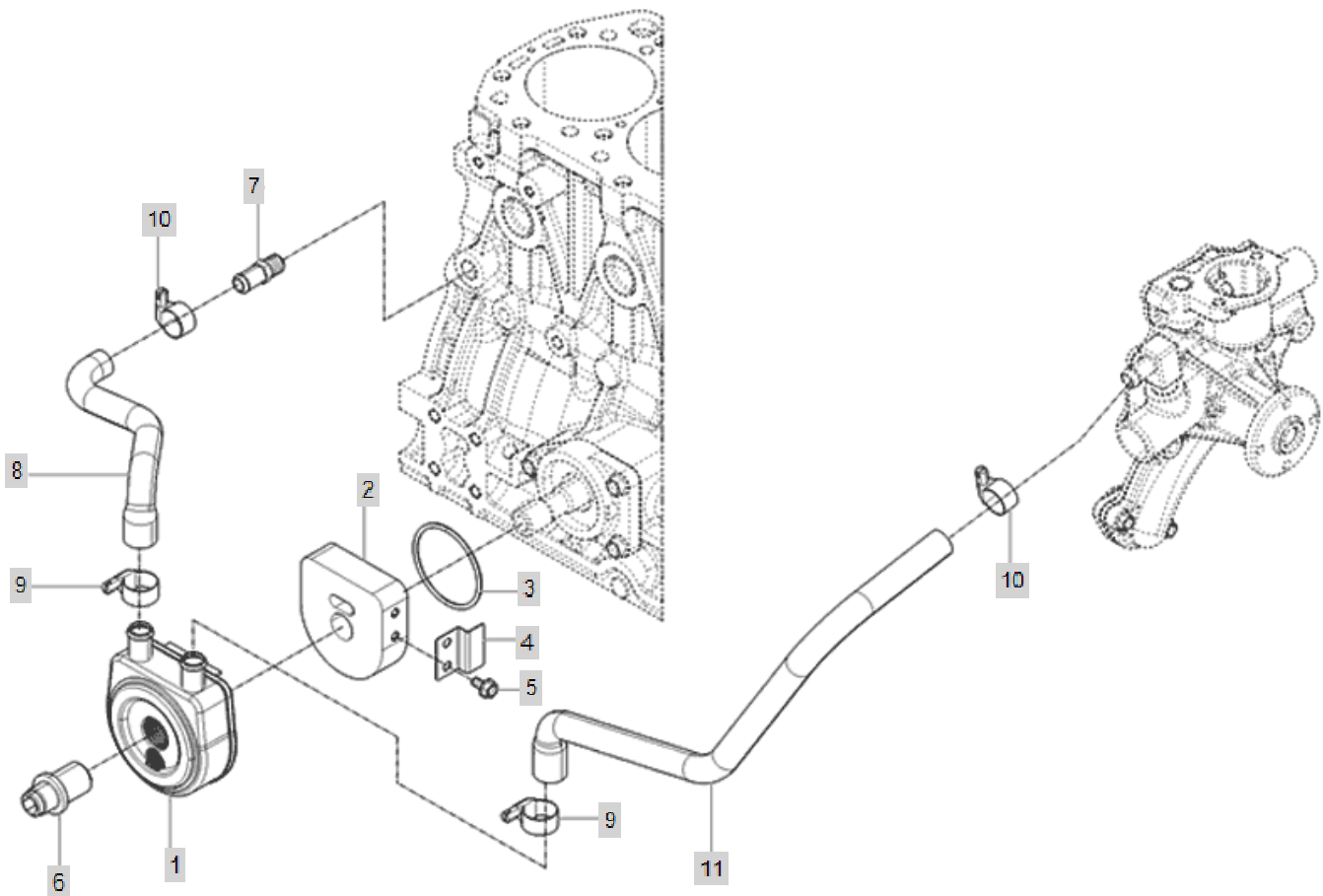


FIG E025

A2300T11-UTC_4

OIL GAUGE

Year/Month

2020/02

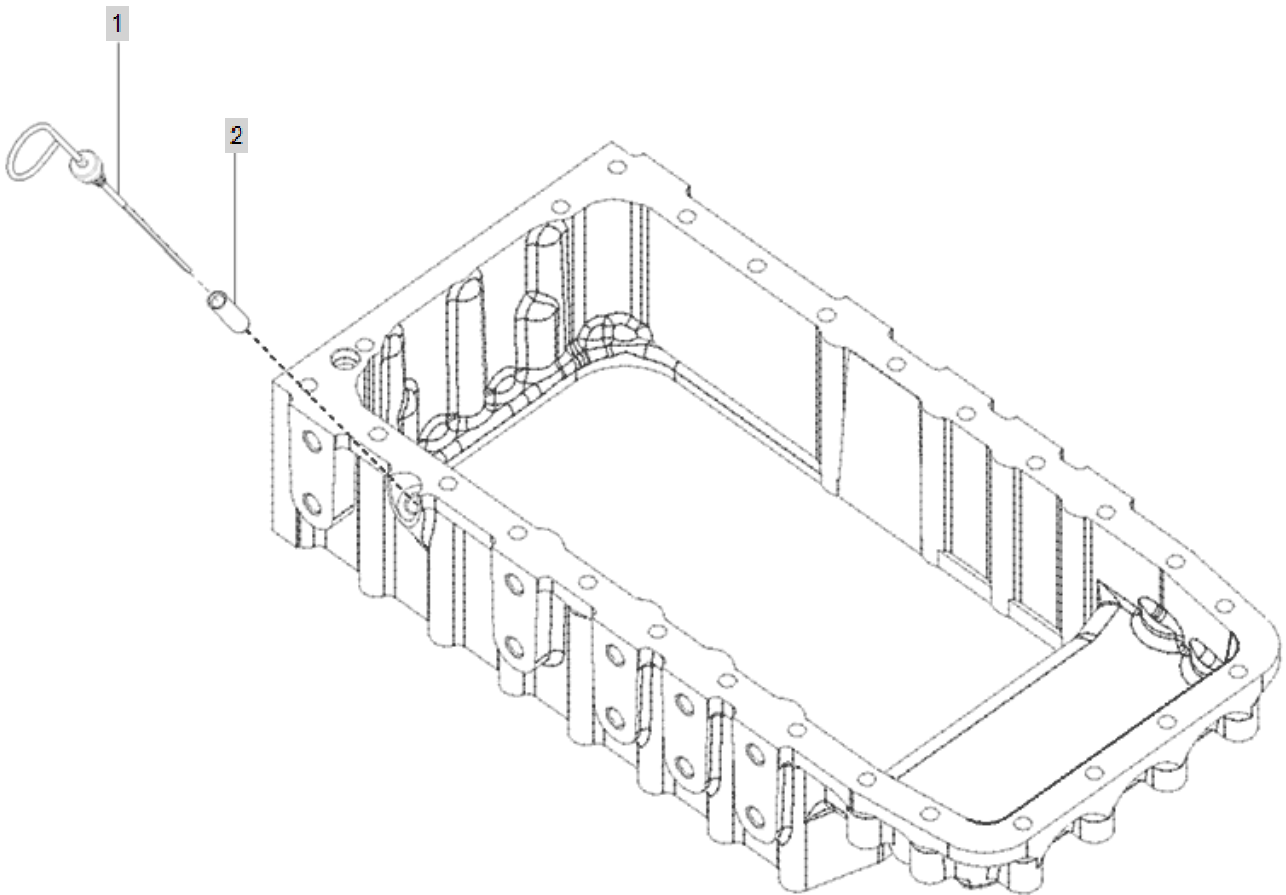


FIG E026

A2300T11-UTC_4

OIL FILLER CAP

Year/Month

2020/02

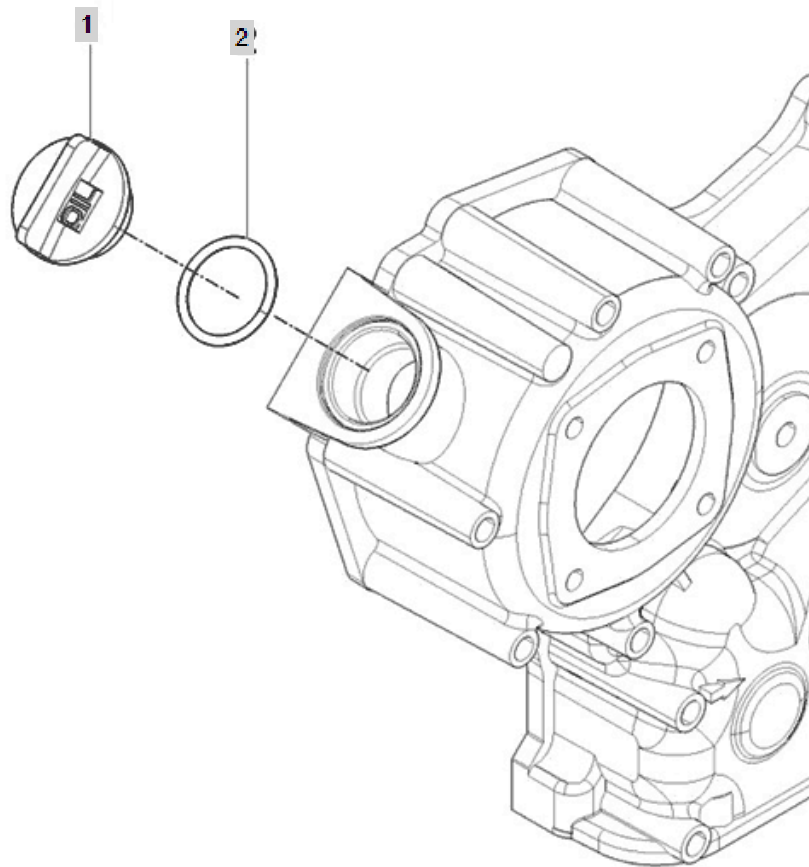


FIG E027

COOLING WATER PUMP

Year/Month

A2300T11-UTC_4

2020/02

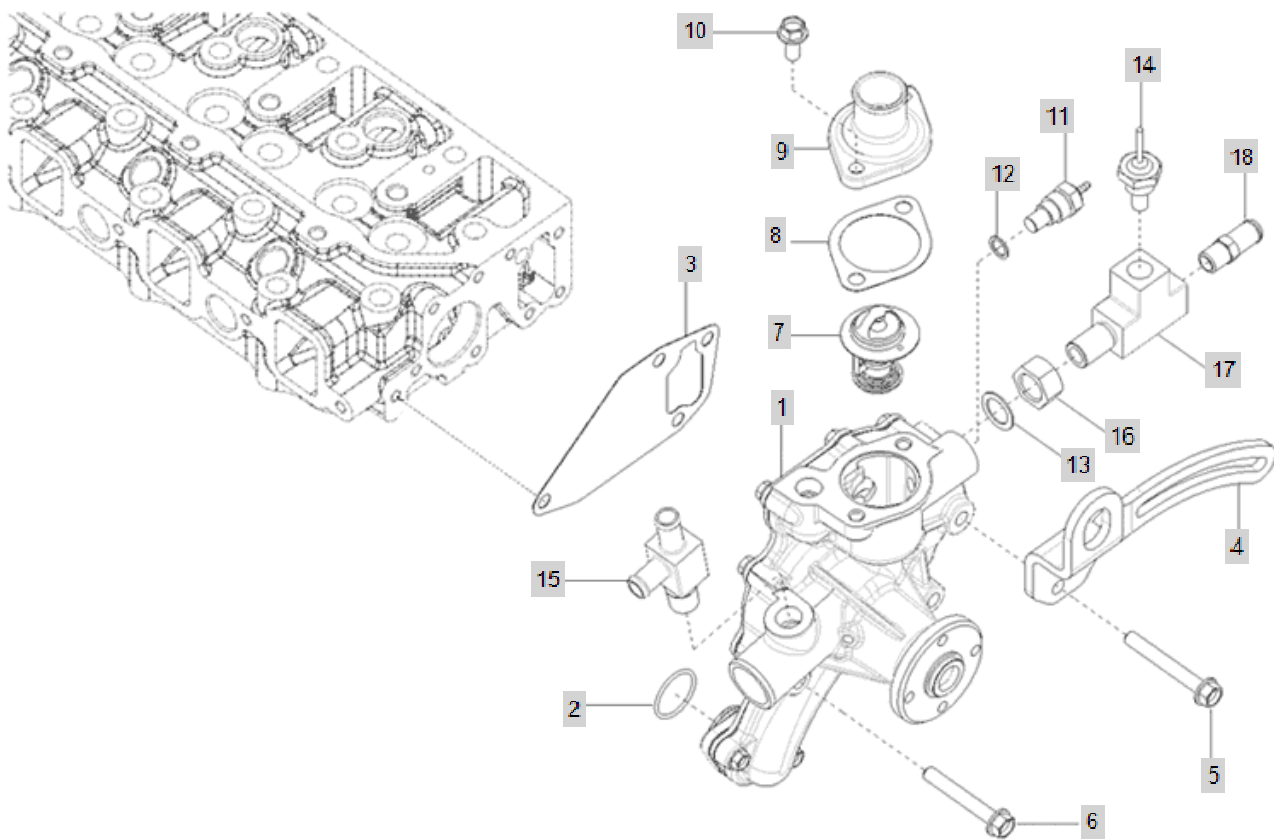


FIG E028

A2300T11-UTC_4

CRANK SHAFT PULLEY

Year/Month

2020/02

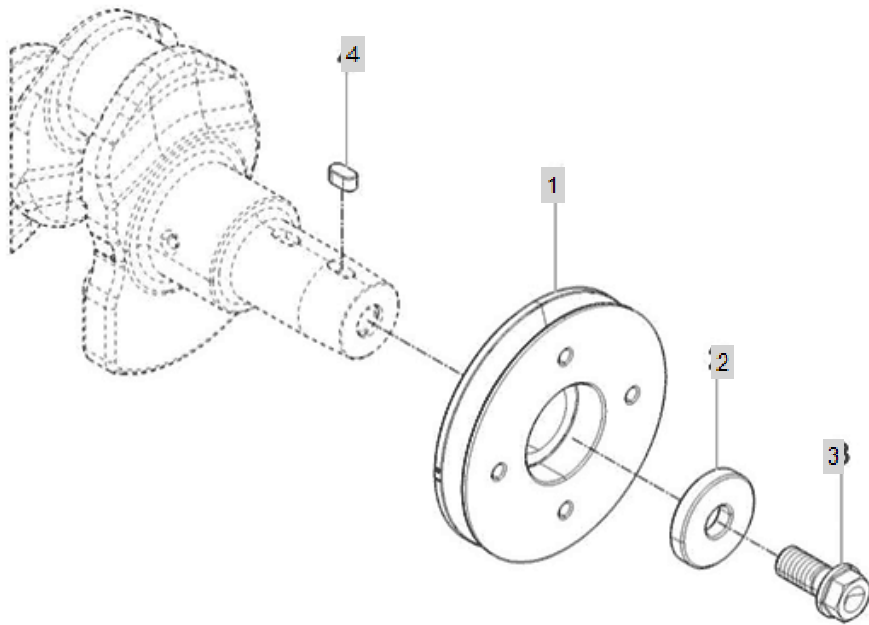


FIG E029

A2300T11-UTC_4

COMP. DRIVE PULLEY

Year/Month

2020/02

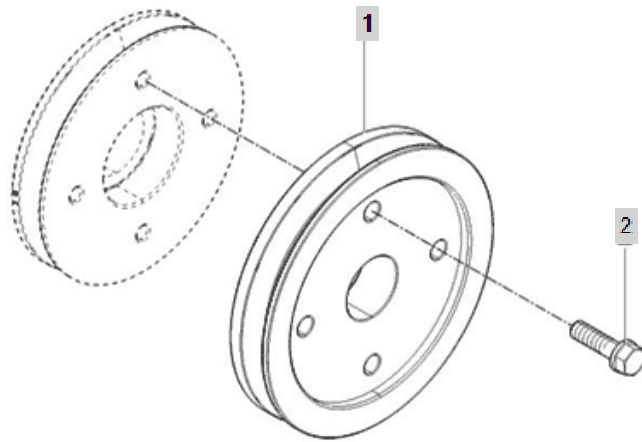


FIG E030

A2300T11-UTC_4

V-PULLEY

Year/Month

2020/02

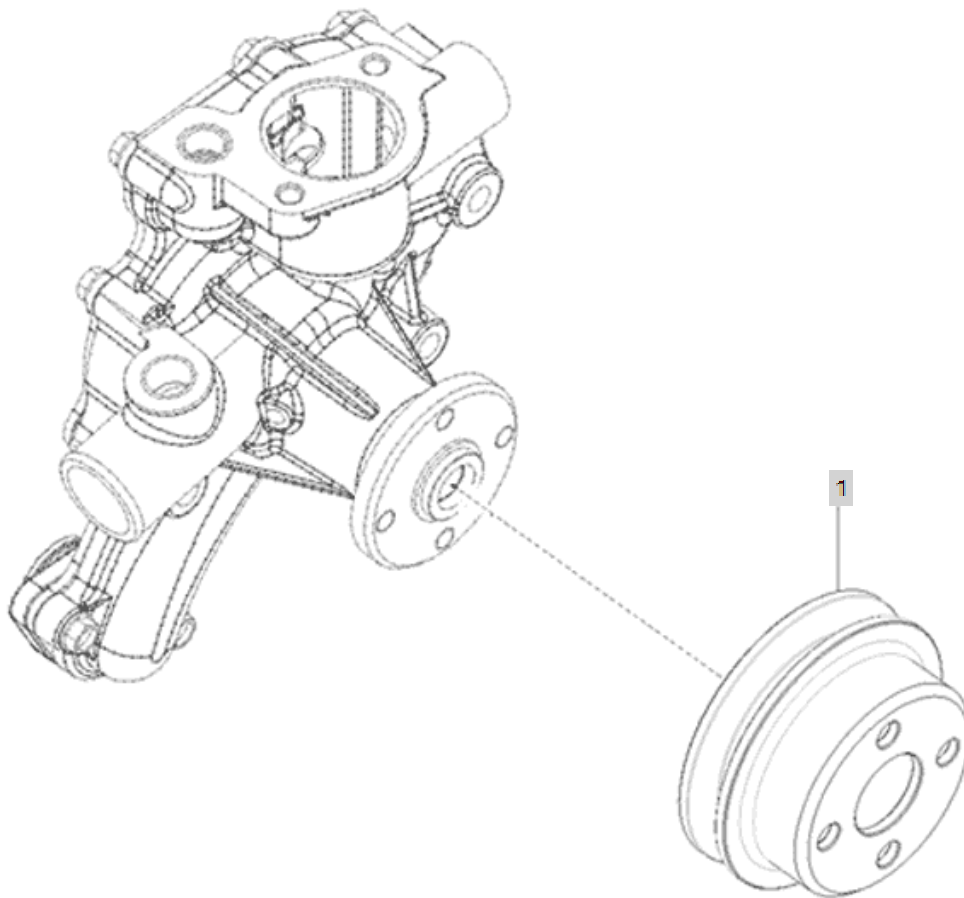


FIG E031

COOLING FAN SPACER

Year/Month

A2300T11-UTC_4

2020/02

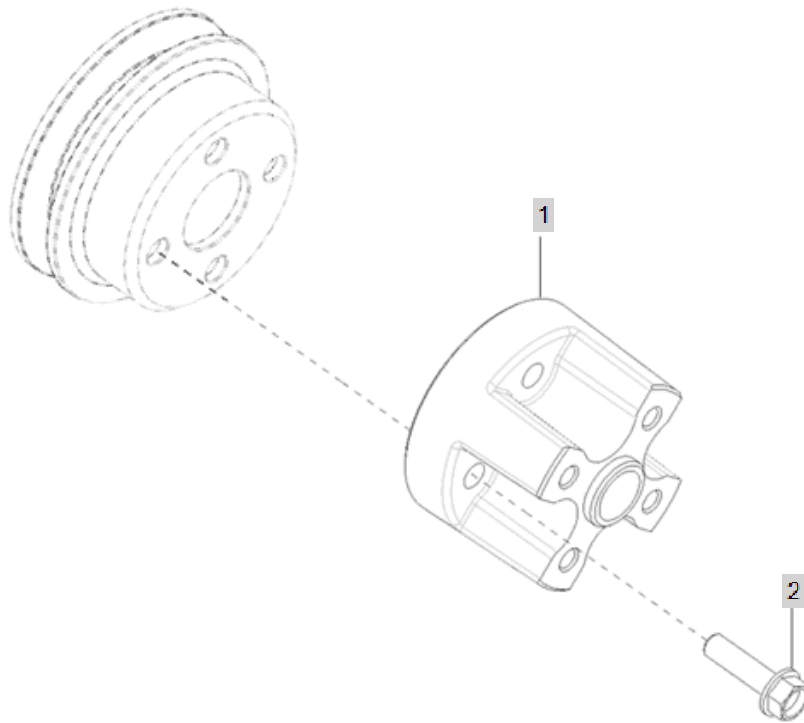


FIG E032

A2300T11-UTC_4

FLYWHEEL HOUSING

Year/Month

2020/02

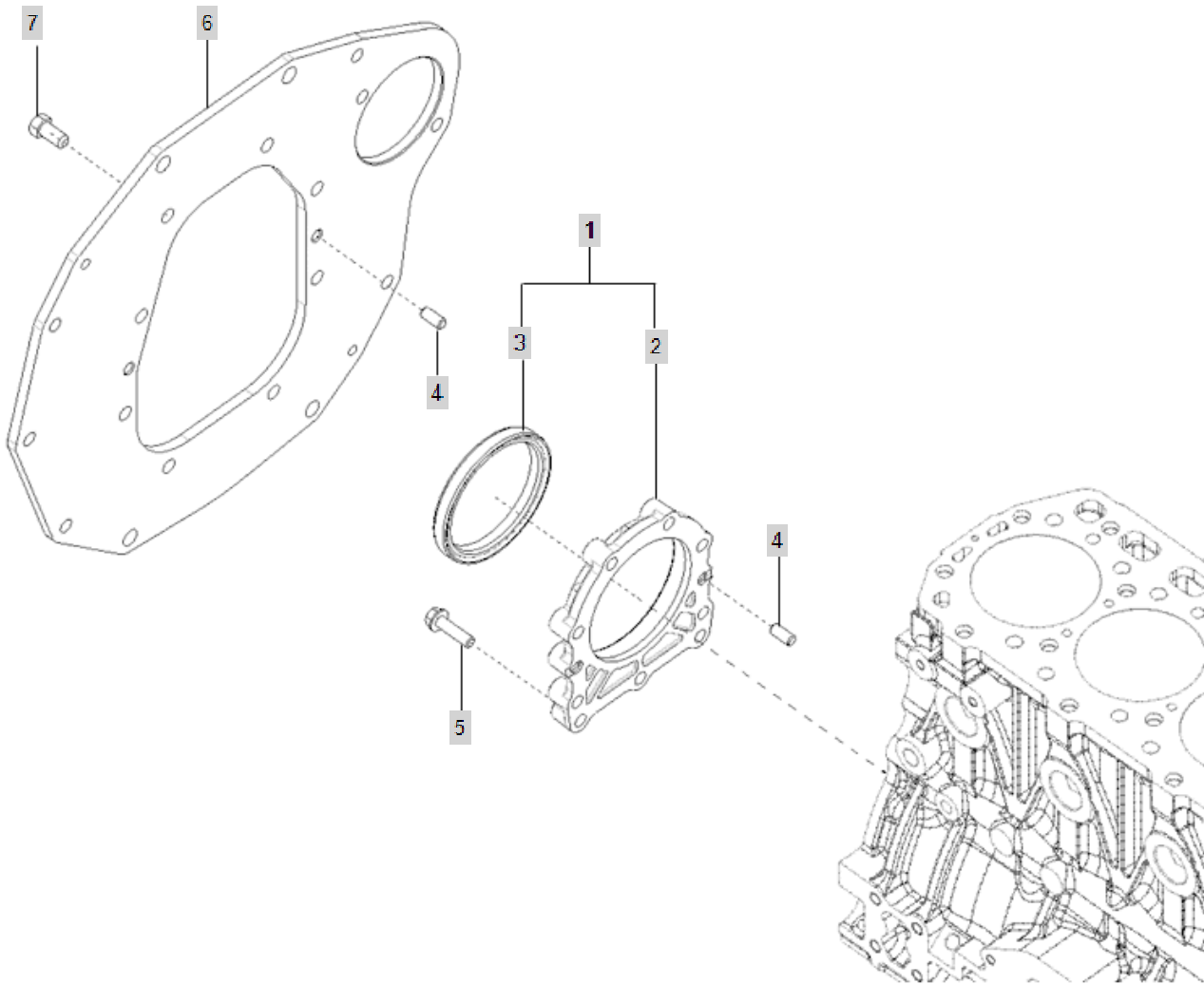


FIG E033

A2300T11-UTC_4

FLYWHEEL

Year/Month

2020/02

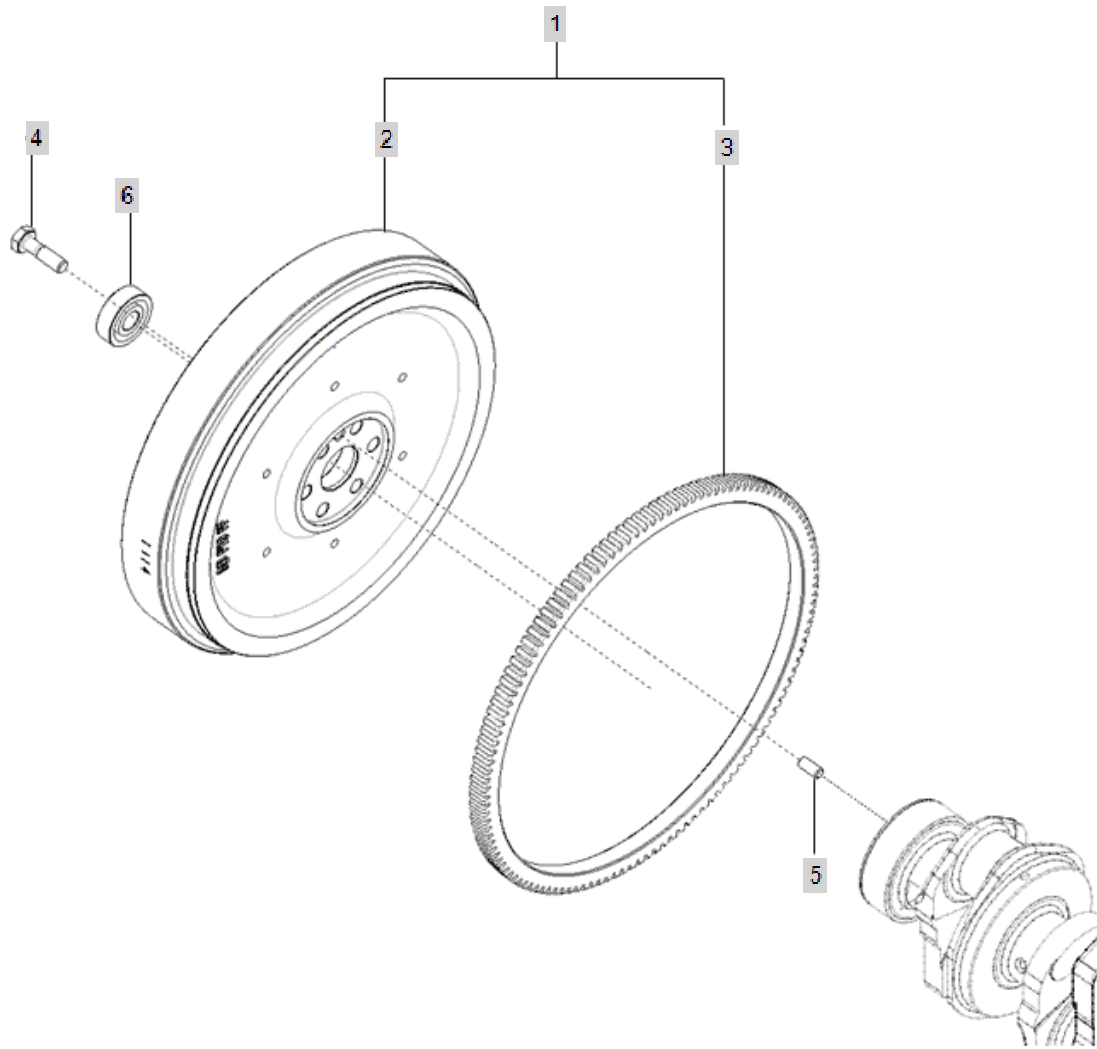


FIG E034

A2300T11-UTC_4

GLOW PLUG ASS'Y OPTION

Year/Month

2020/02

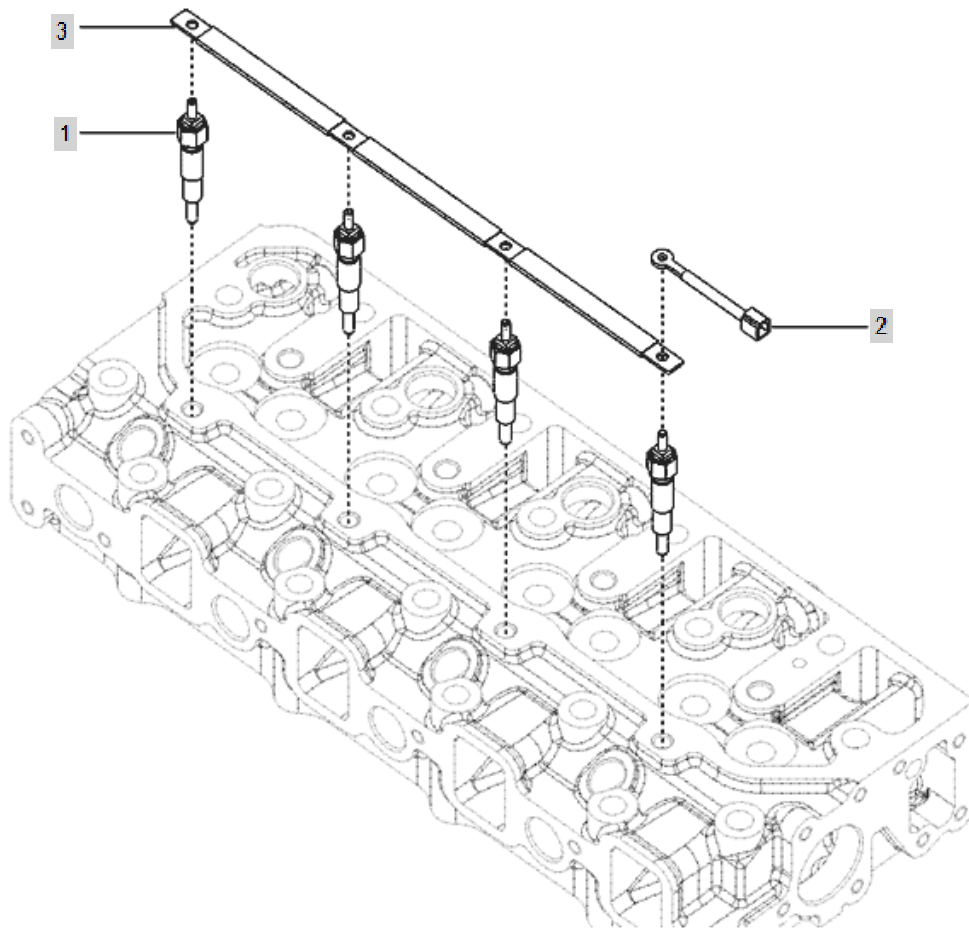


FIG E035

STARTING MOTOR

Year/Month

A2300T11-UTC_4

2020/02

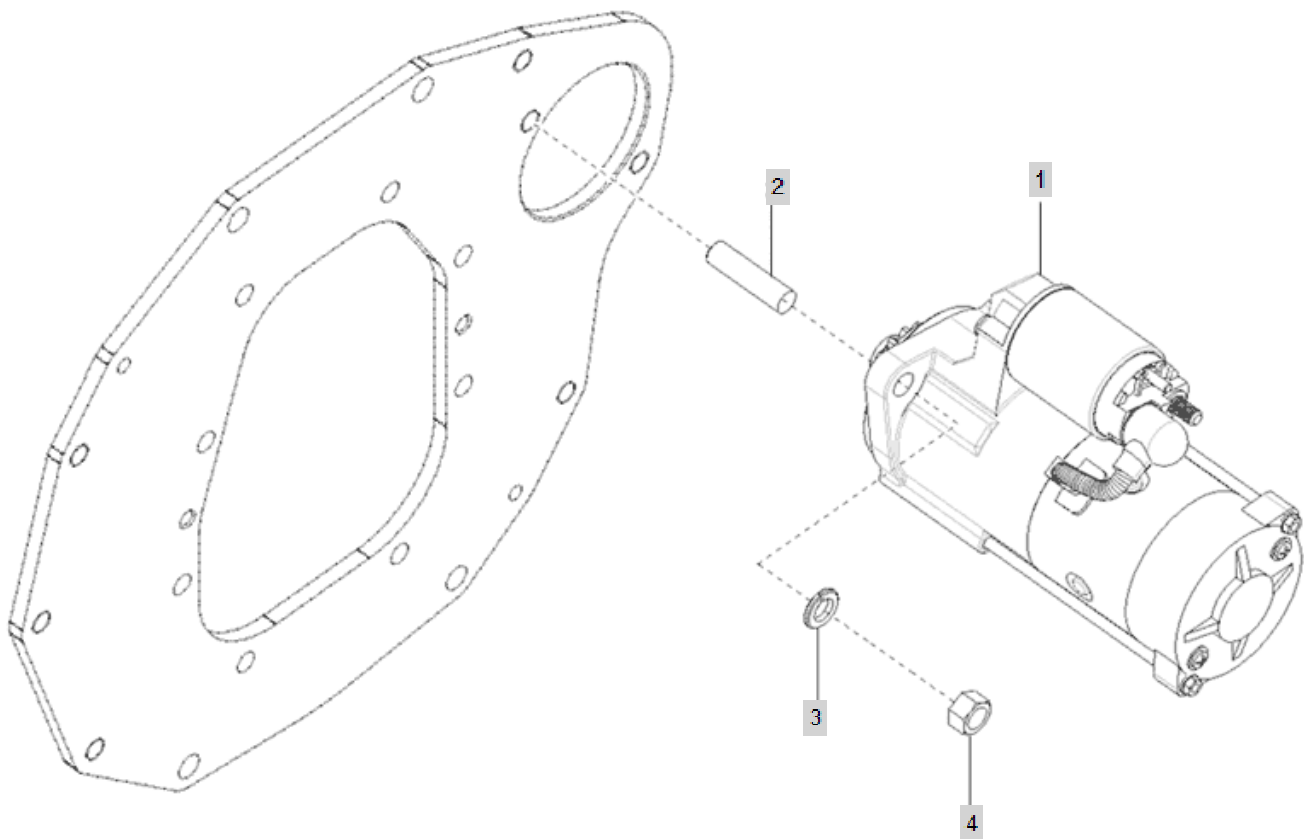


FIG E036

FUEL FILTER BRACKET ASS'Y

Year/Month

A2300T11-UTC_4

2020/02

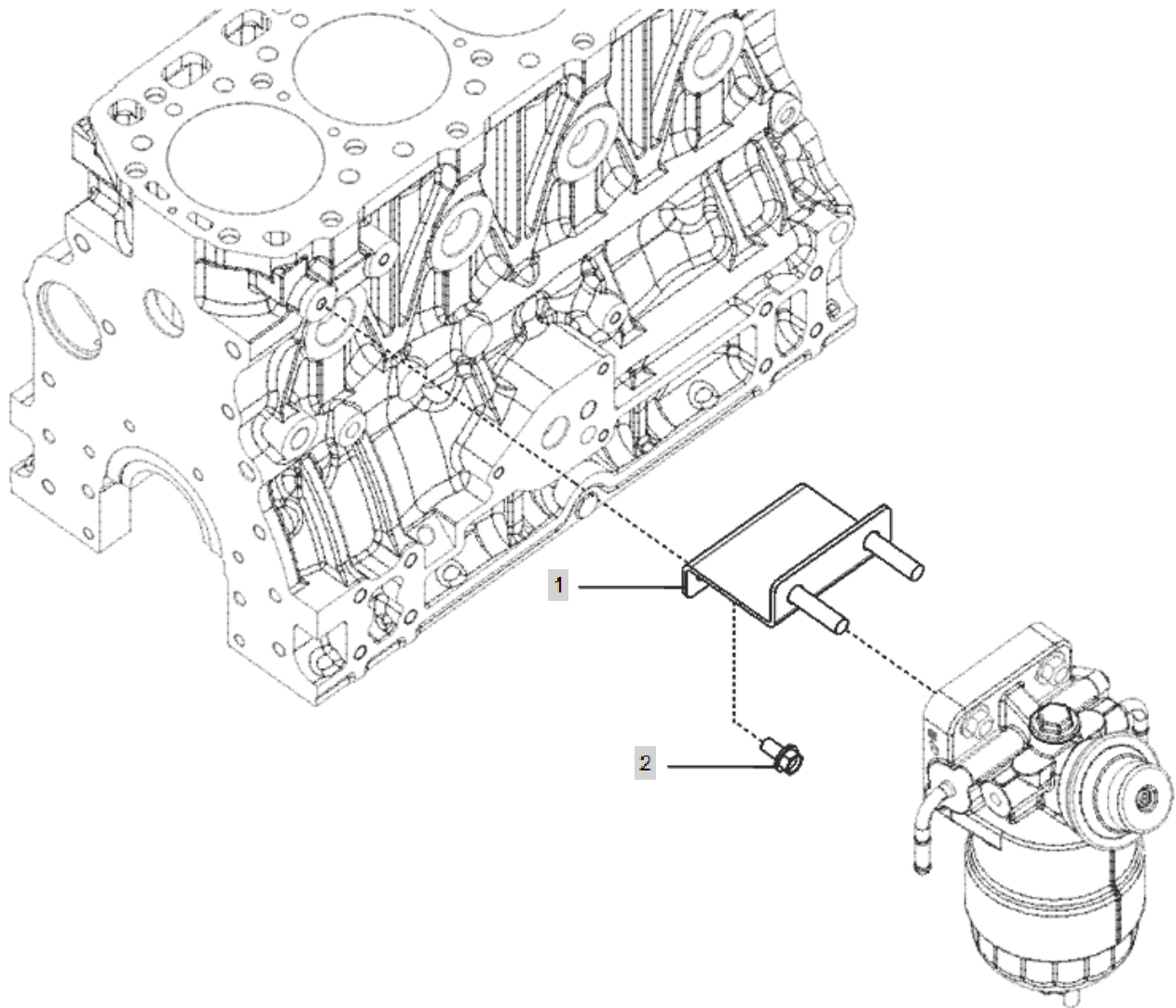


FIG E037

A2300T11-UTC_4

ALTERNATOR

Year/Month

2020/02

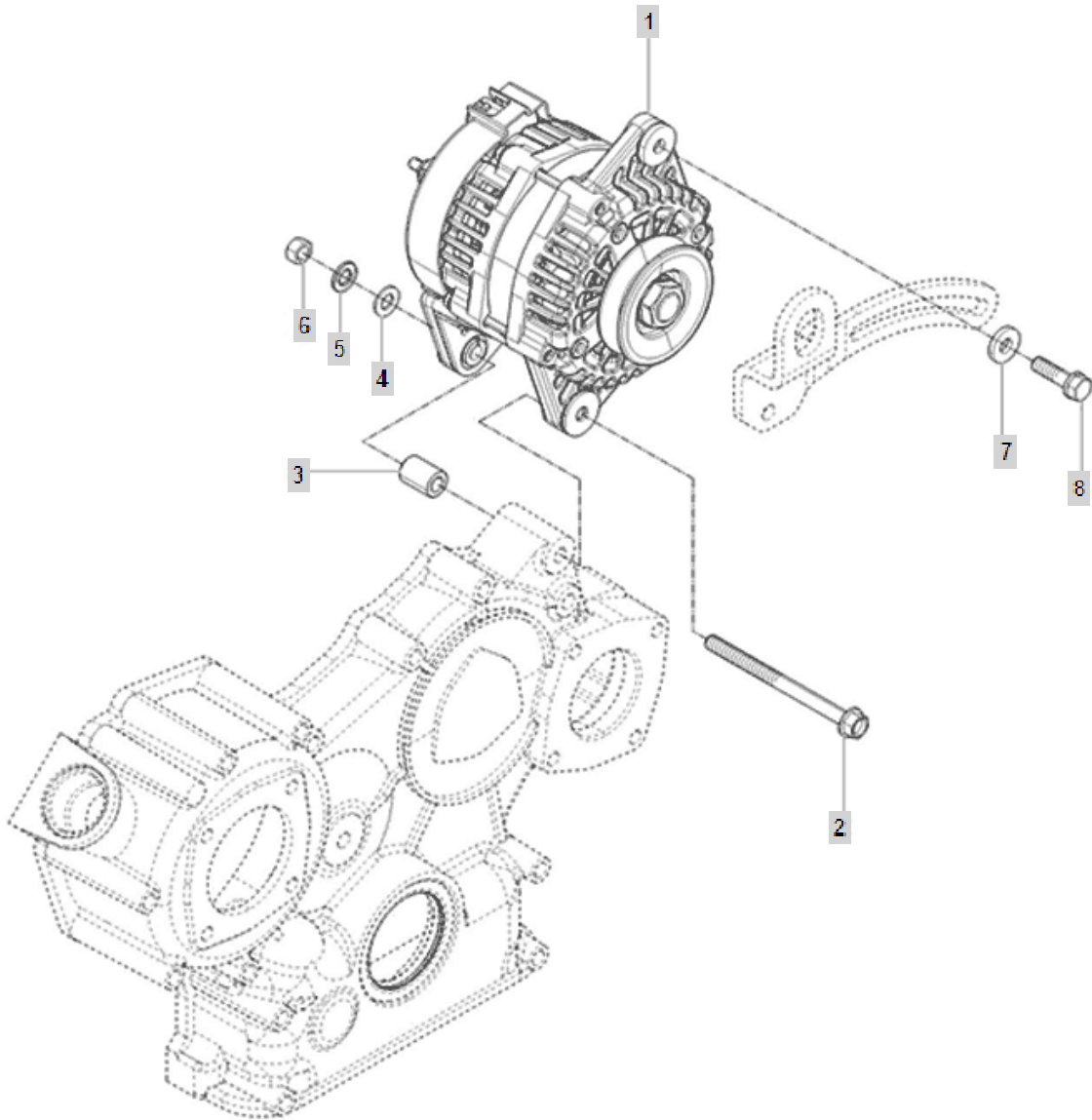


FIG E038

A2300T11-UTC_4

V-BELT

Year/Month

2020/02

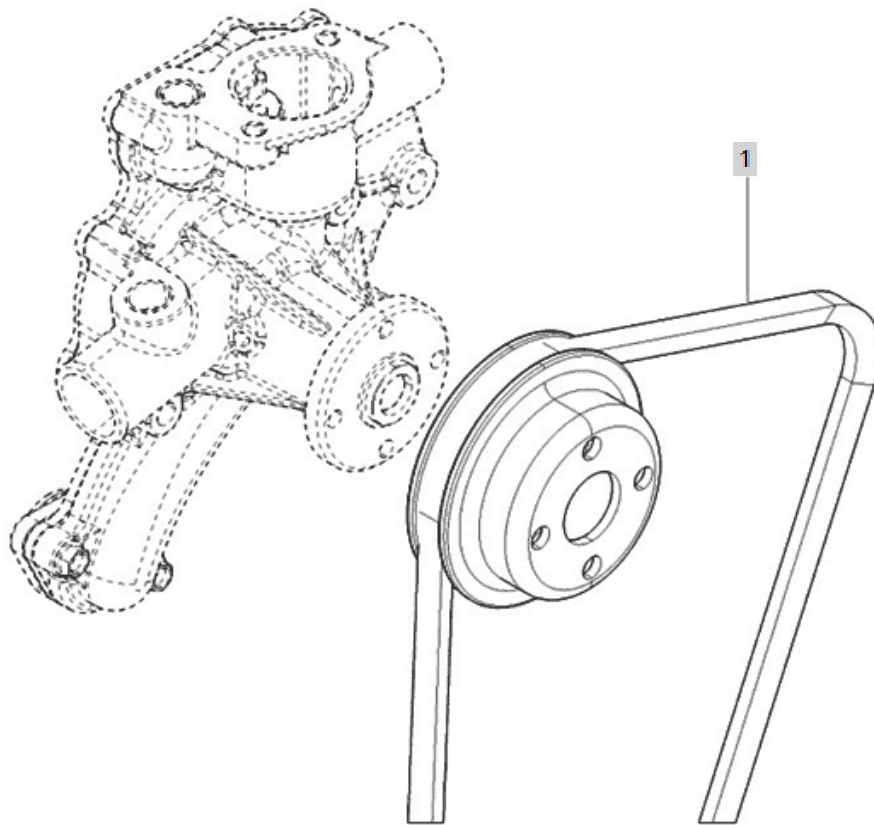


FIG E039-1

FUEL FILTER

Year/Month

A2300T11-UTC_4

2020/02

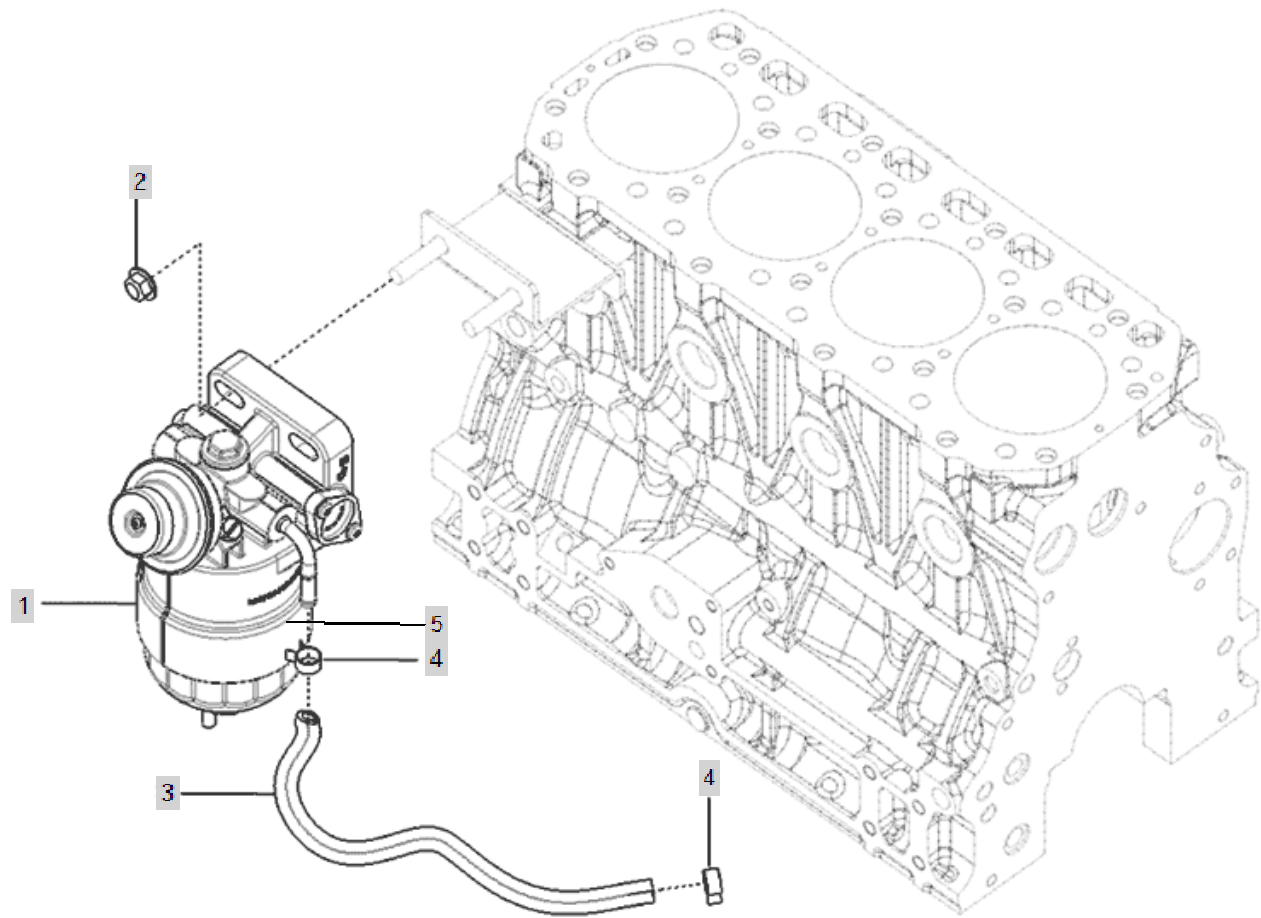


FIG E039-2

A2300T11-UTC_4

FUEL SYSTEM(2017.12)

Year/Month

2020/02

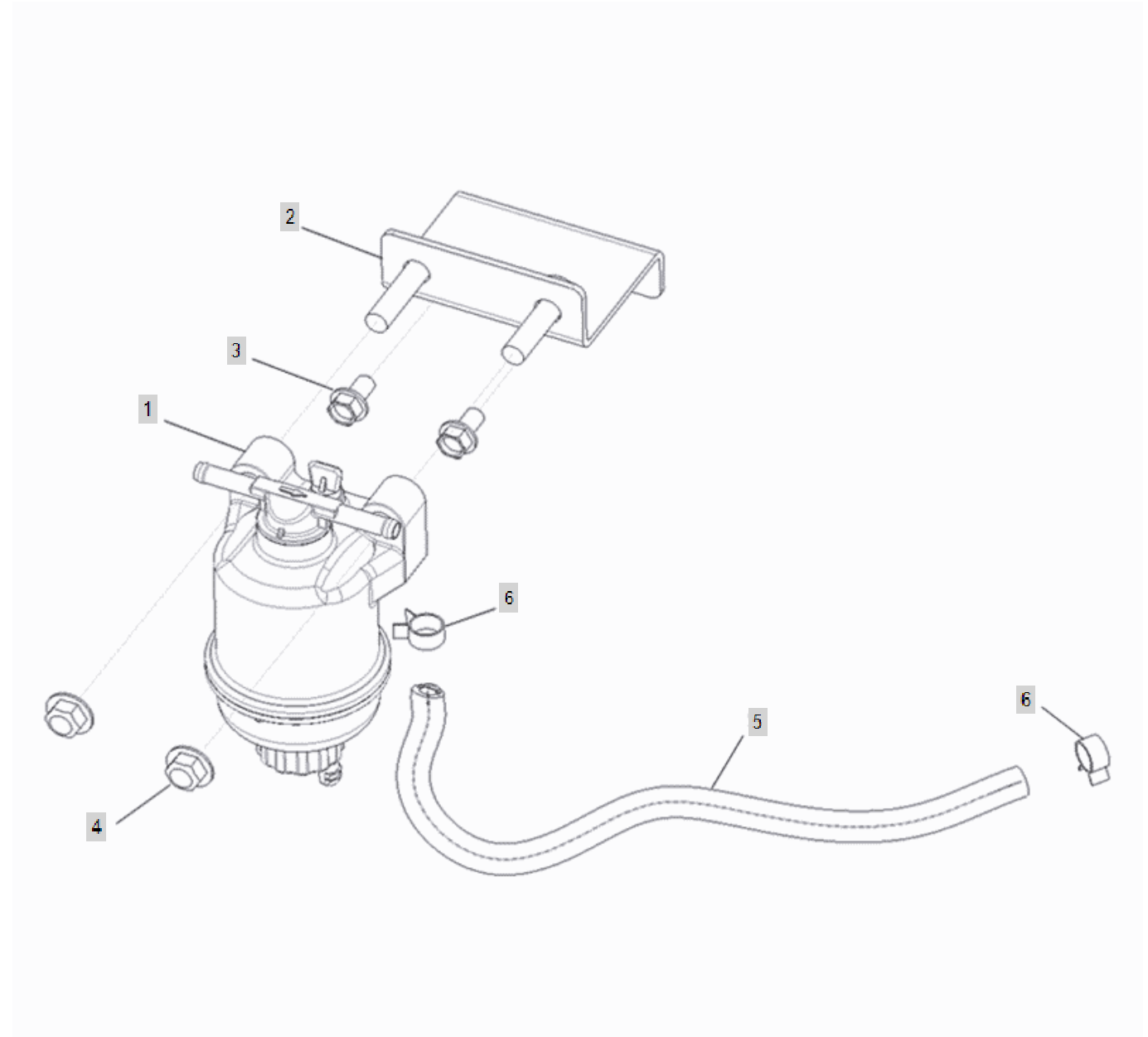


FIG E039-3

A2300T11-UTC_4

FUEL SYSTEM(2019.08~)

Year/Month

2020/02

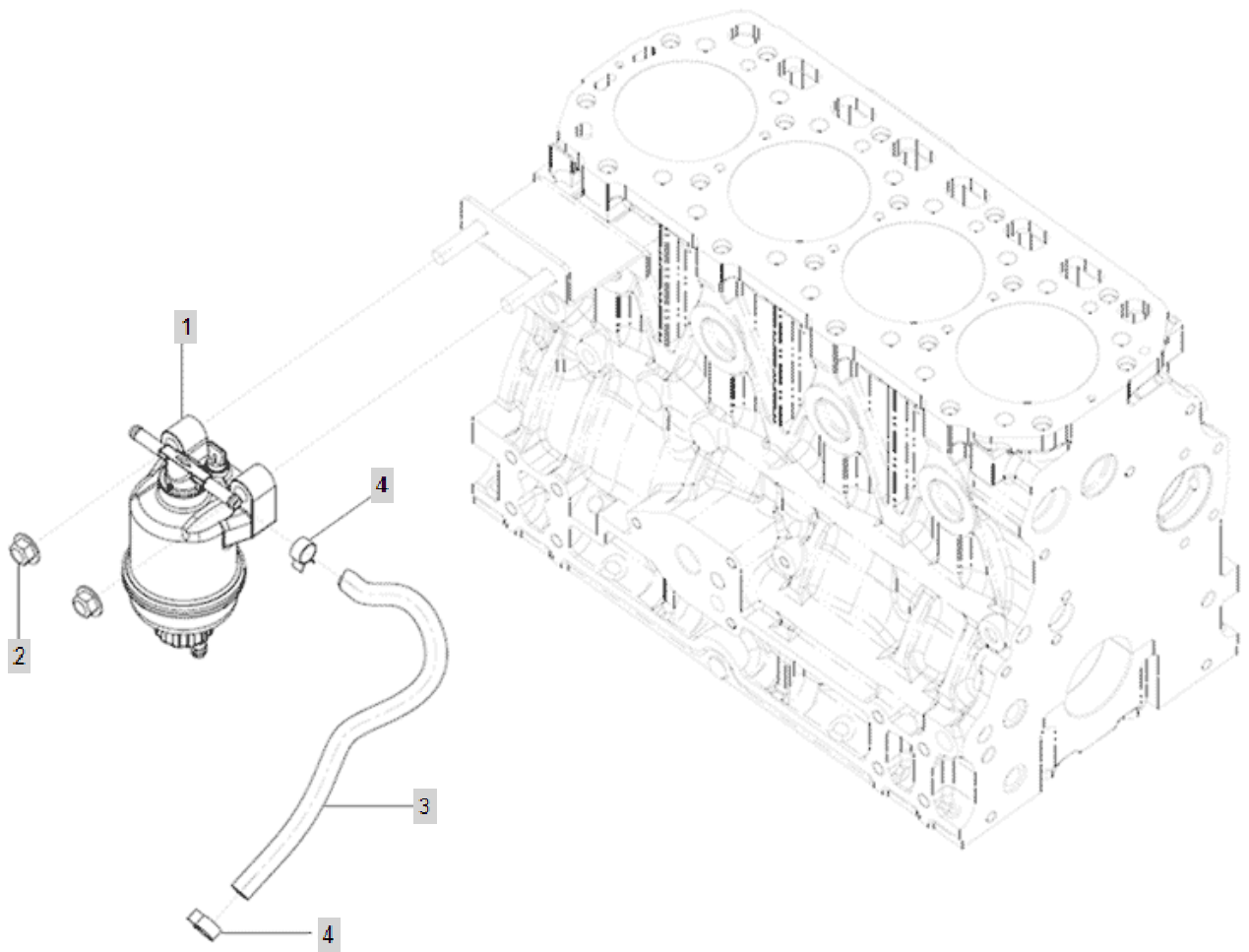


FIG E040-1

A2300T11-UTC_4

DPF SUPPORT

Year/Month

2020/02

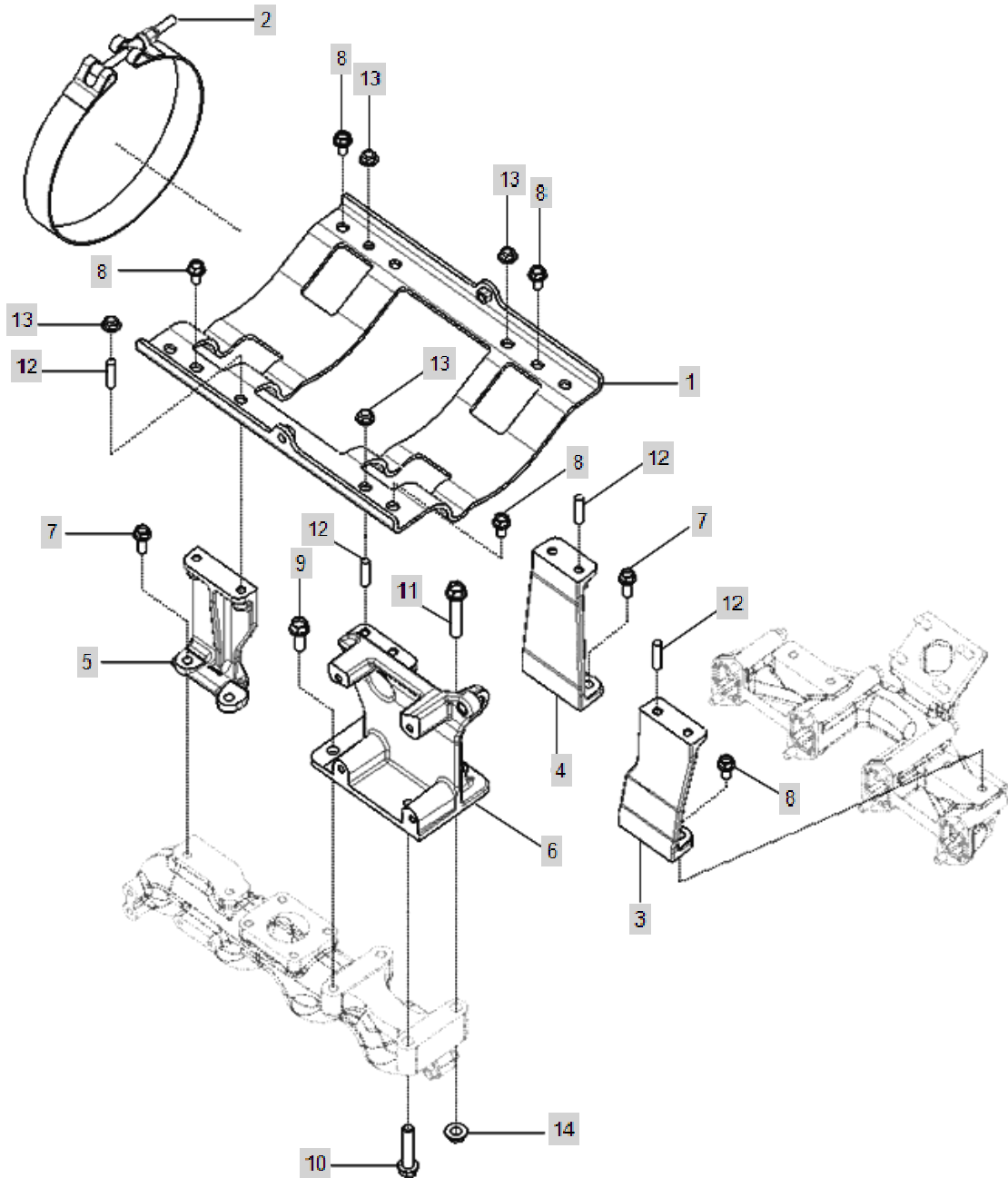


FIG E040-2

A2300T11-UTC_4

DPF SUPPORT(2019.08~)

Year/Month

2020/02

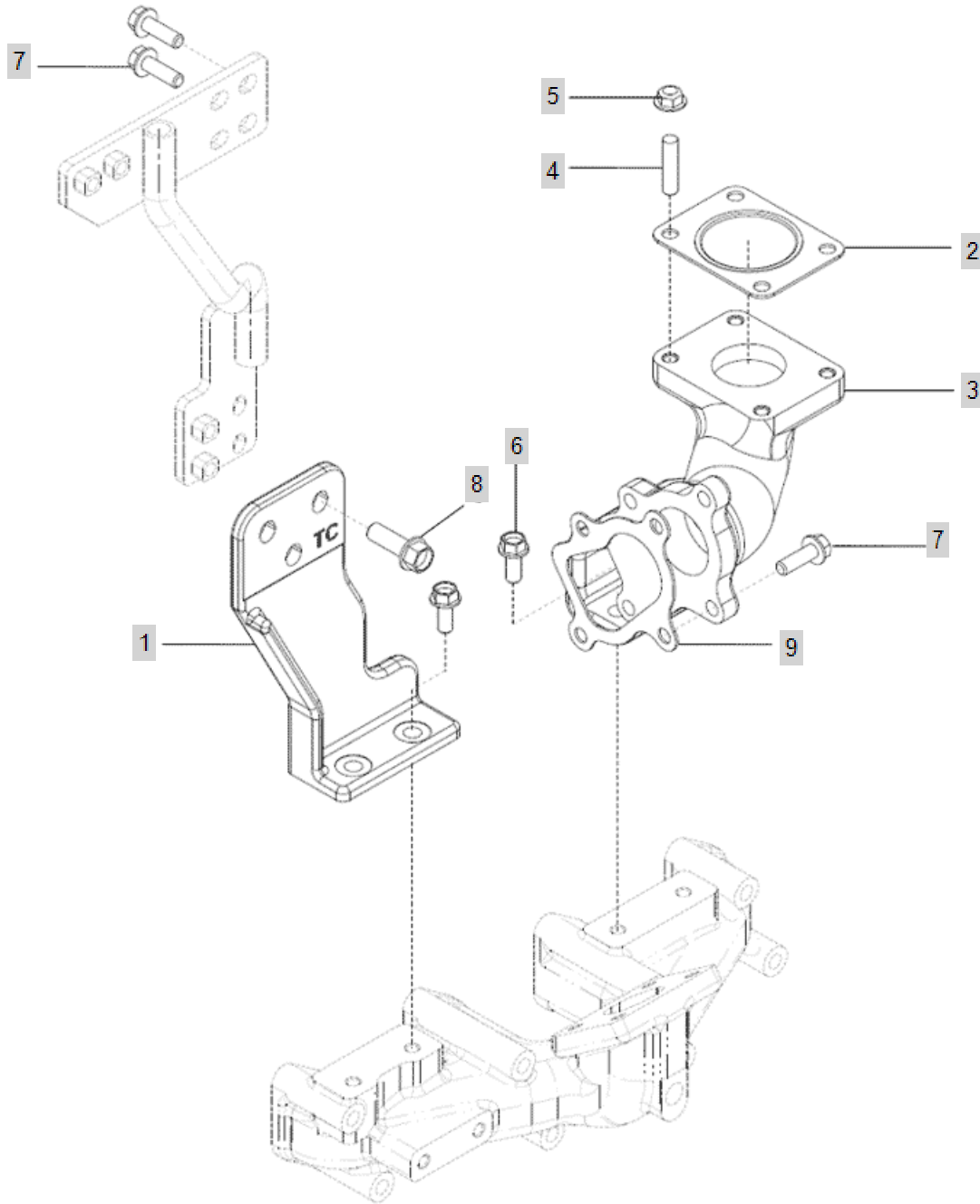


FIG E041

DATA PLATE

Year/Month

A2300T11-UTC_4

2020/02

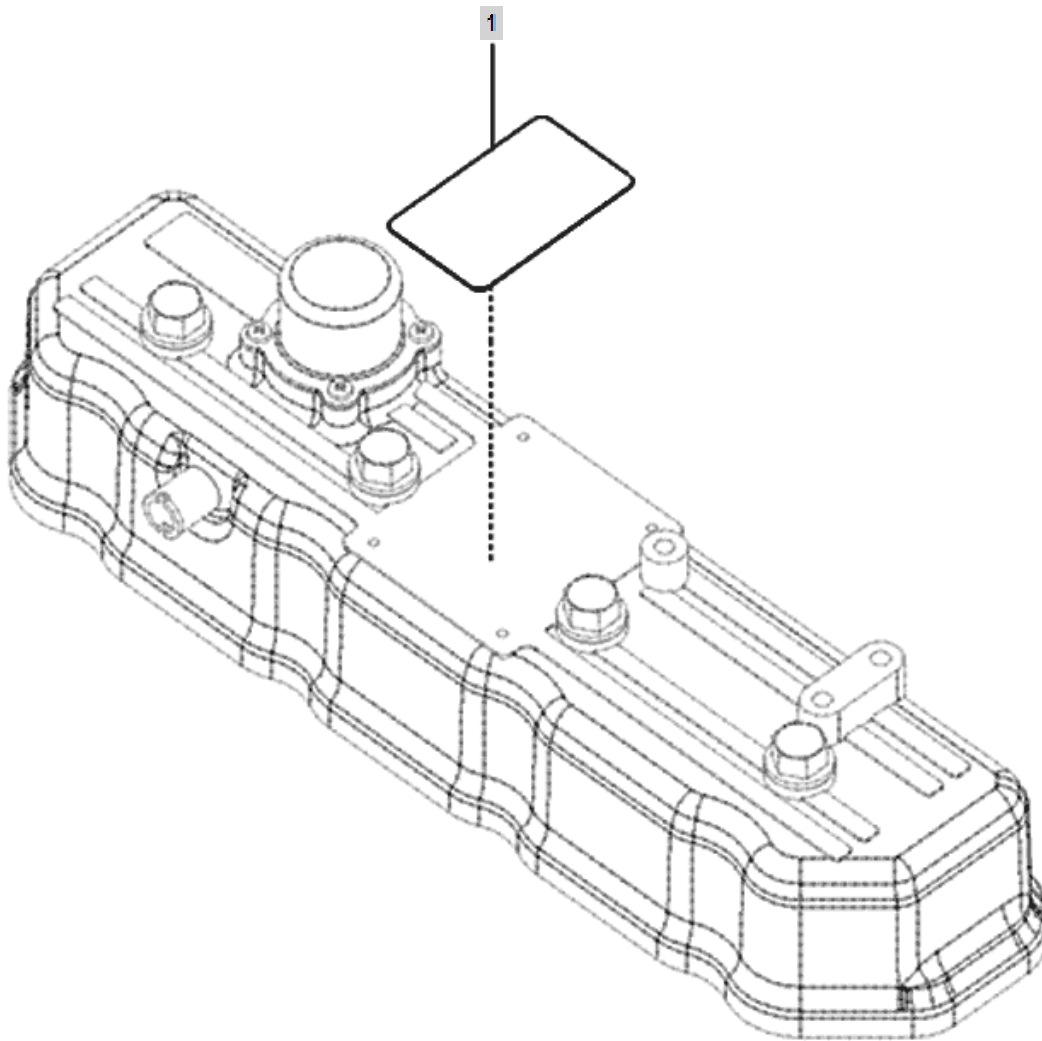


FIG E042

NAME PLATE, STARTING MOTOR(deleted)

Year/Month

A2300T11-UTC_4

2020/02

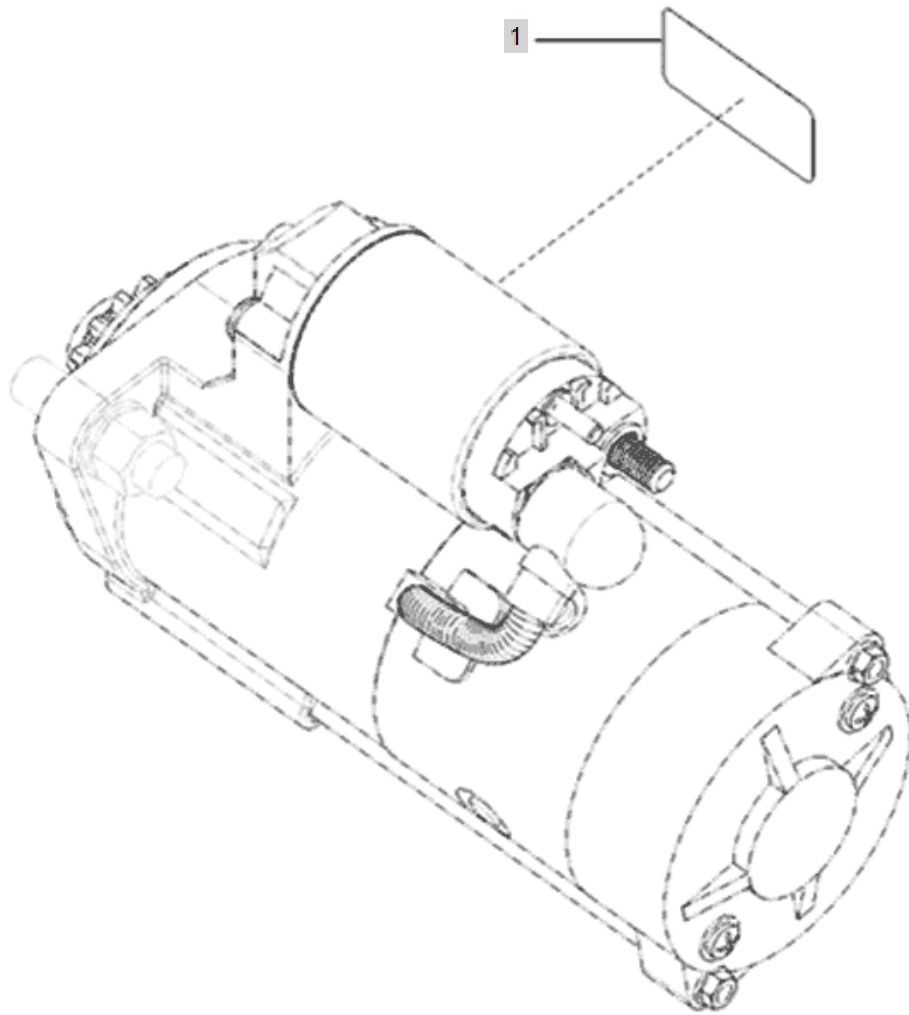


FIG E043-1

A2300T11-UTC_4

DPF ASS'Y

Year/Month

2020/02

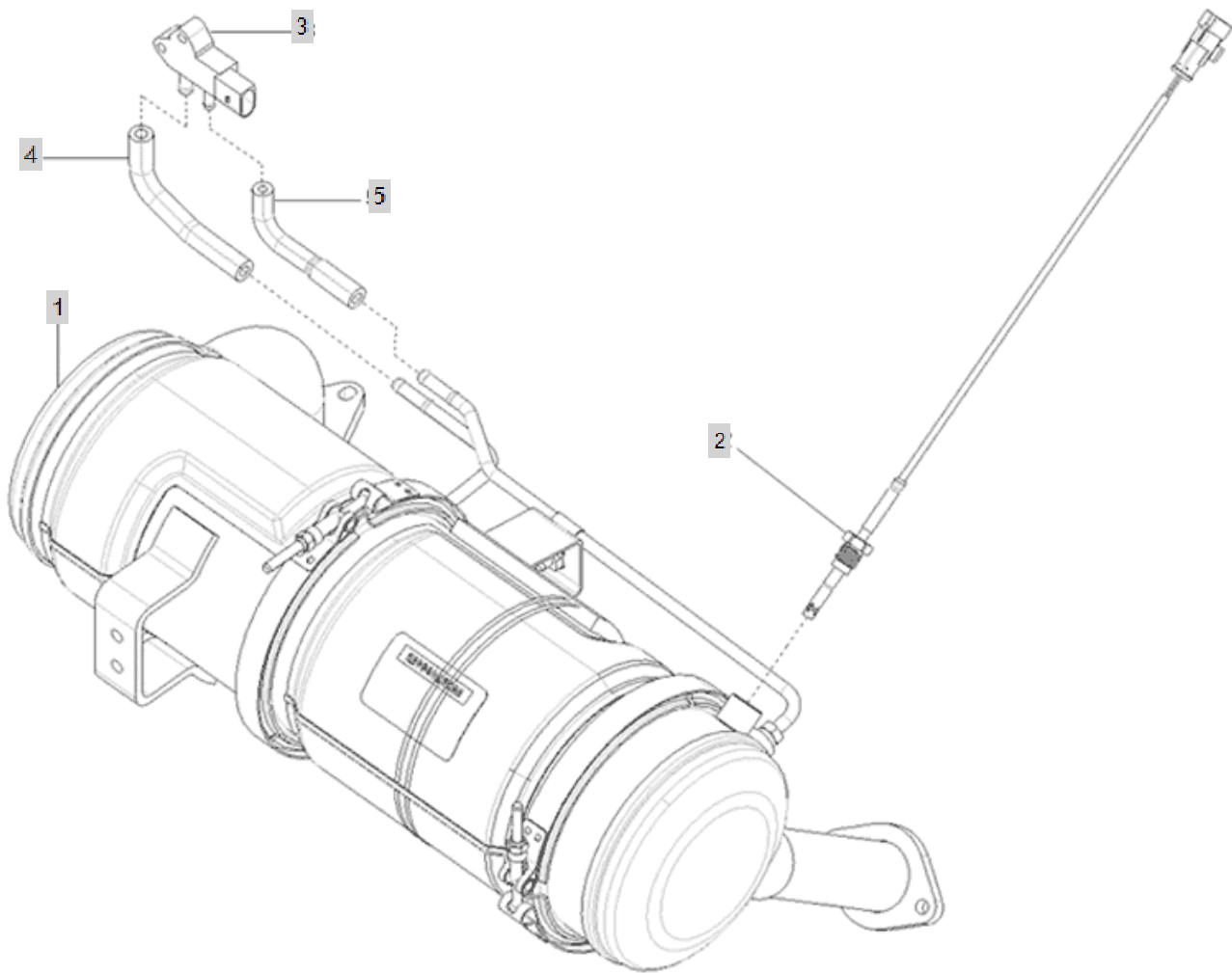


FIG E043-2

A2300T11-UTC_4

DPF ASS'Y(2019.11~)

Year/Month

2020/02

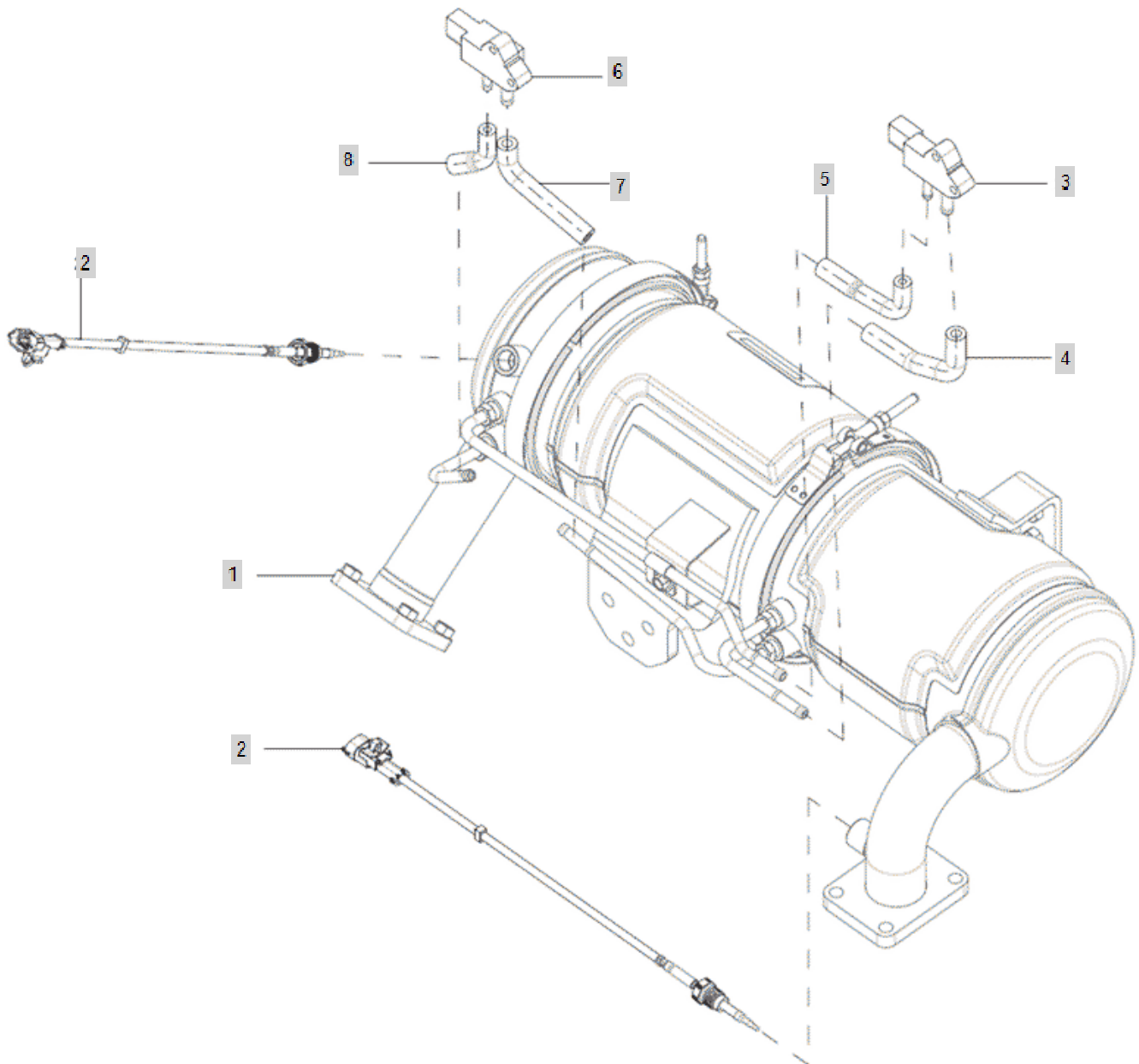


FIG E044

AIR INTAKE CONNECTION ASS'Y

Year/Month

A2300T11-UTC_4

2020/02

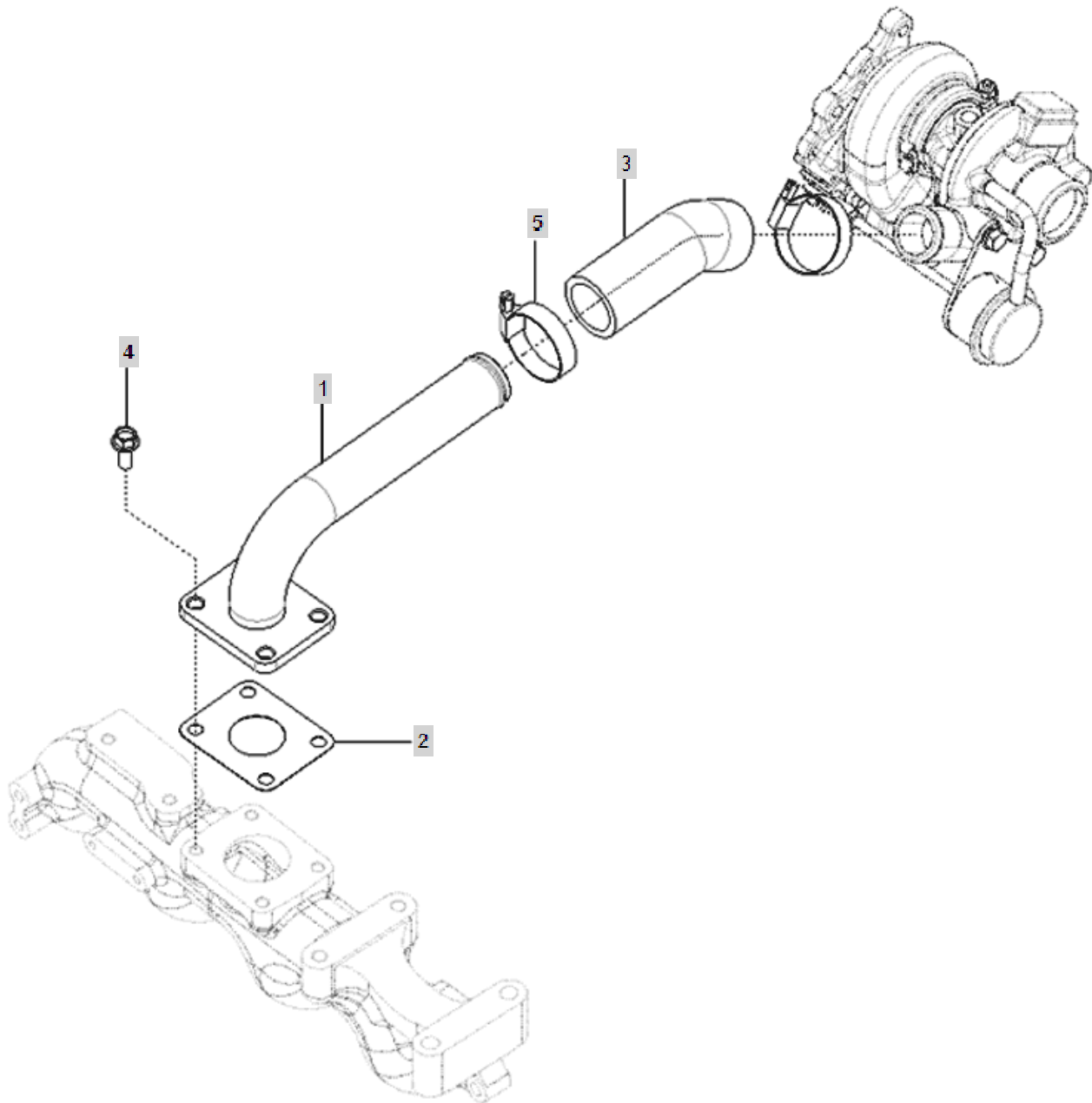


FIG E045

LIFT ASS'Y

Year/Month

A2300T11-UTC_4

2020/02

