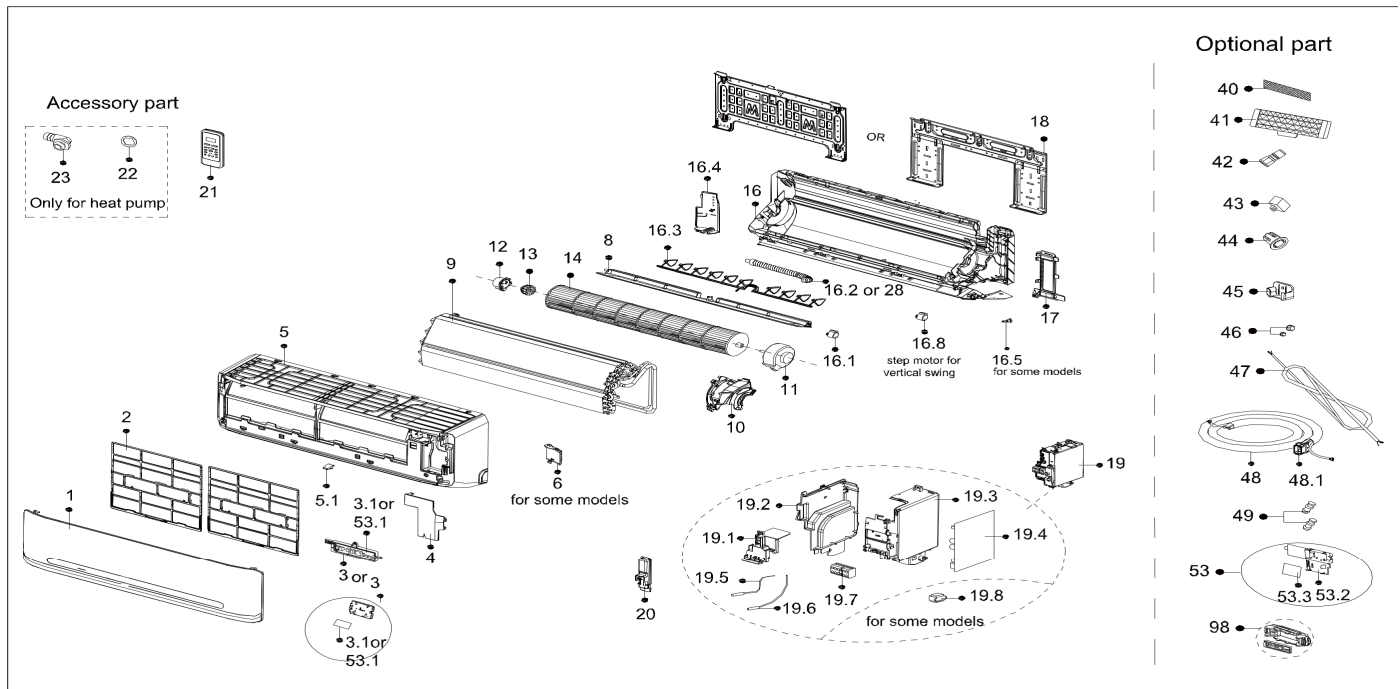


Exploded View

Model

CIP12CD(I)

ComfortStar®



EX_ID	Spare Parts Code	Part Name(EN)	Qty.
1	12122000A88207	Panel assembly	1
2	12100204000522	Filter filter subassembly	2
3	17222000A56199	Display box subassembly	1
3.1	17122000A22787	Display board subassembly	1
4	12122000006755	Cover of electrical equipment	1
5	12122000A65218	Panel frame assembly	1
5.1	12122000009477	Screw Cap	1
6	12122000004587	Front cover of chassis(right)	1
8	12122000005815	Horizontal louver assembly	1

9	15822000008189	Evaporator assembly	1
10	12122000005540	Fan motor cover	1
11	11002015000051	Brushless DC Motor	1
12	12122000000350	Bearing holder	1
13	12622000000131	Bearing components	1
14	12100102000044	Cross flow fan	1
16	12122000011818	Chassis assembly	1
16.1	11002010000143	Stepper Motor	1
16.2	12100501000032	Drain hose	1
16.3	12122000000038	Vertical vane subassembly	1
16.4	12122000010098	Front cover of chassis(left)	1
16.5	12122000000344	Insulated axis	1
17	12122000012943	pipe clamp board	1
18	12222000000018	Installation plate	1
19	17222000031295	Electronic control box subassembly (Mid-and low-end)	1
19.1	12122000004577	Electronic control box	1
19.2	12122000004639	Left cover of electronic control box	1
19.3	12122000004632	Right cover of electronic control box	1
19.4	17122000048345	Main control board subassembly	1
19.5	11201007003424	Room Temperature Sensor	1
19.6	11201007003447	Pipe Temperature Sensor	1
19.7	17400401000006	Terminal	1
20	12122000005020	Cover of electronic control box	1
21	17317000A64777	Remote controller	1
40	12100204000685	Air freshening filter	1
47	17401203A00145	Indoor and Outdoor Junction Cable	1
53	17222000A56199	Display box subassembly	1
53.1	17122000A22787	Display board subassembly	1
53.3	17122000A22787	Display board subassembly	1

