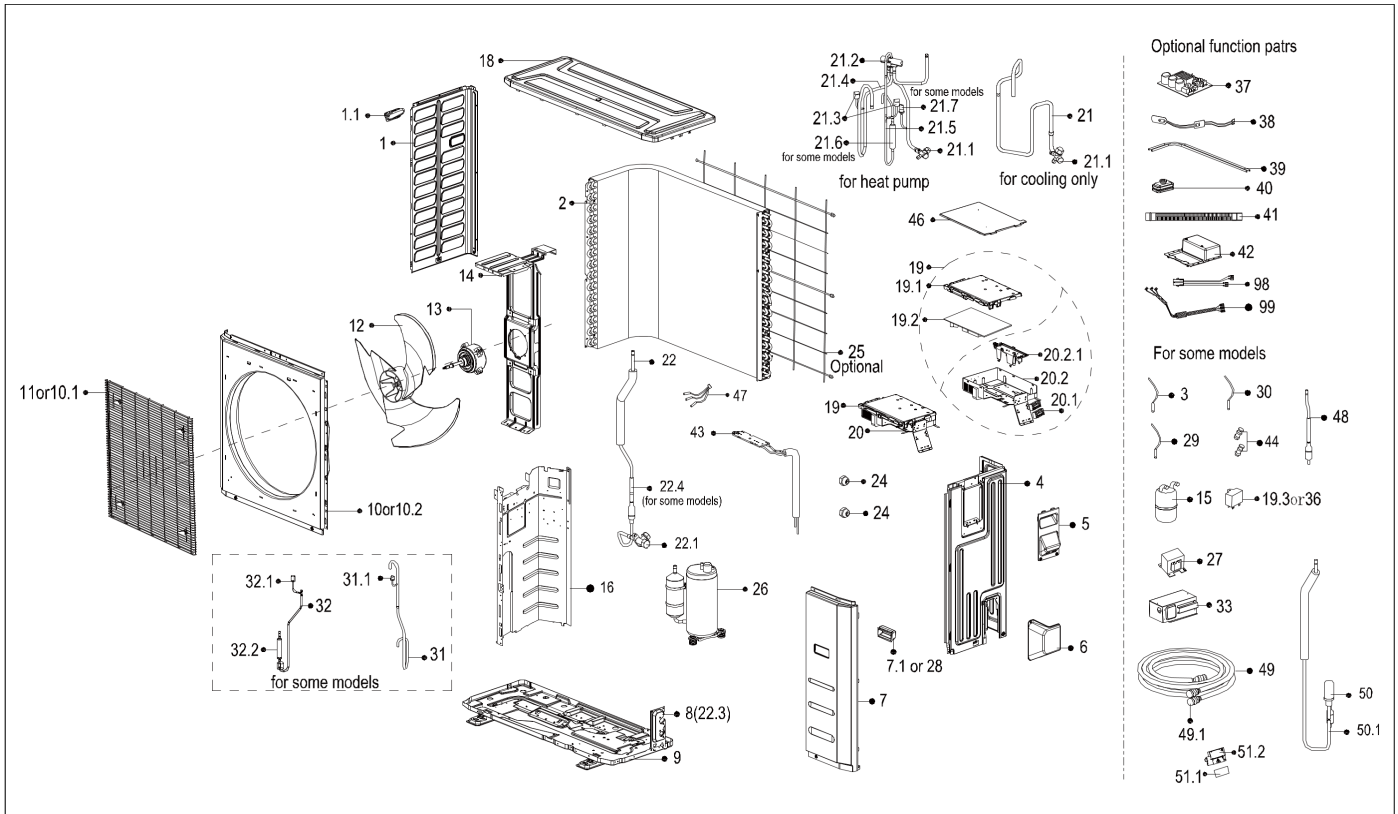


# Exploded View

Ship date:2022-08-12

Model CPR30CD(O)

# ComfortStar®



EX_ID	Spare Parts Code	Part Name(EN)	Qty.	Price	Remarks
1	12222000006665	Left side plate assembly of cabinet	1		
1.1	12100701000033	Small handle	1		
2	15822000008591	Condenser Assembly	1		
3	11201007000069	Pipe Temperature Sensor	1		
3	11201007003445	Pipe Temperature Sensor	1		
4	12222000006664	Rear right clapboard assembly	1		
5	12222000013365	Big handle assembly	1		
6	12122200002695	Water collector	1		
7	12222500A00135	Front right clapboard assembly	1		

7.1	12100702000038	handle	1		
9	12222000004018	Chassis assembly	1		
10	12222000A01431	Front panel	1		
11	12222000014845	Air outlet grille	1		
12	12100105000084	Axial flow fan	1		
13	11002015000247	Brushless DC Motor	1		
14	12222000005162	Supporter subassembly of fan motor	1		
16	12222000012328	Partition board assembly	1		
18	12222500000587	Top cover assembly	1		
19	17222000036522	Electronic control box subassembly	1		
19.1	12122000025662	Cover of electronic control box	1		
19.2	17122000054315	Outdoor main control board subassembly	1		
20	17222000036524	Terminal board subassembly	1		
20.1	17400401000119	Terminal	1		
20.2	12222000015265	Electronic installing box subassembly	1		
20.2.1	12122000024381	U-Typed Support with Copper Pipe	1		
20.4	17122000056705	Inverter module subassembly	1		
21	15422000022558	4-way valve assembly	1		
21.1	15500204000482	Gas valve	1		
21.2	15500216000361	4-way valve	1		
21.3	17400516000850	Pressure switch	1		
21.4	15122000029897	Suction pipe assembly	1		
21.5	15122000028802	Discharge pipe assembly	1		
21.7	11201008000773	Pressure sensor	1		
21.8	17400516000849	Pressure switch	1		
22	15422000021516	Liquid valve assembly	1		
22.1	15500204000021	Gas valve	1		
22.3	12222200000611	Valve plate	1		
24	15500406000008	Copper nut	1		
24	15500406000010	Copper nut	1		
25	12222000006604	Rear net	1		
26	11103020000559	DC Inverter Rotary Compressor	1		
38	17402001000601	Crankcase electric heater	1		

39	17402002000466	Electric heating tube	1		
43	15122000026020	Radiator subassembly	1		
46	12122000016029	Cover of electronic control box	1		
47	11201011000188	Combination sensor	1		
50	15422000020457	Electronic expansion valve subassembly	1		
50.1	15500213000265	Electronic expansion valve body	1		
99	17401203000751	Compressor wire subassembly	1		