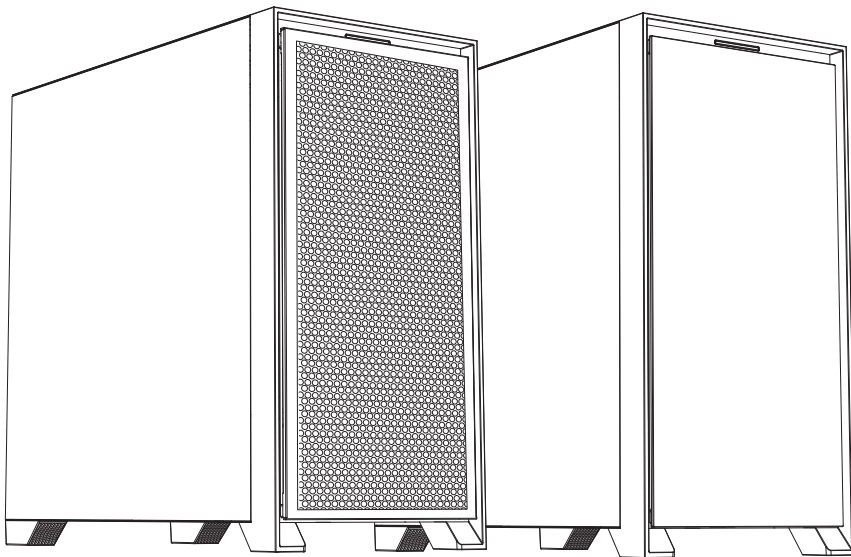




# DRX90

TEMPERED GLASS SIDE PANEL

LUXURY PC CHASSIS



DRX90 MESH

DRX90 GLASS

# CATALOGUE

---

1. PRODUCT INFORMATION.....02

2. COMPONENTS AND PORTS.....06



1.1 Accessory Box... 03

1.2 Spacing And Specification... 04

## 1.1 ACCESSORY BOX



Motherboard Screws\*19



Hard Disk Screws\*8



Psu Screws\*6



Iron Columns\*3  
(pre-installed 6pcs)



HD Audio Caps \*2



USB Caps \*2



Copper Pillar Spacer\*1



Microfiber Cloth \*1



Plastic Female Buckles\*2



Type-C Caps \*1



Belts \*5

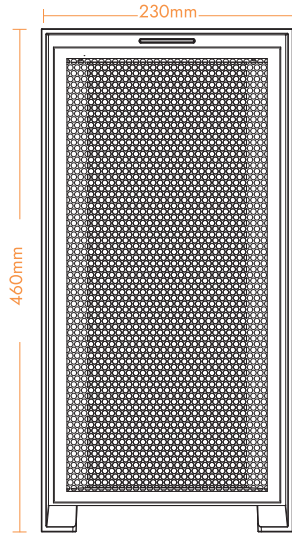


PCI \*1

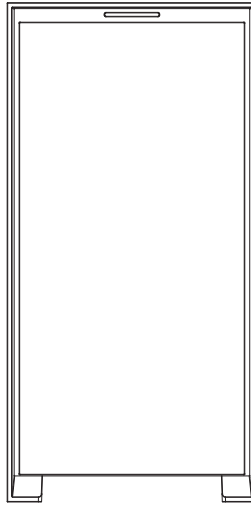


Fan Screws\*12

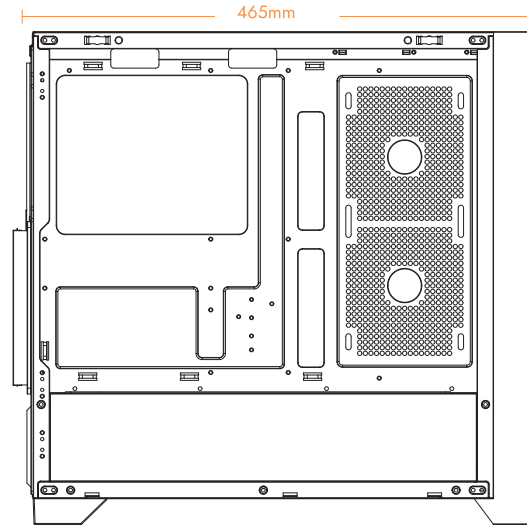
## 1.2 CLEARANCES AND SPECIFICATIONS



( DRX90 Mesh )



( DRX90 Glass )



## 1.2 CLEARANCES AND SPECIFICATIONS



### Motherboard Support

ATX、 Micro-ATX、 ITX

### 2.5"SSD Support

1

### 3.5"HDD Support

2

### PCI Slots

7

### I/O Ports

Type-C/ USB3.0\*1/ USB2.0\*1/ HD Audio/ Power/ Reset

### Power Supply

Bottom,ATX

### Integrated CPU Liquid Cooler

185mm(Max)

### Max GPU Clearance

395mm

### Fan Support

Top : 120mm\*3/ 140mm\*2

Front : 120mm\*3/ 140mm\*3

Side : 120mm\*2

PUS Chamber : 120mm\*3

Rear : 120mm\*1/ 140mm\*1

### Radiator Support

Top : 240/280/360mm

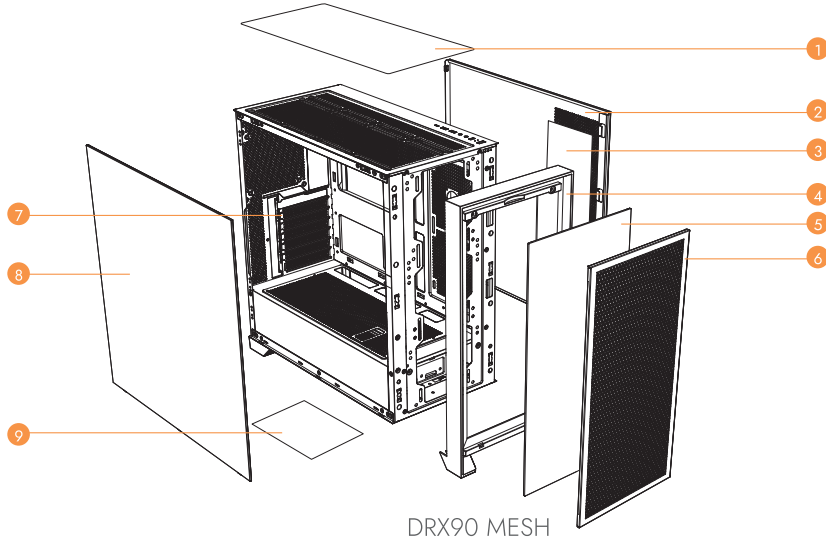
Rear : 120mm

## 2 COMPONENTS AND PORTS



2.1 EXPLODED VIEW	7	2.7 EXPANSION CARD INSTALLATION	14
2.2 CABLE CONNECTIONS	9	2.8 POWER SUPPLY INSTALLATION	15
2.3 BUTTONS AND I/O	10	2.9 FAN AND RADIATOR SUPPORT	16
2.4 MOTHERBOARD INSTALLATION	11	2.10 FAN ARE INSTALLED	17
2.5 SSD DRIVE INSTALLATION	12	2.11 RADIATOR INSTALLED	18
2.6 HDD DRIVE INSTALLATION	13		

## 2.1 EXPLODED VIEW

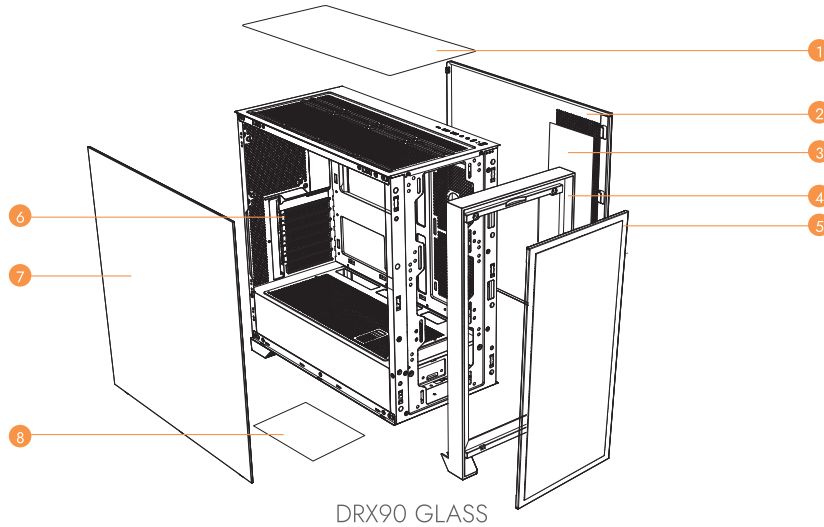


### No. PART NAME

- 1.Top dust Filter
- 2..Right Side Panel
- 3.Side dust Filter
- 4.Front panel rack
- 5.Front panel air filter
- 6.Front panel
- 7.PCIE Slot Cover
- 8.Left Tempered glass Panel
- 9.Bottom dust Filter



## 2.1 EXPLODED VIEW



### No. PART NAME

1.Top dust Filter

2. Right Side Panel

3.Side dust Filter

4.Front panel rack

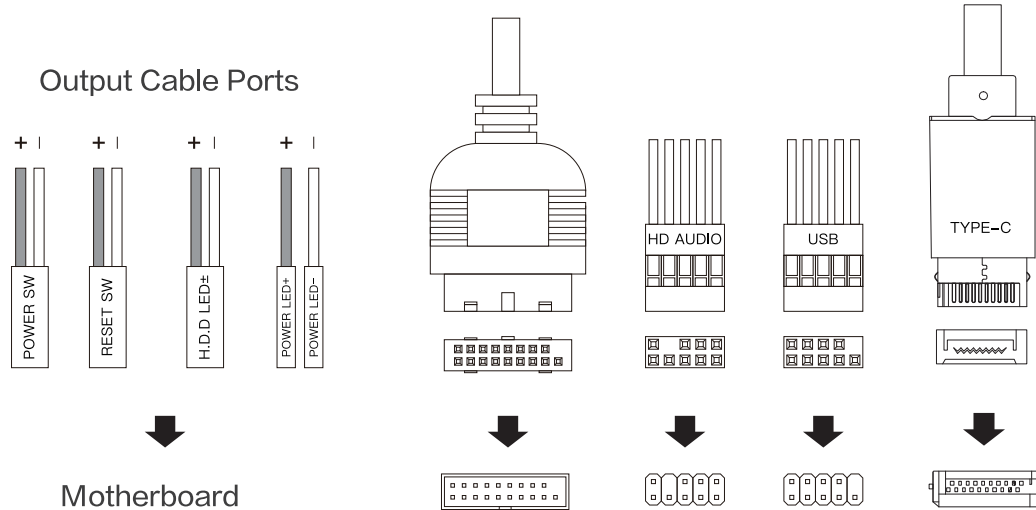
5.Front panel

6.PCIE Slot Cover

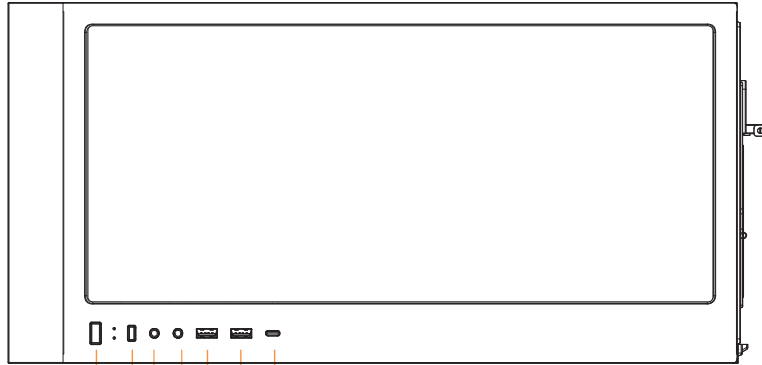
7.Left Tempered glass Panel

8.Bottom dust Filter

## 2.2 CABLE CONNECTIONS



## 2.3 BUTTONS AND I/O



1 2 3 4 5 6

No. PART NAME

1.Power

2.Reset

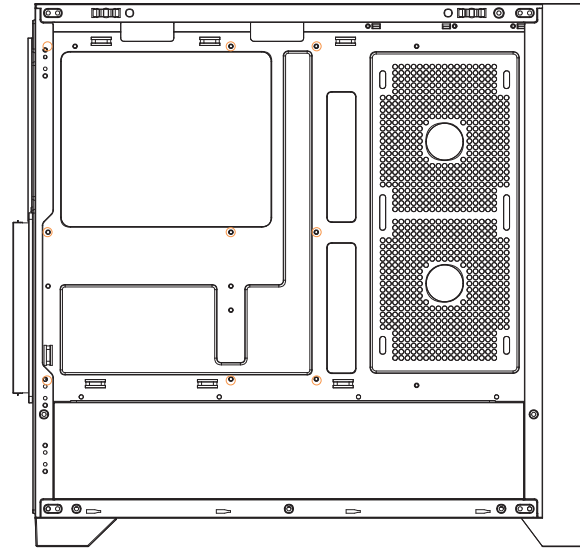
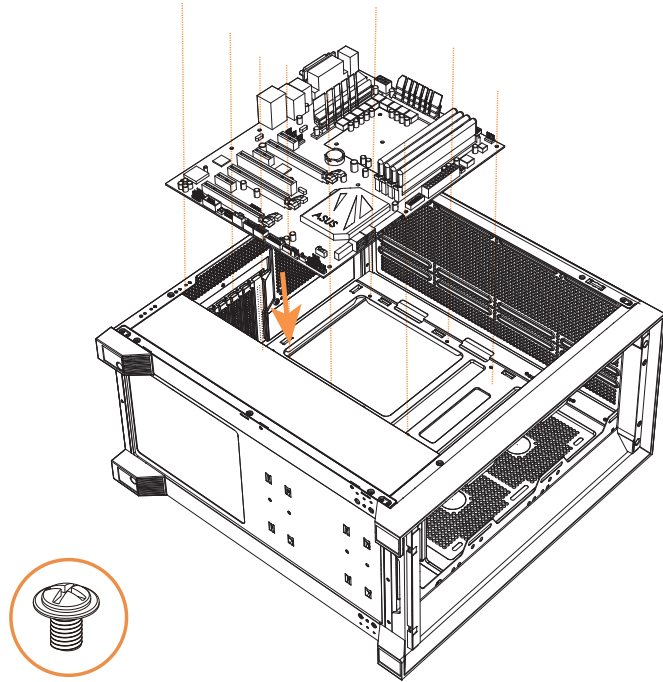
3.HD Audio

4.USB 3.0\*1

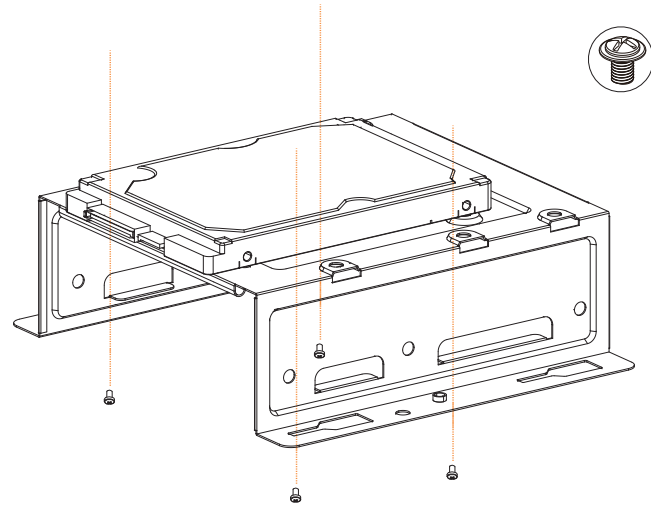
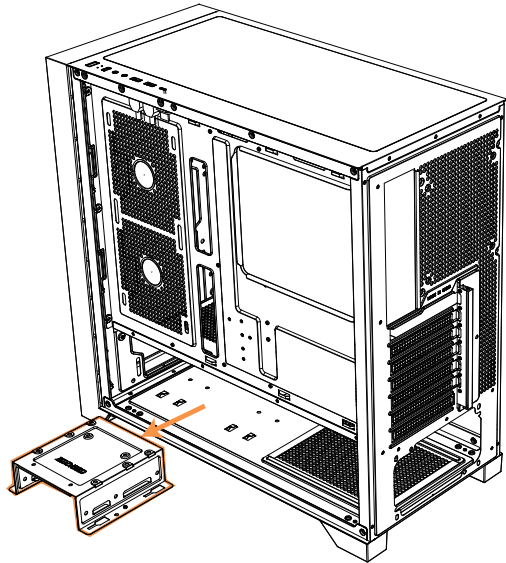
5.USB 3.0\*1

6.Type-C

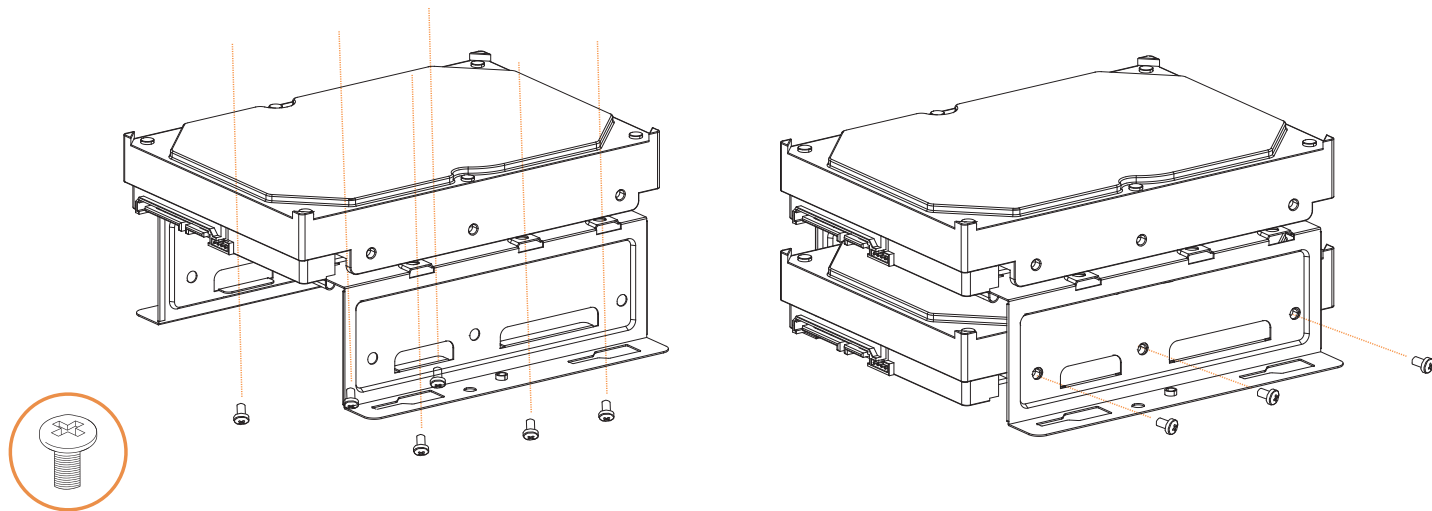
## 2.4 MOTHERBOARD INSTALLATION



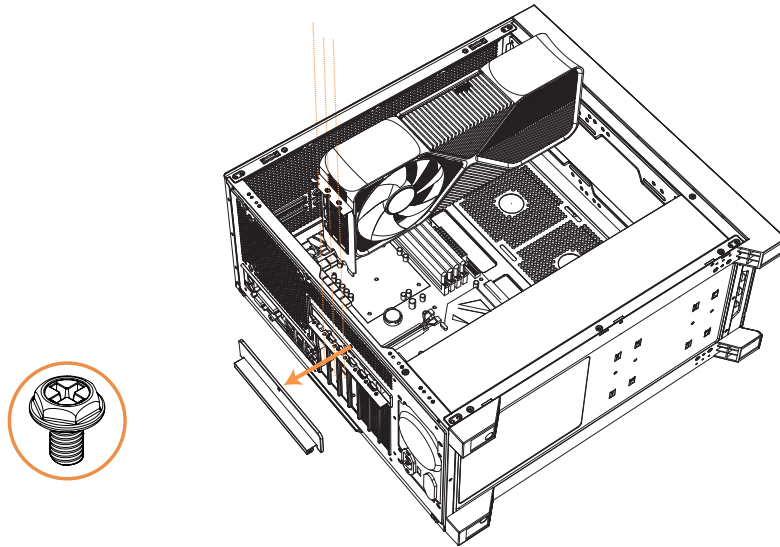
## 2.5 SSD DRIVE INSTALLATION



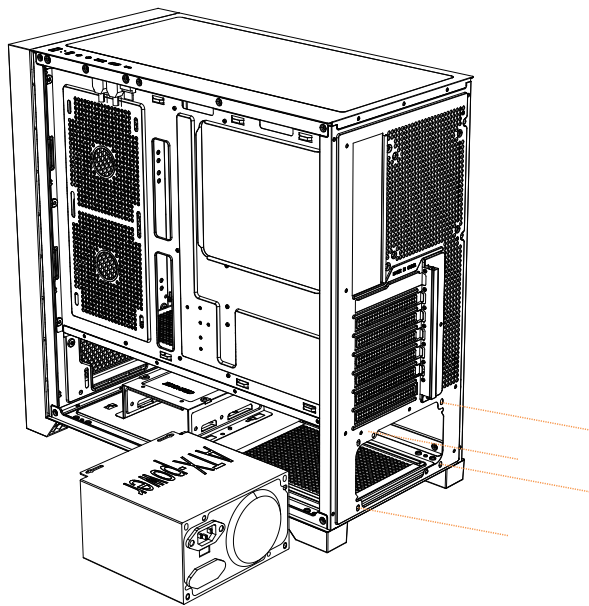
## 2.6 HDD DRIVE INSTALLATION



## 2.7 EXPANSION CARD INSTALLATION

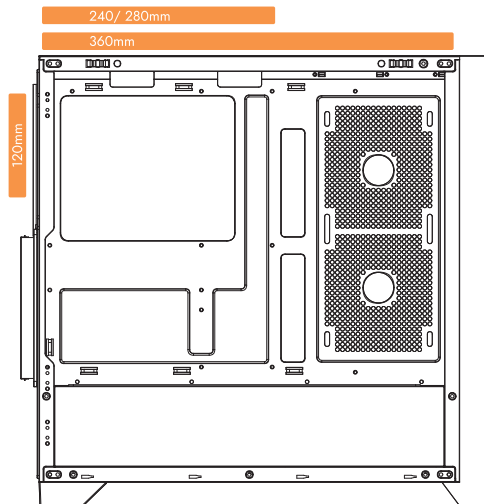
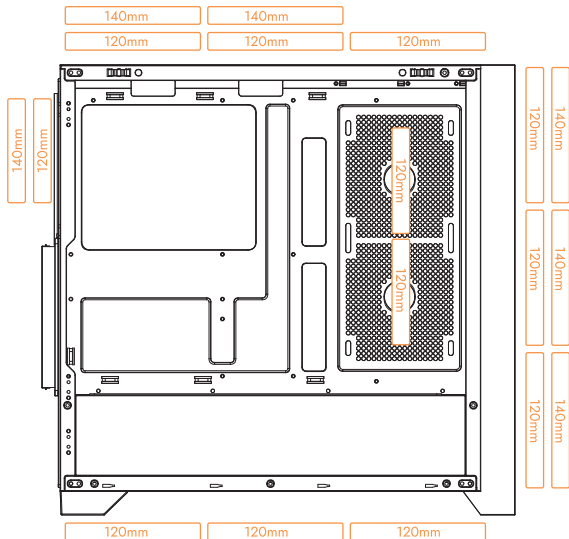


## 2.8 POWER SUPPLY INSTALLATION

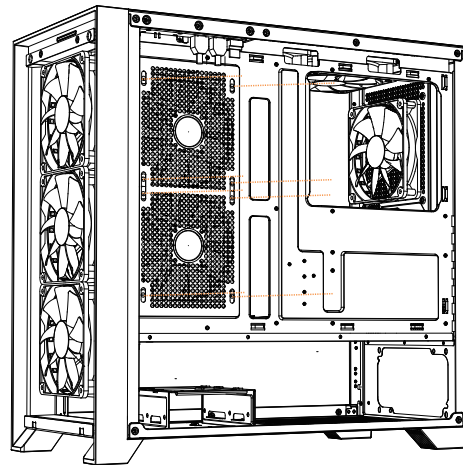
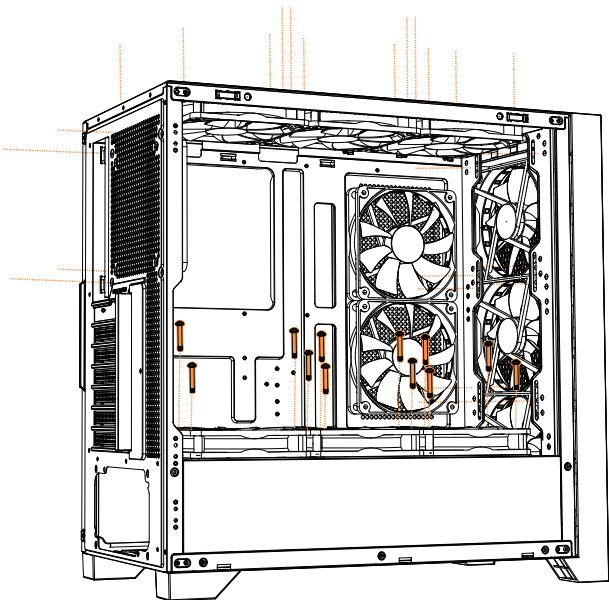




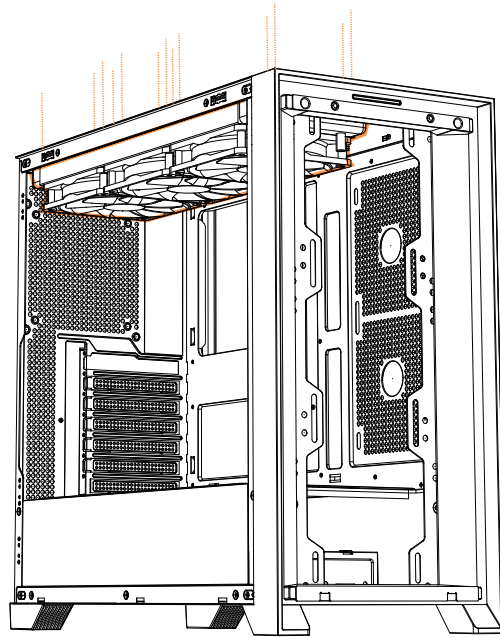
## 2.9 FAN AND RADIATOR ARE INSTALLED



## 2.10 FAN INSTALLED



## 2.11 RADIATOR INSTALLED





[www.darkflash.com](http://www.darkflash.com)

*Fly to unlimited!*

 **darkFlash**

DARKFLASH INFOTECH CO., LTD.  
[www.darkflash.com](http://www.darkflash.com)

 [facebook.com/darkFlash.global/](https://facebook.com/darkFlash.global/)

 [instagram.com/darkflash\\_official/](https://instagram.com/darkflash_official/)

 [darkflash\\_official](https://youtube.com/darkflash_official)