



# SLING CATALOG

DynamicLifting.com

# About Dynamic Lifting Solutions



Established in 2017. The founders of Dynamic Lifting Solutions have a passion for their customers in the lifting and custom fabrication markets.

The Management Team recognized that a company built around the customer, providing value added solutions, urgency to solve problems, and attention to every customer detail was desperately needed.



Dynamic Lifting Solutions  
5512 Clara Rd  
Houston, TX 77041



Sales@DynamicLifting.com



(713) 849-1341

## ISO 9001 Certified Quality Management System

**DNV-GL**  
**MANAGEMENT SYSTEM CERTIFICATE**

Certificate No: 246083-2017-IQ-USA-ANAB Initial certification date: 24 August, 2017 Valid: 25 August, 2020 - 24 August, 2023

This is to certify that the management system of  
**Dynamic Lifting Solutions**  
5512 Clara Road, Houston, TX, 77042, USA

has been found to conform to the Quality Management System standard:  
**ISO 9001:2015**

This certificate is valid for the following scope:  
**The Design, Manufacturing, Distribution, Inspection and Testing of Fabricated Products, Rigging Devices and Related Services.**

Place and date:  
Katy, TX, 27 August, 2020

For the issuing office:  
DNV GL - Business Assurance  
1400 Ravenna Drive, Katy, TX, 77449-5154, USA

Shauff Meekaway  
Management Representative

ANAB IAF

## DNV 2.7-1 & 2.7-3 Type Approved Slings

**DNV-GL**  
**TYPE APPROVAL CERTIFICATE**

Certificate No: TA0000113

This is to certify:  
**That the Lifting set for Offshore containers and Portable Offshore Units**  
with type designation(s)  
**Wire Rope Lifting Sets for Offshore Containers and Portable Offshore Units**

Issued to:  
**Dynamic Crane Service and Fabrication Inc.**  
Houston, TX, USA

is found to comply with  
**DNV GL standard DNVGL-ST-E271 - 2.7-1 Offshore containers, August 2017**  
**DNV GL standard DNVGL-ST-E273 - 2.7-3 Portable offshore units, December 2016**  
**ISO 15855-2:2018 Offshore containers and associated liftings sets - Part 2: Design, manufacture and testing of lifting sets**  
**IMO/MSC Circular 860**

Application :  
**1-, 2-, 3-, & 4-Part Lifting Sets, with Forerunner where fitted for Lifting Offshore Container and Portable Offshore Units with Maximum Gross Mass 0-25,000 kg.**

Issued at Aberdeen on 2019-02-15

This Certificate is valid until 2024-02-14.  
DNV GL local station: Houston

Approval Engineer: Ronald Quiballo

for DNV GL  
Alex Dolg  
Team Lead

This Certificate is subject to terms and conditions overleaf. Any significant change in design or construction may render this Certificate invalid.  
The validity date relates to the Type Approval Certificate and not to the approval of equipment/systems installed.

Form code: TA 251 Revision: 2016-12 www.dnvgl.com Page 1 of 6  
© DNV GL 2014. DNV GL and the Horizon Graphic are trademarks of DNV GL AS.

# Table Of Contents



## Wire Rope Slings

Single Leg Sling.....	1 - 4
2-Leg Bridle Sling.....	5 - 6
3-Leg Bridle Sling.....	7 - 10
4-Leg Bridle Sling.....	11 - 14
Swaged Socket Line.....	15
Spelter Socket Line .....	16
Grommet Sling .....	17
9 Part Braided Sling.....	17 - 18



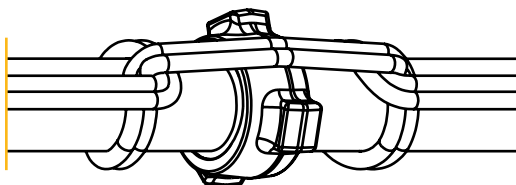
## Synthetic Slings

Endless Roundsling.....	20
High Performance Roundsling.....	21
Web Sling.....	22 - 24
HMPE Sling.....	25 - 26



## Chain Slings

Bulk Chain.....	27
Single Leg Chain Sling.....	28
2-Leg Chain Sling.....	29
3-Leg Chain Sling.....	30
4-Leg Chain Sling .....	31

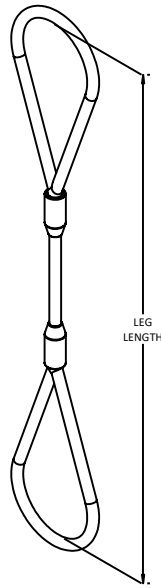


## Miscellaneous

Polyester Pipe Restraint.....	32
-------------------------------	----

## DLS-100-EE

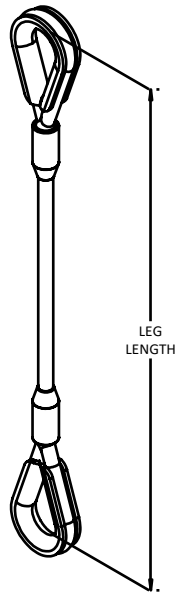
Soft eyes



- Minimum breaking load is 5X WLL
- Flemished eye splice & mechanically swaged
- 6x19 or 6x36 IWRC wire rope
- Do not use pin smaller than rope diameter
- Basket WLL based on pin 25X rope diameter
- Custom slings available on request
- EEIPS wire rope available upon request

Rope Diameter	Vertical Hitch	Choker Hitch	Vertical Basket	Minimum Leg Length	Soft Eye	
					Inside L	Inside W
<i>Inch</i>	<i>Short Tons</i>	<i>Short Tons</i>	<i>Short Tons</i>	<i>Foot-Inch</i>	<i>Inch</i>	<i>Inch</i>
1/4	0.65	0.48	1.3	1'-2"	4	2
3/8	1.4	1.1	2.9	1'-8"	6	3
1/2	2.5	1.9	5.1	2'-3"	8	4
5/8	3.9	2.9	7.8	2'-10"	10	5
3/4	5.6	4.1	11	3'-4"	12	6
7/8	7.6	5.6	15	3'-10"	14	7
1	9.8	7.2	20	4'-6"	16	8
1-1/8	12	9.1	24	5'	18	9
1-1/4	15	11	30	5'-6"	20	10
1-3/8	18	13	36	6'	22	11
1-1/2	21	16	42	6'-8"	24	12
1-3/4	28	21	57	7'-8"	28	14
2	37	28	73	8'-10"	32	16
2-1/4	44	35	59	10'	36	18
2-1/2	54	42	109	11'	40	20
2-3/4	65	51	130	12'	44	22
3	77	60	153	13'	48	24
3-1/2	102	79	203	15'-6"	56	28
3-3/4	115	90	230	16'-6"	60	30
4	130	101	260	18'	64	32
4-1/2	160	124	320	20'	72	36
5	184	143	368	26'	80	40
6	257	200	513	30'	96	48

# Single Leg Bridle Sling



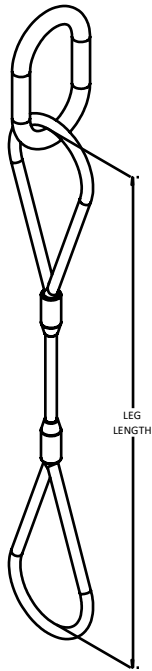
## DLS-100-TT

Thimble eyes

- Minimum breaking load is 5X WLL
- Flemished eye splice & mechanically swaged
- 6x19 or 6x36 IWRC wire rope
- Basket WLL based on pin 25X rope diameter
- Custom slings available on request
- EEIPS wire rope available upon request

Rope Diameter	Vertical Hitch	Choker Hitch	Vertical Basket	Minimum Leg Length	Thimble Eye		
					Inside L	Inside W	Thickness
<i>Inch</i>	<i>Short Tons</i>	<i>Short Tons</i>	<i>Short Tons</i>	<i>Foot-Inch</i>	<i>Inch</i>	<i>Inch</i>	<i>Inch</i>
1/4	0.65	0.48	1.3	1'	1-5/8	7/8	13/32
3/8	1.4	1.1	2.9	1'-3"	1-7/8	1-1/8	21/32
1/2	2.5	1.9	5.1	1'-8"	2-3/4	1-1/2	27/32
5/8	3.9	2.9	7.8	2'-2"	3-1/4	1-3/4	1
3/4	5.6	4.1	11	2'-6"	3-3/4	2	1-1/4
7/8	7.6	5.6	15	2'-9"	4-1/4	2-1/4	1-3/8
1	9.8	7.2	20	3'	4-1/2	2-1/2	1-9/16
1-1/8	12	9.1	24	3'-10"	5-1/8	2-7/8	1-7/8
1-1/4	15	11	30	4'	6-1/4	3-1/2	2-1/4
1-3/8	18	13	36	4'-4"	6-1/2	3-1/2	2-5/8
1-1/2	21	16	42	4'-6"	6-1/2	3-1/2	2-5/8
1-3/4	28	21	57	5'-8"	9	4-1/2	3-1/16
2	37	28	73	6'-9"	12	6	3-3/8
2-1/4	44	35	59	7'-9"	14	7	3-7/8
2-1/2	54	42	109	8'	14-7/8	7	4-1/4
2-3/4	65	51	130	9'-2"	16-1/2	7-7/8	4-3/4
3*	77	60	153	11'	15*	9-3/8*	4-15/16*
3-1/2*	102	79	203	12'	19-1/2*	11-1/2*	5-1/2*

\* Hawser thimble



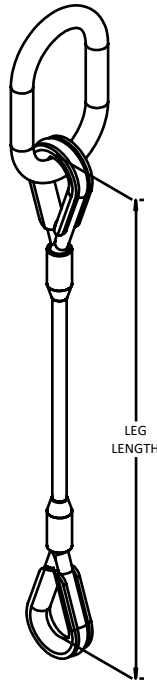
## DLS-110-EE

Soft eyes  
Single piece master link

- Minimum breaking load is 5X WLL
- Flemished eye splice & mechanically swaged
- 6x19 or 6x36 IWRC wire rope
- Do not use pin smaller than rope diameter
- Custom slings available on request
- EEIPS wire rope available upon request

Rope Diameter	Vertical Hitch	Choker Hitch	Vertical Basket	Minimum Leg Length	Master Link	Soft Eye	
						Inside L	Inside W
<i>Inch</i>	<i>Short Tons</i>	<i>Short Tons</i>	<i>Short Tons</i>	<i>Foot-Inch</i>	<i>Inch [mm]</i>	<i>Inch</i>	<i>Inch</i>
1/4	0.65	0.48	1.3	1'-2"	5/8 [16]	4	2
3/8	1.4	1.1	2.9	1'-8"	5/8 [16]	6	3
1/2	2.5	1.9	5.1	2'-3"	5/8 [16]	8	4
5/8	3.9	2.9	7.8	2'-10"	5/8 [16]	10	5
3/4	5.6	4.1	11	3'-4"	7/8 [22]	12	6
7/8	7.6	5.6	15	3'-10"	7/8 [22]	14	7
1	9.8	7.2	20	4'-6"	1-1/8 [28]	16	8
1-1/8	12	9.1	24	5'	1-1/8 [28]	18	9
1-1/4	15	11	30	5'-6"	1-1/4 [32]	20	10
1-3/8	18	13	36	6'	1-7/16 [36]	22	11
1-1/2	21	16	42	6'-8"	1-9/16 [40]	24	12
1-3/4	28	21	57	7'-8"	1-3/4 [45]	28	14
2	37	28	73	8'-10"	2 [50]	32	16
2-1/4	44	35	59	10'	2-9/16 [60/65]	36	18
2-1/2	54	42	109	11'	2-9/16 [65]	40	20
2-3/4	65	51	130	12'	3 [75]	44	22
3	77	60	153	13'	3-5/8 [80/90]	48	24
3-1/2	102	79	203	15'-6"	3-5/8 [90]	56	28
3-3/4	115	90	230	16'-6"	4-3/4 [120]	60	30
4	130	101	260	18'	4-3/4 [120]	64	32
4-1/2	160	124	320	20'	4-3/4 [120]	72	36

# Single Leg Bridle Sling

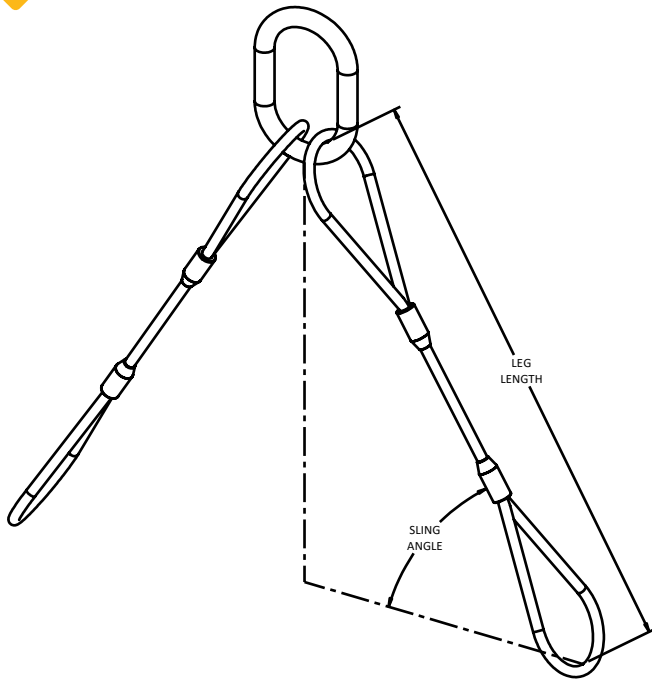


## DLS-110-TT

Thimble eyes  
Single piece master link

- Minimum breaking load is 5X WLL
- Flemished eye splice & mechanically swaged
- 6x19 or 6x36 IWRC wire rope
- Custom slings available on request
- EEIPS wire rope available upon request

Rope Diameter	Vertical Hitch	Choker Hitch	Vertical Basket	Minimum Leg Length	Master Link	Thimble Eye		
						Inside L	Inside W	Thickness
<i>Inch</i>	<i>Short Tons</i>	<i>Short Tons</i>	<i>Short Tons</i>	<i>Foot-Inch</i>	<i>Inch [mm]</i>	<i>Inch</i>	<i>Inch</i>	<i>Inch</i>
1/4	0.65	0.48	1.3	1'	5/8 [16]	1-5/8	7/8	13/32
3/8	1.4	1.1	2.9	1'-3"	5/8 [16]	1-7/8	1-1/8	21/32
1/2	2.5	1.9	5.1	1'-8"	5/8 [16]	2-3/4	1-1/2	27/32
5/8	3.9	2.9	7.8	2'-2"	5/8 [16]	3-1/4	1-3/4	1
3/4	5.6	4.1	11	2'-6"	7/8 [22]	3-3/4	2	1-1/4
7/8	7.6	5.6	15	2'-9"	7/8 [22]	4-1/4	2-1/4	1-3/8
1	9.8	7.2	20	3'	1-1/8 [28]	4-1/2	2-1/2	1-9/16
1-1/8	12	9.1	24	3'-10"	1-1/8 [28]	5-1/8	2-7/8	1-7/8
1-1/4	15	11	30	4'	1-1/4 [32]	6-1/4	3-1/2	2-1/4
1-3/8	18	13	36	4'-4"	1-7/16 [36]	6-1/2	3-1/2	2-5/8
1-1/2	21	16	42	4'-6"	1-9/16 [40]	6-1/2	3-1/2	2-5/8
1-3/4	28	21	57	5'-8"	1-3/4 [45]	9	4-1/2	3-1/16
2	37	28	73	6'-9"	2 [50]	12	6	3-3/8
2-1/4	44	35	59	7'-9"	2-9/16 [60/65]	14	7	3-7/8
2-1/2	54	42	109	8'	2-9/16 [65]	14-7/8	7	4-1/4
2-3/4	65	51	130	9'-2"	3 [75]	16-1/2	7-7/8	4-3/4
3	77	60	153	11'	3-5/8 [80/90]	15*	9-3/8*	4-15/16*
3-1/2	102	79	203	12'	3-5/8 [90]	19-1/2*	11-1/2*	5-1/2*



## DLS-210-EE

Soft eyes  
Single piece master link

- Minimum breaking load is 5X WLL
- Flemished eye splice & mechanically swaged
- 6x19 or 6x36 IWRC wire rope
- WLL based on evenly distributed leg load
- Do not use pin smaller than rope diameter
- Custom slings available on request
- EEIPS wire rope available upon request

Rope Diameter	60° WLL	45° WLL	30° WLL	Minimum Leg Length	Master Link	Soft Eye	
						Inside L	Inside W
<i>Inch</i>	<i>Short Tons</i>	<i>Short Tons</i>	<i>Short Tons</i>	<i>Foot-Inch</i>	<i>Inch [mm]</i>	<i>Inch</i>	<i>Inch</i>
1/4	1.1	0.91	0.65	1'-2"	5/8 [16]	4	2
3/8	2.5	2	1.4	1'-8"	5/8 [16]	6	3
1/2	4.4	3.6	2.5	2'-3"	5/8 [16]	8	4
5/8	6.8	5.5	3.9	2'-10"	7/8 [22]	10	5
3/4	9.7	7.9	5.6	3'-4"	7/8 [22]	12	6
7/8	13	11	7.6	3'-10"	1-1/8 [28]	14	7
1	17	14	9.8	4'-6"	1-1/4 [32]	16	8
1-1/8	21	17	12	5'	1-7/16 [36]	18	9
1-1/4	26	21	15	5'-6"	1-9/16 [40]	20	10
1-3/8	31	25	18	6'	1-3/4 [45]	22	11
1-1/2	37	30	21	6'-8"	1-3/4 [45]	24	12
1-3/4	49	40	28	7'-8"	2 [50]	28	14
2	63	52	37	8'-10"	2-9/16 [65]	32	16
2-1/4	77	63	44	10'	2-9/16 [65]	36	18
2-1/2	94	77	54	11'	3 [75]	40	20

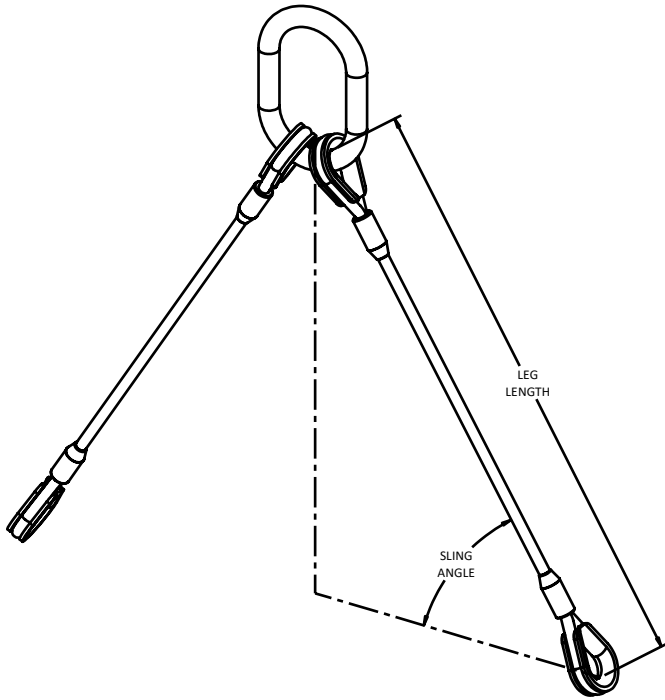


# 2-Leg Bridle Sling



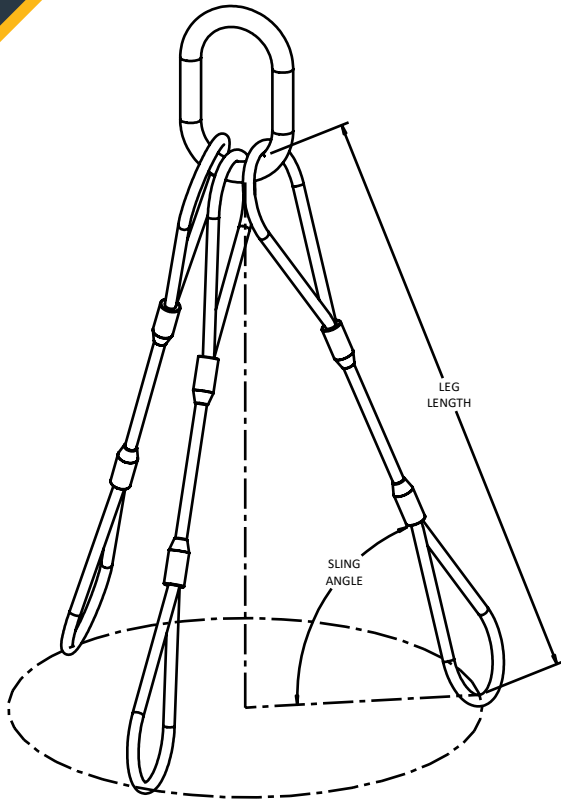
## DLS-210-TT

Thimble eyes  
Single piece master link



- Minimum breaking load is 5X WLL
- Flemished eye splice & mechanically swaged
- 6x19 or 6x36 IWRC wire rope
- WLL based on evenly distributed leg load
- Custom slings available upon request
- EEIPS wire rope available upon request

Rope Diameter	60° WLL	45° WLL	30° WLL	Minimum Leg Length	Master Link	Thimble Eye		
						Inside L	Inside W	Thickness
<i>Inch</i>	<i>Short Tons</i>	<i>Short Tons</i>	<i>Short Tons</i>	<i>Foot-Inch</i>	<i>Inch [mm]</i>	<i>Inch</i>	<i>Inch</i>	<i>Inch</i>
1/4	1.1	0.91	0.65	1'	5/8 [16]	1-5/8	7/8	13/32
3/8	2.5	2	1.4	1'-3"	5/8 [16]	1-7/8	1-1/8	21/32
1/2	4.4	3.6	2.5	1'-8"	5/8 [16]	2-3/4	1-1/2	27/32
5/8	6.8	5.5	3.9	2'-2"	7/8 [22]	3-1/4	1-3/4	1
3/4	9.7	7.9	5.6	2'-6"	1 [25]	3-3/4	2	1-1/4
7/8	13	11	7.6	2'-9"	1-1/8 [28]	4-1/4	2-1/4	1-3/8
1	17	14	9.8	3'	1-1/4 [32]	4-1/2	2-1/2	1-9/16
1-1/8	21	17	12	3'-10"	1-7/16 [36]	5-1/8	2-7/8	1-7/8
1-1/4	26	21	15	4'	1-9/16 [40]	6-1/4	3-1/2	2-1/4
1-3/8	31	25	18	4'-4"	1-3/4 [45]	6-1/2	3-1/2	2-5/8
1-1/2	37	30	21	4'-6"	1-3/4 [45]	6-1/2	3-1/2	2-5/8
1-3/4	49	40	28	5'-8"	2 [50]	9	4-1/2	3-1/16
2	63	52	37	6'-9"	2-9/16 [65]	12	6	3-3/8
2-1/4	77	63	44	7'-9"	3 [75]	14	7	3-7/8
2-1/2	94	77	54	8'	3-5/8 [90]	14-7/8	7	4-1/4



## DLS-310-EE

Soft eyes  
Single piece master link

- Minimum breaking load is 5X WLL
- Flemished eye splice & mechanically swaged
- 6x19 or 6x36 IWRC wire rope
- WLL based on evenly distributed leg load
- Do not use pin smaller than rope diameter
- Custom slings available on request
- EEIPS wire rope available upon request

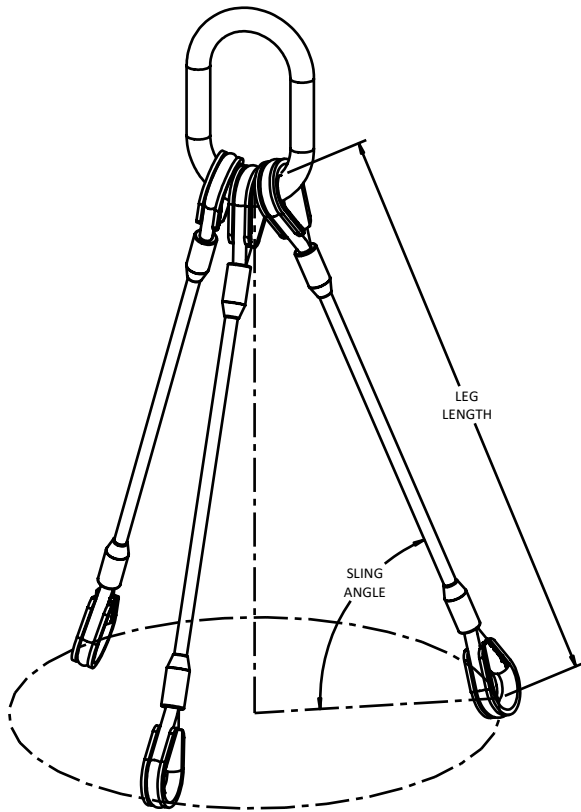
Rope Diameter	60° WLL	45° WLL	30° WLL	Minimum Leg Length	Master Link	Soft Eye	
						Inside L	Inside W
<i>Inch</i>	<i>Short Tons</i>	<i>Short Tons</i>	<i>Short Tons</i>	<i>Foot-Inch</i>	<i>Inch [mm]</i>	<i>Inch</i>	<i>Inch</i>
1/4	1.7	1.4	0.97	1'-2"	5/8 [16]	4	2
3/8	3.7	3.0	2.2	1'-8"	5/8 [16]	6	3
1/2	6.6	5.4	3.8	2'-3"	7/8 [22]	8	4
5/8	10	8.3	5.9	2'-10"	1 [25]	10	5
3/4	15	12	8.4	3'-4"	1-1/8 [28]	12	6
7/8	20	16	11	3'-10"	1-1/4 [32]	14	7
1	26	21	15	4'-6"	1-7/16 [36]	16	8
1-1/8	31	25	18	5'	1-3/4 [45]	18	9
1-1/4	38	31	22	5'-6"	1-3/4 [45]	20	10
1-3/8	46	38	27	6'	2 [50]	22	11
1-1/2	55	45	32	6'-8"	2 [50]	24	12
1-3/4	74	60	42	7'-8"	2-9/16 [65]	28	14
2	95	78	55	8'-10"	3 [75]	32	16
2-1/4	116	94	67	10'	3-5/8 [90]	36	18
2-1/2	140	114	81	11'	3-5/8 [90]	40	20

# 3-Leg Bridle Sling



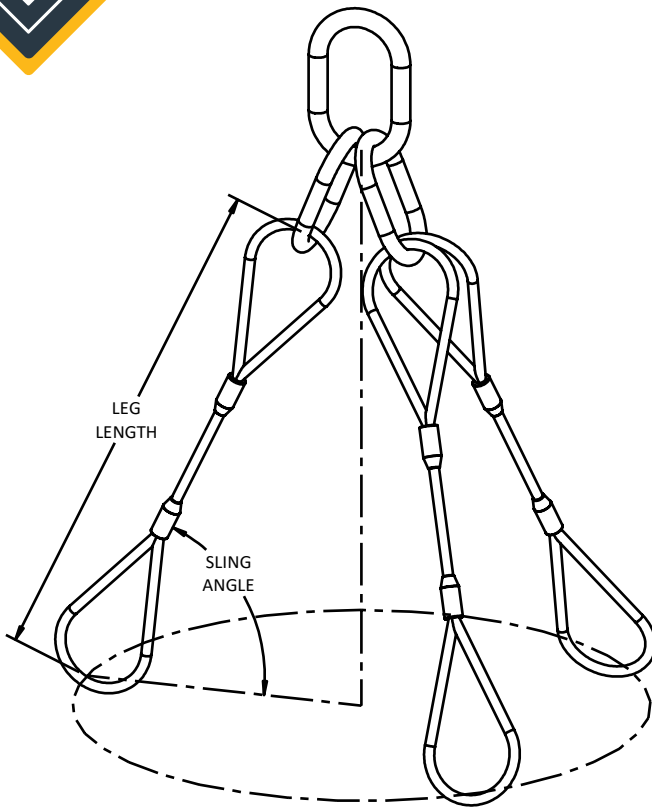
## DLS-310-TT

Thimble eyes  
Single piece master link



- Minimum breaking load is 5X WLL
- Flemished eye splice & mechanically swaged
- 6x19 or 6x36 IWRC wire rope
- WLL based on evenly distributed leg load
- Custom slings available upon request
- EEIPS wire rope available upon request

Rope Diameter <i>Inch</i>	60° WLL	45° WLL	30° WLL	Minimum Leg Length <i>Foot-Inch</i>	Master Link <i>Inch [mm]</i>	Thimble Eye		
	<i>Short Tons</i>	<i>Short Tons</i>	<i>Short Tons</i>			Inside L <i>Inch</i>	Inside W	Thickness <i>Inch</i>
1/4	1.7	1.4	0.97	1'	5/8 [16]	1-5/8	7/8	13/32
3/8	3.7	3.0	2.2	1'-3"	5/8 [16]	1-7/8	1-1/8	21/32
1/2	6.6	5.4	3.8	1'-8"	7/8 [22]	2-3/4	1-1/2	27/32
5/8	10	8.3	5.9	2'-2"	1 [25]	3-1/4	1-3/4	1
3/4	15	12	8.4	2'-6"	1-1/8 [28]	3-3/4	2	1-1/4
7/8	20	16	11	2'-9"	1-1/4 [32]	4-1/4	2-1/4	1-3/8
1	26	21	15	3'	1-9/16 [40]	4-1/2	2-1/2	1-9/16
1-1/8	31	25	18	3'-10"	2 [50]	5-1/8	2-7/8	1-7/8
1-1/4	38	31	22	4'	2-9/16 [65]	6-1/4	3-1/2	2-1/4



## DLS-330-EE

Soft eyes  
Three piece master link

- Minimum breaking load is 5X WLL
- Flemished eye splice & mechanically swaged
- 6x19 or 6x36 IWRC wire rope
- WLL based on evenly distributed leg load
- Do not use pin smaller than rope diameter
- Custom slings available on request
- EEIPS wire rope available upon request

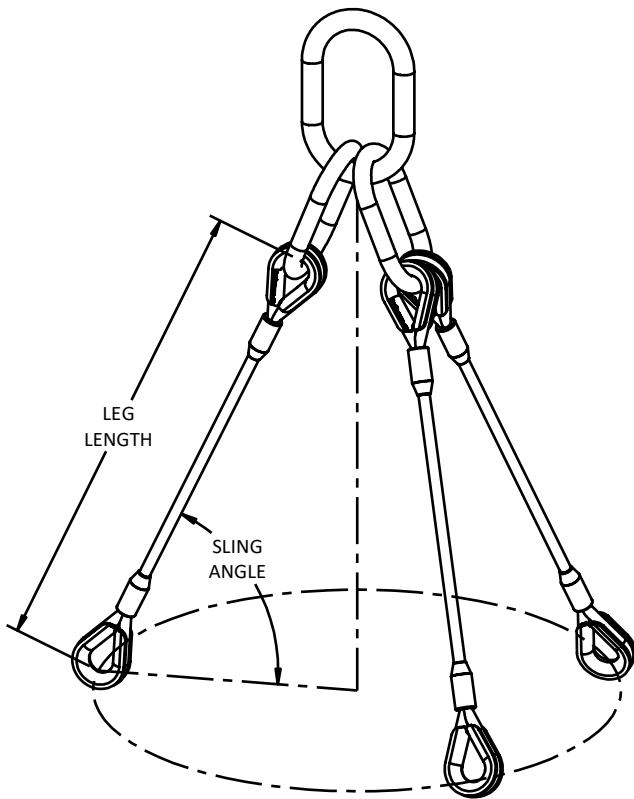
Rope Diameter	60° WLL	45° WLL	30° WLL	Minimum Leg Length	Master Link	Soft Eye	
						Inside L	Inside W
<i>Inch</i>	<i>Short Tons</i>	<i>Short Tons</i>	<i>Short Tons</i>	<i>Foot-Inch</i>	<i>Inch [mm]</i>	<i>Inch</i>	<i>Inch</i>
1/4	1.7	1.4	0.97	1'-2"	5/8 [16]	4	2
3/8	3.7	3.0	2.2	1'-8"	7/8 [22]	6	3
1/2	6.6	5.4	3.8	2'-3"	7/8 [22]	8	4
5/8	10	8.3	5.9	2'-10"	1-1/8 [26]	10	5
3/4	15	12	8.4	3'-4"	1-1/4 [32]	12	6
7/8	20	16	11	3'-10"	1-7/16 [36]	14	7
1	26	21	15	4'-6"	1-3/4 [45]	16	8
1-1/8	31	25	18	5'	1-3/4 [45]	18	9
1-1/4	38	31	22	5'-6"	2 [50]	20	10
1-3/8	46	38	27	6'	2-9/16 [65]	22	11
1-1/2	55	45	32	6'-8"	2-9/16 [65]	24	12
1-3/4	74	60	42	7'-8"	3 [75]	28	14
2	95	78	55	8'-10"	3-5/8 [90]	32	16
2-1/4	116	94	67	10'	3-5/8 [90]	36	18
2-1/2	140	114	81	11'	4-17/32 [115]	40	20

# 3-Leg Bridle Sling



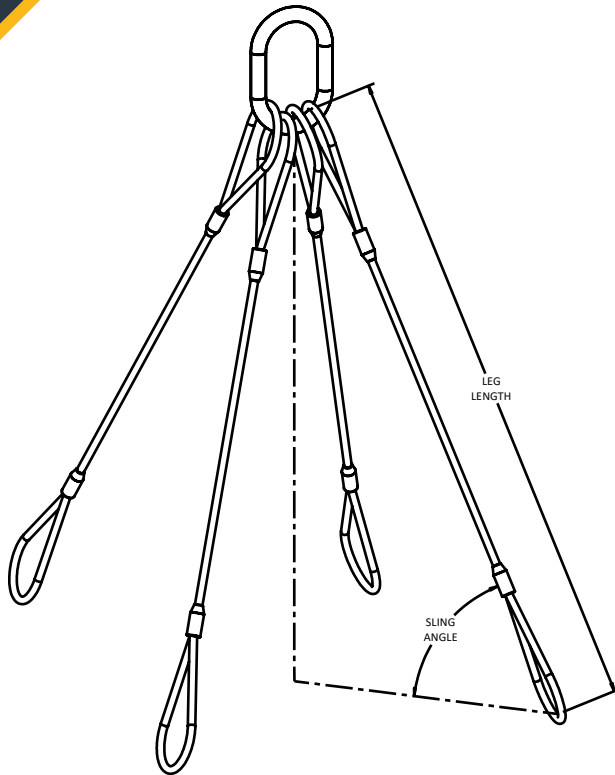
## DLS-330-TT

Thimble eyes  
Three piece master link



- Minimum breaking load is 5X WLL
- Flemished eye splice & mechanically swaged
- 6x19 or 6x36 IWRC wire rope
- WLL based on evenly distributed leg load
- Custom slings available upon request
- EEIPS wire rope available upon request

Rope Diameter <i>Inch</i>	60° WLL <i>Short Tons</i>	45° WLL <i>Short Tons</i>	30° WLL <i>Short Tons</i>	Minimum Leg Length <i>Foot-Inch</i>	Master Link <i>Inch [mm]</i>	Thimble Eye		
						Inside L <i>Inch</i>	Inside W	Thickness <i>Inch</i>
1/4	1.7	1.4	0.97	1'	5/8 [16]	1-5/8	7/8	13/32
3/8	3.7	3.0	2.2	1'-3"	7/8 [22]	1-7/8	1-1/8	21/32
1/2	6.6	5.4	3.8	1'-8"	7/8 [22]	2-3/4	1-1/2	27/32
5/8	10	8.3	5.9	2'-2"	1-1/8 [26]	3-1/4	1-3/4	1
3/4	15	12	8.4	2'-6"	1-1/4 [32]	3-3/4	2	1-1/4
7/8	20	16	11	2'-9"	1-7/16 [36]	4-1/4	2-1/4	1-3/8
1	26	21	15	3'	1-3/4 [45]	4-1/2	2-1/2	1-9/16
1-1/8	31	25	18	3'-10"	1-3/4 [45]	5-1/8	2-7/8	1-7/8
1-1/4	38	31	22	4'	2 [50]	5-1/8	2-7/8	1-7/8
1-3/8	46	38	27	4'-4"	2-9/16 [65]	6-1/2	3-1/2	2-1/4
1-1/2	55	45	32	4'-6"	2-9/16 [65]	6-1/4	3-1/2	2-5/8
1-3/4	74	60	42	5'-8"	3 [75]	9	4-1/2	3-1/16
2	95	78	55	6'-9"	3-15/16 [100]	12	6	3-3/8
2-1/4	116	94	67	7'-9"	3-15/16 [100]	14	7	3-7/8
2-1/2	140	114	81	8'	4-17/32 [115]	14-7/8	7	4-1/4



## DLS-410-EE

Soft eyes  
Single piece master link

- Minimum breaking load is 5X WLL
- Flemished eye splice & mechanically swaged
- 6x19 or 6x36 IWRC wire rope
- WLL based on evenly distributed leg load
- Do not use pin smaller than rope diameter
- Custom slings available on request
- EEIPS wire rope available upon request

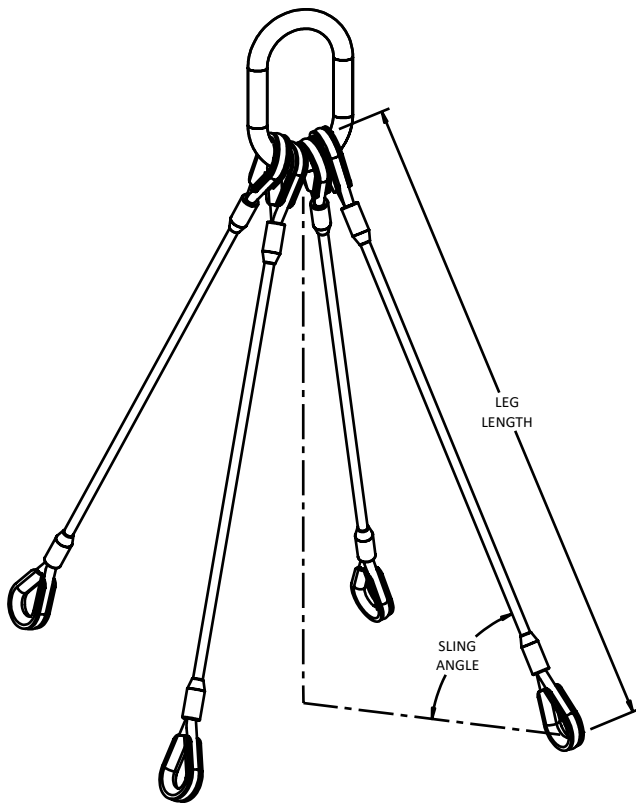
Rope Diameter	60° WLL	45° WLL	30° WLL	Minimum Leg Length	Master Link	Soft Eye	
						Inside L	Inside W
<i>Inch</i>	<i>Short Tons</i>	<i>Short Tons</i>	<i>Short Tons</i>	<i>Foot-Inch</i>	<i>Inch [mm]</i>	<i>Inch</i>	<i>Inch</i>
1/4	2.2	1.8	1.3	1'-2"	5/8 [16]	4	2
3/8	5	4.1	2.9	1'-8"	7/8 [22]	6	3
1/2	8.8	7.1	5.1	2'-3"	7/8 [22]	8	4
5/8	14	11	7.8	2'-10"	1-1/8 [28]	10	5
3/4	19	16	11	3'-4"	1-1/4 [32]	12	6
7/8	26	21	15	3'-10"	1-3/4 [45]	14	7
1	34	28	20	4'-6"	1-3/4 [45]	16	8
1-1/8	42	34	24	5'	2 [50]	18	9
1-1/4	51	42	30	5'-6"	2-9/16 [65]	20	10
1-3/8	62	50	36	6'	2-9/16 [65]	22	11
1-1/2	73	60	42	6'-8"	2-9/16 [65]	24	12
1-3/4	98	80	57	7'-8"	3 [75]	28	14
2	127	104	73	8'-10"	3-5/8 [90]	32	16
2-1/4	154	126	89	10'	3-5/8 [90]	36	18
2-1/2	188	154	109	11'	4-3/4 [120]	40	20

# 4-Leg Bridle Sling



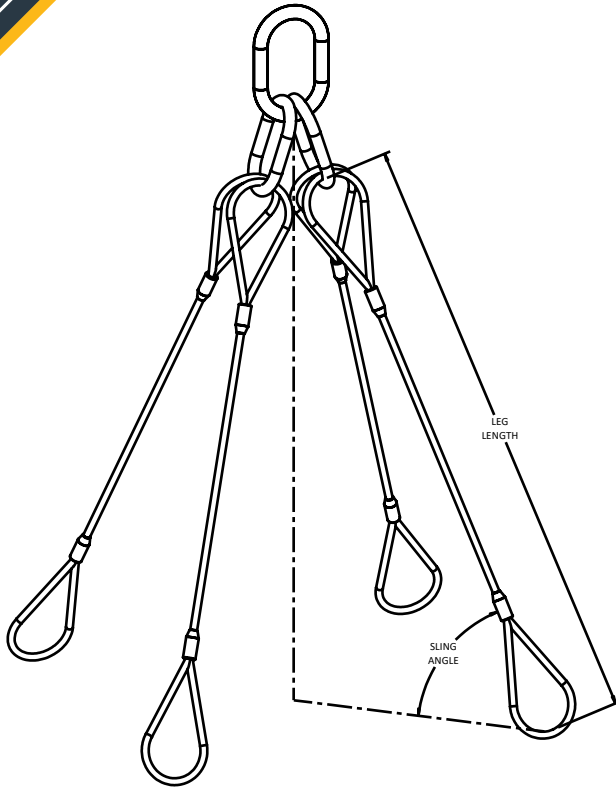
## DLS-410-TT

Thimble eyes  
Single piece master link



- Minimum breaking load is 5X WLL
- Flemished eye splice & mechanically swaged
- 6x19 or 6x36 IWRC wire rope
- WLL based on evenly distributed leg load
- Custom slings available upon request
- EEIPS wire rope available upon request

Rope Diameter	60° WLL	45° WLL	30° WLL	Minimum Leg Length	Master Link	Thimble Eye		
						Inside L	Inside W	Thickness
<i>Inch</i>	<i>Short Tons</i>	<i>Short Tons</i>	<i>Short Tons</i>	<i>Foot-Inch</i>	<i>Inch [mm]</i>	<i>Inch</i>	<i>Inch</i>	<i>Inch</i>
1/4	2.2	1.8	1.3	1'	5/8 [16]	1-5/8	7/8	13/32
3/8	5	4.1	2.9	1'-3"	7/8 [22]	1-7/8	1-1/8	21/32
1/2	8.8	7.1	5.1	1'-8"	1-1/8 [28]	2-3/4	1-1/2	27/32
5/8	14	11	7.8	2'-2"	1-1/8 [28]	3-1/4	1-3/4	1
3/4	19	16	11	2'-6"	1-7/16 [36]	3-3/4	2	1-1/4
7/8	26	21	15	2'-9"	1-3/4 [45]	4-1/4	2-1/4	1-3/8
1	34	28	20	3'	2 [50]	4-1/2	2-1/2	1-9/16
1-1/8	42	34	24	3'-10"	2-9/16 [65]	5-1/8	2-7/8	1-7/8
1-1/4	51	42	30	4'	3 [75]	6-1/4	3-1/2	2-1/4



# DLS-430-EE

Soft eyes  
Three piece master link

- Minimum breaking load is 5X WLL
- Flemished eye splice & mechanically swaged
- 6x19 or 6x36 IWRC wire rope
- WLL based on evenly distributed leg load
- Do not use pin smaller than rope diameter
- Custom slings available on request
- EEIPS wire rope available upon request

Rope Diameter	60° WLL	45° WLL	30° WLL	Minimum Leg Length	Master Link	Soft Eye	
						Inside L	Inside W
<i>Inch</i>	<i>Short Tons</i>	<i>Short Tons</i>	<i>Short Tons</i>	<i>Foot-Inch</i>	<i>Inch [mm]</i>	<i>Inch</i>	<i>Inch</i>
1/4	2.2	1.8	1.3	1'-2"	5/8 [16]	4	2
3/8	5	4.1	2.9	1'-8"	7/8 [22]	6	3
1/2	8.8	7.1	5.1	2'-3"	7/8 [22]	8	4
5/8	14	11	7.8	2'-10"	1-1/8 [26]	10	5
3/4	19	16	11	3'-4"	1-1/4 [32]	12	6
7/8	26	21	15	3'-10"	1-7/16 [36]	14	7
1	34	28	20	4'-6"	1-3/4 [45]	16	8
1-1/8	42	34	24	5'	1-3/4 [45]	18	9
1-1/4	51	42	30	5'-6"	2 [50]	20	10
1-3/8	62	50	36	6'	2-9/16 [65]	22	11
1-1/2	73	60	42	6'-8"	2-9/16 [65]	24	12
1-3/4	98	80	57	7'-8"	3 [75]	28	14
2	127	104	73	8'-10"	3-5/8 [90]	32	16
2-1/4	154	126	89	10'	3-5/8 [90]	36	18
2-1/2	188	154	109	11'	4-17/32 [115]	40	20



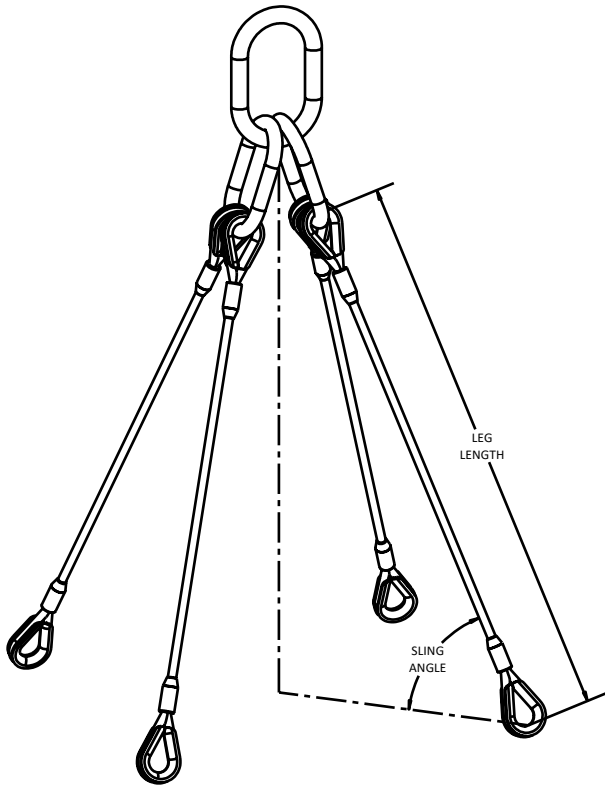
# 4-Leg Bridle Sling



WIRE ROPE SLINGS

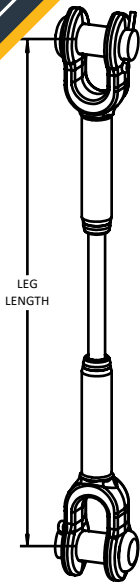
## DLS-430-TT

Thimble eyes  
Three piece master link

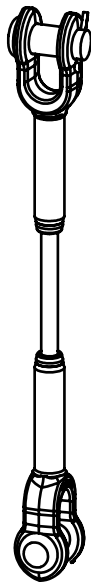


- Minimum breaking load is 5X WLL
- Flemished eye splice & mechanically swaged
- 6x19 or 6x36 IWRC wire rope
- WLL based on evenly distributed leg load
- Custom slings available upon request
- EEIPS wire rope available upon request

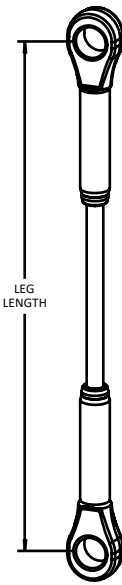
Rope Diameter	60° WLL	45° WLL	30° WLL	Minimum Leg Length	Master Link	Thimble Eye		
						Inside L	Inside W	Thickness
<i>Inch</i>	<i>Short Tons</i>	<i>Short Tons</i>	<i>Short Tons</i>	<i>Foot-Inch</i>	<i>Inch [mm]</i>	<i>Inch</i>	<i>Inch</i>	<i>Inch</i>
1/4	2.2	1.8	1.3	1'	5/8 [16]	1-5/8	7/8	13/32
3/8	5	4.1	2.9	1'-3"	7/8 [22]	1-7/8	1-1/8	21/32
1/2	8.8	7.1	5.1	1'-8"	7/8 [22]	2-3/4	1-1/2	27/32
5/8	14	11	7.8	2'-2"	1-1/8 [26]	3-1/4	1-3/4	1
3/4	19	16	11	2'-6"	1-1/4 [32]	3-3/4	2	1-1/4
7/8	26	21	15	2'-9"	1-7/16 [36]	4-1/4	2-1/4	1-3/8
1	34	28	20	3'	1-3/4 [45]	4-1/2	2-1/2	1-9/16
1-1/8	42	34	24	3'-10"	1-3/4 [45]	5-1/8	2-7/8	1-7/8
1-1/4	51	42	30	4'	2 [50]	5-1/8	2-7/8	1-7/8
1-3/8	62	50	36	4'-4"	2-9/16 [65]	6-1/2	3-1/2	2-1/4
1-1/2	73	60	42	4'-6"	2-9/16 [65]	6-1/4	3-1/2	2-5/8
1-3/4	98	80	57	5'-8"	3 [75]	9	4-1/2	3-1/16
2	127	104	73	6'-9"	3-15/16 [100]	12	6	3-3/8
2-1/4	154	126	89	7'-9"	3-15/16 [100]	14	7	3-7/8
2-1/2	188	154	109	8'	4-17/32 [115]	14-7/8	7	4-1/4



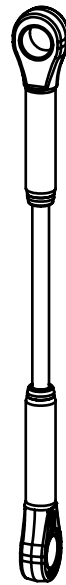
DLS-501-P



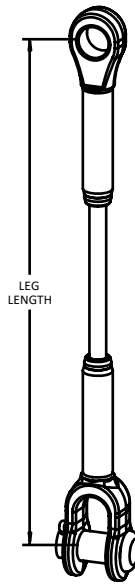
DLS-501-R



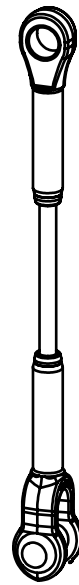
DLS-502-P



DLS-502-R



DLS-503-P



DLS-503-R

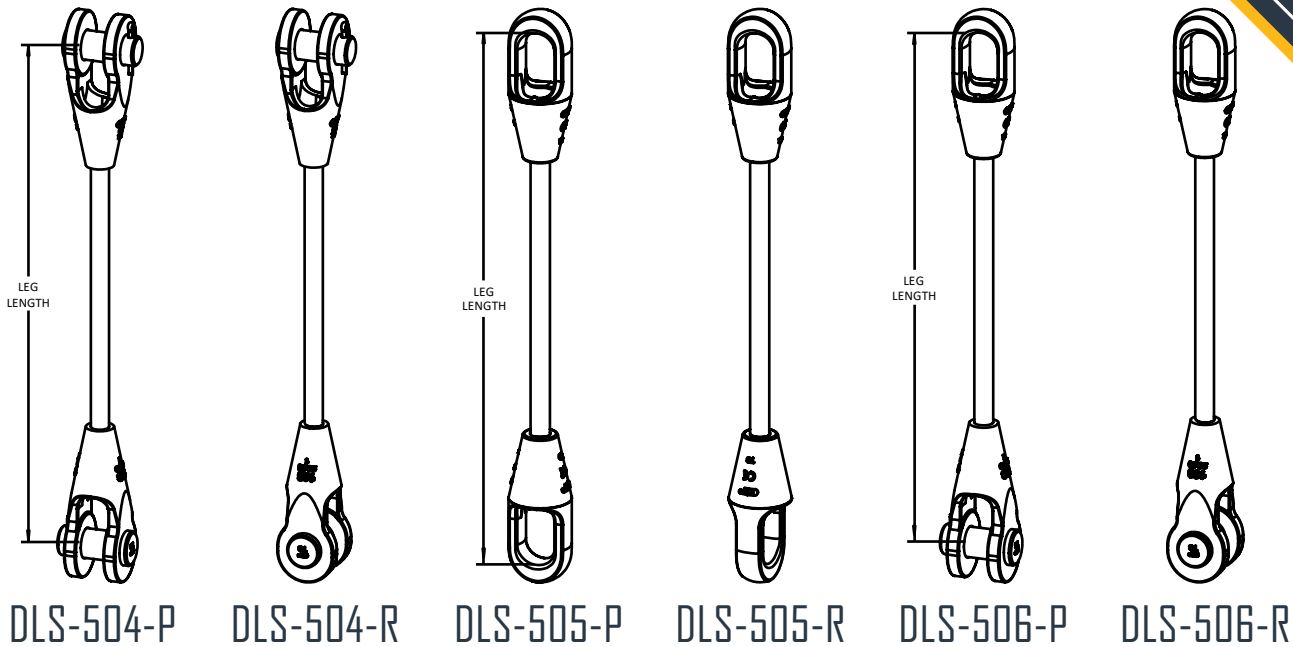
- Minimum breaking load is 5X WLL
- Mechanically swaged
- 6x19 or 6x36 IWRC wire rope
- Custom slings available upon request
- EEIPS wire rope available upon request

Rope Diameter	Vertical Hitch	Minimum Leg Length	Open Socket			Closed Socket	
			Pin Diameter	Inside L	Inside W	Hole Diameter	Thickness
<i>Inch</i>	<i>Short Tons</i>	<i>Foot-Inch</i>	<i>Inch</i>	<i>Inch</i>	<i>Inch</i>	<i>Inch</i>	<i>Inch</i>
1/4	0.69	0'-11"	0.69	1.15	0.69	0.75	0.5
3/8	1.5	1'-3"	0.81	1.36	0.81	0.88	0.67
1/2	2.66	1'-8"	1	1.5	1	1.06	0.86
5/8	4.12	2'	1.19	1.65	1.25	1.25	1.13
3/4	5.88	2'-5"	1.38	2.06	1.5	1.44	1.31
7/8	7.96	2'-10"	1.62	2.44	1.75	1.69	1.5
1	10.34	3'-2"	2	2.75	2	2.06	1.75
1-1/8	13	3'-7"	2.25	3.13	2.25	2.31	2
1-1/4	15.98	4'	2.5	3.5	2.5	2.56	2.25
1-3/8	19.2	4'-5"	2.5	4	2	2.56	2.25
1-1/2	22.8	4'-9"	2.75	4.38	3	2.81	2.5
1-3/4	30.6	5'-5"	3.5	5	3.5	3.56	3
2	39.6	6'-4"	3.75	6.13	4	3.81	3.25

# Spelter Socket Line



WIRE ROPE SLINGS



- Minimum breaking load is 5X WLL
- Custom slings available upon request
- 6x19 or 6x36 IWRC wire rope
- EEIPS wire rope available upon request

Rope Diameter	Vertical Hitch	Minimum Leg Length	Open Socket		Closed Socket		
			Pin Diameter	Inside W	Inside L	Inside W	Thickness
<i>Inch</i>	<i>Short Tons</i>	<i>Foot-Inch</i>	<i>Inch</i>	<i>Inch</i>	<i>Inch</i>	<i>Inch</i>	<i>Inch</i>
1/2	2.66	1'-3"	1	1	2.25	1.16	0.88
5/8	4.12	1'-6"	1.19	1.25	2.5	1.41	1
3/4	5.88	1'-9"	1.38	1.5	3	1.66	1.25
7/8	7.96	2'	1.63	1.75	3.5	1.88	1.5
1	10.34	2'-6"	2	2	4	2.3	1.75
1-1/8	13	2'-9"	2.25	2.25	4.5	2.56	2
1-1/4	15.98	3'	2.5	2.5	5	2.81	2.25
1-3/8	19.2	3'	2.5	2.5	5	2.81	2.25
1-1/2	22.8	3'-3"	2.75	3	6	3.19	2.75
1-3/4	30.6	4'-3"	3.5	3.5	7.56	3.75	3.13
2	39.6	4'-9"	3.75	4	8.56	4.38	3.75
2-1/4	49.4	5'	4.25	4.5	9.5	5	4
2-1/2	60.4	5'-9"	4.75	5	10.62	5.5	4.5
2-3/4	72.2	6'-3"	5	5.25	11.25	6.25	4.88
3	85	6'-9"	5.25	5.75	11.75	6.75	5.25
3-1/4	98.4	7'-3"	5.5	6.25	12.25	7.25	5.75
3-1/2	112.8	7'-6"	6	6.75	13	7.75	6.25
3-3/4	126.4	8'-3"	7	7.5	14	8.5	7
4	142.6	8'-6"	7	7.5	14	8.5	7



## DLS-600

Grommet

- Minimum breaking load is 5X WLL
- 6x19 or 6x36 IWRC wire rope
- WLL based on pin 5X rope diameter
- Custom slings available on request
- EEIPS wire rope available upon request

Rope Diameter	Vertical Hitch	Choker Hitch	Vertical Basket
<i>Inch</i>	<i>Short Tons</i>	<i>Short Tons</i>	<i>Short Tons</i>
1/2	4.1	2.9	8.3
5/8	6.4	4.5	13
3/4	9.2	6.4	18
7/8	12	8.7	25
1	16	11	32
1-1/8	20	14	41
1-1/4	25	17	50
1-3/8	30	21	60
1-1/2	36	25	71
1-3/4	48	33	95
2	62	43	124
2-1/4	77	54	154
2-1/2	94	66	188
2-3/4	113	79	225
3	133	93	265
3-1/2	176	122	352
4	224	156	448
4-1/2	276	193	552

# 9 Part Braided Eye X Eye Sling



## DLS-900-EE

Eye & eye

- Minimum breaking load is 5X WLL
- 6x19 or 6x36 IWRC wire rope
- Do not use pin smaller than body diameter
- Basket WLL based on pin 5X body diameter
- Custom slings available upon request
- EEIPS wire rope available upon request

Component Wire Rope Diameter	Vertical Hitch	Vertical Basket	Body Diameter	Thimble Eye		
				Inside L	Inside W	Thickness
<i>Inch</i>	<i>Short Tons</i>	<i>Short Tons</i>	<i>Inch</i>	<i>Inch</i>	<i>Inch</i>	<i>Inch</i>
1/2	19	38	2	20	10	1-1/2
5/8	29	58	2-1/2	25	12-1/2	1-7/8
3/4	42	84	3	30	15	2-1/4
7/8	57	114	3-1/2	35	17-1/2	2-5/8
1	74	148	4	40	20	3
1-1/8	93	186	4-1/2	45	22-1/2	3-3/8
1-1/4	115	230	5	50	25	3-3/4
1-3/8	138	276	5-1/2	55	27-1/2	4-1/8
1-1/2	164	328	6	60	30	4-1/2
1-3/4	220	440	7	70	35	5-1/4
2	285	570	8	80	40	6
2-1/4	255	510	9	90	45	6-3/4
2-1/2	434	868	10	100	50	7-1/2
2-3/4	485	970	11	110	55	8-1/4
3	574	1148	12	120	60	9
3-1/2	761	1522	14	140	70	10-1/2
4	972	1944	16	160	80	12
4-1/2	1200	2400	18	180	90	13-1/2



## DLS-900-G

Endless grommet

- Minimum breaking load is 5X WLL
- 6x19 or 6x36 IWRC wire rope
- Do not use pin smaller than 5X body diameter
- Custom slings available upon request
- EEIPS wire rope available upon request

Component Wire Rope Diameter	Vertical Hitch	Vertical Basket	Body Diameter
<i>Inch</i>	<i>Short Tons</i>	<i>Short Tons</i>	<i>Inch</i>
1/2	38	76	2
5/8	58	116	2-1/2
3/4	84	168	3
7/8	114	228	3-1/2
1	148	296	4
1-1/8	186	372	4-1/2
1-1/4	230	460	5
1-3/8	276	552	5-1/2
1-1/2	328	656	6
1-3/4	440	880	7
2	570	1140	8
2-1/4	510	1020	9
2-1/2	868	1736	10
2-3/4	970	1940	11
3	1148	2296	12
3-1/2	1522	3044	14
4	1944	3888	16
4-1/2	2400	4800	18

# Endless Roundsling

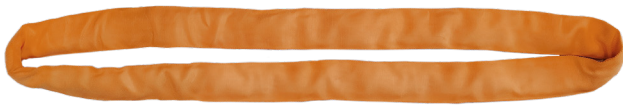


- Constructed of high-tenacity polyester yarn
- Double-wall abrasion resistant sleeve
- Color-coded by WLL for fast identification
- Minimum breaking load is 5X WLL
- Approximately 3% elongation at full WLL
- Custom slings available upon request

SYNTHETIC SLINGS

Size	Part Number	Sleeve Color	Vertical Hitch	Choker Hitch	Vertical Basket	Minimum Length	Relaxed Diameter	Width At Load
			<i>Lbs</i>	<i>Lbs</i>	<i>Lbs</i>	<i>Foot-Inch</i>	<i>Inch</i>	<i>Inch</i>
1	D30	Purple	2,600	2,100	5,200	1'-6"	0.5	1.68
2	D60	Green	5,300	4,200	10,600	1'-6"	0.8	1.82
3	D90	Yellow	8,400	6,700	16,800	2'	1.1	2.04
4	D120	Tan	10,600	8,500	21,200	3'	1.1	2.1
5	D150	Red	13,200	10,600	26,400	3'	1.32	2.5
6	D180	White	16,800	13,400	33,600	3'	1.65	3.2
7	D240	Blue	21,200	17,000	42,400	3'	1.72	3.13
8	D300	Orange	25,000	20,000	50,000	3'	1.9	3
9	D360	Grey	31,000	24,800	62,000	3'	2.15	3.5
10	D480	Maroon	40,000	32,000	80,000	8'	2.2	3.21
11	D600	Brown	53,000	42,400	106,000	8'	2.75	4.62
12	D800	Olive	66,000	52,800	132,000	8'	3.12	5.25
13	D1000	Black	90,000	72,000	180,000	8'	3.62	6
14	D1200	Black	100,000	80,000	200,000	8'	3.62	6
15	D1400	Black	110,000	88,000	220,000	8'	3.62	6

# High Performance Endless Roundsling



- Constructed of Dyneema fiber
- Ultra durable cut & UV resistant sleeve
- Floats in water
- Up to 50% lighter than standard roundslings
- Minimum breaking load is 5X WLL
- Custom slings available upon request

Part Number	Vertical Hitch	Choker Hitch	Vertical Basket	Minimum Length	Weight Per Foot	Width At Load
	<i>Lbs</i>	<i>Lbs</i>	<i>Lbs</i>	<i>Foot-Inch</i>	<i>lbs</i>	<i>Inch</i>
M10	10,000	8,000	20,000	3'	0.20	1.38
M20	20,000	16,000	40,000	3'	0.32	1.82
M25	25,000	20,000	50,000	3'	0.35	2.04
M30	30,000	24,000	60,000	3'	0.42	2.15
M40	40,000	32,000	80,000	3'	0.53	2.48
M50	50,000	40,000	100,000	3'	0.65	3.14
M60	60,000	48,000	120,000	4'	0.72	3.58
M70	70,000	56,000	140,000	4'	0.85	3.80
M75	75,000	60,000	150,000	4'	0.89	3.80
M80	80,000	64,000	160,000	4'	0.96	4.02
M90	90,000	72,000	180,000	4'	1.10	4.24
M100	100,000	80,000	200,000	4'	1.36	4.68
M110	110,000	88,000	220,000	4'	1.47	4.90
M120	120,000	96,000	240,000	8'	1.51	5.34
M125	125,000	100,000	250,000	8'	1.74	5.78
M130	130,000	104,000	260,000	8'	1.85	6.22
M140	140,000	112,000	280,000	8'	1.93	6.88
M150	150,000	120,000	300,000	10'	2.22	7.43
M160	160,000	128,000	320,000	10'	2.30	7.54
M170	170,000	136,000	340,000	10'	2.45	7.76
M175	175,000	140,000	350,000	10'	2.49	7.98
M180	180,000	144,000	360,000	10'	2.60	7.98
M190	190,000	152,000	380,000	10'	2.67	8.20
M200	200,000	160,000	400,000	10'	2.86	8.42
M225	225,000	180,000	450,000	10'	3.12	8.42
M250	250,000	200,000	500,000	10'	3.53	8.53
M275	275,000	220,000	550,000	12'	4.22	9.19
M300	300,000	240,000	600,000	12'	4.90	9.85
M350	350,000	280,000	700,000	12'	7.49	10.51
M400	400,000	320,000	800,000	12'	8.27	11.17
M450	450,000	360,000	900,000	12'	8.90	11.83
M500	500,000	400,000	1,000,000	12'	9.69	12.49
M550	550,000	440,000	1,100,000	12'	10.43	13.15
M600	600,000	480,000	1,200,000	12'	11.23	13.81



# Eye & Eye Web Sling



## Type 3 EEF

Eye & eye sling, flat eyes



- Minimum breaking load is 5X WLL
- 3" and wider slings use tapered eyes as standard
- Polyester as standard, nylon available upon request
- Consider round slings in applications requiring 3-ply & 4-ply thick slings wider than 6"
- Extra protection is recommended in the eyes and on the body of the sling
- Custom slings available upon request

Ply	Part Number	Vertical Hitch	Choker Hitch	Vertical Basket	Web Width	Eye Length	Eye Width
		<i>Lbs</i>	<i>Lbs</i>	<i>Lbs</i>	<i>Inch</i>	<i>Inch</i>	<i>Inch</i>
One Ply	1901	1,600	1,280	3,200	1	9	1
	1902	3,100	2,480	6,200	2	9	2
	1903	4,700	3,760	9,400	3	12	1-1/2
	1904	6,200	4,960	12,400	4	14	2
	1906	9,300	7,440	18,600	6	18	2
	1908	11,800	9,440	23,600	8	22	3
	1910	14,700	11,760	29,400	10	28	3-1/2
	1912	17,600	14,080	35,200	12	30	4
Two Ply	2901	3,100	2,480	6,200	1	9	1
	2902	6,200	4,960	12,400	2	9	2
	2903	8,800	7,040	17,600	3	12	1-1/2
	2904	11,000	8,800	22,000	4	14	2
	2906	16,500	13,200	33,000	6	18	2
	2908	22,700	18,160	45,400	8	22	3
	2910	28,400	22,720	56,800	10	28	3-1/2
	2912	34,100	27,280	68,200	12	30	4
Three Ply	3901	4,700	3,760	9,400	1	12	1
	3902	9,300	7,440	18,600	2	12	2
	3903	13,500	10,800	27,000	3	14	1-1/2
	3904	17,200	13,760	34,400	4	18	2
	3906	24,400	19,520	48,800	6	24	3
	3908	30,700	24,560	61,400	8	26	4
	3910	36,000	28,800	72,000	10	30	5
	3912	40,300	32,240	80,600	12	42	6
Four Ply	4901	5,500	4,400	11,000	1	12	1
	4902	11,000	8,800	22,000	2	12	2
	4903	16,400	13,120	32,800	3	14	1-1/2
	4904	20,400	16,320	40,800	4	18	2
	4906	30,800	24,640	61,600	6	26	3
	4908	41,000	32,800	82,000	8	28	4
	4910	48,000	38,400	96,000	10	32	5
	4912	60,000	48,000	120,000	12	44	6

## Type 4 EET

Eye &amp; eye sling, twisted eyes



- Minimum breaking load is 5X WLL
- 3" and wider slings use tapered eyes as standard
- Polyester as standard, nylon available upon request
- Consider round slings in applications requiring 3-ply & 4-ply thick slings wider than 6"
- Extra protection is recommended in the eyes and on the body of the sling
- Custom slings available upon request

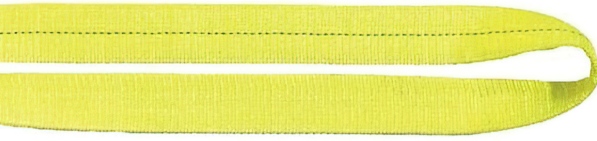
Ply	Part Number	Vertical Hitch	Choker Hitch	Vertical Basket	Web Width	Eye Length	Eye Width
		<i>Lbs</i>	<i>Lbs</i>	<i>Lbs</i>	<i>Inch</i>	<i>Inch</i>	<i>Inch</i>
One Ply	1901	1,600	1,280	3,200	1	9	1
	1902	3,100	2,480	6,200	2	9	2
	1903	4,700	3,760	9,400	3	12	1-1/2
	1904	6,200	4,960	12,400	4	14	2
	1906	9,300	7,440	18,600	6	18	2
	1908	11,800	9,440	23,600	8	22	3
	1910	14,700	11,760	29,400	10	28	3-1/2
	1912	17,600	14,080	35,200	12	30	4
Two Ply	2901	3,100	2,480	6,200	1	9	1
	2902	6,200	4,960	12,400	2	9	2
	2903	8,800	7,040	17,600	3	12	1-1/2
	2904	11,000	8,800	22,000	4	14	2
	2906	16,500	13,200	33,000	6	18	2
	2908	22,700	18,160	45,400	8	22	3
	2910	28,400	22,720	56,800	10	28	3-1/2
	2912	34,100	27,280	68,200	12	30	4
Three Ply	3901	4,700	3,760	9,400	1	12	1
	3902	9,300	7,440	18,600	2	12	2
	3903	13,500	10,800	27,000	3	14	1-1/2
	3904	17,200	13,760	34,400	4	18	2
	3906	24,400	19,520	48,800	6	24	3
	3908	30,700	24,560	61,400	8	26	4
	3910	36,000	28,800	72,000	10	30	5
	3912	40,300	32,240	80,600	12	42	6
Four Ply	4901	5,500	4,400	11,000	1	12	1
	4902	11,000	8,800	22,000	2	12	2
	4903	16,400	13,120	32,800	3	14	1-1/2
	4904	20,400	16,320	40,800	4	18	2
	4906	30,800	24,640	61,600	6	26	3
	4908	41,000	32,800	82,000	8	28	4
	4910	48,000	38,400	96,000	10	32	5
	4912	60,000	48,000	120,000	12	44	6

# Endless Web Sling



## Type 5 EN

Endless sling



- Minimum breaking load is 5X WLL
- Polyester as standard, nylon available upon request
- Consider round slings in applications requiring 3-ply & 4-ply thick slings wider than 6"
- Extra protection is recommended in the eyes and on the body of the sling
- Custom slings available upon request

Ply	Part Number	Vertical Hitch	Choker Hitch	Vertical Basket	Web Width
		Lbs	Lbs	Lbs	Inch
One Ply	1901	3,200	2,560	6,400	1
	1902	6,200	4,960	12,400	2
	1903	9,400	7,520	18,800	3
	1904	12,400	9,920	24,800	4
	1906	18,600	14,880	37,200	6
	1908	21,200	16,960	42,400	8
	1910	25,500	20,400	51,000	10
	1912	31,800	25,440	63,600	12
Two Ply	2901	6,200	4,960	12,400	1
	2902	12,400	9,920	24,800	2
	2903	17,600	14,080	35,200	3
	2904	22,000	17,600	44,000	4
	2906	33,000	26,400	66,000	6
	2908	42,300	33,840	84,600	8
	2910	52,900	42,320	105,800	10
	2912	63,500	50,800	127,000	12
Three Ply	3901	9,600	7,680	19,200	1
	3902	17,700	14,160	35,400	2
	3903	25,600	20,480	51,200	3
	3904	34,600	27,680	69,200	4
	3906	48,900	39,120	97,800	6
	3908	61,400	49,120	122,800	8
	3910	72,000	57,600	144,000	10
	3912	80,600	64,480	161,200	12
Four Ply	4901	11,000	8,800	22,000	1
	4902	22,000	17,600	44,000	2
	4903	32,900	26,320	65,800	3
	4904	40,800	32,640	81,600	4
	4906	61,200	48,960	122,400	6
	4908	81,900	65,520	163,800	8
	4910	96,000	76,800	192,000	10
	4912	107,000	85,600	214,000	12

## DLS-1200-EE

Eye &amp; eye

- Minimum breaking load is 5X WLL
- Rope MFG: Cortland, Samson, or equivalent
- Constructed of durable HMPE polymer
- Slings use 12 strand or 12x12 construction
- Floats in water
- Custom slings available upon request



Rope Diameter	Minimum Length	Vertical Hitch	Choker Hitch	Vertical Basket
<i>Inch</i>	<i>Foot-Inch</i>	<i>Lbs</i>	<i>Lbs</i>	<i>Lbs</i>
1/4	2' 1"	1,600	1,120	3,200
5/16	2' 5"	2,340	1,630	4,680
3/8	2' 8"	3,500	2,450	7,000
7/16	3' 0"	4,200	2,940	8,400
1/2	3' 2"	6,260	4,380	12,500
9/16	3' 6"	7,580	5,300	15,100
5/8	3' 10"	10,200	7,190	20,500
3/4	4' 4"	13,700	9,590	27,400
13/16	4' 7"	14,800	10,300	29,600
7/8	4' 11"	18,500	12,900	37,000
1	5' 5"	22,000	15,400	44,000
1-1/16	5' 8"	25,800	18,000	51,600
1-1/8	5' 11"	29,400	20,500	58,800
1-1/4	6' 6"	33,000	23,100	66,000
1-5/16	6' 10"	39,200	27,400	78,400
1-1/2	7' 7"	44,200	30,900	88,400
1-5/8	9' 1"	58,200	40,700	116,400
1-3/4	9' 10"	62,800	43,900	125,600
2	11' 0"	71,000	49,700	142,000
2-1/8	11' 7"	85,600	59,900	171,200
2-1/4	12' 4"	96,200	67,300	192,400
2-1/2	13' 6"	106,000	74,200	212,000
2-5/8	14' 1"	119,200	83,400	238,400
2-3/4	14' 8"	132,000	92,400	264,000
3	16' 0"	156,000	109,200	312,000
3-1/8	16' 7"	170,000	119,000	340,000
3-1/4	17' 2"	188,000	131,600	376,000
3-1/2	18' 6"	221,600	155,100	443,200
3-5/8	19' 1"	250,000	175,000	500,000

Rope Diameter	Minimum Length	Vertical Hitch	Choker Hitch	Vertical Basket
<i>Inch</i>	<i>Foot-Inch</i>	<i>Lbs</i>	<i>Lbs</i>	<i>Lbs</i>
3-3/4	19' 8"	263,400	184,300	526,000
4	21' 0"	304,000	212,800	608,000
4-1/8	21' 7"	324,400	227,000	648,000
4-1/4	22' 2"	339,400	237,500	678,000
4-1/2	23' 6"	365,400	255,700	730,000
4-5/8	24' 1"	376,000	263,200	752,000
4-3/4	24' 8"	385,400	269,700	770,000
5	25' 11"	413,900	289,700	827,000
5-1/8	26' 7"	442,400	309,600	884,000
5-1/4	27' 2"	471,000	329,700	942,000
5-1/2	28' 5"	499,500	349,600	999,000
5-5/8	29' 1"	528,000	369,600	1,056,000
5-3/4	29' 8"	556,000	389,500	1,113,000
6	30' 11"	585,000	409,000	1,170,000
6-1/8	31' 6"	613,000	429,000	1,227,000
6-1/4	32' 2"	642,000	449,000	1,284,000
6-1/2	33' 5"	670,000	469,000	1,341,000
6-5/8	34' 0"	699,000	489,000	1,398,000
6-3/4	34' 8"	727,000	509,000	1,455,000
7	35' 11"	756,000	529,000	1,512,000
7-1/8	36' 6"	792,000	554,000	1,585,000
7-1/4	37' 1"	813,000	569,000	1,626,000
7-1/2	38' 5"	841,000	589,000	1,683,000
7-5/8	39' 0"	870,000	609,000	1,740,000
7-3/4	39' 7"	898,000	629,000	1,797,000
8	40' 11"	927,000	649,000	1,854,000
8-1/8	41' 6"	955,000	669,000	1,911,000
8-1/4	42' 1"	984,000	689,000	1,968,000

# HMPE Grommet Sling



## DLS-1200-G

Endless grommet

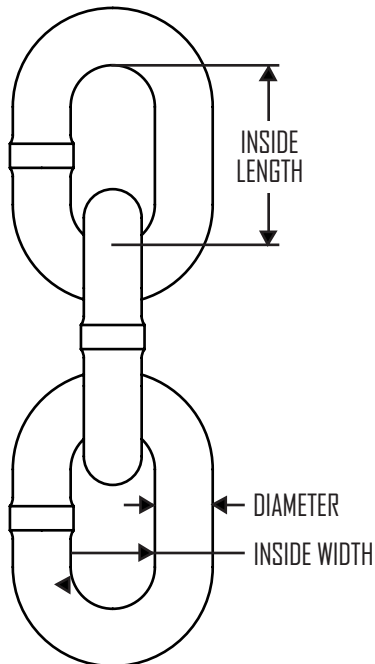


- Minimum breaking load is 5X WLL
- Rope MFG: Cortland, Samson, or equivalent
- Constructed of durable HMPE polymer
- Slings use 12 strand or 12x12 construction
- Floats in water
- Custom slings available upon request

SYNTHETIC SLINGS

Rope Diameter	Minimum Length	Vertical Hitch	Choker Hitch	Vertical Basket
<i>Inch</i>	<i>Foot-Inch</i>	<i>Lbs</i>	<i>Lbs</i>	<i>Lbs</i>
1/4	0' 6"	2,640	1,120	4,750
5/16	0' 8"	3,860	1,630	6,940
3/8	0' 10"	5,770	2,450	10,300
7/16	0' 11"	6,930	2,940	12,400
1/2	1' 0"	10,300	4,380	18,500
9/16	1' 2"	12,500	5,300	22,500
5/8	1' 4"	16,900	7,190	30,500
3/4	1' 6"	22,600	9,590	40,600
13/16	1' 8"	24,400	10,300	43,900
7/8	1' 10"	30,500	12,900	55,000
1	2' 0"	36,300	15,400	65,300
1-1/16	2' 2"	42,600	18,000	76,700
1-1/8	2' 4"	48,500	20,500	87,300
1-1/4	2' 6"	54,400	23,100	98,000
1-5/16	2' 8"	64,600	27,400	116,400
1-1/2	3' 0"	72,900	30,900	131,200
1-5/8	3' 4"	96,000	40,700	172,800
1-3/4	3' 6"	103,600	43,900	186,500
2	4' 0"	117,100	49,700	210,800
2-1/8	4' 4"	141,200	59,900	254,200
2-1/4	4' 6"	158,700	67,300	285,700
2-1/2	5' 0"	174,900	74,200	314,800
2-5/8	5' 4"	196,600	83,400	354,000
2-3/4	5' 6"	217,800	92,400	392,000
3	6' 0"	257,400	109,200	463,300
3-1/8	6' 4"	280,500	119,000	504,000
3-1/4	6' 6"	310,200	131,600	558,000
3-1/2	7' 0"	365,600	155,100	658,000
3-5/8	7' 4"	412,500	175,000	742,000

Rope Diameter	Minimum Length	Vertical Hitch	Choker Hitch	Vertical Basket
<i>Inch</i>	<i>Foot-Inch</i>	<i>Lbs</i>	<i>Lbs</i>	<i>Lbs</i>
3-3/4	7' 6"	434,600	184,300	782,000
4	8' 0"	501,000	212,800	902,000
4-1/8	8' 4"	535,000	227,000	963,000
4-1/4	8' 6"	560,000	237,500	1,008,000
4-1/2	9' 0"	602,000	255,700	1,085,000
4-5/8	9' 4"	620,000	263,200	1,116,000
4-3/4	9' 6"	635,000	269,700	1,144,000
5	10' 0"	682,000	289,700	1,229,000
5-1/8	10' 4"	729,000	309,600	1,313,000
5-1/4	10' 6"	777,000	329,700	1,398,000
5-1/2	11' 0"	824,000	349,600	1,483,000
5-5/8	11' 4"	871,000	369,600	1,568,000
5-3/4	11' 6"	918,000	389,500	1,652,000
6	12' 0"	965,000	409,000	1,737,000
6-1/8	12' 4"	1,012,000	429,000	1,822,000
6-1/4	12' 6"	1,059,000	449,000	1,907,000
6-1/2	13' 0"	1,106,000	469,000	1,991,000
6-5/8	13' 4"	1,153,000	489,000	2,076,000
6-3/4	13' 6"	1,200,000	509,000	2,161,000
7	14' 0"	1,247,000	529,000	2,245,000
7-1/8	14' 4"	1,307,000	554,000	2,354,000
7-1/4	14' 6"	1,341,000	569,000	2,415,000
7-1/2	15' 0"	1,388,000	589,000	2,500,000
7-5/8	15' 4"	1,435,000	609,000	2,584,000
7-3/4	15' 6"	1,483,000	629,000	2,669,000
8	16' 0"	1,530,000	649,000	2,754,000
8-1/8	16' 4"	1,577,000	669,000	2,838,000
8-1/4	16' 6"	1,624,000	689,000	2,923,000



- Minimum breaking load is 4X WLL
- 100% proof tested
- Certification included with every drum
- Meets ASTM A973 & NACM standards
- If used in a choker hitch, WLL must be reduced by 20%
- Other chain grades & styles available on request

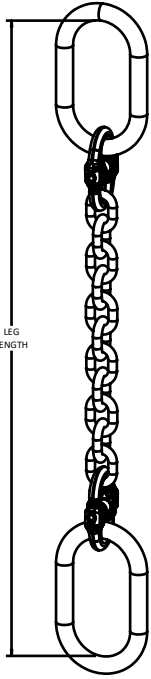
Chain Grade	Chain Size	Working Load Limit	Nominal Chain Dimensions			Per Foot		Per Drum	
			Diameter	Inside L	Inside W	Weight	# Links	Length	Weight
	<i>Inch</i>	<i>Lbs</i>	<i>Inch</i>	<i>Inch</i>	<i>Inch</i>	<i>Lbs/Ft</i>		<i>Ft</i>	<i>Lbs</i>
100	7/32	2,700	0.22	0.68	0.31	0.44	17.8	800	354
	9/32	4,300	0.28	0.88	0.40	0.73	13.6	500	365
	3/8	8,800	0.39	1.25	0.57	1.44	9.6	500	720
	1/2	15,000	0.51	1.56	0.73	2.46	7.7	300	738
	5/8	22,600	0.63	1.92	0.86	3.70	6.3	200	740
	3/4	35,300	0.79	2.4	1.07	5.77	5.0	100	577
80	1	47,700	1.00	3.07	1.49	6.41	3.9	100	941
	1-1/4	72,300	1.25	3.92	1.74	14.20	3.1	90	1,278

# Single Leg Chain Sling



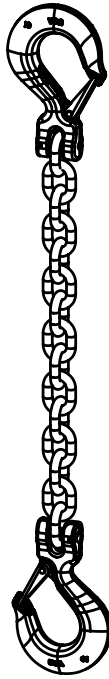
**CO**

2x links



**SSS**

2x sling hooks



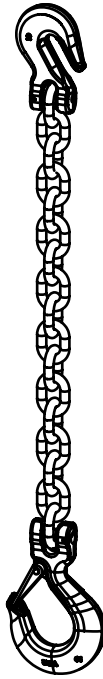
**SGG**

2x grab hooks



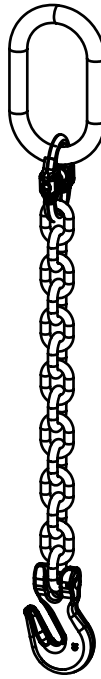
**SSG**

Grab & sling hooks



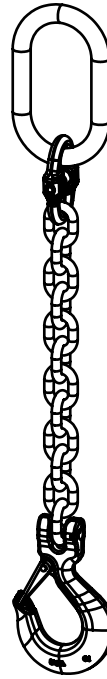
**SOG**

Grab hook



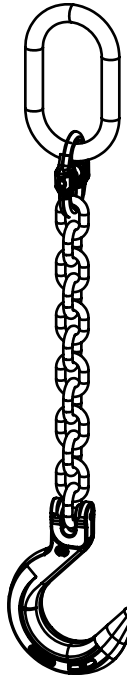
**SOS**

Sling hook



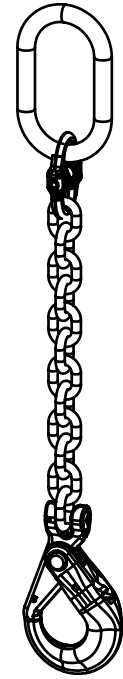
**SOF**

Foundry hook



**SOSL**

Self-locking hook

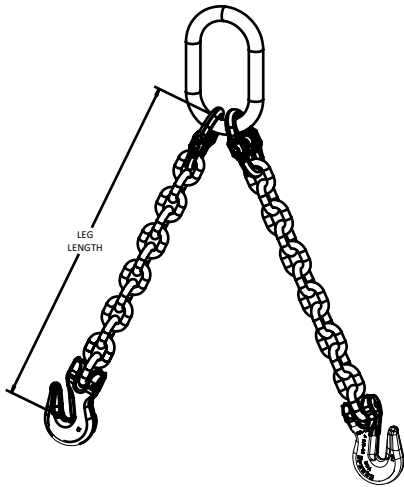


- Minimum breaking load is 4X WLL
- If used in a choker hitch, WLL must be reduced by 20%
- Chain shorteners retain full WLL when used
- Custom slings available upon request

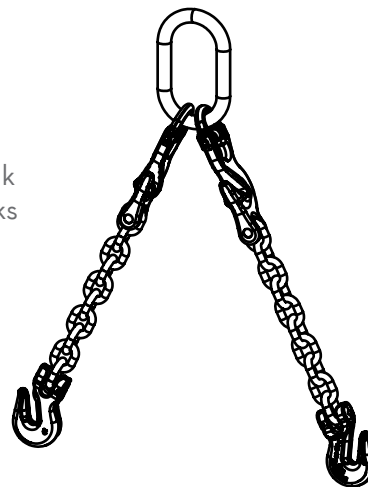
Chain Grade	Chain Size	Vertical Hitch	Choker Hitch	Vertical Basket
	<i>Inch</i>	<i>Lbs</i>	<i>Lbs</i>	<i>Lbs</i>
100	7/32	2,700	2,100	4,700
	9/32	4,300	3,500	7,400
	3/8	8,800	7,100	15,200
	1/2	15,000	12,000	26,000
	5/8	22,600	18,100	39,100
	3/4	35,300	28,300	61,100
80	1	47,700	38,200	82,600
	1-1/4	72,300	57,800	125,200

# 2-Leg Chain Sling

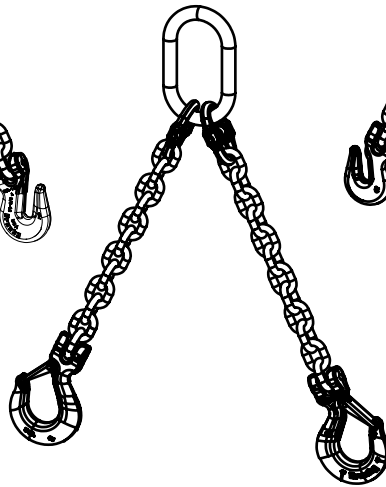
**DOG** | Master link  
Grab hooks



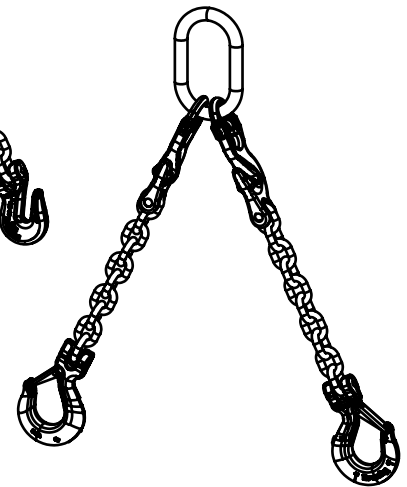
**ADOG** | Master link  
Leg Shorteners  
Grab hooks



**DOS** | Master link  
Sling hooks



**ADOS** | Master link  
Leg Shorteners  
Sling hooks



- Minimum breaking load is 4X WLL
- If used in a choker hitch, WLL must be reduced by 20%
- WLL based on evenly distributed leg load
- Chain shorteners retain full WLL when used
- 9/32 to 5/8 slings use in-line shorteners, other sizes use separate shortener hook legs
- Custom slings available upon request
- Self-locking hooks available upon request

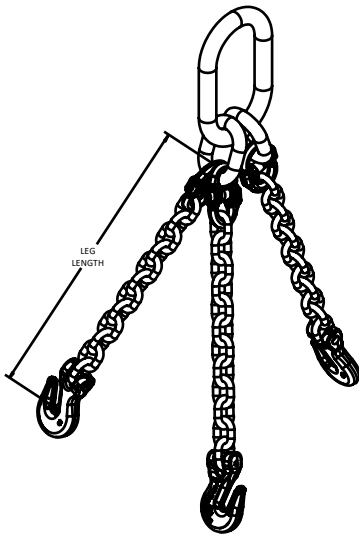
Chain Grade	Chain Size	60° WLL	45° WLL	30° WLL
	<i>Inch</i>	<i>lbs</i>	<i>lbs</i>	<i>lbs</i>
100	7/32	4,700	3,800	2,700
	9/32	7,400	6,100	4,300
	3/8	15,200	12,400	8,800
	1/2	26,000	21,200	15,000
	5/8	39,100	32,000	22,600
	3/4	61,100	49,900	35,300
80	1	82,600	67,400	47,700
	1-1/4	125,200	102,200	72,300



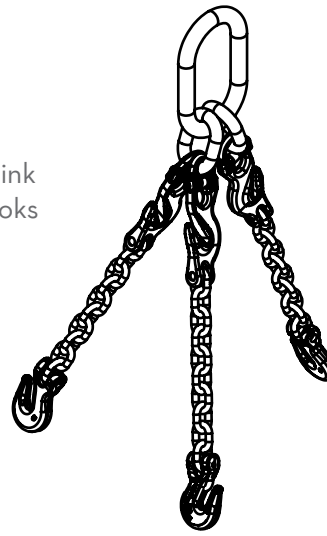


# 3-Leg Chain Sling

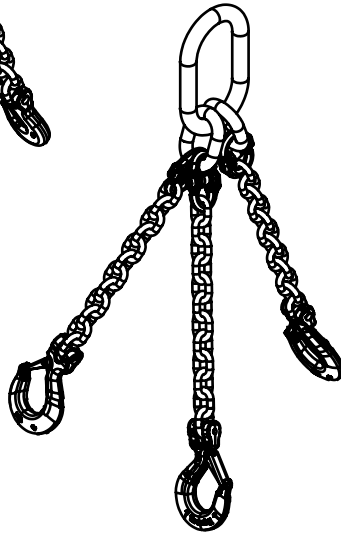
**TOG** | Master link  
Grab hooks



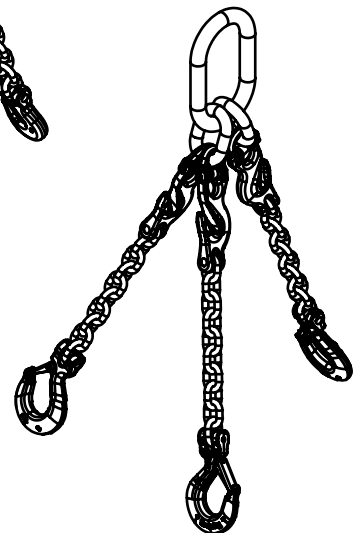
**ATOG** | Master link  
Leg Shorteners  
Grab hooks



**TOS** | Master link  
Sling hooks



**ATOS** | Master link  
Leg Shorteners  
Sling hooks

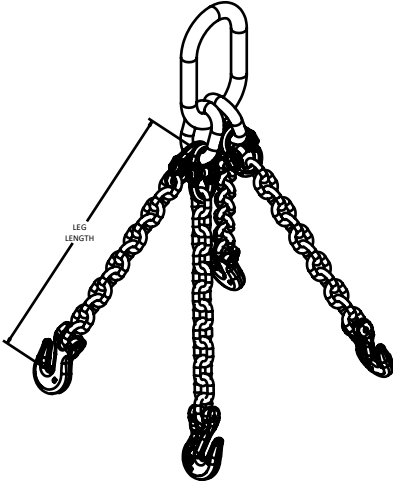


- Minimum breaking load is 4X WLL
- If used in a choker hitch, WLL must be reduced by 20%
- WLL based on evenly distributed leg load
- Chain shorteners retain full WLL when used
- 9/32 to 5/8 slings use in-line shorteners, other sizes use separate shortener hook legs
- Custom slings available upon request
- Self-locking hooks available upon request

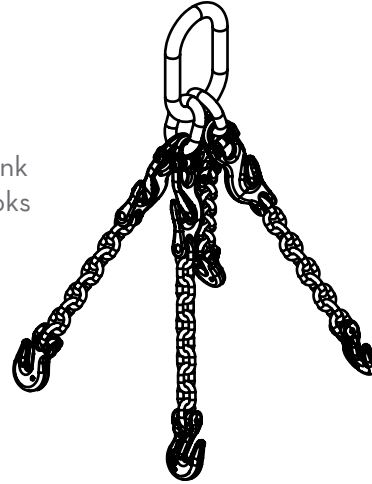
Chain Grade	Chain Size	60° WLL	45° WLL	30° WLL
	<i>Inch</i>	<i>lbs</i>	<i>lbs</i>	<i>lbs</i>
100	7/32	7,000	5,700	4,000
	9/32	11,200	9,100	6,400
	3/8	22,900	18,700	13,200
	1/2	39,000	31,800	22,500
	5/8	58,700	47,900	33,900
	3/4	91,700	74,900	53,000
80	1	123,900	101,200	71,500
	1-1/4	187,800	153,400	108,400

# 4-Leg Chain Sling

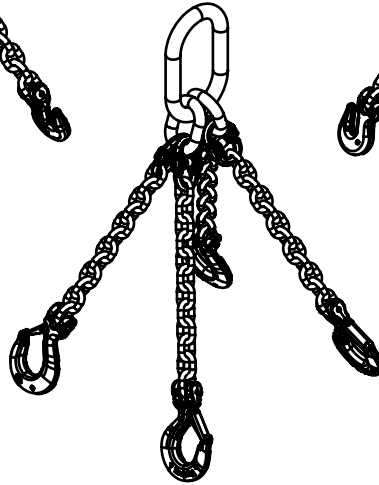
**QOG** | Master link  
Grab hooks



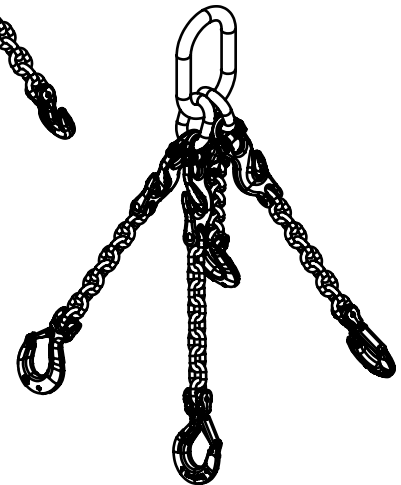
**AQOG** | Master link  
Leg Shorteners  
Grab hooks



**QOS** | Master link  
Sling hooks



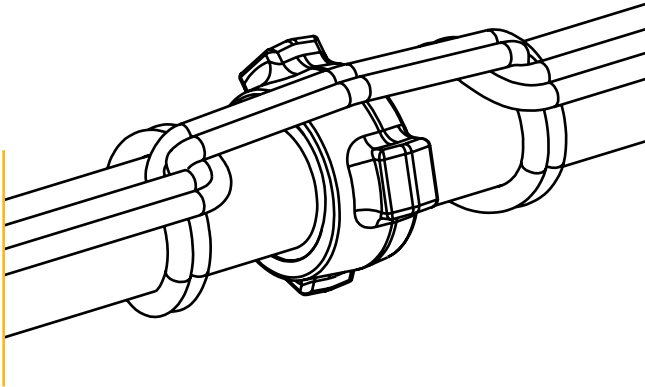
**AQOS** | Master link  
Leg Shorteners  
Sling hooks



- Minimum breaking load is 4X WLL
- If used in a choker hitch, WLL must be reduced by 20%
- WLL based on evenly distributed leg load
- Chain shorteners retain full WLL when used
- 9/32 to 5/8 slings use in-line shorteners, other sizes use separate shortener hook legs
- Custom slings available upon request
- Self-locking hooks available upon request

Chain Grade	Chain Size	60° WLL	45° WLL	30° WLL
	<i>Inch</i>	<i>lbs</i>	<i>lbs</i>	<i>lbs</i>
100	7/32	7,000	5,700	4,000
	9/32	11,200	9,100	6,400
	3/8	22,900	18,700	13,200
	1/2	39,000	31,800	22,500
	5/8	58,700	47,900	33,900
	3/4	91,700	74,900	53,000
80	1	123,900	101,200	71,500
	1-1/4	187,800	153,400	108,400

# Polyester Pipe Restraint



- Polyester Pipe Restraints are constructed similar to Endless Lifting Roundslings, using a continuous loop of core yarns encased in a double wall sleeve
- The sleeve helps to protect the core yarn from UV degradation and abrasion
- Restraints are rated by maximum operating pressure and 15O2 hammer union pipe size
- Restraints are not to be used for overhead lifting.



Part Number	Color Code	Maximum Pressure 2" 1502 Pipe	Maximum Pressure 3" 1502 Pipe	Maximum Pressure 4" 1502 Pipe
		<i>PSI</i>	<i>PSI</i>	<i>PSI</i>
DPR78	Red	15,000	8,000	5,000
DPR160	Blue	20,000	15,000	10,000
DPR200	Orange	20,000	15,000	15,000

Proper use of restraints can reduce **BUT NOT ELIMINATE** the risk of severe personal injury or death







D Y N A M I C  
L I F T I N G

[DynamicLifting.com](http://DynamicLifting.com)

