



ESTATE SPRAYER

- 60" Spray Boom with 3 Nozzles
- TeeJet Spray Wand
- 13" Turf Tires
- 23 Gallon Capacity
- Adjustable Hitch
- Clean Drain
- Tru-Kleen Full-Drain Tank
- 2.2 Gpm Pump
- 6" Vented Lid
- 1 Year Warranty

DANDY-LION KILLER

- Full-Drain Tru-Kleen Tank
- Adjustable Hitch
- Direct application on plants
- Pneumatic transport tires
- Single master shut-off valve

PART #	DESCRIPTION	PRICE
ES23	23 Gallon Estate Sprayer	CALL

FG/	DESCRIPTION	PRICE
WR36	36" WEED ROLLER PUSH TYPE	CALL
WR48	48" WEED ROLLER PULL TYPE	CALL
WR72	72" WEED ROLLER PULL TYPE	CALL



50 GALLON UTV SKID SPRAYER

- 50 Gallon Tank
- 10 GPM Centrifugal Pump
- 4 HP Honda® Engine
- Spray Gun with Hose Reel

50 GALLON ATV SPRAYER

- 50 Gallon Tank
- 10 GPM Centrifugal Pump
- 4 HP Honda® Engine
- Spray Gun with Hose Reel

PART #	DESCRIPTION	PRICE
ATV50	50 gal UTV Skid Sprayer	CALL

PART #	DESCRIPTION	PRICE
ATV Mini Sprayer	50 gal ATV Sprayer	CALL

50 & 100 GALLON UTV SKID SPRAYER OPTIONS

Specifications	50 Gallon Electric	50 Gallon Gas	100 Gallon Electric	100 Gallon Gas
4 HP Honda Engine with Ace Centrifugal Pump [57 PSI Max - 22.5 GPM Max]	—	Std.	—	Std.
12V Electric Pump [100 PSI Max - 5 GPM]	Std.	—	Std.	—
Hose Reel & Spray Wand with 30 Ft. Hose	Std.	Std.	Std.	Std.
Weight of Sprayer (lbs) Empty/Full	134/551	157/574	163/998	182/1,017
Dimensions [W x L x H]	38 x 42 x 23	38 x 42 x 23	47 3/4 x 49 x 26	47 3/4 x 49 x 26
Tank Color	Yellow	Yellow	Yellow	Yellow
Frame Color	Black	Black	Black	Black
Boomless Spray System [12 lbs]	Opt.	Opt.	Opt.	Opt.
12 Foot Boom [32 lbs]	Opt.	Opt.	Opt.	Opt.
18 Foot Boom [44 lbs]	Opt.	Opt.	Opt.	Opt.
20 Foot Boom [New]	Opt.	Opt.	Opt.	Opt.
22 Foot Boom [New]	Opt.	Opt.	Opt.	Opt.
Electric Controls	Opt.	Opt.	Opt.	Opt.
Manual Controls [TeeJet Shutoff & Regulating Valves]	Std.	Std.	Std.	Std.

WIPE OUT WEEDS?



Eliminate Resistant Weeds
Reduce your chemical cost

Sponges apply more product direct to weeds

See the Results

← **Before** →

← **After** →

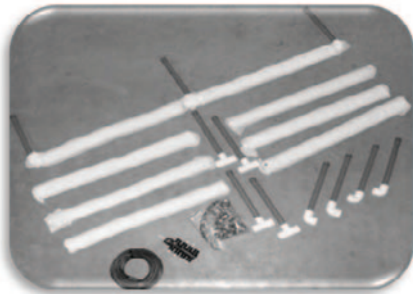
Watch farmer video testimonies
Click on Man vs Weeds
www.smucker.net



Weed Wiper

The most effective & economical wiper for over 30 years

The only weed wiper you can easily adapt to a self propelled sprayer



Sponge kits can adapt to any size boom, available from 5 to 120 ft. wide



ATV Models:
5 ft, 10 ft. and 15 ft. wide



Pull type models contour to the terrain and come in 10, 15, 20, 30 and 40 ft. wide



Front bucket and 3 pt. hitch Models:
10, 15, 20, and 25 ft wide

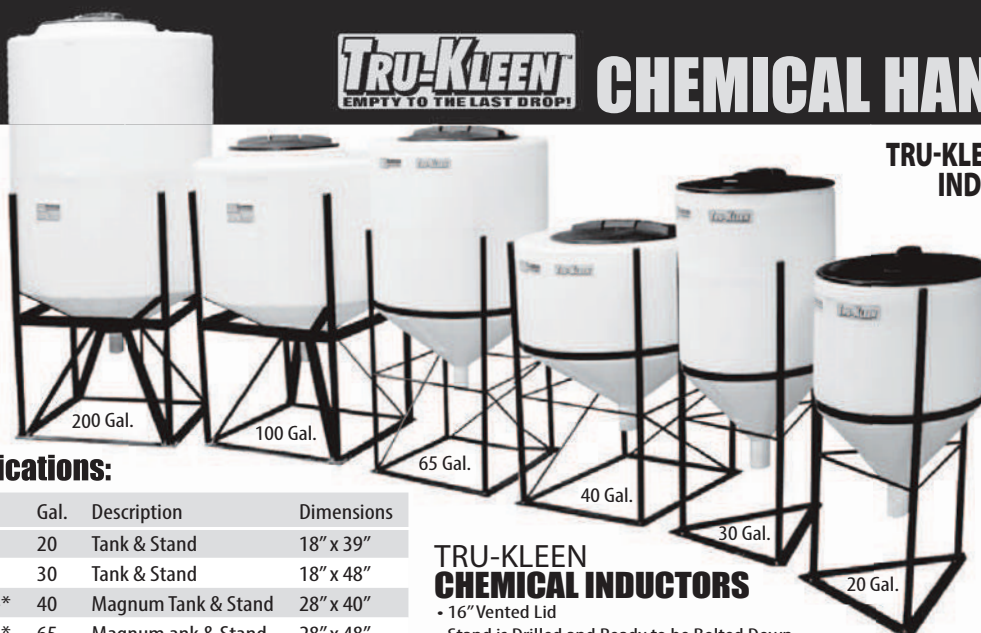


EQUIPMENT
FLOW METERS
PRECISION
NOZZLES
VALVES
STRAINERS
FITTINGS
JACKS & HITCHES
PUMPS
TILLAGE
NH₃
TANKS



CHEMICAL HANDLING

TRU-KLEEN CHEMICAL INDUCTOR TANKS (WITH STAND)



Specifications:

PART#	Gal.	Description	Dimensions
TK20TS-*	20	Tank & Stand	18" x 39"
TK30TS-*	30	Tank & Stand	18" x 48"
TK40MTS-*	40	Magnum Tank & Stand	28" x 40"
TK65MTS-*	65	Magnum Tank & Stand	28" x 48"
TK100MTS	100	Magnum Tank & Stand	35" x 48"
TK200MTS	200	Magnum Tank & Stand	35" x 78"

TRU-KLEEN CHEMICAL INDUCTORS

- 16" Vented Lid
- Stand is Drilled and Ready to be Bolted Down
- 2" Male Threaded Snout (No Bulk-Head Fittings)
- 1 Gallon Increments on 20 - 65 Gallon Tanks
- 2.5 Gallon Increments on 100 & 200 Gallon Tanks

CONE BOTTOM TANKS

- Molded 3" Male Threaded Snout
- No Bulk-Head Fittings
- 1600 & 2000 Gal. Suitable for Transport
- 5 Year Prorated Warranty
- 10 Degree Cone-Bottom w/ 16" Lid
- **Heavy Duty** - 16# Per/Gal. Rating
- Steel Stand w Steel Tank Tie Down

Specifications:

PART#	Gal.	Tank Wt.	Total W.	Dimensions
TK1000-82-*-TS	1000	225	740	18" x 39"
TK1300-82-*-TS	1300	260	775	18" x 48"
TK1600-*-TS	1600	300	815	28" x 40"
TK2000-*-TS	2000	400	915	28" x 48"
TK2500-*-TS	2500	500	965	35" x 48"
TK3000-*-TS	3000	600	1065	35" x 78"



DOUBLE & TRIPLE INJECTORS

- Injects Chemical into Pressure Line (Installed after Pump)
- Keeps Pump Free of Chemical
- Anti-Vortex Plate
- Mixes Dry Chemical
- **One Jug Rinse for Double Injector (Standard)**
- **Tru-Kleen Cone Rinse System in both cones (Standard)**

Part#	Description
TKINJ40-30-*	Double Injector - TK40 & TK30
TKINJ65-40-*	Double Injector - TK65 & TK40
TKINJ40-40-*	Double Injector - TK40 & TK30
TKINJ65-40-40-*	Triple Injector - TK65 & TK40 & TK40

* - Indicate 2 for 2" plumbing
 * - Indicate 3 for 3" plumbing

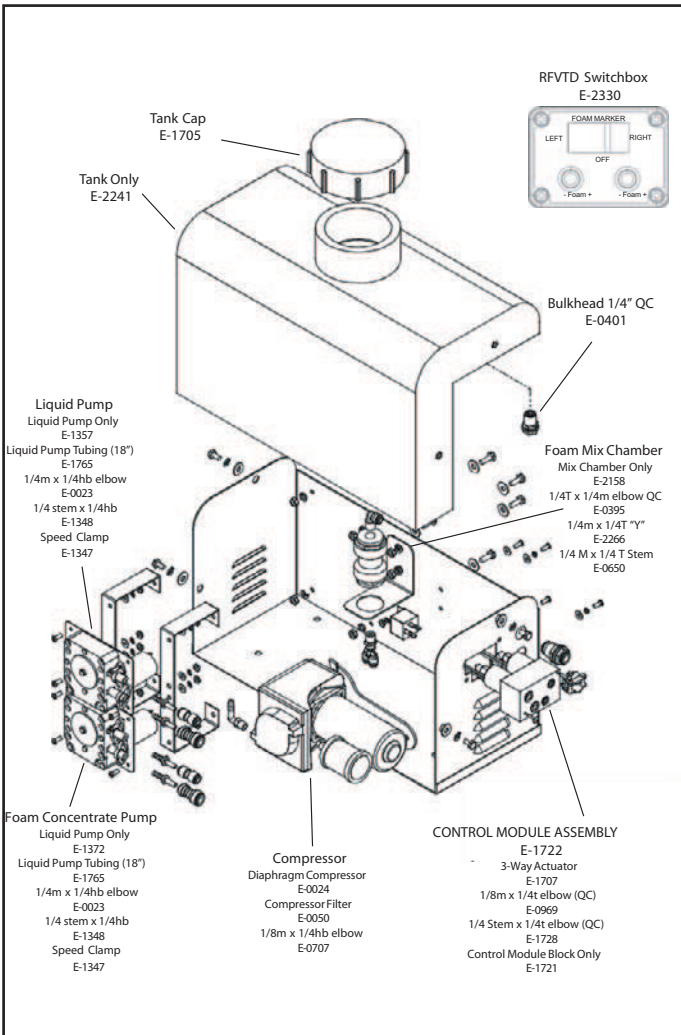




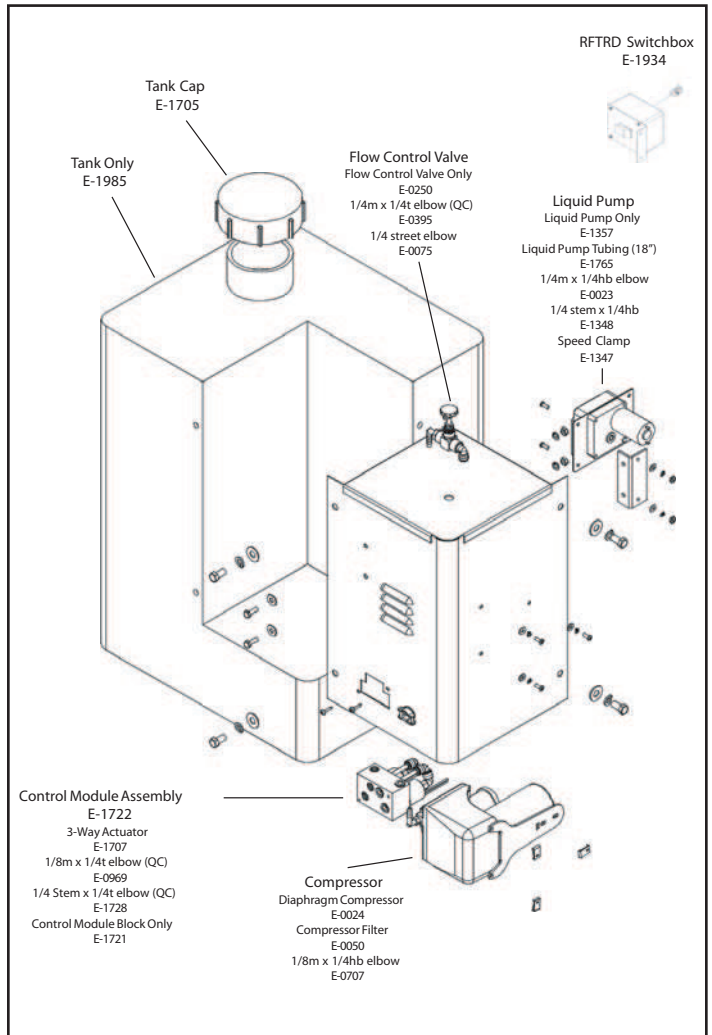
RFVTD-2000 VERSATRAC FOAM MARKER



RFTRD-2200 TRAC-RITE FOAM MARKER



RFVTD-2000 Parts



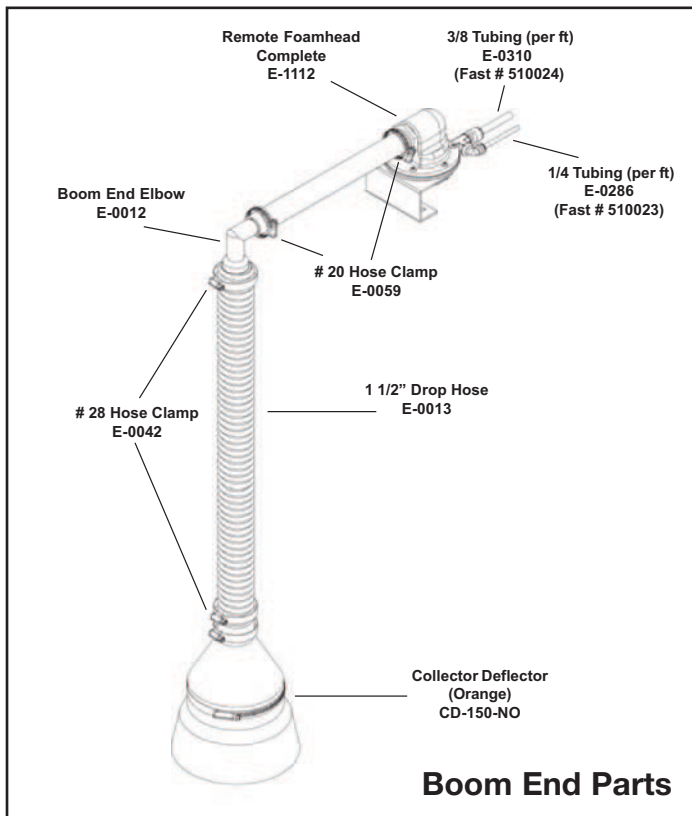
RFTRD-2200 Parts

RICHWAY

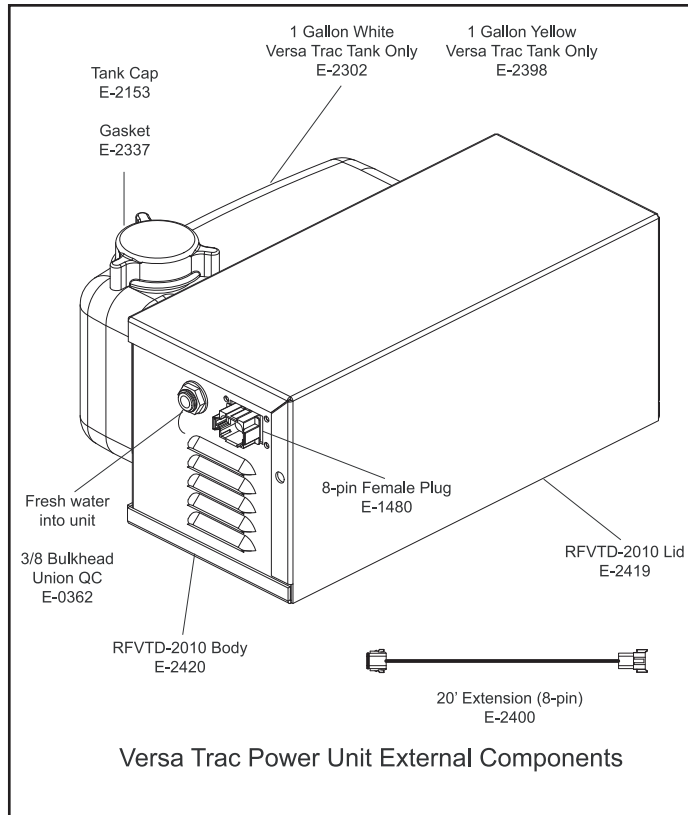
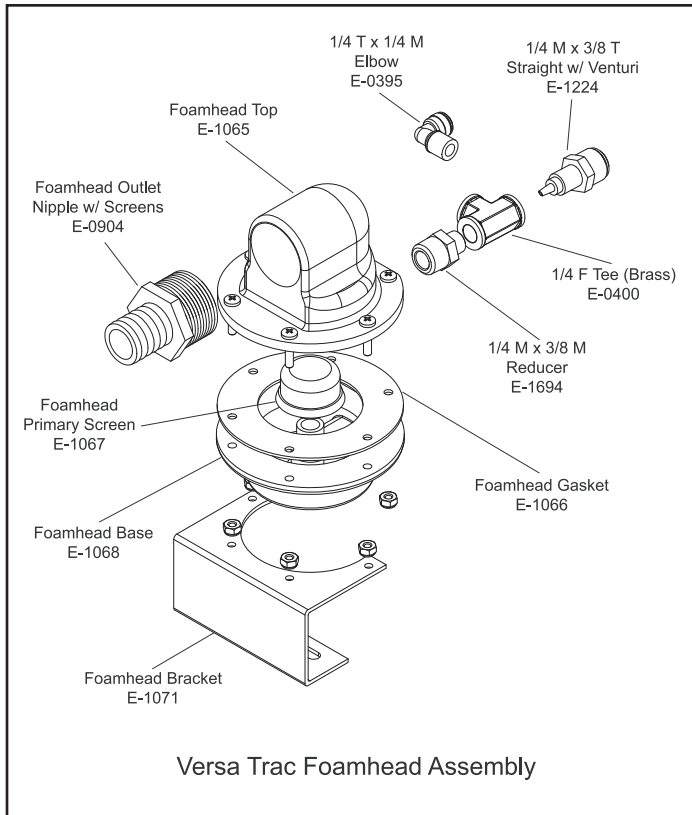
- Economical Boom-Mix Foam Marker
- Foam Quality You Expect from a Richway Marker
- Innovative Foam Generation Technology at an Economical Price
- Up to 8 GPM Foam Output
- Use with Field Speeds up to 12 mph
- Innovative Spraying Accessories Since 1973

FAST PART NUMBERS

PART#	DESCRIPTION
590111	1 gallon Versa Trac Black/Yellow
590028	20 Gallon Trac Rite Green/yellow
520081	2 Gallon Mini Trac

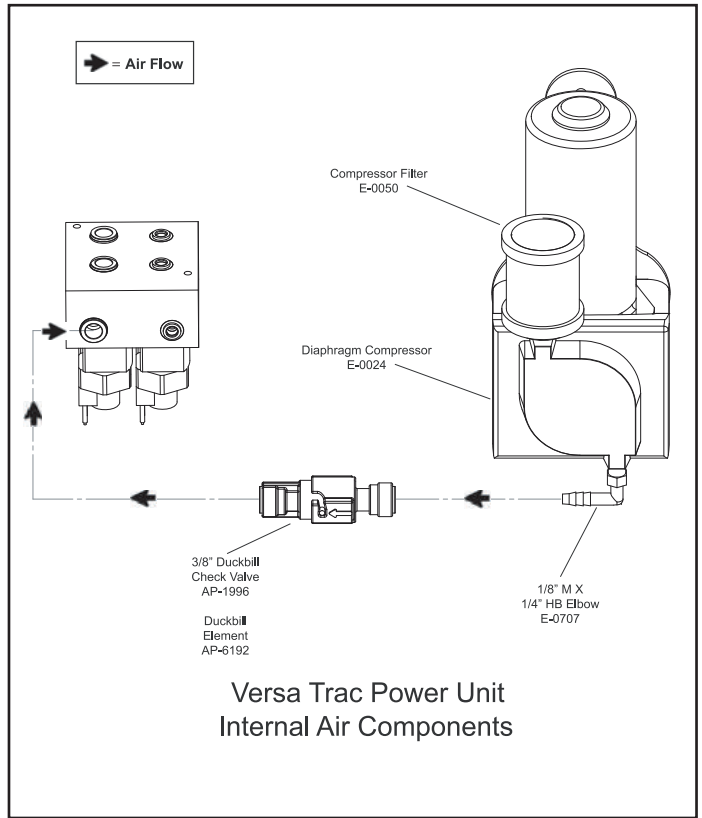
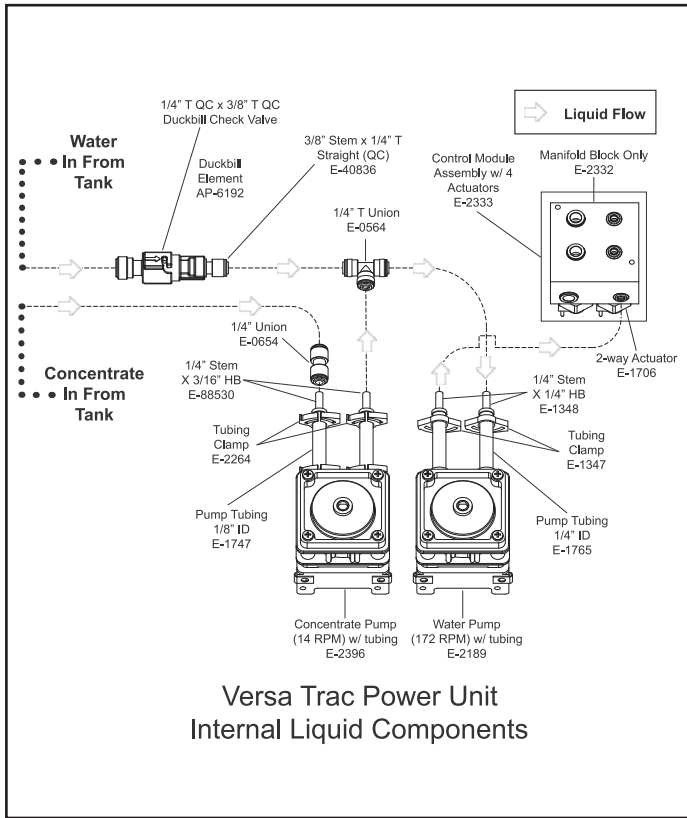


RFVTD-2010 Parts



Call for More Information and Pricing

RFVTD-2010 Parts (continued)



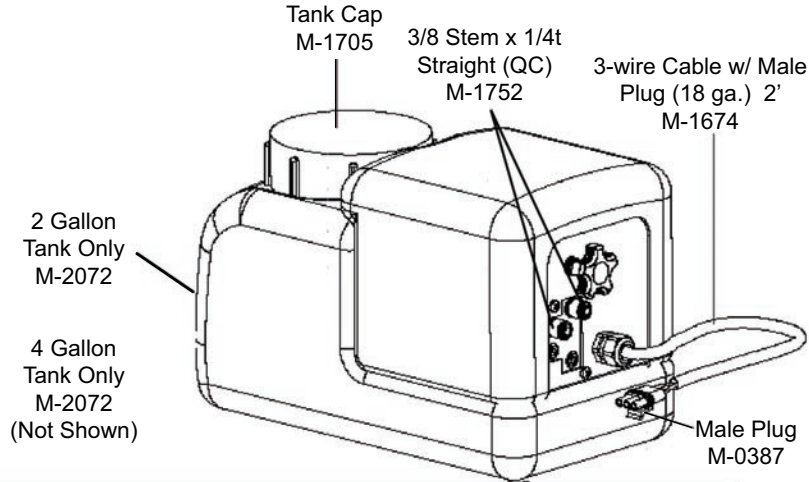
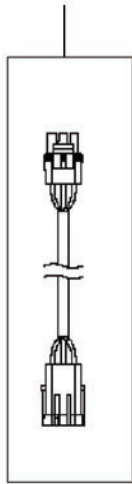
FOAM CONCENTRATE, DYE & CLEANERS



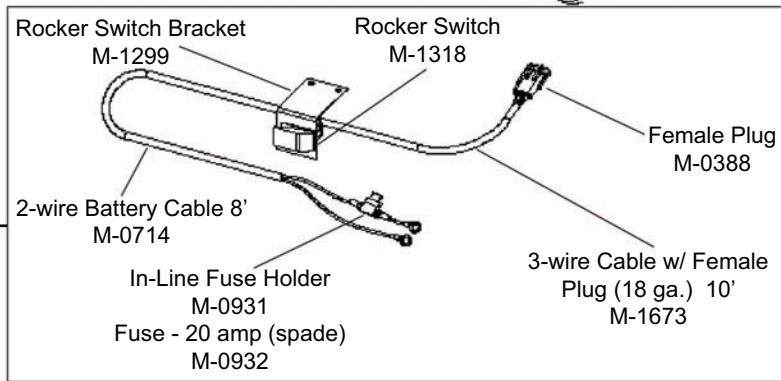
PRECISION LABS

PL/	DESCRIPTION	PRICE
652-01	ENDURON PSI FOAM CONCENTRATE 1 GAL	\$71.06
741-QT	TRACER HOT PINK FOAM DYE 1 QT	\$69.98
432-QT	DIRECT DRIFT RETARDENT 1 QT	\$43.56
433-01	ERASE TANK CLEANER 1 GAL	\$57.38
434-QT	INCIDE OUT TANK CLEANER 1 QT	\$20.25
434-01	INCIDE OUT TANK CLEANER 1 GAL	\$55.64
739-QT	GUN DOWN FOAM ELIMINATOR 1 QT	\$37.13
739-01	GUN DOWN FOAM ELIMINATOR 1 GAL	\$86.63
707-TB	REDURAN SUPER DYE REMOVER	\$19.00

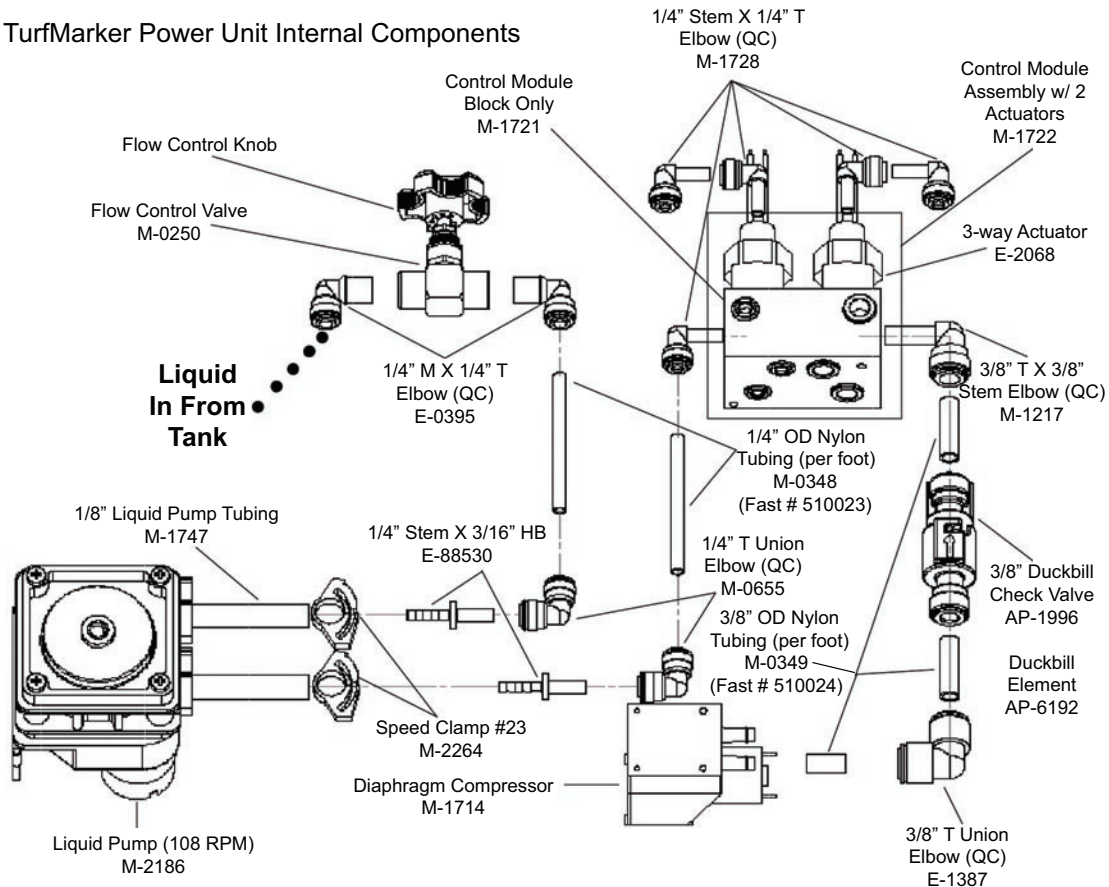
Optional 3-wire Extension
w/ Male & Female Plugs
10 feet - M-1748
15 feet - M-1749



Switch and
2 Cable Assembly
M-1632



TurfMarker Power Unit Internal Components





FLOW METERS



1"
10 GPM!



MFM100



2"
300 GPM!

MFM220



3"
670 GPM!

MFM300

FEATURES

- Displays batch total volume & overall total volume!
- Flow rate allows for Gallons or Liters Per Minute.
- The display reads 6 digits for Rate, 8 digits for Total and 1 decimal place reading in tenths.
- Magnetic style meter with stainless steel electrodes.
- Self calibrating meter.
- Measures water and most conductive liquids.
- Easy to change six (6) AA batteries.
- No moving parts to fail during use.
- Glass-reinforced polypropylene.
- Temperature range from 0°F to 150°F.
- Accuracy is within 1%

PART #	FAST #	DESCRIPTION	PRICE
FM100		1" Full Port FNPT Flow Meter	\$1,361.63
MFM100		1" Full Port Manifold Flow Meter	\$1,361.63
MFM220	530311	2" Full Port Manifold Flow Meter	\$1,547.15
MFM300	530347	3" Full Port Manifold Flow Meter	\$1,941.74
M101G		Ribbed gasket	\$2.06
M201G		Ribbed gasket	\$2.42
M221G		Ribbed gasket	\$2.62
M301G		Ribbed gasket	\$2.83

ELECTRONIC SIGHT GAUGES for FAST SPRAYERS



TANK-CONTROL Electronic Sight Gauge

- Accurate tank content display
- Residual volumes and shortfalls are reduced
- Tank content is automatically transferred to the control units linked to the system

RA/	DESCRIPTION	PRICE
063-0172-125 (Fast # 631808)	1" Poly Control Valve, 175 psi (Butterfly), Flanged & 1"FPT	\$515.20
063-0173-877	1" Carbon Steel Control Valve NH3 (Ball) (400psi)	\$952.00
063-0171-894 (Fast # 631805)	1-1/2" Poly Control Valve, 175psi (Butterfly)	\$577.60
063-0173-446 (Fast # 632079)	1 1/2" poly control valve w/ Deutsch end. (Butterfly)	\$574.40
063-0172-177	2" S.S. Control Valve (Butterfly)	\$1,312.00
063-0172-979	1" Carbon Steel Fast Close Control Valve NH3 (Ball) (400psi)	\$1,135.00
063-0173-626	1-1/2" NH3 Fast Valve	\$1,616.00
063-0173-668	1-1/2" NH3 on/off valve	\$1,584.00
063-0173-876	1" NH3 on/off valve	\$944.00
063-0172-165	1" Contol valve, SS Ball (Starter)	\$627.20



Building a Platform For Success.



RFM-15F Flow Meter

RA/	DESCRIPTION	PRICE
063-0172-058 (Fast # 631862)	RFM 15F Flowmeter Assembly M200 Flanged	\$569.60
063-0171-669	Sensor	\$246.40

RFM-60P Flow Meter

Polypropylene housing. 1 to 60GPM (4 - 226 liters) flow rate. 1-1/2" (F)NPT and 2 inch flanged inlet and outlet. 175psi rating. For use with chemicals and liquid fertilizer.

RA/	DESCRIPTION	PRICE
063-0171-985 (Fast # 631804)	RFM 60P Flowmeter Assembly M200 Flanged	\$772.80

RFM-60S Flow Meter

303 stainless steel housing. 1-60GPM, 1-1/2" (F) ports, and 500psi rating. For use with anhydrous ammonia.

RA/	DESCRIPTION	PRICE
063-0173-867	RFM-60S Flowmeter Assembly	\$1,240.00

RFM-100P Flow Meter

Polypropylene housing. 3-100 GPM (11-378 liters) flow rate. 2" inlet and outlet. 150psi rating.

RA/	DESCRIPTION	PRICE
063-0173-578 (Fast # 631801)	RFM-100P Flowmeter Assembly M220 Flanged	\$1,152.00

RFM-200P Poly Flow Meter

15-200 GPM (55-700 liters) flow rate. 3" inlet and outlet. High density poly construction, 90psi rating. For use with chemical, liquid fertilizer & fertilizer with high acid content.

RA/	DESCRIPTION	PRICE
063-0173-579	RFM-200P Poly Flowmeter M300 Flanged	\$1,728.00



RAVEN

Building a Platform For Success.

Raven has a control system to handle all your application needs. To obtain a complete system you must select from each of the following categories.

- | | |
|----------------------------|------------------|
| 1 Console | 5 Flowmeter |
| 2 Console Cable | 6 Speed Sensor |
| 3 Flow Control Cable | 7 Shutoff Valves |
| 4 Control/Regulating Valve | |

RAVEN CABLE COMPONENTS

RA/	FAST #	DESCRIPTION	PRICE
SCS 330			
115-0159-437		Cable, 16' External 330/340	\$544.00
115-0159-706		Cable, 32' External 330/340	\$694.40
SCS 440/450/460			
115-0159-495		Flow Control Cable 6'	\$252.80
115-0159-496		Flow Control Cable 12'	\$324.80
115-0159-707		Console Cable 3'	\$424.00
115-0159-708		Flow Control Cable 24'	\$577.60
115-0171-085	631818	10' Console Cable (Compatible w/new Boom Valves)	\$414.40
115-0171-086	631819	6' Flow Control 6 Boom (Compatible w/new Boom Valves)	\$433.60
115-0171-129	631820	12' Flow Control 6 Boom (Compatible w/new Boom Valves)	\$468.80
115-0159-856	631814	Cable, 12' Extensions. 6BM, SCS450	\$441.60
115-0159-857	631815	Cable, 24' Extensions. 6BM, SCS450	\$433.60
SCS 4400/4600			
115-0171-299		3' Console Cable	\$800.00
115-0171-300	631890	20' Console Cable	\$1,032.00
115-0171-313	631899	12' 10 Boom Product Cable	\$747.20
115-0171-314	631891	24' 10 Boom Product Cable	\$920.00
115-0171-319	631892	12' Extension Cable	\$793.60
115-0171-320	631895	24' Extension Cable	\$824.00
115-0171-414		Adapter Cable (SCS4X00 to 4X0/6X0)	\$593.60

SCS 450/660 CONSOLES



SCS 450

Raven SCS 450/660 sprayer controllers provide precision single product automatic rate control. The SCS 450 handles up to 6 boom section inputs, the 660 up to 7 boom sections and the 460 and 660 allow up to 7 boom sections. Two separate application rates can be pre-programmed into the controllers and selected on the go with the flip of a switch. Application rates can be manually overridden to accommodate spot spraying needs. The SCS 450/660 are available with serial interface for GPS compatibility for variable rate application and data logging. User friendly programming, non-volatile memory, easy to read lighted display and data lock, combined with the reliability, accuracy and affordability of Raven systems make the SCS 450/660 consoles the right choice for single product chemical application.

RA/	DESCRIPTION	PRICE
063-0171-220	SCS 450 Console (6-Boom) (Fast # 631803) w/ Serial Interface	\$2,776.00
063-0171-221	SCS 660 Console (7-Boom) Liquid or Granular, w/ Serial Interface	\$3,224.00

AG EXPRESS RADAR SIMULATION AND CONVERSION CABLES

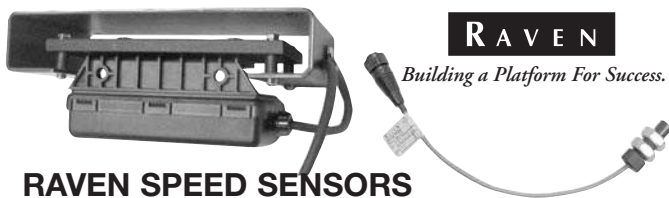
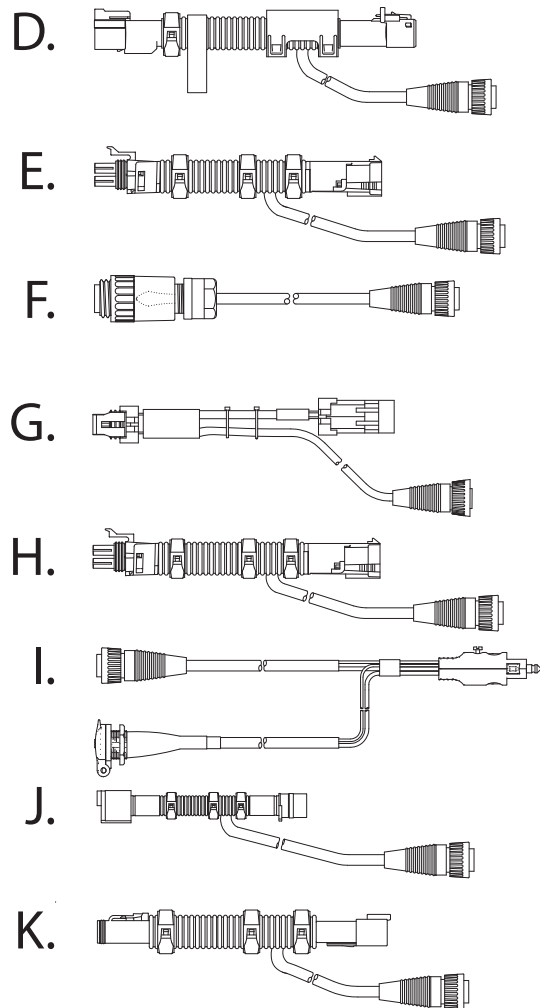
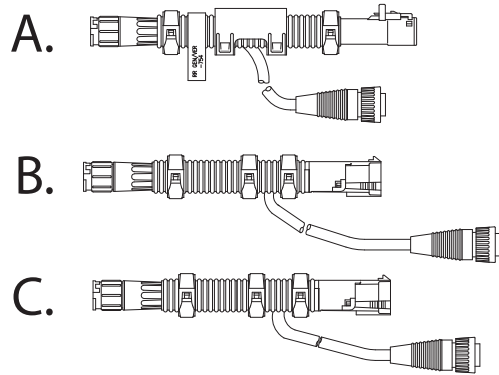
PART #	DESCRIPTION	NET PRICE
AE-2502	JD 7/8/9000, 10 & early 20 series to DJ 4pin AMP connector	\$55.00
AE-2504	RAV 3 pin to DJ 4 pin	\$65.00
AE-2530	10' DJ Extension	\$80.00
AE-2577	7 pin AMP to DJ speed (used on new JD & MX)	\$72.50
AE-2578	JD 7/8/9000, 10 & early 20 series to RAV 3pin connector	\$55.00
AE-2579	7 pin AMP to RAV speed (used on new JD & MX)	\$72.50
AE-2640	Case MX A Post to DJ AMP Connector	\$60.00
AE-2641	Case MX A Post to Raven Connector	\$60.00
AE-2732	10' Raven speed extension	\$70.00
115-0171-991	JD rate controller to Raven adapter cable (Fast # 632865)	\$323.20
115-0172-114	6 boom to 10 boom adapter cable (Fast # 631889)	\$324.80

RA/	FAST #	DESCRIPTION	PRICE
063-0173-080	631856	SWITCH ASSY FOOT ISO PROD CONTROL	\$329.60
115-0172-397	632061	CABLE, FOOT SWITCH 12'	\$235.20
115-0172-427	632028	CABLE ADAPTER 16P CONSOLE TO 47P	\$297.60
115-0172-477	632054	CABLE, 2PIN DEUTSCH 55FT	\$131.20
115-0172-480	632042	CABLE, EXT 40' 2P DT	\$76.80
115-0172-426	632070	CABLE ADAPTER 37P CONSOLE TO 47P	\$353.60
115-0172-478	632044	CABLE ADAPTER 2P TO 2P METRI	\$46.40
115-0230-039	631897	CABLE, BM SNS 2 PIN DEUTSCH	\$104.00
115-7100-007	632031	CABLE, IBIC TO GEN 1 ISO, 12'	\$760.00
115-7100-008	632043	CABLE ADAPTER 17FT 9P IBIC	\$808.00
115-7100-003	632055	CABLE 17FT EXT GEN I ISO	\$552.00
115-7300-021	632064	CABLE, RAVEN ISO/POWER	\$1,400.00
115-7301-010	632029	CABLE, RCM 47 PIN	\$896.00
115-7347-010	632032	CABLE, 47 PIN EXTENSION, 12'	\$505.60
115-7347-058	632080	CABLE PRODUCT 47P 6 SECTION APPLICATOR	\$528.00
115-7347-061	632035	CABLE 14FT 47P RCPT TO 47P PLUG	\$752.00
115-7347-062	632075	CABLE PRODUCT 47P 6 SECTION TRUSS	\$713.60
115-7347-063	632076	CABLE PRODUCT 47P 10 SECTION TRUSS	\$896.00
115-7347-064	632077	CABLE PRODUCT 47P 6 SECTION SPRAYER	\$657.60
115-7347-065	632082	CABLE, 47P 5 SECTION JD APPLICATOR	\$808.00

SPEED SENSORS / CABLES - BATCH CONTROLLERS

EQUIPMENT FLOW METERS PRECISION NOZZLES VALVES STRAINERS FITTINGS JACKS & HITCHES PLANTER COMP. PUMPS TILLAGE NH₃ TANKS

RA/	DESCRIPTION
Raven Radar to Third Party Adapters	
115-0159-754 (A)	Ford Gen. / Vers / New Holland Tractors
115-0159-550 (B)	John Deere Tractors
115-0159-551 (C)	CasellH Tractors
Third Party Radar to Raven Speed Sensor Interface Cable	
115-0159-709 (D)	Ford Gen. / Vers / New Holland
115-0159-519 (E)	John Deere with Magnavox Radar
115-0171-670 (F)	John Deere 30 Series
115-0159-700 (G)	John Deere 7000/8000/9000 Series
115-0159-517 (H)	CasellH and New Holland TG
115-0171-304 (I)	Case MX or STX Vehicles
115-0159-518 (J)	CAT Challenger Models 65 & 75
115-0159-627 (K)	CAT Challenger 65C, 75C, 65D, 75D, 5D and Row Crop 35, 45 and 55



RAVEN SPEED SENSORS

RA/	Fast #	Description	Price
063-0159-484		Wheel Drive Speed Sensor, 21ft. (4 magnet)	\$582.40
063-0159-539		SCS Wheel Drive Sensor (2 magnet)	\$510.40
063-0159-730		Drive Shaft Speed Sensor	\$518.40
063-0159-781		Wheel Drive Speed Sensor, Turf 10ft.	\$575.00
117-0159-822	631825	Raven Radar Gun/Cable	\$1,752.00
063-0172-143		Raven Radar (Gun Only)	\$1,544.00
115-0159-539		Raven Radar (Cable Only)	\$220.80
063-0171-152		Wheel Drive Speed Sensor, 7 1/2ft. (4 magnet)	\$600.00
063-0172-443	631852	Raven Proximity Sensor	\$138.60
115-0159-018		24' Speed Sensor Extension Cable	\$148.80
115-0159-032	631812	12' Speed Sensor Extension Cable	\$129.60



GPS SPEED SENSORS

Part #	Fast #	Description	Price
SK-1007-R	631832	GPS Speed Sensor, for Raven	\$880.00
SK-1007-D		GPS Speed Sensor, for Dickey John	\$880.00



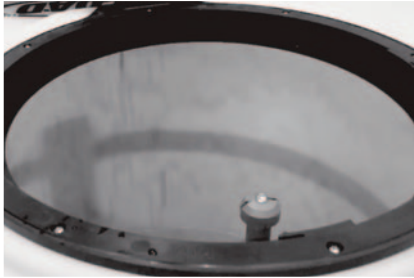
FLOW MATE

- * Displays and records the volume of liquid transferred from bulk tanks for more accurate mixing and inventory control
- * Instant verification of ground-drive pump settings
- * Simple setup and calibration
- * Flexible - shows either English or Metric units
- * Easy to integrate into your system
- * Many sizes of compatible flowmeters available

Part #	Description	Price
01000	FLOW MATE	460.00

HYPRO CLEANLOAD MAX™ Key Features

CycloRinse



CycloRinse feature creates a sheeting action on the inside surfaces of the entire tank for premium cleaning.

Eductor



Polypropylene eductor provides the highest education rates and features 220 Universal Flange ports for easy plumbing.

ProClean Bottle Rinse



Integrated ProClean bottle rinse allows operator to triple rinse chemical containers on-site for safe disposal.

Bypass Eductor Plumbing System



Compact 2" or 3" bypass eductor plumbing system designed for straight flow in bypass mode, with minimal restriction to education performance.

180° Hinged Lid



16" hinged tank lid keeps lid attached when open and features DuraLok technology, a unique twist and lock closing system.

Easy Access Handles



Handle extended to the outside of frame for easy access and reduced operator strain.

Cleanload Max Chemical Education Systems

Part Number	Tank Size	Eductor Size	Bypass Size
3378-1140	40 Gallon	11mm - Onboard Sprayer High Pressure/High Flow	None
3378-1140-2BYP			2"
3378-1140-3BYP			3"
3378-1640		16mm - Transfer Pump Low Pressure/High Flow	None
3378-1640-2BYP			2"
3378-1640-3BYP			3"
3378-1160	60 Gallon	11mm - Onboard Sprayer High Pressure/High Flow	None
3378-1160-2BYP			2"
3378-1160-3BYP			3"
3378-1660		16mm - Transfer Pump Low Pressure/High Flow	None
3378-1660-2BYP			2"
3378-1660-3BYP			3"

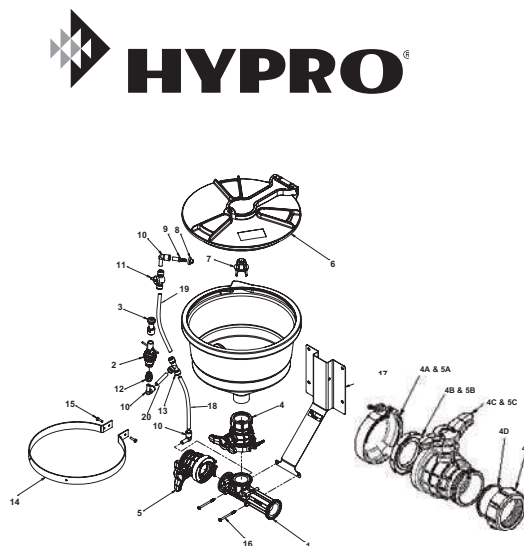
All eductors are set-up for right hand flow operation.

Cleanload Max Bypass Assemblies

Part Number	Description	Bypass
3371-0044	11mm - Onboard Sprayer High Pressure/High Flow	2"
3371-0047		3"
3371-0045	16mm - Transfer Pump Low Pressure/High Flow	2"
3371-0046		3"

All eductors are set-up for right hand flow operation

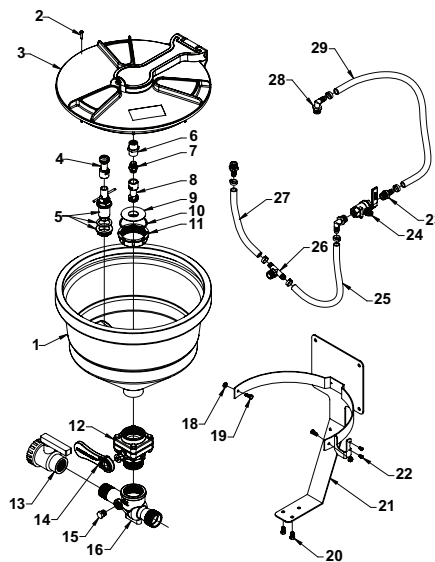
Ref. No.	Qty. Req'd.	Part Number	Description
1	1	3371-0036R	Eductor (for Model 3376-0870)
1	1	3371-0037R	Eductor (for Model 3376-0871)
1	1	3371-0038R	Eductor (for Model 3376-1170)
1	1	3371-0039R	Eductor (for Model 3376-1171)
1	1	3371-0040R	Eductor (for Model 3376-1670)
1	1	3371-0041R	Eductor (for Model 3376-1671)
2	1	PV1/2F1/2M-MA	ProClean Container Rinse Nozzle
3	1	PC1/2F-36075	ProClean Container Rinse Tank Valve
4	1	7250-5000	Tank Valve
4A	1	7550-5028	Valve Clamp
4B	1	1700-0259	Gasket
4C	1	2800-0031	Handle Red
4D	1	1700-0254	Gasket
4E	1	3240-0009	Nut
5	1	7250-5002	UF Valve
5A	1	7550-5028	Valve Clamp
5B	1	1700-0254	Gasket
5C	1	2800-0030	Handle Yellow
6	1	TL 16-0006	Lid Kit
7	1	3350-0180	Strainer
8	1	1700-0253	Grommet
9	1	2404-0413	Hose Barb Fitting
10	3	2404-0414	Elbow Fitting (1/2")
11	1	3305-0113	Two-way Valve (1/2")
12	1	2404-0386	Fitting
13	1	2404-0415	Tee Fitting (1/2")
14	1	1510-0128	Mounting Ring
15	2	2210-0201	Hex Bolt, M6x1x25
16	2	2210-0200	Hex Bolt, M6x1x80
17	1	1510-0127	Bracket
18	1	3430-0833	Tube Kit
19	1	3430-0833	Tube Kit
20	1	3430-0833	Tube Kit



3375P-05T7 Cleanload Chemical Educator

Ref. No.	Qty. Req'd.	Part No.	Description
1	1	1530-0029	Tank Cleanload - 7.0
2	8	*	Screw, Tapping
3	1	*	TL/Ring S/A 16" Hinged
4	1	PC1/2F-36075	ProClean Container Nozzle
5	1	PV1/2F1/2M-MA	ProClean Push-Valve Assembly
6	1	*	1/2" x 1/2" FNPT Coupler
7	1	*	1/2" x 1/2" Thread Nipple
8	1	PC1/2F-235120	ProClean Tank Wash Nozzle
9	1	1410-0129	Retainer-Splash
10	1	*	O-Ring, Breather
11	1	*	Nut, Breather
12	1	9950-0043	Ball Valve Stubby 2"
13	1	9951-2125N	Ball Valve PP 1-1/4 NPT
14	1	2800-0027	Handle-Cleanload Ball Valve
15	1	3F12	1/2 MNPT PP Hex Plug
16	1	3371-0034S	Eductor-Machined Complete
18	2	2250-0077	Nut
19	2	2210-0134	Screw
20	2	2210-0003	Screw Hex Head
21	1	1510-0119	Frame, Cleanload Back Mount
22	2	2210-0132	Screw, Phillips Head S. S.
23	2	3A12	1/2" MNPT X 1/2" HB Polypro
24	1	78-12	1/2" FNPT 316 SS Ball Valve
25	1	2900-0073	Hose, Tank Rinse 1/2 X 20"
26	1	3T12T	1/2MNPT-1/2"HB-1/2HB TEE
27	1	2900-0072	Hose, Bottle Rinse 1/2 X 15"
28	2	*	1/2" MNPT X 1/2" HB Poly Elbow
29	1	2900-0074	Hose, Valve Feeder 1/2 X 24"

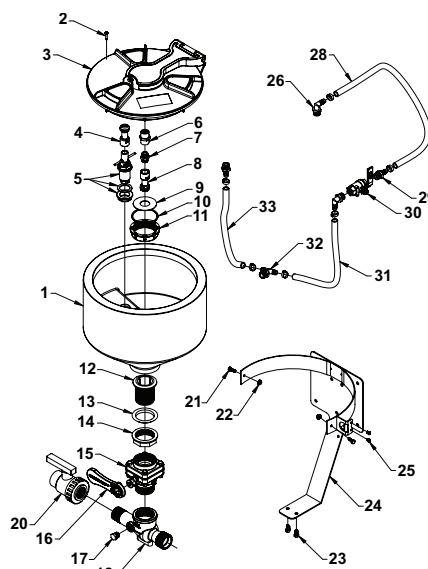
*No. 3430-0807 16" Lid Kit consists of:
 (8) Ref. No. 2 Tapping Screws, (1) Ref. 3 16-inch Hinged TL/Ring S/A, (1) Ref. 6 Coupler, (1) Ref. 7 Nipple, (1) Ref. 10 Breather O-ring, (1) Ref. 11 Breather Nut, and (2) Ref. 8 Poly Elbows

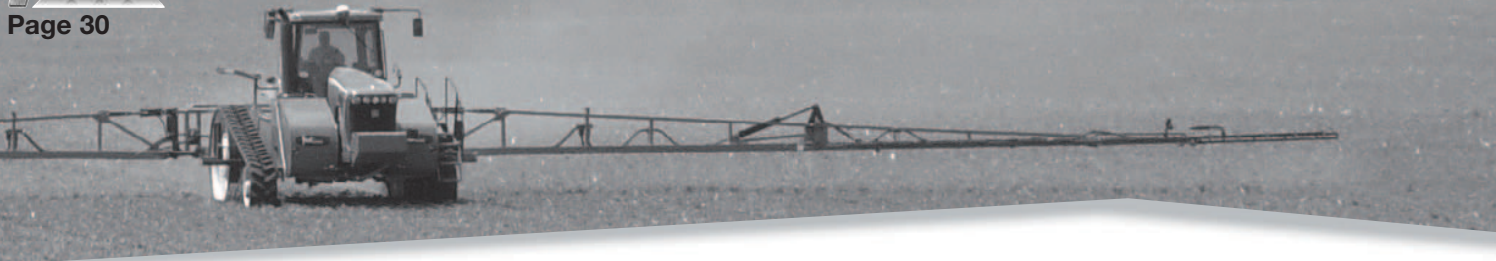


3375P-05T5 Cleanload Chemical Educator

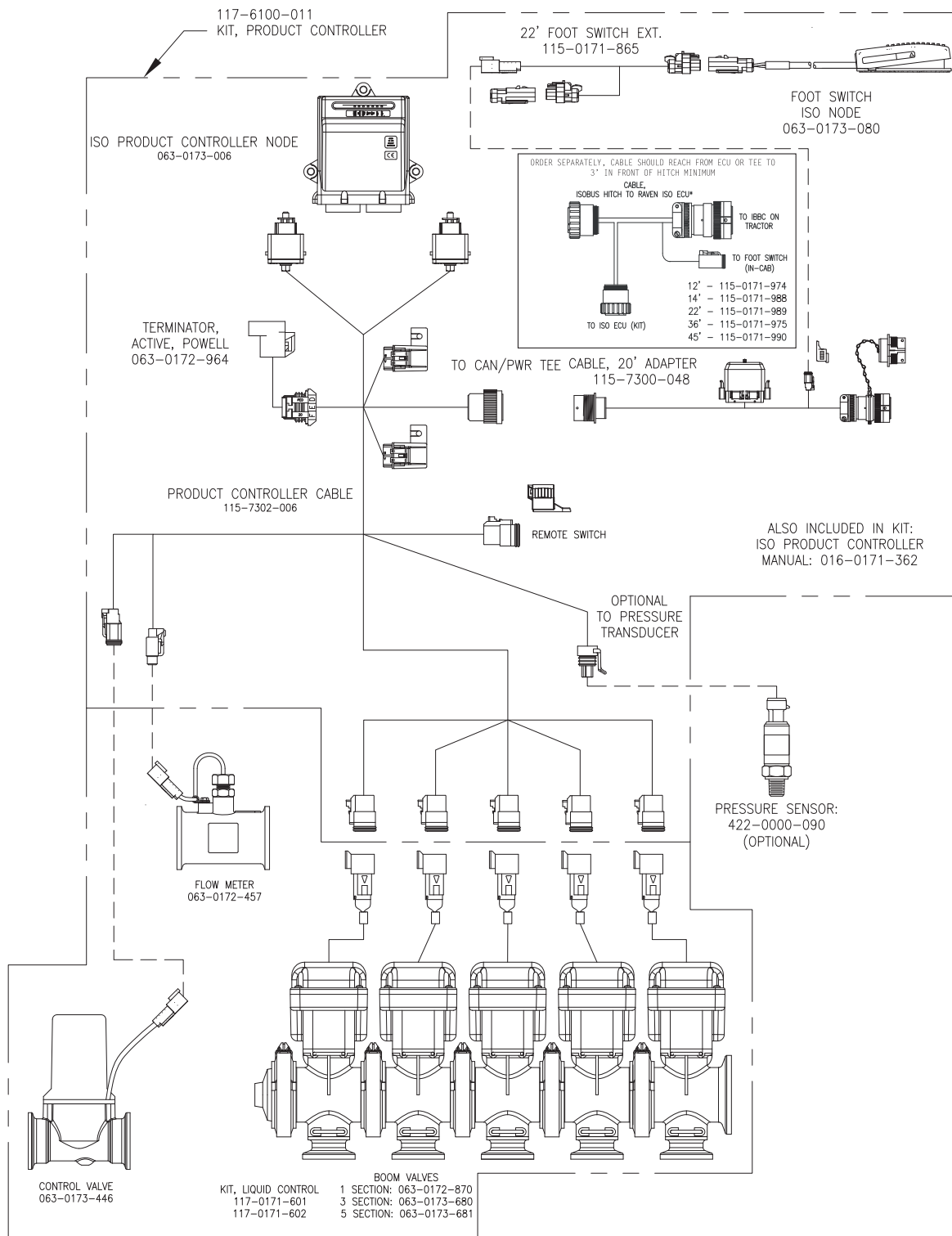
Ref. No.	Qty. Req'd.	Part No.	Description
1	1	1530-0016	Tank, 5.8 Gallon Black
2	8	*	Screw, Tapping
3	1	*	TL/Ring S/A 12" Hinged
4	1	PC1/2F-36075	ProClean Container Nozzle
5	1	PV1/2F1/2M-MA	ProClean Push Valve Assembly
6	1	*	1/2" x 1/2" FNPT Coupler
7	1	*	1/2" x 1/2" Thread Nipple
8	1	PC1/2F-235120	ProClean Tank Wash Nozzle
9	1	1410-0129	Retainer, Splash
10	1	*	O-Ring, Breather
11	1	*	Nut, Breather
12	1	220070	2" Tank Outlet
13	1	2270-0119R	Gasket, Tapered
14	1	205070	2" Lock Ring Nut
15	1	9950-0043	Ball Valve Stubby 2"
16	1	2800-0027	Handle, Cleanload Ball Valve
17	1	3F12	1/2" MNPT PP Hex Plug
18	1	3371-0034S	Eductor, Machined Complete
20	1	9951-2125N	Ball Valve PP 1-1/4" NPT
21	2	2210-0134	Screw
22	2	2250-0109	Nut, Serrated Flange
23	2	2210-0003	Screw Hex Head
24	1	1510-0103	Frame, Cleanload 5.8 Gal.
25	2	2210-0132	Screw, Phillips Head S. S.
26	2	*	1/2" MNPT X 1/2" HB Poly Elbow
28	1	2900-0073	Hose, Tank Rinse 1/2x15"
29	2	3A12	1/2" MNPT X 1/2" HB - Poly.
30	1	78-12	1/2" FNPT 316 SS Ball Valve
31	1	2900-0074	Hose, Valve Feeder 1/2x24"
32	1	3T12T	HB Tee, 1/2" MNPT to 1/2" HB
33	1	2900-0072	Hose, Bottle Rinse 1/2x15"

*No. 3430-0806 12" Lid Kit consists of:
 (8) Ref. No. 2 Tapping Screws, (1) Ref. 3 12-inch Hinged TL/Ring S/A, (1) Ref. 6 Coupler, (1) Ref. 7 Nipple, (1) Ref. 10 Breather O-ring, (1) Ref. 11 Breather Nut, and (2) Poly Elbows.



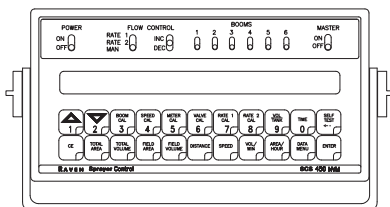


ISO PRODUCT CONTROLLER LIQUID SYSTEM





CONTROL CONSOLE
SCS 450: 063-0171-220



RAVEN

Building a Platform For Success.

PRESSURE SENSOR CABLES

- 6': 115-0171-235
- 12': 115-0171-151
- 37': 115-0171-224
- 44': 115-0171-296

PRESSURE SENSOR CABLES

- 10': 115-0171-152
- 3': 115-0171-153
- 30': 115-0171-176

PRESSURE SENSOR
422-0000-059

TO SWITCHED POWER

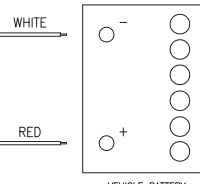
RADAR POWER CABLE
12': 115-0159-539

SPEED EXTENSION CABLES

- 10': 115-0171-262
- 12': 115-0159-032
- 18': 115-0171-239
- 24': 115-0159-018
- 29': 115-0171-241
- 34': 115-0171-225

CONSOLE CABLE
10': 115-0171-085

- ORANGE +12 VDC SWITCHED
- GRY/WHI REMOTE MASTER
- SWITCHED POWER



VEHICLE BATTERY
+12 VDC

EXTENSION CABLES
12': 115-0159-856
24': 115-0159-857

** OPTIONAL CONSOLE, FLOW AND EXTENSION CABLING AVAILABLE. CONSULT A RAVEN SALES REPRESENTATIVE FOR PART NUMBERS **

SPEED SENSORS

- RADAR (RADAR ONLY): 063-0172-143
- RADAR (KIT WITH POWER CABLE): 117-0159-822

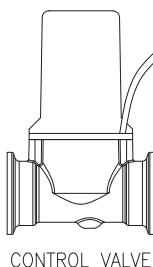
** WIDE VARIETY OF WHEEL DRIVE, SPEEDOMETER AND RADAR ADAPTER CABLING. CONSULT RAVEN SALES REPRESENTATIVE FOR PART NUMBERS **

FLOW CABLES

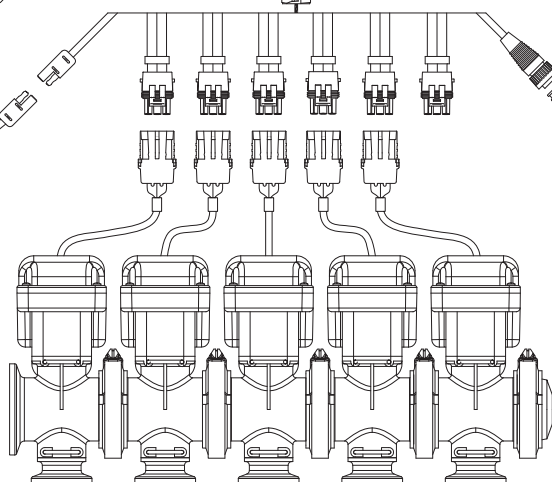
- 6': 115-0171-086
- 12': 115-0171-129

FLOW EXTENSION CABLES

- 6': 115-0159-016*
- 12': 115-0159-017*
- 24': 115-0159-019*
- 36.5': 115-0171-544*



CONTROL VALVE



BOOM VALVES

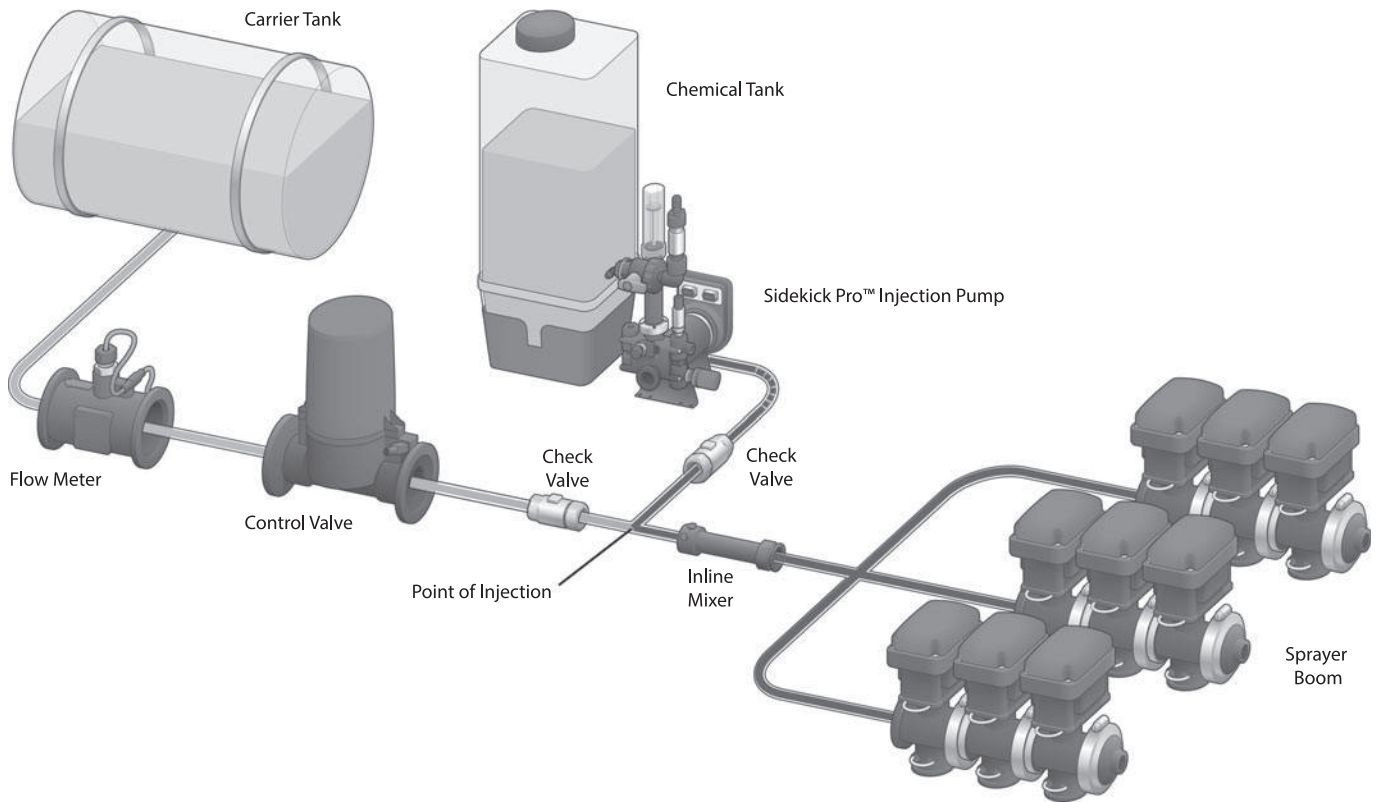
- 1 SECTION: 063-0171-926
- 3 SECTION: 063-0171-928
- 5 SECTION: 063-0172-039

FLOW METER

* CAN ALSO BE USED FOR PRESSURE SENSOR EXTENSIONS

RAVEN

Building a Platform For Success.



RA/	DESCRIPTION
1-063-0173-420	ISO Pump, without tank, 1-40 oz/min
1-063-0173-421	ISO Pump, without tank, 5-200 oz/min
1-063-0173-422	ISO Pump, with 24 gal tank, 1-40 oz/min
1-063-0173-423	ISO Pump, with 24 gal tank, 5-200 oz/min
1-333-0011-078	Check Valve, 3/8", .5 PSI, SS, TeNon Ball
1-333-0011-102	Check Valve, 1/2", SS, 12 PSI, Extreme Viton (use w/ NH3 and N Serve)
1-333-0011-090	Check Valve, 1", 14 GPM, carrier
1-333-0011-091	Check Valve, 1 1/4", 22 GPM, carrier
1-333-0011-093	Check Valve, 2", 70 GPM, carrier
1-333-0011-094	Check Valve, 3", 110 GPM, carrier

TAKE COMMAND WITH HAWKEYE® THE LATEST ADVANCEMENT IN PRECISION INPUT MANAGEMENT

For over thirty years, Raven has dominated the application control market. Our blockbuster new product ensures this legacy will continue. The Hawkeye Nozzle Control System is the newest innovation in Raven technology – and the next controller for your sprayer.

Raven's Hawkeye Nozzle Control System is ultra-precise. This product control system allows for precise application in a variety of conditions, getting the most out of every nozzle. Each nozzle is controlled by its own individual pulsing valve giving you a consistent flow range as speed and conditions change.

Hawkeye has been tested for shock, vibration, impact, and weather resistance in rugged terrain and extreme temperatures. Additionally, its Viton seals have had over 1,000 hours of testing to ensure system reliability. Hawkeye's durability is unparalleled.



COMPATIBILITY

- Raven Viper® 4
- Sidekick Pro™



The Hawkeye System is built on the ISOBUS communication platform which allows it to work with ISO Task Controllers, including the Viper® 4.

FEATURES & BENEFITS

- Nozzle-by-nozzle turn compensation
- Fully integrated with machine application control systems
- One control module per system
- PWM control provides quick response
- ISO compatible, including Viper® 4
- Simple and clean installation, setup, and calibration
- Consistent spray pattern
- Accurate droplet size and placement
- Pressure-based nozzle control system
- Extended range out of each nozzle
- Blended pulse application
- Individual nozzle shut-off with Hawkeye HD

- Ability to program up to 16 virtual sections for shut-off through the Viper® 4
- Individual valve diagnostics monitor each nozzle
- Seal maintenance kit included with each system
- Adjustable pressure on the fly including 2 preset pressures
- Two-year warranty with registration
- Mapping and data logging of each nozzle for more accurate record-keeping

HAWKEYE HD

- Reduces costly skips or overlaps
- Upgrade with a simple unlock—no need to change hardware to take advantage of this feature

VIRTUAL SECTION CAPABILITY

- Program additional sections for on/off control
- Available with base system—no upgrade needed
- Provides more section control and higher ROI than traditional shut-off systems

SIDEKICK PRO™ DIRECT INJECTION COMPATIBILITY

- Inject additional chemicals in the line as needed without worrying about tank mixing or clean-out at the end of the day
- Greater flexibility in your applications, so you can handle weed resistance and other challenges
- With Hawkeye, use up to 5 injection systems on one machine through the Viper® 4

AUTOBOOM®

The AutoBoom automatic boom height control system offers faster operating speeds, simple calibration and user-friendly controls. Its unique hydraulic-powered design delivers a smooth and responsive height-adjusting system.

AutoBoom gives you increased efficiency with faster spraying speeds, covering more acres in less time and with less operator stress and fatigue. It also features:

- Automatic calibration, less than one minute per boom
- Optimal spray height ensured
- Ability to increase spraying speeds
- Up to 5 sensors, including center rack control
- Less wear and tear on the boom
- ISOBUS compatibility
- Pressure-based control for smoother boom movements and adjustments
- Upgrade to AUTOBOOM XT for extreme terrain

COMPATIBLE WITH RAVEN DEVICES INCLUDING:

Envizio Pro™

Envizio Pro II®

Envizio Pro XL™

Viper® 4

ViperPro™

CR7™



The stand alone controller allows users to add AutoBoom in the absence of a field computer.

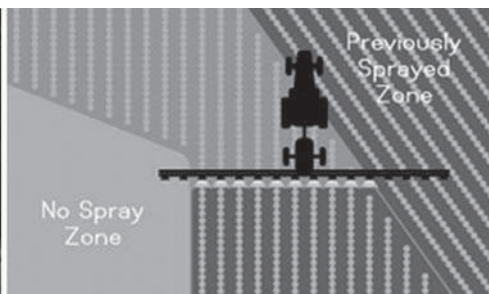
RAVEN ACCUBOOM SPRAYER CONTROL

ACCUBOOM™

Control input costs with AccuBoom automatic section control. Greater fuel and chemical savings, faster spraying times, ease of operation and more accurate spraying improve your return on investment every season.

Dollar for dollar, AccuBoom offers the fastest payback in precision ag equipment.

COMPATIBLE WITH RAVEN FIELD COMPUTERS INCLUDING:



FEATURES INCLUDE:

- Automatic on-off control for up to 10 sections
- Eliminate costly skips and overlaps
- Adjustable look ahead function lets you adjust settings easily for the overlap you choose
- Speed compensation function accounts for how fast you are driving and ensures properly timed shut-off

Viper® 4

Viper Pro™

Envizio Pro™

Envizio Pro II®

Envizio Pro XL™

A U T O B O O M



A U T O B O O M



PowerGlide Autoboom

- Low cost Autoboom leveling kit
- One button engage
- Compact console, takes up less space in cab
- Simple design, mechanical adjustment
- Easy to use and adjust
- Great for trailed or self-propelled sprayers
- Upgradeable to PowerGlide Plus (pressure or UltraGlide (ultrasonic))
- Optional suspension wheel

UltraGlide Autoboom

Take advantage of ultrasonic sensors that gauge the distance to the ground with this fully-loaded boom height control system that's ideal for pre- and post-emergence applications. UltraGuide includes a center rack control that makes it easy—and quick—to return to spray and transport modes. CANbus technology for integrated multi-system operations is also standard.

- In-cab monitoring and adjustments
- Simplified one-touch calibration
- Five sensor capability
- Wheel-mode capability
- Compatible with many consoles



Parts Breakdown for Raven Sensors

PART #	FAST #	DESCRIPTION
106-0159-626	631898	ARM ULTRASONIC SENSOR
106-0159-627		LOWER HOUSING ULTRASONIC SENSR
106-0159-628		COVER ULTRASONIC SENSOR
422-0000-082		SNSR ULTRA ATBM-SEE 0630130009
420-2002-028		CABLE ULTSN SNSR W/3PIN SHROUD
311-0069-040		BOLT CARRIAGE STEEL 5/16-18 X3
313-2300-013		WASHER .375ID X.875OD X.083THK
312-4000-166		NUT LOCK NYL INS 5-16018 UNCSS
314-0000-016		SPR CMPRSN 0.75" LG
435-1000-005		TIE CABLE BLACK NYLON 7.38" LG



Touchdown Wheel Kits and Parts

117-0138-057		TOUCHDOWN WHEEL KIT - COMPLETE
117-0131-041	631823	KIT AXLE 34" STRAIGHT
322-0131-008	631826	TIRE SMTH NO FLAT 4.80X8 5-BOLT
116-0000-001		ASSY HUB 5-BOLT 1
107-0171-617		BRACKET HUB RETAINER
312-0000-392		PIN COTTER HMRLCK 3/16" X 1.5"
TIMKEN # 203025		SEAL FOR TOUCHDOWN WHEEL
TIMKEN # L44610		RACE FOR TOUCHDOWN WHEEL
TIMKEN # L44643		BEARING FOR TOUCHDOWN WHEEL

★ CALL FOR MORE INFORMATION AND PRICING ★

CR7™

AFFORDABLE – SCALABLE – EXCEPTIONAL VALUE

Technical Data Sheet

CR7 > SPECIFICATIONS

The latest innovation from Raven is a compact, yet powerful field computer. The CR7 is a 7-inch field computer with a simplified widget concept. Customizable in-job layouts, easily accessible settings, and ISO UT (Universal Terminal) and Task Controller capabilities make this powerful device a plug-and-play option for building an affordable system. Pair the CR7 with a compatible Raven GPS Smart Antenna to get all the benefits of autosteer and guidance, AccuBoom™, Raven serial consoles, and sub-meter single frequency GPS and GLONASS.

CONNECTIONS

- 2 CANbus channels
- 3 Serial channels
- One USB 2.0 Port
- Gigabit Ethernet Port
- Wi-Fi 802.11 b/g/n
- Bluetooth 2.1 with EDR and BLE 4.0
- Radar Speed Output
- Keyed power start-up and shut-down
- Two Digital Sense Inputs

DISPLAY

- Screen Brightness 850 NITS
- 7" Widescreen
- Capacitive Touch
- 480x800 Resolution
- Integrated Lightbar

COMPUTING

- 16 GB Storage
- 2 GB RAM
- 852 MHz Quad Core Processor

POWER

- 7-16 VDC Input
- 850 mA Typical

MECHANICAL

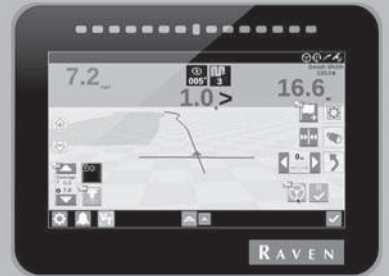
- 7.5" x 5.6" x 3.0"
- Weight: 1.4 lbs
- 1" RAM ball mount

ENVIRONMENTAL

- Operating Temperature Range: -20°C to 70°C
- Storage Temperature Range: -40°C to 70°C
- IP65 Moisture Protection

CERTIFICATIONS

- CE
- E-Mark



BENEFITS & FEATURES:

- Multiple language support and customizable units
- Simplified, customizable widget layout
- Ability to access settings page from inside a job
- Map-based navigation
- Auto field boundaries keep you organized automatically
- Interactive field/job list and map view
- Slingshot-ready for file transfer, remote support, and OTA software updates
- Compatible with Raven AccuBoom, serial control consoles, and external lightbar support
- ISO Universal Terminal and Task Controller functionality via unlock
- Straight A-B, A plus heading, pivot, contour, and last pass guidance
- Compatible with autosteer products including SmarTrax and SmarTrax MD
- Sub-meter single frequency GPS and GLONASS with compatible GPS Smart Antenna
- Scalable GPS upgrades and VRA unlocks with compatible GPS Smart Antenna



CALL FOR MORE INFORMATION & PRICING

RAVEN



MATRIX PRO™ GUIDANCE

GUIDANCE LIKE YOU'VE NEVER SEEN BEFORE.

MATRIX570G™

- RealView™ Guidance over Video – A TeeJet exclusive! Guidance information and video displayed simultaneously
- Easy-to-use, 3D graphical guidance that is precise and accurate in all terrain
- Coverage mapping/data export
- Bright, daylight readable screen
- Console size: 5.7"
- Product upgrades include:
 - FieldPilot® auto steer
 - BoomPilot® automatic boom section control
 - Tilt compensation
 - Video selection module for up to 8 cameras
 - External receiver or antenna upgrades



MATRIX840G™

- RealView™ Guidance over Video – A TeeJet exclusive! Guidance information and video displayed simultaneously
- Easy-to-use, 3D graphical guidance that is precise and accurate in all terrain
- Coverage mapping/data export
- Bright, daylight readable screen
- Console size: 8.4"
- Product upgrades include:
 - FieldPilot® auto steer
 - BoomPilot® automatic boom section control
 - Tilt compensation
 - Video selection module for up to 8 cameras
 - External receiver or antenna upgrades



VIDEO CAMERA

AUTO STEER

COLOR 3-D GUIDANCE

AUTOMATIC BOOM CONTROL



Call for More Information and Pricing!

GUIDANCE SYSTEM SELECTION GUIDE



A SOLUTION FOR ALL YOUR NEEDS



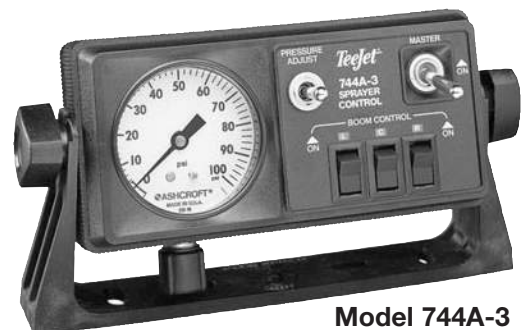
FEATURES	MATRIX® 430	MATRIX PRO 570GS	MATRIX PRO 840GS	AEROS 9040
Display Type	Full Color, Touchscreen	Full Color, Touchscreen	Full Color, Touchscreen	Full Color, Touchscreen
Display Size	4.3 in / 110mm	5.7 in / 145mm	8.4 in / 213mm	8.4 in / 213mm
Guidance Modes				
GLONASS Signal	✓	○	○	✓
RXA-30 SBAS Antenna	○	○	○	○
RX520 L1/L2, PPP GNSS Receiver (2-4 in / 5-10 cm Accuracy)		○	○	○
Return to Point	✓	✓	✓	✓
Field Area/Boundary Creation	✓	✓	✓	✓
Coverage Mapping	✓	✓	✓	✓
Applied Area Alert	✓			
Data Storage and Retrieval		✓	✓	✓
Basic Reporting (KML, PDF)	✓			
Fieldware Link Software		✓	✓	✓
Advanced Reporting		✓	✓	✓
As-Applied Mapping		✓	✓	✓
Automatic Rate Control (Liquid & Granular)				✓
ISOBUS UT				✓
Variable Rate Application		○ (w/ 3rd Party Ctl.)	○ (w/ 3rd Party Ctl.)	○
Video Camera Monitoring		○ (Up to 4)	○ (Up to 8)	○ (Up to 8)
Droplet Size Monitoring		○	○	○
BoomPilot® Automatic Section Control		○	○	○
UniPilot® Assisted Steering		○	○	○
FieldPilot® Auto Steering		○	○	○
Tip Flow Monitoring with Fault Mapping				○

✓ = STANDARD FEATURE ○ = OPTIONAL FEATURE

TEEJET SPRAYER CONTROL KITS

SPRAY CONTROL KITS

TJ/ Kit Number (Mid-Tech Number)	Description			
	Gauge	Qty.	Item	Price
AAK744A-100L-30S (90-50161)	100 PSI/7 bar dual scale Liquid	1 1	744 Control – 3 Boom Sections 244C-3/4 Regulating Valve	\$ 382.80
AAK744-100L-33S (90-50163)	100 PSI/7 bar dual scale Liquid	1 1 3	744 A Control – 3 Boom Sections 244C-3/4 Regulating Valve 144A DirectoValve	\$ 613.65
AAK744A-100L-33P (90-50177)	100 PSI/7 bar dual scale Liquid	1 1 3	744 A Control – 3 Boom Sections 244C-3/4 Regulating Valve 144P DirectoValve	\$ 828.42



Model 744A-3

Quality - Durable - Affordable

Increase Safety & Productivity



VISIONWORKS

Camera Systems

Wired or Wireless



Eliminate Blind Spots on Equipment



- Highest Resolution
- Night Vision
- Heavy-Duty IP68 Camera
- Easy to Install



5"



7"



10"



12"

Split Screen, Quad-View & 8-Camera Input Monitors Available

Camera Integration for Most GPS Systems

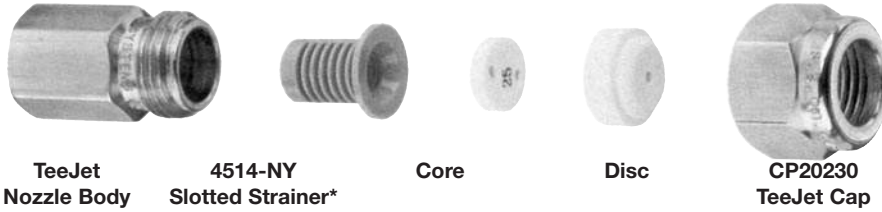


VisionworksCameras.com



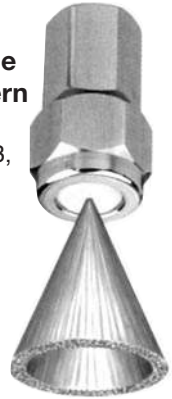


Typical Assembly with Ceramic Disc and Core



* Use 20229-NY gasket when 4514-NY nylon slotted strainer is not used.

Hollow Cone Spray Pattern
Produced by
Cores #13, 23,
25, 45 & 46



Hollow Cone Type Spray Tips

TeeJet Nozzle Body	Core	Disc	GPM										Spray Angle		
			10 PSI	20 PSI	30 PSI	40 PSI	60 PSI	80 PSI	100 PSI	150 PSI	200 PSI	300 PSI	20 PSI	40 PSI	80 PSI
D1 DC13 .031"	-	-	.059	.066	.078	.088	.097	.115	.128	.152	-	51°	62°		
D1.5 DC13 .036"	-	-	.057	.067	.075	.088	.098	.110	.127	.147	38°	55°	66°		
D2 DC13 .041"	-	-	.064	.075	.08	.10	.11	.12	.14	.16	49°	67°	72°		
D3 DC13 .047"	-	-	.071	.08	.09	.11	.12	.13	.16	.18	53°	70°	75°		
D4 DC13 .063"	.070	.09	.11	.12	.14	.16	.17	.20	.23	.27	69°	79°	83°		
D1 DC23 .031"	-	-	.064	.072	.080	.096	.107	.124	.139	.164	-	47°	58°		
D1.5 DC23 .036"	-	-	.064	.076	.086	.103	.117	.130	.155	.175	34°	51°	62°		
D2 DC23 .041"	-	-	.078	.092	.10	.13	.14	.16	.19	.21	51°	63°	70°		
D3 DC23 .047"	.065	.087	.10	.12	.14	.16	.18	.21	.24	.28	58°	69°	75°		
D4 DC23 .063"	.082	.113	.14	.15	.19	.21	.23	.28	.32	.38	68°	82°	87°		
D5 DC23 .078"	.095	.13	.16	.18	.22	.25	.28	.34	.38	.46	79°	89°	94°		
D6 DC23 .094"	.112	.15	.19	.21	.26	.29	.32	.39	.45	.54	84°	93°	98°		
D1 DC25 .031"	-	-	.088	.101	.122	.138	.156	.185	.210	.255	-	27°	43°		
D1.5 DC25 .036"	-	-	.118	.135	.162	.185	.205	.245	.280	.33	-	38°	49°		
D2 DC25 .041"	-	.12	.14	.16	.19	.22	.25	.29	.34	.41	39°	51°	58°		
D3 DC25 .047"	.10	.14	.17	.19	.23	.26	.29	.35	.40	.48	52°	61°	67°		
D4 DC25 .063"	.15	.21	.25	.29	.35	.40	.45	.54	.62	.75	67°	74°	80°		
D5 DC25 .078"	.18	.25	.30	.35	.42	.48	.54	.65	.75	.90	73°	79°	84°		
D6 DC25 .094"	.23	.32	.39	.44	.54	.62	.70	.85	.97	1.19	79°	85°	89°		
D7 DC25 .109"	.26	.37	.45	.52	.63	.73	.81	.98	1.18	1.37	85°	91°	93°		
D8 DC25 .125"	.31	.43	.53	.61	.75	.89	.97	1.19	1.36	1.68	91°	96°	97°		
D10 DC25 .156"	.38	.54	.65	.76	.93	1.07	1.21	1.48	1.71	2.1	97°	102°	103°		
D12 DC25 .188"	.46	.61	.80	.93	1.15	1.32	1.47	1.81	2.09	2.55	103°	109°	112°		
D14 DC25 .219"	.51	.72	.88	1.03	1.26	1.47	1.65	2.02	2.34	2.89	108°	113°	114°		
D1 DC45 .031"	-	-	.125	.148	.170	.190	.225	.257	.310	-	22°	34°			
D1.5 DC45 .036"	-	-	.14	.16	.20	.23	.25	.31	.35	.43	-	33°	44°		
D2 DC45 .041"	-	.14	.18	.20	.25	.28	.32	.38	.44	.53	32°	46°	55°		
D3 DC45 .047"	-	.17	.20	.23	.28	.33	.36	.44	.51	.62	40°	53°	60°		
D4 DC45 .063"	.18	.25	.31	.36	.43	.50	.56	.68	.78	.95	62°	69°	72°		
D5 DC45 .078"	.23	.32	.39	.45	.55	.64	.71	.86	.99	1.22	67°	73°	76°		
D6 DC45 .094"	.29	.41	.50	.58	.72	.83	.93	1.15	1.33	1.64	73°	79°	81°		
D7 DC45 .109"	.33	.48	.59	.68	.84	.97	1.11	1.35	1.57	1.94	81°	86°	87°		
D8 DC45 .125"	.41	.59	.72	.84	1.04	1.21	1.35	1.68	1.94	2.40	86°	90°	90°		
D10 DC45 .156"	.54	.77	.94	1.10	1.35	1.57	1.77	2.18	2.50	3.10	90°	93°	93°		
D12 DC45 .188"	.67	.95	1.17	1.36	1.68	1.95	2.20	2.69	3.11	3.80	97°	100°	102°		
D14 DC45 .218"	.75	1.07	1.32	1.53	1.89	2.19	2.45	3.00	3.49	4.30	101°	104°	105°		
D16 DC45 .250"	.86	1.25	1.54	1.79	2.20	2.57	2.89	3.54	4.11	5.20	108°	111°	112°		
D1 DC46 .031"	-	-	.145	.178	.205	.23	.28	.32	.39	-	13°	15°			
D1.5 DC46 .036"	-	-	.213	.260	.300	.33	.41	.46	.56	-	15°	17°			
D2 DC46 .041"	-	-	.24	.27	.33	.37	.42	.50	.57	.68	-	18°	21°		
D3 DC46 .047"	-	.23	.28	.32	.39	.45	.51	.61	.70	.86	14°	20°	24°		
D4 DC46 .063"	.28	.39	.48	.56	.68	.78	.88	1.07	1.23	1.52	23°	29°	33°		
D5 DC46 .078"	.38	.54	.66	.77	.94	1.10	1.25	1.50	1.73	2.13	33°	39°	42°		
D6 DC46 .094"	.55	.78	.95	1.10	1.35	1.58	1.73	2.16	2.50	3.06	42°	48°	50°		
D7 DC46 .109"	-	.98	1.22	1.39	1.72	1.97	2.22	2.73	3.15	3.85	48°	53°	56°		
D8 DC46 .125"	-	-	1.59	1.84	2.25	2.62	2.93	3.60	4.17	5.05	-	60°	62°		
D10 DC46 .156"	-	-	2.15	2.48	3.05	3.53	3.96	4.83	5.59	6.8	-	66°	68°		

SPECIFY DISC OR CORE NO, MATERIAL

HOW TO ORDER-EXAMPLE

TJ/	DESCRIPTION	PRICE
D-(1-16)	Orifice Disk-Hard ST	1.83
DCER-(1-10)	Orifice Disk-Ceramic	5.03
DVP-(2-8)	Orifice Disk-Polymer	1.18
DC-(13-56)-NY	Core-Nylon	1.66
DC-(13-56)	Core-Brass	3.18
DC-(13-56)-HSS	Core-Hard ST	7.59
DC-(13-56)-CER	Core-Ceramic	7.64

For spraying pesticides at higher pressures and flow rates. Especially suitable for wettable powders and other abrasive chemicals. Larger capacity tips are also used in air blast sprayers.

Cores

Standard cores are made of brass. Cores are also available in aluminum, nylon, hardened stainless steel and ceramic. All cores with the exception of ceramic are made with rear "nibs"; be sure core is always placed with the nib facing the nozzle body.

Ceramic Sizes Available: DC13-CER, DC23-CER, DC25-CER, DC31-CER, DC35-CER, DC45-CER, DC46-CER, DC56-CER.

Orifice Discs

Orifice disks are available in ceramic, hardened stainless steel, stainless steel, and polymer.

Ceramic Sizes Available: DCER-2 through DCER-8, DCER-10.

Polymer Sizes Available: DVP-2 through DVP-8.

STRAINER NOTE: For nozzles using orifice disc nos. 1, 1.5, and 2; or core nos. 31 and 33, slotted strainer no. 4514-20 equivalent to 25 mesh screen size is required. For all other larger capacity discs and cores, slotted strainer no. 4514-32 equivalent to 16 mesh screen size is required.



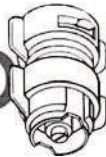
Spraying Systems Co.

Hi-VeriFlow 1



Reference Pressure PSI	Nozzle Flow Rate GPM	30" Nozzle Spacing							
		US Gallons / Acre - Based on Fertilizer							
		4 MPH	6 MPH	8 MPH	10 MPH	12 MPH	14 MPH	16 MPH	18 MPH
20	0.25	10.5	7.0	5.3	4.2	3.5	3.0	2.6	2.3
30	0.40	16.8	11.2	8.4	6.7	5.6	4.8	4.2	3.7
35	0.70	29.5	19.6	14.7	11.8	9.8	8.4	7.4	6.5
40	1.00	42.1	28.1	21.0	16.8	14.0	12.0	10.5	9.4
45	1.20	50.5	33.7	25.2	20.2	16.8	14.4	12.6	11.2
50	1.70	71.5	47.7	35.8	28.6	23.8	20.4	17.9	15.9
55	2.20	92.6	61.7	46.3	37.0	30.9	26.4	23.1	20.6
60	2.50	105.2	70.1	52.6	42.1	35.1	30.1	26.3	23.4
70	2.80	117.8	78.5	58.9	47.1	39.3	33.7	29.5	26.2

TURBO DROP Variable Rate Fertilizer Nozzle



TDVRF015	Press. PSI	Flow GPM	GALLONS PER ACRE BASED ON 30" NOZZLE SPACING *																
			3	4	5	6	7	8	9	10	11	12	13	14	15	16	17	18	20
			10	0.123	8.1	6.1	4.9	4.1	3.5	3.0	2.7	2.4	2.2	2.0	1.9	1.7	1.6	1.5	1.4
20	0.174	11.5	8.6	6.9	5.7	4.9	4.3	3.8	3.4	3.1	2.9	2.7	2.5	2.3	2.2	2.0	1.9	1.7	
30	0.266	17.6	13.2	10.5	8.8	7.5	6.6	5.9	5.3	4.8	4.4	4.1	3.8	3.5	3.3	3.1	2.9	2.6	
40	0.350	23.1	17.3	13.9	11.6	9.9	8.7	7.7	6.9	6.3	5.8	5.3	5.0	4.6	4.3	4.1	3.9	3.5	
50	0.391	25.8	19.4	15.5	12.9	11.1	9.7	8.6	7.7	7.0	6.5	6.0	5.5	5.2	4.8	4.6	4.3	3.9	
60	0.443	29.2	21.9	17.5	14.6	12.5	11.0	9.7	8.8	8.0	7.3	6.7	6.3	5.8	5.5	5.2	4.9	4.4	
70	0.483	31.9	23.9	19.1	15.9	13.7	12.0	10.6	9.6	8.7	8.0	7.4	6.8	6.4	6.0	5.6	5.3	4.8	
80	0.516	34.1	25.5	20.4	17.0	14.6	12.8	11.4	10.2	9.3	8.5	7.9	7.3	6.8	6.4	6.0	5.7	5.1	
100	0.566	37.4	28.0	22.4	18.7	16.0	14.0	12.5	11.2	10.2	9.3	8.6	8.0	7.5	7.0	6.6	6.2	5.6	
120	0.620	40.9	30.7	24.6	20.5	17.5	15.3	13.6	12.3	11.2	10.2	9.4	8.8	8.2	7.7	7.2	6.8	6.1	
140	0.670	44.2	33.2	26.5	22.1	19.0	16.6	14.7	13.3	12.1	11.1	10.2	9.5	8.8	8.3	7.8	7.4	6.6	

TDVRHB02	Press. PSI	Flow GPM	GALLONS PER ACRE BASED ON 30" NOZZLE SPACING *																
			3	4	5	6	7	8	9	10	11	12	13	14	15	16	17	18	20
			10	0.180	11.9	8.9	7.1	5.9	5.1	4.5	4.0	3.6	3.2	3.0	2.7	2.5	2.4	2.2	2.1
20	0.251	16.6	12.4	9.9	8.3	7.1	6.2	5.5	5.0	4.5	4.1	3.8	3.5	3.3	3.1	2.9	2.8	2.5	
30	0.384	25.3	19.0	15.2	12.7	10.9	9.5	8.4	7.6	6.9	6.3	5.8	5.4	5.1	4.8	4.5	4.2	3.8	
40	0.512	33.8	25.3	20.3	16.9	14.5	12.7	11.3	10.1	9.2	8.4	7.8	7.2	6.8	6.3	6.0	5.6	5.1	
50	0.575	38.0	28.5	22.8	19.0	16.3	14.2	12.7	11.4	10.4	9.5	8.8	8.1	7.6	7.1	6.7	6.3	5.7	
60	0.653	43.1	32.3	25.9	21.5	18.5	16.2	14.4	12.9	11.8	10.8	9.9	9.2	8.6	8.1	7.6	7.2	6.5	
70	0.696	45.9	34.5	27.6	23.0	19.7	17.2	15.3	13.8	12.5	11.5	10.6	9.8	9.2	8.6	8.1	7.7	6.9	
80	0.744	49.1	36.8	29.5	24.6	21.0	18.4	16.4	14.7	13.4	12.3	11.3	10.5	9.8	9.2	8.7	8.2	7.4	
100	0.821	54.2	40.6	32.5	27.1	23.2	20.3	18.1	16.3	14.8	13.5	12.5	11.6	10.8	10.2	9.6	9.0	8.1	
120	0.900	59.4	44.6	35.6	29.7	25.5	22.3	19.8	17.8	16.2	14.9	13.7	12.7	11.9	11.1	10.5	9.9	8.9	
140	0.972	64.2	48.1	38.5	32.1	27.5	24.1	21.4	19.2	17.5	16.0	14.8	13.7	12.8	12.0	11.3	10.7	9.6	

TDVREX03	Press. PSI	Flow GPM	GALLONS PER ACRE BASED ON 30" NOZZLE SPACING *																
			3	4	5	6	7	8	9	10	11	12	13	14	15	16	17	18	20
			10	0.230	15.2	11.4	9.1	7.6	6.5	5.7	5.1	4.6	4.1	3.8	3.5	3.3	3.0	2.8	2.7
20	0.326	21.5	16.1	12.9	10.8	9.2	8.1	7.2	6.5	5.9	5.4	5.0	4.6	4.3	4.0	3.8	3.6	3.2	
30	0.492	32.5	24.4	19.5	16.2	13.9	12.2	10.8	9.7	8.9	8.1	7.5	7.0	6.5	6.1	5.7	5.4	4.9	
40	0.661	43.6	32.7	26.2	21.8	18.7	16.4	14.5	13.1	11.9	10.9	10.1	9.3	8.7	8.2	7.7	7.3	6.5	
50	0.739	48.8	36.6	29.3	24.4	20.9	18.3	16.3	14.6	13.3	12.2	11.3	10.5	9.8	9.1	8.6	8.1	7.3	
60	0.825	54.5	40.8	32.7	27.2	23.3	20.4	18.2	16.3	14.9	13.6	12.6	11.7	10.9	10.2	9.6	9.1	8.2	
70	0.885	58.4	43.8	35.0	29.2	25.0	21.9	19.5	17.5	15.9	14.6	13.5	12.5	11.7	11.0	10.3	9.7	8.8	
80	0.943	62.2	46.7	37.3	31.1	26.7	23.3	20.7	18.7	17.0	15.6	14.4	13.3	12.4	11.7	11.0	10.4	9.3	
100	1.054	69.6	52.2	41.7	34.8	29.8	26.1	23.2	20.9	19.0	17.4	16.1	14.9	13.9	13.0	12.3	11.6	10.4	
120	1.154	76.2	57.1	45.7	38.1	32.6	28.6	25.4	22.8	20.8	19.0	17.6	16.3	15.2	14.3	13.4	12.7	11.4	
140	1.247	82.3	61.7	49.4	41.2	35.3	30.9	27.4	24.7	22.4	20.6	19.0	17.6	16.5	15.4	14.5	13.7	12.3	

TDVRF05	Press. PSI	Flow GPM	GALLONS PER ACRE BASED ON 30" NOZZLE SPACING *																
			3	4	5	6	7	8	9	10	11	12	13	14	15	16	17	18	20
			10	0.454	30.0	22.5	18.0	15.0	12.8	11.2	10.0	9.0	8.2	7.5	6.9	6.4	6.0	5.6	5.3
20	0.642	42.4	31.8	25.4	21.2	18.2	15.9	14.1	12.7	11.6	10.6	9.8	9.1	8.5	7.9	7.5	7.1	6.4	
30	0.758	50.0	37.5	30.0	25.0	21.4	18.8	16.7	15.0	13.6	12.5	11.5	10.7	10.0	9.4	8.8	8.3	7.5	
40	0.930	61.4	46.0	36.8	30.7	26.3	23.0	20.5	18.4	16.7	15.3	14.2	13.2	12.3	11.5	10.8	10.2	9.2	
50	1.039	68.6	51.4	41.1	34.3	29.4	25.7	22.9	20.6	18.7	17.1	15.8	14.7	13.7	12.9	12.1	11.4	10.3	
60	1.091	72.0	54.0	43.2	36.0	30.9	27.0	24.0	21.6	19.6	18.0	16.6	15.4	14.4	13.5	12.7	12.0	10.8	
70	1.269	83.8	62.8	50.3	41.9	35.9	31.4	27.9	25.1	22.8	20.9	19.3	17.9	16.8	15.7	14.8	14.0	12.6	
80	1.368	90.3	67.7	54.2	45.1	38.7	33.9	30.1	27.1	24.6	22.6	20.8	19.3	18.1	16.9	15.9	15.0	13.5	
100	1.530	101.0	75.7	60.6	50.5	43.3	37.9	33.7	30.3	27.5	25.2	23.3	21.6	20.2	18.9	17.8	16.8	15.1	
120	1.676	110.6	83.0	66.4	55.3	47.4	41.5	36.9	33.2	30.2	27.7	25.5	23.7	22.1	20.7	19.5	18.4	16.6	
140	1.810	119.5	89.6	71.7	59.7	51.2	44.8	39.8	35.8	32.6	29.9	27.6	25.6	23.9	22.4	21.1	19.9	17.9	

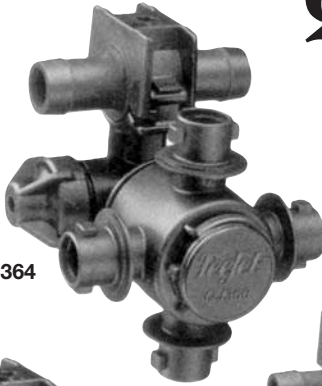
EQUIPMENT
FLOW METERS
PRECISION
NOZZLES
VALVES
STRAINERS
FITTINGS
JACKS & HITCHES
PLANTER COMP.
PUMPS
TILLAGE
NH₃
TANKS

Quick TeeJet®

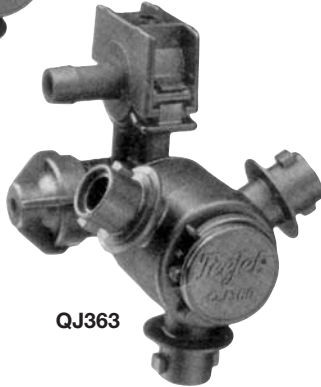
QJ360 Nozzle Body Series for Dry Boom

- Available with either 3, 4 or 5 spray positions for easy change of spray tips or quick boom flushing
- Positive shutoff between each spray position
- Maximum operating pressure of 300 PSI (20 bar)
- Available in 1/2", 3/4" or 1" single or double hose shanks
- Includes ChemSaver® diaphragm check valve for drip-free shutoff
- Durable design mounts body high on boom structure for maximum protection
- Standard EPDM diaphragm with Viton® available as an option

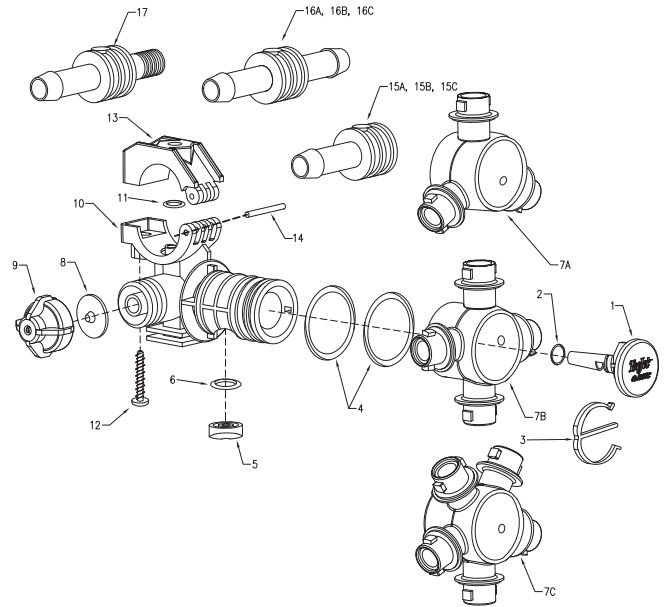
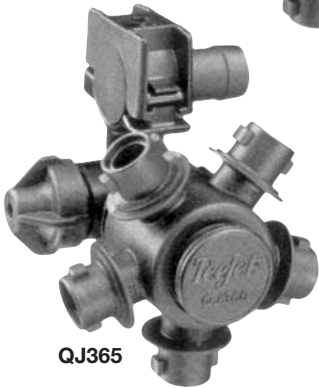
QJ364



QJ363



QJ365



NOZZLE BODIES FOR WET BOOMS

TJ/	Fast #	Description	Price
QJ363C-3/4-NYB		Three outlet, 3/4" split eyelet	19.04
QJ363C-1-NYB	520025	Three outlet, 1" split eyelet	19.04
QJ363C-25mm-NYB	520039	Three outlet, 25mm split eyelet	19.04
QJ364C-3/4-NYB		Four outlet, 3/4" split eyelet	19.04
QJ364C-1-NYB		Four outlet, 1" split eyelet	19.04
QJ364C-25mm-NYB	520044	Four outlet, 25mm split eyelet	19.04
QJ365C-3/4-NYB		Five outlet, 3/4" split eyelet	19.04
QJ365C-1-NYB		Five outlet, 1" split eyelet	19.04
QJ365C-25mm-NYB	520047	Five outlet, 25mm split eyelet	19.04

Nozzle caps not included

SINGLE HOSE SHANK DESIGN

TJ/	Fast #	Description	Price
QJ363C-500-1-NYB		Three outlet 1/2" hose barb	23.78
QJ363C-750-1-NYB	520026	Three outlet 3/4" host barb	23.78
QJ363C-1000-1-NYB		Three outlet 1" hose barb	23.78
QJ364C-500-1-NYB		Four outlet 1/2" hose barb	23.78
QJ364C-750-1-NYB		Four outlet 3/4" hose barb	23.78
QJ364C-1000-1-NYB		Four outlet 1" hose barb	23.78
QJ365C-500-1-NYB		Five outlet 1/2" hose barb	23.78
QJ365C-750-1-NYB		Five outlet 3/4" hose barb	23.78
QJ365C-1000-1-NYB		Five outlet 1" host barb	23.78

DOUBLE HOSE SHANK DESIGN

TJ/	Fast #	Description	Price
QJ363C-500-2-NYB		Three outlet 1/2" hose barb	23.78
QJ363C-750-2-NYB	520027	Three outlet 3/4" host barb	23.78
QJ363C-1000-2-NYB		Three outlet 1" hose barb	23.78
QJ364C-500-2-NYB		Four outlet 1/2" hose barb	23.78
QJ364C-750-2-NYB		Four outlet 3/4" hose barb	23.78
QJ364C-1000-2-NYB		Four outlet 1" hose barb	23.78
QJ365C-500-2-NYB		Five outlet 1/2" hose barb	23.78
QJ365C-750-2-NYB		Five outlet 3/4" hose barb	23.78
QJ365C-1000-2-NYB		Five outlet 1" host barb	23.78

ITEM	PART NO.	DESCRIPTION
1	CP38930-8-NYB	Plug, Nylon (Black)
2	CP7717-2-13-EPR	O-Ring, EPDM
	CP7717-2-13-VI	O-Ring, Viton (Optional)
3	CP38931-NYB	E-Clip, Nylon (Black)
4	CP7717-M28x3-EPRTFE	O-Ring, EPR-Teflon Filled (2 Req'd.)
	CP7717-M28x3-VITFE	O-Ring, Viton-Teflon Filled (2 Req'd.) (Optional)
5	CP56726-VITFE	Seal, Viton-Teflon Filled
6	CP7717-2-111-VI	O-Ring, Viton
7A	CP38921-2-NYB	Turret, Nylon (Black) (3 Outlet)
7B	CP38922-2-NYB	Turret, Nylon (Black) (4 Outlet)
7C	CP38923-2-NYB	Turret, Nylon (Black) (5 Outlet)
8	CP21953-EPR	Diaphragm, EPDM
	CP21953-VI	Diaphragm, Viton (Optional)
9	21950-10-NYB	End Cap Sub-assembly, Nylon (Black)
10	CP38925-2-NYB	3/4" Body, Nylon (Black)
	CP7717-2-110-BU	O-Ring, Buna-N
	CP7717-2-110-VI	O-Ring, Viton (Optional)
12	CP48255-1-1/4-302SS	Screw, Stainless Steel
13	CP48221-NYB	3/4" Upper Clamp, Nylon (Black)
14	CP48256-SS	Pivot Pin, Stainless Steel
15A	CP38936-NYB	1/2" Single Hose Barb, Nylon (Black)
15B	CP38938-NYB	3/4" Single Hose Barb, Nylon (Black)
15C	CP38940-NYB	1" Single Hose Barb, Nylon (Black)
16A	CP38937-NYB	1/2" Double Hose Barb, Nylon (Black)
16B	CP38939-NYB	3/4" Double Hose Barb, Nylon (Black)
16C	CP38941-NYB	1" Double Hose Barb, Nylon (Black)
17	CP38948-NYB	3/4" Hose Barb x 1/2" NPT, Nylon (Black)
	No. QJ36_C-500-1(R)-NYB(-VI)	1" Single Hose Barb Nozzle Body*
	No. QJ36_C-750-1(R)-NYB(-VI)	3/4" Single Hose Barb Nozzle Body*
	No. QJ36_C-1000-1(R)-NYB(-VI)	1" Single Hose Barb Nozzle Body*
	No. QJ36_C-500-2-NYB(-VI)	1/2" Double Hose Barb Nozzle Body*
	No. QJ36_C-750-2-NYB(-VI)	3/4" Double Hose Barb Nozzle Body*
	No. QJ36_C-1000-2-NYB(-VI)	1" Double Hose Barb Nozzle Body*
	No. QJ36_C-1/2X750-NYB(-VI)	1/2" NPT(m) by 3/4" Hose Barb Nozzle Body*
*Notes: Specify Either 3, 4, or 5 In Part Number For Number of Outlets Desired,		
-VI In Part Number Specifies Viton O-Ring Option, R specifies right-handed single hose barb orientation (as viewed with plug facing you), left-handed orientation is standard		

Quick TeeJet® Multiple Nozzle Bodies for Wet Booms

QJ380 High Flow Nozzle Body

- High capacity multiple outlet nozzle body is ideal for high speed, high volume applications including liquid fertilizer.
- Available with 3 spray positions for easy change of spray tips or quick boom flushing.
- Positive shutoff between each spray position.
- Automatic spray alignment when using flat fan spray tips.
- Maximum operating pressure of 150 PSI (10 bar).
- Available in 3/4" or 1" pipe size.
- Requires 3/8" (9.5 mm) hole drilled in pipe or tubing.
- Includes high capacity ChemSaver® diaphragm check valve for drip-free shutoff. Diaphragm opens at 12 PSI (0.8 bar).
- 3.0 GPM (11.4 l/min) flow rate at a 5 PSI (0.34 bar) pressure drop.
- Molded hex socket in upper clamp for attaching to flat surfaces. Accepts 5/16" or M8 bolt.
- Hinged upper clamp reduces assembly time and fits inside common boom channels.
- Constructed of nylon and acetal with Viton® seals and O-rings.



QJ380

QJ380 High Flow Nozzle Body

TJ/	Description	Price
QJ383-1-NYB	QJ383 1" QUICK TEEJET	\$37.66
QJ383-1X11/16-NYB	QJ383 1" (11/16) QUICK TEEJET	\$45.70
QJ383-3/4-NYB	QJ383 3/4" QUICK TEEJET	\$37.66
QJ383-3/4X11/16-NYB	QJ383 3/4" (11/16) QUICK TEEJET	\$45.70

QJ380F High Flow Nozzle Body with Fertilizer Outlet

TJ/	Description	Price
QJ383F-1-NYB	QJ383F- 1" QUICK TEEJET	\$41.11
QJ383F-1X11/16-NYB	QJ383F- 1" (11/16) QUICK TEEJET	\$49.15
QJ383F-3/4-NYB	QJ383F- 3/4" QUICK TEEJET	\$41.11

CP98488 Hi-Flow Nozzle Body Adapter Insert

TJ/	Description	Price
CP98488-VI	NOZZLE BODY INLET ADAPTER	\$8.04

QJ380F High Flow Nozzle Body with Fertilizer Outlet

- Same features as standard QJ380, with an additional higher flow outlet on bottom of body.
- Additional outlet can be used for very high flow applications such as liquid fertilizer.
- Flow rate through fertilizer outlet is 4.5 GPM (17.0 l/min) at 5 PSI (0.34 bar) pressure drop.



QJ383F

CP98488-VI Hi-Flow Nozzle Body Adapter Insert

- Reduces 1/8" (17.5mm) wet boom inlet hole to 3/8" (9.5mm).
- Allows QJ380 nozzle body to be used in place of non-TeeJet high-flow wet boom nozzle bodies.



CP98488-VI



QJ370 MULTIPLE OUTLET NOZZLE BODY

The QJ370 multiple outlet nozzle body features a compact design to fit onto a variety of sprayers and boom designs. It has positive indexing that prevents accidental rotation and provides feedback to the operator. Optimized internal passages provide high flow rates for a wide range of ground speeds and application rates..

Features & Benefits:

- Choice of 3 or 5 outlet turrets with Quick TeeJet® system for fast, easy installation and selection of spray tips
- QJ373 25mm model is Fast Part# 520084**
- QJ375 25mm model is Fast Part# 520085**
- Wet boom model fits ½, ¾ or 1 in pipe; 20mm or 25mm tubing
- Dry boom model fits ½, ¾, or 1 in hose with choice of single or double hose barb
- Maximum Operating Pressure: 300 psi (20 bar)
- Standard Check Valve Opening Pressure: 10 psi (0.69 bar), other pressures available including: 2, 5, 8, & 20 psi. (0.14, 0.34, 0.55, & 1.4 bar)
- QJ373 Flow Rating:
 - 2.6 GPM (9.8 l/min) at 5 psi (0.35 bar) pressure drop
 - 3.6 GPM (13.6 l/min) at 10 psi (0.7 bar) pressure drop
- QJ375 Flow Rating:
 - 2.4 GPM (9.1 l/min) at 5 psi (0.35 bar) pressure drop
 - 3.4 GPM (12.9 l/min) at 10 psi (0.7 bar) pressure drop
- Wet boom version requires 3/8 in (9.5 mm) diameter hole in pipe or tubing
- Notched inlet tube allows for more complete boom drainage and elimination of sediment
- Wetted parts constructed of Nylon, acetal and Viton® for excellent chemical resistance
- Corrosion resistant stainless steel hardware
- Hinged upper clamp, stainless steel screw, and captured nut for fast, easy assembly
- Dry boom versions and 3/4 in wet boom bodies feature mounting lug for use with Vari-Spacing clamps
- Compatible with a wide range of ChemSaver® shutoffs



QJ375 NOZZLE BODY

FITS	A	B	C	D	E
1" Pipe	1.32" (34mm)	2.64" (67mm)	1.91" (49mm)	4.22" (107mm)	3.19" (81mm)
3/4" Pipe *	1.20" (31mm)			3.96" (101mm)	3.06" (78mm)
1/2" Pipe	1.12" (28mm)			3.76" (95mm)	2.96" (75mm)
25 mm O.D. Tubing	1.20" (31mm)			3.96" (101mm)	3.06" (78mm)
20 mm O.D. Tubing	1.07" (27mm)			3.70" (94mm)	2.93" (74mm)

Note: All dimensions are approximate.

* All dry boom versions based on 3/4" size

Type QJ17560-NYB

- Can be mounted to 1/2", 3/4" or 1" pipe or equivalent size tubing
- Includes ChemSaver® drip-free shutoff. Requires 10 PSI at the nozzle to open check valve.
- Mounts to a 3/8" hole drilled in pipe or tubing.
- Maximum operating pressure of 300 psi
- 1/2" and 3/4" sizes include a mounting hole in upper clamp subassembly for mounting to flat surfaces.



QJ17560

Rapid Stop Nozzle Body Adapter



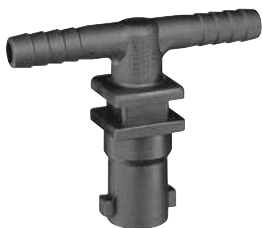
TJ/	Size	Price
CP98583-1-3/4-SS	3/4" Pipe QJ360C, QJ380	10.60
CP98583-1-1-SS	1" Pipe QJ380F, QJS	10.60
CP98583-2-3/4-SS	3/4" Pipe QJ17560A	10.60
CP98583-2-1-SS	1" Pipe 24216A	10.60
CP98583-3-1-SS	1" Pipe QJ360F QJ360F	10.60

TJ/	Fast #	Size	Price
QJ17560A-1/2-NYB		1/2"	5.34
QJ17560A-3/4-NYB	520020	3/4"	5.34
QJ17560A-1-NYB		1"	5.34
QJ17560A-25mm-NYB	520030	25mm	5.34

Quick TeeJet®

QJ100 Series Quick TeeJet® Nozzle Assemblies

In sizes to fit 3/8", 1/2", 3/4" I.D. hose. Available in single, double, or triple hose shanks. Max. operating pressure - 125 PSI (9 bar).



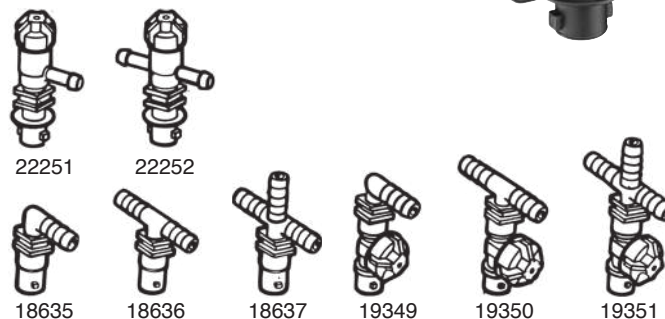
QJ200 Series Diaphragm Check Valve Quick TeeJet® Nozzle Assemblies

Drip-free shutoff. Opening pressure - 10 PSI (0.7 bar). Standard diaphragm is EPDM with Viton® optional. Max. operating pressure - 125 PSI (9 bar). Available in same sizes as Type QJ100 Series. Available in single, double or triple hose shanks.



QJ300 Series Diaphragm Check Valve Quick TeeJet® Nozzle Assemblies

Low profile design allows maximum protection against damage. Available with single and double hose shanks for 3/8" (9.5 mm), 1/2" (12.5 mm) and 3/4" (19 mm) I.D. hose. Drip-free shutoff. Opens at 10 PSI (0.7 bar). Standard diaphragm is EPDM with Viton® optional. Maximum operating pressure is 300 PSI (20 bar).



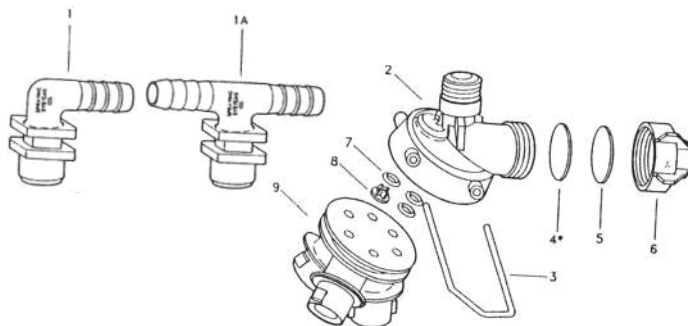
Size	Part # Single (L)	Fast #	Part #Double (T)	Fast #	Part #Triple (+)	Fast #	Price
TJ/ QJ 300 SERIES							
3/8"	22251-311-375-NYB	520007	22252-312-375-NYB	520009	-	-	10.07
1/2"	22251-311-500-NYB	-	22252-312-500-NYB	-	-	-	10.07
3/4"	22251-311-750-NYB	520008	22252-312-750-NYB	520010	-	-	10.07
TJ/ QJ 200 SERIES							
3/8"	19349-211-406-NYB	-	19350-212-406-NYB	-	19351-213-406-NYB	-	12.18
1/2"	19349-211-540-NYB	-	19350-212-540-NYB	-	19351-213-540-NYB	-	12.18
3/4"	19349-211-785-NYB	-	19350-212-785-NYB	-	19351-213-785-NYB	-	12.18
TJ/ QJ 100 SERIES							
3/8"	18635-111-406-NYB	520067	18636-112-406-NYB	-	18637-113-406-NYB	-	4.93
1/2"	18638-111-540-NYB	-	18639-112-540-NYB	-	18640-113-540-NYB	-	4.93
3/4"	18719-111-785-NYB	520003	18720-112-785-NYB	520004	18721-113-785-NYB	-	4.93

Triple Nozzle Body

- Designed to greatly simplify changing spray tips in the field
- Provides three spray positions for easy change of spray tips or quick boom flushing
- Positive shutoff between each spray position
- Includes ChemSaver® diaphragm check valve for drip-free shutoff
- Standard EPDM diaphragm with Viton available as an option
- Can be used with all Quick TeeJet caps
- Nylon body
- Maximum operating pressure of 125 PSI (9 bar)
- Available in 1/2" and 3/4" single or double hose shanks



24230



TJ/	Description	Price
24230A-1-540-NYB	TeeJet Triple Nozzle Body 1/2" Dry Boom Single	26.17
24230A-1-785-NYB	TeeJet Triple Nozzle Body 3/4" Dry Boom Single	26.17
24230A-2-540-NYB	TeeJet Triple Nozzle Body 1/2" Dry Boom Double	26.17
24230A-2-785-NYB	TeeJet Triple Nozzle Body 3/4" Dry Boom Double	26.17
24231A-NYB	TeeJet Triple Nozzle Body 1/4" M.P. Thread	26.17

Item	TJ/	Description	Price
1	18645-NYB-540	Single Hose Shank 1/2"	\$4.65
	18724-NYB-785	Single Hose Shank 3/4"	\$4.65
1A	18646-NYB-540	Double Hose Shank 1/2"	\$4.65
	18725-NYB-785	Double Hose Shank 3/4"	\$4.65
2	CP24232-NYB	Main Body, Nylon (black)	\$7.73
3	CP24221-SSPV	Clip	\$3.14
4	CP6227-TEF*	Diaphragm, PTFE (optional)	\$0.95
5	CP21953-EPR	Diaphragm, EPDM Rubber	\$0.59
6	21950-10-NYB	ChemSaver® End Cap Assembly, Nylon (black)	\$4.44
7	CP7717-2/109-EPR	O-Ring, EPDM Rubber (3 req'd)	\$2.64
8	CP24224-CE	Indexing Button, Celcon (gray)	\$0.67
9	24217-1-CE	Indexing Plate Sub-Assembly, Celcon (black)	\$13.63



Features

- High impact-resistant Nylon body
- Compact design
- High flow capability at low pressure drop
- Patented slotted groove fitting for complete drainage of boom chemical
- Available with either 3 or 5 spray positions for easy change of spray tips
- Standard EPDM diaphragm (Viton optional)

Benefits

- Allows for 3 or 5 spray tips for easy, fast changes
- Can be used with all quick attach spray caps
- Fast and easy assembly to boom
- Compact design protects against boom damage
- Positive shut off between each spray position

Replacement Seal/O-ring Kits

Part Number	Description/Material	Price
3430-0754	Contains all internal seals/EPDM	\$ 4.52
3430-0754V	Contains all internal seals/Viton	\$ 6.95



3-Way Nozzle Bodies

Seal Option/ Housing Reference	(to clamp on) Pipe Size						LIST PRICE
	1/2"	3/4"	1"	20mm	25mm		
EPDM/Red	4223N-B322	4223N-B323	4223N-B324	4223N-B327	4223N-B328		\$ 15.72
Viton/Green	4223N-B322V	4223N-B323V	4223N-B324V	4223N-B327V	4223N-B328V		\$ 17.73

5-Way Nozzle Bodies

Seal Option/ Housing Reference	(to clamp on) Pipe Size						LIST PRICE
	1/2"	3/4"	1"	20mm	25mm		
EPDM/Red	4223N-B522	4223N-B523	4223N-B524	4223N-B527	4223N-B528		\$ 15.72
Viton/Green	4223N-B522V	4223N-B523V	4223N-B524V	4223N-B527V	4223N-B528V		\$ 17.73

TEEJET QJS STACKABLE NOZZLE BODIES

The QJS nozzle body utilizes a modular design that allows for highly customized solutions to best fit your sprayer and spraying application needs. Choose the boom size, inlet position, outlet arrangement and tip shutoff mechanism that works best.

- Multiple outlet, stackable nozzle body is ideal for mounted, trailed and self-propelled sprayers.
- Wet boom configuration offered with choice of bottom or side inlet in five different boom diameters (1/2", 3/4", 19, 20mm and 25mm); dry boom version also available in three sizes (1/2", 3/4", 19mm).
- Can be equipped with any combination of TeeJet ChemSaver® tip shutoffs including pneumatic, electric, manual or spring-loaded check valve.
- Choose from one to four outlets in a variety of configurations.
- Wetted parts are nylon and Viton.
- Maximum operating pressure of up to 300 PSI (20 bar) depending on the ChemSaver used.
- Flow rating of up to 2.75 gpm (10.4 l/min) at 5 PSI (0.34 bar) pressure drop and 4.0 gpm (15.1 l/min) at 10 PSI (0.7 bar) pressure drop depending on ChemSaver used.



Quick TeeJet®



QJ8360-NYB

- Allows use of Quick TeeJet system from 1/4" NPT female connections
- Features ChemSaver® no-drip shutoff. Requires 10 PSI (0.7 bar) at the nozzle to open check valve
- Standard diaphragm of EPDM with optional Viton® available upon request
- Maximum operating pressure of 300 PSI (20 bar).

TeeJet Nozzle Bodies



Type-TT

Male Inlet NPT or BSPT Connection

TJ/	Fast #	Nozzle	(M)NPT	Material	Price
CP1336	-	1/8TT	1/8"	Brass	\$ 2.77
CP1322	-	1/4TT	1/4"	Brass	2.77
CP8028-NYB	-	1/4TT-NYB	1/4"	Nylon	1.98
CP1322-SS	520060	1/4TT-ST	1/4"	Stainless Steel	18.26
CP1324	-	3/8TT	3/8"	Brass	2.77
CP1340	-	1/2TT	1/2"	Brass	10.06



Type-T

Female Inlet NPT or BSPT Connection

TJ/	Fast #	Nozzle	(F)NPT	Material	Price
CP1335	-	1/8T	1/8"	Brass	\$ 2.77
CP1321	-	1/4T	1/4"	Brass	2.77
CP12094-NYB	-	1/4T-NYB	1/4"	Nylon	1.92
CP1321-SS	520014	1/4TT-ST	1/4"	Stainless Steel	18.26
CP1323	-	3/8T	3/8"	Brass	4.76
CP1339	-	1/2T	1/2"	Brass	10.06

Chem Saver

TJ/	Fast #	Description	Material	Price
CP21953-EPR	520070	Diaphragm	Rubber	\$ 0.59
CP21953-VI	-	Diaphragm	Viton	1.82
21950-2-NYB	630338	End Cap assy. -2#	Nylon	4.44
21950-2-PP	-	End Cap assy. -2#	Polypro.	4.44
21950-8-NYB	-	End Cap assy. -8#	Nylon	4.44
21950-8-PP	-	End Cap assy. -8#	Polypro.	4.44
21950-10-NYB	-	End Cap assy. -10#	Nylon	4.44
21950-10-PP	-	End Cap assy. -10#	Polypro.	4.44

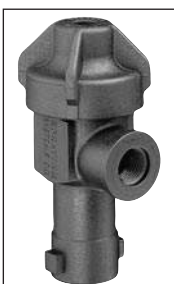


No. 21953
Diaphragm
EPDM
or Viton



No. 21950-NYB
ChemSaver
End Cap
Assembly
Nylon/
Polypro.

TJ/	Description	Price
QJ8360-NYB	Nozzle w/ChemSaver	\$ 6.15



QJ8355-NYB

- Allows use of Quick TeeJet system from 1/4" NPT male connections
- Side mounting provides protection of the nozzle body
- Features ChemSaver no-drip shutoff. Requires 10 PSI (0.7 bar) at the nozzle to open check valve
- Standard diaphragm of EPDM with optional Viton® available upon request
- Maximum operating pressure of 300 PSI (20 bar)

TJ/	Description	Price
QJ8355-1/8-NYB	Nozzle	\$ 12.34
QJ8355-1/4-NYB	Nozzle	12.34

Adapters for Retrofitting



QJT8360-NYB

- Permits use of Quick TeeJet system with standard 11/16"-16 TeeJet thread
- Features ChemSaver no-drip shutoff. Requires 10 PSI (0.7 bar) at the nozzle to open check valve
- Standard diaphragm of EPDM with optional Viton® available upon request
- Maximum operating pressure of 300 PSI (20 bar)

TJ/	Description	Price
QJT8360-NYB	Nozzle w/ChemSaver	6.69

Gasket for QJ1/4T T, QJT & QJT8360

TJ/	Fast #	Description	Price
CP20266-EPDM	530356	Gasket, EPDM	2.27



QJ1/4T-NYB

- Allows use of Quick TeeJet system with 1/4" NPT and BSPT male connections
- Maximum operating pressure of 300 PSI (20 bar)

TJ/	Description	Price
QJ1/4T-NYB	Nozzle Body	3.318

QJT-NYB

- Permits use of Quick TeeJet system with standard 11/16" - 16 TeeJet thread
- Maximum operating pressure of 300 PSI (20 bar)



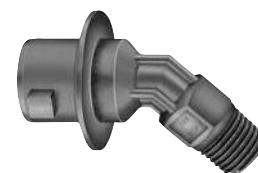
TJ/	Description	Price
QJT-NYB	Nozzle Body	6.26



QJ1/4TT-NYB

- Allows use of Quick TeeJet system with 1/4" NPT and BSPT female connections
- Maximum operating pressure of 300 PSI (20 bar)

TJ/	Description	Price
QJ1/4TT-NYB	Nozzle Body	3.38



22674-1/4-NYB

- Allows use of Quick TeeJet system with 1/4" NPT female connections

TJ/	Fast #	Description	Price
22674-1/4-NYB	530337	Nozzle Body	3.38

EQUIPMENT
FLOW METERS
PRECISION
NOZZLES
VALVES
STRAINERS
FITTINGS
JACKS & HITCHES
PLANTER COMP.
PUMPS
TILLAGE
NH₃
TANKS

Hose drops connect to standard and Quick TeeJet nozzle bodies and can also be used with swivels. Available in 15" (380 mm) and 24" (610 mm) lengths. Maximum operating pressure 125 PSI.

Item	Hose Drop No.	Length	Inlet Connection	Outlet Connection
A	21353-6-15-NYB	15"	Quick TeeJet Type	1/4" NPT (M)
	21353-6-24-NYB	24"		
B	21354-15-NYB	15"	11/16"-16	
	21354-24-NYB	24"	TeeJet Thread	

Material:

Item A - Nylon with Quick TeeJet cap and EPDM gasket
Item B - Nylon throughout

NOTE: QJ1/4T-NYB can be attached to hose drops for use with Quick TeeJet caps.

TJ/	Description	Price
21353-6-15-NYB	15" Quick-Change Drop	\$14.58
21353-6-24-NYB	24" Quick-Change Drop	\$14.58
21354-15-NYB	15" 11/16" Drop	\$9.63
21354-24-NYB	24" 11/16" Drop	\$10.73
QJ8600-1/4-NYB	1/4" FPT Inlet, Single	\$8.98
QJ8600-2-1/4-NYB	1/4" FPT Inlet, Double	\$10.81
8600-1/4T-NYB	1/4" FPT Inlet, Single	\$10.41
8600-2-1/4T-NYB	1/4" FPT Inlet, Double	\$12.57
7620-T	1/4" FPT Single Brass	\$31.78
7450-2T	1/4" FPT Double Brass	\$39.60



Quick TeeJet® Swivel Nozzle Bodies

QJ8600 swivel Quick TeeJet nozzle body assemblies provide the same spray tip adjustability of a standard TeeJet threaded swivel plus the quick change and self-aligning features of the Quick TeeJet System.



Double Swivel Nozzle



Single Swivel Nozzle

QJ8600-2-1/4-NYB

Type 8600 Nylon



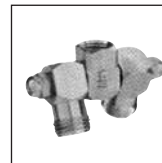
Single Swivel Nozzle



Double Swivel Nozzle

QJ8600-1/4-NYB

Type 8600-2 Nylon



Double Swivel Nozzle



Single Swivel Nozzle

Type 7450 Compact

Type 7620 Compact

TEEJET ELECTRIC & MANUAL FENCELINE VALVES



Electric Fenceline Shutoff 55295 e-ChemSaver

The 55295 e-ChemSaver is a solenoid actuated shutoff compatible with a wide range of TeeJet nozzle bodies equipped with a diaphragm check valve. It can be used for end of boom nozzles as well as individual tip shutoff and PWM controls. Valve is normally closed and opens when solenoid is energized. Wetted materials include stainless steel and Viton®. Use with most diaphragm check valve

- 1/4 second response time.
- Offered in 12- or 24-Volt DC version.
- 2-Pin MetriPack connector molded into body for a clean, weather-tight electrical connection.

TJ/	Fast #	Description
58140-NYB	520037	MANUAL CHEM SAVER
115880112	520038	ELECTRIC CHEM SAVER SOLINIOD
98552205EC	530429	ELECTRIC CHEM SAVER CABLE

Manual Fenceline Shutoff 58140-NYB



HYPRO NOZZLES



Boom X Tender® Spray Nozzles

Boomless Spray Nozzles

FEATURES & BENEFITS:

- Ideal for applications where a conventional boom cannot be used due to obstacles, such as power poles, guardrails, fences, trees, etc.
- Common uses include orchard, vineyard, forestry, pasture, turf and golf course spraying, as well as maintaining rights-of-way and fence rows
- Excellent low drift option while extending spray reach
- Large droplet size reduces spray drift and promotes spray penetration
- Maintains a consistent and adjustable spray swath over a pressure range of 30-60 PSI
- FastCap® models include tip, cap and gasket for fast change out and safer handling. The precision molded polyacetal tip and cap provide excellent life and low maintenance.
- Standard models with precision molded polyacetal tip and threaded stainless steel body provide excellent durability and low maintenance
- Can be used with manual or automatic rate controllers










Boom X Tender nozzles are ideal for boomless spraying or as the last tip on a boom.

Part #	Price	Part #	Price
HY-XT010	\$108.20	HY-XT043	\$129.42
HY-XT020	\$110.32	HY-FC-XT043	\$88.58
HY-FC-XT020	\$72.93	HY-XT080	\$129.42
HY-XT024	\$110.32	HY-XT167	\$144.27
HY-FC-XT024	\$72.93	HY-XT215	\$144.27

GREENLEAF TURBO-DROP SPRAY NOZZLES



TURBODROP® D VERSION		LIQUID PRESSURE PSI	DROPLET SIZE ASABE		NOZZLE CAPACITY GPM	GALLONS PER ACRE BASED ON 20" NOZZLE SPACING															
			TDXL-D	TADF-D		5 MPH	6 MPH	7 MPH	8 MPH	9 MPH	10 MPH	11 MPH	12 MPH	13 MPH	14 MPH	15 MPH	16 MPH	17 MPH	18 MPH	20 MPH	
 (Use 50 mesh)	TADF03-D	30	UC	UC	0.26	15.4	12.9	11.0	9.6	8.6	7.7	7.0	6.4	5.9	5.5	5.1	4.8	4.5	4.3	3.9	
		40	UC	UC	0.30	17.8	14.8	12.7	11.1	9.9	8.9	8.1	7.4	6.8	6.4	5.9	5.6	5.2	4.9	4.5	
		50	XC	XC	0.34	19.9	16.6	14.2	12.4	11.1	10.0	9.0	8.3	7.7	7.1	6.6	6.2	5.9	5.5	5.0	
		60	XC	XC	0.37	21.8	18.2	15.6	13.6	12.1	10.9	9.9	9.1	8.4	7.8	7.3	6.8	6.4	6.1	5.5	
		70	XC	XC	0.40	23.6	19.6	16.8	14.7	13.1	11.8	10.7	9.8	9.1	8.4	7.9	7.4	6.9	6.5	5.9	
		80	VC	VC	0.42	25.2	21.0	18.0	15.7	14.0	12.6	11.4	10.5	9.7	9.0	8.4	7.9	7.4	7.0	6.3	
		90	VC	VC	0.45	26.7	22.3	19.1	16.7	14.8	13.4	12.1	11.1	10.3	9.5	8.9	8.3	7.9	7.4	6.7	
	100			0.47	28.2	23.5	20.1	17.6	15.6	14.1	12.8	11.7	10.8	10.1	9.4	8.8	8.3	7.8	7.0		
	120			0.52	30.8	25.7	22.0	19.3	17.1	15.4	14.0	12.9	11.9	11.0	10.3	9.6	9.1	8.6	7.7		
 (Use 24 mesh)	TADF04-D	30	UC	UC	0.35	20.6	17.1	14.7	12.9	11.4	10.3	9.3	8.6	7.9	7.3	6.9	6.4	6.0	5.7	5.1	
		40	UC	UC	0.40	23.7	19.8	17.0	14.8	13.2	11.9	10.8	9.9	9.1	8.5	7.9	7.4	7.0	6.6	5.9	
		50	UC	XC	0.45	26.5	22.1	19.0	16.6	14.7	13.3	12.1	11.1	10.2	9.5	8.8	8.3	7.8	7.4	6.6	
		60	XC	XC	0.49	29.1	24.2	20.8	18.2	16.2	14.5	13.2	12.1	11.2	10.4	9.7	9.1	8.6	8.1	7.3	
		70	XC	XC	0.53	31.4	26.2	22.4	19.6	17.4	15.7	14.3	13.1	12.1	11.2	10.5	9.8	9.2	8.7	7.9	
		80	XC	XC	0.57	33.6	28.0	24.0	21.0	18.7	16.8	15.3	14.0	12.9	12.0	11.2	10.5	9.9	9.3	8.4	
		90	XC	VC	0.60	35.6	29.7	25.4	22.3	19.8	17.8	16.2	14.8	13.7	12.7	11.9	11.1	10.5	9.9	8.9	
	100			0.63	37.5	31.3	26.8	23.5	20.9	18.8	17.1	15.6	14.4	13.4	12.5	11.7	11.0	10.4	9.4		
	120			0.69	41.1	34.3	29.4	25.7	22.8	20.6	18.7	17.1	15.8	14.7	13.7	12.9	12.1	11.4	10.3		
 (Use 24 mesh)	TADF05-D	30	UC	UC	0.43	25.7	21.4	18.4	16.1	14.3	12.9	11.7	10.7	9.9	9.2	8.6	8.0	7.6	7.1	6.4	
		40	UC	UC	0.50	29.7	24.8	21.2	18.6	16.5	14.9	13.5	12.4	11.4	10.6	9.9	9.3	8.7	8.3	7.4	
		50	UC	XC	0.56	33.2	27.7	23.7	20.8	18.5	16.6	15.1	13.8	12.8	11.9	11.1	10.4	9.8	9.2	8.3	
		60	UC	XC	0.61	36.4	30.3	26.0	22.7	20.2	18.2	16.5	15.2	14.0	13.0	12.1	11.4	10.7	10.1	9.1	
		70	UC	XC	0.66	39.3	32.8	28.1	24.6	21.8	19.7	17.9	16.4	15.1	14.0	13.1	12.3	11.6	10.9	9.8	
		80	XC	VC	0.71	42.0	35.0	30.0	26.3	23.3	21.0	19.1	17.5	16.2	15.0	14.0	13.1	12.4	11.7	10.5	
		90	XC ^A	VC ^A	0.75	44.6	37.1	31.8	27.9	24.8	22.3	20.3	18.6	17.1	15.9	14.9	13.9	13.1	12.4	11.1	
	100			0.79	47.0	39.2	33.6	29.4	26.1	23.5	21.4	19.6	18.1	16.8	15.7	14.7	13.8	13.1	11.7		
	120			0.87	51.5	42.9	36.8	32.2	28.6	25.7	23.4	21.4	19.8	18.4	17.2	16.1	15.1	14.3	12.9		
 (Use 24 mesh)	TADF06-D	30	UC	UC	0.52	30.9	25.7	22.1	19.3	17.2	15.4	14.0	12.9	11.9	11.0	10.3	9.6	9.1	8.6	7.7	
		40	UC	UC	0.60	35.7	29.7	25.5	22.3	19.8	17.8	16.2	14.9	13.7	12.7	11.9	11.1	10.5	9.9	8.9	
		50	UC	UC	0.67	39.9	33.2	28.5	24.9	22.1	19.9	18.1	16.6	15.3	14.2	13.3	12.5	11.7	11.1	10.0	
		60	UC	XC	0.74	43.7	36.4	31.2	27.3	24.3	21.8	19.8	18.2	16.8	15.6	14.6	13.6	12.8	12.1	10.9	
		70	UC	XC	0.79	47.2	39.3	33.7	29.5	26.2	23.6	21.4	19.7	18.1	16.8	15.7	14.7	13.9	13.1	11.8	
		80	UC	XC	0.85	50.4	42.0	36.0	31.5	28.0	25.2	22.9	21.0	19.4	18.0	16.8	15.8	14.8	14.0	12.6	
		90	UC ^A	XC ^A	0.90	53.5	44.6	38.2	33.4	29.7	26.7	24.3	22.3	20.6	19.1	17.8	16.7	15.7	14.9	13.4	
	100			0.95	56.4	47.0	40.3	35.2	31.3	28.2	25.6	23.5	21.7	20.1	18.8	17.6	16.6	15.7	14.1		
	120			1.06	61.8	51.5	44.1	38.6	34.3	30.9	28.1	25.7	23.8	22.1	20.6	19.3	18.2	17.2	15.4		

TURBODROP® XL NOZZLE	TURBODROP® DUALFAN NOZZLE	LIQUID PRESSURE PSI	DROPLET SIZE ASABE	DROPLET SIZE ASABE	NOZZLE CAPACITY GPM	Gallons Per Acre Based on 20" Nozzle Spacing															
						5 MPH	6 MPH	7 MPH	8 MPH	9 MPH	10 MPH	11 MPH	12 MPH	13 MPH	14 MPH	15 MPH	16 MPH	17 MPH	18 MPH	20 MPH	
 (use 100 mesh)		30			0.04	2.6	2.1	1.8	1.6	1.4	1.3	1.2	1.1	1.0	0.9	0.8	0.8	0.7	0.6		
		40			0.05	3.0	2.5	2.1	1.9	1.6	1.5	1.3	1.2	1.1	1.1	1.0	0.9	0.9	0.8	0.7	
		50			0.06	3.3	2.8	2.4	2.1	1.8	1.7	1.5	1.4	1.3	1.2	1.1	1.0	1.0	0.9	0.8	
		60			0.06	3.6	3.0	2.6	2.3	2.0	1.8	1.7	1.5	1.4	1.3	1.2	1.1	1.1	1.0	0.9	
		70			0.07	3.9	3.3	2.8	2.5	2.2	2.0	1.8	1.6	1.5	1.4	1.3	1.2	1.2	1.1	1.0	
		80			0.07	4.2	3.5	3.0	2.6	2.3	2.1	1.9	1.7	1.6	1.5	1.4	1.3	1.2	1.2	1.0	
		90			0.07	4.5	3.7	3.2	2.8	2.5	2.2	2.0	1.9	1.7	1.6	1.5	1.4	1.3	1.2	1.1	
	100			0.08	4.7	3.9	3.4	2.9	2.6	2.3	2.1	2.0	1.8	1.7	1.6	1.5	1.4	1.3	1.2		
	120			0.09	5.1	4.3	3.7	3.2	2.9	2.6	2.3	2.1	2.0	1.8	1.7	1.6	1.5	1.4	1.3		
 (use 50 mesh)	TADF01/TACDF01	30	C	M	0.09	5.1	4.3	3.7	3.2	2.9	2.6	2.3	2.1	2.0	1.8	1.7	1.6	1.5	1.4	1.3	
		40	C	M	0.10	5.9	4.9	4.2	3.7	3.3	3.0	2.7	2.5	2.3	2.1	2.0	1.9	1.7	1.6	1.5	
		50	M	M	0.11	6.6	5.5	4.7	4.1	3.7	3.3	3.0	2.8	2.6	2.4	2.2	2.1	2.0	1.8	1.7	
		60	M	F	0.12	7.3	6.1	5.2	4.5	4.0	3.6	3.3	3.0	2.8	2.6	2.4	2.3	2.1	2.0	1.8	
		70	M	F	0.13	7.9	6.5	5.6	4.9	4.4	3.9	3.6	3.3	3.0	2.8	2.6	2.5	2.3	2.2	2.0	
		80	F	F	0.14	8.4	7.0	6.0	5.2	4.7	4.2	3.8	3.5	3.2	3.0	2.8	2.6	2.5	2.3	2.1	
		90	F	F	0.15	8.9	7.4	6.4	5.6	4.9	4.5	4.0	3.7	3.4	3.2	3.0	2.8	2.6	2.5	2.2	
	100	F	F	0.16	9.4	7.8	6.7	5.9	5.2	4.7	4.3	3.9	3.6	3.4	3.1	2.9	2.8	2.6	2.3		
	120	F	F	0.17	10.3	8.6	7.3	6.4	5.7	5.1	4.7	4.3	4.0	3.7	3.4	3.2	3.0	2.9	2.6		
 (use 50 mesh)	TADF015/TACDF015	30	C	M	0.13	7.7	6.4	5.5	4.8	4.3	3.9	3.5	3.2	3.0	2.8	2.6	2.4	2.3	2.1	1.9	
		40	C	M	0.15	8.9	7.4	6.4	5.6	4.9	4.5	4.0	3.7	3.4	3.2	3.0	2.8	2.6	2.5	2.2	
		50	M	M	0.17	10.0	8.3	7.1	6.2	5.5	5.0	4.5	4.1	3.8	3.6	3.3	3.1	2.9	2.8	2.5	
		60	M	M	0.18	10.9	9.1	7.8	6.8	6.1	5.5	5.0	4.5	4.2	3.9	3.6	3.4	3.2	3.0	2.7	
		70	M	M	0.20	11.8	9.8	8.4	7.4	6.5	5.9	5.4	4.9	4.5	4.2	3.9	3.7	3.5	3.3	2.9	
		80	M	M	0.21	12.6	10.5	9.0	7.9	7.0	6.3	5.7	5.2	4.8	4.5	4.2	3.9	3.7	3.5	3.1	
		90	F	F	0.22	13.4	11.1	9.5													



'D' Models Are Also Available

ITEM	DESCRIPTION	PRICE
TDXL _____	TurboDrop XL Nozzle	14.25
TDXLV _____	TurboDrop XL Venturi Only	11.50
TADF _____	TurboDrop Asymmetric Twin Fan Nozzle	23.50

Ceramics Available - Call for more Information.

TURBODROP® XL NOZZLE	TURBODROP® DUAL FAN NOZZLE	LIQUID PRESSURE PSI	TDXL/ TDCXL DROPLET SIZE ASABE	TADF/ TACDF DROPLET SIZE ASABE	NOZZLE CAPACITY GPM	Gallons Per Acre Based on 20" Nozzle Spacing																	
						5 MPH	6 MPH	7 MPH	8 MPH	9 MPH	10 MPH	11 MPH	12 MPH	13 MPH	14 MPH	15 MPH	16 MPH	17 MPH	18 MPH	20 MPH			
TDXL110025 TDCXL110025 TDXLV025/VC025 	TADF025/TACDF025 	30	VC	VC	C	0.22	12.9	10.7	9.2	8.0	7.1	6.4	5.8	5.4	4.9	4.6	4.3	4.0	3.8	3.6	3.2		
		40	VC	VC	C	0.25	14.8	12.4	10.6	9.3	8.2	7.4	6.7	6.2	5.7	5.3	4.9	4.6	4.4	4.1	4.1	3.7	
		50	C	C	M	0.28	16.6	13.8	11.9	10.4	9.2	8.3	7.5	6.9	6.4	5.9	5.5	5.2	4.9	4.6	4.4	4.1	
		60	M	M	F	0.31	18.2	15.1	13.0	11.4	10.1	9.1	8.3	7.6	7.0	6.5	6.1	5.7	5.3	5.0	4.5	4.5	
		70	M	M	F	0.33	19.6	16.4	14.0	12.3	10.9	9.8	8.9	8.2	7.6	7.0	6.5	6.1	5.7	5.3	4.9	4.6	4.1
		80	M	M	F	0.35	21.0	17.5	15.0	13.1	11.7	10.5	9.5	8.7	8.1	7.5	7.0	6.6	6.2	5.8	5.4	5.0	4.5
		90	M	M	F	0.37	22.3	18.5	15.9	13.9	12.4	11.1	10.1	9.3	8.6	7.9	7.4	7.0	6.5	6.2	5.6	5.2	4.7
100	M	M	F	0.40	23.5	19.6	16.8	14.7	13.0	11.7	10.7	9.8	9.0	8.4	7.8	7.3	6.9	6.5	5.9	5.5	4.9		
120	F	F	F	0.43	25.7	21.4	18.4	16.1	14.3	12.9	11.7	10.7	9.9	9.2	8.6	8.0	7.6	7.1	6.4	6.0	5.5		
TDXL11003 TDCXL11003 TDXLV03/VC03 	TADF03/TACDF03 	30	XC	VC	C	0.26	15.4	12.9	11.0	9.6	8.6	7.7	7.0	6.4	5.9	5.5	5.1	4.8	4.5	4.3	3.9		
		40	VC	VC	C	0.30	17.8	14.8	12.7	11.1	9.9	8.9	8.1	7.4	6.8	6.4	5.9	5.6	5.2	4.9	4.5	4.5	
		50	C	C	M	0.34	19.9	16.6	14.2	12.4	11.1	10.0	9.0	8.3	7.7	7.1	6.6	6.2	5.9	5.5	5.0	5.0	
		60	C	M	M	0.37	21.8	18.2	15.6	13.6	12.1	10.9	9.9	9.1	8.4	7.8	7.3	6.8	6.4	6.1	5.5	5.5	
		70	M	M	F	0.40	23.6	19.6	16.8	14.7	13.1	11.8	10.7	9.8	9.1	8.4	7.9	7.4	6.9	6.5	5.9	5.9	
		80	M	M	F	0.42	25.2	21.0	18.0	15.7	14.0	12.6	11.4	10.5	9.7	9.0	8.4	7.9	7.4	7.0	6.3	6.3	
		90	M	M	F	0.45	26.7	22.3	19.1	16.7	14.8	13.4	12.1	11.1	10.3	9.5	8.9	8.3	7.9	7.4	6.7	6.7	
100	M	M	F	0.47	28.2	23.5	20.1	17.6	15.6	14.1	12.8	11.7	10.8	10.1	9.4	8.8	8.3	7.8	7.0	7.0			
120	M	M	F	0.52	30.8	25.0	22.0	19.3	17.1	15.4	14.0	12.9	11.9	11.0	10.3	9.6	9.1	8.6	7.7	7.7			
TDXL11004 TDCXL11004 TDXLV04/VC04 	TADF04/TACDF04 	30	XC	VC	C	0.35	20.6	17.1	14.7	12.9	11.4	10.3	9.3	8.6	7.9	7.3	6.9	6.4	6.0	5.7	5.1		
		40	VC	VC	C	0.40	23.7	19.8	17.0	14.8	13.2	11.9	10.8	9.9	9.1	8.5	7.9	7.4	7.0	6.6	5.9		
		50	C	C	M	0.45	26.5	22.1	19.0	16.6	14.7	13.3	12.1	11.1	10.2	9.5	8.8	8.3	7.8	7.4	6.6		
		60	C	M	M	0.49	29.1	24.2	20.8	18.2	16.2	14.5	13.2	12.1	11.2	10.4	9.7	9.1	8.6	8.1	7.3		
		70	M	M	F	0.53	31.4	26.2	22.4	19.6	17.4	15.7	14.3	13.1	12.1	11.2	10.5	9.8	9.2	8.7	7.9		
		80	M	M	F	0.57	33.6	28.0	24.0	21.0	18.7	16.8	15.3	14.0	12.9	12.0	11.2	10.5	9.9	9.3	8.4		
		90	M	M	F	0.60	35.6	29.7	25.4	22.3	19.8	17.8	16.2	14.8	13.7	12.7	11.9	11.1	10.5	9.9	8.9		
100	M	M	F	0.63	37.5	31.3	26.8	23.5	20.9	18.8	17.1	15.6	14.4	13.4	12.5	11.7	11.0	10.4	9.4				
120	M	M	F	0.69	41.1	34.3	29.4	25.7	22.8	20.6	18.7	17.1	15.8	14.7	13.7	12.9	12.1	11.4	10.3				
TDXL11005 TDCXL11005 TDXLV05/VC05 	TADF05/TACDF05 	30	XC	VC	C	0.43	25.7	21.4	18.4	16.1	14.3	12.9	11.7	10.7	9.9	9.2	8.6	8.0	7.6	7.1	6.4		
		40	XC	VC	C	0.50	29.7	24.8	21.2	18.6	16.5	14.9	13.5	12.4	11.4	10.6	9.9	9.3	8.7	8.3	7.4		
		50	VC	C	M	0.56	33.2	27.7	23.7	20.8	18.5	16.6	15.1	13.8	12.8	11.9	11.1	10.4	9.8	9.2	8.3		
		60	VC	C	M	0.61	36.4	30.3	26.0	22.7	20.2	18.2	16.5	15.2	14.0	13.0	12.1	11.4	10.7	10.1	9.1		
		70	C	M	M	0.66	39.3	32.8	28.1	24.6	21.8	19.7	17.9	16.4	15.1	14.0	13.1	12.3	11.6	10.9	9.8		
		80	C	M	F	0.71	42.0	35.0	30.0	26.3	23.3	21.0	19.1	17.5	16.2	15.0	14.0	13.1	12.4	11.7	10.5		
		90	M	M	F	0.75	44.6	37.1	31.8	27.9	24.8	22.3	20.3	18.6	17.1	15.9	14.9	13.9	13.1	12.4	11.1		
100	M	M	F	0.79	47.0	39.2	33.6	29.4	26.1	23.5	21.4	19.6	18.1	16.8	15.7	14.7	13.8	13.1	11.7				
120	M	M	F	0.87	51.5	42.9	36.8	32.2	28.6	25.7	23.4	21.4	19.8	18.4	17.2	16.1	15.1	14.3	12.9				
TDXL11006 TDCXL11006 TDXLV06/VC06 	TADF06/TACDF06 	30	XC	VC	C	0.52	30.9	25.7	22.1	19.3	17.2	15.4	14.0	12.9	11.9	11.0	10.3	9.6	9.1	8.6	7.7		
		40	XC	VC	C	0.60	35.7	29.7	25.5	22.3	19.8	17.8	16.2	14.9	13.7	12.7	11.9	11.1	10.5	9.9	8.9		
		50	XC	C	M	0.67	39.9	33.2	28.5	24.9	22.1	19.9	18.1	16.6	15.3	14.2	13.3	12.5	11.7	11.1	10.0		
		60	VC	C	M	0.74	43.7	36.4	31.2	27.3	24.3	21.8	19.8	18.2	16.8	15.6	14.6	13.6	12.8	12.1	10.9		
		70	VC	M	M	0.79	47.2	39.3	33.7	29.5	26.2	23.6	21.4	19.7	18.1	16.8	15.7	14.7	13.9	13.1	11.8		
		80	C	M	M	0.85	50.4	42.0	36.0	31.5	28.0	25.2	22.9	21.0	19.4	18.0	16.8	15.8	14.8	14.0	12.6		
		90	C	M	M	0.90	53.5	44.6	38.2	33.4	29.7	26.7	24.3	22.3	20.6	19.1	17.8	16.7	15.7	14.9	13.4		
100	M	M	M	0.95	56.4	47.0	40.3	35.2	31.3	28.2	25.6	23.5	21.7	20.1	18.8	17.6	16.6	15.7	14.1				
120	M	M	M	1.06	61.8	51.5	44.1	38.6	34.3	30.9	28.1	25.7	23.8	22.1	20.6	19.3	18.2	17.2	15.4				
TDXL11008 TDCXL11008 TDXLV08/VC08 	TADF08/TACDF08 	30	XC	VC	C	0.69	41.0	34.2	29.3	25.6	22.8	20.5	18.6	17.1	15.8	14.6	13.7	12.8	12.1	11.4	10.2		
		40	XC	VC	C	0.80	47.3	39.4	33.8	29.6	26.3	23.7	21.5	19.7	18.2	16.9	15.8	14.8	13.9	13.1	11.8		
		50	XC	C	M	0.89	52.9	44.1	37.8	33.1	29.4	26.5	24.1	22.1	20.4	18.9	17.6	16.5	15.6	14.7	13.2		
		60	XC	C	M	0.98	58.0	48.3	41.4	36.2	32.2	29.0	26.4	24.2	22.3	20.7	19.3	18.1	17.1	16.1	14.5		
		70	VC	M	M	1.05	62.6	52.2	44.7	39.1	34.8	31.3	28.5	26.1	24.1	22.4	20.9	19.6	18.4	17.4	15.7		
		80	VC	M	M	1.13	66.9	55.8	47.8	41.8	37.2	33.5	30.4	27.9	25.7	23.9	22.3	20.9	19.7	18.6	16.7		
		90	VC	M	M	1.20	71.0	59.2	50.7	44.4	39.4	35.5	32.3	29.6	27.3	25.4	23.7	22.2	20.9	19.7	17.8		
100	C	M	M	1.26	74.8	62.4	53.5	46.8	41.6	37.4	34.0	31.2	28.8	26.7	24.9	23.4	22.0	20.8	18.7				
120	C	M	M	1.38	82.0	68.3	58.6	51.2	45.5	41.0	37.3	34.2	31.5	29.3	27.3	25.6	24.1	22.8	20.5				
TDXL11010 TDCXL11010 TDXLV10/VC10 	TADF10/TACDF10 	30	XC	XC	C	0.87	51.4	42.8	36.7	32.1	28.6	25.7	23.4	21.4	19.8	18.4	17.1	16.1	15.1	14.3	12.9		
		40																					



SoftDrop Nozzles for PWM Systems

The SoftDrop nozzle is a non-air inducted spray nozzle designed to produce extremely coarse droplets for maximum drift control with auxin herbicides and other systemic products. The SoftDrop is particularly well-suited for PWM systems, operating between 10 and 50 Hertz. A specially designed turbulence chamber helps deliver a drift resistant spray pattern, with very good cross distribution. The SoftDrop is also excellent for liquid fertilizers and mixtures of liquid fertilizers and systemic herbicides.






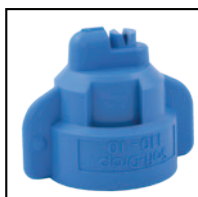
	Liquid Pressure PSI	Droplet Size ASABE	Nozzle Capacity GPM	GALLONS PER ACRE BASED ON 20" NOZZLE SPACING															
				4 MPH	5 MPH	6 MPH	7 MPH	8 MPH	9 MPH	10 MPH	11 MPH	12 MPH	13 MPH	14 MPH	15 MPH	16 MPH	17 MPH	18 MPH	20 MPH
 (uses 50 mesh)	20	UC	0.28	21.0	16.8	14.0	12.0	10.5	9.3	8.4	7.6	7.0	6.5	6.0	5.6	5.3	4.9	4.7	4.2
	30	UC	0.35	25.7	20.6	17.1	14.7	12.9	11.4	10.3	9.4	8.6	7.9	7.3	6.9	6.4	6.1	5.7	5.1
	40	XC	0.40	29.7	23.8	19.8	17.0	14.9	13.2	11.9	10.8	9.9	9.1	8.5	7.9	7.4	7.0	6.6	5.9
	50	XC	0.45	33.2	26.6	22.1	19.0	16.6	14.8	13.3	12.1	11.1	10.2	9.5	8.9	8.3	7.8	7.4	6.6
	60	XC	0.49	36.4	29.1	24.2	20.8	18.2	16.2	14.5	13.2	12.1	11.2	10.4	9.7	9.1	8.6	8.1	7.3
	70		0.53	39.3	31.4	26.2	22.5	19.6	17.5	15.7	14.3	13.1	12.1	11.2	10.5	9.8	9.2	8.7	7.9
	80		0.57	42.0	33.6	28.0	24.0	21.0	18.7	16.8	15.3	14.0	12.9	12.0	11.2	10.5	9.9	9.3	8.4
	90		0.60	44.6	35.6	29.7	25.5	22.3	19.8	17.8	16.2	14.9	13.7	12.7	11.9	11.1	10.5	9.9	8.9
	100		0.63	47.0	37.6	31.3	26.8	23.5	20.9	18.8	17.1	15.7	14.4	13.4	12.5	11.7	11.0	10.4	9.4
	120		0.69	51.4	41.2	34.3	29.4	25.7	22.9	20.6	18.7	17.1	15.8	14.7	13.7	12.9	12.1	11.4	10.3
 (uses 50 mesh)	20	UC	0.35	26.3	21.0	17.5	15.0	13.1	11.7	10.5	9.5	8.8	8.1	7.5	7.0	6.6	6.2	5.8	5.3
	30	UC	0.43	32.2	25.7	21.4	18.4	16.1	14.3	12.9	11.7	10.7	9.9	9.2	8.6	8.0	7.6	7.1	6.4
	40	XC	0.50	37.1	29.7	24.8	21.2	18.6	16.5	14.9	13.5	12.4	11.4	10.6	9.9	9.3	8.7	8.3	7.4
	50	XC	0.56	41.5	33.2	27.7	23.7	20.8	18.4	16.6	15.1	13.8	12.8	11.9	11.1	10.4	9.8	9.2	8.3
	60	XC	0.61	45.5	36.4	30.3	26.0	22.7	20.2	18.2	16.5	15.2	14.0	13.0	12.1	11.4	10.7	10.1	9.1
	70	XC	0.66	49.1	39.3	32.7	28.1	24.6	21.8	19.6	17.9	16.4	15.1	14.0	13.1	12.3	11.6	10.9	9.8
	80	XC	0.71	52.5	42.0	35.0	30.0	26.3	23.3	21.0	19.1	17.5	16.2	15.0	14.0	13.1	12.4	11.7	10.5
	90		0.75	55.7	44.6	37.1	31.8	27.8	24.8	22.3	20.3	18.6	17.1	15.9	14.9	13.9	13.1	12.4	11.1
	100		0.79	58.7	47.0	39.1	33.5	29.3	26.1	23.5	21.3	19.6	18.1	16.8	15.7	14.7	13.8	13.0	11.7
	120		0.87	64.3	51.4	42.9	36.7	32.2	28.6	25.7	23.4	21.4	19.8	18.4	17.1	16.1	15.1	14.3	12.9
 (uses 24 mesh)	20	UC	0.42	31.5	25.2	21.0	18.0	15.8	14.0	12.6	11.5	10.5	9.7	9.0	8.4	7.9	7.4	7.0	6.3
	30	UC	0.52	38.6	30.9	25.7	22.0	19.3	17.1	15.4	14.0	12.9	11.9	11.0	10.3	9.6	9.1	8.6	7.7
	40	XC	0.60	44.6	35.6	29.7	25.5	22.3	19.8	17.8	16.2	14.9	13.7	12.7	11.9	11.1	10.5	9.9	8.9
	50	XC	0.67	49.8	39.8	33.2	28.5	24.9	22.1	19.9	18.1	16.6	15.3	14.2	13.3	12.5	11.7	11.1	10.0
	60	XC	0.73	54.6	43.6	36.4	31.2	27.3	24.2	21.8	19.8	18.2	16.8	15.6	14.5	13.6	12.8	12.1	10.9
	70	XC	0.79	58.9	47.1	39.3	33.7	29.5	26.2	23.6	21.4	19.6	18.1	16.8	15.7	14.7	13.9	13.1	11.8
	80	XC	0.85	63.0	50.4	42.0	36.0	31.5	28.0	25.2	22.9	21.0	19.4	18.0	16.8	15.8	14.8	14.0	12.6
	90		0.90	66.8	53.5	44.6	38.2	33.4	29.7	26.7	24.3	22.3	20.6	19.1	17.8	16.7	15.7	14.9	13.4
	100		0.95	70.4	56.4	47.0	40.3	35.2	31.3	28.2	25.6	23.5	21.7	20.1	18.8	17.6	16.6	15.7	14.1
	120		1.04	77.2	61.7	51.4	44.1	38.6	34.3	30.9	28.1	25.7	23.7	22.0	20.6	19.3	18.2	17.1	15.4
 (uses 50 mesh)	20	UC	0.57	42.0	33.6	28.0	24.0	21.0	18.7	16.8	15.3	14.0	12.9	12.0	11.2	10.5	9.9	9.3	8.4
	30	UC	0.69	51.4	41.2	34.3	29.4	25.7	22.9	20.6	18.7	17.1	15.8	14.7	13.7	12.9	12.1	11.4	10.3
	40	XC	0.80	59.4	47.5	39.6	33.9	29.7	26.4	23.8	21.6	19.8	18.3	17.0	15.8	14.9	14.0	13.2	11.9
	50	XC	0.89	66.4	53.1	44.3	37.9	33.2	29.5	26.6	24.1	22.1	20.4	19.0	17.7	16.6	15.6	14.8	13.3
	60	XC	0.98	72.7	58.2	48.5	41.6	36.4	32.3	29.1	26.5	24.2	22.4	20.8	19.4	18.2	17.1	16.2	14.5
	70	XC	1.06	78.6	62.9	52.4	44.9	39.3	34.9	31.4	28.6	26.2	24.2	22.5	21.0	19.6	18.5	17.5	15.7
	80	XC	1.13	84.0	67.2	56.0	48.0	42.0	37.3	33.6	30.5	28.0	25.8	24.0	22.4	21.0	19.8	18.7	16.8
	90		1.20	89.1	71.3	59.4	50.9	44.6	39.6	35.6	32.4	29.7	27.4	25.5	23.8	22.3	21.0	19.8	17.8
	100		1.26	93.9	75.1	62.6	53.7	47.0	41.7	37.6	34.2	31.3	28.9	26.8	25.0	23.5	22.1	20.9	18.8
	120		1.39	102.9	82.3	68.6	58.8	51.4	45.7	41.2	37.4	34.3	31.7	29.4	27.4	25.7	24.2	22.9	20.6
 (uses 24 mesh)	20	UC	0.71	52.5	42.0	35.0	30.0	26.3	23.3	21.0	19.1	17.5	16.2	15.0	14.0	13.1	12.4	11.7	10.5
	30	UC	0.87	64.3	51.4	42.9	36.7	32.2	28.6	25.7	23.4	21.4	19.8	18.4	17.1	16.1	15.1	14.3	12.9
	40	UC	1.00	74.3	59.4	49.5	42.4	37.1	33.0	29.7	27.0	24.8	22.8	21.2	19.8	18.6	17.5	16.5	14.9
	50	UC	1.12	83.0	66.4	55.3	47.4	41.5	36.9	33.2	30.2	27.7	25.5	23.7	22.1	20.8	19.5	18.4	16.6
	60	UC	1.22	90.9	72.7	60.6	52.0	45.5	40.4	36.4	33.1	30.3	28.0	26.0	24.2	22.7	21.4	20.2	18.2
	70		1.32	98.2	78.6	65.5	56.1	49.1	43.7	39.3	35.7	32.7	30.2	28.1	26.2	24.6	23.1	21.8	19.6
	80		1.41	105.0	84.0	70.0	60.0	52.5	46.7	42.0	38.2	35.0	32.3	30.0	28.0	26.3	24.7	23.3	21.0
	90		1.50	111.4	89.1	74.3	63.6	55.7	49.5	44.6	40.5	37.1	34.3	31.8	29.7	27.8	26.2	24.8	22.3
	100		1.58	117.4	93.9	78.3	67.1	58.7	52.2	47.0	42.7	39.1	36.1	33.5	31.3	29.3	27.6	26.1	23.5
	120		1.73	128.6	102.9	85.7	73.5	64.3	57.2	51.4	46.8	42.9	39.6	36.7	34.3	32.2	30.3	28.6	25.7

Table based on spraying water at 70°F. Flow rates may vary +/- 5%.



Now Approved for Engenia!

The SD110-10 SoftDrop Nozzle from Greenleaf Technologies is the only size 10 PWM nozzle approved for use with Engenia® herbicide that connects directly to a standard nozzle body, no adapter needed. The SD110-10 is approved for a broad operating range, from 20-60 PSI.

Engenia® is a US EPA Restricted Use Pesticide. Always read and follow label directions. Additional state restrictions may apply. Engenia® is a registered trademark of BASF Corporation

Turbo TeeJet® Wide Angle Flat Spray Tips

Typical Applications:

Mid-range droplet size offers very good including dicamba. for contact products, including herbicides, including dicamba.

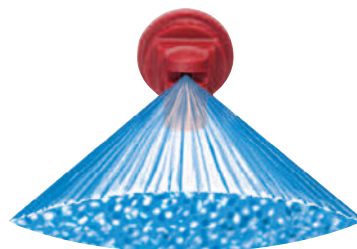
Features:

- Tapered edge wide angle flat spray pattern for uniform coverage in broadcast spraying.
- Large, rounded internal passage to minimize clogging.
- Excellent resistance to corrosive solutions.
- Superior wear characteristics.
- Larger droplets for less drift—15–90 PSI (1–6 bar).
- Automatic spray alignment with 114441A-*—CEL R Quick TeeJet cap and gasket for capacities 01 thru 08; 114502-*—CEL R for capacities 10 and 12.
- Unique internal configuration means substantially longer wear life.

HOW TO ORDER: EXAMPLE

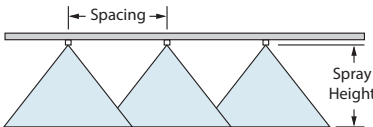
TJ/	DESCRIPTION	PRICE
TT11001-VP	Polymer with VisiFlo color-coding	8.03
TT110010-VPCE	Large Capacity TT with Cap	9.49

TI	PSI	DROPSI	CAPACITY ONE NOZZLE IN GPM	CAPACITY ONE NOZZLE IN OZ./MIN.	GPA										GALLONS PER 1000 SQ. FT.				
					20°														
					4 MPH	5 MPH	6 MPH	8 MPH	10 MPH	12 MPH	15 MPH	20 MPH	2 MPH	3 MPH	4 MPH	5 MPH			
TT11001 (100)	15	C	0.061	7.8	4.5	3.6	3.0	2.3	1.8	1.5	1.2	0.91	0.21	0.14	0.10	0.08			
	20	M	0.087	11	6.5	5.2	4.3	3.2	2.6	2.2	1.7	1.3	0.30	0.20	0.15	0.12			
	30	M	0.10	13	7.4	5.9	5.0	3.7	3.0	2.5	2.0	1.5	0.34	0.23	0.17	0.14			
	40	M	0.11	14	8.2	6.5	5.4	4.1	3.3	2.7	2.2	1.6	0.37	0.25	0.19	0.15			
	60	F	0.12	15	8.9	7.1	5.9	4.5	3.6	3.0	2.4	1.8	0.41	0.27	0.20	0.16			
TT110015 (100)	15	VC	0.092	12	6.8	5.5	4.6	3.4	2.7	2.3	1.8	1.4	0.31	0.21	0.16	0.13			
	20	C	0.11	14	8.2	6.5	5.4	4.1	3.3	2.7	2.2	1.6	0.37	0.25	0.19	0.15			
	30	M	0.13	17	9.7	7.7	6.4	4.8	3.9	3.2	2.6	1.9	0.44	0.29	0.22	0.18			
	40	M	0.15	19	11.1	8.9	7.4	5.6	4.5	3.7	3.0	2.2	0.51	0.34	0.26	0.20			
	60	F	0.17	22	12.6	10.1	8.4	6.3	5.0	4.2	3.4	2.5	0.58	0.39	0.29	0.23			
TT11002 (50)	15	VC	0.12	15	8.9	7.1	5.9	4.5	3.6	3.0	2.4	1.8	0.41	0.27	0.20	0.16			
	20	VC	0.14	18	10.4	8.3	6.9	5.2	4.2	3.5	2.8	2.1	0.48	0.32	0.24	0.19			
	30	C	0.17	22	12.6	10.1	8.4	6.3	5.0	4.2	3.4	2.5	0.58	0.39	0.29	0.23			
	40	M	0.20	26	14.9	11.9	9.9	7.4	5.9	5.0	4.0	3.0	0.68	0.45	0.34	0.27			
	60	F	0.22	28	16.3	13.1	10.9	8.2	6.5	5.4	4.4	3.3	0.75	0.50	0.37	0.30			
TT110025 (50)	15	VC	0.15	19	11.1	8.9	7.4	5.6	4.5	3.7	3.0	2.2	0.51	0.34	0.26	0.20			
	20	VC	0.18	23	13.4	10.7	8.9	6.7	5.3	4.5	3.6	2.7	0.61	0.41	0.31	0.24			
	30	C	0.22	28	16.3	13.1	10.9	8.2	6.5	5.4	4.4	3.3	0.75	0.50	0.37	0.30			
	40	M	0.25	32	18.6	14.9	12.4	9.3	7.4	6.2	5.0	3.7	0.85	0.57	0.43	0.34			
	60	F	0.27	35	20	16.0	13.4	10.0	8.0	6.7	5.3	4.0	0.92	0.61	0.46	0.37			
TT11003 (50)	15	VC	0.18	23	13.4	10.7	8.9	6.7	5.3	4.5	3.6	2.7	0.61	0.41	0.31	0.24			
	20	VC	0.21	27	15.6	12.5	10.4	7.8	6.2	5.2	4.2	3.1	0.71	0.48	0.36	0.29			
	30	C	0.26	33	19.3	15.4	12.9	9.7	7.7	6.4	5.1	3.9	0.88	0.59	0.44	0.35			
	40	M	0.30	38	22	17.8	14.9	11.1	8.9	7.4	5.9	4.5	1.0	0.68	0.51	0.41			
	60	F	0.34	44	25	20	16.8	12.6	10.1	8.4	6.7	5.0	1.2	0.77	0.58	0.46			
TT11004 (50)	15	VC	0.22	28	16.3	13.1	10.9	8.2	6.5	5.4	4.4	3.3	0.75	0.50	0.37	0.30			
	20	VC	0.25	32	18.6	14.9	12.4	9.3	7.4	6.2	5.0	3.7	0.85	0.57	0.43	0.34			
	30	C	0.35	45	26	21	17.3	13.0	10.4	8.7	6.9	5.2	1.2	0.79	0.60	0.48			
	40	M	0.40	51	30	24	19.8	14.9	11.9	9.9	7.9	5.9	1.4	0.91	0.68	0.54			
	60	F	0.45	58	33	27	22	16.7	13.4	11.1	8.9	6.7	1.5	1.0	0.77	0.61			
TT11005 (50)	15	VC	0.28	36	21	16.6	13.9	10.4	8.3	6.9	5.5	4.2	0.95	0.63	0.48	0.38			
	20	VC	0.34	44	25	20	16.8	12.6	10.1	8.4	6.7	5.0	1.2	0.77	0.58	0.46			
	30	C	0.38	49	28	23	18.8	14.1	11.3	9.4	7.5	5.6	1.3	0.86	0.65	0.52			
	40	M	0.45	58	33	27	22	16.7	13.4	11.1	8.9	6.7	1.5	1.0	0.77	0.61			
	60	F	0.50	66	36	29	24	18.2	14.6	12.1	9.7	7.3	1.7	1.1	0.83	0.67			
TT11006 (50)	15	VC	0.31	40	23	18.4	15.3	11.5	9.2	7.7	6.1	4.6	1.1	0.70	0.53	0.42			
	20	VC	0.35	45	26	21	17.3	13.0	10.4	8.7	6.9	5.2	1.2	0.79	0.60	0.48			
	30	C	0.43	55	32	26	21	16.0	12.8	10.6	8.5	6.4	1.5	0.97	0.73	0.58			
	40	M	0.50	64	37	30	25	18.6	14.9	12.4	9.9	7.4	1.7	1.1	0.85	0.68			
	60	F	0.56	72	42	33	28	21	16.6	13.9	11.1	8.3	1.9	1.3	0.95	0.76			
TT11008 (50)	15	VC	0.49	63	36	29	24	18.2	14.6	12.1	9.7	7.3	1.7	1.1	0.83	0.67			
	20	VC	0.57	73	42	34	28	21	16.9	14.1	11.3	8.5	1.9	1.3	0.97	0.78			
	30	C	0.69	88	51	41	34	26	20	17.1	13.7	10.2	2.3	1.6	1.2	0.94			
	40	M	0.80	102	59	48	40	30	24	19.8	15.8	11.9	2.7	1.8	1.4	1.1			
	60	F	0.89	114	66	53	44	33	26	22	17.6	13.2	3.0	2.0	1.5	1.2			
TT11010	15	VC	0.90	115	67	53	43	33	27	22	17.8	13.4	3.1	2.0	1.5	1.2			
	20	VC	1.10	141	82	65	54	41	33	27	22	16.3	3.7	2.5	1.9	1.5			
	30	M	1.20	154	89	71	59	45	36	30	24	17.8	4.1	2.7	2.0	1.6			
	40	—	0.61	78	45	36	30	23	18.1	15.1	12.1	9.1	2.1	1.4	1.0	0.83			
	60	—	0.71	91	53	42	35	26	21	17.6	14.1	10.5	2.4	1.6	1.2	0.97			
TT11012	15	VC	1.50	192	111	89	74	56	41	34	27	20	4.6	3.1	2.3	1.87			
	20	VC	1.73	222	131	103	83	62	45	37	30	22	5.1	3.4	2.6	2.0			
	30	VC	2.03	261	154	123	99	74	55	41	33	27	5.8	3.9	2.9	2.2			
	40	VC	2.39	306	181	143	113	85	63	46	37	30	6.6	4.4	3.3	2.5			
	60	VC	2.82	357	214	166	131	99	74	55	41	33	7.5	4.9	3.6	2.8			

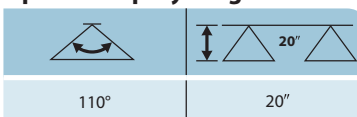


CONTACT PRODUCT	SYSTEMIC PRODUCT	DRIFT MANAGEMENT
VERY GOOD	VERY GOOD	VERY GOOD
GOOD*	EXCELLENT*	VERY GOOD*

*At pressures below 30 PSI (2.0 bar)



Optimum Spray Height



How to order:

Specify tip number.

Example:

TT11001-VP – Polymer with VisiFlo® color-coding

TT11002-VP-CE – Polymer with VisiFlo color-coding, includes Quick TeeJet cap and gasket

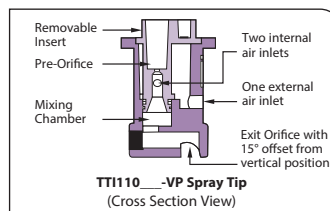
Turbo TeeJet® Induction Flat Spray Tips

Typical Applications:

Extremely coarse droplet size provides the best drift control possible and is ideal for soil applied and post-emerge systemic products, including dicamba.

Features:

- 110° wide angle, air induction, tapered flat spray tip pattern based on the patented outlet orifice design of the original Turbo TeeJet® nozzle.
- Patented orifice design provides large, round passages to minimize plugging.
- Depending on the chemical, produces large air-filled drops through a Venturi air aspirator resulting in less drift.
- All polymer construction for excellent chemical and wear resistance.
- Compact size to prevent tip damage.
- Removable pre-orifice.
- Ideal for use with automatic sprayer controllers.
- Wide operating pressure range: 15–100 PSI (1–7 bar).
- Automatic spray alignment with 11443A-*CELR Quick TeeJet cap and gasket for capacities 015 thru 06; 114502-*CELR for capacities 08 and 10.



Note: Due to pre-orifice design, this tip is not compatible with the 4193A check valve tip strainer.

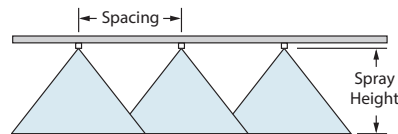
HOW TO ORDER: EXAMPLE

TJ/	DESCRIPTION	PRICE
TT111003-VP	Turbo TeeJet Induction with VisiFlo color-coding	13.75
TT111008-VP(and Larger)	Turbo TeeJet Induction with VisiFlo color-coding	16.07

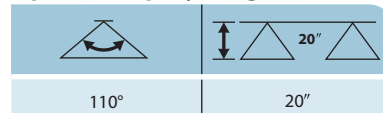
TI	PSI	DROPS PER MIN	CAPACITY ONE NOZZLE IN GPM	CAPACITY ONE NOZZLE IN OZ./MIN.	20"										GALLONS PER 1000 SQ. FT.			
					GPA													
					4 MPH	5 MPH	6 MPH	8 MPH	10 MPH	12 MPH	15 MPH	20 MPH	2 MPH	3 MPH	4 MPH	5 MPH		
TT1110015 (100)	15 UC	0.092	12	6.8	5.5	4.6	3.4	2.7	2.3	1.8	1.4	0.31	0.21	0.16	0.13			
	20 UC	0.11	14	8.2	6.5	5.4	4.1	3.3	2.7	2.2	1.6	0.37	0.25	0.19	0.15			
	30 UC	0.13	17	9.7	7.7	6.4	4.8	3.9	3.2	2.6	1.9	0.44	0.29	0.22	0.18			
	40 UC	0.15	19	11.1	8.9	7.4	5.6	4.5	3.7	3.0	2.2	0.51	0.34	0.26	0.20			
	50 UC	0.17	22	12.6	10.1	8.4	6.3	5.0	4.2	3.4	2.5	0.58	0.39	0.29	0.23			
TT111002 (50)	15 UC	0.12	15	8.9	7.1	5.9	4.5	3.6	3.0	2.4	1.8	0.41	0.27	0.20	0.16			
	20 UC	0.14	18	10.4	8.3	6.9	5.2	4.2	3.5	2.8	2.1	0.48	0.32	0.24	0.19			
	30 UC	0.17	22	12.6	10.1	8.4	6.3	5.0	4.2	3.4	2.5	0.58	0.39	0.29	0.23			
	40 UC	0.20	26	14.9	11.9	9.9	7.4	5.9	5.0	4.0	3.0	0.68	0.45	0.34	0.27			
	50 UC	0.22	28	16.3	13.1	10.9	8.2	6.5	5.4	4.4	3.3	0.75	0.50	0.37	0.30			
TT1110025 (50)	15 UC	0.15	19	11.1	8.9	7.4	5.6	4.5	3.7	3.0	2.2	0.51	0.34	0.26	0.20			
	20 UC	0.18	23	13.4	10.7	8.9	6.7	5.3	4.5	3.6	2.7	0.61	0.41	0.31	0.24			
	30 UC	0.22	28	16.3	13.1	10.9	8.2	6.5	5.4	4.4	3.3	0.75	0.50	0.37	0.30			
	40 UC	0.25	32	18.6	14.9	12.4	9.3	7.4	6.2	5.0	3.7	0.85	0.57	0.43	0.34			
	50 UC	0.28	36	21	16.6	13.9	10.4	8.3	6.9	5.5	4.2	0.95	0.63	0.48	0.38			
TT111003 (50)	15 UC	0.18	23	13.4	10.7	8.9	6.7	5.3	4.5	3.6	2.7	0.61	0.41	0.31	0.24			
	20 UC	0.21	27	15.7	12.5	10.4	7.8	6.2	5.2	4.2	3.1	0.71	0.47	0.35	0.27			
	30 UC	0.26	33	19.3	15.4	12.9	9.7	7.7	6.4	5.1	3.9	0.88	0.59	0.44	0.35			
	40 UC	0.30	38	22	17.8	14.9	11.1	8.9	7.4	5.9	4.5	1.0	0.68	0.51	0.41			
	50 UC	0.34	44	25	20	16.8	12.4	10.1	8.4	6.7	5.0	1.2	0.77	0.58	0.46			
TT111004 (50)	15 UC	0.24	31	17.8	14.3	11.9	8.9	7.1	5.9	4.8	3.6	0.82	0.54	0.41	0.33			
	20 UC	0.28	36	21	16.6	13.9	10.4	8.3	6.9	5.5	4.2	0.95	0.63	0.48	0.38			
	30 UC	0.35	45	25	19.6	16.3	12.3	9.8	8.2	6.5	4.9	1.1	0.75	0.56	0.45			
	40 UC	0.40	51	30	24	19.8	14.9	11.9	9.9	7.9	5.9	1.4	0.91	0.68	0.54			
	50 UC	0.45	58	35	27	22	16.7	13.4	11.1	8.9	6.7	1.5	1.0	0.77	0.61			
TT111005 (50)	15 UC	0.31	40	23	18.4	15.3	11.5	9.2	7.5	6.1	4.7	1.1	0.70	0.53	0.42			
	20 UC	0.35	45	26	21	17.3	13.0	10.4	8.7	6.9	5.2	1.2	0.79	0.60	0.48			
	30 UC	0.43	55	32	26	21	16.0	12.8	10.6	8.5	6.4	1.5	0.97	0.73	0.58			
	40 UC	0.50	64	37	30	25	18.6	14.9	12.4	9.9	7.4	1.7	1.1	0.85	0.66			
	50 UC	0.56	72	42	33	28	21	16.6	13.9	11.1	8.3	1.9	1.3	0.95	0.76			
TT111006 (50)	15 UC	0.37	47	27	22	18.3	13.7	11.0	9.2	7.3	5.5	1.3	0.84	0.63	0.50			
	20 UC	0.42	54	31	25	21	15.6	12.5	10.4	8.3	6.2	1.4	0.95	0.71	0.57			
	30 UC	0.52	67	39	31	26	19.3	15.4	12.9	10.3	7.7	1.8	1.2	0.88	0.71			
	40 UC	0.60	77	45	36	30	22	17.8	14.9	11.9	8.9	2.0	1.4	1.0	0.82			
	50 UC	0.67	86	50	40	33	25	19.9	16.6	13.3	9.9	2.3	1.5	1.1	0.91			
TT111008 (50)	15 UC	0.49	63	36	29	24	18.2	14.6	12.1	9.7	7.3	1.7	1.1	0.83	0.67			
	20 UC	0.57	73	42	34	28	21	16.9	14.1	11.3	8.5	1.9	1.3	0.97	0.78			
	30 UC	0.69	88	51	41	34	26	20	17.1	13.7	10.3	2.2	1.5	1.1	0.90			
	40 UC	0.80	102	59	48	40	30	24	19.8	15.8	11.9	2.7	1.8	1.4	1.1			
	50 UC	0.89	114	66	53	44	33	26	22	17.6	13.2	3.0	2.0	1.5	1.2			
TT111010	15 UC	0.71	51	33	27	22	18.1	14.5	10.8	8.5	6.4	2.0	1.4	1.0	0.83			
	20 UC	0.87	71	45	36	30	22	17.2	12.9	10.3	7.7	2.2	1.5	1.1	0.97			
	30 UC	1.00	84	53	43	35	27	22	18.6	14.9	11.1	2.6	1.7	1.3	1.0			
	40 UC	1.12	98	61	49	40	33	26	22	18.6	14.9	3.0	2.0	1.5	1.2			
	50 UC	1.26	114	71	56	45	36	30	24	19.8	15.8	3.4	2.3	1.7	1.4			



CONTACT PRODUCT	SYSTEMIC PRODUCT	DRIFT MANAGEMENT
—	EXCELLENT	EXCELLENT



Optimum Spray Height



How to order:

Specify tip number.

Example:

TT111004-VP – Polymer with VisiFlo® color-coding

TT111003-VP-CE – Polymer with VisiFlo color-coding, includes Quick TeeJet cap and gasket

Note: Always double check your application rates. Tabulations are based on spraying water at 70°F (21°C).

APPLICATION INFORMATION

PSI	DROP SIZE	CAPACITY ONE NOZZLE IN GPM	CAPACITY ONE NOZZLE OZ/MIN	20"											
				GPA								GALLONS PER 1000 SQ. FT.			
				4 MPH	5 MPH	6 MPH	8 MPH	10 MPH	12 MPH	15 MPH	20 MPH	2 MPH	3 MPH	4 MPH	5 MPH
20	VC	0.11	14	8.2	6.5	5.4	4.1	3.3	2.7	2.2	1.6	0.37	0.25	0.19	0.15
30	C	0.13	17	9.7	7.7	6.4	4.8	3.9	3.2	2.6	1.9	0.44	0.29	0.22	0.18
40	C	0.15	19	11.1	8.9	7.4	5.6	4.5	3.7	3.0	2.2	0.51	0.34	0.26	0.20
50	M	0.17	22	12.6	10.1	8.4	6.3	5.0	4.2	3.4	2.5	0.58	0.39	0.29	0.23
60	M	0.18	23	13.4	10.7	8.9	6.7	5.3	4.5	3.6	2.7	0.61	0.41	0.31	0.24
75	M	0.21	27	15.6	12.5	10.4	7.8	6.2	5.2	4.2	3.1	0.71	0.48	0.36	0.29
90	F	0.23	29	17.1	13.7	11.4	8.5	6.8	5.7	4.6	3.4	0.78	0.52	0.39	0.31
20	XC	0.14	18	10.4	8.3	6.9	5.2	4.2	3.5	2.8	2.1	0.48	0.32	0.24	0.19
30	VC	0.17	22	12.6	10.1	8.4	6.3	5.0	4.2	3.4	2.5	0.58	0.39	0.29	0.23
40	C	0.20	26	14.9	11.9	9.9	7.4	5.9	5.0	4.0	3.0	0.68	0.45	0.34	0.27
50	C	0.22	28	16.3	13.1	10.9	8.2	6.5	5.4	4.4	3.3	0.75	0.50	0.37	0.30
60	C	0.24	31	17.8	14.3	11.9	8.9	7.1	5.9	4.8	3.6	0.82	0.54	0.41	0.33
75	M	0.27	35	20	16.0	13.4	10.0	8.0	6.7	5.3	4.0	0.92	0.61	0.46	0.37
90	M	0.30	38	22	17.8	14.9	11.1	8.9	7.4	5.9	4.5	1.0	0.68	0.51	0.41
20	XC	0.18	23	13.4	10.7	8.9	6.7	5.3	4.5	3.6	2.7	0.61	0.41	0.31	0.24
30	VC	0.22	28	16.3	13.1	10.9	8.2	6.5	5.4	4.4	3.3	0.75	0.50	0.37	0.30
40	C	0.25	32	18.6	14.9	12.4	9.3	7.4	6.2	5.0	3.7	0.85	0.57	0.43	0.34
50	C	0.28	36	21	16.6	13.9	10.4	8.3	6.9	5.5	4.2	0.95	0.63	0.48	0.38
60	C	0.31	40	23	18.4	15.3	11.5	9.2	7.7	6.1	4.6	1.1	0.70	0.53	0.42
75	C	0.34	44	25	20	16.8	12.6	10.1	8.4	6.7	5.0	1.2	0.77	0.58	0.46
90	M	0.38	49	28	23	18.8	14.1	11.3	9.4	7.5	5.6	1.3	0.86	0.65	0.52
20	XC	0.21	27	15.6	12.5	10.4	7.8	6.2	5.2	4.2	3.1	0.71	0.48	0.36	0.29
30	XC	0.26	33	19.3	15.4	12.9	9.7	7.7	6.4	5.1	3.9	0.88	0.59	0.44	0.35
40	VC	0.30	38	22	17.8	14.9	11.1	8.9	7.4	5.9	4.5	1.0	0.68	0.51	0.41
50	C	0.34	44	25	20	16.8	12.6	10.1	8.4	6.7	5.0	1.2	0.77	0.58	0.46
60	C	0.37	47	27	22	18.3	13.7	11.0	9.2	7.3	5.5	1.3	0.84	0.63	0.50
75	C	0.41	52	30	24	20	15.2	12.2	10.1	8.1	6.1	1.4	0.93	0.70	0.56
90	C	0.45	58	33	27	22	16.7	13.4	11.1	8.9	6.7	1.5	1.0	0.77	0.61
20	UC	0.28	36	21	16.6	13.9	10.4	8.3	6.9	5.5	4.2	0.95	0.63	0.48	0.38
30	XC	0.35	45	26	21	17.3	13.0	10.4	8.7	6.9	5.2	1.2	0.79	0.60	0.48
40	VC	0.40	51	30	24	19.8	14.9	11.9	9.9	7.9	5.9	1.4	0.91	0.68	0.54
50	VC	0.45	58	33	27	22	16.7	13.4	11.1	8.9	6.7	1.5	1.0	0.77	0.61
60	VC	0.49	63	36	29	24	18.2	14.6	12.1	9.7	7.3	1.7	1.1	0.83	0.67
75	C	0.55	70	41	33	27	20	16.3	13.6	10.9	8.2	1.9	1.2	0.94	0.75
90	C	0.60	77	45	36	30	22	17.8	14.9	11.9	8.9	2.0	1.4	1.0	0.82
20	UC	0.35	45	26	21	17.3	13.0	10.4	8.7	6.9	5.2	1.2	0.79	0.60	0.48
30	XC	0.43	55	32	26	21	16.0	12.8	10.6	8.5	6.4	1.5	0.97	0.73	0.58
40	VC	0.50	64	37	30	25	18.6	14.9	12.4	9.9	7.4	1.7	1.1	0.85	0.68
50	VC	0.56	72	42	33	28	21	16.6	13.9	11.1	8.3	1.9	1.3	0.95	0.76
60	VC	0.61	78	45	36	30	23	18.1	15.1	12.1	9.1	2.1	1.4	1.0	0.83
75	C	0.68	87	50	40	34	25	20	16.8	13.5	10.1	2.3	1.5	1.2	0.92
90	C	0.75	96	56	45	37	28	22	18.6	14.9	11.1	2.6	1.7	1.3	1.0

Note: Always double check your application rates. Tabulations are based on spraying water at 70°F (21°C).

Extremely Fine Very Fine Fine Medium Coarse Very Coarse Extremely Coarse Ultra Coarse

AI3070 TEEJET

The AI3070 TeeJet dual flat spray tip, utilizing a patent-pending design, provides two spray patterns at complementary angles of 30° and 70° from vertical. The leading pattern provides coverage of the rear of the crop and penetration for coverage within the canopy. The trailing pattern provides thorough coverage across the top of the crop canopy. The AI3070 is ideal for fungicide application and disease control in cereal crops.

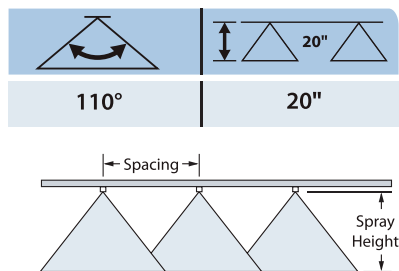
AI3070 Features & Benefits

- AI3070 produces two wide angle, flat spray patterns for uniform coverage in broadcast applications
- 30° forward tilted spray penetrates dense crop canopies, while the backward tilted 70° spray maximizes coverage of the crop seed head
- Drift resistant drops are produced through the use of a venturi air aspirator
- Large, round, free passages minimize clogging
- All acetel construction for excellent chemical and wear resistance
- Removable pre-orifice for fast and easy cleaning
- Automatic alignment with the use of CP98578-1-NY cap and 98579-1-NYR cap and gasket
- Suggested spray pressure range of 20 to 90 PSI (1.5 - 6 bar)

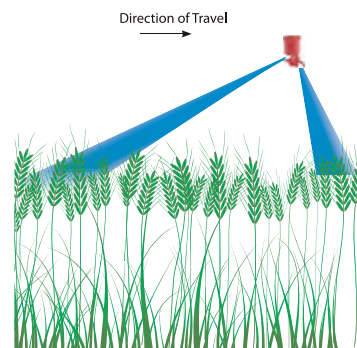
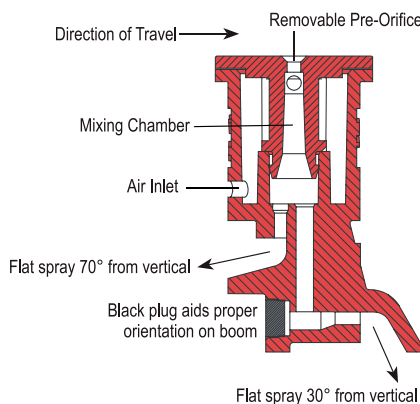
Typical Applications

- Excellent penetration and seed head coverage for fungicide spraying on cereal crops

OPTIMUM SPRAY HEIGHT



CROSS SECTION VIEW



HOW TO ORDER: EXAMPLE

TJ/	DESCRIPTION	PRICE
AI3070	Air Induction Dual Pattern Flat Spray Tip	10.03



Turbo TwinJet® Twin Flat Spray Tips

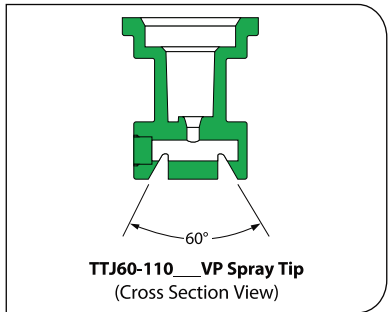
Features:

- Dual outlet design produces two 110° flat fan spray patterns using the patented technology from the Turbo TeeJet® nozzle. The angle between each spray pattern is 60° forward and back.
- Best suited for broadcast spraying where superior leaf coverage and canopy penetration is important.
- Droplet size range is slightly larger than for the same capacity Turbo TeeJet nozzle providing drift-reducing properties with increased canopy coverage and penetration.
- Molded polymer for excellent chemical and wear resistance.
- Available in six VisiFlo® color-coded capacities with pressure ranges from 20–90 PSI (1.5–6 bar).
- Ideal for use with automatic sprayer controllers.
- Automatic alignment when used with 114441A-®-CELR Quick TeeJet cap and gasket.



HOW TO ORDER: EXAMPLE

TJ/	DESCRIPTION	PRICE
TTJ60-11002VP	Turbo TwinJet with VisiFlo color-coding	9.63

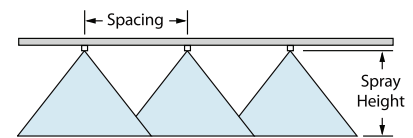


PSI	DROPSIZE	CAPACITY ONE NOZZLE IN GPM	CAPACITY ONE NOZZLE IN OZ./MIN.	20°											
				GPA								GALLONS PER 1000 SQ. FT.			
				4 MPH	5 MPH	6 MPH	8 MPH	10 MPH	12 MPH	15 MPH	20 MPH	2 MPH	3 MPH	4 MPH	5 MPH
20	C	0.14	18	10.4	8.3	6.9	5.2	4.2	3.5	2.8	2.1	0.48	0.32	0.24	0.19
30	C	0.17	22	12.6	10.1	8.4	6.3	5.0	4.2	3.4	2.5	0.58	0.39	0.29	0.23
40	C	0.20	26	14.9	11.9	9.9	7.4	5.9	5.0	4.0	3.0	0.68	0.45	0.34	0.27
50	M	0.22	28	16.3	13.1	10.9	8.2	6.5	5.4	4.4	3.3	0.75	0.50	0.37	0.30
60	M	0.24	31	17.8	14.3	11.9	8.9	7.1	5.9	4.8	3.6	0.82	0.54	0.41	0.33
70	M	0.26	33	19.3	15.4	12.9	9.7	7.7	6.4	5.1	3.9	0.88	0.59	0.44	0.35
80	M	0.28	36	21	16.6	13.9	10.4	8.3	6.9	5.5	4.2	0.95	0.63	0.48	0.38
90	M	0.30	38	22	17.8	14.9	11.1	8.9	7.4	5.9	4.5	1.0	0.68	0.51	0.41
20	VC	0.18	23	13.4	10.7	8.9	6.7	5.3	4.5	3.6	2.7	0.61	0.41	0.31	0.24
30	C	0.22	28	16.3	13.1	10.9	8.2	6.5	5.4	4.4	3.3	0.75	0.50	0.37	0.30
40	C	0.25	32	18.6	14.9	12.4	9.3	7.4	6.2	5.0	3.7	0.85	0.57	0.43	0.34
50	C	0.28	36	21	16.6	13.9	10.4	8.3	6.9	5.5	4.2	0.95	0.63	0.48	0.38
60	C	0.31	40	23	18.4	15.3	11.5	9.2	7.7	6.1	4.6	1.1	0.70	0.53	0.42
70	M	0.33	42	25	19.6	16.3	12.3	9.8	8.2	6.5	4.9	1.1	0.75	0.56	0.45
80	M	0.35	45	26	21	17.3	13.0	10.4	8.7	6.9	5.2	1.2	0.79	0.60	0.48
90	M	0.38	49	28	23	18.8	14.1	11.3	9.4	7.5	5.6	1.3	0.86	0.65	0.52
20	VC	0.21	27	15.6	12.5	10.4	7.8	6.2	5.2	4.2	3.1	0.71	0.48	0.36	0.29
30	C	0.26	33	19.3	15.4	12.9	9.7	7.7	6.4	5.1	3.9	0.88	0.59	0.44	0.35
40	C	0.30	38	22	17.8	14.9	11.1	8.9	7.4	5.9	4.5	1.0	0.68	0.51	0.41
50	C	0.34	44	25	20	16.8	12.6	10.1	8.4	6.7	5.0	1.2	0.77	0.58	0.46
60	C	0.37	47	27	22	18.3	13.7	11.0	9.2	7.3	5.5	1.3	0.84	0.63	0.50
70	C	0.40	51	30	24	19.8	14.9	11.9	9.9	7.9	5.9	1.4	0.91	0.68	0.54
80	M	0.42	54	31	25	21	15.6	12.5	10.4	8.3	6.2	1.4	0.95	0.71	0.57
90	M	0.45	58	33	27	22	16.7	13.4	11.1	8.9	6.7	1.5	1.0	0.77	0.61
20	VC	0.28	36	21	16.6	13.9	10.4	8.3	6.9	5.5	4.2	0.95	0.63	0.48	0.38
30	C	0.35	45	26	21	17.3	13.0	10.4	8.7	6.9	5.2	1.2	0.79	0.60	0.48
40	C	0.40	51	30	24	19.8	14.9	11.9	9.9	7.9	5.9	1.4	0.91	0.68	0.54
50	C	0.45	58	33	27	22	16.7	13.4	11.1	8.9	6.7	1.5	1.0	0.77	0.61
60	C	0.49	63	36	29	24	18.2	14.6	12.1	9.7	7.3	1.7	1.1	0.83	0.67
70	C	0.53	68	39	31	26	19.7	15.7	13.1	10.5	7.9	1.8	1.2	0.90	0.72
80	C	0.57	73	42	34	28	21	16.9	14.1	11.3	8.5	1.9	1.3	0.97	0.78
90	M	0.60	77	45	36	30	22	17.8	14.9	11.9	8.9	2.0	1.4	1.0	0.82
20	VC	0.35	45	26	21	17.3	13.0	10.4	8.7	6.9	5.2	1.2	0.79	0.60	0.48
30	C	0.43	55	32	26	21	16.0	12.8	10.6	8.5	6.4	1.5	0.97	0.73	0.58
40	C	0.50	64	37	30	25	18.6	14.9	12.4	9.9	7.4	1.7	1.1	0.85	0.68
50	C	0.56	72	42	33	28	21	16.6	13.9	11.1	8.3	1.9	1.3	0.95	0.76
60	C	0.61	78	45	36	30	23	18.1	15.1	12.1	9.1	2.1	1.4	1.0	0.83
70	C	0.66	84	49	39	33	25	19.6	16.3	13.1	9.8	2.2	1.5	1.1	0.90
80	C	0.71	91	53	42	35	26	21	17.6	14.1	10.5	2.4	1.6	1.2	0.97
90	C	0.75	96	56	45	37	28	22	18.6	14.9	11.1	2.6	1.7	1.3	1.0
20	XC	0.42	54	31	25	21	15.6	12.5	10.4	8.3	6.2	1.4	0.95	0.71	0.57
30	VC	0.52	67	39	31	26	19.3	15.4	12.9	10.3	7.7	1.8	1.2	0.88	0.71
40	C	0.60	77	45	36	30	22	17.8	14.9	11.9	8.9	2.0	1.4	1.0	0.82
50	C	0.67	86	50	40	33	25	19.9	16.6	13.3	9.9	2.3	1.5	1.1	0.91
60	C	0.73	93	54	43	36	27	22	18.1	14.5	10.8	2.5	1.7	1.2	0.99
70	C	0.79	101	59	47	39	29	23	19.6	15.6	11.7	2.7	1.8	1.3	1.1
80	C	0.85	109	63	50	42	32	25	21	16.8	12.6	2.9	1.9	1.4	1.2
90	C	0.90	115	67	53	45	33	27	22	17.8	13.4	3.1	2.0	1.5	1.2

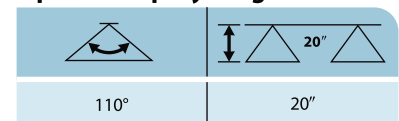
Note: Always double check your application rates. Tabulations are based on spraying water at 70°F (21°C).

CONTACT PRODUCT	SYSTEMIC PRODUCT	DRIFT MANAGEMENT
EXCELLENT	EXCELLENT	VERY GOOD
VERY GOOD*	EXCELLENT*	EXCELLENT*

*At pressures below 30 PSI (2.0 bar)



Optimum Spray Height



How to order:

Specify tip number.

Example:

TTJ60-11004VP – Polymer with VisiFlo® color-coding

EQUIPMENT
FLOW METERS
PRECISION
NOZZLES
VALVES
STRAINERS
FITTINGS
JACKS & HITCHES
PLANTER COMP.
PUMPS
TILLAGE
NH₃
TANKS

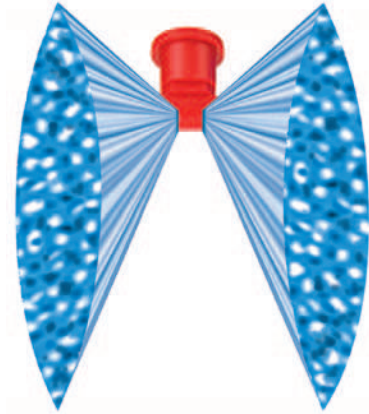
Air Induction Turbo TwinJet® Twin Flat Spray Tips

Typical Applications:

See selection guide on page 2 for recommended typical applications for Air Induction Turbo TwinJet tips.

Features:

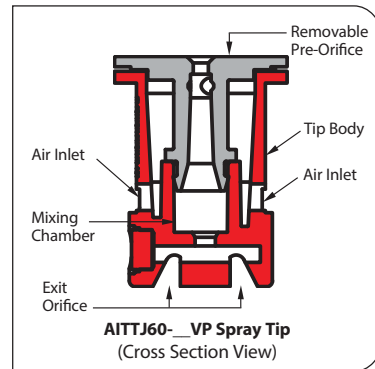
- Air induction with dual 110° flat fan patterns
- 60° between leading and trailing spray patterns
- Good coverage with increased canopy penetration and best drift control
- Best suited for postemergence applications
- Excellent drift control with coarse to very coarse droplets
- Available in nine VisiFlo® color coded capacities (02 through 15)—color represents total flow
- Pressure ranges from 20–90 PSI (1.5–6 bar)
- Automatic spray alignment when used with 114443A-*CELR (02–06) or 114502-*CELR (08–15) Quick TeeJet® cap and gasket.



HOW TO ORDER: EXAMPLE

TJ/	DESCRIPTION	PRICE
AITTJ60-11002VP	Turbo TwinJet with VisiFlo color-coding	10.00
AITTJ60-11008VP (and Larger)	Large Capacity Turbo TwinJet	11.50

TI	PSI	DROPSIZE	CAPACITY ONE NOZZLE IN GPM	CAPACITY ONE NOZZLE IN OZ./MIN.	20°								GALLONS PER 1000 SQ. FT.			
					GPA											
					4 MPH	5 MPH	6 MPH	8 MPH	10 MPH	12 MPH	15 MPH	20 MPH	2 MPH	3 MPH	4 MPH	5 MPH
AITTJ60-11002VP (100)	20	XC	0.14	18	10.4	8.3	6.9	5.2	4.2	3.5	2.8	2.1	0.48	0.32	0.24	0.19
	30	VC	0.17	22	12.6	10.1	8.4	6.3	5.0	4.2	3.4	2.5	0.58	0.39	0.29	0.23
	40	VC	0.20	26	14.9	11.9	9.9	7.4	5.9	5.0	4.0	3.0	0.68	0.45	0.34	0.27
	50	C	0.22	28	16.3	13.1	10.9	8.2	6.5	5.4	4.4	3.3	0.75	0.50	0.37	0.30
	60	C	0.24	31	17.8	14.3	11.9	8.9	7.1	5.9	4.8	3.6	0.82	0.54	0.41	0.33
AITTJ60-110025VP (100)	70	C	0.26	33	19.3	15.4	12.9	9.7	7.7	6.4	5.1	3.9	0.88	0.59	0.44	0.35
	80	C	0.28	36	21	16.6	13.9	10.4	8.3	6.9	5.5	4.2	0.95	0.63	0.48	0.38
	90	C	0.30	38	22	17.8	14.9	11.1	8.9	7.4	5.9	4.5	1.0	0.68	0.51	0.41
	20	XC	0.18	23	13.4	10.7	8.9	6.7	5.3	4.5	3.6	2.7	0.61	0.41	0.31	0.24
	30	VC	0.22	28	16.3	13.1	10.9	8.2	6.5	5.4	4.4	3.3	0.75	0.50	0.37	0.30
AITTJ60-11003VP (50)	40	VC	0.25	32	18.6	14.9	12.4	9.3	7.4	6.2	5.0	3.7	0.85	0.57	0.43	0.34
	50	C	0.28	36	21	16.6	13.9	10.4	8.3	6.9	5.5	4.2	0.95	0.63	0.48	0.38
	60	C	0.31	40	23	18.4	15.3	11.5	9.2	7.7	6.1	4.6	1.1	0.70	0.53	0.42
	70	C	0.33	42	25	19.6	16.3	12.3	9.8	8.2	6.5	4.9	1.1	0.75	0.56	0.45
	80	C	0.35	45	26	21	17.3	13.0	10.4	8.7	6.9	5.2	1.2	0.79	0.60	0.48
AITTJ60-11004VP (50)	90	C	0.38	49	28	23	18.8	14.1	11.3	9.4	7.5	5.6	1.3	0.86	0.65	0.52
	20	UC	0.21	27	15.6	12.5	10.4	7.8	6.2	5.2	4.2	3.1	0.71	0.48	0.36	0.29
	30	XC	0.26	33	19.3	15.4	12.9	9.7	7.7	6.4	5.1	3.9	0.88	0.59	0.44	0.35
	40	VC	0.30	38	22	17.8	14.9	11.1	8.9	7.4	5.9	4.5	1.0	0.68	0.51	0.41
	50	VC	0.34	44	25	20	16.8	12.6	10.1	8.4	6.7	5.0	1.2	0.77	0.58	0.46
AITTJ60-11005VP (50)	60	C	0.37	47	27	22	18.3	13.7	11.0	9.2	7.3	5.5	1.3	0.84	0.63	0.50
	70	C	0.40	51	30	24	19.8	14.9	11.9	9.9	7.9	5.9	1.4	0.91	0.68	0.54
	80	C	0.42	54	31	25	21	15.6	12.5	10.4	8.3	6.2	1.4	0.95	0.71	0.57
	90	C	0.45	58	33	27	22	16.7	13.4	11.1	8.9	6.7	1.5	1.0	0.77	0.61
	20	UC	0.28	36	21	16.6	13.9	10.4	8.3	6.9	5.5	4.2	0.95	0.63	0.48	0.38
AITTJ60-11006VP (50)	30	XC	0.35	45	26	21	17.3	13.0	10.4	8.7	6.9	5.2	1.2	0.79	0.60	0.48
	40	VC	0.40	51	30	24	19.8	14.9	11.9	9.9	7.9	5.9	1.4	0.91	0.68	0.54
	50	C	0.45	58	33	27	22	16.7	13.4	11.1	8.9	6.7	1.5	1.0	0.77	0.61
	60	C	0.49	63	36	29	24	18.2	14.6	12.1	9.7	7.3	1.7	1.1	0.83	0.67
	70	C	0.53	68	39	31	26	19.7	15.7	13.1	10.5	7.9	1.8	1.2	0.90	0.72
AITTJ60-11008VP (50)	80	C	0.57	73	42	34	28	21	16.9	14.1	11.3	8.5	1.9	1.3	0.97	0.78
	90	C	0.60	77	45	36	30	22	17.8	14.9	11.9	8.9	2.0	1.4	1.0	0.82
	20	UC	0.35	45	26	21	17.3	13.0	10.4	8.7	6.9	5.2	1.2	0.79	0.60	0.48
	30	XC	0.43	55	32	26	21	16.0	12.8	10.6	8.5	6.4	1.5	0.97	0.73	0.58
	40	VC	0.50	64	37	30	25	18.6	14.9	12.4	9.9	7.4	1.7	1.1	0.85	0.68
AITTJ60-11010VP (50)	50	VC	0.56	72	42	33	28	21	16.6	13.9	11.1	8.3	1.9	1.3	0.95	0.76
	60	C	0.61	78	45	36	30	23	18.1	15.1	12.1	9.1	2.1	1.4	1.0	0.83
	70	C	0.66	84	49	39	33	25	19.6	16.3	13.1	9.8	2.2	1.5	1.1	0.90
	80	C	0.71	91	53	42	35	26	21	17.6	14.1	10.5	2.4	1.6	1.2	0.97
	90	C	0.75	96	56	45	37	28	22	18.6	14.9	11.1	2.6	1.7	1.3	1.0
AITTJ60-11011VP (50)	20	UC	0.42	54	31	25	21	15.6	12.5	10.4	8.3	6.2	1.4	0.95	0.71	0.57
	30	XC	0.52	67	39	31	26	19.3	15.4	12.9	10.3	7.7	1.8	1.2	0.88	0.71
	40	VC	0.60	77	45	36	30	22	17.8	14.9	11.9	8.9	2.0	1.4	1.0	0.82
	50	VC	0.67	86	50	40	33	25	19.9	16.6	13.3	9.9	2.3	1.5	1.1	0.91
	60	C	0.73	93	54	43	36	27	22	18.1	14.5	10.8	2.5	1.7	1.2	0.99
AITTJ60-11015VP (50)	70	C	0.79	101	59	47	39	29	23	19.6	15.6	11.7	2.7	1.8	1.3	1.1
	80	C	0.85	109	65	50	42	32	25	21.6	16.8	12.6	2.9	1.9	1.4	1.2
	90	C	0.90	115	67	53	45	33	27	22	17.8	13.4	3.1	2.0	1.5	1.2
	20	UC	0.57	73	42	34	28	21	16.9	14.1	11.3	8.5	1.9	1.3	0.97	0.78
	30	XC	0.69	88	51	41	34	26	20	17.1	13.7	10.2	2.3	1.6	1.2	0.94
AITTJ60-11015VP (50)	40	VC	0.80	102	59	48	40	30	24	19.8	15.8	11.9	2.7	1.8	1.4	1.09
	50	XC	0.89	114	66	53	44	33	26	22	17.6	13.2	3.0	2.0	1.5	1.2
	60	XC	0.98	125	73	58	49	36	29	24	19.4	14.6	3.3	2.2	1.7	1.3
	70	XC	1.06	136	79	63	52	39	31	26	21	15.7	3.6	2.4	1.8	1.4
	80	VC	1.13	145	84	67	56	42	34	28	22	16.8	3.8	2.6	1.9	1.5
AITTJ60-11015VP (50)	90	VC	1.20	154	89	71	59	45	36	30	24	17.8	4.1	2.7	2.0	1.6
	20	UC	0.71	91	53	42	35	26	21	17.6	14.1	10.5	2.4	1.6	1.2	0.97
	30	UC	0.87	111	65	52	43	32	26	22	17.2	12.9	3.0	2.0	1.5	1.2
	40	UC	1.00	128	74	59	50	37	30	25	19.8	14.9	3.4	2.3	1.7	1.4
	50	XC	1.12	143	83	67	55	42	33	28	22	16.6	3.8	2.5	1.9	1.5
AITTJ60-11015VP (50)	60	XC	1.22	156	91	72	60	45	36	30	24	18.1	4.1	2.8	2.1	1.7
	70	XC	1.32	169	98	78	65	49	39	33	26	19.6	4.5	3.0	2.2	1.8
	80	XC	1.41	180	105	84	70	52	42	35	28	21	4.8	3.2	2.4	1.9
	90	VC	1.50	192	111	89	74	56	45	37	30	22	5.1	3.4	2.6	2.0
	20	UC	1.06	136	79	63	52	39	31	26	21	15.7	3.6	2.4	1.8	1.4
AITTJ60-11015VP (50)	30	UC	1.30	166	97	77	64	48	39	32	26	19.3	4.4	2.9	2.2	1.8
	40	UC	1.50	192	111	89	74	56	45	37	30	22	5.1	3.4	2.6	2.0
	50	XC	1.68	215	125	100	83	62	50	42	33	25	5.7	3.8	2.9	2.3
	60	XC	1.84	236	137	109	91	68	55	46	36	27	6.3	4.2	3.1	2.5
	70	XC	1.98	253	147	118	98	74	59	49	39	29	6.7	4.5	3.4	2.7
AITTJ60-11015VP (50)	80	VC	2.12	271	157	126	105	79	63	52	42	31	7.2	4.8	3.6	2.9
	90	VC	2.25	288	167	134	111	84	67	56	45	33	7.7	5.1	3.8	3.1



|--|

AI & AIC TeeJet® Air Induction Flat Spray Tips

HOW TO ORDER: Example

TJ/	Description	Price
AI11005-VS	Air Induction Flat Spray Tip with VisiFlo color coding	16.29
AIC11005-VS	Air Induction Tip/Cap Combo w/ VisiFlo color coding	17.66

Features:

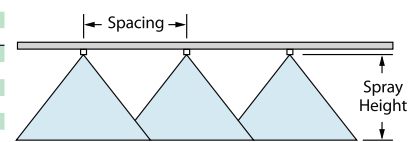
- Stainless steel insert produces a tapered edge flat spray pattern for uniform coverage in broadcast spraying.
- Polymer insert holder and pre-orifice with VisiFlo® color-coding.
- Larger droplets for less drift.
- Available in eight capacities with a recommended pressure rating 30–115 PSI (2–8 bar).
- Depending on the chemical, produces large air-filled drops through the use of a Venturi air aspirator.
- Automatic spray alignment with 114443A-*CELR Quick TeeJet cap and gasket.

TJ/	PSI	DROPS SIZE	CAPACITY ONE NOZZLE IN GPM	CAPACITY ONE NOZZLE IN OZ./MIN.	20"															
					GPA								GALLONS PER 1000 SQ. FT.							
					4 MPH	5 MPH	6 MPH	8 MPH	10 MPH	12 MPH	15 MPH	20 MPH	2 MPH	3 MPH	4 MPH	5 MPH				
AI80015 AI110015 AIC110015 (100)	30	UC	0.13	17	9.7	7.7	6.4	4.8	3.9	3.2	2.6	1.9	0.44	0.29	0.22	0.18	0.34	0.26	0.20	
	40	XC	0.15	19	11.1	8.9	7.4	5.6	4.5	3.7	3.0	2.2	0.51	0.34	0.26	0.20	0.41	0.31	0.24	
	50	XC	0.17	22	12.6	10.1	8.4	6.3	5.0	4.2	3.4	2.5	0.58	0.39	0.29	0.23	0.45	0.34	0.27	
	60	VC	0.18	23	13.4	10.7	8.9	6.7	5.3	4.5	3.6	2.7	0.61	0.41	0.31	0.24	0.48	0.36	0.29	
	70	VC	0.20	26	14.9	11.9	9.9	7.4	5.9	5.0	4.0	3.0	0.68	0.45	0.34	0.27	0.52	0.39	0.31	
AI8002 AI11002 AIC11002 (50)	30	UC	0.17	22	12.6	10.1	8.4	6.3	5.0	4.2	3.4	2.5	0.58	0.39	0.29	0.23	0.45	0.34	0.27	
	40	XC	0.20	26	14.9	11.9	9.9	7.4	5.9	5.0	4.0	3.0	0.68	0.45	0.34	0.27	0.50	0.37	0.30	
	50	XC	0.22	28	16.3	13.1	10.9	8.2	6.5	5.4	4.4	3.3	0.75	0.50	0.37	0.30	0.54	0.41	0.33	
	60	VC	0.24	31	17.8	14.3	11.9	8.9	7.1	5.9	4.8	3.6	0.82	0.54	0.41	0.33	0.59	0.44	0.35	
	70	VC	0.26	33	19.3	15.4	12.9	9.7	7.7	6.4	5.1	3.9	0.88	0.59	0.44	0.35	0.63	0.48	0.38	
AI810025 AI110025 AIC110025 (50)	30	UC	0.22	28	16.3	13.1	10.9	8.2	6.5	5.4	4.4	3.3	0.75	0.50	0.37	0.30	0.57	0.43	0.34	
	40	XC	0.25	32	18.6	14.9	12.4	9.3	7.4	6.2	5.0	3.7	0.85	0.57	0.43	0.34	0.63	0.48	0.38	
	50	XC	0.28	36	21	16.6	13.9	10.4	8.3	6.9	5.5	4.2	0.95	0.63	0.48	0.38	0.70	0.53	0.42	
	60	VC	0.31	40	23	18.4	15.3	11.5	9.2	7.7	6.1	4.6	1.1	0.70	0.53	0.42	0.75	0.56	0.45	
	70	VC	0.33	42	25	19.6	16.3	12.3	9.8	8.2	6.5	4.9	1.1	0.75	0.56	0.45	0.81	0.60	0.48	
AI8003 AI11003 AIC11003 (50)	30	UC	0.26	33	19.3	15.4	12.9	9.7	7.7	6.4	5.1	3.9	0.88	0.59	0.44	0.35	0.68	0.51	0.41	
	40	XC	0.30	38	22	17.8	14.9	11.1	8.9	7.4	5.9	4.5	1.0	0.68	0.51	0.41	0.74	0.57	0.46	
	50	XC	0.34	44	25	20	16.8	12.6	10.1	8.4	6.7	5.0	1.2	0.77	0.58	0.46	0.82	0.63	0.50	
	60	VC	0.37	47	27	22	18.3	13.6	11.0	9.2	7.3	5.5	1.3	0.84	0.63	0.50	0.91	0.68	0.54	
	70	VC	0.40	51	30	24	19.8	14.9	11.9	9.9	7.9	5.9	1.4	0.91	0.68	0.54	0.97	0.71	0.57	
AI8004 AI11004 AIC11004 (50)	30	UC	0.35	45	26	21	17.3	13.0	10.4	8.7	6.9	5.2	1.2	0.79	0.60	0.48	0.86	0.65	0.52	
	40	XC	0.40	51	30	24	19.8	14.9	11.9	9.9	7.9	5.9	1.4	0.91	0.68	0.54	0.97	0.71	0.57	
	50	XC	0.45	58	33	27	22	16.7	13.4	11.1	8.9	6.7	1.5	1.0	0.77	0.61	1.0	0.80	0.64	
	60	VC	0.49	63	36	29	24	18.2	14.6	12.1	9.7	7.3	1.7	1.1	0.83	0.67	1.0	0.83	0.67	
	70	VC	0.53	68	39	31	26	19.7	15.7	13.1	10.5	7.9	1.8	1.2	0.90	0.72	1.0	0.83	0.67	
AI8005 AI11005 AIC11005 (50)	30	UC	0.43	55	32	26	21	16.0	12.8	10.6	8.5	6.4	1.5	0.97	0.73	0.58	1.0	0.83	0.67	
	40	XC	0.50	64	37	30	25	18.6	14.9	12.4	9.9	7.4	1.7	1.1	0.85	0.68	1.0	0.83	0.67	
	50	XC	0.56	72	42	33	28	21	16.6	13.9	11.1	8.3	1.9	1.3	0.95	0.76	1.0	0.83	0.67	
	60	VC	0.61	78	45	36	30	23	18.1	15.1	12.1	9.1	2.1	1.4	1.0	0.83	1.0	0.83	0.67	
	70	VC	0.66	84	49	39	33	25	19.6	16.3	13.1	9.8	2.2	1.5	1.1	0.90	1.0	0.83	0.67	
AI8006 AI11006 AIC11006 (50)	30	UC	0.52	67	39	31	26	19.3	15.4	12.9	10.3	7.7	1.8	1.2	0.88	0.71	1.0	0.83	0.67	
	40	UC	0.60	77	45	36	30	22	17.8	14.9	11.9	8.9	2.0	1.4	1.0	0.82	1.0	0.83	0.67	
	50	XC	0.67	86	50	40	33	25	19.9	16.6	13.3	9.9	2.3	1.5	1.1	0.91	1.0	0.83	0.67	
	60	VC	0.73	93	54	43	36	27	22	18.1	14.5	10.8	2.5	1.7	1.2	0.99	1.0	0.83	0.67	
	70	VC	0.79	101	59	47	39	29	23	19.6	15.6	11.7	2.7	1.8	1.3	1.1	1.0	0.83	0.67	
AI8008 AI11008 AIC11008 (50)	30	UC	0.69	88	51	41	34	26	20	17.1	13.7	10.2	2.3	1.6	1.2	0.94	1.0	0.83	0.67	
	40	UC	0.80	102	59	48	40	30	24	19.8	15.8	11.9	2.7	1.8	1.4	1.1	1.0	0.83	0.67	
	50	XC	0.89	114	66	53	44	33	26	22	17.6	13.2	3.0	2.0	1.5	1.2	1.0	0.83	0.67	
	60	VC	0.98	125	73	58	49	36	29	24	19.4	14.6	3.3	2.2	1.7	1.3	1.0	0.83	0.67	
	70	VC	1.06	136	79	63	52	39	31	26	21	15.7	3.6	2.4	1.8	1.4	1.0	0.83	0.67	
AIC11010	30	UC	1.13	145	84	67	56	42	34	28	22	16.8	3.8	2.6	1.9	1.5	1.0	0.83	0.67	
	40	UC	1.20	154	89	71	59	45	36	30	24	17.8	4.1	2.7	2.0	1.6	1.0	0.83	0.67	
	50	VC	1.26	161	94	75	62	47	37	31	25	18.7	4.3	2.9	2.1	1.7	1.0	0.83	0.67	
	60	VC	1.30	166	97	77	64	48	39	32	26	19.3	4.4	2.9	2.2	1.8	1.0	0.83	0.67	
	70	VC	1.37	173	101	80	67	51	41	34	28	21	17.1	4.6	3.1	2.3	1.0	0.83	0.67	
AIC11015	30	UC	1.58	202	117	94	78	59	47	39	31	23	5.4	3.6	2.7	2.1	1.0	0.83	0.67	
	40	UC	1.80	228	131	104	84	64	51	41	34	26	6.1	4.1	3.1	2.4	1.0	0.83	0.67	
	50	VC	2.00	254	145	113	91	70	55	43	35	27	6.8	4.6	3.4	2.6	1.0	0.83	0.67	
	60	VC	2.12	271	157	126	105	79	63	52	42	31	7.2	4.8	3.6	2.9	1.0	0.83	0.67	
	70	VC	2.25	288	167	134	111	84	67	56	45	33	7.7	5.1	3.8	3.1	1.0	0.83	0.67	



Note: Due to the pre-orifice design, this tip is not compatible with the 4193A check valve tip strainer.

CONTACT PRODUCT	SYSTEMIC PRODUCT	DRIFT MANAGEMENT
GOOD	EXCELLENT	EXCELLENT



Optimum Spray Height	
80°	30"
110°	20"

Note: Always double check your application rates. Tabulations are based on spraying water at 70°F (21°C).

EQUIPMENT
FLOW METERS
PRECISION
NOZZLES
VALVES
STRAINERS
FITTINGS
JACKS & HITCHES
PLANTER COMP.
PUMPS
TILLAGE
NH₃
TANKS

AIXR TeeJet® Air Induction XR Flat Spray Tips

Typical Applications:

Air induction design provides good drift control while still providing coverage. Ideal for a wide range of application including post-emerge systemic products.

Features:

- 110° wide, tapered flat spray angle with air induction technology offers better drift management.
- Made of a two-piece UHMWPE polymer construction with VisiFlo® color-coding. UHMWPE provides excellent chemical resistance, including acids, as well as exceptional wear life.

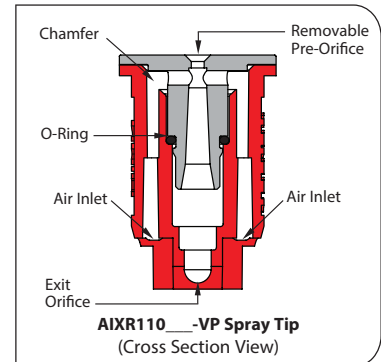
- Compact size to prevent tip damage.
- Depending on the chemical, produces large air-filled drops through a Venturi air aspirator.
- Removable pre-orifice.
- Available in nine tip capacities with a wide operating pressure range: 15–90 PSI (1–6 bar).
- Automatic spray alignment with 114441A-*.CELR Quick TeeJet® cap and gasket for capacities 015 thru 06; 114443A-*.CELR for capacities 08 thru 10.



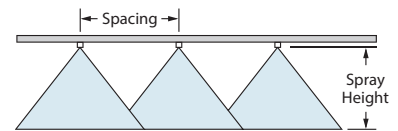
HOW TO ORDER: EXAMPLE

TJ/	DESCRIPTION	PRICE
AIXR110015VP	Air Induction XR Flat Spray Tip	8.88
AIXR11008VP (and Larger)	Air Induction XR Large Flat Spray Tip	10.41

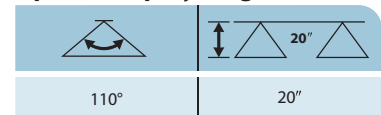
TIPOLOGY	PSI	DROP SIZE	CAPACITY ONE NOZZLE IN GPM	CAPACITY ONE NOZZLE IN OZ./MIN.	20°												GALLONS PER 1000 SQ. FT.				
					GPA												2 MPH	3 MPH	4 MPH	5 MPH	
					4 MPH	5 MPH	6 MPH	8 MPH	10 MPH	12 MPH	15 MPH	20 MPH	2 MPH	3 MPH	4 MPH	5 MPH					
AIXR110015 (100)	15	XC	0.092	12	6.8	5.5	4.6	3.4	2.7	2.3	1.8	1.4	0.31	0.21	0.16	0.13					
	20	XC	0.11	14	8.2	6.5	5.4	4.1	3.3	2.7	2.2	1.6	0.37	0.25	0.19	0.15					
	30	C	0.13	17	9.7	7.7	6.4	4.8	3.9	3.2	2.6	1.9	0.44	0.29	0.22	0.18					
	40	C	0.15	19	11.1	8.9	7.4	5.6	4.5	3.7	3.0	2.2	0.51	0.34	0.26	0.20					
	50	C	0.17	22	12.6	10.1	8.4	6.3	5.0	4.2	3.4	2.5	0.58	0.39	0.29	0.23					
AIXR11002 (50)	15	M	0.18	23	13.4	10.7	8.9	6.7	5.3	4.5	3.6	2.7	0.61	0.41	0.31	0.24					
	20	M	0.21	27	15.6	12.5	10.4	7.8	6.2	5.2	4.2	3.1	0.71	0.48	0.36	0.29					
	30	M	0.23	29	17.1	13.7	11.4	8.5	6.8	5.7	4.6	3.4	0.78	0.52	0.39	0.31					
	40	XC	0.12	15	8.9	7.1	5.9	4.5	3.6	3.0	2.4	1.8	0.41	0.27	0.20	0.16					
	50	XC	0.14	18	10.4	8.3	6.9	5.2	4.2	3.5	2.8	2.1	0.48	0.32	0.24	0.19					
AIXR110025 (50)	15	VC	0.17	22	12.6	10.1	8.4	6.3	5.0	4.2	3.4	2.5	0.58	0.39	0.29	0.23					
	20	VC	0.20	26	14.9	11.9	9.9	7.4	5.9	5.0	4.3	3.0	0.68	0.45	0.34	0.27					
	30	C	0.22	28	16.3	13.1	10.9	8.2	6.5	5.4	4.4	3.3	0.75	0.50	0.37	0.30					
	40	C	0.24	31	17.8	14.3	11.9	8.9	7.1	5.9	4.8	3.6	0.82	0.54	0.41	0.33					
	50	M	0.27	35	20	16.0	13.4	10.0	8.0	6.7	5.3	4.0	0.92	0.61	0.46	0.37					
AIXR11003 (50)	15	M	0.30	38	22	17.8	14.9	11.1	8.9	7.4	5.9	4.5	1.0	0.68	0.51	0.41					
	20	XC	0.18	23	13.4	10.7	8.9	6.7	5.3	4.5	3.6	2.7	0.61	0.41	0.31	0.24					
	30	XC	0.22	28	16.3	13.1	10.9	8.2	6.5	5.4	4.4	3.3	0.75	0.50	0.37	0.30					
	40	VC	0.25	32	18.6	14.9	12.4	9.3	7.4	6.2	5.0	3.7	0.85	0.57	0.43	0.34					
	50	C	0.28	36	21	16.6	13.9	10.4	8.3	6.9	5.5	4.2	0.95	0.63	0.48	0.38					
AIXR11004 (50)	15	C	0.31	40	23	18.4	15.3	11.5	9.2	7.7	6.1	4.6	1.1	0.72	0.53	0.41					
	20	XC	0.26	33	19.3	15.4	12.9	9.7	7.7	6.4	5.1	3.9	0.88	0.59	0.44	0.35					
	30	VC	0.30	38	21.8	17.8	14.9	11.1	8.9	7.4	5.9	4.5	1.0	0.68	0.51	0.41					
	40	C	0.34	44	25	20	16.8	12.6	10.1	8.4	6.7	5.0	1.2	0.77	0.58	0.46					
	50	C	0.37	47	27	22	18.3	13.7	11.0	9.2	7.3	5.5	1.3	0.84	0.63	0.50					
AIXR11004 (50)	15	UC	0.41	52	30	24	20	15.2	12.2	10.1	8.1	6.1	1.4	0.93	0.70	0.56					
	20	XC	0.28	36	21	16.6	13.9	10.4	8.3	6.9	5.5	4.2	0.95	0.63	0.48	0.38					
	30	XC	0.35	45	26	21	17.3	13.0	10.4	8.7	6.9	5.2	1.2	0.79	0.60	0.48					
	40	XC	0.40	51	30	24	19.8	14.9	11.9	9.9	7.9	5.9	1.4	0.91	0.68	0.54					
	50	VC	0.45	58	33	27	22	16.7	13.4	11.1	8.9	6.7	1.5	1.0	0.77	0.61					
AIXR11005 (50)	15	UC	0.49	61	33	27	22	16.8	13.5	11.1	8.9	6.7	1.5	1.0	0.77	0.61					
	20	XC	0.28	36	21	16.6	13.9	10.4	8.3	6.9	5.5	4.2	0.95	0.63	0.48	0.38					
	30	XC	0.35	45	26	21	17.3	13.0	10.4	8.7	6.9	5.2	1.2	0.79	0.60	0.48					
	40	XC	0.40	51	30	24	19.8	14.9	11.9	9.9	7.9	5.9	1.4	0.91	0.68	0.54					
	50	VC	0.45	58	33	27	22	16.7	13.4	11.1	8.9	6.7	1.5	1.0	0.77	0.61					
AIXR11006 (50)	15	UC	0.49	61	33	27	22	16.8	13.5	11.1	8.9	6.7	1.5	1.0	0.77	0.61					
	20	XC	0.37	47	27	22	18.3	13.7	11.0	9.2	7.3	5.5	1.3	0.84	0.63	0.50					
	30	XC	0.42	54	31	25	21	15.6	12.5	10.4	8.3	6.2	1.4	0.95	0.71	0.57					
	40	XC	0.52	67	39	31	26	19.3	14.4	12.9	10.3	7.7	1.8	1.2	0.88	0.71					
	50	VC	0.60	77	45	36	30	22	17.8	14.9	11.9	8.9	2.0	1.4	1.0	0.82					
AIXR11008 (50)	15	UC	0.67	86	50	40	33	25	19.9	16.6	13.3	9.9	2.3	1.5	1.1	0.91					
	20	XC	0.73	93	54	43	36	27	22	18.1	14.5	10.8	2.5	1.7	1.2	0.99					
	30	XC	0.82	106	61	49	41	30	24	20	16.2	12.2	2.8	1.9	1.4	1.1					
	40	C	0.90	115	67	53	45	33	27	22	17.8	13.4	3.1	2.0	1.5	1.2					
	50	—	0.49	63	36	29	24	18.2	14.6	12.1	9.7	7.3	1.7	1.1	0.83	0.67					
AIXR11010	15	—	0.57	73	42	34	28	21	16.9	14.1	11.3	8.5	1.9	1.3	0.97	0.78					
	20	—	0.69	88	51	41	34	26	20	17.1	13.7	10.2	2.3	1.6	1.2	0.94					
	30	—	0.80	102	59	48	40	30	24	19.8	15.8	11.9	2.7	1.9	1.4	1.1					
	40	—	0.89	114	66	53	44	33	26	22	17.6	13.2	3.0	2.0	1.5	1.2					
	50	—	0.98	125	72	58	49	36	29	24	19.4	14.6	3.3	2.2	1.7	1.3					
AIXR11010	15	—	1.10	141	82	65	54	41	33	27	22	16.3	3.7	2.5	1.9	1.5					
	20	—	1.20	154	89	71	59	45	36	30	24	17.8	4.1	2.7	2.0	1.6					
	30	—	0.61	78	45	36	30	23	18.1	15.1	12.1	9.1	2.1	1.4	1.0	0.83					
	40	—	0.71	91	53	42	35	26	21	17.6	14.1	10.5	2.4	1.6	1.2	0.97					
	50	—	0.87	111	65	52	43	32	26	22	17.2	12.9	3.0	2.0	1.5	1.2					
AIXR11010	15	—	1.00	128	74	59	50	37	30	25	19.8	14.9	3.4	2.3	1.7	1.4					
	20	—	1.12	143	83	67	55	42	33	28	22	16.6	3.8	2.5	1.9	1.5					
	30	—	1.22	156	91	72	60	45	36	30	24	18.1	4.2	2.8	2.1	1.7					
	40	—	1.37	175	102	81	68	51	41	34	27	20	4.7	3.1	2.3	1.9					
	50	—	1.50	192	111	89	74	56	45	37	30	22	5.1	3.4	2.6	2.0					



CONTACT PRODUCT	SYSTEMIC PRODUCT	DRIFT MANAGEMENT
GOOD	EXCELLENT	EXCELLENT



Optimum Spray Height



How to order:

Specify tip number.

Example:

- AIXR11004VP – Polymer with VisiFlo color-coding
- AIXR11003VP-CE – Polymer with VisiFlo color-coding, Includes Quick TeeJet cap and gasket

Note: Always double check your application rates. Tabulations are based on spraying water at 70°F (21°C).

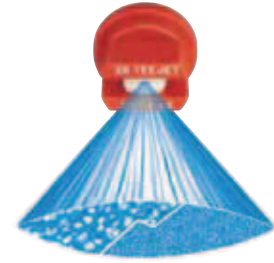
XR TeeJet® Extended Range Flat Spray Tips

Features:

- Excellent spray distribution over a wide range of pressures—15–60 PSI (1–4 bar).
- Ideal for rigs equipped with sprayer controllers.
- Reduces drift at lower pressures, better coverage at higher pressures.
- Available in stainless steel, ceramic and polymer in 80° and 110° spray angles with VisiFlo® color-coding.
- XR110025 only available in VK.
- Ceramic is available with corrosive-resistant polypropylene VisiFlo color-coded tip holder in 80° capacities 03–08 and 110° capacities 02–08.
- Brass available in 110° only.
- Automatic spray alignment with 114441A*-CELRL Quick TeeJet cap and gasket.
- Automatic spray alignment for sizes 10 and 15 with 25610*-NYR Quick TeeJet cap and gasket.

HOW TO ORDER: Example

TJ/	Fast #	Description	Price
XR8004VS		Stainless w/VisiFlo Color Coding	8.52
XR8010SS		Stainless (-15 also)	10.11
XR11010SS	530343	Stainless (-15 also)	10.11



At 15 PSI (1 bar) Pressure

At 60 PSI (4 bar) Pressure



TI	PSI	DROP SIZE		CAPACITY ONE NOZZLE IN GPM	CAPACITY ONE NOZZLE IN OZ./MIN.	GPA										GALLONS PER 1000 SQ. FT.				
		80°	110°			4 MPH	5 MPH	6 MPH	8 MPH	10 MPH	12 MPH	15 MPH	20 MPH	2 MPH	3 MPH	4 MPH	5 MPH			
						20"														
XR8001	15	M	F	0.061	7.8	4.5	3.6	3.0	2.3	1.8	1.5	1.2	0.91	0.21	0.14	0.10	0.08			
XR11001	20	M	F	0.071	9.1	5.3	4.2	3.5	2.6	2.1	1.8	1.4	1.1	0.24	0.16	0.12	0.10			
(100)	30	F	F	0.087	11	6.5	5.2	4.3	3.2	2.6	2.2	1.7	1.3	0.30	0.20	0.15	0.12			
	40	F	F	0.10	13	7.4	5.9	5.0	3.7	3.0	2.5	2.0	1.5	0.34	0.23	0.17	0.14			
	50	F	VF	0.11	14	8.2	6.5	5.4	4.1	3.3	2.7	2.2	1.6	0.37	0.25	0.19	0.15			
	60	F	VF	0.12	15	8.9	7.1	5.9	4.5	3.6	3.0	2.4	1.8	0.41	0.27	0.20	0.16			
XR80015	15	M	F	0.092	12	6.8	5.5	4.6	3.4	2.7	2.3	1.8	1.4	0.31	0.21	0.16	0.13			
XR110015	20	M	F	0.11	14	8.2	6.5	5.4	4.1	3.3	2.7	2.2	1.6	0.37	0.25	0.19	0.15			
(100)	30	F	F	0.13	17	9.7	7.7	6.4	4.8	3.9	3.2	2.6	1.9	0.44	0.29	0.22	0.18			
	40	F	F	0.15	19	11.1	8.9	7.4	5.6	4.5	3.7	3.0	2.2	0.51	0.34	0.26	0.20			
	50	F	F	0.17	22	12.6	10.1	8.4	6.3	5.0	4.2	3.4	2.5	0.58	0.39	0.29	0.23			
	60	F	F	0.18	23	13.4	10.7	8.9	6.7	5.3	4.5	3.6	2.7	0.61	0.41	0.31	0.24			
XR8002	15	M	M	0.12	15	8.9	7.1	5.9	4.5	3.6	3.0	2.4	1.8	0.41	0.27	0.20	0.16			
XR11002	20	M	F	0.14	18	10.4	8.3	6.9	5.2	4.2	3.5	2.8	2.1	0.48	0.32	0.24	0.19			
(50)	30	M	F	0.17	22	12.6	10.1	8.4	6.3	5.0	4.2	3.4	2.5	0.58	0.39	0.29	0.23			
	40	F	F	0.20	26	14.9	11.9	9.9	7.4	5.9	5.0	4.0	3.0	0.68	0.45	0.34	0.27			
	50	F	F	0.22	28	16.3	13.1	10.9	8.2	6.5	5.4	4.4	3.3	0.75	0.50	0.37	0.30			
	60	F	F	0.24	31	17.8	14.3	11.9	8.9	7.1	5.9	4.8	3.6	0.82	0.54	0.41	0.33			
XR110025	15	M	M	0.15	19	11.1	8.9	7.4	5.6	4.5	3.7	3.0	2.2	0.51	0.34	0.26	0.20			
(50)	20	M	F	0.18	23	13.4	10.7	8.9	6.7	5.3	4.5	3.6	2.7	0.61	0.41	0.31	0.24			
	30	F	F	0.22	28	16.3	13.1	10.9	8.2	6.5	5.4	4.4	3.3	0.75	0.50	0.37	0.30			
	40	F	F	0.25	32	18.6	14.9	12.4	9.3	7.4	6.2	5.0	3.7	0.85	0.57	0.43	0.34			
	50	F	F	0.28	36	21	16.6	13.9	10.4	8.3	6.9	5.5	4.2	0.95	0.63	0.48	0.38			
	60	F	F	0.31	40	23	18.4	15.3	11.5	9.2	7.7	6.1	4.6	1.1	0.70	0.53	0.42			
XR8003	15	M	M	0.18	23	13.4	10.7	8.9	6.7	5.3	4.5	3.6	2.7	0.61	0.41	0.31	0.24			
XR11003	20	M	F	0.21	27	15.6	12.5	10.4	7.8	6.2	5.2	4.2	3.1	0.71	0.48	0.36	0.29			
(50)	30	M	F	0.26	33	19.3	15.4	12.9	9.7	7.7	6.4	5.1	3.9	0.88	0.59	0.44	0.35			
	40	M	F	0.30	38	22	17.8	14.9	11.1	8.9	7.4	5.9	4.5	1.0	0.68	0.51	0.41			
	50	M	F	0.34	44	25	20	16.8	12.6	10.1	8.4	6.7	5.0	1.2	0.77	0.58	0.46			
	60	F	F	0.37	47	27	22	18.3	13.7	11.0	9.2	7.3	5.5	1.3	0.84	0.63	0.50			
XR8004	15	C	M	0.24	31	17.8	14.3	11.9	8.9	7.1	5.9	4.8	3.6	0.82	0.54	0.41	0.33			
XR11004	20	C	M	0.28	36	21	16.6	13.9	10.4	8.3	6.9	5.5	4.2	1.0	0.63	0.48	0.38			
(50)	30	M	M	0.35	45	26	21	17.3	13.0	10.4	8.7	6.9	5.2	1.2	0.79	0.60	0.48			
	40	M	M	0.40	51	30	24	19.8	14.9	11.9	9.9	7.9	5.9	1.4	0.91	0.68	0.54			
	50	M	F	0.45	58	33	27	22	16.7	13.4	11.1	8.9	6.7	1.5	1.0	0.77	0.61			
	60	M	F	0.49	63	36	29	24	18.2	14.6	12.1	9.7	7.3	1.7	1.1	0.83	0.67			
XR8005	15	C	M	0.31	40	23	18.4	15.3	11.5	9.2	7.7	6.1	4.6	1.1	0.70	0.53	0.42			
XR11005	20	C	M	0.35	45	26	21	17.3	13.0	10.4	8.7	6.9	5.2	1.2	0.79	0.60	0.48			
(50)	30	C	M	0.43	55	32	26	21	16.0	12.8	10.6	8.5	6.4	1.5	0.97	0.73	0.58			
	40	M	M	0.50	64	37	30	25	18.6	14.9	12.4	9.9	7.4	1.7	1.1	0.85	0.68			
	50	M	M	0.56	72	42	33	28	21	16.6	13.9	11.1	8.3	1.9	1.3	0.95	0.76			
	60	M	F	0.61	78	45	36	30	23	18.1	15.1	12.1	9.1	2.1	1.4	1.0	0.83			
XR8006	15	C	C	0.37	47	27	22	18.3	13.7	11.0	9.2	7.3	5.5	1.3	0.84	0.63	0.50			
XR11006	20	C	C	0.42	54	31	25	21	15.6	12.5	10.4	8.3	6.2	1.4	1.0	0.71	0.57			
(50)	30	M	F	0.52	67	39	31	26	19.3	15.4	12.9	10.3	7.7	1.8	1.2	0.88	0.71			
	40	M	F	0.60	77	45	36	30	22	17.8	14.9	11.9	8.9	2.0	1.4	1.0	0.82			
	50	M	F	0.67	86	50	40	33	25	19.9	16.6	13.3	9.9	2.3	1.5	1.1	0.91			
	60	M	F	0.73	93	54	43	36	27	22	18.1	14.5	10.8	2.5	1.7	1.2	0.99			
XR8008	15	VC	C	0.49	63	36	29	24	18.2	14.6	12.1	9.7	7.3	1.7	1.1	0.83	0.67			
XR11008	20	VC	C	0.57	73	42	34	28	21	16.9	14.1	11.3	8.5	1.9	1.3	0.97	0.78			
(50)	30	C	C	0.69	88	51	41	34	26	20	17.1	13.7	10.2	2.3	1.6	1.2	0.94			
	40	C	C	0.80	102	59	48	40	30	24	19.8	15.8	11.9	2.7	1.8	1.4	1.1			
	50	M	M	0.89	114	66	53	44	33	26	22	17.6	13.2	3.0	2.0	1.5	1.2			
	60	M	F	0.98	125	73	58	49	36	29	24	19.4	14.6	3.3	2.2	1.7	1.3			
XR8010†	15	VC	C	0.61	78	45	36	30	23	18.1	15.1	12.1	9.1	2.1	1.4	1.0	0.83			
XR11010†	20	VC	C	0.71	91	53	42	35	26	21	17.6	14.1	10.5	2.4	1.6	1.2	0.97			
	30	C	C	0.87	111	65	52	43	32	26	22	17.2	12.9	3.0	2.0	1.5	1.2			
	40	C	C	1.00	128	74	59	50	37	30	25	19.8	14.9	3.4	2.3	1.7	1.4			
	50	C	C	1.12	143	83	67	55	42	33	28	22	16.6	3.8	2.5	1.9	1.5			
	60	M	F	1.22	156	91	72	60	45	36	30	24	18.1	4.1	2.8	2.1	1.7			
XR8015†	15	XC	C	0.92	118	68	55	46	34	27	23	18.2	13.7	3.1	2.1	1.6	1.3			
XR11015†	20	XC	C	1.06	136	79	63	52	39	31	26	21	15.7	3.6	2.4	1.8	1.4			
	30	C	C	1.30	166	97	77	64	48	39	32	26	19.3	4.4	2.9	2.2	1.8			
	40	C	C	1.50	192	111	89	74	56	45	37	30	22	5.1	3.4	2.6	2.0			
	50	C	C	1.68	215	125	100	83	62	50	42	33	25	5.7	3.8	2.9	2.3			
	60	C	C	1.84	236	137	109	91	68	55	46	36	27	6.3	4.2	3.1	2.5			

Note: Always double check your application rates. Tabulations are based on spraying water at 70°F (21°C).

† Available in all stainless steel only.

CONTACT PRODUCT	SYSTEMIC PRODUCT	DRIFT MANAGEMENT
EXCELLENT	GOOD	GOOD
GOOD*	VERY GOOD*	VERY GOOD*

XRC TeeJet® Extended Range Flat Spray Tips

Features:

- Excellent spray distribution over a wide range of pressures—15–60 PSI (1–4 bar).
- Ideal for rigs equipped with sprayer controllers.
- Reduces drift at lower pressures, better coverage at higher pressures.
- 80° available in stainless steel (015, 02, 03–06 capacities) and ceramic (02, 03–08 capacities).
- 110° available in stainless steel (025–05 capacities), ceramic (02–08 capacities) and polymer (025–20 capacities).
- XR TeeJet tip molded into Quick TeeJet® cap provides automatic spray alignment.
- Includes tightly fitting washer that stays put and assures a good seal.



At 15 PSI (1 bar) Pressure At 60 PSI (4 bar) Pressure

HOW TO ORDER: Example

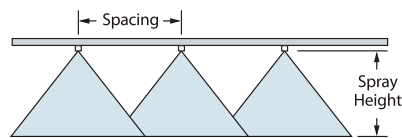
TJ/	Description	Price
XRC11004-VS	XRC Tip/Cap with Stainless Steel Insert	9.79
XRC11004-VP	XRC Tip/Cap with Polymer Insert	4.57
XRC11004-VK	XRC Tip/Cap with Ceramic Insert	7.98

TI	PSI	DROPS PER MINUTE	CAPACITY ONE NOZZLE IN GPM	CAPACITY ONE NOZZLE IN OZ./MIN.	20°										GALLONS PER 1000 SQ. FT.				
					GPA														
					4 MPH	5 MPH	6 MPH	8 MPH	10 MPH	12 MPH	15 MPH	20 MPH	2 MPH	3 MPH	4 MPH	5 MPH			
XRC80015 (100)	15	M	0.092	12	6.8	5.5	4.6	3.4	2.7	2.3	1.8	1.4	0.31	0.21	0.16	0.13			
	20	M	0.11	14	8.2	6.5	5.4	4.1	3.3	2.7	2.2	1.6	0.37	0.25	0.19	0.15			
	30	F	0.13	17	9.7	7.7	6.4	4.8	3.9	3.2	2.6	1.9	0.44	0.29	0.22	0.18			
	40	F	0.15	19	11.1	8.9	7.4	5.6	4.5	3.7	3.0	2.2	0.51	0.34	0.26	0.20			
	50	F	0.17	22	12.6	10.1	8.4	6.3	5.0	4.2	3.4	2.5	0.58	0.39	0.29	0.23			
XRC8002 XRC11002 (50)	15	M	0.12	15	8.9	7.1	5.9	4.5	3.6	3.0	2.4	1.8	0.41	0.27	0.20	0.16			
	20	M	0.14	18	10.4	8.3	6.9	5.2	4.2	3.5	2.8	2.1	0.48	0.32	0.24	0.19			
	30	M	0.17	22	12.6	10.1	8.4	6.3	5.0	4.2	3.4	2.5	0.58	0.39	0.29	0.23			
	40	F	0.20	26	14.9	11.9	9.9	7.4	5.9	5.0	4.0	3.0	0.68	0.45	0.34	0.27			
	50	F	0.22	28	16.3	13.1	10.9	8.2	6.5	5.4	4.4	3.3	0.75	0.50	0.37	0.30			
XRC110025 (50)	15	M	0.15	19	11.1	8.9	7.4	5.6	4.5	3.7	3.0	2.2	0.51	0.34	0.26	0.20			
	20	M	0.18	23	13.4	10.7	8.9	6.7	5.3	4.5	3.6	2.7	0.61	0.41	0.31	0.24			
	30	F	0.22	28	16.3	13.1	10.9	8.2	6.5	5.4	4.4	3.3	0.75	0.50	0.37	0.30			
	40	F	0.25	32	18.6	14.9	12.4	9.3	7.4	6.2	5.0	3.7	0.85	0.57	0.43	0.34			
	50	F	0.28	36	21	16.6	13.9	10.4	8.3	6.9	5.5	4.2	0.95	0.63	0.48	0.38			
XRC8003 XRC11003 (50)	15	M	0.18	23	13.4	10.7	8.9	6.7	5.3	4.5	3.6	2.7	0.61	0.41	0.31	0.24			
	20	M	0.21	27	15.6	12.5	10.4	7.8	6.2	5.2	4.2	3.1	0.71	0.48	0.36	0.29			
	30	M	0.26	33	19.3	15.4	12.9	9.7	7.7	6.4	5.1	3.9	0.88	0.59	0.44	0.35			
	40	M	0.30	38	22	17.8	14.9	11.1	8.9	7.4	5.9	4.5	1.0	0.68	0.51	0.41			
	50	M	0.34	44	25	20	16.8	12.6	10.1	8.4	6.7	5.0	1.2	0.77	0.58	0.46			
XRC8004 XRC11004 (50)	15	C	0.24	31	17.8	14.3	11.9	8.9	7.1	5.9	4.8	3.6	0.82	0.54	0.41	0.33			
	20	C	0.28	36	21	16.6	13.9	10.4	8.3	6.9	5.5	4.2	0.95	0.63	0.48	0.38			
	30	M	0.35	45	26	21	17.3	13.0	10.4	8.7	6.9	5.2	1.2	0.79	0.60	0.48			
	40	M	0.40	51	30	24	19.8	14.9	11.9	9.9	7.9	5.9	1.4	0.91	0.68	0.54			
	50	M	0.45	58	33	27	22	16.7	13.4	11.1	8.9	6.7	1.5	1.0	0.77	0.61			
XRC8005 XRC11005 (50)	15	C	0.31	40	23	18.4	15.3	11.5	9.2	7.7	6.1	4.6	1.1	0.70	0.53	0.42			
	20	C	0.35	45	26	21	17.3	13.0	10.4	8.7	6.9	5.2	1.2	0.79	0.60	0.48			
	30	C	0.43	55	32	26	21	16.0	12.8	10.6	8.5	6.4	1.5	0.97	0.73	0.58			
	40	M	0.50	64	37	30	25	18.6	14.9	12.4	9.9	7.4	1.7	1.1	0.85	0.68			
	50	M	0.56	72	42	33	28	21	16.6	13.9	11.1	8.3	1.9	1.3	0.95	0.76			
XRC8006 XRC11006 (50)	15	C	0.37	47	27	22	18.3	13.7	11.0	9.2	7.3	5.5	1.3	0.84	0.63	0.50			
	20	C	0.42	54	31	25	21	15.6	12.5	10.4	8.3	6.2	1.4	0.95	0.71	0.57			
	30	C	0.52	67	39	31	26	19.3	15.4	12.9	10.3	7.7	1.8	1.2	0.88	0.71			
	40	M	0.60	77	45	36	30	22	17.8	14.9	11.9	8.9	2.0	1.4	1.0	0.82			
	50	M	0.67	86	50	40	33	25	19.9	16.6	13.3	9.9	2.3	1.5	1.1	0.91			
XRC8008 XRC11008 (50)	15	VC	0.43	54	34	29	24	18.2	14.6	12.1	9.7	7.3	1.7	1.1	0.83	0.67			
	20	VC	0.57	73	42	34	28	21	16.9	14.1	11.3	8.5	1.9	1.3	0.97	0.78			
	30	VC	0.69	88	51	41	34	26	20	17.1	13.7	10.2	2.3	1.6	1.2	0.94			
	40	C	0.80	102	59	48	40	30	24	19.8	15.8	11.9	2.7	1.8	1.4	1.1			
	50	C	0.89	114	66	53	44	33	26	22	17.6	13.2	3.0	2.0	1.5	1.2			
XRC11010	15	VC	0.61	78	45	36	30	23	18.1	15.1	12.1	9.1	2.1	1.4	1.0	0.83			
	20	VC	0.71	91	53	42	35	26	21	17.6	14.1	10.5	2.4	1.6	1.2	0.97			
	30	C	0.87	111	65	52	43	32	26	22	17.2	12.9	3.0	2.0	1.5	1.2			
	40	C	1.00	128	74	59	50	37	30	25	19.8	14.9	3.4	2.3	1.7	1.4			
	50	C	1.12	143	83	67	55	42	33	28	22	16.6	3.8	2.5	1.9	1.5			
XRC11015	15	XC	0.92	118	68	55	46	34	27	23	18.2	13.7	3.1	2.1	1.6	1.3			
	20	XC	1.06	136	79	63	52	39	31	26	21	15.7	3.6	2.4	1.8	1.4			
	30	VC	1.30	166	97	77	64	48	39	32	26	19.3	4.4	2.9	2.2	1.8			
	40	C	1.50	192	111	89	74	56	45	37	30	22	5.1	3.4	2.6	2.0			
	50	C	1.68	215	125	100	83	62	50	42	33	25	5.7	3.8	2.9	2.3			
XRC11020	15	XC	1.22	156	91	72	60	45	36	30	24	18.1	4.1	2.8	2.1	1.7			
	20	XC	1.41	180	105	84	70	52	42	35	28	21	4.8	3.2	2.4	1.9			
	30	VC	1.73	221	128	103	86	64	51	43	34	26	5.9	3.9	2.9	2.4			
	40	VC	2.00	256	149	119	99	74	59	50	40	30	6.8	4.5	3.4	2.7			
	50	VC	2.24	287	166	133	111	83	67	55	44	33	7.6	5.1	3.8	3.0			



CONTACT PRODUCT	SYSTEMIC PRODUCT	DRIFT MANAGEMENT
EXCELLENT	GOOD	GOOD
GOOD*	VERY GOOD*	VERY GOOD*

*At pressures below 30 PSI (2.0 bar)



Optimum Spray Height

Tip Angle	Optimum Spray Height
80°	30"
110°	20"

How to order:

Specify tip number.

Examples:

- XRC11004-VS – Stainless Steel with VisiFlo® color-coding
- XRC11004-VP – Polymer with VisiFlo color-coding
- XRC11004-VK – Ceramic with VisiFlo color-coding

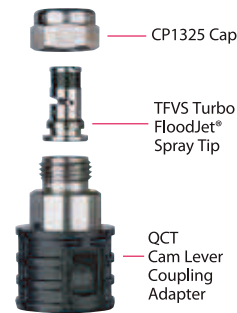
Turbo FloodJet® Wide Angle Flat Spray Tips

Features:

- Excellent spray distribution for uniform coverage along the boom.
- Nozzle design incorporates a pre-orifice to produce larger droplets for less drift.
- Large, round orifice reduces clogging.
- Stainless steel or polymer with VisiFlo® color-coding band for easy size identification.
- Can be used with CP25600-*-NYR Quick TeeJet® cap and gasket for automatic alignment.

QCT Cam Lever Coupling Adapter

- Provides easy changeover from high capacity to lower capacity nozzles.
- Adapter fits standard 3/4" Cam lever coupling.
- Corrosion-resistant stainless steel and polypropylene construction.
- Rated up to 100 PSI (7 bar).
- Use QJT-NYB to retrofit to Quick TeeJet.

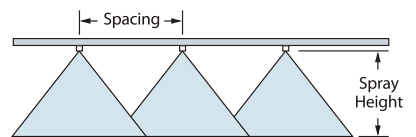


HOW TO ORDER: Example

TJ/	Description	Price
TF-VS4	Stainless Steel w/VisiFlo Color Coding	16.11

CONTACT PRODUCT	SYSTEMIC PRODUCT	DRIFT MANAGEMENT
—	VERY GOOD	EXCELLENT

TIPOUR	PSI	DROP SIZE	CAPACITY ONE NOZZLE IN GPM	CAPACITY ONE NOZZLE IN OZ./MIN.	40"								20"			
					GPA								GALLONS PER 1000 SQ. FT.			
					4 MPH	5 MPH	6 MPH	8 MPH	10 MPH	12 MPH	15 MPH	20 MPH	2 MPH	3 MPH	4 MPH	5 MPH
TF-2 (50)	10	UC	0.20	26	7.4	5.9	5.0	3.7	3.0	2.5	2.0	1.5	0.68	0.45	0.34	0.27
	20	XC	0.28	36	10.4	8.3	6.9	5.2	4.2	3.5	2.8	2.1	0.95	0.63	0.48	0.38
	30	XC	0.35	45	13.0	10.4	8.7	6.5	5.2	4.3	3.5	2.6	1.2	0.79	0.60	0.48
TF-2.5 (50)	10	UC	0.25	32	9.3	7.4	6.2	4.6	3.7	3.1	2.5	1.9	0.85	0.57	0.43	0.34
	20	UC	0.35	45	13.0	10.4	8.7	6.5	5.2	4.3	3.5	2.6	1.2	0.79	0.60	0.48
	30	XC	0.43	55	16.0	12.8	10.6	8.0	6.4	5.3	4.3	3.2	1.5	0.97	0.73	0.58
TF-3 (50)	10	UC	0.30	38	11.1	8.9	7.4	5.6	4.5	3.7	3.0	2.2	1.0	0.68	0.51	0.41
	20	UC	0.42	54	15.6	12.5	10.4	7.8	6.2	5.2	4.2	3.1	1.4	0.95	0.71	0.57
	30	XC	0.52	67	19.3	15.4	12.9	9.7	7.7	6.4	5.1	3.9	1.8	1.2	0.88	0.71
TF-4 (50)	10	UC	0.40	51	14.9	11.9	9.9	7.4	5.9	5.0	4.0	3.0	1.4	0.91	0.68	0.54
	20	UC	0.57	73	21	16.9	14.1	10.6	8.5	7.1	5.6	4.2	1.9	1.3	0.97	0.78
	30	XC	0.69	88	26	20	17.1	12.8	10.2	8.5	6.8	5.1	2.3	1.6	1.2	0.94
TF-5 (50)	10	UC	0.50	64	18.6	14.9	12.4	9.3	7.4	6.2	5.0	3.7	1.7	1.1	0.85	0.68
	20	UC	0.71	91	26	21	17.6	13.2	10.5	8.8	7.0	5.3	2.4	1.6	1.2	0.97
	30	UC	0.87	111	32	26	22	16.1	12.9	10.8	8.6	6.5	3.0	2.0	1.5	1.2
TF-7.5 (50)	10	UC	0.75	96	28	22	18.6	13.9	11.1	9.3	7.4	5.6	2.6	1.7	1.3	1.0
	20	UC	1.06	136	39	31	26	19.7	15.7	13.1	10.5	7.9	3.6	2.4	1.8	1.4
	30	UC	1.30	166	48	39	32	24	19.3	16.1	12.9	9.7	4.4	2.9	2.2	1.8
TF-10 (50)	10	UC	1.00	128	37	30	25	18.6	14.9	12.4	9.9	7.4	3.4	2.3	1.7	1.4
	20	UC	1.41	180	52	42	35	26	21	17.4	14.0	10.5	4.8	3.2	2.4	1.9
	30	UC	1.73	221	64	51	43	32	26	21	17.1	12.8	5.9	3.9	2.9	2.4
	40	XC	2.00	256	74	59	50	37	30	25	19.8	14.9	6.8	4.5	3.4	2.7



Optimum Spray Height

20"	24"*
30"	30"*
40"	39"*

*Wide angle spray nozzle height is influenced by nozzle orientation. The critical factor is to achieve a minimum 30% overlap.

How to order:

- Specify tip number.
Examples:
- TF-VS4 – Stainless Steel with VisiFlo color-coding
 - TF-VP4 – Polymer with VisiFlo color-coding

Note: Always double check your application rates. Tabulations are based on spraying water at 70°F (21°C).
†Specify material.

FloodJet® Wide Angle Flat Spray Tips



(B)1/4K FloodJet (1/8-1" NPT)



TK-VP FloodJet®



TK-VS FloodJet

HOW TO ORDER: Example

TJ/	Description	Price	TJ/	Description	Price
TK-	Brass	\$8.39	3/8K-SS	(30-45)	\$31.54
TK-VS	(2-10)	\$14.53	1/2K-SS	(40-120)	\$38.15
TK-SS	(.50-20)	\$15.26	3/4K-SS	(90-120)	\$51.98
1/8K-SS	(.50-20)	\$19.47	3/4K-SS	(140-210)	\$93.49
1/4K-SS	(2-24)	\$23.53	1K-SS	-300	\$190.06
1/4K-	Brass	\$10.17	1K-SS	-450	\$222.45

NOZZLE	PSI	CAPACITY ONE NOZZLE IN GPM	GPA 40°															
			4 MPH	5 MPH	6 MPH	8 MPH	10 MPH	12 MPH	15 MPH	20 MPH								
1/8K-50 TK-50 (100)	10	0.050	—	—	—	—	—	—	—	—	—	—	—	—	—	—	—	—
	20	0.071	2.6	2.1	1.8	1.3	1.1	0.88	0.70	0.53								
	30	0.087	3.2	2.6	2.2	1.6	1.3	1.1	0.86	0.65								
	40	0.10	3.7	3.0	2.5	1.9	1.5	1.2	0.99	0.74								
1/8K-75 TK-75 (100)	10	0.075	2.8	2.2	1.9	1.4	1.1	0.93	0.74	0.56								
	20	0.11	4.1	3.3	2.7	2.0	1.6	1.4	1.1	0.82								
	30	0.13	4.8	3.9	3.2	2.4	1.9	1.6	1.3	0.97								
	40	0.15	5.6	4.5	3.7	2.8	2.2	1.9	1.5	1.1								
1/8K-1 TK-1 (100)	10	0.10	3.7	3.0	2.5	1.9	1.5	1.2	0.99	0.74								
	20	0.14	5.2	4.2	3.5	2.6	2.1	1.7	1.4	1.0								
	30	0.17	6.3	5.0	4.2	3.2	2.5	2.1	1.7	1.3								
	40	0.20	7.4	5.9	5.0	3.7	3.0	2.5	2.0	1.5								
1/8K-1.5 TK-1.5 (50)	10	0.15	5.6	4.5	3.7	2.8	2.2	1.9	1.5	1.1								
	20	0.21	7.8	6.2	5.2	3.9	3.1	2.6	2.1	1.6								
	30	0.26	9.7	7.7	6.4	4.8	3.9	3.2	2.6	1.9								
	40	0.30	11.1	8.9	7.4	5.6	4.5	3.7	3.0	2.2								
1/8K, 1/4K, TK-2 TK-2 (50)	10	0.20	7.4	5.9	5.0	3.7	3.0	2.5	2.0	1.5								
	20	0.28	10.4	8.3	6.9	5.2	4.2	3.5	2.8	2.1								
	30	0.35	13.0	10.4	8.7	6.5	5.2	4.3	3.5	2.6								
	40	0.40	14.9	11.9	9.9	7.4	5.9	5.0	4.0	3.0								
1/8K, 1/4K, TK-2.5 TK-2.5 (50)	10	0.25	9.3	7.4	6.2	4.6	3.7	3.1	2.5	1.9								
	20	0.35	13.0	10.4	8.7	6.5	5.2	4.3	3.5	2.6								
	30	0.43	16.0	12.8	10.6	8.0	6.4	5.3	4.3	3.2								
	40	0.50	18.6	14.9	12.4	9.3	7.4	6.2	5.0	3.7								
1/8K, 1/4K, TK-3 TK-3 (50)	10	0.30	11.1	8.9	7.4	5.6	4.5	3.7	3.0	2.2								
	20	0.42	15.6	12.5	10.4	7.8	6.2	5.2	4.2	3.1								
	30	0.52	19.3	15.4	12.9	9.7	7.7	6.4	5.1	3.9								
	40	0.60	22	17.8	14.9	11.1	8.9	7.4	5.9	4.5								
1/8K, TK-4 TK-4 (50)	10	0.40	14.9	11.9	9.9	7.4	5.9	5.0	4.0	3.0								
	20	0.57	21	16.9	14.1	10.6	8.5	7.1	5.6	4.2								
	30	0.69	26	20	17.1	12.8	10.2	8.5	6.8	5.1								
	40	0.80	30	24	19.8	14.9	11.9	9.9	7.9	5.9								
1/8K, 1/4K, TK-5 TK-5 (50)	10	0.50	18.6	14.9	12.4	9.3	7.4	6.2	5.0	3.7								
	20	0.71	26	21	17.6	13.2	10.5	8.8	7.0	5.3								
	30	0.87	32	26	22	16.1	12.9	10.8	8.6	6.5								
	40	1.00	37	30	25	18.6	14.9	12.4	9.9	7.4								
1/8K, 1/4K, TK-7.5 TK-7.5 (50)	10	0.75	28	22	18.6	13.9	11.1	9.3	7.4	5.6								
	20	1.06	39	31	26	19.7	15.7	13.1	10.5	7.9								
	30	1.30	48	39	32	24	19.3	16.1	12.9	9.7								
	40	1.50	56	45	37	28	22	18.6	14.9	11.1								
1/8K, 1/4K, TK-10 TK-10 (50)	10	1.00	37	30	25	18.6	14.9	12.4	9.9	7.4								
	20	1.41	52	42	35	26	21	17.4	14.0	10.5								
	30	1.73	64	51	43	32	26	21	17.1	12.8								
	40	2.00	74	59	50	37	30	25	19.8	14.9								
1/8K, 1/4K-12 TK-12	10	1.20	45	36	30	22	17.8	14.9	11.9	8.9								
	20	1.70	63	50	42	32	25	21	16.8	12.6								
	30	2.08	77	62	51	39	31	26	21	15.4								
	40	2.40	89	71	59	45	36	30	24	17.8								
1/8K, 1/4K-15 TK-15	10	1.50	56	45	37	28	22	18.6	14.9	11.1								
	20	2.12	79	63	52	39	31	26	21	15.7								
	30	2.60	97	77	64	48	39	32	26	19.3								
	40	3.00	111	89	74	56	45	37	30	22								
1/8K, 1/4K-18 TK-18	10	1.80	67	53	45	33	27	22	17.8	13.4								
	20	2.55	95	76	63	47	38	32	25	19								
	30	3.12	116	93	77	58	46	39	31	23								
	40	3.60	134	107	89	67	53	45	36	27								
1/8K, 1/4K-20 TK-20 QCK-20	10	2.00	74	59	50	37	30	25	19.8	14.9								
	20	2.83	105	84	70	53	42	35	28	21								
	30	3.46	128	103	86	64	51	43	34	26								
	40	4.00	149	119	99	74	59	50	40	30								
1/4K-22 TK-22	10	2.20	82	65	54	41	33	27	22	16.3								
	20	3.11	115	92	77	58	46	38	31	23								
	30	3.81	141	113	94	71	57	47	38	28								
	40	4.40	163	131	109	82	65	54	44	33								
1/4K-24 TK-24	10	2.40	89	71	59	45	36	30	24	17.8								
	20	3.39	126	101	84	63	50	42	34	25								
	30	4.16	154	124	103	77	62	51	41	31								
	40	4.80	178	143	119	89	71	59	48	36								

NOZZLE	PSI	CAPACITY ONE NOZZLE IN GPM	GPA 60°							
			4 MPH	5 MPH	6 MPH	8 MPH	10 MPH	12 MPH	15 MPH	20 MPH
1/4K-27 TK-27	10	2.70	67	53	45	33	27	22	17.8	13.4
	20	3.82	95	76	63	47	38	32	25	18.9
	30	4.68	116	93	77	58	46	39	31	23
	40	5.40	134	107	89	67	53	45	36	27
3/8K-30 TK-30 QCK-30	10	3.00	74	59	50	37	30	25	19.8	14.9
	20	4.24	105	84	70	52	42	35	28	21
	30	5.20	129	103	86	64	51	43	34	26
	40	6.00	149	119	99	74	59	50	40	30
3/8K-35 TK-35	10	3.50	87	69	58	43	35	29	23	17.3
	20	4.95	123	98	82	61	49	41	33	25
	30	6.06	150	120	100	75	60	50	40	30
	40	7.00	173	139	116	87	69	58	46	35
[3/8K, 1/2K]-40 QCK-40	10	4.00	99	79	66	50	40	33	26	19.8
	20	5.66	1							

StreamJet SJ3 Fertilizer Nozzles



Typical Applications:

- Excellent for application of liquid fertilizer on bare ground or in standing crop.
- 3-stream pattern is ideal for directed application.

Features:

- VisiFlo® color-coding system.
- Three solid streams of equal velocity and capacity.
- Removable metering orifice for easy cleaning.
- Ten sizes for a wide range of application rates.

- Equally spaced distribution at 20" (50 cm) height.
- Use with Quick TeeJet® cap 114443A-*-CELR.
- All acetal construction for excellent chemical resistance.
- See page 125 for liquid density conversion factors.
- Recommended operating pressure: 20–60 PSI (1.5–4 bar).
- Solid stream pattern minimizes leaf burn and virtually eliminates drift.

Optimum Spray Height

20"	20"
30"	30"
40"	40"



HOW TO ORDER: Example

TJ/	Description	Price
SJ3-xx-VP	SJ-3 StreamJet Nozzles	10.92

Nozzle Model	PSI	CAPACITY ONE NOZZLE IN GPM	GPA 20"										
			3 MPH	4 MPH	5 MPH	6 MPH	8 MPH	10 MPH	12 MPH	14 MPH	16 MPH	18 MPH	20 MPH
SJ3-015-VP (100)	20	0.11	10.9	8.2	6.5	5.4	4.1	3.3	2.7	2.3	2.0	1.8	1.6
	30	0.13	12.9	9.7	7.7	6.4	4.8	3.9	3.2	2.8	2.4	2.1	1.9
	40	0.15	14.9	11.1	8.9	7.4	5.6	4.5	3.7	3.2	2.8	2.5	2.2
	50	0.16	15.8	11.9	9.5	7.9	5.9	4.8	4.0	3.4	3.0	2.6	2.4
SJ3-02-VP (50)	20	0.14	13.9	10.4	8.3	6.9	5.2	4.2	3.5	3.0	2.6	2.3	2.1
	30	0.17	16.8	12.6	10.1	8.4	6.3	5.0	4.2	3.6	3.2	2.8	2.5
	40	0.20	19.8	14.9	11.9	9.9	7.4	5.9	5.0	4.2	3.7	3.3	3.0
	50	0.21	21	15.6	12.5	10.4	7.8	6.2	5.2	4.5	3.9	3.5	3.1
SJ3-03-VP (50)	20	0.24	24	17.8	14.3	11.9	8.9	7.1	5.9	5.1	4.5	4.0	3.6
	30	0.27	27	20	16.0	13.4	10.0	8.0	6.7	5.7	5.0	4.5	4.0
	40	0.30	30	22	17.8	14.9	11.1	8.9	7.4	6.4	5.6	5.0	4.5
	50	0.33	33	25	19.6	16.3	12.3	9.8	8.2	7.0	6.1	5.4	4.9
SJ3-04-VP (50)	20	0.30	30	22	17.8	14.9	11.1	8.9	7.4	6.4	5.6	5.0	4.5
	30	0.36	36	27	21	17.8	13.4	10.7	8.9	7.6	6.7	5.9	5.3
	40	0.40	40	30	24	19.8	14.9	11.9	9.9	8.5	7.4	6.6	5.9
	50	0.43	43	32	26	21	16.0	12.8	10.6	9.1	8.0	7.1	6.4
SJ3-05-VP (50)	20	0.36	36	27	21	17.8	13.4	10.7	8.9	7.6	6.7	5.9	5.3
	30	0.45	45	33	27	22	16.7	13.4	11.1	9.5	8.4	7.4	6.7
	40	0.50	50	37	30	25	18.6	14.9	12.4	10.6	9.3	8.3	7.4
	50	0.55	54	41	33	27	20	16.3	13.6	11.7	10.2	9.1	8.2
SJ3-06-VP (50)	20	0.42	42	31	25	21	15.6	12.5	10.4	8.9	7.8	6.9	6.2
	30	0.54	53	40	32	27	20	16.0	13.4	11.5	10.0	8.9	8.0
	40	0.60	59	45	36	30	22	17.8	14.9	12.7	11.1	9.9	8.9
	50	0.66	65	49	39	33	25	19.6	16.3	14.0	12.3	10.9	9.8
SJ3-08-VP	20	0.56	55	42	33	28	21	16.6	13.9	11.9	10.4	9.2	8.3
	30	0.72	71	53	43	36	27	21	17.8	15.3	13.4	11.9	10.7
	40	0.80	79	59	48	40	30	24	19.8	17.0	14.9	13.2	11.9
	50	0.88	87	65	52	44	33	26	22	18.7	16.3	14.5	13.1
SJ3-10-VP	20	0.65	64	48	39	32	24	19.3	16.1	13.8	12.1	10.7	9.7
	30	0.90	89	67	53	45	33	27	22	19.1	16.7	14.9	13.4
	40	1.00	99	74	59	50	37	30	25	21	18.6	16.5	14.9
	50	1.11	110	82	66	55	41	33	27	24	21	18.3	16.5
SJ3-15-VP	20	0.99	98	74	59	49	37	29	25	21	18.4	16.3	14.7
	30	1.24	123	92	74	61	46	37	31	26	23	20	18.4
	40	1.50	149	111	89	74	56	45	37	32	28	25	22
	50	1.68	166	125	100	83	62	50	42	36	31	28	25
SJ3-20-VP	20	1.41	140	105	84	70	52	42	35	30	26	23	21
	30	1.75	173	130	104	87	65	52	43	37	32	29	26
	40	2.00	198	149	119	99	74	59	50	42	37	33	30
	50	2.28	226	169	135	113	85	68	56	48	42	38	34
60	2.49	247	185	148	123	92	74	62	53	46	41	37	

Note: Always double check your application rates. Tabulations are based on spraying water at 70°F (21°C).

Quick TeeJet® Caps

Color Code	1	2	3	4	5	6	7	8	9	10
	Black	White	Red	Blue	Green	Yellow	Brown	Orange	Gray††	Violet

Ordering Information

QUICK TEEJET CAPS	PART NUMBER		PRICE	FOR USE WITH FLAT SPRAY TIPS 300 PSI (20 bar) MAXIMUM PRESSURE
	QUICK TEEJET CAP ONLY	QUICK TEEJET CAP & SEAT GASKET SET		
	CP11440A- [*] CE	114441A- [*] CELR	\$1.28	TeeJet® Flat Spray Tips (Smaller Capacities)
	CP25611-9-PP††	25612-9-PP††	\$1.45	
	CP25609- [*] NY	25610- [*] NYR	\$1.45	TeeJet Flat Spray Tips (Larger Capacities)
	CP114442- [*] CE	114443A- [*] CELR	\$1.45	TJ60 TwinJet® AI TeeJet and AIUB TeeJet SJ3 StreamJet DG TwinJet® Turbo TeeJet Induction® AITTJ60 Turbo TwinJet (02-06)
	CP98578-1-NY†	98579-1-NYR†	\$2.40	AI3070 AITTJ60 Turbo TwinJet (08-15)
	CP25595- [*] NY	25596- [*] NYR	\$1.45	TeeJet Flat Spray Tips (Smaller Capacities) Tips can be positioned in choice of two spray plane directions—parallel or perpendicular to wings of Quick TeeJet cap.
	CP25599- [*] NY	25600- [*] NYR	\$1.45	Turbo FloodJet® VisiFlo® Spray Tip TK-VS FloodJet® VisiFlo Spray Tip TK-VP FloodJet® VisiFlo Spray Tip
	CP114444- [*] CE	114445A- [*] CELR	\$1.45	TK FloodJet® FL FullJet® TX/TXA ConeJet® TG Full Cone Hose Shank AITXA ConeJet
	CP25607-9-PP††	25608-9-PP††	\$1.45	
	CP114444- [*] CE	—	—	 CP18999-EPR (EPDM standard) Used with DC-Core Inserts and CP4916 Flow Regulators (Insert Core into Seal) CP18999-VI (Viton® optional)
	CP26277-1-NY†	26278-1-NYR†	\$1.58	Ceramic Disc-Core TXB ConeJet® AITXB ConeJet
	CP114395-1-NYB†	114396-1-NYR†	\$1.73	TXR ConeJet 114396-1-NYR includes gasket and O-ring (CP7717-M10.5x1.5-VI)
	—	QJ4676-45-1/4-NYR†	\$5.47	45° Quick TeeJet cap with 1/4" NPT female threaded outlet
	—	QJ4676-90-1/4-NYR†	\$5.47	90° Quick TeeJet cap with 1/4" NPT female threaded outlet
	—	QJ4676-1/8-NYR†	\$2.88	Permits use of standard 1/8" and 1/4" nozzles. Can be used for mounting pressure gauge at the nozzle. See Data Sheet 20055 for more information.
	—	QJB4676-1/4-NYR† Fast #530248	\$4.81	
	—	114447A-CELR†	\$2.76	Provides shutoff at nozzle for quick spacing change or change in spray swath.

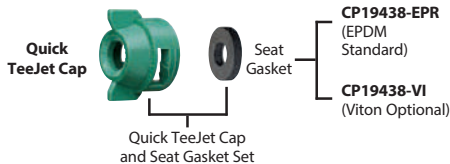
*Specify color code (see chart). Violet (10) only available in CP114440 and CP114442 caps.

†These Quick TeeJet caps available only in black.

††Polypropylene Quick TeeJet caps available only in gray and rated to 150 PSI (10 bar). Nylon and Celcon caps not available in gray.

Quick TeeJet Gaskets & Seals

The Quick TeeJet caps are designed with grooves that fit locating lugs on the nozzle body. Caps are made of Nylon and are available for use with all TeeJet® spray tips. Maximum operating pressure of 300 PSI (20 bar).



TJ/	FAST #	DESCRIPTION	PRICE
CP19438-EPR	520016	Quick TeeJet Seat Gasket, Standard EPDM material (For use with all spray tips except Disc-Core type).	0.63
CP19438-VI		Quick TeeJet Seat Gasket, optional VITON material	2.59
CP18999-EPR	590029	Quick TeeJet Seal, EPDM, for Disc-Core type spray tips	1.35
CP18999-VI		Quick TeeJet Seal, optional VITON material	8.19

EQUIPMENT
FLOW METERS
PRECISION
NOZZLES
VALVES
STRAINERS
FITTINGS
JACKS & HITCHES
PLANTER COMP.
PUMPS
TILLAGE
NH₃
TANKS

TeeJet®



Typical Applications:

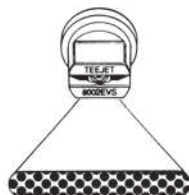
EXCELLENT: Pre-Emerge Herbicides – For band applications of surface applied herbicides. Used at medium pressures (20-40 psi) to produce medium size droplets and to control drift.

EXCELLENT: Pre-Emerge Systemic Herbicides – Used at lower pressures (20-30 psi) for banding systemic herbicides.

GOOD: Pre-Emerge Contact Herbicides – For band application of contact herbicides. Used at 40 psi and above to produce small droplets for better coverage.

Features:

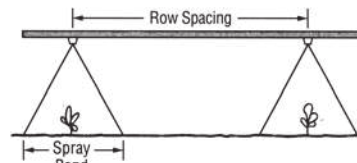
- Ideal for banding over the row or in row middles.
- Provides uniform distribution throughout the flat spray pattern.
- Easily mounted on spray boom or planter.
- Tips materials include brass, stainless steel, and hardened stainless steel.



HOW TO ORDER: EXAMPLE

TJ/	DESCRIPTION	PRICE
TP8002EVS	S.S. w/VisiFlo Color Coding	7.62
TP8002E-SS	Stainless Steel	13.36
TP8002E	Brass	5.21

Tip Color	Tip No. (Strainer Screen Size)	Liquid Pressure in psi	Capacity 1 Nozzle in GPM	Capacity 1 Nozzle in oz./min.	Gallons Per Acre* - 30° Spacing				Gallons Per Acre* - 40° Spacing				
					3 mph	4 mph	5 mph	7 mph	3 mph	4 mph	5 mph	7 mph	
ORANGE	8001EVS	20	.07	9	4.6	3.5	2.8	3.5	2.6	2.1	1.5		
		30	.09	12	5.9	4.5	3.6	2.5	4.5	3.3	2.7	1.9	
	(100 Mesh)	40	.10	13	6.6	5.0	4.0	2.8	5.0	3.7	3.0	2.1	
GREEN	80015EVS	20	.11	14	7.3	5.4	4.4	3.1	5.4	4.1	3.3	2.3	
	95015EVS	30	.13	17	8.6	6.4	5.1	3.7	6.4	4.8	3.9	2.8	
	(50 Mesh)	40	.15	19	9.9	7.4	5.9	4.2	7.4	5.6	4.5	3.2	
YELLOW	8002EVS	20	.14	18	9.2	6.9	5.5	4.0	6.9	5.2	4.2	3.0	
	9502EVS	30	.17	22	11.2	8.4	6.7	4.8	8.4	6.3	5.0	3.6	
	(50 Mesh)	40	.20	26	13.2	9.9	7.9	5.7	9.9	7.4	5.9	4.2	
BLUE	8003EVS	20	.21	27	13.9	10.4	8.3	5.9	10.4	7.8	6.2	4.5	
	9503EVS	30	.26	33	17.2	12.9	10.3	7.4	12.9	9.7	7.7	5.5	
	(50 Mesh)	40	.30	38	19.8	14.9	11.9	8.5	14.9	11.1	8.9	6.4	
RED	8004EVS	20	.28	36	18.5	13.9	11.1	7.9	13.9	10.4	8.3	5.9	
	9504EVS	30	.35	45	23	17.3	13.9	9.9	17.3	13.0	10.4	7.4	
	(50 Mesh)	40	.40	51	26	19.8	15.8	11.3	19.8	14.9	11.9	8.5	
BROWN	8005EVS	20	.35	45	23	17.3	13.9	9.9	17.3	13.0	10.4	7.4	
	9505EVS	30	.43	55	28	21	17.0	12.2	21	16.0	12.8	9.1	
	(50 Mesh)	40	.50	64	33	25	19.8	14.1	25	18.6	14.9	10.6	
GRAY	8006EVS	20	.42	54	28	21	16.6	11.9	21	15.6	12.5	8.9	
	9506EVS	30	.52	67	34	26	21	14.7	26	19.3	15.4	11.0	
	(50 Mesh)	40	.60	77	40	30	24	17.0	30	22	17.8	12.7	
WHITE	8008EVS	20	.57	73	38	28	23	16.1	28	21	16.9	12.1	
	(50 MESH)	30	.69	88	46	34	27	19.5	34	26	20	14.6	
		40	.80	102	53	40	32	23	40	30	24	17.0	



Band Width	Approximate Spray Height		GPA* Conversion Factor	
	80° Series	95° Series	30" Row Spacing	40" Row Spacing
8"	5"	4"	3.8	5.0
10"	6"	5"	3.0	4.0
12"	7"	6"	2.5	3.3
15"	9"	8"	2.0	2.6

*To find GPA rate on band widths multiply the tabulated GPA for ROW SPACING by the conversion factor.



EQUIPMENT
FLOW METERS
PRECISION
NOZZLES
VALVES
STRAINERS
FITTINGS
JACKS & HITCHES
PLANTER COMP.
PUMPS
TILLAGE
NH₃
TANKS

TeeJet® Double Outlet Flat Spray Tips

150° Series Stainless Steel and Brass

Suggested for post-directed application with hose drops.

How to order:

Specify tip number and material.
Example: TQ150-03-SS – Stainless Steel



HOW TO ORDER: Example

TJ/	Description	Price
TQ150-03-SS	Stainless Steel	20.12
TQ150-03	Brass	11.13



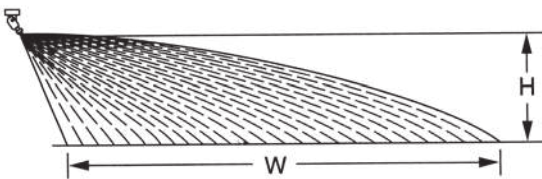
Spraying Systems Co.

PSI	CAPACITY ONE NOZZLE IN GPM	GPA \triangle 209 \triangle											
		4 MPH	5 MPH	6 MPH	7 MPH	8 MPH	9 MPH	10 MPH	12 MPH	14 MPH	16 MPH	18 MPH	
20	0.071	5.3	4.2	3.5	3.0	2.6	2.3	2.1	1.8	1.5	1.3	1.2	
25	0.079	5.9	4.7	3.9	3.4	2.9	2.6	2.3	2.0	1.7	1.5	1.3	
30	0.087	6.5	5.2	4.3	3.7	3.2	2.9	2.6	2.2	1.8	1.6	1.4	
40	0.10	7.4	5.9	5.0	4.2	3.7	3.3	3.0	2.5	2.1	1.9	1.7	
50	0.11	8.2	6.5	5.4	4.7	4.1	3.6	3.3	2.7	2.3	2.0	1.8	
20	0.11	8.2	6.5	5.4	4.7	4.1	3.6	3.3	2.7	2.3	2.0	1.8	
25	0.12	8.9	7.1	5.9	5.1	4.5	4.0	3.6	3.0	2.5	2.2	2.0	
30	0.13	9.7	7.7	6.4	5.5	4.8	4.3	3.9	3.2	2.8	2.4	2.1	
40	0.15	11.1	8.9	7.4	6.4	5.6	5.0	4.5	3.7	3.2	2.8	2.5	
50	0.17	12.6	10.1	8.4	7.2	6.3	5.6	5.0	4.2	3.6	3.2	2.8	
20	0.14	10.4	8.3	6.9	5.9	5.2	4.6	4.2	3.5	3.0	2.6	2.3	
25	0.16	11.9	9.5	7.9	6.8	5.9	5.3	4.8	4.0	3.4	3.0	2.6	
30	0.17	12.6	10.1	8.4	7.2	6.3	5.6	5.0	4.2	3.6	3.2	2.8	
40	0.20	14.9	11.9	9.9	8.5	7.4	6.6	5.9	5.0	4.2	3.7	3.3	
50	0.22	16.3	13.1	10.9	9.3	8.2	7.3	6.5	5.4	4.7	4.1	3.6	
20	0.21	15.6	12.5	10.4	8.9	7.8	6.9	6.2	5.2	4.5	3.9	3.5	
25	0.24	17.8	14.3	11.9	10.2	8.9	7.9	7.1	5.9	5.1	4.5	4.0	
30	0.26	19.3	15.4	12.9	11.0	9.7	8.6	7.7	6.4	5.5	4.8	4.3	
40	0.30	22	17.8	14.9	12.7	11.1	9.9	8.9	7.4	6.4	5.6	5.0	
50	0.34	25	20	16.8	14.4	12.6	11.2	10.1	8.4	7.2	6.3	5.6	
20	0.28	21	16.6	13.9	11.9	10.4	9.2	8.3	6.9	5.9	5.2	4.6	
25	0.32	24	19.0	15.8	13.6	11.9	10.6	9.5	7.9	6.8	5.9	5.3	
30	0.35	26	21	17.3	14.9	13.0	11.6	10.4	8.7	7.4	6.5	5.8	
40	0.40	30	24	19.8	17.0	14.9	13.2	11.9	9.9	8.5	7.4	6.6	
50	0.45	33	27	22	19.1	16.7	14.9	13.4	11.1	9.5	8.4	7.4	
20	0.35	26	21	17.3	14.9	13.0	11.6	10.4	8.7	7.4	6.5	5.8	
25	0.40	30	24	19.8	17.0	14.9	13.2	11.9	9.9	8.5	7.4	6.6	
30	0.43	32	26	21	18.2	16.0	14.2	12.8	10.6	9.1	8.0	7.1	
40	0.50	37	30	25	21	18.6	16.5	14.9	12.4	10.6	9.3	8.3	
50	0.56	42	33	28	24	21	18.5	16.6	13.9	11.9	10.4	9.2	
20	0.42	31	25	21	17.8	15.6	13.9	12.5	10.4	8.9	7.8	6.9	
25	0.47	35	28	23	19.9	17.4	15.5	14.0	11.6	10.0	8.7	7.8	
30	0.52	39	31	26	22	19.3	17.2	15.4	12.9	11.0	9.7	8.6	
40	0.60	45	36	30	25	22	19.8	17.8	14.9	12.7	11.1	9.9	
50	0.67	50	40	33	28	25	22	19.9	16.6	14.2	12.4	11.1	
20	0.57	42	34	28	24	21	18.8	16.9	14.1	12.1	10.6	9.4	
25	0.63	47	37	31	27	23	21	18.7	15.6	13.4	11.7	10.4	
30	0.69	51	41	34	29	26	23	20	17.1	14.6	12.8	11.4	
40	0.80	59	48	40	34	30	26	24	19.8	17.0	14.9	13.2	
50	0.89	66	53	44	38	33	29	26	22	18.9	16.5	14.7	
20	0.64	48	38	32	27	24	21	19.0	15.8	13.6	11.9	10.6	
25	0.71	53	42	35	30	26	23	21	17.6	15.1	13.2	11.7	
30	0.78	58	46	39	33	29	26	23	19.3	16.5	14.5	12.9	
40	0.90	67	53	45	38	33	30	27	22	19.1	16.7	14.9	
50	1.01	75	60	50	43	37	33	30	25	21	18.7	16.7	

Note: Always double check your application rates. Tabulations are based on spraying water at 70°F (21°C).

TeeJet® Off-Center Flat Spray Tips - Smaller Capacities

TeeJet Off-Center spray tips are commonly installed in double and single swivel nozzle bodies. Because these bodies are adjustable for angular position, a wide spray swath is easily obtained.



HOW TO ORDER: Example

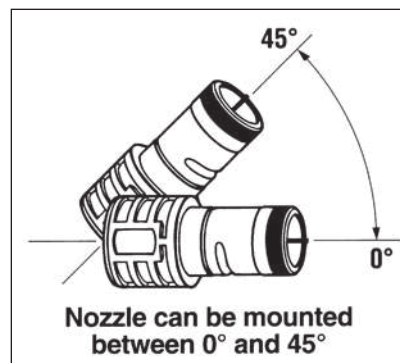
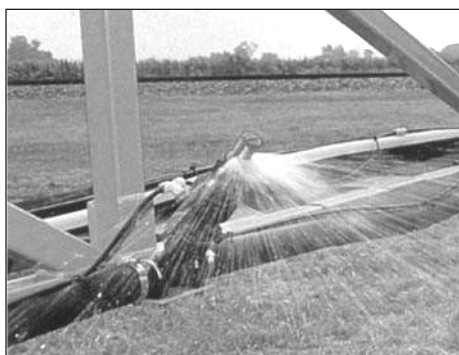
TJ/	Description	Price
OC-ST02	Stainless Off-Center (Tip only)	20.12
OC-02	Brass Off-Center (Tip only)	13.61

Nozzle No.	Liquid Pressure psi	Nozzle Capacity GPM	Spraying Height "H" = 18" "W"				Spraying Height "H" = 24" "W"			
			inches	3 mph	4 mph	5 mph	inches	3 mph	4 mph	5 mph
OC-02	30	.17	68	5.0	3.7	3.0	75	4.5	3.4	2.7
	40	.20	70	5.7	4.2	3.4	77	5.1	3.9	3.1
	60	.24	72	6.6	5.0	4.0	78	6.1	4.6	3.7
OC-03	30	.26	77	6.7	5.0	4.0	80	6.4	4.8	3.9
	40	.30	80	7.4	5.6	4.5	83	7.2	5.4	4.3
	60	.37	82	8.9	6.7	5.4	85	8.6	6.5	5.2
OC-04	30	.35	91	7.6	5.7	4.6	93	7.5	5.6	4.5
	40	.40	93	8.5	6.4	5.1	94	8.4	6.3	5.4
	60	.49	94	10.3	7.7	6.2	95	10.2	7.7	6.1
OC-06	30	.52	99	10.4	7.8	6.2	108	9.5	7.2	5.7
	40	.69	101	11.8	8.8	7.1	110	10.8	8.1	6.5
	60	.73	102	14.2	10.6	8.5	111	13.0	9.8	7.8
OC-08	30	.69	100	13.7	10.2	8.2	110	12.4	9.3	7.5
	40	.80	102	15.5	11.6	9.3	112	14.1	10.6	8.5
	60	.98	104	18.7	14.0	11.2	113	17.2	12.9	10.3
OC-12	30	1.04	102	20	15.1	12.1	113	18.2	13.7	10.9
	40	1.20	104	23	17.1	13.7	115	21	15.5	12.4
	60	1.47	105	28	21	16.6	116	25	18.8	15.1
OC-16	30	1.39	132	21	15.6	12.5	142	19.4	14.5	11.6
	40	1.60	138	23	17.2	13.8	146	22	16.3	13.0
	60	1.96	143	27	20	16.3	148	26	19.7	15.7

NOTE: Always double check your application rates.

*GALLONS PER ACRE COVERAGE IS BASED ON WATER.

Quick Turbo FloodJet®



The revolutionary Quick Turbo FloodJet nozzle combines the precision and uniformity of a flat spray nozzle with the clog-resistance and wide angle pattern of flooding nozzles. It uses an exclusive new design to increase droplet size and distribution uniformity.

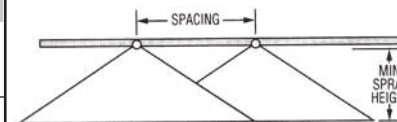
Exclusive Quick Turbo FloodJet Features:

- Patented turbulence chamber creates a dramatic improvement in pattern uniformity.
- Pre-orifice design produces larger droplets for reduced drift.
- Large, round orifice reduces clogging
- Grooved side molding for automatic alignment with any quick-connect coupler.
- Stainless steel with color-coding for easy size identification.
- Available in standard sizes from 1.5 up to 24.0 GPM at pressures of 10 to 40 psi.

HOW TO ORDER: Example

TJ/	DESCRIPTION	PRICE
QCTF-VS___	15-80	41.82
QCTF-VS___	100-120	58.23

Tip Color	Nozzle No	Liquid Pressure in PSI	Capacity 1 Nozzle in GPM	Gallons Per Acre* 40" Spacing				Gallons Per Acre* 60" Spacing			
				10 mph	12 mph	14 mph	16 mph	10 mph	12 mph	14 mph	16 mph
Beige	QCTF-VS15	10	1.50	22	18.6	15.9	13.9	14.9	12.4	10.6	9.3
		20	2.12	31	26	22	19.7	21	17.5	15.0	13.1
		30	2.60	39	32	28	24	26	21	18.4	16.1
White	QCTF-VS20	10	2.00	30	25	21	18.6	19.8	16.5	14.1	12.4
		20	2.83	42	35	30	26	28	23	20	17.5
		30	3.46	51	43	37	32	34	29	24	21
Yellow	QCTF-VS30	10	3.00	45	37	32	28	30	25	21	18.6
		20	4.24	63	52	45	39	42	35	30	26
		30	5.20	77	64	55	48	51	43	37	32
Red	QCTF-VS40	10	4.00	59	50	42	37	40	33	28	25
		20	5.66	84	70	60	53	56	47	40	35
		30	6.93	103	86	74	64	69	57	49	43
Gray	QCTF-VS50	10	5.00	74	62	53	46	50	41	35	31
		20	7.07	105	87	75	66	70	58	50	44
		30	8.66	129	107	92	80	86	71	61	54
Blue	QCTF-VS60	10	6.00	89	74	64	56	59	50	42	37
		20	8.49	126	105	90	79	84	70	60	53
		30	10.4	154	129	110	97	103	86	74	64
Black	QCTF-VS80	10	8.00	119	99	85	74	79	66	57	50
		20	11.3	168	140	120	105	112	93	80	70
		30	13.9	206	172	147	129	138	115	98	86
L. Blue	QCTF-VS100	10	10.0	149	124	106	93	99	83	71	62
		20	14.1	209	174	150	131	140	116	100	87
		30	17.3	257	214	184	161	171	143	122	107
Orange	QCTF-VS120	10	12.0	178	149	127	111	119	99	85	74
		20	17.0	252	210	180	158	168	140	120	105
		30	20.8	309	257	221	193	206	172	147	129



*Adjust spray height in the field to a minimum overlap approximately 30% of each edge of pattern.

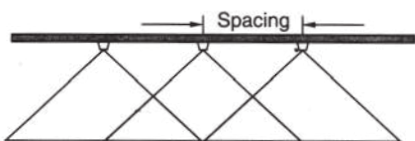
Suggested Minimum Spray Height*	
Nozzle Spacing	Spray Height
40"	18-20"
60"	25-28"
120"	50-55"

* When Nozzle Is Mounted Parallel to the Ground

NOTE: Always double check your application rates.

FloodJet®

HOW TO ORDER: Example



There is no recommended spray height for standard FloodJet tips. Raise or lower spray boom - or rotate nozzle bodies to double overlap spray patterns and provide optimum coverage along spray boom.

TJ/	Description	Price
QCK-SS	(20- 40)	45.87
	(50- 80)	50.16
	(100-120)	62.58
	(150-210)	98.91



Type (Strainer Screen Size) FloodJet Tip No.	Liquid Pressure in psi	Capacity 1 Nozzle in GPM	Gallons Per Acre																	
			40" Spacing								60" Spacing									
			4 mph	5 mph	6 mph	8 mph	10 mph	12 mph	14 mph	16 mph	20 mph	4 mph	5 mph	6 mph	8 mph	10 mph	12 mph	14 mph	16 mph	20 mph
1/4K-ST27	10	2.7	100	80	67	50	40	33	29	25	20	67	53	45	33	27	22	19.1	16.7	13.4
	20	3.8	142	113	95	71	57	47	41	35	28	95	76	63	47	38	32	27	24	18.9
	30	4.7	174	139	116	87	69	58	50	43	35	116	93	77	58	46	39	33	29	23
	40	5.4	200	160	134	100	80	67	57	50	40	134	107	89	67	53	45	38	33	27
TK-ST30	10	3.0	111	89	74	56	45	37	32	28	22	74	59	50	37	30	25	21	18.6	14.9
	20	4.2	157	126	105	79	63	52	45	39	31	105	84	70	52	42	35	30	26	21
	30	5.2	193	154	129	97	77	64	55	48	39	129	103	86	64	51	43	37	32	26
	40	6.0	223	178	149	111	89	74	64	56	45	149	119	99	74	59	50	42	37	30
3/8K-ST35	10	3.5	130	104	87	65	52	43	37	32	26	87	69	58	43	35	29	25	22	17.3
	20	5.0	184	147	123	92	74	61	53	46	37	123	98	82	61	49	41	35	31	25
	30	6.1	225	180	150	112	90	75	64	56	45	150	120	100	75	60	50	43	37	30
	40	7.0	260	208	173	130	104	87	74	65	52	173	139	116	87	69	58	50	43	35
QCK-ST40	10	4.0	149	119	99	74	59	50	42	37	30	99	79	66	50	40	33	28	25	20
	20	5.7	210	168	140	105	84	70	60	53	42	140	112	93	70	56	47	40	35	28
	30	6.9	257	206	172	129	103	86	74	64	51	172	137	114	86	69	57	49	43	34
	40	8.0	297	238	198	149	119	99	85	74	59	198	158	132	99	79	66	57	50	40
3/8K-ST45	10	4.5	167	134	111	84	67	56	48	42	33	111	89	74	56	45	37	32	28	22
	20	6.4	236	189	157	118	94	79	67	59	47	157	126	105	79	63	52	45	39	31
	30	7.8	225	180	150	112	90	75	64	56	45	150	120	100	75	60	50	43	37	30
	40	9.0	334	267	223	167	134	111	95	84	67	223	178	149	111	89	74	64	56	45
QCK-ST50	10	5.0	186	149	124	93	74	62	53	46	37	124	99	83	62	50	41	35	31	25
	20	7.1	262	210	175	131	105	87	75	66	52	175	140	117	87	70	58	50	44	35
	30	8.7	322	257	214	161	129	107	92	80	64	214	171	143	107	86	71	61	54	43
	40	10.0	371	297	248	186	149	124	106	93	74	248	198	165	124	99	83	71	62	50
QCK-ST60	10	6.0	223	178	149	111	89	74	64	56	45	149	119	99	74	59	50	42	37	30
	20	8.5	315	252	210	158	126	105	90	79	63	210	168	140	105	84	70	60	53	42
	30	10.4	386	309	257	193	154	129	110	96	77	257	206	171	129	103	86	73	64	51
	40	12.0	446	356	297	223	178	149	127	111	89	297	238	198	149	119	99	85	74	59
1/2K-ST70	10	7.0	260	208	173	130	104	87	74	65	52	173	139	116	87	69	58	50	43	35
	20	9.9	368	294	245	184	147	123	105	92	74	245	196	163	123	98	82	70	61	49
	30	12.1	450	360	300	225	180	150	129	112	90	300	240	200	150	120	100	86	75	60
	40	14.0	520	416	347	260	208	173	149	130	104	347	277	231	173	139	116	99	87	69
QCK-ST80	10	8.0	297	238	198	149	119	99	85	74	59	198	158	132	99	79	66	57	50	40
	20	11.3	420	336	280	210	168	140	120	105	84	280	224	187	140	112	93	80	70	56
	30	13.9	515	412	343	257	206	172	147	129	103	343	274	229	172	137	114	98	86	69
	40	16.0	594	475	396	297	238	198	170	149	119	396	317	264	198	158	132	113	99	79
3/4K-ST90	10	9.0	334	267	223	167	134	111	95	84	67	223	178	149	111	89	74	64	56	45
	20	12.7	473	378	315	236	189	158	135	118	95	315	252	210	158	126	105	90	79	63
	30	15.6	579	463	386	289	232	193	165	145	116	386	309	257	193	154	129	110	96	77
	40	18.0	668	535	446	334	267	223	191	167	134	446	356	297	223	178	149	127	111	89
QCK-ST100	10	10.0	371	297	248	186	149	124	106	93	74	248	198	165	124	99	83	71	62	50
	20	14.1	525	420	350	262	210	175	150	131	105	350	280	233	175	140	117	100	87	70
	30	17.3	643	514	429	322	257	214	184	161	129	429	343	286	214	171	143	122	107	86
	40	20.0	743	594	495	371	297	248	212	186	149	495	396	330	248	198	165	141	124	99
3/4K-ST110	10	11.0	408	327	272	204	163	136	117	102	82	272	218	182	136	109	91	78	68	54
	20	15.6	578	462	385	289	231	193	165	144	116	385	308	257	193	154	128	110	96	77
	30	19.1	707	566	471	354	283	236	202	177	141	471	377	314	236	189	157	135	118	94
	40	22.0	817	653	545	408	327	272	233	204	163	545	436	363	272	218	182	156	136	109
QCK-ST120	10	12.0	446	356	297	223	178	149	127	111	89	297	238	198	149	119	99	85	74	59
	20	17.0	630	504	420	315	252	210	180	158	126	420	336	280	210	168	140	120	105	84
	30	20.8	771	617	514	386	309	257	220	193	154	514	411	343	257	206	171	147	129	103
	40	24.0	891	713	594	446	356	297	255	223	178	594	475	396	297	238	198	170	149	119
3/4K-ST140	10	14.0	520	416	347	260	208	173	149	130	104	347	277	231	173	139	116	99	87	69
	20	19.8	735	588	490	368	294	245	210	184	147	490	392	327	245	196	163	140	123	98
	30	24.3	900	720	600	450	360	300	257	225	180	600	480	400	300	240	200	171	150	120
	40	28.0	1040	832	693	520	416	347	297	260	208	693	554	462	347	277	231	198	173	139
3/4K-ST160	10	16.0	594	475	396	297	238	198	170	149	119	396	317	264	198	158	132	113	99	79
	20	22.6	840	672	560	420	336	280	240	210	168	560	448	373	280	224	187	160	140	112
	30	27.7	1029	823	686	514	411	343	294	257	206	686	549	457	343	274	229	196	171	137
	40	32.0	1188	950	792	594	475	396	339	297	238	792	634	528	396	317	264	226	198	158
QCK-ST180	10	18.0	668	535	446	334	267	223	191	167	134	446	356	297	223	178	149	127	111	89
	20	25.5	945	756	630	473	378	315	270	236	189	630	504	420	315	252	210	180	158	126
	30	31.2	1158	926	772	579	463	386	331	289	232	772	617	514	386	309	257	220	193	154
	40	36.0	1337	1069	891	668	535	446	382	334	267	891	713	594	446	356	297	255	223	178

NOTE: Tip and nozzle numbers shown in table indicate stainless steel construction. Also available in brass.

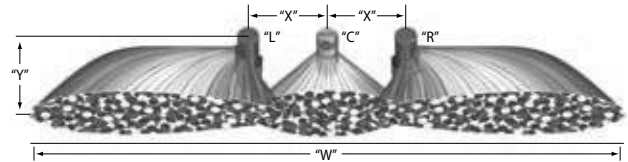
XP BoomJet® Boomless Flat Spray Nozzles

Typical Applications:

- Boomless field spray applications.
- Roadside and right-of-way applications.
- End row spraying.
- Orchard spraying.
- De-icing applications.
- Forestry.

Features:

- Unique orifice geometry produces a wide spray pattern while maintaining superior distribution across entire width.
- Pre-orifice design minimizes drift.
- Extra wide spray pattern—up to 18.58(5.5 meters)—using a single nozzle.
- Removable polymer pre-orifice.
- Acetal or stainless steel construction for excellent chemical resistance.
- Recommended spray pressure range: 20–60 PSI (1.5–4 bar).



CENTER NOZZLE "R", "L"	CENTER NOZZLE "C"	PSI	DROP SIZE	CAPACITY THREE NOZZLES IN GPM	SPRAY WIDTH "W" (FEET)		HEIGHT = 249										HEIGHT = 369									
							GPA FOR THREE NOZZLES					GALLONS PER 1000 SQ. FT.					GPA FOR THREE NOZZLES					GALLONS PER 1000 SQ. FT.				
							4 MPH	6 MPH	8 MPH	10 MPH	15 MPH	20 MPH	2 MPH	3 MPH	4 MPH	5 MPH	4 MPH	6 MPH	8 MPH	10 MPH	15 MPH	20 MPH	2 MPH	3 MPH	4 MPH	5 MPH
					249 HEIGHT	369 HEIGHT	4 MPH	6 MPH	8 MPH	10 MPH	15 MPH	20 MPH	2 MPH	3 MPH	4 MPH	5 MPH	4 MPH	6 MPH	8 MPH	10 MPH	15 MPH	20 MPH	2 MPH	3 MPH	4 MPH	5 MPH
(B)1/4XP10R (B)1/4XP10L	1/4TTJ08	30	XC	2.43	23.3	25.3	12.9	8.6	6.5	5.2	3.4	2.6	0.59	0.39	0.30	0.24	11.9	7.9	5.9	4.8	3.2	2.4	0.54	0.36	0.27	0.22
		40	XC	2.80	25.3	28.3	13.7	9.1	6.8	5.5	3.7	2.7	0.63	0.42	0.31	0.25	12.2	8.2	6.1	4.9	3.3	2.4	0.56	0.37	0.28	0.22
		50	XC	3.13	28.3	30.3	13.7	9.1	6.8	5.5	3.6	2.7	0.63	0.42	0.31	0.25	12.8	8.5	6.4	5.1	3.4	2.6	0.59	0.39	0.29	0.23
60	XC	3.42	29.3	32.3	14.4	9.6	7.2	5.8	3.9	2.9	0.66	0.44	0.33	0.26	13.1	8.7	6.6	5.2	3.5	2.6	0.60	0.40	0.30	0.24		
(B)1/4XP20R (B)1/4XP20L	1/4TTJ08	30	XC	4.19	26.3	27.3	19.7	13.1	9.9	7.9	5.3	3.9	0.90	0.60	0.45	0.36	19.0	12.7	9.5	7.6	5.1	3.8	0.87	0.58	0.43	0.35
		40	XC	4.80	30.3	31.3	19.6	13.1	9.8	7.8	5.2	3.9	0.90	0.60	0.45	0.36	19.0	12.7	9.5	7.6	5.1	3.8	0.87	0.58	0.43	0.35
		50	XC	5.39	32.3	33.3	21	13.8	10.3	8.3	5.5	4.1	0.95	0.63	0.47	0.38	20	13.4	10.0	8.0	5.3	4.0	0.92	0.61	0.46	0.37
60	XC	5.98	33.3	35.3	22	14.8	11.1	8.9	5.9	4.4	1.0	0.68	0.51	0.41	21	14.0	10.5	8.4	5.6	4.2	0.96	0.64	0.48	0.38		
(B)1/4XP25R (B)1/4XP25L	1/4TTJ10	30	XC	5.13	27.3	30.3	23	15.5	11.6	9.3	6.2	4.7	1.1	0.71	0.53	0.43	21	14.0	10.5	8.4	5.6	4.2	0.96	0.64	0.48	0.38
		40	XC	6.00	30.3	32.3	25	16.3	12.3	9.8	6.5	4.9	1.1	0.75	0.56	0.45	23	15.3	11.5	9.2	6.1	4.6	1.1	0.70	0.53	0.42
		50	XC	6.62	32.3	33.3	25	16.9	12.7	10.1	6.8	5.1	1.2	0.77	0.58	0.46	25	16.4	12.3	9.8	6.6	4.9	1.1	0.75	0.56	0.45
60	XC	7.22	33.3	35.3	27	17.9	13.4	10.7	7.2	5.4	1.2	0.82	0.61	0.49	25	16.9	12.7	10.1	6.7	5.1	1.2	0.77	0.58	0.46		
(B)1/2XP40R (B)1/2XP40L	1/4TTJ15	30	XC	8.36	29.3	32.3	35	24	17.7	14.1	9.4	7.1	1.6	1.1	0.81	0.65	32	21	16.0	12.8	8.5	6.4	1.5	0.98	0.73	0.59
		40	XC	9.50	31.3	34.3	38	25	18.8	15.0	10.0	7.5	1.7	1.1	0.86	0.69	34	23	17.1	13.7	9.1	6.9	1.6	1.0	0.78	0.63
		50	XC	10.8	33.3	35.3	40	27	20	16.1	10.7	8.0	1.8	1.2	0.92	0.74	38	25	18.9	15.1	10.1	7.6	1.7	1.2	0.87	0.69
60	XC	11.8	35.3	38.3	41	28	21	16.5	11.0	8.3	1.9	1.3	0.95	0.76	38	25	19.1	15.3	10.2	7.6	1.7	1.2	0.87	0.70		

CENTER NOZZLE "R", "L"	CENTER NOZZLE "C"	PSI	DROP SIZE	CAPACITY THREE NOZZLES IN GPM	SPRAY WIDTH "W" (FEET)		HEIGHT = 249										HEIGHT = 369									
							GPA FOR THREE NOZZLES					GALLONS PER 1000 SQ. FT.					GPA FOR THREE NOZZLES					GALLONS PER 1000 SQ. FT.				
							4 MPH	6 MPH	8 MPH	10 MPH	15 MPH	20 MPH	2 MPH	3 MPH	4 MPH	5 MPH	4 MPH	6 MPH	8 MPH	10 MPH	15 MPH	20 MPH	2 MPH	3 MPH	4 MPH	5 MPH
					249 HEIGHT	369 HEIGHT	4 MPH	6 MPH	8 MPH	10 MPH	15 MPH	20 MPH	2 MPH	3 MPH	4 MPH	5 MPH	4 MPH	6 MPH	8 MPH	10 MPH	15 MPH	20 MPH	2 MPH	3 MPH	4 MPH	5 MPH
(B)1/4XP10R (B)1/4XP10L	1/4TTJ06 (50)	30	XC	2.26	25.0	27.0	11.2	7.5	5.6	4.5	3.0	2.2	0.51	0.34	0.26	0.20	10.4	6.9	5.2	4.1	2.8	2.1	0.47	0.32	0.24	0.19
		40	XC	2.60	27.0	30.0	11.9	7.9	6.0	4.8	3.2	2.4	0.55	0.36	0.27	0.22	10.7	7.2	5.4	4.3	2.9	2.1	0.49	0.33	0.25	0.20
		50	XC	2.91	30.0	32.0	12.0	8.0	6.0	4.8	3.2	2.4	0.55	0.37	0.27	0.22	11.3	7.5	5.6	4.5	3.0	2.3	0.52	0.34	0.26	0.21
		60	XC	3.17	31.0	34.0	12.7	8.4	6.3	5.1	3.4	2.5	0.58	0.39	0.29	0.23	11.5	7.7	5.8	4.6	3.1	2.3	0.53	0.35	0.26	0.21
(B)1/4XP20R (B)1/4XP20L	1/4TTJ06 (50)	30	XC	4.02	28.0	29.0	17.8	11.8	8.9	7.1	4.7	3.6	0.81	0.54	0.41	0.33	17.2	11.4	8.6	6.9	4.6	3.4	0.79	0.52	0.39	0.31
		40	XC	4.60	32.0	33.0	17.8	11.9	8.9	7.1	4.7	3.6	0.81	0.54	0.41	0.33	17.3	11.5	8.6	6.9	4.6	3.5	0.79	0.53	0.39	0.32
		50	XC	5.17	34.0	35.0	18.8	12.5	9.4	7.5	5.0	3.8	0.86	0.57	0.43	0.34	18.3	12.2	9.1	7.3	4.9	3.7	0.84	0.56	0.42	0.33
60	XC	5.73	35.0	37.0	20	13.5	10.1	8.1	5.4	4.1	0.93	0.62	0.46	0.37	19.2	12.8	9.6	7.7	5.1	3.8	0.88	0.59	0.44	0.35		
(B)1/4XP25R (B)1/4XP25L	1/4TTJ08	30	XC	4.95	29.0	32.0	21	14.1	10.6	8.4	5.6	4.2	0.97	0.64	0.48	0.39	19.1	12.8	9.6	7.7	5.1	3.8	0.88	0.58	0.44	0.35
		40	XC	5.80	32.0	34.0	22	15.0	11.2	9.0	6.0	4.5	1.0	0.68	0.51	0.41	21	14.1	10.6	8.4	5.6	4.2	0.97	0.64	0.48	0.39
		50	XC	6.39	34.0	35.0	23	15.5	11.6	9.3	6.2	4.7	1.1	0.71	0.53	0.43	23	15.1	11.3	9.0	6.0	4.5	1.0	0.69	0.52	0.41
60	XC	6.98	35.0	37.0	25	16.5	12.3	9.9	6.6	4.9	1.1	0.75	0.57	0.45	23	15.6	11.7	9.3	6.2	4.7	1.1	0.71	0.53	0.43		
(B)1/2XP40R (B)1/2XP40L	1/4TTJ10	30	XC	7.93	31.0	34.0	32	21	15.8	12.7	8.4	6.3	1.4	0.97	0.72	0.58	29	19.2	14.4	11.5	7.7	5.8	1.3	0.88	0.66	0.53
		40	XC	9.00	33.0	36.0	34	23	16.9	13.5	9.0	6.8	1.5	1.0	0.77	0.62	31	21	15.5	12.4	8.3	6.2	1.4	0.94	0.71	0.57
		50	XC	10.2	35.0	37.0	36	24	18.0	14.4	9.6	7.2	1.7	1.1	0.83	0.66	34	23	17.1	13.6	9.1	6.8	1.6	1.0	0.78	0.62
60	XC	11.2	37.0	40.0	37	25	18.7	15.0	10.0	7.5	1.7	1.1	0.86	0.69	35	23	17.3	13.9	9.2	6.9	1.6	1.1	0.79	0.63		
(B)1/2XP80R (B)1/2XP80L	1/4TTJ15	30	XC	15.0	35.0	38.0	53	35	27	21	14.1	10.6	2.4	1.6	1.2	0.97	49	33	24	19.5	13.0	9.8	2.2	1.5	1.1	0.89
		40	XC	17.5	37.0	40.0	59	39	29	23	15.6	11.7	2.7	1.8	1.3	1.1	54	36	27	22	14.4	10.8	2.5	1.7	1.2	0.99
		50	XC	19.1	38.0	41.0	62	41	31	25	16.6	12.4	2.8	1.9	1.4	1.1	58	38	29	23	15.4	11.5	2.6	1.8	1.3	1.1
60	XC	21.0	40.0	42.0	65	43	32	26	17.3	13.0	3.0	2.0	1.5	1.2	62	41	31	25	16.5	12.4	2.8	1.9	1.4	1.1		

Note: Always double check your application rates. Tabulations are based on spraying water at 70°F (21°C).

(B)=BSPT

Very Fine Fine Medium Coarse Very Coarse Extremely Coarse

EQUIPMENT
FLOW METERS
PRECISION
NOZZLES
VALVES
STRAINERS
FITTINGS
JACKS & HITCHES
PLANTER COMP.
PUMPS
TILLAGE
NH₃
TANKS

XP BoomJet® Boomless Flat Spray Nozzles

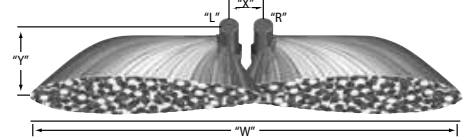
- NPT or BSPT (male) threads for easy installation.
- Color-coding for easy capacity identification.

How to order:

Specify part number.

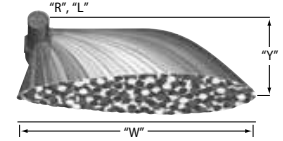
Example:

(B)1/2XP80L(R)-VS - VisiFlo® Stainless Steel left boom spray



"R", "L"	PSI	DROP SIZE	CAPACITY TWO NOZZLE IN GPM	SPRAY WIDTH "W" (FEET)		NOZZLE SPACING "X" = 0-39										NOZZLE SPACING "X" = 0-39									
				249 HEIGHT	369 HEIGHT	GPA FOR TWO NOZZLES					GALLONS PER 1000 SQ. FT.					GPA FOR TWO NOZZLES					GALLONS PER 1000 SQ. FT.				
						4 MPH	6 MPH	8 MPH	10 MPH	15 MPH	20 MPH	2 MPH	3 MPH	4 MPH	5 MPH	4 MPH	6 MPH	8 MPH	10 MPH	15 MPH	20 MPH	2 MPH	3 MPH	4 MPH	5 MPH
(B)1/4XP10R	20	XC	1.42	17.0	20.0	10.3	6.9	5.2	4.1	2.8	2.1	0.47	0.32	0.24	0.19	8.8	5.9	4.4	3.5	2.3	1.8	0.40	0.27	0.20	0.16
30	XC	1.74	20.0	22.0	10.8	7.2	5.4	4.3	2.9	2.2	0.49	0.33	0.25	0.20	9.8	6.5	4.9	3.9	2.6	2.0	0.45	0.30	0.22	0.18	
(B)1/4XP10L	40	XC	2.00	22.0	25.0	11.3	7.5	5.6	4.5	3.0	2.3	0.52	0.34	0.26	0.21	9.9	6.6	5.0	4.0	2.6	2.0	0.45	0.30	0.23	0.18
50	XC	2.24	25.0	27.0	11.1	7.4	5.5	4.4	3.0	2.2	0.51	0.34	0.25	0.20	10.3	6.8	5.1	4.1	2.7	2.1	0.47	0.31	0.24	0.19	
60	XC	2.44	26.0	29.0	11.6	7.7	5.8	4.6	3.1	2.3	0.53	0.35	0.27	0.21	10.4	6.9	5.2	4.2	2.8	2.1	0.48	0.32	0.24	0.19	
(B)1/4XP20R	20	XC	2.84	18.0	22.0	19.5	13.0	9.8	7.8	5.2	3.9	0.89	0.60	0.45	0.36	16.0	10.7	8.0	6.4	4.3	3.2	0.73	0.49	0.37	0.29
30	XC	3.50	23.0	24.0	18.8	12.6	9.4	7.5	5.0	3.8	0.86	0.57	0.43	0.34	18.0	12.0	9.0	7.2	4.8	3.6	0.83	0.55	0.41	0.33	
(B)1/4XP20L	40	XC	4.00	27.0	28.0	18.3	12.2	9.2	7.3	4.9	3.7	0.84	0.56	0.42	0.34	17.7	11.8	8.8	7.1	4.7	3.5	0.81	0.54	0.40	0.32
50	XC	4.50	29.0	30.0	19.2	12.8	9.6	7.7	5.1	3.8	0.88	0.59	0.44	0.35	18.6	12.4	9.3	7.4	5.0	3.7	0.85	0.57	0.43	0.34	
60	XC	5.00	30.0	32.0	21	13.8	10.3	8.3	5.5	4.1	0.94	0.63	0.47	0.38	19.3	12.9	9.7	7.7	5.2	3.9	0.89	0.59	0.44	0.35	
(B)1/4XP25R	20	XC	3.48	21.0	22.0	21	13.7	10.3	8.2	5.5	4.1	0.94	0.63	0.47	0.38	19.6	13.1	9.8	7.8	5.2	3.9	0.90	0.60	0.45	0.36
30	XC	4.26	24.0	27.0	22	14.6	11.0	8.8	5.9	4.4	1.0	0.67	0.50	0.40	19.5	13.0	9.8	7.8	5.2	3.9	0.89	0.60	0.45	0.36	
(B)1/4XP25L	40	XC	5.00	27.0	29.0	23	15.3	11.5	9.2	6.1	4.6	1.0	0.70	0.52	0.42	21	14.2	10.7	8.5	5.7	4.3	0.98	0.65	0.49	0.39
50	XC	5.50	29.0	30.0	23	15.6	11.7	9.4	6.3	4.7	1.1	0.72	0.54	0.43	23	15.1	11.3	9.1	6.1	4.5	1.0	0.69	0.52	0.42	
60	XC	6.00	30.0	32.0	25	16.5	12.4	9.9	6.6	5.0	1.1	0.76	0.57	0.45	23	15.5	11.6	9.3	6.2	4.6	1.1	0.71	0.53	0.43	
(B)1/2XP40R	20	XC	5.74	22.0	24.0	32	22	16.1	12.9	8.6	6.5	1.5	0.99	0.74	0.59	30	19.7	14.8	11.8	7.9	5.9	1.4	0.90	0.68	0.54
30	XC	7.06	26.0	29.0	34	22	16.8	13.4	9.0	6.7	1.5	1.0	0.77	0.62	30	20	15.1	12.1	8.0	6.0	1.4	0.92	0.69	0.55	
(B)1/2XP40L	40	XC	8.00	28.0	31.0	35	24	17.7	14.1	9.4	7.1	1.6	1.1	0.81	0.65	32	21	16.0	12.8	8.5	6.4	1.5	0.97	0.73	0.58
50	XC	9.10	30.0	32.0	38	25	18.8	15.0	10.0	7.5	1.7	1.1	0.86	0.69	35	23	17.6	14.1	9.4	7.0	1.6	1.1	0.81	0.64	
60	XC	10.0	32.0	35.0	39	26	19.3	15.5	10.3	7.7	1.8	1.2	0.89	0.71	35	24	17.7	14.1	9.4	7.1	1.6	1.1	0.81	0.65	
(B)1/2XP80R	20	XC	11.2	26.0	31.0	53	36	27	21	14.2	10.7	2.4	1.6	1.2	0.98	45	30	22	17.9	11.9	8.9	2.0	1.4	1.0	0.82
30	XC	13.7	30.0	33.0	57	38	28	23	15.1	11.3	2.6	1.7	1.3	1.0	51	34	26	21	13.7	10.3	2.4	1.6	1.2	0.94	
(B)1/2XP80L	40	XC	16.0	32.0	35.0	62	41	31	25	16.5	12.4	2.8	1.9	1.4	1.1	57	38	28	23	15.1	11.3	2.6	1.7	1.3	1.0
50	XC	17.5	33.0	36.0	66	44	33	26	17.5	13.1	3.0	2.0	1.5	1.2	60	40	30	24	16.0	12.0	2.8	1.8	1.4	1.1	
60	XC	19.2	35.0	37.0	68	45	34	27	18.1	13.6	3.1	2.1	1.6	1.2	64	43	32	26	17.1	12.8	2.9	2.0	1.5	1.2	

Note: Always double check your application rates.
 Tabulations are based on spraying water at 70°F (21°C).
 (B)=BSPT



"R", "L"	PSI	DROP SIZE	CAPACITY ONE NOZZLE IN GPM	SPRAY WIDTH "W" (FEET)		NOZZLE SPACING "X" = 0-39										NOZZLE SPACING "X" = 0-39									
				249 HEIGHT	369 HEIGHT	GPA FOR ONE NOZZLE					GALLONS PER 1000 SQ. FT.					GPA FOR ONE NOZZLE					GALLONS PER 1000 SQ. FT.				
						4 MPH	6 MPH	8 MPH	10 MPH	15 MPH	20 MPH	2 MPH	3 MPH	4 MPH	5 MPH	4 MPH	6 MPH	8 MPH	10 MPH	15 MPH	20 MPH	2 MPH	3 MPH	4 MPH	5 MPH
(B)1/4XP10R	20	XC	0.71	8.5	10.0	10.3	6.9	5.2	4.1	2.8	2.1	0.47	0.32	0.24	0.19	8.8	5.9	4.4	3.5	2.3	1.8	0.40	0.27	0.20	0.16
30	XC	0.87	10.0	11.0	10.8	7.2	5.4	4.3	2.9	2.2	0.49	0.33	0.25	0.20	9.8	6.5	4.9	3.9	2.6	2.0	0.45	0.30	0.22	0.18	
(B)1/4XP10L	40	XC	1.00	11.0	12.5	11.3	7.5	5.6	4.5	3.0	2.3	0.52	0.34	0.26	0.21	9.9	6.6	5.0	4.0	2.6	2.0	0.45	0.30	0.23	0.18
50	XC	1.12	12.5	13.5	11.1	7.4	5.5	4.4	3.0	2.2	0.51	0.34	0.25	0.20	10.3	6.8	5.1	4.1	2.7	2.1	0.47	0.31	0.24	0.19	
60	XC	1.22	13.0	14.5	11.6	7.7	5.8	4.6	3.1	2.3	0.53	0.35	0.27	0.21	10.4	6.9	5.2	4.2	2.8	2.1	0.48	0.32	0.24	0.19	
(B)1/4XP20R	20	XC	1.42	9.0	11.0	19.5	13.0	9.8	7.8	5.2	3.9	0.89	0.60	0.45	0.36	16.0	10.7	8.0	6.4	4.3	3.2	0.73	0.49	0.37	0.29
30	XC	1.75	11.5	12.0	18.8	12.6	9.4	7.5	5.0	3.8	0.86	0.57	0.43	0.34	18.0	12.0	9.0	7.2	4.8	3.6	0.83	0.55	0.41	0.33	
(B)1/4XP20L	40	XC	2.00	13.5	14.0	18.3	12.2	9.2	7.3	4.9	3.7	0.84	0.56	0.42	0.34	17.7	11.8	8.8	7.1	4.7	3.5	0.81	0.54	0.40	0.32
50	XC	2.25	14.5	15.0	19.2	12.8	9.6	7.7	5.1	3.8	0.88	0.59	0.44	0.35	18.6	12.4	9.3	7.4	5.0	3.7	0.85	0.57	0.43	0.34	
60	XC	2.50	15.0	16.0	21	13.8	10.3	8.3	5.5	4.1	0.94	0.63	0.47	0.38	19.3	12.9	9.7	7.7	5.2	3.9	0.89	0.59	0.44	0.35	
(B)1/4XP25R	20	XC	1.74	10.5	11.0	21	13.7	10.3	8.2	5.5	4.1	0.94	0.63	0.47	0.38	19.6	13.1	9.8	7.8	5.2	3.9	0.90	0.60	0.45	0.36
30	XC	2.13	12.0	13.5	22	14.6	11.0	8.8	5.9	4.4	1.0	0.67	0.50	0.40	19.5	13.0	9.8	7.8	5.2	3.9	0.89	0.60	0.45	0.36	
(B)1/4XP25L	40	XC	2.50	13.5	14.5	23	15.3	11.5	9.2	6.1	4.6	1.0	0.70	0.52	0.42	21	14.2	10.7	8.5	5.7	4.3	0.98	0.65	0.49	0.39
50	XC	2.75	14.5	15.0	23	15.6	11.7	9.4	6.3	4.7	1.1	0.72	0.54	0.43	23	15.1	11.3	9.1	6.1	4.5	1.0	0.69	0.52	0.42	
60	XC	3.00	15.0	16.0	25	16.5	12.4	9.9	6.6	5.0	1.1	0.76	0.57	0.45	23	15.5	11.6	9.3	6.2	4.6	1.1	0.71	0.53	0.43	
(B)1/2XP40R	20	XC	2.87	11.0	12.0	32	22	16.1	12.9	8.6	6.5	1.5	0.99	0.74	0.59	30	19.7	14.8	11.8	7.9	5.9	1.4	0.90	0.68	0.54
30	XC	3.53	13.0	14.5	34	22	16.8	13.4	9.0	6.7	1.5	1.0	0.77	0.62	30	20	15.1	12.1	8.0	6.0	1.4	0.92	0.69	0.55	
(B)1/2XP40L	40	XC	4.00	14.0	15.5	35	24	17.7	14.1	9.4	7.1	1.6	1.1	0.81	0.65	32	21	16.0	12.8	8.5	6.4	1.5	0.97	0.73	0.58
50	XC	4.55	15.0	16.0	38	25	18.8	15.0	10.0	7.5	1.7	1.1	0.86	0.69	35	23	17.6	14.1	9.4	7.0					

StreamJet® SJ-7 Fertilizer Nozzles

Typical Application:

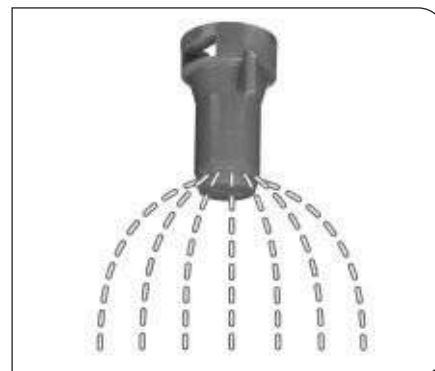
- Excellent for application of liquid fertilizer.

Features:

- Creates seven identical fluid streams of equal velocity and capacity.
- Excellent spray distribution quality.
- Removable metering orifice for easy cleaning.
- Offered in a variety of sizes for a wide range of application rates.

- VisiFlo® color-coding for easy capacity identification.
- All acetal construction for excellent chemical resistance.
- Recommended operating pressure: 20–60 PSI (1.5–4 bar).

How to order:
Specify nozzle number.
Example: SJ7-04-VP



HOW TO ORDER: Example

TJ/	Description	Price
SJ7-xx-VP	SJ-7 StreamJet Nozzles	13.87

 PSI	CAPACITY ONE NOZZLE IN GPM	GPA 20°							
		3 MPH	4 MPH	5 MPH	6 MPH	8 MPH	10 MPH	12 MPH	
SJ7-015-VP (100) Green	20	0.10	9.9	7.4	5.9	5.0	3.7	3.0	2.5
	30	0.12	11.9	8.9	7.1	5.9	4.5	3.6	3.0
	40	0.15	14.9	11.1	8.9	7.4	5.6	4.5	3.7
	50	0.16	15.8	11.9	9.5	7.9	5.9	4.8	4.0
	60	0.18	17.8	13.4	10.7	8.9	6.7	5.3	4.5
SJ7-02-VP (50) Yellow	20	0.14	13.9	10.4	8.3	6.9	5.2	4.2	3.5
	30	0.17	16.8	12.6	10.1	8.4	6.3	5.0	4.2
	40	0.20	19.8	14.9	11.9	9.9	7.4	5.9	5.0
	50	0.23	23	17.1	13.7	11.4	8.5	6.8	5.7
	60	0.25	25	18.6	14.9	12.4	9.3	7.4	6.2
SJ7-03-VP (50) Blue	20	0.22	22	16.3	13.1	10.9	8.2	6.5	5.4
	30	0.27	27	20	16.0	13.4	10.0	8.0	6.7
	40	0.30	30	22	17.8	14.9	11.1	8.9	7.4
	50	0.33	33	25	19.6	16.3	12.3	9.8	8.2
	60	0.35	35	26	21	17.3	13.0	10.4	8.7
SJ7-04-VP (50) Red	20	0.30	30	22	17.8	14.9	11.1	8.9	7.4
	30	0.35	35	26	21	17.3	13.0	10.4	8.7
	40	0.40	40	30	24	19.8	14.9	11.9	9.9
	50	0.43	43	32	26	21	16.0	12.8	10.6
	60	0.46	46	34	27	23	17.1	13.7	11.4
SJ7-05-VP (50) Brown	20	0.38	38	28	23	18.8	14.1	11.3	9.4
	30	0.45	45	33	27	22	16.7	13.4	11.1
	40	0.50	50	37	30	25	18.6	14.9	12.4
	50	0.54	53	40	32	27	20	16.0	13.4
	60	0.58	57	43	34	29	22	17.2	14.4
SJ7-06-VP (50) Gray	20	0.45	45	33	27	22	16.7	13.4	11.1
	30	0.54	53	40	32	27	20	16.0	13.4
	40	0.60	59	45	36	30	22	17.8	14.9
	50	0.65	64	48	39	32	24	19.3	16.1
	60	0.70	69	52	42	35	26	21	17.3
SJ7-08-VP White	20	0.57	56	42	34	28	21	16.9	14.1
	30	0.72	71	53	43	36	27	21	17.8
	40	0.80	79	59	48	40	30	24	19.8
	50	0.87	86	65	52	43	32	26	22
	60	0.93	92	69	55	46	35	28	23
SJ7-10-VP Lt. Blue	20	0.71	70	53	42	35	26	21	17.6
	30	0.90	89	67	53	45	33	27	22
	40	1.00	99	74	59	50	37	30	25
	50	1.09	108	81	65	54	40	32	27
	60	1.16	115	86	69	57	43	34	29
SJ7-15-VP Lt. Green	20	1.03	102	76	61	51	38	31	25
	30	1.29	128	96	77	64	48	38	32
	40	1.50	149	111	89	74	56	45	37
	50	1.64	162	122	97	81	61	49	41
	60	1.76	174	131	105	87	65	52	44

EQUIPMENT
FLOW METERS
PRECISION
NOZZLES
VALVES
STRAINERS
FITTINGS
JACKS & HITCHES
PLANTER COMP.
PUMPS
TILLAGE
NH₃
TANKS

StreamJet®

Stainless Steel for Banding Fertilizers

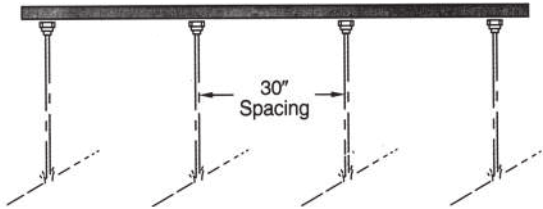
- Permits banding fluids at high rig speeds.
- Large orifices with no internal obstructions permit non-clogging suspension applications.
- Lower drift potential.
- Coverage tabulation based on water and 30" nozzle spacing.



H1/4U-ST _____ TP _____-ST

HOW TO ORDER: Example

TJ/	Fast #	Description	Price
H1/4U-ST0010	-	Stainless Steel	17.51
TP0004-SS	-	Req. Nozzle Cap	13.12
TP00015-SS	520043	Req. Nozzle Cap	13.12
TP0008-SS	520049	Req. Nozzle Cap	13.12
TP0010-SS	520056	Req. Nozzle Cap	13.12
TP0015-SS	520034	Req. Nozzle Cap	13.12
TP0020-SS	520035	Req. Nozzle Cap	13.12



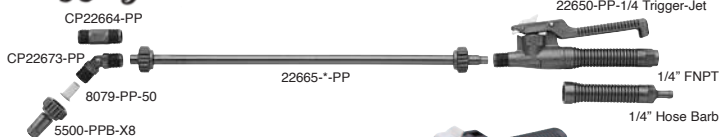
PSI	CAPACITY ONE NOZZLE IN GPM	GPA 30"								
		4 MPH	6 MPH	8 MPH	10 MPH	12 MPH	14 MPH	16 MPH	18 MPH	20 MPH
10	0.050	2.5	1.7	1.2	0.99	0.83	0.71	0.62	0.55	0.50
20	0.071	3.5	2.3	1.8	1.4	1.2	1.0	0.88	0.78	0.70
30	0.087	4.3	2.9	2.2	1.7	1.4	1.2	1.1	0.96	0.86
40	0.10	5.0	3.3	2.5	2.0	1.7	1.4	1.2	1.1	0.99
10	0.075	3.7	2.5	1.9	1.5	1.2	1.1	0.93	0.83	0.74
20	0.11	5.4	3.6	2.7	2.2	1.8	1.6	1.4	1.2	1.1
30	0.13	6.4	4.3	3.2	2.6	2.1	1.8	1.6	1.4	1.3
40	0.15	7.4	5.0	3.7	3.0	2.5	2.1	1.9	1.7	1.5
10	0.10	5.0	3.3	2.5	2.0	1.7	1.4	1.2	1.1	0.99
20	0.14	6.9	4.6	3.5	2.8	2.3	2.0	1.7	1.5	1.4
30	0.17	8.4	5.6	4.2	3.4	2.8	2.4	2.1	1.9	1.7
40	0.20	9.9	6.6	5.0	4.0	3.3	2.8	2.5	2.2	2.0
10	0.15	7.4	5.0	3.7	3.0	2.5	2.1	1.9	1.7	1.5
20	0.21	10.4	6.9	5.2	4.2	3.5	3.0	2.6	2.3	2.1
30	0.26	12.9	8.6	6.4	5.1	4.3	3.7	3.2	2.9	2.6
40	0.30	14.9	9.9	7.4	5.9	5.0	4.2	3.7	3.3	3.0
10	0.20	9.9	6.6	5.0	4.0	3.3	2.8	2.5	2.2	2.0
20	0.28	13.9	9.2	6.9	5.5	4.6	4.0	3.5	3.1	2.8
30	0.35	17.3	11.6	8.7	6.9	5.8	5.0	4.3	3.9	3.5
40	0.40	19.8	13.2	9.9	7.9	6.6	5.7	5.0	4.4	4.0
10	0.30	14.9	9.9	7.4	5.9	5.0	4.2	3.7	3.3	3.0
20	0.42	21	13.9	10.4	8.3	6.9	5.9	5.2	4.6	4.2
30	0.52	26	17.2	12.9	10.3	8.6	7.4	6.4	5.7	5.1
40	0.60	30	19.8	14.9	11.9	9.9	8.5	7.4	6.6	5.9
10	0.40	19.8	13.2	9.9	7.9	6.6	5.7	5.0	4.4	4.0
20	0.57	28	18.8	14.1	11.3	9.4	8.1	7.1	6.3	5.6
30	0.69	34	23	17.1	13.7	11.4	9.8	8.5	7.6	6.8
40	0.80	40	26	19.8	15.8	13.2	11.3	9.9	8.8	7.9
10	0.50	25	16.5	12.4	9.9	8.3	7.1	6.2	5.5	5.0
20	0.71	35	23	17.6	14.1	11.7	10.0	8.8	7.8	7.0
30	0.87	43	29	22	17.2	14.4	12.3	10.8	9.6	8.6
40	1.00	50	33	25	19.8	16.5	14.1	12.4	11.0	9.9
10	0.75	37	25	19	14.9	12.4	10.6	9.3	8.3	7.4
20	1.06	52	35	26	21	17.5	15.0	13.1	11.7	10.5
30	1.30	64	43	32	26	21	18.4	16.1	14.3	12.9
40	1.50	74	50	37	30	25	21	18.6	16.5	14.9
10	1.00	50	33	25	19.8	16.5	14.1	12.4	11.0	9.9
20	1.41	70	47	35	28	23	19.9	17.4	15.5	14.0
30	1.73	86	57	43	34	29	24	21	19.0	17.1
40	2.00	99	66	50	40	33	28	25	22	19.8
10	1.50	74	50	37	30	25	21	18.6	16.5	14.9
20	2.12	105	70	52	42	35	30	26	23	21
30	2.60	129	86	64	51	43	37	32	29	26
40	3.00	149	99	74	59	50	42	37	33	30
10	2.00	99	66	50	40	33	28	25	22	20
20	2.83	140	93	70	56	47	40	35	31	28
30	3.46	171	114	86	69	57	49	43	38	34
40	4.00	198	132	99	79	66	57	50	44	40
10	2.50	124	83	62	50	41	35	31	28	25
20	3.54	175	117	88	70	58	50	44	39	35
30	4.33	214	143	107	86	71	61	54	48	43
40	5.00	248	165	124	99	83	71	62	55	50
10	3.00	149	99	74	59	50	42	37	33	30
20	4.24	210	140	105	84	70	60	52	47	42
30	5.20	257	172	129	103	86	74	64	57	51
40	6.00	297	198	149	119	99	85	74	66	59





Spraying Systems Co.

TriggerJet Spray Guns



Model 22650 & 22670

The 22670 TriggerJet spray gun kit combines the 22650 TriggerJet spray gun with an extension wand and the items listed in features. Maximum pressure rating is 150 PSI (10 bar).

TJ/	Trigger Jet Spray Gun Kit	Price
22670-PP-15-1/4	15" Ext. 1/4" Female Thread	\$53.85
22670-PP-15-300	15" Ext. 1/4" Hose Barb	\$53.85
22670-PP-24-1/4	24" Ext. 1/4" Female Thread	\$62.07
22670-PP-24-300	24" Ext. 1/4" Hose Barb	\$62.07
22650-PP-1/4	Spray Gun only (Fast# 520052)	\$34.17
PK-AB22670-PP-KIT	22670 Kit	\$15.78
PK-AB22650-PP-KIT	22650 Kit	\$11.77
22665-15-PP	15" Extension	\$13.77
22665-24-PP	24" Extension	\$22.92

TriggerJet No. 50800

Lightweight spray gun designed for use with backpack, canister or other lowpressure sprayers. The TriggerJet is made of molded polypropylene for excellent chemical resistance and durability..

TJ/	Description	Price
50800-15-PP-300	15" PP ext. 1/4" HB inlet	\$19.68
50800-15-PP-406	15" PP ext. 3/8" HB inlet	\$19.68
50800-21-AL-300	21" Alum. ext. 1/4" HB inlet	\$23.53
50800-21-AL-406	21" Alum. ext. 3/8" HB inlet	\$23.53
50800-15-PP-300-X26	15" PP ext. 1/4" HB inlet, X26 ConeJet	\$19.68
50800-15-PP-406-X26	15" PP ext. 3/8" HB inlet, X26 ConeJet	\$19.68
50800-21-AL-300-X26	21" Alum. ext. 1/4" HB inlet, X26 ConeJet	\$23.53
50800-21-AL-406-X26	21" Alum. ext. 3/8" HB inlet, X26 ConeJet	\$23.53
50800-PP-300	No Extention, 1/4" HB Inlet	\$15.12
50800-PP-406	No Extention, 3/8" HB Inlet	\$15.12

ConeJet Adjustable Spray Tips

5500



Knurled body of tip rotates through a half turn to provide spray selection from wide angle, finely atomized cone spray to a straight stream spray. Tip settings "A" and "B" represent two extreme points of rotation in tip adjustment. Other sizes available.

For capacities from 0.017 to 1.9 GPM

5500-PP



The 5500 Adjustable ConeJet tip is also available in a polypropylene version. The polypropylene tip has the same performance characteristics as the brass tip and provides excellent chemical resistance. This tip's light weight makes it well-suited for use on handheld and backpack type sprayers. O-Ring: EPDM is standard, Viton® is optional

TJ/	Description	Price
5500-X	#5500 Spray Tip Brass	\$23.80
5500-PPB-X	Polypropylene Tip	\$10.86



Hardened Stainless Steel Type D Orifice Discs

Choice of five interchangeable orifice disc capacities. Other sizes on request. Discs are corrosion and erosion-resistant.

NOTE: When ordering Spray Gun from above, Specify which orifice number you need (standard is #6).

To order extra Orifice, D5 - D16,\$1.83 each.

GunJet Low Pressure Spray Guns

AA23L-7676

The A23L-7676 GunJet spray gun (shown above) is also available without extension as GunJet spray gun AA23L. Flow rates up to 5 GPM (19 l/min). Maximum operating pressure - 250 PSI (17 bar). Inlet 1/4" NPS (M) thread. Strong aluminum alloy body. When used with extension the valve stem extends through the entire extension length for drip-free shutoff immediately behind the spray tip. Accommodates all interchangeable TeeJet spray tips.

TJ/	23 Series Spray Gun	Price
AA23L-7676-8	(8" Ext.) Brass w/cap, less tip	\$125.16
AA23L-7676-18	(18" Ext.) Brass w/cap, less tip	\$133.42
AA23L-7676-24	(24" Ext.) Brass w/cap, less tip	\$141.42
AA23L-7676-36	(36" Ext.) Brass w/cap, less tip	\$152.83
AA23L-7676-48	(48" Ext.) Brass w/cap, less tip	\$181.98
PK-AB23L-KIT	23L Kit	\$25.61

AA43 Gunjet Brass or Aluminum

Designed and built for heavy duty service. Stem extends through extension to valve seat located directly behind orifice disc for drip-free shutoff and instant operating response. Convenient trigger-lock for continuous spraying.

Model No.	Operating Pressure Range (PSI)	Material	Length (Inches)
AA43L	Up to 200	Brass	22
AA43H	200-800	Brass	
AA43L-AL	Up to 200	Aluminum	22
AA43H-AL	200-800	Aluminum	

TJ/	Description	Barrel Length	Price
AA43L or AA43H	Brass w/D-Disc Tip	22"	\$208.22
AA43L-AL or 43H-AL	Alum w/D-Disc Tip	22"	\$173.00
AA43LA or 43HA	Brass w/D-Disc Tip	13"	\$188.64
AA43LA-AL or 43HA-AL	Alum. w/D-Disc Tip	13"	\$165.70
AA43LC1/2, 43HC1/2	Brass	8"	\$167.45
AA43LC3/4, 43HC3/4	Brass	8"	\$167.45
AA43LC-1/2-AL, AA43HC-1/2-AL		8"	\$156.69
AA43LC-3/4-AL, AA43HC-3/4-AL		8"	\$156.69

Choice of Materials and Capacities

Pistol Grip Spray Gun

Brass valve. Locking spray grip. Adjustable spray nozzle. Ergonomic fit. Field repairable. 3/8" Hose Barb inlet. 7 GPM Max Flow. 250 PSI Max Pressure.

Part #	Description	Price
SG-2218-18	18" Pistol Grip Gun with #18 Tip	\$44.03
SG-2200KIT	Repair Kit for SG-2218	\$9.82

EQUIPMENT
FLOW METERS
PRECISION
NOZZLES
VALVES
STRAINERS
FITTINGS
JACKS & HITCHES
PLANTER COMP.
PUMPS
TILLAGE
NH₃
TANKS

TeeJet®

Flow Regulators are usually mounted behind cultivator shanks for the subsurface application of liquid fertilizers and soil fumigants. They are also used for above-ground streaming applications.

How to order:

Specify orifice plate number.
Example: CP4916-008



Note: Always insert Orifice Plate with side marked with number facing the outlet.

MATERIAL: Stainless Steel

Typical Assembly



CP1322
1/4TT Body



5053
Strainer



CP4916
Orifice Plate



CP4928
Adapter
1/8NPT (F)
Outlet



CP1325
Cap

To determine the orifice plates you need, use the following equations:

$$\text{GPM (Per Nozzle)} = \frac{\text{GPA} \times \text{MPH} \times \text{W}}{5,940}$$

$$\text{GPA} = \frac{5,940 \times \text{GPM (Per Nozzle)}}{\text{MPH} \times \text{W}}$$

- W = Nozzle spacing (in inches) for broadcast spraying.
- = Spray width (in inches) for single nozzle, band spraying or boomless spraying.
- = Row spacing (in inches) divided by the number of nozzles per row for directed spraying.

HOW TO ORDER: Example

TJ/	Fast #	Description	Price
CP4916-___	-	Flow Regulator - Stainless Steel	3.84
CP4916-89	520058	Flow Regulator - Stainless Steel	3.84
CP4916-107	590031	Flow Regulator - Stainless Steel	3.84
CP4916-151	520057	Flow Regulator - Stainless Steel	3.84

Tabulated flow rates are for spraying water into air atmospheric pressure. If your application creates backpressure, or if spraying into a liquid, measure and calibrate to ensure proper application rates.

	GPM						
	5 PSI	10 PSI	20 PSI	30 PSI	40 PSI	50 PSI	60 PSI
CP4916-008	0.003	0.004	0.006	0.007	0.008	0.009	0.010
CP4916-10	0.005	0.007	0.009	0.011	0.013	0.015	0.016
CP4916-12	0.007	0.010	0.013	0.016	0.019	0.021	0.023
CP4916-14	0.009	0.013	0.018	0.022	0.025	0.028	0.031
CP4916-15	0.010	0.015	0.021	0.025	0.029	0.032	0.036
CP4916-16	0.012	0.017	0.023	0.029	0.033	0.037	0.040
CP4916-18	0.015	0.021	0.030	0.036	0.042	0.047	0.051
CP4916-20	0.018	0.026	0.037	0.045	0.052	0.058	0.064
CP4916-22	0.022	0.031	0.043	0.053	0.061	0.068	0.075
CP4916-24	0.026	0.037	0.052	0.064	0.074	0.083	0.091
CP4916-25	0.028	0.040	0.056	0.068	0.079	0.088	0.097
CP4916-26	0.030	0.043	0.061	0.074	0.086	0.096	0.105
CP4916-27	0.032	0.046	0.064	0.079	0.091	0.102	0.111
CP4916-28	0.035	0.049	0.069	0.085	0.098	0.110	0.120
CP4916-29	0.038	0.054	0.076	0.094	0.108	0.121	0.132
CP4916-30	0.040	0.057	0.081	0.099	0.114	0.127	0.140
CP4916-31	0.043	0.062	0.087	0.107	0.123	0.138	0.151
CP4916-32	0.048	0.068	0.095	0.117	0.135	0.151	0.165
CP4916-34	0.052	0.074	0.104	0.127	0.147	0.164	0.180
CP4916-35	0.056	0.079	0.111	0.136	0.157	0.176	0.192
CP4916-37	0.061	0.086	0.122	0.149	0.172	0.192	0.211
CP4916-39	0.068	0.096	0.135	0.165	0.191	0.214	0.234
CP4916-40	0.072	0.102	0.144	0.177	0.204	0.228	0.250
CP4916-41	0.075	0.106	0.149	0.183	0.211	0.236	0.258
CP4916-43	0.082	0.116	0.163	0.200	0.231	0.258	0.283
CP4916-45	0.088	0.125	0.177	0.217	0.250	0.280	0.306
CP4916-46	0.095	0.135	0.191	0.234	0.270	0.302	0.331

	GPM						
	5 PSI	10 PSI	20 PSI	30 PSI	40 PSI	50 PSI	60 PSI
CP4916-47	0.097	0.138	0.194	0.238	0.275	0.307	0.337
CP4916-48	0.101	0.143	0.202	0.248	0.286	0.320	0.350
CP4916-49	0.104	0.148	0.209	0.255	0.295	0.330	0.361
CP4916-51	0.116	0.165	0.233	0.285	0.329	0.368	0.403
CP4916-52	0.118	0.168	0.237	0.290	0.335	0.375	0.410
CP4916-54	0.127	0.180	0.255	0.312	0.360	0.402	0.441
CP4916-55	0.133	0.189	0.267	0.326	0.377	0.421	0.462
CP4916-57	0.141	0.200	0.283	0.346	0.400	0.447	0.490
CP4916-59	0.153	0.217	0.306	0.375	0.433	0.484	0.530
CP4916-61	0.165	0.233	0.330	0.404	0.466	0.521	0.571
CP4916-63	0.174	0.246	0.347	0.425	0.491	0.549	0.601
CP4916-65	0.185	0.261	0.369	0.452	0.522	0.584	0.639
CP4916-67	0.196	0.278	0.392	0.481	0.555	0.621	0.680
CP4916-68	0.203	0.287	0.405	0.496	0.573	0.641	0.702
CP4916-70	0.216	0.306	0.433	0.530	0.612	0.684	0.750
CP4916-72	0.226	0.320	0.453	0.554	0.640	0.716	0.784
CP4916-73	0.233	0.330	0.467	0.572	0.660	0.738	0.808
CP4916-75	0.245	0.347	0.491	0.601	0.694	0.776	0.850
CP4916-78	0.272	0.385	0.544	0.667	0.770	0.861	0.943
CP4916-80	0.280	0.397	0.561	0.687	0.793	0.887	0.971
CP4916-81	0.290	0.411	0.581	0.711	0.821	0.918	1.01
CP4916-83	0.317	0.449	0.634	0.777	0.897	1.00	1.10
CP4916-86	0.332	0.470	0.664	0.813	0.939	1.05	1.15
CP4916-89	0.346	0.490	0.693	0.849	0.980	1.10	1.20
CP4916-91	0.369	0.523	0.739	0.905	1.05	1.17	1.28
CP4916-93	0.387	0.547	0.774	0.947	1.09	1.22	1.34
CP4916-95	0.404	0.572	0.808	0.990	1.14	1.28	1.40

	GPM						
	5 PSI	10 PSI	20 PSI	30 PSI	40 PSI	50 PSI	60 PSI
CP4916-98	0.442	0.625	0.884	1.08	1.25	1.40	1.53
CP4916-103	0.461	0.653	0.923	1.13	1.31	1.46	1.60
CP4916-107	0.518	0.733	1.04	1.27	1.47	1.64	1.79
CP4916-110	0.548	0.775	1.10	1.34	1.55	1.73	1.90
CP4916-115	0.605	0.855	1.21	1.48	1.71	1.91	2.09
CP4916-120	0.629	0.890	1.26	1.54	1.78	1.99	2.18
CP4916-125	0.693	0.980	1.39	1.70	1.96	2.19	2.40
CP4916-128	0.721	1.02	1.44	1.77	2.04	2.28	2.50
CP4916-132	0.774	1.10	1.55	1.90	2.19	2.45	2.68
CP4916-136	0.840	1.19	1.68	2.06	2.38	2.66	2.91
CP4916-140	0.894	1.27	1.79	2.19	2.53	2.83	3.10
CP4916-144	0.926	1.31	1.85	2.27	2.62	2.93	3.21
CP4916-147	0.953	1.35	1.91	2.33	2.70	3.01	3.30
CP4916-151	1.04	1.47	2.08	2.55	2.94	3.29	3.60
CP4916-156	1.10	1.55	2.20	2.69	3.11	3.47	3.80
CP4916-161	1.15	1.63	2.31	2.83	3.27	3.65	4.00
CP4916-166	1.21	1.72	2.43	2.97	3.43	3.84	4.20
CP4916-170	1.30	1.84	2.61	3.19	3.69	4.12	4.51
CP4916-172	1.36	1.92	2.71	3.32	3.84	4.29	4.70
CP4916-177	1.41	2.00	2.83	3.46	4.00	4.47	4.90
CP4916-182	1.47	2.08	2.95	3.61	4.17	4.66	5.10
CP4916-187	1.56	2.21	3.12	3.82	4.41	4.93	5.40
CP4916-196	1.73	2.45	3.46	4.24	4.90	5.47	6.00
CP4916-205	1.88	2.65	3.75	4.59	5.31	5.93	6.50
CP4916-218	2.11	2.98	4.21	5.16	5.96	6.66	7.30
CP4916-234	2.45	3.47	4.91	6.01	6.94	7.76	8.50
CP4916-250	2.83	4.00	5.66	6.93	8.00	8.94	9.80

Note: Always double check your application rates. Tabulations are based on spraying water at 70°F (21°C).

Not all sizes in stock. Call for availability

TeeJet®

Vari-Spacing Clamps for use on all dry boom Quick TeeJet bodies

TJ/	To Clamp On	Price
QJ111-1/2	1/2" Pipe (13/16" & 7/8" O.D. Tubings)	3.26
QJ111-3/4	3/4" Pipe (1" & 1 1/16" O.D. Tubings)	3.26
QJ111-1	1" Pipe (1 1/8", 1 1/4", & 1 3/8" O.D. Tubings)	3.26
QJ111-1 1/4	1 1/4" Pipe (1 9/16" & 1 11/16" O.D. Tubings)	3.26



QJ111

TJ/	To Clamp On	Price
QJ111SQ-3/4	3/4" Square Tubing	3.26
QJ111SQ-1	1" Square Tubing	3.26
QJ111SQ-1 1/4 Fast# 540044	1 1/4" Square Tubing	3.26
QJ111SQ-1 1/2	1 1/2" Square Tubing	3.26
QJ111SQ-3/4-304SS	3/4" Sq. Tubing S.S.	7.19
QJ111SQ-1-304SS	1" Sq. Tubing S.S.	7.19
QJ111SQ-1 1/4-304SS	1 1/4" Sq. Tubing S.S.	7.19
QJ111SQ-1 1/2-304SS	1 1/2" Sq. Tubing S.S.	7.19

(Fast # 540034)



QJ111 SQ



45° Nozzle Body

TJ/	Description	Price
22669-1/4-PPB	45 Degree Poly. Elbow	2.16



TeeJet Nozzle Caps

TJ/	Fast #	Material	Price
CP1325	-	Brass	1.69
CP8027-NYB	520019	Nylon	1.13
CP8027-1-NYB	-	Nylon	1.44
CP1325-SS	520015	Stainless Steel	9.96
CP18032A-NYB	-	Nylon/winged	1.57

Plug Tip

No. CP3942 plug tip is used to temporarily shut off selected nozzles by replacing spray tips with these plug tips. Quick, easy way to change spacing of nozzles along boom. Materials: Brass, aluminum or stainless steel.



TJ/	Description	Price
CP3942	Nozzle blank - Brass	0.57
CP3942-AL	Nozzle blank - Aluminum	0.57
CP3942-SS	Nozzle blank - Stainless Steel	0.84

8360 Check Valve Body

Made of nylon with nylon/polypropylene end cap assembly. Check valve opens at 10 PSI (0.7 bar) pressure. 1/4" NPT (M) inlet connection. For flow rates up to 2 GPM (7.6 l/min). Overall length 2".



TJ/	Description	Price
8360-NYB	Check Body	20.17

Clamp Assemblies



AA111



AA111SQ

TJ/	Size	Description	Price
AA111-1/2	1/2"	Round	5.57
AA111-3/4	3/4"	Round	5.57
AA111-1	1"	Round	5.57
AA111-1-1/4	1 1/4"	Round	9.62
AA111SQ-1	1"	Square	6.40
AA111SQ-1-1/4	1 1/4"	Square	9.62
AA111SQ-1-1/2	1 1/2"	Square	11.44

TeeJet Strainers

... with **VisiFlo®** color coding

Nylon slotted and polypropylene wire mesh strainers are color-coded for easy identification of strainer mesh size.

Mesh Size	Color Code
16	Grey
24	White
25	Yellow
50	Red
100	Green
200	Orange



Strainer protects spray tip orifice from clogging and damage. Stainless steel screens in 24, 50, 80 and 100 mesh.

TJ/	Material	Mesh	Price
8079-PP-24	Polypropylene	24 S.S.	1.48
8079-PP-50	Polypropylene	50 S.S.	1.48
8079-PP-80	Polypropylene	80 S.S.	1.48
8079-PP-100	Polypropylene	100 S.S.	1.48

Strainer and Check Valve

Minimizes nozzle dripping, fits all TeeJet nozzles. Ball check opens at 5 psi. Recommended for flow rates up to 0.8 GPM. 24, 50, 100 and 200 mesh screens.

NOTE: Use of these ball check valves results in a pressure drop of 5 to 10 psi depending on spring rating.



TJ/	Material	Mesh	Price
4193A-PP-5-24SS	Polypropylene	24 S.S.	4.86
4193A-PP-5-50SS	Polypropylene	50 S.S.	4.86
4193A-PP-5-100SS	Polypropylene	100 S.S.	4.86

No. 11750 TeeJet Check Valve

For larger capacity TeeJet nozzles where strainers are not required. Ball check opens at 5 psi, 10 psi spring also available. Recommended for flow rates from .40 to 1.5 GPM - Made in Polypropylene with Stainless Steel Ball and Spring.



TJ/	Material	Price
11750-PP-5	Polypropylene	6.87
11750-SS-5	Stainless Steel	25.79

Stainless Steel Check Valve



TJ/	Fast #	Description	Price
39188-8400-406-SS	530188	S.S. Check Valve Assembly	41.84

EQUIPMENT
FLOW METERS
PRECISION
NOZZLES
VALVES
STRAINERS
FITTINGS
JACKS & HITCHES
PLANTER COMP.
PUMPS
TILLAGE
NH₃
TANKS

Greenleaf Calibration Container

The Greenleaf Technologies' Quick Check Calibration Calculator is a unique testing device for agricultural sprayers which replaces tip testers, calculators and simpler measurement jugs. It allows fast and accurate calibration and testing.



Part #	Description	Price
QC02	Calibration Container	32.50

TeeJet Calibration Container

The TeeJet Calibration Container features a 60 oz. capacity and a dual scale in both U.S. and metric graduations. The container is molded in polypropylene for excellent chemical resistance and durability.



TJ/	Description	Price
CP24034A-PP	Tip Calibration Container	50.22

Accu-Pour 4-Quart Measuring Pitcher

These measuring pitchers feature extra strong construction made from a food grade polypropylene that has high chemical resistance to a wide variety of chemicals. Raised graduations in both US fl. oz and metric help insure accurate measuring and have been debossed black to be more easily read. The unique handle increases user comfort, even with a gloved hand.



Part#	Description	NET PRICE
AX-4-QT	Accu-Pour Measuring Pitcher	16.00

Greenleaf Wind and Weather Meters



Part #	Description	List Price
WM10	WeatherMeter 10 - Wind Speed	75.00
WM20	WeatherMeter 20 - Wind, Temp, Wind Chill	115.00
WM200	WeatherMeter 200 - Wind, Temp, Wind Chill with Wind Vane, Digital Wind Direction, Cross Wind	139.00
WM30	WeatherMeter 30 - Wind, Temp, Wind Chill, Humidity, Dew Point	169.00
WM300	WeatherMeter 300 - Wind, Temp, Wind Chill, Humidity, Dew Point, Wet Bulb, Delta T, Comfort Index and Digital Wind Direction (Compass)	199.00

TeeJet Tip Cleaning Brush



TJ/	Description	Price
CP20016-NY	Tip Cleaning Brush	11.13

Fertilizer Density Scale



BM/	Description	Price
FD SCALE	Fertilizer Density Scale	87.50

Inversion Tester

Features

- Displays "Inversion Present" or "No Inversion" with intensity shown in degrees based on temperature measurements at 1 meter and 3 meter heights.
- Measures accurate air temperature at boom height to meet new label requirements.
- Radiation shields around temperature sensor provide protection from errors resulting from solar or ground thermal radiation.
- Auto detects when temperature readings are stable.
- Includes NIST-Traceable Certificate for temperature accuracy.
- Backlight on LCD for dawn/dusk or night operation.
- Folds for easy transport and storage.
- Convenient carry case included.



SpotOn®

Part#	Description	LIST PRICE
35010	Temperature Inversion Tester	375.00

SpotOn™

Nozzle Cleaner and Tip Tool

Easy As...



Clears plugged spray tips with a 50 PSI air blast!

Tip Tool & Nozzle Cleaner Combo Pack. Item #IN27860
MSRP \$46.00

4-in-1 Spray Tip Maintenance Tool



PATENT PENDING

Best for flow rates below 1 GPM, including spray tips for herbicide & insecticide application. In most cases a tip can be measured in 10 seconds or less.

FEATURES:

- Simple waterproof design has no moving parts
- Shows readings in either GPM, oz/min, or Liter/min
- Easy one handed operation
- Small size stores in cab, tool box, or handbag
- Clear design allows for easy cleaning and trouble shooting

SPECIFICATIONS:

- Measurement Range: 0 - 1.0 GPM, 0 - 128 oz/min, 0 - 3.79 L/min (higher flow rates possible with reduced accuracy)
- Accuracy: Greater of +/- 2.5% or one least significant digit
- Resolution: 0.01 GPM, 1 oz/min, 0.01 L/min
- Battery: two (2) "N" size alkaline batteries
- Battery Life: 2 years, meter has low battery indicator
- 9.25 in (23.5 cm) tall by 2.25 in. (5.7 cm) dia. 0.52 lbs (236 g) weight
- Construction: Break resistant plastic & Stainless Steel

WARRANTY: This product is warranted to be free from defects in materials or workmanship for one (1) year from the date of purchase.

Made in the USA

Sprayer Calibrator Model: SC-1 Item #IN23890 MSRP \$155.00



PATENT PENDING

Made in the USA

Check liquid fertilizer, irrigation, and sprinkler nozzle flow rates. Best for flow rates between 1-4 GPM (Model SC-1 is quicker and more accurate for flow rates below 1 GPM).

FEATURES:

- Measures up to 4 GPM (15 Liters/min)
- Simple waterproof design has no moving parts
- Shows readings in either GPM, oz/min, or Liter/min
- Easy one handed operation
- Clear design allows for easy cleaning and trouble shooting

SPECIFICATIONS:

- Measurement Range: 0 - 4.0 GPM, 0 - 512 oz/min, 0 - 15 L/min (higher flow rates possible with reduced accuracy)
- Accuracy: Greater of +/- 4% or one least significant digit
- Resolution: 0.01 GPM, 1 oz/min, 0.01 L/min
- Battery: two (2) "N" size alkaline batteries
- Battery Life: 2 years, meter has low battery indicator
- 9.25 in (23.5 cm) tall by 4 in. (10.2 cm) dia. 0.94 lbs (426 g) weight
- Construction: Break resistant plastic & Stainless Steel

WARRANTY: This product is warranted to be free from defects in materials or workmanship for one (1) year from the date of purchase.

Sprayer Calibrator Model: SC-4 Item #IN24200 MSRP \$226.00

TEXAS INDUSTRIAL REMCOR, INC.



2201 SOLENOID VALVE

An excellent choice when large flow & high pressure are required.

- .148 diameter orifice
- .45 CV rating
- 1 GPM (3.75 LPM)
- 125 PSI (850 kPa)
- 12-volt DC
- 1 amp
- 1/4" NPT Female threads



2203 SOLENOID VALVE

Superb for foam markers to control both air and liquids.

- .105 diameter orifice
- .26 CV rating
- 1/2 GPM (1.9 LPM)
- 125 PSI (850 kPa)
- 12-volt DC
- .85 amp
- 1/4" NPT Female threads



2204 3-WAY SOLENOID VALVE

A highly reliable design for foam markers to control both air and liquids.

- .105 diameter orifice
- .22 CV rating
- 1/2 GPM (1.9 LPM)
- 40 PSI (275 kPa)
- 12-volt DC
- .85 amp
- 1/4" NPT Female threads



2504 3-WAY SOLENOID VALVE

A high flow valve for foam markers to control both air and liquids.

- 220 diameter orifice
- .9 CV rating
- 2 GPM (7.5 LPM)
- 75 PSI (500 kPa)
- 12-volt DC
- 1.1 Amp
- 1/2" NPT Female threads



1999A-1V-WP SOLENOID VALVE

TIR E-CHIP compatible. 2-way pilot operating valve for use with minimal pressure. Weatherproof design.

- 18 GPM (67.5 LPM)
- 175 PSI (1190 kPa)
- 12-volt DC
- 1.1 amps
- 1" NPT Female Inlet
- 1" NPT Male Outlet
- 3/4" NPT Female Boom Outlet



1999A-1 SOLENOID VALVE

An excellent boom shut-off valve for high volume applications at minimal pressure.

- 18 GPM (67.5 LPM)
- 175 PSI (1190 kPa)
- 12-volt DC
- 1.1 amps
- 1" NPT Female Inlet
- 1" NPT Male Outlet
- 3/4" NPT Female Boom Outlet



2500B-1 SOLENOID VALVE

An inexpensive but reliable boom shut-off valve.

- 10 GPM (37.5 LPM)
- 100 PSI (680 kPa)
- 12-volt DC
- 1.7 amps
- 3/4" NPT Female threads
- 3/4" NPT Male Outlet
- 1/2" NPT Female Boom Outlet



1560 & 1541 PRESSURE REGULATORS

A precision made, high strength valve for heavy duty service.

- 50 GPM (187.5 LPM) on 1560
- 15 - 100 GPM (56.25 - 375 LPM) on 1541
- 150 PSI (1020 kPa)
- 3/4" NPT Female threads on 1560
- 1" NPT Female threads on 1541

CPL-2829 CONTROL PANEL

The RC-2 Series is completely turnkey, allowing for quick and convenient mounting to the sprayer. This Series gives you total remote control over a 12-Volt system for 2-5 outputs. Additionally, the RC-2 Series package allows the mobilization of a pressure gauge to be located wherever suits your application needs.

Shown with 1579-WP Sprayer Control Harness.

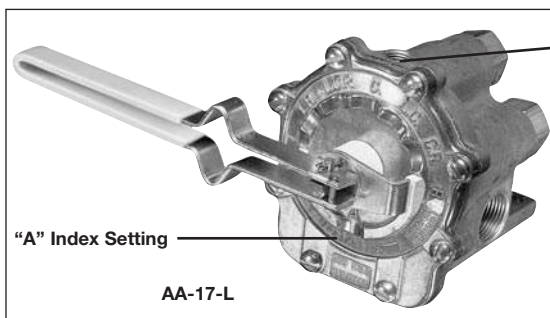
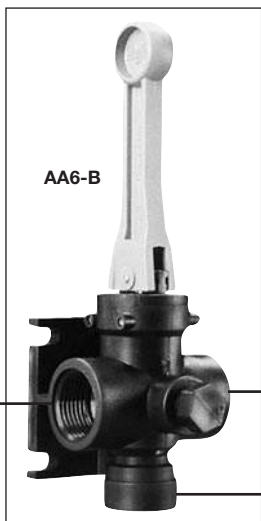


TR/	Fast#	Description	Price
2201*	-	Open/Closed Valve	\$101.29
2203*	500030	Open/Closed Valve	\$87.79
2204*	-	3-Way Valve	\$104.58
2504*	-	3-Way Valve	\$150.02
1999A-1*	500061	Boom Shut-off Valve	\$186.80
1999A-1V-WP	632008	Boom Shut-off Valve	\$181.90
2500B-1*	-	Boom Shut-off Valve	\$133.94
1560	-	3/4", 50 GPM Pressure Regulator	\$153.89
1541	632009	1", 100 GPM Pressure Regulator	\$176.68
1576-WP	632007	Sprayer Control Harness	-
631931	-	Single ball valve ext cable	-
631930	-	3 ball valve ext cables	-
631932	-	Fenceline ext cable	-
631940	-	Dual grounded fenceline switches	-
631938	-	Elec agitation w/ switch cable	-
CPL-2829	632006	RC-2 Control Panel - No Gauge	-
-	632005	3-Boom Complete Sprayer Kit	\$1,080.00

* For weather pack connector add "WP" to part number

Directo Valve

EQUIPMENT
FLOW METERS
PRECISION
NOZZLES
VALVES
STRAINERS
FITTINGS
JACKS & HITCHES
PLANTER COMP.
PUMPS
TILLAGE
NH₃
TANKS



For selective control of three-section boom sprayers at pressures up to 300 PSI.

- Use to open any of three boom section lines in any desired combination.
- Raise lever to open, lower lever to close the valve without changing the indexed position.
- Aluminum construction with stainless steel and plastic internal parts for maximum corrosion resistance.

Model 6B

- Molded of corrosion-resistant materials, all wetted parts are polypropylene, stainless steel and polyethylene.
- Maximum pressure of 150 PSI/10 bar
- Large capacity, 12.5 GPM (471 1/min) at 5 PSI (0.35 bar) pressure drop
- Molded-in mounting flange and 1/4" NPT gauge port
- Valves can be ganged together using hex nipple for multiple-boom control
- Easily repaired without removing valve from spray line.



Remote Control Electric Regulating Valve.

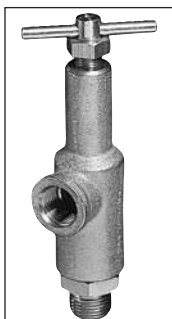
The AA244C-3/4 butterfly valve provides remote pressure control. Features two-wire lead for use in 12VDC system, reduced pressure loss (5PSI for 28 GPM flow), and maximum operating pressure of 100 PSI. 3/4" NPT (F) connections. Good corrosion resistance. Low current draw. (0.15 amp).

Piston-Type Pressure Relief/Regulating Valves

Bypasses excess liquid. Adjustable to maintain control of line pressure at any pressure within the valve's operating range. Selected pressure setting firmly held in place by locknut. Extra large valve passages to handle large flows.

Model 23120

- Stainless steel spring
- Excellent chemical resistance
- 1/4"-blind port for pressure gauge to be drilled by customer



--Model 6815

- Other models for high pressures up to 700 PSI are also available
- Brass also available with hardened stainless steel seat



For regulating flow in systems equipped with centrifugal pumps where sensitive regulation is required to control flow in jet agitator return lines. Locknut holds pressure setting firmly in place.

Model 23520

- Polypropylene construction for excellent chemical resistance.
- Pressure to 150 PSI (10 bar).
- 1/2" and 3/4" NPT or BSPT connections
- 10 PSI pressure drop at 6 GPM flow rate for 1/2", 18 GPM for 3/4" size.



Linear Pressure Regulating Valve.

The AA344AE-2PR two-way linear pressure regulating valve is designed to provide gradual and smoother regulation and shutoff control in agricultural spraying operations. Features two-wire lead that provides easy installation with 744 Sprayer Control and similar 12VDC systems. Low power consumption (1.0 amp). Pressure drop of 5 PSI (0.35 bar) at 12 GPM (53 1/min). Maximum operating pressure of 300 PSI (20 bar). Available with 3/4" and 1" connections NPT or BSPT (F).

TJ/	Fast #	Description	Price
23520-1/2-PP		1/2" Throttling Valve	\$36.77
23520-3/4-PP	500021	3/4" Throttling Valve	\$36.77
23120-1/2-PP		1/2" Press. Relief Valve	\$42.43
23120-3/4-PP	500020	3/4" Press. Relief Valve	\$42.43
23120A-1/2-PP		1/2" Valve - Viton	\$64.07
23120A-3/4-PP		3/4" Valve - Viton	\$64.07
PK-AB23120-KIT		Repair Kit for EPDM Valves	\$20.95
PK-AB23120A-KIT		Repair Kit for Viton Valves	\$24.58
8460-1/2-50		1/2" Press. Relief Valve 50#	\$77.86
8460-3/4-50		3/4" Press. Relief Valve 50#	\$77.86
8460-1/2		1/2" Press. Relief Valve 300#	\$77.86
8460-3/4		3/4" Press. Relief Valve 300#	\$77.86
PK-AB8460-KIT		Repair Kit for 8460 Valves	\$28.12
6815-1/2-300		Brass Press. Relief Valve 300#	\$90.36
6815-3/4-300		Brass Press. Relief Valve 300#	\$90.36
PK-AB6815-AL-300-KIT		Repair Kit for Aluminum Valve	\$18.56
PK-AB6815-300-KIT		Repair Kit for Brass Valve	\$19.68
AA6B		Manual Control Valve	\$62.62
AA17L	530192	Control Valve	\$159.04
PK-AB17-KIT		Control Valve Repair Kit	\$44.16
AA244C-3/4		3/4" Remote Elec. Reg. Valve	\$210.00
50516-06C60		Reg. Valve Replacement Motor	\$382.35

Directo Valve



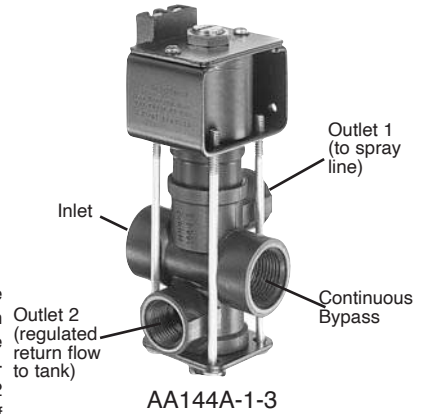
Spraying Systems Co.®

Electrically-Operated Metered Bypass Valves

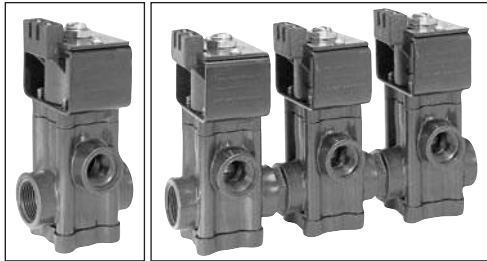
Automatically maintains system pressure

The three-way solenoid-operated DirectoValve control valve bypasses boom flow to maintain constant spraying pressure when one or more boom sections are shut off. To maintain pressure with a 23520 Throttling Valve, Outlet 2 must be throttled to match the total capacity of the nozzles on that boom section.

- For pressures to 65 PSI (4.5 bar)
- 8 GPM (30 l/min) flow at only 5 PSI (0.35 bar) pressure drop
- 2.5 amp current draw
- Encapsulated 12VDC coil can be easily changed without removing valve from line
- Polypropylene body for chemical resistance
- Stainless steel internal metal parts
- Chemical-resistant EPDM diaphragms and seat washers



AA144A-1-3



AA144A-1

AA144A-3
(Three Unit)



TJ/	Description	Price
AA144A-1-3	DirectoValve 3 Way	\$259.07
AA144A-1-3-VI	DirectoValve 3 Way, Viton	\$294.13
PK-AB144A-1-3-KIT	Repair Kit	\$39.26
PK-AB144A-1-3-VI-KIT	Repair Kit, Viton	\$56.2

Part#	Description	Price
500064	Electric agitation valve	\$565.00
631970	On/Off switch for electric agitation	\$95.00

Model No.	Inlet Size	Outlet Size	Flow Rate of 5 PSI Pressure Drop	Maximum Pressure	Current Draw
AA144A-	3/4"	1/2"	10 GPM	100 PSI	2.5 amp

TJ/	GPM	PSI	Material	Price
AA144A-1	10	100	EPDM	\$190.40
AA144A-2	2-144A1	Valves connect		\$385.70
AA144A-3	3-144A1	Valves connect		\$581.03
AA144A-1-VI	10	100	Viton	\$224.33

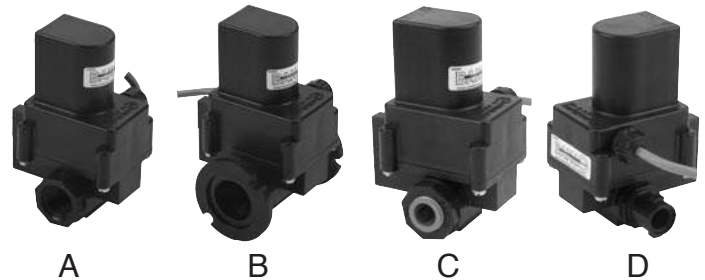
REPAIR KITS

TJ/	For	Price
PK-AB144A-1-KIT	AA144A-1 EPDM Kit	\$34.21
PK-AB144A-1-VI-KIT	AA1441-1 Viton Kit	\$51.17
PK-AB144-1-KIT	AA144-1 EPDM Kit	\$34.21
PK-AB144-1-VI-KIT	AA144-1 Viton Kit	\$51.17
PK-AB144H-1-KIT	AA144H-1 EPDM Kit	\$34.21
PK-AB144H-1-VI-KIT	AA144H-1 Viton Kit	\$51.17
PK-AB145H-KIT	AA145H EPDM Kit	\$61.60



Spraying Systems Co.®

BANJO MINI ELECTRIC VALVES



A. MINI ELECTRIC VALVES

PART NO	DESCRIPTION	MAX PSI	PIPE SIZE	OPENING THRU BALL	QTY	PRICE
LEV038	3/8" Full Port Electric Valve	200	3/8"	3/8"	1	\$210.98
LEV050	1/2" Full Port Electric Valve	200	1/2"	15/32"	1	\$210.98

B. MINI MANIFOLD ELECTRIC VALVE

PART NO	DESCRIPTION	MAX PSI	PIPE SIZE	OPENING THRU BALL	QTY	PRICE
MLEV100	1" Electric Valve	200	1"	1/2"	1	\$225.17

C. MINI PUSH LOCK ELECTRIC VALVES

PART NO	DESCRIPTION	MAX PSI	PIPE SIZE	OPENING THRU BALL	QTY	PRICE
LEV025PL	1/4" Push Lock Electric Valve	150	1/4"	3/8"	1	\$236.52
LEV038PL	3/8" Push Lock Electric Valve	150	3/8"	3/8"	1	\$236.52
LEV050PL	1/2" Push Lock Electric Valve	150	1/2"	15/32"	1	\$236.52

D. MINI PUSH LOCK ELECTRIC VALVES w/SPRAY TIP ADAPTER

PART NO	DESCRIPTION	MAX PSI	PIPE SIZE	OPENING THRU BALL	QTY	PRICE
LEV025PLST	1/4" Push Lock Electric Valve	150	1/4"	3/8"	1	\$238.71
LEV038PLST	3/8" Push Lock Electric Valve	150	3/8"	3/8"	1	\$238.71



- Configurable for your operation – choose 2-Way, 3-Way, or Flow Back functionality with a wide range of boom section counts and many inlet, outlet and electrical connection options
- Install more valves in the existing space and increase control capability; accommodates up to 15 boom sections
- Eliminate the expense and complexity of boom-mounted valves by centralizing all boom valves
- Automatic Boom Section Control (ABSC) compatible – closely correlates actual spray application to ABSC signals and recorded data
- Durable – stainless steel ball and stem, and robust assembly and mounting hardware ensure reliable performance
- Long service life – simple ¼ turn actuation means less mechanical movement and wear and tear
- Great value – excellent performance, long life and 30% less expensive than large valves



430 3-Way Ball Valves

Maintains Consistent Spraying Pressure When Sections Switch On and Off

- Minimizes the risk of over- or under-application. Excellent pressure stability when boom sections are switched on or off
- Utilizes adjustable bypass dial to match section flow to bypass flow
- Used with positive displacement pumps (diaphragm pumps or piston pumps)
- Flow rate –11.7 gpm (44 l/min) @ 5 psi (.34 bar) pressure drop; 16.5 gpm (63 l/min) @ 10 psi (.69 bar) pressure drop



430 2-Way Ball Valves

Economical, Reliable On/Off Control

- Durable – all metal gears provide long wear life; stainless steel stem and ball resist corrosion
- Economical – reliable performance at a reasonable cost
- Flow rate –11.7 gpm (44 l/min) @ 5 psi (.34 bar) pressure drop; 16.5 gpm (63 l/min) @ 10 psi (.69 bar) pressure drop



430 Flow Back Ball Valves

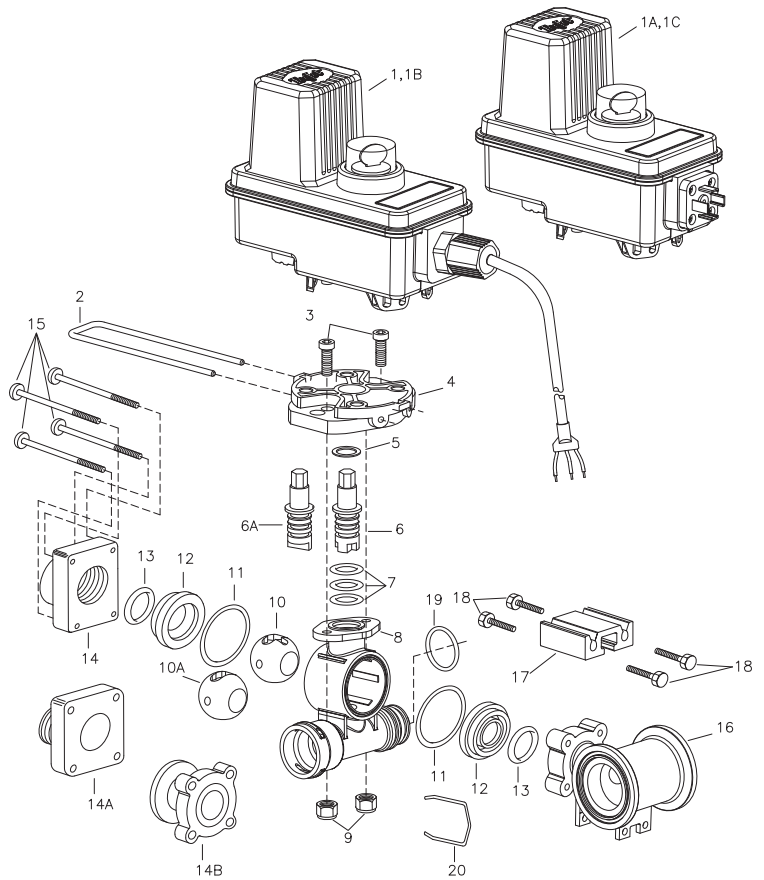
Patented Design Stops Flow to Tips Instantly, Eliminates Chemical Waste

- Minimizes risk of over- or mis-application and enables spraying to row ends. Boom pressure is relieved when valve is in the off position and results in instant spray tip shut-off. A minimal amount of liquid is diverted back to the tank to relieve the pressure. Spraying stops 80 to 95% faster when Flow Back valves are used
- Spraying resumes instantly. The boom remains full of spray solution and ready to spray when turned on
- Perfect companion to Automatic Boom Section Control (ABSC). Flow Back system optimizes ABSC function by linking controller and spray tip interaction
- Reduces chemical expense by eliminating waste and protects waterways and other areas outside intended boundaries
- Flow rate: 9.2 gpm (35 l/min) @ 5 psi (.34 bar) pressure drop; 13.7 gpm (53 l/min) @ 10 psi (.69 bar) pressure drop

TeeJet
TECHNOLOGIES

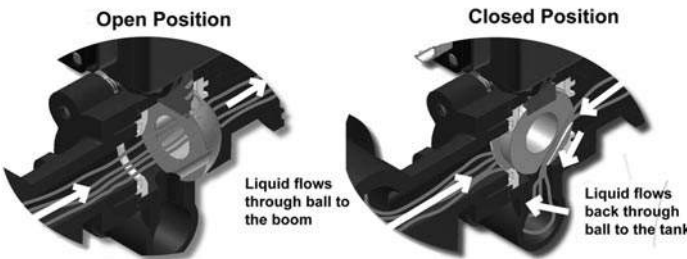


TJ/	Description	Price
454BEC-3FB	4 Valve Manifold	\$1,760.60



How Flow Back Works

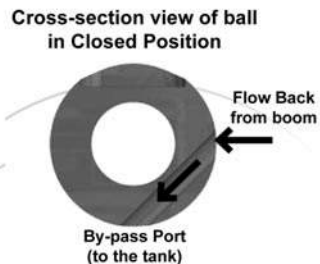
- Extra passages in the shut-off balls allow liquid from the boom to return to the tank after the section valves are shut off.
- Relieving the pressure trapped in the boom section allows for rapid shut-off of the check valves.
- A single hose returns the "Flow Back" liquid to the top of the tank.
- Properly plumbed, the boom system remains full of liquid - the system is not drained.



This table illustrates the potential area of off-rate application occurring each time the boom is switched off. With a Flow Back equipped sprayer you can spray to the end of the row.

Speed	Distance	Area for 90 foot (27 meter) boom
6 mph (9.6 kph)	44 feet (13.4 meters)	3,960 sq. ft. (368 sq. meters)
10 mph (16 kph)	74 feet (22.6 meters)	6,660 sq. ft. (619 sq. meters)
15 mph (24 kph)	110 feet (33.6 meters)	9,900 sq. ft. (920 sq. meters)

This chart represents distance traveled and area covered in five seconds while system pressure decays on a typical sprayer.

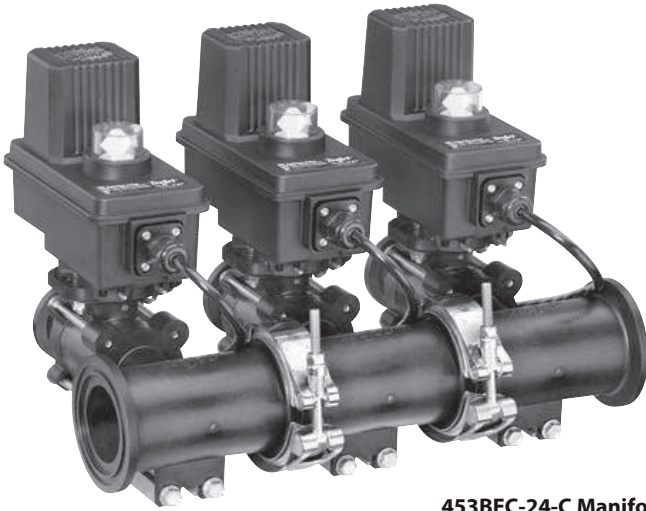


ITEM	PART NO.	DESCRIPTION
1	505156	FAST REPLACEMENT MOTOR
1	50515-22CP03	BEC MOTOR, 22-RPM (0.7-SEC), 0.3-METER CABLE, POSITIVELY SWITCHED
	50515-22CP05	BEC MOTOR, 22-RPM (0.7-SEC), 0.5-METER CABLE, POSITIVELY SWITCHED
	50515-22CP15	BEC MOTOR, 22-RPM (0.7-SEC), 1.5-METER CABLE, POSITIVELY SWITCHED
	50515-22CP60	BEC MOTOR, 22-RPM (0.7-SEC), 6.0-METER CABLE, POSITIVELY SWITCHED
1A	50515-22DP	BEC MOTOR, 22-RPM (0.7-SEC), DIN CONNECTION, POSITIVELY SWITCHED
	50533-22C03	BE MOTOR, 22-RPM (0.7-SEC), 0.3-METER CABLE
	50533-22C05	BE MOTOR, 22-RPM (0.7-SEC), 0.5-METER CABLE
1B	50533-22C15	BE MOTOR, 22-RPM (0.7-SEC), 1.5-METER CABLE
	50533-22C60	BE MOTOR, 22-RPM (0.7-SEC), 6.0-METER CABLE
	50533-22D	BE MOTOR, 22-RPM (0.7-SEC), DIN CONNECTION
1C	5050517-SSPV	RETAINING CLIP, 304 STAINLESS STEEL
2	CP26197-7/8-SS	SOCKET HEAD CAP SCREW, 1/4"-20 X 7/8", STAINLESS STEEL (2 REQ'D)
3	CP50514-PP	MOTOR ADAPTER, POLYPROPYLENE (BLACK)
4	CP20125-TEF	THRUST WASHER, TEFLON
5	CP56613-SS	STEM, 303 STAINLESS STEEL (FOR POLYPROPYLENE BALL)
6	CP56615-SS	STEM, 303 STAINLESS STEEL (FOR STAINLESS STEEL BALL)
6A	CP7717-M12X2.5-VI	O-RING, VITON (3 REQ'D)
7	CP55223-NYB	FLOW BACK BODY, NYLON (BLACK)
8	CP38435-1/4-SSNY	ELASTIC LOCKNUT, 1/4"-20, STAINLESS STEEL (2 REQ'D)
9	CP20106-2-PP	FLOW BACK BALL, POLYPROPYLENE (WHITE)
10	CP19926-2-SS	FLOW BACK BALL, 303 STAINLESS STEEL
10A	CP20564-VI	GASKET, VITON (2 REQ'D)
11	CP20103-TEF	SEAL, TEFLON (2 REQ'D)
12	CP7717-2-213-VI	O-RING, VITON (2 REQ'D)
13	CP20104-3/4-NYB	END CAP, NYLON (BLACK) (3/4" NPT THREAD)
14	CPB20104-3/4-NYB	END CAP, NYLON (BLACK) (3/4" BSPT THREAD)
	CP20104-1-NYB	END CAP, NYLON (BLACK) (1" NPT THREAD)
	CPB20104-1-NYB	END CAP, NYLON (BLACK) (1" BSPT THREAD)
14A	CP45514-NYB	END CAP, NYLON (BLACK) (QUICK CONNECT)
14B	CP45253-NYB	END CAP, NYLON (BLACK) (50-SERIES FLANGE)
15	CP45252-2-3/4-SSPV	SCREW, 1/4"-12 X 2-3/4" PAN HEAD, STAINLESS STEEL (4 REQ'D)
16	CP55224-PP	#75 NARROW TEE BODY, POLYPROPYLENE (BLACK)
17	CP45216-AL	MOUNTING RAIL, ALUMINUM
18	CP45259-SS	SCREW, M6 X 1 X 16MM HEX, STAINLESS STEEL (4 REQ'D)
19	CP7717-3-912-VI	O-RING, VITON
20	CP37166-1-302SS	QUICK CONNECT RETAINING CLIP, 302 STAINLESS STEEL
	56609-3FB-___	VALVE BODY SUB-ASSY, SPECIFY OUTLET SIZE & BALL MATERIAL (INCLUDES ITEMS 3-19)

AB344AE-KIT, SPARE PARTS KIT (INCLUDES ALL ITEMS MARKED WITH *)
NOTE: (B) IN PART NUMBER INDICATES B.S.P.T INLET AND OUTLET CONNECTIONS
NOTE: FOR NEGATIVELY SWITCHED MOTORS SPECIFY "N" RATHER THAN "P" IN MOTOR PART NUMBER
EXAMPLE: 50515-22CN05

EQUIPMENT
FLOW METERS
PRECISION
NOZZLES
VALVES
STRAINERS
FITTINGS
JACKS & HITCHES
PLANTER COMP.
PUMPS
TILLAGE
NH₃
TANKS

DirectoValve® 450 Series Manifold Shutoff Valves



453BEC-24-C Manifold
(rear view)

TJ/	Description	Price
454BEC	4 Valve, Flanged Outlet	\$1,600.57

450BEC manifolds are available with E or EC series motors with cable or DIN electrical connections. See page 71 for more information on DirectoValve motors.

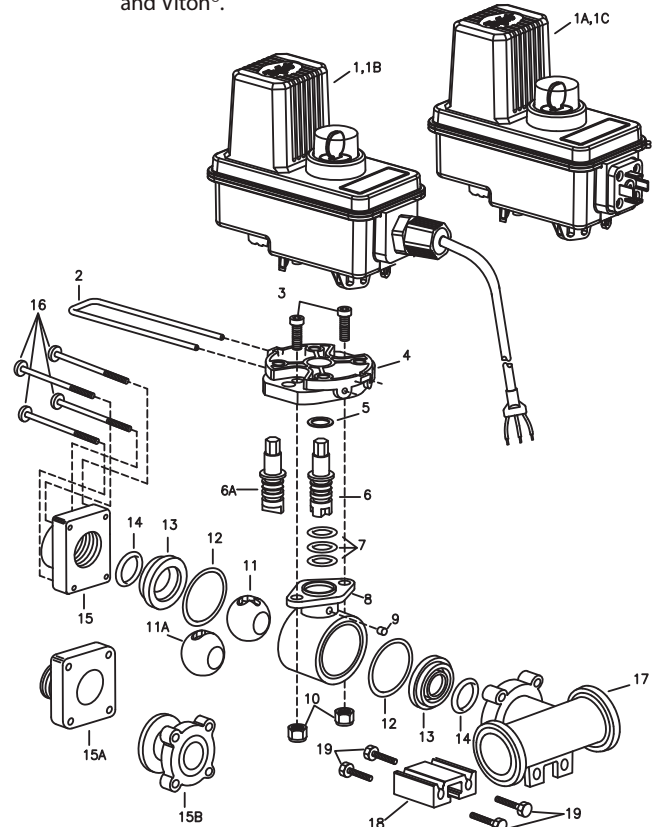
Features:

- 25 RPM, 0.6 second shutoff fully open to close.
- Available in 2-way version only. Pressure regulating valves can be incorporated.
- Flexible inlet/outlet connections allow for quick, simple plumbing for as many valves as needed for your sprayer.
- Stainless steel stem with optional polypropylene or stainless steel ball.
- Maximum pressure rating of 200 PSI (14 bar).
- The flow rate for the 450BEC 2-way valve is 32 GPM (121 l/min) with 5 PSI (0.34 bar) pressure drop.
- Wetted parts are Nylon, Teflon®, polypropylene and Viton®.

ITEM	PART NO.	DESCRIPTION	
1	505156	FAST REPLACEMENT MOTOR	
1	50515-22CP03*	BEC MOTOR, 22-RPM (0.7-SEC), 0.3-METER CABLE, POSITIVELY SWITCHED	
	50515-22CP05*	BEC MOTOR, 22-RPM (0.7-SEC), 0.5-METER CABLE, POSITIVELY SWITCHED	
	50515-22CP15*	BEC MOTOR, 22-RPM (0.7-SEC), 1.5-METER CABLE, POSITIVELY SWITCHED	
	50515-22CP60*	BEC MOTOR, 22-RPM (0.7-SEC), 6.0-METER CABLE, POSITIVELY SWITCHED	
1A	50515-22DP*	BEC MOTOR, 22-RPM (0.7-SEC), DIN CONNECTION, POSITIVELY SWITCHED	
	50533-22C03	BE MOTOR, 22-RPM (0.7-SEC), 0.3-METER CABLE	
	50533-22C05	BE MOTOR, 22-RPM (0.7-SEC), 0.5-METER CABLE	
	50533-22C15	BE MOTOR, 22-RPM (0.7-SEC), 1.5-METER CABLE	
	50533-22C60	BE MOTOR, 22-RPM (0.7-SEC), 6.0-METER CABLE	
1C	50533-22D	BE MOTOR, 22-RPM (0.7-SEC), DIN CONNECTION	
2	CP50517-SSPV	RETAINING CLIP, 304 STAINLESS STEEL	
3	CP26197-7/8-SS	SOCKET HEAD CAP SCREW, 1/4"-20X7/8", STAINLESS STEEL (2 REQ'D)	
4	CP50514-PP	MOTOR ADAPTER, POLYPROPYLENE (BLACK)	
*	CP20125-TEF	THRUST WASHER, TEFLON	
6	CP56613-SS	STEM, 303 STAINLESS STEEL (FOR POLYPROPYLENE BALL)	
6A	CP56615-SS	STEM, 303 STAINLESS STEEL (FOR STAINLESS STEEL BALL)	
*	7	CP7717-M12X2.5-VI	O-RING, VITON (3 REQ'D)
8	CP20101-NYB	BODY, NYLON (BLACK) (2-WAY)	
*	9	CP20126-FELT	DUST PLUG, FELT
10	CP38435-1/4-SSNY	ELASTIC LOCKNUT, 1/4"-20, STAINLESS STEEL (2 REQ'D)	
11	CP20106-1-PP	BALL, POLYPROPYLENE (WHITE) (2-WAY)	
11A	CP19926-SS	BALL, 303 STAINLESS STEEL (2-WAY)	
*	12	CP20564-VI	GASKET, VITON (2 REQ'D)
*	13	CP20103-TEF	SEAL, TEFLON (2 REQ'D)
*	14	CP7717-2-213-VI	O-RING, VITON (2 REQ'D)
15	CP20104-3/4-NYB	END CAP, NYLON (BLACK) (3/4" NPT THREAD)	
	CPB20104-3/4-NYB	END CAP, NYLON (BLACK) (3/4" BSPT THREAD)	
	CP20104-1-NYB	END CAP, NYLON (BLACK) (1" NPT THREAD)	
	CPB20104-1-NYB	END CAP, NYLON (BLACK) (1" BSPT THREAD)	
15A	CP45514-NYB	END CAP, NYLON (BLACK) (QUICK CONNECT)	
15B	CP45253-NYB	END CAP, NYLON (BLACK) (50-SERIES FLANGE)	
16	CP45252-2-3/4-SSPV	SCREW, 1/4"-12 X 2-3/4" PAN HEAD, STAINLESS STEEL (4 REQ'D)	
17	CP45251-PP	#75 TEE BODY, POLYPROPYLENE (BLACK)	
18	CP45216-AL	MOUNTING RAIL, ALUMINUM	
19	CP45259-SS	SCREW, M6 X 1 X 16MM HEX, STAINLESS STEEL (4 REQ'D)	
20	56609-2-_-_-	VALVE BODY SUB-ASSY, SPECIFY OUTLET SIZE & BALL MATERIAL, INCLUDES ITEMS 3-19	
AB344AE-KIT, SPARE PARTS KIT (INCLUDES ALL ITEMS MARKED WITH *)			

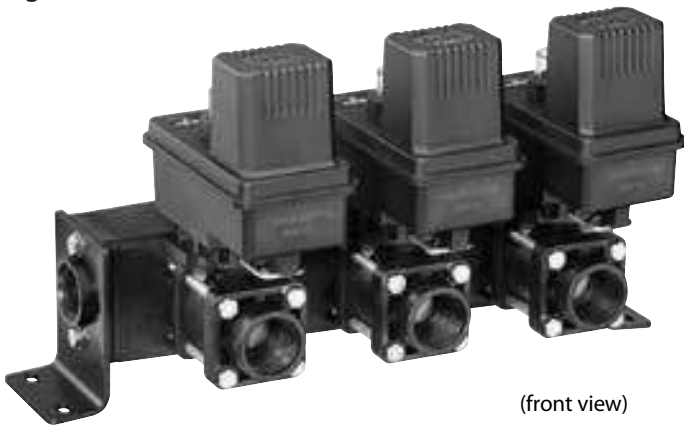
NOTE: (B) IN PART NUMBER INDICATES B.S.P.T INLET AND OUTLET CONNECTIONS
 * NOTE: FOR NEGATIVELY SWITCHED MOTORS SPECIFY "N" RATHER THAN "P" IN MOTOR PART NUMBER
 EXAMPLE: 50515-22CN05

TEFLON® IS A TRADEMARK OF DUPONT COMPANY
 VITON® IS A TRADEMARK OF DUPONT DOW ELASTOMERS



DirectoValve® 440 Series Manifold Shutoff Valves

TJ/	Description	Thread	Price
441BEC-4-4T-4T	1-Valve manifold	1	\$470.48
442BEC-4-4T-4T	2-Valve manifold	1	\$909.75
443BEC-4-4T-4T	3-Valve manifold	1	\$1,354.73
444BEC-4-4T-4T	4-Valve manifold	1	\$1,797.01
445BEC-4-4T-4T	5-Valve manifold	1	\$2,236.83



(front view)

The TeeJet® 440BEC series DirectoValve manifold provides a convenient, compact solution for the installation of multiple 344BEC electric ball valves. This system eliminates the need for custom fabrication of pipe or hose manifolds, drastically reducing both installation time and the chance for fluid leaks.

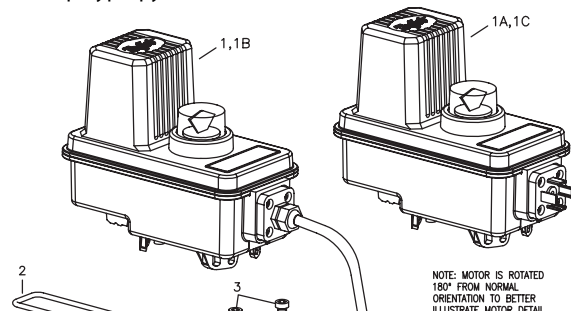
440BEC shutoff ball valves are available with E or EC series motors with cable or DIN electrical connections. See page 71 for more information on DirectoValve motors.

Features:

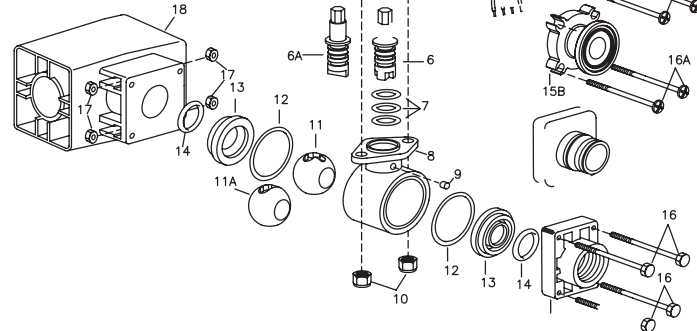
- Based on proven design of 344 ball valves. 25 RPM, 0.6 second shutoff fully open to close.
- Quick, simple plumbing of up to five electric ball valves.
- Flexible inlet and outlet connection options.
- Easy mounting with built-in brackets.
- Maximum pressure rating of 300 PSI (20 bar).
- Flow rate 26 GPM (98 l/min) with 5 PSI (0.34 bar) pressure drop (flow rate may vary based on number of valves and inlet size).
- Incorporates an internal resettable fuse.
- 12 VDC operation.
- Stainless steel stem with optional polypropylene or stainless steel ball.

ITEM	PART NO.	DESCRIPTION
1	50515-25CP03	BEC MOTOR, 25-RPM (0.6-SEC), 0.3-METER CABLE, POSITIVELY SWITCHED
	50515-25CP05	BEC MOTOR, 25-RPM (0.6-SEC), 0.5-METER CABLE, POSITIVELY SWITCHED
	50515-25CP15	BEC MOTOR, 25-RPM (0.6-SEC), 1.5-METER CABLE, POSITIVELY SWITCHED
	50515-25CP60	BEC MOTOR, 25-RPM (0.6-SEC), 6.0-METER CABLE, POSITIVELY SWITCHED
1A	50515-25DP	BEC MOTOR, 25-RPM (0.6-SEC), DIN CONNECTION, POSITIVELY SWITCHED
1B	50533-25C03	BE MOTOR, 25-RPM (0.6-SEC), 0.3-METER CABLE
	50533-25C05	BE MOTOR, 25-RPM (0.6-SEC), 0.5-METER CABLE
	50533-25C15	BE MOTOR, 25-RPM (0.6-SEC), 1.5-METER CABLE
	50533-25C60	BE MOTOR, 25-RPM (0.6-SEC), 6.0-METER CABLE
1C	50533-25D	BE MOTOR, 25-RPM (0.6-SEC), DIN CONNECTION
2	CP50517-SSPV	RETAINING CLIP, 304 STAINLESS STEEL
3	CP26197-7/8-SS	SOCKET HEAD CAP SCREW, STAINLESS STEEL (2 REQ'D)
4	CP50514-PP	MOTOR ADAPTER, POLYPROPYLENE (BLACK)
5	CP20125-TEF	THRUST WASHER, TEFLON
6	CP56613-SS	STEM, 303 STAINLESS STEEL (FOR POLYPROPYLENE BALL)
6A	CP56615-SS	STEM, 303 STAINLESS STEEL (FOR STAINLESS STEEL BALL)
7	CP7717-M12X2.5-VI	O-RING, VITON (3 REQ'D)
8	CP20101-NYB	BODY, NYLON (BLACK) (2-WAY)
9	CP20126-FELT	DUST PLUG, FELT
10	CP38435-1/4-SSNY	ELASTIC LOCKNUT, STAINLESS STEEL (2 REQ'D)
11	CP20106-1-PP	BALL, POLYPROPYLENE (WHITE) (2-WAY)
11A	CP19926-SS	BALL, STAINLESS STEEL (2-WAY)
12	CP20564-VI	GASKET, VITON (2 REQ'D)
13	CP20103-TEF	SEAL, TEFLON (2 REQ'D)
14	CP7717-2-213-VI	O-RING, VITON (2 REQ'D)
15	CP20104-3/4-NYB	END CAP, NYLON (BLACK) (3/4" NPT THREAD)
	CPB20104-3/4-NYB	END CAP, NYLON (BLACK) (3/4" BSPT THREAD)
	CP20104-1-NYB	END CAP, NYLON (BLACK) (1" NPT THREAD)
	CPB20104-1-NYB	END CAP, NYLON (BLACK) (1" BSPT THREAD)
15A	CP45514-NYB	END CAP, NYLON (BLACK) (QUICK CONNECT)
15B	CP45253-NYB	END CAP, NYLON (BLACK) (50-SERIES FLANGE)
16	CP20129-SS	HEX HEAD SCREW, STAINLESS STEEL (4 REQ'D) (FOR ITEMS 15, 15A)
16A	CP50144-3-SS	PAN HEAD SCREW, STAINLESS STEEL (4 REQ'D) (FOR ITEM 15B)
17	CP8535-SS	HEX NUT, STAINLESS STEEL (4 REQ'D)
18	CP39581-NYB	MANIFOLD BODY, NYLON (BLACK)
AB344AE-KIT, SPARE PARTS KIT (INCLUDES ALL ITEMS MARKED WITH *)		

NOTE: (B) IN PART NUMBER INDICATES B.S.P.T INLET AND OUTLET CONNECTIONS
 * NOTE: FOR NEGATIVELY SWITCHED MOTORS SPECIFY "N" RATHER THAN "P" IN MOTOR PART NUMBER
 EXAMPLE: 50515-25CN05



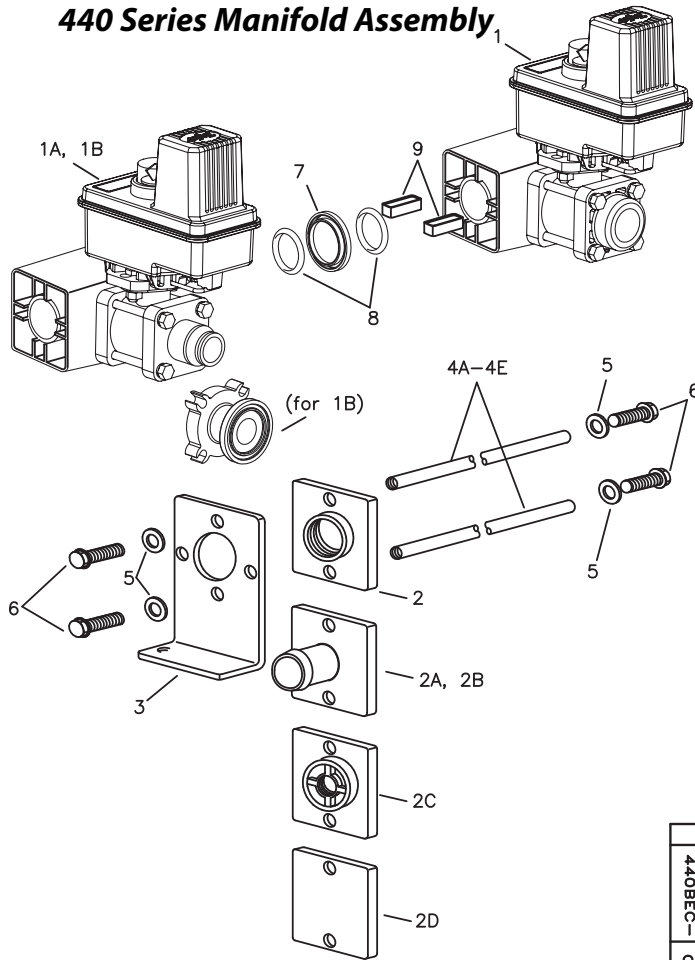
NOTE: MOTOR IS ROTATED 180° FROM NORMAL ORIENTATION TO BETTER ILLUSTRATE MOTOR DETAIL.



REPLACEMENT VALVES FOR FAST EQUIPMENT

TJ/	Description	Price
500026	500 & 750 BIG WHEELS	
500027	VALVE MANIFOLD NARROW APPLICATOR (NON-FLOWBACK)	
500028	APPLICATOR & SPRAYER VALVE (NON FLOWBACK)	
500029	SPRAYER (FLOWBACK) VALVE	
TJ505156	FAST REPLACEMENT VALVE MOTOR	

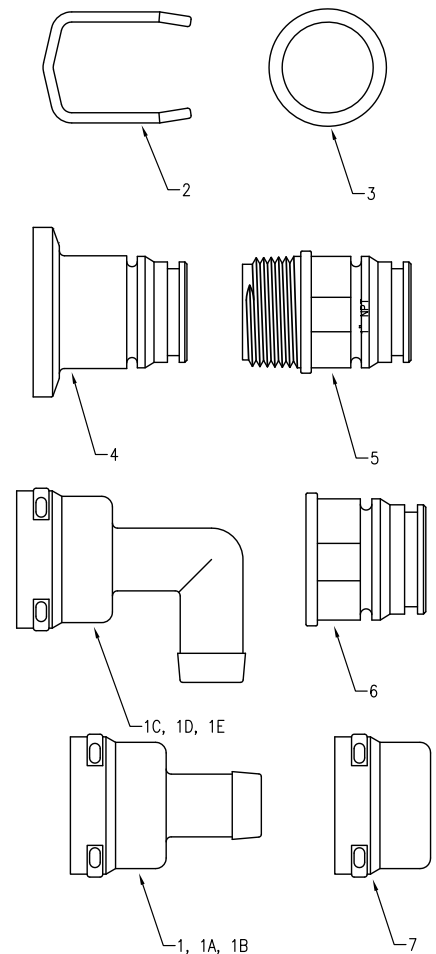
DirectoValve® 440 Series Manifold Assembly



Quick Connect Fittings, Hose Barbs & Adapters

ITEM	PART NO.	DESCRIPTION
1	CP45522-NYB	1/2" Straight Hose Barb, Nylon (Black)
1A	CP45521-NYB	3/4" Straight Hose Barb, Nylon (Black)
1B	CP45513-NYB	1" Straight Hose Barb, Nylon (Black)
1C	CP45525-NYB	1/2" 90° Hose Barb, Nylon (Black)
1D	CP45524-NYB	3/4" 90° Hose Barb, Nylon (Black)
1E	CP45523-NYB	1" 90° Hose Barb, Nylon (Black)
2	CP37166-1-302SS	Retaining Clip, 302 Stainless Steel
3	CP7717-3-912-VI	O-Ring, Viton
4	CP46029-PP	Adapter, 50-Series Flange x Male Quick Connect, Polypropylene (Black)
5	CP45526-NYB	Adapter, 1" NPT (male) x Male Quick Connect, Nylon (Black)
6	CP55222-NYB	Plug, Nylon (Black)
7	CP55243-NYB	Cap, Nylon (Black)
45529-1/2 - 1/2" Straight Quick Connect Kit (Includes items 1, 2 & 3)		
45529-3/4 - 3/4" Straight Quick Connect Kit (Includes items 1A, 2 & 3)		
45529-1 - 1" Straight Quick Connect Kit (Includes items 1B, 2 & 3)		
45529-90-1/2 - 1/2" 90° Quick Connect Kit (Includes items 1C, 2 & 3)		
45529-90-3/4 - 3/4" 90° Quick Connect Kit (Includes items 1D, 2 & 3)		
45529-90-1 - 1" 90° Quick Connect Kit (Includes items 1E, 2 & 3)		
45529-P - Quick Connect Plug Kit (Includes items 2, 3 & 6)		
45529-C - Quick Connect Cap Kit (Includes items 2, 3 & 7)		

ITEM	PART No.	DESCRIPTION	Quantity of Valves					Quantity Required	
			440BEC-	441BEC-	442BEC-	443BEC-	444BEC-		445BEC-
1	(B)440BEC-3(S)-C **	3/4" Female Outlet Ball Valve Sub-Asb.	1	1	2	3	4	5	
	(B)440BEC-4(S)-C **	1" Female Outlet Ball Valve Sub-Asb.	1	1	2	3	4	5	
1A	440BEC-Q(S)-C **	Quick Connect Outlet Ball Valve Sub-Asb.	1	1	2	3	4	5	
1B	440BEC-F(S)-C **	50-Series Flange Outlet Ball Valve Sub-Asb.	1	1	2	3	4	5	
2	CP37548-PP	1" NPT Female Threaded Inlet, Polypropylene	-	*	*	*	*	*	
	CPB37548-PP	1" BSPT Female Threaded Inlet, Polypropylene	-	*	*	*	*	*	
2A	CP37156-PP	1" Hose Barb Inlet, Polypropylene	-	*	*	*	*	*	
2B	CP39584-PP	1-1/4" Hose Barb Inlet, Polypropylene	-	*	*	*	*	*	
2C	CP37684-PP	1/4" NPT Female Threaded Inlet, Polypropylene	-	*	*	*	*	*	
	CPB37684-PP	1/4" BSPT Female Threaded Inlet, Polypropylene	-	*	*	*	*	*	
2D	CP37558-PP	Blank Inlet, Polypropylene	-	*	*	*	*	*	
3	CP38659-1	Mounting Bracket, Steel (Nitrotec Finish)	-	2	2	2	2	2	
4A	CP39583-1-SS	Stud, Stainless Steel	-	2	-	-	-	-	
4B	CP39583-2-SS	Stud, Stainless Steel	-	-	2	-	-	-	
4C	CP39583-3-SS	Stud, Stainless Steel	-	-	-	2	-	-	
4D	CP39583-4-SS	Stud, Stainless Steel	-	-	-	-	2	-	
4E	CP39583-5-SS	Stud, Stainless Steel	-	-	-	-	-	2	
5	CP39321-SS	Flat Washer, Stainless Steel	-	4	4	4	4	4	
6	CP23896-1-1/4-SS	Hex Head Bolt, Stainless Steel	-	4	4	4	4	4	
7	CP37159-PP	Inner Connector, Polypropylene	-	-	1	2	3	4	
8	CP7717-2-218-VI	O-Ring, Viton	-	2	4	6	8	10	
9	CP39769-PP	Alignment Insert, Polypropylene	-	-	2	4	6	8	



- 39910-1-VI, Mounting Kit For 441BEC- (includes items 3, 4A, 5, 6, 8)
- 39910-2-VI, Mounting Kit For 442BEC- (includes items 3, 4B, 5, 6, 7, 8, 9)
- 39910-3-VI, Mounting Kit For 443BEC- (includes items 3, 4C, 5, 6, 7, 8, 9)
- 39910-4-VI, Mounting Kit For 444BEC- (includes items 3, 4D, 5, 6, 7, 8, 9)
- 39910-5-VI, Mounting Kit For 445BEC- (includes items 3, 4E, 5, 6, 7, 8, 9)

NOTE: QUANTITIES ON ITEMS 7, 8 & 9 CHANGE PER KIT.

EQUIPMENT
FLOW METERS
PRECISION
NOZZLES
VALVES
STRAINERS
FITTINGS
JACKS & HITCHES
PLANTER COMP.
PUMPS
TILLAGE
NH₃
TANKS

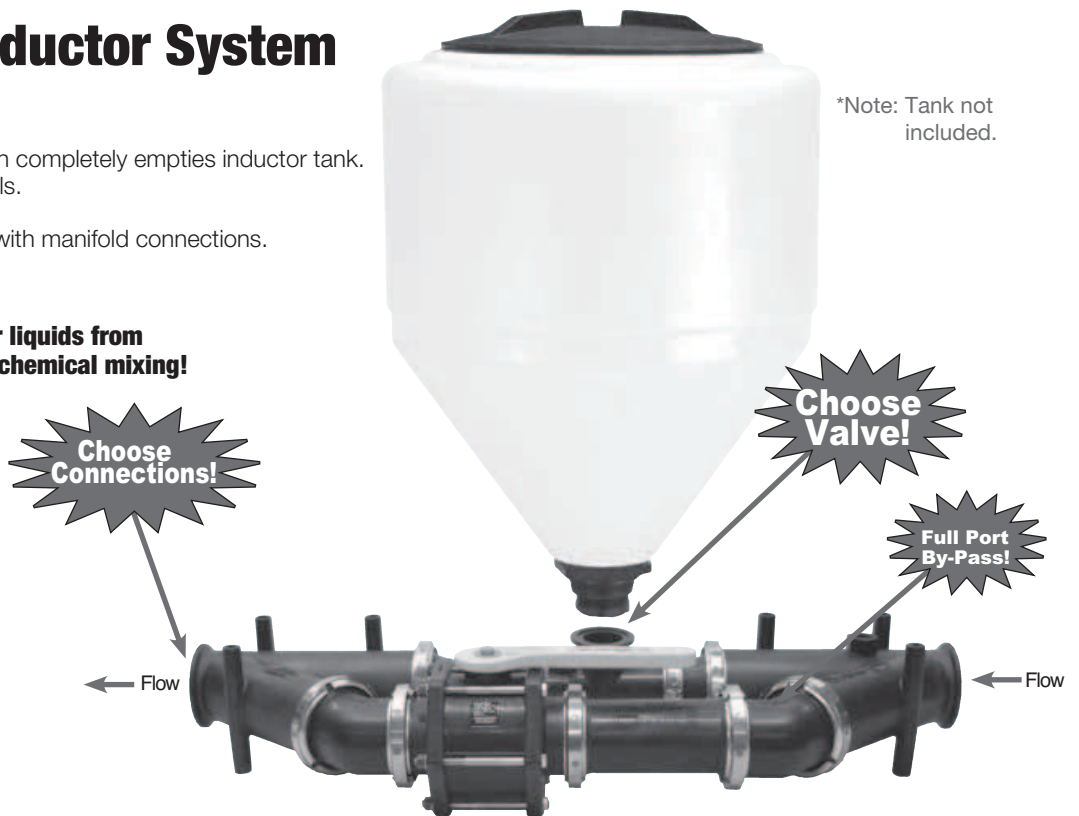


Manifold Inductor System

FEATURES

- Installed after pump; suction completely empties inductor tank.
- Keeps tank free of chemicals.
- 2" & 3" full port flow.
- Easy assembly/installation with manifold connections.

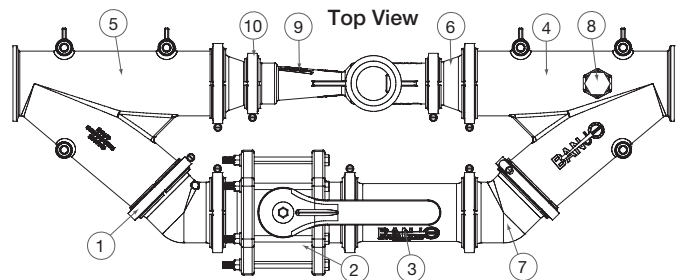
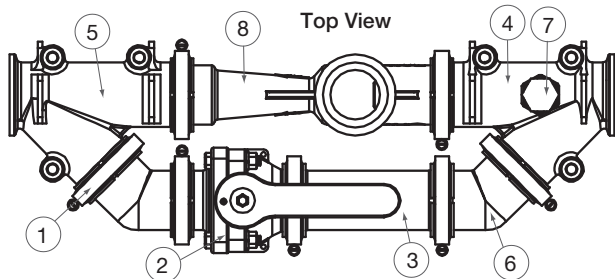
Draws wettable powders or liquids from inductor tank for thorough chemical mixing!



*Note: Tank not included.

MANIFOLD INDUCTOR SYSTEM			
PART #	DESCRIPTION	QTY	PRICE
MIS220	2" Full Port Flange x Flange-Assembled	1	\$627.29
MIS300	3" Flange x Flange-Assembled	1	\$1,201.98

*Note: Tank not included.



REPLACEMENT PARTS MIS220					
ITEM	PART NO	DESCRIPTION	(Fast Part #)	QTY	PRICE EA
1	FC220	220 Series Worm Screw Clamp	(540002)	10	\$8.32
2	MVS220CF	2" FP Flange x 2" FP Flange	(530327)	1	\$86.26
3	M220CPG6	2" x 2" Full Port Flange x 6"		1	\$23.96
4	M220YG45	2" Full Port 45° Y Flange w/ 3/4" gauge port*		1	\$90.35
5	M220Y45	2" Full Port 45° Y Flange		1	\$75.75
6	M220CPG45	2" Full Port 45° Coupling	(530105)	2	\$18.70
7	PLUG075	3/4" Pipe Plug	(530392)	1	\$3.94
8	MHV220A	2" Full Port Poly Venturi		1	\$151.84
N/S	M221G	2" Full Port EPDM Manifold Gasket with Rib		7	\$2.62

REPLACEMENT PARTS MIS300					
ITEM	PART NO	DESCRIPTION	(Fast Part #)	QTY	PRICE EA
1	FC300	300 Series Worm Screw Clamp	(540003)	7	\$18.87
2	MV301CF	3" FP Flange x 3" FP Flange		1	\$249.29
3	M300CPG7	3" x 3" Full Port Flange x 7"		1	\$23.68
4	M300YG45	3" Full Port 45° Y Flange w/ 3/4" gauge port*		1	\$158.61
5	M300Y45	3" Full Port 45° Y Flange		1	\$151.78
6	M300220CPG	3" x 2" Full Port Reducer Flange	(530316)	1	\$40.19
7	M300CPG45	3" Full Port 45° Coupling	(530234)	2	\$76.48
8	PLUG075	3/4" Pipe Plug	(530392)	1	\$3.94
9	MHV220A	2" Full Port Poly Venturi		1	\$151.84
10	FC220	220 Series Worm Screw Clamp	(540002)	3	\$8.32
N/S	M221G	2" Full Port EPDM Manifold Gasket with Rib		2	\$2.62
N/S	M301G	3" EPDM Manifold Gasket with Rib		7	\$2.83

POLYPROPYLENE BOLTED BALL VALVES

EQUIPMENT
FLOW METERS
PRECISION
NOZZLES
VALVES
STRAINERS
FITTINGS
JACKS & HITCHES
PLANTER COMP.
PUMPS
TILLAGE
NH₃
TANKS

Features: Lightweight. Unrestricted 1½" Flow. Minimal Fluid Spillage. Easy to Use. Economical. Wide Range of Chemical Resistance. Cannot be Uncoupled in Open Position. Swivel on Female Dry-Mate

PREVENTS ACCIDENTAL SPILLS & EXPOSURE



Dry Mate Polypropylene Dry Disconnect

POLY MALE DRY-MATE						
PART NO	DESCRIPTION	MAX PSI	PIPE SIZE	OPENING THRU BALL	QTY	PRICE
DM200A	2" Male x FPT NPT (Fast# 530345)	100	2"	1½"	1	\$277.60
DM200AB	2" Male x FPT BSP	100	2"	1½"	1	\$277.60
DM200AE	2" Male x FPT NPT w/ EPDM Seals	100	2"	1½"	1	\$277.60
DM200AT	2" Male x FPT NPT w/ Kalrez® Seals	100	2"	1½"	1	\$2,063.67
DMMT201A	2" Male x Male NPT w/low profile handle	100	2"	1½"	1	\$290.70
DMMT201AE	2" Male x Male NPT w/low profile handle w/EPDM Seals	100	2"	1½"	1	\$290.70

POLY FEMALE DRY-MATE						
PART NO	DESCRIPTION	MAX PSI	PIPE SIZE	OPENING THRU BALL	QTY	PRICE
DM200D	2" Female x FPT NPT (Fast# 530344)	100	2"	1½"	1	\$296.72
DM200DB	2" Female x FPT BSP	100	2"	1½"	1	\$296.72
DM200DE	2" Female w/EPDM Seals	100	2"	1½"	1	\$296.72
DM200DT	2" Female w/Kalrez® Seals	100	2"	1½"	1	\$2,063.67

3" FULL PORT POLY DRY-MATE						
PART NO	DESCRIPTION	MAX PSI	PIPE SIZE	OPENING THRU BALL	QTY	PRICE
DM300AFP	3" FP Male x 3" Female NPT Threads w/ FKM(viton type) Seals	100	3"	3"	1	\$497.77
DM300ABFP	3" FP Male x 3" BSP Threads w/ FKM(viton type) Seals	100	3"	3"	1	\$497.77
DM300DFP	3" FP Female x 3" Female NPT Threads w/ FKM(viton type) Seals	100	3"	3"	1	\$556.33
DM300DBFP	3" FP Female x 3" BSP Threads w/ FKM(viton type) Seals	100	3"	3"	1	\$556.33

POLY MALE DRY-MATE						
PART NO	DESCRIPTION	MAX PSI	PIPE SIZE	OPENING THRU BALL	QTY	PRICE
DM150A	1½" Male x FPT NPT	100	1½"	1½"	1	\$277.60
DM150AB	1½" Male x FPT BSP w/FKM Seals	100	1½"	1½"	1	\$277.60
DM150ABE	1½" Male x FPT BSP w/EPDM Seals	100	1½"	1½"	1	\$277.60
DM150ABT	1½" Male x FPT BSP w/ Kalrez® Seals	100	1½"	1½"	1	\$2,013.34
DM150AE	1½" Male x FPT NPT w/ EPDM Seals	100	1½"	1½"	1	\$277.60
DM150AT	1½" Male x FPT NPT w/ Kalrez® Seals	100	1½"	1½"	1	\$2,013.34

POLY FEMALE DRY-MATE						
PART NO	DESCRIPTION	MAX PSI	PIPE SIZE	OPENING THRU BALL	QTY	PRICE
DM150D	1½" Female x FPT NPT	100	1½"	1½"	1	\$296.72
DM150DB	1½" Female x FPT BSP	100	1½"	1½"	1	\$296.72
DM150DBE	1½" Female x FPT BSP w/ EPDM Seals	100	1½"	1½"	1	\$296.72
DM150DBT	1½" Female x FPT BSP w/ Kalrez® Seals	100	1½"	1½"	1	\$2,013.34
DM150DE	1½" Female w/EPDM Seals	100	1½"	1½"	1	\$296.72
DM150DT	1½" Female w/Kalrez® Seals	100	1½"	1½"	1	\$2,013.34

Features:

- All PTFE Seals
- Stainless Steel Bolts
- Glass Filled Polypropylene
- Maximum Operating Pressure: 100PSI at 70°F, 75 PSI at 150°F.
- Unique Compact Design
- Three Design Options
- Lightweight



"Stubby Valve"™ "Stubby Valve"™ Polypropylene Bolted Ball Valves

2" Stubby Valve™

BJ/	DESCRIPTION	OPENING THRU BALL	PRICE
VSF200	2" Male Adapter x (Fast# 530437) 2" Female NPT Thd	1-1/2"	71.46
VSMT200	2" Male NPT Thd x (Fast# 500038) 2" Female NPT Thd	1-1/2"	71.46
VSFMT200	2" Male Adapter x (Fast# 500046) 2" Male NPT Thd	1-1/2"	76.03
VSFHB200	2" Male Adapter x 2" Hose Barb	1-1/2"	87.14

2" Stubby Valve™, Full Port

BJ/	DESCRIPTION	OPENING THRU BALL	PRICE
VSF204FP	2" Male Adapter x 2" Female NPT Thd	2"	86.26
VSMT204FP	2" Male NPT Thd x 2" Female NPT Thd	2"	86.26
VSFMT204FP	2" Male Adapter x 2" Male NPT Thd	2"	86.26

3" Stubby Valve™

BJ/	DESCRIPTION	OPENING THRU BALL	PRICE
VSF300	3" Male Adapter x (Fast# 500007) 3" Female NPT Thd	2-1/2"	176.33
VSMT300	3" Male NPT Thd x 3" Female NPT Thd	2-1/2"	220.34



Features:

- Stainless steel bolts
- Precision molded in polypropylene. Polypropylene is reinforced with fiberglass for additional strength.
- Self-aligning ball moves freely against the Teflon® seals for smooth operation. The valve opens and closes with very little pressure on the handle.
- Ball is diamond turned, after molding, to make it spherically perfect, which provides precise contact between ball and seats.
- Viton "O" ring stem seal.
- Teflon® self-lubricating stem bushings and seats cannot stick or bind.

BJ/	Fast#	Description	Opening Pipe Size	Thru Ball	Price
V050	500044	Valve - Full Port	1/2"	3/4"	45.80
V075		Valve - Full Port	3/4"	3/4"	45.80
V100	530416	Valve - Standard Port	1"	3/4"	45.80
V100FP		Valve - Full Port	1"	1"	50.49
V125		Valve - Standard Port	1 1/4"	1"	50.49
V125FP		Valve - Full Port	1 1/4"	1 1/2"	64.91
V150		Valve - Full Port	1 1/2"	1 1/2"	64.91
V200	500010	Valve - Standard Port	2"	1 1/2"	64.91
V200FP	500011	Valve - Full Port	2"	2 1/16"	91.41
V300		Valve - Standard Port	3"	8 2 1/2"	147.15
V300FP	500012	Valve - Full Port	3"	3"	218.45
V400		Valve - Standard Port	4"	3 1/2"	477.43
VL20153		Locking Device - Available for V125FP V150 and V200 Padlock not included			22.09
VL25153		Locking Handle - Available for V200FP, V300 V300FP & V400 Padlock not included			41.04
V25271		90° Mounting Bracket - Fits V150, V200, V200FP, V300 & V300FP			23.42
V25270		Straight Mounting Bracket - Fits V150, V200, V200FP, V300 & V300FP			19.98



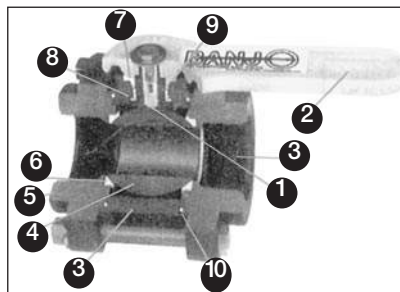
Locking Device

Locks in open or closed position. Installs under valve handle. Available for V-125-FP, V-150, and V-200. Padlock not included.



Locking Handle

Locks in open and closed position. Locking handle replaces std. handle. Available for V-200-FP, V-300, and V-300-FP. Padlock not included.



*Valve Repair Kits contain items noted with asterisk

- 1 Ball
- 2 Ball Seats
- 2 Body O-Rings
- 1 Upper Stem Bushing
- 1 Thrust Washer
- 1 Stem O-Ring



BJ/	Description	Opening Thru Ball	Price
VFMT204FP	2" Full Port Valve - 2" Male Adapter x 2" Male NPT Thread	2"	96.86
V204FP	2" Full Port Valve - 2" Female NPT Thread x 2" Female NPT Thread	2"	86.66

Electric Ball Valve



3/4 second response time. 316 stainless steel ball and stem. Stainless steel hardware. Fiberglass reinforced polypropylene. PTFE seals. Viton O-rings. 12-volt DC operated. 150 PSI maximum pressure. Internally fused / automatic reset. Open / closed indicator

BJ/	DESCRIPTION	PRICE
EV075	3/4" Electric Ball Valve	554.64
EV100FP	1" Electric Ball Valve	554.64
EV150	1-1/2" Electric Ball Valve	813.02
EV200	2" Electric Ball Valve	813.02
MEV100SLCF	1" Full Port Electric Valve	623.30
MEV200SLCF	2" Standard Port Electric Valve (Fast# 500032)	966.60
MEV220SLCF	2" Full Port Electric Valve	966.60

Item	BJ/ Description	VA100	V100-FP	V125	VA200	V200-FP	V300	V300-FP	V400
		Part No.	Part No.	Part No.	Part No.	Part No.	Part No.	Part No.	Part No.
1	Stem	V07151A	V10151A	V20151A	V25151A	V30251A	V35251A	V40251A	
2	Handle Straight	V07153A	V10153A	V20153	V25153	V30253	V35253	V40253	
2	Handle Angle			V20152	V25152				
3	Valve Body	V07254	V10254	V20254	V25254	V30254	V35254	V40254	
4	Valve Ball*	V07155	V10155	V20255	V25255	V30255	V35255	V40255	
5	1/2" End Plate	V05236							
5	3/4" End Plate	V07257							
5	1" End Plate	V07256	V10257						
5	1-1/4" End Plate		V10256	V20267					
5	1-1/2" End Plate			V20257					
5	2" End Plate			V20256	V25256				
5	3" End Plate					V30264	V35264		
5	4" End Plate							V40264	
5	1-1/2" Angle End Flange			V20262					
5	2" Angle End Flange			V20261	V25261				
6	Teflon® Seats*	V07258A	V10258A	V20258A	V25258A	V30258A	V35258A	V40258B	
7	Upper Stem Bushing*	V07159	V10159	V20159	V25160	V30260	V35260	V40260	
8	Thrust Washer*	V07060	V10060	V20060	V25060	V30260	V35260	V40260	
9	Stem O-Ring Viton*	V07163	V10163	V20163	V25163	V30263	V35263	V40263	
10	Valve Body O-Ring Viton*	V07264	V10264	V20264	V25264	V30265	V35265	V40265	
	1" Nozzle Pipe		V10161						
	NOT 1-1/2" Nozzle Pipe			V20166					
	SHOWN 2" Nozzle Pipe			V25165	V25165				
	Valve Repair Kit*	V07200	V10200	V20200	V25200	V30200	V35200	V40200	

FEATURES FOR MOUNTING BRACKETS

- 316 Stainless steel construction.
- Straight and 90° available.

MOUNTING BRACKETS

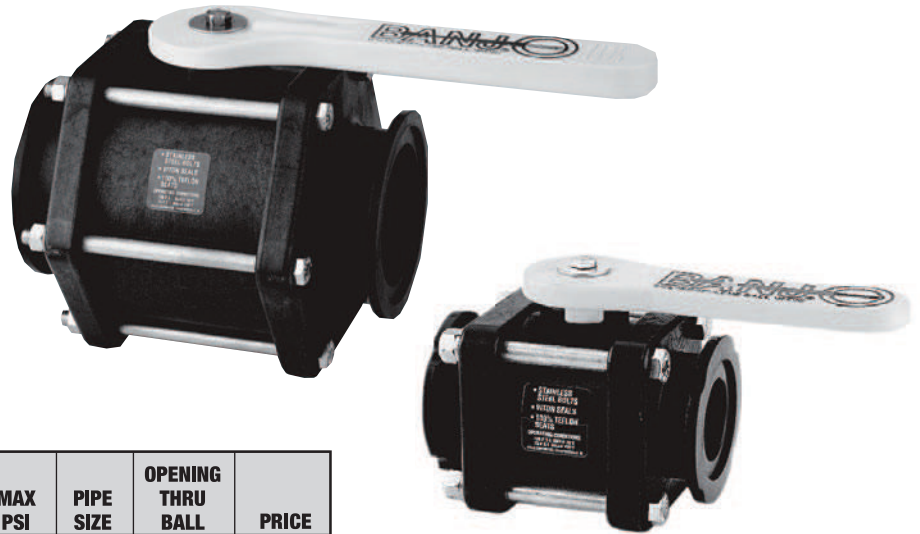
PART NO	DESCRIPTION	VALVE USED	QTY	PRICE
V10270	Straight Mounting Bracket	V100FP & V125	1	\$41.83
V10271	90° Mounting Bracket	V100FP & V125	1	\$11.99
V25270	Straight Mounting Bracket	V150 & V200	1	\$19.98
V25271	90° Mounting Bracket	V150 & V200	1	\$23.42



Manifold Bolted Ball Valves 4 and 6 Bolt Valves

FEATURES

- FKM (viton type) seals.
- PTFE self-lubricating stem bushings and seats cannot stick or bind.
- Precision molded in polypropylene. Polypropylene is reinforced with fiberglass for additional strength.
- Self-aligning ball moves freely against the PTFE seats for smooth operation. The valve opens and closes with very little pressure on the handle.
- Ball is diamond turned, after molding, to make it spherically perfect, which provides precise contact between ball and seats.



4 AND 6 BOLT VALVES

PART NO.	FAST NO.	DESCRIPTION	MAX PSI	PIPE SIZE	OPENING THRU BALL	PRICE
MV100CF	500005	1" X 1" Flange Ball Valve	150	1"	1"	50.49
MV200CF	500039	2" X 2" Flange Ball Valve	150	2"	1 1/2"	71.46
MV220CF	500006	2" X 2" FP Flange Ball Valve	150	2"	2"	95.24
MV300		3" X 3" Standard Port Ball Valve	100	3"	2 1/2"	156.36
MV300CF	500042	3" X 3" Full Port Ball Valve	100	3"	3"	226.62

*Valve Repair Kits Contain Items Marked With Asterisk
 1 Ball 2 Body O-Rings 1 Thrust Washer
 2 Ball Seats 1 Upper Stem Bushing 1 Stem O-Ring

CHART 1

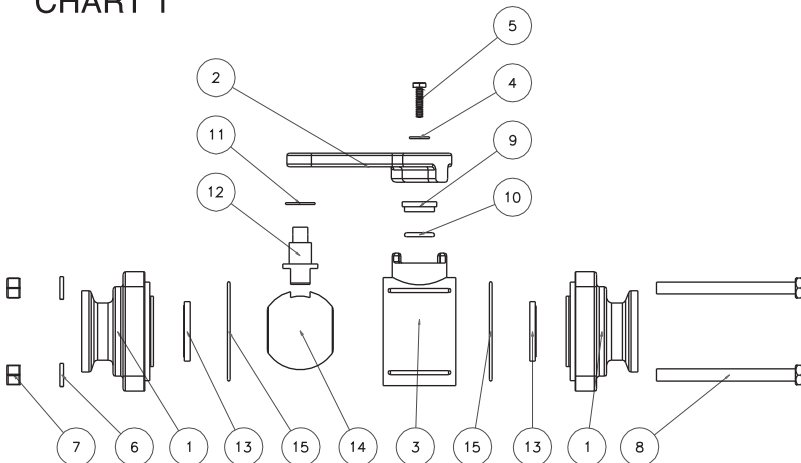
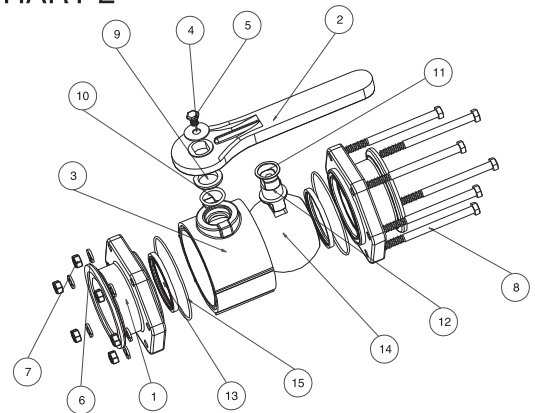


CHART 2



PATENTED

“Manifold Stubby Valve”

Features:

- Stainless steel bolts
- Glass filled polypropylene
- Multiple design options
- Unique patented compact design
- Lightweight
- Maximum operating pressure: 100 PSI @ 70°F. 75 PSI @ 150°F

3" Standard Port



BJ/	Description	Pipe Size	Opening Thru Ball	Price
MVSF300	3" SP Flange x 3" Male Adapter	3"	2 1/2"	176.33
MVSMT300	3" SP Flange x 3" Male NPT	3"	2 1/2"	220.34
MVS300CF	3" SP Flange x Flange	3"	2 1/2"	176.33

2" Standard Port



BJ/	Description	Pipe Size	Opening Thru Ball	Price
VSMT200CF	2" SP Flange x 2" Male NPT	2"	1 1/2"	83.25
VSF200CF	2" SP Flange x 2" Male Adapter (500037)	2"	1 1/2"	71.46

3" Full Port



BJ/	Description	Pipe Size	Opening Thru Ball	Price
MVSF300FP	3" FP Flange x 3" Male Adapter (530378)	3"	3"	220.75
MVS300CFFP	3" FP Flange x 3" FP Flange (530377)	3"	3"	215.71

2" Full Port



BJ/	Description	Pipe Size	Opening Thru Ball	Price
MVS220FP	2" FP Flange x 2" Female NPT	2"	2"	103.50
MVSF220FP	2" FP Flange x 2" Male Adapter (500035)	2"	2"	86.26
MVS220CF	2" FP Flange x 2" FP Flange (530327)	2"	2"	86.26
MVSMT220FP2	2" FP Flange x 2" Male NPT	2"	2"	86.26

2" & 3" Full Port SS

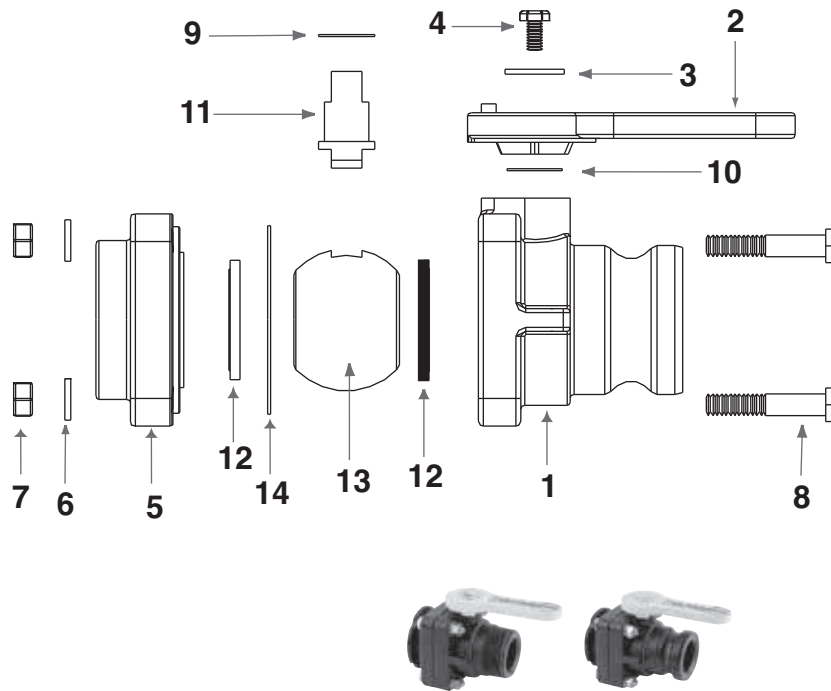
Features:

- Stainless steel ball, handle and stem.
- Locking Handle
- 100 PSI
- PTFE ball seats.
- Glass filled polypropylene.
- FKM (viton type) body seals.
- Stainless steel bolts.



BJ/	Description	Pipe Size	Opening Thru Ball	Price
VSFMT204HSFP	2" FP Male Adapter x 2" MNPT	2"	2"	226.46
MVS300HSFP	3" FP Flange x 3" Flange	3"	3"	424.40
MVSF300HSFP	3" FP Flange x 3" Male Adapter	3"	3"	424.40
MVSMT300HSFP	3" FP MNPT x 3" FP Flange	3"	3"	424.40
VSFMT300HSFP	3" FP Male Adapter x 3" MNPT	3"	3"	424.40

EQUIPMENT
FLOW METERS
PRECISION
NOZZLES
VALVES
STRAINERS
FITTINGS
JACKS & HITCHES
PLANTER COMP.
PUMPS
TILLAGE
NH₃
TANKS



REPLACEMENT PARTS VSF200CF - VSMT200CF - MVS220FP - MVSF220FP - MVS220CF - MVSMT220FP				
ITEM	PART NO	DESCRIPTION	QTY	PRICE EA
3	V20021	Handle Washer	1	\$6.13
4	V20020	Handle Bolt	1	\$6.13
6	V20018	Lock Washer	4	\$1.26
7	V20019	3/8" 16 SS Hex Nut	4	\$1.37
8	V20010SS	Body Bolt	4	\$1.37
9	V20060*	Upper Stem Bushing	1	\$2.63
10	V20060*	Thrust Bearing	1	\$2.63
11	VS20151	Stem	1	\$12.05

REPLACEMENT PARTS VSF200CF-VSMT200CF				
ITEM	PART NO	DESCRIPTION	QTY	PRICE EA
1	VMT20254	2" Male NPT Body (VSMT200CF)	1	\$31.00
1	VF20254	2" Male Quick Connect Body (VSF200CF)	1	\$24.69
2	VS20152SH	2" Short Handle	1	\$11.99
5	VS20294	2" Stubby End Plate	1	\$21.24
12	VS20258A*	Seat	2	\$11.99
13	VS20255*	Ball	1	\$14.34
14	V21204*	Body Gasket	1	\$5.82
N/S	VS20200	Repair Kit (Items with asterisk* are included)	1	\$53.68



REPLACEMENT PARTS MVS220FP - MVSF220FP - MVS220CF - MVSMT220FP				
ITEM	PART NO	DESCRIPTION	QTY	PRICE EA
1	VFT25254	2" Full Port Female NPT Body (MVS200FP)	1	\$24.68
1	VF25254	2" Full Port Male Adapter Body (MVSF220FP)	1	\$23.53
1	MV25254	2" Full Port Manifold Body (MVS220CF & MVSMT220FP)	1	\$23.53
2	VS25153	2" Full Port Stubby Handle	1	\$17.78
5	VS25378	2" Stubby End Plate	1	\$24.68
5	VSMT25356	2" FP Stubby End Plate (MVSMT220FP)	1	\$24.68
12	VS25258AR1	Seat	2	\$7.42
13	VS25255	Ball	1	\$17.78
14	V25214V	FKM (viton type) Body Gasket	1	\$7.42

FEATURES

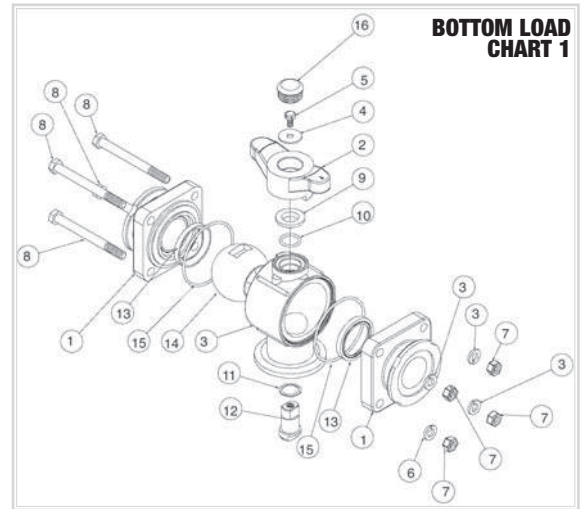
- Stainless Steel Bolts.
- Precision molded in polypropylene. Polypropylene is reinforced with fiberglass for additional strength.
- Self-aligning ball moves freely against the PTFE seats for smooth operation. The valve opens and closes with very little pressure on the handle.
- Ball is diamond turned, after molding, to make it spherically perfect, which provides precise contact between ball and seats.
- FKM (viton type) seals.
- PTFE self-lubricating stem bushings and seats cannot stick or bind.
- Maximum operating pressure 100 P.S.I.



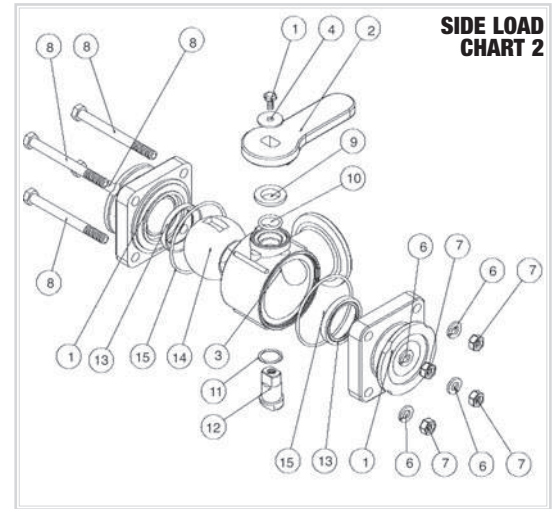
MV100BL



MV100SL



**BOTTOM LOAD
CHART 1**



**SIDE LOAD
CHART 2**

4 BOLT BOTTOM LOAD MANIFOLD VALVES

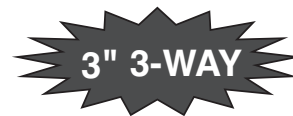
PART NO	FAST NO	DESCRIPTION	MAX PSI	FLANGE SIZE	OPENING THRU BALL	HANDLE TYPE	QTY	PRICE
MV100BL	530340	1" Manifold Flanged Valve	100	1"	1"	T	18/box	\$79.48
MV200BL	530341	2" Manifold Flanged Valve	100	2"	1½"	T	12/box	\$85.51
MV220BL	500034	2" FP Manifold Flanged Valve	100	2"	2"	Straight	8/box	\$135.38

BOTTOM LOAD: Directional flow right or left. Valve can be turned off to stop flow.

4 BOLT SIDE LOAD MANIFOLD VALVES

PART NO	DESCRIPTION	MAX PSI	FLANGE SIZE	OPENING THRU BALL	HANDLE TYPE	QTY	PRICE
MV100SL	1" Manifold Flanged Valve	100	1"	1"	T	18/box	\$79.48
MV200SL	2" Manifold Flanged Valve	100	2"	1½"	Straight	10/box	\$102.79
MV220SL	2" Full Port Manifold Flanged Valve	100	2"	2"	Straight	8/box	\$135.38
MVT220SL	2" Full Port Manifold Flanged Valve	100	2"	2"	T	8/box	\$132.73

SIDE LOAD: Directional flow right or left. Valve cannot be turned off.



REPLACEMENT PARTS MV300BL

ITEM	PART NO	DESCRIPTION	QTY	PRICE EA
1	MV35278	3" Manifold End Plate	2	\$66.56
2	V25353B	Straight Handle	1	\$17.78
3	MV35254BL	3" Full Port Manifold Body	1	\$75.74
4	V25121	Handle Washer	1	\$1.16
5	V25020	Handle Bolt	1	\$2.17
6	V20018	Lock Washer	6	\$1.26
7	V20019	⅜" 16 SS Hex Nut	6	\$1.37
8	V35018	Body Bolt	6	\$13.13
9	V25160	Upper Stem Bushing	1	\$5.82
10	V25163	FKM (viton type) Stem O-Ring	1	\$4.68
11	V25060	Thrust Bushing	1	\$2.63
12	V25151B	Stem	1	\$17.78
13	V35258A	Seat	2	\$26.84
14	V35255BL	Bottom Load Ball	1	\$21.24
15	V35264BL	Body O-Ring	2	\$14.27



MV300BL

6 BOLT BOTTOM LOAD MANIFOLD VALVES

PART NO	DESCRIPTION	MAX PSI	FLANGE SIZE	OPENING THRU BALL	HANDLE TYPE	QTY	PRICE
MV300BL	3" Full Port Manifold Flanged Valve	100	3"	3"	Straight	4/box	\$362.93

BOTTOM LOAD: Directional flow right or left. Valve can be turned off to stop flow.

EQUIPMENT
FLOW METERS
PRECISION
NOZZLES
VALVES
STRAINERS
FITTINGS
PLANTER COMP. JACKS & HITCHES
PUMPS
TILLAGE
NH₃
TANKS



*Exclusive Design for Easy Installation

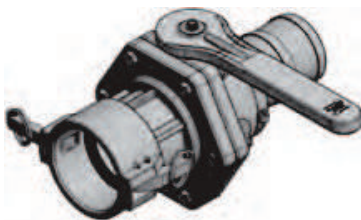


Flange Gasket

PART #	DESCRIPTION	PRICE ea.
FG100	1" Flange Gasket	\$1.73
FG200	1-1/2" Flange Gasket	\$1.85
FG220	2" Flange Gasket	\$1.88
FG300	3" Flange Gasket	\$2.70

VS Valve features:

- Compact Design
- Stainless Steel Bolts
- Precision molded in polypropylene
- Polypropylene is reinforced with fiberglass for additional strength.
- Self-aligning ball moves freely against the Teflon® seats for smooth operation
- The valve opens and closes with little pressure on the handle.
- Viton® "O" rings.
- Teflon®m self-lubricating stem bushings and seats cannot stick or bind



PART #	MAX. PSI	DESCRIPTION	PRICE ea.
VSHBD204FP	100	2" Hose Barb x 2" Female Coupler Full Port	\$96.95
VSHBD300FP	100	3" Hose Barb x 3" Female Coupler Full Port	\$230.75
MVSD220FP	100	2" Flange x 2" Female Coupler Full Port	\$96.95
MVSD300FP	100	3" Flange x 3" Female Coupler Full Port	\$230.75
VSFD204FP	100	2" Male Adapter x 2" Female Coupler Full Port	
VSFD300FP	100	3" Male Adapter x 3" Female Coupler Full Port	



2" x 3" Series

PART #	DESCRIPTION	PRICE ea.
300200F	2" Male Adapter x 3" Male NPT	\$9.39
300200A	2" Male Adapter x 3" Female NPT	\$9.39
300B200A	3" Female Coupler x 2" Male Adapter	\$33.06
300200D	3" Female Coupler x 2" Female NPT	\$33.06
SAF300B200A	3" Female Coupler x 2" Male Adapter	\$36.33
SAF300200D	3" Female Coupler x 2" Female NPT	\$36.33



Plug with Handle

PART #	DESCRIPTION	PRICE ea.
200PLH	2" Plug with Handle	\$17.10
300PLH	3" Plug with Handle	\$26.10



Metal Valve Handle

- Fits V125FP, V150, V200, V300, V300FP

PART #	DESCRIPTION	PRICE ea.
V25272	Valve Handle	\$30.50

2-Way Polypropylene Ball Valves

- Precision molded in glass reinforced polypropylene, for strength and chemical resistance.
- Teflon® seats for smooth operation and proper sealing characteristics.
- EPDM O-rings to handle most fertilizers and many chemicals. Viton available.
- Double O-rings in stem area for extra sealing protection.
- Visual handle stops for turning off and on.
- Interlocking body and end plate to allow easy thread connection when installing valves.
- Maximum operating pressure 100 P.S.I. at 70°F.
- Quality with Economy.



BJ/	FAST #	DESCRIPTION	OPENING PIPE SIZE	THRU BALL	PRICE
UV050FP	500036	1/2" Single Union Poly Valve	1/2"	3/4"	23.52
UV075FP	500043	3/4" Single Union Poly Valve	3/4"	3/4"	23.52
UV100FP	500009	1" Single Union Poly Valve	1"	1"	29.42
UV125FP		1-1/4" Single Union Poly Valve	1-1/4"	1-1/2"	50.48
UV150FP		1-1/2" Single Union Poly Valve	1-1/2"	1-1/2"	50.13
UV200FP		2" Single Union Poly Valve	2"	2"	63.66



Manifold Single Union Ball Valves

BJ/	DESCRIPTION	PIPE SIZE	OPENING THRU BALL	PRICE
MSUV100FP	1" Manifold Full Port Union Valve	1"	1"	29.42

Polypropylene Nozzle Valves

Lightweight hose end valve for convenient transfer of liquids into drums, tanks, etc. Angled end flange with 8" long polypropylene fill spout.



BJ/	DESCRIPTION	PIPE SIZE	OPENING THRU BALL	PRICE
VA150	Bolted Valve - Standard Port - Viton with 90° Elbow	1 1/2"x8"	1 1/2"	78.14
VA200/150	Bolted Valve - Standard Port - Viton With 90° Elbow	1 1/2"x8"	1 1/2"	78.14
VA200	Bolted Valve - Standard Port - Viton with 90° Elbow	2"x8"	1 1/2"	78.14
VA200FP	Bolted Valve - Full Port - Viton With 90° Elbow	2"x8"	2 1/16"	116.91

3-Way Polypropylene Ball Valves

BOTTOM LOAD - Directional flow either right or left. Valve can be turned off to stop flow.

BJ/	DESCRIPTION	PIPE SIZE	OPENING THRU BALL	PRICE
V075BL	3/4" 3-Way Bottom Load Poly Valve	3/4"	1"	66.13
V100BL	1" 3-Way Bottom Load Poly Valve (530396)	1"	1"	66.13
V125BL	1 1/4" 3-Way Bottom Load Poly Valve	1-1/4"	1-1/2"	102.79
V150BL	1 1/2" 3-Way Bottom Load Poly Valve	1-1/2"	1-1/2"	102.79
V200BL	2" 3-Way Bottom Load Poly Valve	2"	2"	130.49



SIDE LOAD - Directional flow either right or left. Valve cannot be turned off.

BJ/	DESCRIPTION	PIPE SIZE	OPENING THRU BALL	PRICE
V075SL	3/4" 3-Way Side Load Poly Valve	3/4"	1"	66.13
V100SL	1" 3-Way Side Load Poly Valve (500050)	1"	1"	66.13
V125SL	1 1/4" 3-Way Side Load Poly Valve	1-1/4"	1-1/2"	102.79
V150SL	1 1/2" 3-Way Side Load Poly Valve	1-1/2"	1-1/2"	102.79
V200SL	2" 3-Way Side Load Poly Valve	2"	2"	130.49



Bray Butterfly Valves

Bray's high strength valve has a 316 ST disc and 416 ST stem. The body is cast iron with replaceable EPDM seat. Handle includes notched plate.

NEW SPECIAL NET PRICING
on all
BRAY VALVES!

- 2" and 3" Actuators Available.
- Repair Kits Available for ALL Bray Valves
Call for PRICING and INFORMATION



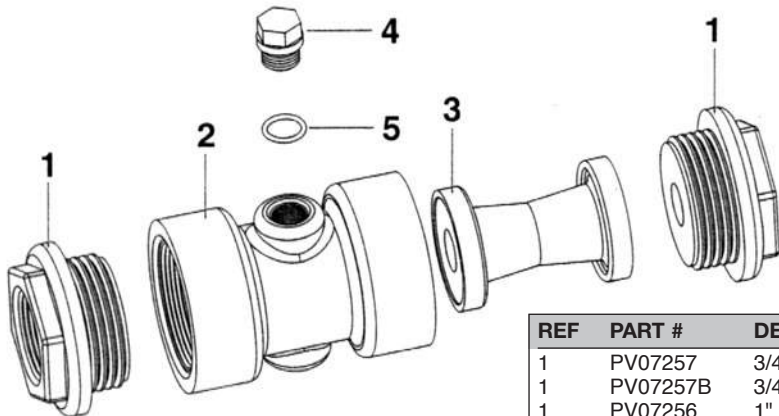
PART #	DESCRIPTION	SPECIAL NET PRICE
BF 20-1	1 IN. BRAY VALVE	\$ 120.00
BF 30-2	2 IN. BRAY VALVE	160.00
BF 30-3	3 IN. BRAY VALVE W/HANDLE	200.00
BF 30-4	4 IN. BRAY VALVE W/HANDLE	255.00
AA2	SLEEVE ADAPTER	20.00
930634-11300532	PNEUMATIC ACTUATOR - SPRING RETURN	455.00

Poly Air Actuated Shut-Off Valves

Maximum Pressure: 70 PSI.
Pressure Differential: 15-20 PSI



BJ/	DESCRIPTION	SIZE	PRICE
PV075	Poly Pinch Valve	3/4" FPT	101.82
PV075V	FKM (viton type) Pinch Valve	3/4" FPT	182.14
PV100	Poly Pinch Valve	1" FPT	101.82
PV100V	FKM (viton type) Pinch Valve	1" FPT	182.14
PV100-075	Poly Pinch Valve	1" x 3/4" FPT	101.82
PV100-075V	FKM (viton) Pinch Valve	1" x 3/4" FPT	182.14
PV100-075B	Poly Pinch Valve	1" FPT x 3/4" Female Coupler	131.26
PV100-075BV	FKM (viton) Pinch Valve	1" FPT x 3/4" Female Coupler	181.25



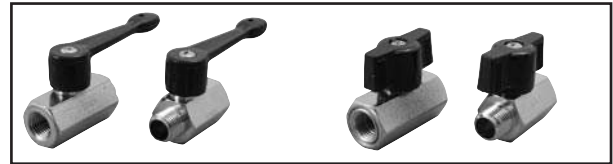
Poly Air Actuated Shut-Off Valve Replacement Parts

REF	PART #	DESCRIPTION	QTY	PRICE
1	PV07257	3/4" End Plate, FPT	2	18.94
1	PV07257B	3/4" End Plate, Female Coupler	1	41.69
1	PV07256	1" End Plate, FPT	2	18.94
2	PV10254	Valve Body	1	46.76
3	PV10265	EPDM Rubber Bladder Seal	1	23.25
3	PV10265V	FKM (viton type) Rubber Bladder Seal	1	71.60
4	12723	1/4" Drain Plug	1	2.47
5	12724	O-Ring for Drain Plug (EPDM)	1	1.13



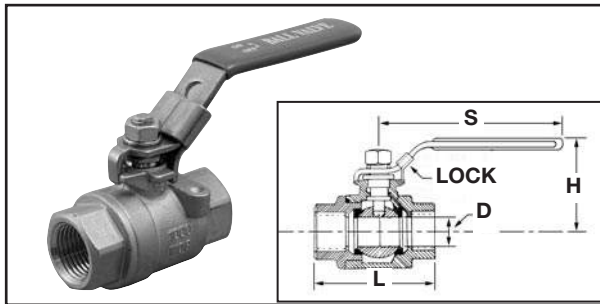
Cyclac body and ball with Buna N seals, making them suitable for outdoor use. All ports feature 3/4" Garden Hose thread. Valves are suitable for unidirectional flow only and are not recommended for commercial use.

Garden Hose Shut Off Valve		
Part	Size- Garden Hose Thread	Price
GHV-1 BLK	3/4 FGHT (in) x 3/4 MGHT	2.52
GHV-2 BLK	3/4 FGHT (in) x 3/4 MGHT x 3/4 MGHT	3.31
75 PSI Working Pressure		



- 200 PSI rating (CWP)
- -4° to 250° F Temp. rating
- Chromed brass body, ball & stem
- Teflon® seat and Viton® seals
- Nylon lever or butterfly handle

Mini Brass Ball Valves			
INLET/OUTLET INLET/OUTLET	LEVER HANDLE	T-HANDLE	LIST PRICE
1/8 FNPT x FNPT	S34AX0	S34AX1	\$ 18.80
1/8 FNPT x MNPT	S34AZ0	S34AZ1	18.80
1/4 FNPT x FNPT	S34BX0	S34BX1	\$ 16.44
1/4 FNPT x MNPT	S34BZ0	S34BZ1	16.44
3/8 FNPT x FNPT	S34CX0	S34CX1	\$ 16.44
3/8 FNPT x MNPT	S34CZ0	S34CZ1	16.44
1/2 FNPT x FNPT	S34DX0	S34DX1	\$ 20.40
1/2 FNPT x MNPT	S34DZ0	S34DZ1	20.40



2 Pc. Ball Valve - Full Port 316 Stainless Steel						
PART #	F.P.T.	D	L	S	H	PRICE
88-14	1/4"	0.456	2.126	4.094	1.969	\$ 37.25
88-38	3/8"	0.456	2.126	4.094	1.969	36.20
88-12	1/2"	0.59	2.52	4.094	2.047	39.55
88-34	3/4"	0.787	2.913	4.843	2.441	48.05
88-100	1"	0.984	3.425	6.063	2.953	106.45
88-114	1-1/4"	1.26	3.976	6.063	3.189	106.25
88-112	1-1/2"	1.496	4.331	7.441	3.543	144.40
88-200	2"	1.969	5.197	7.441	3.858	220.75
88-300	3"	2.992	7.362	9.606	5.827	625.45

- Investment Cast Body and Cap.
- 1000 PSI rating (W.O.G.).
- -60 to 450°F operating temp.
- Blow-out proof stem and ball are made of 316 Stainless Steel.
- Locking device on handle.
- Teflon® seals and seats for smooth operation and proper seating characteristics.
- Adjustable stem packing.

POLYPROPYLENE MICRO BALL VALVES

- 90° rotating handle.
- Precision molded polypropylene is reinforced with fiberglass for additional strength.
- Standard FKM (viton type) seats and O-rings.
- Maximum operating pressure 300 P.S.I.



POLY MICRO VALVES						
PART NO	DESCRIPTION	MAX PSI	THREAD SIZE	OPENING THRU BALL	QTY	PRICE EA
LV025V	1/4" Female NPT Micro Valve	300	1/4"	3/8"	1	\$27.77
LV038V	3/8" Female NPT Micro Valve	300	3/8"	3/8"	1	\$27.77
LV050V	1/2" Female NPT Micro Valve	300	1/2"	15/32"	1	\$27.77
LV050SLV	1/2" Side Load Micro Valve	300	1/2"	1/2"	1	\$37.77



POLY MICRO VALVES						
PART NO	DESCRIPTION	MAX PSI	THREAD SIZE	OPENING THRU BALL	QTY	PRICE EA
LV025MTV	1/4" Female x Male NPT Micro Valve	300	1/4"	3/8"	1	\$27.77
LV038MTV	3/8" Female x Male NPT Micro Valve	300	3/8"	3/8"	1	\$27.77
LV038050MTV	3/8" Female x 1/2" Male NPT Micro Valve	300	3/8"x1/2"	3/8"	1	\$27.77
LV050MTV	1/2" Female x Male NPT Micro Valve	300	1/2"	15/32"	1	\$27.77
LV050100MTV	1/2" Female x 1" Male NPT Micro Valve	300	1/2"	15/32"	1	\$31.77



POLY MICRO VALVES						
PART NO	DESCRIPTION	MAX PSI	THREAD SIZE	OPENING THRU BALL	QTY	PRICE EA
LVHB025V	1/4" Hose Barb Micro Valve	300	1/4"	3/8"	1	\$27.77
LVHB038V	3/8" Hose Barb Micro Valve	300	3/8"	3/8"	1	\$27.77
LVHB050V	1/2" Hose Barb Micro Valve	300	1/2"	3/8"	1	\$27.77
LVHB075V	3/4" Hose Barb Micro Valve	300	3/4"	15/32"	1	\$27.77



POLY MICRO VALVES						
PART NO	DESCRIPTION	MAX PSI	THREAD SIZE	OPENING THRU BALL	QTY	PRICE EA
LVHB038050MTV	3/8" Hose Barb x 1/2" Male NPT Micro Valve	300	1/2"	3/8"	1	\$27.77
LVHB075MTV	3/4" Hose Barb x 3/4" Male NPT Micro Valve	300	3/4"	1/2"	1	\$27.77
LVHB075100MTV	3/4" Hose Barb x 1" Male NPT Micro Valve	300	1"	15/32"	1	\$31.77



POLY MICRO VALVES						
PART NO	DESCRIPTION	MAX PSI	THREAD SIZE	OPENING THRU BALL	QTY	PRICE EA
LVPL025V	1/4" Female NPT Micro Valve	150	1/4"	3/8"	1	\$32.77
LVPL038V	3/8" Female NPT Micro Valve	150	3/8"	3/8"	1	\$32.77
LVPL050V	1/2" Female NPT Micro Valve	150	1/2"	15/32"	1	\$42.77



Poly "Y" Strainers (less screen)

Features



- Heavy-duty glass reinforced polypropylene
- Easy grip end cap
- 304 stainless steel screen (Sold separately) (polypropylene screens optional)
- EPDM gasket
- Heavy duty end cap threads
- 1/2" - 1-1/4" 75 PSI
- 1-1/2" - 2" 150 PSI
- Clean-out plug

Poly "T" Strainers (less screen)

Features



- Heavy-duty glass reinforced polypropylene
- Clean-out plug
- 304 stainless steel reinforced screens
- EPDM gaskets, Viton available
- 150 P.S.I. at 70°F

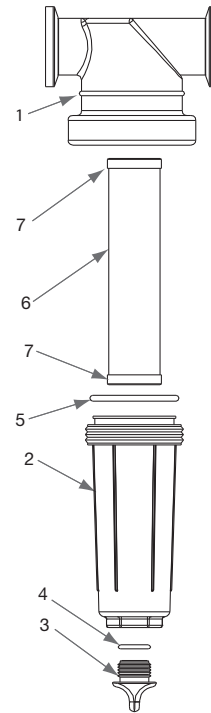
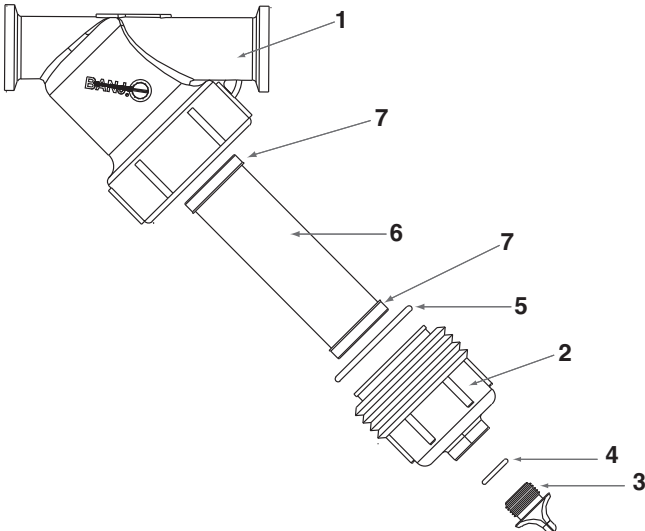
STRAINER MESH COLOR CODE CROSS-REFERENCE CHART

Mesh Size	Previous Color	New ISO Color
16	Gray	Brown Red
20	Beige	Beige*
24	White	White*
25/30	Yellow	Flame Red
50/60	Red	Gentian Blue
80	Blue	Zinc Yellow
100	Green	Traffic Green
120	Brown	Brown*
200	Orange	Light Pink

* Mesh Size not covered by ISO standard, color will not change

BJ/	Description	Price
LS050B/C1	1/2"x1/2" Strainer Body, Cap & Gasket	23.36
LS075B/C1	3/4"x3/4" Strainer Body, Cap & Gasket	23.36
LS100B/C1	1"x1" Strainer Body, Cap & Gasket	23.36
LS125B/C1	1 1/4"x1 1/4" Strainer Body, Cap & Gasket	23.36
LS150B/C	1 1/2"x1 1/2" Strainer Body, Cap & Gasket	52.38
LS200B/C	2"x2" Strainer Body, Cap & Gasket	52.38

BJ/	Description	Price
LST075-HB	3/4" Poly T Strainer Head & Bowl	29.66
LST100-HB	1" Poly T Strainer Head & Bowl	29.66
LST125-HB	1 1/4" Poly T Strainer Head & Bowl	65.01
LST150-HB	1 1/2" Poly T Strainer Head & Bowl	65.01



REPLACEMENT PARTS MLS200				
ITEM	PART NO	DESCRIPTION	QTY	PRICE EA
1	MLS200B	2" Y Strainer Body	1	\$51.06
N/S	MLS200BC	2" Y Strainer Assembly (Includes items 1-5)	1	\$61.22
2	LS150-C	2" Y Strainer Cap, Drain Plug & O-Ring	1	\$30.93
3	LSQ200-PL	2" Flanged Y Strainer Plug	1	\$4.00
4	LSQ200-R	2" Flanged Y Strainer O-Ring	1	\$1.26
5	LS150-G	2" EPDM Gasket	1	\$4.68
5	LS150-GV	2" FKM (viton type) Gasket	1	\$16.96
6	LS206	6 Mesh Screen	1	\$59.83
6	LS212	12 Mesh Screen	1	\$54.39
6	LS220	20 Mesh Screen	1	\$54.39
6	LS230	30 Mesh Screen	1	\$54.39
6	LS250	50 Mesh Screen	1	\$54.39
6	LS280	80 Mesh Screen	1	\$54.39
6	LS2100	100 Mesh Screen	1	\$54.39
6	LS2120	120 Mesh Screen	1	\$54.39
6	LS2150	150 Mesh Screen	1	\$59.83
7	LS141G	2" EPDM O-Ring for Screen	2	\$5.15

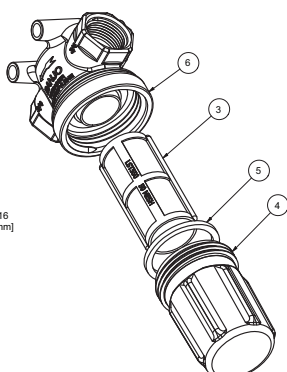
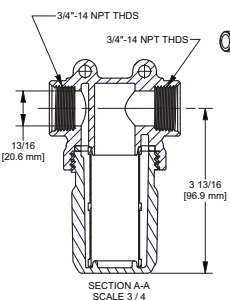
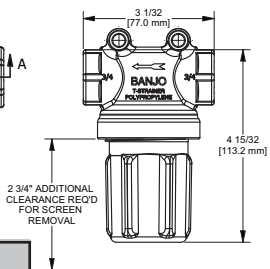
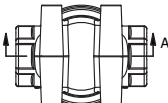
REPLACEMENT PARTS MLST100				
ITEM	PART NO	DESCRIPTION	QTY	PRICE EA
1	MLST100-H	1" Flanged T Strainer Head	1	\$18.94
N/S	MLST100-HB	1" Flanged T Strainer (Includes 1-5)	1	\$34.71
2	LST100-B	1" Flanged T Strainer Bowl, Drain Plug & O-Ring	1	\$17.78
3	12777	1/2" Plug	1	\$3.44
4	UV15163	1" Flanged T Strainer O-Ring	1	\$1.26
5	LST100-G	1" EPDM Gasket	1	\$4.68
5	LST100-GV	1" FKM (viton type) Gasket	1	\$9.71
6	LST116	16 Mesh Screen	1	\$26.38
6	LST130	30 Mesh Screen	1	\$26.38
6	LST150	50 Mesh Screen	1	\$23.98
6	LST180	80 Mesh Screen	1	\$23.98
6	LST1100	100 Mesh Screen	1	\$25.76
7	13778	O-Ring	2	\$2.36



STRAINER MESH COLOR CODE CROSS-REFERENCE CHART

Mesh Size	Previous Color	New ISO Color
16	Gray	Brown Red
20	Beige	Beige*
24	White	White*
25/30	Yellow	Flame Red
50/60	Red	Gentian Blue
80	Blue	Zinc Yellow
100	Green	Traffic Green
120	Brown	Brown*
200	Orange	Light Pink

* Mesh Size not covered by ISO standard, color will not change



1/2" MINI T-STRAINER W/CLEAR BOWL				
PART NO	DESCRIPTION	QTY	PRICE	
LSTM050-30C	1/2" x 1/2" Clear Bowl Strainer w/30 Mesh Screen	1	\$36.26	
LSTM050-50C	1/2" x 1/2" Clear Bowl Strainer w/50 Mesh Screen	1	\$36.26	
LSTM050-80C	1/2" x 1/2" Clear Bowl Strainer w/80 Mesh Screen	1	\$36.26	
LSTM050-100C	1/2" x 1/2" Clear Bowl Strainer w/100 Mesh Screen	1	\$36.26	

3/4" MINI T-STRAINER W/CLEAR BOWL				
PART NO	DESCRIPTION	QTY	PRICE	
LSTM075-30C	3/4" x 3/4" Clear Bowl Strainer w/30 Mesh Screen	1	\$36.26	
LSTM075-50C	3/4" x 3/4" Clear Bowl Strainer w/50 Mesh Screen	1	\$36.26	
LSTM075-80C	3/4" x 3/4" Clear Bowl Strainer w/80 Mesh Screen	1	\$36.26	
LSTM075-100C	3/4" x 3/4" Clear Bowl Strainer w/100 Mesh Screen	1	\$36.26	

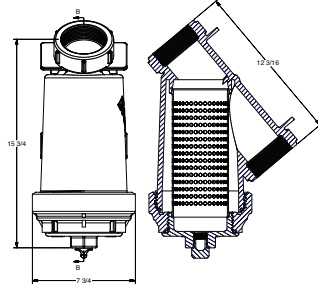
1/2" MINI T-STRAINER W/BLACK BOWL				
PART NO	DESCRIPTION	QTY	PRICE	
LSTM050-30	1/2" x 1/2" Black Bowl Strainer w/30 Mesh Screen	1	\$27.00	
LSTM050-50	1/2" x 1/2" Black Bowl Strainer w/50 Mesh Screen	1	\$27.00	
LSTM050-80	1/2" x 1/2" Black Bowl Strainer w/80 Mesh Screen	1	\$24.55	
LSTM050-100	1/2" x 1/2" Black Bowl Strainer w/100 Mesh Screen	1	\$24.55	

3/4" MINI T-STRAINER W/BLACK BOWL				
PART NO	DESCRIPTION	QTY	PRICE	
LSTM075-30	3/4" x 3/4" Black Bowl Strainer w/30 Mesh Screen	1	\$27.00	
LSTM075-50	3/4" x 3/4" Black Bowl Strainer w/50 Mesh Screen	1	\$27.00	
LSTM075-80	3/4" x 3/4" Black Bowl Strainer w/80 Mesh Screen	1	\$27.00	
LSTM075-100	3/4" x 3/4" Black Bowl Strainer w/100 Mesh Screen	1	\$24.55	

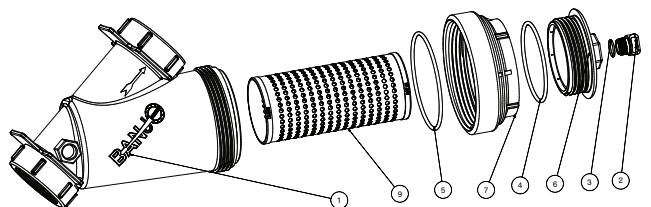
REPLACEMENT PARTS LSTM050-C & LSTM075-C				
ITEM	PART NO	DESCRIPTION	QTY	PRICE
1	LSTM050G	EPDM Gasket	1	\$4.68
1	UV10264V	FKM (viton type) O-Ring	1	\$10.84
2	LST530	30 Mesh Screen	1	\$21.23
2	LST550	50 Mesh Screen	1	\$21.23
2	LST580	80 Mesh Screen	1	\$21.23
2	LST5100	100 Mesh Screen	1	\$21.23
3	LSTM050H	1/2" Strainer Head	1	\$17.78
3	LSTM075H2	3/4" Strainer Head	1	\$17.78
4	LST050BB	Black Bowl	1	\$19.45
4	LST050BC	Clear Bowl	1	\$19.45

REPLACEMENT PARTS LSTM050 & LSTM075				
ITEM	PART NO	DESCRIPTION	QTY	PRICE
1	LSTM050G	EPDM Gasket	1	\$4.68
1	UV10264V	FKM (viton type) O-Ring	1	\$10.84
2	LST530	30 Mesh Screen	1	\$21.23
2	LST550	50 Mesh Screen	1	\$21.23
2	LST580	80 Mesh Screen	1	\$21.23
2	LST5100	100 Mesh Screen	1	\$21.23
3	LST050H	1/2" Strainer Head	1	\$15.49
3	LST075H2	3/4" Strainer Head	1	\$15.49
4	LST050B	Black Bowl	1	\$9.99

3" Poly "Y" Strainers



Parts List			
ITEM	QTY	PART NUMBER	DESCRIPTION
1	1	MLS300B1	3" LINE STRAINER BODY
2	1	13777	3/4" DRAIN PLUG
3	1	13778	2-119 O-RING
4	1	MLS300ECG	#352 O-RING
5	1	MLS300G	#361 O-RING
6	1	LS300EC	3" LINE STRAINER END CAP
7	1	MLS300CAP	3" LINE STRAINER CAP
8	1	LS200-D	DECAL (N/S)
9	1	LS350	LINE STRAINER SCREEN



Features

- Lightweight
- High volume
- Constructed of glass filled polypropylene
- Stainless steel "Y" handle clamp
- 1/2" drain plug in bottom of cap
- Reinforced stainless steel screen
- 50 P.S.I. max

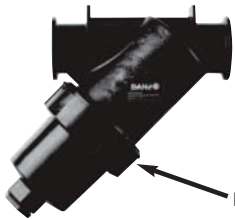
BJ/	Description	Price
LSM300-04	3"x3" Strainer - 4 mesh screen	672.38
LSM300-08	3"x3" Strainer - 8 mesh screen	672.38
LSM300-12	3"x3" Strainer - 12 mesh screen	611.29
LSM300-20	3"x3" Strainer - 20 mesh screen	611.29
LSM300-50	3"x3" Strainer - 50 mesh screen	611.29
MLS300-04	3" Manifold Y Strainer - 4 mesh screen	580.14
MLS300-08	3" Manifold Y Strainer - 8 mesh screen	638.14
MLS300-12	3" Manifold Y Strainer - 12 mesh screen	638.14
MLS300-20	3" Manifold Y Strainer - 20 mesh screen	580.14
MLS300-50	3" Manifold Y Strainer - 50 mesh screen	580.14

HOW TO ORDER SCREENS - EXAMPLE		
BJ/	Description	Price
LS30-*	Fits 3" Strainer (4, 8 and 12 Mesh)	180.13
LS30-*	Fits 3" Strainer (20, 30 and 50 Mesh)	163.74

*Add Mesh Size to Part#

EQUIPMENT
FLOW METERS
PRECISION
NOZZLES
VALVES
STRAINERS
FITTINGS
JACKS & HITCHES
PUMPS
TILLAGE
NH₃
TANKS

MANIFOLD 2" FULL PORT 'Y' STRAINERS

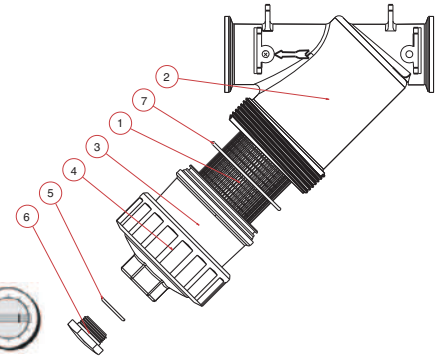


FEATURES

- EPDM Gaskets.
- 316 Stainless Steel Screens
- 150 P.S.I. maximum.

Easy off threaded strainer ring!

2" FULL PORT MANIFOLD Y LINE STRAINERS					
PART NO	DESCRIPTION	MAX PSI	QTY	PRICE EA	
MLS222-04	2" Full Port Manifold Y Strainer w/4 Mesh Screen	150	1	\$158.68	
MLS222-06	2" Full Port Manifold Y Strainer w/6 Mesh Screen	150	1	\$171.12	
MLS222-08	2" Full Port Manifold Y Strainer w/8 Mesh Screen	150	1	\$174.54	
MLS222-10	2" Full Port Manifold Y Strainer w/10 Mesh Screen	150	1	\$174.54	
MLS222-16	2" Full Port Manifold Y Strainer w/16 Mesh Screen	150	1	\$174.54	
MLS222-30	2" Full Port Manifold Y Strainer w/30 Mesh Screen	150	1	\$158.68	
MLS222-50	2" Full Port Manifold Y Strainer w/50 Mesh Screen	150	1	\$158.68	
MLS222-80	2" Full Port Manifold Y Strainer w/80 Mesh Screen	150	1	\$174.54	
MLS222-100	2" Full Port Manifold Y Strainer w/100 Mesh Screen	150	1	\$174.54	



REPLACEMENT PARTS MLS222					
ITEM	PART NO	DESCRIPTION	QTY	PRICE EA	
1	LST204SS	4 SS Mesh Screen	1	\$82.34	
1	LST206SS	6 SS Mesh Screen	1	\$82.34	
1	LST208SS	8 SS Mesh Screen	1	\$82.34	
1	LST210SS	10 SS Mesh Screen	1	\$82.34	
1	LST216SS	16 SS Mesh Screen	1	\$82.34	
1	LST230SS	30 SS Mesh Screen	1	\$74.85	
1	LST250SS	50 SS Mesh Screen	1	\$75.84	
1	MLS250SS	50 SS Mesh Perforated Screen	1	\$113.62	
1	LST280SS	80 SS Mesh Screen	1	\$82.34	
1	MLS280SS	80 SS Mesh Perforated Screen	1	\$113.62	
1	LST2100SS	100 SS Mesh Screen	1	\$82.34	
1	MLS2100SS	100 SS Mesh Perforated Screen	1	\$128.65	
2	MLS222B	2" Flanged Y Strainer Body	1	\$53.36	
3	MLS220C1	2" Flanged Y Strainer Cap	1	\$34.71	
4	MLS220R1	2" Flanged Y Strainer Ring	1	\$19.58	
5	LSQ200-R	2" Plug Gasket	1	\$1.26	
6	LSQ200-PL	2" Plug	1	\$4.00	
7	MLS220G1	2" Body Gasket	1	\$5.15	
2-7	MLS222BC	Strainer without Screen	1	\$94.68	

Flanged Strainers



BJ/	Description	Price
MLST100-HB	1" Flanged "T" Strainer	34.71
MLST150-HB	2" Flanged "T" Strainer	65.43

Screens Sold Separately. Use Poly "T" Strainer Replacement Screens on Previous Page.



BJ/	Description	Price
MLS200BC	2" Flanged "Y" Strainer	61.22

Screens Sold Separately. Use Poly "Y" Strainer Replacement Screens on Previous Page.

TEEJET LINE STRAINERS

TeeJet®



**AA126ML
Line
Strainers
(3/4" and 1")**

AA126ML Line Strainers - Specify Screen Mesh

Strainer Number TJ/	Pipe Con. NPT (F)	Head & Bowl Material	Price Strainer & Scrn.	* Screen Number TJ/	Mesh	Price Screen Only
AA126ML-3-16	3/4"	Polypropylene	40.26	CP16903-1-SSPP	16	16.18
AA126ML-3-20	3/4"	Polypropylene	40.26	CP16903-2-SSPP	20	16.18
AA126ML-3-30	3/4"	Polypropylene	40.26	CP16903-3-SSPP	30	16.18
AA126ML-3-50	3/4"	Polypropylene	40.26	CP16903-4-SSPP	50	16.18
AA126ML-3-80	3/4"	Polypropylene	40.26	CP16903-5-SSPP	80	16.18
AA126ML-3-100	3/4"	Polypropylene	40.26	CP16903-6-SSPP	100	16.18
AA126ML-3-200	3/4"	Polypropylene	40.26	CP16903-7-SSPP	200	16.18
AA126ML-4-16	1"	Polypropylene	40.26	CP16903-1-SSPP	16	16.18
AA126ML-4-20	1"	Polypropylene	40.26	CP16903-2-SSPP	20	16.18
AA126ML-4-30	1"	Polypropylene	40.26	CP16903-3-SSPP	30	16.18
AA126ML-4-50	1"	Polypropylene	40.26	CP16903-4-SSPP	50	16.18
AA126ML-4-80	1"	Polypropylene	40.26	CP16903-5-SSPP	80	16.18
AA126ML-4-100	1"	Polypropylene	40.26	CP16903-6-SSPP	100	16.18
AA126ML-4-200	1"	Polypropylene	40.26	CP16903-7-SSPP	200	16.18

122 / 124 / 126 Strainer Replacement Gaskets

TJ/	Description	Price	TJ/	Description	Price
CP7717-2/226-BU	Buna Gasket 3/4" & 1"	7.09	CP12291-BU	Buna Gasket 1 1/4" & 1 1/2"	5.97
CP7717-2/226-EPR	EPDM Gasket 3/4" & 1"	6.83	CP12291-VI	Viton Gasket 1 1/4" & 1 1/2"	18.62
CP7717-2/226-VI	Viton Gasket 3/4" & 1"	14.58	CP23173-EPR	122A EPDM Gasket	5.74
			CP23173-VI	122A Viton Gasket	11.03

ADAPTER-A
Female x Male



SF/	Size	Price
A075 SSI	3/4"	Call
A100 SSI	1"	Call
A125 SSI	1 1/4"	Call
A150 SSI	1 1/2"	Call
A200 SSI	2"	Call
A250 SSI	2 1/2"	Call
A300 SSI	3"	Call
A400 SSI	4"	Call

COUPLER-B
Male x Female



SF/	Size	Price
B075 SSI	3/4"	Call
B100 SSI	1"	Call
B125 SSI	1 1/4"	Call
B150 SSI	1 1/2"	Call
B200 SSI	2"	Call
B250 SSI	2 1/2"	Call
B300 SSI	3"	Call
B400 SSI	4"	Call

COUPLER-C
Hose Shank x Female



SF/	Size	Price
C075 SSI	3/4"	Call
C100 SSI	1"	Call
C125 SSI	1 1/4"	Call
C150 SSI	1 1/2"	Call
C200 SSI	2"	Call
C250 SSI	2 1/2"	Call
C300 SSI	3"	Call
C400 SSI	4"	Call

COUPLER-D
Female x Female



SF/	Size	Price
D075 SSI	3/4"	Call
D100 SSI	1"	Call
D125 SSI	1 1/4"	Call
D150 SSI	1 1/2"	Call
D200 SSI	2"	Call
D250 SSI	2 1/2"	Call
D300 SSI	3"	Call
D400 SSI	4"	Call

ADAPTER-E
Hose Shank x Male



SF/	Size	Price
E075 SSI	3/4"	Call
E100 SSI	1"	Call
E125 SSI	1 1/4"	Call
E150 SSI	1 1/2"	Call
E200 SSI	2"	Call
E250 SSI	2 1/2"	Call
E300 SSI	3"	Call
E400 SSI	4"	Call

ADAPTER-F
Male x Male



SF/	Size	Price
F075 SSI	3/4"	Call
F100 SSI	1"	Call
F125 SSI	1 1/4"	Call
F150 SSI	1 1/2"	Call
F200 SSI	2"	Call
F250 SSI	2 1/2"	Call
F300 SSI	3"	Call
F400 SSI	4"	Call

DUST-DC
Female Cap



SF/	Size	Price
DC075 SSI	3/4"	Call
DC100 SSI	1"	Call
DC125 SSI	1 1/4"	Call
DC150 SSI	1 1/2"	Call
DC200 SSI	2"	Call
DC250 SSI	2 1/2"	Call
DC300 SSI	3"	Call
DC400 SSI	4"	Call

DUST-DP
Male Plug



SF/	Size	Price
DP075 SSI	3/4"	Call
DP100 SSI	1"	Call
DP125 SSI	1 1/4"	Call
DP150 SSI	1 1/2"	Call
DP200 SSI	2"	Call
DP250 SSI	2 1/2"	Call
DP300 SSI	3"	Call
DP400 SSI	4"	Call

ALUMINUM COUPLERS



Female x Male
Reducing Coupler

Part #	Description	Price
SFDA4030AL	Coupler Adapter. 4" F x 3" M	\$52.75
SFDA3020AL	Coupler Adapter. 3" F x 2" M	\$25.50



Female Coupler x
Hose Barb Elbow

Part #	Description	Price
SFC300AL90	90° Female Coupler x Hose Barb 3"	\$48.08



Female x Male
45° Adapter

Part #	Description	Price
SFDA400AL45	45° Adapter. 4"	\$38.75
SFDA300AL45	45° Adapter. 3"	\$27.50



Coupler Gasket,
Viton

Part #	Description	Price
SF400VI	Viton Gasket. 4"	\$17.50
SF300VI	Viton Gasket. 3"	\$11.52

EQUIPMENT
FLOW METERS
PRECISION
NOZZLES
VALVES
STRAINERS
FITTINGS
JACKS & HITCHES
PUMPS
TILLAGE
NH₃
TANKS



Adapter x Female NPT

BJ/	Size	Price
75A1/2	1/2"	7.26
75A3/4	3/4"	6.06
100A (530321)	1"	6.06
125A	1-1/4"	6.06
150A	1-1/2"	6.87
200A	2"	8.11
300A (530021)	3"	19.59
400A	4"	35.86



Adapter x Hose Shank

BJ/	Size	Price
050E	1/2"	6.55
075E	3/4"	6.55
100E (530269)	1"	7.27
125E	1-1/4"	7.27
150E (530261)	1-1/2"	7.29
200E	2"	9.57
300E	3"	25.10
400E	4"	35.86



BJ/	Size	Price
075CAP*	1/2" or 3/4"	13.85
100125CAP* (530319)	1" or 1-1/4"	15.28
150CAP	1-1/2"	18.66
200CAP (530017)	2"	22.72
300CAP (530023)	3"	38.17
400CAP	4"	55.16

* NOTE: 1/2" couplings interchange with 3/4", and 1" couplings interchange with 1-1/4"



Coupler x Male NPT

BJ/	Size	Price
75B1/2	1/2"	16.62
75B3/4	3/4"	13.85
100B	1"	15.91
125B	1-1/4"	15.91
150B	1-1/2"	18.66
200B (530015)	2"	22.72
201B	2"	22.72
300B (530022)	3"	38.17
303B	3", 3 Levers	48.96
400B	4"	90.76



Adapter x Male NPT

BJ/	Size	Price
050F	1/2"	6.55
075F	3/4"	6.55
100F (530407)	1"	7.27
125F	1-1/4"	7.27
150F	1-1/2"	7.29
200F (530018)	2"	9.57
300F	3"	25.10
400F	4"	35.86



3" w/3 Arms Coupler

BJ/	Description	Price
303B200A (530357)	3" Female Coupler x 2" Male Adapter	68.18



Spool Adapters

BJ/	Description	Price
300F200F	3" Male Adapter x 2" Male Adapter	59.99
300FF	3" Male Adapter x 3" Male Adapter	59.99



Coupler x Hose Shank

BJ/	Size	Price
050C	1/2"	13.85
075C	3/4"	13.85
100C (530268)	1"	15.91
125C	1-1/4"	15.91
150C (530252)	1-1/2"	18.66
200C (530270)	2"	22.72
300C	3"	38.17
303C	3", 3 Levers	48.96
400C	4"	75.64



90° Fittings

BJ/	Size	Price
150A90	1-1/2", 90°	13.02
200A90	2", 90°	14.85
200B90	2", 90°	33.26
150C90	1-1/2", 90°	26.82
200C90 (530016)	2", 90°	27.70
150D90	1-1/2", 90°	26.82
200D90	2", 90°	27.70
150F90	1-1/2", 90°	15.60
200F90	2", 90°	13.94



Flange x Female QDC Adapters

BJ/	Description	Price
M220D	2" FP Flange x 2" Fem Coupler (530323)	26.03
M303D	3" Flange x 3" Fem Coupler w/3 Arms	49.94



Coupler x Female NPT

BJ/	Size	Price
050D	1/2"	13.85
075D	3/4"	13.85
100D	1"	15.91
125D (530320)	1-1/4"	15.91
150D	1-1/2"	16.47
200D	2"	22.72
300D (530379)	3"	38.17
400D	4"	75.64



DP Dust Plug

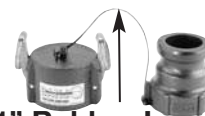
BJ/	Size	Price
75PL*	1/2" or 3/4"	5.78
100125PL* (530272)	1" or 1-1/4"	6.06
150PL	1-1/2"	8.44
200PL (530020)	2"	9.50
300PL (530380)	3"	19.90
400PL	4"	28.18

* NOTE: 1/2" couplings interchange with 3/4", and 1" couplings interchange with 1-1/4"



Flange x Male QDC Adapters

BJ/	Description	Price
M100A	1" Flange x 1" Male Coupler	7.71
M200A	2" Flange x 2" Male Coupler	10.30
M220A	2" FP Flange x 2" Male Coupler (530271)	11.35
M300A	3" FP Flange x 3" Male Coupler (530233)	21.97



11" Rubber Lanyard

BJ/	Description	Price
V20207	11" Polyurethane Rubber Lanyard	3.16
530179	12" Cable Lanyard	4.87

WARNING:

Couplings should not be operated under pressure or with liquid in the line.



**Direct replacement for
standard 90° flanged couplings.**

BJ/	Fast #	Description	Price
SWEEPS			
M100BRBSWP90		1" Flange x Hose Shank Sweep	\$17.71
M100SWP90	530424	1" Flange x Flange Sweep	\$16.28
M100125BRBSWP90	590289	1" Flange x 1 1/4" Hose Shank Sweep	\$20.01
M200SWP90	530393	2" Flange x Flange Sweep	\$18.50
M220ASWP90		2" FP Flange x Male Adapter Sweep	\$17.09
M220BRBSWP90	530334	2" Full Port Flange x Hose Shank Sweep	\$40.30
M220MPTSWP90		2" Full Port Flange x Male NPT Thread Sweep	\$18.78
M220SWP90	530386	2" Full Port Flange x Flange Sweep	\$17.09
M220SWP90SS		2" Full Port Flange x Flange Sweep - SS	\$130.58
M220200SWP90	530388	2" Full Port Flange x 2" Flange Sweep	\$19.97
M300ASWP90		3" Flange x Male Adapter Sweep	\$86.20
M300BRBSWP90		3" Flange x Hose Shank Sweep	\$78.37
M300MPTSWP90		3" Flange x Male NPT Thread Sweep	\$86.20
M300SWP90		3" Flange x Flange Sweep	\$78.37
SWEEPS w/Gauge Port			
M100SWPG90		1" Flange x Flange Sweep w/1/4" gauge port	\$20.26
M100BRBSWPG90		1" Flange x Hose Shank Sweep w/1/4" gauge port	\$18.42
M100125BRBSWPG90		1" FP Flange x 1 1/4" Hose Shank Sweep w/1/4" gauge port	\$19.53
M300ASWPG90		3" Flange x Male Adptr Sweep w/1/4" gauge port	\$76.83
M300MPTSWPG90		3" Flange x MNPT Thrd Sweep w/1/4" gauge port	\$76.83
M300SWPG90		3" Flange x Flange Sweep w/1/4" gauge port	\$86.20



Part #	Description
SWEEPS - Hose Barb x MNPT	
HB075SW90	3/4" Male NPT x 3/4" Hose Barb - 90 Degree Sweep Elbow
HB100SW9	1" Male NPT x 1" Hose Barb - 90 Degree Sweep Elbow
HB125SW90	1-1/4" Male NPT x 1-1/4" Hose Barb - 90 Degree Sweep Elbow
HB150SW90	1-1/2" Male NPT x 1-1/2" Hose Barb - 90 Degree Sweep Elbow
HB200SW90	2" Male NPT x 2" Hose Barb - 90 Degree Sweep Elbow
HB300SW90	3" Male NPT x 3" Hose Barb - 90 Degree Sweep Elbow
SWEEPS - Male Adapter x MNPT	
200FSWP90	2" Male Adapter x 2" Male NPT 90 Degree Sweep Elbow
300FSWP90	3" Male Adapter x 3" Male NPT 90 Degree Sweep Elbow

Manifold Fittings

SOCKET WELD MANIFOLD FITTINGS

PART NO	DESCRIPTION	MAX. PSI	QTY	PRICE EA
M100SWFSS	1" Flange x 1" Socket Weld Fitting	300	1	\$33.75
M104SWFSS	1" Flange x 1" Socket Weld Fitting x 4"	300	1	\$139.06
M200SWFSS	2" Flange x 2" Socket Weld Fitting	300	1	\$92.85
M220SWFSS	2" FP Flange x 2" Socket Weld Fitting	300	1	\$90.11
M220375SWFSS	2" FP Flange x 2" Socket Weld Fitting x 3/4"	300	1	\$157.27
M300SWFSS	3" Flange x 3" Socket Weld Fitting	300	1	\$151.54
M300375SWFSS	3" Flange x 3" Socket Weld Fitting x 3/4"	300	1	\$258.24

90° FLANGED COUPLINGS

PART NO	FAST NO	DESCRIPTION	QTY	PRICE EA
M100CPG90	530362	1" x 1" 90° Flange	10/bag	\$8.85
M200CPG90	530088	2" x 2" 90° Flange	1	\$14.80
M200CPG90SH	530089	2" x 2" 90° Short Flange	1	\$14.80
M220CPG90	530106	2" x 2" 90° Full Port Flange	1	\$13.46
M300CPG90	530333	3" x 3" 90° Full Port Flange	1	\$63.93

FLANGE x FEMALE NPT THREAD

PART NO	FAST NO	DESCRIPTION	QTY	PRICE EA
M100050FPT	530265	1" Flange x 1/2" Pipe Thread	10/bag	\$2.97
M100075FPT	530414	1" Flange x 3/4" Pipe Thread	10/bag	\$2.97
M100FPT	530406	1" Flange x 1" Pipe Thread	10/bag	\$5.59
M200FPT	530091	2" Flange x 2" Pipe Thread	10/bag	\$16.24
M220FPT	530243	2" FP Flange x 2" Pipe Thread	10/bag	\$26.16
M300FPT	530348	3" Flange x 3" Pipe Thread	1	\$42.15

MANIFOLD SWIVEL

PART NO	DESCRIPTION	MAX PSI	QTY	PRICE EA
MSW220	2" Full Port Manifold Flange Swivel	75	1	\$47.43

45° Y FLANGED COUPLINGS

PART NO	DESCRIPTION	QTY	PRICE EA
M220Y45	2" Full Port 45° Y Flange	1	\$75.75
M200YG45	2" 45° Y Flange w/ 3/4" gauge port	1	\$78.04
M220YG45	2" Full Port 45° Y Flange w/ 3/4" gauge port	1	\$90.35
M300Y45	3" Full Port 45° Y Flange	1	\$151.78
M300YG45	3" Full Port 45° Y Flange w/ 3/4" gauge port	1	\$158.61

FLANGE PLUGS (SOLID & W/GAUGE PORT)

PART NO	FAST NO	DESCRIPTION	QTY	PRICE EA
M100PLG	530070	1" Flange Plug	10/bag	\$2.97
M200PLG	530093	2" Flange Plug	10/bag	\$5.60
M220PLG	530109	2" Full Port Flange Plug	10/bag	\$7.10
M300PLG		3" Flange Plug	10/bag	\$18.95
M100PLG025	530253	1" Flange Plug with 1/4" FPT	10/bag	\$12.80
M100PLG050		1" Flange Plug with 1/2" FPT	10/bag	\$14.08
M200PLG018		2" Flange Plug with 1/8" FPT	10/bag	\$15.04
M200PLG025	530094	2" Flange Plug with 1/4" FPT	10/bag	\$16.96
M200PLG038	530095	2" Flange Plug with 3/8" FPT	10/bag	\$18.53
M200PLG050		2" Flange Plug with 1/2" FPT	10/bag	\$16.96
M200PLG075	530096	2" Flange Plug with 3/4" FPT	1	\$16.96
M200PLG100		2" Flange Plug with 1" FPT	10/bag	\$16.96
M220PLG038		2" FP Flange Plug with 3/8" FPT	10/bag	\$28.42
M220PLG075		2" FP Flange Plug with 3/4" FPT	10/bag	\$25.84
M300PLG075		3" Flange Plug with 3/4" FPT	10/bag	\$30.66
M300PLG100	530083	3" Flange Plug with 1" FPT	1	\$31.61

FLANGED REDUCER COUPLINGS

PART NO	FAST NO	DESCRIPTION	QTY	PRICE EA
M200100CPG	530074	2" Port x 1" Reducer Flange	10/bag	\$17.22
M220100CPG		2" Full Port x 1" Reducer Flange	10/bag	\$18.95
M220200CPG	530102	2" Full Port x 2" Reducer Flange	10/bag	\$18.95
M300200CPG	530242	3" x 2" Port Reducer Flange	1	\$44.22
M300220CPG	530316	3" x 2" Full Port Reducer Flange	1	\$40.19

FLANGED POLY CHECK VALVES

PART NO	FAST NO	DESCRIPTION	MAX PSI	FLOW	QTY	PRICE EA
MCV100		1" Flanged Poly Check Valve	150	1"	1	\$22.72
MCV200	500002	2" Flanged Poly Check Valve	150	1 1/2"	1	\$29.39
MCV221		2" Full Port Flanged Poly Check Valve	150	2"	1	\$38.66
MCV300		3" Flanged Poly Check Valve	150	3"	1	\$58.85

FLANGED TEE

PART NO	FAST NO	DESCRIPTION	QTY	PRICE EA
M100TEE	530298	1" Flanged Tee	10/bag	\$8.14
M101TEE		1" Flanged Tee - Long	10/bag	\$8.14
M200100TEE	530075	2" x 1" Flanged Tee	1	\$16.41
M200TEE	530097	2" Flanged Tee	1	\$15.57
M200100TEEB		2" x 1" Flanged Tee w/Mtg Brkt	1	\$21.82
M220100TEE	530099	2" Full Port x 1" Flanged Tee	1	\$17.33
M220200TEE		2" Full Port x 2" Flanged Tee	1	\$26.82
M220TEE	530110	2" Full Port Flanged Tee	1	\$15.37
M300TEE	530115	3" Flanged Tee	1	\$73.40

FLANGE x PVC GLUE SOCKET FITTING

PART NO	DESCRIPTION	QTY	PRICE EA
M101GSA	1" Manifold Flange x 1" PVC Glue Socket Fitting	1	\$9.91
M221GSA	2" Manifold Full Port Flange x 2" PVC Glue Socket Fitting	1	\$17.17
M301GSA	3" Manifold Full Port Flange x 3" PVC Glue Socket Fitting	1	\$26.95

FLANGE x FEMALE QDC

PART NO	DESCRIPTION	QTY	PRICE EA
M220D / 530233	2" Full Port Flange x 2" Female Coupler	1	\$26.03
M303D	3" Full Port Flange x 3" Female Coupler w/3 Arms	1	\$49.94

FLANGE x MALE QDC

PART NO	DESCRIPTION	QTY	PRICE EA
M100A	1" Flange x 1" Male Adapter	10/bag	\$7.71
M200A	2" Flange x 2" Male Adapter	10/bag	\$10.30
M220A / 530271	2" Full Port Flange x 2" Male Adapter	10/bag	\$11.35
M300A / 530233	3" Full Port Flange x 3" Male Adapter	1	\$21.97

FLANGED COUPLINGS

PART NO	FAST NO	DESCRIPTION	QTY	PRICE EA
M100CPG	530435	1" x 1" Flange x 2 1/4" Long	10/bag	\$6.34
M200CPG	530094	2" x 2" Flange x 4 1/2" Long	10/bag	\$15.17
M220CPG	530244	2" x 2" Full Port Flange x 2 31/32"	10/bag	\$17.04
M220CPG6		2" x 2" Full Port Flange x 6" Long	1	\$23.96
M300CPG		3" x 3" Full Port Flange x 4" Long	1	\$20.09
M300CPG7		3" x 3" Full Port Flange x 7" Long	1	\$23.68
M300CPG12		3" x 3" Full Port Flange x 12" Long	1	\$122.82

FLANGE x NPT THREAD

PART NO	FAST NO	DESCRIPTION	QTY	PRICE EA
M100075MPT	530062	1" Flange x 3/4" Male Thread	10/bag	\$2.97
M100MPT	530069	1" Flange x 1" Male Thread	10/bag	\$2.97
M100125MPT	530410	1" Flange x 1 1/4" Male Thread	10/bag	\$2.97
M200125MPT	530078	2" Flange x 1 1/4" Male Thread	10/bag	\$5.60
M200150MPT	530081	2" Flange x 1 1/2" Male Thread	10/bag	\$5.60
M200MPT	530092	2" Flange x 2" Male Thread	10/bag	\$5.60
M220MPT	530108	2" FP Flange x 2" Male Thread	10/bag	\$5.60
M300MPT	530385	3" Flange x 3" Male Thread	1	\$15.57

FLANGE x HOSE BARB

PART NO	FAST NO	DESCRIPTION	QTY	PRICE EA
M100075BRB	530355	1" Flange x 3/4" Hose Barb	10/bag	\$2.58
M100BRB	530066	1" Flange x 1" Hose Barb	10/bag	\$2.58
M100125BRB	530064	1" Flange x 1 1/4" Hose Barb	10/bag	\$2.58
M200100BRB	530072	2" Flange x 1" Hose Barb	10/bag	\$6.34
M200125BRB	530076	2" Flange x 1 1/4" Hose Barb	10/bag	\$6.56
M200150BRB	530079	2" Flange x 1 1/2" Hose Barb	10/bag	\$5.77
M200BRB	530082	2" Flange x 2" Hose Barb	10/bag	\$6.34
M220100BRB		2" FP Flange x 1" Hose Barb	10/bag	\$6.93
M220125BRB	530360	2" FP Flange x 1 1/4" Hose Barb	10/bag	\$6.34
M220150BRB	530100	2" FP Flange x 1 1/2" Hose Barb	10/bag	\$6.34
M220250BRB		2" FP Flange x 2 1/2" Hose Barb	1	\$8.72
M220BRB	530103	2" FP Flange x 2" Hose Barb	10/bag	\$5.77
M300220BRB	530111	3" Flange x 2" Hose Barb	1	\$19.49
M300BRB	530113	3" Flange x 3" Hose Barb	1	\$19.62

45° FLANGED COUPLINGS

PART NO	FAST NO	DESCRIPTION	QTY	PRICE EA
M100CPG45	530324	1" x 1" 45° Flange	10/bag	\$13.15
M200CPG45	530087	2" x 2" 45° Flange	10/bag	\$15.51
M220CPG45	530105	2" x 2" 45° Full Port Flange	10/bag	\$18.70
M300CPG45	530243	3" x 3" 45° Full Port Flange	1	\$76.48

FLANGE x MALE BSP (BRITISH STANDARD PIPE)

PART NO	DESCRIPTION	QTY	PRICE EA
M100BSP	1" Manifold Flange x 1" Male BSP	10/bag	\$7.38
M200BSP	2" Manifold Flange x 2" Male BSP	10/bag	\$7.50
M220BSP	2" Full Port Manifold Flange x 2" Male BSP	10/bag	\$7.65
M300BSP	3" Full Port Manifold Flange x 3" Male BSP	1	\$17.13

U BOLTS-SS

PART NO	DESCRIPTION	QTY	PRICE EA
UB100	100 Series Mounting U Bolt	1	\$28.39
UB202	200 Series Mounting U Bolt	1	\$28.40
UB220	220 Series Mounting U Bolt	1	\$29.98

EQUIPMENT
FLOW METERS
PRECISION
NOZZLES
VALVES
STRAINERS
FITTINGS
JACKS & HITCHES
PAINTER COMP.
PUMPS
TILLAGE
NH3
TANKS

EQUIPMENT
FLOW METERS
PRECISION
NOZZLES
VALVES
STRAINERS
FITTINGS
JACKS & HITCHES
PLANTER COMP.
PUMPS
TILLAGE
NH₃
TANKS



FLANGE x 90° HOSE BARB ELBOW				
PART NO	FAST NO	DESCRIPTION	QTY	PRICE EA
M100075BRB90	530060	1" Flange x 3/4" 90° Hose Barb Elbow	10/bag	\$3.12
M100BRB90	530067	1" Flange x 1" 90° Hose Barb Elbow	10/bag	\$3.12
M100125BRB90	530065	1" Flange x 1 1/4" 90° Hose Barb Elbow	10/bag	\$3.12
M100150BRB90		1" Flange x 1 1/2" 90° Hose Barb Elbow	10/bag	\$21.20
M200100BRB90	530073	2" Flange x 1" 90° Hose Barb Elbow	10/bag	\$11.73
M200125BRB90	530077	2" Flange x 1 1/4" 90° Hose Barb Elbow	10/bag	\$11.73
M200150BRB90	530080	2" Flange x 1 1/2" 90° Hose Barb Elbow	10/bag	\$10.67
M200BRB90	530083	2" Flange x 2" 90° Hose Barb Elbow	1	\$11.73
M220150BRB90	530101	2" FP Flange x 1 1/2" 90° Hose Barb Elbow	1	\$11.73
M220BRB90	530104	2" FP Flange x 2" 90° Hose Barb Elbow	1	\$11.73
M300220BRB90	530112	3" Flange x 2" 90° Hose Barb Elbow	1	\$19.37
M300BRB90	530114	3" Flange x 3" 90° Hose Barb Elbow	1	\$47.12



FLANGE x 45° HOSE BARB ELBOW				
PART NO	FAST NO	DESCRIPTION	QTY	PRICE EA
M100BRB45	530426	1" Flange x 1" 45° Hose Barb Elbow	10/bag	\$17.35
M200BRB45	530346	2" Flange x 2" 45° Hose Barb Elbow	1	\$24.51
M220BRB45	530354	2" FP Flange x 2" 45° Hose Barb Elbow	1	\$23.62
M300BRB45		3" Flange x 3" 45° Hose Barb Elbow	1	\$82.37



FLANGE x 45° HOSE BARB ELBOW				
PART NO	FAST NO	DESCRIPTION	QTY	PRICE EA
M200150BRB45	530423	2" Flange x 1 1/2" 45° Hose Barb Elbow	10/bag	\$20.88



FLANGE x HOSE BARB TEE				
PART NO	FAST NO	DESCRIPTION	QTY	PRICE EA
M100100HBT	530431	1" Flange x 1" Hose Barb Tee	10/bag	\$10.12
M100125HBT		1" Flange x 1 1/4" Hose Barb Tee	1	\$12.45
M220200HBT		2" Full Port Flange x 2" Hose Barb Tee	1	\$18.76
M300300HBT		3" Flange x 3" Hose Barb Tee	1	\$40.88



FLANGED CROSS				
PART NO	PART NO	DESCRIPTION	QTY	PRICE EA
M100CR	530413	1" Flanged Cross	10/bag	\$23.68
M200CR	530090	2" Flanged Cross	1	\$38.93
M220CR	530107	2" Full Port Flanged Cross	1	\$42.82
M300CR	530297	3" Flanged Cross	1	\$86.13



Bolted
Teflon
coated
SS nut

For Heavy
duty use!



BOLTED FLANGE CLAMPS				
PART NO	DESCRIPTION	TORQUE	QTY	PRICE EA
FC220B	2" Full Port Bolted Flange Clamp	150 in/lbs	1	\$54.90
FC300B	3" Bolted Flange Clamp	150 in/lbs	1	\$61.87



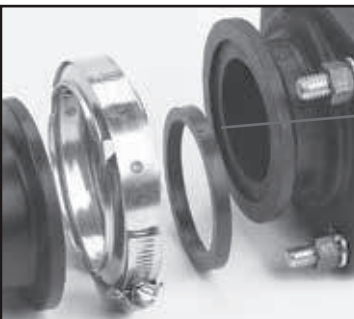
T-Bolt



T-BOLT FLANGE CLAMPS				
PART NO	DESCRIPTION	TORQUE	QTY	PRICE EA
FC220TB	2" Full Port Hi-Torque T-Bolt Flange Clamp	125 in/lbs	10/bag	\$34.51
FC300TB	3" Full Port Hi-Torque T-Bolt Flange Clamp	125 in/lbs	10/bag	\$36.05



FLANGE CLAMPS					
PART NO	FAST NO	DESCRIPTION	TORQUE	QTY	PRICE EA
FC100	540000	100 Series Worm Screw Clamp	50-60 in/lbs	10/bag	\$6.85
FC200	540001	200 Series Worm Screw Clamp	90-100 in/lbs	10/bag	\$8.00
FC220	540002	220 Series Worm Screw Clamp	90-100 in/lbs	10/bag	\$8.32
FC300	540003	300 Series Worm Screw Clamp	90-100 in/lbs	10/bag	\$11.48



Rib keeps gasket in
place during assembly.



FLANGE GASKETS				
PART NO	FAST NO	DESCRIPTION	QTY	PRICE EA
M100G	530068	1" EPDM Manifold Gasket	1	\$2.46
M101G*		1" EPDM Manifold Gasket with Rib	1	\$2.06
M100GV		100 Series FKM (viton type) Gasket	1	\$7.21
150G	530014	1 1/2" EPDM Gasket	1	\$1.16
150GV		200 Series FKM (viton type) Gasket	1	\$13.02
200G	530019	220 Series Full Port EPDM Gasket	1	\$1.22
200GV		220 Series Full Port FKM (viton type) Gasket	1	\$20.16
M201G*		2" EPDM Manifold Gasket with Rib	1	\$2.42
M221G*		2" Full Port EPDM Manifold Gasket with Rib	1	\$2.62
300G	530024	3" EPDM Gasket	1	\$1.67
300GV		300 Series FKM (viton type) Gasket	1	\$27.67
M301G*		3" EPDM Manifold Gasket with Rib	1	\$2.83

Features

- Reinforced polypropylene
- Heavy duty (schedule 80)
- Lightweight with excellent strength
- NPT threads
- Excellent chemical resistance
- Pressure to 150 P.S.I. at 70°F



Pipe Nipple



Pipe Cap

BJ/	Fast #	Size	Price
CAP050		1/2" Poly Pipe Cap	\$7.60
CAP075		3/4" Poly Pipe Cap	\$7.60
CAP100	530029	1" Poly Pipe Cap	\$6.33
CAP125		1-1/4" Poly Pipe Cap	\$8.53
CAP150		1-1/2" Poly Pipe Cap	\$10.75
CAP200		2" Poly Pipe Cap	\$12.45
CAP300		3" Poly Pipe Cap	\$44.61



Pipe Coupling

BJ/	Fast #	Size	Price
CPLG038		3/8" Poly Pipe Coupling	\$5.65
CPLG050		1/2" Poly Pipe Coupling	\$5.65
CPLG075	530235	3/4" Poly Pipe Coupling	\$5.65
CPLG100		1" Poly Pipe Coupling	\$5.36
CPLG125	530370	1 1/4" Poly Pipe Coupling	\$8.68
CPLG150		1-1/2" Poly Pipe Coupling	\$12.02
CPLG200		2" Poly Pipe Coupling	\$13.72
CPLG300		3" Poly Pipe Coupling	\$38.81

BJ/	Fast #	Size	Price
NIP025-SH	530398	1/4" X Short Poly Nipple	\$1.66
NIP038-SH		3/8" X Short Poly Nipple	\$1.66
NIP050-SH	530264	1/2" X Short Poly Nipple	\$1.88
NIP050-3		1/2" X 3 Poly Nipple	\$3.55
NIP075-SH	530131	3/4" X Short Poly Nipple	\$1.60
NIP075-4		3/4" X 4" Poly Nipple	\$3.69
NIP075-6	530130	3/4" X 6" Poly Nipple	\$4.34
NIP100-SH	530133	1" X Short Poly Nipple	\$2.28
NIP100-4		1" X 4" Poly Nipple	\$3.94
NIP100-6	530132	1" X 6" Poly Nipple	\$4.88
NIP125-SH	530134	1 1/4" X Short Poly Nipple	\$2.76
NIP125-4		1 1/4" X 4" Poly Nipple	\$4.88
NIP125-6		1 1/4" X 6" Poly Nipple	\$5.55
NIP150-SH	530135	1-1/2" X Short Poly Nipple	\$4.23
NIP150-3		1-1/2" X 3" Poly Nipple	\$6.26
NIP150-4		1-1/2" X 4" Poly Nipple	\$10.43
NIP150-5		1-1/2" X 5" Poly Nipple	\$11.68
NIP150-6		1-1/2" X 6" Poly Nipple	\$12.28
NIP200-SH	530137	2" X Short Poly Nipple	\$4.79
NIP200-4	530136	2" X 4" Poly Nipple	\$10.10
NIP200-6		2" X 6" Poly Nipple	\$11.79
NIP300-SH		3" X Short Poly Nipple	\$15.02
NIP300-4		3" X 4" Poly Nipple	\$22.56
NIP300-6		3" X 6" Poly Nipple	\$29.11
NIP400-SH		4" X Short Poly Nipple	\$28.06



Reducer Nipple



Reducer Coupling

BJ/	Fast #	Description	Price
RC100-075		1" X 3/4" Poly Rdcr Coupling	\$8.37
RC150-100		1-1/2" X 1" Poly Rdcr Cplg	\$14.22
RC150-125		1-1/2" X 1-1/4" Poly Rdcr Cplg	\$14.22
RC200-050		2" X 1/2" Rdcr Coupling	\$15.12
RC200-100		2" X 1" Poly Rdcr Coupling	\$12.60
RC200-125		2" X 1-1/4" Poly Rdcr Cplg	\$15.12
RC200-150	(530146)	2" X 1-1/2" Poly Rdcr Cplg	\$12.60
RC300-200		3" X 2" Poly Rdcr Coupling	\$44.72

BJ/	Fast #	Size	Price
RN050-038		1/2" X 3/8" Poly Rdcr Nipple	\$2.81
RN075-050	530147	3/4" X 1/2" Poly Rdcr Nipple	\$3.01
RN100-050	530402	1" X 1/2" Poly Rdcr Nipple	\$3.89
RN100-075	530148	1" X 3/4" Poly Rdcr Nipple	\$3.53
RN125-075		1-1/4" X 3/4" Poly Rdcr Nipple	\$4.08
RN125-100	530408	1-1/4" X 1" Poly Rdcr Nipple	\$3.69
RN150-100	530149	1-1/2" X 1" Poly Rdcr Nipple	\$4.37
RN150-125		1-1/2" X 1-1/4" Poly Rdcr Nipple	\$3.94
RN200-125		2" X 1-1/4" Poly Rdcr Nipple	\$5.36
RN200-150	530249	2" X 1-1/2" Poly Rdcr Nipple	\$4.35
RN300-200		3" X 2" Poly Rdcr Nipple	\$14.96



Swivels

- PTFE thrust bearing
- Viton O-rings
- Hex flats
- S.S. drive stud
- 75 P.S.I. maximum
- Heavy duty reinforced polypropylene

BJ/	Fast #	Description	Price
SW100	530326	1" Male x Female Swivel	\$18.69
SW150		1-1/2" Male x Female Swivel	\$22.88
SW200		2" Male x Female Swivel	\$25.65
SW220	530364	2" FP Male x Female Swivel	\$42.70

EQUIPMENT
FLOW METERS
PRECISION
NOZZLES
VALVES
STRAINERS
FITTINGS
JACKS & HITCHES
PLANTER COMP.
PUMPS
TILLAGE
NH₃
TANKS



Pipe Plug

BJ/	Fast #	Size	Price
PLUG050		1/2" Poly Pipe Plug	\$3.94
PLUG075	530392	3/4" Poly Pipe Plug	\$3.94
PLUG100	530384	1" Poly Pipe Plug	\$3.94
PLUG125		1 1/4" Poly Pipe Plug	\$5.16
PLUG150		1-1/2" Poly Pipe Plug	\$5.16
PLUG200		2" Poly Pipe Plug	\$5.21
PLUG300	530409	3" Poly Pipe Plug	\$24.66



Pipe Tee

BJ/	Fast #	Size	Price
TEE038		3/8" Poly Pipe Tee	\$5.33
TEE050		1/2" Poly Pipe Tee	\$4.68
TEE075	530156	3/4" Poly Pipe Tee	\$5.01
TEE100	530157	1" Poly Pipe Tee	\$7.23
TEE125	530158	1-1/4" Poly Pipe Tee	\$10.00
TEE150		1-1/2" Poly Pipe Tee	\$11.96
TEE200	530159	2" Poly Pipe Tee	\$14.90
TEE300		3" Poly Pipe Tee	\$70.97



Pipe Elbow - 90 Degree

BJ/	Fast #	Size	Price
EL038-90	530404	3/8" Poly Pipe Elbow 90 Deg.	\$5.48
EL050-90		1/2" Poly Pipe Elbow 90 Deg.	\$4.95
EL075-90	530239	3/4" Poly Pipe Elbow 90 Deg.	\$4.48
EL100-90	530310	1" Poly Pipe Elbow 90 Deg.	\$5.26
EL125-90	530031	1-1/4" Poly Pipe Elbow 90 Deg.	\$7.89
EL150-90		1-1/2" Poly Pipe Elbow 90 Deg.	\$12.38
EL200-90	530032	2" Poly Pipe Elbow 90 Deg.	\$12.26
EL300-90		3" Poly Pipe Elbow 90 Deg.	\$62.34

Pipe Elbow - 45 Degree

BJ/	Size	Price
EL100-45	1" Poly Pipe Elbow 45 Degree	\$17.03



Reducer Bushing

BJ/	Fast #	Size	Price
RB038-025		3/8"MPT X 1/4"FPT Rdcr Bshng	\$3.69
RB050-025		1/2"MPT X 1/4"FPT Rdcr Bshng	\$3.08
RB050-038	530138	1/2"MPT X 3/8"FPT Rdcr Bshng	\$3.69
RB075-018		3/4"MPT X 1/8"FPT Rdcr Bshng	\$3.62
RB075-025	530139	3/4"MPT X 1/4"FPT Rdcr Bshng	\$3.69
RB075-038	530140	3/4"MPT X 3/8"FPT Rdcr Bshng	\$3.69
RB075-050		3/4"MPT X 1/2"FPT Rdcr Bshng	\$3.69
RB100-018		1"MPT X 1/8"FPT Rdcr Bshng	\$3.69
RB100-025		1"MPT X 1/4"FPT Rdcr Bshng	\$3.94
RB100-050	530141	1"MPT X 1/2"FPT Rdcr Bshng	\$3.94
RB100-075	530142	1"MPT X 3/4"FPT Rdcr Bshng	\$3.26
RB125-038		1-1/4"MPTX3/8"FPT Rdcr Bshng	\$3.26
RB125-075	530143	1-1/4"MPTX3/4"FPT Rdcr Bshng	\$3.94
RB125-100		1-1/4"MPT X 1"FPT Rdcr Bshng	\$3.94
RB150-075	530428	1-1/2"MPTX3/4"FPT Rdcr Bshng	\$5.20
RB150-100		1-1/2"MPT X 1"FPT Rdcr Bshng	\$5.20
RB150-125		1-1/2"MPTX1-1/4"FPT Rdcr Bshng	\$5.20
RB200-075		2" MPT X 3/4" FPT Rdcr Bshng	\$4.70
RB200-100	530415	2"MPT X 1" FPT Rdcr Bshng	\$4.70
RB200-125	530144	2"MPT X 1-1/4"FPT Rdcr Bshng	\$5.66
RB200-150		2"MPT X 1-1/2"FPT Rdcr Bshng	\$4.70
RB300-150		3"MPT X 1-1/2"FPT Rdcr Bshng	\$23.56
RB300-200	530145	3"MPT X 2" FPT Rdcr Bshng	\$19.64
RB400-300		4"MPT X 3" FPT Rdcr Bshng	\$36.53



Street Elbow - 90 Degree

BJ/	Fast #	Size	Price
SL038-90	530390	3/8"Poly Street Elbow-90 Deg	\$4.75
SL050-90		1/2"Poly Street Elbow-90 Deg	\$4.32
SL075-90	530151	3/4"Poly Street Elbow-90 Deg	\$4.61
SL100-90	530152	1" Poly Street Elbow-90 Deg	\$5.47
SL125-90	530366	1-1/4"Poly Street Elbow-90 Deg	\$7.51
SL150-90	530153	1-1/2"Poly Street Elbow-90 Deg	\$10.64
SL200-90		2" Poly Street Elbow-90 Deg	\$12.63
SL300-90	530155	3" Poly Street Elbow 90 Deg	\$64.29



Cross

BJ/	Fast #	Size	Price
CR050		1/2" Poly Pipe Cross	\$25.13
CR075		3/4" Poly Pipe Cross	\$25.13
CR100		1" Poly Pipe Cross	\$25.13
CR125		1-1/4" Poly Pipe Cross	\$37.46
CR150		1-1/2" Poly Pipe Cross	\$37.46
CR200	530030	2" Poly Pipe Cross	\$38.22



Street Elbow - 45 Degree

BJ/	Fast #	Size	Price
SL075-45	530150	3/4" Poly Street Elbow 45 Deg	\$8.91
SL100-45		1" Poly Street Elbow 45 Deg	\$11.97
SL125-45		1-1/4" Poly Street Elbow 45 Deg	\$14.83
SL150-45	530231	1-1/2"Poly Street Elbow 45 Deg	\$15.83
SL200-45	530260	2" Poly Street Elbow 45 Deg	\$17.05
SL300-45	530154	3" Poly Street Elbow 45 Deg	\$70.62



Polypropylene Manifold

BJ/	Size	Price
TM075/050	8 Station Polypropylene Manifold 3/4" In x 1/2" Out. 1/4" Gauge Port	\$45.84

PIPE FITTINGS



Male Pipe Thread By Hose Barb

POLYPRO	FAST#	M.P.T. X H.B.	PRICE
3A18316		1/8 X 3/16	\$0.44
3A1814		1/8 x 1/4	\$0.44
3A18516		1/8 X 5/16	\$0.44
3A1838		1/8 x 3/8	\$0.44
3A14316		1/4 x 3/16	\$0.44
3A14		1/4 x 1/4	\$0.44
3A14516		1/4 x 5/16	\$0.43
3A1438	530201	1/4 x 3/8	\$0.43
3A1412	530389	1/4 x 1/2	\$0.45
3A3814		3/8 x 1/4	\$0.45
3A38516		3/8 X 5/16	\$0.48
3A38		3/8 x 3/8	\$0.46
3A3812		3/8 x 1/2	\$0.49
3A3858		3/8 x 5/8	\$0.48
3A1214		1/2 x 1/4	\$0.48
3A1238		1/2 x 3/8	\$0.54
3A12		1/2 x 1/2	\$0.49
3A1258		1/2 x 5/8	\$0.53
3A1234		1/2 x 3/4	\$0.48
3A3414		3/4 x 1/4	\$0.64
3A3438	530204	3/4 x 3/8	\$0.63
3A3412		3/4 x 1/2	\$0.64
3A3458		3/4 x 5/8	\$0.64
3A34	530202	3/4 x 3/4	\$0.66
3A34100	530203	3/4 x 1	\$0.79
3A10034		1 x 3/4	\$0.93
3A100		1 x 1	\$0.89
3A100114		1 x 1 1/4	\$1.35
3A11434		1 1/4 x 3/4	\$1.47
3A114100		1 1/4 x 1	\$1.44
3A114		1 1/4 x 1 1/4	\$1.65
3A114112		1 1/4 x 1 1/2	\$1.76
3A112114		1 1/2 x 1 1/4	\$1.66
3A112		1 1/2 x 1 1/2	\$1.77
3A200		2 x 2	\$3.12

Elbows: MPT By Hose Barb

POLYPRO	FAST #	M.P.T. X H.B.	PRICE
3EL1814		1/8 x 1/4	\$0.77
3EL1838		1/8 x 3/8	\$0.77
3EL14316		1/4 x 3/16	\$0.78
3EL14		1/4 x 1/4	\$0.76
3EL14516		1/4 X 5/16	\$0.79
3EL1438	530209	1/4 x 3/8	\$0.78
3EL1412		1/4 x 1/2	\$0.83
3EL3814		3/8 x 1/4	\$0.79
3EL38516		3/8 X 5/16	\$0.91
3EL38		3/8 x 3/8	\$0.89
3EL3812	530267	3/8 x 1/2	\$0.84
3EL3858		3/8 x 5/8	\$0.94
3EL1214		1/2 x 1/4	\$0.90
3EL1238	530207	1/2 x 3/8	\$0.88
3EL12		1/2 x 1/2	\$0.88
3EL1258		1/2 x 5/8	\$1.01
3EL1234		1/2 x 3/4	\$1.01
3EL3414		3/4 x 1/4	\$0.94
3EL3438	530212	3/4 x 3/8	\$1.10
3EL3412	530211	3/4 x 1/2	\$1.15
3EL3458		3/4 x 5/8	\$1.23
3EL34		3/4 x 3/4	\$1.23
3EL34100	530238	3/4 x 1	\$1.38
3EL100		1 x 1	\$1.45
3EL114112		1 1/4 X 1 1/2	\$4.66

Reducer Bushings: MPT By FPT

POLYPRO	M.P.T. X F.P.T.	PRICE
3RB3818	3/8 X 1/8	\$1.30
3RB3814	3/8 x 1/4	\$1.18
3RB1218	1/2 X 1/8	\$1.39
3RB1214	1/2 x 1/4	\$1.35
3RB1238	1/2 X 3/8	\$1.19
3RB3418	3/4 X 1/8	\$1.35
3RB3414	3/4 X 1/4	\$1.46
3RB3438	3/4 X 3/8	\$1.46
3RB3412	3/4 X 1/2	\$1.46
3RB10012	1 X 1/2	\$1.76
3RB10034	1 X 3/4	\$1.37
3RB20034	2 X 3/4	\$6.91



Nipples: MPT By MPT

POLYPRO	FAST #	M.P.T. X M.P.T.	PRICE
3M18		1/8 X 1/8	\$0.44
3M14	530401	1/4 X 1/4	\$0.44
3M38		3/8 X 3/8	\$0.48
3M12	530266	1/2 X 1/2	\$0.53
3M34		3/4 X 3/4	\$0.72
3M100		1 X 1	\$0.89
3M114		1 1/4 X 1 1/4	\$1.98
3M112		1 1/2 X 1 1/2	\$2.94
3M200		2 X 2	\$3.76

Reducer Nipples: MPT By MPT

POLYPRO	M.P.T. X M.P.T.	PRICE
3M1418	1/4 X 1/8	\$0.44
3M3818	3/8 X 1/8	\$0.48
3M3814	3/8 X 1/4	\$0.49
3M1214	1/2 X 1/4	\$0.53
3M1238	1/2 X 3/8	\$0.49
3M3438	3/4 X 3/8	\$0.64
3M3412	3/4 X 1/2	\$0.67



FPT By Hose Barb

POLYPRO	FAST #	M.P.T. X H.B.	PRICE
3A14F		1/4 x 1/4	\$2.23
3A1438F	530336	1/4 x 3/8	\$2.23
3A3814F		3/8 X 1/4	\$2.30
3A38F		3/8 x 3/8	\$2.30
3A3812F		3/8 x 1/2	\$2.30
3A1214F		1/2 X 1/4	\$2.37
3A1238F		1/2 x 3/8	\$2.37
3A12F		1/2 x 1/2	\$1.71
3A1258F		1/2 X 5/8	\$2.40
3A1234F		1/2 x 3/4	\$2.38
3A3438F		3/4 x 3/8	\$2.68
3A3412F		3/4 x 1/2	\$2.68
3A3458F		3/4 X 5/8	\$1.88
3A34F	530205	3/4 x 3/4	\$1.88

Street Elbows: FPT By MPT

POLYPRO	M.P.T. X F.P.T.	PRICE
3SE14	1/4 X 1/4	\$1.94
3SE38	3/8 X 3/8	\$1.64
3SE12	1/2 X 1/2	\$2.06
3SE34	3/4 X 3/4	\$2.93

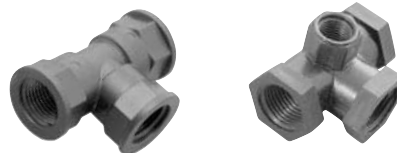


Street Elbow: 45°

POLYPRO	M.P.T. X F.P.T.	PRICE
3SE3445	3/4 X 3/4	\$1.57

Couplings: FPT By FPT

POLYPRO	F.P.T. X F.P.T.	PRICE
3FC12	1/2 X 1/2	\$2.57
3FC34	3/4 X 3/4	\$2.68
3FC100	1 X 1	\$3.07
3FC114	1 1/4 X 1 1/4	\$3.36
3FC112	1 1/2 X 1 1/2	\$3.94
3FC200	2 X 2	\$4.38



Elbows: FPT By Hose Barb

POLYPRO	FAST #	F.P.T. X H.B.	PRICE
3EL1814F		1/8 X 1/4	\$2.40
3EL1838F		1/8 X 3/8	\$2.40
3EL14F		1/4 X 1/4	\$2.32
3EL1438F		1/4 X 3/8	\$2.33
3EL3814F		3/8 X 1/4	\$2.43
3EL38F		3/8 X 3/8	\$2.43
3EL3812F		3/8 x 1/2	\$2.32
3EL1258F		1/2 X 5/8	\$2.51
3EL1234F		1/2 X 3/4	\$2.49
3EL3412F		3/4 x 1/2	\$1.53
3EL3458F		3/4 X 5/8	\$2.64
3EL34F	530213	3/4 X 3/4	\$1.92

Tee: Female Pipe Thread

POLYPRO	FAST #	F.P.T. X F.P.T.	PRICE
3TT14	530400	1/4	\$3.62
3TT12		1/2	\$5.05
3TT34	530367	3/4	\$6.69
3TT100		1	\$9.81
3TT114		1 1/4	\$11.93
3TT112		1 1/2	\$14.00
3TT200		2	\$19.23
With 1/4" Gauge Port			
3GTT1214		1/2 X 1/2 X 1/2	\$3.94
3GTT3414		3/4 X 3/4 X 3/4	\$12.71



Hex Plug: MPT

POLYPRO	M.P.T.	PRICE
3F18	1/8	\$0.45
3F14	1/4	\$0.42
3F38	3/8	\$0.45
3F12	1/2	\$0.49
3F34	3/4	\$0.57
3F100	1	\$0.76
3F114	1 1/4	\$1.29
3F112	1 1/2	\$1.41
3F200	2	\$1.81

Features

- Precision molded in polypropylene
- Glass reinforced for stability, strength and toughness
- Hose bars are molded specifically to fit properly into hoses
- Sizes range from 1/4" to 3"
- Combination sizes available for elbows and straight bars
- Excellent chemical resistance
- Pressure to 150 P.S.I. at 70°



Polypropylene Hose Bars

BJ/	Fast #	Description	Price
HB025		1/4" MPT X 1/4" Hose Brb	\$1.57
HB025-038		1/4" MPT X 3/8" Hose Brb	\$1.57
HB025-050	530301	1/4" MPT X 1/2" Hose Brb	\$1.89
HB038	530034	3/8" MPT X 3/8" Hose Brb	\$1.70
HB038-050		3/8" MPT X 1/2" Hose Brb	\$1.70
HB050-038		1/2" MPT X 3/8" Hose Brb	\$1.70
HB050	530035	1/2" MPT X 1/2" Hose Brb	\$1.42
HB050-075	530299	1/2" MPT X 3/4" Hose Brb	\$1.89
HB075-038	530037	3/4" MPT X 3/8" Hose Brb	\$1.89
HB075-050	530038	3/4" MPT X 1/2" Hose Brb	\$1.89
HB075-058		3/4" MPT X 5/8" Hose Brb	\$2.30
HB075	530230	3/4" MPT X 3/4" Hose Brb	\$1.56
HB075-100	530039	3/4" MPT X 1" Hose Brb	\$2.30
HB100-075	530043	1" MPT X 3/4" Hose Brb	\$2.30
HB100	530041	1" MPT X 1" Hose Brb	\$1.93
HB100-125	530369	1" MPT X 1-1/4" Hose Brb	\$2.84
HB125-075	530412	1-1/4" MPT X 3/4" Hose Brb	\$2.37
HB125-100	530046	1-1/4" MPT X 1" Hose Brb	\$2.84
HB125	530045	1-1/4" MPT X 1-1/4" Hose Brb	\$2.84
HB125-150	530256	1-1/4" MPT X 1-1/2" Hose Brb	\$5.42
HB150-100		1-1/2" MPT X 1" Hose Brb	\$4.24
HB150-125		1-1/2" MPT X 1-1/4" Hose Brb	\$4.24
HB150	530048	1-1/2" MPT X 1-1/2" Hose Brb	\$3.96
HB150-200	530318	1-1/2" MPT X 2" Hose Brb	\$7.29
HB200-150	530050	2" MPT X 1-1/2" Hose Brb	\$6.08
HB200	530049	2" MPT X 2" Hose Brb	\$4.83
HB300	530052	3" MPT X 3" Hose Brb	\$15.61
HB400		4" MPT X 4" Hose Brb	\$39.25



90 Degree Poly Hose Barb

BJ/	Fast #	Description	Price
HB025-90		1/4" MPT x 1/4" Hose Brb, 90Deg	\$1.89
HB025/038-90	530240	1/4" MPT x 3/8" Hose Brb, 90Deg	\$1.89
HB025/050-90		1/4" MPT x 1/2" Hose Brb, 90Deg	\$1.89
HB038-90		3/8" MPT x 3/8" Hose Brb, 90Deg	\$1.89
HB050-90		1/2" MPT x 1/2" Hose Brb, 90Deg	\$1.89
HB050/038-90		1/2" MPT x 3/8" Hose Brb, 90Deg	\$1.89
HB050/075-90		1/2" MPT x 3/4" Hose Brb, 90Deg	\$1.89
HB075/050-90	530263	3/4" MPT x 1/2" Hose Brb, 90Deg	\$2.38
HB075-90	530040	3/4" MPT x 3/4" Hose Brb, 90Deg	\$1.98
HB075/100-90	530036	3/4" MPT x 1" Hose Brb, 90Deg	\$2.38
HB100-90	530040	1" MPT x 1" Hose Brb, 90Deg	\$2.53
HB100/075-90	530042	1" MPT x 3/4" Hose Brb, 90Deg	\$3.05
HB100/125-90	530391	1" MPT x 1-1/4" Hose Brb, 90Deg	\$3.72
HB125-90	530047	1-1/4" MPT x 1-1/4" Hs Brb, 90Deg	\$3.72
HB125/100-90	530394	1-1/4" MPT x 1" Hose Brb, 90Deg	\$3.72
HB125/150-90		1-1/4" NPT x 1-1/2" HB 90 Deg	\$10.75
HB150-90	530339	1-1/2" MPT x 1-1/2" Hs Brb, 90Deg	\$8.95
HB150/125-90		1-1/2" MPT x 1-1/4" Hs Brb, 90Deg	\$10.75
HB200-90	530051	2" MPT x 2" Hose Brb, 90Deg	\$9.80
HB200/150-90	530365	2" MPT x 1-1/2" Hose Brb, 90Deg	\$11.77
HB300-90	530053	3" MPT x 3" Hose Brb, 90Deg	\$47.39

Hose Barbs

Steel

2/	Des.	Price
HB-050S	1/2"	5.61
HB-075S	3/4"	5.58
HB-100S	1"	6.48
HB-125S	1 1/4"	8.37
HB-150S	1 1/2"	9.36
HB-200S	2"	12.18
HB-300S	3"	29.64
HB-400S	4"	46.59

Small Steel

PR/	Des.	Price
A1814S	1/8x1/4	4.83
A1838S	1/8x3/8	6.18
A1400S	1/4x1/4	5.22
A1438S	1/4x3/8	6.18
A1412S	1/4x1/2	8.13
A3814S	3/8x1/4	5.22
A3800S	3/8x3/8	6.18
A3812S	3/8x1/2	8.13
A1238S	1/2x3/8	8.22
A1200	1/2x1/2	8.22



Stainless Steel

BJ/	Description	Price
HB025-038ST	1/4" MPT X 3/8" Hose Shank-ST	\$17.90
HB025-050ST	1/4" MPT X 1/2" Hose Shank-ST	\$19.70
HB025ST	1/4" MPT X 1/4" Hose Shank-ST	\$19.70
HB038-050ST	3/8" MPT X 1/2" Hose Shank-ST	\$20.15
HB038ST	3/8" MPT X 3/8" Hose Shank-ST	\$17.90
HB050-058ST	1/2" MPT X 5/8" Hose Shank-ST	\$26.20
HB050-075ST	1/2" MPT X 3/4" Hose Shank-ST	\$27.62
HB050ST	1/2" MPT X 1/2" Hose Shank-ST	\$22.42
HB075-050ST	3/4" MPT X 1/2" Hose Shank-ST	\$26.20
HB075-100ST	3/4" MPT X 1" Hose Shank-ST	\$36.63
HB075ST	3/4" MPT X 3/4" Hose Shank-ST	\$26.20
HB100-075ST	1" MPT X 3/4" Hose Shank-ST	\$36.63
HB100ST	1" MPT X 1" Hose Shank-ST	\$36.63
HB125ST	1-1/4" MPT X 1-1/4" Hose Shnk-ST	\$54.91
HB150ST	1-1/2" MPT X 1-1/2" Hose Shnk-ST	\$56.89
HB200ST	2" MPT X 2" Hose Shank-ST	\$67.23
HB300ST	3" MPT X 3" Hose Shank-ST	\$176.17



Poly Hose Barb x Hose Barb

BJ/	Description	Price
HM050	1/2" Hose Barb X 1/2" Hose Barb	\$1.80
HM075	3/4" Hose Barb X 3/4" Hose Barb	\$1.95
HM100	1" Hose Barb X 1" Hose Barb	\$2.38
HM125	1-1/4" Hose Brb X 1-1/4" Hse Brb	\$2.67
HM150	1-1/2" Hse Brb X 1-1/2" Hse Brb	\$4.74
HM200	2" Hose Barb X 2" Hose Barb	\$5.96
HM300	3" Hose Barb X 3" Hose Barb	\$18.64



90 Degree Hose Barb Elbow

BJ/	Fast #	Description	Price
HBEL 100-90	530237	1" Poly HB Elbow - 90 Deg	\$3.15



Poly Hose Barb Tee

BJ/	Fast #	Description	Price
HBT025		1/4" Hose Barb Tee	\$2.11
HBT038		3/8" Hose Barb Tee	\$2.11
HBT050-038		1/2" x 1/2" x 3/8" HB Tee	\$2.68
HBT050		1/2" Hose Barb Tee	\$3.27
HBT050-075		1/2" x 1/2" x 3/4" HB Tee	\$3.27
HBT075-050		3/4" x 3/4" x 1/2" HB Tee	\$3.27
HBT075	530054	3/4" Hose Barb Tee	\$3.27
HBT075-100	530055	3/4" x 3/4" x 1" HB Tee	\$3.45
HBT100-075	530241	1" x 1" x 3/4" HB Tee	\$2.88
HBT100	530056	1" Hose Barb Tee	\$3.45
HBT200		2" Hose Barb Tee	\$13.14
HBT300		3" Hose Barb Tee	\$36.52

EQUIPMENT
FLOW METERS
PRECISION
NOZZLES
VALVES
STRAINERS
FITTINGS
JACKS & HITCHES
PLANTER COMP.
PUMPS
TILLAGE
NH₃
TANKS

THREADED NOZZLE FITTINGS



FPT by Hose Barb		
POLYPRO	F.P.T. X H.B.	PRICE
3Q14	1/4 X 1/4	\$2.00
3Q12	1/2 X 1/2	\$2.38



FPT Straight Swivel Nut, Hex		
POLYPRO	F.P.T.	PRICE
3B100	1	\$2.67

Note: For use with 3C100 flat seat hose barbs.



GHT Straight Swivel Nut, Knurled		
POLYPRO	F.G.H.T.	PRICE
3B34	3/4	\$0.57

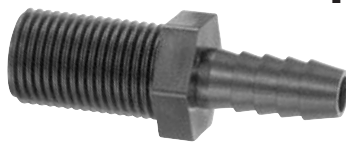
Note: For use with flat seat hose barbs 1/4" - 3/4".



Flat Seat Hose Barb For Use with Swivel Nuts		
POLYPRO	H.B.	PRICE
3C14	1/4	\$0.44
3C38	3/8	\$0.48
3C12	1/2	\$0.48
3C58	5/8	\$0.49
3C34	3/4	\$0.49
3C100	1	\$1.03

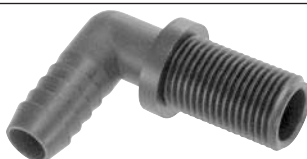


Washer - Garden Hose		
PART #	DESCRIPTION	PRICE
W406V	Black Vinyl Washer (FAST #530227)	\$0.11
10373	Black Vinyl Washer w/Screen	\$0.48



Nozzle Body - Straight		
POLYPRO	M.P.S. X H.B.	PRICE
338D	11/16 X 3/8	\$0.93
33812D	11/16 X 1/2	\$0.85

*Includes B12 Nut



Nozzle Body - Elbow		
POLYPRO	M.P.S. X H.B.	PRICE
3NTL14	11/16 X 1/4	\$1.39
3NTL38	11/16 X 3/8	\$1.28
3NTL12	11/16 X 1/2	\$1.25
3NTL58	11/16 X 5/8	\$1.64
3NTL34	11/16 X 3/4	\$1.80

*Includes B12 Nut



Nozzle Body - Tee		
POLYPRO	M.P.S. X H.B.	PRICE
3NTT38	11/16 X 3/8	\$1.36
3NTT12	11/16 X 1/2	\$1.36
3NTT58	11/16 X 5/8	\$1.67
3NTT34	11/16 X 3/4	\$2.15

*Includes B12 Nut

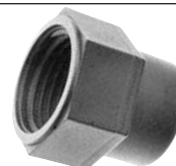


Nozzle Body - Cross		
POLYPRO	M.P.S. X H.B.	LIST PRICE
3T38C	11/16 X 3/8	\$1.96
3T12C	11/16 X 1/2	\$2.72
3T34C	11/16 X 3/4	\$2.20

*Includes B12 Nut



Nozzle Nut		
POLYPRO	F.P.S.	LIST PRICE
38027	11/16	\$0.37



Spray Tip Adapter		
POLYPRO	F.P.S. X F.P.T.	PRICE
3NF1614	11/16 X 1/4	\$1.13



Nipple - MPT by Nozzle		
POLYPRO	M.P.T. X M.P.S.	PRICE
3NB1614	11/16 X 1/4	\$0.49
3NB1612	11/16 X 1/2	\$0.58



Nozzle Nut			
POLYPRO	FAST #	F.P.S.	PRICE
3B12	530206	11/16	\$0.26



Nozzle Cap		
POLYPRO	F.P.S.	PRICE
33942	11/16	\$0.37

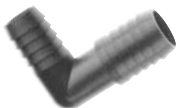


Hose Barb for 8027 Nut		
POLYPRO	H.B.	PRICE
3K8414	1/4	\$0.42
3K8438	3/8	\$0.39

HOSE BARB FITTINGS



Y-Fitting: Hose Barb			
POLYPRO	HOSE BARB	PRICE	
Y1400	1/4"	\$2.97	
Y3800	3/8"	\$2.97	
Y1200	1/2"	\$2.97	



Elbows: Hose Barb			
POLYPRO	FAST #	H.B. X H.B.	PRICE
3EL14HB		1/4 X 1/4	\$0.72
3EL3814HB		3/8 X 1/4	\$1.29
3EL38HB		3/8 X 3/8	\$0.75
3EL1214HB		1/2 X 1/4	\$0.78
3EL1238HB		1/2 X 3/8	\$0.78
3EL12HB		1/2 X 1/2	\$0.77
3EL58HB		5/8 X 5/8	\$0.78
3EL3458HB		3/4 X 5/8	\$1.36
3EL34HB	530214	3/4 X 3/4	\$1.05
3EL100HB		1 X 1	\$1.45
3EL114HB		1-1/4 X 1-1/4	\$5.34
3EL112HB		1-1/2 X 1-1/2	\$5.34
3EL200HB		2 X 2	\$5.73



Hose Menders w/o Center Stop			
POLYPRO	FAST #	H.B. X H.B.	PRICE
3HM14316		1/4 X 3/16	\$0.42
3HM14		1/4 X 1/4	\$0.42
3HM1214		1/2 X 1/4	\$0.48

Hose Menders with Center Stop

3SHM14		1/4 X 1/4	\$0.45
3SHM38	530218	3/8 X 3/8	\$0.48
3SHM1238		1/2 X 3/8	\$0.58
3SHM12		1/2 X 1/2	\$0.54
3SHM1258		1/2 X 5/8	\$0.61
3SHM58		5/8 X 5/8	\$0.59
3SHM34		3/4 X 3/4	\$0.70
3SHM100		1 X 1	\$0.88
3SHM114		1 1/4 X 1 1/4	\$1.65
3SHM112		1 1/2 X 1 1/2	\$2.64



Tees - Hose Barb				
POLYPRO	H.B.	1		PRICE
		2	3	
3T14	1/4	X	1/4	\$0.95
3T1438	1/4	X	3/8	\$0.95
3T38	3/8	X	3/8	\$0.84
3T3812	3/8	X	1/2	\$0.84
3T3858	3/8	X	5/8	\$1.07
3T1238	1/2	X	3/8	\$0.86
3T12	1/2	X	1/2	\$0.86
3T58	5/8	X	5/8	\$1.07
3T3412	3/4	X	1/2	\$1.14
3T34	3/4	X	3/4	\$1.06
T100P	1	x	1	\$4.27
T114P	1-1/4	x	1-1/4	\$4.51
T112P	1-1/2	x	1-1/2	\$5.70
T200P	2	x	2	\$10.07



Tees: FPT By Hose Barb			
POLYPRO	FAST #	F.P.T. X H.B.	PRICE
3T34F	530220	3/4 X 3/4	\$3.10



Tees: MPT By Hose Barb			
POLYPRO	FAST #	M.P.T. X H.B.	PRICE
3T1814T		1/8 x 1/4	\$1.06
3T14T		1/4 X 1/4	\$0.97
3T1438T		1/4 X 3/8	\$0.86
3T1412T		1/4 X 1/2	\$0.89
3T3814T		3/8 X 1/4	\$0.94
3T38T	530317	3/8 X 3/8	\$0.89
3T3812T		3/8 X 1/2	\$0.94
3T1238T		1/2 X 3/8	\$0.93
3T12T		1/2 X 1/2	\$0.99
3T1234T		1/2 X 3/4	\$1.28
3T3438T		3/4 X 3/8	\$1.44
3T3412T		3/4 X 1/2	\$1.67
3T3458T		3/4 X 5/8	\$1.44
3T34T	530221	3/4 X 3/4	\$1.85
MT1038P		1 X 3/8	\$1.87
MT1034P		1 X 3/3	\$2.08
MT100P		1 X 1	\$2.35

GARDEN HOSE FITTINGS



Male Garden Hose By Hose Barb			
POLYPRO	FAST #	M.G.H.T. X H.B.	PRICE
3D3414		3/4 x 1/4	\$0.71
3D3438		3/4 x 3/8	\$0.70
3D3412		3/4 X 1/2	\$0.71
3D3458		3/4 X 5/8	\$0.71
3D34		3/4 X 3/4	\$0.71
3D34100	530275	3/4x1	\$1.57



Elbow: MGHT By Hose Barb		
POLYPRO	M.G.H.T. X H.B.	PRICE
3ELD3414	3/4 X 1/4	\$1.13
3ELD3438	3/4 X 3/8	\$1.13
3ELD3412	3/4 X 1/2	\$1.07
3ELD3458	3/4 X 5/8	\$1.18
3ELD34	3/4 X 3/4	\$1.18



Adapter: MGHT By MPT		
POLYPRO	M.G.H.T. X M.P.T.	PRICE
3E3438	3/4 X 3/8	\$0.74
3E3412	3/4 X 1/2	\$0.72
3E34	3/4 X 3/4	\$0.74
3E34100	3/4x1	\$1.05



Adapter: FGHT By FPT		
POLYPRO	F.G.H.T. X F.P.T.	PRICE
3J3412	3/4 X 1/2	\$2.06



Adapter: FGHT By MPT		
POLYPRO	F.G.H.T. X M.P.T.	PRICE
3H34	3/4 X 3/4	\$2.07



Adapter: MGHT By FPT		
POLYPRO	M.G.H.T. X F.P.T.	PRICE
3G3414	3/4 X 1/4	\$2.08
3G3412	3/4 X 1/2	\$2.11
3G34	3/4 X 3/4	\$2.06



Adapter: FGHT By MGHT		
POLYPRO	F.G.H.T. X M.G.H.T.	PRICE
3I34	3/4 X 1/2	\$2.06



Cap: Female Garden Hose Thread			
POLYPRO	FAST #	F.G.H.T.	PRICE
3N34	530245	3/4	\$0.68

BRASS GARDEN HOSE FITTINGS

Adapter: MGHT By MPT		
BRASS	M.G.H.T. X M.P.T.	
BRGPN6	3/4 X 3/8	
BRGPN8	3/4 X 1/2	
BRGPN12	3/4 X 3/4	

Swivel Adapter: FGHT By HB		
BRASS	F.G.H.T. X HB	
BRGHFS6	3/4 X 3/8	
BRGHFS8	3/4 X 1/2	
BRGHFS10	3/4 X 5/8	
BRGHFS12	3/4 X 3/4	

Adapter: FGHT By FGHT	
BRASS	F.G.H.T
BRGHN12	3/4

Adapter: MGHT By FPT	
BRASS	M.G.H.T. X F.P.T.
BRGFA124	3/4 X 1/4
BRGFA126	3/4 X 3/8
BRGFA128	3/4 X 1/2
BRGFA1212	3/4 X 3/4

Adapter: MGHT By HB	
BRASS	M.G.H.T. X HB
BRGA106	3/4 X 3/8
BRGA108	3/4 X 1/2
BRGA1010	3/4 X 5/8
BRGA1012	3/4 X 3/4

Adapter: FGHT By FPT	
BRASS	M.G.H.T. X F.P.T.
BRGHF128	3/4 X 1/2
BRGHF1212	3/4 X 3/4



Nipples

Description	Stainless Steel		Malleable Schedule 80		Malleable Schedule 40	
	Part #	Price	Part #	Price	Part #	Price
1/8" nipple	M18SS		M18XH		M18MA	
1/8"x2 nipple	M18X2SS		M18X2XH		M18X2MA	
1/8"x3 nipple	M18X3SS		M18X3XH		M18X3MA	
1/8"x4 nipple	M18X34SS		M18X34XH		M18X4MA	
1/8"x5 nipple	M18X5SS		M18X5XH		M18X5MA	
1/8"x6 nipple	M18X6SS		M18X6XH		M18X6MA	
1/4" nipple	M14SS		M14XH		M14MA	
1/4"x2 nipple	M14X2SS		M14X2XH		M14X2MA	
1/4"x3 nipple	M14X3SS		M14X3XH		M14X3MA	
1/4"x4 nipple	M14X4SS		M14X4XH		M14X4MA	
1/4"x5 nipple	M14X5SS		M14X5XH		M14X5MA	
1/4"x6 nipple	M14X6SS		M14X6XH		M14X6MA	
3/8" nipple	M38SS		M38XH		M38MA	
3/8"x2 nipple	M38X2SS		M38X2XH		M38X2MA	
3/8"x3 nipple	M38X3SS		M38X3XH		M38X3MA	
3/8"x4 nipple	M38X4SS		M38X4XH		M38X4MA	
3/8"x5 nipple	M38X5SS		M38X5XH		M38X5MA	
3/8"x6 nipple	M38X6SS		M38X6XH		M38X6MA	
1/2" nipple	M12		M12XH		M12MA	
1/2"x2 nipple	M12X2SS		M12X2XH		M12X2MA	
1/2"x3 nipple	M12X3SS		M12X3XH		M12X3MA	
1/2"x4 nipple	M12X4SS		M12X4XH		M12X4MA	
1/2"x5 nipple	M12X5SS		M12X5XH		M12X5MA	
1/2"x6 nipple	M12X6SS		M12X6XH		M12X6MA	
3/4" nipple	M34SS		M34XH		M34MA	
3/4"x2 nipple	M34X2SS		M34X2XH		M34X2MA	
3/4"x3 nipple	M34X3SS		M34X3XH		M34X3MA	
3/4"x4 nipple	M34X4SS		M34X4XH		M34X4MA	
3/4"x5 nipple	M34X5SS		M34X5XH		M34X5MA	
3/4"x6 nipple	M34X6SS		M34X6XH		M34X6MA	
3/4"x8 nipple	M34X8SS		M34X8XH		M34X8MA	
3/4"x10 nipple	M34X10SS		M34X10XH		M34X10MA	
3/4"x12 nipple	M34X12SS		M34X12XH		M34X12MA	

Description	Stainless Steel		Malleable Schedule 80		Malleable Schedule 40	
	Part #	Price	Part #	Price	Part #	Price
1" nipple	M100SS		M100XH		M100MA	
1"x2 nipple	M100X2SS		M100X2XH		M100X2MA	
1"x3 nipple	M100X3SS		M100X3XH		M100X3MA	
1"x4 nipple	M100X4SS		M100X4XH		M100X4MA	
1"x5 nipple	M100X5SS		M100X5XH		M100X5MA	
1"x6 nipple	M100X6SS		M100X6XH		M100X6MA	
1-1/4" nipple	M114SS		M114XH		M114MA	
1-1/4"x2 nipple	M114X2SS		M114X2XH		M114X2MA	
1-1/4"x3 nipple	M114X3SS		M114X3XH		M114X3MA	
1-1/4"x4 nipple	M114X4SS		M114X4XH		M114X4MA	
1-1/4"x5 nipple	M114X5SS		M114X5XH		M114X5MA	
1-1/4"x6 nipple	M114X6SS		M114X6XH		M114X6MA	
1-1/4"x8 nipple	-		M114X8XH		M114X8MA	
1-1/4"x10 nipple	-		M114X10XH		M114X10MA	
1-1/4"x12 nipple	-		M114X12XH		M114X12MA	
1-1/2" nipple	M112SS		M112XH		M112MA	
1-1/2"x2 nipple	M112X2SS		M112X2XH		M112X2MA	
1-1/2"x3 nipple	M112X3SS		M112X3XH		M112X3MA	
1-1/2"x4 nipple	M112X4SS		M112X4XH		M112X4MA	
1-1/2"x5 nipple	M112X5SS		M112X5XH		M112X5MA	
1-1/2"x6 nipple	M112X6SS		M112X6XH		M112X6MA	
2" nipple	M200SS		M200XH		M200MA	
2"x2 nipple	M200X2SS		M200X2XH		M200X2MA	
2"x3 nipple	M200X3SS		M200X3XH		M200X3MA	
2"x4 nipple	M200X4SS		M200X4XH		M200X4MA	
2"x5 nipple	M200X5SS		M200X5XH		M200X5MA	
2"x6 nipple	M200X6SS		M200X6XH		M200X6MA	
2"x8 nipple	M200X8SS		M200X8XH		M200X8MA	
2"x10 nipple	M200X10SS		M200X10XH		M200X10MA	
2"x12 nipple	M200X12SS		M200X12XH		M200X12MA	
3" nipple	M300SS		M300XH		M300MA	
3"x3 nipple	M300X3SS		M300X3XH		M300X3MA	
3"x4 nipple	M300X4SS		M300X4XH		M300X4MA	
3"x5 nipple	M300X5SS		M300X5XH		M300X5MA	
3"x6 nipple	M300X6SS		M300X6XH		M300X6MA	
3"x8 nipple	M300X8SS		M300X8XH		M300X8MA	
3"x10 nipple	M300X10SS		M300X10XH		M300X10MA	
3"x12 nipple	M300X12SS		M300X12XH		M300X12MA	
4" nipple	M400SS		M400XH		M400MA	
4"x4 nipple	M400X4SS		M400X4XH		M400X4MA	
4"x5 nipple	M400X5SS		M400X5XH		M400X5MA	
4"x6 nipple	M400X6SS		M400X6XH		M400X6MA	
4"x8 nipple	M400X8SS		M400X8XH		M400X8MA	
4"x10 nipple	M400X10SS		M400X10XH		M400X10MA	
4"x12 nipple	M400X12SS		M400X12XH		M400X12MA	



Plugs

Description	Stainless Steel		Malleable Schedule 80		Malleable Schedule 40	
	Part #	Price	Part #	Price	Part #	Price
1/8" plug	F18 SS		F18 XH		F18 MA	
1/4" plug	F14 SS		F14 XH		F14 MA	
3/8" plug	F38 SS		F38 XH		F38 MA	
1/2" plug	F12 SS		F12 XH		F12 MA	
3/4" plug	F34 SS		F34 XH		F34 MA	
1" plug	F100 SS		F100 XH		F100 MA	
1-1/4" plug	F114 SS		F114 XH		F114 MA	
1-1/2" plug	F112 SS		F112 XH		F112 MA	
2" plug	F200 SS		F200 XH		F200 MA	
3" plug	F300 SS		F300 XH		F300 MA	
4" plug	F400 SS		F400 XH		F400 MA	

Caps

Description	Stainless Steel		Malleable Schedule 80		Malleable Schedule 40	
	Part #	Price	Part #	Price	Part #	Price
1/8" cap	CP18 SS		CP18 XH		CP18 MA	
1/4" cap	CP14 SS		CP14 XH		CP14 MA	
3/8" cap	CP38 SS		CP38 XH		CP38 MA	
1/2" cap	CP12 SS		CP12 XH		CP12 MA	
3/4" cap	CP34 SS		CP34 XH		CP34 MA	
1" cap	CP100 SS		CP100 XH		CP100 MA	
1-1/4" cap	CP114 SS		CP114 XH		CP114 MA	
1-1/2" cap	CP112 SS		CP112 XH		CP112 MA	
2" cap	CP200 SS		CP200 XH		CP200 MA	
3" cap	CP300 SS		CP300 XH		CP300 MA	
4" cap	CP400 SS		CP400 XH		CP400 MA	



Crosses

Description	Stainless Steel		Malleable Schedule 80		Malleable Schedule 40	
	Part #	Price	Part #	Price	Part #	Price
1/8" cross	CR18 SS		-		CR18 MA	
1/4" cross	CR14 SS		CR14 XH		CR14 MA	
3/8" cross	CR38 SS		CR38 XH		CR38 MA	
1/2" cross	CR12 SS		CR12 XH		CR12 MA	
3/4" cross	CR34 SS		CR34 XH		CR34 MA	
1" cross	CR100 SS		CR100 XH		CR100 MA	
1-1/4" cross	CR114 SS		CR114 XH		CR114 MA	
1-1/2" cross	CR112 SS		CR112 XH		CR112 MA	
2" cross	CR200 SS		CR200 XH		CR200 MA	
3" cross	CR300 SS		CR300 XH		CR300 MA	
4" cross	-		-		CR400 MA	

EQUIPMENT
FLOW METERS
PRECISION
NOZZLES
VALVES
STRAINERS
FITTINGS
JACKS & HITCHES
PLANTER COMP.
PUMPS
TILLAGE
NH₃
TANKS

90° Elbow



Description	Stainless Steel		Malleable Schedule 80		Malleable Schedule 40	
	Part #	Price	Part #	Price	Part #	Price
1/8" elbow 90	LL18 SS		LL18 XH		LL18 MA	
1/4" elbow 90	LL14 SS		LL14 XH		LL14 MA	
3/8" elbow 90	LL38 SS		LL38 XH		LL38 MA	
1/2" elbow 90	LL12 SS		LL12 XH		LL12 MA	
3/4" elbow 90	LL34 SS		LL34 XH		LL34 MA	
1" elbow 90	LL100 SS		LL100 XH		LL100 MA	
1-1/4" elbow 90	LL114 SS		LL114 XH		LL114 MA	
1-1/2" elbow 90	LL112 SS		LL112 XH		LL112 MA	
2" elbow 90	LL200 SS		LL200 XH		LL200 MA	
3" elbow 90	LL300 SS		LL300 XH		LL300 MA	
4" elbow 90	LL400 SS		LL400 XH		LL400 MA	

45° Elbow



Description	Stainless Steel		Malleable Schedule 80		Malleable Schedule 40	
	Part #	Price	Part #	Price	Part #	Price
1/8" elbow 45	LF18 SS		LF18 XH		LF18 MA	
1/4" elbow 45	LF14 SS		LF14 XH		LF14 MA	
3/8" elbow 45	LF38 SS		LF38 XH		LF38 MA	
1/2" elbow 45	LF12 SS		LF12 XH		LF12 MA	
3/4" elbow 45	LF34 SS		LF34 XH		LF34 MA	
1" elbow 45	LF100 SS		LF100 XH		LF100 MA	
1-1/4" elbow 45	LF114 SS		LF114 XH		LF114 MA	
1-1/2" elbow 45	LF112 SS		LF112 XH		LF112 MA	
2" elbow 45	LF200 SS		LF200 XH		LF200 MA	
3" elbow 45	LF300 SS		LF300 XH		LF300 MA	
4" elbow 45	LF400 SS		LF400 XH		LF400 MA	

90° Street Elbow

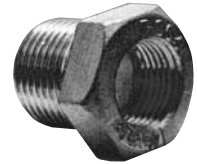


Description	Stainless Steel		Malleable Schedule 80		Malleable Schedule 40	
	Part #	Price	Part #	Price	Part #	Price
1/8" str elbow 90	SE18 90 SS		-		SE18 90 MA	
1/4" str elbow 90	SE14 90 SS		SE14 90 XH		SE14 90 MA	
3/8" str elbow 90	SE38 90 SS		SE38 90 XH		SE38 90 MA	
1/2" str elbow 90	SE12 90 SS		SE12 90 XH		SE12 90 MA	
3/4" str elbow 90	SE34 90 SS		SE34 90 XH		SE34 90 MA	
1" str elbow 90	SE100 90 SS		SE100 90 XH		SE100 90 MA	
1-1/4" str elbow 90	SE114 90 SS		SE114 90 XH		SE114 90 MA	
1-1/2" str elbow 90	SE112 90 SS		SE112 90 XH		SE112 90 MA	
2" str elbow 90	SE200 90 SS		SE200 90 XH		SE200 90 MA	
3" str elbow 90	SE300 90 SS		SE300 90 XH		SE300 90 MA	
4" str elbow 90	SE400 90 SS		-		SE400 90 MA	

45° Street Elbow (Sch. 40 Only)

Description	Stainless Steel		Malleable Schedule 80		Malleable Schedule 40	
	Part #	Price	Part #	Price	Part #	Price
1/8" str elbow 45	N/A		N/A		SE18 45 MA	
1/4" str elbow 45	N/A		N/A		SE14 45 MA	
3/8" str elbow 45	N/A		N/A		SE38 45 MA	
1/2" str elbow 45	N/A		N/A		SE12 45 MA	
3/4" str elbow 45	N/A		N/A		SE34 45 MA	
1" str elbow 45	N/A		N/A		SE100 45 MA	
1-1/4" str elbow 45	N/A		N/A		SE114 45 MA	
1-1/2" str elbow 45	N/A		N/A		SE112 45 MA	
2" str elbow 45	N/A		N/A		SE200 45 MA	

FAST OFFERS A COMPLETE LINE OF FITTINGS TO MEET YOUR APPLICATION NEEDS



Reducer Bushings

Description	Stainless Steel		Malleable Schedule 80		Malleable Schedule 40	
	Part #	Price	Part #	Price	Part #	Price
1/4" x 1/8"	RB1418 SS		RB1418 XH		RB1418 MA	\$1.83
3/8" x 1/8"	RB3818 SS		RB3818 XH		RB3818 MA	\$1.83
3/8" x 1/4"	RB3814 SS		RB3814 XH		RB3814 MA	\$1.83
1/2" x 3/8"	RB1238 SS		RB1238 XH		RB1238 MA	\$1.83
3/4" x 1/8"	RB3418 SSS		RB3418 XH		RB3418 MA	\$1.80
3/4" x 1/4"	RB3414 SS		RB3414 XH		RB3414 MA	\$1.77
3/4" x 3/8"	RB3438 SS		RB3438 XH		RB3438 MA	\$1.80
3/4" x 1/2"	RB3412 SS		RB3412 XH		RB3412 MA	\$1.68
1" x 1/8"	-		RB10018 XH		RB10018 MA	\$0.00
1" x 1/4"	RB10014 SS		RB10014 XH		RB10014 MA	\$2.25
1" x 3/8"	RB10038 SS		RB10038 XH		RB10038 MA	\$2.28
1" x 1/2"	RB10012 SS		RB10012 XH		RB10012 MA	\$1.71
1" x 3/4"	RB10034 SS		RB10034 XH		RB10034 MA	\$1.71
1-1/4" x 1/4"	RB11414 SS		RB11414 XH		RB11414 MA	\$2.07
1-1/4" x 3/8"	RB11438 SS		RB11438 XH		RB11438 MA	\$1.83
1-1/4" x 1/2"	RB11412 SS		RB11412 XH		RB11412 MA	\$2.91
1-1/4" x 3/4"	RB11434 SS		RB11434 XH		RB11434 MA	\$2.91
1-1/4" x 1"	RB114100 SS		RB114100 XH		RB114100 MA	\$2.91
1-1/2" x 1/2"	RB11212 SS		RB11212 XH		RB11212 MA	\$4.02
1-1/2" x 3/4"	RB11234 SS		RB11234 XH		RB11234 MA	\$4.02
1-1/2" x 1"	RB112100 SS		RB112100 XH		RB112100 MA	\$4.02
1-1/2" x 1-1/4"	RB112114 SS		RB112114 XH		RB112114 MA	\$4.02
2" x 1/4"	RB20014 SS		RB20014 XH		RB20014 MA	\$5.88
2" x 3/8"	RB20038 SS		RB20038 XH		RB20038 MA	\$3.06
2" x 1/2"	RB20012 SS		RB20012 XH		RB20012 MA	\$5.22
2" x 3/4"	RB20034 SS		RB20034 XH		RB20034 MA	\$5.22
2" x 1"	RB200100 SS		RB200100 XH		RB200100 MA	\$5.22
2" x 1-1/4"	RB200114 SS		RB200114 XH		RB200114 MA	\$5.22
2" x 1-1/2"	RB200112 SS		RB200112 XH		RB200112 MA	\$5.22
2-1/2" x 1"	-		RB212100XH		RB212100 MA	\$9.90
2-1/2" x 2"	RB212200 SS		RB212200 XH		-	-
3" x 1"	RB300100 SS		RB300100 XH		RB300100 MA	\$15.06
3" x 1-1/4"	RB300114 SS		RB300114 XH		RB300114 MA	\$15.06
3" x 1-1/2"	RB300112 SS		RB300112 XH		RB300112 MA	\$15.06
3" x 2"	RB300200 SS		RB300200 XH		RB300200 MA	\$15.06
4" x 2"	RB400200 SS		RB400200 XH		RB400200 MA	\$26.22
4" x 3"	RB400300 SS		RB400300 XH		RB400300 MA	\$26.22

Unions



Description	Stainless Steel		Malleable Schedule 80		Malleable Schedule 40	
	Part #	Price	Part #	Price	Part #	Price
1/8" union	UN18 SS		UN18 XH		UN18 MA	\$6.84
1/4" union	UN14 SS		UN14 XH		UN14 MA	\$6.51
3/8" union	UN38 SS		UN38 XH		UN38 MA	\$5.88
1/2" union	UN12 SS		UN12 XH		UN12 MA	\$5.85
3/4" union	UN34 SS		UN34 XH		UN34 MA	\$7.47
1" union	UN100 SS		UN100 XH		UN100 MA	\$8.76
1-1/4" union	UN114 SS		UN114 XH		UN114 MA	\$11.67
1-1/2" union	UN112 SS		UN112 XH		UN112 MA	\$15.57
2" union	UN200 SS		UN200 XH		UN200 MA	\$27.24
3" union	UN300 SS		UN300 XH		UN300 MA	\$75.69
4" union	UN400 SS		-		UN400 MA	\$138.06

Tees



Description	Stainless Steel		Malleable Schedule 80		Malleable Schedule 40	
	Part #	Price	Part #	Price	Part #	Price
1/8" tee	TT18 SS		TT18 XH		TT18 M	
1/4" tee	TT14 SS		TT14 XH		TT14 MA	
3/8" tee	TT38 SS		TT38 XH		TT38 MA	
1/2" tee	TT12 SS		TT12 XH		TT12 MA	
3/4" tee	TT34 SS		TT34 XH		TT34 MA	
1" tee	TT100 SS		TT100 XH		TT100 MA	
1-1/4" tee	TT114 SS		TT114 XH		TT114 MA	
1-1/2" tee	TT112 SS		TT112 XH		TT112 MA	
2" tee	TT200SS		TT200 XH		TT200 MA	
3" tee	TT300SS		TT300 XH		TT300 MA	
4" tee	TT400SS		TT400 XH		TT400 MA	

Couplings



Description	Stainless Steel		Malleable Schedule 80		Malleable Schedule 40	
	Part #	Price	Part #	Price	Part #	Price
1/8" FNPT	FC18 SS		FC18 XH		FC18 MA	
1/4" FNPT	FC14 SS		FC14 XH		FC14 MA	
3/8" FNPT	FC38 SS		FC38 XH		FC38 MA	
1/2" FNPT	FC12 SS		FC12 XH		FC12 MA	
3/4" FNPT	FC34 SS		FC34 XH		FC34 MA	
1" FNPT	FC100 SS		FC100 XH		FC100 MA	
1-1/4" FNPT	FC114 SS		FC114 XH		FC114 MA	
1-1/2" FNPT	FC112 SS		FC112 XH		FC112 MA	
2" FNPT	FC200 SS		FC200 XH		FC200 MA	
3" FNPT	FC300 SS		FC300 XH		FC300 MA	
4" FNPT	FC400 SS		FC400 XH		FC400 MA	

Bell Reducers



Description	Stainless Steel		Malleable Schedule 80		Malleable Schedule 40	
	Part #	Price	Part #	Price	Part #	Price
1/4" x 1/8"	N/A		-		BR1418 MA	
3/8" x 1/8"	N/A		-		BR3818 MA	
3/8" x 1/4"	N/A		BR3814 XH		BR3814 MA	
1/2" x 1/4"	N/A		BR1214 XH		BR1214 MA	
1/2" x 3/8"	N/A		BR1238 XH		BR1238 MA	
3/4" x 1/4"	N/A		-		BR3414 MA	
3/4" x 1/2"	N/A		BR3412 XH		BR3412 MA	
1" x 1/4"	N/A		BR10014 XH		BR10014 MA	
1" x 3/8"	N/A		BR10038 XH		BR10038 MA	
1" x 1/2"	N/A		BR10012 XH		BR10012 MA	
1" x 3/4"	N/A		BR10034 XH		BR10034 MA	
1-1/4" x 3/4"	N/A		BR11434 XH		BR11434 MA	
1-1/4" x 1"	N/A		BR114100 XH		BR114100 MA	
1-1/2" x 1"	N/A		-		BR112100 MA	
1-1/2" x 1-1/4"	N/A		BR112114 XH		BR112114 MA	
2" x 3/4"	N/A		-		BR20034 MA	
2" x 1"	BR200100SS		BR200100 XH		BR200100 MA	
2" x 1-1/4"	N/A		BR200114 XH		BR200114 MA	
2" x 1-1/2"	N/A		BR200112 XH		BR200112 MA	
2-1/2" x 1-1/2"	N/A		-		BR212112 MA	
3" x 2"	BR300200SS		-		BR300200 MA	
4" x 3"	BR400300SS		-		BR400300 MA	

TEFLON TAPE

NOTE: Not recommended for polypropylene fittings.

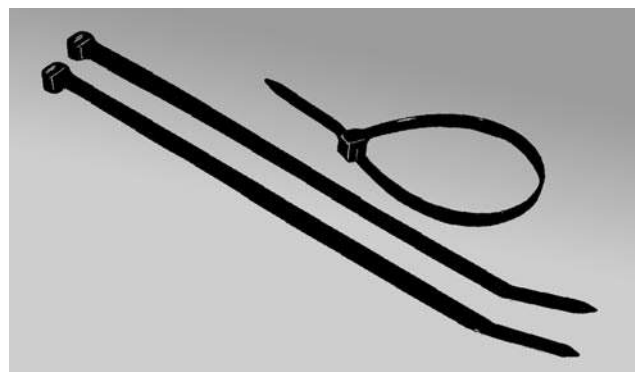


RP/	SIZE	PRICE
T05-520	1/2" x 520"	1.33
T07-520	3/4" x 520"	1.56
T10-520	1" x 520"	2.09



Rector Seal

PART NO.	SIZE/CONTAINER	PRICE
RSTB	RECTOR SEAL TRU-BLU 8OZ	\$30.90
25790	5/1.75 oz. Tube	\$11.73
25631	5/1/4 Pint Can	\$24.25
25551	5/1/2 Pint Can	\$36.13
25431	5/1 Pint Can	\$56.66
28651	21 Black Jack/1/2 Pint Can	\$37.50
28541	21 Black Jack/1 Pint Can	\$61.54
31431	Tru-Blue/Pint Can	\$42.98
31631	Tru-Blue 1/4 Pint	\$17.50



CABLE TIES

Part #	Item Description	Pkg Qty	Price Each
21044	Cable Tie 7-1/2"	100	0.10
21045	Cable Tie 11"	100	0.21
21046	Cable Tie 14" (Fast# 590284)	100	0.24
21047	Cable Tie 14" Heavy Duty	100	0.38
21048	Cable Tie 21-1/2" Heavy Duty	100	0.31
21049	Cable Tie 28-1/4" Heavy Duty	100	1.11

EQUIPMENT
FLOW METERS
PRECISION
NOZZLES
VALVES
STRAINERS
FITTINGS
JACKS & HITCHES
PLANTER COMP.
PUMPS
TILLAGE
NH₃
TANKS

PUSH-IN FITTINGS AND VALVES

CONTACT FAST FOR SPECIAL SIZES OR CONFIGURATIONS

- Material - Acetal Copolymer
- Designed for a wide range of applications
- For fast connection and disconnection without tools
- Push-in fittings sold in packages of 10 per bag

MC - Male Connector



Part #	Fast #	Tube	MNPT	Price
8JMC14018		1/4	1/8	\$2.07
8JMC14014	530001	1/4	1/4	\$2.38
8JMC14038		1/4	3/8	\$3.11
8JMC51614		5/16	1/4	\$2.39
8JMC51638		5/16	3/8	\$4.20
8JMC38014		3/8	1/4	\$3.39
8JMC38012		3/8	1/2	\$6.06
8JMC38038	530002	3/8	3/8	\$3.89
8JMC12012		1/2	1/2	\$5.66

EU - Elbow Union



Part #	Tube	Price
8JULC140	1/4	\$3.50
8JULC516	5/16	\$4.94
8JULC380	3/8	\$5.24
8JRLC516140	5/16	\$5.99
8JRLC380140	3/8	\$5.82

ME - Male Elbow



Part #	Fast #	Tube	MNPT	Price
8JME140180	530003	1/4	1/8	\$3.07
8JME140140	530004	1/4	1/4	\$3.50
8JME140380		1/4	3/8	\$4.16
8JME380140		3/8	1/4	\$5.24
8JME380380		3/8	3/8	\$5.75

TU - Tee Union



Part #	Tube	Price
8JUTC140	1/4	\$4.46
8JUTC140140380	1/4	\$7.20
8JUTC516	5/16	\$5.61
8JUTC380140	3/8	\$7.11
8JUTC380	3/8	\$5.52
8JUTC120	1/2	\$6.00

SA - Stem Adapter



Part #	Tube	MNPT	Price
8JMT14018	1/4	1/8	\$1.06
8JMT14014	1/4	1/4	\$1.06
8JMT51614	5/16	1/4	\$1.29
8JMT51638	5/16	3/8	\$2.60
8JMT38014	3/8	1/4	\$1.32
8JMT38038	3/8	3/8	\$1.74

TEB - Tube Elbow Barb



Part #	Tube	Barb	Price
8JTLS140140	1/4	1/4	\$2.62
8JTLS516140	5/16	1/4	\$3.31
8JTLS380140	3/8	1/4	\$3.94
8JTEC140140	1/4	1/4	\$3.15
8JTEC380380	3/8	3/8	\$5.37

TBC - Tube Barb Connector



Part #	Tube	Barb	Price
8JTS140140	1/4	1/4	\$1.97
8JTS516140	5/16	1/4	\$2.68
8JTS516380	5/16	3/8	\$3.40
8JTS380140	3/8	1/4	\$2.85
8JTS380380	3/8	3/8	\$3.07
8JTS120380	1/2	3/8	-
8JTS120120	1/2	1/2	-

FA - Female Adapter



Part #	Tube	FNPT	Price
8JFC180140	1/8	1/4	-
8JFC140140	1/4	1/4	\$4.83
(Fast# 530417)			
8JFC380140	3/8	1/4	\$5.54

TWD - Two Way Divider



Part #	Tube	Price
8J2WDC140	1/4	\$4.99
8J2WDC516	5/16	\$6.14
8J2WDC38	3/8	\$5.59
8J2WDC380140	3/8	\$7.15

CR - Cross



Part #	Tube	Price
8JCR380380	3/8	\$9.72

UC - Union Connector



Part #	Fast #	Tube	Price
8JUC140	530436	1/4	\$3.07
8JUC516		5/16	\$3.28
8JUC380		3/8	\$4.15
8JUC120		1/2	\$4.81
8JRUC516140		5/16	\$3.39
8JRUC380140		3/8	\$4.17
8JRUC380516		3/8	\$4.25
8JRUC120140		1/2	\$6.20

TES - Tube End Stop



Part #	Tube	Price
8JES140	1/4	\$2.05
8JES380	3/8	\$2.56

HIC - Hand Valve Union Connector



Part #	Connections	Price
6JV140140GG	1/4 Tube	\$9.29
6JV140140MG	1/4 1/4 MNPT	\$9.29
6JV380380GG	3/8 Tube	\$9.82
(Fast# 530007)		
6JV380380MG	3/8 3/8 MNPT	\$11.64
6JV120120GG	1/2 Tube	\$13.56

CHV - Check Valve



Part #	Tube	Price
8JCV140	1/4	\$17.26
8JCV380	3/8	\$17.68

TP - Stem Plug

Part #	Tube	Price
8JTP140	1/4	\$0.87
8JTP516	5/16	\$1.56
8JTP380	3/8	\$1.41
8JTP120	1/2	\$6.50

Quick TeeJet® Push-to-Connect Caps and Bodies

- Fittings feature push to connect couplers for fast, easy, leak-free assembly.
- Offered in body, straight cap, 90° fixed cap and 90° swivel cap.
- Accepts plastic and soft metal tubing.
- Commonly used for liquid fertilizer application systems on planters and toolbars.
- Maximum operating pressure of 100 PSI (7 bar).
- Caps include CP18999-EPR gasket.

How to order:

Specify model number.
Example: QJ98595-1/4-*

90° Caps



Body



Straight Cap



Swivel Cap

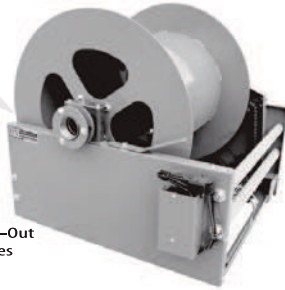


Body & Cap Assembly



PART NUMBER	TUBING SIZE (OD)	DESCRIPTION
QJ98595-1/4-*	1/4"	Straight Cap & Body
QJ114401-5/16-*	5/16"	Straight Cap & Body
QJ98594-3/8-*	3/8"	Straight Cap & Body
QJ98592-1/4-*	1/4"	Body
QJ114400-5/16-*	5/16"	Body
QJ98590-3/8-*	3/8"	Body
QJ98588-1/4	1/4"	Straight Cap
QJ114398-5/16	5/16"	Straight Cap
QJ98586-3/8	3/8"	Straight Cap
QJ98598-90-1/4	1/4"	90° Fixed Cap
QJ98599-90-3/8	3/8"	90° Fixed Cap
QJ114403-1/4	1/4"	90° Swivel Cap
QJ114404-5/16	5/16"	90° Swivel Cap
QJ114405-3/8	3/8"	90° Swivel Cap
QJ114430-1/4-*	1/4"	Capless Body, PTC In & PTC Out
QJ114432-5/16-*	5/16"	Capless Body, PTC In & PTC Out
QJ114434-3/8-*	3/8"	Capless Body, PTC In & PTC Out

*Specify diaphragm check valve opening pressure.



Features:

- Heavy Duty Construction
- 12V Motor with Hand Control
- Manual Crank Handle Included
- Guide Tubes for Easy Retrieval
- **Liquid Lock** Steel Swivel
- Manual Clutch Lockout for Easy Pull-Out
- 2-Way Wireless and Manual Switches

Options:

- Stainless Steel Swivel (2" or 3" only)

SUPER REEL HOSE REELS

Part #	Description	Price
HR100	Hose Reel, Manual, 1", 125 ft. Capacity	Call
HR200SS	Hose Reel, Manual, 2", 75 ft. Cap. SS Swivel	Call
HRE100SS	Hose Reel, Electric, 1", 125 ft. Cap. SS Swivel	Call
HRE200SS	Hose Reel, Electric, 2", 75 ft. Cap. SS Swivel	Call
HRE300SS	Hose Reel, Electric, 3", 85 ft. Cap. SS Swivel	Call

T-BOLT HOSE CLAMPS

- All stainless steel construction
- Stainless steel nut with silver plating to prevent seizing.
- 360° sealing surface.
- Ideal for high torque applications.
- Strong, positive connections where ordinary hose clamps fail.
- Nylon lock feature.
- 3 spot welds for extra strength.
- Burst pressures to 10,000 P.S.I.



PART #	FAST #	DESCRIPTION	MIN/MAX	TORQUE	PRICE
TC120	540065	1" Clamp	1.20"/1.34"	75 in-lbs	\$9.83
TC130	540037	1-1/4" Clamp	1.30"/1.70"	75 in-lbs	\$10.82
TC150	540066	1-1/2" Clamp	1.50"/1.75"	125 in-lbs	\$10.92
TC162	540005	1-1/4" Clamp	1.62"/1.87"	125 in-lbs	\$9.92
TC181	540006	1-1/2" Clamp	1.81"/2.06"	125 in-lbs	\$9.92
TC193	540067	1-1/2" Clamp	1.93"/2.18"	125 in-lbs	\$10.20
TC206	540068	2" Clamp	2.06"/2.40"	125 in-lbs	\$11.44
TC218	540069	2" Clamp	2.18"/2.50"	125 in-lbs	\$10.20
TC224	540070	2" Clamp	2.24"/2.55"	125 in-lbs	\$11.44
TC231	540007	2" Clamp	2.31"/2.62"	125 in-lbs	\$10.40
TC250	540071	2" Clamp	2.50"/2.81"	125 in-lbs	\$11.44
TC287	540008	2" Clamp	2.87"/3.18"	125 in-lbs	\$11.44
TC312	540072	3" Clamp	3.12"/3.49"	125 in-lbs	\$11.70
TC331	540073	3" Clamp	3.31"/3.62"	125 in-lbs	\$11.11
TC343	540009	3" Clamp	3.43"/3.75"	125 in-lbs	\$11.11
TC425	540074	4" Clamp	4.25"/4.56"	125 in-lbs	\$13.23
TC438	540076	4" Clamp	4.38"/4.76"	125 in-lbs	\$22.06
TC456	540075	4" Clamp	4.56"/4.94"	125 in-lbs	\$22.06

TWO BARREL CLAMPS

- Perfect for tight, hard to reach spaces!
- Minimizes parts that protrude by tightening together versus tightening away from.
- Deep socket tools not required.
- 300 Stainless steel construction.



TWO BARREL HARDWARE CLAMPS

PART NO	DESCRIPTION	MIN/MAX DIAMETER	MAX TORQUE	QTY	PRICE
BC090	3/4" 300 SS Floating Bridgew/Lockwasher	0.91"0.98"	75 in-lbs	10/bag	\$14.17
BC114	1" 300 SS Floating Bridge w/Lockwasher	1.14"1.22"	75 in-lbs	10/bag	\$14.33



ALL STAINLESS STEEL HOSE CLAMPS

Part #	Fast #	Fits Hose		Nominal Size	Price
		Min.	Max.		
5/16" band					
3604		7/32"	5/8"	1/4"	\$0.90
3606		5/16"	7/8"	3/8"	\$0.69
3608		7/16"	1"	1/2"	\$0.69
1/2" band					
64006H	540011	3/8"	7/8"	3/8"	\$1.66
64008H	540012	7/16"	1"	1/2"	\$1.66
64010H		9/16"	1-1/16"	5/8"	\$1.66
64012H	540013	9/16"	1-1/4"	3/4"	\$1.60
64016H	540014	11/16"	1-1/2"	1"	\$1.60
64020H	540015	3/4"	1-3/4"	1-1/4"	\$1.75
64024H	540016	1 1/16"	2"	1-1/2"	\$1.75
64028H	540038	1 5/16"	2-1/4"	1-3/4"	\$1.77
64032H	540017	1 9/16"	2-1/2"	2"	\$1.77
64036H	540039	1 13/16"	2-3/4"	2-1/4"	\$1.84
64040H		2 1/16"	3"	2-1/2"	\$2.09
64044H	540018	2 5/16"	3-1/4"	2-3/4"	\$1.76
64048H	540019	2 9/16"	3-1/2"	3"	\$1.76
64052H		2 13/16"	3-3/4"	3-1/4"	\$1.87
64056H	540020	3 1/16"	4"	3-1/2"	\$1.87
64064H		2 1/2"	4-1/2"	4"	\$1.90

1/2" Band Clamps exceed all SAE Requirements

PRESSURE SEAL HD HOSE CLAMPS

Part #	Fast #	Size	Price
K382150238	540079	1.62"-2.12"	\$7.44
K382150275	540080	2.00"-2.50"	\$7.44
K382150288	540081	2.12"-2.62"	\$7.44
K3821502400	540082	3.12"-3.75"	\$7.84
K379080014	540084	3/4"	\$2.25
K360030020	540085	1"	\$2.25
K360030024	540086	1-1/4"	\$2.25



GOODYEAR HOSE PRODUCTS

Goodyear® Horizon® Premium Hose

Black EPDM chemical resistant rubber hose compatible with a wide variety of fertilizers and diluted chemicals. Rated at 200 W.P. Not for use with anhydrous ammonia.

\$10.00 charge on cut hose lengths.

Part #	Description	Price / Ft.
510013	1/4" EPDM HOSE	\$1.05
510020	3/8" EPDM HOSE	\$1.05
510012	1/2" EPDM HOSE	\$1.41
510011	5/8" EPDM HOSE	\$1.72
510019	3/4" EPDM HOSE	\$1.90
510016	1" EPDM HOSE	\$2.97
510015	1-1/4" EPDM HOSE	\$5.58
510014	1-1/2" EPDM HOSE	\$7.10
510017	2" EPDM HOSE	\$11.00

Goodyear® Plicord® Con-Ag Hose

Black EPDM chemical resistant rubber hose compatible with a wide variety of fertilizers and diluted chemicals. Wire reinforced to prevent collapsing. Do not let the words Water S & D fool you. This hose has a black Versigard® (EPDM) tube and liner. Not for use with anhydrous ammonia.

Part #	Description	Price / Ft.
510030	1-1/4"EPDM W.B. 125 W.P.	\$11.20
510031	1-1/2"EPDM W.B. 125 W.P.	\$12.10
510032	2"EPDM W.B. 125 W.P.	\$13.52
510033	3"EPDM W.B. 100 W.P.	\$19.69
510034	4"EPDM W.B. 75 W.P.	\$29.43

Enforcer- Reinforced Fertilizer Solution Hose (BLACK)

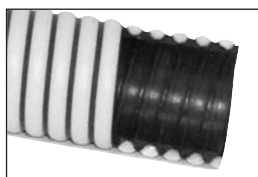
Reinforced, flexible suction and discharge hose for the agriculture and construction industries. Hose is resistant to diluted herbicides and pesticides and has good flexibility in sub-zero weather. Constructed of EPDM tube with polyethylene helix and hi-tensile fabric reinforcement.



Part #	Length	Description	Price / Ft.
510035	100'	1-1/4" Fertilizer Solution Hose 100 W.P.	\$4.65
510036	100'	1-1/2" Fertilizer Solution Hose 100 W.P.	\$5.40
510037	100'	2" Fertilizer Solution Hose 100 W.P.	\$6.64
510038	100'	3" Fertilizer Solution Hose 85 W.P.	\$11.37
510039	100'	4" Fertilizer Solution Hose 70 W.P.	\$25.57

Fertilizer Solution Hose (Bumble Bee)

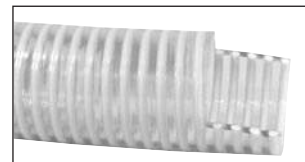
EPDM with polyethylene helix reinforcement that serves as a scuff strip. A lightweight, rugged, flexible suction and discharge hose that is lightweight and resistant to herbicides and pesticides. Temperature range of -30°F to 149°F with good flexibility even in cold weather.



Part #	Length	Description	Price / Ft.
510010	100'	1" Fertilizer Solution Hose 80 W.P.	\$2.83
510001	100'	1-1/4" Fertilizer Solution Hose 70 W.P.	\$3.16
510002	100'	1-1/2" Fertilizer Solution Hose 60 W.P.	\$3.50
510003	100'	2" Fertilizer Solution Hose 60 W.P.	\$4.96
510004	100'	3" Fertilizer Solution Hose 50 W.P.	\$8.32
510018	100'	4" Fertilizer Solution Hose 45 W.P.	\$15.39

PVC Water Suction Hose (Clear)

A smooth bore hose made of flexible abrasion resistant extruded clear PVC with a rigid PVC helix. Clear with gray helix.



Part #	Length	Description	Price / Ft.
510005	100'	1" PVC Suction Hose 90 W.P.	\$1.31
510041	100'	1-1/4" PVC Suction Hose 70 W.P.	\$1.67
510042	100'	1-1/2" PVC Suction Hose 70 W.P.	\$3.33
510025	100'	2" PVC Suction Hose 60 W.P.	\$4.77
510043	100'	2-1/2" PVC Suction Hose 60 W.P.	\$5.06
510044	100'	3" PVC Suction Hose 50 W.P.	\$5.56
510045	100'	4" PVC Suction Hose 45 W.P.	\$9.17

EVA Tubing

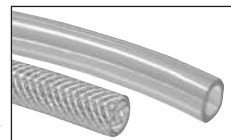
Good chemical and weather resistant hose used in agricultural, lawn, chemical transfer, and application of anhydrous ammonia.



Part #	Length	Description	Price / Ft.
510046	500'	3/8" I.D. (1/8" wall) EVA Tubing	\$0.51
510047	500'	1/2" I.D. (1/8" wall) EVA Tubing	\$0.60
510008	250'	3/4" I.D. (1/8" wall) EVA Tubing	\$1.06
510048	200'	1" I.D. (1/8" wall) EVA Tubing	\$1.35
510049	500'	3/8" I.D. (1/8" wall) EVA Tubing - Black	\$0.51
510050	500'	1/2" I.D. (1/8" wall) EVA Tubing - Black	\$0.60

CLEAR VINYL TUBING (Sight Gauge)

A clear, flexible tubing that handles most chemicals used on farm equipment. Noncontaminating PVC with smooth bore prevents interior buildup, provides easy cleaning. Temperature range -40°F to 180°F.



Part #	Length	Description	Price / Ft.
510051	100'	1/4" I.D. (1/16" wall) 50W.P.	\$0.67
510052	100'	1/4" I.D. (1/8" wall) 70W.P.	\$0.71
510053	100'	3/8" I.D. (1/8" wall) 60W.P.	\$0.72
510054	100'	1/2" I.D. (1/8" wall) 45W.P.	\$0.91
510055	100'	5/8" I.D. (1/8" wall) 40W.P.	\$1.09
510006	100'	3/4" I.D. (1/8" wall) 35W.P.	\$1.26
510007	100'	1" I.D. (1/8" wall) 25W.P.	\$1.63
510056	50'	1-1/4" I.D. (1/4" wall) 40W.P.	\$7.22
510057	50'	1-1/2" I.D. (1/4" wall) 35W.P.	\$6.84
510058	50'	2" I.D. (1/4" wall) 30W.P.	\$12.81
510059	300'	1/4" I.D. - Reinforced	\$0.54
510060	300'	3/8" I.D. - Reinforced	\$0.75
510061	300'	1/2" I.D. - Reinforced	\$0.87
510062	300'	5/8" I.D. - Reinforced	\$1.48
510063	300'	3/4" I.D. - Reinforced	\$1.68
510064	200'	1" I.D. - Reinforced	\$2.39

BULK PVC LAY FLAT DISCHARGE HOSE (BLUE)

For light duty transfer of agricultural chemicals and water.



Part #	Description	Price / Ft.
510065	1-1/4" ID Lay Flat Discharge Hose	\$1.09
510066	1-1/2" ID Lay Flat Discharge Hose	\$0.72
510067	2" ID Lay Flat Discharge Hose	\$0.85
510068	3" ID Lay Flat Discharge Hose	\$2.09
510069	4" ID Lay Flat Discharge Hose	\$2.74
510070	6" ID Lay Flat Discharge Hose	\$5.05

Standard Length Coils: 300 ft

LINEAR LOW DENSITY POLYETHYLENE TUBING

Has a superior environmental stress crack resistance that greatly exceeds ordinary polyethylene tubing as measured by ASTM D 1963/GEPAL test. Environmental stresses that can shorten the service life of tubing include chemical exposure, aging, connections to barb type fittings, or high vibration connections with compression fittings. This tubing is compliant to NFS 51 and FDS requirements for food contact applications.

- BENEFITS:**
- Dimensional stability
 - Uniformity and Long Term Strength
 - High Burst Strength
 - Greater Tensile Strength

Part #	Fast #	Color	OD	ID	Wall Thickness	WP @ 68°F	Price/Ft.
2T20-003	510023	Black	0.250 - (1/4")	0.170	0.040	140	Call
2T20-503	-	Black	0.312 - (5/16")	0.187	0.062	140	Call
2T20-604	510024	Black	0.375 - (3/8")	0.250	0.062	125	Call

POLYETHYLENE TUBING CAN BE SPECIAL ORDERED IN THE FOLLOWING COLORS: BLUE, ORANGE, YELLOW, WHITE, NATURAL RED, GREY AND GREEN. CONTACT US FOR PRICING, AVAILABILITY AND PART NUMBERS

SAFETY EQUIPMENT

Disposable Chemical Resistant Gloves

The N-DEX® 7005 is a low powder, 4-mil, 100% nitrile glove. It's 9.5" long, ambidextrous and disposable. N-DEX® gloves contain no natural rubber latex proteins, and resist a wide range of chemicals. Made in the U.S.A. Sold in boxes of 100 only.

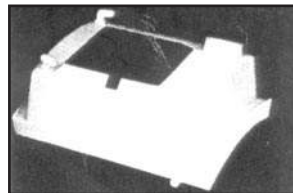


Part #	Description	Price
7005XL	Disposable Glove, 4 mil, XL, Box of 100	28.39

FRESH WATER TANKS

NH₃ Fresh Water Tank

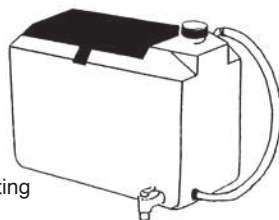
- 7 gallon capacity
- Compartment in top for safety equipment
- Straps onto NH₃ tank



CA/	Description	Price
6000-35	Safety-Fresh Water Tank	182.66

Safety/Fresh Water Tank

- 9 gallon capacity
- Compartment in top for safety equipment
- Molded-in inserts for ease of mounting
- 3/4" spigot included



NW/	Description	Price
47036	Safety/Fresh Water Tank (White Only)	265.00

HOSE CUTTERS

FA/	Description	Size	Price
T100	Hose Cutter	Small	\$25.60
ST200	Hose Cutter	Large	\$31.66
BT100	Blade	Small	\$11.70
SSB200	Blade	Large	\$14.45

FA/	Description	Price
44103218	Tube Cutter, 1/2" Max	\$18.07



Chemical Resistant Gloves

This nitrile glove has a raised diamond palm pattern that provides excellent wet or dry grip. The comfortable, chemical resistant design allows dexterity in a variety of conditions. Available in green. Unlined.



Part #	Description	Price
AXGC300200XXL	Nitrile Glove, 13", 15 mil. 1 Pair.	4.80
737	Nitrile Glove, 15", 22 mil. 1 Pair.	12.25

Gloves for NH₃

Fully coated, liquid-proof glove features abrasion and chemical resistance. Flexible weight, black vinyl economy coating with wet grip, rough finish on a jersey liner.



Part #	Description	Price
D8630J-14	Ammonia Resistant Glove, 14", XL, 1 Pair.	8.40

Vinyl Apron

Vinyl apron combines flexibility with resistance to chemicals, fats, oils and grease. It is puncture and abrasion resistant and is ideal for many industrial applications. Complies with government Regulations for food contact. Sold by the dozen.



Part #	Description	Price
B45-U	45" Vinyl Apron, 8 mil.	4.46 / Each
B45-U6	45" Vinyl Apron, 6 mil.	2.21 / Each

Safety Goggles

Helps protect against splashes, spills, dusts and sprays. Soft and flexible with elastic headband.



Part #	Description	Price
2235R	Safety Goggles, Indirect Vent, Anti-fog	8.80
2230R	Safety Goggles, Indirect Vent	7.80

FOR YOUR PROTECTION, ALWAYS USE THE RECOMMENDED SAFETY EQUIPMENT FOR THE JOB AT HAND



GENERAL PURPOSE DRY GAUGES MODEL 24

Gauges have black steel case with 1/4" MNPT brass bottom connection. Not for use with Anhydrous Ammonia or highly corrosive materials.

2", 2-1/2" or 4" Dia. w/ 1/4" MPT Stem

Part #	Description	Price
SG602	2" Gauge, 0-60 PSI	8.20
SG1002	2" Gauge, 0-100 PSI	8.20
SG1602	2" Gauge, 0-160 PSI	8.20
SG2002	2" Gauge, 0-200 PSI	8.20
SG3002	2" Gauge, 0-300 PSI	8.20
SG10002	2" Gauge, 0-1000 PSI	8.20
SG60	2-1/2" Gauge, 0-60 PSI	10.20
SG100	2-1/2" Gauge, 0-100 PSI	10.20
SG200	2-1/2" Gauge, 0-200 PSI	10.20
SG1000	2-1/2" Gauge, 0-1000 PSI	10.20
SG604	4" Gauge, 0-60 PSI	21.20
SG1004	4" Gauge, 0-100 PSI	21.20
SG2004	4" Gauge, 0-200 PSI	21.20

ALL STAINLESS STEEL LIQUID-FILLED OEM GAUGES MODEL 54

These premium gauges are designed for use with any medium not corrosive to stainless steel.

Liquid-filled to reduce shock caused by pressure fluctuations or vibration. Bottom mount, 1/4" MNPT, 316 stainless steel connection

2-1/2" or 4" Dia. w/ 1/4" MPT Stem

Part #	Description	Price
LM2.5-1/4-100	2-1/2" Gauge, 0-100 PSI	47.99
LM4-1/4-100	4" Gauge, 0-100 PSI	88.94
LM4-1/4-160	4" Gauge, 0-160 PSI	88.94
LM4-1/4-200	4" Gauge, 0-200 PSI	88.94



Gauge Isolator Kit

* All Stainless * Liquid Fill

Optional - Provides additional insurance against chemical exposure to pressure gauge & to operator in the cab. Isolator is mounted in the pressure gauge line outside the cab. Gauge side of isolator requires Glycerin or ATF (auto. transmission fluid) fill.

* Available with 1/8" or 1/4" NPT(F) connections .

TJ/	Price
23800A-1/8	132.09
23800A-1/4	132.09
ISOLATOR ONLY	
22470A-1/8	99.73
22470A-1/4	99.73



LIQUID-FILLED OEM GAUGES MODEL 41

These gauges are glycerin filled to minimize needle pulsation and provide dependable service. Not for use with Anhydrous Ammonia.

2-1/2" or 4" Dia. w/ 1/4" MPT Stem

Part #	Fast #	Description	Price
GG60		2-1/2" Gauge, 0-60 PSI	19.84
GG100		2-1/2" Gauge, 0-100 PSI	19.84
GG200	790044	2-1/2" Gauge, 0-200 PSI	19.84
GG3000	790052	2-1/2" Gauge, 0-3000 PSI	19.84
GG604		4" Gauge, 0-60 PSI	61.71
GG1004		4" Gauge, 0-100 PSI	61.71
GG2004		4" Gauge, 0-200 PSI	61.71



ANHYDROUS AMMONIA DRY GAUGES MODEL 80

This rugged gauge has 316 stainless steel internals housed in corrosive resistant painted steel case with a bottom mount 1/4" MNPT zinc-plated steel connection.

2-1/2" or 4" Dia. w/ 1/4" MPT Stem

Part #	Description	Price
2180DSX60	2-1/2" Gauge, 0-60 PSI	18.85
2180DSX160	2-1/2" Gauge, 0-160 PSI	18.85
2180DSX400	2-1/2" Gauge, 0-400 PSI	18.85
4180DSX60	4" Gauge, 0-60 PSI	37.05
4180DSX160	4" Gauge, 0-160 PSI	37.05
4180DSX400	4" Gauge, 0-400 PSI	37.05



Down Pressure Gauge

Part #	Description	Price
790052	Down Pressure gauge For applicators	\$22.09



Reducing Coupler

1/4" FPTx 1/8" MPT

PR/	Price
MF1814B	4.30



Gauge Dampener 1/4"

For use with all standard gauges where pulsation & vibration may occur.

PR/	Price
B301AB	27.22

FAST 4" Panel Mount Gauge 0-160 PSI

Part #	Description	Price
790020	4" Fast 0-160 PSI Gauge	\$88.07

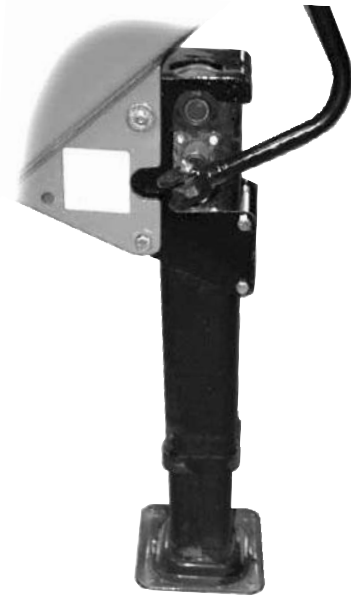


EQUIPMENT
FLOW METERS
PRECISION
NOZZLES
VALVES
STRAINERS
FITTINGS
JACKS & HITCHES
PLANTER COMP.
PUMPS
TILLAGE
NH₃
TANKS

EQUIPMENT
FLOW METERS
PRECISION
NOZZLES
VALVES
STRAINERS
FITTINGS
JACKS & HITCHES
PLANTER COMP.
PUMPS
TILLAGE
NH₃
TANKS



Sprayer and Applicator Jacks



PART#	DESCRIPTION	PRICE
SPRAYER JACKS		
790005	Jack 8000lb	\$148.35
APPLICATORS 2010 & OLDER		
790045	Jack	\$503.73
15490	Jack Mount	\$179.00
790046	Jack Handle	\$18.00
2011 UNITS AND NEWER		
15440	Jack Pin	\$63.00
15430	Jack Mount	\$202.00
790045	Jack	\$503.73
790046	Jack Handle	\$18.00

LOCKEASE HITCH PINS

- Patented hinged handle & lock
- Easy installation & removal
- Field trash will not unhook pin



PART#	DESCRIPTION	PRICE
80170	LockEase Hitchpin 7/8"x6"	\$36.43
80180	LockEase Hitchpin 1"x6"	\$36.43



Sprayer and Applicator Hitches



PART#	DESCRIPTION	PRICE
790003	Cat.#3 Hitch	\$116.86
790004	Cat.#4 Hitch	\$128.77
790040	Bull-Pull Articulating Implement Hitch - Cat. #4	\$508.59
790002	Clevis	\$45.69
564	Hitch Bolts	\$19.26 ea
790049	20,000lb safety chain	\$43.57
790050	30,000lb safety chain	\$73.36

HITCH PINS



PART#	DESCRIPTION	PRICE
00123	HD hitchpin 5/8"x 5-1/2"	\$6.38
00233	HD hitchpin 3/4"x 4"	\$7.96
00133	HD hitchpin 3/4"x 6-1/2"	\$8.38
00143	HD hitchpin 7/8"x 6-1/2"	\$9.44
00153	HD hitchpin 1"x 7-1/2"	\$11.99
00163	HD hitchpin 1-1/8"x 8-1/2"	\$17.19
00173	HD hitchpin 1-1/4"x 8-1/2"	\$21.01
00183	HD hitchpin 1-1/2"x 8-1/2"	\$31.84



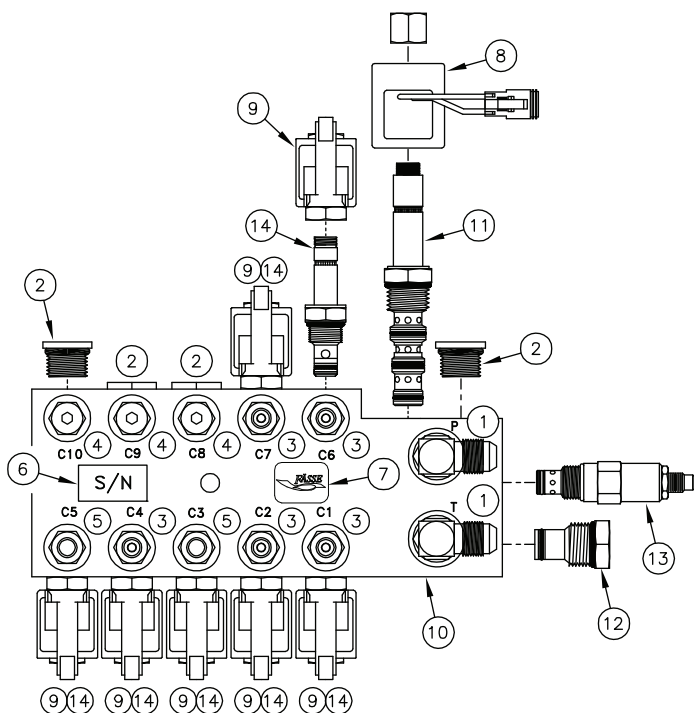
HITCH PINS with LANYARD

PART#	DESCRIPTION	PRICE
20123	HD hitchpin 5/8"x 5-1/2"	\$7.89
20233	HD hitchpin 3/4"x 4"	\$8.48
20133	HD hitchpin 3/4"x 6-1/2"	\$9.44
	(Fast Part# 590016)	
20143	HD hitchpin 7/8"x 6-1/2"	\$11.56
20153	HD hitchpin 1"x 7-1/2"	\$14.11
20163	HD hitchpin 1-1/8"x 8-1/2"	\$19.32
20173	HD hitchpin 1-1/4"x 8-1/2"	\$23.13
20183	HD hitchpin 1-1/2"x 8-1/2"	\$33.96

HITCH PIN CLIPS



PART#	FAST#	DESCRIPTION	PRICE
68870	590017	Hair Pin Clip	\$0.22
21985	720001	5/16" Wirelock Pin	\$1.62
21920	710005	1/4" Lynch Pin	\$3.48
21930	590819	5/16" Lynch Pin	\$3.83



HYDRAULIC MANIFOLD

PARTS LIST			
N#	PART NUMBER	QTY	PART DESCRIPTION
1	210-017	2	FTG 6801-8-8/E-MJ-MO
2	210-038	4	FTG 6408-HHP-8/HOLL HEX PLUG MO
3	210-113	5	FTG 6400-4-6/S-MJ-MO
4	210-127	3	FTG 6408-HHP-6/HOLL HEX PLUG MO
5	210-188	2	FTG 6400-6-6 R.047/S-MJ-MO
6	232-050	2	DECL S/N (SILVER)
7	232-058	1	DECL FASSE BLK/GOLD 1" X .75" RND CRNR
8	253-037	1	COIL H/F 6359774 DT
9	253-046	7	COIL HYDAC 0312600 DL DSTCH RECPT.
10	270-093	1	MANI S14153-4 5CIR AL RV
11	273-008	1	CART SV10-40-0-N-00
12	273-012	1	CART CP10-20
13	273-058	1	CART H/F RV10-22A-0-N-NC-35-30
14	273-077	7	CART HYDAC WS 08W-01-C-N-0

HYDRAULIC COMPONENTS

HYDRAULIC REPAIR KITS

Part #	Description	Price
FV274009	Repair Kit for 273-008	
FV274019	Repair Kit for 273-012	
FV274009	Repair Kit for 273-058	
FV274028	Repair Kit for 273-077	

HYDRAULIC COMPONENTS

Part #	Description	Price
610099	OVER SPEED BLOCK 13 GPM	\$110.00
610100	OVER SPEED BLOCK 7.5 GPM	\$110.00
630035	FLOW DIVIDER 9.0-24 LPM	\$149.05
630041	DOWN PRESSURE VALVE	\$402.36

CYLINDER STOPS

Part #	Description	Price
590205	3/4" CYLINDER STOP	\$9.00
590206	1" CYLINDER STOP	\$9.50
590207	1-1/4" CYLINDER STOP	\$10.50
590208	1-1/2" CYLINDER STOP	\$11.50
15159BLK	5" CYLINDER STOP	\$27.00
15169BLK	3" CYLINDER STOP	\$25.00

LIGHTS & FLASHERS



LIGHTS & FLASHERS

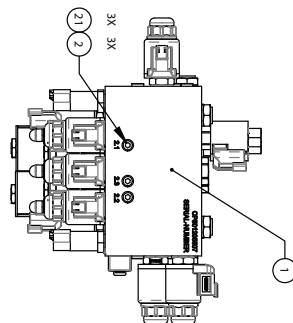
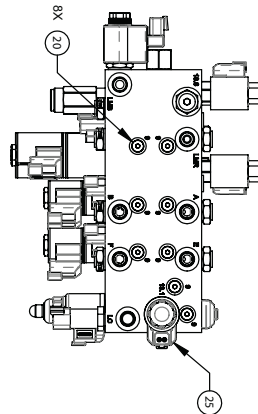
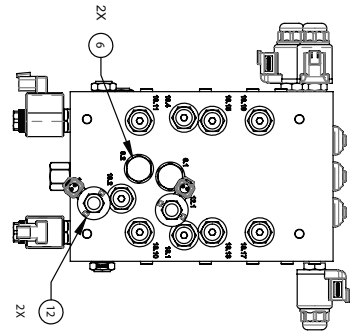
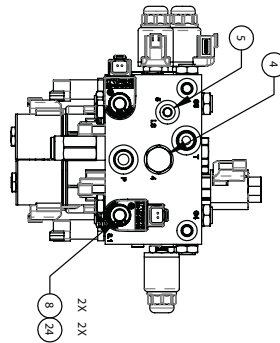
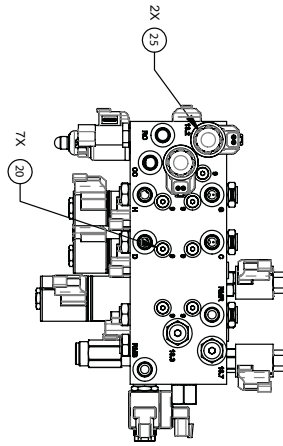
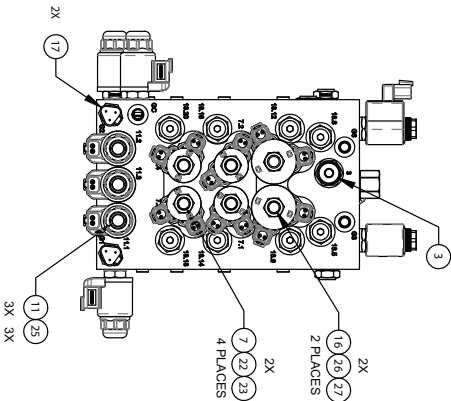
Part #	Description	Price
740024	LIGHT, AMBER PEDISTAL MNT LAMP	\$25.00
740025	LIGHT, RED SURF MNT LIGHT	\$26.00
740031	MODULE, SAFETY FLASHER	\$45.00
740000	LIGHT, SINGLE RED	\$22.50
740001	LIGHT, AMBER/RED LH SIDE	\$46.25
740002	LIGHT, AMBER/RED RH SIDE	\$46.25



SHOCK ABSORBERS

Part #	Description	Price
590010	LADDER SHOCK	\$55.59
790028	SPRAYER BREAKAWAY SHOCK	\$72.18

ITEM	QTY	PART NUMBER	DESCRIPTION	SPECIAL NOTE
27	2	334-0002-119	SPACER, COL, ER, -10/12	
28	4	334-0002-117	COLL, 12VDC, ER, DEUTSCH, DT 04-2P, -10/12	
25	6	334-0002-118	COLL, 12VDC, DM-40 DEUTSCH DT 04-2P CONNECTOR, -8	TORQUE TO 4 FT LBS
24	2	334-0002-180	COLL, 12VDC, M13, DEUTSCH, DT 04-2P, -8	TORQUE TO 4 FT LBS
23	4	334-0002-183	SPACER, COL, ER, -8	
22	8	334-0002-123	COLL, 12VDC, ER, DEUTSCH, DT 04-2P, -8	
21	3	333-0012-282	FITTING, PLUG, O-RING, 2	TORQUE TO 12, -14 FT LBS
20	15	333-0012-051	FITTING, PLUG, O-RING, 4	TORQUE TO 12, -14 FT LBS
17	2	422-0000-086	TRANSOLUCER, PRESSURE 4.50MPa, 0-3800 PSI	TORQUE TO 12, -14 FT LBS
16	2	334-0002-182	CARTRIDGE HYDRAULIC, PROPORTIONAL, DIRECTIONAL, 4WAY, 3 POSITION, MOTOR COIL, -10	TORQUE TO 24, -28 FT LBS
13	3	334-0002-107	CARTRIDGE, HYDRAULIC, RELIEF, DOUBLE, -8	TORQUE TO 18.5, -22 FT LBS
12	2	334-0002-181	CARTRIDGE, HYDRAULIC, PROPORTIONAL, RELIEF, 2WAY, NORMALLY CLOSED	TORQUE TO 18.5, -22 FT LBS
11	3	334-0002-106	CARTRIDGE, HYDRAULIC, PROPORTIONAL, REDUCTION/RELIEFING, -8	TORQUE TO 18.5, -22 FT LBS
8	2	334-0002-179	CARTRIDGE, HYDRAULIC DAMPENER, 2WAY, NORMALLY OPEN/W/ NUT	TORQUE TO 26, -30 FT LBS
7	4	334-0002-148	CARTRIDGE, HYDRAULIC, PROPORTIONAL, DIRECTIONAL, 4WAY, 3 POSITION, MOTOR SPOOL, -9	TORQUE TO 16, -20 FT LBS
6	2	334-0002-104	CARTRIDGE, HYDRAULIC, CHECK W/ SCREEN, -10	TORQUE TO 24, -28 FT LBS
5	1	333-0012-302	FITTING, HYDRAULIC ORAFACE 0.020 W/ 1/4-20 THREAD	
4	1	334-0002-105	CARTRIDGE, HYDRAULIC, DIRECTIONAL, PILOTED, 2WAY, 2 POSITION, NORMALLY CLOSED, -10	TORQUE TO 24, -28 FT LBS
3	1	334-0002-178	CARTRIDGE, HYDRAULIC, RELIEF, DIRECT ACTING (2-1), -10	TORQUE TO 24, -28 FT LBS
2	3	333-0012-284	FITTING, HYDRAULIC ORFACE 0.080 W/ 1/4-20 THREAD	
1	1	334-0002-175	MANIFOLD, HYDRAULIC, FAST, BOOM CONTROL S	





Spray Boom & Applicator Breakaways & Fold Boxes

Part #	Description	List Price
BOOM BREAKAWAYS		
18300BLK	93" Breakaway for 9600N, 9500TF, 9518T	\$ 1,018.90
18320BLK	111" Breakaway 9600E and 9500	\$ 1,018.90
14000BLK	Tapered Breakaway 132' truss boom	\$ 1,184.79

SPRAYER HYDRAILIC FOLD BOXES

304-457	Z-FOLD CONTROL BOX
312-944	5 FUNCTION - 9500 -60-100', 9600 60-66', 963P 60-100'
312-751	6 FUNCTION - 9610E-9613E 60-100'
312-948	6 FUNCTION - 7400 120' FIXED HITCH
312-760	6 FUNCTION - 7400 YAW BLOCK
312-016	6 FUNCTION - 9610N-9613N 60-100', 9518T 120-132' MECHCANICAL YAW
314-005	7 FUNCTION - 9500E 120-132' MECHCANICAL YAW(GREEN BOOMS)
320-569	7 FUNCTION - 9500/9600 60-100'
312-880	7 FUNCTION - 9500E 120-132' HYDRALIC YAW

APPLICATOR FOLD BOXES

304-038	4 FUNCTION - 8200 SIDE FOLD
304-041	3 FUNCTION - 8400 90'
304-141	A-SERIES FOLD BOX

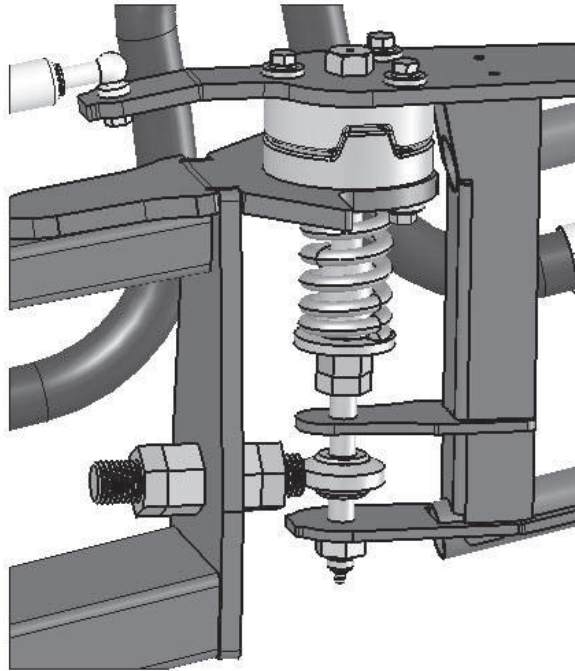
WET BOOM TUBES

Part #	Description
Stainless Steel Wet Boom Tubes	
14302	TUBE, 2 PORT 15IN SPACING, WETBOOM
14303	TUBE, 3 PORT 15IN SPACING, WETBOOM
14304	TUBE, 4 PORT 15IN SPACING, WETBOOM
14305	TUBE, 5 PORT 15IN SPACING, WETBOOM
14306	TUBE, 6 PORT 15IN SPACING, WETBOOM
14307	TUBE, 7 PORT 15IN SPACING, WETBOOM
14308	TUBE, 8 PORT 15IN SPACING, WETBOOM
14309	TUBE, 9 PORT 15IN SPACING, WETBOOM
14312	TUBE, 2 PORT 20IN SPACING, WETBOOM
14313	TUBE, 3 PORT 20IN SPACING, WETBOOM
14314	TUBE, 4 PORT 20IN SPACING, WETBOOM
14315	TUBE, 5 PORT, 20IN SPACING, WETBOOM
14316	TUBE, 6 PORT, 20IN SPACING, WETBOOM
14317	TUBE, 7 PORT, 20IN SPACING, WETBOOM
14318	TUBE, 8 PORT, 20IN SPACING, WETBOOM
14322	TUBE, 2 PORT, 22IN SPACING, WETBOOM
14323	TUBE, 3 PORT, 22IN SPACING, WETBOOM
14324	TUBE, 4 PORT, 22IN SPACING, WETBOOM
14325	TUBE, 5 PORT, 22IN SPACING, WETBOOM
14326	TUBE, 6 PORT, 22IN SPACING, WETBOOM

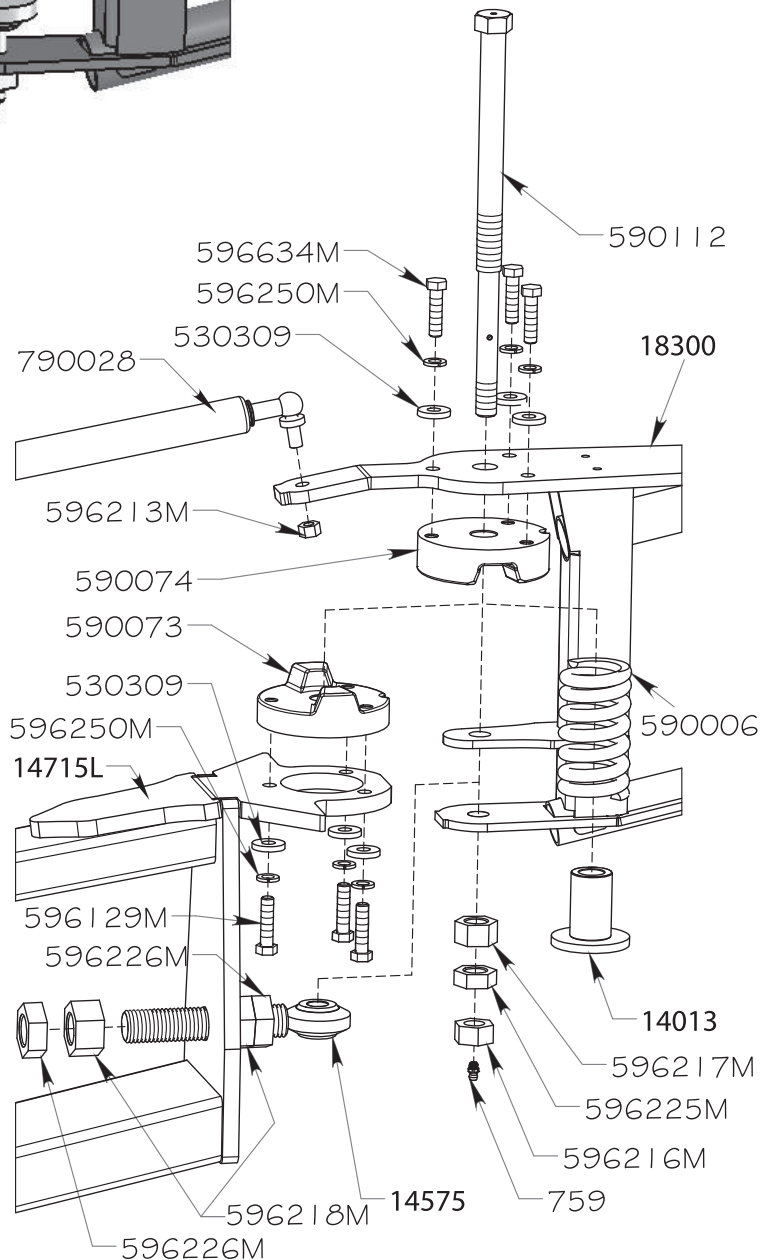


EQUIPMENT
FLOW METERS
PRECISION
NOZZLES
VALVES
STRAINERS
FITTINGS
JACKS & HITCHES
PLANTER COMP
PUMPS
TILLAGE
NH₃
TANKS

EQUIPMENT
FLOW METERS
PRECISION
NOZZLES
VALVES
STRAINERS
FITTINGS
JACKS & HITCHES
PLANTER COMP.
PUMPS
TILLAGE
NH₃
TANKS



PART	QTY	DESCRIPTION
759	3	ZERK, 1/4-28 STRAIGHT
14013	1	GUIDE, SPRING
14575	1	BALL JOINT, ADJUSTMENT
14715L	1	WING, LH SWING
18300	1	BREAKAWAY, 93", GEN III
530309	6	WASHER, FLAT HEAVY 13/32 X 1
590006	1	SPRING, COMPRESSION
590073	1	CLUTCH, MALE 1/2 20°
590074	1	CLUTCH, FEMALE 1/2 20°
590112	1	BOLT, BREAKAWAY
596129M	3	BOLT, HH 3/8-16X1-1/2 GR5 MAGNI
596213M	2	NUT, HEX 3/8-16 MAGNI
596216M	1	NUT, HEX 5/8-11 MAGNI
596217M	1	NUT, HEX 3/4-10 MAGNI
596218M	3	NUT, HEX 1-8 MAGNI
596225M	2	NUT, HEX JAM 3/4-10 GR5 MAGNI
596226M	2	NUT, HEX JAM 1-8 MAGNI
596250M	6	LOCKWASHER 3/8 MAGNI
596634M	3	BOLT, HH 3/8-16X1-1/4 GR8 MAGNI
790028	1	SHOCK, BREAKAWAY, HEAVY



BREAKAWAY DETAIL

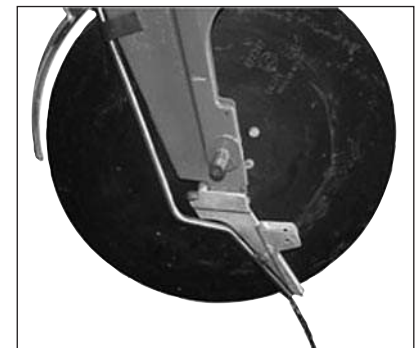
TOTALLY TUBULAR® STARTER FERTILIZER APPLICATOR

TB/	Planter Model	NET PRICE
John Deere		
TT 009	JD EXACT-A-MERGE	\$ 50.00
TT 007	JD MAXMERGE 5 SERIES	50.00
TT 006	1700 Series With XP Row Units (Patented)	50.00
TT 002	1700, 7300, 7200 Series (Non XP) Units	50.00
TT 002 Oversized	1700, 7300, 7200 Series (Non XP) Units	52.00
TT 001	7000, 7100 Series Planter	50.00
TT 001 Oversized	7000, 7100 Series Planter	52.00
TT 300	Nitrogen/Liquid Fertilizer Placement Tube	38.00
TT314F	Furrow Force dual tube	50.00
Kinze		
TT 401	4000 Series Planter	\$50.00
TT 301	3000 Series Planter (Patented)	38.00
TT 001	2000 Series Planter	50.00
TT 001 Oversized	2000 Series Planter	52.00
White		
TT 260	6000 Series Planters	52.00
TT 200	8000 Series Planters	52.00
TT 290	9000 Series Planters	52.00
Great Plains		
TT 400	All Models	63.00
Case		
TT 100	CIH Planters - 2011 and older	23.00
TT 10012	CIH Planters - 2012 and newer	25.00
TT 125	All Case Planters - Below the seed option	25.00
TT 008	Seed Bounce Flaps - All Planter Models	7.00

This simple yet effective design is totally protected by the disc blades, so rocks should not be an issue. The 1/8" wall 3/8" stainless tube will easily outlast the disc scraper. This provides a 1/4" inside opening that will accept a 1/4" fertilizer line inside or 3/8" hose outside with a hose clamp for a leak free connection. The optional seed bounce flap closes the opening between the disc openers assuring correct seed placement by eliminating seed bounce and ricochet

BENEFITS

- In row, below the seed placement
- Undisturbed seed distribution
- Starter Fertilizer application deeper in the soil profile
- Instant root uptake for early plant health
- Maintenance free



LEPP ENTERPRISES PLANTER TUBES

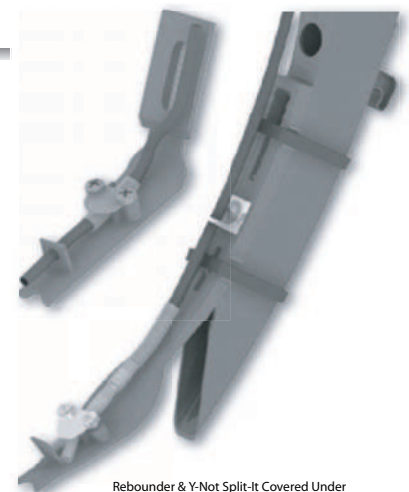
Planter Brand	Type	PRICE
CNH 1200-1265 AS	In-Furrow	\$ 39.00
CNH 1200-1265	28%	42.00
CNH 1200-1265 BLS		35.00
John Deere XP 1/4 inch BLS	In-Furrow	42.00
John Deere XP 3/8 inch BLS	In-Furrow	42.00
John Deere XP AS	In-Furrow	42.00
John Deere	In-Furrow	42.00
John Deere	28%	42.00
White 8000 AS	In-Furrow	38.00
White 9000 AS	In-Furrow	39.00
White 9000 BLS	In-Furrow	36.00
Kinze	In-Furrow	36.00

* AS = After Seed. BLS = Before Seed.

REBOUNDER SEED COVERS

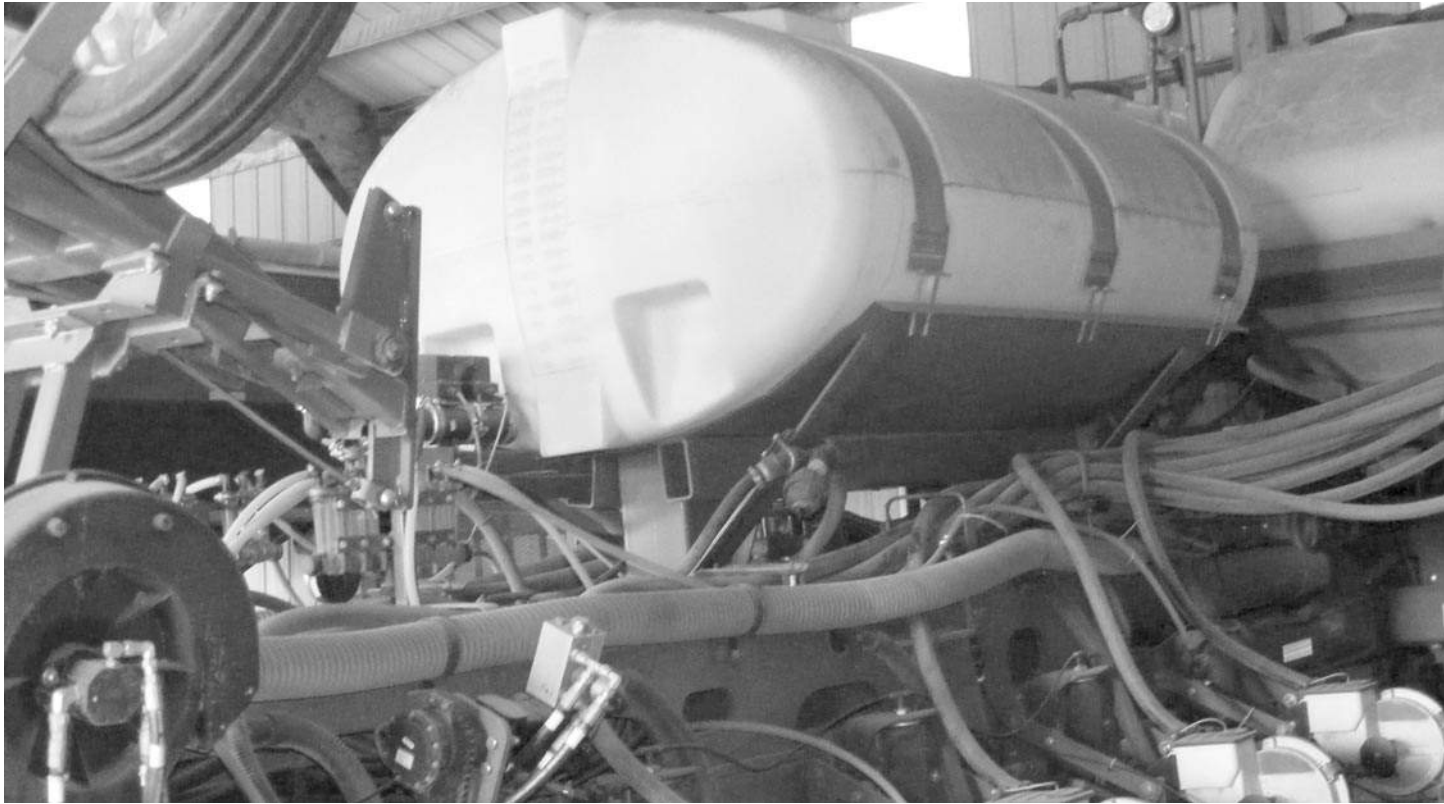
The Rebounder Advantage

- Easy to install - installs on most planters with 2 tie straps to the seed tube
- The Rebounder is shaped like the seed V; when seeds become lodged on the side-wall, it will peel them off and funnel them to the bottom of the furrow
- The Rebounder eliminates seed tube vibration, and stops seeds from bouncing
- Ability to plant in wetter soils without mud build up or seed drag
- Puts liquids on with Y-Not Split-It, up to 12 gallons per acre
- The Rebounder enhances uniform emergence
- Rebounders pay for themselves in less than 10 acres/row
- Super Tuff Orange Rebounder lasts 2-3 times longer
- If you dig in the seed trench where the Rebounder has run, you will find all the seeds at the bottom of the seed V



Rebounder & Y-Not Split-It Covered Under One or More of the Following U.S. Patents: 5640915, 5918557, 6082275, 6283050, 6453832, 6763773, 7121216.

Call for More Information and Pricing



PLANTER KIT INFORMATION

Planter Brand	Bar Maker	Model #	Row	Spacing	Tube Size	Tank Size	Front Bracket	Rear Bracket	Skid #	Tank #	Notes
JD	JD	1770	16	30	8 x 12	500	8238	8238	580009	570041	
JD	JD	1770	16	30	8 x 12	750	8247	8249	NW-60371	NW-47076	
JD	JD	1770	24	30	8 x 16	750	8480	8480	570026	710001	
JD	JD	1770NT	12	30	8 x 12	500	8243	8245	580009	570041	ROW BOXES
JD	JD	1770NT	16	30	8 x 12	500	8243	8245	580009	570041	ROW BOXES
JD	JD	1770NT/1775	16	30	8 x 12	500	8684	8684	580009	570041	CCS UNIT
JD	JD	1770NT	24	30	8 x 16	500	8480	8480	580009	570041	ROW BOXES
JD	JD	1770NT/1775	24	30	8 x 16	500	8684	8684	580009	570041	CCS UNIT
JD	FRIESEN	1780	16/31	30/15	7 x 9	500	8483	8484	580009	570041	
JD	FRIESEN	1780	24	20	7 x 9	500	8483	8484	580009	570041	
JD	FRIESEN	1780	24	22	7 x 9	500	8483	8484	580009	570041	
JD	JD	7000	16	30	8 x 12	500	8238	8238	580009	570041	
JD	JD	7000	16	30	8 x 12	750	8247	8247	NW-60371	NW-47076	
JD	JD	7200	16	30	8 x 12	500	8238	8238	580009	570041	
JD	JD	7200	16	30	8 x 12	750	8247	8247	NW-60371	NW-47076	
JD	DB	DB44	24	22	8 x 12	500	8238	8238	580009	570041	
JD	DB	DB60	24	30	8 x 16	750	8496	8496	570026	710001	CCS UNIT
JD	DB	DB60	24	30	8 x 16	750	8522	8522	570026	710001	ROW BOXES
JD	DB	DB60	24	30	8 x 16	1000	8497	8497	NW-60372	NW-47103	
WHITE	FRIESEN	8500	16	30	7 x 9	500	8484	8484	580009	570041	MUST MOVE OIL RESERVOIR
JD	DB	DB80	32-48	20-30	8 X16	1000	13255	BRACKET/SKID		570025	NO FITTINGS INSTALLED
JD	DB	DB90	36-54	20-30	8 X16	1000	13255	BRACKET/SKID		570025	NO FITTINGS INSTALLED

Call for More Information and Pricing



SENTRY 6140 TIP FLOW MONITOR



Identifying Plugged Spray Tips Has Never Been Easier

Worn, plugged or partially blocked spray tips can have a significant impact on the quality of your spraying job. Streaks in the field caused by misapplication can result in yield reductions, increased weed pressure and the need to re-apply - all of which can be costly. The Sentry 6140 Tip Flow Monitor provides a simple, reliable solution to this age-old problem. Flow sensors, mounted at each spray tip location, precisely measure the flow passing through the tip and provide instantaneous feedback to the operator should a tip become clogged, lost, or a nozzle body unintentionally rotated to an incorrect position. By eliminating the need to detect plugged tips visually from the cab, operators can cover more acres in a day, and know, with confidence, that their spray tips are operating properly.

Sentry 6140 Tip Flow Monitor Features

- Individually monitor flow performance from every spray tip on your boom
- Sentry 6140 utilizes a compact flow meter integrated into the individual nozzle body
- Flow meter detects flow variation caused by clogs, nozzle damage or loss, or upstream flow limitations
- Deviation from the average flow rate of the rest of the system will trigger an alert to the operator
- Error is indicated by audible alarm, display notification and illuminated LED at the affected nozzle body

SAFEGUARD™ HAS YOUR BACK

Applying liquid fertilizer used to be a pain in the neck. Literally. Not anymore. You no longer have to watch your back for application blockages.

You asked for it, here it is.

SafeGuard™ electronically detects blockages and alerts you with an **Audible Alarm** and a **Visual Display** of the blocked row's number.

Reduce over and under-application, save money, and apply liquid fertilizer with confidence without having to watch flow monitors or outlets.

SafeGuard™ - Simple, Powerful, Trusted Protection.



**SafeGuard™ ISOBUS -
NEW for 2015**
Integrate SafeGuard™ into
your existing Universal
Terminal system to easily
monitor blockages.



Cartridges:

Nine different cartridge
choices accommodate a wide
variety of applications and
allow monitoring of
partial blockage.

CDS-John Blue Liquid Blockage Monitor System

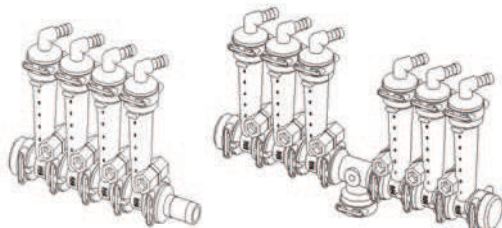
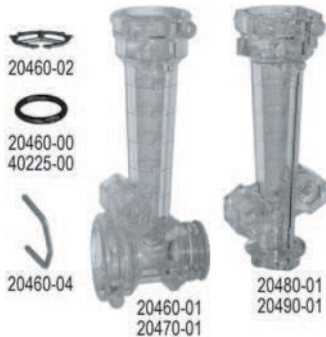
Features

- Uses magnetic sensing technology mounted behind the VisaGage II Flow Monitors.
- Sensors can be mounted to existing VisaGage II units; new magnetic balls are supplied with sensors.
- Identifies where magnetic balls are floating in each row during liquid application.
- Only LBMS shows both low-flow and no-flow. Plus, the Premium Wireless and the NEW ISOBUS Systems also display high flow for broken lines.
- See a visual display and hear an audible alarm on the control panel right from your tractor cab.
- Can be used with cloudy or dark liquids - LED is visible to the sides of the column.
- Each row with a distribution problem will be highlighted by a flashing LED light at the row. No need to remember or search for which row is blocked after you come to a stop.
- The alarm will reset automatically when the blockage has been corrected.
- Have the ability to "Pause" the system to capture problem rows for investigation later when you are able to stop.
- Our patented LBMS is available in five user-friendly options: standard wired control panel; the wireless systems for iPad, Android, and Amazon Kindle; or the newly released ISOBUS.
- Wireless apps and ISOBUS sections can be defined and rows can be numbered.
- The LBMS App is free and available from the Apple Store, Google Play Store, or the Amazon Kindle Store.



Call for More Information

EQUIPMENT
FLOW METERS
PRECISION
NOZZLES
VALVES
STRAINERS
FITTINGS
JACKS & HITCHES
PLANTER COMP.
PUMPS
TILLAGE
NH₃
TANKS



PART NO.	DESCRIPTION	US\$ LIST PRICE with BUNA-N SEAL
FLOW VIEW™ MODULAR FLOW INDICATORS AND RELATED COMPONENTS		
FLOW INDICATOR ASSEMBLY and PARTS		
20460-00	FLOW INDICATOR ASSEMBLY (Includes Body, Ball Retainer, O-Ring Seal, two Lock U-Clips; and Black, Green, Red, and 1/2" Stainless Steel Balls)	27.41
20470-00	FLOW INDICATOR ASSEMBLY - LOW FLOW (Includes Body, Ball Retainer, O-Ring Seal, two Lock U-Clips; and Black, Green, Red, and 1/2" Stainless Steel Balls)	27.41
20480-00	FLOW INDICATOR ASSEMBLY - ISOLATED FEED (Includes Body, Ball Retainer, O-Ring Seal, two Lock U-Clips; and Black, Green, Red, and 1/2" Stainless Steel Balls)	21.34
20490-00	FLOW INDICATOR ASSEMBLY - ISOLATED FEED, LOW FLOW (Includes Body, Ball Retainer, O-Ring Seal, two Lock U-Clips; and Black, Green, Red, and 1/2" Stainless Steel Balls)	21.34
20460-01		17.51
20470-01		17.51
20480-01		14.00
20490-01		14.00
20460-04	LOCK U-CLIP, 302SS	1.90
20460-02	BALL RETAINER	0.78
20460-03	O-RING - #212 (For Indicator Body and Fittings)	0.36
40225-04	O-RING - #015 (For Orifice Inserts)	0.27
FLOW INDICATOR O-RING SEAL FITTING ASSEMBLIES (Include required Seals and/or Lock U-Clips)		
HOSE SHANK ADAPTERS		
20501-00	ORS x HOSE SHANK-STRAIGHT - 3/8"	3.59
20502-00	ORS x HOSE SHANK-STRAIGHT - 1/2"	3.59
20503-00	ORS x HOSE SHANK-STRAIGHT - 3/4"	3.59
20511-00	ORS x HOSE SHANK-90 DEGREE - 3/8"	3.59
20512-00	ORS x HOSE SHANK-90 DEGREE - 1/2"	3.59
20513-00	ORS x HOSE SHANK-90 DEGREE - 3/4"	3.59
20516-00	ORS x 1/4" PUSH-IN TUBE-90 DEGREE	6.43
20517-00	ORS x 3/8" PUSH-IN TUBE-90 DEGREE	7.09
20528-00	ORS x 5/16" PUSH-IN TUBE-90 DEGREE	7.09
1/4" NPT FITTING ADAPTER		
20518-00	ORS MALE x 1/4" NPT FE 90 DEGREE	3.59
20519-00	ORS MALE x 1/4" NPT FE	3.59
STREET ELBOW		
20520-00	ORS MALE x ORS FEMALE-90 DEGREE	7.63
END CAP		
20521-00	ORS CAP	4.23
CONNECTOR TEES		
20522-00	ORS MALE x ORS MALE x ORS FEMALE - TEE	9.61
20523-00	ORS MALE x ORS FEMALE(BLIND) X 3/8" NPT FE - ISOLATOR TEE	7.94
20524-00	ORS MALE x ORS FEMALE X 3/8" NPT FE - TEE	7.94
20525-00	ORS MALE x ORS MALE X 1" NPT FE - TEE	9.61
20526-00	ORS MALE x ORS MALE X ORS FEMALE - TEE with 1/4" NPT	9.61
20535-00	FITTING ASSEMBLY - ORS FEMALE x 1/4" NPTF	5.39
20536-00	FITTING ASSEMBLY - ORS FEMALE x 3/8" NPTF	5.39
20537-00	FITTING ASSEMBLY - ORS FEMALE x 1/2" NPTF	5.39
20571-00	1 OUTLET MANIFOLD - FKM	7.95
20572-00	2 OUTLET MANIFOLD - FKM	9.71
20573-00	3 OUTLET MANIFOLD - FKM	11.48
20574-00	4 OUTLET MANIFOLD - FKM	13.51
FLOW METERING ORIFICE PLATES		
<i>*Other orifice plate sizes available. Please contact us.</i>		
21000-00	ORIFICE INSERT ASSY-BLANK	0.92
21025-00	ORIFICE INSERT ASSY-0.025 Dia. Orifice	5.19
21055-00	ORIFICE INSERT ASSY-0.055 Dia. Orifice	5.19
21104-00	ORIFICE INSERT ASSY-0.104 Dia. Orifice	5.19
21250-00	ORIFICE INSERT ASSY-0.250 Dia. Orifice	5.19
RADIALOCK INSERT CAPS		
40273-B5	RADIALOCK CAP - 1/4" NPTF	2.92
40274-B5	RADIALOCK CAP - 1/4" NPTF, 45 DEGREE	2.92
40277-B5	RADIALOCK CAP - 1/8" NPTF	2.92
40420-B5	RADIALOCK CAP - 1/8" HOSE BARB	2.92
40422-B5	RADIALOCK CAP - 1/4" HOSE BARB	2.92
40424-B5	RADIALOCK CAP - 3/8" HOSE BARB	2.92
40426-B5	RADIALOCK CAP - 1/2" HOSE BARB	2.92
40436-B5	RADIALOCK CAP - 3/8" TUBE ADAPTER	5.56
FLOW RATE PER COLUMN		
FLOW INDICATION BALLS		
20460-13	0.03-0.09	0.92
20460-08	0.05-0.18	0.92
20460-07	0.09-0.30	0.92
20460-06	0.31-0.72	0.92
20460-05	0.40-1.33	1.92
20460-10	1.00-2.70	2.07
MANIFOLD BOARDS		
18347	6 ROW MANIFOLD BOARD	30.60
18346	12 ROW MANIFOLD BOARD	30.60

SOTERA SYSTEMS



Model 825

- 2 to 20 GPM
- 120 psi maximum pressure
- 360° positionable digital LCD display
- Glass-Filled polypropylene construction
- 1" NPT inlet/outlet port
- Powered by Two AA Batteries



Model 817

- 5 to 20 GPM
- 50 psi maximum pressure
- PTFE coated internal body
- Large 11/16" figures
- Measure flow to 100 gallons
- 3/4" Inlet/Outlet; 1" optional



Model 901N

- 6 to 40 GPM
- 50 psi maximum pressure
- PTFE coated internal body
- 1 1/2" Inlet/Outlet
- Large 11/16" Figures with Zero reset

SO/	DESCRIPTION	PRICE
825	Digital flow meter with 180 degree inlet and outlet, 1" NPT	\$ 365.00
827	Same as 825 but with 90 degree inlet and outlet, 1" NPT	365.00
850	Same as 825 with Air Sensor	445.00
817CT-1	Mechanical flow meter with 1" inlet and outlet, 20 GPM	425.00
901N-1-1/2	Mechanical flow meter with 1-1/2" inlet and outlet, 40 GPM	550.00

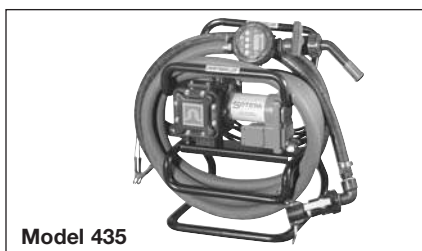
TRANSFER PUMPS

- Models for most tank style applications
- 1" FNPT straight inlet 90° outlet standard
- 15 psi maximum outlet pressure
- Positive displacement / self priming design
- 9" dry vacuum
- Can pass particulate material up to 1/10" diameter
- Pump may run dry without damage

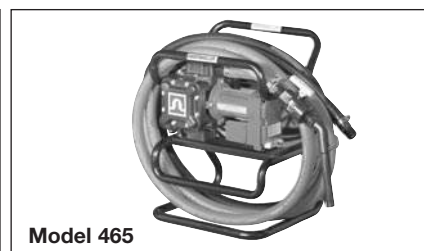
- Handles viscosities up to 3000 cps
- Minimum shear (agitation) of pumped fluids
- Santoprene Diaphragm
- 1" x 2" EPDM Hose (14' on Model 435 and 465)
- 825 digital meter option
- 12 volt models include 20' Battery Cable



Model 415 / 420



Model 435



Model 465

DOME / FLAT TOP MINI-BULK		
SO/	DESCRIPTION	PRICE
415	12V DC, 2" NPT Bung Adapter	1,095.00
420	Same as 415 with 1"x12' EPDM hose, ball valve and nozzle boot, suction tube	1,265.00
460	110V AC with same options as 420	1,265.00

Chemtraveller™ PORTABLE		
SO/	DESCRIPTION	PRICE
435	12V DC digital meter, 1"x12' EPDM discharge hose, 1"x9' suction hose	2,030.00
465	110V AC, 1"x14' EPDM discharge hose, 1"x9' suction hose, and 825 digital meter	2,250.00



8000-543-236



2088-394-144


 ADAPTER
FITTINGS

SH/	DESCRIPTION
234-2916	1/2" FNPT x 3/8" Barb
234-2926	1/2" FNPT x 1/2" Barb
234-2936	1/2" FNPT x 5/8" Barb
234-2946	1/2" FNPT x 3/4" Barb
234-3926	1/2" FNPT x 1/2" Barb Swivel Elbow
8-035 *	1/2" FNPT x 1/2" MNPT Swivel Elbow
234-3916	1/2" FNPT x 3/8" Barb Swivel Elbow
234-3946	1/2" FNPT x 3/8" Barb Swivel
234-3936	1/2" FNPT x 1/2" Barb Swivel

Call for Pricing and Availability

NEW High Performance Diaphragm Pumps

Part #	Description	Max GPM	Max PSI	Port Size	Max Draw	Price
5059-3611-D011	High Performance Pump: Viton® valves, Santoprene® diaphragm, 90 PSI internal bypass	5.3	60	1/2" MSPT Male	17	265.24
5059-3610-D011	High Performance Pump: Viton® valves, Santoprene® diaphragm, 90 PSI internal bypass	5.3	60	1/2" MSPT Female	17	265.24
5059-1311-D011	High Performance Pump: Viton® valves, Santoprene® diaphragm, 60 PSI demand switch	5.3	60	1/2" MSPT Male	17	265.24
5059-1310-D011	High Performance Pump: Viton® valves, Santoprene® diaphragm, 60 PSI demand switch	5.3	60	1/2" MSPT Female	17	265.24

Diaphragm Pumps - 12 VDC

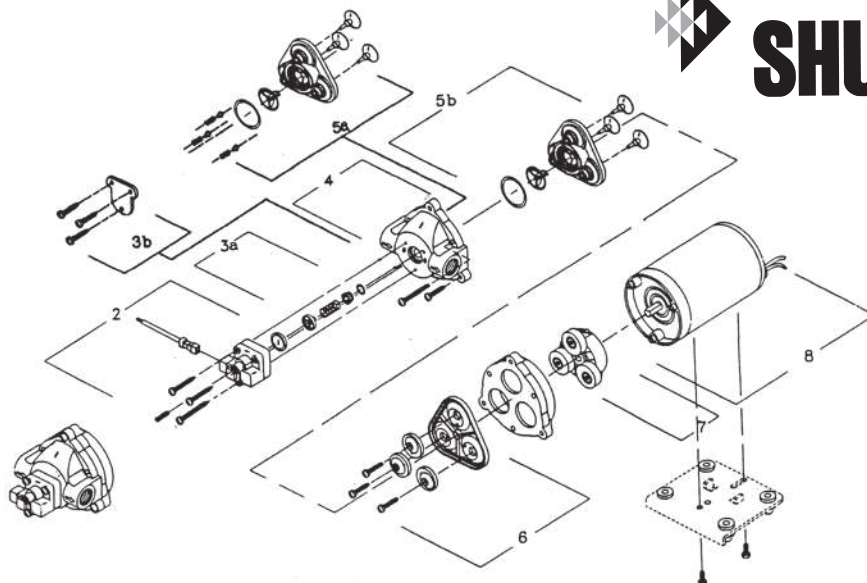
Part #	Fast #	Description	Max GPM	Max PSI	Port Size	Max Draw	Price
8000-543-236*		Standard Pump: Viton® valves, Santoprene® diaphragm, 60 PSI demand switch	1.8	50	3/8" NPT-Female	6.4	170.31
8000-543-250*		Standard Bypass Pump: Viton® valves, Santoprene® diaphragm, 45 PSI internal bypass	1.8	50	3/8" NPT-Female	5.5	159.40
2088-343-135	550014	Standard Pump: Viton® valves, Santoprene® diaphragm, 45 PSI demand switch	3	40	1/2" MSPT* Male	7.7	195.42

Diaphragm Pumps - 115 VAC

Part #	Description	Max GPM	Max PSI	Port Size	Max Draw	Price
8020-833-238	High Pressure Pump with 6 ft. Power Cord: Viton® valves, Santoprene® diaphragm, 100 PSI demand switch	1.6	100	3/8" NPT-Female	0.95	284.44
2088-394-144	Standard Pump with 6' power cord: Viton® valves, Santoprene® diaphragm, 45 PSI demand switch	3	40	1/2" MSPT Male	0.7	297.99

DIAPHRAGM PUMPS


Part #	Item Description	Price
5850-101E	Pump, Delavan Model 5840-5850 12VDC Has viton valves, santoprene diaphragms, 60PSI demand switch and is self-priming. Inlet and outlet are 1/2" FPT. 4.9 GPM @ 10 PSI; 3.2 GPM @ 60PSI. Capable of being run dry.	\$245.00
7870	Pump, Delavan Fat Boy 7870. Has viton valves, self-priming. Inlet and outlet are 1/2" FPT. 7.0 GPM @ 10 PSI; 4.98 GPM @ 60PSI.	\$521.34
VHA-5513-1E77	5800/5900 Series Pumps Repair Kit	--



8000 SERIES EXPLODED VIEW

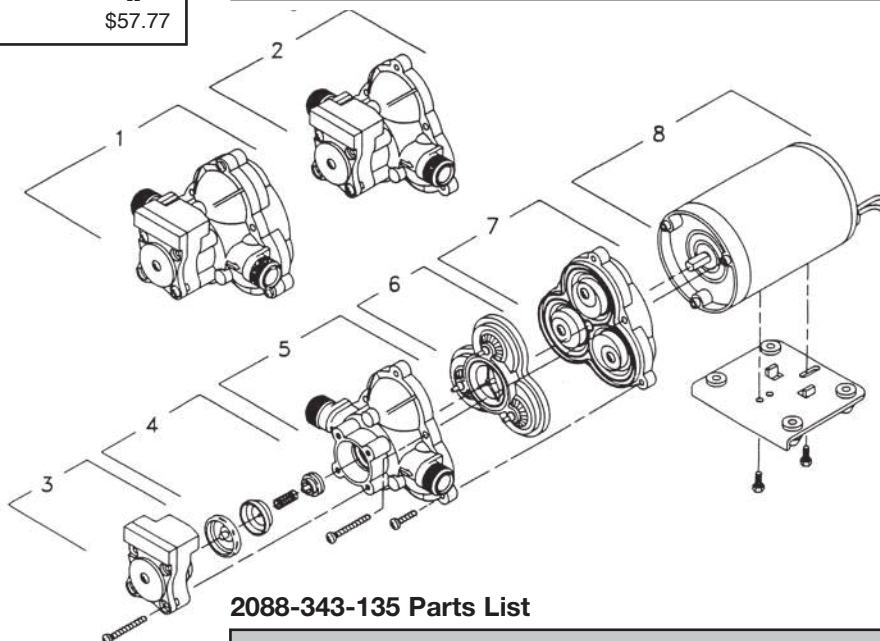
8000-543-236 Parts List

REF. NO.	SH/	DESCRIPTION	Price
1	94-380-02	PUMPHEAD	\$145.27
2	94-375-05	SWITCH	\$39.34
3a.	94-374-05	CHECK VALVE	\$14.30
4	94-379-00	UPPER HOUSING 3/8" FEMALE	\$24.13
5b.	94-390-05	VALVE KIT	\$47.32
6	94-395-06	DIAPHRAGM KIT	\$23.85
7	94-385-03	DRIVE ASSEMBLY KIT 3.0	\$29.52
8	11-111-00	MOTOR	--
9	94-004-01	MOTOR BRUSH KIT	\$57.77

8000-543-250 Parts List

REF. NO.	SH/	DESCRIPTION	Price
1	94-382-09	PUMPHEAD KIT	\$163.08
4	94-379-00	UPPER HOUSING 3/8" FEMALE	\$24.13
5a	94-391-09	BYPASS VALVE KIT	\$58.34
6	94-395-06	DIAPHRAGM KIT	\$23.85
7	94-385-03	DRIVE ASSEMBLY KIT 3.0	\$29.52
8	11-111-00	MOTOR	--
9	94-004-01	MOTOR BRUSH KIT	\$57.77

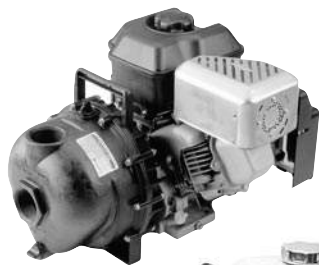
2088 SERIES EXPLODED VIEW


2088-313-145 Parts List

REF. NO.	SH/	DESCRIPTION	Price
1	94-236-15	COMPLETE PUMPHEAD	\$198.24
2	94-231-05	UPPER HOUSING SWITCH ASSY.	\$67.94
3	94-230-55	SWITCH ASSEMBLY	\$38.54
4	94-237-05	CHECK VALVE ASSEMBLY	\$28.11
5	94-231-30	UPPER HOUSING	\$18.23
6	94-232-05	VALVE ASSEMBLY	\$62.00
7	94-238-03	DIAPHRAGM/DRIVE ASSEMBLY	\$42.59
8	11-185-06	MOTOR	--

2088-343-135 Parts List

REF. NO.	SH/	DESCRIPTION	Price
1	94-236-11	COMPLETE PUMPHEAD	\$168.20
2	94-231-05	UPPER HOUSING SWITCH ASSY.	\$67.94
3	94-230-36	SWITCH ASSEMBLY	\$32.41
4	94-237-05	CHECK VALVE ASSEMBLY	\$28.11
5	94-231-30	UPPER HOUSING	\$18.23
6	94-232-05	VALVE ASSEMBLY	\$62.00
7	94-238-03	DIAPHRAGM/DRIVE ASSEMBLY	\$42.59
8	11-111-00	MOTOR	--
9	94-004-01	MOTOR BRUSH KIT	\$57.77

EQUIPMENT
FLOW METERS
PRECISION
NOZZLES
VALVES
STRAINERS
FITTINGS
JACKS & HITCHES
PLANTER COMP.
PUMPS
TILLAGE
NH₃
TANKS


Replacement Pumps

1 1/2" & 2" POLY PUMP ONLY			
PART NO	DESCRIPTION	HP	QTY
150PO	1 1/2" Poly Pump Only* w/ 3 Vane Impeller	N/A	1
200PO	2" Poly Pump Only* w/ 3 Vane Impeller	N/A	1
200PO-V	2" Poly Pump Only* w/ 3 Vane Impeller w/FKM (viton type) & 316 SS Seal	N/A	1
205PO	2" Poly Pump Only* w/ 5 Vane Impeller	N/A	1
205PO-V	2" Poly Pump Only* w/ 5 Vane Impeller w/FKM (viton type) & 316 SS Seal	N/A	1

*Requires 3/4" shaft on motor.

3" POLY PUMP ONLY			
PART NO	DESCRIPTION	HP	QTY
300PO	3" Poly Pump Only w/ 3/4" Shaft & 4 Vane Impeller Unassembled	N/A	1

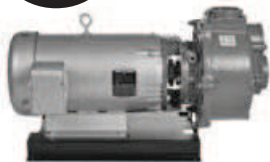
Polypropylene Pumps w/Gas Engines

2" POLY PUMPS W/GAS ENGINES			
PART NO	DESCRIPTION	HP	QTY
200PH-5	2" Poly Pump w/5.5 HP Honda® Engine	5.5	1
200PH-5E	2" Poly Pump w/5.5 HP Honda® Engine w/Electric Start	5.5	1
200PH-5V	2" Poly Pump w/5.5 HP Honda® Engine w/FKM (viton type) & 316 SS Seal	5.5	1
200PH6	2" Poly Pump w/6.5 HP Honda® Engine	6.5	1
200P6PRO	2" Poly Pump w/6.5 HP Briggs & Stratton® Engine Pro Series	6.5	1
200P6PROE	2" Poly Pump w/6.5 HP Briggs & Stratton® Engine Pro Series w/Electric Start	6.5	1
200P6PROV	2" Poly Pump w/6.5 HP Briggs & Stratton® Engine Pro Series w/FKM (viton type) & 316 SS Seal	6.5	1

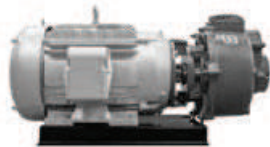
2" POLY WET SEAL PUMPS W/GAS ENGINES			
PART NO	DESCRIPTION	HP	QTY
200PH5W	2" Poly Wet Seal Pump w/5.5 HP Honda® Engine	5.5	1
200P6PROW	2" Poly Wet Seal Pump w/6.5 HP Briggs & Stratton® Engine Pro Series	6.5	1

3" POLY PUMPS W/GAS ENGINES			
PART NO	DESCRIPTION	HP	QTY
300PH-6	3" Poly Pump w/6.5 HP Honda® Engine	6.5	1
300P11PRO	3" Poly Pump w/11 HP Briggs & Stratton® Engine Pro Series w/Electric Start & Pull Rope	11	1

3" POLY WET SEAL PUMPS W/GAS ENGINES			
PART NO	DESCRIPTION	HP	QTY
300PH6W	3" Poly Wet Seal Pump w/6.0 HP Honda® Engine	6.0	1
300PH11W	3" Poly Wet Seal Pump w/11 HP Honda® Engine w/Electric Start & Pull Rope	11	1
300P11PROW	3" Poly Wet Seal Pump w/11 HP Briggs & Stratton® Engine Pro Series w/Electric Start & Pull Rope	11	1
300PH13W	3" Poly Wet Seal Pump w/13 HP Honda® Engine w/Electric Start & Pull Rope	13	1



SP-3350-E15TB:



SP-3450-E20TB:

Wet Seal Pumps

2" JOHN BLUE WET SEAL PUMP

- 200 GPM Max Flow
- 45 PSI Max Pressure
- 112 GPM @ 25 PSI
- 5 HP Required
- 2" Port Size
- Vac-U-Seal Impeller
- Close-coupled Shaft
- Fits 3/4" Diameter Shaft
- Double Wet Seal Assembly
- Chemical Resistant Materials

3" JOHN BLUE WET SEAL PUMP

- 375 GPM Max Flow
- 45 PSI Max Pressure
- Required Horsepower: 10 Hp
- 3" Port Size
- Vac-U-Seal Impeller
- Close-coupled Shaft
- Fits 1" and 1-1/8" Diameter Shafts
- Double Wet Seal Assembly
- Chemical Resistant Materials
- 3600 RPM Max Shaft Speed
- Also Available in Cast-Iron

Electric Motor Mounted Centrifugal Pumps

Part Number	Pump Type*	Max Capacity GPM	Capacity @ 25 PSI	Max PSI	Max Speed RPM	Req. HP	Inlet & Outlet FPT
S-3220-E5D3	2" Straight, 5 HP 3 Phase	197	140	39	3600	5	2"
S-3320-E10T	3" Straight, 10 HP 3 Phase TEFC,	365	310	60	3600	10	3"
S-3320-E15T	3" Straight, 15 HP 3 Phase TEFC,	365	310	60	3600	15	3"
SP-3240-E5D3B	2" Self-Priming 5 HP 3 Phase Drip Proof w/ Base	200	112	42	3600	5	2"
SP-3240-E5T3B	2" Self-Priming 5 HP 3 Phase TEFC with Base	200	112	42	3600	5	2"
SP-3340-E10TB	3" Self-Priming, 10 HP 3 Phase TEFC	340	265	64	3600	10	3"
SP-3340-E10TB-I	3" Self-Priming, 10 HP 1 Phase TEFC	340	265	64	3600	10	3"
SP-3350-E15TB	3" Self-Priming HF, 15 HP 3 Phase TEFC w/ Base	400	365	64	3600	15	3"
SP-3450-E20TB	2nd Gen HF 4"x3" SP Cent, 20 HP w/ Base	560	470	64	3600	20	4"x3"

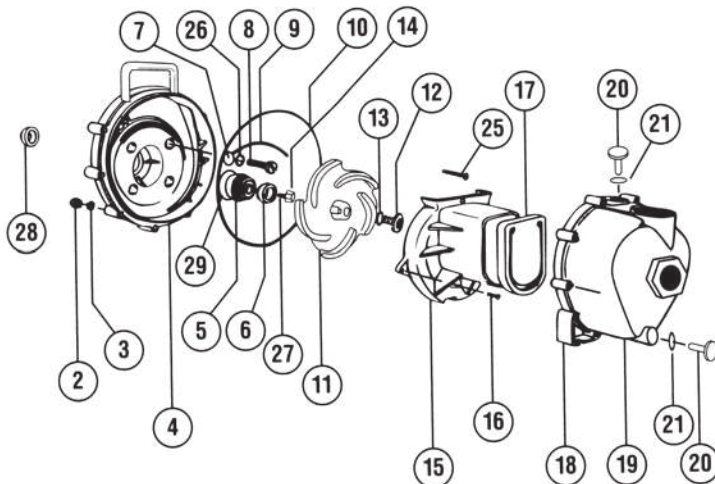
Call for Pricing and Availability of other Models



NEW DESIGN POLY PUMP REPAIR PARTS LIST FOR PUMPS MANUFACTURED BEGINNING SEPT. 1996

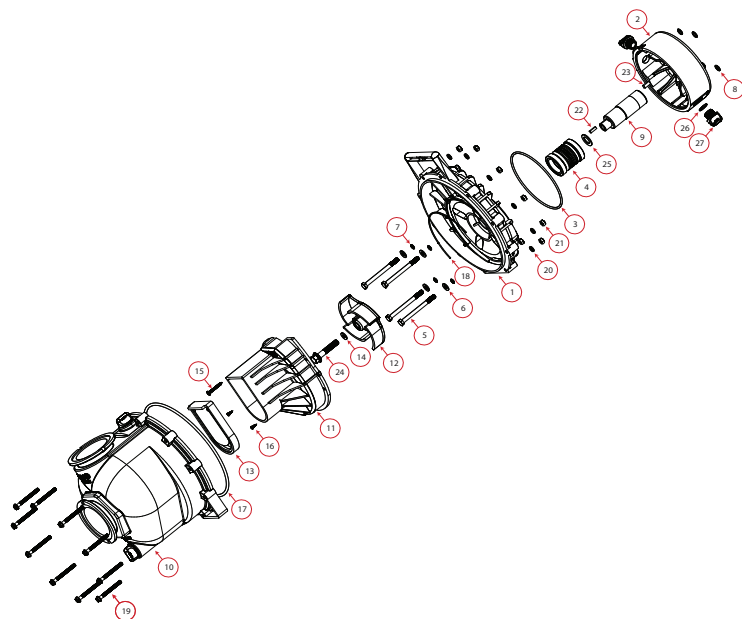
REF. NO.	BJ/			DESCRIPTION	PER PUMP	PRICE
	1½"	2"	3"			
2	V07019	V07019	V07019	Body Nuts ST	10	1.26
3	V07018	V07018	V07018	Lock Washer ST	10	1.26
4	12703A	12703A	12703A	Poly Pump Rear Bracket	1	109.15
5 & 6	12713	12713	12713	Seal Assembly*+	1	53.43
7	12717	12717	12717	Screw Heads "O" Ring*+	4	1.13
8	12715A	12715A	12715A	Bracket Screws ST	4	4.61
9	12754	12754	12754	O-Ring Segment*+	1	7.32
10	12719A	12719A	12719A	Body O-Ring*+	1	17.43
11	12771A	12772	13771	3 Vane Poly Pump Impeller+ 5 Vane Poly Pump Impeller+ 4 Vane Poly Pump Impeller+	1 1 1	51.19 51.19 72.01
12	12765A	12765A	12765A	Impeller Bit ST	1	21.95
13	12774VA	12774VA	12774VA	Impeller Bolt Gasket*+	1	1.98
14	12775A	12775A	12775A	Impeller Hex Nut	1	17.43
15	12702A	12702A	13702	Poly Pump Volute Poly Pump Volute	1 1	82.14 88.88
16	12725	12725	12725	Volute Screws ST	2	4.61
17	12705	12705	12705	Poly Pump Check Valve+	1	19.69
18	12711A	12712A	13712	Poly Pump Body Assembly Poly Pump Body Assembly	2 2	168.78 225.03
19	12720	12720	12720	Body Screws ST	10	4.61
20	12777	12777	13777	Prime + Drain Plug Prime + Drain Plug	2 2	3.44 5.54
21	UV15163	UV15163	13778	Prime + Drain Plug O-Ring*+ Prime + Drain Plug O-Ring*+	2 2	1.26 2.36
25	12900	12900	12900	Upper Volute Screw ST	1	1.91
26	12901	12901	12901	Rear Bracket Washer ST	1	1.13
27	12902A	12902A	12902A	Impeller Key	1	2.23
28	12706	12706	12706	Poly Pump Slinger*+	1	4.61
29	12710	12710	12710	O-Ring For Seal Assembly*+	1	4.61
N/S	12882A	12882A	12882A	Complete Bearing Pedestal	1	265.66
-	12003A	12003A	12003A	Pump Repair Kit (3-Vane) (Consists of Items Marked With +)	1	120.44
-	12000A	12000A	13000	Pump Repair Kit (5-Vane) (Consists of Items Marked With +)	1	120.44 140.74
-	12999A	12999A	13999	Pump Seal/O-Ring Kit (Consists of Items Marked With +)	1	88.88 88.88

New Style



REPLACEMENT PARTS 3" MANIFOLD POLY WET SEAL PUMPS

ITEM	PART NO	DESCRIPTION	QTY	PRICE
1	12703AW	Wet Seal Rear Bracket for 11 HP Honda® Engine & 11 HP Briggs & Stratton® Engine	1	115.89
1	12707W	Wet Seal Rear Bracket for 6 HP Honda® Engine, 6 HP Briggs & Stratton® Engine & Bearing Pedestal	1	87.76
2	12201W	Wet Seal Reservoir for 11 HP Honda® Engine & 11 HP Briggs & Stratton® Engine	1	86.64
2	12202W	Wet Seal Reservoir for 6 HP Honda® Engine, 6 HP Briggs & Stratton® Engine & Bearing Pedestal	1	101.26
3	13719	O-Ring	1	3.27
4	15035E	Mechanical Seal Assembly EPDM	1	281.97
5	13034	5/16" - 24 x 3 3/4" HHCS	4	10.68
6	12901	5/16" Flat Washer	4	1.13
7	12717	O-Ring for Bracket Screw	4	1.13
8	12709	O-Ring	4	1.13
9	12155	Manifold Adapter Shaft for 6 HP Honda® Engine, 6 HP Briggs & Stratton® Engine & Bearing Pedestal	1	157.51
9	13055	Adapter Shaft for 11 HP Honda® Engine & 11 HP Briggs & Stratton® Engine	1	135.02
10	M13712	Manifold Body Assembly	1	247.53
10	13712	Body Assembly	1	225.03
11	13702	Volute	1	88.88
12	13772	Impeller	1	72.01
13	12705	Check Valve	1	19.69
14	12774VA	Impeller Bolt Gasket	1	1.98
15	12900	#10 x 1 1/2" PPH SMS 18-8 SS	1	1.91
16	12725	#6 x 1/2" PPH SMS 18-8 SS	1	4.61
17	12719A	Body O-Ring	1	17.43
18	12754	O-Ring Segment	1	7.32
19	12720	1/4" - 20 x 2 1/2" Sl Ind HWHS	10	4.61
20	V07018	1/4" Lock Washer	10	1.26
21	V07019	1/4" - 20 Hex Nut	10	1.26
22	12902A	3/16" SQ. x 5/8" Key	1	2.23
23	16901	1/4" SQ. 3/4" Key Stock	1	4.82
24	14766	7/16" - 20 x 2 1/2" HFS for 11 HP Honda® Engine & 11 HP Briggs & Stratton® Engine (Manifold)	1	15.18
24	12766	5/16"-24 x 3 1/4" HFS for 6 HP Honda® Engine, 6 HP Briggs & Stratton® Engine & Bearing Pedestal (Manifold)	1	8.43
24	13766	3/8" - 24 x 2 1/4" HFS for 11 HP Honda® Engine & 11 HP Briggs & Stratton® Engine	1	4.61
25	CV10175	Gasket	1	1.89
26	UV15163	O-Ring (manifold)	2	1.26
26	13778	O-Ring	2	2.36
27	13777	3/4" Plug	2	5.54
27	12777	1/2" Plug (manifold)	2	3.44

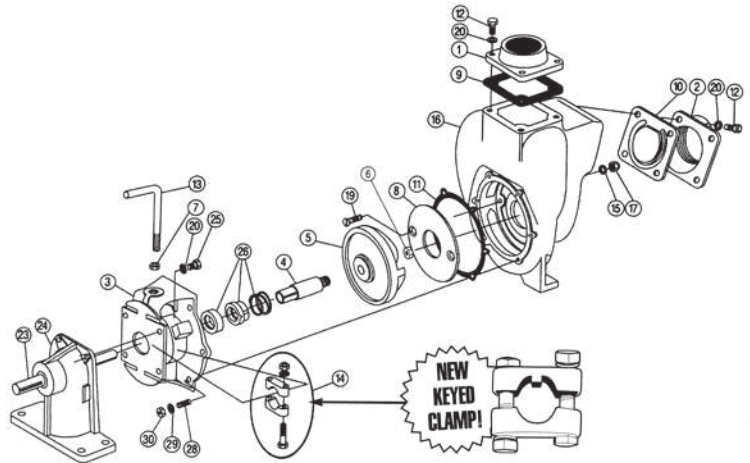




CAST IRON PUMP REPAIR PARTS LIST FOR 1½" and 2" PUMPS

REF. NO.	BJ/	DESCRIPTION	QTY. PER PUMP	PRICE EA.
1	17000	Flange - Outlet 2"	1 (2" Only)	38.56
1	17001	Flange - Outlet 1-1/2"	1 (1-1/2" Only)	32.12
2	17002	Flange - Inlet 20° 2"	1 (2" Only)	53.74
2	17003	Flange - Inlet 20° 1-1/2"	1 (1-1/2" Only)	36.83
3	17004	Adapter - Gas Engine	1	129.45
3	17046	CF Adapter For Close Coupled Electric Drive Pump	1	203.51
4	17005	Sleeve Drive 5/8"	1 (1 Per Pump)	141.21
	*17006	Sleeve Drive 3/4"	1 (1 Per Pump)	117.48
	17007	Sleeve Drive 7/8"	1 (1 Per Pump)	117.48
5	*17008	Impeller - 5"	1	91.64
	17008-4.6	Impeller - 4.6"	1	91.64
	17008-4.1	Impeller - 4.1"	1	91.64
6	17010	Nut, Hex 1/2" - 13 UNC	1	1.65
8	*17011	Wear Plate	1	47.99
9	17013	EPDM Gasket	1	8.80
10	17016	Gasket-Checkvalve Assy.	1	26.39
11	*17018	Gasket Adapter	1	8.80
12	17019	Capscrew 5/16" - 18 x 3/4"	8	1.65
13	17022	Handle	1	-
14	17023	Clamp 5/8", 3/4" Shaft Assy. (Old Style)	1 (1 Per Pump)	56.19
	17123	Clamp 5/8", 3/4" Shaft Assy. (Keyed)	1 (1 Per Pump)	67.09
	17024	Clamp 7/8" Shaft Assy. (Old Style)	1 (1 Per Pump)	67.09
15	*17025	Wear Plate Gasket	2	2.39
16	17026	Pump Housing	1	293.72
17	17027	ST Acorn Nut 3/16"x18	2	4.82
18	17029	Cap Screw 3/12"x18-1-3/4	2	1.66
20	V10118	5/16" Lockwasher	16	1.26
22	V10119	5/16" - 18 Hex Nut ST	2	1.26
24	12882A	Complete Pedestal Assy.	1	265.66
25	17040	Cap Screw 5/16" - 24 NF	4	4.82
26	17028	Seal Assy. (EPDM)	1 (1 per Pump)	89.29
	*17035	Seal Assy. (Viton)	1 (1 Per Pump)	89.29
28	17042	Stud	6	2.58
29	V10118	Lockwasher 5/16"	8	1.26
30	V10119	Nut 5/16" - 18 UNC ST Hexnut	8	1.26
N/S	17032	1/4" Drain Plug	1 (Not Shown)	2.70
N/S	17033	Bracket - Motor Mount	Pair	53.82
N/S	17100	Pump Repair Kit (1 1/2" & 2") (Consists on items marked*)	1	293.72

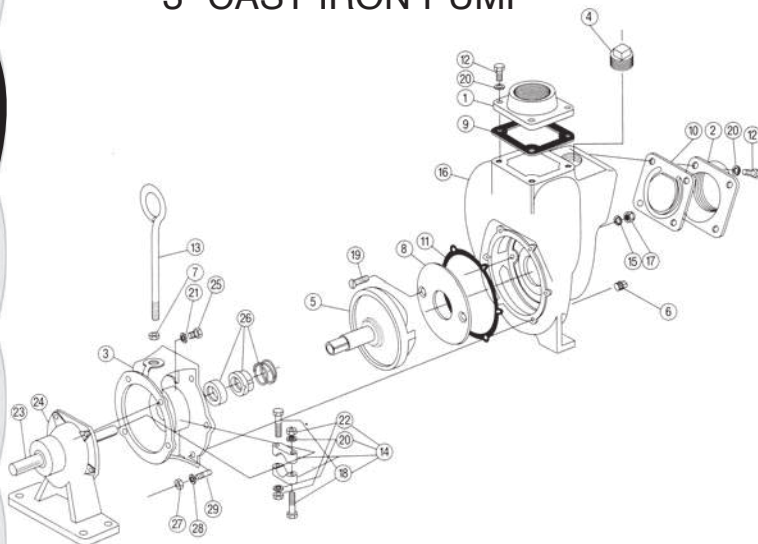
1½" & 2" CAST IRON PUMP



CAST IRON PUMP REPAIR PARTS LIST FOR 3" PUMPS

REF. NO.	BJ/	DESCRIPTION	QTY. PER PUMP	PRICE EA.
1	18008	Flange, Outlet 3" NPT	1	74.84
2	18012	Flange Inlet 3" NPT	1	83.64
3	18026	Gas Engine Adapter	1	221.95
	18048	3" C-Flange Adapter	1	288.61
	18049	C.I. Hydraulic Motor Adapter 3"	1	451.90
N/S	18055	Hydraulic Adapter Shaft 3"	1	67.08
4	18002	Plug 1" NPT Flush	1	9.11
5	18023*	Impeller & Drive Shaft 1"	1	373.63
	18023-1.125	Impeller & Drive Shaft 1 1/8"	1	441.32
6	18003	Plug 1/2" NPT	1	8.03
7	18034	Nut, Jam 5/8" - 11 Thd. ST	1	4.86
8	18004*	Wear Plate	1	80.75
9	18009	Gasket, Outlet EPDM	1	12.35
10	18013	Gasket Check Valve Assy.	1	61.22
11	18021*	Gasket, Adapter	1	10.00
12	18010ST	Capscrew HC HD 3/8"x16x11/8" LG ST	8	2.47
13	18033	Handle 5/8" - 11 Thd.	1	25.40
14	18029	Clamp Assy. ST (Old Style)	1 Assy.	69.70
	18129	Clamp Assy. ST (Keyed)	1 Assy.	83.53
16	18001	3" Pump Housing	1	751.92
17	18007	3/8" - 16 ST Acorn Nut	2	4.82
18	18030*	Bolt 3/8" - 24 x 2 1/4" LB	2	6.00
20	V20018	Lock Washer 3/8"	8	1.26
22	18032	Nut 3/8" x 24 Hex ST	2	1.18
23	18504	1" Shaft For 3" Ped	1	84.20
24	18500	3" Bearing Pedestal	1	503.29
N/S	18502	Bearing	2	164.48
25	18027	Capscrew	4	2.50
26	18025*	Seal Assy. (Viton)	1	140.98
27	18032	Nut 3/8" - 24, Hex ST	6	1.18
28	V20018	Washer 3/8" Lock ST	6	1.26
29	18018	Stud 3/8" - 16 x 3/8" - 24 x 1 1/2" LG ST	6	4.39
N/S	18035	Z-Rail Mtg. Brkt.	1 pr.	59.20
N/S	18100	3" Pump Repair Kit (Consists of items marked*)	1	446.46

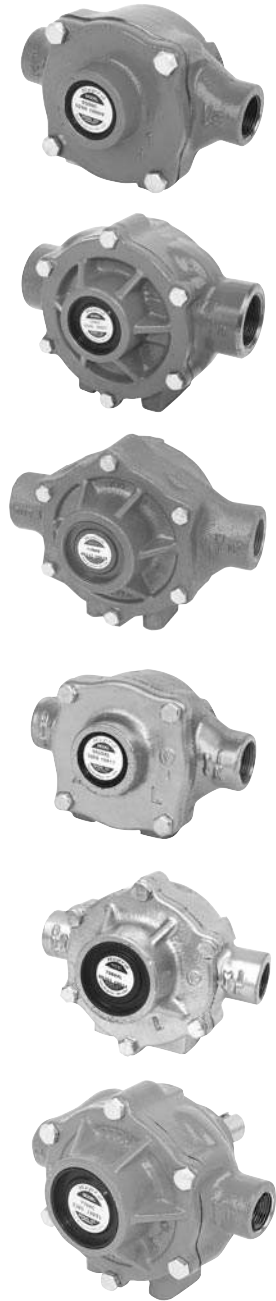
3" CAST IRON PUMP





HYPRO®

ROLLER PUMPS



HY/	MAX GPM	MAX PSI	MAX RPM	DESCRIPTION	PRICE
1520-0034	-	-	-	PTO shield, pump mtg clip	\$88.05
3430-0207	-	-	-	Locking collar kit	\$56.75
1502C	62	150	1000	Cast iron 6-roller pump with Super Rollers, Buna-N-Seal, 1 1/2" NPT ports, and 15/16" solid shaft	\$806.87
1502N	62	150	1000	Ni-Resist 6-roller pump with Super Rollers, Buna-N-Seals, 1 1/2" NPT ports, and 15/16" solid shaft	\$1,282.05
1502XL	62	150	1000	SilverCast 6-roller pump with Super Rollers, Viton seals, 1 1/2" NPT ports, and 15/16" solid shaft	\$1,835.66
1700C	45	200	1000	Cast iron 5-roller pump with Super Rollers, Viton seals, 1" NPT ports, and 15/16" solid shaft	\$525.66
1700N	45	200	1000	Ni-Resist 5-roller pump with Super Rollers, Viton seals, 1" NPT ports, and 15/16" solid shaft	\$1,043.70
1700XL	45	200	1000	SilverCast 5-roller pump with Super Rollers, Viton seals, 1" NPT ports, and 15/16" solid shaft	\$1,493.89
6500C	22	300	1200	Cast iron 6-roller pump with Super Rollers, Viton seals, 3/4" NPT ports, and 5/8" solid shaft	\$254.18
6500N	22	300	1200	Ni-Resist 6-roller pump with Super Rollers, Viton seals, 3/4" NPT ports, and 5/8" solid shaft	\$582.12
6500XL	22	300	1200	SilverCast 6-roller pump with Super Roller, Viton seals, 3/4" NPT ports, and 5/8" solid shaft	\$803.72
7560C	22	300	1000	Cast iron 8-roller pump with Super Rollers, Viton seals, 3/4" NPT ports, and 15/16" solid shaft	\$332.05
7560N	22	300	1000	Ni-Resist 8-roller pump with Super Rollers, Viton seals, 3/4" NPT ports, and 15/16" solid shaft	\$660.40
7560XL	22	300	1000	SilverCast 8-roller pump with Super Rollers, Viton seals, 3/4" NPT ports, and 15/16" solid shaft	\$958.07
7700C	22.4	200	800	Cast iron 7-roller pump with Super Rollers, Viton seals, 3/4" NPT ports, and 15/16" solid shaft	\$337.46
7700N	22.4	200	800	Ni-Resist 7-roller pump with Super Rollers, Viton seals, 3/4" NPT ports, and 15/16" solid shaft	\$628.95
7700XL	22.4	200	800	SilverCast 7-roller pump with Super Rollers, Viton seals,	\$981.23

SHAFT KITS & ADAPTERS

Page 135	Description	Series 1500	Series 1700	Series 6500	Series 7560	Series 7700	Series 4000	Series 5200
	540 rpm 1-3/8" Forged Steel PTO Adapter	1320-0076	1320-0076	1320-0077	1320-0076	1320-0076	-----	1320-0081
	1000 rpm 1-3/8" Forged Steel PTO Adapter	1320-0078	1320-0078	1320-0079	1320-0078	-----	1320-0079	-----
	1000 rpm 1-3/4" Forged Steel PTO Adapter	1320-0080	1320-0080	-----	1320-0080	-----	-----	-----
	540 rpm 1-3/8" Forged Steel Quick Coupler	1323-0072	1323-0072	1323-0074	1323-0072	1323-0072	-----	-----
	1000 rpm 1-3/8" Forged Steel Quick Coupler	1323-0073	1323-0073	1323-0075	1323-0073	-----	-----	-----
	Multi-Speed 1-3/8" Forged Steel Quick Coupler	1323-0076	1323-0076	1323-0077	1323-0076	1323-0076	1323-0077	-----
	Steel Shaft Adapter 3/4" x 5/8	-----	-----	1320-0015	-----	-----	1320-0015	-----
	Steel Shaft Adapter 5/8" x 5/8	-----	-----	1320-0016	-----	-----	1320-0016	-----
	Repair Kits	3430-0387 3430-0386	3430-0437	3430-0380	3430-0381	3430-0384	3430-0390	-----
	Torque Arm Kit	-----	3430-0540	3430-0540	3430-0540	3430-0540	-----	-----
	Base Kits	3420-0004	3420-0010	3420-0023	3420-0003	3420-0010	3420-0024* 3420-0025**	-----
	Hydraulic Flange Kit	-----	-----	-----	3430-0636	-----	-----	-----

EQUIPMENT FLOW METERS PRECISION NOZZLES VALVES STRAINERS FITTINGS JACKS & HITCHES PLANTER COMP PUMPS TILLAGE NH₃ TANKS


SERIES 9000 CAST IRON GEAR-DRIVEN MODELS


HY/	MAX GPM	MAX PSI	MAX RPM	DESCRIPTION	PRICE
9006C-O	117	80	540	Cast Iron pump with oil lubricated gear drive and 1 3/8" 540 rpm PTO hub w/locking collar and mounting clip. Clips pump to PTO shield of most tractors. 1 1/2" inlet, 1 1/4" outlet.	1,469.21
9008C-O	110	70	1000	Cast Iron pump with oil lubricated gear drive and 1 3/8" 1000 rpm PTO hub w/locking collar and mounting clip. Clips, PTO pump to PTO shield of most tractors. 1 1/2" inlet, 1 1/4" outlet.	1,561.50
9016C-O	117	80	540	Cast Iron pump with oil lubricated gear drive and 1" solid shaft, ports (NPT): 1 1/2" inlet, 1 1/4" outlet.	1,451.17
9018C-O	110	70	1000	Cast Iron pump with oil lubricated gear drive and 1" solid shaft, ports (NPT): 1 1/2" inlet, 1 1/4" outlet.	1,536.04
9028C-O	110	70	1000	Cast Iron pump with oil lubricated gear drive and 1 3/8" 1000 rpm PTO hub w/locking collar and mounting clip. Clips pump to PTO shield of most tractors. 1 1/2" inlet, 1 1/4" outlet.	1,811.85

SERIES 9200 CAST IRON PEDESTAL MOUNT MODELS


HY/	MAX GPM	MAX PSI	MAX RPM	DESCRIPTION	PRICE
9202C	105	180	6000	Pedestal Mount Cast Iron Pump with 3/8" Solid Shaft and Viton Shaft Seal. 1 1/4" inlet, 1" outlet NPT Ports	602.53
9203C	136	180	6000	Pedestal Mount Cast Iron pump with 3/8" Solid Shaft and Viton Shaft Seal. 1 1/2" inlet, 1 1/4" outlet NPT Ports	609.96
9203C-R	136	180	6000	Pedestal Mount Clockwise Rotation** Cast Iron Pump, with 3/8" Solid Shaft, Viton Seal and 1 1/2"x1 1/4" NPT Ports	624.81

SERIES 9300 CAST IRON HYDRAULIC-MOTOR DRIVEN MODELS


HY/	MAX GPM	MAX PSI	DESCRIPTION	PRICE
9303C-HM1C	114	180	(10GPM) hydraulic motor cast iron pump for open center systems, ports (NPT) 1 1/2" inlet, 1 1/4" outlet	1,352.52
9303C-HM2C	82	180	(5 GPM) hydraulic motor/cast iron pump for closed center systems, ports (NPT): 1 1/2" inlet, 1 1/4" outlet.	1,352.52
9303C-HM3C	106	180	(20 GPM) hydraulic motor/cast iron pump, large open center system, ports (NPT): 1 1/2" inlet, 1 1/4" outlet	1,438.44
9303C-HM4C	95	180	(7 GPM) hydraulic motor/cast iron pump, closed/open center systems, ports (NPT): 1 1/2" inlet, 1 1/4" outlet	1,352.52
9303C-HM1C-BU	114	130	(13 GPM) hydraulic motor/cast iron pump, open/closed center systems, Life Guard seal, ports: 220 flange inlet, 200 flange outlet	1,532.86
9303C-HM5C-BU	147	145	(16 GPM) hydraulic motor/cast iron pump, open/closed center systems, Life Guard seal, ports: 220 flange inlet, 200 flange outlet	1,532.86
9306C-HM1C-BU	207	130	(13 GPM) hydraulic motor/cast iron pump, open/closed center systems, Life Guard seal, ports: 220 flange inlet, 200 flange outlet	1,759.87
9306C-HM5C-BU	212	140	(17 GPM) hydraulic motor/cast iron pump, open/closed center systems, Life Guard seal, ports: 220 flange inlet, 200 flange outlet	1,759.87
3430-0456	-	-	Vent line kit with 25' long 3/4" ID vinyl hose, 3/8" NPTx3/4" HB 90° nylon elbow fitting 3/8" NPTx3/4" HB straight polypropylene fitting plastic hose clamp and plastic cable tie.	49.86
3430-0332	-	-	Seal and o-ring repair kit	63.38

FAST SERIES 93079 HYDRAULIC MOTOR DRIVEN MODELS


HY/	MAX GPM	MAX PSI	DESCRIPTION	PRICE
550045	207	130	(13 GPM) hydraulic motor, open/closed center systems, ports: 220 flange inlet, 220 flange outlet	1,740.00
550046	207	130	Same as 93079 (Above) but Stainless Steel.	3,095.00



SERIES 4001 & 4101 ROLLER PUMPS



HY/	MAX GPM	MAX PSI	MAX RPM	DESCRIPTION	PRICE
4001C	9.0	150	1800	Cast Iron 4-Roller Pump with Super Rollers, Viton Seals, 3/4" NPT Ports and 5/8" solid shaft.	254.18
4001N	9.0	150	1800	N-Resist 4-Roller Pump with Super Rollers, Viton Seals, 3/4" NPT Ports, and 5/8" solid shaft.	437.69
4001N-H	9.0	150	1800	4001N Pump with 1/2" Hollow Shaft	458.64
4001XL	9.0	150	1800	SilverCast 4-Roller Pump with Super Rollers Viton Seal, 3/4" NPT Ports and 5/8" Solid Shaft.	639.45
4001XL-H	9.0	150	1800	SilverCast 4001XL Pump with 1/2" Hollow Shaft	659.30
4101C	7.0	150	2600	Cast Iron 4-Roller Pump with Super Rollers, Viton Seals, 3/4" NPT Ports, and 5/8" Solid Shaft.	234.71
4101N	7.0	150	2600	Ni-Resist 4-Roller Pump with Super Rollers, Viton Seals, 3/4" NPT Ports and 5/8" Solid Shaft.	422.26
4101N-H	7.0	150	2600	4101N Pump with 1/2" Hollow Shaft.	442.10
4101XL	7.0	150	2600	SilverCast 4-Roller Pump with Super-Rollers, Viton Seals, 3/4" NPT Ports and 5/8" Solid Shaft.	624.02
4101XL-H	7.0	150	2600	SilverCast 4101XL Pump with 1/2" Hollow Shaft.	644.96
1320-0016	-	-	-	Shaft Adapter (5.8"x5/8" I.D. 3/4" long) for Gas Engine Mount (4101 only).	44.55
3420-0024	-	-	-	Base Kit for Electric Motor Drive - 3/2" Shaft Centerline (4001, 4101).	47.74
3420-0025	-	-	-	Base Kit for Gas Engine Drive - 4/8" Shaft Centerline (4101 only).	52.25
3430-0390	-	-	-	Repair Kit - Consists of 4 Super Rollers, 1 cap-ring gasket, and 2 Viton seals.	41.37

SERIES 9400 CAST IRON BELT-DRIVEN MODELS



HY/	MAX GPM	MAX PSI	MAX RPM	DESCRIPTION	PRICE
9402C-540	84	80	600	Ports (NPT): 1-1/4" inlet, 1" outlet. 1-3/8" PTO shaft. 6-spline.	1,459.66
9402C-1000	76	95	1000	Ports (NPT): 1-1/4" inlet, 1" outlet. 1-3/8" PTO shaft. 21-spline.	1,491.94
9402C-1000L	76	95	1000	Ports (NPT): 1-1/4" inlet, 1" outlet. 1-3/4" PTO shaft. 20-spline.	1,544.52
9402C-540S	76	95	600	Ports (NPT): 1-1/4" inlet, 1" outlet, 1" solid shaft.	1,484.06
9402C-1000S	76	95	1000	Ports (NPT): 1-1/4" inlet, 1" outlet, 1" solid shaft.	1,473.45
9402C-540Q	76	95	600	Ports (NPT): 1-1/4" inlet, 1" outlet, 1-3/8" PTO quick coupler shaft.	1,484.06
9403C-540	140	104	600	Ports (NPT): 1-1/2" inlet, 1-1/4" outlet, 1-3/8" PTO shaft. 6-spline.	1,641.06
9403C-1000	140	104	1000	Ports (NPT): 1-1/2" inlet, 1-1/4" outlet, 1-3/8" PTO shaft. 21-spline.	1,673.94
9403C-1000L	140	104	1000	Ports (NPT): 1-1/2" inlet, 1-1/4" outlet, 1-3/4" PTO shaft. 20-spline.	1,702.48
9403C-540S	140	104	600	Ports (NPT): 1-1/2" inlet, 1-1/4" outlet, 1" solid shaft.	1,665.46
9403C-1000S	140	104	9/26/02	Ports (NPT): 1-1/2" inlet, 1-1/4" outlet, 1" solid shaft.	1,665.46
9403C-540Q	140	104	8/22/01	Ports (NPT): 1-1/2" inlet, 1-1/4" outlet, 1-3/8" PTO quick coupler shaft.	1,665.46

SERIES 9910-D50 DIAPHRAGM PUMPS



HY/	MAX GPM	MAX PSI	MAX RPM	DESCRIPTION	PRICE
9910-D50	14.8	580	550	2-Daphragm Pump. Desmopan Daiphragms. Flanged for Shaft Kits. 1-1/4" Hose Barb Inlet and 1/2" Hose Barb Discharge.	1,624.08
9910-D50-B	14.8	580	550	Same as 9910-D50 except with Buna-N Diaphragms	1,624.08
9910-D50AP-A	14.8	580	550	Same as 9910-D50 except with 1" Solid Thru-shaft	1,701.47

SERIES 9910-D250 DIAPHRAGM PUMPS



HY/	MAX GPM	MAX PSI	MAX RPM	DESCRIPTION	PRICE
9910-D250	65.7	290	550	6-Daphragm Pump. Desmopan Daiphragms. 1-3/8" 6-Spline Male Shaft. 2" Hose Barb Inlet and 1-1/2" Hose Barb Discharge.	4,264.20
9910-D250-B	65.7	290	550	Same as 9910-D250 except with Buna-N Diaphragms.	4,264.20



Ag Runner **NEW** STOCK PUMP Mini Bulk Pumps



The SHURflo AG Runner Transfer Pump System is designed to safely and accurately transfer bulk chemicals to the point of use.

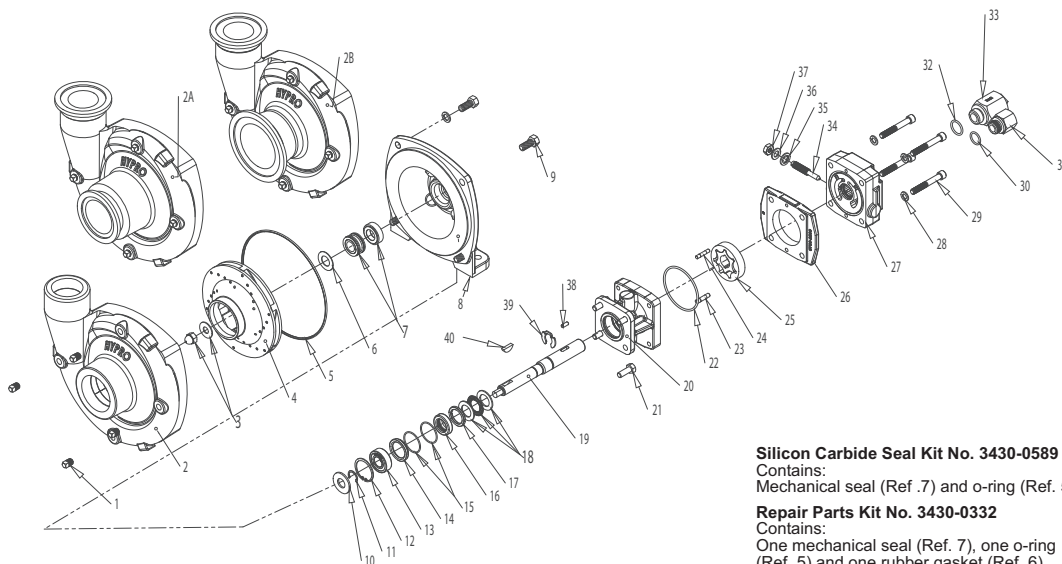
Features include:

- Industry leading pump
- Portable
- Can be used with a variety of bulk containers
- Built for rugged service with a heavy-duty welded frame
- Simple and accurate flow indicator

Order Information

Part Number	Flow Meter Type	Description
SF-1100-PTS	Pump-mounted (FM-1100)	Chemical Transfer Pump with 12 VDC motor, 20 ft. (6 m) cable, alligator clips and in-line fuse. (Part # SF-1100 - EPDM valves or SF-1105 - Viton valves), electronic flow meter, 1-in. NPT x 12 ft. (3.7 m) EPDM discharge hose with ball valve/spout, and 1-in. NPT x 12 ft. (3.7m) EPDM inlet hose with 1-in. elbow/ball valve/fitting assembly with locking cam arms
SF-1100-PTS <i>i</i>	Inline (FM-1100 <i>i</i>)	
SF-1100-PTS <i>i</i> -00	No Flow Meter	
SF-1105-PTS	Pump-mounted (FM-1100)	
SF-1105-PTS <i>i</i>	Inline (FM-1100 <i>i</i>)	

HYPRO 9306C/9306S/550045 CENTRIFUGAL PUMP PARTS



NOTE: When ordering parts, give QUANTITY, PART NUMBER, DESCRIPTION, and COMPLETE MODEL NUMBER. Reference number are used ONLY to identify part in the drawing and are NOT to be used as order numbers.

Parts Kit No. 3430-0881
Contains: One each ball bearing (Ref. 13), motor shaft seal (Ref. 16), thread seal gasket (Ref. 35), two cartridge o-rings (Ref. 15), and washer (Ref. 36); two each motor housing o-rings (Ref. 22), and port adapter o-rings (Ref. 30 & 32).

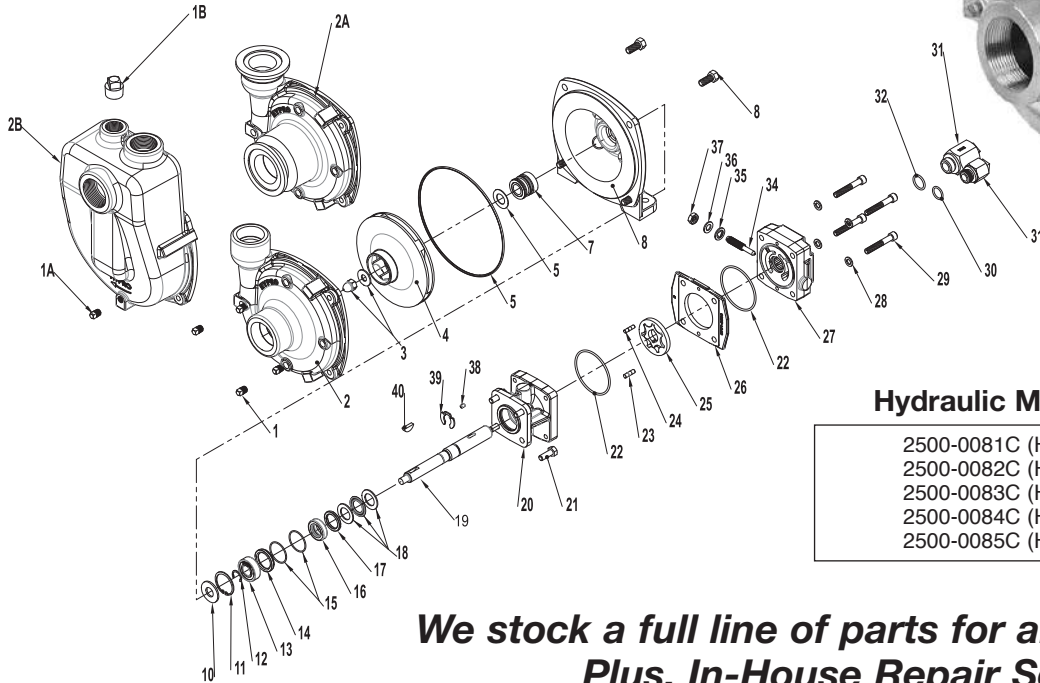
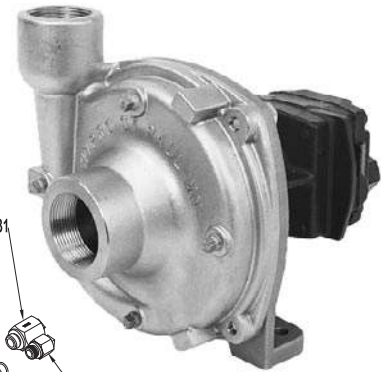
Silicon Carbide Seal Kit No. 3430-0589
Contains: Mechanical seal (Ref. 7) and o-ring (Ref. 5).

Repair Parts Kit No. 3430-0332
Contains: One mechanical seal (Ref. 7), one o-ring (Ref. 5) and one rubber gasket (Ref. 6).

Hydraulic Motor Part Nos.
2540-0806C (HM1C Models)
2540-1606C (HM3C Models)
2540-1006C (HM5C Models)

Ref. No.	Qty. Req'd.	Part No.	Description
1	4	2406-0016	Drain/Vent Plug
2	1	0154-9200C1	Pump Casing (9306C)
2	1	0154-9200S1	Pump Casing (9306S)
2A	1	0157-9200C	Pump Casing (Universal Flange 220x220)
2B	1	0158-9200C	Pump Casing (Universal Flange 300x220 Cast)
2B	1	0158-9200S	Pump Casing (Universal Flange 300x220 S.S.)
3	1	2253-0002	Impeller Nut (9306C)
3	1	2253-0006	Impeller Nut (9306S)
4	1	0401-9200P2	Impeller (Nylon Std. 9306C)
4	1	0405-9200P2	Impeller (Polypropylene Optional) (Std. 9306S)
4	1	0407-9306P	Impeller (GTX Optional)
5	1	3430-0332	O-ring
6	1	3430-0332	Gasket
7	1	3430-0332	Mechanical Seal (Viton/Cermaic) (Std. 9306C)
7	1	3430-0589	Mechanical Seal (Silicon Carbide) (Std. 9306S)
8	1	0750-9300C2	Mounting Flange (9306C)
8	1	0756-9300S	Mounting Flange (9306S)
9	4	2210-0020	Hex Head Cap Screw (9306C)
9	4	2210-0125	Hex Head Cap Screw (9306S)
10	1	1410-0056	Slinger Ring
11	1	1810-0014	Snap Ring
12	1	1820-0013	Retaining Ring
13	1	3430-0748	Ball Bearing
14	1	1410-0131	Cartridge, Front
15	2	1720-0286	O-ring
16	1	3430-0748	Lip Seal
17	1	1410-0130	Seal Spacer
18	1	2029-0014	Thrust Bearing Assembly
19	1	3430-0852	Shaft (HM1C/HM5C)
19	1	3430-0855	Shaft (HM3C)

Ref. No.	Qty. Req'd.	Part No.	Description
20	1	0150-2500C	Motor Body (includes needle bearing)
21	4	2210-0005	Hex Head Cap Screw
22	2	3430-0748	O-ring
23	1	1600-0044	Dowel Pin (HM1C/HM5C)
23	1	1600-0052	Dowel Pin (HM3C)
24	1	1600-0037	Dowel Pin (HM1C/HM5C)
24	1	1600-0068	Dowel Pin (HM3C)
25	1	3900-0022	Gerotor (HM1C)
25	1	3900-0024	Gerotor (HM3C)
25	1	3900-0048	Gerotor (HM5C)
26	1	0700-2500C1	Gerotor Housing (HM1C Models) 1/2" wide
26	1	0702-2500C1	Gerotor Housing (HM3C Models) 1" wide
26	1	0704-2500C1	Gerotor Housing (HM5C Models) 5/8" wide
27	1	0254-2500C2	Motor End Plate (includes needle bearing)
28	4	2270-0039	Washer
29	4	2220-0021	Cap Screw (HM1C Models)
29	4	2220-0044	Cap Screw (HM3C Models)
29	4	2220-0032	Cap Screw (HM5C Models)
30	1	3430-0748	O-ring
31	1	3360-0021A	Pressure Port Adapter (includes o-ring)
32	1	1720-0262	O-ring
33	1	3320-0051A	Tank Port Adapter (includes o-ring)
34	1	3220-0029	Bypass Adjusting Screw
35	1	3430-0748	Gasket
36	1	3430-0748	Washer
37	1	2250-0038	Lock Nut
38	1	1610-0031	Roll Pin (HM1C/HM5C)
38	1	1610-0055	Roll Pin (HM3C)
39	1	1810-0026	Snap Ring
40	1	1610-0012	Woodruff Key



Hydraulic Motor Part

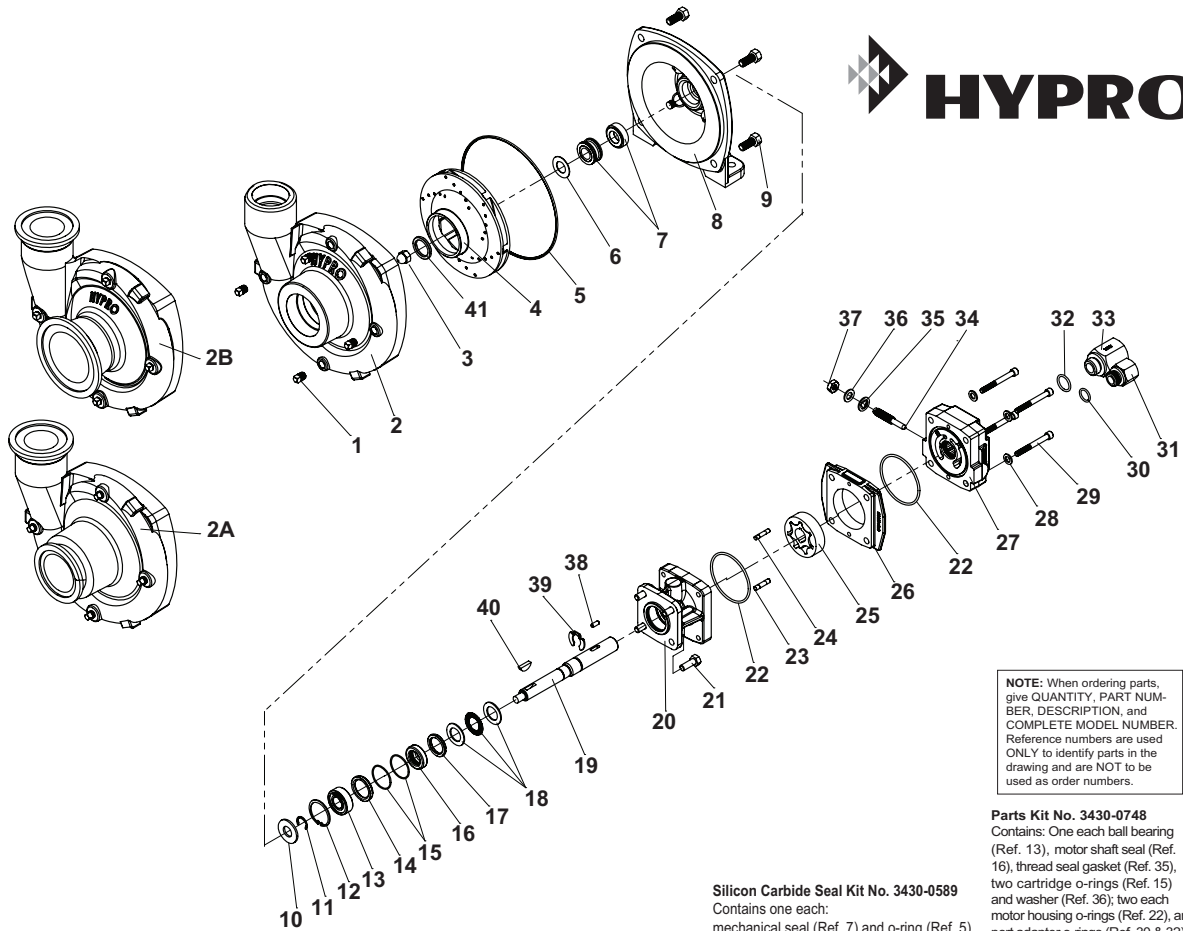
- 2500-0081C (HM1C Models)
- 2500-0082C (HM2C Models)
- 2500-0083C (HM3C Models)
- 2500-0084C (HM4C Models)
- 2500-0085C (HM5C Models)

We stock a full line of parts for all Hypro Pumps Plus, In-House Repair Service!

Ref. No.	Qty. Req'd.	Part No.	Description	Ref. No.	Qty. Req'd.	Part No.	Description
1	4	2406-0007	Drain/Vent Plug (9303C)	23	1	1600-0045	Dowel Pin (HM2C / HM4C)
1	4	2406-0016	Drain/Vent Plug (9303S)	23	1	1600-0044	Dowel Pin (HM1C/HM5C)
1A	4	2406-0007	Drain/Vent Plug	23	1	1600-0052	Dowel Pin (HM3C)
1B	4	2406-0001	Vent Plug	24	1	1600-0042	Dowel Pin (HM2C / HM4C)
2	1	0150-9000C	Pump Casing (Model 9303C)	24	1	1600-0037	Dowel Pin (HM1C/HM5C)
2	1	0150-9000S	Pump Casing (Model 9303S)	24	1	1600-0068	Dowel Pin (HM3C)
2A	1	0153-9000C	Pump Casing (Universal Flange Model C-U)	25	1	3900-0022	Gerotor (HM1C)
2A	1	0153-9000S	Pump Casing (Universal Flange Model S-U)	25	1	3900-0023	Gerotor (HM2C)
2B	1	0150-9070CM	Pump Casing	25	1	3900-0024	Gerotor (HM3C)
3	1	3430-0825	Impeller Nut (9303C)	25	1	3900-0025	Gerotor (HM4C)
3	1	3430-0825	Impeller Nut (9303S)	25	1	3900-0048	Gerotor (HM5C)
4	1	0401-9100P	Impeller (Nylon Std. 9303C)	26	1	0701-2500C1	Gerotor Housing (HM2C Models) 1/4" wide
4	1	0402-9100P	Impeller (Polypropylene Optional) (Std 9303S)	26	1	0700-2500C1	Gerotor Housing (HM1C Models) 1/2" wide
5	1	1720-0083	O-ring	26	1	0703-2500C1	Gerotor Housing (HM4C Models) 5/16" wide
6	1	1700-0100	Gasket	26	1	0702-2500C1	Gerotor Housing (HM3C Models) 1" wide
7	1	2120-0009	Mechanical Seal (Viton/Ceramic) (Std 9303C)	26	1	0704-2500C1	Gerotor Housing (HM5C Models) 5/8" wide
7	1	3430-0589	Mechanical Seal (Silicon Carbide) (Std 9303S)	27	1	0254-2500C2	Motor End Plate (includes needle bearing)
8	1	0750-9300C	Mounting Flange (9303C)	28	4	2270-0039	Washer
8	1	0756-9300S	Mounting Flange (9303S)	29	4	2220-0045	Cap Screw (HM2C / HM4C Models)
9	4	2210-0020	Hex Head Cap Screw (9303C)	29	4	2220-0021	Cap Screw (HM1C Models)
9	4	2210-0125	Hex Head Cap Screw (9303S)	29	4	2220-0044	Cap Screw (HM3C Models)
10	1	1410-0056	Slinger Ring	29	4	2220-0032	Cap Screw (HM5C Models)
11	1	1810-0014	Snap Ring	30	1	1720-0108	O-ring
12	1	1820-0013	Retaining Ring	31	1	3360-0021A	Pressure Port Adapter (includes o-ring)
13	1	2000-0010	Ball Bearing	32	1	1720-0262	O-ring
14	1	1410-0131	Cartridge, Front	33	1	3320-0051A	Tank Port Adapter (includes o-ring)
15	2	1720-0268	O-ring	34	1	3220-0029	Bypass Adjusting Screw
16	1	3430-0748	Lip Seal	35	1	1700-0047	Gasket
17	1	1410-0130	Seal Spacer	36	1	2270-0027	Washer
18	1	2029-0014	Thrust Bearing Assembly	37	1	2250-0038	Lock Nut
19	1	3430-0850	Shaft (HM2C/HM4C)	38	1	1610-0032	Roll Pin (HM2C / HM4C)
19	1	3430-0852	Shaft (HM1C/HM5C)	38	1	1610-0031	Roll Pin (HM1C / HM5C)
19	1	3430-0855	Shaft (HM3C)	38	1	1610-0055	Roll Pin (HM3C)
20	1	0150-2500C	Motor Body (includes needle bearing)	39	1	1810-0026	Snap Ring
21	4	2210-0005	Hex Head Cap Screw	40	1	1610-0012	Woodruff Key (9303C)
22	2	1720-0110	O-ring	40	1	04432	Woodruff Key (9303S)

EQUIPMENT FLOW METERS PRECISION NOZZLES VALVES STRAINERS FITTINGS JACKS & HITCHES PLANTER COMP PUMPS TILLAGE NH₃ TANKS

EQUIPMENT
FLOW METERS
PRECISION
NOZZLES
VALVES
STRAINERS
FITTINGS
PLANTER COMP.
JACKS & HITCHES
PUMPS
TILLAGE
NH₃
TANKS



NOTE: When ordering parts, give QUANTITY, PART NUMBER, DESCRIPTION, and COMPLETE MODEL NUMBER. Reference numbers are used ONLY to identify parts in the drawing and are NOT to be used as order numbers.

Parts Kit No. 3430-0748

Contains: One each ball bearing (Ref. 13), motor shaft seal (Ref. 16), thread seal gasket (Ref. 35), two cartridge o-rings (Ref. 15) and washer (Ref. 36); two each motor housing o-rings (Ref. 22), and port adapter o-rings (Ref. 30 & 32).

Silicon Carbide Seal Kit No. 3430-0589

Contains one each: mechanical seal (Ref. 7) and o-ring (Ref. 5).

Repair Parts Kit No. 3430-0332

Contains: One mechanical seal (Ref. 7), one o-ring (Ref. 5) and one rubber gasket (Ref. 6).

Hydraulic Motor Part Nos.

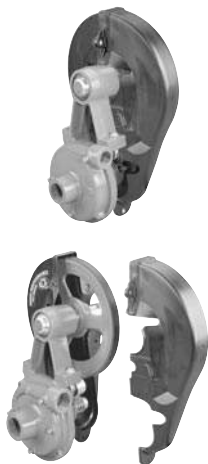
2500-0081C (HM1C Models)
2500-0083C (HM3C Models)
2500-0085C (HM5C Models)

Ref. No.	Qty. Req'd.	Part No.	Description
1	4	2406-0007	Drain/Vent Plug (9306C)
1	4	2406-0016	Drain/Vent Plug (9306S)
2	1	0154-9200C1	Pump Casing (9306C)
2	1	0154-9200S1	Pump Casing (9306S)
2A	1	0157-9200C	Pump Casing (Universal Flange 220x200)
2B	1	0158-9200C	Pump Casing (Universal Flange 300x220 Cast)
2B	1	0158-9200S	Pump Casing (Universal Flange 300x220 S.S.)
3	1	2253-0002	Impeller Nut (9306C)
3	1	2253-0006	Impeller Nut (9306S) (sold in Parts Kit 3430-0825)
4	1	0401-9200P2	Impeller (Nylon Std. 9306C)
4	1	0405-9200P2	Impeller (Polypropylene Optional) (Std. 9306S)
4	1	0407-9306P	Impeller (GTX Optional)
5	1	1720-0083	O-ring
6	1	1700-0100	Gasket
7	1	3430-0589	Mechanical Seal (Silicon Carbide) (Std. 9306S)
8	1	0750-9300C2	Mounting Flange (9306C)
8	1	0756-9300S	Mounting Flange (9306S)
9	4	2210-0020	Hex Head Cap Screw (9306C)
9	4	2210-0125	Hex Head Cap Screw (9306S)
10	1	1410-0056	Slinger Ring
11	1	1810-0014	Snap Ring
12	1	1820-0013	Retaining Ring
13	1	2000-0010	Ball Bearing
14	1	1410-0131	Cartridge, Front
15	2	1720-0268	O-ring
16	1	2104-0010	Lip Seal (only sold in Parts Kit No. 3430-0748)
17	1	1410-0130	Seal Spacer
18	1	2029-0014	Thrust Bearing Assembly
19	1	0533-2500	Shaft (HM1C/HM5C)
19	1	0536-2500	Shaft (HM3C)
20	1	0150-2500C	Motor Body (includes needle bearing)
21	4	2210-0005	Hex Head Cap Screw

Ref. No.	Qty. Req'd.	Part No.	Description
22	2	1720-0110	O-ring
23	1	1600-0044	Dowel Pin (HM1C/HM5C)
23	1	1600-0052	Dowel Pin (HM3C)
24	1	1600-0037	Dowel Pin (HM1C/HM5C)
24	1	1600-0068	Dowel Pin (HM3C)
25	1	3900-0022	Gerotor (HM1C)
25	1	3900-0024	Gerotor (HM3C)
25	1	3900-0048	Gerotor (HM5C)
26	1	0700-2500C1	Gerotor Housing (HM1C Models) 1/2" wide
26	1	0702-2500C1	Gerotor Housing (HM3C Models) 1" wide
26	1	0704-2500C1	Gerotor Housing (HM5C Models) 5/8" wide
27	1	0254-2500C2	Motor End Plate (includes needle bearing)
28	4	2270-0039	Washer
29	4	2220-0021	Cap Screw (HM1C Models)
29	4	2220-0044	Cap Screw (HM3C Models)
29	4	2220-0032	Cap Screw (HM5C Models)
30	1	1720-0108	O-ring
31	1	3360-0021A	Pressure Port Adapter (includes o-ring)
32	1	1720-0262	O-ring
33	1	3320-0051A	Tank Port Adapter (includes o-ring)
34	1	3220-0029	Bypass Adjusting Screw
35	1	1700-0047	Gasket
36	1	2270-0027	Washer
37	1	2250-0038	Lock Nut (2013 and Older)
37	1	1700-0245	Lock Nut (2014 and Newer)
38	1	1610-0031	Roll Pin (HM1C / HM5C)
38	1	1610-0055	Roll Pin (HM3C)
39	1	1810-0026	Snap Ring
40	1	1610-0012	Woodruff Key (9306C)
40	1	04432	Woodruff Key (9306S)
41	1	2270-0071	Washer (9306C)



1 1/4" Suction x 1" Discharge



AC/	DESCRIPTION	PRICE
PTOC-600-6SP	Cast iron straight centrifugal with pulleys and 10 groove belt arranged for direct mounting on 1 3/8" 600 RPM PTO shaft. 0-70 PSI. Equipped with 6 spline PTO drive shaft. Viton mechanical seal. Fully guarded for operator safety.	1,452.00
PTOC-600-QC	Cast iron straight centrifugal with pulleys and 10 groove belt arranged for direct mounting on 1 3/8" 600 RPM PTO shaft. 0-70 PSI. Equipped with 6 spline quick coupler PTO drive shaft. Viton mechanical seal. Fully guarded for operator safety.	1,472.00
PTOC-600-B	Cast iron straight centrifugal with pulleys and 10 groove belt. 1" diameter stub shaft and integral mounting base. 600 RPM Tumblerod drive shaft. 0-70 PSI. Equipped with Viton mechanical seal. Fully guarded for operator safety.	1,472.00
PTOC-1000-21SP	Cast iron straight centrifugal with pulleys and 10 groove belt arranged for mounting on 1 3/8" 1000 RPM PTO shaft. 0-70 PSI. Equipped with 21 spline split PTO drive shaft and split ring locking collar. Viton mechanical seal. Fully guarded for operator safety.	1,477.00
PTOC-1000-20SP	Cast iron straight centrifugal with pulleys and 10 groove belt arranged for mounting on 1 3/8" 1000 RPM PTO shaft. 0-70 PSI. Equipped with 20 spline split PTO drive shaft and split ring locking collar. Viton mechanical seal. Fully guarded for operator safety.	1,532.00
PTOC-1000-B	Cast iron straight centrifugal with pulleys and 10 groove belt. 0-70 PSI. 1" diameter stub shaft and integral mounting base for 1000 RPM Tumblerod drive shaft. Viton mechanical seal. Fully guarded for operator safety.	1,472.00

1 1/2" Suction x 1 1/4" Discharge



AC/	DESCRIPTION	PRICE
PTOC-150-600-6SP	0-100 PSI, cast iron straight centrifugal with pulleys and 10 groove belt assembled for direct mounting on 13/8", 600 RPM PTO shaft. Viton mechanical seal. Fully guarded for operator safety.	1,632.00
PTOC-150-600-6SPQC	0-100 PSI, cast iron straight centrifugal with pulleys and 10 groove belt assembled for direct mounting on 13/8", 600 RPM PTO shaft; equipped with Quick Coupler. Viton mechanical seal. Fully guarded for operator safety.	1,652.00
PTOC-150-600-B (Fast # 550005)	0-100 PSI, cast iron straight centrifugal with pulleys and 10 groove belt. 1" diameter stub shaft and integral mounting base for 600 RPM Tumblerod drive shaft. Viton mechanical seal. Fully guarded for operator safety.	1,652.00
PTOC-150-1000-21SP	0-100 PSI, cast iron straight centrifugal with pulleys and 10 groove belt arranged for direct mounting on 13/8", 1000 RPM PTO shaft. Equipped with 21 spline PTO shaft and locking collar. Viton mechanical seal. Fully guarded for operator safety.	1,657.00
PTOC-150-1000-20SP	0-100 PSI, cast iron straight centrifugal with pulleys and 10 groove belt arranged for direct mounting on 13/4", 1000 RPM PTO shaft. Equipped with 20 spline PTO shaft and locking collar. Viton mechanical seal. Fully guarded for operator safety.	1,712.00
PTOC-150-1000-B	0-100 PSI, cast iron straight centrifugal with pulleys and 10 groove belt. 1" diameter stub shaft and integral mounting base for 1000 RPM Tumblerod drive shaft. Viton mechanical seal. Fully guarded for operator safety.	1,652.00

HYDRAULIC MOTOR DRIVEN CENTRIFUGAL PUMPS

1 1/4" Suction x 1" Discharge

AC/	DESCRIPTION	PRICE
FMC-HYD-204 (Fast # 550022)	Maximum pressure 100 PSI at 4600 RPM and 60 GPM at open discharge. 4 GPM hydraulic motor can be used on Pressure Compensating Closed Center Systems (John Deere type) or Open Centered Systems rated at 4-13 GPM. Equipped with restrictor orifice.	1,268.00
FMC-HYD-210	Maximum pressure 100 PSI at 4600 RPM and 60 GPM at open discharge. 8 GPM hydraulic motor can be used on Load Sensing Closed Center Systems. (Case-IH type) or Open Centered Systems rated 8-17 GPM.	1,268.00
FMC-HYD-310	Maximum pressure 60 PSI at 3950 RPM and 60 GPM at open discharge. 16 GPM hydraulic motor can be used on Open Center Systems rated 16-24 GPM.	1,306.00



1 1/2" Suction x 1 1/4" Discharge

AC/	DESCRIPTION	PRICE
FMC-150-HYD-206 (Fast # 550001)	Maximum pressure 120 PSI at 5100 RPM and 100 GPM at open discharge. 7 GPM hydraulic motor can be used on Pressure Compensating Closed Center Systems (John Deere type), Load Sensing Closed Center Systems (Case-IH type), and Open Center Systems rated 7-16 GPM. Equipped with restrictor orifice.	1,300.00
FMC-150F-HYD-206 (Fast # 550000)	Same as above, except Pump has flanged ports. Max. pressure: 120PSI Max. flow: 135GPM, Inlet Port 1-1/2" NPT and 220 full port flange. Outlet Port 1-1/4" NPT and 200 standard port flange	1,360.00



2" Suction x 1 1/2" Discharge

AC/	DESCRIPTION	PRICE
FMC-200-HYD-210	Maximum pressure 60 PSI at 3950 RPM and 180 GPM at open discharge. 8 GPM hydraulic motor can be used on Pressure Compensating Closed Center Systems (John Deere type), Load Sensing Closed Center Systems (Case-IH type), and Open Center Systems rated 8-17 GPM. Equipped with restrictor orifice.	1,525.00
FMC-200-HYD-304	Maximum pressure 120 PSI at 5100 RPM and 180 GPM at open discharge. 11 GPM hydraulic motor can be used on Pressure Compensating Closed Center Systems, Load Sensing Closed Center Systems, and Open Center Systems rated 11-20 GPM. Equipped with restrictor orifice.	1,540.00
FMC-200F-HYD-304 (Fast # 550002)	Same as above, except Pump has flanged ports. Max. pressure: 120PSI Max. flow: 240 GPM Inlet - 300 standard port flange. Outlet - 220 full port flange.	1,680.00
FMC-200-HYD-310	Maximum pressure 60 PSI at 3950 RPM and 180 GPM at open discharge. 16 GPM hydraulic motor can be used on Open Center Systems rated 16-24 GPM.	1,632.00
FMCS-205F-HYD-304 (Fast # 550025)	Maximum pressure 120 PSI at 3950 RPM and 240 GPM at open discharge. 13 GPM hydraulic motor can be used on Open Center Systems rated 16-24 GPM.	1,777.00



EQUIPMENT
FLOW METERS
PRECISION
NOZZLES
VALVES
STRAINERS
FITTINGS
JACKS & HITCHES
PLANTER COMP
PUMPS
TILLAGE
NH₃
TANKS

FRAME MOUNTED CENTRIFUGAL & ROLLER PUMPS



Clockwise Rotation

AC/	DESCRIPTION	PRICE
FMC-CW-150	Cast iron 1 1/2" x 1 1/4" frame mounted straight centrifugal pump for belt drive applications. 0-80 PSI at max. 4200 RPM. 75 GPM at open discharge. Equipped with Viton mechanical seal. Clockwise rotation when facing shaft.	598.00
FMC-CW-200	Cast iron 2" x 1 1/2" frame mounted straight centrifugal pump for belt drive applications. 0-60 PSI at max 3950 RPM. 180 GPM at open discharge. Equipped with Viton mechanical seal. Clockwise rotation when facing shaft.	787.00
FMC-CW-800-DRB	Cast iron 2 1/2" x 1 1/2" frame mounted straight centrifugal pump for belt drive applications. 0-160 PSI at max. 4200 RPM and 180 GPM at open discharge. Equipped with Viton mechanical seal. Clockwise rotation when facing shaft.	1,640.00

Counter Clockwise Rotation

AC/	DESCRIPTION	PRICE
FMC	Cast iron 1 1/4" x 1" frame mounted straight centrifugal pump for belt drive applications. 0-100 PSI at max. 4600 RPM. 60 GPM at open discharge. Equipped with Viton mechanical seal.	590.00
FMC-MIA	Machined to accept idler arm version of Model FMC pump above.	605.00
FMC-150	Cast iron 1 1/2" x 1 1/4" frame mounted straight centrifugal pump for belt drive applications. 0-160 PSI at max. 6000 RPM. 100 GPM at open discharge. Equipped with Viton mechanical seal.	598.00
FMC-200	Cast iron 2" x 1 1/2" frame mounted straight centrifugal pump for belt drive applications. 0-60 PSI at max. 3950 RPM and 160 GPM at open discharge. Equipped with Viton mechanical seal.	787.00
FMK	Mounting kit for John Deere 1000 RPM from PTO shaft. For use with Ace counterclockwise rotation Models FMC, FMCL and FMCH, when adapted to John Deere tractor Models 2510, 3010, 4010, 2520, 3020, 4020 and 4520. Includes mounting bracket, belts and splined pulley.	--

With 12 Volt DC Magnetic Clutch and Pulley

AC/	DESCRIPTION	PRICE
FMC-MAG	Cast iron 1 1/4" x 1" frame mounted counterclockwise rotation straight centrifugal pump assembled with 12 volt DC belt driven magnetic clutch. 0-100 PSI at max. 4600 RPM. 60 GPM at open discharge. Equipped with Viton mechanical seal.	1,134.00
FMC-150-MAG	Cast iron 1 1/2" x 1 1/4" frame mounted counterclockwise rotation straight centrifugal pump assembled with 12 volt DC belt driven magnetic clutch. 120 PSI at max. 5200 RPM. 130 GPM at open discharge. Equipped with Viton mechanical seal.	1,140.00
FMC-200-MAG	Cast iron 2" x 1 1/2" frame mounted counterclockwise rotation straight centrifugal pump assembled with 12 volt DC belt driven magnetic clutch. 0-60 PSI at max. 3950 RPM. 180 GPM at open discharge. Equipped with Viton mechanical seal.	1,392.00
FMC-CW-150-MAG	Cast iron 1 1/2" x 1 1/4" frame mounted clockwise rotation straight centrifugal pump assembled with 12 volt DC belt driven magnetic clutch. 0-45 PSI at max 4200 RPM. 75 GPM at open discharge. Equipped with Viton mechanical seal.	1,140.00
FMC-CW-200-MAG	Cast iron 2" x 1 1/2" frame mounted clockwise rotation straight centrifugal pump assembled with 12 volt DC belt driven magnetic clutch. 0-45 PSI at max 3450 RPM. 120 GPM at open discharge. Equipped with Viton mechanical seal.	1,385.00

POLYPROPYLENE CENTRIFUGAL PUMPS

Polypropylene Hydraulic Motor Driven Centrifugal Pumps

AC/	DESCRIPTION	PRICE
FMC-75-HYD-204 (Fast # 550029)	Polypropylene 1" x 3/4" frame mounted centrifugal pump with hydraulic motor. Can be used on pressure compensating closed center systems (John Deere type) or open centered systems rated at 4-13 GPM. Equipped with restrictor orifice.	1,045.00

Polypropylene Gas Engine Driven Centrifugal Pumps

AC/	DESCRIPTION	PRICE
GE-75-LE	Tall Blade Impeller design - higher pressure at standard engine speeds. Impeller attaches directly to 5/8" (1.59 cm) keyed shaft engine. All Polypropylene corrosion resistant construction.	321.00
GE 85 LE	Pump, gas engine driven; Suction 1" NPT x Discharge 3/4" NPT. Polypropylene construction.	321.00
GE-75-HONDA	Pump; Gas Engine Driven; 1"x3/4"; 3HP Honda; Polypropylene construction.	1,730.00
GE-85-HONDA	Max Presaure: 65 PSI (4.5 BAR) Max. Flow: 24 GPM (91 LPM) 1" Suction, 3/4" Discharge	1,730.00

EQUIPMENT

FLOW METERS

PRECISION

NOZZLES

VALVES

STRAINERS

FITTINGS

PLANTER COMP. JACKS & HITCHES

PUMPS

TILLAGE

NH₃

TANKS



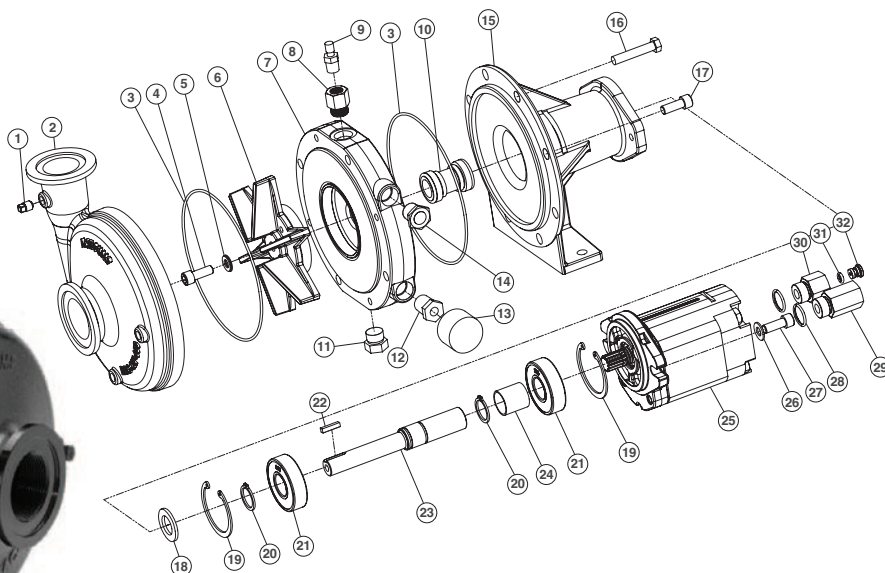


High Performance Oasis™ Wet Seal Centrifugal Pump

AC/	Description	Price
FMCWS-650F-HYD	Complete Pump	\$2,825.00

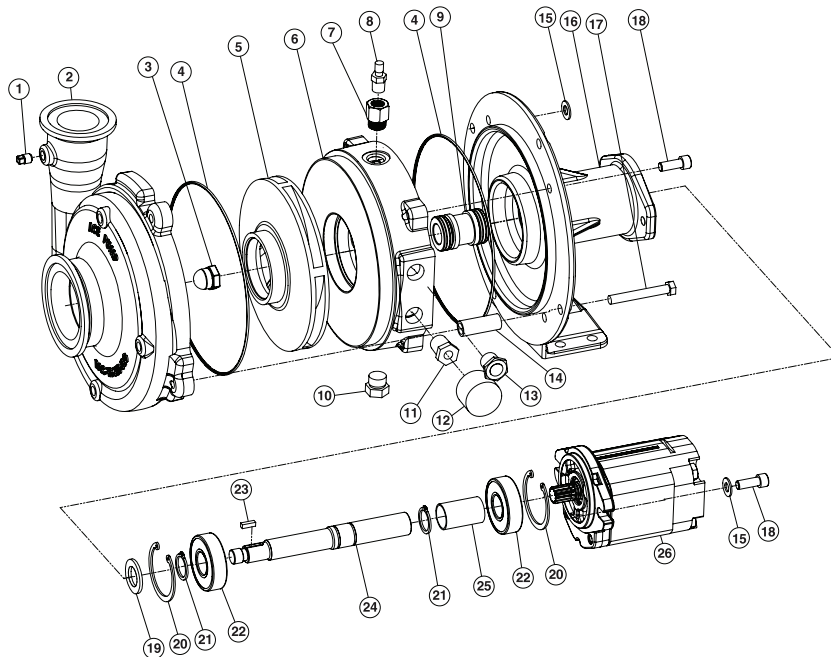
FMCWS-650F-HYD

- Suction 220 Flange & 1-1/2" NPT
- Discharge 200 Flange & 1-1/4" NPT
- High Performance Pump
 - Maximum Flow 170 GPM (644 LPM)
 - Maximum Pressure 160 PSI (11 BAR)
- WetSeal Technology
 - Prevents Run Dry Failure
 - Isolates Seals from Chemicals and Fertilizers
- Maximum Reliability
 - Operates at Lower RPM
 - Oversized Bearings
 - High Efficiency 4000 PSI (275 BAR) Pressure Plated Gear Motor
 - E-coat Corrosion Protection
- 2 Year Warranty



REF. #	PART NUMBER	EDP #	DESCRIPTION	REQ.
1	BAC-53	41110	Pipe plug, 1/8" NPT, square head	3
2	BAC-12-650-FLG	30159	Volute, NPT & 220 flange x NPT & 200 flange	1
3①	BAC-4-150	40015	O-ring, volute seal	2
4	40930	40930	Cap screw, 3/8" NC x 3/4" hex head, stainless steel	1
5①	30029	30029	Washer, 3/8" O.D., sealing, stainless steel	1
6	BAC-26-650-WS	30192	Impeller, cast iron, wetseal, e-coated	1
7	BAC-16-650	45262	Seal plate, cast iron, e-coated	1
8	41107	41107	Plug, #8 SAE x 1/4" FNPT, hex, with o-ring	1
9	41316	41316	Air valve, 1/4" NPT	1
10①	BAC-7-650-WS	40143	Dual seal assembly, Type 21, .750 shaft	1
11	41108	41108	Plug, #8 SAE, hex head, with o-ring	1
12	44038	44038	Bushing, 1/2" MNPT x 1/8" FNPT	1
13	50150	50150	Pressure gauge, 0-60 PSI, 1/8" NPT	1
14	55850	55850	Site gauge, brass, 1/2" NPT	1
15	BAC-14-650-HYD	40325	Mounting frame, cast iron, e-coated	1
16	40970	40970	Cap screw, 3/8" NC x 2" hex head (volute)	4
17	41907	41907	Cap screw, 3/8" NC x 1", socket head (seal plate)	4
18	BAC-54-650	41132	Slinger, 1.5" OD x 7/8" ID	1
19	41943	41943	Snap ring, internal, mounting frame	2
20	ACAL-32	30174	Snap ring, external, shaft	2
21	40875	40875	Ball bearing, sealed	2
22	41085	41085	Key, .188 x .188 x .875	1
23	BAC-6-650-HYD-SS-WS	40049	Shaft, 11T female spline, stainless steel	1
24	BAC-32-650-WS	40802	Spacer, shaft	1
25	BAC-75-HYD-M16	41359	Hydraulic motor, pressure plated gear, 14.5 GPM	1
26	42701	42701	Washer, 3/8"	2
27	41907	41907	Cap screw, 3/8" NC x 1", socket head	2
28	41445	41445	O-ring, #10 SAE fitting	2
29	41442	41442	Reverse check, #10 SAE male x 1/2" FNPT	1
30	41446	41446	Body, adapter/restrictor, #10 SAE male x 1/2" FNPT	1
31	41448	41448	O-ring, restrictor insert	1
32	41447	41447	Restrictor orifice insert, .125	1
*33①	55032	55032	Barrier fluid, quart	0.45
①	RK-FMCWS-650	52722	Repair kit, includes items 3 (2 each), 5, 10, and 33 (1 qt)	--

* - not shown in parts diagram



High Performance Oasis™ Wet Seal Centrifugal Pump

AC/	Description	Price
FMC-750F-HYD (Fast # 550018)	Complete Pump	\$3,650.00

FMC-750F-HYD (550018)

- Suction 300 Series Flange
- Discharge 220 Series Flange
- High Performance Pump
 - Maximum Flow 290 GPM (1098 LPM)
 - Maximum Pressure 150 PSI (10.3 BAR)
- WetSeal Technology
 - Prevents Run Dry Failures
 - Isolates Seals from Chemicals and Fertilizers
- Maximum Reliability
 - Operates at Lower RPM
 - Oversized Bearings
 - High Efficiency 4000 PSI (275 BAR) Pressure Plated Gear Motor
 - E-coat Corrosion Protection
- 2 Year Warranty

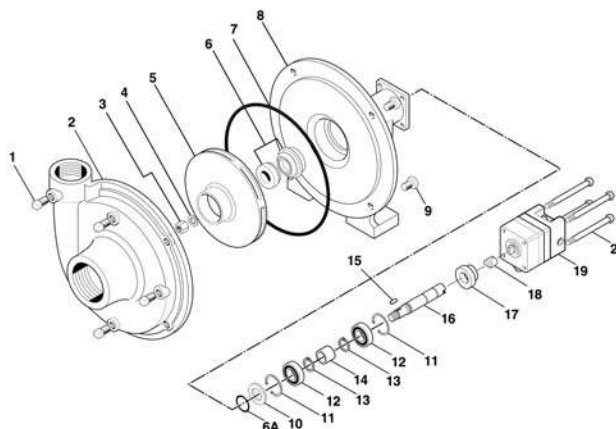
REF. #	PART NUMBER	EDP #	DESCRIPTION	REQ.
1	BAC-53	41110	Pipe plug, 1/8" NPT	4
2	BAC-12-750-FLG	30158	Volute, 300 X 220 flange, cast iron, e-coated	1
3	40397	40397	Acorn nut, 5/8"-11 stainless steel	1
4	ACAL-4	30009	O-ring, volute seal	2
5	BAC-26-750-CI	30182	Impeller, cast iron, e-coated	1
6	BAC-16-750	45264	Seal plate, cast iron, e-coated	1
7	41107	41107	Plug, #8 SAE X 1/4" FNPT, hex, with o-ring	1
8	41316	41316	Air valve, 1/4" NPT	1
9	BAC-7-750V	40147	Dual seal assembly, Type 21, .875 shaft	1
10	41108	41108	Plug, #8 SAE, hex head, with o-ring	1
11	44038	44038	Bushing, 1/2" MNPT x 1/8" FNPT	1
12	50150	50150	Pressure gauge, 0-60 PSI, 1/8" NPT	1
13	55850	55850	Site gauge, brass 1/2" NPT	1
14	45267	45267	Spacer, seal plate	4
15	42701	42701	Washer, 3/8", motor mount (2) & volute (1-behind discharge)	3
16	BAC-14-750-HYD	40333	Mounting frame, cast iron, e-coated	1
17	40952	40952	Cap screw, 3/8" NC x 2-1/2", hex head (volute)	4
18	41907	41907	Cap screw, 3/8" NC x 1", socket head (seal plate, motor mount)	4
19	BAC-54-650	41132	Slinger, 7/8" shaft	1
20	41943	41943	Snap ring, internal, frame	2
21	ACAL-32	30174	Snap ring, external, shaft	2
22	40875	40875	Ball bearing, sealed	2
23	41085	41085	Key, .188 x .188 x .875	1
24	BAC-6-750-HYD-SS-WS	40066	Shaft, 11T female spline, stainless steel	1
25	BAC-32-750	40793	Spacer, shaft	1
26	BAC-75-HYD-M22	41355	Hydraulic motor, pressure plated gear type, 18 GPM	1
26	BAC-75-HYD-M25	41356	Hydraulic motor, pressure plated gear type, 20 GPM	1
* 27	55032	55032	Barrier fluid, quart	1.32
⊖	RK-FMC-750	52724	Repair kit, includes items 4 (2 pcs.), 9, and 27 (2 qts.)	-

* - not shown in parts diagram

FMC-150-HYD-206 / 550001
FMC-150F-HYD-206 / 48835 / 550000



REF. #	AC/	DESCRIPTION	REQ.	PRICE
1	41110	Pipe plug (BAC-53)	4	0.51
1	41120	Pipe plug, stainless steel (optional)	4	5.10
2	40255	Volute, 1-1/2 x 1-1/4 (BAC-12-150)	1	320.00
2	40257	Volute, cast iron, NPT and flanged	1	382.00
3	40391	Nut, 3/8i NF, cad plated (BAC-23-A)	1	2.55
4	40400	Washer, 3/8i star, stainless steel (BAC-24-HYD-ST)	1	1.55
5	40446	Impeller, Valox, keyway (BAC-26-150-P)	1	93.00
5	40445	Impeller, cast iron, keyway (optional) (BAC-26-150-CI)	1	224.00
*6	40151	Seal, mechanical, Viton (BAC-7V) (includes 40160 O-Ring)	1	51.00
6	40152	Seal, mechanical, silicon carbide (BAC-7SC) (includes 40160 O-Ring) (optional)	1	174.00
6A	40160	O-ring, shaft seal	1	1.00
*7	40015	O-ring, body seal (BAC-4-150)	1	8.15
8	40305	Mounting frame (BAC-14-150-HYD) (for 200 Series hyd. motor)	1	399.00
9	40950	Cap screw, 3/8 NC x 3/4 hex head	4	0.55
9	40930	Cap screw, 3/8 NC x 3/4 hex head, S.S.I (optional)	4	2.60
10	41130	Slinger (BAC-54)	1	1.55
11	40810	Snap ring, internal, BAC-14 mounting frame (BAC-33)	2	2.05
12	40870	Ball Bearing, sealed, BAC-6 shaft (BAC-37)	2	20.00
13	40790	Snap ring, external, BAC-6 shaft (BAC-32)	2	0.55
14	40795	Spacer for BAC-6 shaft (BAC-32-S)	1	6.10
15	40420	Key, 1/8i x 1/8i x 1/2i (BACH-25)	1	1.05
16	40061	Shaft, 5/8i dia., keyway & tang slot, S.S. opt.(BAC-6-HYD-ST)	1	125.00
17	40161	Seal support spacer, 200 Series HYD motor, eff. 6/00 (S200)	1	10.00
18	41380	Coupling for hydraulic motor (BAC-76-HYD)	1	29.00
19	41372	Hydraulic motor, 7 GPM (BAC-75-HYD-206)	1	641.00
20	41258	Cap screw, 5/16 NC x 3-3/4 Hex head (for 206 motor)	4	2.50
#	52710	Repair kit for FMC-150 series pump (RK-FMC-150)	-	60.70
#	41371	Repair kit for 200 Series motor (RK-BAC-75-HYD)	-	103.20
#	41374	Repair kit for 200-L Series motor (RK-BAC-75-HYD-L)	-	64.15

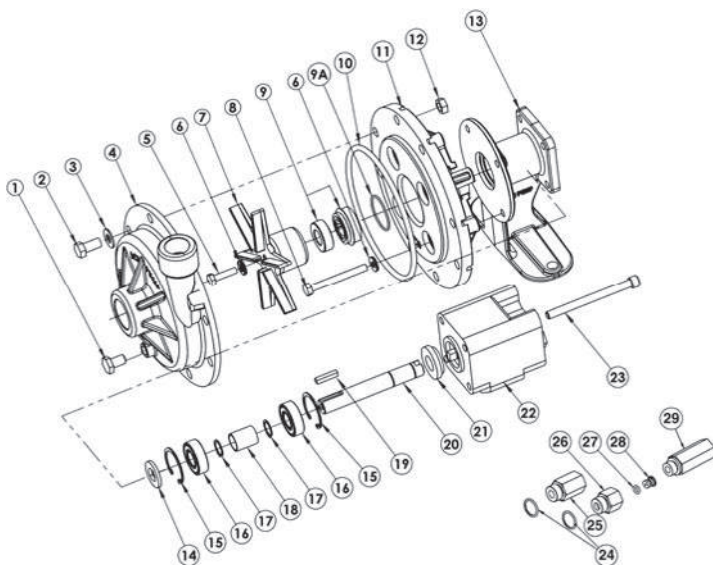


POLYPROPYLENE HYDRAULIC DRIVE PUMP PARTS



Polypropylene Hydraulic Motor Driven Centrifugal Pump

FMC-75-HYD-204 (550029)

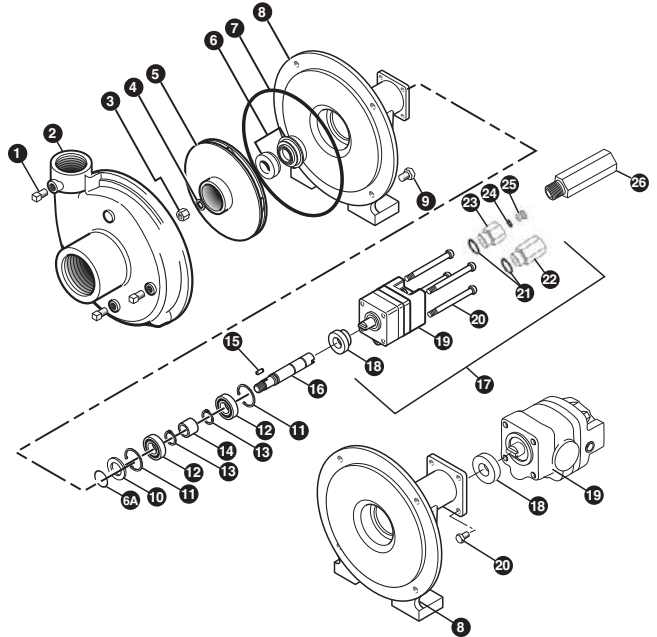


REF. #	PART NO.	DESCRIPTION	REQ.
1	BAC-53-P	Pipe plug, 1/8" NPT, plastic	1
2	80250	Cap screw, 3/8"-16 x 7/8", hex head	8
3	42701	Washer, 3/8" flat	8
4	GE-12-75	Volute, 3/4" x 1", polypropylene	1
5	42240	Cap screw, 1/4"-28 x 1", hex, stainless steel	1
6 [ⓐ]	30028	Washer, sealing	5
7	GE-26-75	Impeller, with keyway, polypropylene	1
8	42238	Cap screw, 5/16" NF x 2-1/4"	4
9 [ⓑ]	BAC-7-75V	Seal, 5/8", Viton/carbon/ceramic	1
9 [Ⓒ]	BAC-7SC-75V	Seal, 5/8", Viton/silicon carbide (optional)	1
9A [ⓐ]	40159	"O" Ring, seal seat	1
10 [ⓐ]	40017	"O" Ring, volute seal	1
11	GE-14-75	Bracket, polypropylene	1
12	BAC-45	Nut, hex, 3/8"	8
13	BAC-14-75-HYD	Mounting frame (for BAC-75-HYD-204R, 206R hydraulic motor)	1
14	BAC-54	Slinger	1
15	BAC-33	Snap ring, internal, BAC-14 mounting frame	2
16	BAC-37	Bearing, BAC-6 driven shaft	2
17	BAC-32	Snap ring, external, BAC-6 driven shaft	2
18	BAC-32-S	Spacer for BAC-6 shaft	1
19	41082	Key, 3/16" x 3/16" x 15/16"	1
20	BAC-6-75-HYD-SS	Shaft, 5/8" Driven shaft with tang slot, stainless steel	1
21	S200	Seal support spacer for 200 series hydraulic lip seal	1
22	BAC-75-HYD-204R	Hydraulic motor, 4 GPM	1
22	BAC-75-HYD-206R	Hydraulic motor, 7 GPM	1
23	41253	Cap screw, 5/16" NC x 3 1/2" socket head (for 204 motor)	4
23	41255	Cap screw, 5/16" NC x 3 3/4" socket head (for 206 motor)	4
24	41875	O-ring, #8 SAE fitting	2
25	BAC-78-8SAE	Reverse check assembly, #8 SAE male x 1/2" NPT female	1
26	BAC-80-8SAE	Body, restrictor orifice, #8 SAE male x 1/2" NPT female	1
27	41448	O-ring, orifice insert	1
28	BAC-79-5	Orifice, restrictor insert, .078 (204)	1
28	BAC-79-7	Orifice, restrictor insert, .109 (206)	1
29	LS-204N	Flow limiting valve (204), #8 SAE male x 1/2" NPT female	1
29	LS-206N	Flow limiting valve (206), #8 SAE male x 1/2" NPT female	1
ⓐ	RK-GE-75	Repair kit for FMC-75-HYD series	-
ⓑ	RK-GESC-75	Repair kit for FMC-75-HYD series with silicon carbide shaft seal	-
*	RK-BAC-75-HYD-L	Repair kit for 200 series motor	-

FMC-HYD-204 / 550022

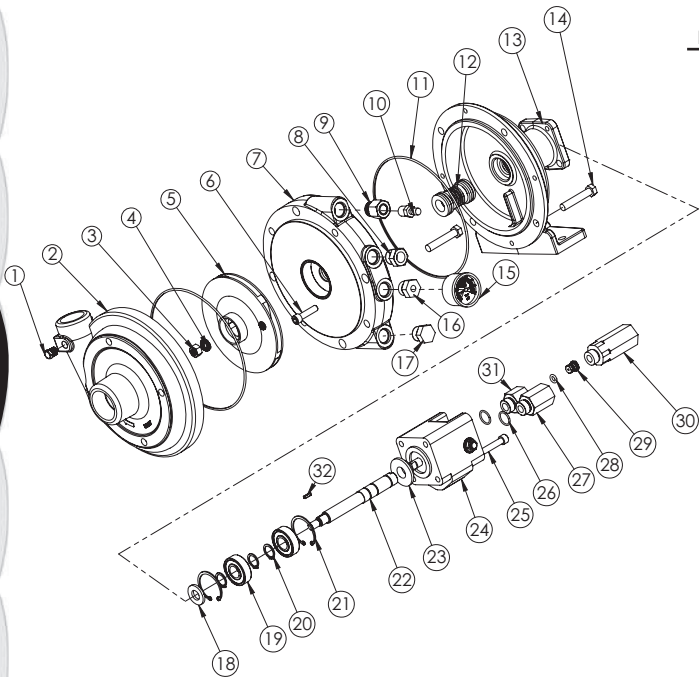


REF. #	AC/	DESCRIPTION	REQ.	PRICE
1	41110	Pipe plug	4	\$ 0.51
1	41120	Pipe plug, stainless steel (optional)	4	5.10
2	40250	Volute, 1-1/4" x 1", cast iron	1	258.00
3	40391	Nut, 3/8" NF, cad plated	1	2.55
3	40392	Nut, 3/8" NF, stainless steel (optional)	1	9.20
4	40400	Washer, 3/8" star, stainless steel	1	1.55
5	40440	Impeller, Valox, keyway	1	90.00
5	40442	Impeller, cast iron, keyway (optional)	1	211.00
6	40151	Seal, carbon/ceramic/Viton (includes 40160 O-Ring)	1	51.00
6	40152	Seal, silicon carbide/Viton (includes 40160 O-Ring) (optional)	1	174.00
6A	40160	O-ring, shaft seal	1	1.00
7	40005	O-ring, body seal	1	8.15
8	40300	Mounting frame, cast iron (for 200 Series hydraulic motor)	1	331.00
9	40950	Cap screw, 3/8" NC x 3/4" hex head	4	0.55
9	40930	Cap screw, 3/8" NC x 3/8" hex head, stainless steel (optional)	4	2.60
10	41130	Slinger	1	1.55
11	40810	Snap ring, internal, BAC-14 mounting frame	2	2.05
12	40870	Ball Bearing, sealed, BAC-6 shaft	2	20.00
13	40790	Snap ring, external, BAC-6 shaft	2	0.55
14	40795	Spacer for BAC-6 shaft	1	6.10
15	40420	Key, 1/8" x 1/8" x 1/2"	1	1.05
16	40061	Shaft, 5/8" diameter, keyway and tang slot, stainless steel	1	150.00
17	41370	Hydraulic motor, 4 GPM (includes parts 18 - 25)	1	641.00
18	40161	Seal support spacer for 200 Series HYD motor	1	10.00
19	41433	Hydraulic motor, 4 GPM (motor only - no external fittings)	1	625.00
20	41253	Cap screw, 5/16" N. C. x 3-1/2" socket head (for 204N motor)	4	2.10
21	41875	O-ring, #8 SAE fitting	2	1.00
22	41441	Reverse check valve, #8 SAE male x 1/2" NPT female	1	29.00
23	41455	Adapter, restrictor body, #8 SAE male x 1/2" NPT female	1	22.80
24	41448	O-ring, orifice insert	1	1.00
25	41457	Orifice, restrictor insert, .078 (204N)	1	11.50
26	41417	Flow limiting valve (204N), #8 SAE male x 1/2" NPT female	1	88.50
⓪	52700	Repair kit for FMC series pump	-	60.70
Ⓢ	52706	Repair kit for FMC series with silicon carbide shaft seal	-	183.70
#	41374	Repair kit for 200 series motor with high pressure lip seal	-	64.15

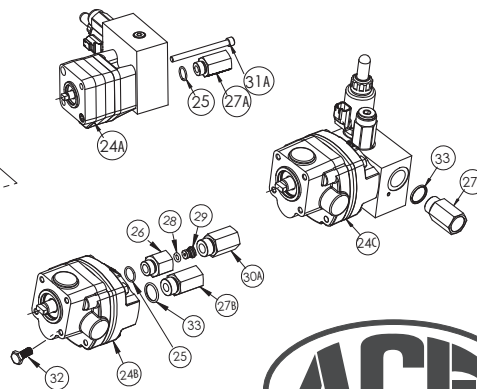
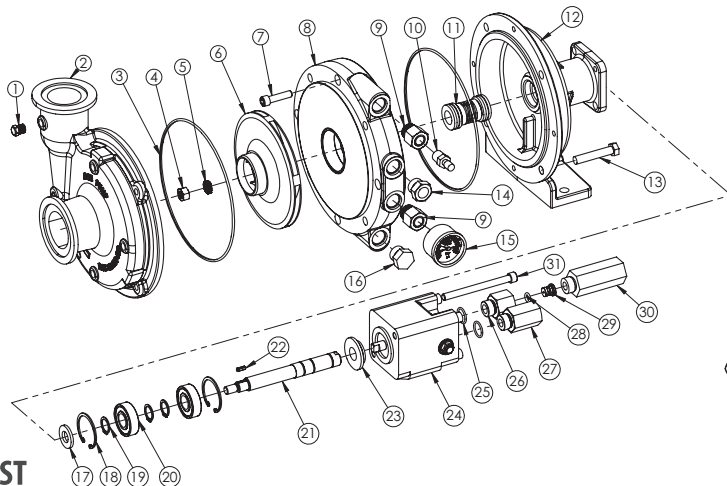


FMCWS-125-HYD-204 PARTS

Ref.	Part#	EDP #	Description	Qty.
1	BAC-53	41100	Pipe plug	4
1	41120	41120	Pipe plug, stainless steel (optional)	4
2	BAC-12-125	30147	Volute, 1-1/4" NPT X 1" NPT	1
3	BAC-23-B-SS	40393	Nut, 3/8" NF, SS	1
4	BAC-24-B-SS	42702	Washer, 3/8" SS, vibration proof	1
5	BAC-26-125-P	40444	Impeller, thermoplastic, keyway	1
6	72762	72762	Bolt, 5/16"-18 x 1-1/4", socket head, SS	4
7	BAC-16	45285	Seal plate, machining	1
8	55851	55851	Sight gauge, #8 SAE	1
9	41107	41107	Bushing, #8 SAE x 1/4" FNPT, with o-ring	1
10	41316	41316	Air valve, 1/4" NPT	1
11	BAC-4-150	40015	O-ring, body seal	2
12	BAC-7-WS	40139	Double seal, 5/8" shaft	1
13	BAC-14-5-HYD	40288	Mounting frame (for 200 & 300 Series hyd. motor)	1
14	BAC-42	40970	Cap screw, 5/16"-16 x 2", hex head	1
15	50150	50150	Pressure gauge, 0-60 PSI, 1/8" NPT	1
16	44039	44039	Bushing, #8 SAE x 1/8" FNPT, with o-ring	1
17	41108	41108	Plug, #8 SAE, hex head	1
18	BAC-54	41130	Slinger	1
19	40880	40880	Bearing	2
20	BACH-32-HD	40385	Snap ring, external, shaft	2
21	BACH-33	40820	Snap ring, internal, mounting frame	3
22	BAC-6-125 -HYD-SS-WS	41581	Shaft, .625 DIA, 125-150, SS, WS	1
23	S255	40177	Seal support spacer (will drop w/ more volume)	1
24	BAC-75 -HYD-204N5	41325	Hydraulic motor, 4 GPM	1
25	41252	41252	Cap screw, 5/16" NC x 3-1/2" socket head, ss	4
26	41875	41875	O-ring, #8 SAE fitting	2
27	BAC-78-8SAE	41441	Reverse check assembly, #8 SAE x 1/2" NPT, w/ O-ring	1
28	41448	41448	O-ring, restrictor	1
29	BAC-79-5	41457	Orifice insert, restrictor 1/2" x #8 SAE, w/ O-ring	1
30	LS-204N	41417	Flow limiting valve (204N), #8 SAE male x 1/2" FNPT, w/ O-ring	1
31	BAC-80-8SAE	41455	Restrictor orifice, #8 SAE x 1/2" NPT, w/ O-ring	1
32	BACH-25	40420	Key, 1/8" x 1/8" x 7/16" SS	1
33	55032	55032	Barrier fluid, quart	1
	RK-FMCWS	52728	Repair kit, includes items 11 (2 each), 12, 32 (1 each)	-
	RK-BAC-75-HYD-L	41374	Repair kit; 200 series hyd motor w/ high pressure lip seal	-



EQUIPMENT
FLOW METERS
PRECISION
NOZZLES
VALVES
STRAINERS
FITTINGS
JACKS & HITCHES
PUMPS
TILLAGE
NH₃
TANKS

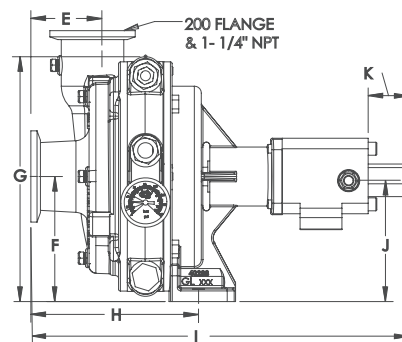
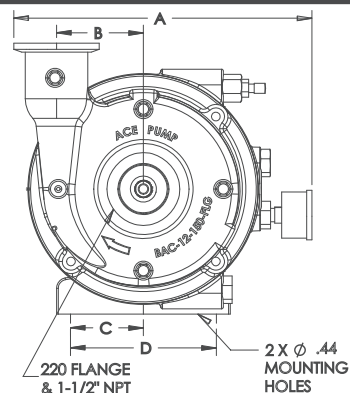


PARTS LIST

REF. #	PART NUMBER	EDP #	DESCRIPTION	REQ.
1	BAC-53	41100	Pipe plug	4
1	41120	41120	Pipe plug, stainless steel (optional)	4
2	BAC-12-150-FLG-EC	40257	Volute, cast iron, NPT and flanged, E-coated	1
3 [Ⓛ]	BAC-4-150	40015	O-ring, body seal	2
4	BAC-23-B-SS	40393	Nut, 3/8" NF, SS	1
5	BAC-24-B-SS	42702	Washer, 3/8" SS, vibration proof	1
6	BAC-26-155-P	40453	Impeller, thermoplastic, keyway	1
7	72762	72762	Bolt, 5/16"-18 x 1-1/4", socket head, SS	4
8	BAC-16	45285	Seal plate, cast iron, e-coated	1
9	41107	41107	Bushing, #8 SAE x 1/4" FNPT, w/ O-ring	2
10	41316	41316	Air valve, 1/4" NPT	1
11 [Ⓛ]	BAC-7-WS	40139	Seal, dual seal assembly, Type 21, 5/8" shaft	1
12	BAC-14-5-HYD	40288	Mounting frame, cast iron, e-coated	1
13	BAC-42	40970	Cap screw, 5/16"-16 x 2", hex head	4
14	55851	55851	Sight gauge, #8 SAE, with O-ring	1
15	50150	50150	Pressure gauge, 0-160 PSI, 1/4" NPT	1
16	41108	41108	Plug, #8 SAE, hex head	1
17	BAC-54	41130	Slinger	1
18	BACH-33	40820	Snap ring, internal, mounting frame	2
19	BACH-32-HD	40385	Snap ring, external, shaft	3
20	40880	40880	Bearing	2
21	BAC-6-125-HYD-SS-WS	41581	Shaft, .625 DIA, 125-155, SS, WS	1
22	BACH-25	40420	Key, 1/8" x 1/8" x 7/16" SS	1
23	S255	40177	Seal support spacer (206)	1
23	S300	40162	Seal support spacer (304)	1
24	BAC-75-HYD-206-PRO5	41329	Hydraulic motor, 7 GPM (includes 23, 26, 27, 29, 31)	1
24A	BAC-75-HYD-206-PRO5-PWM	41290	Hydraulic motor, integrated PWM valve, 7 GPM (includes 23, 24A, 25, 27A, 31A)	1
24B	BAC-75-HYD-304	41381	Hydraulic motor, 9 GPM (includes 23, 24B, 25, 26, 27B, 28, 29)	1
24C	BAC-75-HYD-304-PWM	41348	Hydraulic motor, integrated PWM valve, 9 GPM (includes 23, 24C, 27B, 32, 33)	1
25	41875	41875	O-ring, #8 SAE fitting	2
26	BAC-80-8SAE	41455	Body, restrictor orifice, #8 SAE x 1/2" NPT, w/ O-ring	1
27	BAC-78-8SAE	41447	Reverse check assembly, #8 SAE x 1/2" NPT, w/ O-ring	1
27A	BAC-78-10X8SAE	41462	Reverse check assembly, #8 SAE x #10 SAE, w/ O-ring	1
27B	BAC-78-10X10SAE	41467	Reverse check assembly, #10 SAE x #10 SAE, w/ O-ring	1
28	41448	41448	O-ring, restrictor	1
29	BAC-79-7	41456	Orifice insert, restrictor, w/ O-ring (206) (Do not use with 206-PWM)	1
29	BAC-79-8	41447	Orifice insert, restrictor, w/ O-ring (304) (Do not use with 304-PWM)	1
30	LS-206N	41418	Flow limiting valve, #8 MSAE x 1/2" FNPT (206) (optional)	1
30A	LS-304N	41429	Flow limiting valve, #8 MSAE x 1/2" FNPT (304) (optional)	1
31	41259	41259	Cap screw, 5/16" NC x 3-3/4" socket head, SS (for 206 motor)	2
31A	41263	41263	Cap screw, 5/16" NC x 6" socket head, SS (for 206-PWM motor)	2
32	41330	41330	Cap screw, 5/16" NC x 3/4" socket head, (for 304 motor)	2
33	41445	41445	O-ring, #10 SAE	1
*34 [Ⓛ]	55032	55032	Barrier fluid, quart	-
Ⓛ	RK-FMCWS-PRO5	52728	Repair kit, includes items 3 (2 each), 11, and 34	-
*	RK-BAC-75-HYD-L	41374	Repair kit; 200 series hyd motor with high pressure lip seal	-
*	RK-BAC-75-HYD-300-L	41362	Repair kit; 300 series hyd motor with high pressure lip seal	-

* Not shown in parts diagram

DIMENSIONS



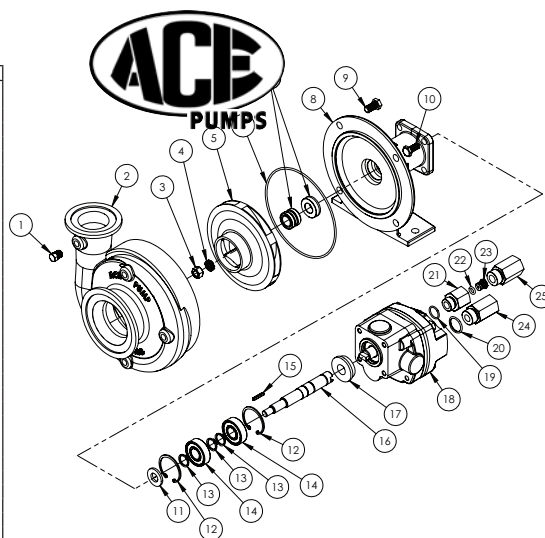
Ref.	A	B	C	D	E	F	G	H	K
Inches	10.72	3.13	2.63	5.25	2.25	3.94	9.75	6.03	1.50
MM	272.3	79.5	66.8	133.4	57.2	100.1	247.7	153.2	38.1

		-206		-206-PWM	
Ref.	I	J	I	J	
Inches	13.80	4.36	14.29	4.04	
MM	350.5	110.7	357.4	102.6	

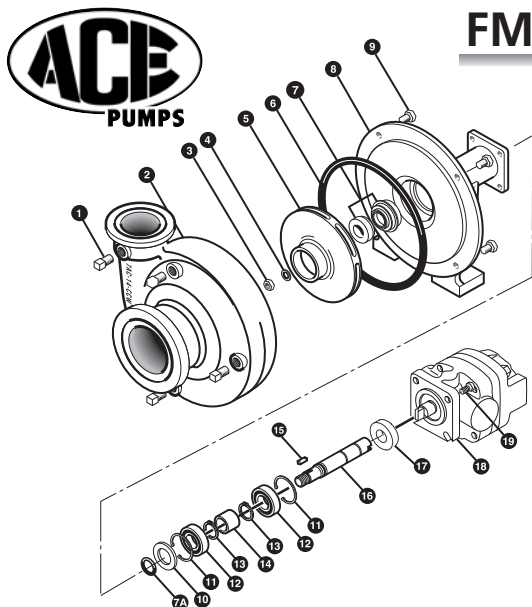
		-304		-304-PWM	
Ref.	I	J	I	J	
Inches	13.87	3.35	15.26	4.04	
MM	352.3	85.1	387.6	102.6	

EQUIPMENT
FLOW METERS
PRECISION
NOZZLES
VALVES
STRAINERS
FITTINGS
JACKS & HITCHES
PLANTER COMP.
PUMPS
TILLAGE
NH₃
TANKS

REF. #	PART NUMBER	EDP #	DESCRIPTION	REQ.
1	BAC-53	41110	Pipe plug	4
1	41120	41120	Pipe plug, stainless steel (-FS model)	4
2	7AC-14-FLG	41530	Volute, 300 standard flange x 220 full port flange, cast iron	1
2	7AC-14-FLG-SS	41532	Volute, 300 flange x 220 flange, 316 stainless steel (-FS model)	1
3	BAC-23-B-SS	40393	Nut, 3/8" NF, stainless steel	1
4	BAC-24-B-SS	42702	Washer, 3/8", stainless steel, self-locking	1
5	BAC-26-200-P	40434	Impeller, thermoplastic	1
5	BAC-26-200-CI	40433	Impeller, cast iron (optional)	1
5	BAC-26-200-SS	40436	Impeller, 316 stainless steel (-FS model) (optional)	1
6①	BAC-4A	40005	O-ring, body seal	1
7①	BAC-75C-205V	40149	Seal, silicon carbide	1
8	BAC-14-205-HYD	40338	Mounting frame for 205 pump	1
8	BAC-14-205-HYD-SS	40346	Mounting frame for 205 pump, 316 stainless steel (-FS model)	1
9	40950	40950	Cap screw, 3/8" NC x 3/4" hex head	4
9	40930	40930	Cap screw, 3/8" NC x 3/4" hex head, stainless steel (-FS model)	4
10	41330	41330	Cap screw, 5/16" NC x 3/4" hex head, motor to pump	4
11	BAC-54	41130	Slinger	1
12	BACH-33	40820	Snap ring, internal, BAC-14-205 mounting frame	2
13	BACH-32-HD	40385	Snap ring, external, BAC-6-205 shaft	3
14	40880	40880	Ball bearing, sealed, BAC-6-205 shaft	2
15	BAC-6-205-HYD-SS	40068	Shaft, extended keyway, tang, stainless steel	1
16	BAC-25	40425	Key, 1/8" x 1/8" x 13/16", extended keyway	1
17	S305	40163	Seal support spacer for 205 series pump	1
18	BAC-75-HYD-304N	41343	Hydraulic motor, 11 GPM, effective 5/13	1
19	41875	41875	O-ring, #8 SAE fitting	1
20	41445	41445	O-ring, #10 SAE fitting	1
21	BAC-80-8SAE	41455	Body, restrictor orifice, #8SAE x 1/2" NPT	1
22	41448	41448	O-ring, orifice insert	1
23	BAC-79-8	41447	Orifice insert, restrictor insert, 0.125	1
24	41442	41442	Reverse check assembly, #10 SAE x 1/2" NPT	1
25	LS-304N	41429	Flow limiter (optional)	1
①	RK-FMCS-205	52705	Repair kit for FMC-205 pump with silicon carbide shaft seal	-
#	RK-BAC-75-HYD-300-L	41362	Repair kit for 300 Series hydraulic motor	-



FMC-200F-HYD-304 / 550002 PARTS LIST



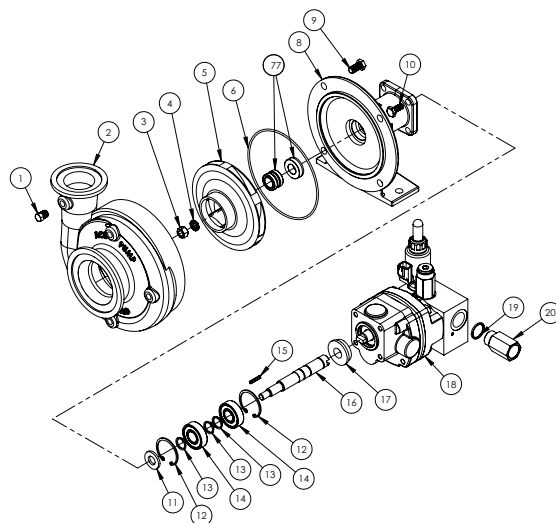
REF.#	PART NUMBER	EDP #	DESCRIPTION	REQ.	PRICE
1	BAC-53	41110	Pipe plug	4	.51
1	41120	41120	Pipe plug, stainless steel (optional)	4	5.10
2	7AC-14-FLG	41530	Volute, 300 standard port flange x 220 full port flange	1	440.00
3	BAC-23-A	40391	Nut, 3/8" NF, cad plated	1	2.55
4	BAC-24-HYD-SS	40400	Washer, 3/8" star, stainless steel	1	1.55
5	BAC-26-200-CI	40433	Impeller, with extended keyway, cast iron (optional)	1	274.00
5	BAC-26-200-P	40434	Impeller, with extended keyway, thermoplastic	1	135.00
*6	BAC-4A	40005	O-ring, body seal, effective April 1996	1	8.15
*7	BAC-7V	40151	Seal, mechanical, Viton (includes 40160 "O" Ring)	1	51.00
7	BAC-75C	40152	Seal, mechanical, silicon carbide (includes 40160 "O" Ring) (optional)	1	174.00
7A	40160	40160	O-ring, shaft seal	1	1.00
8	BAC-14-HYD-300	40301	Mounting frame (for -300 series hydraulic motor)	1	352.00
9	40950	40950	Cap screw, 3/8" NC x 3/4" hex head	4	.55
9	40930	40930	Cap screw, 3/8" NC x 3/4" hex head, stainless steel (optional)	4	2.60
10	BAC-54	41130	Slinger	1	1.55
11	BAC-33	40810	Snap ring, internal, BAC-14 mounting frame	2	2.05
12	BAC-37	40870	Ball Bearing, sealed, BAC-6 shaft	2	20.00
13	BAC-32	40790	Snap ring, external, BAC-6 shaft	2	.55
14	BAC-32-S	40795	Spacer for BAC-6 shaft	1	6.10
15	BAC-25	40425	Key, 1/8" x 1/8" x 13/16", extended keyway (date code E-9 and up)	1	1.05
16	BAC-6-HYD-200-SS	40063	Shaft, extended keyway, tang, stainless steel (date code E-9 and up)	1	130.00
17	S300	40162	Seal support spacer for 300 Series HYD motor, effective 6/00	1	10.00
18	BAC-75-HYD-304A	41388	Hydraulic motor, 11 GPM	1	963.00
19	41330	41330	Cap screw, 5/16" N. C. x 3/4" hex head, motor to pump	4	.55
#	RK-FMC	52700	Repair kit for FMC series pump	-	60.70
#	RK-FMCS	52706	Repair kit for FMC series pump with silicon carbide seal	-	183.70
#	RK-BAC-75-HYD-300-L	41362	Repair kit for 300 Series -L motor	-	103.20

* Items included in pump repair kit.

FMCS-205F-HYD-304-PWM / 48882 / 550035 PARTS LIST

REF. #	PART NUMBER	EDP #	DESCRIPTION	REQ.
1	BAC-53	41110	Pipe plug	4
1	41120	41120	Pipe plug, stainless steel (-FS model) (optional)	4
2	7AC-14-FLG	41530	Volute, 300 standard flange x 220 full port flange, cast iron	1
2	7AC-14-FLG-SS	41532	Volute, 300 flange x 220 flange, 316 stainless steel (-FS model)	1
3	BAC-23-B-SS	40393	Nut, 3/8" NF, stainless steel	1
4	BAC-24-B-SS	42702	Washer, 3/8", stainless steel, self-locking	1
5	BAC-26-200-P	40434	Impeller, thermoplastic	1
5	BAC-26-200-CI	40433	Impeller, cast iron (optional)	1
5	BAC-26-200-SS	40436	Impeller, 316 stainless steel (-FS model) (optional)	1
6①	BAC-4A	40005	O-ring, body seal	1
7①	BAC-75C-205V	40149	Seal, silicon carbide	1
8	BAC-14-205-HYD	40338	Mounting frame for 205 pump	1
8	BAC-14-205-HYD-SS	40346	Mounting frame for 205 pump, 316 stainless steel (-FS model)	1
9	40950	40950	Cap screw, 3/8" NC x 3/4" hex head	4
9	40930	40930	Cap screw, 3/8" NC x 3/4" hex head, stainless steel (-FS model)	4
10	41330	41330	Cap screw, 5/16" NC x 3/4" hex head, motor to pump	4
11	BAC-54	41130	Slinger	1
12	BACH-33	40820	Snap ring, internal, BAC-14-205 mounting frame	2
13	BACH-32-HD	40385	Snap ring, external, BAC-6-205 shaft	3
14	40880	40880	Ball bearing, sealed, BAC-6-205 shaft	2
15	BAC-25	40425	Key, 1/8" x 1/8" x 13/16", extended keyway	1
16	BAC-6-205-HYD-SS	40068	Shaft, extended keyway, tang, stainless steel	1
17	S305	40163	Seal support spacer for 205 series pump	1
18	BAC-75-HYD-304-PWM	41348	Hydraulic motor, 11 GPM, PWM	1
19	41445	41445	O-ring, #10 SAE fitting	1
20	BAC-78-10X10SAE	41467	Reverse check assembly, #10 SAE x #10 SAE	1
①	RK-FMCS-205	52705	Repair kit for FMC-205 pump with silicon carbide shaft seal	-
#	RK-BAC-75-HYD-300-L	41362	Repair kit for 300 Series hydraulic motor	-

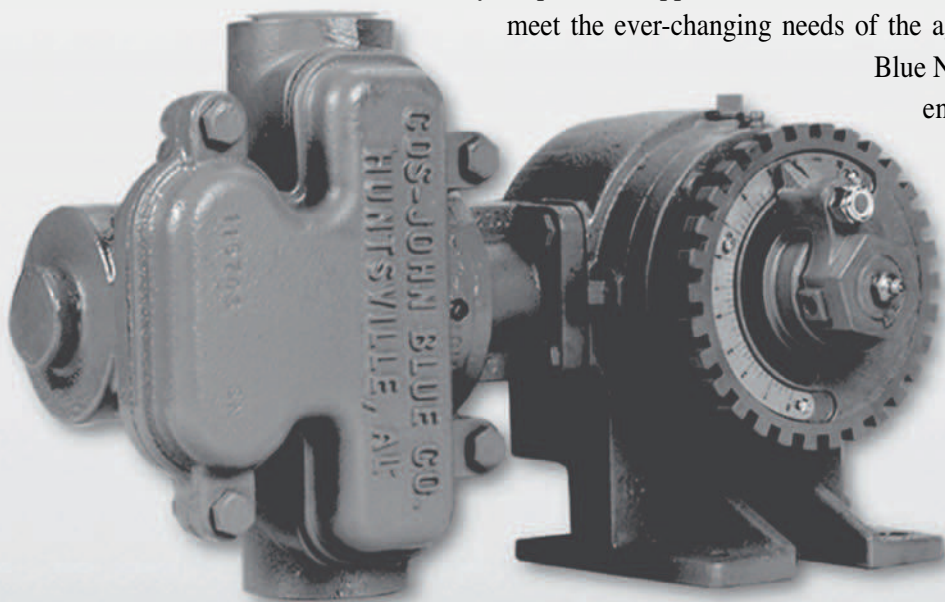
Item not shown.





NGP — Completely Redesigned . . . The Best Just Got Better

CDS-John Blue Company makes the Best even Better with NGP, maintaining historical Accuracy, Performance and Dependability, while taking Serviceability to a new level. The CDS-John Blue NGP is designed to meet all of your precision application needs. The NGP is the result of tremendous efforts to meet the ever-changing needs of the agricultural marketplace. All CDS-John



Blue NGP and existing piston pumps have been engineered and extensively field-tested to achieve the Best liquid applicator pump available today.

The NGP offers excellent enhancements, plus all the features and benefits of the proven “L” & “LM” pumps growers have successfully used for many years. CDS-John Blue’s reputation for superior quality has been proven through time by meeting the demands of generations of agricultural professionals. The NGP gives the grower the most

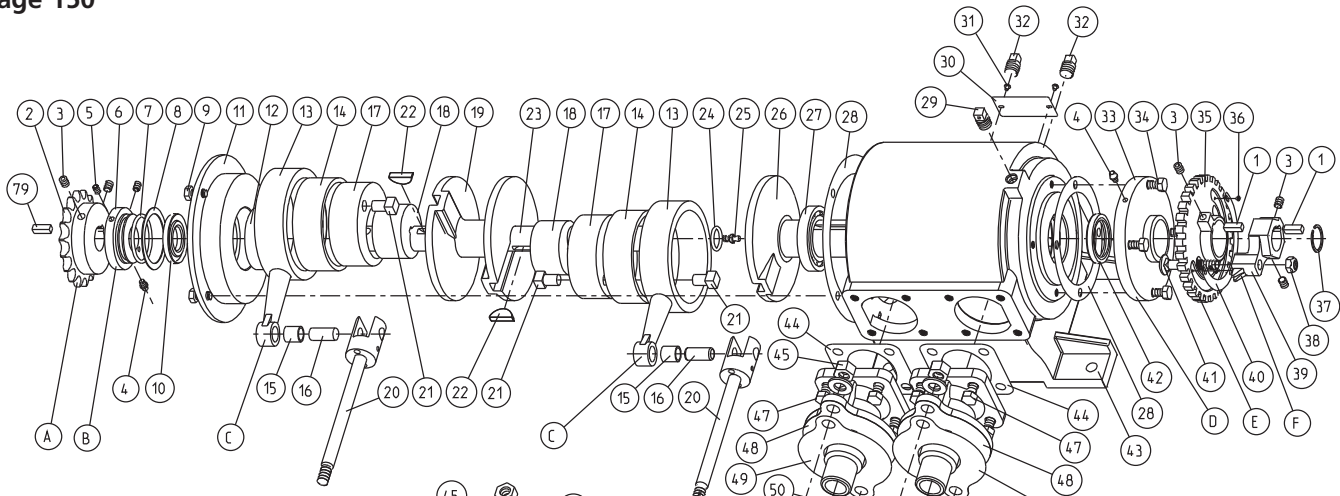
modern engineering design and technology available in pumps today. The best of the old is combined with the new and the footprint is the same as the “LM” pumps for ease of interchangeability. **There’s more**, you can expand the basic NGP to variable rate applications in the future, when you are ready!

**OTHER
MODELS
AVAILABLE**

JB/	Description	Flow	Price
NGP-4050-F	Metering Pump - Single piston low volume	10.2 GPM	3,817.49
NGP-5050-DRF	Metering Pump - Dual piston low volume	20.4 GPM	4,765.05
NGP-6055-S	Metering Pump - Single piston low volume	21.0 GPM	3,825.15
NGP-7055-S	Metering Pump - Single piston high volume	34.2 GPM	4,609.71
NGP-8055-S	Metering Pump - Dual piston low volume	42.0 GPM	5,583.98
NGP-8055-DRS	Metering Pump - Dual piston - Less Manifold	42.0 GPM	5,182.19
NGP-9055-S	Metering Pump - Dual piston high volume	68.4 GPM	6,221.91
NGP-9055-DRS	Metering Pump - Dual piston - Less Manifold	68.4 GPM	5,903.75

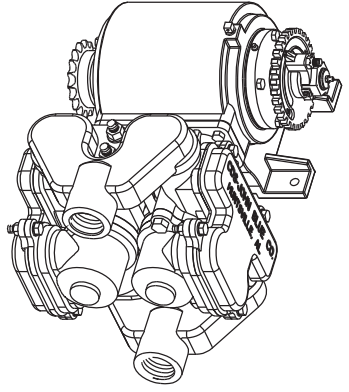
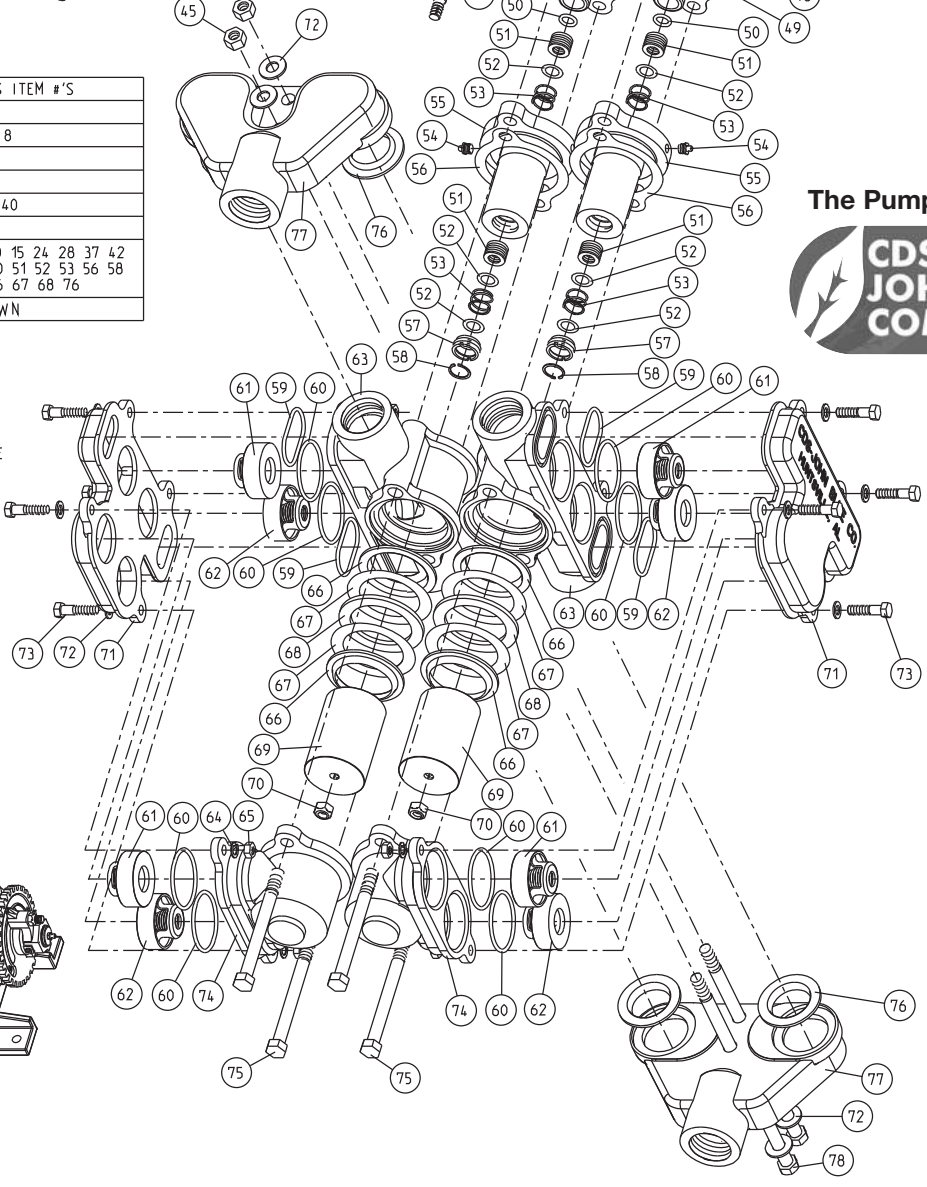
**Rated Flow Based On 12 Lb. Per Gallon Fertilizer*

EQUIPMENT
FLOW METERS
PRECISION
NOZZLES
VALVES
STRAINERS
FITTINGS
JACKS & HITCHES
PLANTER COMP.
PUMPS
TILLAGE
NH₃
TANKS



ITEM	DESCRIPTION	INCLUDES ITEM #'S
A	SPROCKET	2 3
B	SPACER	4 5 6 7 8
C	CONNECTING ROD	13 14 15
D	FLANGE COVER	4 33
E	SETTING HUB	3 35 36 40
F	SETTING POINTER	3 39
G	GASKET KIT	7 8 10 15 24 28 37 42 44 49 50 51 52 53 56 58 59 60 66 67 68 76
H	OPERATORS KIT	NOT SHOWN

- G — GASKET KIT
- H — OPERATORS KIT
 - MANUAL
 - WRENCH
 - SLIDE CHART
 - MOUNTING HARDWARE



The Pump Company



NGP-8050 & NGP-9050 SERIES PUMP PARTS LIST

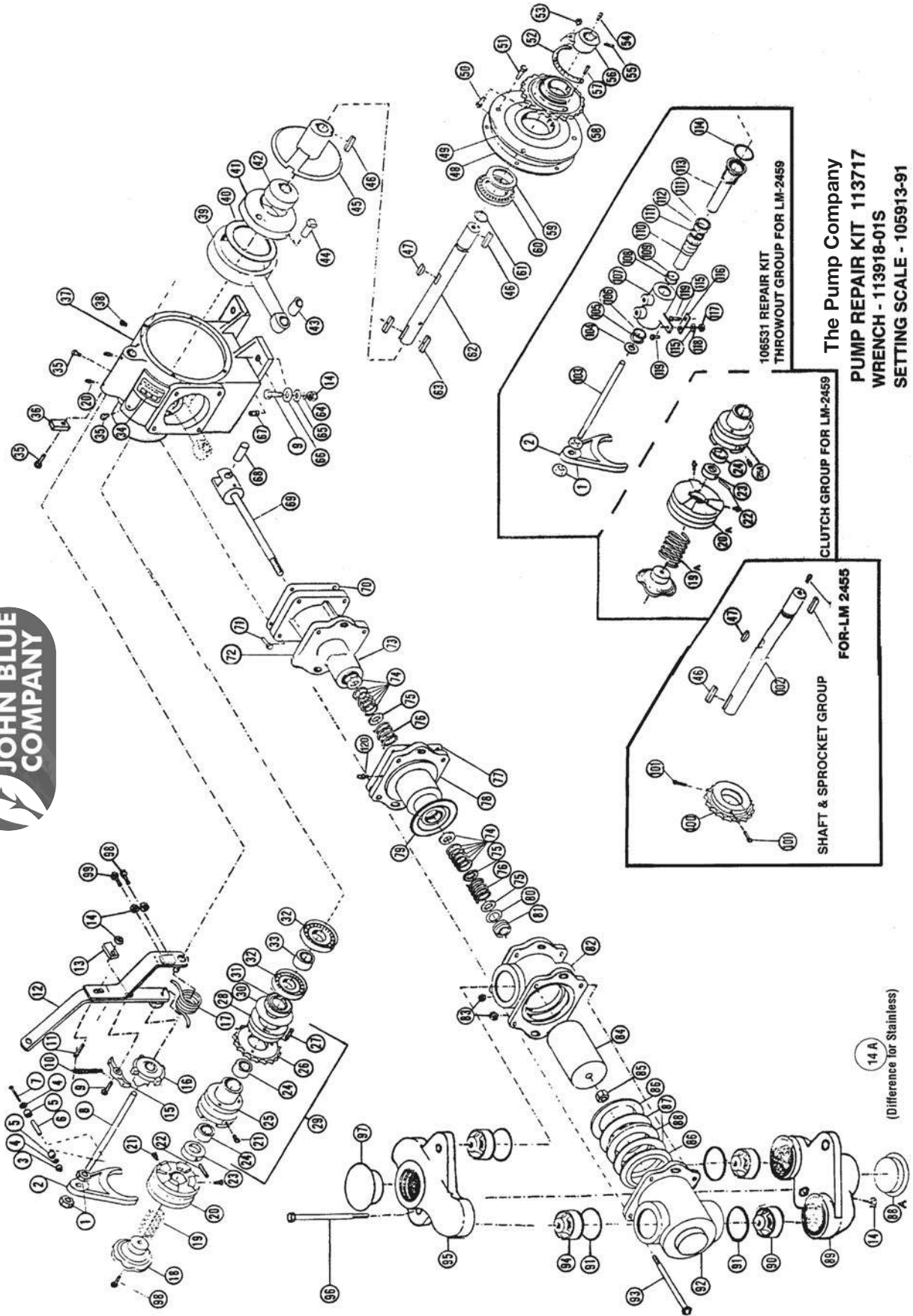


EQUIPMENT
FLOW METERS
PRECISION
NOZZLES
VALVES
STRAINERS
FITTINGS
JACKS & HITCHES
PLANTER COMP
PUMPS
TILLAGE
NH₃
TANKS

ITEM	PART DESCRIPTION	NGP-8050 PART #	NGP-9050 PART #
1	KEY	L-1020	L-1020
2	SPROCKET RC50-18T	112661-01	112661-01
	-K NO SPROCKET	NOT USED	NOT USED
	-R SPROCKET RC40-18T	113905-01	113905-01
3	5/16 X 3/8 SET SCREW	90532	90532
4	GREASE FITTING	H-28	H-28
5	1/4 X 3/8 SET SCREW	90530	90530
6	SPROCKET SPACER	115625-01	115625-01
7	O'RING	S-316	S-316
8	THRUST WASHER	115626-01	115626-01
9	5/16 X 1HEX BOLT	90637	90637
10	OIL SEAL	115621-01	115621-01
11	COVER PLATE	115723-01	115623-01
12	BEARING	L-3019	L-3019
13	CONNECTING ROD	L-1008-A	113630-01
14	JOURNAL BEARING	L-928	113629-01
15	ROD BUSHING	113588-01	113588-01
16	ROD PIN	105895-01	105895-01
17	ECCENTRIC - OUTER	L-1013-A	113633-01
18	ECCENTRIC - INNER	L-1015	L-3017
19	TRANSFER SLEEVE	115783-01	115683-01
20	PISTON ROD ASSEMBLY	115712-91	105900-91
21	ECCENTRIC PIN	L-3004	L-3004
22	WOODRUFF KEY	108093-01	A-4333
23	CRANKSHAFT	115614-01	115614-01
24	O'RING	L-1022	L-1022
25	GREASE ZERK	115647-01	115647-01
26	SETTING SLEEVE	115718-01	115618-01
27	BEARING	L-1007-A	L-1007-A
28	GASKET	L-1006	L-3002
29	VENT PLUG	S-350	S-350
30	NAME PLATE	111958-01	111958-01
31	DRIVE SCREW	A-3557	A-3557
32	OIL PLUG	C-431-B	C-431-B
33	FLANGE COVER	115724-01	115724-01
34	5/16 X 1 HEX BOLT	90637	90637
35	SETTING HUB	115627-01	115627-01
36	SETTING SCALE SCREW	A-368	A-368
37	SNAP RING	115791-01	115791-01
38	3/8 SELF-LOCKING NUT	A-3097	A-3097
39	SETTING POINTER	115628-01	115628-01
40	SETTING SCALE	115645-01	115645-01
41	3/8 X 2 CARRIAGE BOLT	115646-01	115646-01
42	OIL SEAL	115622-01	115622-01
43	CRANKCASE	115780-01	115680-01
44	GASKET - CROSSHEAD	115711-01	115611-01
45	1/2 HEX NUT	92029	92029
	-S STAINLESS	92030	92030
46	NOT USED		
47	HEX BOLT	90637	90860
48	CROSSHEAD GUIDE	115700-01	115600-01
49	GASKET - STUFFING BOX	115610-01	115610-01
	-U FUMIGANT	104828-01	104828-01
50	O'RING	111943-01	111943-01
51	PACKING 'V' SET	L-1109	L-1109
	-U FUMIGANT	L-1109-U	L-1109-U
52	PACKING WASHER	L-1041	L-1041
53	PACKING SPRING	L-1063	L-1063

ITEM	PART DESCRIPTION	NGP-8050 PART #	NGP-9050 PART #
54	GREASE ZERK	H-30	H-30
55	STUFFING BOX	115790-01	115690-01
	-S STAINLESS	115790-01S	115690-01S
56	GASKET - INBOARD CYL.	115710-01	115710-01
	-U FUMIGANT	104826-02	104826-02
57	STUFFING BOX INSERT	L-1031-2	L-1031-2
	-S STAINLESS	NOT USED	NOT USED
58	PACKING - SNAP RING	L-1042	L-1042
59	O'RING	S-316	115604-01
	-S STAINLESS	104824-01	115612-01
	-U FUMIGANT	104824-01	115612-01
60	O'RING	L-3031	A-2848
	-S STAINLESS	114768-01	114870-01
	-U FUMIGANT	114768-01	114870-01
61	DISCHARGE VALVE	115707-91	115607-91
62	SUCTION VALVE	115706-91	115606-91
63	INBOARD CYLINDER	115701-02	115601-02
	-S STAINLESS	115701-02S	115701-02S
64	3/8 LOCK WASHER	93024	93024
	-S STAINLESS	93025	93025
65	3/8 HEX NUT	92024	92024
66	PLUNGER - PACKING	L-1045-V	L-1045-V
67	PLUNGER - GASKET	L-1098	L-1098
	-U FUMIGANT	114769-01	114769-01
68	PLUNGER - WASHER	L-1044-A	L-1044-A
69	PLUNGER	103290-91	112816-91
70	PLUNGER - LOCKING NUT	L-1047	L-1047
71	VALVE COVER	115703-01	115603-01
	-S STAINLESS	115703-01S	115603-01S
72	1/2 FLAT WASHER	93013	93013
	-DR DUAL RATE [CYLINDERS]	NOT USED	NOT USED
73	3/8 X 1-1/2 HEX BOLT	90911	90911
	-S STAINLESS	90654	90654
74	OUTBOARD CYLINDER	115702-01	115602-01
	-S STAINLESS	115702-01S	115602-01S
75	1/2 HEX BOLT	90704	90705
	-S ULTRA COATED	90714	90705
76	GASKET - MANIFOLD	112696-01	112696-01
	-DR DUAL RATE [CYLINDERS]	NOT USED	NOT USED
77	MANIFOLD - COMMON	115796-01	115696-01
	-S STAINLESS	115796-01S	115696-01S
	-DR DUAL RATE [CYLINDERS]	NOT USED	NOT USED
78	1/2 HEX BOLT	115793-01	115693-01
	-DR DUAL RATE [CYLINDERS]	NOT USED	NOT USED
79	SPROCKET KEY	106493-01	106493-01
A	SPROCKET ASSY. RC50-18T	106532-01	106532-01
	-K NO SPROCKET	NOT USED	NOT USED
	-R SPROCKET ASSY. RC40-18T	113907-01	113907-01
B	SPROCKET SPACER ASSY.	115624-91	115624-91
C	CONNECTING ROD ASSY.	L-1008-B	113645-91
D	FLANGE COVER ASSY.	115725-91	115725-91
E	SETTING HUB ASSY.	115629-91	115629-91
F	SETTING POINTER ASSY.	115630-91	115630-91
G	GASKET KIT	115789	115689
	-S GASKET KIT - STAINLESS	115789-S	115689-S
	-U GASKET KIT - FUMIGANT	115789-U	115689-U
H	OPERATORS KIT	115787	115787
N/S	SLIDE CHART	115698-91	115698-91
N/S	SETTING WRENCH	115631-01	115631-01

• Call for More Information and Pricing •



106531 REPAIR KIT
THROUOUT GROUP FOR LM-2459

The Pump Company
PUMP REPAIR KIT 113717
WRENCH - 113918-01S
SETTING SCALE - 105913-91

CLUTCH GROUP FOR LM-2459

SHAFT & SPROCKET GROUP
FOR-LM 2455

14 A
(Difference for Stainless)

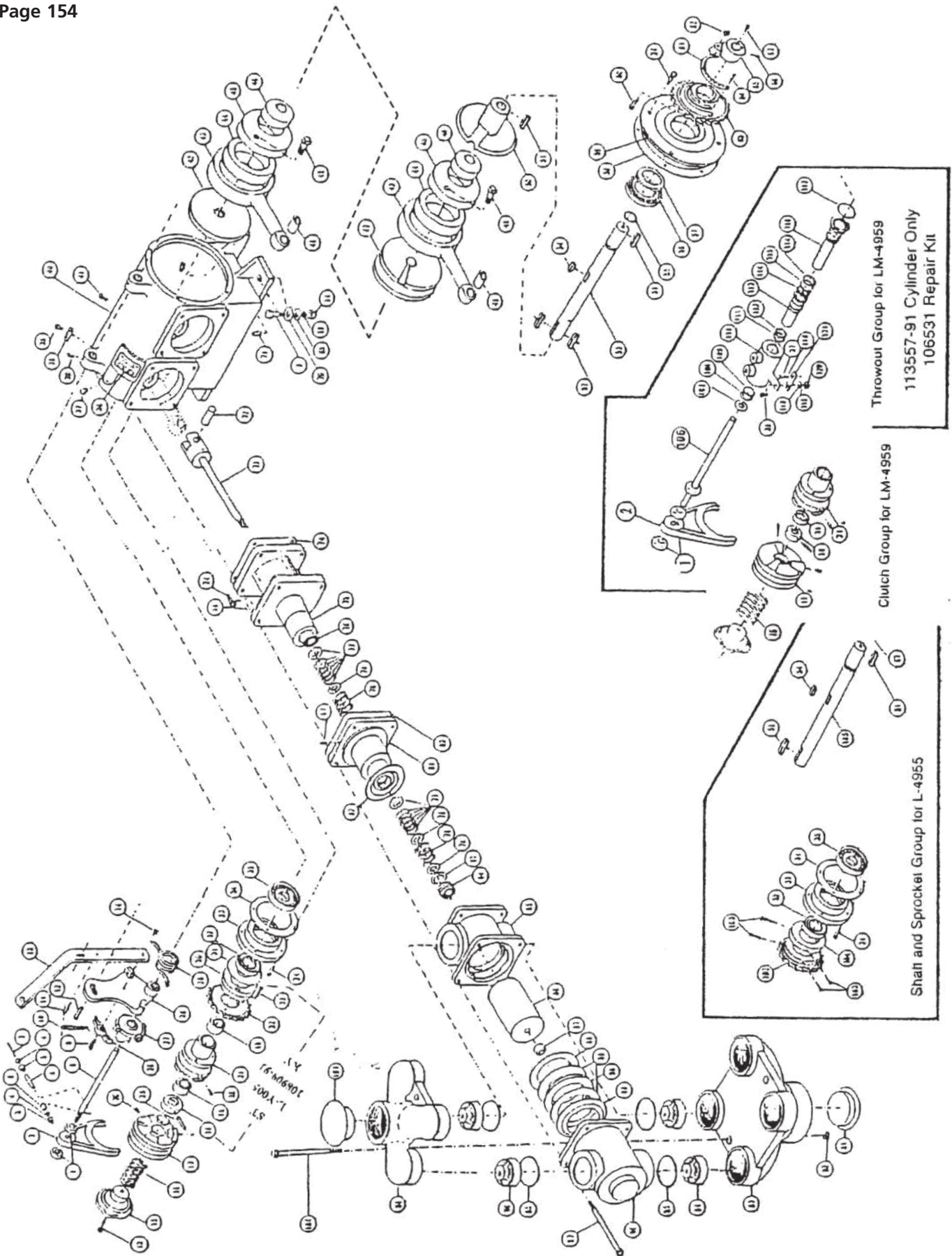
LM-2450 SERIES PUMP PARTS LIST



EQUIPMENT
FLOW METERS
PRECISION
NOZZLES
VALVES
STRAINERS
FITTINGS
JACKS & HITCHES
PLANTER COMP
PUMPS
TILLAGE
NH₃
TANKS

REF. NO.	PART NO.	ITEM DESCRIPTION	2450 QTY.	2455 QTY.	2459 QTY.	REF. NO.	PART NO.	ITEM DESCRIPTION	2450 QTY.	2455 QTY.	2459 QTY.
1	92037	5/8" JAM NUT	2	0	2	66	A-147	PUMP MOUNTING PAD	4	4	4
2	A-70	SHIFTER YOKE	1	0	1	67	C-431-B	1/4" PLUG	3	3	3
3	92014	#10 SQUARE NUT	1	0	0	68	105895-01	CROSSHEAD PIN	1	1	1
4	A-697	WASHER	2	0	0	69	105926-91	PISTON ROPD ASSEMBLY	1	1	1
5	A-2762	CAM ROLLER	2	0	0	*70	L-1038	CROSSHEAD GDE.GASKET	1	1	1
6	A-2763	ROLL PIN	1	0	1	71	90637	5/16 X 1 HEX BOLT	4	4	4
7	90953	2 1/4 RD HD SCREW	1	0	0	72	90692	1/2 X 2 HEX BOLT	2	2	2
8	A-2761	SHIFTER ROD	1	0	0	**72	90693	1/2 X 2 BOLT, SS	2	2	2
9	90655	3/8 X 1 1/2 HEX BOLT	5	4	4	73	L-1000	CROSSHEAD GUIDE	1	1	1
10	F-48	THROW-OUT LEVER SPRING	1	0	0	*74	L-1109	ROD VEE PACKING SET	2	3	2
11	94010	5/32 X 1 COTTER PIN	1	0	0	75	L-1041	WASHER, PACKING	3	2	3
12	A-2756	THROW-OUT LEVER	1	0	0	76	L-1063	SPRING, PACKING	2	1	2
13	A-2760	SPRING CLIP	1	0	0	*77	L-1030	GASKET STUFFING BOX	1	1	1
14	92024	3/8 HEX NUT	11	6	6	78	L-1031-1	OUTBOARD STUFFING BOX	1	1	1
**14	T-2010	3/8 NUT, SS	2	2	2	**78	L-1031-1S	OUTBOARD STUFFING BOX, SS	1	1	1
15	A-2758-A	PAWL	1	0	0	*79	L-1023	GASKET	1	1	1
16	A-2757-A	THROW-OUT CAM	1	0	0	80	L-1042	RETAINING RING	1	1	1
17	A-37-R	TORSION SPRING (R.H.)	1	0	0	81	L-1031-2	STUFFING BOX INSERT	1	1	1
18	A-50	HANDWHEEL	1	0	1	82	113650-01	CYLINDER, INBOARD	1	1	1
19	HA-57	SAFETY CLUTCH SPRING	1	0	0	**82	113650-01S	CYLINDER, INBOARD, SS	1	1	1
19A	108907-01	SAFETY CLUTCH SPRING	0	0	1	83	92029	1/2 HEX NUT	4	4	4
20	A-260	CLUTCH	1	0	0	**83	92030	1/2 NUT, SS	4	4	4
20A	108905-91	CLUTCH	0	0	1	84	103290-91	PISTON PLUNGER AS'MBLY	1	1	1
21	H-28	GREASE FITTING (DR. TYP.)	5	1	4	85	L-1047	SELF-LOCKING NUT	1	2	1
22	L-4249	DRIVE PIN	1	0	1	*86	L-1045-V	PACKING, PLUNGER	2	2	2
23	105373-01	CLUTCH COLLAR	1	0	1	*87	L-1098	GASKET, FLANGE PACKING	2	2	2
24	A-116	OILITE BUSHING	2	0	2	88	L-1044-A	WASHER, FLANGE PACKING	1	1	1
25	L-4008-A	CARRIER	1	0	0	88A	L-3115	1-1/2 PLASTIC PLUG	1	1	1
25A	108906-01	CARRIER	0	0	1	89	113649-01	SUCTION MANIFOLD	1	1	1
26	L-4006	16T SPROCKET	1	0	1	**89	113649-01S	SUCTION MANIFOLD, SS	1	1	1
27	90993	1/4 X 1 1/2 SOCKET HD BLT	3	0	3	90	106489-92	VALVE, SUCTION	2	2	2
27A	90637	5/16 X 1 HEX BOLT	4	4	4	91	L-3031	'O' RING VALVE	4	4	4
28	L-4009	RETAINING	1	0	1	92	113651-01	OUTBOARD CYLINDER	1	1	1
29	L-4004	16T SPROCKET ASSEMBLY	1	0	1	**92	113651-01S	OUTBOARD CYLINDER,SS	1	1	1
*30	110155-01	WASHER	1	0	1	93	90689	1/2 X 1-1/2 HEX HEAD BOLT	2	2	2
*31	L-1018	OIL SEAL	1	1	1	**93	90687	1/2 X 1-1/2 BOLT, SS	2	2	2
32	L-1017	CRANKSHAFT BEARING	2	2	2	94	106490-92	DISCHARGE VALVE	2	2	2
*33	L-1016	BEARING SPACER	1	1	1	95	113648-01	DISCHARGE MANIFOLD	1	1	1
34	111958-01	NAME PLATE	1	1	1	**95	113648-01S	DISCHARGE MANIFOLD, SS	1	1	1
35	90634	5/16 X 1/2 HEX BOLT	3	3	3	96	90672	3/8 X 7-1/2 HHMB	2	2	2
36	A-2759	SPRING CLIP (LOWER)	1	0	0	**96	91071	3/8 X 6 BOLT, SS	2	2	2
37	L-1001-A	CRANKCASE	1	1	1	97	C-3518	1" THREAD PROTECTOR	1	1	1
38	S-350	VENT PLUG	1	1	1	98	90653	3/8 X 1-1/4 HHMB	2	0	1
39	L-1008-B	CONNECTING ROD	1	1	1	99	90657	3/8 X 2 HHMB	1	0	0
40	L-928	BEARING	1	1	1	100	113685-01	16T SPROCKET	1	0	0
41	L-1013-A	ECCENTRIC, LARGE	1	1	1	101	90986	3/8 X 5/8 SCREW	0	2	0
42	L-1015	ECCENTRIC, SMALL	1	1	1	102	L-1019-A	CRANKSHAFT	0	1	0
*43	113588-01	BEARING	1	1	1	103	114706-91	THROW OUT ROD ASSEMBLY	0	0	1
44	L-3004	ECCENTRIC PIN	1	1	1	104	93016	SAE FLAT WASHER	0	0	1
45	L-1089	STROKE LOCATING SLEEVE	1	1	1	105	105448-01	BACK-UP RING	0	0	1
46	L-1020	SETTING ARM KEY	2	2	2	106	A-3776	'O' RING	0	0	1
47	108093-01	KEY, WOODRUFF	1	1	1	107	105447-01	BODY	0	0	1
*48	L-1006	GASKET COVER PLATE	1	1	1	108	105452-01	BACK-UP RING	0	0	1
49	L-1004-A	COVER PLATE	1	1	1	109	105461-01	'O' RING, PISTON ROD	0	0	1
50	91017	3/8 X 1 3/4 SQ. HEAD BOLT	1	1	1	110	105449-01	PISTON	0	0	1
51	90636	5/16 X 3/4 HEX BOLT	4	4	4	111	105462-01	BACK-UP RING	0	0	2
52	L-1002	PUMP SETTING SCALE	1	1	1	112	A-2849	'O' RING	0	0	1
53	A-3097	3/8 SELF LOCKING NUT	1	1	1	113	105463-01	CYLINDER	0	0	1
54	H-30	GREASE FITTING (THREAD)	1	1	1	114	105500-01	BODY, 'O' RING	0	0	1
55	90532	5/16 X 3/8 SET SCREW	3	3	3	115	93010	5/16 FLAT WASHER	0	0	2
56	115630-91	SETTING POINTER ASSY	1	1	1	116	113646-01	STRAP	0	0	2
57	A-368	SETTING SCALE SCREW	3	3	3	117	92020	5/16 HEX NUT	0	0	2
58	105932-91	STROKE SETTING FLANGE	1	1	1	118	93023	5/16 LOCK WASHER	0	0	2
*59	L-1021	OIL SEAL	1	1	1	119	90636	5/16 X 3/4 HEX HEAD BOLT	0	0	2
60	L-1007-A	CRANKSHAFT BEARING	1	1	1	120	114652-01	45° GREASE FITTING	1	1	1
*61	L-1022	CRANKSHAFT 'O'RING	1	1	1	121	110147-01	SPACER	0	1	0
62	L-1019	CRANKSHAFT	1	0	1						
63	A-261	SQUARE KEY	2	0	2						
64	93024	3/8 LOCK WASHER	4	4	4						
65	93011	3/8 FLAT WASHER	4	4	4						

* Parts contained in 113717 Repair Kit
** Parts Unique to the LM-2450-S Series Only



Throwout Group for LM-4959
113557-91 Cylinder Only
106531 Repair Kit

Clutch Group for LM-4959

Shaft and Sprocket Group for L-4955

Pump Repair Kit - 111947
Pump Setting Wrench - L-3092-AS
Pump Setting Chart - 105913-91

Fast Rebuilds



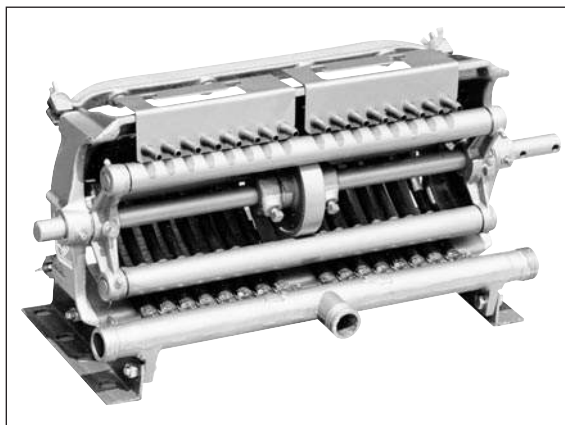
Pumps!

REF. NO.	JB/ DESCRIPTION	4950 QTY.	4955 QTY.	4959 QTY.	REF. NO.	JB/ DESCRIPTION	4950 QTY.	4955 QTY.	4959 QTY.
1	92037 5/8" JAM NUT	2	0	2	60	91017 3/8 SQUARE HEAD BOLT	1	1	1
2	113628-01 THROW OUT YOKE	1	0	1	61	114763-01 PUMP SETTING SCALE	1	1	1
3	92014 #10 SQUARE NUT	1	0	0	62	A-3097 3/8 SELF LOCKING NUT	1	1	1
4	A-697 WASHER	2	0	0	63	105932-91 STROKE SETTING FLANGE	1	1	1
5	A-2762 CAM ROLLER	2	0	0	64	A-368 SETTING SCALE SCREW	3	3	3
6	A2763 ROLL PIN	1	0	0	65	105933-91 STROKE SETTING ARM	1	1	1
7	90953 2 1/4 RD. HD. SCREW	1	0	0	66	90532 5/16 X 3/8 SET SCREW	3	3	3
8	L-3006 THROW OUT ROD	1	0	0	67	H-30 GREASE FITTING	3	3	3
9	90655 3/8 X 1 1/2 HEX BOLT	5	4	4	68	93024 3/8 LOCK WASHER	4	4	4
10	F-48 THROW-OUT LEVER SPRING	1	0	0	69	93011 3/8 FLAT WASHER	4	4	4
11	94010 5/32 X 1 COTTER PIN	1	0	0	70	A-147 LEG MOUNTING PAD	4	4	4
12	90653 3/8 X 1 1/4 HEX BOLT	2	0	1	71	C-431-B PLUG	3	3	3
13	L-3064 THROW-OUT LEVER	1	0	0	72	105895-01 CROSSHEAD PIN	2	2	2
14	92024 3/8 HEX NUT	14	12	12	73	105900-91 PISTON ROD ASSEMBLY	2	2	2
15	A-50 HANDWHEEL	1	0	1	74	L-3052 CROSSHEAD. GUIDE GASKET	2	2	2
16	HA-57 SAFETY CLUTCH SPRING	1	0	0	75	11935-01 CROSSHEAD GUIDE	2	2	2
16A	108907-01 SAFETY CLUTCH SPRING	0	0	1	76	111943-01 O-RING	2	2	2
17	A-260 CLUTCH	1	0	0	77	L-1109 ROD VEE PACKING SET	4	4	4
17A	108905-91 CLUTCH	0	0	1	78	L-1041 WASHER	6	6	6
18	105373-01 CLUTCH COLLAR	1	0	1	79	L-1063 PACKING SPRING	4	4	4
19	A-118 OLITE BUSHING	2	0	2	80	L-3074 STUFFING BOX GASKET	2	2	2
20	H-28 GREASE FITTING	6	2	5	81	111937-01 OUTBOARD STUFFING BOX	2	2	2
21	L-4008-A SPROCKET CARRIER	1	0	0	82	L-3035 GASKET	2	2	2
21A	108906-01 SPROCKET CARRIER	0	0	1	83	L-1042 RETAINING RING	2	2	2
22	L-4007 18T SPROCKET	1	0	1	84	L-1031-2 STUFFING BOX INSERT	2	2	2
23	90993 1/4 X 1 1/2 SOCKET HD BLT	3	0	3	85	11938-01 INBOARD CYLINDER	2	2	2
24	90637 5/16 X 1 HEX BOLT	16	16	16	86	112816-91 PISTON PLUNGER ASSBLY.	2	2	2
25	L-4249 DRIVE PIN	1	0	1	87	L-1047 SELF LOCKING NUT	2	2	2
26	A-2758-A PAWL	1	0	0	88	L-1045-V FLANGE PLUNGER PACKING	4	4	4
27	A-2757-A THROW OUT CAM	1	0	0	89	L-1098 PACKING ADJUSTMT. GASKET	4	4	4
28	L-3007 THROW OUT BRACKET	1	0	0	90	L-1044-A FLANGE PACKING WASHER	2	2	2
29	114165-01 RT. HAND TORSION SPRING	1	0	0	91	C-3519 2" THREAD PROTECTOR	1	1	1
30	L-4009 RETAINING COLLAR	1	0	1	92	92029 1/2 HEX NUT	4	4	4
31	110155-01 WASHER, NYLON	1	1	1	93	11939-01 SUCTION MANIFOLD	1	1	1
32	L-1018 OIL SEAL	1	1	1	94	109112-92 SUCTION VALVE	4	4	4
33	L-3023 BEARING HOUSING	1	1	1	95	A-2848 VALVE O-RING	8	8	8
34	L-3021 BEARING HOUSING GASKET	1	1	1	96	11940-01 OUTBOARD CYLINDER	2	2	2
35	L-3019 CRANKSHAFT BEARING	1	1	1	97	91051 3/8 X 8 HEX HEAD BOLT	8	8	8
36	11958-01 NAMEPLATE	1	1	1	98	109113-92 DISCHARGE VALVE	4	4	4
37	90634 5/16 X 1/2 BOLT	1	2	2	99	111936-01 DISCHARGE MANIFOLD	1	1	1
38	L-4014 SPRING ANCHOR	1	0	0	100	111955-01 STUD, MANIFOLD	2	2	2
39	90636 5/16 X 3/4 BOLT	1	0	2	101	L-3115 1 1/2 THREAD PROTECTOR	1	1	1
40	113634-01 CRANKCASE	1	1	1	102	106532-01 18T SPROCKET	0	1	0
41	S-350 VENT PLUG	1	1	1	103	90986 3/8 X 5/8 SET SCREW	0	4	0
42	L-3020 CRANKSHAFT DISC	1	1	1	104	110147-01 SPACER	0	1	0
43	113645-91 CONNECTION ROD	2	2	2	105	106533-01 CRANKSHAFT	0	1	0
44	113629-01 BEARING CRANK PIN	2	2	2	106	114708-91 THROW OUT ROD ASSEMBLY	0	0	1
45	113633-01 LARGE ECCENTRIC	2	2	2	107	93016 FLAT WASHER	0	0	1
46	L-3017 SMALL ECCENTRIC	2	2	2	108	105448-01 BACK-UP RING	0	0	1
47	L-3018 STROKE TRANSFER SLEEVE	1	1	1	109	A-3776 O-RING	0	0	1
48	113588-01 CONNECTING ROD BUSHING	2	2	2	110	105447-01 BODY	0	0	1
49	L-3004 ECCENTRIC PIN	3	3	3	111	105452-01 BACK-UP RING	0	0	1
50	L-3056 STROKE LOCATING SLEEVE	1	1	1	112	105461-01 O-RING	0	0	1
51	L-1020 SETTING ARM KEY	2	2	2	113	105449-01 PISTON	0	0	1
52	A-261 CLUTCH KEY	2	0	2	114	105465-01 BACK-UP RING	0	0	2
53	L-3013 CRANKSHAFT	1	0	1	115	A-2849 O-RING	0	0	1
54	A-4333 KEY, WOODRUFF	2	2	2	116	105463-01 CYLINDER	0	0	1
55	L-1022 CRANKSHAFT O-RING	1	1	1	117	105500-01 BODY-O-RING	0	0	1
56	L-1007-A BEARING LOCATING SLEEVE	1	1	1	118	93010 5/16 FLAT WASHER	0	0	4
57	L-1021 OIL SEAL	1	1	1	119	93023 5/16 LOCK WASHER	0	0	2
58	L-3002 COVER PLATE GASKET	1	1	1	120	92020 5/16 HEX NUT	0	0	2
59	L-3001 COVER PLATE	1	1	1	121	105501-01 STRAP	0	0	2

EQUIPMENT
FLOW METERS
PRECISION
NOZZLES
VALVES
STRAINERS
FITTINGS
JACKS & HITCHES
PLANTER COMP
PUMPS
TILLAGE
NH₃
TANKS



EQUIPMENT
FLOW METERS
PRECISION
NOZZLES
VALVES
STRAINERS
FITTINGS
PLANTER COMP. JACKS & HITCHES
PUMPS
TILLAGE
NH₃
TANKS



Features:

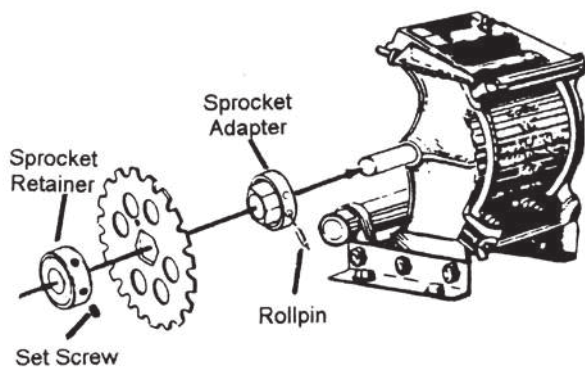
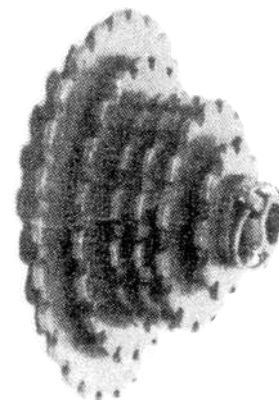
- Application rate will not vary even if you speed up or slow down.
- Maintains a constant rate at any fluid level in the tank.
- Heavy cast iron, rigid frame will not flex due to uneven ground.
- Grease fittings on rollers allow dirt and fertilizer contamination to be flushed out.
- Round hose and spring loaded back plate.
- Hoses have memory shape for accurate rates.
- Positive shut off when pump stops.
- Wide range of available sprockets allows for 87 different rates.

Standard Pumps

JB/	Number of Hoses	Metering Hose Size	GPA Rating	Discharge Hose Size	Suction Hose Size	Price
L-6-C	6	1/2"	High (7-45)	1/2"	1"	1,178.39
L-8-C	8	5/16"	Low (3-18)	3/8"	1"	1,316.06
L-8-LC	8	1/2"	High (7-45)	1/2"	1 1/4"	1,642.21
L-12-SC	12	5/16"	Low (3-18)	3/8"	1 1/4"	1,860.67
L-12-C	12	1/2"	High (7-45)	1/2"	1 1/4"	1,897.89
L-16-C	16	5/16"	Low (3-18)	3/8"	1 1/4"	2,065.06

Sprockets

JB/	Description	Price
L-1383	8 Tooth	23.50
L-1384	9 Tooth	36.49
L-1385	10 Tooth	19.33
L-1386	15 Tooth	35.24
L-1381	20 Tooth	57.62
L-1387	22 Tooth	53.46
L-1388	23 Tooth	51.32
L-1389	26 Tooth	56.88
L-1390	30 Tooth	81.21
L-1391	31 Tooth	84.23
L-1392	32 Tooth	70.33



Miscellaneous Components

JB/	Description	Price
111698-01	Hub adapter, 4 hole	185.21
111699-02	Hub adapter, 5 hole	203.58
112612-01	Hub adapter, 6 hole	192.79
L-1414	Sprocket adapter, 7/8" bore	57.41
L-1414-1	Sprocket adapter, 1" bore	57.41
L-4414	Sprocket retainer, 7/8" bore	44.16
L-4414-1	Sprocket retainer, 1" bore	45.36
112838	Sprocket retainer, 7/8" hex	63.32
112839	Sprocket adapter, 7/8" hex	55.56

Replacement Hoses

JB/	Description	Price
87249	Squeeze pump hose, 1/2"	10.04
87250	Squeeze pump hose, 5/16"	10.04

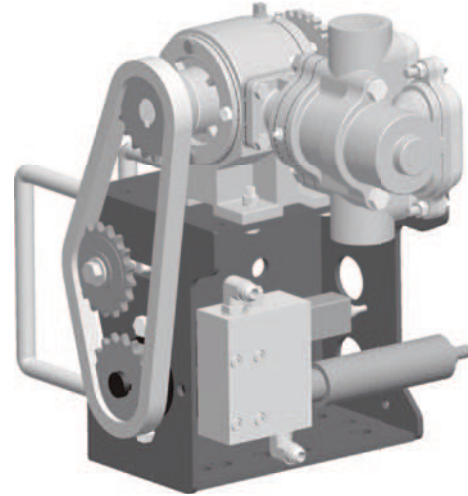
SQUEEZE PUMP HOSE SPECIFICATIONS

Hose Size	Max Output Per Hose	Max. Speed	Max. Pressure	HP Required	GPA Range
5/16"	.58 GPM	125 RPM	5 PSI	.03 HP	3 - 18 GPA
1/2"	1.4 GPM	125 RPM	5 PSI	.05 HP	7 - 45 GPA



Variable Rate Hydraulic Drive Kit

Apply your liquid fertilizer with the best pump for the job while doing it easily with your hydraulic system. You don't need to buy new equipment to benefit from **Variable Rate Technology**. A great feature of the CDS-John Blue Piston Pump, with the Variable Rate Hydraulic Drive Kit (VRH), is that you can use it on your current equipment - planters, drills, strip till and liquid applicators. Regardless if your pump is 40 years old or new, the VRH Kits will mount to your pump (LF, L, LM and NGP series piston pumps). You can have tomorrow's technology today.

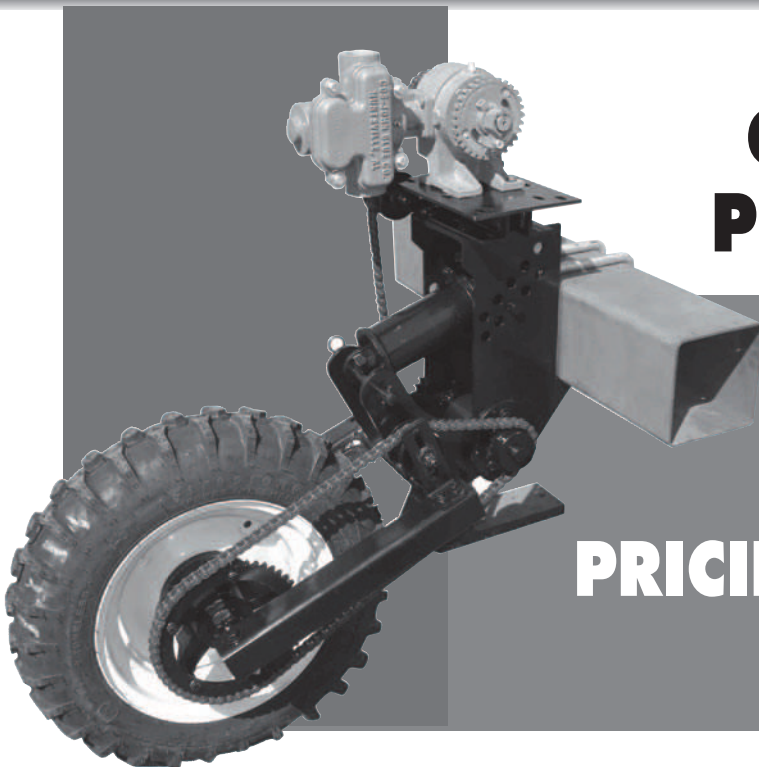


We have bar mount kits and direct drive kits to fit most common configurations. Our JD series fits **John Deere®** and the PWM (pulse width modulation) series is for **Raven®, Ag Leader®, Dickey-john®** plus others and can be used for variable rate and sectional shut-off as desired. The MAN (manual) series lets you use your tractor's hydraulics for a simple hydraulic driven system.



GROUND DRIVE PUMPS & KITS

Ground Drive Pumps and Kits

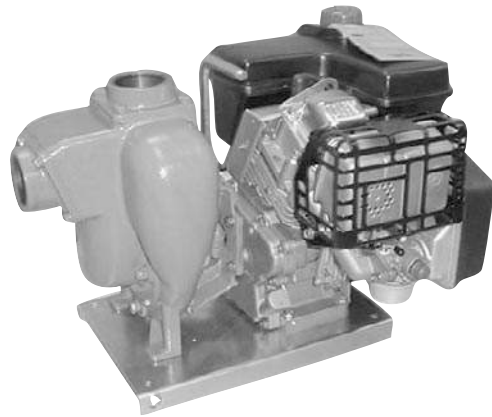


CALL for PRICING and OPTIONS



MP PUMPS
DIVISION OF TECUMSEH PRODUCTS CO.

- **FLOWS** - 100-750 GPM
- **PRESSURES** - 100-230 FEET HEAD
- **AVAILABLE IN** - CAST IRON, BRONZE AND ALUMINUM FLOMAX 8 STAINLESS STEEL 316 STAINLESS STEEL
- **IMPELLER** - CAST IRON, BRONZE, ALUMINUM & STAINLESS STEEL
- **SHAFT SLEEVE** - STAINLESS STEEL
- **FASTENERS** - STAINLESS STEEL
- **SEALS** - STANDARD VITON, OPTIONAL SEALS AVAILABLE
- **OPTIONS:**
 - ENGINE DRIVES
 - PEDESTAL MODELS



Gas Engine Pumps

MP/	Description	Inlet	Outlet	Net Price
29635	FLOMAX 8 w/ 5 HP Honda Engine	2"	2"	\$ 680.00
34616	FLOMAX 15 w/ 13 HP Honda Engine-Elec	3"	3"	1,525.00

Hydraulic Drive Pumps

MP/	Description	Inlet	Outlet	Price
28553	FLOMAX 15 Pump	3"	3"	3,375.00

Pump Paks (Pump Only)

MP/	Description	Inlet	Outlet	Price
21302	FLOMAX 5 Pump Pak	2"	2"	570.00
21327	FLOMAX 8 Pump Pak	2"	2"	580.00
21372	FLOMAX 15 Pump Pak (1" Crankshaft)	3"	3"	1,160.00

Pedestal Pumps

MP/	Description	Inlet	Outlet	Price
21312	FLOMAX 5 Pedestal Pump	2"	2"	1,009.40
21339	FLOMAX 8 Pedestal Pump	2"	2"	1,074.57
21381	FLOMAX 15 Pedestal Pump	3"	3"	1,865.43

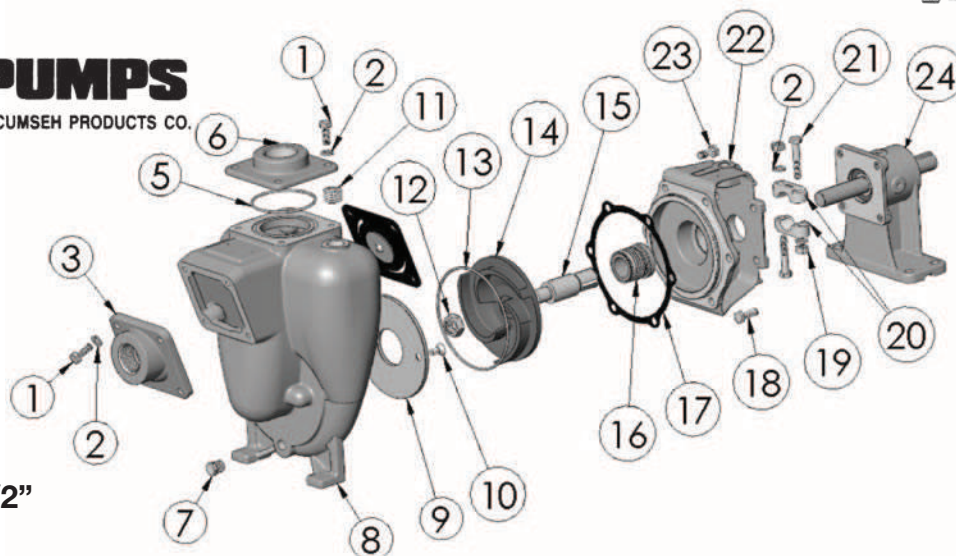
Replacement Pedestal Only

MP/	Description	Price
26142	Small Pedestal (Fits 2" Pumps)	350.53
26161	Large Pedestal (Fits 3" Pumps)	309.02

Other Pump and Engine Models Available. Call for Pricing and Availability.



MP PUMPS
DIVISION OF TECUMSEH PRODUCTS CO.

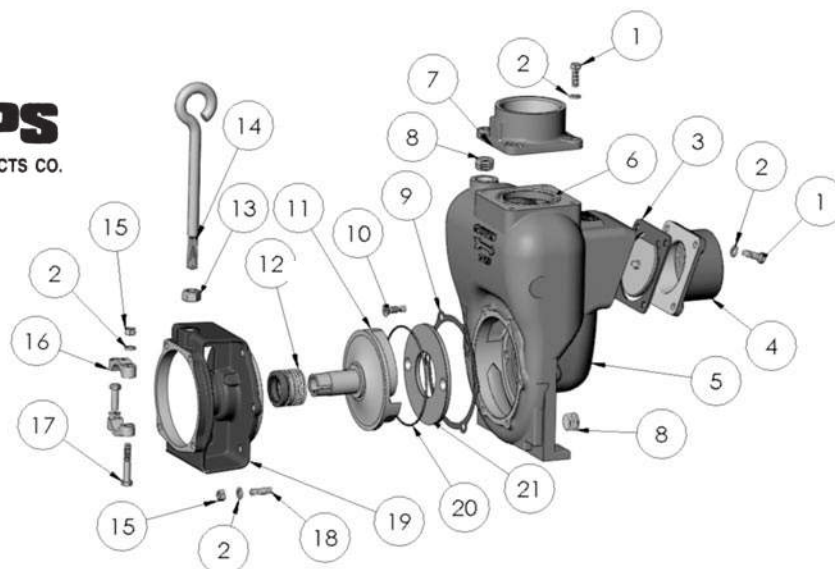


FLOWMAX 5 - 1-1/2"
FLOWMAX 8 - 2"

Ref.	Part#	Description	Qty.	Ref.	Part#	Description	Qty.
1	21242	CAPSCREW - 5/16"-18 X 7/8"	8	13	34555	O-RING - VITON	1
2	21238	LOCKWASHER 5/16	14	14	22293	IMPELLER	1
3	22263	SUCTION FLANGE - 1 1/2" NPT	1	15	22286	DRIVE SLEEVE SS - 3/4	1
4	23022	FLAPPER ASY- BUNA	1	16	22272	SEAL ASSY - VITON	1
5	37141	O-RING - VITON	1	17	22255	GASKET	1
6	22266	DISCHARGE FLANGE- 1 1/2" NP	1	18	21278	CAPSCREW- 5/ 16"-24 X .88	4
7	41475	PIPE PLUG- 1/4" NPT	1	19	21284	HEX NUT - 5/ 16"-18	2
8	22251	HOUSING C	1	20	21946	CLAMP- 3/4 SL	2
9-10	23024	WEAR PLATE KIT	1	21	21264	CAPSCREW- 5/16"-18 X 1 3/4"	2
11	37140	FILL PLUG ZPS - 1/2 NPT	1	22	22247	ADAPTOR	1
12	22655	JAM NUT- 5/8"-18	1	23	24965	CAPSCREW- 5/ 16"-18 X 3/4"	6



MP PUMPS
DIVISION OF TECUMSEH PRODUCTS CO.



FLOWMAX 10 - 2"
FLOWMAX 15 - 3"

Ref.	Part#	Description	Qty.	Ref.	Part#	Description	Qty.
1	21291	CAPSCREW S.S. - 3/8 -16 X 1.13	8	12	22361	SEAL ASSY - 1.5" T-21	1
2	21266	LOCKWASHER S.S. - 3/8	16	13	22461	HEX NUT STL . - 5/8-11	1
3	23040	FLAPPER ASSY. BUNA	1	14	22460	LIFT EYE ZPS - 5/8-11 X 10	1
4	22468	SUCTION FLANGE - C.I.	1	15	21268	HEXNUT S.S. - 3/8-16	8
5	22351	HOUSING C.I.	1	16	22356	CLAMP S.S. - 1"	2
6	37138	O-RING - VITON DISCHARGE	1	17	21269	CAPSCREW S.S. - 3/8-16 X 2.25	2
7	22471	DISCHARGE FLANGE - C.I.	1	18	21260	STUD 3/8-16 X 1.32 S.S.	6
8	41481	PIPE PLUG C.I. - 3/4" NPT	2	19	22348	ADAPTER C.I.	1
9	22240	GASKET .032 * - NI-2085	1	20	29715	O-RING - VITON	1
10	37115	FLAT HD SCREW S.S. - 3/8-16	2	21	22376	WEAR PLATE KIT	1
11	23038	IMPELLER D - 5.95 DIA.	1				



EQUIPMENT
FLOW METERS
PRECISION
NOZZLES
VALVES
STRAINERS
FITTINGS
PLANTER COMP. JACKS & HITCHES
PUMPS
TILLAGE
NH₃
TANKS

PART #:
CO501000



PART #: CO501000 (750003)

DESCRIPTION:

3/8" pipe applied Part#: 750003
Also available standard with the following options:
1/2" pipe Part#: CO502000
Hardfaced, 3/8" pipe Part#: CO501010
Hardfaced, 1/2" pipe Part#: CO502010
Chrome Insert and Tube Protector, 3/8" pipe Part#: CO50104X
Chrome Insert and Tube Protector, 1/2" pipe Part#: CO50204X

MORE INFORMATION:

- Chrome Insert: Available
- Description: Extra-thin knife for coulters
- Shank Size: 3/8" x 2"
- Tube Protector: Available
- Weight/ea: 3.2 lbs

PART #:
A50SS104X



PART #: A50SS104X

DESCRIPTION:

3/8" pipe applied
Also available standard with the following options:
3/8" pipe, Sealer Part#: A50SS114X
1/2" pipe Part#: A50SS204X
Tube protectors have been improved to better protect tubes from wear.

MORE INFORMATION:

- Chrome Insert: Yes (heavy)
- Description: Super sealer (wide foot)
- Shank Size: 1/2" x 2-1/2"
- Tube Protector: Yes
- Weight/ea: 6.6 lbs

PART #:
A50DMI104X



PART #: A50DMI104X

DESCRIPTION:

To fit DMI side dress applicators
3/8" pipe applied
Chrome Insert
Pipe saver bead

MORE INFORMATION:

- Chrome Insert: Yes
- Description: DMI side dress knife
- Shank Size: 3/8" x 2"
- Tube Protector: Pipe bead
- Weight/ea: 3.2 lbs

Call for Pricing



Manufacturing farm tillage tools for more than 100 years . . .



PART #: R2585

DESCRIPTION:
Reversible spike
Drop-forged
Also available hardfaced

MORE INFORMATION:

- Bolt Size: 1/2"
- Center: 2-1/4"
- Length: 17-1/2"
- Thickness: 5/8"
- Type: Plow head
- Weight/ea: 5.25 lbs
- Width: 2" forge

Call for Pricing



PART #: CC1245L AND CC1245R

DESCRIPTION:
Use in place of chisel spikes to turn soil and incorporate residue for maximum weed kill
High carbon, heat treated steel
Also available hardsurfaced: Part# CC1245LHS
Special head bolt for 7/16" shank holes: Part# BPH1276212

MORE INFORMATION:

- Bolt Size: 1/2"
- Center: 2-1/4"
- Length: 26"
- Thickness: 1/2"
- Twist: LH Slash point
- Weight/ea: 12.5 lbs
- Width: 4"



PART #: 1245L AND 1245R

DESCRIPTION:
Use in place of chisel spikes to turn soil and incorporate residue for maximum weed kill.
High carbon, heat treated steel.
Also available hardsurfaced: Part# 1245LHS
Special head bolt for 7/16" shank holes: Part# BPH1276212

MORE INFORMATION:

- Bolt Size: 1/2"
- Center: 2-1/4" to 2-1/2"
- Length: 23"
- Thickness: 1/2"
- Twist: LH V-point
- Weight/ea: 11.3 lbs
- Width: 4"



**Extends
Anhydrous
Farming Season
Efficiently
in Wet, Dry,
Sandy, Clay
or Hard Soil
Conditions!**

B-33 Mole



**Mini Mole and
Side Dress Mole
also available**

Features:

Blank: 3/8" spring steel is used to form a strong thin profile.

Face Plate: Created with tremendous wearing ability. This unique face plate creates no walls and leaves a MOLE-HOLE.

Foot: Lifts the soils so that no walls are formed.

Splitter: Divides the soil & pushes it back to cover the MOLE-HOLE. Also provides additional wear. *Note:* The Foot & Splitter work together to change the flow of dirt.

Tube: Made of wear resistant material. Designed to last 7 to 10 times longer than the average tube & will NOT corrode.

**We Sell Only
The Original "Mole Knife"
Not The Imitation Others Sell
Anhydrous Ammonia**

Original B33 Moles HP/	Sidedress Moles HP/	DESCRIPTION	NET PRICE
B33-38	B33SD-38	3/8 single tube	30.00
B33-3838	B33SD-3838	3/8 x 3/8 double tube	35.00
B33-3812	B33SD-3812	3/8 x 1/2 double tube	35.00
B33-3834	B33SD-3834	3/8 x 3/4 double tube	37.50
B33-12	B33SD-12	1/2 single tube	30.00
B33-1212	B33SD-1212	1/2 x 1/2 double tube	35.00
B33-1234	B33SD-1234	1/2 x 3/4 double tube	37.50

Anhydrous Ammonia / Liquid

HP/	DESCRIPTION	NET PRICE
B33-38A38L	3/8 Anhydrous x 3/8 Liquid	35.00
B33-38A12L	3/8 Anhydrous x 1/2 Liquid	35.00
B33-38A34L	3/8 Anhydrous x 3/4 Liquid	37.50
B33-12A12L	1/2 Anhydrous x 1/2 Liquid	35.00
B33-12A34L	1/2 Anhydrous x 3/4 Liquid	37.50

Anhydrous / Dry

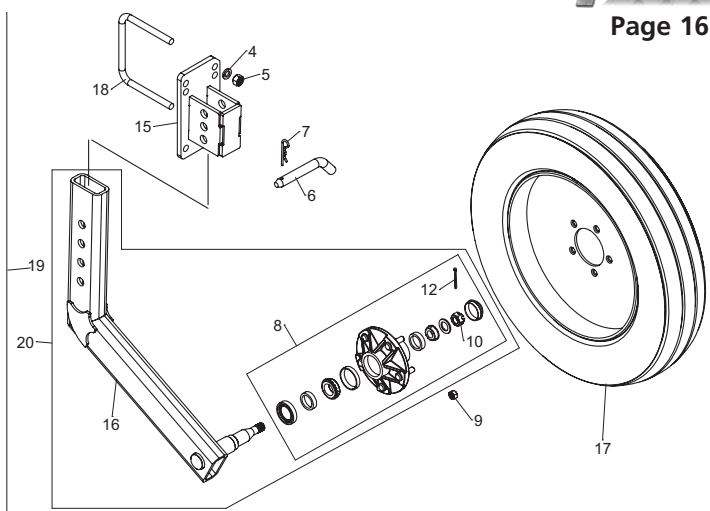
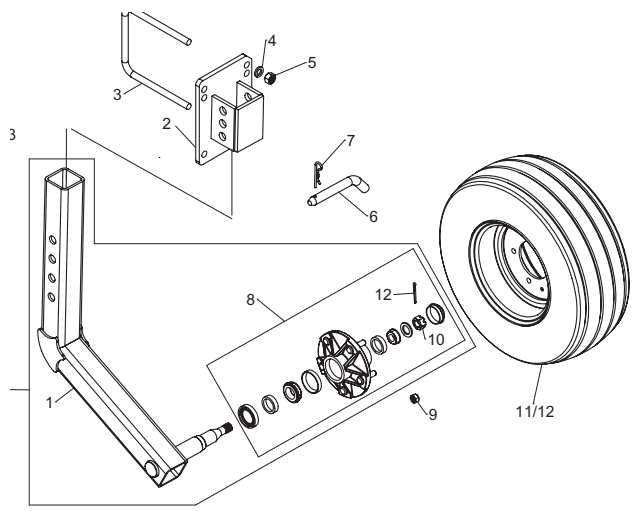
HP/	DESCRIPTION	NET PRICE
B33-38A1-14D	3/8 Anhydrous x 1-1/4 Dry	42.00
B33-38A1-12D	3/8 Anhydrous x 1-1/2 Dry	42.50
B33-38A2D	3/8 Anhydrous x 2 Dry	43.00
B33-12A1-14D	1/2 Anhydrous x 1-1/4 Dry	42.00
B33-12A1-12D	1/2 Anhydrous x 1-1/2 Dry	42.50
B33-12A2D	1/2 Anhydrous x 2 Dry	43.00

Dry

HP/	DESCRIPTION	NET PRICE
B33-1-14D	1-1/4 Dry Tube	40.50
B33-1-12D	1-1/2 Dry Tube	40.50
B33-2D	2 Dry Tube	41.50

**Additional Discounts
Available for 50-100
and 100+ Quantities.
Call for More
Information.**

EQUIPMENT
FLOW METERS
PRECISION
NOZZLES
VALVES
STRAINERS
FITTINGS
JACKS & HITCHES
PLANTER COMP.
PUMPS
TILLAGE
NH₃
TANKS



Standard Gauge Wheel

ITEM #	PART #	DESCRIPTION	QTY
1	19060R	ARM	1
	19060L	ARM	1
2	19055R	MOUNTING BRACKET	1
	19055L	MOUNTING BRACKET	1
3	590108	U-BOLT	2
4	12H294	LOCK WASHER	4
5	14H1039	NUT	4
6	19061	PIN	1
7	99M7080	SPRING LOCKING PIN	1
8	730003ASSY	HUB KIT	1
9	730030	NUT	5
10	730035	NUT	1
11	700023	WHEEL ASSEMBLY	1
12	PT5193501	TIRE ONLY	1

Tall/Narrow Gauge Wheel

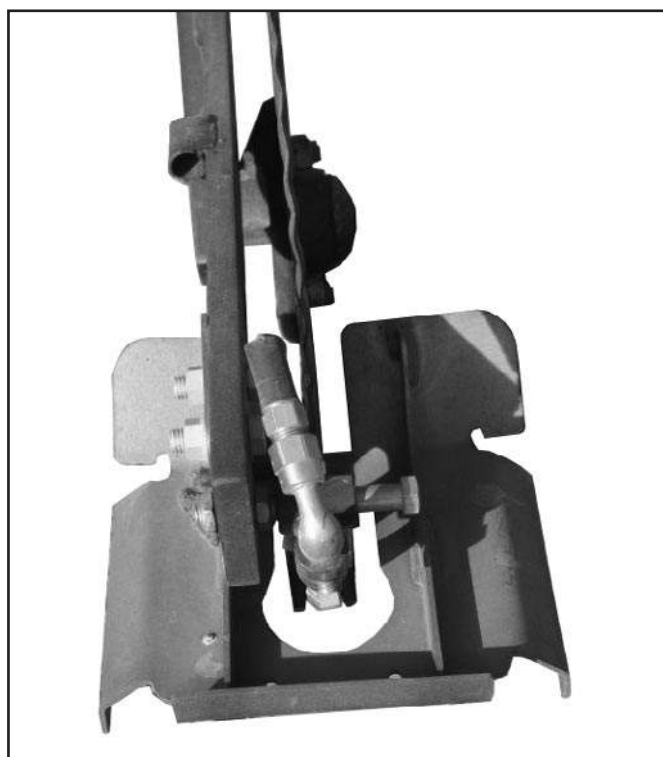
ITEM #	PART #	DESCRIPTION	QTY
12	730033	COTTER PIN	1
14	730065	SPINDLE KIT	1
15	22050R	MOUNTING BRACKET	1
	22050L	MOUNTING BRACKET	1
16	22045L	ARM	
	22045R	ARM	
17	700134	WHEEL ASSEMBLY	1
18	590061	U-BOLT	2
20	22041R	ARM W/HUB	
	22041L	ARM W/HUB	
21	19063R	ARM W/HUB	
	19063L	ARM W/HUB	

FAST CROP DEFENDER

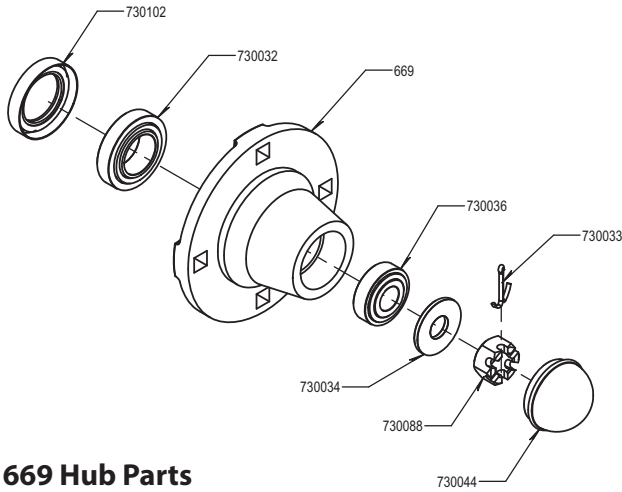
PART #	DESCRIPTION
21805BLK	Nitrogen Defender for Coulters with injection or knives.

Call for Pricing and Availability

Helps to prevent dirt thrown by coulters and knives from crushing or burying young crops

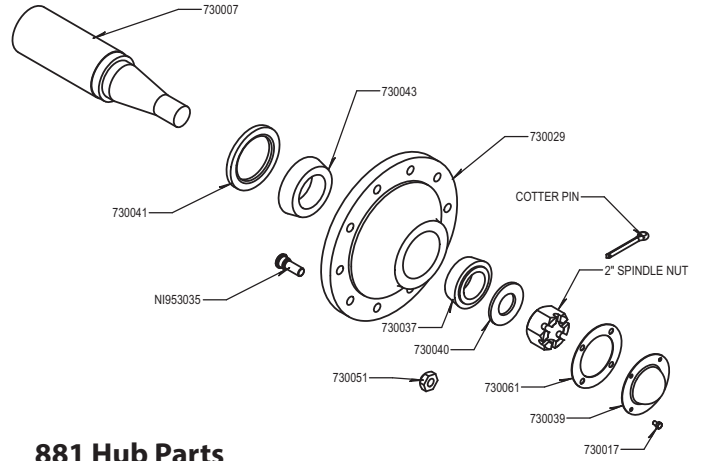


EQUIPMENT
FLOW METERS
PRECISION
NOZZLES
VALVES
STRAINERS
FITTINGS
PLANTER COMP. JACKS & HITCHES
PUMPS
TILLAGE
NH₃
TANKS



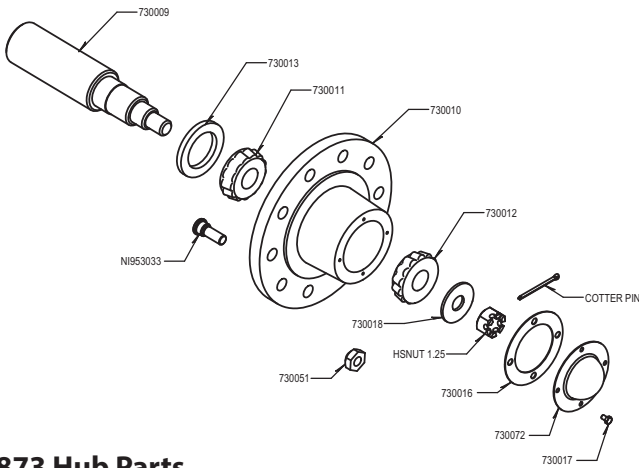
669 Hub Parts

PART	QTY	DESCRIPTION
730104	1	HUB, 4 SQ. HOLE
730102	1	SEAL N669 HUB
730032	1	TAPERED ROLLER BEARING
730033	1	COTTER PIN
730034	1	HUB WASHER
730036	1	TAPERED ROLLER BEARING
730044	1	HUB CAP
730088	1	CASTLE NUT, 5/8-18
730107	1	LM67010 INNER RACE
730108	1	LM11910 OUTER RACE
26891	1	COMPLETE HUB ASSEMBLY



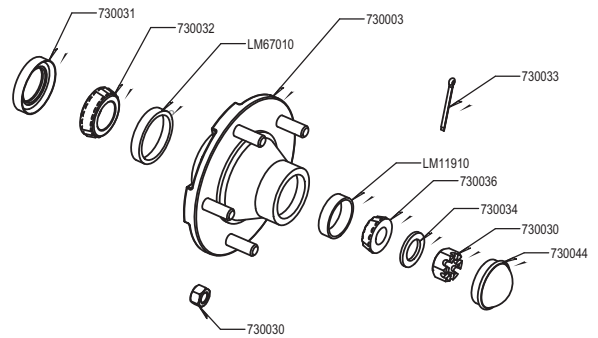
881 Hub Parts

PART	QTY	DESCRIPTION
NI953035	10	WHEEL STUD
730007	1	SPINDLE, 20000 LB
730017	4	5/16 x 1/2" BOLT
730029	1	881 HUB ONLY, 20k
730037	1	FRONT BEARING
730039	1	HUB CAP
730040	1	WASHER
730041	1	SEAL
730043	1	REAR BEARING
730051	10	LUG NUT
730061	1	HUB CAP SEAL
COTTER PIN	1	COTTER PIN
2" SPINDLE NUT	1	2" CASTLE NUT
730029ASSY	1	COMPLETE HUB ASSEMBLY



873 Hub Parts

PART	QTY	DESCRIPTION
NI953033	10	WHEEL STUD
730016	1	HUB CAP SEAL
730009	1	SPINDLE, 15K LB
730010	1	HUB ONLY, 10 BOLT SINGLES
730011	1	REAR BEARING
730012	1	FRONT BEARING
730013	1	SEAL
730017	4	5/16 x 1/2" BOLT
730018	1	WASHER
730051	10	LUG NUT
730072	1	HUB CAP
COTTER PIN	1	COTTER PIN
HSNUT 1.25	1	CASTLE NUT
730010ASSY	1	COMPLETE HUB ASSEMBLY

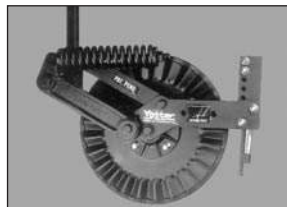


736 Hub Parts

PART	QTY	DESCRIPTION
730003	1	HUB ONLY
730107	1	LM67010 INNER CUP
730108	1	LM11910 OUTER CUP
730032	1	LM67048 INNER BEARING
730036	1	LM11949 OUTER BEARING
730044	1	909907 HUB CAP
730034	1	913608 WASHER
730035	1	912953 NUT
730033	1	905936 COTTER PIN
730030	5	NUT, HEX 1/2-13
730031	1	SEAL N669 HUB
730003ASSY	1	COMPLETE HUB ASSEMBLY

Yetter

The Solutions People



2995 Series Fertilizer Coulters

- Sealed, greasable tapered roller bearings (pre-lubricated)
- Parallel linkage for consistent fertilizer depth
- Chromium Alloy Design (CAD) – knife
- Swivel casting capable of being locked
- 17" Ripple Blade
- 17" Multi-Wave Blade
- Adjustable depth control
- Heavy-duty spindle
- Left and right hand models
- Stainless steel fertilizer tubing
- 17" Notched Blade (side profile only)

YE/	DESCRIPTION
Liquid	Standard Rear Knife, 17" Ripple Side Profile Knife, 17" Notched Spring Mount Injector, 17" Multi-Wave
Dry	Standard Rear Knife, 17" Ripple Side Profile Knife, 17" Notched Spring Mount Injector, 17" Multi-Wave
2995-109	Spring Mount H.D. Liquid Injector Only



2996 Series Fertilizer Coulters

- Sealed, greasable tapered roller bearings (pre-lubricated)
- Adjustable depth control
- Swivel casting capable of being locked
- Chromium Alloy Design (CAD) knife
- Heavy-duty spindle
- Adjustable depth control
- Parallel linkage
- Stainless steel fertilizer tubing
- Right hand models only

YE/	DESCRIPTION
	Standard Liquid Rear Knife, 20" Blade Spring Mount Liquid, Injector, 20" Blade Standard Dry, Rear Knife, 20" Blade



2920 Series Anhydrous Coulters

Standard Features For All Models

- Quality ductile castings used in cushioning mechanism
- Spring cushioned to reduce damage from obstructions
- Swivel casting capable of being locked
- Greasable hub
- 600 pounds down pressure (maximum)
- 1 1/2" diameter straight shank
- Heavy-duty spindle
- 20" ripple blade
- Stainless steel fertilizer tubing

YE/	DESCRIPTION
2920-012	Anhydrous disc sealer. Fits 2920 fertilizer coulters and 1" x 2" anhydrous shanks. 12" disc.
2920-016	Anhydrous disc sealer. Fits standard 1 1/4" and 1" x 2" anhydrous shanks. 16" disc.
2920-016-N	Anhydrous disc sealer. Fits standard 1 1/4" and 1" x 2" anhydrous shanks. 16" notched



Generation III Fertilizer Coulters

- Poly plastic spring insert supplements spring for maximum downpressure • in tough field conditions
- Permits faster field speeds
- Accepts up to 22" blades
- Features tough Yetter hub for rugged durability
- 6" deflection increases range of travel

YE/	DESCRIPTION
2995-140	Single arm coulters ass'y less clamp, shank and blade
2990-173	Clamp Kit, 6"X4" Bar
2990-158	Clamp Kit, 7"X7" Bar
3010-303	Shank, 22" Long, straight
3011-302	Shank, 22" Long 5-1/2" Offset
2571-196	22" Smooth Blade
2571-168	20" Ripple Blade
2995-016	Single arm coulters with NH ₃ knife arm kit
2995-017	Single arm coulters 17" - liquid knife
2995-018	Single arm coulters 17"/20" - w/ injection nozzle
2995-020	Single arm coulters 20" - liquid knife
2995-019	Single arm coulters 17" - dry knife
70781	INJECTION ARM BRACKET - Incl. U-Bolt w/ Hardware & S.S. 'L' Bracket with Coupling.



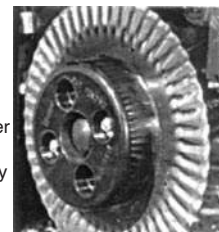
SPRING MOUNT INJECTORS



Call for Pricing and Options

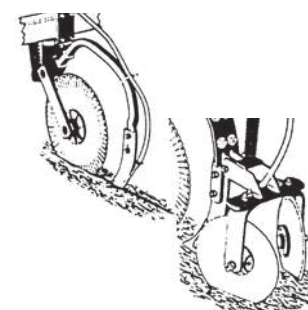
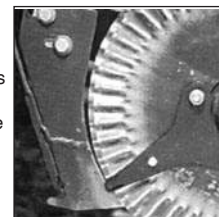
POLYMER GAUGE WHEELS,

available for shallow or deep fertilizer placement, can be easily attached to the coulters for more consistent coulters and knife



THE YETTER KNIFE

SCRAPER is bolted to the coulters blade to lessen frequency of knife adjustment and eliminate plugging in tough residue conditions.



Due to the many available options, some Part #'s and Prices are not listed.

Please call for more information.

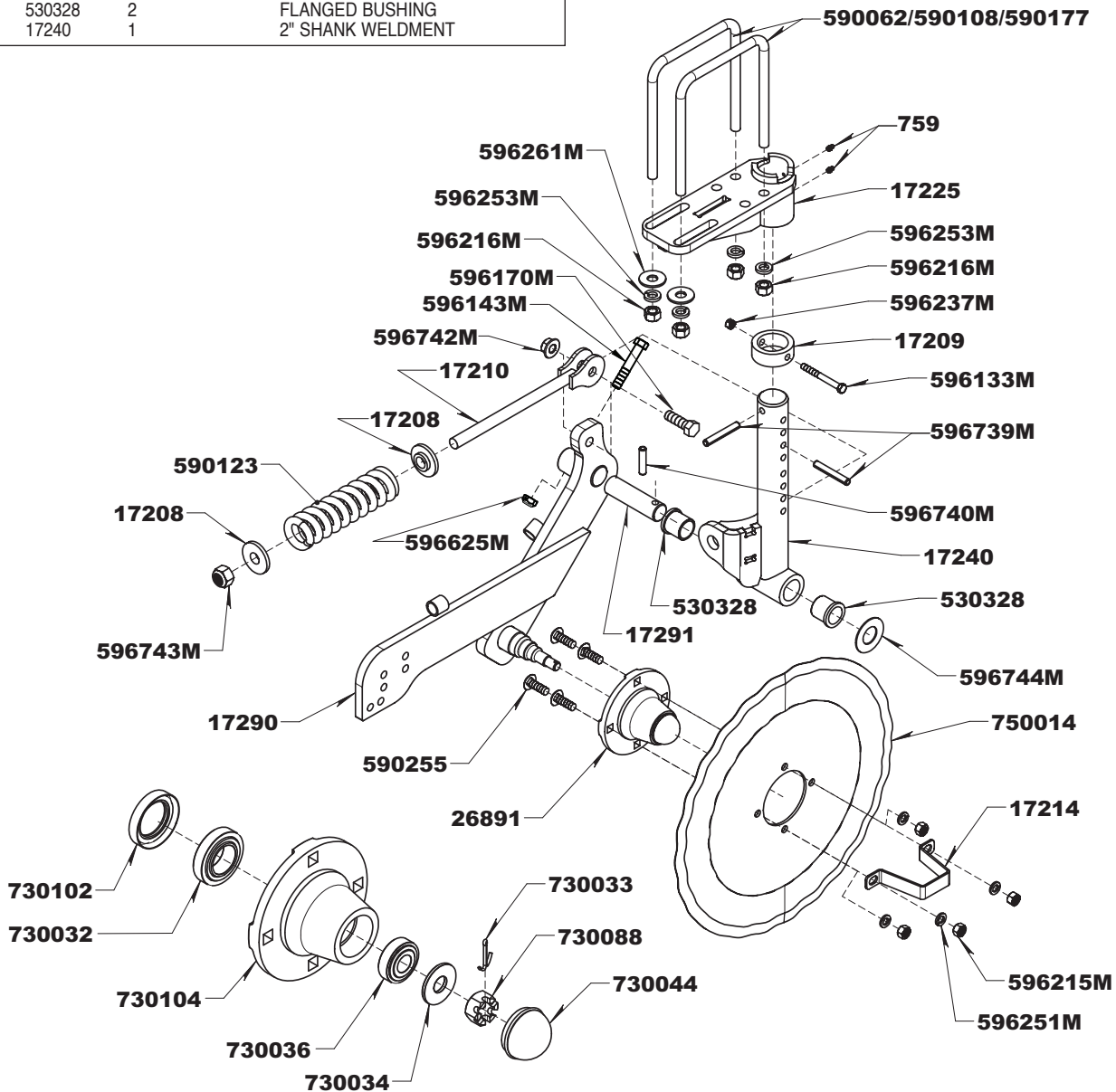


70781

EQUIPMENT
FLOW METERS
PRECISION
NOZZLES
VALVES
STRAINERS
FITTINGS
JACKS & HITCHES
PLANTER COMP.
PUMPS
TILLAGE
NH₃
TANKS

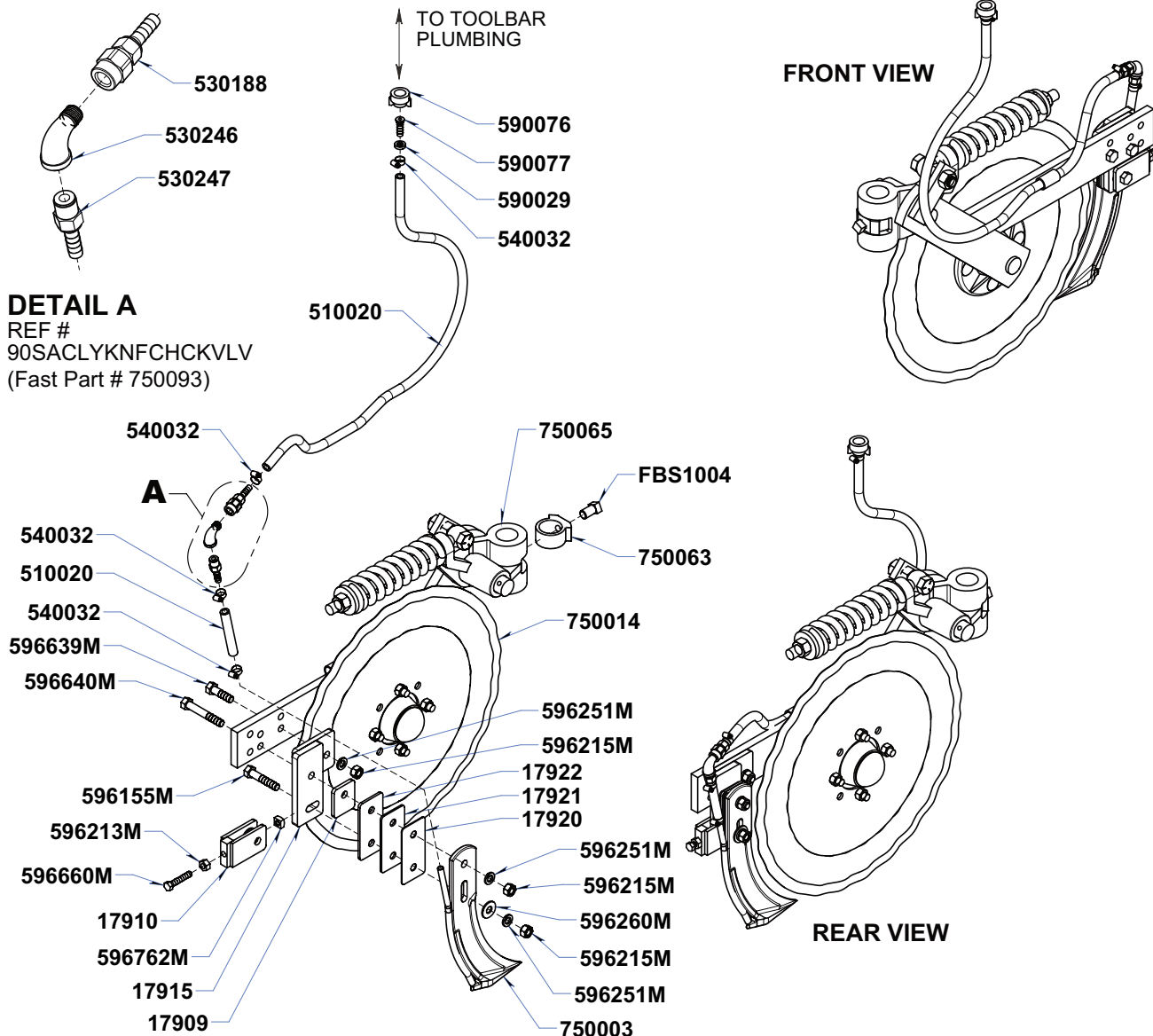
PART #	QTY	DESCRIPTION
596261	2	5/8 FLAT WASHER
596253	4	5/8 LOCK WASHER
596216	4	5/8 HEX NUT
596170	1	5/8 X 2 GRADE 5
596742	1	5/8 TOP LOCK NUT
17210	1	SPRING LEVER
17208	2	PLATE, SPRING END
590123	1	COULTER SPRING
596743	1	3/4 NYLOCK NUT
17290	1	COULTER MAIN ARM
17291	1	PIVOT SHAFT
596143	1	BOLT, HH 7/16X2-1/2 GR5 MAGNI
596625	1	NUT, TOPLOCK 7/16-14 MAGNI
590255	4	1/2 X 1 1/2 CARIAGE BOLT
26891	1	COMPLETE HUB
596251	4	1/2 LOCK WASHER
596215	4	1/2 HEX NUT
17214	1	HUB CAP RETAINER BRACKET
750014	1	COULTER BLADE
596744	1	1 1/4 X 14 GA WASHER
530328	2	FLANGED BUSHING
17240	1	2" SHANK WELDMENT

PART #	QTY	DESCRIPTION
596740	1	7/16 X 2 ROLL PIN
596739	2	7/16 X 3 ROLL PIN
596133	1	3/8 X 3 1/2 GRADE 5 BOLT
17209	1	COLLAR
596237	1	3/8 CENTER LOCK NUT
17248L OR R	1	OFFSET COULTER MOUNT
17225	1	COULTER MOUNT
759	2	1/4-28 GREASE ZERK
590062	2	4 X 6 X 5/8 U-BOLT
590108	2	7 X 7 X 5/8 U-BOLT
590177	2	7 X 5 X 5/8 U-BOLT
730102	1	GREASE SEAL (N906296)
730032	1	BEARING (LM67048)
730104	1	HUB
730036	1	BEARING (LM11949)
730034	1	WASHER
730033	1	COTTOR PIN
730088	1	5/8 CASTLE NUT
730044	1	DUST CAP



730095 EXPLODED VIEW

**Large Bearing Race LM67010
Small Bearing Race LM11910**



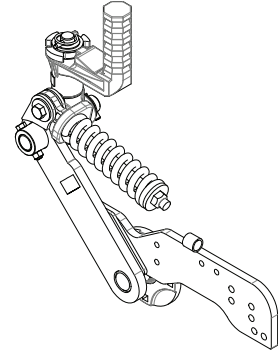
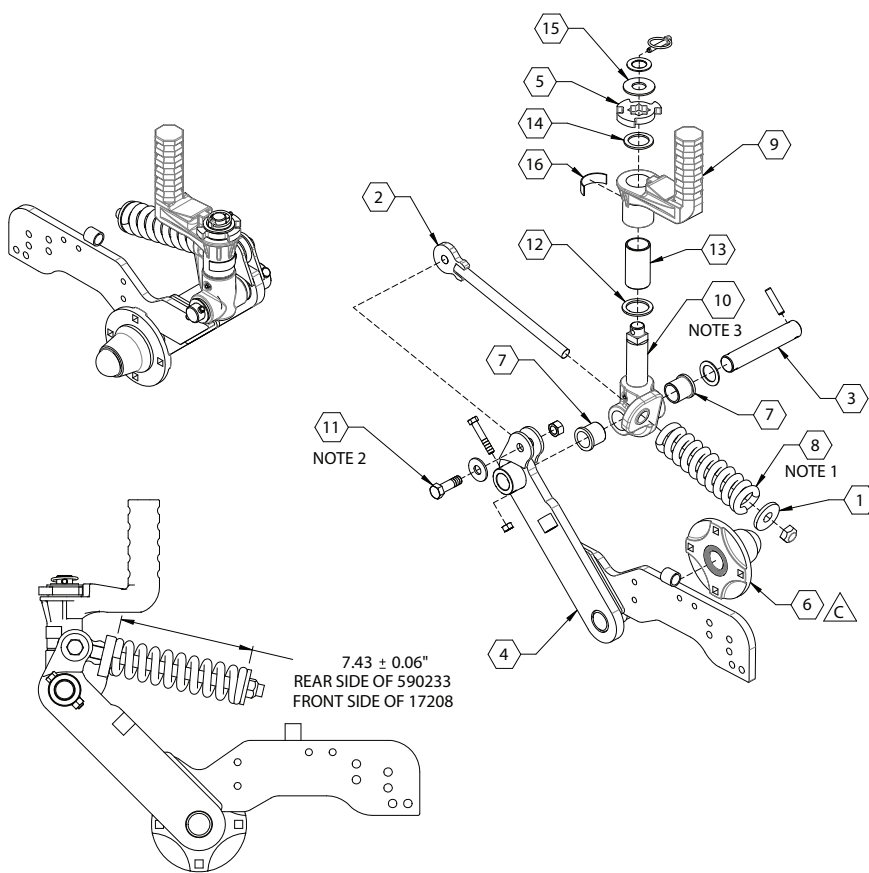
750087 Knife Bracket Assembly includes: 17909,17910,17915,17920,17921,17922,590809

ITEMS SHOWN WITH (*) ARE PART OF KNIFE STOP KIT #590809

PART	QTY	DESCRIPTION	REV
17909	1	PLATE, SHIM SPACER	A
17910	1	KNIFE ADJUSTER	A
17915	1	KNIFE MOUNT	A
17920	1	KNIFE SHIM, 14 GA	A
17921	1	KNIFE SHIM, 10 GA	A
17922	1	KNIFE SHIM, 7 GA	A
510020	1	HOSE, 3/8" EPDM X 4'	
530188	1	CHECK VALVE ASSEMBLY	
530246	1	ELBOW, STREET, 1/4" NPT SS	
530247	1	FITTING, 1/4" PIPE TO 3/8" HOSE, SS	
540032	4	CLAMP, HOSE 5/16"	
590029	1	SEAL, EPDM	
590076	1	CAP	
590077	1	CONNECTOR, HOSE BARB	

PART	QTY	DESCRIPTION	REV
*596155M	1	BOLT, HH 1/2-13X2-1/2 GR5 MAGNI	A
*596213M	1	NUT, HEX 3/8-16 MAGNI	A
*596215M	3	NUT, HEX 1/2 NC GR5 MAGNI	A
*596251M	3	WASHER, LOCK, 1/2 MAGNI	A
*596260M	1	WASHER, FLAT 1/2 MAGNI	A
*596639M	1	BOLT, HH 1/2X1-3/4 GR5 MAGNI	A
*596640M	1	BOLT, HH 1/2X3-1/4 GR5 MAGNI	
*596660M	1	BOLT, HH 3/8-16X2 FT MAGNI	
*596762M	1	NUT, 3/8-16 SQ MAGNI	
750003	1	KNIFE, EXTRA THIN, 3/8" PIPE	
750014	1	FLUTED COULTER BLADE	
750063	1	COLLAR, 40 DEGREE	
750065	1	SPRING CUSHIONED COULTER	
FBS1004	1	SET SCREW, 5/8-11 X 1 SQ. HEAD	

EQUIPMENT
FLOW METERS
PRECISION
NOZZLES
VALVES
STRAINERS
FITTINGS
PLANTER COMP. JACKS & HITCHES
PUMPS
TILLAGE
NH₃
TANKS



NO.	PART	QTY	DESCRIPTION
1	17208	1	PLATE, SPRING END
2	17276	1	SPRING LEVER WELDMENT
3	17291	1	PIVOT SHAFT
4	17295	1	COULTER ARM WELDMENT
5	21088	1	PLATE, COULTER ROTATION
6	26891	1	N669 COMPLETE HUB W/ SQ HOLE W/TRIPLE SEAL
7	530328	2	IGUS FLANGED BUSHING
8	590123	1	COULTER SPRING
9	590232	1	MID CASTING
10	590233	1	LOWER CASTING
11	590830	1	HDWE KIT, AP COULTER ASSY
12	750081	1	COULTER WASHER
13	750082	1	COULTER PIVOT BUSHING
14	750085	1	LOWER DUST CAP WASHER
15	750086	1	UPPER DUST CAP WASHER
16	800197	1	SHANK PATENT DECAL

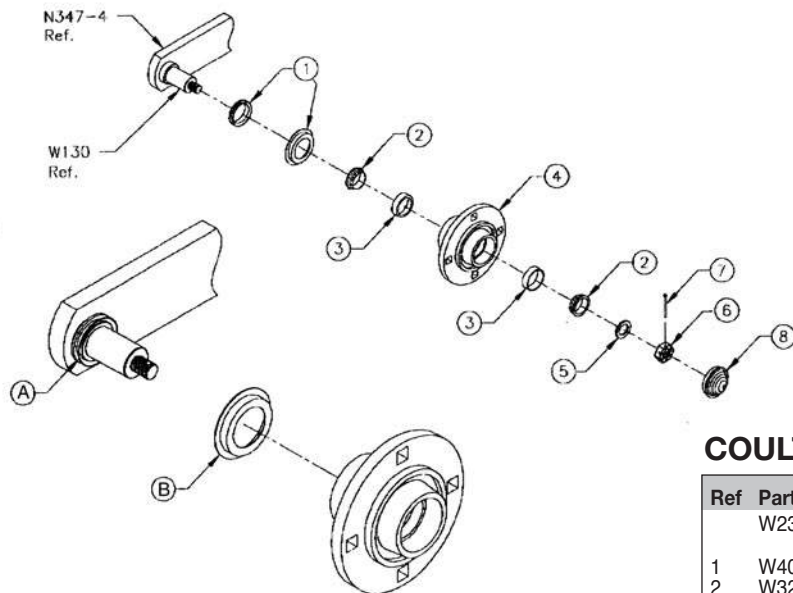
CLYMER COULTERS

- High Quality Ductile Castings
- Nylon Bushings at Pivot Points (no need to grease)
- Spring Loaded, 500# Pre-Load Down Pressure, 1200# Max.
- 1-1/2" Hi-Tensile Steel Shaft
- Special Seal on Hub to prevent dirt and water from getting into bearings
- Mounts on most Implements and Toolbars
- Spring Loaded (allows the bracket to raise the nozzle away from debris and snap back)
- All Stainless Steel Fittings
- Stainless Steel Industrial Injectors (produce a solid stream up to 18" long without breaking up)



STANDARD COULTER

CL/	FAST #	DESCRIPTION	PRICE
N346	750013	Coulter with bolt on arm	\$289.71
NCIK 346	750065	Coulter w/ welded arm	\$372.24
99FCAPPKNIFE		Complete coulter with plumbing with clamp (knife)	\$714.00
99FCAPPINJECTION		Complete coulter with plumbing with clamp (injection)	\$714.00
Each coulter requires injection bracket and clamp.			

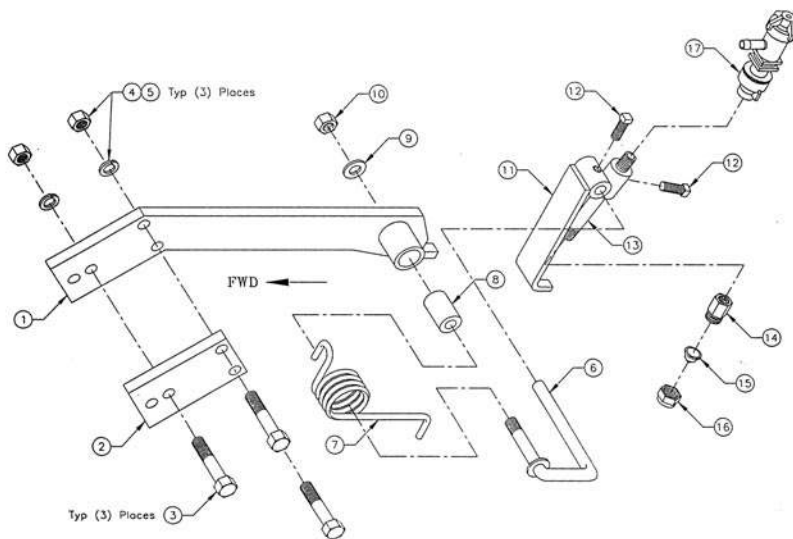


SEAL INSTALLATION INSTRUCTIONS

Slip the Grease Seal (A) over a lubricated W130 Spindle with the flared seal lip pointing out toward the hub. Be sure the seal is not twisted. Install the bearings into the hub and then press the Seal Retainer (B) into the hub, orientated as shown.

COULTER HUB PARTS

Ref	Part #	Description	PRICE
	W23Y	Coulters Hub Assembly Complete (Includes Items 2,3,4, and 8)	93.88
1	W40TLS	Coulters Triple Lip Seal	13.44
2	W32	Coulters Bearing (Koyo)	6.09
3	W38	Races (Koyo)	2.37
4	W23	Coulters Hub Less Bearings & Races	68.25
5	W70	5/8" Thrust Washer (Thick)	3.10
6	W60	5/8" Spindle Nut	0.74
7	FPC497	1/8" x 1-1/4" Cotter Pin	0.09
8	W50	Hub Cap	9.70

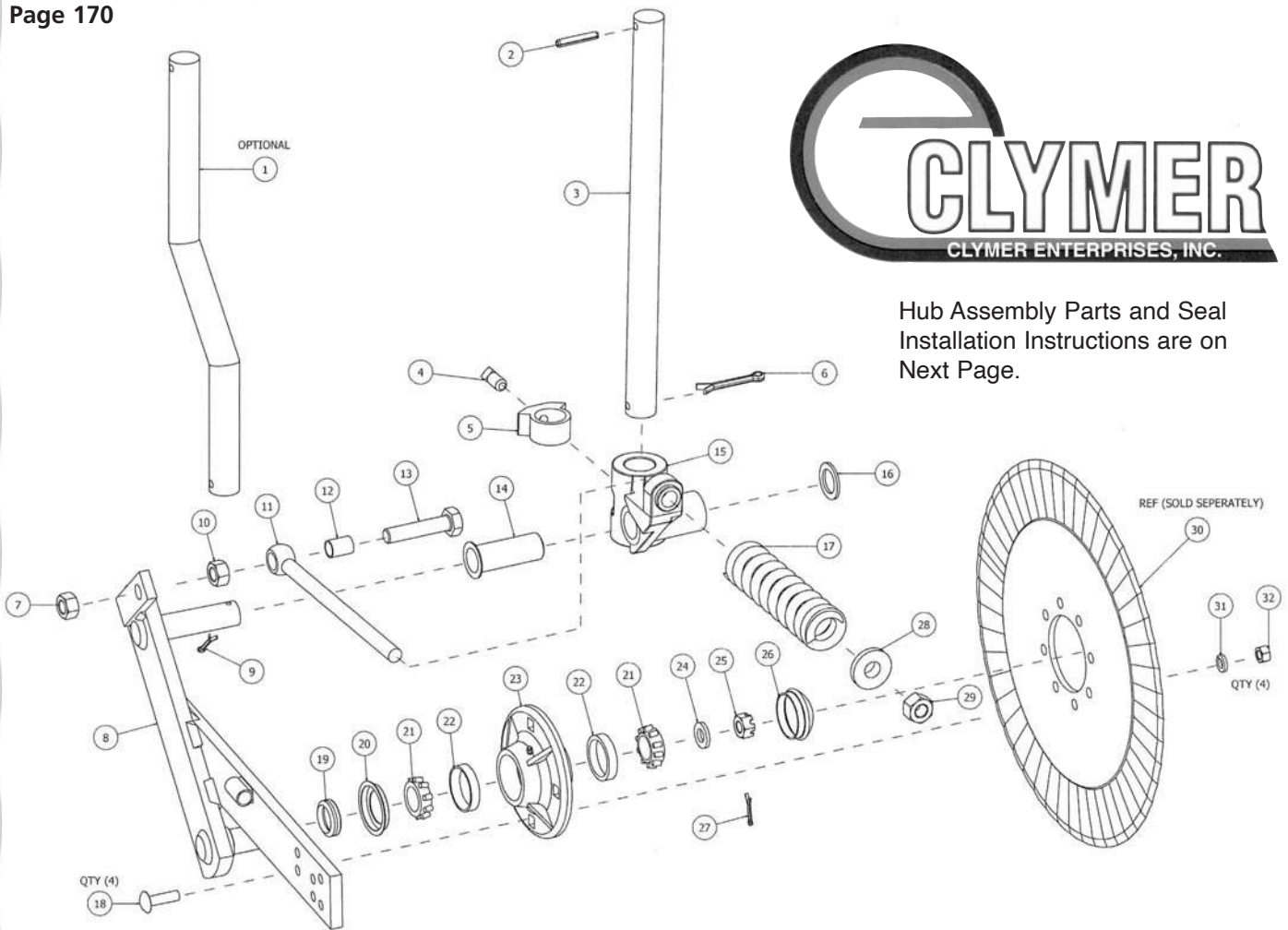


COULTER INJECTION SYSTEM PARTS

Ref	Part #	Description	SPECIAL NET PRICE	Ref	Part #	Description	SPECIAL NET PRICE
1	COI100-1	Arm	62.19	15	CSS-15TIP	#15 S.S. Injector Tip (Standard)	-
2	COI100-3	Clamp Plate	22.49		CSS-30TIP	#30 S.S. Injector Tip (Optional)	-
3	FBH0810-D	1/2" x 2-1/2" Hex Bolt	1.81		CSS-20TIP	#20 S.S. Injector Tip (Optional)	-
4	FWL08-D	1/2" Lock Washer	0.67		CSS-10TIP	#10 S.S. Injector Tip (Optional)	-
5	FNH08-D	1/2" Hex Nut	0.92		CSS-08TIP	#8 S.S. Injector Tip (Optional)	-
6	COI100-5	Hanger Pivot Rod	15.30		CSS-06TIP	#6 S.S. Injector Tip (Optional)	-
7	S232	Torsion Spring For Injection Bracket	6.74		CSS-05TIP	#5 S.S. Injector Tip (Optional)	-
8	COI100-4	Nylon Spacer Bushing	11.45		CSS-04TIP	#4 S.S. Injector Tip (Optional)	-
9	FWF08-SAE	1/2" Flat Washer	0.11		CSS-03TIP	#3 S.S. Injector Tip (Optional)	-
10	FNJL08	1/2" Hex Lock Nut	-		CSS-02TIP	#2 S.S. Injector Tip (Optional)	-
11	COI100-6	Rock Guard	44.00	16	CSS-25CAP	1/4" S.S. Cap	-
12	FBS0602	3/8" x 1/2" S.S. Set Screw	2.11	17	C-25CV	Poly Diaphragm Check Valve (Standard)	-
13	CSS-NIP25-5	1/4" x 5" S.S. Pipe Nipple	-		CSS-25CV	S.S. Check Valve (Optional)	\$81.66
14	CSS-25NB	1/4" S.S. Nozzle Body	-				

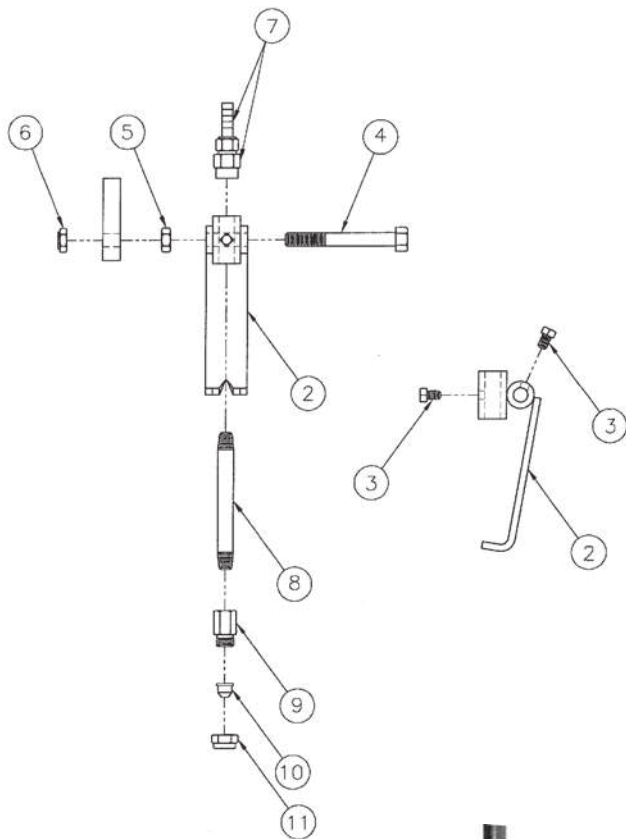


Hub Assembly Parts and Seal Installation Instructions are on Next Page.



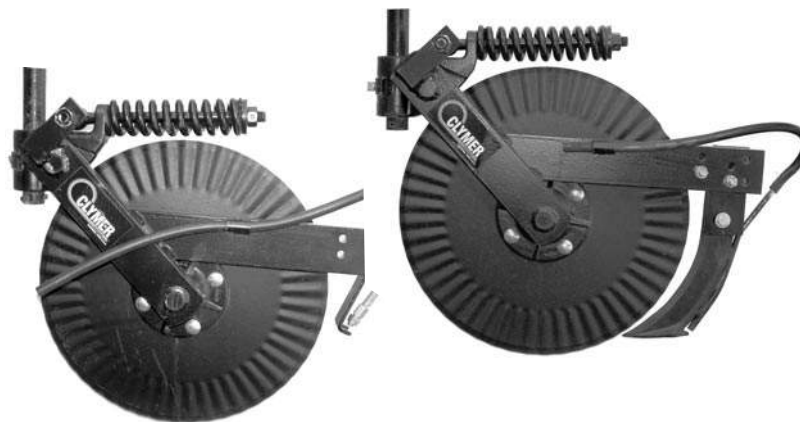
COULTER PARTS

Fa.	Qty.	Part #	Fast #	Description
1	1	N345	750055	1 1/2" X 22" OFFSET SHAFT
2	1	FPR0612		3/8 X 2 1/2" ROLL PIN
3	1	N343	16462BLK	1 1/2" X 22" STRAIGHT SHAFT
4	1	FBS1004		5/8 X 1 SQUARE HEAD SET SCREW
5	1	N347-2	750063	LOCKING COLLAR
6	1	FPC510		5/16 X 3" COTTOR PIN
7	1	FNL12		3/4" LOCK NUT
8	1	NCIK347-4		SWING ARM WELDMENT
9	1	FPC505		1/4 X2" COTTOR PIN
10	1	FNH12		3/4" HEX NUT
11	1	N347-5		SPRING ROD
12	1	N347-7		NYLON BUSHING
13	1	FBH1212		3/4 X 3" HEX BOLT
14	1	N347-6		FLANGED NYLON BUSHING
15	1	N347-1		HINGE CASTING
16	1	FWM18		1 1/4" 10 GA MACHINE WASHER
17	1	S233		COMPRESSION SPRING
18	4	FBC0806		1/2 X 1 1/2" CARRIAGE BOLT
19/20	1	W40TLS		TRIPLE LIP SEAL
21	2	W32		TAPERED ROLLER BEARING LM67048
22	2	W38		RACE/CUP LM67010
23	1	W23Y		COMPLETE HUB
24	1	W70		5/8" THRUST WASHER
25	1	W60		5/8" CASTLE NUT--FINE THREAD
26	1	W50		HUB CAP
27	1	FPC497		1/8 X 1 1/4" COTTOR PIN
28	1	N347-3		CAST SPRING BUSHING
29	1	FNL12		3/4" LOCK NUT
30	1	N342	750014	20" RIPPLED BLADE
31	4	FWL08		1/2" LOCK WASHER
32	4	FNH08		1/2" HEX NUT



INJECTOR ASSEMBLY

Ref	Part No	Fast #	Description	PRICE
2	COI100-7	750016	Metal Rock Guard	53.89
2	750089	750089	Cast Rock Guard	18.00
2.5	590818	590818	Cast Guard Bolt Kit	12.00
3	FBS0602	750018	3/8" Set Screw x 1/2" Long	2.11
4	FBH0816-SS	750010	1/2" Hex Bolt x 4" Long	6.58
5	FNJ08-SS	750009	1/2" Hex Jam Nut	0.82
6	FNJL08-SS	750011	1/2" Hex Jam Lock Nut	1.39
7	39188-8400-406-ST	530188	ST Check Valve	
8	304-14500		ST Nipple 1/4" NPT x 5" Long	
9	CP1321-ST	520014	ST Nozzle Body	
10	TP____-ST		ST Tip	
11	CP1325-ST	520015	ST Nozzle Cap	
	304SE14		1/4" street elbow ST	5.10
13	90SAINJ_		Whole injection assembly	216.30



COULTER INJECTION BRACKET

CL/	FAST #	DESCRIPTION	PRICE
COI-200	750016	Injector Bracket Assembly	\$64.16
N393-Y	750019	Shim pack and knife bracket	\$70.41

COULTER CLAMPS

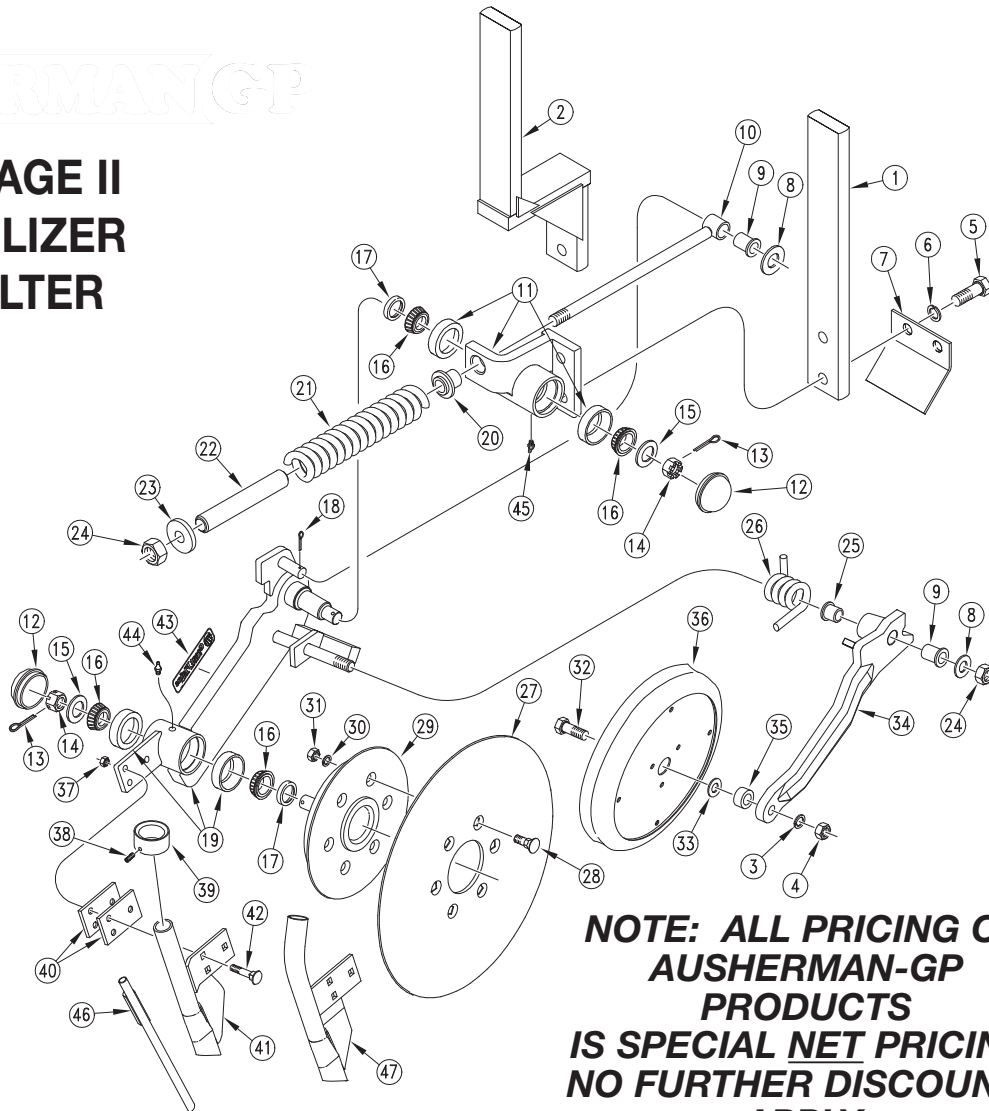
CL/	FAST #	DESCRIPTION	PRICE
N340Y-44		Clamp For 4x4 Bar	\$94.50
N340Y-46		Clamp For 4x6 Bar	\$99.75
N367Y-64	540022	Clamp For 6x4 Bar	\$94.50
N367Y-75	540023	Clamp For 5x7 Bar	\$94.50
N367Y-77	540024	Clamp For 7x7 Bar	\$99.75

REPLACEMENT PARTS:

N3671		CLAMP PLATE	\$35.36
N369		SHANK CLAMP	\$13.80
FBU679		REPLACEMENT 6X4 UBOLT	\$9.64
FBU680		REPLACEMENT 7X5 UBOLT	\$9.16
FBU681		REPLACEMENT 7X7 UBOLT	\$10.29

AUSHERMAN-GP

VANTAGE II FERTILIZER COULTER



**NOTE: ALL PRICING ON
AUSHERMAN-GP
PRODUCTS
IS SPECIAL NET PRICING.
NO FURTHER DISCOUNTS
APPLY.**

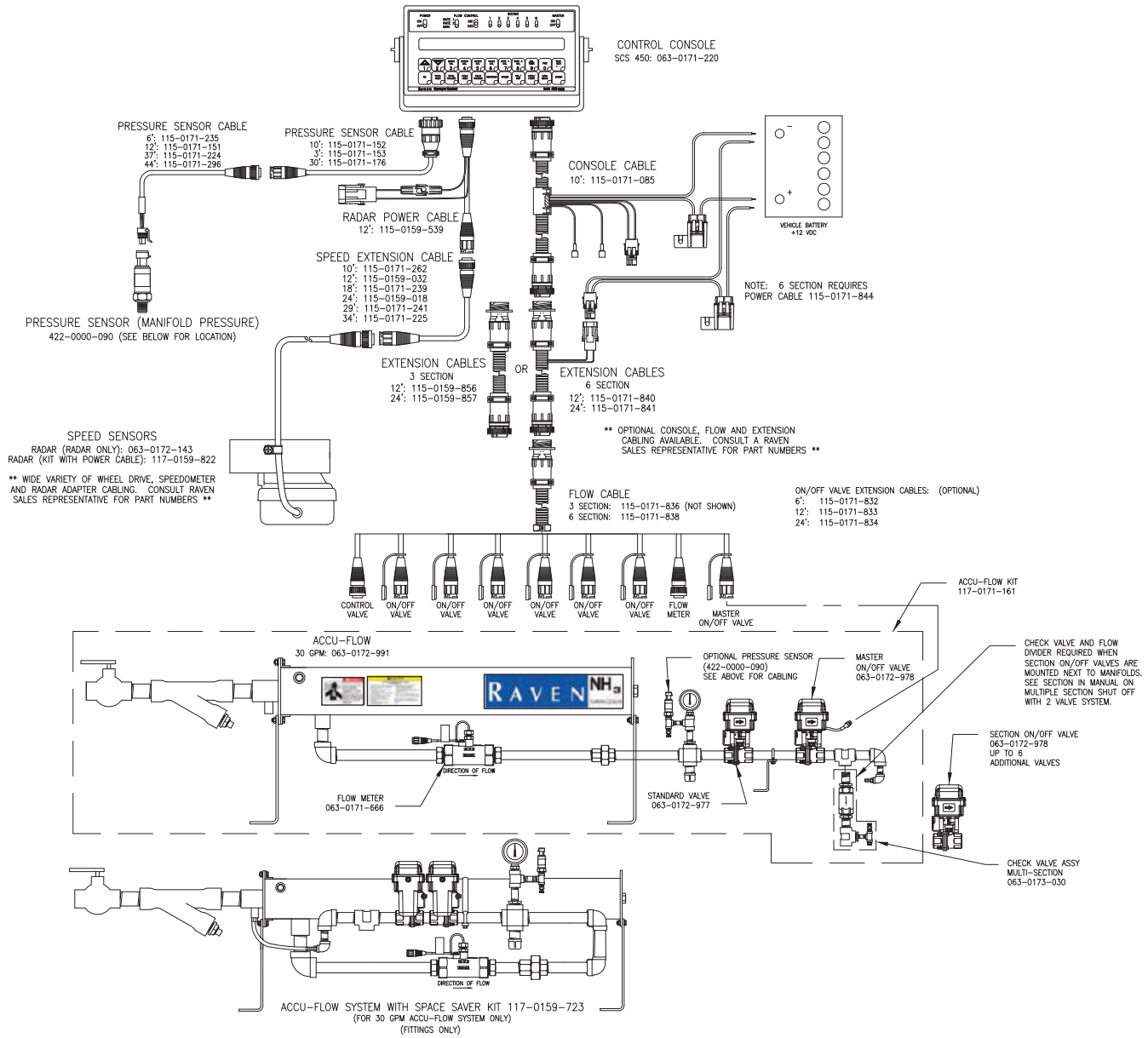
Ref	Part No	Description	SPECIAL NET PRICE	Ref	Part No	Description	SPECIAL NET PRICE
1	807-124C	21 FB angled coultter shank	\$71.00	25	817-084C	parallel arm pivot bushing	\$2.42
2	820-181C	VanII 5" offset flat shank RH (shown)	\$121.13	26	807-089C	torsion spring 3/8 wire RH (shown)	\$13.50
	820-182C	VanII 5" offset flat shank LH	\$121.13		807-090C	torsion spring 3/8 wire LH	\$13.50
3	804-022C	washer lock spring 5/8 plt	\$0.19	27	820-093C	single bevel 18 coultter blade	\$77.26
4	803-021C	nut hex 5/8-11 plt	\$0.39	28	802-354C	plow bolt 1/2-13 x 1-1/2 gr5	\$1.02
5	802-064C	hhcs 3/4-10 x 2 gr5	\$2.16	29	204-145D	coulter hub	\$107.17
6	804-023C	washer lock spring 3/4 plt	\$0.37	30	804-015C	washer lock spring 1/2 plt	\$0.16
7	204-154D	front shield	\$10.08	31	803-020C	nut hex 1/2-13 plt	\$0.29
8	804-025C	washer flat 3/4 sae plt	\$0.30	32	802-281C	hhcs 5/8-11 x 2-3/4 gr5	\$1.22
9	817-051C	swing arm bushing	\$2.37	33	804-019C	washer flat 5/8 uss plt	\$0.47
10	204-209H	blade spring rod weldment	\$12.29	34	204-141D	wiper wheel arm RH (shown)	\$79.80
11	204-233V	coulter pivot RH sub-assy (shown)	\$101.47		204-142D	wiper wheel arm LH	\$79.92
	204-235V	coulter pivot LH sub-assy	\$101.47	35	204-153D	wiper wheel spacer	\$2.88
12	200-001D	hub grease cap	\$4.62	36	198-057S	2x13 depth wheel assy	\$75.98
13	805-017C	pin cotter 3/16 x 1-3/4 plt	\$0.14		822-095C	press wheel brg only	\$7.38
14	803-029C	nut hex slotted 7/8-14 plt	\$2.42		814-083C	press wheel tire only	\$16.07
15	804-055C	washer spindle - 7/8	\$2.83	37	803-013C	nut lock 3/8-16 plt	\$0.11
	822-020C	bearing cup LM-67010 (not shown)	\$3.62	38	801-015C	screw set sckt hd 1/4-20 (1/2)	\$0.13
16	822-021C	bearing cone LM-67048	\$7.80	39	204-268D	dry fertilizer tube collar	\$12.44
17	816-009C	oil seal double lip	\$4.20	40	816-134C	rubber pad	\$1.22
18	805-063C	pin cotter 3/32 x 1 long	\$0.04	41	820-124C	dry fertilizer tube RH	\$82.02
19	204-234V	blade arm RH sub-assy (shown)	\$189.32		820-125C	dry fertilizer tube LH	\$82.02
	204-236V	blade arm LH sub-assy	\$189.32	42	802-406C	RHSNB 3/8-16 (1-3/4 ST)	\$2.09
20	817-029C	bushing coultter casting	\$2.81	43	838-482C	decal gp planting components	\$1.82
21	807-074C	spring 2.25 od x .5 coil	\$44.25	44	800-001C	grease zerk straight 1/4-28	\$0.59
22	204-107D	spring rod sleeve 1-1/8 od	\$11.24	45	800-073C	grease zerk 1/4-28 x 90-deg	\$1.21
23	812-031C	casting coultter spring washer	\$4.67	46	890-580C	Vantage II liquid insert	\$23.24
24	803-025C	nut hex 3/4-10 plt nylock	\$1.36	47	204-412H	Van II RH dry drop tube wld (shown)	\$105.77
					204-413H	Van II LH dry drop tube wld	\$105.77

EQUIPMENT
FLOW METERS
PRECISION
NOZZLES
VALVES
STRAINERS
FITTINGS
JACKS & HITCHES
PUMPS
TILLAGE
NH₃
TANKS

RAVEN

Building a Platform For Success.

SCS 450 WITH ACCUFLOW, 2 VALVE SYSTEM FOR MULTI SECTION BAR



RA/	DESCRIPTION	PRICE
117-0171-573	AccuFlow Single Cooler Kit, Fast Valve Includes: 1½" super cooler, 1¼ fast valve, RFM 60S flowmeter, assembly fittings & space saver kit	\$ 12,672.00
117-0171-574	AccuFlow Single Cooler Kit, Two Valve Includes: 1½ Super Cooler, 1¼ control valve, 1¼ on/off valve, RFM 60S flow meter, assembly fittings, and space saver kit.	\$ 12,672.00
063-0173-664	Motor Assembly Control Valve NH3	\$ 888.00
063-0173-665	Motor Assembly On/Off Valve NH3	\$ 790.40
063-0173-666	Motor Assembly Fast Valve NH3	\$ 1,000.00
063-0173-667	Valve Control 1½" NPT NH3	\$ 1,536.00
063-0173-668	Valve On/Off 1½" NPT NH3	\$ 1,584.00

EQUIPMENT
FLOW METERS
PRECISION
NOZZLES
VALVES
STRAINERS
FITTINGS
JACKS & HITCHES
PLANTER COMP.
PUMPS
TILLAGE
NH₃
TANKS

Liquifier Max™

70 GPM at 100 psi Tank Pressure
(21000 lbs. NH₃/hr)



Liquifier™

40 GPM at 100 psi Tank Pressure
(12000 lbs. NH₃/hr)



- Super High Capacity - Highest Capacity on the Market!
- High Flow Design - Less than 1/2 PSI Pressure Drop at 62 GPM
- High Efficient Cooler - Smaller in Size but **HIGHER** Capacity
- **COMPLETE** Stainless Steel Construction -
Cooler, Flowmeter, Control Valve and Shutoff Valve
- Liquifier MAX SS Coolers are "Y'd" Together Instead of using a "T" -
Allows for Higher Flow and Virtually NO Pressure Drop
- Stainless Steel System is **COMPLETELY** Assembled and Pressure Tested

Multi-Section Kits Available - Allows multiple shut-offs for section control capability which reduces overlap and saves on nitrogen inputs.

INDUSTRY LEADING Versatility and Connectivity

DirectConnect Technology

Micro-Trak's NH₃ kits and harnesses are compatible with the following rate control systems:

AgLeader, Raven, Topcon, Trimble and John Deere and many more.

Micro-Trak is constantly growing our compatibility list. If you do not see your console, simply call us for the latest list available.



John Deere GS2



Ag Leader INTEGRA



Raven 450



Trimble EZ Boom



Topcon x20

Liquid Filling & Vapor Return Valve

The A1590 consists of a service valve, a filling connection, and an excess flow valve. Vapor closing flow (NH3) of excess flow valve is 19,000 cfh at 100 psig inlet.

Filling Rate

Service	Differential Pressure, PSIG					
	5	10	20	30	40	50
NH3	46 gpm	62 gpm	85 gpm	98 gpm	114 gpm	119 gpm
LPG	39 gpm	56 gpm	76 gpm	90 gpm	104 gpm	114 gpm



A1590P



A1598P

Liquid Withdrawal Valves

The A1596, A1597, and A1598 valves consist of a service valve and an excess flow valve.

Built in Tri-Gard internal relief valve (A1596 & A1597) bleeds product back to the tank when hose pressure exceeds tank pressure by 50 psig. In this way hose life is extended, chance of hose rupture is reduced, and personnel are protected. The A1598 has a 1/4" FNPT plugged side outlet connection that can be used to install a hydrostatic relief valve.

Liquid Withdrawal Rates

Valve	Service	Withdrawal Rate	Differential Closing Pressure
A1596R	NH3	30 gpm	13 psig
	LPG	35 gpm	13 psig
A1597R & A1598P	NH3	50 gpm	13 psig
	LPG	55 gpm	13 psig

Vapor or Liquid Service Valves

AL407, AL409, AL477, AL478, AL487 and AL479 are service valves. AL407 and AL409 can be supplied with or without excess flow valve; the AL477, AL478, AL487 and AL479 have an excess flow valve. Besides NH3 applicator and nurse tank installations, the valves are also used on bulk plant or truck piping systems for NH3 service.

Liquid Withdrawal Rates

Valve	Differential Closing Pressure	Hose Size & Length	Withdrawal Rate NH3
AL477, AL478 & AL487	13 psig	None	70 gpm
	28 psig	1" - 12.5 Ft.	
	33 psig	1" - 15 Ft.	
AL479	8 psig	None	95 gpm
	17 psig	1 1/4" - 12.5 Ft.	
	19 psig	1 1/4" - 15 Ft.	



AL487EP *



A1131F

Filler Couplings

Coupling Style	Female Acme	Inlet Connection	Length	Item Number	Part Number
Extension (Style G)	1 3/4"	3/4" MNPT	7 3/16"	A1130F	110640
		1" MNPT	7 3/16"	A1131F	110645
	2 1/4"	1 1/4" MNPT	7 3/16"	A1132F	110650

Valve-Lok Locking Device

Prevents tampering with valve by unauthorized personnel. It is Easily installed by removing the valve's handwheel and placing the Valve-Lok over the stem and replacing the handwheel.

360137

Part Number	Description
360137	Fits standard globe, angle and tank valves from 3/4" to 2" (up to 4 3/4" diameter handwheel)
360138	Fits standard globe and angle valves of 3"



Male Acme x MNPT



A2080C

Male Acme x MNPT

Male Acme Connection	MNPT Connection	Item Number	Part Number
1 3/4"	1/2"	A2000	111415
	3/4"	A2001	111420
	1"	A2002	111425
	1 1/4"	A2003	111430
2 1/4"	1"	A2059	111537
	1 1/4"	A2060S	111539
	2"	M522-16/10	122055

Female Acme Caps

Female Acme	Item Number	Part Number	Item Number	Part Number	Item Number	Part Number
	Plastic		Steel		Chain or Strap	
1 3/4"	A2080	111580	-----	-----	A2081	111590
	A2080C+	111585	-----	-----		
	-----	-----	A1152C*	110680		
2 1/4"	ST-1177*	111586	-----	-----	P167	122695
	-----	-----	A1175C*	110695		

* Includes chain & hook + Includes a strap

Magnetic Float Gauges

Taylor Magnetic liquid level gauges provide visual indication of the amount of liquid in a tank. The gauges consist of a float that contacts the liquid and a gear and a linkage mechanism attached to a magnet in the dial assembly. As the float moves up or down, the magnet position changes and moves the pointer on the dial face. The pointer gives the percentage of total tank capacity occupied by the liquid.



Application	Tank Diameter	Item Number		
		Top	45 Degree Angle	Side or End
Applicator & Nurse Tanks	24"	AA130A	AC130A	AD080B
	30"	AA160A	AC160A	AD100D
	37"	AA194A	AC194A	AD120E
	41"	AA214E*	AC214B	AD140A
	46"	AA240A*	AC240A	AD150A

*Also available in all stainless steel

Liquid Level

Vent Valves

Used in all kinds of NH3 containers to give visual indication of liquid reaching the maximum allowable liquid level.



A1911

A1912

Size	Description	Item Number	Part Number
1/4" MNPT	Liquid Level Valve- Knurled Handle	A1911	111410
	Liquid Level Valve -Tee Handle	A1912	111411

EQUIPMENT
FLOW METERS
PRECISION
NOZZLES
VALVES
STRAINERS
FITTINGS
JACKS & HITCHES
PLANTER COMP.
PUMPS
TILLAGE
NH3
TANKS

EQUIPMENT
FLOW METERS
PRECISION
NOZZLES
VALVES
STRAINERS
FITTINGS
PLANTER COMP. JACKS & HITCHES
PUMPS
TILLAGE
NH₃
TANKS



A1729



A1730



G200-16



A1733

Back Check Valves

Item #	Part #	Application	Inlet	Outlet
111383	A1725	Tanks or In-Line	3/4" MNPT	3/4" FNPT
111385	A1727		1 1/4" MNPT	1 1/4" FNPT
111390	A1728		2" MNPT	2" FNPT
111395	A1729		3" MNPT	3" FNPT
111400	A1733		2" MNPT	2" MNPT
111398	A1730	In-Line Full Flow Swing Check	1 1/4" FNPT	1 1/4" FNPT
111399	A1731		1 1/2" FNPT	1 1/2" FNPT
120845	G200-16		2" FNPT	2" FNPT
120847	G200-24		3" FNPT	3" FNPT

A331P



A334AL



Hi-Flow Hose End Globe Valves

Item Number	Part Number	Inlet	Outlet	Body Material	Repair Kit
11033	A329AL	1" FNPT	1" FNPT	Aluminum	329-22
110334	A330		1-1/4" FNPT	Ductile Iron	330-22
110336	A331	1-1/4" FNPT	1-1/4" FNPT	Aluminum	333-22
110338	A333AL				
110337	A334AL	1-1/2" FNPT	1-1/2" FNPT		



Flo-Max Coupler

Break-Away Couplings

The Flo-Max couplers are designed to safely disconnect the nurse tank hose from any tool bar in the event of a pull-away from the nurse tank, a nurse tank rollover, or any occurrence that would cause the nurse tank hose to become taut.

Type Number	Part Number	Body Size	Bracket
FM150-1001	113202	1 1/2" FNPT	N/A
FM126-1500	113019	N/A	N/A
FM126-1000	113042	1 1/4" FNPT	No
FM126-1004	113043	1 1/4" FNPT	Yes



A1325

Provides hydrostatic relief for piping or hose and on shutoff valve applications where liquid can become trapped. The relief valve should be replaced 5 years after date of manufacture.

A1301

Used on applicator, storage, and nurse tanks. Valves should be replaced 5 years after date of manufacture.

Relief Valve Adaptor

Allows for relief protection where liquid can be trapped.

Inlet MNPT	Outlet FNPT	Side Outlet FNPT	Item Number	Part Number
1"	1"	1/4"	A2031	110825
1 1/4"	1 1/4"	1/4"	A2032	110830



NYLON BRAID NH₃ HOSE ASSEMBLIES

Part #	Description	Price
SQ185500	1" X 3' NYLON BRAID HOSE	\$83.86
SQ185503	1" X 4' NYLON BRAID HOSE	\$97.66
SQ185515	1" X 10' NYLON BRAID HOSE	\$180.41
SQ185520	1" X 12' NYLON BRAID HOSE	\$208.00
SQ185525	1" X 15' NYLON BRAID HOSE	\$249.38
SQ185575	1-1/4" X 3' NYLON BRAID HOSE	\$170.29
SQ185578	1-1/4" X 4' NYLON BRAID HOSE	\$194.22
SQ185590	1-1/4" X 10' NYLON BRAID HOSE	\$334.13
SQ185594	1-1/4" X 12' NYLON BRAID HOSE	\$380.76
SQ185600	1-1/4" X 15' NYLON BRAID HOSE	\$450.74



1660-71

Manifolds

Inlet	Outlet	Part Number
1" MNPT	16 - 1/4" FNPT	111259
1" FNPT	16 - 1/4" FNPT x 1 - 1" FNPT	111264



Flow Dividers

Model	Description	Inlet	Outlet
IP-0600	6 Outlet NH3 Flow Divider	1" FPT	1/4" FPT
IP-1300	13 Outlet NH3 Flow Divider	1" FPT	1/4" FPT
IP-1800	18 Outlet NH3 Flow Divider	1" FPT	1/4" FPT



Ordering Information

Inlet & Outlet	"Hi-Flo"			
	Globe	Part Number	Angle	Part Number
1/2" FNPT	AL306P	110250	AL307P	110252
3/4" FNPT	AL308P	110255	AL309P	110260
1" FNPT	AL310P	110280	AL311P	110300
1 1/4" FNPT	AL312P	110320	AL313P	110335
	AL360P +	110333	-----	-----
1 1/2" FNPT	AL314P	110355	AL315P	110365
2" FNPT	AL316P	110375	AL317P	110395
2" ANSI Flange	AL316FP	110378	AL317FP	110398
3" FNPT	AL320P	110415	AL321P	110425
3" ANSI Flange	AL320FP	110420	AL321FP	110429

* For TFE seat discs add T to part number, e.g. AL308PT
+ Lightweight screwed bonnet style

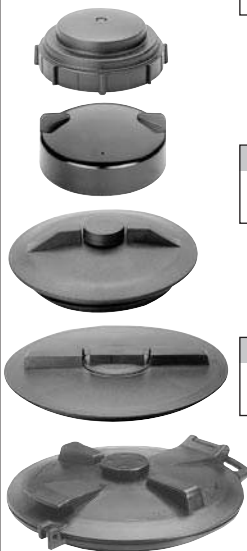
Replacement tank straps & hardware



PART #	DESCRIPTION	PRICE
Replacement Tank Straps		
05367	1-3/4" Black Strap	4.20/ft
03728	4" Black Strap	5.78/ft
Attaching Hardware		
05785-95	Anchor for 1-3/4" Strap	12.60
05784-95	Anchor for 4" Strap	18.90
4352	5/16" x 4" Bolt for 1-3/4" Strap	2.27
1885	3/8" x 5" Bolt for 4" Strap	1.67

Tank Lids

NW/	DESCRIPTION	PRICE
63484	Lid-5" w/ball check air vent (for tanks manufactured after 01/01/01)	17.03
63264	Lid-5" w/2" FPT (for tanks manufactured after 01/01/01)	17.76
63673	Lid-5" hinged for 110 Low Profile	34.79
63266	2" MPT vent cap with poly screen	30.03
60002	Lid-8" with air vent	28.93
61727	Snap on air vent for 8" lid only (60002)	11.10
63480	8" Lid with blue snap-in vent	24.84
63482	Blue snap-in vent for 8" lid (63480)	2.80
67399	Lid-10" threaded with baffle vent	42.90
67398	Lid-10" with fillwell and baffle vent	69.60
67355	Lid-10" threaded / no vent	60.71
67077	Lid-10" threaded with ball vent	42.90
67104	Baffle vent for 10" threaded lid	12.73
60038	Lid-16" w/ fillwell & 4" center lid/air vent	62.13
60011	Lid-16" with 4" center lid/air vent	51.02
63485	16" Lid and ring w/ blue snap-in vent	55.65
60367	Lid-16" ventless with fillwell	68.11
60365	Lid-16" ventless	55.65
62532	Lid-16" hinged with fillwell and vent	164.96
63390	Lid-16" hinged, ventless, with ring	164.96
60019	Lid-4" (air vent ass'y for 16" lid, 60038 and 60011)	22.06
63539	Blue snap-in vent for 16" lid (63485)	6.15
67410	Cap-2 1/4" (for 10 gallon tank)	19.05
60366	Gasket for 5" lid, 63264 and 63484	12.26
67443	Gasket for 10" threaded lid	9.53
62941	Ethafoam gasket for 16" lid	12.47
60081	ST screw for 8" & 16" fillwells	0.43
67076	Lanyard for 10" threaded lid	2.23
62531	18" Lanyard for 8" & 16" non-hinged lid	1.80

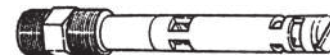


Polypropylene Tank Agitators



PART #	FAST #	DESCRIPTION	PRICE
HY3371-0028		Polypropylene Tank Agitator	47.75
TJY33180-PP	520028	3/8" Tank Mix Eductor	75.36
TJY9270-PP	520029	3/4" Tank Mix Eductor	75.36

Hypro Tank Agitator



HY/	DESCRIPTION	PRICE
3371-0019	Hypro Double Jet Tank Agitator	7.57

Siphon Tubes



BJ/	DESCRIPTION	PRICE
ST200	2" Polypropylene Siphon Tube	26.41
ST300	3" Polypropylene Siphon Tube	39.05

Polypropylene Vent Caps



BJ/	FAST #	DESCRIPTION	PRICE
VC230		2" Vent Cap with 30 Mesh Screen	23.69
VC200	530331	2" Vent Cap without Screen	14.66

Polypropylene Bolted Tank Flanges



- Stainless steel studs
- EPDM gaskets. Viton & Poly Foam available

BJ/	Description	Price
BF100	1" x 1" Threaded flange	67.49
BF150	1 1/2" x 1 1/2" Threaded flange	68.17
BF200	2" x 2" Threaded flange	68.16
BF300	3" x 3" Threaded flange	100.76
MBF100	1" Flange x 1-1/2" FPT flange	74.94
MBF200	2" Flange x 2" FPT flange	74.96
MBF220	2" Full Port Flange x 2" FPT flange	86.57
MBF300	3" Flange x 3" FPT flange	116.18

Tank Rinsing Nozzle



Features

- Rotating head driven by the flow of the rinsing liquid through multiple round spray orifices
- Solid stream sprays are precisely positioned to provide effective internal wetting and cleaning of tank surface
- Removable retainer and rotating body allows for disassembly and cleaning
- 360° spray angle
- Self-lubricating and self-flushing design
- Materials:
Body - Black POM (Acetal)
Fasteners - Stainless Steel
- Recommended operating Pressure:
10 - 50 PSI (0.7 - 3.5 bar.)
- For tank diameters up to 10 ft. (3.0 m)
- Pipe connection: 3/4" Female NPT

TJ/	Description	Price
55270-3/4-18-POM	Tank Rinsing Nozzle (Fast #520012)	101.91

Tank Bulkhead Fittings

BJ/	Description	Price
TF050	1/2" Poly bulkhead tank fitting	12.19
TF075	3/4" Poly bulkhead tank fitting	12.19
TF100	1" Poly bulkhead tank fitting	14.51
TF125	1 1/4" Poly bulkhead tank fitting	16.91
TF150	1 1/2" Poly bulkhead tank fitting	25.99
TF200	2" Poly bulkhead tank fitting	25.99
TF220	2" Poly bulkhead tank fitting	33.25
TF300	3" Poly bulkhead tank fitting	55.71

BJ/	Description	Price
TF100AV	1" Tank Flange, Anti-Vortex	31.85
TF125AV	1 1/4" Tank Flange, Anti-Vortex	31.85
TF150AV	1 1/2" Tank Flange, Anti-Vortex	39.83
TF200AV	2" Tank Flange, Anti-Vortex	39.83

BJ/	Description	Price
BF150BD	1 1/2" x 1 1/2" Threaded flange	68.17
BF200BD	2" x 2" Threaded flange	68.17
BF300BD	3" x 3" Threaded flange	99.75
MBF100BD	1" Flange x 1-1/2" FPT flange	74.96
MBF150200BD	2" Flange x 1-1/2" FPT flange	52.19
MBF200BD	2" Flange x 2" FPT flange	74.95
MBF220BD	2" Full Port Flange x 2" FPT flange	85.73
MBF300BD	3" Flange x 3" FPT flange	117.34

NW/	Description	Price
60401	3/4" Dbl. Threaded Tank Fitting	8.01
60427	1" Dbl. Threaded Tank Fitting	10.05
60403	1 1/4" Dbl. Threaded Tank Fitting	10.05
60124	1 1/2" Dbl. Threaded Tank Fitting	15.07
60405	2" Dbl. Threaded Tank Fitting	14.35
62299	3" Dbl. Threaded Tank Fitting	61.70



Manifold Bottom Drain Tank Fittings

BJ/	Description	Price
MTF220BD	2"x2" FP Manifold Thrd EPDM Flange	36.62
MTF300BD	3"x3" Manifold Thrd EPDM Flange	62.44



Manifold Bulkhead Tank Fittings

BJ/	Description	Price
MTF220	2" Manifold Poly Bulkhead EPDM Fitting	36.26
MTF300	3" Manifold Poly Bulkhead EPDM Fitting	61.85

ACE ROTO-MOLD

CALL for Tank Pricing

VERTICAL TANKS

PART #	GAL.	WT.	DIMS	LID	FITTING
VT0625-64	625	100	64 x 50	8"	2"
VT0800-46	800	175	46 x 118	16"	2"
VT0900-46	900	220	46 x 132	16"	2"
VT1000-64	1000	250	64 x 81	16"	2"
VT1050-86	1050	190	86 x 54	16"	2"
VT1200-64	1200	275	64 x 97	16"	2"
VT1350-86	1350	228	86 x 65	16"	2"
VT1500-64	1500	335	64 x 115	16"	2"
VT1500-86	1500	250	86 x 69	16"	2"
VT1525-64	1525	350	64 x 122	16"	2"
VT1650-86	1650	276	86 x 74	16"	2"
VT2000-64	2000	465	64 x 156	16"	2"
VT2000-90	2000	375	90 x 84	16"	2"
VT2050-86	2050	402	86 x 93	16"	2"
VT2150-102	2150	417	102 x 71	16"	2"
VT2500-90	2500	420	90 x 103	16"	2"
VT3000-90	3000	550	90 x 120	16"	2"
VT3100-102*	3100	550	102 x 103	16"	2"
VT3400-102*	3400	585	102 x 107	16"	2"
VT4000-96*	4000	900	96 x 140	16"	2"
VT4200-96*	4200	950	96 x 148	16"	2"
VT5000-102*	5000	1302	102 x 156	16"	3"
VT5150-102*	5150	1350	102 x 161	16"	3"
VT6250-102*	6250	1550	102 x 194	16"	3"
VT6500-120*	6500	1502	120 x 152	16"	3"
VT7000-142*	7000	1750	142 x 125	16"	3"
VT7800-120*	7800	1900	120 x 176	16"	3"
VT8000-120*	8000	1930	120 x 180	16"	3"
VT9150-120*	9150	2200	120 x 203	16"	3"
VT9500-120*	9500	2352	120 x 213	16"	3"
VT10500-2500*	10,500	2500	142 x 177	16"	3"
VT10500-2800*	10,500	2800	142 x 177	16"	3"
VT12500-142*	12,500	3402	142 x 208	16"	3"
VT15500-142	15,500	4002	142 x 253	16"	3"

ELLIPTICAL TANKS

PART #	GAL.	WT.	DIMENSIONS
HE0200-41	200	82	41 x 66 x 26
HE0300-48	300	114	48 x 70 x 30
HE0400-57	400	130	57 x 70 x 36
HE0500-57	500	163	57 x 82 x 36
HED0500-57	500 w/Sump	163	57 x 82 x 36
HE0600-64	600	187	64 x 84 x 39
HE0750-69	750	220	69 x 89 x 42
HED0750-69	750 w/Sump	220	69 x 89 x 42
HE0850-69	850	246	69 x 89 x 46
HED0850-69	850 w/Sump	246	69 x 89 x 46
HE1000-78	1000	285	78 x 90 x 49
HED1000-78	1000 w/Sump	285	78 x 90 x 49

ELLIPTICAL TANK CRADLES

PART #	GAL.	WT.	DIMENSIONS
HE0200-C	200 Gallon	140	3" x 61"
HE0300-C	300 Gallon	155	3" x 74"
HE0400-C	400 Gallon	190	4" x 88"
HE0500-C	500 Gallon	202	4" x 88"
HE0750-C	750 Gallon	451	4" x 91"
HE0850-C	850 Gallon	453	4" x 99"
HE1000-C	1000 Gallon	515	4" x 105"

SPOT SPRAYER TANKS

PART #	GAL.	WT.	DIMENSIONS
SM0014-14ST	14	8	14 x 31
ST0014-14WS	14	8	14 x 31
SM0025-18ST	25	13	18 x 34
ST0025-18WS	25	13	18 x 34
SB00040	40	18	24 x 36
SB00060	60	21	24 x 36

S= Sump W=Without Sump

HORIZONTAL LEG TANKS

PART #	NOTES	GAL.	WT.	DIMS	LID FITTING
FM0015-14S†		15	11	14x30	5" -
FM0025-16S†		25	15	16x34	5" -
FS0035-18†		35	16	18x34	5" 1"
FS0065-24†		65	33	24x39	5" 1"
FS0070-24†	Stackable	70	35	24x39	5" 1"
FS0125-32		125	52	32x40	8" 1"
FS0165-32		165	70	32x54	8" 1"
FS0225-38		225	85	38x52	8" 2"
FS0325-38		325	106	38x72	12" 2"
FS0335-44		335	116	44x56	16" 2"
FS0510-57	Elliptical	510	162	57x80x39	16" 2"
FS0535-48		535	160	48x78	16" 2"
FS0735-48†		735	250	48x103	16" 2"
FM0925-DS ¹		925	290	62x81	16" 2"
FS0925-DW ¹		925	290	62x81	16" 2"
FS1005-48 ¹		1005	340	48x130	16" 2"
FS1010-48* ¹		1010	340	48x130	16" 2"
FS1035-78 ¹	Elliptical	1035	290	78x90x52	16" 2"
FM1065-56S ¹		1065	340	56x105	16" 2"
FS1065-56W ¹		1065	340	56x105	16" 2"
FM1300-DS ¹		1300	425	62x114	16" 2"
FS1300-DW ¹		1300	425	62x114	16" 2"
FM1610-78S* ¹	Elliptical	1610	530	78x139x58	16" 2"
FM1750-62S ¹		1750	616	62x147	16" 2"
FS1750-62W ¹		1750	616	62x147	16" 2"
FM1800-2S ¹	2 tank	1800	580	62x149	16" 2"
FS1800-2W ¹	2 tanks	1800	580	62x149	16" 2"
FM2350-88S ¹	Elliptical	2350	920	88x146x63	16" 2"
FS2350-88 ¹	Elliptical	2350	920	88x146x63	16" 2"
FM2600-2S ¹	2 tanks	2600	850	62x212	16" 2"
FS2600-2W ¹	2 tanks	2600	850	62x212	16" 2"
FM2750-88S ¹	Elliptical	2750	1150	88x146x70	16" 2"
FS2750-88 ¹	Elliptical	2750	1150	88x146x70	16" 2"
FM3250-88S ¹	Elliptical	3250	1208	88x146x79	16" 2"
FS3200-2S* ^{1 2}	2 tanks/Elliptical	3200	1100	88x172x74	16" 2"
FS3250-88 ¹	Elliptical	3250	1208	88x146x79	16" 2"
FS3750-88	Elliptical	3750	1422	88x146x91	16" 3"
FS4250-88	Elliptical	4250	1617	88x146x101	16" 3"

FMxxxx-S = Sump FSxxxx-W = Without Sump D = Domed End
† indicates can be shipped via UPS/Fed Ex * skid required to support elevated legs
1 hoops required

HORIZONTAL LEG TANK HOOPS

PART #	DESCRIPTION	WT.	DIMS.
FS048-HP	735 Gal Hoops	Set of 3	1.315 OD
FS062-HP-925	925 Gal Hoops	Set of 2	1.66 OD
FS062-HP-1300	1300 Gal Hoops	Set of 3	1.66 OD
FS062-HP-1750	1750 Gal Hoops	Set of 4	1.66 OD
FS062-HP-1800C	1800 Gal Hoops	Set of 4	1.66 OD
FS062-HP-2600C	2600 Gal Hoops	Set of 6	1.66 OD
FS0510-HP	510 Gal Hoops	Set of 3	1.315 OD
FS1005-HP	1005 Gal Hoops	Set of 4	1.315 OD
FS1010-HP	1010 Gal Hoops	Set of 4	1.315 OD
FS1035-HP	1035 Gal Hoops	Set of 3	1.66 OD
FS1065-HP	1065 Gal Hoops	set of 3	1.315 OD
FS1610-HP	1610 Gal Hoops	Set of 4	1.66 OD
FS2350-HP	2350 Gal Hoops	Set of 4	1.90 OD
FS2750-HP	2750 Gal Hoops	Set of 4	1.90 OD
FS3200-HP	3200 Gal Hoops	Set of 4	1.66 OD
FS3250-HP	3250 Gal Hoops	Set of 4	1.90 OD

HORIZONTAL LEG TANK SKIDS

PART #	DESCRIPTION	WT.	DIMS.
FS0925-SK	925 Gal Skid	280	61 x 64
FS1010-SK	1010 Gal Skid	409	53 x 115
FM1065-SKS	1065 Gal Skid w/sump	280	61 x 78
FS1065-SKW	1065 Gal Skid w/o sump	200	59 x 100
FS1300-SK	1300 Gal Skid	450	64 x 104
FM1610-SKC	1610 Gal Skid Center Drain	490	83 x 107
FM1610-SKE	1610 Gal Skid End Sump	490	83 x 112
FS1750-SK	1750 Gal Skid	604	64 x 138
FM1800-SKS	1800 Gal Skid w/sump	580	64 x 125
FS1800-SKW	1800 Gal Skid w/o sump	382	64 x 125
FM2350/3250-SKC	2350/2750/3250 Gal Skid Cir. Sump	1060	88 x 141
FM2350/3250-SKE	2350/2750/3250 Gal Skid End Sump	1060	88 x 141
FS2350/3250-SK	2350/2750/3250 Gal Skid w/o Sump	1078	88 x 141
FS2600-SK	2600 Gal Skid	900	64 x 201
FS3200-SK	3200 Gal Skid	1163	90 x 168
FS3250-LAD	3250 Ladder	46	16 x 78

EQUIPMENT
FLOW METERS
PRECISION
NOZZLES
VALVES
STRAINERS
FITTINGS
PLANTER COMP. JACKS & HITCHES
PUMPS
TILLAGE
NH₃
TANKS

CONE BOTTOM TANKS

PART #	GAL.	WT.	DIMS	HT.	LID	PORT
CB0200-42	300 Gal.-45°	100	42 x 67	79"	16"	2"
CB0800-86	800 Gal.-15°	182	86 x 48	58"	16"	2"
CB1000-64	1000 Gal.-45°	250	64 x 98	112"	16"	2"
CB1000-90	1000 Gal.-15°	212	90 x 54	64"	16"	2"
CB1200-90	1200 Gal.-15°	240	90 x 62	74"	16"	2"
CB1300-90	1300 Gal.-15°	262	90 x 65	75"	16"	2"
CB1490-64	1490 Gal.-45°	340	64 x 132	146"	16"	2"
CB1600-90	1600 Gal.-30°	284	90 x 85	94"	16"	2"
CB1700-86	1700 Gal.-15°	284	86 x 85	96"	16"	2"
CB2495-90	2495 Gal.-30°	487	90 x 119	129"	16"	2"
CB2500-90	2500 Gal.-15°	435	90 x 111	122"	16"	2"
CB2600-90	2600 Gal.-30°	500	90 x 123	132"	16"	2"
CB2600-86	2600 Gal.-45°	500	86 x 146	158"	16"	2"
CB3000-90	3000 Gal.-15°	550	90 x 128	138"	16"	2"
CB3000-96	3000 Gal.-30°	552	96 x 125	137"	16"	2"
CB4600-102	4600 Gal.-15°	1200	102 x 155	166"	16"	2"
CB4900-102	4900 Gal.-15°	1300	102 x 159	170"	16"	2"
CB6900-122	6900 Gal.-15°	1700	122 x 168	178"	16"	3"
CB8250-122	8250 Gal.-15°	2100	122 x 195	206"	16"	3"

PART #	TANK SIZE	CONE	CLEARANCE
CB023-15ST	55/100 gal - 15°	37	13"
CB036-15ST	145-325 gal - 15°	84	12"
CB036-45ST	150 gal-45°	63	12"
CB042-45ST	200-350 gal-45°	82	11"
CBFD042-45ST	240 gal Full Drain-45°	82	10"
CB052-45ST	345/500 gal-45°	174	13"
CB064-45ST	1000/1490 gal-45°	320	14"
CB086-15ST	800/1700 gal-15°	360	11"
CB086-45ST	2600 gal-45°	580	12"
CB090-15ST	850-3000 gal-15°	380	11"
CB090-30ST	1550-2600 gal-30°	640	9"
CB096-30ST	3000 gal - 30°	553	12"
CB102-15ST	4600/4900 gal-15°	640	11"
CB122-15ST	6900/8250 gal-15°	1020	10"

INDUCTORS - FULL DRAIN

PART #	GAL.	WT.	DIMS	LID	FITTING
INFD7†	7 Gal.		15 x 21	8"	1 1/2 FPT BOSS
INFD10-15†	10 Gal.		15 x 25	8"	1 1/2 FPT BOSS
INFD15-19†	15 Gal.	10	19 x 27	12"	1 1/2 FPT BOSS
INFD30-24†	30 Gal.	15	24 x 33	12"	1 1/2 FPT BOSS
IN0040-30†	40 Gal.	26	30 x 34	12"	2" MPT BOSS
INFD60-24†	60 Gal. x 24	22	24 x 46	12"	1 1/2 FPT BOSS
INFD60-30†	60 Gal. x 30	26	30 x 38	16"	2" MPT BOSS
INFD85-30†	85 Gal.	37	30 x 48	12"	2" FPT BOSS
INFD110-30	110 Gal.	44	30 x 56	12"	2" FPT BOSS

INDUCTORS - FULL DRAIN - BLOW MOLDED SETS w/LEGS

PART #	GAL.	WT.	DIMS	LID	FITTING
IBFD35-SET	35 Gal.	41	25" x 43"	12"	2"
IBFD60-SET	60 Gal.	47	25" x 55"	12"	2"

† indicates can be shipped via UPS/Fed Ex

INDUCTOR STANDS

PART #	TANK SIZE	WT.
IN15-ST	15 gal	12
IN30/60-ST	30 or 60 gal	15
IN40/85-ST	40, 85 or 110 gal	40

SPECIALTY RINSE TANKS

PART #	FAST# YEL	FAST# WH	GAL.	WT.	DIMS	LID	FITTING
SP002.5-RT†	570038	570044	2.5 Gal Rect.	3	7x15x14	5"	3/4"
SP0003-RT†	570036	570035	3 Gal Rect.	3	7x12x14	5"	3/4"
SP0005-SQ5†	-	-	5 Gal Sq.	6	11x11x20	5"	1-1/4"
SP0005-SQ8†	570125	570094	5 Gal Sq.	6	11x11x18	8"	1-1/4"
SP0010-SQ8†	570097	570092	10 Gal Sq.	10	13x13x21	8"	1-1/4"

RECTANGULAR TANKS - TOTAL DRAIN

PART #	GAL.	WT.	DIMS	LID	FITTING
SP0035-RT†	35 Gal	17	19 x 28 x 20	5"	1"
SP0056-RT†	56 Gal	30	20 x 38 x 26	5"	3/4"

ROUND HORIZONTAL TANKS

PART #	GAL.	WT.	DIMENSIONS
HZ0025-23†	25	14	23 x 22
HZ0055-23†	55	23	23 x 38
HZ0075-24†	75	31	24 x 47
HZ0095-24†	95	35	24 x 56
HZ0100-23	100	40	23 x 64
HZ0110-30	110	40	30 x 44
HZ0150-30	150 x 30	48	30 x 57
HZ0150-32	150 x 32	48	32 x 52
HZ0200-32	200 x 32	64	32 x 68
HZ0200-38	200 x 38	64	38 x 51
HZ0300-38	300	88	38 x 76
HZ0500-48	500	122	48 x 79

ROUND HORIZONTAL TANK CRADLES

PART #	GAL.	WT.	BAND SIZE
HZ0025-C†*	25	20	1.5" x 50"
HZ0055-C†*	55	24	2" x 50.5"
HZ0075-C†	75	36	2" x 51.5"
HZ0095-C†	95	38	2" x 51.5"
HZ0100-C†	100	40	1.75" x 39.5"
HZ0110-C†	110	40	2.75" x 60"
HZ0153-C†	150 x 30	57	2.75" x 55"
HZ0150-C	150 x 32	56	2.75" x 56"
HZ0232-C	200 x 32	110	2.75" x 57"
HZ0238-C	200 x 38	85	2.75" x 65"
HZ0300-C	300	145	2.75" x 69.5"
HZ0500-C	500	70	2.75" x 86.5"

PICK-UP TANKS

PART #	GAL.	WT.	DIMS	LID	FITTING
PU0200-52	200 Gallon	54	52 x 30	8"	2"
PU0205-52	205 Gallon	87	52 x 52 x 26	7"	2"
PU0305-60*	305 Gallon	107	60 x 58 x 30	7"	2"
PU0350-62	350 Gallon	92	62 x 34	8"	2"
PU0450-62	450 Gallon	102	62 x 41	8"	2"

PCO TANKS

PART #	GAL.	WT.	DIMS	LID	FITTING
PCO035-16W†	35 Gal.	25	16 x 35 x 21	5"	1"
PCO050-19S†	50 Gal. w/sump	25	19 x 38 x 23	8"	1"
PCO050-19W†	50 Gal.	25	19 x 38 x 23	8"	1"
PCO100-30S†	100 Gal. w/sump	50	30 x 38 x 29	8"	1"
PCO100-30W†	100 Gal.	50	30 x 38 x 29	8"	1"
PCO150-37S	150 Gal. w/sump	61	37 x 48 x 29	12"	1 1/4"
PCO150-37W	150 Gal.	61	37 x 48 x 29	12"	1 1/4"
PCO200-37S	200 Gal. w/sump	82	37 x 48 x 38	12"	1 1/4"
PCO200-37W	200 Gal.	82	37 x 48 x 38	12"	1 1/4"
PCO300-37S	300 Gal. w/sump	158	37 x 69 x 40	16"	2"
PCO300-37W	300 Gal.	158	37 x 69 x 40	16"	2"

GUSSETED TOP TANKS

PART #	GAL.	WT.	DIMS	LID	FITTING
GV1050-86	1050 Gallon	175	86 x 50	16"	2"
GV1350-86	1350 Gallon	207	86 x 62	16"	2"
GV1500-86	1500 Gallon	228	86 x 69	16"	2"
GV1650-86	1650 Gallon	255	86 x 74	16"	2"

LIDS

PART #	DESCRIPTION
10631	2" Spin on Kelch Cap
10529	4" Center Lid With Air Breather
10522	5" Spin on Lid with Air Breather
10523	5" Threaded Non Vented
10525	8" Threaded Lid With Air Breather
10520	Breather Only - for 8" & 12" Lids
10526	12" Threaded Lid Non Vented
10527	12" Threaded Vented Lid
10528	16" Threaded Lid With Air Breather
10516	16" Hinged Lid
10530	22" Threaded Lid With Air Breather
10873	Short Black Lanyard (for 5" & 8" lid)
10534	Long Black Lanyard (for 16" lid)

EQUIPMENT FLOW METERS PRECISION NOZZLES VALVES STRAINERS FITTINGS JACKS & HITCHES PLANTER COMP. PUMPS TILLAGE NH₃ TANKS

SPRAYER MODEL	MAIN LIFT	MAIN FOLD	TILT WING	FLIP WING	OUTER FLIP/SWING	RETRACTABLE TONGUE
9600-9613 60-90'	620019	620057	620023	620057	N/A	620004
9610N-9613N 60-90'	620019	620017	620022	620057	620034	N/A
9600 100'	620019	620057	620009	620057	N/A	620024
9518 60-90'	620019	620057	620023	620057	N/A	N/A
9518TF 60-100'	620019	620057	620023	620057	620034	N/A
9518 100'	620019	620057	620009	620057	N/A	N/A
963P 60-100'	620019	620057	620028	620057	N/A	N/A
9518T 120-132' HYDRAILIC	620057	620077	620028	620043	620036	N/A
9518T-9524T 120-132 PUCK	620057	620079	620028	620043	620036	N/A
9518-9524 120-132 GREEN	620057	620057	620055	620015	620005	620025
9410-9430 TRAILERS	620019	620057	620009	620057	N/A	N/A
6420 TRAILERS	620057	620057	620023	620057	N/A	N/A
7400 80-100'	620055	620057	620009	620057	N/A	N/A
7400 120-132'	620055	620057	620055	620057	620036	620025
943P	620055	620057	620009	620057	N/A	N/A
953P 120-132'	620055	620057	620055	620057	620036	N/A
94FM 80-100'	620017	620057	620023	620057	N/A	N/A
94FM 120'	620017	620057	620055	620057	N/A	N/A
BW500 45'	620011	620011	620040	N/A	N/A	N/A
BW750 60'	ZM0707734	620011	620011	N/A	N/A	N/A

APPLICATORS

8100 30-40'	620007	620008	620057			
8100 60'	620073	620030	620057			
8200 SIDE FOLD	620073	620028	620039	620087	620026	
8300 SINGLE BAR	620007	620027	620004			
8300 DOUBLE BAR	620007	620030	620057			
8400 90'	620073	620046	620027	620073	620088	
813P 3PT		620030	620057			
833P 3PT		620027	620004			
A SERIES	620094	620027	620095	620026		

CYLINDER REPAIR KITS

Cylinder #	Universal Repair Kit #	Cylinder Size
671375	620271	2" x 112"
671275	661725	2" x 112"
671292/671296	661726	2.5" x 112"
671303	620273	2.5" x 112"
671322	620274	2.5" x 125"
671323/671324/671325	661727	3" x 125"
671378	620276	3" x 125"
671326	661728	3" x 150"
671428	661729	4" x 150"
671331	620285	4" x 175"
671332	620286	4" x 200"
671406/671415	620271	2" x 112"
670213	648121	4.5" x 200"
670214	639568	4.5" x 150"
658158	649229	4X175
661929	649237	4.5X 150
658789	649238	4.5 X 175

Cart Cylinder
Main Fold
Cylinder
Flip Cylinder
Tilt Cylinder
60' Side Fold
Latch Cylinder
Lift Assist



Cylinder Part #	Description	Fast Part #
TIE ROD CYLINDERS		
671406	20TD5 NIT	620040
671375	20TD10-112	620034
671415	20TD12 NIT	620011
671275	20TD16-112	620019
645924	25TD04-125	620012
671292	25TD08-112	620023
671296	25TD10-112	620022
671303	25TD12-112	620017
647952	25TD16-125	620036
662393	25TH20-125	620080
671323	30TD08-125	620009
671324	30TD10-125	620020
671378	30TD12-125	620028
658596	30TD16-150	620081
671326	30TD16-150	620057
670429	30TD24-125	620004
662415	35TD16-125	620071
671330	40TD08-150	620007
661832	40TD10-150(1-1/4 Pin)	620073
671428(Rplcmnt)	40TD10-150(1" Pin)	620055
671331	40TD16-175	620008
658158	40THC18-175	620077
670214	45TD10-150(1" Clevis)	620087
670213	45TD24-200	620039
678567	4.75TD06-150	620078
661929	45TD10-150(1 1/4 Clevis)	620091
639679	40TD20-175	620099

WELDED CYLINDERS		
620089	4" Bore x 16" Stroke	649228
620079	3" Bore x 16" Stroke	649209
647952	25 x 16 x 1.25	620036
647917	3X4 Wing Latch	620026
647918	3 x 16 x 1.5 (Old)	620031
675418	3 x 16 x 1.75 (New)	620079
647913	4-1/2 x 22-1/2 x 11-3/16	620027
647953	5 x 16 x 1.5 (Truss)	620043
647969	5 x 25.609 x 2 WK	620030
658993	A-SERIES 4" CUSHIONING	620095
658829	A-SERIES 5" WELDED	620094
23401	Lift Assist 120' 2016 Newer	620083
40WD16.00150	4 x 16 x 26.25 - 8400	620089

WELDED CYLINDER REPAIR KITS

Cylinder Model #:	620036	620043	620026	620079	620027	620030	620094	620095
Bore:	2.5"	5"	3"	3"	4.5"	5"	5"	4"
Stroke:	16"	16"	4"	16"	22.5" WK	25.6" WK		
Repair Kit	649262	649096	649208	649209	649095	649080	649080	659010



Useful Formulas

$$\text{GPM (Per Nozzle)} = \frac{\text{GPA} \times \text{MPH} \times \text{W}}{5,940}$$

$$\text{GPM (Per Nozzle)} = \frac{\text{GAL}/1000\text{FT}^2 \times \text{MPH} \times \text{W}}{136}$$

$$\text{GPA} = \frac{5,940 \times \text{GPM (Per Nozzle)}}{\text{MPH} \times \text{W}}$$

$$\text{GAL}/1000\text{FT}^2 = \frac{136 \times \text{GPM (Per Nozzle)}}{\text{MPH} \times \text{W}}$$

GPM — Gallons Per Minute
GPA — Gallons Per Acre

GAL/1000FT² — Gallons Per 1000 Square Feet

MPH — Miles Per Hour

- W — Nozzle spacing (in inches) for broadcast spraying
- Spray width (in inches) for single nozzle, band spraying or boomless spraying
 - Row spacing (in inches) divided by the number of nozzles per row for directed spraying

Nozzle Spacing

If the nozzle spacing on your boom is different than those tabulated, multiply the tabulated l/ha coverages by one of the following factors.

Other Spacing (inches)	Conversion Factor
8	2.5
10	2
12	1.67
14	1.43
16	1.25
18	1.11
22	.91
24	.83
30	.66

Measuring Travel Speed

Measure a test course in the area to be sprayed or in an area with similar surface conditions. Minimum lengths of 100 and 200 feet are recommended for measuring speeds up to 5 and 10 mph, respectively. Determine the time required to travel the test course. To help insure accuracy, conduct the speed check with a partially loaded (about half full) sprayer and select the engine throttle setting and gear that will be used when spraying. Repeat the above process and average the times that were measured. Use the following equation or the table below to determine ground speed.

$$\text{Speed (MPH)} = \frac{\text{Distance (ft)} \times 60}{\text{Time (seconds)} \times 88}$$

Speeds

Speed in MPH	Time Required in SECONDS to Travel a Distance of:		
	100 Feet	200 Feet	300 Feet
0.5	136	273	409
1.0	68	136	205
1.5	45	91	136
2.0	34	68	102
2.5	27	55	82
3.0	23	45	68
3.5	19	39	58
4.0	17	34	51
4.5	15	30	45
5.0	14	27	41
5.5	—	25	37
6.0	—	23	34
6.5	—	21	31
7.0	—	19	29
7.5	—	18	27
8.0	—	17	26
8.5	—	16	24
9.0	—	15	23

Other Spacing (inches)	Conversion Factor
26	1.15
28	1.07
32	.94
34	.88
36	.83
38	.79
40	.75
42	.71
44	.68

Other Spacing (inches)	Conversion Factor
28	1.43
30	1.33
32	1.25
34	1.18
36	1.11
38	1.05
42	.95
44	.91
48	.83

Miscellaneous Conversion Factors

- One Acre = 43,560 square feet
- = 43.56 1000 FT² blocks
- = 0.405 Hectares
- One Hectare = 2.471 Acres
- One Gallon Per Acre
- = 2.9 Fluid Ounces per 1000FT²
- = 9.35 Liters Per Hectare
- One Gallon Per 1000FT² = 43.56 GPA
- One Mile = 5,280 Feet
- = 1,610 Meters
- = 1.61 Kilometers
- One Gallon = 128 Fluid Ounces
- = 8 Pints
- = 4 Quarts
- = 3.79 Liters
- = 0.83 Imperial Gallons
- One Pound Per Square Inch
- = 0.069 bar
- = 6.896 Kilopascal
- One Mile Per Hour = 1.609 Kilometers Per Hour

Suggested Minimum Spray Heights

The nozzle height suggestions in the table below are based on the minimum overlap required to obtain uniform distribution. However, in many cases, typical height adjustments are based on a 1 to 1 nozzle spacing to height ratio. For example, 110° flat spray tips spaced 20 inches apart, are commonly set 20 inches above the target.

	Nozzle Angle	Nozzle Spacing (inches)		
		20"	30"	40"
TeeJet® Standard, TJ	65°	22-24"	33-35"	NR*
TeeJet, XR, TX, DG, TJ	80°	17-19"	26-28"	NR*
TeeJet, XR, DG, TT, TJ, AI	110°	16-18"	20-22"	NR*
FullJet®	120°	10-18"***	14-18"***	14-18"***
FloodJet® TK, TF	120°	14-16"****	15-17"****	18-20"****

* Not recommended.

** Nozzle height based on 30° to 45° angle of orientation (see page 42 of catalog).

*** Wide angle spray tip height is influenced by nozzle orientation. The critical factor is to achieve a double spray pattern overlap.

Spraying Solutions Other Than Water – New Method

Since all the tabulations in this catalog are based on spraying water, which weighs 8.34 lbs. per USA gallon, conversion factors must be used when spraying solutions which are heavier or lighter than water. To determine the proper size nozzle for the solution to be sprayed, first multiply the desired GPM or GPA of solution by the water rate conversion factor. Then use the new converted GPM or GPA rate to select the proper size nozzle.

Example:

Desired application rate is 20 GPA of 28%N. Determine the correct nozzle size as follows:

GPA (solution) x Conversion factor = GPA (from table)

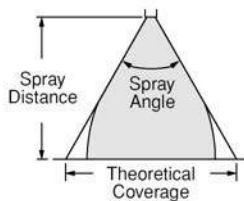
20 GPA (28%) x 1.13 = 22.6 GPA (water)

The applicator should choose a nozzle size that will supply 22.6 GPA of water at the desired pressure.

Weight of Solution	Specific Gravity	Conversion Factors
7.0 lbs. per gallon	.84	.92
8.0 lbs. per gallon	.96	.98
8.34 lbs. per gallon — WATER	1.00	1.00
9.0 lbs. per gallon	1.08	1.04
10.0 lbs. per gallon	1.20	1.10
10.65 lbs. per gallon — 28% nitrogen	1.28	1.13
11.0 lbs. per gallon	1.32	1.15
12.0 lbs. per gallon	1.44	1.20
14.0 lbs. per gallon	1.68	1.30

Spray Coverage Information

This table lists the theoretical coverage of spray patterns as calculated from the included spray angle of the spray and the distance from the nozzle orifice. These values are based on the assumption that the spray angle remains the same throughout entire spray distance. In actual practice, the tabulated spray angle does not hold for long spray distances.

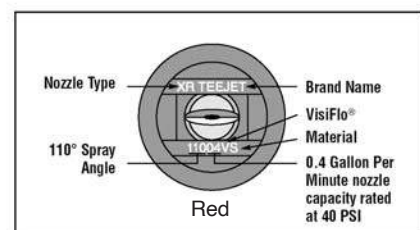


Included Spray Angle	Theoretical Coverage at Various Spray Heights (in inches)							
	8"	10"	12"	15"	18"	24"	30"	36"
15°	2.1	2.6	3.2	3.9	4.7	6.3	7.9	9.5
20°	2.8	3.5	4.2	5.3	6.4	8.5	10.6	12.7
25°	3.5	4.4	5.3	6.6	8.0	10.6	13.3	15.9
30°	4.3	5.4	6.4	8.1	9.7	12.8	16.1	19.3
35°	5.0	6.3	7.6	9.5	11.3	15.5	18.9	22.7
40°	5.8	7.3	8.7	10.9	13.1	17.5	21.8	26.2
45°	6.6	8.3	9.9	12.4	14.9	19.9	24.8	29.8
50°	7.5	9.3	11.2	14.0	16.8	22.4	28.0	33.6
55°	8.3	10.3	12.5	15.6	18.7	25.0	31.2	37.5
60°	9.2	11.5	13.8	17.3	20.6	27.7	34.6	41.6
65°	10.2	12.7	15.3	19.2	22.9	30.5	38.2	45.8
73°	11.8	14.8	17.8	22.0	27.0	36.0	44.0	53.0
80°	13.4	16.8	20.2	25.2	30.3	40.3	50.4	60.4
85°	14.7	18.3	22.0	27.5	33.0	44.0	55.4	66.4
90°	16.0	20.0	24.0	30.0	36.0	48.0	60.0	72.0
95°	17.5	21.8	26.2	32.8	40.3	52.4	65.5	78.6
100°	19.1	23.8	28.6	35.8	43.0	57.2	71.6	85.9
110°	22.8	28.5	34.3	42.8	51.4	68.5	85.6	103
120°	27.7	34.6	41.6	52.0	62.4	83.2	104	
130°	34.3	42.9	51.5	64.4	77.3	103		
140°	43.8	54.8	65.7	82.2	98.6			
150°	59.6	74.5	89.5					

Nozzle Nomenclature

There are many types of nozzles available with each providing different flow rates, spray angles, droplet sizes and patterns. Some of these spray tip characteristics are indicated by the tip number.

Remember, when replacing tips, be sure to purchase the same tip number thereby insuring your sprayer remains properly calibrated.





EQUIPMENT

Sprayers & Applicators

FLOW METERS

Raven & Banjo Flow Meters

PRECISION

Guidance, Boom Controls, Yield Monitors, Consoles and Cables

NOZZLES

Nozzles, Nozzle Bodies, Caps, Adapters, Spray Guns & Calibration

VALVES

Solenoid Valves, Electric Control Valves, Ball Valves & Gate Valves

STRAINERS

Line Strainers & Y-Strainers

FITTINGS

Cam-Lock, Polypropylene, Stainless Steel & Malleable Fittings

JACKS & HITCHES

Sprayer & Applicator Jacks, Hitches, Hitch Pins and Clips

PLANTER COMP.

Application Controls & Fertilizer Applicator Components

PUMPS

Diaphragm, Roller, Centrifugal & Squeeze Pumps & Drive Components

TILLAGE

Coulters, Chisel Plow Shovels, Mole Knives and Parts.

NH₃

Anhydrous Ammonia Application Fittings, Valves and Hoses

TANKS

Roto-Mold Tanks, Lids & Fittings

TERMS AND CONDITIONS

- **PRICING:** Prices and specifications are believed to be accurate at the time of publication. Fast Distributing Inc. does reserve the right to make corrections and changes at anytime without notice. All prices are F.O.B. shipping point.
- **TERMS:** Accounts with approved credit may be eligible for open account terms. Normal open account terms are payment by the 10th of the following month. Accounts past due will be assessed finance charges of 2% per month or 24% per annum.
- **MINIMUM PURCHASES:** On shipped orders the minimum invoice charge is \$10.00 net excluding handling and freight. No discounts on orders of less than \$25.00 List Price.
- **SPECIAL ORDERS:** No cancellations or returns are allowed on items that are not normally in stock items. Freight will be F.O.B. manufacturer or supplier. A down payment may be required at time of order. Minimum invoice charge on special orders is \$25.00.
- **PACKAGING/HANDLING CHARGES:** Orders requiring packaging for shipment will be assessed a \$2.00 charge for items totaling less than 25 pounds and \$3.00 for orders over 25 pounds per box.
- **THIRD PARTY SALES:** When Fast dealers send a customer direct to a Fast store and Fast is involved in the actual selling, the billing to the dealer may reflect a 10 % charge.
- **RETURN GOODS POLICY:** Customers who wish to return merchandise for credit must first obtain a RGA (Return Goods Authorization) number! This number along with a copy of the original invoice must accompany the return. The authorization number can be obtained by calling the location where the items were purchased. Cut lengths of hose in most cases cannot be returned and special orders cannot be returned. Goods being returned must be in new and salable condition and be sent freight prepaid. After 15 days a 15% restocking charge may apply. No returns after 90 days or what is applicable by law.
- **DAMAGED MERCHANDISE:** Check merchandise immediately upon delivery. The receiver must claim damages or shortages with the carrier if carrier mis-handling is involved.
- **WARRANTY:** Fast Distributing warrants each new Fast Sprayer to be free from defects in material and workmanship for a period of one (1) year from date of delivery to Original purchaser. This warranty shall be activate by returning the "Fast Warranty Registration" form in the Fast Operator Manual or the one in this Fast Sale Manual. For any warranty claim to be paid, the warranty registration must be on file with Fast Ag Solutions, 4300 Commerce Blvd, Windom, MN 56101.

This warranty shall be fulfilled by the repairing or replacing free of charge any part that shows clear evidence of faulty material or improper workmanship. All parts must also be returned to Fast Distributing within thirty (30) days of the date that such defect or improper workmanship is discovered within the warranty period. This warranty excludes repairs arising as a result of normal wear and tear of the new machinery. This warranty shall not apply to parts, which are subjected to accident, alteration, or negligent repair or misuse. This warranty shall not extend to any repairs, changes, alterations, or replacements made to the new equipment other than authorized by Fast Distributing or its authorized dealers. This Warranty does not cover travel time and mileage. Labor reimbursement is limited and requires pre-approval. Notice of dealer warranty labor rate must be on file to claim reimbursement for labor. This labor rate will be in effect from January 1, 2021 thru December 31, 2021 and will renew annual at that rate unless notified in writing. This warranty shall not be interpreted to render Fast Distributing liable for injury or damages of any kind or nature to person or property. This warranty does not extend to loss of crops, loss of chemical, inconvenience or any expense or loss incurred for labor, substitute machinery, rental or for any other reason.

To apply for warranty considerations please fill out the **Fast Ag Solutions Warranty Request Form** and complete the form per instructions. All items shipped to the customer for warranty replacement will be billed to the customers account. Customer is responsible for all transportation charges involved with warranted parts. Credit will be issued when items have been returned, inspected and approved by the warranty department. Fast sprayers are subject to design changes and Fast Distributing shall not be required to retro-fit or exchange items on previously sold units except at its own option.

This warranty is in lieu of all other warranties, expressed or implied.

Merchandise must be returned within 15 days or a 15% restocking charge may apply. No returns after 90 days.

Catalog publish date 1/15/2021.