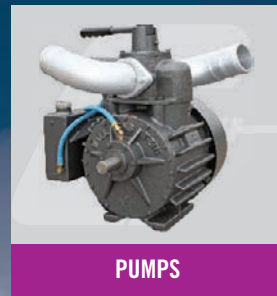




PARTS CATALOGUE



Your customers depend on you. **You can depend on Glendale.**

PARTS. PRICE. PERFORMANCE.

GLENDALE PARTS & SERVICE

For over 30 years Glendale Industries has been offering products and services to commercial and Industrial businesses across North America.

Our expertise in manufacturing truck mounted vacuum septic and potable water tanks ensures you can have confidence in dealing with our Parts & Service department knowing we have the knowledge to assist with your needs.

Glendale customers know they can rely on us to be their one stop for every need with a strong commitment to customer service.



PWT / VST



VALVES



CAMLOCKS

TABLE OF CONTENTS

■	PST & VST EXPLODED VIEWS	2
■	VALVES	6
	Lever valves	
	Piston Valves	
	Safety Valves	
	Ball & Gate Valves	
	Cylinders	
	Valve Accessories	
■	COUPLERS	22
	Camlocks	
	Dust Caps and Accessories	
■	LOAD LEVEL INDICATORS	25
	Sightglasses	
	Floatballs	
	Vacuum Pressure Gauges	
	Load Level Indicator Accessories	
■	HOSES	30
	Hoses	
	Hose Clamps	
	Hose Accessories	
■	PUMPS & BLOWERS	36
	Pumps	
	Oilers	
	Valve Heads	



LEVEL INDICATORS



HOSE



PUMPS

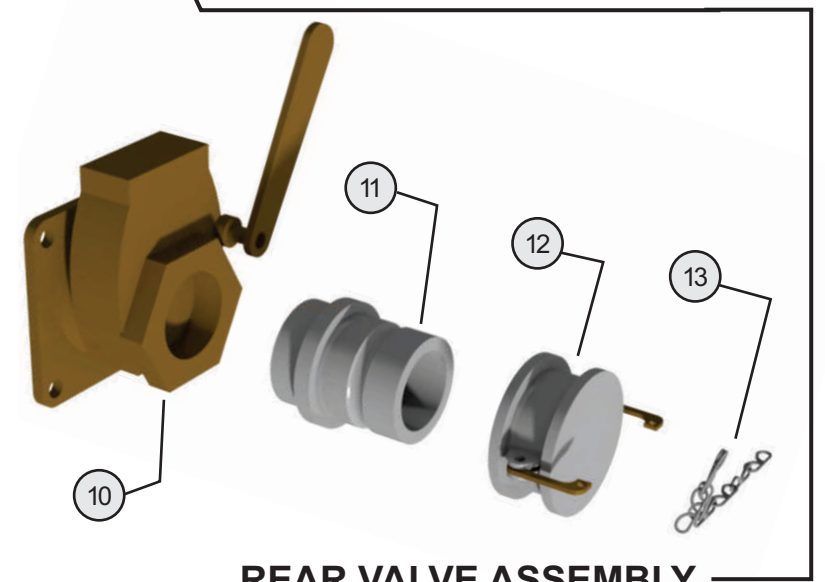
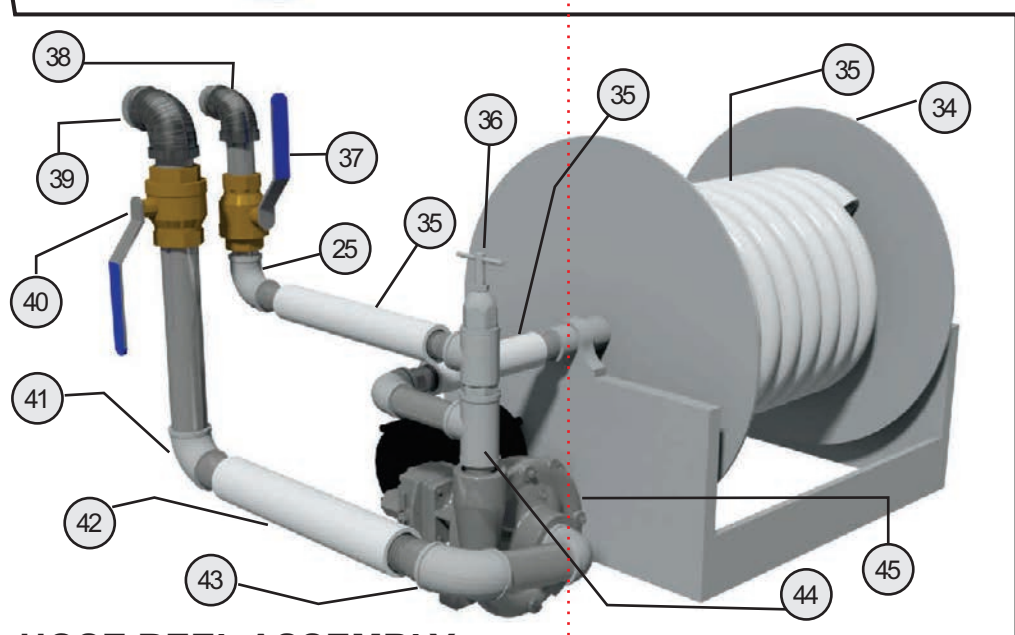
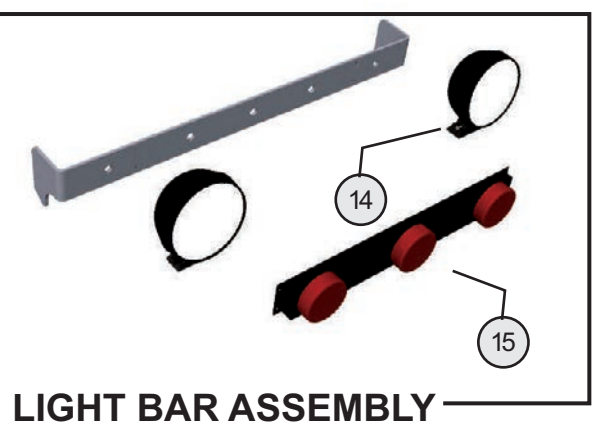
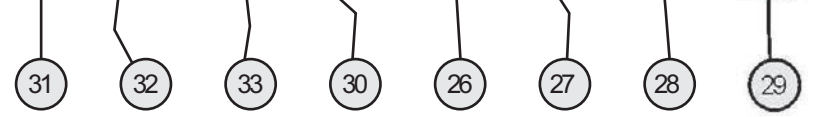
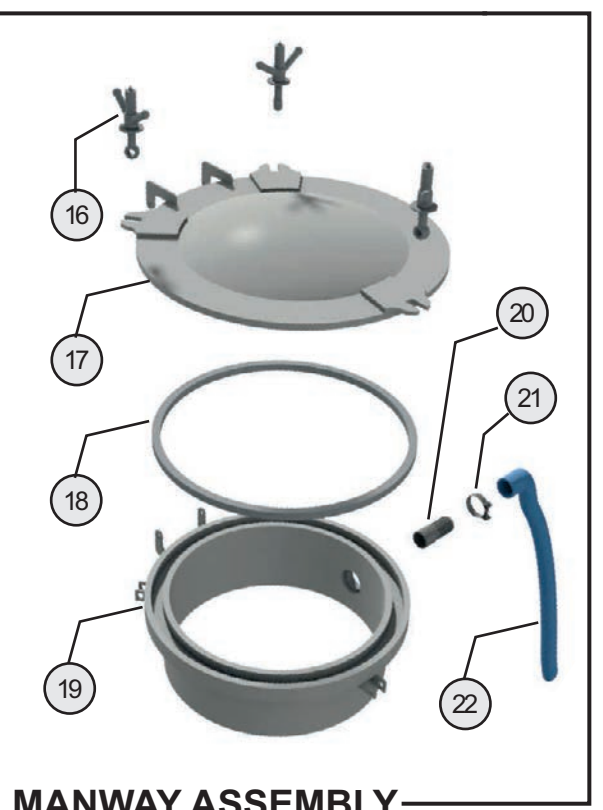
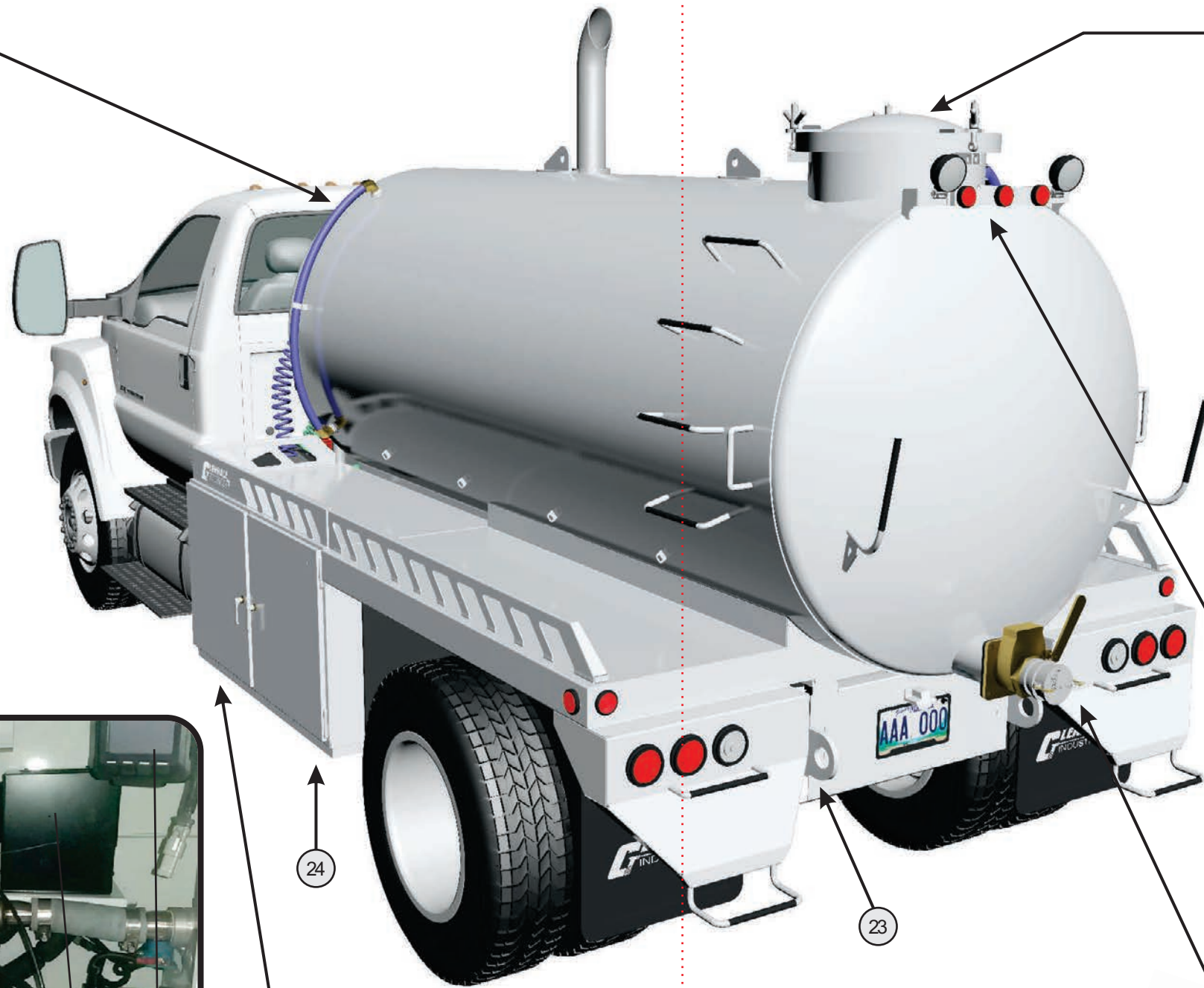
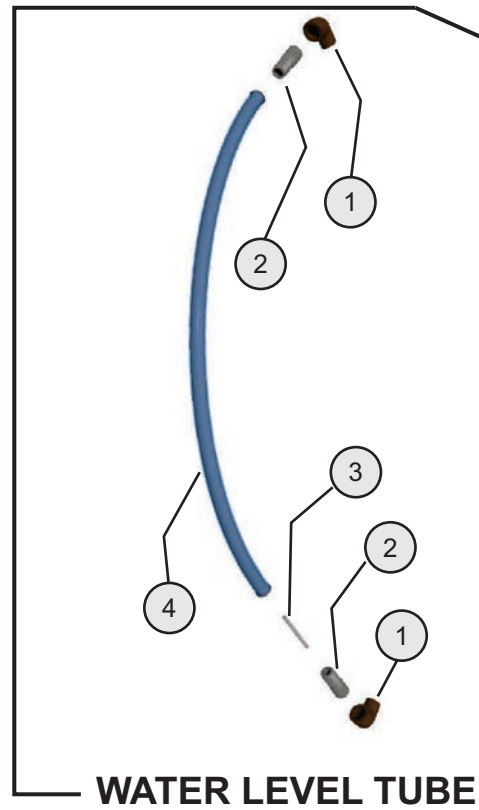
PWT SERIES

POTABLE WATER TANKS

#	QTY	DESCRIPTION	PART NUMBER
1	2	1" SS Street 90	IN-G1698SS-100-100
2	2	1" Combination Nipple	IN-G33SS-100
3	1	Water Level Float	IN-G1212-08WF
4		1" Clear Plastic Hose c/w Spring	GD4009-1000
5	1	Front Rail - Driver	
6	1	Front Long Rail - Driver	
7	1	Long Rail - Driver	
8	1	Front Rail - Passenger	
9	1	Long Rail - Passenger	
10	1	4" Brass Lever Gate Valve x. Flange NPT	GD1006-4000
11	1	4" Male Adapter w. Male NPT	GD2005-4000
12	1	4" Dust Cap	GD2021-4000
13	1	Dust Cap Safety Chain	GD2051-1200
14	2	Utility Lamp	IN-64931
15	1	Red LED Bar Lamp	IN-49162
16	3	5/8" Greasable Wingnut Assembly	IN-CH1010-0002
17	1	22" Manway Lid Assembly	IN-CH1021-2412
18	1	D-Shaped - 22" Manway Gasket	IN-CH1021-2400
19	1	22" Manway Neck	
20	1	2" Combination Nipple	IN-G33SS-200
21	1	Heavy Duty bolt Clamp	GD4021-0007
22		2" Tigerflex Blue Water Hose	GD4001-2000
23	2	Tow Hook	T00TH001R00-0000
24	1	Water Cabinet Stand	W00WC100R00-0000
25	1	1.5" Elbow Assembly	
26	1	Water Cabinet Lamp	IN-80354
27	1	Electric Convection Heater	IN-3VU37B
28	1	Cab & Cargo Heater	IN-700-0101
29	1	Display Screen	
30	1	Valve Manifold	
31	1	Heavy Duty Block Heater Plug	IN-8605688
32	1	Fuse Panel	
33	1	Controller	
34	1	Hose Reel	IN-EP3905-23-20-15FF
35		1.5" Food Grade Hose	GD4008-1500
36	1	1.5" Model 110 Relief Valve	IN-AG059817
37	1	1.5" Brass Ball Valve	GD1016-1500
38	1	1.5" Street 90 Assembly	IN-G1698SS-150-150
39	1	2" Street 90 Assembly	IN-G169855-200-200
40	1	2" Brass Ball Valve	GD1016-2000
41	1	2" Tube Assembly	
42		2" Food Grade Hose	GD4008-2000
43	1	2" Elbow Assembly	
44	1	1.5" T Assembly	
45	1	Water Pump	HY-9306S-HM1C

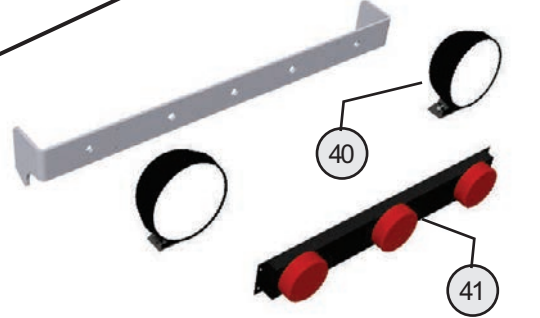
HYDRAULIC HOSES

HOSE LOCATION	HOSE	END 1	END 2
Return Line (Valve)	3/4" 3000 PSI	HY-F10643-12-12	HY-F13943-12-12
Return Line (Motor)	1/2" 3000 PSI	HY-F10643-8-8	HY-F13943-8-8
Pressure Line (Valve)	1/2" 3000 PSI	HY-F14143-8-8	HY-F10643-8-8
Pressure Line (Motor)	5/8" 3000 PSI	HY-F10643-10-10	HY-F13943-10-10

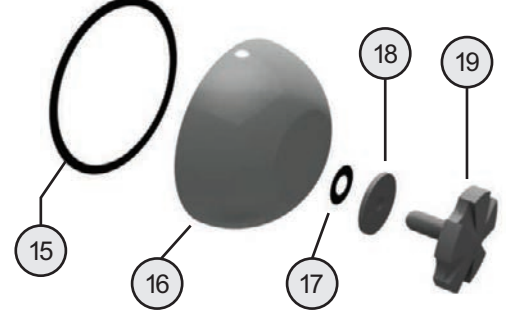




PRIMARY SHUTOFF



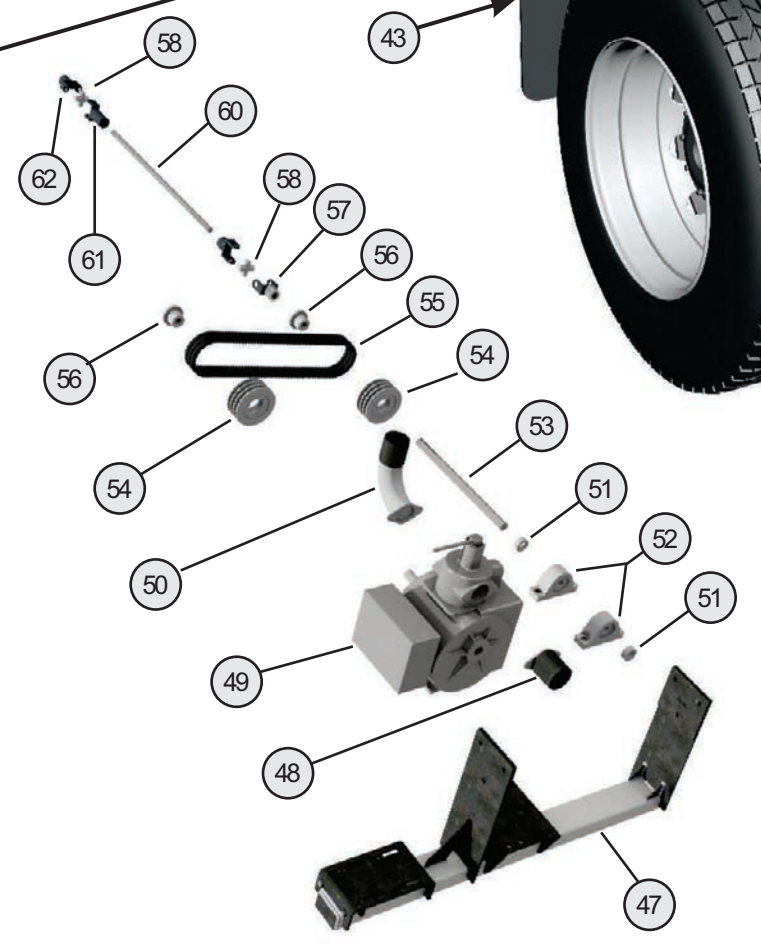
LIGHT BAR ASSEMBLY



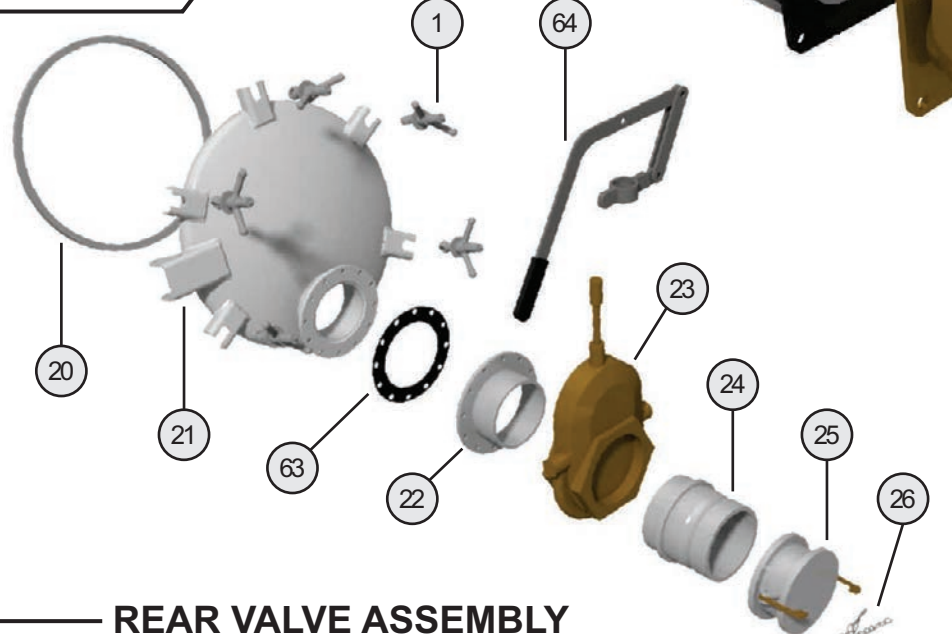
4" LEVEL INDICATOR



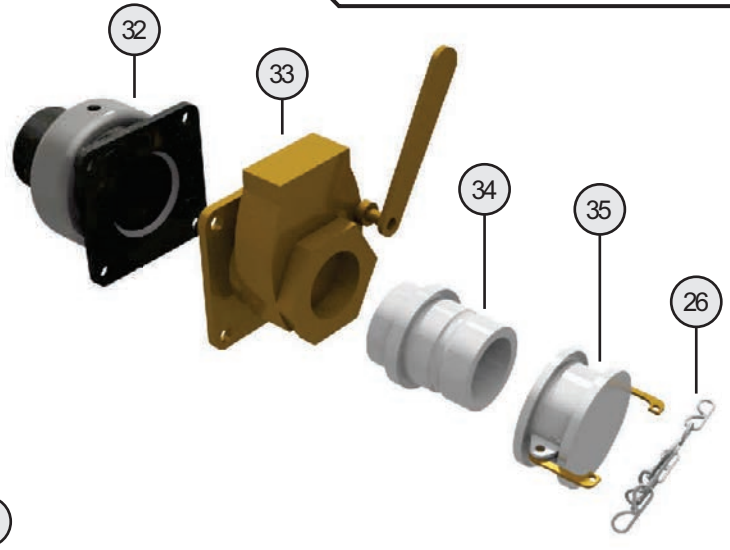
SECONDARY CANISTER



REAR VALVE ASSEMBLY



REAR VALVE ASSEMBLY



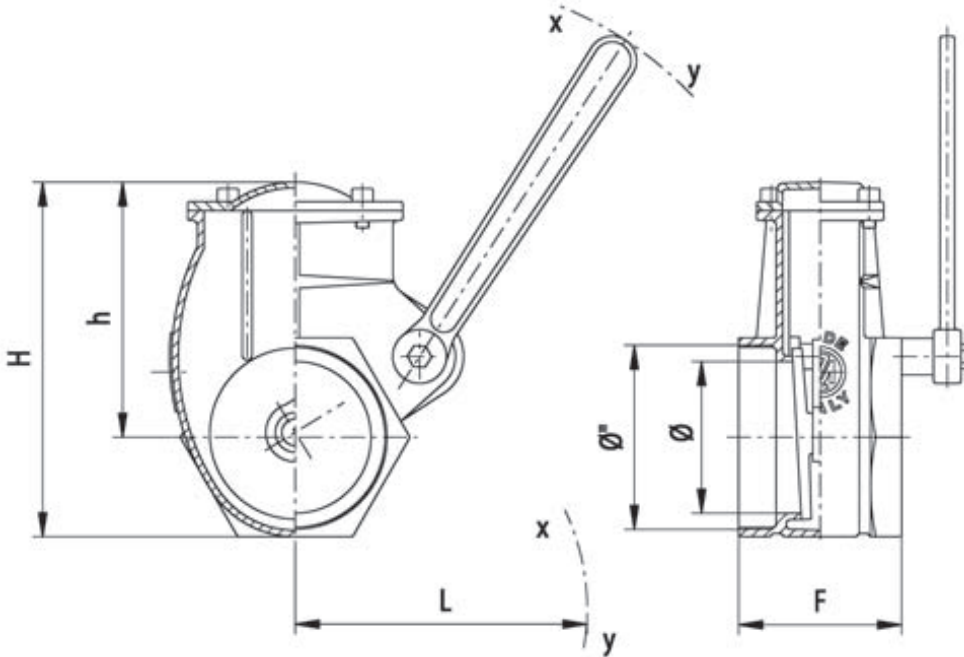
HEAT JACKET & VALVE

VST

VACUUM SEPTIC TANKS SERIES

#	QTY	DESCRIPTION	PART NUMBER
1	10	5/8" Greasable Wingnut Assembly	IN-CH1010-0002
2	1	Secondary Shutoff Lid	
3	1	Gasket for 4-5 Gallon Secondary	IN-CH1153-1000
4	1	Rubber Seat	IN-1090-0000
5	1	4" Stainless Steel Float Ball	GD3021-4000
6	1	Secondary Shutoff Float Cage	
7	1	Secondary Shutoff Canister	
8	1	4" Liquid Filled vacuum Pressure Gauge, (PSI -30 to +30)	GD3030-4500
9	1	O-Ring	GD3000-2002
10	1	Inspection Glass	GD3000-2003
11	1	1" Brass Ball Valve	GD1016-1000
15	2	Gasket	GD3001-4002
16	2	Inspection Glass	GD3001-4003
17	2	Gasket	GD3001-4004
18	2	Plate	GD3001-4005
19	2	Hand Wheel	GD3001-4006
20	1	Gasket for 21" Manway	1 IN-CH1010-0009
21	1	21" Manway Lid Assembly, Left Hand Hinge	IN-CH1011-2600
22	1	6" TTMA Flange	IN-CH60TTMANPT
23	1	6" Brass Heated Stem Gate Valve	GD1005-6000
24	1	6" Male Adapter w.Male NPT	GD2005-6000
25	1	6" Dust cap	GD2021-6000
26	2	12" Dust Cap Safety Chain	GD2051-1200
27	1	12" Aluminum Primary (Lid Only) 3"	IN-CH1014-1923
28	1	12" Hatch Gasket (Base Type)	IN-CH1019-0009
29	1	4" Rubber Seat for 4" SCH 40 Pipe	IN-CH1089-0001
30	1	6" Stainless Steel Float Ball	GD3021-6000
31	1	8 1/4" SS Type 304 Ball Cage	IN-CH1014-1937
32	1	3" Heat Jacket (Sqr. Flange)	V00HJ300R01-0000
33	1	3" Brass Lever Gate Valve w. Flange NPT	GD1006-3000
34	1	3" Male Adapter w. Male NPT	GD2005-3000
35	1	3" Dust Cap	GD2021-3000
40	2	Utility Lamp	IN-64931
41	1	Red LED Bar Lamp	IN-49162
42	2	Tow Hook	T00TH001R00-0000
43	1	3" Razor-Pak Muffler	IN-CH1002-3000
44	1	2" Safety Valve	GD1014-2000
45	1	1 1/2" Depression Valve	GD1013-1500
46		3" Tigerflex Hose	GD4000-3000
47	1	Pump Stand	
48	1	Pump Hose Adapter	
49	1	Pump	
50	1	Pump Hose Adapter	
51	2	Bearing	IN-A207-104D
52	2	Pillow Block	IN-PE207
53	1	1 1/4" Shaft x 1/4" Key	
54	2	Pulley	IN-3B54SD
55	3	Belts	HY-B-64
56	2	Pulley Bushing	IN-SD114
57	1	12R-1 1/4" - 1/4" key	8001220
58	2	12 Cross & Bearing kit	IN-200-1200UJ
59	1	12R-1" - 1/4" key	IN-12RY-8001216
60	1	1" Shaft x 1/4" Key	IN-SU1.00X42
61	1	12R-1" - 1/4" key Slider	IN-12RY-UJ1263
62	1	12R-1 1/4" - 5/16" key	UJ1226
63	1	Gasket	IN-TTMA10100F
64	1	4"-6" Gate Valve Handle	GD1999-4600
65	1	S.S. Street 90	IN-G1698SS-25-25

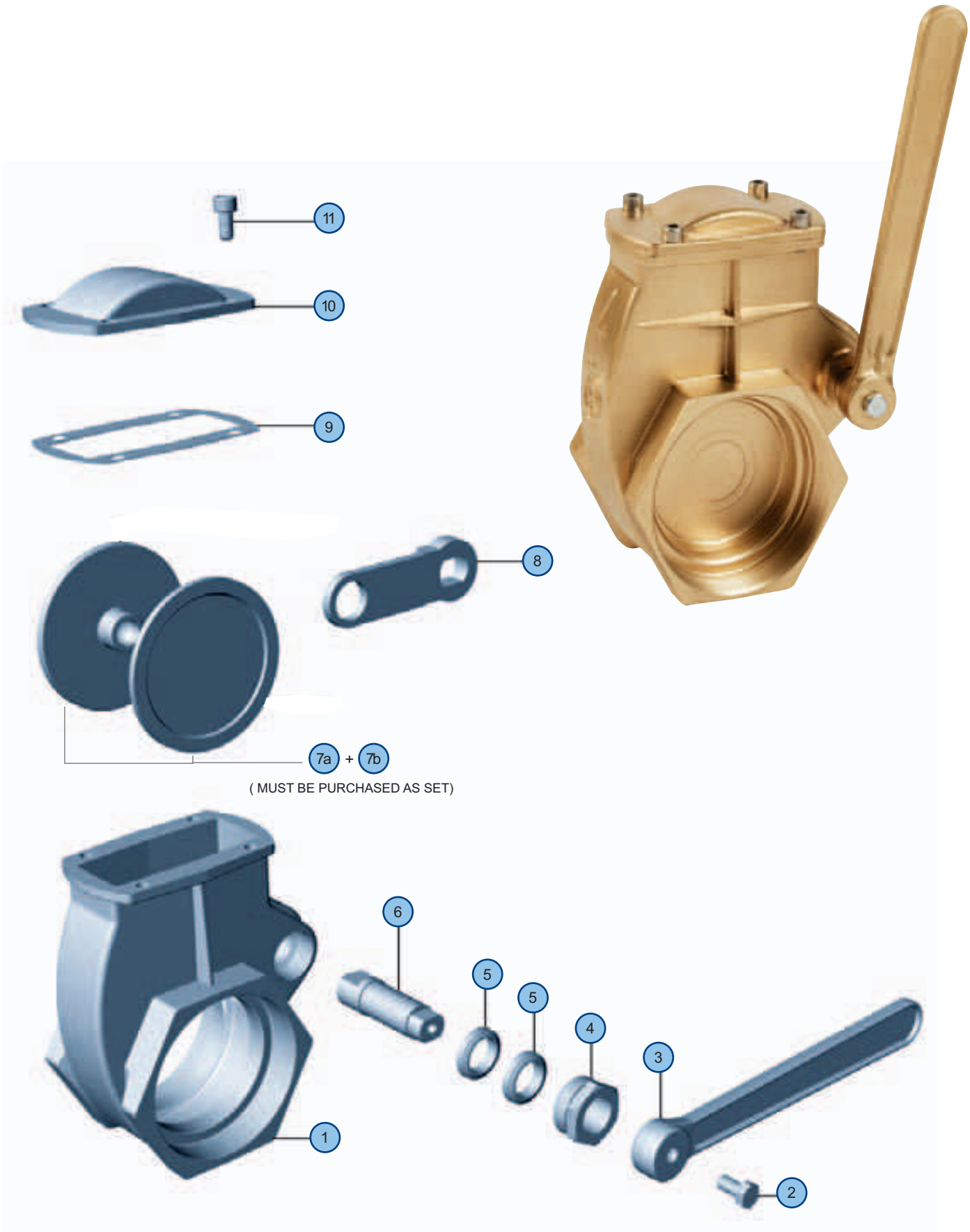
VALVES Brass Lever Gate Valve NPT



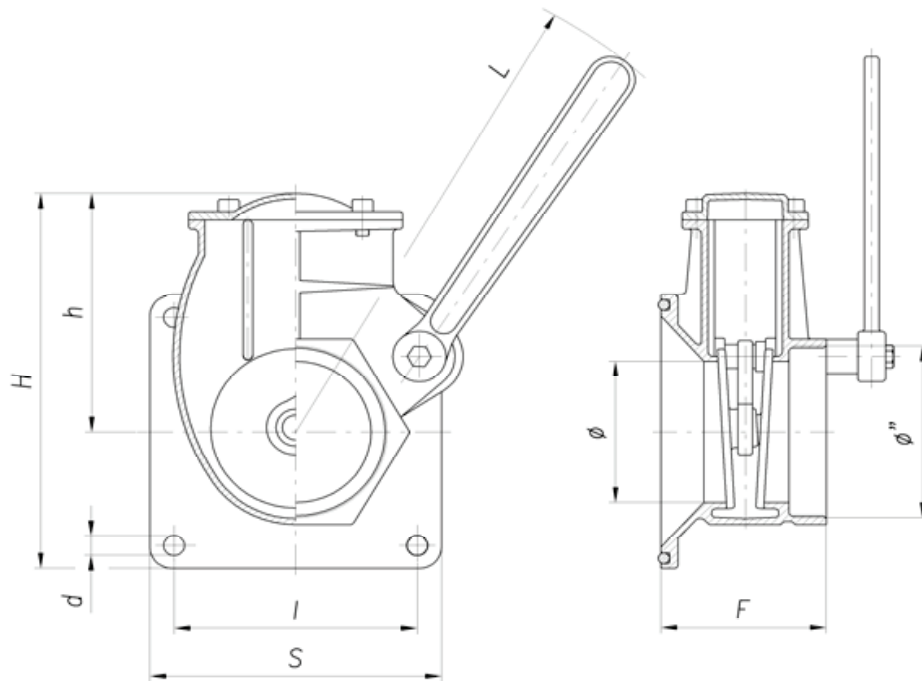
DIMENSIONS			
	2"	3"	4"
O	1.9"	2.95"	3.7"
H	4.6"	6.7"	8.6"
h	3.2"	4.76"	6.2"
L	10.4"	12.6"	15.2"
F	3.15"	3.54"	4.02"

DESCRIPTION	PART NUMBER
2" Brass Lever Gate Valve NPT	GD1000-2000
3" Brass Lever Gate Valve NPT	GD1000-3000
4" Brass Lever Gate Valve NPT	GD1000-4000

#	DESCRIPTION	PART NUMBER	PART NUMBER	PART NUMBER
		2" Valve	3" Valve	4" Valve
1	BODY	GD1000-2001	GD1000-3001	GD1000-4001
2	SCREW	GD1000-2002	GD1000-3002	GD1000-3002
3	HANDLE	GD1000-2003	GD1000-3003	GD1000-4003
4	BRASS NUT	GD1000-2004	GD1000-3004	GD1000-4004
5	GASKET	GD1000-2005	GD1000-3005	GD1000-4005
6	PIN	GD1000-2006	GD1000-3006	GD1000-4006
7a	MALE GATE	GD1000-2007	GD1000-3007	GD1000-4007
7b	FEMALE GATE	GD1000-2008	GD1000-3008	GD1000-4008
8	INNER LEVER	GD1000-2009	GD1000-3009	GD1000-4009
9	TOP GASKET	GD1000-2010	GD1000-3010	GD1000-4010
10	HEAD	GD1000-2011	GD1000-3011	GD1000-4011
11	SCREW	GD1000-2012	GD1000-3012	GD1000-3012



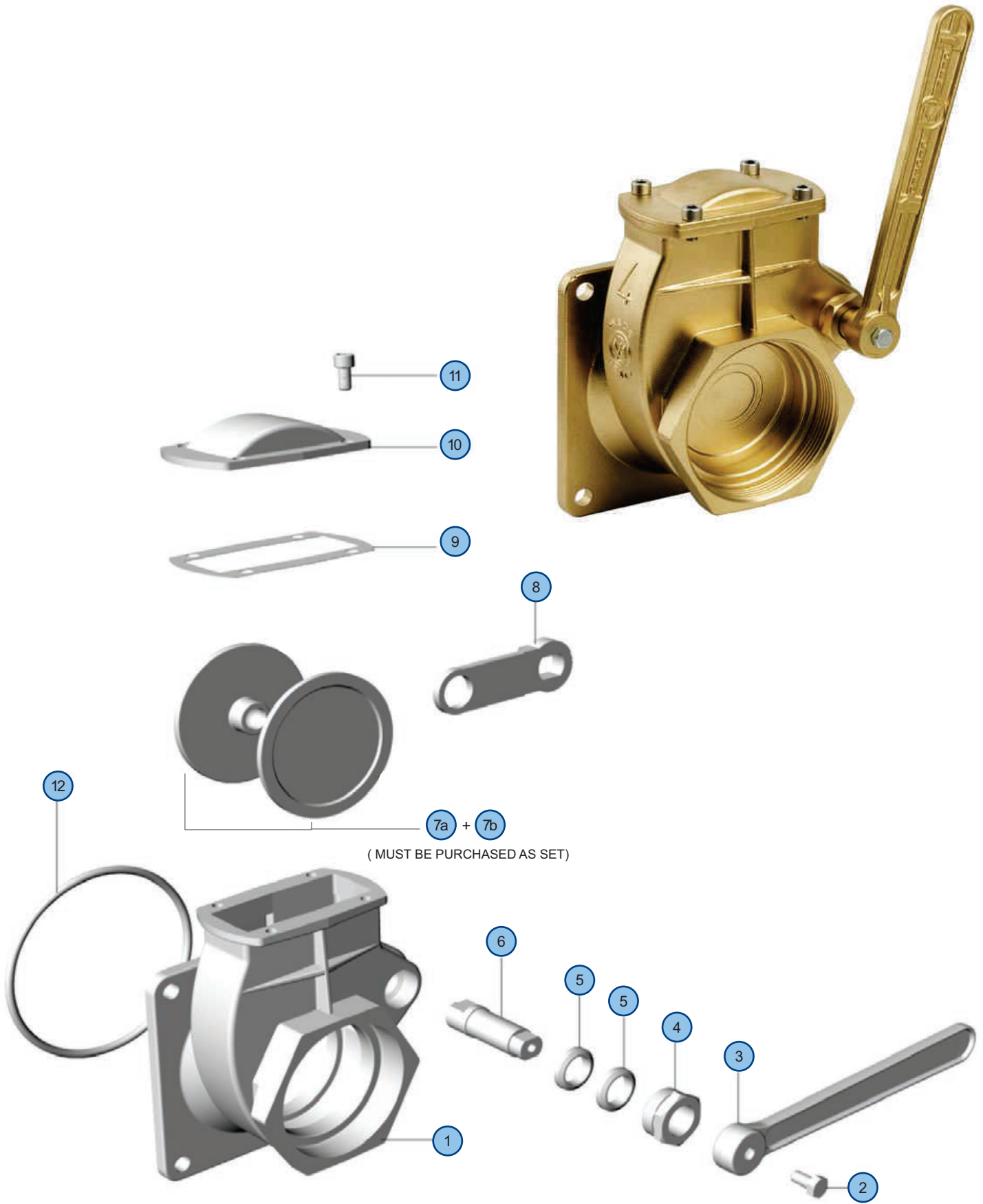
VALVES Brass Lever Gate w.Valve Flange NPT



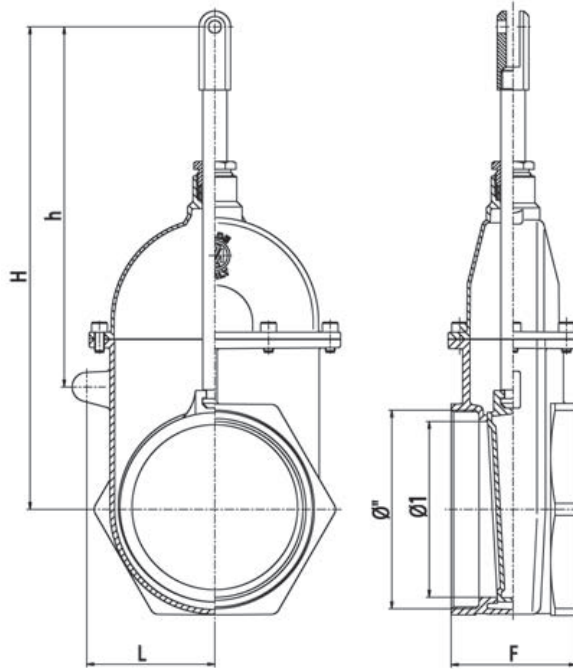
DIMENSIONS		
	3"	4"
O	2.96"	3.66"
H	7.7"	9.76"
h	4.76"	6.22"
L	10.6"	12.7"
F	3.62"	4.05"
d	0.5"	0.51"
s	5.9"	7.08"

DESCRIPTION	PART NUMBER
3" Brass Lever Gate Valve w. Flange NPT	GD1006-3000
4" Brass Lever Gate Valve w. Flange NPT	GD1006-4000

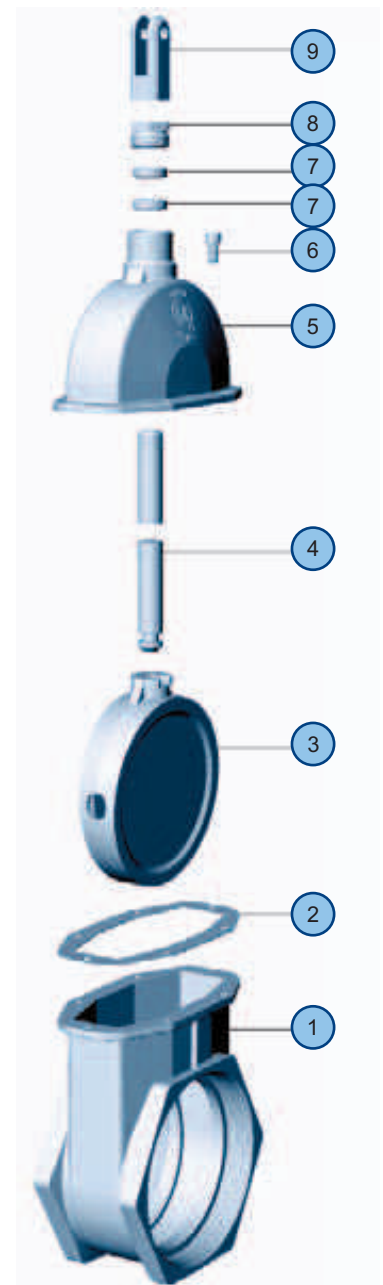
#	DESCRIPTION	PART NUMBER	
		3" Valve	4" Valve
1	BODY	GD1006-3001	GD1006-4001
2	SCREW	GD1000-3002	GD1000-3002
3	HANDLE	GD1000-3003	GD1000-4003
4	BRASS NUT	GD1000-3004	GD1000-4004
5	GASKET	GD1000-3005	GD1000-4005
6	PIN	GD1000-3006	GD1000-4006
7a	MALE GATE	GD1000-3007	GD1000-4007
7b	FEMALE GATE	GD1000-3008	GD1000-4008
8	INNER LEVER	GD1000-3009	GD1000-4009
9	TOP GASKET	GD1000-3010	GD1000-4010
10	HEAD	GD1000-3011	GD1000-4011
11	SCREW	GD1000-3012	GD1000-3012
12	O-RING	GD1006-3012	GD1002-4010



VALVES Brass Stem Gate Valve NPT



DIMENSIONS		
	4"	6"
OI	3.75"	5.71"
L	3.5"	4"
H	11.7"	15.5"
h	8.75"	11.26"
F	4"	4.16"

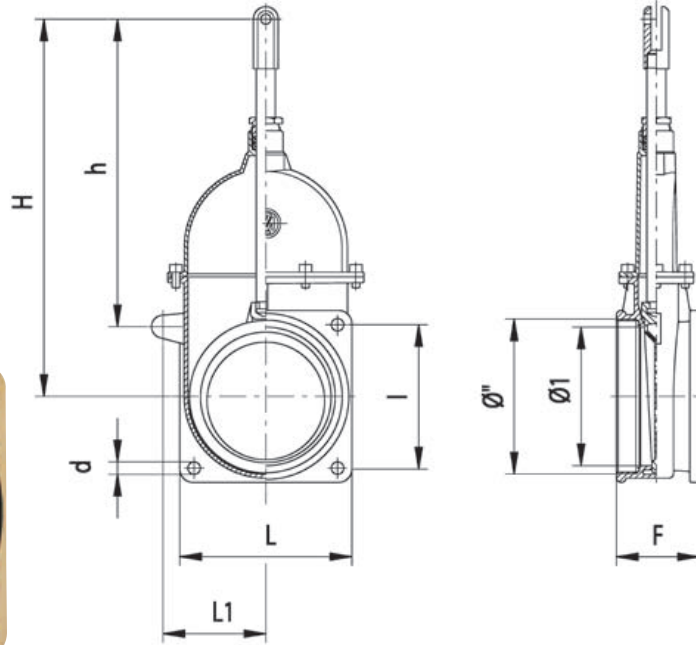


DESCRIPTION	PART NUMBER
4" Brass Stem Gate Valve NPT	GD1001-4000
6" Brass Stem Gate Valve NPT	GD1001-6000

#	DESCRIPTION	4" Valve	6" Valve
1	BODY	GD1001-4001	GD1001-6001
2	GASKET	GD1001-4002	GD1001-6002
3	GATE	GD1001-4003	GD1001-6003
4	STEM	GD1001-4004	GD1001-6004
5	HEAD	GD1001-4005	GD1001-6005
6	SCREW	GD1000-3012	GD1000-3012
7	GASKET	GD1000-3005	GD1000-3005
8	BRASS NUT	GD1000-3004	GD1000-3004
9	FORK	GD1001-4009	GD1001-4009



Brass Stem Gate Valve w. Flange NPT



DIMENSIONS		
	4"	6"
O	3.74"	5.7"
h	9.13"	12.9"
H	11.4"	15.7"
L1	7.09"	7.09"
L	2.94"	4.23"
d	0.51"	0.51"
l	5.9"	5.9"
F	3.15"	3.42"

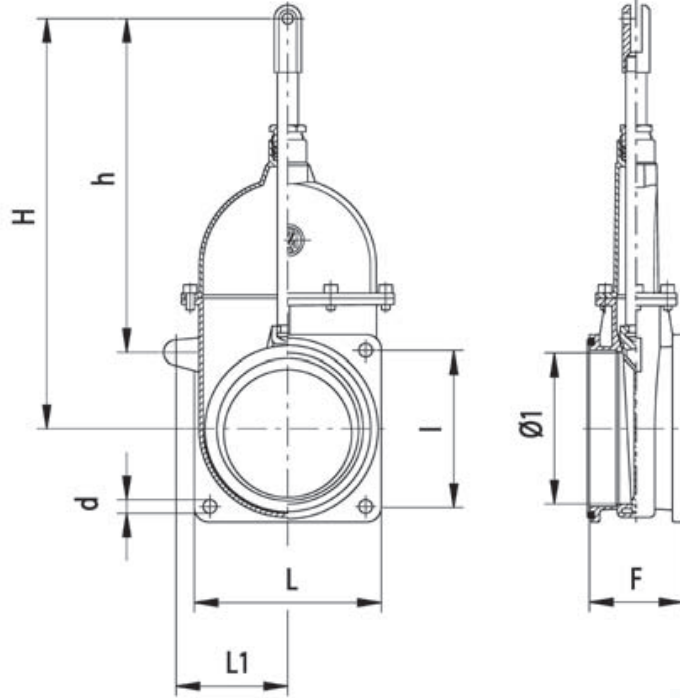
DESCRIPTION	PART NUMBER
4" Brass Stem Gate Valve w. Flange NPT	GD1002-4000
6" Brass Stem Gate Valve w. Flange NPT	GD1002-6000

#	DESCRIPTION	PART NUMBER	
		4" Valve	6" Valve
1	BODY	GD1002-4001	GD1002-6001
2	GASKET	GD1002-4002	GD1002-6002
3	GATE	GD1002-4003	GD1002-6003
4	STEM	GD1001-4004	GD1001-6004
5	HEAD	GD1002-4005	GD1002-6005
6	SCREW	GD1000-3012	GD1000-3012
7	GASKET	GD1000-3005	GD1000-3005
8	NUT	GD1000-3004	GD1000-3004
9	FORK	GD1001-4009	GD1001-4009
10	O-RING	GD1002-4010	GD1002-4010



VALVES

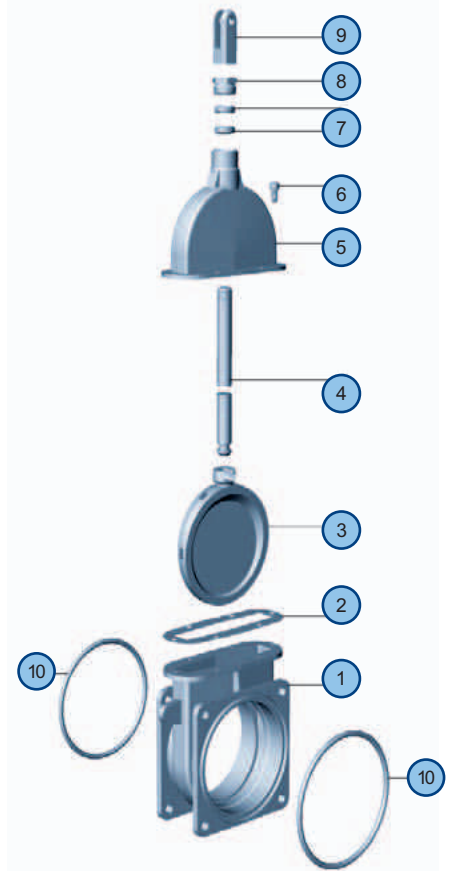
Brass Stem Gate Valve w. Dual Flange



DIMENSIONS		
0"	4"	6"
01	3.74"	5.7"
h	9.29"	12.8"
H	11.4"	15.7"
L	7.09"	7.09"
L1	3.78"	4.23"
d	0.51"	0.51"
l	5.9"	5.9"
F	3.54"	3.54"

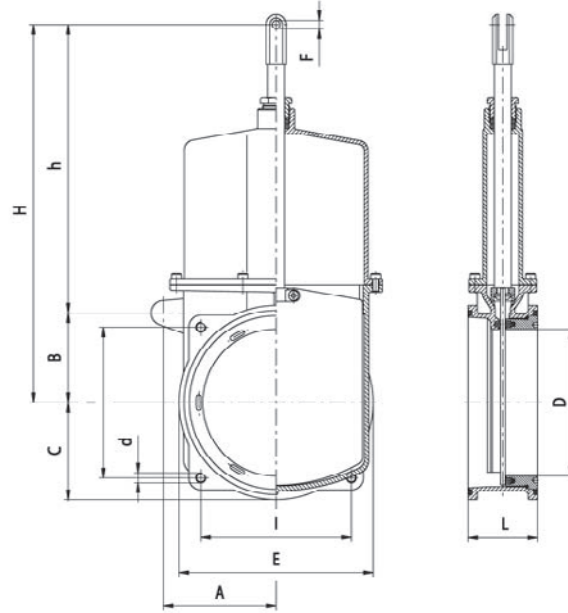
DESCRIPTION	PART NUMBER
4" Stem Gate Valve w.Dual Flange	GD1007-4000
6" Stem Gate Valve w.Dual Flange	GD1007-6000

#	DESCRIPTION	PART NUMBER	
		4" Valve	6" Valve
1	BODY	GD1007-4001	GD1007-6001
2	GASKET	GD1002-4002	GD1002-6002
3	GATE	GD1002-4003	GD1002-6003
4	STEM	GD1001-4004	GD1001-6004
5	HEAD	GD1002-4005	GD1002-6005
6	SCREW	GD1000-3012	GD1000-3012
7	GASKET	GD1000-3005	GD1000-3005
8	BRASS NUT	GD1000-3004	GD1000-3004
9	FORK	GD1001-4009	GD1001-4009
10	O-RING	GD1002-4010	GD1002-4010





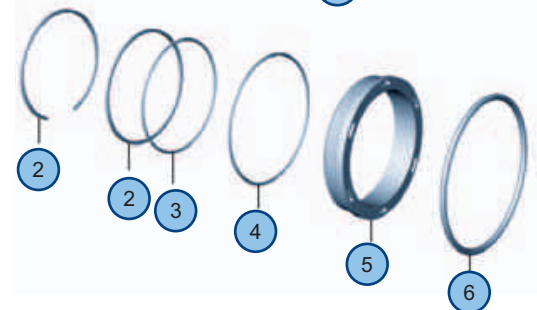
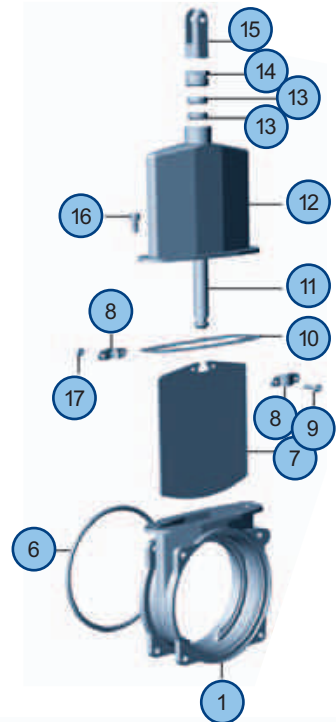
6" Brass Knife Gate Valve w. Dual Flange



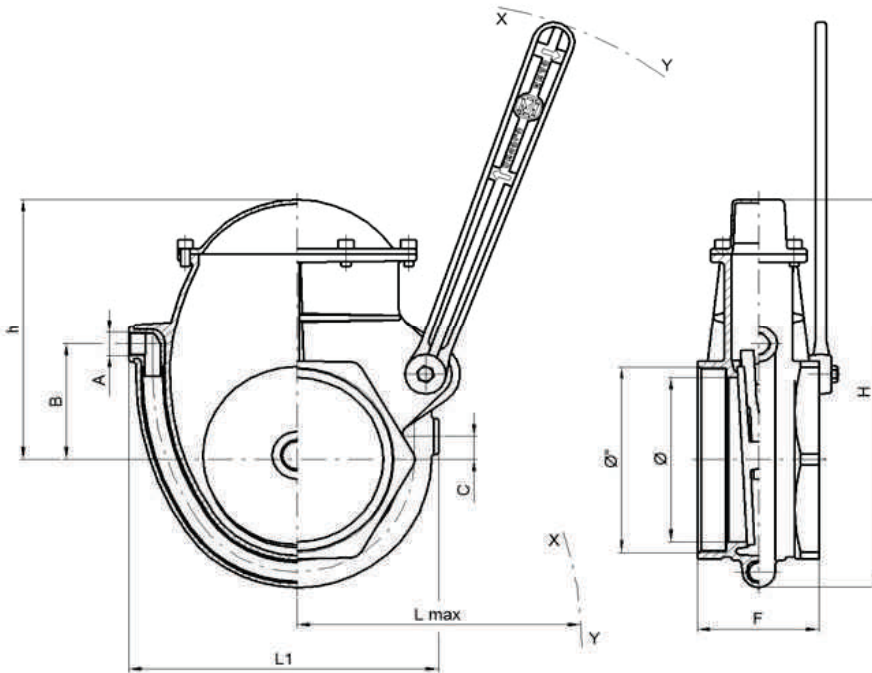
DIMENSIONS	
	6"
A	4.5"
B	2.36"
C	3.9"
D	5.7"
d	sbM12
E	7.8"
F	0.41"
H	17.3"
h	14.9"
I	5.9"
L	2.7"

DESCRIPTION	PART NUMBER
6" Brass Knife Gate Valve w. Dual Flange	GD1003-6000

#	DESCRIPTION	PART NUMBER
1	BODY	GD1003-6001
2	SEAT RING	GD1003-6002
3	O-RING	GD1003-6003
4	O-RING	GD1003-6004
5	SLEEVE	GD1003-6005
6	O-RING	GD1003-6006
7	KNIFE	GD1003-6007
8	CLAMP	GD1003-6008
9	SCREW	GD1003-6009
10	GASKET	GD1003-6010
11	STEM	GD1001-6004
12	HEAD	GD1002-6005
13	GASKET	GD1001-4007
14	BRASS NUT	GD1000-3004
15	FORK	GD1001-4009
16	SCREW	GD1000-3012
17	SELF-LOCKING NUT	GD1003-6017



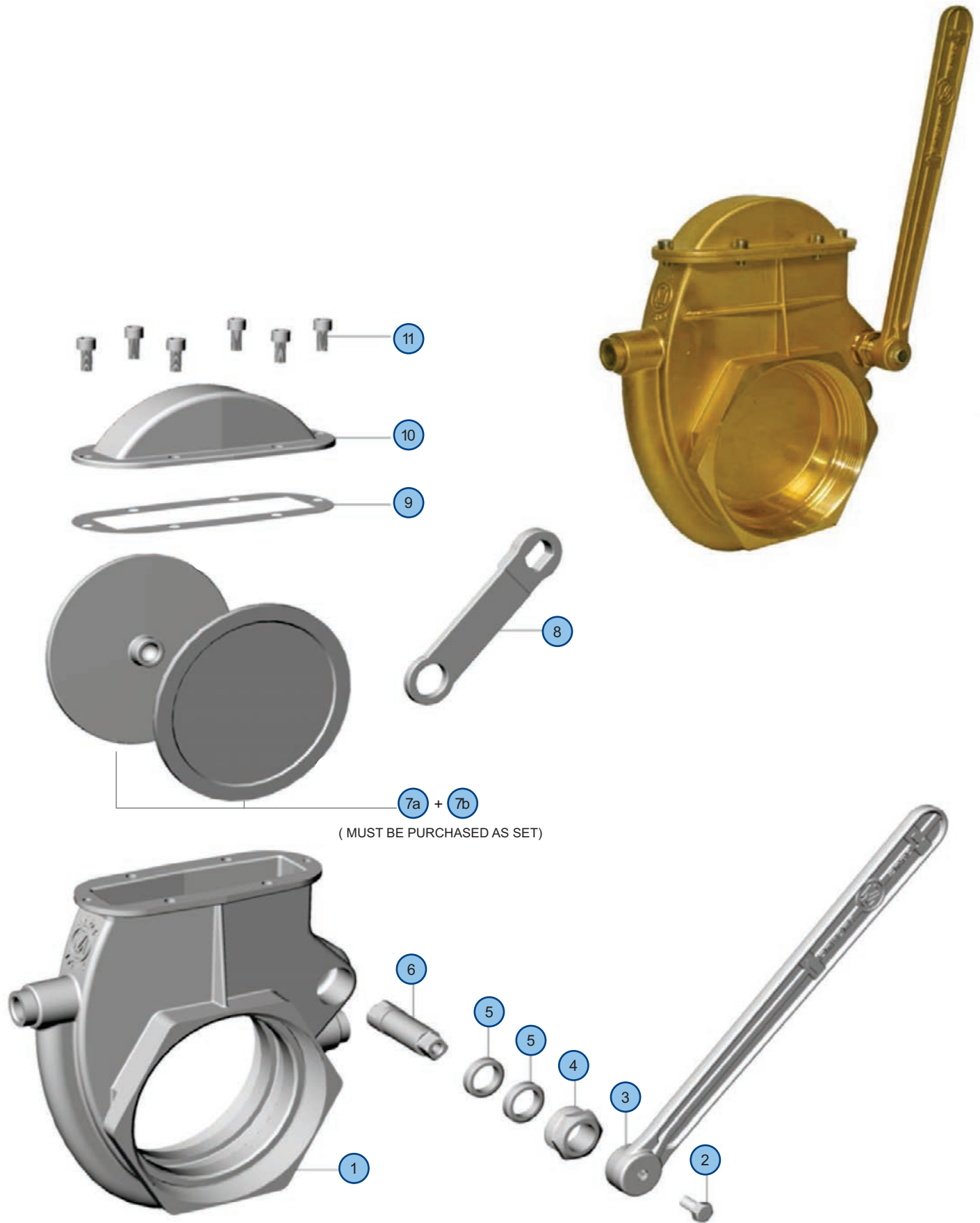
VALVES Brass Heated Lever Valve



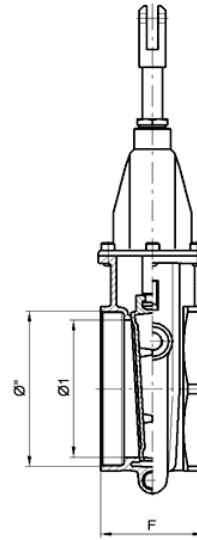
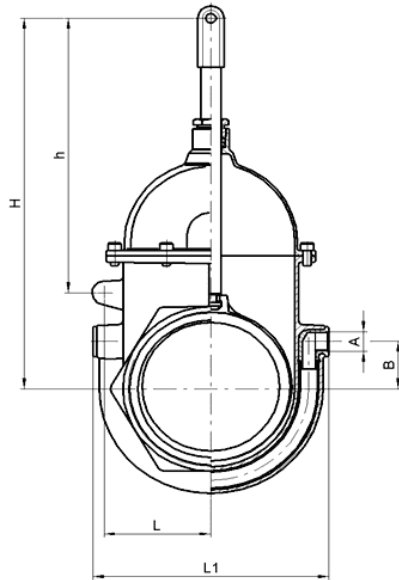
DIMENSIONS		
	4"	6"
O	3.7"	5.7"
A	0.02"	0.02"
B	2.9"	3.9"
C	.59"	1.06"
F	3.9"	4.02"
h	6.18"	9.13"
H	9.5"	13.7"
L max	15.16"	18.19"
L1	9.2"	10.9"

DESCRIPTION	PART NUMBER
4" Heated Lever Valve	GD1004-4000
6" Heated Lever Valve	GD1004-6000

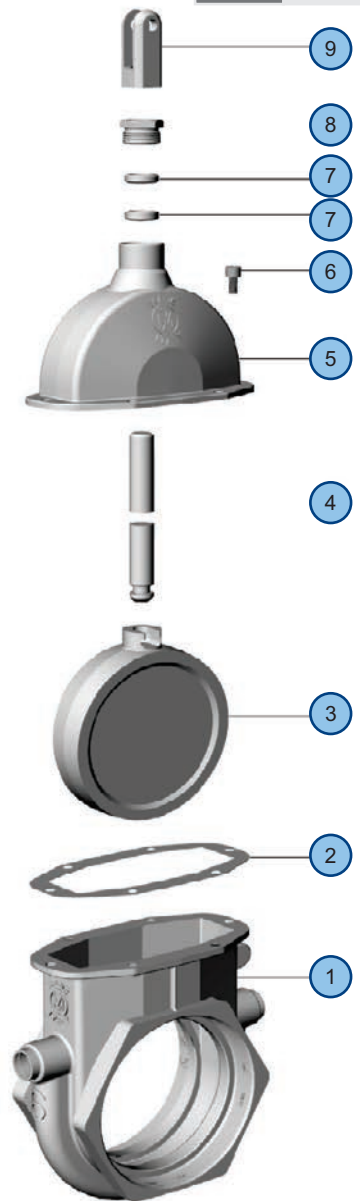
#	DESCRIPTION	PART NUMBER	
		4"	6"
1	BODY NPT	GD1004-4001	GD1004-6001
2	SCREW	GD1000-3002	GD1000-3002
3	HANDLE	GD1000-4003	GD1004-6003
4	BRASS NUT	GD1000-4004	GD1000-4004
5	GASKET	GD1000-4005	GD1000-4005
6	PIN	GD1000-4006	GD1004-6006
7a	MALE GATE	GD1000-4007	GD1004-6007
7b	FEMALE GATE	GD1000-4008	GD1004-6008
8	INNER LEVER	GD1000-4009	GD1004-6009
9	TOP GASKET	GD1000-4010	GD1004-6010
10	HEAD	GD1000-4011	GD1004-6011
11	SCREW	GD1000-3012	GD1000-3012



VALVES 6" Brass Heated Stem Gate Valve



DIMENSIONS	
	6"
Ø1	5.7"
A	0.5"
B	1.97"
h	11.4"
H	15.5"
L	41.5"
L1	9.8"
F	4.02"

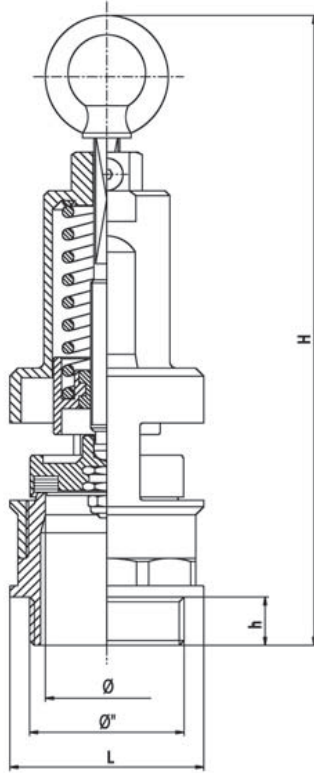


DESCRIPTION	PART NUMBER
6" Heated Stem Gate Valve	GD1005-6000
4" Heated Stem Gate Valve	GD1005-4000

#	DESCRIPTION	PART NUMBER
1	BODY 6" NPT	GD1005-6001
2	GASKET	GD1001-6002
3	GATE	GD1001-6003
4	STEM	GD1001-6004
5	HEAD	GD1001-6005
6	SCREW	GD1000-3012
7	GASKET	GD1001-4007
8	BRASS NUT	GD1000-3004
9	FORK	GD1001-4009



2" Safety Valve

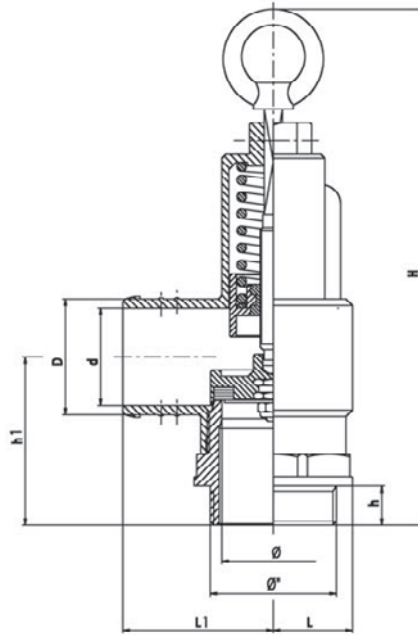


DESCRIPTION
2" Safety Valve
PART NUMBER
GD1014-2000

DIMENSIONS	
	2"
Ø	1.85"
H	2.75"
h	7.68"
L	0.63"



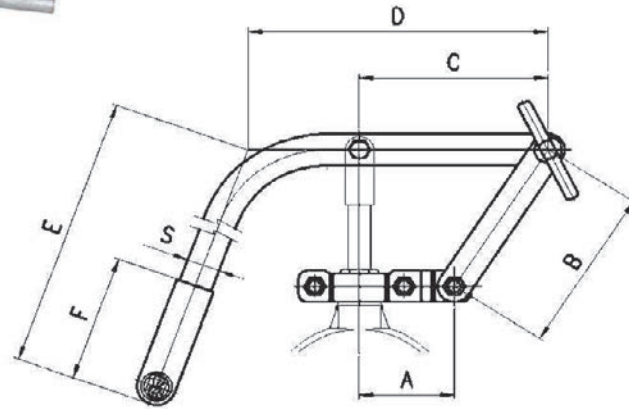
2" Safety Valve w. Hose Connection



DESCRIPTION
2" Safety Valve w. Hose Connection
PART NUMBER
GD1015-2000

DIMENSIONS	
	2"
Ø	1.85"
d	1.69"
D	1.93"
h	0.63"
h1	2.01"
H	7.68"
L	1.42"
L1	2.52"

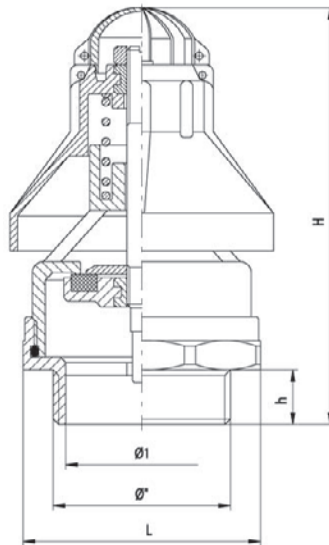
VALVES 4"-6" Gate Valve Handle



DIMENSIONS	
	4"-6"
A	3.35"
B	6.1"
C	6.69"
D	11.2"
E	13.6"
F	4.72"
S	1.18"

DESCRIPTION	PART NUMBER
4"-6" Gate Valve Handle	GD1999-4600

1 1/2" Depression Valve



DESCRIPTION
1 1/2" Depression Valve
PART NUMBER
GD1013-1500

DIMENSIONS	
	1 1/2"
Ø1	1.61"
H	4.45"
h	0.59"
L	2.64"

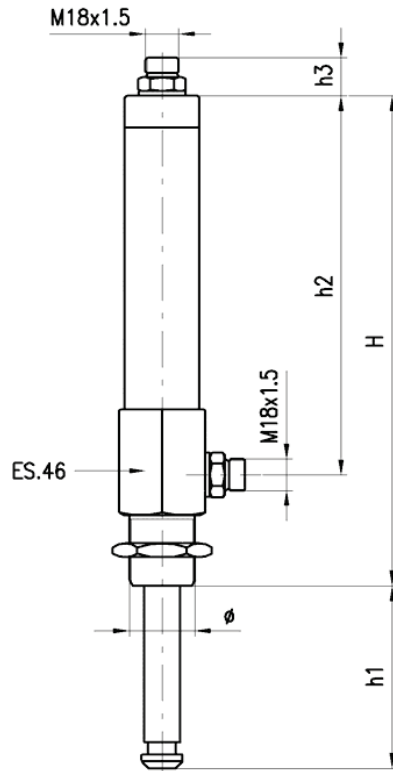
1 1/2" Brass Ball Valve

DESCRIPTION	PART NUMBER
1/2" Brass Ball Valve	GD1016-0500
3/4" Brass Ball Valve	GD1016-0750
1" Brass Ball Valve	GD1016-1000





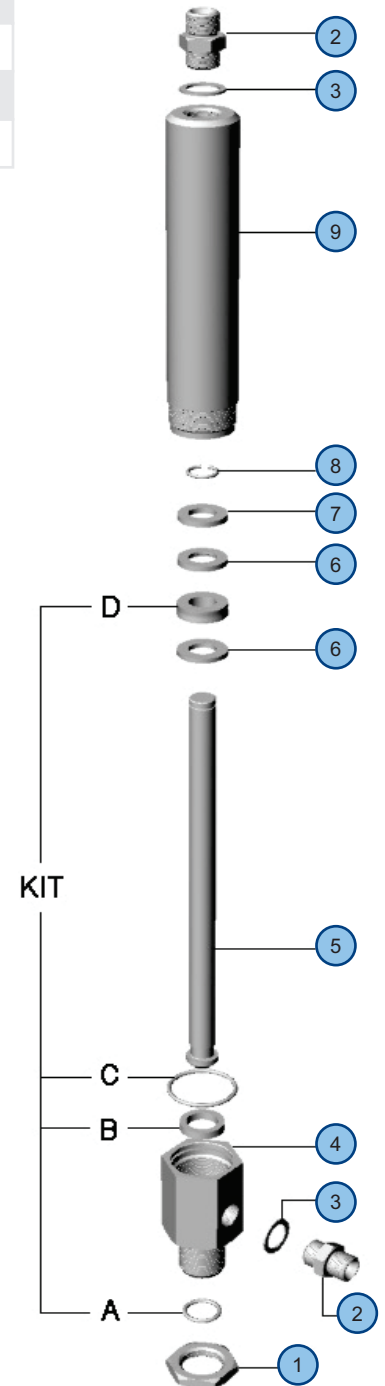
4"-6" Double Acting Oil Dynamic Cylinder



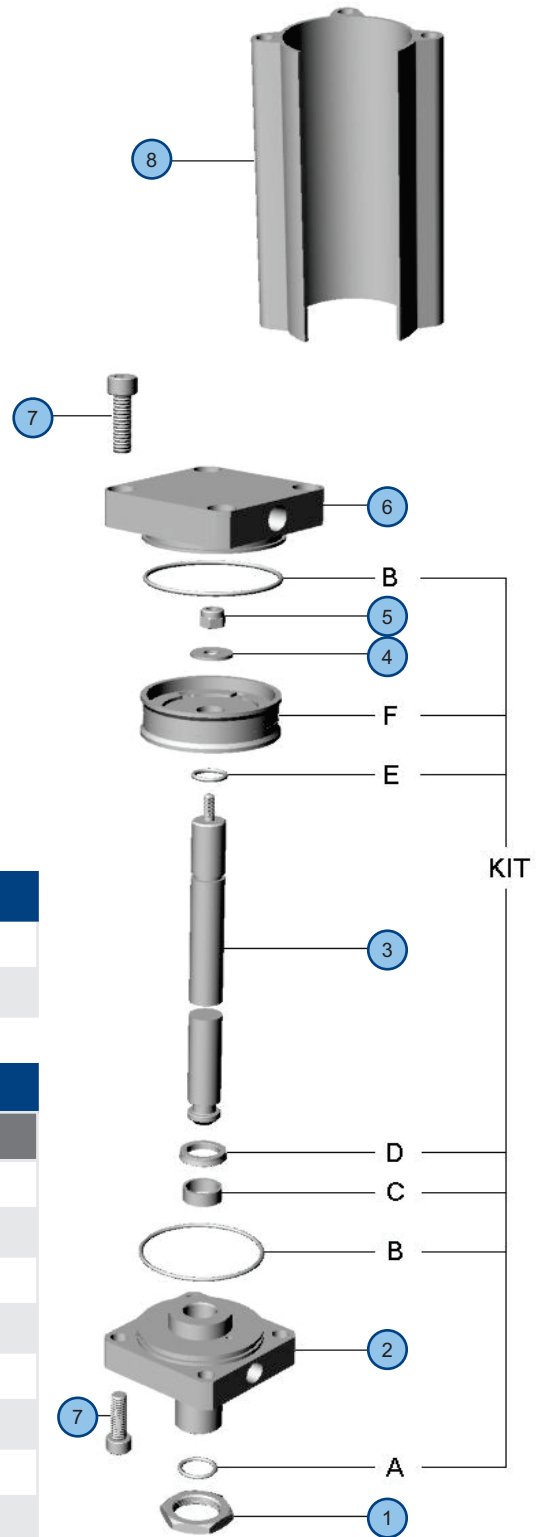
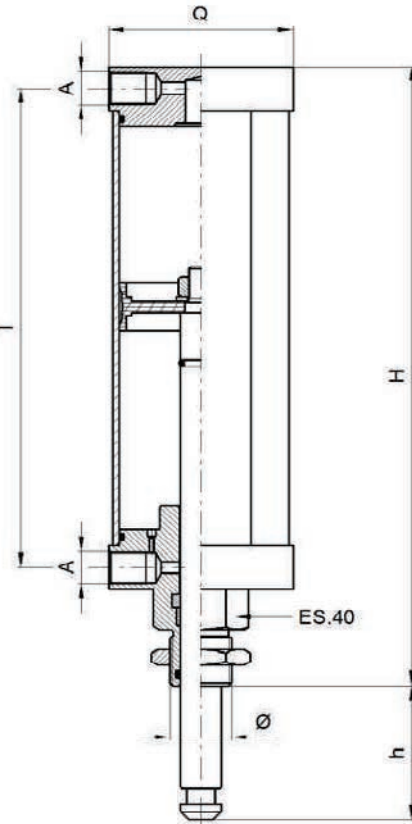
DIMENSIONS	
	4"-6"
0	M30X2
H	11"
h1	7.48"
h2	8.8"
h3	0.87"

DESCRIPTION	PART NUMBER
4"-6" Double Acting Oil Dynamic Cylinder	GD1121-4600

#	DESCRIPTION	PART NUMBER
1	SCREWED RING	GD1121-4601
2	NIPPLE	GD1121-4602
3	SEAL WASHER	GD1121-4603
4	MANIFOLD	GD1121-4604
5	STEM	GD1121-4605
6	RING	GD1121-4606
7	WASHER	GD1121-4607
8	STOPPING RING	GD1121-4608
9	CYLINDER	GD1121-4609
KIT	GASKET'S SET	GD1121-4610



VALVES Double Acting Pneumatic Cylinder



DIMENSIONS		
	4"	6"
O	M30X2	M30X2
Q	3.54"	3.54"
A	3/8"	3/8"
I	7.4"	8.11"
H	10.2"	10.9"
h	5.51"	6.18"

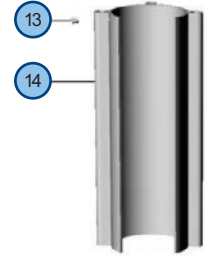
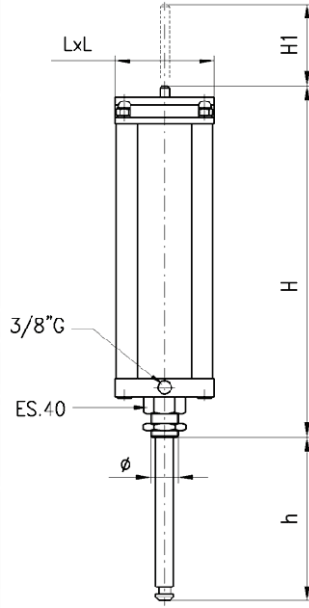
DESCRIPTION	PART NUMBER
4" Double Acting Pneumatic Cylinder	GD1122-4000
6" Double Acting Pneumatic Cylinder	GD1122-6000

#	DESCRIPTION	PART NUMBER	
		4" Cylinder	6" Cylinder
1	SCREWED RING	GD1121-4601	GD1122-4001
2	HEAD	GD1122-4002	GD1122-4002
3	STEM	GD1122-4003	GD1122-6003
4	WASHER	GD1122-4004	GD1122-4004
5	TRIBELOC NUT	GD1122-4005	GD1122-4005
6	COVER	GD1122-4006	GD1122-4006
7	SCREW	GD1122-4007	GD1122-4007
8	CYLINDER	GD1122-4008	GD1122-6008
KIT	GASKET'S SET	GD1122-4009	GD1122-4009



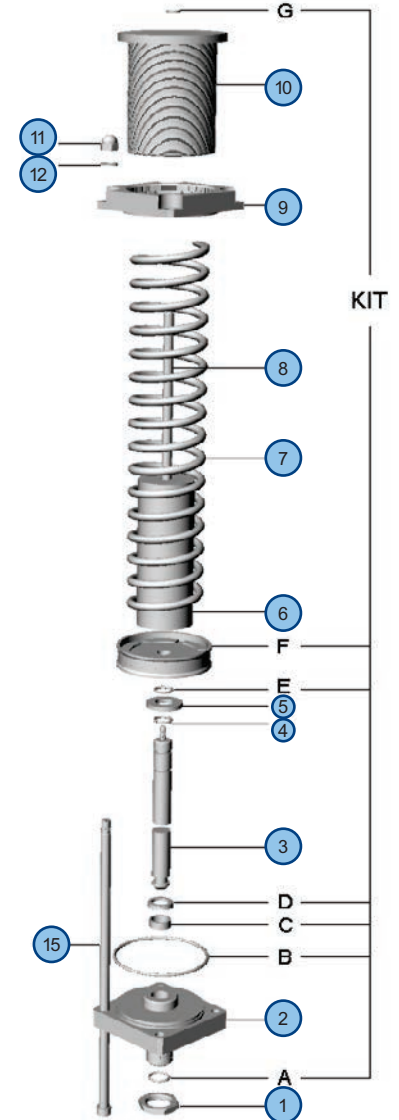
Pneumatic Cylinder and Spring

DIMENSIONS		
	4"	6"
O	M30X2	M30X2
L	4.33"	4.33"
H	13.6"	18.1"
H1	4.45"	6.57"
h		



DESCRIPTION	PART NUMBER
4" Pneumatic Cylinder and Spring	GD1123-4000
6" Pneumatic Cylinder and Spring	GD1123-6000

#	DESCRIPTION	PART NUMBER	
		4"	6"
1	SCREWED RING	GD1121-4601	GD1121-4601
2	HEAD	GD1123-4002	GD1123-4002
3	STEM	GD1123-4003	GD1123-6003
4	LOCK RING	GD1123-4004	GD1123-4004
5	BLOCKING WASHER	GD1123-4005	GD1123-4005
6	SPRINGWAY	GD1123-4006	GD1123-6006
7	SPRING	GD1123-4007	GD1123-6007
8	INDICATOR STEM	GD1123-4008	GD1123-6008
9	COAT	GD1123-4009	GD1123-4009
10	COVER OF PRE-LOAD	GD1123-4010	GD1123-6010
11	BLIND NUT	GD1123-4011	GD1123-4011
12	LOCK WASHER	GD1123-4012	GD1123-4012
13	DISCHARGE FILTER	GD1123-4013	GD1123-4013
14	CYLINDER	GD1123-4014	GD1123-6014
15	CONNECTION ROD	GD1123-4015	GD1123-6015
KIT	GASKET'S SET	GD1123-4016	GD1123-4016



COUPLERS



Male Adaptor w. Female NPT

DESCRIPTION	PART NUMBER
2"	GD2000-2000
2.5"	GD2000-2500
3"	GD2000-3000
4"	GD2000-4000
6"	GD2000-6000



Female Coupler w. Male NPT

DESCRIPTION	PART NUMBER
2"	GD2001-2000
2.5"	GD2001-2500
3"	GD2001-3000
4"	GD2001-4000
6"	GD2001-6000



Female Coupler w. Hose Shank

DESCRIPTION	PART NUMBER
2"	GD2002-2000
2.5"	GD2002-2500
3"	GD2002-3000
4"	GD2002-4000
6"	GD2002-6000



Female Coupler w. Female NPT

DESCRIPTION	PART NUMBER
2"	GD2003-2000
2.5"	GD2003-2500
3"	GD2003-3000
4"	GD2003-4000
6"	GD2003-6000

COUPLERS



Male Adapter w. Hose Shank

DESCRIPTION	PART NUMBER
2"	GD2004-2000
2.5"	GD2004-2500
3"	GD2004-3000
4"	GD2004-4000
6"	GD2004-6000



Dust Cap

DESCRIPTION	PART NUMBER
2"	GD2021-2000
2.5"	GD2021-2500
3"	GD2021-3000
4"	GD2021-4000
6"	GD2021-6000



Male Adapter w. Male NPT

DESCRIPTION	PART NUMBER
2"	GD2005-2000
2.5"	GD2005-2500
3"	GD2005-3000
4"	GD2005-4000
6"	GD2005-6000



Coupler Reducer

DESCRIPTION	PART NUMBER
3"-2"	GD2023-3002
4"-3"	GD2023-4003
6"-3"	GD2023-6003
6"-4"	GD2023-6004

COUPLERS

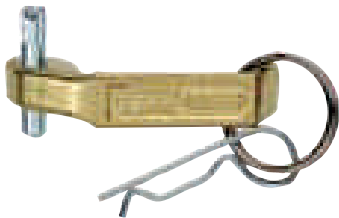


Dust Cap Safety Chain

DESCRIPTION	PART NUMBER
6"	GD2051-6000
12"	GD2051-1200

Dust Plug

DESCRIPTION	PART NUMBER
2"	GD2022-2000
3"	GD2022-3000
4"	GD2022-4000
6"	GD2022-6000



Brass Cam Lever Arm Replacement w.Finger Ring & Pin

DESCRIPTION	PART NUMBER
1 1/4"-2 1/2"	GD2050-2000
3"-5"	GD2050-3500
6"	GD2050-6000
8"	GD2050-8000



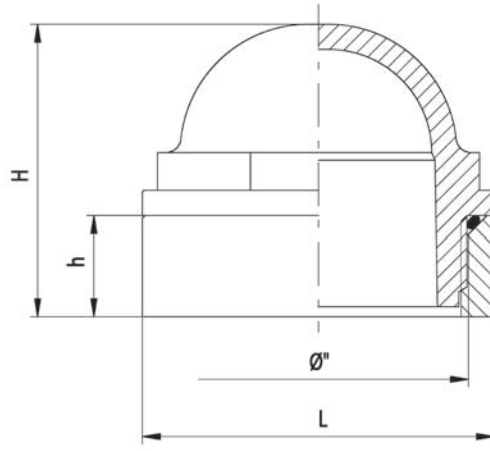
Camlock Gasket

DESCRIPTION	PART NUMBER
2"	GD2024-2000
3"	Gd2024-3000
4"	GD2024-4000
6"	GD2023-6000

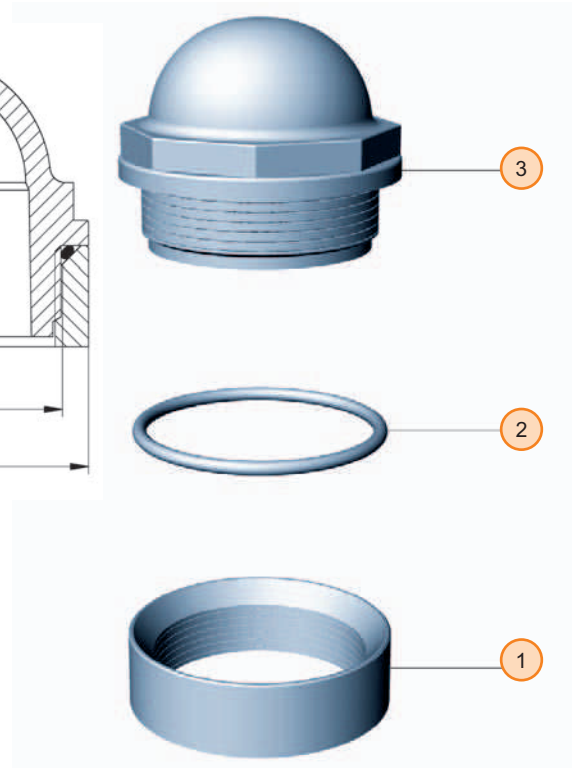
LOAD LEVEL INDICATORS



Plastic Level Indicator w. Steel Ring



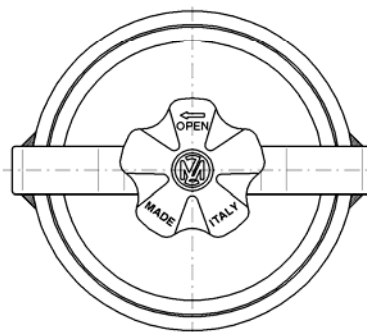
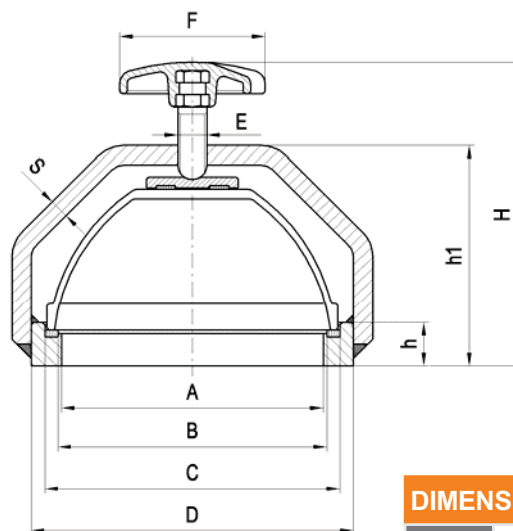
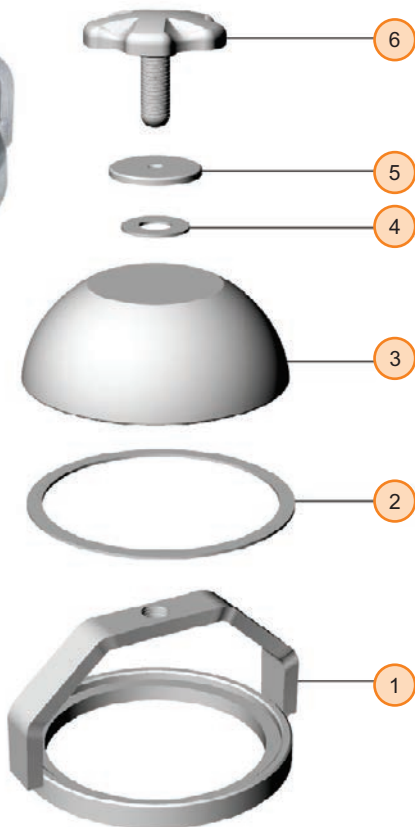
DIMENSIONS		
Ø"	2"	3"
H	2.13"	3.35"
h	0.79"	0.98"
L	2.76"	3.94"



DESCRIPTION	PART NUMBER
2" Plastic Level Indicator w. Steel Ring	GD3000-2000
3" Plastic Level Indicator w. Steel Ring	GD3000-3000

#	DESCRIPTION	PART NUMBER	PART NUMBER
		2"	3"
1	SCREWED RING	GD3000-2001	GD3000-3001
2	O-RING	GD3000-2002	GD3000-3002
3	INSPECTION GLASS	GD3000-2003	GD3000-3003

LOAD LEVEL INDIC.



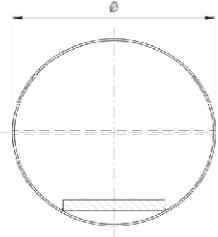
DIMENSIONS

A	4.02"
B	4.33"
C	4.85"
D	5.24"
E	M12
F	2.36"
h	0.98"
h1	3.94"
H	5.12"
S	0.39"

4" Glass Level Indicator w. Steel Ring

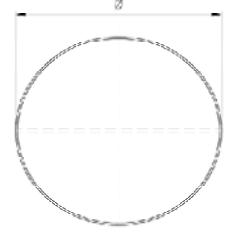
DESCRIPTION	PART NUMBER
4" Glass Level Indicator w. Steel Ring	GD3001-4000

#	DESCRIPTION	PART NUMBER
1	RING WITH CLEVIS	GD3001-4001
2	GASKET	GD3001-4002
3	INSPECTION GLASS	GD3001-4003
4	GASKET	GD3001-4004
5	PLATE	GD3001-4005
6	HAND WHEEL	GD3001-4006



DIMENSIONS

0	6"	8"
---	----	----



DIMENSIONS

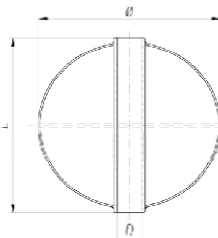
0	4"	6"	8"
---	----	----	----

Floating AISI 304 Stainless Steel Ball with Sand

DESCRIPTION	PART NUMBER
6" Floating AISI 304 Stainless Steel Ball with Sand	GD3023-6000
8" Floating AISI 304 Stainless Steel Ball with Sand	GD3023-8000

Floating AISI 304 Stainless Steel Ball

DESCRIPTION	PART NUMBER
4" Floating AISI 304 Stainless Steel Ball	GD3021-4000
6" Floating AISI 304 Stainless Steel Ball	GD3021-6000
8" Floating AISI 304 Stainless Steel Ball	GD3021-8000



DIMENSIONS

D	0.5"	0.5"
L	6.1"	8.1"

Floating AISI 304 Stainless Steel Ball with Hole

DESCRIPTION	PART NUMBER
6" Floating AISI 304 Stainless Steel Ball with Hole	GD3022-6000
8" Floating AISI 304 Stainless Steel Ball with Hole	GD3022-8000



4 1/2" Vacuum Pressure Gauge

DESCRIPTION	PART NUMBER
4 1/2" Vacuum Pressure Gauge	GD3030-4500

LOAD LEVEL INDIC.

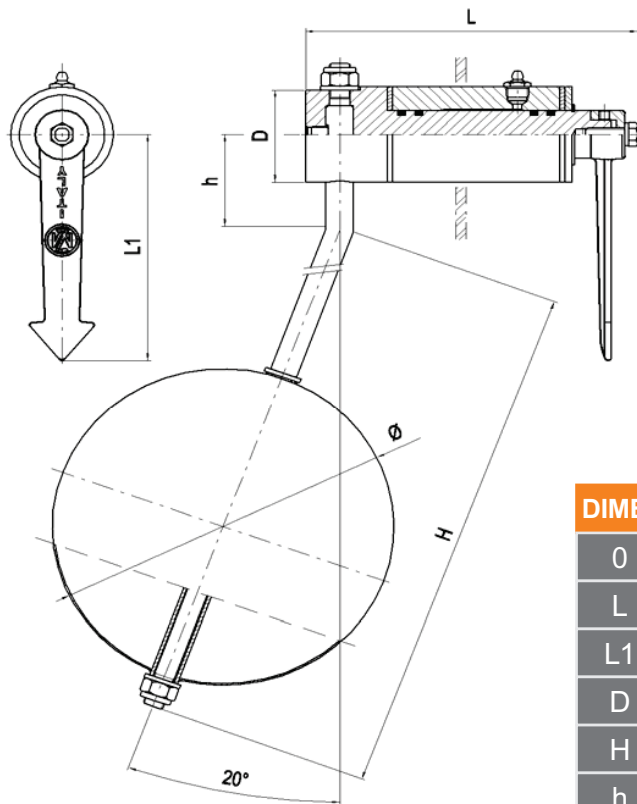
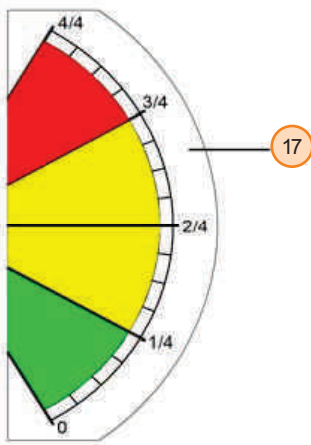
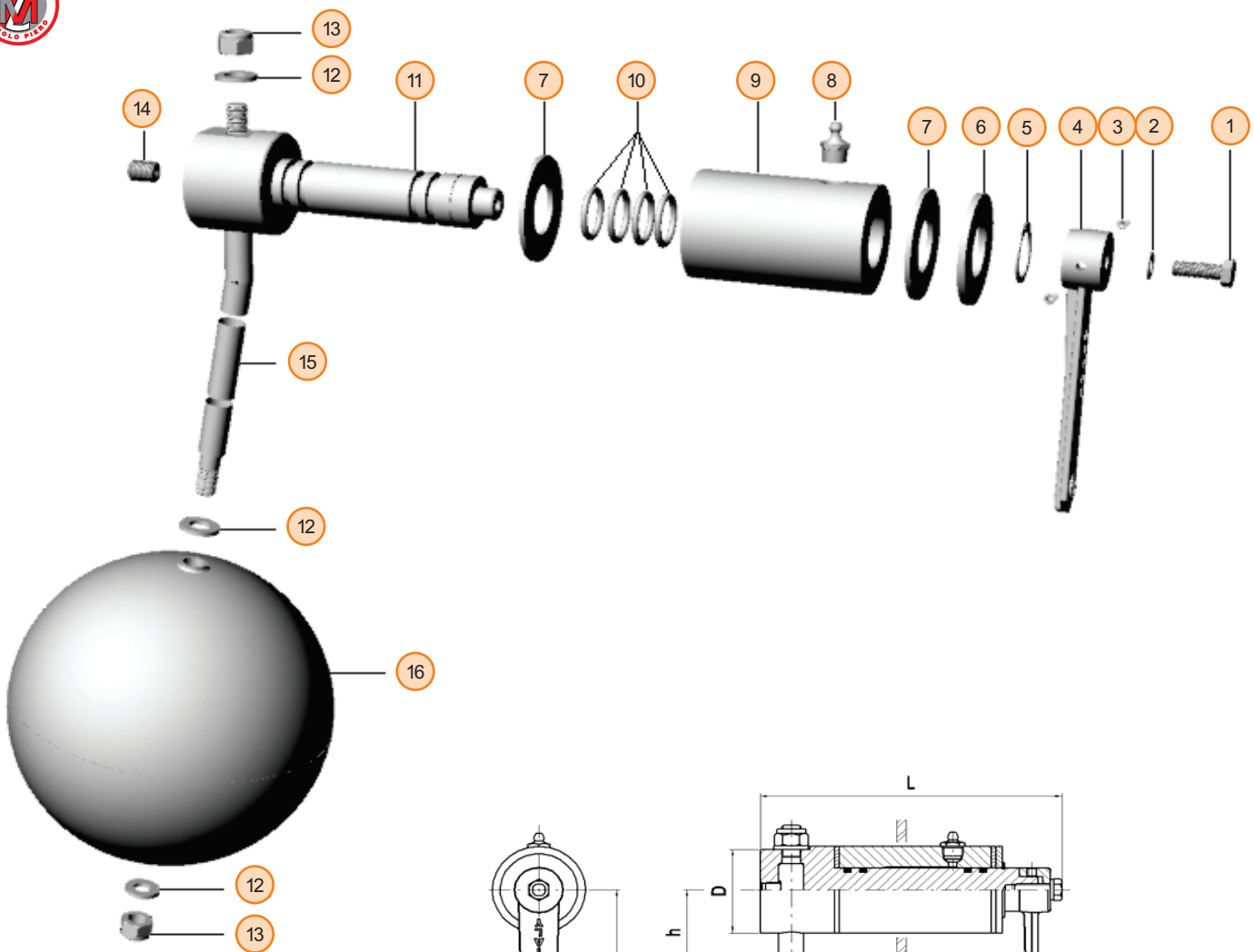
LOAD LEVEL INDICATORS



Stainless Steel Level Indicator

DESCRIPTION	PART NUMBER
Stainless Steel Level Indicator	GD3025-0000

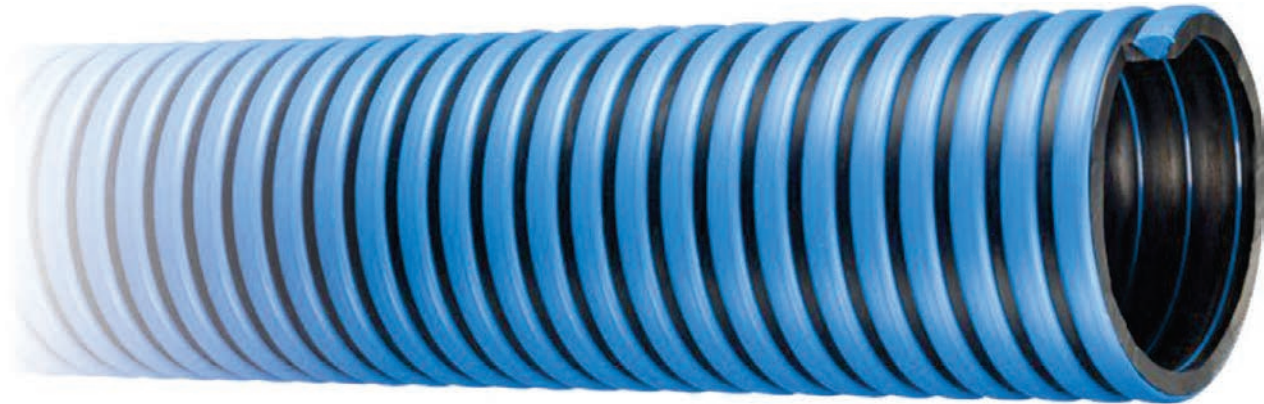
#	DESCRIPTION	PART NUMBER
1	SCREW	GD3025-0001
2	WASHER	GD3025-0002
3	SCREW	GD3025-0003
4	INDICATOR LEVER	GD3025-0004
5	ELASTIC RING	GD3025-0005
6	WASHER	GD3025-0006
7	WASHER	GD3025-0007
8	GREASE NIPPLE	GD3025-0008
9	BUSH	GD3025-0009
10	O-RING	GD3025-0010
11	SHAFT	GD3025-0011
12	WASHER	GD3025-0012
13	SELF-LOCKING NUT	GD3025-0013
14	SCREW S.T.E.I	GD3025-0014
15	STEM	GD3025-0015
16	BALL WITH HOLE	GD3022-8000
17	GRADUATED LEVEL	GD3025-0017



DIMENSIONS	
0	7.87"
L	7.64"
L1	5.5"
D	2.36"
H	~35.4"
h	2.36"

LOAD LEVEL INDIC.

HOSES



Tigerflex Hose

DESCRIPTION	PART NUMBER
2" Tigerflex Hose	GD4000-2000
2 1/2" Tigerflex Hose	GD4000-2500
3" Tigerflex Hose	GD4000-3000
4" Tigerflex Hose	GD4000-4000
6" Tigerflex Hose	GD4000-6000



2" Tiger Flex Blue Water hose

DESCRIPTION	PART NUMBER
2" Tiger Flex Blue Water hose	GD4001-2000



1.5" Food Grade Hose

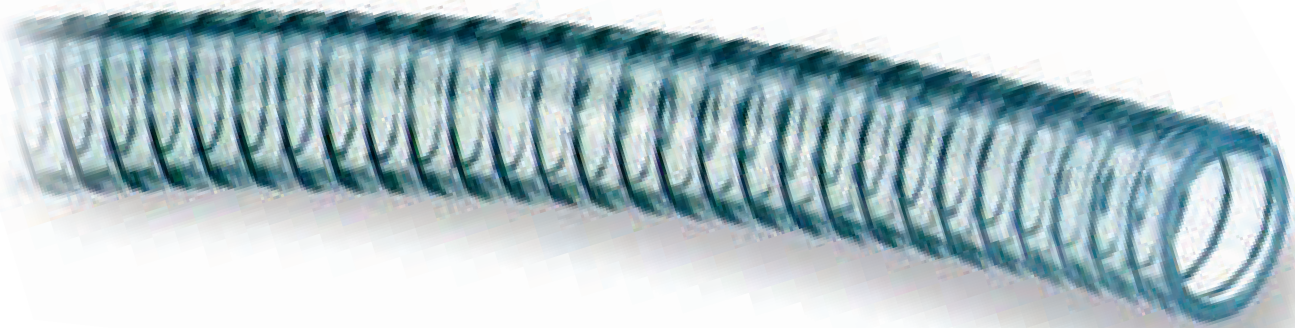
DESCRIPTION	PART NUMBER
1.5" Food Grade Hose	GD4008-1500



220 RS Black Rubber Hose

DESCRIPTION	PART NUMBER
2" 220 RS Black Rubber Hose	GD4002-2000
3" 220 RS Black Rubber Hose	GD4002-3000
4" 220 RS Black Rubber Hose	GD4002-4000
6" 220 RS Black Rubber Hose	GD4002-6000

HOSES



1" Clear Plastic Hose c/w Spring

DESCRIPTION	PART NUMBER
1" Clear Plastic Hose c/w Spring	GD4009-1000



3" Hard Rubber - Pump Muffler Hose

DESCRIPTION	PART NUMBER
3" Hard Rubber - Pump Muffler Hose	GD4010-3000



5/8" Heater Hose

DESCRIPTION	PART NUMBER
5/8" Heater Hose	GD4011-0058



Heavy Duty Bolt Clamp

DESCRIPTION	PART NUMBER
Heavy Duty Bolt Clamp 31mm-34mm	GD4021-0001
Heavy Duty Bolt Clamp 34mm-37mm	GD4021-0002
Heavy Duty Bolt Clamp 37mm-40mm	GD4021-0003
Heavy Duty Bolt Clamp 47mm-51mm	GD4021-0004
Heavy Duty Bolt Clamp 51mm-55mm	GD4021-0005
Heavy Duty Bolt Clamp 55mm-59mm	GD4021-0018
Heavy Duty Bolt Clamp 59mm-63mm	GD4021-0006
Heavy Duty Bolt Clamp 63mm-68mm	GD4021-0007
Heavy Duty Bolt Clamp 73mm-79mm	GD4021-0008
Heavy Duty Bolt Clamp 85mm-91mm	GD4021-0009
Heavy Duty Bolt Clamp 91mm-97mm	GD4021-0010
Heavy Duty Bolt Clamp 130mm-140mm	GD4021-0011
Heavy Duty Bolt Clamp 140mm-150mm	GD4021-0012
Heavy Duty Bolt Clamp 150mm-162mm	GD4021-0013
Heavy Duty Bolt Clamp 162mm-174mm	GD4021-0014
Heavy Duty Bolt Clamp 174mm-187mm	GD4021-0015
Heavy Duty Bolt Clamp 200mm-213mm	GD4021-0016
Heavy Duty Bolt Clamp 213mm-226mm	GD4021-0017

HOSES



Punch Clamp

DESCRIPTION	PART NUMBER
Punch Clamp 2.5"	GD4022-2500
Punch Clamp 3"	GD4022-3000
Punch Clamp 3.5"	GD4022-3500
Punch Clamp 4.5"	GD4022-4500
Punch Clamp 8"	GD4022-8000
Punch Clamp 9"	GD4022-9000



Jump Size

DESCRIPTION	PART NUMBER
1/2" Jump Size	GD4041-0500



Galvanized Steel Combination Nipple

DESCRIPTION	PART NUMBER
1" Galvanized Steel Combination Nipple	GD4040-1000
1.5" Galvanized Steel Combination Nipple	GD4040-1500
2" Galvanized Steel Combination Nipple	GD4040-2000
3" Galvanized Steel Combination Nipple	GD4040-3000



Hose Mender

DESCRIPTION	PART NUMBER
2" Hose Mender	GD4042-2000
3" Hose Mender	GD4042-3000
4" Hose Mender	GD4042-4000
6" Hose Mender	GD4042-6000

PUMPS



Wallenstein 151 HRVO

DESCRIPTION	PART NUMBER
Wallenstein 151 HRVO Vacuum Pump - Clockwise Rotation	GD5013-0151

#	DESCRIPTION	PART NUMBER
1	Cap Screw Hex 1/4" x 1"	GD5000-0001
2	Oil Seal	GD5013-0001
3	Locknut	GD5013-0002
4	Lockwasher	GD5013-0003
5	Ball Bearing	GD5013-0004
6	Retaining Ring	GD5013-0005
7	Endplate (Drive)	GD5013-0006
8	Spacer Ring	GD5013-0007
9	Rotor CW	GD5013-0008
10	Vanes	GD5013-0009
11	Bearing Race	GD5013-0010
12	Retaining Ring	GD5013-0011
13	Housing	GD5013-0012
14	Roller Bearing	GD5013-0013
15	Endplate (Rear)	GD5013-0014
16	Oil Seal	GD5013-0015
17	Taper Pin	GD5013-0016
18	Cap Screw Hex 1/4" x 3/8"	GD5000-0010
19	Expansion Plug	GD5013-0017



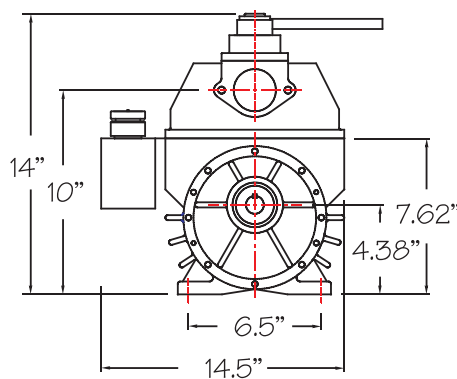
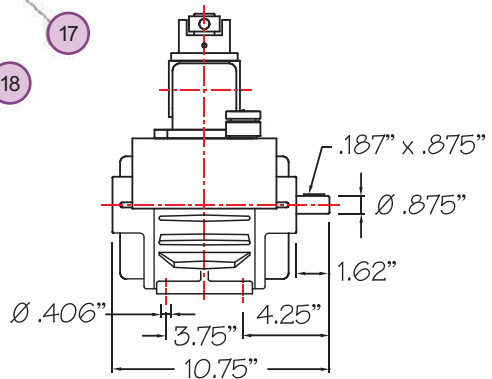
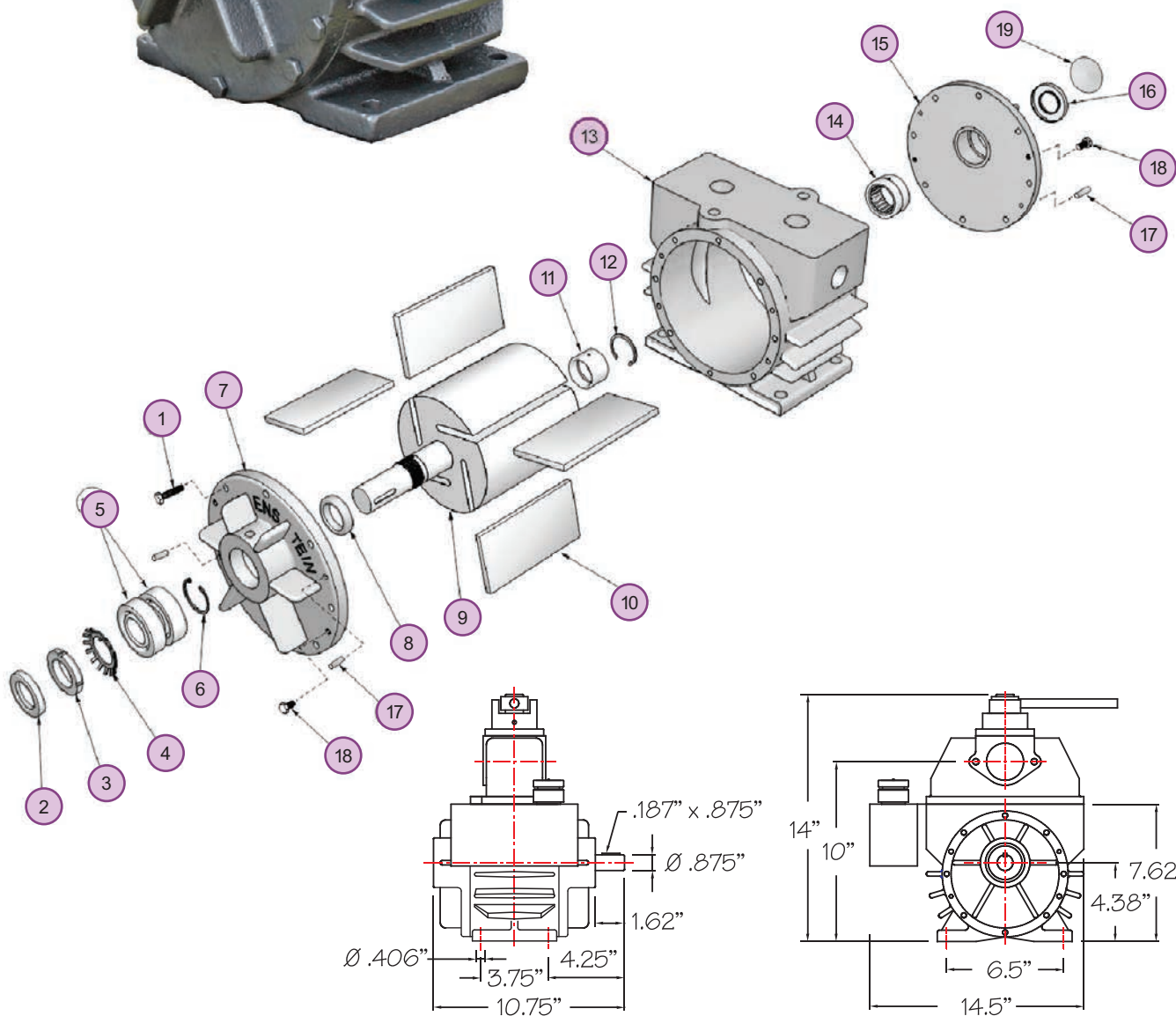
Wallenstein 151 HRVO

CFM Rating

80 @ 1750 RPM @ 15" Hg, 27" Hg capable

Features:

- 2" Vacuum / Pressure Valve
- Swivel Elbows for easy hookup
- Air Pressure or Mechanical Lubrication
- Direct, Hydraulic, Pulley or Clutch Drive
- Clockwise Rotation



PUMPS



Wallenstein 151 HVO

DESCRIPTION	PART NUMBER
Wallenstein 151 HVO Vacuum Pump - Counter Clockwise Rotation	GD5014-0151

#	DESCRIPTION	PART NUMBER
1	Cap Screw Hex 1/4" x 1"	GD5000-0001
2	Oil Seal	GD5013-0001
3	Locknut	GD5013-0002
4	Lockwasher	GD5013-0003
5	Ball Bearing	GD5013-0004
6	Retaining Ring	GD5013-0005
7	Endplate (Drive)	GD5013-0006
8	Spacer Ring	GD5013-0007
9	Rotor CW	GD5013-0008
10	Vanes	GD5013-0009
11	Bearing Race	GD5013-0010
12	Retaining Ring	GD5013-0011
13	Housing	GD5013-0012
14	Roller Bearing	GD5013-0013
15	Endplate (Rear)	GD5013-0014
16	Oil Seal	GD5013-0015
17	Taper Pin	GD5013-0016
18	Cap Screw Hex 1/4" x 3/8"	GD5000-0010
19	Expansion Plug	GD5013-0017



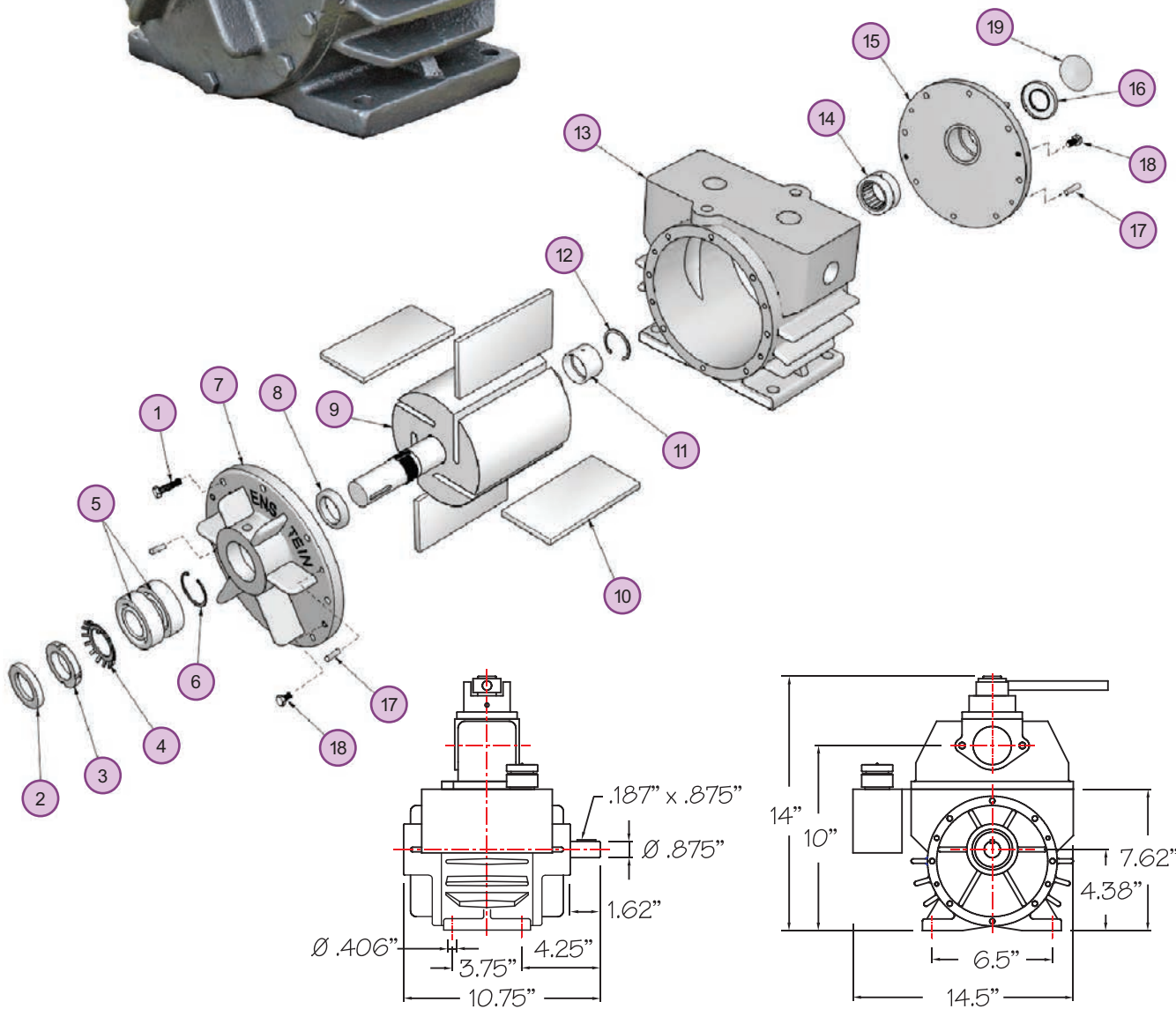
Wallenstein 151 HVO

CFM Rating

80 @ 1750 RPM @ 15" Hg, 27" Hg capable

Features:

- 2" Vacuum / Pressure Valve
- Swivel Elbows for easy hookup
- Air Pressure or Mechanical Lubrication
- Direct, Hydraulic, Pulley or Clutch Drive
- Counter-Clockwise Rotation



PUMPS



Wallenstein 202HRVOA

DESCRIPTION		PART NUMBER
Wallenstein 202HRVOA Air Cooled - Vacuum Pump - Clockwise Rotation		GD5011-0202
#	DESCRIPTION	PART NUMBER
1	Cap Screw Hex 1/4" x 1"	GD5000-0001
2	Oil Seal Front & Rear	GD5000-0002
3	Bearing End Cap	GD5000-0003
4	Locknut	GD5000-0004
5	Lockwasher	GD5000-0005
6	Ball Bearing	GD5000-0006
7	Spacer Ring	GD5000-0007
8	Retaining Ring	GD5000-0008
9	Taper Pin #5 1"	GD5000-0009
10	Cap Screw Hex 1/4" x 3/8"	GD5000-0010
11	Endplate Drive	GD5000-0011
12	Vanes	GD5011-001
13	Rotor CCW (HRA)	GD5011-002
14	Housing	GD5011-003
15	Endplate Rear	GD5000-0015
16	Roller Bearing	GD5000-0016
17	Bearing Race	GD5000-0017
18	Retaining Ring	GD5000-0018
19	Pipe Plug Socket 1/8"	GD5007-0004
20	Fan	GD5000-0020
21	Fan Shroud 1 Piece	GD5000-0021
22	Shroud Mounting Clips S.S.	GD5000-0022
23	Set Screw 1/4" x 3/4"	GD5000-0023
24	Set Screw 1/4" x 1/2"	GD5000-0024
25	Machine Screw S.S. 3/8"	GD5000-0025
26	Flange Gasket	GD5007-0005
27	Flange Adaptor Plate	GD5007-0006
28	2" NPT Male Flange Adaptor	GD5007-0007
29	Cap Screw Hex 5/16" x 3/4"	GD5007-0008
30	Lockwasher 5/16"	GD5007-0009

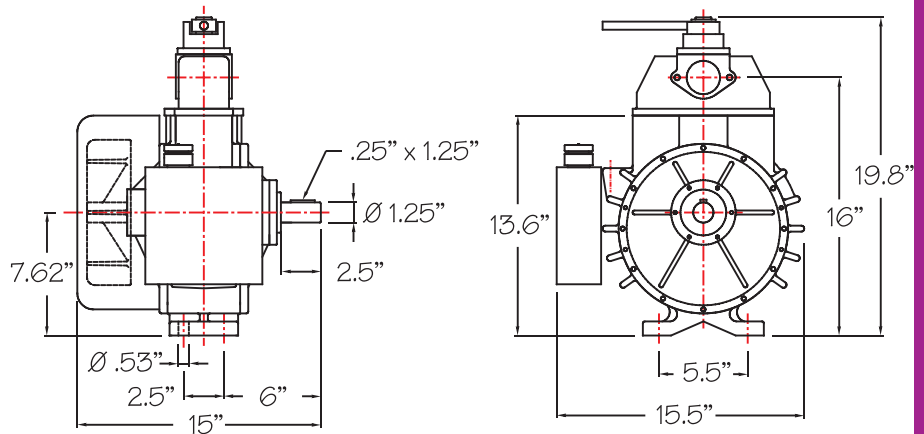
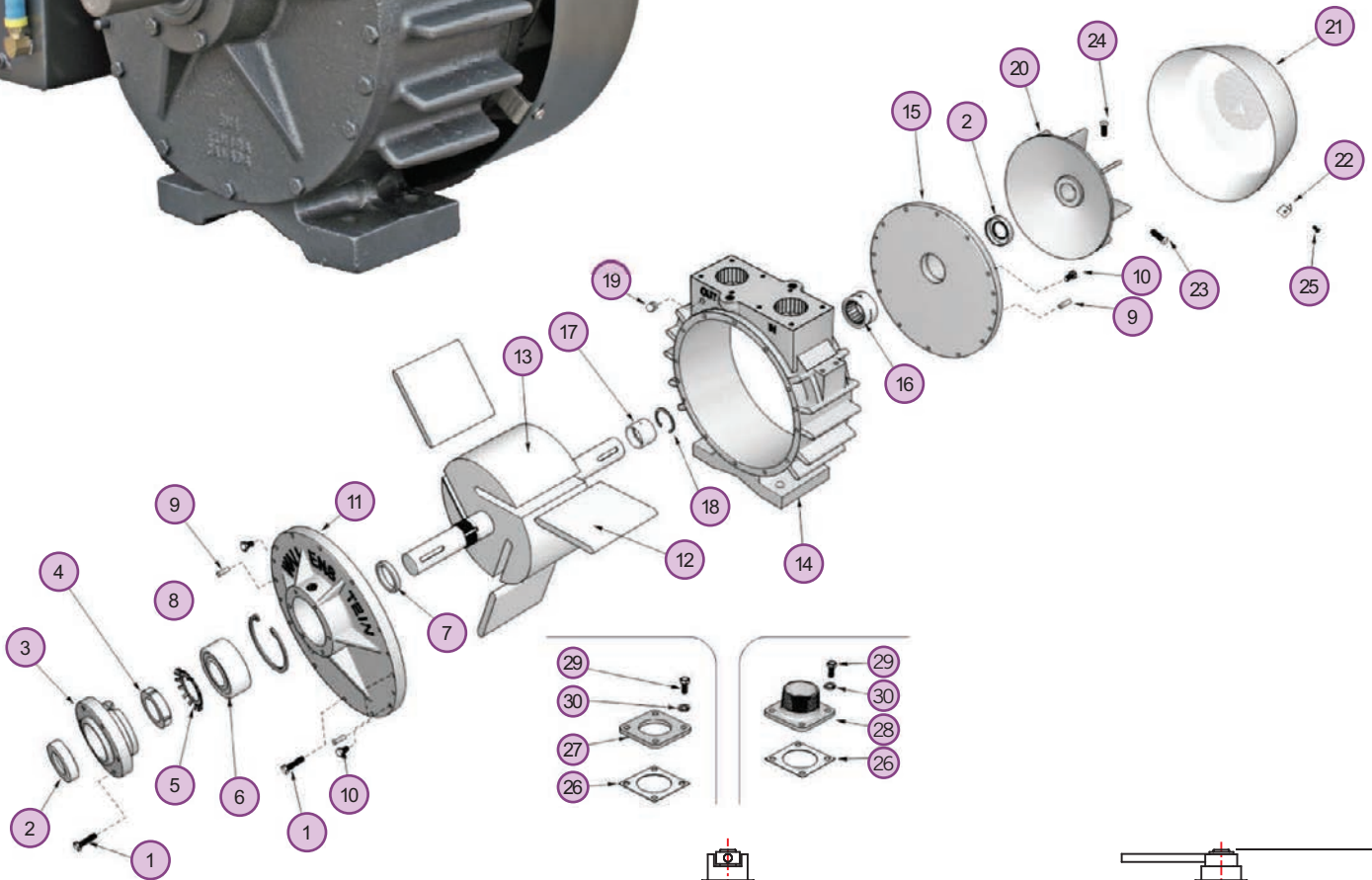
Wallenstein 202HRVOA

CFM Rating

115 @ 1150 RPM @ 15" Hg, 27" Hg capable

Features:

- 2" Vacuum / Pressure Valve
- Swivel Elbows for easy hookup
- Air Pressure or Mechanical Lubrication
- Direct, Hydraulic, or Pulley Drive
- Clockwise Rotation



PUMPS



Wallenstein 202HVOA

DESCRIPTION		PART NUMBER
Wallenstein 202HVOA Air Cooled - Vacuum Pump - Counter Clockwise Rotation		GD5012-0202
#	DESCRIPTION	PART NUMBER
1	Cap Screw Hex 1/4" x 1"	GD5000-0001
2	Oil Seal Front & Rear	GD5000-0002
3	Bearing End Cap	GD5000-0003
4	Locknut	GD5000-0004
5	Lockwasher	GD5000-0005
6	Ball Bearing	GD5000-0006
7	Spacer Ring	GD5000-0007
8	Retaining Ring	GD5000-0008
9	Taper Pin #5 1"	GD5000-0009
10	Cap Screw Hex 1/4" x 3/8"	GD5000-0010
11	Endplate Drive	GD5000-0011
12	Vanes	GD5011-001
13	Rotor CCW (HA)	GD5012-001
14	Housing	GD5011-003
15	Endplate Rear	GD5000-0015
16	Roller Bearing	GD5000-0016
17	Bearing Race	GD5000-0017
18	Retaining Ring	GD5000-0018
19	Pipe Plug Socket 1/8"	GD5007-0004
20	Fan	GD5000-0020
21	Fan Shroud 1 Piece	GD5000-0021
22	Shroud Mounting Clips S.S.	GD5000-0022
23	Set Screw 1/4" x 3/4"	GD5000-0023
24	Set Screw 1/4" x 1/2"	GD5000-0024
25	Machine Screw S.S. 3/8"	GD5000-0025
26	Flange Gasket	GD5007-0005
27	Flange Adaptor Plate	GD5007-0006
28	2" NPT Male Flange Adaptor	GD5007-0007
29	Cap Screw Hex 5/16" x 3/4"	GD5007-0008
30	Lockwasher 5/16"	GD5007-0009

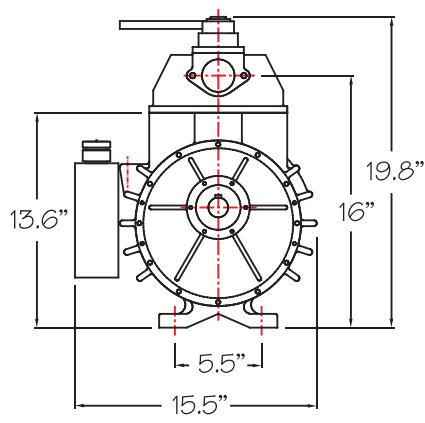
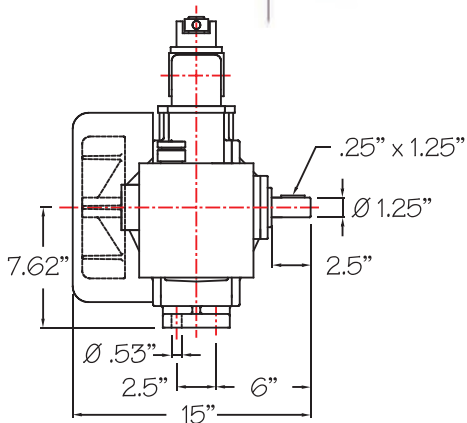
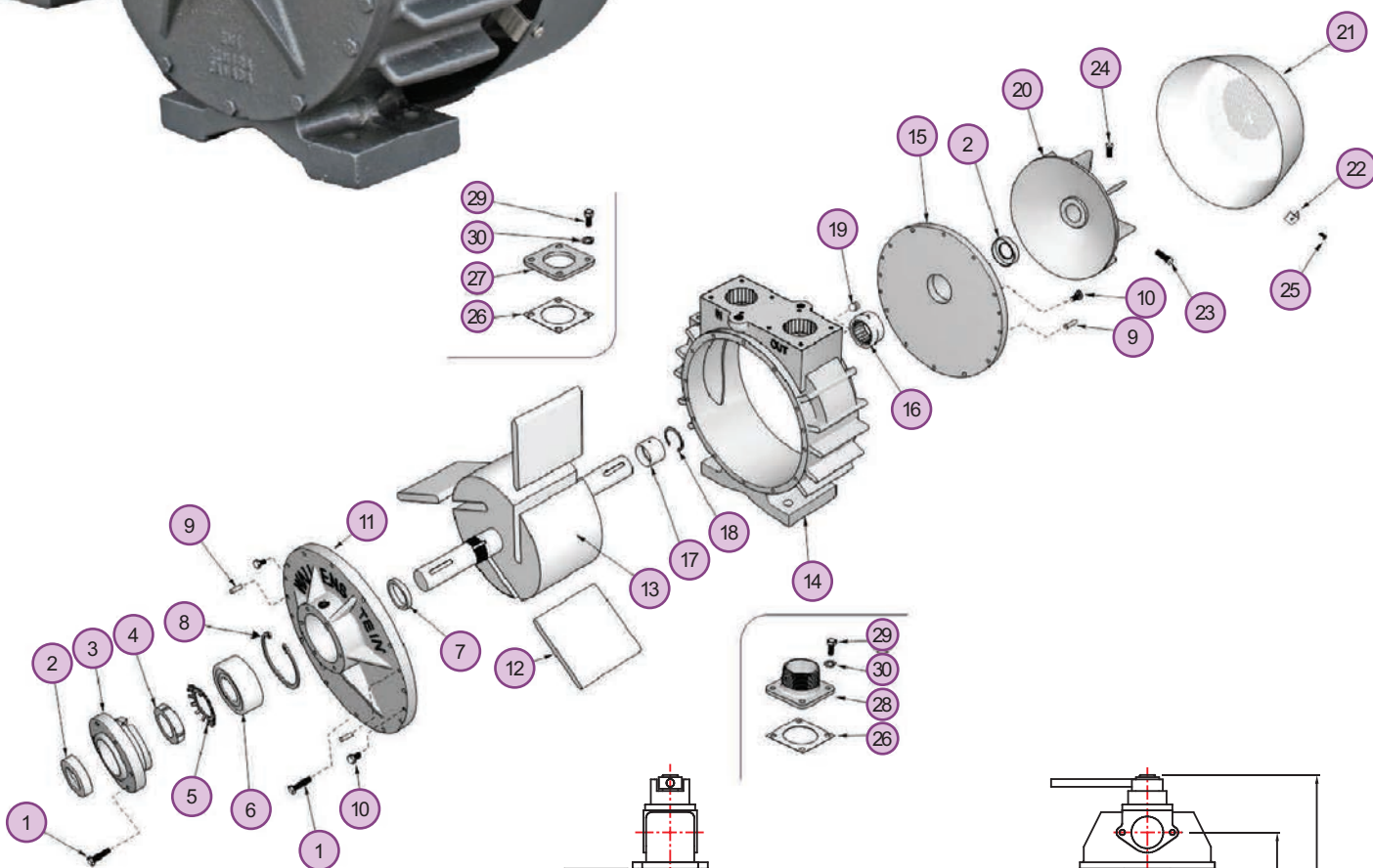
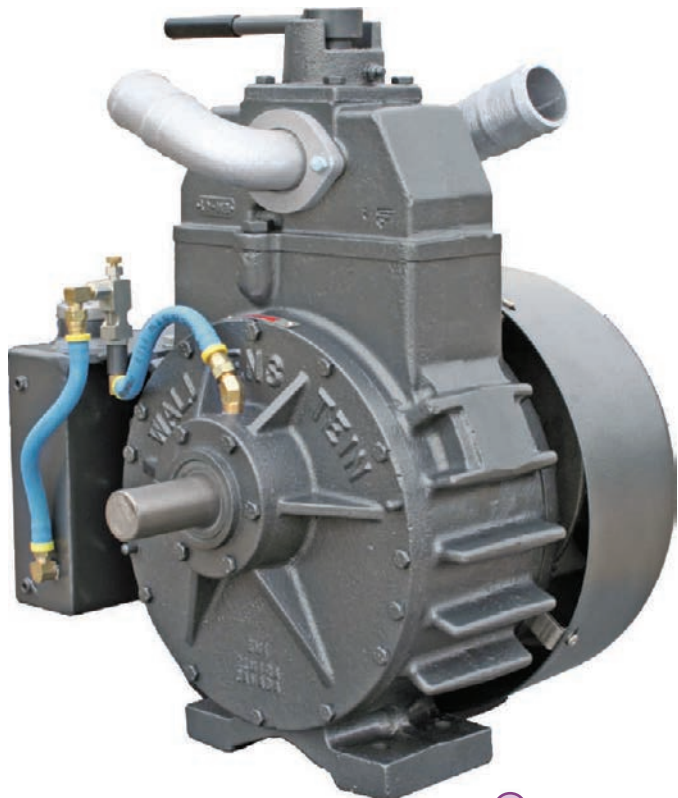
Wallenstein 202HVOA

CFM Rating

115 @ 1150 RPM @ 15" Hg, 27" Hg capable

Features:

- 2" Vacuum / Pressure Valve
- Swivel Elbows for easy hookup
- Air Pressure or Mechanical Lubrication
- Direct, Hydraulic, or Pulley Drive
- Counter-Clockwise Rotation



PUMPS



Wallenstein 302HRVOA

DESCRIPTION		PART NUMBER
Wallenstein 302HRVOA Air Cooled - Vacuum Pump - Clockwise Rotation		GD5009-0302
#	DESCRIPTION	PART NUMBER
1	Cap Screw Hex 1/4" x 1"	GD5000-0001
2	Oil Seal Front & Rear	GD5000-0002
3	Bearing End Cap	GD5000-0003
4	Locknut	GD5000-0004
5	Lockwasher	GD5000-0005
6	Ball Bearing	GD5000-0006
7	Spacer Ring	GD5000-0007
8	Retaining Ring	GD5000-0008
9	Taper Pin #5 1"	GD5000-0009
10	Cap Screw Hex 1/4" x 3/8"	GD5000-0010
11	Endplate Drive	GD5000-0011
12	Vanes	GD5009-0001
13	Rotor HRA CW	GD5009-0002
14	Housing 302	GD5009-0003
15	Endplate Rear	GD5000-0015
16	Roller Bearing	GD5000-0016
17	Bearing Race	GD5000-0017
18	Retaining Ring	GD5000-0018
19	Pipe Plug Socket 1/8"	GD5007-0004
20	Fan	GD5000-0020
21	Fan Shroud 1 Piece	GD5000-0021
22	Shroud Mounting Clips S.S.	GD5000-0022
23	Set Screw 1/4" x 3/4"	GD5000-0023
24	Set Screw 1/4" x 1/2"	GD5000-0024
25	Machine Screw S.S. 3/8"	GD5000-0025
26	Flange Gasket	GD5007-0005
27	Flange Adaptor Plate	GD5007-0006
28	2" NPT Male Flange Adaptor	GD5007-0007
29	Cap Screw Hex 5/16" x 3/4"	GD5007-0008
30	Lockwasher 5/16"	GD5007-0009

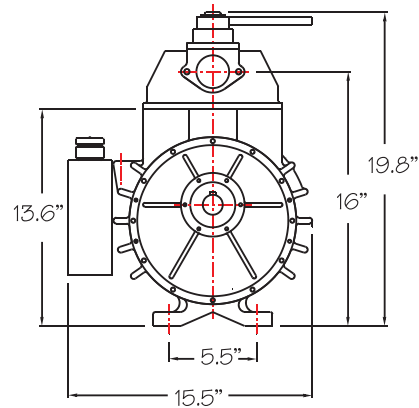
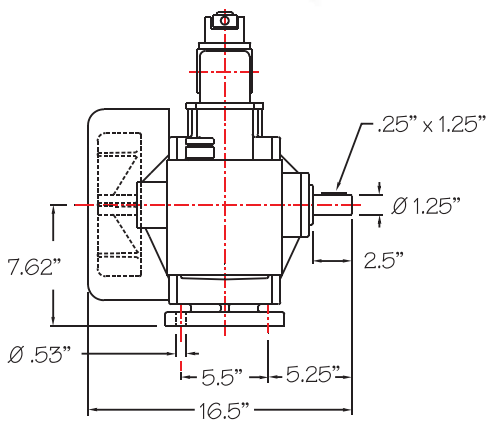
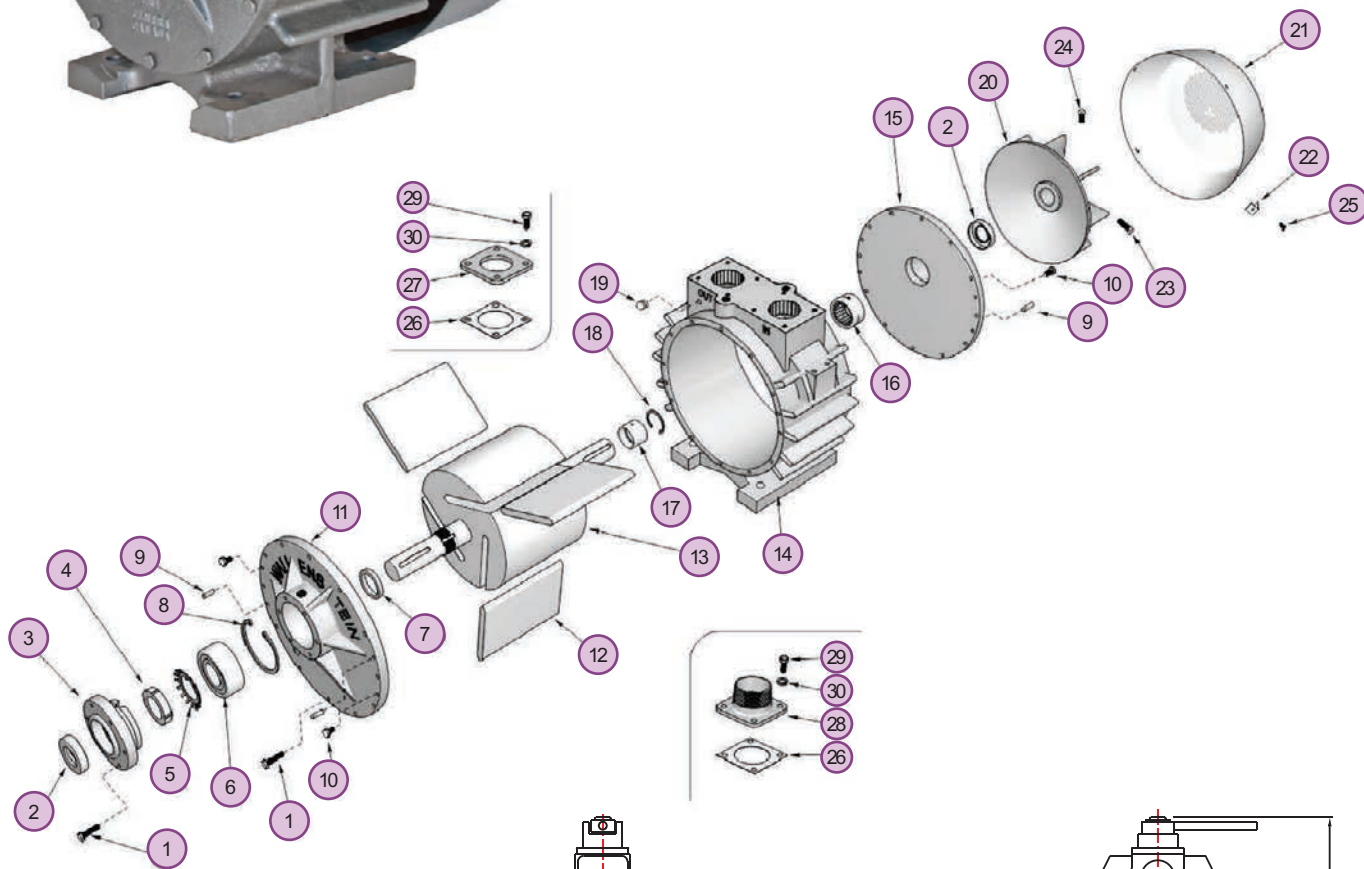
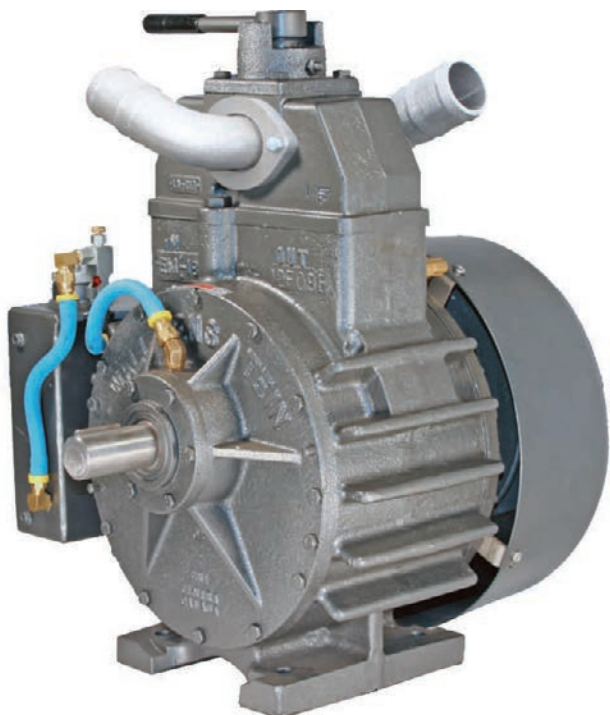
Wallenstein 302HRVOA

CFM Rating

165 @ 1150 RPM @ 15" Hg, 27" Hg capable

Features:

- 2" Vacuum / Pressure Valve
- Swivel Elbows for easy hookup
- Air Pressure or Mechanical Lubrication
- Direct, Hydraulic, or Pulley Drive
- Clockwise Rotation



PUMPS



Wallenstein 302HVOA

DESCRIPTION		PART NUMBER
Wallenstein 302HVOA Air Cooled - Vacuum Pump - Counter Clockwise Rotation		GD5010-0302
#	DESCRIPTION	PART NUMBER
1	Cap Screw Hex 1/4" x 1"	GD5000-0001
2	Oil Seal Front & Rear	GD5000-0002
3	Bearing End Cap	GD5000-0003
4	Locknut	GD5000-0004
5	Lockwasher	GD5000-0005
6	Ball Bearing	GD5000-0006
7	Spacer Ring	GD5000-0007
8	Retaining Ring	GD5000-0008
9	Taper Pin #5 1"	GD5000-0009
10	Cap Screw Hex 1/4" x 3/8"	GD5000-0010
11	Endplate Drive	GD5000-0011
12	Vanes	GD5009-0001
13	Rotor HA CCW	GD5010-0001
14	Housing 302	GD5009-0003
15	Endplate Rear	GD5000-0015
16	Roller Bearing	GD5000-0016
17	Bearing Race	GD5000-0017
18	Retaining Ring	GD5000-0018
19	Pipe Plug Socket 1/8"	GD5007-0004
20	Fan	GD5000-0020
21	Fan Shroud 1 Piece	GD5000-0021
22	Shroud Mounting Clips S.S.	GD5000-0022
23	Set Screw 1/4" x 3/4"	GD5000-0023
24	Set Screw 1/4" x 1/2"	GD5000-0024
25	Machine Screw S.S. 3/8"	GD5000-0025
26	Flange Gasket	GD5007-0005
27	Flange Adaptor Plate	GD5007-0006
28	2" NPT Male Flange Adaptor	GD5007-0007
29	Cap Screw Hex 5/16" x 3/4"	GD5007-0008
30	Lockwasher 5/16"	GD5007-0009

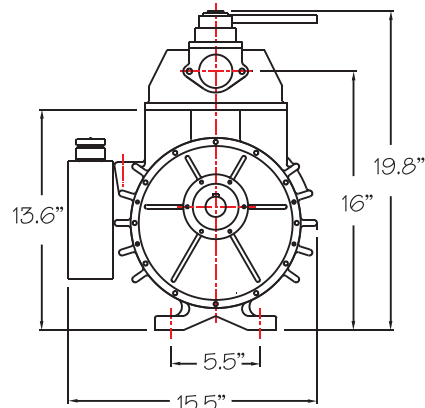
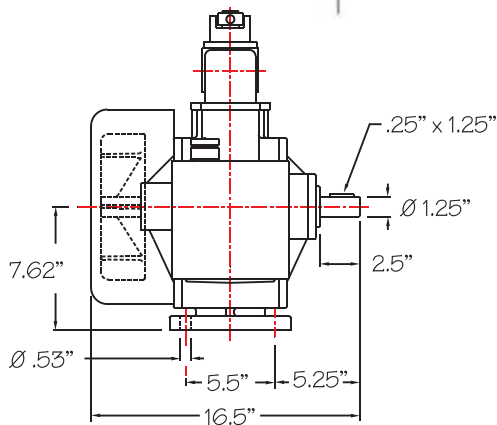
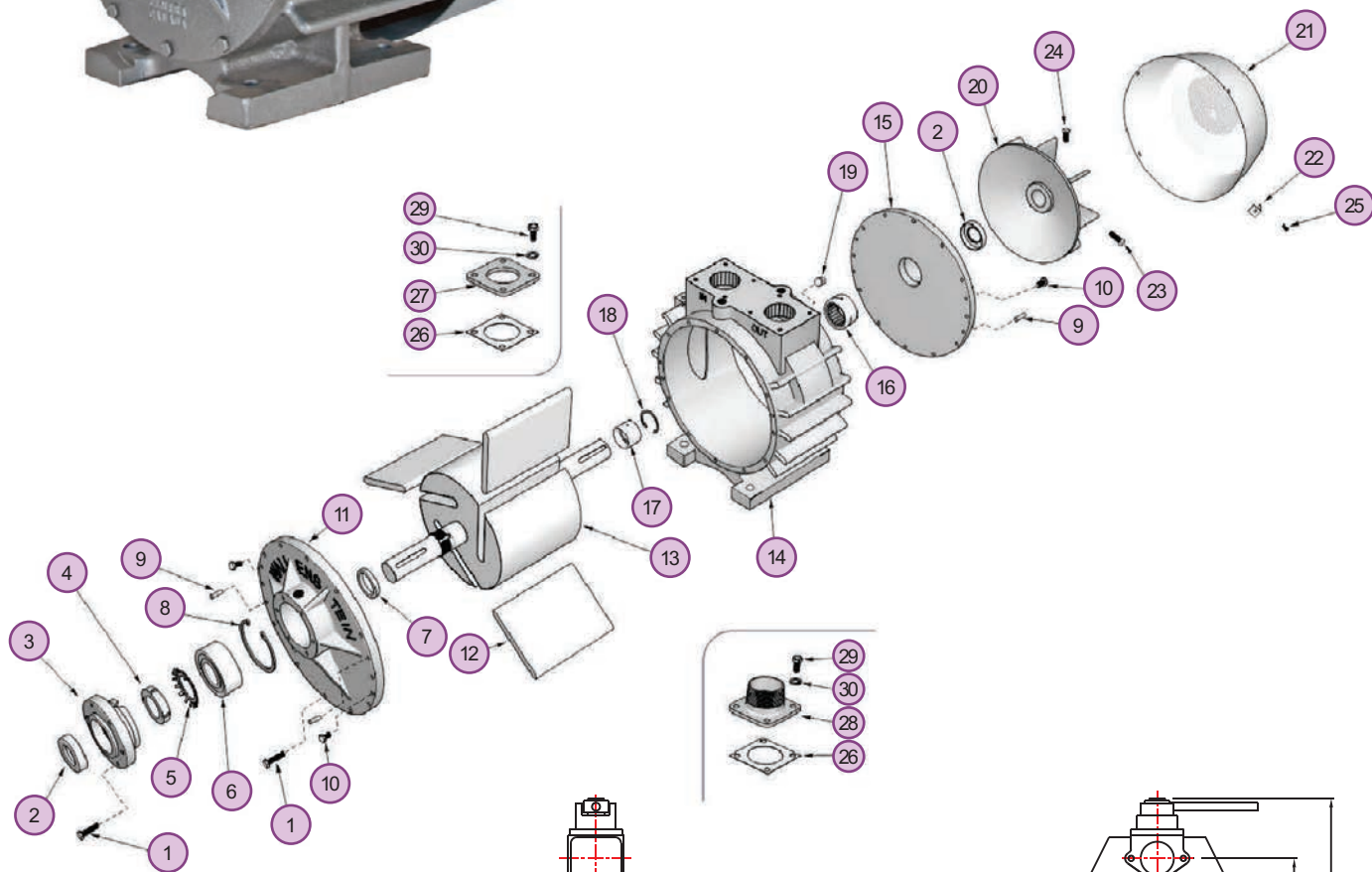
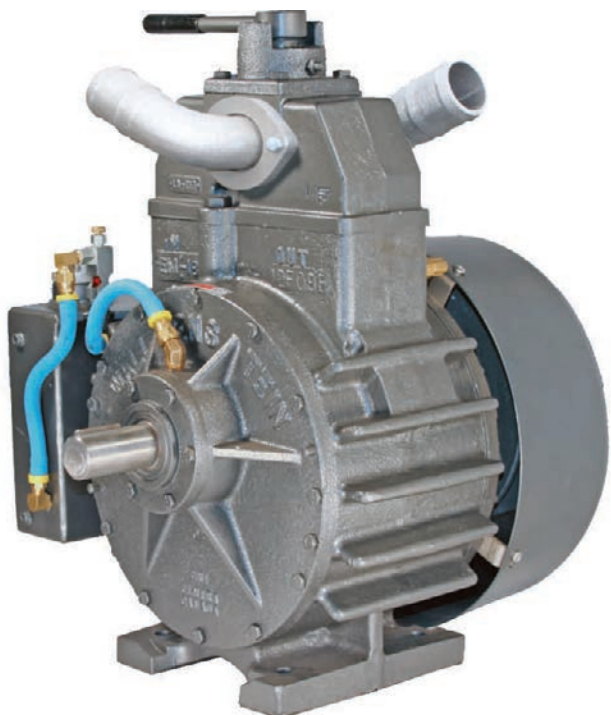
Wallenstein 302HVOA

CFM Rating

165 @ 1150 RPM @ 15" Hg, 27" Hg capable

Features:

- 2" Vacuum / Pressure Valve
- Swivel Elbows for easy hookup
- Air Pressure or Mechanical Lubrication
- Direct, Hydraulic, or Pulley Drive
- Counter-Clockwise Rotation



PUMPS



Wallenstein 402HRVOA

DESCRIPTION		PART NUMBER
Wallenstein 402HRVOA Air Cooled - Vacuum Pump - Clockwise Rotation		GD5007-0402
#	DESCRIPTION	PART NUMBER
1	Cap Screw Hex 1/4" x 1"	GD5000-0001
2	Oil Seal Front & Rear	GD5000-0002
3	Bearing End Cap	GD5000-0003
4	Locknut	GD5000-0004
5	Lockwasher	GD5000-0005
6	Ball Bearing	GD5000-0006
7	Spacer Ring	GD5000-0007
8	Retaining Ring	GD5000-0008
9	Taper Pin #5 1"	GD5000-0009
10	Cap Screw Hex 1/4" x 3/8"	GD5000-0010
11	Endplate Drive	GD5000-0011
12	Vanes	GD5007-0001
13	Rotor HRA CW	GD5000-0013
14	Housing 402	GD5007-0003
15	Endplate Rear	GD5000-0015
16	Roller Bearing	GD5000-0016
17	Bearing Race	GD5000-0017
18	Retaining Ring	GD5000-0018
19	Pipe Plug Socket 1/8"	GD5007-0004
20	Fan	GD5000-0020
21	Fan Shroud 1 Piece	GD5000-0021
22	Shroud Mounting Clips S.S.	GD5000-0022
23	Set Screw 1/4" x 3/4"	GD5000-0023
24	Set Screw 1/4" x 1/2"	GD5000-0024
25	Machine Screw S.S. 3/8"	GD5000-0025
26	Flange Gasket	GD5007-0005
27	Flange Adaptor Plate	GD5007-0006
28	2" NPT Male Flange Adaptor	GD5007-0007
29	Cap Screw Hex 5/16" x 3/4"	GD5007-0008
30	Lockwasher 5/16"	GD5007-0009



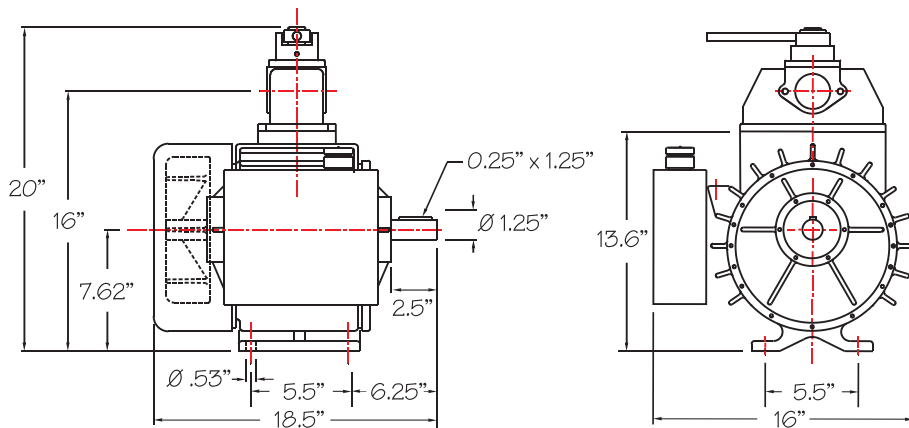
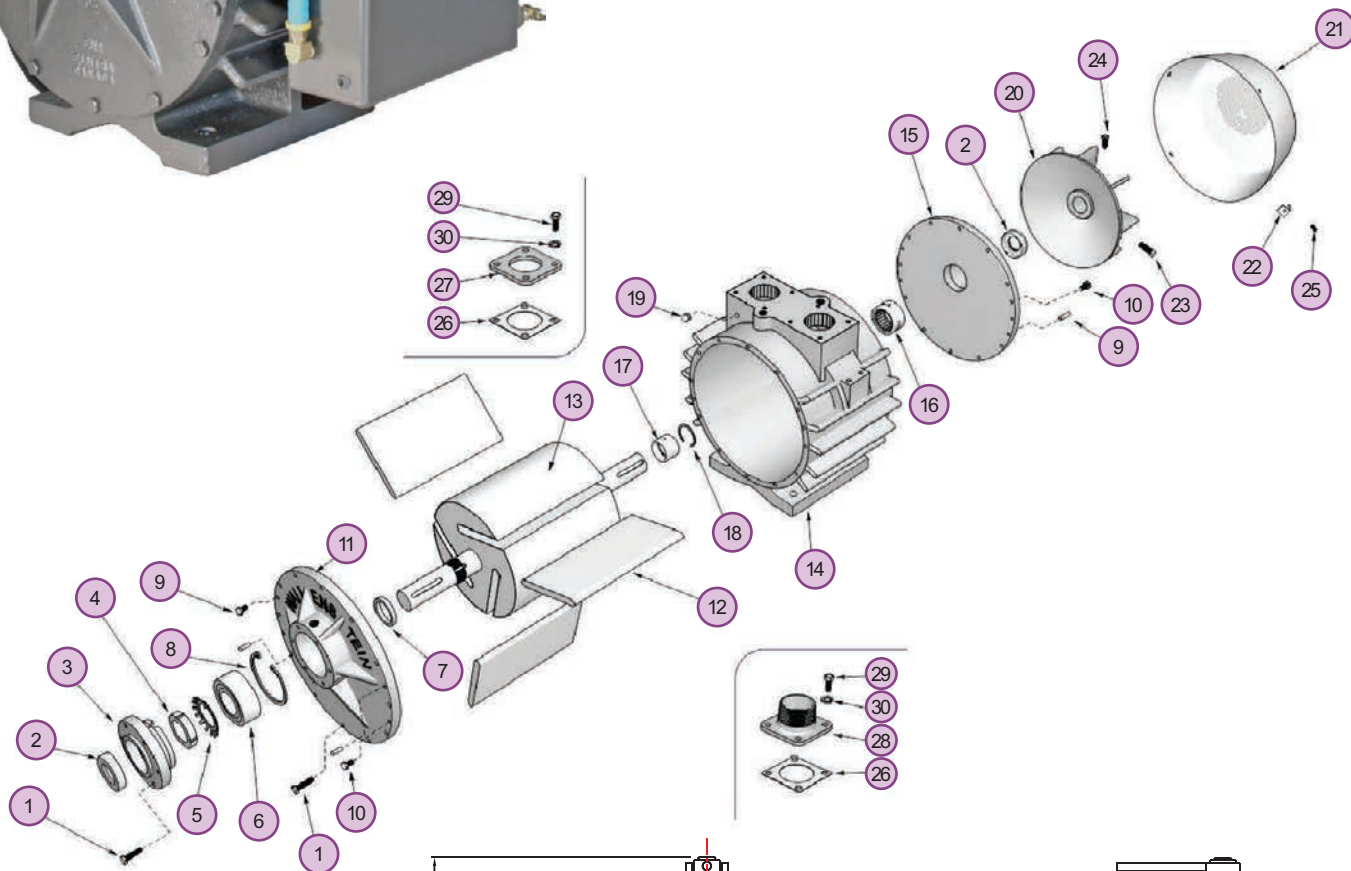
Wallenstein 402HRVOA

CFM Rating

200 @ 1150 RPM @ 15" Hg, 27" Hg capable

Features:

- 2" Vacuum / Pressure Valve
- Swivel Elbows for easy hookup
- Air Pressure or Mechanical Lubrication
- Direct, Hydraulic, or Pulley Drive
- Clockwise Rotation



PUMPS



Wallenstein 402HVOA

DESCRIPTION		PART NUMBER
Wallenstein 402HVOA Air Cooled - Vacuum Pump - Counter Clockwise Rotation		GD5008-0402
#	DESCRIPTION	PART NUMBER
1	Cap Screw Hex 1/4" x 1"	GD5000-0001
2	Oil Seal Front & Rear	GD5000-0002
3	Bearing End Cap	GD5000-0003
4	Locknut	GD5000-0004
5	Lockwasher	GD5000-0005
6	Ball Bearing	GD5000-0006
7	Spacer Ring	GD5000-0007
8	Retaining Ring	GD5000-0008
9	Taper Pin #5 1"	GD5000-0009
10	Cap Screw Hex 1/4" x 3/8"	GD5000-0010
11	Endplate Drive	GD5000-0011
12	Vanes	GD5007-0001
13	Router HA CCW	GD5001-0001
14	Housing 402	GD5007-0003
15	Endplate Rear	GD5000-0015
16	Roller Bearing	GD5000-0016
17	Bearing Race	GD5000-0017
18	Retaining Ring	GD5000-0018
19	Pipe Plug Socket 1/8"	GD5007-0004
20	Fan	GD5000-0020
21	Fan Shroud 1 Piece	GD5000-0021
22	Shroud Mounting Clips S.S.	GD5000-0022
23	Set Screw 1/4" x 3/4"	GD5000-0023
24	Set Screw 1/4" x 1/2"	GD5000-0024
25	Machine Screw S.S. 3/8"	GD5000-0025
26	Flange Gasket	GD5007-0005
27	Flange Adaptor Plate	GD5007-0006
28	2" NPT Male Flange Adaptor	GD5007-0007
29	Cap Screw Hex 5/16" x 3/4"	GD5007-0008
30	Lockwasher 5/16"	GD5007-0009



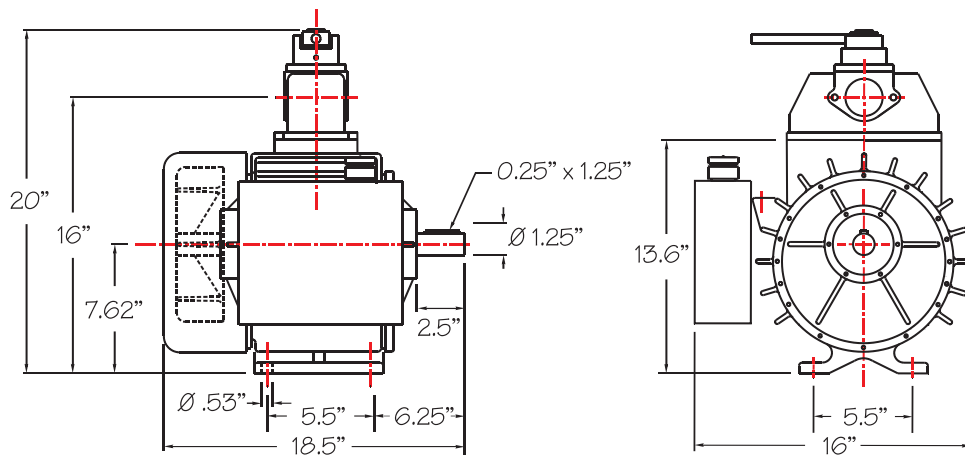
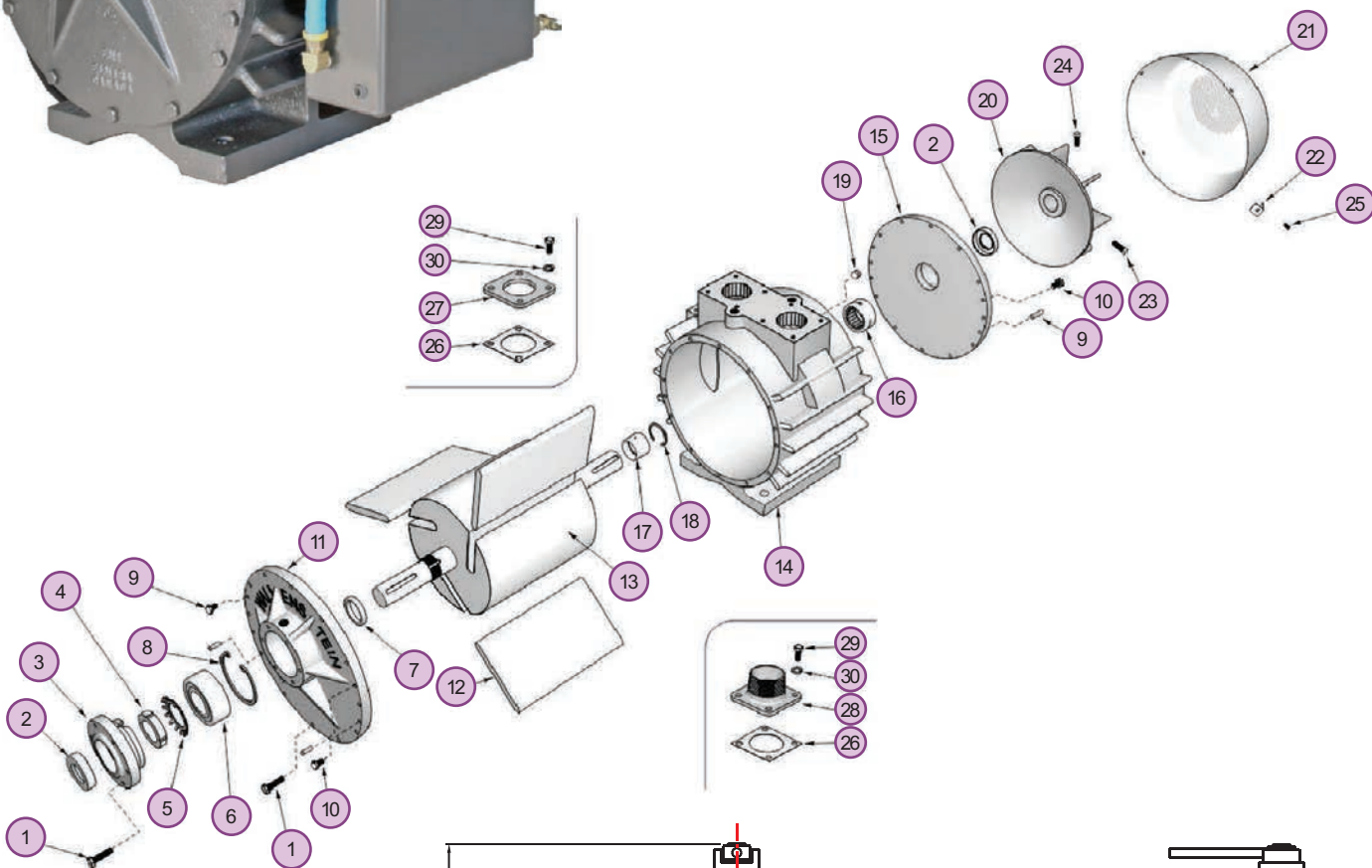
Wallenstein 402HVOA

CFM Rating

200 @ 1150 RPM @ 15" Hg, 27" Hg capable

Features:

- 2" Vacuum / Pressure Valve
- Swivel Elbows for easy hookup
- Air Pressure or Mechanical Lubrication
- Direct, Hydraulic, or Pulley Drive
- Counter-Clockwise Rotation



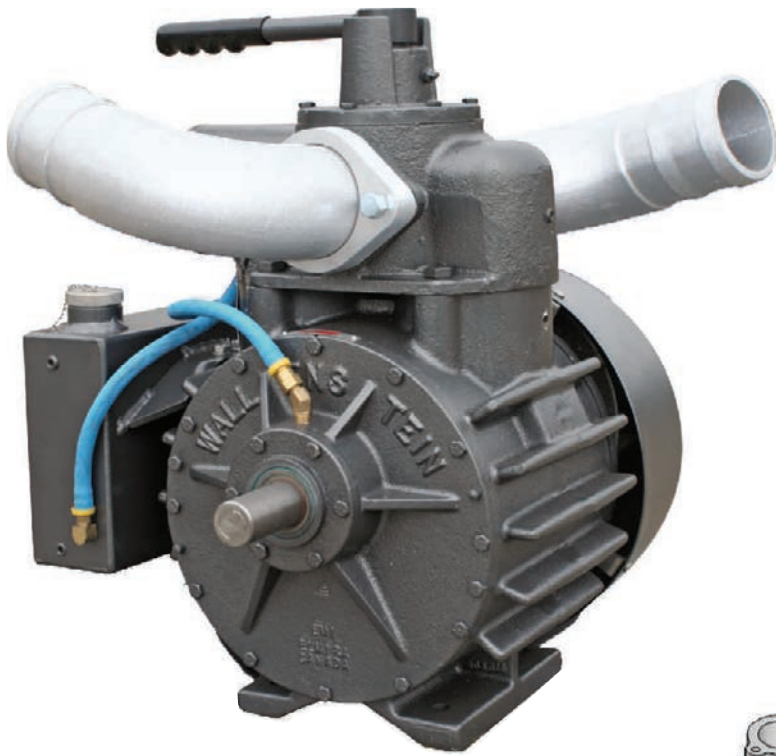
PUMPS



Wallenstein 403HRVOA

DESCRIPTION	PART NUMBER
Wallenstein 403HRVOA Air Cooled - Vacuum Pump Clockwise Rotation	GD5000-0403

#	DESCRIPTION	PART NUMBER
1	Cap Screw Hex 1/4" x 1"	GD5000-0001
2	Oil Seat Front & Rear	GD5000-0002
3	Bearing End Cap	GD5000-0003
4	Locknut	GD5000-0004
5	Lockwasher	GD5000-0005
6	Ball Bearing	GD5000-0006
7	Spacer Ring	GD5000-0007
8	Retaining Ring	GD5000-0008
9	Taper Pin #5 1"	GD5000-0009
10	Cap Screw Hex 1/4" x 3/8"	GD5000-0010
11	Endplate Drive	GD5000-0011
12	Vanes	GD5000-0012
13	Rotor HRA CW	GD5000-0013
14	Housing 403	GD5000-0014
15	Endplate Rear	GD5000-0015
16	Roller Bearing	GD5000-0016
17	Bearing Race	GD5000-0017
18	Retaining Ring	GD5000-0018
20	Fan	GD5000-0020
21	Fan Shroud 1 Piece	GD5000-0021
22	Shroud Mounting Clips S.S.	GD5000-0022
23	Set Screw 1/4" x 3/4"	GD5000-0023
24	Set Screw 1/4" x 1/2"	GD5000-0024
25	Machine Screw S.S. 3/8"	GD5000-0025
26	Flange Gasket	GD5000-0026
27	Flange Adaptor Plate	GD5000-0027
28	3" NPT Male Flange Adaptor	GD5000-0028
29	Cap Screw Hex 1/2" x 1"	GD5000-0029
30	Lockwasher 1/2"	GD5000-0030



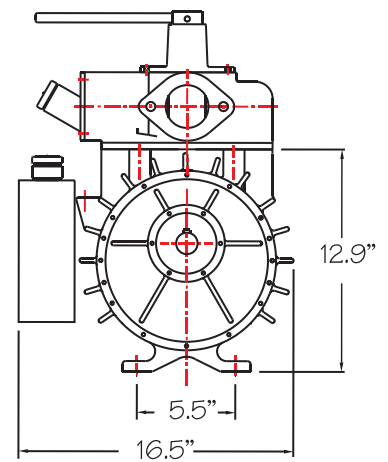
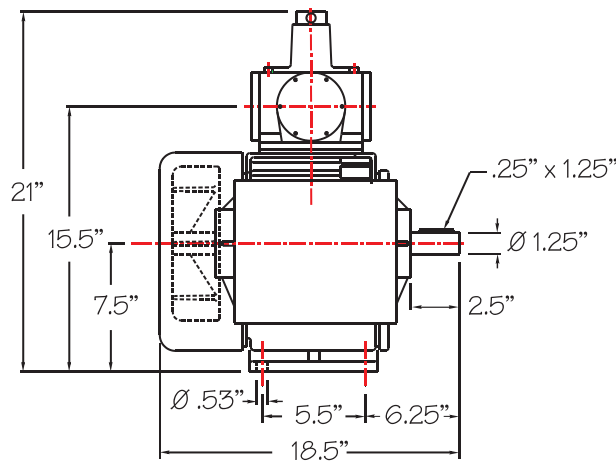
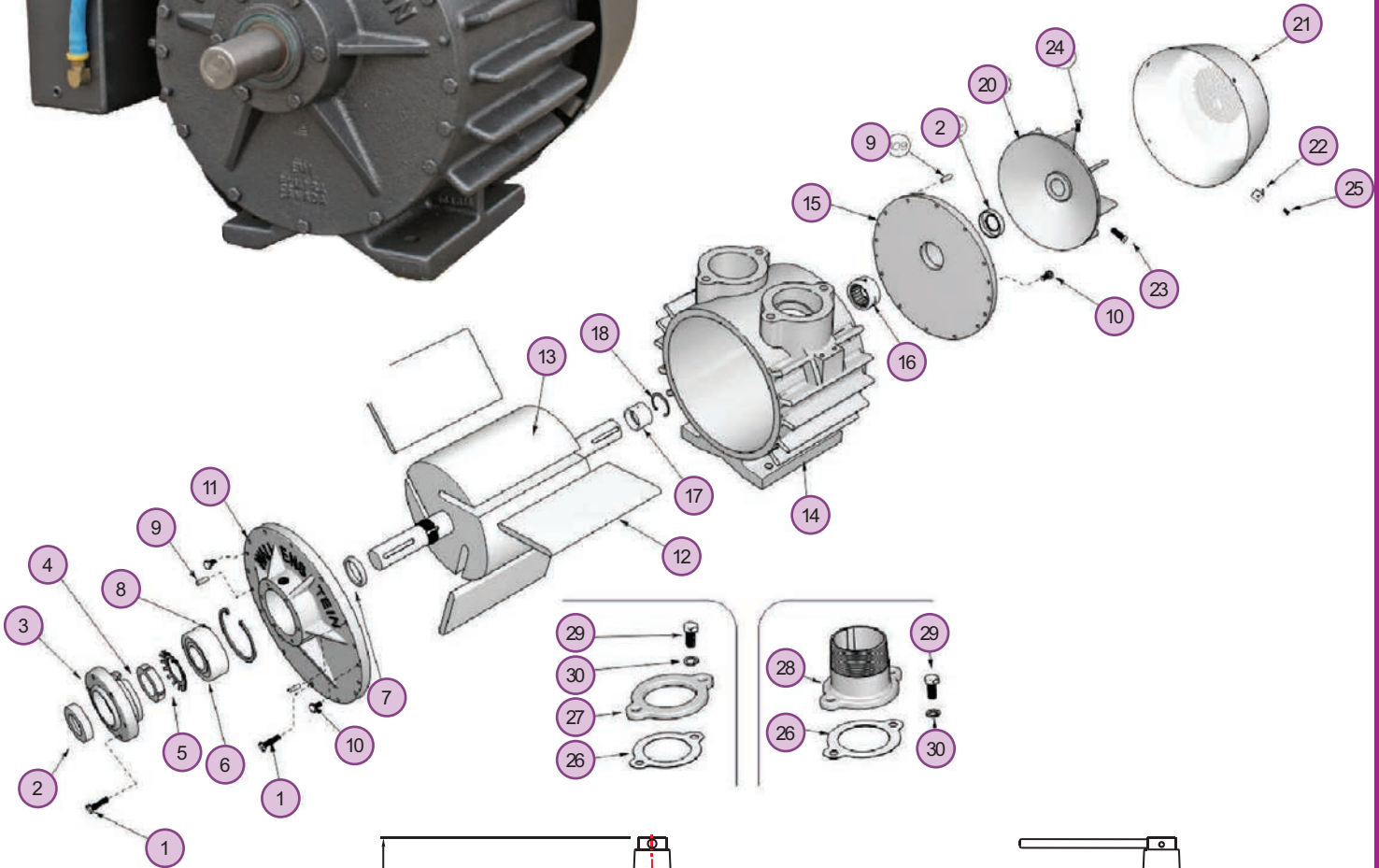
Wallenstein 403HRVOA

CFM Rating

220 @ 1150 RPM @ 15" Hg, 27" Hg capable

Features:

- 3" Vacuum / Pressure Valve
- Swivel Elbows for easy hookup
- Air Pressure or Mechanical Lubrication
- Direct, Hydraulic, or Pulley Drive
- Clockwise Rotation



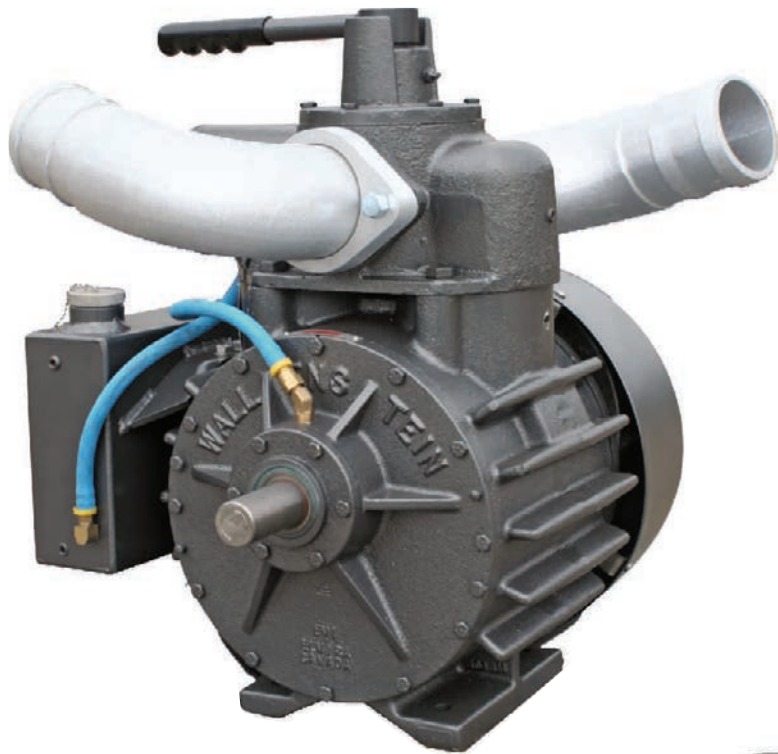
PUMPS



Wallenstein 403HVOA

DESCRIPTION	PART NUMBER
Wallenstein 403HVOA Air Cooled - Vacuum Pump Counter-Clockwise Rotation	GD5001-0403

#	DESCRIPTION	PART NUMBER
1	Cap Screw Hex 1/4" x 1"	GD5000-0001
2	Oil Seat Front & Rear	GD5000-0002
3	Bearing End Cap	GD5000-0003
4	Locknut	GD5000-0004
5	Lockwasher	GD5000-0005
6	Ball Bearing	GD5000-0006
7	Spacer Ring	GD5000-0007
8	Retaining Ring	GD5000-0008
9	Taper Pin #5 1"	GD5000-0009
10	Cap Screw Hex 1/4" x 3/8"	GD5000-0010
11	Endplate Drive	GD5000-0011
12	Vanes	GD5000-0012
13	Rotor HA CCW	GD5001-0001
14	Housing 403	GD5000-0014
15	Endplate Rear	GD5000-0015
16	Roller Bearing	GD5000-0016
17	Bearing Race	GD5000-0017
18	Retaining Ring	GD5000-0018
20	Fan	GD5000-0020
21	Fan Shroud 1 Piece	GD5000-0021
22	Shroud Mounting Clips S.S.	GD5000-0022
23	Set Screw 1/4" x 3/4"	GD5000-0023
24	Set Screw 1/4" x 1/2"	GD5000-0024
25	Machine Screw S.S. 3/8"	GD5000-0025
26	Flange Gasket	GD5000-0026
27	Flange Adaptor Plate	GD5000-0027
28	3" NPT Male Flange Adaptor	GD5000-0028
29	Cap Screw Hex 1/2" x 1"	GD5000-0029
30	Lockwasher 1/2"	GD5000-0030



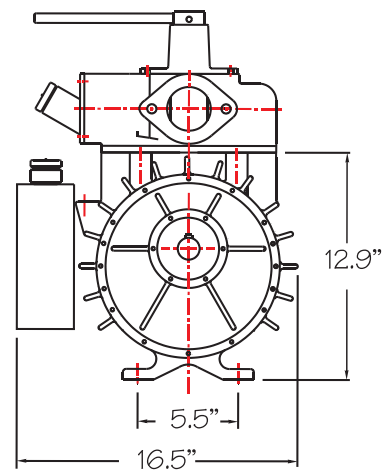
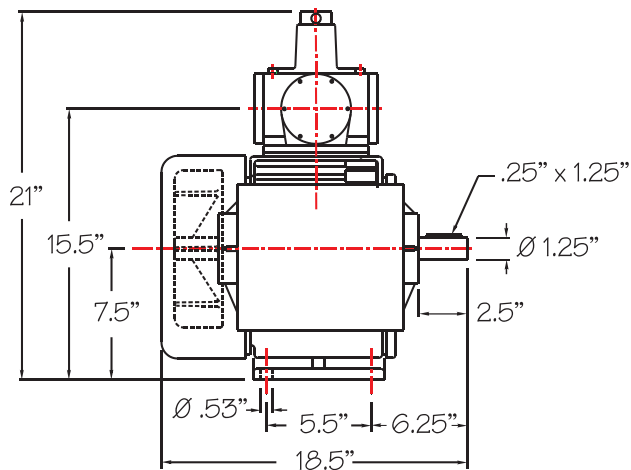
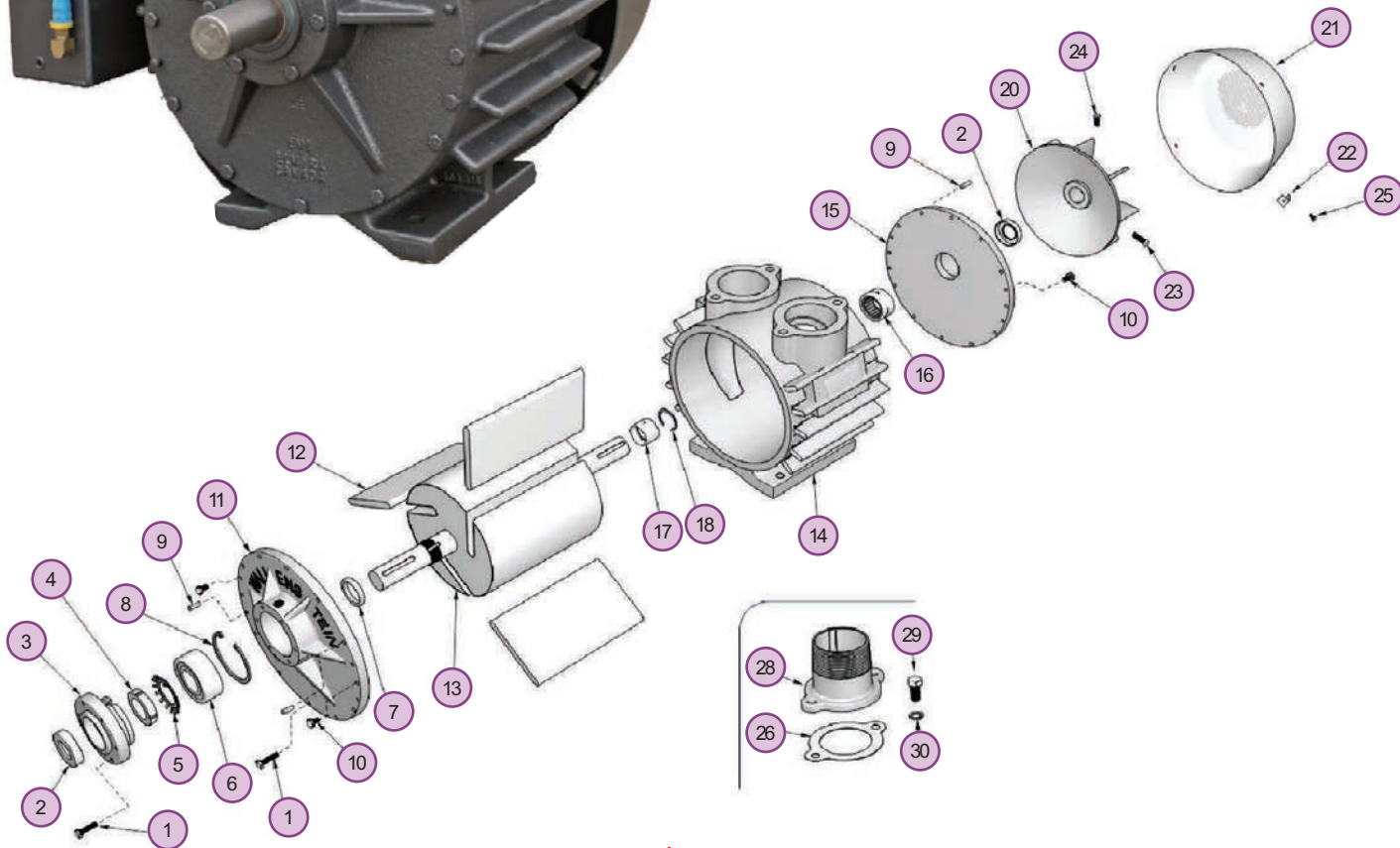
Wallenstein 403HVOA

CFM Rating

220 @ 1150 RPM @ 15" Hg, 27" Hg capable

Features:

- 3" Vacuum / Pressure Valve
- Swivel Elbows for easy hookup
- Air Pressure or Mechanical Lubrication
- Direct, Hydraulic, or Pulley Drive
- Counter-Clockwise Rotation



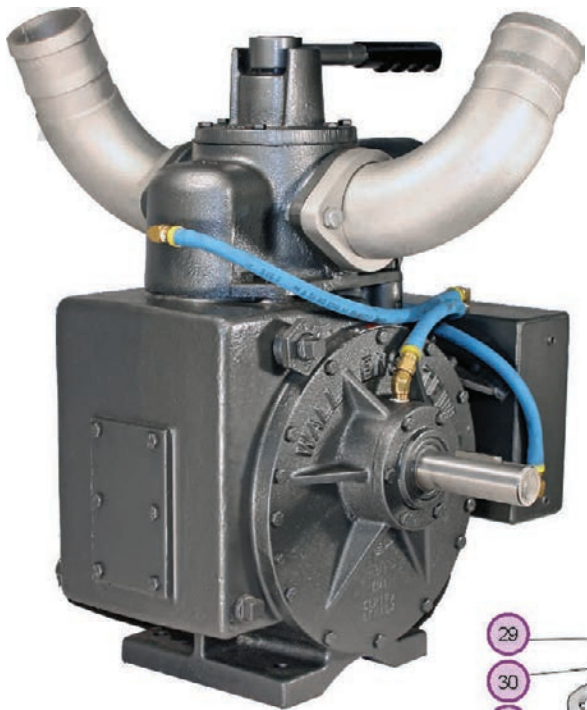
PUMPS



Wallenstein 403LNHRVO

DESCRIPTION	PART NUMBER
Wallenstein 403LNHRVO Liquid Cooled - Vacuum Pump Clockwise Rotation	GD5002-0403

#	DESCRIPTION	PART NUMBER
1	Cap Screw Hex 1/4" x 1"	GD5000-0001
2	Oil Seat Front & Rear	GD5000-0002
3	Bearing End Cap	GD5000-0003
4	Locknut	GD5000-0004
5	Lockwasher	GD5000-0005
6	Ball Bearing	GD5000-0006
7	Spacer Ring	GD5000-0007
8	Retaining Ring	GD5000-0008
9	Taper Pin #5 1"	GD5000-0009
10	Cap Screw Hex 1/4" x 3/8"	GD5000-0010
11	Endplate Drive	GD5000-0011
12	Vanes	GD5000-0012
13	Rotor LNHR CW Short Shaft	GD5002-0001
14	Housing 403 LN	GD5002-0003
15	Endplate Rear	GD5000-0015
16	Roller Bearing	GD5000-0016
17	Bearing Race	GD5000-0017
18	Retaining Ring	GD5000-0018
19	Expansion Plug	GD5000-0019
26	Flange Gasket	GD5000-0026
27	Flange Adaptor Plate	GD5000-0027
28	3" NPT Male Flange Adaptor	GD5000-0028
29	Cap Screw Hex 1/2" x 1"	GD5000-0029
30	Lockwasher 1/2"	GD5000-0030



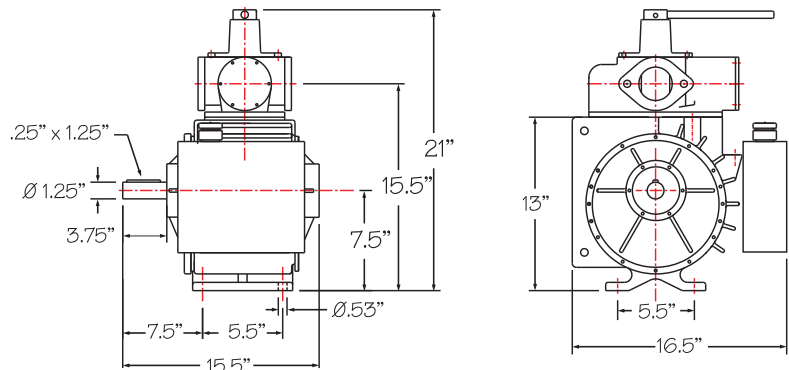
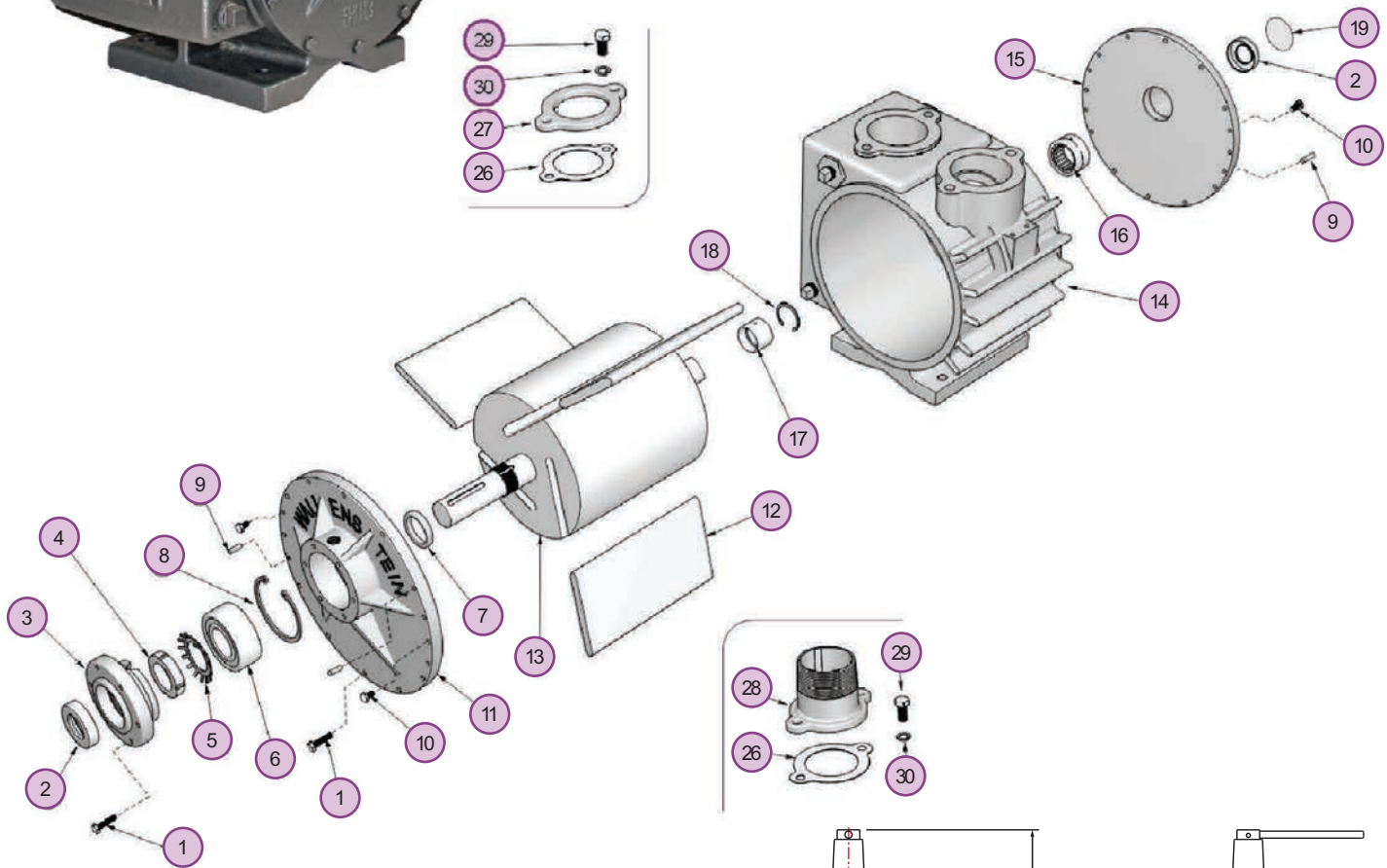
Wallenstein 403LNHRVO

CFM Rating

220 @ 1150 RPM @ 15" Hg, 28" Hg capable

Features:

- 3" Vacuum / Pressure Valve
- Swivel Elbows for easy hookup
- Air Pressure or Mechanical Lubrication
- Dual Cooled – Air and Liquid
- Direct, Hydraulic, or Pulley Drive



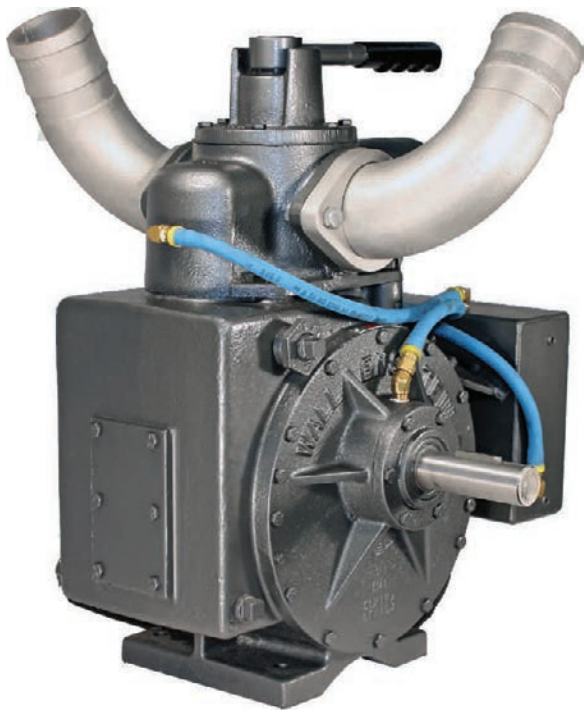
PUMPS



Wallenstein 403LNHVO

DESCRIPTION	PART NUMBER
Wallenstein 403LNHVO Liquid Cooled - Vacuum Pump Counter-Clockwise Rotation	GD5003-0403

#	DESCRIPTION	PART NUMBER
1	Cap Screw Hex 1/4" x 1"	GD5000-0001
2	Oil Seal Front & Rear	GD5000-0002
3	Bearing End Cap	GD5000-0003
4	Locknut	GD5000-0004
5	Lockwasher	GD5000-0005
6	Ball Bearing	GD5000-0006
7	Spacer Ring	GD5000-0007
8	Retaining Ring	GD5000-0008
9	Taper Pin #5 1"	GD5000-0009
10	Cap Screw Hex 1/4" x 3/8"	GD5000-0010
11	Endplate Drive	GD5000-0011
12	Vanes	GD5000-0012
13	Rotor LNH CCW Short Shaft	GD5003-0001
14	Housing 403 LN	GD5002-0003
15	Endplate Rear	GD5000-0015
16	Roller Bearing	GD5000-0016
17	Bearing Race	GD5000-0017
18	Retaining Ring	GD5000-0018
19	Expansion Plug	GD5000-0019
26	Flange Gasket	GD5000-0026
27	Flange Adaptor Plate	GD5000-0027
28	3" NPT Male Flange Adaptor	GD5000-0028
29	Cap Screw Hex 1/2" x 1"	GD5000-0029
30	Lockwasher 1/2"	GD5000-0030



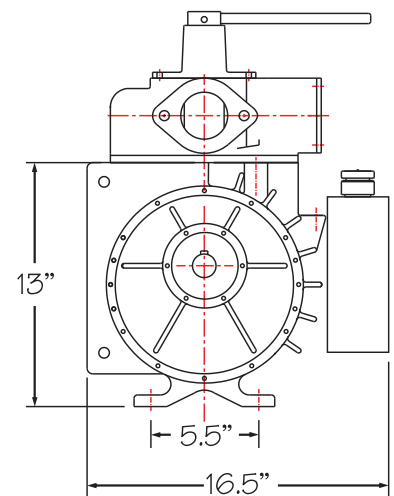
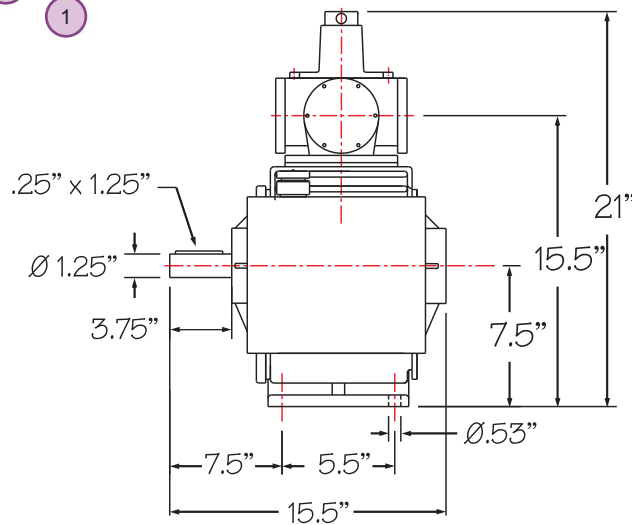
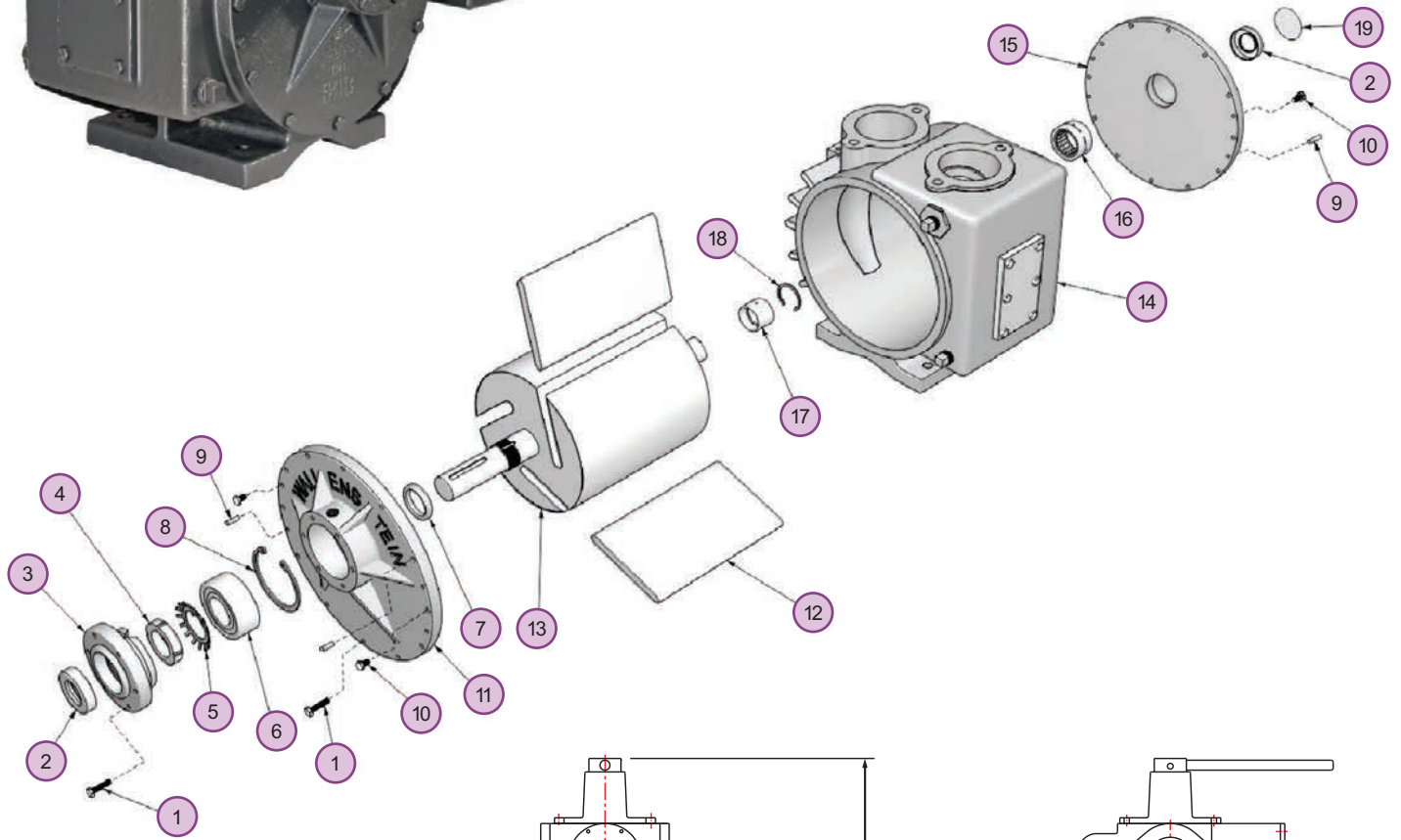
Wallenstein 403LNHVO

CFM Rating

220 @ 1150 RPM @ 15" Hg, 28" Hg capable

Features:

- 3" Vacuum / Pressure Valve
- Swivel Elbows for easy hookup
- Air Pressure or Mechanical Lubrication
- Dual Cooled – Air and Liquid
- Direct, Hydraulic, or Pulley Drive



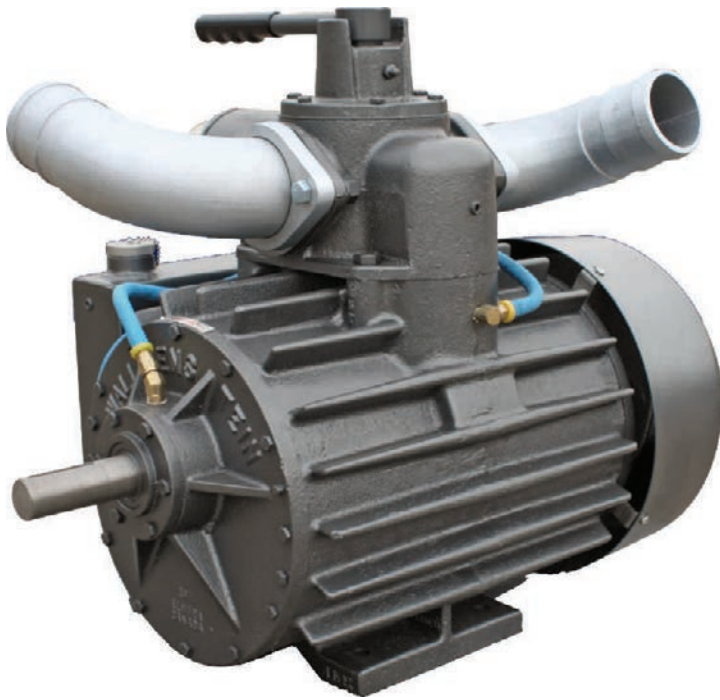
PUMPS



Wallenstein 753HRVOA

DESCRIPTION	PART NUMBER
Wallenstein 753HRVOA Air Cooled - Vacuum Pump - Clockwise Rotation	GD5004-0753

#	DESCRIPTION	PART NUMBER
1	Cap Screw Hex 1/4" x 1"	GD5000-0001
2	Oil Seal Front & Rear	GD5000-0002
3	Bearing End Cap	GD5000-0003
4	Locknut	GD5000-0004
5	Lockwasher	GD5000-0005
6	Ball Bearing	GD5000-0006
7	Spacer Ring	GD5000-0007
8	Retaining Ring	GD5000-0008
9	Taper Pin #5 1"	GD5000-0009
10	Cap Screw Hex 1/4" x 3/8"	GD5000-0010
11	Endplate Drive	GD5000-0011
12	Vanes	GD5004-0001
13	Rotor HRA CW	GD5004-0002
14	Housing 753	GD5004-0003
15	Endplate Rear	GD5000-0015
16	Roller Bearing	GD5000-0016
17	Bearing Race	GD5000-0017
18	Retaining Ring	GD5000-0018
20	Fan	GD5000-0020
21	Fan Shroud 1 Piece	GD5000-0021
22	Shroud Mounting Clips S.S.	GD5000-0022
23	Set Screw 1/4" x 3/4"	GD5000-0023
24	Set Screw 1/4" x 1/2"	GD5000-0024
25	Machine Screw S.S. 3/8"	GD5000-0025
26	Flange Gasket	GD5000-0026
27	Flange Adaptor Plate	GD5000-0027
28	3" NPT Male Flange Adaptor	GD5000-0028
29	Cap Screw Hex 1/2" x 1"	GD5000-0029
30	Lockwasher 1/2"	GD5000-0030



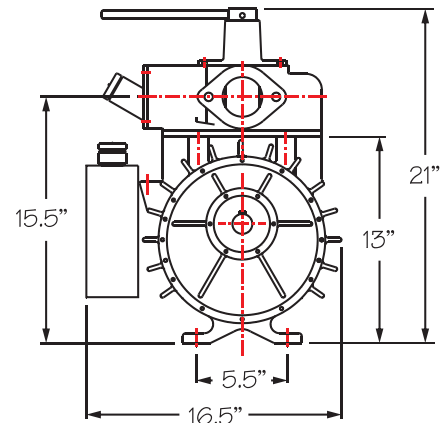
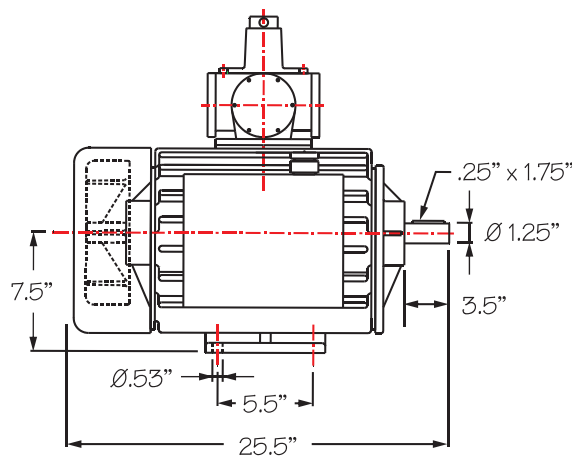
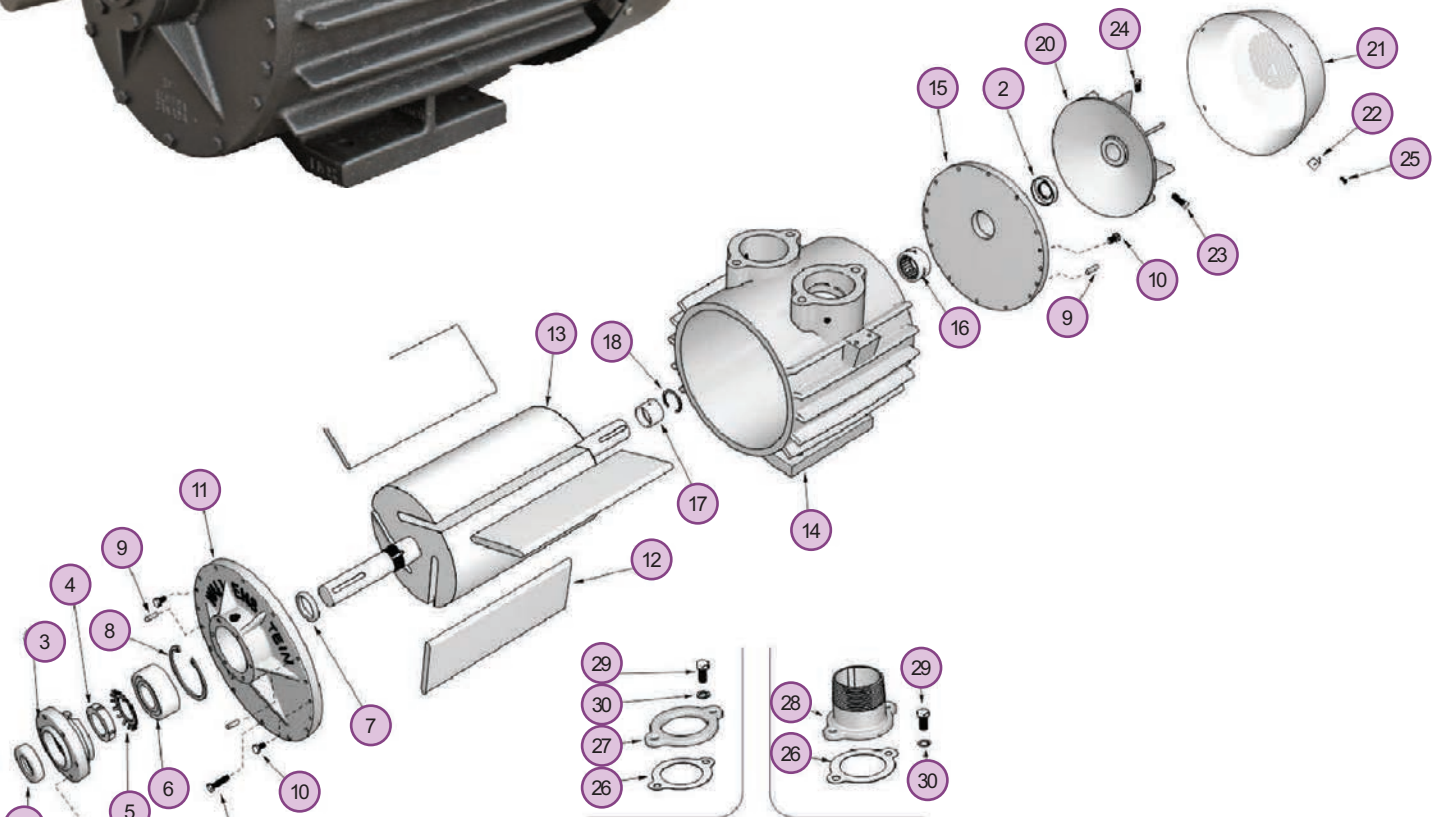
Wallenstein 753HRVOA

CFM Rating

350 @ 1150 RPM @ 15" Hg, 27" Hg capable

Features:

- 3" Vacuum / Pressure Valve
- Swivel Elbows for easy hookup
- Air Pressure or Mechanical Lubrication
- Direct, Hydraulic, or Pulley Drive
- Clockwise Rotation



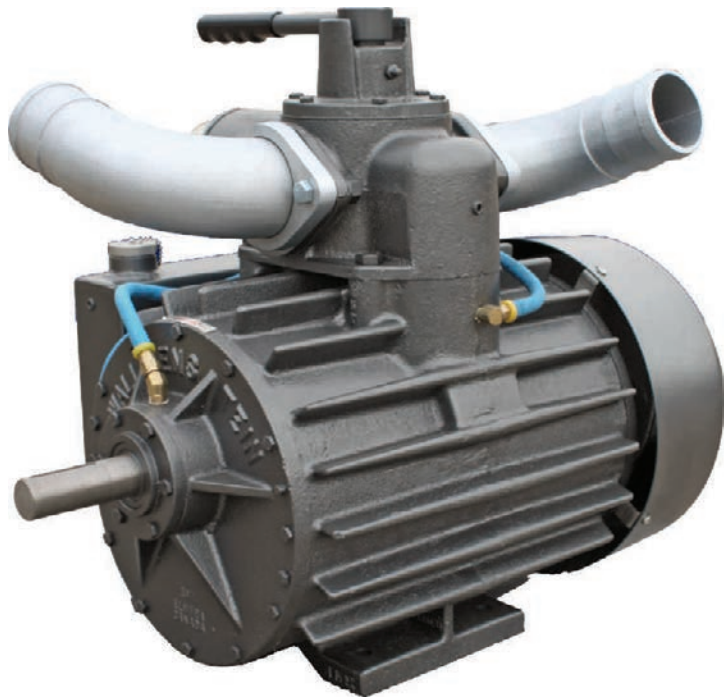
PUMPS



Wallenstein 753HVOA

DESCRIPTION	PART NUMBER
Wallenstein 753HVOA Air Cooled - Vacuum Pump - Counter Clockwise Rotation	GD5005-0753

#	DESCRIPTION	PART NUMBER
1	Cap Screw Hex 1/4" x 1"	GD5000-0001
2	Oil Seal Front & Rear	GD5000-0002
3	Bearing End Cap	GD5000-0003
4	Locknut	GD5000-0004
5	Lockwasher	GD5000-0005
6	Ball Bearing	GD5000-0006
7	Spacer Ring	GD5000-0007
8	Retaining Ring	GD5000-0008
9	Taper Pin #5 1"	GD5000-0009
10	Cap Screw Hex 1/4" x 3/8"	GD5000-0010
11	Endplate Drive	GD5000-0011
12	Vanes	GD5004-0001
13	Rotor HA CCW	GD5005-0001
14	Housing 753	GD5004-0003
15	Endplate Rear	GD5000-0015
16	Roller Bearing	GD5000-0016
17	Bearing Race	GD5000-0017
18	Retaining Ring	GD5000-0018
20	Fan	GD5000-0020
21	Fan Shroud 1 Piece	GD5000-0021
22	Shroud Mounting Clips S.S.	GD5000-0022
23	Set Screw 1/4" x 3/4"	GD5000-0023
24	Set Screw 1/4" x 1/2"	GD5000-0024
25	Machine Screw S.S. 3/8"	GD5000-0025
26	Flange Gasket	GD5000-0026
27	Flange Adaptor Plate	GD5000-0027
28	3" NPT Male Flange Adaptor	GD5000-0028
29	Cap Screw Hex 1/2" x 1"	GD5000-0029
30	Lockwasher 1/2"	GD5000-0030



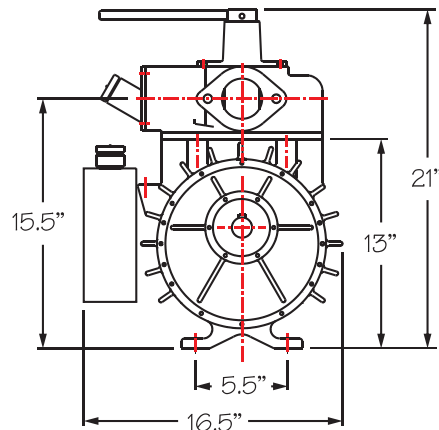
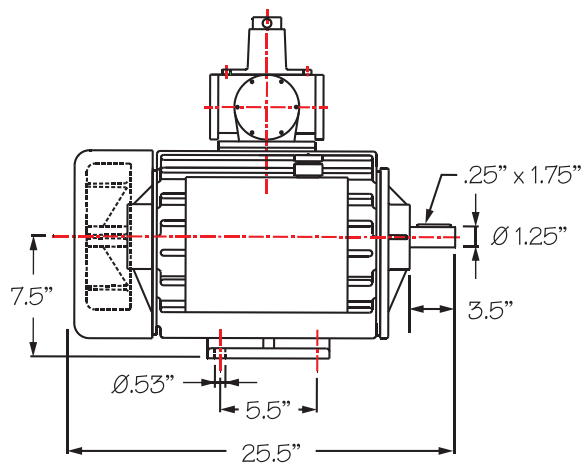
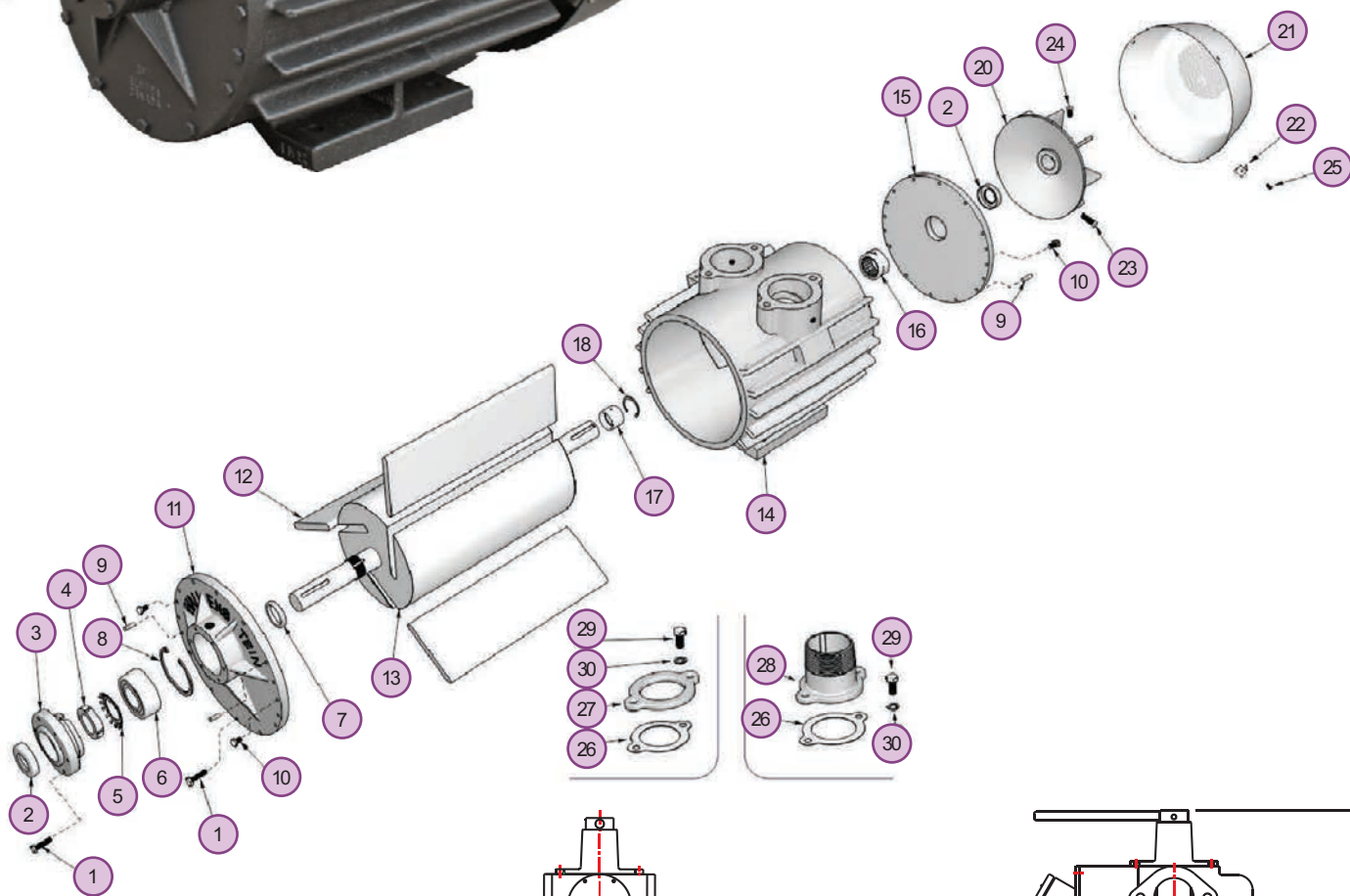
Wallenstein 753HVOA

CFM Rating

350 @ 1150 RPM @ 15" Hg, 27" Hg capable

Features:

- 3" Vacuum / Pressure Valve
- Swivel Elbows for easy hookup
- Air Pressure or Mechanical Lubrication
- Direct, Hydraulic, or Pulley Drive
- Counter-Clockwise Rotation



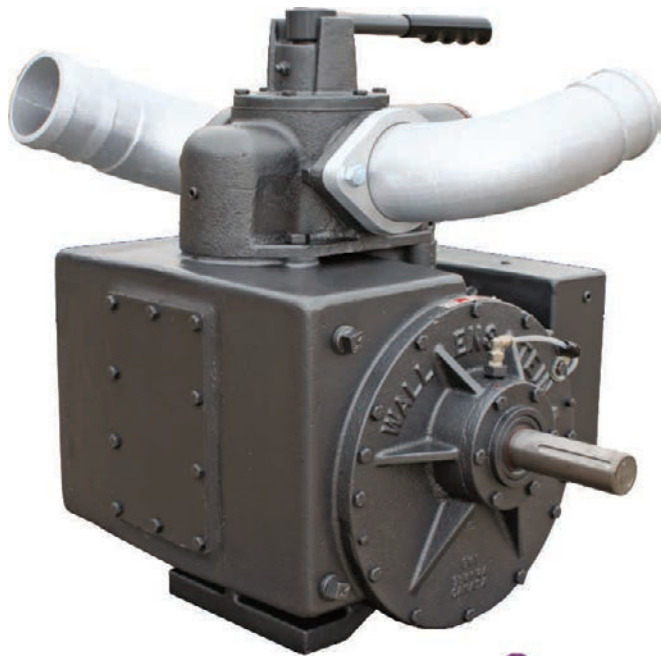
PUMPS



Wallenstein 753LNHRVO

DESCRIPTION	PART NUMBER
Wallenstein 753LNHRVO Liquid Cooled - Vacuum Pump - Clockwise Rotation	GD5006-0753

#	DESCRIPTION	PART NUMBER
1	Cap Screw Hex 1/4" x 1"	GD5000-0001
2	Oil Seal Front & Rear	GD5000-0002
3	Bearing End Cap	GD5000-0003
4	Locknut	GD5000-0004
5	Lockwasher	GD5000-0005
6	Ball Bearing	GD5000-0006
7	Spacer Ring	GD5000-0007
8	Retaining Ring	GD5000-0008
9	Taper Pin #5 1"	GD5000-0009
10	Cap Screw Hex 1/4" x 3/8"	GD5000-0010
11	Endplate Drive	GD5000-0011
12	Vanes	GD5004-0001
13	Rotor LNHR CW	GD5006-0001
14	Housing 753LN	GD5006-0002
15	Endplate Rear	GD5000-0015
16	Roller Bearing	GD5000-0016
17	Bearing Race	GD5000-0017
18	Retaining Ring	GD5000-0018
19	Expansion Plug	GD5000-0019
26	Flange Gasket	GD5000-0026
27	Flange Adaptor Plate	GD5000-0027
28	3" NPT Male Flange Adaptor	GD5000-0028
29	Cap Screw Hex 1/2" x 1"	GD5000-0029
30	Lockwasher 1/2"	GD5000-0030



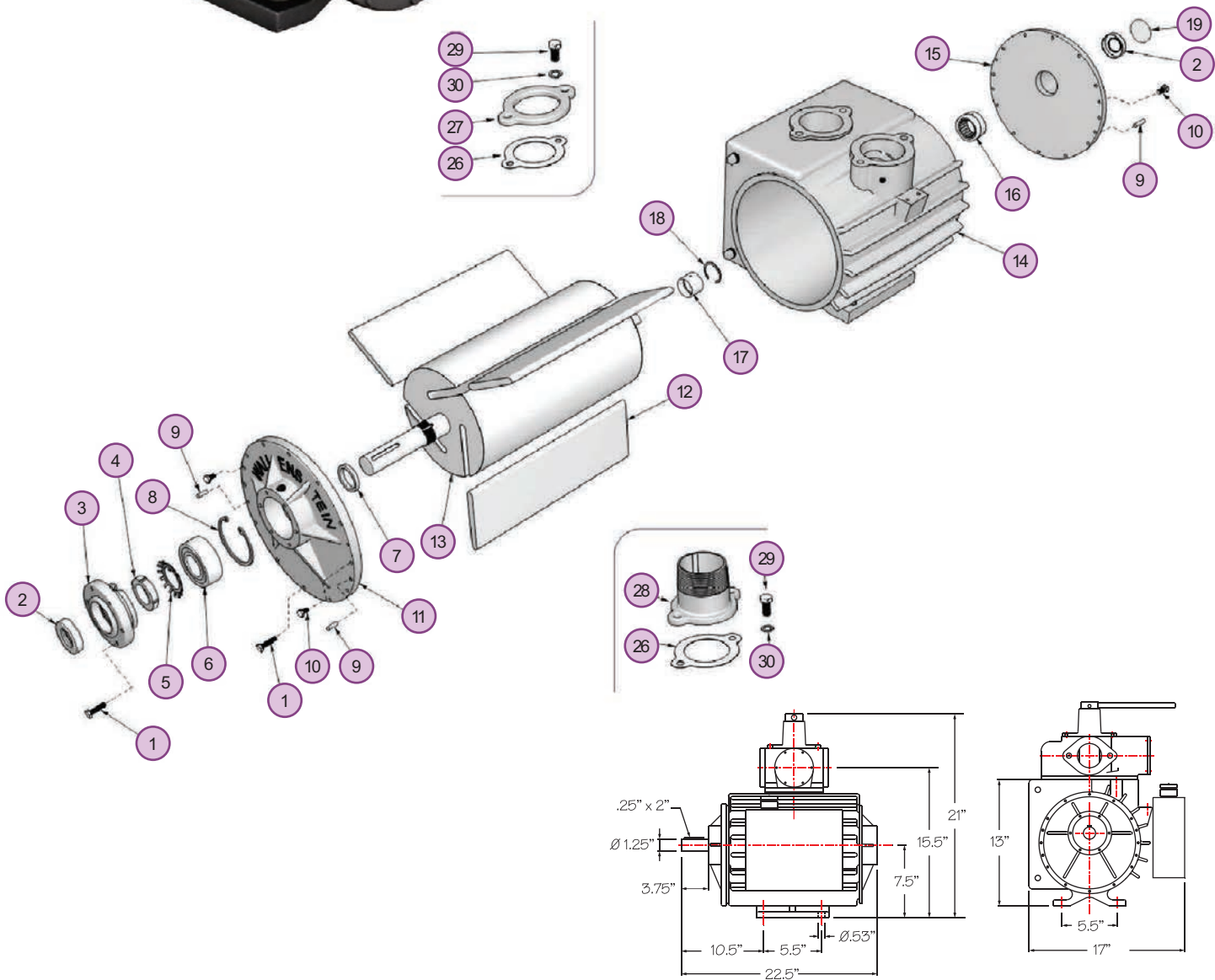
Wallenstein 753LNHRVO

CFM Rating

350 @ 1150 RPM @ 15" Hg, 28" Hg capable

Features:

- 3" Vacuum / Pressure Valve
- Swivel Elbows for easy hookup
- Air Pressure or Mechanical Lubrication
- Dual Cooled – Air and Liquid
- Direct, Hydraulic, or Pulley Drive



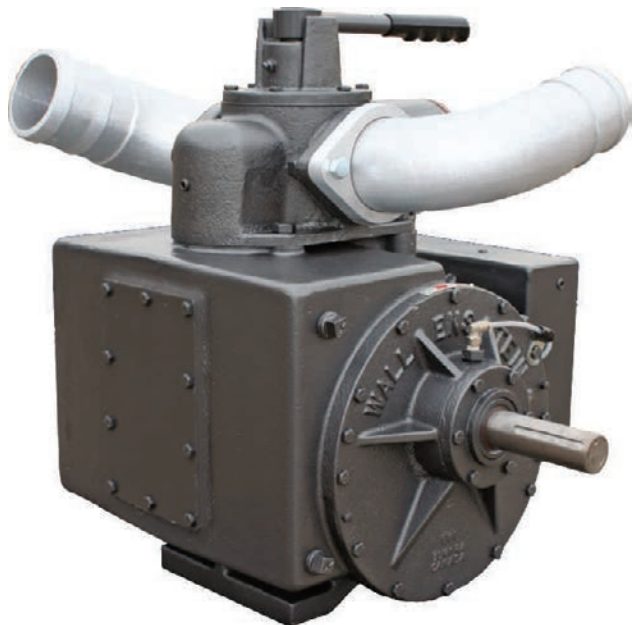
PUMPS



Wallenstein 753LNHVO

DESCRIPTION	PART NUMBER
Wallenstein 753LNHVO Liquid Cooled - Vacuum Pump - Counter Clockwise Rotation	GD5007-0753

#	DESCRIPTION	PART NUMBER
1	Cap Screw Hex 1/4" x 1"	GD5000-0001
2	Oil Seal Front & Rear	GD5000-0002
3	Bearing End Cap	GD5000-0003
4	Locknut	GD5000-0004
5	Lockwasher	GD5000-0005
6	Ball Bearing	GD5000-0006
7	Spacer Ring	GD5000-0007
8	Retaining Ring	GD5000-0008
9	Taper Pin #5 1"	GD5000-0009
10	Cap Screw Hex 1/4" x 3/8"	GD5000-0010
11	Endplate Drive	GD5000-0011
12	Vanes	GD5004-0001
13	Rotor LNHR CW	GD5007-0001
14	Housing 753LN	GD5006-0002
15	Endplate Rear	GD5000-0015
16	Roller Bearing	GD5000-0016
17	Bearing Race	GD5000-0017
18	Retaining Ring	GD5000-0018
19	Expansion Plug	GD5000-0019
26	Flange Gasket	GD5000-0026
27	Flange Adaptor Plate	GD5000-0027
28	3" NPT Male Flange Adaptor	GD5000-0028
29	Cap Screw Hex 1/2" x 1"	GD5000-0029
30	Lockwasher 1/2"	GD5000-0030



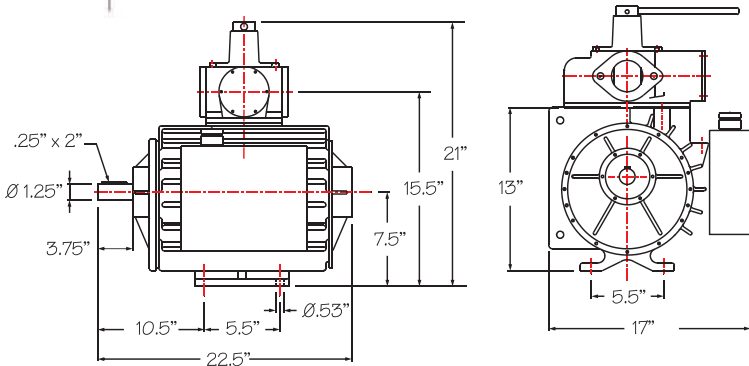
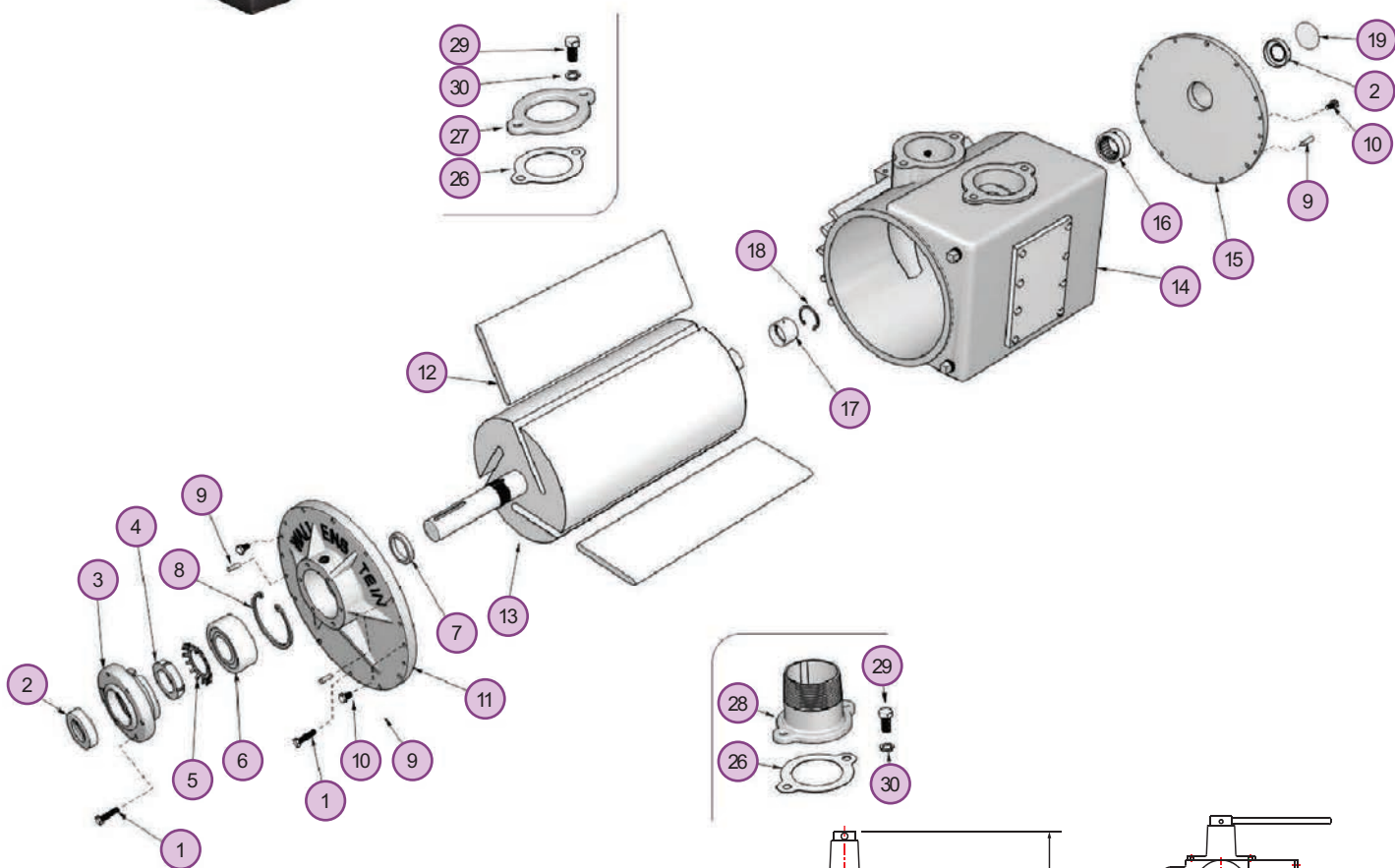
Wallenstein 753LNHVO

CFM Rating

350 @ 1150 RPM @ 15" Hg, 28" Hg capable

Features:

- 3" Vacuum / Pressure Valve
- Swivel Elbows for easy hookup
- Air Pressure or Mechanical Lubrication
- Dual Cooled – Air and Liquid
- Direct, Hydraulic, or Pulley Drive

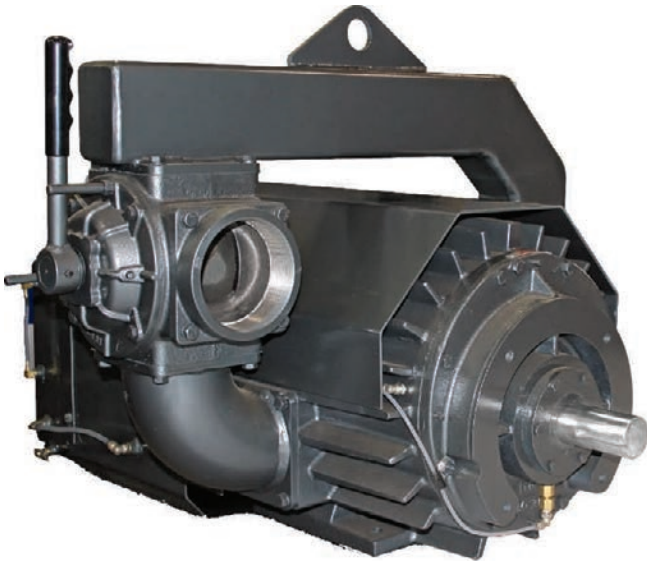


PUMPS



Wallenstein 1054 HRVA 12V

DESCRIPTION		PART NUMBER
Wallenstein 1054 HRVA 12V - Vacuum Pump - Clockwise Rotation		GD5015-1054
#	DESCRIPTION	PART NUMBER
1	Cap Screw 3/8" x 1 1/2"	GD5015-0001
2	Oil Seal Front	GD5015-0002
3	Bearing Cap	GD5015-0003
4	Locknut	GD5015-0004
5	Lockwasher	GD5015-0005
6	Ball Bearing	GD5015-0006
7	Spacer Ring	GD5015-0007
8	Retaining Ring	GD5015-0008
9	Taper Pin	GD5015-0009
10	Cap Screw 3/8" x 3/8"	GD5015-0010
11	End Plate (Drive)	GD5015-0011
12	Vane	GD5015-0012
13	Rotor CW	GD5015-0013
14	Housing	GD5015-0014
15	End Plate (Rear)	GD5015-0015
16	Roller Bearing	GD5015-0016
17	Inner Race	GD5015-0017
18	Retaining Ring	GD5015-0018
19	Oil Seal Rear	GD5015-0019
20	Fan	GD5015-0020
21	Fan Motor 12V	GD5015-0021
22	Shroud & Oil Reservoir	GD5015-0022
23	Barb FTG 1/8" NPT x 90	GD5015-0023
24	Sight Tube 9"	GD5015-0024
25	Drain Valve	GD5015-0025
26	Cap	GD5015-0026
27	Exhaust Manifold	GD5015-0027
28	Manifold Gasket	GD5015-0028
29	Cap Screw Hex 1/4" x 1"	GD5000-0001
30	Cap Screw .38" x 1/4"	GD5015-0030
31	Cap Screw 3/8" x 1"	GD5015-0031
32	Lockwasher 3/8"	GD5015-0032
33	Filter Assembly	GD5015-0033
34	Check Ball	GD5015-0034
35	Filter Screen	GD5015-0035
36	Cover Gasket	GD5015-0036
37	Filter Cover	GD5015-0037
38	Wing Nuts	GD5015-0038
39	450 Valve Assembly	GD5015-0039



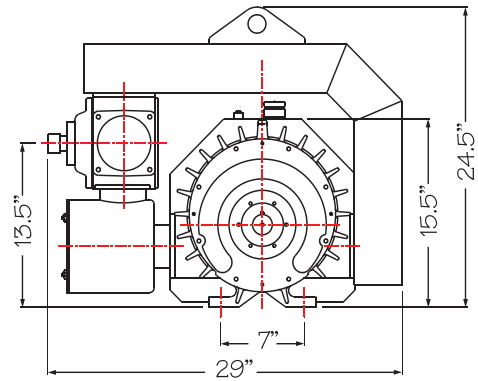
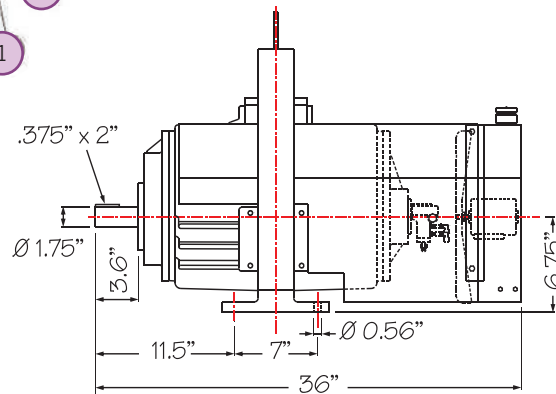
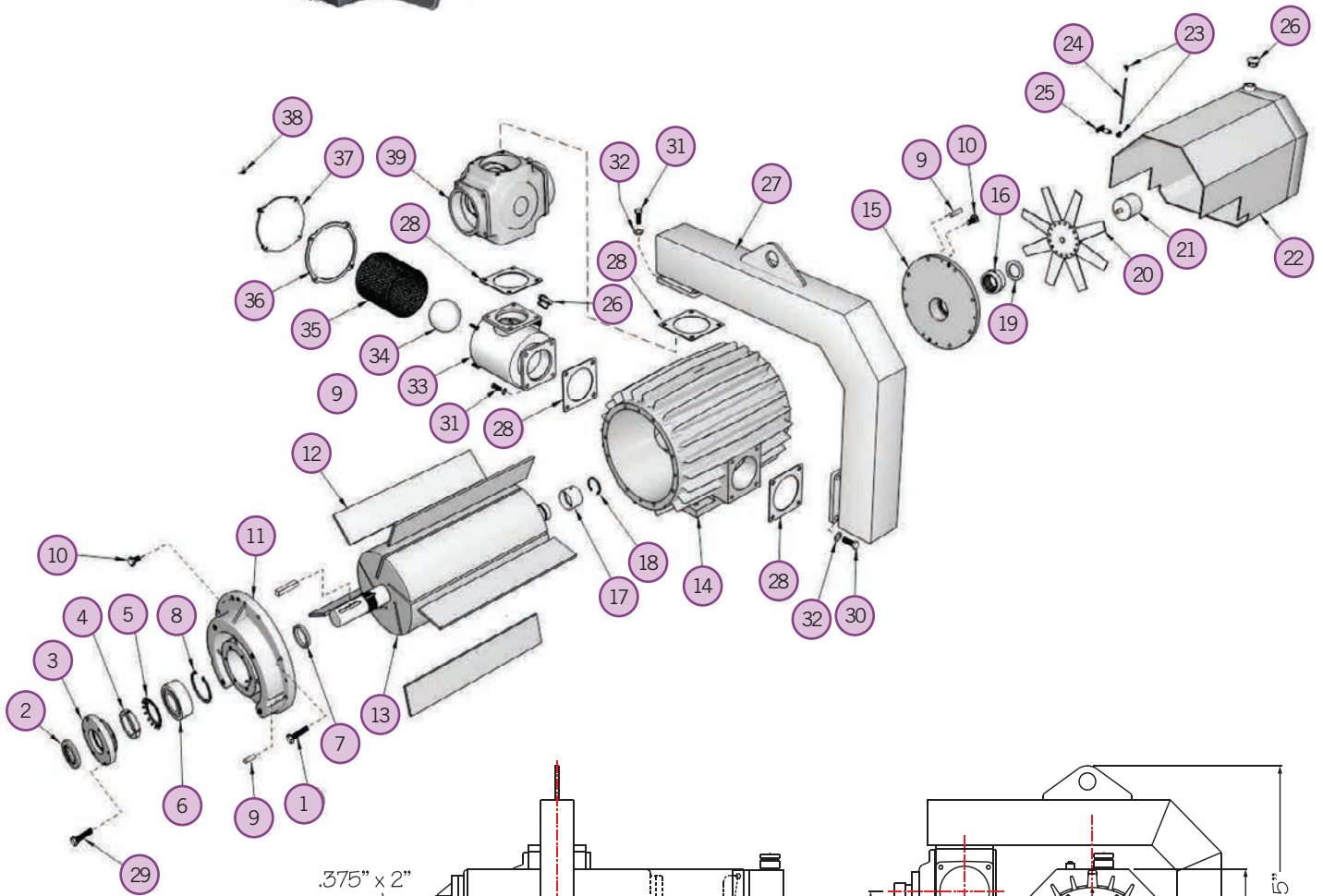
Wallenstein 1054 HRVA 12V

CFM Rating

500 @ 1000 RPM @ 15" Hg, 27" Hg capable

Features:

- 4" Vacuum / Pressure Valve
- Air Pressure or Mechanical Lubrication
- Direct, Hydraulic, or Pulley Drive
- 12v High Speed Fan
- Clockwise Rotation



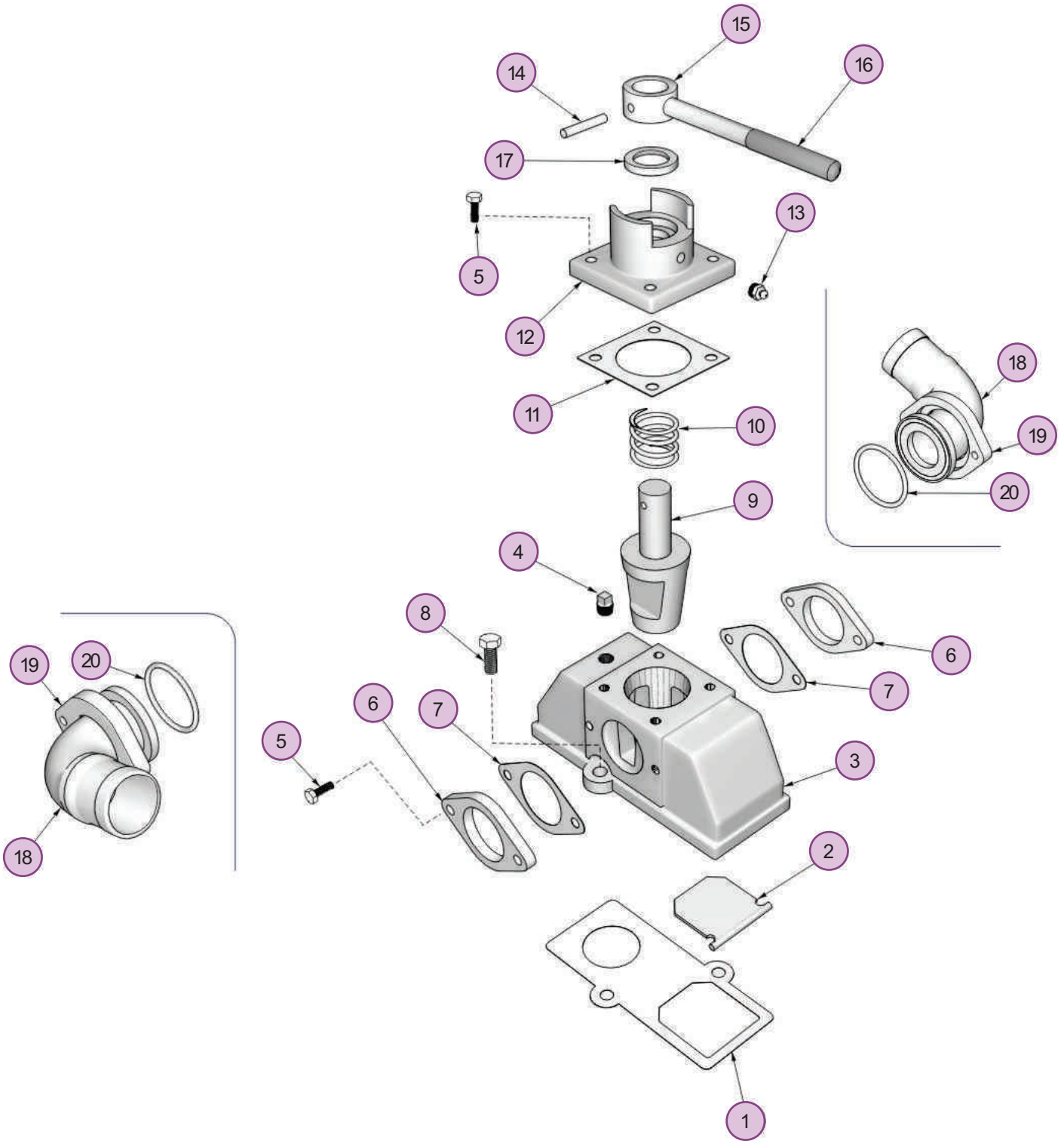
PUMPS



Pump Head Model 80

DESCRIPTION	PART NUMBER
Pump Head Model 80 (151, 202, 302, 402)	GD5070-0080

#	DESCRIPTION	PART NUMBER
1	Gasket	GD5070-0001
2	Flapper Plate	GD5070-0002
3	Housing	GD5070-0003
4	Flash Port Plug	GD5070-0004
5	Cap Srew Hex 5/16 x 3/4	GD5070-0005
6	2" Flange Plate	GD5070-0006
7	Flange Gasket	GD5070-0007
8	Cap Screw Hex 1/2" X 1"	GD5000-0029
9	Spool	GD5070-0009
10	Spring	GD5070-0010
11	Top Cover Gasket	GD5070-0011
12	Top Cover	GD5070-0012
13	Grease Fitting	GD5070-0013
14	Handle Pin	GD5070-0014
15	Handle	GD5070-0015
16	Handle Grip	GD5070-0016
17	Seal	GD5070-0017
18	2" Elbow	GD5070-0018
19	Flange for 2" Elbow	GD5070-0019
20	O-Ring for 2" Elbow	GD5070-0020



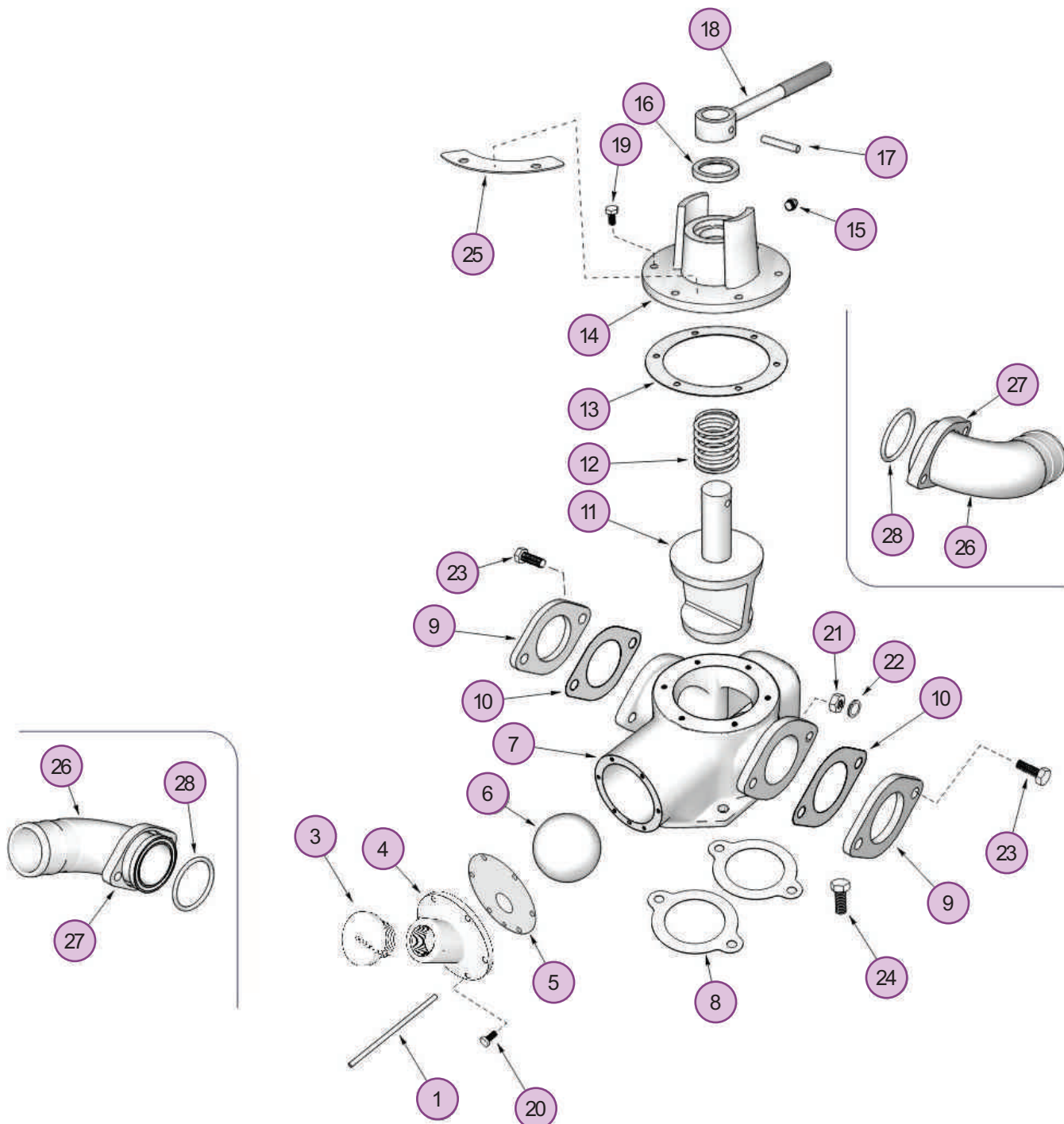
PUMPS



Pump Head Model 200

DESCRIPTION	PART NUMBER
Pump Head Model 200 (403, 553, 753)	GD5071-0200

#	DESCRIPTION	PART NUMBER
1	Stainless Steel Rod	GD5071-0001
3	Flush Port Threaded Cap	GD5071-0002
4	Valve Ball Cover w/ Flash Port	GD5071-0003
5	Valve Ball Cover Plate Gasket	GD5071-0004
6	Check Ball 3"	GD5071-0005
7	Valve Housing	GD5071-0006
8	Valve Bottom Port Gasket	GD5071-0007
9	Valve Flange	GD5071-0008
10	Valve Flange Gasket	GD5071-0009
11	Spool	GD5071-0010
12	Valve Spring	GD5071-0011
13	Top Cover Gasket	GD5071-0012
14	Top Cover	GD5071-0013
15	Grease Fitting	GD5070-0013
16	Valve Seal	GD5071-0015
17	Handle Pin	GD5071-0016
18	Handle	GD5071-0017
19	Cap Screw Hex 1/4" x 3/4"	GD5071-0018
20	Machine Screw 10-24 x 1/2"	GD5071-0019
21	Hex Nut 1/2" N.C.	GD5071-0020
22	Lockwasher 1/2"	GD5000-0030
23	Cap Screw Hex 1/2" x 1 1/2"	GD5071-0022
24	Cap Screw Hex 1/2" X 1"	GD5000-0029
25	Label Plate	GD5071-0024
26	3" Aluminum	GD5071-0025
27	Elbow Flange 3"	GD5071-0026
28	Elbow O-Ring 3"	GD5071-0027



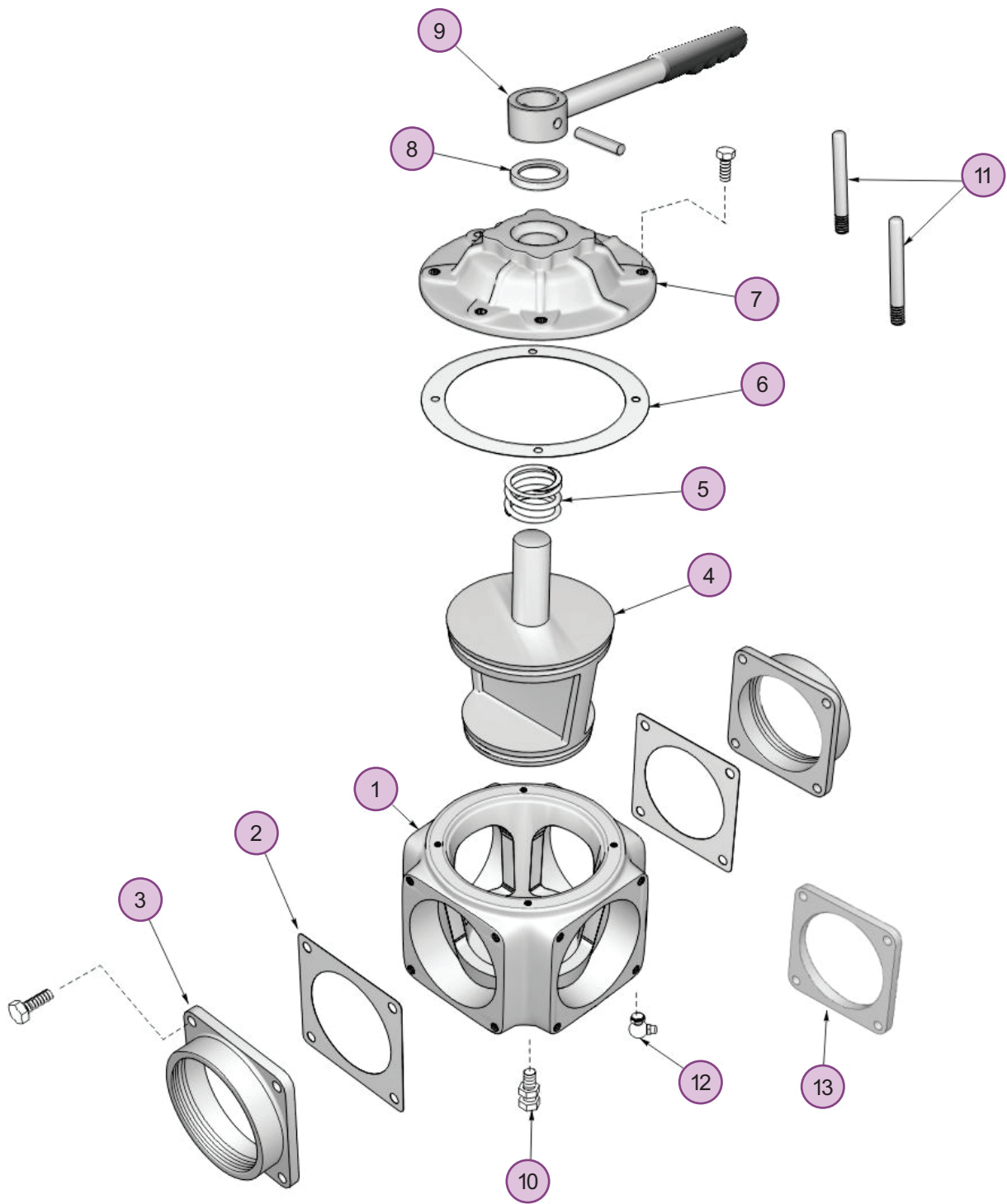
PUMPS



Pump Head Model 450

DESCRIPTION	PART NUMBER
Pump Head Model 450 (1604, 1054)	GD5072-0450

#	DESCRIPTION	PART NUMBER
1	Housing	GD5072-0001
2	Valve Flange Gasket	GD5072-0002
3	4" NPT Valve Flange	GD5072-0003
4	Spool	GD5072-0004
5	Spring	GD5072-0005
6	Valve Top Cover Gasket	GD5072-0006
7	Valve Top Cover	GD5072-0007
8	Valve Handle Seal	GD5072-0008
9	Valve Handle Assembly	GD5072-0009
10	Spool Lift Bolt C/W Nut	GD5072-0010
11	Valve Handle Stop Pin	GD5072-0011
12	Grease Fitting	GD5070-0013
13	Flange Plate (Optional)	GD5072-0013



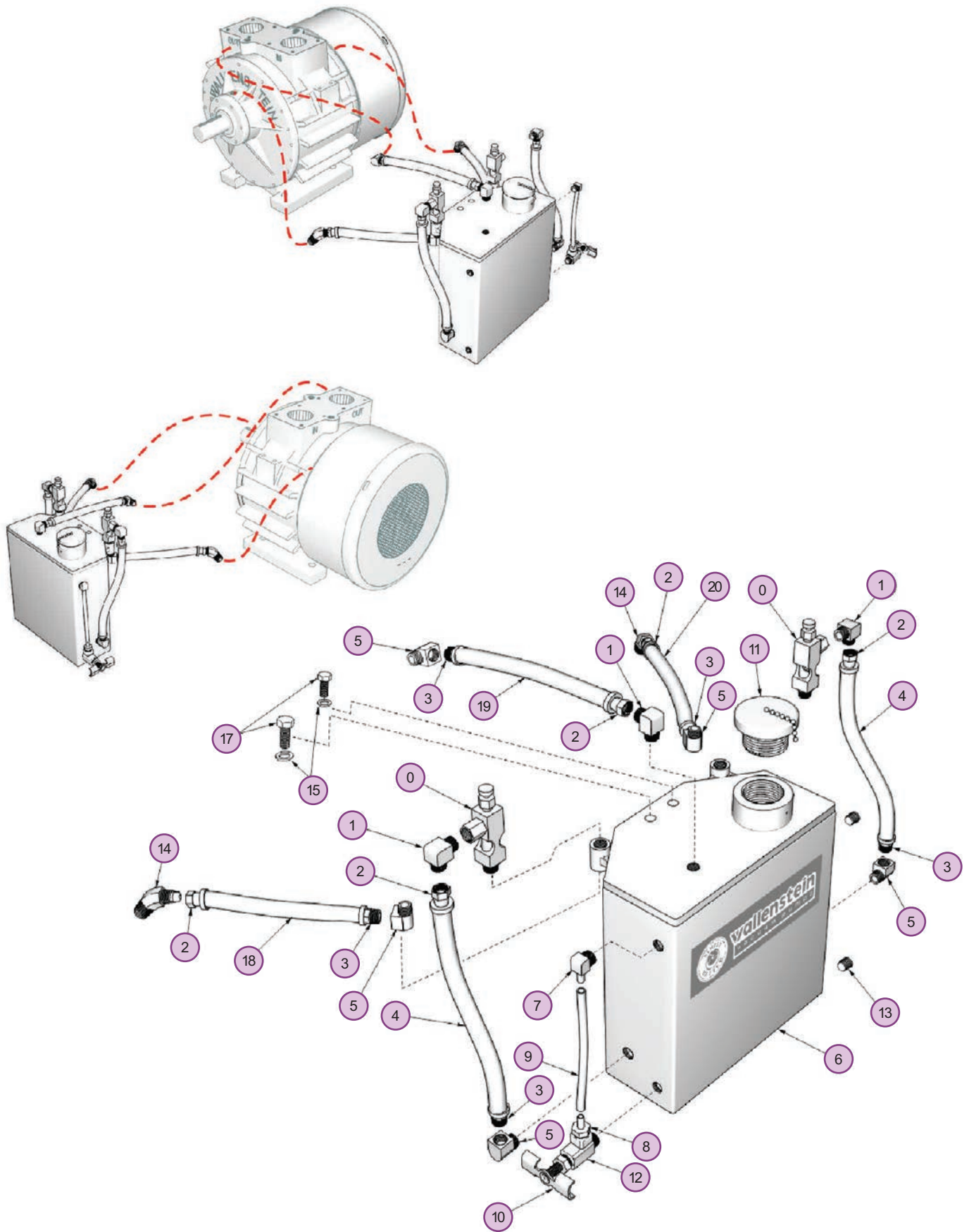
PUMPS



Oiler Assembly (151-402)

DESCRIPTION	PART NUMBER
Oiler Assembly (151-402)	GD5080-0000

#	DESCRIPTION	PART NUMBER
0	Sight Feed Valve (Single)	GD5080-0001
1	Oil Line Fitting (1/4" x 1/8" 90°)	GD5080-0002
2	Barb Fitting Swivel (1/4" F)	GD5080-0003
3	Barb Fitting (1/8" M)	GD5080-0004
4	Oil Line Feed	GD5080-0005
5	Elbow (1/8" 90°)	GD5080-0006
6	Oil Reservoir 2L	GD5080-0007
7	Barb Fitting (1/4" x 1/8" 90°)	GD5080-0008
8	Barb Fitting (Straight)	GD5080-0009
9	Sight Tube	GD5080-0010
10	Drain Valve	GD5015-0025
11	Fill Cap (1.25)	GD5080-0012
12	Tee (1/8")	GD5080-0013
13	Pipe Plug Socket (.12")	GD5080-0014
14	Oil Line Fitting (1/4" x 1/4" 45°)	GD5080-0015
15	Lockwasher (5/16")	GD5080-0016
17	Cap Srew Hex 5/16 x 3/4	GD5070-0005
18	Oil Line Front Bearing - 302	GD5080-0018
19	Air Pressure Line - 302	GD5080-0019
20	Oil Line Rear Bearing - 302	GD5080-0020
18	Oil Line Front Bearing - 402	GD5080-0021
19	Air Pressure Line - 402	GD5080-0022
20	Oil Line Rear Bearing - 402	GD5080-0023
18	Oil Line Front Bearing - 151	GD5080-0024
19	Air Pressure Line - 151	GD5080-0025
20	Oil Line Rear Bearing - 151	GD5080-0026
18	Oil Line Front Bearing - 202	GD5080-0027
19	Air Pressure Line - 202	GD5080-0028
20	Oil Line Rear Bearing - 202	GD5080-0029



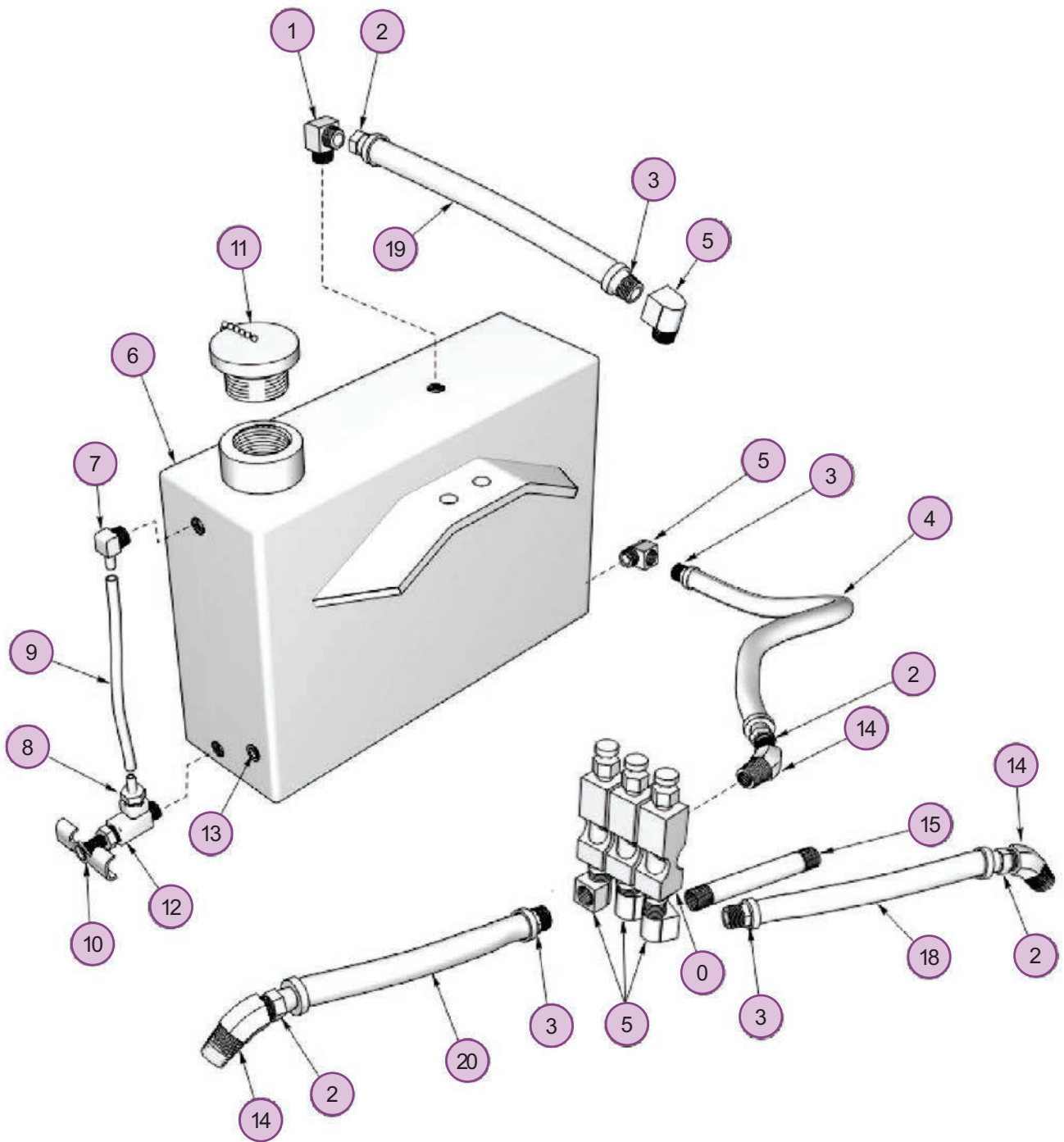
PUMPS



Oiler Assembly 3-Bank (403-753)

DESCRIPTION	PART NUMBER
Oiler Assembly 3-Bank (403-753)	GD5081-0000

#	DESCRIPTION	PART NUMBER
0	Sight Feed Assembly (3 Block)	GD5081-0001
1	Oil Line Fitting (1/4" x 1/8" 90°)	GD5080-0002
2	Barb Fitting Swivel (1/4" F)	GD5080-0003
3	Barb Fitting (1/8" M)	GD5080-0004
4	Oil Line Feed	GD5081-0005
5	Elbow (1/8" 90°)	GD5080-0006
6	Oil Reservoir 3.5L	GD5081-0007
7	Barb Fitting (1/4" x 1/8" 90°)	GD5080-0008
8	Barb Fitting (Straight)	GD5080-0009
9	Sight Tube	GD5080-0010
10	Drain Valve	GD5015-0025
11	Fill Cap (1.25)	GD5080-0012
12	Tee (1/8")	GD5080-0013
13	Pipe Plug Socket (.12")	GD5080-0014
14	Oil Line Fitting (1/4" x 1/4" 45°)	GD5080-0015
15	Nipple Pipe (.12" x 2.5")	GD5081-0016
18	Oil Line Front Bearing - 753	GD5081-0017
19	Air Pressure Line - 753	GD5081-0018
20	Oil Line Rear Bearing - 753	GD5081-0019
18	Oil Line Front Bearing - 403	GD5081-0020
19	Air Pressure Line - 403	GD5081-0021
20	Oil Line Rear Bearing - 403	GD5081-0022
18	Oil Line Front Bearing - 553	GD5081-0023
19	Air Pressure Line - 553	GD5081-0024
20	Oil Line Rear Bearing - 553	GD5081-0025



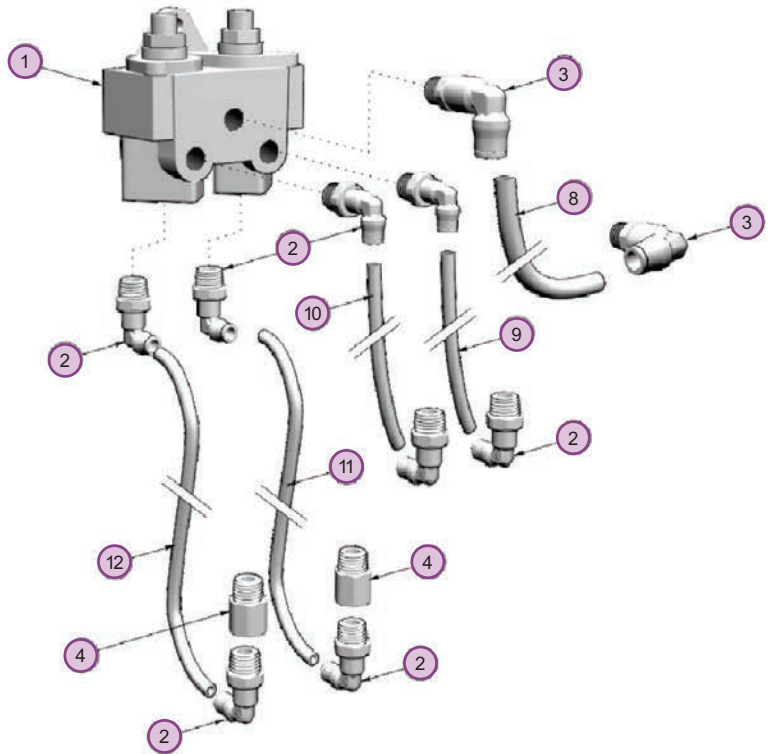
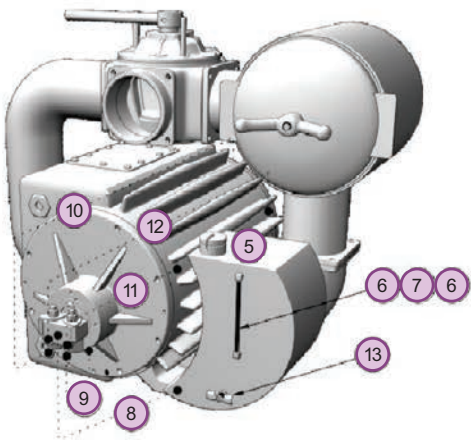
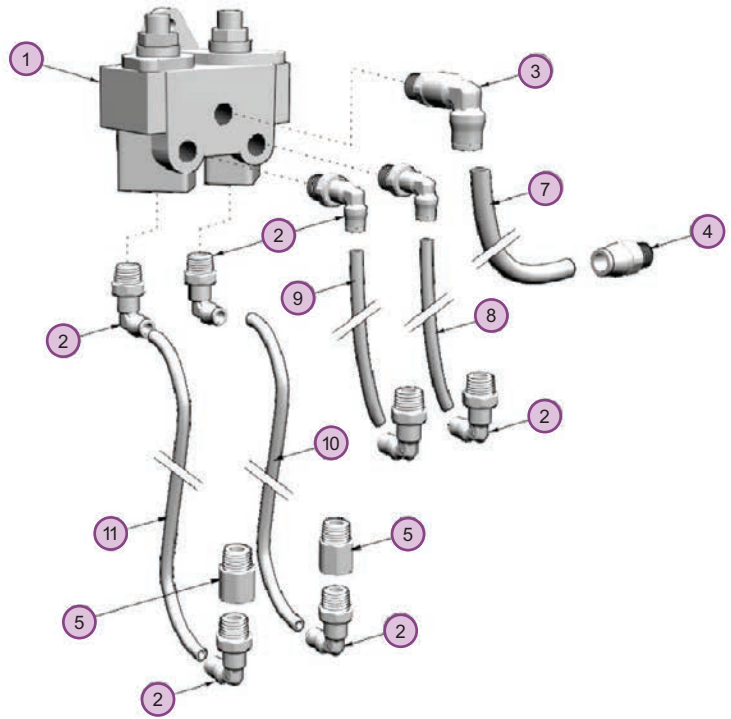
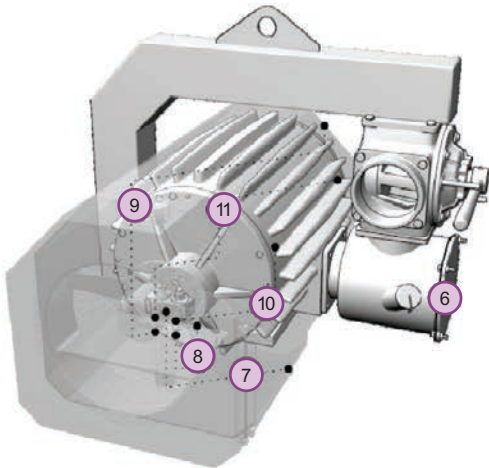
PUMPS



Oiler Assembly (1054LN)

DESCRIPTION	PART NUMBER
Oiler Assembly (1054LN)	GD5082-0000

#	DESCRIPTION	PART NUMBER
1	Mechanical Oiler 4 (CW)	GD5082-0001
1	Mechanical Oiler 4 (CCW)	GD5082-0002
2	Fitting 90° Swivel 4mm x 1/8" MNPT	GD5082-0003
3	Fitting 90° Swivel 6mm x 1/8" MNPT	GD5082-0004
4	Fitting Ext 1/8" FNPT x 1/8" MNPT	GD5082-0005
5	Cap (Mechanical Oiler)	GD5082-0006
6	Fitting Barb 1/4" Tube x 1/8" MNPT	GD5082-0007
7	Sight Tube 9"	GD5015-0024
13	Drain Valve	GD5015-0025
8	Oil Line Feed	GD5082-0010
9	Oil Line Front Bearing	GD5082-0011
10	Oil Line Rear Bearing	GD5082-0011
11	Oil Line Housing (Left)	GD5082-0011
12	Oil Line Housing (Right)	GD5082-0011



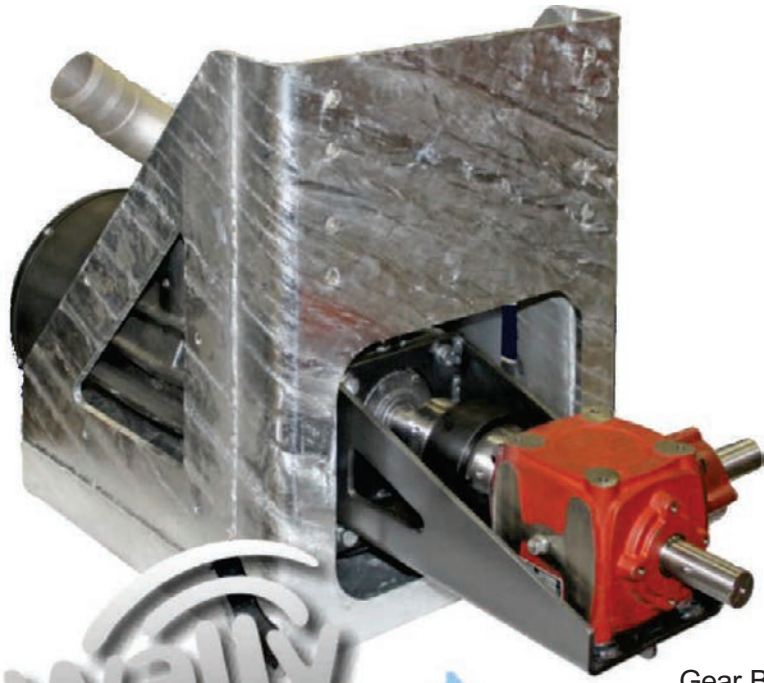
PUMPS

Wally Pak Kit

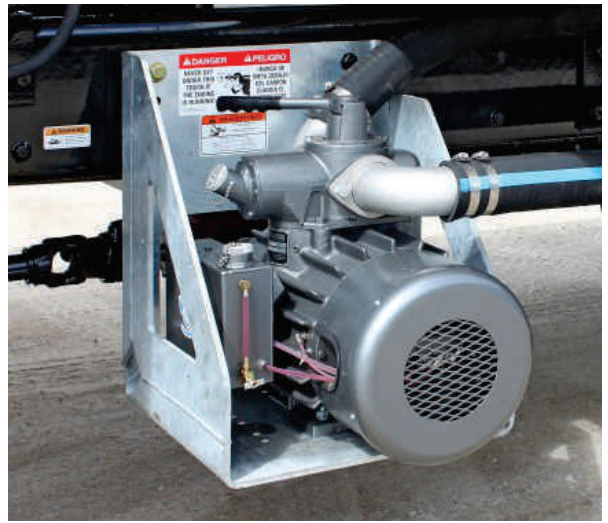
DESCRIPTION	PART NUMBER
Wally Pak Kit (202, 403, 553,753)	GD5090-0000

DESCRIPTION	PART NUMBER
Endplate (D)	GD5090-0001
Hex Cap Screw 1/2" x 1 1/4"	GD5090-0002
Lockwasher 1/2"	GD5000-0030
Hex Cap Screw 3/8" x 1"	GD5090-0004
Lockwasher Star 3/8"	GD5090-0005
Hex Cap Screw 1/2" x 2"	GD5090-0006
Hex Nut 1/2" N.C.	GD5071-0020
Lockwasher 1/2"	GD5000-0030
Galvanized Stand	GD5090-0009
Bracket	GD5090-0010
Gear Box	GD5090-0011
Hub	GD5090-0012
Ring	GD5090-0013
Cover	GD5090-0014
Insert	GD5090-0015
Hub	GD5090-0012

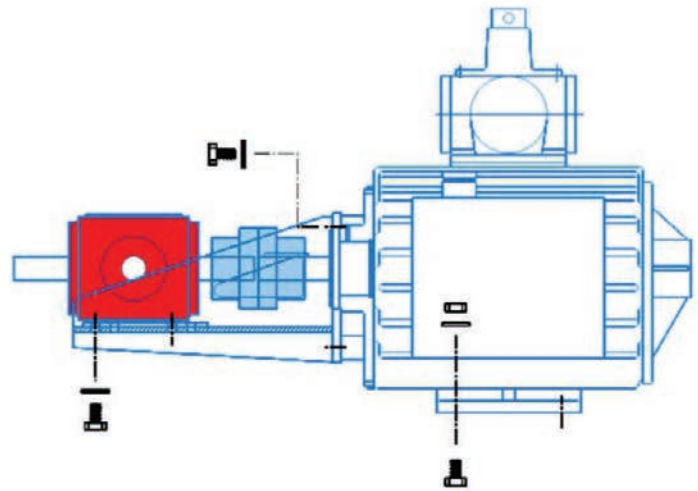




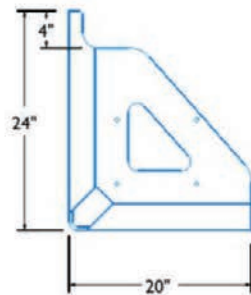
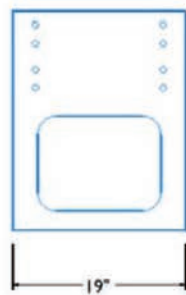
Gear Box



End Plate



Bracket



PUMPS



Wallenstein Hydraulic Drive OPTION

DESCRIPTION	PART NUMBER
Wally Pak Kit (202, 403, 553,753)	

DESCRIPTION	PART NUMBER
Adaptor Plate	GD5091-0001
Bell Housing	GD5091-0002
Hydraulic Drive	GD5091-0003
Bore (1 1/4" x 1/4")	GD5091-0004
15t 16/32 Split Clamp	GD5091-0005
Insert	GD5091-0006



Wallenstein Turbine Vacuum Pump Oil

DESCRIPTION	PART NUMBER
Winter 32 - 4L	GD5099-0324
Winter 32 - 20L Pail	GD5099-3220
Summer 68 - 4L	GD5099-0684
Summer 68 - 20L Pail	GD5099-6820

SHIPPING ANYWHERE

IN NORTH AMERICA



ORDER NOW: PARTS@ATOMJET.COM

1.800.573.5048

1520 Charles Street, Brandon, Manitoba R7C 1A4

Dedicated Parts & Service Department.

You'll find what you need for your operation from our wide selection of top quality products, including pumps, blowers and hoses at the most competitive prices available in Canada.

Specialty orders? Not a problem for our team.

Glendale Parts and Service is just a phone call away – 24 hours – 7 days a week.

Your customers depend on you. **You can depend on Glendale.**

© Glendale Industries Ltd. A Division of Atom-Jet Group.

w: glendale.atomjet.com

TF: (800) 573-5048

E: parts@atomjet.com