



# HEPA AIR FILTERS

## BREATHE EASIER WITH THE SIGMA HEPA FILTER

The Workplace Health & Safety (WHS) and Mine Safety & Health Administration (MSHA) solution for dust saturated atmospheres and harmful toxic working environments.

Ensuring cabin air is safe to breathe and free from airborne contaminants including pesticide, asbestos, silica dust, fine coal dust and diesel particulate matter. To ensure risk for the coal mine operators is at an acceptable level.

HEPA solutions for underground and surface mining applications

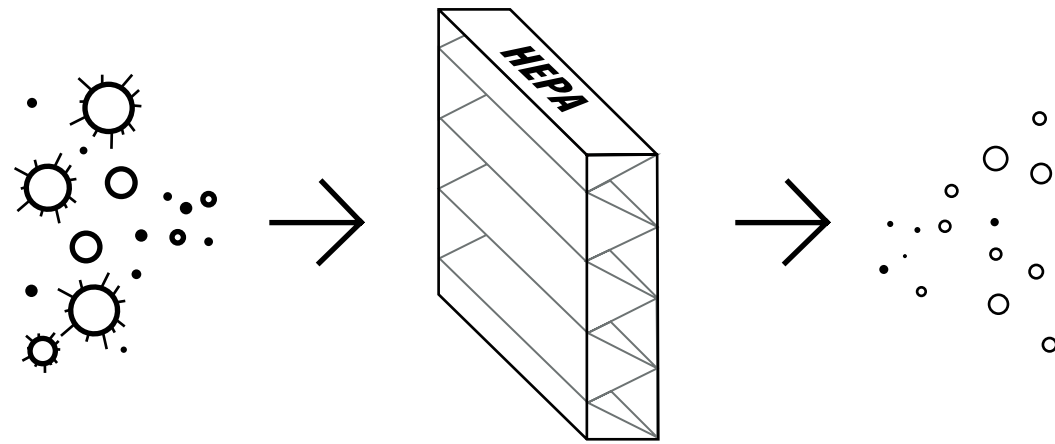


**KNORR-BREMSE**

HAF20721

**SIGMA**  
BUILT FOR THE TOUGHEST AIR CONDITIONS

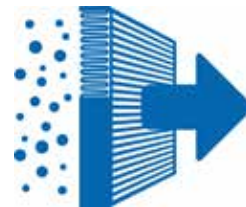
# HEPA FILTER



Here at Sigma Air Conditioning we understand the importance of quality in your business and how your biggest assets, your operators, work tirelessly day in and day out in the heat and cold. Create a safe and healthy breathing space with Sigma's range of High Efficiency Particulate Air (HEPA) filters. Our H13 compliance HEPA filters removes 99.95% of all particles greater than 0.3 microns.

## WHAT DOES A HEPA FILTER DO?

HEPA filters are a special type of filter that capture microscopic particles like fine silica dust, particulate matter, smoke, bacteria and some virus. HEPA filters also capture toxic substances like asbestos, heavy metals and carcinogenic dust.



## WITHOUT HEPA

Long-term exposure to unwanted air particulates is one of the leading causes for life threatening illnesses. Recommended for operators in mine sites but also suitable for all work places that requires a clean and healthy environment.

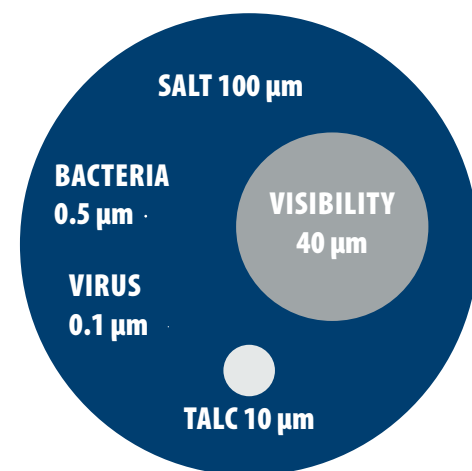
## WHY HEPA FILTER?

Apart from the preventive and air quality benefits, operators can breathe easy knowing that the air inside the cabins is clean and safe. Employers can enjoy the peace of mind, knowing that the HEPA filters upgrade provides their operators with a safe and healthy working environment.

## HOW BIG IS A MICRON?

As a unit of measure, 1 micron also called micro meter is equal to 1 millionth of a meter or .000039 inch.

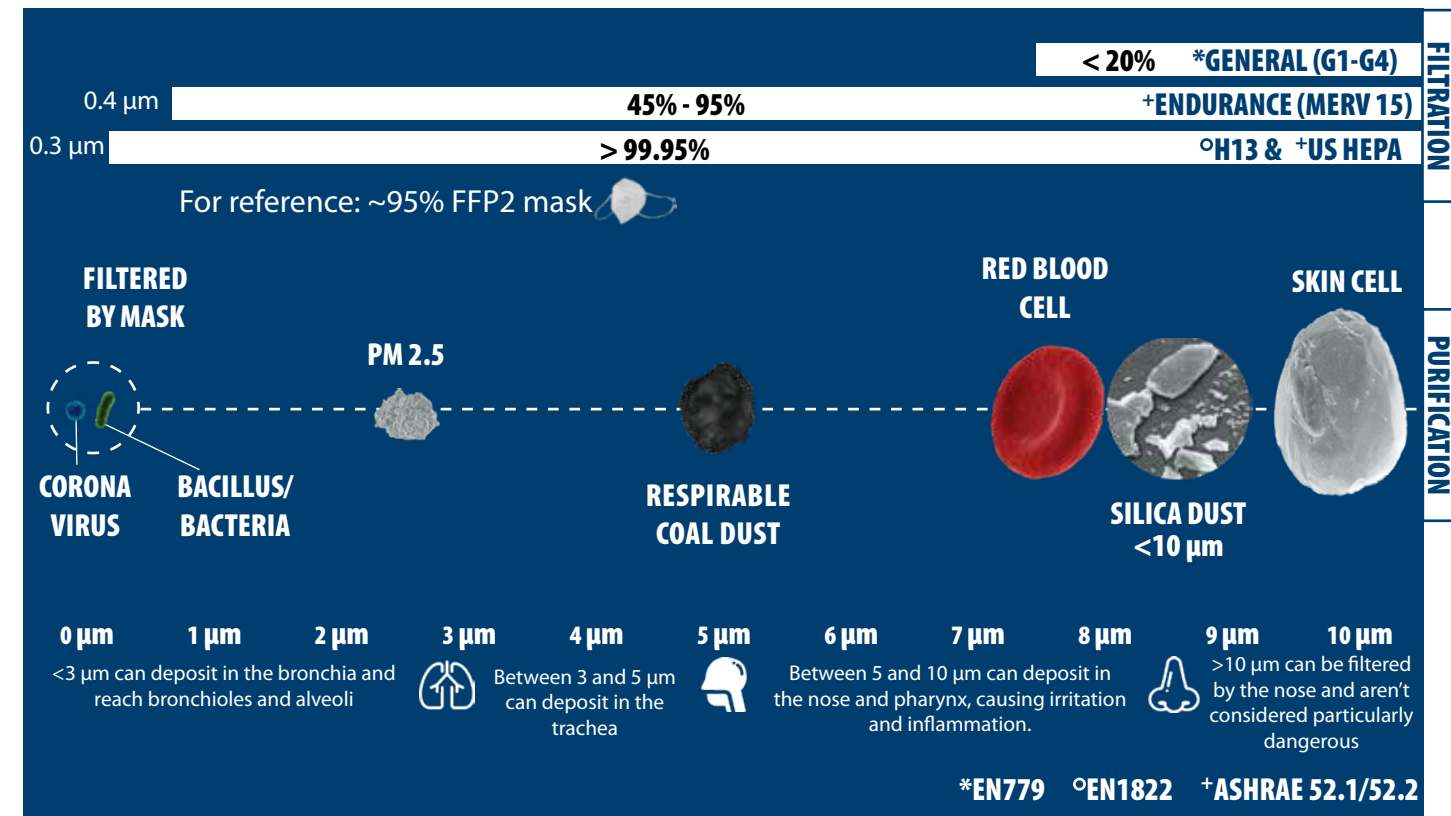
- 100 µm = Grain of table salt
- 40 µm = Lower limit of visibility
- 10 µm = Talcum powder
- 5 µm = Respirable Coal Dust
- 0.5 µm = Bacillus / Bacteria
- 0.1 µm = Virus



# RELATIVE DUST/PARTICLE SIZE

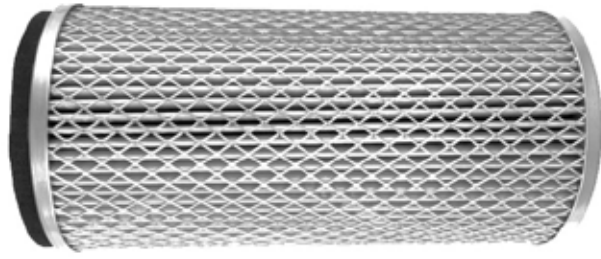
Microns (Log Scale)	0.001	0.01	0.1	1.0	10	100	1000
Test Aerosols			Scanning Electron Microscope		Optical Microscope		Visible to Naked Eyes
			← Atomised NaCl →	← SAE Fine Dust →		← SAE Coarse Dust →	
Relative size of Common Materials	← Aqueous Salts →		← Smog →			← Mold Spores →	
	← Metal Ions →		← Diesel Soot →			← Human Hair →	
	← Atomic Radii →		← Virus →	← Bacteria →		← Mist →	
		← Carbon Black →		← Pollen →		← Lint →	
		← Tobacco Smoke →		← Coal Dust →		← Beach Sand →	
				← Milled Flour →			

# FILTER EFFICIENCY



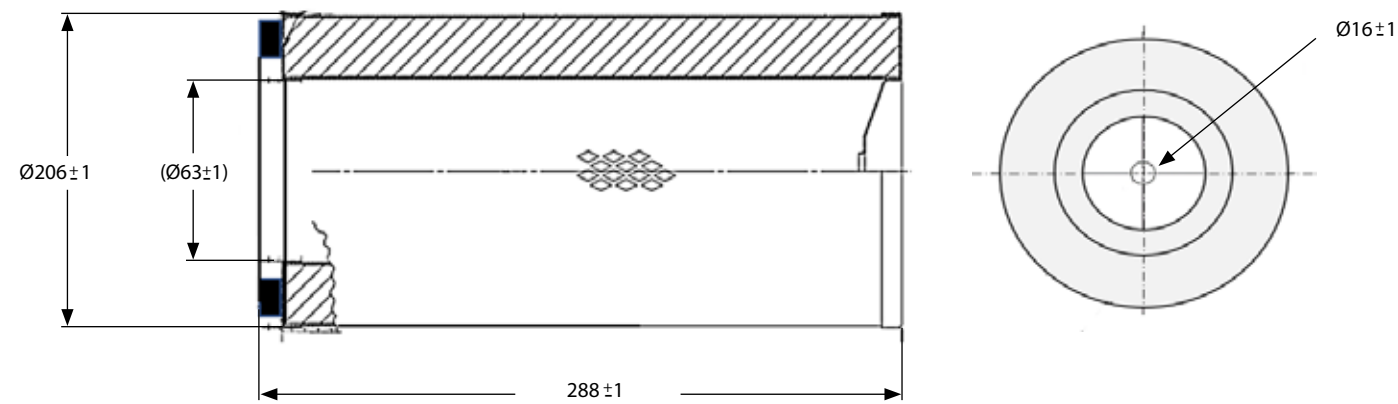
## H13 HEPA FILTER

H0116836



H13 COMPLIANCE 99.95% FILTRATION EFFICIENCY MEETING EUROPEAN STANDARD EN1822

Fresh Air filter, 206OD x 288mm , H13 intermediate stiffness HEPA filter media composed of borosilicate microfibers with acrylic resin binder. Supply with Top Cap 16ID and Bottom Cap 63ID. 99.95% for particles diameter 0.3 µm



### COMPATIBLE WITH

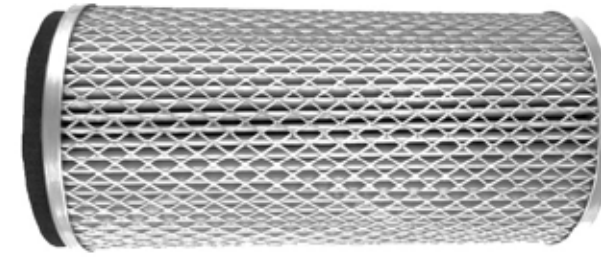


H0111416 / H0111417

**NOTE:** Some additional parts may be required for installation. Please consult with the Sigma Technical Sales team to confirm HVAC selection and suitability

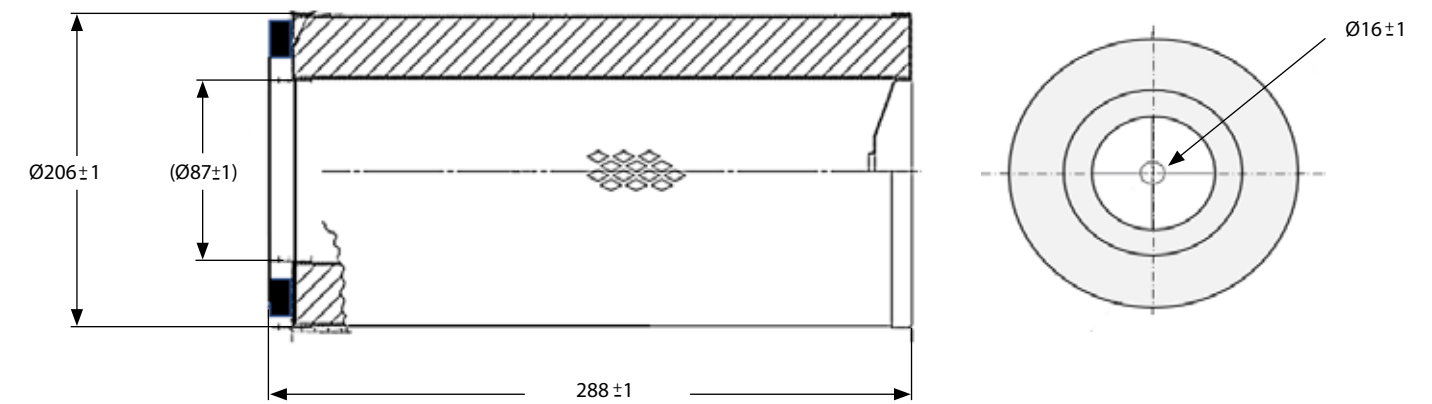
## H13 HEPA FILTER

H0116837



H13 COMPLIANCE 99.95% FILTRATION EFFICIENCY

Fresh Air filter, 206OD x 288mm , H13 intermediate stiffness HEPA filter media composed of borosilicate microfibers with acrylic resin binder. Supply with Top Cap 16ID and Bottom Cap 63ID. 99.95% for particles diameter 0.3 µm



### COMPATIBLE WITH



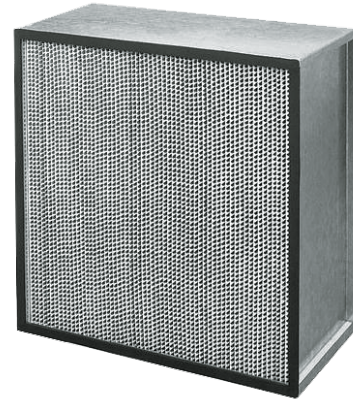
H0111418

**NOTE:** Some additional parts may be required for installation. Please consult with the Sigma Technical Sales team to confirm HVAC selection and suitability



## H13/US HEPA FILTER

AU460863



H13 & US HEPA COMPLIANCE 99.97% FILTRATION EFFICIENCY

HEPA filter, 305x305x149mm (nominal), with galvanised steel case, 99.97% filtration efficiency for particles diameter 0.3 µm

### MATERIAL

PARTICULARS	DESCRIPTION
<b>MEDIA</b>	TYPE 55 GLASS PAPER
<b>CASE</b>	GALVANISED STEEL
<b>SPACERS</b>	ALUMINUM
<b>GASKET</b>	NEOPRENE
<b>FEATURES</b>	FIRE RESISTANT AND SELF EXTINGUISHING

### PERFORMANCE

PARAMETERS	DESCRIPTION
<b>Maximum temperature</b>	70°C / 158°F - CONTINUOUS 120°C / 248°F - SHORT PERIODS ONLY

### COMPATIBLE WITH



PVV50B2

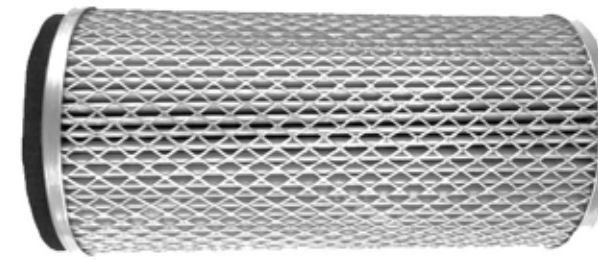


PVV50M2

**NOTE:** Some additional parts may be required for installation. Please consult with the Sigma Technical Sales team to confirm HVAC selection and suitability

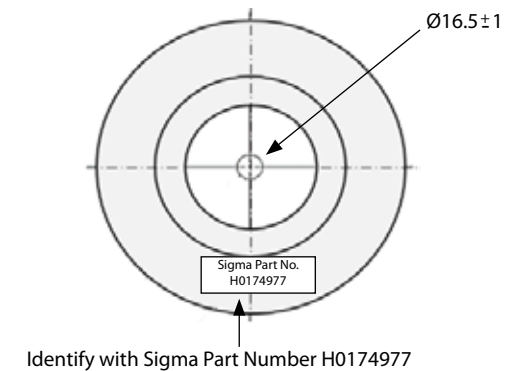
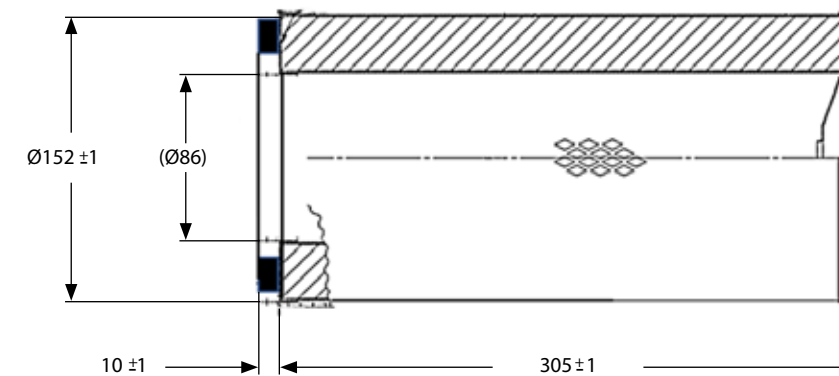
## H13 HEPA FILTER

H0174977



H13 COMPLIANCE 99.95% FILTRATION EFFICIENCY MEETING EUROPEAN STANDARD EBN1822

Fresh Air filter, 305L x 152OD, H13 intermediate stiffness HEPA filter media composed of borosilicate microfibers with acrylic resin binder. Supply with 17 ID rubber bonded metal washer. 99.95% for particles diameter 0.3 µm



### COMPATIBLE WITH



FVV80

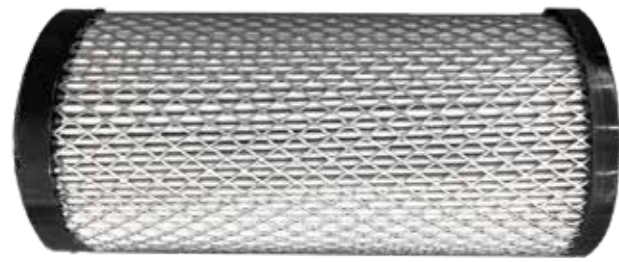


FVV100

**NOTE:** Some additional parts may be required for installation. Please consult with the Sigma Technical Sales team to confirm HVAC selection and suitability

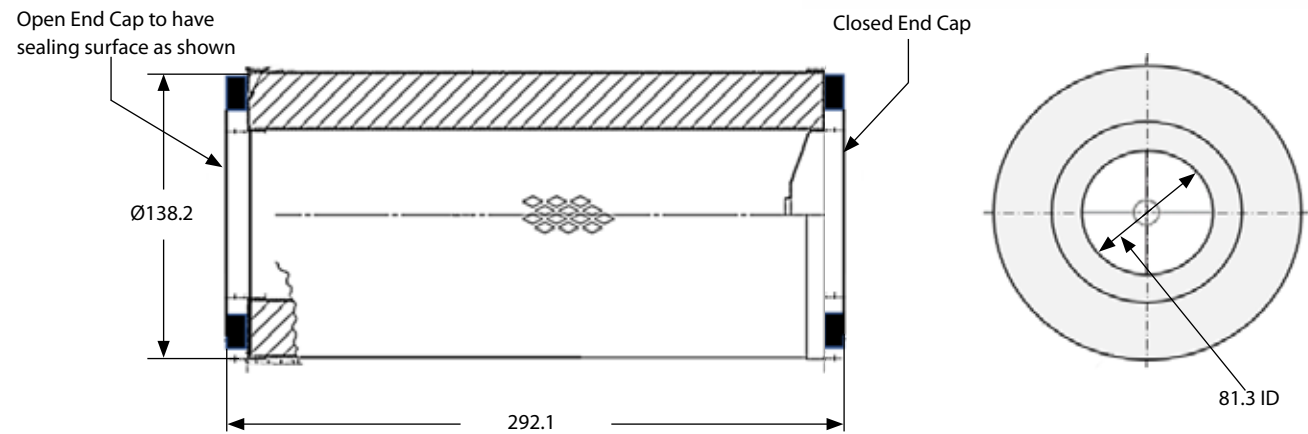
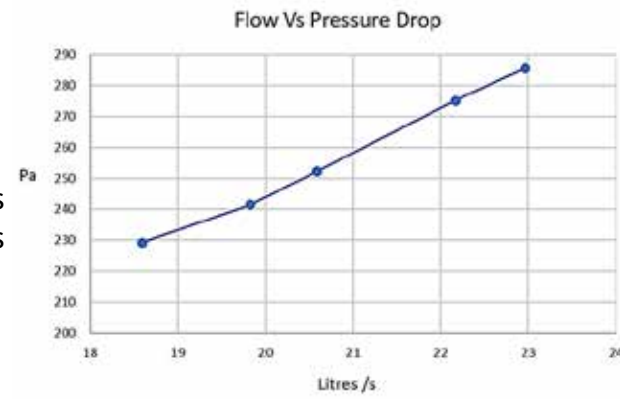
# H13 HEPA FILTER

H0202671



H13 COMPLIANCE 99.95% FILTRATION EFFICIENCY MEETING EUROPEAN STANDARD EN1822

Fresh Air filter, 292L x 138OD, H13 intermediate stiffness HEPA filter media composed of borosilicate microfibers with acrylic resin binder. 99.95% for particles diameter 0.3 µm



HEPA PRODUCT RANGE

# PRODUCTS KIT SET

## COMPATIBLE WITH



EB9P2X



EB9P4X

**NOTE:** Some additional parts may be required for installation. Please consult with the Sigma Technical Sales team to confirm HVAC selection and suitability

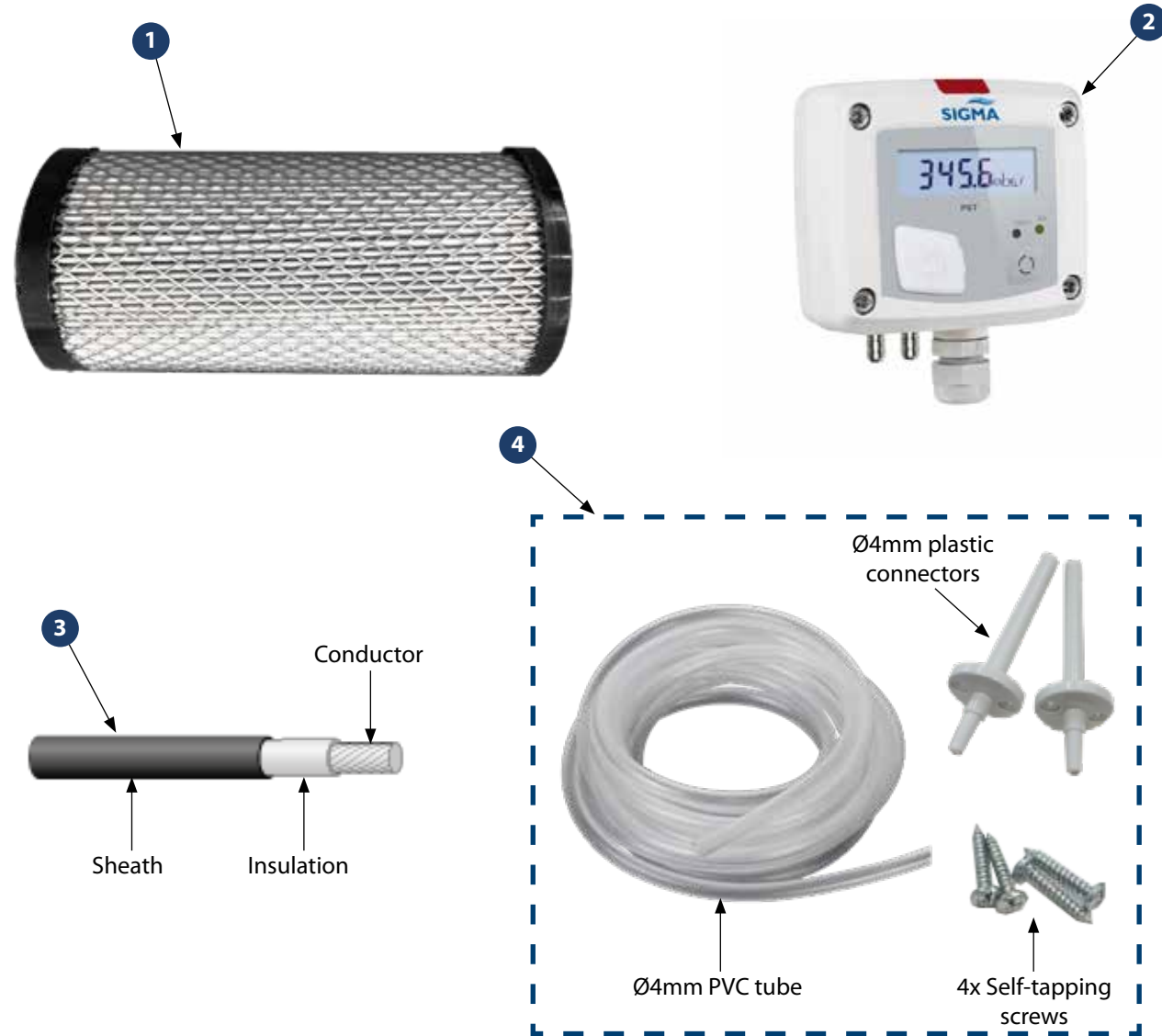


Upgrade the standard EB9P4X Endurance filter to HEPA grade with SIGMA HEPA UPGRADE KIT (KIT H0225677). H13 intermediate stiffness HEPA filter media composed of borosilicate microfibers with acrylic resin binder.

## KIT PARTS

PART NO.	DESCRIPTION	QTY
1 H0202671	H13 HEPA FILTER	1
2 AU682070	AIR FLOW AND MONITORING SWITCH	1
3 AU622401	CABLE RADOX FOR WIRING	1
4 KIT500001	KIT FOR AIRFLOW SWITCH DUCT	1

**99.95% PARTICULATE EFFICIENCY AT 0.3 MICRON**



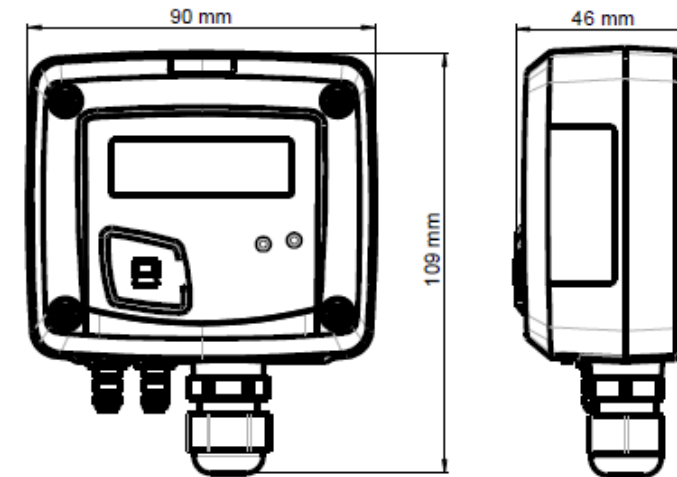
## PRESSURE MONITORING UNIT

### KEY POINTS

- Range from -100/+100 Pa to -2000/+2000 mbar (according to model)
- RCR relay output 3A/230 Vac, power supply 24 Vac/Vdc
- Visual and audible alarm, red led in front
- ABS V0 IP65 housing
- "¼ turn" system mounting with wall-mount plate
- Housing with simplified mounting system
- Solenoid valve for auto-calibration (only on PST11 model)



### FEATURES OF HOUSING



PARAMETERS	DESCRIPTION
Material	ABS V0 as per UL94
Protection	IP65
Display	LCD 10 digits Size : 50 x 17 mm
Height of digits	Values : 10 mm Units : 5 mm
Connections	ribbed, Ø 6.2 mm
Cable gland	Ribbed Ø 6.2 mm (PST11 - PST12 - PST13) Security Ø 6.2 mm (PST14 - PST15)
Weight	143 g

### TECHNICAL FEATURES

PARAMETERS	DESCRIPTION
Unit of measurement	Pa, mmH2O, inWG, mmHG, daPa, kPa, hPa, mbar (PST-11, PST-12, PST-13) mbar, inWG, mmHG, PSI, mmH2O, daPa, hPa, kPa (PST-14, PST-15)
Accuracy*	<b>PST11</b> : ±1% of reading ±2 Pa <b>PST12</b> : ±1.5% of reading ±3 Pa <b>PST113</b> : ±1.5% of reading ±3 mmH2O <b>PST14 and PST15</b> : ±1.5% of reading ±3 mbar
Response time	1/e (63%) 0.3 s
Resolution	1 Pa ; 0.1 mmH2O ; 0.01 mbar ; 0.01 inWG ; 0.01 mmHG ; 0.1 daPa ; 0.001 kPa
Autozero	20.0 Kg
Type of fluid	Air and neutral gases
Overpressure tolerated	<b>PST11, PST12</b> : 21 000 Pa ; <b>PST13</b> : 69 000 Pa ; <b>PST14</b> : 1400 mbar ; <b>PST15</b> : 4100 mbar
Operating temperature	From 0°C to +50°C
Storage temperature	From -10 °C to +70 °C

### TECHNICAL SPECIFICATIONS

PARAMETERS	DESCRIPTION
Output	1 RCR relay 3 A / 230 Vac
Power supply	24 Vac/Vdc ±10 %
Consumption	2 VA
Relay and alarm status	Red led in front and internal buzzer
Electromagnetical compatibility	EN61326
Electrical connection	Terminal block for cables Ø0.05 to 2.5 mm <sup>2</sup>
PC communication	USB-mini Din cable
Environment	Air and neutral gases
Storage temperature	From -10 °C to +70 °C

**NOTE:** Some additional parts may be required for installation. Please consult with the Sigma Technical Sales team to confirm HVAC selection and suitability

\*All the accuracies indicated in this technical datasheet were stated in laboratory conditions, and can be guaranteed for measurements carried out in the same conditions, or carried out with calibration compensation.



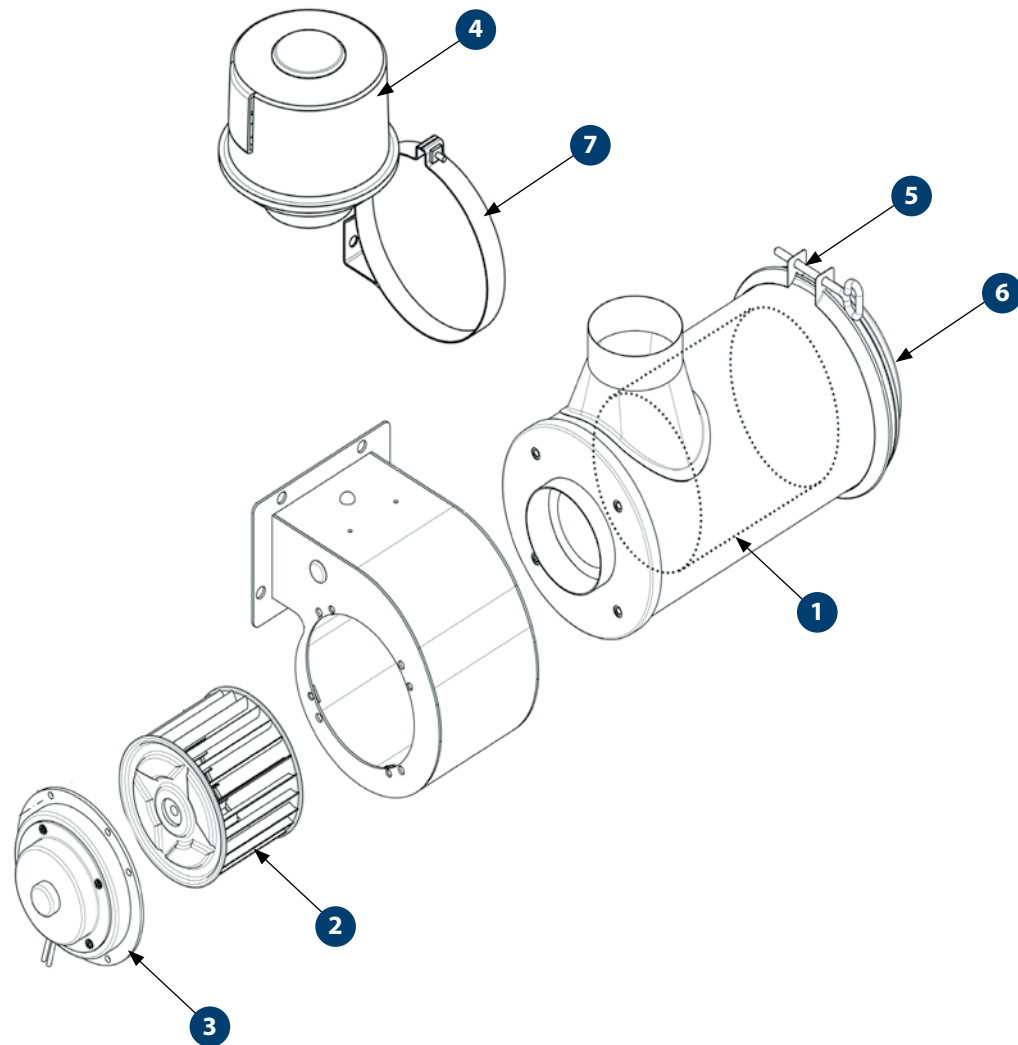


## EB9P2X/4X FRESH AIR PRESSURISER

**EB9P2X**  
Fresh Air Pressuriser 31 l/s 12V

**EB9P4X**  
Fresh Air Pressuriser 31 l/s 24V

**EB9P4XL**  
Fresh Air Pressuriser 35 l/s 24V



## SPARE PARTS

PART NO.	DESCRIPTION	QTY
1 AU460083	FILTER CARTRIDGE ENDURANCE (EB9P4X)	1
AU460082	FILTER CARTRIDGE ENDURANCE (EB9P4XL)	1
* Note: Sites which have both EB9P4 and EB9P4X can use KNHV80005 to suit both unit		
AU410337	BLOWER 120D x 89W x 5/8 COUNTER CLOCKWISE SINGLE INLET	1
2 UE327	MOTOR 80W 12V FOR EB9P2X	1
H0175266	MOTOR 70W 24V ASSEMBLY FOR EB9P4X & EB9P4XL	1
3 AU460963	PRE CLEANER TS 3" INLET SMALL	1
4 H0056158	CLAMP ASSEMBLY 168MM INTERNAL DIAMETER	1
5 H0056157	COVER ASSEMBLY	1
6 AU870001	MOUNTING BAND AIR CLEANER 6.5" DIAMETER	1
7 S3750100	SEAL GASKET MOTOR	1
S3750101	SEAL CASSET CANISTER	1

## HEPA FILTRATION OPTION

PARTICULARS	DESCRIPTION
PART NO.	H0202671 (FOR EB9P2X & EB9P4X)
HEPA GRADE	H13
TEST STANDARD	EN 1822 or equivalent
FILTRATION EFFICIENCY	*99.95% for particles diameter 0.3 µm
FILTER DIMENSION	138mm OD x 292 mm

\* on qualified cabins

## SPECIFICATIONS

	METRIC	IMPERIAL
Fan Speeds	1	1
Fresh Air	31 l/s	65 CFM
Fresh Air (EB9P4XL)	35 l/s	74 CFM
Power Supply	12V / 24V	12V / 24V
Power Supply (EB9P4XL)	24V	24V
Current Draw	6 A / 3 A	6 A / 3 A
Weight (nominal)	8.0 Kg	17.6 lbs
Technical Manual Reference	SM407-5065	SM407-5065
Dimension L X W X H	462mm X 364mm X 192mm	18.2in X 14.3in X 7.6in

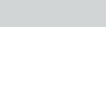
## MAINTENANCE

MONTHLY / 300 HOURS	
AU460083	FILTER CARTRIDGE ENDURANCE (EB9P4X)
AU460082	FILTER CARTRIDGE ENDURANCE (EB9P4XL)
KNHV80005*	FILTER KIT
6 MONTHS / 1800 HOURS	
H0202671	H13 HEPA FILTER OPTION FOR EB9P2X & EB9P4X (FOR UPGRADED UNIT)
ANNUAL / 3600 HOURS	
UE327	MOTOR 80W 12V FOR EB9P2X
H0175266	MOTOR 70W 24V ASSEMBLY FOR EB9P4X & EB9P4XL
3 YEARS / 10,800 HOURS	
AU410337	BLOWER 120D X 89W X 5/8 CCW SINGLE INLET
AU460963	PRE CLEANERS TS 3" INLET SMALL

Please contact SIGMA for more information including details on an overhaul scope and interval. Maintenance periods and scope are dependent on application and site conditions, and are to be used as a guide.

## COMPANION ITEMS

PART NO.	DESCRIPTION
H0202671	H13 HEPA FILTER OPTION FOR EB9P2X & EB9P4X
H0225677	HEPA UPGRADE KIT WITH PRESSURE MONITOR
AU682070	AIR FLOW AND MONITORING SWITCH





## EB9P

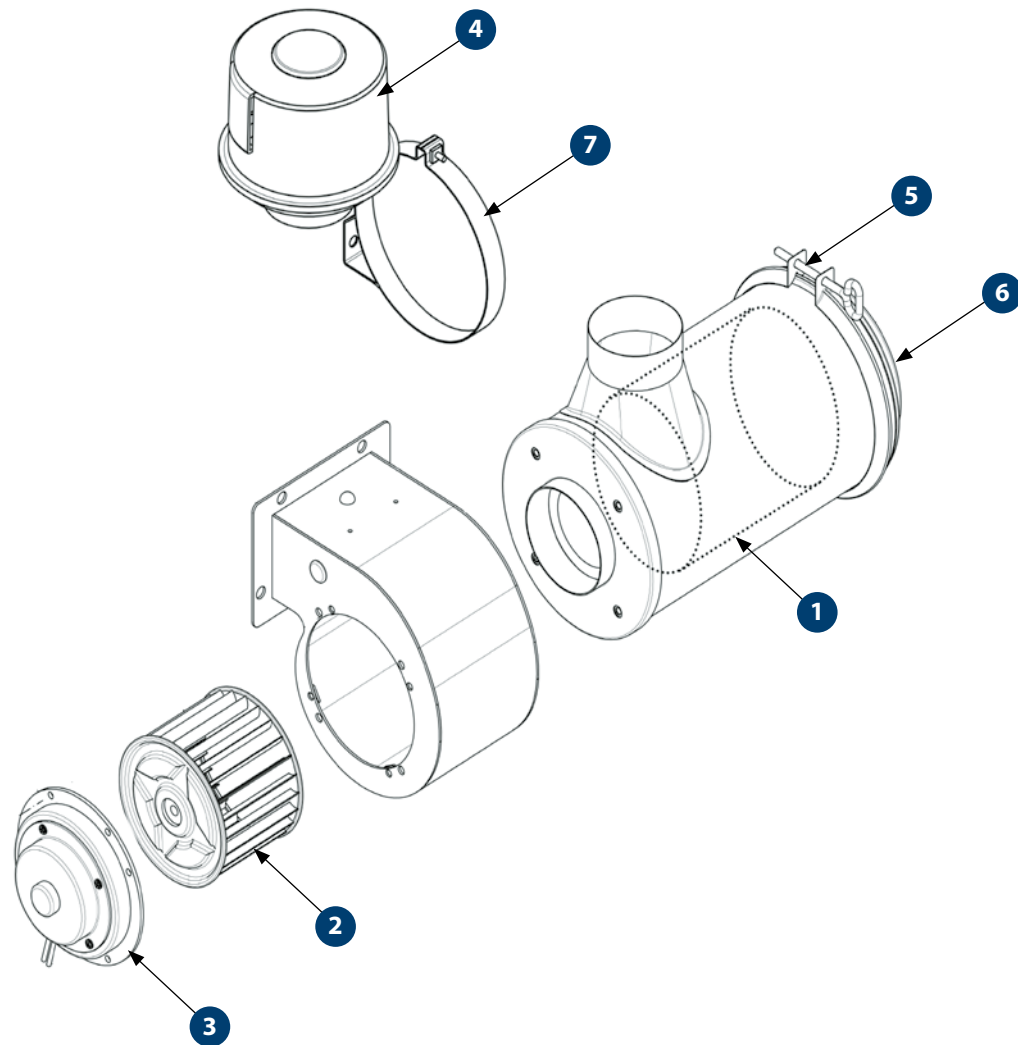
### FRESH AIR PRESSURISER WITH HEPA

#### H0316118

Fresh Air Pressuriser with HEPA 20 l/s 24V

#### H0316119

Fresh Air Pressuriser with HEPA 20 l/s 12V



## SPARE PARTS

PART NO.	DESCRIPTION	QTY
1 H0202671	H13 HEPA FILTER	1
2 AU410337	BLOWER 120D x 89W x 5/8 COUNTER CLOCKWISE SINGLE INLET	1
3 UE327 H0175266	MOTOR 80W 12V FOR EB9P2X MOTOR 70W 24V ASSEMBLY FOR EB9P4X & EB9P4XL	1
4 AU460963	PRE CLEANER TS 3" INLET SMALL	1
5 H0056158	CLAMP ASSEMBLY 168MM INTERNAL DIAMETER	1
6 H0056157	COVER ASSEMBLY	1
7 AU870001	MOUNTING BAND AIR CLEANER 6.5" DIAMETER	1
S3750100	SEAL GASKET MOTOR	1
S3750101	SEAL CASSET CANISTER	1

## HEPA FILTRATION

PARTICULARS	DESCRIPTION
PART NO.	H0202671
HEPA GRADE	H13
TEST STANDARD	EN 1822 or equivalent
FILTRATION EFFICIENCY	*99.95% for particles diameter 0.3 µm
FILTER DIMENSION	138mm OD x 292 mm

\* on qualified cabins

## SPECIFICATIONS

	METRIC	IMPERIAL
Fan Speeds	1	1
Fresh Air	22 l/s	46 CFM
Power Supply	12V / 24V	12V / 24V
Current Draw	3 A / 1.5 A	3 A / 1.5 A
Weight (nominal)	8.0 Kg	17.6 lbs
Dimension L X W X H	462mm X 364mm X 192mm	18.2in X 14.3in X 7.6in

## MAINTENANCE

6 MONTHS / 1800 HOURS	
H0202671	H13 HEPA FILTER OPTION FOR EB9P2X & EB9P4X (FOR UPGRADED UNIT)
ANNUAL / 3600 HOURS	
UE327	MOTOR 80W 12V FOR EB9P2X
H0175266	MOTOR 70W 24V ASSEMBLY FOR EB9P4X & EB9P4XL
3 YEARS / 10,800 HOURS	
AU410337	BLOWER 120D X 89W X 5/8 CCW SINGLE INLET
AU460963	PRE CLEANER TS 3" INLET SMALL

Please contact SIGMA for more information including details on an overhaul scope and interval. Maintenance periods and scope are dependent on application and site conditions, and are to be used as a guide.

## COMPANION ITEMS

PART NO.	DESCRIPTION
AU682070	AIR FLOW AND MONITORING SWITCH







## FRESH AIR PRESSURISER UNIT

**H0111416**

Compact HEPA Filtration Pressuriser System 12 VDC

**H0111417**

Compact HEPA Filtration Pressuriser System 24 VDC

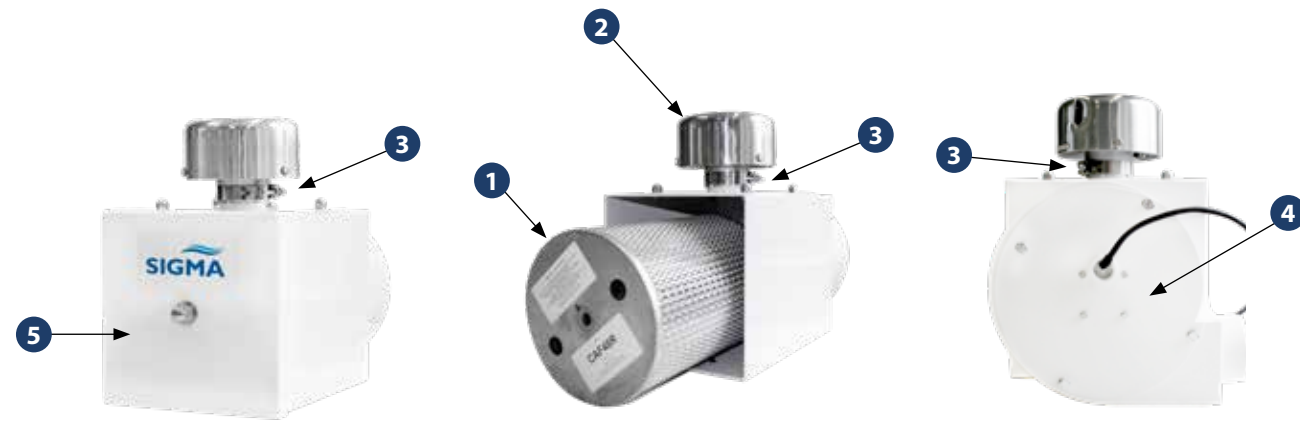
**AVAILABLE IN  
12V OR 24V**

Meets the EN 15695  
in qualifying cab

**99.9% PARTICULATE  
EFFICIENCY  
AT 0.3 MICRON  
0.5% CABIN LEAKAGE**

## AIM

To provide highest quality filtered fresh air into the cabin to reduce exposure to harmful particulates and gasses. Also to provide positive pressure inside the cabin, positive pressure inside the cabin will allow the filtered air to leak out through minor gaps in the door seal, this reduces the risk of ingress of dust into the cabin through those seals.



### SYSTEM OPERATION

The airflow through the FPS Series Filter is as follows:

Contaminated air is drawn into the system through the centrifugal pre-cleaner. The circular motion of the pre-cleaner separates out larger particulates dramatically increasing filter life.



## SPARE PARTS

PART NO.	DESCRIPTION	QTY
1 H0116836	FILTER 16 / 79ID X 206OD X 288H EN15695 (HEPA)	1
2 AU460748	CENTRIFUGAL PRE-CLEANER	1
3 H0133899	2-1/2 INCH ADAPTOR	1
4 H0133903 H0133904	24V MOTOR W/ MOTOR MOUNTING PLATE 12V MOTOR W/ MOTOR MOUNTING PLATE	1
5 H0133901	FILTER ACCESS PANEL, SERIES 955	1

## HEPA FILTRATION

PARTICULARS	DESCRIPTION
PART NO.	H0116836
HEPA GRADE	H13 or equivalent
FILTRATION EFFICIENCY	*99.95% for particles diameter 0.3 µm
FILTER DIMENSION	206 mm OD x 288 mm

\* on qualified cabins

The high capacity and high efficiency HEPA filter and pressuriser is designed using heavy-duty 304 stainless steel construction that is suitable for mobile applications in corrosive atmospheres. The activated filter media can be customised to suit the removal of specific contaminants and odours from the workplace, resulting in clean fresh air to the operator.



### PRESSURISATION

Air exiting the FPS unit creates positive pressure in a properly sealed cabin. This over-pressure pushes clean air out leaks in the positive side pressure side of the system, rather than allowing contaminated air to enter. A differential pressure gauge is available to measure the difference in pressure between the inside and outside of the cabin.

## SPECIFICATIONS

	METRIC	IMPERIAL
Fan Speeds	1	1
Air Flow	22 l/s	50 CFM
Power Supply	12v/24v	12v/24v
Current Draw	3.2 / 1.6A	3.2 / 1.6A
Weight (nominal)	20.0 Kg	44.0 lbs
Dimension L X W X H	450x250x370 mm	17.72x9.82x 14.57 inch

## MAINTENANCE

6 MONTHS / 1800 HOURS	
H0116835	FILTER 16 / 79ID X 206OD X 288H
H0116836	FILTER 16 / 79ID X 206OD X 288H EN15695 (FOR UPGRADED UNIT)
ANNUAL / 3,600 HOURS	
AU460748	CENTRIFUGAL PRE-CLEANER
3 YEARS / 10,800 HOURS	
H0133903	24V MOTOR W/ MOTOR MOUNTING PLATE
H0133904	12V MOTOR W/ MOTOR MOUNTING PLATE

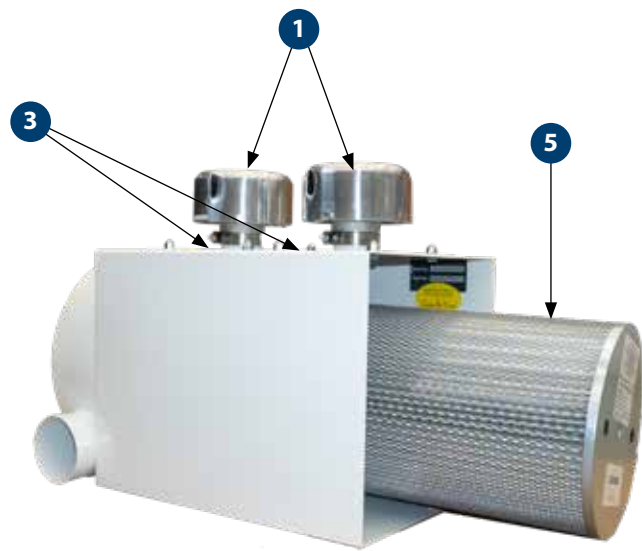
## COMPANION ITEMS

PART NO.	DESCRIPTION
H0116835	FILTER 16 / 79ID X 206OD X 288H
H0133905	3 INCH INLET ADAPTOR
AU460747	PRE-CLEANER 3 INCH



# FPS955-220VAC COMPACT FILTRATION PRESSURISER

**H0111418**  
Compact HEPA Filtration Pressuriser System FPS955 220VAC



## SPARE PARTS

PART NO.	DESCRIPTION	QTY
1 AU460748	CENTRIFUGAL PRE-CLEANER 2-1/2 INCH ID	2
2 H0133898	220 V MOTOR AND MOUNTING PLATE	1
3 H0133899	2-1/2 INCH ADAPTOR	2
4 H0133901	FILTER ACCESS PANEL SERIES FPS955	1
5 H0116837	FILTER 16/87ID X 273OB X 417H (H13 GRADE) FLANGE KIT WITH 3 INCH SPIGOT	1

## HEPA FILTRATION

PARTICULARS	DESCRIPTION
<b>PART NO.</b>	H0116837
<b>HEPA GRADE</b>	H13 or equivalent
<b>FILTRATION EFFICIENCY</b>	*99.95% for particles diameter 0.3 µm
<b>FILTER DIMENSION</b>	273mm OD x 417 mm

\* on qualified cabins

## SPECIFICATIONS

	METRIC	IMPERIAL
<b>Fan Speeds</b>	1	1
<b>Fresh Air</b>	70 l/s	150 CFM
<b>Power Supply</b>	220 VAC	220 VAC
<b>Weight (nominal)</b>	40.0 Kg	88.0 lbs
<b>Dimension L X W X H</b>	400mm X 680mm X 400 mm	19.3in X 26.8in X 15.7in

## MAINTENANCE

<b>6 MONTHLY / 1800 HOURS</b>	
<b>H0116837</b>	FILTER 16 / 87ID X 273OD X 417H (H13 GRADE)
<b>ANNUAL / 3,600 HOURS</b>	
<b>AU460747</b>	FILTER PRE-CLEANER 8.5" FULL VIEW
<b>AU460748</b>	CENTRIFUGAL PRE-CLEANER
<b>3 YEARS / 10,800 HOURS</b>	
<b>H0133898</b>	220 V MOTOR AND MOUNTING PLATE

Please contact SIGMA for more information including details on an overhaul scope and interval.  
Maintenance periods and scope are dependent on application and site conditions, and are to be used as a guide.

## COMPANION ITEMS

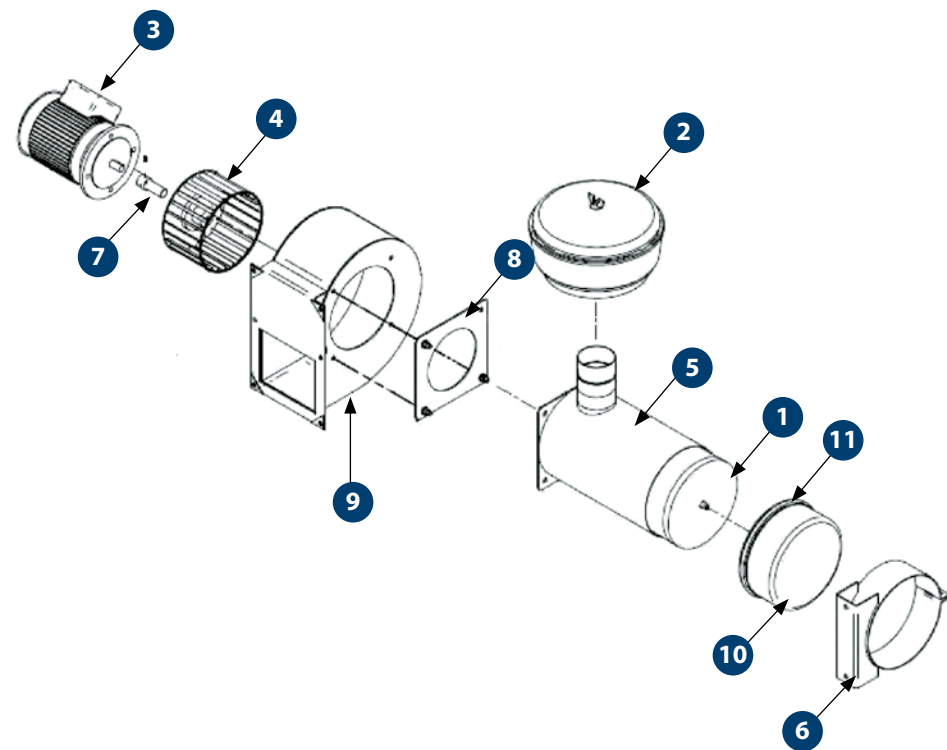
PART NO.	DESCRIPTION
<b>AU460747</b>	CENTRIFUGAL PRE-CLEANER 3 INCH ID
<b>H0133905</b>	3 INCH INLET ADAPTOR

- DRAGLINE & SHOVEL
- DRILL
- EXCAVATOR
- DOZER
- TRUCK
- WHEEL LOADER
- CONSTRUCTION
- UNDERGROUND EQUIPMENT
- INDUSTRIAL
- SMELTERS
- RAIL SPECIAL VEHICLES



## FVV80 FRESH AIR PRESSURISER UNIT

**FVV80MR1**  
Fresh Air Pressuriser 80 l/s 415 VAC



## SPARE PARTS

PART NO.	DESCRIPTION	QTY
1	AU460734 FILTER ELEMENT SUIT FVV80 & FVV100	1
2	AU460728 FILTER PRE-CLEANER 186MM FULL VIEW	1
3	AU304150 MOTOR 0.55KW 415V 71 FL 2P	1
4	AU410525 BLOWER 178D X 76W X 19MM	1
5	AS162609 FILTER CANNISTER ASSEMBLY	1
6	AS162611 FILTER SUPPORT CLAMP ASSEMBLY	1
7	AU872011 SHAFT EXTENSION 14MM F X 19MM M	1
8	R1626026 GASKET FVV100 INLET 200MM X 200MM 140MM DIAMETER	1
9	AS162614 FAN HOUSING ASSEMBLY	1
10	AU460768 END CAP	1
11	AU460765 CLAMP ASSEMBLY	1

## HEPA FILTRATION OPTION

PARTICULARS	DESCRIPTION
PART NO.	H0174977
HEPA GRADE	H13
TEST STANDARD	EN 1822 or equivalent
FILTRATION EFFICIENCY	*99.95% for particles diameter 0.3 µm
FILTER DIMENSION	152mm OD x 305 mm

\* on qualified cabins

## SPECIFICATIONS

	METRIC	IMPERIAL
Fan Speeds	1	1
Air Flow	80 l/s	170 CFM
Power Supply	415 VAC	415 VAC
Current Draw	1.3 A	1.3 A
Maximum Ambient Temperature Range	46°C	115°F
Weight (nominal)	22.0 Kg	48.4 lbs
Dimension L X W X H	724mm X 333mm X 495mm	28.5in X 13.1in X 19.5in

## MAINTENANCE

### MONTHLY / 300 HOURS

<b>AU460734</b>	FILTER ELEMENT SUIT FVV80 & FVV100
<b>AU460081</b>	FILTER CARTRIDGE ENDURANCE (FOR UPGRADED UNIT)
<b>H0174977</b>	HEPA CARTRIDGE (FOR UPGRADED UNIT)

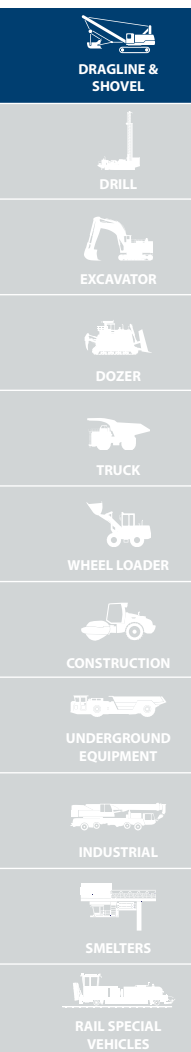
### 3 YEARS / 10,800 HOURS

<b>AU460728</b>	FILTER PRE-CLEANER 186MM FULL VIEW
<b>AU410525</b>	BLOWER 178D X 76W X 19MM CCW SINGLE INLET

Please contact SIGMA for more information including details on an overhaul scope and interval. Maintenance periods and scope are dependent on application and site conditions, and are to be used as a guide.

## COMPANION ITEMS

PART NO.	DESCRIPTION
<b>AU460965</b>	PRE-CLEANER TS 3" INLET LARGE
<b>AU460081</b>	FILTER CARTRIDGE ENDURANCE
<b>H0174977</b>	HEPA FILTER CARTRIDGE



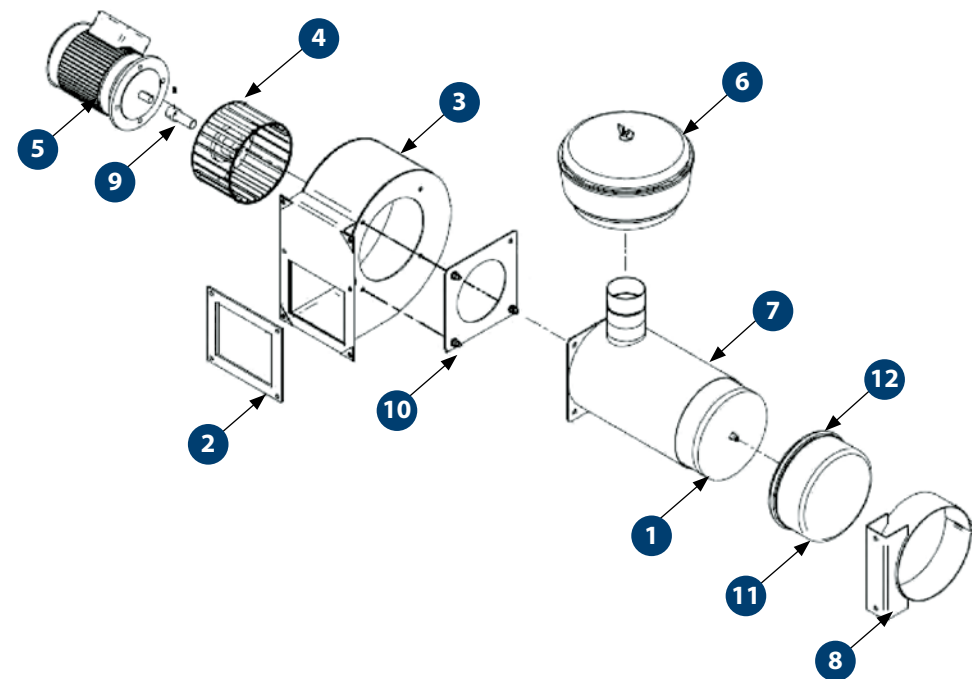




# FVV100

## FRESH AIR PRESSURISER UNIT

**FVV100MR1**  
Fresh Air Pressuriser 100 l/s 415 VAC



## SPARE PARTS

PART NO.	DESCRIPTION	QTY
AU460734	FILTER ELEMENT SUIT FVV80 & FVV100	1
1 AU460081	FILTER CARTRIDGE ENDURANCE	1
H0174977	H13 HEPA FILTER	1
2 R1626027	GASKET OUTLET 206MM X 178MM	1
3 AS162608	FAN HOUSING	1
4 AU410520	BLOWER 178D X 102W X 19MM	1
5 UE800	MOTOR 0.37KW BEEW FL 2900RPM 240V (FVV100K1)	1
AU304150	MOTOR 0.55KW 415V 71 FL 2P (FVV100MR1)	1
6 AU460729	FILTER PRE-CLEANER 270MM - STANDARD	1
7 AS162609	FILTER CANNISTER ASSEMBLY	1
8 AS162611	FILTER SUPPORT CLAMP ASSEMBLY	1
9 AU872011	SHAFT EXTENSION 14MM F X 19MM MALE	
10 R1626026	GASKET FVV100 INLET 200MM X 200MM 140MM DIAMETER	1
11 AU460768	END CAP	1
12 AU460765	CLAMP ASSEMBLY	1

## HEPA FILTRATION OPTION

PARTICULARS	DESCRIPTION
PART NO.	H0174977
HEPA GRADE	H13
TEST STANDARD	EN 1822 or equivalent
FILTRATION EFFICIENCY	*99.95% for particles diameter 0.3 µm
FILTER DIMENSION	152mm OD x 305 mm

\* on qualified cabins

## SPECIFICATIONS

	METRIC	IMPERIAL
<b>Fan Speeds</b>	1	1
<b>Air Flow</b>	100 l/s	212 CFM
<b>Power Supply</b>	415 VAC	415 VAC
<b>Current Draw</b>	1.3 A	1.3 A
<b>Weight (nominal)</b>	22.0 Kg	48.4 lbs
<b>Dimension (L X W X H)</b>	755mm X 333mm X 495mm	29.7in X 13.1in X 19.5in

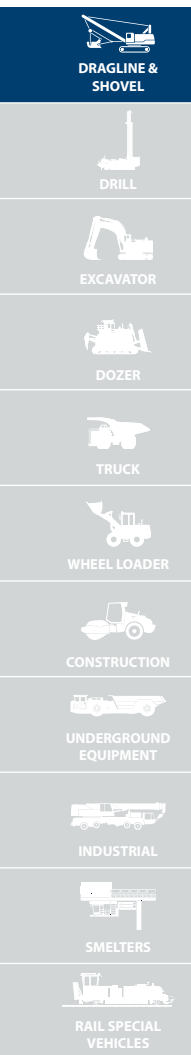
## MAINTENANCE

MONTHLY / 300 HOURS	
<b>AU460734</b>	FILTER ELEMENT SUIT FVV80 & FVV100
<b>AU460081</b>	FILTER CARTRIDGE ENDURANCE
6 MONTHS / 1800 HOURS	
<b>H0174977</b>	H13 HEPA FILTER
3 YEARS / 10,800 HOURS	
<b>AU460729</b>	FILTER PRE-CLEANER 270MM - STANDARD
<b>AU410520</b>	BLOWER 178D X 102W X 19MM

Please contact SIGMA for more information including details on an overhaul scope and interval. Maintenance periods and scope are dependent on application and site conditions, and are to be used as a guide.

## COMPANION ITEMS

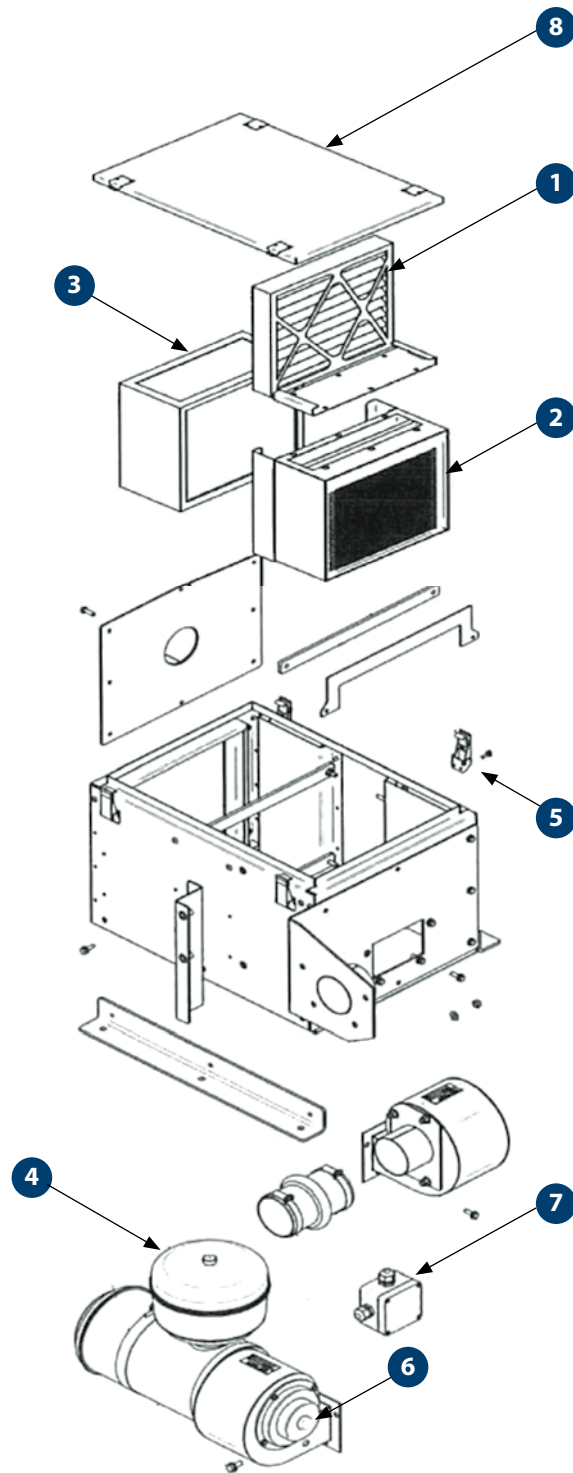
PART NO.	DESCRIPTION
<b>AU460965</b>	PRE-CLEANER TS 3" INLET LARGE
<b>AU460081</b>	FILTER CARTRIDGE ENDURANCE
<b>H0174977</b>	HEPA FILTER CARTRIDGE





## PVV50B2 PRESSURISER

**PVV50B2**  
Fresh Air Multi Stage Filtration (HEPA) and Pressuriser  
30 l/s 24V



## SPARE PARTS

PART NO.	DESCRIPTION	QTY
1 AU460628	FILTER CARTRIDGE PLEAT 305MM X 305MM X 50MM	1
AS3505127	FILTRATION MODULE ASSEMBLY	1
AU480004	MEDIA ACT ALUMINA	1
2 AU480010	MEDIA ACT CARBON	1
AU480011	MEDIA IMPREG CARBON	1
3 AU460863	<b>FILTER 305MM X 305MM X 149MM METAL CASE (HEPA FILTER)</b>	1
4 AU460963	PRE CLEANER TS 3" INLET SMALL	1
5 UC310	CATCH TOGGLE OVERCENTRE SS	4
6 H0175266	MOTOR 70W 24VDC ASSEMBLY	2
7 AU613047	TERMINAL BOX 80MM X 80MM	1
8 AS5242124	LID ASSEMBLY	1
AU460706	FILTER ASSEMBLY ROUND 133MM - STANDARD	1
AU460080	FILTER CART ENDURANCE FVV50B2	1
AU410337	BLOWER 120D x 89W x 5/8 COUNTER CLOCKWISE SINGLE INLET	2
AU862211	SEAL RUBBER	2
S3750100	SEAL GASKET MOTOR	1
S3750101	SEAL GASKET CANISTER	1
UC369	CATCH STRIKER STAINLESS STEEL	4
AU635405	TERMINAL BLOCK	1
AU460083	FILTER CARTRIDGE ENDURANCE FOR EB9P4X	1
H0056158	CLAMP ASSEMBLY 168MM INTERNAL DIAMETER	1
H0056157	COVER ASSEMBLY	1
AU870001	MOUNTING BAND AIR CLEANER 6.5" DIAMETER	1

## HEPA FILTRATION

PARTICULARS	DESCRIPTION
<b>PART NO.</b>	AU460863
<b>HEPA GRADE</b>	H13 / US HEPA / AS4260 (GRADE 2)
<b>TEST STANDARD</b>	EN 1822 or equivalent
<b>FILTRATION EFFICIENCY</b>	*99.95% for particles diameter 0.3 µm
<b>FILTER DIMENSION</b>	305mm x 305mm x 149mm

\* on qualified cabins

## SPECIFICATIONS

	METRIC	IMPERIAL
<b>Fan Speeds</b>	1	1
<b>Fresh Air</b>	30 l/s	64 CFM
<b>Power Supply</b>	24V	24V
<b>Current Draw</b>	6 A	6 A
<b>Weight (nominal)</b>	60.0 Kg	132.0 lbs
<b>Dimension L X W X H</b>	695mm X 364mm X 520mm	27.4in X 14.3in X 20.5in

## MAINTENANCE

3 MONTHS / 900 HOURS	
<b>AU4600083</b>	FILTER CARTRIDGE ENDURANCE FOR PVV50B2
<b>AU460628</b>	FILTER CARTRIDGE PLEAT 305MM X 305MM X 50MM
<b>AU480004</b>	MEDIA ACT ALUMINA
<b>AU480010</b>	MEDIA ACT CARBON
<b>AU480011</b>	MEDIA IMPREG CARBON
ANNUAL / 3,600 HOURS	
<b>AU460863</b>	FILTER 305MM X 305MM X 149MM METAL CASE
<b>H0175266</b>	MOTOR 70W 24VDC ASSEMBLY
3 YEARS / 10,8000 HOURS	
<b>AU460963</b>	PRE CLEANER TS 3" INLET SMALL
<b>AU410337</b>	BLOWER 120D x 89W x 5/8 COUNTER CLOCKWISE SINGLE INLET

Please contact SIGMA for more information including details on an overhaul scope and interval. Maintenance periods and scope are dependent on application and site conditions, and are to be used as a guide.

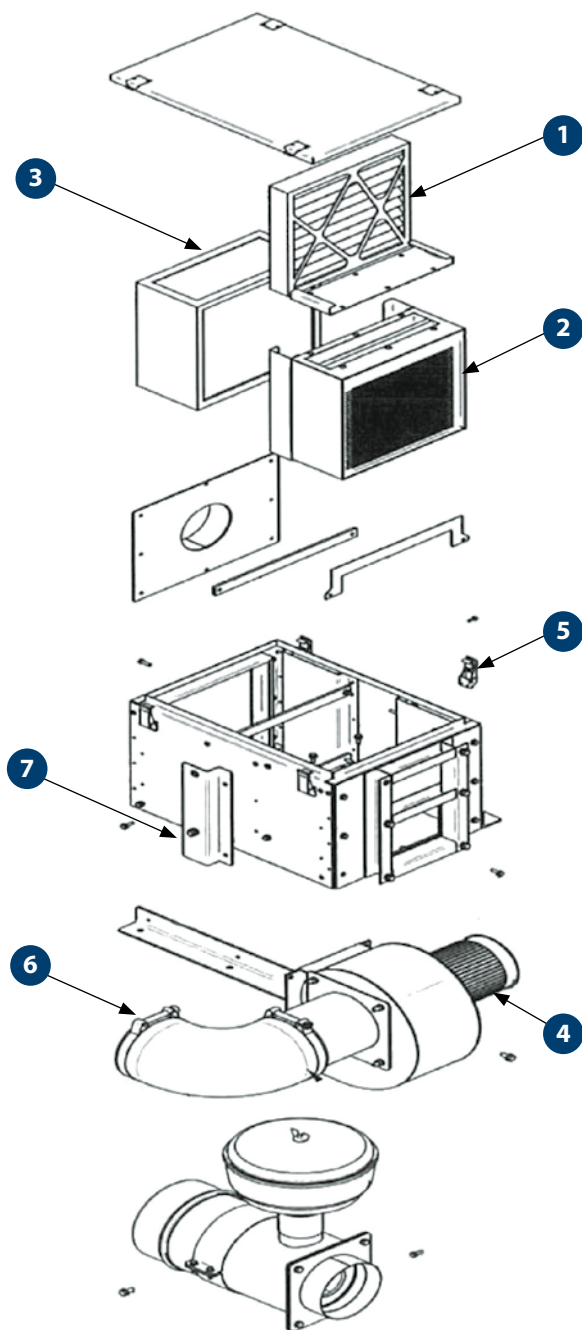
## COMPANION ITEMS

PART NO.	DESCRIPTION
<b>KNHV90007</b>	FIELD SERVICE KIT PVV50 24VDC – EXCL MED



## PVV50M2 PRESSURISER

**PVV50M2**  
Fresh Air Multi Stage Filtration (HEPA) and  
Pressuriser 50 l/s 415 VAC



## SPARE PARTS

PART NO.	DESCRIPTION	QTY
1 AU460628	FILTER CARTRIDGE PLEAT 305MM X 305MM X 50MM	1
AS3505127	FILTRATION MODULE ASSEMBLY	1
2 AU480004	MEDIA ACT ALUMINA	1
AU480010	MEDIA ACT CARBON	1
AU480011	MEDIA IMPREG CARBON	1
3 AU460863	<b>FILTER 305MM X 305MM X 149MM METAL CASE (HEPA FILTER)</b>	1
4 AU304150	MOTOR 0.55KW 415V 71 FL 2P	1
5 UC310	CATCH TOGGLE OVERCENTRE SS	4
6 UC265	ELBOW RUBBER 90DEG 6"	1
7 AS3505146	CANISTER MOUNTING BRACKET ASSEMBLY	1
AS162608	FAN HOUSING	1
AS162609	FILTER CANNISTER ASSEMBLY	1
AS162611	FILTER SUPPORT CLAMP ASSEMBLY	1
AU410520	BLOWER 178D X 102W X 19MM CCW SINGLE INLET	1
AU460081	FILTER CARTRIDGE ENDURANCE FVV100	1
AU460727	FILTER CYCLONE 8" METAL	1
AU460729	FILTER PRE-CLEANER 270MM	1
AU460734	FILTER ELEMENT SUIT FVV80 & FVV100	1
AU460765	CLAMP ASSEMBLY	1
AU460768	END CAP	1
AU862121	GASKET OUTLET 206MM X 178MM	1
AU862211	SEAL RUBBER	2
AU872011	SHAFT EXTENSION 14MM F X 19MM M	1
R1626026	GASKET FVV100 INLET 200MM X 200MM 140MM DIAMETER	1
UC266	CLAMP SUIT UC265	2

## SPECIFICATIONS

	METRIC	IMPERIAL
<b>Fan Speeds</b>	1	1
<b>Fresh Air</b>	50 l/s	106 CFM
<b>Power Supply</b>	415 VAC	415 VAC
<b>Current Draw</b>	6 A	6 A
<b>Weight (nominal)</b>	60.0 Kg	132.0 lbs
<b>Dimension L X W X H</b>	695mm X 364mm X 520mm	27.4in X 14.3in X 20.5in

## MAINTENANCE

### 3 MONTHS / 900 HOURS

<b>AU460081</b>	FILTER CARTRIDGE ENDURANCE
<b>AU460628</b>	FILTER CARTRIDGE PLEAT 305MM X 305MM X 50MM
<b>AU480004</b>	MEDIA ACT ALUMINA
<b>AU480010</b>	MEDIA ACT CARBON
<b>AU480011</b>	MEDIA IMPREG CARBON

### ANNUAL / 3,600 HOURS

<b>AU460863</b>	FILTER 305MM X 305X149MM METAL CASE
-----------------	-------------------------------------

### 3 YEARS / 10,800 HOURS

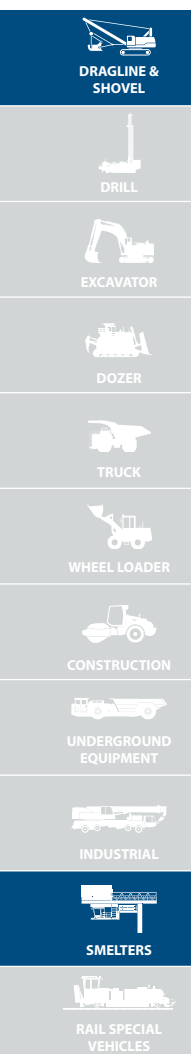
<b>AU460729</b>	FILTER PRE-CLEANER 270MM
<b>AU410520</b>	BLOWER 178D X 102W X 19MM CCW SINGLE INLET

Please contact SIGMA for more information including details on an overhaul scope and interval. Maintenance periods and scope are dependent on application and site conditions, and are to be used as a guide.

## HEPA FILTRATION

PARTICULARS	DESCRIPTION
<b>PART NO.</b>	AU460863
<b>HEPA GRADE</b>	H13 / US HEPA / AS4260 (GRADE 2)
<b>TEST STANDARD</b>	EN 1822 or equivalent
<b>FILTRATION EFFICIENCY</b>	*99.95% for particles diameter 0.3 µm
<b>FILTER DIMENSION</b>	305mm x 305mm x 149mm

\* on qualified cabins









## **KNORR BREMSE AUSTRALIA Pty Ltd**

Incorporating SIGMA Air Conditioning

23 – 29 Factory Street

Granville NSW 2142

Australia

**Customer service:** 1300 643 643

(+61) 2 8863 6500

**Email:** mid.aus@sigma-hvac.com

W W W . S I G M A - H V A C . C O M

### **Australia:**

Factory St, Granville, Sydney, Australia

Boundary Road, Darra, Brisbane, Australia

Enterprise Street, Paget, Mackay, Australia

Colin Jamieson Drive Welshpool, Australia

### **United States:**

Arthur Peck Drive, Westminster MD, USA

### **India:**

Delhi-Mathura Road, Palwal, Haryana, Delhi, India

### **China:**

Jingui Road, Wuxi Jiangsu Province, China

