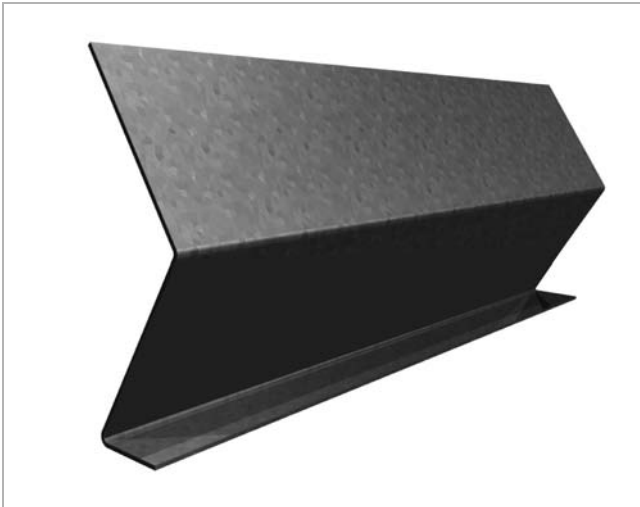
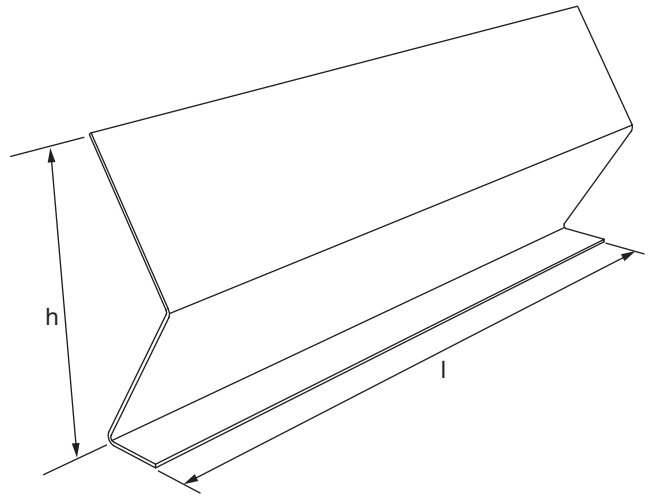


# Steel rail alignment plate

# CSRAP



## Dimensions



## Description

Plate to help align two steel rails with each other. Fits inside the steel rail CSR.

h mm	l mm	m kg
48	120	0,03

## Ordering example

	<b>CSRAP</b>	<b>48</b>	<b>120</b>
Product			
Height			
Length l			