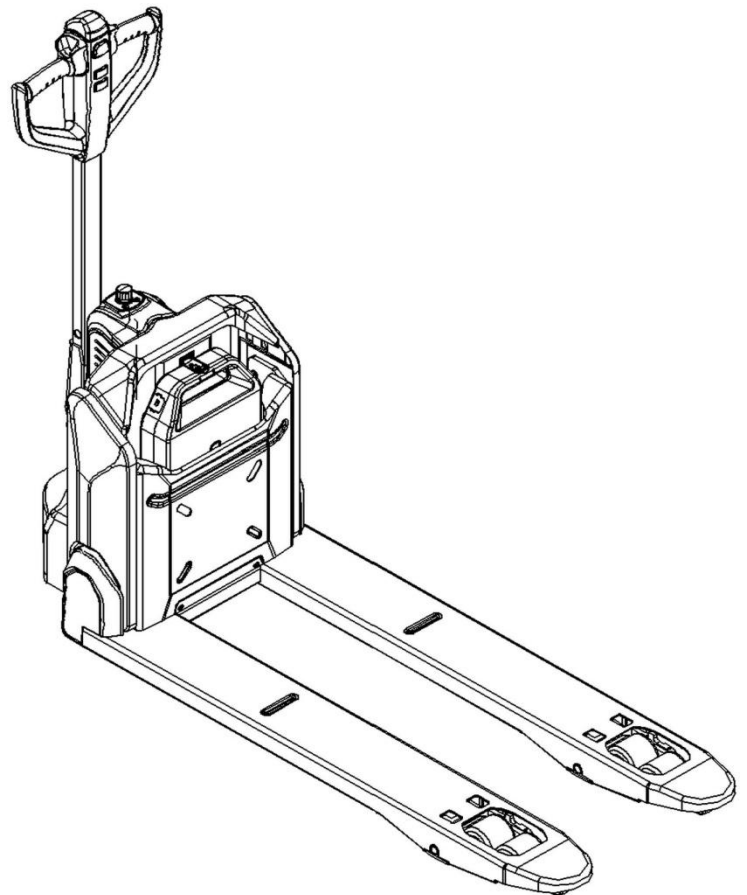


SPAREPARTS LIST

Electric Stacker PTE15N



Version 10/2018

From truck identification number:

20181000707

PTE15N -BPT-002-EN

Catalogue

| | |
|--|----|
| Fig. 1 Chassis (540x1150)..... | 3 |
| Fig. 2 Chassis (685x1150/915) | 5 |
| Fig. 3 Load Bearing components | 7 |
| Fig. 4 Driving unit | 9 |
| Fig. 5 Driving wheel components | 11 |
| Fig. 6 Cylinder | 12 |
| Fig. 7 Power unit | 13 |
| Fig. 8 Hydraulic components..... | 15 |
| Fig. 9 Steering wheel components (with side rollers) | 16 |
| Fig. 10 Steering wheel components (without side rollers) | 17 |
| Fig. 11 Tiller head..... | 18 |
| Fig. 12 Tiller arm components..... | 20 |
| Fig. 13 Truck components | 21 |
| Fig. 14 Power supply assembly..... | 23 |
| Fig. 15 Controller components | 24 |
| Fig. 16 Charger | 26 |
| Fig. 17 Wiring harness | 27 |
| Fig. 18 Sticker (EU)..... | 28 |
| Fig. 19 Sticker (US)..... | 29 |
| Easy worn parts list | 30 |

Fig. 1 Chassis (540x1150)

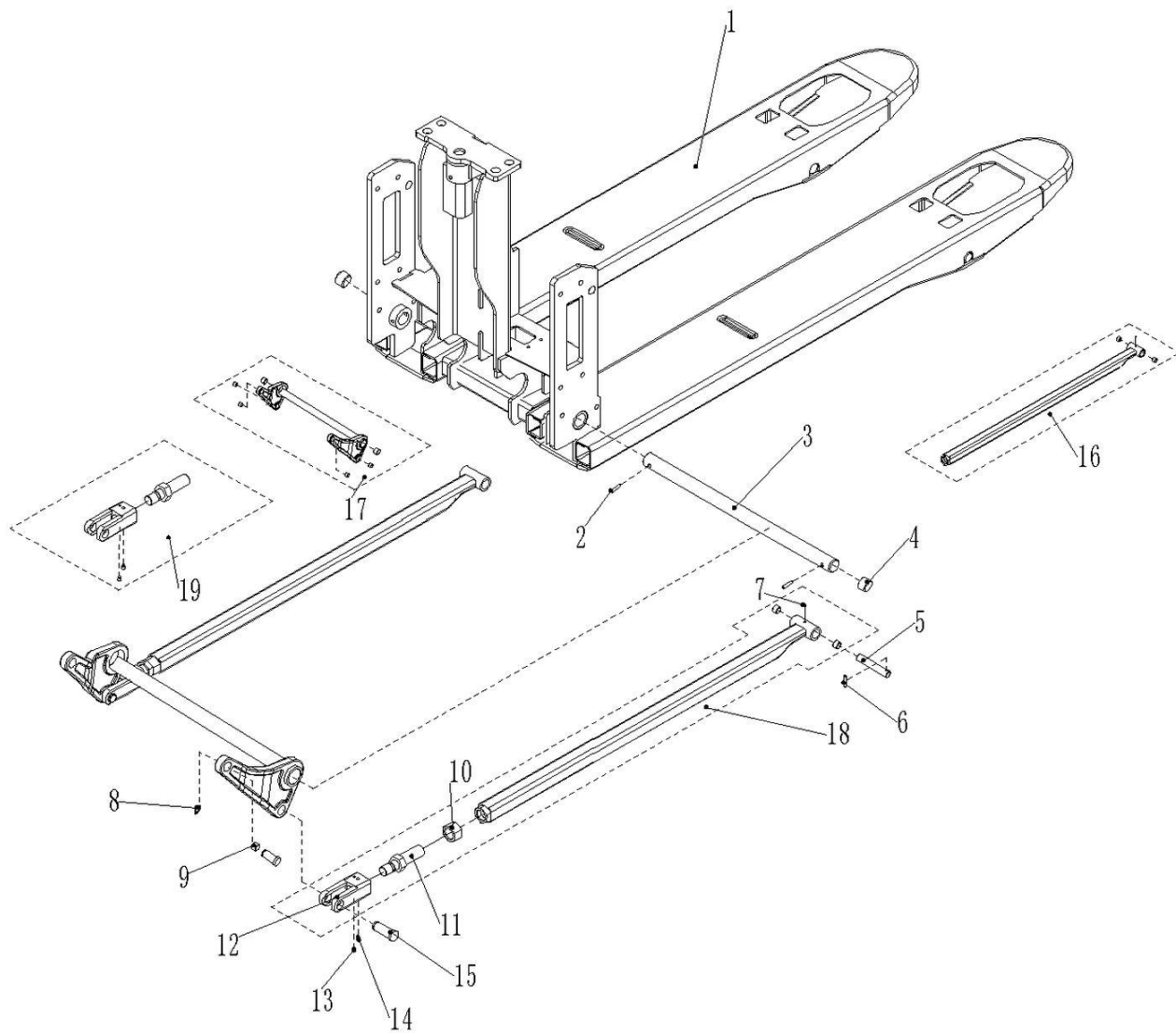


Fig. 1 Chassis (540x1150)

| No. | Art No. | Description | Qty. | Note |
|-----|--------------|---|------|------|
| 1 | 508038510000 | Chassis welding (540x1150) | 1 | |
| 2 | 910600400041 | Elastic cylindrical pin GB879.1-6x40 | 2 | |
| 3 | 508038520027 | Axle Φ 25x462 | 1 | |
| 4 | 940500100032 | Bushing Φ 25x Φ 29x25-SF-1 | 2 | |
| 5 | 502338520030 | Push rod axle Φ 16x82 | 2 | |
| 6 | 910600400024 | Elastic cylindrical pin GB879.1-5x28 | 2 | |
| 7 | 911200100001 | Grease nipple JB7940.4-6 | 2 | |
| 8 | 910401300007 | Circlip GB894.1-16 | 4 | |
| 9 | 940500100006 | Bushing Φ 16x Φ 18x15-SF-1 | 8 | |
| 10 | 910300400008 | Nut GB6173-M20x1.5-05 | 2 | |
| 11 | 508038520029 | Adjusting bolt | 2 | |
| 12 | 508038520028 | Push rod fork | 2 | |
| 13 | 910201000005 | Screw GB79-M6x8-45H | 2 | |
| 14 | 910600400015 | Elastic cylindrical pin 4x30 | 2 | |
| 15 | 508038520041 | Pin Φ 16x44 | 4 | |
| 16 | 508098510000 | Push rod components (1150) | 2 | |
| 17 | 508098510001 | Rock arm components (540) | 1 | |
| 18 | 508098510002 | Push rod kits (1150) | 2 | 1150 |
| 19 | 508098510004 | Push rod fork components | 2 | |

Fig. 2 Chassis (685x1150/915)

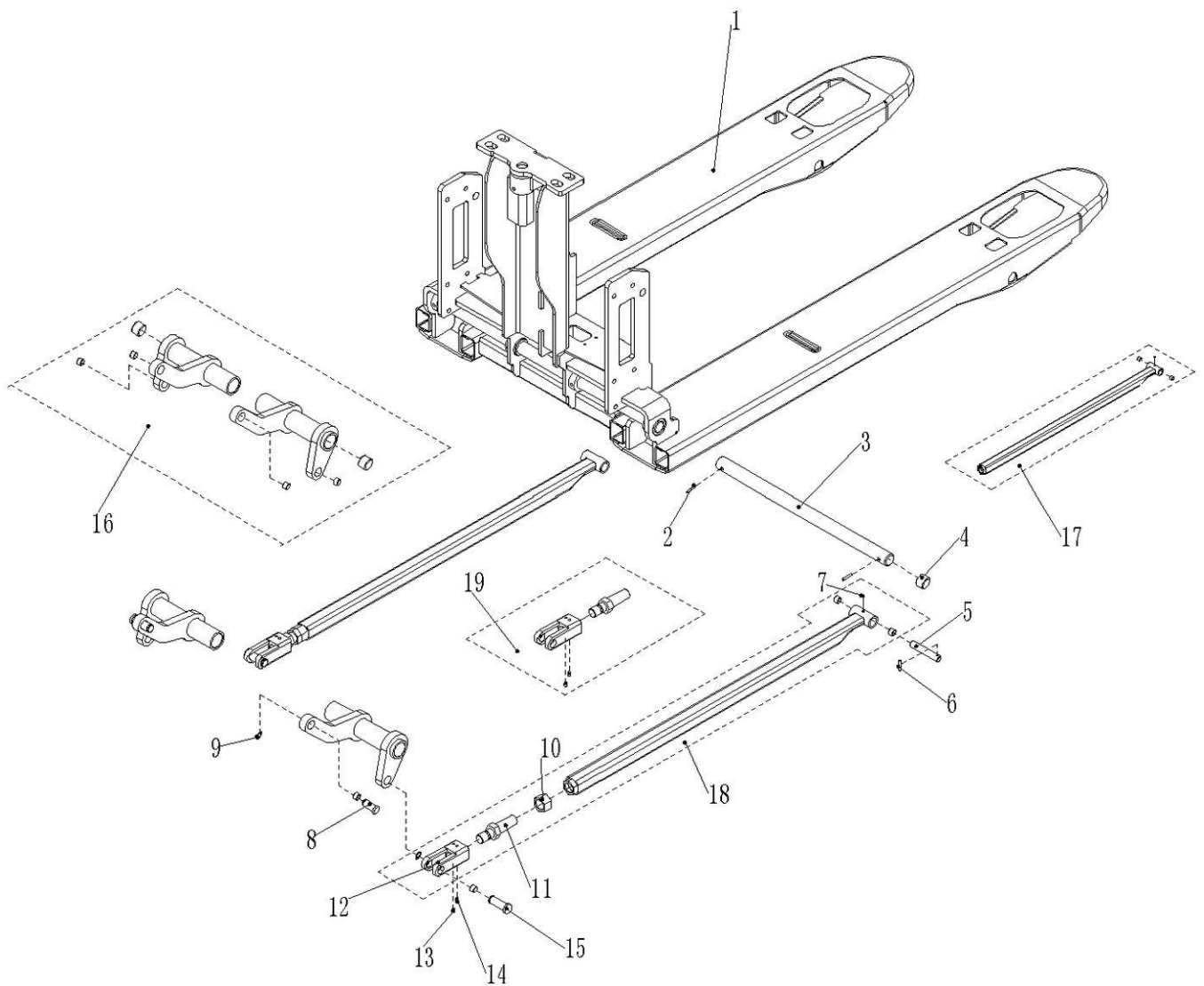


Fig. 2 Chassis (685x1150/915)

| No. | Art No. | Description | Qty. | Note |
|-----|--------------|---|------|------|
| 1 | 508038510001 | Chassis welding (685x1150) | 1 | |
| | 508038510002 | Chassis welding (685x915) | 1 | |
| 2 | 910600400041 | Elastic cylindrical pin GB879.1-6x40 | 2 | |
| 3 | 508038520035 | Axle Φ 25x609 | 1 | |
| 4 | 940500100032 | Bushing Φ 25x Φ 29x25-SF-1 | 4 | |
| 5 | 502338520030 | Push rod axle Φ 16x82 | 2 | |
| 6 | 910600400024 | Elastic cylindrical pin GB879.1-5x28 | 2 | |
| 7 | 911200100001 | Grease nipple JB7940.4-6 | 2 | |
| 8 | 940500100006 | Bushing Φ 16x Φ 18x15-SF-1 | 8 | |
| 9 | 910401300007 | Circlip GB894.1-16 | 4 | |
| 10 | 910300400008 | Nut GB6173-M20x1.5-05 | 2 | |
| 11 | 508038520029 | Adjusting bolt | 2 | |
| 12 | 508038520028 | Push rod fork | 2 | |
| 13 | 910201000005 | Screw GB79-M6x8-45H | 2 | |
| 14 | 910600400015 | Elastic cylindrical pin 4x30 | 2 | |
| 15 | 508038520041 | Pin Φ 16x44 | 4 | |
| 16 | 508098510003 | Rock arm components (685) | 1 | |
| 17 | 508098510000 | Push rod components(1150) | 2 | 1150 |
| | 508098510005 | Push rod components (915) | 2 | 915 |
| 18 | 508098510002 | Push rod kits (1150) | 2 | 1150 |
| | 508098510006 | Push rod kits (915) | 2 | 915 |
| 19 | 508098510004 | Push rod fork components | 2 | |

Fig. 3 Load Bearing components

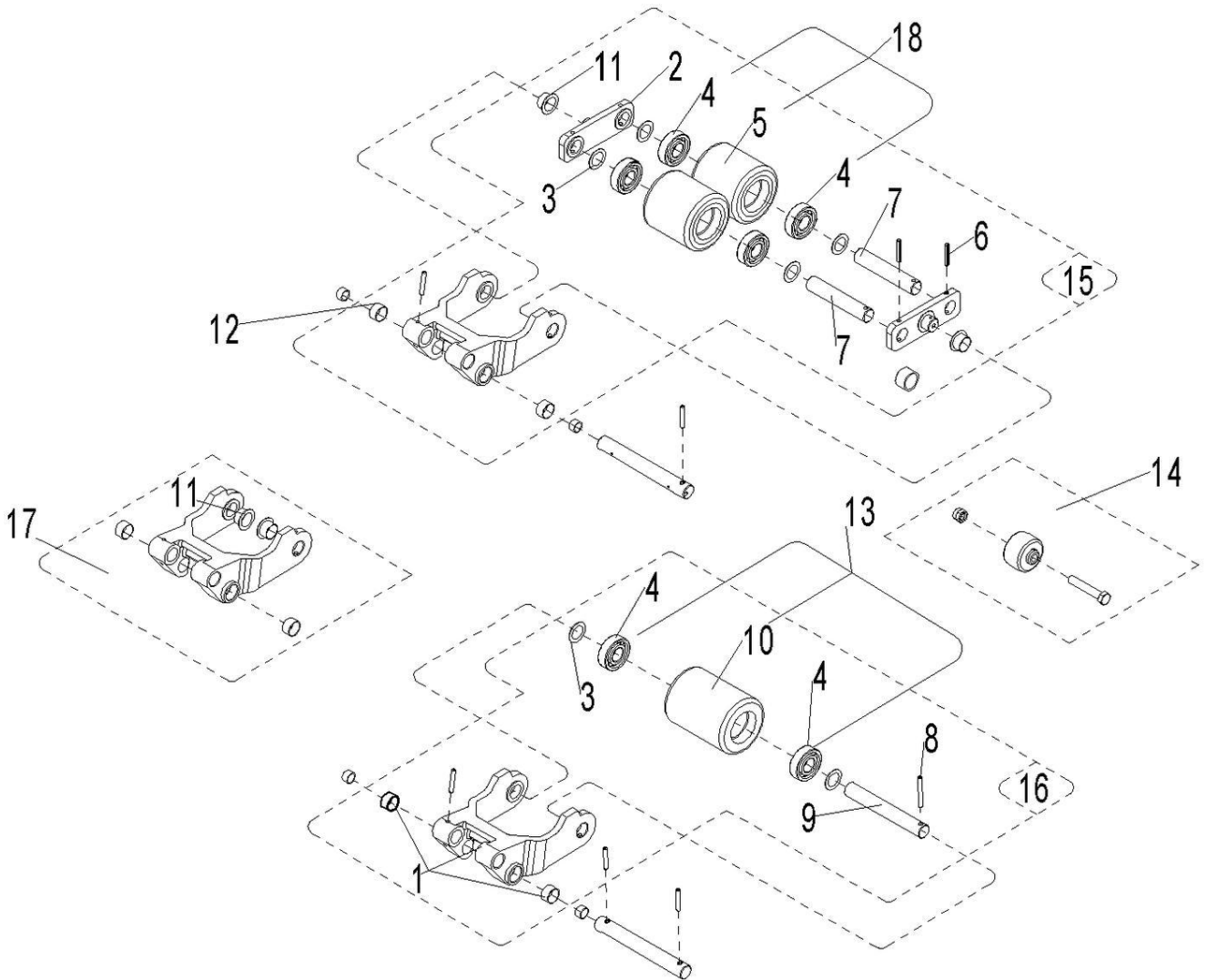


Fig. 3 Load Bearing Components

| No. | Art No. | Description | Qty. | Note |
|-----|--------------|---|---------------------|----------------|
| 1 | 508098510013 | Frame of Bearing components (75mm single wheel frame) | 2 | Low profile |
| 2 | 502317020000 | Linking plate | 4 | Tandem |
| 3 | 940600500013 | Washer $\Phi 25 \times \Phi 20.5 \times 1$ | 8/4 (Tandem/Single) | |
| 4 | 910700200019 | Bearing GB276-6204-2RS | 8/4 (Tandem/Single) | |
| 5 | 940300300005 | Roller $\Phi 80 \times 70$ (Steel core PU) | 4 (Tandem) | |
| 6 | 910600400027 | Elastic cylindrical pin GB879.1-5x35 | 8 (Tandem) | |
| 7 | 502317020001 | Wheel axle $\Phi 20 \times 94$ | 4 (Tandem) | |
| 8 | 910600400027 | Elastic cylindrical pin GB879.1-5x35 | 8 (Tandem) | |
| 9 | 301017020001 | Wheel axle $\Phi 20 \times 122$ | 2 (Single) | |
| 10 | 940300300023 | Roller $\Phi 80 \times 93$ (Steel core PU) | 2 (Single) | |
| 11 | 940500200003 | Bushing (With shoulder) $\Phi 18 \times \Phi 20 \times 12$ -SF-1 | 4 (Tandem) | |
| 12 | 940500100012 | Bushing $\Phi 20 \times \Phi 22 \times 12$ -SF-1 | 4 | |
| 13 | 502198510008 | Single roller components | 2 | |
| 14 | 502198510009 | Entry roller kits | 2 | |
| 15 | 508098510010 | Tandem kits | 2 | |
| 16 | 508098510011 | Single roller kits | 2 | |
| 17 | 508098510036 | Frame of Bearing components (75mm tandem wheel frame) | 2 | Low profile |
| 18 | 502198510007 | Tandem components | 2 | |

Fig. 4 Driving unit

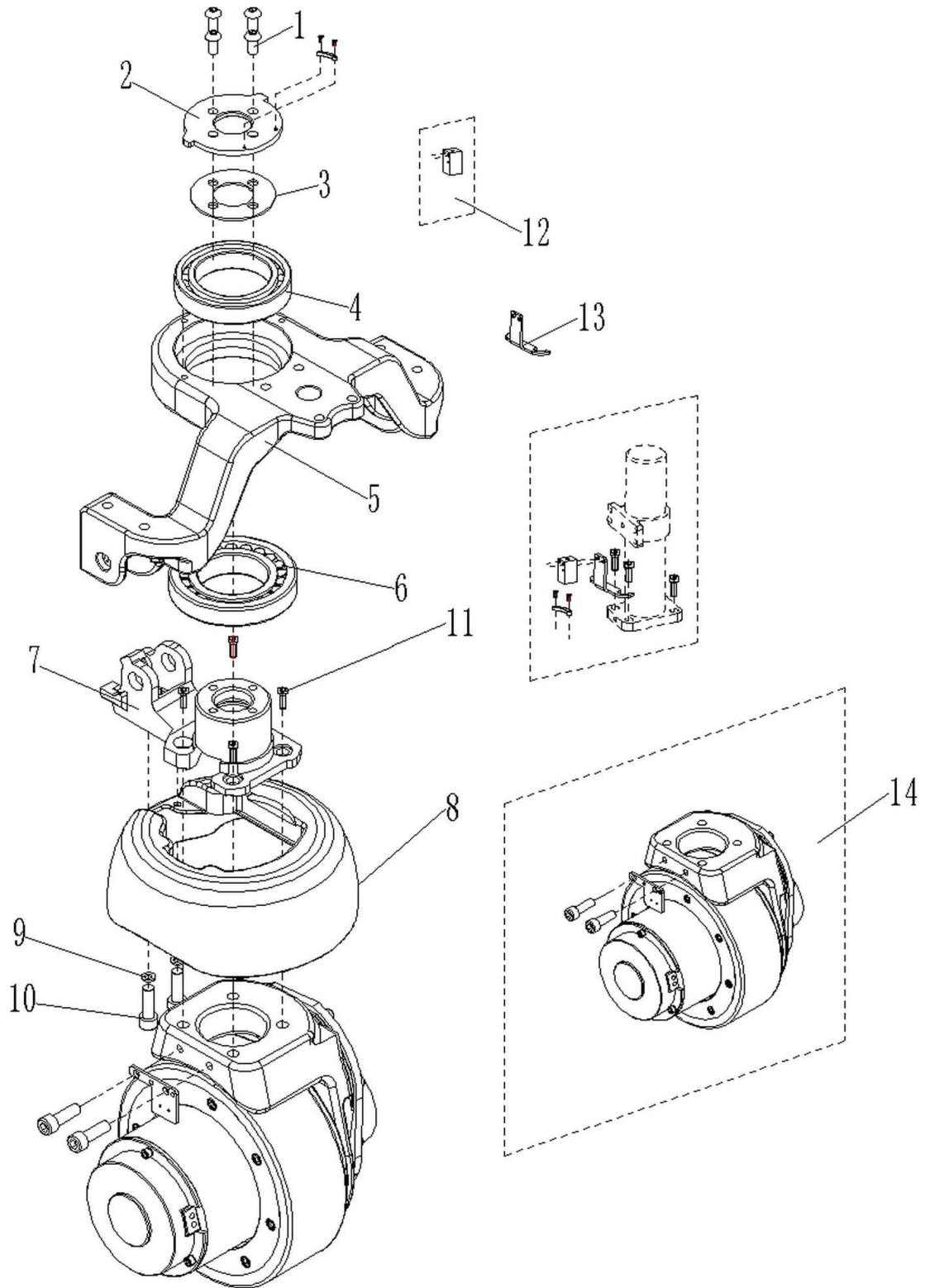


Fig. 4 Driving Unit

| No. | Art No. | Description | Qty. | Note |
|-----|--------------|-----------------------------|------|-------------------------------|
| 1 | 910200300024 | Screw GB70.2-M8x16-8.8 | 4 | |
| 2 | 508013520003 | Bearing cap | 1 | |
| 3 | 508013520004 | Washer | 1 | |
| 4 | 910700200058 | Bearing GB276-6013-2RS | 1 | |
| 5 | 508013520000 | Driving wheel seat | 1 | |
| 6 | 910700600044 | Bearing GB297-32913 | 1 | |
| 7 | 508013520001 | Linking flange | 1 | |
| 8 | 508013520101 | Round cover | 1 | |
| 9 | 910400100005 | Washer GB97.1-6-200HV | 2 | |
| 10 | 910200200032 | Screw GB70.1-M6x10-8.8 | 2 | |
| 11 | 910200200076 | Screw GB70.1-M10x25-8.8 | 4 | |
| 12 | 508098510012 | Proximity switch components | 1 | With speed reduction on curve |
| 13 | 508033020003 | Frame | 1 | With speed reduction on curve |
| 14 | 508098510014 | Driving components | 1 | |

Fig. 5 Driving wheel components

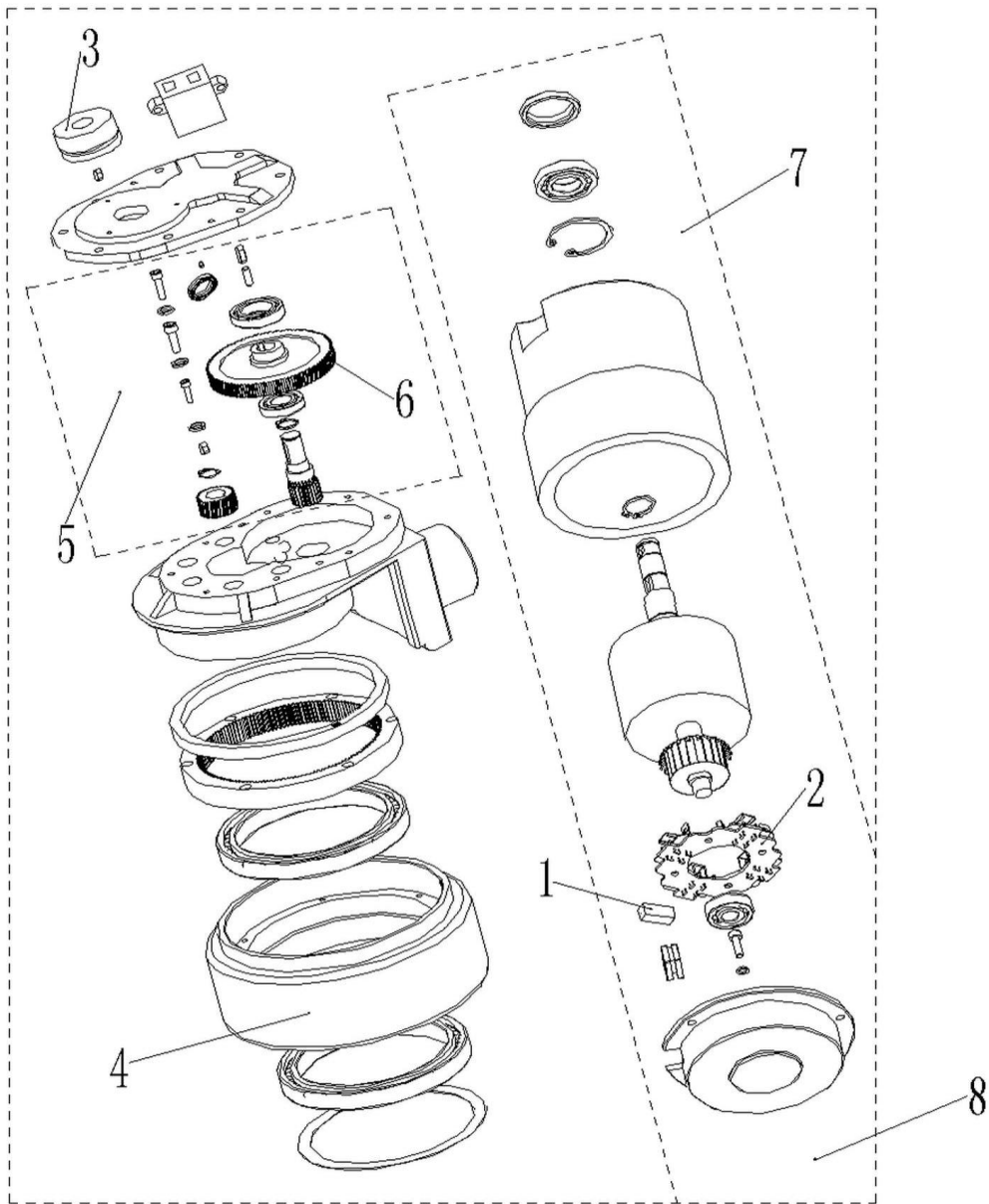


Fig. 5 Driving Wheel Components

| No. | Art No. | Description | Qty. | Note |
|-----|--------------|--------------------|------|------|
| 1 | 508098520000 | Carbon brush | 4 | |
| 2 | 508098520001 | Carbon brush frame | 1 | |
| 3 | 508098520002 | Brake | 1 | |
| 4 | 508098520003 | Wheel | 1 | |
| 5 | 508098510015 | Gearbox components | 1 | |
| 6 | 508098520004 | Big gear ring | 1 | |
| 7 | 508098510016 | Motor components | 1 | |
| 8 | 508098510017 | Driving assembly | 1 | |

Fig. 6 Cylinder

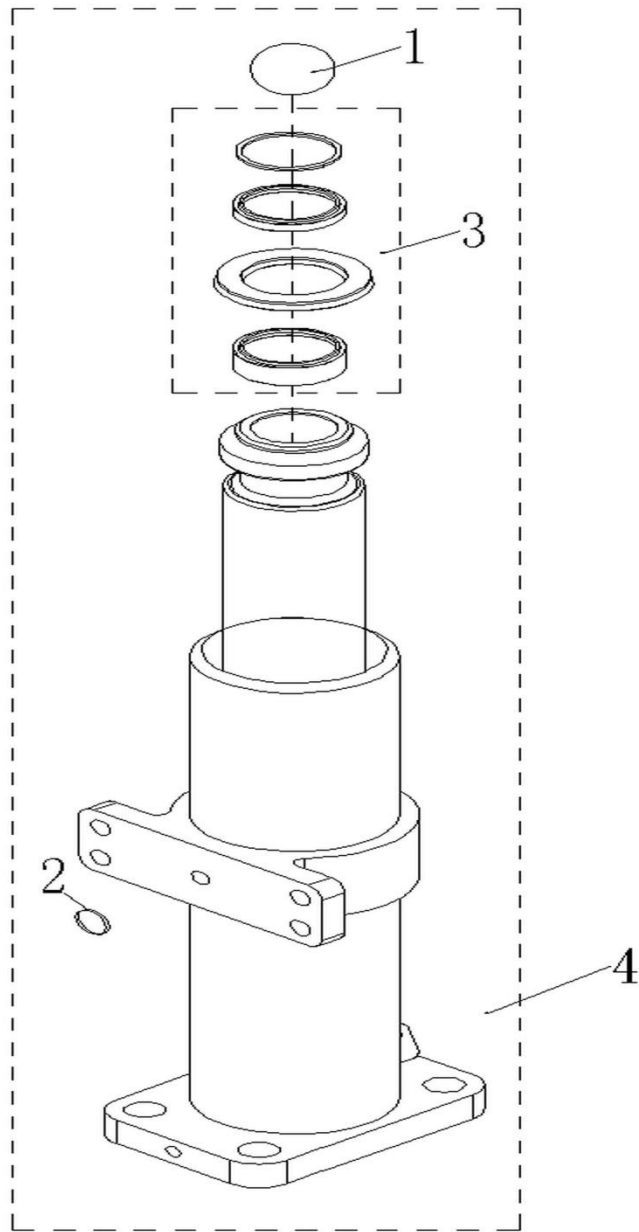


Fig. 6 Cylinder

| No. | Art No. | Description | Qty. | Note |
|-----|--------------|---------------------|------|----------|
| 1 | 910701100019 | Steel ball GB308-18 | 1 | |
| 2 | 910800100098 | O ring | 1 | 13.5x1.8 |
| 3 | 508098510018 | Sealing components | 1 | |
| 4 | 508098510019 | Cylinder components | 1 | |

Fig. 7 Power unit

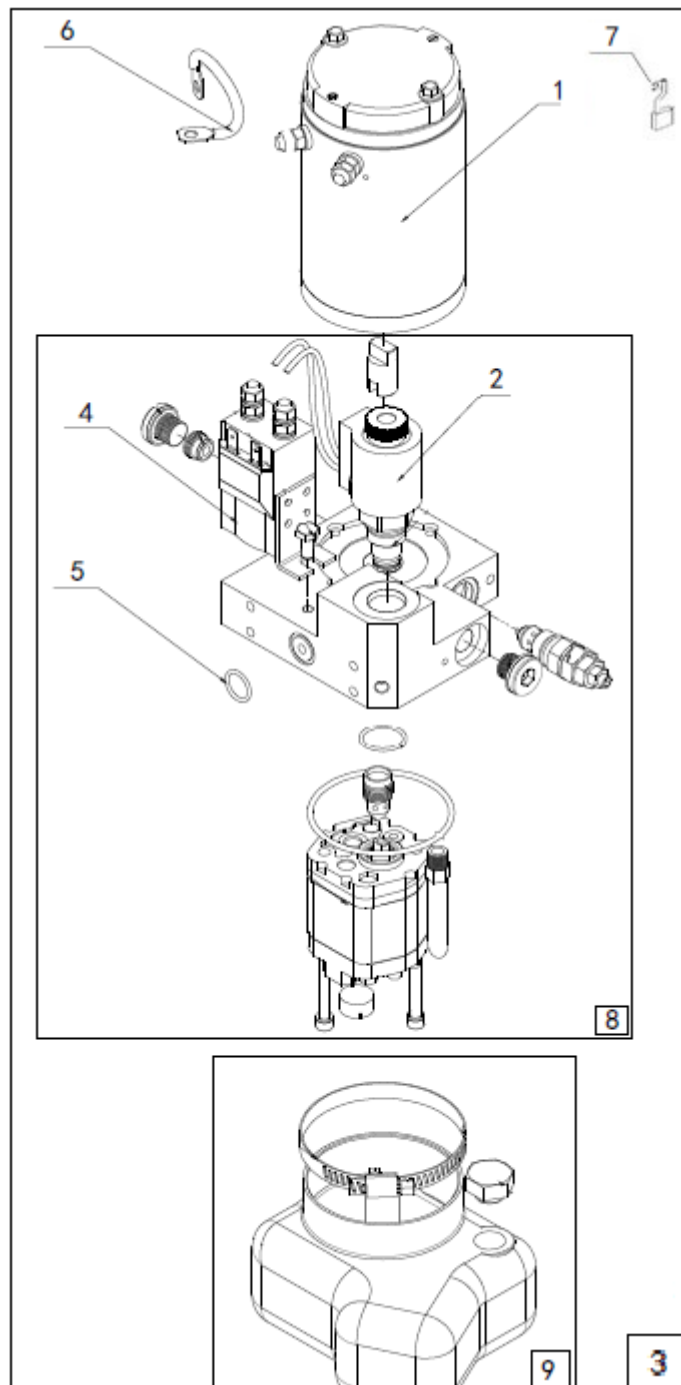


Fig. 7 Power Unit

| No. | Art No. | Description | Qty. | Note |
|-----|--------------|----------------------------------|------|----------|
| 1 | 508098510020 | DC Motor | 1 | MD24050 |
| 2 | 508098510034 | Electromagnetic valve components | 1 | |
| 3 | 508098510024 | Pump components | 1 | |
| 4 | 508098510021 | Contactora | 1 | DK0324E |
| 5 | 910800100098 | O ring | 1 | 13.5x1.8 |
| 6 | 508098520007 | Soft connection cable | 1 | RSWC-04 |
| 7 | 508098520008 | Electric brush | 1 | |
| 8 | 508098510022 | Gear pump components | 1 | |
| 9 | 508098510023 | Oil tank components | 1 | |

Fig. 8 Hydraulic components

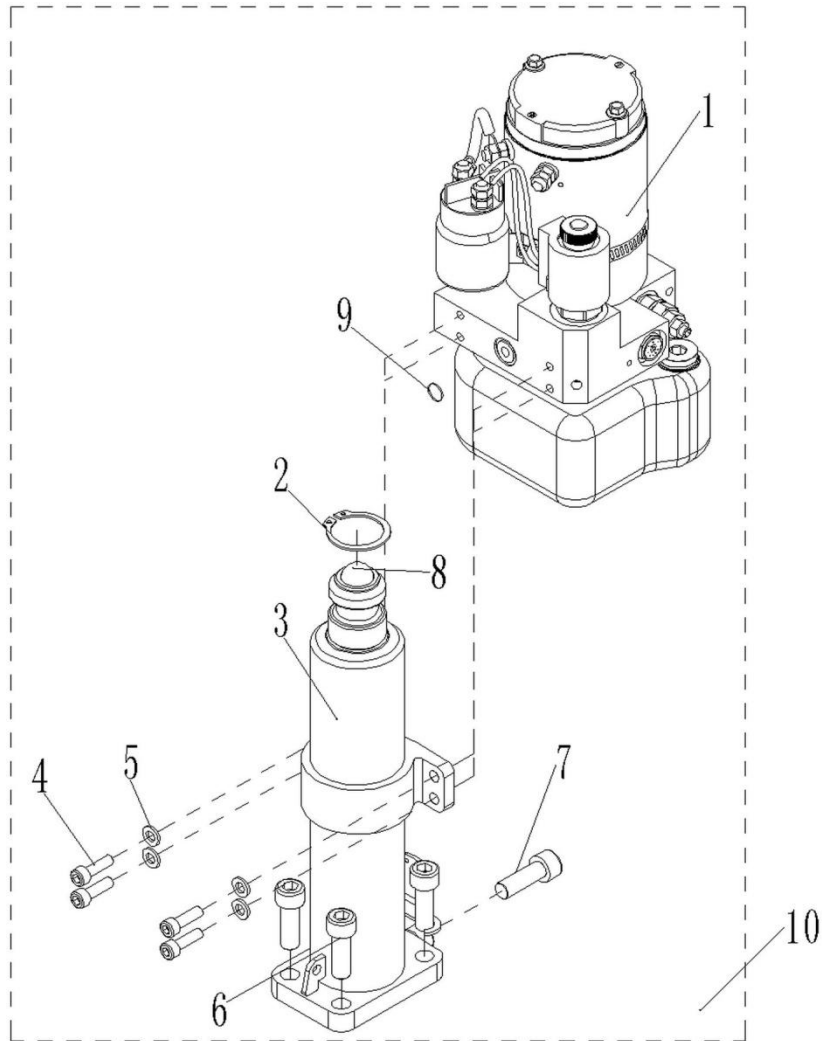


Fig. 8 Hydraulic Components

| No. | Art No. | Description | Qty. | Note |
|-----|--------------|--|------|----------|
| 1 | 508098510025 | Hydraulic power unit 24V0.5KW0.38cc | 1 | |
| 2 | 910401300017 | Circlip GB894.1-32 | 1 | |
| 3 | 508024010000 | Cylinder assembly | 1 | |
| 4 | 910200200035 | Screw GB70.1-M6x16-8.8 | 7 | |
| 5 | 910400100005 | Flat washer GB97.1-6-200HV | 7 | |
| 6 | 910200200077 | Screw GB70.1-M10x30-8.8 | 4 | |
| 7 | 910200200045 | Screw GB70.1-M6x6-8.8 | 1 | |
| 8 | 910701100019 | Steel ball GB308-18 | 1 | |
| 9 | 910800100098 | O ring | 1 | 13.5x1.8 |
| 10 | 508098510026 | Hydraulic components | 1 | |

Fig. 9 Steering wheel components (with side rollers)

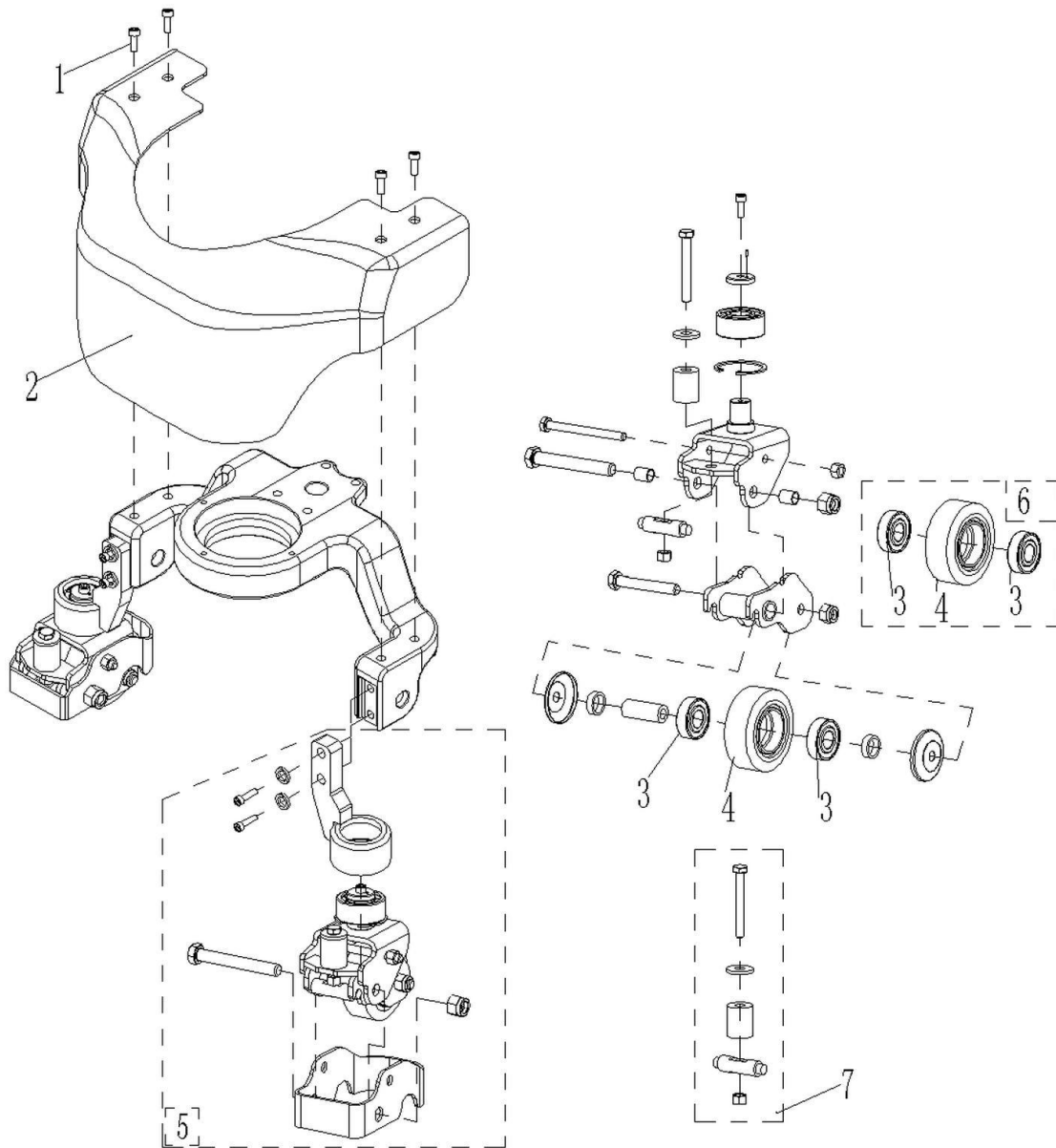


Fig. 9 Steering Wheel Components (with side rollers)

| No. | Art No. | Description | Qty. | Note |
|-----|--------------|---|------|------|
| 1 | 941100100005 | Screw M10x15-8.8 | 4 | |
| 2 | 508016520000 | Apron (side roller) | 1 | |
| 3 | 910700200018 | Bearing GB276-6203-2RS | 2 | |
| 4 | 940300300017 | Roller $\Phi 80 \times 30$ (Steel core PU) | 1 | |
| 5 | 508016510000 | Side roller components $\Phi 80 \times 30$ (PU) | 1 | |
| 6 | 502198510008 | Roller components | 1 | |
| 7 | 502198510009 | Spring components | 1 | |

Fig. 10 Steering wheel components (without side rollers)

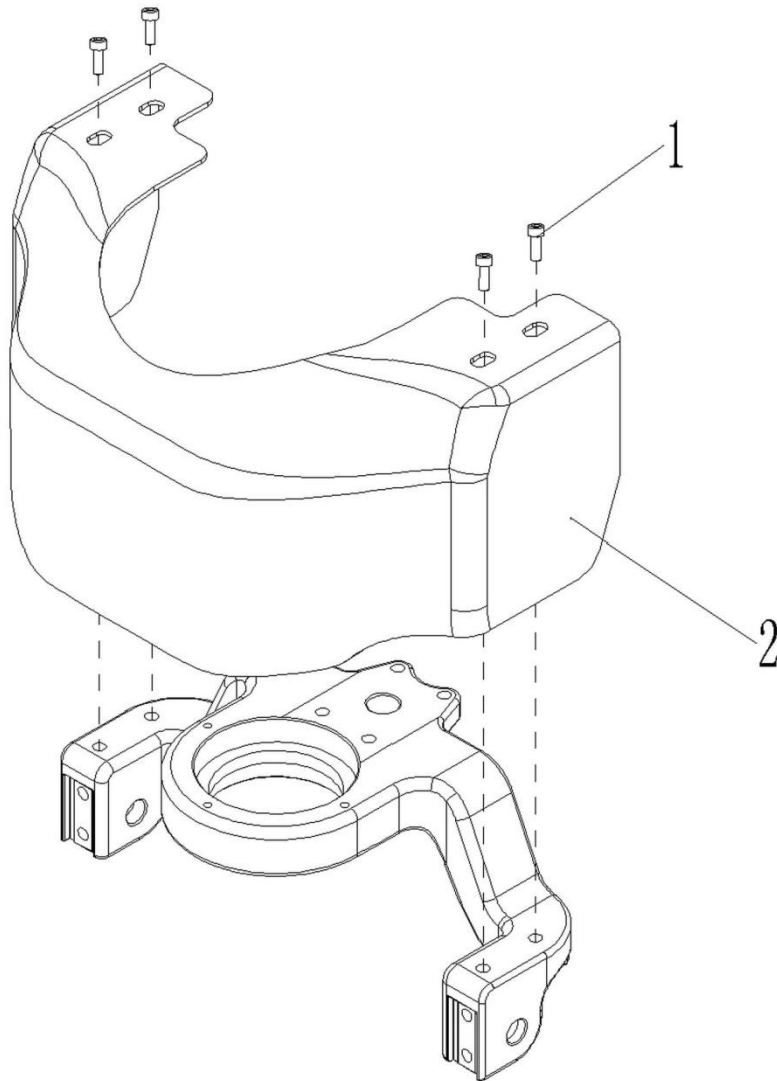


Fig. 10 Steering Wheel Components (without side rollers)

| No. | Art No. | Description | Qty. | Note |
|-----|--------------|-----------------------------|------|------|
| 1 | 941100100005 | Screw M10x15-8.8 | 4 | |
| 2 | 508016520001 | Apron (without side roller) | 1 | |

Fig. 11 Tiller head

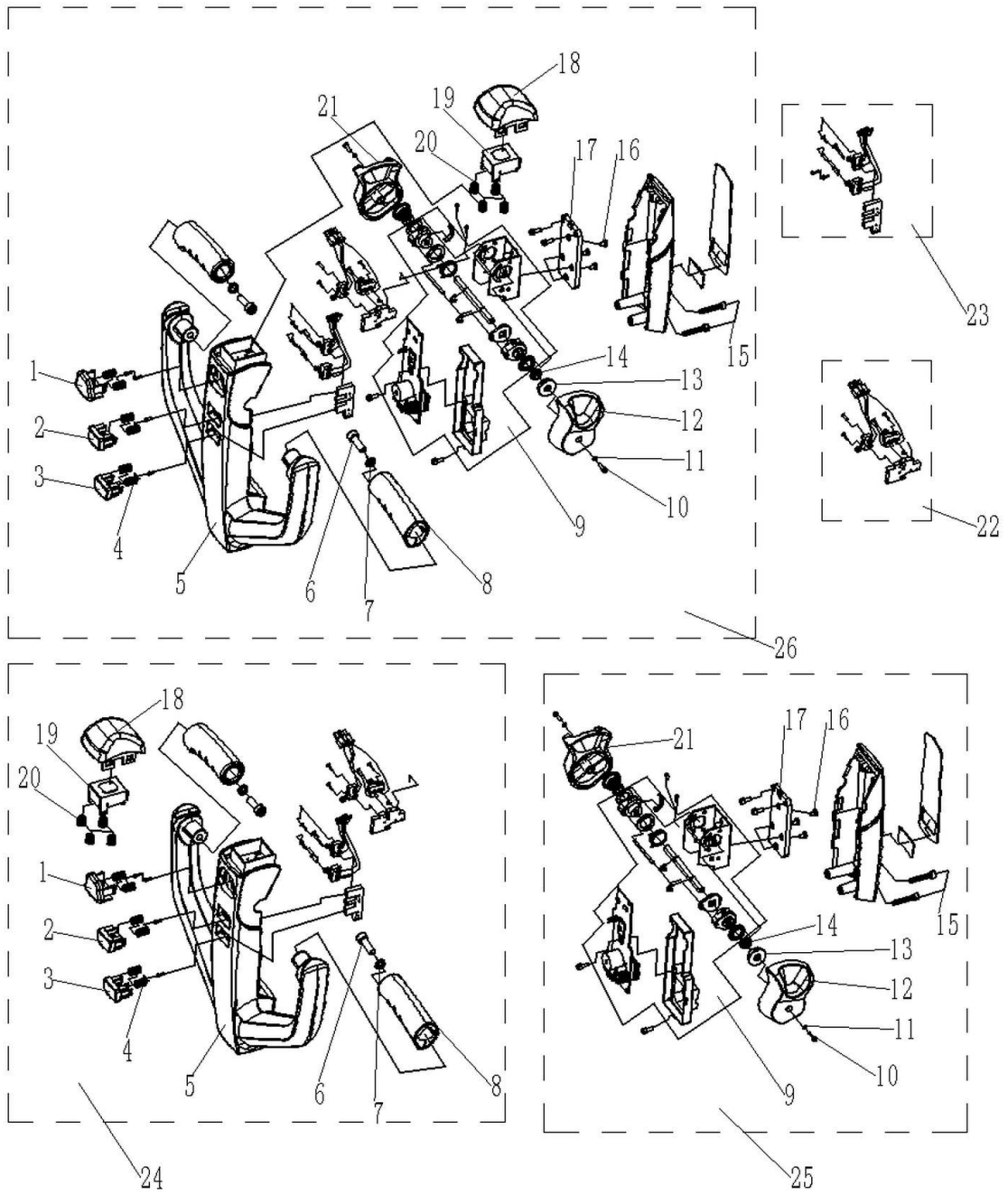


Fig. 11 Tiller Head

| No. | Art No. | Description | Qty. | Note |
|-----|--------------|--|------|------------|
| 1 | 508098520009 | Horn | 1 | |
| 2 | 508098520010 | Lifting button | 1 | |
| 3 | 508098520011 | Lowering button | 1 | |
| 4 | 502311020022 | Spring 0.6 | 6 | Height 16 |
| 5 | 508098520012 | Tiller upper cover | 1 | |
| 6 | 910200200058 | Bolt | 2 | M8*25 |
| 7 | 910400500006 | Washer | 2 | Φ8 |
| 8 | 508098520013 | Grip | 2 | |
| 9 | 508098510028 | Accelerator assembly | 1 | components |
| 10 | 910200200003 | Bolt | 2 | M3*12 |
| 11 | 910400500002 | Washer | 2 | Φ3 |
| 12 | 508098520014 | Left driving knob | 1 | |
| 13 | 508098520015 | Axle external bushing | 2 | |
| 14 | 508098520016 | Axle internal bushing | 2 | |
| 15 | 910200200159 | Screw GB70.1-M5x50-8.8 | 2 | M5*50 |
| 16 | 910202000001 | Screw | 3 | M4*6 |
| 17 | 508098520017 | Accelerator fixing plate | 1 | |
| 18 | 508098520018 | Belly button base | 1 | |
| 19 | 508098520019 | Belly internal base | 1 | |
| 20 | 502311020018 | Spring 0.8 | 4 | Height 11 |
| 21 | 508098520020 | Right driving knob | 1 | |
| 22 | 508098510029 | Horn micro switch components | 1 | |
| 23 | 508098510030 | Lifting and lowering micro switch components | 1 | |
| 24 | 508098510031 | Tiller upper cover components | 1 | |
| 25 | 508098510032 | Tiller bottom cover components | 1 | |
| 26 | 508098510033 | Tiller components | 1 | |

Fig. 12 Tiller arm components

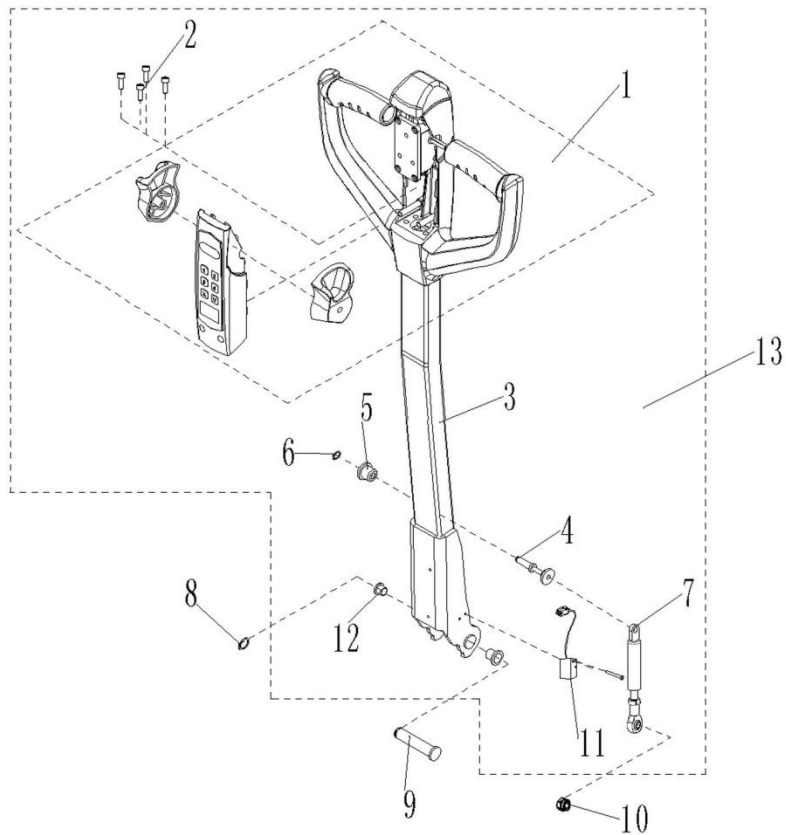


Fig. 12 Tiller Arm Components

| No. | Art No. | Description | Qty. | Note |
|-----|--------------|--|------|------|
| 1 | 922100100013 | Tiller NL-H300 | 1 | |
| 2 | 910200200040 | Screw GB70.1-M6x35-8.8 | 4 | |
| 3 | 508011010000 | Tiller arm welding | 1 | |
| 4 | 508011010002 | Fixing axle welding | 1 | |
| 5 | 508011020005 | Fixing base | 1 | |
| 6 | 910401300001 | Circlip GB894.1-8 | 1 | |
| 7 | 508011010001 | Air spring (D245) | 1 | |
| 8 | 910401300006 | Circlip GB894.1-15 | 1 | |
| 9 | 508011020004 | Pin Φ 15x70 | 1 | |
| 10 | 910200200057 | Screw GB70.1-M8x20-8.8 | 1 | |
| 11 | 505633510002 | Proximity switch NBN5-F7-E2(800mm) | 1 | |
| 12 | 940500200001 | Bushing (With shoulder) Φ 15x Φ 17x9-SF-1 | 2 | |
| 13 | 508098510035 | Tiller components | 1 | |

Fig. 13 Truck components

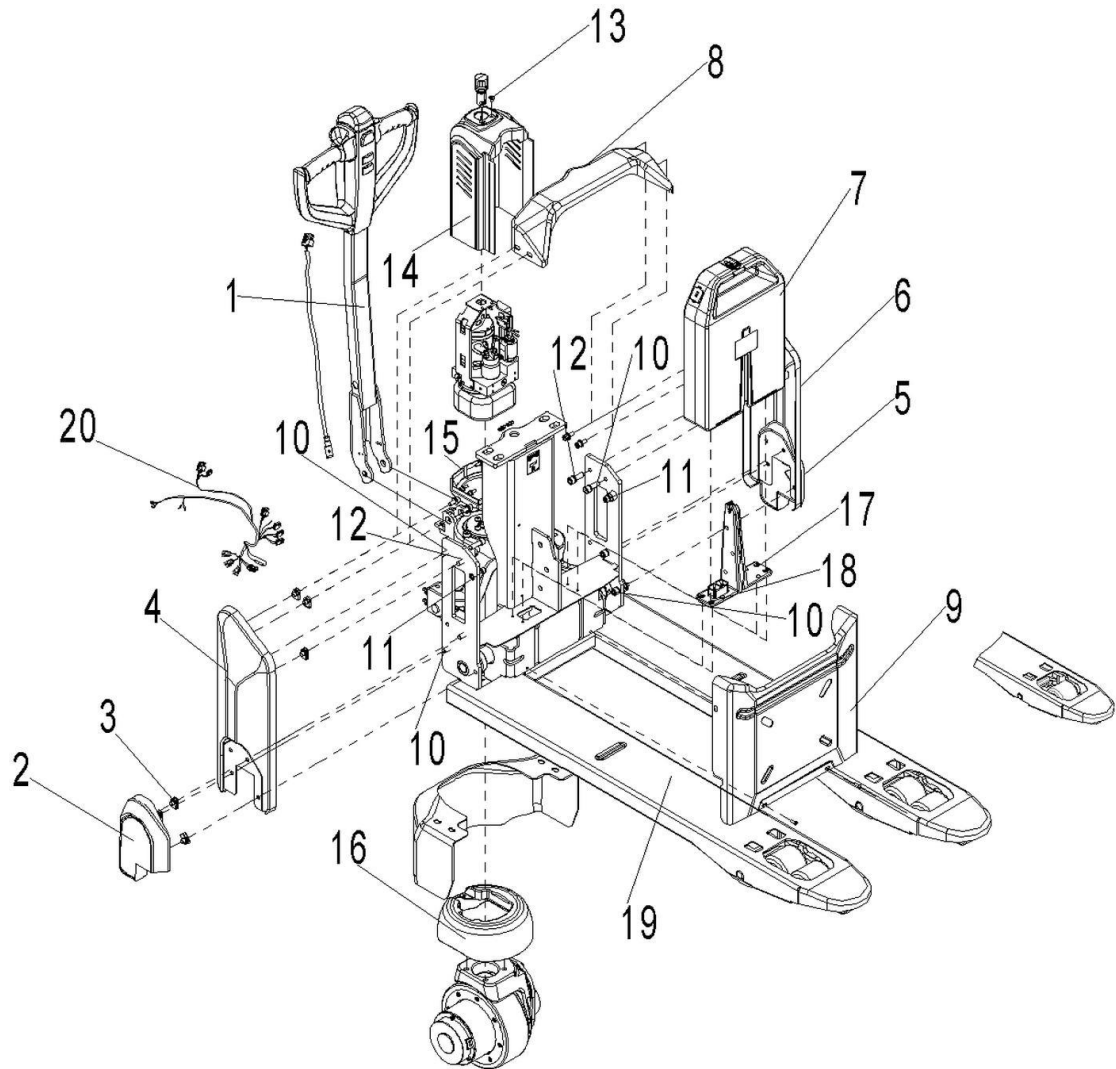


Fig. 13 Truck Components

| No. | Art No. | Description | Qty. | Note |
|-----|--------------|--|------|-------|
| 1 | 508098510035 | Tiller assembly | 1 | |
| 2 | 508038510103 | Small side cover (right)(540) | 1 | |
| | 508038510105 | Small side cover (right)(685) | 1 | |
| 3 | 940400400002 | Nut M8-t(2-4) | 14 | |
| 4 | 508038510101 | Side panel (right) | 1 | |
| 5 | 508038510102 | Small side cover (left)(540) | 1 | |
| | 508038510104 | Small side cover (left)(685) | 1 | |
| 6 | 508038510100 | Side panel (left) | 1 | |
| 7 | 508037010000 | Lithium battery 24V20Ahcomponents | 1 | 20Ah |
| | 508037010001 | Lithium battery 24V30Ahcomponents | 1 | 30Ah |
| | 508037010002 | Lithium battery 24V36Ahcomponents | 1 | 36Ah |
| 8 | 508038520100 | Top cover | 1 | |
| 9 | 508038520101 | Front cover | 1 | |
| 10 | 910200200058 | Screw GB70.1-M8x25-8.8 | 10 | |
| 11 | 910200200055 | Screw GB70.1-M8x16-8.8 | 6 | |
| 12 | 910400100006 | Flat washer GB97.1-8-200HV | 6 | |
| 13 | 910200400015 | Screw GB70.3-M6x10-8.8 | 2 | |
| 14 | 508024020101 | Pump protective cover | 1 | |
| 15 | 508024020102 | Base cover | 1 | |
| 16 | 508013520101 | Round cover | 1 | |
| 17 | 920600100045 | Lithium battery guide base | 1 | |
| 18 | 910200500037 | Screw GB818-M5x10-4.8 | 4 | M5x10 |
| 19 | 508038510000 | Chassis welding (540x1150) | 1 | |
| | 508038510001 | Chassis welding (685x1150) | 1 | |
| | 508038510002 | Chassis welding (685x915) | 1 | |
| 20 | 508033010000 | Main control wiring harness (CURTIS1212C+ZD) | 1 | |

Fig. 14 Power supply assembly

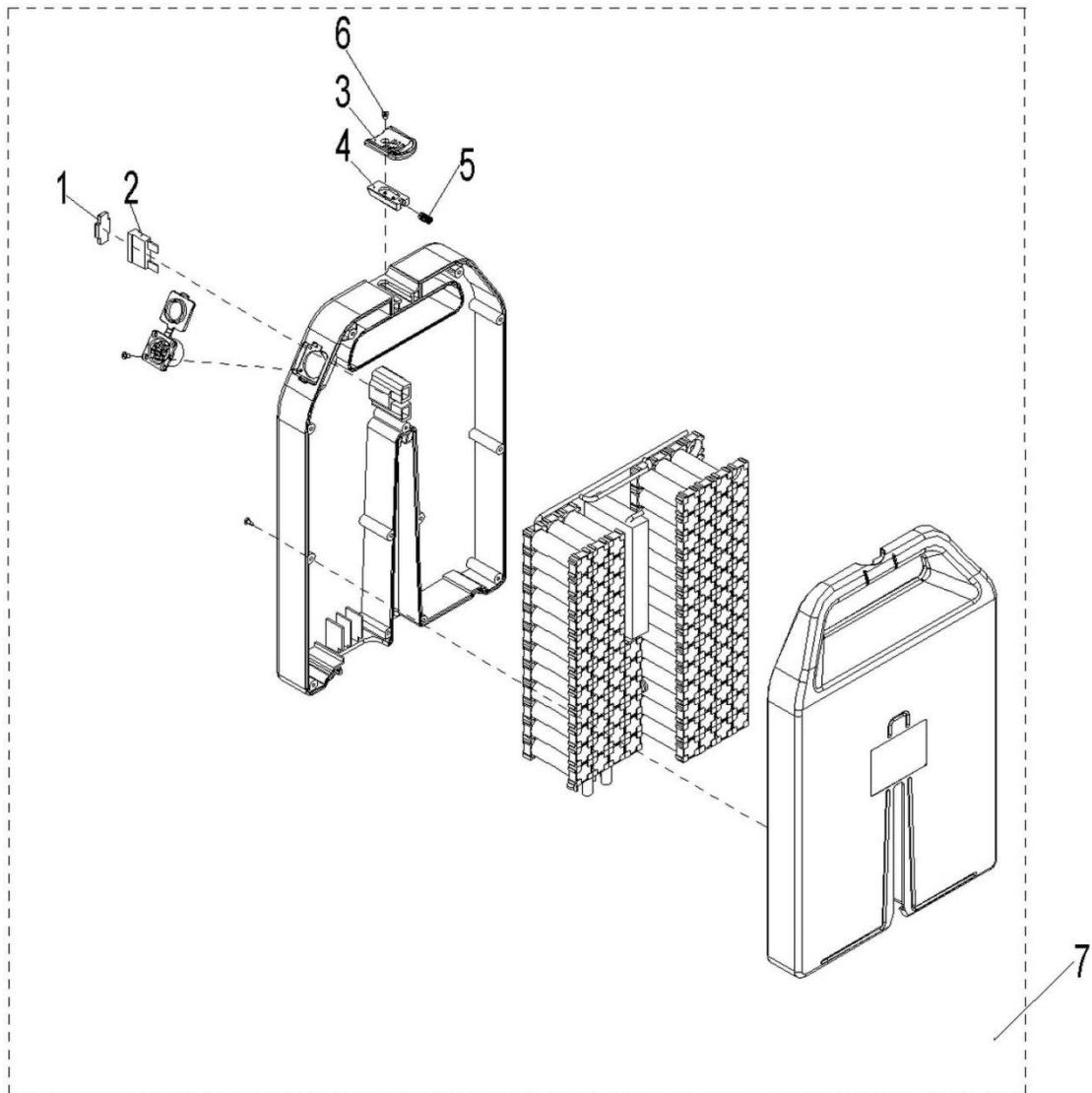


Fig. 14 Power Supply Assembly

| No. | Art No. | Description | Qty. | Note |
|-----|--------------|-------------------------|------|----------------------|
| 1 | 508098520021 | Fuse protective cap | 1 | |
| 2 | 920100200006 | 70A fuse | 1 | ATM70A DC32V |
| 3 | 508098520022 | Locker | 1 | |
| 4 | 508098520023 | Aluminium part | 1 | |
| 5 | 508098520024 | Spring | 1 | |
| 6 | 910200500010 | Screw | 2 | Screw GB818-M3x8-4.8 |
| 7 | 508037010000 | Lithium battery 24V20Ah | 1 | 20Ah |
| | 508037010001 | Lithium battery 24V30Ah | 1 | 30Ah |
| | 508037010002 | Lithium battery 24V36Ah | 1 | 36Ah |

Fig. 15 Controller components

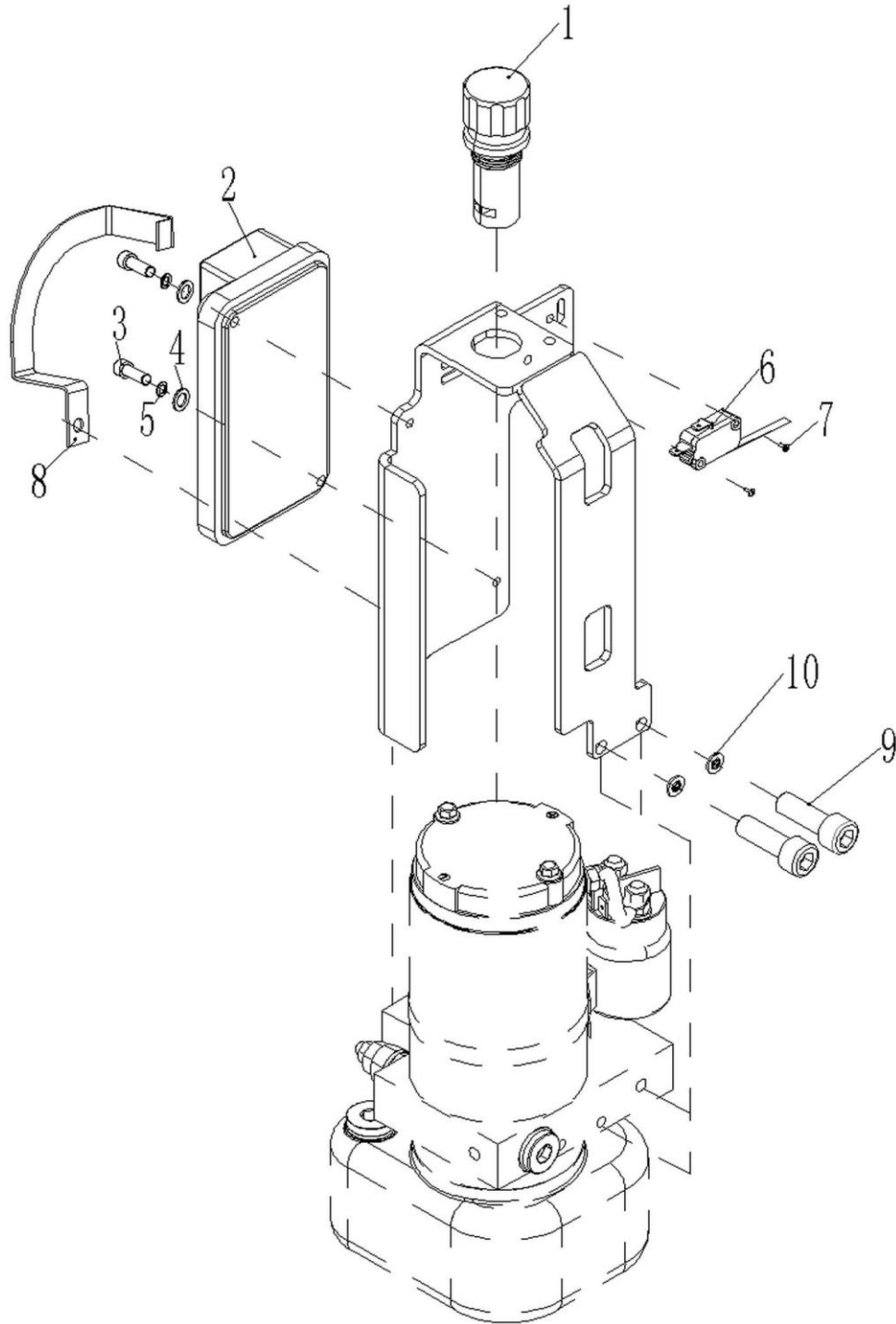
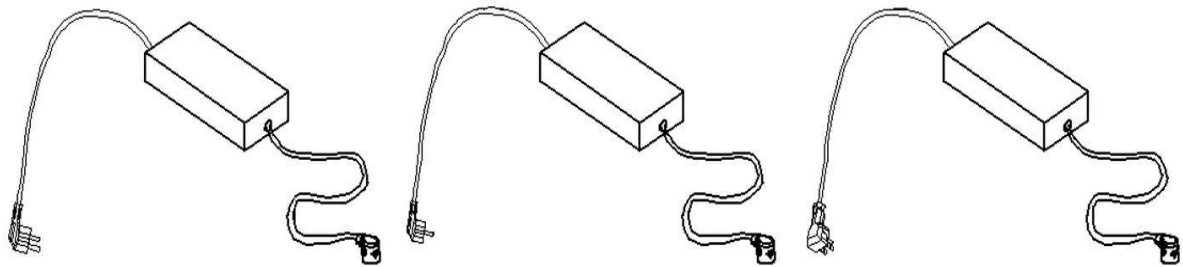


Fig. 15 Controller Components

| No. | Art No. | Description | Qty. | Note |
|-----|--------------|---------------------------------|------|-------------------------------------|
| 1 | 920200100015 | Emergency button CE3T-10R-02 | 1 | |
| 2 | 921400100081 | Controller 1212C-2503 | 1 | |
| 3 | 910200200025 | Screw GB70.1-M5x25-8.8 | 2 | Screw GB70.1-M5x25-8.8-c1B |
| 4 | 910400100004 | Flat washer GB97.1-5-200HV | 2 | Flat Washer GB97.1-5-200HV-A-c1B |
| 5 | 910400500004 | Washer GB93-5 | 2 | Washer GB93-5-c1B |
| 6 | 920200300012 | Micro switch V-J163-1C25 | 1 | |
| 7 | 910200200003 | Screw GB70.1-M3x12-8.8 | 2 | Screw GB70.1-M3x12-8.8-c1B |
| 8 | 508033020000 | Cable clamp | 1 | |
| 9 | 910200200035 | Screw GB70.1-M6x16-8.8 | 7 | Screw GB70.1-M6x16-8.8-c1B |
| 10 | 910400100005 | Flat Washer GB97.1-6-200HV | 7 | Flat Washer GB97.1-6-200HV-A-c1B |

Fig. 16 Charger



Chinese market

EU market

US market

Fig. 16 Charger

| No. | Art No. | Description | Qty. | Note |
|--------------|--------------------------------|--------------------------------|-----------|--------------|
| 1 | 508036510011 | Lithium battery charger 24V5A | 1 | Asia Chinese |
| | 508036510012 | Lithium battery charger 24V5A | 1 | Asia English |
| | 508036510000 | Lithium battery charger 24V8A | 1 | Asia Chinese |
| | 508036510001 | Lithium battery charger 24V8A | 1 | Asia English |
| | 508036510002 | Lithium battery charger 24V8A | 1 | ENG |
| | 508036510003 | Lithium battery charger 24V8A | 1 | US |
| | 508036510004 | Lithium battery charger 24V8A | 2 | EU |
| | 508036510005 | Lithium battery charger 24V8A | 1 | AUS |
| | 508036510006 | Lithium battery charger 24V8A | 1 | ITY |
| | 508036510007 | Lithium battery charger 24V8A | 1 | Sweden |
| | 508036510008 | Lithium battery charger 24V8A | 1 | Israel |
| | 508036510009 | Lithium battery charger 24V8A | 1 | Brazil |
| | 508036510010 | Lithium battery charger 24V8A | 1 | Argentina |
| | 508036510013 | Lithium battery charger 24V12A | 1 | Asia |
| | 508036510014 | Lithium battery charger 24V12A | 1 | ENG |
| | 508036510015 | Lithium battery charger 24V12A | 1 | US |
| | 508036510016 | Lithium battery charger 24V12A | 1 | EU |
| | 508036510017 | Lithium battery charger 24V12A | 1 | AUS |
| | 508036510018 | Lithium battery charger 24V12A | 1 | ITY |
| | 508036510019 | Lithium battery charger 24V12A | 1 | Sweden |
| | 508036510020 | Lithium battery charger 24V12A | 1 | Israel |
| | 508036510021 | Lithium battery charger 24V12A | 1 | Brazil |
| 508036510022 | Lithium battery charger 24V12A | 1 | Argentina | |

Fig. 17 Wiring harness

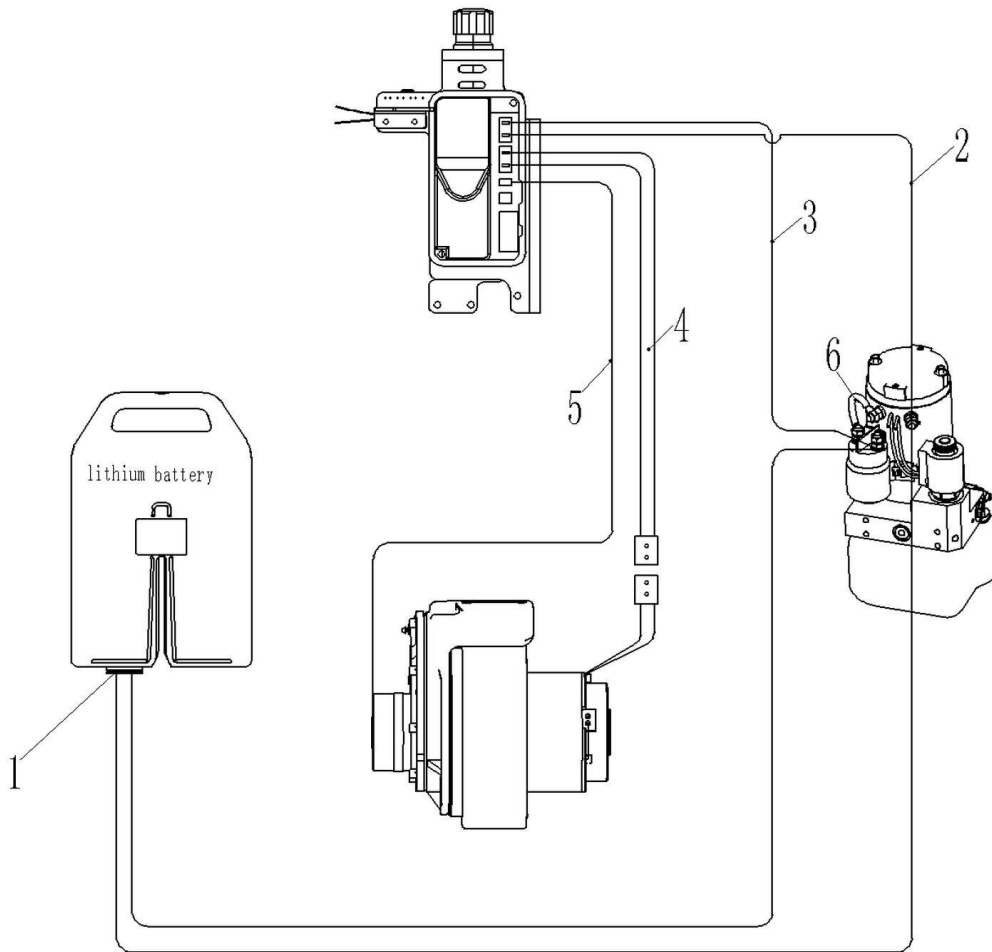


Fig. 17 Wiring Harness

| No. | Art No. | Description | Qty. | Note |
|-----|--------------|------------------------------|------|------|
| 1 | 508033010003 | Main plug wiring harness | 1 | |
| 2 | 508033010004 | Controller B+ wiring harness | 1 | |
| 3 | 508033010005 | Controller B- wiring harness | 1 | |
| 4 | 508033010006 | Motor main wiring harness | 1 | |
| 5 | 508033010007 | Brake main wiring harness | 1 | |
| 6 | 508033010010 | Pump motor B+ wiring harness | 1 | |

Fig. 18 Sticker (EU)

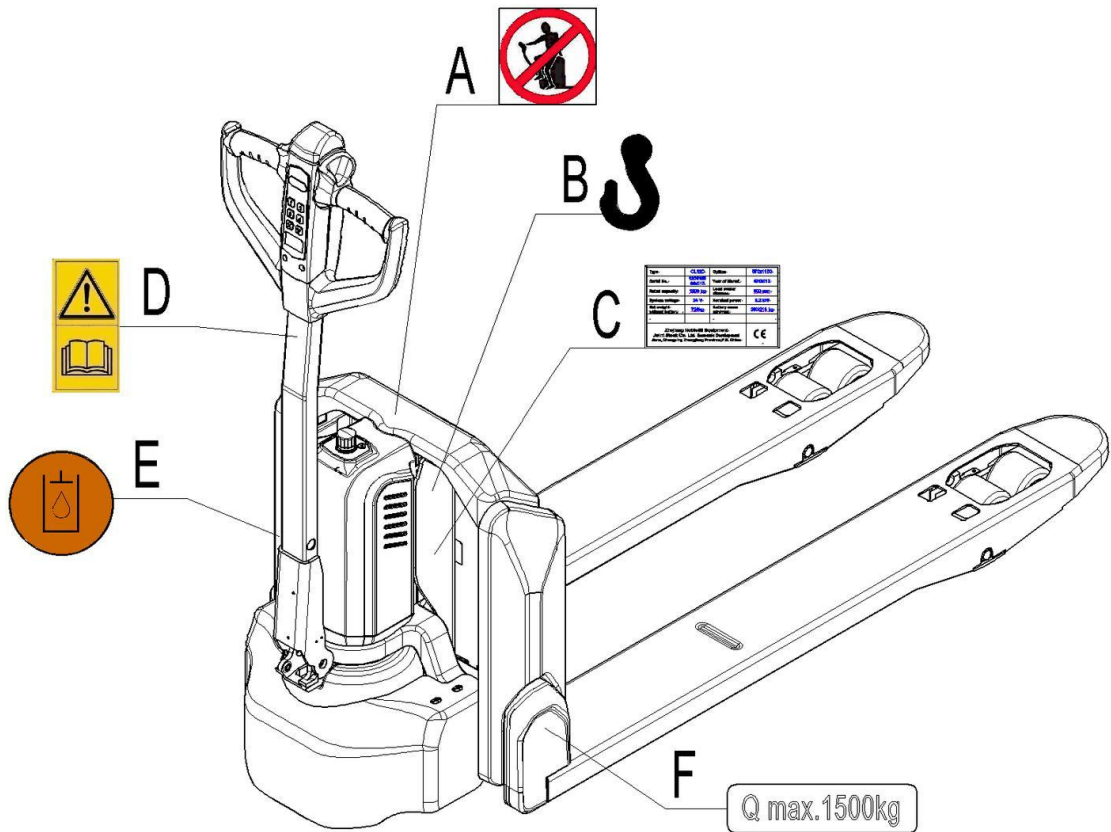


Fig. 18 Sticker (EU)

| No. | Art No. | Description | Qty. | Note |
|-----|--------------|---|------|------|
| A | 941200100003 | "No passengers" decal | 1 | |
| B | 941200300001 | Crane hook label | 1 | |
| C | 508047520000 | CE sticker | 1 | |
| D | 941200300002 | Sticker to read and follow these instructions | 1 | |
| E | 941200300003 | Filling sticker | 1 | |
| F | 941200200020 | Capacity sticker | 1 | |

Fig. 19 Sticker (US)

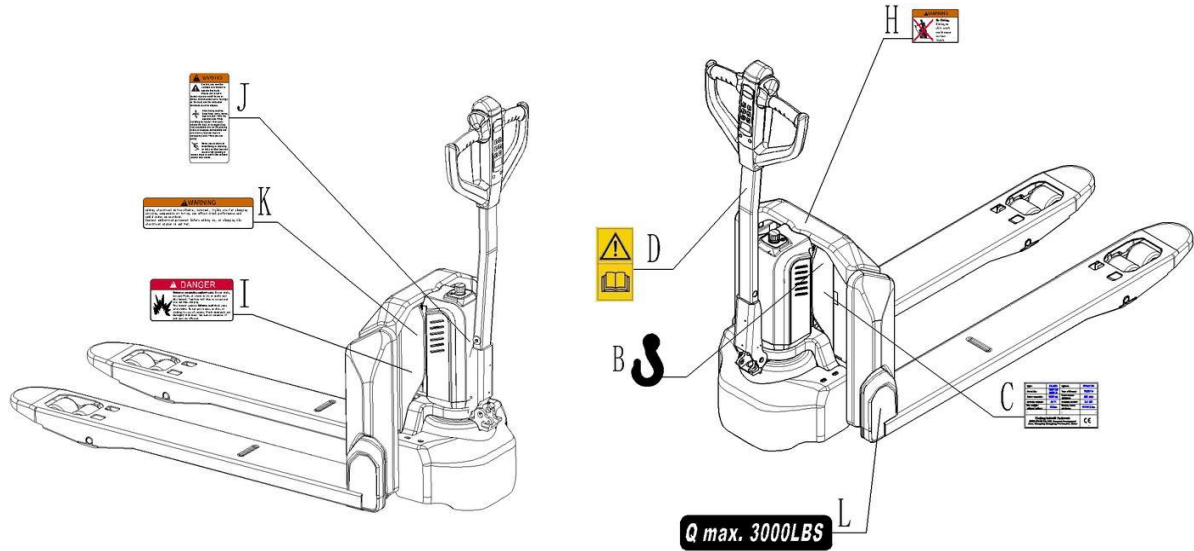


Fig. 19 Sticker (US)

| No. | Art No. | Description | Qty. | Note |
|-----|--------------|---|------|------|
| B | 941200300001 | Crane hook label | 1 | |
| C | 9000011358 | CE sticker | 1 | |
| D | 9000003570 | Sticker to read and follow these instructions | 1 | |
| H | 9000003580 | Warning sticker | 1 | |
| I | 9000003577 | Warning sticker | 1 | |
| J | 9000003575 | Warning sticker | 1 | |
| K | 9000003579 | Warning sticker | 1 | |
| L | 9000003569 | Capacity sticker | 1 | |

Easy worn parts list

| No. | Art No. | Description | Qty. | Fig./Position | Note |
|-----|--------------|--|--------------------|---------------|-------------|
| 1 | 940500100032 | Bushing Φ 25x Φ 29x25-SF-1 | 2 | Fig. 1/4 | |
| 2 | 940500100006 | Bushing Φ 16x Φ 18x15-SF-1 | 8 | Fig. 1/9 | |
| 3 | 508098510000 | Push rod components (1150) | 2 | Fig. 1/16 | |
| 4 | 508098510001 | Rock arm components (540) | 1 | Fig. 1/17 | |
| 5 | 508098510002 | Push rod kits (1150) | 2 | Fig. 1/18 | 1150 |
| 6 | 508098510004 | Push rod fork components | 2 | Fig. 1/19 | |
| 7 | 940500100032 | Bushing Φ 25x Φ 29x25-SF-1 | 4 | Fig. 2/4 | |
| 8 | 940500100006 | Bushing Φ 16x Φ 18x15-SF-1 | 8 | Fig. 2/8 | |
| 9 | 508098510003 | Rock arm components (685) | 1 | Fig. 2/16 | |
| 10 | 508098510000 | Push rod components (1150) | 2 | Fig. 2/17 | 1150 |
| | 508098510005 | Push rod components (915) | | | 915 |
| 11 | 508098510002 | Push rod kits (1150) | 2 | Fig. 2/18 | 1150 |
| | 508098510006 | Push rod kits (915) | | | 915 |
| 12 | 508098510004 | Push rod fork components | 2 | Fig. 2/19 | |
| 13 | 910700200019 | Bearing GB276-6204-2RS | 8/4(Tandem/Single) | Fig. 3/4 | |
| 14 | 940300300005 | Roller Φ 80x70 (Steel core PU) | 4(Tandem) | Fig. 3/5 | |
| 15 | 940300300023 | Roller Φ 80x93 (Steel core PU) | 2(Single) | Fig. 3/10 | |
| 16 | 940500200003 | Bushing (With shoulder) Φ 18x Φ 20x12-SF-1 | 4 (Tandem) | Fig. 3/11 | |
| 17 | 940500100012 | Bushing Φ 20x Φ 22x12-SF-1 | 4 | Fig. 3/12 | |
| 18 | 502198510008 | Single roller components | 2 | Fig. 3/13 | |
| 19 | 502198510009 | Entry roller kits | 2 | Fig. 3/14 | |
| 20 | 508098510010 | Tandem kits | 2 | Fig. 3/15 | |
| 21 | 508098510011 | Single roller kits | 2 | Fig. 3/16 | |
| 22 | 508098510036 | Frame of Bearing components (75mmTandem wheel frame) | 2 | Fig. 3/17 | Low profile |
| 23 | 502198510007 | Tandem components | 4 | Fig. 3/18 | |
| 24 | 910700200058 | Bearing GB276-6013-2RS | 1 | Fig. 4/4 | |

| | | | | | |
|----|--------------|--|---|------------|-----------------|
| 25 | 910700600044 | Bearing GB297-32913 | 1 | Fig. 4/6 | |
| 26 | 910800100098 | O ring | 1 | Fig. 6/2 | 13.5x1.8 |
| 27 | 910800100098 | O ring | 1 | Fig. 7/5 | 13.5x1.8 |
| 28 | 910800100098 | O ring | 1 | Fig. 8/9 | 13.5x1.8 |
| 29 | 910700200018 | Bearing GB276-6203-2RS | 2 | Fig. 9/3 | |
| 30 | 940300300017 | Roller Φ 80x30(Steel core PU) | 1 | Fig. 9/4 | |
| 31 | 508016510000 | Side roller components Φ 80x30(PU) | 1 | Fig. 9/5 | |
| 32 | 502198510008 | Roller components | 1 | Fig. 9/6 | |
| 33 | 502198510009 | Spring components | 1 | Fig. 9/7 | |
| 34 | 940500200001 | Bushing (With shoulder) Φ 15x Φ 17x9-SF-1 | 2 | Fig. 12/12 | |
| 35 | 920100200006 | 70A Fuse | 1 | Fig. 14/2 | ATM70A DC32V |