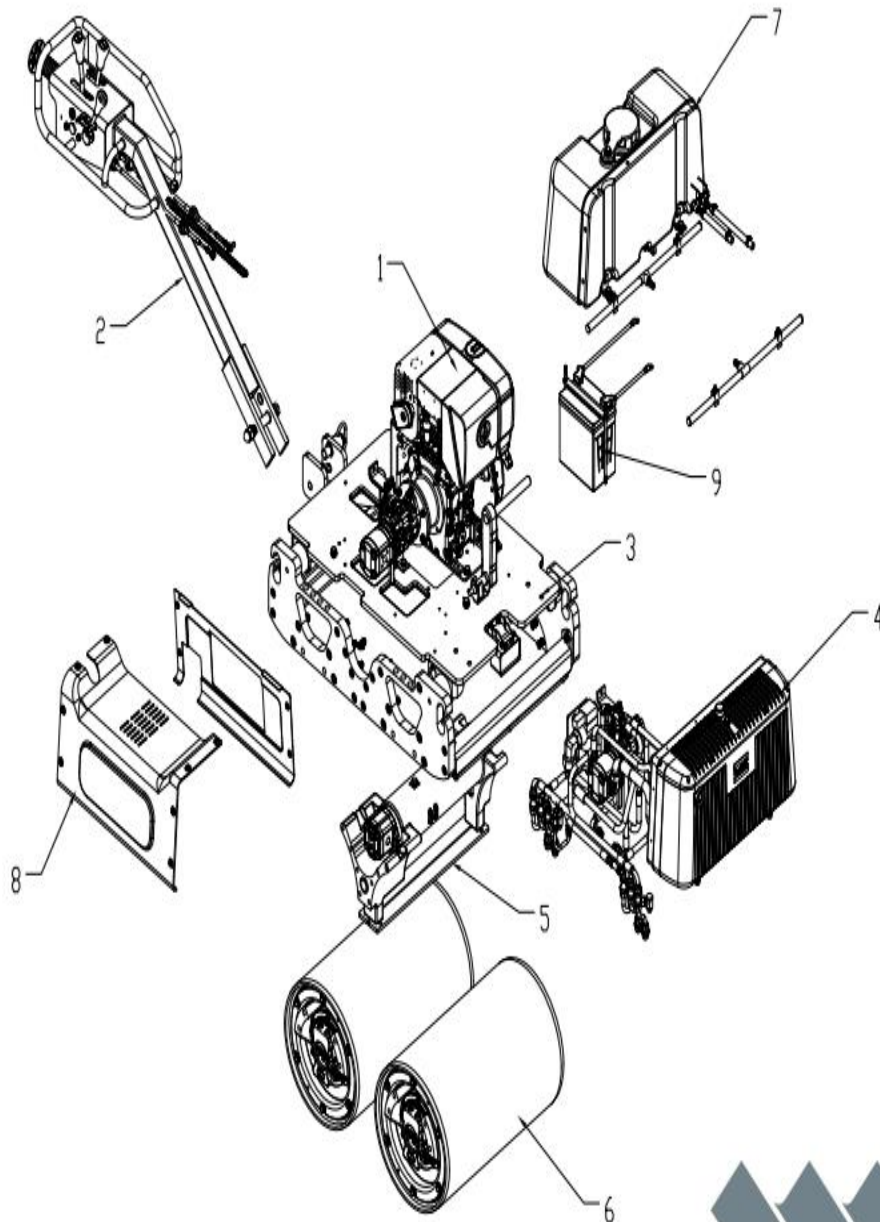


DR8000-00 MAIN UNIT

NO.	PART NO.	PART DESCRIPTION	QTY	UNIT PRICE (EUR) 2021
00-1	DR8000-01	ENGINE UNIT	1	
00-2	DR8000-02	OPERATION HANDLE UNIT	1	
00-3	DR8000-03	MAIN FRAME UNIT	1	
00-4	DR8000-04	HYDRAULIC UNIT	1	
00-5	DR8000-05	VIBRATION UNIT	1	
00-6	DR8000-06	DRUMS UNIT	1	
00-7	DR8000-07	SPRINKLER UNIT	1	
00-8	DR8000-08	COVER UNIT	1	
00-9	DR8000-09	BATTERY UNIT	1	

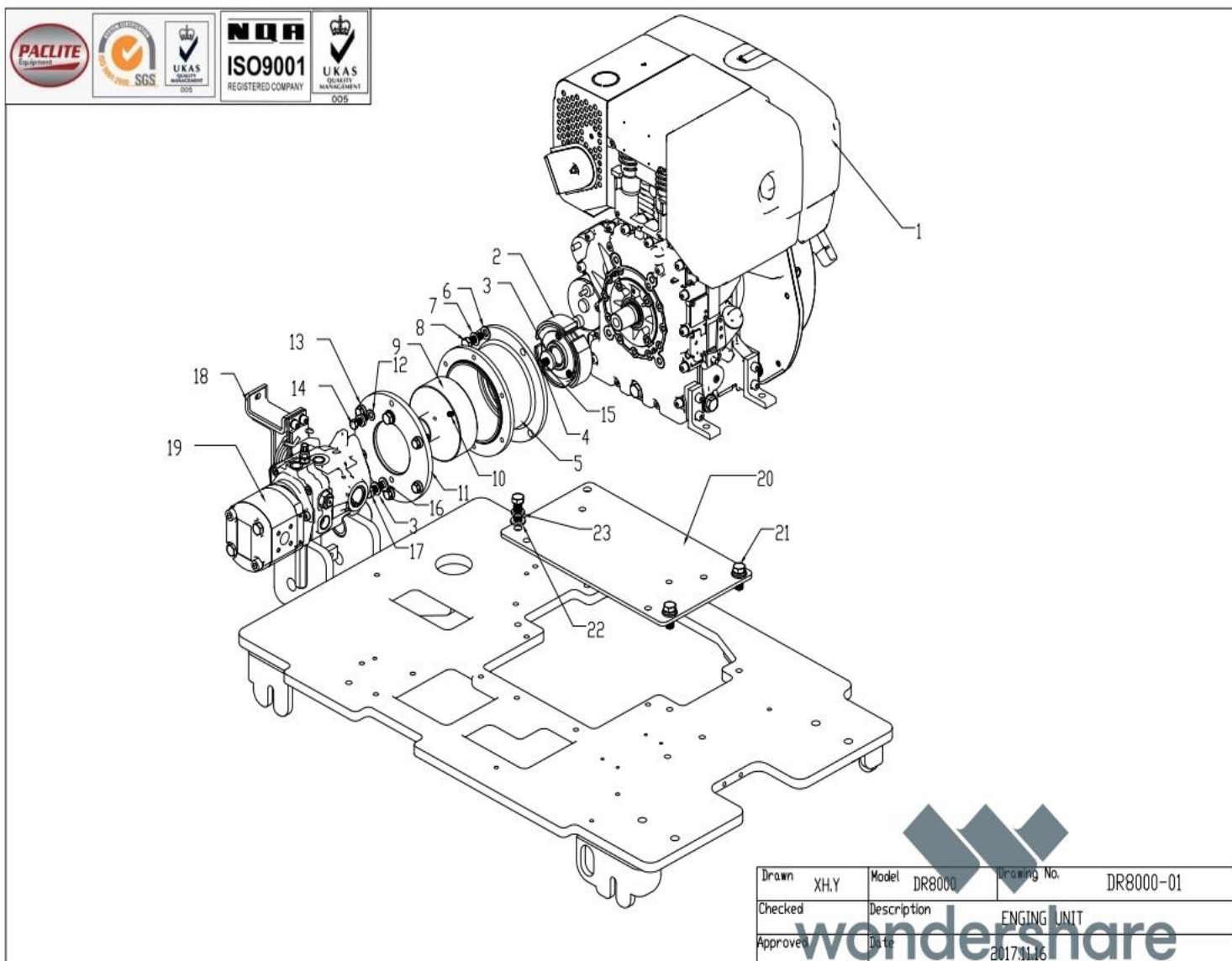


Drawn	XH.Y	Model	DR8000	Drawing No.	DR8000-00
Checked		Description	MAIN ASSY		
Approved		Date	2017.11.18		

wondershare

DR8000-01 ENGINE UNIT

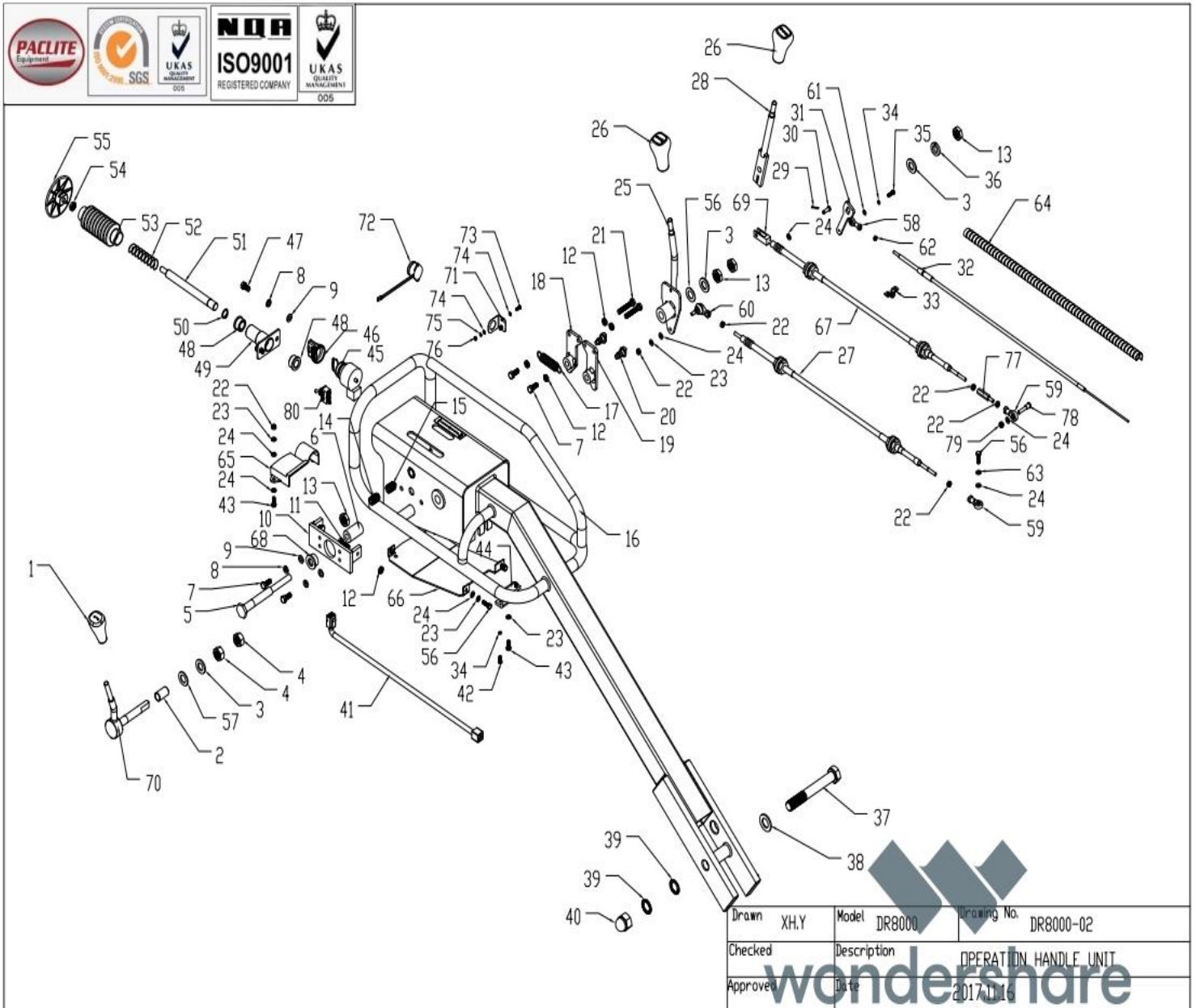
NO.	PART NO.	PART DESCRIPTION	QTY	UNIT PRICE (EUR) 2021
01-1	DR8000-W05-1B50U-3	ENGINE	1	
01-2	DR8000-700-011000	CLUTCH	1	
01-3	DR8000-700-010800	WASHER	1	
01-4	DR8000-HSPG.W10-DIN-2	SPRING WASHER,TANG ENDS	7	0,46 €
01-5	DR8000-700-010301B	ADAPTER HOUSING	1	
01-6	DR8000-FN.W10-DIN-2	WASHER	6	0,35 €
01-7	DR8000-HSPG.W10-DIN-1	SPRING WASHER,TANG ENDS	6	0,46 €
01-8	DR8000-FN.B-M10x30-8.8-DIN-2	SCREW	6	0,46 €
01-9	DR8000-700-011100	CLUTCH HOUSING	1	
01-10	DR8000-FHSS.S-M6x10-GB-3	SOCKET HEAD SCREW	1	0,46 €
01-11	DR8000-700-010302B	FLANGE	1	
01-12	DR8000-FN.W8-DIN-2	WASHER	6	0,46 €
01-13	DR8000-HSPG.W8-DIN-1	SPRING WASHER,TANG ENDS	6	0,46 €
01-14	DR8000-FN.B-M8x25-8.8-DIN-2	SCREW	6	0,46 €
01-15	DR8000-FN.B-M10x35-8.8-DIN-2	SCREW	1	0,46 €
01-16	DR8000-WOD.W10-GB-2	WASHER	2	0,46 €
01-17	DR8000-FN.B-M10x25-8.8-DIN-2	SCREW	2	0,52 €
01-18	DR8000-700-010900	CONTROL ARM	1	
01-19	DR8000-W17-7018070056_B	AXIAL PISTON PUMP	1	3 235,24 €
01-20	DR8000-700-010000A	ENGINE BASE	1	
01-21	DR8000-FN.B-M12x30-8.8-DIN-2	BOLT	4	0,46 €
01-22	DR8000-HSPG.W12-DIN-2	SPRING WASHER,TANG ENDS	4	0,46 €
01-23	DR8000-FN.W12-DIN-2	WASHER	4	1,73 €



DR8000-02 OPERATION HANDLE UNIT

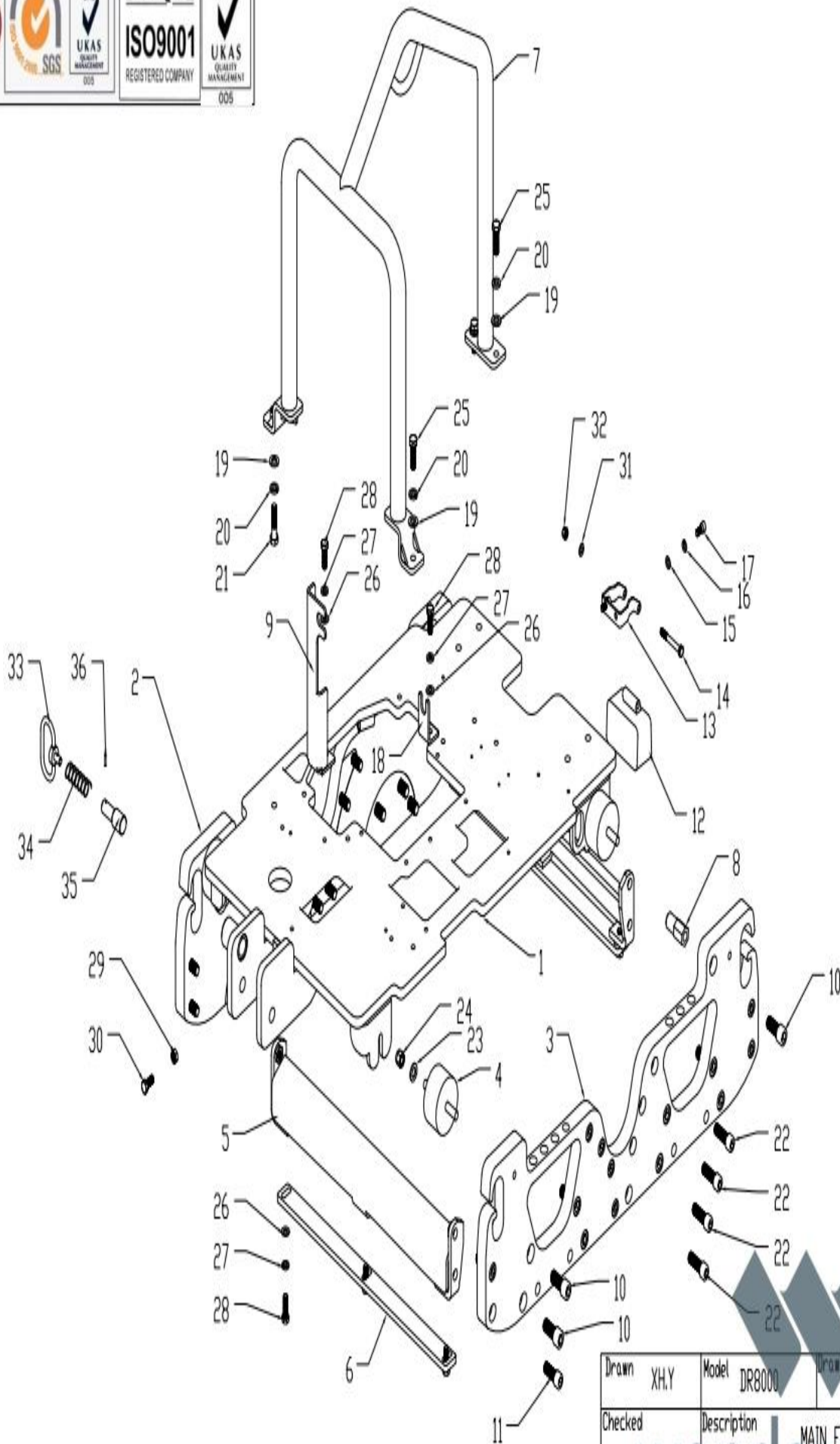
NO.	PART NO.	PART DESCRIPTION	QTY	UNIT PRICE (EUR) 2021
02-1	DR8000-650-023000	THROTTLE GRIP	1	45,77 €
02-2	ROL700DHD-650-022400	BUSH	1	
02-3	ROL700DHD-FN.W16-DIN-2	WASHER	3	0,46 €
02-4	ROL700DHD-FN.N-M16-DIN-2	NUT	2	0,58 €
02-5	ROL700DHD-6.5-022100	PIN	1	
02-6	ROL700DHD-700-020300	BUSH	1	
02-7	ROL700DHD-FN.B-M8x20-8.8-DIN-2	BOLT	4	0,40 €
02-8	ROL700DHD-HSPG.W8-DIN-2	SPRING WASHER,TANG ENDS	4	0,46 €
02-9	ROL700DHD-FN.W8-DIN-2	WASHER	4	0,46 €
02-10	ROL700DHD-650-020200	PLANK	1	
02-11	ROL700DHD-FN.B-M8x25-8.8-DIN-2	BOLT	2	0,46 €
02-12	ROL700DHD-FNL.N-M8-DIN-2	HEXAGON THIN NUT	6	0,46 €
02-13	ROL700DHD-FNL.N-M16-DIN-2	HEXAGON THIN NUT	2	0,58 €
02-14	ROL700DHD-FHSS.S-M16x25-GB-2	SOCKET SCREW WITH FLAT HEAD	1	2,01 €
02-15	ROL700DHD-6.5-022700	PLUNGER	1	12,02 €
02-16	ROL700DHD-700-020100	OPERATION HANDLE	1	
02-17	ROL700DHD-650-020500	SPRING	1	14,55 €
02-18	ROL700DHD-650-020300L	BAFFLE,LEFT	1	
02-19	ROL700DHD-650-020300R	BAFFLE,RIGHT	1	
02-20	ROL700DHD-650-020400	BOLT PIN	2	
02-21	ROL700DHD-FN.B-M8x45-8.8-DIN-2	BOLT	2	0,46 €
02-22	ROL700DHD-FN.N-M6-DIN-2	NUT	3	0,46 €
02-23	ROL700DHD-HSPG.W6-DIN-2	SPRING WASHER,TANG END	5	0,40 €
02-24	ROL700DHD-FN.W6-DIN-2	WASHER	7	0,40 €
02-25	ROL700DHD-650-021900	DRIVE LEVER	1	
02-26	ROL700DHD-650-023100	DRIVE GRIP	2	49,68 €
02-27	ROL700DHD-700-020900	DRIVE CABLE ASSY	1	164,28 €
02-28	ROL700DHD-700-020200	VIBRATION LEVER	1	
02-29	ROL700DHD-SP.PIN-1.6x20	SPLIT PIN	1	0,46 €
02-30	ROL700DHD-HWH.PIN-6x20-GB-2	PIN	1	0,63 €
02-31	DR8000-650-021100	LEVER	1	
02-32	DR8000-700-021100	THROTTLE CABLE ASSY	1	131,45 €
02-33	DR8000-6.5-010400	CABLE CLIP	1	3,39 €
02-34	DR8000-SPG.W5-DIN-2	SPRING WASHER	3	0,35 €
02-35	DR8000-FN.B-M5x16-8.8-DIN-2	BOLT	1	0,46 €
02-36	DR8000-HSPG.W16-DIN-2	SPRING WASHER,TANG ENDS	1	0,46 €
02-37	DR8000-FN.B-M20x150-8.8-DIN-2	BOLT	1	7,36 €
02-38	DR8000-FN.W20-DIN-2	WASHER	1	0,69 €
02-39	DR8000-NL-20	SERRATED WASHER	2	13,00 €
02-40	DR8000-HC.N-M20-DIN-2	CAP NUT	1	17,08 €
02-41	DR8000-650-020700	START-UP WIRE	1	83,95 €
02-42	DR8000-FN.B-M5x12-8.8-DIN-2	BOLT	2	0,35 €
02-43	DR8000-FN.B-M6x16-8.8-DIN-2	BOLT	8	0,46 €
02-44	DR8000-650-020900	THROTTLE CABLE PLATE	2	
02-45	DR8000-6.5D-000006	SWITCH	1	90,68 €
02-46	DR8000-6.5D-000007	RUBBER COVER	1	45,14 €
02-47	DR8000-FN.B-M8x16-8.8-DIN-2	BOLT	2	0,46 €
02-48	DR8000-6.5-021400	NYLON BUSH	2	
02-49	DR8000-650-021500	LEADER BASE	1	
02-50	DR8000-CS.RG16	EXTERNAL CIRCLIP	1	0,86 €
02-51	DR8000-6.5-021600	ROD	1	
02-52	DR8000-6.5-021300	SPRING	1	6,79 €
02-53	DR8000-650-022900	SWITCH BUSH	1	47,04 €
02-54	DR8000-FNL.N-M10-DIN-2	HEXAGON THIN NUT	1	0,46 €
02-55	DR8000-650-021200	EMERGENCY KNOB	1	
02-56	DR8000-FN.B-M6x20-8.8-DIN-2	BOLT	3	0,40 €

02-57	DR8000-WSPG.W16-DIN-3	WAVE SPRING WASHER	2	0,63 €
02-58	DR8000-6.5-020001	UNIVERSAL JOINT	1	24,09 €
02-59	DR8000-6.5-020002	UNIVERSAL JOINT	2	36,11 €
02-60	DR8000-6.5-020003	UNIVERSAL JOINT	1	34,73 €
02-61	DR8000-FN.W5-DIN-2	WASHER	1	0,35 €
02-62	DR8000-FN.N-M5-DIN-2	NUT	1	0,46 €
02-63	DR8000-HSPG.W6-DIN-2	SPRING WASHER,TANG ENDS	1	0,40 €
02-64	DR8000-650-024000	SPIRAL GUARD	1	226,11 €
02-65	DR8000-800DH-021100	STARTER (HATZ)	1	1 544,05 €
02-66	DR8000-800DH-022000	BOTTOM COVER	1	
02-67	DR8000-550-022600	DRIVE CABLE ASSY	1	133,75 €
02-68	DR8000-700-020400	BUSH	1	
02-69	DR8000-700-020500	CONNECTO	1	
02-70	DR8000-650-021000	THROTTLE GRIP	1	
02-71	DR8000-650-080600	BUZZER BRACKET	1	
02-72	DR8000-650-080500	BUZZER	1	38,12 €
02-73	DR8000-PAN.S-M4x12-GB-2	PAN HEAD SCREW	2	0,86 €
02-74	DR8000-FN.W4-DIN-2	WASHER	4	0,63 €
02-75	DR8000-SPG.W4-DIN-2	SPRING WASHER	2	0,40 €
02-76	DR8000-N.N-M4-DIN-2	NUT	2	0,52 €
02-77	DR8000-700-021200	ADJUSTMENT ROD	1	
02-78	DR8000-700-021300	PIN	1	
02-79	DR8000-IN.N-M6-DIN-2	LOCK NUT	1	0,46 €
02-80	DR8000-800-000001	SWITCH	1	183,51 €



DR8000-03 MAIN FRAME UNIT

NO.	PART NO.	PART DESCRIPTION	QTY	UNIT PRICE (EUR) 2021
03-1	DR8000-700-030100	BASE FRAME	1	
03-2	DR8000-700-030200	LEFT BOARD	1	
03-3	DR8000-700-030300	RIGHT BOARD	1	
03-4	DR8000-6.5-030700	RUBBER CUSHION	4	185,61 €
03-5	DR8000-700-030400	STRIPPER BRACKET	2	
03-6	DR8000-700-030500	STRIPPER	2	
03-7	DR8000-700-030900	PIPE BRACKET	1	
03-8	DR8000-700-030800	STOPPER BUSH	2	
03-9	DR8000-700-030700A	BRACKET	1	
03-10	DR8000-HS.B-M16x40-12.9-GB-3	SCREW	18	7,25 €
03-11	DR8000-HS.B-M14x40-12.9-GB-3	SCREW	9	7,99 €
03-12	DR8000-650-031200	LAMP	1	225,69 €
03-13	DR8000-700-031400	LAMP BRACKET	1	
03-14	DR8000-FN.B-M8x70-8.8HALF-DIN-2	BOLT	1	0,46 €
03-15	DR8000-FN.W8-DIN-1	WASHER	2	0,46 €
03-16	DR8000-HSPG.W8-DIN-1	SPRING WASHER,TANG ENDS	2	0,46 €
03-17	DR8000-HS.B-M8x20-8.8-GB-1	SCREW	2	1,09 €
03-18	DR8000-700-031200	VIBRATOR CABLE BRAVKET	1	
03-19	DR8000-FN.W12-DIN-1	WASHER	4	1,73 €
03-20	DR8000-HSPG.W12-DIN-1	SPRING WASHER,TANG ENDS	4	0,46 €
03-21	DR8000-FN.B-M12x45-8.8HALF-DIN-2	BOLT	1	3,97 €
03-22	DR8000-HS.B-M14x45-12.9-GB-3	SCREW	16	0,52 €
03-23	DR8000-FN.W12-DIN-2	WASHER	4	1,73 €
03-24	DR8000-IN.N-M12-DIN-2	LOCK NUT	4	0,75 €
03-25	DR8000-FN.B-M12x35-8.8-DIN-2	BOLT	3	1,50 €
03-26	DR8000-FN.W10-DIN-2	WASHER	8	0,35 €
03-27	DR8000-HSPG.W10-DIN-2	SPRING WASHER,TANG ENDS	8	0,46 €
03-28	DR8000-FN.B-M10x30-8.8-DIN-2	BOLT	8	0,46 €
03-29	DR8000-FN.N-M10-DIN-2	NUT	1	0,46 €
03-30	DR8000-FN.B-M10x25-8.8-DIN-2	BOLT	1	0,52 €
03-31	DR8000-FN.W8-DIN-2	WASHER	1	0,46 €
03-32	DR8000-IN.N-M8-DIN-2	LOCK NUT	1	0,35 €
03-33	DR8000-650-020600	EYE BOLT	1	
03-34	DR8000-6.5-020300	SPRING	1	14,89 €
03-35	DR8000-6.5-020200	PIN	1	
03-36	DR8000-SC.PIN-3x16-GB-3	SPRING PIN	1	0,52 €



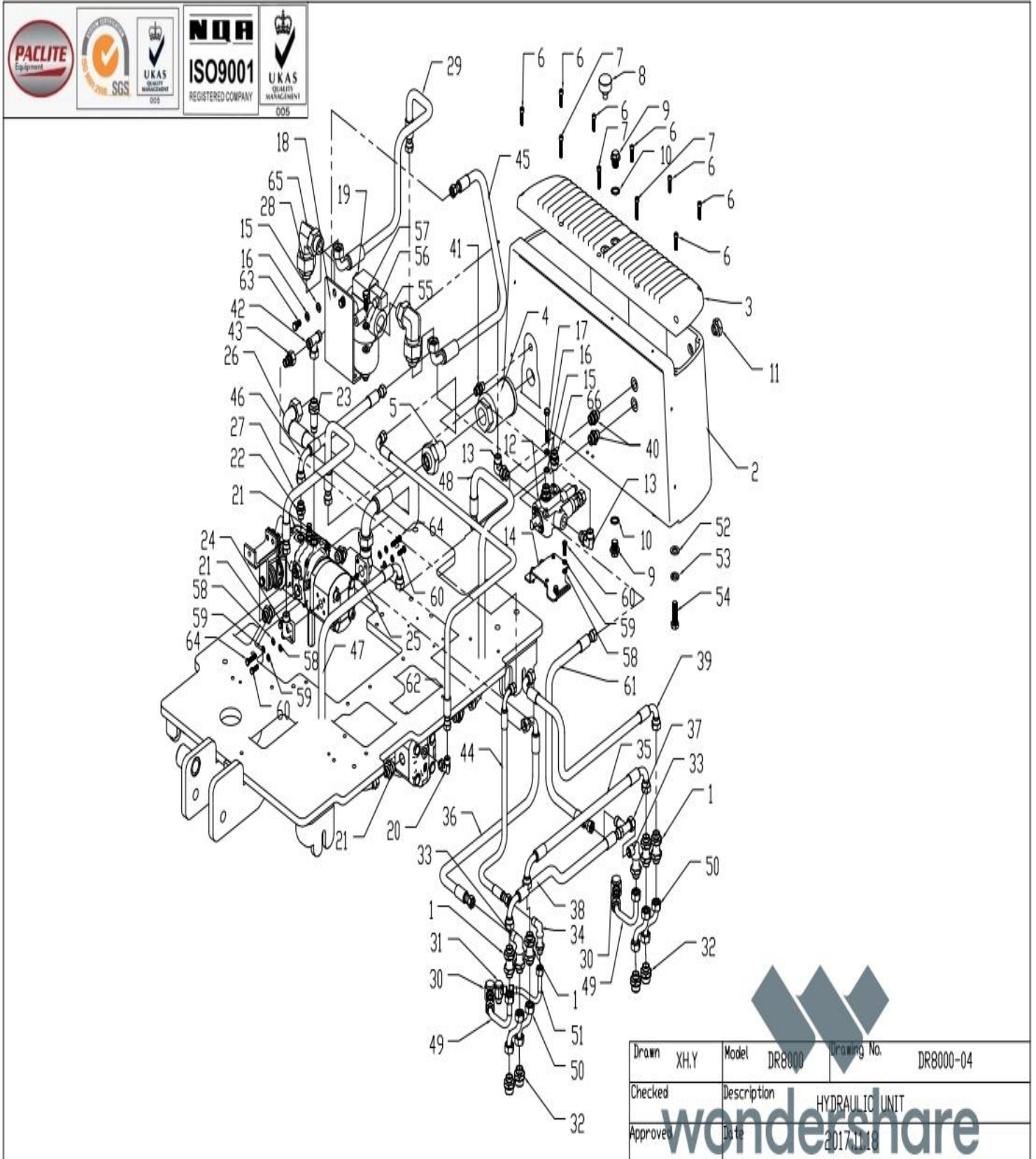
Drawn	XH.Y	Model	DR8000	Drawing No.	DR8000-03
Checked		Description	MAIN FRAME UNIT		
Approved		Date	2017.11.18		

wondershare

DR8000-04 HYDRAULIC UNIT

NO.	PART NO.	PART DESCRIPTION	QTY	UNIT PRICE (EUR) 2021
04-1	DR8000-6C-18LN	STRAIGHT BULKHEAD FITTING	4	33,52 €
04-2	DR8000-700-040100H	HYDRAULIC OIL TANK	1	
04-3	DR8000-700-040200	COVER	1	
04-4	DR8000-700-040400	SUCTION FILTER	1	121,61 €
04-5	DR8000-700-040500	SUCTION CONNECTOR	1	
04-6	DR8000-HS.B-M6x25-8.8-GB-1	SCREW	7	0,46 €
04-7	DR8000-HS.B-M6x35-8.8-GB-1	SCREW	3	0,63 €
04-8	DR8000-700-040300	BREATHER CAP	1	180,72 €
04-9	DR8000-HHOS.B-M16x1.5	HEXAGON HEAD PLUG	2	10,93 €
04-10	DR8000-GB97.1-M16	CUPRUM WASHER	2	10,87 €
04-11	DR8000-100G-041000	OIL GUAGE	1	48,70 €
04-12	DR8000-700-042000	VALVE	1	197,17 €
04-13	DR8000-1CH9-18OG	ELBOW	2	51,58 €
04-14	DR8000-700-040700	VALVE BRACKET	1	
04-15	DR8000-FN.W8-DIN-1	WASHER	4	0,46 €
04-16	DR8000-HSPG.W8-DIN-1	SPRING WASHER,TANG ENDS	4	0,46 €
04-17	DR8000-FN.B-M8x55-8.8HALF-DIN-1	BOLT	2	8,63 €
04-18	DR8000-700-040600	FILTER BRACKET	1	
04-19	DR8000-700-041500	FILTER	1	374,60 €
04-20	DR8000-1CG9-14-04OG	ELBOW	1	45,37 €
04-21	DR8000-1CG-18-08	CONNECTOR	4	19,09 €
04-22	DR8000-1CG-18-06	CONNECTOR	3	13,69 €
04-23	DR8000-700-040900A	CONNECTOR	1	
04-24	DR8000-700-041600	CONNECTOR, FLANGE	1	169,86 €
04-25	DR8000-700-041700	CONNECTOR, FLANGE	1	185,67 €
04-26	DR8000-20491-26-08T/20411-26-08T×1T08IR×600	HYDRAULIC HOSE	1	203,07 €
04-27	DR8000-20491-18-06T / 20411-18-06T×370	HYDRAULIC HOSE	1	131,45 €
04-28	DR8000-2C-18-36	CHANGEABLE DIAMETER JOINT	2	50,95 €
04-29	DR8000-20491-18-06T / 20411-18-06T×420	HYDRAULIC HOSE	1	147,83 €
04-30	DR8000-700-041900	BANJO COUPLING	2	152,78 €
04-31	DR8000-700-041800	BANJO COUPLING	1	101,89 €
04-32	DR8000-1CH-18-22	CONNECTOR	4	23,69 €
04-33	DR8000-6C9-18LN	ELBOW BULKHEAD FITTING	2	54,22 €
04-34	DR8000-6C9-14LN	ELBOW BULKHEAD FITTING	1	34,50 €
04-35	DR8000-20491-18-06T×1T06IR×470	HYDRAULIC HOSE	1	164,28 €
04-36	DR8000-20491-18-06T / 20411-18-06T×1T06IR×860	HYDRAULIC HOSE	1	164,28 €
04-37	DR8000-CC-18	TEE COUPLING	1	64,11 €
04-38	DR8000-20491-18-06T / 20411-18-06T×1T06IR×900	HYDRAULIC HOSE	1	164,28 €
04-39	DR8000-20491-18-06T / 20411-18-06T×1T06IR×850	HYDRAULIC HOSE	1	164,28 €
04-40	DR8000-1CH-18-16	CONNECTOR	2	13,51 €
04-41	DR8000-1CH-14	CONNECTOR	1	13,86 €
04-42	DR8000-BC-18	TEE COUPLING	1	37,89 €
04-43	DR8000-2C-14-18	CHANGEABLE DIAMETER JOINT	1	17,77 €
04-44	DR8000-20491-14-04T / 20411-14-04T×1T04IR×850	HYDRAULIC HOSE	1	164,28 €
04-45	DR8000-20491-18-06T/20411-18-06T×1T06IR×350	HYDRAULIC HOSE	1	164,28 €
04-46	DR8000-20491-18-06T / 20411-18-06T×1T06IR×450	HYDRAULIC HOSE	1	164,28 €
04-47	DR8000-20491-18-06T / 20411-18-06T×1T06IR×650	HYDRAULIC HOSE	1	164,28 €
04-48	DR8000-20491-18-06T / 20411-18-06T×1T06IR×630	HYDRAULIC HOSE	1	164,28 €
04-49	DR8000-700-041200	PIPELINE	2	147,89 €
04-50	DR8000-700-041300	PIPELINE	4	147,89 €
04-51	DR8000-700-041400	PIPELINE	1	145,48 €
04-52	DR8000-FN.W12-DIN-1	WASHER	4	1,73 €
04-53	DR8000-HSPG.W12-DIN-1	SPRING WASHER,TANG ENDS	4	0,46 €
04-54	DR8000-FN.B-M12x40-8.8-DIN-1	BOLT	4	1,09 €
04-55	DR8000-FN.W10-DIN-1	WASHER	3	0,35 €
04-56	DR8000-HSPG.W10-DIN-1	SPRING WASHER,TANG ENDS	3	0,46 €

04-57	DR8000-FN.B-M10x25-8.8-DIN-1	BOLT	3	0,52 €
04-58	DR8000-FN.W6-DIN-1	WASHER	10	0,40 €
04-59	DR8000-HSPG.W6-DIN-1	SPRING WASHER,TANG ENDS	10	0,40 €
04-60	DR8000-FN.B-M6x20-8.8-DIN-1	BOLT	8	0,40 €
04-61	DR8000-20491-18-06T / 20411-18-06T×1T061R×1060	HYDRAULIC HOSE	1	164,28 €
04-62	DR8000-20491-14-04T / 20411-14-04T×1T041R×1050	HYDRAULIC HOSE	1	164,28 €
04-63	DR8000-FN.B-M8x16-8.8-DIN-1	BOLT	2	0,46 €
04-64	DR8000-FN.B-M6x30-8.8-DIN-1	BOLT	4	0,46 €
04-65	DR8000-1CH9-36-33OG	ELBOW	2	151,17 €
04-66	DR8000-1CM-18WD	CONNECTOR	2	14,78 €
04-67	DR8000-2C9-18	CONNECTOR	3	1,21 €
04-68	DR8000-2C9-26	CONNECTOR	1	



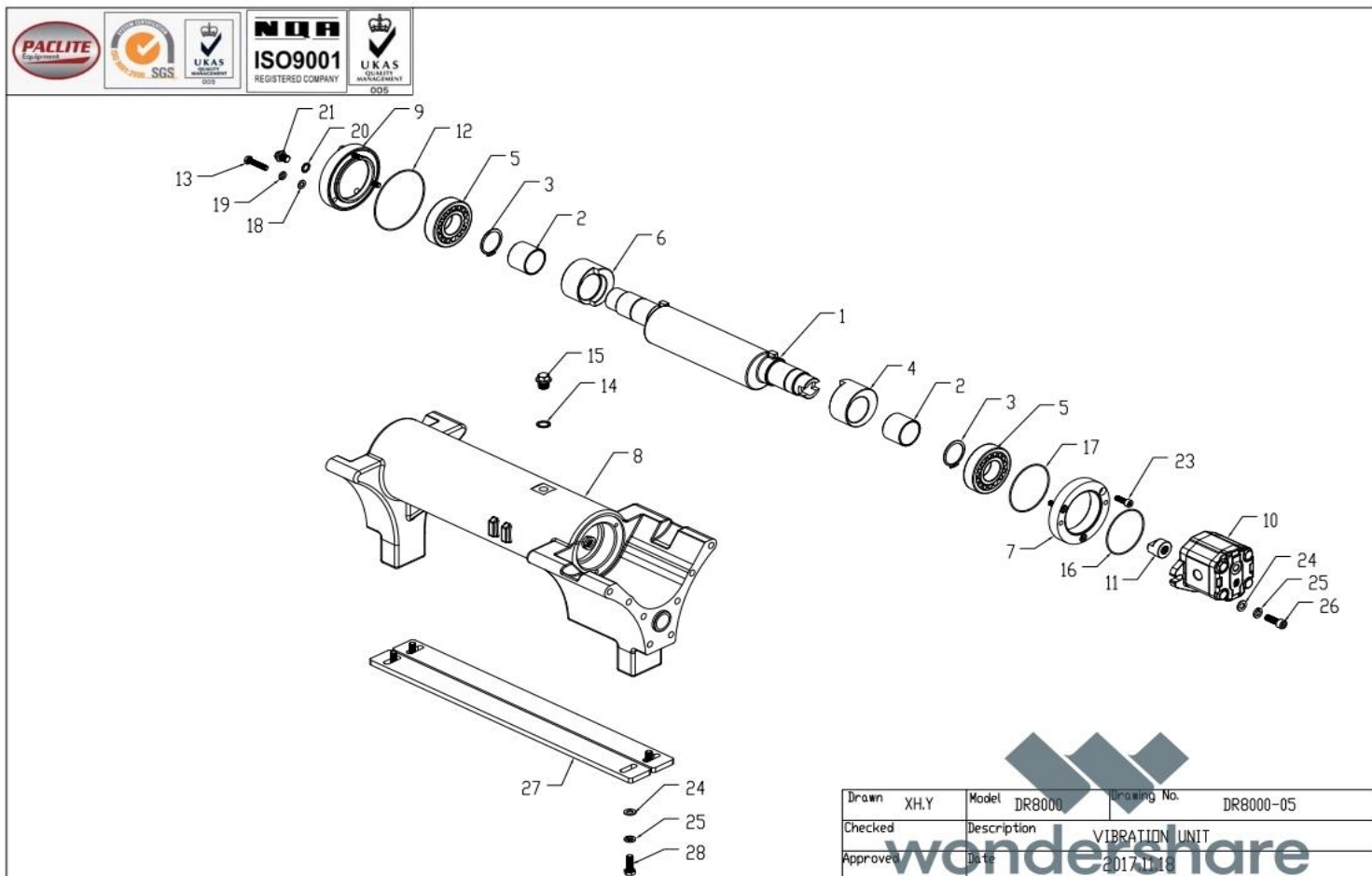
Drawn	XH.Y	Model	DR8000	Drawing No.	DR8000-04
Checked		Description	HYDRAULIC UNIT		
Approved		Date	2017.11.18		

wonder share

DR8000-05

VIBRATION UNIT

NO.	PART NO.	PART DESCRIPTION	QTY	UNIT PRICE (EUR) 2021
05-1	DR8000-700-050200	EXCITER SHAFT	1	
05-2	DR8000-700-050400	BUSH	2	
05-3	DR8000-CS.RG45	INTERNAL CIRCLIP	2	1,78 €
05-4	DR8000-700-050300L	EXCITING BLOCK	1	
05-5	DR8000-W01-NJ308EWC3	ROLLER BEARING (OUTER RING)	2	261,23 €
05-6	DR8000-700-050300R	EXCITING BLOCK	1	
05-7	DR8000-700-050600	THROUGH COVER	1	
05-8	DR8000-700-050100	EXCITER HOUSING	1	
05-9	DR8000-700-050500	STUFFY COVER	1	
05-10	DR8000-W17-1212058200	HYDRAULIC MOTOR	1	788,57 €
05-11	DR8000-700-050800	VIB COUPLING SET	1	
05-12	DR8000-W04-114.5X2	O-RING	1	8,86 €
05-13	DR8000-FN.B-M8x40-8.8-DIN-2	BOLT	3	0,92 €
05-14	DR8000-GB97.1-M16	CUPRUM WASHER	1	2,59 €
05-15	DR8000-HHOS.B-M16x1.5	HEXAGON HEAD PLUG	1	7,59 €
05-16	DR8000-W04-84.5X2	O-RING	1	5,12 €
05-17	DR8000-W04-89.5X2	O-RING	1	5,23 €
05-18	DR8000-FN.W8-DIN-2	WASHER	3	0,46 €
05-19	DR8000-HSPG.W8-DIN-2	SPRING WASHER, TANG ENDS	3	0,46 €
05-20	DR8000-GB97.1-M12	CUPRUM WASHER	1	1,27 €
05-21	DR8000-HHOS.B-M12x1.5	HEXAGON HEAD PLUG	1	6,33 €
05-22	DR8000-FHSS.S-M6x8-GB-3	SOCKET SCREW WITH FLAT HEAD	1	0,52 €
05-23	DR8000-HS.B-M8x25-8.8-GB-2	SCREW	3	0,75 €
05-24	DR8000-FN.W10-DIN-2	WASHER	6	0,35 €
05-25	DR8000-HSPG.W10-DIN-2	SPRING WASHER, TANG ENDS	6	0,46 €
05-26	DR8000-HS.B-M10x30-8.8-GB-2	SCREW	2	1,32 €
05-27	DR8000-700-051000	STRIPPER	2	
05-28	DR8000-FN.B-M10x30-8.8-DIN-2	BOLT	4	0,46 €
05-29	DR8000-100G-000004	VENT SCREW	1	5,69 €



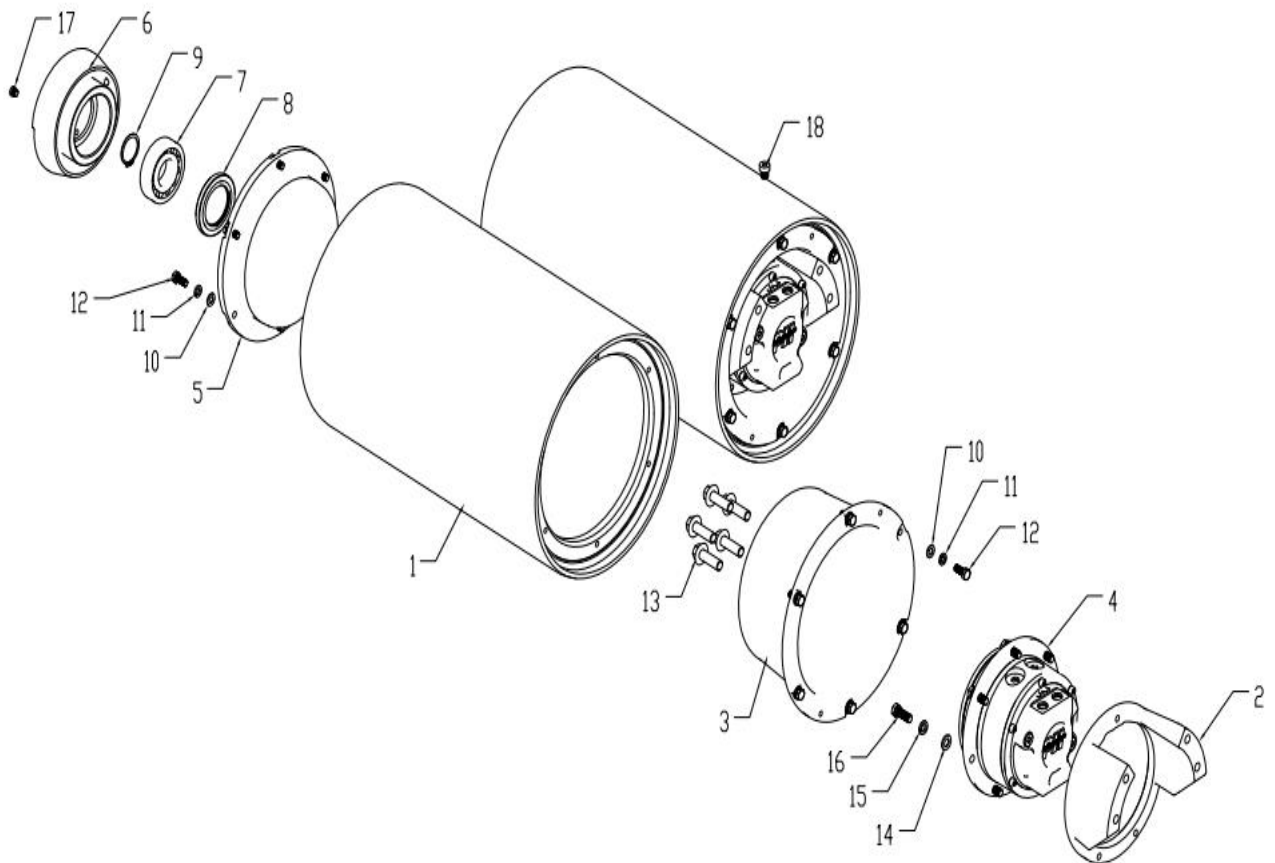
Drawn	XH.Y	Model	DR8000	Drawing No.	DR8000-05
Checked		Description	VIBRATION UNIT		
Approved		Date	2017.11.18		

wonder share

DR8000-06

DRUMS UNIT

NO.	PART NO.	PART DESCRIPTION	QTY	UNIT PRICE (EUR) 2021
06-1	DR8000-700-060100	DRUM	2	
06-2	DR8000-700-060300		2	
06-3	DR8000-700-060200	DRIVE MOTO HOUSING	2	
06-4	DR8000-W17-01-2000-0056-01	DRIVE MOTOR	2	3 979,92 €
06-5	DR8000-700-060400	FLAGE	2	
06-6	DR8000-700-060500	BRACKET,LEFT	2	
06-7	DR8000-W01-NJ309EWC3-J	BEARING	2	552,00 €
06-8	DR8000-W03-100x65x10	OIL SEAL	2	26,28 €
06-9	DR8000-CS.RG45	EXTERNAL CIRCLIP	2	1,32 €
06-10	DR8000-FN.W10-DIN-2	WASHER	24	0,35 €
06-11	DR8000-HSPG.W10-DIN-2	SPRING WASHER,TANG ENDS	24	0,46 €
06-12	DR8000-FN.B-M10x25-8.8-DIN-1	BOLT	24	0,52 €
06-13	DR8000-HF.B-M16x40-12.9-DIN-3	HEXAGON FLANGE BOLT	10	9,20 €
06-14	DR8000-FN.W12-DIN-2	WASHER	14	1,73 €
06-15	DR8000-HSPG.W12-DIN-2	SPRING WASHER,TANG ENDS	14	0,46 €
06-16	DR8000-FN.B-M12x35-8.8-DIN-2	BOLT	14	1,50 €
06-17	DR8000-HSHOS.B-G1/8	HEXAGONAL SOCKET HEAD PLUG	2	4,08 €
06-18	DR8000-4MN-14WD	HEXAGONAL SOCKET HEAD PLUG	1	9,89 €

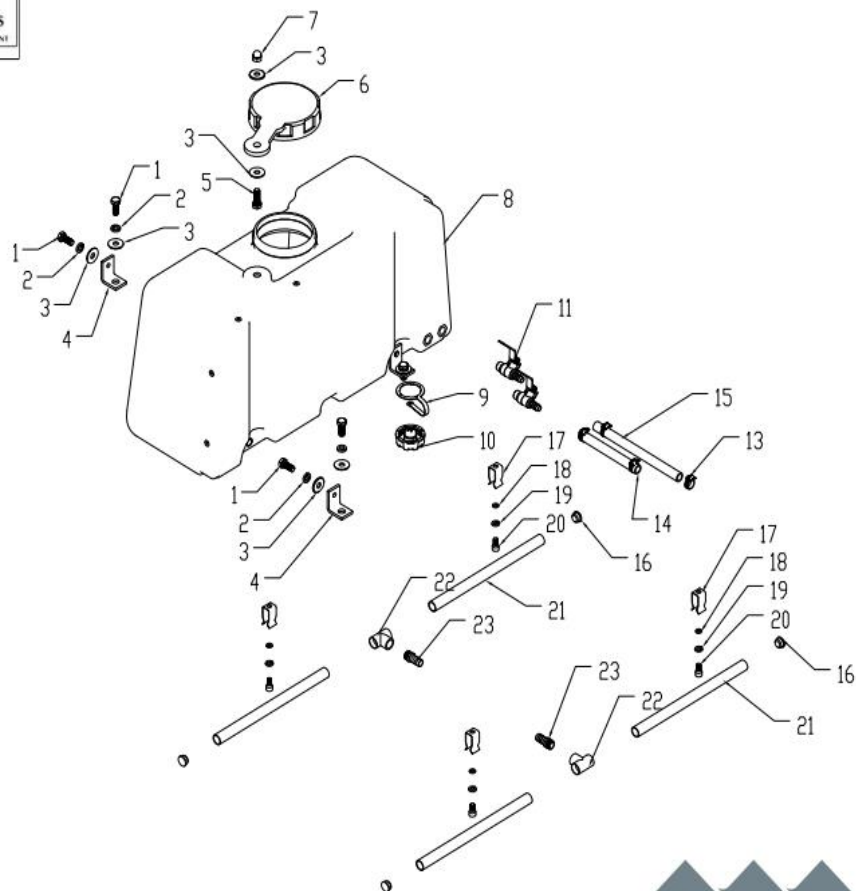


Drawn	X.H.Y	Model	DR8000	Drawing No.	DR8000-06
Checked		Description	DRUMS UNIT		
Approved		Date	2017.11.18		



DR8000-07 SPRINKLER UNIT

NO.	PART NO.	PART DESCRIPTION	QTY	UNIT PRICE (EUR) 2021
07-1	DR8000-FN.B-M10x25-8.8-DIN-1	BOLT	6	0,52 €
07-2	DR8000-HSPG.W10-DIN-1	SPRING WASHER,TANG ENDS	6	0,46 €
07-3	DR8000-WOD.W10-GB-1	WASHER	8	0,63 €
07-4	DR8000-650-070300	BRACKET	3	
07-5	DR8000-FN.B-M10x30-8.8-DIN-1	BOLT	1	0,46 €
07-6	DR8000-650-070200	WATER TANK CAP	1	117,30 €
07-7	DR8000-HC.N-M10-DIN-2	CAP NUT	1	10,93 €
07-8	DR8000-650-070100	WATER TANK	1	308,02 €
07-9	DR8000-70B-010113P	STRAP	1	7,02 €
07-10	DR8000-70B-010112P	FUEL TANK CAP	1	69,23 €
07-11	DR8000-QF-G3 / 8-BT12	CULVERT VALVE	2	19,53 €
07-12				
07-13	DR8000-HOOP.D8-20	HOSE CLAMP	4	3,97 €
07-14	DR8000-6.5-070003	HYDRAULIC HOSE	1	
07-15	DR8000-6.5-070004	HYDRAULIC HOSE	1	
07-16	DR8000-90BII-060300	STOPPER	4	
07-17	DR8000-6.5-080000	PIPE HOLDER	4	4,26 €
07-18	DR8000-FN.W8-DIN-1	WASHER	4	0,46 €
07-19	DR8000-HSPG.W8-DIN-1	SPRING WASHER,TANG ENDS	4	0,46 €
07-20	DR8000-HS.B-M8x16-8.8-GB-1	SCREW	4	0,52 €
07-21	DR8000-6.5D-070200	HOSE	4	
07-22	DR8000-90BII-000005	TEE COUPLING	2	41,57 €
07-23	DR8000-90BII-000001	HOSE NIPPLE	2	18,06 €
07-24	DR8000-650-070500	RUBBER MAT	1	2,01 €

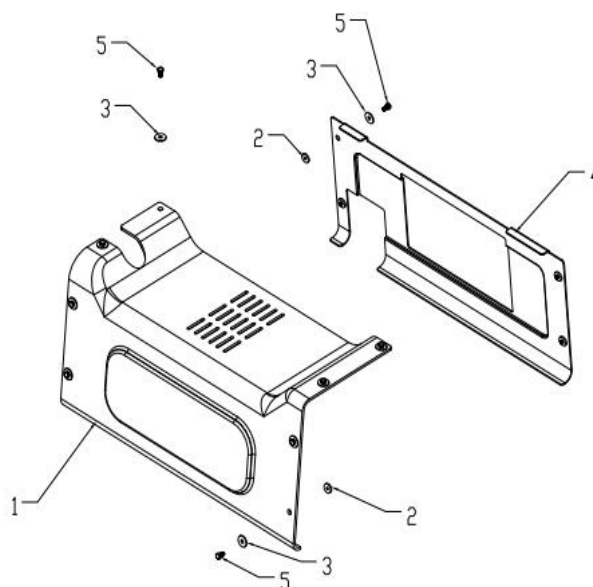


Drawn	XH.Y	Model	DR8000	Drawing No.	DR8000-07
Checked		Description	SPRINKLER UNIT		
Approved		Date	2017-11-18		

wondershare

DR8000-08 FRAME UNIT

NO.	PART NO.	PART DESCRIPTION	QTY	UNIT PRICE (EUR) 2021
07-1	DR8000-FN.B-M10x25-8.8-DIN-1	BOLT	6	0,52 €
07-2	DR8000-HSPG.W10-DIN-1	SPRING WASHER,TANG ENDS	6	0,46 €
07-3	DR8000-WOD.W10-GB-1	WASHER	8	0,63 €
07-4	DR8000-650-070300	BRACKET	3	
07-5	DR8000-FN.B-M10x30-8.8-DIN-1	BOLT	1	0,46 €
07-6	DR8000-650-070200	WATER TANK CAP	1	117,36 €
07-7	DR8000-HC.N-M10-DIN-2	CAP NUT	1	10,93 €
07-8	DR8000-650-070100	WATER TANK	1	308,02 €
07-9	DR8000-70B-010113P	STRAP	1	7,02 €
07-10	DR8000-70B-010112P	FUEL TANK CAP	1	69,23 €
07-11	DR8000-QF-G3 / 8-BT12	CULVERT VALVE	2	19,53 €
07-12				
07-13	DR8000-HOOP.D8-20	Hose Clamp	4	3,97 €
07-14	DR8000-6.5-070003	HYDRAULIC HOSE	1	
07-15	DR8000-6.5-070004	HYDRAULIC HOSE	1	
07-16	DR8000-90BII-060300	STOPPER	4	
07-17	DR8000-6.5-080000	PIPE HOLDER	4	4,26 €
07-18	DR8000-FN.W8-DIN-1	WASHER	4	0,46 €
07-19	DR8000-HSPG.W8-DIN-1	SPRING WASHER,TANG ENDS	4	0,46 €
07-20	DR8000-HS.B-M8x16-8.8-GB-1	SCREW	4	0,52 €
07-21	DR8000-6.5D-070200	HOSE	4	
07-22	DR8000-90BII-000005	TEE COUPLING	2	41,57 €
07-23	DR8000-90BII-000001	HOSE NIPPLE	2	18,06 €
07-24	DR8000-650-070500	RUBBER MAT	1	2,01 €

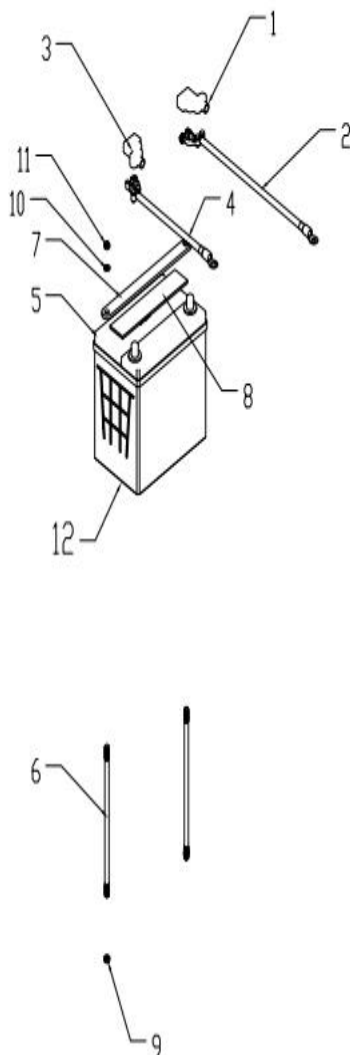


Drawn	XH.Y	Model	DR8000	Drawing No.	DR8000-08
Checked		Description	COVER UNIT		
Approved		Date	2017/11/18		



DR8000-09 BATTERY UNIT

NO.	PART NO.	PART DESCRIPTION	QTY	UNIT PRICE (EUR) 2021
09-1	DR8000-650-080100	ANODE CAP	1	8,22 €
09-2	DR8000-650-080300	ANODE WIRE	1	105,40 €
09-3	DR8000-650-080200	CATHODE CAP	1	8,22 €
09-4	DR8000-650-080400	CATHODE WIRE	1	72,80 €
09-5	DR8000-6.5D-000001-1P	BATTERY	1	214,00 €
09-6	DR8000-700-090200	TROLLEY	2	
09-7	DR8000-700-090300	FIXED PLATE	1	
09-8	DR8000-700-090400	UP UNDERLAY	1	7,02 €
09-9	DR8000-FN.N-M8-DIN-2	NUT	2	0,35 €
09-10	DR8000-WOD.W8-GB-2	WASHER	2	0,46 €
09-11	DR8000-IN.N-M8-DIN-2	LOCK NUT	2	0,35 €
09-12	DR8000-650-031404P	UNDERLAY	1	15,24 €



Drawn	XH.Y	Model	DR8000	Drawing No.	DR8000-09
Checked		Description	BATTERY UNIT		
Approved		Date	2017.11.18		

wondershare