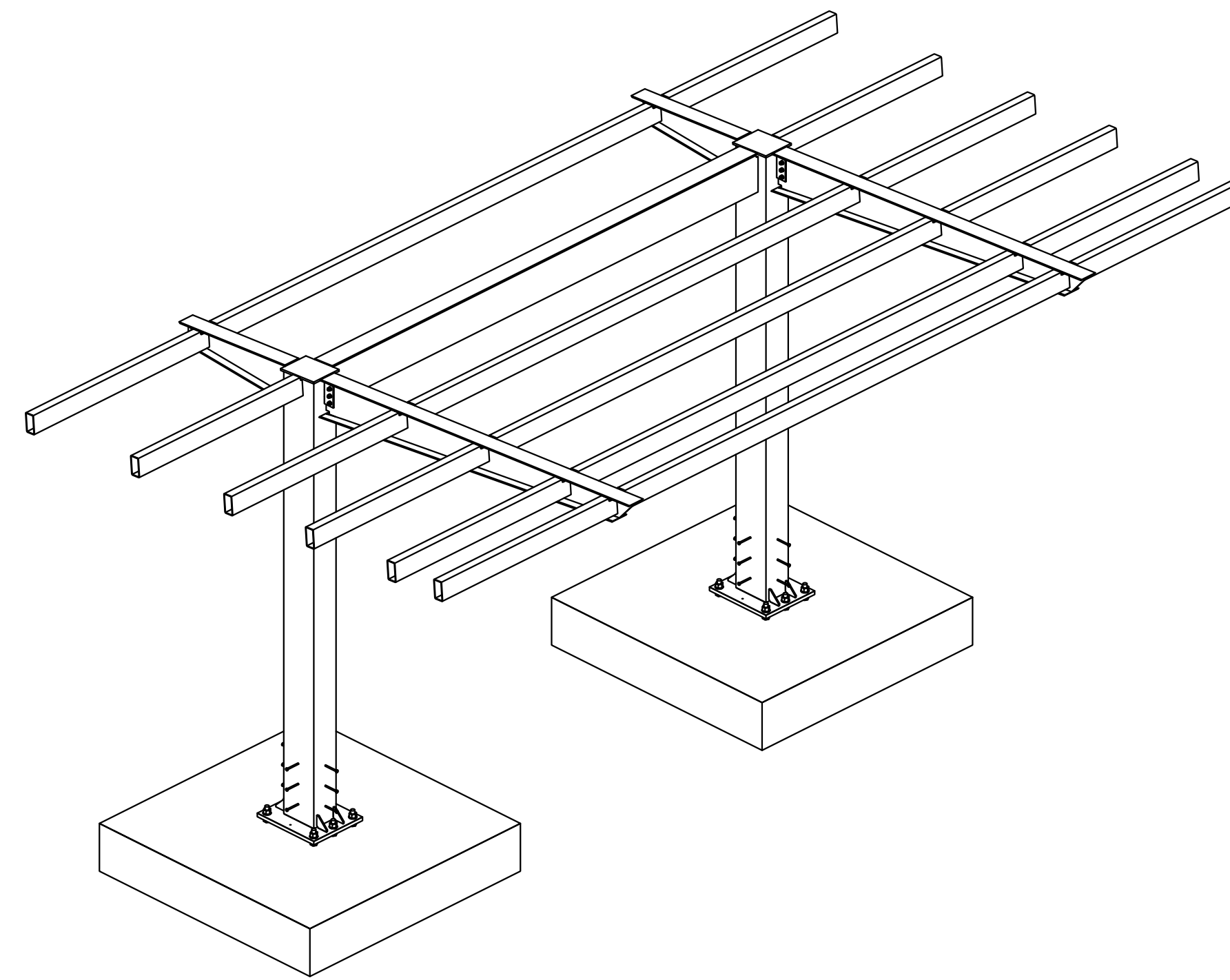
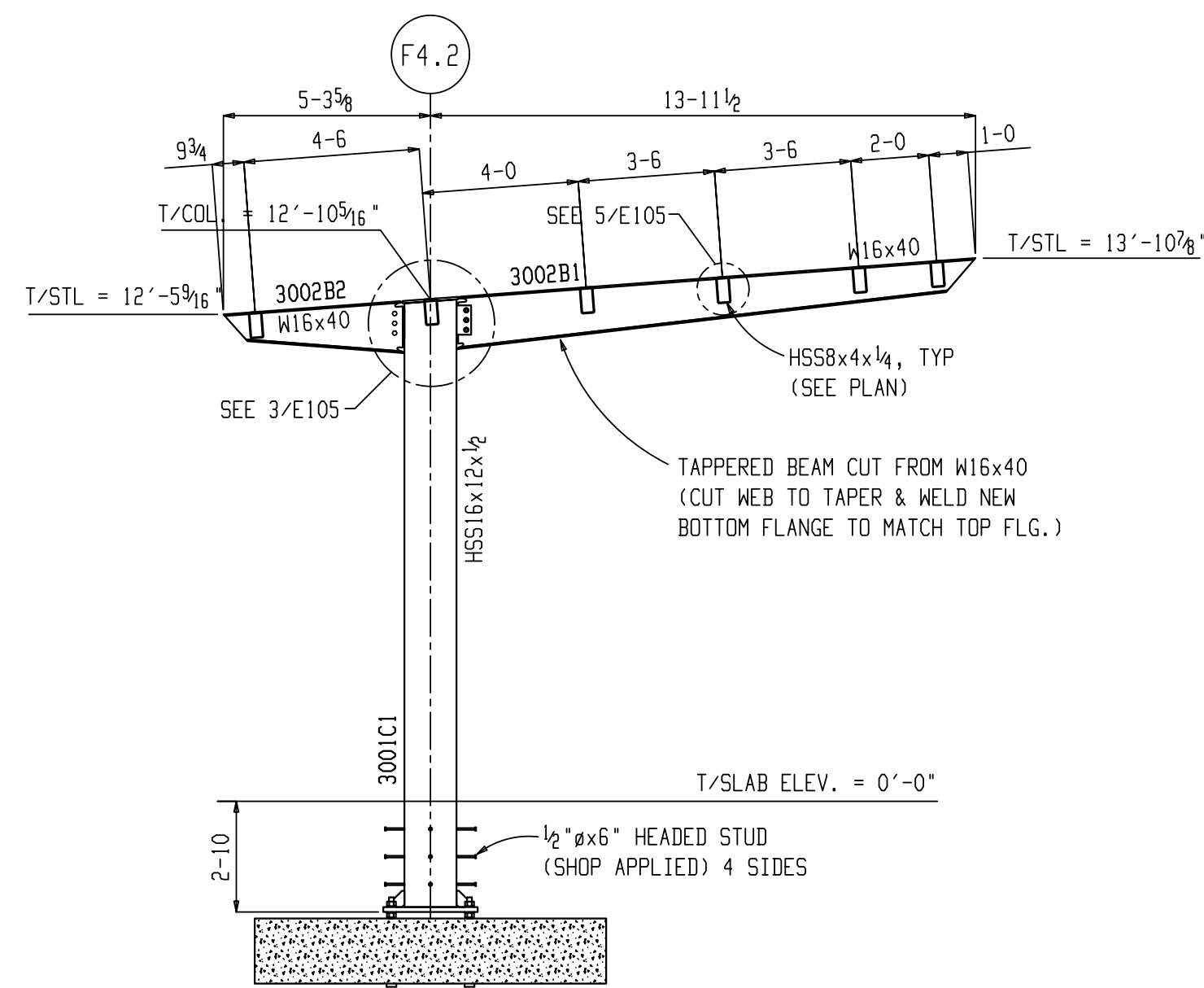


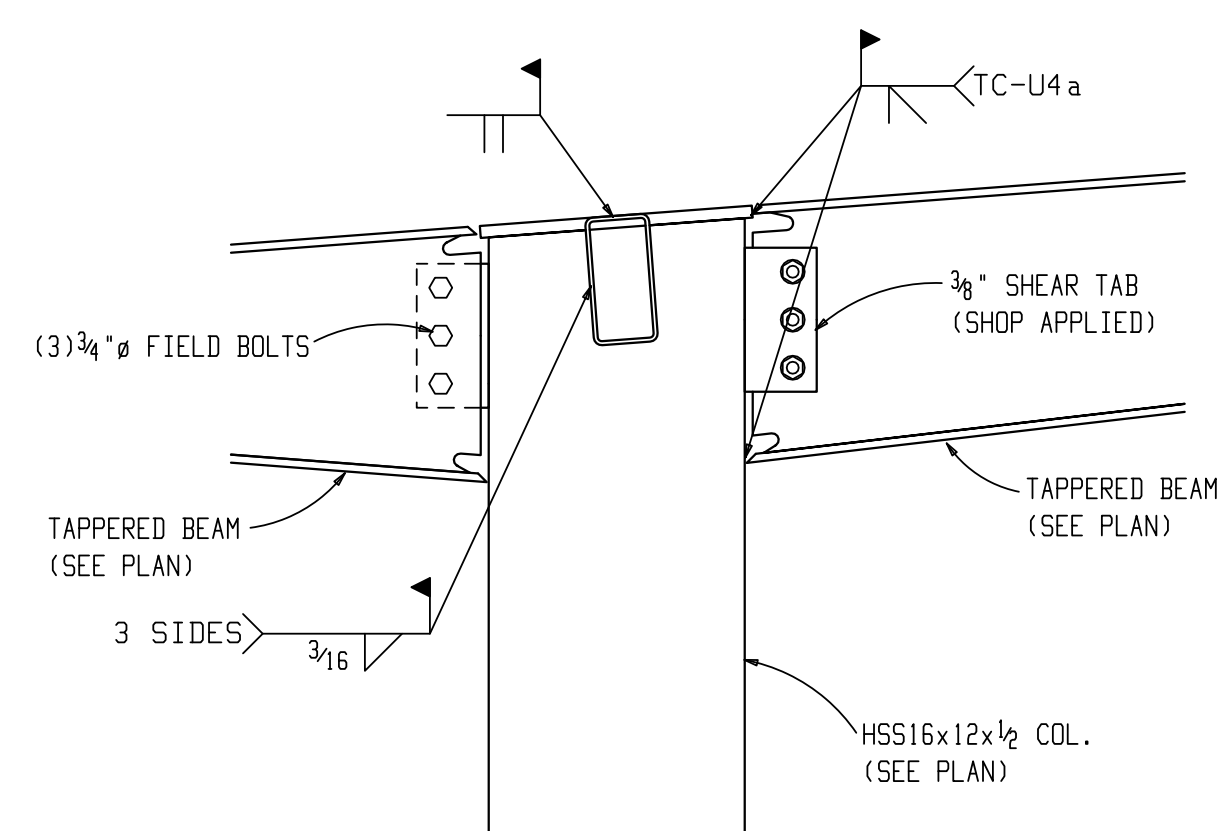
CANOPY FRAMING PLAN
REF (1) E105



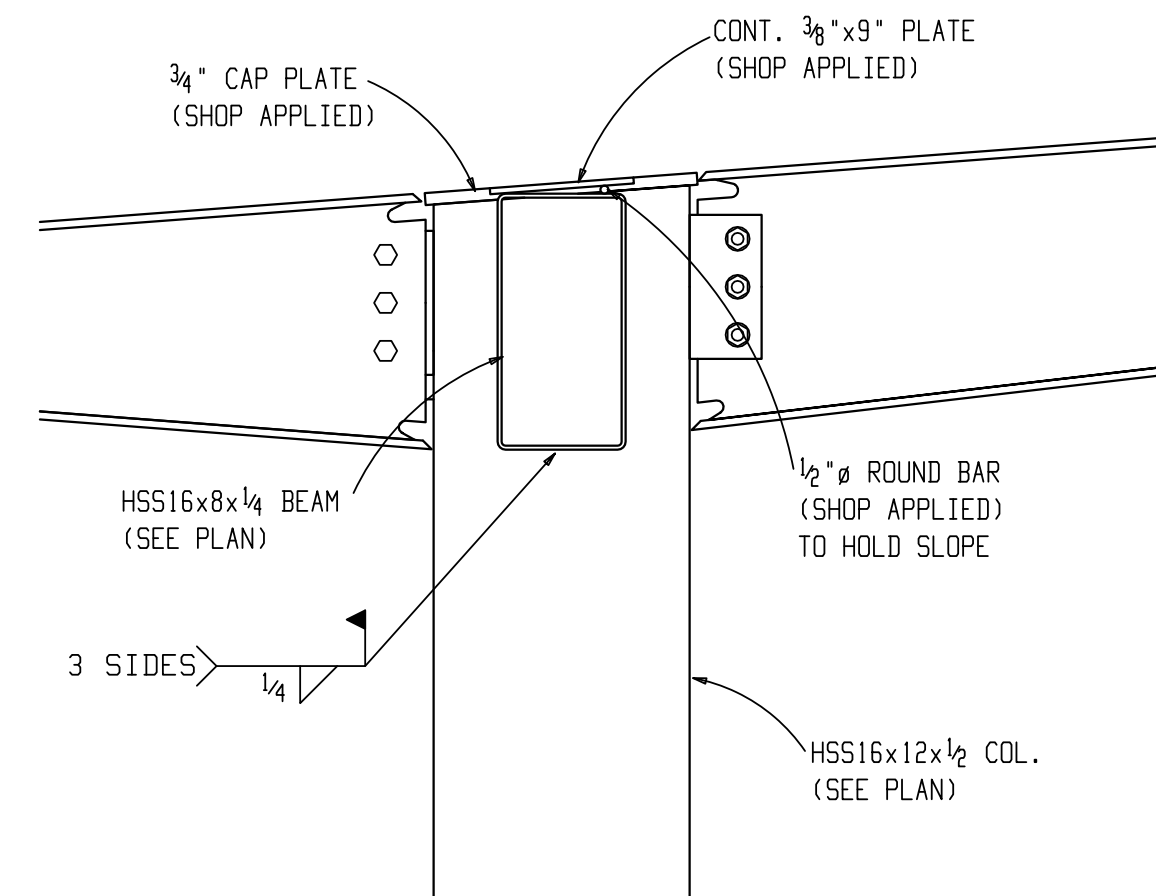
CANOPY FRAMING ISO VIEW
REF (5) E105



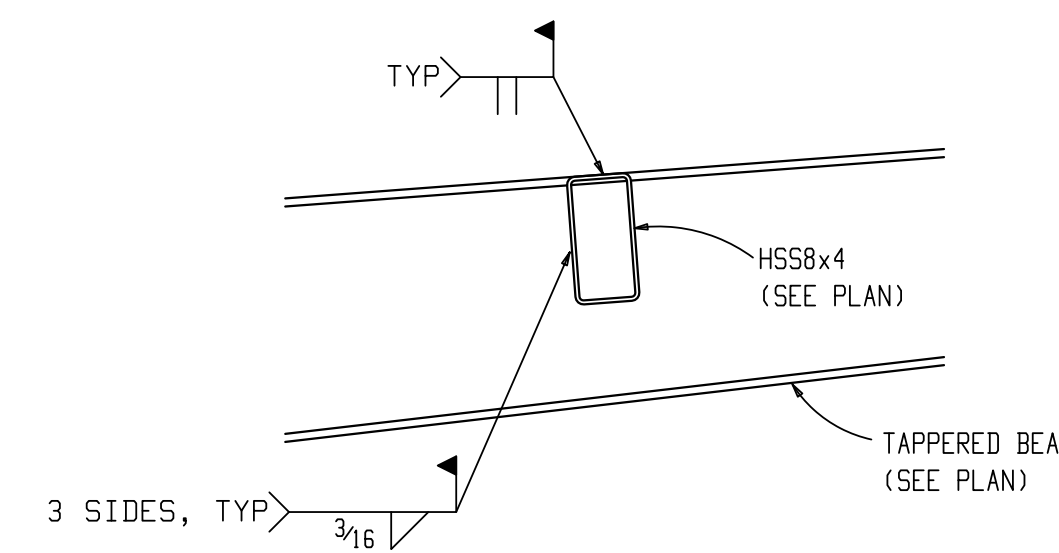
CANOPY ELEVATION
REF (2) E105



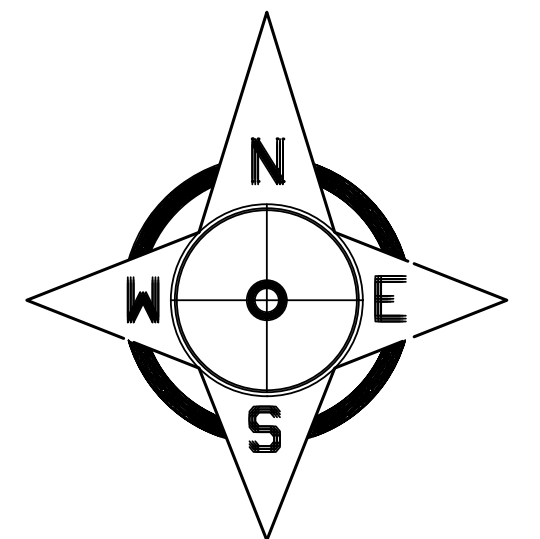
SECTION
REF (3) E105



SECTION
REF (4) E105



SECTION
REF (5) E105



FOR ERECTION ONLY

REV. NO.	DATE	DESCRIPTION
0	5-14-19	RELEASE FOR FIELD USE
A	3-15-19	ISSUE FOR APPROVAL

RELEASE AND REVISION RECORD

114 EAST WAREHOUSE COURT - TAYLORS, SC 29687 PHONE: 864 244-2860 - FAX: 864 244-0839		
PROJECT	CHEROKEE HOSPITAL ADDITION	
CUSTOMER	ROBINS & MORTON GROUP	
LOCATION	CHEROKEE, NC	
ARCH/ENG	MCMILLAN PAZDAN SMITH / SKA CONSULTING ENGINEERS	
DETAIL OF	UPPER LEVEL PARTIAL FRAMING PLAN	
DETAILER	PALMETTO STRUCTURAL DETAILING	JOB NO.
CHECKER	McMAHAN	DATE
PM	E. FERRILL	3-4-19
		31-19003
		E105