

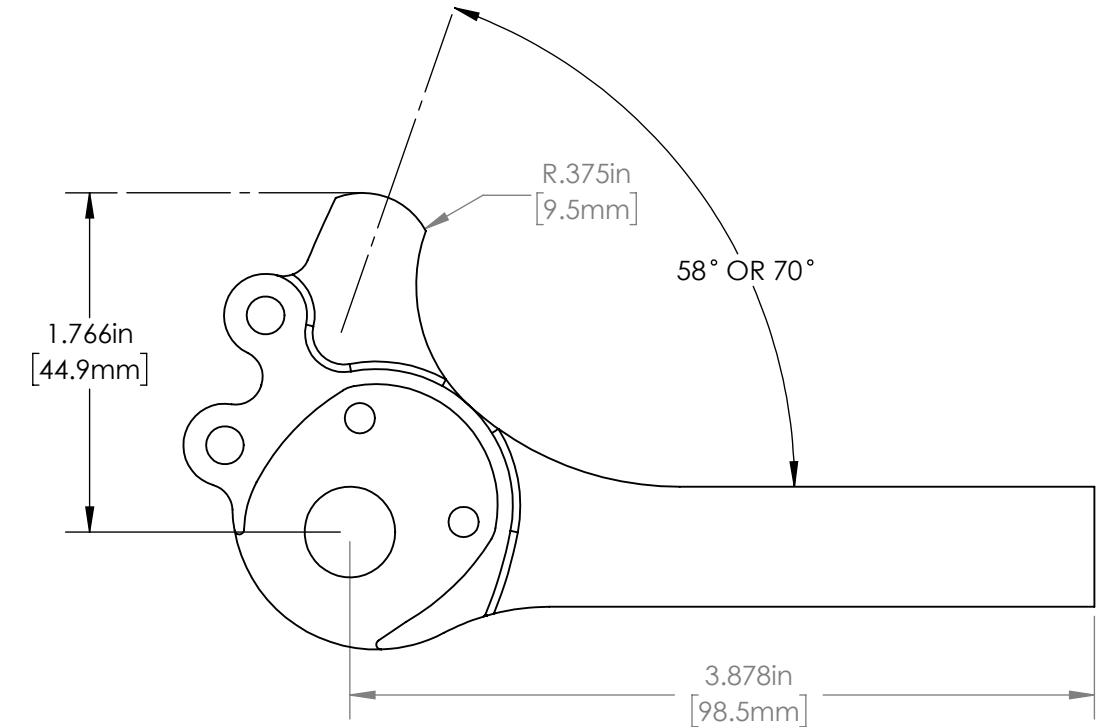
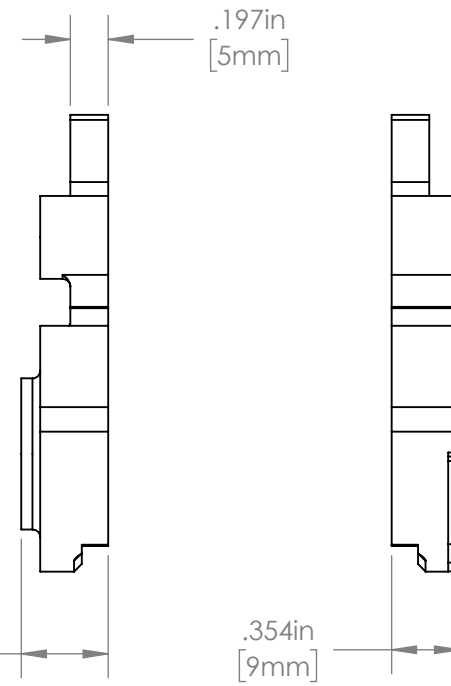
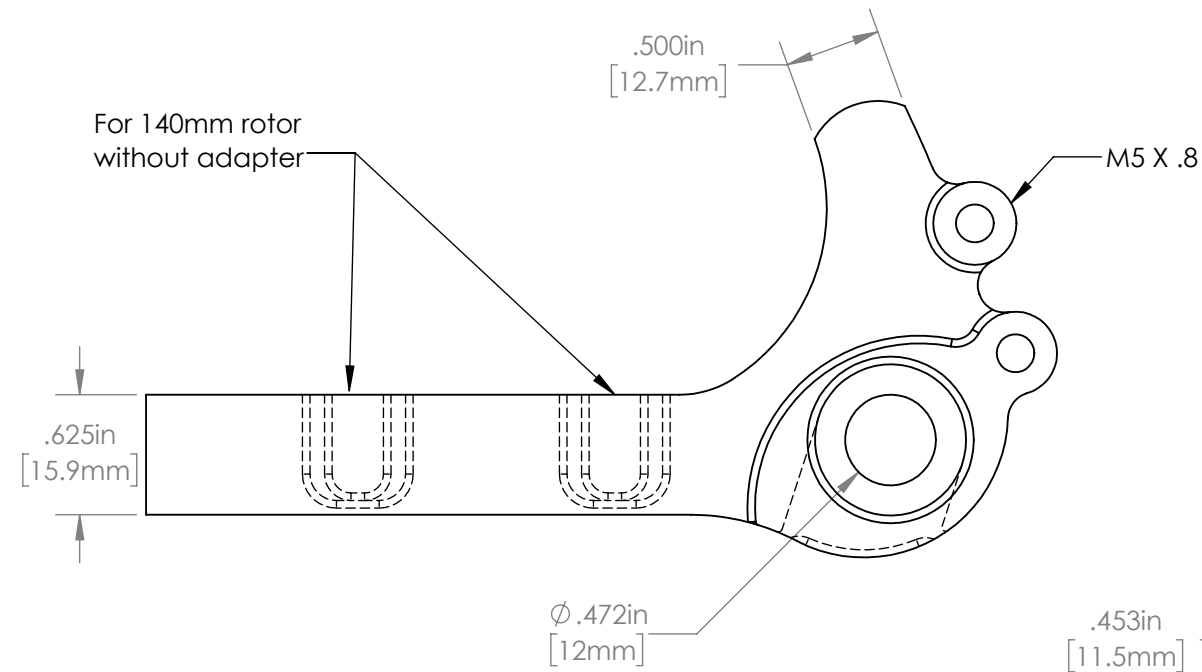
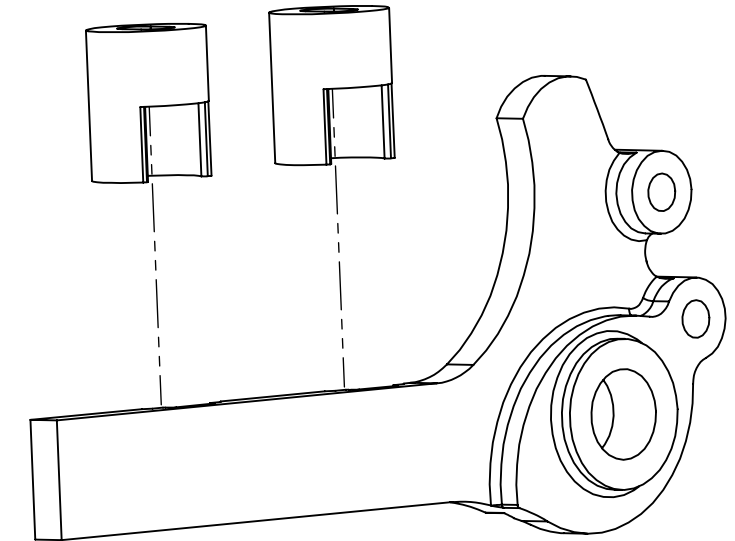
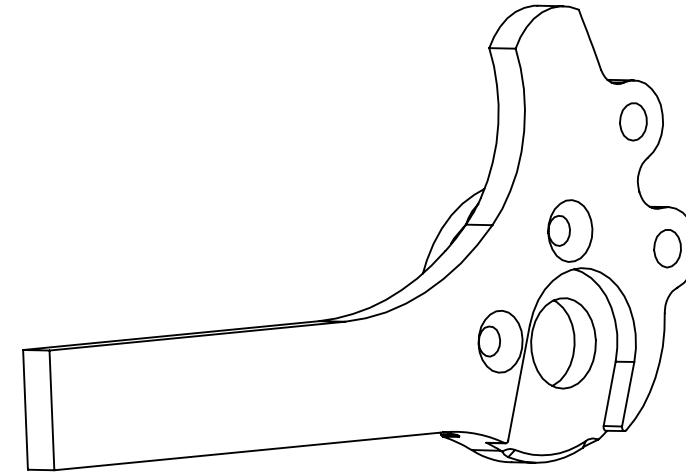
4

3

2

1

PART NO.	DESCRIPTION	MATERIAL
DR0085	58°, No Eyelets	6/4 Titanium
DR0086	70°, No Eyelets	6/4 Titanium
DR0087	58°, With Eyelets	6/4 Titanium
DR0088	70°, With Eyelets	6/4 Titanium
BK0037	6/4 titanium flat caliper mounts with step (included with DR0085 - DR0088)	
DR1085	58°, No Eyelets	17/4 Stainless
DR1086	70°, No Eyelets	17/4 Stainless
DR1087	58°, With Eyelets	17/4 Stainless
DR1088	70°, With Eyelets	17/4 Stainless
BK1037	17/4 stainless flat caliper mounts with step (included with DR1085 - DR1088)	
DR2085	58°, No Eyelets	4130 Steel
DR2086	70°, No Eyelets	4130 Steel
DR2087	58°, With Eyelets	4130 Steel
DR2088	70°, With Eyelets	4130 Steel
BK2037	1018 steel flat caliper mounts with step (included with DR2085 - DR2088)	



	NAME	DATE	PARAGON MACHINE WORKS	
DRAWN	L.L	2/22	TITLE: 58 AND 70 DEGREE 12 MM FLAT MOUNT DROPOUTS	
CHECKED			SIZE B	DWG. NO. DR208X
<small>PROPRIETARY AND CONFIDENTIAL THE INFORMATION CONTAINED IN THIS DRAWING IS THE SOLE PROPERTY OF PARAGON MACHINE WORKS. ANY REPRODUCTION IN PART OR AS A WHOLE WITHOUT THE WRITTEN PERMISSION OF PARAGON MACHINE WORKS IS PROHIBITED.</small>			REV 2	SCALE: 1:1 WEIGHT: SHEET 1 OF 1

4

3

2

1