

FRONT HD BUMPER KIT



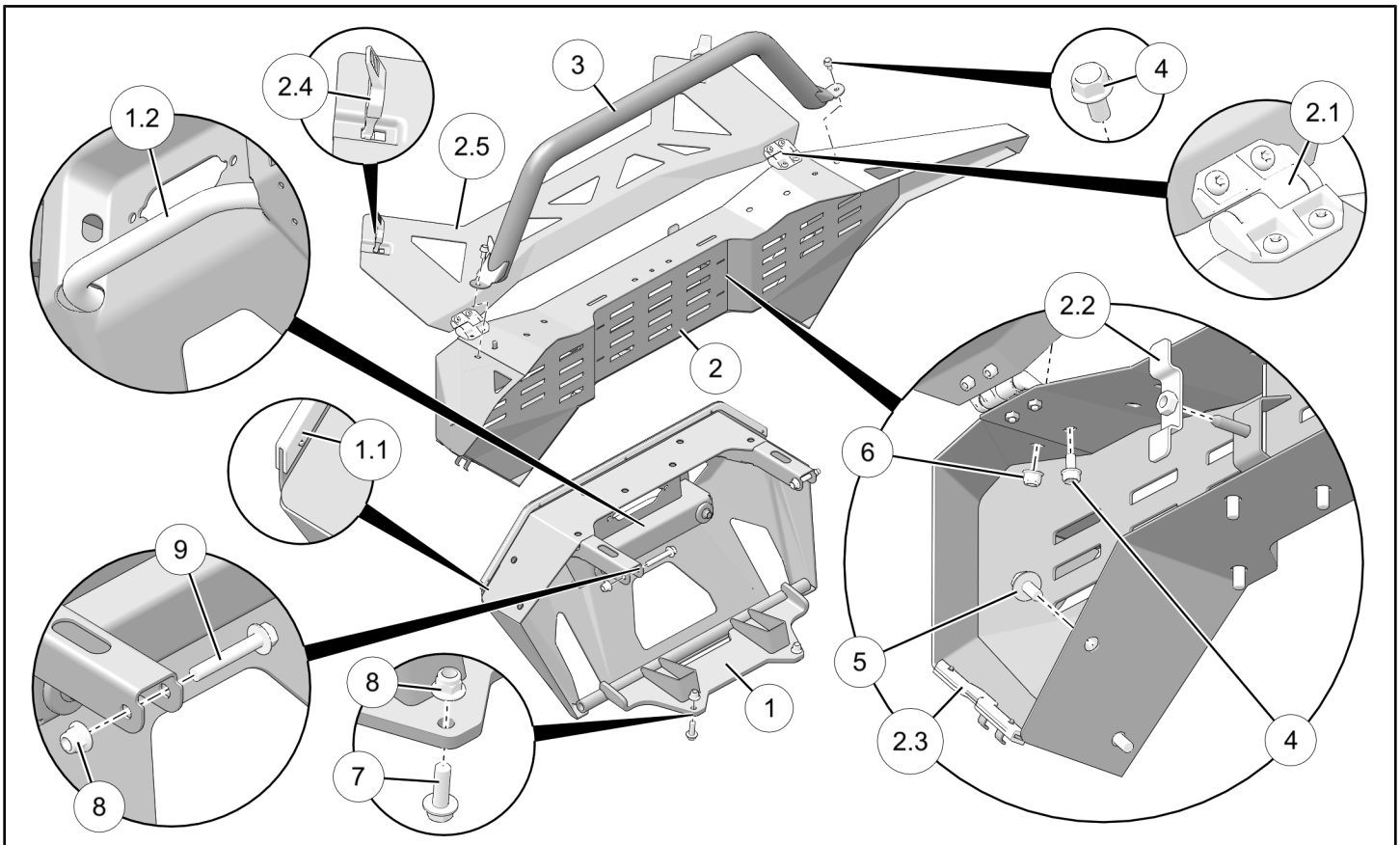
P/N 2884216

BEFORE YOU BEGIN

Read these instructions and check to be sure all parts and tools are accounted for. Please retain these installation instructions for future reference and parts ordering information.

KIT CONTENTS

This Kit includes:



REF	QTY	PART DESCRIPTION	PART NUMBER
1	1	Bumper, Lower (includes items 1.1–1.2)	-
1.1*	1	- Seal, Center	-
1.2	1	- Tube, Plow Catch	1024680-458
2	1	Bumper, Mid (includes items 2.1–2.5)	-
2.1*	2	- Hinge Assembly (includes mounting hardware)	-
2.2*	2	- Handle, Jack Mounting	-
2.3*	2	- Seal, Outboard	-
2.4*	2	- Strap, Latch, Rubber	-
2.5*	1	- Door	-
3	1	Bumper, Upper	1025211-458

REF	QTY	PART DESCRIPTION	PART NUMBER
4	4	Screw, Hex Flange - M8 X 1.25 X 16, 8.8	7517956
5	10	Screw, Hex Flange - M10 X 1.25 X 20, 8.8	7519037
6	2	Nut, Hex Flange, Locking - M8 X 1.25, 8	7547332
7	2	Screw, Hex Flange - M10 X 1.25 X 30, 8.8	7519059
8	4	Nut, Hex Flange, Locking - M10 X 1.25, 8.8	7547333
9	2	Screw, Hex Flange - M10 X 1.25 X 60, 8.8	7519210

Items marked (*) are included in Service Kit PN 2208199.

TOOLS REQUIRED

- Safety Glasses
- Socket Set, Metric
- Torque Wrench
- Wrench Set, Metric

IMPORTANT

Your Front HD Bumper Kit is exclusively designed for your vehicle. Please read the installation instructions thoroughly before beginning. Installation is easier if the vehicle is clean and free of debris. For your safety, and to ensure a satisfactory installation, perform all installation steps correctly in the sequence shown.

INSTALLATION INSTRUCTIONS

NOTE

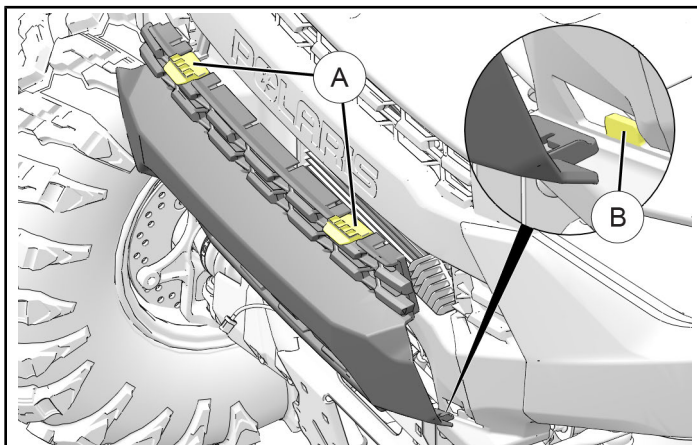
Polaris recommends two people assemble and install this kit.

REMOVE EXISTING BUMPER

1. Shift vehicle transmission into "PARK". Turn ignition switch to "OFF" position and remove key.
2. Remove lower grille by carefully depressing two tabs **A** at top of grille, tip grille outward, then lift grille out of two lower side tabs **B** in upper fascia.

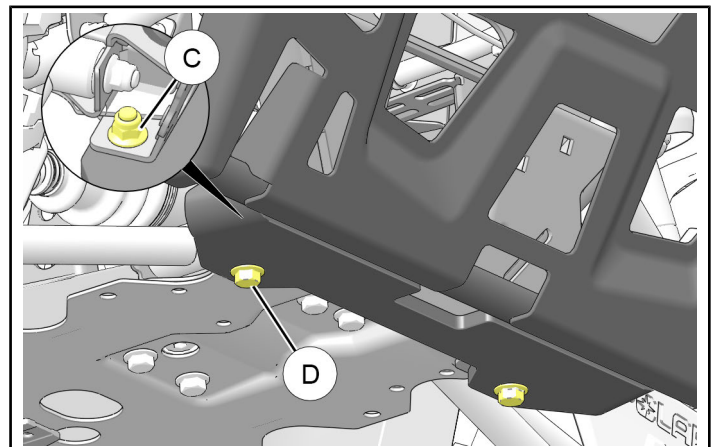
NOTE

Bumper hidden for clarity.



3. Remove nut **C** and screw **D** from bottom of bumper.

Repeat for opposite side. Hardware will not be reused.

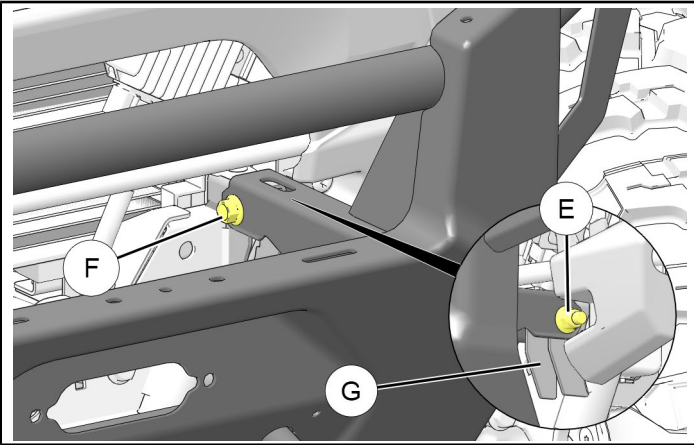


CAUTION

Bumper weighs approximately 38 lbs. (17 Kg). Provide adequate support for bumper before removing final screws. Failure to comply may result in injury or damage to bumper.

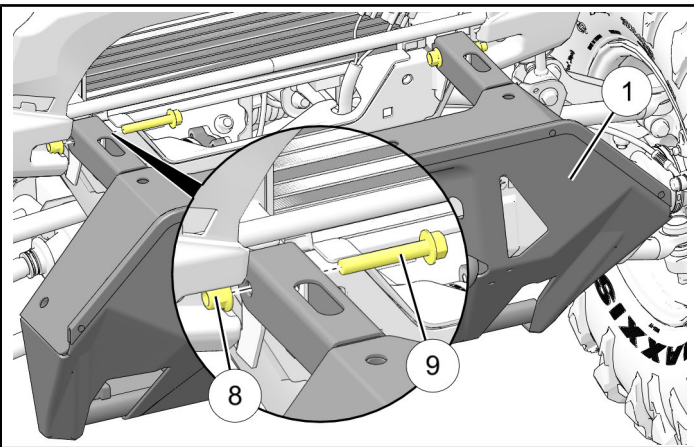
4. While supporting bumper, remove nut (E) and screw (F) from mounting bracket (G).

Repeat for opposite side, then remove bumper and set aside. Hardware will not be reused.

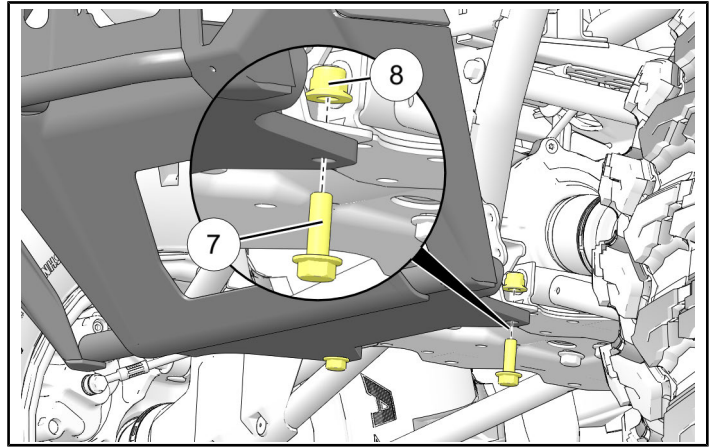


INSTALL NEW BUMPER

1. Loosely install top of lower bumper (1) to chassis using screw (9) and nut (8). Repeat for opposite side.



2. Install bottom of lower bumper (1) to chassis using screw (7) and nut (8). Repeat for opposite side.

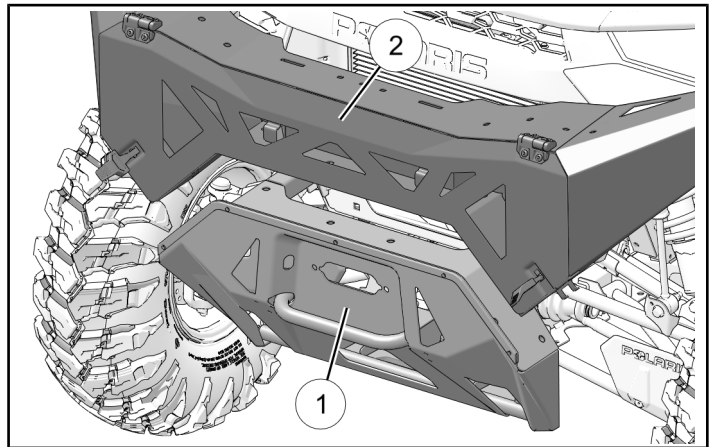


3. Torque all four screws to specification.

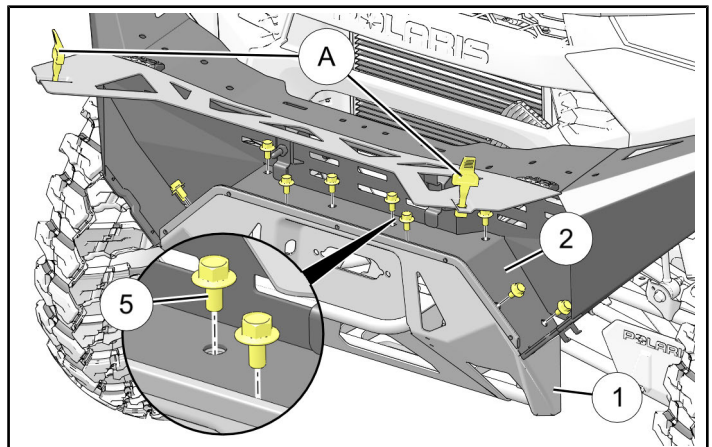
TORQUE

40 ft. lbs. (54 Nm) ± 10%

4. Place mid bumper (2) on top of lower bumper (1).



5. Unhook two rubber straps (A), then open door.



6. Loosely install mid bumper (2) to lower bumper (1) using ten screws (5).

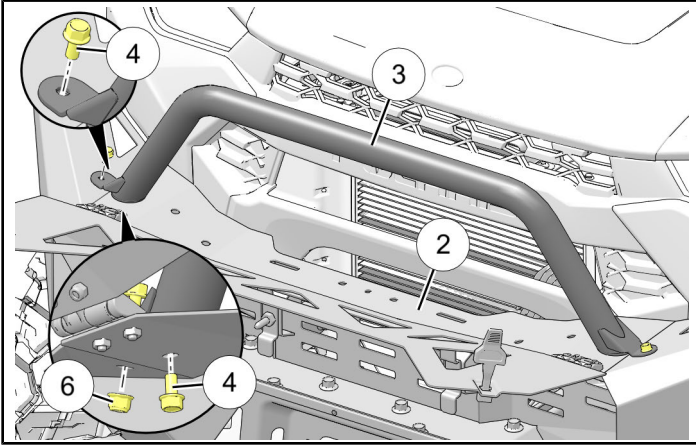
7. Torque all ten screws to specification.

TORQUE

40 ft. lbs. (54 Nm) ± 10%

8. **OPTIONAL:** Install upper bumper.

- a. Loosely install upper bumper ③ to mid bumper ② using screw ④ inserted UPWARDS into tubing end fitting. Repeat for opposite side.



- b. Loosely install screw ④ inserted DOWNWARDS into storage compartment, then secure with nut ⑥. Repeat for opposite side.
- c. Torque all four screws/nuts to specification.

TORQUE

16 ft. lbs. (22 Nm) ± 10%

9. Reinstall grille. See Step 2.

⚠ WARNING

Read and follow instructions on any and all labels attached to your accessory. Failure to follow instructions could result in death, serious injury, or damage to vehicle or property.

FEEDBACK FORM

A feedback form has been created for the installer to provide any comments, questions or concerns about the installation instructions. The form is viewable on mobile devices by scanning the QR code or by clicking [HERE](#) if viewing on a PC.

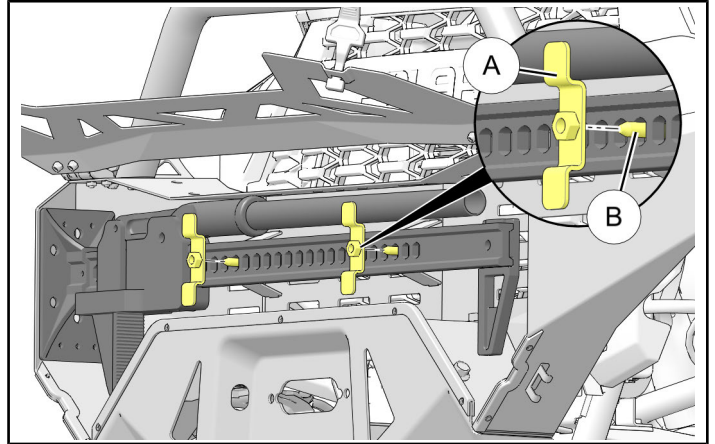


INSTALL ACCESSORIES TO BUMPER

Bumper is designed to accommodate several optional accessories (sold separately), including the following:

• Jack (PN 2881201)

Secure jack to interior of storage compartment using two mounting handles ① secured to studs ②.



• Front Hood Rack (PN 2882690)

Follow instructions included with Hood Rack Kit with one exception: Secure front of hood rack to mid bumper using two screws ③ and nut plate ④ (included in Hood Rack Kit). Repeat for opposite side.

