



*Keeping Britain green and pleasant since 1920*

# QHTE600 55cm 600W Electric Pivot Hedge Trimmer 484352



October 2017

## Instruction Manual



**IMPORTANT! Please read these instructions fully before starting assembly.**

These instructions contain important information that will help you get the best from your product, ensuring it is assembled correctly and safely. If you need help or have damaged or missing parts, call the Customer Helpline on **01904 727 500**.

# Contents

General safety warnings	3
Intended use	12
Warning symbols	12
In the box	14
Assemble the hedge trimmer	15
Operation	17
Maintenance and storage	19
Troubleshooting	20
Technical data	21
Disposal	22
Getting help	22
Warranty	22

# General Safety Warnings

## Safety Warnings



**WARNING! Read all safety warnings and instructions.**

Failure to follow the warnings and instructions may result in electric shock, fire and/or serious injury.



**WARNING! Read all safety warnings and instructions designated by the  symbol.**

**Save all warnings and instructions for future reference.**

- Always ensure anyone intending to operate this machine is fully conversant with the contents of this instruction manual prior to assembling, maintaining or operating the machine.
- Perform assembly operations as described in this manual. Failure to observe this warning may lead to serious injury, death, or damage to the machine.
- Always take care when removing the packaging, to prevent damage to you or to the machine.

**IMPORTANT!** Before assembling the machine, check all the parts indicated in the manual are in the box. Inspect all the parts for signs of damage. Do not assemble the machine if you observe any damaged components.

## General safety

- **Read the instructions carefully.** Be familiar with the controls and the proper use of the appliance. Read and understand the instruction manual, and observe the warnings and instruction labels affixed to the appliance.
- **Users: Never allow children or people unfamiliar with these instructions to use the appliance.** Local regulations may restrict the age of the operator. Never operate the power tool under the influence of alcohol, medication or drugs.
- **Use the appropriate tool.** This device is only intended for cutting soft vegetation outdoors, and only designated for use on private property. Do not force small tools or attachments to do the job of a heavy-duty power tool.
- **Keep work areas clean.** Cluttered areas can cause accidents.
- **Consider work area environment.** Do not expose your power tool to high humidity or rain. Do not use your tool in damp and wet conditions.
- **Keep the work area well lit.** Do not use your tool where there is a risk of causing fire or explosion, e.g. in the presence of flammable liquids and gases.
- **Keep all bystanders, children, and pets away.** The operator or user is responsible for accidents or hazards occurring to other people or the property.
- **Dress appropriately.** Do not wear loose clothing or jewellery, as these can be caught in moving parts. Wear non-slip footwear when working outdoors. Wear protective hair covering to keep long hair out of the way.
- **Personal Protective Equipment (PPE).** Always use safety glasses and gloves. Use a face or dust mask whenever the operations may produce dust or flying particles. Wear ear protection whenever the sound level seems uncomfortable.
- **Do not overreach.** Keep proper footing and balance at all times.
- **Stay alert and what you are doing.** Use common sense when operating the appliance. Do not operate the tool when you are tired.
- **Grip the power tool securely.** The operator should have one hand on the main handle, the other on the front handle. Keep finger off the trigger until ready to use.
- **Remove adjusting keys and wrenches.** Always check that adjusting keys and wrenches are removed from the tool before operating.
- **Risk of harm.** Do not touch or try to stop the cutting lines when they are moving.
- **Disconnect the plug.** Disconnect the plug from the tool when not in use, or when servicing or cleaning.
- **Check for damaged parts.** Before further use, carefully check the tool for damage. Check for alignment of moving parts, binding of moving parts, breakage of parts, mounting, and any other condition

that may affect its operation. Do not use the tool if any parts are damaged or defective. Have any damaged or defective parts repaired or replaced by an authorised service agent. Never attempt any repairs yourself.

- **Avoid unintentional starting.** Do not carry the tool without disconnecting the plug, and be sure it is switched off.
- **Use an extension cord suitable for outdoor use when operating a power tool outside.** Use of a cord suitable for outdoor use reduces the risk of electric shocks.
- **If operating a power tool in a damp location is unavoidable, use a residual current device (RCD) protected supply.** Use of an RCD reduces the risk of electric shock.
- **Store idle tools.** When not in use, power tools should be stored in a dry, locked-up place, out of the reach of children.
- **Maintain tools with care.** Keep tools clean and in good condition for better and safer performance. Follow the instructions for maintenance and changing accessories. Keep handles and switches dry, clean and free from oil and grease.
- **Have your tool repaired by an authorised service agent.** This tool is manufactured in accordance with the relevant safety regulations. To avoid danger, electrical appliances must only be repaired by qualified technicians.

## Additional safety warnings for your hedge trimmer



### WARNING!

Do not use any attachments or accessories not recommended by the manufacturer of this tool. The use of attachments or accessories not recommended can result in serious personal injury.

- **Keep all parts of the body away from the cutter blade.** Do not remove cut material or hold material to be cut when blades are moving. Make sure the switch is off when clearing jammed material. A lapse of concentration while operating the hedge trimmer may result in serious personal injury.
- **Carry the hedge trimmer by the handle with the cutter blade stopped.** When transporting or storing the hedge trimmer, always fit the cutting device cover. Proper handling of the hedge trimmer will reduce possible personal injury from the cutter blades.
- **Keep the cable away from the cutting area.** During operation, the cable may be hidden in shrubs and can be accidentally cut by the blade.
- **Use the hedge trimmer only in daylight or good artificial light.**
- **Know how to stop the hedge trimmer quickly in an emergency.**
- **Never hold the hedge trimmer by the guard.**
- **Never operate the hedge trimmer with damaged guards or without the guard in place.**
- **Remove the plug from the mains before passing the hedge trimmer to another person.**

- **Avoid operating while people, especially children and pets, are nearby.**
- **Whilst using the hedge trimmer, always be sure of a safe and secure operating position.**
- **Keep hands and feet away from the cutting blades at all times.**
- **Do not use step ladders whilst operating the hedge trimmer.**
- **Remove the plug from the mains:**
  - before leaving the hedge trimmer unattended for any period;
  - before cleaning a blockage;
  - before checking, cleaning or working on the appliance;
  - if you hit an object, do not use your hedge trimmer until you are sure that the entire machine is in a safe operating condition;
  - if the hedge trimmer starts to vibrate abnormally, check immediately. Excessive vibration can cause injury.
- **Do not expose power tools to rain.** Do not operate your hedge trimmer on a wet hedge.
- **Hold the power tool by insulated gripping surfaces only, because the cutter blade may contact hidden wiring or its own cord.** Cutter blades contacting a “live” wire may make exposed metal parts of the power tool “live” and could give the operator an electric shock.
- Check the hedge for foreign objects, e.g. wire fences.

- Hold the hedge trimmer properly with both hands

## Electrical safety

- Always ensure the safety guard supplied is fitted before using the hedge trimmer.
- Never attempt to use an incomplete machine or one fitted with an unauthorised modification.
- Check cutting blades regularly for damage, and, if damaged, repair immediately.
- Keep the cable away from the cutting area, and check the cable for damage before starting work.
- Do not start the hedge trimmer with the blade sheath fitted.
- Take care not to overload the hedge trimmer, which it is not intended, i.e. you are allowed to use the hedge trimmer only to cut hedges, shrubs, and perennials.
- Always be sure of your footing when using steps and operating your hedge trimmer.
- Never run when using your hedge trimmer.
- Heavy-duty gloves should always be worn when using the hedge trimmer.
- Be careful during adjustment of placing your fingers between moving blades and fixed parts of the machine.
- During transportation and storage of the hedge trimmer, keep the blades covered at all times with the blade sheath.
- The use of a residual current device (RCD) with a tripping current of no more than 30mA is recommended.

- Do not try to grasp or remove hedge clippings when the hedge trimmer is running. Only remove hedge clippings when the appliance is switched off and disconnected from the mains supply.
- Carry the hedge trimmer by the handle while the cutter blade is not running. Always ensure the guard supplied is fitted when transporting or storing the hedge trimmer. Careful operation reduces the injury by the cutter blade.
- Keep the cable away from the cutting area. Be aware that, during operation, the cable may be covered in hedge clippings and could be cut inadvertently.
- If the supply cord is damaged, it must be replaced by the manufacturer, its service agent or similarly qualified persons in order to avoid a hazard.
- Read these safety instructions thoroughly before connecting this product to the mains supply.
- Before switching on, make sure that the voltage of your electricity supply is the same as that indicated on the rating plate. This product is designed to operate on 230-240VAC 50Hz. Connecting it to any other power source may cause damage.
- This product may be fitted with a non-rewireable plug. If it is necessary to change the fuse in the plug, the fuse cover must be refitted. If the fuse cover becomes lost or damaged, the plug must not be used until a suitable replacement is obtained.
- If the plug has to be changed because it is not suitable for your socket, or due to damage, it should be cut off and a replacement fitted, in line with the wiring instructions shown below.

- The old plug must be disposed of safely, as insertion into a 13amp socket could cause an electrical hazard.
- A 13amp fuse must be fitted. The use of a high-sensitivity residual current device (RCD) is recommended, to provide personal protection against a harmful electric current.
- Do not use two-core extension cords or reels on power tools with an earth path.
- Use only extension cords suitable for outdoor use, preferably with a high-visibility cable colour. Always unwind all extension cables fully, coiled cables can overheat and reduce the efficiency of your product.
- For extension cables up to 15 metres, use a wire cross section of 1.5mm<sup>2</sup>. For extension cables over 15 metres but less than 40 metres, use a wire cross section of 2.5mm<sup>2</sup>.
- If the insulation on a power cable or extension lead is found to be cut or damaged, do not touch it! Disconnect the power supply immediately and have the damaged cable replaced.
- Do not repair damaged cables.
- Always follow the manufacturer's instructions.

# Intended Use

Your hedge trimmer has been designed for trimming light foliage, and is intended for DIY use only.

The device is not permitted to be used in public gardens, parks, sports centres or at roadsides, as well as agriculture and forestry. Use in any other way is considered contrary to the intended use. Compliance with the operation, service and repair (as specified in this instruction manual) also constitutes essential elements of the intended use.

# Warnings Symbols



### IMPORTANT!

Please read all of the safety and operating instructions carefully before using this tool. Please pay particular attention to all sections of this user guide that carry warning symbols and notices.



### WARNING!

This is a warning symbol. This symbol is used throughout the user guide whenever there is a risk of personal injury. Ensure that these warnings are read and understood at all times.



This symbol indicates the requirement of wearing ear protection.



This symbol indicates the requirement of wearing eye protection.



Dress appropriately.



Wear proper gloves and boots.



Disconnect the mains plug immediately if the cable is damaged, has been badly twisted or is completely cut through, and in the event that the device is left unattended for a short time.



Objects thrown by the product could hit the user or other bystanders. Always ensure that other people and pets remain at a safe distance from the product when it is in operation. In general, children must not come near the area where the product is being used.



Warning! Switch the product off and disconnect it from the power supply before assembly, cleaning, adjustments, maintenance, storage and transportation.



Guaranteed sound power level.



Keep fingers away from moving blades.



Do not expose to rain.



Double insulations, Class II appliance.



### Waste Disposal and Environmental Protection!

Be environmentally friendly. Return the tool, accessories and packaging to a recycling centre when you have finished with them.

Electrical machines do not belong in domestic, household waste.

Take the equipment to a waste disposal site. The plastic and metal parts that are used can be separated out into pure grade, which allows recycling.

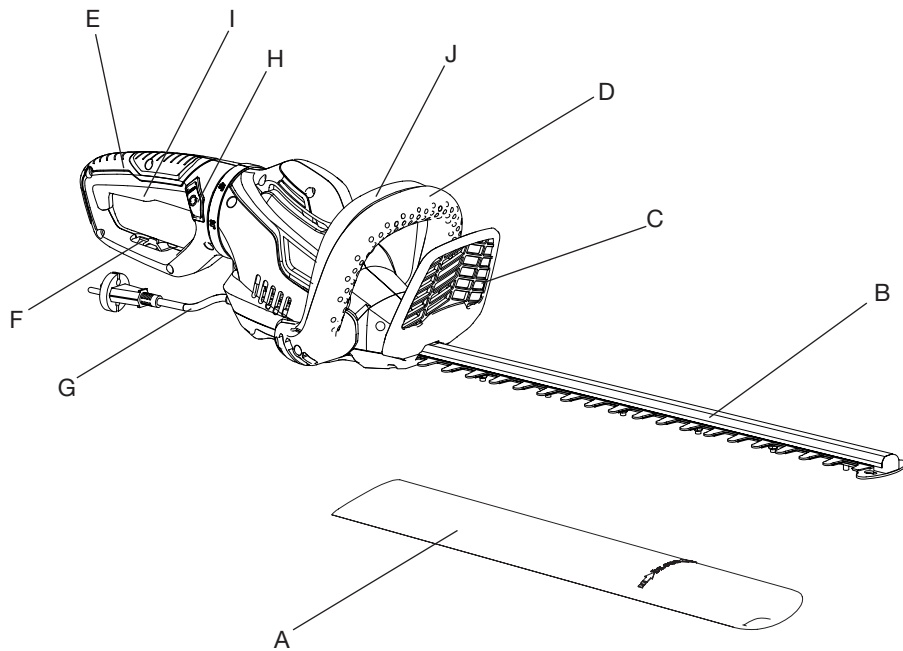


The product complies with the applicable European directives, and an evaluation method of conformity for these directives was done.

# In The Box

## Parts

- A. Blade sheath
- B. Blade
- C. Guard
- D. Front handle
- E. Rear handle
- F. Cable strain relief
- G. Cable and plug
- H. Unlock button
- I. On/off switch
- J. Safety switch



# Assemble The Hedge Trimmer



## WARNING!

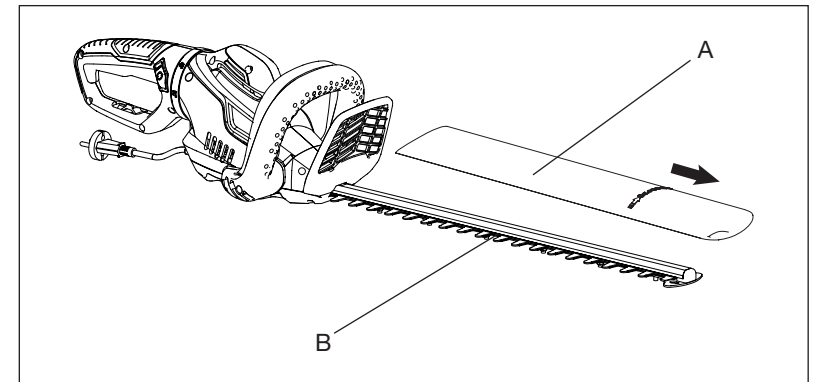
Always take care when removing the packaging, to prevent damage to you or to the hedge trimmer.

Make sure that you have sufficient space to put the hedge trimmer down. Keep your feet apart so that you have a stable position; bend at the knees and keep your back straight.

Always recycle the packaging in accordance with local recycling schemes.

## Blade sheath

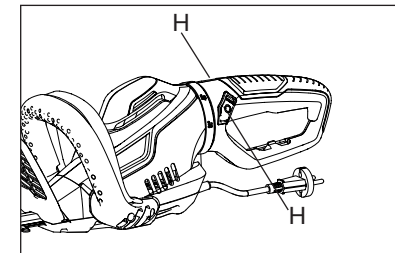
1. Remove the blade sheath (A) from the cutting blades (B) before operation.
2. After use, align the blade sheath (A) to the cutting blades (B) and push it onto it to attach. Ensure the sheath engages properly, check by pulling. It should not be possible to simply pull off the sheath.



## Handle adjustment

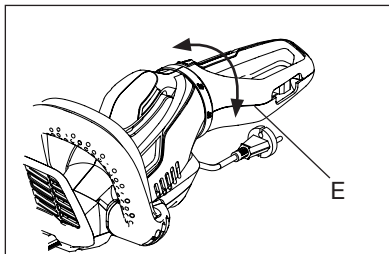
Adjust the handle to fit the application.

1. Press the unlock button (H) at both sides.



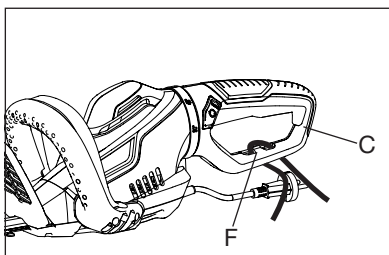


- Adjust the handle (E) to the required position and release the unlock button (H). Keep turning the handle until it snaps securely into place.

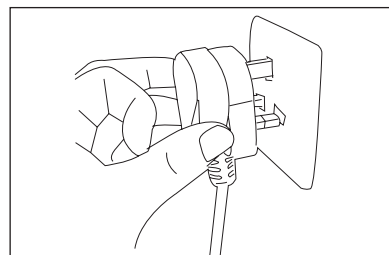


## Connection to the power supply

- Double the cord, about a foot from the end, and lead the loop through the hole on the rear safety hand guard (C) and hook the loop over the cord strain relief (F). Gently pull on the cord to ensure that it is firmly attached.



- Connect the plug of the cable to the mains socket.



## Operation

### Prepare to operate



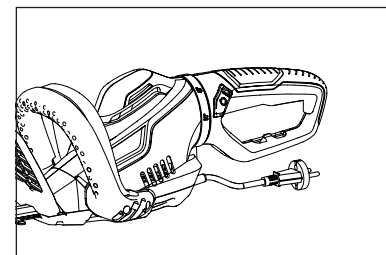
#### WARNING!

Before switching on, make sure that all personnel, particularly children and domestic animals, are at a safe distance. Inspect the hedge to be trimmed, and make sure there are no obstacles or foreign objects in the work area. If any parts are missing, damaged or broken, do not operate your hedge trimmer until all damaged parts have been replaced or repaired. Failure to do so could result in serious personal injury.

Before starting your hedge trimmer, remove the blade sheath, as shown.

### Switch on

Hold the rear handle with one gloved hand. Squeeze the ON/OFF switch. With the other gloved hand, hold the front handle and grip the safety switch. The hedge trimmer will then start.



### Switch off

To switch the hedge trimmer OFF, release either the safety switch or the ON/OFF switch.

### Cutting the hedge



#### WARNING!

Before using this hedge trimmer, make sure that you have read all of the safety instructions.

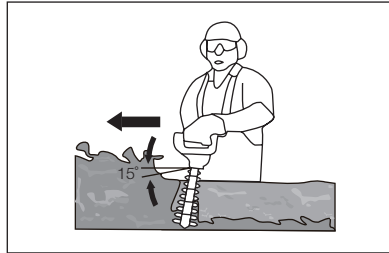
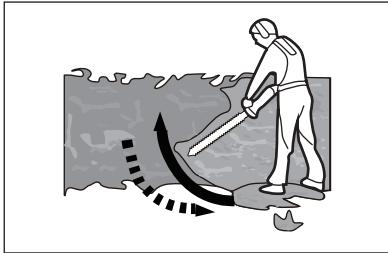
Be aware of the position of the cable at all times. Keep it away from the blade.

When operating the unit, check for the following:

Wear eye protection and appropriate clothing.

Hold the front handle with one hand and rear handle with the other hand.

1. Start trimming at the point nearest to the electricity supply and work away from it.
2. Keep the mains cable behind you at all times. Make sure that it is not in the path of the blade.
3. When trimming, the blade should be tilted towards the hedge. Always trim from the bottom upwards.
4. Trim the sides of the hedge first and then trim the top.
5. If the branches are very long, they should be cut back in several stages.
6. Make sure that there are no hard objects in the hedge, such as railings, that could damage the blade.
7. If the blade becomes jammed, switch off and disconnect from the mains supply before clearing the obstruction.
8. Do not force the hedge trimmer to cut oversized branches. These should be cut by hand using secateurs or shears.



**Note:** Evergreen hedges and shrubs that retain their leaves in the winter, should be trimmed in April and August.

Conifers and other fast-growing shrubs can be trimmed every six weeks throughout the growing season, from May onwards.

## Maintenance and Storage



### WARNING!

Before cleaning, inspecting or repairing your unit, make sure the switch is off. Disconnect the plug from the mains.

### Cleaning



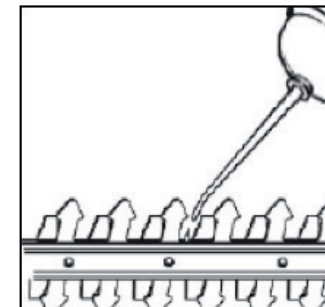
### WARNING!

Before lubricating, make sure your hedge trimmer is disconnected from the mains supply. Apply the oil so that it runs between the two blades.

1. Never use water or chemical cleaners to clean your power tool. Wipe clean with a dry cloth.
2. Always check the cutting blade before each use.
3. Always store your power tool in a safe, dry place.
4. Keep the motor ventilation slots clean.
5. Have the unit professionally repaired should there be any damaged parts.
6. Do not allow cuttings and other debris to become dry and hard on any of the hedge trimmer surfaces. This will directly affect the cutting performance.
7. Make sure that the blade is kept clean of all cuttings and other debris.

### Maintenance

For easier operation and longer life, lubricate the cutting blades before and after each use.



## Storage

**IMPORTANT!** Make sure that the hedge trimmer has been thoroughly cleaned before storing it in a clean, dry and safe place, out of the reach of children.

Always fit the transportation blade guard when storing the hedge trimmer.

1. Switch the product off and disconnect it from the power supply before transporting it anywhere.
2. Attach the blade sheath.
3. Always carry the product on its gripping surfaces.
4. Protect the product from any heavy impact or strong vibrations, which may occur during transportation in vehicles.
5. Secure the product to prevent it from slipping or falling over.

## Troubleshooting



### WARNING!

Only perform the steps described within these instructions!

All further inspection, maintenance and repair work must be performed by an authorised service centre or a similarly qualified specialist, if you cannot solve the problem yourself!

The following table provides solutions to common problems encountered with the hedge trimmer:

Problem	Possible cause	Solution
Product does not start	1. Not connected to power supply	1. Connect to power supply
	2. Power connection is loose	2. Connect the power supply properly
	3. Other electrical defect to the product	3. Check with a specialist electrician
Product does not reach full power	1. Extension cord not suitable	1. Use a proper extension cord
	2. Power source (e.g. generator) has too low voltage	2. Connect to another power source
	3. Air vents are blocked	3. Clean the air vents
Does not cut	Cutting device worn	Have a specialist replace it

## Technical Data

Model no.	HTEG55A-610
Rated voltage	AC 230-240V~, 50Hz
Input power	600W
No load speed	1750min <sup>-1</sup>
Cutting length	550mm
Tooth gap	20mm
Protection class	II
Machine weight	3.6kg
<b>NOISE AND VIBRATION DATA</b>	
Sound pressure level (L <sub>pA</sub> )	80.7dB(A), K <sub>pA</sub> : 3dB(A)
Power sound level (L <sub>wA</sub> )	103dB(A)
Vibrations	4.7m/s <sup>2</sup> , K: 1.5m/s <sup>2</sup>

The declared vibration value has been measured in accordance with a standard test method and may be used for comparing one tool with another. The declared vibration value may also be used in a preliminary assessment of exposure.



### WARNING!

The vibration emission value during actual use of the tool can differ from the declared value depending on the ways in which the tool is used. Identify safety actual conditions of use (taking account of all parts of the operating cycle, such as the times when the tool is switched off and when it is running idle, in addition to the trigger time).

The sound intensity level for the operator may exceed 85dB(A) and ear protection measures are necessary.

# Disposal

The hedge trimmer and its accessories are made of various recyclable materials. Dispose of the hedge trimmer in accordance with your local recycling regulations.

# Getting Help

Our dedicated UK-based customer helpline is open 7 days a week to assist you with assembly, parts queries and technical support. We are open during office hours but you can always send an email via **support@gardenservicecentre.co.uk**. Our experts are here to get you back enjoying your garden in no time.

For useful assembly, starting and maintenance videos, and for ordering spares, please visit **www.gardenservicecentre.co.uk**.

Calling our service does not affect your statutory rights.

# Warranty

Any claim under this warranty must be made within 2 years of the date of purchase. To make a claim under the warranty, take the product (with proof of purchase) to your local store.

HHGL Limited bears reasonable, direct expenses of claiming under the warranty.

You may submit details and proof to our store for consideration. The warranty covers manufacturer defects in materials, workmanship and finish under normal use.

This warranty is provided in addition to other rights and remedies you may have under law: our goods come with guarantees, which cannot be excluded under the UK Consumer Rights Act 2015.

You are entitled to a replacement or refund for a major failure, and to compensation for other reasonably foreseeable loss or damage. You are also entitled to have the goods repaired or replaced if the goods fail to be of acceptable quality, and the failure does not amount to a major failure.

The warranty excludes damage resulting from product misuse or product neglect. The warranty covers domestic use only and does not apply to commercial applications.

**This warranty is given by HHGL Limited, Witan Gate House, 500-600 Witan Gate, Milton Keynes, MK9 1BA.**