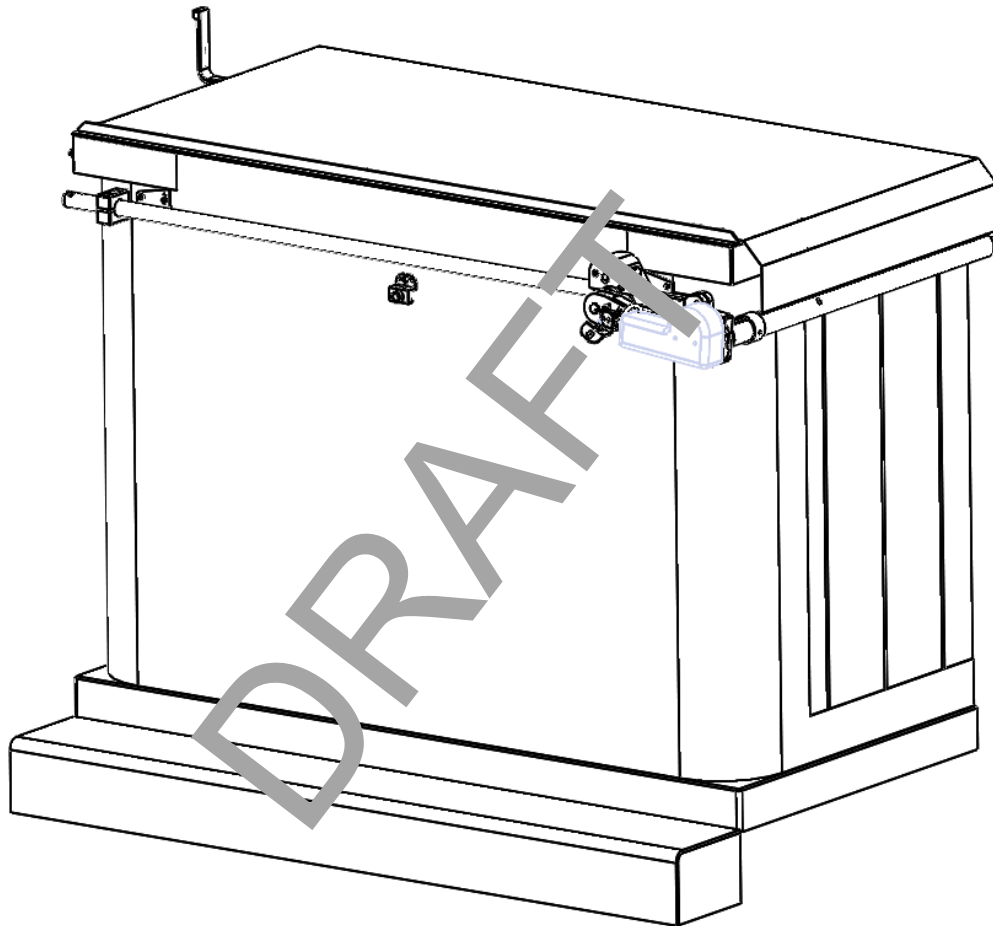


## 591 Mechanisms Parts Lists



**Note to Distributors:** Provide this guide to Clients upon product delivery.

---

---

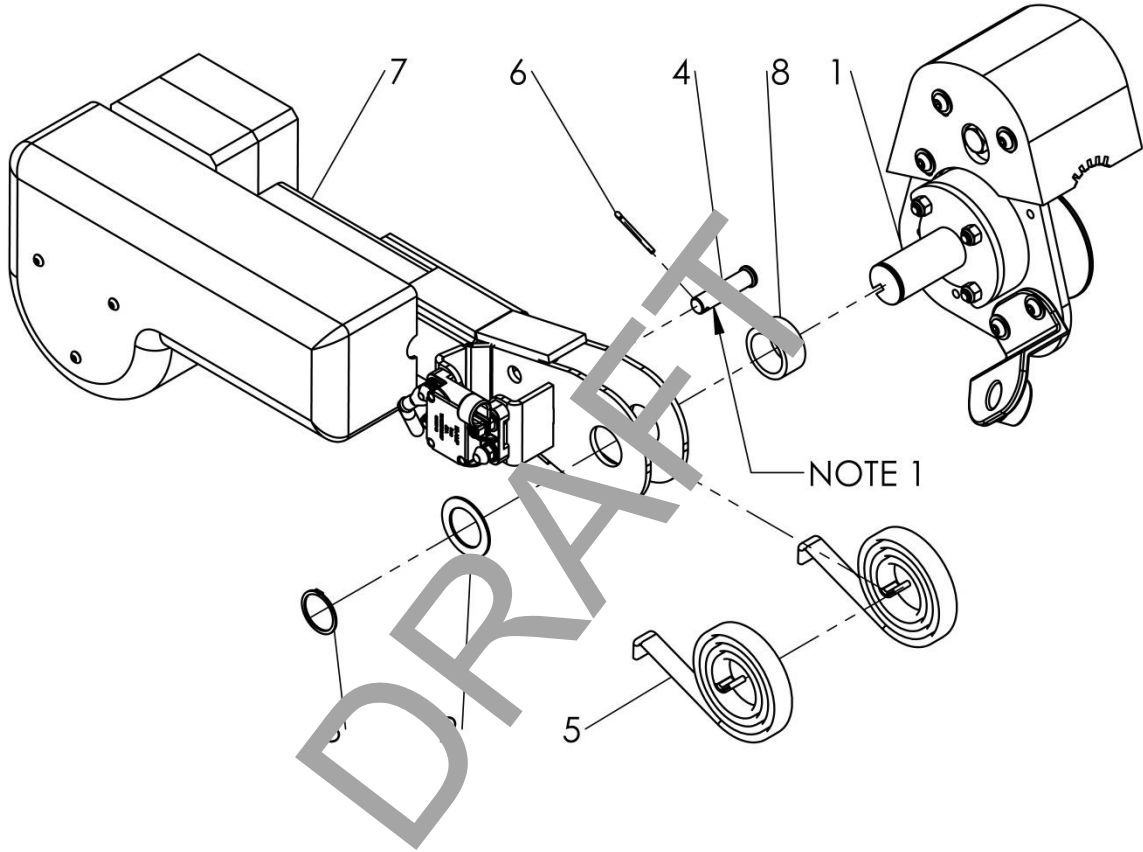
## PARTS LIST DIRECTORY

<b>MECHANISM</b> .....	3
ASSEMBLED.....	4
ASSEMBLED CRANK GEN 2.....	5
SUPERIOR TELESCOPIC TUBE ASS'Y GEN 1.....	6
SUPERIOR TELESCOPIC TUBE ASS'Y GEN 2.....	7
RETROFIT ROLL PIPE SHAFT ADAPTER.....	9
INTERNAL TENSIONER BJ6.....	10
EXTERNAL TENSIONER 60".....	11

DRAFT



# MECHANISM



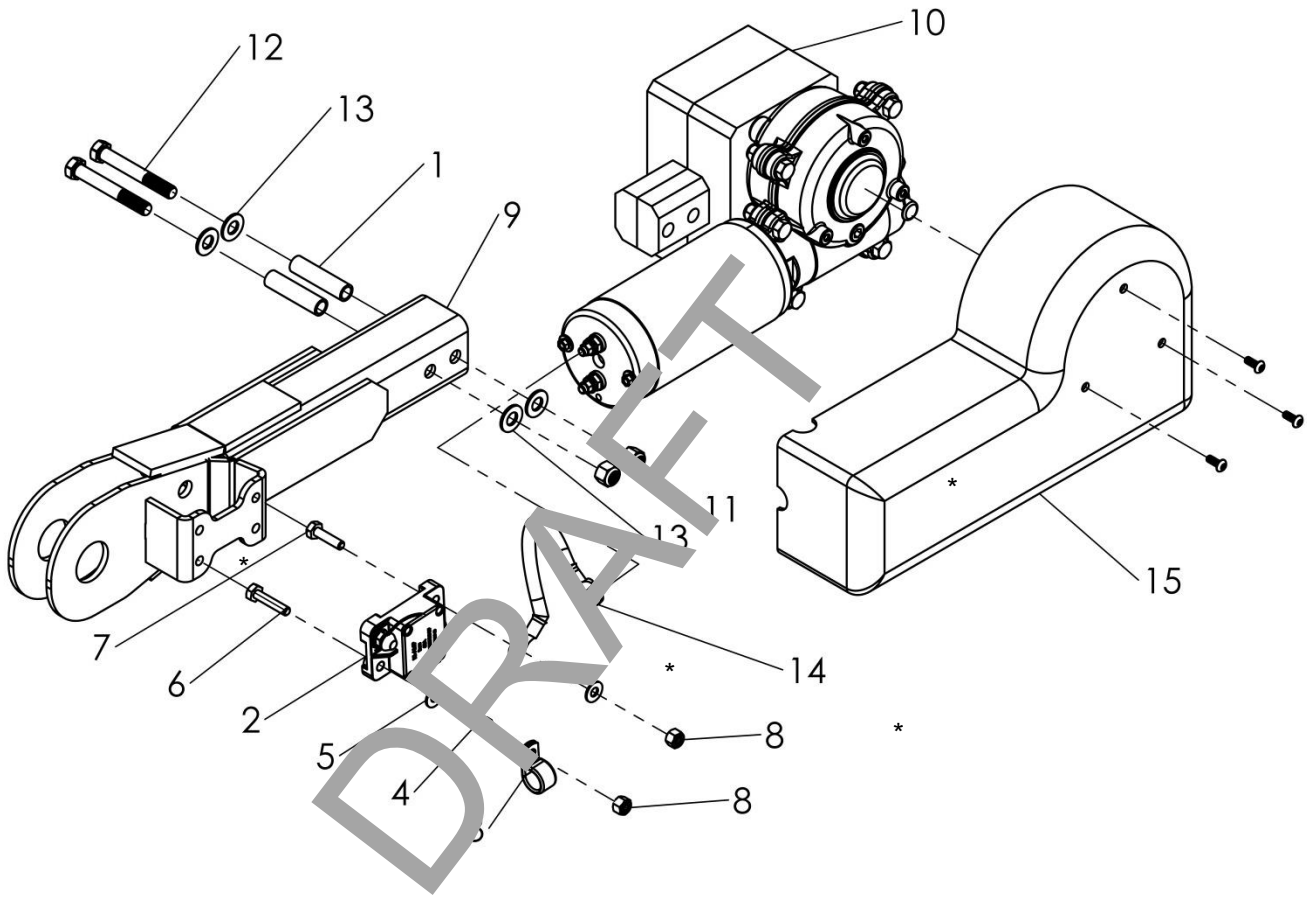
NOTE (1): INSTALL THE CLEVIS PIN IN THE BASE HOLE

591A0006-C MOTOR ASS'Y WITH PULLEY (TARP FIXED DRIVER)  
 591A0006-P MOTOR ASS'Y WITH PULLEY (TARP FIXED PASSAGER)

Item	# Part	Description	Qty
1	421A0006	EXTERIOR TELESCOPIC TUBE ASS'Y (INCLUDE PARTS 2, 3, 4 & 5)	1
1	591A0007-P	591 CARRIER ASS'Y (TARP FIXED DRIVER)	1
2	151-09PZSW114	SPACER WASHER ZP 1.25 ID	1
3	151-09QCSRE114	EXTERNAL SNAP RING 1,25 ID	1
4	151-09QCCP122	CLEVIS PIN 1/2 X 2	1
5	151CA1094	SPIRAL TORSION SPRING 1,25" ID	2
6	151-09CAGF181	COTTER PIN 1/8" X 1"LG	1
7	591A0008	MOTOR WITH ARM 17"	1
8	591CM0018	591 SPACER BUSHING	1
2	421SA0003	EXTERIOR TELESCOPIC TUBE	1



# ASSEMBLED

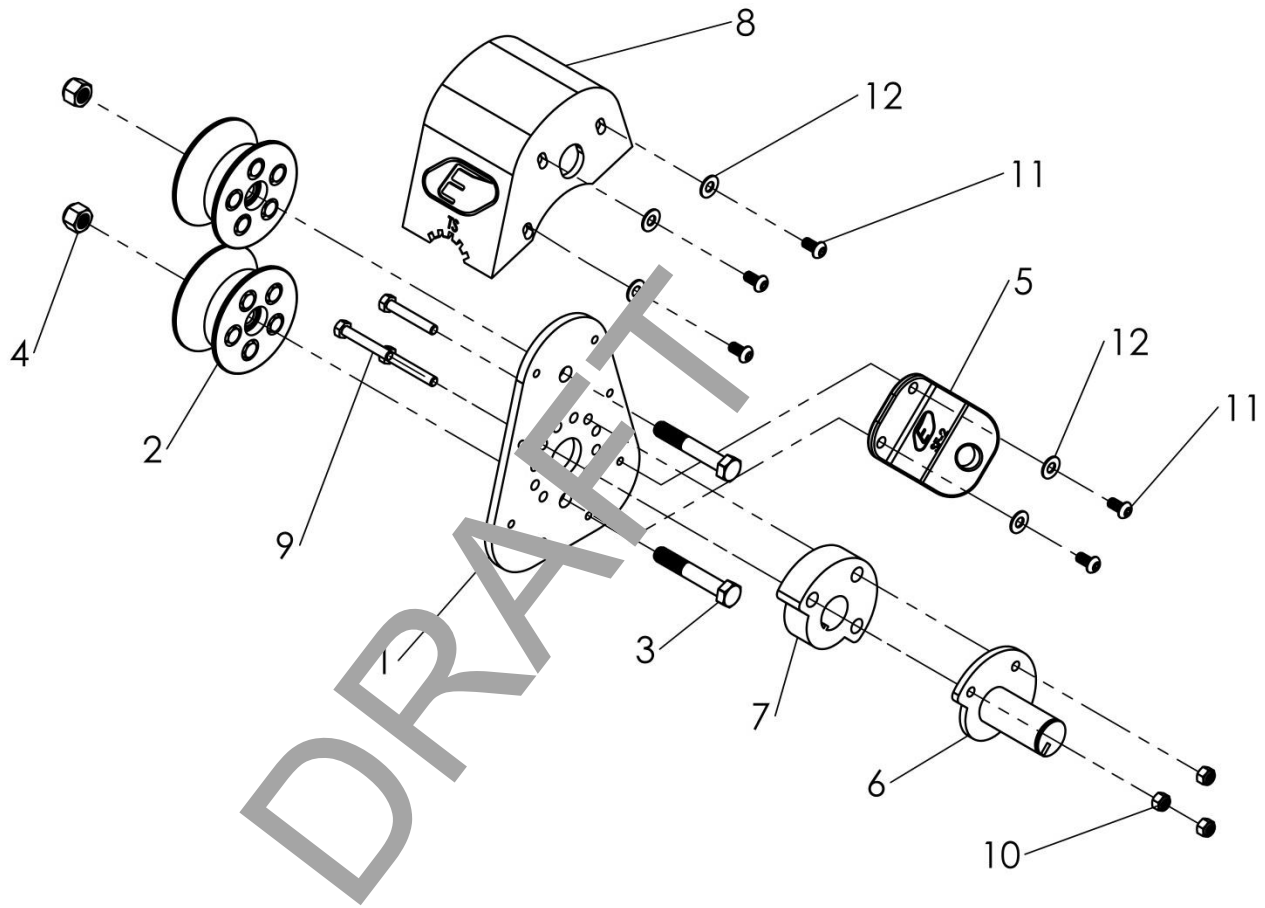


591A0008 MOTOR WITH ARM 17"

Item	# Part	Description	Qty
1	421A0006	EXTERIOR TELESCOPIC TUBE ASS'Y (INCLUDE PARTS 2, 3, 4 & 5)	1
1	591CM0025	SPACING CYLINDER	2
2	151CA2133	BREAKER 60A HEAVY DUTY	1
3	151CA2079	TUBE CLAMP 3/8"	1
4	151-04PZ0004	1/4"-20 STD ZP NUT	1
5	151-02PZ0004	1/4" STD ZP WASHER	2
6	151-01PZ0005	1/4"-20 X 1,25"LG ZP HEX BOLT	1
7	151-01PZ0004	1/4"-20 X 1"LG ZP HEX BOLT	1
8	151-05PZ0004	1/4"-20 ZP LOCKNUT	2
9	591SA0009	MOTOR ARM 17"	1
10	101CA1034	MOTOR 168:1 MW-12-961-H-RED-1681	1
11	151-05PZ0006	3/8"-16 ZP LOCKNUT	2
12	151-01PZ0059	3/8-16 X 2.75" LG ZINC HEX BOLT	2
13	151-02PZ0006	3/8" STD ZP WASHER	4
14	591A0010	ELECTRICAL CONNECTING WIRE	1
15	151CA2165	CHROME MOTOR COVER	1



## ASSEMBLED CRANK GEN 2



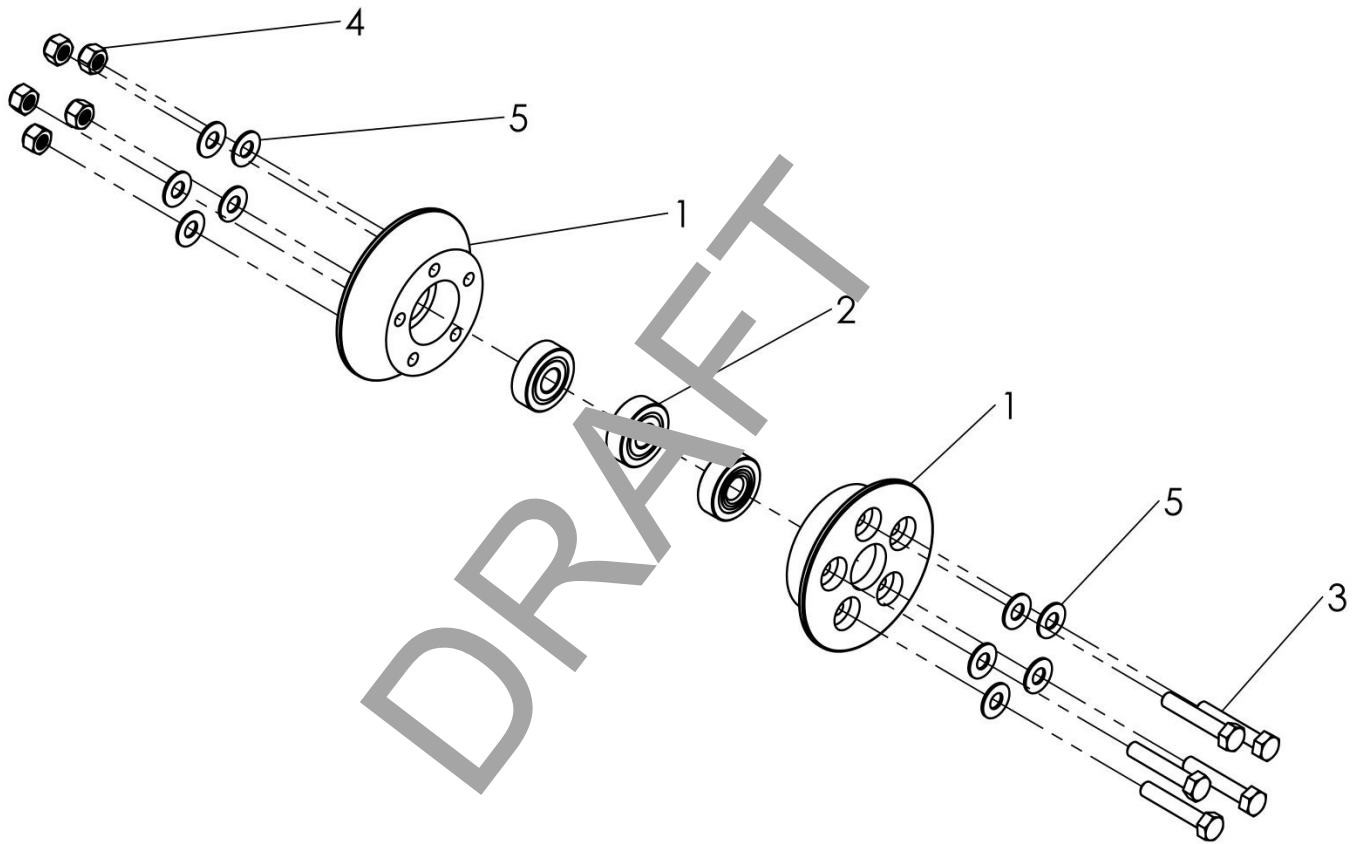
591A0007-P  
591A0007-C

591 CARRIER ASS'Y (TARP FIXED DRIVER)  
591 CARRIER FOR TARP FIXED DRIVER SIDE

Item	# Part	Description	Qty
1	421A0006	EXTERIOR TELESCOPIC TUBE ASS'Y (INCLUDE PARTS 2, 3, 4 & 5)	1
1	591SA0005	ASSEMBLED PULLEY PLATE	1
2	591A0005	ASSEMBLY POULEY 591	2
3	151-01PZ0108	1/2- 13 3" ZINC HEX BOLT	2
4	151-05PZ0008	1/2"-13 PZ LOCKNUT	2
5	141CASF-2	SPRING GUIDE FOR 591	1
6	591SA0007	PIVOT TENSIONER	1
7	141CASPD	591 MOTEUR PIVOT SHIM	1
8	141CATS	591 SCRAPER	1
9	151-01PZ0032	5/16-18 2" ZINC HEX BOLT	3
10	151-05PZ0005	5/16"-18 PZ LOCKNUT	3
11	151-09QCTB51658	5/16"-18 X 5/8" LG S/S BUTTON SCREW	5
12	151-02QC0005	5/16" STD S/S WASHER	5



# SUPERIOR TELESCOPIC TUBE ASS'Y GEN 1

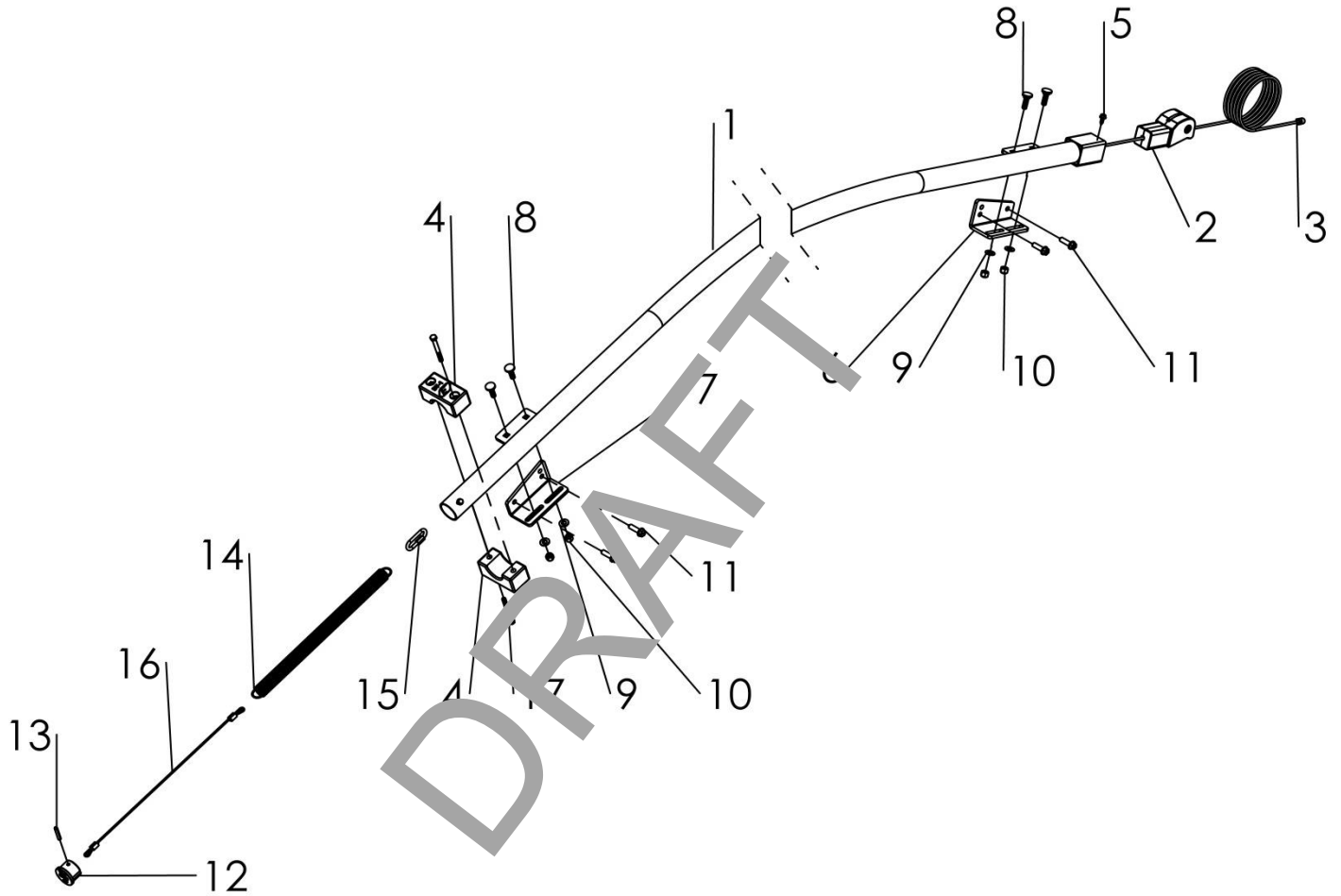


591A0005 ASSEMBLY POULEY 591

Item	# Part	Description	Qty
1	421SA0001	EXTERIOR TELESCOPIC TUBE	1
1	141CAPOU	591 HALF PULLEY	2
2	151CA1152	BEARING 1/2	3
3	151-01QC0031	5/16"-18 X 1,75"LG S/S HEX BOLT	5
4	151-05QC0005	5/16"-18 S/S LOCKNUT	5
5	151-02QC0005	5/16" STD S/S WASHER	10



# SUPERIOR TELESCOPIC TUBE ASS'Y GEN 2



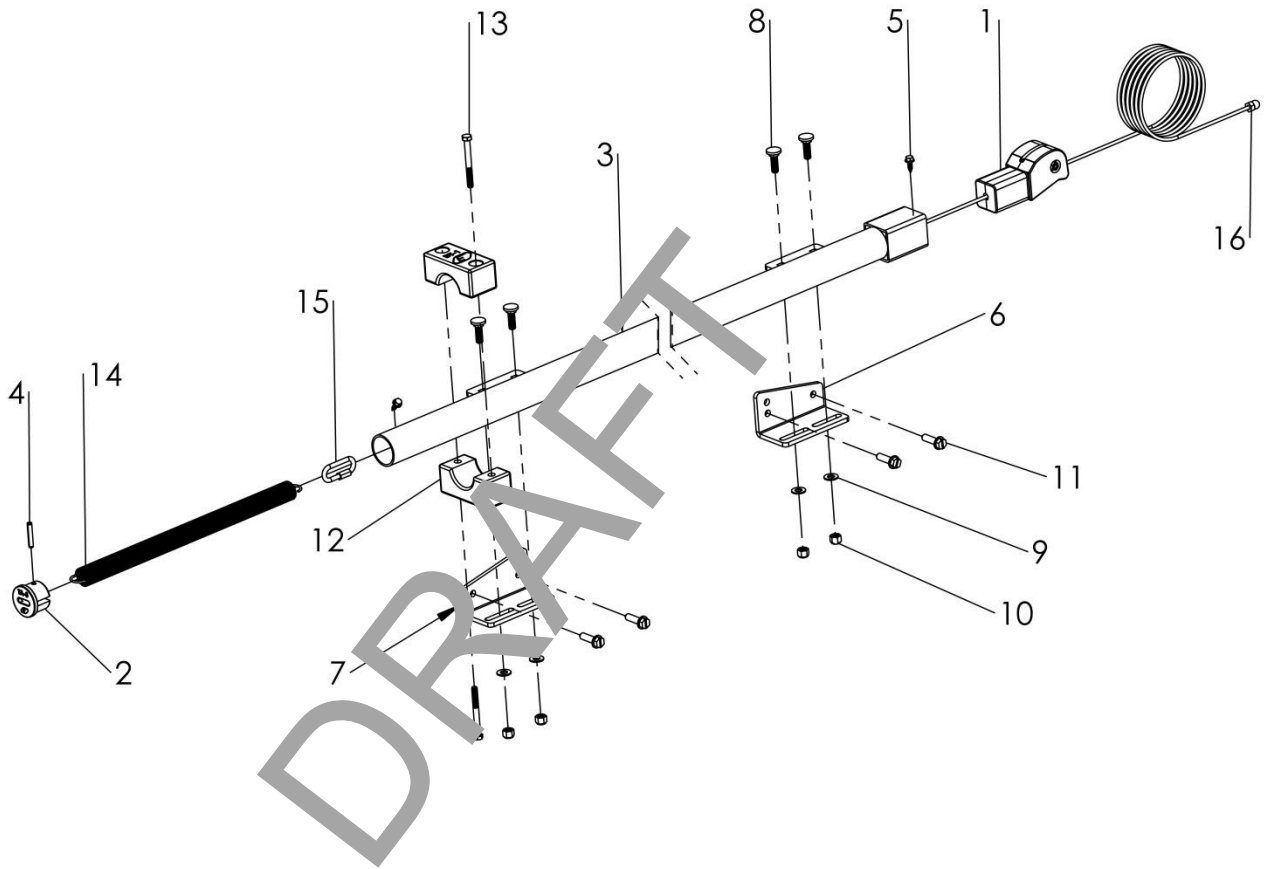
591A0095A

BENDE RAIL ASS. FOR STD TRAILER 102"

Item	# Part	Description	Qty
1	591SA0006-A95	591 BENDED TENSIONNER 95"	1
2	101A1016	SINGLE HEAD TENSIONER'S PULLEY ASS'Y	1
3	101A1040N	RED CORD 12'LG WITH NUT	1
4	141CABT1	MOTOR STOP ON 591	2
5	151-08PZ1434	HEX WASHER SMS 1/4 X 3/4	2
6	591CM0015-C-R1	FIXATION PLATE (DRIVER SIDE) (R-1)	1
7	591CM0015-P-R1	FIXATION PLATE (PASSENGER SIDE) (R-1)	1
8	151-09BCS38114	3/8"-16 X 1.25"LG ZP GR5 CARRIAGE BOLT	4
9	151-02PZ0006	3/8" STD ZP WASHER	4
10	151-05PZ0006	3/8"-16 ZP LOCKNUT	4
11	151-08PZ38112	SMS 3/8" X 1,5"LG ZP	4
12	141CATA3	WIRE-STRAINER END-CAP 1"1/2 CD 10"	1
13	151-09QCGR14112	SPRING PIN 1/4 X 1 1/2 LG	1
14	101CA1001	SPRING FOR STRAIGHT 591 RAIL 97"	1
15	151-09QCMR516	5/16 QUICK LINK	1
16	591A0011	95" CABLE S/S ASS	1
17	151-01PZ0036	5/16 X 3" ZINC HEX BOLT	2



INTERIOR TELESCOPIC TUBE



591A0095D

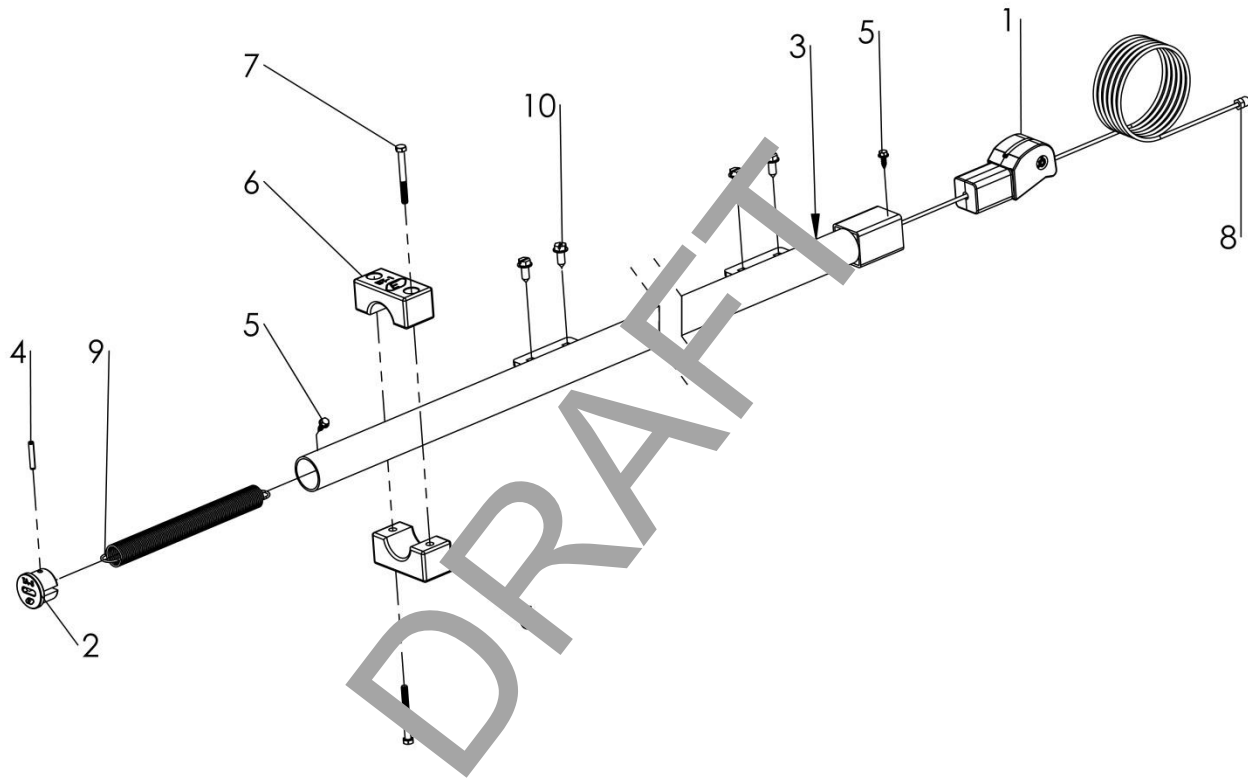
STRAIGHT RAIL ASS. FOR STD TRAILLER 102"

Item	# Part	Description	Qty
1	101A1016	SINGLE HEAD TENSIONER'S PULLEY ASS'Y	1
2	141CATA3	WIRE-STRAINER END-CAP 1"1/2 CD 10"	1
3	591SA0006-95	591 TENSIONNER 95"	1
4	151-09QCGR14112	SPRING PIN 1/4 X 1 1/2 LG	1
	151-08PZ1434	HEX WASHER SMS 1/4 X 3/4	2
6	591CM0015-C-R1	FIXATION PLATE ( DRIVER SIDE ) ( R-1)	1
7	591CM0015-P-R1	FIXATION PLATE ( PASSENGER SIDE ) ( R-1)	1
8	151-09BCS38114	3/8"-16 X 1.25"LG ZP GR5 CARRIAGE BOLT	4
9	151-02PZ0006	3/8" STD ZP WASHER	4
10	151-05PZ0006	3/8"-16 ZP LOCKNUT	4
11	151-08PZ38112	SMS 3/8" X 1,5"LG ZP	4
12	141CABT1	MOTOR STOP ON 591	2
13	151-01PZ0036	5/16 X 3" ZINC HEX BOLT	2
14	101CA1001	SPRING FOR STRAIGHT 591 RAIL 97"	1
15	151-09QCMR516	5/16 QUICK LINK	1
16	101A1040N	RED CORD 12'LG WITH NUT	1





## RETROFIT ROLL PIPE SHAFT ADAPTER

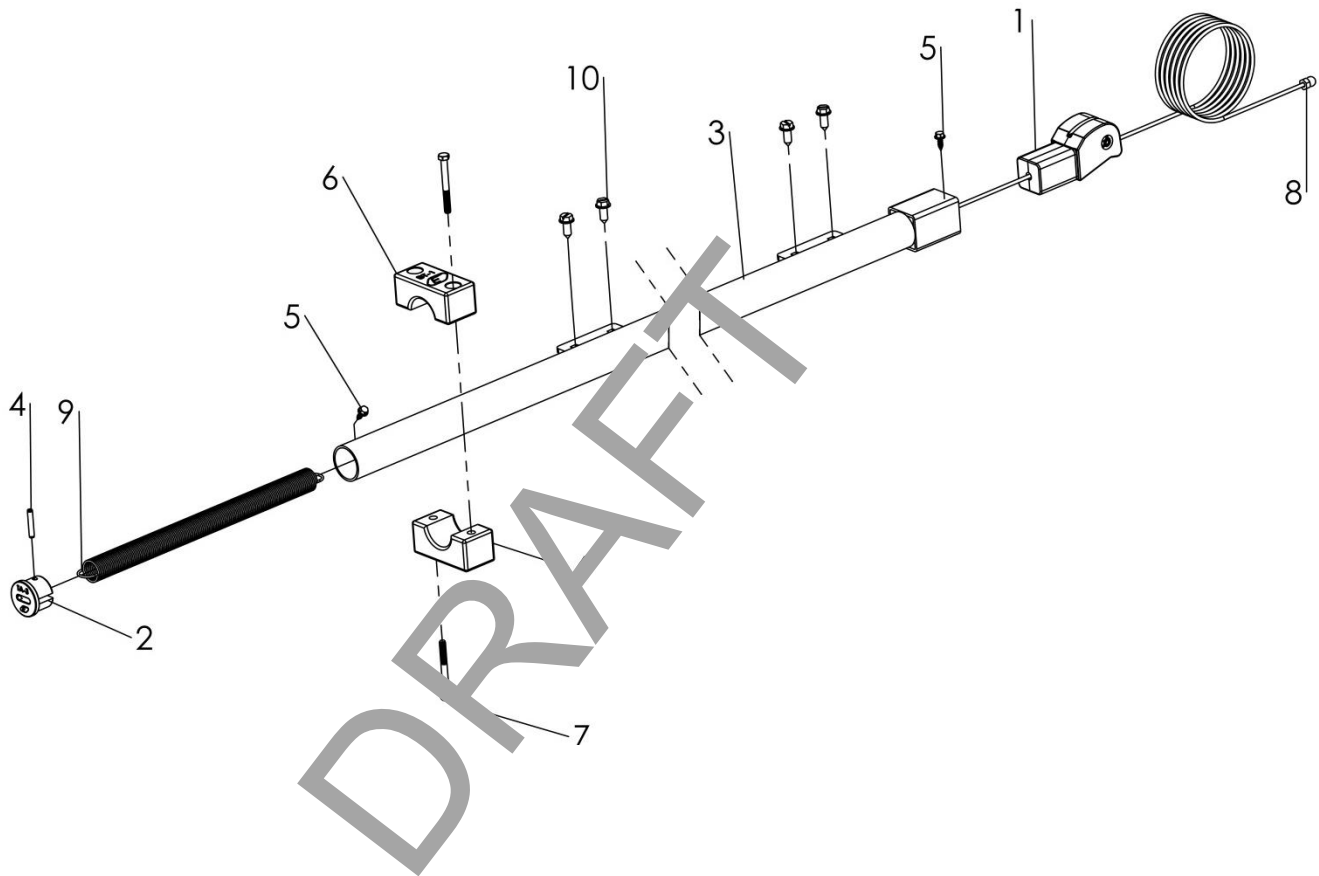


591A0052W      STRAIGHT RAIL ASS. FOR WALINGA 52"

Item	# Part	Description	Qty
1	101A1016	SINGLE HEAD TENSIONER'S PULLEY ASS'Y	1
2	141CATA3	WIRE-STRAINER END-CAP 1"1/2 CD 10"	1
3	591SA0006-W52	591 TENSIONNER 52" (WALINGA)	1
4	151-09QCGR14112	SPRING PIN 1/4 X 1 1/2 LG	1
5	151-08PZ1434	HEX WASHER SMS 1/4 X 3/4	2
6	141CABT1	MOTOR STOP ON 591	2
7	151-01PZ0036	5/16 X 3" ZINC HEX BOLT	2
8	101A1151	RED CABLE 15' WITH NUT	1
9	151CA2137-5	SPRING FOR STRAIGHT 591 RAIL 52"	1
10	151-08PZ0033	SMS 3/8" X 1"LG DT2000	4



## INTERNAL TENSIONER BJ6

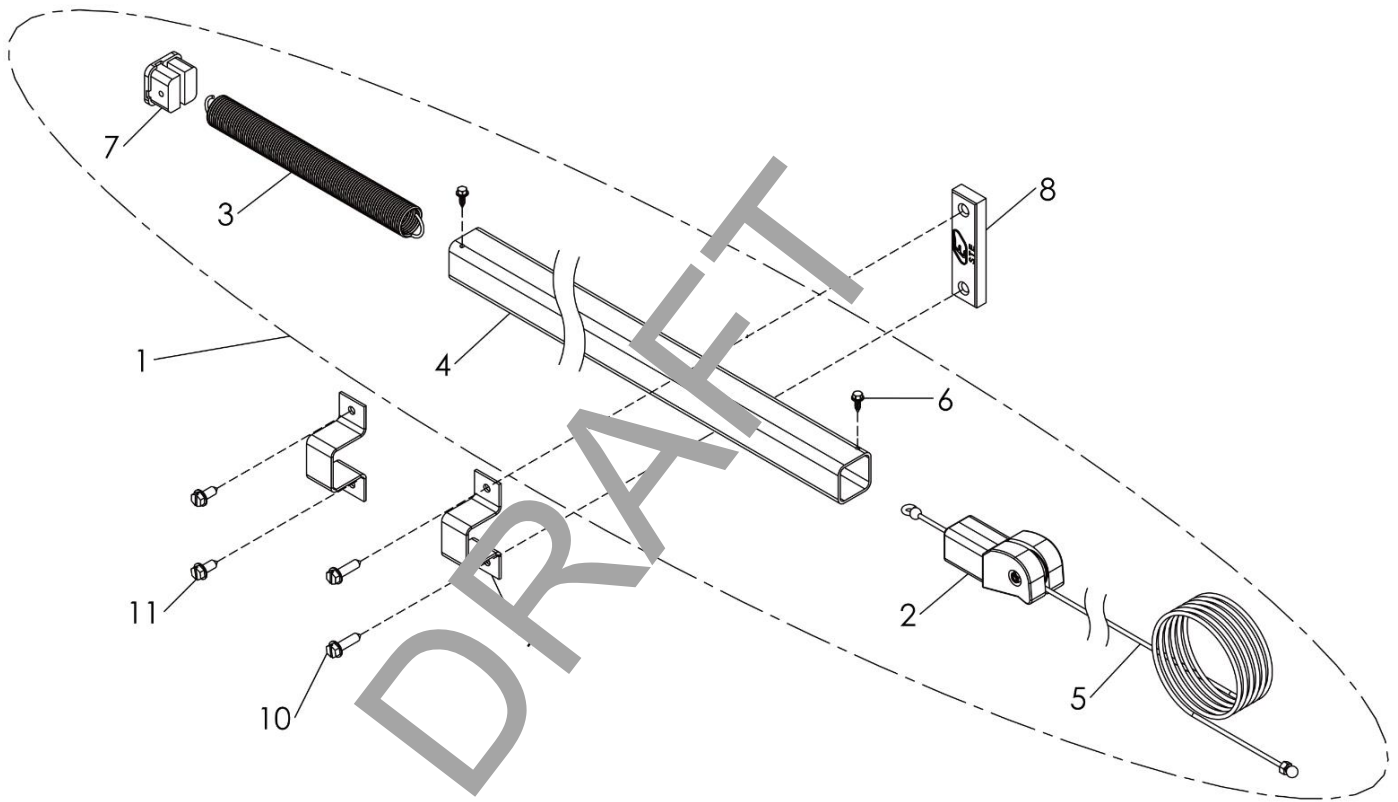


591A0068W STRAIGHT RAIL ASS. 68"

Item #	Part	Description	Qty
1	101A1016	SINGLE HEAD TENSIONER'S PULLEY ASS'Y	1
2	141CATA3	WIRE-STRAINER END-CAP 1"1/2 CD 10"	1
3	591SA0006-W	591 TENSIONNER 68" (WALINGA)	1
4	151-09QCGR14112	SPRING PIN 1/4 X 1 1/2 LG	1
5	151-08PZ1434	HEX WASHER SMS 1/4 X 3/4	2
6	141CABT1	MOTOR STOP ON 591	2
7	151-01PZ0036	5/16 X 3" ZINC HEX BOLT	2
8	101A1152	RED CORD 12'LG WITH NUT	1
9	151CA2138	SPRING FOR STRAIGHT 591 RAIL 68"	1
10	151-08PZ0033	SMS 3/8" X 1"LG DT2000	4



## EXTERNAL TENSIONER 60"



101A1008 60" EXTERNAL TENSIONER SINGLE HEAD WITH FIXATION

Item	# Part	Description	Qty
1	101A1004	60" EXTERNAL TENSIONER SINGLE HEAD (INCLUDE PARTS 2 to 7)	
2	101A1016	SINGLE HEAD TENSIONER'S PULLEY ASS'Y	1
3	151CA1006	60"LG EXTERNAL TENSIONER SPRING	1
4	101CM1023	60" ALUMINUM TUBE	1
5	101A1040N	RED CORD 12'LG WITH NUT	1
6	151-08PZ1434	HEX WASHER SMS 1/4 X 3/4	2
7	141ATA2	TA2 TENSIONER'S EXTREMITY ASS'Y	1
8	141CASTE	EXTERNAL TENSIONER SPACER	1
9	101CM1025	EXTERNAL TENSIONER HOLDER	2
10	151-08PZ38112	SMS 3/8" X 1,5"LG ZP	2
11	151-08PZ0033	SMS 3/8" X 1"LG DT2000	2