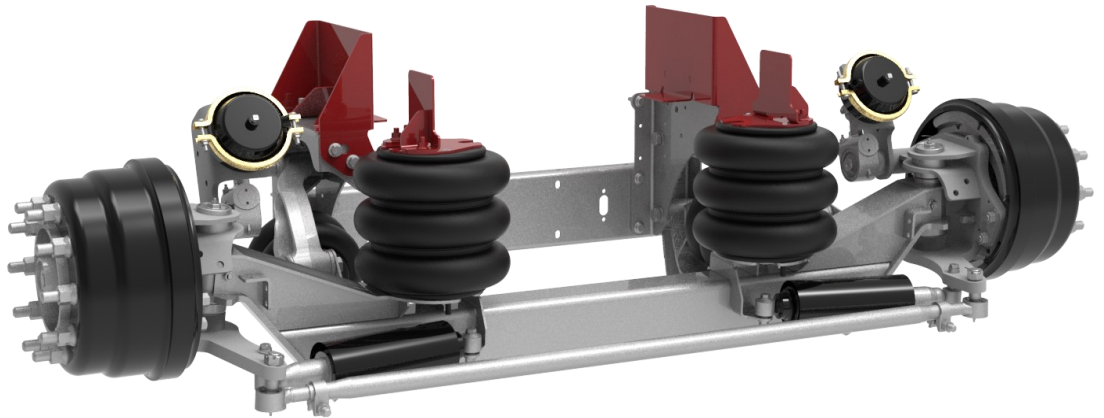


LINK Auxiliary Suspensions

SPECIFICATIONS ORDER GUIDE SERVICE KITS AND PARTS

13.5K Auxiliary Suspension 13,500 LBS. CAPACITY



The Link 13.5K Auxiliary Suspension is a lightweight, 13,500 pound capacity, self-steering lift axle that incorporates several unique features. The patented, interchangeable ride height brackets allow the installer to manage inventory dollars and still have a lift axle available for almost any truck. The improved lift spring geometry of the Link 13.5K Auxiliary Suspension assures longer life of the lift springs and less downtime for the owner. The compact mounting envelope (22") combined with the integrated air control system (optional) saves valuable frame rail space. The separate ride height brackets and pre-plumbed integrated air control kit can save up to 3-5 hours of installation time.

Link Mfg. Ltd.
223 15th St. N.E.
Sioux Center, IA USA
51250-2120
www.linkmfg.com

QUESTIONS?
CALL CUSTOMER
SERVICE
1-800-222-6283

SUSPENSION-AXLE, UNITIZED (BASE UNIT)

- 8A000748 AUXILIARY SUSPENSION, 13.5K
- 8A000749 AUXILIARY SUSPENSION, 13.5K INTEGRATED AIR

FRAME BRACKET KITS, (CHOOSE ONE)**STANDARD FRAME BRACKETS**

- 8A000410 8 - 10 1/2" RIDE HEIGHT (NO SPACER)
- 8A000411 10 - 12 1/2" RIDE HEIGHT (2" SPACER)
- 8A000412 12 - 14 1/2" RIDE HEIGHT (4" SPACER)
- 8A000413 14 - 16 1/2" RIDE HEIGHT (6" SPACER)

TALL FRAME BRACKETS

- 8A000414 8 - 10 1/2" RIDE HEIGHT
- 8A000415 10 - 12 1/2" RIDE HEIGHT
- 8A000416 12 - 14 1/2" RIDE HEIGHT
- 8A000417 14 - 16 1/2" RIDE HEIGHT

AIR CONTROL KITS FOR INTEGRATED SUSPENSIONS (CHOOSE ONE)

- 13501023 CONTROL-INTEGRATED-STANDARD
- 13501024 CONTROL-INTEGRATED-SEALED

OPTIONAL AIR CONTROL KITS FOR NON-INTEGRATED SUSPENSION (CHOOSE ONE)

- 13501025 CONTROL-NON-INTEGRATED-STANDARD
- 13501026 CONTROL-NON-INTEGRATED-SEALED

OPTIONAL KITS

- 800A0210 KIT-MOUNT, SHOCK ABSORBER
- 800A0032 FASTENER KIT 2" FASTENERS
- 800A0305 FASTENER KIT 2 1/2" FASTENERS"
- 13501016 RATIO RELAY VALVE KIT
- 800A0212 REVERSE LOCK KIT (CUSTOMER / UPFITTER INSTALLED)
- 13501027 KIT-AIR TANK

OPTIONAL FENDER KITS (CHOOSE ONE)

- 800A0206 KIT-FENDER MOUNT, 13.5K AXLE
- 80002601 FENDER-PAIR, ALUM, 12" WIDE, LOW PROFILE
- 80002602 FENDER-PAIR, SS, 12" WIDE, LOW PROFILE
- 80002603 FENDER-PAIR, ALUM, 12" WIDE
- 80002604 FENDER-PAIR, SS, 12" WIDE
- 80002605 FENDER-PAIR, POLY, 12" WIDE, LOW PROFILE

To order your Link 13.5K Auxiliary Suspension, use the order form on page 2 of this document to assist with your specific selections.

1. Order the Base Unit.
2. Order the Ride Height Bracket Kit.
 - a) Determine the Loaded Tire Radius on the chart below.
 - b) Subtract Loaded Tire Radius from Loaded Frame Height to find correct ride height.

Loaded Frame Height - Loaded Tire Radius = Ride Height

- c) Select the correct Ride Height Bracket part number from the chart from page 5 or 6 depending on your application.
4. Choose the desired Air Control Kit.
5. Select any additional Optional Equipment.
6. Call your Link Manufacturing Sales representative at the number below to place your order.

TUBE TYPE	TUBELESS	ISO (METRIC)	LOADED TIRE RADIUS	DIAMETER
8.25R15	8.5R17.5	225/70R19.5	15	32.9
	9R17.5	245/70R19.5	15.5	33.1
	10R17.5		15.5	33.9
	8R19.5		16	34
10.00R15			16.5	35.8
7.50R20	8R22.5	255/70R22.5	17	36.5
	11R17.5	245/75R22.5	17	36.6
8.25R20	9R22.5	235/80R22.5	17.5	37.8
		255/75R22.5	17.5	37.7
		255/80R22.5	18	38.4
		265/75R22.5	18	38.2
		295/70R22.5	18.2	38.7
9.00R20	10R22.5	295/75R22.5	18.5	40.2
		275/80R22.5	19	40.4
	11R22.5	295/80R22.5	19.5	41.9
10.00R20		445/65R19.5	19.5	42.6
		285/75R24.5	19.5	42.7
		315/80R22.5	19.9	42.8
		385/65R22.5	19.5	42.3
		275/80R24.5	19.5	41.3
11.00R20	12R22.5		20	42.8
10.00R22	13R22.5	425/65R22.5	20.5	44.5
12.00R20	11R24.5		20.5	44
11.00R22	12R24.5	445/65R22.5	21	45
12.00R22			21.5	46
13.00R20	13R24.5		21.5	46.3

QUICK SPECS

MODEL: 13.5K

TYPE: SELF-STEER

WEIGHT: 916 LBS

CAPACITY: 13,500 LBS

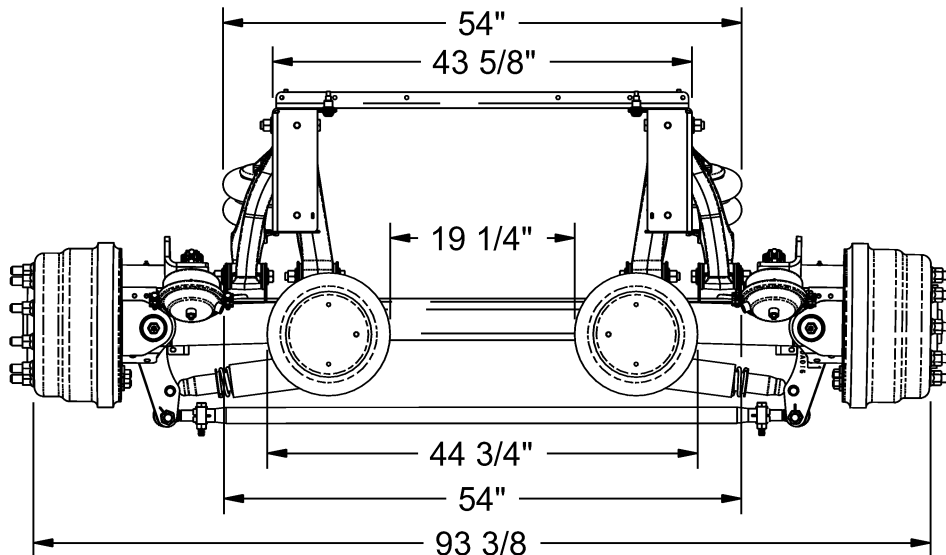
TRAVEL: 13"

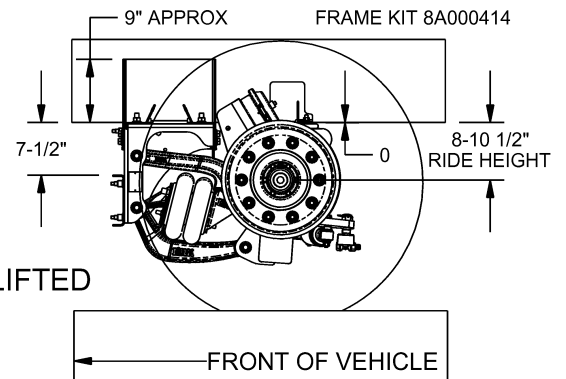
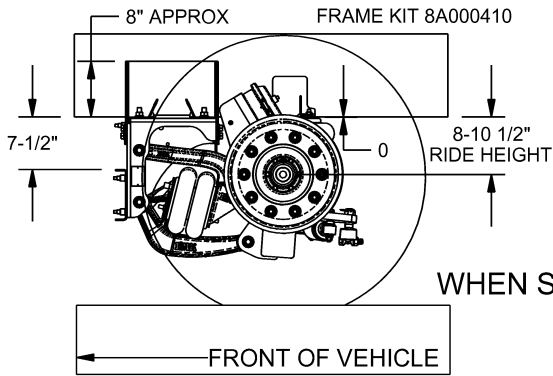
LIFT: 7 - 9 1/2"

RIDE HEIGHT: 8 - 16 1/2"

ENVELOPE: 22"

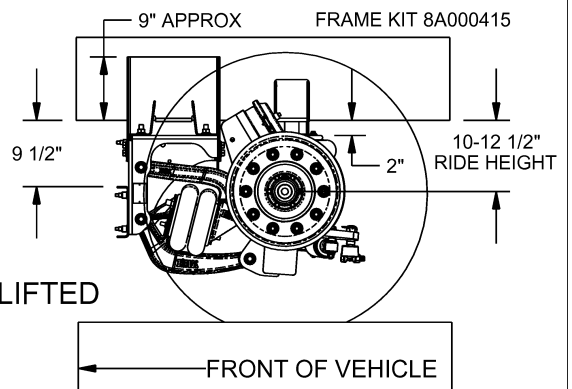
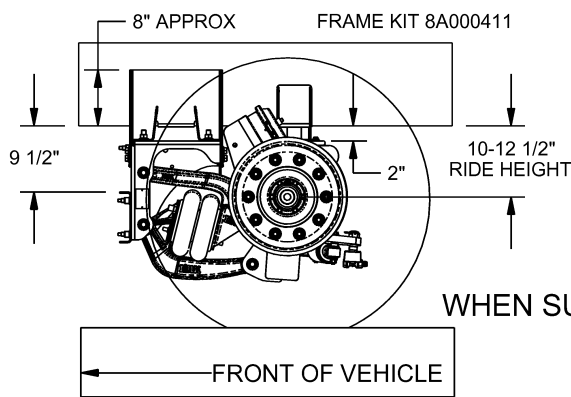
FRAME WIDTH: 33 1/2 - 35"





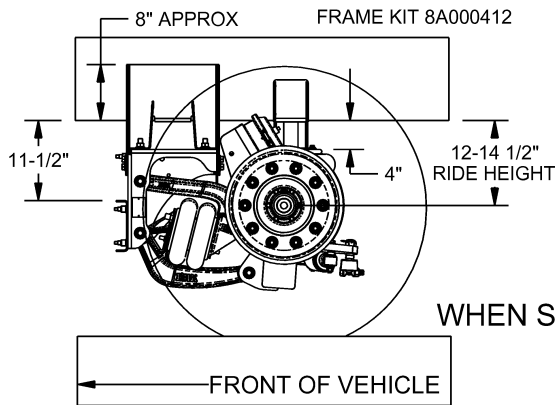
AXLE DRIVE LINE
CLEARANCE - 6 1/2"
WHEN SUSPENSION IS FULLY LIFTED

13.5K LIFT CHART	RIDE HEIGHT 8-10 1/2" (FRAME MOUNT KIT 8A000410 OR 8A000414)																	
LOADED FRAME HEIGHT	23"	23 1/2"	24"	24 1/2"	25"	25 1/2"	26"	26 1/2"	27"	27 1/2"	28"	28 1/2"	29"	29 1/2"	30"	30 1/2"	31"	31 1/2"
TIRE RADIUS																		
15" (LOADED)	7"	7 1/2"	8"	8 1/2"	9"	9 1/2"												
16" (LOADED)			7"	7 1/2"	8"	8 1/2"	9"	9 1/2"										
17" (LOADED)					7"	7 1/2"	8"	8 1/2"	9"	9 1/2"								
18" (LOADED)							7"	7 1/2"	8"	8 1/2"	9"	9 1/2"						
19" (LOADED)									7"	7 1/2"	8"	8 1/2"	9"	9 1/2"				
20" (LOADED)											7"	7 1/2"	8"	8 1/2"	9"	9 1/2"		
21" (LOADED)													7"	7 1/2"	8"	8 1/2"	9"	9 1/2"

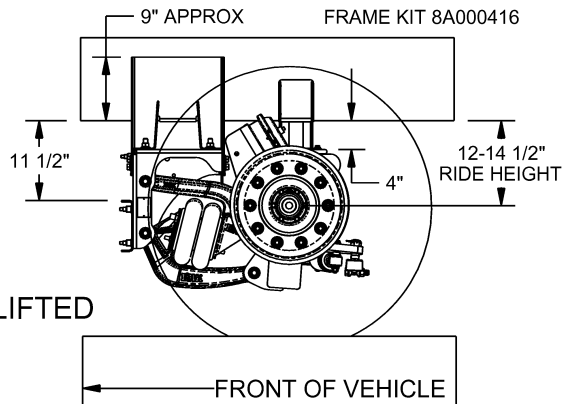


AXLE DRIVE LINE
CLEARANCE - 8 1/2"
WHEN SUSPENSION IS FULLY LIFTED

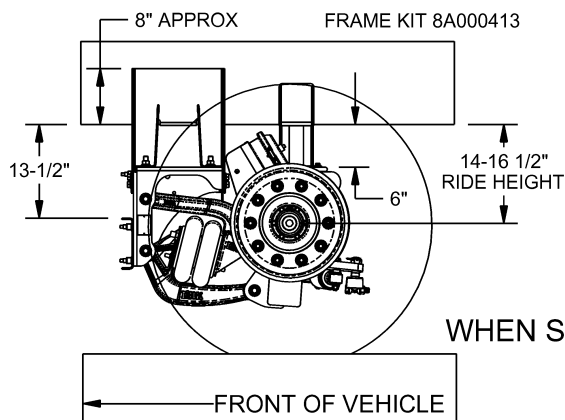
13.5K LIFT CHART	RIDE HEIGHT 10-12 1/2" (FRAME MOUNT KIT 8A000411 OR 8A000415)																	
LOADED FRAME HEIGHT	25"	25 1/2"	26"	26 1/2"	27"	27 1/2"	28"	28 1/2"	29"	29 1/2"	30"	30 1/2"	31"	31 1/2"	32"	32 1/2"	33"	33 1/2"
TIRE RADIUS																		
15" (LOADED)	7"	7 1/2"	8"	8 1/2"	9"	9 1/2"												
16" (LOADED)			7"	7 1/2"	8"	8 1/2"	9"	9 1/2"										
17" (LOADED)					7"	7 1/2"	8"	8 1/2"	9"	9 1/2"								
18" (LOADED)							7"	7 1/2"	8"	8 1/2"	9"	9 1/2"						
19" (LOADED)									7"	7 1/2"	8"	8 1/2"	9"	9 1/2"				
20" (LOADED)											7"	7 1/2"	8"	8 1/2"	9"	9 1/2"		
21" (LOADED)													7"	7 1/2"	8"	8 1/2"	9"	9 1/2"



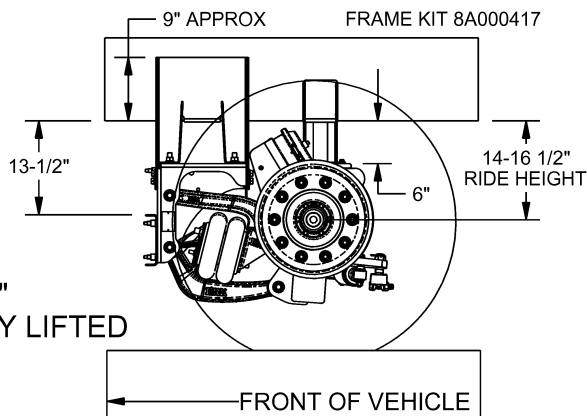
AXLE DRIVE LINE
CLEARANCE - 10 1/2"
WHEN SUSPENSION IS FULLY LIFTED



13.5K LIFT CHART	RIDE HEIGHT 12-14 1/2" (FRAME MOUNT KIT 8A000412 OR 8A000416)																	
LOADED FRAME HEIGHT	27"	27 1/2"	28"	28 1/2"	29"	29 1/2"	30"	30 1/2"	31"	31 1/2"	32"	32 1/2"	33"	33 1/2"	34"	34 1/2"	35"	35 1/2"
TIRE RADIUS																		
15" (LOADED)	7"	7 1/2"	8"	8 1/2"	9"	9 1/2"												
16" (LOADED)			7"	7 1/2"	8"	8 1/2"	9"	9 1/2"										
17" (LOADED)					7"	7 1/2"	8"	8 1/2"	9"	9 1/2"								
18" (LOADED)							7"	7 1/2"	8"	8 1/2"	9"	9 1/2"						
19" (LOADED)									7"	7 1/2"	8"	8 1/2"	9"	9 1/2"				
20" (LOADED)											7"	7 1/2"	8"	8 1/2"	9"	9 1/2"		
21" (LOADED)													7"	7 1/2"	8"	8 1/2"	9"	9 1/2"



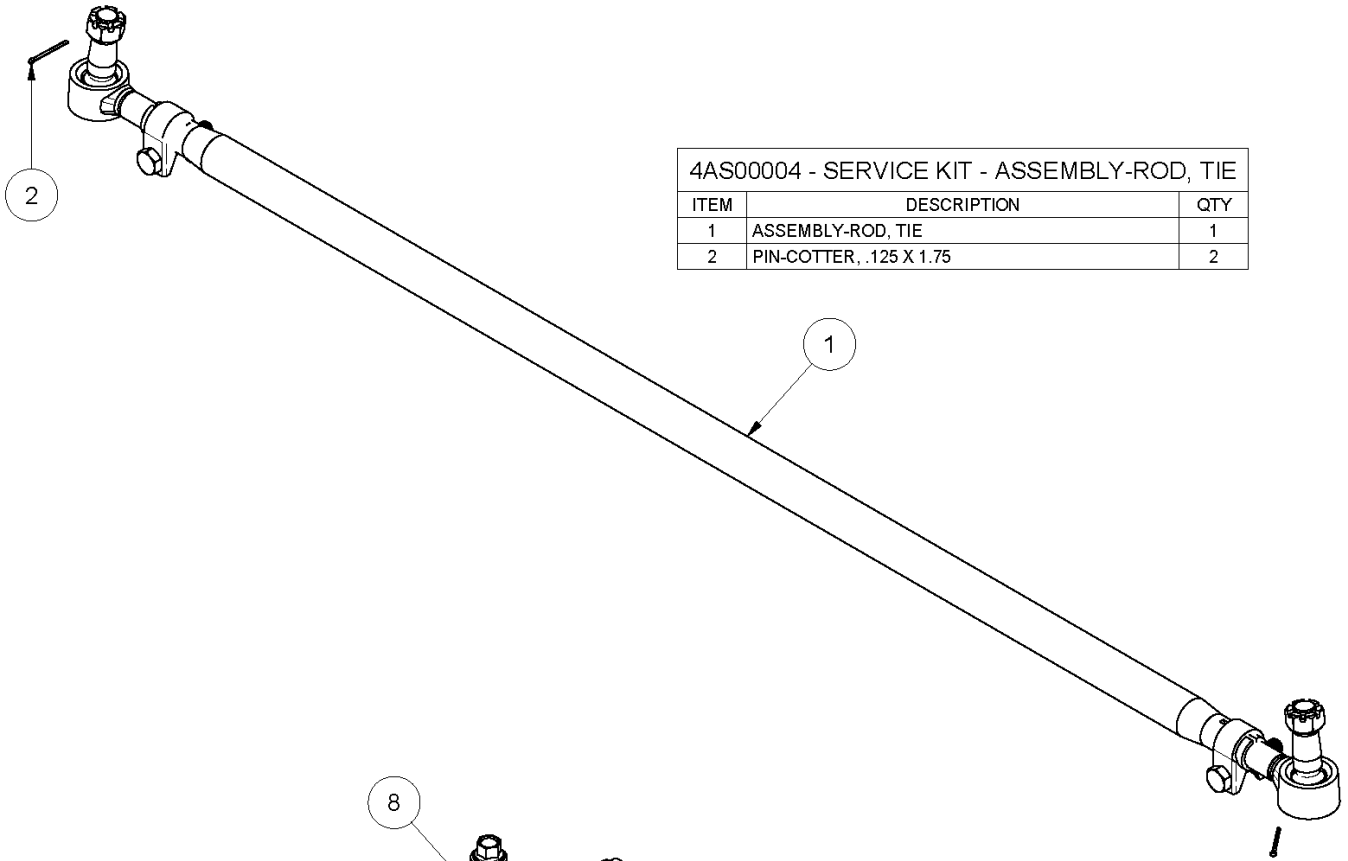
AXLE DRIVE LINE
CLEARANCE - 12 1/2"
WHEN SUSPENSION IS FULLY LIFTED



13.5K LIFT CHART	RIDE HEIGHT 14-16 1/2" (FRAME MOUNT KIT 8A000413 OR 8A000417)																	
LOADED FRAME HEIGHT	29"	29 1/2"	30"	30 1/2"	31"	31 1/2"	32"	32 1/2"	33"	33 1/2"	34"	34 1/2"	35"	35 1/2"	36"	36 1/2"	37"	37 1/2"
TIRE RADIUS																		
15" (LOADED)	7"	7 1/2"	8"	8 1/2"	9"	9 1/2"												
16" (LOADED)			7"	7 1/2"	8"	8 1/2"	9"	9 1/2"										
17" (LOADED)					7"	7 1/2"	8"	8 1/2"	9"	9 1/2"								
18" (LOADED)							7"	7 1/2"	8"	8 1/2"	9"	9 1/2"						
19" (LOADED)									7"	7 1/2"	8"	8 1/2"	9"	9 1/2"				
20" (LOADED)											7"	7 1/2"	8"	8 1/2"	9"	9 1/2"		
21" (LOADED)													7"	7 1/2"	8"	8 1/2"	9"	9 1/2"

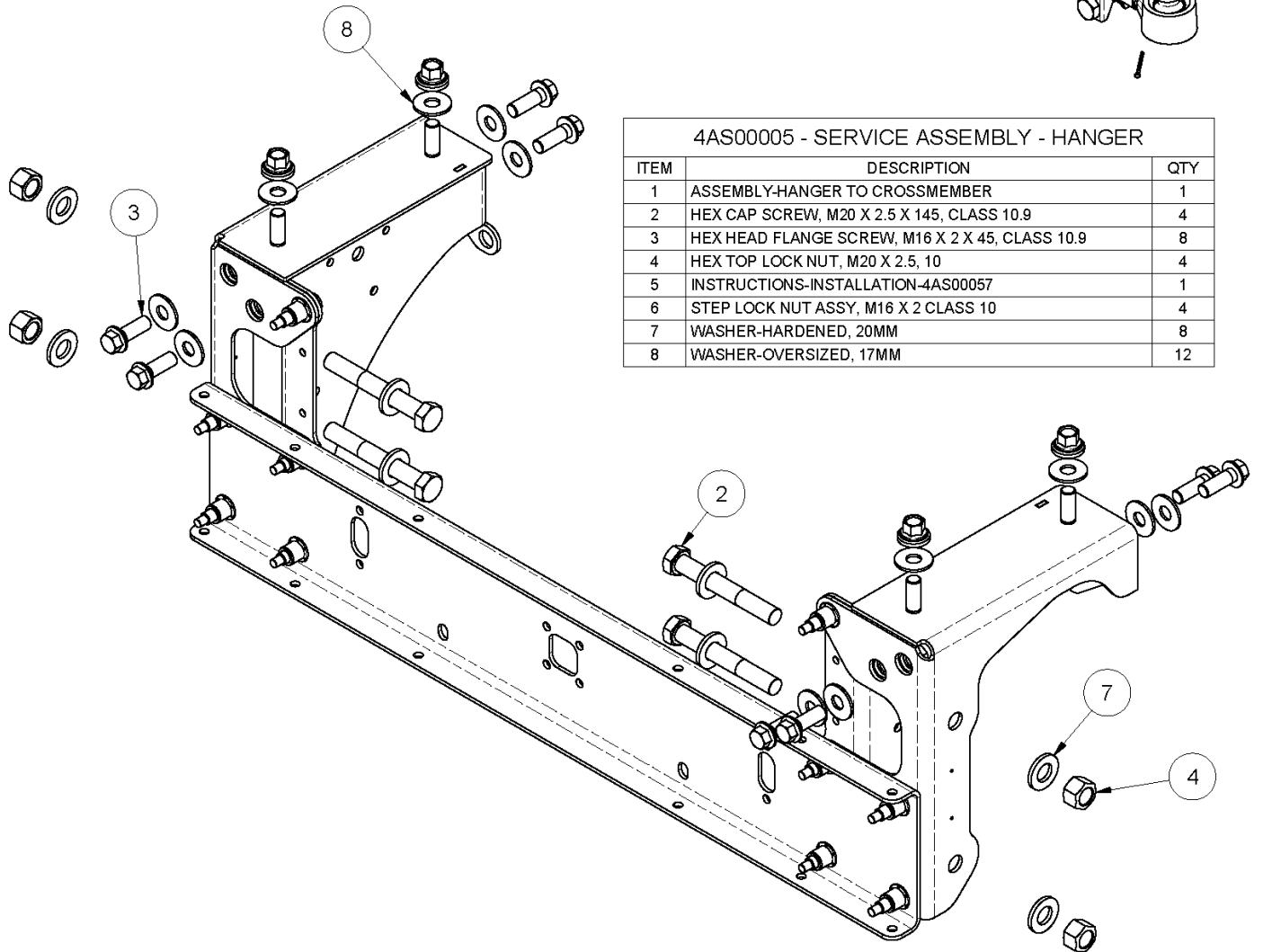
SERVICE ITEMS FOR 13.5K AUXILIARY SUSPENSION

ITEM NUMBER	DESCRIPTION
4AS00004	SERVICE KIT - ASSEMBLY-ROD, TIE
4AS00005	SERVICE ASSEMBLY - HANGER
4AS00009	SERVICE KIT - TIE ROD END (LH THREAD)
4AS00010	SERVICE KIT - TIE ROD END (RH THREAD)
4AS00011	SERVICE KIT - ASSEMBLY TUBE-TIE ROD
4AS00012	SERVICE KIT - COMPLETE BUSHING
4AS00013	SERVICE KIT - UPPER ARM-LH
4AS00014	SERVICE KIT - UPPER ARM-RH
4AS00015	SERVICE KIT - LOWER ARM-LH
4AS00016	SERVICE KIT - LOWER ARM-RH
4AS00017	SERVICE KIT - COMPLETE KINGPIN
4AS00022	SERVICE KIT - STEERING STOP BOLT
4AS00023	SERVICE KIT - COMPLETE STEERING STABILIZER
4AS00029	SERVICE KIT - HUB CAP ASSEMBLY
4AS00032	SERVICE KIT - LIFT SPRING
4AS00033	SERVICE KIT - LOAD SPRING
4AS00034	SERVICE KIT - NUT-ZIP-TORQ. 1.50-12
4AS00035	SERVICE KIT - CAMSHAFT-LH
4AS00036	SERVICE KIT - CAMSHAFT-RH
4AS00037	SERVICE KIT - CHAMBER-BRAKE
4AS00038	SERVICE ASSEMBLY - AXLE-FABRICATED
4AS00039	SERVICE ASSEMBLY - KNUCKLE-MACHINED-LH
4AS00040	SERVICE ASSEMBLY - KNUCKLE-MACHINED-RH
4AS00041	SERVICE KIT - COMPLETE CAM BUSHING AND SEAL
4AS00042	SERVICE KIT - COMPLETE BRAKE
4AS00043	SERVICE KIT - SLACK ADJUSTER
4AS00044	SERVICE KIT - HUB PILOTED HUB
4AS00045	SERVICE KIT - BEARINGS AND SEALS
4AS00047	SERVICE KIT - DRUM
4AS00049	SERVICE KIT - WHEEL NUT



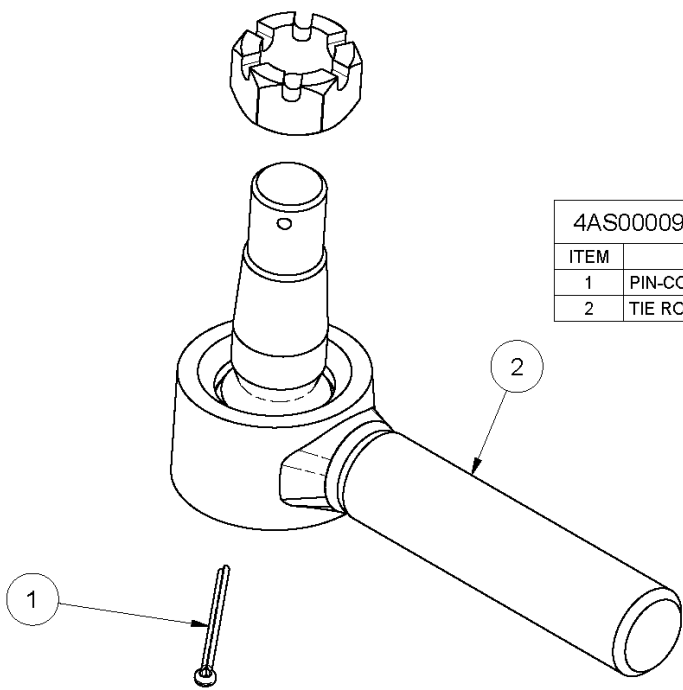
4AS00004 - SERVICE KIT - ASSEMBLY-ROD, TIE

ITEM	DESCRIPTION	QTY
1	ASSEMBLY-ROD, TIE	1
2	PIN-COTTER, .125 X 1.75	2



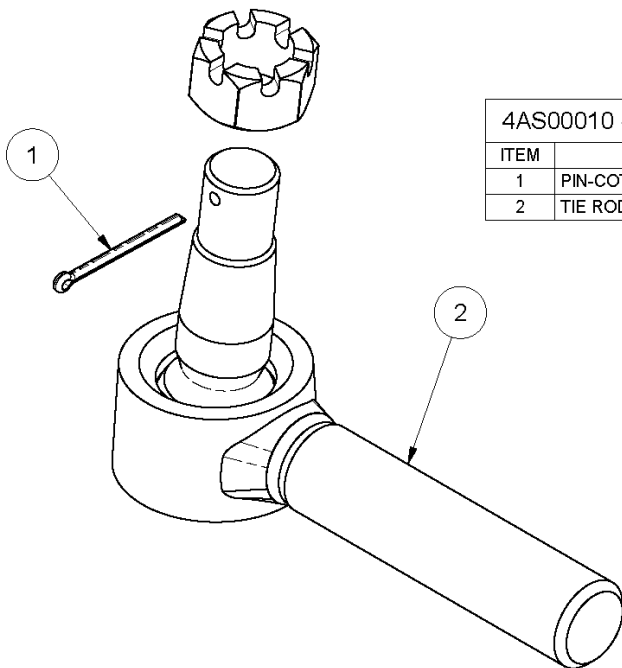
4AS00005 - SERVICE ASSEMBLY - HANGER

ITEM	DESCRIPTION	QTY
1	ASSEMBLY-HANGER TO CROSSMEMBER	1
2	HEX CAP SCREW, M20 X 2.5 X 145, CLASS 10.9	4
3	HEX HEAD FLANGE SCREW, M16 X 2 X 45, CLASS 10.9	8
4	HEX TOP LOCK NUT, M20 X 2.5, 10	4
5	INSTRUCTIONS-INSTALLATION-4AS00057	1
6	STEP LOCK NUT ASSY, M16 X 2 CLASS 10	4
7	WASHER-HARDENED, 20MM	8
8	WASHER-OVERSIZED, 17MM	12



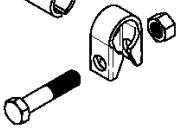
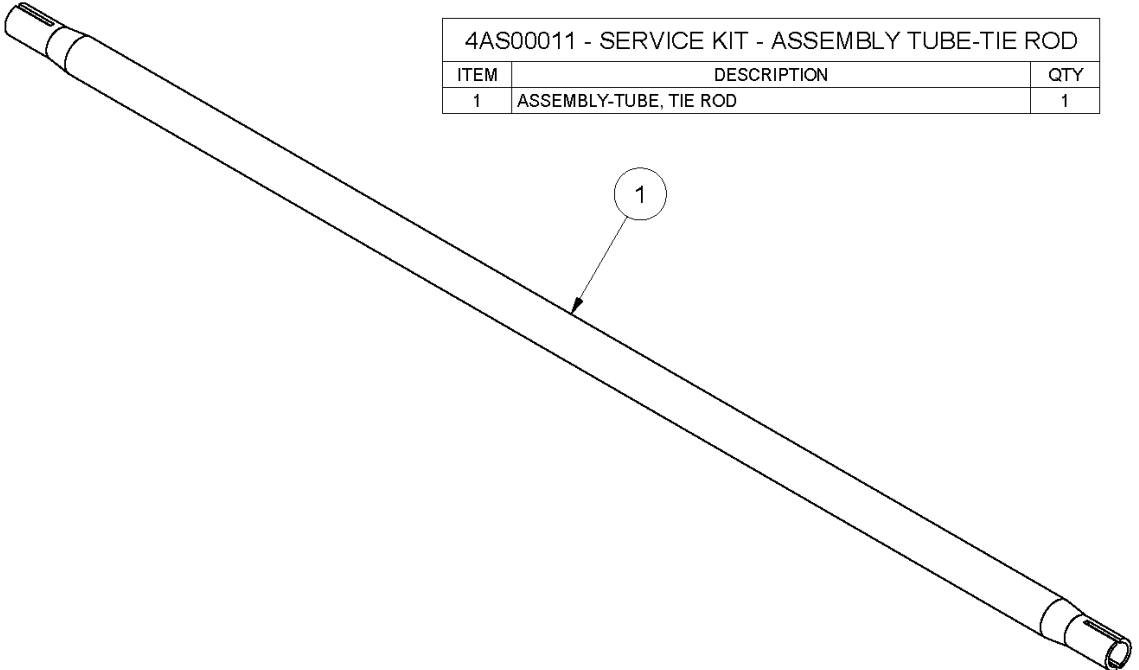
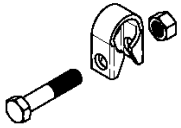
4AS00009 - SERVICE KIT - TIE ROD END (LH THREAD)

ITEM	DESCRIPTION	QTY
1	PIN-COTTER, .125 X 1.75	1
2	TIE ROD END ASSM. (LH)	1

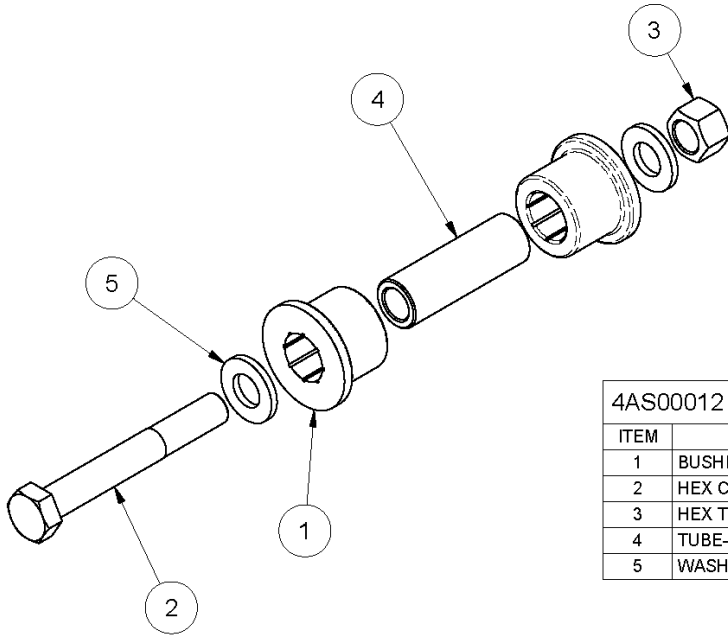


4AS00010 - SERVICE KIT - TIE ROD END (RH THREAD)

ITEM	DESCRIPTION	QTY
1	PIN-COTTER, .125 X 1.75	1
2	TIE ROD END ASSM. (RH)	1



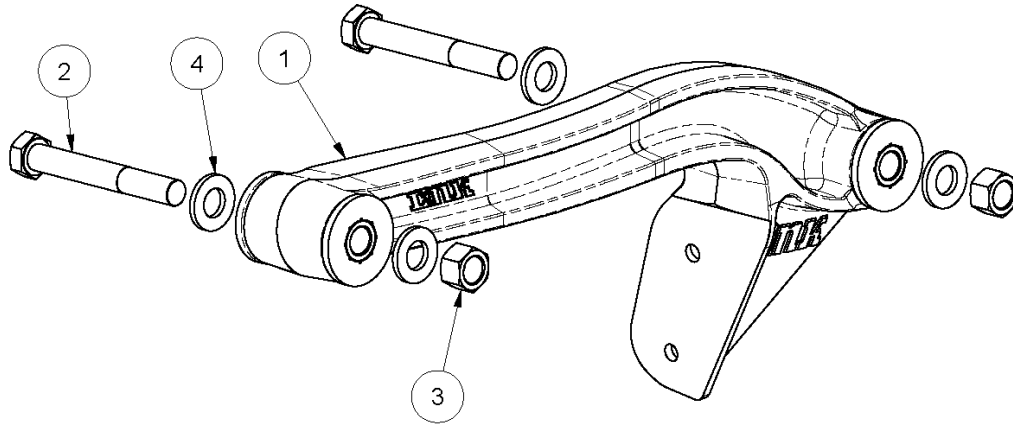
4AS00011 - SERVICE KIT - ASSEMBLY TUBE-TIE ROD		
ITEM	DESCRIPTION	QTY
1	ASSEMBLY-TUBE, TIE ROD	1



4AS00012 - SERVICE KIT - COMPLETE BUSHING		
ITEM	DESCRIPTION	QTY
1	BUSHING-ARM	16
2	HEX CAP SCREW, M20 X 2.5 X 145, CLASS 10.9	8
3	HEX TOP LOCK NUT, M20 X 2.5, 10	8
4	TUBE-BUSHING	8
5	WASHER-HARDENED, 20MM	16

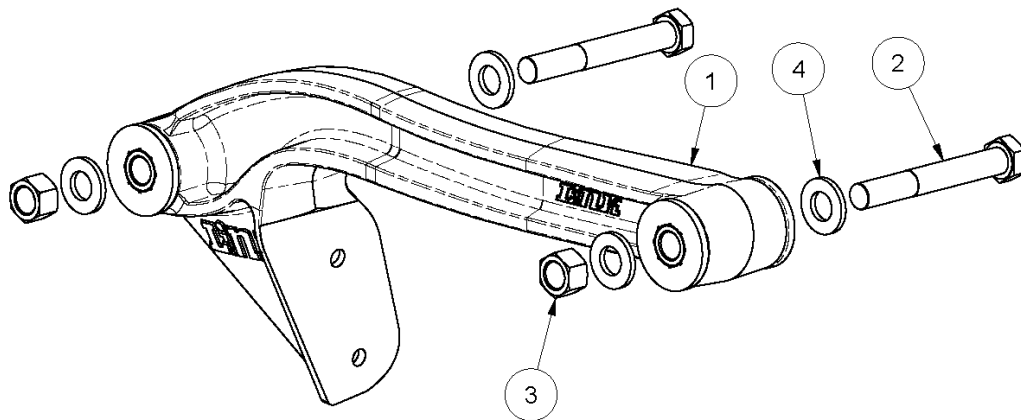
4AS00013 - SERVICE KIT - UPPER ARM-LH

ITEM	DESCRIPTION	QTY
1	ARM ASSEMBLY-TRAILING, UPPER LH	1
2	HEX CAP SCREW, M20 X 2.5 X 145, CLASS 10.9	2
3	HEX TOP LOCK NUT, M20 X 2.5, 10	2
4	WASHER-HARDENED, 20MM	4



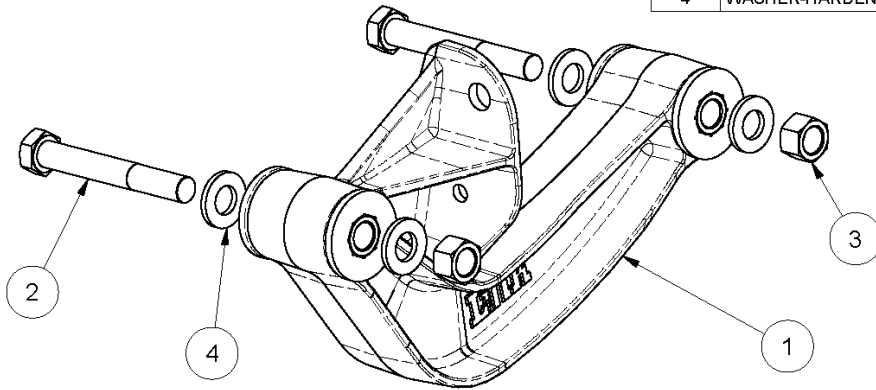
4AS00014 - SERVICE KIT - UPPER ARM-RH

ITEM	DESCRIPTION	QTY
1	ARM ASSEMBLY-TRAILING, UPPER RH	1
2	HEX CAP SCREW, M20 X 2.5 X 145, CLASS 10.9	2
3	HEX TOP LOCK NUT, M20 X 2.5, 10	2
4	WASHER-HARDENED, 20MM	4



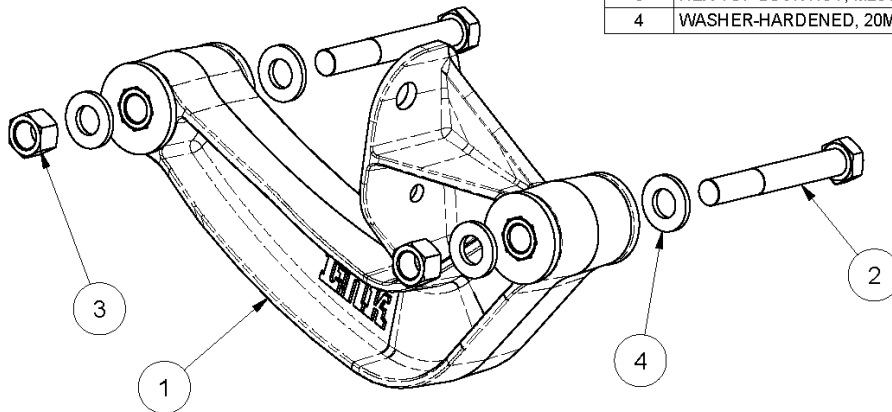
4AS00015 - SERVICE KIT - LOWER ARM-LH

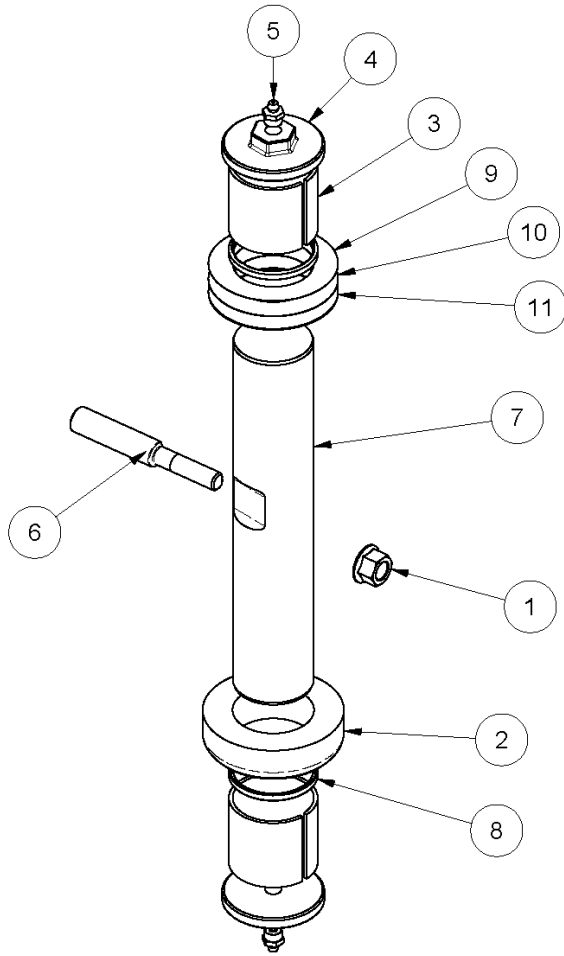
ITEM	DESCRIPTION	QTY
1	ARM ASSEMBLY-TRAILING, LOWER LH	1
2	HEX CAP SCREW, M20 X 2.5 X 145, CLASS 10.9	2
3	HEX TOP LOCK NUT, M20 X 2.5, 10	2
4	WASHER-HARDENED, 20MM	4



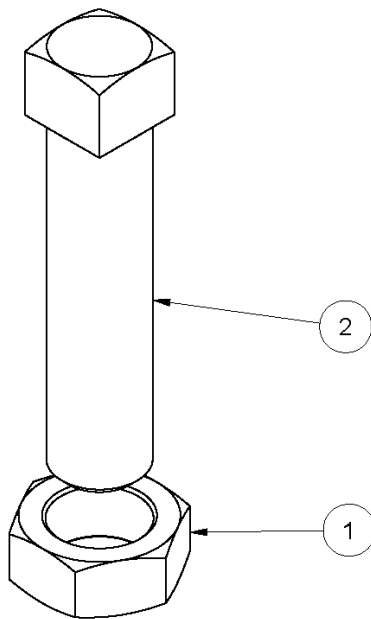
4AS00016 - SERVICE KIT - LOWER ARM-RH

ITEM	DESCRIPTION	QTY
1	ARM ASSEMBLY-TRAILING, LOWER RH	1
2	HEX CAP SCREW, M20 X 2.5 X 145, CLASS 10.9	2
3	HEX TOP LOCK NUT, M20 X 2.5, 10	2
4	WASHER-HARDENED, 20MM	4

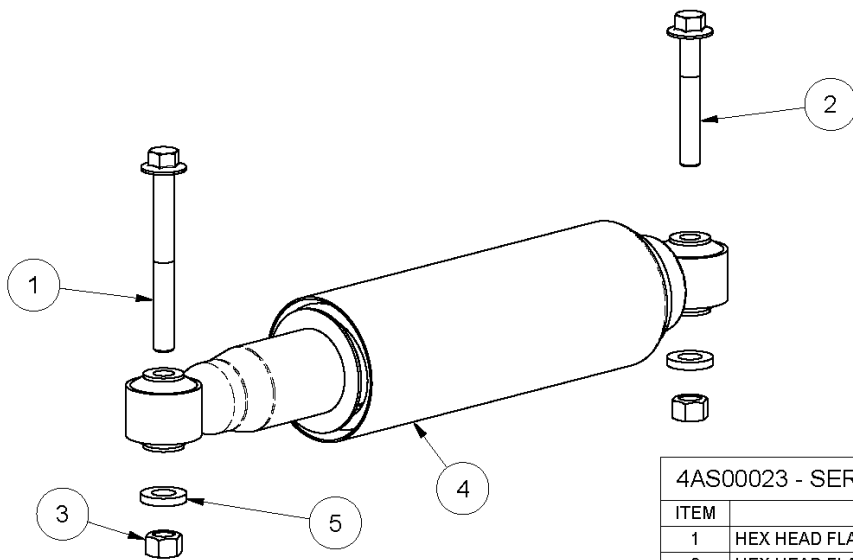




4AS00017 - SERVICE KIT - COMPLETE KINGPIN		
ITEM	DESCRIPTION	QTY
1	7/16 UNC HEX TOP LOCK FLANGE NUT, GRADE G	2
2	BEARING-THRUST	2
3	BUSHING-KNUCKLE	4
4	CAP-KING PIN	4
5	FITTING-GREASE, 1/8-27STR THD FORM	4
6	PIN-DRAW, LOCKING	2
7	PIN-KING, 13.5K (1.88)	2
8	SEAL-KNUCKLE	4
9	SHIM (.005)	2
10	SHIM (.010)	2
11	SHIM (.030)	2



4AS00022 - SERVICE KIT - STEERING STOP BOLT		
ITEM	DESCRIPTION	QTY
1	5/8 UNC HEX JAM NUT, GR 5	1
2	BOLT-STOP, STEERING, GEOMET	1

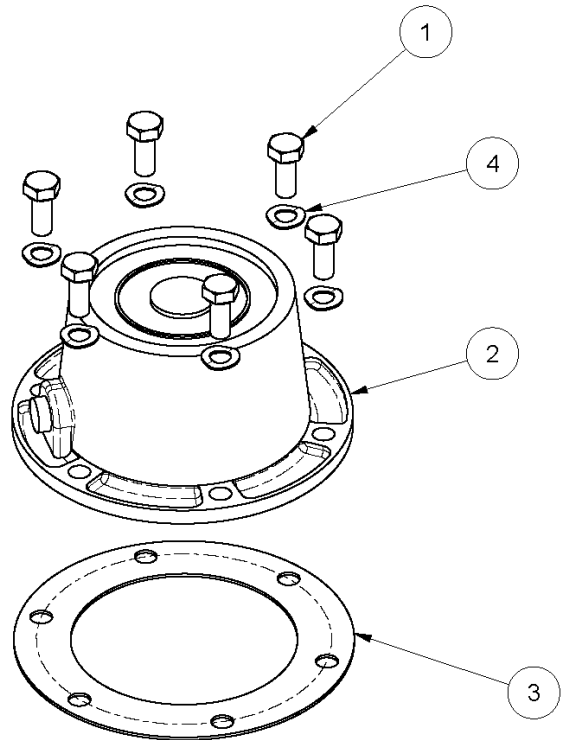


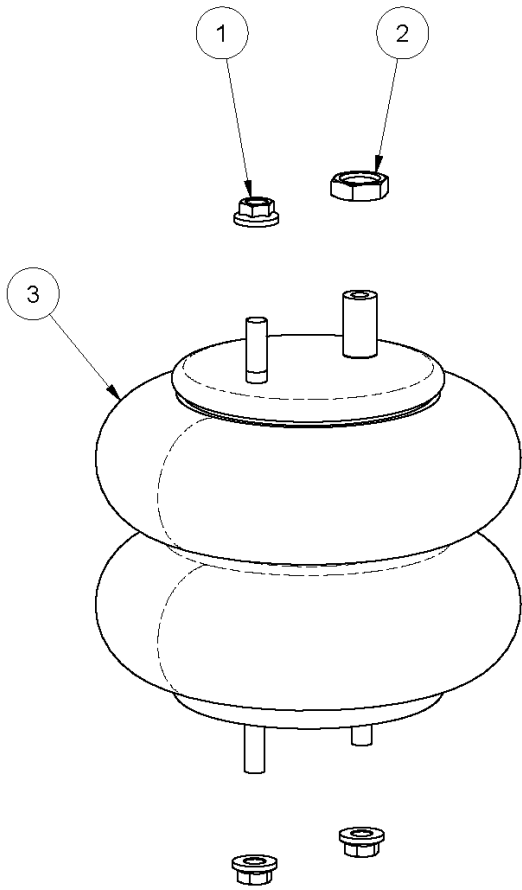
4AS00023 - SERVICE KIT - COMPLETE STEERING STABILIZER

ITEM	DESCRIPTION	QTY
1	HEX HEAD FLANGE SCREW, M12 X 1.75 X 110, CLASS 10.9	2
2	HEX HEAD FLANGE SCREW, M12 X 1.75 X 80, CLASS 10.9	2
3	HEX TOP LOCK NUT, M12 X 1.75, 10	4
4	SHOCK ABSORBER, WIDE BODY	2
5	WASHER-HARDENED, 12MM	4

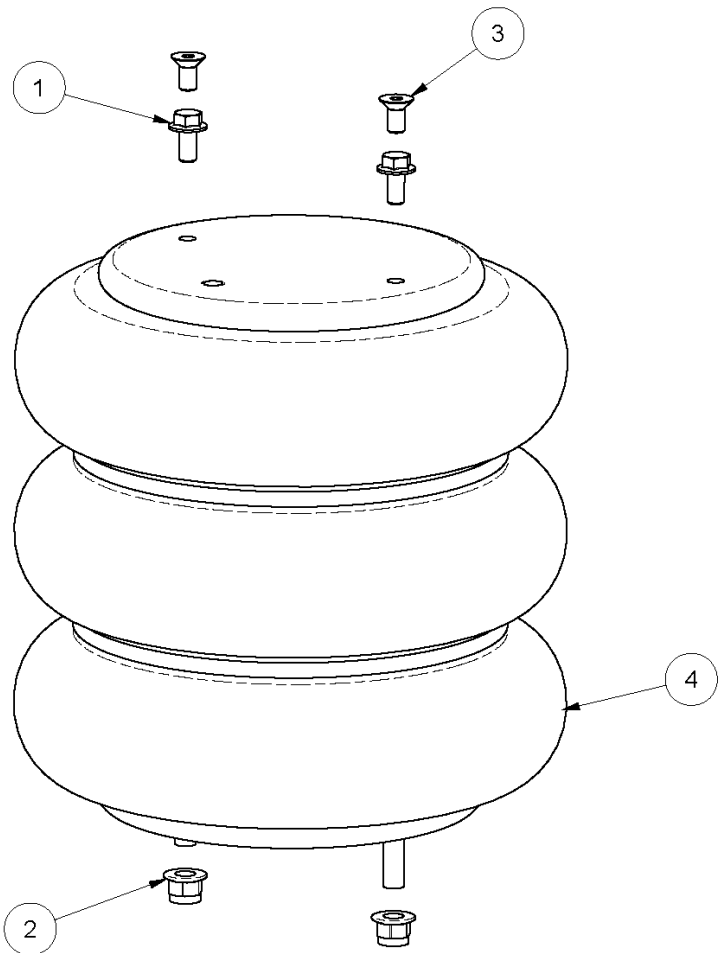
4AS00029 - SERVICE KIT - HUB CAP ASSEMBLY

ITEM	DESCRIPTION	QTY
1	5/16 X 7/8 UNC HEX CAP SCREW, GR 5	6
2	CAP-HUB, 6 HOLE, 4.5" B.C.	1
3	GASKET	1
4	WASHER-SPRING	6

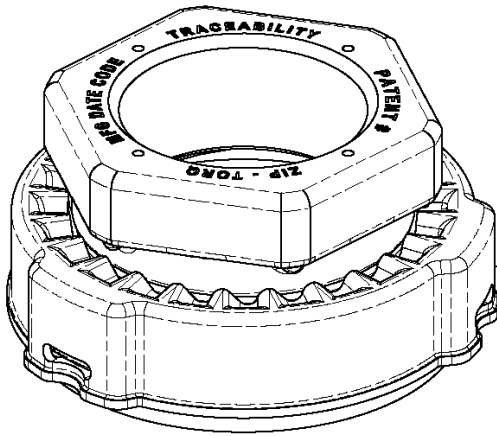




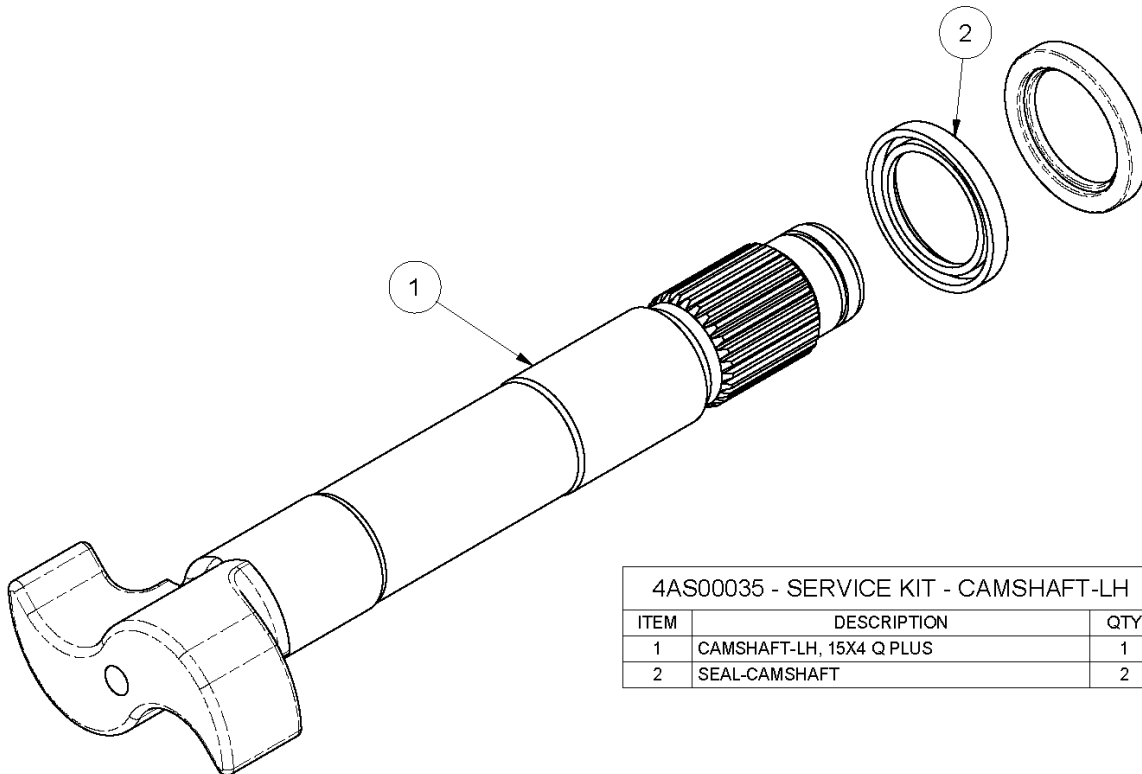
4AS00032 - SERVICE KIT - LIFT SPRING		
ITEM	DESCRIPTION	QTY
1	M12 X 1.75 SERRATED FLANGE NUT	3
2	M20 X 1.5 JAM NUT	1
3	SPRING-AIR	1



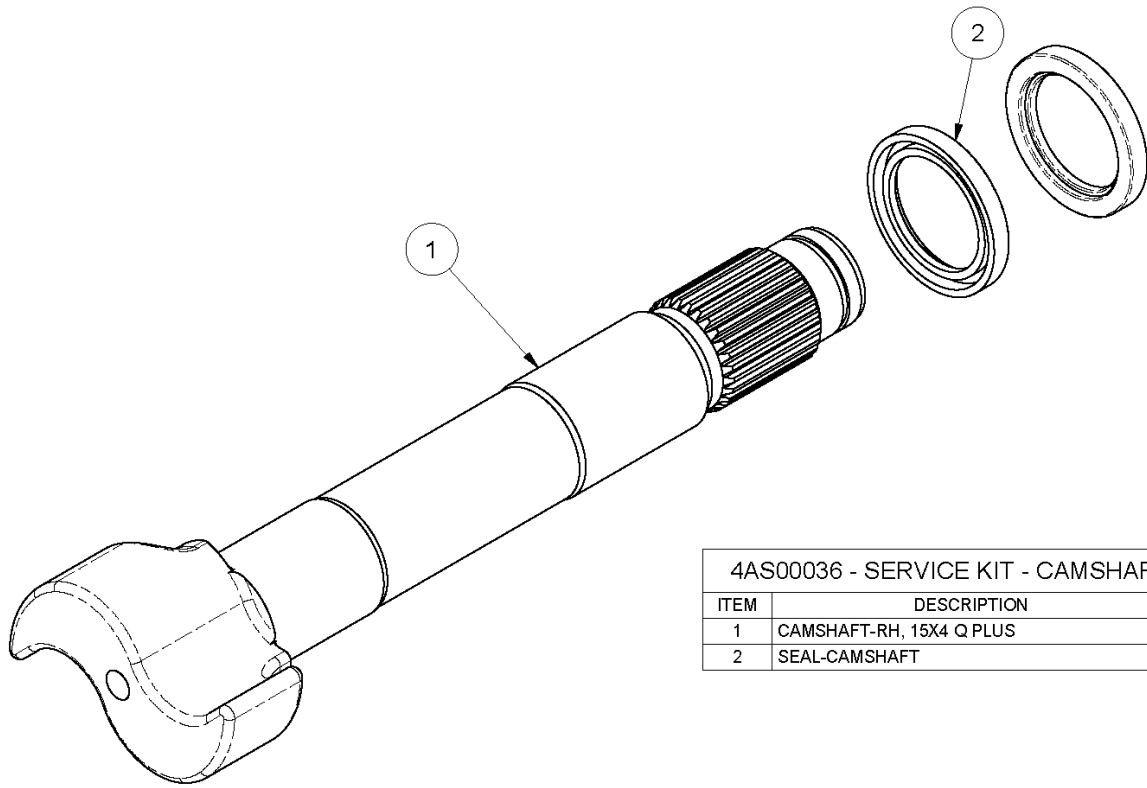
4AS00033 - SERVICE KIT - LOAD SPRING		
ITEM	DESCRIPTION	QTY
1	HEX HEAD FLANGE SCREW, M10 X 1.50 X 20, CLASS 10.9	2
2	M12 X 1.75 HEX FLANGE NYLOCK NUT (CLASS 8)	2
3	METRIC FLAT HEAD CAP SCREW, M10 X 1.50, CLASS 10.9	2
4	SPRING-AIR	1



4AS00034 - SERVICE KIT – NUT-ZIP-TORQ. 1.50-12		
ITEM	DESCRIPTION	QTY
1	NUT-ZIP-TORQ, 1.50-12	1

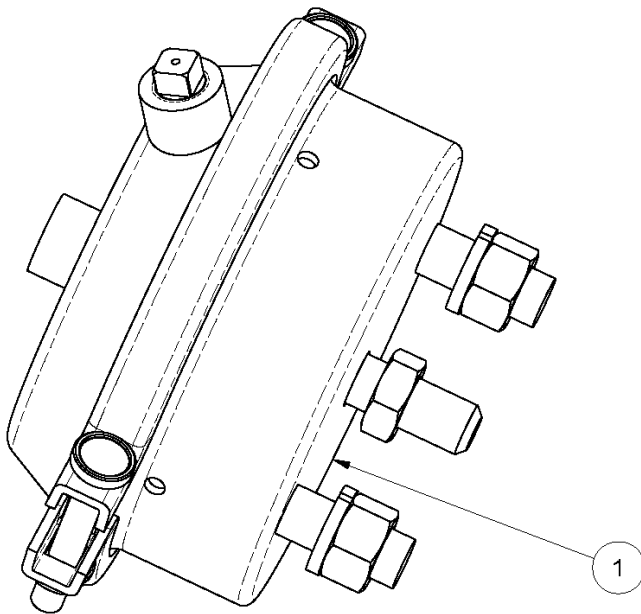


4AS00035 - SERVICE KIT - CAMSHAFT-LH		
ITEM	DESCRIPTION	QTY
1	CAMSHAFT-LH, 15X4 Q PLUS	1
2	SEAL-CAMSHAFT	2



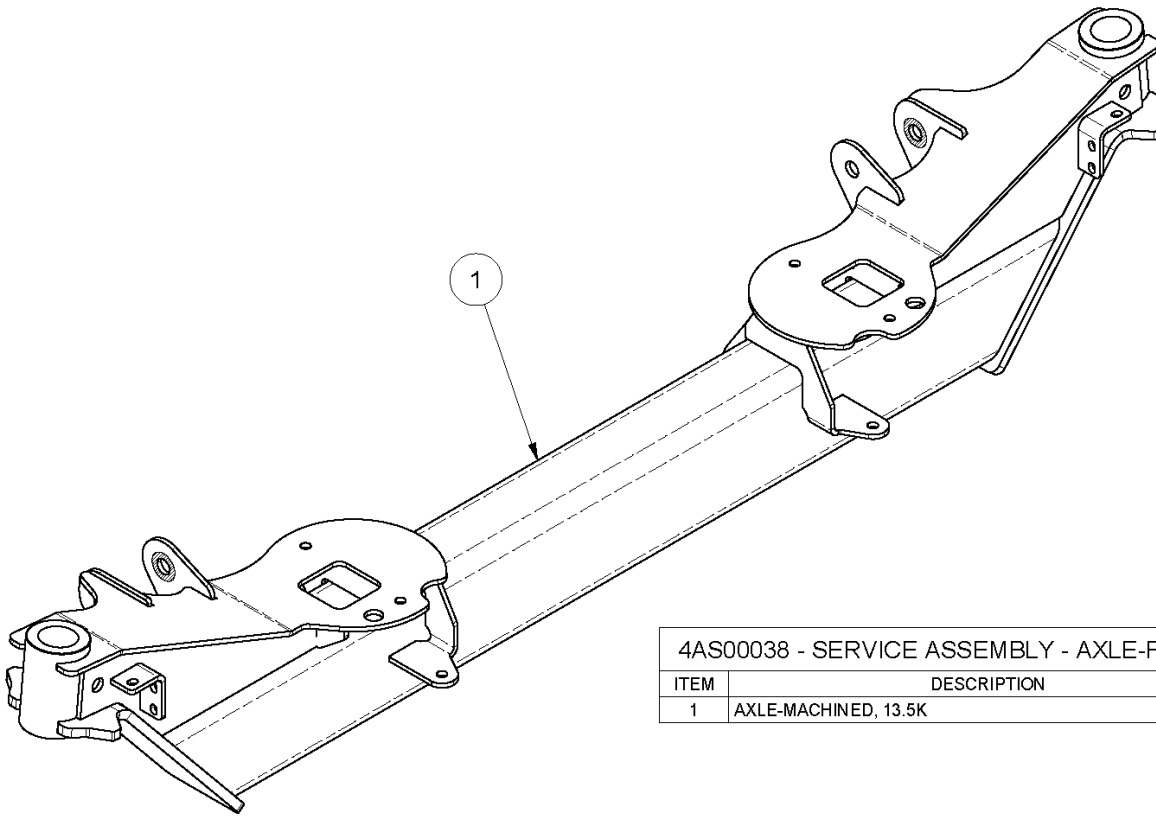
4AS00036 - SERVICE KIT - CAMSHAFT-RH

ITEM	DESCRIPTION	QTY
1	CAMSHAFT-RH, 15X4 Q PLUS	1
2	SEAL-CAMSHAFT	2

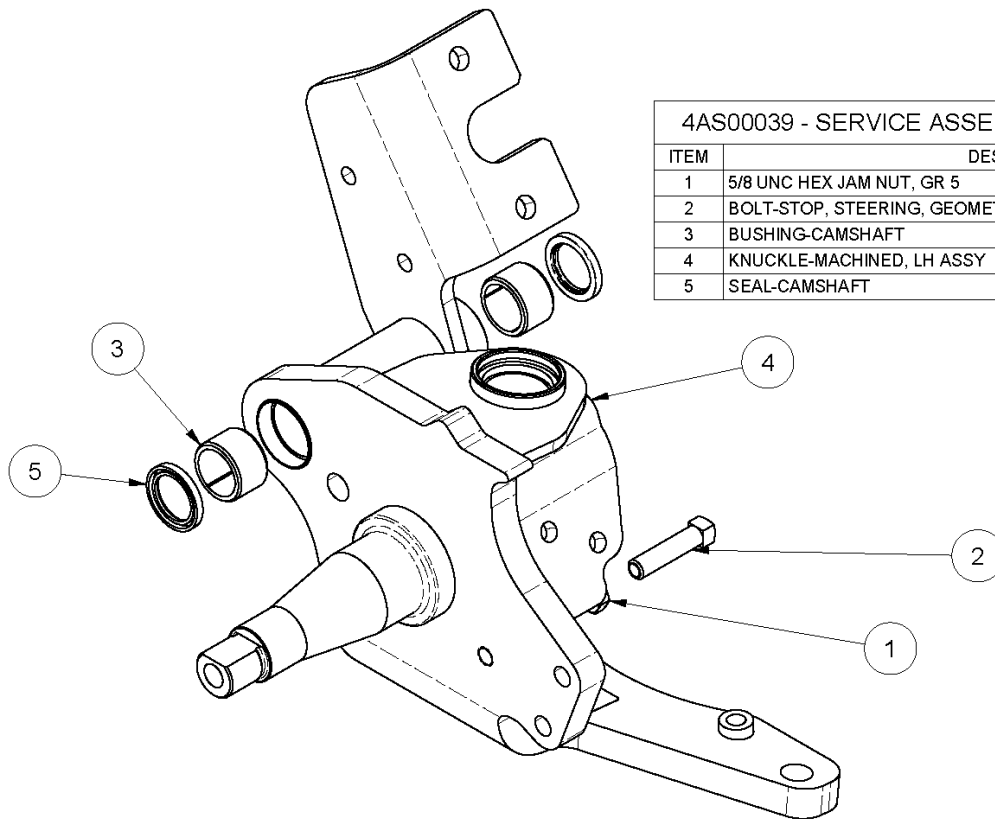


4AS00037 - SERVICE KIT - CHAMBER-BRAKE

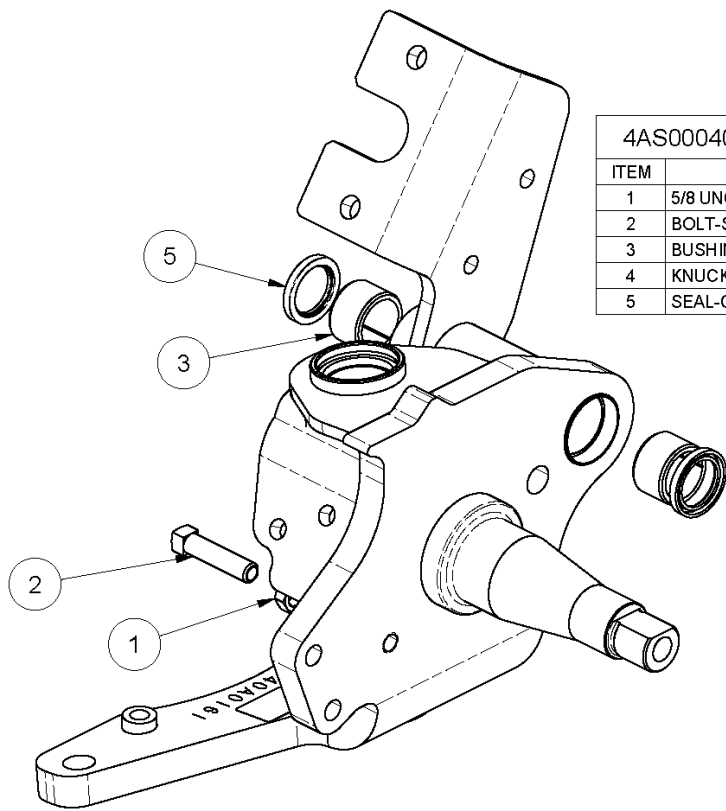
ITEM	DESCRIPTION	QTY
1	CHAMBER-BRAKE, TYPE 20	1



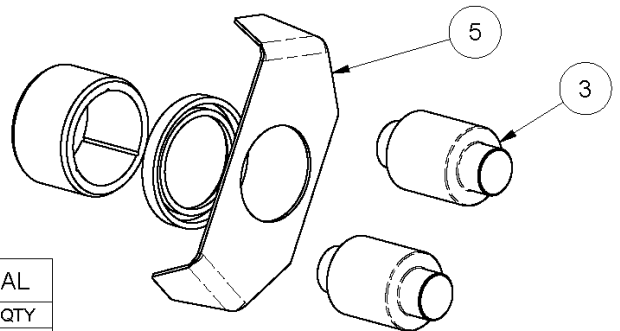
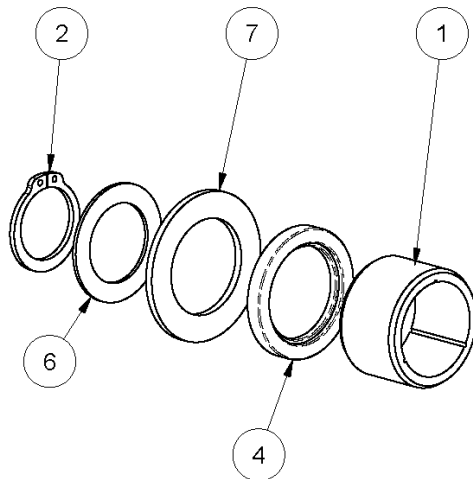
4AS00038 - SERVICE ASSEMBLY - AXLE-FABRICATED		
ITEM	DESCRIPTION	QTY
1	AXLE-MACHINED, 13.5K	1



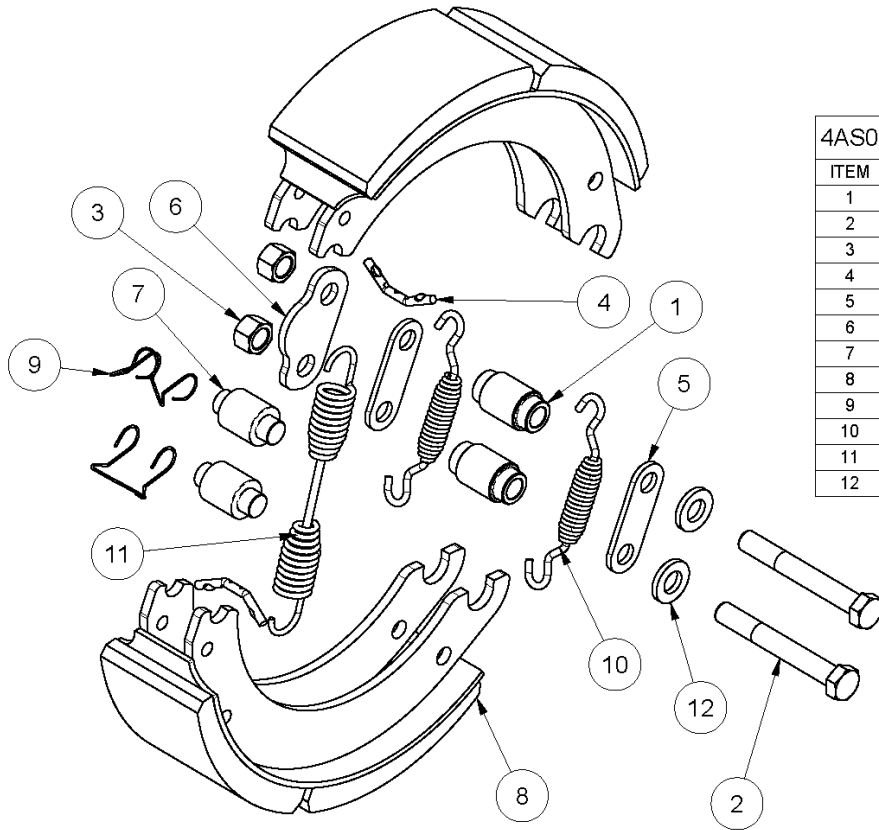
4AS00039 - SERVICE ASSEMBLY - KNUCKLE-MACHINED-LH		
ITEM	DESCRIPTION	QTY
1	5/8 UNC HEX JAM NUT, GR 5	1
2	BOLT-STOP, STEERING, GEOMET	1
3	BUSHING-CAMSHAFT	2
4	KNUCKLE-MACHINED, LH ASSY	1
5	SEAL-CAMSHAFT	2



4AS00040 - SERVICE ASSEMBLY - KNUCKLE-MACHINED-RH		
ITEM	DESCRIPTION	QTY
1	5/8 UNC HEX JAM NUT, GR 5	1
2	BOLT-STOP, STEERING, GEOMET	1
3	BUSHING-CAMSHAFT	2
4	KNUCKLE-MACHINED, RH ASSY	1
5	SEAL-CAMSHAFT	2



4AS00041 - SERVICE KIT - COMPLETE CAM BUSHING AND SEAL		
ITEM	DESCRIPTION	QTY
1	BUSHING-CAMSHAFT	4
2	RETAINING RING-CAMSHAFT	2
3	ROLLER-CAM	4
4	SEAL-CAMSHAFT	4
5	WASHER-CAM HEAD	2
6	WASHER-CAMSHAFT (1.88 X 1.26 X .06)	2
7	WASHER-CAMSHAFT (2.38 X 1.53 X .13)	2

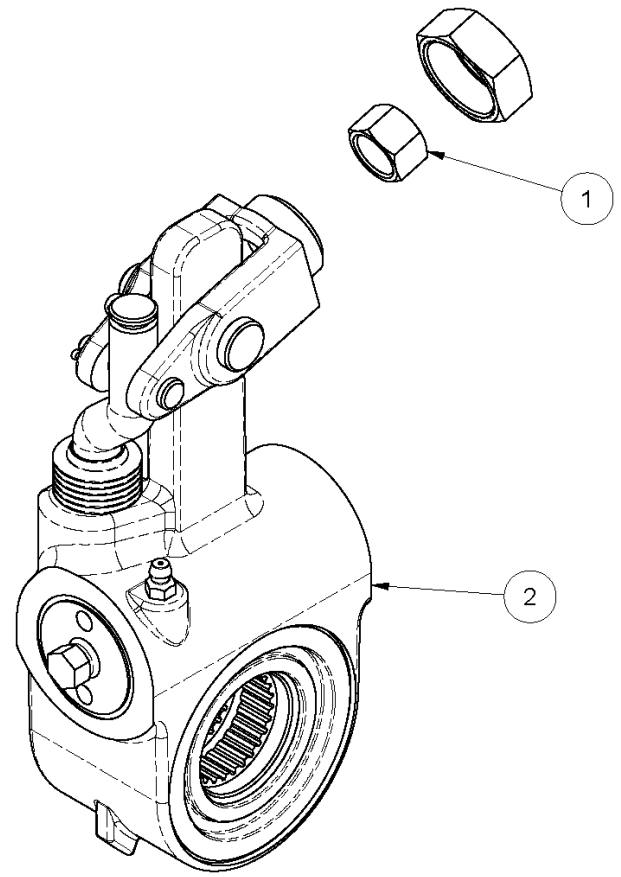


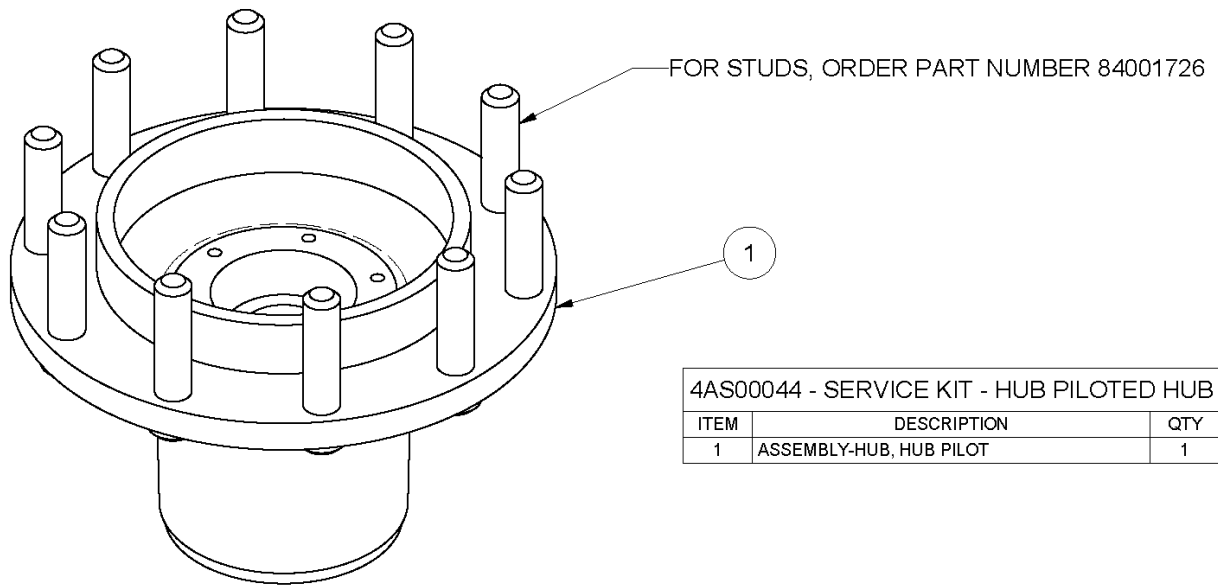
4AS00042 - SERVICE KIT - COMPLETE BRAKE

ITEM	DESCRIPTION	QTY
1	ANCHOR-BRAKE SHOE	4
2	HEX CAP SCREW, M16 X 2.0 X 120, 10.9	4
3	HEX TOP LOCK NUT, M16 X 2.0, 10	4
4	MOUNT BAR-SPRING	4
5	PLATE-ANCHOR	4
6	PLATE-PUSH, STEERING LOCK	2
7	ROLLER-CAM	4
8	SHOE-BRAKE, 15 X 4 Q PLUS	4
9	SPRING RETAINER-CAM	4
10	SPRING-RETAINER, SHOE	4
11	SPRING-RETURN, SHOE	2
12	WASHER-HARDENED, 16MM	4

4AS00043 - SERVICE KIT - SLACK ADJUSTER

ITEM	DESCRIPTION	QTY
1	KIT-CONNECTING, SLACK ADJUSTER	1
2	SLACK ADJUSTER-5.50	1



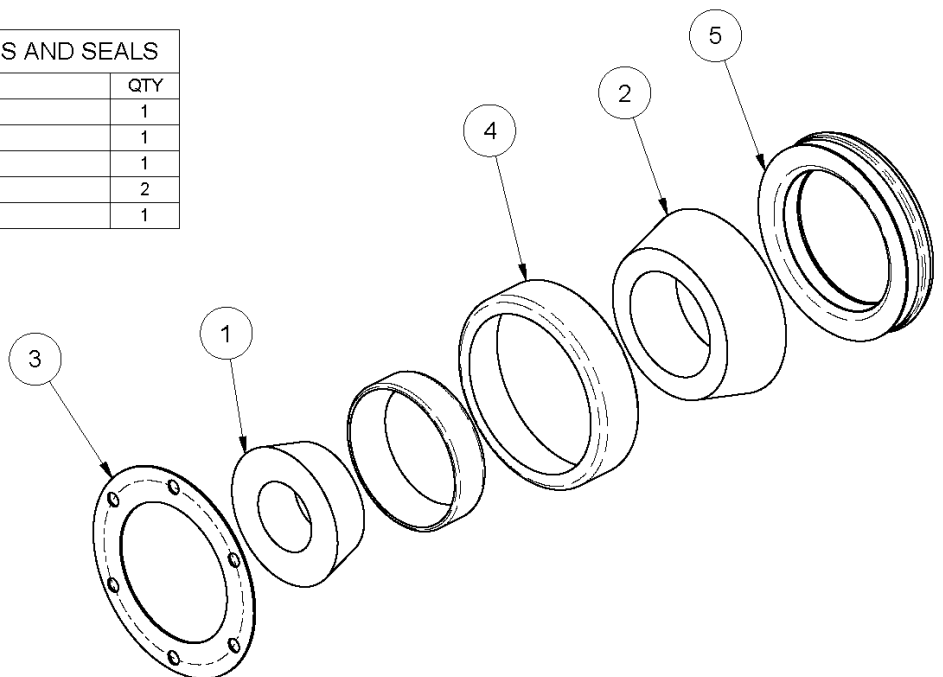


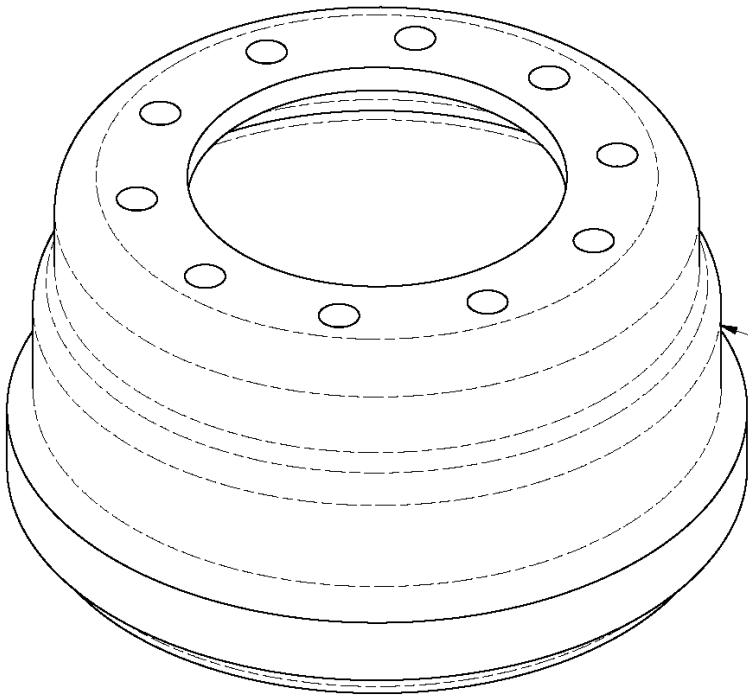
4AS00044 - SERVICE KIT - HUB PILOTED HUB

ITEM	DESCRIPTION	QTY
1	ASSEMBLY-HUB, HUB PILOT	1

4AS00045 - SERVICE KIT - BEARINGS AND SEALS

ITEM	DESCRIPTION	QTY
1	BEARING-INNER CONE - 44.45MM ID	1
2	BEARING-INNER CONE - 66.67MM ID	1
3	GASKET	1
4	ROLLER BEARING, CUP	2
5	SEAL-OIL	1

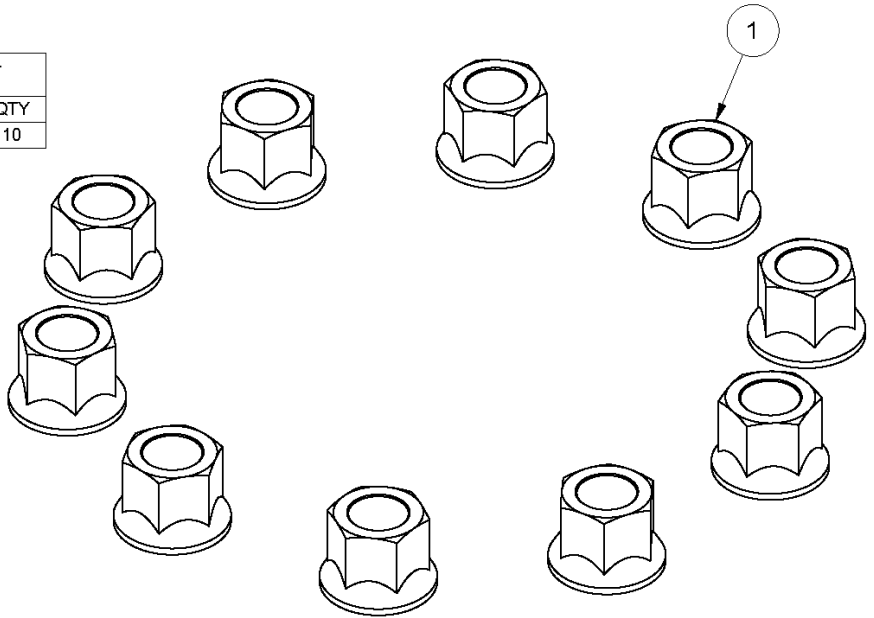




1

4AS00047 - SERVICE KIT - DRUM		
ITEM	DESCRIPTION	QTY
1	DRUM-BRAKE, 15 X 4	1

4AS00049 - SERVICE KIT - WHEEL NUT		
ITEM	DESCRIPTION	QTY
1	NUT-FLANGE, M22 X 1.5	10



1

Wherever possible, Link Manufacturing, LTD encourages the use of best practices in the industry in service and support of the products it manufactures. Many of these recommended practices that Link Manufacturing, LTD supports can be found in documentation compiled by The Technology & Maintenance Council (TMC). To obtain copies of the following Recommend Practice (RP's), contact TMC at

TMC/ATA Phone: 703-838-1763
2200 Mill Road Website: tmc.truckline.com
Alexandria, VA 22314 Online ordering: www.truckline.com/store

TMC RP 222C	User's Guide to Wheels and Rims
TMC RP 607B	Preventative Maintenance and Inspection of S-Cam Foundation Brakes
TMC RP 608B	Brake Drums and Rotors
TMC RP 609B	Self Adjusting and Manual Brake Adjuster Removal, Installation, and Maintenance
TMC RP 618A	Wheel Bearing Adjustment Procedure
TMC RP 622A	Wheel Seal and Bearing Removal, Installation, and Maintenance
TMC RP 631B	Recommendations For Wheel End Lubrication
TMC RP 644A	Wheel End Conditions Analysis Guide
TMC RP 645	Tie Rod End Inspection and Maintenance Procedure
TMC RP 648	Troubleshooting Ride Complaints
TMC RP 651	Steer Axle Maintenance Guidelines
TMC RP 1503	Brake Maintenance Guidelines for Severe Vocational Applications
TMC RP 1515	Auxiliary Axle Maintenance Guidelines For Vocational Vehicles



LINK MANUFACTURING, LTD.
223 15TH ST. NE, SIOUX CENTER, IA 51250
1-800-222-6283 www.linkmfg.com