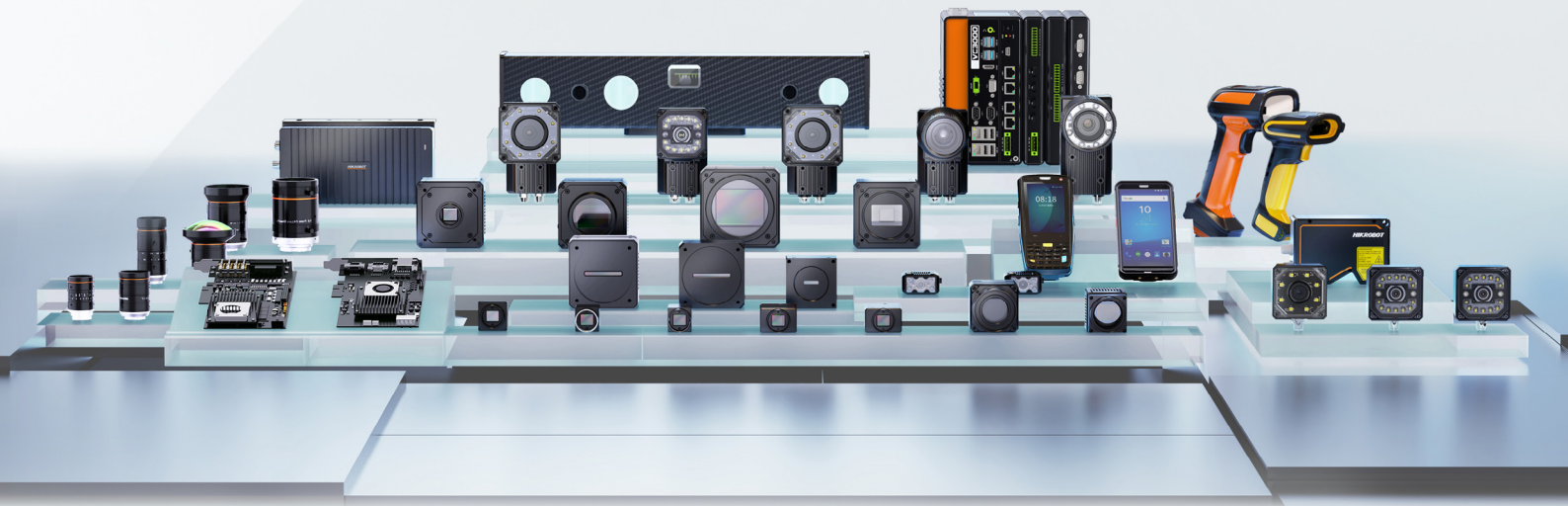


Vision for Imagination

# MACHINE VISION PRODUCT CATALOG



# CONTENTS

Company Profile -----	5
-----------------------	---

## Product Description

### Area Scan Camera

CS Series GigE Area Scan Camera -----	6
CS Series USB3.0 Area Scan Camera -----	10
CU Series GigE Area Scan Camera -----	12
CU Series USB3.0 Area Scan Camera -----	14
CH Series GigE Area Scan Camera -----	16
CH Series USB3.0 Area Scan Camera -----	18
CH Series 10GigE Area Scan Camera -----	20
CH Series Camera Link Area Scan Camera -----	22
CH Series CoaXPress Area Scan Camera -----	24

### Line Scan Camera

CL Series GigE Line Scan Camera -----	28
CL Series Camera Link Line Scan Camera -----	30

### Board Level Camera

CB Series GigE Board Level Camera -----	32
CB Series USB3.0 Board Level Camera -----	34

### Industrial Infrared Camera -----

36

### Smart Camera

SC2000E Series Vision Sensor -----	38
SC3000 Series Vision Sensor -----	40
SC5000 Series Smart Camera -----	42
SC7000P Series Smart Camera -----	46

### Smart Code Reader

ID2000 Series Smart Code Reader -----	50
ID3000 Series Smart Code Reader -----	54
ID5000 Series Smart Code Reader -----	56
ID6000 Series Logistics Code Reader -----	58
ID7000 Series Logistics Code Reader -----	60
PD Series Logistics Code Reader -----	62
IDH Series Handheld Smart Code Reader -----	64

### 3D Camera

Line Laser 3D Camera -----	66
RGB-D smart stereo camera -----	68

### Vision Controller

VB2000 Series Vision Controller -----	70
VC2000 Series Vision Controller -----	72
VC3000 Series Vision Controller -----	74

### Frame Grabber -----

78

### Lens

HF-E Series (1/1.8" 6MP) -----	84
HF-P Series (1/1.8" 10MP) -----	86
MF Series (2/3" 8MP) -----	88
KF-E Series (1.1" 12MP) -----	90
KF-P Series (1.2" 25MP) -----	92
LF Series (Large Image Circle Lens) -----	94

### Lighting

Ring-Type Lighting -----	96
Bar-Type Lighting -----	104
Linescan-Type Lighting -----	108
Dot-Type Lighting -----	112
Light Controller -----	114

### Cable

Data Cable -----	118
Camera Power Supply & IO Line -----	118

### Industrial Camera Client and

### Software Development Kit -----

120

### VM Algorithm Development Platform -----

121

### CodePlatform -----

125





## Hangzhou Hikrobot Co., Ltd.

Hikrobot is a global product and solution supplier specialized in machine vision and mobile robot. Focusing on IIoT, smart logistics and smart manufacturing, we build open cooperation ecosystem, provide service to industry and logistics customers, and commit to continuously promoting the intelligentization and leading the intelligent manufacturing process.

### Machine Vision

With efforts in industrial vision sensing application and hardware technology, the company provides customers with leading machine vision products. The products cover industrial camera, lens, vision box, industrial smart camera and related accessory.

Through rigorous EMC, safety and reliability tests, Hikrobot guarantees the high precision, high efficiency and high environmental performance of each product. The machine vision products are widely used in industrial automation sectors such as consumer electronics, semiconductors and logistics, as a part of the vision applications like positioning guidance, measurement, quality inspection, code reading, OCR, etc. They help users to greatly improve productivity, accuracy and stability.

# Area Scan Camera

## CS Series GigE Area Scan Camera

### Key Features

- Second-generation industrial camera, excellent power consumption design.
- A new generation of appearance structure design, support four-sided installation, higher installation accuracy.
- PRO version is embedded with rich functions such as lossless compression, noise reduction, super palette, etc.
- GigE interface, with maximum transmission distance up to 100m (without relay).
- Compatible with GigE Vision V2.0 protocol and GenICam standard, and the third-party software.
- CE, FCC, RoHS, KC certification.



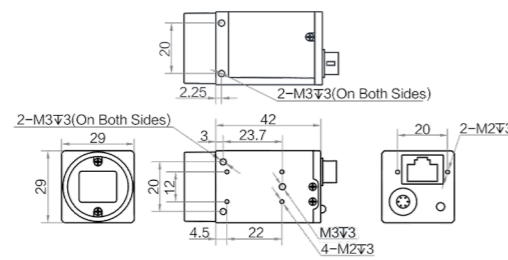
### Specifications

Model	Sensor model	Sensor type	Sensor size	Pixel size	Shutter mode	Resolution	Max. frame rate	ADC bit depth	Mono/color	Exposure time	Data interface	Power supply	Power consumption	Lens mount	Working temperature	Dimension
MV-CS004-106M	IMX297	CMOS	1/2.9"	6.9 μm	Global	720 × 540	125.2 fps	10	Mono	USE: 1 μs-14 μs NE: 15 μs-10 sec	GigE	9-24 VDC,PoE	Typ. 2.2 W@12 VDC	C	-30-60°C	29 mm × 29 mm × 42 mm
MV-CS004-106C	IMX297	CMOS	1/2.9"	6.9 μm	Global	720 × 540	125.2 fps	10	Color	USE: 1 μs-14 μs NE: 15 μs-10 sec	GigE	9-24 VDC,PoE	Typ. 2.5 W@12 VDC	C	-30-60°C	29 mm × 29 mm × 42 mm
MV-CS004-116M	IMX287	CMOS	1/2.9"	6.9 μm	Global	720 × 540	312.9 fps	12	Mono	NE: 1 μs -10 sec	GigE	9-24 VDC,PoE	Typ. 2.2 W@12 VDC	C	-30-60°C	29 mm × 29 mm × 42 mm
MV-CS004-116C	IMX287	CMOS	1/2.9"	6.9 μm	Global	720 × 540	312.9 fps	12	Color	NE: 1 μs -10 sec	GigE	9-24 VDC,PoE	Typ. 2.4 W@12 VDC	C	-30-60°C	29 mm × 29 mm × 42 mm
MV-CS016-106M	IMX296	CMOS	1/2.9"	3.45 μm	Global	1440 × 1080	65.2 fps	10	Mono	USE: 1 μs-14 μs NE: 15 μs-10 sec	GigE	9-24 VDC,PoE	Typ. 2.4 W@12 VDC	C	-30-60°C	29 mm × 29 mm × 42 mm
MV-CS016-106C	IMX296	CMOS	1/2.9"	3.45 μm	Global	1440 × 1080	65.2 fps	10	Color	USE: 1 μs-14 μs NE: 15 μs-10 sec	GigE	9-24 VDC,PoE	Typ. 2.5 W@12 VDC	C	-30-60°C	29 mm × 29 mm × 42 mm
MV-CS017-106M *	IMX432	CMOS	1.1"	9 μm	Global	1608 × 1104	68.5 fps	12	Mono	USE:1 μs-5 μs NE:6 μs-10 sec	GigE	9-24 VDC,PoE	Typ. 3.36 W@12 VDC	C	-30-60°C	44 mm × 29 mm × 59 mm
MV-CS017-106C *	IMX432	CMOS	1.1"	9 μm	Global	1608 × 1104	68.5 fps	12	Color	USE:1 μs-5 μs NE:6 μs-10 sec	GigE	9-24 VDC,PoE	Typ. 3.84 W@12 VDC	C	-30-60°C	44 mm × 29 mm × 59 mm
MV-CS020-106M	IMX430	CMOS	1/1.7"	4.5 μm	Global	1624 × 1240	60 fps	12	Mono	USE:1 μs-5 μs NE:6 μs-10 sec	GigE	9-24 VDC,PoE	Typ. 2.8 W@12 VDC	C	-30-60°C	29 mm × 29 mm × 42 mm
MV-CS020-106C	IMX430	CMOS	1/1.7"	4.5 μm	Global	1624 × 1240	60 fps	12	Color	USE:1 μs-5 μs NE:6 μs-10 sec	GigE	9-24 VDC,PoE	Typ. 3.0 W@12 VDC	C	-30-60°C	29 mm × 29 mm × 42 mm
MV-CS020-116M	Sony	CMOS	1/1.7"	4.5 μm	Global	1624 × 1240	39.9 fps	12	Mono	USE: 1 μs-14 μs NE: 15 μs-10 sec	GigE	9-24 VDC,PoE	Typ. 2.4 W@12 VDC	C	-30-60°C	29 mm × 29 mm × 42 mm
MV-CS020-216M	OnSemi	CMOS	2/3"	4.5 μm	Global	1920 × 1200	51.3 fps	12	Mono	USE: 9 μs-59 μs NE: 60 μs-10 sec	GigE	9-24 VDC,PoE	Typ. 2.76 W@12 VDC	C	-30-60°C	29 mm × 29 mm × 42 mm
MV-CS023-106M *	IMX249	CMOS	1/1.2"	5.86 μm	Global	1920 × 1200	41 fps	12	Mono	NE: 34 μs-10 sec	GigE	9-24 VDC,PoE	Typ. 2.32 W@12 VDC	C	-30-60°C	29 mm × 29 mm × 42 mm
MV-CS023-106C *	IMX249	CMOS	1/1.2"	5.86 μm	Global	1920 × 1200	41 fps	12	Color	NE: 34 μs-10 sec	GigE	9-24 VDC,PoE	Typ. 2.48 W@12 VDC	C	-30-60°C	29 mm × 29 mm × 42 mm
MV-CS032-106M *	IMX265	CMOS	1/1.8"	3.45 μm	Global	2048 × 1536	37.5 fps	12	Mono	USE:1 μs-14 μs NE:15 μs-10 sec	GigE	9-24 VDC,PoE	Typ. 2.56 W@12 VDC	C	-30-60°C	29 mm × 29 mm × 42 mm

Model	Sensor model	Sensor type	Sensor size	Pixel size	Shutter mode	Resolution	Max. frame rate	ADC bit depth	Mono/color	Exposure time	Data interface	Power supply	Power consumption	Lens mount	Working temperature	Dimension
MV-CS032-106C *	IMX265	CMOS	1/1.8"	3.45 μm	Global	2048 × 1536	37.5 fps	12	Color	USE:1 μs-14 μs NE:15 μs-10 sec	GigE	9-24 VDC,PoE	Typ. 2.8 W@12 VDC	C	-30-60°C	29 mm × 29 mm × 42 mm
MV-CS050-106M	IMX264	CMOS	2/3"	3.45 μm	Global	2448 × 2048	24.2 fps	12	Mono	USE: 1 μs-14 μs NE: 15 μs-10 sec	GigE	9-24 VDC,PoE	Typ. 2.6 W@12 VDC	C	-30-60°C	29 mm × 29 mm × 42 mm
MV-CS050-106C	IMX264	CMOS	2/3"	3.45 μm	Global	2448 × 2048	24.2 fps	12	Color	USE: 1 μs-14 μs NE: 15 μs-10 sec	GigE	9-24 VDC,PoE	Typ. 2.9 W@12 VDC	C	-30-60°C	29 mm × 29 mm × 42 mm
MV-CS050-106M-PRO	IMX264	CMOS	2/3"	3.45 μm	Global	2448 × 2048	35.6 fps	12	Mono	USE: 1 μs-14 μs NE: 15 μs-10 sec	GigE	9-24 VDC,PoE	Typ. 2.6 W@12 VDC	C	-30-60°C	29 mm × 29 mm × 42 mm
MV-CS050-106C-PRO	IMX264	CMOS	2/3"	3.45 μm	Global	2448 × 2048	35.6 fps	12	Color	USE: 1 μs-14 μs NE: 15 μs-10 sec	GigE	9-24 VDC,PoE	Typ. 2.9 W@12 VDC	C	-30-60°C	29 mm × 29 mm × 42 mm
MV-CS050-206M	XGS5000	CMOS	2/3"	3.2 μm	Global	2592 × 2048	22.7fps	12	Mono	USE: 23 μs-99 μs NE: 100 μs-10 sec	GigE	9-24 VDC,PoE	Typ. 2.5 W@12 VDC	C	-30-60°C	29 mm × 29 mm × 42 mm
MV-CS050-206C	XGS5000	CMOS	2/3"	3.2 μm	Global	2592 × 2048	22.7fps	12	Color	USE: 23 μs-99 μs NE: 100 μs-10 sec	GigE	9-24 VDC,PoE	Typ. 2.7 W@12 VDC	C	-30-60°C	29 mm × 29 mm × 42 mm
MV-CS060-106M	IMX178	CMOS	1/1.8"	2.4 μm	Rolling	3072 × 2048	19.1 fps	12	Mono	NE: 25 μs-2.5 sec	GigE	9-24 VDC,PoE	Typ. 2.4 W@12 VDC	C	-30-60°C	29 mm × 29 mm × 42 mm
MV-CS060-106C	IMX178	CMOS	1/1.8"	2.4 μm	Rolling	3072 × 2048	19.1 fps	12	Color	NE: 25 μs-2.5 sec	GigE	9-24 VDC,PoE	Typ. 2.5 W@12 VDC	C	-30-60°C	29 mm × 29 mm × 42 mm
MV-CS060-106M-PRO	IMX178	CMOS	1/1.8"	2.4 μm	Rolling	3072 × 2048	30.7 fps	12	Mono	NE: 25 μs-2.5 sec	GigE	9-24 VDC,PoE	Typ. 2.4 W@12 VDC	C	-30-60°C	29 mm × 29 mm × 42 mm
MV-CS060-106C-PRO	IMX178	CMOS	1/1.8"	2.4 μm	Rolling	3072 × 2048	30.7 fps	12	Color	NE: 25 μs-2.5 sec	GigE	9-24 VDC,PoE	Typ. 2.5 W@12 VDC	C	-30-60°C	29 mm × 29 mm × 42 mm
MV-CS200-106M	IMX183	CMOS	1"	2.4 μm	Rolling	5472 × 3648	5.9 fps	10	Mono	NE: 46 μs-2.5 sec	GigE	9-24 VDC,PoE	Typ. 2.4 W@12 VDC	C	-30-60°C	29 mm × 29 mm × 42 mm
MV-CS200-106C	IMX183	CMOS	1"	2.4 μm	Rolling	5472 × 3648	5.9 fps	10	Color	NE: 46 μs-2.5 sec	GigE	9-24 VDC,PoE	Typ. 2.5 W@12 VDC	C	-30-60°C	29 mm × 29 mm × 42 mm

Notice: \* will be released soon, please consult details with sales representative  
 USE:Ultra-short exposure mode  
 NE:Normal exposure mode

## Dimension



Unit:mm



# CS Series USB3.0 Area Scan Camera

## Key Features

- Second-generation industrial camera, excellent power consumption design.
- A new generation of appearance structure design, support four-sided installation, higher installation accuracy.
- PRO version is embedded with rich functions such as lossless compression, noise reduction, super palette, etc.
- USB 3.0 interface, support USB power supply, body lock screw holes to improve installation stability.
- Compatible with USB3 Vision protocol and GenICam standard, and the third-party software.
- CE, FCC, RoHS, KC certification.

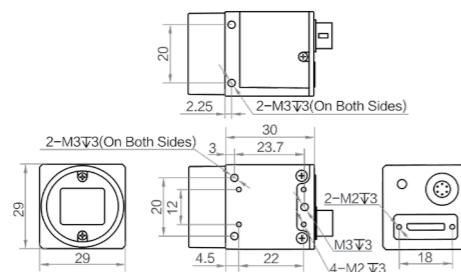


## Specifications

Model	Sensor model	Sensor type	Sensor size	Pixel size	Shutter mode	Resolution	Max. frame rate	ADC bit depth	Mono/color	Exposure time	Data interface	Power supply	Power consumption	Lens mount	Working temperature	Dimension
MV-CS004-10UM	IMX287	CMOS	1/2.9"	6.9 μm	Global	720 × 540	526.5 fps	8/12	Mono	USE: 1 μs~14 μs NE: 15 μs~10 sec	USB3.0	9-24 VDC,USB3.0	Typ. 2.4 W@5 VDC	C	-30~60°C	29 mm × 29 mm × 30 mm
MV-CS004-10UC	IMX287	CMOS	1/2.9"	6.9 μm	Global	720 × 540	526.5 fps	8/12	Color	USE: 1 μs~14 μs NE: 15 μs~10 sec	USB3.0	9-24 VDC,USB3.0	Typ. 2.6 W@5 VDC	C	-30~60°C	29 mm × 29 mm × 30 mm
MV-CS016-10UM	IMX273	CMOS	1/2.9"	3.45 μm	Global	1440 × 1080	249.1 fps	8/12	Mono	USE: 1 μs~14 μs NE: 15 μs~10 sec	USB3.0	9-24 VDC,USB3.0	Typ. 3.0 W @5 VDC	C	-30~60°C	29 mm × 29 mm × 30 mm
MV-CS016-10UC	IMX273	CMOS	1/2.9"	3.45 μm	Global	1440 × 1080	249.1 fps	8/12	Color	USE: 1 μs~14 μs NE: 15 μs~10 sec	USB3.0	9-24 VDC,USB3.0	Typ. 3.3 W @5 VDC	C	-30~60°C	29 mm × 29 mm × 30 mm
MV-CS020-10UM *	IMX430	CMOS	1/1.7"	4.5 μm	Global	1624 × 1240	89.1 fps	12	Mono	NE: 1 μs~10 sec	USB3.0	9-24 VDC,USB3.0	Typ. 2.56 W@5 VDC	C	-30~60°C	29 mm × 29 mm × 30 mm
MV-CS020-10UC *	IMX430	CMOS	1/1.7"	4.5 μm	Global	1624 × 1240	89.1 fps	12	Color	NE: 1 μs~10 sec	USB3.0	9-24 VDC,USB3.0	Typ. 3.12 W@5 VDC	C	-30~60°C	29 mm × 29 mm × 30 mm
MV-CS023-10UM *	IMX249	CMOS	1/1.2"	5.86 μm	Global	1920 × 1200	41 fps	12	Mono	NE: 34 μs~10 sec	USB3.0	9-24 VDC,USB3.0	Typ. 2 W@5 VDC	C	-30~60°C	29 mm × 29 mm × 30 mm
MV-CS023-10UC *	IMX249	CMOS	1/1.2"	5.86 μm	Global	1920 × 1200	40 fps	12	Color	NE: 34 μs~10 sec	USB3.0	9-24 VDC,USB3.0	Typ. 2 W@5 VDC	C	-30~60°C	29 mm × 29 mm × 30 mm
MV-CS028-10UM	IMX421	CMOS	2/3"	4.5 μm	Global	1936 × 1464	132.2 fps	8/12	Mono	USE: 1 μs ~ 5 μs NE: 6 μs ~ 10 sec	USB3.0	9-24 VDC,USB3.0	Typ. 2.8 W@5 VDC	C	-30~60°C	29 mm × 29 mm × 30 mm
MV-CS050-10UM	IMX264	CMOS	2/3"	3.45 μm	Global	2448 × 2048	60 fps	12	Mono	USE:1 μs~14 μs NE:15 μs~10 sec	USB3.0	9-24 VDC,USB3.0	Typ. 2.8 W@5 VDC	C	-30~60°C	29 mm × 29 mm × 30 mm
MV-CS050-10UC	IMX264	CMOS	2/3"	3.45 μm	Global	2448 × 2048	60 fps	12	Color	USE:1 μs~14 μs NE:15 μs~10 sec	USB3.0	9-24 VDC,USB3.0	Typ. 2.8 W@5 VDC	C	-30~60°C	29 mm × 29 mm × 30 mm
MV-CS050-60UM	HK	CMOS	1/2.5"	2.2 μm	Rolling	2592 × 1944	44.7 fps	10	Mono	NE: 8 us~1 sec	USB3.0	9-24 VDC,USB3.0	Typ. 2.6 W @5 VDC	C	-30~60°C	29 mm × 29 mm × 30 mm
MV-CS060-10UM-PRO	IMX178	CMOS	1/1.8"	2.4 μm	Rolling	3072 × 2048	59.6 fps	10	Mono	NE: 8 us~1 sec	USB3.0	9-24 VDC,USB3.0	Typ. 2.3 W@5 VDC	C	-30~60°C	29 mm × 29 mm × 30 mm
MV-CS060-10UC-PRO	IMX178	CMOS	1/1.8"	2.4 μm	Rolling	3072 × 2048	59.6 fps	10	Color	NE: 8 us~1 sec	USB3.0	9-24 VDC,USB3.0	Typ. 2.5 W@5 VDC	C	-30~60°C	29 mm × 29 mm × 30 mm
MV-CS200-10UM	IMX183	CMOS	1"	2.4 μm	Rolling	5472 × 3648	19.2 fps	10	Mono	NE: 28 μs ~ 0.7 sec	USB3.0	9-24 VDC,USB3.0	Typ. 2.27 W@5 VDC	C	-30~60°C	29 mm × 29 mm × 30 mm
MV-CS200-10UC	IMX183	CMOS	1"	2.4 μm	Rolling	5472 × 3648	19.2 fps	10	Color	NE: 28 μs ~ 0.62sec	USB3.0	9-24 VDC,USB3.0	Typ. 2.27 W@5 VDC	C	-30~60°C	29 mm × 29 mm × 30 mm

Notice: \* will be released soon, please consult details with sales representative  
 USE:Ultra-short exposure mode  
 NE:Normal exposure mode

## Dimension



Unit:mm

# CU Series GigE Area Scan Camera



## Key Features

- Low power consumption, stable performance, optional PoE power supply.
- Support software trigger, hardware trigger and free run.
- GigE interface, with maximum transmission distance up to 100m (without relay).
- Compatible with GigE Vision V2.0 protocol and GenICam standard, and the third-party software.
- CE, FCC, RoHS, KC certification.

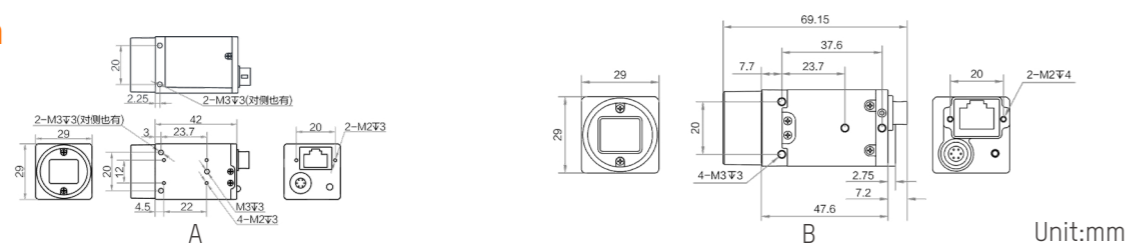


## Specifications

Model	Sensor model	Sensor type	Sensor size	Pixel size	Shutter mode	Resolution	Max. frame rate	ADC bit depth	Mono/color	Exposure time	Data interface	Power supply	Power consumption	Lens mount	Working temperature	Dimension	Label
MV-CU004-106M	IMX297	CMOS	1/2.9"	6.9 μm	Global	720 × 540	126.5 fps	10	Mono	USE: 1 μs-14 μs NE: 15 μs-10 sec	GigE	9-24 VDC	Typ. 2 W@12 VDC	C	0-50°C	29 mm × 29 mm × 42 mm	A
MV-CU004-106C	IMX297	CMOS	1/2.9"	6.9 μm	Global	720 × 540	126.5 fps	10	Color	USE: 1 μs-14 μs NE: 15 μs-10 sec	GigE	9-24 VDC	Typ. 2 W@12 VDC	C	0-50°C	29 mm × 29 mm × 42 mm	A
MV-CU013-806M	SS	CMOS	1/2.7"	4.0 μm	Global	1280 × 1024	89.9 fps	10	Mono	NE: 31 μs-1 sec	GigE	9-24 VDC	Typ. 1.92 W@12 VDC	C	0-50°C	29 mm × 29 mm × 42 mm	A
MV-CU013-806C	SS	CMOS	1/2.7"	4.0 μm	Global	1280 × 1024	89.9 fps	10	Color	NE: 31 μs-1 sec	GigE	9-24 VDC	Typ. 2.08 W@12 VDC	C	0-50°C	29 mm × 29 mm × 42 mm	A
MV-CU013-A06M	HK	CMOS	1/2"	4.8 μm	Global	1280 × 1024	91.3 fps	10	Mono	NE: 10 μs-10 sec	GigE	9-24 VDC	Typ. 1.8 W@12 VDC	C	0-50°C	29 mm × 29 mm × 42 mm	A
MV-CU013-A06C	HK	CMOS	1/2"	4.8 μm	Global	1280 × 1024	91.3 fps	10	Color	NE: 10 μs-10 sec	GigE	9-24 VDC	Typ. 1.8 W@12 VDC	C	0-50°C	29 mm × 29 mm × 42 mm	A
MV-CU016-106M	IMX296	CMOS	1/2.9"	3.45 μm	Global	1440 × 1080	65.8 fps	10	Mono	USE: 1 μs-14 μs NE: 15 μs-10 sec	GigE	9-24 VDC	Typ. 2 W@12 VDC	C	0-50°C	29 mm × 29 mm × 42 mm	A
MV-CU016-106C	IMX296	CMOS	1/2.9"	3.45 μm	Global	1440 × 1080	65.8 fps	10	Color	USE: 1 μs-14 μs NE: 15 μs-10 sec	GigE	9-24 VDC	Typ. 2 W@12 VDC	C	0-50°C	29 mm × 29 mm × 42 mm	A
MV-CU020-196M	IMX290	CMOS	1/2.8"	2.9 μm	Rolling	1920 × 1080	56 fps	12	Mono	NE: 64 μs-130 ms	GigE	9-24 VDC	Typ. 2.1 W@12 VDC	C	0-50°C	29 mm × 29 mm × 42 mm	A
MV-CU020-196C	IMX290	CMOS	1/2.8"	2.9 μm	Rolling	1920 × 1080	56 fps	12	Color	NE: 128 μs to 260 ms	GigE	9-24 VDC	Typ. 2.1 W@12 VDC	C	0-50°C	29 mm × 29 mm × 42 mm	A
MV-CU050-306C	AR0521	CMOS	1/2.5"	2.2 μm	Rolling	2592 × 1944	24 fps	12	Color	NE: 21 μs-1 sec	GigE	9-24 VDC	Typ. 1.81 W@12 VDC	C	0-50°C	29 mm × 29 mm × 42 mm	A
MV-CU050-606M	HK	CMOS	1/2.5"	2.2 μm	Rolling	2592 × 1944	23.1 fps	12	Mono	NE: 24 μs-2.5 sec	GigE	9-24 VDC	Typ. 2.5 W@12 VDC	C	0-50°C	29 mm × 29 mm × 42 mm	A
MV-CU050-906M *	GMAX2505	CMOS	1/2"	2.5 μm	Global	2600 × 2160	22 fps	12	Mono	NE: 5 μs - 10 sec	GigE	9-24 VDC	Typ. 2.6 W@12 VDC	C	0-50°C	29 mm×29 mm×69.15 mm	B
MV-CU050-906C *	GMAX2505	CMOS	1/2"	2.5 μm	Global	2600 × 2160	22 fps	12	Color	NE: 5 μs - 10 sec	GigE	9-24 VDC	Typ. 2.6 W@12 VDC	C	0-50°C	29 mm×29 mm×69.15 mm	B
MV-CU060-106M	IMX178	CMOS	1/1.8"	2.4 μm	Rolling	3072 × 2048	19.1 fps	12	Mono	NE: 25 μs-2.5 sec	GigE	9-24 VDC	Typ. 1.7 W@12 VDC	C	0-50°C	29 mm × 29 mm × 42 mm	A
MV-CU060-106C	IMX178	CMOS	1/1.8"	2.4 μm	Rolling	3072 × 2048	19.1 fps	12	Color	NE: 25 μs-2.5 sec	GigE	9-24 VDC	Typ. 1.72 W@12 VDC	C	0-50°C	29 mm × 29 mm × 42 mm	A
MV-CU120-106M	IMX226	CMOS	1/1.7"	1.85 μm	Rolling	4024 × 3036	9.7 fps	10	Mono	NE: 34 μs-2 sec	GigE	9-24 VDC	Typ. 1.78 W@12 VDC	C	0-50°C	29 mm × 29 mm × 42 mm	A
MV-CU120-106C	IMX226	CMOS	1/1.7"	1.85 μm	Rolling	4024 × 3036	9.7 fps	10	Color	NE: 34 μs-2 sec	GigE	9-24 VDC	Typ. 1.82 W@12 VDC	C	0-50°C	29 mm × 29 mm × 42 mm	A

Notice: \* will be released soon, please consult details with sales representative  
 USE: Ultra-short exposure mode  
 NE: Normal exposure mode

## Dimension





# CU Series USB3.0 Area Scan Camera

## Key Features

- Low power consumption, stable performance.
- Support software trigger, hardware trigger and free run.
- USB 3.0 interface, support USB power supply, body lock screw holes to improve installation stability.
- Compatible with USB3 Vision Protocol, GenICam standard, and the third-party software.
- CE, FCC, RoHS, KC certification.

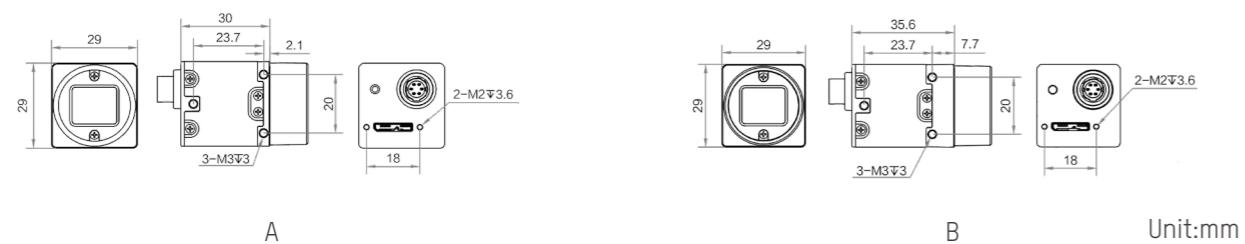


## Specifications

Model	Sensor model	Sensor type	Sensor size	Pixel size	Shutter mode	Resolution	Max. frame rate	ADC bit depth	Mono/color	Exposure time	Data interface	Power supply	Power consumption	Lens mount	Working temperature	Dimension	Label
MV-CU013-80UM *	SS	CMOS	1/2.7"	4.0 μm	Global	1280 × 1024	210 fps	10	Mono	30 μs - 1 sec	USB3.0	9-24 VDC, USB3.0	Typ. 1.93 W@5 VDC	C	0-50°C	29 mm × 29 mm × 30 mm	A
MV-CU013-80UC *	SS	CMOS	1/2.7"	4.0 μm	Global	1280 × 1024	210 fps	10	Color	30 μs - 1 sec	USB3.0	9-24 VDC, USB3.0	Typ. 1.93 W@5 VDC	C	0-50°C	29 mm × 29 mm × 30 mm	A
MV-CU013-A0UM	HK	CMOS	1/2"	4.8 μm	Global	1280 × 1024	201.4 fps	10	Mono	5 μs-10 sec	USB3.0	9-24 VDC, USB3.0	Typ. 1.79 W @5 VDC	C	0-50°C	29 mm × 29 mm × 30 mm	A
MV-CU013-A0UC	HK	CMOS	1/2"	4.8 μm	Global	1280 × 1024	201.4 fps	10	Color	5 μs-10 sec	USB3.0	9-24 VDC, USB3.0	Typ. 1.81 W @5 VDC	C	0-50°C	29 mm × 29 mm × 30 mm	A
MV-CU050-90UM	GMAX2505	CMOS	1/2"	2.5 μm	Global	2600 × 2160	65 fps	12	Mono	5 μs - 10 sec	USB3.0	9-24 VDC, USB3.0	Typ. 2.1 W @5 VDC	C	0-50°C	29 mm × 29 mm × 35.6 mm	B
MV-CU050-90UC	GMAX2505	CMOS	1/2"	2.5 μm	Global	2600 × 2160	65 fps	12	Color	5 μs - 10 sec	USB3.0	9-24 VDC, USB3.0	Typ. 2.2 W @5 VDC	C	0-50°C	29 mm × 29 mm × 35.6 mm	B
MV-CU120-10UM *	IMX226	CMOS	1/1.7"	1.85 μm	Rolling	4000 × 3036	31.9 fps	10	Mono	20 μs - 0.7 sec	USB3.0	9-24 VDC, USB3.0	Typ. 2.55 W@5 VDC	C	0-50°C	29 mm × 29 mm × 30 mm	A
MV-CU120-10UC *	IMX226	CMOS	1/1.7"	1.85 μm	Rolling	4000 × 3036	31.9 fps	10	Color	20 μs - 0.7 sec	USB3.0	9-24 VDC, USB3.0	Typ. 2.74 W@5 VDC	C	0-50°C	29 mm × 29 mm × 30 mm	A

Notice: \* will be released soon, please consult details with sales representative

## Dimension



# CH Series GigE Area Scan Camera

## Key Features

- Equipped with excellent image sensor. High dynamic range, superior signal-to-noise ratio and outstanding image quality.
- Implanting powerful ISP algorithms such as bright/dark field correction and lens shadow correction to ensure imaging consistency.
- Class 100 purification process control. Quality control leads in industry.
- GigE interface, with maximum transmission distance up to 100m (without relay).
- Compatible with GigE Vision V2.0 protocol and GenICam standard and seamless connection with third-party softwares.
- CE, FCC, RoHS, KC certification.

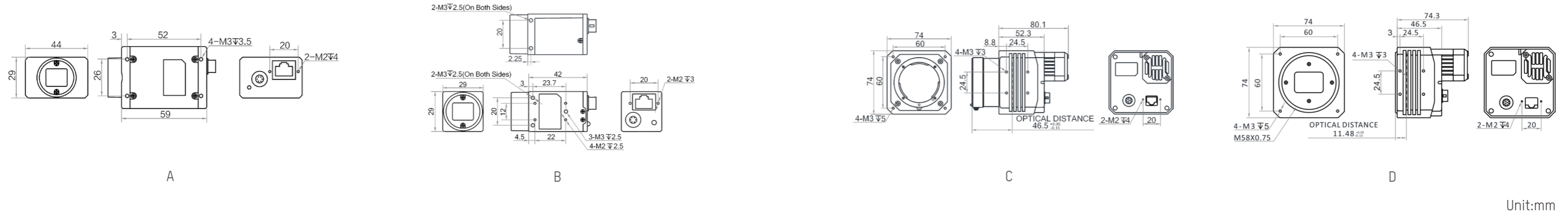


## Specifications

Model	Sensor model	Sensor type	Sensor size	Pixel size	Shutter mode	Resolution	Max. frame rate	ADC bit depth	Mono/color	Exposure time	Data interface	Power supply	Power consumption	Lens mount	Working temperature	Dimension	Label
MV-CH089-106M	IMX267	CMOS	1"	3.45 μm	Global	4096 × 2160	13 fps	12	Mono	USE: 1 μs-14 μs NE: 15 μs-10 sec	GigE	12 VDC,PoE	Typ. 3.5 W@12 VDC	C	0-50°C	44 mm × 29 mm × 59 mm	A
MV-CH089-106C	IMX267	CMOS	1"	3.45 μm	Global	4096 × 2160	13 fps	12	Color	USE: 1 μs-14 μs NE: 15 μs-10 sec	GigE	12 VDC,PoE	Typ. 3.8 W@12 VDC	C	0-50°C	44 mm × 29 mm × 59 mm	A
MV-CH120-106M	IMX304	CMOS	1.1"	3.45 μm	Global	4096 × 3000	9.4 fps	12	Mono	USE: 1 μs-14 μs NE: 15 μs-10 sec	GigE	12 VDC,PoE	Typ. 4.3 W@12 VDC	C	0-50°C	44 mm × 29 mm × 59 mm	A
MV-CH120-106C	IMX304	CMOS	1.1"	3.45 μm	Global	4096 × 3000	9.4 fps	12	Color	USE: 1 μs-14 μs NE: 15 μs-10 sec	GigE	12 VDC,PoE	Typ. 4.6 W@12 VDC	C	0-50°C	44 mm × 29 mm × 59 mm	A
MV-CH120-116M	IMX304	CMOS	1.1"	3.45 μm	Global	4096 × 3000	9.4 fps	12	Mono	USE: 1 μs-14 μs NE: 15 μs-10 sec	GigE	9-24 VDC,PoE	Typ. 4.2 W@12 VDC	C	0-50°C	29 mm × 29 mm × 42 mm	B
MV-CH120-206M	XGS12000	CMOS	1"	3.2 μm	Global	4096 × 3072	9.6 fps	12	Mono	USE: 52 μs-161 μs NE: 162 μs-10 sec	GigE	9-24 VDC,PoE	Typ. 3.2 W@12 VDC	C	0-50°C	29 mm × 29 mm × 42 mm	B
MV-CH120-206C	XGS12000	CMOS	1"	3.2 μm	Global	4096 × 3072	9.6 fps	12	Color	USE: 52 μs-161 μs NE: 162 μs-10 sec	GigE	9-24 VDC,PoE	Typ. 3.5 W@12 VDC	C	0-50°C	29 mm × 29 mm × 42 mm	B
MV-CH160-606M *	HK	CMOS	1.1"	3.2 μm	Global	4000 × 4000	7 fps	12	Mono	NE: 12 μs-10 sec	GigE	12 VDC,PoE	Typ. 3.6 W@12 VDC	C	0-50°C	44 mm × 29 mm × 59 mm	A
MV-CH250-906M	GMAX0505	CMOS	1.1"	2.5 μm	Global	5120 × 5120	4.5 fps	12	Mono	NE: 12 μs-10 sec	GigE	12 VDC,PoE	Typ. 3.6 W@12 VDC	C	0-50°C	44 mm × 29 mm × 59 mm	A
MV-CH250-906C	GMAX0505	CMOS	1.1"	2.5 μm	Global	5120 × 5120	4.5 fps	12	Color	NE: 12 μs-10 sec	GigE	12 VDC,PoE	Typ. 4.2 W@12 VDC	C	0-50°C	44 mm × 29 mm × 59 mm	A
MV-CH250-906N	GMAX0505	CMOS	1.1"	2.5 μm	Global	5120 × 5120	4.5 fps	12	Near-infrared	NE: 12 μs-10 sec	GigE	12 VDC,PoE	Typ. 3.6 W@12 VDC	C	0-50°C	44 mm × 29 mm × 59 mm	A
MV-CH310-106M	IMX342	CMOS	22.3 mm × 16.7 mm	3.45 μm	Global	6464 × 4852	3.9 fps	12	Mono	USE: 3 us ~ 33 us NE: 36 μs ~ 2 Sec	GigE	9-24 VDC,PoE	Typ. 9 W@12 VDC	F M58	0-50°C	74 mm × 74 mm × 80.1 mm 74 mm × 74 mm × 74.3 mm	C D
MV-CH310-106C	IMX342	CMOS	22.3 mm × 16.7 mm	3.45 μm	Global	6464 × 4852	3.9 fps	12	Color	USE: 3 us ~ 33 us NE: 36 μs ~ 10 Sec	GigE	9-24 VDC,PoE	Typ. 9 W@12 VDC	F M58	0-50°C	74 mm × 74 mm × 80.1 mm 74 mm × 74 mm × 74.3 mm	C D

Notice: \* will be released soon, please consult details with sales representative  
 USE:Ultra-short exposure mode  
 NE:Normal exposure mode

## Dimension



Unit:mm

## CH Series USB3.0 Area Scan Camera

### Key Features

- Equipped with excellent image sensor. High dynamic range, superior signal-to-noise ratio and outstanding image quality.
- Implanting powerful ISP algorithms such as bright/dark field correction and lens shadow correction to ensure imaging consistency.
- Class 100 purification process control. Quality control leads in industry.
- USB 3.0 interface, support USB power supply, body screw holes improve installation stability.
- Compatible with USB3.0 Vision protocol and GenICam standard and seamless connection with third-party softwares.
- CE, FCC, RoHS, KC certification.

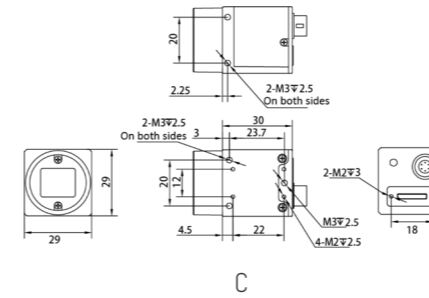
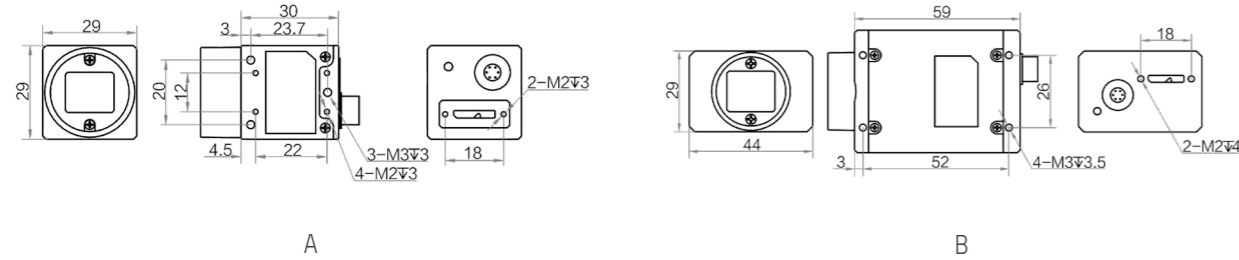


### Specifications

Model	Sensor model	Sensor type	Sensor size	Pixel size	Shutter mode	Resolution	Max. frame rate	ADC bit depth	Mono/color	Exposure time	Data interface	Power supply	Power consumption	Lens mount	Working temperature	Dimension	Label
MV-CH050-10UM	IMX250	CMOS	2/3"	3.45 μm	Global	2448 × 2048	74 fps	12	Mono	USE: 1 μs-14 μs NE: 15 μs-10 sec	USB3.0	9-24 VDC,USB3.0	Typ. 3.5 W@5 VDC	C	0-50°C	29 mm × 29 mm × 30 mm	A
MV-CH050-10UC	IMX250	CMOS	2/3"	3.45 μm	Global	2448 × 2048	74 fps	12	Color	USE: 1 μs-14 μs NE: 15 μs-10 sec	USB3.0	9-24 VDC,USB3.0	Typ. 3.5 W@5 VDC	C	0-50°C	29 mm × 29 mm × 30 mm	A
MV-CH050-10UP	IMX250	CMOS	2/3"	3.45 μm	Global	2448 × 2048	74 fps	12	Polarization	USE: 1 μs-14 μs NE: 15 μs-10 sec	USB3.0	9-24 VDC,USB3.0	Typ. 3.5 W@5 VDC	C	0-50°C	29 mm × 29 mm × 30 mm	A
MV-CH089-10UM	IMX267	CMOS	1"	3.45 μm	Global	4096 × 2160	32 fps	12	Mono	USE: 1 μs-14 μs NE: 15 μs-10 sec	USB3.0	12 VDC,USB3.0	Typ. 3.27 W@5 VDC	C	0-50°C	44 mm × 29 mm × 59 mm	B
MV-CH089-10UC	IMX267	CMOS	1"	3.45 μm	Global	4096 × 2160	32 fps	12	Color	USE: 1 μs-14 μs NE: 15 μs-10 sec	USB3.0	12 VDC,USB3.0	Typ. 3.27 W@5 VDC	C	0-50°C	44 mm × 29 mm × 59 mm	B
MV-CH120-11UM	IMX304	CMOS	1.1"	3.45 μm	Global	4096 × 3000	30.3 fps	12	Mono	USE: 1 μs-14 μs NE: 15 μs-10 sec	USB3.0	9-24 VDC,USB3.0	Typ. 4.67 W@5 VDC	C	0-50°C	44 mm × 29 mm × 59 mm	B
MV-CH120-11UC	IMX304	CMOS	1.1"	3.45 μm	Global	4096 × 3000	30.3 fps	12	Color	USE: 1 μs-14 μs NE: 15 μs-10 sec	USB3.0	9-24 VDC,USB3.0	Typ. 4.7 W@5 VDC	C	0-50°C	44 mm × 29 mm × 59 mm	B
MV-CH120-20UM	XGS12000	CMOS	1"	3.2 μm	Global	4096 × 3072	28 fps	12	Mono	USE: 52 μs-161 μs NE: 162 μs-10 sec	USB3.0	9-24 VDC,USB3.0	Typ. 3.5 W@5 VDC	C	0-50°C	29 mm×29 mm×30 mm	C
MV-CH120-20UC	XGS12000	CMOS	1"	3.2 μm	Global	4096 × 3072	28 fps	12	Color	USE: 10 μs-56 μs NE: 57 μs-10 sec	USB3.0	9-24 VDC,USB3.0	Typ. 3.2 W@5 VDC	C	0-50°C	29 mm×29 mm×30 mm	C
MV-CH250-90UM	GMAX0505	CMOS	1.1"	2.5 μm	Global	5120 × 5120	14.3 fps	12	Mono	NE: 12 μs-10 sec	USB3.0	9-24 VDC,USB3.0	Typ. 3.4 W@5 VDC	C	0-50°C	44 mm × 29 mm × 59 mm	B
MV-CH250-90UC	GMAX0505	CMOS	1.1"	2.5 μm	Global	5120 × 5120	14.3 fps	12	Color	NE: 12 μs-10 sec	USB3.0	9-24 VDC,USB3.0	Typ. 4.0 W@5 VDC	C	0-50°C	44 mm × 29 mm × 59 mm	B

Notice: USE:Ultra-short exposure mode  
NE:Normal exposure mode

## Dimension



Unit:mm

## CH Series 10GigE Area Scan Camera

### Key Features

- Low-power platform, equipped with excellent image sensor. High dynamic range, superior signal-to-noise ratio and outstanding image quality.
- Implanting powerful ISP algorithms such as bright/dark field correction and lens shadow correction to ensure imaging consistency.
- Class 100 purification process control. Quality control leads in industry.
- The highly cost-effective 10GigE high-speed transmission solution is backward compatible with Gigabit network.
- Compatible with GigE Vision V2.0 protocol and GenICam standard and seamless connection with third-party softwares.
- CE, FCC, RoHS, KC certification.



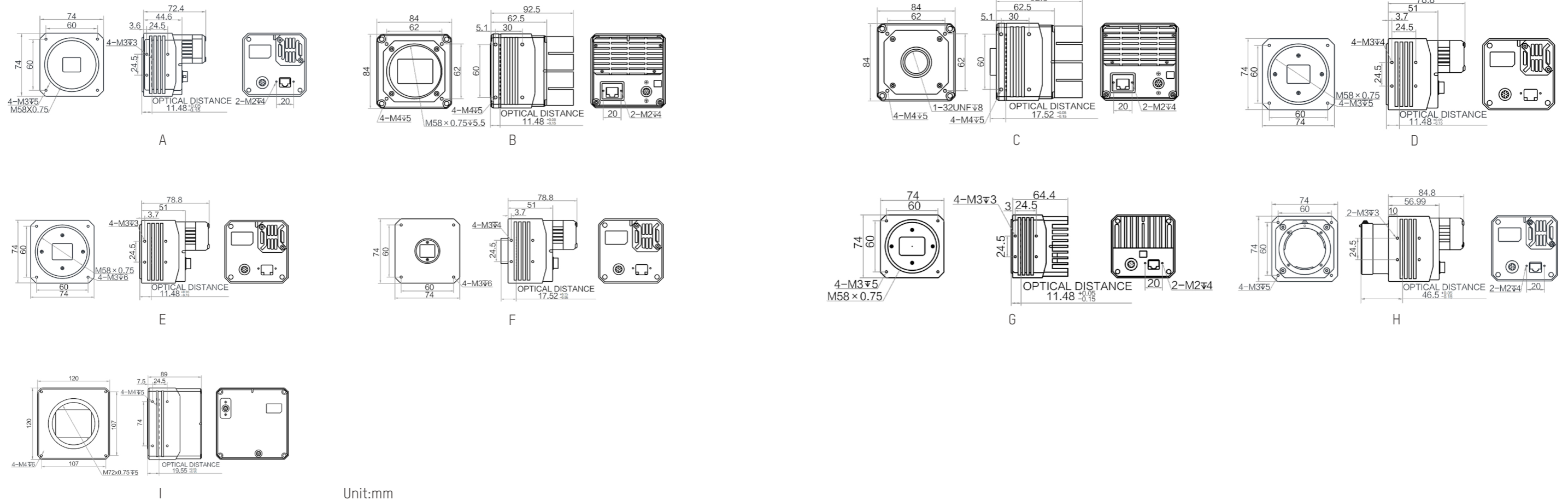
### Specifications

Model	Sensor model	Sensor type	Sensor size	Pixel size	Shutter mode	Resolution	Max. frame rate	ADC bit depth	Mono/color	Exposure time	Data interface	Power supply	Power consumption	Lens mount	Working temperature	Dimension	Label
MV-CH120-15TM	IMX253	CMOS	1.1"	3.45 μm	Global	4096 × 3000	68.2 fps	8/12	Mono	USE: 2 μs~14 μs NE: 15 μs~10 sec	10GigE	9~24 VDC	Typ. 9.6 W@24 VDC	M58	0~50°C	74 mm × 74 mm × 72.4 mm	A
MV-CH120-15TC	IMX253	CMOS	1.1"	3.45 μm	Global	4096 × 3000	68.2 fps	8/12	Color	USE: 2 μs~14 μs NE: 15 μs~10 sec	10GigE	9~24 VDC	Typ. 10.1 W@24 VDC	M58	0~50°C	74 mm × 74 mm × 72.4 mm	A
MV-CH240-10TM	IMX540	CMOS	1.2"	2.74 μm	Global	5328 × 4600	35.1 fps	8/12	Mono	USE: 1 μs~7 μs NE: 8 μs~10 sec	10GigE	9~24 VDC	Typ. 10 W@12 VDC	M58 C	0~50°C	84 mm × 84 mm × 62.5 mm 84 mm × 84 mm × 62.5 mm	B C
MV-CH250-60TM	HK	CMOS	23 mm × 23 mm	4.5 μm	Global	5120 × 5120	31.7 fps	10	Mono	NE: 13 μs to 10 sec	10GigE	9~24 VDC	Typ. 15.1W@12 VDC	M58 C	0~50°C	74 mm × 74 mm × 78.8 mm 74 mm × 74 mm × 78.8 mm	D E
MV-CH250-90TM	PYTHON25K	CMOS	23 mm × 23 mm	4.5 μm	Global	5120 × 5120	40 fps	10	Color	NE: 45 μs~10 sec	10GigE	9~24 VDC	Typ. 12.48 W@12 VDC	M58 C	0~50°C	74 mm × 74 mm × 78.8 mm 74 mm × 74 mm × 78.8 mm	F E
MV-CH250-90TC	GMAX0505	CMOS	1.1"	2.5 μm	Global	5120 × 5120	41.5 fps	12	Color	NE: 13 μs to 10 sec	10GigE	9~24 VDC	Typ. 9.7 W@12 VDC	M58 C	0~50°C	74 mm × 74 mm × 78.8 mm 74 mm × 74 mm × 78.8 mm	E F
MV-CH310-10TM	IMX342	CMOS	24.9 mm × 16.6 mm	3.45 μm	Global	6464 × 4852	17.2 fps	8/12	Mono	NE: 4 μs~10 sec	10GigE	9~24 VDC	Typ. 11.5 W@12 VDC	M58	0~50°C	74 mm × 74 mm × 64.4 mm	G
MV-CH310-10TC	IMX342	CMOS	24.9 mm × 16.6 mm	3.45 μm	Global	6464 × 4852	17.2 fps	8/12	Mono	NE: 4 μs~10 sec	10GigE	9~24 VDC	Typ. 11.5 W@12 VDC	M58	0~50°C	74 mm × 74 mm × 64.4 mm	G
MV-CH500-90TM	GMAX	CMOS	22.4 mm × 22.4 mm	3.2 μm	Global	7008 × 7000	15.5 fps	12	Mono	NE: 15 μs~10 sec	10GigE	9~24 VDC	Typ. 11 W@12 VDC	M58	0~50°C	74 mm × 74 mm × 78.8 mm	D
MV-CH500-90TC	GMAX	CMOS	22.4 mm × 22.4 mm	3.2 μm	Global	7008 × 7000	15.5 fps	12	Color	NE: 15 μs~10 sec	10GigE	9~24 VDC	Typ. 12 W@12 VDC	M58	0~50°C	74 mm × 74 mm × 78.8 mm	D
MV-CH650-90TM	GMAX3265	CMOS	29.9 mm × 22.4 mm	3.2 μm	Global	9344 × 7000	15.5 fps	12	Mono	NE: 15 μs~10 sec	10GigE	9~24 VDC	Typ. 11 W@12 VDC	M58 F	0~50°C	74 mm × 74 mm × 78.8 mm 74 mm × 74 mm × 84.8 mm	D H
MV-CH650-90TC	GMAX3265	CMOS	29.9 mm × 22.4 mm	3.2 μm	Global	9344 × 7000	15.5 fps	12	Color	NE: 15 μs~10 sec	10GigE	9~24 VDC	Typ. 11 W@12 VDC	M58 F	0~50°C	74 mm × 74 mm × 78.8 mm 74 mm × 74 mm × 84.8 mm	D H
MV-CH1510-10FM	IMX411	CMOS	66.7 mm	3.76 μm	Rolling	14208 × 10640	6.2 fps	12/16	Mono	NE: 30 μs~10 sec	10GigE	24 VDC	TEC off: Typ. 11.3 W@24 VDC TEC on: Typ. 49 W@24 VDC	M72	0~50°C	120 mm × 120 mm × 89 mm	I

Notice:USE:Ultra-short exposure mode  
NE:Normal exposure mode



## Dimension



## CH Series Camera Link Area Scan Camera

### Key Features

- Equipped with excellent image sensor. High dynamic range, superior signal-to-noise ratio and outstanding image quality.
- Implanting powerful ISP algorithms such as bright/dark field correction and lens shadow correction to ensure imaging consistency.
- Class 100 purification process control. Quality control leads in industry.
- Support Base, Medium, Full and 80-bit mode. Pixel clock frequency can be selected to match cables with different transmission distances.
- Compatible with CameraLink protocol and GenICam standard and can be seamlessly connected to third-party software platforms.
- CE, FCC, RoHS, KC certification.



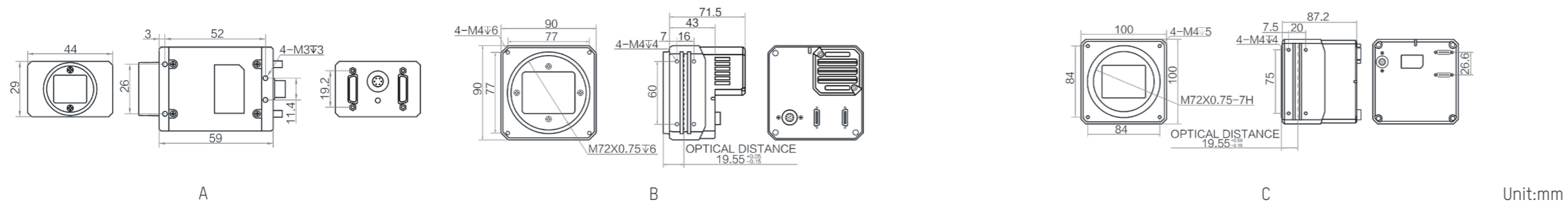


## Specifications

Model	Sensor model	Sensor type	Sensor size	Pixel size	Shutter mode	Resolution	Max. frame rate	ADC bit depth	Mono/color	Exposure time	Data interface	Power supply	Power consumption	Lens mount	Working temperature	Dimension	Label
MV-CH050-10CM	IMX250	CMOS	2/3"	3.45 μm	Global	2432 × 2048	140 fps	8/12	Mono	NE: 15 μs-10 sec	Camera Link	9-24 VDC	Typ. 3.3 W@12 VDC	C	0-50°C	44 mm × 29 mm × 59 mm	A
MV-CH050-10CC	IMX250	CMOS	2/3"	3.45 μm	Global	2432 × 2048	140 fps	8/12	Color	NE: 15 μs-10 sec	Camera Link	9-24 VDC	Typ. 3.41 W@12 VDC	C	0-50°C	44 mm × 29 mm × 59 mm	A
MV-CH050-11CM	IMX264	CMOS	2/3"	3.45 μm	Global	2448 × 2048	35 fps	12	Mono	NE: 15 μs-10 sec	Camera Link	9-24 VDC	Typ. 3.25 W@12 VDC	C	0-50°C	44 mm × 29 mm × 59 mm	A
MV-CH120-10CM	IMX253	CMOS	1.1"	3.45 μm	Global	3840 × 3000	69.8 fps	8	Mono	NE: 1 μs-10 sec	Camera Link	9-24 VDC	Typ. 4.51 W@12 VDC	C	0-50°C	44 mm × 29 mm × 59 mm	A
MV-CH120-10CC	IMX253	CMOS	1.1"	3.45 μm	Global	3840 × 3000	68.1 fps	8	Color	NE: 1 μs-10 sec	Camera Link	9-24 VDC	Typ. 4.5 W@12 VDC	C	0-50°C	44 mm × 29 mm × 59 mm	A
MV-CH120-11CM	IMX304	CMOS	1.1"	3.45 μm	Global	4096 × 3000	23.4 fps	12	Mono	USE: 1 μs-14 sec NE: 15 μs-10 sec	Camera Link	9-24 VDC	Typ. 3.48 W@12 VDC	C	0-50°C	44 mm × 29 mm × 59 mm	A
MV-CH1010-10CM	IMX461	CMOS	55 mm	3.76 μm	Rolling	11648 × 8740	8.1 fps	12/16	Mono	NE: 14μs-10sec	Camera Link	12-24 VDC	Typ. 14 W@24 VDC	M72	0-50°C	90 mm × 90 mm × 71.5 mm	B
												24 VDC	TEC off: Typ. 14 W@24 VDC TEC on: Typ. 48 W@24 VDC			TEC:100 mm × 100 mm × 87.2 mm	C
MV-CH1010-10CC	IMX461	CMOS	55 mm	3.76 μm	Rolling	11648 × 8740	8.1 fps	12/16	Mono	NE: 14μs-10sec	Camera Link	24 VDC	TEC off: Typ. 14 W@24 VDC TEC on: Typ. 48 W@24 VDC	M72	0-50°C	TEC:100 mm × 100 mm × 87.2 mm	C

Notice:USE:Ultra-short exposure mode  
NE:Normal exposure mode

## Dimension



## CH Series CoaXPress Area Scan Camera

### Key Features

- Low-power platform, equipped with excellent image sensor. High dynamic range, superior signal-to-noise ratio and outstanding image quality.
- Implanting powerful ISP algorithms such as bright/dark field correction and lens shadow correction to ensure imaging consistency.
- Class 100 purification process control. Quality control leads in industry.
- Four-channel CXP-6 or CXP-12 output, ultra-high transmission bandwidth.
- Compatible with CoaXPress protocol and GenICam standard and can be seamlessly connected to third-party software platforms.
- CE, FCC, RoHS, KC certification.

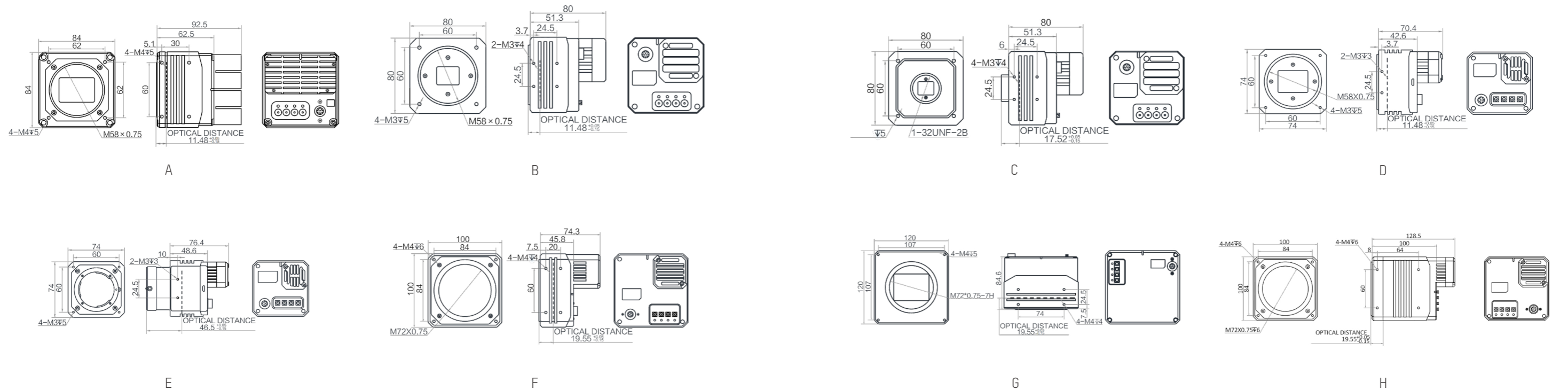


## Specifications

Model	Sensor model	Sensor type	Sensor size	Pixel size	Shutter mode	Resolution	Max. frame rate	ADC bit depth	Mono/color	Exposure time	Data interface	Power supply	Power consumption	Lens mount	Working temperature	Dimension	Label
MV-CH210-90YM	Gsprint 4521	CMOS	23.04 mm × 18.43 mm	4.5 μm	Global	5120 × 4096	222 fps	8/12	Mono	4 μs-10 sec	CXP-12	9-24 VDC	Typ. 18 W@24 VDC	M58	0-50°C	No fan:84 mm × 84 mm × 62.5 mm	A
MV-CH210-90YC	Gsprint 4521	CMOS	23.04 mm × 18.43 mm	4.5 μm	Global	5120 × 4096	222 fps	8/12	Color	4 μs-10 sec	CXP-12	9-24 VDC	Typ. 16.3 W@24 VDC	M58	0-50°C	No fan:84 mm × 84 mm × 62.5 mm	A
MV-CH250-90YM	GMAX0505	CMOS	1.1"	2.5 μm	Global	5120 × 5120	150 fps	10	Mono	13 μs-10 sec	CXP-12	9-24 VDC	Typ. 13.7 W@12 VDC	M58 C	0-50°C	Fan:80 mm × 80 mm × 80 mm Fan:80 mm × 80 mm × 80 mm	B C
MV-CH250-90YC	GMAX0505	CMOS	1.1"	2.5 μm	Global	5120 × 5120	150 fps	10	Color	13 μs-10 sec	CXP-12	9-24 VDC	Typ. 13.7 W@12 VDC	M58 C	0-50°C	Fan:80 mm × 80 mm × 80 mm	B C
MV-CH650-90XM	GMAX3265	CMOS	29.9 mm × 22.4 mm	3.2 μm	Global	9344 × 7000	31.5 fps	12	Mono	14 μs-10 sec	CXP-6	9-24 VDC	Typ. 10.5W@12 VDC	M58 F	0-50°C	Fan:74 mm × 74 mm × 70.4 mm Fan:74 mm × 74 mm × 76.4 mm	D E
MV-CH650-90XC	GMAX3265	CMOS	29.9 mm × 22.4 mm	3.2 μm	Global	9344 × 7000	31.5 fps	12	Color	14 μs-10 sec	CXP-6	9-24 VDC	Typ. 10.2W@12 VDC	M58 F	0-50°C	Fan:74 mm × 74 mm × 70.4 mm Fan:74 mm × 74 mm × 76.4 mm	D E
MV-CH650-90YM	GMAX3265	CMOS	29.9 mm × 22.4 mm	3.2 μm	Global	9344 × 7000	71 fps	10	Mono	15 μs-10 sec	CXP-12	24 VDC	Typ. 13.0W@12 VDC	M58	0-50°C	No fan:84 mm × 84 mm × 62.5 mm	A
MV-CH650-90YC	GMAX3265	CMOS	29.9 mm × 22.4 mm	3.2 μm	Global	9344 × 7000	71 fps	10	Color	15 μs-10 sec	CXP-12	24 VDC	Typ. 13.2W@12 VDC	M58	0-50°C	No fan:84 mm × 84 mm × 62.5 mm	A
MV-CH1510-10XM	IMX411	CMOS	66.7 mm	3.76 μm	Rolling	14208 × 10640	6.2 fps	12/16	Mono	15 μs-10 sec	CXP-6	12-24 VDC	Typ. 18 W@24 VDC	M72	0-50°C	Fan:100 mm × 100 mm × 74.3 mm	F
MV-CH1510-10XC	IMX411	CMOS	66.7mm	3.76 μm	Rolling	14208 × 10640	6.2 fps	12/16	Color	15 μs-10 sec	CXP-6	12-24 VDC	Typ. 21 W@24 VDC	M72	0-50°C	Fan:100 mm × 100 mm × 74.3 mm	F
MV-CH1510-11XM	IMX411	CMOS	66.7mm	3.76 μm	Rolling	14208 × 10640	6.2 fps	12/16	Mono	15 μs-10 sec	CXP-6	24 VDC	TEC off: Typ. 21 W@24 VDC TEC on: Typ. 55 W@24 VDC	M72	0-50°C	TEC:120 mm × 120 mm × 84.6 mm	G
MV-CH1510-11XC	IMX411	CMOS	66.7mm	3.76 μm	Rolling	14208 × 10640	6.2 fps	12/16	Color	15 μs-10 sec	CXP-6	24 VDC	TEC off: Typ. 22 W@24 VDC TEC on: Typ. 60 W@24 VDC	M72	0-50°C	TEC:120 mm × 120 mm × 84.6 mm	G
MV-CH6040-10XM	IMX411	CMOS	66.7mm	3.76 μm	Rolling	28416 × 21280	6.2 fps	12/16	Mono	15 μs-1 sec	CXP-6	24 VDC	Typ. 15 W@24 VDC	M72	0-50°C	Fan:100 mm × 100 mm × 128.5 mm	H

Notice: \* will be released soon.

## Dimension



Unit:mm

# Line Scan Camera

## CL Series GigE Line Scan Camera

### Key Features

- Support automatic or manual adjustment of gain, exposure time, etc.
- Support customizing ROI, binning, TDI.
- Support multiple trigger modes, including hardware trigger, software trigger and free run mode.
- Support PRNUC and FPNC.
- Multiple ISP algorithms, ensuring the optimal image quality.
- Compatible with GigE Vision and GenICam standard and can be seamlessly connected to third-party software platforms.
- CE, FCC, RoHS, KC certification.

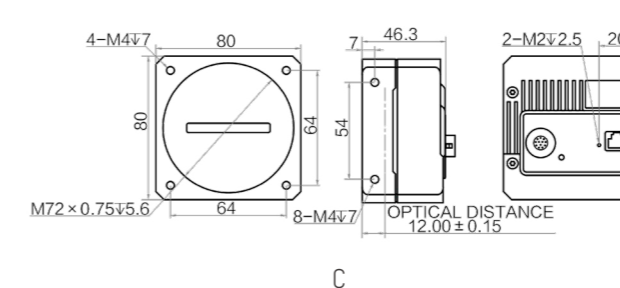
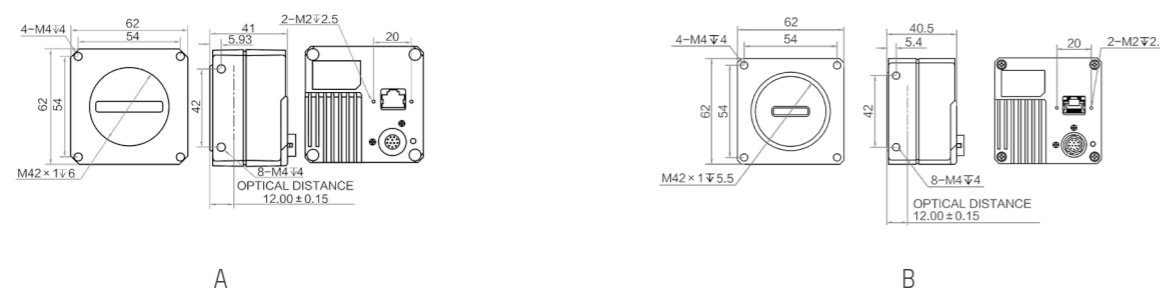


### Specifications

Model	Sensor type	Pixel size	Resolution	Max. line rate	ADC bit depth	Mono/color	Exposure time	Data interface	Power supply	Power consumption	Lens mount	Working temperature	Dimension	Label
MV-CL022-916M	CMOS	14 μm	2048 × 1	100 kHz@HB	8/10/12	Mono	5 μs-10 ms	GigE	12-24 VDC, PoE	Typ. 5 W@12 VDC	M42	-20-55°C	62 mm × 62 mm × 41 mm	A
MV-CL022-916C	CMOS	14 μm	2048 × 2	40 kHz@HB	8/10/12	Color	5 μs-10 ms	GigE	12-24 VDC, PoE	Typ. 7.4 W@12 VDC	M42	-20-55°C	62 mm × 62 mm × 41 mm	A
MV-CL024-916M *	CMOS	7 μm	2048 × 2	86 kHz@HB	8/10/12	Mono	3 μs-10 ms	GigE	12-24 VDC, PoE	Typ. 5.2 W@12 VDC	M42	-20-55°C	62 mm × 62 mm × 40.5 mm	B
MV-CL024-916C *	CMOS	7 μm	2048 × 3	70 kHz@HB	8/10/12	Color	3 μs-10 ms	GigE	12-24 VDC, PoE	Typ. 5.7 W@12 VDC	M42	-20-55°C	62 mm × 62 mm × 40.5 mm	B
MV-CL042-916M	CMOS	7 μm	4096 × 2	80 kHz@HB	8/10/12	Mono	5 μs-10 ms	GigE	12-24 VDC, PoE	Typ. 5.8 W@12 VDC	M42	-20-55°C	62 mm × 62 mm × 41 mm	A
MV-CL042-916C	CMOS	7 μm	4096 × 2	80 kHz@HB	8/10/12	Color	5 μs-10 ms	GigE	12-24 VDC, PoE	Typ. 6.6 W@12 VDC	M42	-20-55°C	62 mm × 62 mm × 41 mm	A
MV-CL084-916M	CMOS	5 μm	8192 × 4	40 kHz@HB	8/10/12	Mono	3 μs-10 ms	GigE	12-24 VDC	Typ. 12.4 W@12 VDC	M72	-20-55°C	80 mm × 80 mm × 46.3 mm	C
MV-CL086-916C	CMOS	5 μm	8192 × 6	40 kHz@HB	8/10	Color	3 μs-10 ms	GigE	12-24 VDC	Typ. 13 W@12 VDC	M72	-20-55°C	80 mm × 80 mm × 46.3 mm	C

Notice: \* will be released soon.

### Dimension



Unit:mm

# CL Series Camera Link Line Scan Camera

## Key Features

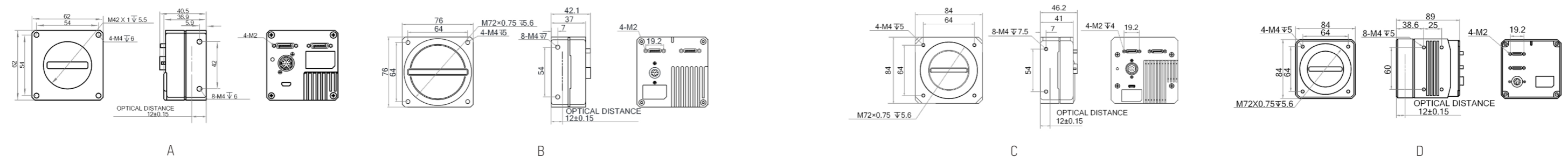
- Support automatic or manual adjustment of gain, exposure time, etc.
- Support customizing ROI, binning, TDI.
- Support multiple trigger modes, including hardware trigger, software trigger and free run mode.
- Support PRNUC and FPNC.
- Multiple ISP algorithms, ensuring the optimal image quality.
- Compatible with Camera Link protocol and GenICam standard and can be seamlessly connected to third-party software platforms.
- CE, FCC, RoHS, KC certification.



## Specifications

Model	Sensor type	Pixel size	Resolution	Max. line rate	ADC bit depth	Mono/color	Exposure time	Data interface	Power supply	Power consumption	Lens mount	Working temperature	Dimension	Label
MV-CL042-91CM	CMOS	7 μm	4096 × 2	100 kHz	8/10/12	Mono	5 μs-10 ms	Camera Link	12-24 VDC	Typ. 5.5 W@12 VDC	M42	-20-55°C	62 mm × 62 mm × 36.9 mm	A
MV-CL042-91CC	CMOS	7 μm	4096 × 2	100 kHz	8	Color	5 μs-10 ms	Camera Link	12-24 VDC	Typ. 6.1 W@12 VDC	M42	-20-55°C	62 mm × 62 mm × 36.9 mm	A
MV-CL081-41CM	CMOS	7 μm	8192 × 1	80 kHz	8/10/12	Mono	2 μs-10 ms	Camera Link	12 ~ 24 VDC	Typ. 5.8 W @12 VDC	M72	0-55°C	76 mm × 76 mm × 42.1 mm	B
MV-CL082-92CM	CMOS	7 μm	8192 × 2	100 kHz	8/10/12	Mono	3 μs-10 ms	Camera Link	12 ~ 24 VDC	Typ. 9.8 W@12 VDC	M72	-20-55°C	76 mm × 76 mm × 42.1 mm	B
MV-CL084-91CM	CMOS	5 μm	8192 × 4	100 kHz	8/10/12	Mono	3 μs-10 ms	Camera Link	12-24 VDC	Typ. 9.7 W@12 VDC	M72	-20-55°C	84 mm × 84 mm × 46.2 mm	C
MV-CL084-91CM-PRO	CMOS	5 μm	8192 × 16	100 kHz	8/10/12	Mono	3 μs-10 ms	Camera Link	24 VDC	Typ. 22.9 W@24 VDC	M72	-20-60°C	84 mm × 84 mm × 89 mm	D
MV-CL086-91CC	CMOS	5 μm	8192 × 6	33.7 kHz	8	Color	3 μs-10 ms	Camera Link	12-24 VDC	Typ. 9.6 W@12 VDC	M72	-20-50°C	84 mm × 84 mm × 46.2 mm	C
MV-CL086-91CC-PRO	CMOS	5 μm	8192 × 12	34 kHz	8	Color	3 μs-10 ms	Camera Link	24 VDC	Typ. 20.5 W@24 VDC	M72	-20-60°C	84 mm × 84 mm × 89 mm	D
MV-CL161-41CM	CMOS	3.5 μm	16384 × 1	50 kHz	8/10/12	Mono	2 μs-10 ms	Camera Link	12-24 VDC	Typ. 7.2 W@24 VDC	M72	0-55°C	76 mm × 76 mm × 42.1 mm	B

## Dimension



Unit:mm

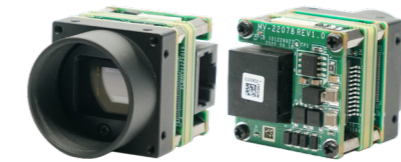


# Board Level Camera

## CB Series GigE Board Level Camera

### Key Features

- Multi-board design. Support flexible installation and configuration.
- Support access to mainstream embedded development boards for quick secondary development.
- Compact structure, bare board, C interface, M12 interface are available.
- GigE interface, support PoE.
- Compatible with machine vision standard protocols and GenICam standard, seamless connection to third-party software platforms.
- CE, FCC, RoHS, KC certification.



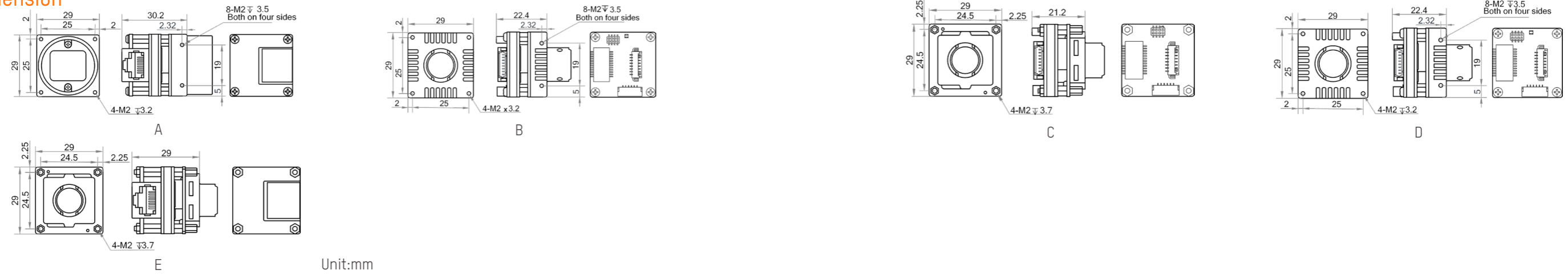
### Specifications

Model	Sensor model	Sensor type	Sensor size	Pixel size	Shutter mode	Resolution	Max. frame rate	ADC bit depth	Mono/color	Exposure time	Data interface	Power supply	Power consumption	Lens mount	Working temperature	Dimension	Label
MV-CB004-106M-S	IMX297	CMOS	1/2.9"	6.9 μm	Global	720 × 540	125.2 fps	10	Mono	USE: 1 μs-14 μs NE: 15 μs-10 sec	GigE	9-24 VDC,PoE	Typ. 2.5 W@12 VDC	M12	0-50°C	29 mm × 29 mm × 30.2 mm	B
MV-CB004-106C-C	IMX297	CMOS	1/2.9"	6.9 μm	Global	720 × 540	125.2 fps	10	Color	USE: 1 μs-14 μs NE: 15 μs-10 sec	GigE	9-24 VDC,PoE	Typ. 2.6 W@12 VDC	C	0-50°C	29 mm × 29 mm × 30.2 mm	A
MV-CB004-106C-S	IMX297	CMOS	1/2.9"	6.9 μm	Global	720 × 540	125.2 fps	10	Color	USE: 1 μs-14 μs NE: 15 μs-10 sec	GigE	9-24 VDC,PoE	Typ. 2.6 W@12 VDC	M12	0-50°C	29 mm × 29 mm × 30.2 mm	B
MV-CB016-106M-C	IMX296	CMOS	1/2.9"	3.45 μm	Global	1440 × 1080	65.2 fps	10	Mono	USE: 1 μs-14 μs NE: 15 μs-10 sec	GigE	9-24 VDC,PoE	Typ. 2.6 W@12 VDC	C	0-50°C	29 mm × 29 mm × 30.2 mm	A
MV-CB016-106M-S	IMX296	CMOS	1/2.9"	3.45 μm	Global	1440 × 1080	65.2 fps	10	Mono	USE: 1 μs-14 μs NE: 15 μs-10 sec	GigE	9-24 VDC,PoE	Typ. 2.6 W@12 VDC	M12	0-50°C	29 mm × 29 mm × 30.2 mm	B
MV-CB016-106M-M-W	IMX296	CMOS	1/2.9"	3.45 μm	Global	1440 × 1080	65.2 fps	10	Mono	USE: 1 μs-14 μs NE: 15 μs-10 sec	GigE	9-24 VDC	Typ. 2.6 W@12 VDC	M12	0-50°C	29 mm × 29 mm × 21.2 mm	C
MV-CB016-106M-S-W	IMX296	CMOS	1/2.9"	3.45 μm	Global	1440 × 1080	65.2 fps	10	Mono	USE: 1 μs-14 μs NE: 15 μs-10 sec	GigE	9-24 VDC	Typ. 2.6 W@12 VDC	M12	0-50°C	29 mm × 29 mm × 22.4 mm	D
MV-CB016-106C-C	IMX296	CMOS	1/2.9"	3.45 μm	Global	1440 × 1080	65.2 fps	10	Color	USE: 1 μs-14 μs NE: 15 μs-10 sec	GigE	9-24 VDC,PoE	Typ. 2.7 W@12 VDC	C	0-50°C	29 mm × 29 mm × 30.2 mm	A
MV-CB016-106C-S	IMX296	CMOS	1/2.9"	3.45 μm	Global	1440 × 1080	65.2 fps	10	Color	USE: 1 μs-14 μs NE: 15 μs-10 sec	GigE	9-24 VDC,PoE	Typ. 2.7 W@12 VDC	M12	0-50°C	29 mm × 29 mm × 30.2 mm	B
MV-CB016-106C-S-W	IMX296	CMOS	1/2.9"	3.45 μm	Global	1440 × 1080	65.2 fps	10	Color	USE: 1 μs-14 μs NE: 15 μs-10 sec	GigE	9-24 VDC	Typ. 2.7 W@12 VDC	M12	0-50°C	29 mm × 29 mm × 22.4 mm	D
MV-CB060-106M-C	IMX178	CMOS	1/1.8"	2.4 μm	Rolling	3072 × 2048	30.7 fps	12	Mono	NE: 25 μs-2.5 sec	GigE	9-24 VDC,PoE	Typ. 2.3 W@12 VDC	C	0-50°C	29 mm × 29 mm × 30.2 mm	A
MV-CB060-106M-S	IMX178	CMOS	1/1.8"	2.4 μm	Rolling	3072 × 2048	30.7 fps	12	Mono	NE: 25 μs-2.5 sec	GigE	9-24 VDC,PoE	Typ. 2.3 W@12 VDC	M12	0-50°C	29 mm × 29 mm × 30.2 mm	B
MV-CB060-106M-S-W	IMX178	CMOS	1/1.8"	2.4 μm	Rolling	3072 × 2048	30.7 fps	12	Mono	NE: 25 μs-2.5 sec	GigE	9-24 VDC	Typ. 2.3 W@12 VDC	M12	0-50°C	29 mm × 29 mm × 22.4 mm	D
MV-CB060-106M-M	IMX178	CMOS	1/1.8"	2.4 μm	Rolling	3072 × 2048	30.7 fps	12	Mono	NE: 25 μs-2.5 sec	GigE	9-24 VDC,PoE	Typ. 2.3 W@12 VDC	M12	0-50°C	29 mm × 29 mm × 29 mm	E
MV-CB060-106C-C	IMX178	CMOS	1/1.8"	2.4 μm	Rolling	3072 × 2048	30.7 fps	12	Color	NE: 25 μs-2.5 sec	GigE	9-24 VDC,PoE	Typ. 2.6 W@12 VDC	C	0-50°C	29 mm × 29 mm × 30.2 mm	A
MV-CB060-106C-S	IMX178	CMOS	1/1.8"	2.4 μm	Rolling	3072 × 2048	30.7 fps	12	Color	NE: 25 μs-2.5 sec	GigE	9-24 VDC,PoE	Typ. 2.6 W@12 VDC	M12	0-50°C	29 mm × 29 mm × 30.2 mm	B
MV-CB060-106C-S-W	IMX178	CMOS	1/1.8"	2.4 μm	Rolling	3072 × 2048	30.7 fps	12	Color	NE: 25 μs-2.5 sec	GigE	9-24 VDC	Typ. 2.6 W@12 VDC	M12	0-50°C	29 mm × 29 mm × 22.4 mm	D

Notice:USE:Ultra-short exposure mode  
NE:Normal exposure mode



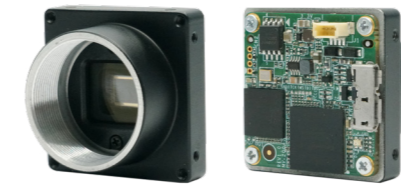
## Dimension



## CB Series USB3.0 Board Level Camera

### Key Features

- Single-board simplified design. Support flexible installation and configuration.
- Support access to mainstream embedded development boards for quick secondary development.
- Compact structure, bare board, C interface, M12 interface are available.
- USB3.0 interface, support USB interface power supply, low power consumption.
- Compatible with machine vision standard protocols and GenICam standard, seamless connection to third-party software platforms.

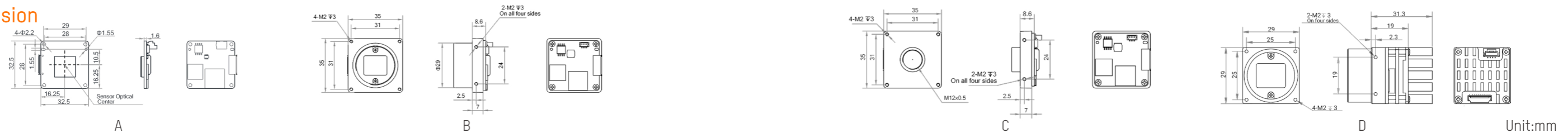


### Specifications

Model	Sensor model	Sensor type	Sensor size	Pixel size	Shutter mode	Resolution	Max. frame rate	bit depth	Mono/color	Exposure time	Data interface	Power supply	Power consumption	Lens mount	Working temperature	Dimension	Label
MV-CB013-AOUM-B	HK	CMOS	1/2"	4.8 μm	Global	1280 × 1024	201 fps	10	Mono	NE: 9 μs~10 sec	USB3.0	USB	Typ. 1.6 W@5 VDC	None	0~50°C	32.5 mm × 32.5 mm × 1.6 mm	A
MV-CB013-AOUM-C	HK	CMOS	1/2"	4.8 μm	Global	1280 × 1024	201 fps	10	Mono	NE: 9 μs~10 sec	USB3.0	USB	Typ. 1.6 W@5 VDC	C	0~50°C	35 mm × 35 mm × 8.6 mm	B
MV-CB013-AOUM-S	HK	CMOS	1/2"	4.8 μm	Global	1280 × 1024	201 fps	10	Mono	NE: 9 μs~10 sec	USB3.0	USB	Typ. 1.6 W@5 VDC	M12	0~50°C	35 mm × 35 mm × 8.6 mm	C
MV-CB013-AOUC-C	HK	CMOS	1/2"	4.8 μm	Global	1280 × 1024	201 fps	10	Color	NE: 9 μs~10 sec	USB3.0	USB	Typ. 2.8 W@5 VDC	C	0~50°C	35 mm × 35 mm × 8.6 mm	B
MV-CB013-AOUC-S	HK	CMOS	1/2"	4.8 μm	Global	1280 × 1024	201 fps	10	Color	NE: 9 μs~10 sec	USB3.0	USB	Typ. 2.8 W@5 VDC	M12	0~50°C	35 mm × 35 mm × 8.6 mm	C
MV-CB050-11UC-C *	IMX264	CMOS	2/3"	3.45 μm	Rolling	2448 × 2048	60 fps	12	Color	USE: 1 μs ~ 14 μs NE: 15 μs ~ 10 sec	USB3.0	9~24 VDC,USB	Typ. 2.9 W@5 VDC	C	0~50°C	29 mm × 29 mm × 31.3 mm	D
MV-CB060-10UM-B	IMX178	CMOS	1/1.8"	2.4 μm	Rolling	3072 × 2048	17 fps	12	Mono	NE: 27 μs~2.5 sec	USB3.0	USB	Typ. 2.0 W@5 VDC	None	0~50°C	32.5 mm × 32.5 mm × 1.6 mm	A
MV-CB060-10UM-C	IMX178	CMOS	1/1.8"	2.4 μm	Rolling	3072 × 2048	17 fps	12	Mono	NE: 27 μs~2.5 sec	USB3.0	USB	Typ. 2.0 W@5 VDC	C	0~50°C	35 mm × 35 mm × 8.6 mm	B
MV-CB060-10UM-S	IMX178	CMOS	1/1.8"	2.4 μm	Rolling	3072 × 2048	17 fps	12	Mono	NE: 27 μs~2.5 sec	USB3.0	USB	Typ. 2.0 W@5 VDC	M12	0~50°C	35 mm × 35 mm × 8.6 mm	C
MV-CB060-10UC-B	IMX178	CMOS	1/1.8"	2.4 μm	Rolling	3072 × 2048	29 fps	12	Color	NE: 16 μs~2.5 sec	USB3.0	USB	Typ. 2.0 W@5 VDC	None	0~50°C	32.5 mm × 32.5 mm × 1.6 mm	A
MV-CB060-10UC-C	IMX178	CMOS	1/1.8"	2.4 μm	Rolling	3072 × 2048	29 fps	12	Color	NE: 16 μs~2.5 sec	USB3.0	USB	Typ. 2.0 W@5 VDC	C	0~50°C	35 mm × 35 mm × 8.6 mm	B
MV-CB060-10UC-S	IMX178	CMOS	1/1.8"	2.4 μm	Rolling	3072 × 2048	29 fps	12	Color	NE: 16 μs~2.5 sec	USB3.0	USB	Typ. 2.0 W@5 VDC	M12	0~50°C	35 mm × 35 mm × 8.6 mm	C
MV-CB120-10UM-B	IMX226	CMOS	1/1.7"	1.85 μm	Rolling	4032 × 3036	28 fps	10	Mono	NE: 11 μs~2 sec	USB3.0	USB	Typ. 2.45 W@5 VDC	None	0~50°C	32.5 mm × 32.5 mm × 1.6 mm	A
MV-CB120-10UM-C	IMX226	CMOS	1/1.7"	1.85 μm	Rolling	4032 × 3036	28 fps	10	Mono	NE: 11 μs~2 sec	USB3.0	USB	Typ. 2.45 W@5 VDC	C	0~50°C	35 mm × 35 mm × 8.6 mm	B
MV-CB120-10UM-S	IMX226	CMOS	1/1.7"	1.85 μm	Rolling	4032 × 3036	28 fps	10	Mono	NE: 11 μs~2 sec	USB3.0	USB	Typ. 2.45 W@5 VDC	M12	0~50°C	35 mm × 35 mm × 8.6 mm	C
MV-CB120-10UC-B	IMX226	CMOS	1/1.7"	1.85 μm	Rolling	4032 × 3036	21 fps	10	Color	NE: 23 μs~2 sec	USB3.0	USB	Typ. 2.45 W@5 VDC	None	0~50°C	32.5 mm × 32.5 mm × 1.6 mm	A
MV-CB120-10UC-C	IMX226	CMOS	1/1.7"	1.85 μm	Rolling	4032 × 3036	21 fps	10	Color	NE: 23 μs~2 sec	USB3.0	USB	Typ. 2.45 W@5 VDC	C	0~50°C	35 mm × 35 mm × 8.6 mm	B
MV-CB120-10UC-S	IMX226	CMOS	1/1.7"	1.85 μm	Rolling	4032 × 3036	21 fps	10	Color	NE: 23 μs~2 sec	USB3.0	USB	Typ. 2.45 W@5 VDC	M12	0~50°C	35 mm × 35 mm × 8.6 mm	C

Notice:USE:Ultra-short exposure mode  
NE:Normal exposure mode

## Dimension



# Industrial Infrared Camera

## CI Series GigE Industrial Infrared Camera



### Key Features

- Using high-sensitivity vanadium oxide uncooled detector, resolution 640×512.
- Provide a variety of pseudo-color modes, rich image adjustment functions.
- Small and structural design that supports installation on four sides.
- GigE interface, with maximum transmission distance up to 100m (without relay).
- Compatible with GigE Vision protocol and GenICam standard.
- CE, FCC, RoHS, KC certification.

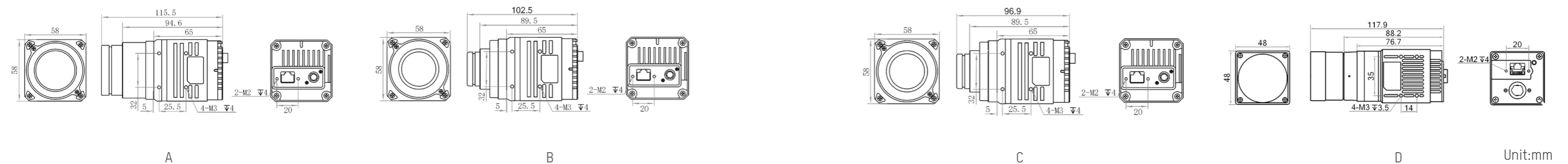


### Specifications

Model	Observation/Thermometry	Temperature measurement range	Temperature measurement accuracy	Sensor type	Spectral range	Pixel pitch	Resolution	Max. frame rate	ADC bit depth	NETD	Data interface	Power supply	Power consumption	Lens mount	Focal length	Working temperature	Dimension	Label
MV-CI003-GL-N6	Observation	/	/	Vanadium oxide uncooled detector	8-14 μm	17 μm	640 × 512	50 fps	8/16	< 35 mk(F1.0, 25°C)	GigE	9-24 VDC,POE	2.5 W@12 VDC	M34	6.3 mm	-30~60°C	58 mm x 58 mm × 115.5 mm	A
MV-CI003-GL-N15	Observation	/	/	Vanadium oxide uncooled detector	8-14 μm	17 μm	640 × 512	50 fps	8/16	< 35 mk(F1.0, 25°C)	GigE	9-24 VDC,POE	2.5 W@12 VDC	M34	15 mm	-30~60°C	58 mm x 58 mm × 102.5 mm	B
MV-CI003-GL-N25	Observation	/	/	Vanadium oxide uncooled detector	8-14 μm	17 μm	640 × 512	50 fps	8/16	< 35 mk(F1.0, 25°C)	GigE	9-24 VDC,POE	2.5 W@12 VDC	M34	25 mm	-30~60°C	58 mm x 58 mm × 96.9 mm	C
MV-CI003-GL-N35	Observation	/	/	Vanadium oxide uncooled detector	8-14 μm	17 μm	640 × 512	50 fps	8/16	< 35 mk(F1.0, 25°C)	GigE	9-24 VDC,POE	2.5 W@12 VDC	M34	35 mm	-30~60°C	58 mm x 58 mm × 115.5 mm	A
MV-CI003-GL-T6*	Thermometry	-20°C -150°C / 0°C -550°C	±2°C / read±2%(take great value)	Vanadium oxide uncooled detector	8-14 μm	17 μm	640 × 512	50 fps	16	< 50 mk(F1.0, 30°C)	GigE	9-24 VDC	2.8 W@12 VDC	M34	6.3 mm	-20~50°C	48 mm x 48 mm × 121.4 mm	D

Notice:\* will be released soon.

### Dimension

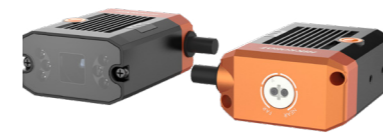


# Smart Camera

## SC2000E Series Vision Sensor

### Key Features

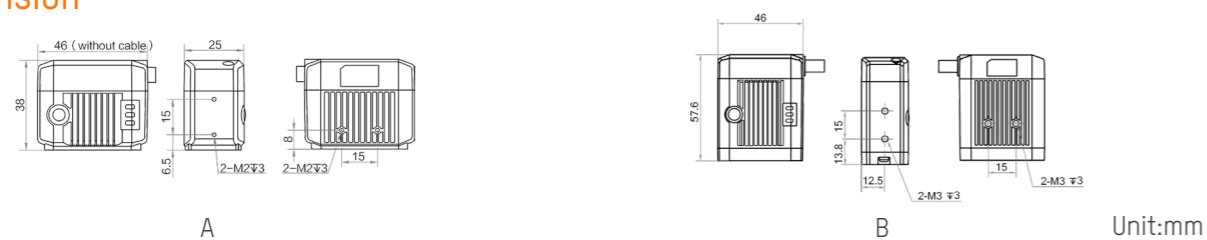
- Using embedded hardware platform, high-speed image processing can be carried out.
- Implant high-precision positioning and measurement algorithms, which can detect presence, positive and negative, etc.
- Rich IO interface, can access multiple input and output signals.
- Abundant status indicators, real-time grasp of equipment status, convenient for debugging and maintenance.
- The light source lamp cup is ingeniously designed to ensure uniform brightness in the lighting area.
- Small size, no fear of small spaces.
- Support multiple communication modes, such as serial port, TCP, UDP, FTP, EtherNet/IP, Modbus, Profinet, etc.
- CE, FCC, KC certification.



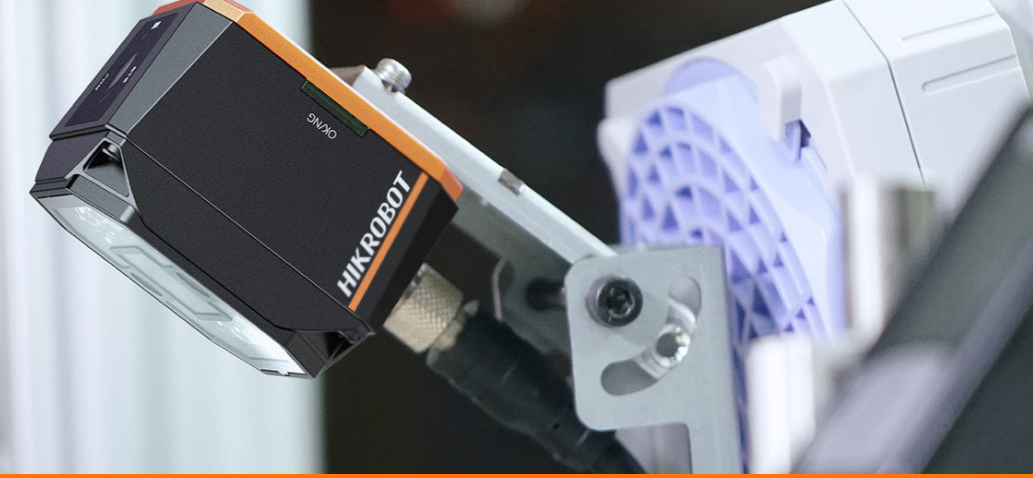
### Specifications

Model	Vision tool	Pixel size	Sensor size	Resolution	Max. frame rate	Mono/color	Data Interface	Power Supply	Max. power consumption	Lens mount	Focal length	Lens cap	Light source	Working temperature	Dimension	Label
MV-SC2004EM(Mini)	Existence: Pattern existence, spot existence Count: Pattern count, spot count Measurement: Brightness average value, contrast measurement	6.9 μm	1/2.9"	704 × 540	60 fps	Mono	Fast Ethernet	12-24 VDC	7.5 W@24 VDC	M10	6.72 mm	Transparent	White	0-50°C	46 mm × 38 mm × 25 mm	A
MV-SC2016EM(Mini)	Existence: Pattern existence, spot existence Count: Pattern count, spot count Measurement: Brightness average value, contrast measurement	3.45 μm	1/2.9"	1408 × 1024	60 fps	Mono	Fast Ethernet	12-24 VDC	7.5 W@24 VDC	M10	6.72 mm	Transparent	White	0-50°C	46 mm × 38 mm × 25 mm	A
MV-SC2004EM	Existence: Pattern existence, spot existence Count: Pattern count, spot count Measurement: Brightness average value, contrast measurement	6.9 μm	1/2.9"	704 × 540	60 fps	Mono	Fast Ethernet	12-24 VDC	22 W@24 VDC	M12	8/12.4/14.8mm	Transparent	White	0-50°C	46 mm × 57.6 mm × 25 mm	B
MV-SC2004EC	Existence: Pattern existence, spot existence Count: Pattern count, spot count Measurement: Brightness average value, contrast measurement, color size Recognition: Color contrast	6.9 μm	1/2.9"	704 × 540	60 fps	Color	Fast Ethernet	12-24 VDC	22 W@24 VDC	M12	8/12.4/14.8mm	Transparent	White	0-50°C	46 mm × 57.6 mm × 25 mm	B
MV-SC2016EM	Existence: Pattern existence, spot existence Count: Pattern count, spot count Measurement: Brightness average value, contrast measurement	3.45 μm	1/2.9"	1408 × 1024	60 fps	Mono	Fast Ethernet	12-24 VDC	22 W@24 VDC	M12	8/12.4/14.8mm	Transparent	White	0-50°C	46 mm × 57.6 mm × 25 mm	B
MV-SC2016EC	Existence: Pattern existence, spot existence Count: Pattern count, spot count Measurement: Brightness average value, contrast measurement, color size Recognition: Color contrast	3.45 μm	1/2.9"	1408 × 1024	60 fps	Color	Fast Ethernet	12-24 VDC	22 W@24 VDC	M12	8/12.4/14.8mm	Transparent	White	0-50°C	46 mm × 57.6 mm × 25 mm	B

### Dimension







## ■ SC3000 Series Vision Sensor

### Key Features

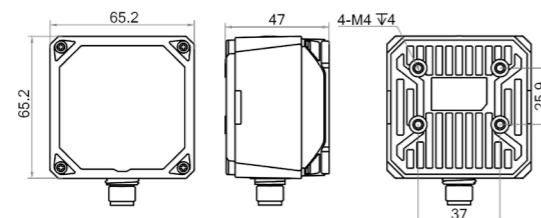
- Using embedded hardware platform, high-speed image processing can be carried out.
- Implant high-precision positioning and measurement algorithms, which can detect presence, front and back, position, size, etc.
- Rich IO interface, can access multiple input and output signals.
- Abundant status indicators, real-time grasp of equipment status, convenient for debugging and maintenance.
- The light source lamp cup is ingeniously designed to ensure uniform brightness in the lighting area.
- Support mechanical focusing, easy on-site debugging.
- Support multiple communication modes, such as serial port, TCP, UDP, FTP, EtherNet/IP, Modbus, Profinet, etc.
- CE, FCC, KC certification.



### Specifications

Model	Vision tool	Pixel size	Sensor size	Resolution	Max. frame rate	Mono/color	Data Interface	Power Supply	Max. power consumption	Lens mount	Focal length	Lens cap	Light source	Working temperature	Dimension
MV-SC3016M	Count: Pattern count, spot count, edge count Defect detection: Exception detection Existence: Pattern existence, spot existence, edge existence, circle existence, line existence Location: Match location, match calibration Logic tool: If module, condition judge, logic judge, combination judge, string comparison, calculator Measurement: L2L angle, diameter measurement, brightness analysis, contrast measurement, width measurement, P2L measurement, greyscale size, line angle, edge width measurement Recognition: OCR, code recognition	3.45 μm	1/2.9"	1408 × 1024	60 fps	Mono	Fast Ethernet	24 VDC	48 W@24 VDC	M12	6/12.4/14.8 mm	Transparent, Polarization/Infrared filter is optional.	White/Red/Blue/NIR	0-50°C	65.2 mm × 65.2 mm × 47 mm
MV-SC3016C	Count: Pattern count, spot count, edge count Defect detection: Exception detection Existence: Pattern existence, spot existence, edge existence, circle existence, line existence Location: Match location, match calibration Logic tool: If module, condition judge, logic judge, combination judge, string comparison, calculator Measurement: Color size, L2L angle, diameter measurement, brightness analysis, contrast measurement, width measurement, P2L measurement, greyscale size, line angle, edge width measurement Recognition: OCR, color contrast, code recognition, color recognition	3.45 μm	1/2.9"	1408 × 1024	60 fps	Color	Fast Ethernet	24 VDC	48 W@24 VDC	M12	6/12.4/14.8 mm	Transparent, Polarization/Infrared filter is optional.	White/Red/Blue/NIR	0-50°C	65.2 mm × 65.2 mm × 47 mm
MV-SC3050M	Count: Pattern count, spot count, edge count Defect detection: Exception detection Existence: Pattern existence, spot existence, edge existence, circle existence, line existence Location: Match location, match calibration Logic tool: If module, condition judge, logic judge, combination judge, string comparison, calculator Measurement: L2L angle, diameter measurement, brightness analysis, contrast measurement, width measurement, P2L measurement, greyscale size, line angle, edge width measurement Recognition: OCR, code recognition	3.2 μm	1/1.7"	2368 × 1670	30 fps	Mono	Fast Ethernet	24 VDC	48 W@24 VDC	M12	6/12.4/16 mm	Transparent, Polarization/Infrared filter is optional.	White/Red/Blue/NIR	0-50°C	65.2 mm × 65.2 mm × 47 mm

### Dimension



Unit:mm

## SC5000 Series Smart Camera

### Key Features

- Embedded high-performance visual inspection algorithm, strong performance, simple configuration.
- Support semi-automatic focusing, realize the production of multiple sizes of products corresponding to one device.
- Support large-capacity storage, and can selectively store logs and classified pictures in the device.
- A variety of light sources are optional, adapt to different production environments.
- Rich IO interface, can access multiple input and output signals.
- Abundant status indicators, real-time grasp of equipment status, convenient for debugging and maintenance.
- Support multiple communication modes, such as serial port, TCP, UDP, FTP, EtherNet/IP, Modbus, Profinet, etc.
- CE, FCC, KC certification.



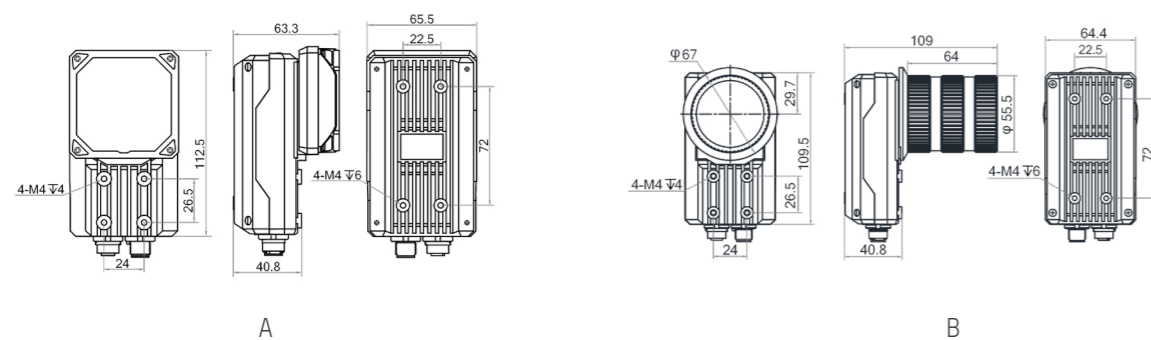
### Specifications

Model	Vision tool	Pixel size	Sensor size	Resolution	Max. frame rate	Mono/color	Data interface	Power Supply	Max. power consumption	Lens mount	Focal length	Lens cap	Light source	Working temperature	Dimension	Label
MV-SC5016M	Count: Pattern count, spot count, edge count Defect detection: Exception detection Existence: Pattern existence, spot existence, edge existence, circle existence, line existence Location: Match location, match calibration Logic tool: If module, condition judge, logic judge, combination judge, character comparison, calculator Measurement: L2L angle, diameter measurement, brightness analysis, contrast measurement, width measurement, P2L measurement, greyscale size, line angle, edge width measurement Recognition: OCR, code recognition	3.45 μm	1/2.9"	1408 × 1024	60 fps	Mono	Gigabit Ethernet	24 VDC	46 W@24 VDC	M12	8/12/16 mm	Transparent. Half polarization/Full polarization is optional	White/Red/Blue/NIR	0~50°C	112.5 mm × 65.5 mm × 63.3 mm	A
MV-SC5016C	Count: Pattern count, spot count, edge count Defect detection: Exception detection Existence: Pattern existence, spot existence, edge existence, circle existence, line existence Location: Match location, match calibration Logic tool: If module, condition judge, logic judge, combination judge, character comparison, calculator Measurement: Color size, L2L angle, diameter measurement, brightness analysis, contrast measurement, width measurement, P2L measurement, greyscale size, line angle, edge width measurement Recognition: Color recognition, color contrast, OCR, code recognition	3.45 μm	1/2.9"	1408 × 1024	60 fps	Color	Gigabit Ethernet	24 VDC	46 W@24 VDC	M12	8/12/16 mm	Transparent. Half polarization/Full polarization is optional	White/Red/Blue/NIR	0~50°C	112.5 mm × 65.5 mm × 63.3 mm	A
MV-SC5050M	Count: Pattern count, spot count, edge count Defect detection: Exception detection Existence: Pattern existence, spot existence, edge existence, circle existence, line existence Location: Match location, match calibration Logic tool: If module, condition judge, logic judge, combination judge, character comparison, calculator Measurement: L2L angle, diameter measurement, brightness analysis, contrast measurement, width measurement, P2L measurement, greyscale size, line angle, edge width measurement Recognition: OCR, code recognition	3.2 μm	1/1.7"	2368 × 1760	40 fps	Mono	Gigabit Ethernet	24 VDC	46 W@24 VDC	M12	8/12/16 mm	Transparent. Half polarization/Full polarization is optional	White/Red/Blue/NIR	0~50°C	112.5 mm × 65.5 mm × 63.3 mm	A



Model	Vision tool	Pixel size	Sensor size	Resolution	Max. frame rate	Mono/color	Data interface	Power Supply	Max. power consumption	Lens mount	Focal length	Lens cap	Light source	Working temperature	Dimension	Label
MV-SC5060M	Count: Pattern count, spot count, edge count Defect detection: Exception detection Existence: Pattern existence, spot existence, edge existence, circle existence, line existence Location: Match location, match calibration Logic tool: If module, condition judge, logic judge, combination judge, character comparison, calculator Measurement: L2L angle, diameter measurement, brightness analysis, contrast measurement, width measurement, P2L measurement, greyscale size, line angle, edge width measurement Recognition: OCR, code recognition	2.4 μm	1/1.8"	3072 × 2048	30 fps	Mono	Gigabit Ethernet	24 VDC	20 W@24 VDC	M12	8/12 mm	Transparent. Half polarization/Full polarization is optional	White/Red/Blue/NIR	0~50°C	112.5 mm × 65.5 mm × 63.3 mm	A
MV-SC5060M-00C-NNN	Count: Pattern count, spot count, edge count Defect detection: Exception detection Existence: Pattern existence, spot existence, edge existence, circle existence, line existence Location: Match location, match calibration Logic tool: If module, condition judge, logic judge, combination judge, character comparison, calculator Measurement: L2L angle, diameter measurement, brightness analysis, contrast measurement, width measurement, P2L measurement, greyscale size, line angle, edge width measurement Recognition: OCR, code recognition	2.4 μm	1/1.8"	3072 × 2048	30 fps	Mono	Gigabit Ethernet	24 VDC	7.5 W@24 VDC	C	/	Transparent	Not included	0~50°C	109.5 mm × 64.4 mm × 109 mm	B
MV-SC5120M-00C-NNN	Count: Pattern count, spot count, edge count Existence: Pattern existence, spot existence, edge existence, circle existence, line existence Location: Match location, match calibration Logic tool: If module, condition judge, logic judge, combination judge, character comparison, calculator Measurement: L2L angle, diameter measurement, brightness analysis, contrast measurement, width measurement, P2L measurement, greyscale size, line angle, edge width measurement Recognition: OCR, code recognition	3.2 μm	1"	4096 × 3072	24 fps	Mono	Gigabit Ethernet	24 VDC	7.5 W@24 VDC	C	/	Transparent	Not included	0~50°C	109.5 mm × 64.4 mm × 109 mm	B
MV-SC5200M-00C-NNN	Count: Pattern count, spot count, edge count Existence: Pattern existence, spot existence, edge existence, circle existence, line existence Location: Match location, match calibration Logic tool: If module, condition judge, logic judge, combination judge, character comparison, calculator Measurement: L2L angle, diameter measurement, brightness analysis, contrast measurement, width measurement, P2L measurement, greyscale size, line angle, edge width measurement Recognition: OCR, code recognition	2.4 μm	1"	5440 × 3648	20 fps	Mono	Gigabit Ethernet	24 VDC	7.5 W@24 VDC	C	/	Transparent	Not included	0~50°C	109.5 mm × 64.4 mm × 109 mm	B

## Dimension



Unit:mm

## SC7000P Series Smart Camera

### Key Features

- Built-in vision tools of deep learning to achieve character and object recognition, object sorting, etc.
- Support semi-automatic focusing to realize the production of products in multiple sizes with one equipment.
- Mass storage supported, selectively store device logs and classified pictures.
- A variety of light sources are available for selection to adapt to different production environments.
- Rich IO interfaces provide access for multiple input and output signals.
- Multiple LED indicators indicating realtime status for debugging and maintenance.
- Support multiple communication modes, such as serial port, TCP, UDP, FTP, EtherNet/IP, Modbus, Profinet, etc.
- CE, FCC, KC certification.

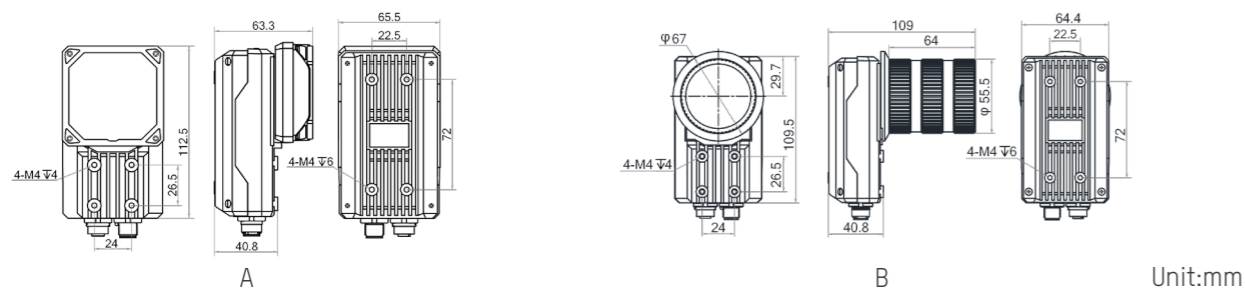


### Specifications

Model	Vision tool	Pixel size	Sensor size	Resolution	Max. frame rate	Mono/color	Data interface	Power Supply	Max. power consumption	Lens mount	Focal length	Lens cap	Light source	Working temperature	Dimension	Label
MV-SC7016PM	Count: Pattern count, spot count, edge count Defect detection: Exception detection Existence: Pattern existence, spot existence, edge existence, circle existence, line existence Location: Match location, match calibration Logic tool: If module, condition judge, logic judge, combination judge, string comparison, calculator Measurement: L2L angle, diameter measurement, brightness analysis, contrast measurement, width measurement, P2L measurement, greyscale size, line angle, edge width measurement Recognition: OCR, code recognition, DL classification, DL object detection	3.45 μm	1/2.9"	1408 × 1024	60 fps	Mono	Gigabit Ethernet	24 VDC	46 W@24 VDC	M12	8/12/16 mm	Transparent. Half polarization/Full polarization is optional	White	0-50°C	112.5 mm × 65.5 mm × 63.3 mm	A
MV-SC7016PC	Count: Pattern count, spot count, edge count Defect detection: Exception detection Existence: Pattern existence, spot existence, edge existence, circle existence, line existence Location: Match location, match calibration Logic tool: If module, condition judge, logic judge, combination judge, character comparison, calculator Measurement: Color size, L2L angle, diameter measurement, brightness analysis, contrast measurement, width measurement, P2L measurement, greyscale size, line angle, edge width measurement Recognition: Color recognition, color contrast, OCR, code recognition, DL classification, DL object detection	3.45 μm	1/2.9"	1408 × 1024	60 fps	Color	Gigabit Ethernet	24 VDC	46 W@24 VDC	M12	8/12/16 mm	Transparent. Half polarization/Full polarization is optional	White	0-50°C	112.5 mm × 65.5 mm × 63.3 mm	A
MV-SC7050PM	Count: Pattern count, spot count, edge count Defect detection: Exception detection Existence: Pattern existence, spot existence, edge existence, circle existence, line existence Location: Match location, match calibration Logic tool: If module, condition judge, logic judge, combination judge, string comparison, calculator Measurement: L2L angle, diameter measurement, brightness analysis, contrast measurement, width measurement, P2L measurement, greyscale size, line angle, edge width measurement Recognition: OCR, code recognition, DL classification, DL object detection	3.2 μm	1/1.7"	2368 × 1760	40 fps	Mono	Gigabit Ethernet	24 VDC	46 W@24 VDC	M12	8/12/16 mm	Transparent. Half polarization/Full polarization is optional	White/Red/Blue/NIR	0-50°C	112.5 mm × 65.5 mm × 63.3 mm	A

Model	Vision tool	Pixel size	Sensor size	Resolution	Max. frame rate	Mono/color	Data interface	Power Supply	Max. power consumption	Lens mount	Focal length	Lens cap	Light source	Working temperature	Dimension	Label
MV-SC7060PM	Count: Pattern count, spot count, edge count Defect detection: Exception detection Existence: Pattern existence, spot existence, edge existence, circle existence, line existence Location: Match location, match calibration Logic tool: If module, condition judge, logic judge, combination judge, string comparison, calculator Measurement: L2L angle, diameter measurement, brightness analysis, contrast measurement, width measurement, P2L measurement, greyscale size, line angle, edge width measurement Recognition: OCR, code recognition, DL classification, DL object detection	2.4 μm	1/1.8"	3072 × 2048	30 fps	Mono	Gigabit Ethernet	24 VDC	20 W@24 VDC	M12	8/12 mm	Transparent. Half polarization/Full polarization is optional	White/Red/Blue/NIR	0-50°C	112.5 mm × 65.5 mm × 63.3 mm	A
MV-SC7060PM-00C-NNN	Count: Pattern count, spot count, edge count Defect detection: Exception detection Existence: Pattern existence, spot existence, edge existence, circle existence, line existence Location: Match location, match calibration Logic tool: If module, condition judge, logic judge, combination judge, string comparison, calculator Measurement: L2L angle, diameter measurement, brightness analysis, contrast measurement, width measurement, P2L measurement, greyscale size, line angle, edge width measurement Recognition: OCR, code recognition, DL classification, DL object detection	2.4 μm	1/1.8"	3072 × 2048	30 fps	Mono	Gigabit Ethernet	24 VDC	7.5 W@24 VDC	C	/	Transparent	Not included	0-50°C	109.5 mm × 64.4 mm × 109 mm	B
MV-SC7120PM-00C-NNN	Count: Pattern count, spot count, edge count Defect detection: Exception detection Existence: Pattern existence, spot existence, edge existence, circle existence, line existence Location: Match location, match calibration Logic tool: If module, condition judge, logic judge, combination judge, string comparison, calculator Measurement: L2L angle, diameter measurement, brightness analysis, contrast measurement, width measurement, P2L measurement, greyscale size, line angle, edge width measurement Recognition: OCR, code recognition, DL classification, DL object detection	3.2 μm	1"	4096 × 3072	24 fps	Mono	Gigabit Ethernet	24 VDC	7.5 W@24 VDC	C	/	Transparent	Not included	0-50°C	109.5 mm × 64.4 mm × 109 mm	B
MV-SC7200PM-00C-NNN	Count: Pattern count, spot count, edge count Defect detection: Exception detection Existence: Pattern existence, spot existence, edge existence, circle existence, line existence Location: Match location, match calibration Logic tool: If module, condition judge, logic judge, combination judge, string comparison, calculator Measurement: L2L angle, diameter measurement, brightness analysis, contrast measurement, width measurement, P2L measurement, greyscale size, line angle, edge width measurement Recognition: OCR, code recognition, DL classification, DL object detection	2.4 μm	1"	5440 × 3648	20 fps	Mono	Gigabit Ethernet	24 VDC	7.5 W@24 VDC	C	/	Transparent	Not included	0-50°C	109.5 mm × 64.4 mm × 109 mm	B

## Dimension



Unit:mm

# Smart Code Reader

## ■ ID2000 Series Smart Code Reader

### Key Features

- Ultra-small structure, suitable for various types of machines and compact workstations.
- Support reading multiple codes, such as Code 39, Code 93, Code 128, CodaBar, EAN, ITF25, QR, DM, etc.
- Design multi-color LED light source, adopt asymmetrical arrangement, and cover more evenly.
- Built-in LED sight, clearly indicating the field of view, quick installation and adjustment.
- Front waterproof debugging button, and support external hands-on trigger.
- Abundant IO interface and direct plug-in power interface, convenient for wiring.



### Specifications

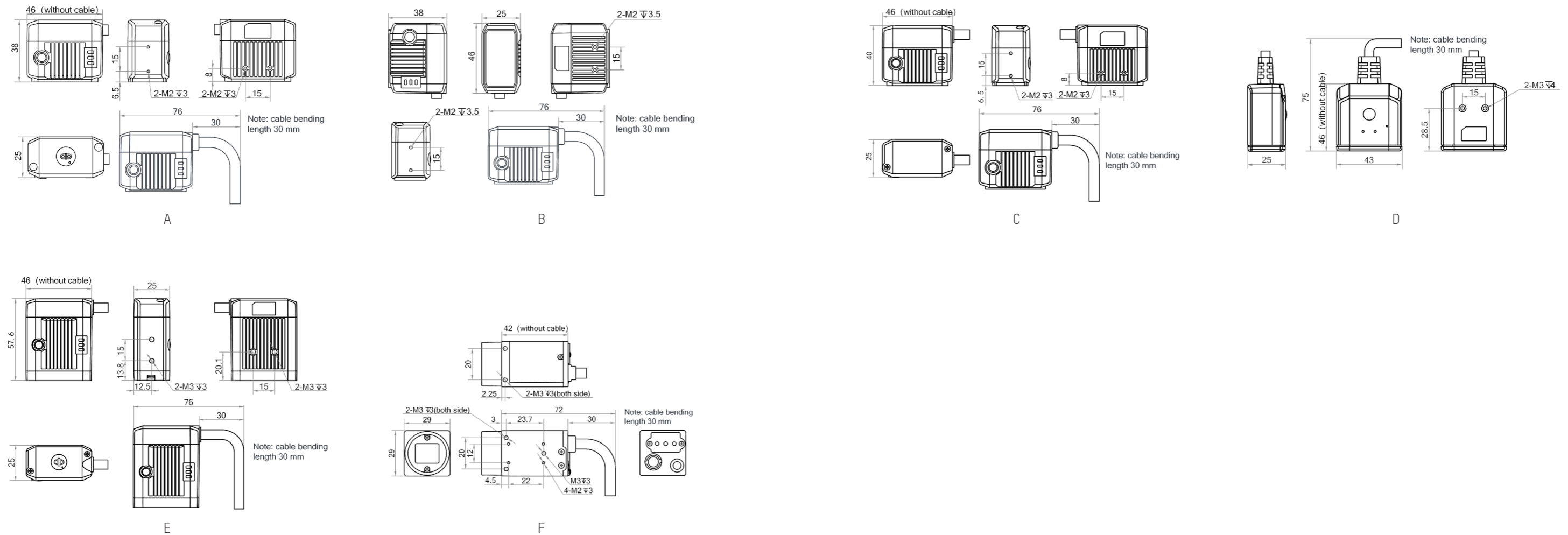
Model	Sensor size	Pixel size	Resolution	Max. frame rate	Max. reading speed	Client software	Data interface	Power Supply	Max. power consumption	Focal Length	Working/Focus distance	Light source	Aiming system	Working temperature	Dimension	Label
MV-ID2004M-06S-xBN	1/2.9"	6.9 μm	704 × 540	60 fps	41 codes/sec	IDMVS	Fast Ethernet	12-24 VDC	10.6 W@24 VDC	6.72 mm	40-120 mm, adjusting focus manually supported	Red/Blue/White	Orange LED	0-50°C	46 mm × 38 mm × 25 mm	A
MV-ID2004M-06S-xBN-U	1/2.9"	6.9 μm	704 × 540	60 fps	38 codes/sec	IDMVS	USB2.0	5 VDC,USB3.0	4.6 W@5 VDC	6.72 mm	40-120 mm, adjusting focus manually supported	Red/Blue/White	Green LED	0-50°C	46 mm × 38 mm × 25 mm	A
MV-ID2004M-16T	1/2.9"	6.9 μm	704 × 540	60 fps	45 codes/sec	IDMVS	Fast Ethernet	12-24 VDC	11 W@12 VDC	16 mm	100-400 mm	Red	Orange LED	0-50°C	46 mm × 40 mm × 25 mm	C
MV-ID2010M-05M-WLR	1/4"	3 μm	1280 × 800	50 fps	34 codes/sec	IDMVS	Fast Ethernet	12-24 VDC	6.24 W@24 VDC	5 mm	110 mm	White	Cross laser	0-50°C	46 mm × 38 mm × 25 mm	B
MV-ID2010M-05M-WLR-U	1/4"	3 μm	1280 × 800	50 fps	32 codes/sec	IDMVS	USB2.0	5 VDC,USB3.0	4.4 W@5 VDC	5 mm	110 mm	White	Cross laser	0-50°C	46 mm × 38 mm × 25 mm	B
MV-ID2013M-06S-xBy	1/2.7"	4 μm	1280 × 1024	60 fps	45 codes/sec	IDMVS	Fast Ethernet	12-24 VDC	10.6 W@24 VDC	6.72 mm	40-120 mm, adjusting focus manually supported	Red/Blue/White	Green LED	0-50°C	46 mm × 38 mm × 25 mm	A
MV-ID2013M-16S-RBN	1/2.7"	4 μm	1280 × 1024	60 fps	45 codes/sec	IDMVS	Fast Ethernet	12-24 VDC	24 W@12 VDC	16 mm	105-150 mm, adjusting focus manually supported	Red	/	0-50°C	46 mm × 25 mm × 57.6 mm	E
MV-ID2013M-25S-RBN	1/2.7"	4 μm	1280 × 1024	60 fps	45 codes/sec	IDMVS	Fast Ethernet	12-24 VDC	24 W@12 VDC	25 mm	170-200 mm, adjusting focus manually supported	Red	/	0-50°C	46 mm × 25 mm × 57.6 mm	E
MV-ID2013M-00C-NNN	1/2.7"	4 μm	1280 × 1024	60 fps	45 codes/sec	IDMVS	Fast Ethernet	12-24 VDC	6 W@12 VDC	/	/	/	/	0-50°C	29 mm × 29 mm × 42 mm	F
MV-ID2013EM-05-xBy	1/4"	2.7 μm	1280 × 1024	50 fps	30 codes/sec	IDMVS	Fast Ethernet	12-24 VDC	3.5 W@12 VDC	4.7 mm	120 mm	Red/White	Green LED	0-50°C	45 mm × 43 mm × 25 mm	D
MV-ID2013EM-05-xBy-U	1/4"	2.7 μm	1280 × 1024	50 fps	30 codes/sec	IDMVS	USB2.0	5 VDC,USB3.0	2.5 W@5 VDC	4.7 mm	120 mm	Red/White	Green LED	0-50°C	45 mm × 43 mm × 25 mm	D
MV-ID2013EM-05N-xBy	1/4"	2.7 μm	1280 × 1024	50 fps	30 codes/sec	IDMVS	Fast Ethernet	12-24 VDC	3.5 W@12 VDC	4.7 mm	70 mm	Red/White	Green LED	0-50°C	45 mm × 43 mm × 25 mm	D
MV-ID2013EM-05N-xBy-U	1/4"	2.7 μm	1280 × 1024	50 fps	30 codes/sec	IDMVS	USB2.0	5 VDC,USB3.0	2.5 W@5 VDC	4.7 mm	70 mm	Red/White	Green LED	0-50°C	45 mm × 43 mm × 25 mm	D
MV-ID2013EM-05H-xBy	1/4"	2.7 μm	1280 × 1024	50 fps	30 codes/sec	IDMVS	USB2.0	5 VDC,USB2.0	2.5 W@5 VDC	4.7 mm	40 mm	Red/White	Green LED	0-50°C	45 mm × 43 mm × 25 mm	D



Model	Sensor size	Pixel size	Resolution	Max. frame rate	Max. reading speed	Client software	Data interface	Power Supply	Max. power consumption	Focal Length	Working/Focus distance	Light source	Aiming system	Working temperature	Dimension	Label
MV-ID2013EM-05H-xBy-U	1/4"	2.7 μm	1280 × 1024	50 fps	30 codes/sec	IDMVS	USB2.0	5 VDC,USB2.0	2.5 W@5 VDC	4.7 mm	40 mm	Red/White	Green LED	0 ~ 50°C	45 mm × 43 mm × 25 mm	D
MV-ID2016M-06S-xBN	1/2.9"	3.45 μm	1408 × 1024	60 fps	45 codes/sec	IDMVS	Fast Ethernet	12-24 VDC	10.6 W@24 VDC	6.72 mm	40-120 mm, adjusting focus manually supported	Red/Blue/White	Green LED	0-50°C	46 mm × 38 mm × 25 mm	A
MV-ID2016M-06S-xBN-U	1/2.9"	3.45 μm	1408 × 1024	60 fps	45 codes/sec	IDMVS	USB2.0	5 VDC,USB3.0	4.6 W@5 VDC	6.72 mm	40-120 mm, adjusting focus manually supported	Red/Blue/White	Green LED	0-50°C	46 mm × 38 mm × 25 mm	A
MV-ID2016M-16T	1/2.9"	3.45 μm	1408 × 1024	60 fps	45 codes/sec	IDMVS	Fast Ethernet	12-24 VDC	11 W@12 VDC	16 mm	100-400 mm	Red	Orange LED	0-50°C	46 mm × 40 mm × 25 mm	C
MV-ID2016M-16S-RBN	1/2.9"	3.45 μm	1408 × 1024	60 fps	45 codes/sec	IDMVS	Fast Ethernet	12-24 VDC	24 W@12 VDC	16 mm	105-150 mm, adjusting focus manually supported	Red	/	0-50°C	46 mm × 25 mm × 57.6 mm	E
MV-ID2016M-25S-RBN	1/2.9"	3.45 μm	1408 × 1024	60 fps	45 codes/sec	IDMVS	Fast Ethernet	12-24 VDC	24 W@12 VDC	25 mm	170-200 mm, adjusting focus manually supported	Red	/	0-50°C	46 mm × 25 mm × 57.6 mm	E
MV-ID2016M-00C-NNN	1/2.9"	3.45 μm	1408 × 1024	60 fps	45 codes/sec	IDMVS	Fast Ethernet	12-24 VDC	6 W@12 VDC	/	/	/	/	0-50°C	29 mm × 29 mm × 42 mm	F

Notice: x products with different light source  
y represents polarization or not

## Dimension



Unit:mm

# ■ ID3000 Series Smart Code Reader

## Key Features

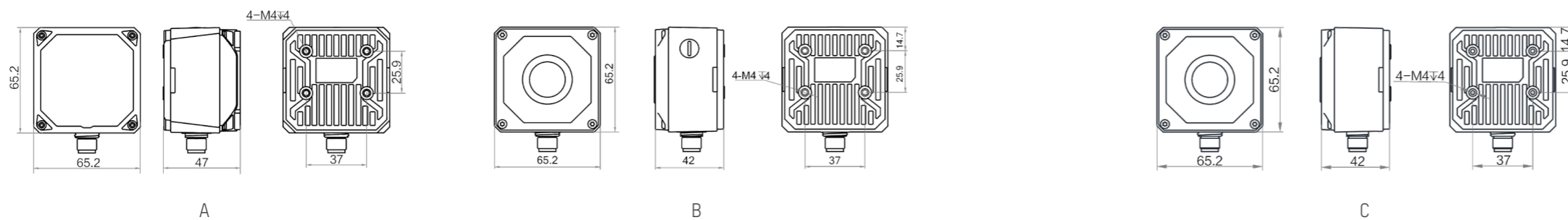
- Excellent Sensor, support high-speed acquisition rate with high-quality images.
- Support reading multiple codes, such as Code 39, Code 93, Code 128, CodaBar, EAN, ITF25, QR, DM, etc.
- Adopt multiple IO interfaces for input and output signals.
- Ring indicator light on the top for quick observation of working status.
- External waterproof debugging button, support external manual trigger and one-key settings.
- Bilateral side waistline result indicator, multi-angle visible OK/NG status in code reading.
- Modular light source design, controllable branch and convenient replacement.
- IP67 protection, cope with harsh industrial application environment.



## Specifications

Model	Sensor size	Pixel size	Resolution	Max. frame rate	Max. reading speed	Client software	Data interface	Power Supply	Max. power consumption	Focal Length	Lens mount	Lens cap	Light source	Working temperature	Dimension	Label
MV-ID3013PM	1/2.7"	4 μm	1280 × 1024	60 fps	84 codes/sec	IDMVS	Fast Ethernet	24 VDC	20 W@24 VDC	6/12/14.8 mm	M12, mechanical autofocus	Half polarized. Polarized/Transparent is optional.	White.Red/blue/IR is optional.	0-50°C	65.2 mm × 65.2 mm × 47 mm	A
MV-ID3016PM	1/2.9"	3.45 μm	1408 × 1024	60 fps	84 codes/sec	IDMVS	Fast Ethernet	24 VDC	20 W@24 VDC	6/12/14.8 mm	M12, manual focus M12, mechanical autofocus	Transparent. Polarization is optional.	Spotlight white. Spotlight red/blue/IR, and wide-angle white/red/blue is optional.	0-50°C	65.2 mm × 65.2 mm × 42 mm 65.2 mm × 65.2 mm × 42 mm	B C
MV-ID3050PM	1/1.7"	3.2 μm	2368 × 1760	30 fps	60 codes/sec	IDMVS	Fast Ethernet	24 VDC	47.5 W@24 VDC	8/12/16/25 mm	M12, mechanical autofocus	Half polarized. Polarized/Transparent is optional.	White.Red/blue/IR is optional.	0-50°C	65.2 mm × 65.2 mm × 47 mm	A

## Dimension



Unit:mm

# ■ ID5000 Series Smart Code Reader

## Key Features

- Select 4.9MP-20MP high-performance sensor, high-speed image data acquisition and excellent image quality.
- Support reading multiple codes, such as Code 39, Code 93, Code 128, CodaBar, EAN, ITF25, QR, DM,PDF417, etc.
- Built-in deep learning code reading algorithm. Adapt to a variety of complex working conditions with robustness.
- Optional mechanical focus lens, auto-focusing and easy debugging.
- Support digital scoring of coding level.
- Multifunctional indicator on the top. Support customization and quickly observe the working status.
- Support multiple communication modes, such as TCP/IP, Serial, FTP, PROFINET, Ethernet/IP, etc.



## Specifications

Model	Sensor size	Pixel size	Resolution	Max. frame rate	Max. reading speed	Client software	Data interface	Power Supply	Max. power consumption	Focal Length	Lens mount	Lens cap	Light source	Working temperature	Dimension	Label
MV-ID5050M-xxS-WBN	1/1.7"	3.2 μm	2368 × 1760	40 fps	90 codes/sec	IDMVS	Gigabit Ethernet	24 VDC	60 W@24 VDC	8/12/16/25 mm	M12	Half polarized.Polarized/Transparent is optional.	White/Red/Blue/NIR	0-50°C	112.5 mm × 65.5 mm × 63.3 mm	A
MV-ID5060M-xxS-WBN	1/1.8"	2.4 μm	3072 × 2048	30 fps	90 codes/sec	IDMVS	Gigabit Ethernet	24 VDC	20 W@24 VDC	8/12/16/25 mm	M12	Transparent.Polarization is optional.	White/Red/Blue/NIR	0-50°C	118.7 mm × 78 mm × 73.2 mm	B
MV-ID5060M-00C-WBN	1/1.8"	2.4 μm	3072 × 2048	30 fps	90 codes/sec	IDMVS	Gigabit Ethernet	24 VDC	20 W@24 VDC	/	C	Transparent.Polarization is optional.	White/Red/Blue/NIR	0-50°C	118.7 mm × 78 mm × 92.7 mm	C
MV-ID5060M-00C-NNN	1/1.8"	2.4 μm	3072 × 2048	30 fps	90 codes/sec	IDMVS	Gigabit Ethernet	24 VDC	20 W@24 VDC	/	C	Transparent	Not included	0-50°C	109.5 mm × 64.4 mm × 109 mm	D
MV-ID5120M-00C-NNN	1"	3.2 μm	4096 × 3072	28 fps	84 codes/sec	IDMVS	Gigabit Ethernet	12-24 VDC	12 W@24 VDC	/	C	Included	Not included	0-50°C	109.5 mm × 64.4 mm × 109 mm	D
MV-ID5200M-00C-NNN	1"	2.4 μm	5440 × 3648	20 fps	36 codes/sec	IDMVS	Gigabit Ethernet	12-24 VDC	12 W@24 VDC	/	C	Transparent.Polarization is optional.	Not included	0-50°C	109.5 mm × 64.4 mm × 109 mm	D

Notice: xx products with different focal Lengths

## Dimension



Unit:mm



# ■ ID6000 Series Logistics Code Reader

## Key Features

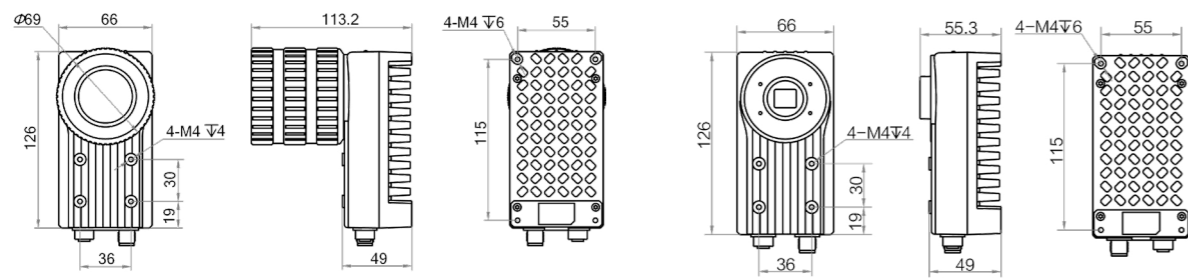
- Provide 20MP and 12MP ultra high resolution, covering a enormous field of view.
- Provide 12MP high-resolution global shutter, adapt to high-speed scenes and provide 4K horizontal resolution.
- Provide logistics-specific deep learning barcode reading algorithms to deal with various types of distortion, wrinkles, dirt, and broken barcodes in logistics scenarios.
- Support multiple barcode recognition and waybill cutout.
- Gigabit transmission, support original image output and archive.
- Support networking, construct multi-code reader system through codemaster.



## Specifications

Model	Sensor size	Pixel size	Resolution	Max. frame rate	Max. reading speed	Client software	Data interface	Power Supply	Max. power consumption	Lens mount	Lens cap	Light source	Working temperature	Dimension	Label
MV-ID6089M-00C-NNG	1"	3.45 μm	4096 × 2160	30 fps	90 codes/sec	IDMVS	Gigabit Ethernet	12-24 VDC	12 W@24 VDC	C	Included	Not included	0-50°C	126 mm x 66 mm x 113.2 mm	A
MV-ID6200EM-00C-NNG	1"	2.4 μm	5440 × 3648	10 fps	30 codes/sec	IDMVS	Gigabit Ethernet	12-24 VDC	12 W@24 VDC	C	Not included	Not included	0-50°C	126 mm × 66 mm × 55.3 mm	B
MV-ID6200M-00C-NNG	1"	2.4 μm	5440 × 3648	20 fps	60 codes/sec	IDMVS	Gigabit Ethernet	12-24 VDC	12 W@24 VDC	C	Included	Not included	0-50°C	126 mm × 66 mm × 113.2 mm	A

## Dimension



Unit:mm

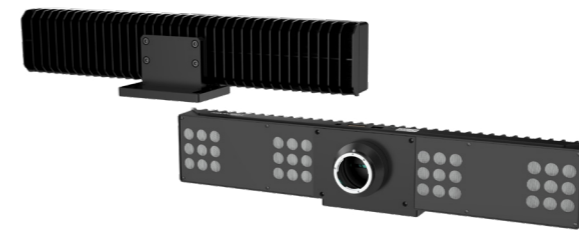


## ■ ID7000 Series Logistics Code Reader



### Key Features

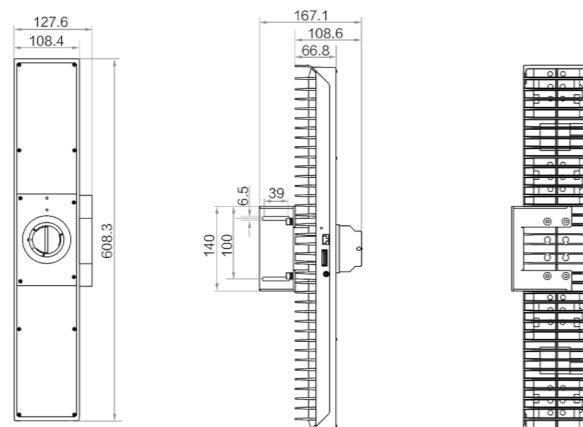
- Adopt high-quality linescan sensor to achieve coverage of more than 1.4m in narrow visual space.
- Built-in deep learning code reading algorithm to efficiently read bar codes of various types.
- Support real-time variable speed adjustment, support the whole image stitch transmission.
- Rich IO functions, support encoder, RS232 serial transmission protocol.
- Optional bottom reflectors of different lengths with reflector cleaning mechanism can be added.
- Support SmartSDK, TCP, UDP, Serial, FTP, HTTP and other communication protocols.



### Specifications

Model	Max. line frequency	Resolution	Client software	Data interface	Power Supply	Max. power consumption	Focal Length	Working distance	Field of view	Lens mount	Working temperature	Dimension
MV-ID7080EM-35F-WHA	15 kHz	8K	IDMVS	Gigabit Ethernet	48 VDC	180 W@48VDC	35 mm	1000 mm	1000 mm	F	0-50°C	608.3 mm × 127.6 mm × 167.1 mm
MV-ID7080PM-35F-WHA	20 kHz	8K	IDMVS	Gigabit Ethernet	48 VDC	180 W@48VDC	35 mm	1000 mm	1200 mm	F	0-50°C	608.3 mm × 127.6 mm × 167.1 mm

### Dimension

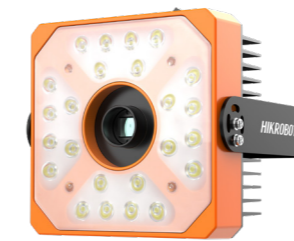


Unit:mm

## ■ PD Series Logistics Code Reader

### Key Features

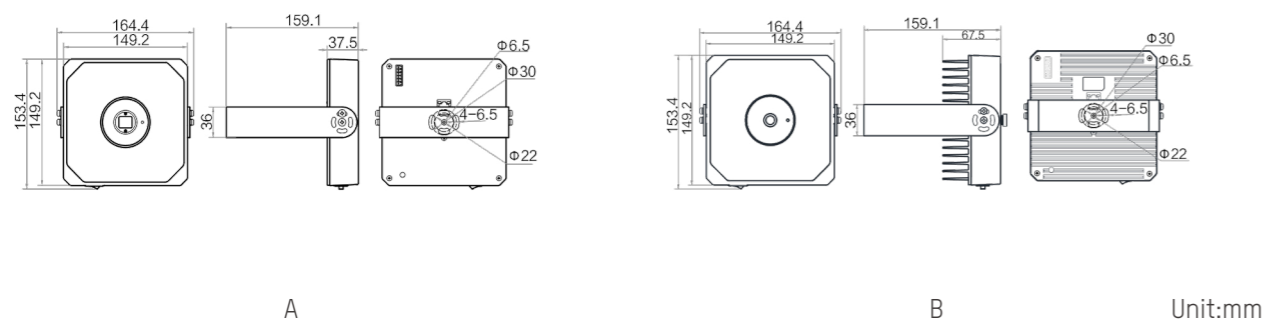
- Integrated structure design of camera lens and light source, high integration, ready to use out of the box, convenient installation and debugging.
- Built-in deep learning code reading algorithm, efficient reading of various logistics barcodes.
- Realize the collection and fusion of images and data; provide local storage and upload, traceability basis.
- Adopt professional optical design, high energy utilization rate, stable performance and long service life of lamp beads.
- Adjustable light source brightness, strong environmental adaptability.
- Seamless docking of common express logistics management system to provide real-time effective data for logistics and production enterprises.



### Specifications

Model	Type	Max. frame rate	Resolution	Data interface	Power Supply	Max. power consumption	Focal Length	Working distance	Field of view	Depth of field	Uniformity	Luminous flux	Color temperature	Working temperature	Dimension	Label
MV-PD010003-06M-12C	Standard type	15 fps	3072 × 2048	Gigabit Ethernet	24 VDC	20 W@24 VDC	12 mm	900 mm	550 mm × 340 mm	500 mm	0.53	2500 lm	5700 K	0-50°C	153.4 mm × 164.4 mm × 159.1 mm	A
MV-PD010003-12M-16C	Standard type	5.5 fps	4024 × 3036	Gigabit Ethernet	24 VDC	44 W@24 VDC	16 mm	1550 mm	730 mm × 550 mm	650 mm	0.56	5900 lm	6500 K	0-50°C	153.4 mm × 164.4 mm × 159.1 mm	B

### Dimension



## ■ IDH Series Handheld Smart Code Reader

### Key Features

- The self-developed bar code recognition algorithm, efficiently read the mainstream code types.
- Strong robustness, can effectively deal with the situations of dirty bar codes, defects, low contrast and the like.
- Visual laser or LED aiming, clear indication of target field of view, quick installation and adjustment.
- Reliable and durable structural design.



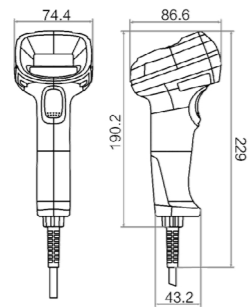
### Specifications

Model	Sensor size	Pixel size	Resolution	Frame rate	Min. accuracy	Client software	Data interface	Power Supply	Max. power consumption	Focal length	Lens mount	Light source	Aiming	Working temperature	Dimension	Label
MV-IDH3013-05S-R1L *	1/4"	2.7 μm	1280 × 1024	50 fps	4 mil	IDMVS	Fast Ethernet, RS-232,DC terminal	12 ~ 24 VDC	6 W@24 VDC	4.7 mm	M5.8	Red LED	Cross laser aiming	-20~50°C	74.4 mm × 86.6 mm × 229 mm	A
MV-IDH3013-05S-R1U *	1/4"	2.7 μm	1280 × 1024	50 fps	4 mil	IDMVS	USB2.0,DC terminal	USB2.0:5 VDC DC terminal:12 ~ 24 VDC	USB2.0:4.6 W@5 VDC DC terminal:6 W@24 VDC	4.7 mm	M5.8	Red LED	Cross laser aiming	-20~50°C	74.4 mm × 86.6 mm × 229 mm	A
MV-IDH3013-05N-R1L *	1/4"	2.7 μm	1280 × 1024	50 fps	3 mil	IDMVS	Fast Ethernet, RS-232,DC terminal	12 ~ 24 VDC	6 W@24 VDC	4.7 mm	M5.8	Red LED	Cross laser aiming	-20~50°C	74.4 mm × 86.6 mm × 229 mm	A
MV-IDH3013-05N-R1U *	1/4"	2.7 μm	1280 × 1024	50 fps	3 mil	IDMVS	USB2.0,DC terminal	USB2.0:5 VDC DC terminal:12 ~ 24 VDC	USB2.0:4.6 W@5 VDC DC terminal:6 W@24 VDC	4.7 mm	M5.8	Red LED	Cross laser aiming	-20~50°C	74.4 mm × 86.6 mm × 229 mm	A
MV-IDH3013B-05S-R1L *	1/4"	2.7 μm	1280 × 1024	50 fps	4 mil	IDMVS	Bluetooth, Fast Ethernet, RS-232,DC terminal	12 ~ 24 VDC	Standby mode:0.77 W@ 3.8 VDC Working mode:6.4 W @ 3.8 VDC Sleep mode:0.2 W@ 3.8 VDC	4.7 mm	M5.8	Red LED	Cross laser aiming	-20~50°C	74.4 mm × 86.5 mm × 179.5 mm	B
MV-IDH3013B-05S-R1U *	1/4"	2.7 μm	1280 × 1024	50 fps	4 mil	IDMVS	Bluetooth,USB2.0, DC terminal	USB2.0:5 VDC DC terminal:12 ~ 24 VDC	Standby mode:0.77 W@ 3.8 VDC Working mode:6.4 W @ 3.8 VDC Sleep mode:0.2 W@ 3.8 VDC	4.7 mm	M5.8	Red LED	Cross laser aiming	-20~50°C	74.4 mm × 86.5 mm × 179.5 mm	B
MV-IDH3013B-05N-R1L *	1/4"	2.7 μm	1280 × 800	50 fps	3 mil	IDMVS	Bluetooth, Fast Ethernet, RS-232,DC terminal	12 ~ 24 VDC	Standby mode:0.77 W@ 3.8 VDC Working mode:6.4 W @ 3.8 VDC Sleep mode:0.2 W@ 3.8 VDC	4.7 mm	M5.8	Red LED	Cross laser aiming	-20~50°C	74.4 mm × 86.5 mm × 179.5 mm	B
MV-IDH3013B-05N-R1U *	1/4"	2.7 μm	1280 × 800	50 fps	3 mil	IDMVS	Bluetooth,USB2.0, DC terminal	USB2.0:5 VDC DC terminal:12 ~ 24 VDC	Standby mode:0.77 W@ 3.8 VDC Working mode:6.4 W @ 3.8 VDC Sleep mode:0.2 W@ 3.8 VDC	4.7 mm	M5.8	Red LED	Cross laser aiming	-20~50°C	74.4 mm × 86.5 mm × 179.5 mm	B
MV-IDH7010P-07-xR-L	1/4"	3 μm	1280 × 800	50 fps	3 mil	IDMVS	Fast Ethernet, RS-232,DC terminal	12 ~ 24 VDC	6 W@24 VDC	6.7 mm	M5.8	Direct: white LED; Diffused reflection: red LED	Cross laser aiming	-20~50°C	73.4 mm × 104 mm × 229.5 mm	C
MV-IDH7010P-07-xR-U	1/4"	3 μm	1280 × 800	50 fps	3 mil	IDMVS	USB2.0,DC terminal	USB2.0:5 VDC DC terminal:12 ~ 24 VDC	USB2.0:4.6 W@5 VDC DC terminal:6 W@24 VDC	6.7 mm	M5.8	Direct: white LED; Diffused reflection: red LED	Cross laser aiming	-20~50°C	73.4 mm × 104 mm × 229.5 mm	C
MV-IDH7010P-07-xR-LP	1/4"	3 μm	1280 × 800	50 fps	3 mil	IDMVS	Fast Ethernet(PoE)	12 ~ 24 VDC	6 W@24 VDC	6.7 mm	M5.8	Direct: white LED; Diffused reflection: red LED	Cross laser aiming	-20~50°C	73.4 mm × 104 mm × 229.5 mm	C

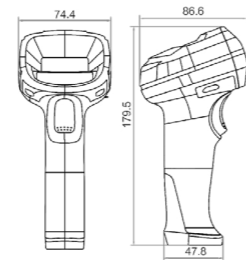
Model	Sensor size	Pixel size	Resolution	Frame rate	Min. accuracy	Client software	Data interface	Power Supply	Max. power consumption	Focal length	Lens mount	Light source	Aiming	Working temperature	Dimension	Label
MV-IDH7010B-07-xR-L	1/4"	3 μm	1280 × 800	50 fps	3 mil	IDMVS	Fast Ethernet, RS-232,DC terminal	USB2.0:5 VDC DC terminal:12 ~ 24 VDC	Standby mode:1.1 W@ 3.8 VDC Working mode:6.4 W @ 3.8 VDC Sleep mode:0.8 W@ 3.8 VDC	6.7 mm	M5.8	Direct: white LED; Diffused reflection: red LED	Cross laser aiming	-20~50°C	73.4 mm × 104 mm × 215.2 mm	D
MV-IDH7010B-07-xR-U	1/4"	3 μm	1280 × 800	50 fps	3 mil	IDMVS	USB2.0,DC terminal	12 ~ 24 VDC	Standby mode:1.1 W@ 3.8 VDC Working mode:6.4 W @ 3.8 VDC Sleep mode:0.8 W@ 3.8 VDC	6.7 mm	M5.8	Direct: white LED; Diffused reflection: red LED	Cross laser aiming	-20~50°C	73.4 mm × 104 mm × 215.2 mm	D
MV-IDH7010B-07-xR-LP *	1/4"	3 μm	1280 × 800	50 fps	3 mil	IDMVS	Fast Ethernet(PoE)	USB2.0:5 VDC DC terminal:12 ~ 24 VDC	Standby mode:1.1 W@ 3.8 VDC Working mode:6.4 W @ 3.8 VDC Sleep mode:0.8 W@ 3.8 VDC	6.7 mm	M5.8	Direct: white LED; Diffused reflection: red LED	Cross laser aiming	-20~50°C	73.4 mm × 104 mm × 215.2 mm	D

Notice: \* will be released soon.  
x=S denotes the standard focus, x=N denotes the near focus

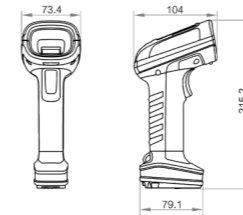
## Dimension



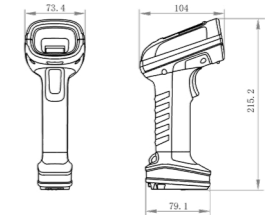
A



B



C



D

Unit:mm



# 3D Camera

## Line Laser 3D Camera



### Key Features

- Built-in wide dynamic image processing algorithm and high-precision measurement algorithm.
- Optimized efficiency up to 3m/s.
- High power laser module, wider dynamic range.
- Narrow band filter, stronger anti-interference ability.
- Precise exposure synchronization, stable performance.
- Support the output of volume (length, width, height and integral volume), point cloud and feature coordinate.

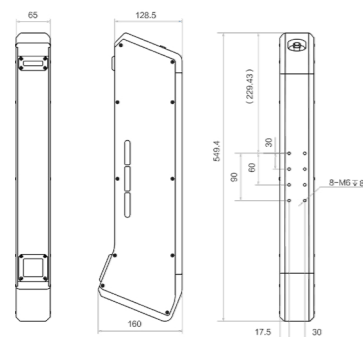


### Specifications

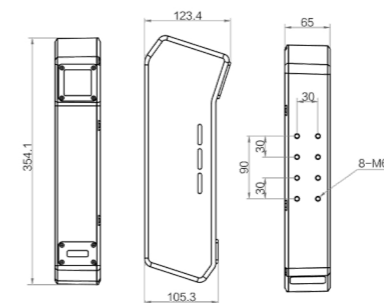
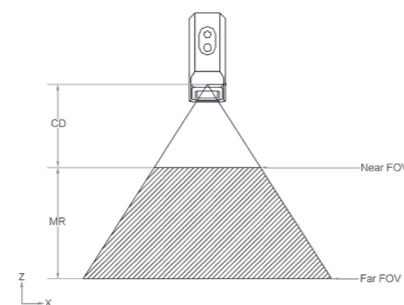
Model	Near FOV	Far FOV	Clearance distance (CD)	Measurement range (MR)	Detection accuracy	Inspection speed	Scan frame rate	Data type	Trigger mode	Laser safety class	Data interface	Power supply	Power consumption	Working temperature	Dimension	Label
MV-DL1617-05L(metrological certification package )	1000 mm	2235 mm	750 mm	1000 mm	± 5 mm	1.5 m/s @ ± 5 mm	200 Hz @1 m³	Point cloud data, length, width, height	External trigger, encoder trigger	3B @200 mw	Gigabit Ethernet	12 VDC	< 7.0 W @12VDC	0-50°C	549.4 mm × 65 mm × 160 mm	A
MV-DL2125-04H-H	1000 mm	2600 mm	700 mm	1000 mm	±5 mm (regular object)	3 m/s @ ±5 mm	600 fps @1 m³ measurement range	Point cloud data, length/width/height, integral volume, top coordinates	External trigger, encoder trigger (max. 15 KHz trigger signal supported)	Class 3B	Gigabit Ethernet	12-24 VDC	< 10.0 W@12 VDC	0-45°C	354.1 mm × 65 mm × 123.4 mm	B
MV-DL2125-04H-R *	1000 mm	2600 mm	700 mm	1000 mm	±5 mm (regular object)	3 m/s @ ±5 mm	600 fps @1 m³ measurement range	Point cloud data, length/width/height, integral volume, top coordinates	External trigger, encoder trigger (max. 15 KHz trigger signal supported)	Class 3B	Gigabit Ethernet	12-24 VDC	< 10.0 W@12 VDC	0-45°C	354.1 mm × 65 mm × 123.4 mm	B

Notice: \* will be released soon.

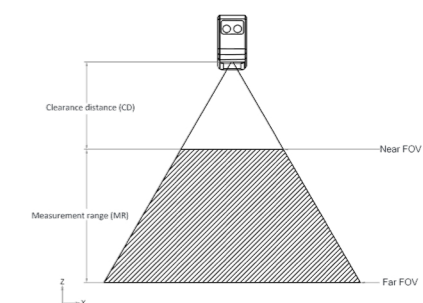
### Dimension



A



B



Unit:mm

## RGB-D smart stereo camera

### Key Features

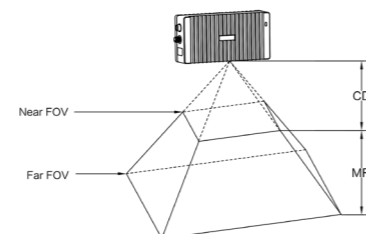
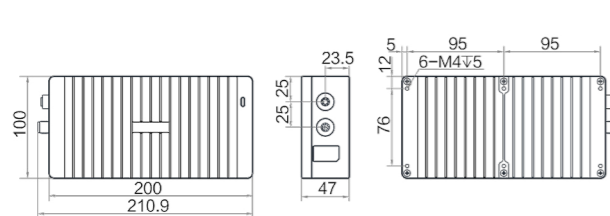
- Built-in deep learning algorithm to achieve accurate target positioning and segmentation.
- High energy efficiency laser module with precise exposure synchronization, more stable performance, wider dynamic range.
- Large field of view, suitable for various industrial and logistics applications.
- Support RGB-Depth synchronisation and alignment, which eases secondary development.
- Adopt narrow-band filter, stronger anti-interference ability.
- Provide accurate intrinsic calibration, and support one-key single/multiple camera system calibration.



### Specifications

Model	Near FOV	Far FOV	Clearance distance(CD)	Measurement range (MR)	Depth image detection accuracy	Color image detection accuracy	Scan frame rate	Data type	Laser safety class	Data interface	Power supply	Power consumption	Working temperature	Dimension
MV-DB500S	580 mm × 470 mm	2400 mm × 1800 mm	500 mm	1500 mm	X,Y: 5 mm@ 1 m; 10 mm@ 2 m Z: 5 mm@ 1 m; 10 mm@ 2 m	X,Y: 2.6 mm@ 1 m; 5.5 mm@ 2 m	Synchronized RGB-Depth output: 18 fps@1408 × 1024 30 fps@704 × 512	Original image (mono and color images), rectified image, depth image	Class 1	Gigabit Ethernet	12-24 VDC < 9 W@24 VDC	0-45°C	200 mm × 47 mm × 100 mm	
MV-DB500S-S	580 mm × 470 mm	2400 mm × 1800 mm	500 mm	1500 mm	X,Y: 5 mm@ 1 m; 10 mm@ 2 m Z: 5 mm@ 1 m; 10 mm@ 2 m	X,Y: 2.6 mm@ 1 m; 5.5 mm@ 2 m	30 fps@ singulation mode	Original image (mono and color images), depth image, RGB-D image, package posture information	Class 1	Gigabit Ethernet	12-24 VDC < 9 W@24 VDC	0-45°C	200 mm × 47 mm × 100 mm	
MV-DB500S-R	580 mm × 470 mm	2400 mm × 1800 mm	500 mm	1500 mm	X,Y: 5 mm@ 1 m; 10 mm@ 2 m Z: 5 mm@ 1 m; 10 mm@ 2 m	X,Y: 2.6 mm@ 1 m; 5.5 mm@ 2 m	8 fps@ grasp mode, supports HDR	Original image (mono and color images), depth image, RGB-D image, package grasping point information, instance segmentation image	Class 1	Gigabit Ethernet	12-24 VDC < 9 W@24 VDC	0-45°C	200 mm × 47 mm × 100 mm	
MV-DB500S-C	580 mm × 470 mm	2400 mm × 1800 mm	500 mm	1500 mm	X,Y: 5 mm@ 1 m; 10 mm@ 2 m Z: 5 mm@ 1 m; 10 mm@ 2 m	X,Y: 2.6 mm@ 1 m; 5.5 mm@ 2 m	7 fps@EDP mode	Original image (mono and color images), RGB-D image, EDP detection result	Class 1	Gigabit Ethernet	12-24 VDC < 9 W@24 VDC	0-45°C	200 mm × 47 mm × 100 mm	
MV-DB500S-V *	580 mm × 470 mm	2400 mm × 1800 mm	500 mm	1500 mm	X,Y: 5 mm@ 1 m; 10 mm@ 2 m Z: 5 mm@ 1 m; 10 mm@ 2 m	X,Y: 2.6 mm@ 1 m; 5.5 mm@ 2 m	8 fps@ dimensioning mode	Original image (mono and color images), RGB-D image, instance segmentation image	Class 1	Gigabit Ethernet	12-24 VDC < 9 W@24 VDC	0-45°C	200 mm × 47 mm × 100 mm	

### Dimension



Unit:mm

# Vision Controller

## VB2000 Series Vision Controller



### Key Features

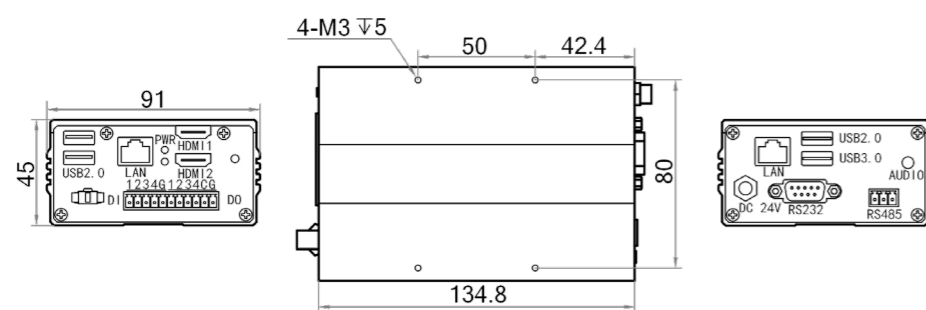
- On-board Intel® E3845 SoC, 1.91GHz CPU.
- 4GB DDR3L memory and onboard SSD of high reliability.
- 3 Intel GigE ports and enhanced anti-surge design to ensure the stable running of the machine vision cameras.
- Supports multiple opto-isolated inputs and outputs.
- Controls the light via light interface.
- Adopts 2 HDMI interfaces and supports independent display.
- CE, FCC, RoHS certification.



### Specifications

Model	CPU	Memory	Storage	GPU	OS	HDMI	Digital I/O	Light Interface	GigE	USB3.0	USB2.0(+built-in)	RS485	RS232	Power supply	Power consumption	Working temperature	Dimension
MV-VB2210-1206	Intel® Atom™ E3845	4 GB	128 GB SSD	Integrated Gen7 GPU; supports 3D image hardware acceleration; supports video decoding hardware acceleration of different formats	Windows 7/10	2	Opto-isolated input × 4, opto-isolated output × 4	1	3	1	3 + 1	1	1	24 VDC	34 W	0-50°C	134.8 mm × 91 mm × 45 mm
MV-VB2220-1206	Intel® Atom™ E3845	4 GB	128 GB SSD	Integrated Gen7 GPU; supports 3D image hardware acceleration; supports video decoding hardware acceleration of different formats	Windows 7/10	2	Opto-isolated input × 4, opto-isolated output × 4	1	3	1	3 + 1	1	1	24 VDC	26 W	0-50°C	134.8 mm × 91 mm × 45 mm

### Dimension



Unit:mm

# VC2000 Series Vision Controller



## Key Features

- Adopts Intel® Elkhart Lake processor to provide computing performance.
- Supports 16-channel GPIO and NPN/PNP switching for output.
- Supports 4-channel light source control for good-quality imaging.
- Adopts 4 independent GigE interfaces for high-speed and stable data transmission.
- Adopts built-in USB interface or dongle for on-site maintenance.

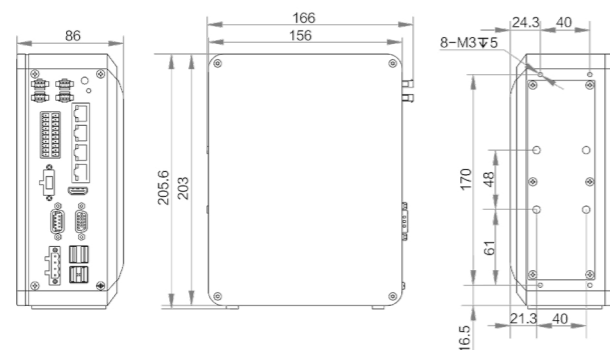


## Specifications

Model	CPU	Memory	Storage	OS	HDMI	VGA	Digital I/O	Light Interface	GigE	USB3.0	USB2.0(+built-in)	RS485	RS232	Power supply	Power consumption	Working temperature
MV-VC2000-128G40-NN*	Intel® Atom™ J6412	8GB	128GB SSD	Windows 10	1	1	--	--	4	2	2 + 1	1	1	24 VDC	30 W	0-50°C
MV-VC2040-128G40-NN*	Intel® Atom™ J6412	8GB	128GB SSD	Windows 10	1	1	Opto-isolated input × 8, opto-isolated output × 8	4	4	2	2+1	1	1	24 VDC	30 W	0-50°C
MV-VC2040-128G40-1T*	Intel® Atom™ J6412	8GB	128GB SSD+ 1T HDD	Windows 10	1	1	Opto-isolated input × 8, opto-isolated output × 8	4	4	2	2+1	1	1	24 VDC	30 W	0-50°C

Notice: \* will be released soon.

## Dimension



Unit:mm



# VC3000 Series Vision Controller



## Key Features

- Adopt desktop-class Intel® CPUs for powerful computing performance.
- Powerful expansion slot configuration to meet the expansion of common image acquisition interfaces for machine vision, with stable performance.
- Support 11-channel GPIO input and output function.
- Adopt Intel GigE network card, ensuring fast and stable data transmission; POE is available for option.
- Built-in dual USB3.0 dongle interfaces, to ease the setup and maintenance on site.
- Serial port expansion module, light source expansion module and IO expansion module can be installed as needed.



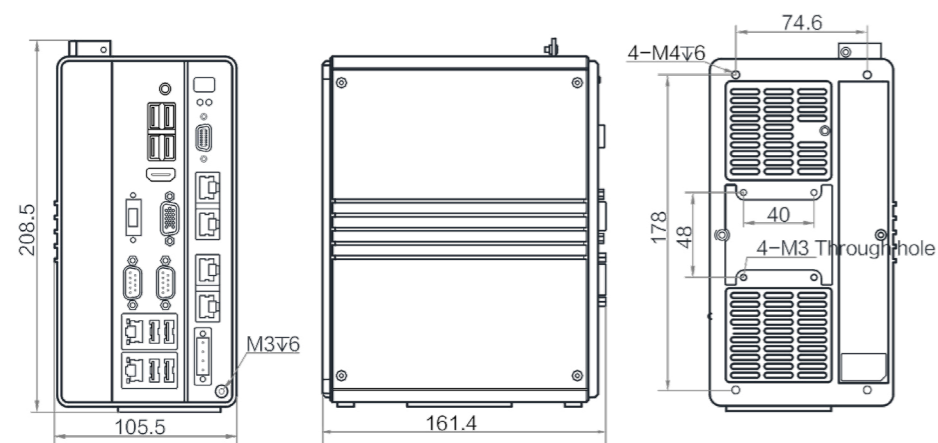
## Specifications

Model	CPU	Memory	Storage	GPU	OS	HDMI	VGA	Digital I/O	GigE	USB3.0	USB2.0(+built-in)	Serial port	Extended interface	Power supply	Power consumption	Working temperature	Dimension
MV-VC3101P-128660	Intel® Celeron™ G4900	8 GB	128 G SSD	Intel® HD Graphics 610	Windows 10	1	1	Opto-isolated input × 3, Opto-isolated output × 8	6	4	USB2.0 × 4, USB3.0 × 4, built-in USB2.0 × 1	RS-232 × 2	PCIe ×16 ( × 1)	24 VDC	95 W	0-50°C	161.4 mm × 208.5 mm × 105.5 mm
MV-VC3102P-128660	Intel® Celeron™ G4900	8 GB	128 G SSD + 2T HDD	Intel® HD Graphics 610	Windows 10	1	1	Opto-isolated input × 3, Opto-isolated output × 8	6	4	USB2.0 × 4, USB3.0 × 4, built-in USB2.0 × 1	RS-232 × 2	PCIe ×16 ( × 1)	24 VDC	95 W	0-50°C	161.4 mm × 208.5 mm × 105.5 mm
MV-VC3201P-128660	Intel® Pentium™ G5400	8 GB	128 G SSD + 2T HDD	Intel® HD Graphics 610	Windows 10	1	1	Opto-isolated input × 3, Opto-isolated output × 8	6	4	USB2.0 × 4, USB3.0 × 4, built-in USB2.0 × 1	RS-232 × 2	PCIe ×16 ( × 1)	24 VDC	95 W	0-50°C	161.4 mm × 208.5 mm × 105.5 mm
MV-VC3202P-128660	Intel® Pentium™ G5400	8 GB	128 G SSD + 2T HDD	Intel® HD Graphics 610	Windows 10	1	1	Opto-isolated input × 3, Opto-isolated output × 8	6	4	USB2.0 × 4, USB3.0 × 4, built-in USB2.0 × 1	RS-232 × 2	PCIe ×16 ( × 1)	24 VDC	95 W	0-50°C	161.4 mm × 208.5 mm × 105.5 mm
MV-VC3301P-128660	Intel® Core™ i3-8100	8 GB	128 G SSD	Intel® HD Graphics 630	Windows 10	1	1	Opto-isolated input × 3, Opto-isolated output × 8	6	4	USB2.0 × 4, USB3.0 × 4, built-in USB2.0 × 1	RS-232 × 2	PCIe ×16 ( × 1)	24 VDC	95 W	0-50°C	161.4 mm × 208.5 mm × 105.5 mm
MV-VC3302P-128660	Intel® Core™ i3-8100	8 GB	128 G SSD + 2T HDD	Intel® HD Graphics 630	Windows 10	1	1	Opto-isolated input × 3, Opto-isolated output × 8	6	4	USB2.0 × 4, USB3.0 × 4, built-in USB2.0 × 1	RS-232 × 2	PCIe ×16 ( × 1)	24 VDC	95 W	0-50°C	161.4 mm × 208.5 mm × 105.5 mm
MV-VC3303P-128660	Intel® Core™ i3-8100	8 GB	128 G SSD + 2T HDD	Intel® HD Graphics 630	Windows 10	1	1	Opto-isolated input × 3, Opto-isolated output × 8	6	2+4(PoE)	USB2.0 × 4, USB3.0 × 4, built-in USB2.0 × 1	RS-232 × 2	PCIe ×16 ( × 1)	24 VDC	150 W	0-50°C	161.4 mm × 208.5 mm × 105.5 mm
MV-VC3304P-128660	Intel® Core™ i3-8100	16 GB	128 G SSD + 2T HDD	Intel® HD Graphics 630	Windows 10	1	1	Opto-isolated input × 3, Opto-isolated output × 8	6	4	USB2.0 × 4, USB3.0 × 4, built-in USB2.0 × 1	RS-232 × 2	PCIe ×16 ( × 1)	24 VDC	95 W	0-50°C	161.4 mm × 208.5 mm × 105.5 mm

Model	CPU	Memory	Storage	GPU	OS	HDMI	VGA	Digital I/O	GigE	USB3.0	USB2.0(+built-in)	Serial port	Extended interface	Power supply	Power consumption	Working temperature	Dimension
MV-VC3501P-128G660	Intel® Core™ i5-8500	8 GB	128 G SSD	Intel® HD Graphics 630	Windows 10	1	1	Opto-isolated input × 3, Opto-isolated output × 8	6	4	USB2.0 × 4, USB3.0 × 4, built-in USB2.0 × 1	RS-232 × 2	PCIe ×16 ( × 1)	24 VDC	95 W	0-50°C	161.4 mm × 208.5 mm × 105.5 mm
MV-VC3502P-128G660	Intel® Core™ i5-8500	8 GB	128 G SSD + 2T HDD	Intel® HD Graphics 630	Windows 10	1	1	Opto-isolated input × 3, Opto-isolated output × 8	6	4	USB2.0 × 4, USB3.0 × 4, built-in USB2.0 × 1	RS-232 × 2	PCIe ×16 ( × 1)	24 VDC	95 W	0-50°C	161.4 mm × 208.5 mm × 105.5 mm
MV-VC3503P-128G660	Intel® Core™ i5-8500	8 GB	128 G SSD + 2T HDD	Intel® HD Graphics 630	Windows 10	1	1	Opto-isolated input × 3, Opto-isolated output × 8	6	2+4(PoE)	USB2.0 × 4, USB3.0 × 4, built-in USB2.0 × 1	RS-232 × 2	PCIe ×16 ( × 1)	24 VDC	150 W	0-50°C	161.4 mm × 208.5 mm × 105.5 mm
MV-VC3504P-128G660	Intel® Core™ i5-8500	16 GB	128 G SSD + 2T HDD	Intel® HD Graphics 630	Windows 10	1	1	Opto-isolated input × 3, Opto-isolated output × 8	6	4	USB2.0 × 4, USB3.0 × 4, built-in USB2.0 × 1	RS-232 × 2	PCIe ×16 ( × 1)	24 VDC	95 W	0-50°C	161.4 mm × 208.5 mm × 105.5 mm
MV-VC3701P-128G660 *	Intel® Core™ i7-8700	8 GB	128 G SSD	Intel® HD Graphics 630	Windows 10	1	1	Opto-isolated input × 3, Opto-isolated output × 8	6	4	USB2.0 × 4, USB3.0 × 4, built-in USB2.0 × 1	RS-232 × 2	PCIe ×16 ( × 1)	24 VDC	95 W	0-50°C	161.4 mm × 208.5 mm × 105.5 mm
MV-VC3702P-128G660 *	Intel® Core™ i7-8700	8 GB	128 G SSD + 2T HDD	Intel® HD Graphics 630	Windows 10	1	1	Opto-isolated input × 3, Opto-isolated output × 8	6	4	USB2.0 × 4, USB3.0 × 4, built-in USB2.0 × 1	RS-232 × 2	PCIe ×16 ( × 1)	24 VDC	95 W	0-50°C	161.4 mm × 208.5 mm × 105.5 mm
MV-VC3703P-128G660 *	Intel® Core™ i7-8700	8 GB	128 G SSD + 2T HDD	Intel® HD Graphics 630	Windows 10	1	1	Opto-isolated input × 3, Opto-isolated output × 8	6	2+4(PoE)	USB2.0 × 4, USB3.0 × 4, built-in USB2.0 × 1	RS-232 × 2	PCIe ×16 ( × 1)	24 VDC	150 W	0-50°C	161.4 mm × 208.5 mm × 105.5 mm
MV-VC3704P-128G660 *	Intel® Core™ i7-8700	16 GB	128 G SSD + 2T HDD	Intel® HD Graphics 630	Windows 10	1	1	Opto-isolated input × 3, Opto-isolated output × 8	6	4	USB2.0 × 4, USB3.0 × 4, built-in USB2.0 × 1	RS-232 × 2	PCIe ×16 ( × 1)	24 VDC	95 W	0-50°C	161.4 mm × 208.5 mm × 105.5 mm

Notice: \* will be released soon.

## Dimension



Unit:mm

# Frame Grabber



## Key Features

- Different interface selection, supporting various industrial camera access.
- On-board memory supports image caching for improved data reliability.
- On-board ISP functionality to reduce PC load.
- Rich I/O interfaces, integrated multiple input and output.
- Provide easy-to-use SDK, compatible with genlcam standard.
- CE, FCC, KC compliant.

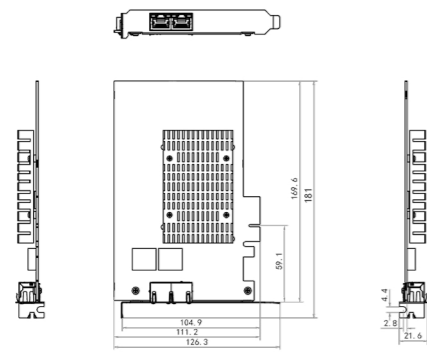


## Specifications

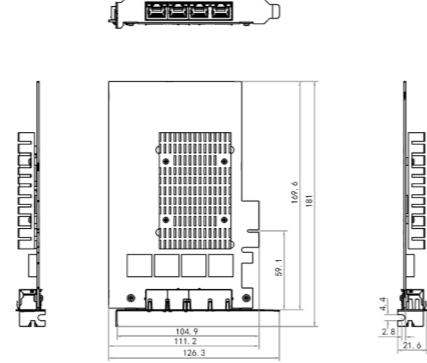
Model	Interconnect	Delivery bandwidth	Interface	Camera type supported	Camera quantity supported	Camera connection speed	Power consumption	Temperature	Dimension	Label
MV-GE2202 *	PCI-E gen2 × 4, PCI-E gen2 × 2 link	860 MB/s (max. transmission bandwidth), 800 MB/s (sustained transmission bandwidth)	2 × RJ45	GigE industrial camera	2 at most	10/100/1000 Mbps	Typ. 2 W	0-60°C	181 mm × 126.3 mm × 21.6 mm	A
MV-GE2204 *	PCI-E gen2 × 4, PCI-E gen2 × 2 link	860 MB/s (max. transmission bandwidth), 800 MB/s (sustained transmission bandwidth)	4 × RJ45	GigE industrial camera	4 at most	10/100/1000 Mbps	Typ. 3 W	0-60°C	181 mm × 126.3 mm × 21.6 mm	B
MV-GE2202P *	PCI-E gen2 × 4, PCI-E gen2 × 2 link	860 MB/s (max. transmission bandwidth), 800 MB/s (sustained transmission bandwidth)	2 × RJ45	GigE industrial camera	2 at most	10/100/1000 Mbps	Typ. 2 W (without PoE)	0-60°C	181 mm × 126.3 mm × 21.6 mm	C
MV-GE2204P *	PCI-E gen2 × 4, PCI-E gen2 × 2 link	860 MB/s (max. transmission bandwidth), 800 MB/s (sustained transmission bandwidth)	4 × RJ45	GigE industrial camera	4 at most	10/100/1000 Mbps	Typ. 3 W (without PoE)	0-60°C	181 mm × 126.3 mm × 21.6 mm	D
MV-GE1004	PCI-E gen2 × 4	1720 MB/s (max. transmission bandwidth), 1600 MB/s (sustained transmission bandwidth)	4 × RJ45	GigE industrial camera	4 at most	1 Gbps	Typ. 10 W (without PoE)	0-60°C	181 mm × 126.3 mm × 21.6 mm	E
MV-GT1002 *	PCI-E gen2 × 8	3900 MB/s (max. transmission bandwidth), 3350 MB/s (sustained transmission bandwidth)	2 × RJ45	GigE/10 GigE industrial camera	2 at most	10 Gbps	Typ. 19.2 W	0-60°C	126.3 mm × 181 mm × 21.4 mm	F
MV-GT1004 *	PCI-E gen2 × 8	3900 MB/s (max. transmission bandwidth), 3350 MB/s (sustained transmission bandwidth)	4 × RJ45	GigE/10 GigE industrial camera	4 at most	10 Gbps	Typ. 24 W	0-60°C	126.3 mm × 181 mm × 21.4 mm	G
MV-GS1004 *	PCI-E gen2 × 8	3900 MB/s (max. transmission bandwidth), 3350 MB/s (sustained transmission bandwidth)	4 × SFP	10 GigE industrial camera	4 at most	10 Gbps	Typ. 20 W	0-60°C	181 mm × 126.3 mm × 21.6 mm	H
MV-GU2104 *	PCI-E gen2 × 4	1720 MB/s (max. transmission bandwidth), 1600 MB/s (sustained transmission bandwidth)	USB3.0 type-A	USB industrial camera	4 at most	Max. 5 Gbps	Typ. 6 W (without USB power supply) Typ. 24 W (with USB power supply)	0-60°C	181 mm × 126.3 mm × 21.6 mm	I
MV-GC1102IOL *	PCI-E gen2 × 4	1720 MB/s (max. transmission bandwidth), 1600 MB/s (sustained transmission bandwidth)	2 × SDR	Camera Link industrial camera	2 at most	6.8 Gbps	Typ. 10 W (without PoCL)	0-60°C	181 mm × 126.3 mm × 21.6 mm	J
MV-GX1004	PCI-E gen2 × 8	3900 MB/s (max. transmission bandwidth), 3350 MB/s (sustained transmission bandwidth)	4 × DIN 1.0/2.3	CXP-6 connector industrial camera	4 at most	1.25/2.5/3.125/5/6.25Gbps (CXP-1/2/3/5/6)	Typ. 20 W (without PoCXP)	0-60°C	181 mm × 126.3 mm × 21.6 mm	K
MV-GY1004 *	PCI-E gen3 × 8	7800 MB/s (max. transmission bandwidth), 6700 MB/s (sustained transmission bandwidth)	4 × HD-BNC	CXP-6/CXP-12 connector industrial camera	2 at most	1.25/2.5/3.125/5/6.25/10/12.5Gbps (CXP-1/2/3/5/6/10/12)	Typ. 20 W (without PoCXP)	0-60°C	181 mm × 126.3 mm × 21.6 mm	L

Notice: \* will be released soon.

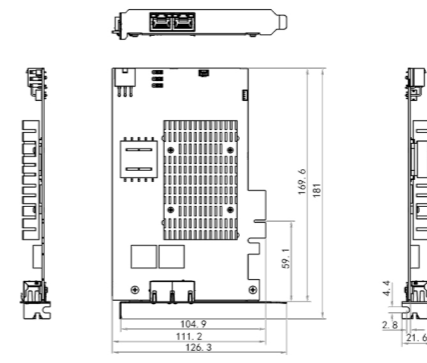
# Dimension



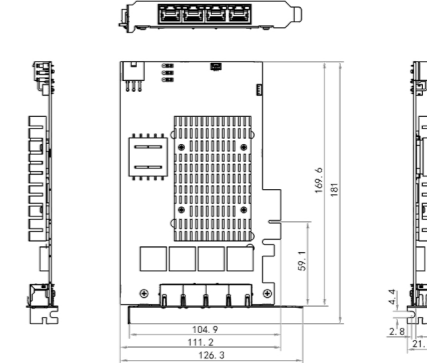
A



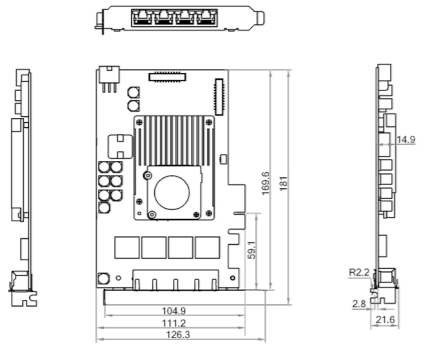
B



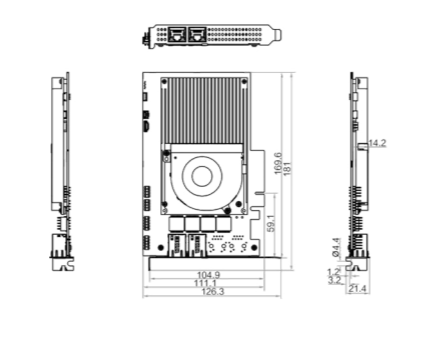
C



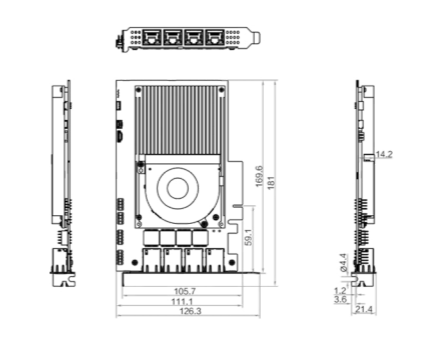
D



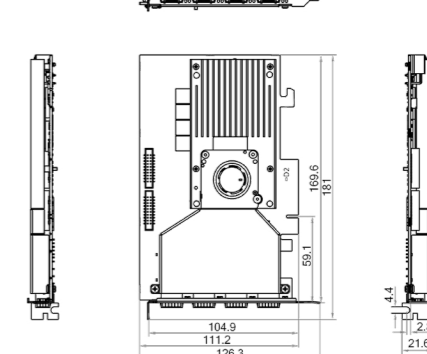
E



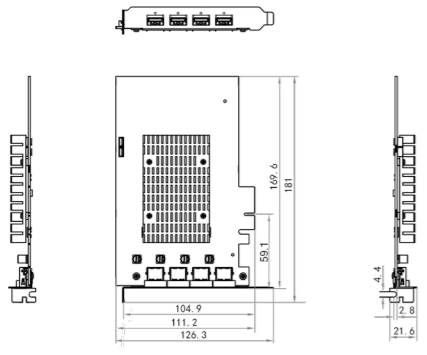
F



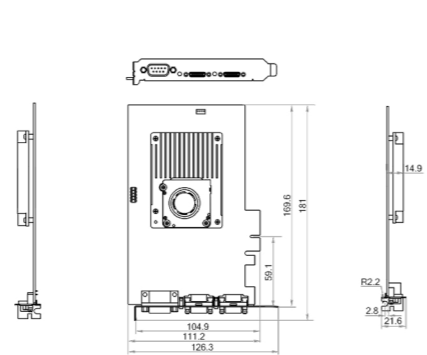
G



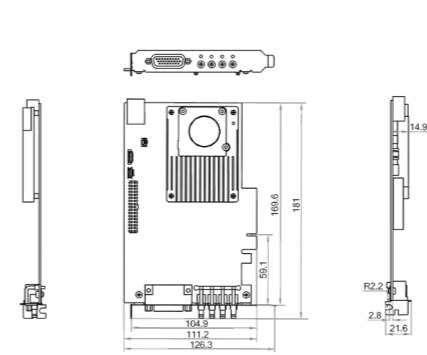
H



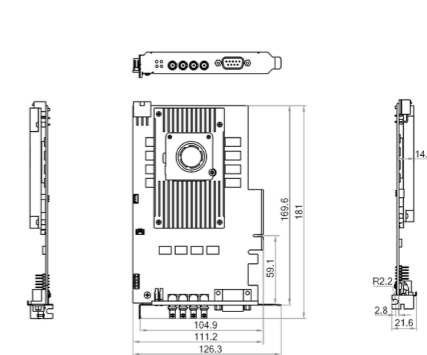
I



J



K



L

Unit:mm



# Lens

## HF-E Series (1/1.8" 6MP)

### Key Features

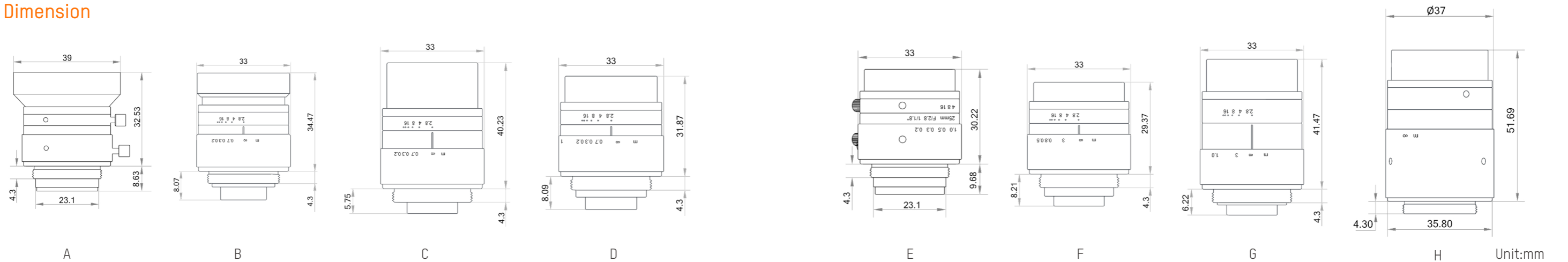
- Higher image clarity and contrast ratio.
- Ultra-low distortion and higher relative illumination rate.
- Good optical performance at ultra-short working distance.
- Compact design, convenient for device integration.



### Specifications

Model	Focal Length	F No.	Distortion	Field of View			M.O.D (m)	Filter Thread	Mount	Operating Temperature	Dimension	Label
				D	H	V						
MVL-HF0628M-6MPE	6 mm	F2.8-F16	-0.103%	73.49°	63.11°	44.59°	0.1	M37.5 × P0.5	C	-10~50°C	Ø39 × 32.53 mm	A
MVL-HF0828M-6MPE	8 mm	F2.8-F16	0.049%	58.50°	49.46°	34.19°	0.1	M30.5 × P0.5	C	-10~50°C	Ø33 × 34.47 mm	B
MVL-HF1228M-6MPE	12 mm	F2.8-F16	-0.005%	40.94°	34.14°	23.17°	0.1	M27 × P0.5	C	-10~50°C	Ø33 × 40.23 mm	C
MVL-HF1628M-6MPE	16 mm	F2.8-F16	-0.018%	31.28°	25.94°	17.48°	0.1	M27 × P0.5	C	-10~50°C	Ø33 × 31.87mm	D
MVL-HF2528M-6MPE	25 mm	F2.8-F16	-0.028%	20.32°	16.77°	11.24°	0.2	M27 × P0.5	C	-10~50°C	Ø33 × 30.22 mm	E
MVL-HF3028M-6MPE	30 mm	F2.8-F16	-0.031%	16.99°	14.01°	9.38°	0.2	M27 × P0.5	C	-10~50°C	Ø33 × 29.37 mm	F
MVL-HF4028M-6MPE	40 mm	F2.8-F16	-0.024%	12.78°	10.53°	7.04°	0.25	M27 × P0.5	C	-10~50°C	Ø33 × 41.47 mm	G
MVL-HF5028M-6MPE	50 mm	F2.8-F16	0.030%	9.72°	7.84°	5.24°	0.25	M30.5 × 0.5	C	-10~50°C	Ø37 × 51.69 mm	H

### Dimension



# HF-P Series (1/1.8" 10MP)

## Key Features

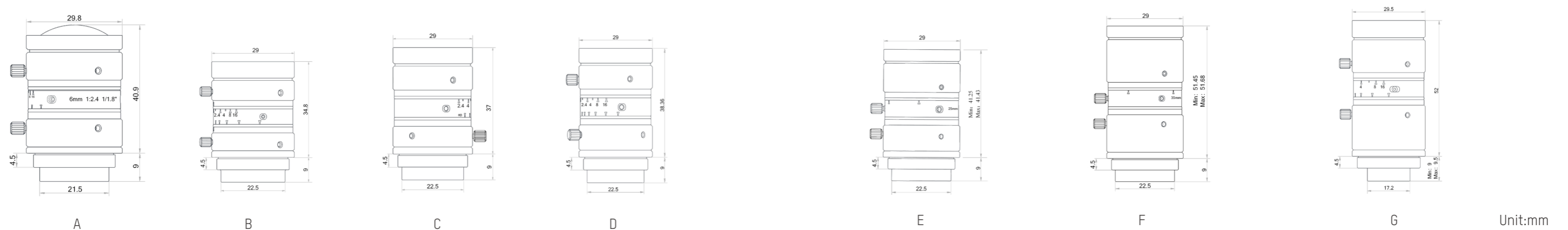
- Ultra-high resolution and consistency of image clarity.
- Bigger aperture, lower distortion and higher relative illumination rate.
- Achromatic optical system design, better imaging performance with color camera.
- Excellent vibration resistance performance, optical axis shifting within pixel level.
- Good stability at high and low temperature.
- Multilayer and broadband coating design, compatible with visible and near-infrared applications.



## Specifications

Model	Focal Length	F No.	Distortion	Field of View			M.O.D (m)	Filter Thread	Mount	Operating Temperature	Dimension	Label
				D	H	V						
MVL-HF0624M-10MP	6 mm	F2.4-F16	0.37%	72.96°	62.46°	44.05°	0.1	/	C	-10~50°C	Φ29.8 × 40.9 mm	A
MVL-HF0824M-10MP	8 mm	F2.4-F16	-0.67%	58.81°	49.56°	34.04°	0.1	M27 × 0.5	C	-10~50°C	Φ29 × 34.8 mm	B
MVL-HF1224M-10MP	12 mm	F2.4-F16	0.15%	40.2°	33.6°	22.9°	0.1	M27 × 0.5	C	-10~50°C	Φ29 × 37 mm	C
MVL-HF1624M-10MP	16 mm	F2.4-F16	-0.02%	30.17°	25.07°	16.92°	0.1	M27 × 0.5	C	-10~50°C	Φ29 × 38.36 mm	D
MVL-HF2524M-10MP	25 mm	F2.4-F16	-0.01%	19.67°	16.19°	10.85°	0.1	M27 × 0.5	C	-10~50°C	Φ29 × 41.43 mm	E
MVL-HF3524M-10MP	35 mm	F2.4-F16	0.01%	13.47°	11.03°	7.34°	0.15	M27 × 0.5	C	-10~50°C	Φ29 × 51.68 mm	F
MVL-HF5024M-10MP	50 mm	F2.4-F16	0.03%	9.10°	7.48°	5.00°	0.3	M27 × 0.5	C	-10~50°C	Φ29.5 × 52 mm	G

## Dimension



Unit:mm

# MF Series (2/3" 8MP)

## Key Features

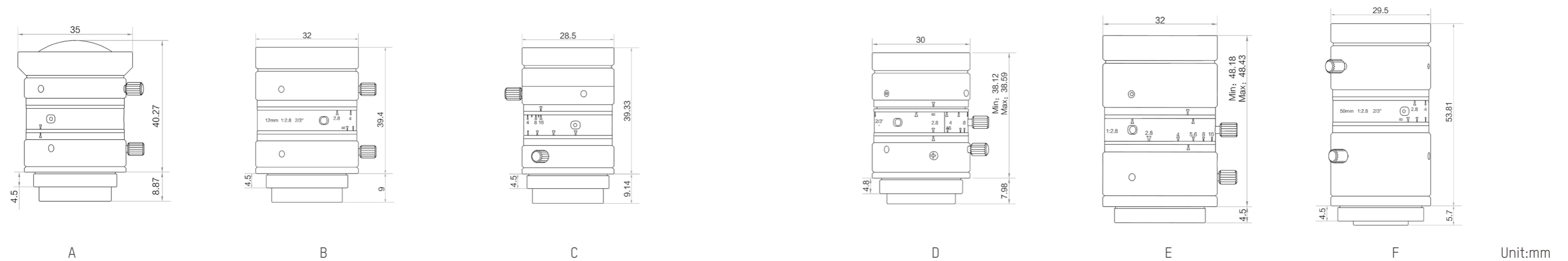
- Ultra-high resolution and consistency of image clarity.
- Lower distortion and higher relative illumination rate.
- Achromatic optical system design, better imaging performance with color camera.
- Good stability at high and low temperature and excellent vibration resistance performance.
- Supports ultra-short working distance with good optical performance.



## Specifications

Model	Focal Length	F No.	Distortion	Field of View			M.O.D (m)	Filter Thread	Mount	Operating Temperature	Dimension	Label
				D	H	V						
MVL-MF0828M-8MP	8 mm	F2.8-F16	0.28%	68.46°	54.97°	47.06°	0.1	/	C	-10-50°C	Φ35 × 40.27 mm	A
MVL-MF1228M-8MP	12 mm	F2.8-F16	0.28%	48.57°	37.88°	32.04°	0.1	M30.5 × 0.5	C	-10-50°C	Φ32 × 39.4 mm	B
MVL-MF1628M-8MP	16 mm	F2.8-F16	0.33%	37.39°	28.9°	24.33°	0.1	M27 × 0.5	C	-10-50°C	Φ28.5 × 39.33 mm	C
MVL-MF2528M-8MP	25 mm	F2.8-F16	0.01%	23.23°	17.78°	14.91°	0.1	M27 × 0.5	C	-10-50°C	Φ30 × 38.59 mm	D
MVL-MF3528M-8MP	35 mm	F2.8-F16	0.02%	15.26°	11.65°	9.76°	0.15	M30.5 × 0.5	C	-10-50°C	Φ32 × 48.43 mm	E
MVL-MF5028M-8MP	50 mm	F2.8-F16	0.01%	11.67°	8.81°	7.38°	0.4	M27 × 0.5	C	-10-50°C	Φ29.5 × 53.81 mm	F

## Dimension



# KF-E Series (1.1" 12MP)

## Key Features

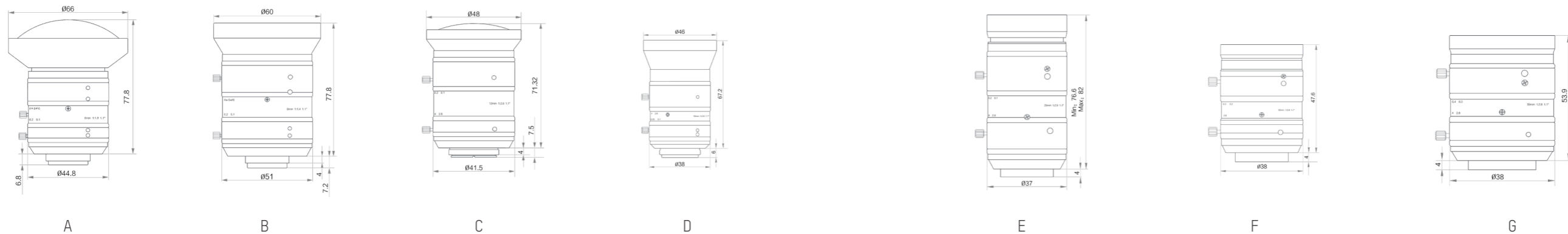
- High resolution and consistency of image clarity.
- Low distortion.
- High relative illumination.
- Excellent optical performance at different working distances.



## Specifications

Model	Focal Length	F No.	Distortion	Field of View			M.O.D (m)	Filter Thread	Mount	Operating Temperature	Dimension	Label
				D	H	V						
MVL-KF0618M-12MPE	6 mm	F1.8-F16	2.50%	118.2°	104.9°	86.2°	0.1	/	C	-10~50°C	Φ66 × 77.8 mm	A
MVL-KF0814M-12MPE	8 mm	F1.4-F16	5.50%	98.4°	84.8°	68°	0.1	M58 × 0.75	C	-10~50°C	Φ60 × 77.8 mm	B
MVL-KF1228M-12MPE	12 mm	F2.8-F22	1.50%	66.7°	57°	45°	0.1	/	C	-10~50°C	Φ48 × 71.32 mm	C
MVL-KF1628M-12MPE	16 mm	F2.8-F16	0.15%	55.6°	45.8°	35.3°	0.1	M43 × 0.75	C	-10~50°C	Φ46 × 67.2 mm	D
MVL-KF2528M-12MPE	25 mm	F2.8-F22	0.10%	37.6°	30.4°	23°	0.1	M35.5 × 0.5	C	-10~50°C	Φ37 × 82 mm	E
MVL-KF3528M-12MPE	35 mm	F2.8-F22	0.02%	28.3°	22.6°	17°	0.2	M35.5 × 0.5	C	-10~50°C	Φ38 × 47.6 mm	F
MVL-KF5028M-12MPE	50 mm	F2.8-F22	0.04%	19.9°	15.9°	11.9°	0.3	M35.5 × 0.5	C	-10~50°C	Φ38 × 53.9 mm	G

## Dimension



Unit:mm



## ■ KF-P Series (1.2" 25MP)

### Key Features

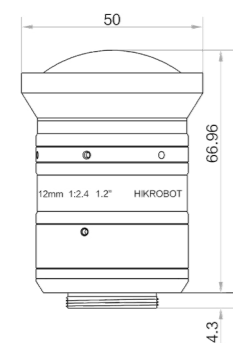
- Ultra-high resolution and consistency of image clarity.
- 1.2" Large image size, large aperture, low distortion, high relative illumination.
- Achromatic design for better imaging with color camera.
- Excellent high/low temperature stability for harsh environments.
- Excellent anti-vibration and anti-impact performance.
- Excellent optical performance at different working distances.



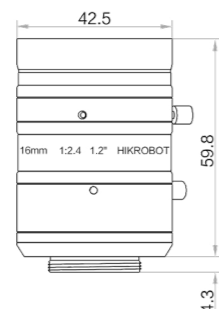
### Specifications

Model	Focal Length	F No.	Distortion	Field of View			M.O.D (m)	Filter Thread	Mount	Operating Temperature	Dimension	Label
				D	H	V						
MVL-KF1224M-25MP	12 mm	F2.4-F16	0.39%	76.37°	62.32°	55.34°	0.1	/	C	-10~50°C	Φ50 × 66.96 mm	A
MVL-KF1624M-25MP	16 mm	F2.4-F16	0.07%	61.61°	48.82°	42.89°	0.1	M40.5 × 0.5	C	-10~50°C	Φ42.5 × 59.8 mm	B
MVL-KF2524M-25MP	25 mm	F2.4-F16	-0.04%	40.80°	31.42°	27.34°	0.15	M37 × 0.5	C	-10~50°C	Φ40 × 58.4 mm	C
MVL-KF3524M-25MP	35 mm	F2.4-F16	0.02%	29.48°	22.51°	19.54°	0.15	M40.5 × 0.5	C	-10~50°C	Φ42 × 59.3 mm	D
MVL-KF5024M-25MP	50 mm	F2.4-F16	0.01%	20.60°	15.66°	13.57°	0.25	M40.5 × 0.5	C	-10~50°C	Φ42 × 61.2 mm	E

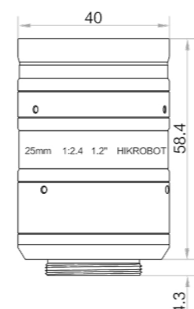
### Dimension



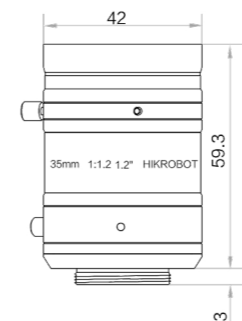
A



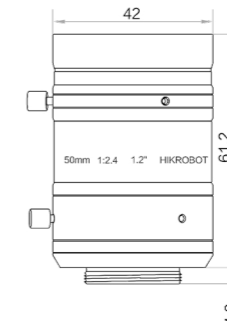
B



C



D



E

Unit:mm

# LF Series (Large Image Circle Lens)

## Key Features

- 100 million ultra-clear resolution with ultimate precision of 3.1  $\mu\text{m}$ .
- Ultra-high resolution and consistency of image clarity.
- Ultra-low distortion and high relative illumination.
- The maximum image surface coverage is  $\varnothing 46\text{mm}$ , supporting large sensor size areascan camera and 8K 5  $\mu\text{m}$  linescan camera.
- Optimized optical design for different magnification.
- F mount is detachable, which is convenient to expand other interfaces.

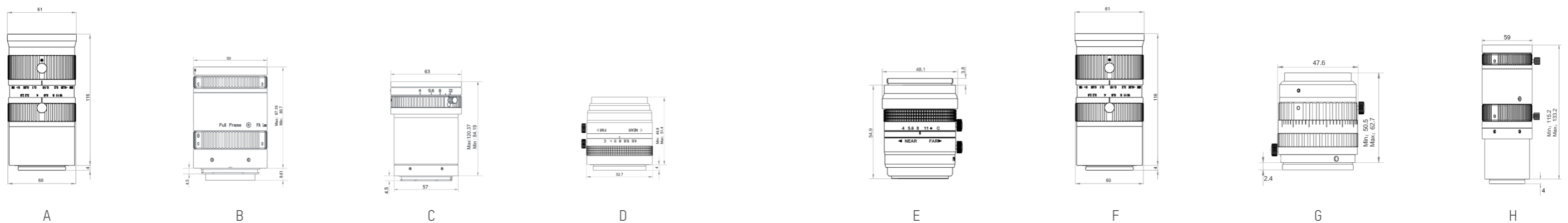


## Specifications

Model	Focal Length	F No.	Distortion	Field of View			M.O.D (m)	Filter Thread	Mount	Operating Temperature	Dimension	Label
				D	H	V						
MVL-LF3528M-F	35 mm	F2.8-F16	0.40%	65.41°	56.32°	39.20°	0.25x-0.05x	M58 × 0.75	F	-10-50°C	Φ61 × 81.5 mm	A
MVL-LF5040M-F	50 mm	F4.0-F22	-0.22%	30.41°	25.47°	17.13°	0.33x-0.01x	M52 × 0.75	F	-10-50°C	Φ59 × 97.19 mm	B
MVL-LF8040M-F	80 mm	F4.0-F22	0.04%	30.41°	25.47°	17.13°	0.4x-0.04x	M52 × 0.75	F	-10-50°C	Φ63 × 120.37 mm	C
MVL-AF2045M-M42	20 mm	F4.5-C	0.20%		H: 71°		0.1x-0.02x	M43 × 0.75	M42	-10-50°C	Φ52.7 × 51.4 mm	D
MVL-AF2840M-M42	28mm	F4.0-C	0.10%		H: 53°		0.3x-0.05x	M35 × 0.5	M42	-10-50°C	Φ48.1 × 54.9 mm	E
MVL-AF3528M-M42	35 mm	F2.8-F16	0.40%		H: 44°		0.2x-0.001x	M58 × 0.75	M42	-10-50°C	Φ61 × 116 mm	F
MVL-AF4028M-M42	40 mm	F2.8-F22	0.62%		H: 39°		0.22x-0.04x	M37 × 0.75	M42	-10-50°C	Φ47.6 × 62.7 mm	G
MVL-AF5040M-M42	50 mm	F4.0-F22	0.21%		H: 32°		0.33x-0.01x	M52 × 0.75	M42	-10-50°C	Φ59 × 133.2 mm	H

Notice: Horizontal FOV: Calculated with a line scan camera (4K 7 $\mu\text{m}$ , chip horizontal size: 28.7mm).

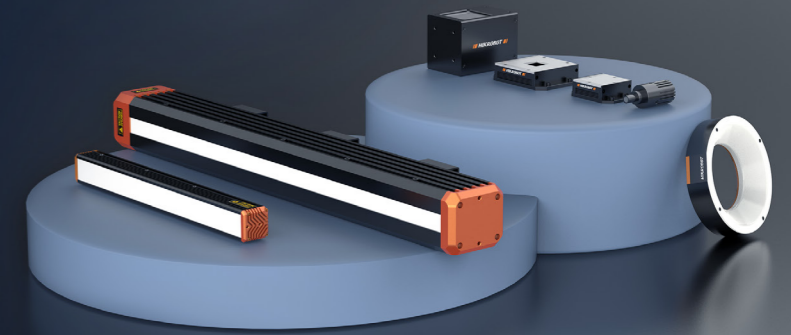
## Dimension



Unit:mm

# Lighting

## Ring-Type Lighting



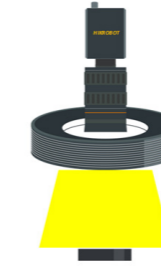
### Standard Ring-Type Lighting

MV-LRDS-H standard ring-type lighting, provide various sizes, irradiation angles specification and model, built in high-quality LED, while ensuring lighting concentration, improve inside dissipation design, ensure that the lighting works stably and efficiently.

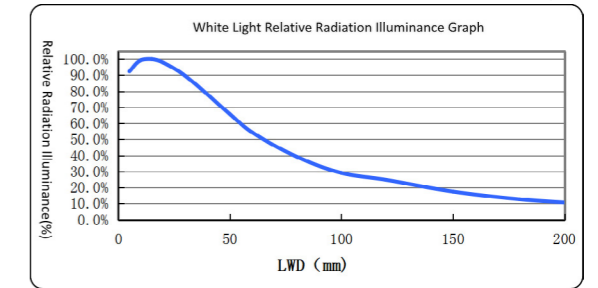
Product:



Lighting Signal:



White Light Relative Radiation Illuminance Graph:

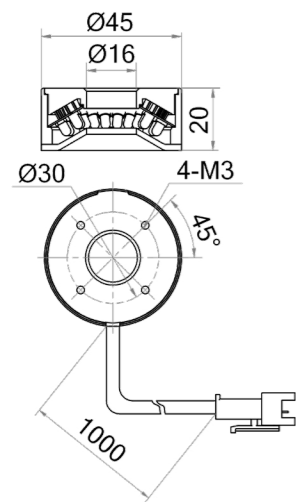


### Specifications

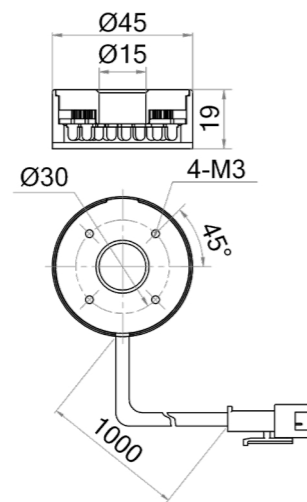
Model	Outer dimensions	Bore dimensions	Irradiation angle	LED rows	Power consumption	Best working distance	Weight	Color	Color temperature	Connector type	Cable length	Input voltage	Diffuse plate included
MV-LRDS-H-45-60-W	Φ45 mm	Φ16 mm	60°	2	2.5 W	40~70 mm	87 g	White	6000~7500K	SMR-03V-B	1000 mm	24 VDC	PMMA
MV-LRDS-H-45-90-W	Φ45 mm	Φ15 mm	90°	2	2.1 W	80~90 mm	95 g	White	6000~7500K	SMR-03V-B	1000 mm	24 VDC	PMMA
MV-LRDS-H-55-60-W	Φ55 mm	Φ25 mm	60°	2	2.9 W	40~70 mm	103 g	White	6000~7500K	SMR-03V-B	1000 mm	24 VDC	PMMA
MV-LRDS-H-55-90-W	Φ55 mm	Φ23 mm	90°	2	3 W	80~90 mm	118 g	White	6000~7500K	SMR-03V-B	1000 mm	24 VDC	PMMA
MV-LRDS-H-65-30-W	Φ65 mm	Φ30 mm	30°	2	3.8 W	20~30 mm	130 g	White	6000~7500K	SMR-03V-B	1000 mm	24 VDC	PMMA
MV-LRDS-H-65-60-W	Φ65 mm	Φ30 mm	60°	2	3.2 W	60~70 mm	124 g	White	6000~7500K	SMR-03V-B	1000 mm	24 VDC	PMMA
MV-LRDS-H-65-90-W	Φ65 mm	Φ30 mm	90°	2	3.8 W	90~100 mm	145 g	White	6000~7500K	SMR-03V-B	1000 mm	24 VDC	PMMA
MV-LRDS-H-80-15-W	Φ80 mm	Φ45 mm	15°	2	5.1 W	20~30 mm	172 g	White	6000~7500K	SMR-03V-B	1000 mm	24 VDC	PMMA
MV-LRDS-H-80-30-W	Φ80 mm	Φ45 mm	30°	2	5.5 W	20~30 mm	162 g	White	6000~7500K	SMR-03V-B	1000 mm	24 VDC	PMMA
MV-LRDS-H-80-60-W	Φ80 mm	Φ40 mm	60°	3	6.5 W	60~70 mm	170 g	White	6000~7500K	SMR-03V-B	1000 mm	24 VDC	PMMA
MV-LRDS-H-80-90-W	Φ80 mm	Φ35 mm	90°	3	7.2 W	100~110 mm	218 g	White	6000~7500K	SMR-03V-B	1000 mm	24 VDC	PMMA
MV-LRDS-H-95-00-W	Φ95 mm	Φ60 mm	0°	1	3.4 W	0~10 mm	181 g	White	6000~7500K	SMR-03V-B	1000 mm	24 VDC	PMMA
MV-LRDS-H-95-30-W	Φ95 mm	Φ60 mm	30°	2	6.8 W	20~40 mm	192 g	White	6000~7500K	SMR-03V-B	1000 mm	24 VDC	PMMA
MV-LRDS-H-95-60-W	Φ95 mm	Φ45 mm	60°	4	10.4 W	60~100 mm	235 g	White	6000~7500K	SMR-03V-B	1000 mm	24 VDC	PMMA
MV-LRDS-H-95-90-W	Φ95 mm	Φ45 mm	90°	4	11.4 W	90~120 mm	292 g	White	6000~7500K	SMR-03V-B	1000 mm	24 VDC	PMMA
MV-LRDS-H-105-00-W	Φ105 mm	Φ70 mm	0°	1	3.4 W	0~10 mm	169.2 g	White	6000~7500K	SMR-03V-B	1000 mm	24 VDC	PMMA
MV-LRDS-H-105-30-W	Φ105 mm	Φ62 mm	30°	3	10.6 W	20~40 mm	241.7 g	White	6000~7500K	SMR-03V-B	1000 mm	24 VDC	PMMA
MV-LRDS-H-105-60-W	Φ105 mm	Φ45 mm	60°	5	13 W	90~120 mm	323.6 g	White	6000~7500K	SMR-03V-B	1000 mm	24 VDC	PMMA
MV-LRDS-H-105-90-W	Φ105 mm	Φ43 mm	90°	5	14.4 W	90~120 mm	297.1 g	White	6000~7500K	SMR-03V-B	1000 mm	24 VDC	PMMA
MV-LRDS-H-120-00-W	Φ120 mm	Φ87 mm	0°	1	4.2 W	0~10 mm	207.3 g	White	6000~7500K	SMR-03V-B	1000 mm	24 VDC	PMMA
MV-LRDS-H-120-30-W	Φ120 mm	Φ74 mm	30°	3	12.2 W	20~40 mm	317.3 g	White	6000~7500K	SMR-03V-B	1000 mm	24 VDC	PMMA
MV-LRDS-H-120-45-W	Φ120 mm	Φ68 mm	45°	4	15.6 W	60~80 mm	333 g	White	6000~7500K	SMR-03V-B	1000 mm	24 VDC	PMMA
MV-LRDS-H-120-60-W	Φ120 mm	Φ60 mm	60°	5	15.8 W	90~110 mm	372.1 g	White	6000~7500K	SMR-03V-B	1000 mm	24 VDC	PMMA
MV-LRDS-H-120-75-W	Φ120 mm	Φ60 mm	75°	4	14.8 W	90~110 mm	332.2 g	White	6000~7500K	SMR-03V-B	1000 mm	24 VDC	PMMA
MV-LRDS-H-120-90-W	Φ120 mm	Φ60 mm	90°	4	14.8 W	90~120 mm	343.3 g	White	6000~7500K	SMR-03V-B	1000 mm	24 VDC	PMMA
MV-LRDS-H-140-15-W	Φ140 mm	Φ105 mm	15°	2	10.1 W	20~30 mm	316.9 g	White	6000~7500K	SMR-03V-B	1000 mm	24 VDC	PMMA
MV-LRDS-H-140-45-W	Φ140 mm	Φ90 mm	45°	4	19.4 W	60~80 mm	407.3 g	White	6000~7500K	SMR-03V-B	1000 mm	24 VDC	PMMA
MV-LRDS-H-140-90-W	Φ140 mm	Φ70 mm	90°	5	21.5 W	90~120 mm	441.5 g	White	6000~7500K	SMR-03V-B	1000 mm	24 VDC	PMMA
MV-LRDS-H-160-00-W	Φ160 mm	Φ120 mm	0°	1	5.9 W	0~10 mm	288.7 g	White	6000~7500K	SMR-03V-B	1000 mm	24 VDC	PMMA
MV-LRDS-H-160-30-W	Φ160 mm	Φ110 mm	30°	3	16.9 W	20~40 mm	520.2 g	White	6000~7500K	SMR-03V-B	1000 mm	24 VDC	PMMA
MV-LRDS-H-160-60-W	Φ160 mm	Φ95 mm	60°	5	22.7 W	70~90 mm	524.5 g	White	6000~7500K	SMR-03V-B	1000 mm	24 VDC	PMMA
MV-LRDS-H-160-90-W	Φ160 mm	Φ90 mm	90°	5	26.2 W	120~140 mm	552.1 g	White	6000~7500K	SMR-03V-B	1000 mm	24 VDC	PMMA

Model	Outer dimensions	Bore dimensions	Irradiation angle	LED rows	Power consumption	Best working distance	Weight	Color	Color temperature	Connector type	Cable length	Input voltage	Diffuse plate included
MV-LRDS-H-180-00-W	Ø180 mm	Ø140 mm	0°	1	13.6 W	0-10 mm	324.3 g	White	6000-7500K	SMR-03V-B	1000 mm	24 VDC	PMMA
MV-LRDS-H-180-60-W	Ø180 mm	Ø115 mm	60°	5	31.3 W	70-90 mm	608.4 g	White	6000-7500K	SMR-03V-B	1000 mm	24 VDC	PMMA
MV-LRDS-H-180-90-W	Ø180 mm	Ø100 mm	90°	6	35.5 W	140-160 mm	705.9 g	White	6000-7500K	SMR-03V-B	1000 mm	24 VDC	PMMA
MV-LRDS-H-200-00-W	Ø200 mm	Ø130 mm	0°	1	15.2 W	0-10 mm	353.4 g	White	6000-7500K	SMR-03V-B	1000 mm	24 VDC	PMMA
MV-LRDS-H-200-30-W	Ø200 mm	Ø150 mm	30°	3	22 W	20-40 mm	649.7 g	White	6000-7500K	SMR-03V-B	1000 mm	24 VDC	PMMA
MV-LRDS-H-200-90-W	Ø200 mm	Ø115 mm	90°	7	46 W	180-200 mm	830.4 g	White	6000-7500K	SMR-03V-B	1000 mm	24 VDC	PMMA
MV-LRDS-H-230-15-W	Ø230 mm	Ø180 mm	15°	4	35.5 W	20-30 mm	928.2 g	White	6000-7500K	SMR-03V-B	1000 mm	24 VDC	PMMA

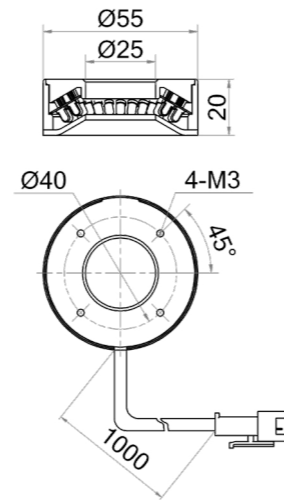
## Dimension



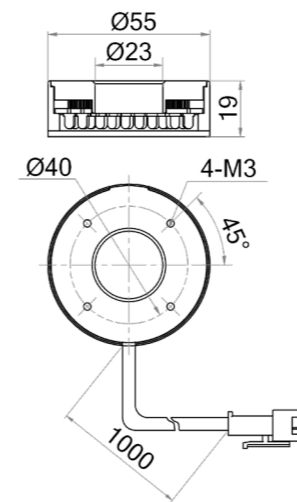
MV-LRDS-H-45-60-W



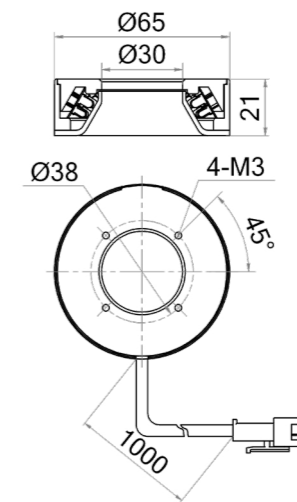
MV-LRDS-H-45-90-W



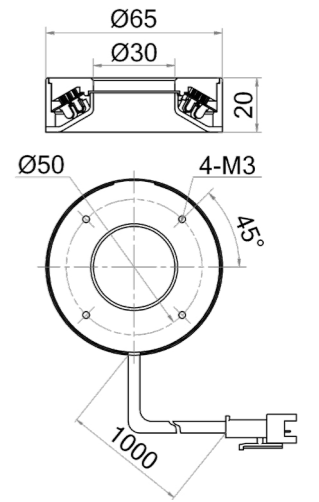
MV-LRDS-H-55-60-W



MV-LRDS-H-55-90-W

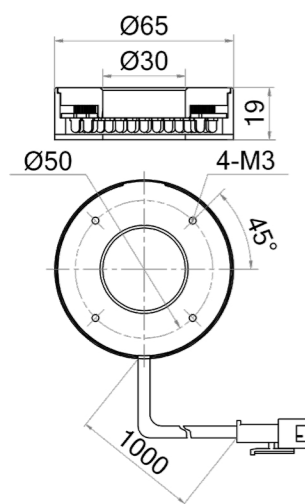


MV-LRDS-H-65-30-W

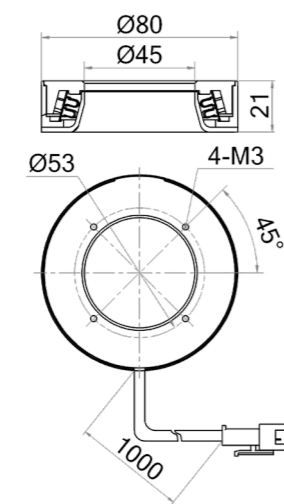


MV-LRDS-H-65-60-W

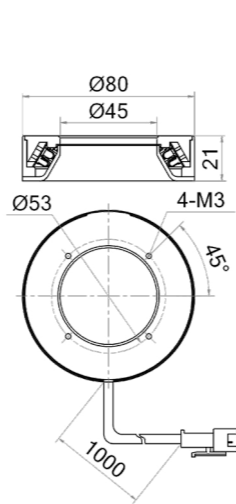
Unit: mm



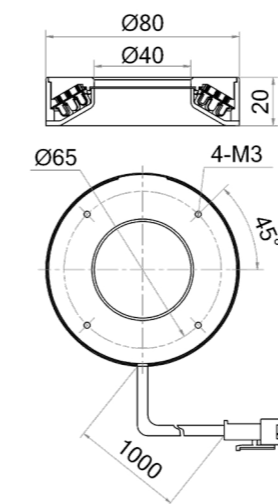
MV-LRDS-H-65-90-W



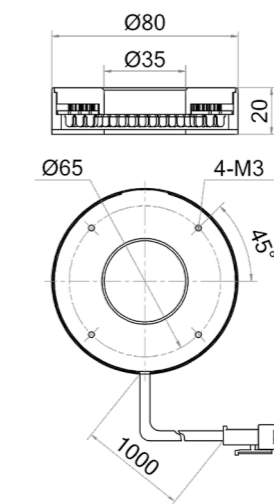
MV-LRDS-H-80-15-W



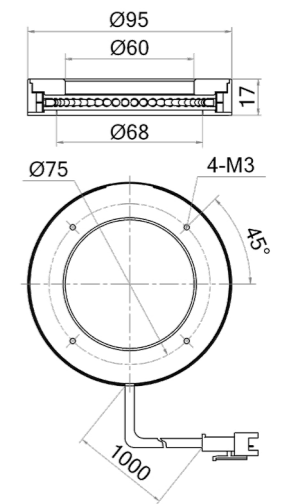
MV-LRDS-H-80-30-W



MV-LRDS-H-80-60-W

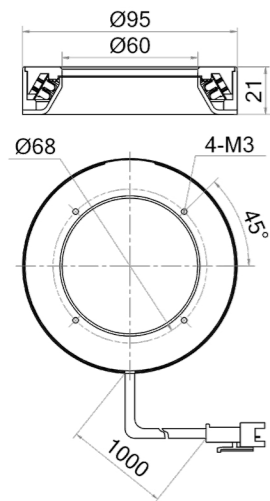


MV-LRDS-H-80-90-W

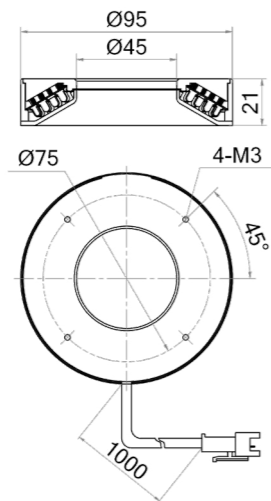


MV-LRDS-H-95-00-W

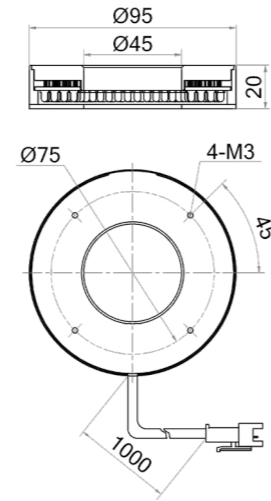




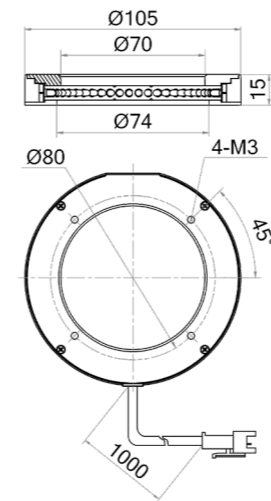
MV-LRDS-H-95-30-W



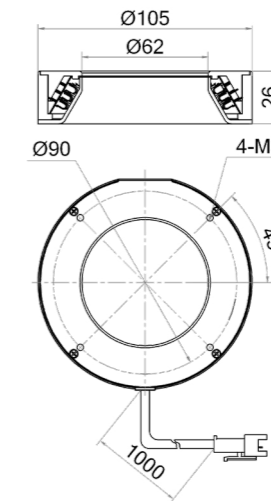
MV-LRDS-H-95-60-W



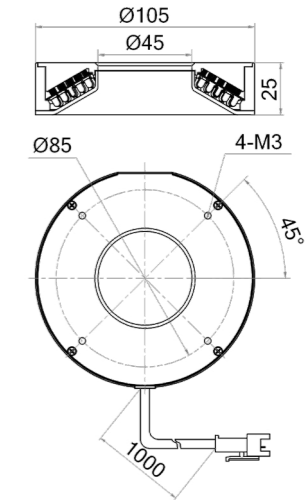
MV-LRDS-H-95-90-W



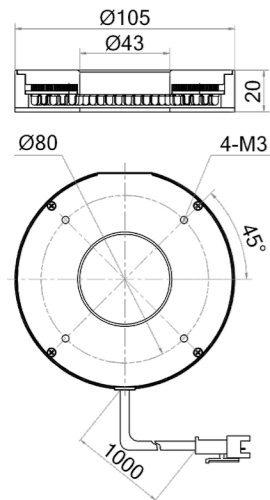
MV-LRDS-H-105-00-W



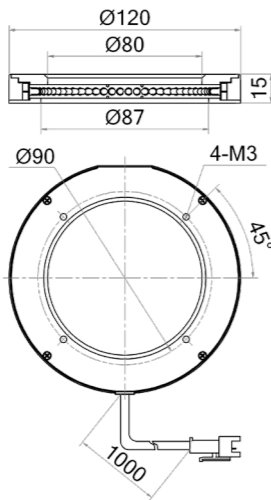
MV-LRDS-H-105-30-W



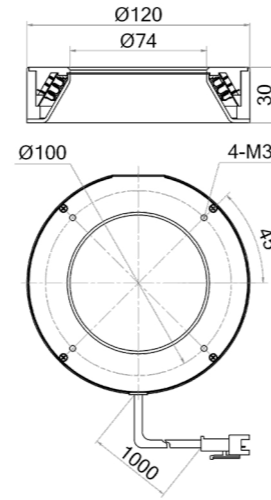
MV-LRDS-H-105-60-W



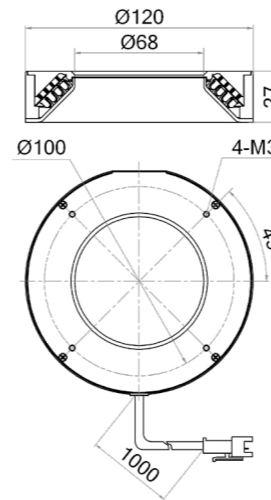
MV-LRDS-H-105-90-W



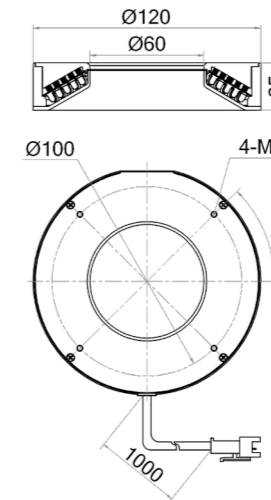
MV-LRDS-H-120-00-W



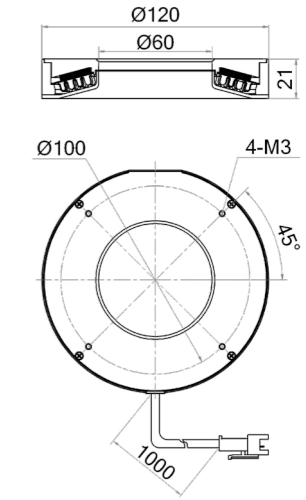
MV-LRDS-H-120-30-W



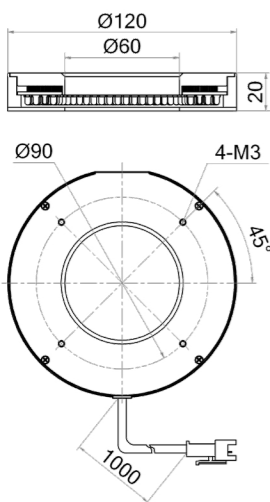
MV-LRDS-H-120-45-W



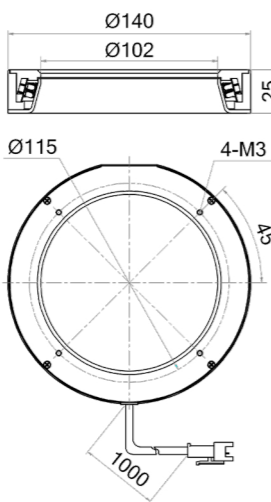
MV-LRDS-H-120-60-W



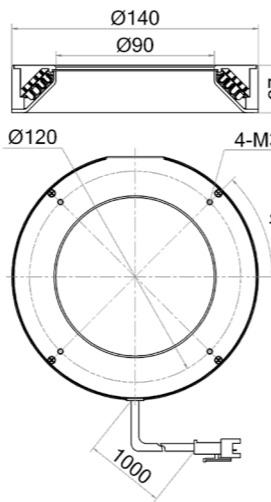
MV-LRDS-H-120-75-W



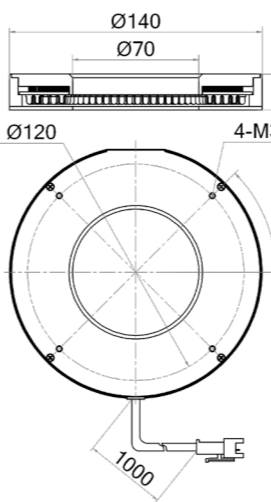
MV-LRDS-H-120-90-W



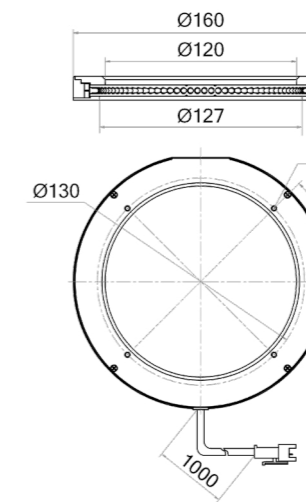
MV-LRDS-H-140-15-W



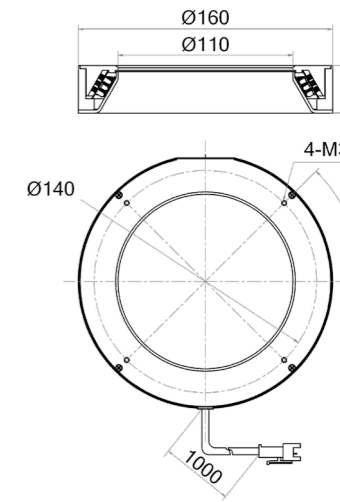
MV-LRDS-H-140-45-W



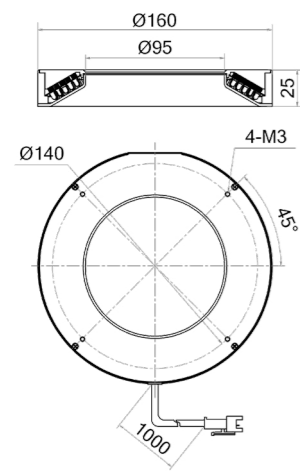
MV-LRDS-H-140-90-W



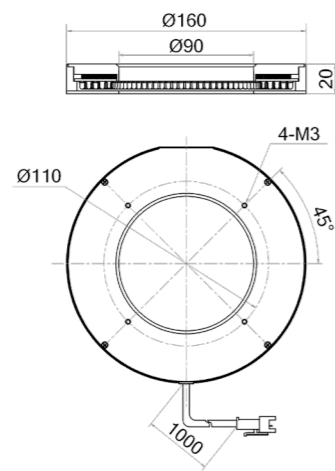
MV-LRDS-H-160-00-W



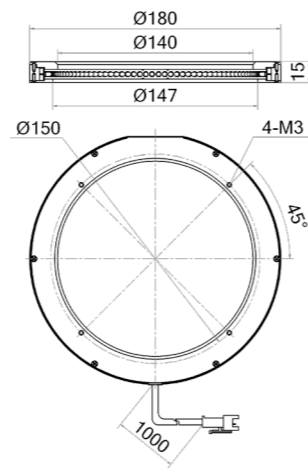
MV-LRDS-H-160-30-W



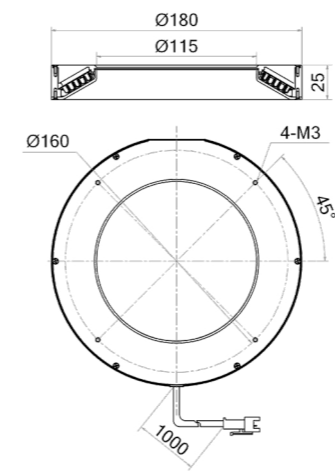
MV-LRDS-H-160-60-W



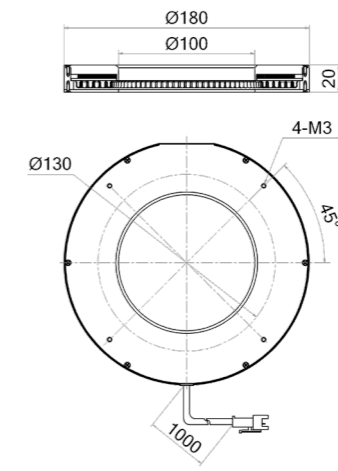
MV-LRDS-H-160-90-W



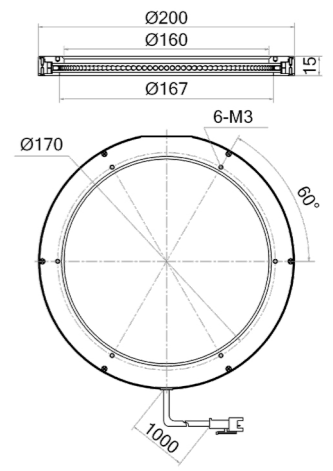
MV-LRDS-H-180-00-W



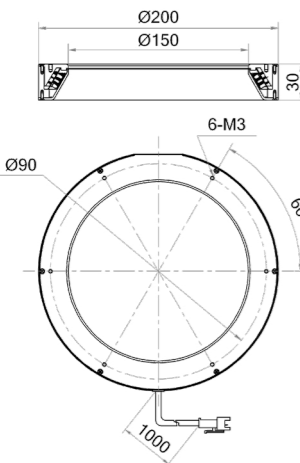
MV-LRDS-H-180-60-W



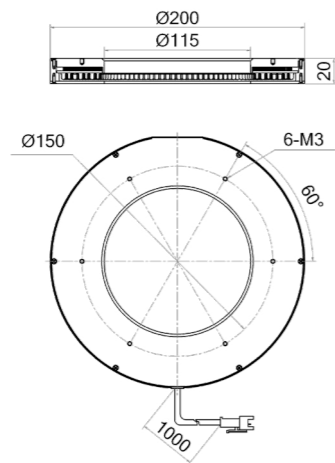
MV-LRDS-H-180-90-W



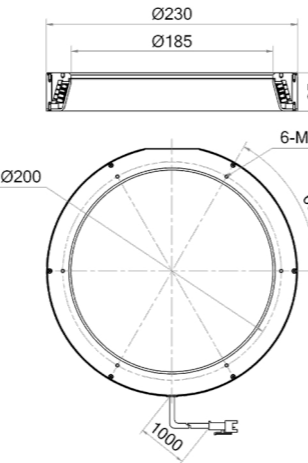
MV-LRDS-H-200-00-W



MV-LRDS-H-200-30-W



MV-LRDS-H-200-90-W



MV-LRDS-H-230-15-W

Unit:mm

## Shadowless Ring-Type Lighting

MV-LRSS-H shadowless ring-type lighting adopts special diffuse plate included, achieve uniform range irradiation with high degrees of freedom, chip LED with built-in large luminous angle, and provide a variety of sizes for selection.

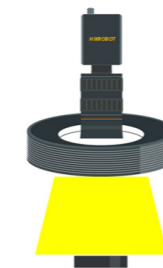
## Specifications

Model	Outer dimensions	Bore dimensions	LED rows	Power consumption	Best working distance	Weight	Color	Color temperature	Connector type	Cable length	Input voltage	Diffuse plate included
MV-LRSS-H-80-W	Φ80 mm × 18 mm	Φ40 mm	1	8.7 W	30-50 mm	131 g	White	6000-7000K	SMR-03V-B	1000 mm	24 VDC	PMMA
MV-LRSS-H-120-W	Φ120 mm × 18 mm	Φ75 mm	1	13.1 W	30-60 mm	224 g	White	6000-7000K	SMR-03V-B	1000 mm	24 VDC	PMMA
MV-LRSS-H-160-W	Φ160 mm × 18 mm	Φ116 mm	1	17.4 W	30-80 mm	298 g	White	6000-7000K	SMR-03V-B	1000 mm	24 VDC	PMMA
MV-LRSS-H-200-W	Φ200 mm × 34 mm	Φ148 mm	1	21.8 W	30-80 mm	564 g	White	6000-7000K	SMR-03V-B	1000 mm	24 VDC	PMMA
MV-LRSS-H-250-W	Φ250 mm × 34 mm	Φ190 mm	1	26.2 W	60-120 mm	763 g	White	6000-7000K	SMR-03V-B	1000 mm	24 VDC	PMMA
MV-LRSS-H-300-W	Φ300 mm × 34 mm	Φ248 mm	1	30.5 W	60-120 mm	870 g	White	6000-7000K	SMR-03V-B	1000 mm	24 VDC	PMMA

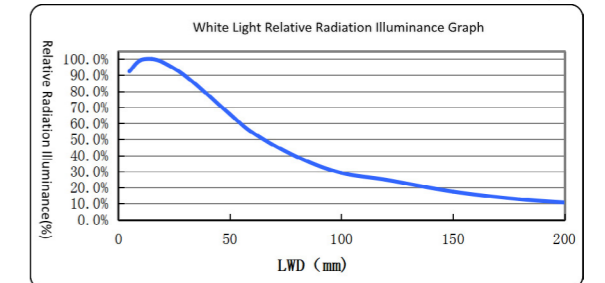
Product:



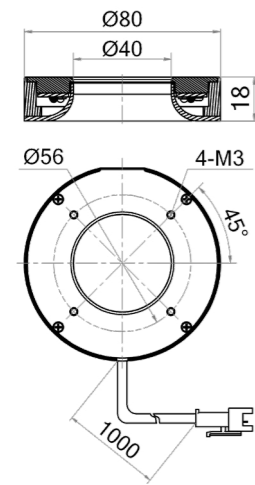
Lighting Signal:



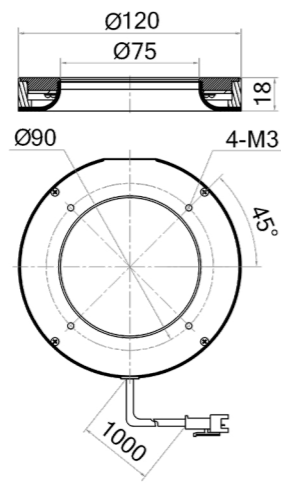
White Light Relative Radiation Illuminance Graph:



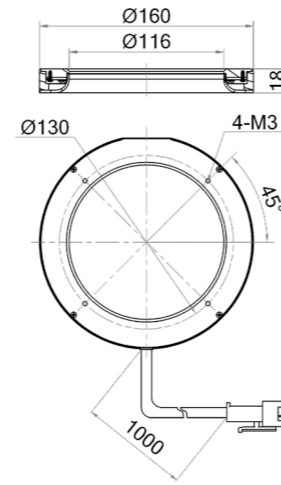
## Dimension



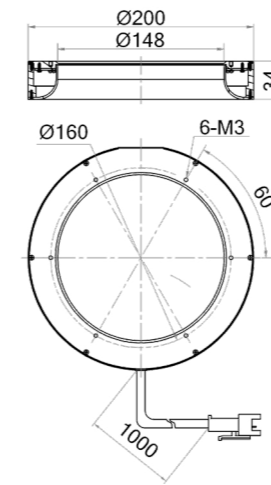
MV-LRSS-H-80-W



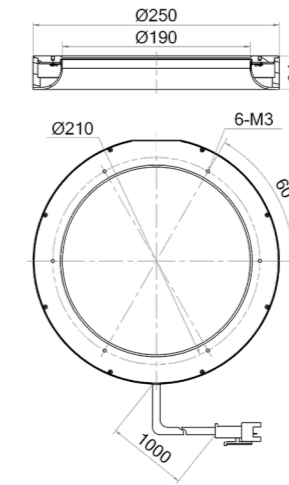
MV-LRSS-H-120-W



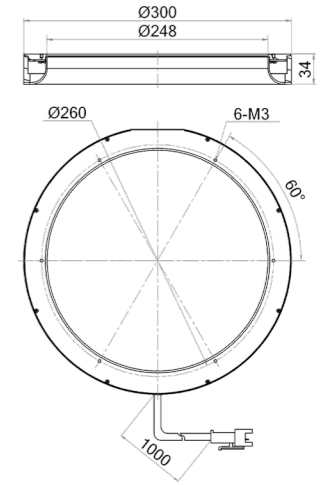
MV-LRSS-H-160-W



MV-LRSS-H-200-W



MV-LRSS-H-250-W



MV-LRSS-H-300-W

Unit:mm

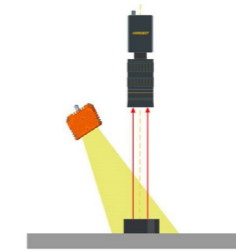
## Bar-Type Lighting

MV-LLDS-H series industrial bar-type lighting, high quality LED particles, stable lighting and high brightness. Various length sizes are available for selection, and the installation is flexible.

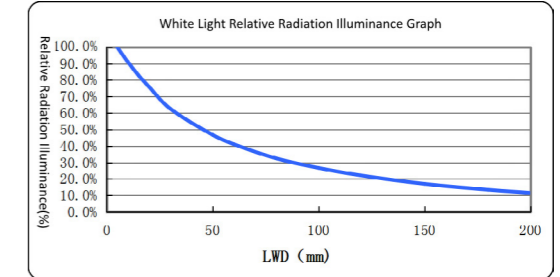
Product:



Lighting Signal:



White Light Relative Radiation Illuminance Graph:

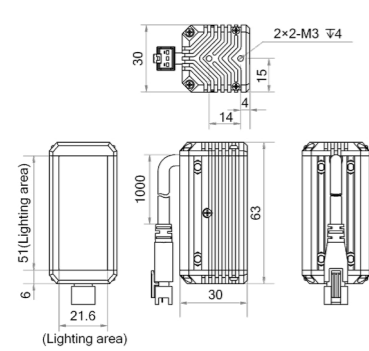


## Specifications

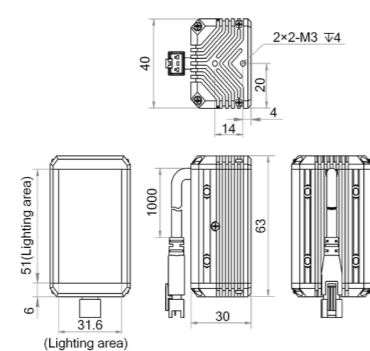
Model	Dimension	Emitting surface dimensions	LED rows	Power consumption	Best working distance	Weight	Color	Color temperature	Connector type	Cable length	Input voltage	Diffuse plate included
MV-LLDS-H-50-30-W	63 mm × 30 mm × 30 mm	51 mm × 21.6 mm	4	2.4 W	30-500 mm	0.12 kg	White	6000-7500K	SMR-03V-B	1000 mm	24 VDC	PMMA
MV-LLDS-H-50-40-W	63 mm × 40 mm × 30 mm	51 mm × 31.6 mm	6	3.5 W	30-500 mm	0.15 kg	White	6000-7500K	SMR-03V-B	1000 mm	24 VDC	PMMA
MV-LLDS-H-100-30-W	108 mm × 30 mm × 30 mm	96 mm × 21.6 mm	4	4.8 W	30-500 mm	0.2 kg	White	6000-7500K	SMR-03V-B	1000 mm	24 VDC	PMMA
MV-LLDS-H-100-40-W	108 mm × 40 mm × 30 mm	96 mm × 31.6 mm	6	6.9 W	30-500 mm	0.23 kg	White	6000-7500K	SMR-03V-B	1000 mm	24 VDC	PMMA
MV-LLDS-H-150-30-W	153 mm × 30 mm × 30 mm	141 mm × 21.6 mm	4	7.3 W	30-500 mm	0.28 kg	White	6000-7500K	SMR-03V-B	1000 mm	24 VDC	PMMA
MV-LLDS-H-150-40-W	153 mm × 40 mm × 30 mm	141 mm × 31.6 mm	6	10.7 W	30-500 mm	0.32 kg	White	6000-7500K	SMR-03V-B	1000 mm	24 VDC	PMMA
MV-LLDS-H-200-30-W	198 mm × 30 mm × 30 mm	186 mm × 21.6 mm	4	10.5 W	30-500 mm	0.36 kg	White	6000-7500K	SMR-03V-B	1000 mm	24 VDC	PMMA
MV-LLDS-H-200-40-W	198 mm × 40 mm × 30 mm	186 mm × 31.6 mm	6	14.2 W	30-500 mm	0.41 kg	White	6000-7500K	SMR-03V-B	1000 mm	24 VDC	PMMA
MV-LLDS-H-250-30-W	243 mm × 30 mm × 30 mm	231 mm × 21.6 mm	4	11.1 W	30-500 mm	0.43 kg	White	6000-7500K	SMR-03V-B	1000 mm	24 VDC	PMMA
MV-LLDS-H-250-40-W	243 mm × 40 mm × 30 mm	231 mm × 31.6 mm	6	17.7 W	30-500 mm	0.49 kg	White	6000-7500K	SMR-03V-B	1000 mm	24 VDC	PMMA
MV-LLDS-H-300-30-W	288 mm × 30 mm × 30 mm	276 mm × 21.6 mm	4	15.7 W	30-500 mm	0.51 kg	White	6000-7500K	SMR-03V-B	1000 mm	24 VDC	PMMA
MV-LLDS-H-300-40-W	288 mm × 40 mm × 30 mm	276 mm × 31.6 mm	6	21.2 W	30-500 mm	0.57 kg	White	6000-7500K	SMR-03V-B	1000 mm	24 VDC	PMMA
MV-LLDS-H-350-30-W	333 mm × 30 mm × 30 mm	321 mm × 21.6 mm	4	18.3 W	30-500 mm	0.59 kg	White	6000-7500K	SMR-03V-B	1000 mm	24 VDC	PMMA
MV-LLDS-H-350-40-W	333 mm × 40 mm × 30 mm	321 mm × 31.6 mm	6	24.6 W	30-500 mm	0.66 kg	White	6000-7500K	SMR-03V-B	1000 mm	24 VDC	PMMA
MV-LLDS-H-400-30-W	378 mm × 30 mm × 30 mm	366 mm × 21.6 mm	4	20.9 W	30-500 mm	0.67 kg	White	6000-7500K	SMR-03V-B	1000 mm	24 VDC	PMMA
MV-LLDS-H-400-40-W	378 mm × 40 mm × 30 mm	366 mm × 31.6 mm	6	28.3 W	30-500 mm	0.74 kg	White	6000-7500K	SMR-03V-B	1000 mm	24 VDC	PMMA
MV-LLDS-H-450-30-W	423 mm × 30 mm × 30 mm	411 mm × 21.6 mm	4	19.8 W	30-500 mm	0.75 kg	White	6000-7500K	SMR-03V-B	1000 mm	24 VDC	PMMA
MV-LLDS-H-450-40-W	423 mm × 40 mm × 30 mm	411 mm × 31.6 mm	6	31.6 W	30-500 mm	0.83 kg	White	6000-7500K	SMR-03V-B	1000 mm	24 VDC	PMMA
MV-LLDS-H-500-30-W	468 mm × 30 mm × 30 mm	456 mm × 21.6 mm	4	24.2 W	30-500 mm	0.83 kg	White	6000-7500K	SMR-03V-B	1000 mm	24 VDC	PMMA
MV-LLDS-H-500-40-W	468 mm × 40 mm × 30 mm	456 mm × 31.6 mm	6	35.1 W	30-500 mm	0.91 kg	White	6000-7500K	SMR-03V-B	1000 mm	24 VDC	PMMA
MV-LLDS-H-600-30-W	558 mm × 30 mm × 30 mm	546 mm × 21.6 mm	4	29 W	30-500 mm	0.98 kg	White	6000-7500K	SMR-03V-B	1000 mm	24 VDC	PMMA
MV-LLDS-H-600-40-W	558 mm × 40 mm × 30 mm	546 mm × 31.6 mm	6	42.3 W	30-500 mm	1.08 kg	White	6000-7500K	SMR-03V-B	1000 mm	24 VDC	PMMA
MV-LLDS-H-700-30-W	648 mm × 30 mm × 30 mm	636 mm × 21.6 mm	4	33.8 W	30-500 mm	1.14 kg	White	6000-7500K	SMR-03V-B	1000 mm	24 VDC	PMMA
MV-LLDS-H-700-40-W	648 mm × 40 mm × 30 mm	636 mm × 31.6 mm	6	49.3 W	30-500 mm	1.26 kg	White	6000-7500K	SMR-03V-B	1000 mm	24 VDC	PMMA

Model	Dimension	Emitting surface dimensions	LED rows	Power consumption	Best working distance	Weight	Color	Color temperature	Connector type	Cable length	Input voltage	Diffuse plate included
MV-LLDS-H-800-30-W	738 mm × 30 mm × 30 mm	726 mm × 21.6 mm	4	38.7 W	30-500 mm	1.29 kg	White	6000-7500K	SMR-03V-B	1000 mm	24 VDC	PMMA
MV-LLDS-H-800-40-W	738 mm × 40 mm × 30 mm	726 mm × 31.6 mm	6	56.5 W	30-500 mm	1.43 kg	White	6000-7500K	SMR-03V-B	1000 mm	24 VDC	PMMA
MV-LLDS-H-900-30-W	828 mm × 30 mm × 30 mm	816 mm × 21.6 mm	4	43.5 W	30-500 mm	1.45 kg	White	6000-7500K	SMR-03V-B	1000 mm	24 VDC	PMMA
MV-LLDS-H-900-40-W	828 mm × 40 mm × 30 mm	816 mm × 31.6 mm	6	63.5 W	30-500 mm	1.6 kg	White	6000-7500K	SMR-03V-B	1000 mm	24 VDC	PMMA
MV-LLDS-H-1000-30-W	918 mm × 30 mm × 30 mm	906 mm × 21.6 mm	4	48.4 W	30-500 mm	1.61 kg	White	6000-7500K	SMR-03V-B	1000 mm	24 VDC	PMMA
MV-LLDS-H-1000-40-W	918 mm × 40 mm × 30 mm	906 mm × 31.6 mm	6	70.5 W	30-500 mm	1.77 kg	White	6000-7500K	SMR-03V-B	1000 mm	24 VDC	PMMA
MV-LLDS-H-1200-30-W	1098 mm × 30 mm × 30 mm	1086 mm × 21.6 mm	4	58 W	30-500 mm	1.92 kg	White	6000-7500K	Dual-channel SMR-03V-B	1000 mm	24 VDC	PMMA
MV-LLDS-H-1200-40-W	1098 mm × 40 mm × 30 mm	1086 mm × 31.6 mm	6	84.6 W	30-500 mm	2.11 kg	White	6000-7500K	Dual-channel SMR-04V-B	1000 mm	24 VDC	PMMA
MV-LLDS-H-1400-30-W	1278 mm × 30 mm × 30 mm	1266 mm × 21.6 mm	4	67.6 W	30-500 mm	2.23 kg	White	6000-7500K	Dual-channel SMR-05V-B	1000 mm	24 VDC	PMMA
MV-LLDS-H-1400-40-W	1278 mm × 40 mm × 30 mm	1266 mm × 31.6 mm	6	99.5 W	30-500 mm	2.45 kg	White	6000-7500K	Dual-channel SMR-06V-B	1000 mm	24 VDC	PMMA

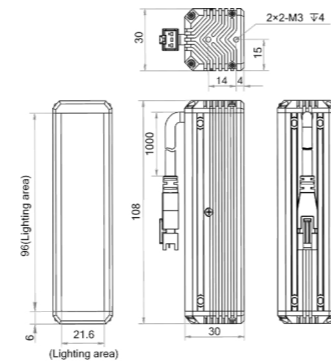
## Dimension



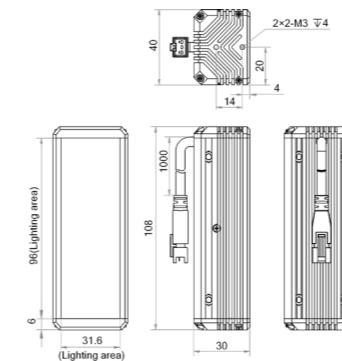
MV-LLDS-H-50-30-W



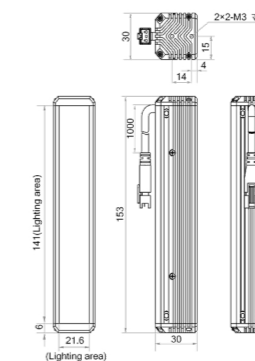
MV-LLDS-H-50-40-W



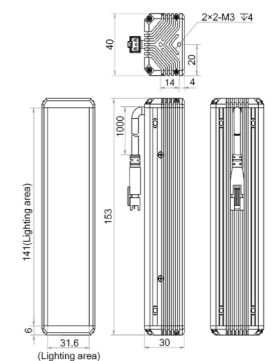
MV-LLDS-H-100-30-W



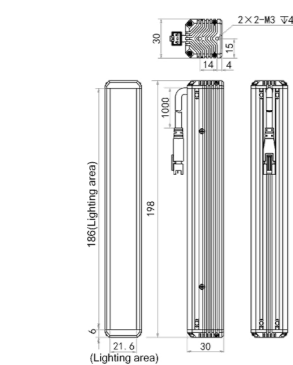
MV-LLDS-H-100-40-W



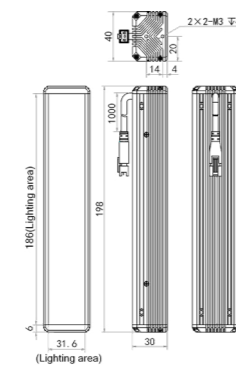
MV-LLDS-H-150-30-W



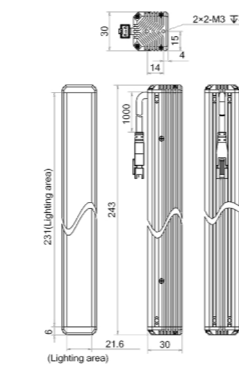
MV-LLDS-H-150-40-W



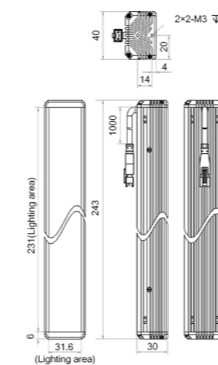
MV-LLDS-H-200-30-W



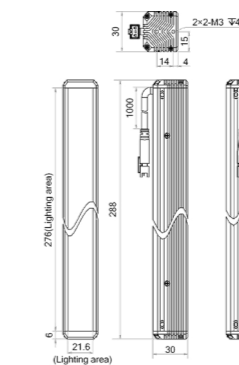
MV-LLDS-H-200-40-W



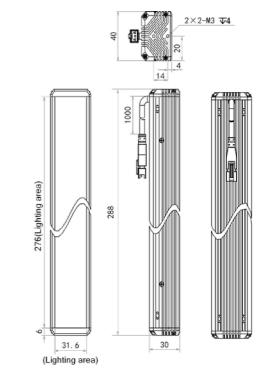
MV-LLDS-H-250-30-W



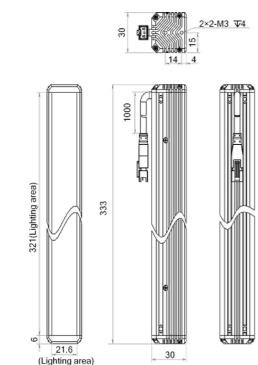
MV-LLDS-H-250-40-W



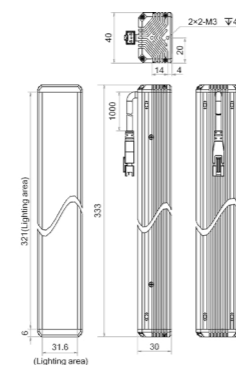
MV-LLDS-H-300-30-W



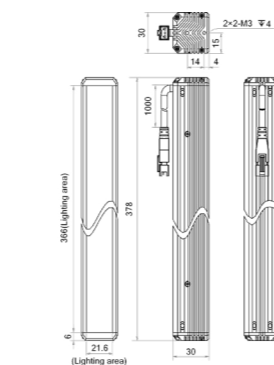
MV-LLDS-H-300-40-W



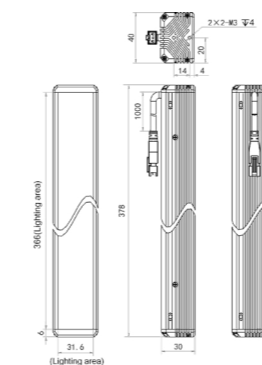
MV-LLDS-H-350-30-W



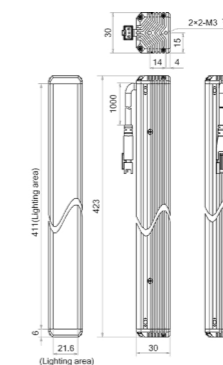
MV-LLDS-H-350-40-W



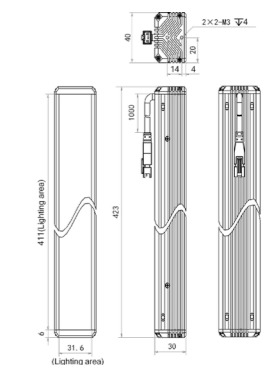
MV-LLDS-H-400-30-W



MV-LLDS-H-400-40-W

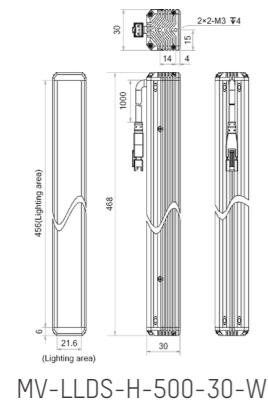


MV-LLDS-H-450-30-W

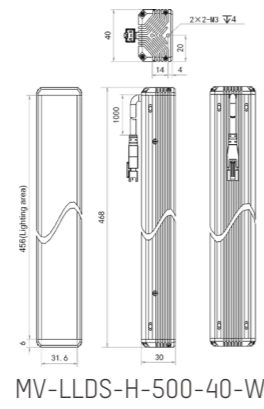


MV-LLDS-H-450-40-W

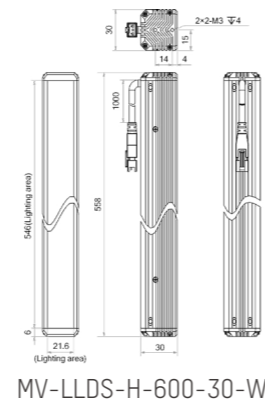




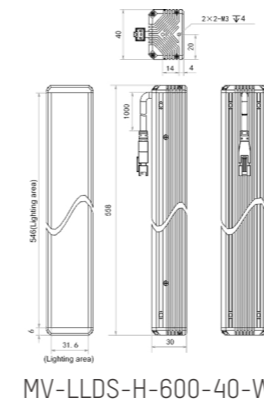
MV-LLDS-H-500-30-W



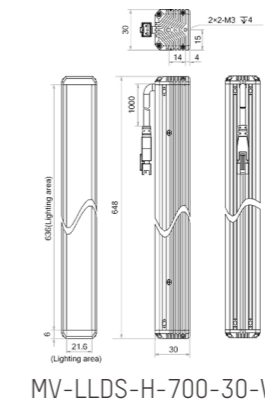
MV-LLDS-H-500-40-W



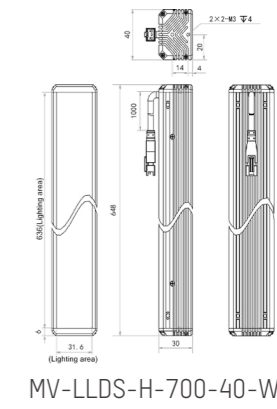
MV-LLDS-H-600-30-W



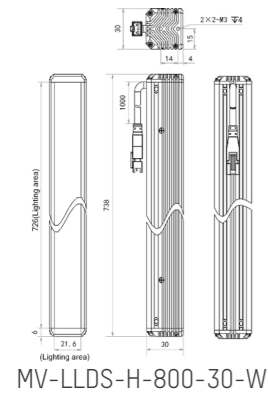
MV-LLDS-H-600-40-W



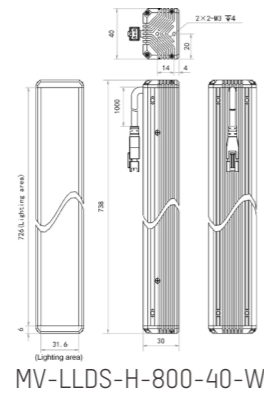
MV-LLDS-H-700-30-W



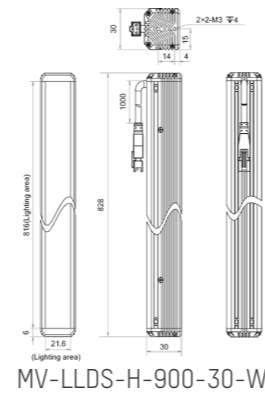
MV-LLDS-H-700-40-W



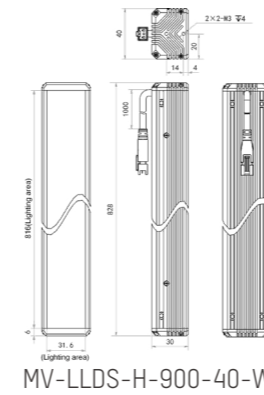
MV-LLDS-H-800-30-W



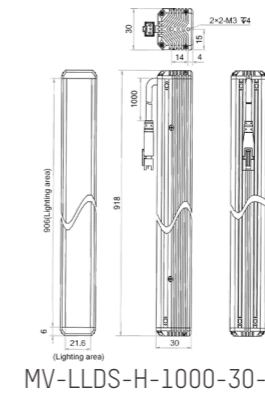
MV-LLDS-H-800-40-W



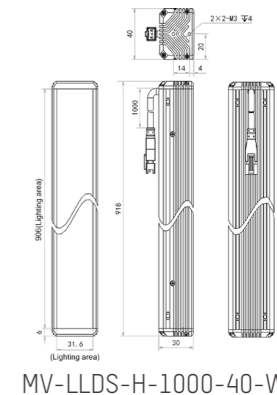
MV-LLDS-H-900-30-W



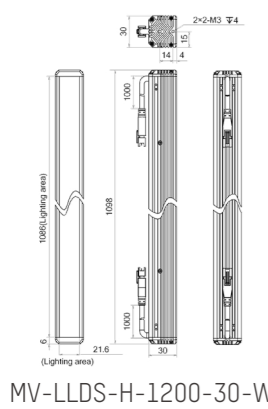
MV-LLDS-H-900-40-W



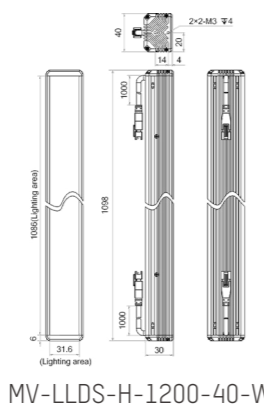
MV-LLDS-H-1000-30-W



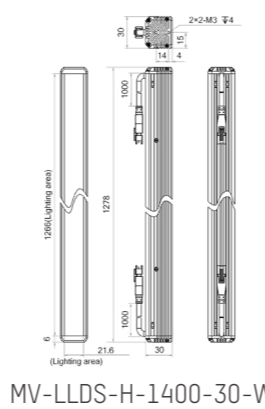
MV-LLDS-H-1000-40-W



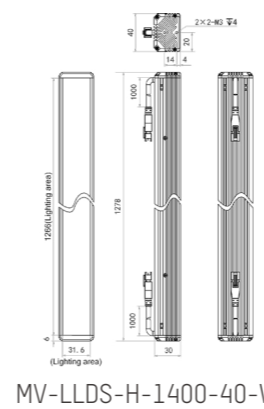
MV-LLDS-H-1200-30-W



MV-LLDS-H-1200-40-W



MV-LLDS-H-1400-30-W



MV-LLDS-H-1400-40-W

Unit:mm

## Linescan-Type Lighting

MV-LTDS-H industry linescan-type lighting series adopts high brightness and high power LED, combination of structural heat dissipation and fan heat dissipation, provide good heat dissipation and working life, flexible installation, efficient focusing.

### Specifications

Model	Dimension	Emitting surface dimensions	LED rows	Power consumption	Best working distance	Weight	Color	Color temperature	Center illuminance	Connector type	Cable length	Input voltage	Cooling mode	Temperature
MV-LTDS-H-100-W	150 mm × 58 mm × 90.5 mm	100 mm × 17 mm	1	42 W	10~200 mm	1.09 kg	White	6000~7000K	≥ 1 million lux	19M-8H	Additional options	48 VDC	Fan cooling	0~40°C
MV-LTDS-H-200-W	250 mm × 58 mm × 90.5 mm	200 mm × 17 mm	1	84 W	10~200 mm	1.6 kg	White	6000~7000K	≥ 1 million lux	19M-8H	Additional options	48 VDC	Fan cooling	0~40°C
MV-LTDS-H-300-W	350 mm × 58 mm × 90.5 mm	300 mm × 17 mm	1	126 W	10~200 mm	2.11 kg	White	6000~7000K	≥ 1 million lux	19M-8H	Additional options	48 VDC	Fan cooling	0~40°C

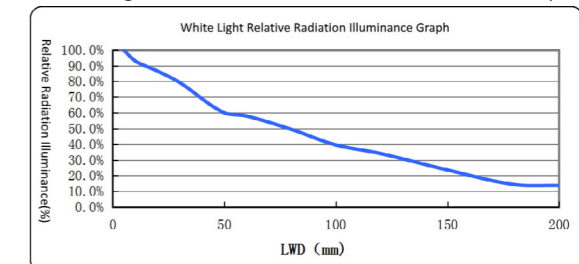
Product:



Lighting Signal:



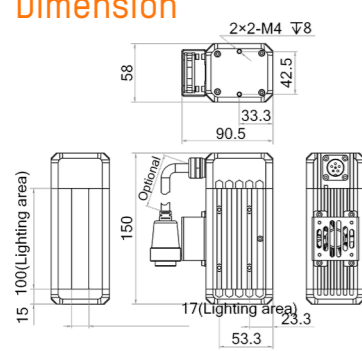
White Light Relative Radiation Illuminance Graph:



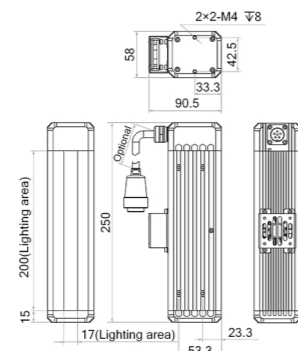
Model	Dimension	Emitting surface dimensions	LED rows	Power consumption	Best working distance	Weight	Color	Color temperature	Center illuminance	Connector type	Cable length	Input voltage	Cooling mode	Temperature
MV-LTDS-H-400-W	450 mm × 58 mm × 90.5 mm	400 mm × 17 mm	1	168 W	10-200 mm	2.62 kg	White	6000-7000K	≥ 1 million lux	19M-8H	Additional options	48 VDC	Fan cooling	0-40°C
MV-LTDS-H-500-W	550 mm × 58 mm × 90.5 mm	500 mm × 17 mm	1	210 W	10-200 mm	3.14 kg	White	6000-7000K	≥ 1 million lux	19M-8H	Additional options	48 VDC	Fan cooling	0-40°C
MV-LTDS-H-600-W	650 mm × 58 mm × 90.5 mm	600 mm × 17 mm	1	252 W	10-200 mm	3.65 kg	White	6000-7000K	≥ 1 million lux	19M-8H	Additional options	48 VDC	Fan cooling	0-40°C
MV-LTDS-H-700-W	750 mm × 58 mm × 90.5 mm	700 mm × 17 mm	1	294 W	10-200 mm	4.16 kg	White	6000-7000K	≥ 1 million lux	19M-8H	Additional options	48 VDC	Fan cooling	0-40°C
MV-LTDS-H-800-W	850 mm × 58 mm × 90.5 mm	800 mm × 17 mm	1	336 W	10-200 mm	4.68 kg	White	6000-7000K	≥ 1 million lux	19M-8H	Additional options	48 VDC	Fan cooling	0-40°C
MV-LTDS-H-900-W	970 mm × 58 mm × 90.5 mm	900 mm × 17 mm	1	378 W	10-200 mm	5.19 kg	White	6000-7000K	≥ 1 million lux	19M-8H, dual channel	Additional options	48 VDC	Fan cooling	0-40°C
MV-LTDS-H-1000-W	1070 mm × 58 mm × 90.5 mm	1000 mm × 17 mm	1	420 W	10-200 mm	5.71 kg	White	6000-7000K	≥ 1 million lux	19M-8H, dual channel	Additional options	48 VDC	Fan cooling	0-40°C
MV-LTDS-H-1100-W	1170 mm × 58 mm × 90.5 mm	1100 mm × 17 mm	1	462 W	10-200 mm	6.22 kg	White	6000-7000K	≥ 1 million lux	19M-8H, dual channel	Additional options	48 VDC	Fan cooling	0-40°C
MV-LTDS-H-1200-W	1270 mm × 58 mm × 90.5 mm	1200 mm × 17 mm	1	504 W	10-200 mm	6.73 kg	White	6000-7000K	≥ 1 million lux	19M-8H, dual channel	Additional options	48 VDC	Fan cooling	0-40°C
MV-LTDS-H-1300-W	1370 mm × 58 mm × 90.5 mm	1300 mm × 17 mm	1	546 W	10-200 mm	7.25 kg	White	6000-7000K	≥ 1 million lux	19M-8H, dual channel	Additional options	48 VDC	Fan cooling	0-40°C
MV-LTDS-H-1400-W	1470 mm × 58 mm × 90.5 mm	1400 mm × 17 mm	1	588 W	10-200 mm	7.76 kg	White	6000-7000K	≥ 1 million lux	19M-8H, dual channel	Additional options	48 VDC	Fan cooling	0-40°C
MV-LTDS-H-1500-W	1570 mm × 58 mm × 90.5 mm	1500 mm × 17 mm	1	630 W	10-200 mm	8.27 kg	White	6000-7000K	≥ 1 million lux	19M-8H, dual channel	Additional options	48 VDC	Fan cooling	0-40°C

Notice: The above models must be used with MV-LE201 series light controller.

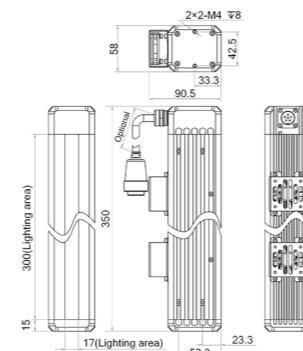
## Dimension



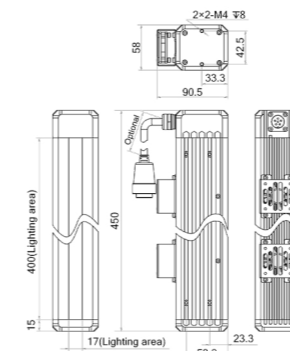
MV-LTDS-H-100-W



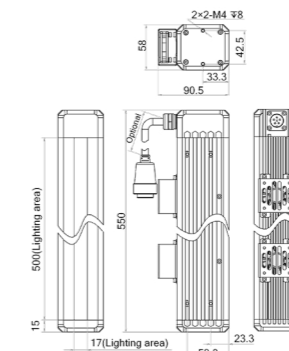
MV-LTDS-H-200-W



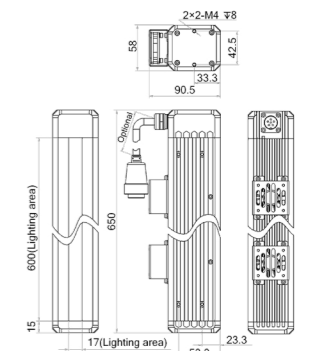
MV-LTDS-H-300-W



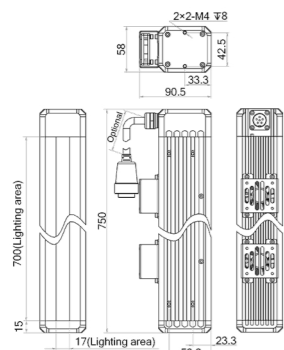
MV-LTDS-H-400-W



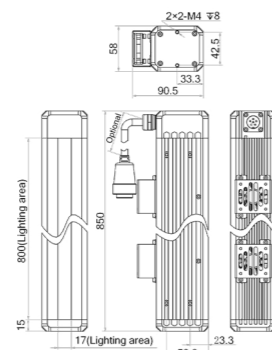
MV-LTDS-H-500-W



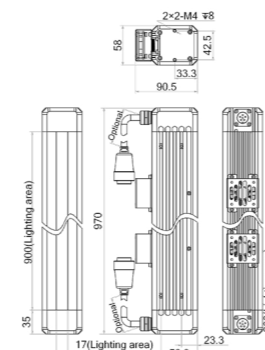
MV-LTDS-H-600-W



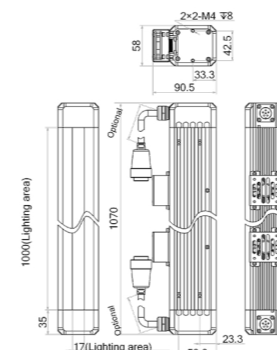
MV-LTDS-H-700-W



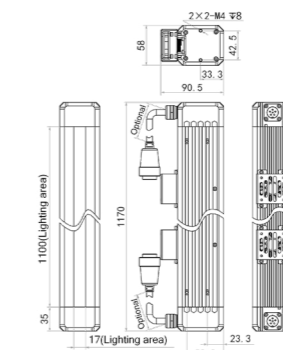
MV-LTDS-H-800-W



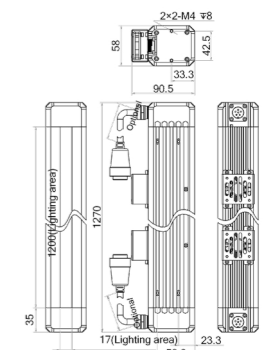
MV-LTDS-H-900-W



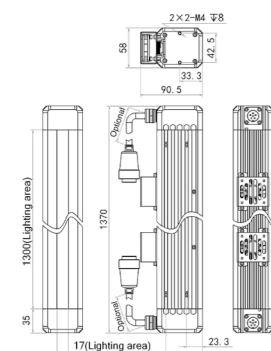
MV-LTDS-H-1000-W



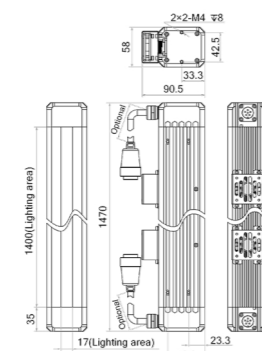
MV-LTDS-H-1100-W



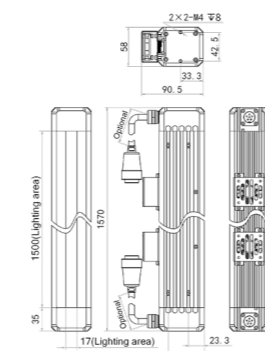
MV-LTDS-H-1200-W



MV-LTDS-H-1300-W



MV-LTDS-H-1400-W



MV-LTDS-H-1500-W

Unit:mm

## Accessories

Model	Description
MV-LW-H-001-1-19M8A	Cable, 19M-8A to 19M-8A, 1m length.
MV-LW-H-003-1-19M8A	Cable, 19M-8A to 19M-8A, 3m length.
MV-LW-H-005-1-19M8A	Cable, 19M-8A to 19M-8A, 5m length.
MV-LW-H-010-1-19M8A	Cable, 19M-8A to 19M-8A, 10m length.
MV-LW-H-015-1-19M8A	Cable, 19M-8A to 19M-8A, 15m length.

# ■ Dot-Type Lighting

## Standard Dot-Type Lighting

MV-LDSS-H standard dot-type Lighting, adopts special light guide and highlight LED lamp bead. new shape and heat dissipation design, ensure light source has more lasting stability and service life.

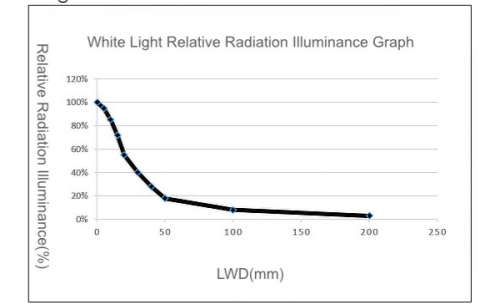
Product:



Lighting Signal:



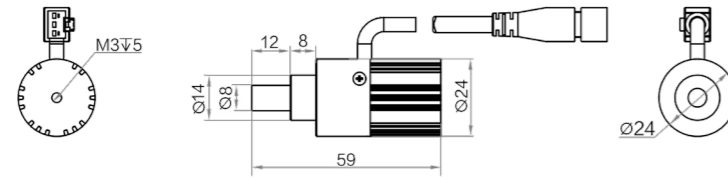
White Light Relative Radiation Illuminance Graph:



## Specifications

Model	Dimension	Lighting area dimensions	Power consumption	Drive mode	Input current	Best working distance	Weight	Color	Color temperature	Center illuminance	Connector type	Cable length
MV-LDSS-H-8-3-W	59 mm × Ø24 mm	Ø8 mm	2 W	Constant current	680 mA	65 ~ 200 mm	75 g	White	6000 ~ 7000K	> 20K lux@WD=100 mm	SMR-03V-B	1000 mm
MV-LDSS-H-8-3-R	59 mm × Ø24 mm	Ø8 mm	1.7 W	Constant current	680 mA	65 ~ 200 mm	75 g	Red	/	> 7K lux@WD=100 mm	SMR-03V-B	1000 mm
MV-LDSS-H-8-3-B	59 mm × Ø24 mm	Ø8 mm	2.1 W	Constant current	680 mA	65 ~ 200 mm	75 g	Blue	/	> 4K lux@WD=100 mm	SMR-03V-B	1000 mm
MV-LDSS-H-8-3-G	59 mm × Ø24 mm	Ø8 mm	2.1 W	Constant current	680 mA	65 ~ 200 mm	75 g	Green	/	> 25K lux@WD=100 mm	SMR-03V-B	1000 mm
MV-LDSS-H-8-3-Y	59 mm × Ø24 mm	Ø8 mm	2 W	Constant current	680 mA	65 ~ 200 mm	75 g	Yellow	/	> 20K lux@WD=100 mm	SMR-03V-B	1000 mm

## Dimension



Unit:mm

## Spotlight Dot-Type Lighting

MV-LDFS-H spotlight dot-type lighting, through special optical lens structure design, cooperate with bright LED light beads to achieve high-spotlight, high-uniformity circular direct lighting effect. small and compact size, suitable for lighting shooting in scenes with limited installation size and narrow space.

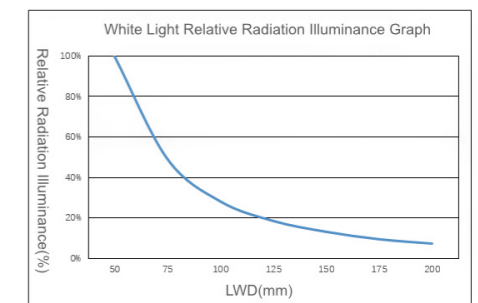
Product:



Lighting Signal:



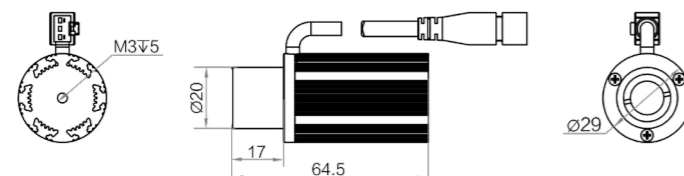
White Light Relative Radiation Illuminance Graph:



## Specifications

Model	Dimension	Lighting area dimensions	Power consumption	Drive mode	Input current	Best working distance	Weight	Color	Color temperature	Center illuminance	Connector type	Cable length
MV-LDFS-H-20-6-W	64.5 mm × Ø29 mm	Ø20 mm	3.2 W	Constant current	1100 mA	65 ~ 200 mm	110 g	White	6000 ~ 7000K	≥ 140K lux@WD=100 mm	SMR-03V-B	1000 mm

## Dimension



Unit:mm

# Light Controller

## ■ Analog, Constant Voltage Series Light Controller



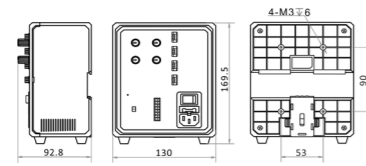
MV-LE100 analog light controller supports infinitely variable brightness and outputting multichannel light sources. It provides trigger input connectors, device management interface, etc. The analog light controller helps users realize fast and convenient deployment of vision light source on site.



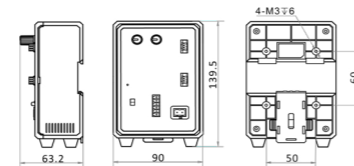
### Specifications

Model	Drive mode	Lighting mode	Dimming mode	Lighting output connector	Output power	Channel	Output current for each channel	Output voltage	Power supply interface	Input voltage	Input current	Trigger mode	Trigger in	Weight	Temperature	Cooling mode	Applicable product
MV-LE100-120W24-4D	Analog, constant voltage	Continued, trigger	Control panel (knob)	SMR-03V-BC	120 W max	4	3 A max	24 VDC	C13 220 VAC interface	100 ~ 240 VAC, 50/60 Hz	2.1 A (115 VAC), 1.2 A (230 VAC)	External trigger	High level 4.5 VDC to 24 VDC, low level 0 VDC to 2 VDC	Approx. 795 g	0~40°C	Fan cooling	Ring lighting, bar lighting, flat lighting, coaxial lighting, etc.
MV-LE100-48W24-2D	Analog, constant voltage	Continued, trigger	Control panel (knob)	SMR-03V-BC	48 W max	2	1 A max	24 VDC	5.08 mm × 2 terminal block	24 VDC	2.5 A	External trigger	High level 4.5 VDC to 24 VDC, low level 0 VDC to 2 VDC	Approx. 235 g	0~40°C	Fan cooling	Ring lighting, bar lighting, flat lighting, coaxial lighting, etc.

### Dimension



MV-LE100-120W24-4D



MV-LE100-48W24-2D

Unit:mm

## ■ Digital, Constant Voltage Light Controller

MV-LE200 digital light controller supports outputting multichannel light sources and different control modes of light source. It provides I/O connectors, device management interface, and corresponding light source controller software. The digital light controller helps users realize fast and convenient deployment of light source on site.



### Specifications

Model	Drive mode	Lighting mode	Dimming mode	Console interface	Lighting output connector	Output power	Channel	Output current for each channel	Output voltage	Power supply interface	Input voltage	Input current	Trigger mode	Trigger in	Trigger out	Weight	Temperature	Cooling mode	Applicable product
MV-LE200-200W24-4TD	Digital, constant voltage	Continued, trigger	Control panel (via pressing button), software (serial port or network interface)	RJ45 network interface, DB9F serial port	SMR-03V-BC	200 W max	4	3 A max	24 VDC	C13 220 VAC interface	100 ~ 240 VAC, 50/60 Hz	1.8 A (115VAC), 1 A (230VAC)	External trigger and internal trigger	High level 4.5 VDC to 24 VDC, low level 0 VDC to 2 VDC	High level 10 VDC to 24 VDC, low level 0 VDC to 2 VDC	Approx. 732.7 g	0~40°C	Fan cooling	Ring lighting, bar lighting, flat lighting, coaxial lighting, etc.
MV-LE200-120W24-4TD	Digital, constant voltage	Continued, trigger	Control panel (via pressing button), software (serial port or network interface)	RJ45 network interface, DB9F serial port	SMR-03V-BC	120 W max	4	3 A max	24 VDC	C13 220 VAC interface	100 ~ 240 VAC, 50/60 Hz	2.1 A (115VAC), 1.2 A (230VAC)	External trigger and internal trigger	High level 4.5 VDC to 24 VDC, low level 0 VDC to 2 VDC	High level 10 VDC to 24 VDC, low level 0 VDC to 2 VDC	Approx. 732.7 g	0~40°C	Fan cooling	Ring lighting, bar lighting, flat lighting, coaxial lighting, etc.
MV-LE200-48W24-2D	Digital, constant voltage	Continued, trigger	Control panel (via pressing button), software (serial port)	DB9F serial port	SMR-03V-BC	48 W max	2	2 A max	24 VDC	5.08 mm × 2 terminal block	24 VDC	2.5 A	External trigger and internal trigger	High level 4.5 VDC to 24 VDC, low level 0 VDC to 2 VDC	High level 10 VDC to 24 VDC, low level 0 VDC to 2 VDC	Approx. 187.2 g	0~40°C	Fan cooling	Ring lighting, bar lighting, flat lighting, coaxial lighting, etc.



## Dimension



## Digital Constant Current Light Controller

MV-LE201 digital light controller supports a variety of variable current control mode of light source. It adopts control panel buttons and display screen, and provides serial port or network interface communication. It has features of stable performance and flexible functions. The digital light controller helps users realize fast and convenient deployment of light source on site.



## Specifications

Model	Drive mode	Lighting mode	Dimming mode	Console interface	Lighting output connector	Output power	Channel	Output current for each channel	Output current	Power supply interface	Input voltage	Input current	Trigger mode	Trigger in	Trigger out	Weight	Temperature	Cooling mode	Applicable product
MV-LE201-10W5-2D	Digital, constant current	Continued, trigger	Control panel (via pressing button), software (serial port)	DB9F serial port	SMR-03V-BC	10 W max	2	1 A max	2 A max	24 VDC terminal block	24 VDC	0.5 A/24 VDC	External trigger and internal trigger	High level 4.5 VDC to 24 VDC, low level 0 VDC to 2 VDC	High level 10 VDC to 24 VDC, low level 0 VDC to 2 VDC	240 g	0~40°C	Natural cooling	Spot lighting
MV-LE201-200W48-2TD	Digital, constant current	Continued, trigger	Control panel (via pressing button), software (serial port or network interface)	RJ45 network interface, DB9F serial port	19M-8H	200 W max	2	4 A max	4 A max	C13 220 VAC interface	100 - 240 VAC, 50/60 Hz	1.8 A/115 VAC 1 A/230 VAC	External trigger and internal trigger	High level 4.5 VDC to 24 VDC, low level 0 VDC to 2 VDC	High level 10 VDC to 24 VDC, low level 0 VDC to 2 VDC	2070 g	0~40°C	Fan cooling	Line-scan lighting
MV-LE201-500W48-2TD	Digital, constant current	Continued, trigger	Control panel (via pressing button), software (serial port or network interface)	RJ45 network interface, DB9F serial port	19M-8H	500 W max	2	8 A max	10 A max	C13 220 VAC interface	100 - 240 VAC, 50/60 Hz	5.3 A/115 VAC 2.65 A/230 VAC	External trigger and internal trigger	High level 4.5 VDC to 24 VDC, low level 0 VDC to 2 VDC	High level 10 VDC to 24 VDC, low level 0 VDC to 2 VDC	5000 g	0~40°C	Fan cooling	Line-scan lighting
MV-LE201-750W48-2TD	Digital, constant current	Continued, trigger	Control panel (via pressing button), software (serial port or network interface)	RJ45 network interface, DB9F serial port	19M-8H	750 W max	2	8 A max	15 A max	C13 220 VAC interface	100 - 240 VAC, 50/60 Hz	8.2 A/115 VAC 3.9 A/230 VAC	External trigger and internal trigger	High level 4.5 VDC to 24 VDC, low level 0 VDC to 2 VDC	High level 10 VDC to 24 VDC, low level 0 VDC to 2 VDC	5300 g	0~40°C	Fan cooling	Line-scan lighting

## Dimension



# Cable

## Data Cable

### Key Features

- Rich interfaces and types.
- Including GigE, 10GigE, USB3.0, Camera Link, CoaXPress and more.
- various lengths are available to meet the needs of different scenarios.
- High stability of data transmission.
- Some cables have motion performance, which can support motion scenes such as drag chains and robotic arms.



### Specifications

Interface type	Wire type	Model	End A connector	End B connector	Length
USB3.0 Cables	Standard	MV-ACU3-MBMs-AM-ST	Micro-B male(screw)	A male	0.5m/1m/2m/3m
	Standard (angled)	MV-ACU3-MBMs(down)-AM-ST	Micro-B male(screw/down)	A male	0.5m/3m
	Flexible	MV-ACU3-MBMs-AM-FL	Micro-B male(screw)	A male	3m
	Super flexible (AOC)	MV-ACU3-MBMs-AM-SF	Micro-B male(screw)	A male	3m/5m/7m/10m/15m/20m
GigE Cables	Standard	MV-ACG-RJ45s-RJ45-ST	RJ45(screw)	RJ45	1m/3m/5m/7m/10m/15m/30m/60m
	High flexible	MV-ACG-RJ45s-RJ45-HF	RJ45(screw)	RJ45	3m/5m/7m/10m/15m/30m
	Super flexible	MV-ACG-RJ45s-RJ45-SF	RJ45(screw)	RJ45	3m/5m/7m/10/15m
	Standard (angled)	MV-ACG-RJ45s(up)-RJ45-ST	RJ45(screw/up)	RJ45	3m/5m/15m
	High flexible (angled)	MV-ACG-RJ45s(up)-RJ45-HF	RJ45(screw/up)	RJ45	3m/5m/15m
10GigE Cables	Standard	MV-AC10G-RJ45s-RJ45-ST	RJ45(screw)	RJ45	3m/5m/10m
	High flexible	MV-AC10G-RJ45s-RJ45-HF	RJ45(screw)	RJ45	3m/5m/10m
10GigE Optical Fiber Jumper Cables	Standard	MV-AC10G-2LC-2LC-ST	2LC	2LC	3m/5m/10m
10GigE Optical Fiber Module	Standard SPF+ module	MV-AC10G-SFP-850-LC	-	2LC	-
Camera Link Cables	Standard	MV-ACCL-SDR-SDR-ST	SDR26	SDR26	3m/5m/7m
	High flexible	MV-ACCL-SDR-SDR-HF	SDR26	SDR26	3m/5m/7m
	High flexible	MV-ACCL-SDR-MDR-HF	SDR26	MDR26	3m/5m/7m
CoaXPress Cables	Standard CXP-6	MV-ACXP6-DIN-DIN-ST	Din 1.0/2.3	Din 1.0/2.3	3m/5m/10m
	Standard CXP-6	MV-ACXP6-DIN-BNC-ST	Din 1.0/2.3	BNC	3m/5m/10m
	High flexible CXP-6	MV-ACXP6-DIN-DIN-HF	Din 1.0/2.3	Din 1.0/2.3	3m/5m/10m
	High flexible CXP-6	MV-ACXP6-DIN-BNC-HF	Din 1.0/2.3	BNC	3m/5m/10m
	High flexible CXP-6	MV-ACXP6-DIN-HDBNC-HF	Din 1.0/2.3	HD-BNC	3m/5m/10m
	Standard CXP-12	MV-ACXP12-HDBNC-HDBNC-ST	HD-BNC	HD-BNC	3m/5m/10m
	High flexible CXP-12	MV-ACXP12-HDBNC-HDBNC-HF	HD-BNC	HD-BNC	3m/5m/10m

## Camera Power Supply & IO Line

### Key Features

- Rich interfaces and varieties.
- Including P7 6pin/P10 12pin and M12 and other types of aviation connector
- A variety of lengths are available to meet the needs of different scenarios.
- Some cables have motion performance, which can support motion scenes such as drag chains and robotic arms.



### Specifications

Interface type	Wire type	Model	End A connector	End B connector	Length
P7 6pin I/O & Power Cables	Standard	MV-ACP-H6p-open-ST	6pin P7 female	6pin open	1m/3m/5m/7m/10m/15m/30m/60m
	High flexible	MV-ACP-H6p-open-HF	6pin P7 female	6pin open	3m/5m/7m/10m/15m/30m
	Super flexible	MV-ACP-H6p-open-SF	6pin P7 female	6pin open	3m/5m/7m/10m/15m
	Standard (angled)	MV-ACP-H6p(left)-open-ST	6pin P7 female(left)	6pin open	3m/5m/15m
	High flexible (angled)	MV-ACP-H6p(left)-open-HF	6pin P7 female(left)	6pin open	3m/5m/15m
P10 12pin I/O & Power Cables	Standard	MV-ACP-H12p-open-ST	12pin P10 female	12pin open	3m/5m/7m/10m/20m
	High flexible	MV-ACP-H12p-open-HF	12pin P10 female	12pin open	3m/5m/7m/10m

## Industrial Camera Client and Software Development Kit

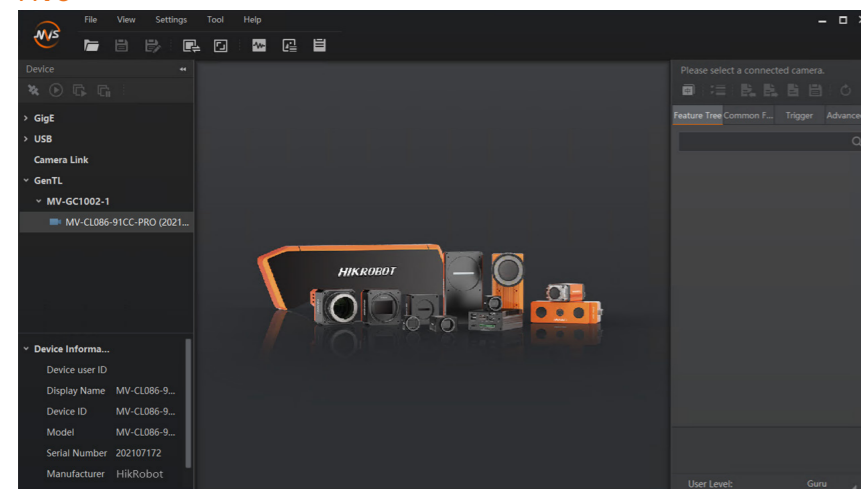
The industrial camera client and software development kit is based on the GenICam standard and follows the GigE Vision, USB3 Vision, Camera Link, and CoaXPress protocols. The user can connect the industrial camera through the client or SDK, collect the camera image, and obtain and set the camera parameters. The software development kit contains SDK and sample programs, which can meet the diverse needs of users for secondary development.

### Performance characteristics

- High-performance GEV and U3V drivers improve image data transmission and processing capabilities.
- Provide GenTL standard library to access to industrial cameras, such as CoaXPress interface cameras, greatly reducing the development workload.
- Abundant API interfaces are convenient for users to carry out secondary development quickly and effectively.
- Integrate a variety of ISP algorithms to help users get the most appropriate image through image preprocessing.
- Support the matching access of third-party software and provide DirectShow development kit.
- Diverse sample programs, source code, and development documentation for quick access.
- Provide deep customization of API interface and UI interface
- Provide frame grabber SDK interface library and sample programs to support the control and image collection of GeV, Camera Link, CoaXPress and other self-developed frame grabber.

Supported Platforms	Supported Programming Languages
Windows 32/64bits	C
X86/ARM Linux 32/64bits	C++
MacOS 64bits	C#
Android System	VB.NET
	PYTHON
	Delphi
	JAVA

### MVS



### Download

Industrial camera client and software development kit can be downloaded by visiting the website of Hikrobot.

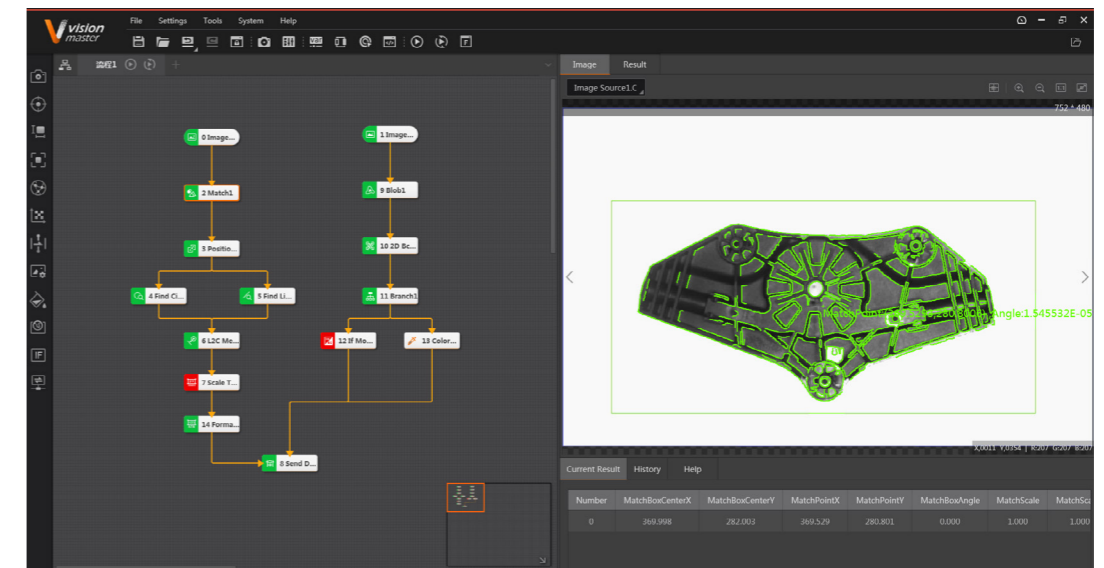
<http://www.hikrobotics.com/service/soft.htm?type=1>

Here is the QR code for the download link:



## VM Algorithm Development Platform

Algorithm development platform is a machine vision software independently developed by Hikrobot, which is dedicated to providing customers with algorithm tools to quickly solve vision applications, and can meet machine vision applications such as visual positioning, size measurement, defect detection and information recognition.



### Features

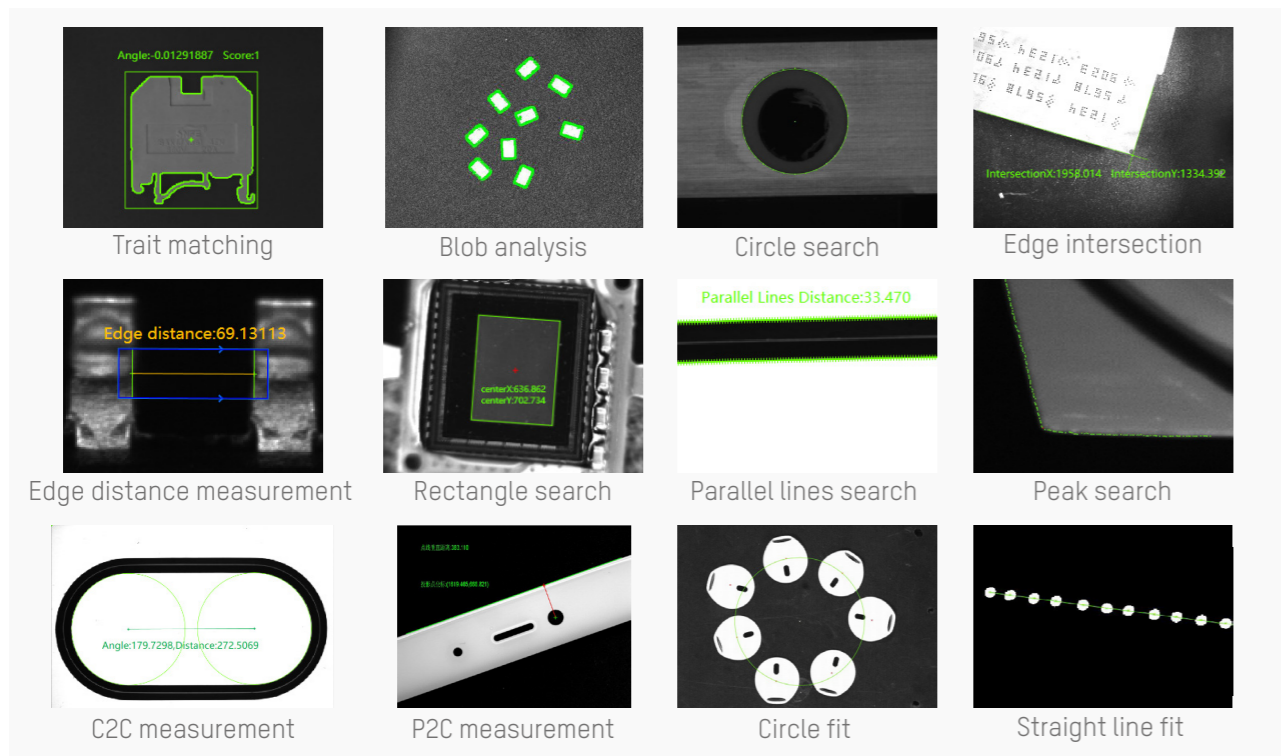
- It consists of nearly a thousand completely self-developed image processing operators and a variety of interactive development tools, including 140+ module tools, supporting a variety of operating systems and image acquisition hardware devices, which can meet the needs of positioning, measurement, identification and detection in the field of machine vision applications.
- Fully graphical interactive interface, function icons are intuitive and easy to understand. Dragging operation can quickly set up visual scheme. Module operation status is independently identified and displayed in real time.
- Users can create visual solutions according to their needs, customize the running interface, and integrate background images or company logos on the running interface to meet the personalized needs of customers.
- Compatible with GigE Vision and USB3 Vision protocol standards, allowing access to multiple camera brands. Support local image and camera real-time image processing.
- The secondary development is simple and easy to use. The simplified interface can save 90% of the code. The new tool can be imported into Visual Studio with one key. It supports the interface development of QT, MFC, WPF and WinForm.
- Support the development of user-defined modules. Users can directly drag and use the user-defined algorithm after it is packaged as a VM module.
- Support TCP/IP, ModBus, serial port, UDP, Ethernet/IP and other common industrial communication protocols, compatible with the communication of mainstream PLC models.

### Positioning and measuring tools

Accurately and efficiently locate any geometric element in the image with 1/16 pixel accuracy.

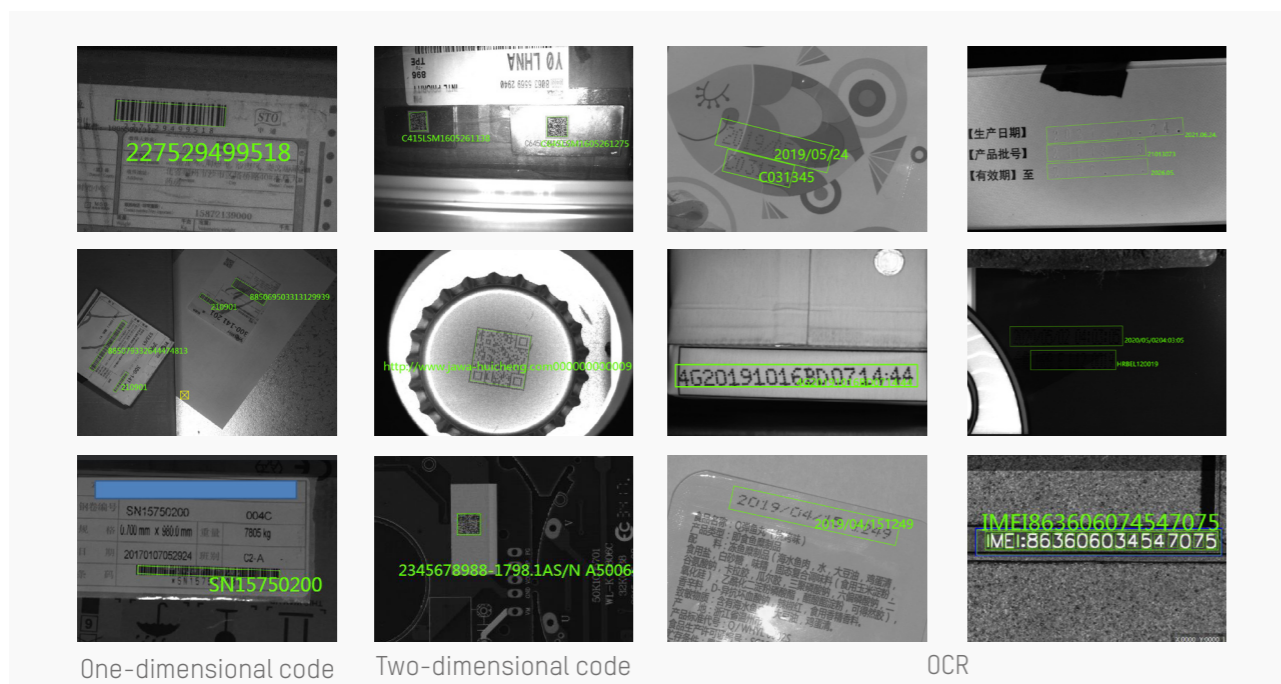
- Efficient template matching tool to overcome differences in sample translation, rotation, scaling, and illumination.
- Quickly and accurately find the position of circles, lines, blobs, edges, vertices, and other geometric objects.
- Accurately measure shapes, dimensions, areas, distances, angles, intersections, and other geometric properties.
- It can be used in robot guidance and other vision tools to provide position information and presence information.





### Identification tools

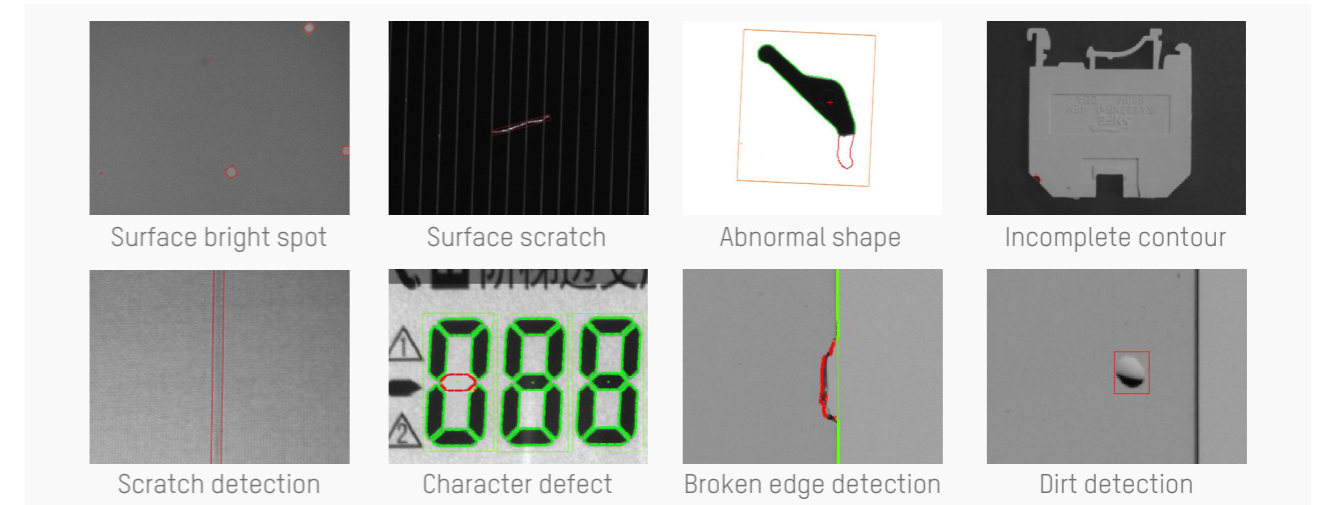
- Fast and accurate reading of digital information code.
- OCR algorithm based on deep learning can adapt to the recognition of complex background, low contrast, deformation and other characters.
- One-dimensional code and two-dimensional code of various types can be identified with different positions, angles and illumination. The influence of image distortion can be effectively overcome.
- Provides continuous, accurate, high-speed reading of ID information for part tracking.
- Support multiple VeriCode accurate identification in case of strong interference.
- It supports CPU and GPU versions of deep learning code reading algorithm, and also carries out accurate positioning and recognition in complex background.



### Defect detection tool

Accurately identify defects on the surface, shape and contour of the workpiece.

- Based on deep learning technology, it can detect fine surface scratches and spots, and overcome the interference of surface texture, color and noise.
- Accurate detection of workpiece shape and contour defects, can overcome the interference of burrs, color, noise.
- Reliable tool for comparing standard parts to locate small differences in workpiece.

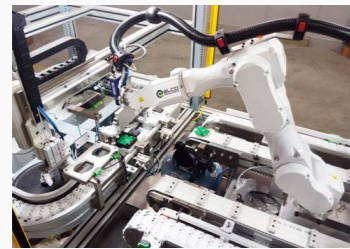


### List of algorithm platform tools

Toolbox	Enumeration Of Tools
Acquisition (5)	Image Source, Multi-Image Acquisition, Image Output, Image Buffer, Light Source
Locating (24)	High-Precision Match, Fast Match, Gray Model Match, Mark Locating, Circle Search, Line Search, BLOB Analysis, Caliper, Edge Search, Position Fixture, Rectangle Search, Peak Search, Edge Intersection, Parallel Line Search, Quadrilateral Search, Line Search Group, Multi-Line Search, Blob Label Analysis, Path Extraction, Find Angle Bisector, Find Median Line, Calculate Parallel Line, Find Vertical Line, Target Tracking
Image Generation (3)	Circle Fit, Line Fit, Geometry Generation
Measurement (10)	Line-to-Circle Measurement, Circle-to-Circle Measurement, Point-to-Circle Measurement, Point-to-Line Measurement, Line-to-Line Measurement, Point-To-Point Measurement, Intensity Measurement, Edge Distance Measurement, Pixel Count, Histogram
Recognition (11)	2D BcR, BcR, OCR, DL Character Recognition G/C, DL Code Reading G/C, DL Character Locating G/C, DL Single Character Detection G/C
Calibration (9)	Calibration Board Calibration, Camera Mapping, N-point Calibration, Translation Calibration, Distortion Calibration, Mapping Calibration, N-image Calibration, Load Calibration, Rotate Calibration
Deep Learning (13)	DI Image Segmentation G/C, DI Classification G/C, DI Object Detection G/C, DI Image Retrieval G/C, DI Anomaly Detection G/C, DI Instance Segmentation G/C, DI Unsupervised Segmentation G
Calculation (11)	Single Point Alignment, Single Point Grab, Single Point Map Alignment, Single Point Rectify, Calibration Transformation, Point Set Alignment, Rotation Calculate, Line Alignment, Scale Transformation, Variable Calculation, Coordinate Transform
Image Processing (20)	Image Processing Combination, Image Morphology, Image Binarization, Image Filtering, Image Enhancement, Distortion Correction, Image Computing, Image Clarity Estimation, Image Fixture, Shading Correction, Image Resize, Affine Transformation, Ring Expansion, Copy Fill, Frame Mean, Normalization, Image Correction, Geometric Transformation, Image Stitching, Multi-image Fusion
Split Combination (6)	Divide Image, 2D Array Correct, Label Filter, Box Merge, Box Overlap, Box Filter
Color Processing (4)	Color Extraction, Color Measurement, Color Transformation, Color Recognition
Defect Detection (13)	OCV, Surface Defect Filter, Arc Edge Defect Detection, Line Edge Defect Detection, Arc-pair Defects Detection, Line-pair Defects Detection, Edge Combination Defect Detection And Edge-pair Combination Defect Detection Respectively, Edge Model Defect Detection, Edge-pair Model Defect Detection, Anomaly Detection, Edge Position Trend Analysis, Edge Pair Position Trend Analysis
Logic Tools (15)	Condition Branch, Condition Detection, Branch, Branch String, Save Text, Logic, Format, String Comparison, Shell, Group, Point Set, Time-consuming Statistics, Data Set, Trigger Module, Graphics Collection
Communication (5)	Receive Data, Send Data, Camera IO(Support TCP/IP, Modbus, UDP, Serial Port, Ethernet/IP And Other Common Industrial Protocols; Support Communication With Mainstream Brand PLC), Protocol Analysis, Protocol Assembly



## Applicable Industries



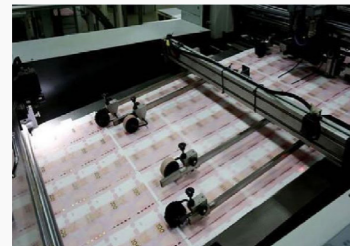
3C Manufacturing



Food/Medicine Production



Express Logistics



Printing and Textile



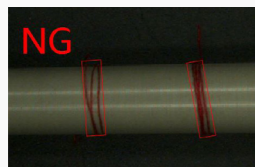
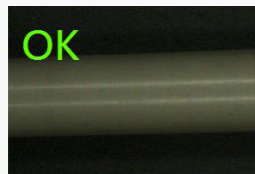
Car Manufacturing



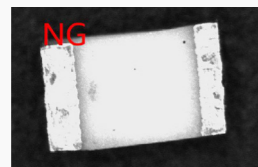
New Energy

## Classic Application

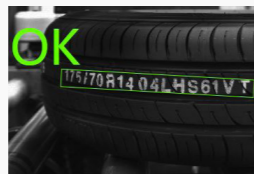
Presence/Absence Detection



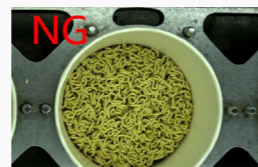
Front/Rear Detection



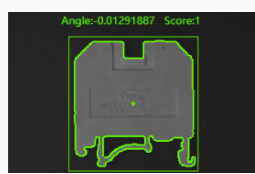
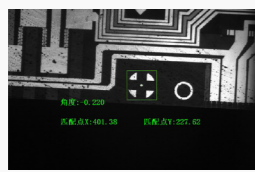
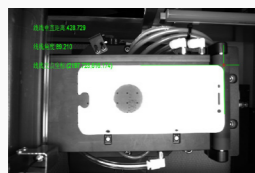
Position Judgment



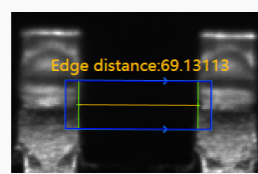
Color Processing



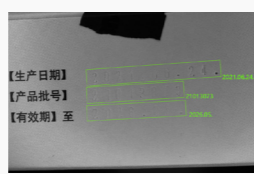
Locating



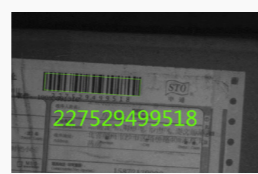
Measurement



OCR



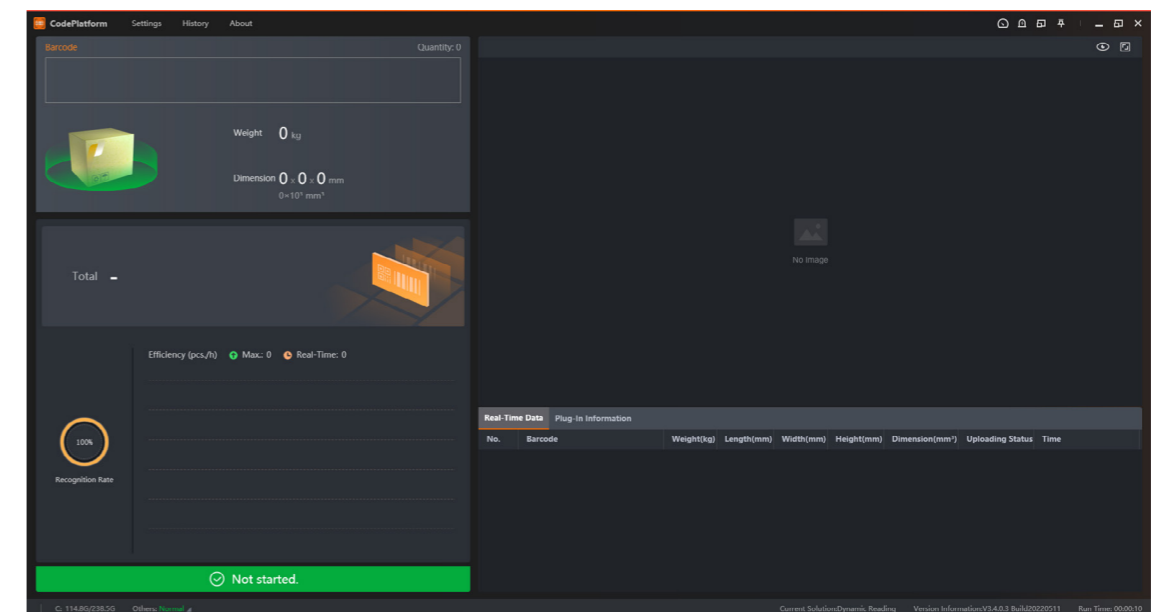
Code Reading



## CodePlatform

Hikrobot's CodePlatform is a comprehensive code-reading software platform, including data collection, image processing, communication output, data statistics and other functions. With strong compatibility and rich functions, the platform meets most demands of common code-reading application scenarios.

- **Multi-business scenarios:** Modular software design, high expansion, suitable for multi-business scenarios such as express logistics, pallet access door code reading, and on-site logistics workstations.
- **Rich interface information:** Including real-time information area, picture display area, history record area, menu configuration area, running status display, quick function area, user rights management, etc., rich in information.
- **Product access:** Can access all series cameras such as code reading cameras, volume cameras, panoramic industrial cameras, and support multi-camera combination applications.
- **Convenient data connection:** Supports the upgrade of a separate protocol gateway plug-in, and supports highly customized business output.







Hikrobot

Vision for Imagination

MACHINE VISION PRODUCT CATALOG

Distributed by



**HIKROBOT**

No.399 Danfeng Road, Binjiang District,

Hangzhou 310052, China

Tel: 400-989-7998

[www.hikrobotics.com](http://www.hikrobotics.com)

V.101.EN.22Q4.1

---

Copyright Hikrobot

Hangzhou Hikrobot Co., Ltd. All Rights Reserved. Hangzhou Hikrobot Co., Ltd. does not tolerate any infringement. Any organization or individual may not imitate or reproduce in whole or in part of the content. The data herein is based on Hikrobot's internal evaluation. Actual data may vary depending on specific configuration and operating condition. The information herein is subject to change without notice. All the content has been checked conscientiously. Nevertheless, Hikrobot shall not be liable to damages resulting from errors, inconsistencies or omissions.