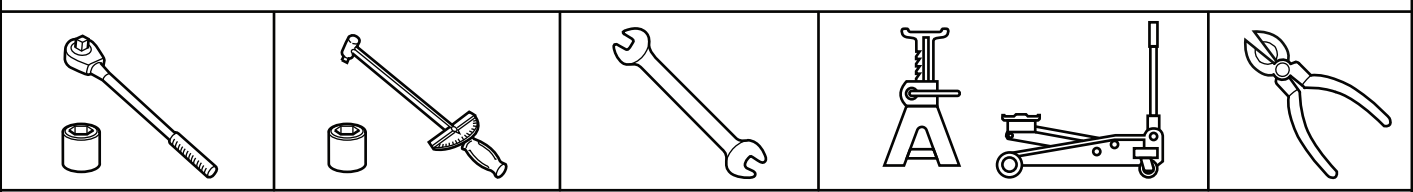
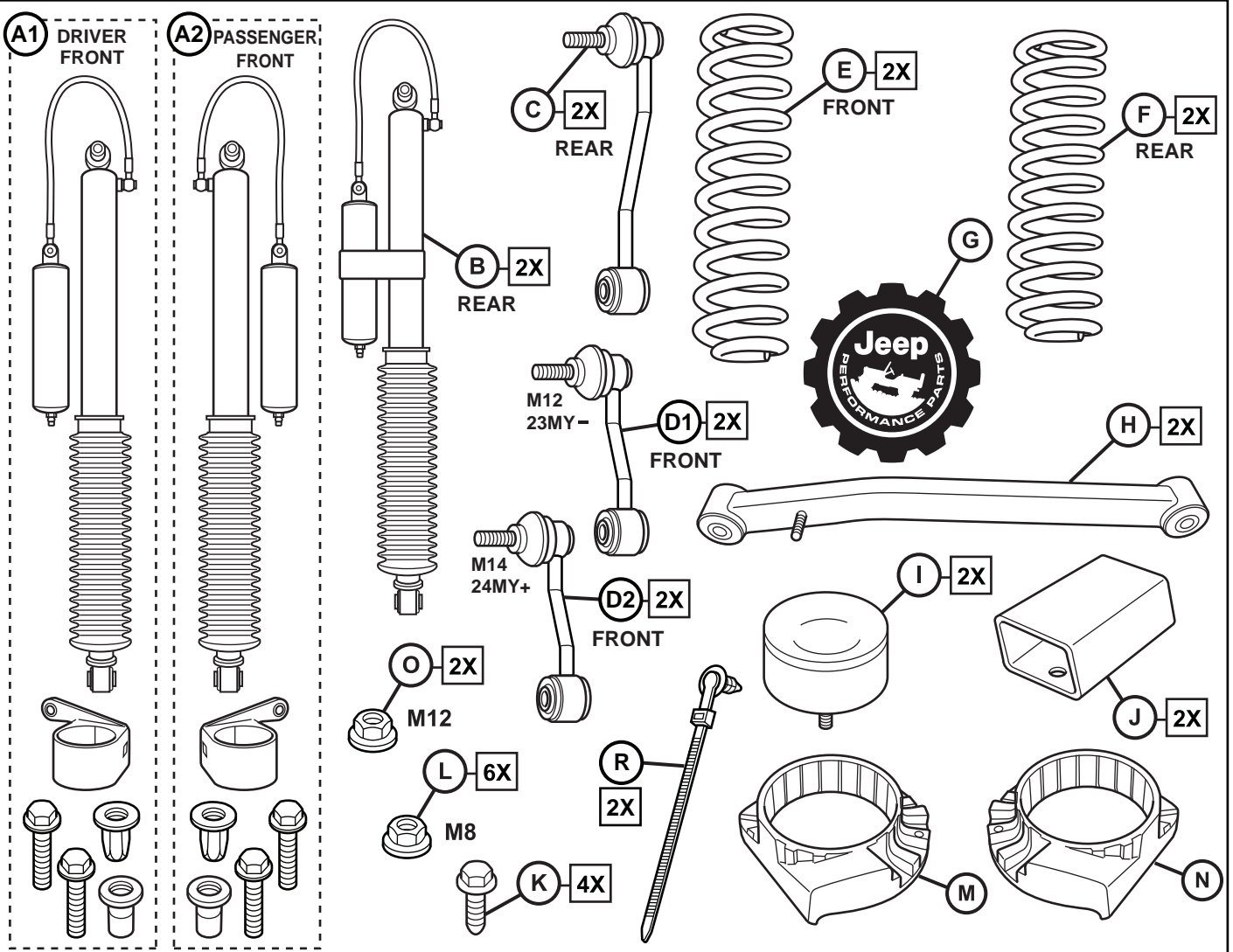




# 2" LIFT KIT JEEP WRANGLER

www.mopar.com



**IMPORTANT:** Prior to beginning, inspect the vehicles steering, driveline, and brake systems, paying close attention to the suspension link arms and bushings, stabilizer bars and bushings, tie rod ends, pitman arm, ball joints and wheel bearings.

Also check the steering sector-to-frame and all suspension-to-frame attaching points for stress cracks.

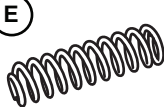

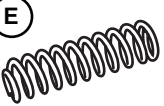

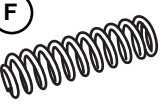
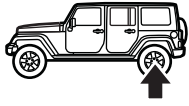
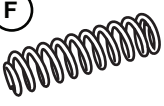


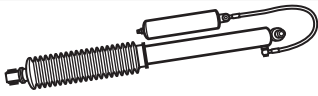
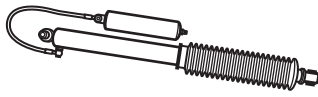
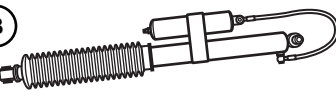

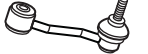
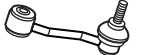



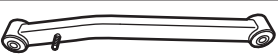





The overall vehicle must be in excellent working condition. Repair or replace all worn parts.

Read instructions several times before starting.

Be sure you have all needed parts and know where they install. Read each step completely as you go.

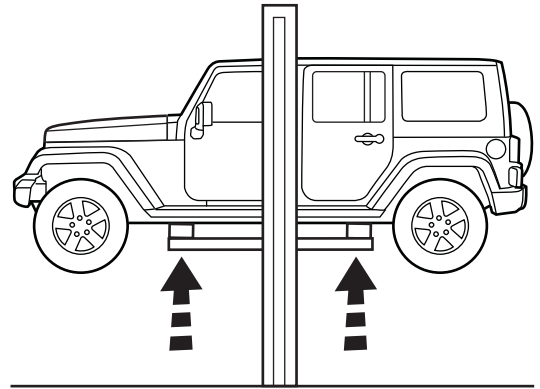
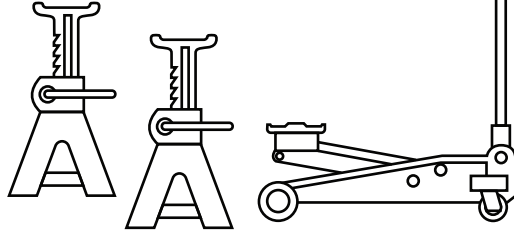
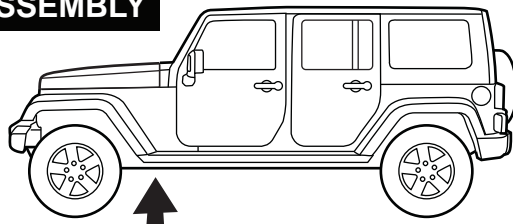
**1**

**NOTE: RETAIN ALL FASTENERS FOR LATER REINSTALLATION.**

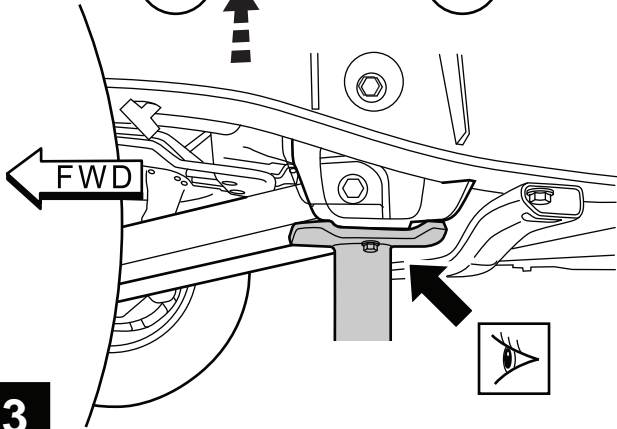
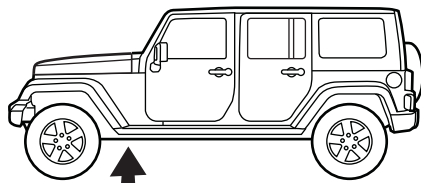
PART REFERENCE		LIFT KIT:	4 DOOR		2 DOOR		4 DOOR	
			3.6L ERC/ERG	2.0L EC1	3.6L ERC/ERG	2.0L EC1	3.0L EXJ/392 ESG	2.0L PHEV/ECX
DESCRIPTION	PART NO.	77072395AH	77072430AH	77072522AE	77072396AH	77072397AH	77072399AH	
 	68414065AA	1 - LF						
	68414069AA			1 - LF				
	68437793AA						1 - LF	
	68488666AA							1 - LF
 	68414067AA	1 - RF						
	68414071AA			1 - RF				
	68437794AA						1 - RF	
	68488667AA							1 - RF
 	68414066AA	1 - LR	1 - LR					
	68414070AA			1 - LR	1 - LR			
	68437795AA						1 - LR	
	68488668AA							1 - LR
 	68414068AA	1 - RR	1 - RR					
	68414072AA			1 - RR	1 - RR			
	68437796AA						1 - RR	
	68488675AA							1 - RR
	68414067AA		2					
	68414069AA				2			
	68640666AA	1 - LH	1 - LH					
	68640719AA			1 - LH	1 - LH			
	68640763AA					1 - LH	1 - LH	
	68605858AA	1 - RH	1 - RH					
	68605879AA			1 - RH	1 - RH			
	68605881AA					1 - RH	1 - RH	
	68605859AA	2	2					
	68605880AA			2	2			
	68605882AA					2	2	
	68306982AA	2	2	2	2	2	2	2
	68306981AB	2	2	2	2	2	2	2
	68640455AA	2	2	2	2	2	2	2
	06104718AA	2	2	2	2	2	2	2
	68501831AA	2	2	2	2	2	2	2
	68501833AA	2	2	2	2	2	2	2
	68322798AA	2	2	2	2	2	2	2
	6101695	6	6	6	6	6	6	6
	05143356AC	4	4	4	4	4	4	4
	82215764	1	1	1	1	1	1	1
	68427380AA	1	1	1	1	1	1	1
	68342250AC	1	1	1	1	1	1	1

### FRONT DISASSEMBLY

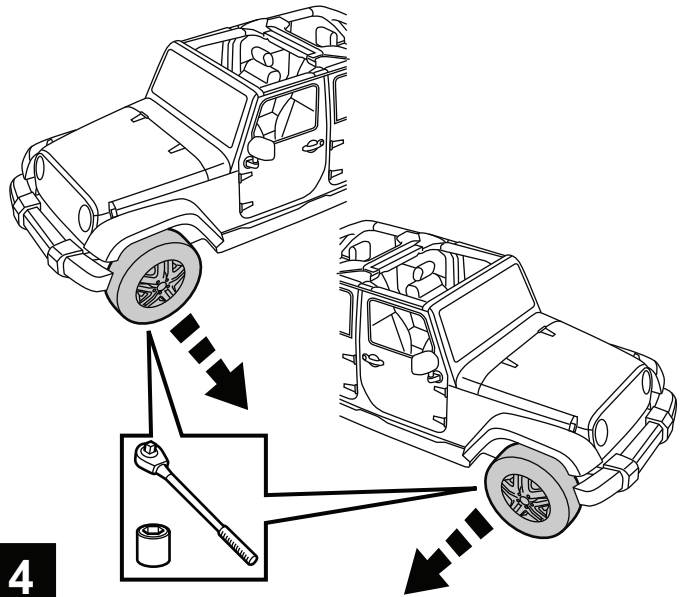
P  
R  
N  
D



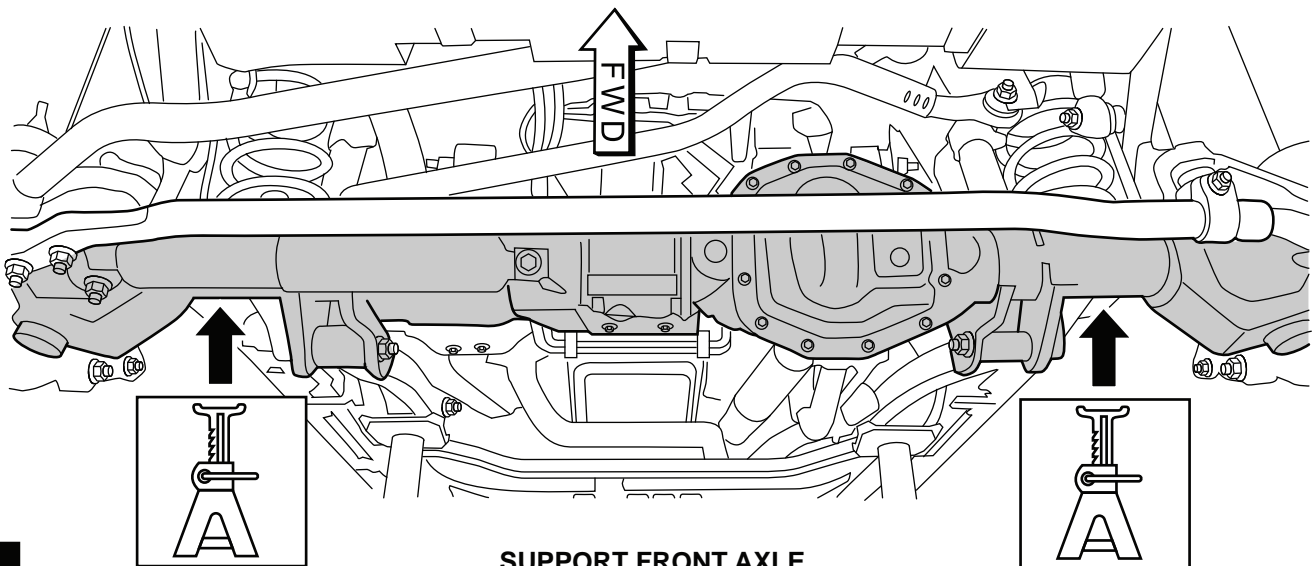
2



3

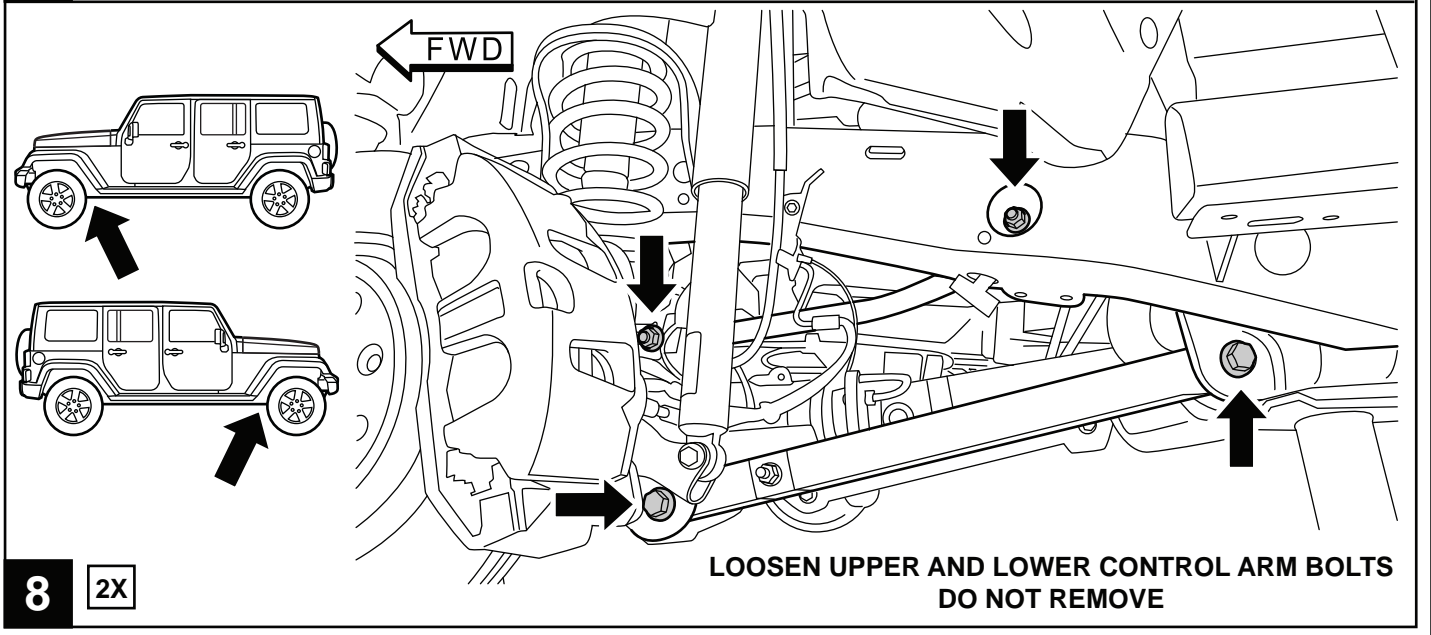
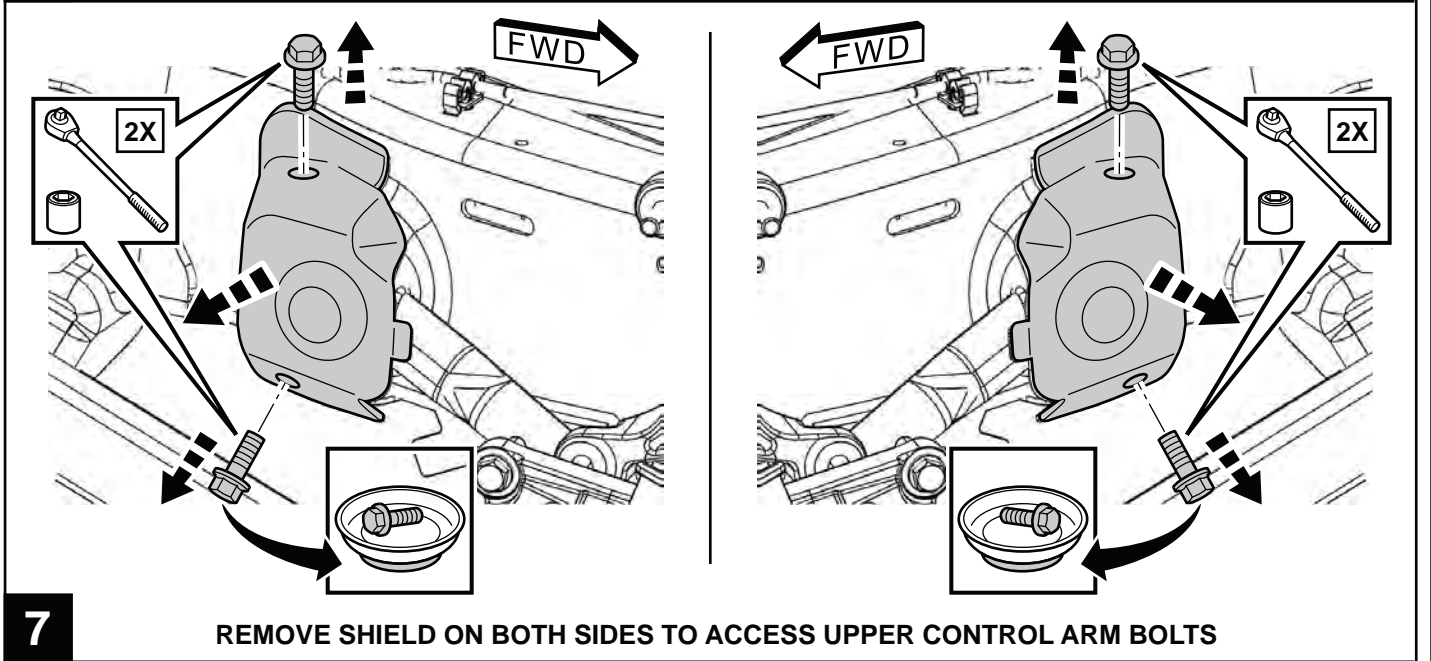
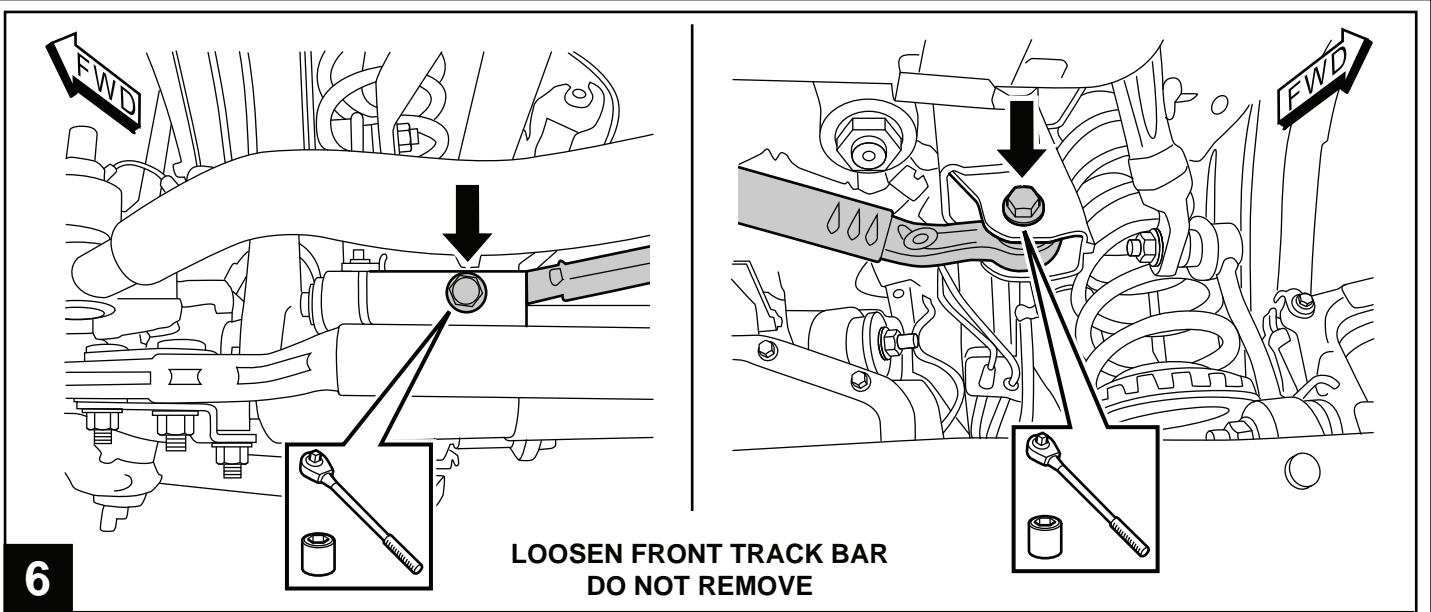


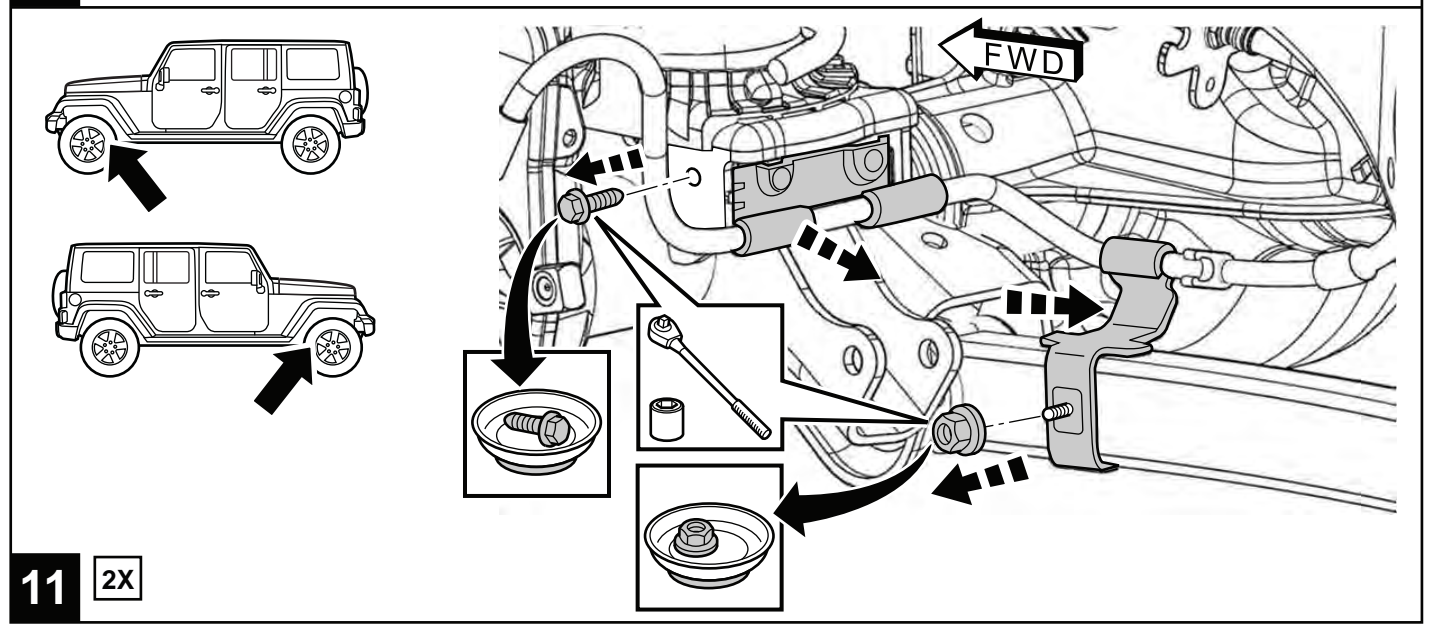
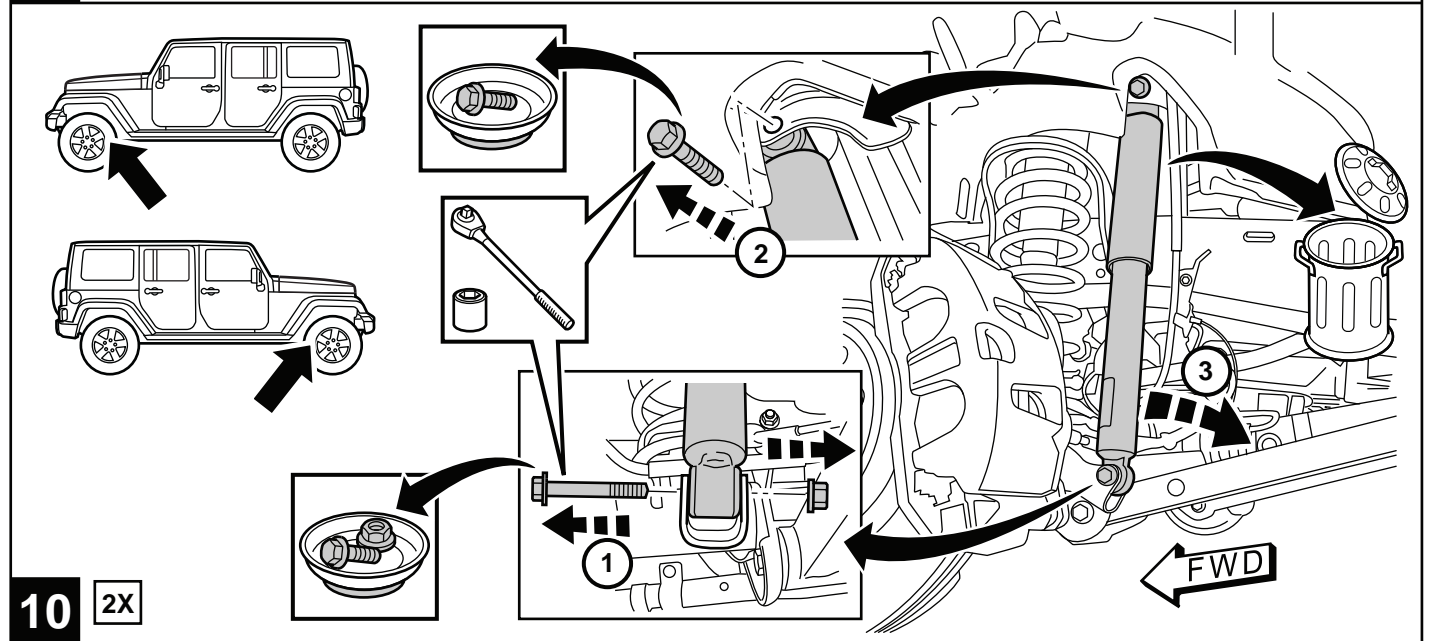
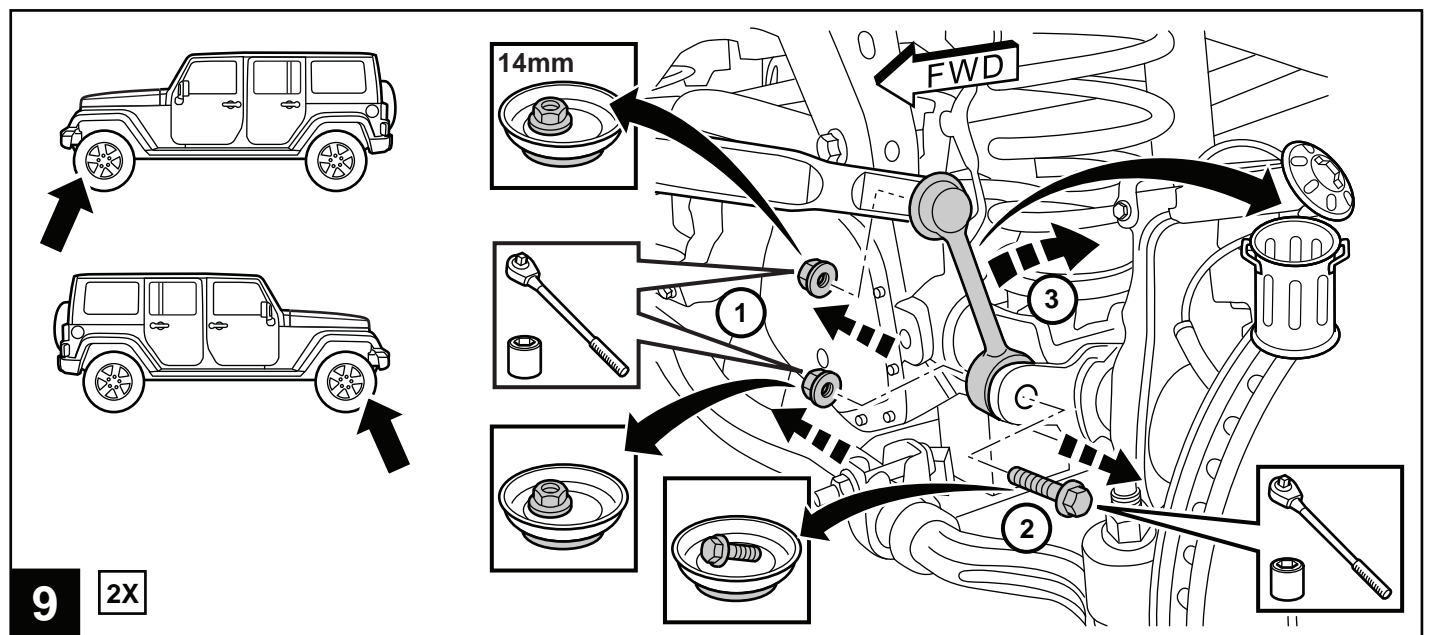
4

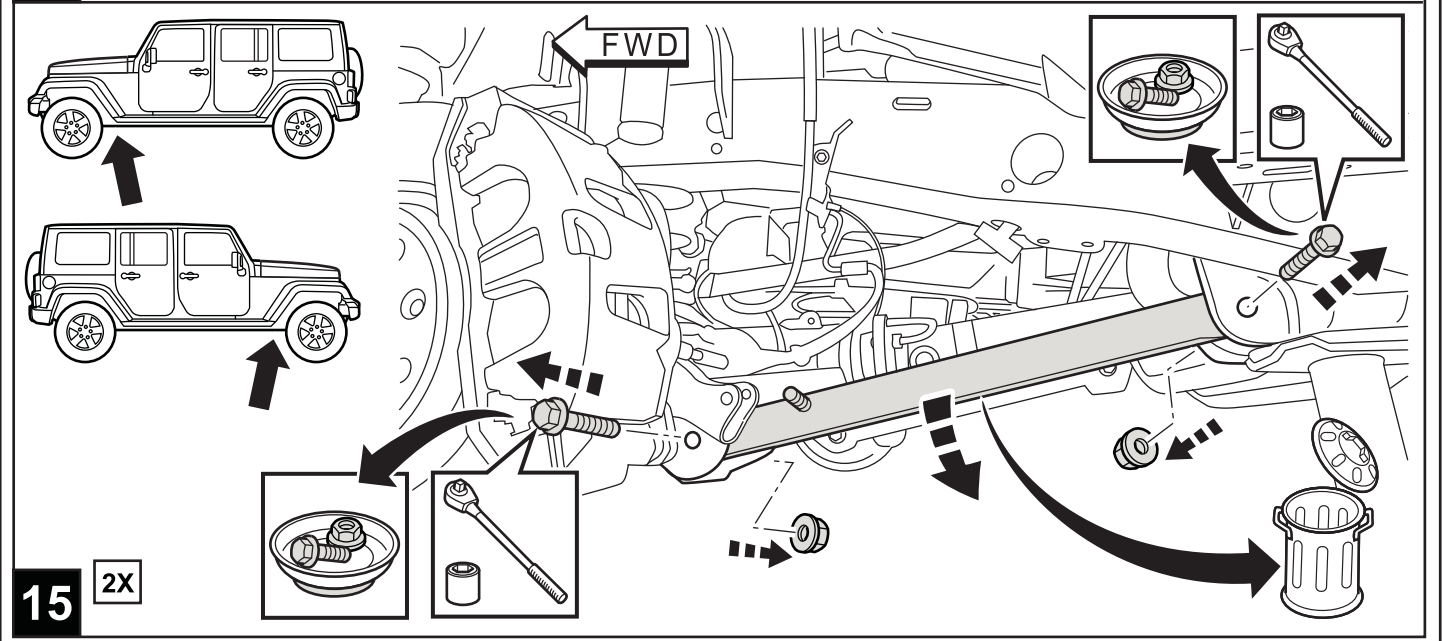
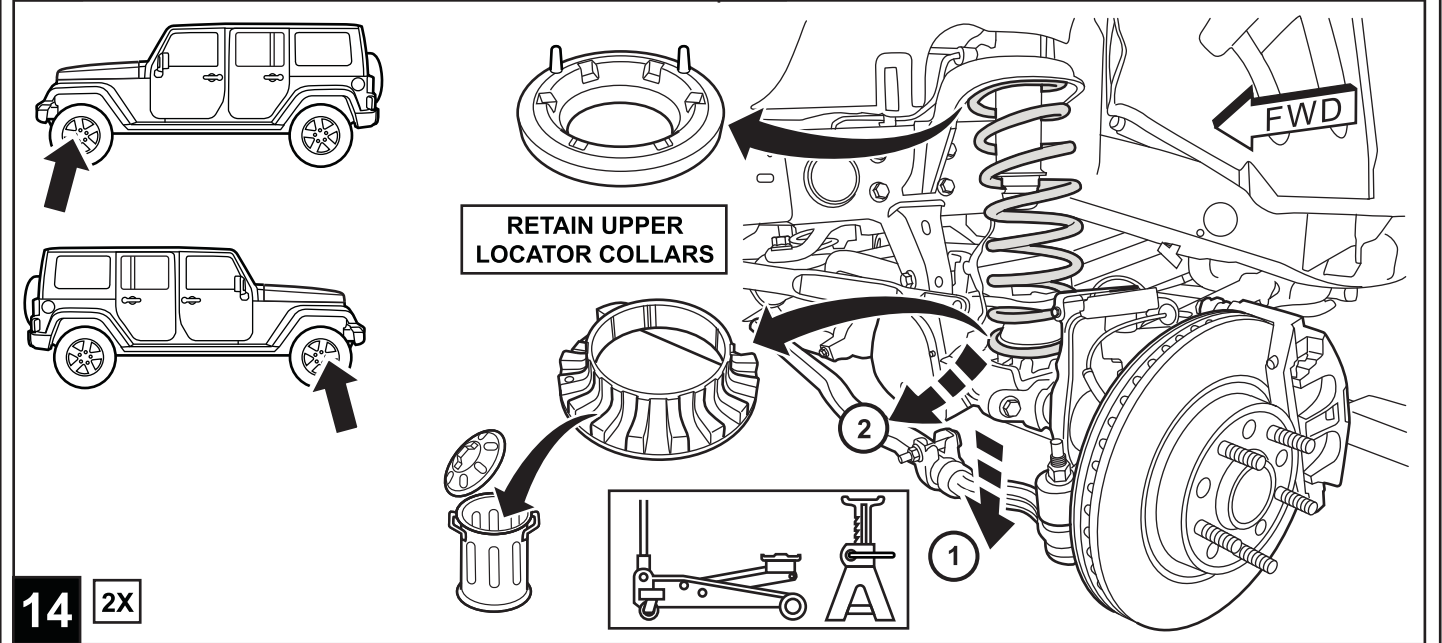
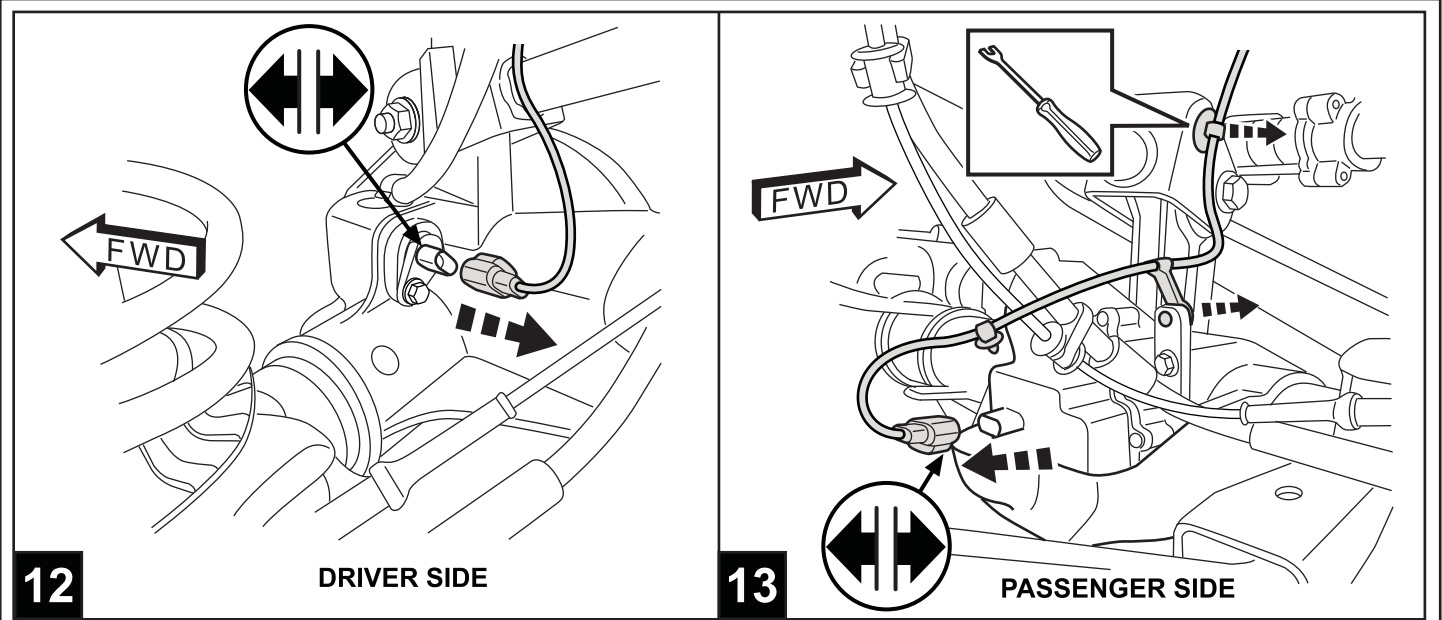


5

SUPPORT FRONT AXLE





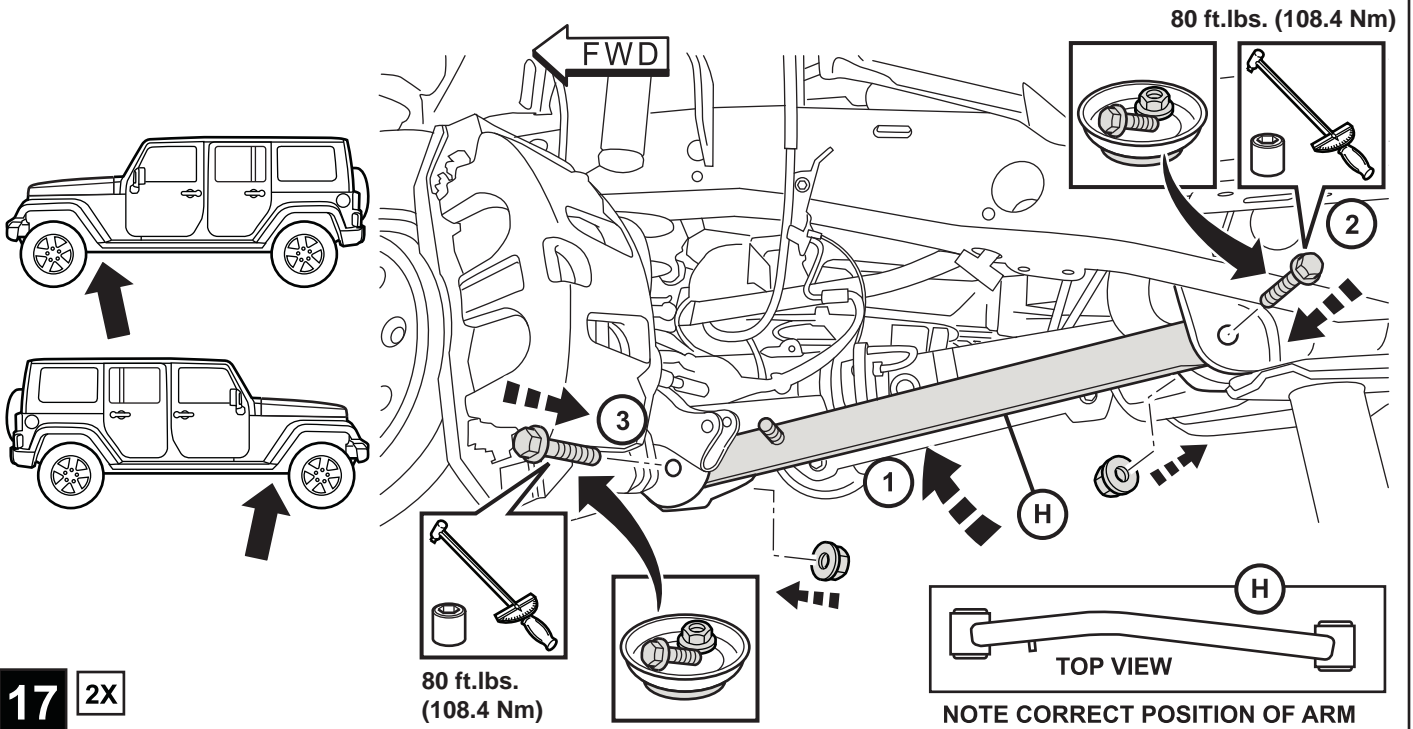


**FRONT ASSEMBLY**

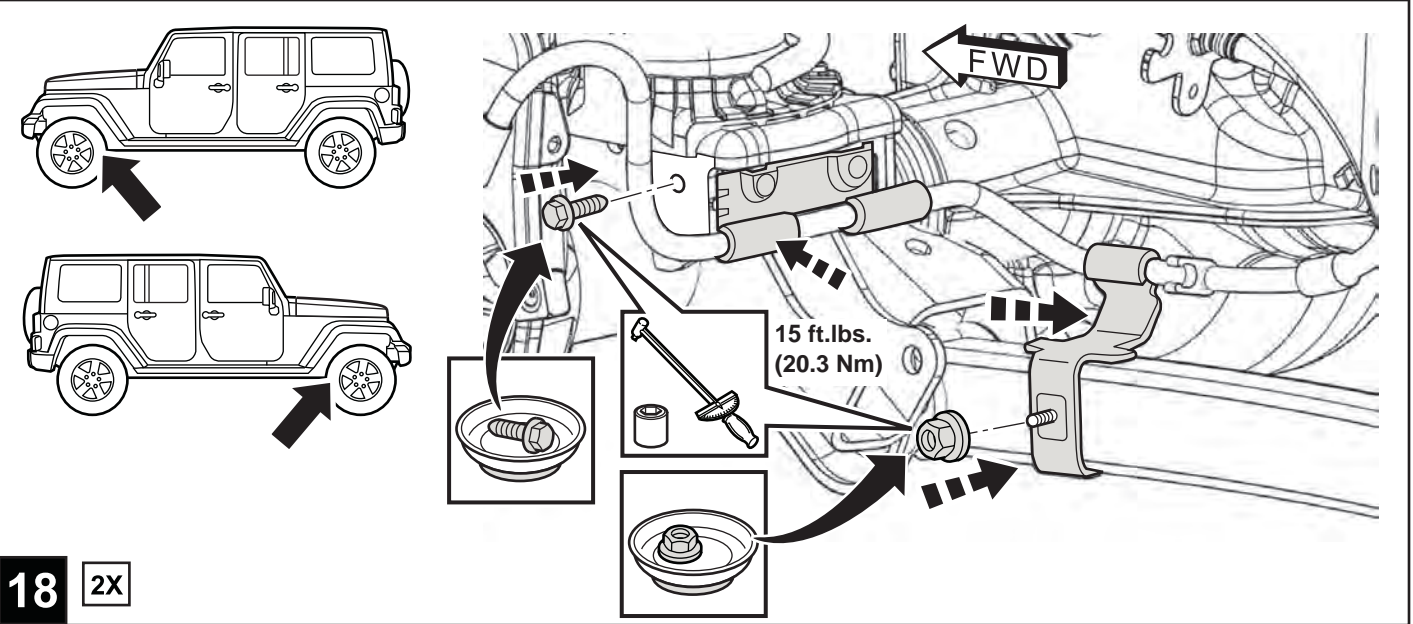
**NOTE:**

**INSTALL NEW KIT COMPONENTS AS SHOWN IN THE FOLLOWING STEPS, BUT DO NOT FULLY TIGHTEN FASTENERS UNTIL INSTRUCTED TO DO SO.**

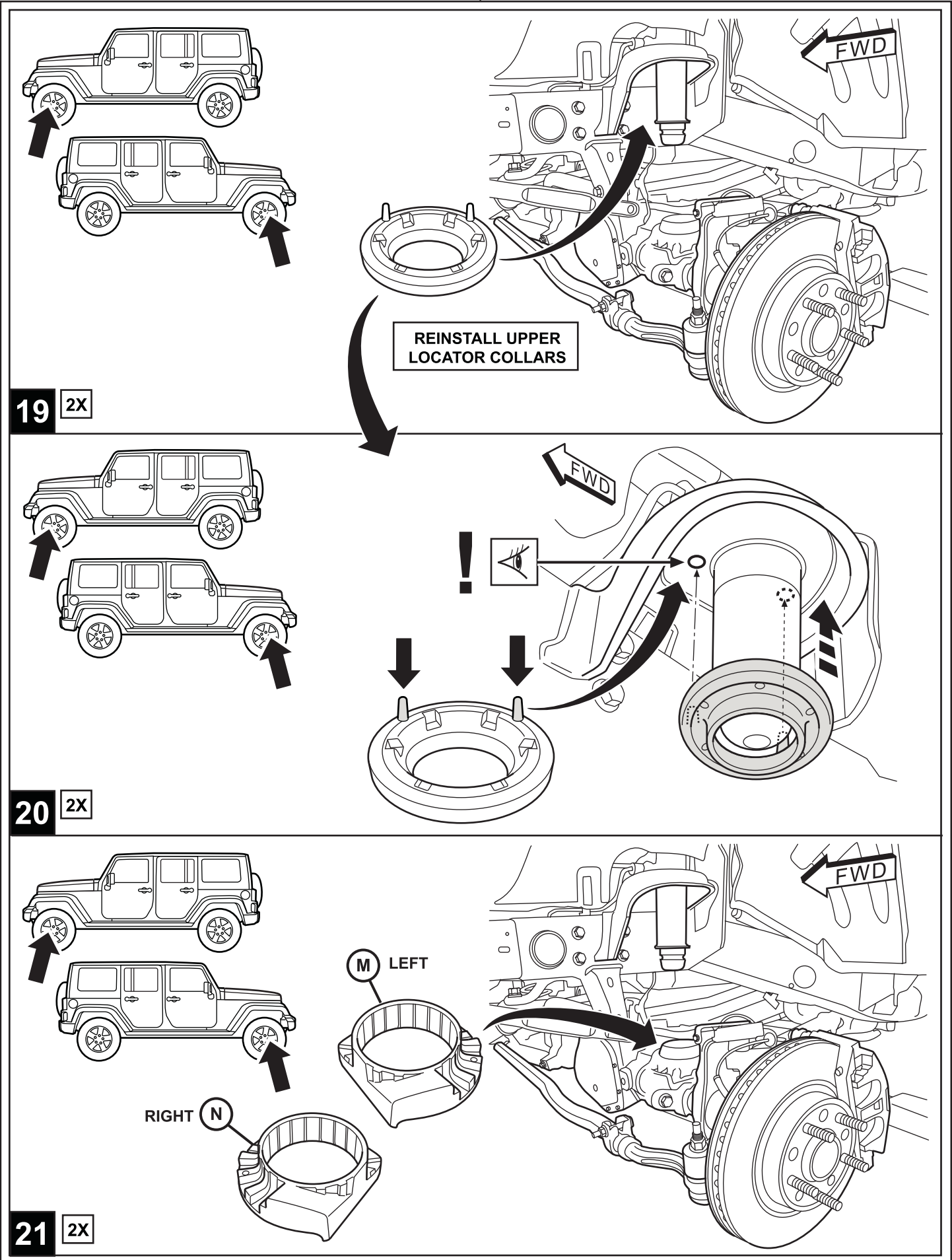
**16**



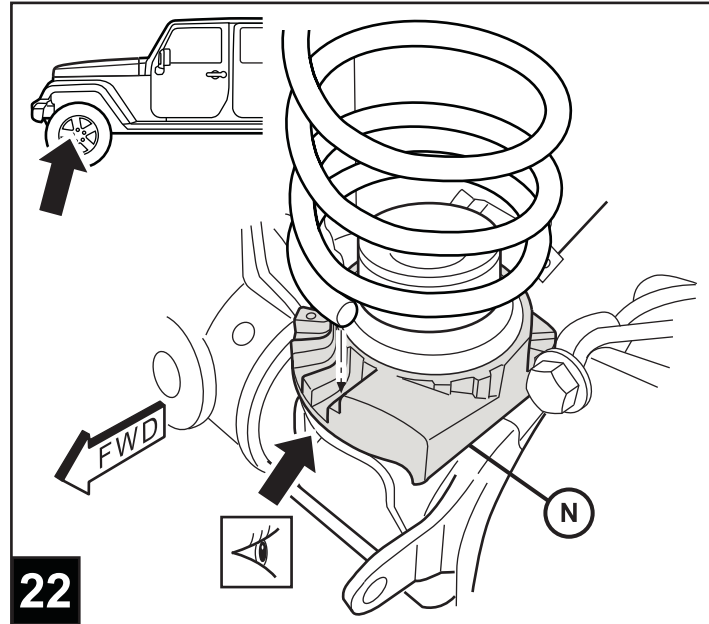
**17** 2X



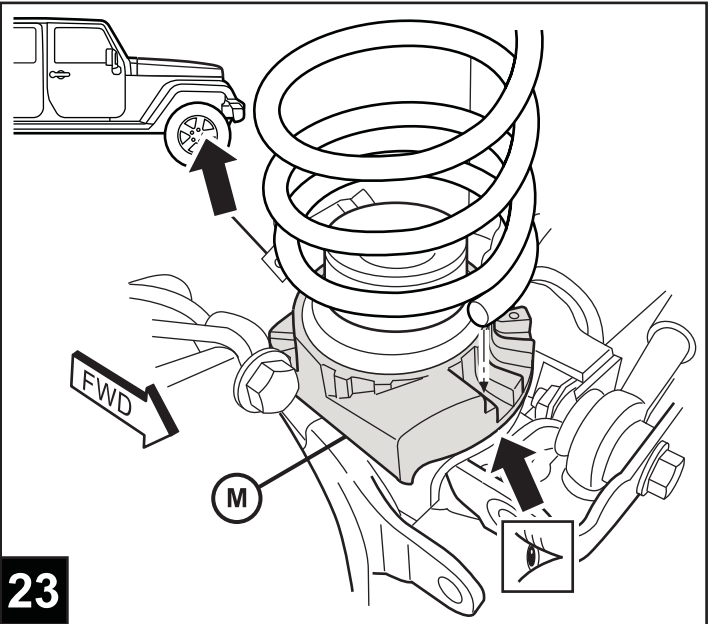
**18** 2X



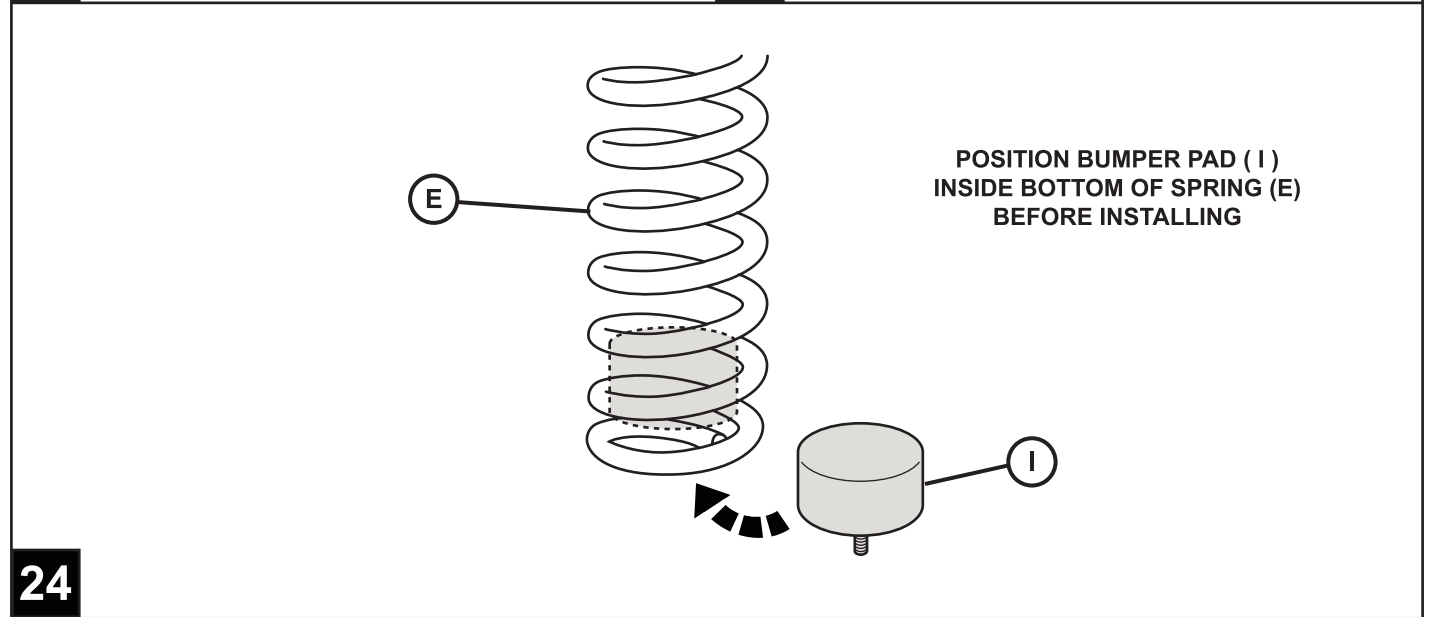




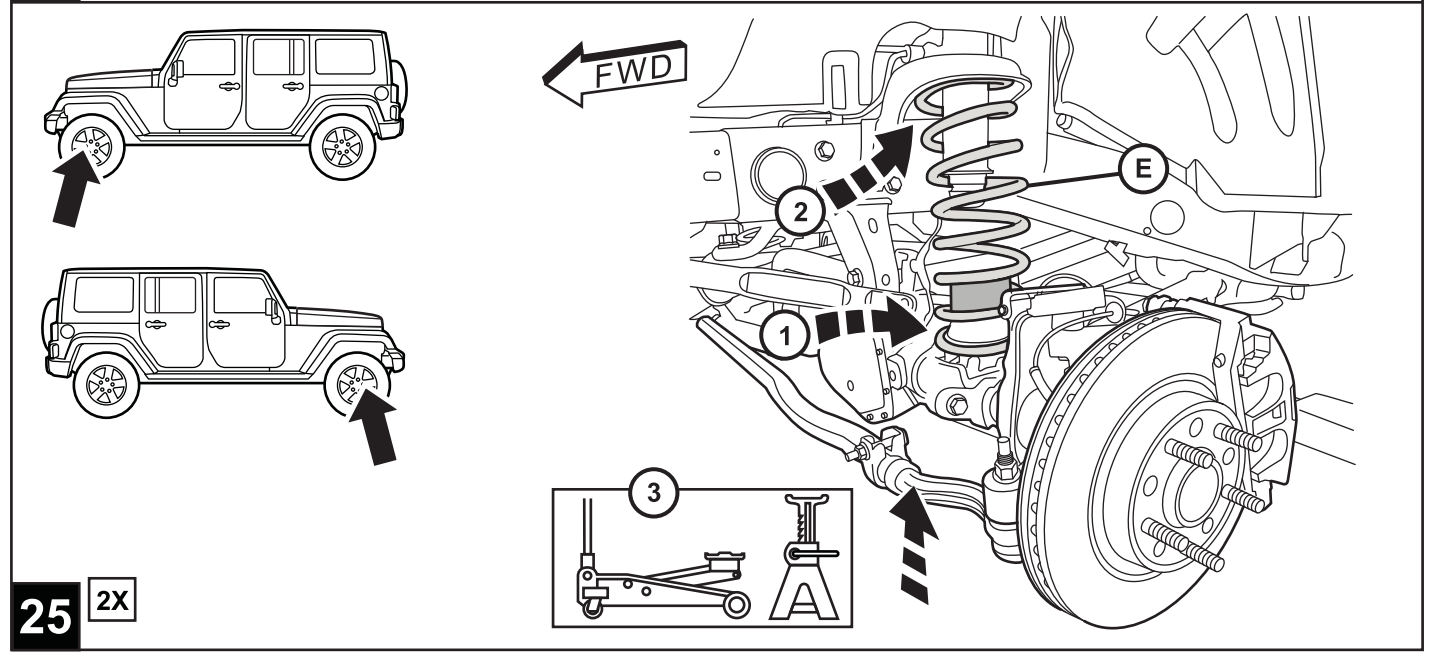
22



23

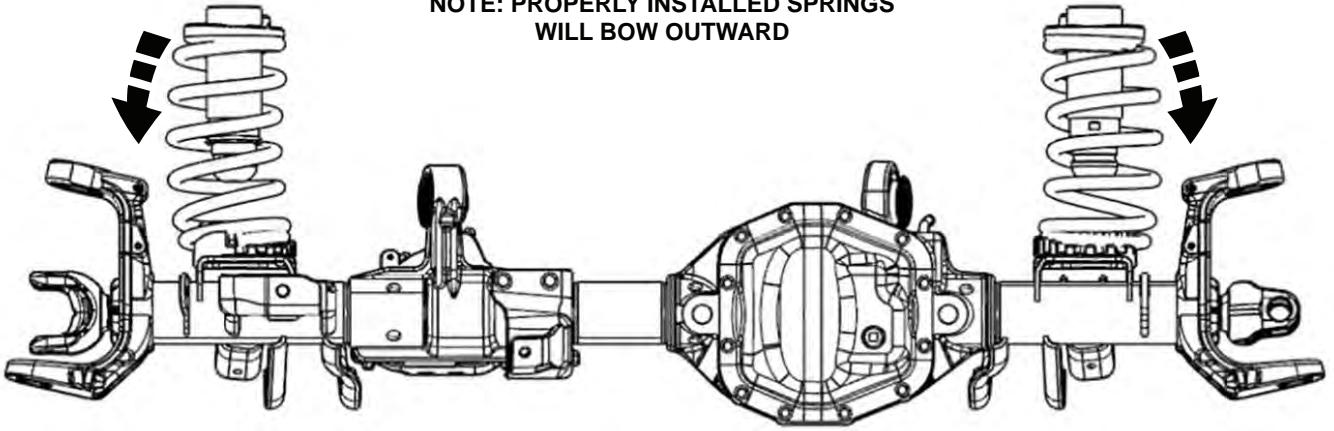


24



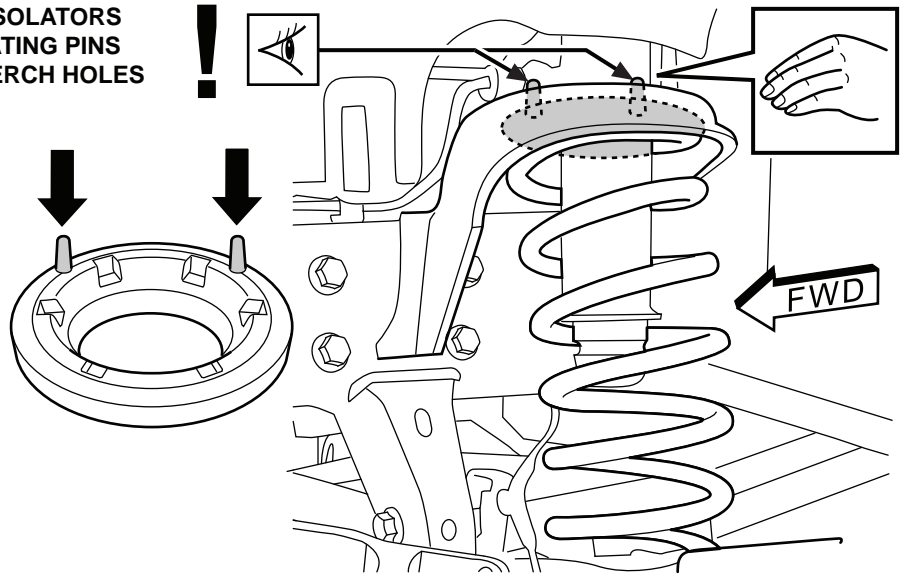
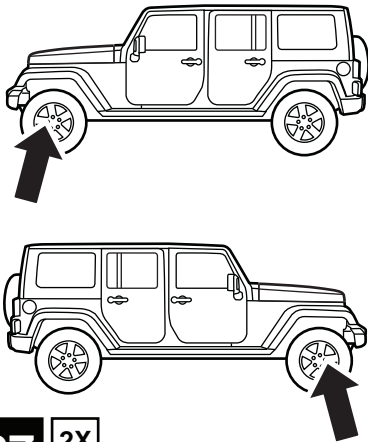
25 2X

NOTE: PROPERLY INSTALLED SPRINGS  
WILL BOW OUTWARD

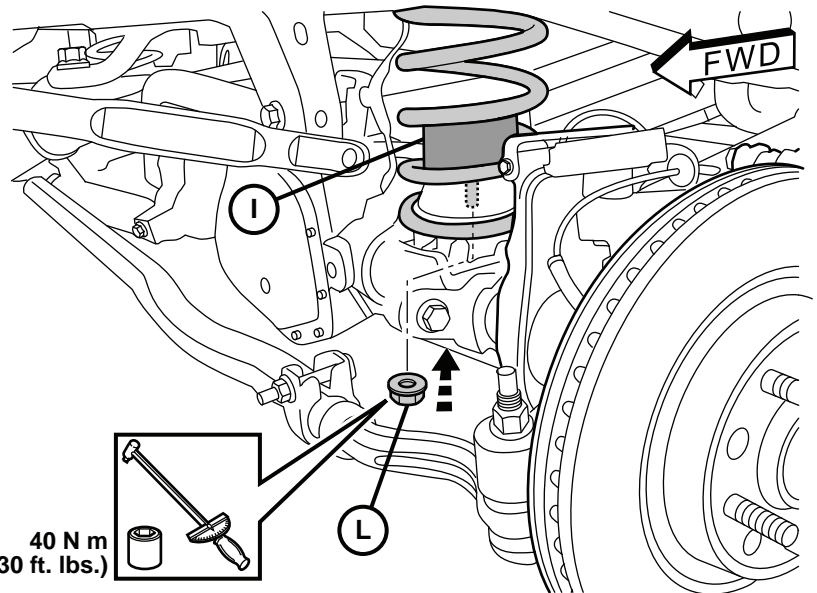
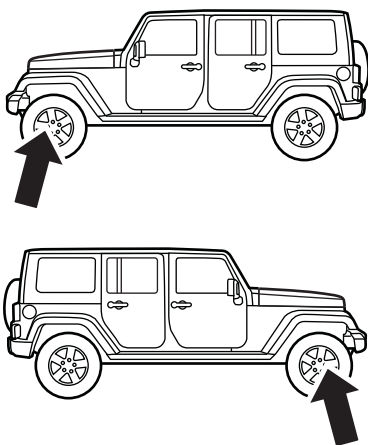


26

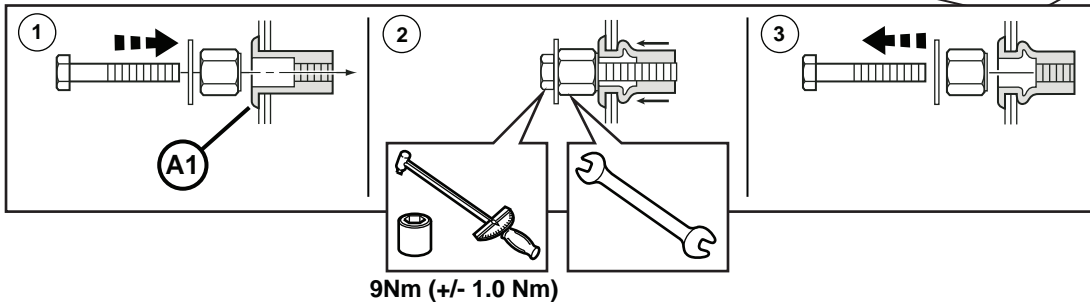
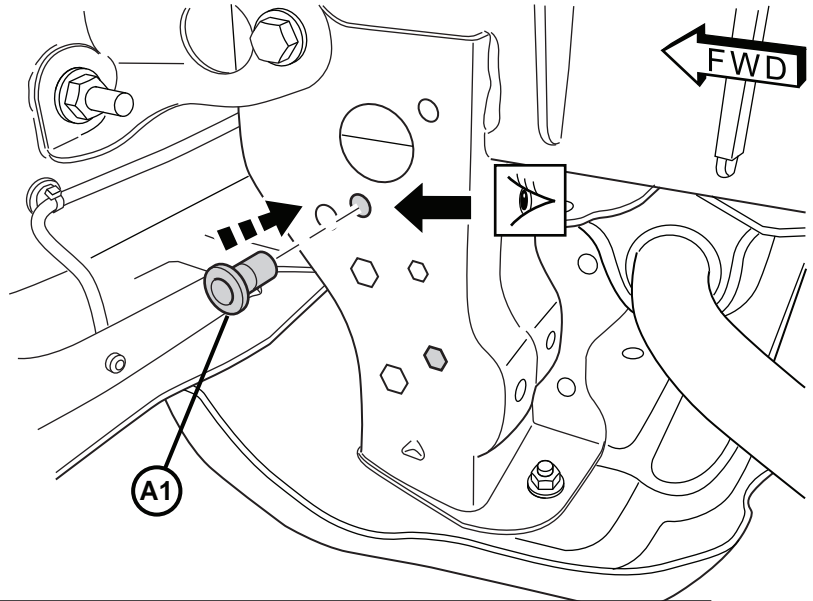
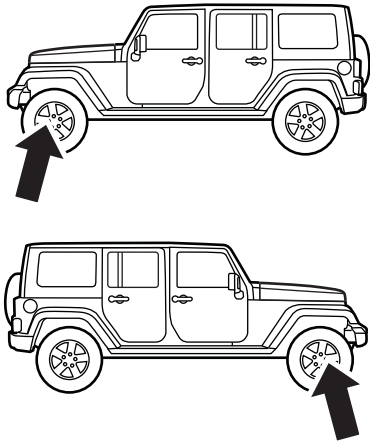
RECHECK TO ASSURE THE UPPER ISOLATORS  
ARE PROPERLY SEATED WITH LOCATING PINS  
ALIGNED WITH THE UPPER SPRING PERCH HOLES



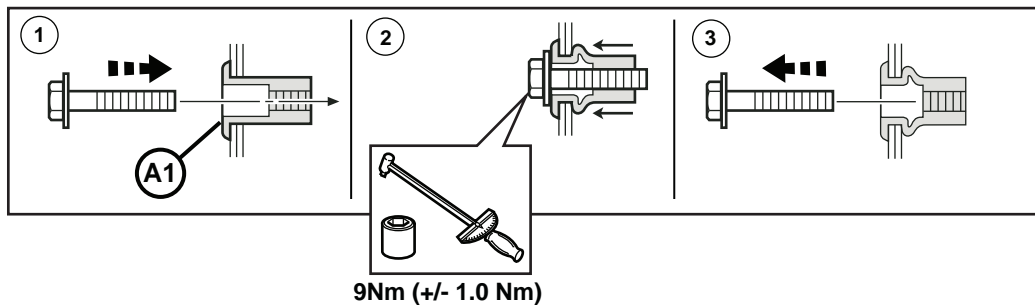
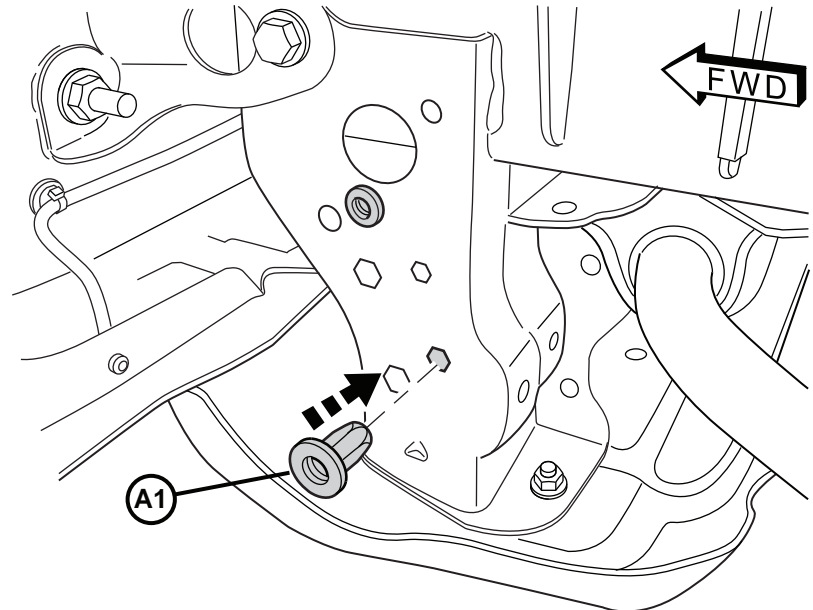
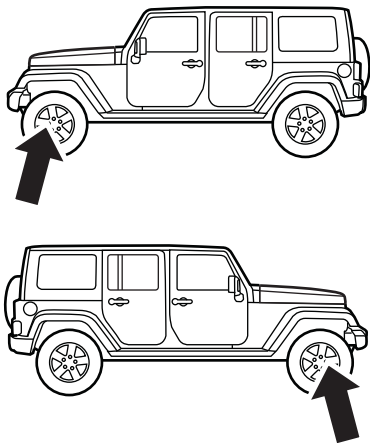
27 2X



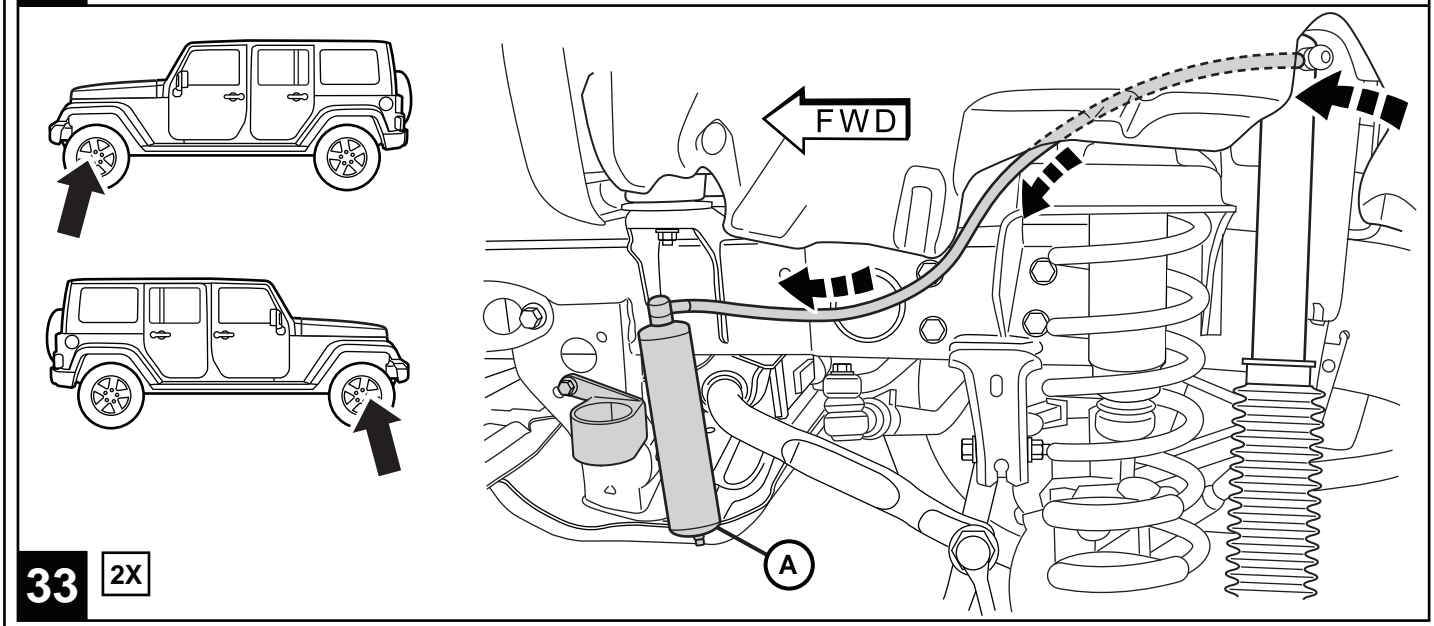
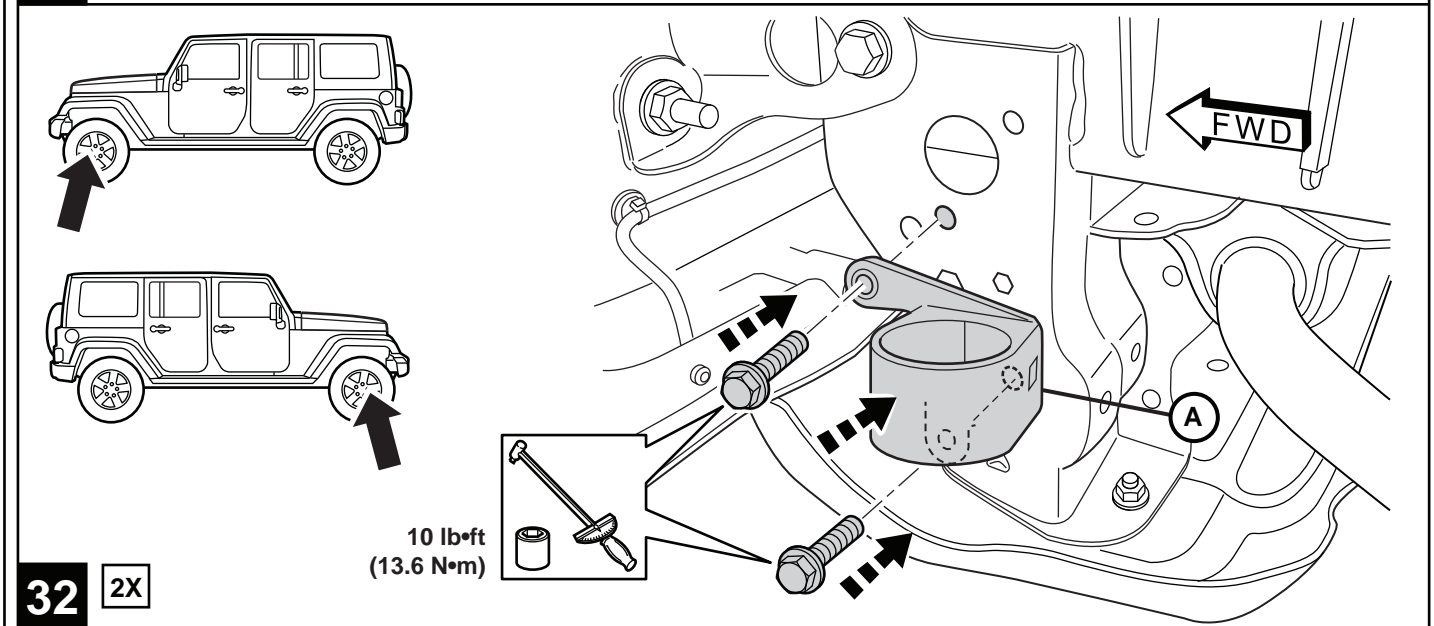
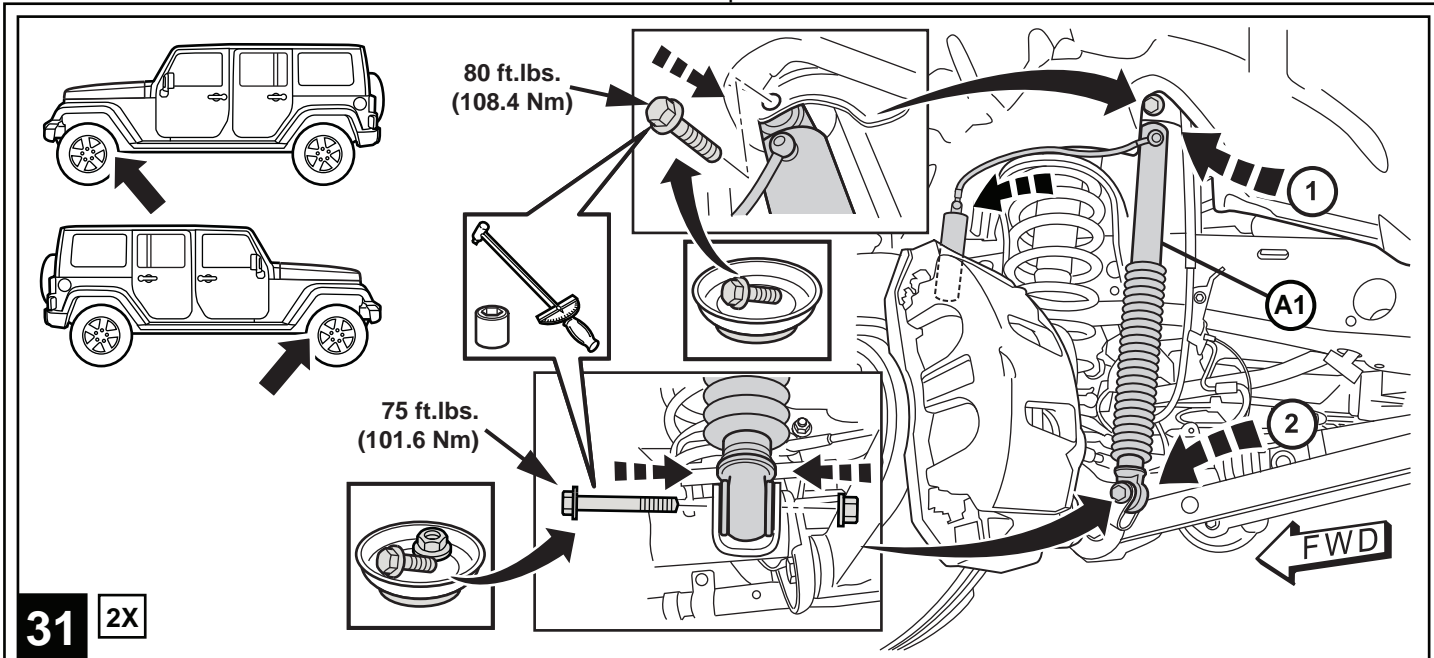
28 2X

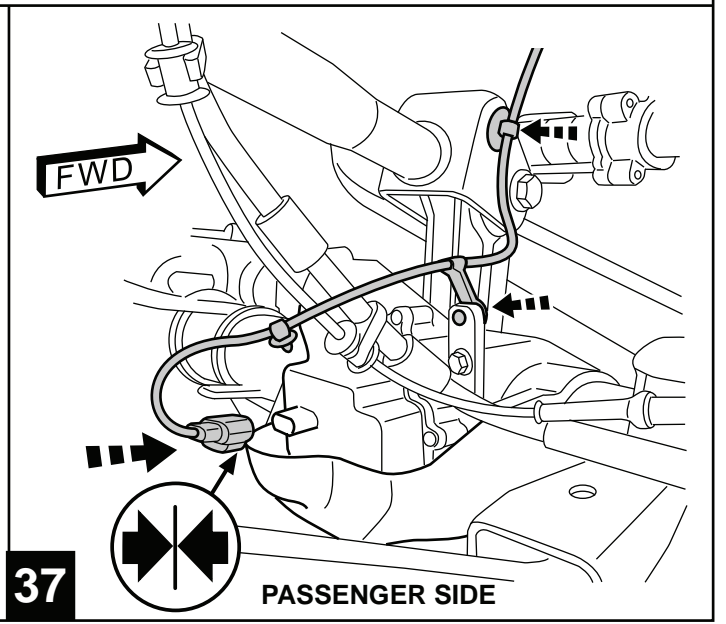
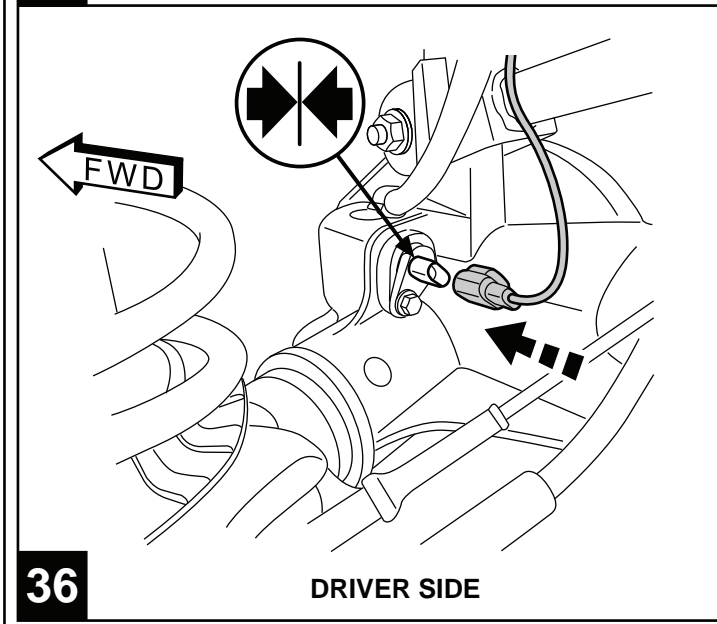
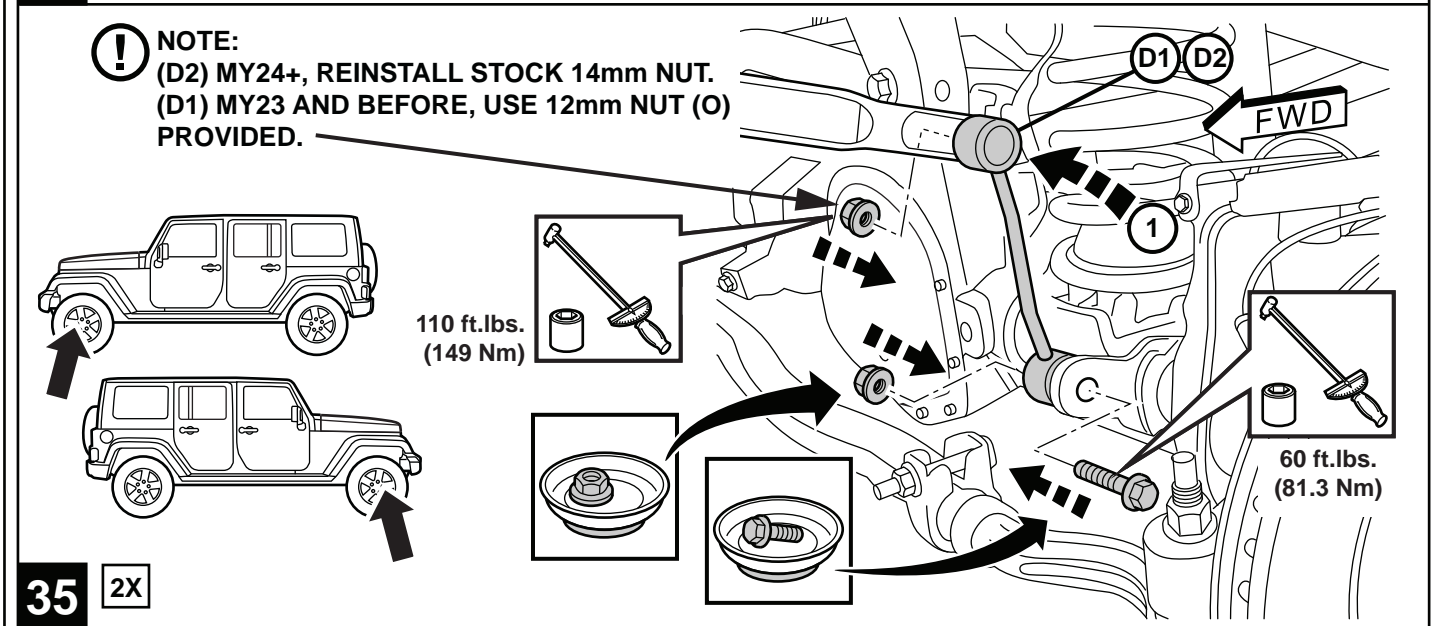
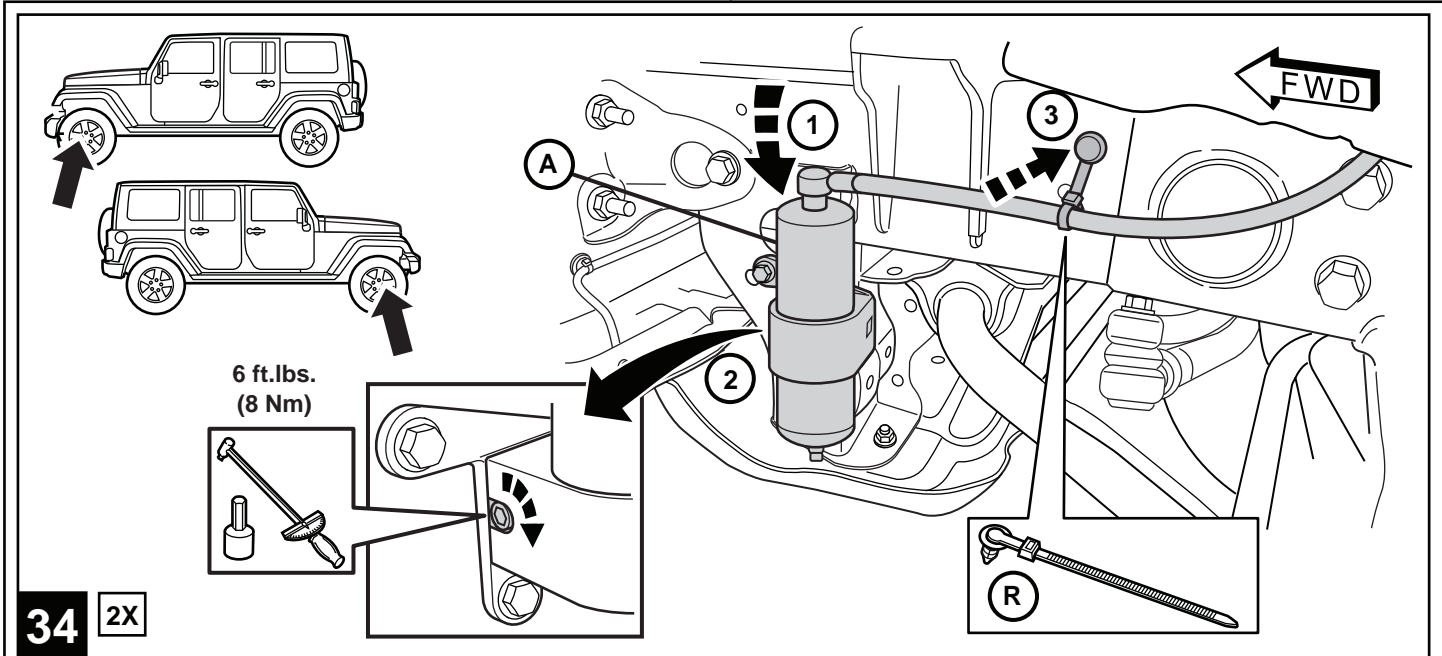


**29** 2X



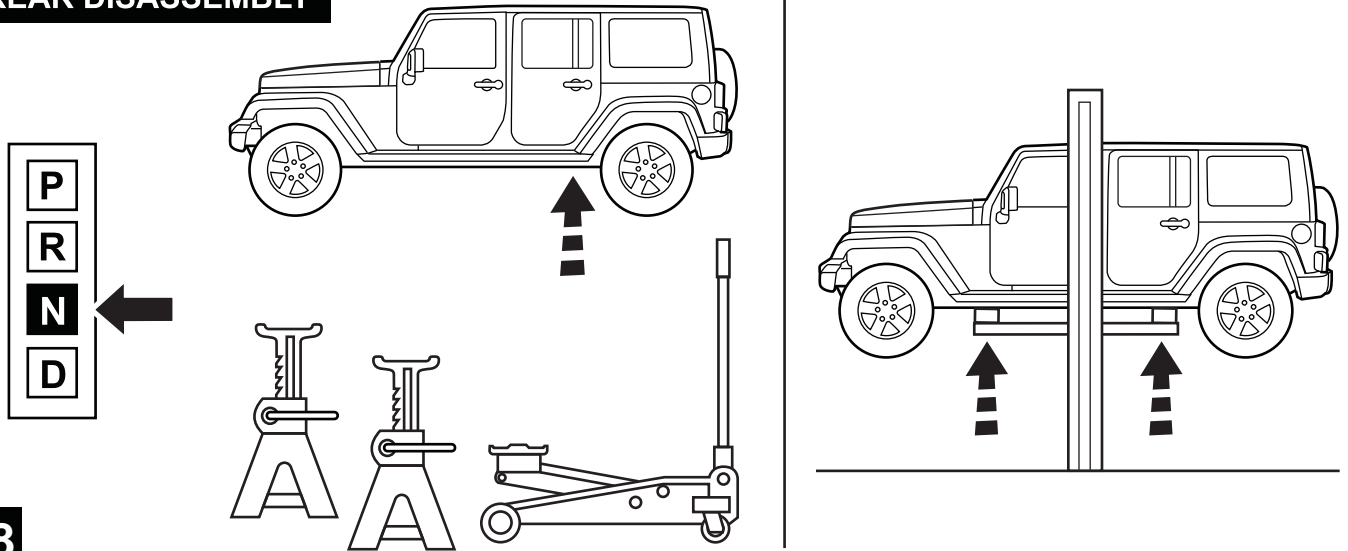
**30** 2X



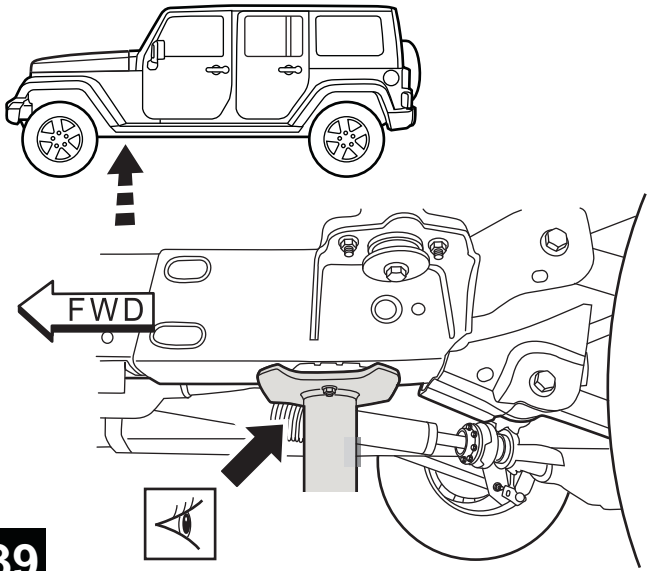


### REAR DISASSEMBLY

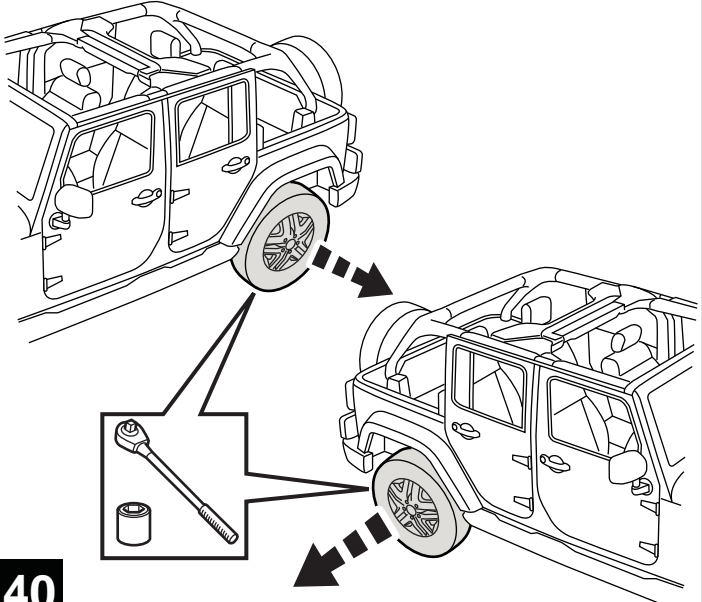
38



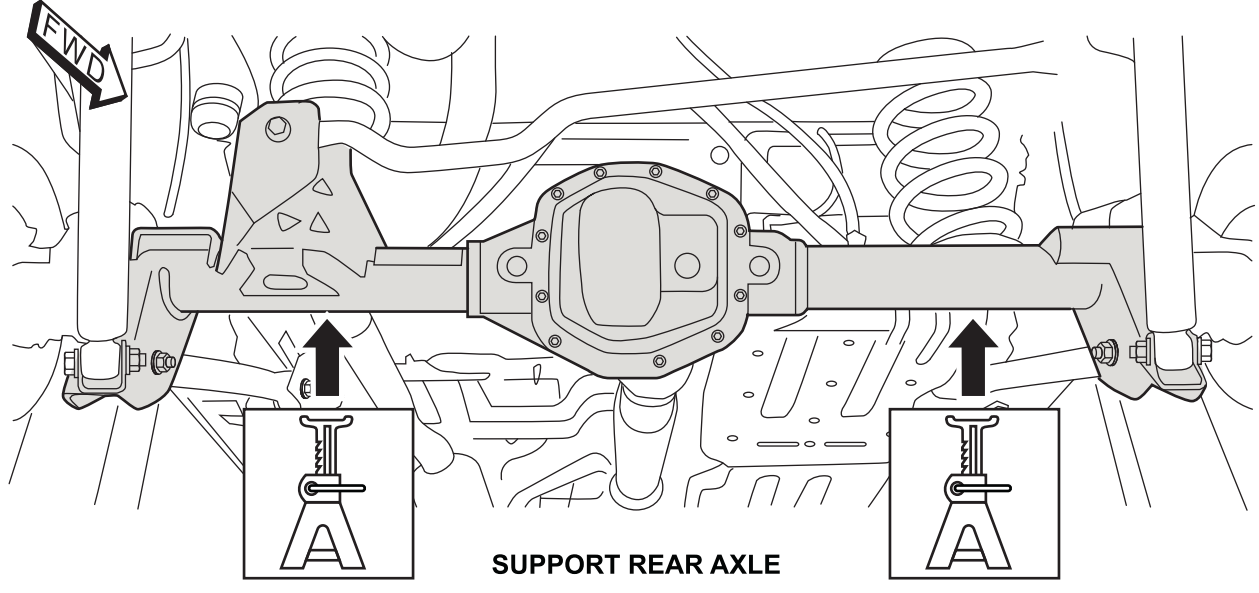
39



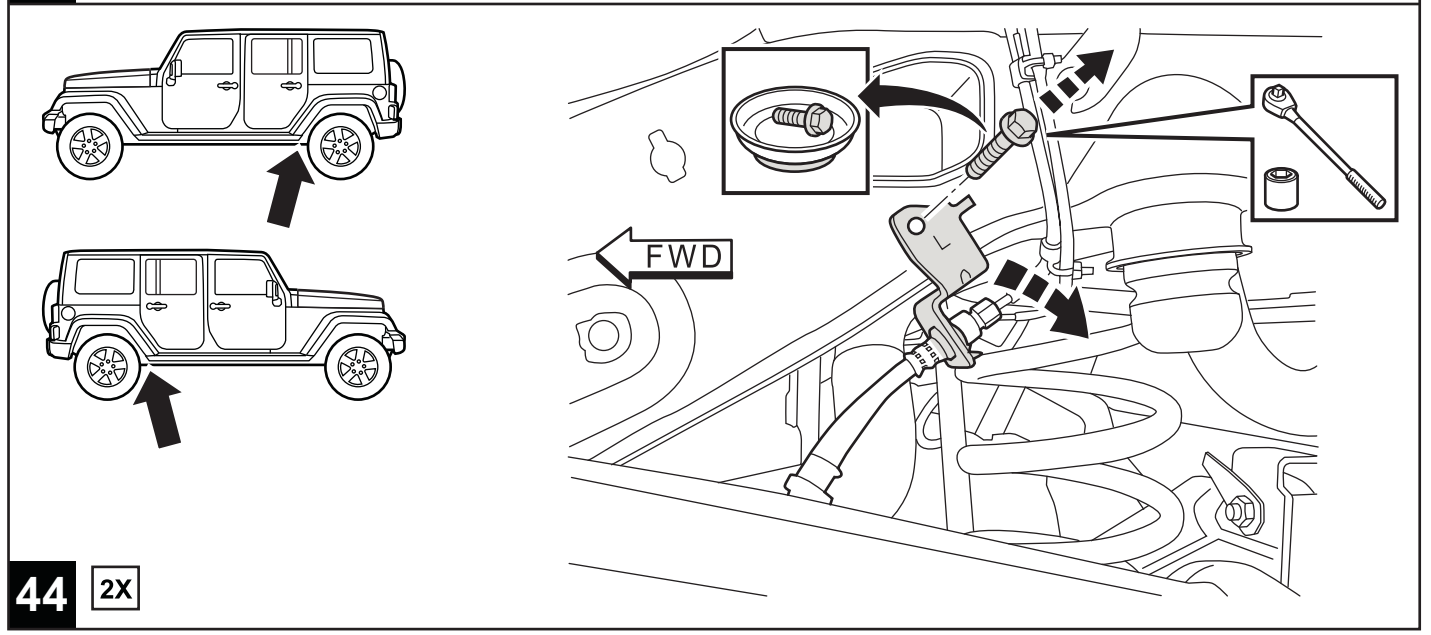
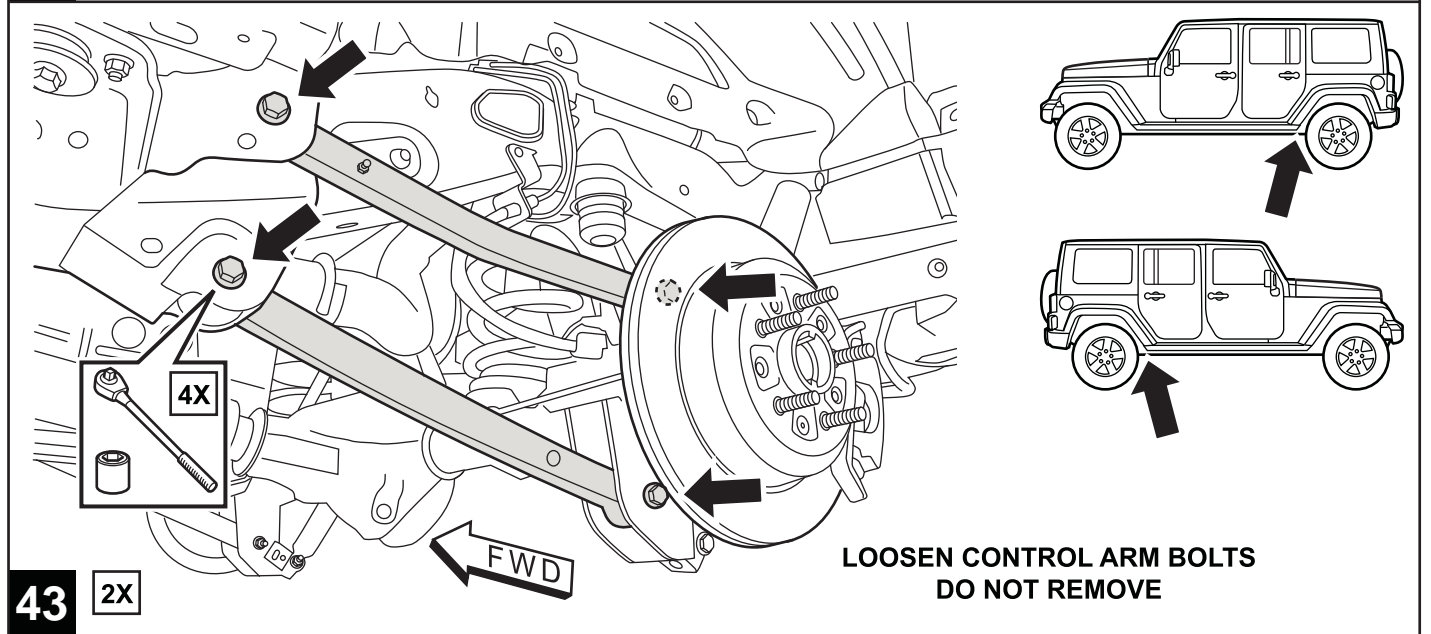
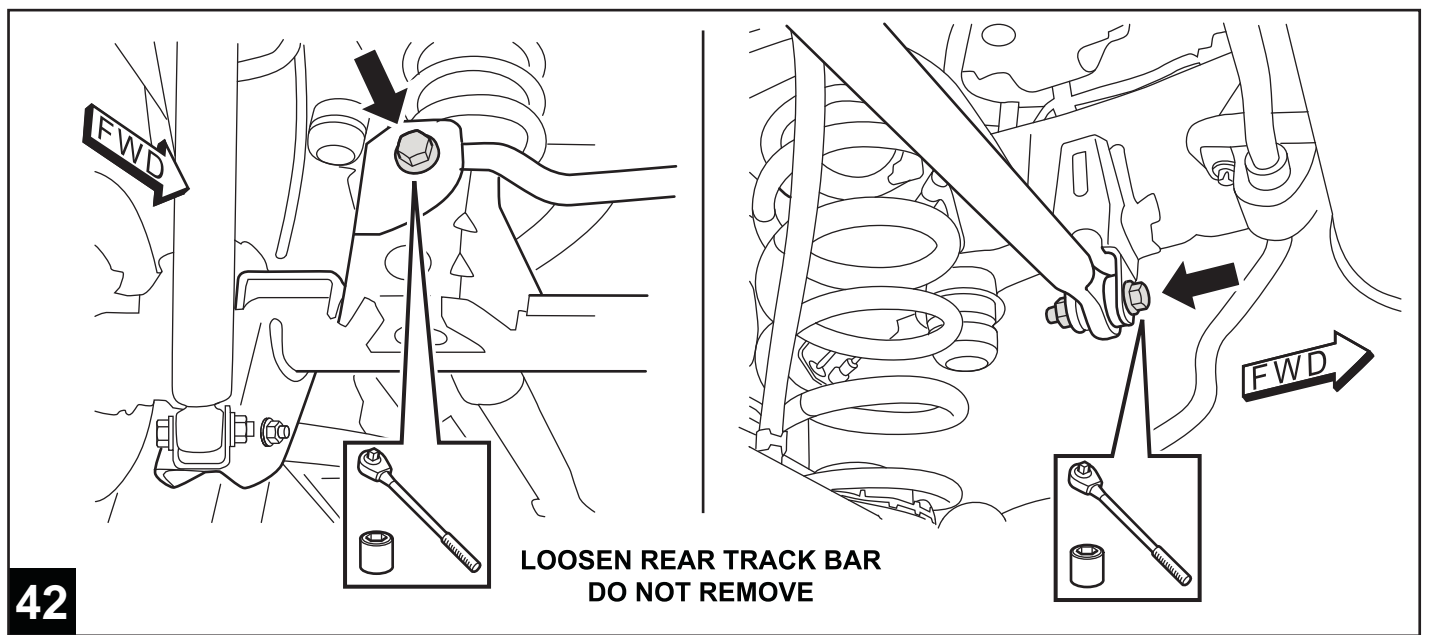
40

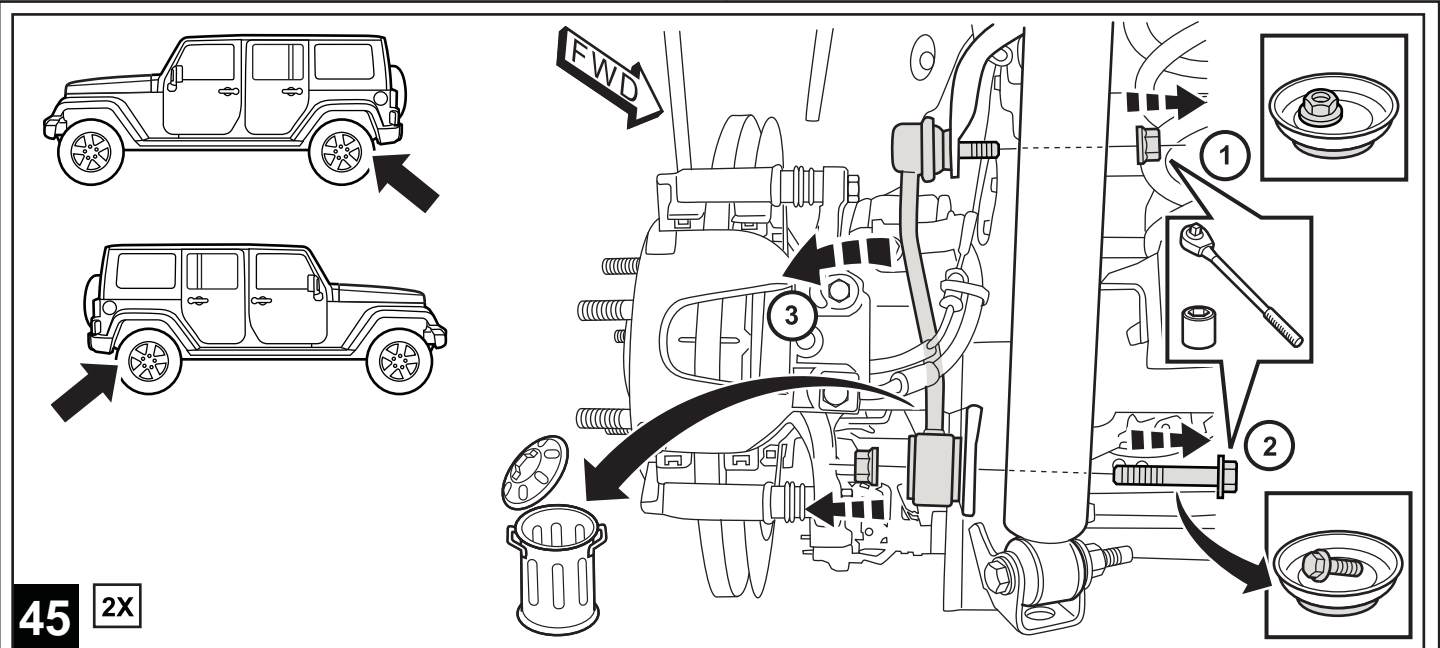


41

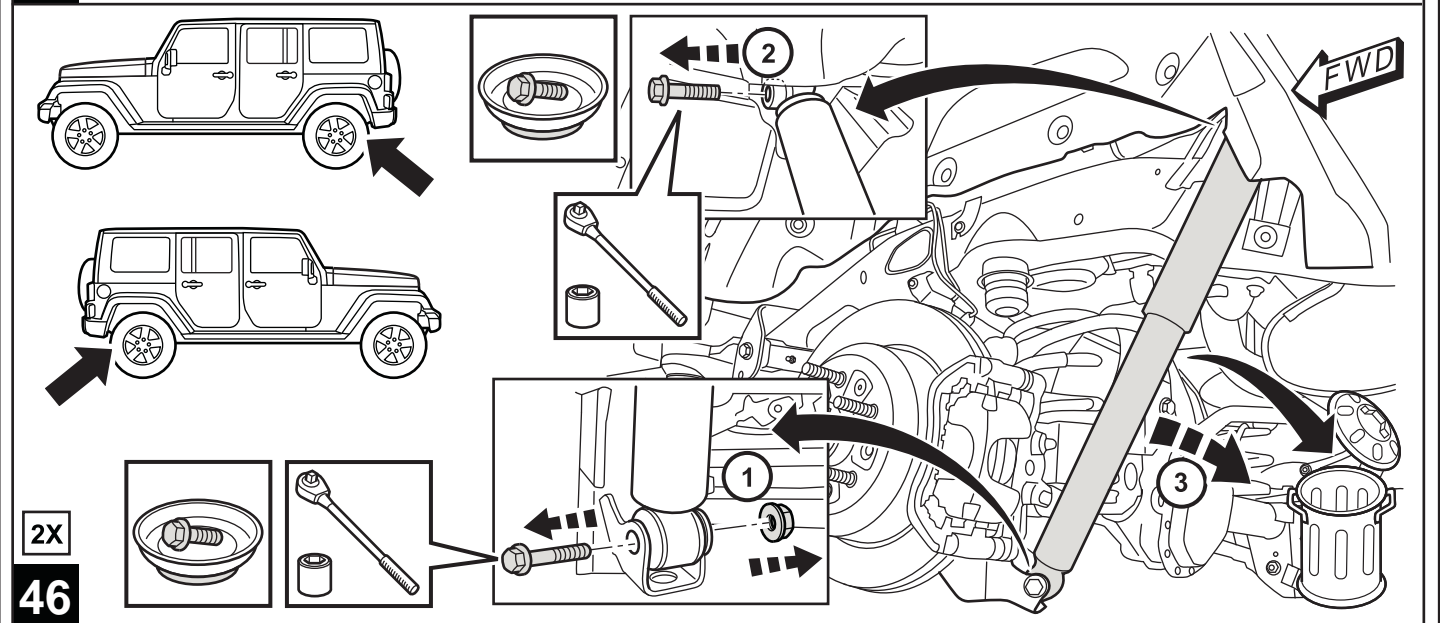


SUPPORT REAR AXLE

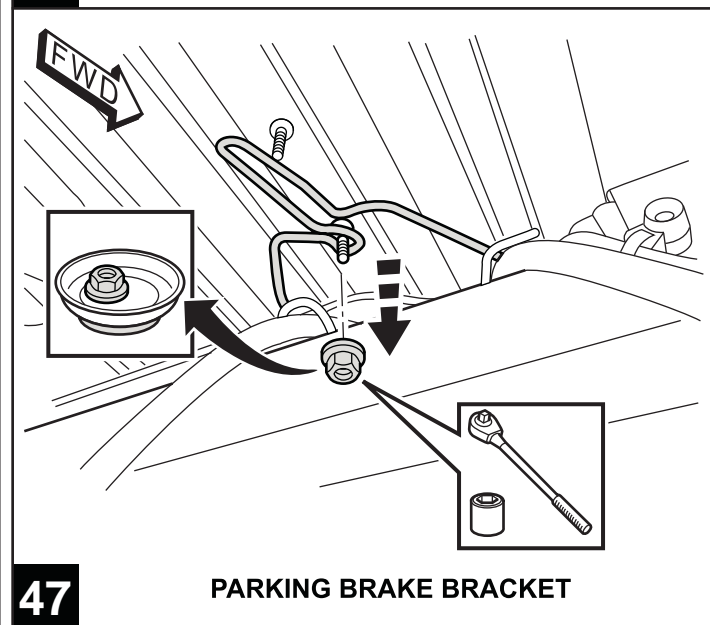




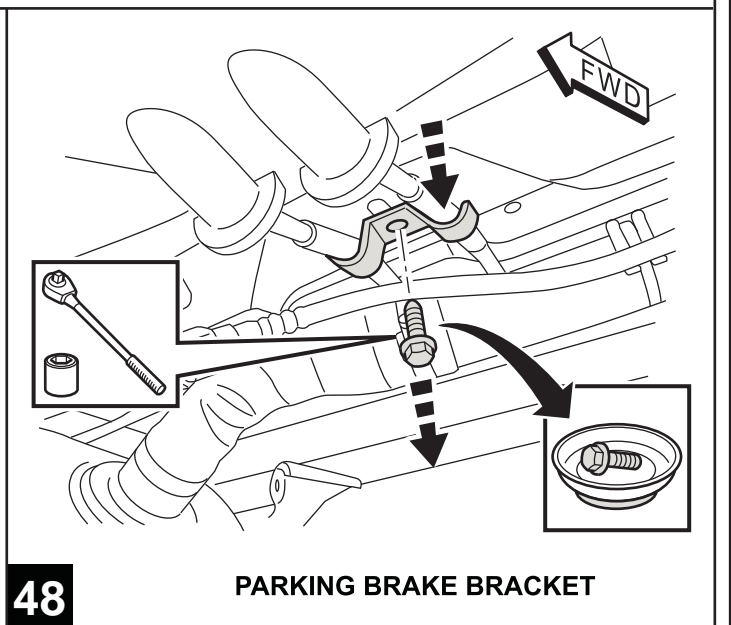
45 2X



2X  
46

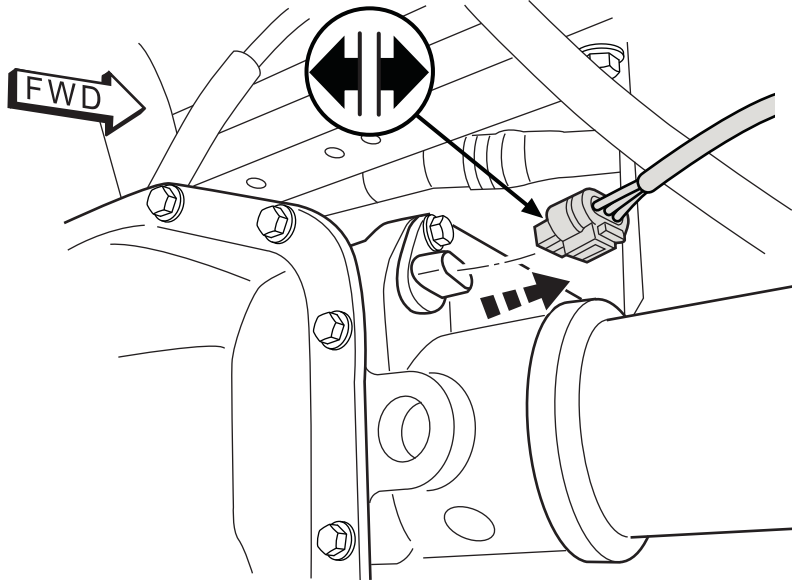


47 PARKING BRAKE BRACKET

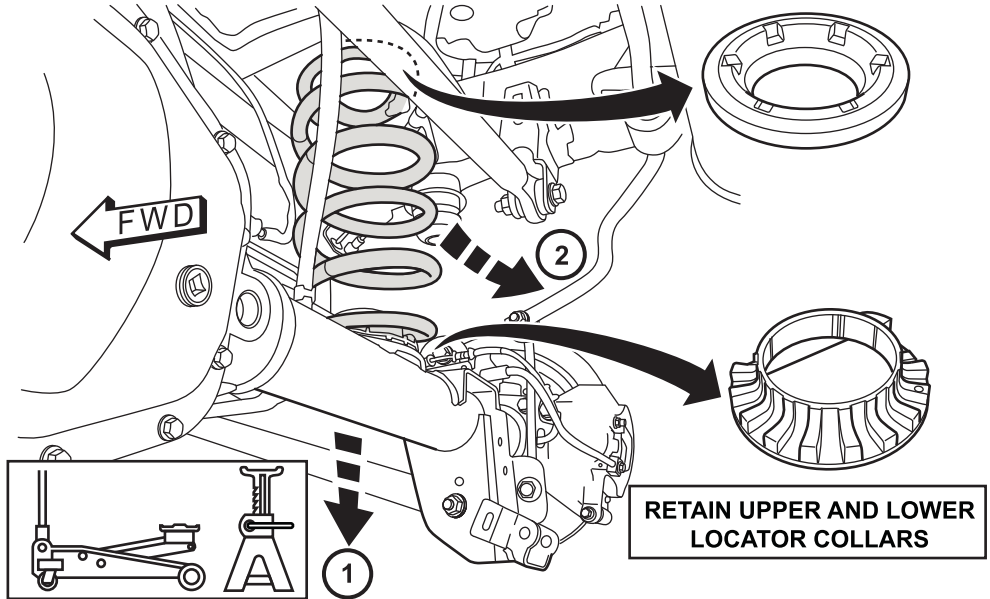
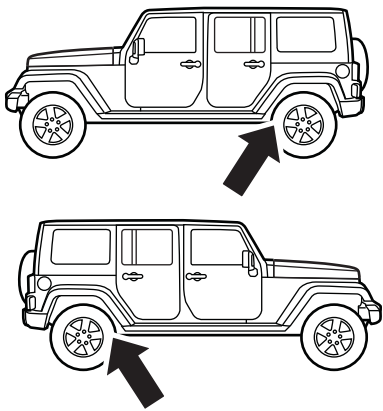


48 PARKING BRAKE BRACKET





49



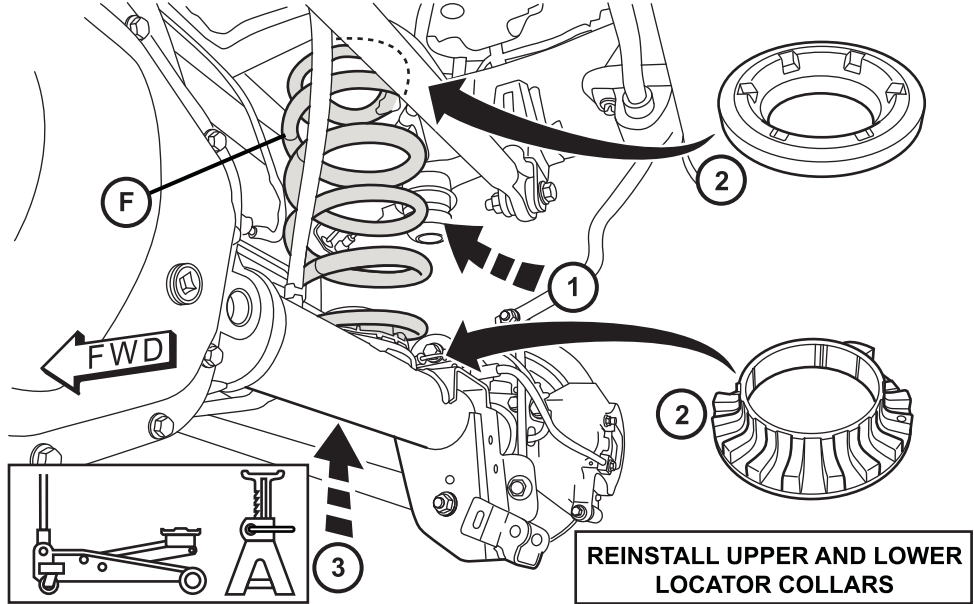
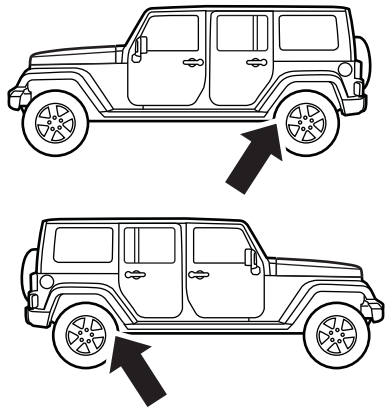
50 2X

**REAR ASSEMBLY**

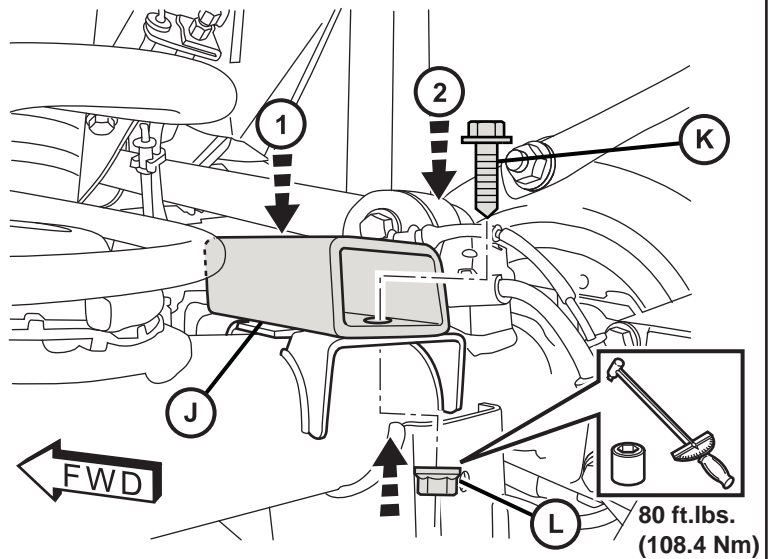
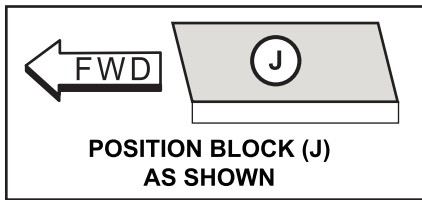
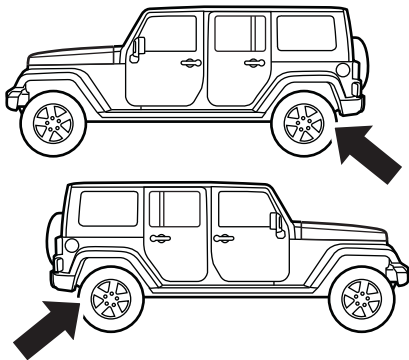
**NOTE:**

**INSTALL NEW KIT COMPONENTS AS SHOWN IN THE FOLLOWING STEPS, BUT DO NOT FULLY TIGHTEN FASTENERS UNTIL INSTRUCTED TO DO SO.**

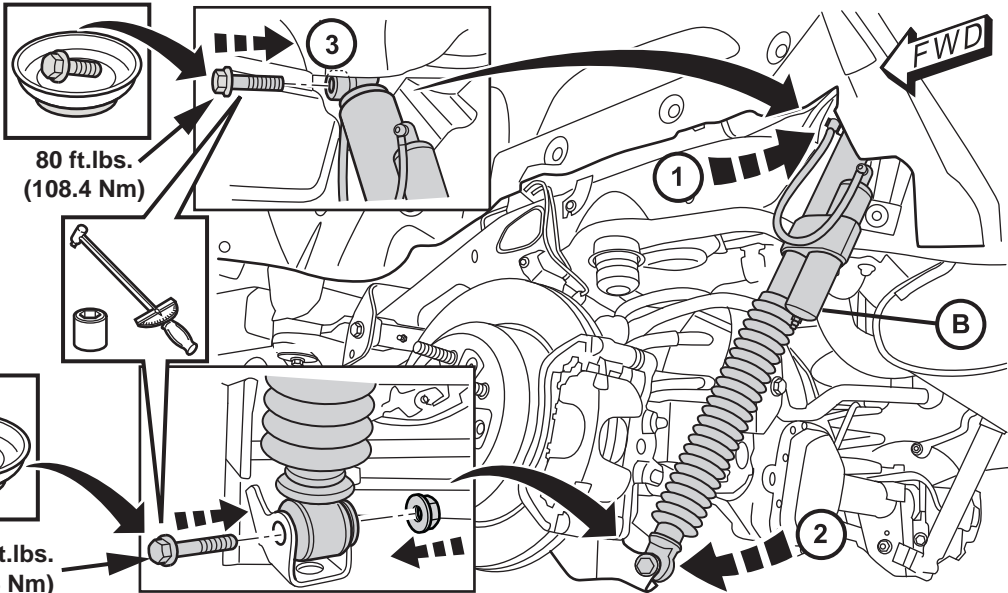
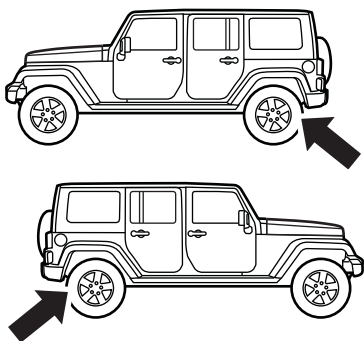
51



**52** 2X



**53** 2X

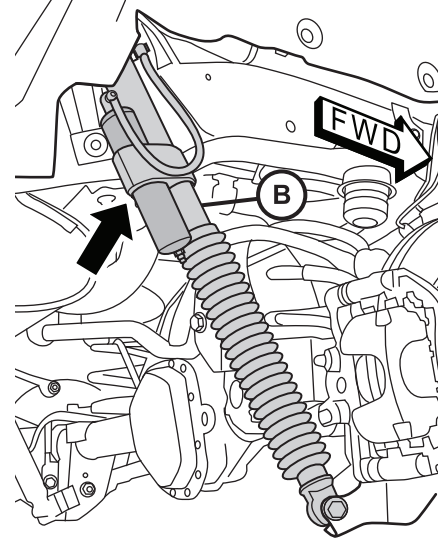
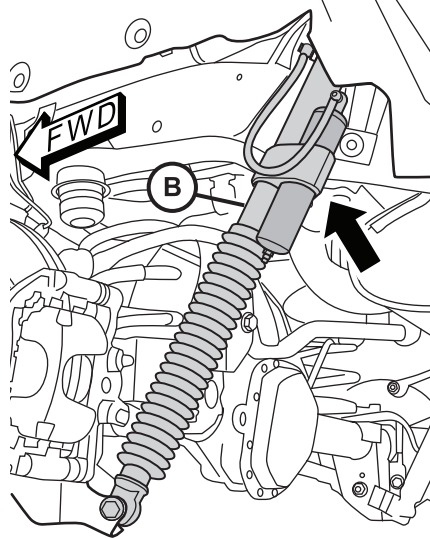
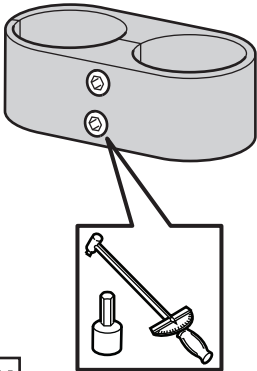


**54** 2X

NOTE: ADJUST CLAMP  
SO RESERVOIR CYLINDER  
IS POSITIONED TOWARDS  
REAR ON BOTH SIDES  
OF VEHICLE.

DRIVER SIDE

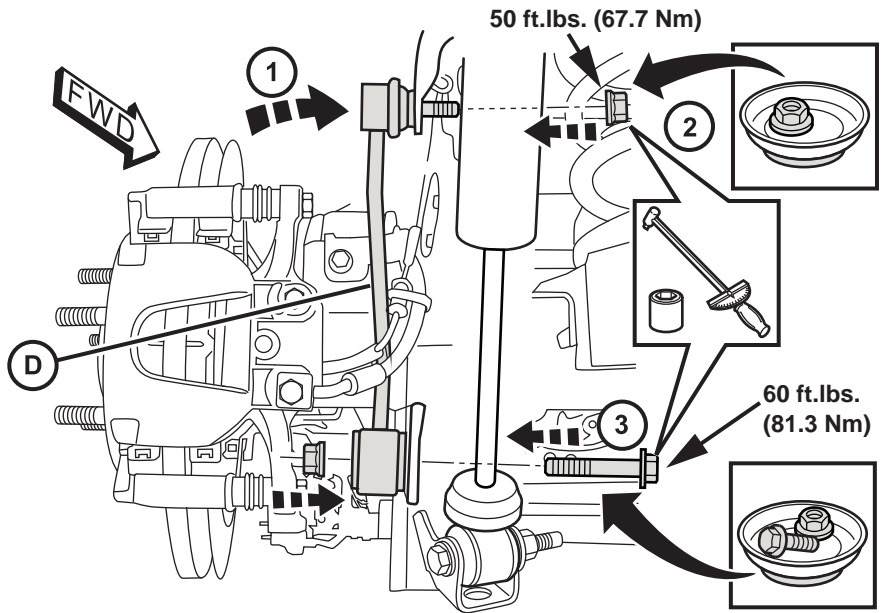
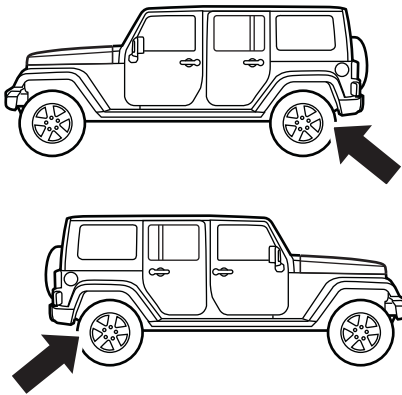
PASSENGER SIDE



55

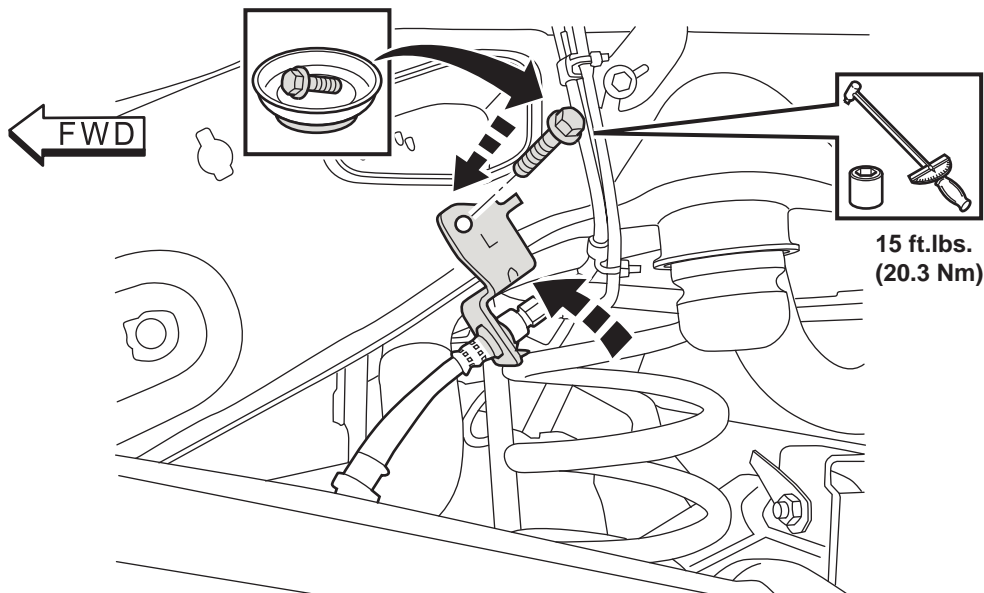
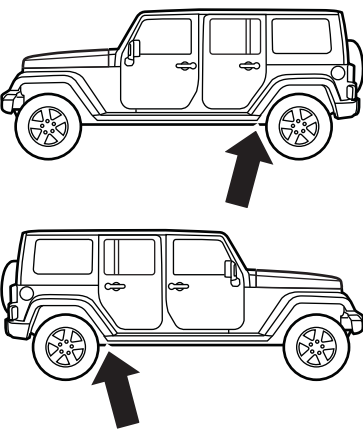
2X

8Nm (+/- 1.0 Nm)



56

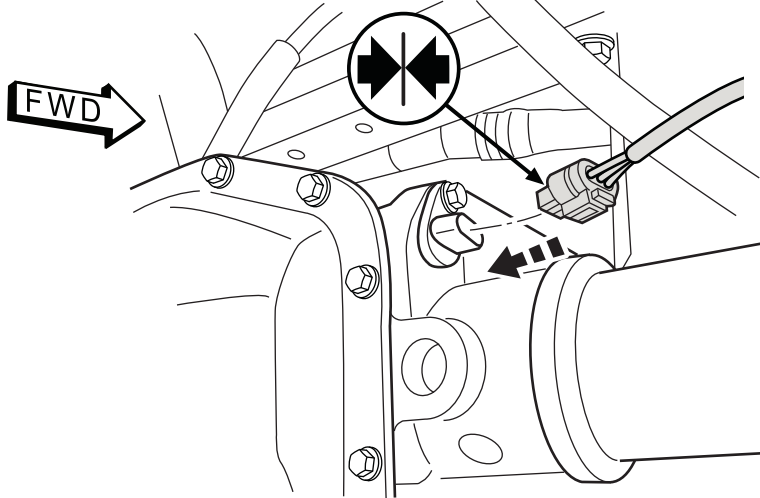
2X



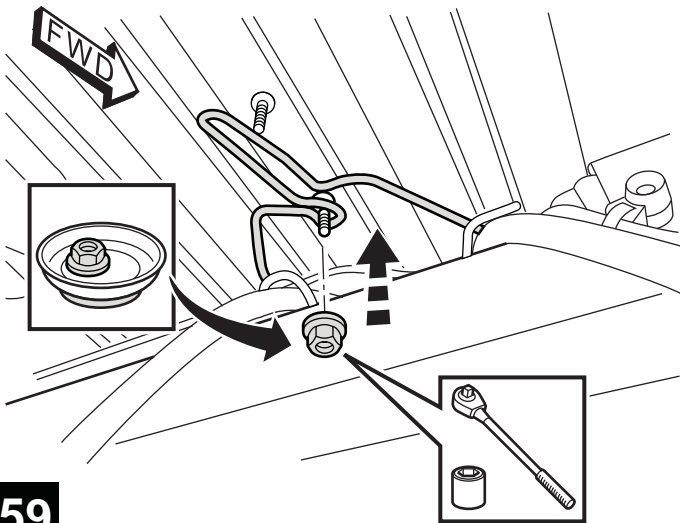
57

2X

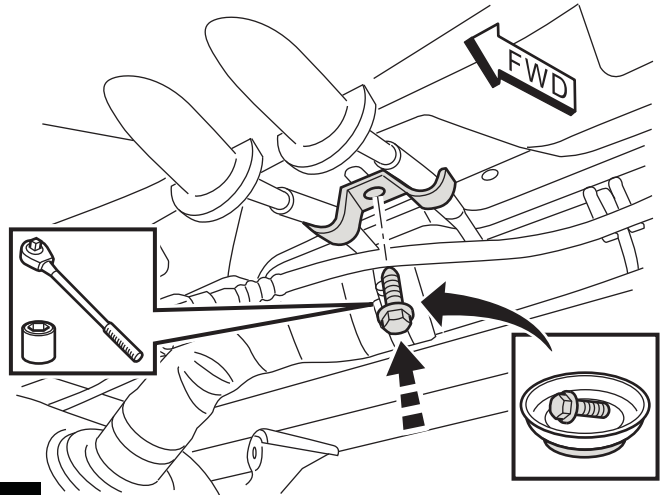
58



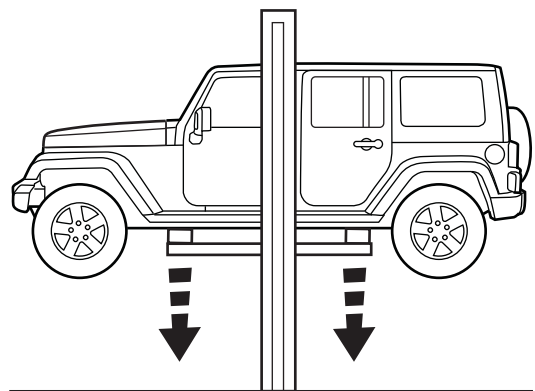
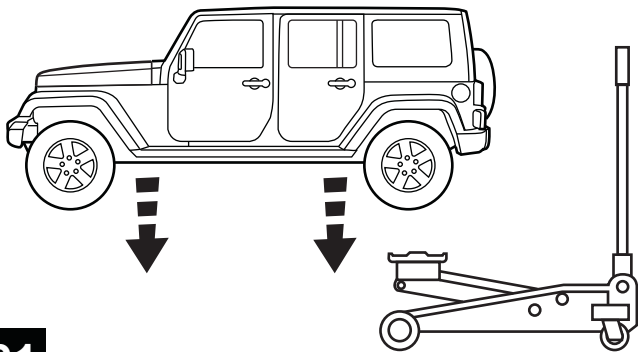
59



60



61



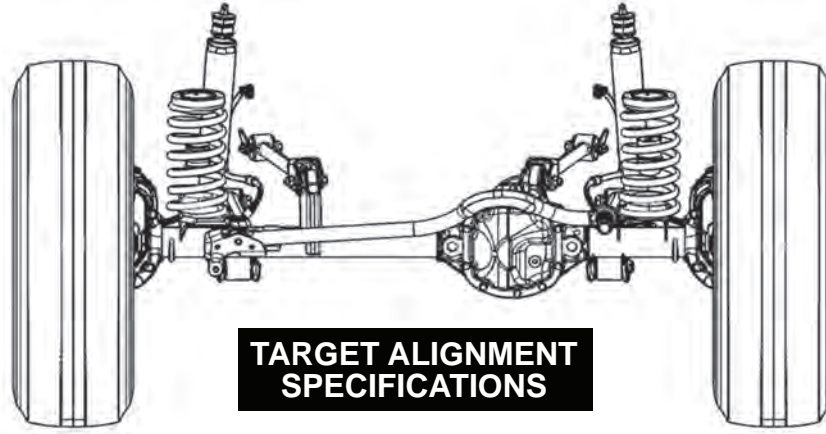
REFER TO SPECIFICATIONS ON THE FOLLOWING PAGES  
TO COMPLETE THESE INSTALLATION STEPS:

- 1) TORQUE VALUES
- 2) WHEEL ALIGNMENT
- 3) HEADLAMP ADJUSTMENT

62

## TORQUE SPECIFICATIONS

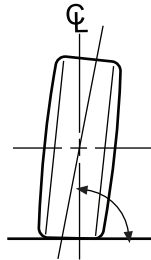
Joint	R/N	Size	Wrench Size (in)	Torque ft-lb
FRT UCA to Axle	<b>Bolt - 06512084AA</b>	M12x1.5x90	18	<b>80</b>
	Nut - 06104718AA	M12x1.5	18	
FRT UCA to Frame	<b>Bolt - 06512084AA</b>	M12x1.5x90	18	<b>80</b>
	Flag Nut - 06511834AA	M12x1.5	21	
FRT LCA to Axle	<b>Bolt - 06512085AA</b>	M16x1.5x105	21	<b>190</b>
	Nut - 06104720AA	M16x1.5	24	
FRT LCA to Frame	<b>Bolt - 06512085AA</b>	M16x1.5x105	21	<b>190</b>
	Nut - 06104720AA	M16x1.5	24	
FRT Brake Hose to LCA				<b>15</b>
	<b>Nut - 06512384AA</b>	M8x1.75	15	
FRT Track Bar to Axle	<b>Bolt - 06512061AA</b>	M14x1.5x75	21	<b>110</b>
	Flag Nut - 06512106AA	M14x1.5	21	
FRT Track Bar to Frame	<b>Bolt - 06512061AA</b>	M14x1.5x75	21	<b>110</b>
	Nut - 06104719AA	M14x1.5	21	
FRT Stabar Link to Axle	<b>Bolt - 06512065AA</b>	M12x1.5x75	18	<b>60</b>
	Nut - 06104718AA	M12x1.5	18	
	Flag Nut - 06508590AA	M12x1.5	18	
FRT Stabar to Frame	<b>Bolt - 06508224AA</b>	M10x1.5x25	15	<b>45</b>
FRT Stabar Link to Stabar	<b>Nut - 06513368AA (M14)</b>	M14x1.5	21	<b>130</b>
	<b>Nut - 06104718AA (M12)</b>	M12x1.5	18	<b>90</b>
FRT UCA Heat Shield to Frame	<b>Bolt - 06509319AA</b>	M6x1.0x20	10	<b>40 in-lbs</b>
FRT Lower Shock to Axle	<b>Bolt - 06512084AA</b>	M12x1.5x90	18	<b>75</b>
	Nut - 06510676AA	M12x1.5	18	
FRT Upper Shock to Frame	<b>Bolt - 06512467AA</b>	M12x1.5x120	18	<b>80</b>
RR UCA to Axle	<b>Bolt - 06512085AA</b>	M16x1.5x104	21	<b>185</b>
	Nut - 06104720AA	M16x1.5	21	
RR UCA to Frame	<b>Bolt - 06512085AA</b>	M16x1.5x104	21	<b>200</b>
	Nut - 06104720AA	M16x1.5	21	
RR LCA to Axle	<b>Bolt - 06512085AA</b>	M14x1.5x105	21	<b>185</b>
	Nut - 06104720AA	M16x1.5	21	
RR LCA to Frame	<b>Bolt - 06512085AA</b>	M14x1.5x105	21	<b>185</b>
	Nut - 06104720AA	M16x1.5	21	
RR Track Bar to Axle	<b>Bolt - 06512810AA</b>	M14x1.5x80	21	<b>100</b>
	Flag Nut - 06511267AA	M14x1.5	21	
RR Track Bar to Frame	<b>Bolt - 06512810AA</b>	M14x1.5x80	21	<b>90</b>
	Nut - 06104719AA	M14x1.5	21	
RR Stabar Link to Axle	<b>Bolt - 06512065AA</b>	M12x1.5x75	18	<b>60</b>
	Nut - 06104718AA	M12x1.5	18	
RR Stabar to Frame	<b>Bolt - 06508224AA</b>	M10x1.5x25	15	<b>50</b>
RR Lower Shock to Axle	<b>Bolt - 06512084AA</b>	M14x1.5x90	18	<b>75</b>
	Nut - 06510676AA	M14x1.5	18	
RR Upper Shock to Frame	<b>Bolt - 06105106AA</b>	M14x1.5x110	18	<b>80</b>
Front Bump Stop		M8X1.25X20	18	<b>80</b>
	<b>Nut</b>	M8X1.25		
Rear Bump Stop	<b>Bolt - 05143356AC</b>	M8x1.25x21	18	<b>80</b>
	<b>Nut - 06101695</b>	M8X1.25		



**LEFT FRONT**

**CAMBER**

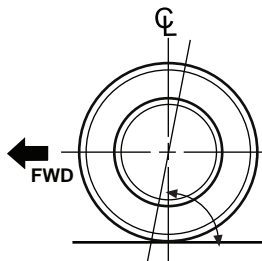
- 0.25° +/- 0.37°  
(FIXED, CAN NOT BE ADJUSTED)



**RIGHT FRONT**

**CAMBER**

- 0.25° +/- 0.37°  
(FIXED, CAN NOT BE ADJUSTED)



**CASTER**

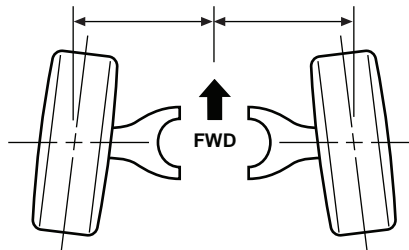
4.80° +/- 1.00°

**CASTER**

4.80° +/- 1.00°

**TOE-IN**

0.0° - 0.12°

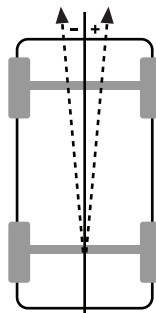


**TOE-IN**

0.0° - 0.12°

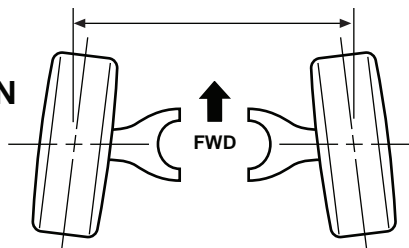
**THRUST ANGLE**

0.0° - 0.25°



**TOTAL TOE-IN**

0.0° - 0.20°



### HEADLAMP ALIGNMENT

1. Verify proper tire inflation pressures.
2. Verify that there is no extra weight load in the vehicle except for the driver.
3. The fuel tank should be FULL.
4. Prepare an alignment wall according to diagram below:

