

VTEKE

VTEK ELEKTRİK İTH. İHR. SAN. VE. TİC. LTD. ŞTİ.

E-mail: info@vteke.com.tr

Office Address:

Murat Paşa Mahallesi Demirhisar Caddesi No:10

Kat:2 Bayrampaşa/İstanbul – Turkey

Tel: +90 212 544 00 04

Factory Address:

Merkez Mah. Aldemir Çk. Sok No. 6/3,

Gaziosmanpaşa, İstanbul – Turkey

VTEKE®
Product Catalogue



CURRENT TRANSFORMERS

CURRENT TRANSFORMER CODING MAP

XX-XXX-XXXX-X-X-XX

SERIES CODE	HOLE SIZE (mm)	PRIMARY (A)	SECONDARY (A)	CLASS		BURDEN (VA)	
				CODE	CLASS	CODE	VA
CK	20	40	1	1	1	01	1
TK	30S	.	5	2	0.5	02	1.5
DK	30	.		3	0.5S	03	2.5
BK	40	.		4	0.1	04	3.75
BK1C	60	.		5	0.1S	05	5
SK	80	5000		6	0.2	06	7.5
	100			7	0.2S	07	10
	125			8	5	08	12.5
				9	3	09	15
						10	20
					11	25	
					12	30	
					13	40	
					14	50	
					15	60	

Order Example: TK30 500/5A, CL.1.0, 7.5 VA

Code: TK305005106

Loss in copper wires between instrument and CT for 5A secondary

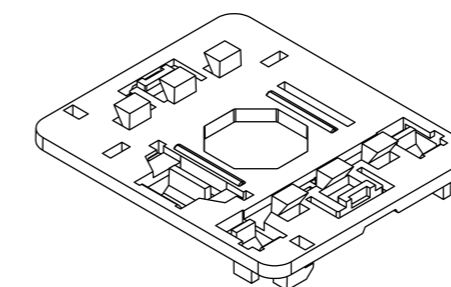
LOSS IN VA (FOR BOTH WIRES)						
Wire section in mm ²	CURRENT RATIO			BURDEN (VA)		
1.5	0.6	1.19	2.38	3.57	4.76	5.95
2.5	0.36	0.71	1.43	2.14	2.86	3.57
4	0.22	0.45	0.89	1.34	1.79	2.23
6	0.15	0.3	0.60	1.89	1.19	1.49
10	0.09	0.18	0.36	0.54	0.71	0.89

NOTE:

- Different specifications can be supplied on request.
- Different amper ratio, burden and 1A secondary current can be supplied on request
- DIN rail mounting clip can be supplied on request

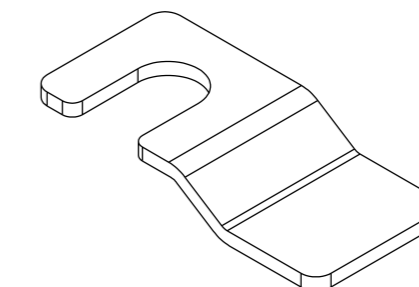
INSTALLATION OPTIONS:

DIN rail mounting clip



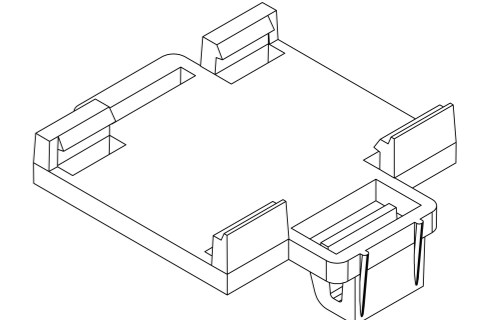
KK0001

METAL FEET



KK0002

DIN rail mounting clip



KK0003

CK20 SERIES CURRENT TRANSFORMER

CK20 SERIES

VTEKE[®]

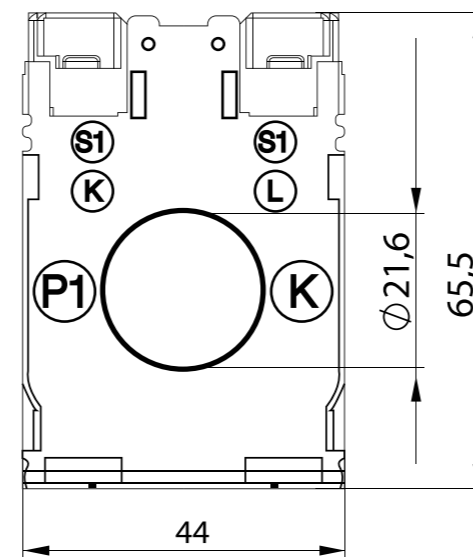
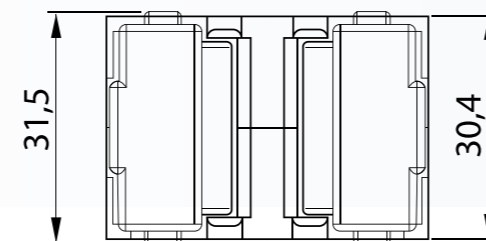
www.vteke.com.tr

FEATURES

CK-20 Series current transformer is Window-type current transformer designed for cable conductors, suitable for primary currents from 30A to 300A AC; available in accuracy classes 0.5, 1.0, 3.0 or Class 5.0.

TECHNICAL DATA

PARAMETER	VALUE
Standarts	IEC 60044-1, IEC 61869-2, VDE 0414-1, DIN57414, BS3938, BS7626, EN 61869-2
CT Ratio	From 30A to 300A
Rated Power	Up to 5VA
Accuracy class	Class 1.0 or Class 0.5
Terminal	Integral terminal cover, high cross section brass terminal for extra safety
Case	Non-flammable self-extinguishing ABS/PC
Mounting	Various mounting options
Ambient temperature (operation)	-25 C ~ +85 C
Primary conductor	20 mm
Round conductor	Ø 20 mm
Number of input	1
Thermal rated short-time current	$I_{th} = 60 * I_n$
Thermal rated continuous current	$I_d = 1.2 * I_n$
Rated frequency	50 Hz ... 60 Hz
Surge current limitation factor	FS 5
Test voltage	3 kV for 1 min
Max system voltage	0.72 kV



PRODUCT CODES

CLASS		3	1	0.5
SERIES	CURRENT RATIO	BURDEN (VA)		
CK20	40/5	1	-	-
	50/5	1	-	-
	60/5	1	1	-
	75/5	1,5	1,5	-
	80/5	-	1,5	-
	100/5	-	1,5	1,5
	125/5	-	2,5	1,5
	150/5	-	2,5	1,5
	160/5	-	2,5	1,5
	200/5	-	2,5	-
	250/5	-	2,5	-
	300/5	-	2,5	-

TK30N SERIES CURRENT TRANSFORMER

TK30N SERIES

VTEKE[®]

www.vteke.com.tr

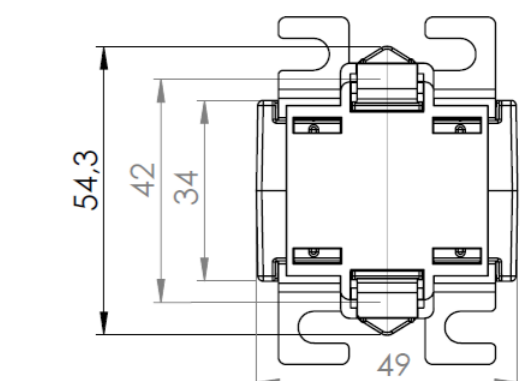
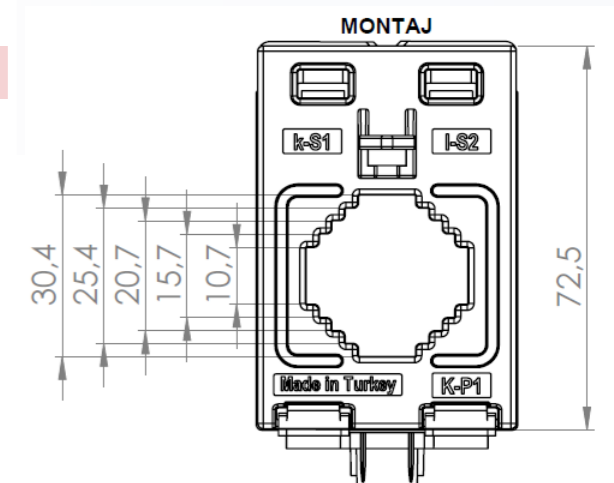
New

FEATURES

Window-type current transformer with 1 screw for each terminal, suitable for primary currents from 40A to 600A AC and accuracy classes 0.5, 1.0, 3.0 or Class 5.0.

TECHNICAL DATA

PARAMETER	VALUE
Standarts	IEC 60044-1, IEC 61869-2, VDE 0414-1, DIN57414, BS3938, BS7626, EN 61869-2
CT Ratio	From 40A to 600A
Rated Power	Up to 5VA
Accuracy class	Class 0.5, Class 1.0, Class 3.0 or Class 5.0
Terminal	Integral terminal cover, high cross section brass terminal for extra safety
Case	Non-flammable self-extinguishing ABS/PC
Mounting	Various mounting options
Ambient temperature (operation)	-25 C ~ +85 C
Primary conductor	30 x 10 mm
Round conductor	Ø 26 mm
Number of input	1
Thermal rated short-time current	$I_{th} = 60 * I_n$
Thermal rated continuous current	$I_d = 1 * I_n$
Rated frequency	50 Hz ... 60 Hz
Surge current limitation factor	FS 5
Test voltage	3 kV for 1 min
Max system voltage	0.72 kV



PRODUCT CODES

CLASS		5	3	1	0.5
SERIES	CURRENT RATIO	BURDEN (VA)			
TK30N	40/5	1	-	-	-
	50/5	1	-	-	-
	60/5	1,5	1,5	-	-
	75/5	-	1,5	-	-
	80/5	-	-	1	-
	100/5	-	-	1,5	-
	125/5	-	-	1,5	-
	150/5	-	-	2,5	2,5
	160/5	-	-	2,5	2,5
	200/5	-	-	2,5	2,5
	250/5	-	-	2,5	2,5
	300/5	-	-	2,5	2,5
	400/5	-	-	3,75	2,5
	500/5	-	-	3,75	2,5
600/5	-	-	3,75	2,5	

TK30S SERIES CURRENT TRANSFORMER

TK30S SERIES

VTEKE®

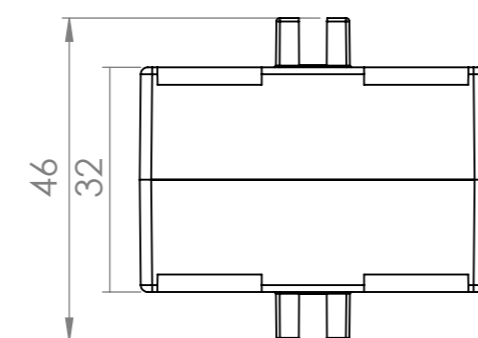
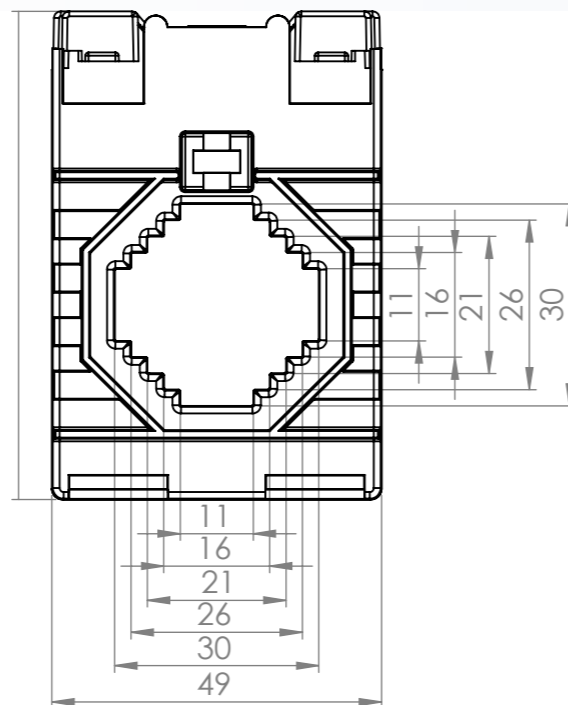
www.vteke.com.tr

FEATURES

Window-type current transformer with sealable terminal cover, suitable for primary currents from 40A to 600A AC; available in 1A or 5A AC secondary current; and accuracy classes 0.5, 1.0, 3.0 or Class 5.0.

TECHNICAL DATA

PARAMETER	VALUE
Standarts	IEC 60044-1, IEC 61869-2, VDE 0414-1, DIN57414, BS3938, BS7626, EN 61869-2
CT Ratio	From 40A to 600A
Rated Power	Up to 5VA
Accuracy class	Class 0.5, Class 1.0, Class 3.0 or Class 5.0
Terminal	Integral terminal cover, high cross section brass terminal for extra safety
Case	Non-flammable self-extinguishing ABS/PC
Mounting	Various mounting options
Ambient temperature (operation)	-25 C ~ +85 C
Primary conductor	30 x 10 mm
Round conductor	Ø 26 mm
Number of input	1
Thermal rated short-time current	$I_{th} = 60 * I_n$
Thermal rated continuous current	$I_d = 1 * I_n$
Rated frequency	50 Hz ... 60 Hz
Surge current limitation factor	FS 5
Test voltage	3 kV for 1 min
Max system voltage	0.72 kV



PRODUCT CODES

SERIES	CURRENT RATIO	CLASS			
		5	3	1	0.5
TK30S	40/5	1	-	-	-
	50/5	1	-	-	-
	60/5	1,5	1,5	-	-
	75/5	-	1,5	-	-
	80/5	-	-	1	-
	100/5	-	-	1,5	-
	125/5	-	-	1,5	-
	150/5	-	-	2,5	2,5
	160/5	-	-	2,5	2,5
	200/5	-	-	2,5	2,5
	250/5	-	-	2,5	2,5
	300/5	-	-	2,5	2,5
	400/5	-	-	3,75	2,5
	500/5	-	-	3,75	2,5
600/5	-	-	3,75	2,5	

TK30 SERIES CURRENT TRANSFORMER

TK30 SERIES

VTEKE®

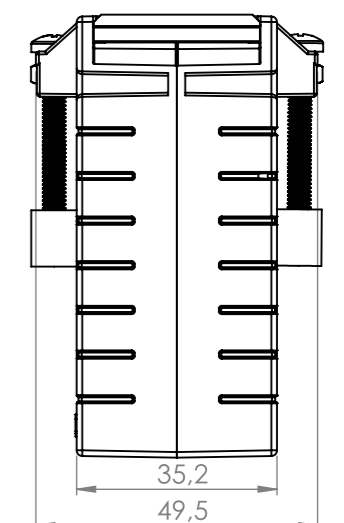
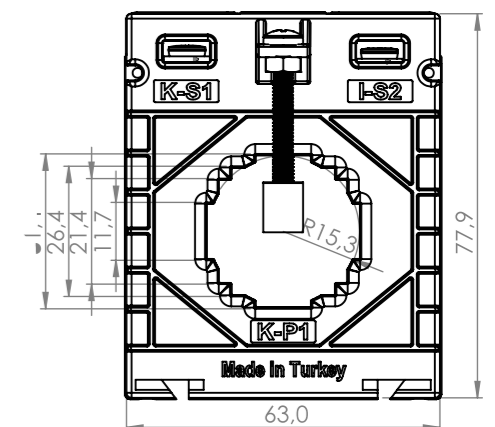
www.vteke.com.tr

FEATURES

Window-type current transformer with sealable terminal cover, suitable for primary currents from 40A to 600A AC; available in 1A or 5A AC secondary current; and accuracy classes 0.5S, 0.5, 1.0 or Class 3.0.

TECHNICAL DATA

PARAMETER	VALUE
Standarts	IEC 60044-1, IEC 61869-2, VDE 0414-1, DIN57414, BS3938, BS7626, EN 61869-2
CT Ratio	From 40A to 600A
Rated Power	Up to 12.5VA
Accuracy class	Class 0.5S, Class 0.5, Class 1.0 or Class 3.0
Terminal	Integral terminal cover, high cross section brass terminal for extra safety
Case	Non-flammable self-extinguishing ABS/PC
Mounting	Various mounting options
Ambient temperature (operation)	-25 C ~ +85 C
Primary conductor	30 x 10 mm
Round conductor	Ø 26 mm
Number of input	1
Thermal rated short-time current	$I_{th} = 60 * I_n$
Thermal rated continuous current	$I_d = 1.2 * I_n$
Rated frequency	50 Hz ... 60 Hz
Surge current limitation factor	FS 5
Test voltage	3 kV for 1 min
Max system voltage	0.72 kV



PRODUCT CODES

SERIES	CURRENT RATIO	CLASS			
		3	1	0.5	0.5S
TK30	40/5	1	-	-	-
	50/5	1	1	-	-
	60/5	1	1	-	-
	75/5	1	1	-	-
	80/5	1,5	1	-	-
	100/5	1,5	1	1	-
	125/5	2,5	1,5	1	-
	150/5	-	2,5	2,5	1
	160/5	-	2,5	2,5	1,5
	200/5	-	2,5/5	2,5/5	1,5
	250/5	-	5/10	5/10	2,5
	300/5	-	5/10	5/10	3,75
	400/5	-	5/10	5/10	5
	500/5	-	5/10	5/10	5
600/5	-	10	10	10	

TK30A SERIES CURRENT TRANSFORMER

TK30A SERIES

VTEKE®

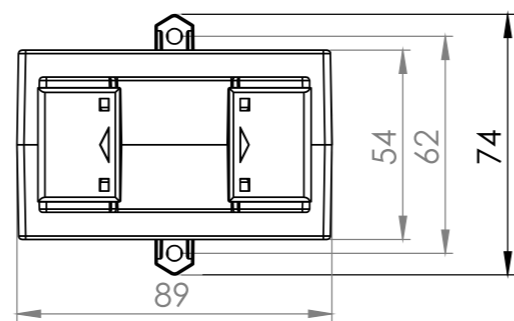
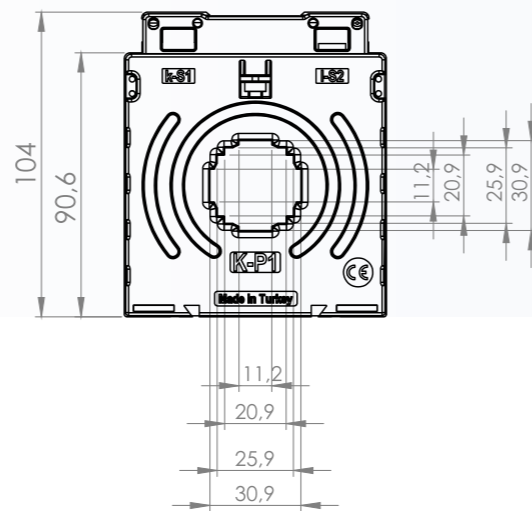
www.vteke.com.tr

FEATURES

TK30A Series Current Transformer is a High Accuracy Window-type current transformer with sealable terminal cover, suitable for primary currents from 25A to 600A AC; available in 1A or 5A AC secondary current; and accuracy classes 0.1, 0.2S, 0.2, 0.5S, 0.5 or Class 1.0.

TECHNICAL DATA

PARAMETER	VALUE
Standarts	IEC 60044-1, IEC 61869-2, VDE 0414-1, DIN57414, BS3938, BS7626, EN 61869-2
CT Ratio	From 25A to 600A
Rated Power	Up to 30VA
Accuracy class	Class 1, 0.5, 0.5S, 0.2, 0.2S, 0.1
Terminal	Integral terminal cover, high cross section brass terminal for extra safety
Case	Non-flammable self-extinguishing ABS/PC
Mounting	Various mounting options
Ambient temperature (operation)	-25 C ~ +85 C
Primary conductor	30 x 10 mm
Round conductor	Ø 26 mm
Number of input	1
Thermal rated short-time current	$I_{th} = 60 I_n$
Thermal rated continuous current	$I_d = 1 * I_n$
Rated frequency	50 Hz ... 60 Hz
Surge current limitation factor	FS 5
Test voltage	3 kV for 1 min
Max system voltage	0.72 kV



PRODUCT CODES

SERIES	CLASS	CURRENT RATIO	BURDEN (VA)						
			1	0.5	0.5S	0.2	0.2S	0.1	
TK30A	25/5	1	-	-	-	-	-	-	
	30/5	1	-	-	-	-	-		
	40/5	1.5	1.5	1	-	-	-		
	50/5	2.5	2.5	2.5	-	-	-		
	60/5	3.75	3.75	2.5	1	-	-		
	75/5	5	5	5	2.5	1	-		
	80/5	5	5	5	2.5	1.5	-		
	100/5	7.5	3.75/7.5	7.5	5	5	1.5		
	125/5	5/7.5	5/7.5	5	5	5	1.5		
	150/5	5/10	5/10	5	5	5	2.5		
	160/5	5/12.5	5/12.5	12.5	10	10	5		
	200/5	10/15	10/15	15	15	15	10		
	250/5	20	20	20	20	20	15		
	300/5	25	25	25	25	25	25		
	400/5	25	25	25	25	25	25		
500/5	30	30	30	30	30	30			
600/5	30	30	30	30	30	30			

TK40 SERIES CURRENT TRANSFORMER

TK40 SERIES

VTEKE®

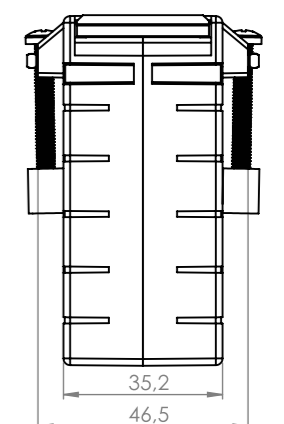
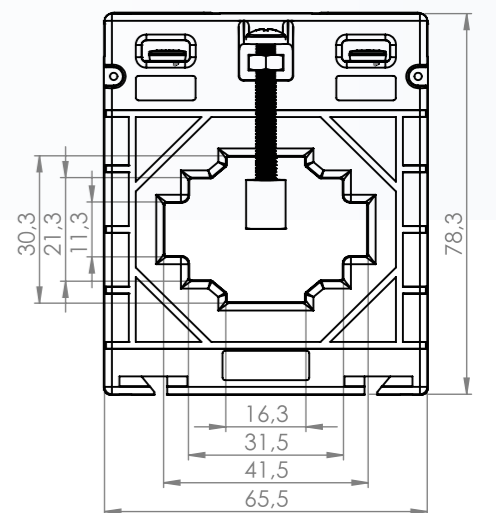
www.vteke.com.tr

FEATURES

Window-type current transformer with sealable terminal cover, suitable for primary currents from 200A to 800A AC; available in 1A or 5A AC secondary current; and accuracy classes 0.1, 0.2S, 0.2, 0.5S, 0.5 or Class 1.0.

TECHNICAL DATA

PARAMETER	VALUE
Standarts	IEC 60044-1, IEC 61869-2, VDE 0414-1, DIN57414, BS3938, BS7626, EN 61869-2
CT Ratio	From 200A to 800A
Rated Power	Up to 10VA
Accuracy class	Class 1, 0.5, 0.5S, 0.2, 0.2S, 0.1
Terminal	Integral terminal cover, high cross section brass terminal for extra safety
Case	Non-flammable self-extinguishing ABS/PC
Mounting	Various mounting options
Ambient temperature (operation)	-25 C ~ +85 C
Primary conductor	40 x 10 mm
Round conductor	Ø 30 mm
Number of input	1
Thermal rated short-time current	$I_{th} = 60 * I_n$
Thermal rated continuous current	$I_d = 1 * I_n$
Rated frequency	50 Hz ... 60 Hz
Surge current limitation factor	FS 5
Test voltage	3 kV for 1 min
Max system voltage	0.72 kV



PRODUCT CODES

SERIES	CLASS	CURRENT RATIO	BURDEN (VA)				
			1	0.5	0.5S	0.2	0.2S
TK40	200/5	2.5	2.5	-	-	-	
	250/5	2.5	2.5	-	-	-	
	300/5	3.75	2.5	1.5	-	-	
	400/5	5/10	5/10	5	-	-	
	500/5	5/10	5/10	5	5	-	
	600/5	5/10	5/10	7.5	7.5	7.5	
	800/5	10	10	10	10	7.5	

TK60 SERIES CURRENT TRANSFORMER

TK60 SERIES

VTEKE®

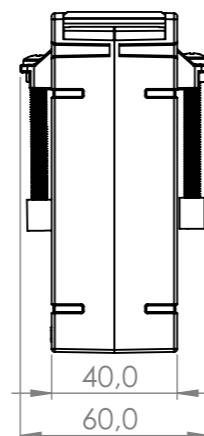
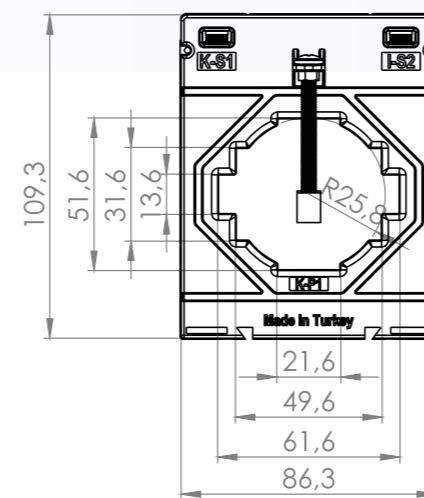
www.vteke.com.tr

FEATURES

Window-type current transformer with sealable terminal cover, suitable for primary currents from 400A to 1250A AC; available in 1A or 5A AC secondary current; and accuracy classes 0.1, 0.2S, 0.2, 0.5S, 0.5 or Class 1.0.

TECHNICAL DATA

PARAMETER	VALUE
Standarts	IEC 60044-1, IEC 61869-2, VDE 0414-1, DIN57414, BS3938, BS7626, EN 61869-2
CT Ratio	From 400A to 1250A
Rated Power	Up to 20VA
Accuracy class	Class 1, 0.5, 0.5S, 0.2, 0.2S, 0.1
Terminal	Integral terminal cover, high cross section brass terminal for extra safety
Case	Non-flammable self-extinguishing ABS/PC
Mounting	Various mounting options
Ambient temperature (operation)	-25 C ~ +85 C
Primary conductor	60 x 10 mm
Round conductor	Ø 51 mm
Number of input	1
Thermal rated short-time current	I _{th} = 60 kA
Thermal rated continuous current	I _d = 1 * I _n
Rated frequency	50 Hz ... 60 Hz
Surge current limitation factor	FS 5
Test voltage	3 kV for 1 min
Max system voltage	0.72 kV



PRODUCT CODES

SERIES	CURRENT RATIO	CLASS					
		1	0.5	0.5S	0.2	0.2S	0.1
TK60	400/5	5	5	-	-	-	-
	500/5	5	5	-	-	-	-
	600/5	10	10/15	5	5	-	-
	630/5	10	10/15	5	5	-	-
	800/5	10	10/15	10	10	5	-
	1000/5	15	15	15	15	10	-
	1200/5	15	15	15	15	15	15
	1250/5	15	15	15	15	15	15

TK80 SERIES CURRENT TRANSFORMER

TK80 SERIES

VTEKE®

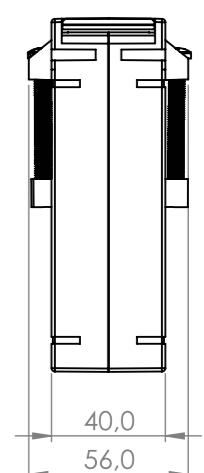
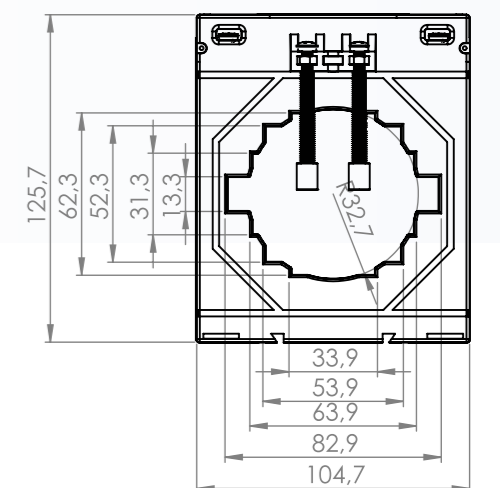
www.vteke.com.tr

FEATURES

Window-type current transformer with sealable terminal cover, suitable for primary currents from 800A to 2000A AC; available in 1A or 5A AC secondary current; and accuracy classes 0.1, 0.2S, 0.2, 0.5S, 0.5 or Class 1.0.

TECHNICAL DATA

PARAMETER	VALUE
Standarts	IEC 60044-1, IEC 61869-2, VDE 0414-1, DIN57414, BS3938, BS7626, EN 61869-2
CT Ratio	From 800A to 2000A
Rated Power	Up to 30VA
Accuracy class	Class 0.1, 0.2S, 0.2, 0.5S, 0.5 or Class 1.0
Terminal	Integral terminal cover, high cross section brass terminal for extra safety
Case	Non-flammable self-extinguishing ABS/PC
Mounting	Various mounting options
Ambient temperature (operation)	-25 C ~ +85 C
Primary conductor	80 x 10 mm
Round conductor	Ø 65 mm
Number of input	1
Thermal rated short-time current	I _{th} = 60 kA
Thermal rated continuous current	I _d = 1 * I _n
Rated frequency	50 Hz ... 60 Hz
Surge current limitation factor	FS 5
Test voltage	3 kV for 1 min
Max system voltage	0.72 kV



PRODUCT CODES

SERIES	CURRENT RATIO	CLASS					
		1	0.5	0.5S	0.2	0.2S	0.1
TK80	800/5 A	15 VA	15 VA	10 VA	7.5 VA	-	-
	1000/5 A	15 VA	15 VA	15 VA	10 VA	7.5 VA	-
	1200/5 A	15 VA	15 VA	15 VA	15 VA	7.5 VA	7.5 VA
	1250/5 A	15 VA	15 VA	15 VA	15 VA	7.5 VA	7.5 VA
	1500/5 A	15/30	15/30	15 VA	15 VA	10 VA	10 VA
	1600/5 A	15/30	15/30	15 VA	15 VA	15 VA	15 VA
	2000/5 A	30 VA	30 VA	25 VA	20 VA	15 VA	15 VA

TK100 SERIES CURRENT TRANSFORMER

TK100 SERIES

VTEKE®

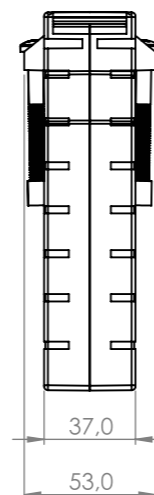
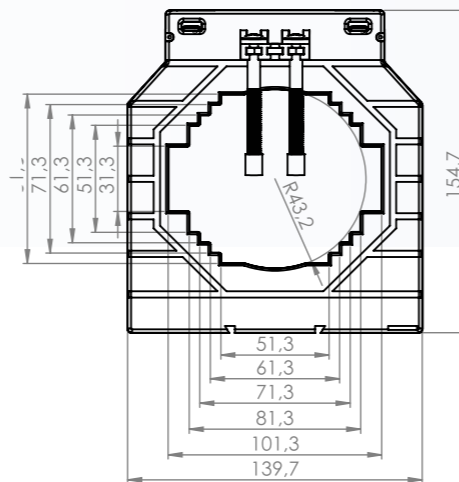
www.vteke.com.tr

FEATURES

Window-type current transformer with sealable terminal cover, suitable for primary currents from 1000A to 4000A AC; available in 1A or 5A AC secondary current; and accuracy classes Class 0.1, 0.2S, 0.2, 0.5S, 0.5 or Class 1.0.

TECHNICAL DATA

PARAMETER	VALUE
Standarts	IEC 60044-1, IEC 61869-2, VDE 0414-1, DIN57414, BS3938, BS7626, EN 61869-2
CT Ratio	From 1000A to 4000A
Rated Power	Up to 40VA
Accuracy class	Class 1, 0.5, 0.5S, 0.2, 0.2S, 0.1
Terminal	Integral terminal cover, high cross section brass terminal for extra safety
Case	Non-flammable self-extinguishing ABS/PC
Mounting	Various mounting options
Ambient temperature (operation)	-25 C ~ +85 C
Primary conductor	100 x 30mm
Round conductor	Ø 85mm
Number of input	1
Thermal rated short-time current	$I_{th} = 60 * I_n$ or $I_{th}=60kA$
Thermal rated continuous current	$I_d = 1 * I_n$
Rated frequency	50 Hz ... 60 Hz
Surge current limitation factor	FS 5
Test voltage	3 kV for 1 min
Max system voltage	0.8 kV



PRODUCT CODES

SERIES	CURRENT RATIO	CLASS					
		1	0.5	0.5S	0.2	0.2S	0.1
TK100	1000/5	15	15	5	5	-	1-
	1200/5	15	15	10	10	-	-
	1250/5	15	15	15	15	5	-
	1500/5	15	15	15	15	7.5	-
	1600/5	30	30	25	15	7.5	-
	2000/5	30	30	30	30	30	30
	2500/5	30	30	30	30	30	30
	3000/5	30	30	30	30	30	30
	3200/5	30	30	30	30	30	30
	4000/5	30	30	30	30	30	30

TK120 SERIES CURRENT TRANSFORMER

TK120 SERIES

VTEKE®

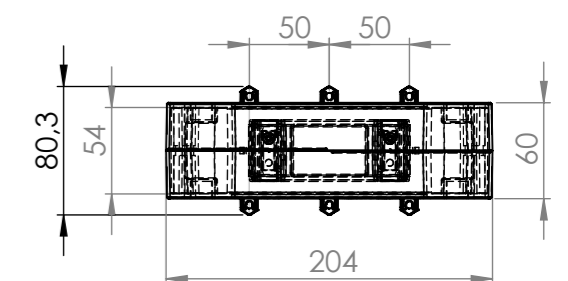
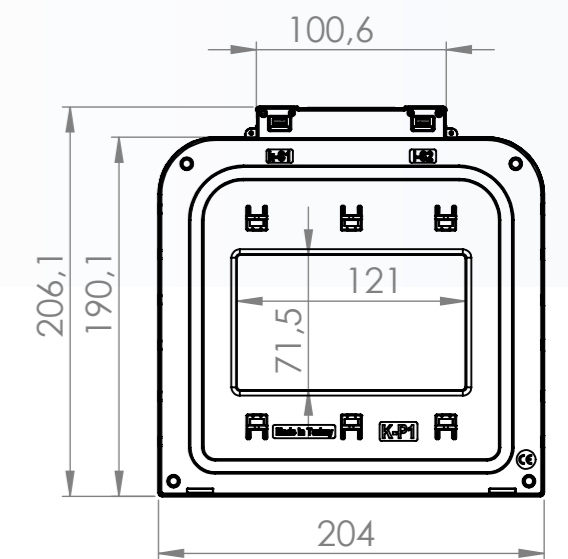
www.vteke.com.tr

FEATURES

Window-type current transformer with sealable terminal cover, suitable for primary currents from 2000A to 6300A AC; available in 1A or 5A AC secondary current; and accuracy classes 0.1, 0.2S, 0.2, 0.5S, 0.5 or Class 1.0.

TECHNICAL DATA

PARAMETER	VALUE
Standarts	IEC 60044-1, IEC 61869-2, VDE 0414-1, DIN57414, BS3938, BS7626, EN 61869-2
CT Ratio	From 2000A to 6300A
Rated Power	Up to 60VA
Accuracy class	Class 1, 0.5, 0.5S, 0.2, 0.2S, 0.1
Terminal	Integral terminal cover, high cross section brass terminal for extra safety
Case	Non-flammable self-extinguishing ABS/PC
Mounting	Various mounting options
Ambient temperature (operation)	-25 C ~ +85 C
Primary conductor	70 X 120 mm
Round conductor	Ø 71 mm
Number of input	1
Thermal rated short-time current	$I_{th} = 60 kA$
Thermal rated continuous current	$I_d = 1 * I_n$
Rated frequency	50 Hz ... 60 Hz
Surge current limitation factor	FS 5
Test voltage	3 kV for 1 min
Max system voltage	0.72 kV



PRODUCT CODES

SERIES	CURRENT RATIO	CLASS					
		1	0.5	0.5S	0.2	0.2S	0.1
TK120	3000/5	30	30	30	30	30	30
	3200/5	30	30	30	30	30	30
	4000/5	40	40	40	40	40	40
	5000/5	40	40	40	40	40	40
	6000/5	40	40	40	40	40	40
	6300/5	40	40	40	40	40	40

DK125 SERIES CURRENT TRANSFORMER

DK125 SERIES

VTEKE®

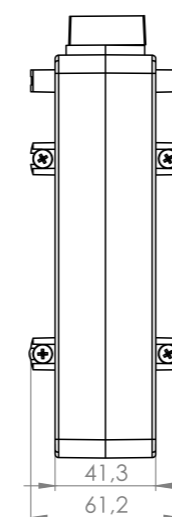
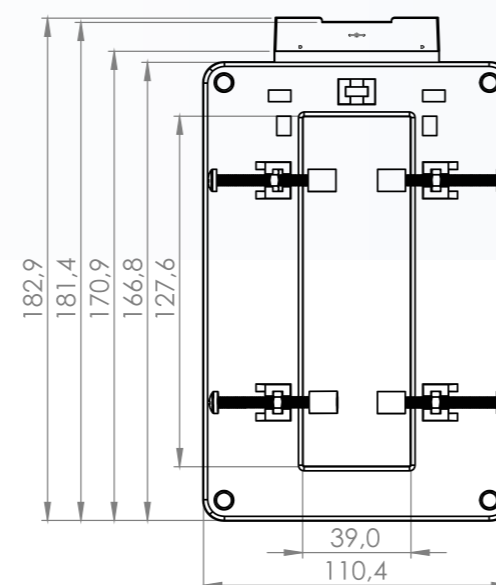
www.vteke.com.tr

FEATURES

Window-type current transformer with sealable terminal cover, suitable for primary currents from 600A to 4000A AC; available in 1A or 5A AC secondary current; and accuracy classes 0.1, 0.2S, 0.2, 0.5S, 0.5 or Class 1.0.

TECHNICAL DATA

PARAMETER	VALUE
Standarts	IEC 60044-1, IEC 61869-2, VDE 0414-1, DIN57414, BS3938, BS7626, EN 61869-2
CT Ratio	From 600A to 4000A
Rated Power	Up to 40VA
Accuracy class	Class 1, 0.5, 0.5S, 0.2, 0.2S, 0.1
Terminal	Integral terminal cover, high cross section brass terminal for extra safety
Case	Non-flammable self-extinguishing ABS/PC
Mounting	Busbar Mount Type
Primary conductor	125 x 39 mm
Ambient temperature (operation)	-25 C ~ +85 C
Number of input	1
Thermal rated short-time current	I _{th} = 60 kA
Thermal rated continuous current	I _d = 1 * I _n
Rated frequency	50 Hz ... 60 Hz
Surge current limitation factor	FS 5
Test voltage	3 kV for 1 min
Max system voltage	0.72 kV



PRODUCT CODES

SERIES	CURRENT RATIO	CLASS					
		1	0.5	0.5S	0.2	0.2S	0.1
DK125	1000/5	15	15	5	5	-	-
	1200/5	15	15	10	10	-	-
	1250/5	15	15	15	15	-	-
	1500/5	15	15	15	15	7.5	5
	1600/5	30	25	25	15	7.5	5
	2000/5	30	30	30	30	30	30
	2500/5	30	30	30	30	30	30
	3000/5	30	30	30	30	30	30
	3200/5	30	30	30	30	30	30
	4000/5	30	30	30	30	30	30

BK SERIES CURRENT TRANSFORMER

BK SERIES

VTEKE®

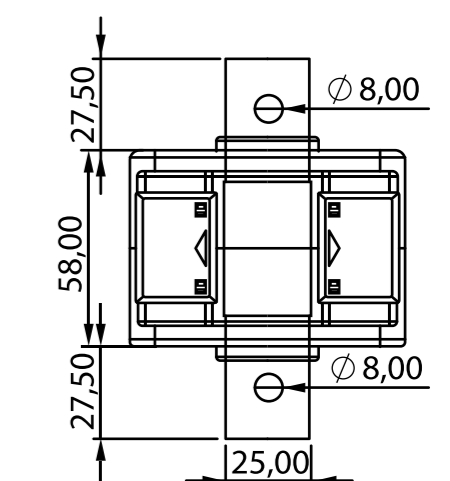
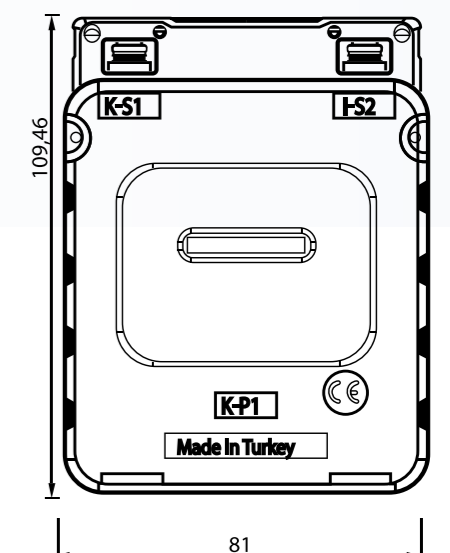
www.vteke.com.tr

FEATURES

BK series Current Transformer is built-in bar type current transformer with sealable terminal cover, suitable for primary currents from 5A to 200A AC; available in accuracy classes Class 0.5S, 0.5 or Class 1.0.

TECHNICAL DATA

PARAMETER	VALUE
Standarts	IEC 60044-1, IEC 61869-2, VDE 0414-1, DIN57414, BS3938, BS7626, EN 61869-2
CT Ratio	From 5A to 200A
Rated Power	Up to 15VA
Accuracy class	Class 0.5S, Class 0.5, Class 1.0
Terminal	Integral terminal cover, high cross section brass terminal for extra safety
Case	Non-flammable self-extinguishing ABS/PC
Mounting	Plate Mounted, KK0001
Primary conductor	25 x 3 built-in busbar
Ambient temperature (operation)	-25 C ~ +85 C
Number of input	1
Thermal rated short-time current	I _{th} = 60 In
Thermal rated continuous current	I _d = 1 * I _n
Rated frequency	50 Hz ... 60 Hz
Surge current limitation factor	FS 5
Test voltage	3 kV for 1 min
Max system voltage	0.72 kV



PRODUCT CODES

PRIMARY CURRENT (A)	CLASS 1.0		CLASS 0.5		CLASS 0.5S	
	CODE BURDEN 5VA	CODE BURDEN 10VA	CODE BURDEN 5VA	CODE BURDEN 10VA	CODE BURDEN 5VA	CODE BURDEN 10VA
5/5 A	BK55105	BK55107	BK55205	BK55207	BK55305	BK55307
10/5 A	BK105105	BK105107	BK105205	BK105207	BK105305	BK105307
15/5 A	BK155105	BK155107	BK155205	BK155207	BK155305	BK155307
20/5 A	BK205105	BK205107	BK205205	BK205207	BK205305	BK205307
25/5 A	BK255105	BK255107	BK255205	BK255207	BK255305	BK255307
30/5 A	BK305105	BK305107	BK305205	BK305207	BK305305	BK305307
40/5 A	BK405105	BK405107	BK405205	BK405207	BK405305	BK405307
50/5 A	BK505105	BK505107	BK505205	BK505207	BK505305	BK505307
60/5 A	BK605105	BK605107	BK605205	BK605207	BK605305	BK605307
75/5 A	BK755105	BK755107	BK755205	BK755207	BK755305	BK755307
80/5 A	BK805105	BK805107	BK805205	BK805207	BK805305	BK805307
100/5 A	BK1005105	BK1005107	BK1005205	BK1005207	BK1005305	BK1005307
125/5 A	BK1255105	BK1255107	BK1255205	BK1255207	BK1255305	BK1255307
150/5 A	BK1505105	BK1505107	BK1505205	BK1505207	BK1505305	BK1505307
200/5 A	BK2005105	BK2005107	BK2005205	BK2005207	BK2005305	BK2005307

BK1C SERIES CURRENT TRANSFORMER

BK1C SERIES

VTEKE®

www.vteke.com.tr

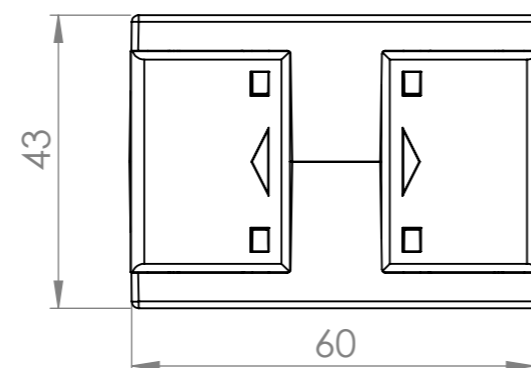
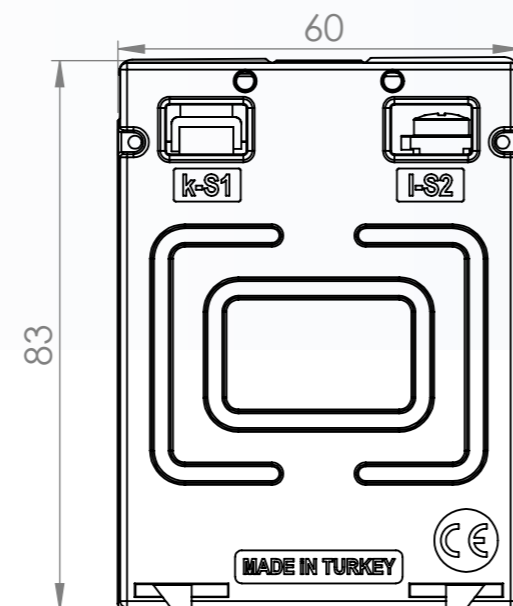
New

FEATURES

Closed body transformer with primary and secondary terminals at the top. Suitable for primary currents from 1A to 50A AC and accuracy classes 0.5, 1.0.

TECHNICAL DATA

PARAMETER	VALUE
Standarts	IEC 60044-1, IEC 61869-2, VDE 0414-1, DIN57414, BS3938, BS7626, EN 61869-2
CT Ratio	From 1A to 50A
Rated Power	Up to 5VA
Accuracy class	Class 0.5, Class 1.0,
Terminal	Integral terminal cover, high cross section brass terminal for extra safety
Case	Non-flammable self-extinguishing ABS/PC
Mounting	On plate
Ambient temperature (operation)	-25 C ~ +85 C
Number of input	1
Thermal rated short-time current	$I_{th} = 60 * I_n$
Thermal rated continuous current	$I_d = 1.2 * I_n$
Test voltage	3 kV for 1 min
Max system voltage	0.72 kV



PRODUCT CODES

SERIES	CLASS	
	1	0.5
	CURRENT RATIO	BURDEN (VA)
BK1C	1/5	2.5/5 2.5
	2.5/5	2.5/5 2.5
	5/5	2.5/5 2.5
	10/5	2.5/5 2.5
	15/5	2.5/5 2.5
	20/5	2.5/5 2.5
	25/5	2.5/5 2.5
	30/5	2.5/5 2.5
	40/5	2.5/5 2.5
	50/5	2.5/5 2.5

SPLIT CORE CURRENT TRANSFORMER

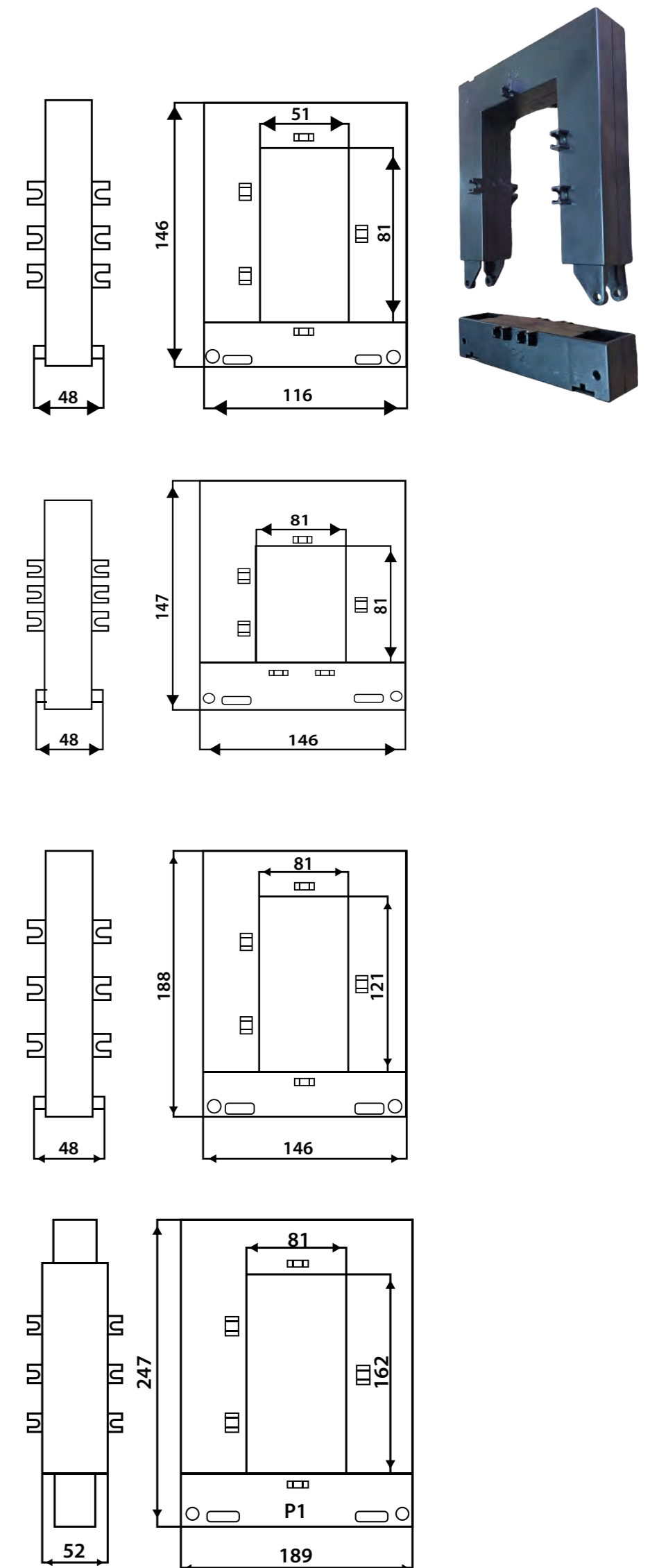
SK SERIES

VTEKE®

www.vteke.com.tr

New

Series	Class	1	0.5
Hole	Ratio		
SK5080	250/5A	1.5VA	-
	300/5A	2.5VA	-
	400/5A	2.5VA	1.5VA
	500/5A	2.5VA	2.5VA
50X80MM	600/5A	5VA	2.5VA
	750/5A	5VA	2.5VA
	800/5A	5VA	2.5VA
	1000/5A	7.5VA	5VA
SK 8080	250/5A	1.5 VA	-
	300/5A	2.5 VA	-
	400/5A	2.5 VA	-
X80	500/5A	2.5 VA	2.5 VA
	600/5A	2.5 VA	2.5 VA
	750/5A	5VA	2.5VA
	800/5A	5VA	2.5VA
SK 80120	1000/5A	7.5 VA	5VA
	500/5A	2.5 VA	-
	600/5A	2.5 VA	-
80X120 MM	750/5A	5VA	2.5VA
	800/5A	5VA	5VA
	1000/5A	7.5 VA	5VA
	1200/5A	7.5 VA	5VA
SK 80160	1250/5A	7.5 VA	5VA
	1500/5A	10VA	10VA
	1600/5A	10VA	10VA
	1000/5A	10VA	5VA
80X160 MM	1200/5A	10VA	5VA
	1250/5A	10VA	7.5VA
	1500/5A	10VA	7.5VA
	1600/5A	10VA	7.5VA
	2000/5A	15VA	10VA
	2500/5A	20VA	15VA
	3000/5A	20VA	20VA
	3200/5A	20VA	20VA
	4000/5A	20VA	20VA
	5000/5A	20VA	20VA
6000/5A	20VA	20VA	
6300/5A	20VA	20VA	



PANEL METERS

ENERGY ANALYZER

EA-C5



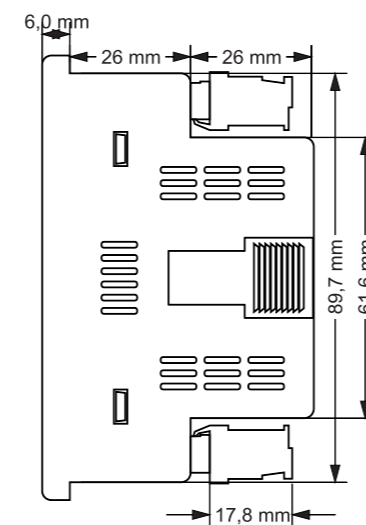
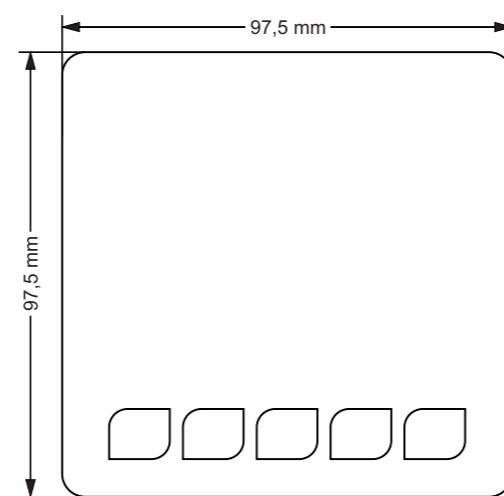
FEATURES

PARAMETER	VALUE
Total Harmonics Distortion	THD-V, THD-I
Voltage Harmonics	Up to 55st harmonics (L-N and L-L)
Current Harmonics	Up to 55st harmonics
Active Power	P1, P2, P3, ΣP
Reactive Power	Q1, Q2, Q3, ΣQ
Q	S1, S2, S3, ΣS
Power Factor	True PF, cos φ (of each phase)
Voltage	phase-to-phase, phase-to-neutral (min, max & average values are saved)
Current	I1, I2, I3, ΣI (min, max & demand are saved)
Frequency	F1, F2, F3 (min, max & average)
Energy	ΣkWh (import & export) ΣkVARh (inductive & Capacitive)
Relay Output	2 Relay outputs (adjustable), 1 digital input
Irregularities	voltage and current imbalances
Screen	71.5 X 61.5 Custom Design Glass LCD
Communication	RS485 Modbus RTU
Event logs	High voltage, low voltage, power interruption, Voltage and current imbalances, high current, THD-V & THD-I limits
Real time Clock	Date and time can be set
Memory	You can delete energy values, demands records and event logs.
Password	Menu is password protected

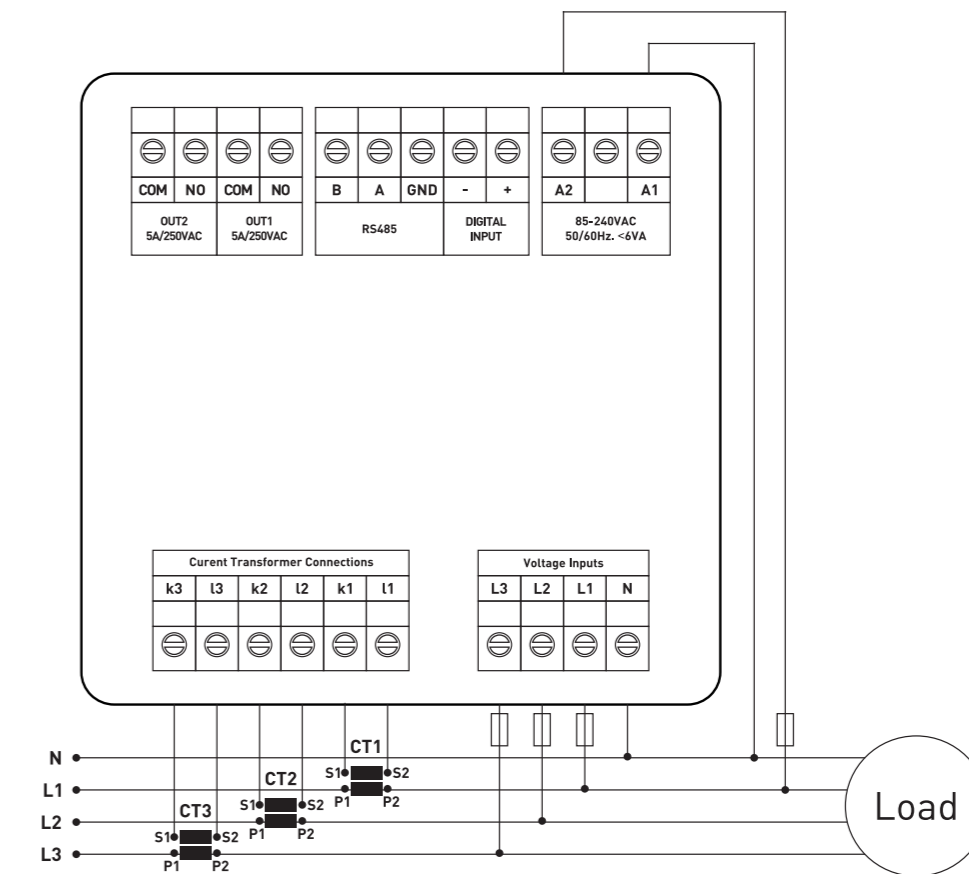


TECHNICAL SPECIFICATIONS

PARAMETER	VALUE
Operating Voltage	85V - 240 AC
Operating Frequency	50 / 60 Hz
Operating Power	<10VA
Operating Temperature	-20°C.....55°C
Input Voltage (L-N)	1V - 330VAC
Voltage Measuring Range	1V - 600kV
Input Current	1mA - 5,5A
Current Measuring Range	1mA - 50.000A
Voltage, Current, Accuracy	%±0.2
Active Energy Accuracy	%±0.5
Reactive Energy Accuracy	%±1
Supported Connection	3P4W
Current Transformer Ratio	1....5000
Voltage Transformer Ratio	1,0....9999
Harmonic Voltage	3 - 55
Harmonic Current	3 - 55
Real Time Clock	> 5 Year
Contact Output	2A / 250V AC [Resistive Load]
Digital Input	9V - 24V DC
Protection Class	IP41[Front Panel], IP20[Body]
Panel Hole Measurement	91mm x 91mm
Cable Diameter	1.5mm ²



CONNECTION DIAGRAM



VALUES TABLE

Parameter Number	Parameter	Unit	Factory Value	Minimum Value	Maximum Value
Ctr	Current Transformer Ratio	-	1	1	5000
Vtr	Voltage Transformer Ratio	-	1.0	0.1	999.9
br	Baudrate	bps	9600	1200	115200
-	Stop bits	-	1	-	-
-	Data bits	-	8	-	-
-	Parity	-	none	-	-
Id	ModBus ID	-	1	1	247
En	Deleting Total Energy	-	No	Yes	No
dE	Deleting Demand Values	-	No	Yes	No
LO	Deleting Event Records	-	No	Yes	No
PASS	Password	-	0	0	9999
Con Type	Connection Type	-	3P4L	3P4L	3P3L
Date Set	Date	-	-	2000	2100
Time Set	Hour	-	-	-	-
Par	Parametre	-	OFF	OFF, Uln, Iln, Ilt, thdU, thdI, PF, U Un, I Un, dl n	
Fun	Function	-	High	High	Low
UAL	Uln (voltage)	Volt	vtr x 10	vtr x 10	vtr x 500
	Iln (Current)	Amper	{ctrx10}/100	{ctrx10}/100	{ctrx500}/100
	Ilt (Total Current)	Amper	{ctrx3x10}/100	{ctrx3x10}/100	{ctrx3x500}/100
	thdU (Total Voltage Har.)	%	1	1	50
	thdI (Total Current Har.)	%	1	1	50
	PF (Power Factor)	%	0.50	0.50	0.99
	U Un (Voltage imbalance)	%	1	1	50
	I Un (Current Imbalance)	%	1	1	50
Dip	Low Voltage	%	<Vtr x 230 x 0,90 ve <Vtr x 400 x 0,90		
Swl	High voltage	%	>Vtr x 230 x 1,10 ve >Vtr x 400 x 1,10		
Cut	No Voltage	%	<Vtr x 230 x 0,40 ve <Vtr x 400 x 0,40		
Lmt I	Current Limit	%		>Ctr x 0.80	
Lmt Thd-V	Thd-V Limit	%		>1.20	
Lmt Thd-I	Thd-I Limit	%		>1.20	
Lmt PF	Power Factor Limit	%		<0.80	
dl n	Data Input Frequency	Hz.		>1Hz.	

ENERGY ANALYZER

EA-C4

VTEKE[®]
www.vteke.com.tr

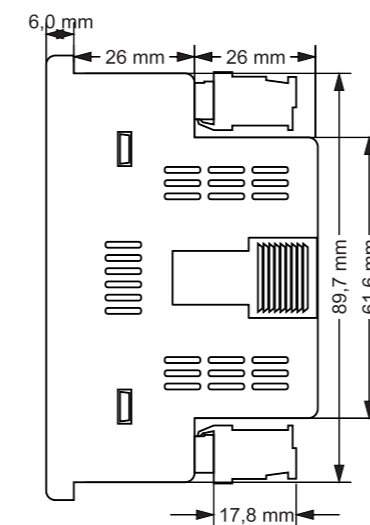
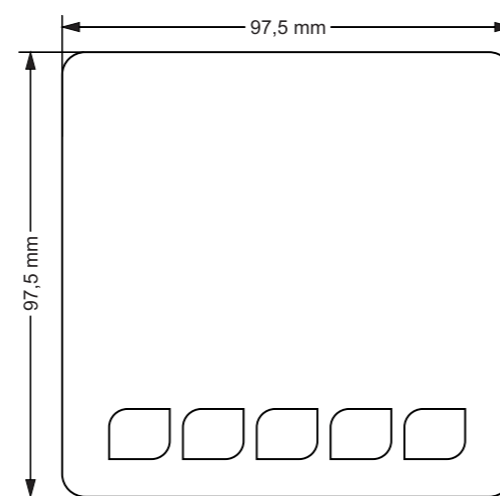
FEATURES

PARAMETER	VALUE
Total Harmonics Distortion	THD-V, THD-I
Voltage Harmonics	Up to 31st harmonics (L-N and L-L)
Current Harmonics	Up to 31st harmonics
Active Power	P1, P2, P3
Reactive Power	Q1, Q2, Q3
Apparent Power	S1, S2, S3
Power Factor	True PF, cos φ (of each phase)
Voltage	phase-to-phase, phase-to-neutral (min, max & average values are saved)
Current	I1, I2, I3 (min, max & demand are saved)
Frequency	F1, F2, F3 (min, max & average)
Energy	ΣkWh (import & export) ΣkVARh (inductive & Capacitive)
Relay Output	Adjustable
Irregularities	voltage and current imbalances
Screen	71.5 X 61.5 Custom Design Glass LCD
Communication	RS485 Modbus RTU
Memory	You can delete energies and demands records
Password	Menu is password protected

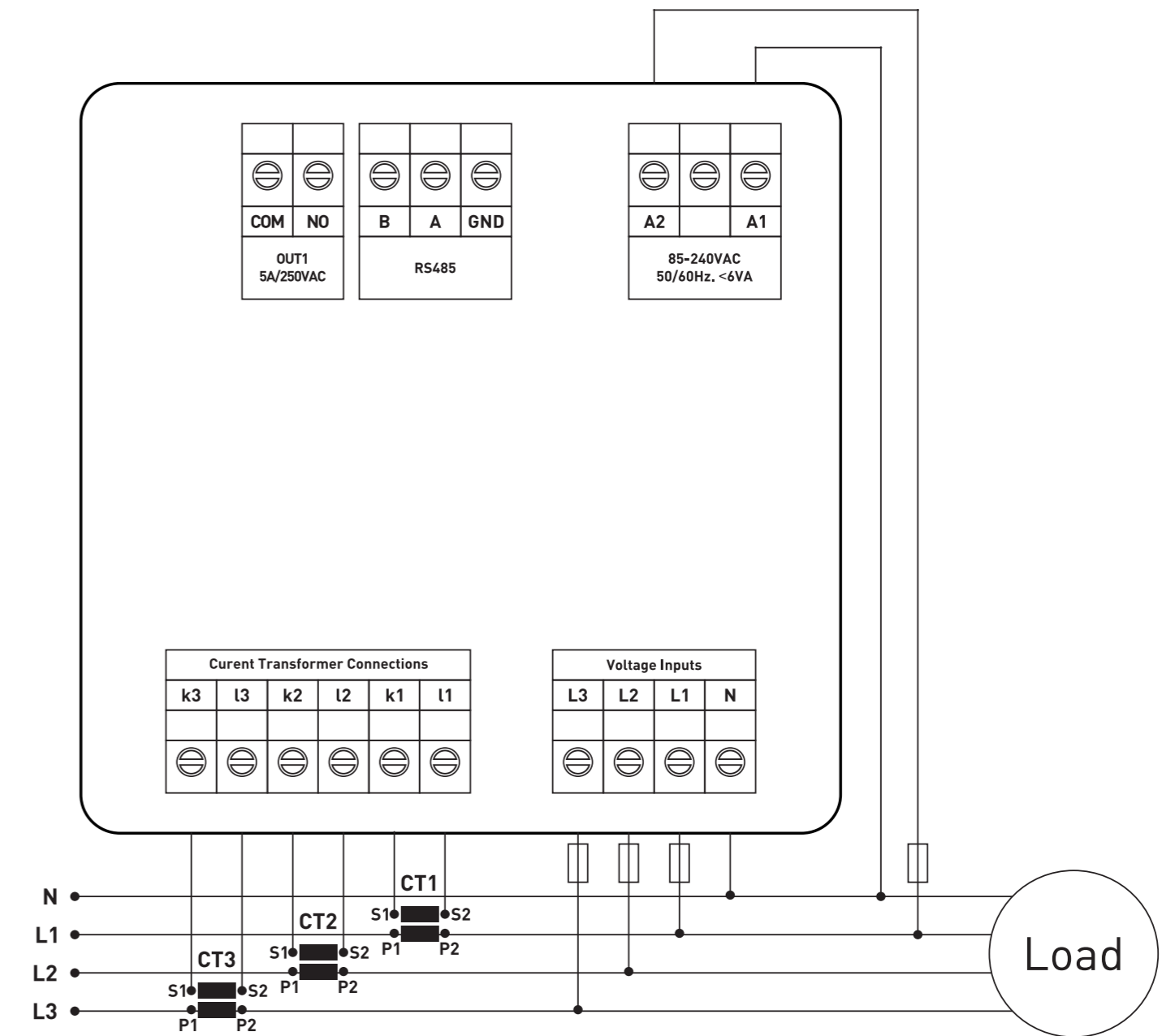


TECHNICAL SPECIFICATIONS

PARAMETER	VALUE
Operating Voltage	85V - 240 AC
Operating Frequency	50 / 60 Hz
Operating Power	<10VA
Operating Temperature	-20°C.....55°C
Input Voltage (L-N)	5V - 330V AC
Voltage Measuring Range	5V - 330kV
Input Current	1mA - 5,5A
Current Measuring Range	1mA - 50.000A
Voltage, Current, Accuracy	%±0.5
Active Energy Accuracy	%±1
Reactive Energy Accuracy	%±2
Supported Connection	3P3W
Current Transformer Ratio	1....1000
Voltage Transformer Ratio	1,0....9999
Harmonic Voltage	3 - 31
Harmonic Current	3 - 31
Communication	RS485 Modbus RTU Baudrate: 1200bps-38400bps Stop Bit: 1 or 2; Parity: None, Even, Odd
Contact input	3A / 250V AC [Resistive Load]
Digital Input	9V - 24V DC
Weight	<300Gr
Protection Class	IP54[Front Panel], IP00[Body]
Panel Hole Measurement	91mm x 91mm
Connection Type	Plug-in Terminal Connection
Cable Diameter	1.5mm ²



CONNECTION DIAGRAM



VALUES TABLE

Parameter Number	Parameter	Unit	Factory Value	Minimum Value	Maximum Value
Ctr	Current Transformer Ratio	-	1	1	5000
Vtr	Voltage Transformer Ratio	-	1.0	0.1	999.0
br	Baudrate	bps	9600	1200	38400
-	Stop bits	-	1	1	2
-	Data bits	-	8	-	-
-	Parity	-	none	None, Even, Odd	
Id	ModBus ID	-	1	1	247
En	Deleting Total Energy	-	No	Yes	No
dE	Deleting Demand Values	-	No	Yes	No
PASS	Password	-	0	0	9999
Par	Parameter	-	OFF	OFF, Uln, Iln, Ilt, thdU, thdI, PF, U Un, I Un, dl n	
Fun	Function	-	High	Low	High
UAL	Uln (voltage)	Volt	vtr x 10	vtr x 10	vtr x 500
	Iln (Current)	Amper	(ctrx10)/100	(ctrx10)/100	(ctrx500)/100
	Ilt (Total Current)	Amper	(ctrx3x10)/100	(ctrx3x10)/100	(ctrx3x500)/100
	thdU (Total Voltage Har.)	%	1	1	50
	thdI (Total Current Har.)	%	1	1	50
	PF (Power Factor)	%	0.50	0.50	0.99
	U Un (Voltage imbalance)	%	1	1	50
	I Un (Current Imbalance)	%	1	1	50
dLY	Delay Time	second	0	1	1000
HIS	Hysteresis Value	Volt, Amper, %	0	1	10

ENERGY ANALYZER

EA-C1

VTEKE[®]
www.vteke.com.tr

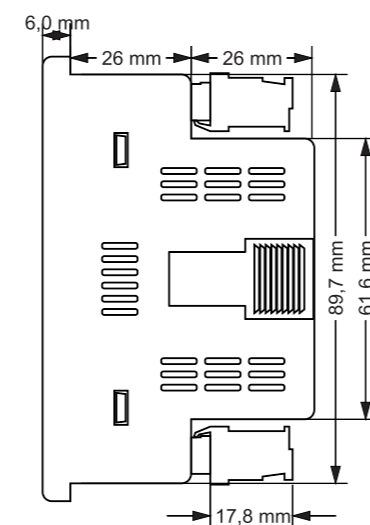
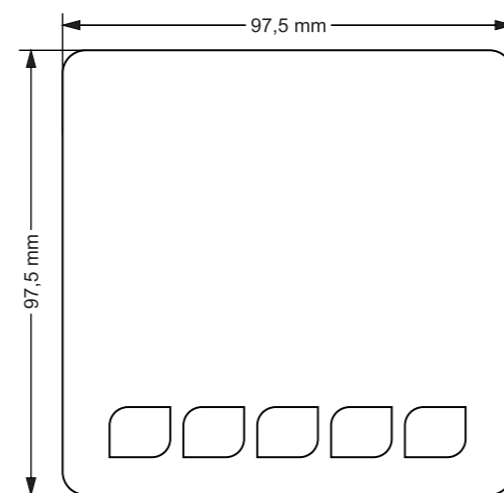
FEATURES

PARAMETER	VALUE
Total Harmonics Distortion	THD-V, THD-I
Voltage Harmonics	Up to 31st harmonics (L-N and L-L)
Current Harmonics	Up to 31st harmonics
Active Power	P1, P2, P3
Reactive Power	Q1, Q2, Q3
Q	S1, S2, S3
Power Factor	True PF, cos φ (of each phase)
Voltage	phase-to-phase, phase-to-neutral (min, max & average values are saved)
Current	I1, I2, I3, ΣI (min, max & demand are saved)
Frequency	F1, F2, F3 (min, max & average)
Energy	ΣkWh (import & export) ΣkVARh (inductive & Capacitive)
Relay Output	Adjustable
Irregularities	Voltage and current imbalances
Communication	RS485 Modbus RTU
Memory	You can delete energy values, demands, records and event logs.
Password	Menu is password protected

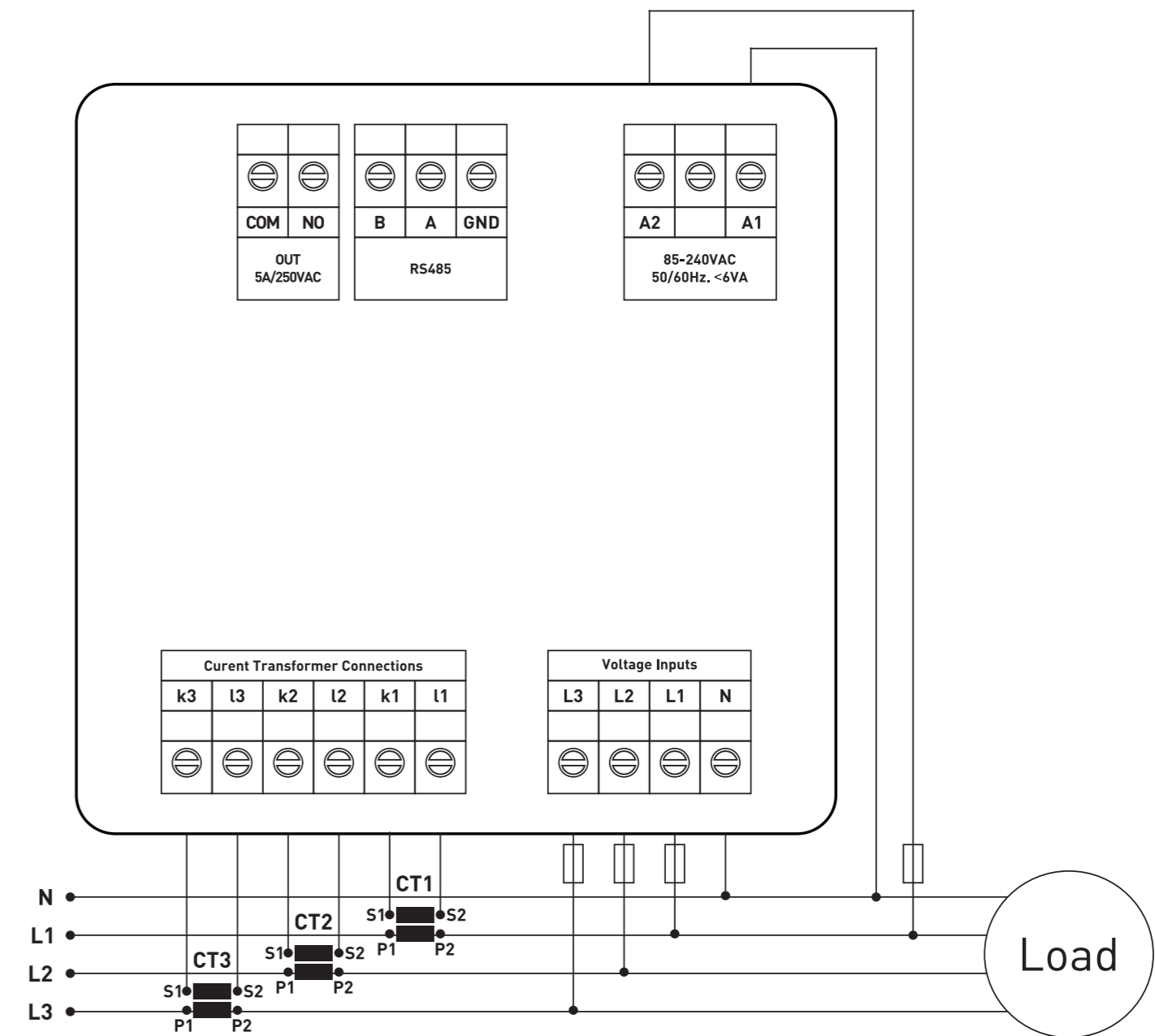


TECHNICAL SPECIFICATIONS

PARAMETER	VALUE
Operating Voltage	85V - 240 AC
Operating Frequency	50 / 60 Hz
Operating Power	<10VA
Operating Temperature	-20°C.....55°C
Input Voltage (L-N)	5V - 330VAC
Voltage Measuring Range	5V - 330kV
Input Current	10mA - 5,5A
Current Measuring Range	10mA - 5500A
Voltage, Current, Accuracy	%±0.5
Active Energy Accuracy	%±1
Reactive Energy Accuracy	%±2
Supported Connection	3P4W
Current Transformer Ratio	1....1000
Voltage Transformer Ratio	1,0....9999
Harmonic Voltage	3 – 31
Harmonic Current	3 – 31
Digital Input	9V - 24V DC
Weight	<300Gr
Protection Class	IP41[Front Panel], IP20[Body]
Panel Hole Measurement	91mm x 91mm
Connection Type	Plug-in Terminal Connection
Cable Diameter	1.5mm ²
Mounting	Assembly to panel front cover
Working Altitude	<2000 meter



CONNECTION DIAGRAM



VALUES TABLE

Parameter Number	Parameter	Unit	Factory Value	Minimum Value	Maximum Value
Ctr	Current Transformer Ratio	-	1	1	1000
Vtr	Voltage Transformer Ratio	-	1.0	0.1	999.9
br	Baudrate	bps	9600	1200	38400
-	Stop bits	-	1	1	2
-	Data bits	-	8	-	-
-	Parity	-	none	none, even, odd	
Id	ModBus ID	-	1	1	247
En	Deleting Total Energy	-	No	Yes	No
dE	Deleting Demand Values	-	No	Yes	No
PASS	Password	-	0	0	9999
Par	Parameter	-	OFF	OFF, Uln, Iln, Ilt, thdU, thdI, PF, U Un, I Un, dl n	
Fun	Function	-	High	Low	High
UAL	Uln (Voltage)	Volt	vtr x 10	vtr x 10	vtr x 500
	Iln (Current)	Ampere	{ctrx10}/100	{ctrx10}/100	{ctrx500}/100
	Ilt (Total Current)	Ampere	{ctrx3x10}/100	{ctrx3x10}/100	{ctrx3x500}/100
	thdU (Total Voltage Harmonic)	%	1	1	50
	thdI (Total Current Harmonic)	%	1	1	50
	PF (Power Factor)	%	0.50	0.50	0.99
	U Un (Voltage Unbalance)	%	1	1	50
	I Un (Current Unbalance)	%	1	1	50
dLY	Delay Time	second	0	1	1000
HyS	Hysteresis Value	%	0	1	10

ENERGY ANALYZER

VK-M96-C

VTEKE[®]

www.vteke.com.tr

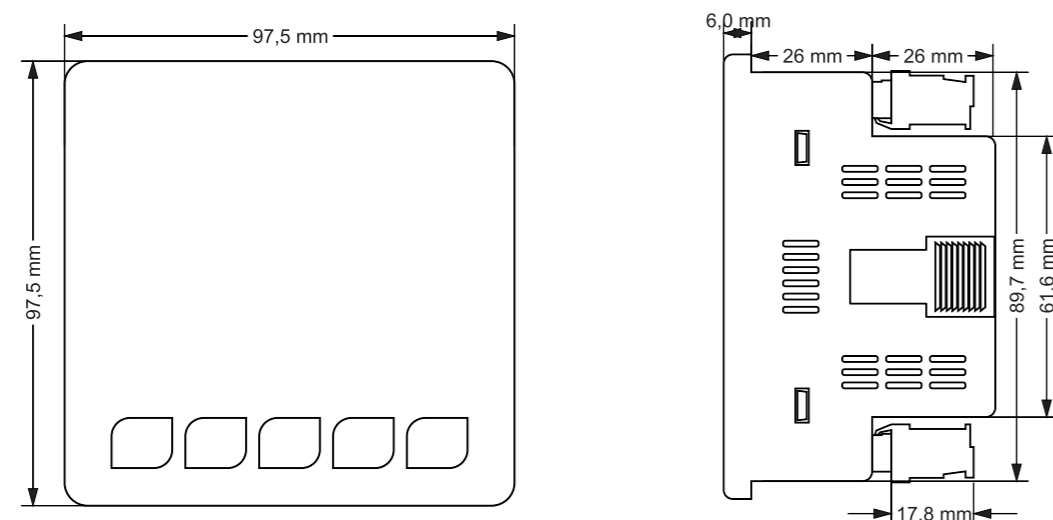
FEATURES

PARAMETER	VALUE
Active Power	P1, P2, P3
Q	S1, S2, S3
Voltage	phase-to-phase, phase-to-neutral (min, max & average values are saved)
Current	I1, I2, I3(min, max & demand are saved)
Frequency	F1, F2, F3 (min, max & average)
Energy	ΣkWh (import & export)
Phase Sequence	Phase Sequence Alarm
Relay Output	adjustable
Irregularities	voltage and current implances
Screen	71.5 x 61.5 LCD SCRscreen
Communication	RS485 Modbus RTU
Memory	You can delete energy values, demands records and event logs.
Password	Menu is password protected



TECHNICAL SPECIFICATIONS

PARAMETER	VALUE
Operating Voltage	85V - 240 AC
Operating Frequency	50 / 60 Hz
Operating Power	<10VA
Operating Temperature	-20°C.....55°C
Input Voltage (L-N)	5V - 330VAC
Voltage Measuring Range	5V - 330kV
Input Current	50mA - 5,5A
Current Measuring Range	50mA – 10,000A
Voltage, Current, Accuracy	%±1
Supported Connection	3P4W
Current Transformer Ratio	1....2000
Voltage Transformer Ratio	1,0....999
Weight	<300Gr
Protection Class	IP41[Front Panel], IP20[Body]
Panel Hole Measurement	91mm x 91mm
Connection Type	Plug-in Terminal Connection
Cable Diameter	1.5mm ²
Mounting	Assembly to panel front cover
Working Altitude	<2000 meter



CONNECTION DIAGRAM

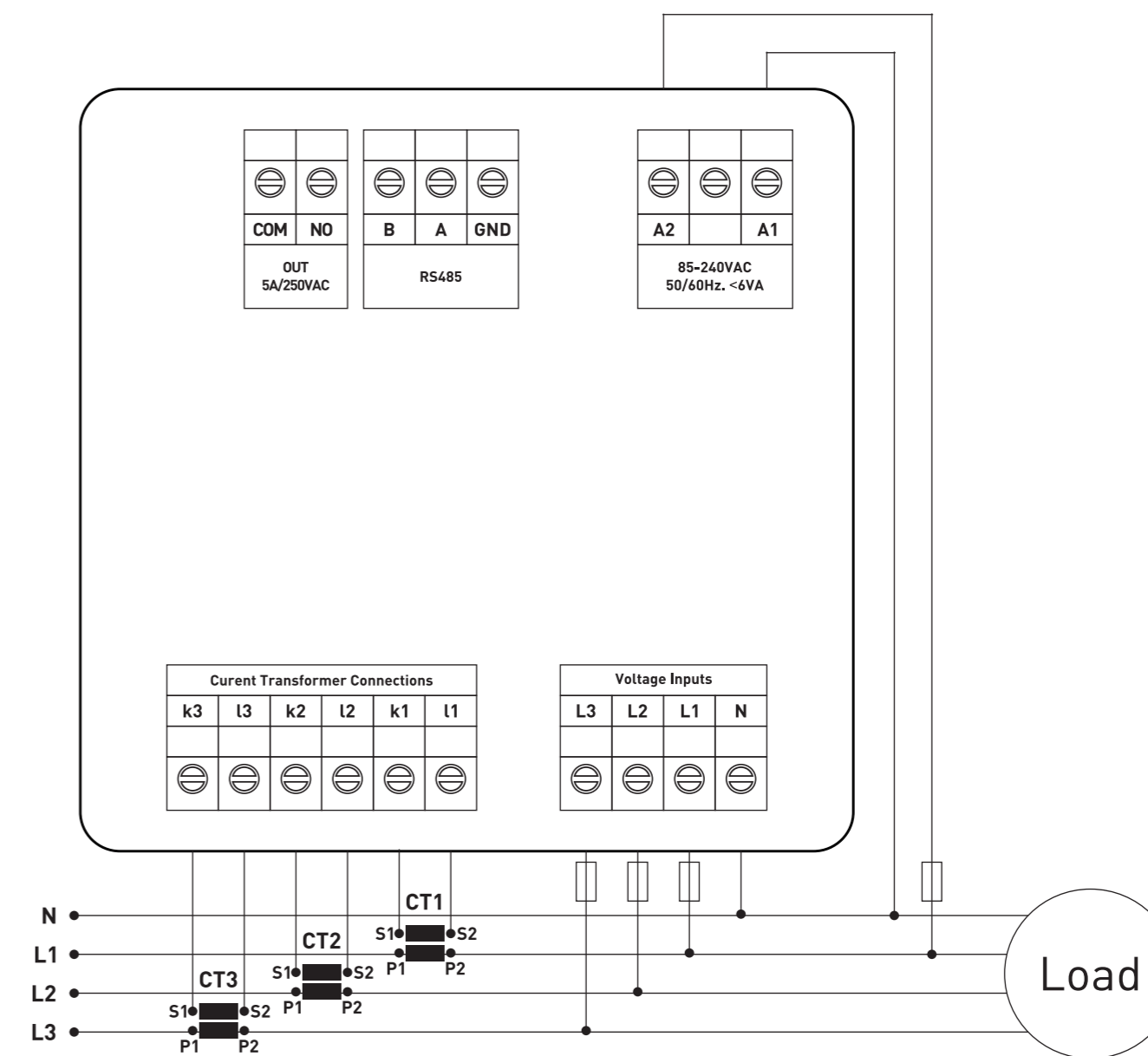


Figure-1: 3P4W connection type: 3 phase current and 3 phase voltage and neutral.

VALUES TABLE

Menu	Parameter Number	Parameter	Unit	Default Value	Minimum Value	Maximum Value
SETUP	Pr.1	Current Transformer Ratio	-	1	1	2000
	Pr.2	Voltage Transformer Ratio	-	1	1	999
	Pr.3	C.T. Cable Turn Number	Round	1	1	20
	Pr.4	Demand Time	Minute	15	1	120
	Pr.5	Demand Delete	-	-	-	-
	Pr.6	Energy Delete	-	-	-	-
GENERAL SET	Pr.7	Password Change	-	0000	0000	9999
	Pr.8	Password Protection	-	Disable	Disable	Enable
RS 485	Pr.9	ModBus ID	-	1	1	247
	Pr.10	ModBus BaudRate	bps	9600	1200	38400
ABOUT	Pr.11	Serial Number	-	-	-	-
	Pr.12	Version	-	-	-	-

PANEL MULTIMETER 96X96

VK-M96

VTEKE[®]
www.vteke.com.tr

FEATURES

- 6 Displays at same times
- Measures 3-phase voltage, Current & Frequency
- Phase Sequence LED alarm
- Low depth case for narrow panels

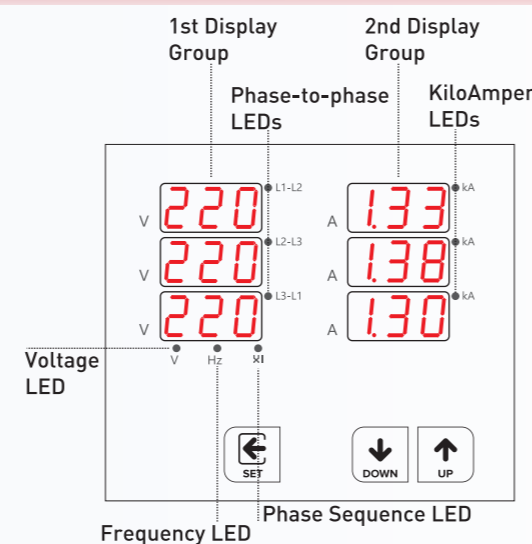
TECHNICAL SPECIFICATIONS

PARAMETER	VALUE
Operating Voltage	150-240VAC
Operating Frequency	50 / 60 Hz
Operating Power	<6VA
Operating Temperature	-20°C.....55°C
Input Voltage (L-N)	1V - 300VAC
Voltage Measuring Range	1V - 300VAC (L-N) 1V – 500VAC (L-L)
Current Measuring Range	50mA to 5.5A (for CT 5/5A to 5000/5A)
Accuracy	%±1
Supported Connection	3P4W
Weight	<325Gr
Protection Class	IP41[Front Panel], IP20[Body]
Connection Type	Plug-in Terminal Connection
Cable Diameter	Max 2.5mm ²
Mounting	Assembly to panel front cover
Panel Hole	91mm x 91mm
Working Altitude	<2000 meter

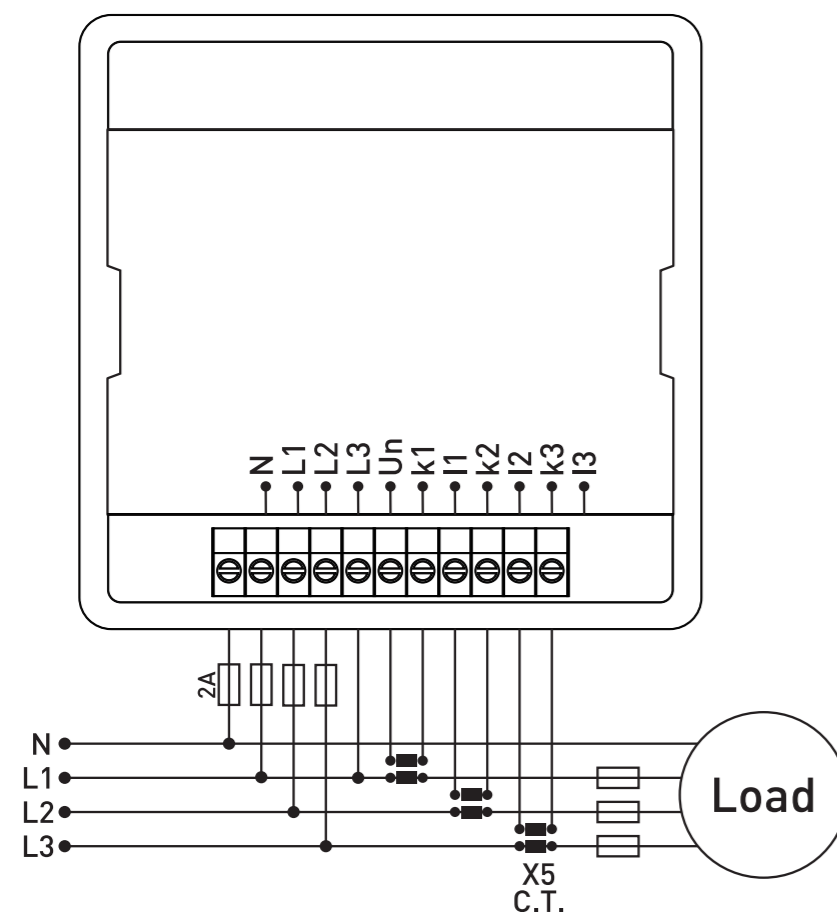
PHOTO



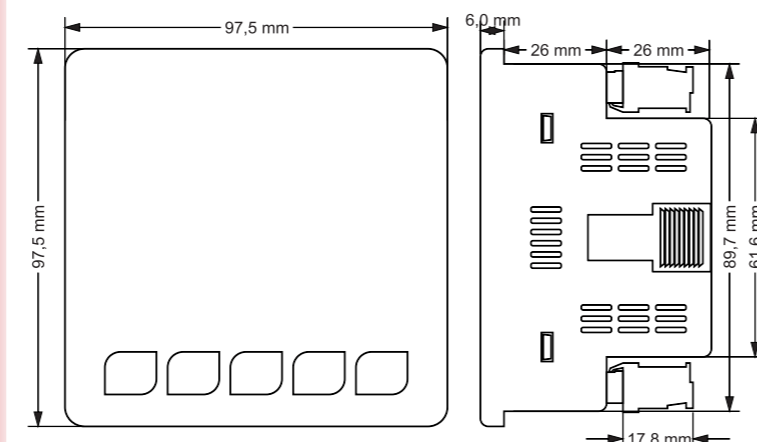
SCREEN PARAMETERS



CONNECTION DIAGRAM



DIMENSIONS



PANEL MULTIMETER 72X72

VK-M72

VTEKE[®]
www.vteke.com.tr

FEATURES

- 6 Displays at same times
- Measures 3-phase voltage, Current & Frequency
- Phase Sequence LED alarm
- Low depth case for narrow panels

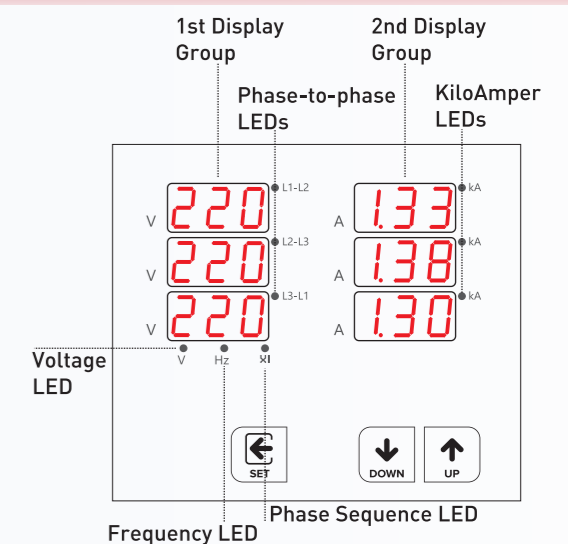
TECHNICAL SPECIFICATIONS

PARAMETER	VALUE
Operating Voltage	150-240VAC
Operating Frequency	50 / 60 Hz
Operating Power	<6VA
Operating Temperature	-20°C.....55°C
Input Voltage (L-N)	1V - 300VAC
Voltage Measuring Range	1V - 300VAC (L-N) 1V – 500VAC (L-L)
Current Measuring Range	50mA to 5.5A (for CT 5/5A to 5000/5A)
Accuracy	%±1
Supported Connection	3P4W
Weight	<325Gr
Protection Class	IP41[Front Panel], IP20[Body]
Connection Type	Plug-in Terminal Connection
Cable Diameter	Max 2.5mm ²
Mounting	Assembly to panel front cover
Panel Hole	68mm x 68mm
Working Altitude	<2000 meter

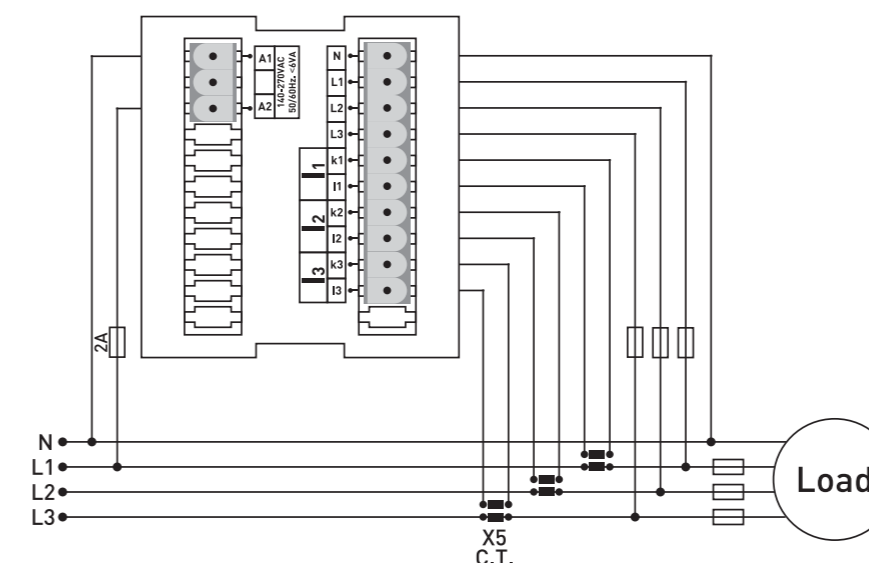
PHOTO



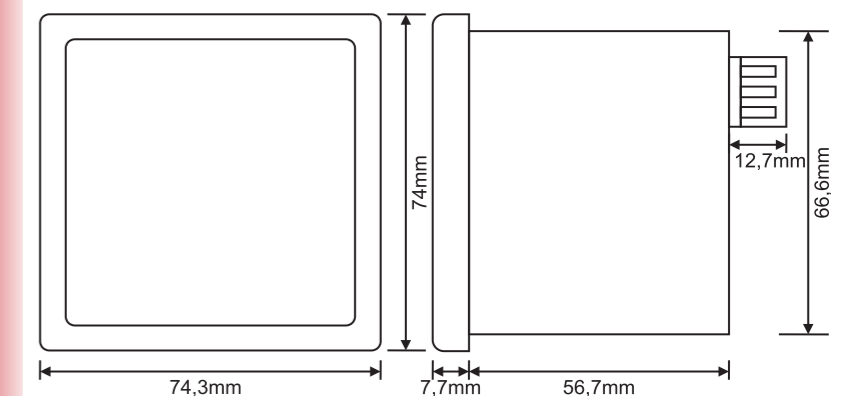
SCREEN PARAMETERS



CONNECTION DIAGRAM



DIMENSIONS



DIN RAIL MULTIMETER

VK-M-DIN

VTEKE[®]
www.vteke.com.tr

FEATURES

- 6 Displays at same times
- Measures 3-phase voltage, Current & Frequency
- Phase Sequence LED alarm
- Low depth case for narrow panels

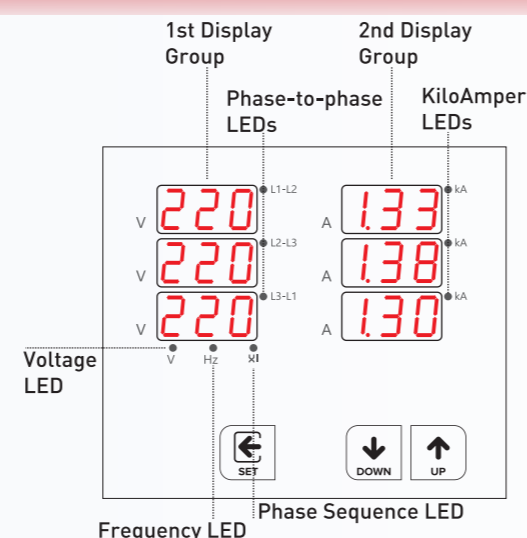
TECHNICAL SPECIFICATIONS

PARAMETER	VALUE
Operating Voltage	150-240VAC
Operating Frequency	50 / 60 Hz
Operating Power	<6VA
Operating Temperature	-20°C.....55°C
Input Voltage (L-N)	1V - 300VAC
Voltage Measuring Range	1V - 300VAC (L-N) 1V – 500VAC (L-L)
Current Measuring Range	50mA to 5.5A (for CT 5/5A to 5000/5A)
Accuracy	%±1
Supported Connection	3P4W
Weight	<325Gr
Protection Class	IP41[Front Panel], IP20[Body]
Connection Type	Plug-in Terminal Connection
Cable Diameter	Max 2.5mm ²
Mounting	DIN Rail Mounting
Working Altitude	<2000 meter

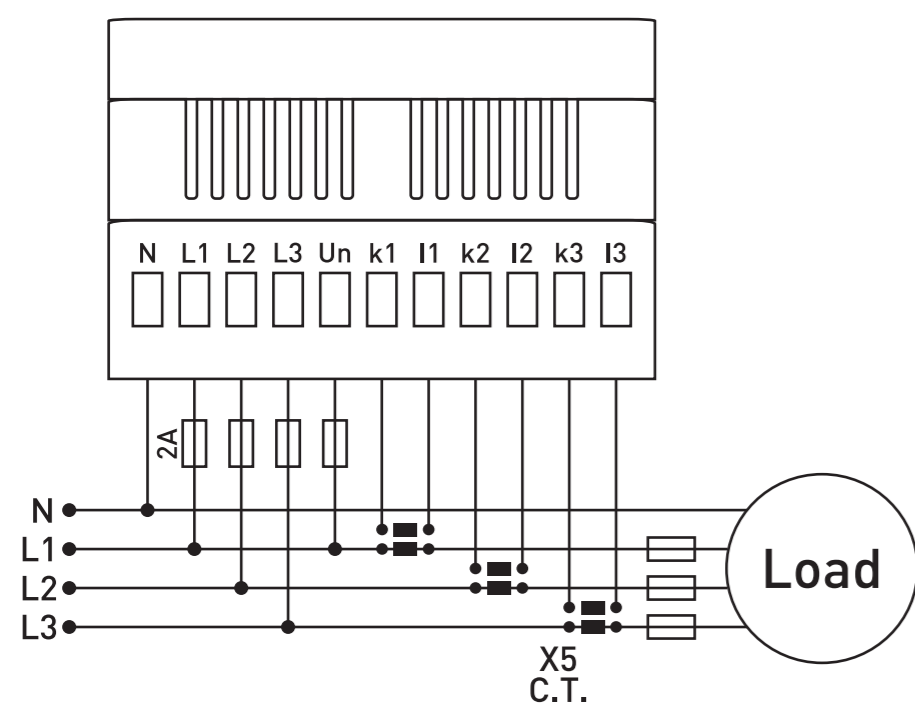
PHOTO



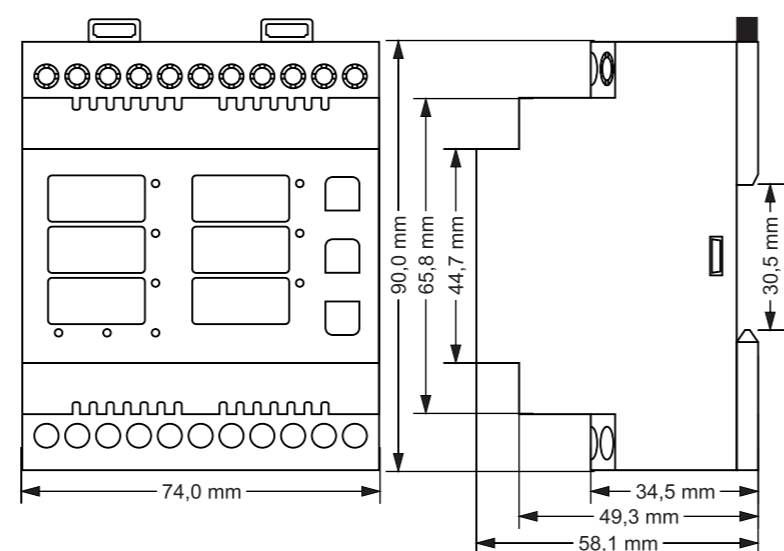
SCREEN PARAMETERS



CONNECTION DIAGRAM



DIMENSIONS



PANEL MULTIMETER

VK-M-250D

VTEKE[®]
www.vteke.com.tr

FEATURES

- 6 Displays at same times
- Measures 3-phase voltage, Current & Frequency
- Current Transformer are included
- Phase Sequence LED alarm
- Low depth case for narrow panels

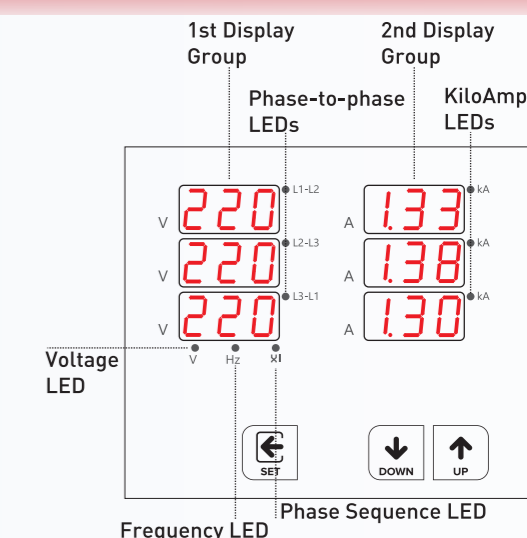
TECHNICAL SPECIFICATIONS

PARAMETER	VALUE
Operating Voltage	150-240VAC
Operating Frequency	50 / 60 Hz
Operating Power	<6VA
Operating Temperature	-20°C.....55°C
Input Voltage (L-N)	1V - 300VAC
Voltage Measuring Range	1V - 300VAC (L-N) 1V – 500VAC (L-L)
Current Measuring Range	2A to 250A direct. CT is included
Accuracy	%±1
Supported Connection	3P4W
Weight	<325Gr
Protection Class	IP41[Front Panel], IP20[Body]
Connection Type	Plug-in Terminal Connection
Cable Diameter	Max 2.5mm ²
Mounting	Assembly to panel front cover
Panel Hole	91mm x 91mm
Working Altitude	<2000 meter

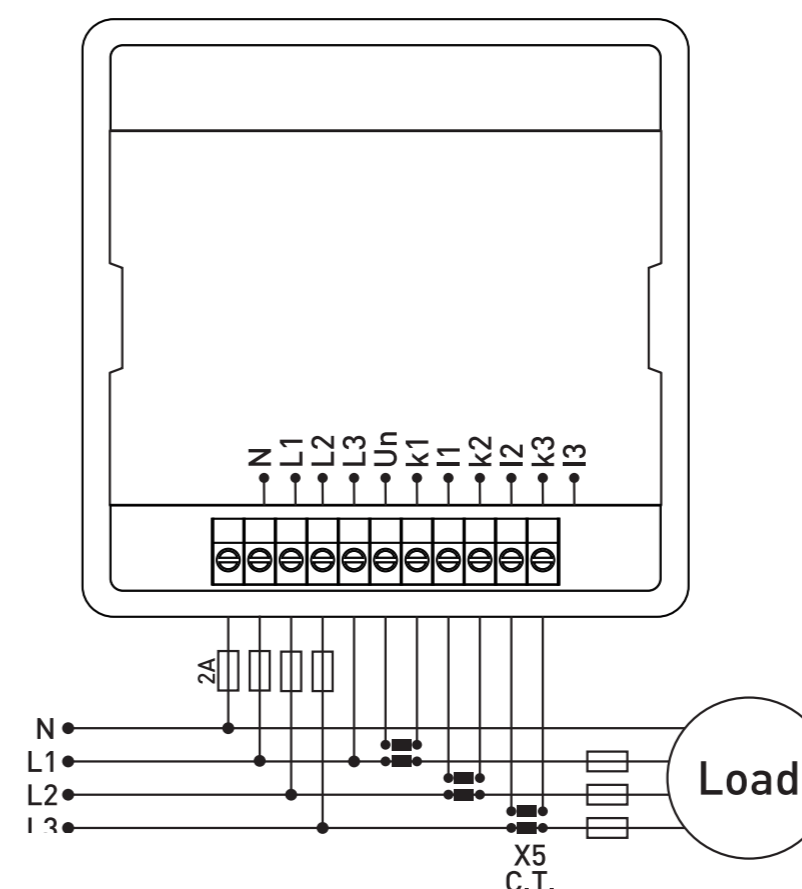
PHOTO



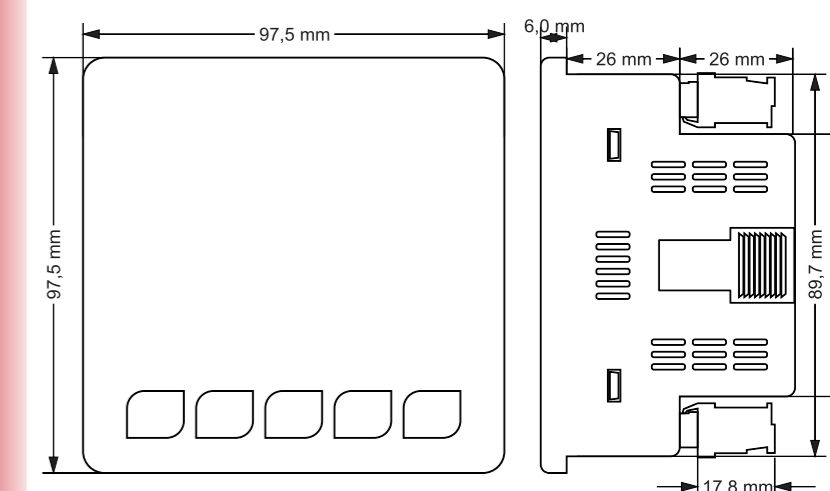
SCREEN PARAMETERS



CONNECTION DIAGRAM



DIMENSIONS



SINGLE PHASE AMMETER

VK-A72, VK-A96

VTEKE[®]
www.vteke.com.tr

TECHNICAL SPECIFICATIONS

PARAMETER	VALUE
Operating Voltage	150-270VAC
Operating Frequency	50 / 60 Hz
Operating Power	<4VA
Operating Temperature	-20°C.....55°C
Voltage Measuring Range	100mA – 5.5A
Accuracy	%±1
Weight	<220Gr
Protection Class	IP41[Front Panel], IP20[Body]
Connection Type	Plug-in Terminal Connection
Cable Diameter	1.5mm ²
Mounting	Assembly to panel front cover
Panel Hole	91mm x 91mm (VK-V96) 68mm x 68mm (VK-V72)
Working Altitude	<2000 meter

PHOTO



SINGLE PHASE AMMETER, WITH PROTECTION

VK-A72S

VTEKE[®]
www.vteke.com.tr

New

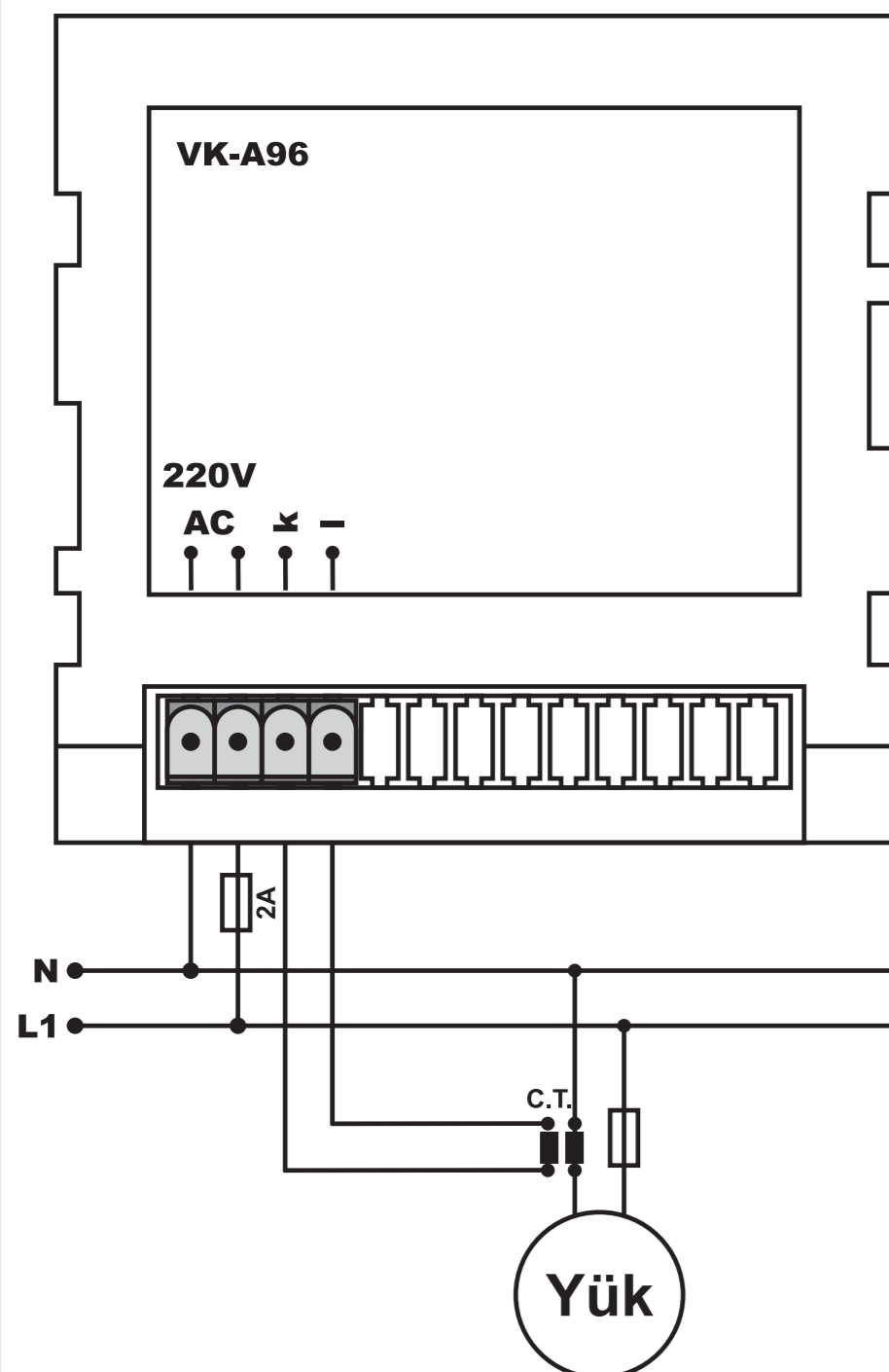
PHOTO



TECHNICAL SPECIFICATIONS

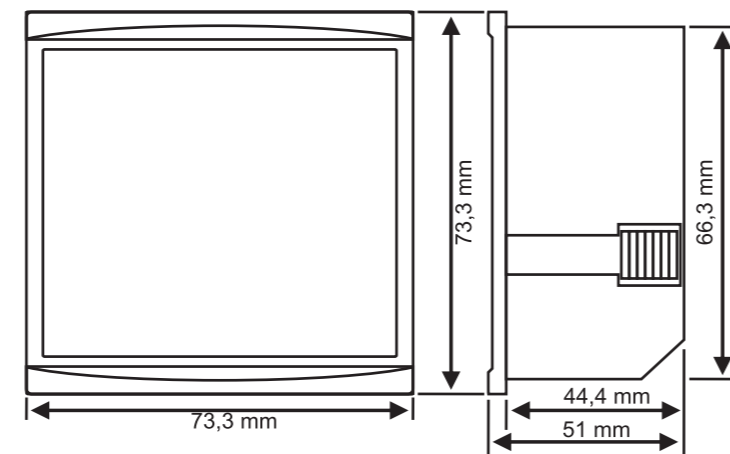
PARAMETER	VALUE
Operating Voltage	150-270VAC
Operating Frequency	50 / 60 Hz
Operating Power	<4VA
Operating Temperature	-20°C.....55°C
Current Operation Range	150mA – 5.5A
Accuracy	%±1
Weight	<220Gr
Protection Class	IP41[Front Panel], IP20[Body]
Connection Type	Plug-in Terminal Connection
Cable Diameter	1.5mm ²
Mounting	Assembly to panel front cover
Panel Hole	67mm x 67mm
Working Altitude	<2000 meter

CONNECTION DIAGRAM

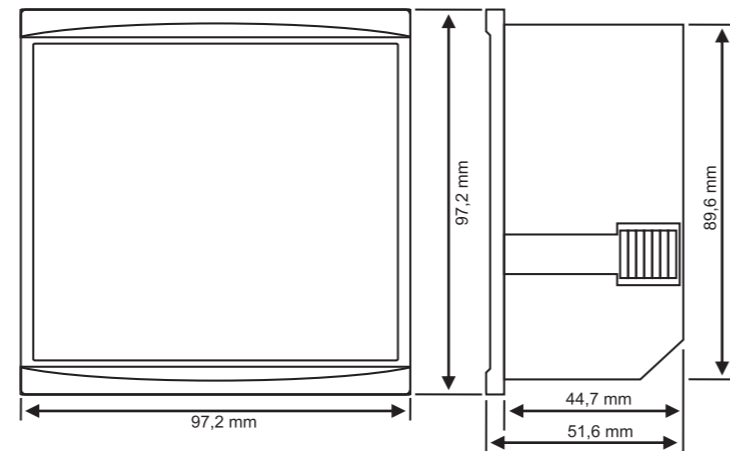


DIMENSIONS

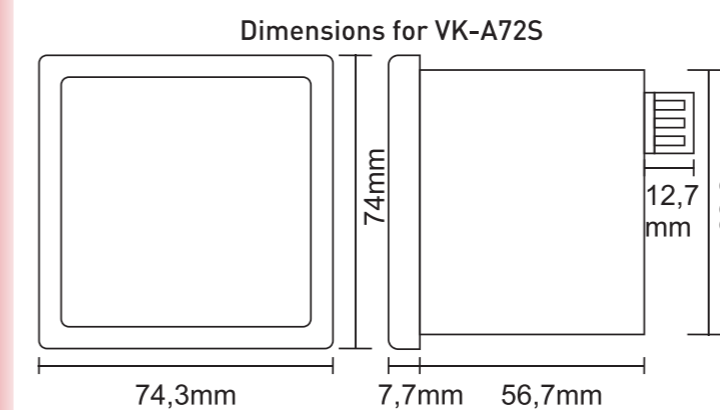
VK-A72



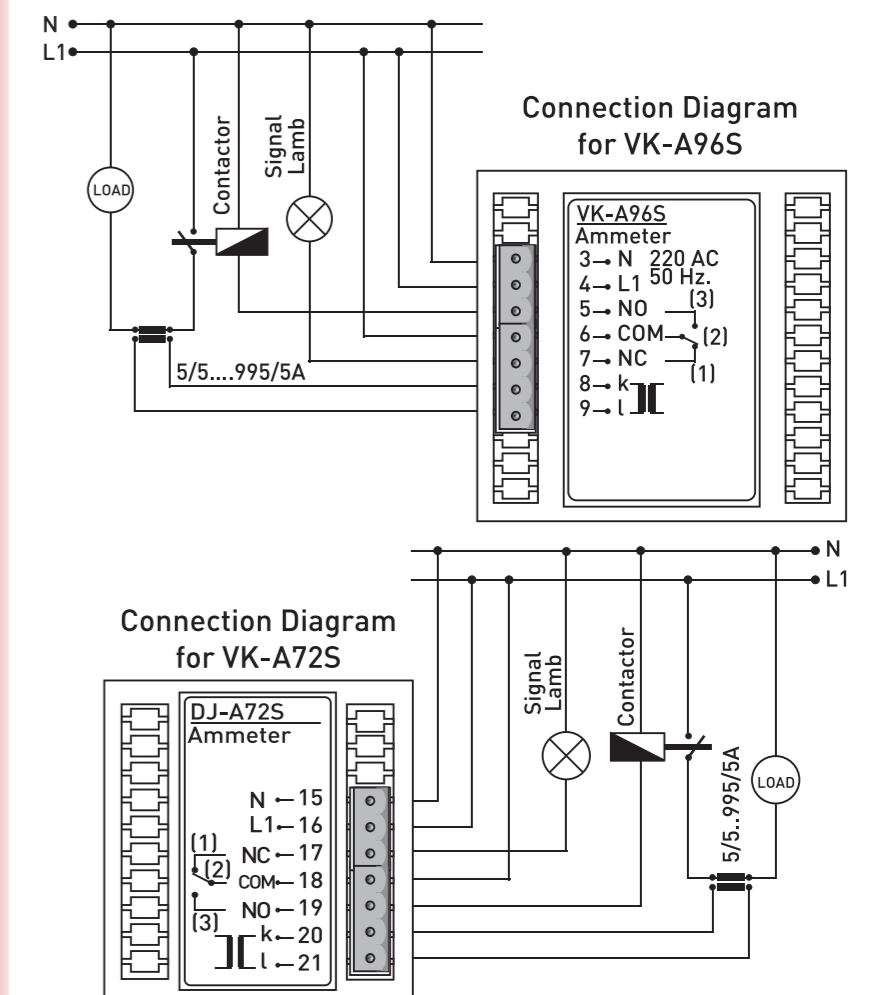
VK-A96



DIMENSIONS



CONNECTION DIAGRAM



SINGLE PHASE VOLTMETER

VK-V72 VK-V96

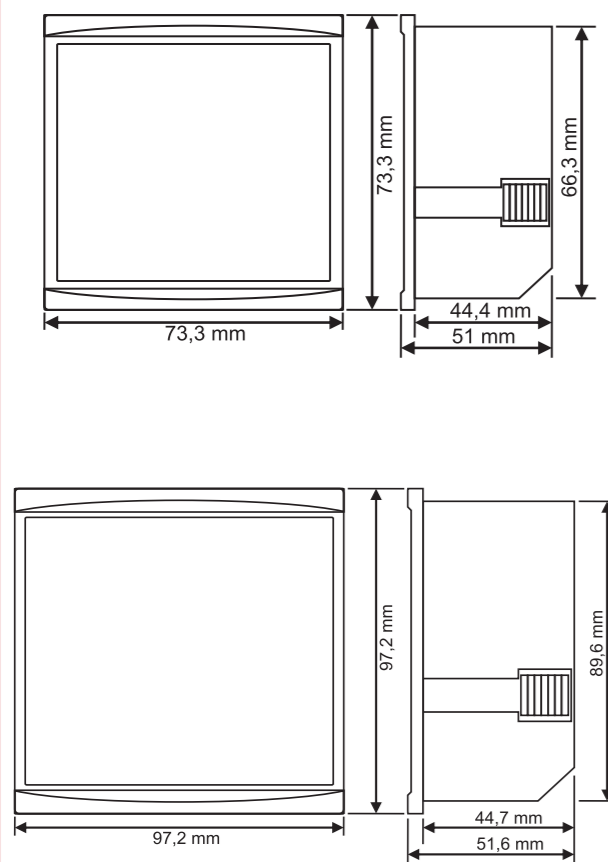
VTEKE[®]
www.vteke.com.tr

TECHNICAL SPECIFICATIONS

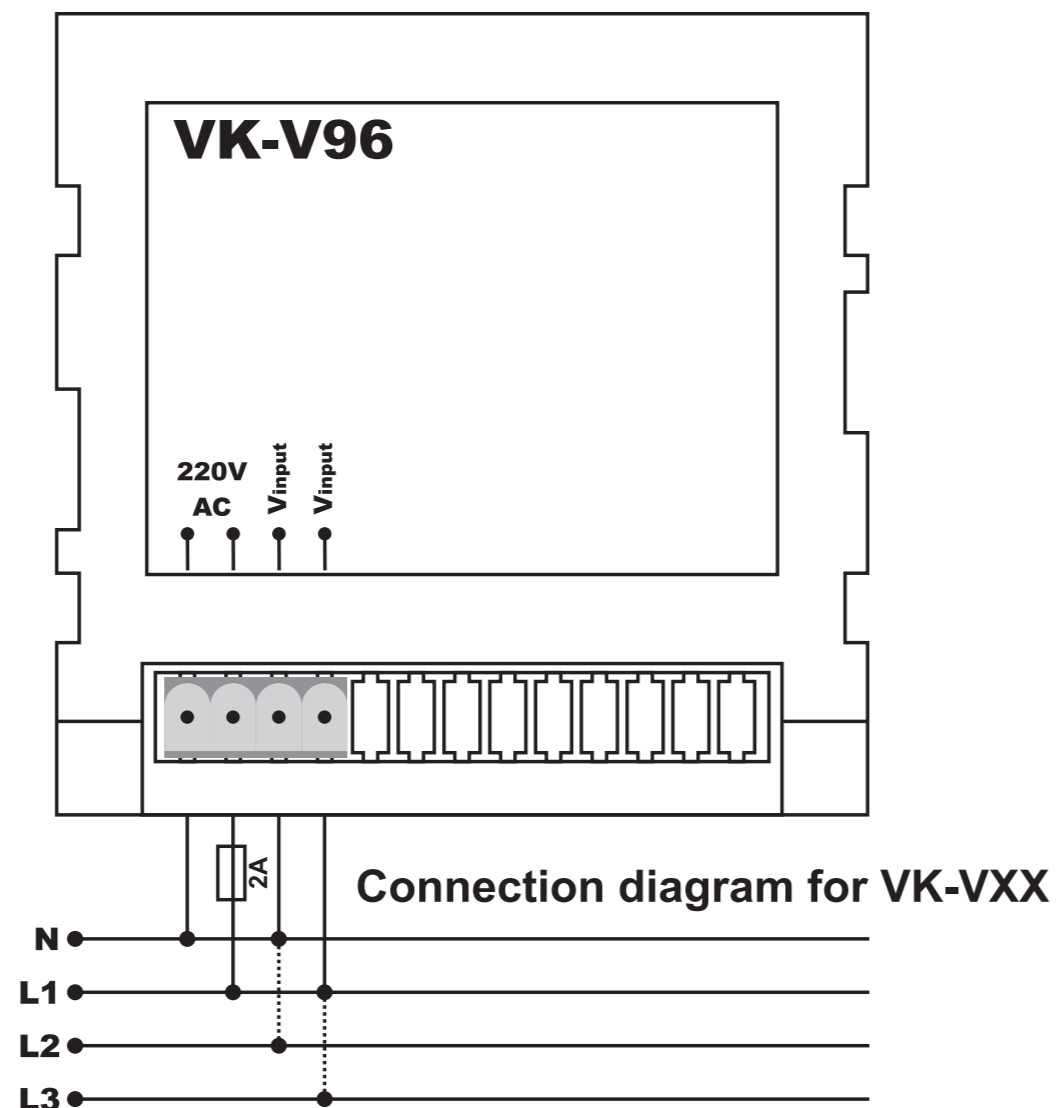
PARAMETER	VALUE
Operating Voltage	150-270VAC
Operating Frequency	50 / 60 Hz
Operating Power	<6VA
Operating Temperature	-20°C.....55°C
Voltage Measuring Range	0V – 500VAC (L-L)
Accuracy	%±1
Weight	<220Gr
Protection Class	IP41[Front Panel], IP20[Body]
Connection Type	Plug-in Terminal Connection
Cable Diameter	1.5mm ²
Mounting	Assembly to panel front cover
Panel Hole	91mm x 91mm (VK-V96)
Working Altitude	68mm x 68mm (VK-V72)



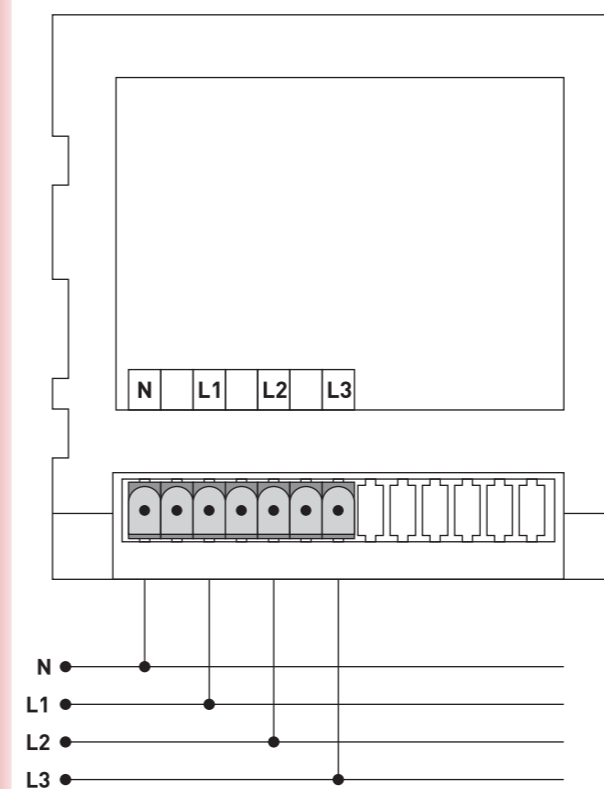
DIMENSIONS



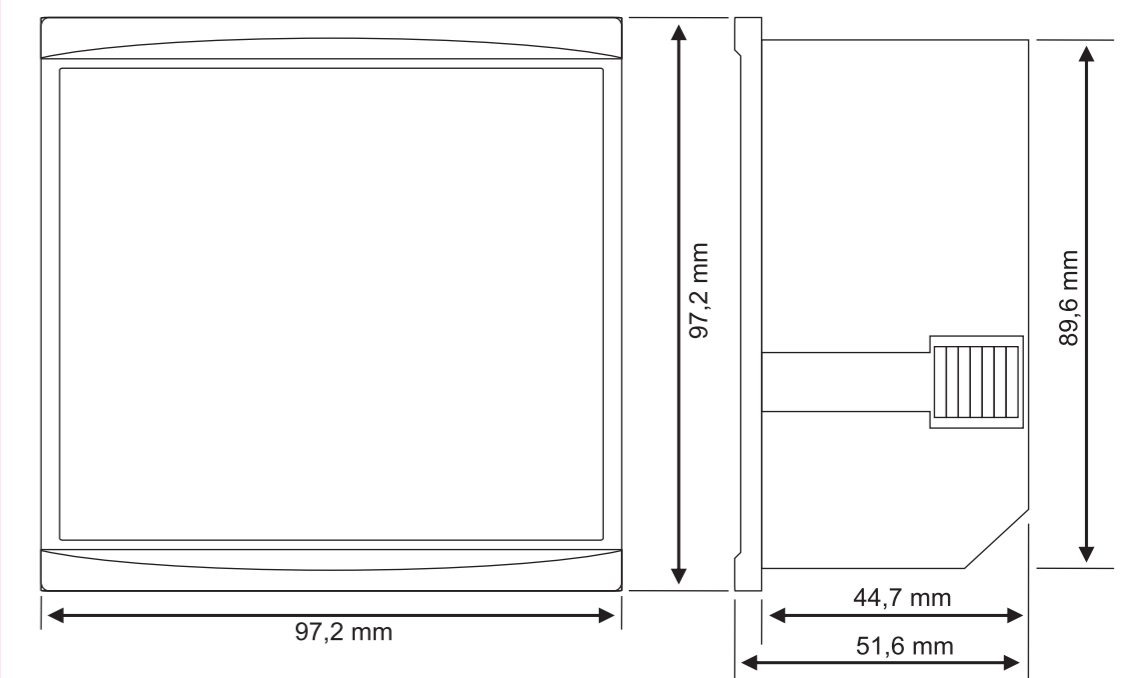
CONNECTION DIAGRAM



DIMENSIONS



CONNECTION DIAGRAM



VOLTMETER THREE PHASE

VK-V96-T2, VK-V96S, VK-V72S

VTEKE[®]
www.vteke.com.tr

TECHNICAL SPECIFICATIONS

PARAMETER	VALUE
Operating Voltage	150-270VAC
Operating Frequency	50 / 60 Hz
Operating Power	<4VA
Operating Temperature	-20°C.....55°C
Voltage Measuring Range	10V - 300VAC (L-N) 15V – 500VAC (L-L)
Accuracy	%±1
Supported Connection	3P4W
Weight	<325Gr
Protection Class	IP41[Front Panel], IP20[Body]
Connection Type	Plug-in Terminal Connection
Cable Diameter	Max 2.5mm ²
Mounting	Assembly to panel front cover
Panel Hole	91mm x 91mm (VK-V96-T2 & VK-V96S) 68mm x 68mm (VK-V72S)
Working Altitude	<2000 meter



SINGLE PHASE FREQUENCYMETER

VK-F72, VK-F96

VTEKE[®]
www.vteke.com.tr

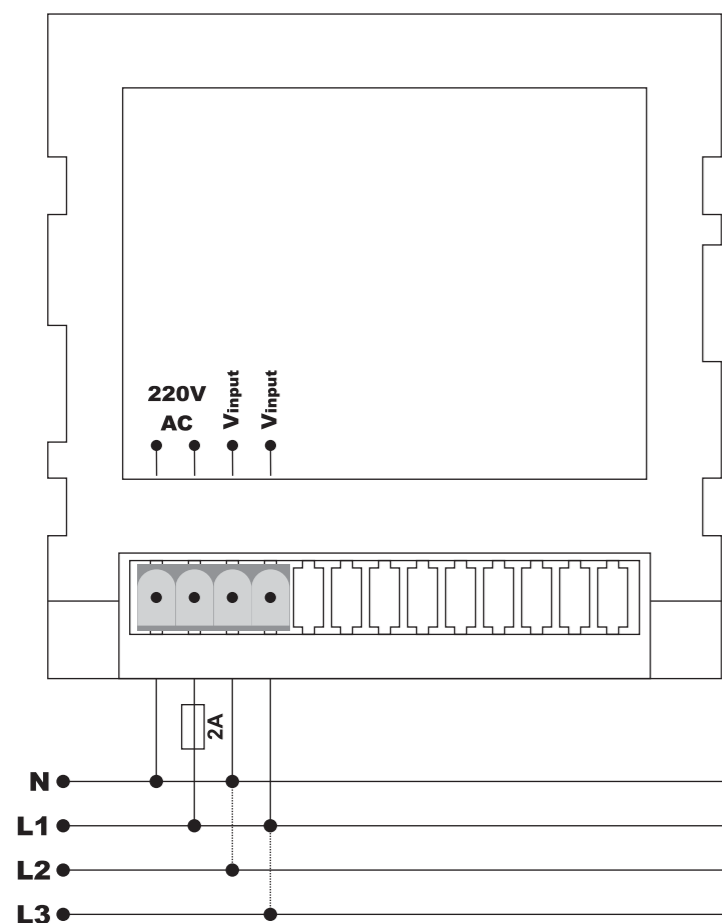
TECHNICAL SPECIFICATIONS

PARAMETER	VALUE
Operating Voltage	150-270VAC
Operating Frequency	50 / 60 Hz
Operating Power	<6VA
Operating Temperature	-20°C.....55°C
Frequency Measuring Range	1V – 400Hz
Accuracy	%±1
Weight	<220Gr
Protection Class	IP41[Front Panel], IP20[Body]
Connection Type	Plug-in Terminal Connection
Cable Diameter	1.5mm ²
Mounting	Assembly to panel front cover
Panel Hole	91mm x 91mm (VK-V96) 68mm x 68mm (VK-V72)
Working Altitude	<2000 meter

PHOTO

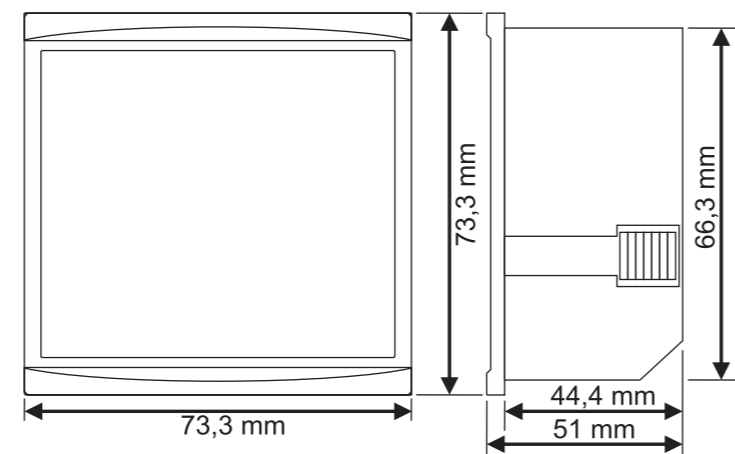


CONNECTION DIAGRAM

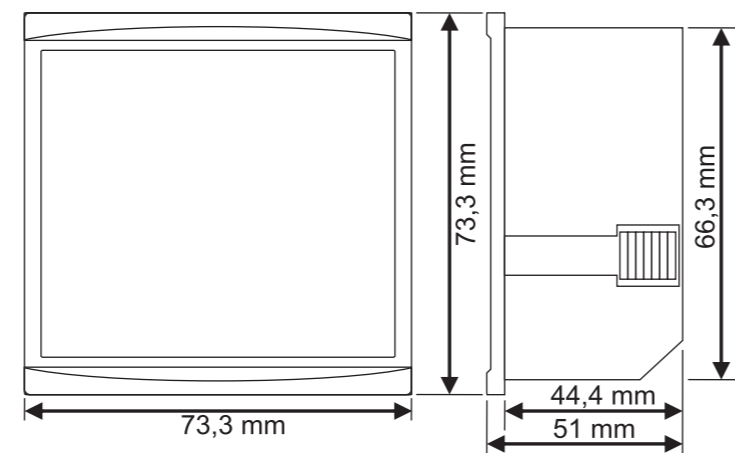


DIMENSIONS

VK-F72



VK-F96



DC AMMETER & VOLTMETER

VK-V72DC VK-A72DC

VTEKE[®]
www.vteke.com.tr

TECHNICAL SPECIFICATIONS

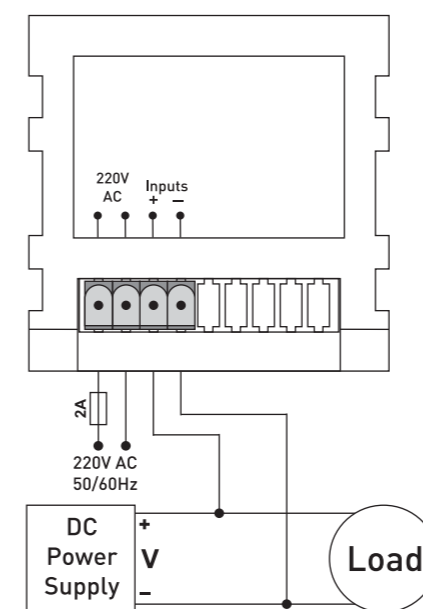
PARAMETER	VALUE
Operating Voltage	150-270VAC
Operating Frequency	50 / 60 Hz
Operating Power	<6VA
Operating Temperature	-20°C.....55°C
Voltage Measuring Range (VK-V72DC)	1V – 50VDC or 1V – 300VDC
Amper Measuring Range (VK-A72DC)	Measurement Range: 0.3mV-70mV Shunt Values: 10A-900A (60mV)
Accuracy	%±2 (VK-V72DC) %±5 (VK-A72DC)
Weight	<220Gr
Protection Class	IP41[Front Panel], IP20[Body]
Connection Type	Plug-in Terminal Connection
Cable Diameter	1.5mm ²
Mounting	Assembly to panel front cover
Panel Hole	91mm x 91mm (VK-V96) 68mm x 68mm (VK-V72)
Working Altitude	<2000 meter

PHOTO

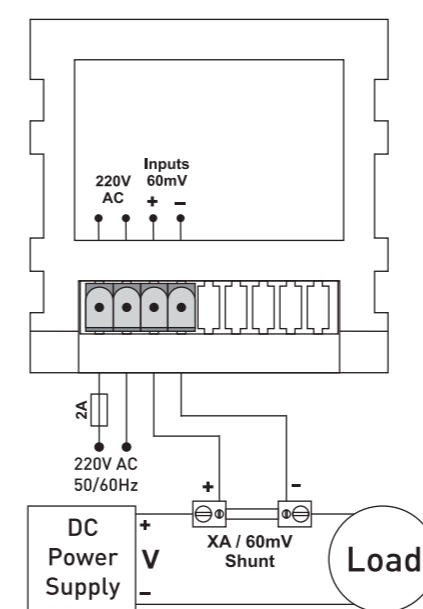


CONNECTION DIAGRAM

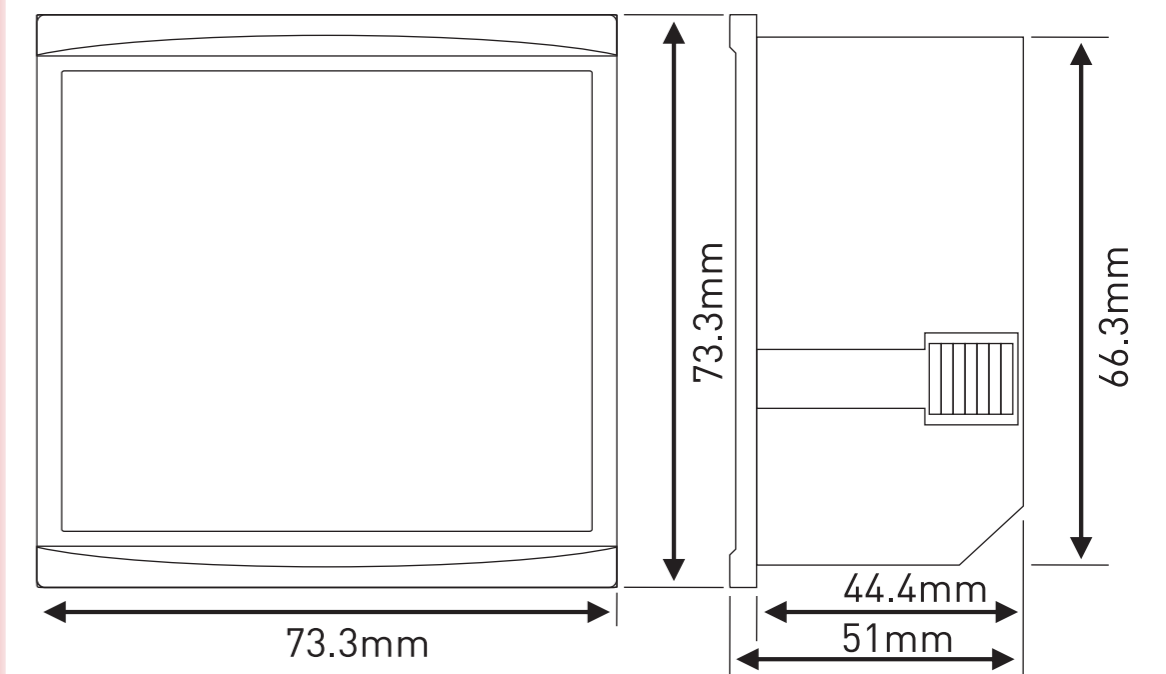
VK-V72DC



VK-A72DC



DIMENSIONS



ELECTRICAL PANEL VOLTMETER

AK-V SERIES

VTEKE®

www.vteke.com.tr

FEATURES

AK-V SERIES is Panel-type analog VOLTMETER with sealable terminal cover, suitable for rated voltage of 300V, 500V and 600V. Also it is available for Medium Voltage System to be used with PT until 60kV. Higher voltage can be supplied on request. Scale is almost linear (above 10% readings) with knif edge pointer. Housing is from polycarbonate to tolerate high temperatures.

TECHNICAL DATA

PARAMETER	VALUE
Standards	IEC 60051-2, EN 60051-2
Meter Type	Iron Moving Coil
Rated Input Voltage	300V, 500V & 600V (for PT uses, secondary voltages are: 100V, 110V & 220V)
Accuracy	Class 1.5
Terminal	Integral terminal cover for extra safety
Case	Non-flammable self-extinguishing ABS / polycarbonate
Ambient Temperature (Operation)	-25 C ~ +85 C
Test Voltage	3kV for 1 minute
Max System Voltage	0.72kV
Frequency	45-65HZ
Pointer Deflection	0 to 90 Degree
Front Panel (mm)	AK-V72: 72x72, AK-V96: 96x96
Control Panel Cut Out (mm)	AK-V72: 66.5 x 66.5cm, AK-V96: 90.5 x 90.5cm,

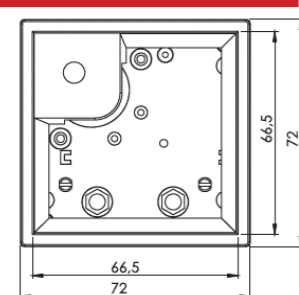


CODES

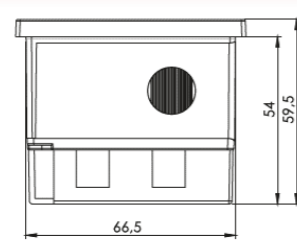
72X72 SIZE CODE	96X96 SIZE CODE	PT SECONDARY	MAX VOLTAGE
AK-V72-300V	AK-V96-300V	NA	0 to 300V
AK-V72-500V	AK-V96-500V	NA	0 to 500V
AK-V72-600V	AK-V96-600V	NA	0 to 600V
AK-V72-XX/0.1	AK-V96-XX/0.1	100V	1kV to 400kV
AK-V72-XX/0.11	AK-V96-XX/0.11	110V	1kV to 400kV
AK-V72-XX/0.22	AK-V96-XX/0.22	220V	1kV to 400kV

DIMENSIONS

SERIES AK-V72

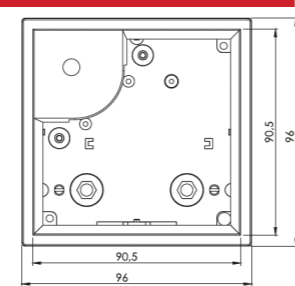


FRONT VIEW WITHOUT SCALE DIMENSIONAL DRAWING (mm)

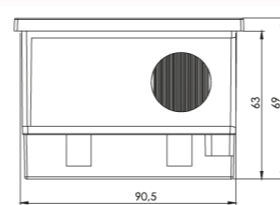


TOP VIEW

SERIES AK-V96



FRONT VIEW WITHOUT SCALE DIMENSIONAL DRAWING (mm)



TOP VIEW

METER SELECTOR

CAV16403 CAV20701

VTEKE®

www.vteke.com.tr

TECHNICAL SPECIFICATIONS



CAV16403



CAV20701

Product Feature	Ammeter Selector 4 Position	Voltmeter Selector 7 Position
Switch Type		Measuring
Pole / Phase		3 Phase
Frame Size		48*48
Current	le	16A
Usage Category		AC21A
Mechanical Life	Min Qty	100000
Electrical Life	Min Qty	50000
Operating Frequency	On-Off/Hour	Mech.120 Elec.120
Insulation Voltage	Ui	690V
Impulse Withstand Voltage	Uimp	4 kV
Dielectric Strength (Body-Contact)		1.890V AC
Dielectric Strength (Contact-Contact)		1.890V AC
Isolation Resistance		10 MΩ MIN. (500 V DC)
Operating Temperature		-25 / +80 °C
Pollution Degree		3
Protection Degree		IP54
Contact Material		AgNi
Cable Section		1-2,5 mm2
Spin Angle		45°
Short Circuit Breaking Capacity	Ics	6 kA
Serial Specifications		PSA Series High precision Variety of products for wide application fields Long life time Compact design
Standarts / Certificates		TS EN 60947-3

ELECTRICAL PANEL AMPERMETER

AK-A SERIES



www.vteke.com.tr

FEATURES

AK-A SERIES is Panel-type analog AMMETER with sealable terminal cover, suitable for rated current of 5A-100A for direct connection, and 5/5A-6300/5A & 5/1A-6300/1A for CT connection. Available in 2 sizes, 72x72 and 96x96. Scale is almost linear (above 10% readings) with knife edge pointer. Housing is from polycarbonate to tolerate high temperatures.

TECHNICAL DATA

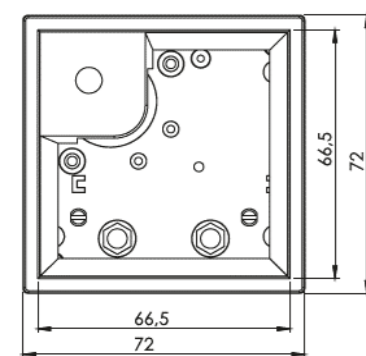
PARAMETER	VALUE
Standards	IEC 60051-2, EN 60051-2
Meter Type	Iron Moving Coil
Rated Measured Current	With CT: 5/5A to 6300/5A With CT: 5/1A to 6300/1A Direct type: 5A to 100A
Accuracy	Class 1.5
Terminal	Integral terminal cover for extra safety
Case	Non-flammable self-extinguishing ABS / polycarbonate
Ambient Temperature (Operation)	-25 C ~ +85 C
Test Voltage	3kV for 1 minute
Max System Voltage	0.72kV
Frequency	45-65HZ
Pointer Deflection	0 to 90 Degree
Front Panel (mm)	AK-A72: 72x72, AK-A96: 96x96
Control Panel Cut Out (mm)	AK-A72: 66.5 x 66.5cm, AK-A96: 90.5 x 90.5cm,



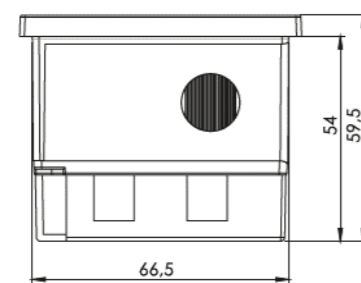
SERIES AK-A72

SERIES AK-A96

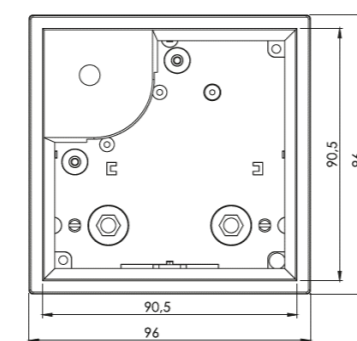
DIMENSIONS



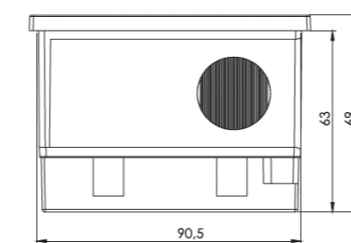
FRONT VIEW WITHOUT SCALE DIMENSIONAL DRAWING (mm)



TOP VIEW DIMENSIONAL DRAWING (mm)



FRONT VIEW WITHOUT SCALE DIMENSIONAL DRAWING (mm)



TOP VIEW DIMENSIONAL DRAWING (mm)

ELECTRICAL PANEL AMPERMETER

AK-A SERIES

DIRECT MEASURING

SIZE 72 x 72 CODE	SIZE 96 x 96 CODE	MEASURED CURRENT
AK-A72-10D	AK-A96-10D	10A
AK-A72-15D	AK-A96-15D	15A
AK-A72-20D	AK-A96-20D	20A
AK-A72-25D	AK-A96-25D	25A
AK-A72-30D	AK-A96-30D	30A
AK-A72-40D	AK-A96-40D	40A
AK-A72-50D	AK-A96-50D	50A
AK-A72-60D	AK-A96-60D	60A
AK-A72-75D	AK-A96-75D	75A
AK-A72-80D	AK-A96-80D	80A
AK-A72-100D	AK-A96-100D	100A

MEASURING CURRENT TRANSFORMER (SECONDARY x/5A)

SIZE 72 x 72 CODE	SIZE 96 x 96 CODE	MEASURED CURRENT
AK-A72-5	AK-A96-5	5A
AK-A72-10	AK-A96-10	10A
AK-A72-15	AK-A96-15	15A
AK-A72-20	AK-A96-20	20A
AK-A72-25	AK-A96-25	25A
AK-A72-30	AK-A96-30	30A
AK-A72-40	AK-A96-40	40A
AK-A72-50	AK-A96-50	50A
AK-A72-60	AK-A96-60	60A
AK-A72-75	AK-A96-75	75A
AK-A72-80	AK-A96-80	80A
AK-A72-100	AK-A96-100	100A
AK-A72-125	AK-A96-125	125A
AK-A72-150	AK-A96-150	150A
AK-A72-160	AK-A96-160	160A
AK-A72-200	AK-A96-200	200A
AK-A72-250	AK-A96-250	250A
AK-A72-300	AK-A96-300	300A
AK-A72-400	AK-A96-400	400A
AK-A72-500	AK-A96-500	500A
AK-A72-600	AK-A96-600	600A
AK-A72-630	AK-A96-630	630A
AK-A72-750	AK-A96-750	750A
AK-A72-800	AK-A96-800	800A
AK-A72-1000	AK-A96-1000	1000A
AK-A72-1200	AK-A96-1200	1200A
AK-A72-1250	AK-A96-1250	1250A
AK-A72-1500	AK-A96-1500	1500A
AK-A72-1600	AK-A96-1600	1600A
AK-A72-2000	AK-A96-2000	2000A
AK-A72-2500	AK-A96-2500	2500A
AK-A72-3000	AK-A96-3000	3000A
AK-A72-3200	AK-A96-3200	3200A
AK-A72-4000	AK-A96-4000	4000A
AK-A72-5000	AK-A96-5000	5000A
AK-A72-6000	AK-A96-6000	6000A
AK-A72-6300	AK-A96-6300	6300A

MEASURING CURRENT TRANSFORMER (SECONDARY x/1A)

SIZE 72 x 72 CODE	SIZE 96 x 96 CODE	MEASURED CURRENT
AK-A72-5-1	AK-A96-5-1	5A
AK-A72-10-1	AK-A96-10-1	10A
AK-A72-15-1	AK-A96-15-1	15A
AK-A72-20-1	AK-A96-20-1	20A
AK-A72-25-1	AK-A96-25-1	25A
AK-A72-30-1	AK-A96-30-1	30A
AK-A72-40-1	AK-A96-40-1	40A
AK-A72-50-1	AK-A96-50-1	50A
AK-A72-60-1	AK-A96-60-1	60A
AK-A72-75-1	AK-A96-75-1	75A
AK-A72-80-1	AK-A96-80-1	80A
AK-A72-100-1	AK-A96-100-1	100A
AK-A72-125-1	AK-A96-125-1	125A
AK-A72-150-1	AK-A96-150-1	150A
AK-A72-160-1	AK-A96-160-1	160A
AK-A72-200-1	AK-A96-200-1	200A
AK-A72-250-1	AK-A96-250-1	250A
AK-A72-300-1	AK-A96-300-1	300A
AK-A72-400-1	AK-A96-400-1	400A
AK-A72-500-1	AK-A96-500-1	500A
AK-A72-600-1	AK-A96-600-1	600A
AK-A72-630-1	AK-A96-630-1	630A
AK-A72-750-1	AK-A96-750-1	750A
AK-A72-800-1	AK-A96-800-1	800A
AK-A72-1000-1	AK-A96-1000-1	1000A
AK-A72-1200-1	AK-A96-1200-1	1200A
AK-A72-1250-1	AK-A96-1250-1	1250A
AK-A72-1500-1	AK-A96-1500-1	1500A
AK-A72-1600-1	AK-A96-1600-1	1600A
AK-A72-2000-1	AK-A96-2000-1	2000A
AK-A72-2500-1	AK-A96-2500-1	2500A
AK-A72-3000-1	AK-A96-3000-1	3000A
AK-A72-3200-1	AK-A96-3200-1	3200A
AK-A72-4000-1	AK-A96-4000-1	4000A
AK-A72-5000-1	AK-A96-5000-1	5000A
AK-A72-6000-1	AK-A96-6000-1	6000A
AK-A72-6300-1	AK-A96-6300-1	6300A

RUN HOUR METER

HM1 SERIES



www.vteke.com.tr

FEATURES

HM1 series, Mechanical Run Hour Meter is suitable for electrical devices / machine to show accumulated operating time. It maintains the time before power cut off and resume counting after power on. The time highest limit is 11 years.

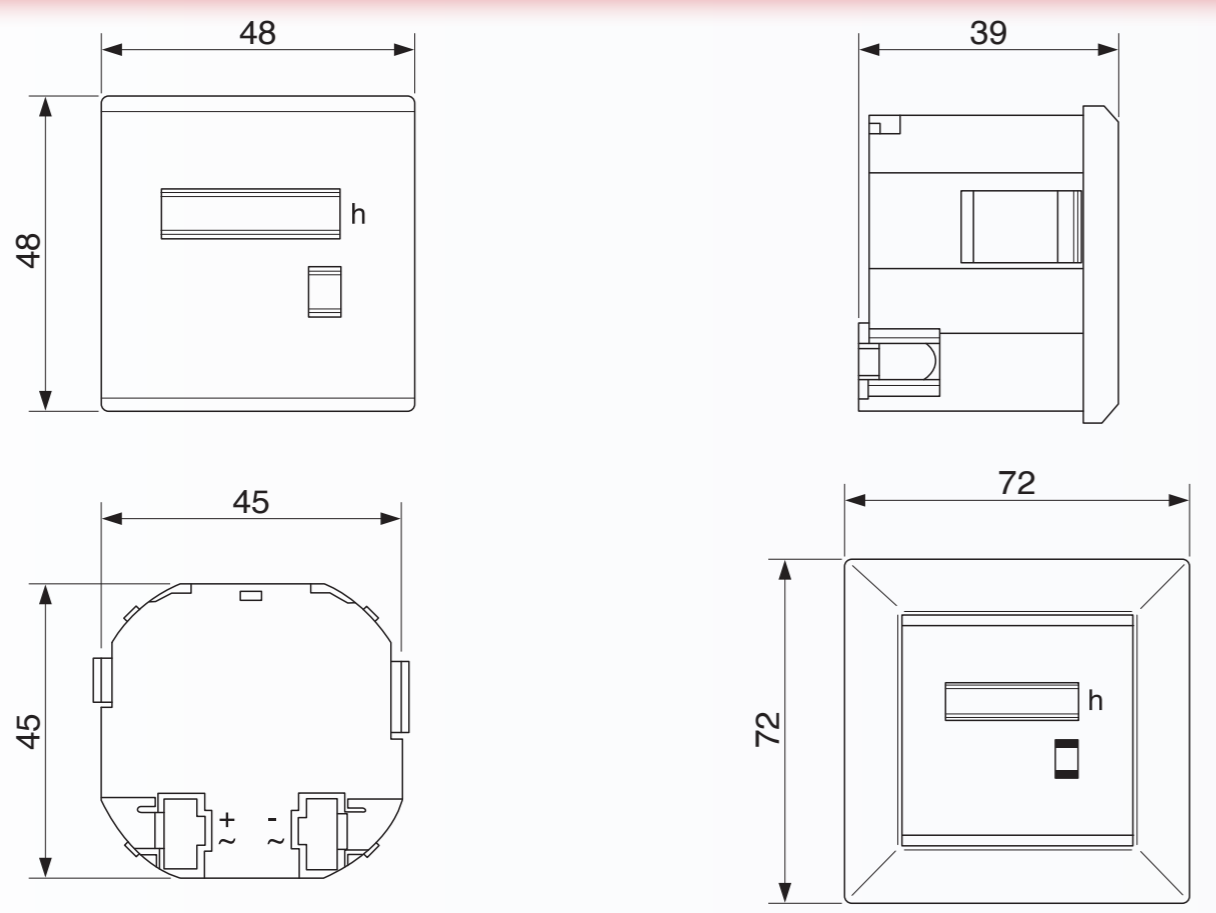
TECHNICAL DATA

CODE	OPERATING VOLTAGE
HM1-24-DC	24VDC
HM1-220-AC	220VAC
HM1-24-AC	24VAC
HM1-110-AC	110VAC
HM1-48-AC	48VAC

PARAMETER	VALUE
Operating Frequency	50Hz
Time Range	0-99,999.99Hr
Insulation Resistance	≥ 100MΩ
Mounting	Insert Type



DIMENSIONS



ELECTRO-MAGNETIC COUNTER

OCM-220-AC



www.vteke.com.tr

FEATURES

OCM-220-AC Electro-Magnetic Counter is designed to record the number of operations for electrical machine.

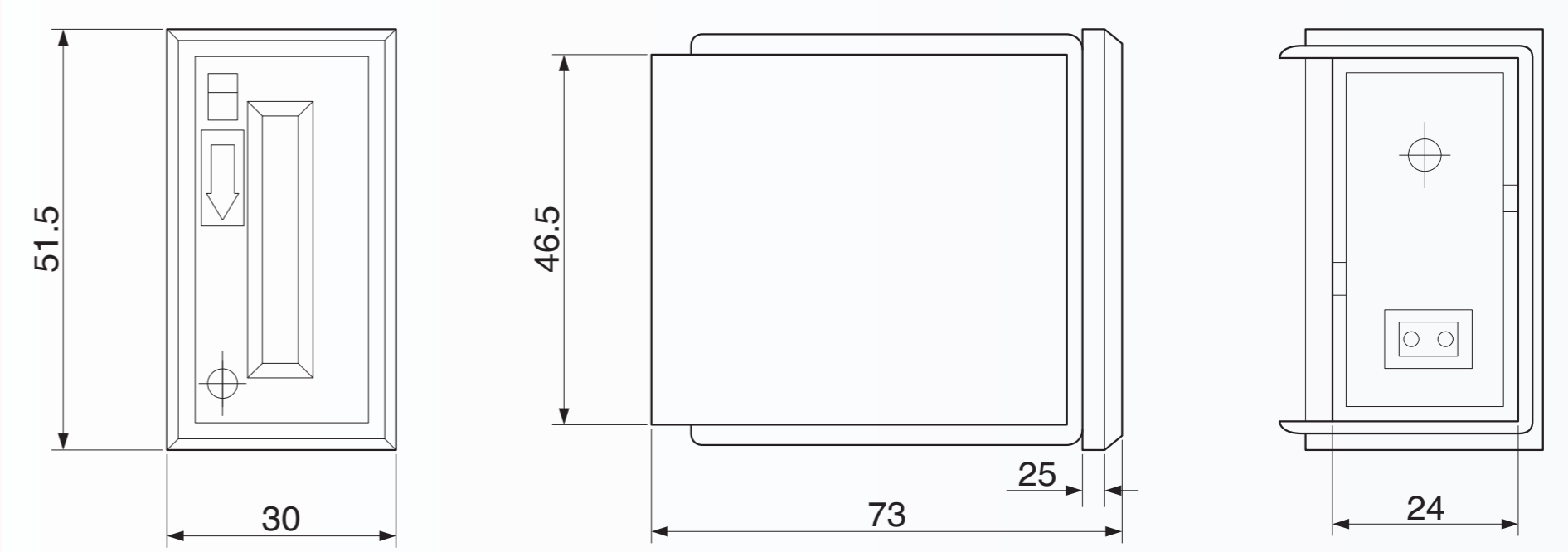
- Six (6) digits display
- Reset button
- Reset Lock selector

TECHNICAL DATA

PARAMETER	OCM-220-AC
Operating Voltage	220VAC, ±%10
Rated Frequency	50-60Hz
Power Consumption	3VA
Insulation Resistance	≥ 100MΩ
Dielectric Strength	1500VAC ms
Contact Rating	250VAC 5A (resistive load)
Counting Speed	10CPS
Life	2x10 ⁷ times
Operating Temperature	-10°C - +50°C, 48-85% RH



DIMENSIONS



CONTROL AND PROTECTION RELAYS

ON DELAY TIMERS

DTR-XX FTR-08
FTR-08M

VTEKE[®]

www.vteke.com.tr



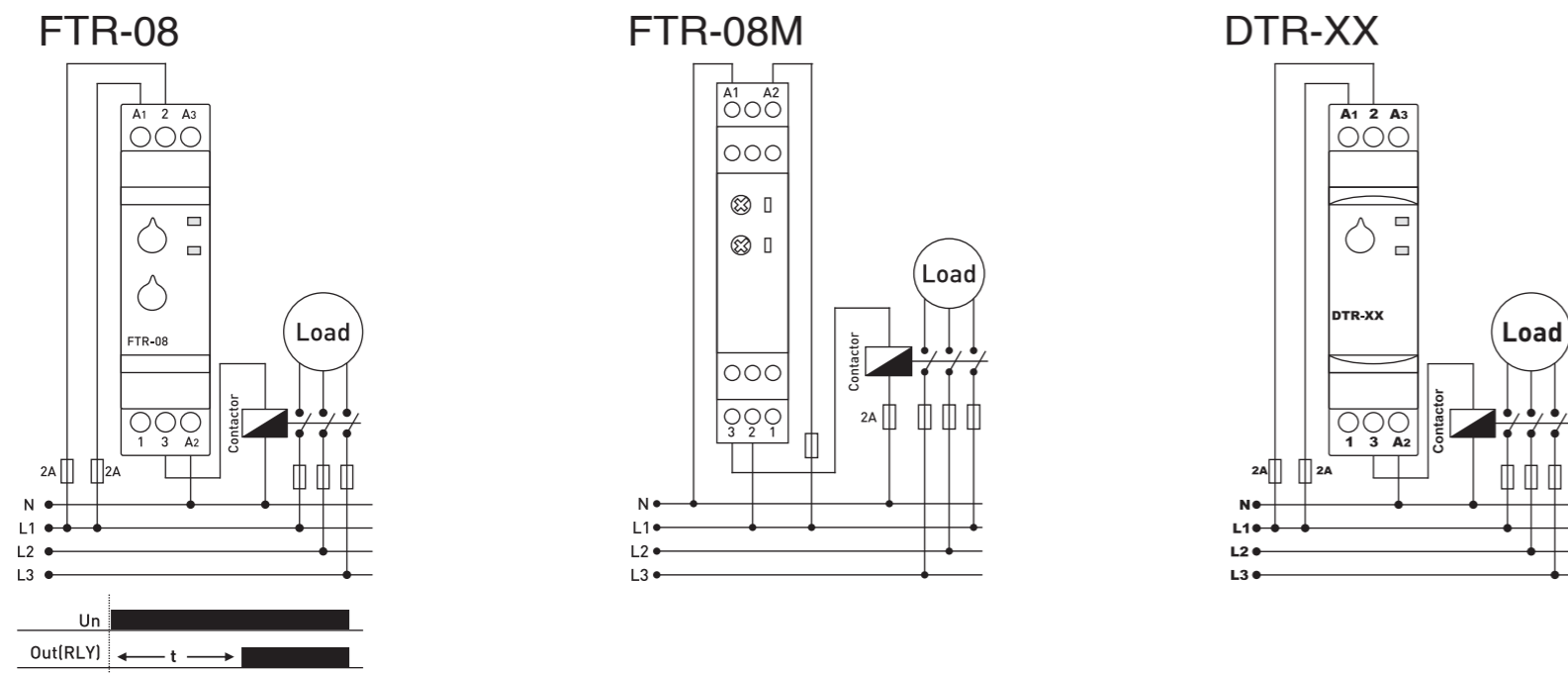
TECHNICAL SPECS

PARAMETER	VALUE
Operating Frequency	50 / 60 Hz
Operating Power	<4VA
Operating Temperature	-20°C.....55°C
Weight	<90-120Gr
Contact	1NO+1NC; 5A/250VAC
Protection Class	IP20
Connection Type	Plug-in Terminal Connection
Cable Diameter	Max 2.5mm ²
Mounting	DIN Rail Mounting
Working Altitude	<2000 meter

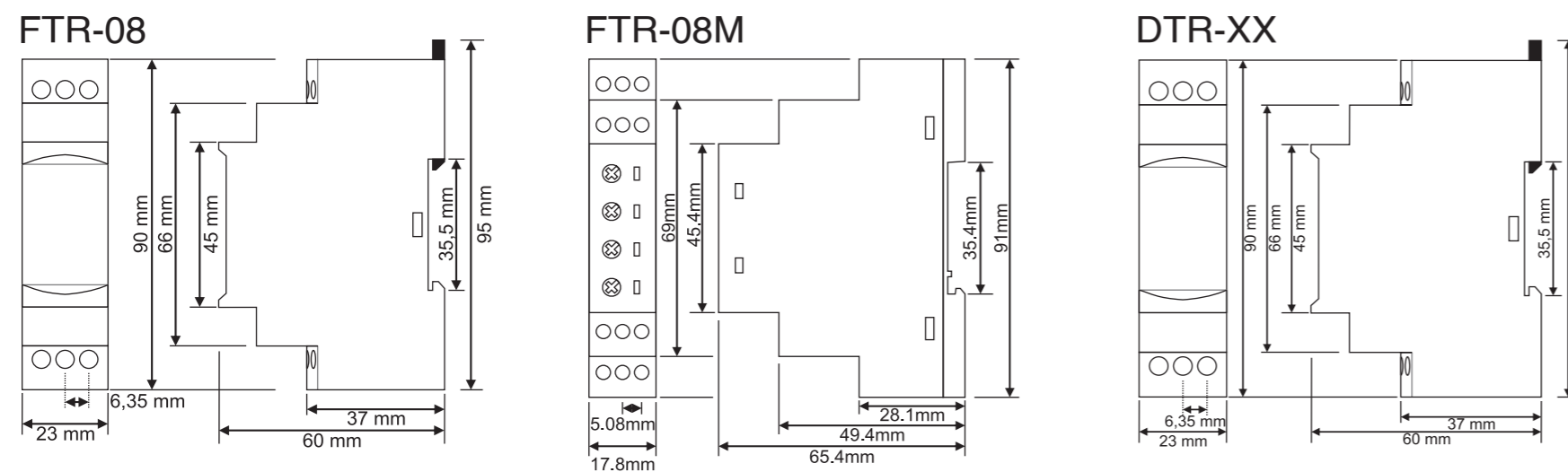
CODING TABLE

CODE	FUNCTION	OP VOLTAGE
DTR-30	On Delay Timer 0.1sec - 30sec	150V – 260VAC
DTR-60	On Delay Timer 0.1sec - 60sec	150V – 260VAC
DTR-03M	On Delay Timer 0.1min - 3min	150V – 260VAC
FTR-08	On Delay Timer 0.1min - 100hr	24VDC / 150-260VAC
FTR-08M	On Delay Timer 0.1min - 100hr	12V - 240VAC/DC

CONNECTION DIAGRAM



DIMENSIONS



MULTI-FUNCTIONAL TIME RELAY (10 programs)

FTR-10

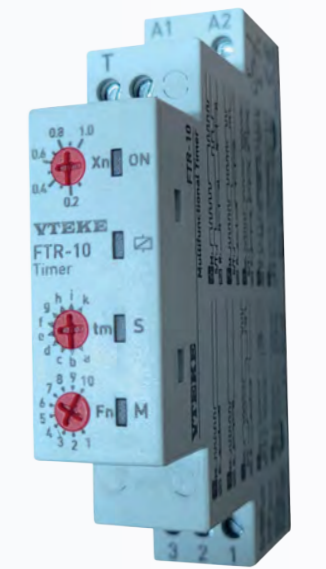
VTEKE[®]

www.vteke.com.tr

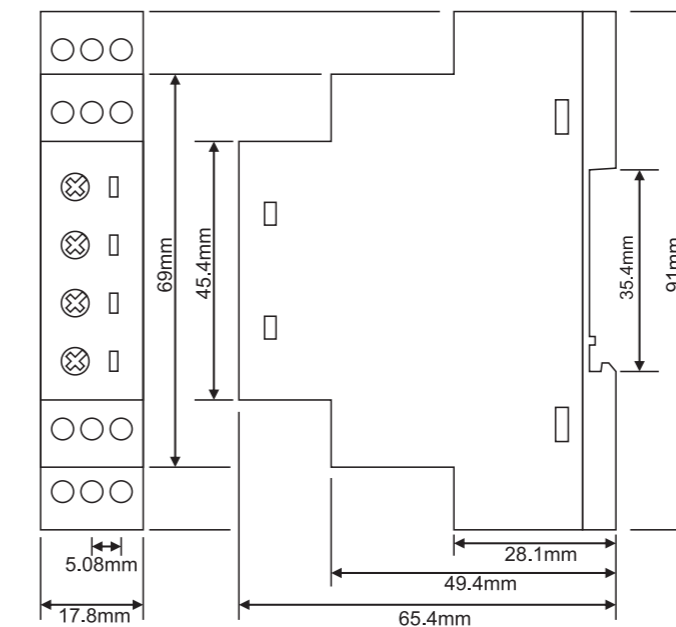
TECHNICAL SPECIFICATIONS

PARAMETER	VALUE
Operating Voltage	12VAC-240VAC/DC
Operating Frequency	50 / 60 Hz
Operating Power	<4VA
Operating Temperature	-20°C.....55°C
Weight	<100Gr
Time Range	0.1 seconds – 30 hours
Display	4 LEDS
Contact	1NO+1NC; 5A/250VAC
Protection Class	IP20
Connection Type	Terminal Connection
Cable Diameter	Max1.5mm ²
Mounting	DIN Rail Mounting
Working Altitude	<2000 meter

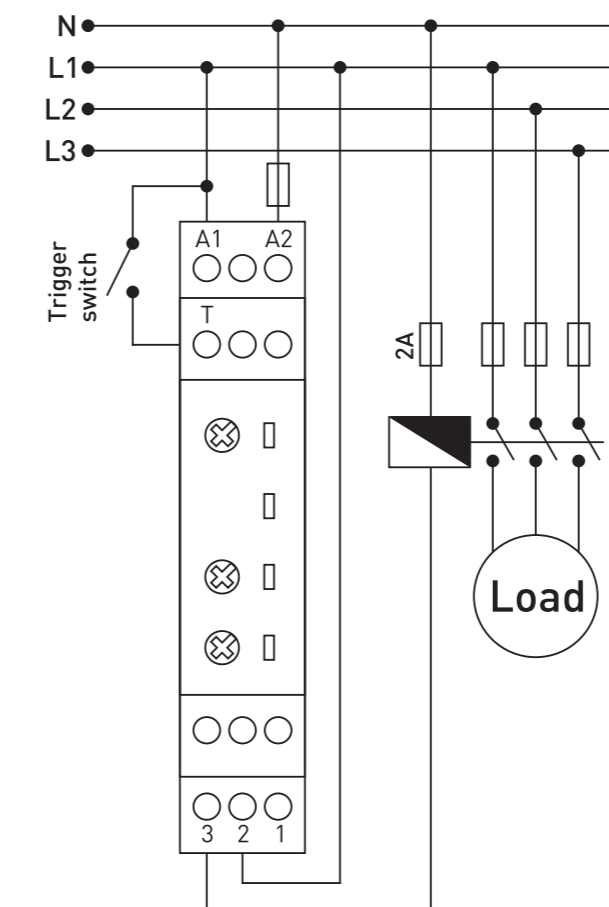
PHOTO



DIMENSIONS



CONNECTION DIAGRAM



FUNCTION	CHARACTERISTIC FUNCTION
-1- ON Delay	M: S/T: R: ON:
-2- OFF Delay	M: S/T: R: ON:
-3- Control ON Delay	M: S/T: R: ON:
-4- Control OFF Delay	M: S/T: R: ON:
-5- Single Shot Leading Edge with Control Input	M: S/T: R: ON:
-6- Single Shot Trailing Edge with Control Input	M: S/T: R: ON:
-7- ON delay and OFF Delay with Control	M: S/T: R: ON:
-8- Pulse out-put with Control	M: S/T: R: ON:
-9- Equivalent timed flasher (t-ten-toff)	M: S/T: R: ON:
-10- Equivalent timed flasher with control (t-ten-toff)	M: S/T: R: ON:

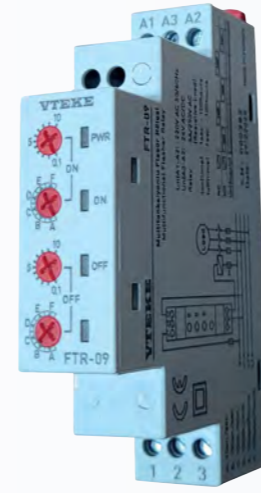
TIME FLASHER RELAY

FTR-09

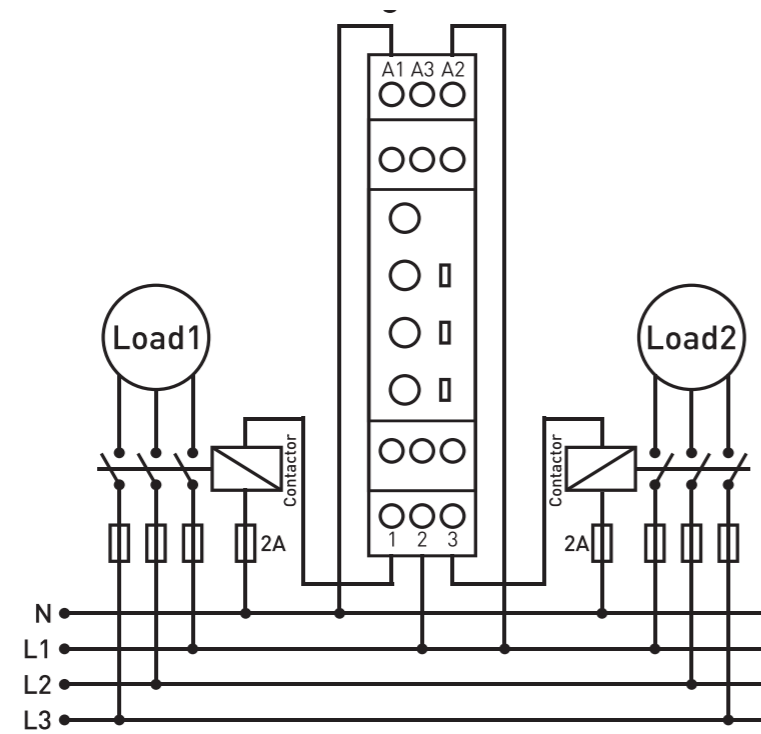


TECHNICAL SPECIFICATIONS

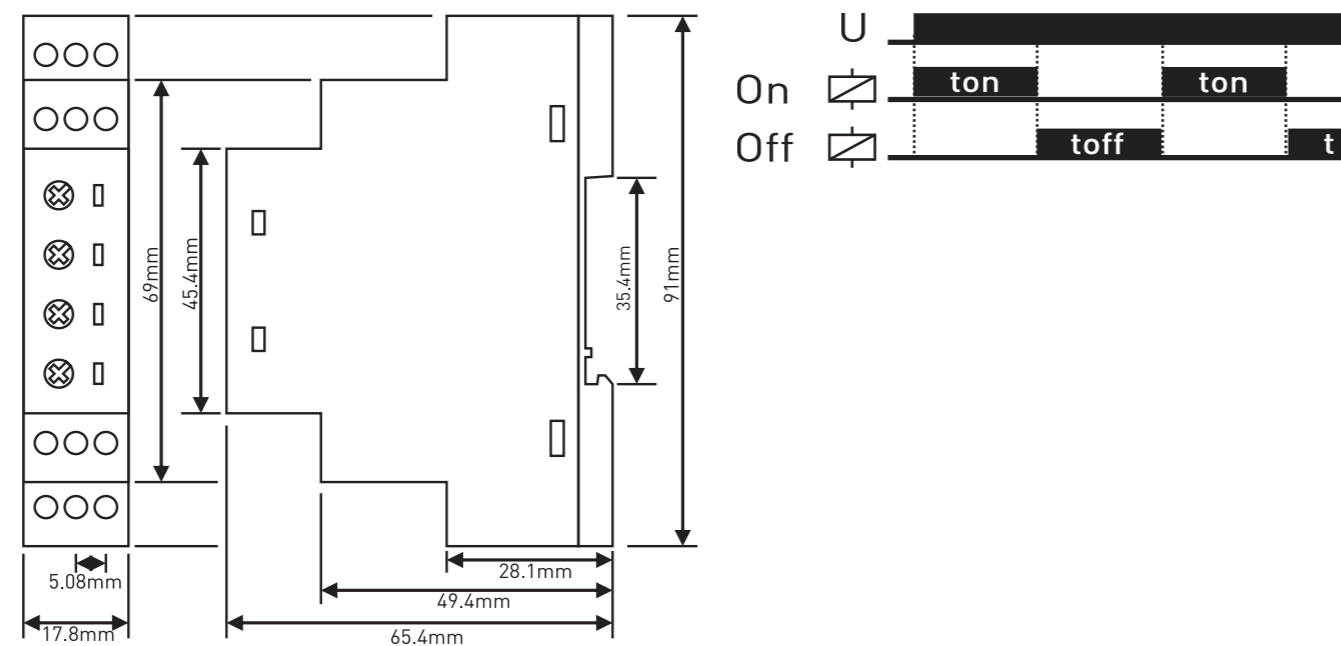
PARAMETER	VALUE
Operating Voltage	160-260VAC OR 24 VAC/DC
Operating Frequency	50 / 60 Hz
Operating Power	<6VA
Operating Temperature	-20°C.....55°C
Weight	<110Gr
T(on) Time	0.1 seconds – 100 min
T(off) Time	0.1 seconds – 100 min
Display	3 LEDS
Contact	1NO+1NC; 5A/250VAC
Protection Class	IP20
Connection Type	Terminal Connection
Cable Diameter	Max1.5mm ²
Mounting	DIN Rail Mounting
Working Altitude	<2000 meter



CONNECTION DIAGRAM



DIMENSIONS



ALTERNATING TIME RELAY

FTR-07

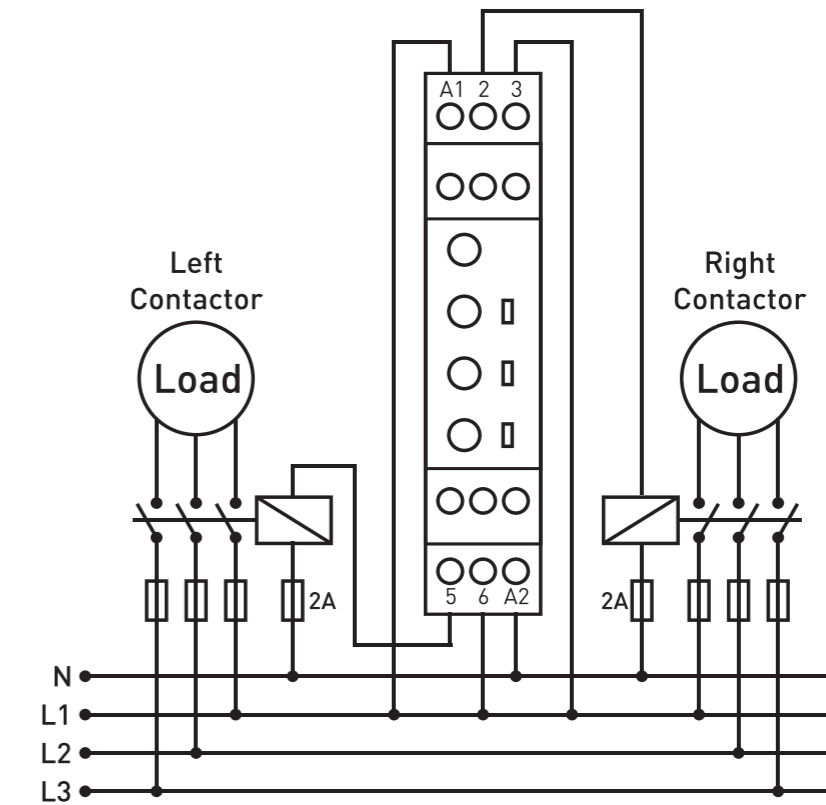


TECHNICAL SPECIFICATIONS

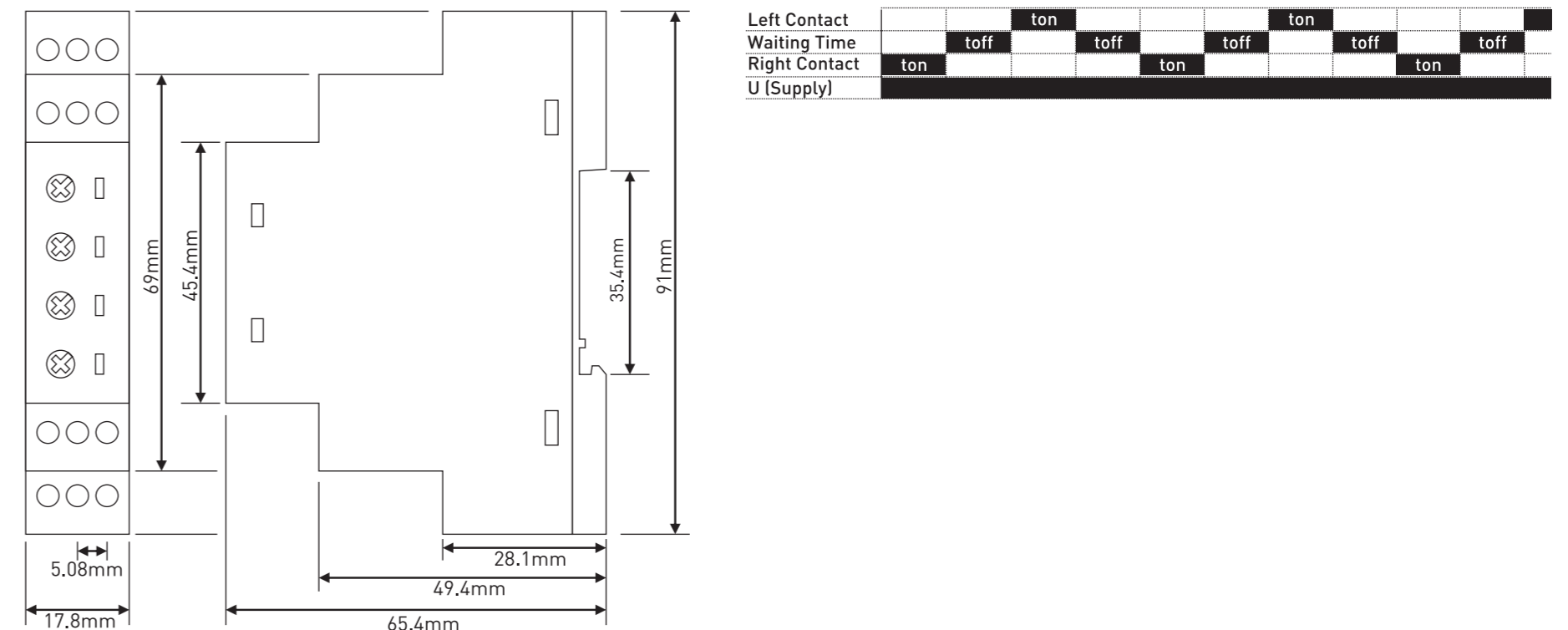
PARAMETER	VALUE
Operating Voltage	150-260VAC
Operating Frequency	50 / 60 Hz
Operating Power	<5VA
Operating Temperature	-20°C.....55°C
Weight	<125Gr
Working Time	0.1 seconds – 100 min
Waiting Time	0.1 seconds – 100 min
Display	3 LEDS
Contact	1NO+1NO; 5A/250VAC
Protection Class	IP20
Connection Type	Terminal Connection
Cable Diameter	Max2.5mm ²
Mounting	DIN Rail Mounting
Working Altitude	<2000 meter



CONNECTION DIAGRAM



DIMENSIONS



24-HOUR MECHANICAL TIMERS

MTR-2401

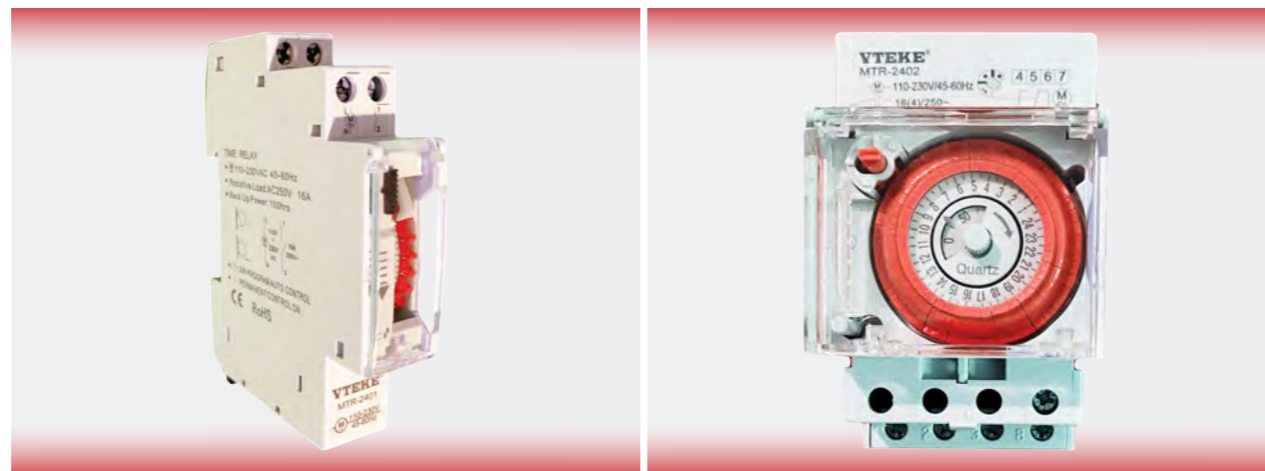
MTR-2402

VTEKE®

www.vteke.com.tr

FEATURES

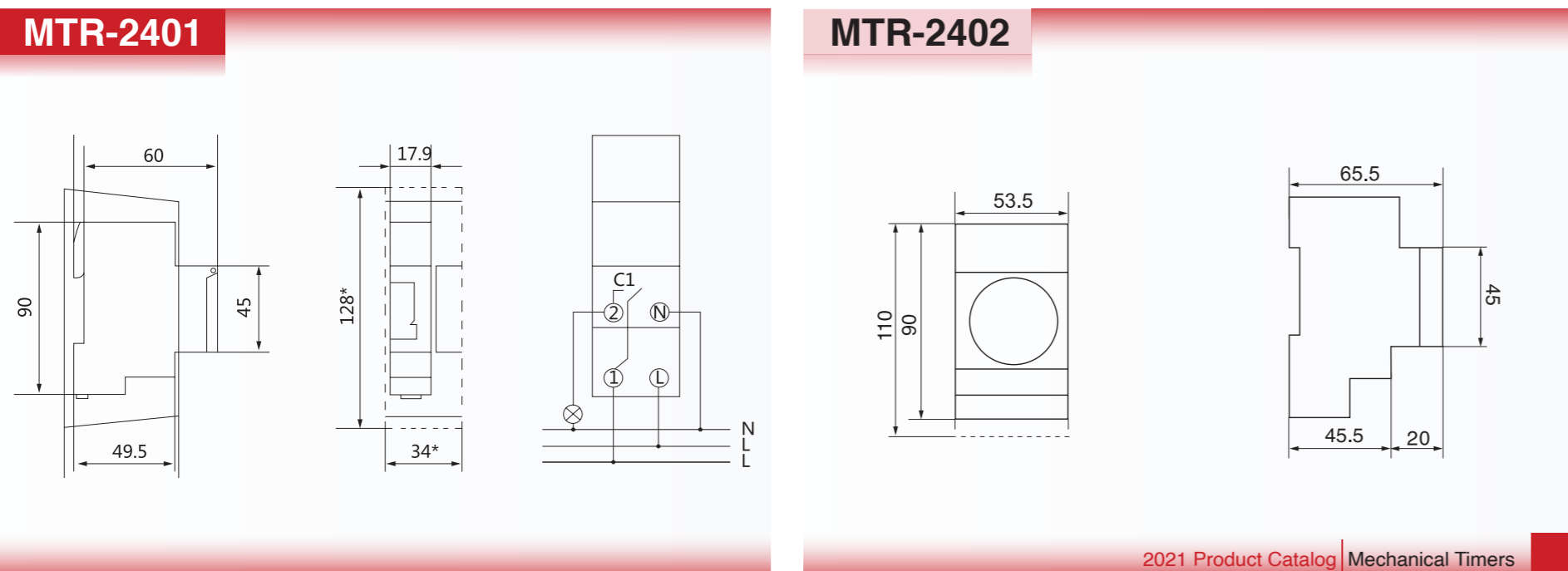
The **Mechanical Timer** is suitable to be adjusted by user to automatically turn on and off electrical load such as lighting, neon signs, machines, radio, TV, agriculture pumps, control devices, fans, etc.



TECHNICAL DATA

	MTR-2401	MTR-2402
Operating Voltage	110-230VAC, 45-60Hz	110-230VAC, 45-60Hz
Power Consumption	0.5VA	2.5VA
Insulation Resistance	≥ 100MΩ	≥ 100MΩ
Drive	Quartz-controlled stepper motor	Quartz-controlled stepper motor
Program	24Hr	24Hr
Power Reserve	100 Hour	150 Hour
Switching Capacity	250VAC, cos Φ=1 16A 250VAC, cos Φ=0.6 4A	250VAC, cos Φ=1 16A 250VAC, cos Φ=0.6 3A
Lamp Load	1000W	1000W
Shortest Switching times	15 minutes	30 minutes
Time Accuracy at 25°C	≤ ±1sec/day (quartz)	≤ ±2sec/day (quartz)
Insulation Protection	IP20	IP20
Operating Temperature	-10°C - +50°C	-10°C - +55°C

DIMENSIONS



STAR DELTA RELAY

DTR-SD

VTEKE®

www.vteke.com.tr

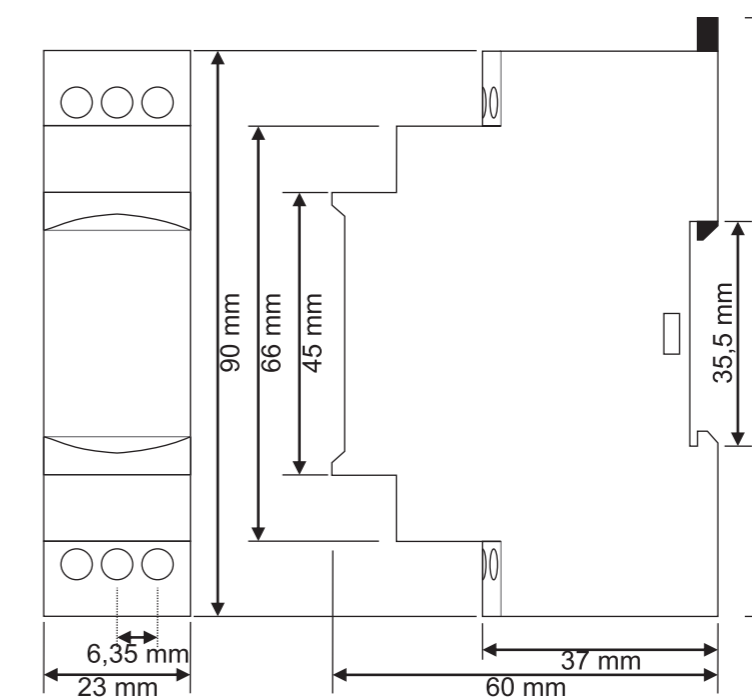
TECHNICAL SPECIFICATIONS

PARAMETER	VALUE
Operating Voltage	150V – 260V AC
Operating Frequency	50 / 60 Hz
Operating Power	<6VA
Operating Temperature	-20°C.....55°C
Weight	<110Gr
Working time (star)	0.1 seconds – 30 SEC
Waiting time (off)	1ms – 500ms
Display	3 LEDS
Contact	1NO+1NO, 5A/250VAC
Protection Class	IP20
Connection Type	Terminal Connection
Cable Diameter	Max2.5mm²
Mounting	DIN Rail Mounting
Working Altitude	<2000 meter

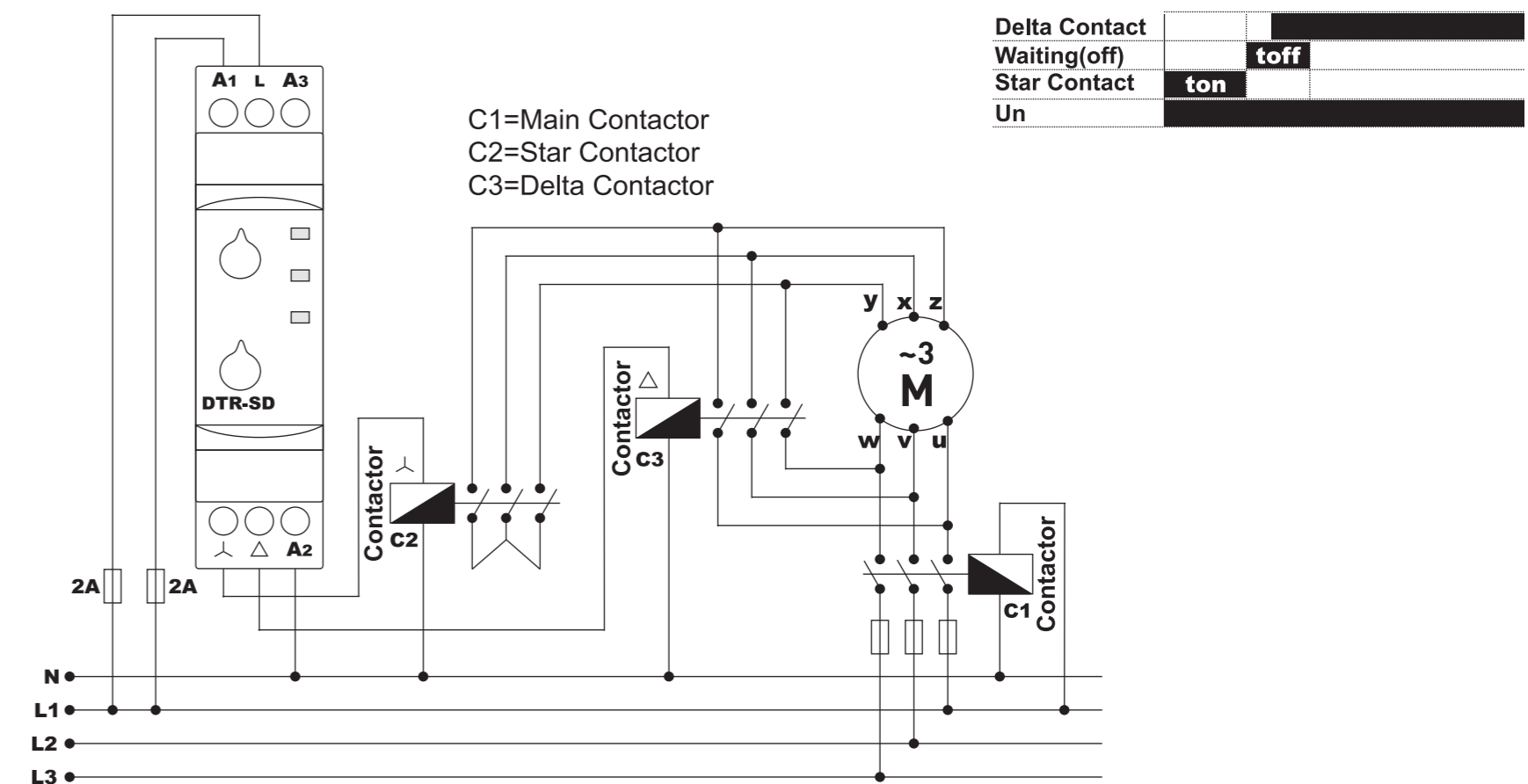
PHOTO



DIMENSIONS



CONNECTION DIAGRAM



START-STOP RELAY

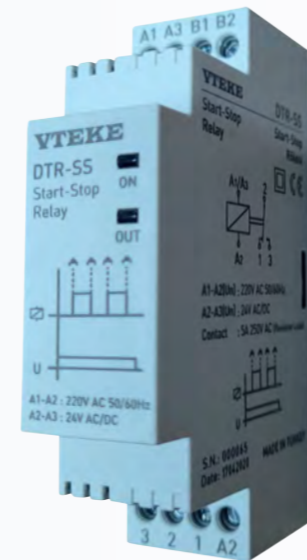
DTR-SS

VTEKE[®]
www.vteke.com.tr

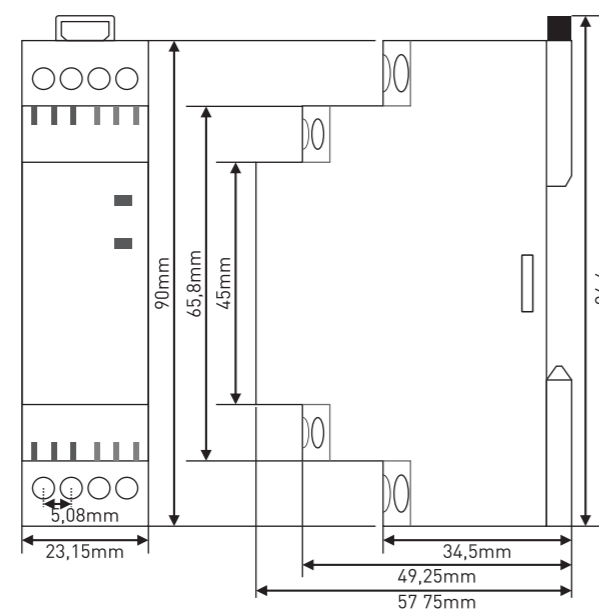
TECHNICAL SPECIFICATIONS

PARAMETER	VALUE
Operating Voltage	150V – 260V AC
Operating Frequency	50 / 60 Hz
Operating Power	<3VA
Operating Temperature	-20°C.....55°C
Weight	<90Gr
Delay (t)	0.1 sec – 6 sec
Display	2 LEDS
Contact	1NO+1NC, 5A/250VAC
Protection Class	IP20
Connection Type	Terminal Connection
Cable Diameter	Max2.5mm ²
Mounting	DIN Rail Mounting
Working Altitude	<2000 meter

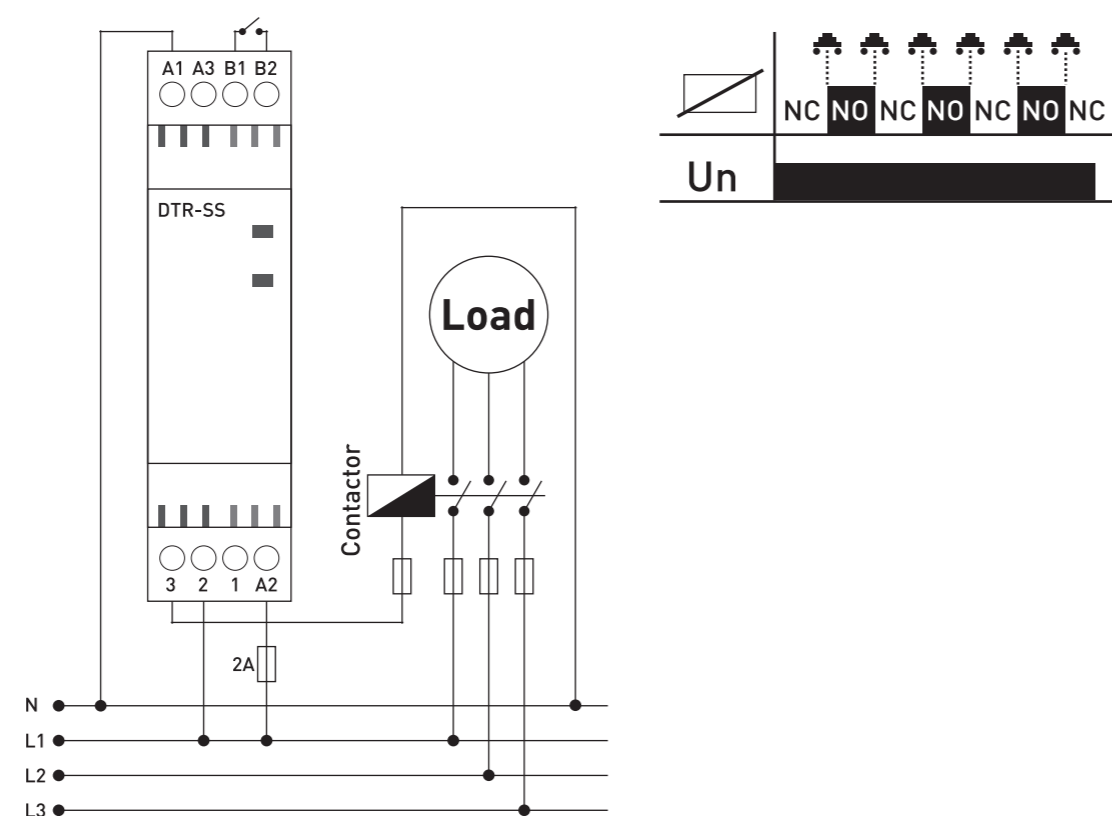
PHOTO



DIMENSIONS



CONNECTION DIAGRAM



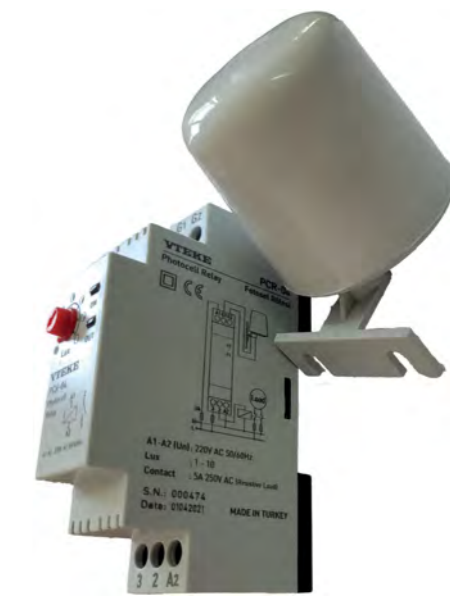
PHOTOCELL RELAY

PCR-03 PCR-04

VTEKE[®]
www.vteke.com.tr



PCR-03

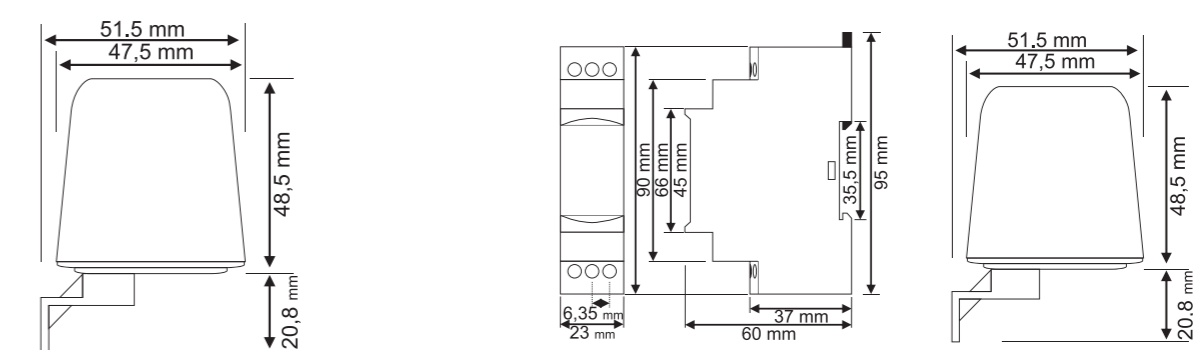


PCR-04

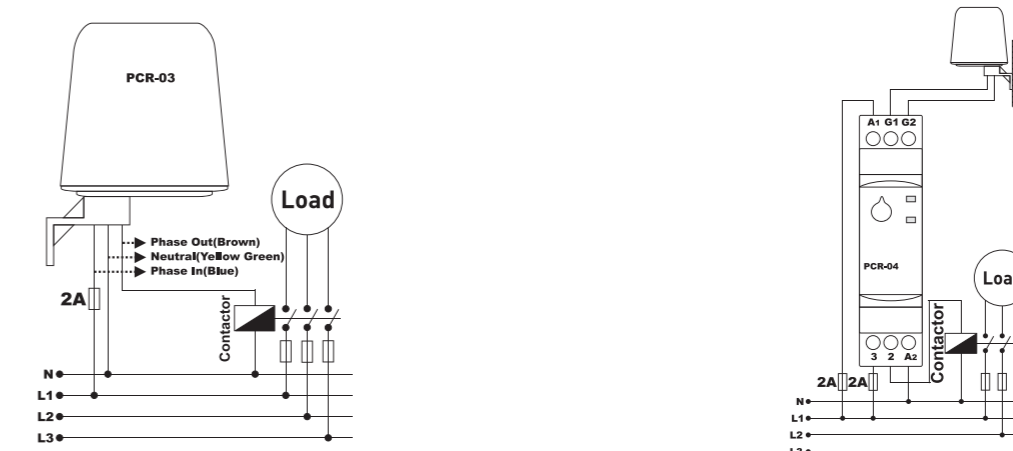
TECHNICAL SPECIFICATIONS

PARAMETER	PCR-03	PCR-04
Operating Voltage	220V AC	220V AC
Operating Frequency	50 / 60 Hz	50 / 60 Hz
Operating Power	<4VA	<4VA
Operating Temperature	-20°C.....55°C	-20°C.....55°C
Weight	<100Gr	<2x100Gr
Waiting Time	20sec-60sec fixed	20sec-60sec fixed
Luminous Intensity	10Lux fixed	1Lux-10Lux Adjustable
Contact	1NO 7A/250VAC	1NO 5A/250VAC
Protection Class	IP20	IP20
Connection Type	Cable Terminal	Cable Terminal
Cable Diameter	Max 1mm ²	Max 2.5mm ²
Mounting	Vertical on panel or wall	Vertical on panel or wall
Working Altitude	<2000 meter	<2000 meter

DIMENSIONS



CONNECTION DIAGRAM



SUBMERSIBLE PUMP RELAY (With Electronic Contactor)

SPR-30, LLE-10

VTEKE[®]
www.vteke.com.tr

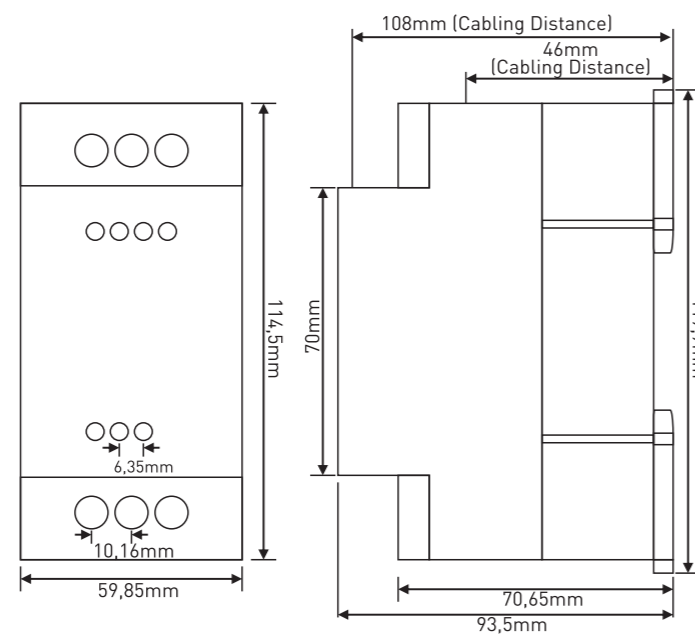
TECHNICAL SPECIFICATIONS

PARAMETER	VALUE
Operating Voltage	100V – 240V AC
Operating Frequency	50 / 60 Hz
Operating Power	<10VA
Operating Temperature	-20°C.....55°C
Weight	<380Gr
Display	3X3 DISPLAY, 8 LEDS
Liquid Sensitivity	<50Kohm
High Current (Overload)	Max 30A
Contact	1NO+1NO 3A/250VAC
Protection Class	IP20
Connection Type	Terminal Connection
Cable Diameter	Control 2.5mm ² , Power 6mm ²
Mounting	DIN Rail Mounting
LLF-3	Liquid Level Floater 3 mtr
LLF-5	Liquid Level Floater 5 mtr
LLF-10	Liquid Level Floater 10 mtr
LLF-20	Liquid Level Floater 20 mtr

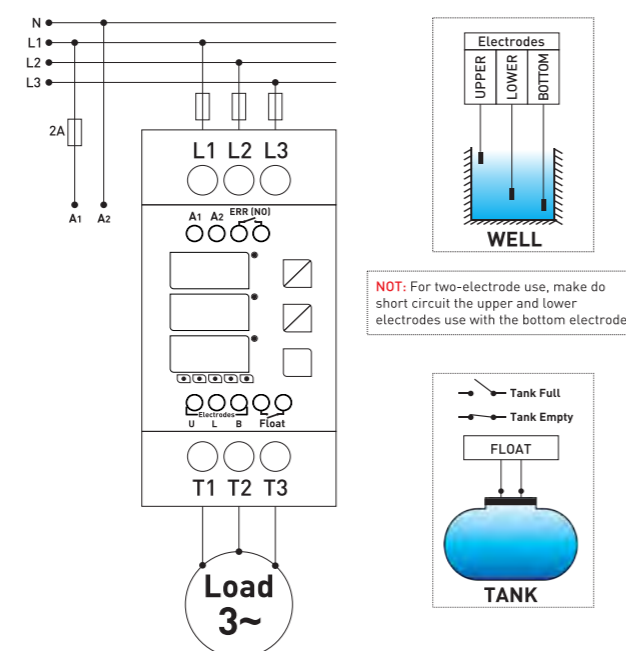
PHOTO



DIMENSIONS



CONNECTION DIAGRAM



SUBMERSIBLE PUMP RELAY (With Electronic Contactor)

SPR-30, LLE-10

VTEKE[®]
www.vteke.com.tr

MENU PARAMETER LIST

Parameter Number	Parameter Name	Minimum Value	Maximum Value	Default Value	Unit
P. 1	High Current Set Value	1	30	15	A
P. 2	High Current Error Delay Time	0	30	5	Sec.
P. 3	High Current Reset Time	Off/0.1	99	Off	Min.
P. 4	High Current Reset Count	Off/1	20	Off	-
P. 5	Low Current Set Value	1	30	0	A
P. 6	Low Current Error Delay Time	0	30	5	Sec.
P. 7	Low Current Reset Time	Off/0.1	99	Off	Min.
P. 8	Low Current Reset Count	Off/1	20	Off	-
P. 9	Current Asymmetry Set Value	%10	%100	%50	A
P. 10	Current Asymmetry Error Delay T.	0	30	5	Sec.
P. 11	Current Asymmetry Reset Time	Off/0.1	99	Off	Min.
P. 12	Current Asymmetry Reset Count	Off/1	20	Off	-
P. 13	Demurrage Multiplier	1.0	5.0	2.0	-
P. 14	Demurrage Time	0	30	5	Sec.
P. 15	Fuse Protection	On	Off	Off	-
P. 16	High Voltage Set Value	400	460	430	V
P. 17	Low Voltage Set Value	200	360	300	V
P. 18	Voltage Asymmetry Set Value	%5	%50	%20	V
P. 19	Electrode Set Value	1	100	85	-
P. 20	Electrode Reading Value	-	-	-	-
P. 21	Upper Electrode Waiting Time	0.1	99	0.1	Min.
P. 22	First Opening Waiting Time	1	999	5	Sec.
P. 23	Relay On/Off Count	-	-	-	-
P. 24	Relay Operating Time	-	-	-	Hour
P. 25	Return to Factory Values	-	-	-	-
P. 26	Software Version	-	-	-	-
P. 27	Exit the Menu	-	-	-	-

LIQUID LEVEL RELAYS

LLR-05U, LLR-05

VTEKE
www.vteke.com.tr



LLR-05U

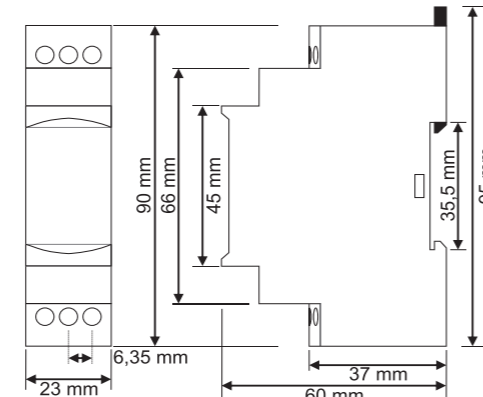
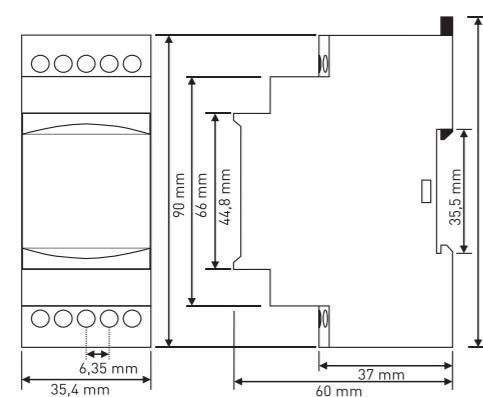


LLR-05

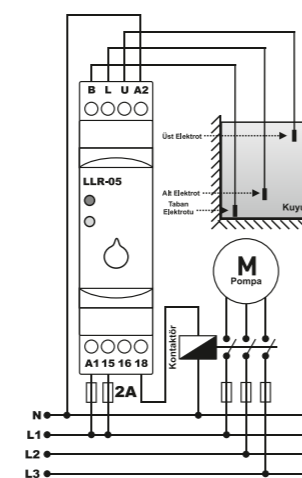
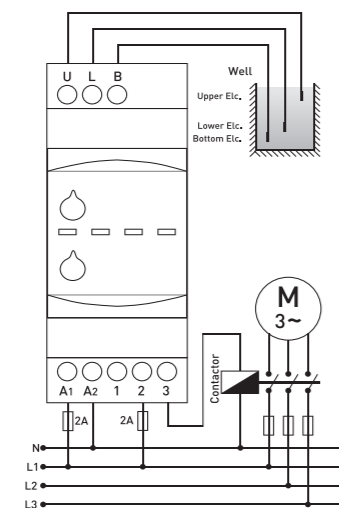
TECHNICAL SPECIFICATIONS

PARAMETER	VALUE	
	LLR-05U	LLR-05
Operating Voltage	150V – 260V AC	150V – 260V AC
Operating Frequency	50 / 60 Hz	50 / 60 Hz
Operating Power	<6VA	<6VA
Operating Temperature	-20°C.....55°C	-20°C.....55°C
Waiting (upper electrode)	0.1min – 30min	0.1min – 30min
Weight	<250Gr	<110Gr
Display	4 LEDS	2 LEDS
Sensitivity	<100Kohm	<100Kohm
Contact	1NO 5A/250VAC	1NO 5A/250VAC
Protection Class	IP20	IP20
Connection Type	Terminal Connection	Terminal Connection
Cable Diameter	Max1.5mm ²	Max1.5mm ²
Mounting	DIN Rail Mounting	DIN Rail Mounting
Working Altitude	<2000 meter	<2000 meter

DIMENSIONS



CONNECTION DIAGRAM



1-PHASE VOLTAGE PROTECTION

VCR-11

VTEKE
www.vteke.com.tr

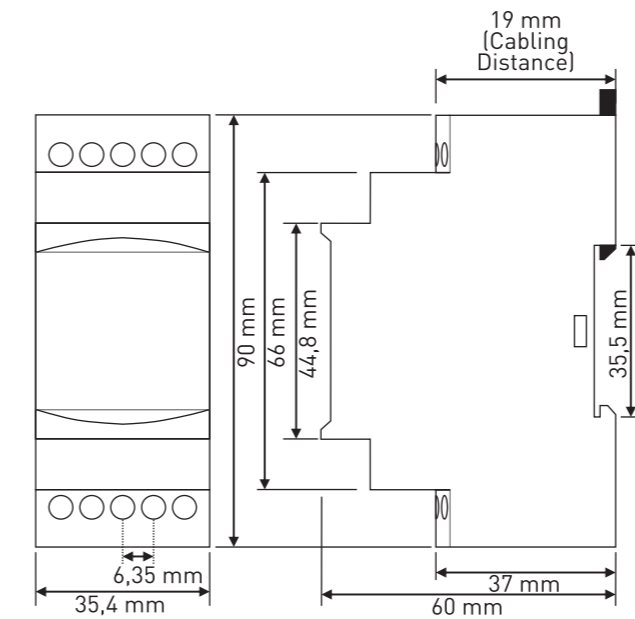
TECHNICAL SPECIFICATIONS

PARAMETER	VALUE
Operating Voltage	150V-260V AC
Operating Frequency	50 / 60 Hz
Operating Power	<6VA
Operating Temperature	-20°C.....55°C
Weight	<100Gr
Connection	1-Phase
Protection Functions	Over/Under Voltage
Over Voltage	230V-300VAC
Under Voltage	150V-210VAC
Delay Time	0.5sec – 20sec
Reset Time	0.5sec – 20sec
Display	3 LEDS
Contact	1NO+1NC; 5A/250VAC
Protection Class	IP20
Connection Type	Terminal Connection
Cable Diameter	Max2.5mm ²
Mounting	DIN Rail Mounting
Working Altitude	<2000 meter

PHOTO



DIMENSIONS

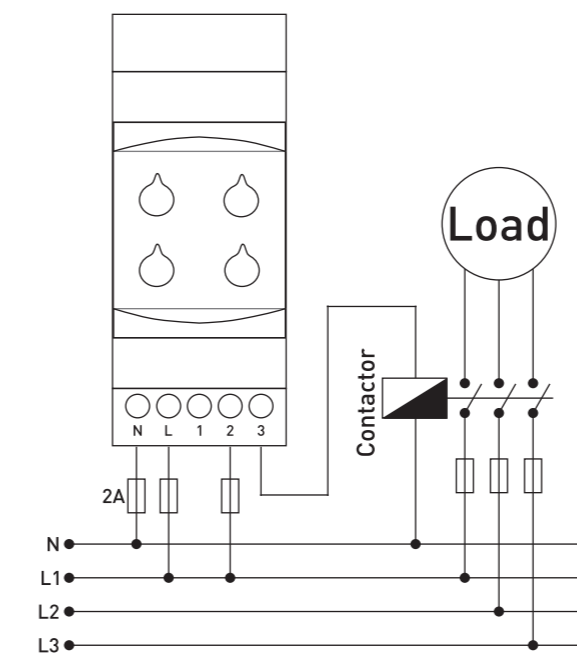


Led Notifications By Errors

Error Name	LV LED	HV LED	LED
No error. Voltages are normal.	<input type="checkbox"/>	<input type="checkbox"/>	<input checked="" type="checkbox"/>
It counting the delay time for low voltage error.	<input checked="" type="checkbox"/>	<input type="checkbox"/>	<input checked="" type="checkbox"/>
Low voltage error.	<input checked="" type="checkbox"/>	<input type="checkbox"/>	<input type="checkbox"/>
It counting the delay time for high voltage error.	<input type="checkbox"/>	<input checked="" type="checkbox"/>	<input checked="" type="checkbox"/>
High voltage error.	<input type="checkbox"/>	<input checked="" type="checkbox"/>	<input type="checkbox"/>

Led is Off : Led is On:

CONNECTION DIAGRAM



3-PHASE VOLTAGE PROTECTION RELAY

VCR-02F, VCR-03F

VTEKE[®]
www.vteke.com.tr



VCR-02F

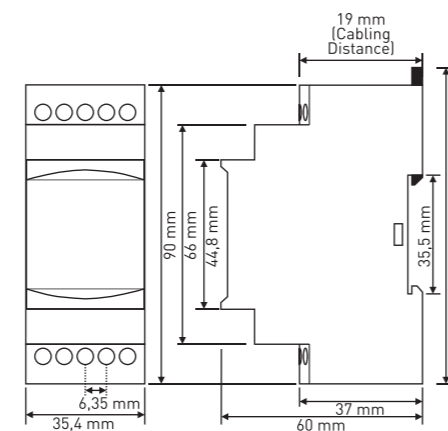
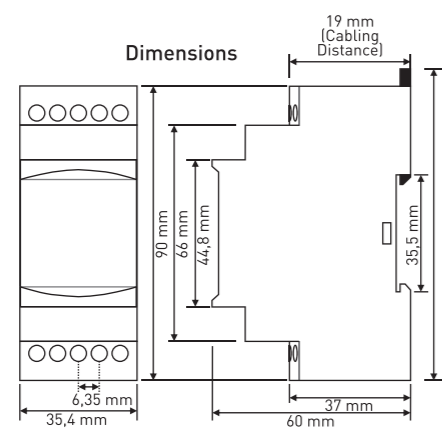


VCR-03F

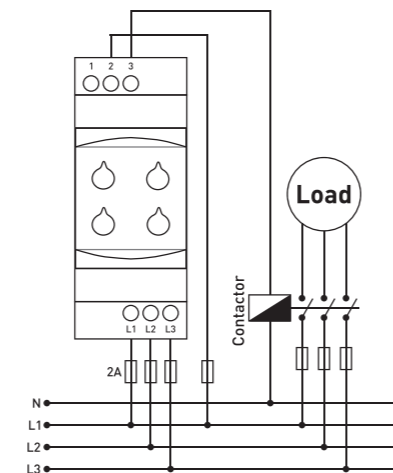
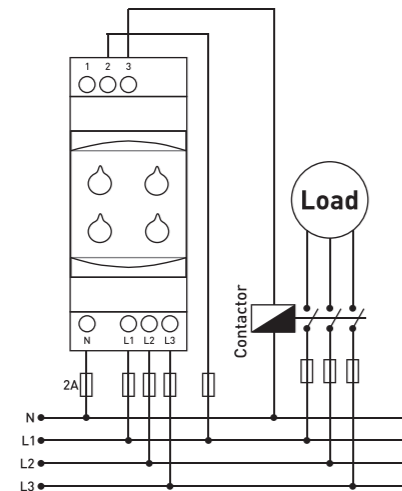
TECHNICAL SPECIFICATIONS

PARAMETER	VALUE	VALUE
	VCR-02F	VCR-03F
Operating Voltage	140V-300VAC V(L-N)	260V-510VAC
Operating Frequency	50 / 60 Hz	50 / 60 Hz
Operating Power	<6VA	<6VA
Operating Temperature	-20°C.....55°C	-20°C.....55°C
Weight	<210Gr	<210Gr
Connection	3-Phase + N	3-Phase without N
Protection Functions	Over/Under Voltage; Supply Voltage Phase Sequence; Phase Absence Neutral Absence	Over/Under Voltage; Supply Voltage Phase Sequence; Phase Absence
Over Voltage	230V-300VAC V(L-N)	400V-510VAC
Under Voltage	140V-210VAC V(L-N)	260V-370VAC
Delay Time	0.1sec – 20sec	0.1sec – 20sec
Reset Time	0.1sec – 20sec	0.1sec – 20sec
Display	4 LEDS	4 LEDS
Contact	1NO+1NC; 5A/250VAC	1NO+1NC; 5A/250VAC
Protection Class	IP20	IP20
Connection Type	Terminal Connection	Terminal Connection
Cable Diameter	Max2.5mm ²	Max2.5mm ²
Mounting	DIN Rail Mounting	DIN Rail Mounting
Working Altitude	<2000 meter	<2000 meter

DIMENSIONS



CONNECTION DIAGRAM



DIGITAL VOLTAGE RELAY

DVC-01, DVC-04

VTEKE[®]
www.vteke.com.tr



DVC-01

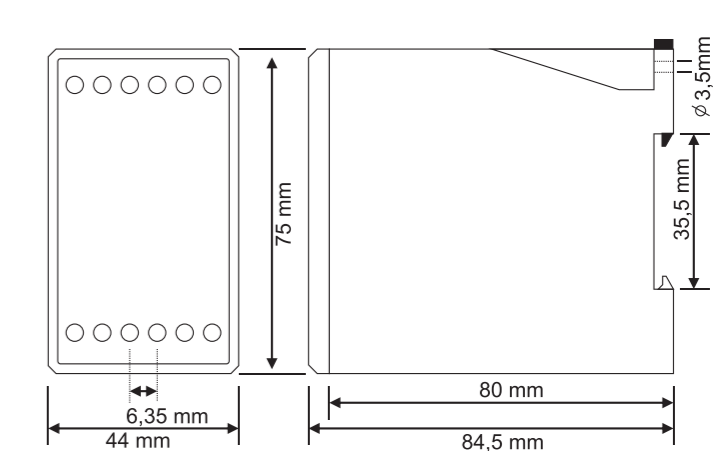
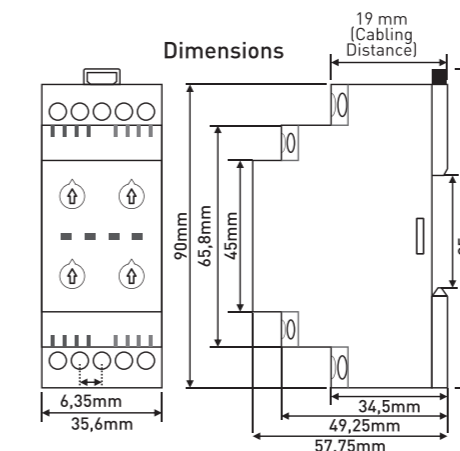


DVC-04

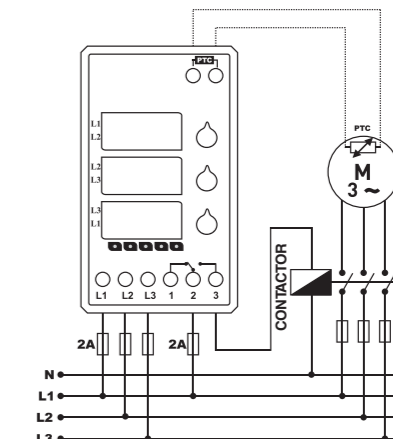
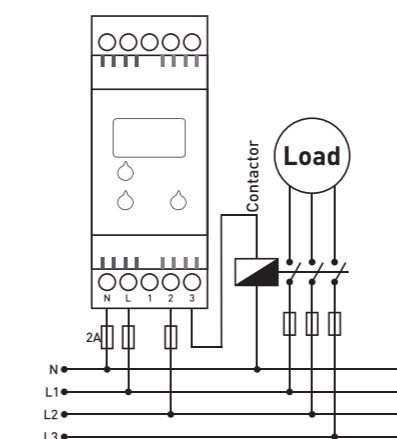
TECHNICAL SPECIFICATIONS

PARAMETER	VALUE	VALUE
	DVC-01	DVC-04
Operating Voltage	140V-290V AC	3 X 380V AC
Operating Frequency	50 / 60 Hz	50 / 60 Hz
Operating Power	<6VA	<6VA
Operating Temperature	-20°C.....55°C	-20°C.....55°C
Weight	<220Gr	<220Gr
Connection	1-Phase	3-Phase + N
Protection Functions	Over/Under Voltage	Over/Under Voltage
Over Voltage	230V-280VAC	400V-460VAC
Under Voltage	150V-210VAC	230V-360VAC
Delay Time	0.1sec – 10sec	0.1sec – 10sec
Display	3 LEDS + 1 display	3 LEDS + 3 display
Contact	1NO+1NC; 5A/250VAC	1NO+1NC; 5A/250VAC
Protection Class	IP20	IP20
Connection Type	Terminal Connection	Terminal Connection
Cable Diameter	Max2.5mm ²	Max2.5mm ²
Mounting	DIN Rail Mounting	DIN Rail Mounting
Working Altitude	<2000 meter	<2000 meter

DIMENSIONS



CONNECTION DIAGRAM



PHASE FAILURE RELAYS

PPR-05F, PPR-06F

VTEKE
www.vteke.com.tr



PPR-05F

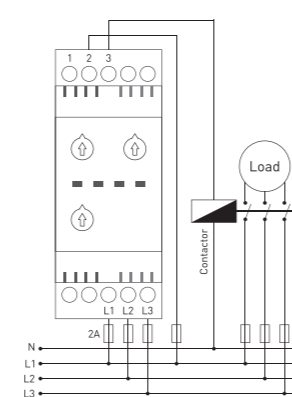
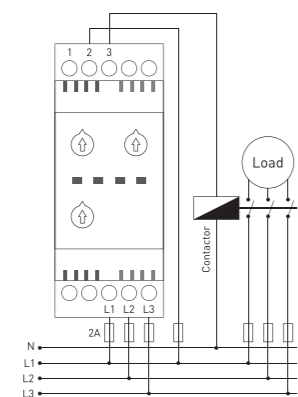
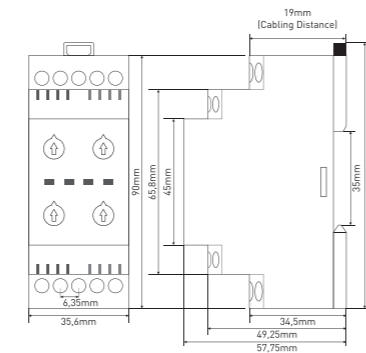
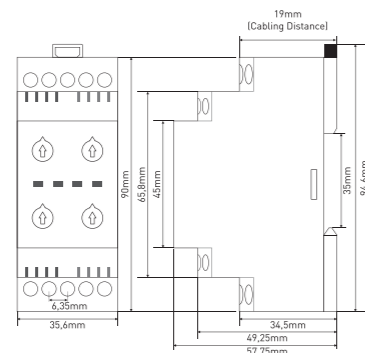


PPR-06F

TECHNICAL SPECIFICATIONS

PARAMETER	VALUE	
	PPR-05F	PPR-06F
Operating Voltage	3X380V AC	3X380V AC
Operating Frequency	50 / 60 Hz	50 / 60 Hz
Operating Power	<6VA	<6VA
Operating Temperature	-20°C.....55°C	-20°C.....55°C
Weight	<210Gr	<210Gr
Connection	3-Phase with N	3-Phase without N
Protection Functions	Phase Protection Over/Under Voltage; Supply Voltage Phase Sequence; Phase Absence Neutral Absence	Phase Protection Over/Under Voltage; Supply Voltage Phase Sequence; Phase Absence
Over Voltage	300 V(L-N)	500 V(L-L)
Under Voltage	140 V(L-N)	240 V(L-L)
Asymmetry	%5-%25	%5-%25
Delay Time	0.1sec – 20sec	0.1sec – 20sec
Reset Time	0.1sec – 20sec	0.1sec – 20sec
Display	4 LEDS	4 LEDS
Contact	1NO+1NC; 5A/250VAC	1NO+1NC
Protection Class	IP20	IP20
Connection Type	Terminal Connection	Terminal Connection
Cable Diameter	Max2.5mm ²	Max2.5mm ²
Mounting	DIN Rail Mounting	DIN Rail Mounting
Working Altitude	<2000 meter	<2000 meter

DIMENSIONS



CONNECTION DIAGRAM

PHASE PROTECTION RELAY(3Ph+N)

PPR-14 PPR-14P

VTEKE
www.vteke.com.tr

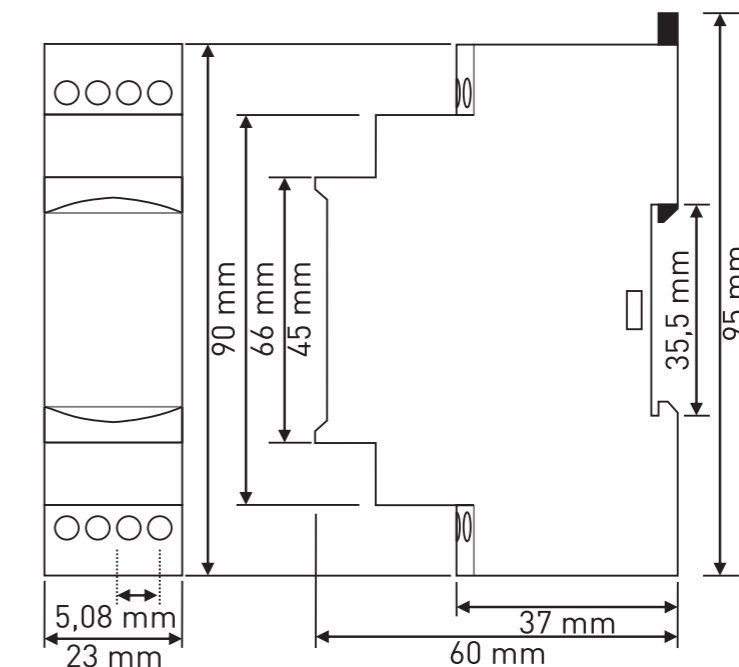
TECHNICAL SPECIFICATIONS

PARAMETER	VALUE
Operating Voltage	3 X 380V AC
Operating Frequency	50 / 60 Hz
Operating Power	<6VA
Operating Temperature	-20°C.....55°C
Weight	<110Gr
Connection	3-Phase with N
Asymmetry Limit	%30 - Fixed
PTC	PPR-14, NO; PPR-14P, YES
Display	2 LEDS
Contact	1NO+1NC; 5A/250VAC
Protection Class	IP20
Connection Type	Terminal Connection
Cable Diameter	Max1.5mm ²
Mounting	DIN Rail Mounting
Working Altitude	<2000 mete

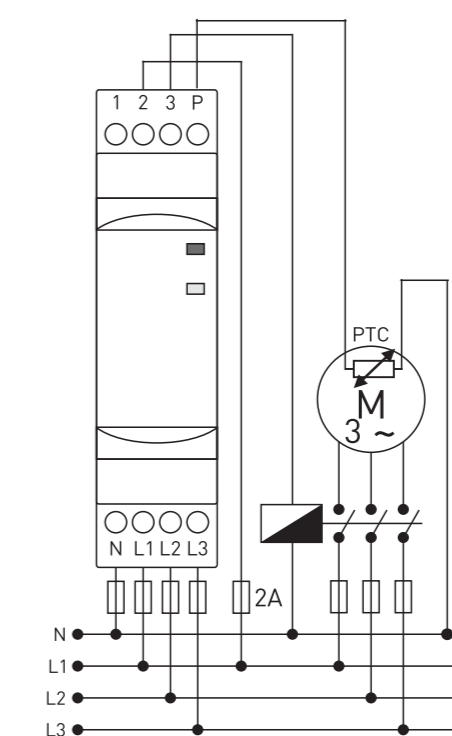
PHOTO



DIMENSIONS



CONNECTION DIAGRAM



PHASE PROTECTION RELAYS

4 Functions

PPR-24F
YTEKE[®]
 www.vteke.com.tr

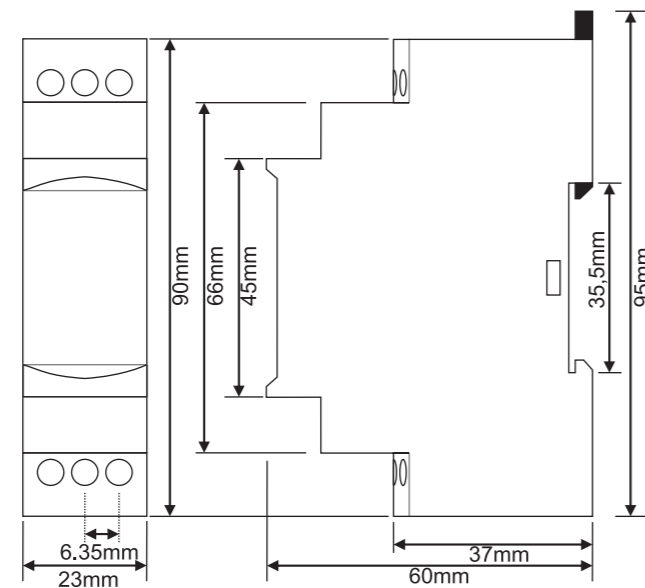
TECHNICAL SPECIFICATIONS

PARAMETER	VALUE
Operating Voltage	3 X 380V AC
Operating Frequency	50 / 60 Hz
Operating Power	<4VA
Operating Temperature	-20°C.....55°C
Weight	<110Gr
Connection	3-Phase without N
Protection Functions	Phase Protection Over/Under Voltage Phase Sequence
Asymmetry	%11 - Fixed
Over Voltage	500VAC - Fixed
Under Voltage	180VAC - Fixed
Display	4 LEDS
Contact	1NO+1NC; 5A/250VAC
Protection Class	IP20
Connection Type	Terminal Connection
Cable Diameter	Max2.5mm ²
Mounting	DIN Rail Mounting
Working Altitude	<2000 meter

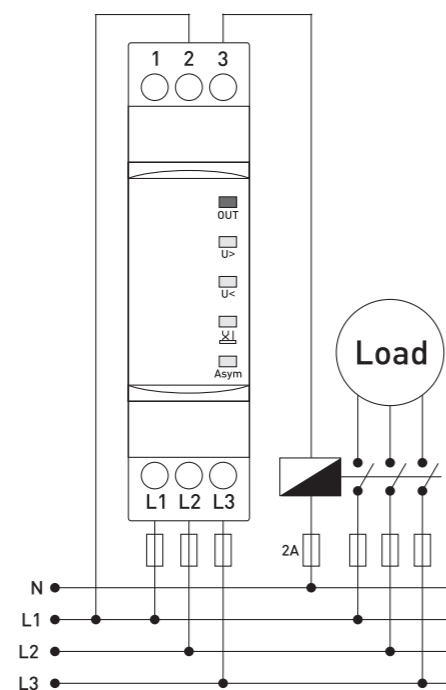
PHOTO



DIMENSIONS



CONNECTION DIAGRAM



DIGITAL OVERLOAD RELAY

DOR SERIES
YTEKE[®]
 www.vteke.com.tr

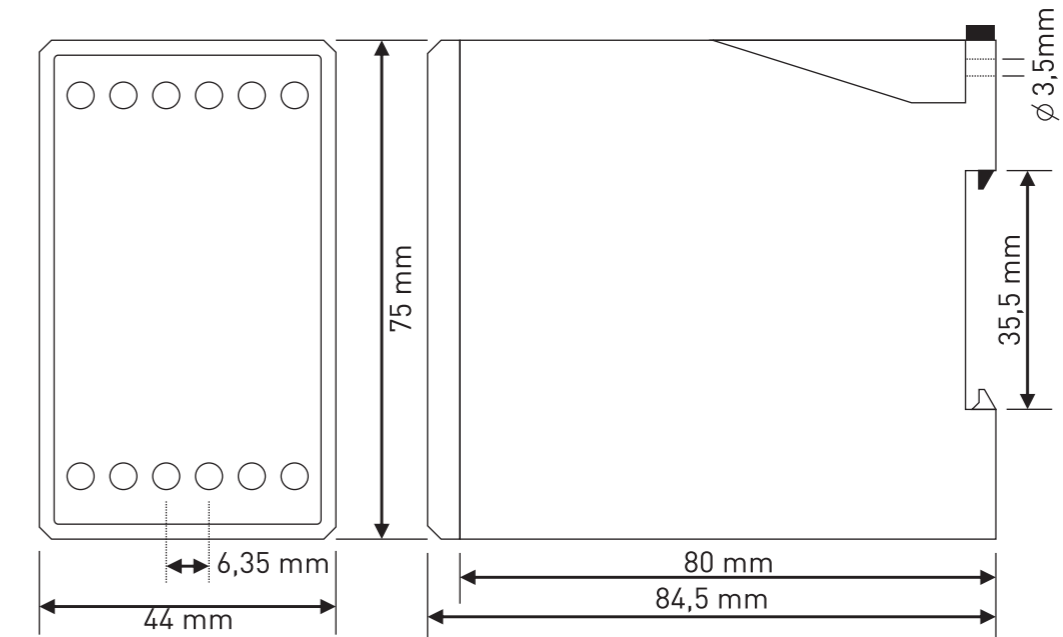
TECHNICAL SPECIFICATIONS

PARAMETER	VALUE
Operating Voltage	150-260V AC
Operating Frequency	50 / 60 Hz
Operating Power	<6VA
Operating Temperature	-20°C.....55°C
Weight	<250Gr
High Current (overload) rang	DOR-25: 0,1A – 25A DOR-100: 40A-100A AC DOR-100: 40A-100A AC DOR-100: 40A-100A AC DOR-100: 40A-100A AC
Asymmetry	%50 fixed
Waiting (t)	0.1sec – 20sec
Display	5 LEDS + 3 Displays
Contact	1NO+1NC; 5A/250VAC
Protection Class	IP20
Connection Type	Terminal Connection
Cable Diameter	Max2.5mm ²
Mounting	DIN Rail Mounting
Working Altitude	<2000 meter

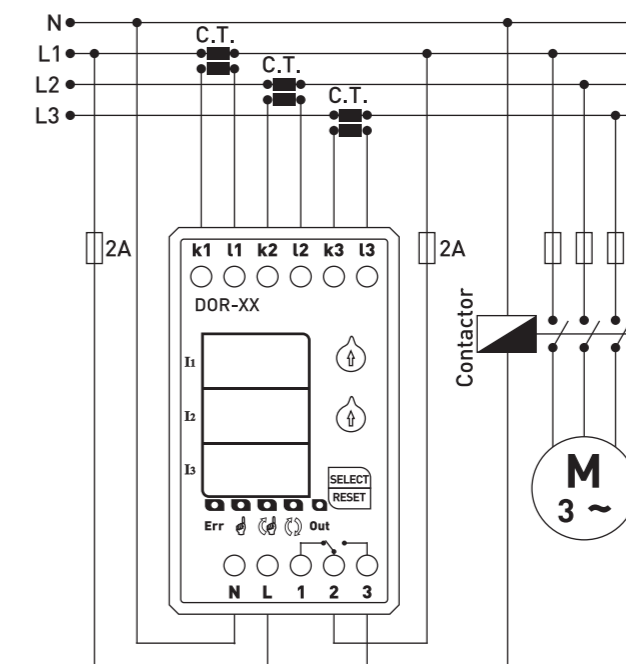
PHOTO



DIMENSIONS



CONNECTION DIAGRAM



UNDER CURRENT RELAY

VUC-01D
VTEKE[®]
 www.vteke.com.tr

New

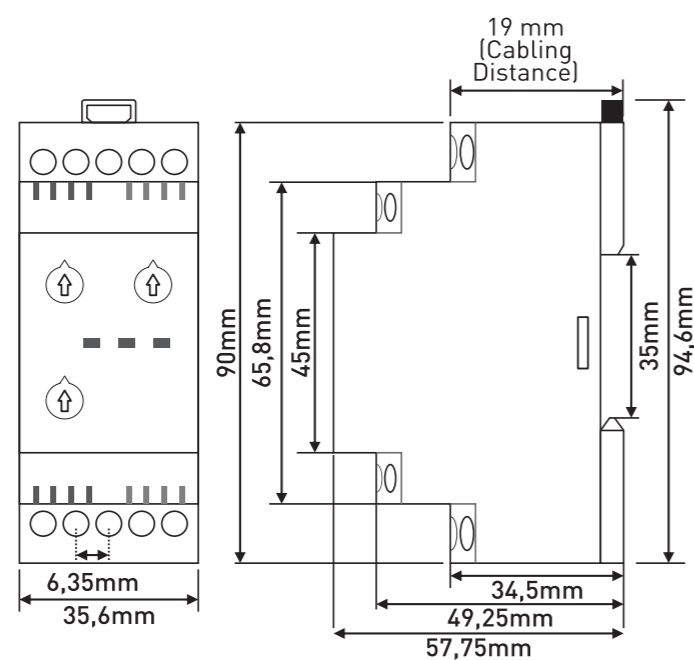
PHOTO



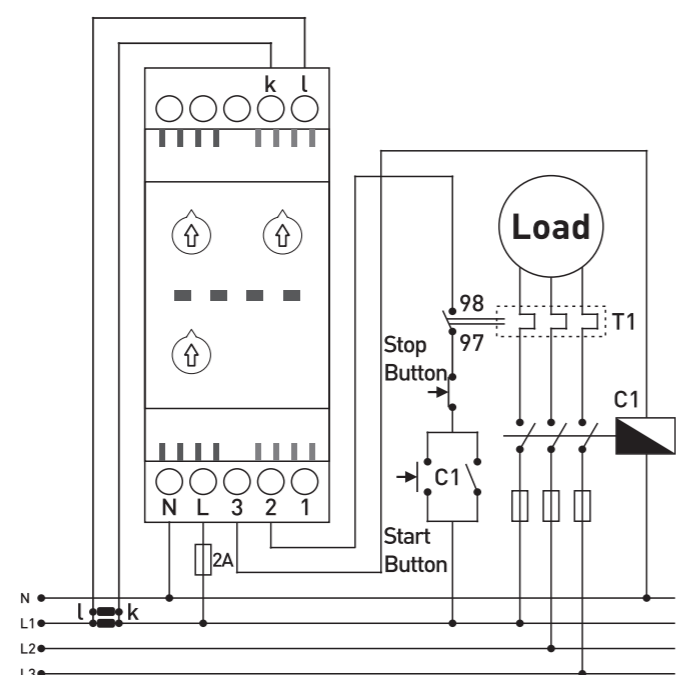
TECHNICAL SPECIFICATIONS

PARAMETER	VALUE
Operating Voltage	150-260V AC
Operating Frequency	50 / 60 Hz
Operating Power	<6VA
Operating Temperature	-20°C.....55°C
Weight	<210Gr
Current Set. Range	0.5A – 5A AC
Input (K-I)	X/5A Current Transformer
Start Time (Inrush)	1sec – 10sec
Delay Time (Waiting)	0.5sec – 2.5sec
Display	3 LEDS
Contact	1NO+1NC; 5A/250VAC
Protection Class	IP20
Connection Type	Terminal Connection
Cable Diameter	Max2.5mm ²
Mounting	DIN Rail Mounting
Working Altitude	<2000 meter

DIMENSIONS



CONNECTION DIAGRAM



DIGITAL OVERLOAD CONTACTOR

CON-XX
VTEKE[®]
 www.vteke.com.tr

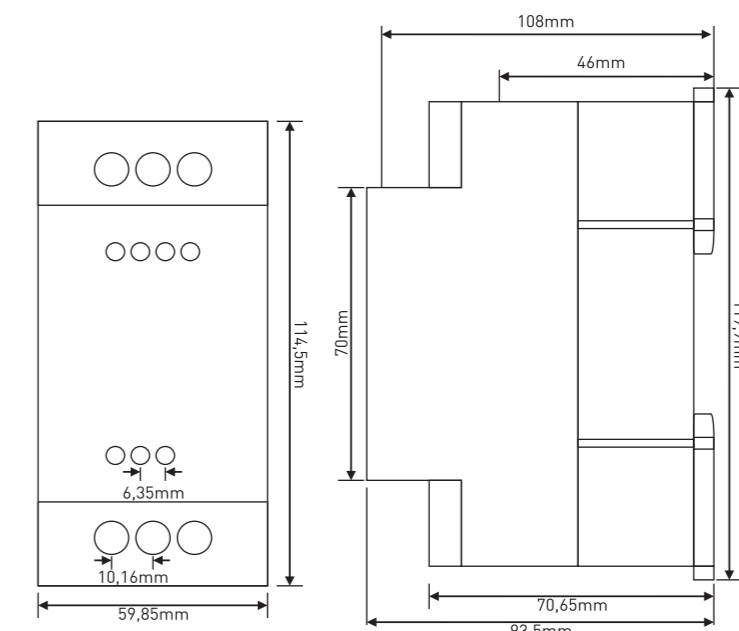
TECHNICAL SPECIFICATIONS

PARAMETER	VALUE
Operating Voltage	100-240V AC
Operating Frequency	50 / 60 Hz
Operating Power	<10VA
Operating Temperature	-20°C - 55°C
Weight	<380Gr
High Current (Overload) Range	CON-12: 1A-12A CON-18: 1A-18A CON-25: 1A-25A
Asymmetry	%50 fixed (2sec fixed delay)
Waiting (t)	0.1sec – 10sec
Display	2 LEDS + 3 Displays
Contact	2NO+2NC; 3A/250VAC
Protection Class	IP20
Connection Type	Terminal Connection
Cable Diameter	Control Max2.5mm ² Power Max6mm ²
Mounting	DIN Rail Mounting
Working Altitude	<2000 meter

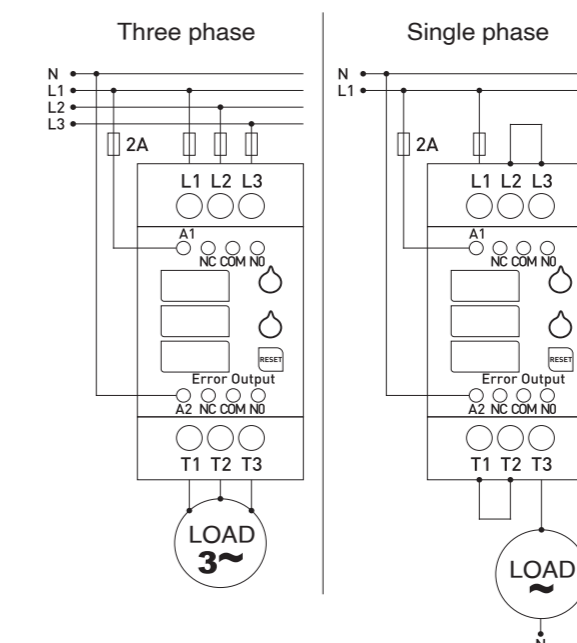
PHOTO



DIMENSIONS



CONNECTION DIAGRAM



DIGITAL OVERLOAD CONTACTOR

CON-50

VTEKE[®]
www.vteke.com.tr

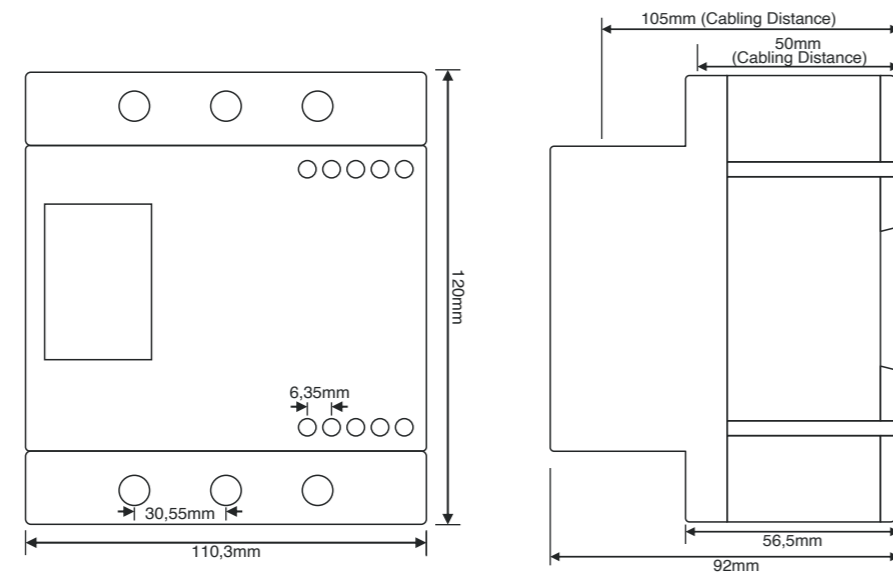
TECHNICAL SPECIFICATIONS

PARAMETER	VALUE
Operating Voltage	120-240V AC
Operating Frequency	50 / 60 Hz
Operating Power	<10VA
Operating Temperature	-20°C - 55°C
Weight	<700Gr
High Current (Overload) Range	25A-50A
Asymmetry	%50 fixed (2sec fixed delay)
Waiting (t)	0.1sec – 20sec
Display	3 Displays
Contact	3NO+3NC; 3A/250VAC
Protection Class	IP20
Connection Type	Terminal Connection
Cable Diameter	Control Max2.5mm ² Power Max95mm ²
Mounting	DIN Rail Mounting
Working Altitude	<2000 meter

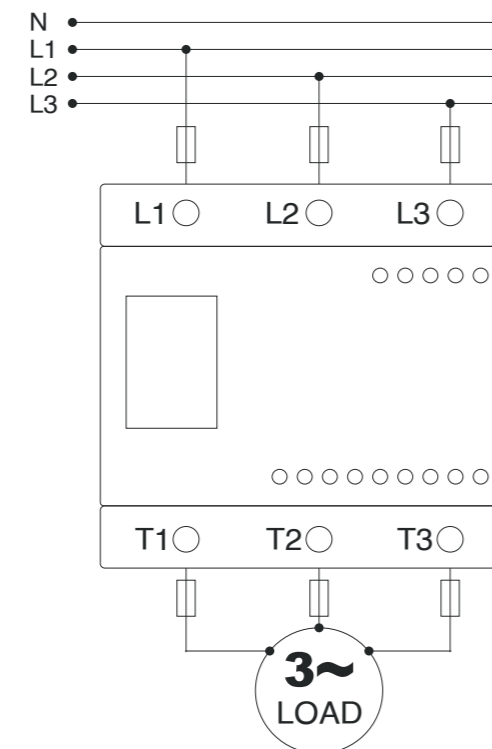
PHOTO



DIMENSIONS



CONNECTION DIAGRAM



GENREAL PURPOSE RELAYS

GENERAL PURPOSE RELAY 8-PINS

SRN-08
SERIES

VTEKE[®]

www.vteke.com.tr

FEATURES

This relay is manufactured according to IEC- 61810-1 standard. It is occupied with test mechanism and indication LED. AC relays has orange color mechanism parts while DC relays has blue mechanism parts.

CODES

AC Coil Codes	Nominal Voltage VAC	Operate Voltage VAC	Release Voltage VAC	Coil Resistance $\Omega \pm 10\%$
SRN-08-012-AC	12	9.6	3.6	42
SRN-08-024-AC	24	19.2	7.2	168
SRN-08-048-AC	48	38.4	14.4	675
SRN-08-230-AC	230	176.0	66.0	14000
DC Coil Codes	Nominal Voltage VDC	Operate Voltage VDC	Release Voltage VDC	Coil Resistance $\Omega \pm 10\%$
SRN-08-012-DC	12	9.6	1.2	160
SRN-08-024-DC	24	19.2	2.4	640

TECHNICAL DATA

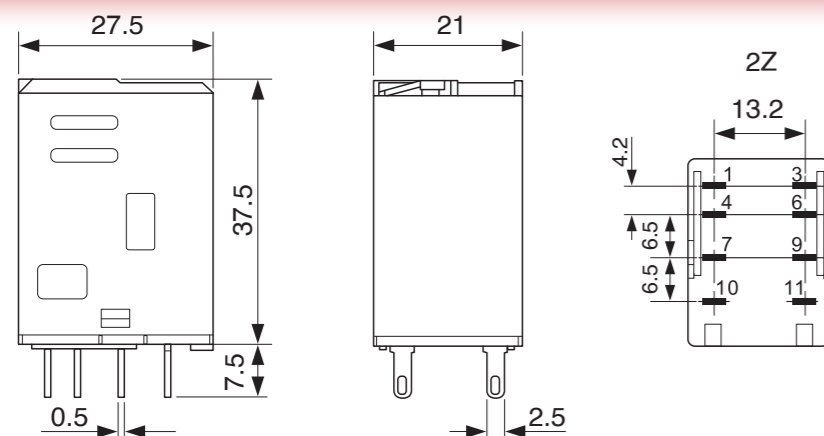
PARAMETER	VALUE
Insulation Resistance	$\geq 500M\Omega$ 500VDC
Ambient Temperature	-40°C~+70°C (No condensation)
Dielectric Strength	Between coil and contact $\geq 1500V$ AC1min
	Between open contact $\geq 1000V$ AC1min Between contacts $\geq 1500V$ AC1min
Operate / Release Time	$\leq 25ms/25ms$
Terminal Type	Socket mounting
Rated Coil Power	0.9W/1.2VA
Contact Form	2Z, 2H, 2D
Contact Resistance	$\leq 100M\Omega$ (1A 6VDC)
Contact Material	AgCdO, AgSnO2
Contact Capacity	5A 250VAC/30VDC



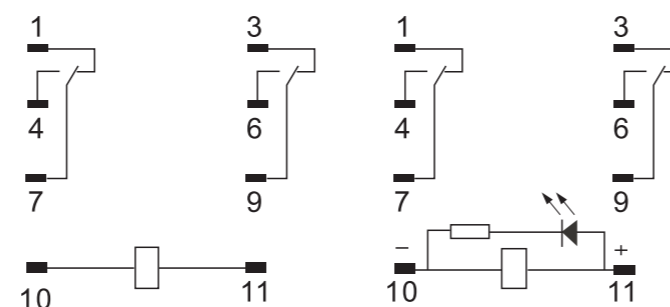
MATCHED SOCKET
RELAY SOCKET 8 PINS
SRN-08-SOK



DIMENSIONS



CONNECTION DIAGRAM
BOTTOM VIEW



GENERAL PURPOSE RELAY 11-PINS

SRN-11
SERIES

VTEKE[®]

www.vteke.com.tr

FEATURES

This relay is manufactured according to IEC- 61810-1 standard. It is occupied with test mechanism and indication LED. AC relays has orange color mechanism parts while DC relays has blue mechanism parts.

CODES

AC Coil Codes	Nominal Voltage VAC	Operate Voltage VAC	Release Voltage VAC	Coil Resistance $\Omega \pm 10\%$
SRN-11-012-AC	12	9.6	3.6	42
SRN-11-024-AC	24	19.2	7.20	168
SRN-11-230-AC	230	176.0	66.0	14000
DC Coil Codes	Nominal Voltage VDC	Operate Voltage VDC	Release Voltage VDC	Coil Resistance $\Omega \pm 10\%$
SRN-11-012-DC	12	9.6	1.2	160
SRN-11-024-DC	24	19.2	2.4	640

TECHNICAL DATA

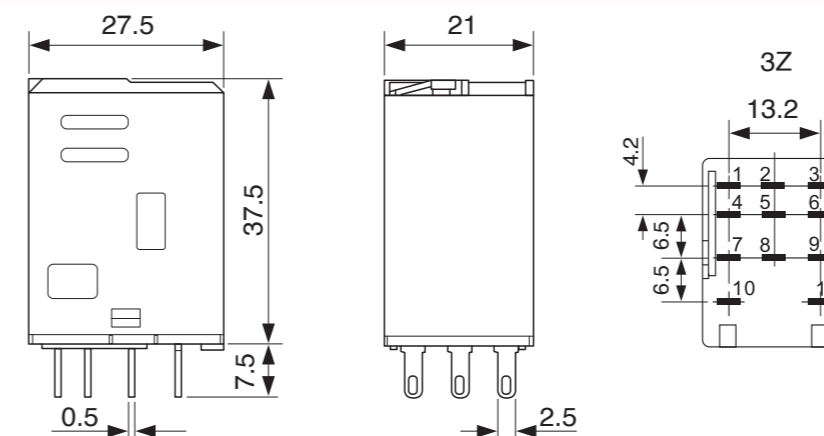
PARAMETER	VALUE
Insulation Resistance	$\geq 500M\Omega$ 500VDC
Ambient Temperature	-40°C~+70°C (No condensation)
Dielectric Strength	Between coil and contact $\geq 1500V$ AC1min
	Between open contact $\geq 1000V$ AC1min Between contacts $\geq 1500V$ AC1min
Operate / Release Time	$\leq 25ms/25ms$
Terminal Type	Socket mounting
Rated Coil Power	0.9W/1.2VA
Contact Form	3Z, 3H, 3D
Contact Resistance	$\leq 100M\Omega$ (1A 6VDC)
Contact Material	AgCdO, AgSnO2
Contact Capacity	5A 250VAC/30VDC



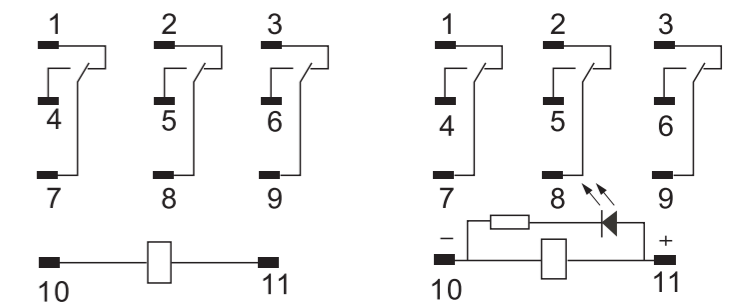
MATCHED SOCKET
RELAY SOCKET 11 PINS
SRN-11-SOK



DIMENSIONS



CONNECTION DIAGRAM
BOTTOM VIEW



GENERAL PURPOSE RELAY 14-PINS

SRN-14 SERIES

VTEKE[®]

www.vteke.com.tr

FEATURES

This relay is manufactured according to IEC- 61810-1 standard. It is occupied with test mechanism and indication LED. AC relays has orange color mechanism parts while DC relays has blue mechanism parts.

CODES

AC Coil Codes	Nominal Voltage VAC	Operate Voltage VAC	Release Voltage VAC	Coil Resistance $\Omega \pm 10\%$
SRN-14-012-AC	12	9.6	3.6	42
SRN-14-024-AC	24	19.2	7.20	168
SRN-14-048-AC	48	38.4	14.4	675
SRN-14-110-AC	110	96.0	36.0	3500
SRN-14-230-AC	230	176.0	66.0	14000
DC Coil Codes	Nominal Voltage VDC	Operate Voltage VDC	Release Voltage VDC	Coil Resistance $\Omega \pm 10\%$
SRN-14-012-DC	12	9.6	1.2	160
SRN-14-024-DC	24	19.2	2.4	640
SRN-14-048-DC	48	38.4	4.8	2560

TECHNICAL DATA

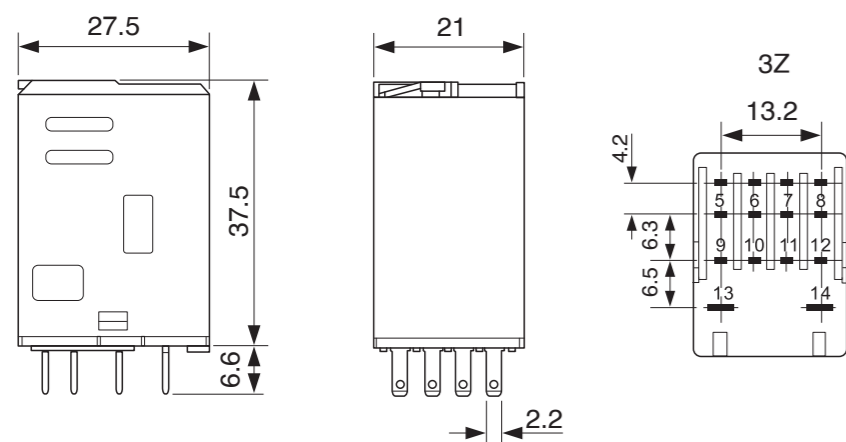
PARAMETER	VALUE
Insulation Resistance	$\geq 500M\Omega$ 500VDC
Ambient Temperature	-40°C~+70°C (No condensation)
Dielectric Strength	Between coil and contact $\geq 1500V$ AC1min
	Between open contact $\geq 1000V$ AC1min Between contacts $\geq 1500V$ AC1min
Operate / Release Time	$\leq 25ms/25ms$
Terminal Type	Socket mounting
Rated Coil Power	0.9W/1.2VA
Contact Form	4Z, 4H, 4D
Contact Resistance	$\leq 100M\Omega$ (1A 6VDC)
Contact Material	AgCdO, AgSnO2
Contact Capacity	5A 250VAC/30VDC



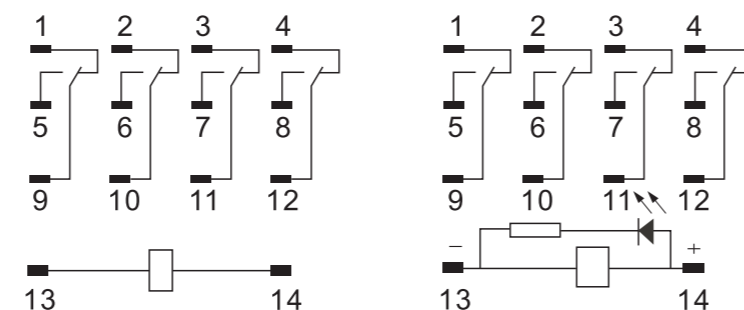
MATCHED SOCKET RELAY SOCKET 14 PINS SRN-14-SOK



DIMENSIONS



CONNECTION DIAGRAM BOTTOM VIEW



RELAY SOCKET

SRN SERIES

VTEKE[®]

www.vteke.com.tr

CODES

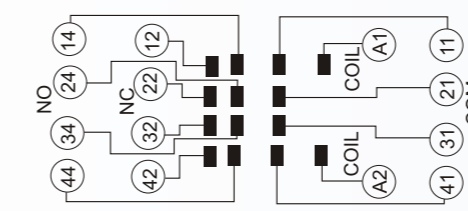
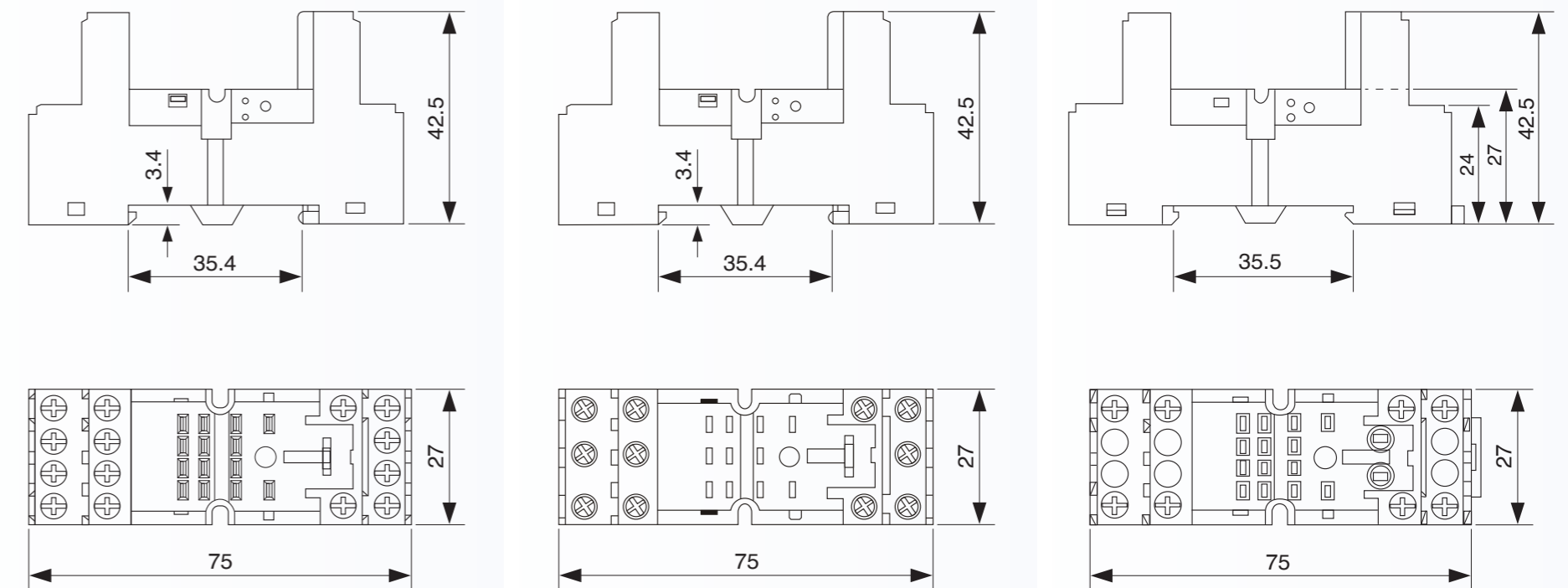
CODE	PIN	CONTACT NO
SRN-08-SOK	8	2
SRN-11-SOK	11	3
SRN-14-SOK	14	4

TECHNICAL DATA

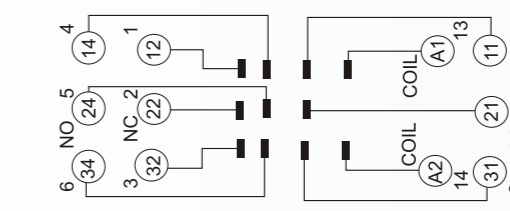
PARAMETER	VALUE
Rated Load	10/300 (A/VAC)
Dielectric Strength Between Coil & Contact	4000 (V/S)
Dielectric Strength Between Contacts	2500 (V/S)
External Connection Wire	20-14/0.5-2.5 (AWG/mm ²)
Screw Torque	0.8 (Nm)
Terminal Protection Degree	IP20



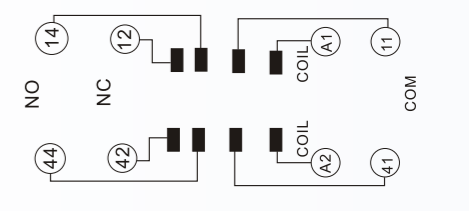
DIMENSIONS



RELAY SOCKET SRN-08-SOK



RELAY SOCKET SRN-11-SOK



RELAY SOCKET SRN-14-SOK

GENERAL PURPOSE RELAY 8-PINS

SRR-08
SERIES

VTEKE[®]

www.vteke.com.tr

FEATURES

This relay is manufactured according to IEC- 61810-1 standard. Contact is rated to 10A. It is occupied with test mechanism and indication LED. AC relays has orange color mechanism parts while DC relays has blue mechanism parts.

CODES

AC Coil Codes	Nominal Voltage VAC	Operate Voltage VAC	Release Voltage VAC	Coil Resistance $\Omega \pm 10\%$
SRR-08-024-AC	24	19.2	7.20	72
SRR-08-230-AC	230	176.0	72.0	6050
DC Coil Codes	Nominal Voltage VDC	Operate Voltage VDC	Release Voltage VDC	Coil Resistance $\Omega \pm 10\%$
SRR-08-012-DC	12	9.6	1.2	90
SRR-08-024-DC	24	19.2	2.4	360

TECHNICAL DATA

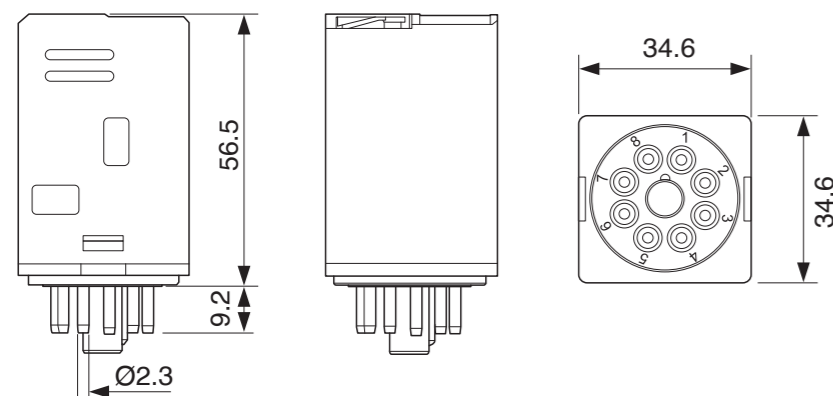
PARAMETER	VALUE
Insulation Resistance	$\geq 500M\Omega$ 500VDC
Ambient Temperature	-40°C~+70°C (No condensation)
Dielectric Strength	Between coil and contact $\geq 1500V$ AC1min
	Between open contact $\geq 1000V$ AC1min
	Between contacts $\geq 1500V$ AC1min
Operate / Release Time	$\leq 20ms/20ms$
Terminal Type	Socket mounting
Rated Coil Power	1.6W/2.8VA
Contact Form	2Z, 2H, 2D
Contact Resistance	$\leq 100M\Omega$ (1A 6VDC)
Contact Material	AgCdO, AgSnO2
Contact Capacity	10A 250VAC/28VDC



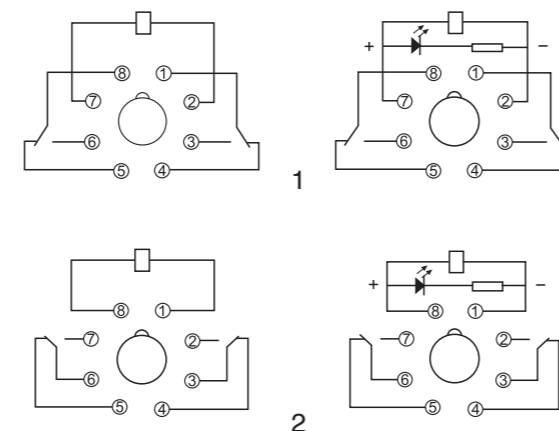
MATCHED SOCKET
RELAY SOCKET
8 PINS (ROUND)
SRN-8-SOK



DIMENSIONS



CONNECTION DIAGRAM
BOTTOM VIEW



GENERAL PURPOSE RELAY 11-PINS

SRR-11
SERIES

VTEKE[®]

www.vteke.com.tr

FEATURES

This relay is manufactured according to IEC- 61810-1 standard. Contact is rated to 10A. It is occupied with test mechanism and indication LED. AC relays has orange color mechanism parts while DC relays has blue mechanism parts.

CODES

AC Coil Codes	Nominal Voltage VAC	Operate Voltage VAC	Release Voltage VAC	Coil Resistance $\Omega \pm 10\%$
SRR-11-024-AC	24	19.2	7.20	72
SRR-11-230-AC	230	176.0	72.0	6050
DC Coil Codes	Nominal Voltage VDC	Operate Voltage VDC	Release Voltage VDC	Coil Resistance $\Omega \pm 10\%$
SRR-11-012-DC	12	9.6	1.2	90
SRR-11-024-DC	24	19.2	2.4	360
SRR-11-110-DC	110	88.0	11.0	7560
SRR-11-220-DC	220	176.0	22.0	

TECHNICAL DATA

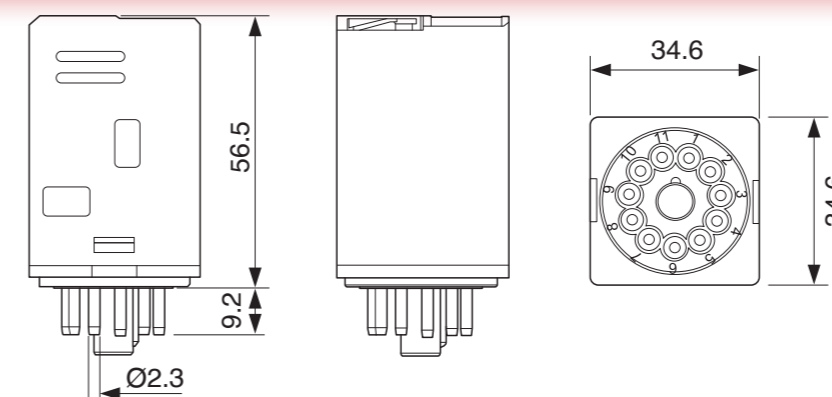
PARAMETER	VALUE
Insulation Resistance	$\geq 500M\Omega$ 500VDC
Ambient Temperature	-40°C~+70°C (No condensation)
Dielectric Strength	Between coil and contact $\geq 1500V$ AC1min
	Between open contact $\geq 1000V$ AC1min
	Between contacts $\geq 1500V$ AC1min
Operate / Release Time	$\leq 20ms/20ms$
Terminal Type	Socket mounting
Rated Coil Power	1.6W/2.8VA
Contact Form	3Z, 3H, 3D
Contact Resistance	$\leq 100M\Omega$ (1A 6VDC)
Contact Material	AgCdO, AgSnO2
Contact Capacity	10A 250VAC/28VDC



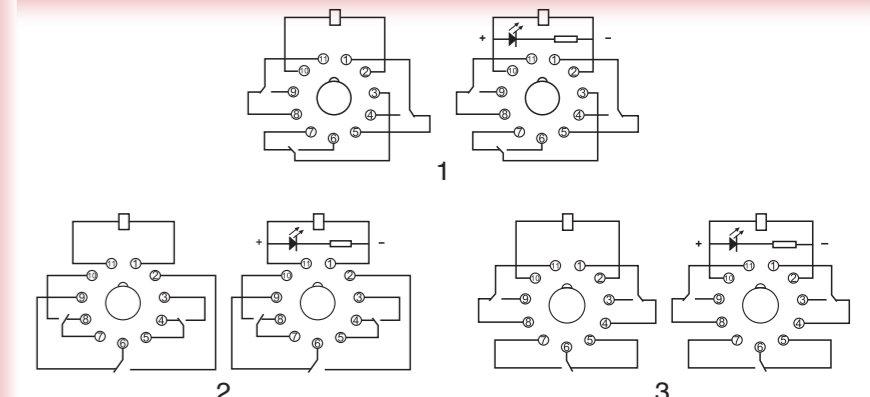
MATCHED SOCKET
RELAY SOCKET
11 PINS (ROUND)
SRN-11-SOK



DIMENSIONS



CONNECTION DIAGRAM
BOTTOM VIEW



RELAY SOCKET

SRR SERIES

VTEKE[®]

www.vteke.com.tr

CODES

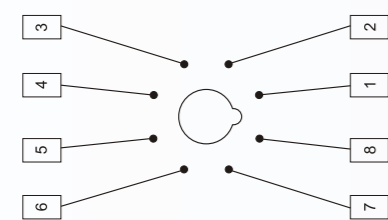
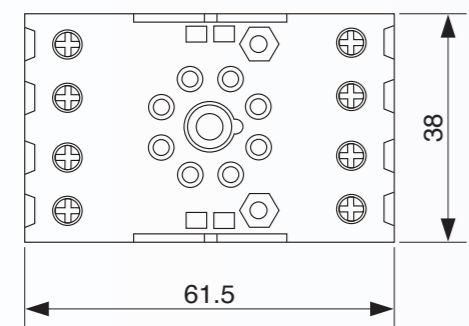
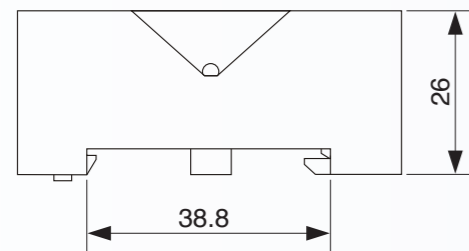
CODE	PIN	CONTACT NO
SRR-08-SOK	8	2
SRR-11-SOK	11	3

TECHNICAL DATA

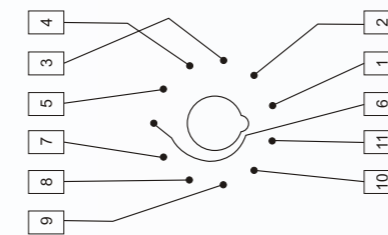
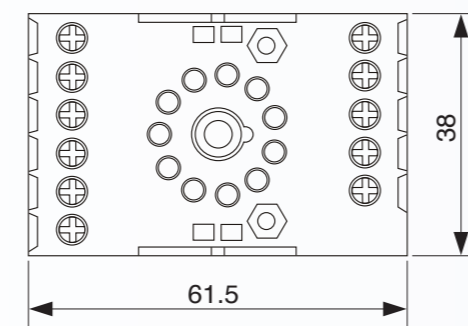
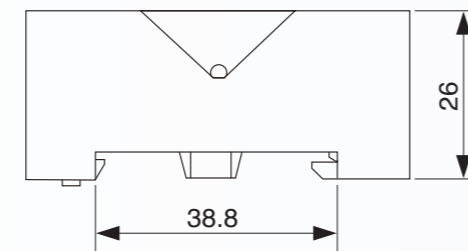
PARAMETER	VALUE
Rated Load	10/300 (A/VAC)
Dielectric Strength Between Coil & Contact	2000 (V/S)
Dielectric Strength Between Contacts	2000 (V/S)
External Connection Wire	20-14/0.5-2.5 (AWG/mm2)
Screw Torque	0.8 (Nm)
Terminal Protection Degree	IP20



DIMENSIONS



RELAY SOCKET
SRR-08-SOK



RELAY SOCKET
SRR-11-SOK

CONVERTERS AND TRANSFORMERS

BATTERY CHARGER [140W]

VBC1205, VBC1210
VBC2405, VBC3002

VTEKE[®]

www.vteke.com.tr

FEATURES

VBC 140W series battery chargers are designed to charge lead-acid engine starter and AGM batteries with voltage of 12V, 24V or 30V. The device is equipped with protection features to save the device and to extend the battery life.

- VBC series is suitable for 12/24/30V storage battery with drawn current of 2A/5A/10A.
- Switch mode power supply technology is used with wide range of input voltage.
- High efficiency
- Compact mechanical design with light weight
- Alarm for input fail and blown fuse
- Reverse polarity protection
- Noise input filter
- Fail/Work OK led indicator



INPUT	PARAMETER	VBC1205	VBC1210	VBC2405	VBC3002
	AC Input Voltage	220Vac ± %20	220Vac ± %20	220Vac ± %20	220Vac ± %20
	DC Input Voltage	200-400Vdc	200-400Vdc	200-400Vdc	200-400Vdc
	AC Input Frequency	50 - 400Hz	50 - 400Hz	50 - 400Hz	50 - 400Hz
	Efficiency	>%85	>%82	>%85	>%85

OUTPUT	PARAMETER	VBC1205	VBC1210	VBC2405	VBC3002
	DC Output Voltage	13.80V	13.80V	27.60V	34.5V
	DC Output Charge Current	5A	10A	5A	2.2A
	Output Power	70W	140W	140W	70W
	Output Voltage Ripple	±%1	±%1	±%1	±%1
	Voltage Regulation	±%1	±%1	±%1	±%1
	Load Regulation	±%1	±%1	±%1	±%1
	Start-up Time		100ms	100ms	100ms

OPERATION CONDITIONS	PARAMETER	VALUE
	Working Temperature	-20C / +50C
	Working Humidity	20-70%
	Stock Temperature	-20C / +70C

MECHANICAL SPECIFICATIONS	PARAMETER	VALUE
	Weight	700gr
	Dimensions (L x W x H)	153 X 98 X 62
	Mounting	Screw Type Plate Mount
		DIN RAIL

BATTERY CHARGER [275W]

VBC-2410
VBC-2410D



www.vteke.com.tr

FEATURES

VBC-2410 is driven by a micro controller which provides extra safety, higher performance and longer product life. Available in DIN rail mount (VBC-2410D) or plate mount (VBC-2410).

The microcontroller controls all the charger functions, below are some of them:

- Temperature protection
- Short circuit protection
- Power Derating when the temperature increases (reduction of current from 10A to 5A)
- LED controllers
- Error checks (such as blown out fuse)



INPUT

PARAMETER	VALUE
AC Input Voltage	185Vac - 270Vac
DC Input Voltage	250V - 390Vdc
AC Input Frequency	50 - 400Hz
Efficiency	>%85

OUTPUT

PARAMETER	VALUE
DC Output Voltage	27.6V (Battery Voltage 24VDC)
DC Output Charge Current	10A
Output Power	275W
Output Voltage Ripple	±%1
Voltage Regulation	±%1
Load Regulation	±%1
Start-up Time	100ms

OPERATION CONDITIONS

PARAMETER	VALUE
Working Temperature	-20C / +40C
Working Humidity	20-70%
Stock Temperature	-20C / +70C

PROTECTIONS

PARAMETER	VALUE
Input Protection:	With 5A Fuse
Output Short Circuit Protection:	With Electronic Protection Can Work Continuously In Short Circuit Conduction With 15A Fuse
Battery Reverse Connection Protection:	Device Can Work Again By Changing the Output Fuse
Warning by LEDs:	Green: Device Normally Running Red: Problem in Device Connections
AC/DC Conversation Method:	SMPS High Frequency Conversation
Working Frequency:	100kHz

SINGLE PHASE CURRENT TRANSDUCER

CT-5 & CT-1 SERIES



FEATURES

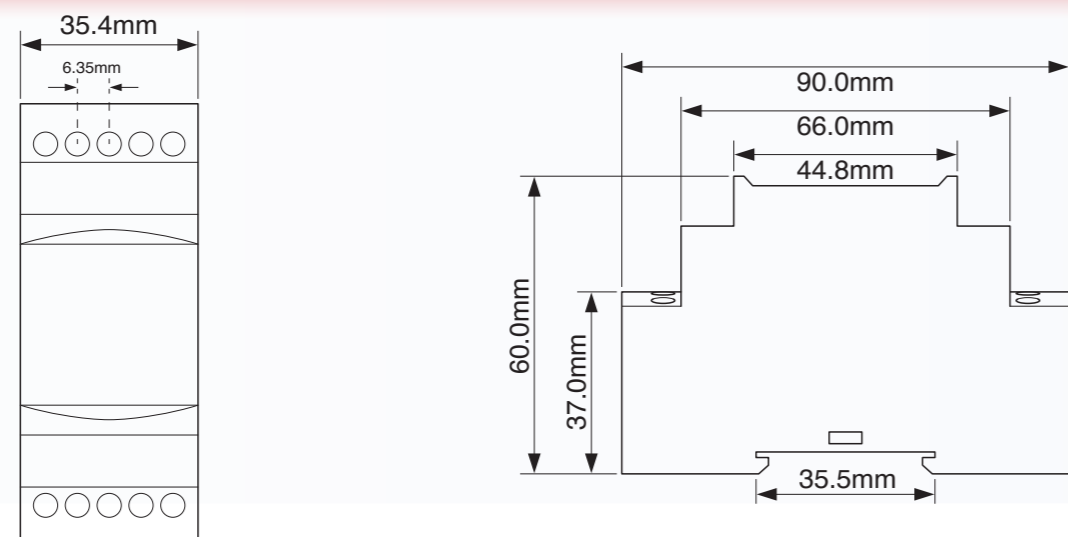
CT Series True RMS current transducer is used to convert current transformer AC output to DC signal used for current measurement. Current transducer samples AC signal at high frequency, calculates root mean square (RMS) current value for the fixed period and outputs measured signal as current loop or DC voltage signal. Available with fixed and multi-output versions.

TECHNICAL DATA

PARAMETER	VALUE
Supply Voltage	DC Model: 24 VDC (9-34V) (CT-X-XXX-24) AC Model: 220 VAC (85-280V) (CT-X-XXX-220)
Galvanic Isolation	DC Model: not isolated AC Model: 1.5kV isolation, 3.0kV withstand
Input Current Range (at full scale output)	0-5 AAC (CT-5 Series) 0-1 AAC (CT-1 Series)
Continuous Overload Current	10A AC
Input Signal Frequency	40..100 Hz
Sampling Frequency	31 kHz typical
Conversion Accuracy	Max 1.0% error at nominal current, T=25°C
Response Time	100ms typical
Operating Temperature	-10°C – 60°C
Output Load Capability	Max 700Ω (current output) @24V supply Min 10Ω (voltage output) @max 5% error
Maximum Power Consumption	DC Model: 1W (35mA) @24 VDC AC Model: 2W (20mA) @115 VAC 3W (15mA) @230 VAC
Mounting Type	DIN rail mount



DIMENSION



SINGLE PHASE CURRENT TRANSDUCER

CT-5 & CT-1 SERIES

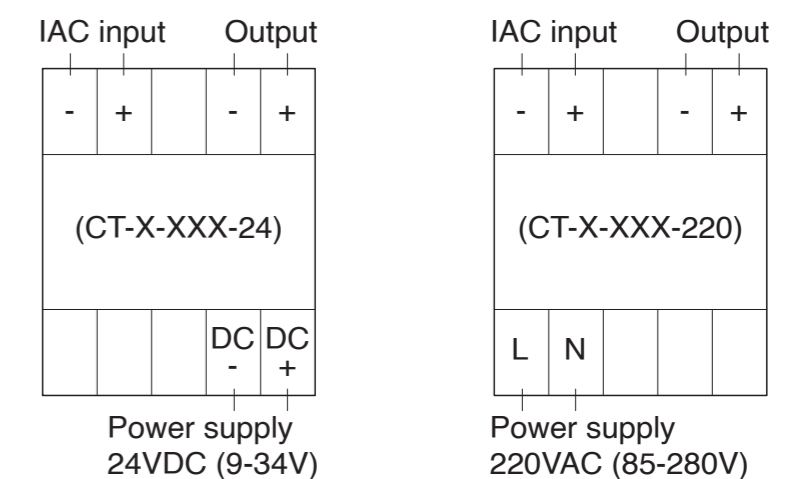
CODING TABLE

INPUT	CODE	OUTPUT	POWERSUPPLY	
0 - 5A	CT-5-M1-24	4-20mA 0-20mA 0-5V	24VDC (9-34V)	
	CT-5-M1-220	0-10V 1-5V 2-10V	220VAC (85-280V)	
	CT-5-420-24	4-20mA	24VDC (9-34V)	
	CT-5-020-24	0-20mA		
	CT-5-005-24	0-5V		
	CT-5-010-24	0-10V		
	CT-5-015-24	1-5V		
	CT-5-210-24	2-10V		
	0 - 1A	CT-5-420-24	4-20mA	220VAC (85-280V)
		CT-5-020-24	0-20mA	
		CT-5-005-24	0-5V	
		CT-5-010-24	0-10V	
CT-5-015-24		1-5V		
CT-5-210-24		2-10V		
0 - 1A		CT-1-M1-24	4-20mA 0-20mA 0-5V	24VDC (9-34V)
		CT-1-M1-220	0-10V 1-5V 2-10V	220VAC (85-280V)
		CT-1-420-24	4-20mA	24VDC (9-34V)
		CT-1-020-24	0-20mA	
		CT-1-005-24	0-5V	
		CT-1-010-24	0-10V	
	CT-1-015-24	1-5V		
	CT-1-210-24	2-10V		
	0 - 1A	CT-1-420-24	4-20mA	220VAC (85-280V)
		CT-1-020-24	0-20mA	
		CT-1-005-24	0-5V	
		CT-1-010-24	0-10V	
CT-1-015-24		1-5V		
CT-1-210-24		2-10V		

LED INDICATOR OPERATION

- Green LED on the top of board used for power and status indication.
- Continuously light when powered and function properly.
- Blinks 3 times during boot after power failure.
- Blinks continuously in case of hardware failure.
- Blinks continuously when DC current higher than 0.47A is applied to CT inputs.

CONNECTION DIAGRAM



POWER SUPPLY 70W

PSU-0505
PSU-1205
PSU-2403

VTEKE
www.vteke.com.tr

FEATURES

70W PSU series power supply units are designed to supply the DC loads by converting 85-265VAC to 5V, 12V or 24V. The input is protected with a 3A fuse. The output is protected against short circuit and high output value. PSU series is DIN Rail mounted suitable for industrial applications.

INPUT

PARAMETER	PSU-0505	PSU-1205	PSU-2403
AC Input Voltage:	85-265Vac	85-265Vac	85-265Vac
DC Input Voltage:	120-400Vdc	120-400Vdc	120-400Vdc
AC Input Frequency:	50 - 60Hz	50 - 60Hz	50 - 60Hz
Efficiency:	>%80	>%80	>%80

OUTPUT

DC Output Voltage:	5.0V	12.0V	24.0V
DC O/P Charge Current:	5A	5A	3A
Output Power:	30W	60W	75W
Output Voltage Ripple:	±%1	±%1	±%1
Output Setting:	±%10	±%10	±%10
Voltage Regulation:	±%1	±%1	±%1
Load Regulation:	±%1	±%1	±%1
Startup Time:	100ms	100ms	100ms

MECHANICAL SPECS

PARAMETER	PSU-0505	PSU-1205	PSU-2403
Input Protection:	With 3A Fuse	With 3A Fuse	With 3A Fuse
Output Short Circuit Protection:	With Electronic Protection Can Work Continuously In Short Circuit Condition	With Electronic Protection Can Work Continuously In Short Circuit Condition	With Electronic Protection Can Work Continuously In Short Circuit Condition
Output High Protection	Yes; With 33V/1000Wpeak TVS	Yes; With 33V/1000Wpeak TVS	Yes; With 33V/1000Wpeak TVS
Warning by LEDs:	Yes; Green: Device Normally Running	Yes; Green: Device Normally Running	Yes; Green: Device Normally Running
AC/DC Conversation Method:	SMPS High Frequency Conversation	SMPS High Frequency Conversation	SMPS High Frequency Conversation
Working Frequency:	67kHz	67kHz	67kHz

OPERATION COND

Working Temperature:	20C / +50C	20C / +50C	20C / +50C
Working Humidity:	20-70%	20-70%	20-70%
Stock Temperature:	-20C / +70C	-20C / +70C	-20C / +70C

PHOTO

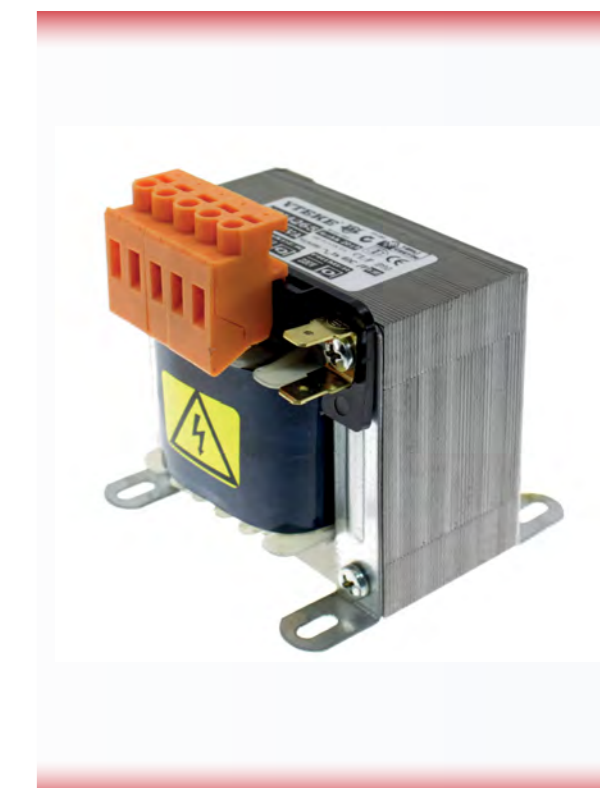


CONTROL TRANSFORMER

VTEKE
www.vteke.com.tr

FEATURES

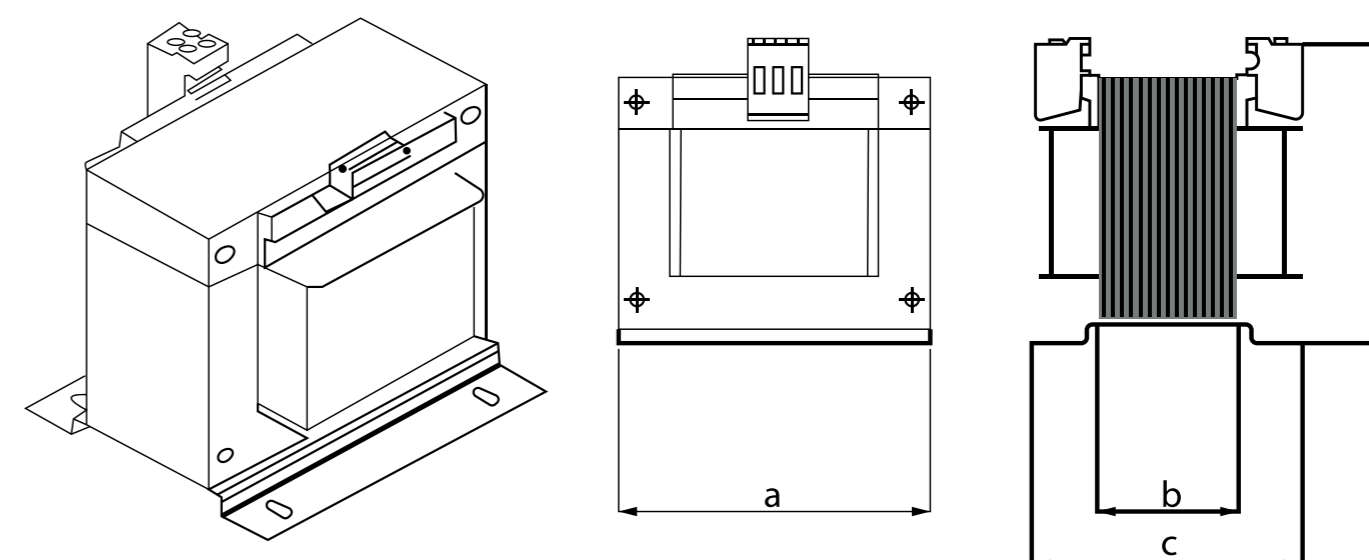
Single phase voltage transformer used for control circuits with primary voltages 415V, 380V, 240V, 220V, 110V and secondary voltages 220V, 110V, 60V, 48V, 36V, 24V, 16V, 12V, 10V, 6V.



Standards	IEC EN 61558-2-6
Frequency	50Hz, 60Hz
Primary Winding Voltage	240V AC
Secondary Winding Voltage	24V AC
IP Class	IP00
Wire Temperature Class	H - 180C
Isolation Test	3 kV
Working Ambient Temperature	- 15 C / + 40 C

TECHNICAL DATA

STOK NO	POWER	A(MM)	B(MM)	C(MM)	H(MM)	WEIGHT(KG)	INPUT Current	OUTPUT Current
VEI2425	25 VA	60	30	55	60	0,76	0,114 A	1,042 A
VEI2430	30 VA	60	42	68	60	1,02	0,137 A	1,25 A
VEI2440	40 VA	76	25	55	76	1,1	0,182 A	1,67 A
VEI2450	50 VA	76	34	65	76	1,26	0,228 A	2,084 A
VEI2465	65 VA	84	30	65	85	1,36	0,296 A	2,709 A
VEI2475	75 VA	84	40	75	85	1,81	0,341 A	3,126 A
VEI24100	100 VA	84	45	80	85	1,95	0,455 A	4,167 A
VEI24150	150 VA	96	56	95	95	3,1	0,682 A	6,25 A
VEI24200	200 VA	108	45	90	105	3,2	0,91 A	8,34 A
VEI24250	250 VA	108	55	100	105	3,9	1,137 A	10,417 A
VEI24300	300 VA	120	42	95	120	4	1,37 A	12,5 A
VEI24350	350 VA	120	73	125	120	6,55	1,6 A	14,59 A
VEI24400	400 VA	133	67	120	135	7,4	1,82 A	16,67 A
VEI24500	500 VA	150	60	120	150	8,66	2,28 A	20,84 A
VEI24630	630 VA	150	70	130	150	10,05	2,87 A	26,25 A
VEI24750	750 VA	150	80	140	150	11,45	3,41 A	31,25 A
VEI24850	850 VA	171	70	140	170	14,69	3,87 A	35,42 A
VEI241000	1000 VA	171	80	150	170	15,1	4,55 A	41,67 A



ELEVATOR TRANSFORMER

VTEKE[®]

www.vteke.com.tr

FEATURES

Multi-primaries and multi-secondaries elevator transformer used for control circuits with primary voltages 415V, 380V, 240V, 220V, 110V and secondary voltages 220V, 110V, 95V, 85V, 75V, 60V, 48V, 36V, 24V, 16V, 12V, 10V, 6V.

TECHNICAL DATA

Standards	IEC EN 61558-2-6
Frequency	50Hz, 60Hz
Primary Winding Voltage	240V AC
Secondary Winding Voltage	24V AC
IP Class	IP00
Wire Temperature Class	H – 180C
Isolation Test	3 kV
Working Ambient Temperature	- 15 C / + 40 C



CODES

CODES	POWER	PRIMARY VOLTAGE	SECONDARY VOLTAGE
VET1509	150 VA	380V-220	110V-95V-85V-75V-60V-48V-24V-16V-12V
VET1005	100 VA	380V-220	220V-110V-36V-24V-12V

FUSE LINK AND HOLDERS

CYLINDRICAL FUSE-LINK

CFL SERIES



www.vteke.com.tr

FEATURES

Cylindrical Fuse-Links have the characteristics of low power consumption and high breaking capacity. The contacts are made of conductive copper alloy, and the pipe is made of high-strength ceramic. The product is used in circuits with voltages up to 400VAC and currents up to 80A/100A.

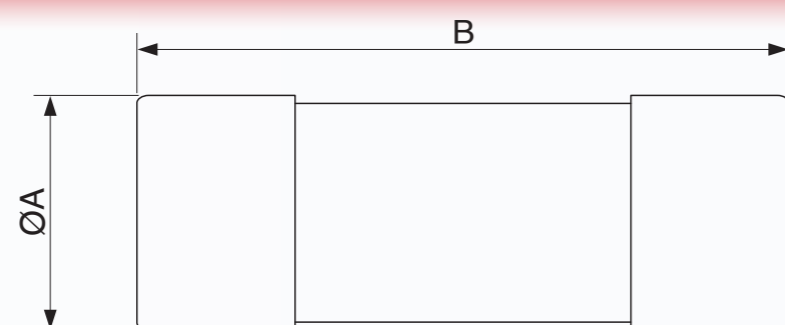
TECHNICAL DATA

PARAMETER	VALUE
Rated Voltage	500VAC
Breaking Capacity	100KA
Rated Frequency	45 to 62 Hz
Power Lose	6W Max
Function Level	gG
Standard	IEC60269-2
Altitude	2000m
Operating Temperature	-10°C - +50°C, 48-85% RH
Insulation Body	Ceramic
End Caps	CuZn37, Copper Alloy with Nickel/ Silver Plating 5 micro Layer
Arc Extinguishing Material	Quartz Sand
Fuse Element	Copper



TYPE	RATED CURRENT	DIA (A)	LENGTH (B)
CFL38	0.5-32A	10.3±1	38±0.6
CFL51	6-50A	14.3±1	51±0.6-1
CFL58	16-25A	22.2±1	58±0.1-2

DIMENSIONS



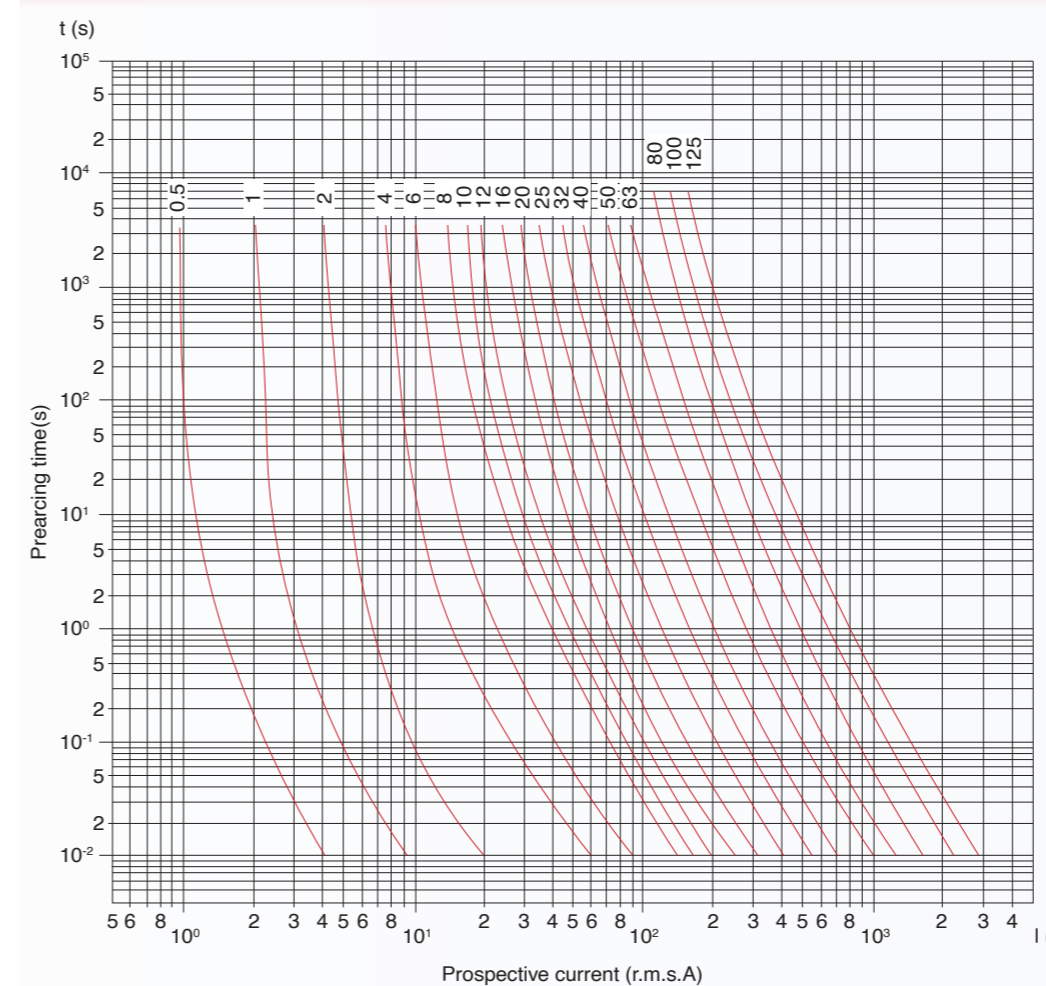
CYLINDRICAL FUSE-LINK

CFL SERIES

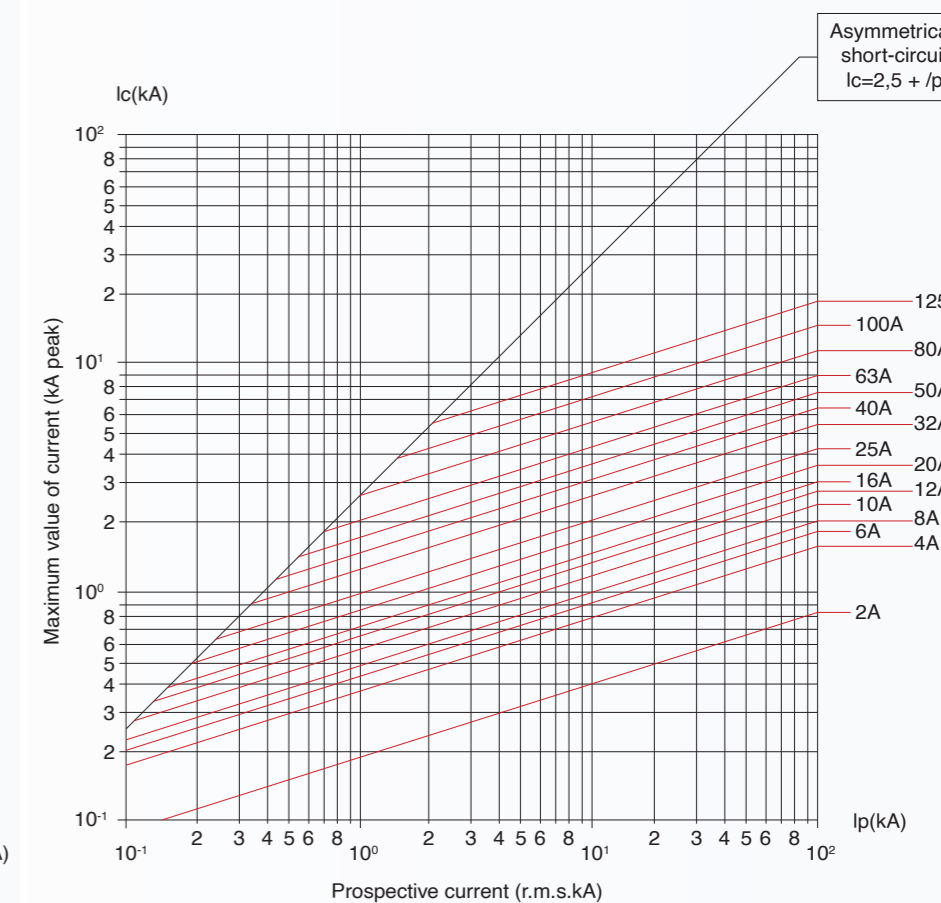
POWER DISSIPATION

IN (A)	ITEM		
	10x38 (W)	14x51 (W)	22x58 (W)
0.5	1,43	-	-
1	2,77	3,90	-
2	0,60	0,90	1,00
4	0,70	1,00	1,10
6	0,85	1,15	1,30
8	0,75	1,00	1,10
10	1,00	1,30	1,50
12	1,30	1,70	1,80
16	1,60	2,00	2,10
20	2,00	2,50	2,70
25	2,60	3,30	3,30
32	2,90	3,50	3,50
40	-	4,75	4,00
50	-	4,80	5,50
63	-	-	6,90
80	-	-	7,80
100	-	-	9,00
125	-	-	11,4

TIME CURRENT CHARACTERISTICS



CUT-OFF CHARACTERISTICS



CYLINDRICAL FUSE-LINK

CFL SERIES

CFL38 (10X38)

CODE	CUT-OFF CURRENT (A)	PACKING
CFL38005	0.5	10
CFL38001	1	10
CFL38002	2	10
CFL38004	4	10
CFL38006	6	10
CFL38008	8	10
CFL38010	10	10
CFL38012	12	10
CFL38016	16	10
CFL38020	20	10
CFL38025	25	10
CFL38032	32	10



CFL51 (14X51)

CODE	CUT-OFF CURRENT (A)	PACKING
CFL51006	6	10
CFL51008	8	10
CFL51010	10	10
CFL51012	12	10
CFL51016	16	10
CFL51020	20	10
CFL51025	25	10
CFL51032	32	10
CFL51040	40	10
CFL51050	50	10



CFL58 (22X58)

CODE	CUT-OFF CURRENT (A)	PACKING
CFL58016	16	10
CFL58020	20	10
CFL58025	25	10
CFL58032	32	10
CFL58040	40	10
CFL58050	50	10
CFL58063	63	10
CFL58080	80	10
CFL58100	100	10
CFL58125	125	10



CYLINDRICAL DIN RAIL FUSE-HOLDER

FH SERIES

VTEKE[®]

www.vteke.com.tr



FEATURES

FH Series fuse-holder is DIN rail mounting modular designed. The contacts are made of conductive copper alloy. The body is self-extinguishable V-0 rating material. LED option is available for open indication.

TECHNICAL DATA

PARAMETER	FH-38	FH-51	FH-58
Rated Voltage	690VAC	690VAC	690VAC
Breaking Capacity	50KA	50KA	100KA
Max. power dissipation	3W Max	5W Max	9.5W Max
Standard	IEC60269-2, IEC60947-3	IEC60269-2, IEC60947-3	IEC60947-3
Operation cat.	AC-22B	AC-22B	AC-22B
Altitude	2000m	2000m	2000m
Operating Temperature	-10°C - +50°C	-10°C - +50°C	-10°C - +50°C
Wire Section	Max 25mm ²	Max 35mm ²	Max 50mm ²
Torque	2-2.5Nm	2.5-3Nm	2.5-3Nm
Flame Resistant (IEC60695-2-1)	960°C	960°C	960°C
Rated Impulse Withstand Voltage	6kV	8kV	8kV

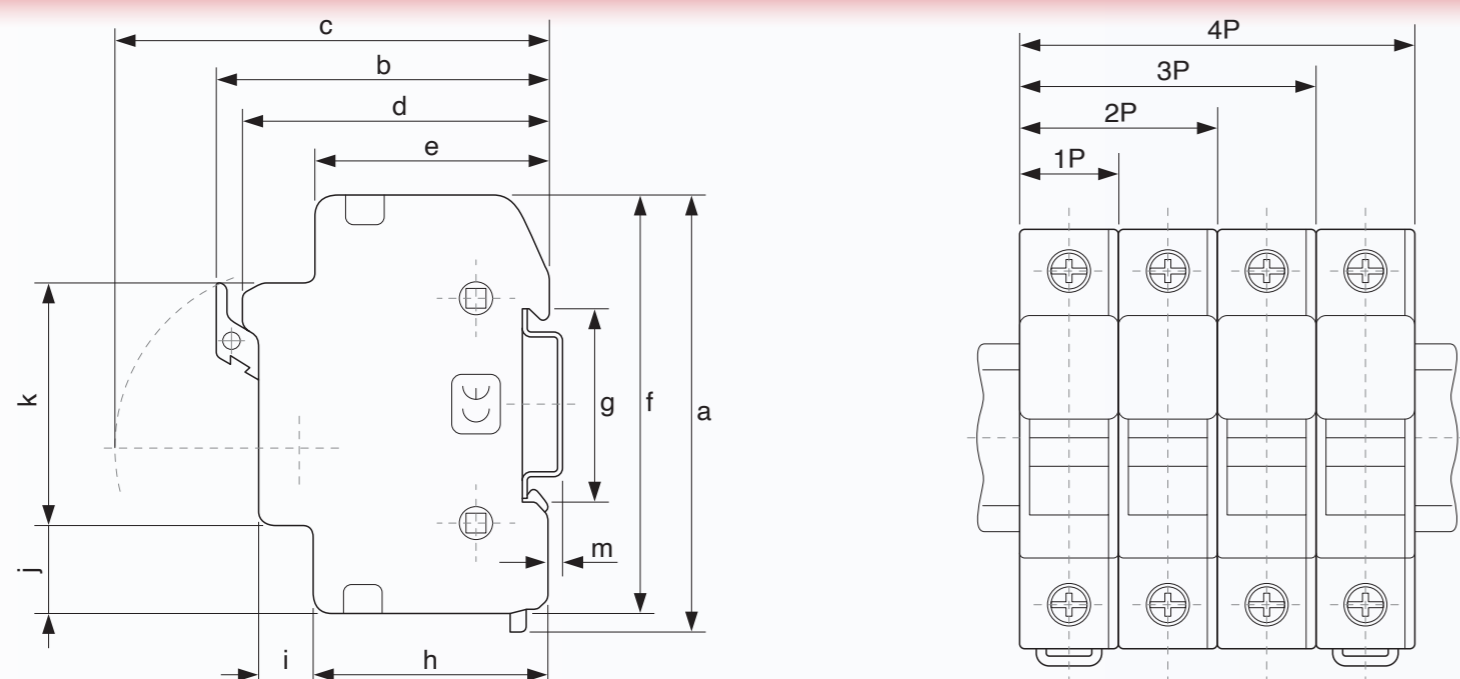
DERATING TABLE

PARAMETER	VALUE	DERATING FACTOR
Acc. Ambient temperature	20°C	1
	30°C	0.95
	40°C	0.90
	50°C	0.80
Acc. Number of poles	1-3 phases	1
	4-6 phases	0.8
	7-9 phases	0.7
	>10 phases	0.6

CYLINDRICAL DIN RAIL FUSE-HOLDER

FH SERIES

DIMENSIONS



TECHNICAL DATA

PARAMETER	FH-38	FH-51	FH-58
A	81	113	128.5
B	61	78	78
C	79.5	101	104
D	56	73	73
E	43	33	40
F	78	107	127
G	35.8	36	36.5
H	43	50	50
I	10	15.5	15.5
J	16.3	35.5	50
K	45	45	45
M	2	1.5	1.5
1P	17.8	26.9	35.8
2P	35.6	53.8	71.6
3P	53.4	80.7	107.4
4P	71.2	107.6	143.2

NEUTRAL LINK

CODE	SIZE	PACKING
CNL-38	10x38	10
CNL-51	15x51	10
CNL-58	22x58	10

CYLINDRICAL DIN RAIL FUSE-HOLDER

FH SERIES

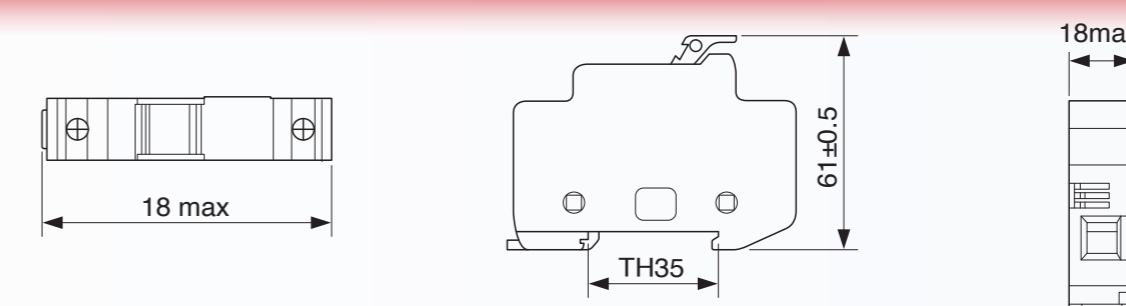
FH38 (10X38)

CODE	POLE	THERMAL RATING	PACKING
FH-38-1	1	32A	12
FH-38-2	2	32A	6
FH-38-3	3	32A	4
FH-38-4	4	32A	3

LED Option is available with codes:
FH-38-1L, FH-38-2L, FH-38-3L & FH-38-4L.



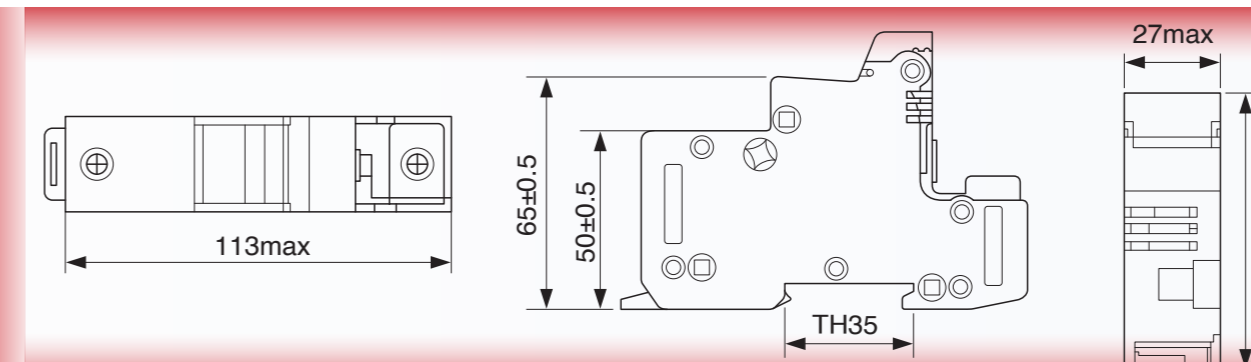
DIMENSIONS



FH51 (15X51)

CODE	POLE	THERMAL RATING	PACKING
FH-51-1	1	50A	6
FH-51-2	2	50A	3
FH-51-3	3	50A	2
FH-51-4	4	50A	1

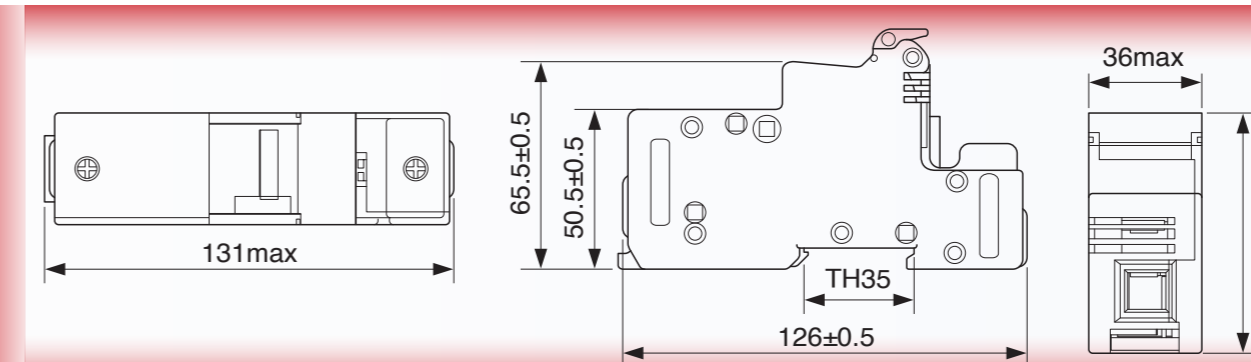
DIMENSIONS



FH58 (22X58)

CODE	POLE	THERMAL RATING	PACKING
FH-58-1	1	125A	6
FH-58-2	2	125A	3
FH-58-3	3	125A	2
FH-58-4	4	125A	1

DIMENSIONS



CONTROL ELEMENTS

PILOT INDICATOR LIGHT (LED)

SIL 22- SERIES

VTEKE[®]

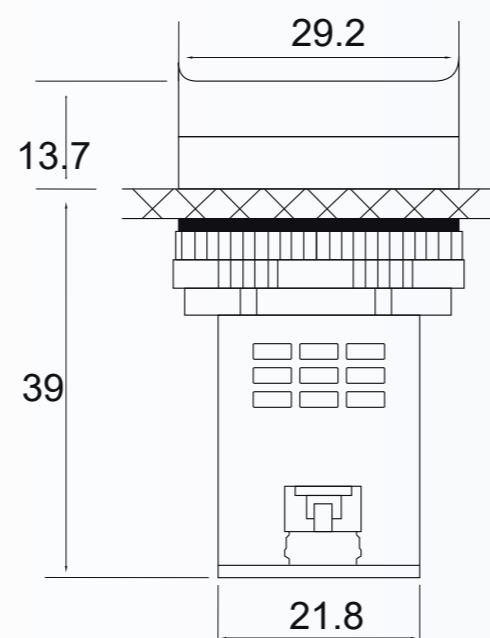
www.vteke.com.tr

FEATURES

High quality **Pilot Indicator LED** with clear glass. LED is designed to spread light equally on glass and tolerate high temperatures. Terminal side is colored with the same color as indicator light.

TECHNICAL DATA

PARAMETER	VALUE
Operation Voltage	24V AC/DC, 110V AC/DC, 220V (+-%10)
Frequency	50-60Hz for AC
Rated Current	< 20mA
IP Rating	IP20 body, IP55 Panel Side
Dielectric Strength	2.5kV VAC, 1-min, (Power Frequency Withstand Voltage)
	Insulation Resistance Ui: 60V is 5Mohm Ui: 60-660V is 50Mohm
Hole Diameter	22mm
Continous Working Life	30,000hr
Light Height	> 100 cd/m2



CODES

CODE	VOLTAGE	COLOR
SIL-22-220-G	220V AC	●
SIL-22-220-R	220V AC	●
SIL-22-220-Y	220V AC	●
SIL-22-220-W	220V AC	○
SIL-22-220-A	220V AC	●
SIL-22-220-B	220V AC	●
SIL-22-24-G	24V AC / VDC	●
SIL-22-24-R	24V AC / VDC	●
SIL-22-24-Y	24V AC / VDC	●
SIL-22-24-W	24V AC / VDC	○
SIL-22-24-A	24V AC / VDC	●
SIL-22-24-B	24V AC / VDC	●
SIL-22-110-G	110V AC / VDC	●
SIL-22-110-R	110V AC / VDC	●
SIL-22-110-Y	110V AC / VDC	●
SIL-22-110-W	110V AC / VDC	○
SIL-22-110-A	110V AC / VDC	●
SIL-22-110-B	110V AC / VDC	●



PILOT INDICATOR VOLTMETER & AMMETER [22mm]

VIL- SERIES

AIL- SERIES

VTEKE[®]

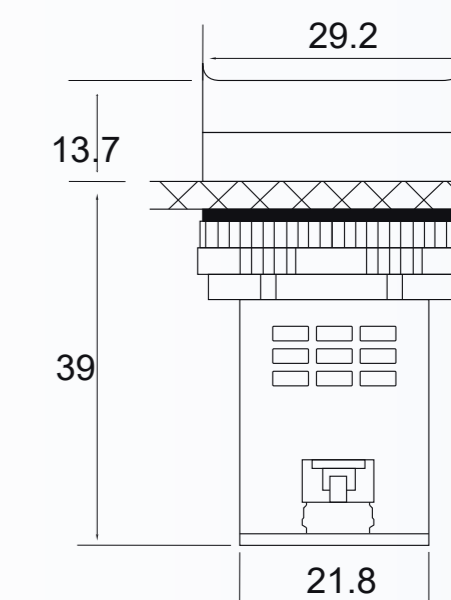
www.vteke.com.tr

FEATURES

High quality **Pilot Indicator LED** with clear glass. LED is designed to spread light equally on glass and tolerate high temperatures. Terminal side is colored with the same color as indicator light.

TECHNICAL DATA

PARAMETER	VALUE
Measured Voltage Range	20-500V
Measured Amper Range	0-100A
Frequency	50-60Hz for AC
IP Rating	IP20 body, IP55 Panel Side
Dielectric Strength	2.5kV VAC, 1-min, (Power Frequency Withstand Voltage)
	Insulation Resistance Ui: 60V is 5Mohm Ui: 60-660V is 50Mohm
Hole Diameter	22mm
Continous Working Life	30,000hr



CODES

CODE	MEASURED	COLOR
VIL-22-G	Voltage	●
VIL-22-R	Voltage	●
VIL-22-A	Voltage	●
VIL-22-B	Voltage	●
VIL-22-W	Voltage	○

CODE	MEASURED	COLOR
AIL-22-G	Voltage + Amper	●
AIL-22-R	Voltage + Amper	●
AIL-22-A	Voltage + Amper	●
AIL-22-B	Voltage + Amper	●
AIL-22-W	Voltage + Amper	○



BUZZER 22M RED LIGHT

BIL-22 SERIES
VTEKE[®]
 www.vteke.com.tr

FEATURES

High quality **pilot indicator LED** with clear glass. LED is designed to spread light equally on glass and tolerate high temperatures. Terminal side is colored with the same color as indicator light.

TECHNICAL DATA

PARAMETER	VALUE
Operation Voltage	24VAC/DC, 220V (±%10)
Frequency	50-60Hz for AC.
Rated Current	<20mA
IP rating	IP20 body, IP55 Panel side
Dielectric strength	2.5kV VAC, 1-min, (Power Frequency Withstand Voltage)
	Insulation Resistance
	Ui: 60V is 5Mohm Ui: 60-660V is 50Mohm
Hole Diameter	22mm
Continuous Working Life	20,000hr
Light Height	> 100 cd/m ²
Sound Level	95dB

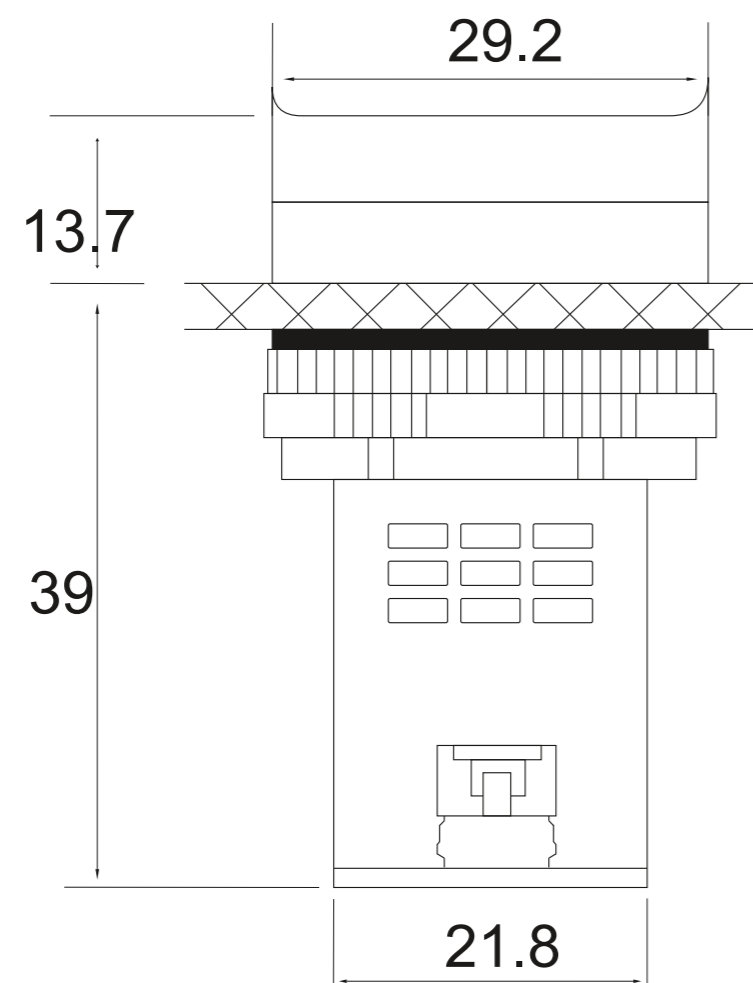
CODES

CODE	VOLTAGE	COLOR
BIL-22-220-R	220VAC	●
BIL-22-24-R	24VAC	●

PHOTO



DIMENSIONS



SELECTOR SWITCH

[22mm]

PPB-SE SERIES

VTEKE[®]

www.vteke.com.tr

FEATURES

PPB-SE Selector Switch Series is designed according to EN60947-1 standard. Extra contact block can be added to the switch and multiple contact block can be mounted on each other.

TECHNICAL DATA

PARAMETER	VALUE
Insulation Rated Voltage	600V
Frequency	50-60Hz for AC
Rated Thermal Current	10A
Utilization Category	AC-15, DC-13
Standard	EN60947-1
Contact Resistance	50mA
Recommended Torque	0.9Nm
Wire Size	0.5mm to 2.5mm ²
Hole Diameter	22mm
Mechanical Life	> 30 x 10 ⁴ (times)
Working Temperature	-25 to +70C Degree
Spring Type	Stable (No Return Spring)
Switching Angle	90degree for 2-Positions 45degree for 3-Positions

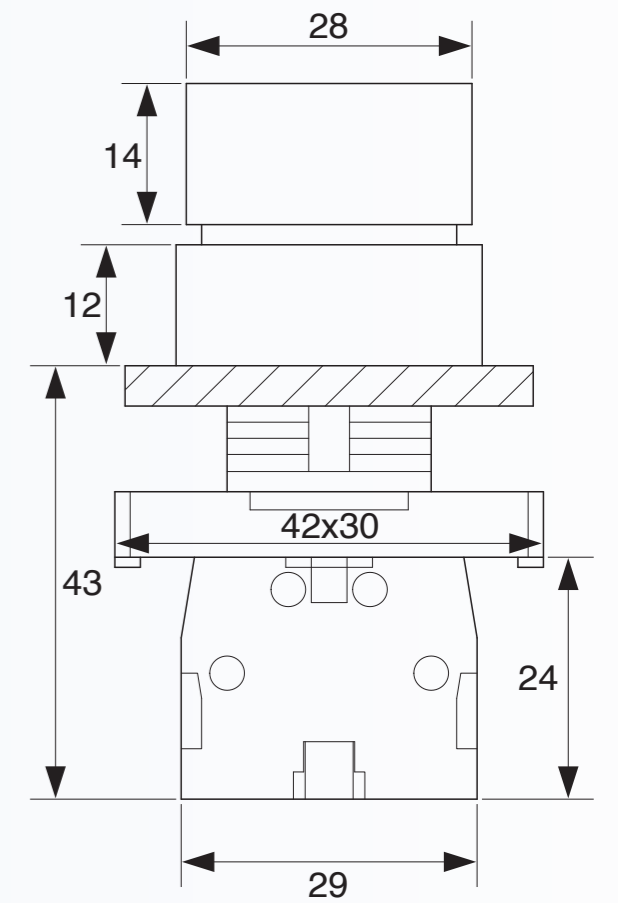
CODES

CODE	TYPE	CONTACT
PPB-SE-01	2 Positions stable switch	1 NO
PPB-SE-11	3 Positions stable switch	1 NO + 1 NO

CONTACT BLOCK

PPB-CO-1	Contact Block 1 NO
PPB-CO-2	Contact Block 1 NC

DIMENSIONS



PHOTOS



PUSH BUTTON [22mm]

PPB-SP SERIES

VTEKE®

www.vteke.com.tr

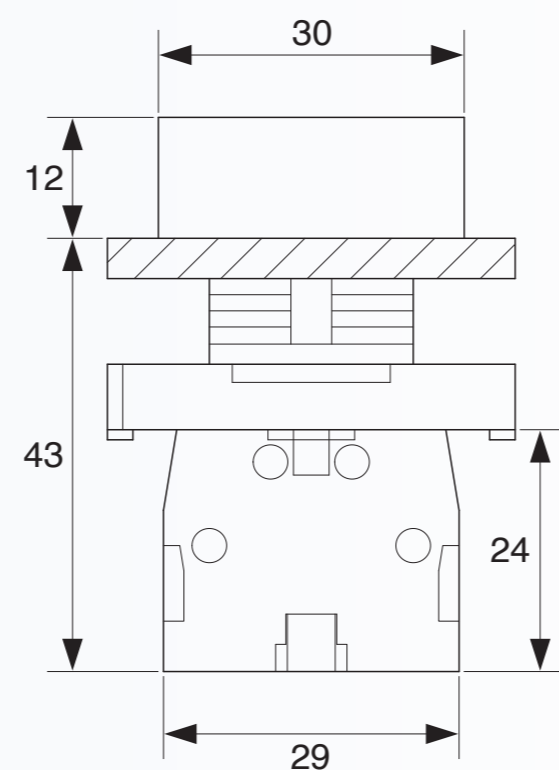
FEATURES

PPB-SP Push Button Series is designed according to EN60947-1 standard. Extra contact block can be added to the push button and multiple contact block can be mounted on each other.

TECHNICAL DATA

PARAMETER	VALUE
Insulation Rated Voltage	600V
Frequency	50-60Hz for AC
Rated Thermal Current	10A
Utilization Category	AC-15, DC-13
Standard	EN60947-1
Contact Resistance	50mA
Recommended Torque	0.9Nm
Wire Size	0.5mm to 2.5mm ²
Hole Diameter	22mm
Mechanical Life	> 30 x 104 (times)
Working Temperature	-25 to +70C Degree
Spring Type	With spring, (return to position)

DIMENSIONS



CODES

CODE	COLOR	CONTACT
PPB-SP-01-G	Green	1 NO
PPB-SP-01-R	Red	1 NC
PPB-SP-01-B	Blue	1 NO
PPB-SP-01-BK	Black	1 NO
PPB-SP-01-Y	Yellow	1 NO

CONTACT BLOCK

PPB-CO-1	Contact Block 1 NO
PPB-CO-2	Contact Block 1 NC

PHOTOS



EMERGENCY [22mm] PUSH BUTTON

PPB-EM SERIES

VTEKE®

www.vteke.com.tr

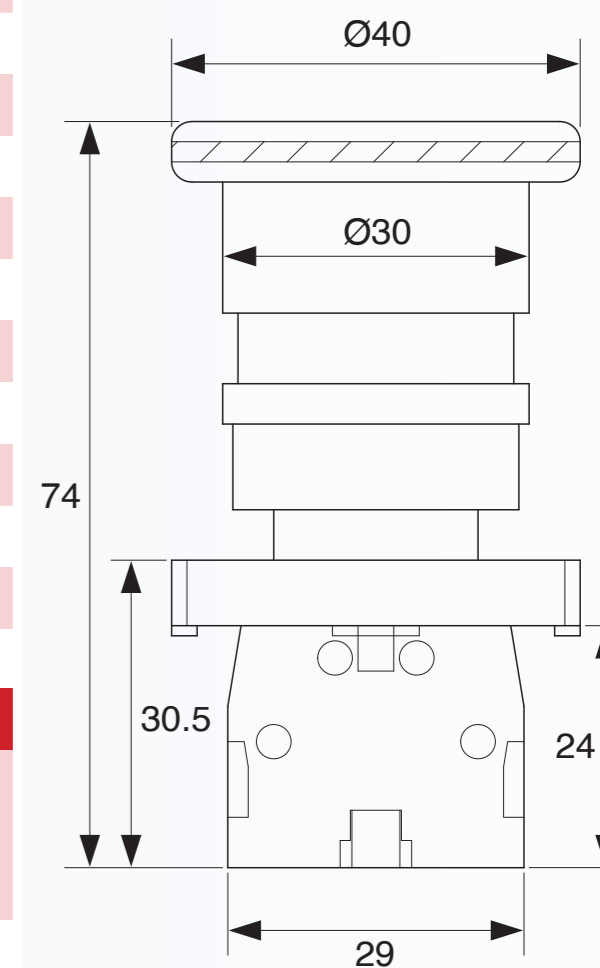
FEATURES

PPB-EM Emergency Push Button Series is designed according to EN60947-1 standard. Extra contact block can be added to the push button and multiple contact block can be mounted on each other.

TECHNICAL DATA

PARAMETER	VALUE
Insulation Rated Voltage	600V
Frequency	50-60Hz for AC
Rated Thermal Current	10A
Utilization Category	AC-15, DC-13
Standard	EN60947-1
Contact Resistance	50mA
Recommended Torque	0.9Nm
Wire Size	0.5mm to 2.5mm ²
Hole Diameter	22mm
Mechanical Life	> 30 x 104 (times)
Working Temperature	-25 to +70C Degree
Spring Type	Twist Release

DIMENSIONS



CODES

CODE	TYPE	CONTACT
PPB-EM-02	Latched after activated, Twist to Release	1 NC

CONTACT BLOCK

PPB-CO-1	Contact Block 1 NO
PPB-CO-2	Contact Block 1 NC

PHOTOS



ON-OFF PUSH BUTTON [22mm]

PPB-RG SERIES

VTEKE®

www.vteke.com.tr

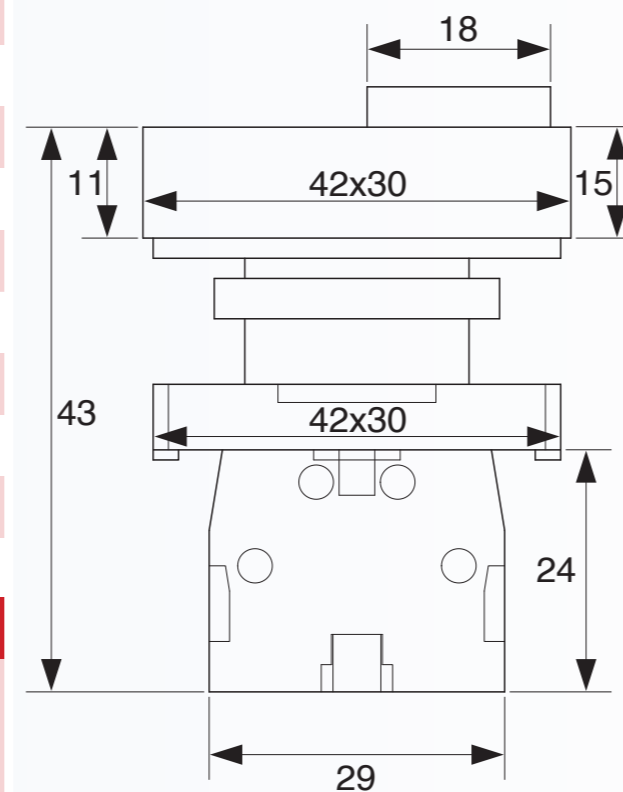
FEATURES

PPB-RG On-Off Push Button Series is designed according to EN60947-1 standard. Extra contact block can be added to the push button and multiple contact block can be mounted on each other.

TECHNICAL DATA

PARAMETER	VALUE
Insulation Rated Voltage	600V
Frequency	50-60Hz for AC
Rated Thermal Current	10A
Utilization Category	AC-15, DC-13
Standard	EN60947-1
Contact Resistance	50mA
Recommended Torque	0.9Nm
Wire Size	0.5mm to 2.5mm ²
Hole Diameter	22mm
Mechanical Life	> 30 x 104 (times)
Working Temperature	-25 to +70C Degree
Insulation Degree	IP40

DIMENSIONS



CODES

CODE	TYPE	CONTACT
PPB-RG-12	Double Extended Flush Button	1 NO + 1 NC

CONTACT BLOCK

PPB-CO-1	Contact Block 1 NO
PPB-CO-2	Contact Block 1 NC

PHOTOS



SELECTOR SWITCH [22mm]

MPB-SE SERIES

VTEKE®

www.vteke.com.tr

FEATURES

MPB-SE selector switch series is designed according to EN60947-1 standard. MPB-SE series has metal base and mounted by screws. Extra contact block can be added to the switch and multiple contact block can be mounted on each other.

TECHNICAL DATA

PARAMETER	VALUE
Insulation Rated Voltage	600V
Frequency	50-60Hz for AC
Rated Thermal Current	10A
Utilization Category	AC-15, DC-13
Standard	EN60947-1
Contact Resistance	≤50mA
Recommended Torque	0.9Nm
Wire Size	0.5mm ² to 2.5mm ²
Hole Diameter	22mm
Mechanical Life	> 30 x 104 (times)
Working Temperature	-25 to +70C Degree
Spring Type	Stable (No Return Spring)
Switching Angle	90degree for 2-Positions 45degree for 3-Positions

CODES

CODE	TYPE	CONTACT
MPB-SE-01	2 Positions stable switch	1 NO
MPB-SE-11	3 Positions stable switch	1 NO + 1 NO

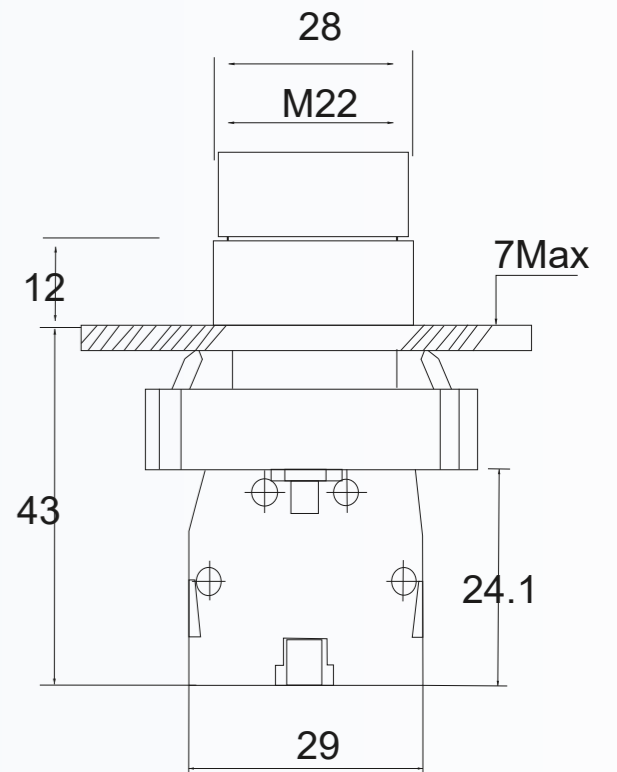
CONTACT BLOCK

PPB-CO-1	Contact Block 1 NO
PPB-CO-2	Contact Block 1 NC

PHOTOS



DIMENSIONS



PUSH BUTTON [22mm]

MPB-SP SERIES

VTEKE®

www.vteke.com.tr

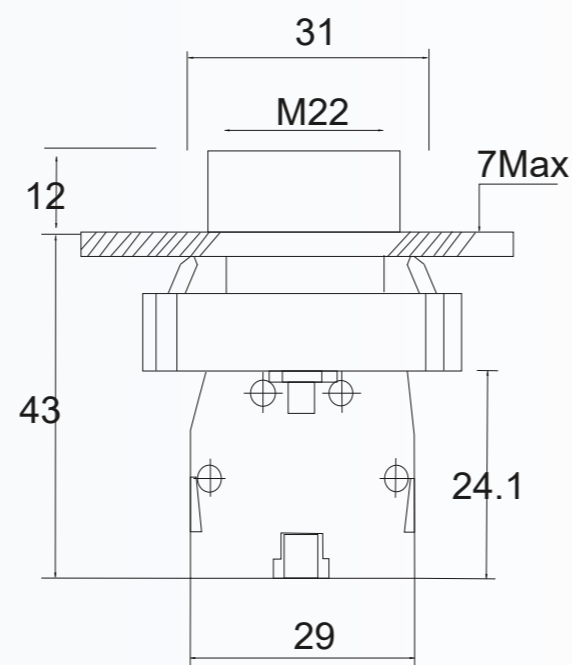
FEATURES

MPB-SP push button series is designed according to EN60947-1 standard. MPB-SP series has metal base and mounted by screws. Extra contact block can be added to the push button and multiple contact block can be mounted on each other.

TECHNICAL DATA

PARAMETER	VALUE
Insulation Rated Voltage	600V
Frequency	50-60Hz for AC
Rated Thermal Current	10A
Utilization Category	AC-15, DC-13
Standard	EN60947-1
Contact Resistance	≤50mA
Recommended Torque	0.9Nm
Wire Size	0.5mm to 2.5mm ²
Hole Diameter	22mm
Mechanical Life	> 30 x 104 (times)
Working Temperature	-25 to +70C Degree
Spring Type	With spring, (return to position)

DIMENSIONS



CODES

CODE	COLOR	CONTACT
MPB-SP-01-G	Green	1 NO
MPB-SP-10-R	Red	1 NC
MPB-SP-01-B	Blue	1 NO
MPB-SP-01-BK	Black	1 NO
MPB-SP-01-Y	Yellow	1 NO

CONTACT BLOCK

PPB-CO-1	Contact Block 1 NO
PPB-CO-2	Contact Block 1 NC

PHOTOS



EMERGENCY [22mm] PUSH BUTTON

MPB-EM Series

VTEKE®

www.vteke.com.tr

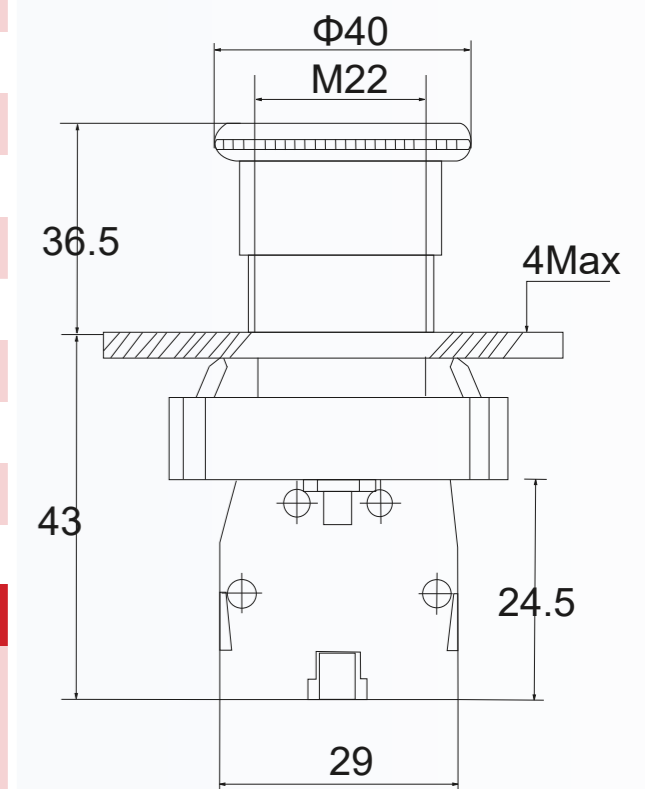
FEATURES

PPB-EM Emergency push button series is designed according to EN60947-1 standard. MPB-EM series has metal base and mounted by screws. Extra contact block can be added to the button and multiple contact block can be mounted on each other.

TECHNICAL DATA

PARAMETER	VALUE
Insulation Rated Voltage	600V
Frequency	50-60Hz for AC
Rated Thermal Current	10A
Utilization Category	AC-15, DC-13
Standard	EN60947-1
Contact Resistance	≤50mA
Recommended Torque	0.9Nm
Wire Size	0.5mm to 2.5mm ²
Hole Diameter	22mm
Mechanical Life	> 30 x 104 (times)
Working Temperature	-25 to +70C Degree
Spring Type	Twist Release

DIMENSIONS



CODES

CODE	TYPE	CONTACT
MPB-EM-02	Latched after activated, Twist to Release	1 NC

CONTACT BLOCK

PPB-CO-1	Contact Block 1 NO
PPB-CO-2	Contact Block 1 NC

PHOTOS



ON-OFF PUSH BUTTON [22mm]

MPB-RG SERIES

VTEKE[®]

www.vteke.com.tr

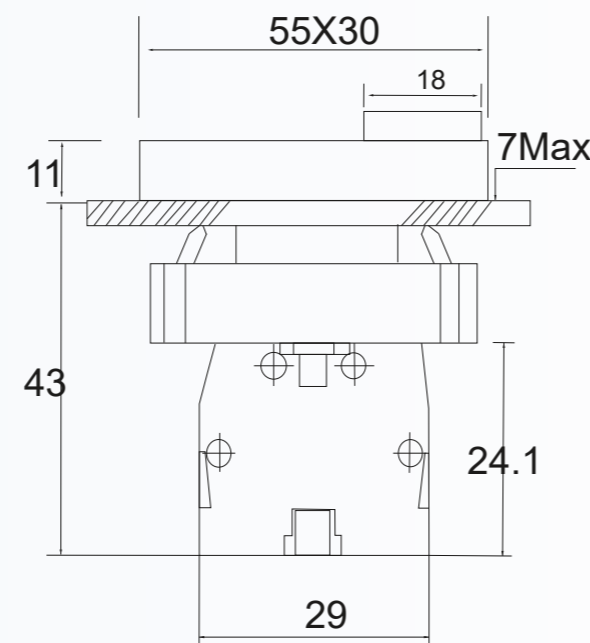
FEATURES

MPB-RG On-Off push button series is designed according to EN60947-1 standard. MPB-RG series has metal base and mounted by screws. Extra contact block can be added to the button and multiple contact block can be mounted on each other.

TECHNICAL DATA

PARAMETER	VALUE
Insulation Rated Voltage	600V
Frequency	50-60Hz for AC
Rated Thermal Current	10A
Utilization Category	AC-15, DC-13
Standard	EN60947-1
Contact Resistance	≤50mA
Recommended Torque	0.9Nm
Wire Size	0.5mm ² to 2.5mm ²
Hole Diameter	22mm
Mechanical Life	> 30 x 10 ⁴ (times)
Working Temperature	-25 to +70C Degree
Insulation Degree	IP40

DIMENSIONS



CODES

CODE	TYPE	CONTACT
MPB-RG-12	Double Extended Flush Button	1 NO + 1 NC

CONTACT BLOCK

PPB-CO-1	Contact Block 1 NO
PPB-CO-2	Contact Block 1 NC

PHOTOS



PANEL POTENTIOMETER

PM-05 / PM-10

VTEKE[®]

www.vteke.com.tr

FEATURES

PM Series is a high quality rotary potentiometer providing accurate resistance. It is used to adjust the output resistance adapting to different application requirements.

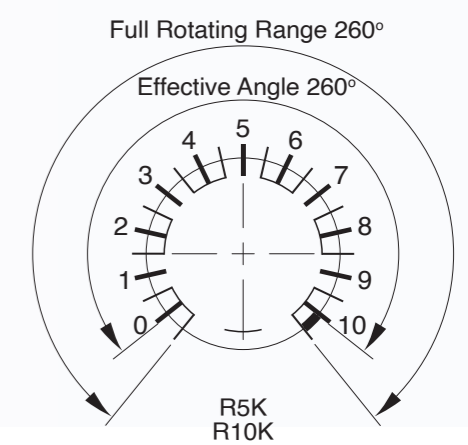
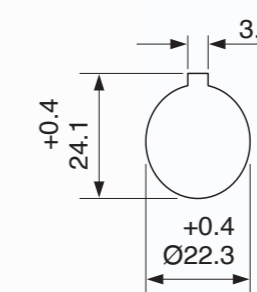
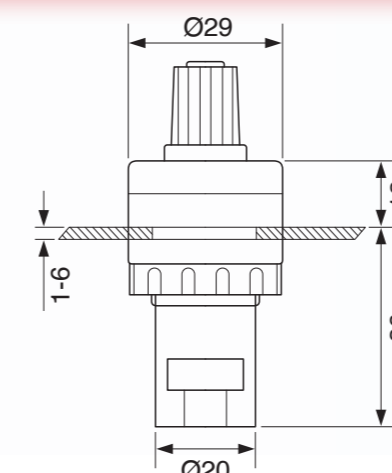
Applications: DC motor speed control, Audio control, Industrial automation and so on.

TECHNICAL DATA

PARAMETER	VALUE
Nominal Resistance	5kΩ (PM-05), 10kΩ (PM-10)
Standard	IEC 60393-1
Insulation Resistance	≥ 1GΩ (100V AC)
Withstand Voltage	101.3KPa 500V; 8.5KPa 350V
Rated Power	0.5W (250V max)
Temperature Range	-55°C~+125°C
Temperature Coefficient	± 250, ≤ ± 100ppm/°C
Collision (390m/S ² , 4000 times)	ΔR ≤ ± 1%R
Vibration (10-500HZ, 0.75mm, 6H)	ΔR ≤ ± 1%R, ΔUab/Uac ≤ ± 2%R, Electrical Break ≤ 100μS
Temperature Vibration (-55°C/30min, 5 cycles)	ΔR ≤ ± 2%R
Temperature Vibration (-+125°C/30min, 5 cycles)	ΔUab/Uac ≤ ± 2%R
Climate Category (IEC68-2-2)	ΔR ≤ ± (5%R+0.1Ω), Insulation Resistance ≥ 100MΩ
Electrical Endurance (0.5W, 1000h)	ΔR ≤ ± (5%R+0.1Ω), CRV ≤ ± 3%R or 5Ω
Mechanical Endurance (200 cycles)	ΔR ≤ ± (10%R+0.5Ω), CRV ≤ ± 3%R or 5Ω
Steady Damp Heat (IEC68-2-3, Ca, 96h)	ΔR ≤ ± (5%R+0.1Ω), Insulation Resistance ≥ 100MΩ
Total Mechanical Travel	260°C±5°
Mounting Hole Diameter	22mm
Water Proof	IP65



DIMENSIONS



PUSH BUTTON ACCESSORIES

PPA SERIES, MA SERIES



SPECIFICATIONS

CODE	MATERIAL	DRAWING	PHOTO
PPA-101	Polycarbonate + ABS		
PPA-102	ABS		
PPA-103	ABS		
PPA-104	ABS		
PPA-105	Silica gel		
MA-22-1	ABS		

CRANE CONTROL CENTER

VCC SERIES



www.vteke.com.tr

FEATURES

VCC Series is water-proof crane control push button station. The plastic box is designed to have strong structure. Interlock circuits can be achieved for safety purposes. The product is suitable for outdoor uses and durable against weather conditions such as dusty atmosphere, rain and snow.

TECHNICAL DATA

PARAMETER	VALUE
Rated Voltage	500V
Frequency	50-60Hz for AC
Rated Thermal Current	500V 2A 250V 5A
Utilization Category	AC-15
Standard	EN60947-5-1
Mechanical Life	> 30 x 10 ⁴ (times)
Working Temperature	-25 to +70C Degree

CODES

SINGLE SPEED	DOUBLE SPEED	CONNECTION DIAGRAM	DIMENSIONS	PHOTOS
VCC-2-1	VCC-2-2			
VCC-4-1	VCC-4-2			
VCC-6-1	VCC-6-2			
VCC-8-1	VCC-8-2			

TERMINALS

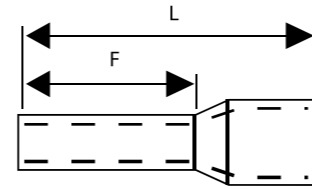
WIRE END CORD [WCV, TCV, UC]



www.vteke.com.tr

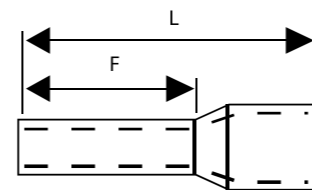
Insulation material: PA66 Metal: copper Coating: nickle

INSULATED SINGLE WIRE END CORD



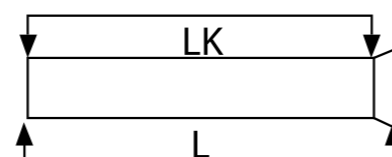
CABLE SIZE	DIMENSIONS		GERMAN NORM COLOR - CODE	FRENCH NORM COLOR - CODE	PCS/PKT		
	F	L					
0.5mm	8	12	Orange	WCV1005	White	WCV2005	1000
0.75 mm	8	14	White	WCV1008	Blue	WCV2008	1000
1 mm	8	14	Yellow	WCV1010	Red	WCV2010	1000
1.5 mm	8	14	Red	WCV1015	Black	WCV2015	1000
2.5 mm	8	14	Blue	WCV1025	Grey	WCV2025	500
4 mm	10	17	Grey	WCV1040	Orange	WCV2040	500
6 mm	12	20	Black	WCV1060	Green	WCV2060	250
10 mm	12	22	Beige	WCV1100	Brown	WCV2100	100
16 mm	12	24	Green	WCV1160	Beige	WCV2160	100
25 mm	16	28	Brown	WCV1250	Black	WCV2250	50
35 mm	16	30	Beige	WCV1350	Red	WCV2350	50
50 mm	20	36	Green	WCV1500	Blue	WCV2500	25
70 mm	20	37	—	—	Yellow	WCV2700	25

INSULATED SINGLE WIRE END CORD



CABLE SIZE	DIMENSIONS		GERMAN NORM COLOR - CODE	FRENCH NORM COLOR - CODE	PCS/PKT		
	F	L					
0.5mm	8	12	Orange	TCV3005	White	TCV4005	1000
0.75 mm	8	14	White	TCV3008	Blue	TCV4008	1000
1 mm	8	14	Yellow	TCV3010	Red	TCV4010	1000
1.5 mm	8	14	Red	TCV3015	Black	TCV4015	1000
2.5 mm	8	14	Blue	TCV3025	Grey	TCV4025	500
4 mm	10	17	Grey	TCV3040	Orange	TCV4040	500
6 mm	12	20	Black	TCV3060	Green	TCV4060	250
10 mm	12	22	Beige	TCV3100	Brown	TCV4100	100
16 mm	12	24	Green	TCV3160	Beige	TCV4160	100

UNINSULATED WIRE END CORD



CABLE SIZE	CODE	DIMENSIONS		PCS/PKT	CABLE SIZE	CODE	DIMENSIONS		PCS/PKT
		L	LK				L	LK	
0.5mm	UCV5005	8	12	2000	6 mm	UCV5060	12	10	500
0.75 mm	UCV5008	8	14	2000	10 mm	UCV5100	15	12	200
1 mm	UCV5010	8	14	2000	16 mm	UCV5160	15	12	200
1.5 mm	UCV5015	8	14	2000	25 mm	UCV5250	16	16	100
2.5 mm	UCV5025	8	14	2000	35 mm	UCV5350	16	16	100
4 mm	UCV5040	10	17	1000	50 mm	UCV5500	20	20	50

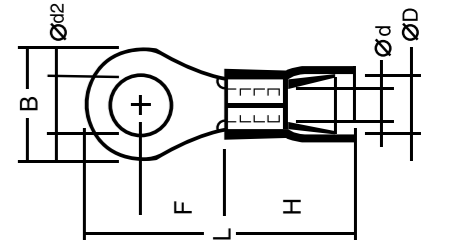
TECHNICAL DATA

RING AND FORK TERMINALS



www.vteke.com.tr

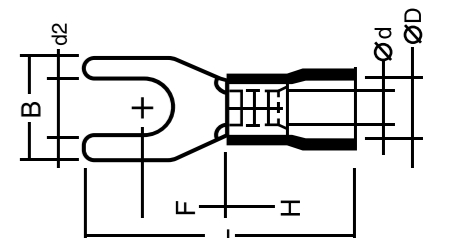
INSULATED RING TYPE TERMINAL



CABLE SIZE	COLOR	CODE	HOLE SIZE (D2)	B	L	F	H	D	d	PCS/PKT
		RIT401	4,3 (M4)	6,6	19,6	6,3	10	4,1	1,7	200
		RIT501	5,3 (M5)	8	21	7	10	4,1	1,7	200
		RIT601	6,5 (M6)	11,6	26,8	11,1	10	4,1	1,7	200
		RIT801	8,4 (M8)	11,6	26,8	11,1	10	4,1	1,7	200
1.50 - 2.50 mm ²	Blue	RIT302	3,2 (M3)	6,4	17,5	4,3	10	4,5	2,3	200
		RIT402	4,3 (M4)	6,6	19,5	6,3	10	4,5	2,3	200
		RIT502	5,3 (M5)	8,5	22	7,8	10	4,5	2,3	200
		RIT602	6,5 (M6)	12	27	11	10	4,5	2,3	200
		RIT802	8,4 (M8)	12	27	11	10	4,5	2,3	200
		RIT1002	10,5 (M10)	13,6	30,7	13,9	10	4,5	2,3	100
4.00 - 6.00 mm ²	Yellow	RIT406	4,3 (M4)	7,2	22	5,9	12,5	6,5	3,4	75
		RIT506	5,3 (M5)	9,5	25,5	8,3	12,5	6,5	3,4	75
		RIT606	6,5 (M6)	12	29	10,5	12,5	6,5	3,4	75
		RIT806	8,4 (M8)	15	33,7	13,7	12,5	6,5	3,4	75
		RIT1006	10,5 (M10)	15	33,7	13,7	12,5	6,5	3,4	75
		RIT1206	13,0 (M12)	19,2	38,1	16	12,5	6,5	3,4	75
8.0 - 10.0 mm ²	Red	RIT510	5,3 (M5)	12,0	32,5	9,7	17,0	8,0	4,5	50
		RIT610	6,7 (M6)	12,0	32,5	9,7	17,0	8,0	4,5	50

TECHNICAL DATA

INSULATED FORK TYPE TERMINAL

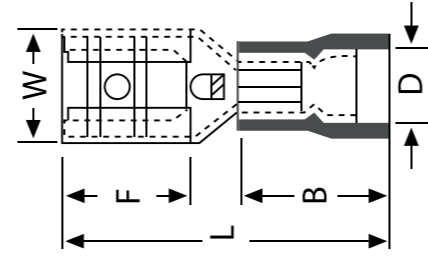


CABLE SIZE	COLOR	CODE	HOLE SIZE (D2)	B	L	F	H	D	d	PCS/PKT
		FIT4001	4,3 (M4)	6,4	20,6	6,3	10	4,1	1,7	200
		FIT5001	5,3 (M5)	8	21	7	10	4,1	1,7	200
		FIT6001	6,5 (M6)	12	27,2	11	10	4,1	1,7	200
1.50 - 2.50 mm ²	Blue	FIT3002	3,2 (M3)	5,8	21	6,3	10	4,5	2,3	200
		FIT4002	4,3 (M4)	6,4	21	6,3	10	4,5	2,3	200
		FIT5002	5,3 (M5)	9,5	22	7,2	10	4,5	2,3	200
		FIT6002	6,5 (M6)	12	27,2	11	10	4,5	2,3	200
4.00 - 6.00 mm ²	Yellow	FIT4006	4,3 (M4)	8,5	25,2	7,5	12,5	6,5	3,4	75
		FIT5006	5,3 (M5)	9,5	25,2	7,5	12,5	6,5	3,4	75
		FIT6006	6,5 (M6)	9,5	25,2	7,5	12,5	6,5	3,4	75
		FIT8006	8,4 (M8)	13,5	30	10,5	12,5	6,5	3,4	75

TECHNICAL DATA

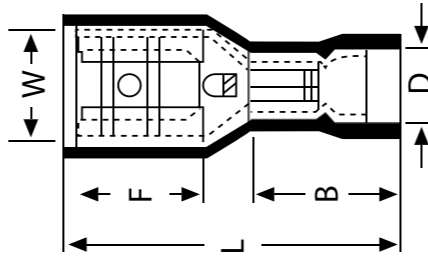
CONNECTOR TERMINALS

HALF-INSULATED FEMALE SPADE CONNECTOR TERMINALS



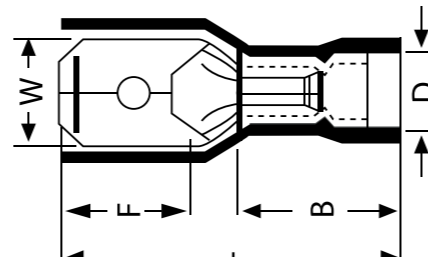
CABLE SIZE (MM2)	COLOR	CODE	SOCKET WIDTH	DIMENSIONS					PCS/PKT
				W	F	L	B	D	
0.50 - 1.50mm2	Red	FST-1288/5	0.5 x 2.80	3,2	6,5	19	10,5	3,8	200
		FST-1288	0.8 x 2.80	3,2	6,5	19	10,5	3,8	200
		FST-1488/5	0.5 x 4.75	5	6,4	19,4	10,5	3,8	200
		FST-1488	0.8 x 4.75	5	6,4	19,4	10,5	3,8	200
		FST-1638	0.8 x 6.35	6,6	7,5	20,8	10,5	3,8	200
1.50 - 2.50 mm2	Blue	FST-2288	0.8 x 2.80	3,2	6,5	19	10,5	4,7	150
		FST-2488	0.8 x 4.75	5	6,4	19,4	10,5	4,7	150
		FST-2638	0.8 x 6.35	6,6	7,5	20,8	10,5	4,7	150
4.00 - 6.00 mm2	Yellow	FST-5638	0.8 x 6.35	6,6	7,5	23,3	13	6,2	100

FULL-INSULATED FEMALE SPADE CONNECTOR TERMINALS



CABLE SIZE (MM2)	COLOR	CODE	SOCKET WIDTH	DIMENSIONS					PCS/PKT
				W	F	L	B	D	
0.50 - 1.50mm2	Red	FFST-1288/5	0.5 x 2.80	3,2	7	19	10,5	3,8	200
		FFST-1288	0.8 x 2.80	3,2	7	19	10,5	3,8	200
		FFST-1488/5	0.5 x 4.75	5	6	20,5	10,5	3,8	200
		FFST-1488	0.8 x 4.75	5	6	20,5	10,5	3,8	200
		FFST-1638	0.8 x 6.35	6,6	8	21,8	10,5	3,8	100
1.50 - 2.50 mm2	Blue	FFST-2288	0.8 x 2.80	3,2	7	20	10,5	4,7	100
		FFST-2488	0.8 x 4.75	5	6	20,2	10,5	4,7	100
		FFST-2638	0.8 x 6.35	6,6	8	22,2	10,5	4,7	100
4.00 - 6.00 mm2	Yellow	FFST-5638	0.8 x 6.35	6,6	8	24,2	12,5	6,2	75

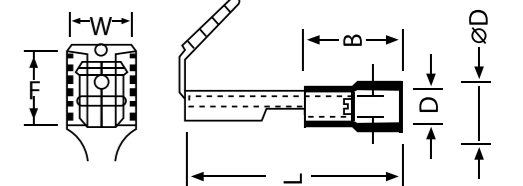
INSULATED MALE SPADE CONNECTOR TERMINALS



CABLE SIZE (MM2)	COLOR	CODE	SOCKET WIDTH	DIMENSIONS					PCS/PKT
				W	F	L	B	D	
0.50 - 1.50mm2	Red	MST-1288	0.8 x 2.80	2,8	7	19	10,5	3,8	200
		MST-1488	0.8 x 4.75	4,8	7	20	10,5	3,8	200
		MST-1638	0.8 x 6.35	6,35	8	22	10,5	3,8	200
1.50 - 2.50 mm2	Blue	MST-2288	0.8 x 2.80	2,8	7	20	10,5	4,7	200
		MST-2488	0.8 x 4.75	4,8	7	20	10,5	4,7	200
		MST-2638	0.8 x 6.35	6,35	8	22	10,5	4,7	200
4.00 - 6.00 mm2	Yellow	MST-5638	0.8 x 6.35	6,35	8	25	13	6,2	100

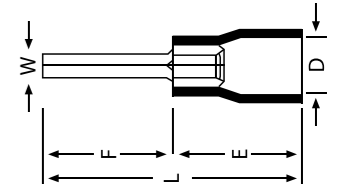
VARIOUS TERMINALS

PIGGY-BACK TERMINAL



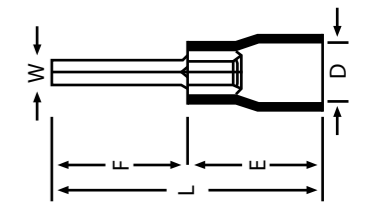
CABLE SIZE	COLOR	CODE	SOCKET WIDTH	DIMENSIONS					PCS/PKT
				W	F	L	B	D	
0.50 - 1.50 mm2	Red	PBT-1638	0.8 x 6.35	6,6	8,0	22,5	10,5	3,8	100
1.50 - 2.50 mm2	Blue	PBT-2638	0.8 x 6.35	6,6	8,0	22,5	10,5	4,7	100
4.00 - 6.00 mm2	Yellow	PBT-5638	0.8 x 6.35	6,6	8,0	24,0	13,0	6,2	100

INSULATED PIN TYPE TERMINAL



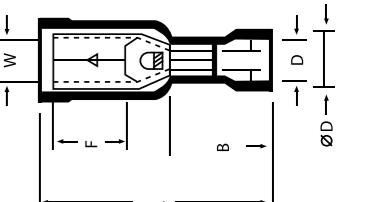
CABLE SIZE	COLOR	CODE	DIMENSIONS					PCS/PKT
			W	F	L	E	D	
0.50 - 1.50 mm2	Red	PIN101	1,9	10,0	19,8	10,0	4,0	200
1.50 - 2.50 mm2	Blue	PIN102	1,9	12,0	21,8	10,0	4,5	200
4.00 - 6.00 mm2	Yellow	PIN106	2,8	14,0	27,0	13,0	6,4	100

BUTT SPLICE CONNECTOR



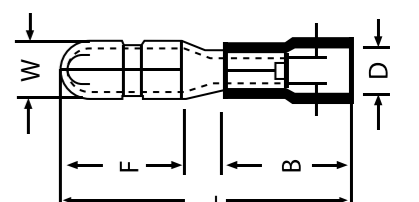
CABLE SIZE	COLOR	CODE	DIMENSIONS			PCS/PKT
			L	D	d1	
0.50 - 1.50 mm2	Red	BST-15	24,6	4	1,7	200
1.50 - 2.50 mm2	Blue	BST-25	24,6	4,5	2,3	200
4.00 - 6.00 mm2	Yellow	BST-60	26,5	6,3	3,4	100

BULLET FEMALE TERMINAL



CABLE SIZE	COLOR	CODE	DIMENSIONS					PCS/PKT
			W	F	L	E	D	
0.50 - 1.50 mm2	Red	FBT-15	4	7,0	23	11	3,8	200
1.50 - 2.50 mm2	Blue	FBT-25	5	7,0	23	11	4,7	200
4.00 - 6.00 mm2	Yellow	FBT-60	5	7,0	25	13	6,2	100

BULLET FEMALE TERMINAL



CABLE SIZE	COLOR	CODE	DIMENSIONS					PCS/PKT
			W	F	L	E	D	
0.50 - 1.50 mm2	Red	MBT-15	4,0	8,5	21,5	10,5	3,8	200
1.50 - 2.50 mm2	Blue	MBT-25	5,0	8,5	21,2	10,5	4,7	200
4.00 - 6.00 mm2	Yellow	MBT-60	5,0	8,5	24,0	13,0	6,2	200

TECHNICAL DATA

TECHNICAL DATA

TECHNICAL DATA

TECHNICAL DATA

