



A5

The all-new A5  
Product & Price Guide 2017  
January 2017



quattro

**From Malin to Mizen Head,  
Exceptional road holding  
whatever the road holds.**

Loose gravel. Icy patches. A tight bend in the rain. Conditions on the road are always changing, so quattro® changes too. quattro analyses your grip – automatically distributing power between all four wheels to where it's needed most. It's made for the most challenging conditions of all - the ones you encounter every day. Whatever the road holds, you can be confident that quattro will react.



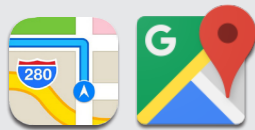
# Audi Smartphone Interface

# Smartphone Interface

## Finding your way



You can now use your Apple and Google maps\* as your navigation system. Turn-by-turn directions, traffic guidance and estimated arrival times are easy to see on your MMI screen without having to touch your phone – and addresses from your email, texts, contacts and calendar can be added as destinations. Don't forget planning your journey at home reduces data usage while on the move.

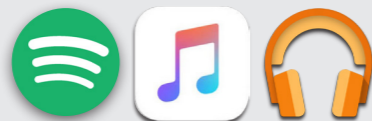


Apple and Google Maps\*

## Your own soundtrack



You can play music stored on your phone as you drive, controlling it simply and intuitively through the interface. Streaming services are also available, including Spotify and Google Play Music\* (90-day free trial included with Android Auto).



Spotify, Apple Music and Google Play Music\*

## Keeping in touch



With Audi Smartphone Interface, any text messages you receive while driving can be read out to you – and if you need to respond, you can do so simply by dictating your message. But not only that. You can also use approved 3rd party apps\* like WhatsApp to keep in touch while driving.



WhatsApp, Skype and Google Hangouts\*

## Bring your phone to the fore.

Imagine being able to use your smartphone applications, even while driving. The Audi Smartphone Interface is standard on the Audi A5.

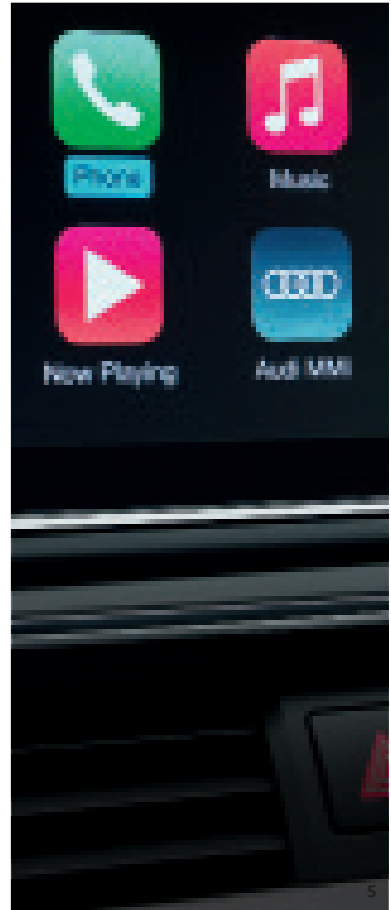
Satellite navigation. Music streaming. Your contact list. Now you can access apps, approved for in-car use by Android and Apple, from the MMI controls on the A5's centre console, from the multi-function steering wheel, Audi Voice Control, or even via your smartphone's assistant, like Siri.

Simply connect your phone via USB\* and approved apps appear in full colour on the central MMI screen.

## What's on your phone is now available on the road.

The Audi Smartphone Interface makes linking your phone to your car quick, safe and easy.

With Android Auto and Apple CarPlay, you can access approved apps\* from your phone safely via the Audi A5's MMI system – both by voice or fingertip control. So you can make calls, receive and dictate messages, navigate, select music and podcasts and much more without taking your eyes off the road.



\*Android systems require the download of the Android Auto app. iOS 9 or higher is required

\*Availability of applications differ by operating system and is dependent on approval by Apple or Google. Permanent availability cannot be guaranteed as this is the responsibility of Apple and Google. Smartphone Interface uses Apple CarPlay, which is available with iPhone 5 and above, or Android Auto, which is available with phones using Android 5.0 Lollipop or above.



## Stay connected on the move.

The following Audi-supported services are currently available in the all-new Audi A5:

### Infotainment



**Online media streaming** Pairing a smartphone with the Audi Music stream app offers access to worldwide radio stations and music stored on the smartphone



**Weather information** Gives you forecasts and maps for your chosen destination



**News online (individual)** Text and images from your favourite news sources with text-to-speech function



**Country-specific information\***  
The legal regulations for a specific country, such as speed limits or whether it is compulsory to carry a high-visibility vest or display a motorway toll sticker, are displayed when crossing a border

### Communication



**Wi-Fi hotspot** Connects your mobile devices to the internet



**Twitter** Enables you to tweet and receive updates on the move. With text-to-speech and other convenient text functions



**Email** Your emails can be transmitted to your Audi MMI and read out conveniently\*\*

### Mobility and navigation



**Points of interest**  
Search Google™ using voice control



**Navigate with Google Earth™ and Google Street View™**  
Uses high-resolution aerial and satellite images as well as photos to guide you to your destination with ease



**Destination entry via myAudi or Google Maps™**  
If required, navigation destinations can be conveniently planned on your PC or smartphone. myAudi and Google Maps™ allow individual navigation destinations to be sent to the vehicle. When you start your journey, these can be easily loaded as your destination. myAudi or Google account required



**myAudi – special destinations\***  
Import individual point-of-interest (POI) lists to your Satellite Navigation system via the myAudi portal



**Map update online** The map version delivered can be updated free of charge with the first 5 navigation updates which are issued at intervals of 6 months. In conjunction with Audi Connect, the update can be carried out online in the vehicle\*



**Flight information** Get information about departure and arrival times, as well as the corresponding gates, and search directly for flight numbers



**Train information** Find departure and arrival times and platform information while you're on the road (also available for other types of public transport such as underground systems)



**Fuel prices** Information on filling stations with the cheapest prices in your selected search area



**Parking information** Helps you find car parks nearby and, where available, information on prices and currently vacant spaces

Please note that an external data source is required to enable Audi Connect online services. Terms and conditions apply to certain Audi Connect functions. Please see page 125 for additional information.  
\*For information about compatible phones please visit [www.audi.com/bluetooth](http://www.audi.com/bluetooth)

## Customisable control.

The information you need is always changing, so the Audi Virtual Cockpit changes too. Available as an option, it replaces the traditional dashboard with a high resolution, 12.3" LCD screen, which you can customise just by pressing the 'view' button on the multi-function steering wheel. Choose the 'classic' view, with prominent speedometer and rev counter, or the 'infotainment' view, which brings functions such as the navigation map or media to the fore - with crisp 3D graphics and highly detailed effects.

Everything you need to know right in front of you: it's the embodiment of Vorsprung durch Technik.

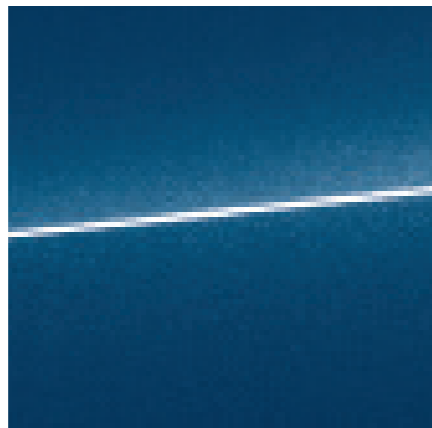


# How to build your Audi A5

The following sections of this guide are designed to make it easy for you to create the Audi you've always imagined.



**Stage 1.**  
**Model choice**  
Choose your trim for your A5  
Page 50



**Stage 2.**  
**Paint**  
Standard, optional or Audi exclusive  
Page 62



**Stage 3.**  
**Wheels**  
18", 19" and 20" alloy wheels  
Page 64



**Stage 4.**  
**Performance and suspension**  
Steering and suspension Page 66



**Stage 5.**  
**Lighting**  
Advanced lighting technology options  
Page 68



**Stage 6.**  
**Exterior equipment**  
Options for exterior finishing touches  
Page 70



**Stage 7.**  
**Seating and upholstery**  
Seats, colours and trim options  
Page 74



**Stage 8.**  
**Interior inlays**  
Standard or optional  
Page 84



**Stage 9.**  
**Interior equipment**  
Options for interior finishing touches  
Page 86



**Stage 10.**  
**Technology Packs**  
Advanced Technology options,  
bundled for value  
Page 90



**Stage 11.**  
**Technology – Audio and communication**  
Options for music, entertainment  
and information Page 96



**Stage 12.**  
**Technology – Driver assistance**  
Advanced options for safety and visibility  
Page 100

# A5 SE

## Key features that come as standard.

SE offers premium specification as standard. Highlights include Xenon headlights with LED daytime running lights, automatic boot lid and an Audi Sound System.

### Wheels

- ▶ 10-spoke dynamic design
- ▶ Tyre repair kit
- ▶ First aid kit and warning triangle

### Performance and suspension

- ▶ Automatic Start-Stop with coasting functionality and efficiency programme
- ▶ Electromechanical power steering
- ▶ Comfort Dynamic suspension

### Lighting

- ▶ Xenon headlights with LED daytime running lights
- ▶ LED rear lights

### Exterior

- ▶ Radiator grille with chrome inlays
- ▶ Air inlets in with matt titanium inserts
- ▶ Rear diffuser in titan black, matt with titanium inserts

### Exterior continued

- ▶ High gloss package - roof frame and window trims in Aluminium, B-pillar trims and triangular rear door trim in High-gloss black
- ▶ Door mirrors – electrically adjustable, folding and heated with integrated LED side indicators
- ▶ Body coloured door mirrors
- ▶ Windscreen with acoustic glazing

### Seats

- ▶ Standard seats in Milano leather
- ▶ Manual seat adjustment including height adjustment

### Interior Inlays

- ▶ Inlays in aluminium eclipse silver

### Interior equipment

- ▶ Manual climate control
- ▶ 4-spoke leather trimmed multi-functional steering wheel plus – height and reach adjustable
- ▶ Door sill trims with Aluminium inlay
- ▶ Interior lighting
- ▶ Front and Rear floor mats

### Audio and communication

- ▶ MMI Navigation with 7" colour MMI screen
  - ▶ 3D map display
  - ▶ MMI search
  - ▶ 2 x SDXC card reader
  - ▶ Driver information system, colour with 7" display
  - ▶ 3 Month Trial Access to Audi Connect Services
- ▶ Voice control
- ▶ Bluetooth interface
- ▶ Audi Sound System
- ▶ USB charging ports
- ▶ AUX-IN port
- ▶ CD drive

### Driver assistance

- ▶ Cruise control
- ▶ Front & rear parking sensors
- ▶ Keyless go
- ▶ Pre sense city
- ▶ Audi drive select

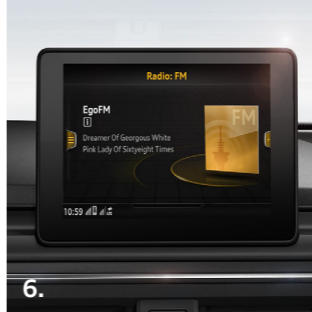
### Safety and security

- ▶ Electronic Stabilisation Control (ESC), including ABS, ASR and EDL
- ▶ ISOFIX child seat mounting and Top Tether
- ▶ Anti-theft wheel bolts
- ▶ Seat belt monitoring



Please see page 124-125 for explanation on Recommended On-The-Road (OTR) retail prices and VRT rates. \*CO<sub>2</sub> emissions can change if a different size alloy is ordered onto the vehicle. This may lead to a change to the VRT amount payable. Please refer to pages 64-65, 114-115, 118-119 and 125. For more details on the items listed above, please see the Glossary on pages 108-111.

# A5 SE



Main image. Q5 SE in optional Mythos black, metallic (OE). 1. 18" 5-twin spoke design alloy wheels. 2. 3-zone deluxe climate control (optional). 3. Standard seats in twin leather. 4. Audi Smartphone Interface

Main image. A5 SE in optional Mythos black, metallic (OE). 5. 3-spoke leather trimmed multi-function steering with paddles for automatic transmissions. 6. MMI Navigation with 7" colour MMI screen. 7. Audi Sound System 8. Audi Driver Information System, Colour display



# A5 S Line

## Specification in addition to the SE model.

The popular S Line trim builds off the same premium specification as SE with exterior styling upgrades for an enhanced, sportier look. Inside, you gain; front sports seats, 19" alloy wheels and an LED interior lighting package are among the additional benefits.

### Wheels

- ▶ 18" 5-star star design alloy wheels

### Exterior

- ▶ LED headlamps with LED daytime running lights
- ▶ Radiator grille in matt grey with finns in matt aluminium
- ▶ Air inlets in matt titanium black with slats in matt aluminium
- ▶ Rear diffuser in matt aluminium
- ▶ Tailpipe trims in chrome

### Seats

- ▶ Sports seats (front) in leather/alcantara

### Interior equipment

- ▶ Aluminium inlays, matt brushed aluminium
- ▶ 3-spoke leather trimmed sport multi-functional flat bottomed steering wheel plus

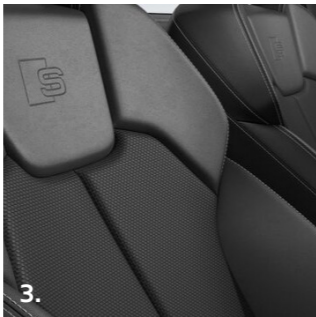
### Driver assistance

- ▶ Audi drive select
- ▶ Sports suspension



\*CO<sub>2</sub> emissions can change if a different size alloy is ordered onto the vehicle. This may lead to a change to the VRT amount payable. Please refer to pages 64-65, 114-115, 118-119 and 125. \*To be announced closer to launch, models arriving April 2016. For more details on the items listed above, please see the Glossary on pages 108-111.

# A5 S Line



Main image. A5 S Line in Tango Red, metallic (T9). 1. 19" star design alloy wheels. 2. Radiator grille in matt grey with matt titanium inlays. 3. Sports seats (front) in leather/alcantara combination. 4. Rear diffuser with matt titanium trim.



Main image. A5 S Line in optional Tango Red, metallic (T9). 5. Optional Colour, Moonlight Blue. 6. Inlays in matt brushed aluminium. 7. 3-spoke leather multi-function sport steering wheel. 8. LED headlamps.

# The Audi A5 Retail Price list

Description	BHP	Consumption from:	SE		S Line	
			OTR Price Model Code CO2   Tax	OTR Price Model Code CO2   Tax	OTR Price Model Code CO2   Tax	OTR Price Model Code CO2   Tax
<b>Petrol</b>						
A5 1.4TFSI S tronic 150	150	4.0l/100km	€48,940		€52,740	
			TBC	TBC	TBC	TBC
A5 2.0TFSI 190 Manual	190	4.0l/100km	€47,510		€50,010	
			130g	€270	130g	€270
A5 2.0TFSI 190 S Tronic	190	4.1l/100km	€50,110 8W5CFC		€53,060	
			120g	€200	120g	€200
A5 2.0TFSI 252 S tronic quattro	252	4.1l/100km	€55,215		€59,015	
			136g	€280	136g	€280

# The Audi A5 Retail Price list

Description	BHP	Consumption from:	SE		S Line	
			OTR Price Model Code CO2   Tax	OTR Price Model Code CO2   Tax	OTR Price Model Code CO2   Tax	OTR Price Model Code CO2   Tax
<b>Diesel</b>						
A5 2.0TDI 190 6-Speed Manual	190	4.0l/100km	€50,100		€53,900	
			113g	€200	113g	€200
A5 2.0TDI 190 S tronic	190	4.1l/100km	€52,700		€56,500	
			111g	€200	111g	€200
A5 2.0TDI 190 S-Tronic quattro	190	4.1l/100km	€55,300		€59,100	
			118g	€200	118g	€200
A5 2.0TDI 190 quattro	190	4.1l/100km	€52,700		€56,500	
			TBC	TBC	TBC	TBC
A5 3.0TDI 218 S tronic quattro	218	4.1l/100km	€58,750		€62,550	
			123g	€270	123g	€270



All prices are On The Road (OTR) and include €850 delivery and related charges

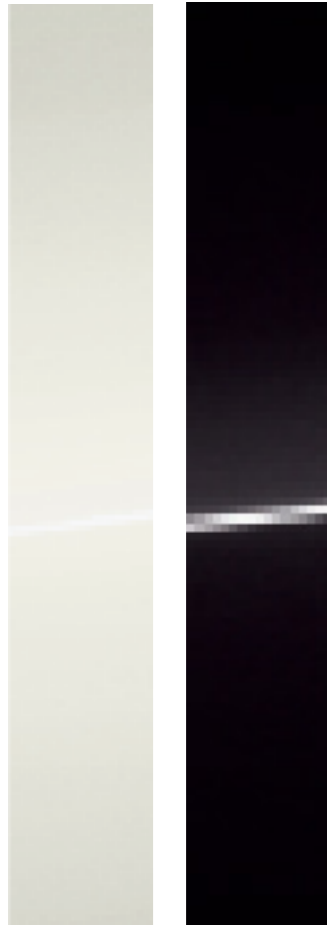
# Paint

Available in a choice of standard and optional colours.

Choose from a selection of 2 standard or 11 optional paint colours. S line models have an additional colour choice of Daytona grey. For more specialist options, Audi exclusive is available. Please contact your local Audi Dealer for details.

## Standard colours

Available on all models No charge

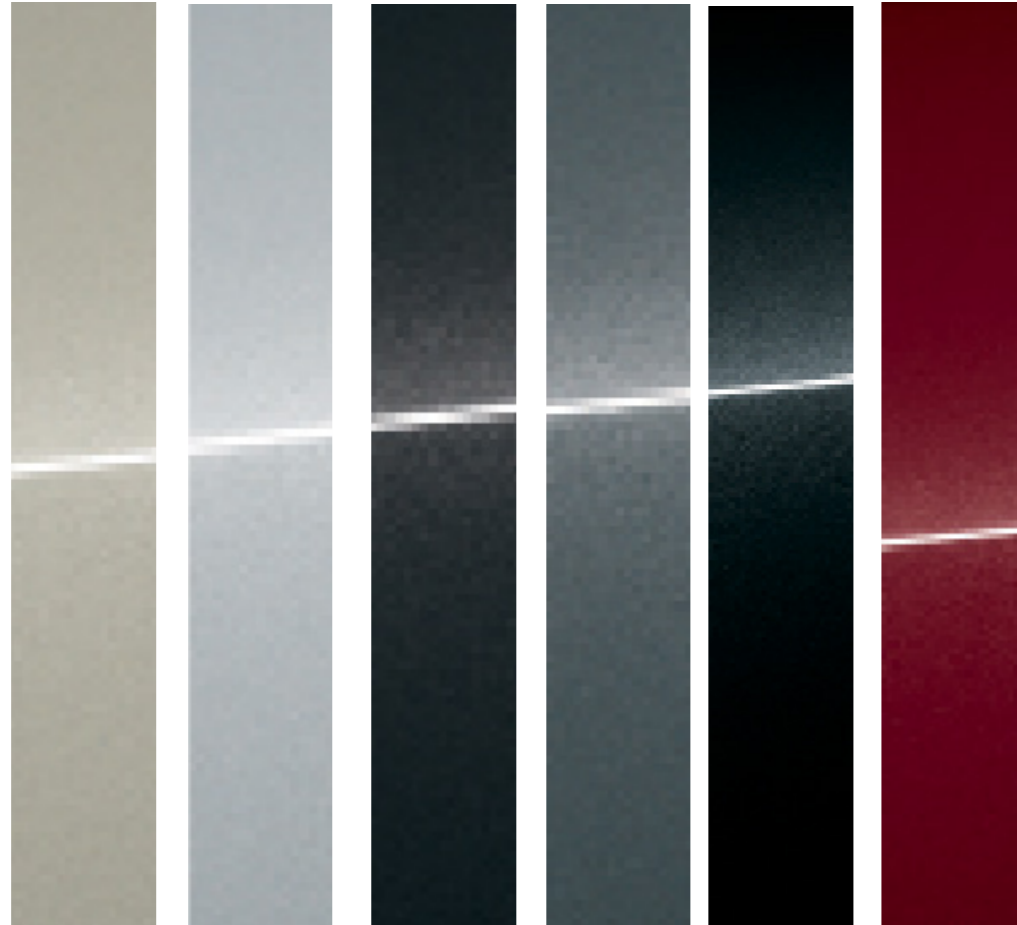


Ibis white, solid, T9

Brilliant black, solid, A2

## Optional colours

Available on all models €1,266



Cuvee silver, metallic, 0D

Floret silver, metallic, L5

Manhattan grey, metallic, H1

Monsoon grey, metallic, 0C

Mythos black, metallic, 0E

Matador red, metallic, T7

## Optional colours

Available on all models €1,266



Scuba blue, metallic, S9

Moonlight blue, metallic, W1

Daytona grey, Pearl effect, 6Y

Audi exclusive.

Audi Exclusive Paint Charged at €3,414, Please contact your local dealers to find out more about Audi Exclusive

All pricing is RRP including VAT. Option pricing is based off VRT band A4. Options are subject to availability and may extend delivery.

All the colour swatches on this page are matched as accurately as possible to the actual paint colours used. However, due to print processes, Audi Ireland cannot guarantee that colours shown are 100% accurate. Visit your local Audi Dealer for a more accurate colour swatch.

# Wheels

## Enhance your style.

Whatever your taste, there's a set of alloy wheels that will add the final flourish to your A5.

All pricing is RRP including VAT.

Options are subject to availability and may extend delivery.

Please note that the size of your chosen A5 wheel may affect the fuel consumption figures and the CO<sub>2</sub> emissions. This may result in a change in subsequent Vehicle Registration Tax payable. Please see pages 102-106

### 18" alloy wheels



18" '5-seg-spoke' alloys

PRF	SE	€361
-----	----	------

### 19" alloy wheels



19" '5-parallel-spoke' alloys

PRL	SE	€1,510
	S Line	€1,1150



19" 'multi-spoke' contrast

PRR	SE	€1,726
	S Line	€1,367

### 19" alloy wheels



19" '10-V-spoke' alloys

PQj	SE	€2,086
	S Line	€1,725

### 19" alloy wheels



19" multi-spoke V alloys

PRI	SE	€1,726
	S Line	€1,367



19" '5-arm Pylon' matt titanium Alloy

PQH	SE	€2,518
	S Line	€2,157



'19" 5-spoke blade' alloys

PQI	SE	€2,230
	S Line	€1,869

# Performance and suspension

## Options for ultimate handling, comfort and agility.

### Comfort Dynamic suspension

Newly developed suspension system with increased comfort and agility whilst retaining sport driving characteristics.

### Sport suspension

Lowered by 20mm compared to Comfort Dynamic suspension, with stiffer suspension and damping for more direct contact with the road and sportier handling.

### Adaptive Comfort suspension with damping control

Electronically regulated suspension system which offers maximum ride comfort. Suspension is lowered by 10mm and adjusts to different driving situations. Dynamic or comfort-orientated characteristics for shock absorber settings adjusted via Audi Drive Select.

		SE	S line
1BA	<b>Comfort Dynamic suspension</b>	Standard	No charge
1BE	<b>Sport suspension</b> -20mm drop from Dynamic Suspension	€482	No charge
1BL	<b>Adaptive Comfort suspension with damping control</b> -10mm drop from Dynamic Suspension	€1,392	€1,395

All pricing is RRP including VAT. Option pricing is based off VRT band A4.

It is not possible to delete Sports Suspension from ultra models.

Delete sports suspension on S line by choosing 1BA, raises an S Line by +20mm

Options are subject to availability and may extend delivery.



# Lighting

Advanced headlights that adapt to the road.

## Matrix LED headlights with LED rear lights & dynamic front and rear indicators

Audi Matrix LED technology provides maximum and precise illumination at all times without dazzling other road users. Using information obtained from the vehicle's sensors, camera and MMI Navigation (if equipped), Matrix Beam calculates the appropriate lighting required and automatically dips or turns off individual lighting diodes creating corridors of lights either side of the vehicle or object in front. Includes dynamic front and rear indicators which sweep from inside to out within 0.15 seconds. This helps to clearly identify not only that the vehicle is turning, but in which direction – increasing road safety.

## LED headlights with LED rear lights & dynamic rear indicators

All-weather headlights with dynamic headlight adjustment and dipped beam, high beam, indicators and turning light in LED technology. Enables a near daylight illumination of the road, minimum energy consumption and long service life. Includes dynamic rear indicators which sweep from inside to out within 0.15 seconds. This helps to clearly identify not only that the vehicle is turning, but in which direction.

## High-beam assist

Detects the headlights of oncoming traffic, the rear lights of other road users and light sources in built-up areas. Depending on the traffic situation, the high beam automatically adjusts to dipped beam and vice versa. The system improves the driver's visibility and ensures a more relaxed drive thanks to the extra comfort and convenience.

		SE	S line
PXC	<b>Matrix LED headlights with LED rear lights &amp; dynamic front and rear indicators</b> Also available in Light and Vision Pack (WB7, 9S8)	€2,697	€633
PX2	<b>LED headlights with LED rear lights &amp; dynamic rear indicators</b>	€1,689	Standard
8G1	<b>High-beam assist</b> Not available in conjunction with Matrix LED headlights (PXC).	€214	€214
8X1	<b>Headlight washers</b>	TBC	Standard

All pricing is RRP including VAT. Option pricing is based off VRT band A4.

Options are subject to availability and may extend delivery.



1.



2.

1. Xenon headlights (Standard on SE) 2. LED headlights (Standard on S line)

# Exterior equipment

Innovative options for added style and convenience.

## Black Styling Pack

Includes radiator grille frame, radar sensor surrounds in the side grilles (if fitted), trim strips on the side windows and B-pillar trims in high-gloss black. Radiator grille, front side grilles and front license plate holder in matt black.

## Door mirrors (folding with memory function)

Electrically folding with memory function. Electrically adjustable and heated with built-in LED side indicators and kerb view function for passenger side.

## Door mirrors (folding with auto-dimming and memory function)

Auto-dimming with memory function, electrically folding, adjustable and heated with built-in LED side indicators and kerb view function for passenger side.

		SE	S line
4ZD	<b>Black Styling Pack</b>	Not available	€784
6XE	<b>Door mirrors (folding)</b>	€512	€512
6XF	<b>Door mirrors (folding with memory function)</b> Only available in combination with electrically adjustable front seats (PV3 or PS8)	€512	€512
6XL	<b>Door mirrors (folding with auto-dimming and memory function)</b> Only available in combination with electrically adjustable front seats (PV3 or PS8)	€682	€491
FK2	<b>Ad Blue tank 24 litres</b> Available as an option on all 2.0 TDI models, to increase AdBlue® tank from 12 to 24 litres. Not applicable to TFSI engines	€72	€72



All pricing is RRP including VAT. Option pricing is based off VRT band A4.

Options are subject to availability and may extend delivery.



# Exterior equipment

Innovative options for added style and convenience.

## Panoramic glass sunroof

Available on Avant models, it comprises of two tinted glass sections. The front glass section raises and opens electrically. Includes an electrically adjustable sunshield and convenience closing via the central locking remote control.

## Privacy glass and front acoustic glazing

Dark-tinted rear and rear-side windows (from B-pillar backwards) and front side windows in acoustic glass for better exterior noise insulation.

## Tow bar (folding)

Mechanically swivelling ball head with electric release. Operated via a button in the luggage compartment. Includes trailer/caravan stabilisation via Electronic Stability Control (ESC) and allows continual use of electrical devices in the trailer/caravan whilst driving. 13- to 7-pin adaptor may be required please consult your Audi Centre for details.

## Garage door opener (Homelink®)\*\*

Programmable radio-operated remote control buttons incorporated in the interior lighting module. Can be used for opening and/or closing garage doors and exterior gates. Control of security and Lighting systems is also possible.\*\*\*



1.



2.

1. Panoramic glass sunroof (3FU). 2. Towbar (1D4)

		SE	S line
3FB	Panoramic glass sunroof	€1,835	€1,835
VW1	Privacy glass and front acoustic glazing	€596	€596
1D4	Tow bar - Manual swivel	€1,378	€1,378
VC1	Garage door opener (Homelink®)**	€334	€334
2Z0	Deletion of model and technology designation at rear	No charge	No charge
2Z7	Deletion of engine technology designation at rear	No charge	No charge

All pricing is RRP including VAT. Option pricing is based off VRT band A4. Options are subject to availability and may extend delivery. \*\*Homelink® is a registered trademark of Johnston Controls. \*\*\*For information on compatible hand transmitters, please contact your Audi Dealer or [www.eurohomelink.com](http://www.eurohomelink.com)

# A5 seat colours and trim

## Standard seats

### Twin leather –

A new combination trim offering the comfort and style of leather but without the higher cost. For maximum durability, real leather is applied in the following areas: seat centre panels on the front seats, driver's seat bolster (entrance side only) and seat centre panels on the two outer rear seats. Leatherette trim is applied on the head restraints, seat side bolsters, door trim inserts, centre armrest and middle rear seat. Available in a choice of three leather colours.

### Milano leather (N5W) – Standard on SE

High quality and long lasting leather with a fine grain appearance. Milano leather is in the following areas: entire seat including head restraints and centre armrest. Door trim inserts are in leatherette. Available in a choice of three leather colours.



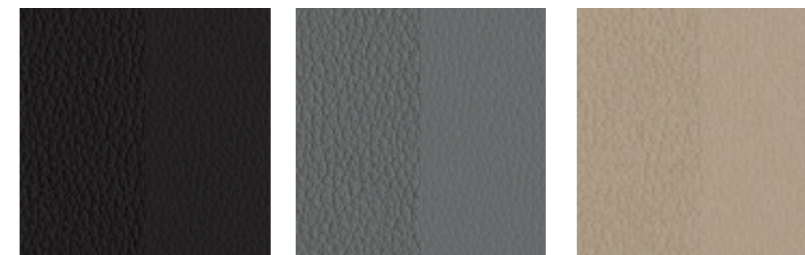
Image shows a Standard seat and optional 4-way electric lumbar support. All colour swatches on this page are matched as accurately as possible to the actual upholstery colours used. However, due to print processes, Audi Ireland cannot guarantee that the colours shown are 100% accurate. Visit your local Audi Dealer for a more accurate colour swatch.

# A5 SE optional colours and trim

## Standard seats with optional upholstery finishes.

Upgrade the upholstery on your standard seat by choosing either Twin leather or Milano leather. Both available in a choice of three colours with Rock grey and Atlas beige additionally available with a two tone dashboard.

### Twin leather N1F Standard on SE



### Milano leather N5W Standard on SE TBC



All pricing is RRP including VAT. Option pricing is based off VRT band A4.

Options are subject to availability and may extend delivery.



# A5 S line colours and trim

## Front Sport seats with S embossed logo

### Leather/Alcantara (N7N) – Standard on S line

Unique to the S line, standard Front Sport seats with Leather / Alcantara upholstery come with ‘S’ embossing on the front seat backs.

The seats not only have a sporty design but also offer a firmer and more supported driving style with extended thigh support and prominent side bolsters which improve lateral support.

Seat functionality includes manual adjustment for seat height, seat forwards/backwards position, backrest angle, head restraint and seat belt height. Unique to S line, Alcantara with an embossed pattern and contrast stitching enhances the styling of your seats, offers additional grip for sportier driving and at the same time provides added comfort across the seasons. Seat centre, shoulder panels and door inserts in patterned Alcantara. Seat side bolsters, head restraint and front centre armrest in leather.

Enhanced with contrast stitching in the following areas: seats, steering wheel, gear lever, armrest and floor mats.

### Fine Nappa leather with diamond pattern

(N3M – optional on S line €1,281

Upgrade S line seats to the highest quality, supple Fine Nappa leather which is breathable, durable and features a natural fine grain. Seat upholstery, head restraints, and front centre armrest in Fine Nappa leather. Door trim inserts in Alcantara.



**Leather/  
Alcantara**  
N7N Standard on S line



**Fine  
Nappa leather**  
N3M Optional on S line  
€1,281

Upholstery	Black – EI	Rotor grey – 0Q
Headlining	Black	Black
Dashboard (upper/lower)	Black/Black	Black/Black
Carpet	Black	Black

All pricing is RRP including VAT. Option pricing is based off VRT band A4. Options are subject to availability and may extend delivery.

# A5 Seat options

## Further options to enhance your seats.

### 4-way electric lumbar support

For front seats with horizontal and vertical adjustment to further increase seat comfort.

### Electrically adjustable front seats

Electric adjustment for seat height, seat forwards/backwards position, seat angle and backrest angle.

### Electrically adjustable front seats with memory function for the driver's side

Electric adjustment of both front seats with memory function for the driver's side. Includes the following: Electric adjustment for seat height, seat forwards/backwards position; seat angle and backrest angle; Electric 4-way lumbar support; Two memory spaces for the electrically adjustable driver's seat and exterior mirrors.

### Heated front seats

Heating for seat and backrest centre panels. When in combination with Sport seats and leather upholstery, the side bolsters are also heated. Individually adjustable in several stages for driver and front-passenger side via the air-conditioning controls.

### Heated front and outer rear seats

Works in the same way as front seat heating, enabling you to regulate the outer rear seats separately.

		SE	S line
7P1	<b>4-way electric lumbar support</b>	€377	€377
3L5	<b>Electrically adjustable front seats</b>	€1,088	€1,088
PV3	<b>Electrically adjustable front seats with memory function for the driver's side</b> Only in combination with Exterior mirrors with memory function (6XF or 6XL)	€1,757	€1,757
4A3	<b>Heated front seats</b>	Standard	Standard
4A4	<b>Heated front and outer rear seats</b> Not available in combination with cloth seats. Only in combination with Three Zone Climate Control (9AQ)	€980	€980
Q1D	<b>Front Sports Seats</b>	€468	Standard

All pricing is RRP including VAT. Option pricing is based off VRT band A4.

Options are subject to availability and may extend delivery.



Image shows A5 S line.



# Interior inlays

Fine detailing that enhances the interior of your Q5.

Inlays for instrument panel, door trims and centre console:



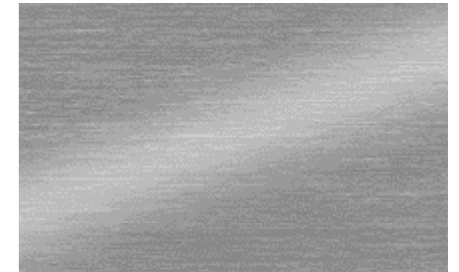
Aluminium Rhombus

Aluminium Rhombus		
SMF	SE	Standard
	S line	Not available



Walnut, sand brown

Walnut, sand brown		
SMG	SE	€299
	S line	€299



Matt brushed aluminium

Matt brushed aluminium		
STG	SE	Not available
	S line	Standard

All the inlay swatches on this page are matched as accurately as possible to the actual inlay colours used. However, due to print processes, Audi cannot guarantee that colours shown are 100% accurate. Visit your local Audi Centre for a more accurate colour swatch. Options are subject to availability and may extend delivery. Option pricing is based off VRT band A4.

# Interior equipment

Options to enhance the interior of your Q5.

## Extended LED Interior Lighting Pack – multi-coloured

In addition to the LED Interior Lighting Pack (QQ1) listed below, coloured ambient lighting in the following areas ▶ Door trims, front and rear ▶ Door storage areas, front and rear ▶ Cup holder ▶ Centre console ▶ Footwells, front and rear. Three pre-defined colour profiles are available which can be individually selected or interactively set with your Audi Drive Select mode.

## LED Interior Lighting Pack

In addition to the standard interior lighting: Illuminated vanity mirrors ▶ Ambient lighting in the front and rear door trims and interior door handles ▶ Courtesy lighting on the exterior door handles for easy entry and exit in the dark ▶ Entry lights, front and rear ▶ Illuminated cup holder ▶ Ambient lighting in the centre console; Lighting for both front and rear footwells.

## Extended Interior Upholstery Pack

Lower part of the centre console, door armrests and door pull handles in leatherette matching interior colour choice. Only available in combination with Leather/Alcantara, Milano leather or Fine Nappa leather. Contrast stitching further enhances the interior elements when Fine Nappa leather is ordered.

## Heated 3-spoke leather trimmed high multi-function steering wheel

Control of on-board computer, telephone, radio and navigation system with both hands on the steering wheel. Includes paddles for automatic transmissions. Colour to match the selected dashboard upper section. Steering wheel design is dependant on trim choice.\*

## Flat bottomed 3-spoke leather trimmed high multi-function steering wheel

Control of on-board computer, telephone, radio and navigation system with both hands on the steering wheel. Includes paddles for automatic transmissions. Colour to match the selected dashboard upper section.

		SE	S line
QQ2	Extended LED Interior Lighting Pack – multi-coloured	€142	€142
QQ1	LED Interior Lighting Pack	Standard	Standard
7HB	Extended Interior Upholstery Pack	€198	€412
1XP	Heated 3-spoke leather trimmed high multi-function steering wheel	€482	€268
6NQ	Black cloth headlining	€362	Standard
9AQ	Three-Zone Automatic Climate Control	€974	€974



1. Extended LED interior lighting pack multi-coloured (QQ2). 2. Audi smartphone interface (standard).



1. Storage pack (QE1). 2. Rail system with load securing kit (3GN).

# Interior equipment

## Practical options for advanced storage and stowage.

### Storage Pack

Includes the following items in the car: Storage net on the back of the front seat backrests ▶ Storage compartment driver's side ▶ Lockable glove box ▶ Rear centre armrest. Includes the following in the luggage compartment ▶ Tensioning straps, left and right ▶ 12V socket ▶ Luggage nets.

### Rails system with load-securing kit

Flexible system for securing objects in the Q5 luggage compartment. A telescopic bar and securing strap enable the luggage compartment to be divided diagonally and/or horizontally. 4 x sliding lashing points on the rail provide additional fastening options. After use, the kit can be stowed away in the loading floor.

### Variable foldable trunk mat

Increase the everyday usability of the Q5 luggage area, with a reversible, flexible rubber mat. The entire load area even with folded rear seat backrest, can be covered to protect against dirt or damage. Or, if the trunk mat is installed horizontally, the side panel trims of the luggage compartment can be covered. Or, the mat can be used flexibly to divide the luggage area into individual compartments. Thanks to its compact design, the trunk mat can be stowed away to the side of the luggage compartment.

### Rear seat bench plus

Rear seats with 40:20:40 split, armrest with 2 drink holders, backrest release in luggage compartment for easy folding of seats, load through compartment, back rest reclining and longitudinal adjustment

		SE	S line
QE1	<b>Storage Pack</b>	€271	€271
9JD	<b>Smoking pack</b> Includes cigarette lighter and ash trays	€73	€73
5ZC	<b>Variable head restraints for front seats</b>	€179	€179
3KA	<b>Rear seat bench plus - individually adjustable rear seats</b>	€43	€43

All pricing is RRP including VAT. Option pricing is based off VRT band A4.

Options are subject to availability and may extend delivery.

# Technology Pack

## Technology Pack

This pack brings together the most popular technology options that are frequently ordered together and offers exceptional customer value versus the price of the individual items. This pack is essential for those wanting the highest level of connectivity and navigation system.

**MMI Navigation Plus with MMI touch.** In addition to standard MMI Radio Plus\*, includes the following:

- ▶ 8.3" high resolution, colour MMI display with aluminium frame
- ▶ Touch-sensitive control panel for fast, intuitive operation, handwriting recognition, and ability to move and zoom freely on the map
- ▶ Integrated navigation with 3D map display of places of interest
- ▶ Online map updates
- ▶ Detailed route information: map preview, choice of alternative routes, POIs, lane recommendations, motorway exits, detailed junction maps and more
- ▶ Dynamic route guidance traffic updates with TMCpro (in conjunction with Audi Connect: traffic information online, where available through 3rd party providers)
- ▶ MMI search: Free text search with intelligent suggestions provided during entry
- ▶ Natural voice recognition
- ▶ Jukebox hard drive memory for music (10 GB)
- ▶ DVD drive for music CDs and video DVDs
- ▶ 2xSDXC memory card reader.



MMI Navigation Plus with MMI Touch

**Bang & Olufsen 3D sound system** - The ultimate premium sound experience in your A5 with concert hall acoustics and for the first time, now with 3D stereo surround sound. The system features 19 loudspeakers including a subwoofer and centre loudspeaker and a 16-channel amplifier with an impressive total output of 755 watts. The natural 3D surround sound is created with additional speakers in the A-pillar. Includes illuminated loudspeakers within the front doors.

**Audi connect-** Access to a portfolio of services on Audi connect for 3 years is included in the package. Please note a data connection is necessary to avail of these services and additional charges will be incurred when using the services. Services on Audi connect include: Navigation with Google Maps and Google Earth, Online News, Point of Interest Search, Twitter, Plane and Train Information.



Audi connect



**Audi Virtual Cockpit** Innovative 12.3" full colour digital instrument cluster for the flexible display of information tailored to the driver's needs. Displays the following:

- ▶ Vehicle/engine speed
- ▶ 3D Navigation map
- ▶ Audi Connect services
- ▶ Radio/media information
- ▶ Driver assistance systems
- ▶ All MMI functionalities (e.g. Telephone, Car settings etc).

The 'view' button on the multi-function steering wheel allows you to change between 2 differently sized representations of the instrument dials.



**Audi Phone Box with wireless charging** Offers improved reception quality and wireless charging (with Qi enabled compatible phones). For more information, see full option description of Audi Phone Box on page 99. Audi Phone Box option also provides an additional bluetooth interface for a second device meaning two mobile phones can be connected to the vehicle simultaneously.

		SE	S line
TBC	<b>Technology Pack</b>	TBC	TBC
9VS	<b>Bang &amp; Olufsen 3D sound system</b>	€1,618	€1,618
9ZE	<b>Audi Phone Box 'Light' - Without antenna connection</b>	€483	€483



# Comfort Pack

## Comfort Pack

This pack brings together the most popular comfort items twinned with Bang & Olufsen 3D sound system that are frequently ordered together and offers exceptional customer value versus the price of the individual items. This pack is essential for those wanting the highest level of comfort.

### 3-zone deluxe climate control-

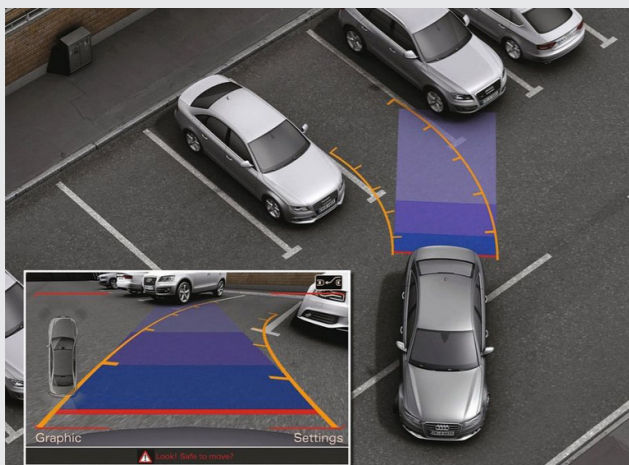
The electronic climate control provides the perfect temperature, whilst simultaneously increasing a sense of space and fresh air. Design led and intuitive operation via a large TFT display which features touch sensitive rocker switches and integrated digital temperature displays in the rotary push buttons. Electronically regulates air temperature, air flow rate and air distribution. Exact temperatures can be set individually for driver, front passenger and rear seats.

**Reversing camera-** The reversing camera helps the driver to park the car easily and safely. An image of the area behind the vehicle is shown on the MMI display. Reversing camera is concealed in the handle strip of the luggage compartment lid.

**Ambient interior lighting pack -** The lights package creates a special illumination atmosphere and improves orientation. In addition to the LED Interior Lighting Pack includes coloured ambient lighting in the following areas: Door trims, front and rear, Door storage areas, front and rear, Cup holder, Centre console, Footwells, front and rear

### Front seats - electrically adjustable

Electric adjustment for seat height, seat forwards backwards position, seat angle and backrest angle with power lumbar support (7P1)



Reversing camera (KA2)



3-zone climate control (9AQ)

		SE	S line
TBC	Comfort & Sound pack	TBC	TBC
KA2	Reversing camera	€642	€642
9AQ	3-zone deluxe climate control	€974	€974

# Launch Pack

## A5 Coupe Launch Pack - From €1,850

The launch pack is available at lunch for the A5 Coupe, it contains the panoramic Sunroof privacy glass and an upgraded wheel (18" on SE and 19" on S-Line models).

### Panoramic Sunroof

Electrically tilting and opening extra large glass area. Includes an electrically adjustable sunshield and convenience closing via the Central locking remote control. The integrated wind deflector reduces wind noise when the roof is open

**Privacy glass** - Privacy glass (side and rear windows) Dark-tinted rear and rear-side windows (from B-pillar backwards)

**19" Multispoke alloy wheels** - Audi Sport cast aluminium multi-spoke design, contrasting grey, partly polished



Audi exclusive black styling pack (4ZD)



19" Multi Spoke alloy wheels (PRR)

		SE	S line
TBC	<b>Black pack - only available on S line</b>	€1,850	TBC
4ZD	<b>Audi exclusive black styling pack</b>	Not available	€784
VW1	<b>Dark tinted rear windows with acoustic glazing in front</b>	€597	€597

\*For details on MMI Radio Plus please refer to the Glossary. All pricing is RRP including VAT. Option pricing is based off VRT band A4.

Options are subject to availability and may extend delivery.

# Technology - Audio & communication

Your options for music and entertainment.

## Bang & Olufsen 3D sound system

The ultimate premium sound experience in your Q5 with concert hall acoustics and for the first time, with 3D stereo surround sound. The system features 19 loudspeakers, including a subwoofer and centre loudspeaker and a 16-channel amplifier with an impressive total output of 755 watts. The natural 3D surround sound is created with additional speakers in the A-pillar, which now create a new height dimension in sound in addition to depth and width. This creates a previously unknown feeling of space in the car. Includes speed sensitive volume adjustment and illuminated loudspeakers within the front doors.

## Audi sound system

Impressive sound with 10 loudspeakers including centre speaker and subwoofer, 6-channel amplifier with a total output of 180 watts.

outside the car with rechargeable battery, which is included in the package. Content is either streamed from your iOS (iPhone) or Android (Samsung, HTC, Sony etc) smartphone via an Audi App, via an integrated SD card reader, USB cable, Miracast Wi-Fi or Bluetooth. Includes two sets of headphones, USB cable and storage bag.

## Audi Entertainment Mobile

Includes two detachable high definition 10.1" touch screens fitted to the back of the front seats (supplied by Audi Genuine Accessories\*). The back of the front seats are fitted with mountings and power connections. The system can be used

		SE	S line
9VS	<b>Bang &amp; Olufsen 3D sound system</b>	€1,618	€1,618
9VD	<b>Audi sound system</b>	Standard	Standard
QV3	<b>Digital Radio reception</b>	€477	€477



1. Bang & Olufsen 3D sound system (9VS). 2. Audi Entertainment Mobile (9WQ).

# Technology - Audio & communication

Your options for infotainment and connectivity.

## Audi Virtual Cockpit

Innovative 12.3-inch full colour digital instrument cluster for the flexible display of information tailored to the driver's needs. Displays the following: ▶ Vehicle/engine speed ▶ 3D Navigation map ▶ Audi Connect services ▶ Radio/media information ▶ Driver assistance systems ▶ All MMI functionalities (e.g. Telephone, Car settings etc). The 'view' button on the multi-function steering wheel allows you to change between two differently sized representations of the instrument dials. The display with small instruments allows the onboard computer and MMI contents to be shown across the full display area.

## MMI Navigation (SD card based)

In addition to standard MMI Radio Plus, includes the following:

- ▶ Integrated navigation with 3D map display
- ▶ Detailed route information: map preview, choice of alternative routes, POIs, lane recommendations, motorway exits, detailed junction maps and more
- ▶ Dynamic route guidance with TMCpro (in conjunction with Audi Connect: traffic information online)
- ▶ MMI search: Free text search with intelligent suggestions provided during entry
- ▶ Natural voice recognition
- ▶ 2xSDXC memory card reader

For details on MMI Navigation please refer to the Glossary on page 110

## Audi Phone Box with wireless charging

Enables drivers to use their mobile phone in the car by placing it in the storage compartment provided in the front centre console to create a wireless connection to the vehicle aerial, improving reception quality. Operated via the MMI control panel, the multi-function steering wheel or the voice control system. Wireless charging available (with Qi enabled compatible phones) or via USB port. For information on compatible mobile phones please see audi.ie. Audi Phone Box option also provides an additional Bluetooth interface for a second device meaning two mobile phones can be connected to the vehicle simultaneously.



1. Audi Virtual Cockpit (9S8). 2. MMI Navigation (PNU). 3. Audi Phone Box with wireless charging (9ZE).

		SE	S line
9S8	<b>Audi Virtual Cockpit .</b> Only available in combination with MMI Navigation Plus (PNQ). Available in Technology Package (W11)	€710	€710
PNQ	<b>MMI Navigation</b>	€4,003	€4,003
9ZE	<b>Audi Phone Box with wireless charging.</b> Also available in Technology Pack (W11)	€483	€483

All pricing is RRP including VAT. Option pricing is based off VRT band A4.

Options are subject to availability and may extend delivery.

# Technology - Driver assistance

## Driver Assistance Pack - Tour PCN

With busier roads than ever, Audi technology can keep an extra eye out. This pack brings together the driver assistance systems that support long distance driving, especially when driving in congestion and varying average speed limit zones. As well as helping you to drive more efficiently, the pack also includes advanced safety systems.

**Camera based traffic sign recognition** - Speed limit and traffic sign display via the Driver's Information System (DIS) or optional Head-up display. Detects the following signs: speed limits (including temporary limits), overtaking restrictions and no-entry warnings.

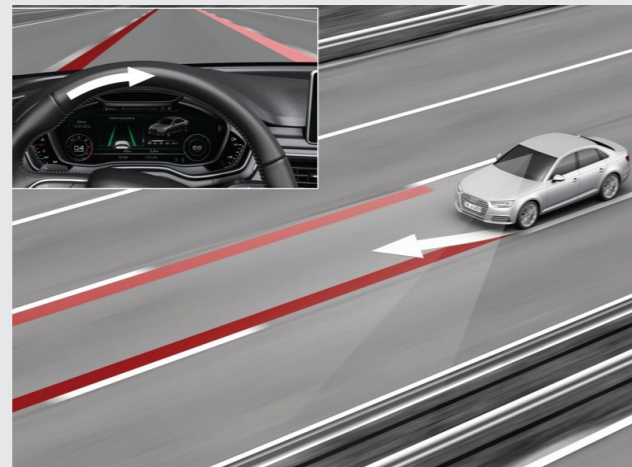
**Collision avoidance assistant** - Supports the driver's actions during an avoidance manoeuvre reducing the likelihood of a collision or of swerving off the road. The system provides additional steering torque and uses vehicle sensors to calculate the optimum path of avoidance.

**Turn Assist** - When turning at junctions, from the moment the turn indicators are activated, the turn assist system detects approaching vehicles and applies braking to help avoid a collision.

**Active Lane Assist** - Detects lane boundary markings and helps the driver to stay in lane with gentle steering intervention for greater safety and convenience, particularly on motorways. Works at speeds above 50kph.



Camera based traffic sign recognition\*\*



Active Lane Assist\*



Adaptive Cruise Control with Stop & Go and Traffic jam assist\*\*



Predictive efficiency assistant\*\*

**Adaptive Cruise Control with Stop & Go and Traffic jam assist** - Automatic distance regulation, using radar sensors to maintain the required distance between vehicles ahead by braking and accelerating. With the Stop & Go function, the system brakes the car to a stop. The driver can select from 5 warning thresholds and influence the systems acceleration behaviour via Audi Drive Select. Traffic jam assist detects vehicles ahead and on adjacent lanes to assist with the braking, acceleration and also steering up to 50kph, to keep the vehicle in lane. Adaptive cruise requires additional sensors in the lower air inlets, and results in a change to the design of the inlets and differs dependant on trim.

**Predictive efficiency assistant** - The system uses navigation data e.g. speed limits, traffic signs, road bends, junctions and roundabouts to give the driver efficiency advice in the instrument cluster (or via the optional Audi Virtual Cockpit). In conjunction with the Adaptive Cruise Control (ACC), the system uses the route data and speed limits to adjust the ACC desired speed and cornering accordingly. With automatic transmissions, the system activates free-wheeling mode or engine braking, which can help reduce fuel consumption up to 10% and enhances ride comfort.

		SE	S line
PCN	<b>Driver Assistance Pack - Tour</b> - Only Available in combination with High-beam assist (8G1) and Audi pre sense city front (7W1)	€1,656	€1,675
7W1	<b>Audi pre sense city front</b>	€357	€357
8G1	<b>High beam assist</b>	€215	€215

\*Vehicle driver assistance and safety systems are not a substitute for attentive driving. Drivers retain full responsibility for providing the necessary inputs for safe control of the vehicle. System descriptions within this brochure are provided for information purposes only. System limitations and operational requirements apply. See manual for details.

\*\*Images show display on optional Audi Virtual Cockpit, Display will appear on the 7" colour DIS without this option.

All pricing is RRP including VAT. Option pricing is based off VRT band A4. Options are subject to availability and may extend delivery.

# Technology - Driver assistance

## Parking Assistance Pack PCF

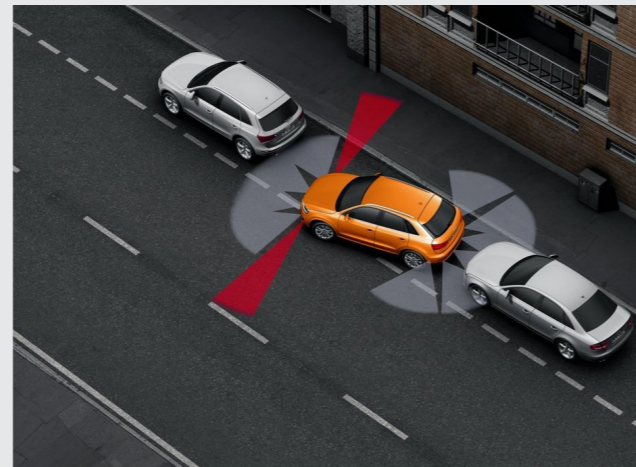
Enhancing the rear parking sensors that come as standard, this pack adds front sensors and all-round cameras to optimise your view while parking - and can even help you find and manoeuvre into a parking space.



360° camera showing rear view

**360° cameras** - Wide angle lenses cover the close range around the vehicle. The driver can choose between different image representations in the MMI display, including a live “bird’s eye view” image for parking. Includes guidelines which help the driver manoeuvre and navigate the vehicle into the right position.

**Parking assist** - Searches for suitable parking spaces along the road by means of ultrasonic sensors, calculates the ideal parking path and performs the steering action virtually automatically. Steering is done by the vehicle; the driver need only accelerate and apply the brakes.

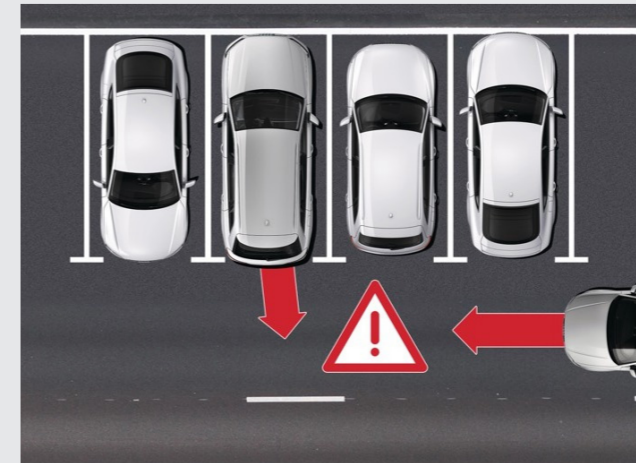


Parking assist

	SE	S line
PCF <b>Parking Assistance Pack.</b> Only available with optional mirrors (6XE, 6XF, 6XL) and Technology Pack (TBC)	€2,485	€2,485

## Parking Assistance Pack Advanced PCZ

In addition to the contents of the Parking Assistance Pack, this pack includes the latest technology to provide help in busy traffic situations, when changing lane, exiting your car and when reversing - for the convenience and protection of all occupants.



Cross Traffic Assist Rear

**Audi Pre-sense Basic** - Audi pre-sense is a comprehensive technical package for identifying dangers well in advance and intervening appropriately to provide extra safety and protection. Where necessary, actions are taken to protect the driver and passengers from a potential collision. These include: belt tightening, activating the hazard warning system, closing the windows and the sunroof (if fitted).

**Audi Pre-sense Rear** - It monitors vehicles following from behind and if a potential collision is detected, the driver is first warned visually via flashing light, then Audi Pre-sense basic measures (e.g. closing windows) are initiated and then if a collision is unavoidable, the system will tighten the front seat belts. The system is deactivated when towing.

**Audi Side Assist** - Aids the driver when changing lane. Audi side assist monitors the area behind the vehicle, using radar sensors located discreetly in the rear bumper, informing the driver with a visual warning signal in the door mirror if there is a vehicle in their blind spot or approaching quickly from behind.

**Cross Traffic Assist Rear** - Warns the driver of traffic crossing behind their own vehicle when reversing. The system alerts the driver first visually and then acoustically via the MMI, and then applies the brakes if a potential collision is detected.

**Exit Warning** - Monitors the rear and side of your stationary Q5 and warns the occupants via a warning light on the door before they exit that vehicles/cyclists are approaching from behind.



Exit warning

	SE	S line
PCZ <b>Parking Assistance Pack Advanced.</b> Only available with optional mirrors (6XE, 6XF, 6XL) and Technology Pack (TBC)	€3,323	€3,323

Vehicle driver assistance and safety systems are not a substitute for attentive driving. Drivers retain full responsibility for providing the necessary inputs for safe control of the vehicle. System descriptions within this brochure are provided for information purposes only. System limitations and operational requirements apply. See manual for details.

# Technology - Driver assistance

Advanced options to help you on and off the road.

## Head-up display

Projects warning messages or driving-related information from assistance systems and the navigation system (if ordered) in full colour onto the windscreen in the driver's direct field of vision, giving the driver faster access to information. Display is adjustable in height.

## Camera-based traffic sign recognition

Speed limit and traffic sign display via the Driver's Information System (DIS) or optional Head-up display. Detects the following signs: speed limits (including temporary limits), overtaking restrictions and no-entry warnings.

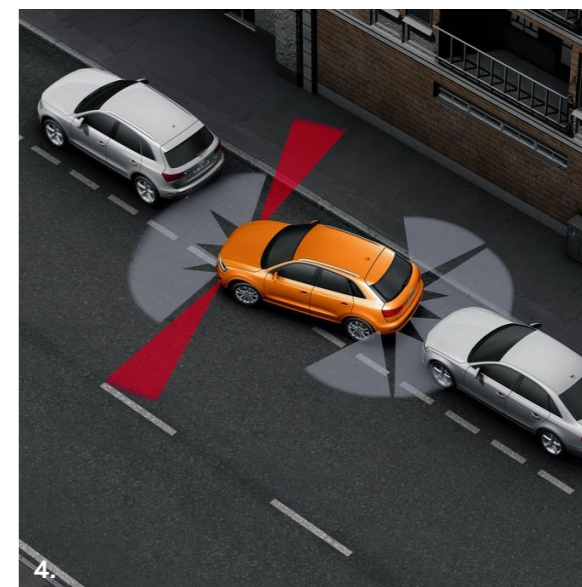
## Rearview camera

An image of the area behind the vehicle is shown on the MMI display. Reversing camera is concealed in the handle strip of the luggage compartment lid.

## Advanced key with electric hands-free boot opening system

Access and authorisation system that works through automatic data exchange between key and vehicle, allowing the driver to keep their car key in their pocket or bag at all times. To unlock and open, simply lift the exterior door handle. Pressing the Start/Stop button integrated in the centre console starts and stops the engine. Also includes an electric hands-free bootlid release sensor located underneath the rear bumper, which can be operated by a simple kicking movement underneath the sensor.

		SE	S line
KS1	Head-up display	€1,395	€1,395
QR9	Camera-based traffic sign recognition	€427	€427
7X5	Park assist	€385	€385
KA2	Rear view camera Available as part of technology pack (TBC)	€641	€641
8N6	Rain Sensor	Standard	Standard
4L6	Interior mirror, frameless, with automatic anti-glare function	€486	€486



1. Head-up display (KS1). 2. Rear view camera (KA2). 3. Camera based traffic sign recognition (QR9). 4. Park assist (7X5)

# Comfort & Security

Advanced options to help you relax and enjoy your Audi

		SE	S line
PGD	Comfort Key with Sensor controlled luggage release	€820	€820



# Audi Genuine Accessories

Personalise your Audi today.

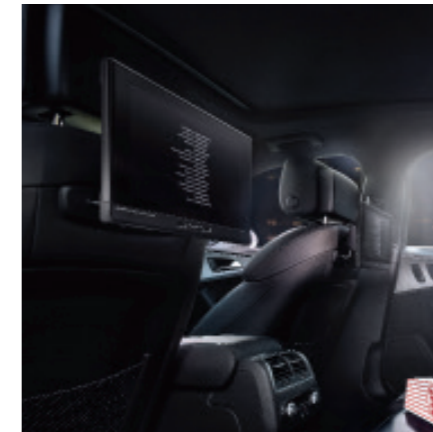
Make your Audi A5 your own by adding some genuine accessories. All created by Audi and specially crafted for our models, so they'll deliver the high standards you'd expect. What you see here is just a selection.



**Rubber/Textile floor mats**  
Protect the A5 interior from muddy feet and daily wear and tear.



**Boot liner**  
Avoid damage while loading and unloading luggage.



**Audi entertainment mobile**  
Keep rear seat passengers entertained with the double screen package.



**Laptop bag**  
Keep everything organised while you travel.

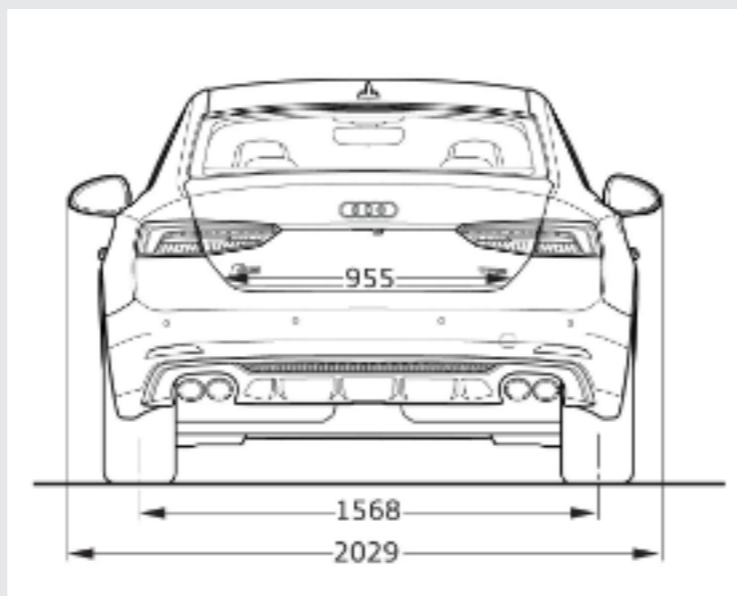
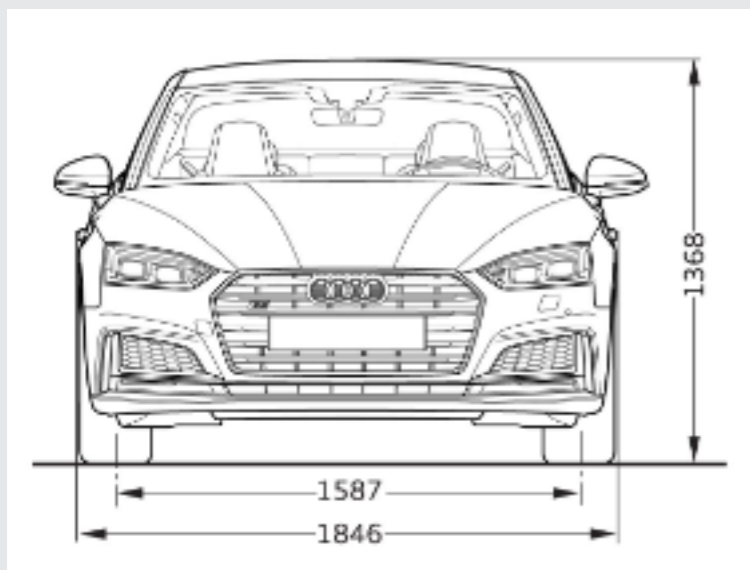


# A5 dimensions

All the measurements you need.

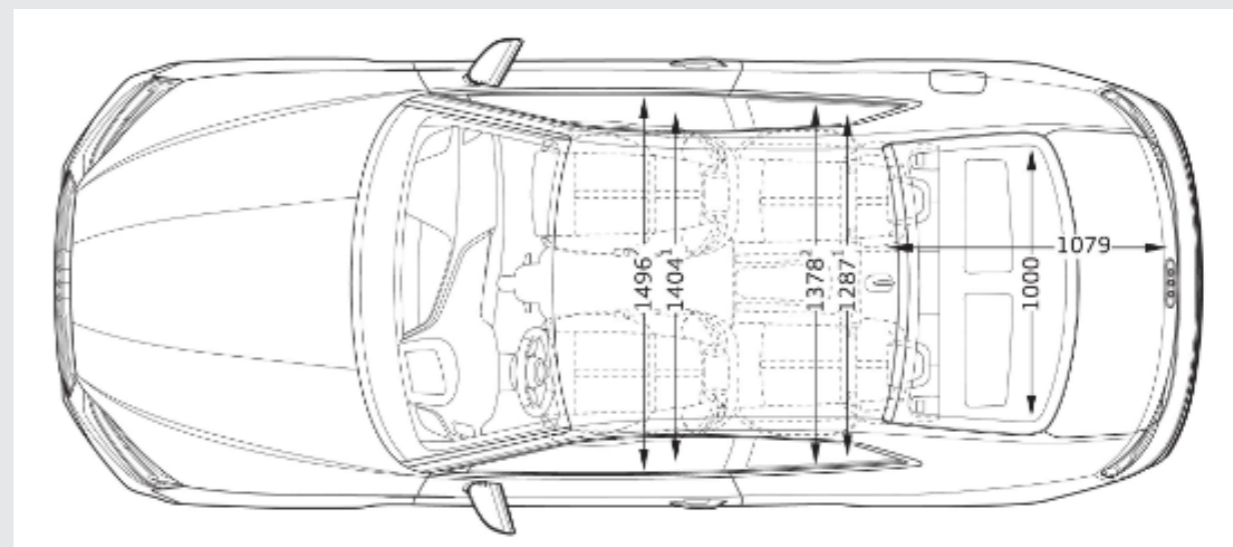
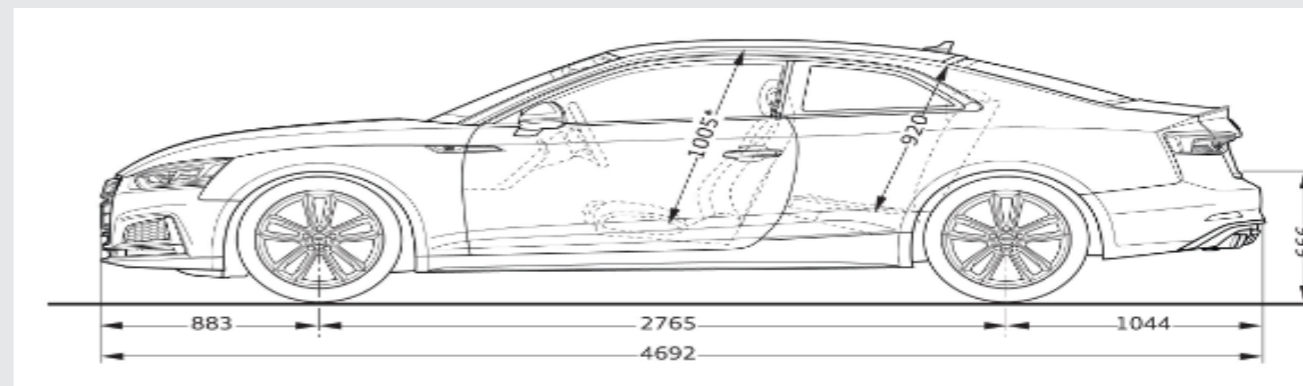
See the exact dimensions of the all-new Audi A5 Coupe, so you can check everything

## A5 Coupe



Luggage compartment capacity:\*\*\*\*  
610l (rear seats up) or 1,550l (rear seats folded down).

## A5 Coupe



Dimensions in millimetres. \*Maximum headroom. \*\*Elbow room width. \*\*\*Shoulder room width. Dimensions were measured with vehicle at unladen weight. \*\*\*\*Measured by the VDA standard test method using 200 x 100 x 50mm blocks. Turning circle approx. 11.5m.

