

HUDSON

MASTER GROUP PARTS BOOK

1940 - 1941 - 1942



HUDSON MOTOR CAR COMPANY

DETROIT, MICHIGAN

U. S. A



MASTER PARTS BOOK

FOR

1940 -1941- 1942 Hudson Cars

A List of Chassis and Body Parts

Arranged in Unit Groups

for the

1940 -- 1941 -- 1942

SIX AND EIGHT CYLINDER

Passenger and Business Cars

O

TABLE OF CONTENTS

	Page		Page
Introduction	3	Abbreviations	9
Explanation of Group System	3	Body Model Information	199
Index of Chassis Groups—Numerical	4	Telegraph Code	8
Index of Body Groups—Numerical	200	Car Numbering System	8
Index of Chassis Groups—Alphabetical	6	Chassis Parts List	12
Index of Body Groups—Alphabetical	201	Body Parts List	204
Index of Illustrations	325	Part Number Information	8
Chassis Model Information	7	Special Parts Information	9

HUDSON MOTOR CAR CO.
DETROIT, MICHIGAN, U.S.A.

WARRANTY

"We warrant each new passenger automobile manufactured by us to be free from defects in material and workmanship under normal use and service, our obligation under this warranty being limited to making good at our factory any part or parts thereof, including all equipment or trade accessories (except tires) supplied by the Car Manufacturer, which shall, within ninety (90) days after making delivery of such vehicle to the original purchaser, or before such vehicle has been driven 4,000 miles, whichever event shall first occur, be returned to us with transportation charges prepaid, and which our examination shall disclose to our satisfaction to have been thus defective; this warranty being expressly in lieu of all other warranties expressed or implied, and of all other obligations or liabilities on our part, and we neither assume nor authorize any other person to assume for us any other liability in connection with the sale of our vehicles.

"This warranty shall not apply to any vehicle which shall have been repaired or altered by other' than an Authorized Hudson dealer in any way so as, in the judgment of the Manufacturer, to affect its stability or reliability, nor which has been subject to misuse, negligence or accident."

**HUDSON MOTOR CAR COMPANY
DETROIT, MICHIGAN
U. S. A.**

The Hudson Motor Car Company reserves the right to make any changes in or improvements on its products without incurring any liability or obligation whatever, and without being required to make any corresponding changes or improvements on products theretofore manufactured or sold.

INTRODUCTION

This book contains a list of chassis and body service replacement parts supplied by the Hudson Motor Car Company, for 1940,1941, and 1942 Hudson passenger and business cars. These parts are identified by Hudson part numbers.

Several parts such as chrome plated body mouldings and ornaments, were discontinued and superseded by painted or polished parts on cars built after January 15, 1942. This change was effective in production with car No. 37067. In this book these parts are marked as follows:

Parts marked † discontinued Jan. 15, 1942, with car No. 37067.

Parts marked †† used after car No. 37067.

In addition to parts supplied by The Hudson Motor Car Company, this book covers several units, such as carburetor, fuel pump and electrical equipment which are not supplied for service by Hudson. These parts appear under the symbols of their respective manufacturers, and are included as an aid in ordering direct from these manufacturers or their authorized service outlets.

To assist in the identification of parts, a number of illustrations are included, which in most cases are placed near the start of the groups to which they refer. Each part shown on these illustrations is provided with a key number which refers to the description of that part in a manner explained in the following sections.

GROUP SYSTEM

In order to classify parts, the chassis is divided into nineteen main sections, each section being designated by a letter. An extra section, devoted to units not serviced by Hudson Motor Car Company, is designated by the letter Z.

The main chassis sections are as follows- -

A- -FRONT SUSPENSION	L- -PROPELLER SHAFT
B- -REAR AXLE	M- -STEERING GEAR AND DRAG LINK
C- -BRAKES AND BRAKE CONTROL	N- -FUEL SYSTEM
D- -PEDALS	P- -MUFFLER AND EXHAUST PIPE
E- -WHEELS AND WHEEL CARRIERS	Q- -RADIATOR AND HOSE CONNECTIONS
F- -SPRINGS AND SHOCK ABSORBERS	R- -SHEET METAL
G- -FRAME AND BUMPERS	S- -ELECTRICAL
H- -ENGINE	T- -INSTRUMENT PANEL FITTINGS
J- -CLUTCH AND CONTROL	U- -TOOLS, ACCESSORIES AND KITS
K- -TRANSMISSION AND CONTROL	Z- -SPECIAL UNITS

These main sections are arranged in this book in alphabetical order. At the top corner of each page appears a letter which designates the main section to which the parts on that page belong, while directly across the page appears the name of that section. See further explanation of the Group System on the following pages.

DIVISION OF CHASSIS GROUPS

The main sections are sub-divided into Smaller groups, each of which includes those parts belonging to the same unit or having correlated functions. Each of these small groups is designated by a number preceded by the main section letter.

Thus the Steering Arm group is A5, the group is A6, and the Auto-poise group is A8.

A complete list of chassis groups as uses in this book, and the page on which each group will be found, follows. For index of body groups, see BODY SECTION.

	Page No.		Page No.
A - FRONT SUSPENSION		G - FRAME AND BUMPERS	
A-1 Front suspension	12	G-1 Frame assembly	43
A-3 Steering spindle	13	G-2 Side members	45
A-4 Pivot pin	13	G-3 Spring brackets	45
A-5 Steering arm	13	G-4 Body brackets	46
A-6	13	G-5 Running board brackets	46
A-8 Auto-poise	15	G-6 Miscellaneous brackets	46
B - REAR AXLE		G-8 Cross members	47
B-1 Rear axle housing	16	G-9 Frame X brace	48
B-2 Differential carrier	16	G-10 Frame misc. parts	48
B-3 Drive gear and pinion	16	G-11 Front bumper	49
B-4 Differential parts	17	G-12 Rear bumper	51
B-5 Pinion housing group	17	H - ENGINE	
B-6 Drive shaft	18	H-1 Engine and mounting	57
B-7 Rear wheel bearings	18	H-2 Cylinder	58
C - BRAKES AND BRAKE CONTROL		H-3 Cylinder head and spark plugs	58
C-1 Brake backing plates	19	H-4 Exhaust manifold	59
C-2 Brake shoes and linings	19	H-5 Intake manifold	60
C-5 Brake operating parts	21	H-6 Crankshaft and flywheel	61
C-6 Wheel cylinder	23	H-7 Camshaft	63
C-10 Brake control rods and levers	23	H-8 Connecting rod	63
C-11 Brake cables	25	H-9 Piston	64
C-12 Master cylinder	25	H-10 Vibration dampener	64
C-13 Brake tubes and fittings	27	H-11 Valves and tappets	65
C-14 Hydraulic hill hold	28	H-12 Oil pan	65
C-16 Hand brake	29	H-13 Oil pump, check valve and filter	67
D - PEDALS		H-14 Water pump and fan	67
D-1 Pedal bracket	30	H-15 Timing gears and cover	68
D-2 Clutch pedal	30	J - CLUTCH AND CONTROL	
D-3 Brake pedal	31	J-1 Clutch	69
D-4 Pedal miscellaneous parts	31	J-2 Clutch control	71
E - WHEELS AND WHEEL CARRIERS		J-3 Vacuumotive drive	74
E-1 Wheel Assemblies	31	K - TRANSMISSION AND CONTROL	
E-2 Hub caps and trim rings	32	K-1 Transmission assembly, case and clutch housing	77
E-3 Hubs and drums	32	K-2 Main drive gear	81
E-4 Front wheel bearings	33	K-3 Main shaft	82
E-6 Wheel carrier-rear outside	33	K-4 Countershaft	83
E-7 Wheel carrier-rear compartment	33	K-5 Reverse gear and shaft	83
E-9 Wheel carrier-inside	33	K-6 Internal shift mechanism	84
E-10 Tire cover	33	K-7 Transmission control parts	84
F - SPRINGS AND SHOCK ABSORBERS		K-8 Speedometer housing and gears	85
F-1 Spring assemblies	35	K-9 Overdrive	89
F-2 Spring leaves and leaf kits	36	K-21 Handy shift	93
F-3 Spring rebound clips	37	K-22 Hudson Drive-Master	95
F-4 Shackles, bushings and bolts	37	L - PROPELLER SHAFT	
F-5 Center bolts and nuts	38	L-1 Propeller shaft	98
F-6 U bolt clips	38	M - STEERING GEAR AND DRAG LINK	
F-8 Spring covers	39	M-1 Steering gear	101
F-10 Rear spring stabilizer	39	M-2 Steering gear housing	101
F-11 Shock absorbers and attaching parts	41	M-4 Cross shaft and pitman arm	102
F-13 Shock absorber parts - Monroe	42		
F-14 Shock absorber parts - Delco	42		

1940 -- 1941 -- 1942

DIVISION OF CHASSIS GROUPS (Cont'd)

	Page No.		Page No.
M - STEERING GEAR AND DRAG LINK (CONT,D.)		S - ELECTRICAL SYSTEM (CONTID.)	
M-5 Main column tube and worm	102	S-4 Fender lamps	144
M-6 Jacket tube	103	S-5 Tail and stop lamp	145
M-7 Steering wheel	103	S-6 License plate lamp	148
M-8 Horn button and ring	104	S-7 Rear license plate bracket	149
M-10 Drag Link	106	S-8 Distributor	150
N - FUEL SYSTEM		S-9 Generator and control	150
N-1 Carburetor	107	S-10 Starting motor	151
N-2 Carburetor air cleaner	107	S-11 Ignition coil and lock	151
N-4 Fuel pump and pipes	108	S-12 Battery	151
N-5 Gasoline tank and pipes	109	S-13 Switches	152
N-6 Throttle control-LHD	111	S-14 Horns	152
N-7 Throttle control-RHD	114	S-15 Direction indicator	154
P - MUFFLER AND EXHAUST PIPE		S-16 Spotlight and fog lamp	155
P-1 Muffler and attaching parts	115	T - INSTRUMENT PANEL FITTINGS	
P-2 Heat deflectors	116	T-1 Instrument clusters and gauges	157
P-3 Exhaust pipe	116	T-2 Lights, sockets and wires	158
P-4 Tail pipe	117	T-3 Knobs and controls	159
Q - RADIATOR AND HOSE CONNECTIONS		T-4 Ornaments and covers	159
Q-2 Radiator core and attaching parts	118	T-5 Clock, cigar lighter, ash tray, etc.	161
Q-3 Tank shield	119	T-6 Locker box and doors	162
Q-4 Radiator louver	119	U - TOOLS AND ACCESSORIES	
Q-7 Hose connections	123	U-1 Tool kits and tools	164
R - SHEET METAL		U-4 Windshield cleaner	165
R-1 Bonnet panels, ornaments and mouldings	124	U-5 Heaters, Weathermaster and Defroster	167
R-3 Bonnet locks, handles and hinges	127	U-6 Radio assembly and mounting parts	169
R-4 Bonnet bumpers and shims	129	U-7 Radio condensers and resistors	170
R-5 Front fenders	129	U-8 Radio chassis parts	172
R-6 Rear fenders	131	U-9 Radio control parts	174
R-8 Splash guards	134	U-10 Radio speaker	176
R-9 Running boards and safety steps	135	U-11 Radio suppressor equipment	177
S - ELECTRICAL SYSTEM		U-12 Radio antenna	177
S-1 Wiring	137	U-20 Service repair parts kits	177
S-2 Headlamps	141	U-22 Service Accessories	178
S-3 Courtesy lights	144	Z - SPECIAL UNITS	
		Carburetor	181
		Fuel pump	185
		Distributor	188
		Generator	189
		Starting motor	194
		Hydraulic top lift motor	194

ILLUSTRATION NUMBERS

The main sections follow each other in alphabetical order, and the small groups are arranged in numerical sequence, which makes it easy to find any particular group desired, and provides a simple means of identifying a part from its illustration.

Each illustrated part is given an illustration number. This number is a combination of the group number and an extra number which designates that particular part. For example, the Clamp (153502) is shown on Plate 1 as A6-3, and the Autopoise Torsion Bar Bushing (160124) is shown on Plate 2 as A(-2).

To find the part number and name of a part which has been located on the illustration, first turn to the group indicated by the first part of the illustration number (before the dash), then follow down the group to the particular part as shown by the last part of the illustration number.

In order that the illustration of a part may be quickly found from its part number or description, the number of the plate on which the part is pictured is shown in the column immediately to the left of the part number.

1940 -- 1941 -- 1942

ALPHABETICAL INDEX OF CHASSIS GROUPS

	Page No.		Page No.
Accessories-service	178	Handy shift	93
Accessory switch bracket	162	Head lamps	141
Ash tray	161	Heaters	167
Auto-poise	15	Horn-air type	152
Axle housing-rear	16	Horn-vibrator	152
		Horn button and wire	104
Battery	151	Hose connections	123
Body brackets	46	Hudson Drive-Master	95
Bonnet bumpers and shims	129	Hydraulic hill hold	28
Bonnet locks, handles and hinges	127	Hydraulic top lift motor	194
Bonnet panel	124		
Brake backing plates	19	Intake manifold	60
Brake cables	25	Instrument clusters and gauges	157
Brake control rods and levers	23	Instrument knobs and controls	159
Brake-hand	29	Instrument light sockets and wires	158
Brake master cylinder	25	Instrument panel ornaments	159
Brake operating parts	21	Internal shift mechanism-transmission	84
Brake shoes and lining	19		
Brake tubes and fittings	27	Jacket tube	103
Brake wheel cylinder	23	Junction block	140
Bumper-front	49		
Bumper-rear	51	License lamp	148
		License plate bracket-front	49
		License plate bracket-rear	149
Camshaft	63	Light bulbs	140
Carburetor	107	Locker box and doors	162
Carburetor-Carter parts list	181		
Carburetor air cleaner	107	Main drive gear	81
Cigar lighter	161	Main shaft	82
Clock	161	Muffler and attaching parts	115
Clutch	69	Muffler heat deflector	116
Clutch control	71		
Clutch housing	77	Oil check valve	67
Coil-ignition	151	Oil filter	67
Connecting rod	63	Oil pan	65
Control parts-transmission	84	Oil pump	67
Countershaft	83	Overdrive	89
Courtesy lamps	144		
Crankshaft	61	Pedal bracket	30
Cylinder	58	Pedal-brake	31
Cylinder head	58	Pedal-clutch	30
		Pedal-misc. parts	31
		Pinion housing	17
Defroster	169	Piston	64
Differential carrier	16	Pitman arm	102
Differential parts	17	Propeller shaft	98
Direction indicator	154		
Distributor	150	Radiator and attaching parts	118
Distributor-Auto Lite parts list	188	Radiator louver	119
Drag link	106	Radiator tank shield	119
Drive gear and pinion	16	Radio antenna	177
Drive shaft	18	Radio assemblies and kits	169
Engine and mounting	57	Radio chassis parts	172
Exhaust manifold	59	Radio condensers	170
Exhaust pipe	116	Radio control	174
		Radio resistors	170
Fan	67	Radio speaker	176
Fenders-front	129	Radio suppressor equipment	177
Fenders-rear	131	Reverse gear and shaft	83
Fender lamps	144	Running boards	135
Fittings-instrument panel	157	Running board brackets	46
Flywheel	61		
Fog lamps	155	Service repair parts kits	177
Frame assembly	43	Shock absorbers and attaching parts	41
Frame cross members	47	Shock absorber parts Delco	42
Frame mixc. brackets	46	Shock absorber parts-Monroe	42
Frame misc. parts	48	Speedometer gears	85
Frame side members	45	Speedometer housing	85
Frame spring brackets	45	Spark plugs	59
Frame X brace	48	Spindle	13
Front suspension	12	Spindle pivot pin	13
Fuel pump and pipes	108	Spindle support and arms-front suspension	13
Fuel pump-AC parts list	185	Splash guards	134
Fuse block	140	Spot light	155
		Spring assemblies	35
Gasoline tank and pipes	109	Spring brackets	45
Generator and control	150	Spring bushings	37
Generator-Auto Lite parts list	189	Spring center bolts and nuts	38

1940 -- 1941 -- 1942

ALPHABETICAL INDEX OF CHASSIS GROUPS (Cont'd)

	Page No.		Page No.
Spring covers	39	Tools	164
Spring leaves-see chart	34	Transmission assembly	77
Spring rebound clips	37	Transmission case	77
Spring shackles	37	Valves	65
Spring stabilizer-rear	39	Valve tappets	65
Spring U bolt clips	38	Vibration dampener	64
Starting motor	151	Vacumotive drive	74
Starting motor Auto Lite parts list	194		
Steering arm	13	Water pump	67
Steering cross shaft	102	Weathermaster	168
Steering gear assembly	101	Wheel assemblies	31
Steering gear housing	101	Wheel bearings-front	33
Steering main column and worm	102	Wheel bearings-rear	18
Steering wheel	103	Wheel carrier-inside	33
Switches	152	Wheel carrier-rear compartment	33
		Wheel carrier-rear outside	33
Tail and stop lamp	145	Wheel hubs and drums	32
Tail pipe	117	Wheel hub caps and trim rings	32
Throttle control	111	Windshield cleaner	165
	13	Windshield defroster	169
Timing gears and cover	68	Wiring	137
Tire cover	33	Worm-steering	102

CHASSIS MODEL INFORMATION

1940

Model		No. of Cylinders	Bore	Stroke	Wheel Base	Starting Car No.
40T	Hudson Six-Traveler Series *	6	3	4-1/8"	113	40101
40P	Hudson Six De Luxe *	6	3	4-1/8"	113	40101
40C	Hudson Six Business Cars *	6	3	4-1/8"	113	40101
41	Hudson Super Six	6	3	5"	118	41250
43	Hudson Country Club Six	6	3	5"	125	43370
44	Hudson Eight	8	3	4-1/2"	118	44294
45	Hudson Eight DeLuxe	8	3	4-1/2"	118	4551752
47	Hudson Country Club Eight	8	3	4-1/2"	125	47167
48P	Hudson Big Boy	6	3	5"	125	4816302
48C	Hudson Big Boy Business Cars	6	3	5"	125	4816302

1941

10T	Hudson Six-Traveler Series *	6	3	4-1/8"	116	10101
10P	Hudson Six DeLuxe *	6	3	4-1/8"	116	10101
10C	Hudson Six Business Cars *	6	3	4-1/8"	116	10101
11	Hudson Super Six	6	3	5"	121	11201
12	Hudson Commodore Six	6	3	5"	121	12202
14	Hudson Commodore Eight	8	3	4-1/2"	121	14203
15	Hudson Commodore Custom Eight Coupe	8	3	4-1/2"	121	1515490
17	Hudson Commodore Custom Eight Sedan	8	3	4-1/2"	128	17205
18P	Hudson Big Boy	6	3	5"	128	1812548
18C	Hudson Big Boy Business Cars	6	3	5"	128	1812548

1942

20T	Hudson Six *	6	3	4-1/8"	116	20101
20P	Hudson Six DeLuxe *	6	3	4-1/8"	116	20101
20C	Hudson Six Business Cars *	6	3	4-1/8"	116	20101
21	Hudson Super Six	6	3	5"	121	211324
22	Hudson Commodore Six	6	3	5"	121	221322
24	Hudson Commodore Eight	8	3	4-1/2"	121	241318
25	Hudson Commodore Custom Eight Coupe	8	3	4-1/2"	121	255755
27	Hudson Commodore Custom Eight Sedan	8	3	4-1/2"	128	271319
28	Hudson Big Boy Business Cars	6	3	5"	128	28101

* NOTE-The 3 x 4-1/8" engine is standard for models 40,10, and 20.

Starting with car No. 4052323, the 3 x 5 engine was optional equipment for model 40. The 3 x 5 engine is also optional for models 10 and 20.

Models 10 and 20 cars equipped with the optional 3 x 5 engine are identified by the letter L stamped in lower left hand corner of car number plate.

TELEGRAPH CODE

The following TELEGRAPH CODE phrases are offered for the convenience of Distributors in ordering parts and transacting parts business with the Factory Parts Department.

WUPTA--Ship to us by Air Express
WUPRY--Ship to us by Air Mail
WUPMU—Ship to us by Parcel Post
WUPOW--Ship to us by Parcel Post Special Delivery
WUPAH—Ship to us by Express
WUPIP—Ship to us by Freight
WUPHO--Ship to us by Motor Truck

WUSAF--Charge our account and ship by Air Express to-
WUSDI--Charge our account and ship by Air Mail to-
WUSEJ--Charge our account and ship by Parcel Post to-
WUSIN--Charge our account and ship by Parcel Post Special
Delivery to-
WUSJO—Charge our account and ship by Express to-
WUSTY--Charge our account and ship by Freight to-
WUSVA--Charge our account and ship by Motor Truck to-

WUTAE--Ship C.O.D. by Air Express to-
WUTIM--Ship C.O.D. by Air Mail to-
WUTKO--Ship C.O.D. by Parcel Post to-
WUTOT--Ship C.O.D. by Parcel Post Special Delivery to-
WUTPU--Ship C.O.D. by Express to-
WUTWA--Ship C.O.D. by Freight to-
WUTYC--Ship C.O.D. by Motor Truck to-

WUUBE--We will call and pick up parts

WURCI--When and how (will or did) you ship parts called for in our telegram of-
WUROV--When and how (will or did) you ship parts called for in our letter of-
WURNU--When and how (will or did) you ship parts called for in our order of
(or number)
WUUPI--Ship to us by prepaid freight order number-

CAR NUMBERING SYSTEM

In the car numbering system used in 1940,1941, and 1942 Hudson production, the first two figures of the car number denote the model. The succeeding figures comprise the actual serial number, and these figures run in a single series, regardless of model.

The car number is stamped on a metal plate located on the rear of the right front body hinge pillar.

In the case of Models 10 and 20,a letter (P, T, or C) is also stamped on the plate. This letter is located just to the left of the number, and identifies the car as being of the Passenger (DeLuxe), Traveler, or Commercial series.

An extra letter L used in combination with the P, T, or C indicates that the car is equipped with the optional 3" x 5" engine.

In ordering parts for a particular car, the complete car number, including the letter or letters which appear on the number plate, should be given.

The engine number is the same as the car number, and is stamped on the top of the cylinder block, right side, between numbers one and two exhaust ports.

PART NUMBER INFORMATION

1940 Chassis Part Numbers	159500 upward
1940 Body Part Numbers	140000 upward
1941 Chassis Part Numbers	161900 upward
1941 Body Part Numbers	146000 to 149999
	200000 upward
1942 Chassis Part Numbers	164000 upward
1942 Body Part Numbers	203000 upward

SPECIAL PARTS INFORMATION

OPTIONAL ENGINE FOR MODELS 40,10 and 20.

The standard engine used in models 40,10, and 20 has 3" bore and 4-1/8" stroke.

The 3" x 5" engine, which is standard for models 41,11, and 21, was available in production as an option for models 40,10, and 20.

Models 10 and 20 equipped at the factory with optional 3 x S engine are identified by the letter "L" stamped on car number, plate. This does not apply to model 40.

The 3" x 5" engine may be identified by a 1/2" projection on right side of oil pan tray, 5" to the rear of oil suction pipe.

SPECIAL 1941 HUDSON SIX MODEL FOR CANADA

The special 1941 Hudson Six model for Canada may be identified by the absence of the letters - T,P, or C - on the car serial number plate. Parts for this model are in general the same as for model 10T. The principal points of difference are the use of the 3" x 5" engine as standard equipment, the use of friction type front door window wings and outside body mouldings.

POLICE CARS AND TAXICABS

Part for Hudson cars in police or taxicab service are for the most part the same as for the corresponding standard models. Special parts are shown in the groups to which they belong.

10-1/16" brakes are optional on 40P-40T taxicabs; 11" brakes are optional on 10 11 12 20 21 22 police cars and taxicabs. For 10-1/16" brakes use parts specified for model 41; for 11" brakes use parts specified for models 14 and 24.

Heavy scale rear springs and heavy control shock absorbers are used on police cars and taxicabs unless otherwise specified.

Special front and rear seat cushion springs and cushion pad protectors are used on police cars and taxicabs.

ORDERING TRIM ASSEMBLIES

In ordering seats, trim panel assemblies, head lining or other upholstered parts, give a complete description of the part wanted, and the serial number of the car on which it is to be used. Also include a sample of trim if possible.

Due to government regulations concerning the manufacture of trim assemblies, it may not be possible for Hudson Motor Car Company to supply the assembly as ordered. In this case the parts of the assembly will be supplied to be made up locally.

PLATED MOULDINGS FOR 1942 CARS

On 1942 cars, several parts such as chrome plated body mouldings, trim mouldings, and ornaments, were discontinued and superseded by painted or polished parts on cars built after January 15, 1942. This change was effective with car no. 37067.

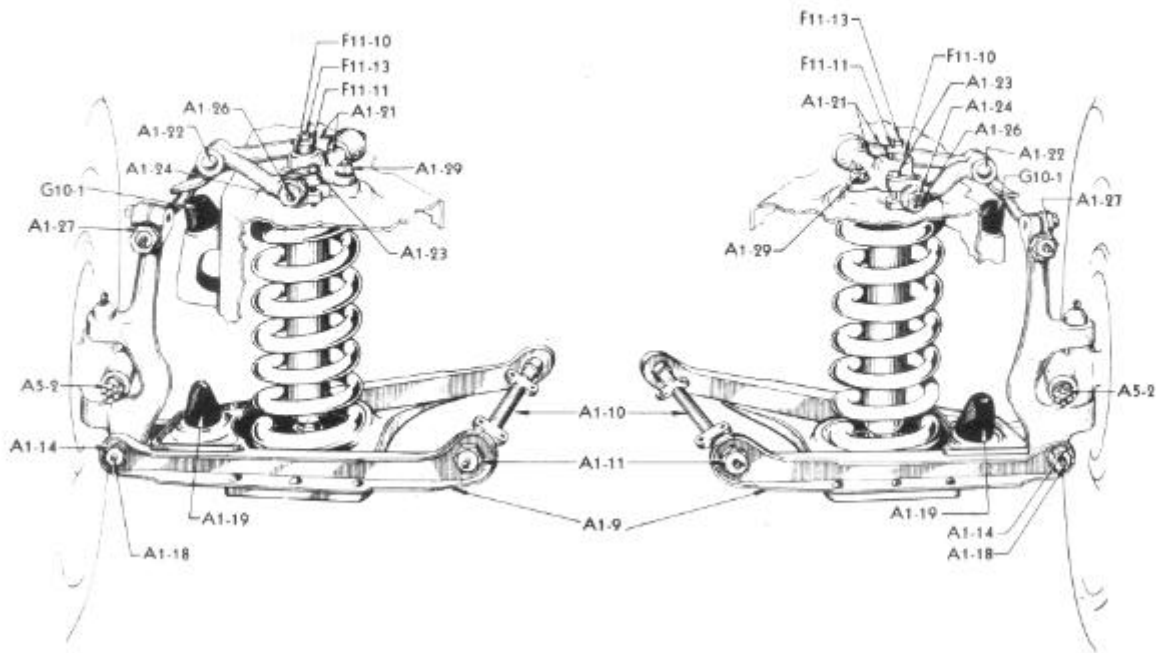
Both first and second type parts are shown in the groups to which they belong, and are identified by the following marks:

Parts marked † discontinued Jan. 15, 1942, with car No. 37067.
 Parts marked †† used after Jan. 15, 1942, starting car No. 37067.

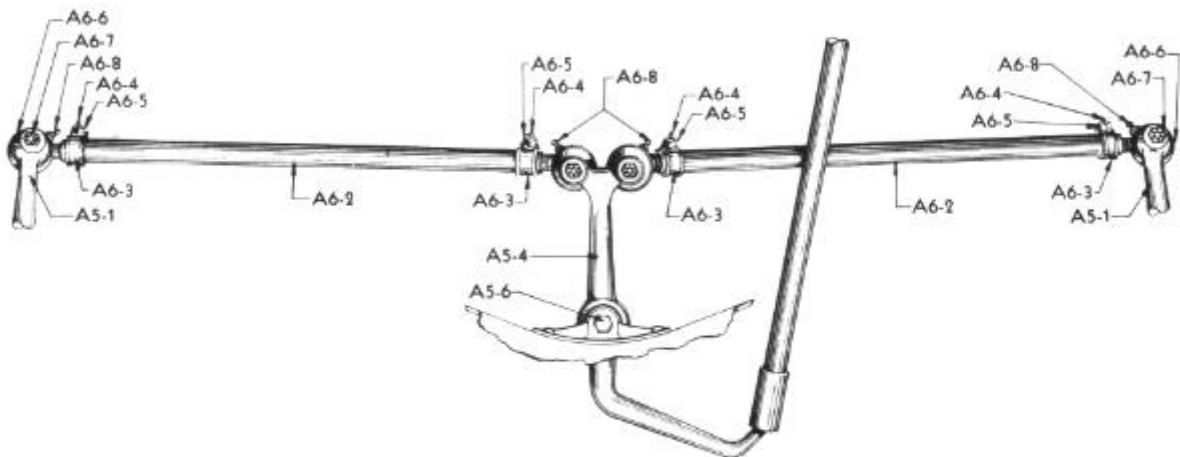
ABBREVIATIONS

In order to save space, abbreviations are freely used in this book. Abbreviations for body models are the same as used in previous parts books, and are familiar to parts men. A list of these is given in the introductory pages to the body section. Others frequently used are as follows:

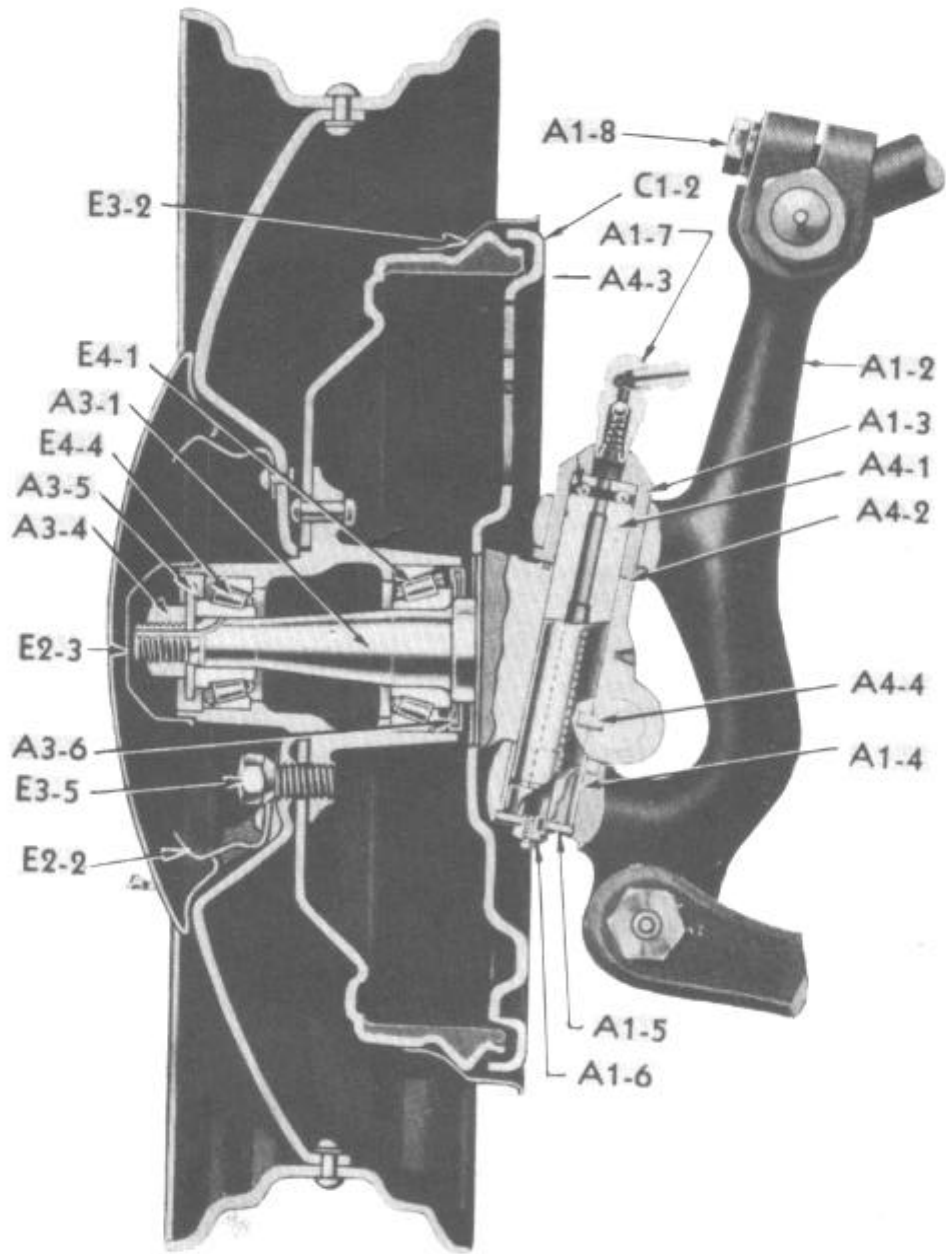
AF	Audio frequency (radio)	IF	Intermediate frequency	RB	Running board
Assy	Assembly (radio)			RF	Radio frequency (radio)
Aux	Auxiliary	Interch	Interchangeable	RHD	Right hand drive
B (part No.		Lea	Leather	SF	Self locking (nut)
prefix)	Bulk-order length or	L eng	3 x S six cylinder eng	SM	Sheet metal (screw)
	quantity desired	LHD	Left hand drive	ST	Self tapping (screw)
Cad	Cadmium plated	LT	Low tension (wiring)	Std	Standard
Cvtbles	Convertibles	MFD	Microfarad (radio)	Svce	Service
DI	Direction Indicator	MMFD	Micro-Microfarad	U/S	Undersize
FHMS	Fillister head machine (radio)			VD	Vacomotive drive
	screw	NA	Not available	W/Strip	Weatherstrip
HDM	Hudson Drive-Master	NP	Nickel plated		
HT	High tension (wiring)	OD	Overdrive		
HWM	Hudson Weather Master	Opt	Optional		



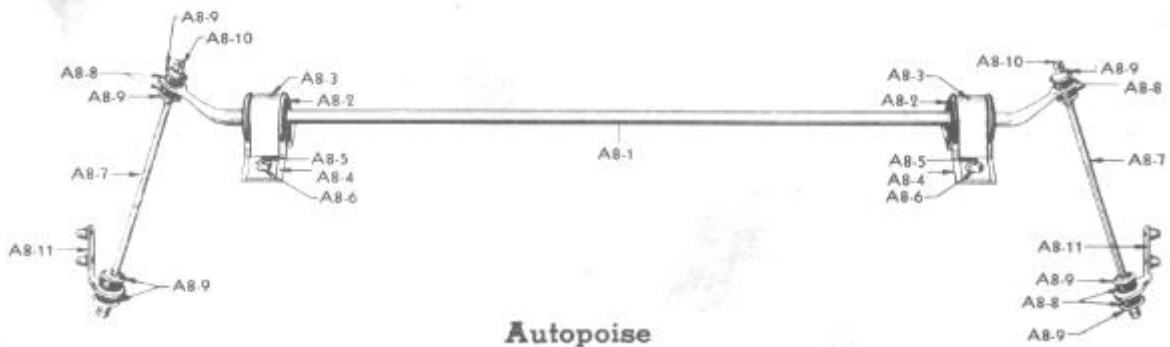
Front Suspension



Tie Rods and Center Arm



Spindle and Support



Autopoise

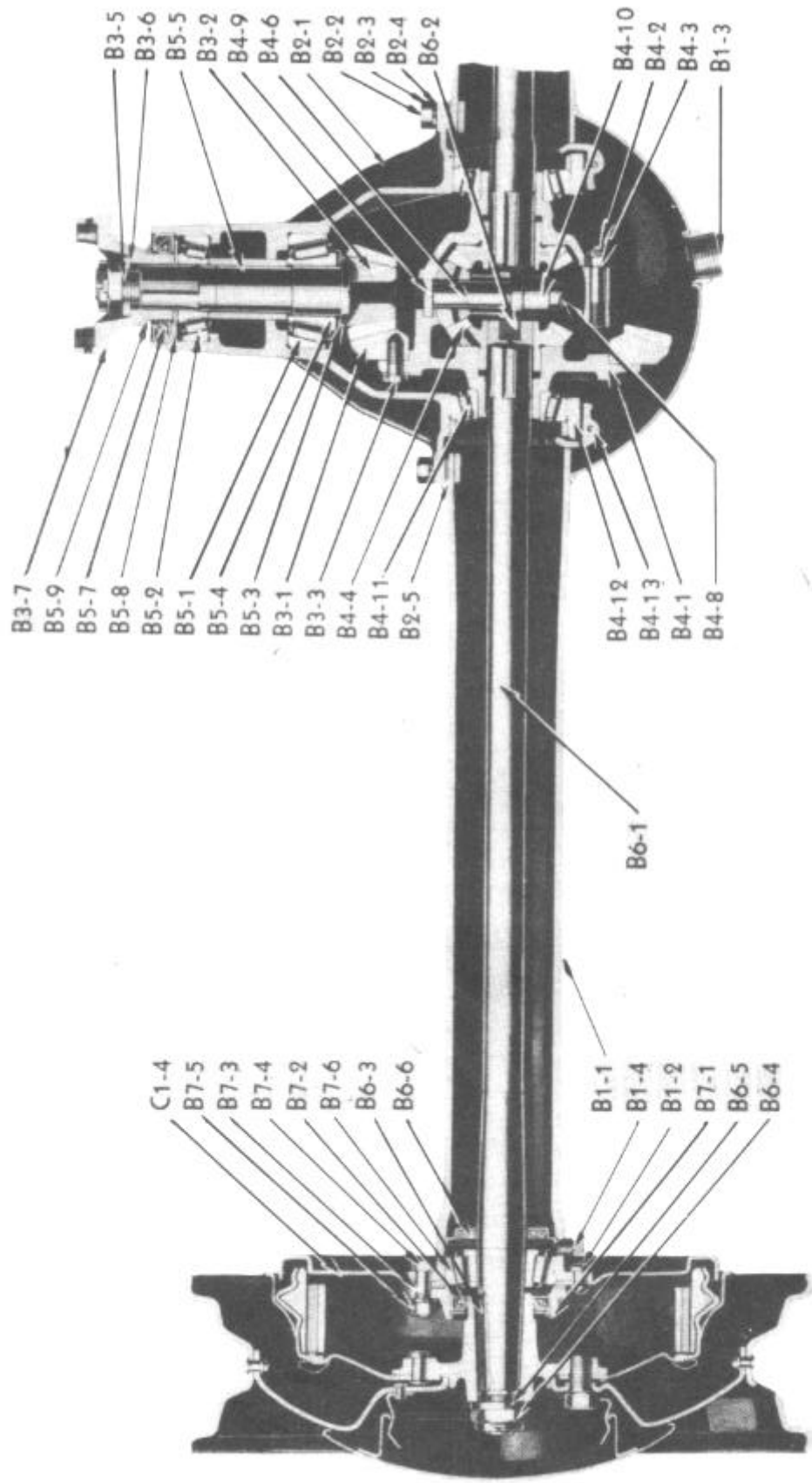
Group & Illus. No.	Plate No.	Part No.	NAME	Per Car	Models
A1-			12FRONT INDEPENDENT SUSPENSION		
			NOTE: Front Suspension complete does not include brake drums or backing plates.		
			First type suspension has forged upper support arm. Second type has upper support arm or stamped design. Second type suspension became effective with following 1942 car numbers:		
			20T-20P LHD exc CvSed Car No. 4806 exceptions 5304,4 5302		
			2-22 LHD exc CvSed Car No. 4059 exceptions 4300*804547		
			24-25 LHD exc CvSed Car No. 8694 exceptions 8785 to 9336		
			20T-20P RHO exc CvSed Car No. 12323 exceptions none.		
			All CvSed, 20C.27.28C.21 thru 25 RHD - with first production.		
		C 159757	Front suspension complete-RH-first type	See Note	1 1940-1941 A11,1942 1st type
		C 159758	Front suspension complete-LH-first type	See Note	1 1940-1941 All,1942 1st type
		C 164708	Front suspension complete-RH-second type	See Note	1 1942 2nd type
		C 164709	Front suspension complete-LH-second type	See Note	1 1942 2nd type
2	2	F 159631	Steering spindle support assembly-RH-1st type	See Note	1 1940-1941 A11,1942 1st type
2	2	F 159632	Steering spindle support assembly-LH-1st type	See Note	1 1940-1941 A11,1942 1st type
2	2	F 164710	Steering spindle support assembly-RH-2nd type	See Note	1 1942 2nd type
2	2	F 164711	Steering spindle support assembly-LH-2nd type	See Note	1 1942 2nd type
3	2	F 152721	Pivot pin thrust washer and ball cup assembly		2 All
4	2	F 152723	Pivot pin bushing-lower		2 All
5	2	BX 154489	Expansion plug-for spindle support		2 All
6	2	BX 154488	Relief valve assembly-for spindle support		2 All
7	2	F 45928	Grease fitting-for pivot pin	67-1/2°	2 40,48,10,11,12,18,20,21,22,20
7	2	BX 155743	Grease fitting-for pivot pin	40° reservoir type	2 41,43,44,45,47,14,15,17,24,25 27
8	2	BX 170336	Clamp bolt-for upper bushing		2 All
		F 159519	Spindle support rebushing kit Service		1 All
9	1	C 159711	Spindle support arm-lower-assembly-RH		1 All
9	1	C 159712	Spindle support arm-lower-assembly-LH		1 All
			NOTE: For identification a 1/4" hole is punched in the support arm spring seat at inner end of L.H. assembly 159712.		
10	1	F 159718	Lower support arm pivot-at frame	See Note	2 All
		BX 159719	Pivot seal-first type-lower arm pivot	See Note	4 1940-1941 A11,1942 1st type
		BX 164726	Pivot seal-second type-lower arm pivot		4 1942 2nd type
11	1	F 159720	Pivot bushing assembly		4 All
		BX 170337	Bolt-pivot to frame	7/16"-20 x 1-5/16	8 All
		BX 170517	Nut-pivot to frame bolt		8 All
		BX 70867	Lockwasher-pivot to frame bolt		4 All
		BX 71445	Lockwasher-pivot to frame bolt		6 All
			NOTE: BX 70867 lockwasher is assembled under both the head and nut of the two lower support arm to frame bolts which point upward. 13071445 lockwasher is used under the nut only on the six bolts which point downward.		
14	1	F 159724	Pivot bolt-lower arm to support		2 All
		F 159725	Bushing-lower arm to support pivot bolt	Standard	2 All
		F 162626	Bushing-lower arm to support pivot bolt	.010 oversize	2 All
		F 159726	Nut-lower arm to support bolt		2 All
		F 159727	Seal-lower arm to support bolt		4 All
18	1	F 153497	Grease fitting-lower arm to support bolt		2 All
19	1	F 159716	Rubber bumper-lower arm	2-3/4" long-Standard	2 All
19	1	F 161728	Rubber bumper-lower arm	4" long-Service	2 All
		BO 12481	Nut-for lower arm bumper	5/16-24 x 17/64	2 All
21	1	BX 159728	Spindle support arm-upper-and pivot assembly-RH		1 1940-1941 All
21	1	BX 159729	Spindle support arm-upper-and pivot assembly-LH		1 1940-1941 All
21	1	BX 159728	Spindle support arm-upper-and pivot assembly-RH		1 1942 1st type, See note
21	1	BX 159729	Spindle support arm-upper-and pivot assembly-LH		1 1942 1st type, See note
21	1	BX 164716	Spindle support arm-upper-and pivot assembly-RH		1 1942 2nd type, See note
21	1	BX 164717	Spindle support arm-upper-and pivot assembly-LH		1 1942 2nd type, See note
22	1	BX 170339	Rivet-upper arm brace	5/8 x 2-3/8	2 All
23	1	BX 170336	Clamp bolt-upper arm brace	3/8 x 24 x 1-3/4	2 All
		BX 159719	Seal-upper arm pivot	First type-See Note	4 1940-1941 All,1942 1st type
		BX 164726	Seal-upper arm pivot	Second type-See Note	4 1942 2nd type
24	1	F 159738	Front bushing assembly-upper arm pivot	1st type-See Note	2 1940-1941 All,1942 1st type
		F 159739	Front bushing assembly-upper arm pivot	2nd type-See Note	2 1942 2nd type
		F 159739	Rear bushing assembly-upper arm pivot		2 All
26	1	F 45928	Grease fitting-upper arm front or rear pivot bushing		4 All
27	1	F 159740	Eccentric bushing-upper arm	First type-See Note	2 1940-1941 All,1942 1st type
27	1	F 164728	Eccentric bushing-upper arm	Second type-See Note	2 1942 2nd type
		F 159743	Eccentric bushing seal	First type-See Note	2 1940-1941 All,194- 1st type

FRONT SUSPENSION

1940-1941-1942

A

Group & Illus. No.	Plate No.	Part No.	NAME	Per Car	Models
A1-			FRONT INDEPENDENT SUSPENSION (CONT'D.)		
		F 159724	Bolt-upper arm to support	Second type-See Note	2 1942 2nd type
		BX 164729	Nut-upper arm to support bolt	Second type-See Note	2 1942 2nd type
		F 153497	Grease fitting-upper arm to support bolt		2 1942 2nd type,See note
		BZ 164746	Seal-upper arm to support bolt		2 1942 2nd type,See note
29	1	BX 170338	Bolt-upper arm pivot to frame	1/4-20 x 1-5/16	6 All
		BX 3433	Nut-upper arm pivot to frame bolt	1/4-20 x 7/16	6 All
A-3-			STEERING SPINDLE		
	1	BX 159641	Steering spindle-RH		1 All
	1	BX 159642	Steering spindle-LH		1 All
		BX 170221	Bolt-spindle to backing plate	3/8-24 x 1-15/16	4 All exc Cab-CabPu-Del
		BX 170061	Bolt-spindle to backing plate	3/8-24 x 7/8	4 All exc Cab-CabPu-Del
		BX 170061	Bolt-spindle to backing plate	3/8-24 x 7/8	8 Cab-CabPu-Del
		F 71237	Nut-spindle to backing plate bolt 3	3/8-24 x 21/64	8 All
4	2	F 71608	Spindle nut	11/16-18 x 35/64	2 All
5	2	BZ 150572	Spindle washer		2 All
6	2	F 43797	Spindle grease washer and retainer assembly		2 All
		BX 40172	Wheel grease deflector		2 All
A4-			PIVOT PIN		
	1	F 159647	Pivot pin	Interch with 164744	2 1940-1941 All
	1	F 164744	Pivot pin	Interch with 159647	2 1942 All
	2	BX 155260	Oil seal-Pivot pin		4 All
	3	BX 103	Thrust ball-Pivot Pin	1/4"	14 All
	4	BX 71154	Key-Pivot pin	#13 Woodruff	2 All
		BX 152547	Seal-Pivot pin key		2 All
A5-			STEERING ARM		
	1	BX 159643	Steering arm-RH	Standard	1 All
	1	BX 159644	Steering arm-LH	Standard	1 All
	1	BX 161125	Steering arm-RH-used with special 18" wheels	See El.	1 40,41,48,10,11,12,18
	1	BX 161126	Steering arm-LH-use with special 18" wheels	See El.	1 40,41,48,10,11,12,18
	2	BX 170373	Nut-for outer steering arm	3/4-16 x 13/16	2 All
		BX 170374	Washer-for outer steering arm	49/64 x 1-3/8 x 7/8	2 All
	4	BX 159667	Steering arm-center	LHD	1 1940-1941 All
	4	BX 159667	Steering arm-center-first type	LHD	1 1942 All
	4	BX 164732	Steering arm-center-second type	LHD	1 1942 All
		BX 159668	Steering arm-center	RHD	1 1940-1941 All
		BX 159668	Steering arm-center-first type	RHD	1 1942 All
		BX 164733	Steering arm-center-second type	RHD	1 1942 All
			NOTE: First type center steering arm is pivoted on a double row ball bearing. Second type center steering are is pivoted on two needle roller bearings.		
			Second type became effective as follows:		
			20LHD	Car No. 1396 exceptions 1400 to 4366	
			21-22-28 LHD	Car No. 1389 exceptions 1400 to 3952	
			24-25-27 00	Car No. 3990 exceptions none	
			20 ROD	Car No. 12323 exceptions none	
			21-22-24-25-27-28 RHD	First production of these models	
		BX 170335	Bearing-for center steering arm	Double row ball	1 1940-1941 All
		BX 170335	Bearing-for center steering arm-first type		1 1942 All
		BX 170646	Bearing assembly-for center steering arm-second type	Needle roller	2 1942 All
		BX 164734	Bearing inner race-for second type center steering arm		1 1942 All
		BX 155260	Seal-for second type bearing		2 1942 All
		BX 164735	Spacer-for second type bearing		2 1942 All
	6	BX 170333	Bolt-for center steering arm	1/2-20 x 3-7/16	1 All
		BZ 170352	Lock nut-for center steering arm bolt	1/2-20 x 7/16	1 All
A6-					
		C 159780	assembly		2 1940-1941 All
		C 159780	assembly-first type		2 1942 All
		C 165145	assembly-RH-second type		1 1942 All
		C 165146	assembly-LH-second type		1 1942 All
			NOTE: 165145 and 165146 are the same as 159780. except that they have a 45° grease fitting instead of straight fitting, at inner end. Effective with 1942 Car No. 32227.		



Rear Axle

Group & Illus. No.	Plate No.	Part No.	NAME	Per Car	Models																																												
			STANDARD AND OPTIONAL REAR AXLE GEAR RATIOS (CONT'D.)																																														
			<table border="0"> <tr> <td>Models</td> <td></td> <td>Std.</td> <td>Optional</td> </tr> <tr> <td>20 with std engine</td> <td>Without OD-with HDM</td> <td>4-5/9</td> <td>4-1/9, 4-7/8</td> </tr> <tr> <td>20T-20P with L engine</td> <td>Without OD-with HDM</td> <td>4-5/9</td> <td>4-1/9</td> </tr> <tr> <td>20C with L engine</td> <td>Without OD-with HDM</td> <td>4-5/9</td> <td>4-1/9, 4-7/8</td> </tr> <tr> <td>21,22,24,25,27</td> <td>Without OD-with HDM</td> <td>4-1/9</td> <td>4-5/9</td> </tr> <tr> <td>28</td> <td>Without OD-with HDM</td> <td>4-5/9</td> <td></td> </tr> <tr> <td>20 with std engine</td> <td>With OD</td> <td>4-7/8</td> <td>4-1/9, 4-5/9</td> </tr> <tr> <td>20T-20P with L engine</td> <td>With OD</td> <td>4-5/9</td> <td>4-1/9</td> </tr> <tr> <td>20C with L engine</td> <td>With OD</td> <td>4-7/8</td> <td>4-1/9, 4-5/9</td> </tr> <tr> <td>21,22,24,25,27</td> <td>With OD</td> <td>4-5/9</td> <td>4-1/9</td> </tr> <tr> <td>28C</td> <td>With OD</td> <td>4-7/8</td> <td>4-5/9</td> </tr> </table>	Models		Std.	Optional	20 with std engine	Without OD-with HDM	4-5/9	4-1/9, 4-7/8	20T-20P with L engine	Without OD-with HDM	4-5/9	4-1/9	20C with L engine	Without OD-with HDM	4-5/9	4-1/9, 4-7/8	21,22,24,25,27	Without OD-with HDM	4-1/9	4-5/9	28	Without OD-with HDM	4-5/9		20 with std engine	With OD	4-7/8	4-1/9, 4-5/9	20T-20P with L engine	With OD	4-5/9	4-1/9	20C with L engine	With OD	4-7/8	4-1/9, 4-5/9	21,22,24,25,27	With OD	4-5/9	4-1/9	28C	With OD	4-7/8	4-5/9		
Models		Std.	Optional																																														
20 with std engine	Without OD-with HDM	4-5/9	4-1/9, 4-7/8																																														
20T-20P with L engine	Without OD-with HDM	4-5/9	4-1/9																																														
20C with L engine	Without OD-with HDM	4-5/9	4-1/9, 4-7/8																																														
21,22,24,25,27	Without OD-with HDM	4-1/9	4-5/9																																														
28	Without OD-with HDM	4-5/9																																															
20 with std engine	With OD	4-7/8	4-1/9, 4-5/9																																														
20T-20P with L engine	With OD	4-5/9	4-1/9																																														
20C with L engine	With OD	4-7/8	4-1/9, 4-5/9																																														
21,22,24,25,27	With OD	4-5/9	4-1/9																																														
28C	With OD	4-7/8	4-5/9																																														
			REAR AXLE HOUSING																																														
			NOTE: Housing assembly includes brake backing plates, does not include brake shoes.																																														
B1-																																																	
	1	3	C 159618 Housing Assembly-for 9-1/16" brakes & small wheel bearings	1	40T-40P with std engine																																												
	1	3	C 159619 Housing Assembly-for 9-1/16" brakes & large wheel bearings	1	40T-40P with L engine																																												
	1	3	C 159620 Housing Assembly-for 10-1/16" brakes	1	40C,41,48																																												
	1	3	C 159621 Housing Assembly-for 11-1/16" brakes	1	43,44,45,47																																												
	1	3	C 162344 Housing Assembly-for 10" brakes & small wheel bearings	1	10T-10P with std engine																																												
	1	3	C 162346 Housing Assembly-for 10" brakes & large wheel bearings	1	10T-10P with L engine, 11 12,18																																												
	1	3	C 162345 Housing Assembly-1st type-for 1940 type 11-1/16" brakes	1	10C to car 54731																																												
	1	3	C 162346 Housing Assembly-2nd type-for 1941 type 10" brakes	1	10C after car 54731																																												
	1	3	C 162347 Housing Assembly	1	14,15,17																																												
	1	3	C 164505 Housing Assembly-for 10" brakes & small wheel bearings	1	20T exc UCo-UCpe,20P with std engine																																												
	1	3	C 164506 Housing Assembly-for 10" brakes 1 large wheel bearings	1	20T-20P with L engine																																												
	1	3	C 164506 Housing Assembly-for 10" brakes & large wheel bearings	1	20T UCo-																																												
	1	3	C 164507 Housing Assembly-for 11" brakes	1	UCpe,20C,21,22,28 24,25,27																																												
	2	3	BZ 326 Rivet-housing to backing plate	4	All																																												
	3	3	BX 1491 Drain plug	1	All																																												
	4	3	BM 120 Pipe plug-for wheel bearing grease hole-1/8" extension head	2	All																																												
			BZ 159847 Rubber bumper-housing to frame-to car 7544	2	1941 All																																												
			BZ 159716 Rubber bumper-housing to frame-after car 7544 exc 8001 to 8796	2	1941 All																																												
			BO 12481 Nut-for rubber bumper	2	1941 All																																												
			Brake backing plates	2	1941 All																																												
			DIFFERENTIAL CARRIER																																														
			For standard and optional rear axle ratios, see page 15																																														
			C 157751 Carrier and gear set assembly (Use 162337).	1	1940 All																																												
			C 162337 Carrier and gear set assembly	1	1941-1942 All																																												
			157752 Carrier and gear set assembly (Use 162338)	1	1940 All																																												
			C 162338 Carrier and gear set assembly 4-5/9 to 1	1	1941-1942 All																																												
			159607 Carrier and gear set assembly (Use 162339)	1	1940 All																																												
			C 162339 Carrier and gear set assembly	1	1941-1942 All																																												
	1	3	C 157555 Carrier and Cap assembly	1	1940 All																																												
	1	3	C 162356 Carrier and Cap assembly	1	1941-1942 All																																												
	1	3	C 159640 Carrier and Cap assembly	1	1940 All																																												
	1	3	C 162357 Carrier and Cap assembly	1	1941-1942 All																																												
			BX 71480 Screw-for bearing cap	4	All																																												
			BX 70867 Lockwasher-for bearing cap screw	4	All																																												
	2	3	BZ 44263 Bolt-carrier to housing	8	All																																												
	3	3	F 71237 Nut-carrier to housing bolt	8	All																																												
	4	3	BO 71076 Lockwasher-carrier to housing bolt	8	All																																												
	5	3	F 44584 Gasket-carrier to housing	1	All																																												
			DRIVE GEAR AND PINION																																														
			For standard and optional gear ratios, see page 15																																														
B3-																																																	
			F 157529 Drive gear and pinion-matched set	1	1940-1941 All																																												
			F 163922 Drive gear and pinion-matched set	1	1942 All																																												
			F 157533 Drive gear and pinion-matched set	1	1940-1941 All																																												
			F 163923 Drive gear and pinion-matched set	1	1942 All																																												

REAR AXLE

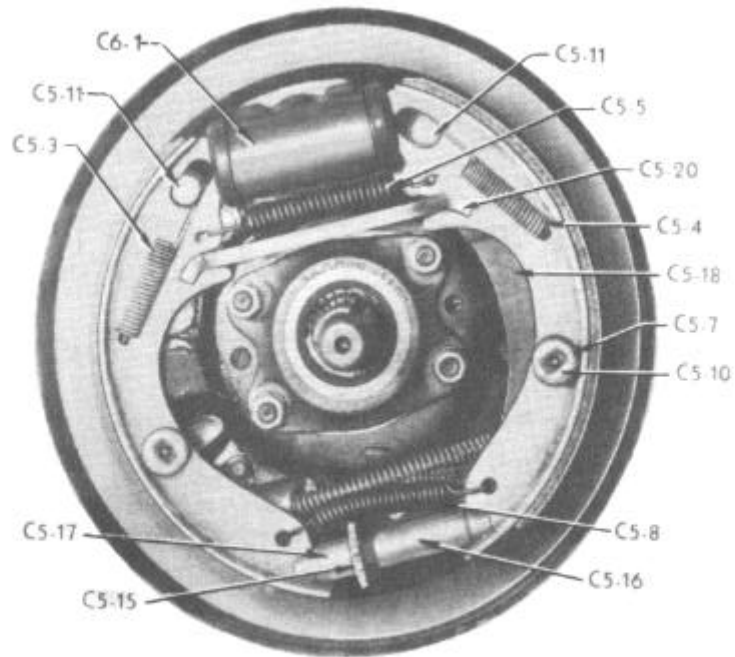
1940-1941-1942

B

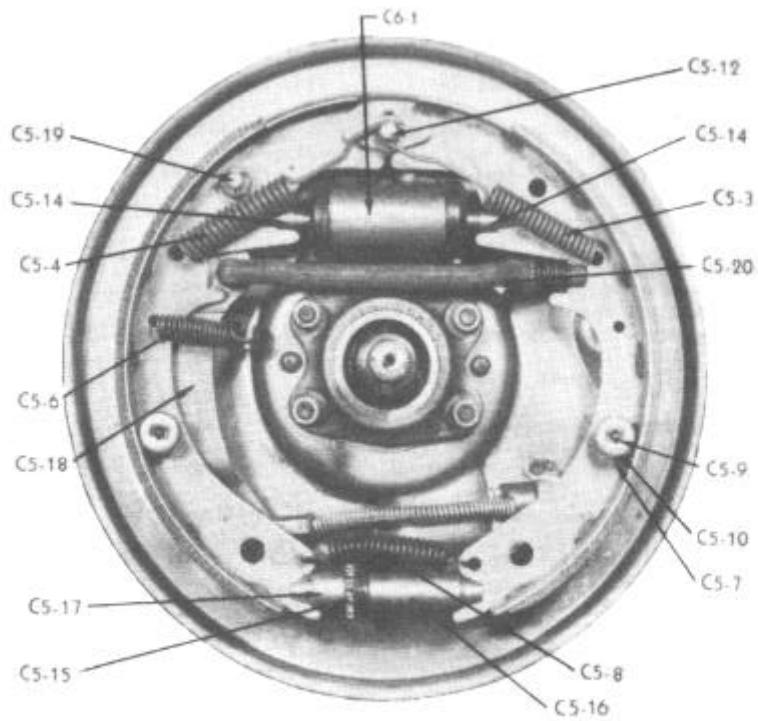
Group & Illus. No.	Plate No.	Part No.	NAME	Per Car	Models
B3-			17DRIVE GEAR AND PINION (CANTED.)		
			For standard and optional gear ratios- see page 15		
1	3	F 159608	Drive gear and pinion-matched set	4-7/8 to 1	1 1940-1941 All
1	3	F 163924	Drive gear and pinion-matched set	4-7/8 to 1	1 1942 All
1	3	BX 157530	Drive gear-4-1/9" to 1	Interch with 163925	1 1940-1941 All
1	3	BX 163925	Drive gear-4-1/9" to 1	Interch with 157530	1 1942 All
1	3	BX 157534	Drive gear-4-5/9" to 1	Interch with 163927	1 1940-1941 All
1	3	BX 163927	Drive gear-4-5/9" to 1	Interch with 157534	1 1942 All
1	3	BX 159609	Drive gear-4-7/8" to 1	Interch with 163929	1 1940-1941 All
1	3	BX 163929	Drive gear-4-7/8" to 1	Interch with 159609	1 1942 All
2	3	BX 157531	Drive pinion-4-1/9" to 1	Interch with 163926	1 1940-1941 All
2	3	BX 163926	Drive pinion-4-1/9" to 1	Interch with 157531	1 1942 All
2	3	BX 157535	Drive pinion-4-5/9" to 1	Interch with 163928	1 1940-1941 All
2	3	BX 163928	Drive pinion-4-5/9" to 1	Interch with 157535	1 1942 All
2	3	DX 159610	Drive pinion-4-7/8" to 1	Interch with 163930	1 1940-1941 All
2	3	BX 163930	Drive pinion-4-7/8" to 1	Interch with 159610	1 1942 All
3	3	BX 157540	Bolt-drive gear	7/16-20 x 7/8	8 All
		BX 70867	Lockwasher-drive gear bolt	7/16 internal tooth	8 All
5	3	F 170248	Nut-drive pinion	3/4-16 x 9/16 castle	1 1940 All
5	3	F 170398	Nut-drive pinion	1-16 x 9/16 self locking	1 All
6	3	BX 71055	Washer-drive pinion	25/32 x 1-1/2 x 3/16	1 All
7	3	BX 157753	Companion flange-first type	See note below	1 1940 All
7	3	BX 161014	Companion flange-second type	See note below	1 All
			NOTE: First type companion flange must be used with first type pinion oil seal shown in group 85. Second type flange must be used with second type oil seal, washer and shield.		
			Second type flange, seal, washer and shield became effective with following 1940 car numbers:		
			Model 40 - 4-1/9 ratio	Car No. 24914	
			Model 40 - 4-7/8 ratio	Car No. 24733	
			Model 40 - 4-5/9 ratio	Car No. 24446	
			Model 41 - 4-1/9 ratio	Car No. 24644	
			Model 41 - 4-5/9 ratio	Car No. 24509	
			Model 43 - 4-5/9 ratio	Car No. 26057	
			Model 43 - 4-1/9 ratio	Car No. 26057	
			Model 04 - 4-1/9 ratio	Car No. 24630	
			Model 44 - 4-5/9 ratio	Car No. 24602	
			Model 47 - 4-1/9 ratio	Car No. 25978	
			Model 47 - 4-5/9 ratio	Car No. 25978	
			Model 48 - 4-1/9 ratio	Car No. 25978	
			Model 48 - 4-5/9 ratio	Car No. 25978	
B4-			DIFFERENTIAL PARTS		
1	3	F 157548	Differential case assembly	Includes studs and nuts	1 All
2	3	BX 170058	Stud-for case	3/8 x 2-7/32	6 All
3	3	F 71237	Nut-for case stud	3/8-24 x 21/64	6 All
4	3	F 42272	Differential gear	Interch with 163934	2 1940-1941 All
4	3	F 163934	Differential gear	Interch with 42272	2 1942 All
		BX 41225	Thrust washer-for differential gear	Bakelite-.031"	2 All
		BX 160414	Thrust washer-for differential gear	Bakelite-.036"	AR All
		BX 160415	Thrust washer-for differential gear	Bakelite-.041"	AR All
		BX 160416	Thrust washer-for differential gear"	Bakelite-.046"	AR All
		BX 160417	Thrust washer-for differential gear	Bakelite-.051"	AR All
		BX 160418	Thrust washer-for differential gear "	Bakelite-.056"	AR All
6	3	F 152677	Differential pinion assembly		2 All
		BX 160172	Thrust washer-for differential pinion	Brass	2 All
8	3	BX 157553	Shaft-differential pinion	Interch with 164741	1 1940-1941 All
8	3	BX 164741	Shaft-differential pinion	Interch with 157553	1 1942 All
9	3	BX 71175	Locating pin-differential pinion shaft	1/4 x 13/16	1 All
10	3	BX 40181	Thrust spacer-for drive shaft		1 All
11	3	BX 170215	Differential bearing assembly		2 All
		F 170216	Cone-differential bearing	#24780	2 All
		F 170217	Cup-differential bearing	#24720	2 All
12	3	BX 44578	Adjusting nut-differential bearing		2 All
13	3	BX 150488	Lock-differential bearing adjusting nut		2 All
B5-			PINION HOUSING GROUP		
1	3	BX 170233	Pinion bearing assembly-front		1 All
		F 170234	Cone-pinion front bearing	#02876	1 All
		F 170235	Cup-pinion front bearing	#02820	1 All

Group & Illus. No.	Plate No.	Part No.	NAME	Per Car	Models
B5-			PINION HOUSING GROUP (CONT'D.)		
2	3	BX 170218	Pinion bearing assembly-rear	1	1940 All
2	3	BX 170515	Pinion bearing assembly-rear	1	1941-1942 All
		F 170219	Cone-pinion rear bearing-for 170218	#381853	1940 All
		F 170516	Cone-pinion rear bearing-for 170515	#31594	1941-1942 All
		F 170220	Cup-pinion rear bearing	#31520	All
3	3	BX 158940	Shim-pinion rear bearing	Thin	AR 1940 All
3	3	BX 158941	Shim-pinion rear bearing	Medium	AR 1940 All
3	3	BX 158942	Shim-pinion rear bearing	Thick	AR 1940 All
3	3	BX 162362	Shim-pinion rear bearing	.002"	AR 1941-1942 All
3	3	BX 162363	Shim-pinion rear bearing	.003"	AR 1941-1942 All
4	3	BX 158943	Retainer-pinion rear bearing shim		1 1940 All
5	3	BX 159637	Spacer-pinion bearing	For 4-7/8 ratio	1 1940 All
5	3	BX 157561	Spacer-pinion bearing	For 4-1/9 or 4-5/9 ratio	1 1940 All
5	3	BX 162364	Spacer-pinion bearing	For 4-1/9 or 4-5/9 ratio	1 1941-1942 All
5	3	BX 162365	Spacer-pinion bearing	For 4-7/8 ratio	1 1941-1942 All
		BX 44586	Shim-pinion bearing spacer	Thin	AR 1940 All
		BX 44587	Shim-pinion bearing spacer	Medium	AR 1940 All
		BX 44588	Shim-pinion bearing spacer	Thick	AR 1940 All
		BX 44586	Shim-pinion front bearing	.003"	AR 1941-1942 All
		BX 44587	Shim-pinion front bearing	.004"	AR 1941-1942 All
7	3	F 155384	Pinion oil seal-first type	See note below	1 1940 All
7	3	F 161010	Pinion oil seal-second type	See note below	1 All
8	3	BX 161011	Washer-for second type oil seal	See note below	1 All
9	3	BX 161012	Dirt shield-second type oil seal	See note below	1 All
			NOTE: First and second type oil seals are not interchangeable except in combination with corresponding first and second type combination flange. See group B3.		
B6-			DRIVE SHAFT		
1	3	F 156754	Drive shaft-used with standard engine	See group HI	2 40T,40P,10T,10P,20T exc UCo-UCpe,20P
1	3	F 155355	Drive shaft-used with L engine	See group HI	2 40T,40P,10T,10P,20T,20P
			NOTE: See group HI for other parts used with optional L engine in models 40, 10 or 20.		
1	3	F 155355	Drive shaft	Standard	All models with above exceptions
2	3	BX 35360	Thrust button-in drive shaft		2 All
3	3	BX 71180	Key-for drive shaft	.219 square x 2-13/32"	2 All
4	3	BX 71577	Nut-for drive shaft	3/4"-20 x 9/16" slotted	2 All
5	3	BX 71055	Washer-for drive shaft	25/32" ID x 1-1/2" OD	2 All
6	3	F 156756	Oil seal assembly-for small bearing-Used with 156754 shaft		2 40,10,20
6	3	F 150069	Oil seal assembly-for large bearing-Used with 155355 shaft		2 All
B7-			REAR WHEEL BEARINGS		
1	3	BX 150064	Wheel bearing adjusting cap assembly-Includes oil seal		2 All
2	3	F 150066	Oil seal-in bearing cap		2 All
3	3	BX 44558	Shim-thin-for bearing cap	.003"	AR All
3	3	BX 44559	Shim-medium-for bearing cap	.005"	AR All
3	3	BX 44560	Shim-thick-for bearing cap	.015"	AR All
4	3	BX 44561	Bolt-bearing cap		8 All
5	3	F 71237	Nut-bearing cap bolt	3/8"-24 x 21/64"	8 All
		BZ 71234	Lockwasher-bearing cap bolt	3/8"	8 All
6	3	F 71244	Wheel bearing assembly-small-used with std. engine		2 40T,40P,10T,10P,20T exc. UCo-UCpe,20P
6	3	F 71595	Wheel bearing assembly-large-used with L engine		2 40T,40P,10T,10P,20T,20P
6	3	F 71595	Wheel bearing assembly-large Standard		2 All models with above exceptions
		F 71245	Cone-for 71244 wheel bearing-small	#2581 T	2 40T,40P,10T,10P,20T,20P
		F 71596	Cone-for 71595 wheel bearing-large	#25877 T	2 All
		F 71185	Cup-for 71244 wheel bearing-small	#2523	2 40T,40P,10T,10P,20T,20P
		F 71597	Cup-for 71595 wheel bearing-large	#25820	2 All
			NOTE: See group HI for other parts used with optional L engine in models 40, 10 or 20		

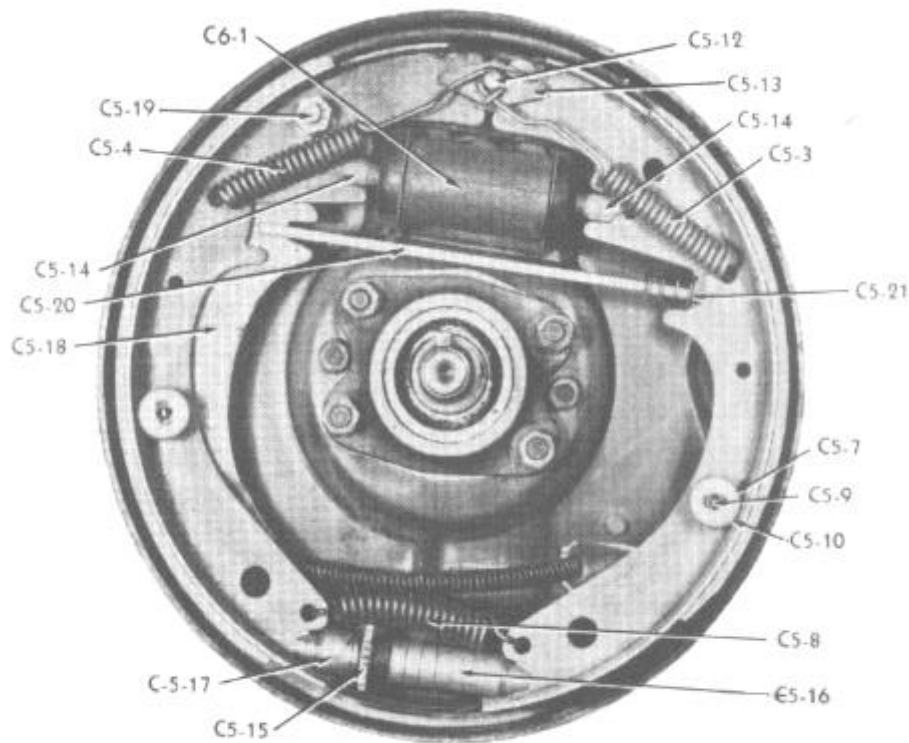
Group & Illus. No.	Plate No.	Part No.	NAME	Per Car	Models		
BRAKE SIZES							
NOTE: *40T, 40P 40C, 41, 48 43, 44, 45, 47 *10T, 10P, 11, 12, 18, 20, 21, 22, 28 10C to car no. 54731 10C after car no. 54731 14, 15, 17, 24, 25, 27							
9-1/16"-double anchor 10-1/16"-single anchor 11-1/16"-single anchor 10"-single anchor 11-1/16"-single anchor 10"-single anchor 11"-single anchor							
10-1/16" brakes optional on 40T-40P taxicabs, 11" brakes optional on 10-11-12-20-21-22 taxicabs and police cars.							
First type brakes on 10C were 11-1/16" diameter (1940 type). Second type brakes on 10C were 10" diameter (1941 type) same as 10T and 10P.							
BRAKE BACKING PLATES							
C1-	2	2	BZ 156914	Backing plate assembly-front	9-1/16" brake	2	40T,40P
	2	2	BX 152630	Backing plate assembly-front-RH	10-1/16" brake	1	40C,41,48
	2	2	BX 152631	Backing plate assembly-front-LH	10-1/16" brake	1	40C,41,48
	2	2	BX 152632	Backing plate assembly-front-RH	11-1/16" brake	1	43,44,45,47,100 to car 54731
	2	2	BX 152633	Backing plate assembly-front-LH	11-1/16" brake	1	43,44,45,47,10C to car 54731
	2	2	BX 162552	Backing plate assembly-front-RH	10" brake	1	10T,10P,11,12,18,20,21, 22,28
	2	2	BX 162553	Backing plate assembly-front-LH	10" brake	1	10T,10P,11,12,18,20,21, 22,28
	2	2	BX 162552	Backing plate assembly-front-RH	10" brake	1	10C after car 54731
	2	2	BX 162553	Backing plate assembly-front-LH	10" brake	1	10C after car 54731
	2	2	BX 162560	Backing plate assembly-front	11" brake	2	14,15,17,24,25,27
	4	3	BX 156915	Backing plate assembly-rear-RH	9-1/16" brake	1	40T-40P with Std engine
	4	3	BX 156916	Backing plate assembly-rear-LH	9-1/16" brake	1	40T-40P with Std engine
	4	3	BX 161585	Backing plate assembly-rear-RH	9-1/16" brake	1	40T-40P with L engine
	4	3	BX 161586	Backing plate assembly-rear-LH	9-1/16" brake	1	40T-40P with L engine
	4	3	BX 150977	Backing plate assembly-rear-RH	10-1/16" brake	1	40C,41,48
	4	3	BX 150978	Backing plate assembly-rear-LH	10-1/16" brake	1	40C,41,48
						1	43,44,45,47,10C to car 54731
	4	3	BX 150981	Backing plate assembly-rear-RH	11-1/16" brake	1	43,44,45,47,10C to car 54731
	4	3	BX 150982	Backing plate assembly-rear-LH	11-1/16" brake	1	10T,10P,11,12,18,20, 21,22,28
	4	3	BX 162554	Backing plate assembly-rear-RH	10" brake	1	10T,10P,11,12,18,20,
	4	3	BX 162555	Backing plate assembly-rear-LH	10" brake	1	21,22,28
	4	3	BX 162554	Backing plate assembly-rear-RH	10" brake	1	10C after car 54731
	4	3	BX 162555	Backing plate assembly-rear-LH	10" brake	1	10C after car 54731
	4	3	BX 162561	Backing plate assembly-rear-RH	11" brake	1	14,15,17,24,25,27
	4	3	BX 162562	Backing plate assembly-rear-LH	11" brake	1	14,15,17,24,25,27
BRAKE SHOES AND LINING							
C2-		F 163504	Shoes and lining complete-for 2 wheels	9-1/16" brakes	2	40T,40P	
		F 163506	Shoes and lining complete-for 2 wheels	10-1/16" brakes	2	40C,41,48	
		F 163508	Shoes and lining complete-for 2 wheels	11-1/16" brakes	2	43,44,45,47,10C to car 54731	
		F 163411	Shoes and lining complete-for 2 wheels	10" brakes	2	10T,10P,11,12,18,20, 21,22,28	
		F 163411	Shoes and lining complete-for 2 wheels	10" brakes	2	10C after car 54731	
		F 163412	Shoes and lining complete-for 2 wheels	11" brakes	2	14,15,17,24,25,27	
		F 163505	Lining and rivets package-for 2 wheels	9-1/16" brakes	2	40T;40P	
		F 163507	Lining and rivets package-for 2 wheels	10-1/16" brakes	2	40C,41,48	
		F 163509	Lining and rivets package-for 2 wheels	11-1/16" brakes	2	43,44,45,47,10C to car 54731	
		F 163413	Lining and rivets package-for 2 wheels	10" brakes	2	10T,10P,11,12,18,20, 21,22,28	
		F 163413	Lining and rivets package-for 2 wheels	10" brakes	2	10C after car 54731	
		F 163414	Lining and rivets package-for 2 wheels	11" brakes	2	14,15,17,24,25,27	



Brake—Double Anchor Type—1940



Brake—Single Anchor Type—1940



Brake—Single Anchor Type—1941—1942

PLATE 4

Group & Illus. No.	Plate No.	Part No.	NAME	Per Car	Models
C5-			19BRAKE OPERATING PARTS		
1	6	BX 156920	Conduit abutment cap-RH	1	40T,40P
1	6	BX 156921	Conduit abutment cap-LH	1	40T,40P
1	6	BX 150995	Conduit abutment cap	2	All exc 40T-40P
		BX 45407	Felt seal-for conduit abutment cap	2	40I,40P
		BX 45408	Felt seal-for conduit abutment cap	2	All exc 40I-40P
		F 170045	Bolt-for conduit abutment cap	4	All
3	4				
3	4-5	F 156940	Spring-primary shoe to anchor pin	4	40T,40P
		F 151026	Spring-primary shoe to anchor pin	4	40C,41,48,10T,10P,11,12,18, 20,21,22,28,10C after car 54731
3	4				
3	4-5	F 151027	Spring-primary shoe to anchor pin	4	10C to car 54731
		F 151027	Spring-primary shoe to anchor pin	4	43,44,45,47,14,15,17,24, 25,27
4	4				
4	4	F 157949	Spring-secondary shoe to anchor pin	4	40T,40P
4	4	F 154460	Spring-secondary shoe to anchor pin	4	40C,41,48
4	4	F 154461	Spring-secondary shoe to anchor pin	4	10C to car 54731, 43,44, 45,47
4	5				
		F 151026	Spring-secondary shoe to anchor pin	4	10T,10P,11,12,18,20,21, 22,28
4	5				
4	5	F 151026	Spring-secondary shoe to anchor pin	4	10C after car 54731
5	4				
		F 151027	Spring-secondary shoe to anchor pin	4	14,15,17,24,25,27
6	4				
		F 156933	Spring-primary to secondary shoe	4	40T,40P
6	4				
		F 151028	Spring-shoe to anchor bracket	4	40C,41,48
		F 151029	Spring-shoe to anchor bracket	4	43,44,45,47,10C to car 54731
7	4-5				
8	4				
		F 45424	Spring-shoe hold down bracket	8	All
8	4-5				
		F 156933	Spring-brake adjusting screw	4	40T,40P
		F 40742	Spring-brake adjusting screw	4	40C,41,48,10T,10P,11,12,18, 20,21,22,28,10C after car 54731
8	4-5				
		F 37985	Spring-brake adjusting screw	4	43,44,45,47,14,15,17,24, 25,27

Group & Illus. No.	Plate No.	Part No.	NAME	Per Car	Models
BRAKE OPERATING PARTS (CONT'D.)					
8	4	F 37985	Spring-brake adjusting screw	4	10C to car 54731
9	4-5	F 43379	Pin-for shoe hold down spring	8	All
10	4-5	F 37999	Cup-for shoe hold down spring	8	All
		F 38000	Centralizing cup-for shoe hold down spring	8	All
11	4	F 156935	Brake anchor link	8	40T-40P
		160291	Nut-for brake anchor link	8	40T-40P
		F 161112	Nut-for brake anchor link	8	40T-40P
			First type-see note		
			Second type-see note		
			NOTE: First type not 160291 has counterbore to receive felt washer 160292. For replacement of 160291, use 161112 nut, and omit 160292 felt washer.		
		BX 160292	Felt washer-for brake anchor link	8	40T-40P
		BX 157178	Spring washer-for anchor link-use with 161112 nut	8	40T,40P
		BX 157819	Brass washer-for anchor link-use with 161112 nut	8	40T-40P
12	4	F 152217	Anchor pin and shoe guide assembly	4	1940 exec 40T-40P
12	4	F 152217	Anchor pin and shoe guide assembly	4	10C to car 54731
12	5	F 162591	Anchor pin	4	10C after car 54731-1941-1942 All
13	5	F 162599	Shoe guide plate-for anchor pin	4	1941-1942 All
		F 398	Nut-for anchor pin	4	1940 exec 40T-40P- 1941-1942 All
			5/16"-18 x 35/64"		
			3/8"-24 x 21/64"		
		BX 151014	Washer-for anchor pin	4	1940 exec 40T-40P- 1941-1942 All
		F 156934	Brake eccentric	8	40T,40P
		F 37977	Brake eccentric assembly	4	1940 exec 40T-40P,10C to car 54731
		F 71237	Nut-for brake eccentric 3/8"-24 x 21/64"	4	1940 exc 40T-40P-10C to car 54731
14	4-5	BX 158927	Link-brake shoe to wheel cylinder	8	All exc 40T-40P
15	4-5	F 40739	Brake adjusting screw (star wheel)	4	40,41,48-10T, 10P,11-12,18, 20-21-22,28
15	4-5	F 45477	Brake adjusting screw (star wheel)	4	43,44-45-47-14-15,17-24-25,27
15	4	F 45477	Brake adjusting screw (star wheel)	4	10C to car 54731
15	5	F 40739	Brake adjusting screw (star wheel)	4	10C after car 54731
16	4-5	F 40740	Pivot nut-for adjusting screw	4	40-41-48-10T-10P,11-12, 18-20-21,22,28
16	4	F 45448	Pivot nut-for adjusting screw	4	43-44-45,47,10C to car 54731
16	5	F 40740	Pivot nut-for adjusting screw	4	10C after car 54731
16	5	F 162568	Pivot nut-for adjusting screw	4	14-15-17-24-25-27
17	4-5	F 40741	Socket-for adjusting screw	4	40,41,48,10T,10P,11,12, 18,20,21-22-28
17	4	F 45449	Socket-for adjusting screw	4	43-44,45-47-10C to car 54731
17	5	F 40741	Socket-for adjusting screw	4	10C after car 54731
17	5	F 162569	Socket-for adjusting screw	4	14-15-17,24-25,27
		F 63974	Cover-for adjusting screw	4	All
18	4	BX 156936	Brake shoe cable lever-RN	1	40T-40P
18	4	BX 156937	Brake shoe cable lever-LN	1	40T-40P
18	4	BX 151015	Brake shoe cable lever-RN	1	40C-41-48
18	4	BX 151016	Brake shoe cable lever-LN	1	40C-41,48
18	4	BX 154716	Brake shoe cable lever-RN	1	43-44,45-47-10C to car 54731
18	4	BX 154717	Brake shoe cable lever-LB	1	43-44-45,47,10C to car 54731
18	5	BX 162570	Brake shoe cable lever-RN	1	10T,10P-11,12,18-20-21, 22,28
18	5	BX 162571	Brake shoe cable lever-LN	1	10T-10P-11,12-18-20-21, 22-28
18	5	BX 162570	Brake shoe cable lever-RN	1	10C after car 54731
18	5	BX 162571	Brake shoe cable lever-LH	1	10C after car 54731
18	5	BX 162573	Brake shoe cable lever-RN	1	14-15,17-24,25,27
18	5	BX 162574	Brake shoe cable lever-LB	1	14,15,17-24-25-27
19	4	BX 151019	Pin-cable lever to shoe	2	40C,41-48
19	4	BX 151020	Pin-cable lever to shoe	2	43,44,45-47-10C to car 54731
19	5	BX 163839	Pin-cable lever to shoe	2	10T,10P-11,12,18-20,21-22-28
19	5	BX 163839	Pin-cable lever to shoe	2	10C after car 54731
19	5	BX 162575	Pin-cable lever to shoe	2	14,15,17,24,25,27

BRAKES

1940 -- 1941 -- 1942

C

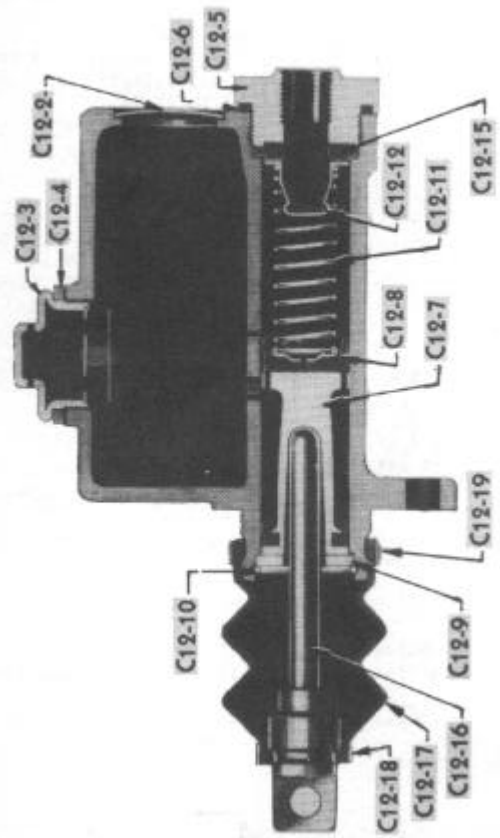
Group & Illus. No.	Plate No.	Part No.	NAME	Per Car	Models
C5-			BRAKE OPERATING PARTS (CONT'D)		
		F 71237	Nut-for cable lever to shoe pin 3/8"-24 x 21/64"	2	43-44-45-47-14-15-17-24-25-27
		HZ 71719	Companion nut-for cable lever to shoe	2	14-15-17-24-25-27
		F 151021	Spring-cable lever to shoe pin, Rear brake	2	40C-41-48
		F 162577	Spring-cable lever to shoe Rear brake	2	14-15-17-24-25-27
		F 154718	Spring washer-cable lever to shoe pin Rear brake	2	43-44-45-47-14,15-17-24-25-27
		F 170560	Spring washer-cable lever to shoe pin Rear brake	2	10T,10P-11-12-18-20-21,-22-28
		BX 154718	Spring washer-cable lever to shoe pin	2	10C to car 54531
		F 170560	Spring washer-cable lever to shoe pin	2	10C after car 54531
		F 162582	Retainer-for spring washer Rear brake	2	10T-10P-11-12-18-20-21-22-28-10C after car 54731
20	4	BX 156938	Cable lever strut-RH Rear brake	1	40T,40P
20	4	BX 156939	Cable lever strut-LH Rear brake	1	40T,40P
20	4-5	BX 151022	Cable lever strut Rear brake	2	40C-41-48-10T-10P-11-12-18,20-21-22-28-10C after car 54731
20	4	BX 151023	Cable lever strut-RH Rear brake	1	43-44-45-47-10C to car 54731
20	4	BX 151024	Cable lever strut-LH Rear brake	1	43-44-45-47-10C to car 54731
20	5	BX 162576	Cable lever strut Rear brake	2	14,15,17,24,25-27
		F 151021	Spring-strut to cable lever Rear brake	2	1940 exc 401-40P-10-11-12,18,20,21-22-28
21	4	F 151025	Spring-strut to shoe Rear brake	2	1940 exc 401-40P-10-11-12-18-20-21-22-28
C6-			WHEEL CYLINDER		
1	7	F 156894	Wheel cylinder assembly-RH	2	40T-40P
1	7	F 156895	Wheel cylinder assembly-LH	2	40T-40P
1	7	F 151031	Wheel cylinder assembly-RH	2	All exc 40T,40P
1	7	F 151032	Wheel cylinder assembly-LH	2	All exc 40T,40P
5	7	F 156798	Piston	8	401-40P
5	7	F 151094	Piston	8	All exc 40T,40P
7	7	F 151095	Piston cup	8	All
8	7	F 152063	Piston cup spring	4	All
9	7	F 156799	Cylinder end guard	8	40T,40P
9	7	F 151097	Cylinder end guard	8	All exc 40T,40P
		F 151098	Bleeder screw	4	All
		HZ 70553	Bleeder plug screw 10-32 x 3/4"	4	All
		F 151099	Tube fitting-rear	2	All
		F 151100	Gasket-for rear tube fitting	2	All
		BX 3820	Bolt-wheel cylinder to backing plate 5/160-18 x 1/2"	8	All
		F 158435	Repair parts kit-for wheel cylinder Service	4	40T,40P
		F 158434	Repair parts kit-for wheel cylinder Service	4	All exc 40T,40P
			NOTE: Repair parts kit consists of pistons, cups, end guards and gasket, for one wheel.		
C10-			BRAKE CONTROL RODS AND LEVERS		
1	6	HZ 159957	Brake control lever assembly	1	All
1	6	HZ 159958	Brake control lever assembly LHD	1	All
		HT 43033	Bushing-for control lever LHD	2	All
5	6	HZ 160683	Return spring-for control lever	1	All
		HZ 30868	Clip-for return spring	1	All
8	6	HZ 159962	Pivot pin-for control lever	1	All
		BO 12481	Nut-for control lever pivot pin	1	All
9	6	BZ 159961	Bracket-for control lever pivot pin 5/16"-24 x 17/64"	1	All
		BM 219	Nut-for control lever pivot bracket bolt	3	All
		BZ 122	Bolt-for control lever pivot pin bracket	3	All
12	6	BZ 159952	Push rod-pedal to control lever 5/16"-18x3/4"	1	1940 All
12	6	BZ 162068	Push rod-pedal to control lever	1	1941-1942 All
		BZ 8683	Clevis pin-for push rod	2	All
		HZ 159953	Adjusting end and yoke assembly-push rod	1	1940 All
		BZ 157757	Adjusting end and yoke assembly-push rod	1	1941-1942 All
		HZ 159954	Adjusting end-push rod	1	1940 All
		BZ 157758	Adjusting end-push rod	1	1941-1942 All
		HZ 170205	Yoke-for adjusting end	1	All
14	6	F 71237	Lock nut-for adjusting end yoke 3/8"-24 x 21/64"	1	All
		HZ 3118	Clevis pin-for adjusting end 3/8" x 1-1/8"	1	All
17	6	BZ 152573	Link assembly-brake pedal to master cylinder	1	1940 All

BRAKES

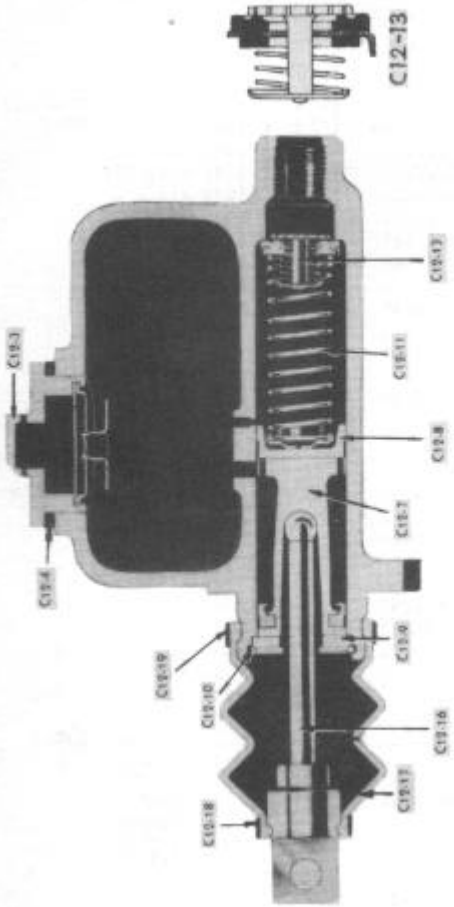
1940 -- 1941 -- 1942

C

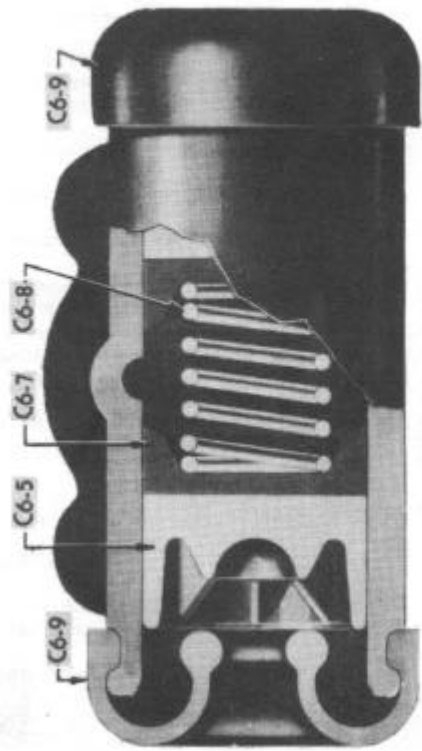
Group & Illus. No.	Plate No.	Part No.	NAME	Per Car	Models
C10-			BRAKE CONTROL RODS AND LEVERS (CONT'D.)		
17					
17	6	BZ 162294	Link assembly-brake pedal to master cylinder	1	1941 exc Del, 1942 All
17	6	BZ 163373	Link assembly-brake pedal to master cylinder	1	1941 Del
17	6	BZ 45326	Pedal link	1	1940 All
18	6	BZ 162299	Pedal link	1	1941-1942 All
18	6	BZ 5777	Clevis-for pedal	1	1940 All
	6	BZ 170533	Clevis-for pedal link	1	1941-1942 All
19		BZ 8683	Clevis pin	1	All
20	6	BT 71030	Locknut-for clevis	1	All
	6	BZ 159963	Play link assembly	1	All
22		BX 18251	Clevis pin-for play link	2	All
	6	BZ 159965	Hand brake cable lever	1	All
24		DX 18251	Clevis pin-for cable lever	1	All
	6	BX 159966	Toggle assembly-for cable lever	1	All
25		BX 18251	Clevis pin-for toggle	1	All
26	6	BZ 160683	Return spring-for hand brake cable lever	1	All
	6	BZ 159968	Cable lever support assembly	1	All exc CvCpe-CvSed-Station
26	6	BZ 160383	Cable lever support assembly	1	CvCpe, CvSed, Station
			NOTE: 159900 used on 1990 CvCpe-CvSed to car 49593. 180383 used on CvCpe-CvSed after car 49593. See group G2		
		BZ 908	Bolt-for cable lever support	2-4	All
		BZ 122	Nut-for cable lever support bolt	2-4	All
		BZ 159971	Guide plate-for hand brake cable lever	*	1 All exc CvCpe-CvSed-Station
		BZ 908	Bolt-for guide plate	*	2 All exc CvCpe-CvSed-Station
		BZ 122	Nut-for guide plate bolt	*	2 All exc CvCpe-CvSed-Station
			NOTE: These parts are used on 1940 CvCpe-CvSed to car 99593. Discontinued on CvCpe-CvSed after car 49591. See group G2		
C11-			BRAKE CABLES		
1	6	CF 160147	Rear brake cable assembly-RH	1	40T,40P
1	6	CF 160148	Rear brake cable assembly-LH	1	40T,40P
1	6	CF 160151	Rear brake cable assembly	2	40C,41,44,45,10C to car 54731
1	6	CF 160152	Rear brake cable assembly	2	43,47,48
1	6	CF 162698	Rear brake cable assembly	2	10T,10P,11,12,14,15,20,21,22,24,25
	6	CF 162699	Rear brake cable assembly	2	17,18,27,28
	6	CF 162698	Rear brake cable assembly	2	10C after car 54731
		BZ 5777	Clevis-for brake cable	2	All
		BO 12481	Lock nut-for clevis	2	All
		BZ 8683	Clevis pin-for brake cable	2	All
		BZ 152598	Brake cable mounting bracket-RH	1	40,41,44,45,10,11,12,14,15,20,21,22,24,25
		BZ 152599	Brake cable mounting bracket-LH	1	40,41,44,45,10,11,12,14,15,20,21,22,24,25
		BZ 152600	Brake cable mounting bracket-RH	1	43,47,48,17,18,27,28
		BZ 152601	Brake cable mounting bracket-LH	1	43,47,48,17,18,27,28
		BM 219	Bolt-for brake cable mounting bracket	2	All
		BZ 12115	Nut-for brake cable mounting bracket bolt	2	All
5	6	BZ 150667	Brake cable support bracket	2	All
		BM 219	Bolt-for support bracket	4	All
		BZ 12115	Nut-for support bracket bolt	4	All
		BZ 170291	Clip-for cable	2	All
		BT 71410	Bolt-for clip	2	Cab-CabPu
		BZ 908	Bolt-for clip	2	All exc Cab-CabPu
		BZ 12115	Nut-for clip belt	2	All exc Cab-CabPu
C12-			MASTER CYLINDER		
1	6	150761	Master cylinder assembly-first type	1	1940 All-to car 29811
1	6	160230	Master cylinder assembly-second type	1	1940 All-after car 29811, 1941 to car 14290
1	6	F 162548	Master cylinder assembly-third type	1	1941 after car 14290, 1942 All



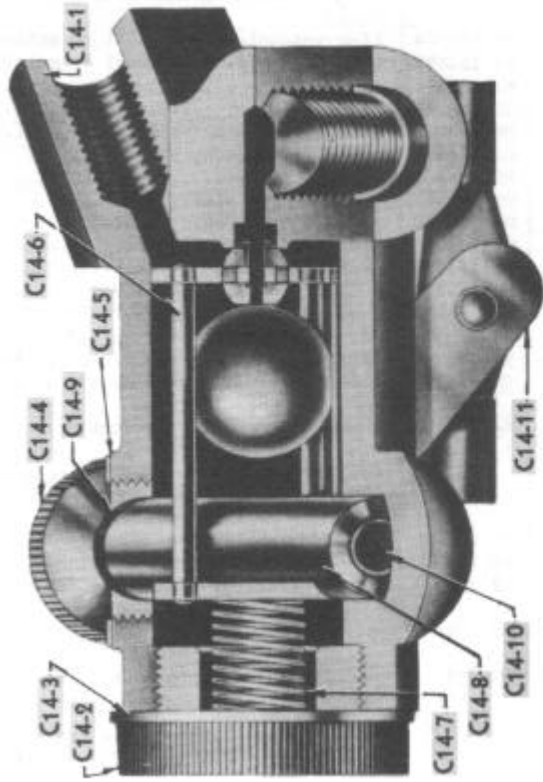
Master Cylinder—1940



Master Cylinder—1941-1942



Wheel Cylinder



Hydraulic Hill Hold

Group & Illus. No.	Plate No.	Part No.	NAME	Per Car	Models
C12—			MASTER CYLINDER ((CONT'D.))		
			NOTE: In second type master cylinder the filler opening is a cast tapped boss instead of separate outlet head used in first type. Diameter of filler opening in second type cylinder was increased from 1-1/4" to 1-5/8", and the expansion plug in end of reservoir chamber was eliminated. Second type master cylinder became effective with 1940 car 29811, exceptions 30301 to 30800.		
			Third type master cylinder, which incorporates a valving change, became effective with 1941 car 14290, exceptions 14501 to 15323. Parts affected are the piston spring, check valve, and repair parts kit		
2	7	BZ 71624	Expansion plug	1st type cylinder	1 1940
3	7	F 151057	Filler cap assembly	1st type cylinder	1 1940
3	7	F 160234	Filler cap assembly	2nd & 3rd type cylinder	1 All
4	7	F 151059	Filler cap gasket	1st type cylinder	1 1940
4	7	F 160237	Filler cap gasket	2nd & 3rd type cylinder	1 All
5	7	F 151064	Cylinder head	1st type cylinder	1 1940
6	7	F 151820	Cylinder head gasket	1st type cylinder	1 1940
7	7	F 151070	Piston assembly		1 All
8	7	F 151073	Piston cup-primary		1 All
9	7	F 151077	Piston stop plate		1 All
10	7	F 151078	Lock wire-for piston stop plate		1 All
11	7	F 151079	Piston spring assembly	1st & 2nd type cylinder	1 1940-1941
11	7	F 162967	Piston spring assembly	3rd type cylinder	1 1941-1942
12	7	F 151082	Check valve assembly	1st & 2nd type cylinder	1 1940-1941
13	7	F 162969	Check valve assembly	3rd type cylinder	1 1941-1942
		F 151083	Rubber cup-for check valve	1st & 2nd type cylinder	1 1940-1941
		F 151084	Retainer-for check valve cup	1st & 2nd type cylinder	1 1940-1941
15	7	F 151085	Check valve seat	1st type cylinder	1 1940
15	7	F 160239	Check valve seat	2nd type cylinder	1 1940-1941
16	7	F 151086	Push rod assembly		1 All
17	7	F 151089	Push rod guard		1 All
18	7	F 151090	Push rod guard strap-small		1 All
19	7	F 151091	Push rod guard strap-large		1 All
		BO 71036	Bolt-master cylinder to bracket	3/8"-16 x 1-1/4"	2 All
		BZ 71607	Bolt-master cylinder to bracket	3/8"-16 x 7/8"	1 All
		BM 110	Nut-master cylinder to bracket bolt	3/8"-16 x 3/8"	2 All
23		F 152602	Operating lever assembly-master cylinder		1 1940
23		F 162166	Operating lever assembly-master cylinder		1 1941-1942
		F 150533	Bushing-for operating lever		1 All
		F 150534	Pivot pin-for operating lever		1 All
		HT 71256	Clevis pin-for operating lever		1 All
		BZ 156114	Outlet fitting	Used without Hill-hold	1 1940
		BZ 160255	Outlet fitting	Used with Hill-hold	1 1940
		BZ 156114	Outlet fitting		1 1941-1942
		BZ 156097	Gasket-for outlet fitting	Used without Hill-hold	1 1940
		BZ 151067	Gasket-for outlet fitting	Used with Hill-hold	1 1940
		BZ 156097	Gasket-for outlet fitting		1 1941-1942
		BZ 154447	Bolt-for outlet fitting	Used with Hill-hold	1 All
		BZ 151069	Gasket-for outlet fitting bolt	Used with Hill-hold	1 All
		F 158433	Master cylinder repair parts kit	1st 1st & 2nd type cyl.	1 1940-1941
		F 163610	Master cylinder repair parts kit	3rd type cylinder	1 1941-1942
			NOTE: Master cylinder repair parts kit includes piston, piston cup, check valve, and gaskets.		
C13-			BRAKE TUBES AND FITTINGS		
1	6	F 160125	Tube assembly-master cylinder to frame tee	LHD	1 40 without Hill-hold
1	6	F 162625	Tube assembly-master cylinder to frame tee-1st type	LHD	1 10-20 without Hill-hold
1	6	F 160126	Tube assembly-master cylinder to frame tee-1st type	LHD	1 All exc 40-10-20 (without Hill-hold)
1	6	F 165014	Tube assembly-master cylinder to frame tee-2nd type	LHD	1 1942 All (interch with 162625 and 160126)
		F 160570	Tube assembly-master cylinder to frame tee	RHD	1 All
		F 160870	Tube assembly-Hill-hold to frame tee	LHD	1 All with Hill-hold
3	6	F 160127	Tube assembly-frame tee to right front hose		1 40,10,20
3	6	F 160128	Tube assembly-frame tee to right front hose		1 All exc 40-10-20
4	6	F 160129	Tube assembly-frame tee to left front hose		1 40,10,20
4	6	F 160130	Tube assembly-frame tee to left front hose		1 All exc 40-10-20
5	6	F 160131	Tube assembly-frame tee to rear axle hose		1 40
5	6	F 160132	Tube assembly-frame tee to rear axle hose		1 41,44,45
5	6	F 160133	Tube assembly-frame tee to rear axle hose		1 43,47,48
5	6	F 162842	Tube assembly-frame tee to rear axle hose		1 10,20

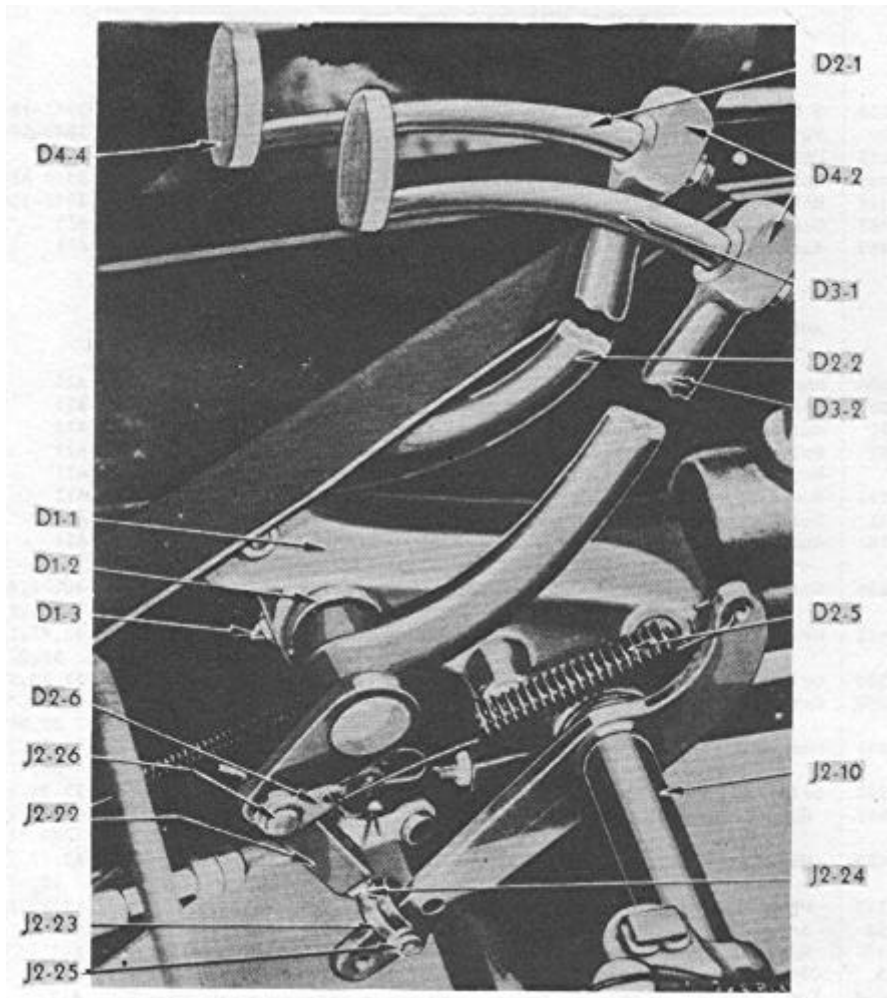
BRAKES

1940 -- 1941 -- 1942

C

Group & Illus. No.	Plate No.	Part No.	NAME	Per Car	Models
C14-			HYDRAULIC HILL-HOLD (CONT'D.) Service Accessory for LHD Cars		
		BZ 163855	U bolt-for clutch pedal bracket	1	1941-1942 All
		BO 12799	Nut-for U bolt	2	1941-1942 All
		BZ 160255	Hill-hold to master cylinder fitting	1	All
		BZ 158280	Bolt-for fitting	1	1940 All
		BZ 154447	Bolt-for fitting	1	1941-1942 All
		BZ 151067	Gasket-small-for fitting bolt	1	All
		BZ 151069	Gasket-large-for fitting bolt	1	All
C16-			HAND BRAKE		
			NOTE: Parts marked † discontinued in product ion with car No. 37067. Parts marked †† used starting car No. 37067. See introduction.		
	1	6	BZ 150654 Hand brake mounting bracket	1	All
			BZ 71359 Bolt-mounting bracket to instrument panel- 5/16"-24x7/8"	2	All
			BO 12481 Nut-mounting bracket to instrument panel bolt	2	All
			BZ 70692 Bolt-mounting bracket to support 5/16"-18 x 3/4"	2	All
			BZ 122 Nut-mounting bracket to support bolt 5/16"-18 x 5/16"	2	All
	6	6	BZ 155225 Mounting bracket support	1	All
			BO 70631 Bolt-support to dash 1/4"-20 x 1/2"	2	All
			BZ 70874 Nut-support to dash bolt 1/4"-20 x 1/4"	2	All
			BZ 156886 Grip and ratchet rod assembly-painted LHD	1	40,41,44,45,48,10,11,18, 20,21,28
			BZ 150651 Grip and ratchet rod assembly-plated † LHD	1	43,47,12,14,15,17,22,24, 25,27
			BZ 165200 Grip and ratchet rod assembly †† LHD	1	22,24,25,27
			BZ 158690 Grip and ratchet rod assembly-painted RHD	1	40,41,44,45,48,10,11,18, 20,21,28
			BZ 158691 Grip and ratchet rod assembly-plated † RHD	1	43,47,12,14,15,17,22,24, 25,27
			BZ 165201 Grip and ratchet rod assembly †† RHD	1	22,24,25,27
	10	6	BZ 156887 Hand brake grip-painted	1	40,41,44,45,48,10,11,18, 20,21,28
	10	6	BZ 150652 Hand brake grip-plated †	1	43,47,12,14,15,17,22,24, 25,27
	10	6	BZ 165210 Hand brake grip †	1	22,24,25,27
			BT 71653 Straight pin-for grip 3/16" x 1	1	All
	12	6	HZ 150657 Ratchet rod	1	All
			BZ 8683 Clevis pin-for ratchet rod	1	All
	14	6	BZ 160084 Lock spring-for ratchet rod	1	All
			BZ 6440 Spacer-for ratchet rod lock spring 25/64" x 1 x 1/16"	2	All
	15	6	BZ 150659 Ratchet rod housing	4	All
			BX 3820 Bolt-ratchet rod housing to mounting bracket	1	All
			BO 70752 Bolt-ratchet rod housing to mounting bracket	1	All
			BZ 122 Nut-ratchet rod housing to mounting bracket bolt	2	All
	19	6	BZ 150660 Ratchet rod stabilizer-inner	2	All
	20	6	BZ 150661 Ratchet rod stabilizer-outer LHD	1	All
			BZ 158692 Ratchet rod stabilizer-outer RHD	1	All
	21	6	BZ 150662 Spring-for ratchet rod stabilizer LHD	1	All
			BZ 158693 Spring-for ratchet rod stabilizer RHD	1	All
	22	6	C 160138 Hand brake cable assembly	1	1940 All
	22	6	C 162169 Hand brake cable assembly	1	1941-1942 exc 10C Del
			C 162529 Hand brake cable assembly	1	10C Del
			BZ 5777 Clevis-hand brake cable Control lever end	1	All
			BO 12481 Lock nut-for clevis 5/16"-24 x 17/64"	1	All
			BZ 8683 Clevis pin-hand brake cable 5/16" x 1-1/2"	1	All
	26	6	BZ 150666 Retainer-hand brake cable to dash	1	All
			BZ 150667 Support bracket-hand brake cable	1	All
			BZ 908 Bolt-for support bracket 5/16"-18 x 7/8"	1	All
			BZ 122 Nut-for support bracket bolt 5/16"-18 x 5/16"	2	All
			BZ 71554 Clip-for hand brake cable At jacket tube clamp bolt	2	All
			BZ 71554 Clip-for hand brake cable On frame side member	1	1941 Del
			BZ 71295 Screw-for clip On frame side member	1	1941 Del
			BO 170403 Nut-for clip On jacket tube clamp bolt	1	1942 All

Group & Illus. No.	Plate No.	Part No.	NAME	Per Car	Models
--------------------	-----------	----------	------	---------	--------



Pedals

PLATE 8

Pedals					
PLATE 8					
PEDAL BRACKET					
D1-					
	1	8	BZ 152956	Pedal bracket assembly	LHD 1
	1	8	BZ 162391	Pedal bracket assembly	LHD 1
			BZ 155408	Pedal bracket	RHD 1
			BZ 162393	Pedal bracket	RHD 1
	2	8	BZ 152794	Bushing-for pedal bracket	LHD 2
	3	8	F 45928	Grease fitting-for pedal bracket	67-1/2° LHD 1
			BZ 45353	Grease fitting-for pedal bracket	Straight LHD 1
			BT 1308	Bolt-for pedal bracket	3/8"-16 x 1-1/8" 3
			BM 110	Nut-for pedal bracket bolt	3/8"-16 x 3/8" 3
D2-					
CLUTCH PEDAL					
	1	8	BZ 156690	Clutch pedal assembly	LHD 1
	1	8	BZ 162811	Clutch pedal assembly	LHD 1
			BZ 163363	Clutch pedal assembly	LHD 1
			BZ 156691	Clutch pedal assembly	RHD 1
	2	8	BZ 159680	Clutch pedal lever assembly	LHD 1
	2	8	BZ 161970	Clutch pedal lever assembly	LHD 1
			BZ 163366	Clutch pedal lever	RHD 1
			BZ 156695	Clutch pedal lever assembly	RHD 1
			BZ 152794	Bushing-clutch pedal lever	#5 x 1-3/8" 2
			BZ 2394	Taper pin-pedal lever to shaft	1
	5	8	BZ 152959	Return spring-pedal lever	1
	6	8	BZ 30868	Clip-for return spring	1

PEDALS

1940 -- 1941 -- 1942

D

Group & Illus. No.	Plate No.	Part No.	NAME	Per Car	Models
D2-			CLUTCH PEDAL (CONT'D.)		
		BZ 159682	Assisting spring-clutch pedal	LHD 1	40 with std eng, 43,48
		BZ 159682	Assisting spring-clutch pedal-with OD	LHD 1	40 with L eng, 41
		BZ 159682	Assisting spring-clutch pedal-without VD	LHD 1	10 with std eng without OD
		BZ 159682	Assisting spring-clutch pedal-without VD	LHD 1	10-11-12-18 with OD
		BZ 158913	Assisting spring-clutch pedal	LHD 1	44,45,47
		BZ 158913	Assisting spring-clutch pedal-without OD	LHD 1	40 with L eng, 41
		BZ 162211	Assisting spring-clutch pedal-without VD	LHD 1	10 with L eng without OD, 14,15,17
		BZ 162211	Assisting spring-clutch pedal-without VD or HDM	1	1942 all with 9-9-6 or 10-12-3 Clutch
		BZ 158912	Pin-for clutch pedal assisting spring	LHD 1	All
D3-			BRAKE PEDAL		
	1	8	Brake pedal assembly	1	All exc 10C Del
			Brake pedal assembly	1	10C Del
	2	8	Brake pedal lever assembly	LHD 1	1940 All
	2	8	Brake pedal lever assembly	LHD 1	1941-1942 exc 10C Del
			Brake pedal lever assembly	LHD 1	10C Del
			Brake pedal lever assembly	RHD 1	1940 All
			Brake pedal lever assembly	RHD 1	1941-1942 All
			Bushing-brake pedal lever	2	All
			Return spring-brake pedal lever	1	All
			Clip-for return spring	1	All
			PEDAL MISCELLANEOUS PARTS		
D4-					
		BZ 154133	Pedal lever shaft assembly	LHD 1	1940 All
		BZ 162389	Pedal lever shaft assembly	LHD 1	1941 exc 10C Del
		BZ 163369	Pedal lever shaft assembly	LHD 1	10C Del
		BZ 164346	Pedal lever shaft assembly	LHD 1	1942 All
		BZ 152954	Pedal lever shaft	RHD 1	All
		BZ 2354	Taper pin-pedal lever shaft to bracket	#5 x 1-3/8"-RHD 1	All
		BO 18227	Washer-pedal lever shaft	3/4"-RHD 2	All
	2	8	Nut-pedal lever	7/16"-20 x 3/8" 2	All
	4	8	Pedal pad cover	Taupe 2	1940 All
	4	8	Pedal pad cover	Black 2	1940 All
	4	8	Pedal pad cover	Gray 2	10T,10C,18,1942 all exc Station
	4	8	Pedal pad cover	Brown 2	1941 All exc 10T-10C-18,1942 All exc 20C-28
	4	8	Pedal pad cover	Gray 2	10P,11,12,14,15,17
	4	8	Pedal pad cover	Green 2	10P,11,12,14,15,17
	4	8	Pedal pad cover	Green 2	20P,21 exc Station,22,24, 25,27
		BZ 44978	Rubber bumper-pedal toe plate	2	All
		BZ 43528	Washer-for pedal toe plate bumper'	2	All
		BZ 44998	Spring-for pedal toe plate bumper Clutch pedal	Clutch pedal 1	All
		BZ 44998	Spring-for pedal toe plate bumper Brake pedal	Brake pedal 1	10C Del
E1-			WHEEL ASSEMBLIES		
		CF 159937	Wheel assembly-16 x 3.50 for 16 x 5.50 tires	Std. 5	40T,40C-10C UCo-UCpe, 20T
		CF 157651	Wheel assembly-16 x 4.00 for 16 x 6.00 tires	Std. 5	40P CvCpe to car 43962
		CF 159938	Wheel assembly-16 x 4.50 for 16 x 6.00 tires	Std. 5	40P CvCpe after car 43962
		CF 159938	Wheel assembly-16 x 4.50 for 16 x 6.00-6.50 tires	Std. 5	40P exc CvCpe
		CF 159938	Wheel assembly-16 x 4.50 for 16 x 6.00-6.25-6.50 tires	Std 5	10P-11-12-14 to car 508
		CF 162831	Wheel assembly-16 x 4.50 for 16 x 6.00-6.25-6.50 tires	Std. 5	10P-11-12-14 after car 508
		CF 162831	Wheel assembly-16 x 4.50 for 16 x 6.00-6.25-6.50 tires	Std. 5	20P,21,22,24
		CF 159939	Wheel assembly-16 x 4.50 for 16 x 6.00-6.50 pass or truck tires	Std. 5	40C Cab-CabPu-Panel,41, 44,48,20C,28
		CF 162832	Wheel assembly-16 x 4.50 for 16 x 6.00-6.50 pass or truck tires	Std. 5	10C Cab-CabPu-Del,18
		CF 159940	Wheel assembly-16 x 4.50 for 16 x 6.25 tires	Std. 5	43
		CF 159939	Wheel assembly-16 x 4.50 for 16 x 6.25 tires	Std. 5	45
		CF 159941	Wheel assembly-16 x 5.00 for 16 x 6.50 tires	Std. 5	47,15-17 to car 20576
		CF 162833	Wheel assembly-16 x 5.00 for 16 x 6.50 tires	Std. 5	15-17 after car 20576 exc 21201 to 21668
		CF 159942	Wheel assembly-15 x 5.00 for 15 x 7.00-6.50 tires	Std. 5	25,27
		CF 159938	Wheel assembly-16 x 4.50 for 16 x 6.00-6.25-6.50 tires	Opt. 5	40T,10T to car 508

Group & Illus. No.	Plate No.	Part No.	NAME	Per Car	Models
E1-			WHEEL ASSEMBLIES (CONT'D.)		
		CF 162831	Wheel assembly-16 x 4.50 for 16 x 6.00-6.25-6.50 tires Opt.	Opt. 5	10T after car 508,20T exc UCo-UCpe
		CF 159939	Wheel assembly-16 x 4.50 for 16 x 6.00-6.50 pass or truck tires	5	40C-20T UCo-UCpe (Opt)
		CF 162832	Wheel assembly-16 x 4.50 for 16 x 6.00-6.50 pass or truck tires	5	10C UCo-UCpe (Opt)
		CF 159942	Wheel assembly-15 x 5.00 for 15 x 7.00 tires	Opt. 5	All exc 40-10-20-25-27
		CF 158890	Wheel assembly-18 x 3.62 for 18 x 6.00 tires	Special 5	40,41,48,10,11,12,18
			NOTE: Special 18" wheels require different hub caps, steering arms and speedometer gears. See groups A5, E2 and K8.		
E2-			HUB CAPS AND TRIM RINGS		
			NOTE: Parts marked † discontinued in production with car No. 37067. Parts marked †† used starting car No. 37067. See introduction		
		F 159659	Hub Cap	4	1940 All
		F 162449	Hub Cap-small-for 16" wheel	Standard 4	10,11,18
		F 162353	Hub Cap-large-for 16" wheel	Standard 4	12,14,15,17
		F 162449	Hub Cap-small-for 16" wheel †	Standard 4	20,21,28
		F 165183	Hub Cap-small-for 16" wheel ††	Standard 4	20,21,28
		CF 164537	Hub Cap-large-for 16" wheel †	Standard 4	22,24
		CF 165184	Hub Cap-large-for 16" wheel ††	Standard 4	22,24
		CF 164538	Hub Cap-large-for 15" wheel †	Standard 4	25,27
		CF 165185	Hub Cap-large-for 15" wheel ††	Standard 4	25,27
		F 162353	Hub Cap-large-for 16" wheel	Optional 4	10,11,18
		CF 162399	Hub Cap-large-for 15" wheel	Optional 4	11,12,14,15,17,18
		CF 164537	Hub Cap-large-for 16" wheel †	Optional 4	20,21,28
		CF 165134	Hub Cap-large-for 16" wheel ††	Optional 4	20,21,28
		F 164538	Hub Cap-large-for 15" wheel †	Optional 1	21 Station (Spare Wheel)
		CF 165185	Hub Cap-large-for 15" wheel ††	Optional 1	21 Station (Spare Wheel)
		F 150434	Hub Cap-for 18" special wheel	See Group E1 4	40,41,48,10,11,12,18
		HA 163431	Hub Cap kit-consists of four 162353	Service 1	10,11,18
		HA 164539	Hub Cap kit-consists of four 164537	Service 1	20,21,28
	2	HZ 156898	Clip-hub cap	On wheel 25	40T,40P,40C UCo-UCpe, 10T,10C,20T
	2	BZ 153173	Clip-hub cap	On wheel 25	All except above models
		BZ 162911	Clip-hub cap (superseded by 153173)	On wheel 25	For wheels 162831-2-3 only
		BZ 9152	Rivet-for hub cap clip	3/16" x 5/16" 25	All
	3	BZ 40558	Hub dust cap-inner	Front wheels 2	All
		HA 156273	Trim ring-for 16" wheel	Standard 5	43,45
		C 160658	Trim ring-for 16" wheel	Standard 5	47,15,17
		HA 152687	Trim ring-for 15" wheel †	Standard 5	43,47,15,17,25,27
		HA 156273	Trim ring-for 16" wheel †	Optional 5	40,41,44,48,10,11,12,14, 15,20,21,22,24,28
		C 160658	Trim ring-for 16" wheel	Optional 5	45
		HA 152687	Trim ring-for 15" wheel †	Optional 5	41,44,45,48,11,12,14,18, 21, 22,24,28
		HA 164799	Trim ring kit-16" wheel-consists of five 156273 †	1	20,21,22,24,28
E3-			HUBS AND DRUMS		
		C 156764	Hub assembly-front-includes brake drum and bearing cups	2	40T,40P
		C 151764	Hub assembly-front-includes brake drum and bearing cups	2	400,41,48
		C 151765	Hub assembly-front-includes brake drum and bearing cups	2	43,44,45,47,10C to 54731
		C 162682	Hub assembly-front-includes brake drum and bearing cups	2	10T,10P,11,12,18,10C after 54731
		C 162683	Hub assembly-front-includes brake drum and bearing cups	2	14,15,17,24,25,27
		C 162682	Hub assembly-front-includes brake drum and bearing cups	2	20,21,22,28
		C 156767	Hub assembly-rear-includes brake drum	2	40T-40P with std engine
		C 161581	Hub assembly-rear-includes brake drum	2	40T-40P with L engine
		C 150440	Hub assembly-rear-includes brake drum	2	40C,41,48
		C 150441	Hub assembly-rear-includes brake drum	2	43,44,45,47,10C to 54731
		C 162684	Hub assembly-rear-includes brake drum	2	10T-10P with std engine
		C 162685	Hub assembly-rear-includes brake drum	2	10T-10P with L engine, 11,12,18
		C 162685	Hub assembly-rear-includes brake drum	2	10C after 54731
		C 162684	Hub assembly-rear-includes brake drum	2	201-20P with std engine
		C 162685	Hub assembly-rear-includes brake drum	2	20 with L engine, 20C, 21, 20T,28,20T UCo-UCpe

Group & Illus. No.	Plate No.	Part No.	NAME	Per Car	Models
HUBS AND DRUMS (CONT'D.)					
E3-		C 162686	Hub assembly-rear-includes brake drum	2	24,25,27,14,15,17
2	2	BZ 156793	Dust shield-brake drum	4	40T,40P
2	2	BZ 150449	Dust shield-brake drum	4	40C,41,48
2	2	BZ 150450	Dust shield-brake drum	4	43,44,45,47,10C to 54731
2	2	BX 162478	Dust shield-brake drum	4	10T,10P,11,12,18,20,21,22,28
2	2	BX 162479	Dust shield-brake drum	4	14,15,17,24,25,27
2	2	BX 162478	Dust shield-brake drum	4	10C after 54731
		BZ 37878	Rivet-for brake drum	16	1940 All,10C to 54731
		BZ 35571	Rivet-for brake drum	16	10C after 54731,1941-1942 All
		BZ 153179	Wheel pilot rivet-for brake drum	4	1940 All,10C to 54731
		BZ 162480	Wheel pilot rivet-for brake drum	4	10C after 54731,1941-1942 All
		BZ 150451	Inspection hole cover-brake drum	4	1940 All,10C to car 54731
		BZ 162481	Inspection hole cover-brake drum	4	10C after 54731,1941-1942 All
5	2	BZ 42964	Bolt-for wheel hub	20	All
FRONT WHEEL BEARINGS					
E4-	4	2	Bearing assembly-inner-front wheel	2	All
		F 170077	Cone-front wheel inner bearing #15118	2	All
		F 71215	Cup-front wheel inner bearing #15250	2	All
4	2	BZ 71210	Bearing assembly-outer-front wheel	2	All
		F 71211	Cone-front wheel outer bearing #09078	2	All
		F 71212	Cup-front wheel outer bearing #09195	2	All
SPARE WHEEL CARRIER-REAR OUTSIDE					
NOTE: Spare wheel carried under rear of body on CabPu and Del. Spare wheel carried on tailgate on Station Wagon.					
E6-		C 142630	Carrier strap and wheel retainer assembly	1	CabPu,10C Del
		BZ 170418	Pivot bolt-carrier strap 1/2"-13 x 5	1	CabPu,10C Del
		BZ 71590	Nut-for pivot bolt 1/2"-13 x 7/16"	2	CabPu,10C Del
		BZ 142631	-carrier strap	1	CabPu,10C Del
		BZ 71590	Nut-carrier strap 1/2"-13 x 7/16"	1	CabPu,10C Del
		C 142632	Spacer block-rear cross member to tire	1	CabPu,10C Del
		BO 170641	Bolt-spacer block	2	CabPu,10C Del
		BZ 70874	Nut-for spacer bolt 1/4"-20 x 1-1/2"	2	CabPu,10C Del
		BZ 102485	Clamp bolt-spare tire carrier 1/4"-20 x 1/4"	1	Station
		BZ 200959	Lock cage assembly	1	Station
		BZ 118150	Lock, cylinder, and keys assembly	1	Station
		BZ 109323	Lock assembly-less cylinder	1	Station
E7-		BO 118149	Cylinder and keys	1	Station
		BO 118147	Lock cylinder-blank To be coded by user	1	Station
		BO 45986	Key Specify code number	2	Station
SPARE WHEEL CARRIER-REAR ENCLOSED					
NOTE: Spare wheel carried in rear compartment on all passenger cars except Station and 40T 3Cpe.					
E9-		BZ 134333	Clamp bracket assembly-for spare wheel carrier	1	40P-41-44 3Cpe
		BZ 134330	Clamp bracket-for spare wheel carrier	1	2Sed,Sed,UCo,1941-1942 3Cpe-ClubCpe-CvSed 1940-1941 Carryall
		BZ 142940	Clamp bracket-for spare wheel carrier	1	2Sed,Sed,UCo,Cpes,CA, CvSed exc 1940
		BZ 122754	Clamp plate-for spare wheel carrier	1	2Sed,Sed,UCo,Cpes,CA, CvSed exc 1940
		BO 134335	Clamp bolt For 7" tire	1	2Sed,Sed,UCo,Cpes,CA, CvSed exc 1940
		BZ 147754	Clamp bolt Exc 7" tire	1	2Sed,Sed,UCo,Cpes,CA, CvSed exc 1940
		BZ 200795	Clamp bolt bracket assembly	1	1941 Carryall
		BZ 142898	Clamping bolt	1	1941 Carryall
		BX 71099	Screw-clamping bolt bracket 5/16"-24 x 5/8"	4	1941 Carryall
SPARE WHEEL CARRIER-INSIDE BODY					
NOTE: Spare wheel carrier behind driver's seat standard on all UCpe, and 40T 3Cpe. Optional on 1941-1942 3Cpe when equipped with UCpe seats					
E10-		C 140484	Carrier assembly-spare wheel	1	UCpe,40T 3Cpe
		BO 70263	Bolt-carrier to partition 1/4"-20 x 1-1/8"	7	UCpe,40T 3Cpe
		BO 123751	Attaching plate assembly-carrier	1	UCpe,40T 3Cpe
		13Z 122754	Clamp plate	1	UCpe,40T 3Cpe
		BZ 42964	Clamp bolt	1	40C UCpe,40T 3Cpe
		BZ 170473	Clamp bolt 1/4"-20 x 1-1/2"	1	10C-20T UCpe
TIRE COVER					
		C 200961	Spare tire cover ring-for 6.00 tire	1	11-21 Station
		C 200981	Spare tire cover ring-for 6.50 tire	1	11-14-21 Station
		C 200962	Spare tire cover side plate-for 6.00 tire	1	11-21 Station
		C 200982	Spare tire cover side plate-for 6.50 tire	1	11-14-21 Station

1940-1941-1942 REAR SPRING CHART

SPRING ASSEMBLY	REBOUND LEAF	MAIN LEAF No. 1	LEAF No. 2	LEAF No. 3	LEAF No. 4	CENTER BOLT	REBOUND CLIP No. 1	REBOUND CLIP No. 2	REBOUND CLIP No. 3	REBOUND CLIP No. 4	EXTRA LEAF K.I.T.	No. of LEAVES	SPRING LENGTH	WEIGHT AND SCALE	YEAR
159683	161075	161076	161077	161078	161079	154892	157807	46215	48321	161191	161188	8	60"	700-100	1940
159684	161075	161076	161077	161078	161079	154892	157807	46215	48321	161191	161188	8	60"	700-100	1940
159685	161075	161076	161077	161078	161079	154892	157807	46215	48321	161191	161188	8	60"	825-100	1940
159686	161084	161076	161077	161078	161079	154892	157807	46215	48321	161191	161188	8	60"	910-110	1940
159687	161075	161076	161077	161078	161079	154892	157807	46215	48321	161191	161188	12	60"	860-100	1940
159692-1st		161100	161101	161102	161103	161194	48320	161394	161311	48320		12	60"	955-355	1940
159692-2nd		161100	161101	161102	161103	161194	48320	161394	161311	48320		12	60"	955-355	1940-41-42
159693-1st		161100	161101	161102	161103	161194	48320	161394	161311	48320		12	60"	1430-355	1940
159693-2nd		161100	161101	161102	161103	161194	48320	161394	161311	48320		12	60"	1430-355	1940-41-42
16041	161075	161076	161077	161078	161079	154892	157807	46215	48321	161191	161188	9	60"	775-100	1941
16117	16115	161076	161077	161078	161079	161748	46212	161174	161195	161191	161190	8	60"	825-145	1941
16155	16115	161076	161077	161078	161079	161181	161191	46214	43637	161191	161190	7	60"	700-100	1940
16156	16115	161076	161077	161078	161079	161181	161191	46214	43637	161191	161190	7	60"	700-100	1940
16157	16115	161076	161077	161078	161079	161181	161191	46214	43637	161191	161190	7	60"	825-100	1940
16158	16115	161076	161077	161078	161079	161181	161191	46214	43637	161191	161190	7	60"	825-100	1940
16168	161175	161076	161077	161078	161079	161181	161191	46214	43637	161191	161190	7	60"	825-100	1940
161935	163664	163858	163671	163859	163860	16374	161193	46214	43637	159049	161190	8	52-1/2"	825-125	1941
161939	163666	161076	161077	161078	161079	154892	163731	46214	48320	163731	161190	7	60"	900-125	1941
161940	163665	163668	163672	163674	163676	16368	161174	46214	48320	163731	161190	8	60"	950-125	1941
162030		163669	163673	163675	163678	154890	160373	161394	161311	160373	161189	15	52-1/2"	955-355	1941
162031		163669	163673	163675	163678	154890	160373	161394	161311	160373	161189	15	52-1/2"	1430-355	1941
162442	163667	163670	163671	163672	163673	157092	161191	43638	160373	161191	163729	7	52-1/2"	600-100	1941
162443	163667	163670	163671	163672	163673	157092	161191	43638	160373	161191	163729	7	52-1/2"	650-100	1941
162444	163667	163670	163671	163672	163673	157092	161191	43638	160373	161191	163729	7	52-1/2"	675-100	1941
162445	161175	161076	161077	161078	161079	161181	158859	161172	48320	158859	161190	7	60"	650-100	1941
162446	161175	161076	161077	161078	161079	154891	163731	161172	48320	163731	161190	7	60"	675-100	1941
162447	162447	161076	161077	161078	161079	154891	163731	161172	48320	163731	161190	7	60"	725-100	1941
162448	161084	161076	161077	161078	161079	154891	163731	161172	48320	163731	161190	8	60"	810-110	1941
162639		163872	163873	163874	163875	163792	43637	163790	163790	43637	161189	10	52-1/2"	955-355	1941
16354	163667	163670	163671	163672	163673	157092	161191	43638	160373	161191	163729	7	52-1/2"	750-100	1941
163660	163667	163670	163671	163672	163673	157092	161191	43638	160373	161191	163729	7	52-1/2"	725-100	1941
163661	161175	161076	161077	161078	161079	154891	163731	161172	48320	163731	161190	7	60"	800-100	1941
163662	161175	161076	161077	161078	161079	154891	163731	161172	48320	163731	161190	7	60"	800-100	1941
163663	161084	161076	161077	161078	161079	161181	158859	161172	48320	158859	161190	7	60"	875-110	1941
163735	163882	163883	163884	163885	163886	163792	46212	161194	161173	161191	161189	8	60"	950-175	1941
164018	165079	163670	163671	165087	165088	157092	161191	48321	43637	161191	163729	8	52-1/2"	525-110	1942
164019	165079	163670	163671	165087	165088	157092	161191	48321	43637	161191	163729	7	52-1/2"	600-110	1942
164020	165079	163670	163671	165087	165088	157092	161191	48321	43637	161191	163729	7	52-1/2"	650-110	1942
164021	165079	163670	163671	165087	165088	157092	161191	48321	43637	161191	163729	7	52-1/2"	675-110	1942
164022	165080	163668	163672	165088	165089	157092	161191	43639	48320	161191	163729	8	60"	600-110	1942
164023	165080	163668	163672	165088	165089	157092	161191	43639	48320	161191	163729	8	60"	600-110	1942
164024	165080	163668	163672	165088	165089	157092	161191	43639	48320	161191	163729	8	60"	725-110	1942
164025	165080	163668	163672	165088	165089	157092	161191	43639	48320	161191	163729	8	60"	725-110	1942
164026	165080	163668	163672	165088	165089	157092	161191	43639	48320	161191	163729	8	60"	790-110	1942
164027	163664	163670	163671	163676	163678	154892	161191	46215	43637	161191	165163	8	52-1/2"	610-125	1942
164028	163664	163670	163671	163676	163678	154892	161191	46215	43637	161191	165163	8	52-1/2"	660-125	1942
164029	165081	163668	163672	165094	165095	15886	163731	46215	161171	161191	161191	7	60"	610-125	1942
164030	165081	163668	163672	165094	165095	15886	163731	46215	161171	161191	161191	7	60"	660-125	1942
164031	165082	161076	161077	165100	165101	15886	163731	46215	43638	163731	165163	7	60"	735-125	1942
164032	165083	161076	161077	165100	165101	15886	163731	46215	43638	163731	165163	7	60"	820-125	1942
164033	165082	161076	161077	165100	165101	15886	163731	46215	43638	163731	165163	7	60"	860-125	1942
164034	165082	161076	161077	165100	165101	15886	163731	46215	43638	163731	165163	7	60"	950-175	1942
165075	165084	163883	163884	165108	165109	46203	40892	161182	48321	163731	165163	10	52-1/2"	955-355	1942
165076	163872	163873	163874	163875	163876	165114	165117	165115	165116	165117	165117	10	52-1/2"	1430-355	1942
165077	165085	163874	163875	163876	163877	165114	165117	165115	165116	165117	165117	10	52-1/2"	1430-355	1942
165078	165079	163670	163671	165087	165088	157092	161191	48331	43637	161191	163729	7	52-1/2"	375-110	1942

NOTE-Number of leaves shown is exclusive of rebound leaf. Rebound clips shown are all bolt type for service replacement. On second type springs 159692 and 159693, the thickness of the six short leaves is changed from 1360" to .323, which requires use of shorter center bolt and different Nos. 2 and 3 rebound clips.

Rear Spring Chart

Group & Illus. No.	Plate No.	Part No.	NAME	Per Car	Models
F1			SPRING ASSEMBLIES		
		C 160510	Coil spring-front	Load 1396-Rate 290	2 40,41
		C 160511	Coil spring-front	Load 1456-Rate 326	2 43,48
		C 160512	Coil spring-front	Load 1630-Rate 326	2 44,45
		C 160512	Coil Spring-front-RH	Load 1630-Rate 326	1 47
		C 160513	Coil spring-front-LH	Load 1735-Rate 326	1 47
		C 162530	Coil spring-front	Load 1396-Rate 253	2 10T, 10C UCo-UCpe,10P,11,12 20T,20P,21,22
		C 160512	Coil spring-front	Load 1630-Rate 326	2 1941-1942 Cab-CabPu,10C Del
		C 162532	Coil spring-front	Load 1630-Rate 290	2 14,15,24,25
		C 162532	Coil spring-front-RH	Load 1630-Rate 290	1 17,27
		C 162533	Coil spring-front-LH	Load 1735-Rate 290	1 17,27
		C 162531	Coil spring-front	Load 1456-Rate 290	2 18P
		BZ 160042	Silencer-front coil spring	Rubber	2 All
		BZ 160043	Shim-front coil spring	.120" Sheet Steel	AR All
			NOTE: For specifications of rear springs see spring chart - Plate 9.		
		F 159684	Spring assembly-rear-to car 16424		2 40 2Sed
		F 161166	Spring assembly-rear-after car 16424 exc 16601 to 17441		2 4J 2Sed
		CF 160161	Spring assembly-rear-to car 17966		2 41-44 2Sed
		F 161168	Spring assembly-rear-after car 17966 exc 18801 to 19063		2 41-44 2Sed
		F 161168	Spring assembly-rear		2 45 2Sed
		F 162443	Spring assembly-rear-to car 33402		2 10 2Sed
		CF 163660	Spring assembly-rear-after car 33402		2 10 2Sed
		F 162446	Spring assembly-rear-to car 31060		2 11-12-142Sed
		F 163661	Spring assembly-rear-after car 31060		2 11-12-142Sed
		F 164020	Spring assembly-rear	Standard	2 20 2Sed
		F 164023	Spring assembly-rear	Standard	2 21-22-24 2Sed
		C 164027	Spring assembly-rear-heavy scale	Optional	2 20 2Sed
		C 164031	Spring assembly-rear-heavy scale	Optional	2 21-22-24 2Sed
		CF 159685	Spring assembly-rear-to car 706		2 40Sed
		CF 160161	Spring assembly-rear-from car 706 to 17966		2 40Sed
		F 161168	Spring assembly-rear-after car 17966 exc 18801 to 19063		2 40Sed
		F 159687	Spring assembly-rear-to car 894		2 41-44 Sed
		F 159687	Spring assembly-rear-from car 894 to 18295		2 41-44 Sed
		F 161167	Spring assembly-rear after car 18295 exc 18801 to 19363		2 41-44 Sed
		F 161167	Spring assembly-rear		2 45 Sed
		F 159686	Spring assembly-rear		2 43-47 Sed,48P Sed-CA
		F 162444	Spring assembly-rear-to car 29369		2 10 Sed
		CF 163554	Spring assembly-rear-after car 29369 exc 30501 to 30755		2 10 Sed
		F 162447	Spring assembly-rear-to car 30061		2 11-12-14 Sed
		F 163662	Spring assembly-rear-after car 30061		2 11-12-14 Sed
		F 162448	Spring assembly-rear-to car 36443		2 17 Sed,18P Sed-CA
		F 163663	Spring assembly-rear-after car 36443		2 17 Sed,18P Sed-CA
		C 161935	Spring assembly-rear	} Standard on police cars and taxicabs	2 10T-10P Sed
		C 161939	Spring assembly-rear		2 11-12 Sed
		C 161940	Spring assembly-rear		2 18P Sed
		F 164021	Spring assembly-rear	Standard	2 20 Sed
		F 164024	Spring assembly-rear	Standard	2 21-22-24 Sed
		F 164025	Spring assembly-rear	Standard	2 27 Sed
		C 164028	Spring assembly-rear-heavy scale	Optional	2 20 Sed
		C 164032	Spring assembly-rear-heavy scale	Optional	2 21-22-24 Sed
		C 164033	Spring assembly-rear-heavy scale	Optional	2 27 Sed
		F 159685	Spring assembly-rear-to car 18295		2 40C UCo
		F 161167	Spring assembly-rear-from car 18295 to 71361 exc 18801 to 19363		2 40C UCo
		C 161117	Spring assembly-rear-after car 71361		2 40C UCo
		C 161935	Spring assembly-rear		2 10C UCo
		C 164028	Spring assembly-rear		2 20 Uco
		F 159684	Spring assembly-rear-to car 16424		2 40C UCpe
		F 161166	Spring assembly-rear-from car 16424 to 71361 exc 16601 to 17444		2 40C UCpe
		C 161117	Spring assembly-rear-after car 71361		2 40C UCpe
		C 161935	Spring assembly-rear		2 10C UCpe
		C 164028	Spring assembly-rear		2 20 UCpe
		CF 159683	Spring assembly-rear-to car 16195		2 40 3Cpe
		F 161165	Spring assembly-rear-after car 16195		2 40 3Cpe
		CF 159683	Spring assembly-rear-to car 918		2 41 3Cpe
		CF 159684	Spring assembly-rear-from car 918 to 16424		2 41 3Cpe
		F 161166	Spring assembly-rear-after car 16424 exc 16601 to 17441		2 41 3Cpe
		CF 160161	Spring assembly-rear-to car 17966		2 44 3Cpe
		F 161168	Spring assembly-rear-after car 17966 exc 18801 to 19063		2 44 3Cpe

Group & Illus. No.	Plate No.	Part No.	NAME	Per Car	Models
F2-			SPRING ASSEMBLIES (CONT'D.)		
		F 162442	Spring assembly-rear	2	10 3Cpe
		F 162445	Spring assembly-rear-to car 51232	2	11-12 3Cpe
		F 162446	Spring assembly-rear-after car 51232	2	11-12 3Cpe
		F 162446	Spring assembly-rear	2	14-15 3Cpe
		F 164018	Spring assembly-rear-to car 20967	Standard 2	20 3Cpe
		F 165078	Spring assembly-rear-from car 20967 to 23025 .	Standard 2	20 3Cpe
		F 164018	Spring assembly-rear-after car 23025	Standard 2	20 3Cpe
		F 164022	Spring assembly-rear-to car 21158	Standard 2	21-22-24 3Cpe
		F 164023	Spring assembly-rear-from car 21158 to 21900 .	Standard 2	21-22-24 3Cpe
		F 164022	Spring assembly-rear-from car 21900 to 22988 .	Standard 2	21-22-24 3Cpe
		F 164023	Spring assembly-rear-after car 22988	Standard 2	21-22-24 3Cpe
		C 164026	Spring assembly-rear-heavy scale	Optional 2	20 3Cpe
		C 164029	Spring assembly-rear-heavy scale	Optional 2	21-22 3Cpe
		C 164030	Spring assembly-rear-heavy scale	Optional 2	24 3Cpe
		CF 159683	Spring assembly-rear-to car 16195	2	40 VicCpe
		F 161165	Spring assembly-rear-after car 16195	2	40 VicCpe
		CF 159683	Spring assembly-rear-to car 918	2	41 VicCpe
		CF 159684	Spring assembly-rear-from car 918 to 16424	2	41 VicCpe
		F 161166	Spring assembly-rear-after car 16424 exc 16601 to 17441	2	41 VicCpe
		CF 160161	Spring assembly-rear-to car 17966	2	44 VicCpe
		F 161168	Spring assembly-rear-after car 17966 exc 18801 to 19063	2	44 VicCpe
		F 162442	Spring assembly-rear-to car 17324	2	10 ClubCpe
		F 162444	Spring assembly-rear-after car 17324	2	10 ClubCpe
		F 162445	Spring assembly-rear-to car 17329	2	11-12-14-15 ClubCpe
		F 162447	Spring assembly-rear-from car 17329 to 31060	2	11-12-14-15 ClubCpe
		F 163661	Spring assembly-rear-after car 31060	2	11-12-14-15 ClubCpe
		F 164019	Spring assembly-rear-to car 21026	Standard 2	20 ClubCpe
		F 164020	Spring assembly-rear-from car 21026 to 21176 .	Standard 2	20 ClubCpe
		F 164019	Spring assembly-rear-car 21176 to 30f102	Standard 2	20 ClubCpe
		F 164020	Spring assembly-rear-after car 30802	Standard 2	20 ClubCpe
		F 164023	Spring assembly-rear-to car 19566	Standard 2	21-22-24-25 ClubCpe
		F 164024	Spring assembly-rear-after car 19566	Standard 2	21-22-24-25 ClubCpe
		C 164026	Spring assembly-rear-heavy scale	Optional 2	20 ClubCpe
		C 164029	Spring assembly-rear-heavy scale	Optional 2	21-22 ClubCpe
		C 164030	Spring assembly-rear-heavy scale	2	24-25 Club Cpe
		CF 159683	Spring assembly-rear-to car 16195	2	40 CvCpe
		F 161165	Spring assembly-rear-after car 161195	2	40 CvCpe
		CF 159683	Spring assembly-rear-to car 918	2	41 CvCpe
		CF 159684	Spring assembly-rear-from car 918 to 16424	2	41 CvCpe
		F 161166	Spring assembly-rear-after car 16424 exc 16601 to 17441	2	41 CvCpe
		CF 160161	Spring assembly-rear-to car 17966	2	44 CvCpe
		F 161168	Spring assembly-rear-after car 17966 exc 18801 to 19063	2	44 CvCpe
		CF 159684	Spring assembly-rear-to car 16424	2	40 CvSed
		F 161166	Spring assembly-rear-after car 16424 exc 16601 to 17441	2	40 CvSed
		CF 160161	Spring assembly-rear-to car 17966	2	41-44 CvSed
		F 161168	Spring assembly-rear-after car 17966 exc 18801 to 19063	2	41-44 CvSed
		CF 163554	Spring assembly-rear	2	10P CvSed
		F 162446	Spring assembly-rear-to car 31357	2	11-12-14 CvSed
		F 163661	Spring assembly-rear-after car 31357	2	11-12-14 CvSed
		F 164021	Spring assembly-rear	Standard 2	20-CvSed
		F 164024	Spring assembly-rear	Standard 2	21-22-24 CvSed
		C 164027	Spring assembly-rear-heavy scale	Optional 2	20 CvSed
		C 164030	Spring assembly-rear-heavy scale	Optional 2	21-22-24 CvSed
		C 163735	Spring assembly-rear	2	11-12 Station
		C 165075	Spring assembly-rear	2	21 Station
		C 159692	Spring assembly-rear	2	40C-48C CabPu
		C 162030	Spring assembly-rear-to car 39698	2	10C CabPu
		C 162639	Spring assembly-rear-after car 39698 exc 40241 to 40306	2	10C CabPu
		C 159692	Spring assembly-rear	2	18C CabPu
		C 165076	Spring assembly-rear	2	20C CabPu
		C 159692	Spring assembly-rear	2	28C CabPu
		C 159693	Spring assembly-rear	2	40C-48C Cab
		C 162031	Spring assembly-rear	2	10C Cab
		C 159693	Spring assembly-rear	2	18C Cab
		C 165077	Spring assembly-rear	2	20C Cab
		C 159693	Spring assembly-rear	2	28C Cab
		C 159693	Spring assembly-rear	2	40C-48C Panel
		C 162030	Spring assembly-rear-to car 39698	2	10C Del
		C 162639	Spring assembly-rear-after car 39698 exc 40201 to 40306	2	10C Del
F2-			SPRING LEAVES AND LEAF KITS		
			For spring leaves, see spring chart-plate 9		
		C 161188	Extra leaf kit-rear spring-60"	2	40,41,44 (See Spring Chart)

SPRINGS

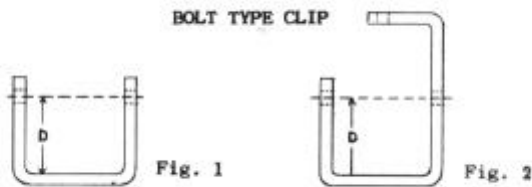
1940 -- 1941 -- 1942

F

Group & Illus. No.	Plate No.	Part No.	NAME	Per Car	Models	
F2-			SPRING LEAVES AND LEAF KITS For spring leaves, see spring chart-Plate 9			
		C 161188	Extra leaf kit-rear spring-60"	Service	2	40,41,44 (See spring chart)
		C 161189	Extra leaf kit-rear spring-60"	Service	2	1940-1941 (See spring chart)
		C 161190	Extra leaf kit-rear spring-60"	Service	2	1940-1941 (See spring chart,
		C 165163	Extra leaf kit-rear spring-60"	Service	2	1942 (See spring chart)
		C 163729	Extra leaf kit-rear spring-52 1/2"	Service	2	1941-1942 (See spring chart]

SPRING REBOUND CLIP CHART

BOLT TYPE CLIP

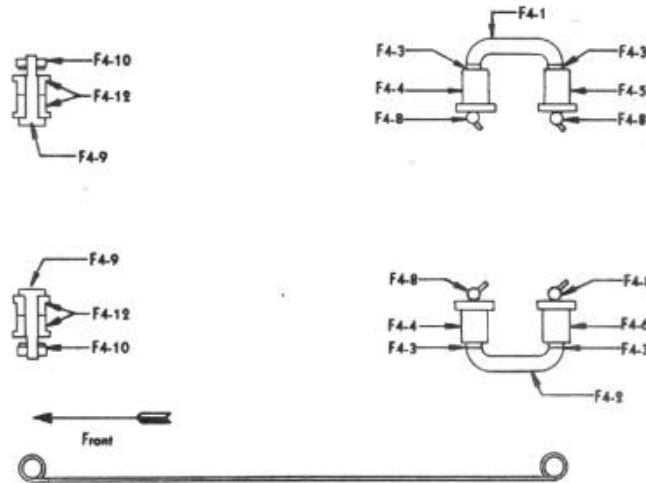


Clips marked * are type shown in Fig. 2.

PART NO.	DIMENSION D	PART NO.	DIMENSION D	PART NO.	DIMENSION D	PART NO.	DIMENSION D
161191	15/16	160373	1-1/2	43639	1-15/16	161174	2-17/32
159049	1	165117	1-1/2	46214	2	*165115	2-13/16
158859	1-1/8	43637	1-5/8	46215	2-1/16	165116	2-13/16
163731	1-3/16	48320	1-11/16	161173	2-3/32	*163720	2-15/16
157807	1-7/32	161171	1-23/32	161195	2-1/8	163721	3-3/4
161193	1-1/4	46213	1-3/4	161182	2-5/32	*161395	3-3/4
46212	1-5/16	48321	1-7/8	161183	2-1/4	161311	3-15/16
40892	1-7/16	161172	1-29/32	161194	2-3/8	*161394	3-15/16

Group & Illus. No.	Plate No.	Part No.	NAME	Per Car	Models		
F3-			SPRING REBOUND CLIPS For service replacement rebound clips see spring chart-Plate 9				
		BZ 170294	Bolt-for rebound clip	5/16"-18 x 2-7/16"	AR	All	
		BZ 18045	Nut-for rebound clip bolt	5/16"-18 x 1/2"	AR	All	
		BZ 161135	Spacer-for rebound clip bolt	.0375" thick	AR	All	
		BZ 161136	Spacer-for rebound clip bolt	.072" thick	AR	All	
		BZ 163659	Spacer-for rebound clip bolt	11/32" x 1-3/4"	AR	All	
		BZ 8328	Rivet-for rebound clip	5/16" x 7/16"	2	For	
		BZ 326	Rivet-for rebound clip	5/16" x 3/4"	4	159692-3, 165076-7	
		BZ 12181	Rivet-for rebound clip	5/16" x 5/8"	2	For springs 164025-8	
		BZ 170631	Rivet-for rebound clip	5/16" x 11/16"	4	For springs 161939, 162446, 162447, 163661, 163735	
		BZ 71557	Rivet-for rebound clip	5/16" x 7/16"	2	For springs 162030, 162031	
		BZ 158863	Bracket-for brake cable clip		2	For all exc above springs	
						All exc Cab-CabPu	
F4			SPRING SHACKLES, BUSHING AND BOLTS				
	1	10	F 161005	Spring shackle-rear-RH	RH thread	1	All
	2	10	F 161006	Spring shackle-rear-LH	RH and LH thread	1	All
	3	10	BZ 160196	Dirt seal-for spring shackle	RH thread	4	All
	4	10	F 153231	Threaded bushing assembly-upper RH and LH	RH thread	2	All
	5	10	F 160940	Threaded bushing assembly-lower RH-.010" U/S.	RH thread	1	1940 All (first type)
	5	10	F 153231	Threaded bushing assembly-lower RH-Std	RH thread	1	1940 2nd type, 1941-1942 All
	5	10	F 159180	Threaded bushing assembly-.020" O/S	RH thread	AR	All (Oversize for 153231)
	6	10	F 160941	Threaded bushing assembly-lower-LH-.010" U/S	RH thread	1	1940 All (first type)
	6	10	F 153232	Threaded bushing assembly-lower-LH-Std	LH thread	1	1940 2nd type, 1941-1942 All
	6	10	F 159181	Threaded hushing assembly-.020" O/s	LH thread	AR	All (Oversize for 153232)
			BZ 48571	Plug-for threaded hushing		4	All
	8	10	F 45928	Grease fitting-for threaded hushing	67-1/2°	4	All
	9	10	F 159943	Front mounting pin-for rear spring		2	All
			BZ 12426	Nut-for rear spring front mounting pin	9/16-18	2	All
			BZ 71223	Lockwasher-for mounting pin	9/16"	2	All
	10	10	F 159944	Bushing-for mounting pin	Rubber	4	All

Group & Illus. No.	Plate No.	Part No.	NAME	Per Car	Models
--------------------	-----------	----------	------	---------	--------

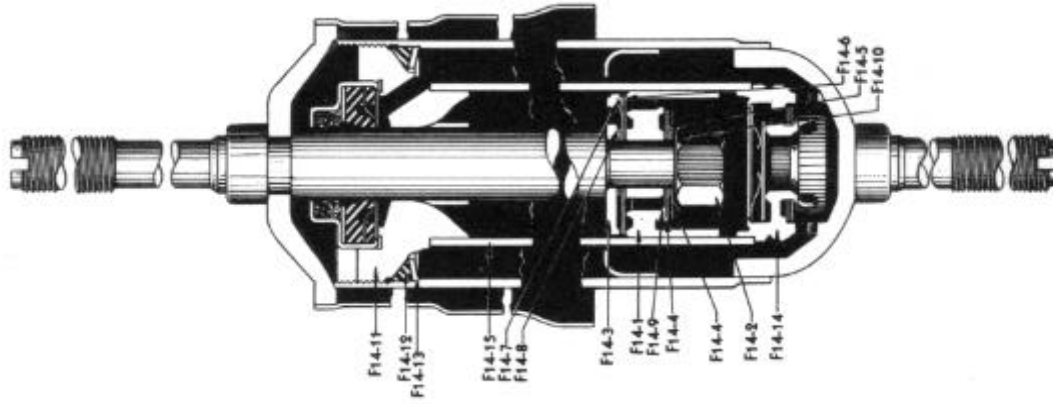


Rear Spring Shackle Arrangement

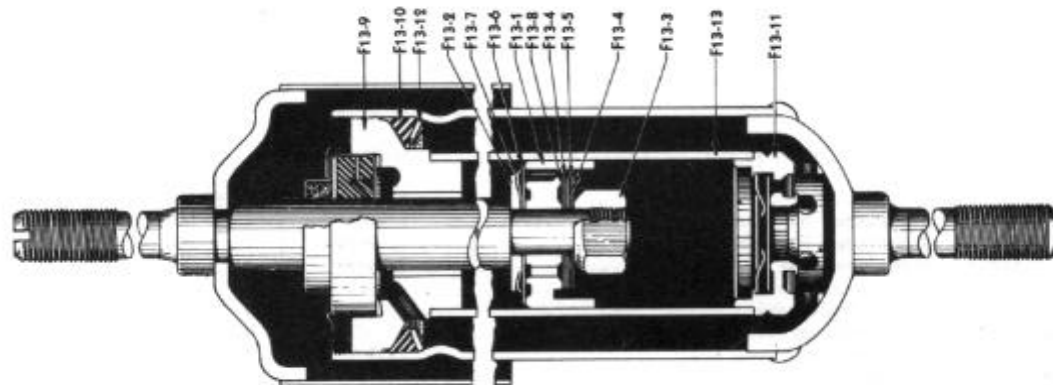
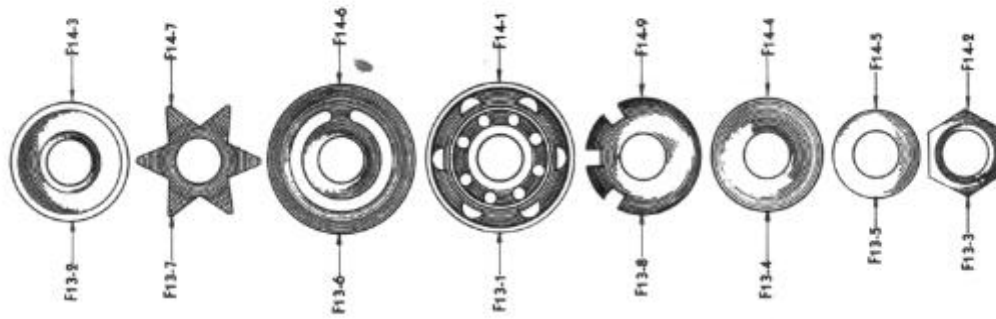
PLATE 10

Group & Illus. No.	Plate No.	Part No.	NAME	Per Car	Models
f5-			<p>SPRING CENTER BOLTS AND NUTS</p> <p>See spring chart-Plate 9</p>		
		BZ 163724	Center bolt-rear spring 5/16" x 2-3/8"-1/2" head	2	See spring chart
		BZ 157092	Center bolt-rear spring 5/16" x 2-1/2"-1/2" head	2	See spring chart
		BZ 161181	Center bolt-rear spring 5/16" x 2-5/8"-1/2" head	2	See spring chart
		BZ 154891	Center bolt-rear spring 5/16" x 2-11/16"-1/2" head	2	See spring chart
		BZ 154892	Center bolt-rear spring 5/16" x 2-7/8"-1/2" head	2	See spring chart
		BZ 151386	Center bolt-rear spring 5/16" x 311-1/2" head	2	See spring chart
		BZ 46203	Center bolt-rear spring 5/16" x 3-1/4"-1/2" head	2	See spring chart
		BZ 163723	Center bolt-rear spring 5/16" x 3-3/8"-1/2" head	2	See spring chart
		BZ 163658	Center bolt-rear spring 5/16" x 3-1/2"-1/2" head	2	See spring chart
		BZ 161748	Center bolt-rear spring 5/16" x 3-5/8"-1/2" head	2	See spring chart
		BZ 163722	Center bolt-rear spring 5/16" x 3-5/8"-1/4" head	2	See spring chart
		BZ 154890	Center bolt-rear spring 5/16" x 4-7/8"-1/4" head	2	See spring chart
		BZ 161196	Center bolt-rear spring 3/8" x 4-5/8"-1/4" head	2	See spring chart
		BZ 161114	Center bolt-rear spring 3/8" x 4-7/8"-1/4" head	2	See spring chart
		BZ 165114	Center bolt-rear spring 3/8" x 7-11/16"-1/4" head	2	See spring chart
		BZ 171239	Nut-for center bolt-for springs 159692-3 3/8-24" x 21/64"	2	40-48-18-28 Cab-CabPu
		BZ 170289	Nut-for center bolt-for grooved steel 5/16-24" x 3/8"	2	All exc springs 159692-3
		BZ 71221	Nut-for center bolt-for plain steel 5/16-24" x 5/16"	2	All exc springs 159692-3
F6-			<p>SPRING U BOLT CLIPS</p>		
		BZ 160040	Spring clip-standard 7-3/4" long	4	All exc Cab-CabPu-Station-Panel-Del
		BZ 160041	Spring clip-standard 9-1/2" long	4	1940 Cab-CabPu-Panel-Station 10C
		BZ 160659	Spring clip-standard 8-3/4" long	4	10C-20C CabPu, 10C Del, 11-12-14 Station
		BZ 160040	Spring clip-used with optional heavy scale springs	4	20T, 20P, 21 exc Station, 22, 24, 25
		BZ 160659	Spring clip-used with optional heavy scale springs	4	27
		BX 3433	Nut-for spring clip 1/2-20" x 7/16"	16	All
		BZ 159945	Spring clip plate-RH	1	1940-1941 All
		BZ 159946	Spring clip plate-LH	1	1940-1941 All
		BZ 164226	Spring clip plate-RH	1	1942 All
		BZ 164227	Spring clip plate-LH	1	1942 All
		BZ 45302	Cushion-for spring clip plate	4	All exc Cab-CabPu-Panel-Del
		BZ 45303	Retainer-for spring clip plate cushion	4	All exc Cab-CabPu-Panel-Del

Group & Illus. No.	Plate No.	Part No.	NAME	Per Car	Models	
F8-			SPRING COVERS			
		BZ 160950	Rear spring cover assembly-front-RH	Standard	1	1940 exc Cab-CabPu-Panel, 11-14-21 exc Station,12, 15,17,22,24,25,27
		BZ 160951	Rear spring cover assembly-front-LH	Standard	1	1940 exc Cab-CabPu-Panel, 11-14-21 exc Station,12, 15,17,22,24,25,27
		BZ 163276	Rear spring cover assembly-front-RH	Standard	1	10T,10P,20T exc UCo-UCpe,20P
		BZ 163277	Rear spring cover assembly-front-LH	Standard	1	10T,10P,20T exc UCo-UCpe,20P
		BZ 156103	Rear spring cover assembly-front-RH	Standard	1	10C UCo-UCpe
		BZ 156104	Rear spring cover assembly-front-LH	Standard	1	10C UCo-UCpe
		BZ 163415	Rear spring cover assembly-front-RH	Standard	1	20T UCo-UCpe
		BZ 163416	Rear spring cover assembly-front-LH	Standard	1	20T UCo-UCpe
		BZ 159992	Rear spring cover assembly-front-RH	Standard	1	11-14-21 Station
		BZ 159993	Rear spring cover assembly-front-LH	Standard	1	11-14-21 Station
		BZ 160952	Rear spring cover assembly-rear-RH	Standard	1	1940 exc Cab-CabPu-Panel, 11-14-21 exc Station,12, 15,17,22,24,25,27
		BZ 160953	Rear spring cover assembly-rear-LH	Standard	1	1940 exc Cab-CabPu-Panel, 11-14-21 exc Station,12, 15,17,22,24,25,27
		BZ 163278	Rear spring cover assembly-rear-RH	Standard	1	10T,10P,20T exc UCo-UCpe,20P
		BZ 163279	Rear spring cover assembly-rear-LH	Standard	1	10T,10P,20T exc UCo-UCpe,20P
		BZ 156105	Rear spring cover assembly-rear-RH	Standard	1	10C UCo-UCpe
		BZ 156136	Rear spring cover assembly-rear-LH	Standard	1	10C UCo-UCpe
		BZ 163417	Rear spring cover assembly-rear-RH	Standard	1	20T UCo-UCpe
		BZ 163418	Rear spring cover assembly-rear-LH	Standard	1	20T UCo-UCpe
		BZ 159994	Rear spring cover assembly-rear-RH	Standard	1	11-14-21 Station
		BZ 159995	Rear spring cover assembly-rear-LH	Standard	1	11-14-21 Station
		BZ 163415	Rear spring cover assembly-front-RH	Used with optional heavy scale springs	1	20T exc UCo-UCpe,20P
		BZ 163416	Rear spring cover assembly-front-LH		1	20T exc UCo-UCpe,20P
		BZ 159992	Rear spring cover assembly-front-RH		1	21 exc Station,22,24,25,27
		BZ 159993	Rear spring cover assembly-front-LH		1	21 exc Station,22,24,25,27
		BZ 163417	Rear spring cover assembly-rear-RH		1	20T exc UCo-UCpe,20P
		BZ 163418	Rear spring cover assembly-rear-LH		1	20T exc UCo-UCpe,20P
		BZ 159994	Rear spring cover assembly-rear-RH		1	21 exc Station,22,24,25,27
		BZ 159995	Rear spring cover assembly-rear-LH		1	21 exc Station,22,24,25,27
		BZ 163415	Rear spring cover assembly-front-RH	Used with heavy scale springs on police cars and taxicabs	1	10T-10P Sed
		BZ 163416	Rear spring cover assembly-front-LH		1	10T-10P Sed
		BZ 159992	Rear spring cover assembly-front-RH		1	11-12 Sed
		HZ 159993	Rear spring cover assembly-front-LH		1	11-12 Sed
		BZ 163417	Rear spring cover assembly-rear-RH		1	10T-10P Sed
		BZ 163413	Rear spring cover assembly-rear-LH		1	10T-10P Sed
		BZ 159994	Rear spring cover assembly-rear-RH		1	11-12 Sed
		BZ 159995	Rear spring cover assembly-rear-LH		1	11-12 Sed
	F10-			REAR SPRING STABILIZER		
				NOTE: Rear spring stabilizer on 1940 cars exc 40T-40C-48C.		
				Rear spring stabilizer on 1941 cars exc 10T- 10C- 18C.		
			Rear spring stabilizer on 1942 cars exc 20T-20C-28.			
		C 160166	Stabilizer bar assembly	Standard	1	1940 All exc 40T-40C-48C
		C 162106	Stabilizer bar assembly	Standard	1	1941 All exc 10T-10C-18C
		C 164442	Stabilizer bar assembly	Standard	1	1942 All exc 20T-20C-18
		BZ 160169	Cushion-stabilizer bar	Rubber	4	All
		BZ 160170	Washer-for stabilizer bar cushion		4	All
		BZ 160171	Spacer-for stabilizer bar cushion	Tube	4	All
		BX 3433	Nut-for stabilizer bar	1/2-20" x 7/16"	3	All
		BZ 170366	Companion nut-stabilizer bar	1/2-20" x .171	3	All
		BZ 170378	Grommet-stabilizer bar locator-at frame	Rubber	1	All
			Stabilizer bracket-on frame	See group G6		



Shock Absorber—Delco



Shock Absorber—Monroe

SHOCK ABSORBERS

1940 -- 1941 -- 1942

F

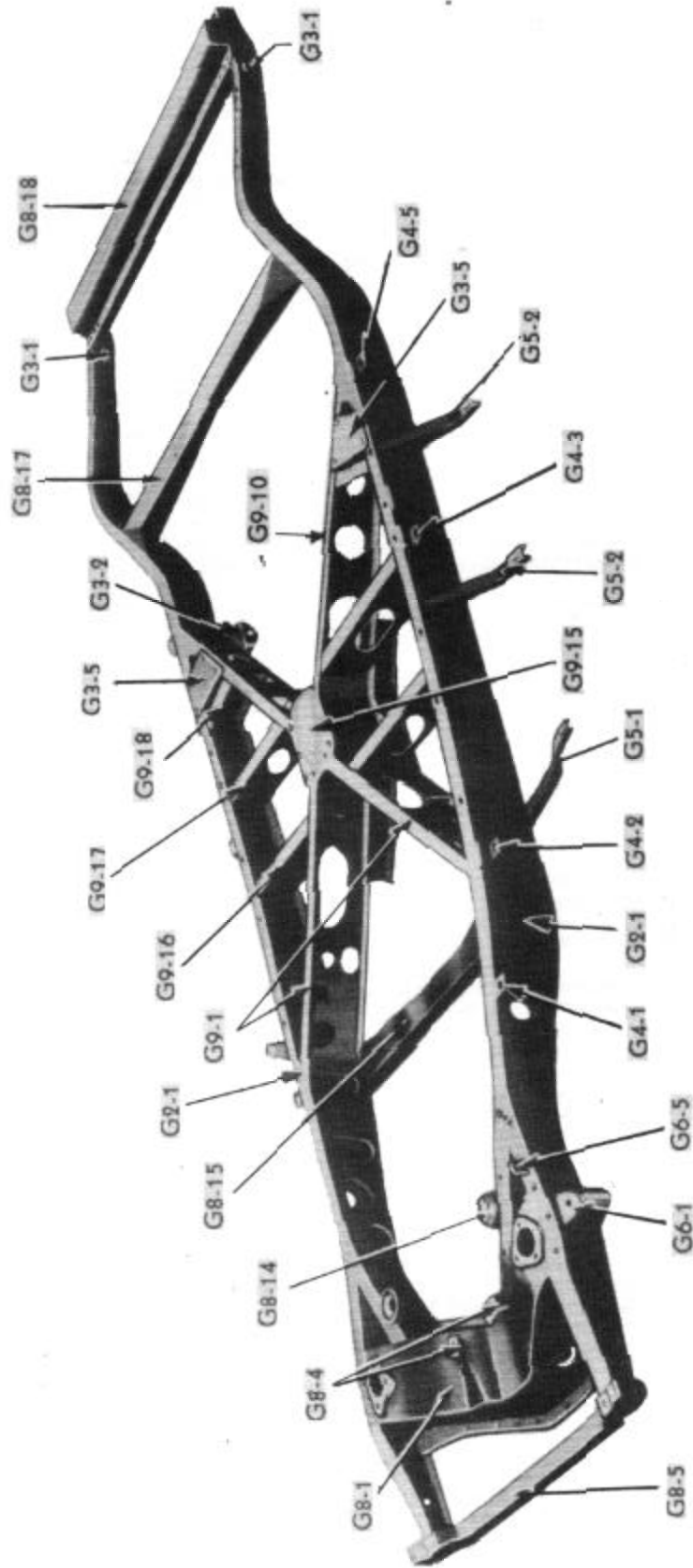
Group & Illus. No.	Plate No.	Part No.	NAME	Per Car	Models	
F11-			SHOCK ABSORBERS AND ATTACHING PARTS			
			NOTE: Monroe shock absorbers used on following models--40,41,48, 10,11, 10,20, 21 exc Station,28,44 3CpeVicCpe 2nd type, 12-14-15-22-24-25 3Cpe. ClubCpe.			
			Delco shock absorbers used on following models-43,44,45,47,17,21 Station, 27,44 3Cpe-VicCpe 1st type, 12-14-22-24 exc 3Cpe-Club Cpe.			
			Rear shock absorbers for Cab-CabPu-Panel-Del supplied through service only.			
		F 160101	Shock absorber assembly-front	Monroe	2	40T-40P-41 exc 3Cpe-VicCpe, 40C UCo-UCpe,48P
		F 160101	Shock absorber assembly-front-to car 55534	Monroe	2	40T-40P-41 3Cpe-VicCpe
		F 161657	Shock absorber assembly-front-after car 55534	Monroe	2	40T-40P-41 3Cpe-VicCpe
		F 160105	Shock absorber assembly-front	Delco	2	43,44 exc 3Cpe-VicCpe,45,47
		F 160105	Shock absorber assembly-front-to car 55534	Delco	2	44 3Cpe-VicCpe
		F 161657	Shock absorber assembly-after car 55534	Monroe	2	44 3Cpe-VicCpe
		F 160102	Shock absorber assembly-front	Monroe	2	40C-48C Cab-CabPu-Panel
		F 160101	Shock absorber assembly-front	Monroe	2	10-11 exc 3Cpe-ClubCpe Station, 18
		F 161657	Shock absorber assembly-front	Monroe	2	10-11-12-14-15 3Cpe-ClubCpe
		F 160105	Shock absorber assembly-front	Delco	2	12 exc 3Cpe-ClubCpe
		F 162032	Shock absorber assembly-front	Delco	2	14 exc 3Cpe-ClubCpe-Station, 17
		BZ 160106	Shock absorber assembly-front	Delco	2	11-14-21 Station
		BZ 160106	Shock absorber assembly-front	Delco	2	10-11-12-18P Police cars and taxicabs
		F 160101	Shock absorber assembly-front-to car 477	Monroe	2	20T-20P-21 exc Cpes & Station
		F 164545	Shock absorber assembly-front-to car 477 *	Monroe	2	20T-20P-21 exc Cpes & Station
		F 164786	Shock absorber assembly-front-after car *	Monroe	2	20T-20P-21 exc Cpes & Station
		F 164547	Shock absorber assembly-front-to car *	Monroe	2	20-21 3Cpe-ClubCpe
		F 154545	Shock absorber assembly-front-after car *	Monroe	2	20-21 3Cpe-ClubCpe
		F 160105	Shock absorber assembly-front	Delco	2	22 exc 3Cpe-ClubCpe
		F 162032	Shock absorber assembly-front	Delco	2	24 exc 3Cpe-ClubCpe,27
		F 164547	Shock absorber assembly-front-to car *	Monroe	2	22-24 3Cpe-ClubCpe,25
		F 160105	Shock absorber assembly-front-after car *	Delco	2	22-24 3Cpe-ClubCpe,25
		BZ 160106	Shock absorber assembly-front-optional with heavy scale springs	Delco	2	1942 All .
		F 160107	Shock absorber assembly-rear	Monroe	2	40T-40P-41 exc 3Cpe-VicCpe Station,40C UCo-UCpe,48P
		F 160107	Shock absorber assembly-rear-to car 55534	Monroe	2	40-41 3Cpe-VicCpe
		F 161658	Shock absorber assembly-rear-after car 55534	Monroe	2	40-41 3Cpe-VicCpe
		F 160109	Shock absorber assembly-rear	Delco	2	44 exc 3Cpe-VicCpe,43,45,47
		F 160109	Shock absorber assembly-rear-to car 55534	Delco	2	44 3Cpe-VicCpe
		F 161658	Shock absorber assembly-rear-after car 55534 ...	Monroe	2	444 3Cpe-VicCpe
		F 160107	Shock absorber assembly-rear	Monroe	2	10T-10P-11 exc 3Cpe-ClubCpe Station,10C UCo-UCpe 10-11-
		F 161658	Shock absorber assembly-rear	Monroe	2	12-14-15 3Cpe-ClubCpe
		F 160109	Shock absorber assembly-rear	Delco	2	12 exc 3Cpe-ClubCpe
		F 160110	Shock absorber assembly-rear	Delco	2	14 exc 3Cpe-ClubCpe,17, Station
		F 160110	Shock absorber assembly-rear	Delco	2	10-11-12-18P Police cars & taxicabs
			* Car numbers not available			
		F 160107	Shock absorber assembly-rear-to car 477	Monroe	2	20T-20P-21 exc Cpes-Station
		F 164546	Shock absorber assembly-rear-to car 477 *	Monroe	2	20T-20P-21 exc Cpes-Station
		F 164787	Shock absorber assembly-rear-after *	Monroe	2	20T-20P-21 exc Cpes-Station
		F 164548	Shock absorber assembly-rear-to car *	Monroe	2	20-21 3Cpe-ClubCpe
		F 164546	Shock absorber assembly-rear-after *	Monroe	2	20-21 3Cpe-ClubCpe
		F 160109	Shock absorber assembly-rear	Delco	2	22 exc 3Cpe-ClubCpe
		F 160110	Shock absorber assembly-rear	Delco	2	24 exc 3Cpe-ClubCpe,27
		F 164548	Shock absorber assembly-rear-to car *	Monroe	2	22-24 3Cpe-ClubCpe,25
		F 160109	Shock absorber assembly-rear-after *	Delco	2	22-24 3Cpe-ClubCpe,25
		F 160110	Shock absorber assembly-rear-optional with heavy scale springs	Delco	2	1942 All exc Cab-CabPu
		BZ 163570	Rear shock absorber kit Service	Service	1	Cab,CabPu,Panel,Del
		F 155032	Shock absorber assembly-rear	Monroe	2	Cab,CabPu,Panel,Del
		BZ 159774	Shock absorber anchor plate assembly-front		2	All
		BM 219	Bolt-anchor plate	5/16-18" x 3/4"	4	All
		BZ 170353	Nut-for anchor plate bolt	5/16-18" x 9/32"	4	All
		BO 170243	Washer-for anchor plate bolt		4	All
		F 157938	Cushion-front shock absorber		8	All

10

1

Group & Illus. No.	Plate No.	Part No.	NAME	Per Car	Models
F11-			SHOCK ABSORBERS AND ATTACHING PARTS (CONT'D)		
	11	1	BZ 46718 Retainer-front shock absorber cushion	8	A11
			BZ 47605 Cup washer-front shock absorber cushion	2	A11
	13	1	BZ 46720 Nut-front shock absorber cushion	4	A11
			BM 170105 Companion nut-front shock absorber cushion	4	A11
			F 47278 Grommet-rear shock absorber	8	A11
			BZ 152948 Bolt-rear shock absorber upper bracket	2	A11
			BX 70125 Nut-rear shock absorber upper bracket bolt 1/2-20"	2	A11
			BZ 160113 Stud-rear shock absorber lower	2	A11
			BZ 170352 Nut-stud to rear spring clip plate 1/2-20"	2	A11
			BM 170343 Nut-inner end of stud 7/16-20"	2	A11
			BZ 613 Washer-inner-for rear lower stud 41/64" x 1-1/4" x 1/8"	2	A11
			BZ 71356 Washer-outer-for rear lower stud 15/32" x 1-1/4" x 1/8"	2	A11
			HA 151964 Shock absorber fluid Quart	AR	A11
			HA 151965 Shock absorber fluid Gal 1 on	AR	A11
			HA 151966 Shock absorber fluid 5 Gal 1 on	AR	A11
F13-			SHOCK ABSORBER PARTS-MONROE		
	1	11	BZ 160899 Piston	4	1940 exc 155032
	1	11	BZ 163539 Piston	4	1941-1942 exc 155032
	1	11	BZ 48768 Piston For 155332 assembly-rear	2	Cab,CabPu,Panel,Del
	2	11	BZ 154239 Piston support washer	4	1940 A11
	2	11	BZ 163541 Piston support washer	4	1941-1942 exc 155032
			BZ 163542 Spacer-for piston support washer	4	1941-1942 exc 155032
	3	11	BZ 160906 Piston rod nut	4	A11 exc 155032
	3	11	BO 12481 Piston rod nut For 155032 assembly-rear	2	Cab,CabPu,Panel,Del
	4	11	BZ 160902 Pressure relief valve disc-front piston .006"	2	For assemblies 160101-16454!
	4	11	BZ 160903 Pressure relief valve disc .008"	4	A11 assemblies exc 155032
	4	11	BZ 160904 Pressure relief valve disc .010"	4	A11 assemblies exc 155032
	4	11	BZ 160161 Pressure relief valve disc-front-for 160102 .020"	2	40C-48C Cab-CabPu-Panel
	4	11	BZ 48824 Piston relief valve-rear For 155032	2	Cab,CabPu,Panel,Del
	5	11	BZ 160905 Spacing disc-for piston pressure relief valve	2	A11 assemblies exc 155032
	6	11	BZ 154210 Piston intake valve	2	A11 assemblies exc 155032
	7	11	BZ 154211 Star spring-for piston intake valve	2	A11 assemblies exc 155032
	8	11	BZ 160900 Metering washer-front piston 3 slots	2	For 160101-161657-164547
	8	11	BZ 161037 Metering washer-front piston 2 slots	2	For 160101-164545-164786
	8	11	BZ 160901 Metering washer-rear piston 5 slots	2	For 160107-161658-164548
	8	11	BZ 158926 Metering washer-rear piston 4 slots	2	For 160107-164546
	8	11	BZ 154951 Metering washer-rear piston For 155032	2	Cab,CabPu,Panel,Del .
	9	11	BZ 160895 Guide and seal assembly-piston rod	4	1940 All
	9	11	BZ 163536 Guide and seal assembly-piston rod	4	1941-1942 A11
	10	11	BZ 159146 Gasket-piston rod guide	4	A11
	11	11	BZ 160907 Compression valve assembly-front	2	For 160101-160102
	11	11	BZ 161665 Compression valve assembly-front For 161657	2	194J-1941
	11	11	BZ 163545 Compression valve assembly-front	2	For 160101-164545-164786
	11	11	BZ 163543 Compression valve assembly-front	2	For 161657-164547
	11	11	BZ 160908 Compression valve assembly-rear For 160107	2	1940
	11	11	BZ 161666 Compression valve assembly-rear For 161658	2	1940
	11	11	BZ 163546 Compression valve assembly-rear For 160107-164546-164787	2	1941-1942
	11	11	BZ 163544 Compression valve assembly-rear For 161658-164548	2	1941-1942
	12	11	BZ 159145 Reserve chamber washer	4	A11
	13	11	BZ 160898 Pressure chamber tube-front	2	All
	13	11	BZ 159150 Pressure chamber tube-rear For 160107-161658	2	1940-1941
	13	11	BZ 164940 Pressure chamber tube-rear For 164546-164548-164787	2	1942
F14-			SHOCK ABSORBER PARTS-DELCO		
	1	11	BZ 158733 Piston	4	A11 Delco
	2	11	BZ 161020 Piston rod nut	4	A11 Delco
	3	11	BZ 158737 Piston valve washer	4	A11 Delco
	4	11	BZ 160902 Pressure relief valve disc-front piston-for 160105 .006"	2	1940-1941-1942 Delco
	4	11	BZ 160903 Pressure relief valve disc-for 160105-160106-160109-.008"	2	1940-1941-1942 Delco
	4	11	BZ 160904 Pressure relief valve disc .010"	4	A11 Delco
	5	11	BZ 160905 Spacing disc-pressure relief valve	4	A11 Delco
	6	11	BZ 154257 Piston valve plate-compression intake	4	A11 Delco
	7	11	BZ 154258 Spider spring-piston valve plate	4	A11 Delco
	8	11	BZ 158738 Washer-for spider spring	4	A11 Delco
	9	11	BZ 160900 Orifice plate-piston valve-front-for 160105 3 slots	2	1940-1941-1942 Delco
	9	11	BZ 161037 Orifice plate-piston valve-front-for 160105-162032 2 slots	2	1940-1941-1942 Delco

Group & Illus. No.	Plate No.	Part No.	NAME	Per Car	Models
SHOCK ABSORBER PARTS-DELCO (CONT'D.)					
		BZ 160901	Orifice plate-piston valve-rear-for 160109	5 slots	2 1940-1941-1942 Delco
		BZ 160900	Orifice plate-piston valve-rear-for 160110	3 slots	2 1940-1941-1942 Delco
		BZ 158739	Washer-for orifice plate	.008"	4 A11 Delco
		BZ 163536	Guide and seal assembly-piston rod		4 A11 Delco
		BZ 159146	Gasket-piston rod guide		4 A11 Delco
		HZ 154255	Retainer-piston rod guide gasket		4 A11 Delco
		BZ 163545	Compression valve assembly-front-for 160105-6,162032		2 1940-1941-1942 Delco
		BZ 163546	Compression valve assembly-rear-for 160109-163110		2 1940-1941-1942 Delco
		BZ 161030	Pressure chamber tube-front-for 160105-6,162032		2 1940-1941-1942 Delco
		BZ 154275	Pressure chamber tube-rear-for 160109-160110		2 1940-1941-1942 Delco
FRAME ASSEMBLY					
	C	159800	Frame assembly		1 40T,40 UCo-UCpe,40P exc 1 CvCpe-CvSed
	C	159801	Frame assembly		1 40P CvCpe-CvSed
	C	159802	Frame assembly		1 40C Cab-CabPu
	C	160324	Frame assembly		1 40C Panel
	C	159803	Frame assembly		1 41 exc CvCpe-CvSed
	C	159804	Frame assembly		1 41 CvCpe-CvSed
	C	159805	Frame assembly		1 44 exc CvCpe-CvSed, 45
	C	159806	Frame assembly		1 44 CvCpe-CvSed
	C	159808	Frame assembly		1 43,48P
	C	159309	Frame assembly		1 47
	C	159810	Frame assembly		1 48C Cab-CabPu
	C	160325	Frame assembly		1 48C Panel
	C	162200	Frame assembly	LHD	1 10T,10 UCo-UCpe,10P exc 1 CvSed
	C	163295	Frame assembly	RHD	1 10T,13 UCo-UCpe,10P exc 1 CvSed
	C	162231	Frame assembly		1 10P CvSed
	C	162202	Frame assembly		1 10C Cab-CabPu
	C	162203	Frame assembly		1 10C Del
	C	162204	Frame assembly		1 11-12 exc CvSed-Station
	C	163296	Frame assembly		1 11-12 exc CvSed-Station
	C	162205	Frame assembly		1 11-12 CvSed,11 Station
	C	162206	Frame assembly	LHD	1 14 exc CvSed-Station
	C	163297	Frame assembly	RHD	1 14 exc CvSed-Station
	C	162207	Frame assembly		1 14 CvSed-Station
	C	162209	Frame assembly	LHD	1 17
	C	163432	Frame assembly	RHD	1 17
	C	162208	Frame assembly		1 18P
	C	162949	Frame assembly		1 18C Cab-CabPu
	C	164652	Frame assembly		1 20T-20P CvSed
	C	164653	Frame assembly		1 20C Cab-CabPu
	C	164656	Frame assembly	RHD	1 21-22 exc CvSed-Station
	C	164657	Frame assembly		1 21-22 CvSed. 21 Station
	C	164660	Frame assembly	RHD	1 24-25 exc CvSed
	C	164661	Frame assembly		1 24 CvSed
	C	164664	Frame assembly	LHD	1 27
	C	164665	Frame assembly	RHD	1 27
	C	164666	Frame assembly		1 28C Cab-CabPu
	C	164300	Frame assembly-LHD-1st type	See note below	1 20T-20P exc CvSed
	C	164650	Frame assembly-LHD-2nd type	See note below	1 20T-20P exc CvSed
	C	164301	Frame assembly-RHD-1st type	See note below	1 20T-20P exc CvSed
	C	164651	Frame assembly-RHD-2nd type	See note below	1 20T-20P exc CvSed
	C	164303	Frame assembly-LHD-1st type	See note below	1 21-22 exc CvSed-Station
	C	164655	Frame assembly-LHD-2nd type	See note below	1 21-22 exc CvSed-Station
	C	164306	Frame assembly-LHD-1st type	See note below	1 24-25 exc CvSed
	C	164659	Frame assembly-LHD-2nd type	See note below	1 24-25 exc CvSed
NOTE: Second type 1942 frames effective with second type front suspension. with following car numbers.					
		20T-200 LHD one CvSed	Car No. 4805 exceptions 5301-5302-11311		
		20T-20P RHD exc CvSed	Car No. 12323		
		21-22 LHD exc CvSed-Station	Car No. 4059 exceptions 4300 to 4547		
		24-25 LHD CvSed	Car 8594 exceptions 8785 to 9336		



Frame

Group & Illus. No.	Plate No.	Part No.	NAME	Per Car	Models
G2-			FRAME SIDE MEMBERS		
1	12	C 160625	Side member assembly-RH-1st type	1	40P CvCpe-CvSed
1	12	C 160626	Side member assembly-LH-1st type	1	40P CvCpe-CvSed
1	12	C 161380	Side member assembly-RH-2nd type	1	40P CvCpe-CvSed
1	12	C 161381	Side member assembly-LH-2nd type	1	40P CvCpe-CvSed
			NOTE: Second type model 40 convertible frames, using the 1/8" thick commercial car frame side members, became effective with car No. 49593. Also effective at this time on all 1940 convertible models were new hand brake cable support assembly, rear spring front brackets and rear spring front bracket gussets. See group G3.		
1	12	C 159819	Side member assembly-RH	1	40T-40P exc CvCpe-CvSed, 40 UCo-UCpe
1	12	C 159820	Side member assembly-LH	1	40T-40P exc CvCpe-CvSed, 40 UCo-UCpe
1	12	C 159821	Side member assembly-RH	1	40C Cab-CabPu-Panel
1	12	C 159822	Side member assembly-LH	1	40C Cab-CabPu-Panel
1	12	C 159823	Side member assembly-RH	1	41-44-45 exc CvCpe-CvSed
1	12	C 159824	Side member assembly-LH	1	41-44-45 exc CvCpe-CvSed
1	12	C 160627	Side member assembly-RH	1	41-44 CvCpe-CvSed
1	12	C 160628	Side member assembly-LH	1	41-44 CvCpe-CvSed
1	12	C 159825	Side member assembly-RH	1	43,47,48P,48C
1	12	C 159826	Side member assembly-LH	1	43,47,48P
1	12	C 159828	Side member assembly-LH	1	48C
1	12	C 162213	Side member assembly-RH	1	10T-10P exc CvSed,10C UCo-UCpe
1	12	C 162214	Side member assembly-LH	1	10T-10P exc CvSed,10C UCO-UCpe
1	12	C 162215	Side member assembly-RH	1	10P CvSed
1	12	C 162216	Side member assembly-LH	1	10P CvSed
1	12	C 162482	Side member assembly-RH	1	10C-20C Cab-CabPu,10C Del
1	12	C 162483	Side member assembly-LH	1	10C-20C Cab-CabPu,10C Del
1	12	C 162217	Side member assembly-RH	1	11-12-14-15 exc CvSed-Station
1	12	C 162218	Side member assembly-LH	1	11-12-14-15 exc CvSed-Station
1	12	C 162219	Side member assembly-RH	1	11-12-14 CvSed,11-14 Station
1	12	C 162220	Side member assembly-LH	1	11-12-14 CvSed,11-14 Station
1	12	C 162221	Side member assembly-RH	1	17,18P,18C,28C
1	12	C 162222	Side member assembly-LH	1	17,18P
1	12	C 162223	Side member assembly-LH	1	18C,28C
1	12	C 164312	Side member assembly-RH	1	20T-20P exc CvSed
1	12	C 164313	Side member assembly-LH	1	20T-20P exc CvSed
1	12	C 164314	Side member assembly-RH	1	20 CvSed
1	12	C 164315	Side member assembly-LH	1	20 CvSed
1	12	C 164316	Side member assembly-RH	1	21-22-24-25 exc CvSed-Station
1	12	C 164317	Side member assembly-LH	1	21-22-24-25 exc CvSed-Station
1	12	C 164318	Side member assembly-RH	1	21-22-24 CvSed, 21 Station
1	12	C 164319	Side member assembly-LH	1	21-22-24 CvSed, 21 Station
1	12	C 164320	Side member assembly-RH	1	27
1	12	C 164321	Side member assembly-LH	1	27
G3-			FRAME SPRING BRACKETS		
1	12	BZ 152911	Rear spring rear mounting	2	A11
2	12	BZ 159907	Rear spring front bracket-RH	1	1940 A11
2	12	BZ 160964	Rear spring front bracket-LH	1	1940 A11
2	12	AZ 162273	Rear spring front bracket-RH	1	1941-1942 A11
2	12	BZ 162274	Rear spring front bracket-LH	1	1941-1942 A11
		BZ 80	Rivet-for rear spring front bracket	6	1940 A11
		BX 85	Rivet-for rear spring front bracket-at brace	4	1941-1942 A11
		DX 3197	Rivet-for rear spring front bracket-at side member	4	1941-1942 A11
		BZ 80	Rivet-for rear spring front bracket reinforcement	6	A11 exc CvCpe-CvSed-Cab-CabPu-Del-Station
		BZ 154329	Reinforcement-rear spring front bracket	2	A11 exc CvCpe-CvSed-Cab-CabPu-Del-Station
5	12	BZ 155430	Gusset-upper-for rear spring front bracket-RH	1	40C-48C Cab-CabPu-Panel
5	12	BZ 155431	Gusset-upper-for rear spring front bracket-LH	1	40C-48C Cab-CabPu-Panel
5	12	BZ 155430	Gusset-upper-for rear spring front bracket-RH-1st type	1	40-41-44 CvCpe-CvSed
5	12	BZ 155431	Gusset-upper-for rear spring front bracket-LH-1st type	1	40-41-44 CvCpe-CvSed
5	12	BZ 160305	Gusset-upper-for rear spring front bracket-RH-2nd type	1	40-41-44 CvCpe-CvSed
5	12	HZ 160306	Gusset-upper-for rear spring front bracket-LH-2nd type	1	40-41-44 CvCpe-CvSed

Group & Illus. No.	Plate No.	Part No.	NAME	Per Car	Models
G3-			FRAME SPRING BRACKETS (CONT'D.)		
5	12	BZ 162275	Gusset-upper-for rear spring front bracket-RH	1	1941-1942 Cab-CabPu,10C Del
5	12	BZ 162276	Gusset-upper-for rear spring front bracket-LH	1	1941-1942 Cab-CabPu,10C Del
5	12	BZ 160305	Gusset-upper-for rear spring front bracket-RH	1	1941-1942 CvSed-Station
5	12	BZ 160306	Gusset-upper for rear spring front bracket-LH	1	1941-1942 CvSed-Station
		BZ 170165	Rivet-for rear spring front bracket upper gusset-	AR	1940 Cab-CabPu-Panel-CvCpe-CvSed
		BZ 170166	Rivet-for rear spring front bracket upper gusset	AR	Cab-CabPu-Panel-CvCpe-CvSed
		BZ 170478	Rivet-for rear spring front bracket upper gusset-2nd type	2	1940 CvCpe-CvSed
		BZ 155432	Gusset-lower-for rear spring front bracket-RH	1	40C-48C Cab-CabPu-Panel
		BZ 155433	Gusset-lower-for rear spring front bracket-LH	1	40C-48C Cab-CabPu-Panel
		BZ 162290	Gusset-lower-for rear spring front bracket-RH	1	1941-1942 Cab-CabPu,10C Del
		BZ 162291	Gusset-lower-for rear spring front bracket-LH	1	1941-1942 Cab-CabPu,10C Del
		BX 85	Rivet-for rear spring front bracket lower gusset	2	A11
G4-			FRAME BODY BRACKETS		
1	12	BZ 159909	Bracket-for No. 1 body bolt.	2	A11
2	12	BZ 47737	Bracket-for No. 2 body bolt	2	A11
3	12	BZ 47737	Bracket-for No. 3 body bolt	2	A11
		BZ 47737	Bracket-for No. 4 body bolt	2	A11 pass cars exc CvCpe-CvSed
5	12	BZ 154299	Bracket-for No. 4 body bolt	2	CvCpe,CvSed,Cab,CabPu,Sta, Del
		BZ 47737	Bracket-for No. 5 body bolt	2	A11
		BZ 161151	Bracket-body-on rear end of side member	2	40C Panel
		BZ 71050	Rivet-for body bolt brackets	AR	A11
		BX 3197	Rivet-for body bolt bracket No. 4	AR	CvCpe,CvSed,Cab,CabPu, Station
		F 170045	Bolt-for body bolt bracket No. 4	2	10C-20C Cab-CabPu
		BO 170403	Nut-for body bolt bracket No. 4	2	10C-20C Cab-CabPu
G5-			FRAME RUNNING BOARD BRACKETS		
1	12	BZ 159763	Running board bracket-front	2	1940-1941 A11 exc 10C Del, 1942 Cab-CabPu-Station
2	12	BZ 159764	Running board bracket-center and rear	4	1940-1941 A11 exc 10C Del, 1942 Cab-CabPu-Station
		BZ 164339	Safety step bracket	4	1942 exc Cab-CabPu-Station
		BZ 326	Rivet-for running board bracket	AR	1940-1941 A11 exc 10C Del, 1942 Cab-CabPu-Station
		F 170045	Bolt-for running board bracket	AR	1941 CvSed-Station, 1942 A11
		BO 170043	Nut-for running board bracket bolt	AR	1941 CvSed-Station, 1942 A11
G6-			FRAME MISCELLANEOUS BRACKETS		
1	12	BZ 159848	Bumper bracket-at front cross member	2	1940-1941 A11
1	12	BZ 159848	Bumper bracket-at front cross member-1st type	2	1942 A11
1	12	BZ 164667	Bumper bracket-at front cross member-2nd type	2	1942 A11
			Note: Second type1942 bumpers uses with second type front suspension. See groups A1-G1		
		BX 3197	Rivet-for bumper bracket	AR	A11
		BZ 159846	Steering arm bracket-on front cross member	1	A11
		BX 3197	Rivet-for steering arm bracket	4	A11
		BO 140370	Bonnet hinge cross shaft bracket-RH	1	1940-1941 A11 exc 10C Del
		BO 140371	Bonnet hinge cross shaft bracket-LH	1	1940-1941 A11 exc 10C Del
		BO 71683	Bolt-for bonnet hinge cross shaft bracket-bracket	4	1940-1941 A11 exc 10C Del
		BO 12481	Nut-for bonnet hinge cross shaft bracket bolt	4	1940-1941 A11 exc 10C Del
5	12	BZ 159906	Brake tube bracket-at front cross member	2	A11
		BO 564	Rivet-for brake tube bracket	4	A11
		BZ 152901	Brake tube bracket-at rear axle cross member	1	A11
		BZ 3197	Rivet-for brake tube bracket	2	A11
		BZ 156821	Rear shock absorber bracket-RH	1	A11
		AZ 156822	Rear shock absorber bracket-LH	1	A11
		BX 3197	Rivet-for rear shock absorber bracket	2	A11
		BZ 160194	Rear stabilizer bracket	1	1940-1941 A11 exc commercial
		BZ 164338	Rear stabilizer bracket	1	1942 exc 20C-28
		BZ 160195	Reinforcement-rear stabilizer bracket	1	A11 exc commercial
		BX 85	Rivet-for rear stabilizer bracket reinforcement	2	A11 exc commercial
		BZ 158914	Clutch assisting spring bracket	LHD	1940,1941,1942
		BX 3197	Rivet-for clutch assisting spring bracket	LHD	1940,1941,1942

Group & Illus. No.	Plate No.	Part No.	NAME	Per Car	Models
G8-			FRAME CROSS MEMBERS AND ENGINE SUPPORTS		
1	12	C 159845	Front cross member assembly	1	All
		BX 3197	Rivet-front cross member	14	All
4	12	BZ 159910	Radiator support-front cross member	2	40,44,45,47,10,14,15,17,20, 24,25,27
5	12	BX 3197	Rivet-radiator support	4	40,44,45,47,10,14,15,17,20, 24,25,27
		C 159919	Front fender support member	1	All exc 10C Del
		BX 3197	Rivet-lower-front fender support member	2	All exc IOC Del
		BZ 71050	Rivet-upper-front fender support member	2	All exc IOC Del
		C 159849	Side member reinforcement assembly-RH	1	40 exc CvCpe-CvSed
		C 159850	Side member reinforcement assembly-LH	1	40 exc CvCpe-CvSed
		C 159851	Side member reinforcement assembly-RH	1	40 CvCpe-CvSed
		C 159852	Side member reinforcement assembly-LH	1	40 CvCpe-CvSed
		C 159857	Side member reinforcement assembly-RH	1	41 43 44 45 47 48 exc CvCpe-CvSed
		C 159858	Side member reinforcement assembly-LH	1	41 43 44 45 47 48 exc CvCpe-CvSed
		C 159859	Side member reinforcement assembly-RH	1	41-44 CvCpe-CvSed
		C 159860	Side member reinforcement assembly-LH	1	41-44 CvCpe-CvSed
		C 162232	Side member reinforcement assembly-RH	1	10-20 exc CvSed
		C 162233	Side member reinforcement assembly-LH	1	20-20 exc CvSed
		C 162234	Side member reinforcement assembly-RH	1	10P-20 CvSed
		C 162235	Side member reinforcement assembly-LH	1	10P-20 CvSed
		C 162236	Side member reinforcement assembly-RH	1	11-12-14-21-22-24 exc CvSed-Station, 15,17,18,25,27,28
		C 162237	Side member reinforcement assembly-LH	1	11-12-14-21-22-24 exc CvSed-Station, 15,17,18,25,27,28
		C 162238	Side member reinforcement assembly-RH	1	11-12-14-21-22-24 CvSed-Stat Station
		C 162239	Side member reinforcement assembly-LH	1	11-12-14-21-22-24 CvSed-Station
		BX 3197	Rivet-for side member reinforcement	2	All
		BZ 159870	Frame steering gear reinforcement-front	2	40
		BZ 159872	Frame steering gear reinforcement-front	2	41,43,44,45,47,48
		BZ 159870	Frame steering gear reinforcement-front	1	10,20 (2 used on CvSed-Cab-CabPu-Del)
		BZ 159872	Frame steering gear reinforcement-front	1	11,12,14,15,18,21,22,24,25, 28 (2 used on CvSed-Station
		BZ 159872	Frame steering gear reinforcement-front	1	17,27 (2 used on RHD)
		BZ 159871	Frame steering gear reinforcement-rear	2	40
		BZ 159873	Frame steering gear reinforcement-rear-LH	1	41,43,44,45,47,48
		BZ 160633	Frame steering gear reinforcement-rear-RH	1	41,43,44,45,47,48
		BZ 159871	Frame steering gear reinforcement-rear	1	10,20 (2 used on CvSed-Cab-CabPu-Del)
		BZ 159873	Frame steering gear reinforcement-rear-LH	1	11-12-14-21-22-24 exc CvSed-Station, 15,25
		BZ 159873	Frame steering gear reinforcement-rear-LH	1	11 12 14 21 22 24 CvSed-Station 17,18,27,28
		C 160633	Frame steering gear reinforcement-rear-RH	1	11-12-14 exc CvSed-Station, 15,17,21,22,24,25,27,28
		C 160633	Frame steering gear reinforcement rear RH	1	11 12 14 21 22 24 CvSed-Station, 18C,28
		BZ 162961	Frame steering gear bracket support	1	10C Del
		ST 9824	Bolt-for steering gear bracket support	3	10C Del
		BM 71197	Plain washer-for steering gear bracket support	2	10C Del
		BZ 159973	Engine support assembly-front	2	40,10,20
		BZ 159974	Engine support assembly-front	2	41,43,48,11,12,18,21,22,28
		BX 3197	Rivet-for front engine support	8	40,41,43,48,10,11,12,18,20, 21,22,28
14	12	BZ 40479	Engine support grommet cup	2	All
15	12	C 159875	Engine support-rear-cross member assembly	1	1940 All
15	12	C 162248	Engine support-rear-cross member assembly	1	1941-1942 All
		BZ 1249	Rivet-for rear engine support cross member	4	1940 All
		BZ 326	Rivet-for rear engine support cross member	2	1941-1942 All
		BX 3197	Rivet-for rear engine support cross member	4	All

Group & Illus. No.	Plate No.	Part No.	NAME	Per Car	Models
G8-		.	FRAME CROSS MEMBERS AND ENGINE SUPPORTS (CONTD.)		
17	12	C 159897	Rear axle cross member assembly	1	1940 All
17	12	C 162271	Rear axle cross member assembly	1	1941 All, 1942 Cab-CabPu
17	12	C 164336	Rear axle cross member assembly	1	1942 All exc Cab-CabPu
18	12	C 152900	Rear cross member	1	1940 exc Cab-CabPu-Panel
18	12	C 162250	Rear cross member	1	1941-1942 All exc Cab-CabPu-Del
18	12	C 161152	Rear cross member assembly	1	Cab.CabPu,1940 Panel,10C Del
		BX 3197	Rivet-for rear cross member	AR	All
G9-			FRAME X BRACE		
1	12	C 159900	Frame brace front member-RH	1	1940 All exc CvCpe-CvSed
1	12	C 159902	Frame brace front member-LH	1	1940 All exc CvCpe-CvSed
1	12	C 159901	Frame brace front member-RH	1	1940 CvCpe-CvSed
1	12	C 159903	Frame brace front member-LH	1	1940 CvCpe-CvSed
1	12	C 162251	Frame brace front member-RH	1	1941-1942 All exc CvSed-Station
1	12	C 162253	Frame brace front member-LH	1	1941-1942 All exc CvSed-Station
1	12	C 162252	Frame brace front member-RH	1	1941-1942 CvSed-Station
1	12	C 162254	Frame brace front member-LH	1	1941-1942 CvSed-Station
		BZ 47548	Frame brace front member reinforcement-RH	1	1940 All exc CvCpe-CvSed
		BZ 47549	Frame brace front member reinforcement-LH	1	1940 All exc CvCpe-CvSed
		BX 3197	Rivet-frame brace front member to side member	AR	All
		BZ 71050	Rivet-frame brace front member to brace plate-upper	AR	All
		BX 545	Rivet-frame brace front member to brace plate-lower	AR	All
10	12	C 159885	Frame brace rear member-RH	1	40-41-44-45 exc CvCpe-CvSed
10	12	C 159886	Frame brace rear member-LH	1	40-41-44-45 exc CvCpe-CvSed
10	12	C 159887	Frame brace rear member-RH	1	40-41-44 CvCpe-CvSed
10	12	C 159888	Frame brace rear member-LH	1	40-41-44 CvCpe-CvSed
10	12	C 159889	Frame brace rear member-RH	1	43,47,48P
10	12	C 159890	Frame brace rear member-LH	1	43,47,48P
10	12	C 162257	Frame brace rear member-RH	1	10 11 12 14 20 21 22 24 exc CvSed-Station, 15,25
10	12	C 162258	Frame brace rear member-LH	1	10-11-12-14-20-21-22-24 exc CvSed-Station, 15,25
10	12	C 162259	Frame brace rear member-RH	1	1941-1942 CvSed-Station
10	12	C 162260	Frame brace rear member-LH	1	1941-1942 CvSed-Station
10	12	C 162261	Frame brace rear member-RH	1	17,18,27,28
10	12	C 162262	Frame brace rear member-LH	1	17,18,27,28
		BX 3197	Rivet-frame brace rear member to side member	4	1940 All
		BZ 80	Rivet-frame brace rear member to side member	4	1941-1942 All
		BZ 71050	Rivet-frame brace rear member to brace plate-upper	6	All
		BX 545	Rivet-frame brace rear member to brace plate-lower	6	All
15	12	BZ 159877	Frame brace plate	1	1940 CvCpe-CvSed
15	12	BZ 159878	Frame brace plate	1	1940 All exc CvCpe-CvSed
15	12	BZ 162256	Frame brace plate	1	1941-1942 CvSed-Station
15	12	BZ 162255	Frame brace plate	1	1941-1942 exc CvSed-Station
		C 161594	Frame brace reinforcement assembly (sub-brace)	1	1940 CvCpe-CvSed
		C 162281	Frame brace reinforcement assembly (sub-brace)	1	1941-1942 CvSed-Station
16	12	C 162263	Reinforcement-frame brace front to side member-RH	1	1941-1942 CvSed-Station
16	12	C 162264	Reinforcement-frame brace front to side member-LH	1	1941-1942 CvSed-Station
17	12	C 162265	Reinforcement-frame brace rear to side member-RH-long .	1	1941-1942 CvSed-Station
17	12	C 162266	Reinforcement-frame brace rear to side member-LH-long .	1	1941-1942 CvSed-Station
18	12	BZ 162267	Reinforcement-frame brace rear to side member-RH-short	1	1941-1942 CvSed-Station
18	12	BZ 162268	Reinforcement-frame brace rear to side member-LH-short	1	1941-1942 CvSed-Station
		BX 3197	Rivet-for frame brace to side member reinforcement	AR	1941-1942 CvSed-Station
G10-			FRAME MISCELLANEOUS PARTS		
1	1	BZ 159847	Bumper-front suspension upper support arm	2	All
		BO 12481	Nut-for upper support arm bumper	2	All
		BZ 152936	Bumper-rear axle	2	1940-1942 All
		BZ 156864	Bumper-differential carrier	1	40,10
		BZ 152937	Bumper-differential carrier	1	1940-1941 All exc 40-10
		BZ 164348	Bumper-differential carrier	1	1942 All .
		BZ 71295	Screw-for axle and differential carrier bumper	6	All
			NOTE: For 1941 rear axle bumper, see group 81.		

BUMPERS

1940 -- 1941 -- 1942

G

Group & Illus. No.	Plate No.	Part No.	NAME	Per Car	Models
G11-			FRONT BUMPER		
1	30 31	C 141382	Outside bar	1	40T,40C,48C,10T,10C exc Del,18
1	30 31	C 141827	Outside bar	1	40P,41,44,48P,10C Del,10P
1	30	C 141383	Outside bar	1	43,45,47
1	31	C 141827	Outside bar	1	11 to 50085
1	31	C 147951	Outside bar	1	11 after 50085,12,14
1	31	C 147954	Outside bar	1	15,17
1	32	C 204959	Outside bar	1	20T,20C,28
1	32	C 204958	Outside bar	1	20P
1	32	C 204951	Outside bar	1	21,22,24,25,27
2	30	BZ 117289	Bolt-for outside bar	2	All
		BZ 71591	Nut-for outside bar bolt	2	All
		C 141384	Frame bar assembly-RH	1	1940 All,10,18
		C 141385	Frame bar assembly-LH	1	1940 All,10,18
		C 141384	Frame bar assembly-RH	1	11 to 50085
		C 141385	Frame bar assembly-LH	1	11 to 50085
		C 147952	Frame bar assembly-RH.	1	11 after 50085,12,14,15,17
		C 147953	Frame bar assembly-LH	1	11 after 50085,12,14,15,17
			NOTE: The model 12 bumpers and bumper fender guards (no cross bar or wings) became standard equipment on model II except Station, starting with car No. 1150085. See also groups 612, 87, 148, R9.		
		C 204956	Frame bar assembly-RH	1	20,28
		C 204957	Frame bar assembly-LH	1	20,28
		C 204952	Frame bar assembly-RH	1	21,22,24,25,27
		C 204953	Frame bar assembly-LH	1	21,22,24,25,27
		BZ 1385	Bolt-frame bar to frame	4	1940 All
		BZ 1385	Bolt-front-frame bar to frame	2	1941-1942 All
		BZ 170198	Bolt-rear-frame bar to frame	2	1941 exc 10C Del, 1942 All
		BZ 141398	Bolt-rear-frame bar to frame	2	10C Del
		BZ 71591	Nut-frame bar to frame bolt	4	All
		BO 71356	Plain washer-frame bar to frame bolt	4	All
5	30	BZ 142055	Front license plate bracket assembly	1	1940 All,10C Del, 11 Station to 50085
6	31	BZ 142055	Front license plate bracket assembly	1	10T,10C exc Del, 18 (after 25351)
6	31	BZ 148597	Front license plate bracket assembly	1	10T,10C exc Del, 18 (to 25351)
6	31	BZ 148597	Front license plate bracket and arm assembly center mounted	1	10P,11 exc Station (to 38198)
6	31	BZ 200497	Front license plate bracket and arm assembly center mounted	1	10P,11 exc Station (after 38198)
6	31	BZ 200497	Front license plate bracket assembly center mounted	1	11 after 50085,12,14,15,17
6	31	BZ 147990	Front license plate bracket assembly center mounted	1	11 after 50085,12,14,15,17
			NOTE: Usage of 1941 end mounted and center mounted front license plate bracket assemblies is as follows:		
		142055 (End mounted)	10C Del. 11 Station to car 50085		
		148597 (Center mounted)	10T-10C exc Del-18 (to car 25351)		
		142055 (End mounted)	10T-10C exc Del-18 (after car 25351) Exceptions 25501 to 26550)		
		148597 (Center mounted).	10P-11 exc Station to car 38198		
		200497 (Center mounted).	10P after car 38198 exceptions 38801 to 38986		
		200497 (Center mounted).	11 exc Station car 38198 to 50085 Exceptions 38801 to 38986		
		148990 (Center mounted).	11 after car 50085, 12,14, 15, 17		
		BZ 204393	Front license plate bracket and clamp assembly	1	20T,20C,28
		BZ 204968	Front license plate bracket and clamp assembly	1	20P
		BZ 204966	Front license plate bracket and clamp assembly	1	21,22,24,25,27
		BO 100341	License plate bracket clamp-for end mounted bracket	1	1940 All,10T,10C,11 Station,18
		BO 120774	License plate bracket clamp-for center mounted bracket	1	10,11 exc Station,12,14,15,17,18
		BO 100341	License plate bracket clamp-first type	1	20T,20C,28
		BO 120774	License plate bracket clamp-second type	1	20T,20C,28
		BO 120774	License plate bracket clamp	1	20P,21,22,24,25,27
		BZ 148594	License plate bracket clamp support-for center mounted	1	10T,10C exc Del,18 (to 2835
		BZ 148598	License plate bracket clamp support-for center mounted	1	10P,11 exc Station (to 3819,
		BZ 200498	License plate bracket clamp support-for center mounted	1	10P,11 exc Station (after 38198)
		BZ 147947	Bumper-for bracket clamp support-center mounted	1	11 after 50085,12,14,15,17
		BO 70899	Bolt-for license plate bracket clamp-end mounted	1	1940 All,10T,10C,11,18,1942

Group & Illus. No.	Plate No.	Part No.	NAME	Per Car	Models	
G11-			FRONT BUMPER (CONT'D.)			
		BO 170023	Bolt-for license plate bracket clamp-center mounted	1	10T,10C,18 (to 28351)	
		BO 170376	Bolt-for license plate bracket clamp-center mounted	1	10P,11 exc Station,12,14,15 17	
		BZ 70874	Nut-for license plate bracket clamp bolt-end mounted	1	10T,10C,11,18	
		BZ 70874	Nut-for license plate bracket clamp bolt-end mounted	1	1942 All	
		BZ 12857	Washer-for license plate bracket clamp bolt	1	20T,20C,28	
		BO 71746	Bolt-license plate bracket-center mounted	1	1941 All	
		BZ 117289	Bolt-license plate bracket	1	20T,20C,28	
		BZ 204969	Bolt-license plate bracket	1	20P,21,22,24,25,27	
		BZ 71443	Nut-license plate bracket bolt	1	11 after 50085,12,14,15,17	
		BZ 71591	Nut-license plate bracket bolt	1	20P,21,22,24,25,27	
		BZ 147937	Front license plate guard assembly (upright)	Standard	2	10P,11 to 50085 exc Station
		BZ 147938	Front license plate guard assembly (upright)	Standard	2	11 after 50085,12,14,15,17
8	32	BZ 147997	Front license plate guard (upright)	Standard	2	20T,20C,28
8	32	BZ 204972	Front license plate guard assembly (upright)-RH	Standard	1	20P
8	32	BZ 204973	Front license plate guard assembly (upright)-LH	Standard	1	20P
8	32	BZ 204992	Front license plate guard assembly (upright)-RH	Standard	1	21,22,24,25,27
8	32	BZ 204993	Front license plate guard assembly (upright)-LH	Standard	1	21,22,24,25,27
			NOTE: If anchor bolt is welded too deep in 204922 and 204933, use special clamp 205062 in place of 204987. and use plain washer 70581 as required to fill space between plate and crossbar.			
		BZ 141406	Spacer-front license plate guard	31/32" long	2	20T,20C,28
		BZ 204963	Spacer-front license plate guard	2-1/32" long	2	20P
		BZ 141407	Spacer-front license plate guard-1st	25/32" long	2	21,22,24,25,27
		BZ 203309	Spacer-front license plate guard-2nd	17/32" long	2	21,22,24,25,27
		BO 12194	Bolt-front license plate guard	5/16"-18 x 1-3/4"	2	10P,11,12,14,15,17
		BZ 126325	Bolt-front license plate guard	7/16" x 14 x 2" Chrome head	2	20T,20C,28
		BZ 204964	Bolt-front license plate guard	7/16"4 x 3-1/2" Chrome head	2	20P
		BZ 71591	Nut-front license plate guard bolt	7/16"-14 x 3/8"	2	1942 All
		BZ 170479	Lockwasher-front license plate guard bolt	7/16"	2	1942 All
		BZ 147919	Bolt retainer-welded to front license plate guard		2	10P,11,12,14,15,17
		BZ 147969	Clamp-front license plate guard		2	10P,11 to 50085 exc Station
		BZ 147939	Clamp-front license plate guard		2	11 after 50085,12,14,15,17
		BO 70674	Nut-front license plate guard clamp	5/16"-18 x 5/16"	2	10P,11,12,14,15,17
11	32	C 204979	Cross bar-lower-front license plate guard	Standard	1	20P
11	32	C 204980	Cross bar-lower-front license plate guard	Standard	1	21,22,24
11	32	C 204981	Cross bar-lower-front license plate guard	Standard	1	25,27
		BZ 70939	Bolt-license plate guard cross bar-lower-	5/16"-18x 7/8"	2	20P,21,22,24,25,27
		BO 70674	Nut-license plate guard cross bar-lower-	5/16"-18 5/16"	2	20P,21,22,24,25,27
		BZ 70675	Lockwasher-license plate guard cross bar-lower		2	20P,21,22,24,25,27
		BZ 204978	Cross bar-upper-front license plate guard	Standard	2	20P
13	32	BZ 204985	Cross bar-upper-front license plate guard	Standard	1	21,22,24,25,27
		BZ 147987	Clamp-license plate guard cross bar-upper		2	20P
		BZ 204987	Clamp-license plate guard cross bar-upper		2	21,22,24,25,27
		BZ 205062	Clamp-license plate guard cross bar	See note above	2	21,22,24,25,27
		BZ 70590	Nut-license plate guard cross bar-upper	5/16"-18	2	1942 All
		BO 71153	Lockwasher-license plate guard cross bar-upper	5/16"	2	1942 All
		HA 148166	Front license plate guard kit	Service	1	10P,11 to 50085 exc Station
		HA 148167	Front license plate guard kit	Service	1	11 after 50085,12,14,15,17
15	30	BZ 126596	Front bumper fender guard		2	40T,40C,48C
15	30	BZ 141720	Front bumper fender guard		2	40P,41,44,48P
15	30	BZ 141721	Front bumper fender guard		2	43,45,47
15	31	BZ 147997	Front bumper fender guard	Standard	2	10T,10C exc Del, 18
15	31	BZ 147993	Front bumper fender guard	Standard	2	10P,10C Del, 11 to 50085
15	31	BZ 147974	Front bumper fender guard-RH	Standard	1	11 after 50085,12,14
15	31	BZ 147975	Front bumper fender guard-LH	Standard	1	11 after 50085,12,14
15	31	BZ 147976	Front bumper fender guard-RH	Standard	1	15,17
15	31	BZ 147977	Front bumper fender guard-LH	Standard	1	15,17
		BZ 126325	Bolt-front bumper fender guard	7/16"-14 x 2" Chrome-Standard	2	1940 All,10,11 to 50085,18
		BZ 147991	Bolt-front bumper fender guard	Spcl. 7/16"-14 x 2-5/8" SS	2	11 after 50085,12,14,15,17

BUMPERS

1940 -- 1941 -- 1942

G

Group & Illus. No.	Plate No.	Part No.	NAME	Per Car	Models		
G11-			FRONT BUMPER (CONT'D.)				
		BZ 71591	Nut-front bumper fender guard	7/16"-14 x 3/8"	2	1940-1941 All	
		BZ 141407	Spacer-front bumper fender guard	25/32" long	2	40T,40C,43,47,48C	
		BZ 141406	Spacer-front bumper fender guard	31/32" long-Standard	2	40P,41,44,45,48P,10,11 to 50085,18	
		BZ 147992	Spacer-front bumper fender guard	1-1/2" long-Standard	2	11after 50085,12,14,15,17	
		C 147983	Cross bar-front bumper fender guard	Standard	1	15,17	
		HA 204960	Front bumper fender guard-outer-kit	Service	1	20T,20C,28	
		HA 204970	Front bumper fender guard-outer-kit	Service	1	20P	
		HA 204990	Front bumper fender guard-outer-kit	Service	1	21,22,24,25,27	
		BZ 147997	Front bumper fender guard-outer	Service	2	20T,20C,28	
		BZ 141720	Front bumper fender guard-outer	Service	2	20P	
		BZ 147974	Front bumper fender guard-outer-RH	Service	1	21,22,24,25,27	
		BZ 147975	Front bumper fender guard-outer-LH	Service	1	21,22,24,25,27	
		BZ 141406	Spacer-fender guard-outer	31/32" long-Service	2	20,28	
		BZ 147992	Spacer-fender guard-outer	1-1/2" long-Service	2	21,22,24,25,27	
		BZ 126325	Bolt-fender guard-outer	7/16"-14 x 2" chrome-Service	2	20,28	
		BZ 147991	Bolt-fender guard-outdr-Spl.	7/16"-14 x 2-5/8"-Service	2	21,22,24,25,27	
		HA 200316	Front bumper fender guard and cross bar kit	Service	1	10T,10C,18	
		HA 142997	Front bumper fender guard and cross bar kit	Service	1	10P,11to 50085	
		HA 147958	Front bumper fender guard and cross bar kit	Service	1	11after50085,12,14	
		BZ 144880	Front bumper fender guard (in 142997 kit)	Service	2	10P,11to 50085	
		BZ 147976	Front bumper fender guard-RH (in 147958 kit)	Service	1	11 after 50085,12,14	
		BZ 147977	Front bumper fender guard-LH (in 147958 kit)	Service	1	11after50085,12,14	
		BZ 144881	Spacer-front bumper fender guard (in 142997 kit)	Service	2	10P,11 to 50085	
		C 144885	Fender guard cross bar (in 200316-142997 kits)	Service	1	10,11to 50)85,18	
		C 147983	Fender guard cross bar (in 147958 kit)	Service	1	11after 50C.85,12,14	
		BZ 147987	Clamp-fender guard cross bar (in 147958 kit)	Service	2	11 after 50085,12,14	
		BZ 70590	Nut-fender guard cross clamp (in 147958 kit)	Service	2	11 after 50085,12,14	
		BO 71153	Lockwasher-for cross bar clamp (in 147958 kit)	Service	2	11 after 50085,12,14	
		C 144882	Fender guard extension-RH (in 200316-142997 kits)	Service	1	10,11to 50085,18	
		C 144883	Fender guard extension-LH (in 200316-142997 kits)	Service	1	10,11to 50085,18	
		BZ 144884	Spacer-fender guard extension (in 200316-142997 kits)	Service	2	10,11to 50085,18	
		BZ 170527	Bolt-fender guard extension	7/16"-14 x 1-7/8" Chrome	2	10,11to 50085,18	
		BO 170526	Bolt-for cross bar and extension	3/8"-16 x 1-1/4"	4	10,11to 50085,18	
		BO 170525	Nut-for cross bar and extension	3/8"-16 x 5/16" Square	4	10,11to 50085,18	
		BO 144886	Retainer-cross bar and extension (in 200316-142997 kits)		4	10,11to 50085,18	
	20	31	BZ 147970	Front bumper bar wing-RH	1	12,14,15,17,opt11 after 50085	
	20	31	BZ 147971	Front bumper bar wing-LH	1	12,14,15,17,opt11 after 50085	
			BZ 117289	Bolt-bumper bar wing	7/16"-14 x 1-1/8" Chrome head	2	11after50085,12,14,15,17
			BZ 71591	Nut-bumper bar wing bolt	7/16"-14 x 3/8"	2	11after50085,12,14,15,17
			HA 147988	Bumper bar wing kit-includes equipment for both front and rear bumpers	Service	1	11 after 50085
				Front bumper splash apron See group R8	See group R8		
G12-			REAR BUMPER				
	1	48	C 133771	Outside bar	1	40T 2Sed-Sed,40C UCo,10T, 10C UCo-UCpe,18P,20T	
	1	48	C 130136	Outside bar	1	40T 3Cpe-VicCpe,40C UCpe	
	1	48	C 141829	Outside bar	1	See note on next page	
	1	48	C 141395	Outside bar	1	40P-41-44-45 2Sed-Sed,48P, 10P,11to 50085,20P	
	1	48	C 141389	Outside bar	1	40P-41-44 3Cpe-Vic Cpe-CvCpe-CvSed	
	1	48	C 147961	Outside bar	1	43,47	
						11 after 50085 exc Station, 12,14 exc Station,21 exc Station,22,24,25,27	
	1	48	C 147964	Outside bar	1	15,17	
	1	48	C 125974	Outside bar	1	40C-48C Panel	
	1	48	C 200871	Outside bar	1	10C Del	
	1	48	C 200302	Outside bar-RH	1	11-14-21Station	
	1	48	C 200303	Outside bar-LH	1	11-14-21Station	
	2	48	BZ 117289	Bolt-for outside bar	AR	7/16"-14 x 1-1/8" Chrome head	
					AR	7/16"-14 x 1-5/8" Chrome	
	2	48	BZ 126568	Bolt-for outside bar	AR	1940 exc Cab-CabPu-Panel, 10 exc Cab-CabPu-Del, 11 to 50085, 18P,20T,20P,21 Station	
						40C-48C Panel,11 after 50085 12,14,15,17,21 exc Station 22,24,25,27	

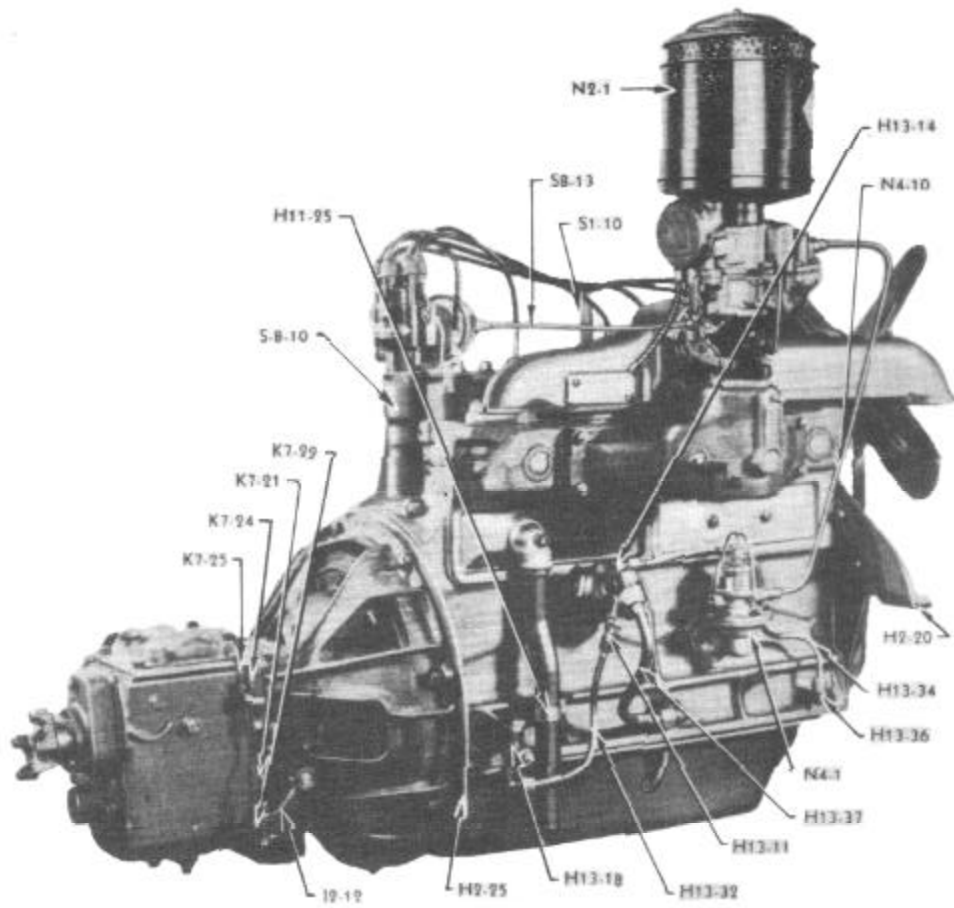
Group & Illus. No.	Plate No.	Part No.	NAME	Per Car	Models
G12-			REAR BUMPER (CONT'D.)		
1	48	BZ 136312	Bolt-for outside bar	2	1940 Coupes and Convertible:
		BZ 126325	Bolt-for outside bar	4	1941 Del
		BZ 71591	Nut-for outside bar bolt	AR	All
		BZ 170479	Lockwasher-for outside bar bolt	AR	All
		BZ 141406	Spacer-for outside bar bolt	4	1941 Del
		C 141390	Frame bar assembly-RH	1	1940 2Sed-Sed-UCo-CA
		C 141391	Frame bar assembly-LH	1	1940 2Sed-Sed-UCo-CA
		C 141396	Frame bar assembly-RH	1	1940 3Cpe-VicCpe-UCpe-CvCpe-CvSed
		C 141397	Frame bar assembly-LH	1	1940 3Cpe-VicCpe-UCpe-CvCpe-CvSed
		C 125972	Frame bar assembly-RH	1	1940 Panel
		C 125973	Frame bar assembly-LH	1	1940 Panel
		C 147966	Frame bar assembly-RH	1	10T,10P,10C UCo-UCpe,11 to 50085 exc Station,18P,20T,20P
		C 147967	Frame bar assembly-LH	1	10T,10P,10C,UCo-UCpe,11 to 50085 exc Station,18P,20T,20P
		C 147962	Frame bar assembly-RH	1	11 after 50085 exc Station,12,14 exc Station,15,17,21 exc Station,22,24,25,21
		C 147963	Frame bar assembly-LH	1	11 after 50085 exc Station,12,14 exc Station,15,17,21 exc Station,22,24,25,21
			NOTE: The model 12 bumpers and fender guards (no cross bar or wings) became on model 11 exc Station, starting with car No. 1150085. See also groups G11, M7, M8, R9.		
		C 200872	Frame bar assembly-RH	1	10C Del
		C 200873	Frame bar assembly-LH	1	10C Del
		C 200304	Frame bar assembly-RH	1	11-14-21 Station
		C 200305	Frame bar assembly-LH	1	11-14-21 Station
		BZ 141398	Bolt-front-frame bar to frame	2	1940-1942 All exc Cab-Cab Pu-Panel-Station
		BZ 1385	Bolt-front-frame bar to frame	2	1941 exc Cab-CabPu-Del
		BZ 141398	Bolt-front-frame bar to frame	2	1941 Del
		BZ 1385	Bolt-rear-frame bar to frame	2	1940-1942 exc Cab-Cab-Cab Pu-Panel-Station
		BZ 141398	Bolt-rear-frame bar to frame	2	1941 exc Cab-CabPu-Del
		BZ 1385	Bolt-rear-frame bar to frame	2	1941 Del
		BZ 71725	Bolt-rear-frame bar to frame	4	1940 Panel
		BZ 71591	Nut-for frame bar to frame bolt	4	A11 exc Cab-CabPu-Station
		BO 170479	Lockwasher-frame bar to frame bolt	4	A11 exc Cab-CabPu-Station
		BO 170626	Lag screw-frame bar to body	2	11-14-21 Station
		BZ 134218	Grommet-RH-rear bumper	1	1940 2Sed-Sed-UCo-CA
		BZ 134219	Grommet-LH-rear bumper	1	1940 2Sed-Sed-UCo-CA
		BZ 130104	Grommet-RH-rear bumper	1	1940 Coupes and Convertibles
		BZ 130105	Grommet-LH-rear bumper	1	1940 Coupes and Convertible:
		BZ 126596	Rear bumper fender guard	2	40T,40C UCo-UCpe
		BZ 141720	Rear bumper fender guard	2	40P,41,44,45,48P
6	48	BZ 141832	Rear bumper fender guard-RH	1	43,47
6	48	BZ 141833	Rear bumper fender guard-LH	1	43,47
		BZ 147997	Rear bumper fender guard	2	10T,10C UCo-UCpe,18P,20T
		BZ 147993	Rear bumper fender guard	2	10P,11 to car 50085 exc Station
		BZ 200905	Rear bumper fender guard	2	10C Del
		BZ 121201	Rear bumper fender guard	2	11-14-21 Station
6	48	BZ 147975	Rear bumper fender guard-RH	1	11 after 50085 exc Station,12,14 exc Station
6	48	BZ 147974	Rear bumper fender guard-LH	1	11 after 50085 exc Station,12,14 exc Station
		BZ 147977	Rear bumper fender guard-RH	1	15,17
		BZ 147976	Rear bumper fender guard-LH	1	15,17
		BZ 204974	Rear bumper fender guard-RH	1	20P
		BZ 204975	Rear bumper fender guard-LH	1	20P
		BZ 204994	Rear bumper fender guard-RH	1	21 exc Station,22,24
		BZ 204995	Rear bumper fender guard-LH	1	21 exc Station,22,24
		BZ 204996	Rear bumper fender guard-RH		25,27
		BZ 204997	Rear bumper fender guard-LH		25,27

BUMPERS

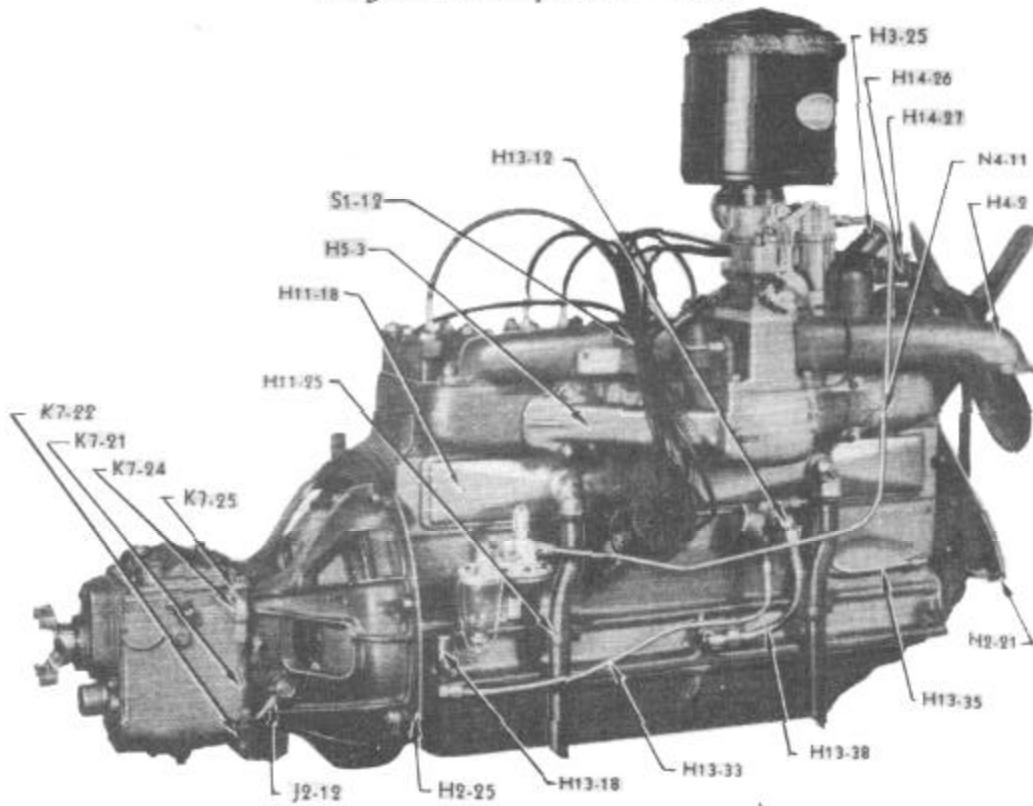
1940 -- 1941 -- 1942

G

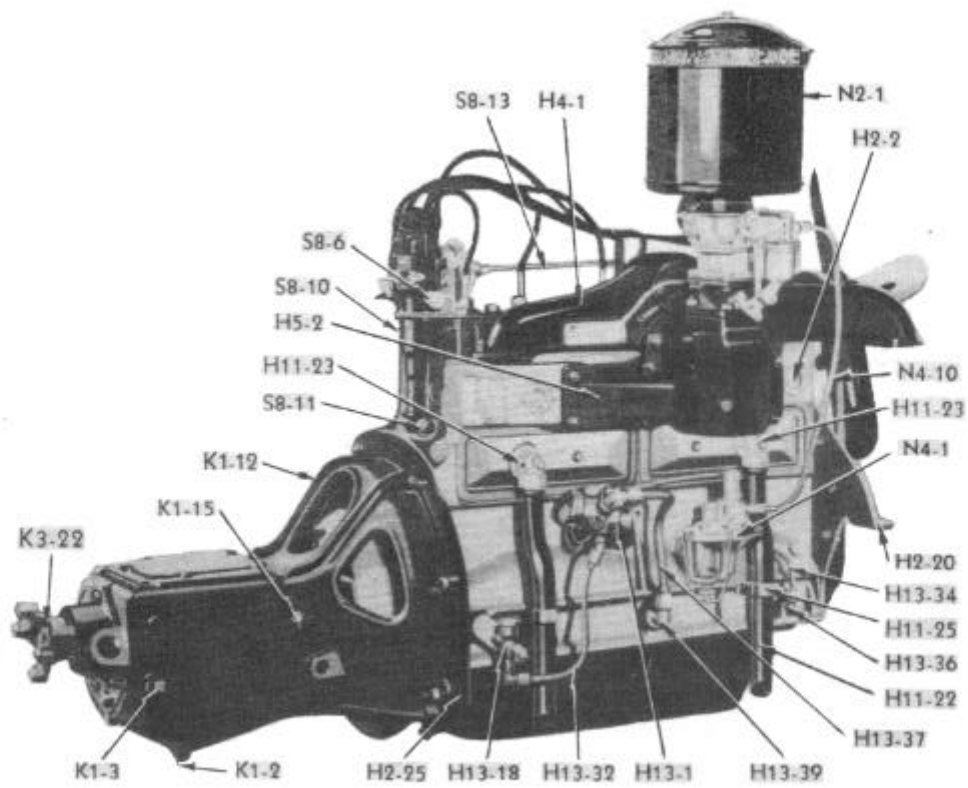
Group & Illus. No.	Plate No.	Part No.	NAME	Per Car	Models	
G12-			REAR BUMPER (CONT'D.)			
		BZ 126325	Bolt-for fender guard 7/16"-14 x 2" Chrome head	2	1941 exc Cab-CabPu,10 exc Cab-CabPu,11 to 50085,20T	
		BZ 170372	Bolt-for fender guard 7/16"-20 x 1" hex	2	43,47	
		BZ 204964	Bolt-for fender guard 7/16"-14 x 3-1/2" Chrome head	2	20P	
		BZ 71591	Nut-for fender guard bolt 7/16"-14 x 3/8"	2	A11 exc Cab,CabPu,Station	
		BZ 70194	Nut-for fender guard bolt 7/16"-20 x 3/8"	2	43,47,11-14-21 Station	
		BZ 170479	Lockwasher-for fender guard bolt 7/16"	2	A11 exc Cab-CabPu	
		BZ 141407	Spacer-fender guard 25/32" long	2	40T,40C UCo-UCpe	
		BZ 141406	Spacer-fender guard 31/32" long	2	40P,41,44,45,48P,10 exc Cab-CabPu,11 to 50085 exc Station,18P,20T	
		BZ 147992	Spacer-fender guard 1-1/2" long	2	11 after 50085,12,14,15,17	
		BZ 203309	Spacer-fender guard 7/32" long	2	21 exc Station,22,24,25,27	
		BZ 204963	Spacer-fender guard 2-1/32" long	2	20P	
		BZ 141840	Locking spring-fender guard Standard	2	43,47	
		BO 70028	Rivet-fender guard locking spring 3/16" x 3/8"-Standard	2	43,47	
		BZ 141825	Knob-fender guard locking spring Standard	2	43,47	
		BO 141849	Rubber bumper-fender guard hinge Standard	2	43,47	
9	48	C 142643	Cross bar-rear bumper fender guard Standard	1	43,47	
		C 147984	Cross bar-rear bumper fender guard Standard	.1	15,17	
		C 204986	Cross bar-rear bumper fender guard Standard	1	25,27	
		HZ 142759	Clamp-fender guard cross bar Standard	2	43,47	
		BZ 147987	Clamp-fender guard cross bar Standard	2	15,17	
		BZ 204987	Clamp-fender guard cross bar Standard	2	25,27	
		BZ 70590	Nut-fender guard cross bar clamp Standard	2	43,47,15,17,25,27	
		BO 142396	Rubber protector-fender guard cross bar handle- Standard	1	43,47	
		BZ 170448	Screw-for cross bar handle rubber protector Standard	2	43,47	
		HA 147996	Rear bumper fender guard and cross bar kit Service	1	10P,11 to 50085 exc Station	
		HA 147959	Rear bumper fender guard and cross bar kit Service	1	11 after 50085 exc Station, 12,14 exc Station	
		HA 205094	Rear bumper fender guard and cross bar kit Service	1	20P	
		HA 205095	Rear bumper fender guard and cross bar kit Service	1	21 exc Stn,22,24	
		BZ 147994	Fender guard-RH (part of kit 147996) Service	1	10P,11 to 50085 exc Station	
		BZ 147995	Fender guard-LH (part of kit 147996) Service	1	10P,11 to 50085 exc Station	
		BZ 147977	Fender guard-RH (part of kit 147959) Service	1	11 after 50085 exc Stn,12, 14 exc Stn	
		BZ 147976	Fender guard-LH (part of kit 147959) Service	1	11 after 50085 exc Stn,12, 14 exc Stn	
		BZ 204976	Fender guard-RH (part of kit 205094) Service	1	20P	
		HZ 204977	Fender guard-LH (part of kit 205094) Service	1	20P	
		BZ 204996	Fender guard-RH (part of ket 205095) Service	1	21 exc Stn,22,24	
		HZ 204997	Fender guard-LH (part of kit 205095) Service	1	21 exc Stn,22,24	
		C 147985	Cross bar (part of kits 147996-205094) Service	1	10P,11 to 50085 exc Stn,20P	
		C 147984	Cross bar (part of kit 147959) Service	1	11 after 50085 exc Stn,12, 14 exc Stn	
		C 204986	Cross bar (part of kit 205095) Service	1	21 exc Stn,22,24	
		BZ 147987	Clamp-cross bar (part of kits 147996-147959-205094) Service	2	10P,11-14 exc Stn,12,20P	
		BZ 205062	Clamp-cross bar (part of kit 205095) Service	2	21 exc Stn,22,24	
		BZ 70590	Nut-cross bar clamp (part of a11 kits) Service	2	10P,11-14-21 exc Stn,12, 20P,22,24	
		BO 71153	Lockwasher-cross bar clamp (part of a11 kits) Service	2	10P,11-14-21 exc Stn,12, 20P,22,24	
10	48	BZ 147971	Bumper bar wing-RH Standard	1	12,14 exc Stn,15,17,22,24, 25,27	
10	48	BZ 147970	Bumper bar wing-LH Standard	1	12,14 exc Stn,15,17,22,24, 25,27	
		BZ 117289	Bolt-for bumper bar wing 7/16"-14 x 1-1/8" Chrome-Std.	2	12,14 exc Stn,15,17,22,24, 25,27	
		BZ 71591	Nut-for bumper bar wing bolt 7/16"-14 x 3/8"-Std.	2	12,14 exc Stn,15,17,22,24, 25,27	
		HA 147988	Bumper bar wing kit-includes equipment for both front and rear bumpers Service	1	11 after 50085 exc Stn	
		HA 204988	Bumper bar wing kit Service	1	21 exc Stn	
		NOTE: HA 147988 kits consists of two each 147970 and 147971 wings. HA 204988 klt consists of one each 147970 and 147971 wings; also two each 117289 bolt, 71591 not and 170479 lockwasher.				
12	48	C 147946	Rear bumper stone guard assembly	1	10T,10P,10C UCp-UCpc,11 to 50085 exc Stn,20T,20P	
12	48	C 147942	Rear bumper stone guard assembly	1	11 after 50085 exc Stn,12, 14-21 exc Stn,15,17,22, 24,25,27	



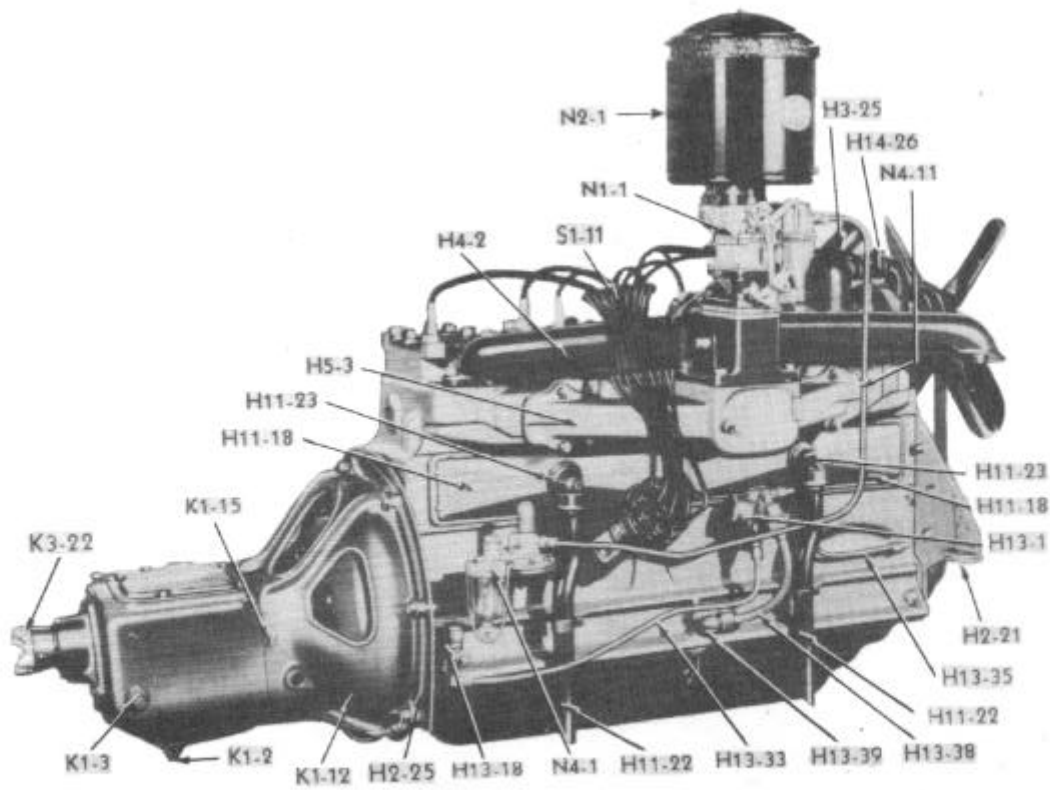
Engine—Six Cylinder—1940



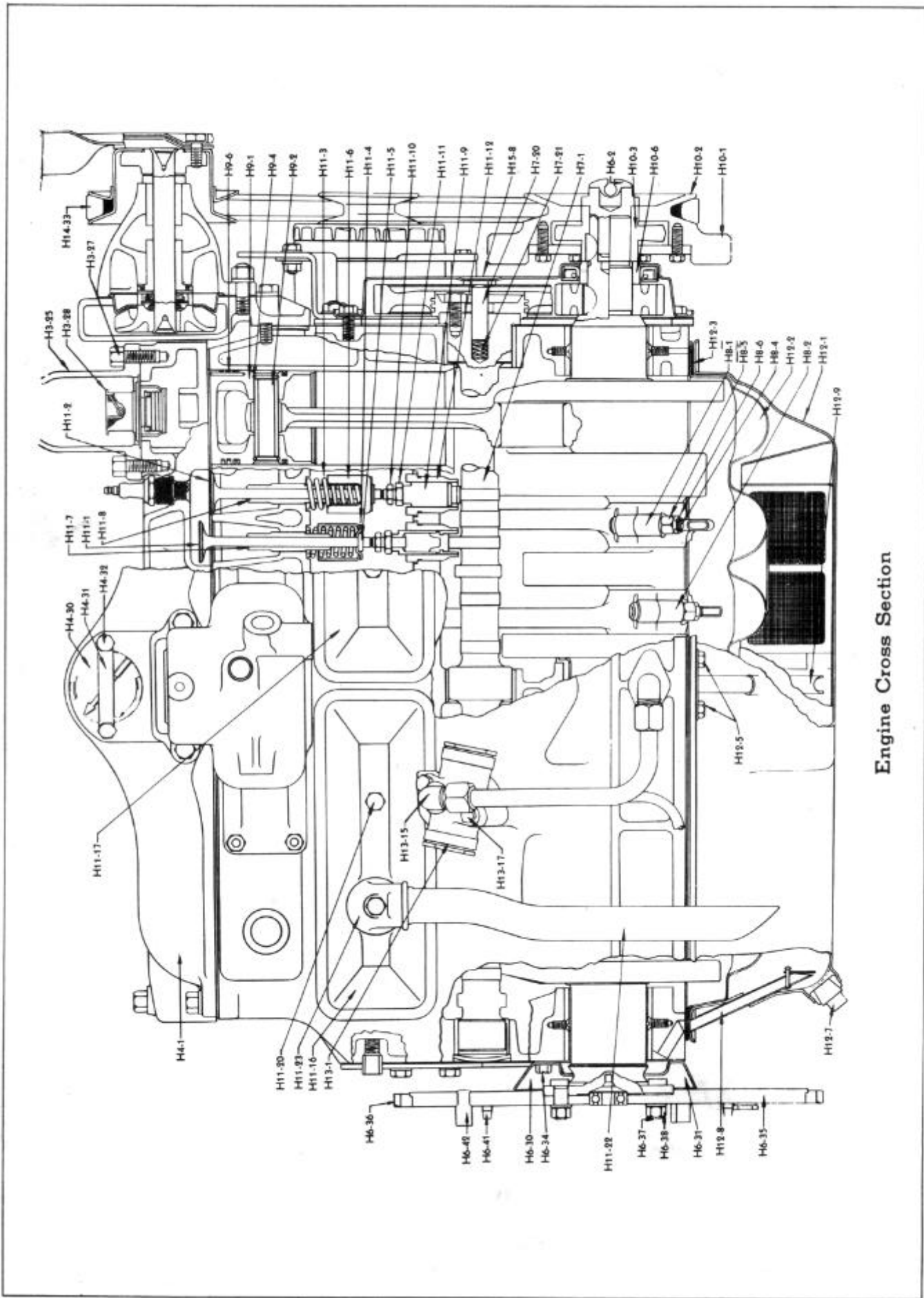
Engine—Eight Cylinder—1940



Engine—Six Cylinder—1941-1942



Engine—Eight Cylinder—1941-1942



Engine Cross Section

Group & Illus. No.	Plate No.	Part No.	NAME	Per Car	Models
G12-			REAR BUMPER (CONT'D.)		
		BO 128301	Anti-rattle bumper-rear bumper stone, guard to body	AR	1941-1942 exc Cab-CabPu-Del-Stn
		BO 71701	Screw-rear bumper stone guard to seat tray	1	1941-1942 exc Cab-CabPu-Del-Stn
		BO 203769	Shim-rear bumper stone guard to frame	2	1942 exc Cab-CabPu-Stn
N1-			ENGINE ASSEMBLY AND MOUNTING		
			NOTE: Service engine assemblies do not include fan, carburetor, or electrical equipment		
			The 3" bore x 4-1/8' stroke six cylinder engine is standard on models 40,10 and 20.		
			The 3' bore by 5' stroke six cylinder engine is standard on models 41,43,48, 11, 12, 18,21,22,28: and optional on models 40, 10 and 2 This engine may be identified by a 1/2" projection on the right side of oil pan tray 5' in rear of oil suction pipe. Model 40 car No. 4052323 was the first with this option.		
			Model 10 and 20 cars originally equipped with the optional 3" x 5" engine are identified by the letter "L" stamped on car number plate. Use of the 3' a 5' engine in model 40,10 or 20 require changes in rear axle, rear hubs, clutch, transmission, propeller shaft, carburetor, throttle control, and generator. See groups B1,B2,B3,B6,B7,C1,D1,D2,E3,H1,H3,H4,H5,H6,H7,H8,H11,J1,K1,K2,K3,K4,L1,N1,N2,N4,N6,P3,R8,S8,S9		
		C 160720	Engine assembly-3" x 4-1/8"	Standard	1 40 without OD
		C 160719	Engine assembly-3" x 4-1/8"	Standard	1 40 with OD
		C 160723	Engine assembly-3" x 5"	Optional	1 40 without OD
		C 160724	Engine assembly-3" x 5"	Optional	1 40 with OD
		C 160723	Engine assembly-3" x 5"	Standard	1 41 without OD
		C 160724	Engine assembly-3" x 5"	Standard	1 41 with OD
		C 160725	Engine assembly-3" x 5"	Standard	1 43
		C 160727	Engine assembly-3" x 4-1/2"	Standard	1 44,45
		C 160728	Engine assembly-3" x 4-1/2"	Standard	1 47
		C 160722	Engine assembly-3" x 5"	Standard	1 48
		C 162613	Engine assembly-3" x 4-1/8"	Standard	1 10 without OD
		C 162614	Engine assembly-3" x 4-1/8"	Standard	1 10 with OD
		C 162615	Engine assembly-3" x 5"	Optional	1 10 without OD exc Del
		C 162616	Engine assembly-3" x 5"	Optional	1 10 with OD
		C 162622	Engine assembly-3" x 5"	Optional	1 10C Del without OD
		C 162615	Engine assembly-3" x 5"	Standard	1 11 without OD
		C 162616	Engine assembly-3" x 5"	Standard	1 11 with 00,12
		C 162619	Engine assembly-3" x 4-1/2"	Standard	1 14
		C 162620	Engine assembly-3" x 4-1/2"	Standard	1 15,17
		C 162618	Engine assembly-3" x 5"	Standard	1 18
		C 164813	Engine assembly-3" x 4-1/8"	Standard	1 20 without HDM,VD, or OD
		C 164814	Engine assembly-3" x 4-1/8"	Standard	1 20 with HDM,VD, or OD
		C 164815	Engine assembly-3 x 5"	Optional	1 20 without HDM,VD, or OD
		C 164816	Engine assembly-3" x 5"	Optional	1 20 with HDM,VD, or OD
		C 164815	Engine assembly-3" x 5"	Standard	1 21 without HDM,VD, or OD
		C 164816	Engine assembly-3" x 5"	Standard	1 21 with HDM,VD, or OD
		C 164816	Engine assembly-3" x 5"	Standard	1 22
		C 164820	Engine assembly-3" x 4-1/2"	Standard	1 24
		C 164821	Engine assembly-3" x 4-1/2"	Standard	1 25,27
		C 164818	Engine assembly-3" x 5"	Standard	1 28
		BM 170341	Engine front mounting bolt-short	7/16"-20 x 2-3/4"	1 All
		BM 170342	Engine front mounting bolt-long	7/16"-20 x 3"	1 All
		BM 170343	Nut-for engine front mounting bolt	7/16"-20 locking	2 All
		BM 40638	Sleeve-for engine front mounting bolt		2 All
		BM 71219	Plain washer-for front mounting	15/32" x 1-5/8" x 1/8"	4 All
		BM 47121	grommet-upper-for front mounting		2 All six cylinder
		BM 47123	grommet-upper-for front mounting		2 All eight cylinder
		BM 47122	grommet-lower-for front mounting		2 All six cylinder
		BM 47124	grommet-lower-for front mounting		2 All eight cylinder
		BM 42545	Engine rear mounting	Rubber	1 1940-1942 six cylinder
		BM 42532	Engine rear mounting	Rubber	1 1941 six cylinder
		BM 42532	Engine rear mounting	Rubber	1 1940 eight cylinder
		BM 162099	Engine rear mounting	Rubber	1 1941-1942 eight cylinder
		BM 40642	Bolt-rear mounting to clutch housing	7/16"-14 x 1-5/16"	1 All
		BZ 908	Bolt-rear mounting to cross member	5/16"-18 x 7/8"	2 All
		BZ 122	Nut-rear mounting to cross member bolt	5/16"-18	2 All

Group & Illus. No.	Plate No.	Part No.	NAME	Per Car	Models
H2-			CYLINDER AND SUPPORT PLATES		
		C 159543	Cylinder and pistons assembly	1	1940 six cylinder
		C 159622	Cylinder and pistons assembly	1	1940 eight cylinder
		C 162468	Cylinder and pistons assembly	1	1941 six cylinder
		C 162469	Cylinder and pistons assembly	1	1941 eight cylinder
		C 162468	Cylinder and pistons assembly	1	1942 six cylinder
		C 162469	Cylinder and pistons assembly	1	1942 eight cylinder
2	14	BM 14112	Expansion plug-cylinder	1"	3-6 All
		BM 70584	Expansion plug-camshaft	1-7/8"	1 1940 six cyl, 1941 six cyl 1st type
		BM 71049	Expansion plug-camshaft	1-13/16"	1 1940 eight cyl, 1941 six cyl 2nd type
		BM 71049	Expansion plug-camshaft	1-13/16"	1 1941 eight cyl, 1942 All
		BM 70568	Expansion plug-inspection hole	3/4"	2 All eight cylinder
		BM 61978	Plug-at camshaft bearing	25/64" cup type	AR All
		BM 227	Stud-for generator adjusting bracket	3/8"-16 x 1-1/2"	1 1940 All
		BM 170654	Stud-for generator adjusting bracket	3/8"-16 x 1-3/8"	1 1941-1942 All
		BX 231	Drain plug-water jacket	1/4" sq. head	1 All
		BM 150415	Cylinder water jacket cover assembly		1 All six cylinder
		BM 150418	Cylinder water jacket cover assembly		1 All eight cylinder
		F 157863	Gasket-water jacket cover	Production type	1 All six cylinder
		F 161750	Gasket-water jacket cover	Service	1 All six cylinder
		F 161751	Gasket-water jacket cover	Service	1 All eight cylinder
		BO 170463	Bolt-water jacket cover	5/16"-18 x 19/32"	AR All
		BZ 908	Bolt-water jacket cover-for VD Bracket	5/16"-18 x 7/8"	3 1940 All
		BZ 70177	Plain washer-water jacket cover bolt	Brass	AR All
		BO 170709	Plain washer-water jacket cover bolt	Steel	AR All
		BM 152614	Oil level gauge assembly		1 1940 six cylinder
		BM 162520	Oil level gauge assembly		1 1941-1942 six cylinder
		BM 162521	Oil level gauge assembly		1 All eight cylinder
20	13-14	BM 159502	Cylinder support plate assembly-front		1 All six cylinder
21	13-14	BM 159503	Cylinder support plate assembly-front		1 All eight cylinder
		F 40339	Gasket-front support plate		1 All
		BZ 1157	Bolt-front support plate	3/8"-16 x 3/4"	8 All
		BM 61446	Lock-front support plate bolt		2 All
25	13-14	BM 159551	Cylinder support plate-rear		1 1940-1941 six cylinder
25	13-14	BM 47110	Cylinder support plate-rear	1st type	1 1940-1941 eight cylinder
		BM 159551	Cylinder support plate-rear	2nd type	1 1941 eight cylinder
		BM 159551	Cylinder support plate-rear		1 1942 All
		F 159552	Gasket--rear support plate		1 All six cylinder
		F 40342	Gasket-rear support plate		1 All eight cylinder
		BZ 9168	Bolt-rear support plate to cylinder	7/16"-14 x 1-3/8"	1 All
		BM 40343	Dowel-rear support plate to cylinder		2 All
		BM 71197	Plain washer-rear support plate to cylinder bolt		1 All
		BZ 1157	Bolt-rear support plate	3/8"-16 x 3/4"	4-6 All
H3-			CYLINDER HEAD		
		C 162776	Cylinder head assembly	7.25 to 1 comp. ratio	1 40-10-20 with std. engine
		C 159564	Cylinder head assembly	6.50 to 1 comp. ratio	1 40-10-20 with L engine
		C 159564	Cylinder head assembly	6.50 to 1 comp. ratio	1 41,43,48,11,12,18,21,22,28
		C 159566	Cylinder head assembly	6.50 to 1 comp. ratio	1 All eight cylinder
		C 165118	Cylinder head assembly	*	1 40-10-20 with std. engine
		C 165119	Cylinder head assembly	*	1 40-10-20 L eng, 41,43,48, 11,12,18,21,22,28
		C 165121	Cylinder head assembly	*	1 All eight cylinder
		NOTE: 165118, 165119 and 165121 are for use with steel pistons. These were not used in production, but are shown here for service replacement			
		F 152612	Gasket-cylinder head		1 All six cylinder
		F 152613	Gasket-cylinder head		1 All eight cylinder
		BM 9751	Expansion plug-cylinder head	7/8"	4 All
		BM 150384	Stud-cylinder head	4-9/32" long	5-7 All six cylinder
		BM 150380	Stud-cylinder head	3-3/32" long	12 All six cylinder
		BM 150382	Stud-cylinder head	3-15/32" long	1-2 All six cylinder
		BM 150386	Stud-cylinder head	3-3/16" -long	24 All eight cylinder
		BM 150388	Stud-cylinder head	3-27/32" long	4-6 All eight cylinder
		BM 161138	Stud-cylinder head	4-1/16" long-for heater hose brkt	11 40,41,43,48
		BM 71578	Nut-cylinder head stud	3/8"-16 x 3/8"	21 All six cylinder
		BM 9665	Nut-cylinder head stud	7/16n-14 x 3/8"	30 All eight cylinder

Group & Illus. No.	Plate No.	Part No.	NAME	Per Car	Models
CYLINDER HEAD (CONT'D.)					
H3-					
25	15	BM 155517	Water outlet-cylinder head	1	All exc 43 47 15 17 25 27
25	IS	BM 155210	Water outlet-cylinder head	1	43,47,15,17,25,27
		BM 150379	Gasket-cylinder head water outlet	1	All
27	15	BT 1308	Bolt-cylinder head water outlet	2	All
28	15	BO 155709	Thermostat-water outlet	1	All exc 43 47 15 17 25 27
		F 150406	Thermostat-water outlet	1	43,47,15,17,25,27
		HA 165113	Thermostat regulator	1	All
		F 159058	Temperature indicator element	1	All
		BZ 70863	Terminal screw-temperature indicator element	1	All
		BZ 2346	Pipe plug-heater connection hole	1	All
		HA 157054	Spark plug-J 9	6-8	All
		HA 157053	Spark plug-J 5	6-8	All
EXHAUST MANIFOLD					
NOTE For other parts used with optional (3 a 5) engine In models 40,10 and 20, see note in group HI.					
1	15	C 153153	Exhaust manifold assembly	1	40-10-20 with std. engine, 48,10C Del,18,28
1	15	C 153147	Exhaust manifold assembly	1	40-10 exc Del-20 with L engine
1	15	C 153147	Exhaust manifold assembly	1	41,43,11,12,21,22
2	13	C 159528	Exhaust manifold assembly	1	44,45,47
2	14	C 162152	Exhaust manifold assembly	1	14,15,17,24,25,27
		BM 162154	Heater tube-for carburetor choke	1	1941-1942 eight cylinder
		BM 4131	Stud-exhaust manifold	1-2	1940 All
		BM 227	Stud-exhaust manifold	4-9	1940 All
		BM 170654	Stud-exhaust manifold	6-10	1941-1942 All
		BM 71058	Nut-exhaust manifold stud	6-10	All
		153155	Gasket-front-exhaust manifold	1	1940-1941 All six cylinder
		153156	Gasket-center-exhaust manifold	1	1940-1941 All six cylinder
		153157	Gasket-rear-exhaust manifold	1	1940-1941 All six cylinder
		F 163793	Gasket-exhaust manifold-2nd type-one piece	1	All six cylinder
		F 153158	Gasket-end-exhaust manifold	2	All eight cylinder
		F 153159	Gasket-intermediate-exhaust manifold	2	All eight cylinder
		F 153160	Gasket-center-exhaust manifold	1	All eight cylinder
30	15	BM 153161	Damper-exhaust manifold	1	} For manual damper control used with single carburetor on 40-10-20 with std. engine, 48,16C Del,18,28
		BM 153162	Gasket-exhaust manifold damper	1	
31	15	BM 159748	Retainer-exhaust manifold damper	1	
32	15	BM 71218	Stud-exhaust manifold damper retainer	2	
		BZ 70177	Washer-exhaust manifold damper retainer stud	2	
		BO 170709	Washer-exhaust manifold damper retainer stud	2	
		BM 71108	Nut-exhaust manifold damper retainer stud	2	
			NOTE: Following parts marked * are for automatic damper control used with duplex carburetor.		
		BM 153165	Damper and shaft assembly-exhaust manifold	*	
		BM 38089	Bushing-for damper shaft	*	
		HM 37946	Spring-front or top-exhaust damper	*	
		BM 45751	Spring-rear or bottom-exhaust damper	*	
		BM 37947	Retainer-front or top exhaust damper spring	*	
		BM 45731	Retainer-rear or bottom exhaust damper spring	*	
		BM 153582	Anti rattle spring-exhaust damper	*	
		BM 37949	Stud-front exhaust damper spring	*	
		BM 45553	Stud-rear exhaust damper spring	*	
		BM 153168	Stud-top exhaust damper spring	*	
		BM 37949	Stud-bottom exhaust damper spring	*	
		BM 45528	Thermostat-exhaust damper	*	
		BM 153169	Cover assembly-exhaust damper	*	
		F 153171	Gasket-exhaust damper cover	*	
		BM 38088	Damper stop-exhaust damper cover	*	
		BM 13073	Stud-exhaust damper cover	*	
		BM 71687	Nut-exhaust damper cover stud	*	

Group & Illus. No.	Plate No.	Part No.	NAME	Per Car	Models	
H5-			INTAKE MANIFOLD			
			NOTE: For other parts used with options) L (3 x 5) engine In models 40, 10 and 20, see note in group H1			
	2	14	C 159798	Intake manifold assembly For single carburetor	1	40-10 with std eng, 10C Del,48,18
	2	14	C 164340	Intake manifold assembly For single carburetor	1	20 with std eng,28
	3		C 159799	Intake manifold assembly For duplex carburetor	1	40-10 with L engine exc Del,41,43,11,12
			C 164341	Intake manifold assembly For duplex carburetor	1	20 with L eng,21,22
			C 160082	Intake manifold assembly For duplex carburetor	1	44,45,47,14,15,17
			C 164343	Intake manifold assembly For duplex carburetor	1	24,25,27
			BZ 43220	Stud-for throttle control bellcrank	1	40-10 with std eng,10C Del,48,18
			BZ 164345	Stud-for throttle control bellcrank	1	20 with std eng,28
			BM 48613	Stud-for throttle return spring	1	40-10 with std eng,10C Del,48,18
			BM 71691	Stud-for throttle return spring bracket	1	20 with std engine,28
			BM 153168	Stud-for throttle return spring	1	40-10-20 with L engine exc Del,41,43,11,12,21, 22,all eight cylinder
			BM 9751	Expansion plug-single carburetor manifold 7/8"	1	40-10-20 with std eng,10C Del,48,18,28
			BM 70568	Expansion plug-duplex carburetor manifold 3/4"	1	40-10-20 with L engine exc Del,41,43,11,12,21,22
			BT 12437	Expansion plug-duplex carburetor manifold 3/8"	1	All eight cyl
			BM 120	Pipe plug-1/8" Service	1	1940-1941 All
			BM 71100	Pipe plug-3/8"	1	All without HDM or VD
			BM 159214	Stud-for carburetor 2" long-drilled	1	40-10-20 with std eng, 10C Del,48,18,28
			BM 159923	Stud-for carburetor 1-5/16" long-drilled	1	40-10-20 with L engine exc Del,41,43,11,12,21, 22,all eight cylinder
			BM 71288	Stud-for carburetor 1-3/4" long-plain	1	40-10-20 with std eng, 10C Del,48,18,28
			BM 161015	Stud-for carburetor 1-7/8" long-plain	3	40-10-20 with L engine exc Del,41,43,11,12,21, 22,A11 eight cylinder
			BM 6189	Nut-for carburetor stud 3/8"-16 x 21/64"	2	40-10-20 with std eng, 10C Del,48,18,28
			BO 12481	Nut-for carburetor stud 5/16"-24 x 17/64"	4	40-10-20 with L engine exc Del,41,43,11,12,21, 22,All eight cylinder
			BM 13073	Stud-intake manifold to cylinder 5/16"-18 x 1-1/4"	6	All six cylinder
			BM 71688	Stud-intake manifold to cylinder 5/16"-18 x 2"	2	All six cylinder
			BM 227	Stud-intake manifold to cylinder 3/8"-16 x 1-1/2"	8	1940 eight cylinder
			BM 170654	Stud-intake manifold to cylinder 3/8"-16 x 1-3/8"	8	1941-1942 eight cylinder
			BZ 122	Nut-manifold to cylinder stud 5/16"-18 x 5/16"	8	All six cylinder
			BM 110	Nut-manifold to cylinder stud 3/8"-16 x 3/8"	8	All eight cylinder
			BM 71044	Bolt-intake to exhaust manifold 3/8"-16 x 1-1/8"	2	All six cylinder
			BM 71243	Bolt-intake to exhaust manifold 3/8"-16 x 1-1/4"	4	All eight cylinder
			BM 18308	Washer-intake to exhaust manifold bolt	2-4	All
			F 48590	Gasket-intake to exhaust manifold	1	All six cylinder
			F 152530	Gasket-intake to exhaust manifold	1	All eight cylinder
			F 152539	Gasket-intake manifold to cylinder	1	All six cylinder
			F 152537	Gasket-intake manifold to cylinder Small	2	All eight cylinder
			F 152538	Gasket-intake manifold to cylinder Large	2	All eight cylinder
			BM 154977	Tube assembly-for windshield cleaner	1	All
			BM 71622	Nut-for windshield cleaner tube 1/4" flared	1	All
			BM 170054	Elbow-for windshield cleaner tube 45°	1	All six cylinder
			BM 170054	Elbow-for windshield cleaner tube-with std fuel pump	1	All eight cylinder
			BM 170282	Elbow-windshield cleaner tube-with combination pump- 90°	1	All eight cylinder
			BM 170127	Union-windshield cleaner tube-with std fuel pump-1/4" flared	1	40-10-20 with L engine exc Del,41,43,11,12,21,29
			BM 158636	Connector-windshield cleaner tube copper	1	All with combination pump
			BM 158635	Rubber tube-windshield cleaner tube	1	All with combination pump
			BM 170130	Straight connection-single Used with VD	1	All six cyl
		BM 170131	90° Connection-single Used with VD	1	All six cyl	

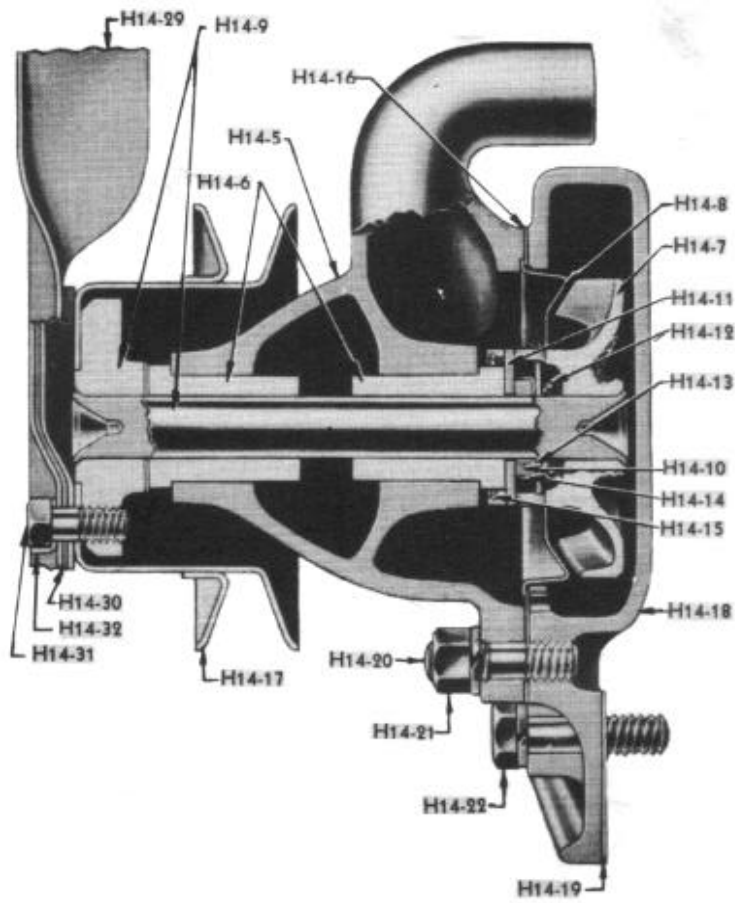
Group & Illus. No.	Plate No.	Part No.	NAME	Per Car	Models			
H6-	2	15	CRANKSHAFT AND FLYWHEEL		Per Car			
			C 156638	Crankshaft assembly	Standard 3 x 4-1/8" engine		40,10,20	
			C 162177	Crankshaft assembly	Optional L (3 x 5) engine	1	40,10,20	
			C 162177	Crankshaft assembly	Standard 3 x 5 engine	1	41,43,48,11,12,18,21,22,28	
			C 152045	Crankshaft assembly		1	All eight cyl	
			BM 44671	Starting jaw-crankshaft		1	All	
			BM 37015	Washer-crankshaft starting jaw		1	All	
						1		
			BM 157885	Bearing cap No. 1-crankshaft		1	1940 six cyl	
			BM 162670	Bearing cap No. 1-crankshaft		1	1941-1942 six cyl	
			BM 42006	Bearing cap No. 1-crankshaft		1	1940 eight cyl	
			BM 162673	Bearing cap No. 1-crankshaft		1	1941-1942 eight cyl	
			BM 35077	Bearing cap No. 2-crankshaft		1	1940 six cyl	
			BM 162671	Bearing cap No. 2-crankshaft		1	1941-1942 six cyl	
			BM 33109	Bearing cap No. 2-crankshaft		1	1940 eight cyl	
			BM 162674	Bearing cap No. 2-crankshaft		1	1941-42 eight cyl	
			BM 37016	Bearing cap No. 3-crankshaft		1	1940 six cyl	
			BM 162672	Bearing cap No. 3-crankshaft		1	1941-1942 six cyl	
			BM 33114	Bearing cap No. 3-crankshaft		1	1940 eight cyl	
			BM 162675	Bearing cap No. 3-crankshaft		1	1941-1942 eight cyl	
			BM 33119	Bearing cap No. 4-crankshaft		1	1940 eight cyl	
			BM 162676	Bearing cap No. 4-crankshaft		1	1941-1942 eight cyl	
			BM 37352	Bearing cap No. 5-crankshaft		1	1940 eight cyl	
			BM 162677	Bearing cap No. 5-crankshaft		1	1941-1942 eight cyl	
						NOTE: 1940 bearing caps machined.021* below center line to accommodate shim pack. 1941 and 1942 bearing caps machined on center line and are assembled without shims.		
						The 1941 type bearing caps assembled without shims was used in 1940 models 40 and 41 starting with car numbers 4087852 and 4187737. This construction was also used on a few models 40 and 41 cars before these car numbers.		
						A few first production 1941 eight cylinder engines used the 1940 shim type construction.		
					BM 161759	Shim-thin-bearing cap No. 1	6	1940 six cyl
					BM 161760	Shim-thick-bearing cap No. 1	6	1940 six cyl
					BM 37336	Shim-thin-bearing cap No. 1	6	1940 eight cyl
					BM 161766	Shim-thick-bearing No. 1	6	1940 eight cyl
					BM 161761	Shim-thin-bearing cap No. 2	6	1940 six cyl
					BM 161762	Shim-thick-bearing cap No. 2	6	1940 six cyl
					BM 161767	Shim-thin-bearing cap No. 2	6	1940 eight cyl
					BM 37342	Shim-thick-bearing cap No. 2	6	1940 eight cyl
					BM 161763	Shim-thin-bearing cap No. 3	6	1940 six cyl
					BM 161764	Shim-thick-bearing cap No. 3	6	1940 six cyl
					BM 37364	Shim-thin-bearing cap No. 3	6	1940 eight cyl
					BM 161770	Shim-thick-bearing cap No. 3	6	1940 eight cyl
					BM 161767	Shim-thin-bearing cap No. 4	6	1940 eight cyl
					BM 37342	Shim-thick-bearing cap No. 4	6	1140 eight cyl
					BM 38764	Shim-thin-bearing cap No. 5	6	1940 eight cyl
					BM 38765	Shim-thick-bearing cap No. 5	6	1940 eight cyl
					BM 13569	Packing-for tearing cap No. 1	AR	All
					BM 154740	Stud-for bearing cap No. 2	2	All six cyl.
					BM 154741	Stud-bearing cap	4-8	All
					BM 154742	Stud-bearing cap	2	All
					BX 3433	Nut-for bearing cap stud	AR	All
					BZ 170366	Companion nut-bearing cap stud	AR	1941-1942 All
		BO 71613	Lockwasher-bearing cap stud	AR	1940 All			
		BM 170539	Plain washer-bearing cap stud	AR	1941-1942 All			
		BM 157964	Bearing-crankshaft-No. 1 upper	1	1940-1941 six cyl			
		BM 163938	Bearing-crankshaft-No. 1 upper	1	1942 six cyl			
		BM 157970	Bearing-crankshaft-No. 1 upper	1	All eight cyl			
		BM 157965	Bearing-crankshaft-No. 1 lower	1	1940 six cyl			
		BM 162534	Bearing-crankshaft-No. 1 lower	1	1941 six cyl			
		BM 163939	Bearing-crankshaft-No. 1 lower	1	1942 six cyl			
		BM 157971	Bearing-crankshaft-No. 1 lower	1	All eight cyl			
		BM 157966	Bearing-crankshaft-No. 2 upper	1	1940-1941 six cyl			
		BM 163940	Bearing-crankshaft-No. 2 upper	1	1942 six cyl			
		BM 157972	Bearing-crankshaft-No. 2 upper	1	All eight cyl			
		BM 157967	Bearing-crankshaft-No. 2 lower	1	1940 six cyl			
		BM 162535	Bearing-crankshaft-No. 2 lower	1	1941 six cyl			
		BM 163941	Bearing-crankshaft-No. 2 lower	1	1942 six cyl			
		BM 157973	Bearing-crankshaft-No. 2 lower	1	All eight cyl			

Group & Illus. No.	Plate No.	Part No.	NAME	Per Car	Models	
H6-			CRANKSHAFT AND FLYWHEEL (CONT'D.)			
		BM 157968	Bearing-crankshaft-No. 3 upper	Unfinished	1	1940-1941 six cyl
		BM 163942	Bearing-crankshaft-No. 3 upper	Unfinished	1	1942 six cyl
		BM 157974	Bearing-crankshaft-No. 3 upper	Unfinished	1	All eight cyl
		BM 157969	Bearing-crankshaft-No. 3 lower	Unfinished	1	1940 six cyl
		BM 162536	Bearing-crankshaft-No. 3 lower	Unfinished	1	1941 six cyl
		BM 163943	Bearing-crankshaft-No. 3 lower	Unfinished	1	1942 six cyl
		BM 157975	Bearing-crankshaft-No. 3 lower	Unfinished	1	All eight cyl
		BM 157976	Bearing-crankshaft-No. 4 upper	Unfinished	1	All eight cyl
		BM 157977	Bearing-crankshaft-No. 4 lower	Unfinished	1	All eight cyl
		BM 157978	Bearing-crankshaft-No. 5 upper	Unfinished	1	All eight cyl
		BM 157979	Bearing-crankshaft-No. 5 lower	Unfinished	1	1940 eight cyl
		BM 162537	Bearing-crankshaft-No. 5 lower	Unfinished	1	1941-1942 eight cyl
			NOTE: 1941 and 1942 engines which have .010' undersize connecting rod pins, main bearing pins, or both, are identified by the following letters.			
			PU-crankshaft has .010' undersize connecting rod pins.			
			MU-crankshaft has .010' undersize main bearing pins.			
			PMU-crankshaft has .010' undersize connecting rod pins and main bearing pins.			
			These letters are stamped on bottom face of cylinder block, at the left front corner in the clear area beyond the surface covered by oil reservoir gasket. Letters may be seen without removing oil reservoir.			
			Unless otherwise specified, the following reamed bearing assemblies are finished to standard size. Bearing assemblies reamed .010' under-			
		BM 157980	Bearing assembly-crankshaft-No. 1	Reamed	1	1940 six cyl
		BM 162538	Bearing assembly-crankshaft-No. 1	Reamed	1	1941-1942 six cyl
		BM 157983	Bearing assembly-crankshaft-No. 1	Reamed	1	All eight cyl
30	15	BM 157981	Bearing assembly-crankshaft-No. 2	Reamed	1	1940 six cyl
31	15	BM 162539	Bearing assembly-crankshaft-No. 2	Reamed	1	1941-1942, six cyl
		BM 157984	Bearing assembly-crankshaft-No. 2	Reamed	1	All eight cyl
		BM 157982	Bearing assembly-crankshaft-No. 3	Reamed	1	1940 six cyl
		BM 162540	Bearing assembly-crankshaft-No. 3	Reamed	1	1941-1942 six cyl
34	15	BM 157985	Bearing assembly-crankshaft-No. 3	Reamed	1	All eight cyl
		BM 157986	Bearing assembly-crankshaft-No. 4	Reamed	1	All eight cyl
35	15	BM 157987	Bearing assembly-crankshaft-No. 5	Reamed	1	1940 eight cyl
35	15	BM 162541	Bearing assembly-crankshaft-No. 5	Reamed	1	1941-1942 eight cyl
35	15	BM 2335				
35	15	BM 44675	Screw-crankshaft bearing	1/4"-20 x 1/2"	AR	All
35	15	BM 44677	Crankshaft oil throw assembly-upper		1	All
35	15	BM 37327	Crankshaft oil throw-lower		1	All
35	15	BM 37328	Gasket-oil throw-upper		1	All
35	15	BM 38948	Gasket-oil throw-lower		1	All
35	15	BM 70484	Reinforcement-oil throw-lower		2	All
		BO 9159	Bolt-oil throw	1/4"-20 x 7/16"	5	All
36	15	C 157821	Bolt-oil throw-lower	1/4"-20 x 5/8"	2	All
36	15	C 160220				
37	15	C 157822	Flywheel assembly-for 9" clutch	1st type	1	40-41 without OD
38	15	C 160221	Flywheel assembly-for 9" clutch	2nd type	1	40-41-10-11 without OD
		C 157823	Flywheel assembly-for 10" clutch	1st type	1	40-41 with OD,43,48
		C 160222	Flywheel assembly-for 10" clutch	2nd type	1	40-41-10-11 with OD,43,48,12
41	15	C 160220	Flywheel assembly-for 10" clutch	1st type	1	44,47
42	15	C 164390	Flywheel assembly-for 10" clutch	2nd type	1	44,45,47,14,15,17
		C 164391	Flywheel assembly-for 9" clutch		1	20-21 without OD-VD-HDM
			Flywheel assembly-for 10" clutch		1	20-21 with OD-VD-HDM,22,28
			Flywheel assembly-for 10" clutch		1	24,25,27
			NOTE: First type flywheel has square cut step, second type has chamfered step for starter gear. Second type effective with following 1940 car numbers--401423 LHD, 401670 RHO, 411877 LHD, 413091 RHD, 431787 LHD, 433619 ROD, 441642 LHD, 4551752, 472001 LHD, 4816302.			
		F 44729	Starter ring-for 1st type flywheel		1	1940 All
		F 160229	Starter ring-for 2nd type flywheel		1	All
		BM 40280	Bolt-flywheel		6	All
		F 71237	Nut-flywheel bolt 3/8"-24 x 21/64"		6	All
		BM 40281	Drain plug-flywheel		2	All
		BM 12117	Gasket-flywheel drain plug	3/8"-24 x 21/64"	2	All
		BM 40282	Dowel pin-for clutch cover		2	All
		BM 157830	Clutch driving pin-on flywheel		3	1940-1941 All,20-21 with 9" clutch

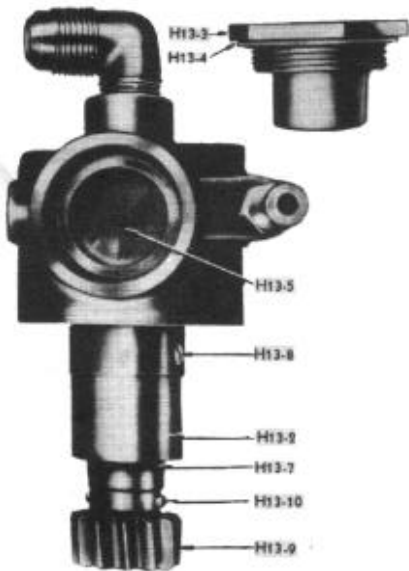
Group & Illus. No.	Plate No.	Part No.	NAME	Per Car	Models	
H7-			CAMSHAFT			
1	15	C 159505	Camshaft	1	40,41,43,48,11,12,18,21,22,2;	
1	15	C 159505	Camshaft-1st type to car 106848	1	10 with std engine	
1	15	C 162962	Camshaft-2nd type, after car 106848	1	10 with std engine	
1	15	C 162962	Camshaft	1	20 with std engine	
1	15	C 159505	Camshaft	1	10-20 with L engine	
1	15	C 152645	Camshaft	1	All eight cylinder	
			NOTE: 16292 camshaft has letter 'X' stamped on front face of flange. Engines using 16292 camshaft must have tappets adjusted to following clearances--hot: Inlet .010", exhaust .012".			
		BM 45480	Bearing-camshaft-No. 1	Unfinished	1	1940 six cyl
		BM 162181	Bearing-camshaft-No. 1	Unfinished	1	1941-1942 six cyl
		BM 45481	Bearing-camshaft-No. 1	Unfinished	1	1940 eight cyl
		BM 162184	Bearing-camshaft-No. 1	Unfinished	1	1941-1942 eight cyl
		BM 45482	Bearing-camshaft-No. 2	Unfinished	1	1940 six cyl
		BM 162182	Bearing-camshaft-No: 2	Unfinished	1	1941-1942 six cyl
		BM 45483	Bearing-camshaft-No. 2	Unfinished	1	1940 eight cyl
		BM 162185	Bearing-camshaft-No. 2	Unfinished	1	1941-1942 eight cyl
		BM 159506	Bearing-camshaft-No. 3	Unfinished	1	1940 six cyl
		BM 162183	Bearing-camshaft-No. 3	Unfinished	1	1941-1942 six cyl
		BM 45485	Bearing-camshaft-No. 3	Unfinished	1	1940 eight cyl
		BM 162186	Bearing-camshaft-No. 3	Unfinished	1	1941-1942 eight cyl
		BM 45486	Bearing-camshaft-No. 4	Unfinished	1	1940 eight cyl
		BM 162187	Bearing-camshaft-No. 4	Unfinished	1	1941-1942 eight cyl
		BM 45487	Bearing-camshaft-No. 5	Unfinished	1	1940 eight cyl
		BM 162188	Bearing-camshaft-No. 5	Unfinished	1	1941-1942 eight cyl
			NOTE: The following finish reseed bearings are .004" oversize to allow for closing in of the bearing when it is installed In cylinder block.			
		BM 160327	Bearing-camshaft-No. 1	Reamed	1	1940 six cyl
		BM 162627	Bearing-camshaft-No. 1	Reamed	1	1941-1942 six cyl
		BM 160331	Bearing-camshaft-No. 1	Reamed	1	1940 eight cyl
		BM 162630	Bearing-camshaft-No. 1	Reamed	1	1941-1942 eight cyl
		BM 160328	Bearing-camshaft-No. 2	Reamed	1	1940 six cyl
		BM 162628	Bearing-camshaft-No. 2	Reamed	1	1941-1942- six cyl
		BM 160332	Bearing-camshaft-No. 2	Reamed	1	1940 eight cyl
		BM 162631	Bearing-camshaft-No. 2	Reamed	1	1941-1942 six cyl
		BM 160329	Bearing-camshaft-No. 3	Reamed	1	1940 six cyl
		BM 162629	Bearing-camshaft-No. 3	Reamed	1	1941-1942 six cyl
		BM 160333	Bearing-camshaft-No. 3	Reamed	1	1940 eight cyl
		BM 162632	Bearing-camshaft-No. 3	Reamed	1	1941-1942 eight cyl
		BM 160334	Bearing-camshaft-No. 4	Reamed	1	1940 eight cyl
		BM 162633	Bearing-camshaft-No. 4	Reamed	1	1941-1942 eight cyl
		BM 160335	Bearing-camshaft-No. 5	Reamed	1	1940 eight cyl
		BM 162634	Bearing-camshaft-No. 5	Reamed	1	1941-1942 eight cyl
		BM 61074	Anchor plug-camshaft bearing		3-5	1940 All
		BM 61078	Seal-camshaft bearing anchor plug		3-5	1940 All
		BM 43435	Thrust button-camshaft		1	All
20	17	BM 61614	Spring-camshaft thrust button		1	All
21	15	BM 160319	Thrust washer-camshaft-std	(NS-use 162180)	1	All
		BM 162180	Thrust washer-camshaft	Service	1	All
H8-			CONNECTING ROD			
			Note: In six cylinder engines connecting rods Nos. 1, 2 and 4 are RH: Nos. 3, 5 and 6 are LH. In eight cylinder engines Nos. 1,3,5, and 7 are RH: Nos. 2, 4, 6 and 8 are LH.			
			Unless otherwise specified connecting rods are supplied broached to standard size. Rods broached .010' undersize supplied if so specified.			
			Starting with 1941 car Mo. 56085 rods with .010": undersize bearings have the letter "U" stamped on bearing cap adjacent to the dipper. For Identification of engines with undersize crankshaft journals see note In group R6.			

Group & Illus. No.	Plate No.	Part No.	NAME	Per Car	Models
CONNECTING ROD (CONT'D.)					
H8-					
1	15	F 157375	Connecting rod complete-RH	3	40-10 with std engine
2	15	F 157376	Connecting rod complete-LH	3	40-10 with std engine
1	15	F 157363	Connecting rod complete-RH	3-4	40-10 with L eng,41,43,44,45 47,48,11,12,14,15,17,18
2	15	F 157364	Connecting rod complete-LH	3-4	40-10 with L eng,41,43,44,45 47,11,12,14,15,17,18
1	15	F 157375	Connecting rod complete-RH	3	20 with std engine
2	15	F 157376	Connecting rod complete-LH	3	20 with std engine
1	15	F 157363	Connecting rod complete-RH	3-4	20 L eng,21,22,24,25,27,28
2	15	F 157364	Connecting rod complete-LH	3-4	20 L eng,21,22,24,25,27,28
4	15	BM 155655	Bolt-connecting rod	12-16	All
5	15	BM 155656	Nut-connecting rod bolt	12-16	All
6	15	BM 170105	Companion nut-connecting rod bolt	12-16	All
		F 33332	Bushing-for piston pin	6-8	All
PISTON					
NOTE: Parts marked * used with steel pistons. These were not used in production, but are shown here for service replacement.					
H9-					
1	15	F 158421	Piston	6-8	All
1	15	F 165150	Piston	6-8	All
		BM 43460	Pin-piston ring	6-8	All
		BM 165022	Pin-piston ring-upper	6-8	All
		BM 164953	Pin-piston ring-lower	6-8	All
2	15	F 37029	Piston pin	6-8	1940-1941 All
2	15	F 164742	Piston pin	6-8	1942 All
2	15	F 165015	Piston pin	6-8	All
NOTE: Piston pins supplied in std, .002-.005-.010 oversize.					
4	15	BM 60063	Lock ring-piston pin	12-16	All
6	15	F 158917	Piston ring-compression	12-16	All (2 used per piston)
		F 165134	Piston ring-upper compression	6-8	All (1 used per piston)
		F 165136	Piston ring-lower compression	6-8	All (1 used per piston)
		F 43456	Piston ring-upper oil-3/16"	6-8	All (1 used per piston)
		F 158423	Piston ring-lower oil-5/32"	6-8	All (1 used per piston)
		F 165138	Piston ring-oil	12-16	All (2 used per piston)
NOTE: Piston rings supplied in std, .003-.005-.010-.015-.020 oversize.					
		F 161781	Piston rings kit-for six cylinders-service expander type	AR	All
		F 161788	Piston ring-lower oil-service 5/32 Expander type	AR	All (1 used per piston)
F 158421 Piston Sizes supplied by Factory Parts Department					
			Code Piston Size		
			B 2.9985	BO 3.0085	
			D 2.9995	DO 3.0095	
			F 3.0005	FO 3.0105	
			J 3.0025	LO 3.0135	
			L 3.0035	BB 3.0185	
			P 3.0055	DD 3.0195	
				FF 3.0205	
VIBRATION DAMPENER					
H10-					
1	15	BM 155480	Vibration dampener assembly	1	All
2	15	BM 155478	Pulley-fan belt	1	All
3	15	BM 155479	Hub	1	All
		BM 155481	Facing	2	All
		BM 37025	Cover plate	1	All
		BZ 908	Screw-for cover plate	6	All
6	15	BM 40286	Spacer-dampener	1	All
		BM 71199	Key-dampener hub	1	All

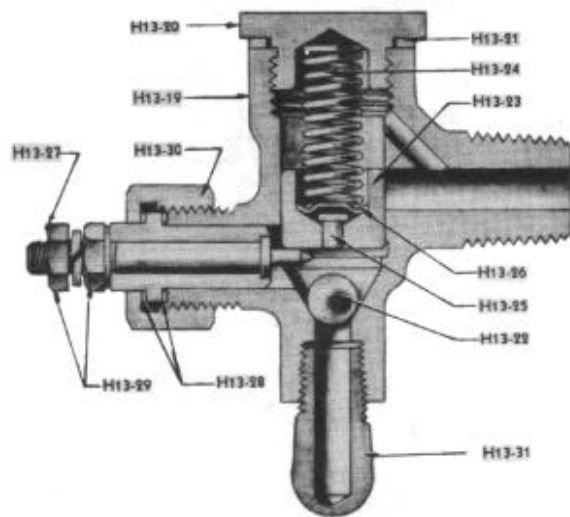
Group & Illus. No.	Plate No.	Part No.	NAME	Per Car	Models
H11-			VALVES		
1	15	F 155357	Inlet valve	6	All six cyl
1	15	F 155358	Inlet valve	8	All eight cyl
2	15	F 155360	Exhaust valve	6	All six cyl
2	15	F 155361	Exhaust valve	8	All eight cyl
3	15	F 157862	Valve spring	12-16	1940-1941 All
3	15	F 161965	Valve spring	12-16	1942 All
4	15	BM 155363	Seat-for valve spring	12-16	All
5	15	BM 60104	Retainer-for valve spring seat	12-16	All
6	15	BM 45587	Dampener-valve spring	12-16	1940-1941 All
7	15	F 155359	Valve guide-inlet	6-8	All
8	15	F 155362	Valve guide-exhaust	6-8	1940-1941 All
8	15	F 164533	Valve guide-exhaust	6-8	1942 All
9	15	F 152646	Valve tappet	12-16	All
10	15	BM 61512	Adjusting screw-valve tappet	12-16	All
11	15	BM 45359	Nut-for tappet adjusting screw	12-16	All
12	15	BM 45444	Valve tappet guide	12-16	All
		BM 60681	Clamp-valve tappet guide	6-8	All
		BZ 908	Bolt-valve tappet clamp	6-8	All
		BZ 6440	Washer-valve tappet clamp bolt	6-8	All
		BM 156678			
		BM 152647	Valve chamber cover-front	1	40-10-20 with std engine
16	15	BM 152647	Valve chamber cover assembly	2	40-10-20 with L eng,41,43,48,11,
17	15	BM 156678	Valve chamber cover assembly-rear		12,18,21,22,28
18	13-	BM 44620	Valve chamber cover-front	1	40-10-20 with std engine
	14	BM 162999	Valve chamber cover	1	40-10-20 with std engine
			Decalomania-on valve chamber cover-used on cars with	2	All eight cyl
		BM 44629	162962 camshaft		
		F 161739	Plate-valve chamber cover	1	10-20 with std engine
		F 163526	Gasket kit-valve chamber cover	2	All eight cyl
		F 152649	Gasket kit-valve chamber cover	1	All six cyl
		F 44622	Gasket-valve chamber cover	1	All eight cyl
20		BM 44623	Gasket-valve chamber cover	2	All six cyl
20	15	BM 44624	Screw-valve chamber cover	2	All eight cyl
20	15	BM 70204	Screw-valve chamber cover	2-3	All six cyl
	15	BO 70155	Screw-valve chamber cover	1-2	All six cyl
		BO 40429	Washer-valve chamber cover screw	2	All eight cyl
22		BM 44625	Gasket-valve chamber cover screw	4	All six cyl
22	15	BM 44625		4	All six cyl
	15	BM 164594	Breather tube		
23		BM 33154	Breather tube-1st type	1-2	1940-1941 All
23	15	BM 33154	Breather tube-2nd type	1-2	1942 All
	15	BM 44626	Support-for breather tube	1-2	1942 All
		BM 164595	Support-for 1st type breather tube	1-2	1940-1941 All
25		BM 44627	Gasket-for 1st type breather tube support	1-2	1942 All
	13	BZ 2704	Gasket-for 2nd type breather tube	1-2	All
			Clip-for breather tube	1-2	1942 All
			Screw-for breather tube clip	1-2	All
				1-2	All
H12-			OIL PAN		
1	15	C 156641	Oil pan assembly	1	All six cylinder
1	15	C 159513	Oil pan assembly	1	All eight cylinder
2	15	C 157877	Tray assembly-oil pan	1	40-10-20 with sed engine
2	15	C 157881	Tray assembly-oil pan	1	40-10-20 with L engine
2	15	C 157881	Tray assembly-oil pan	1	41,43,48,11,12,18,21,22,28
2	15	C 44756	Tray assembly-oil pan	1	All eight cylinder
3	15	F 157875	Gasket-oil pan	2	All six cylinder
3	15	F 44735	Gasket-oil pan	2	All eight cylinder
		BM 219	Bolt-oil pan	AR	All
5	15	BZ 12275	Bolt-oil pan-at suction pipe	2	All
		BZ 70177	Washer-oil pan bolt	2	All
		BO 170709	Washer-oil pan bolt	2	All
7	15	BM 5710	Drain plug-oil pan	1	All
8	15	BM 38023	Oil return pipe assembly	1	All six cylinder
8	15	BM 36046	Oil return pipe assembly	1	All eight cylinder
9	15	BM 152694	Suction pipe	1	1940-1941 six cylinder
9	15	BM 152695	Suction pipe	1	1940-1941 eight cylinder
9	15	BM 164736	Suction pipe	1	1942 All
		BM 44749	Flange-suction pipe	1	All six cylinder
		BM 44750	Flange-suction pipe	1	All eight cylinder
		BM 44751	Soldering plate-suction pipe	1	All
		BM 157876	Seal-suction pipe	1	All



Water Pump



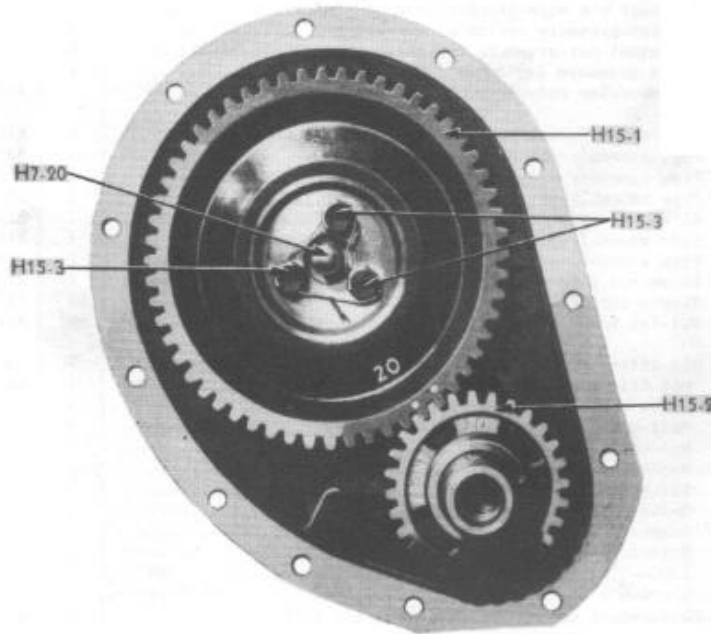
Oil Pump



Oil Check Valve

Group & Illus. No.	Plate No.	Part No.	NAME	Per Car	Models
H13-			OIL PUMP, CHECK VALVE AND FILTER		
1	15	BM 44686	Oil pump complete	1	All six cyl
1	14	BM 160185	Oil pump complete	1	All eight cyl
2	16	BM 44687	Body-oil pump	1	All
3	16	BM 44688	Plug-oil pump body	2	All
4	16	BM 44689	Gasket-oil pump plug	2	All
5	16	BM 44690	Plunger--oil pump	1	All
		BM 44692	Shaft-oil pump	1	All
7	16	BM 44693	Bushing-oil pump shaft	1	All
8	16	BM 40293	Retaining screw-oil pump shaft hushing	1	All
9	16	BM 43723	Gear-oil pump	1	All
10	16	BM 71195	Pin-oil pump gear	1	All
11	13	BM 170386	Union-pump end-oil pump to check valve pipe	1	All six cylinder
12	13	BM 17976	Union-pump end-oil pump to check valve pipe	1	All eight cylinder
14	13	BM 17976	Union-pump end-oil pump to cylinder pipe	1	All
15	15	BM 71092	Elbow-oil pump suction pipe union	1	All
		BM 33)79	Gasket-oil pump body	1	All
17	15	BZ 71067	Bolt-oil pump body	2	All
18	13-14	BM 45200	Oil check valve assembly	1	All
19	16	BM 40296	Body-oil check valve	1	All
20	16	BM 19960	Plug-oil check valve body	1	All
21	16	BM 6791	Gasket-body plug	1	All
22	16	BT 37270	Ball	1	All
23	16	BM 45201	Plunger	1	All
24	16	BM 37787	Spring-plunger	1	All
25	16	BM 45203	Pin-plunger	1	All
26	16	BM 45202	Retainer-plunger pin	1	All
27	16	BM 37776	Contact pin assembly-pressure indicator	1	All
28	16	BM 37777	Gasket-pressure indicator contact pin	2	All
29	16	BM 71115	Terminal nut-pressure indicator contact pin-	1	All
30	16	BM 377917	Nut-pressure indicator contact pin	1	All
31	16	BM 170387	Elbow-valve end-oil pump to check valve pipe	1	All
32	13-14	BM 157871	Pipe assembly-oil pump to check valve	1	All six cylinder
33	13-14	BM 160186	Pipe assembly-oil pump to check valve	1	All eight cylinder
34	13-14	BM 157873	Pipe assembly-oil pump to cylinder	1	All six cylinder
35	13-14	BM 153459	Pipe assembly-oil pump to cylinder	1	All eight cylinder
36	13-14	BM 170387	Elbow-oil pump to cylinder pipe-cylinder and	1	All
37	13-14	BM 160919	Pipe assembly-oil suction	1	All six cylinder
38	13-14	BM 153461	Pipe assembly-oil pump suction	1	All eight cylinder
39	14	BM 71092	Elbow-oil pump suction pipe union-crankcase end	1	All
		BM 70594	Sleeve-for 5/16" pipe	AR	All
		BM 70592	Nut-for 5/16" pipe	AR	All
		HA 161040	Oil filter kit	1	All
		HA 161041	Oil filter assembly	1	All
		BM 170410	Elbow	2	All
		BO 71384	Bolt-mounting bracket to dash bracket	2	All
		BO 70674	Nut-mounting bracket to dash bracket bolt	2	All
		BZ 170155	Washer-mounting bracket to dash bracket bolt	2	All
		HA 161045	Inlet hose-oil filter	1	All
		HA 161046	Outlet hose-oil filter	1	All
		BM 161773	Gasket-oil filter cover	1	All
		HA 161048	Extension-oil check valve body	1	All
		BM 170410	Elbow-oil check valve body extension	1	All
		BM 170411	Elbow-oil check valve	1	All
		HA 161007	Replacement cartridge and gasket-oil filter	1	All
H14			WATER PUMP AND FAN		
		BM 158931	Water pump assembly	1	All exc 43 47 15 17
		BM 158932	Water pump assembly	1	43,47,17,25,27,15
		BM 158934	Water pump sub assembly	1	All exc 43 47 15 17
		BM 158935	Water pump sub assembly	1	43,47,15,17,25,27
		F 159152	Water pump repair kit	1	All
5	16	BM 150215	Body assembly-water pump	1	All exc 43 47 15 17
5	16	BM 155288	Body assembly-water pump	1	43,47,15,17,25,27
6	16	F 150228	Bushing	2	All
7	16	F 158938	Impeller	1	All
8	16	BM 150225	Impeller cup	1	All
9	16	F 150226	Shaft and pulley hub assembly	1	All
10	16	F 155290	Seal-for water pump shaft	1	1940-1941 All
10	16	F 163260	Seal-for water pump shaft	1	1942 All
11	16	F 150232	Thrust washer-water pump shaft seal	1	All

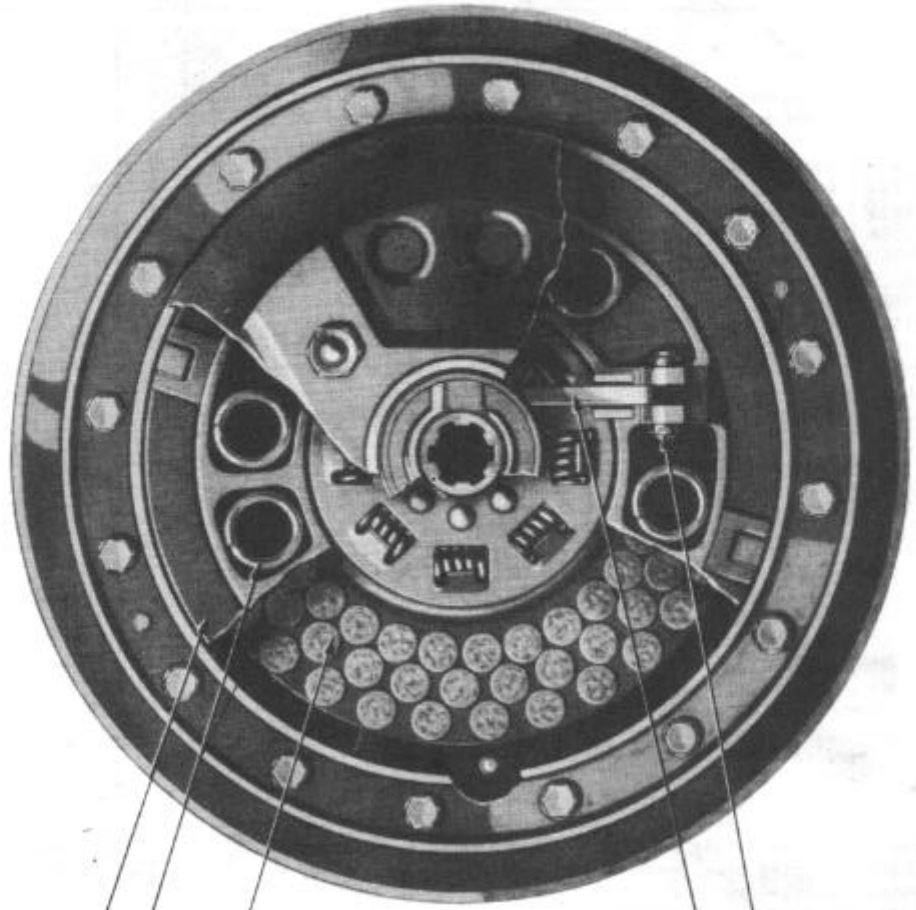
Group & Illus. No.	Plate No.	Part No.	NAME	Per Car	Models
H14-			WATER PUMP AND FAN (CONT'D)		
	12	16 F 150233	Compression spring-water pump shaft seal	1	All
	13	16 F 158939	Washer-water pump shaft seal compression spring	1	All
	14	16 F 157895	Retainer-water pump shaft seal	1	All
	15	16 F 150235	Spring-water pump shaft seal retainer	1	All
	16	16 F 150219	Gasket-water pump body	1	All
		BZ 2346	Pipe plug-water pump body	1	All
		BM 160969	Grease fitting	1	All
	17	16 BM 150236	Pulley	1	All
	18	16 BM 150220	Impeller housing assembly	1	All
	19	16 F 150222	Gasket-impeller housing	1	All
	20	16 BM 227	Stud-impeller housing	3	1940-1941 All
	20	16 BM 170654	Stud-impeller housing	3	1942 All
	21	16 BM 110	Nut-impeller housing stud	3	All
	22	16 BT 9824	Bolt-impeller housing to cylinder	2	All
		F 150243	Hose-water pump outlet	1	All
		F 71614	Hose clamp-outlet hose-water jacket end	1	All
		F 70327	Hose clamp-outlet hose-pump end	1	1940-1941 All
		F 170676	Hose clamp-outlet hose-pump end	1	1942 All
	26	13-14 F 150244	Hose-by pass	1	43,47,15,17,25,27
	27	F 71255	Hose clamp-by pass hose	1	43,47,15,17,25,27
	29	16 BM 45925	Fan blade	2	All
	30	16 BM 45926	Fan blade cushion	1	All
	31	16 BM 219	Bolt-fan blade	4	All
	32	16 BM 46086	Lock-fan blade bolt	2	All
	33	15 F 150242	Fan belt	1	All



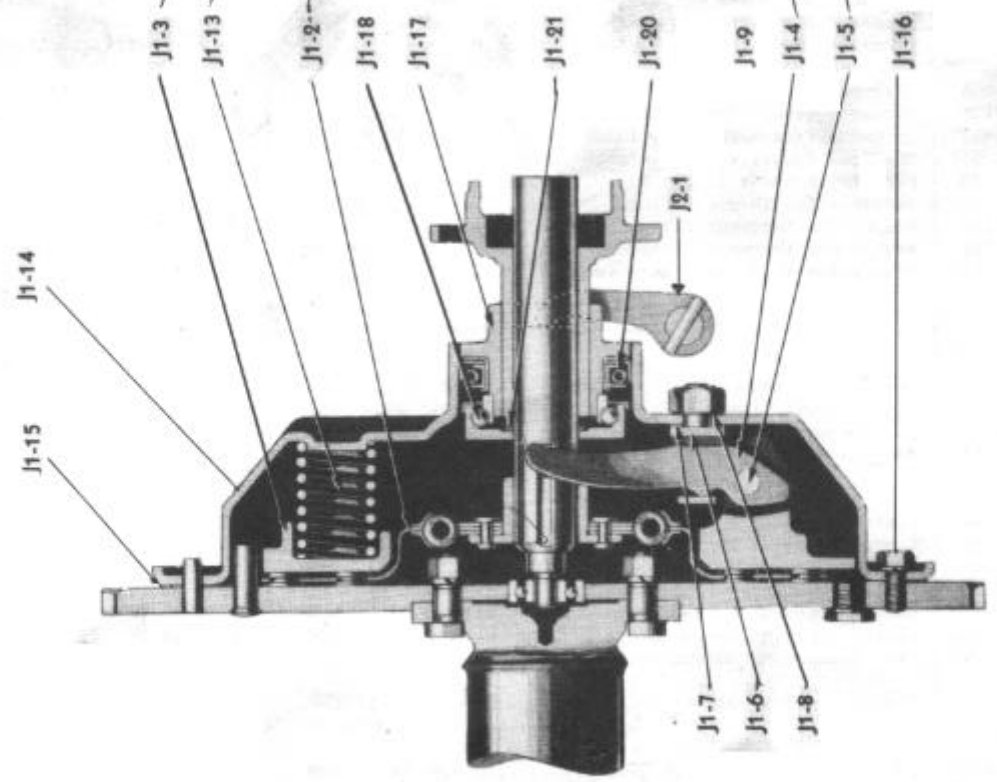
Timing Gears
PLATE 17

Group & Illus. No.	Plate No.	Part No.	NAME	Per Car	Models
H15-			TIMING GEARS		
	1	17 F 164749	Timing gears-matched set-20° tooth angle	Service	All
	1	17 F 160826	Camshaft gear-standard	14° tooth angle	1940 All
	1	17 F 160827	Camshaft gear-.008" oversize	14° tooth angle	1940 All
	1	17 F 162163	Camshaft gear-standard	20° tooth angle	1941-1942 All
	1	17 F 162164	Camshaft gear-.008" oversize	20° tooth angle	1941-1942 All
<p>NOTE: Oversize camshaft gears 160827 and 162164 are identified by spot of Yellow paint on front face of gear. 162163 and 162164 have figure "20" stamped on face.</p>					

Group & Illus. No.	Plate No.	Part No.	NAME	Per Car	Models
H15-			TIMING GEARS (CONT'D)		
	2	17	F 150566 Crankshaft gear	1	1940 All
	2	17	F 162165 Crankshaft gear	1	1941-1942 All
	3	17	BM 4934 Bolt-for camshaft gear	3	All
			BM 11799 Key-for crankshaft gear	1	All
			BM 157833 Cover assembly-timing gear	1	All six cylinder
			BM 151580 Cover assembly-timing gear	1	All eight cylinder
	8		BM 23625 Camshaft thrust plate	1	All
			BM 555 Rivet-for camshaft thrust plate	2	All
			BM 40151 Oil seal-for timing gear cover	1	All
			F 40150 Gasket-for timing gear cover	1	All
			BM 219 Bolt-for timing gear cover	10	1940 All
			BM 170499 Bolt-for timing gear cover	2	1940 All
			BM 170499 Bolt-for timing gear cover	12	1941-1942 All
			BZ 122 Nut-for timing gear cover bolt	3	All
J1			CLUTCH		
			BT 156630 Clutch assembly-9" with 9 outer and 3 inner springs	1	40-10 std eng without OD
			BT 156630 Clutch assembly-9" with 9 outer and 3 inner springs	1	10T-10P-11 taxicabs (std)
			BT 156630 Clutch assembly-9" with 9 outer and 3 inner springs	1	20 std eng without OD-VD-HDM
			BT 45140 Clutch assembly-9" with 9 outer and 6 inner springs ...	1	40-10 L eng-41-11 (without
			BT 45140 Clutch assembly-9" with 9 outer and 6 inner springs ...	1	20 L eng-21 (without OD-VD-HDM
			BT 160995 Clutch assembly-10" with 12 outer and no inner springs	1	40-41-10-11 with OD
			BT 160995 Clutch assembly-10" with 12 outer and no inner springs	1	10T-10P-11 taxicabs (opt)
			BT 160995 Clutch assembly-10" with 12 outer and no inner springs	1	43,48,12,18
			BT 160996 Clutch assembly-10" with 12 outer and 3 inner springs	1	44,45,47,14,15,17
			BT 164520 Clutch assembly-10" with 12 outer and no inner springs	1	20-21 with OD-VD or HDM
			BT 164520 Clutch assembly-10" with 12 outer and no inner springs	1	22,28
			BT 164521 Clutch assembly-10" with 12 outer and 3 inner springs	1	24,25,27
			F 161377 Clutch driving plate kit-for 9" clutch	1	40,41,10,11,20,21
	2	18	F 45142 Driving plate assembly-9" Used without OD-VD-HDM	1	40,41,10,11,20,21
	2	18	160997 Driving plate assembly-10" Used with OD	1	40,41,10,11
	2	18	160997 Driving plate assembly-10" Use 164843	1	43,44,45,47,48,12,14,15,17,]
	2	18	F 164843 Driving plate assembly-10" Used with OD-VD or HDM	1	20,21
	2	18	F 164843 Driving plate assembly-10"	1	22,24,25,27,28
	3	18	F 45152 Pressure plate-for 9" clutch Without OD-VD-HDM	1	40,41,10,11,20,21
	3	18	F 45153 Pressure plate-for 10" clutch With OD	1	40,41,10,11
			F 45153 Pressure plate-for 10" dlutch	1	43,44,45,47,48,12,14,15,17,:
			F 164526 Pressure plate-for 10" clutch With OD-VD or HDM	1	20,21
			F 164526 Pressure plate-for 10" clutch	1	22,24,25,27,28
	4	18	BT 40038 Throwout finger	3	1940-1941 All
	4	18	BT 40038 Throwout finger-for 9" clutch Without OD-VD-HDM	3	20,21
	4	18	BT 164527 Throwout finger-for 10" clutch With OD-VD-HDM	3	20,21
	4	18	BT 164527 Throwout finger-for 10" clutch	3	22,24,25,27,28
	5	18	BT 47633 Pin-for throwout finger	3	All
	6	18	BT 40042 Retainer-for throwout finger	3	All
	7	18	BT 71157 Washer-for throwout finger retainer	3	1940-1941 All
	7	18	BT 170663 Washer-for throwout finger retainer	3	1942 All
	7	18	BT 170695 Washer-for throwout finger retainer	3	1942 All
			NOTE: 170663 and 170695 are interchangeable in complete sets only.		
	8	18	BX 70867 Lock washer-throwout finger retainer	3	All
	9	18	BZ 70194 Nut-throwout finger retainer	3	1940-1941 All
	9	18	BZ 70194 Nut-throwout finger retainer	3	20-21 without OD-VD-HDM
	9	18	BT 164531 Nut-throwout finger retainer	3	20-21 with OD-VD or HDM,22, 27,28
	13	18	BT 45148 Clutch engaging spring-outer	9	40 41 10 11 20 21 (9" elute!
	13	18	BT 45149 Clutch engaging spring-outer	12	40-41-10-11 (10" clutch)
	13	18	BT 45149 Clutch engaging spring-outer	12	20-21 (10" clutch)
	13	18	BT 45149 Clutch engaging spring-outer	12	43 thru 48,12 thru 18,22 thi
			BT 155224 Clutch engaging spring-inner	3	40-10-20 std eng (9" clutch);
			BT 155224 Clutch engaging spring-inner	6	40-10-20 L eng,41,11,21
			BT 155224 Clutch engaging spring-inner	3	44,45,47,14,15,17,24,25,27
	14	18	BT 40045 Clutch cover-9" clutch	1	40,41,10,11,20,21
	14	18	BT 42628 Clutch cover-10" clutch	1	40,41,10,11
	14	18	BT 42628 Clutch cover-10" clutch	1	43,44,45,47,48,12,14,15,17,1
	14	18	BT 164528 Clutch cover-10" clutch	1	20,21
	14	18	BT 164528 Clutch cover-10" clutch	1	22,24,25,27,28
	15	18	F 40046 Gasket-clutch cover	1	40,41,10,11,20,21



Clutch

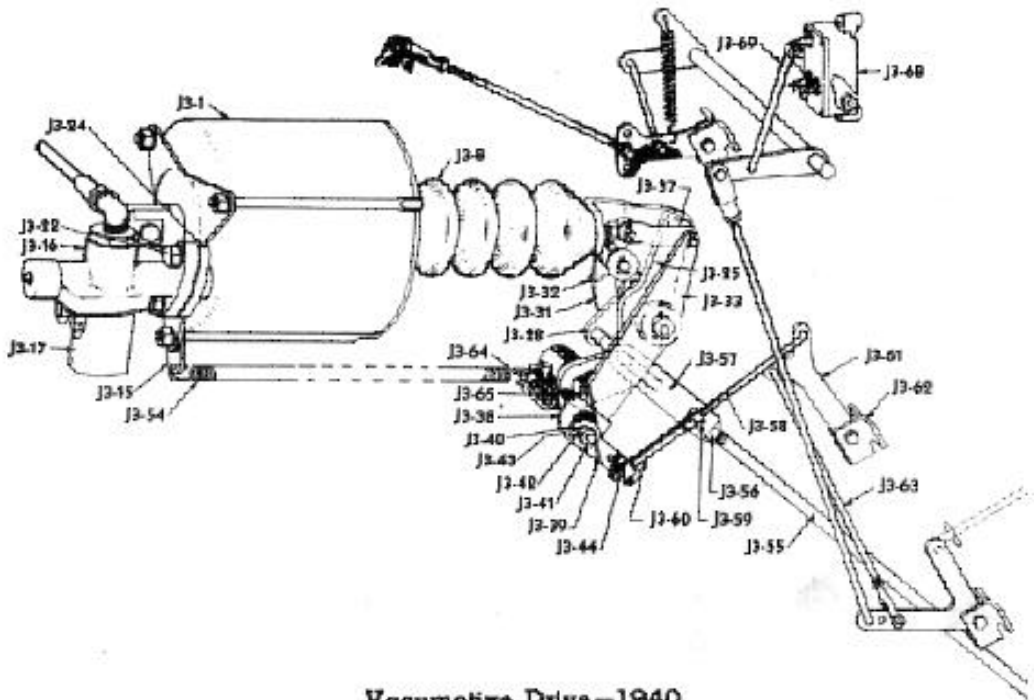


CLUTCH

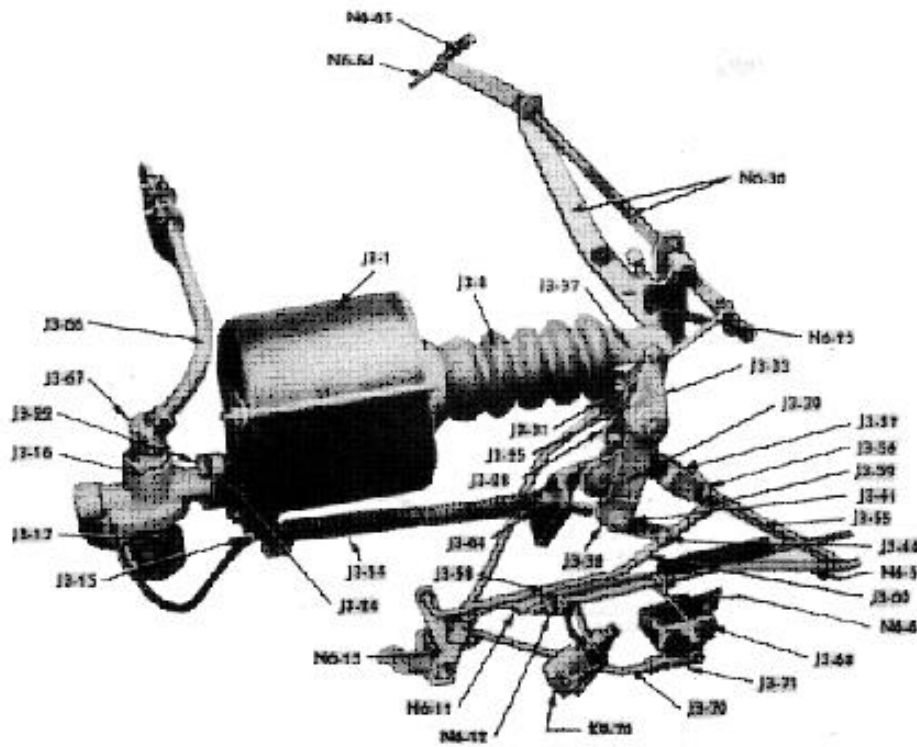
1940 -- 1941 -- 1942

J

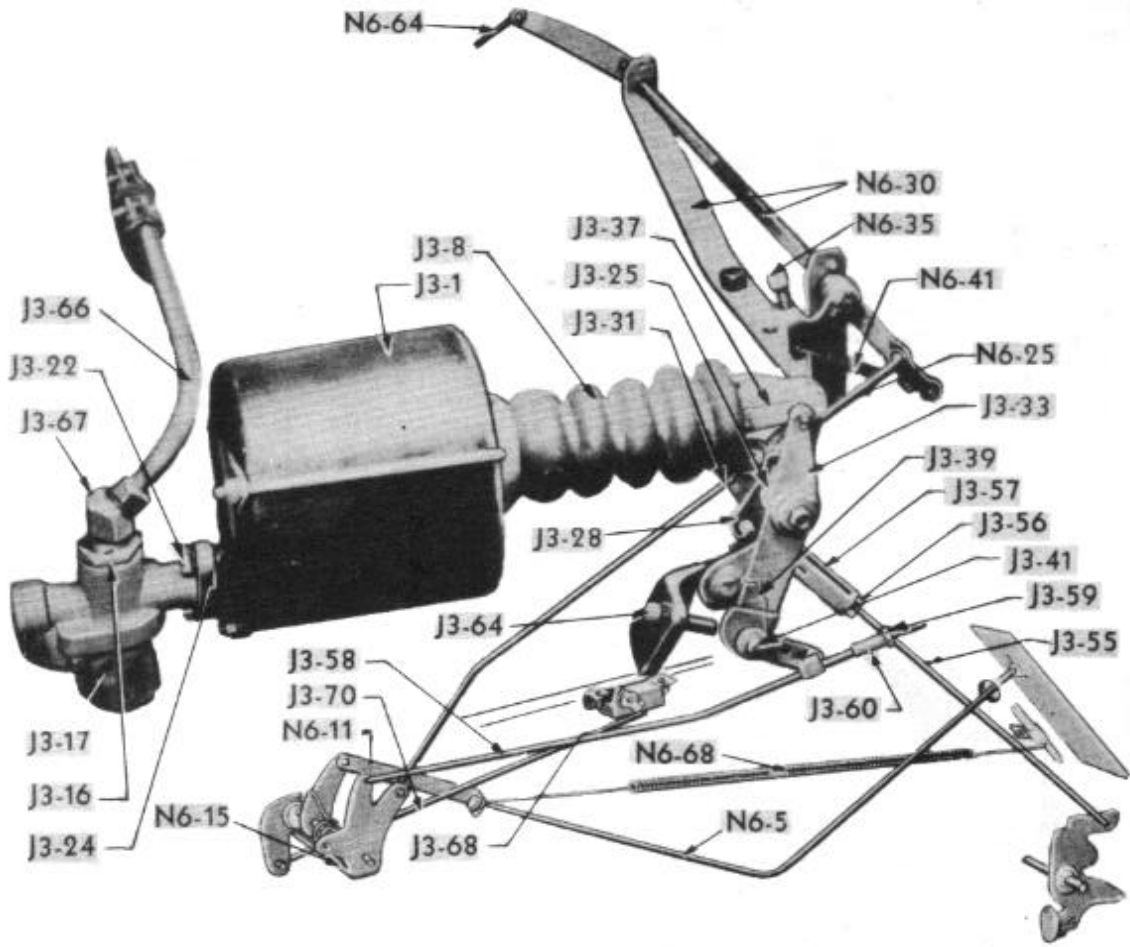
Group & Illus. No.	Plate No.	Part No.	NAME	Per Car	Models
J1-			CLUTCH (CONT'D)		
15	18	F 42632	Gasket-clutch cover	10" clutch	1 All
16	18	F 170045	Bolt-clutch cover-5/16"-24 x 3/4"	9" clutch	16 40,41,10,11,20,21
16	18	BZ 70631	Bolt-clutch cover-5/16"-24 x 7/8"	10" clutch	16 All
		BT 164531	Nut-clutch cover driving lug	10" clutch	3 20-21 with OD-VD-HDM,22,24,25 27,28
		BT 170663	Washer-clutch cover driving lug	Copper	3 1942 All with 10" clutch
		BT 170695	Washer-clutch cover driving lug	Steel	3 1942 All with 10" clutch
			NOTE: 170663 and 170695 are interchangeable in complete sets only.		
17	18	F 42630	Clutch collar assembly		1 All
17	18	BT 42631	Clutch collar		1 All
18	18	F 41258	Throwout bearing		1 All
20	18	F 40047	Oil seal-throwout bearing		1 All
21	18	BT 42587	Grease retainer-throwout bearing		1 All
J2			CLUTCH CONTROL		
		BT 158930	Shifter yoke, shaft, coupling and lock levers-assembly		1 1940 All LHD
		BT 165397	Shifter yoke, shaft, and coupling lever assembly		1 1941-1942 LHD
			NOTE: Above assemblies include shaft with yoke and levers pinned loosely in position.		
		BT 163234	Shaft and coupling lever assembly		1 1941-1942 LHD
1	18	BT 40055	Clutch shifter yoke		1 All
		BT 71174	Taper pin-shifter yoke to shaft	#4 x 1 1/8"	2 All
		BT 42970	Shaft-shifter yoke	Not drilled	1 1940 All
		BT 162195	Shaft-shifter yoke	Not drilled	1 1941-1942 LHD
		BT 162196	Shaft-shifter yoke	Not drilled	1 1941-1942 RHD
		BT 159649	Coupling lever-shifter yoke shaft	LHD	1 1940 All
3	25	BT 163235	Coupling lever-shifter yoke shaft	LHD	1 1941-1942 All
		BT 152643	Coupling lever-shifter yoke shaft	RHD	1 All
		BZ 2354	Taper pin-for coupling lever	#5 x 1 3/8"	1-2 All
		BZ 160683	Return spring-for coupling lever		1 All without HDM
		BZ 164488	Return spring-for coupling lever		1 1942 all with HDM
		BZ 33539	Clip-for coupling lever return spring		1 1942 all with HDM
		BZ 30868	Clip-for coupling lever return spring	Without OD	1 1942 all with HDM
		BZ 43964	Rubber bushing-for coupling lever		1 All
		BT 48691	Transmission lock operating lever-on shifter yoke shaft		1 1940 all LHD
		BZ 2354	Taper pin-trans lock operating lever	#5 x 1 3/8"	1 1940 all LHD
		BT 162819	Control lever-on shifter yoke shaft	RHD	1 1941-1942 All
10	8	BZ 152561	Cross shaft and bracket assembly	LHD	1 1940 All
10	8	BZ 162801	Cross shaft and bracket assembly	LHD	1 1941 exc Del,1942 All
		BZ 163370	Cross shaft and bracket assembly	LHD	1 10C Del
		BZ 152562	Cross shaft and bracket assembly	RHD	1 1940 All
		BZ 162813	Cross shaft and bracket assembly	RHD	1 1941-1942 six cyl
		BZ 162814	Cross shaft and bracket assembly	RHD	1 1941-1942 eight cyl
		BZ 152563	Cross shaft bracket	LHD	1 1940 All
		BZ 162802	Cross shaft bracket	LHD	1 1941-1942 All
		BZ 152564	Cross shaft bracket	RHD	1 1940 All
		BZ 162817	Cross shaft bracket	RHD	1 1941-1942 All
12	13	BZ 152565	Cross shaft, coupling lever, and pedal lever assy.	LHD	1 1940 All
		BZ 152566	Cross shaft, coupling lever, and pedal lever assy.	RHD	1 1940 All
		BZ 152570	Coupling lever-cross shaft	LHD	1 All
		BZ 152571	Coupling lever-cross shaft	RHD	1 All
		BZ 162847	Cross shaft and pedal lever assembly	LHD	1 1941 exc Del, 1942 All
		HZ 163372	Cross shaft and pedal lever assembly	LHD	1 10C Del
		HZ 162848	Cross shaft and pedal lever assembly	RHD	1 1941-1942 All
		BZ 152572	Rubber pad-for coupling lever		2 1940 all, 1941-1942 RHD
		BZ 162806	Rubber pad-for coupling lever	LHD	2 1941-1942 All
		BZ 2354	Taper pin-coupling lever to shaft	#5 x 1 3/8"	1 All
		BZ 42938	Felt washer-on cross shaft	1 3/8" OD x 11/16" thick	1 All
		BZ 45053	Retainer-for cross shaft felt washer		1 All
		BZ 45054	Spring-for cross shaft felt washer retainer		1 All
		BO 18227	Plain washer-felt washer retainer spring		1 All
		BM 219	Bolt-cross shaft bracket	5/16"-18 x 3/4"	2 All
		BZ 45235	Clutch control link assembly		1 1940 All
		BZ 162807	Clutch control link assembly-to car 66751	LHD	1 10 exc Del,11,12,18
		BZ 45235	Clutch control link assembly-after car 66751 exc 67701 to 67762	LHD	1 10 exc Del,11,12,18



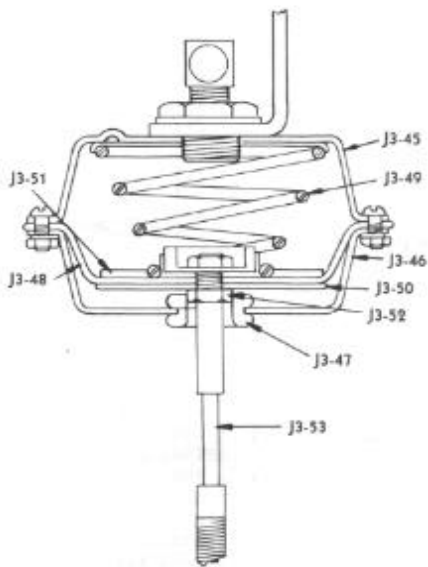
Vacumotive Drive—1940



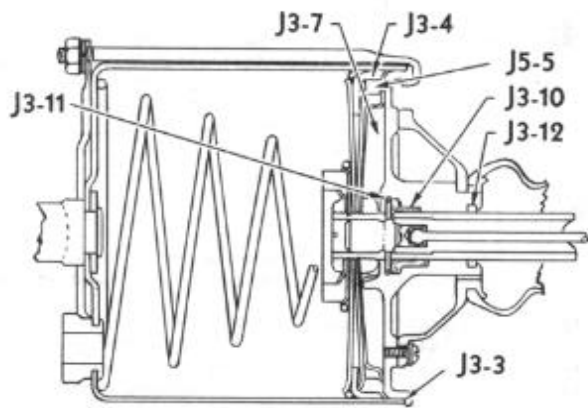
Vacumotive Drive—1941



Vacumotive Drive—1942



Throttle Lock Diaphragm



VD Power Cylinder

Group & Illus. No.	Plate No.	Part No.	NAME	Per Car	Models	
J2			CLUTCH CONTROL (CONT'D)			
		BZ 163374	Clutch control link assembly	LHD	1	10C Del
		BZ 45235	Clutch control link assembly	LHD	1	14,15,17
		BZ 45235	Clutch control link assembly	RHD	1	1941 All
		BZ 164427	Clutch control link assembly		1	20,21,22,28
		BZ 163373	Clutch control link assembly		1	24,25,27
		BZ 45236	Control link		1	1940 All
		BZ 162808	Control link-to car 66751	LHD	1	10 exc Del,11,12,18
		BZ 45236	Control link-after car 66751 exc 67701 to 67762	LHD	1	10 exc Del,11,12,18
22	8	BZ 162299	Control link	LHD	1	10C Del
22	8	BZ 45236	Control link	LHD	1	14,15,17
22	8	BZ 45236	Control link	RHD	1	1941 All
23	8	BZ 162299	Control link		1	1942 All
23	8	BZ 71290	Clevis-control link		1	1940-1941 A11,20,21,22,28
24	8	BZ 170533	Clevis-control link		1	24,25,27
25	8	BT 71030	Nut-control link clevis		1	All
26	8	BZ 8683	Clevis pin-control link		1	All
		BZ 71256	Clevis pin-control link (pedal end)		1	All
J3			VACUMOTIVE DRIVE			
			NOTE: Vacumotive Drive is optional on all 1940 and LHD 1941 cars except 10C Del. Standard on 10C Del.			
			Vacumotive Drive is a part of the 1942 Hudson Drive-Master, and there-for is standard on 1942 cars equipped with HDM. Vacumotive Drive is optional on LHD 1942 cars not equipped with HDM.			
			Parts in this group apply to cars both with and without HIM as noted.			
		BT 161222	Vacumotive Drive-complete service kit	LHD	1	40,41,43,48
		BT 161223	Vacumotive Drive-complete service kit	LHD	1	44,45,47
		BT 161224	Vacumotive Drive-complete service kit	RHD	1	40,41,43,48
		BT 161225	Vacumotive Drive-complete service kit	RHD	1	44,45,47
		HA 163290	Vacumotive Drive-complete service kit	LHD	1	10-11-12-18 without OD
		HA 163590	Vacumotive Drive-complete service kit	LHD	1	10-11-12-18 with OD
		HA 163292	Vacumotive Drive-complete service kit	LHD	1	14-15-17 without OD
		HA 163591	Vacumotive Drive-complete service, kit	LHD	1	14-15-17 with OD
		HA 164926	Vacumotive Drive-complete service kit-without HDM	LHD	1	20-21-22-28 without OD
		HA 164927	Vacumotive Drive-complete service kit-without HDM	LHD	1	20-21-22-28 with OD
		HA 164928	Vacumotive Drive-complete service kit-without HDM	LHD	1	24-25-27 without OD
		HA 164929	Vacumotive Drive-complete service kit-without HDM	LHD	1	24-25-27 with OD
		BZ 164405	VD power unit (cylinder and throttle lock diaphragm assembly)		1	1942 All with HDM
		BZ 155714	VD cylinder assembly-complete		1	1940 All
		BZ 163229	VD cylinder assembly-complete		1	1941-1942 All
1	19-20	BZ 156475	VD cylinder assembly-less valve		1	All
		BZ 156478	End plate assembly-cylinder	Without HDM	1	All
3	20	BZ 44004	Gasket-cylinder end plate		1	All
4	20	BZ 151149	Piston packing		1	All
5	20	BZ 151150	Piston packing ring		1	All
		BZ 151146	Piston felt assembly		1	All
7	20	BZ 156487	Retainer-for piston felt		1	All
8	19-20	BT 156496	Rubber guard-for piston rod		1	All
		BT 43912	Nut-piston rod		2	All
		BT 160413	Stop-piston rod		1	All
10	20	BT 156491	Seal-piston rod		1	All
11	20	BT 156493	Lock ring-for piston seal		1	All
12	20	BT 156494	Piston rod felt		1	All
		BT 156495	Retainer-for piston rod felt		1	All
		BZ 156500	Valve and rod assembly		1	All
15	19	BZ 33539	Clip-for cylinder tension spring		1	All
16	19-20	BZ 156537	Solenoid valve assembly-power cylinder control		1	All
		BZ 164885	Solenoid valve assembly-throttle lock control		1	1942 All with HDM
17	19	BZ 156541	Solenoid and housing assembly		1	1940-1941 All
17	20	BZ 164882	Solenoid and housing assembly-power cylinder control		1	1942 All
		BZ 164891	Solenoid and housing assembly-throttle lock		1	1942 All with HDM
		BZ 156551	Gasket-solenoid housing		1-2	All
		BZ 156554	Plunger-solenoid		1-2	All
		BT 48877	Disc-for solenoid plunger		1	1940-1941 All
		BT 164884	Disc-for solenoid plunger		1-2	1942 All

Group & Illus. No.	Plate No.	Part No.	NAME	Per Car	Models
J3			VACUMOTIVE DRIVE (CONT'D)		
		BT 48715	Spring-for solenoid plunger	1-2	All
		BT 48541	Check valve-power cylinder solenoid valve body	1	All
		BT 48542	Check nut-solenoid valve body	1-2	All
22	19-20	BZ 71264	Bolt-solenoid valve to cylinder	2	All
		BO 12481	Nut-solenoid valve to cylinder bolt	2	1940-1941 All
24	19-20	BZ 44020	Gasket-power cylinder solenoid valve to cylinder	1	All
		BZ 164887	Plate assembly-throttle lock solenoid valve to cylinder	1	1942 All with HDM
		BZ 44020	Gasket-throttle lock solenoid valve to plate	2	1942 All with HDM
		BX 71099	Bolt-throttle lock solenoid valve to plate	2	1942 All with HDM
25	19-20	BZ 156506	Valve control bellcrank assembly	1	All
		BZ 156511	Pivot bolt-valve control bellcrank	1	All
		BO 12481	Nut-valve control bellcrank pivot bolt	1	All
28	19-20	BZ 156512	Compensating lever shaft assembly	1	All
		BX 103	Check ball-compensating lever shaft	1	All
		BZ 156516	Spring-compensating lever shaft check ball	1	All
31	19-20	BZ 156517	Compensating trip lever assembly	1	All
		BZ 156520	Washer-compensating, trip lever shaft	1	1940 All
		BZ 162868	Washer-compensating trip lever shaft	1	1941-1942 All
		BO 71443	Nut-compensating trip lever shaft	1	All
32	19	BZ 156562	Spring-compensating trip lever	1	All
33	19-20	BZ 156521	Control valve lever assembly	1	All
		BZ 156525	Eccentric bushing-control valve lever	1	All
		BZ 156526	Pin-control valve lever eccentric bushing	1	All
		BZ 155937	Washer-control valve lever	1	All
37	19-20	BZ 157095	Link assembly-control valve lever to trunnion	1	All
38	19	BZ 156531	Cam-control valve lever	1	All
39	19-20	HZ 156532	Spring-control valve lever cam	1	All
40	19	BZ 156533	Spacer control valve lever cam	1	All
		BZ 156534	Spacer-control valve lever cam	1	All
41	19-20	BZ 170157	Screw-control valve lever cam	1	All
42	19	BZ 17944	Nut-control valve lever cam screw	1	All
43	19	BZ 156535	Washer-control valve lever cam screw	1	All
44	19	BZ 156530	Swivel-control valve lever cam	1	All
		BZ 170159	Washer-control valve lever cam swivel	1	All
45	20	BZ 164900	Diaphragm cylinder assembly-for throttle lock	1	1942 All with HDM
		BT 152287	Housing assembly-upper	1	1942 All with HDM
46	20	BT 152286	Housing-lower	1	1942 All with HDM
47	20	BZ 71552	Grommet-lower housing	1	1942 All with HDM
		BT 1634	Screw-for housing	6	1942 All with HDM
		BO 71152	Nut-for housing screw	6	1942 All with HDM
48	20	BT 152282	Diaphragm	1	1942 All with HDM
49	20	BZ 164901	Return spring-diaphragm	1	1942 All with HDM
50	20	BT 152283	Plate-throttle lock diaphragm	1	1942 All with HDM
51	20	BT 152284	Flanged plate-throttle lock diaphragm	1	1942 All with HDM
		BT 48436	Washer-throttle lock diaphragm	1	1942 All with HDM
		BZ 164904	Felt-throttle lock diaphragm	1	1942 All with HDM
		13Z 164905	Retainer-outer-throttle lock diaphragm felt	1	1942 All with HDM
		BZ 164906	Retainer-inner-throttle lock diaphragm felt	1	1942 All with HDM
52	20	BO 71443	Check nut-throttle lock diaphragm felt	2	1942 All with HDM
		BZ 164908	Mounting bracket-throttle lock diaphragm	1	1942 All with HDM
		BZ 164909	Mounting nut-throttle lock diaphragm	1	1942 All with HDM
53	20	BZ 164907	Cable assembly-throttle lock diaphragm	1	1942 All with HDM
		BO 71443	Nut-throttle lock diaphragm rod	2	1942 All with HDM
		BZ 164189	Swivel-throttle lock diaphragm rod	1	1942 All with HDM
		BZ 164894	Tube assembly-upper-solenoid valve to diaphragm	1	1942 All with HDM
		BZ 164897	Tube assembly-lower-solenoid valve to diaphragm	1	1942 All with HDM
		BZ 170665	Vacuum connection-throttle lock solenoid	1	1942 All with HDM
		BZ 164899	Vacuum connection elbow	1	1942 All with HDM
		BZ 164417	Hose-throttle lock solenoid vacuum connection	1	1942 All with HDM
		BZ 164896	Sleeve-solenoid to diaphragm tube	1	1942 All with HDM
		BZ 155739	Cylinder mounting bracket assembly	1	All six cylinder
		BZ 155718	Cylinder mounting bracket assembly	1	All eight cylinder
		BM 6189	Nut-cylinder mounting bracket stud	2	1940 six cylinder
		BM 9665	Nut-cylinder mounting bracket to cylinder head-	2	1)40 eight cylinder
		BO 170405	Nut-mounting bracket to cylinder head	2	1941-1942 six cylinder
		BZ 170571	Nut-mounting bracket to cylinder head	2	1941-1942 eight cylinder
		BO 12310	Bolt-cylinder to bracket	1	All
		BX 12415	Nut-cylinder to bracket bolt	1	All
		BZ 171719	Companion nut-cylinder to bracket bolt	1	All
54	19	BZ 155839	Tension spring-cylinder	1	1940-1941 All
54	19	BZ 164404	Tension spring-cylinder	1	1942 All

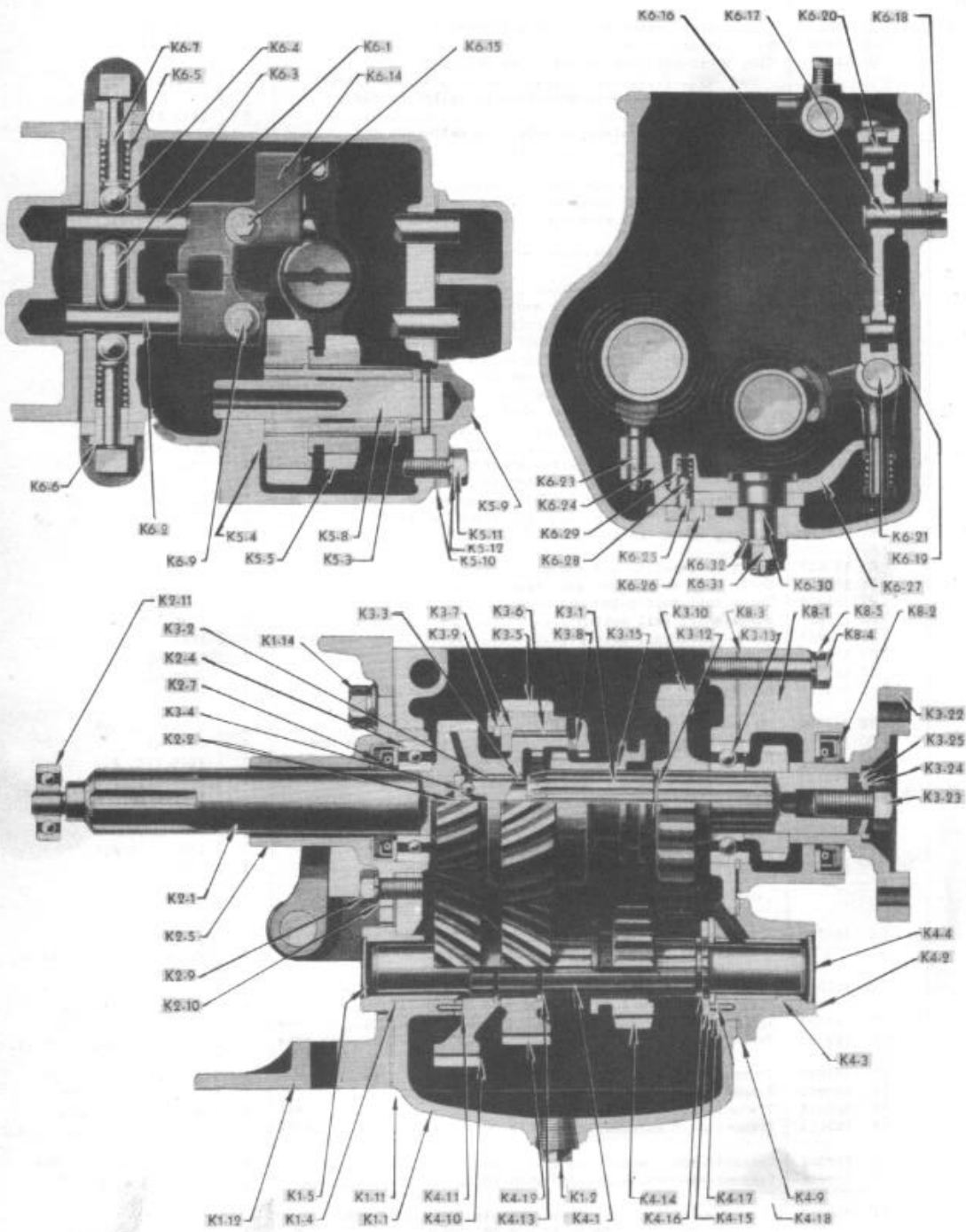
Group & Illus. No.	Plate No.	Part No.	NAME	Per Car	Models
J3-			VACUMOTIVE DRIVE (CONT.D.)		
		BZ 155720	Bellcrank bracket assembly	1	All six cylinder
		BZ 155722	Bellcrank bracket assembly	1	All eight cylinder
55	19	BZ 155725	Rod-bellcrank to coupling lever	1	1940 All
55	19-20	BZ 163207	Rod-bellcrank to coupling lever	1	1941-1942 All
56	19-20	BO 12481	Nut-bellcrank to coupling lever rod .	2	All
57	19-20	BZ 150595	Link-bellcrank to coupling lever rod	1	All
		BT 71256	Clevis pin-bellcrank to coupling lever rod	1	All
		BZ 40436	Silencing spring-bellcrank to coupling lever rod	1	All
		BM 155742	Tension washer-bellcrank to shaft	1	All
		BZ 908	Bolt-bellcrank bracket-on water jacket cover	3	All
58	19	BZ 155727	Threaded sleeve rod	1	1940 All
58	19	BZ 163205	Threaded sleeve rod	1	10,11,12,18
58	19	BZ 163214	Threaded sleeve rod	1	14,15,17
58	20	BZ 164185	Threaded sleeve rod assembly	1	20,21,22,28
58	20	BZ 164187	Threaded sleeve rod assembly	1	24,25,27
59	19-20	BO 71073	Nut-for threaded sleeve rod	1	All
		BZ 164222	Retainer clip-thread sleeve rod	1	1942 All
60	19-20	BZ 155728	Threaded sleeve	1	All
61	19	BZ 155738	Bellcrank-threaded sleeve rod	1	1940 All
		BZ 6998	Clevis pin-threaded sleeve rod bellcrank	1	1940 All
62	19	BZ 155452	Bracket-threaded sleeve rod bellcrank	1	1940 All
		BO 18447	Bolt-threaded sleeve rod bellcrank bracket-	2	1940 All
		BO 71073	Nut-threaded sleeve rod bellcrank bracket bolt	2	1940 All
		BZ 155731	Operating rod-threaded sleeve rod bellcrank-First type-not adjustable	1	1940 All
63	19	BZ 161124	Operating rod-threaded sleeve rod bellcrank-Second type-adjustable-not interch with 155731	1	1940 All
		BZ 5771	Clevis-for second type operating rod	1	1940 All
		BO 71073	Nut-for second type operating rod	1	1940 All
		BZ 5825	Clevis pin-for second type operating rod	1	1940 All
64	19-20	BZ 155729	Knurled screw-valve lever cam adjusting	1	All
65	19	BZ 155730	Spring-for knurled adjusting screw	1	All
		BT 155861	Vacuum pipe assembly-manifold end	1	All six cylinder
		BZ 158813	Vacuum pipe assembly-manifold end	1	All eight cylinder
66	19-20	BT 155863	Vacuum pipe assembly-valve end	1	All six cylinder
66	19-20	BT 153743	Vacuum pipe assembly-valve end	1	All eight cylinder
		BT 48334	Flared nut-vacuum pipe	2	All
		BT 155868	Vacuum pipe hose	1	All
		BT 156998	Reinforcement spring-vacuum pipe hose	1	All
		BT 71556	Clamp-vacuum pipe hose	2	All
67	19-20	BZ 170124	Flared elbow-vacuum pipe	1	All without HDM
		BZ 170664	Flared elbow-vacuum pipe	1	1942 with HDM
		BM 170130	Manifold connection-for vacuum pipe	1	All six cylinder without HDM
		BM 170131	Manifold connection-for vacuum pipe	1	All eight cylinder without HDM
		BZ 170666	Manifold connection-for vacuum pipe	1	20-21-22-28 with HDM
		BZ 170667	Manifold connection-for vacuum pipe	1	24,25,27
		BZ 160275	VD wire harness	1	1940 All
		BZ 163216	VD wire harness-to car 26840	1	1941 All
		BZ 163291	VD wire harness-after car 26840 exc 28001 to 28075	1	1941 All
		BZ 163045	Wire assembly-harness to panel switch-used with 163291 harness	1	1941 All
		BZ 164076	VD wire harness	1	1942 All without HDM
		BO 164080	Attachment plug-VD harness	1	1942 All
		BO 164081	Cap-for VD harness attachment plug	1	1942 All
		BO 164082	Socket-for VD harness attachment plug	1	1942 All
		BO 164083	Cap-for VD harness attachment plug socket	1	1942 All
68	19	BO 155732	Accelerator switch	1	1940-1941 All
68	20	BO 164389	Accelerator switch	1	1942 All
		BZ 163208	Accelerator switch bracket	1	1941 All
		BZ 164398	Accelerator switch bracket	1	1942 All
		BZ 163209	Stud-accelerator switch bracket	2	1941-1942 All
		BZ 12115	Nut-accelerator switch bracket stud	2	1941-1942 All
		BZ 71077	Washer-accelerator switch bracket stud	2	1941-1942 All
		BO 170709	Washer-accelerator switch bracket stud	2	1942 All
		BO 170179	Screw-for accelerator switch	2	1940 All
		BO 170583	Screw-accelerator switch to bracket	2	1941 All
		BO 18447	Screw-accelerator switch to bracket	2	1942 All
		BO 12799	Nut-accelerator switch to bracket screw	2	1941-1942 All
69	19	BO 155733	Rod-accelerator switch lever	1	1940 All
70	19	BZ 163213	Rod-accelerator switch to bellcrank	1	1941 All
70	20	BZ 164399	Rod-accelerator switch to bellcrank	1	1942 All

VACUMOTIVE DRIVE

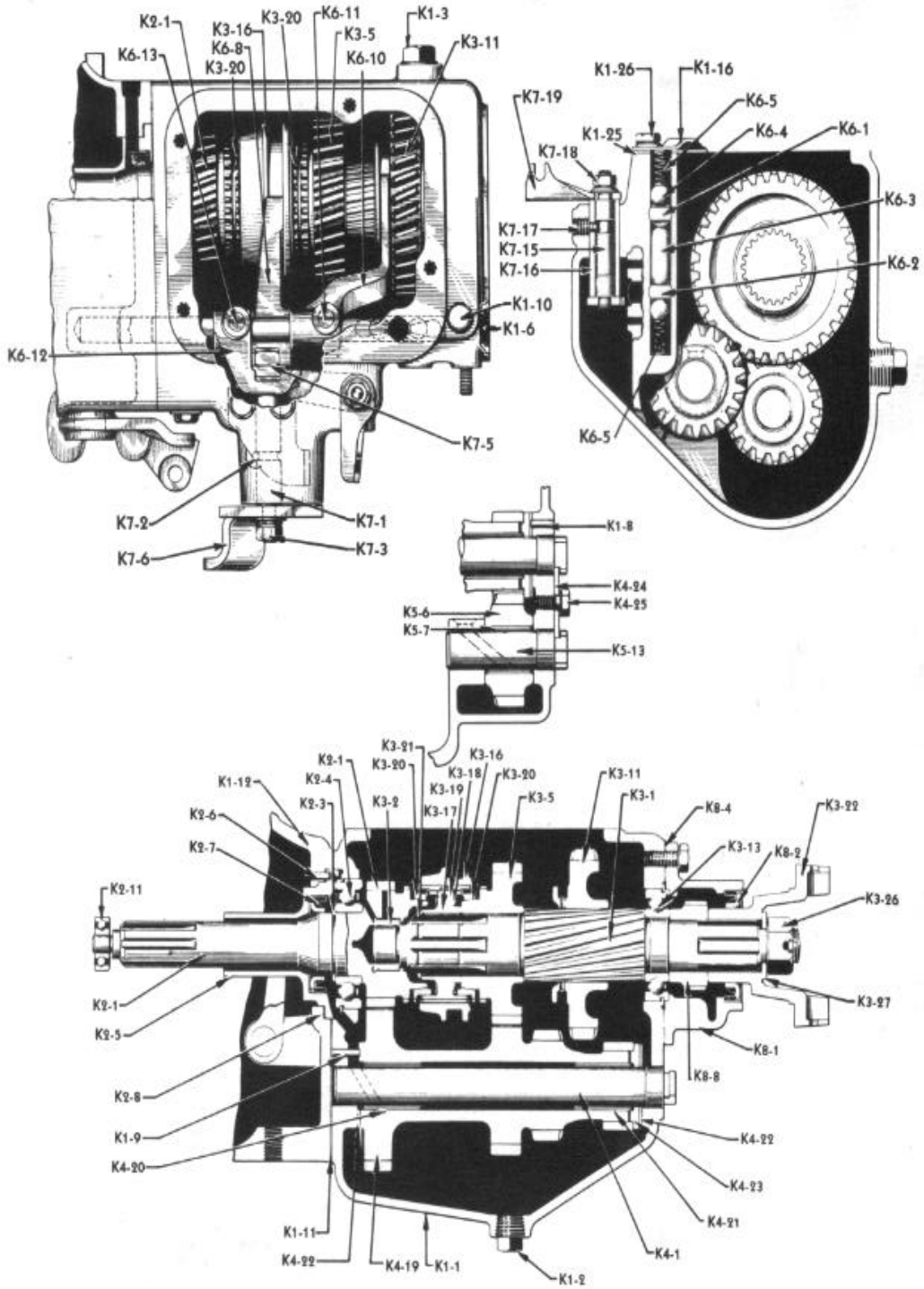
1940 -- 1941 -- 1942

J

Group & Illus. No.	Plate No.	Part No.	NAME	Per Car	Models
J2			VACUMOTIVE DRIVE (CONT'D.)		
71	19	BZ 5771	Clevis-accelerator switch to bellcrank rod	1	1941 All
		BO 71073	Nut-accelerator switch to bellcrank rod	1	1941 All
		BZ 5825	Clevis pin-accelerator switch to bellcrank rod	1	1941 All
			3/16" x 11/16"		
		BZ 164222	Retainer clip-accelerator switch to bellcrank rod-at switch	1	1942 All
		BZ 164221	Retainer clip-accelerator switch to bellcrank rod-at bellcrank	1	1942 All
		BT 160579	VD governor switch assembly	1	1940 All
		BZ 162866	VD governor switch assembly	1	1941 All
		BZ 164409	VD governor switch assembly	1	1942 without HDM
			NOTE: For HDM governor switch, see group 022.		
		BT 154042	Drive shaft-governor switch	1	1940 All
		BZ 154043	Circuit breaker (bakelite end)-governor switch	1	1940 All
		HZ 154044	Gasket-governor switch circuit breaker	1	1940 All
		BO 71741	Screw-governor switch circuit breaker	3	1940 All
			6/32" x 1/2"		
		BT 160752	Housing and rotor assembly-governor switch	1	1940 All
		BT 160753	Housing assembly-governor switch	1	1940 All
		BT 160755	Rotor assembly-governor switch	1	1940 All
		BT 160757	Nut-governor switch rotor shaft	1	1940 All
		BT 153264	Governor switch adapter	1	1940 All
			Used without OD		
		BT 160578	Governor switch adapter	1	1940 All
			Used with OD		
		BT 154588	Drive shaft-governor switch adapter	1	1940 All
		BT 154296	Grease fitting-governor switch adapter	1	1940 All
		BT 160347	Extension-governor switch adapter grease fitting	1	1940 All with OD
		BM 170278	Elbow-grease fitting extension-after car 50815	1	1940 CvCpe-CvSed
		BZ 164007	Locking washer-governor switch	1	1942 All
		BT 155637	Shift rail switch-2nd and high	1	1940 All
		BT 162590	Shift rail switch-2nd and high	1	1941 All
		BT 164408	Shift rail switch-2nd and high	1	1942 All
		BM 71648	Screw-shift rail switch	2	1940 All
			10-32 x 3/8"		
		BO 170367	Screw-shift rail switch	2	1941-1942 All
			10-32 x 1/2"		
		HZ 155638	Gasket-shift rail switch	1	1940 All
		BZ 163739	Gasket-shift rail switch	1	1942 All
		BT 170094	Operating ball-shift rail switch	1	All
			7/16"		
		BZ 155736	VD instrument panel switch	1	1940-1941 All
		BO 164407	VD instrument panel switch	1	1942 All
		BZ 153201	Mounting collar-instrument panel switch	1	1940-1941 All
		BO 170701	Mounting nut-instrument panel switch	1	1942 All
80	36	BO 160044	Knob assembly-instrument panel switch	1	1940 All
			Taupe		
		BO 161680	Knob assembly-instrument panel switch	1	43-47 5Sed
			Black		
		BO 162588	Knob assembly-instrument panel switch	1	1941 All
			Gray		
		BO 153204	Retaining spring-instrument panel switch knob	1	1940-1941 All
		BO 153205	Set screw-instrument panel switch knob	1	1940-1941 All
K1			TRANSMISSION ASSEMBLY AND CASE		
			See page 80 For notes •, **, *** and ****.		
		C 161371	Transmission assembly-used without OD-for 4-1/9 axle ratio and 16 x 6.00-6.25-6.50 or 15 x 7.00 tires	*	1 40 with L eng,41,43,44, 45,47,48
		C 161372	Transmission assembly-used without OD-for 4-5/9" axle ratio and 16 x 6.00 or 16 x 5.50 tires	**	1 40 with std engine
		C 163503	Transmission assembly-used without OD	***	1 10 with std engine
		C 163502	Transmission assembly-used without OD	****	1 10 with L eng, 11,12,14, 15,17,18
		C 164062	Transmission assembly-used without OD		1 1942 All without HDM
		C 164063	Transmission assembly-used without OD		1 1942 All with HDM
		C 162014	Transmission assembly-used with OD	***	1 10 with std engine
		C 162013	Transmission assembly-used with OD	****	1 10 with L eng, 11,12,14,15, 17,18
		C 164064	Transmission assembly-used with OD		1 1942 all without HDM
		C 164065	Transmission assembly-used with OD		1 1942 all with HDM
		C 161373	Transmission and overdrive assembly-for 4-5/9" axle ratio and 16 x 5.50 or 16 x 6.00 tires	*	1 40 with L eng,41,43, 45,47,48
		C 161374	Transmission and overdrive assembly-for 4-5/9" axle ratio and 16 x 5.50 or 16 x 6.00 tires. For 4-7/8" axle and 16 x 6.25-6.50 or 15 x 7.00 tires	**	1 40 with std engine
		C 161375	Transmission and overdrive assembly-for 4-7/8" axle ratio and 16 x 5.50 tires	**	1 40 with std engine



Transmission - 1940



Transmission - 1941-1942

Group & Illus. No.	Plate No.	Part No.	NAME	Per Car	Models
K1-			TRANSMISSION ASSEMBLY AND CASE (CONT'D.)		
		C 163501	Transmission and overdrive assembly	**	1 10 with standard engine
		C 163500	Transmission and overdrive assembly	****	1 10 with L engine, 11, 12, 14, 15, 17, 18
		C 164066	Transmission and overdrive assembly	See Note	1 1942 All without HDM
		C 164067	Transmission and overdrive assembly	See Note	1 1942 All with HDM
			NOTE: *161371 and 161373 have 2.42 to 1 low gear ratio. **161372, 161374 and 161375 have 2.94 to 1 low gear ratio. ***163503, 162014 and 163501 have 2.88 to 1 low gear ratio. ****163502, 162013 and 163500 have 2.61 to 1 low gear ratio. All 1942 transmissions have 2.88 to 1 low gear ratio.		
			NOTE: Transmission assemblies do not include clutch housing. 163503 and 163502 are for cars without VD. For cars with VD install 162466 speedometer housing in place of standard housing. Transmission assemblies used with OD do not include mainshaft or other parts which are included in overdrive assembly; but do include the synchronizer shift sleeve, etc., which assemble on mainshaft.		
			See group K8 for speedometer gears and Pinions for various axle ratios and tire sizes.		
1	21	C 156622	Transmission case assembly	Used without OD	1 1940 All
1	21	C 160580	Transmission case assembly	Used with OD	1 1940 All
1	22	C 162072	Transmission case assembly	Used without OD	1 1941 All
1	22	C 162394	Transmission case assembly	Used with OD	1 1941 All
1	22	C 164420	Transmission case assembly	Without OD or HDM	1 1942 All to car 22877
1	22	C 165035	Transmission case assembly	Without OD or HDM	1 1942 All after car 22877
1	22	C 164422	Transmission case assembly	Without OD-with HDM	1 1942 All to car 23464
1	22	C 165037	Transmission case assembly	Without OD-with HDM	1 1942 All after car 23464
1	22	C 164421	Transmission case assembly	With OD-without HDM	1 1942 All to car 24116
1	22	C 165039	Transmission case assembly	With OD-without HDM	1 1942 All after car 24116
1	22	C 164423	Transmission case assembly	With OD-with HEM	1 1942 All to car 24116
1	22	C 165040	Transmission case assembly	With OD-with HDM	1 1942 All after car 24116
2	21-22	BZ 2346	Drainplug	3/8" extension head	1 All
3	22	BM 5710	Filler plug 1/2" extension head	1/2" extension head	1 All
4	21	BT 154553	Bushing-countershaft front	Less exp. plug	1 1940 All
5	21	BM 14112	Expansion plug-countershaft bushing	1"	1 1940 All
6	22	BM 70568	Expansion plug-shift rail opening	3/4"	1 1941-1942 All
		BT 14864	Expansion plug-shift rail switch hole	9/16"	1 1941-1942 All
8	22	BT 170493	Pin-countershaft gear thrust washer-rear-	.156 x 9/16"	1 1941-1942 All
9	22	BT 170494	Pin-countershaft gear thrust washer-front-	.156x45/64"	1 1941-1942 All
10	22	BT 162149	Breather-transmission case vent		1 1941-1942 All
		BT 160596	Oil tube-for mainshaft bearing	Used with OD	1 1940 All
		BT 162396	Oil tube-for mainshaft bearing	Used with OD	1 1941-1942 All
		BT 160597	Stud-for OD adapter		1 1940 All
		BT 170647	Stud-used with OD or HDM	5/16"-.18 x 1-11/16"	1 1942 All
11	21	BT 40079	Gasket-transmission case front		1 1940 All
11	22	BT 162073	Gasket-transmission case front		1 1941-1942 All
		F 158344	Transmission gasket kit		1 1940 All
		F 163293	Transmission gasket kit		1 1941.-1942 All
12	21	C 159522	Clutch housing assembly	Used without OD	1 1940 All
12	21	C 160656	Clutch housing assembly	Used with OD	1 1940 All
12	22	C 162191	Clutch housing assembly	LHD	1 1941 All
		C 165151	Clutch housing complete-includes shifter yoke, shaft, and coupling lever		1 1942 LHD
12	22	C 165153	Clutch housing assembly	LHD	1 1942 All
12	22	C 162192	Clutch housing assembly	RHD	1 1941-1942 All
		BT 40308	Bushing-clutch shifter yoke shaft		3-4 All
		BT 170069	Pilot bolt-clutch housing to cyl. plate-	3/8"-24x1-13/32"	1 411
		BT 170070	Bolt-clutch housing to cyl. plate	3/8"-24 x 1-1/4"	1 All
		BX 12415	Nut-clutch hsg. to cyl. plate bolt	3/8"-24 x 21/64"	2 All
		BT 71160	Bolt-clutch housing to cylinder	7/16"-14 x 1-3/4"	1 All
		BT 607	Bolt-clutch housing to cylinder	3/8"-16 x 1-3/8"	1 All
14	21	BT 71081	Bolt-clutch housing to trans. case	3/8"-16 x 1"	6 1940 All
		BZ 170534	Bolt-clutch housing to trans. case	7/16"-14 x 1-1/8"	6 1941-1942 All
		BO 71076	Lockwasher-clutch housing to trans. case bolt		6 1940 All
		BO 170477	Lockwasher-clutch housing to trans. case bolt		6 1941-1942 All
15	14	BT 158345	Grease fitting-clutch housing	67-1/2°	1 All
		BT 14864	Expansion plug-shift rail switch hole	9/16"	AR 1940 All
		158800	Transmission cover assembly-1st type	Use 160872	1 1940 LHD without OD
		BT 158801	Transmission cover assembly-1st type	See Note	1 1940 RHD without OD
16	24	BT 160872	Transmission cover assembly-2nd type	See Note	1 1940 LHD without OD
		BT 160873	Transmission cover assembly-2nd type	See Note	1 1940 RHD without OD
16	24	BT 160872	Transmission cover assembly	Has vent-	1 1940 LHD with OD

Group & Illus. No.	Plate No.	Part No.	NAME	Per Car	Models
K1			TRANSMISSION ASSEMBLY AND CASE (CONT'D.)		
		BT 160873	Transmission cover assembly Has vent	1	1940 RHD with OD
			NOTE: Second type 1940 transmission cover, with vent, may be used for all 1940 replacements. First type cover, without vent, may be used only with first type speedometer gear housing which has breather tube. See group KB.		
16	22	BT 163813	Transmission cover assembly-includes oil baffle LHD	1	1941 All
		BT 162140	Transmission cover and cross lever assembly RHD	1	1941 All
16	22	BT 163813	Transmission cover assembly-includes oil baffle-Used without OD, HDM or VD	1	1942 All to car 22877
16	22	BT 165045	Transmission cover assembly-includes oil baffle-Used without OD, HDM or VD	1	1942 All after car 22877
16	22	BT 164040	Transmission cover assembly-includes oil baffle-Used without OD, with HDM or VD LHD	1	1942 All to car 24116
16	22	BT 165042	Transmission cover assembly-includes oil baffle-Used without OD, with HDM or VD LHD	1	1942 All after car 24116
		BT 164201	Transmission cover assembly-used with OD LHD	1	1942 All
		BT 164475	Transmission cover and cross lever assy.-without OD RHD	1	1942 All to car 23464
		BT 165043	Transmission cover and cross lever assy.-without OD RHD	1	1942 All after car 23464
		BT 164068	Transmission cover and cross lever assy.-with OD RHD	1	1942 All
		BT 160878	Vent-transmission cover-2nd type	1	1940 All
17	24	HT 170252	Dowel-for control wire lower bracket .187 x 9/16"	1	1940 All
18	24	BT 158056	Shift selector plate	1	1940 All
19	24	BT 158811	Pin-shift selector plate	2	1940 All
20	24	BT 158058	Push rod-shift selector plate	1	1940 All
21	24	BT 158806	Shift finger and shaft assembly LHD	1	1940 All
		BT 158807	Shift finger and shaft assembly RHD	1	1940 All
22	24	BT 158810	Pivot pin-shift finger	1	1940 All
23	24	BT 158048	Shift shaft lever-outer	1	1940 All
		HT 5662	Taper pin-shift shaft lever #3	1	1940 All
		BT 162148	Pivot-for cross lever RHD	1	1941-1942 All
		BO 170492	Washer-for cross lever pivot RHD	1	1941-1942 All
		BT 158059	Felt seal-shift selector plate push rod	1	1940 All
		BT 158077	Dust shield-control wire and selector plate push rod	1	1940 All
		BT 158039	Gasket-transmission cover	1	1940 All
		BT 162144	Gasket-transmission cover	1	1941 All
25	22	BT 162144	Gasket-transmission cover For 1st type cover	1	1942 All
25	22	BT 165047	Gasket-transmission cover For 2nd type cover	1	1942 All
		BZ 12275	Bolt-transmission cover 5/16"-18 x 1"	2	1940 All
		BZ 1430	Bolt-transmission cover 5/16"-18 x 1-5/8"	2	1940 All
26	22	BT 395	Bolt-transmission cover 5/16"-18 x 5/8"	5	1941-1942 All
		BT 70414	Lockwasher-transmission cover bolt 5/16" heavy	4	1940 All
		BT 71	Lockwasher-transmission cover bolt 5/16" medium	5	1941-1942 All
		BT 155538	Transmission bumper-side Rubber	2	1940 All
		BT 45020	Retainer-for transmission bumper	2	1940 All
		BT 152689	Bolt-transmission bumper-use without OD	2	1940 All
		BT 160604	Bolt-RH-transmission bumper-use with OD	1	1940 All
		BT 160605	Bolt-LH-transmission bumper-use with OD	1	1940 All
		BM 232	Nut-transmission bumper bolt 7/16"-20 x 3/8"	4	1940 All
K2-			MAIN DRIVE GEAR		
1	21	F 159533	Main drive gear assembly-2.94 to 1 low gear 17 teeth	1	40 with standard engine
1	21	F 47291	Main drive gear assembly-2.42 to 1 low gear 19 teeth	1	40 L engine,41,43,44,45, 47,48
1	22	F 162049	Main drive gear 2.88 to 1 low gear 17 teeth	1	10 standard engine
1	22	F 162047	Main drive gear 2.61 to 1 low gear 18 teeth	1	10 L engine,11,12,14,15, 17,18
1	22	F 164465	Main drive gear 2.88 to 1 low gear 17 teeth	1	1942 All
2	21	BT 44165	Thrust ball seat	1	1940 All
3	22	BT 162076	Lock ring-main drive gear .090	1	1941 All
3	22	BT 162077	Lock ring-main drive gear .093	1	1941 All
3	22	BT 162078	Lock ring-main drive gear .096	1	1941 All
3	22	BT 162077	Lock ring .093	1	1942 All
			} Use one as required for selective fit		
4	21	F 401	Bearing-main drive gear ND 1205	1	1940 All
4	22	F 162074	Bearing-main drive gear ND 47507	1	1941 All
4	22	F 164466	Bearing-main drive gear ND 47507	1	1942 All
		BT 164467	Snap ring-main drive gear bearing	1	1942 All
5	21	BT 42114	Retainer-main drive gear bearing	1	1940 All
5	22	BT 162079	Retainer assembly-main drive gear bearing	1	1941-1942 All
6	22	BT 170497	Locating pin-main drive gear bearing retainer	1	1941-1942 All

Group & Illus. No.	Plate No.	Part No.	NAME	Per Car	Models
K2-			MAIN DRIVE GEAR (CONT'D.)		
7	22	BT 162075	Oil seal-main drive gear	1	1941-1942 All
7	21	BT 40084	Oil seal-main drive gear	1	1940 All
		BT 40082	Shim-main drive gear bearing retainer	AR	1940 All
		BT 40083	Shim-main drive gear bearing retainer	AR	1940 All
8	22	BT 162082	Gasket-main drive gear bearing retainer	3	1941-1942 All
9	21	BM 219	Screw-main drive gear bearing retainer- 5/16"-18 x 3/4"	3	1940 All
10	21	BZ 71126	Lockwasher-main drive gear bearing retainer screw	3	1940 All
11	21-22	F 71161	Pilot bearing-main drive gear	1	All
K3-			MAINSHAFT		
1	21	F 155524	Mainshaft assembly	1	1940 All
1	21	F 160582	Mainshaft assembly	1	1940 All
		BT 45626	Plug-mainshaft thrust	1	1940 All
1	22	F 162053	Mainshaft-used without OD	1	1941 All
		F 162397	Mainshaft-used with OD	1	1941 All
1	22	F 163920	Mainshaft-used without OD	1	1942 All
		F 163921	Mainshaft-used with OD	1	1942 All
			NOTE: Transmission mainshaft used with OD is part of OD assembly.		
2	21	BT 44169	Needle roller-mainshaft pilot	26	1940 All
2	22	BT 162083	Needle roller-mainshaft pilot	16	1941-1942 All
3	21	BT 44170	Retainer ring-mainshaft needle roller	1	1940 All
4	21	F 17919	Ball-mainshaft thrust	1	1940 All
			3/16"		
5	21	F 159536	Gear assembly-mainshaft intermediate	1	40 standard engine
5	21	F 155013	Gear assembly-mainshaft intermediate	1	40 L engine,41,43,44,45, 47,48
5	22	F 162062	Gear mainshaft intermediate	1	1941 All
5	22	F 164468	Gear-mainshaft intermediate	1	1942 All
6	21	BT 45018	Bushing-mainshaft intermediate gear	1	1940 All
7	21	BT 48802	Thrust washer-front-mainshaft intermediate gear	2	1940 All
8	21	BT 40093	Thrust washer-rear-mainshaft intermediate gear	1	1940 All
9	21	F 155015	Retainer-intermediate gear	1	1940 All
10	21	F 155527	Gear-mainshaft low and reverse	1	1940 All
		F 160586	Gear-mainshaft low and reverse	1	1940 All
11	22	F 162059	Gear-mainshaft low and reverse	1	1941 All
11	22	F 163909	Gear-mainshaft low and reverse	1	1942 All
12	21	BT 47300	Retainer-mainshaft low and reverse gear	1	1940 All
		BT 160587	Lock-low and reverse gear retainer	1	1940 All
13	21	F 42108	Bearing-mainshaft	1	1940 All
13	22	F 162088	Bearing-mainshaft rear-without OD	1	1941-1942 All
14	23	F 160588	Bearing-mainshaft rear-with OD-Part of OD assembly	1	1940 All
14	23	F 170409	Bearing-mainshaft rear-with OD-Part of OD assembly	1	1941-1942 All
		BT 40061	Snap ring-mainshaft bearing	1	1940 All
15	21	F 160584	Shift sleeve-second and high	1	1940 All
		BT 162583	Synchronizer shift sleeve assembly-design B	1	1941 All
		BT 164469	Synchronizer shift sleeve assembly	1	1942 All
16	22	BT 162090	Synchronizer shift sleeve-Design A	1	1941 All
16	22	BT 162584	Synchronizer shift sleeve-Design B	1	1941 All
16	22	BT 164470	Synchronizer shift sleeve	1	1942 All
17	22	BT 162091	Hub-synchronizer shift sleeve	1	1941 All
17	22	BT 164471	Hub-synchronizer shift sleeve	1	1942 All
18	22	BT 162098	Spring-synchronizer	2	1941 All
18	22	BT 164473	Spring-synchronizer	2	1942 All
19	22	BT 162097	Shift plate-synchronizer	3	1941 All
19	22	BT 164478	Shift plate-synchronizer	3	1942 All
20	22	BT 162096	Ring-synchronizer-Design A	2	1941 All
20	22	BT 162585	Ring-synchronizer-Design B	2	1941 All
20	22	BT 164472	Ring-synchronizer	2	1942 All
			NOTE: Designs A and B synchronizer sleeves and rings differ in tooth pitch, and must not be interchanged except in sets of sleeve and rings. 162584 sleeve is identified by groove in tapered surface. 162585 ring is stamped "110".		
21	22	BT 162092	Lock ring-shift sleeve hub	1	1941-1942 All
21	22	BT 162093	Lock ring-shift sleeve hub	AR	1941 All
21	22	BT 162094	Lock ring-shift sleeve hub	AR	1941 All
21	22	BT 162095	Lock ring-shift sleeve hub	AR	1941 All
			Discontinued Oct. 1, 1940		
22	21	BT 157754	Companion flange	1	1940 All

Group & Illus. No.	Plate No.	Part No.	NAME	Per Car	Models
K3-			MAINSHAFT (CONT.D.)		Models
22	22	BT 162119	Companion flange	Used without OD	1 1941-1942 All
		BT 160599	Companion flange-See group K9	Used with OD	1 All
23	21	BT 71704	Screw-for companion flange	Used without OD	1 1940 All
24	21	BZ 170171	Washer-for companion flange screw	Used without OD	1 1940 All
		BZ 40582	Seal-for companion flange washer	Used without OD	1 1940 All
25	21	BT 41042	Gasket-for companion flange screw	Used without OD	1 1940 All
26	22	BT 170495	Nut-companion flange to shaft	Used without OD	1 1941 All
26	22	BT 170705	Nut-companion flange to shaft	Used without OD	1 1942 All
27	22	BT 71217	Washer-companion flange to shaft	Used without OD	1 1941-1942 All
K4-			COUNTERSHAFT		
1	21	F 155529	Countershaft		1 1940 All
1	21	F 162102	Countershaft		1 1941 All
1	21	F 162102	Countershaft-1st type	Interch with 164738	1 1942 All
1	21	F 164738	Countershaft-2nd type	Interch with 162102	1 1942 All
2	21	BT 160589	Cap assembly-countershaft-rear	Used with OD	1 1940 All
2	21	BT 150161	Cap assembly-countershaft-rear	Used without OD	1 1940 All
3	21	BT 150149	Bushing-countershaft rear		1 1940 All
4	21	BT 71165	Expansion plug-countershaft rear cap	1-1/8"	1 1940 All
		BT 160591	Shim-countershaft cap	Thin	AR 1940 All
		BT 160592	Shim-countershaft cap	Thick	AR 1940 All
		BM 219	Screw-countershaft cap	5/16"-18 x 3/4"	2 1940 All
		BZ 71126	Lockwasher-countershaft cap screw	5/16" ext tooth	2 1940 All
9	21	BT 40107	Gasket-countershaft cap		2 1940 All
10	21	F 155533	Drive gear-countershaft	23 teeth	1 40 L engine,41,43,44,45, 47,48 40 standard engine
10	21	F 159538	Drive gear-countershaft	25 teeth	1
11	21	BT 150164	Thrust washer assembly-countershaft drive gear		1 1940 All
12	21	F 155534	Intermediate gear-countershaft	18 teeth	1
12	21	F 159539	Intermediate gear-countershaft	19 teeth	1 40 L engine,41,43,44,45, 47,48
13	21	BT 47305	Retainer-countershaft intermediate gear		1 40 standard engine
14	21	F 155535	Low and reverse gear-countershaft		2 1940 All
15	21	BT 155993	Thrust washer-countershaft		1 1940 All
16	21	BT 47305	Retainer-countershaft thrust washer		1 1940 All
17	21	BT 44175	Spacer-countershaft thrust washer		1 1940 All
18	21	BT 10965	Pin-countershaft thrust washer spacer	1/8" x 5/16"	1 1940 All
					2 1940 All
19	22	F 162056	Gear cluster assembly-26 teeth on large gear-For 2.88 to 1 low gear ratio		1 10 standard engine
19	22	F 162054	Gear cluster assembly-25 teeth on large gear-For 2.61 to 1 low gear ratio		1 10 L engine,11,12,14,15, 17,18 1 1942 All
19	22	F 163905	Gear cluster assembly-26 teeth on large gear		1 1941 All
20	22	BT 162058	Bushing-countershaft gear cluster	Front	1 1942 All
20	22	BT 164921	Bushing-countershaft gear cluster	Front	1 1941-1942 All
21	22	BT 162071	Bushing-countershaft gear cluster	Rear	2 1941-1942 All
22	22	BT 162103	Bronze washer-gear cluster		1 1941-1942 All
23	22	BT 162105	Bronze washer-gear cluster	Rear	1 1941-1942 All
		BT 170493	Pin-for rear bronze washer	5/32" x 9/16"	1 1941-1942 All
		BT 170494	Pin-for front bronze washer	5/32" x 45/64"	1 1941-1942 All
24	22	BT 162108	Lock plate-countershaft and reverse shaft	Without OD	1 1941-1942 All
		BT 162809	Lock plate-countershaft and reverse shaft	With OD	1 1941-1942 All
25	22	BT 395	Screw-for lock plate-use without OD	5/16"-18 x 5/8"	1 1941-1942 All
		BT 170535	Screw-for lock plate-use with OD	5/16"-18 x 5/8"	1
K5-			REVERSE GEAR AND SHAFT		
		F 151788	Reverse gear (stationary) and shaft (rotating) assembly		1 1940 All
3	21	BT 46444	Bushing-for reverse gear shaft (rotating)		2 1940 All
4	21	BT 44187	Retainer-for reverse gear (stationary)		2 1940 All
5	21	F 150197	Reverse gear-sliding		1 1940 All
6	22	F 162060	Reverse gear assembly-idler		1 1941-1942 All
7	22	BT 162066	Bushing-reverse idler gear		1 1941-1942 All
8	21	BT 151184	Stationary shaft-reverse gear		1 1940 All
9	21	BT 150198	Cap-reverse gear shaft	Used without OD	1 1940 All
		BT 160594	Cap-reverse gear shaft	Used with OD	1 1940 All
10	21	BT 44190	Gasket-reverse gear shaft cap	Used without OD	1 1940 All
11	21	BM 219	Screw-reverse gear shaft cap	5/16"-18 x 3/4"	2 1540 All (1 used with OD)
12	21	BZ 71126	Lockwasher-reverse gear shaft cap screw-	5/16"-18 x 3/4"	1-2 1940 All
13	22	BT 162109	Shaft-reverse gear idler-1st type--	Interch with 164739	1 1941-1942 All
13	22	BT 164739	Shaft-reverse gear idler-2nd type--	Interch with 162109	1 1942 All

Group & Illus. No.	Plate No.	Part No.	NAME	Per Car	Models
K6-			INTERNAL SHIFT MECHANISM		
1	21	BT 150096	Shift rail-low and reverse-without OD	1	1940 All
1	22	BT 162114	Shift rail-low and reverse-without OD-Interch with 163932	1	1941 All
1	22	BT 163932	Shift rail-low and reverse-without OD-Interch with 162114	1	1942 All
		BT 160595	Shift-rail-low and reverse-with OD	1	1940 All
		BT 162398	Shift rail-low and reverse-with OD-Interch with 163931	1	1941 All
		BT 163931	Shift rail-low and reverse-with OD-Interch with 162398	1	1942 All
2	21	BT 155755	Shift-rail-second and high	1	1940 All
2	22	BT 162115	Shift rail-second and high	1	1941 All
2	22	BT 164479	Shift rail-second and high	1	1942 All
		BT 164480	Stop screw-for second and high shift rail	In case	1942 All
3	21-22	BT 40122	Interlock-for shift rails	1	All
4	21-22	BT 58	Lock ball-for shift rails	1/2"	2 All
5	21	BT 41151	Spring-for shift rail lock ball		2 1940 All
5	22	BT 163442	Spring-low & reverse shift rail lock ball	19 lb	1 1941-1942 without OD
5	22	BT 41236	Spring-low & reverse shift rail lock ball	30 lb	1 1941-1942 with OD
5	22	BT 41151	Spring-second & high shift rail lock ball	9 lb	1 1941-1942 All
6	21	BT 48673	Cap-shift rail lock ball spring		2 1940 All
7	21	BT 48674	Plunger-shift rail lock ball		2 1940 All
		BT 152698	Shifter fork-second and high	1	1940 All
		BT 152698	Shifter fork-second and high	1	1940 All
		BT 162113	Shifter fork-second and high	1	1941 All
		BT 164474	Shifter fork-second and high	1	1942 All
8	22	BT 158339	Lock screw-2nd & high shifter fork	1	1940 All
9	22	BT 162111	Lock screw-2nd & high shifter fork	1	1941-1942 All
10	22	BT 162112	Shifter fork-low and reverse	1	1941-1942 All
11	22	BT 162111	Lock screw-low and reverse shifter fork	1	1941-1942 All
12	22	BT 162110	Shifter-low and reverse	1	1941-1942 All
13	22	BT 162111	Lock screw-low and reverse shifter	1	1941-1942 All
14	21	BT 152696	Shifter assembly-low and reverse	LHD	1 1940 All
		BT 158586	Shifter assembly-low and reverse	RHD	1 1940 All
		BT 71163	Pin-low and reverse shifter	.314 x 9/16"	1 1940 All
15	21	BT 158339	Lock screw-low and reverse shifter		1 1940 All
16	21	BT 40126	Intermediate lever-low and reverse shifter		1 1940 All
17	21	BT 40127	Stud-for intermediate lever		1 1940 All
18	21	BT 12167	Nut-for intermediate lever stud		1 1940 All
19	21	BT 159540	Shifter fork assembly-low and reverse		1 1940 All
20	21	BT 71163	Pin-low and reverse shifter fork	.314 x 9/16"	1 1940 All
		BT 44178	Spring-low and reverse shifter fork		1 1940 All
		BT 44179	Seal-low and reverse shifter fork spring		2 1940 All
		BT 44180	Pin-low and reverse shifter fork spring seat		1 1940 All
21	21	BT 155023	Shaft-low and reverse shifter fork	In trans. case	1 1940 All
		BT 71294	Set screw-low and reverse shifter fork shaft		1 1940 All
23	21	BT 150199	Shifter-reverse gear		1 1940 All
24	21	BT 44195	Lever-reverse gear shifter		1 1940 All
25	21	BT 44196	Locator pin-reverse gear shifter lever		1 1940 All
26	21	BT 47642	Locator seat-reverse gear shifter lever		1 1940 All
27	21	BT 151400	Pickup lever-reverse gear shifter		1 1940 All
28	21	BT 44196	Plunger-reverse gear shifter pickup lever		1 1940 All
29	21	BT 47624	Spring-pickup lever plunger		1 1940 All
30	21	BT 44203	Fulcrum-reverse gear shifter lever		1 1940 All
31	21	BT 3488	Nut-reverse gear shifter lever fulcrum		1 1940 All
32	21	BT 71164	Washer-reverse gear shifter lever fulcrum	Copper	1 1940 All
K7-			TRANSMISSION CONTROL PARTS		
			NOTE: For control parts on transmission cover see group K1.		
1	22	BT 162121	Transmission shift shaft		1 1941 All
1	22	BT 162121	Transmission shift shaft-used without HDM		1 1942 All
		BT 164252	Transmission shift shaft-used with HDM		1 1942 All
2	22	BT 170506	Pin-shift shaft		1 1941-1942 All
		BT 163251	Seal-shift shaft		1 1941-1942 All
3	22	F 71237	Nut-shift shaft-used without HDM		1 1941-1942 All
		BO 170704	Plain washer-shift shaft-used without HDM		1 1942 All
		BT 170652	Plain washer-shift shaft-used with HDM		1 1942 All
		BT 164253	Thrust washer-shift shaft-used with HDM		2 1942 All
5	22	BT 162123	Shift shaft lever-inner	Split	1 1941 All
5	22	BT 164477	Shift shaft lever-inner		1 1942 All
6	22	BT 162124	Shift shaft lever-outer-used without HDM	LHD	1 1941-1942 All
		BT 162360	Shift shaft lever assembly-outer	RHD	1 1941-1942 All
		BT 162472	Link assembly-outer shift shaft lever	RHD	1 1941-1942 All
		BT 158017	Grommet-outer shift shaft lever link	RHD	4 1941-1942 All

TRANSMISSION

1940 -- 1941 -- 1942

K

Group & Illus. No.	Plate No.	Part No.	NAME	Per Car	Models
K7-			TRANSMISSION CONTROL PARTS (CONTID.)		
	7	24	BO 18308 Washer-outer shift shaft lever link RHD	4	1941-1942 All
			BT 162779 Pin-outer shift shaft lever-used without HDM LHD	1	1941-1942 All
			BT 164254 HDM lever complete-transmission shift shaft	1	1942 All with HDM
			DT 164258 Bushing-HDM lever hub	1	1942 All with HDM
			BT 170650 Stop screw-for HDM lever In trans case pin	1	1942 All with HDM
			BT 170224 Lock screw-for HEM lever stop screw	1	1942 All with HDM
	9	25	BT 164260 Hand shift lever complete-shift shaft	1	1942 All with HDM
			BT 164264 Bushing-hand shift lever hub	1	1942 All with HDM
	10	25	BT 164266 Pin-hand shift lever For switch rod	1	1942 All with HDM
	11	25	BT 164437 Pin-hand shift lever For shift rod	1	1942 All with HDM
			BT 58 Detent ball-hand shift lever	1	1942 All with HDM
			BT 163442 Spring-hand shift lever detent ball	1	1942 All with HDM
			BT 164268 Transfer key hub-shift shaft	1	1942 All with HDM
			BT 162111 Lock screw-transfer key hub	1	1942 All with HDM
			BT 164269 Transfer key-shift shaft	1	1942 All with HDM
			F 153497 Grease fitting-shift shaft transfer key	1	1942 All with HDM
			BT 164270 Pin-transfer key Co hub	1	1942 All with HDM
	15	22	BT 162128 Shift selector lever and shaft assembly	1	1941-1942 All
	16	22	BT 162130 Bushing-shift selector shaft	1	1941-1942 All
	17	22	BT 163231 Set screw-shift selector shaft bushing	1	1941-1942 All
	18	22	BO 12481 Nut-shift selector shaft	1	1941-1942 All
			BZ 170155 Washer-shift selector shaft	1	1941-1942 All
	19	22	BT 162133 Shift selector lever-outer Used without HDM	1	1941-1942 All
			BT 164481 Shift selector lever assembly-outer Used with HDM	1	1942 All
	21	13	BT 48675 Shift rail lock rod	2	1940 All
			BZ 5825 Clevis pin-shift rail lock rod 3/16" x 11/16"	2	1940 All
			BT 48676 Sleeve-shift rail lock rod	2	1940 All
	22	13	BT 41151 Spring-shift rail lock rod	2	1940 All
			BO 71389 Washer-shift rail lock rod spring	2	1940 All
			BO 71443 Nut-shift rail lock rod 1/4"-28 x 7/32"	4	1940 All
			BO 262 Washer-shift rail lock rod	4	1940 All
	24	13	BT 48677 Link-shift rail lock rod	2	1940 All
	25	13	BT 48678 Guide-shift rail lock rod link	2	1940 All
			BT 48679 Shim-shift rail lock rod link Thin	AR	1940 All
			BT 48680 Shim-shift rail lock rod link Thick	AR	1940 All
			BT 162134 Shift lock lever shaft Without HDM	1	1941-1942 All
			BT 170507 Spring washer-shift lock lever shaft	1	1941 All
			BZ 550 Plain washer-shift lock lever shaft	1	1941 All
			BT 162135 Shift lock lever	1	1941-1942 All
			BT 164485 Spacer-shift lock lever Service	1	1942 All with HDM
			BT 162138 Shift lock lever rod	1	1941 All
			BT 164486 Shift lock lever rod Service	1	1942 All without HDM
			BT 164487 Shift lock lever rod Service	1	1942 All with HDM
			BZ 38206 Conical spring-shift lock lever rod	1	1941-1942 All
			BT 48676 Sleeve-shift lock lever rod	1	1941-1942 All
			BT 41151 Spring-shift lock lever rod	1	1941-1942 All
			BO 71443 Nut-shift lock lever rod	2	1941-1942 All
			BO 262 Spring washer-shift lock lever rod	2	1941-1942 All
	30	25	BT 164271 Shift HDM lock lever assembly	1	1942 All with HDM
			BT 170507 Spring washer-shift HDM lock lever to shaft	1	1942 All with HDM
			BZ 550 Plain washer-shift HDM lock lever to shaft	1	1942 All with HDM
			BT 164642 Roller assembly-shift HEM lock lever	1	1942 All with HDM
			BT 164645 Stud-shift HDM lock lever	1	1942 All with HDM
			BZ 1549 Lock washer-shift HDM lock lever stud	1	1942 All with HDM
			BO 71443 Nut-shift HDM lock lever stud	1	1942 All with HDM
			BT 163811 Transmission shift lock kit Service	1	1941 All
			BT 164483 Transmission shift lock kit Service	1	1942 All without HDM
			BT 164484 Transmission shift lock kit Service	1	1942 All with HDM
K8-			SPEEDOMETER HOUSING, GEARS, AND CABLE		
	1	21	BT 155777 Speedometer gear housing-1st type See Note	1	1940 All without OD
	1	21	BT 160963 Speedometer gear housing-2nd type See Note	1	1940 All without OD
			NOTE: Second type housing is the same as first type except the breather tube is omitted. Second type housing, without breather, may be used only with second type transmission cover which has vent. See group K1.		
	1	22	BT 162116 Speedometer gear housing Without HDM, VD or OD	1	1941-1942 All
			BT 162466 Speedometer gear housing assy-With HDM or VD,without OD	1	1941-1942 All

Group & Illus. No.	Plate No.	Part No.	NAME	Per Car	Models
K8-			SPEEDOMETER HOUSING, GEARS, AND CABLE (CONT'D.)		
2	21	BT 162467	Bushing-for governor pinion-With HDM or VD, without OD	1	1941-1942 All
2	22	F 40133	Oil seal-speedometer gear housing Without OD	1	1940 All
		F 162118	Oil seal-speedometer gear housing Without OD	1	1941-1942 All
3	21	BT 150756	Breather plug-for 1st type housing Without OD	1	1940 All
3	22	BT 44206	Gasket-speedometer gear housing Without OD	1	1940 All
4	21	BT 162117	Gasket-speedometer gear housing Without OD	1	1941-1942 All
4	21	BZ 70862	Bolt-speedometer gear housing 5/16"-18 x 1-7/8"	1	1940 All without OD
		BM 219	Bolt-speedometer gear housing 5/16"-18 x 3/4"	2	1940 All without OD
		BM 219	Bolt-speedometer gear housing Without OD	2-3	1941-1942 All
	21	BO 121	Bolt-speedometer gear housing With HDM or VD	1	1941-1942 All without OD
		BZ 71126	Lockwasher-speedometer gear housing Without OD	3	1940 All
		BT 154239	Sleeve speedometer pinion-1st type-with VD and 4-5/9" axle	1	1940 All without OD
		BT 155857	Sleeve-speedometer pinion-2nd type-with VD and 4-5/9" axle	1	1940 All without OD
		BT 155857	Sleeve-speedometer pinion-All cars having 2nd type speedometer gears and pinions	1	1940 All without OD
		BT 160598	Sleeve-speedometer pinion With OD	1	1940 All
		BT 160885	Oil seal-speedometer pinion sleeve With OD	1	1940 All
8	22	BT 163766	Sleeve-speedometer pinion-used with taximeter	1	1941-1942 All
			Speedometer gear-see chart		
			Speedometer pinion-see chart		

SPEEDOMETER GEAR AND PINION CHART

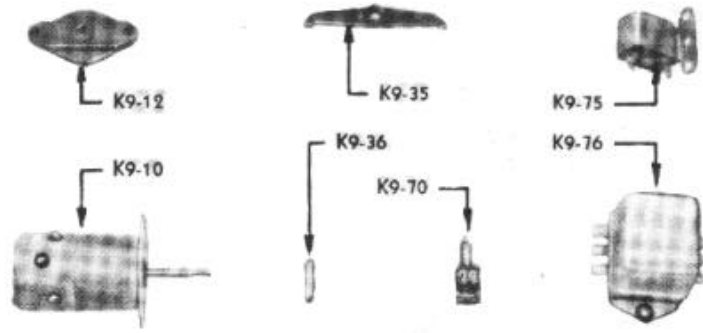
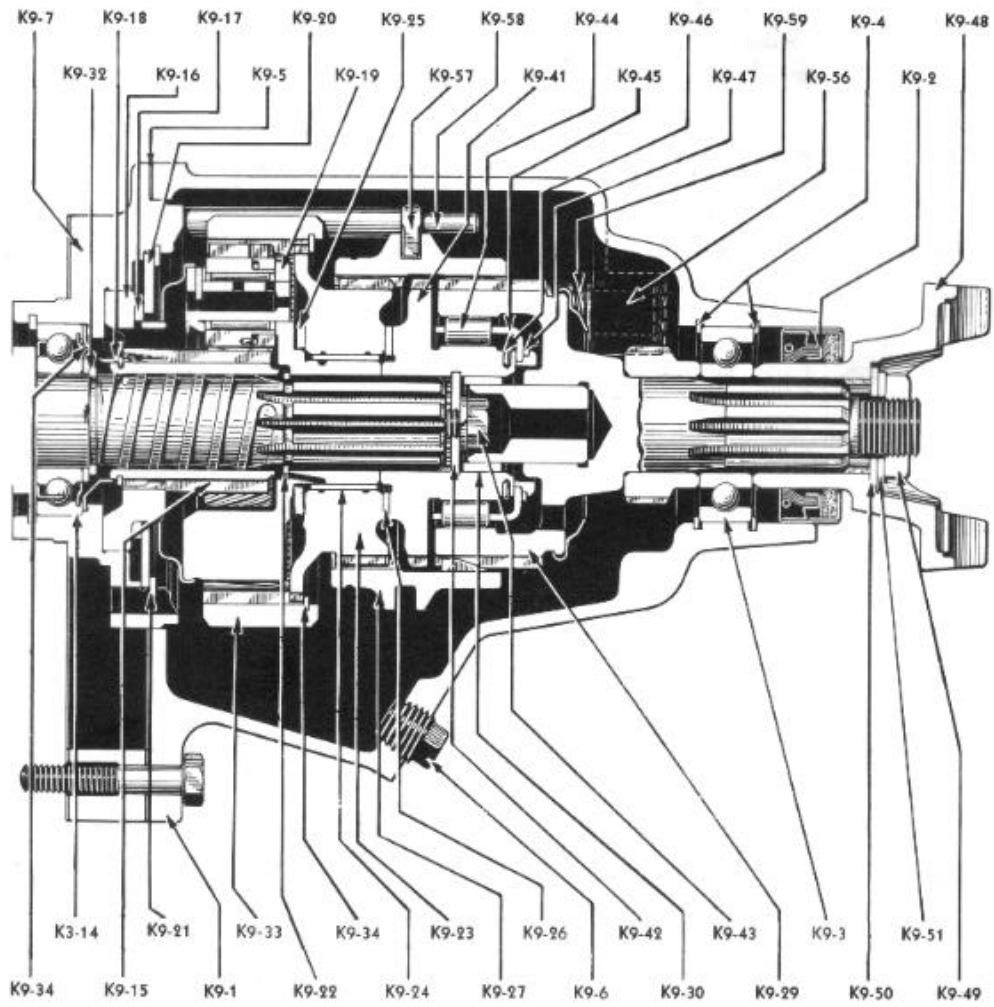
	NAME	AXLE RATIO	TIRE SIZE	NO. OF TEETH	STEWART WARNER NO.	
BT 43114	Gear-1st type	4-1/9"	16 x 5.50	6	72125	1 1940 without OD
BT 160883	Gear-2nd type	4-1/9"	16 x 5.50	5	102554	1 1940 without OD
BT 40662	Gear-1st type	4-1/9"	All exc 16 x 5.50	5	72096	1 1940 without OD or VD
BT 153451	Gear-1st type	4-1/9"	All exc 16 x 5.50	4	94882	1 1940 without OD, with VD
BT 160833	Gear-2nd type	4-1/9"	All exc 16 x 5.50	5	102554	1 1940 without OD
BT 43114	Gear-1st type	4-5/9"	16 x 5.50	6	72123	1 1940 without OD
HT 160833	Gear-2nd type	4-5/9"	16 x 5.50, 16 x 6.00	5	102554	1 1940 without OD
BT 43114	Gear-1st type	4-5/9"	All exc 16 x 5.50	6	72125	1 1940 without OD or VD
BT 153451	Gear-1st type	4-5/9"	All exc 16 x 5.50	4	94882	1 1940 without OD, with VD
BT 160833	Gear-2nd type	4-5/9"	16 x 6.25, 16 x 6.50, 15 x 7.00	5	102554	1 1940 without OD
BT 153451	Gear-1st type	4-5/9"	18 x 6.00	4	94882	1 1940 without OD
BT 160833	Gear-2nd type	4-5/9"	18 x 6.00	5	102554	1 1940 without OD
BT 160155	Gear-1st type	4-7/8"	16 x 5.50	3	102562	1 1940 without OD
BT 160832	Gear-2nd type	4-7/8"	16 x 5.50	4	72125	1 1940 without OD
BT 43114	Gear-1st type	4-7/8"	All exc 16 x 5.50	6		1 1940 without OD or VD
BT 160159	Gear-1st type	4-7/8"	All exc 16 x 5.50	6	102554	1 1940 without OD, with VD
BT 160833	Gear-2nd type	4-7/8"	16 x 6.00	5	102554	1 1940 without OD
BT 160833	Gear-2nd type	4-7/8"	16 x 6.25, 16 x 6.50, IS x 7.00	5	94882	1 1940 without OD
BT 153451	Gear-1st type	4-7/8"	18 x 6.00	4	102554	1 1940 without OD
BT 160833	Gear-2nd type	4-7/8"	18 x 6.00	5	19487 W	1 1940 without OD
BT 160606	Gear	4-1/9"	All	4	19487 W	1 1940 All with OD
BT 160606	Gear	4-5/9"	All	4	102563	1 1940 All with OD
BT 160692	Gear	4-7/8"	16 x 5.50	4	19487 W	1 1940 All with OD
BT 160606	Gear	4-7/8"	All exc 16 x 5.50	4	104863	1 1940 All with OD
BT 162452	Gear	All	All (exc with taximeter)	10	104854	1 1941-1942 without OD
BT 162453	Gear	All	All (exc with taximeter)	10	106539	1 1941-1942 with OD
BT 163763	Gear	All	Used with taximeter	5	97889	1 1941-1942 All without OD
BT 156876	Pinion-1st type	4-1/9"	16 x 5.50	19	102556	1 1940 All without OD
BT 160835	Pinion-2nd type	4-1/9"	16 x 5.50	16	97071	1 1940 All without OD
BT 155850	Pinion-1st type	4-1/9"	All exc 16 x 5.50	15	97091	1 1940 All without OD or VD
BT 155851	Pinion-1st type	4-1/9"	All exc 16 x 5.50	12	102555	1 1940 All without OD, with VD
BT 160834	Pinion-2nd type	4-1/9"	All exc 16 x 5.50	15	97890	1 1940 All without OD
BT 156878	Pinion-1st type	4-5/9"	16 x 5.50	21	102557	1 1940 All without OD
BT 160836	Pinion-2nd type	4-5/9"	16 x 5.50, 16 x 6.00	17	97072	1 1940 All without OD
BT 155852	Pinion-1st type	4-5/9"	All exc 16 x 5.50	20		1 1940 All without OD or VD
BT 155895	Pinion-1st type	4-5/9"	All exc 16 x 5.50	13	102556	1 1940 All without OD, with VD
BT 160835	Pinion-2nd type	4-5/9"	16 x 6.25, 16 x 6.50, 15 x 7.00	16		1 1940 All without OD
BT 160156	Pinion-1st type	4-7/8"	16 x 5.50	11	102555	1 1940 All without OD
BT 160834	Pinion-2nd type	4-7/8"	16 x 5.50	15	97890	1 1940 All without OD
BT 156878	Pinion-1st type	4-7/4"	All exc 16 x 5.50	21		1 1940 All without OD or VD
BT 160160	Pinion-1st type	4-7/8"	All exc 16 x 5.50	21	102558	1 1940 All without OD, with VD
BT 160837	Pinion-2nd type	4-7/8"	16 x 6.00	18	102557	1 1940 All without OD
BT 160836	Pinion-2nd type	4-7/8"	16 x 6.25, 16 x 6.50, 15 x 7.00	17		1 1940 All without OD

TRANSMISSION

1940 -- 1941 -- 1942

K

Group & Illus. No.	Plate No.	Part No.	NAME	Per Car	Models	
SPEEDOMETER HOUSING, GEARS, AND CABLE (CONT'D.)						
SPEEDOMETER GEAR AND PINION CHART (CONT'D.)						
	NAME	AXLE RATIO	TIRE SIZE	NO. OF TEETH	STEWART WARNER NO.	
BT 160693	Pinion	4-1/9"	16 x 5.50	16	102566	1 1940 All with OD
BT 160694	Pinion	4-1/9"	All exc 16 x 5.50	15	102565	1 1940 All with OD
BT 160607	Pinion	4-5/9"	16 x 5.50, 16 x 6.00	17	102567	1 1940 All with OD
BT 160693	Pinion	4-5/9"	16 x 6.25, 16 x 6.50, 15 x 7.00	16	102566	1 1940 All with OD
BT 160694	Pinion	4-7/8"	16 x 5.50	15	102565	1 1940 All with OD
BT 160695	Pinion	4-7/8"	16 x 6.00	18	102568	1 1940 All with OD
BT 160607	Pinion	4-7/8"	16 x 6.25, 16 x 6.50, 15 x 7.00	17	102567	1 1940 All with OD
BT 162455	Pinion	4-1/9"	16 x 5.50	16	104856	1 1941 All
BT 162454	Pinion	4-1/9"	All exc 16 x 5.50	15	104855	1 1941 exc with taximeter
BT 163764	Pinion	4-1/9"	All exc 16 x 5.50	15	106540	1 1941 with taximeter
ST 162456	Pinion	4-5/9"	16 x 5.50, 16 x 6.00	17	104857	1 1941 exc with taximeter
BT 163765	Pinion	4-5/9"	16 x 5.50, 16 x 6.00	17	106541	1 1941 with taximeter
BT 162455	Pinion	4-5/9"	All exc 16 x 5.50, 16 x 6.00	16	104856	1 1941 All
BT 162457	Pinion	4-7/8"	16 x 5.50, 16 x 6.00	18	104858	1 1941 All
BT 162356	Pinion	4-7/8"	All exc 16 x 5.50, 16 x 6.00	17	104857	1 1941 All
BT 162454	Pinion	4-1/9"	All	15	104855	1 1942 exc with taximeter
BT 163764	Pinion	4-1/9"	16 x 6.00	15	106540	1 1942 with taximeter
BT 162456	Pinion	4-5/9"	16 x 5.50, 16 x 6.00, 15 x 6.50	17	104857	1 1942 exc with taximeter
BT 163765	Pinion	4-5/9"	16 x 5.50, 16 x 6.00, 15 x 6.50	17	106541	1 1942 with taximeter
BT 162455	Pinion	4-5/9"	16 x 6.25, 16 x 6.50, 15 x 7.00	16	104856	1 1942 All
BT 162457	Pinion	4-7/8"	16 x 5.50, 16 x 6.00, 16 x 6.25, 15 x 6.50	18	104858	1 1942 All
BT 162456	Pinion	4-7/8"	16 x 6.50, 15 x 7.00	17	104857	1 1942 All
BT 162458			Governor pinion-17 teeth-Stewart Warner # 104859			1 1941 All with VD or OD
BT 164294			Governor pinion-15 teeth-for 4-1/9" axle ratio			1 1942 All with VD, OD, or HDM
BT 162458			Governor pinion-17 teeth-for 4-5/9" axle ratio and 16 x 5.50, 16 x 6.00, 16 x 6.25, or 16 x 6.50 tires			1 1942 All with VD, OD, or HDM
BT 164294			Governor pinion-15 teeth-for 4-5/9" axle ratio and 16 x 6.50 or 15 x 7.00 tires			1 1942 All with VD, OD, or HDM
BT 162458			Governor pinion-17 teeth-for 4-7/8" axle ratio			1 1942 All with VD; OD, or HDM
BT 162459			Lock ring-for governor pinion With VD, OD, or HDM			1 1941-1942 All
BT 163727			Taximeter adapter kit-for 4-1/9" axle ratio and 16 x 6.00, 16 x 6.25, 16 x 6.50, or 15 x 7.00 tires			1 1941-1942 with taximeter
BT 163728			Taximeter adapter kit-for 4-5/9" axle ratio and 16 x 5.50, 16 x 6.00, 15 x 6.50 or 15 x 7.00 tires			1 1941-1942 with taximeter
			NOTE: X - Speedometer shaft sere iced by Stewart Warner, Chicago, Illinois. For speedometer head, see group TI.			
X 134755			Speedometer flexible shaft assembly	LHD		1 1940 All without OD
X 142272			Speedometer flexible shaft assembly	LHD		1 1940 All with OD
X 142276			Speedometer flexible shaft assembly	RHD		1 1940 All without OD
X 142274			Speedometer flexible shaft assembly	RHD		1 1940 All with OD
X 162002			Speedometer flexible shaft assembly-Used without OD	LHD		1 1941 exc Del, 1942 All
X 162008			Speedometer flexible shaft assembly	LHD		1 10C Del
X 162004			Speedometer flexible shaft assembly-Used with OD	LHD		1 1941 exc Del, 1942 All
X 162006			Speedometer flexible shaft assembly	RHD		1 1941-1942 All
X 163767			Speedometer flexible shaft assembly-Used without	OD		1 1941-1942 with taximeter
BO 134757			Grommet-speedometer shaft	At dash		1 All
BZ 40919			Clip-speedometer shaft	At transmission		1 1940 with OD
BZ 65907			Clip-speedometer shaft	At dash		1 1940 All
BZ 40919			Clip-speedometer shaft	At clutch housing-LHD		1 1941-1942 All
BT 47897			Clip-speedometer shaft	At clutch housing-RHD		1 1941-1942 All
BZ 170621			Clip-speedometer shaft	At hand brake		1 10C Del
BO 18197			Clip-speedometer shaft	At frame brace		1 1941-1942 All
BT 163769			Clip-speedometer shaft	At transmission		1 1941-1942 with taximeter
BO 170060			Screw-speedometer cable clip-at trans	10 x 3/8" SM		1 1940 with OD
BO 18459			Screw-speedometer cable clip	10-32 x 1/2"		1 10C Del
BM 219			Bolt-speedometer cable clip	5/16"-18 x 3/4"		1 10C Del
BZ 70549			Bolt-speedometer cable clip-at trans	1/4"-20 x 1/2"		1 1941-1942 All
BZ 12115			Nut-speedometer cable clip bolt	5/16"-18 x 17/64"		1 10C Del
BO 71073			Nut-speedometer cable clip screw	10-32 x 1/8"		1 10C Del
BO 162018			Gasket-speedometer cable to transmission			1 1941-1942 All



Overdrive

OVERDRIVE

1940 -- 1941 -- 1942

K

Group & Illus. No.	Plate No.	Part No.	NAME	Per Car	Models
K9-			OVERDRIVE		
		C 161145	Overdrive assembly-less speedometer pinion-for 4-7/8" axle ratio and 16 x 5.50 tires	1	40T,40C UCo-UCpe
		C 160968	Overdrive assembly-less speedometer pinion-all exc 4-7/8" axle ratio with 16 x 5.50 tires	1	1940 All
		C 162660	Overdrive assembly-less speedometer pinion	1	1941 All
		C 164411	Overdrive assembly-less speedometer pinion	1	1942 All
1	23	C 161260	Overdrive housing assembly	1	1940 All
1	23	C 163300	Overdrive housing assembly	1	1941-1942 All
2	23	BT 161323	Oil seal assembly-mainshaft	1	All
3	23	F 170409	Bearing assembly-mainshaft rear ND 1206	1	All
4	23	BT 161318	Snap ring-mainshaft rear bearing 087	AR	1940 All
4	23	BT 161319	Snap ring-mainshaft rear bearing 090	AR	1940 All
4	23	BT 161320	Snap ring-mainshaft rear bearing 093	AR	1940 All
4	23	BT 161321	Snap ring-mainshaft rear bearing 096	AR	1940 All
4	23	BT 163322	Snap ring-front-mainshaft rear bearing 087	1	1941-1942 All
4	23	BT 163322	Snap ring-rear-mainshaft rear bearing 087	AR	1941-1942 All
4	23	BT 163323	Snap ring-rear mainshaft rear bearing 090	AR	1941-1942 All
4	23	BT 163324	Snap ring-rear-mainshaft rear bearing 093	AR	1941-1942 All
4	23	BT 163325	Snap ring-rear-mainshaft rear bearing 096	AR	1941-1942 All
		BT 161262	Gasket-overdrive housing	1	1940 All
5	23	BT 163302	Gasket-overdrive housing	1	1941-1942 All
5	23	BT 161344	Plug-overdrive housing inspection hole	1	All
		BO 170172	Drain plug-overdrive housing 3/8"	1	All
6	23	BO 170564	Filler plug-overdrive housing 1/2" square head	1	1941-1942 All
		BT 161265	Overdrive housing adapter	1	1940 All
7	23	BT 163304	Overdrive housing adapter	1	1941-1942 All
7	23	BT 163352	Plug-overdrive housing adapter	1	1941-1942 All
		BT 71081	Bolt-overdrive housing to adapter 3/8"-16 x 1	2	1940 All
		BT 73	Lockwasher-overdrive housing to adapter bolt 3/8" med	2	1940 All
		BT 160635	Gasket-overdrive to transmission case	1	1940 All
		BT 162651	Gasket-overdrive to transmission case	1	1941-1942 All
		BM 110	Nut-overdrive to transmission case stud	1	1940 All
		BT 607	Bolt-overdrive to transmission case 3/8"-16 x 1-3/8"	2	1940 All
		BT 170382	Bolt-overdrive to transmission case 3/8"-16 x-15/16"	1	1940 All
		BT 170383	Bolt-overdrive to transmission case 3/8"-16 x 2-5/8"	1	1940 All
		BO 170555	Bolt-overdrive to transmission case 3/8"-16 x 2-1/8"	5	1941-1942 All
		BM 110	Nut-overdrive to transmission case bolt 3/8"-16	1	1940 All
		BT 170396	Washer-overdrive to transmission case bolt Brass	1	1940 All
10	23	BT 161266	Solenoid assembly	1	1940 All
10	23	BT 163305	Solenoid assembly	1	1941-1942 All
		BZ 2490	Bolt-solenoid base to adapter 5/16"-18 x 1-1/8"	2	All
		BT 161271	Lockwasher-solenoid base to adapter bolt	2	All
		BT 161269	Gasket-solenoid base	1	1940 All
		BT 163307	Gasket-solenoid base	1	1941-1942 All
		BT 161267	Gasket-solenoid	1	All
12	23	BT 161349	Solenoid base assembly	1	1940 All
12	23	UT 163308	Solenoid base assembly	1	1941-1942 All
		BT 161278	Oil seal-for stationary gear pawl operating rod	1	All
		BT 161270	Stop washer-solenoid core	1	All
		BT 161277	Operating rod-stationary gear pawl	1	1,940 All
		BT 161279	Spring-stationary gear pawl rod	1	1940 All
		BT 161276	Pawl-stationary gear	1	1940 All
		BT 163348	Pawl-stationary gear	1	1941-1942 All
15	23	BT 161273	Stationary gear	1	1940 All
15	23	BT 163310	Stationary gear	1	1941-1942 All
16	23	BT 161274	Plate-stationary gear	1	1940 All
16	23	BT 163311	Plate-stationary gear	1	1941-1942 All
17	23	BT 161280	Balk ring-stationary gear	1	All
18	23	BT 161275	Snap ring-stationary gear	1	All
19	23	BT 161283	Pinion cage assembly-includes cage, pinions, and oil collector rings	1	All
20	23	BT 161282	Cover-oil collector ring	1	All
21	23	BT 161281	Snap ring-for oil collector ring cover	1	All
22	23	BT 161292	Snap ring-pinion cage retainer	1	All
		BT 161298	Clutch pawl and core complete-includes pawl, core, springs and hub	1	1940 All
23	23	BT 163349	Clutch hub and bushing assembly	1	1941-1942 All
25	23	BT 161296	Thrust washer-clutch core	1	1940 All
25	23	BT 161296	Thrust washer-front-clutch hub	1	1941-1942 All
26	23	BT 163316	Thrust washer-rear-clutch hub	1	1941
26	23	BT 165156	Thrust washer-rear-clutch hub Interch with 165156	1	1942 All

Use one as required

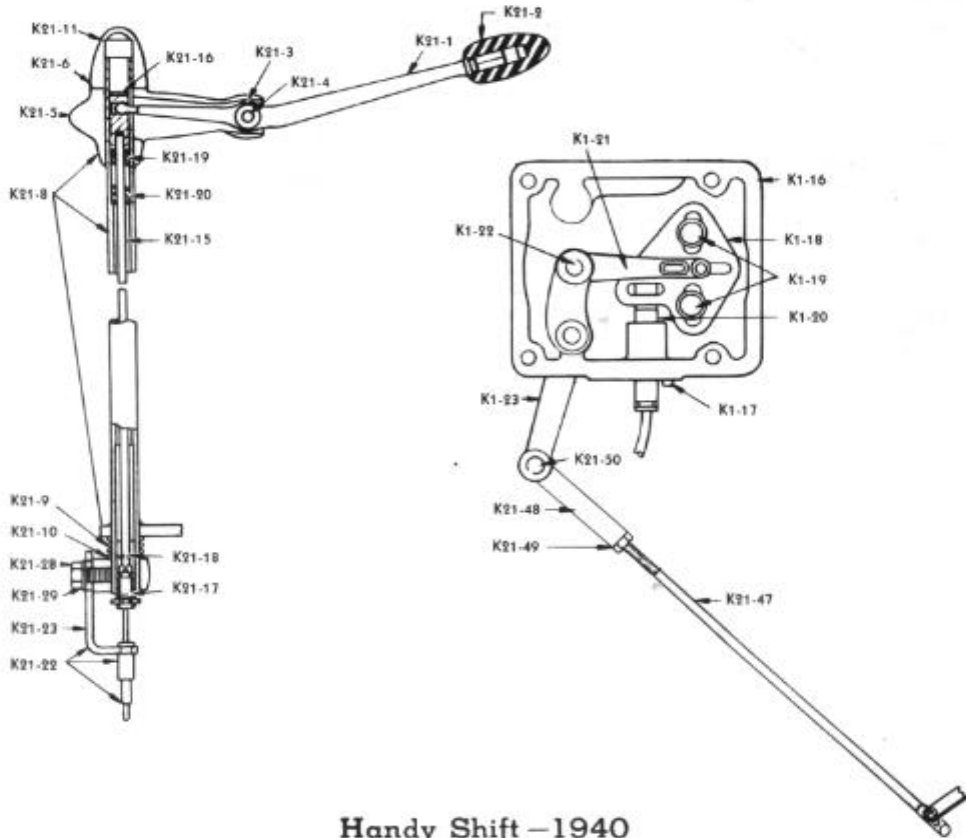
Group & Illus. No.	Plate No.	Part No.	NAME	Per Car	Models
K9-			OVERDRIVE (CONT'D.)		
		BT 161355	Adjusting spring-clutch pawl	2	1940 All
		BT 161305	Washer-clutch pawl adjusting spring	2	1940 All
		BT 161303	Screw-clutch pawl adjusting spring	1	1940 All
		BT 161304	Screw-clutch pawl adjusting spring	1	1940 All
27	23	BT 161307	Sleeve-clutch hub	1	1940 All
27	23	BT 163314	Sleeve-clutch hub	1	1941-1942 All
		BT 162637	Bushing-clutch hub sleeve	1	1941-1942 All
		BT 163312	Sleeve-governor pinion	1	1941-1942 All
29	23	BT 161308	Mainshaft assembly-includes mainshaft, pilot, and oil collector ring	1	All
30	23	BT 161313	Pilot bushing-mainshaft	1	1940 All
30	23	BT 163317	Pilot bushing-mainshaft	1	1941-1942 All
31	23	BT 161322	Oil baffle-mainshaft	1	All
32	23	BT 163318	Snap ring-transmission mainshaft .087	1	1941-1942 All
32	23	BT 163319	Snap ring-transmission mainshaft .090	1	1941-1942 All
32	23	BT 163320	Snap ring-transmission mainshaft .093	1	1941-1942 All
32	23	BT 163321	Snap ring-transmission mainshaft .096	1	1941-1942 All
33	23	BT 161326	Ring gear	1	All
34	23	BT 161327	Snap ring-ring gear .055	1	All
34	23	BT 161328	Snap ring-ring gear .057	1	All
34	23	BT 161329	Snap ring-ring gear .059	1	All
35	23	BT 163326	Interlock lever	1	1941-1942 All
36	23	BT 163328	Plunger-interlock lever-short 1.521"	1	1941-1942 All
		BT 163329	Plunger-interlock lever-plain 2.650"	AR	1941-1942 All
		BT 163330	Plunger-interlock lever-1 groove 2.630"	AR	1941-1942 All
		BT 163331	Plunger-interlock lever-2 grooves 2.602"	AR	1941-1942 All
		BT 165157	Plunger-interlock lever-2 grooves 2.640"	AR	1941-1942 All
		BT 163332	Plunger-interlock lever-3 grooves 2.588"	AR	1941-1942 All
		BT 163333	Plunger-interlock lever-4 grooves 2.616"	AR	1941-1942 All
41	23	BT 161346	Free wheel cam assembly-includes cam retaining washer and pilot bushing	1	1940 All
41	23	BT 161347	Free wheel cam	1	All
42	23	BT 161348	Retaining washer-free wheel cam	1	All
43	23	BZ 1031	Bolt-free wheel cam 3/8"--24 x 1	1	All
		BT 73	Lock washer-free wheel cam belt 3/8" medium	1	All
44	23	BT 161350	Roller-free wheel cam	12	All
45	23	BT 161351	Retainer-free wheel cam roller	1	All
46	23	BT 161352	Spring-free wheel cam roller retainer	2	All
47	23	BT 161353	Snap ring-free wheel cam roller retainer	1	All
48	23	BT 160599	Overdrive companion flange	1	All
49	23	BT 161310	Nut-companion flange to mainshaft	1	All
50	23	BT 161354	Plain washer-companion flange to mainshaft	1	All
51	23	BT 18023	Lock washer-companion flange to mainshaft 3/4" thin	1	All
		BT 161330	Overdrive control shaft	1	1940 All
		BT 163334	Overdrive control shaft assembly	1	1941-1942 All
		BZ 12115	Nut-overdrive control shaft 5/16"-18 x 17/64"	1	All
		BT 161331	Washer-control shaft	1	All
		BT 71	Lock washer-overdrive control shaft 5/16"-medium	1	All
		BT 161332	Screw-overdrive control shaft	1	1940 All
		BO 105	Lock washer-overdrive control shaft screw 1/4"	1	1940 All
		DT 161334	Oil seal-overdrive control shaft	1	All
		BT 170496	Groove pin-overdrive control shaft 1/8" x.1	1	1941-1942 All
		BT 161335	Overdrive shifter head	1	1940 All
		BT 161336	Screw-shifter head	1	1940 All
		BZ 70675	Lock washer-shifter head screw 5/16"-medium	1	1940 All
		BZ 161337	Poppet spring-shifter head	1	1940 All
		BT 161338	Seat-shifter head poppet spring	1	1940 All
		BT 161339	Ball-shifter head poppet spring	1	1940 All
56	23	BT 161340	Overdrive shifter rail	1	1940 All
56	23	BT 163337	Overdrive shifter rail	1	1941 All
		BT 164196	Overdrive shifter rail	1	1942 All
		BT 164197	Sleeve-shifter rail	1	1942 All
		BT 164198	Spring-shifter rail sleeve	1	1942 All
		BT 164199	Pin-shifter rail sleeve	1	1942 All
		BT 161333	C washer-shifter rail	1	1940 All
57	23	BT 161341	Fork-shifter rail	1	1940 All
57	23	BT 163338	Fork-shifter rail	1	1941-1942 All
		BT 161336	Screw-shifter rail fork	1	All
58	23	BT 161345	Reverse lock up plunger-shifter rail	1	1940 All
58	23	BT 163341	Guide pin-shifter rail fork	1	1941-1942 All

OVERDRIVE

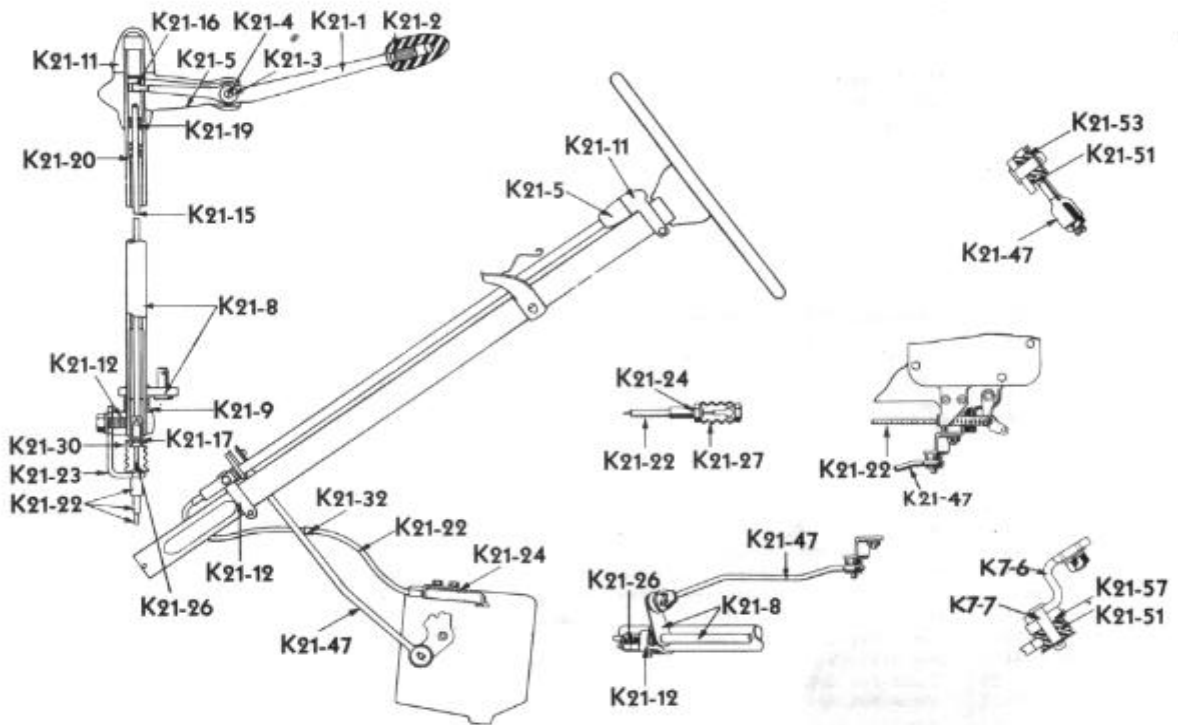
1940 -- 1941 -- 1942

K

Group & Illus. No.	Plate No.	Part No.	NAME	Per Car	Models
K9-			OVERDRIVE (CONT'D.)		
59	23	BT 161342	Retractor spring-shifter rail	1	1940 All
59	23	BT 163339	Retractor spring-shifter rail	1	1941-1942 All
		BT 161343	Expansion plug-shifter rail	1	All
		BT 163340	Stop screw-shifter rail	1	1941-1942 All
		BT 73	Lock washer-shifter rail stop screw 3/8" medium	1	1941-1942 All
		C 160636	Control wire, casing, and knob assembly LHD	1	1940 All
		C 161001	Control wire, casing, and knob assembly RHD	1	1940 All
		C 161997	Control wire, casing, and knob assembly † LHD		1941-1942 All
		C 165195	Control wire, casing, and knob assembly †† LHD	1	1942 All
		C 161998	Control wire, casing, and knob assembly † RHD	1	1941-1942 All
		C 165196	Control wire, casing, and knob assembly †† RHD	1	1942 All
		C 163651	Control wire and knob assembly †	1	1941-1942 All
		C 165197	Control wire and knob assembly ††	1	1942 All
			NOTE: Parts marked † discontinued in production with car No. 37067. Parts marked †† used starting car NO. 37067. See introduction.		
		BT 160806	Loom-for control wire Cars with vibrator horn	1	40T, 40C, 48
		BO 170254	Screw-control wire to panel 1/4"-20 x 7/8" oval head	2	1941 All
		BO 170680	Screw-control wire to panel 1/4"-20 x 7/8" fil. head screw	2	1942 All
		BO 70874	Nut-control wire to panel screw 1/4"-20 x 1/4"	1-2	1941-1942 All
		BT 160637	Anchor bracket-control wire	1	1940 All
		BT 162597	Anchor bracket-control wire	1	1941-1942 All
		BZ 12275	Clamp bolt-control anchor bracket 5/16"-18 x 1	1	1940 All, 1942 All with HDM
		BZ 170554	Stud-control wire anchor bracket 5/16"-18 x 2-11/16"	1	1941 All
		BZ 122	Nut-control wire anchor bracket bolt and stud	1	1940-1941 All
		BZ 12115	Nut-control wire anchor bracket clamp bolt	1	1942 All
		BO 164273	Spacer-control wire anchor bracket stud	1	1942 All without HDM
		BO 13733	Clip-control wire to dash RHD	1	1940 All
		BO 140349	Clip-control wire to dash RHD	1	1941-1942 All
		BO 18197	Clip-control wire to steering gear clamp bolt LHD	1	1941-1942 All
		BO 170060	Screw-control wire to dash clip RHD	1	1940 All
		BO 71707	Screw-control wire to dash clip RHD	1	1941-1942 All
		BZ 70874	Nut-control wire to dash clip screw RHD	1	1941-1942 All
		BO 170254	Screw-control wire to coil bracket 14-20 x 7/8"	2	1940 All
		BT 160638	Overdrive control lever	1	1940 All
		BT 162598	Overdrive control lever	1	1941-1942 All
		BT 160639	Bolt-control lever-anchors control wire	1	All
		BT 160640	Swivel-control lever bolt	1	All
		BO 12481	Nut-control lever bolt 5/16"-24 x 17/64"	1	All
		BT 160641	Overdrive throttle switch	1	1940 All
70	23	BT 162594	Overdrive throttle switch	1	1941 All
		BT 164438	Overdrive throttle switch LHD	1	1942 All
		BT 162594	Overdrive throttle switch RHD	1	1942 All
		BZ 12334	Mounting nut-throttle switch 7/16"-20 x 1/4"	1	1940 All
		BT 170553	Mounting nut-throttle switch 7/16"-20 x 1/8"	1-2	1941-1942 All
		BZ 70863	Terminal screw-throttle switch 8-32 x 1/4"	1	1940 All
		BT 160642	Bracket-throttle switch LHD	1	1940 All
		BT 161131	Bracket-throttle switch RHD	1	1940 All
		BT 162592	Bracket-throttle switch LHD	1	1941 All
		BT 162997	Bracket-throttle switch RHD	1	1941-1942 All
		BO 71707	Screw-throttle switch bracket 10" x 5/8" SM LHD	2	1940 All
		BO 18447	Screw-throttle switch bracket 10"-32 x 5/8" RHD	2	All
		BO 71073	Nut-throttle switch bracket screw 10"-32 x 1/8" RHD	2	All
		BO 163209	Stud-throttle switch bracket LHD	2	1941 All
		BZ 12115	Nut-throttle switch bracket stud LHD	2	1941 All
		BZ 70177	Washer-throttle switch bracket stud-brass LHD	2	1941 All
		BT 162867	Overdrive governor switch	1	1941 All
		BT 164409	Overdrive governor switch	1	1942 All
		BO 164007	Locking washer-governor switch-used without VD or HDM	1	1942 All
		BT 162596	Overdrive control switch	1	1941-1942 All
		BT 170625	Spacer washer-control switch	AR	1941-1942 All
		160652	Overdrive relay-1st type-to car 47852 Use 160787	1	1940 All
		BT 160787	Overdrive relay-2nd type-after car 47852	1	1940 All
75	23	BT 162593	Overdrive relay-on dash Used with VD	1	1941 All
76	23	BT 162595	Overdrive relay-on dash brace Has 6 terminals	1	1941 All
		BT 164184	Overdrive relay-on fender side dust shield	1	1942 All
		BT 170420	Fuse-for overdrive relay 20 amp	1	1940 All
		BT 160829	Fuse holder-for 1st type relay	1	1940 All
		BM 71266	Terminal screw-for 1st type relay 10"-32 x 5/16"	4	1940 All
		BZ 70863	Terminal screw-for 2nd type relay 8"-32 x 1/4"	4	1940 All
		BO 170397	Terminal screw-for 162593 relay 8"-32 x 3/16"	2	1941 All
		BZ 70863	Terminal screw for 162595 and 164184 relays	6	1941-1942 All



Handy Shift - 1940



Handy Shift - 1941-1942

HANDY SHIFT

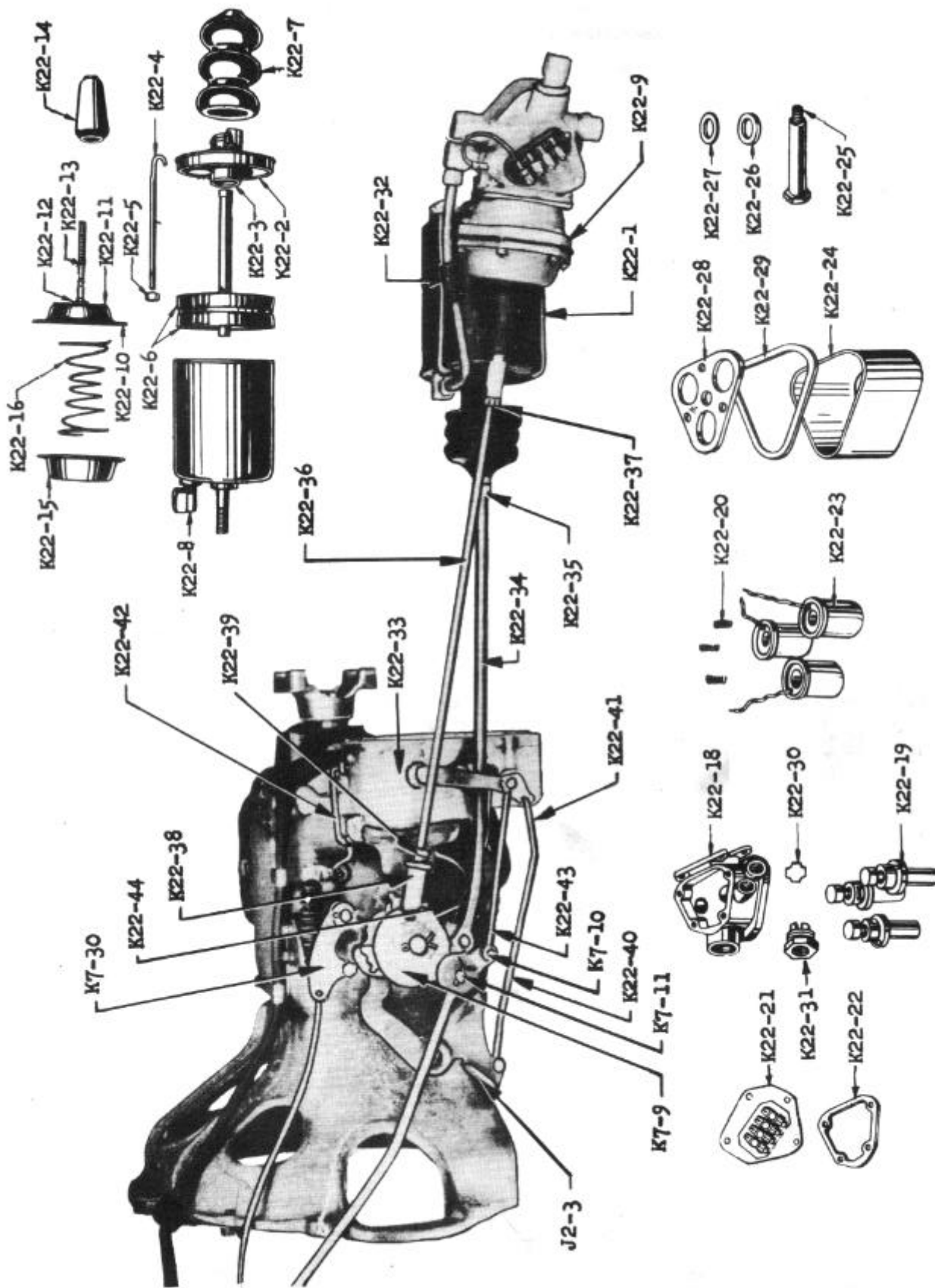
1940 -- 1941 -- 1942

K

Group & Illus. No.	Plate No.	Part No.	NAME	Per Car	Models	
K9-			OVERDRIVE (CONT'D.)			
		BO 71707	Screw-overdrive relay to dash	#10 x 5/8" SM	2 1940-1941 All	
		BO 170514	Screw-overdrive relay	#10 x 5/8" SM	2 1942 All	
		BT 160690	Overdrive wire harness	LHD	1 1940 All	
		BT 160691	Overdrive wire harness	RHD	1 1940 All	
		BT 161952	Overdrive wire harness	LHD	1 1941 All	
		BT 163236	Overdrive wire harness	RHD	1 1941 All	
		BT 164073	Overdrive wire harness-body half	LHD	1 1942 All	
		BT 164074	Overdrive wire harness-body half	RHD	1 1942 All	
		BT 164075	Overdrive wire harness-chassis half		1 1942 All	
		BO 18166	Terminal-wire harness	3/16" eye	2 1940 All	
		BO 31548	Sleeve-wire harness terminal	Rubber	2 1940 All	
		BT 160653	Boot-for overdrive solenoid	Rubber	1 1940 All	
		C 160643	Overdrive support member assembly		1 40-41 exc CvCpe-CvSed,43,48	
		C 160644	Overdrive support member assembly		1 40-41 CvCpe-CvSed	
		C 160645	Overdrive support member assembly		1 44 exc CvCpe-CvSed,45,47	
		C 160646	Overdrive support member assembly		1 44 CvCpe-CvSed	
		C 162652	Overdrive support member assembly		1 10 11 12 20 21 22 exc CvSed, 18,28	
		C 162654	Overdrive support member assembly		1 10-11-12-20-21-22 CvSed, 21 Station	
		C 162556	Overdrive support member assembly		1 14-24 exc CvSed,15,17,25,27	
		C 162657	Overdrive support member assembly		1 14-24 CvSed	
		BM 219	Bolt-support member to frame brace	5/16"-18 x 3/4"	2 All	
		BZ 122	Nut-support member to frame brace bolt		2 All	
	K21-			TRANSMISSION HANDY SHIFT		
				NOTE: Parts marked † discontinued in Production with car No. 37067. Parts marked †† used starting car No. 37067. See Introduction.		
		1	24	BT 159706	Handy shift control lever-at steering wheel †	1 All
		1	24	BT 165268	Handy shift control lever-at steering wheel ††	1 1942 All
		2	24	BT 159779	Knob-for control lever	1 1940 All,10T,10C,18,20C,28
		2	24	BT 161702	Knob-for control lever	1 Taupe 43,47
		2	24	BT 147297	Knob-for control lever	1 Black 10P,11
2		24	BT 147296	Knob-for control lever	1 Gray 12,14,15,17	
2		24	BT 203990	Knob-for control lever	1 Black 1942 All exc 20C-28	
3		24	BT 158010	Anti rattle washer-control lever	1 Ivory All	
4		24	BT 158009	Fulcrum-control lever	1 40,41,44,45,48,10,11,18,20, 21,28	
4		24	BT 161697	Fulcrum-control lever	1 43,47,12,14,15,17,22,24,25,2	
5		24	BT 158018	Bracket-control lever fulcrum	1 40,41,44,45,48,10,11,18,20, 21,28	
5		24	HT 161703	Bracket-control lever fulcrum †	1 43,47,12,14,15,17,22,24,25,2	
5		24	BT 165273	Bracket-control lever fulcrum ††	1 NP 22,24,25,27	
6		24	BT 158019	Ring-control lever fulcrum bracket	1 40,41,44,45,48,10,11,18,20, 21,28	
6		24	BT 161704	Ring-control lever fulcrum bracket †	1 43,47,12,14,15,17,22,24,25,2	
6		24	BT 165274	Ring-control lever fulcrum bracket †	1 NP 22,24,25,27	
			BT 170224	Set screw-control lever fulcrum bracket	1 40,41,44,45,48,10,11,18,20, 21,28	
			BT 170487	Set screw-control lever fulcrum bracket	1 Painted 43,47,12,14,15,17,22,24,25,27	
8		24	C 159707	Tube and fulcrum bracket assembly-painted	1 NP 40,41,44,45,48	
8		24	C 161698	Tube and fulcrum bracket assembly-NP	1 LHD 43,47	
			C 159708	Tube and fulcrum bracket assembly-painted	1 LHD 40,41,44,45,48	
			C 161699	Tube and fulcrum bracket assembly-NP	1 RHD 43,47	
8		24	C 162820	Tube and fulcrum bracket assembly-painted	1 RHD 10,11,18	
8		24	C 162821	Tube and fulcrum bracket assembly-NP	1 LHD 12,14,15,17	
			C 158369	Tube and fulcrum bracket assembly-painted	1 LHD 10,11,18,20,21,28	
			C 162822	Tube and fulcrum bracket assembly-NP †	1 RHD 12,14,15,17,22,24,25,27	
			C 165270	Tube and fulcrum bracket assembly ††	1 RHD 22,24,25,27	
8		24	C 164435	Tube and fulcrum bracket assembly-painted	1 RHD 20,21,28	
8		24	C 164436	Tube and fulcrum bracket assembly-NP †	1 LHD 22,24,25,27	
8		24	C 165269	Tube and fulcrum bracket assembly ††	1 LHD 22,24,25,27	
9		24	BT 158074	Compression spring-control lever	1 LHD All	
10		24	BT 170283	Seat-control lever compression spring	1 All	
11		24	BT 158021	Upper bracket-control lever tube-without DI	1 40,41,44,45,48,10,11,18,20, 21,28	
11		24	BT 160561	Upper bracket-control lever tube-with DI	1 40,41,44,45,48,10,11,18,20 21,28	
11		24	BT 161705	Upper bracket-control lever tube-with DI	1 43,47	
11		24	BT 162824	Upper bracket-control lever tube-without DI †	1 NP 12,14,22,24	
11		2	BT 165275	Upper bracket-control lever tube-without DI ††	1 NP 22,24	

Group & Illus. No.	Plate No.	Part No.	NAME	Per Car	Models
K21-			TRANSMISSION HANDY SHIFT (CONT'D.)		
11	24	BT 161705	Upper bracket-control lever tube-with DI †	NP	1 22,24,25,27
11	24	BT 165276	Upper bracket-control lever tube-with DI ††		1 22,24,25,27
12	24	BT 158023	Lower bracket-control lever tube		1 All
		BT 170225	Clamp bolt-upper-control lever tube bracket-without DI		1 40,41,44,45,48,10,11,18,20, 21,28
		BT 170577	Clamp bolt-upper-control lever tube bracket-without DI		1 12,14,22,24
		BO 170275	Clamp bolt-lower-control lever tube bracket	5/16"-18 x 1	1 All
15	24	BT 158032	Push rod-control lever	LHD	1 All
		BT 158082	Push rod-control lever	RHD	1 All
16	24	BT 158028	Push rod end-upper		1 All
17	24	BT 158031	Push rod end-lower		1 All
18	24	BT 170226	Key-for push rod end	Woodruff .196 x .093	2 All
19	24	BT 158029	Compression spring-upper	LHD	1 All
		BT 158083	Compression spring-upper	RHD	1 All
20	24	BT 170227	Seat-for push rod spring	1/4" x 7/16" x 3/64"	1 All
		BO 31548	Silencer-for push rod	Rubber	1 All
22	24	BT 160571	Control wire, casing, and bracket assembly	LHD	1 1940 All
22	24	BT 158025	Control wire, casing, and bracket assembly	RHD	1 1940 All
22	24	BT 162172	Control wire, casing, and bracket assembly	LHD	1 1941 All
22	24	BT 164512	Control wire, casing, and bracket assembly	LHD	1 1942 All without HDM
22	24	BT 164499	Control wire, casing, and bracket assembly	LHD	1 1942 All with HDM
22	24	BT 162930	Control wire, casing, and bracket assembly	RHD	1 1941-1942 All
23	24	BT 158068	Anchor bracket-upper-control wire		1 1940-1941
23	24	BT 158068	Anchor bracket-upper-control wire-to car 27140		1 1942 All
23	24	HT 165032	Anchor bracket-upper-control wire-after 2714')		1 1942 All
24	24	BT 158033	Anchor bracket-lower-control wire		1 1940 All
24	24	BT 162174	Anchor bracket-lower-control wire		1 1941 All, 1942 RHD
24	24	BT 165034	Anchor bracket-lower-control wire	LHD	1 1942 All
26	24	BT 159059	Dust boot-control wire	Steering gear end	1 All
		BT 170322	Seat-for dust boot	Steering gear end	1 All
27	24	BT 162199	Dust boot-control wire	Transmission end	1 1941-1942 All
28	24	BO 71384	Bolt-upper-control wire anchor bracket	5/16"-18 x 5/8"	1 All
		BM 219	Bolt-lower-control wire anchor bracket		1 1940-1941 All
		BO 71384	Bolt-lower-control wire anchor bracket	5/16"-18 x 5/8"	1 1942 All
29	24	BZ 71126	Lockwasher-upper-control wire anchor bracket		1 All
		BT 70414	Lockwasher-lower-control wire anchor bracket		1 All
30	24	BT 158030	Anchor-for control wire	Spring clip type	1 All
		BZ 170064	Clip-for control wire-on frame X member	LHD	1 1940-1941 All
		BZ 41030	Clip-for control wire	RHD	1 1940 All
		BT 162122	Clip-for control wire-at clutch housing	LHD	1 1941 All
32	24	BT 162122	Clip-for control wire-at clutch housing	LHD	1 20-21-22-28 without HDM or VD, 24,25,27
		BZ 65907	Clip-for control wire-at accelerator switch	LHD	1 20-21-22-28 with HDM or VD
		BT 162928	Clip-for control wire-upper starter stud	RHD	1 1941-1942 All
		BT 162929	Clip-for control wire-speedometer hsg bolt	RHD	1 1941-1942 All
		BZ 17064	Clip-for control wire-on frame	RHD	1 1941-1942 All
		BO 18453	Screw-for control wire clip	RHD	3 1940 All
		BZ 70874	Nut-for control wire clip screw	RHD	3 1940 All
		BT 159694			
		BT 161250	Rod assembly-control tube to trans cover-1st type		1 1940 LED
		BT 159695	Rod assembly-control tube to trans cover-2nd type		1 1940 LHD
			Rod assembly-control tube to trans cover		1 1940 RHD
			NOTE: First type rod assembly on 040 DID cars has rubber interned late section; and spring loaded joint at steering gear end.		
			Second type rod assembly is single rod without rubber Intermediate section. Ball joint at steering gear end swivels in rubber mounted bronze bushings. The rod assemblies are interchangeable, but swivel ends are not. Second type effective with car No. 47368 except ions 48001 to 48404.		
47	24	BT 162175	Rod assembly-control tube to transmission	LHD	1 1941 exc Del, 1942 All
47	24	HT 163379	Rod assembly-control tube to transmission	LHD	1 10C Del
		BT 162378	Rod assembly-control tube to transmission	RHD	1 1941-1942 All
		BT 170340	Ball joint-control tube to trans rod	1st type rod	1 1940 All
		BT 12415	Nut-for ball joint	1st type rod	1 1940 All
		BT 170230	Nut-for ball joint		1 1940 All, 1941-1942 RHO
		BT 158071	Insulator plug-control tube to trans rod	1st type rod	1 1940 All
		HT 158072	Insulator tube-control tube to trans rod	1st type rod	1 1940 All
		BT 158073	Insulator sleeve-control tube to trans rod	1st type rod	1 1940 All

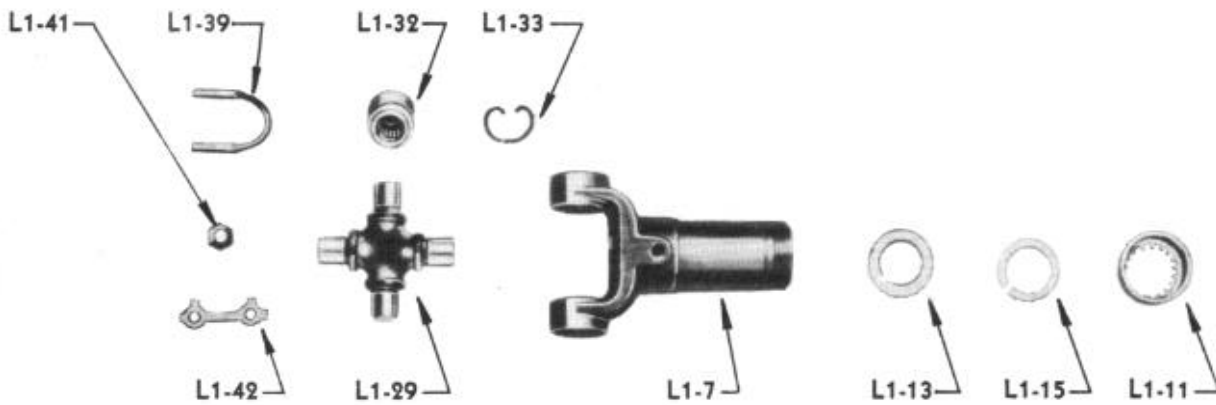
Group & Illus. No.	Plate No.	Part No.	NAME	Per Car	Models
K21-			TRANSMISSION HANDY SHIFT (CONT'D.)		
	48	BZ 5282	Clevis-control tube to transmission rod	1	1940 All
		BZ 5282	Clevis-control tube to transmission rod RHD	1	1941-1942 All
	49	BX 12415	Lock nut-for clevis	1	1940 All
		BX 12415	Lock nut-for clevis RHD	1	1941-1942 All
	50	24 BZ 3118	Clevis pin 3/8" x 1-1/8"	1	1940 All, 1941-1942 RHD
		BZ 170443	Spring washer-for clevis pin 3/8"	1	1940 All
		BT 170230	Locknut-for control tube to trans rod end LHD	1	1941-1942 All
	51	24 BT 162826	Grommet-control tube to trans rod end LHD	1	1941-1942 All
		BT 162827	Pin-control tube to trans rod end LHD	1	1941 All
		BT 164437	Pin-control tube to trans rod end LHD	1	1942 All
	53	24 BT 70581	Washer-control tube to trans rod end pin LHD	2-1	1941-1942 All
		BT 158017	Grommet-for clevis RHD	2	1941-1942 All
		BT 18018	Washer-for clevis grommet RHD	2	1941-1942 All
	57	24 BT 162828	Spacer-control tube to trans rod LHD	1	1941 All, 1942 without HDM
K22-			HUDSON DRIVE-MASTER- ONLY		
			NOTE: Hudson Drive-Master is optional on all 1942 LHD cars. Hudson Drive-Master includes Vacuumotive Drive which is covered in group J3.		
			Parts in this group are for transmission control only on 1942 HDM cars. For clutch control parts, see group J3.		
		BT 164412	Power Unit Assembly-transmission control	1	1942 All
		BT 164202	Spacer-power unit mounting stud Rubber	1	1942 All
		BT 164203	Washer-power unit mounting stud Rubber	1	1942 All
		BT 71521	Washer-power unit mounting stud Steel	1	1942 All
		BM 232	Nut-power unit mounting stud 7/16"-20 x 3/8"	1	1942 All
		BT 152225	Spacer-power unit pilot stud Rubber	2	1942 All
		BT 164205	Bracket-power unit mounting	1	1942 All
		BZ 908	Bolt-power unit mounting bracket 5/16"-18 x 7/8"	3	1942 All
		BO 71153	Lockwasher-power unit mounting bracket bolt 5/16"	2	1942 All
		BZ 12115	Nut-power unit mounting bracket bolt 5/16"-18 x 17/64"	3	1942 All
		BM 71638	Washer-power unit mounting bracket bolt	2	1942 All
		BZ 170155	Washer-power unit mounting bracket bolt	1	1942 All
				1	1942 All
	1	25 BT 164955	Power cylinder assembly	1	1942 All
	2	25 BT 164960	End plate and seal assembly-power cylinder	1	1942 All
	3	25 BT 48411	Piston seal-power cylinder end plate	1	1942 All
		BT 48412	Lock-power cylinder end plate piston seal	1	1942 All
		BT 152253	Gasket-power cylinder end plate to cylinder	1	1942 All
	4	25 BT 164983	Stay bolt-power cylinder end plate	3	1942 All
	5	25 BO 71443	Nut-power cylinder end plate stay bolt	3	1942 All
		BT 164964	Piston assembly-power cylinder	1	1942 All
		BT 152255	Plate-power cylinder piston	2	1942 All
	6	25 BT 152257	Packing-power cylinder piston	2	1942 All
		BT 152258	Ring-power cylinder piston packing	2	1942 All
		BT 152259	Felt assembly-power cylinder piston	2	1942 All
		BT 152261	Retainer-power cylinder piston felt	2	1942 All
		BT 48426	Nut-power cylinder piston rod	2	1942 All
	7	25 BT 48256	Guard-power cylinder piston rod	1	1942 All
	8	25 BT 48429	Elbow-power cylinder flared tube	2	1942 All
	9	25 BT 164966	Diaphragm cylinder assembly	1	1942 All
	10	25 BT 164968	Diaphragm	1	1942 All
	11	25 BT 164969	Plate-diaphragm	1	1942 All
		BT 152284	Flanged plate-diaphragm	2	1942 All
	12	25 BT 48436	Washer-diaphragm	2	1942 All
	13	25 BT 164970	Rod-diaphragm	1	1942 All
		BO 71443	Nut-diaphragm rod	1	1942 All
	14	25 BT 48706	Guard-diaphragm rod		1942 All
	15	25 BT 152287	Housing assembly-diaphragm cylinder Pipe end	1	1942 All
		BT 71677	Screw-diaphragm housing	6	1942 All
		BO 71152	Nut-diaphragm housing screw	6	1942 All
	16	25 BT 164971	Return spring-diaphragm	1	1942 All
	17	25 BT 152292	Selector valve assembly	1	1942 All
	18	25 BT 48709	Body assembly-selector valve	1	1942 All
		BT 48456	Expansion plug-selector valve body	1	1942 All
	19	25 BT 48711	Plunger and disc assembly-selector valve	3	1942 All
		BT 48876	Plunger assembly	3	1942 All
		BT 164884	Disc-plunger	3	1942 All
	20	25 BT 48715	Spring-selector valve plunger	3	1942 All



Hudson Drive Master

Group & Illus. No.	Plate No.	Part No.	NAME	Per Car	Models
K22-			HUDSON DRIVE-MASTER-LHD ONLY (CONT'D.)		
21	25	BT 153996	Contact plate assembly-selector valve	1	1942 All
22	25	BT 48239	Gasket-selector valve contact plate	1	1942 All
		BT 7527	Screw-selector valve contact plate	4	1942 All
		BO 70326	Lockwasher-selector valve contact plate screw	4	1942 All
23	25	BT 48729	Solenoid assembly-selector valve	3	1942 All
24	25	BT 48736	Cover-selector valve solenoid	1	1942 All
25	25	BT 48737	Bolt-selector valve solenoid cover	1	1942 All
26	25	BT 48738	Gasket-selector valve solenoid cover bolt	1	1942 All
27	25	PT 48739	Washer-selector valve solenoid cover bolt	1	1942 All
28	25	BT 48740	Retainer-selector valve solenoid	1	1942 All
29	25	BT 48741	Gasket-selector valve solenoid retainer	1	1942 All
		BT 7527	Screw-selector valve solenoid retainer	3	1942 All
30	25	BT 48541	Check valve-selector valve	1	1942 All
31	25	BT 48542	Nut-selector valve check valve	1	1942 All
		BT 48450	Gasket-selector valve to bracket	1	1942 All
		BT 71073	Nut-selector valve to bracket stud	4	1942 All
		BT 164977	Tube complete-valve to cylinder	1	1942 All
		BT 164980	Tube complete-valve to cylinder	1	1942 All
32	25	BT 48887	Rubber connection-selector valve to cylinder tube	2	1942 All
		BT 48466	Elbow-selector valve to cylinder tube	2	1942 All
33	25	BT 164413	HDM transmission switch assembly	1	1942 All
		BZ 12115	Nut-transmission switch to case stud	2	1942 All
34	25	BT 164207	HDM shift rod assembly	1	1942 All
		BT 164208	Bushing-shift rod	1	1942 All
35	25	BZ 12401	Nut-shift rod	1	1942 All
		BT 170443	Spring washer-shift rod to selector lever pin	1	1942 All
36	25	BT 164210	Engaging rod-diaphragm to transfer key	1	1942 All
37	25	BZ 70590	Nut-engaging rod	1	1942 All
38	25	BT 164211	End-engaging rod	1	1942 All
39	25	BT 164212	Sleeve-engaging rod end	1	1942 All
		BT 170651	Locknut-engaging rod end sleeve	1	1942 All
40	25	HT 164213	Operating rod-clutch switch	1	1942 All
41	25	BT 164221	Retaining clip-clutch switch operating rod	2	1942 All
42	25	BT 164214	Rod-transfer switch	1	1942 All
		BT 164221	Retaining clip-RH-transfer switch rod	1	1942 All
		BT 164222	Retaining clip-LH-transfer switch rod	1	1942 All
43	25	BT 164215	Operating rod-selector switch	1	1942 All
		BZ 38206	Conical spring-selector switch operating rod	2	1942 All
44	25	BT 164217	Rod-neutral and limit switch	1	1942 All
		BT 164218	Swivel-neutral and limit switch rod	1	1942 All
		BO 71443	Nut-neutral and limit switch rod	2	1942 All
		BZ 38206	Conical spring-neutral & limit switch rod to switch lever pin & selector lever pin	2	1942 All
		BO 262	Washer-neutral & limit switch rod to switch lever pin	1	1942 All
		BT 164219	Tension spring-to selector lock lever	1	1942 All
		PT 164220	Clip-tension spring	1	1942 All
		BZ 908	Bolt-tension spring clip to frame	1	1942 All
		BZ 12115	Nut-tension spring clip to frame bolt	1	1942 All
		BO 771	Washer-tension spring clip to frame bolt	1	1942 All
		BZ 164192	HDM dirt shield	1	1942 All
		BO 170041	Screw-HDM dirt shield	3	1942 All
		BZ 164005	HDM vacuum tube assembly-manifold end	1	20,21,22,28
		BZ 164006	MGM vacuum tube assembly-manifold end	1	24,25,27
		BZ 164012	HDM vacuum tube-frame	1	1942 All
		BZ 164008	HDM intake tube-air cleaner end	1	20,21,22,28
		BZ 164009	HDM intake tube-air cleaner end	1	24,25,27
		BZ 164013	HDM intake tube-frame	1	1942 All
		BZ 164017	HDM tube-at power unit	2	1942 All
		BZ 170678	Nut-HDM vacuum power unit tubes	3	1942 All
		BZ 164010	Hose-intake tube to air cleaner	1	1942 All
		BZ 164014	Hose-intake tube coupling	4	1942 All
		BZ 164011	Tube clip-on manifold stud	1	1942 All
		BZ 164015	Tube clip-on frame cross member	2	1942 All
		BZ 164016	Tube clip-on frame side member	1	1942 All
		BO 170403	Nut-tube clip to manifold stud	1	20 with L eng,21,22,24,25,27,28
		BZ 908	Bolt-tube clip to frame cross member	2	1942 All
		BZ 70872	Bolt-tube clip to frame side member	1	1942 All
		BZ 122	Nut-tube clip to frame cross member	2	1942 All
		BZ 70874	Nut-tube clip to frame side member	1	1942 All
		BT 164415	HDM governor switch	1	1942 All
		BT 164007	Locking washer-HDM governor switch	1	1942 All
50	36	BO 164414	HDM instrument panel switch	1	1942 All
		BO 170701	Mounting nut-HDM instrument panel switch	2	1942 All

Group & Illus. No.	Plate No.	Part No.	NAME	Per Car	Models
K22-		BO 170153 BO 164985 BO 164077 BO 164986 BO 164078 BZ 164079 BO 164080 BO 164081 BO 164082 BO 164083	HUDSON DRIVE-MASTER-LHD ONLY (CONT'D.)		
			Lock washer-HDM instrument panel switch terminal	3	1942 All
			HDM wire harness-body half-to car 15926	1	1942 All
			HDM wire harness-body half-after car 15926	1	1942 All
			HDM wire harness-chassis half-to car 15926	1	1942 All
			HDM wire harness-chassis half-after car 15926	1	1942 All
			Rubber boot-HDM wire harness-at transmission	1	1942 All
			Attachment plug-HDM harness	1	1942 All
			Cap-for HDM attachment plug	1	1942 All
			Socket-for HDM attachment plug	1	1942 All
			Cap-for HDM attachment plug	1	1942 All
L1-			PROPELLER SHAFT		
			NOTE: 2nd type propeller shaft used in 1902 is same as 1st type except that it has a universal joint journal of smaller diameter, and bearings of smaller inside diameter. Journals and bearings are interchangeable in		



Universal Joints

PLATE 26

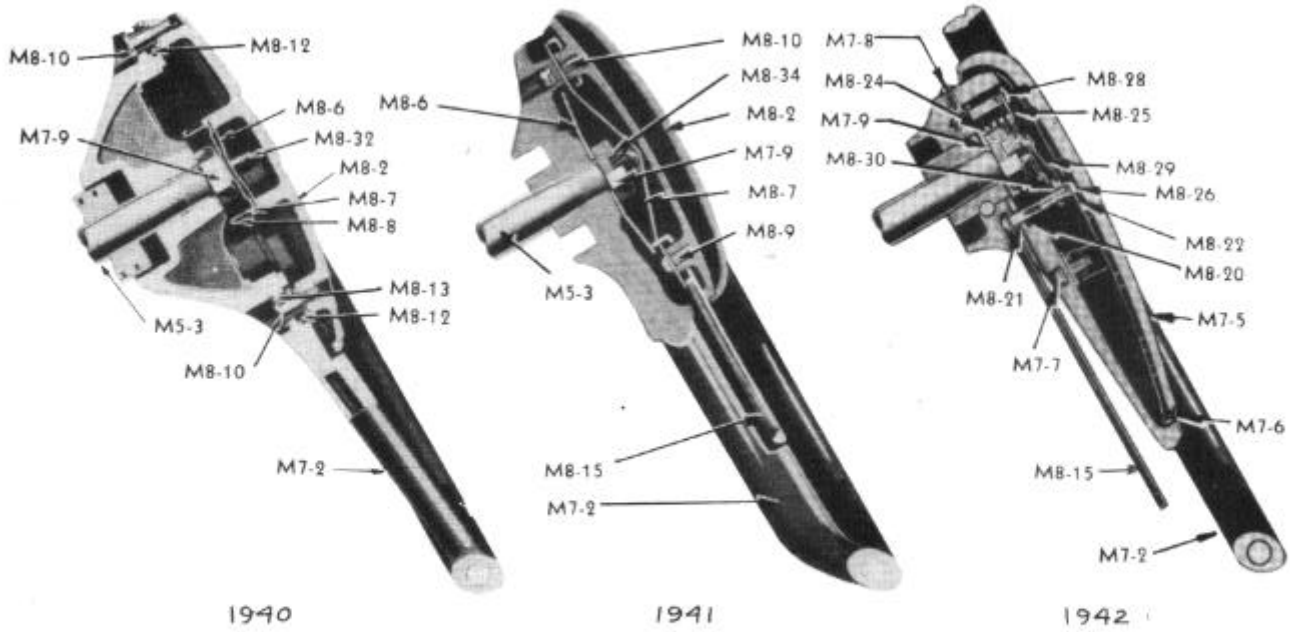
	C 159510	Shaft and universal joints assembly	Without OD	1	40 with std engine
	C 160079	Shaft and universal joints assembly	Without OD	1	40 L engine, 41,44,45
	C 159507	Shaft and universal joints assembly	Without OD	1	43,47,48,17,18
	C 162434	Shaft and universal joints assembly	Without OD	1	10 with std engine
	C 162438	Shaft and universal joints assembly	Without OD	1	10 L engine, 11,12,14,15
	C 162434	Shaft and universal joints assembly-1st type	Without OD	1	20 with std engine
	C 165384	Shaft and universal joints assembly-2nd type	Without OD	1	20 with std engine
	C 162438	Shaft and universal joints assembly-1st type	Without OD	1	20 L engine, 21,22,24,25
	C 165385	Shaft and universal joints assembly-2nd type	Without OD	1	20 L engine, 21,22,24,25
	C 159507	Shaft and universal joints assembly-1st type	Without OD	1	27,28
	C 165386	Shaft and universal joints assembly-2nd type	Without OD	1	27,28

PROPELLER SHAFT

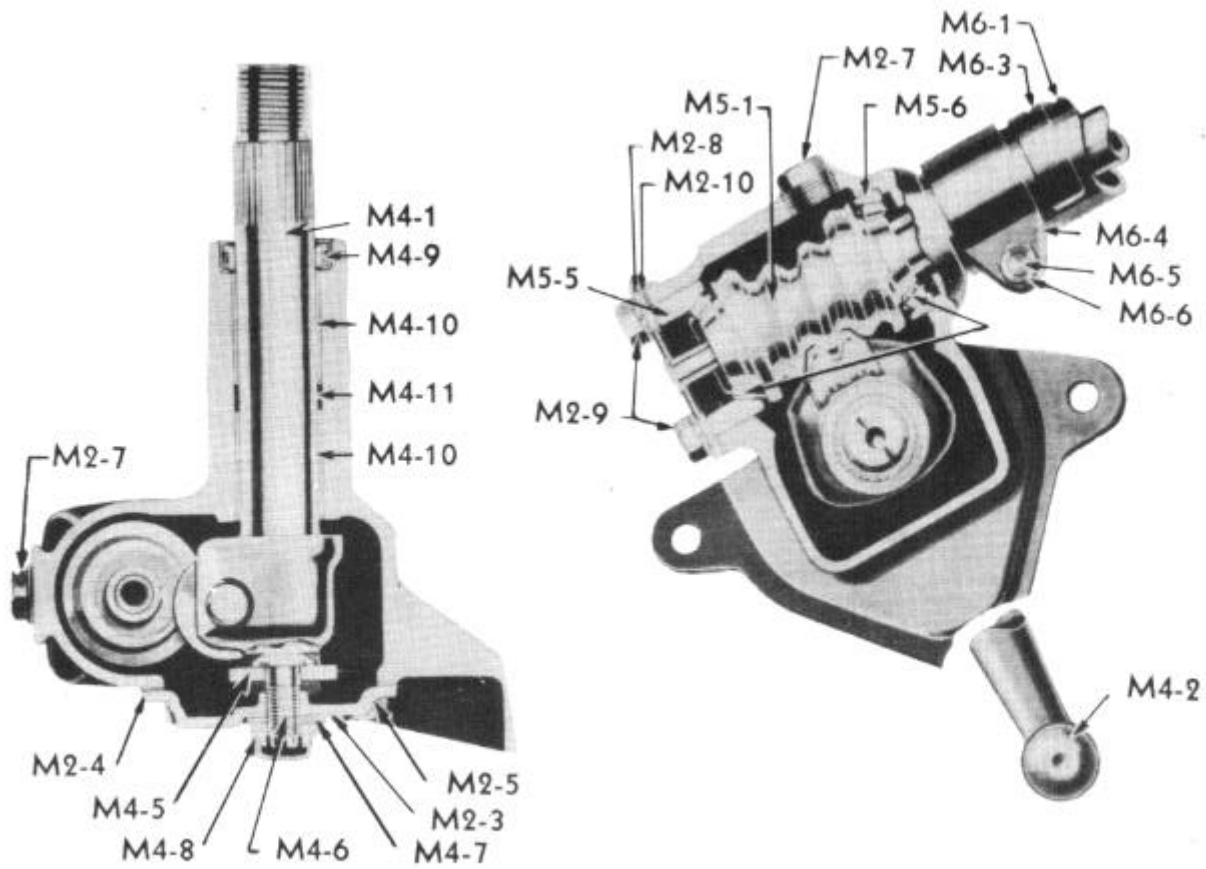
1940 -- 1941 -- 1942

L

Group & Illus. No.	Plate No.	Part No.	NAME	Per Car	Models	
L1-			PROPELLER SHAFT (CONT'D.)			
		C 160495	Shaft and universal joints assembly	With OD	1 40,41,44,45	
		C 160493	Shaft and universal joints assembly	With OD	1 43,47,48	
		C 162436	Shaft and universal joints assembly	With OD	1 10,11,12,14,15	
		C 162440	Shaft and universal joints assembly	With OD	1 17,18	
		C 162436	Shaft and universal joints assembly-1st type	With OD	1 20,21,22,24,25	
		C 165387	Shaft and universal joints assembly-2nd type	With OD	1 20,21,22,24,25	
		C 162440	Shaft and universal joints assembly-1st type	With OD	1 27,28	
		C 165388	Shaft and universal joints assembly-2nd type	With OD	1 27,28	
		C 159512	Shaft and rear joint assembly	Without OD	1 20 with std engine	
		C 160081	Shaft and rear joint assembly	Without OD	1 40 L engine,41,44,45	
		C 159509	Shaft and rear joint assembly	Without OD	1 43,47,48,17,18	
		C 162980	Shaft and rear joint assembly	Without OD	1 10 with std engine	
		C 162982	Shaft and rear joint assembly	Without OD	1 10 L engine,11,12,14,15	
		C 162980	Shaft and rear joint assembly-1st type	Without OD	1 20 with std engine	
		C 165376	Shaft and rear joint assembly-2nd type	Without OD	1 20 with std engine	
		C 162982	Shaft and rear joint assembly-1st type	Without OD	1 20 L engine,21,22,24,25	
		C 165380	Shaft and rear joint assembly-2nd type	Without OD	1 20 L engine,21,22,24,25	
		C 159509	Shaft and rear joint assembly-1st type	Without OD	1 27,28	
		C 165377	Shaft and rear joint assembly2nd type	Without OD	1 27,28	
		C 160498	Shaft and rear joint assembly	With OD	1 40,41,44,45	
		C 160497	Shaft and rear joint assembly	With OD	1 43,47,48	
		C 162981	Shaft and rear joint assembly	With OD	1 10,11,12,14,15	
		C 162983	Shaft and rear joint assembly	With OD	1 17,18	
		C 162981	Shaft and rear joint assembly-1st type	With OD	1 20,21,22,24,25	
		C 165378	Shaft and rear joint assembly2nd type	With OD	1 20,21,22,24,25	
		C 162983	Shaft and rear joint assembly-1st type	With 00	1 27,28	
		C 165379	Shaft and rear joint assembly2nd type	With OD	1 27,28	
		C 159511	Propeller shaft	Without OD	1 40 with std engine	
		C 160080	Propeller shaft	Without OD	1 40 L engine,41,44,45	
		C 162435	Propeller shaft	Without OD	1 10-20 with std engine	
		C 162439	Propeller shaft	Without OD	1 10-20 L engine,11,12,14,15, 21,22,24,25	
		C 159508	Propeller shaft	Without OD	1 43,47,48,17,18,27,28	
		C 160496	Propeller shaft	With OD	1 40,41,44,45	
		C 160494	Propeller shaft	With OD	1 43,47,48	
		C 162437	Propeller shaft	With OD	1 10,11,12,14,15,23,21,22,24,25	
		C 162441	Propeller shaft	With OD	1 17,18,27,28	
		F 158573	Universal joint assembly-front	Without OD	1 40-10 with std engine	
		F 158920	Universal joint assemblyfront	Without OD	1 40 L engine	
		F 158921	Universal joint assemblyfront	Without OD	1 17,18	
		F 158573	Universal joint assembly-front-1st type	Without OD	1 20 with std engine	
		F 165389	Universal joint assemblyfront-2nd type	Without OD	1 20 with std engine	
		F 158921	Universal joint assembly-front-1st type	Without OD	1 27,28	
		F 165391	Universal joint assemblyfront2nd type	With OD	1 27,28	
		F 158920	Universal joint assemblyfront	With OD	1 40-10 with std eng,27,28	
		F 158920	Universal joint assemblyfront-1st type	With OD	1 20 with std eng,27,28	
		F 165390	Universal joint assemblyfront2nd type	With OD	1 20 with std eng,27,28	
		F 158920	Universal joint assemblyfront		1 41,44,45	
		F 158921	Universal joint assemblyfront		1 43,47,48	
		F 158920	Universal joint assembly-front		1 10 L eng,11,12,14,15	
		F 158920	Universal joint assembly-front-1st type		1 20 L eng,21,22,24,25	
		F 165390	Universal joint assemblyfront-2nd type		1 20 L eng,21,22,24,25	
	7	26	F 158574	Sleeve yoke assembly	Without OD	1 40-10-20 with std engine
	7	26	F 150184	Sleeve yoke assembly	Without OD	1 40 L engine
	7	26	F 150185	Sleeve yoke assembly	Without OD	1 17,18,27,28
	7	26	F 150184	Sleeve yoke assembly	With OD	1 40,10-20 with std eng,17,18, 27,28
	7	26	F 150184	Sleeve yoke assembly		1 41,44,45,10-20 with L eng, 11,12,14,15,21,22,24,25
	7	26	F 150185	Sleeve yoke assembly		1 43,47,48
			F 43511	Expansion plug-sleeve yoke		1 All
	11	26	F 158576	Dust cap-sleeve yoke	Without OD	1 40-10-20 with std engine
	11	26	F 51271	Dust cap-sleeve yoke	Without OD	1 40-L
	11	26	F 46490	Dust cap-sleeve yoke	Without OD	1 17,18,27,28
	11	26	F 51271	Dust cap-sleeve yoke	With OD	1 40-10-20 with std eng,17,18, 27,28
	11	26	F 51271	Dust cap-sleeve yoke		1 41,44,45,10-20 with L eng, 11,12,14,15,21,22,24,25
	13	26	F 46491	Dust washer-sleeve yoke	Without OD	1 17,18,27,28



Steering Wheels



Steering Gear

STEERING GEAR

1940 -- 1941 -- 1942

M

Group & Illus. No.	Plate No.	Part No.	NAME	Per Car	Models	
L1-			PROPELLER SHAFT (CONT'D.)			
13	26	F 43512	Dust washer-sleeve yoke	With OD	1	17,18,27,28
13	26	F 43512	Dust washer-sleeve yoke		1	40,41,44,45,10,11,12,14,15,20,21,22,24,25
13	26	F 46491	Dust washer-sleeve yoke		1	43,47,48
15	26	F 46492	Retainer-sleeve yoke dust washer	Without OD	1	17,18,27,28
15	26	F 51275	Retainer-sleeve yoke dust washer	With OD	1	40-10-20 with std eng,17,18,27,28
15	26	F 46492	Retainer-sleeve yoke dust washer		1	43,47,48
15	26	F 51275	Retainer-sleeve yoke dust washer		1	40-10-20 with L eng,41,44,411,12,14,15,21,22,24,25
29	26	F 158577	Journal assembly-universal joint		1	1940-1941 All
29	26	F 158577	Journal assembly-universal joint-1st type		2	1942 All
29	26	165381	Journal assembly-universal joint-2nd type (Use 157734)		2	1942 All
		BZ 43517	Gasket-for journal		8	All
		BZ 43518	Retainer-for journal gasket		8	All
32	26	F 158579	Bearing assembly-universal joint		8	1940-1941 All
32	26	F 158579	Bearing assembly-universal joint-1st type		8	1942 All
32	26	165392	Bearing assembly-universal joint-2nd type (Use 157734)		8	1942 All
33	26	F 43521	Snap ring-for universal joint bearing race		8	All
39	26	F 150723	U bolt-propeller shaft		4	All
41	26	BO 12481	Nut-propeller shaft U bolt		8	All
42	26	F 150724	Lock-propeller shaft U bolt		4	All
		BZ 9773	Filler plug-propeller shaft		1	All
		F 157734	Universal joint repair kit	Inc with 164369	1	All
		F 164369	Universal joint repair kit	Lubricated Type	1	All
			NOTE: 157734 and 164369 have different journals and bearings. Kits are interchangeable, but separate parts are not. When kit is wanted order 157734.			
M1-			STEERING GEAR ASSEMBLY			
		C 160055	Steering gear assembly	LHD	1	40,41,44,45,48,10 exc Del,11,12,18
		C 160057	Steering gear assembly	LHD	1	43,47
		C 163390	Steering gear assembly	LHD	1	10C Del
		C 160057	Steering gear assembly-to car 7677	LHD	1	14,15,17
		C 162751	Steering gear assembly-after car 7677	LHD	1	14,15,17
			NOTE: 1st type steering gear on 14-15-17 has plain bushings for cross shaft bearings, 2nd type has needle roller bearings.			
		C 164550	Steering gear assembly		1	20,21,22,28
		C 162751	Steering gear assembly	LHD	1	24,25,27
		C 160056	Steering gear assembly	LHD	1	40,41,44,45,48,10,11,12,18
		C 160058	Steering gear assembly	RHD	1	43,47,14,15,17,24,25,27
		BZ 160063	Bolt-steering gear to frame	RID	1	All
		BM 232	Nut-steering gear to frame bolt		3-6	All
		BM 71197	Plain washer-steering gear to frame bolt	7/16"-20 x 5/16"	3	All
					AR	All
M2-			STEERING GEAR HOUSING			
		BZ 160520	Housing assembly	LHD	1	40,41,44,45,48,1941-1942 six cyl
		BZ 160522	Housing assembly	LHD	1	43,47
		BZ 160522	Housing assembly-to car 7677-for plain bearing cross shaft	LHD	1	14,15,17
		BZ 162914	Housing assembly-after car 7677-for roller bearing cross shaft	LHD	1	14,15,17
		BZ 162914	Housing assembly	LHD	1	24,25,27
		BZ 160521	Housing assembly	RHD	1	40,41,44,45,48,1941-1942 six cyl
		BZ 160523	Housing assembly	RHD	1	43,47,14,15,17,24,25,27
					1	
3	27	BZ 153437	Cover-steering gear housing		1	40,41,44,45,48,1941-1942 six cyl
3	27	BZ 160542	Cover-steering gear housing		1	43,47,14,15,17,24,25,27
4	27	BZ 153438	Gasket-steering gear housing cover		1	40,41,44,45,48,1941-1942 six cyl
4	27	BZ 160543	Gasket-steering gear housing cover		4	43,47,14,15,17,24,25,27
5	27	BT 395	Bolt-steering gear housing cover	5/16"-18 x 5/8"	4	40,41,44,45,48,1941-1942 six cyl
5	27	BM 219	Bolt-steering gear housing cover	5/16"-18 x 3/4"	4	43,47,14,15,17,24,25,27

Group & Illus. No.	Plate No.	Part No.	NAME	Per Car	Models
M2-			STEERING GEAR HOUSING (CONT'D.)		
		BZ 71126	Lockwasher-steering gear hsg cover bolt	4	All
7	27	BZ 38587	Grease plug-steering gear housing	1	All
8	27	BZ 158878	Cover and grease retainer tube assembly-for worm hsg .	1	40,41,44,45,48,1941-1942 six cyl
8	27	BZ 160557	Cover and grease retainer tube assembly-for worm hsg .	1	43,47,14,15,17,24,25,27
9	27	BT 395	Bolt-worm housing cover	2	40,41,44,45,48,1941-1942 six cyl
9	27	BM 219	Bolt-worm housing cover	2	43,47,14,15,17,24,25,27
		BZ 71126	Lockwasher-worm housing cover bolt	2	All
10	27	BZ 46050	Shim-worm housing cover	1	40,41,44,45,48,1941-1942 six cyl
10	27	BZ 46051	Shim-worm housing cover	5	40,41,44,45,48,1941-1942 six cyl
10	27	BZ 160555	Shim-worm housing cover	1	43,47,14,15,17,24,25,27
10	27	BZ 160556	Shim-worm housing cover	5	43,47,14,15,17,24,25,27
M4-			CROSS SHAFT AND PITMAN ARM		
1	27	BZ 160528	Cross shaft and roller tooth assembly	1	40,41,44,45,48,10,11,12,18, 20,21,22,28
1	27	BZ 160530	Cross shaft and roller tooth assembly	1	43,47
1	27	BZ 160530	Cross shaft and roller tooth assembly-to car 7677- for plain bearing	1	14,15,17
1	27	BZ 162918	Cross shaft and roller tooth assembly-after car 7677-for roller bearing	1	14,15,17
1	27	BZ 162918	Cross shaft and roller tooth assembly	1	24,25,27
1	27	BZ 160529	Cross shaft and roller tooth assembly	1	40,41,44,45,48,10,11,12,18, 20,21,22,28
1	27	BZ 160531	Cross shaft and roller tooth assembly	1	43,47,14,15,17,24,25,27
2	27	BZ 160059	Pitman arm-cross shaft	1	40,41,44,45,48,10 exc Del, 11,12,18,20,21,22,28
2	27	BZ 160061	Pitman arm-cross shaft	1	43,47,14,15,17,24,25,27
2	27	BZ 163392	Pitman arm-cross shaft	1	10C Del
2	27	BZ 160060	Pitman arm-cross shaft	1	40,41,44,45,48,10,11,12,18, 20,21,22,28
2	27	BZ 160062	Pitman arm-cross shaft	1	43,47,14,15,17,24,25,27
		BZ 22641	Nut-for cross shaft	1	All
		BZ 33659	Lockwasher-cross shaft nut	1	All
5	27	BZ 153439	Thrust washer-cross shaft	1	All
6	27	BZ 153440	Adjusting screw-cross shaft	1	All
7	27	BZ 153441	Lock plate-cross shaft adjusting screw	1	All
8	27	BZ 153442	Lock nut-cross shaft adjusting screw	1	All
9	27	BZ 160539	Oil seal-cross shaft	1	40,41,44,45,48,10,11,12,18, 20,21,22,28
9	27	BZ 160540	Oil seal-cross shaft	1	43,47,14,15,17,24,25,27
10	27	BZ 162922	Roller bearing-for 2nd type cross shaft-after car 7677	2	14,15,17
10	27	BZ 162922	Roller bearing-cross shaft 2nd type gear	2	24,25,27
11	27	BZ 162923	Spacer-cross shaft roller bearing 2nd type gear	1	14,15,17,24,25,27
M5-			MAIN COLUMN TUBE AND WORM		
1	27	C 155618	Tube and worm assembly-main column	1	40,41,44,45,48,10 exc Del, 11,12,18
1	27	C 160546	Tube and worm assembly-main column	1	43,47,1941-1942 eight cyl
1	27	C 163396	Tube and worm assembly-main column	1	10C Del
1	27	C 164558	Tube and worm assembly-main column	1	20,21,22,28
1	27	C 155617	Tube and worm assembly-main column	1	40,41,44,45,48,10,11,12,18
1	27	C 164559	Tube and worm assembly-main column	1	20,21,22,28
1	27	C 160547	Tube and worm assembly-main column	1	43,47,1941-1942 eight cyl
3	27	C 15,5620	Tube-main column	1	40,41,44,45,48,10 exc Del,11, 12,18
3	27	C 163398	Tube-main column	1	10C Del
3	27	C 164560	Tube-main column	1	20,21,22,28
3	27	C 160548	Tube-main column	1	43,47,1941-1942 eight cyl
4	27	BZ 48845	Bearing assembly-main column worm	2	40,41,44,45,48,1941-1942 six cyl
4	27	BZ 160551	Bearing assembly-main column worm	2	43,47,1941-1942 eight cyl
5	27	BZ 46900	Adjusting ring-lower-main column worm bearing	1	40,41,44,45,48,1941-1942 six cyl
5	27	BZ 160552	Adjusting ring-lower-main column worm bearing	1	43,47,1941-1942 eight cyl
6	27	BZ 40777	Ring-upper-main column worm bearing	1	40,41,44,45,48,1941-1942
6	27	BZ 160553	Ring-upper-main column worm bearing	1	six cyl
6	27	BZ 160553	Ring-upper-main column worm bearing	1	43,47,1941-1942 eight cyl

STEERING GEAR

1940 -- 1941 -- 1942

M

Group & Illus. No.	Plate No.	Part No.	NAME	Per Car	Models
M6-			JACKET TUBE		
			NOTE: Parts marked † discontinued in production Jan.15, 1942. Parts marked †† used after Jan.15, 1942, starting car No.37067. See introduction		
	1 27	C 160036	Jacket tube and bushing assembly	1	40,41,44,45,48
	1 27	C 160038	Jacket tube and bushing assembly	1	43,47
	1 27	C 161676	Jacket tube and bushing assembly	1	43-47 5Sed
	1 27	C 162753	Jacket tube and bushing assembly	1	10 exc Del,11,18
	1 27	C 163394	Jacket tube and bushing assembly	1	10C Del
	1 27	C 162755	Jacket tube and bushing assembly	1	12
	1 27	C 162757	Jacket tube and bushing assembly	1	14,15,17
	1 27	C 162753	Jacket tube and bushing assembly-without DI..	1	20,21,28
	1 27	C 162755	Jacket tube and bushing assembly-without DI †	1	22
	1 27	C 165284	Jacket tube and bushing assembly-without ††	1	22
	1 27	C 162757	Jacket tube and bushing assembly-without DI †	1	24
	1 27	C 165286	Jacket tube and bushing assembly-without DI ††	1	24
	1 27	C 164552	Jacket tube and bushing assembly-with DI	1	20,21,28
	1 27	C 164554	Jacket tube and bushing assembly-with DI †	1	22
	1 27	C 165288	Jacket tube and bushing assembly-with DI ††	1	22
	1 27	C 164556	Jacket tube and bushing assembly-with LI †	1	24,25,27
	1 27	C 165290	Jacket tube and bushing assembly-with DI ††	1	24,25,27
		BZ 153334	Bushing-jacket tube	1	1940 All
		BZ 162749	Bushing-jacket tube	1	1941-1942 All
	3 27	BZ 153335	Cover-jacket tube oil hole	1	All
	4 27	BZ 153336	Clamp assembly-jacket tube	1	All
	5 27	BZ 71526	Bolt-for jacket tube clamp	1	1940-1941 All
	5 27	BO 70687	Bolt-for jacket tube clamp	1	1942 All
	6 27	BO 12481	Nut-for jacket tube clamp bolt	1	1940-1941 All
	6 27	BO 170403	Nut-for jacket tube clamp bolt	1	1942 All
	7 36	BO 141598	Bracket-jacket tube	1	1940 All exc Cab-CabPu-7Sed-CA
	7 36	BO 141599	Bracket-jacket tube	1	1940 Cab-CabPu-7Sed-Ca
	7 36	CO 144741	Braeket-jacket tube	1	43-47 5Sed
	7 36	BO 144749	Bracket-jacket tube	1	43-47 7Sed
		BO 147840	Bracket-jacket tube	1	10-20 exc Cab-CabPu-Del, 11,21
		BO 141598	Bracket-jaeket type	1	10C Del
		80 147842	Bracket-jacket tube	1	1940-1941 Cab-CabPu,18P 7Sed
		BO 147843	Bracket-jacket tube	1	17 7Sed
		BO 147841	Bracket-jacket tube †	1	12,14,15,17 5Sed,22,24,2i,27
		BO 205959	Bracket-jacket tube ††	1	22,24,25,27
	8 36	BO 121785	Cap-jacket tube bracket-without DI	1	40,41,44,45,48,10,11,18,20, 21,28
		BO 147845	Cap-jacket tube bracket-without CI †	1	12,14,22,24
		BO 205961	Cap-jacket tube bracket-without DI ††	1	22,24
		BO 141258	Cap-jacket tube bracket-with DI	1	40,41,44,45,48,10,11,18,20, 21,28
		BO 144742	Cap-jacket tube bracket-with DI †	1	12,14,22,24
		130 205960	Cap-jacket tube bracket-with DI ††	1	22,24
		BO 144742	Cap-jacket tube bracket t	1	43,47,15,17,25,27
		BO 205960	Cap-jacket tube bracket tt	1	25,27
		BO 170066	Screw-jacket tube bracket cap	2	All
		BO 71440	Bolt-jackettube bracket	2	1940 All
		BO 170277	Bolt-jacket tube bracket	2	1941-1942 All
		BO 70674	Nut-jaeket tube bracket bolt	2	1940 All
		BO 12481	Nut-jacket tube bracket bolt	2	1941 All
		BO 170559	Cage nut-jacket tube bracket bolt	2	1942 All
M7-			STEERING WHEEL		
			NOTE :Parts marked † discontinued in production Jan.15,1942.Parts marked †† used after Jan.15, 1942, starting car No.37067. See introduction.		
		HA 162865	Steering wheel kit-service	1	10 exc Del,11,18 exc 7Sed
		HA 161999	Steering wheel kit-service	1	10 exc Del,11,12,14,15, 17-18 exc 7Sed
		HA 164836	Steering wheel kit-service	1	20,28
		HA 164835	Steering wheel kit-service	1	20,28
		HA 164837	Steering wheel kit-service	1	20,28

Group & Illus. No.	Plate No.	Part No.	NAME	Per Car	Models
M7-			STEERING WHEEL (CONT'D.)		
		C 159765	Steering wheel-17"-standard	Painted -hard rubber	1 40,41,44,48,43-47 7Sed
		C 162760	Steering wheel-17"-standard	Brown plastic	1 10,11,18,17 7Sed
		C 162943	Steering wheel-17"-standard	Gray plastic	1 10 exc Del,11,18,17 7Sed
		C 162944	Steering wheel-17"-standard	Green plastic	1 10 exc Del,11,18,17 7Sed
		C 164692	Steering wheel-17"-standard †	Russet	1 20,28
		C 164351	Steering wheel-17"-standard †	Gray	1 20P
		C 164693	Steering wheel-17"-standard †	Green	1 20P
		C 165192	Steering wheel-17"-standard ††	Russet	1 20,28
		C 165191	Steering wheel-17"-standard ††	Gray	1 20P
		C 165193	Steering wheel-17"-standard ††	Green	1 20P
	2 27	C 159770	Steering wheel-18"-standard	Taupe plastic	1 43-47 5Sed,45
	2 27	C 159770	Steering wheel-18"-opt	Taupe plastic	1 40,41,44,48
	2 27	C 161672	Steering wheel-18"-standard	Black-plastic	1 43-47 5Sed
	2 27	C 162761	Steering wheel-18"-standard	Black-plastic	1 12,14,15,17 7Sed
	2 27	C 162762	Steering wheel-18"-standard	Gray-plastic	1 11 after car 50085 exc Station
	2 27	C 162762	Steering wheel-18"-opt	Gray-plastic	1 10 exc Del,18 exc 7Sed, 11 to car 50085
	2 27	C 164402	Steering wheel-18"-standard †	Russet	1 21,22,24,25,27
	2 27	C 164275	Steering wheel-18"-standard †	Blue	1 21 exc Station,22,24,25,27
	2 27	C 164403	Steering wheel-18"-standard †	Green	1 21 exc. Station,22,24,25,27
	2 27	C 164402	Steering wheel-18"-opt *	Russet	1 20,28
	2 27	C 164275	Steering wheel-8"-opt †	Blue	1 20P
	2 27	C 164403	Steering wheel- 8"-opt †	Green	1 20P
	2 27	C 165248	Steering wheel-18"-standard ††	Russet	1 21,22,24,25,27
	2 27	C 165247	Steering wheel-18"-standard ††	Blue	1 21 exc Station,22,24,25,27
	2 27	C 165249	Steering wheel-18"-standard ††	Green	1 21 exc Station,22,24,25,27
		BZ 164646	Trim ring-for 17" steering wheel hub †	Russet	1 20,28
		BZ 164364	Trim ring-for 17" steering wheel hub †	Gray	1 20P
		BZ 164647	Trim ring-for 17" steering wheel hub †	Green	1 20P
		BZ 165206	Trim ring-for 17" steering wheel hub ††	Russet	1 20,28
		BZ 165205	Trim ring-for 17" steering wheel hub ††	Gray	1 29P
		BZ 165207	Trim ring-for 17" steering wheel hub ††	Green	1 20P
	5 27	BZ 164598	Escutcheon-for 18" steering wheel	Russet	1 1942 All
	5 27	BZ 164277	Escutcheon-for 18" steering wheel	Blue	1 1942 All exc Station
	5 27	BZ 164599	Escutcheon-for 18" steering wheel	Green	1 1942 All exc Station
	5 27	BZ 165292	Escutcheon-for 18" steering wheel-late type	Ivory	1 1942 All
	6 27	BZ 164278	Bezel-for steering wheel escutcheon-18" †	NP	1 1942 All
	6 27	BZ 165280	Bezel-for steering wheel escutcheon-18" ††		1 1942 All
	7 27	BZ 170472	Screw-bezel to wheel	#8 x 1/2" SM	2 1942 All
	8 27	BZ 170662	Screw-bezel to wheel	#6 x 3/8" SM	1 1942 All
	9 27	BX 18093	Nut-steering wheel	5/18"-18 x 3/8"	1 All
M8-			HORN BUTTON AND WIRE		
			NOTE: Parts marked † discontinued in production Jan. 15, 1942. Parts marked †† used after Jan. 15, 1942, starting car No. 37067. See introduction.		
		BZ 159766	Horn button assembly-17" wheel-standard	Painted	1 40,41,44,48,43-47 7Sed
		BZ 162759	Horn button assembly-17" wheel-standard	Brown	1 10,11,18,17 7Sed
		BZ 162945	Horn button assembly-17" wheel-standard	Gray	1 10 exc Del,11,18,17 7Sed
		BZ 162946	Horn button assembly-17" wheel-standard	Green	1 10 exc Del,11,18,17 7Sed
		BZ 164356	Horn button assembly-17" wheel-standard †	Russet	1 20,28
		BZ 164355	Horn button assembly-17" wheel-standard †	Gray	1 20P
		BZ 164357	Horn button assembly-17" wheel-standard †	Green	1 20P
		BZ 165212	Horn button assembly-17" wheel-standard ††	Russet	1 20,28
		BZ 165211	Horn button assembly-17" wheel-standard ††	Gray	1 20P
		BZ 165213	Horn button assembly-17" wheel-standard ††	Green	1 20P
		BZ 164359	Horn button assembly †	Russet	1 20,28
		BZ 164358	Horn button assembly †	Gray	1 20P
		BZ 164360	Horn button assembly †	Green	1 20P
		BZ 165215	Horn button assembly ††	Russet	1 20,28
		BZ 165214	Horn button assembly ††	Gray	1 20P
		BZ 165216	Horn button assembly ††	Green	1 20P
	2 27	BZ 159771	Horn button assembly-18" wheel-standard	Taupe	1 43-47 5Sed,45
	2 27	BZ 161673	Horn button assembly-18" wheel-standard	Black	1 43-47 5Sed
	2 27	BZ 159771	Horn button assembly-18" wheel-opt	Taupe	1 40,41,44,48
	2 27	HZ 162766	Horn button assembly-18" wheel-standard	Black	1 12,14,15,17 5Sed
	2 27	BZ 162767	Horn button assembly-18" wheel-opt	Gray	1 10 exc Del,11,18 exc 7Sed
	2 27	BZ 162767	Horn button assembly-18" wheel-standard	Gray	1 11 after car 50085
		BZ 162763	Escutcheon-horn button-17" wheel	Brown	1 10,11,18,17 7Sed
		BZ 162947	Escutcheon-horn button-17" wheel	Gray	1 10 exc Del,11,18,17 7Sed

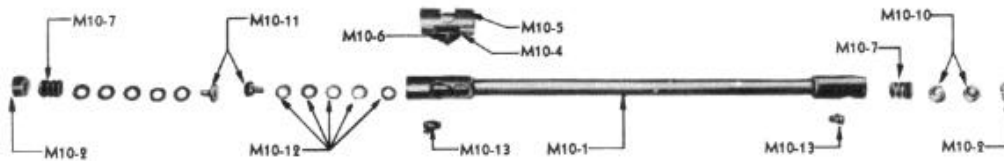
STEERING GEAR

1940 -- 1941 -- 1942

M

Group & Illus. No.	Plate No.	Part No.	NAME	Per Car	Models
M8-			HORN BUTTON AND WIRE (CONT'D.)		
		BZ 162948	Escutcheon-horn button-17" wheel	Green	1 10 exc Del,11,18,17 7Sed
		BZ 164362	Escutcheon-horn button-17" wheel †	Russet	1 20,28
		BZ 164361	Escutcheon-horn-button-17" wheel †	Gray	1 20P
		BZ 164363	Escutcheon-horn button-17" wheel †	Green	1 20P
		BZ 165218	Escutcheon-horn button-17" wheel ††	Russet	1 20,28
		BZ 165217	Escutcheon-horn button-17" wheel ††	Gray	1 20P
		BZ 165219	Escutcheon-horn button-17" wheel ††	Green	1 20P
		BZ 162636	Transparent cap-horn button-		1 1941 All
		BZ 170619	Pin-for horn button escutcheon-	.032 x 3/8"	3 1941 All 1940 All
6	27	BZ 156614	Contact spring-horn button		1
		BZ 162517	Contact spring-horn button-17" wheel without ring		1 10,11,18,17 7Sed,20,28
6	27	BZ 162771	Contact spring-horn button-		1 1941 All
7	27	BZ 160809	Contact cup-horn button		1 1940 All
7	27	BZ 160809	Contact cup-horn button-17" wheel without ring		1 10,11,18,17 7Sed,20,28
7	27	BZ 162770	Contact cup-horn button-		1 1941 All
8	27	BZ 159778	Retainer-horn button contact cup-		1 43-47 5Sed,45
9	27	BT 1634	Screw-horn button contact cup	6-32 x 3/8"	3 1941 All
		BO 170153	Washer-horn button contact cup		3 1941 All
		BZ 155611	Retainer-horn button-17" wheel without ring		1 40,41,44,48,43-47 7Sed,10, 11,18,17 7Sed,20,28
		BZ 155612	Lock wire-horn button-17" wheel without ring		1 40,41,44,48,43-47 7Sed,10, 11,18,17 7Sed,20,28
		BZ 160807	Spacer-horn button	18" wheel	1 43-47 5Sed,45
10	27	BZ 159776	Screw-horn button attaching	18" wheel	2 43-47 5Sed,45
10	27	HZ 7753	Screw-horn button to wheel	18" wheel	3 1941 All
		80 70109	Washer-horn button attaching screw	18" wheel	2 43-47 5Sed,45
12	27	BZ 159777	Spring-horn button attaching screw	18" wheel	2 43-47 5Sed,45
13	27	BZ 160970	silencer-for spring	18" wheel	2 43-47 5Sed,45
		HA 151419	Horn ring kit		1 1940 All
		HA 164697	Horn ring kit-17" wheel	Russet	1 20,28
		HA 164696	Horn ring kit-17" wheel	Gray	1 20P
		HA 164698	Horn ring kit-17" wheel	Green	1 20P
		BZ 164383	Horn ring-17" wheel-opt †	NP	1 20,28
		BZ 165209	Horn ring-17" wheel-opt ††		1 20,28
15	27	HZ 162768	Horn ring-		1 1941 All
15	27	BZ 164280	Horn ring assembly- †	NP	1 1942 All
15	27	BZ 165282	Horn ring assembly- ††		1 1942 All
		BZ 162769	Silencer-for horn ring-	Rubber	4 1941 All
		BZ 164381	Ornament-horn ring-17" wheel	Russet	1 20,28
		BZ 164380	Ornament-horn ring-17" wheel	Gray	1 20P
		BZ 164382	Ornament horn ring-17" wheel	Green	1 20P
		BZ 164458	Ornament-horn ring-	Russet	2 1942 All
		BZ 164281	Ornament-horn ring- blue	blue	2 1942 All exc Station
		BZ 164459	Ornament-horn ring-	Green	2 1942 All exc Station
		BO 170421	Spring nut-horn ring ornament #2-56	#2-56	2-4 1942 All
		BZ 164370	Contact plate assembly-horn ring		1 20,28
		BZ 164372	Tapped spacer-horn ring contact plate		3 20,28
		BT 1634	Screw-horn ring to tapped spacer		3 20,28
		BO 170153	Lock washer-horn ring to tapped screw	Used with optional horn ring on 17"	3 20,28
		BZ 164373	Spring-horn ring contact plate		1 20,28
		BZ 164374	Retainer-horn ring contact plate spring		1 20,28
		BZ 164375	Contact cup-horn button		1 20,28
		BZ 164376	Spring-horn button contact cup wheel		1 20,28
		BZ 164377	Retainer-horn button contact cup spring		1 20,28
		BZ 164378	Spring-horn button		1 20,28
		BZ 164379	Screw-horn button		3 20,28
20	27	BZ 164283	Tapped spacer-horn ring	18" wheel	3 1942 All
21	27	BZ 164284	silencer-horn ring	18" wheel	3 1942 All
22	27	BZ 164285	Contact clip-horn ring	18" wheel	1 1942 All
		BZ 164286	Bakelite spacer-horn ring contact clip	18" wheel	1 1942 All
24	27	BZ 164287	Spring-horn ring	18" wheel	1 1942 All
		BZ 164288	Lower retainer-horn ring	18" wheel	1 1942 All
25	27	BZ 164289	Upper retainer-horn ring	18" wheel	1 1942 All
		BZ 1634	Screw-upper retainer to spacer	18" wheel	2 1942 All
26	27	BZ 170653	Screw-upper retainer to spacer	18" wheel	1 1942 All
		BO 71123	Washer-upper retainer to spacer	18" wheel	1 1942 All
		BZ 164293	Spring-upper retainer to spacer screw	18" wheel	1 1942 All
28	27	BZ 164290	Screw-upper retainer to wheel	18" wheel	1 1942 All
29	27	BZ 164291	Contact strip-wheel † to horn wire	18" wheel	1 1942 All
30	27	BZ 164292	Contact strip-horn	18" wheel	1 1942 All
		BO 71706	Screw-contact strip to wheel	18" wheel	2 1942 All

Group & Illus. No.	Plate No.	Part No.	NAME	Per Car	Models
M8-			HORN BUTTON AND WIRE (CONT'D.)		
		BZ 163449	Wire kit-horn button-includes wire contact cup and spring	1	
		BZ 163754	Wire assembly-horn button	1	1940 All
		BZ 164152	Wire assembly-horn button	1	1941 All
		BZ 40790	Terminal-horn button wire	1	1942 All
32	27	BZ 163755	Terminal-horn button wire	1	1940 All
		BO 170406	Terminal-horn button wire	1	1941-1942 All
		BZ 155616	Insulating washer-horn button wire	1	All
		BZ 160819	Insulating washer-horn button wire	1	1st type-flat
		BZ 163756	Insulating washer-horn button wire	1	2nd type-shoulder
		BO 163391	Rubber sleeve-horn button wire	1	1940 All
		BZ 163757	Spring-horn button wire	1	1941-1942 All
34	27			1	All
				1	18" wheel



Drag Link

PLATE 28

M10-			DRAG LINK			
		C 159980	Drag link assembly-complete	LHD	1	40,10 exc Del,20
		C 163383	Drag link assembly-complete	LHD	1	10C Del
		C 159983	Drag link assembly-complete	LHD	1	All exc 40-10-20
		C 159986	Drag link assembly-complete	RHD	1	40,10,20
		C 159989	Drag link assembly-complete	RHD	1	All exc 40-10-20
		NOTE: 163383 is same as 159980 except that one each of the rear ball seat shims medium and thick are shifted from the inner to the outer side of ball.				
		C 159981	Drag link and plugs assembly	LHD	1	40,10,20
1	28	C 159984	Drag link and plugs assembly	LHD	1	All exc 40-10-20
1	28	C 159987	Drag Link and plugs assembly	RHD	1	40,10,20
1	28	C 159990	Drag link and plugs assembly	RHD	1	All exc 40-10-20
1	28	BZ 60533	Plug-drag link			All
2	28					
		BZ 160034	Dust cover-drag link	Inner	1	All
4	28	BZ 160035	Dust cover-drag link	Outer	1	All
5	28	BZ 70310	Bolt-drag link dust cover		1	3/16"-24 x 7/8"
6	28	BZ 3987	Nut-drag link dust cover bolt		1	3/16"-24 x 1/8"

FUEL SYSTEM

1940 -- 1941 -- 1942

N

Group & Illus. No.	Plate No.	Part No.	NAME	Per Car	Models
M10-			DRAG LINK (CONT'D.)		
7	28	BZ 42899	Spring-drag link	2	All
10	28	BZ 60532	Ball seat-drag link	2	All
11	28	BZ 151706	Ball seat-drag link	2	All
12	28	BZ 71660	Shim-drag link ball seat-rear	AR	All
12	28	BZ 71661	Shim-drag link ball seat-rear	AR	All
12	28	BZ 71662	Shim-drag link ball seat-rear	AR	All
13	28	F 45928	Grease fitting-drag link	2	All
N1-			CARBURETOR		
			NOTE: Carburetor and parts serviced by Carter Carburetor Company, St. Louis, Mo., or their service outlets. In ordering carburetor parts, always refer to the number stamped on brass tag attached to carburetor. For Carter parts list, see 'Section Z.		
		159653	Carburetor assembly-single	1	40-10-20 with std eng, 48,18,28
		159653	Carburetor assembly-single	1	10C Del
		159654	Carburetor assembly-duplex	1	40 with L engine
		160677	Carburetor assembly-duplex-1st type	1	41,43
			NOTE: 160677 is 1939 carburetor 157851 reworked to incorporate vacuum advance. No car numbers available.		
		159654	Carburetor assembly-duplex-2nd type	1	41,43
		159655	Carburetor assembly-duplex	1	44,45,47
		162431	Carburetor assembly-duplex-to car 2150	1	10 with L eng exc Del,11,12
		162518	Carburetor assembly-duplex-after car 2150	1	10 with L eng exc Del,11,12
1	14	162432	Carburetor assembly-duplex-to car 7293	1	14,15,17
1	14	162519	Carburetor assembly-duplex-after car 7293	1	14,15,17
		162518	Carburetor assembly-duplex	1	20 with L eng,21,22
1	14	162519	Carburetor assembly-duplex	1	24,25,27
		BM 71288	Stud-carburetor to manifold	1	All with single carburetor
		BM 159924	Stud-carburetor to manifold	1	All with single carburetor
		BM 161015	Stud-carburetor to manifold	3	All with duplex carburetor
		BM 159923	Stud-carburetor to manifold	1	All with duplex carburetor
		BM 6189	Nut-carburetor to manifold stud	2	All with single carburetor
		BO 12481	Nut-carburetor to manifold stud	4	All with duplex carburetor
			NOTE: Single carburetor used on 40-10-20 with standard engine, 10C Del with L engine, 48,18,28. Duplex carburetor used on all other cars.		
		F 40710	Gasket-carburetor to manifold	8	All with single carburetor
		F 152991	Gasket-carburetor to manifold	8	40-10-20 with L eng,41,43, 11,12,21,22
		F 159657	Gasket-carburetor to manifold	7	44,45,47,14,15,17,24,25,27
		BM 159921	Heat deflector-carburetor	1	All with single carburetor
		BM 159920	Heat deflector-carburetor	1	All with duplex carburetor
		BM 162433	Heat tube-carburetor choke	1	14,15,17,24,2E,27
		BM 151187	Coupling cone-carburetor choke heat tube	1	All
		BM 151188	Coupling nut-carburetor choke heat tube	1	All
		BM 71298	Screw-carburetor heat box to manifold	2	All
N2-			CARBURETOR AIR CLEANER		
			NOTE: Standard air cleaners serviced by AC Spark Plug Co., Flint, Michigan, or their service outlets. For AC parts list, see Section Z.		
1	13-14	153137	Carburetor air cleaner-standard	1	All with single carb exc 10C Del
1	14	163230	Carburetor air cleaner-standard	1	10C Del
1	13-14	153138	Carburetor air cleaner-standard	1	All with duplex carb
			NOTE: Single carburetor used op 40-10-20 with standard engine, 10C Del with engine, 48,18,28. Duplex carburetor used on all other cars.		
1	14	164515	Carburetor air cleaner-standard	1	20 with std eng,28
1	14	164516	Carburetor air cleaner-standard	1	20 with L eng,21,22,24,25,27
1	13	BM 156592	Carburetor air cleaner-oil bath	1	40C-48C Cab-CabPu-Panel
1	13	BM 159961	Carburetor air cleaner-oil bath-to car 60332	1	40T-40P with std eng,40C UCo-UCpe,48P
1	13	BM 161220	Carburetor air cleaner-oil bath-after car 60332	1	40T-40P with std eng,40C UCo-UCpe,48P
1	13	BM 159662	Carburetor air cleaner-oil bath-to car 20944	1	40 with L eng,41,43

Group & Illus. No.	Plate No.	Part No.	NAME	Per Car	Models
N2-			CARBURETOR AIR CLEANER (CONT'D.)		
1	13	BM 160678	Carburetor air cleaner-oil bath-after 20944 exc 21101 to 22108	1	40 with L eng,41,43
		BM 159662	Carburetor air cleaner-oil bath	1	44,45,47
1	14	BM 156592	Carburetor air cleaner-oil bath	1	10C Cab-CabPu std eng,18C
1	14	BM 161220	Carburetor air cleaner-oil bath Std engine	1	10T,10P,10C UCo-UCpe,18P
1	14	BM 160678	Carburetor air cleaner-oil bath	1	10 L engine exc Del,11,12
1	14	BM 159662	Carburetor air cleaner-oil bath	1	14,15,17
1	14	BM 161220	Carburetor air cleaner-oil bath Without HDM	1	20 std eng,28
1	14	BM 160678	Carburetor air cleaner-oil bath Without HDM	1	20 L eng,21,22
1	14	BM 159662	Carburetor air cleaner-oil bath Without HDM	1	24,25,27
1	14	BM 164517	Carburetor air cleaner-oil bath With HDM	1	20 std eng,28
1	14	BM 164518	Carburetor air cleaner-oil bath With HDM	1	20L eng,21,22
1	14	BM 164519	Carburetor air cleaner-oil bath With HDM	1	24,25,27
		155753	Element-for standard air cleaner AC Type 2	1	All with single carb
		156199	Element-for standard air cleaner AC Type 1	1	All with duplex carb
		BZ 160679	Brace-for oil bath air cleaner	1	All six cyl with duplex car'
		BM 161049	Brace-for oil bath air cleaner	1	All eight cyl
		BO 71384	Bolt-for air cleaner brace 5/16-.18 x 5/8"	1	All with duplex carb
		BO 170405	Nut-air cleaner brace to cyl head stud 3/8"-16 x21/64"	1	All six cyl with duplex carl
		BM 9665	Nut-air cleaner brace to cyl head stud 7/16"-14 x 3/8"	1	44,45,47
		BZ 170571	Nut-air cleaner brace to cyl head stud 7/16"-14 x 3/8"	1	14,15,17,24,25,27
N4-			FUEL PUMP AND PIPE5		
			NOTE: Fuel pumps serviced by AC Spark Plug Co., Flint, Michigan, or their service outlets. For AC parts list, see Section Z.		
1	13	156703	Fuel pump assembly-standard-AF 1523753	1	40-10-20 std eng,48P,18P
1	13	153270	Fuel pump assembly-standard-AK 1523289	1	40-10-20 L eng,41,43,48C, 11,12,18C,21,22,28
1	14	153270	Fuel pump assembly-standard-AK 1523289 LHD	1	All eight cyl
1	14	154184	Fuel pump assembly-standard-AK 1523313 RHD	1	All eight cyl
		HA 160515	Combination fuel and vacuum pump kit	1	40-10-20 std eng,48,18,28
		HA 160516	Combination fuel and vacuum pump kit	1	40-10-20 L eng,41,43, 11,12,21,22
		HA 160517	Combination fuel and vacuum pump kit LHD	1	All eight cyl
		BM 160518	Combination fuel and vacuum pump kit RHD	1	All eight cyl
		158664	Comb fuel and vac pump assembly-AJ 1523937	1	All six cyl
		158665	Comb fuel and vac pump assembly-AJ 1523936	1	All eight cyl
		BM 153274	Oil baffle-fuel pump Std pump	1	All exc 40-10-20 std eng-48P-18P
		BM 153273	Spacer-fuel pump oil baffle Std pump	1	All exc 40-10-20 std eng-48P-18P
		BM 158667	Spacer plate-fuel pump to cyl-steel Combination pump	1	All
		BM 158666	Spacer-fuel pump to cyl-asbestos Combination pump	1	All
		BM 156704	Gasket-fuel pump to cyl Std pump	1	40-10-20 std eng,48P,18P
		BM 153275	Gasket-fuel pump to cyl Combination pump	1	All
		BM 153275	Gasket-oil baffle to cyl Std pump	1	All exc 40-10-20 std eng-48P-18P
		BZ 908	Bolt-fuel pump to cylinder Std pump	2	40-10-20 std eng,48P,18P
		BM 71733	Bolt-fuel pump to cylinder Std pump	2	All exc 40-10-20 std eng-48P-18P
		BM 71733	Bolt-fuel pump to cylinder Combination pump	2	All
		BM 154192	Insulating sleeve-fuel pump to cyl bolt Std pump	2	All exc 40-10-20 std eng-48P-18P
		BM 154192	Insulating sleeve-fuel pump to cyl bolt Combination pump	2	All
		BM 154193	Insulating washer-fuel pump to cyl bolt Std pump	2	All exc 40-10-20 std eng-48P-18P
		BM 71638	Washer-fuel pump to cyl bolt Combination pump	2	All
10	13-14	BM 160177	Pipe assembly-fuel pump to carb Std pump	1	40-10-20 std eng,48P,18P
10	13-14	BM 160179	Pipe assembly-fuel pump to carb Std pump	1	40-10-20 L eng,41,43,48C, 11,12,180,21,22,28
11	13-14	BM 160879	Pipe assembly-fuel pump to carb LHD-Std pump	1	All eight cyl
		BM 160881	Pipe assembly-fuel pump to carb RHD-Std pump	1	All eight cyl
		BM 160181	Pipe assembly-fuel pump to carb Combination pump	1	40-10-20 std eng,48,18
		BM 160183	Pipe assembly-fuel pump to carb Combination pump	1	40-10-20 L eng,41,43,11, 12,21,22
		BM 160883	Pipe assembly-fuel pump to carb Combination pump	1	All eight cyl
		BM 170129	Nut-fuel pump to carburetor pipe	2	All

FUEL SYSTEM

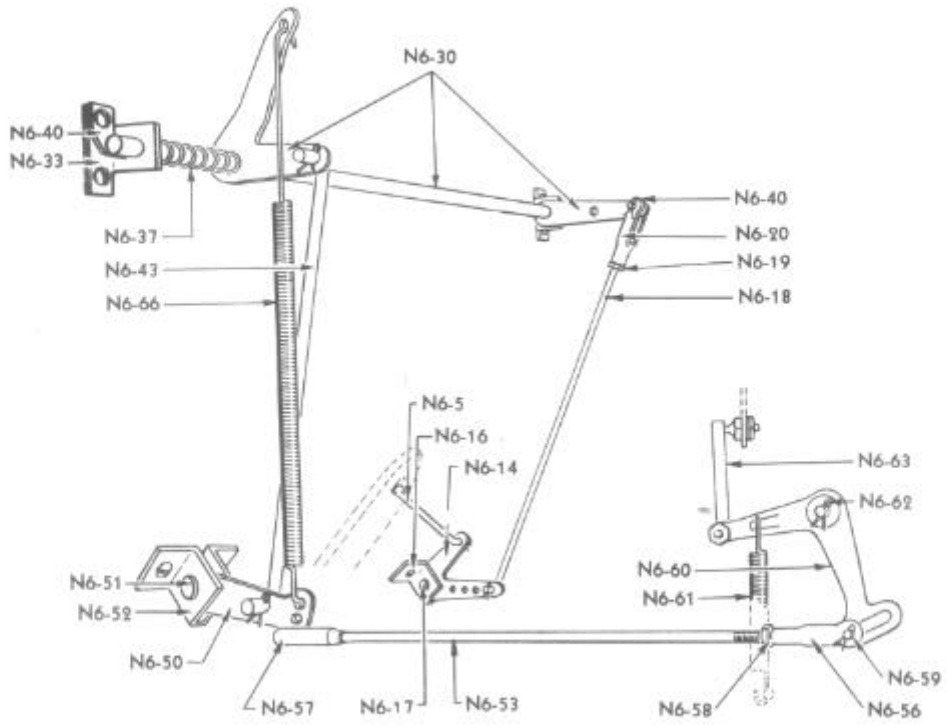
1940 -- 1941 -- 1942

N

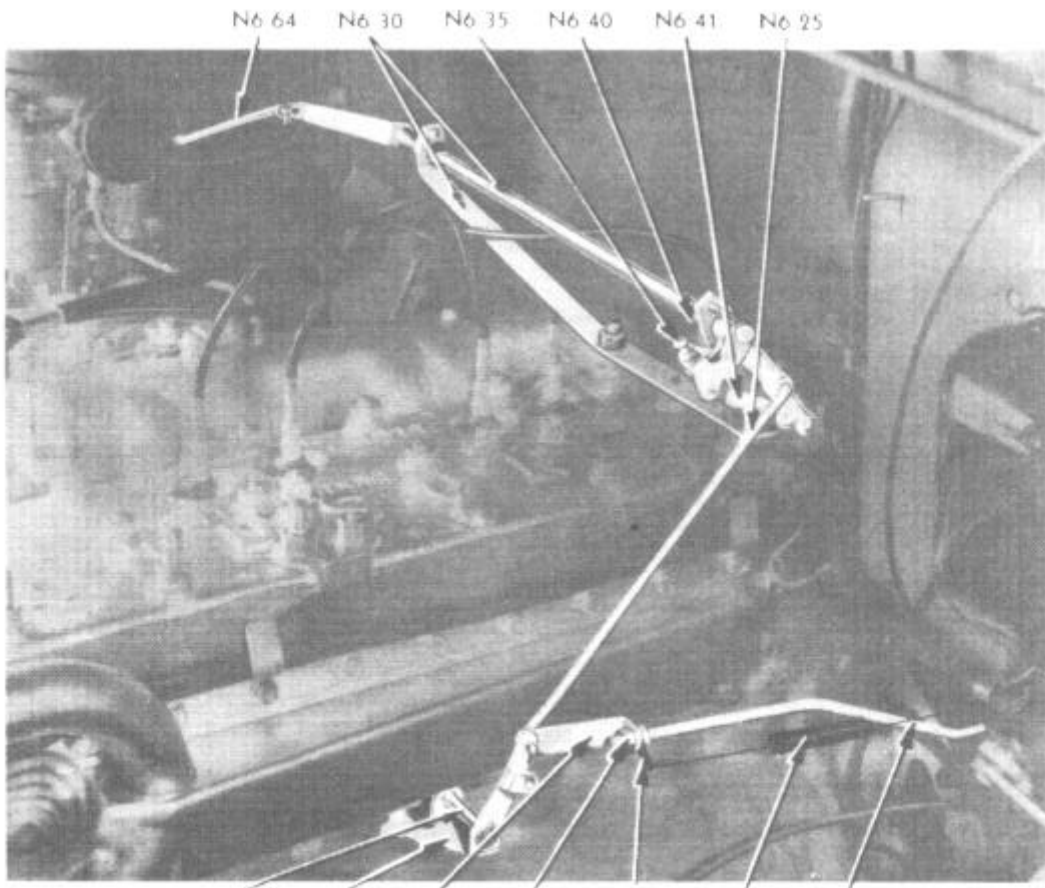
Group & Illus. No.	Plate No.	Part No.	NAME	Per Car	Models		
N4-			FUEL PUMP AND PIPES (CONT'D.)				
		BM 170128	Union-fuel pump to carburetor pipe	2	All six cyl		
		BM 170128	Union-fuel pump to carburetor pipe	2	All eight cyl		
		BM 170128	Union-fuel pump to carburetor pipe	1	All eight cyl		
		BM 170128	Union-fuel pump to carburetor pipe-pump end	1	All RHD eight cyl		
		BM 170125	Elbow-fuel pump to carburetor pipe-pump end	1	All RHD eight cyl		
		F 45479	Flexible connection-std fuel pump	1	All		
		F 45479	Flexible connection-combination pump	1	All six cyl		
		F 45479	Flexible connection-combination pump	1	All eight cyl		
		BM 158668	Flexible connection-combination pump	1	All eight cyl		
		BM 170278	Elbow-90°-for flexible connection Combination pump	1	All eight cyl		
		BM 158677	Pipe assembly-combination pump to manifold	1	40-19-20 std eng,48,18,28		
		BM 158679	Pipe assembly-combination pump to manifold	1	40-10-20 L eng,41,43,11,12,21,22		
		BM 158681	Pipe assembly-combination pump to manifold	1	All eight cyl		
		BM 170129	Nut-combination pump to manifold	2	All		
		BM 170128	Union-combination pump to manifold pipe-manifold end	1	40-10-20 L eng,41,43,11,12,21,22		
		BM 170125	Elbow-combination pump to manifold pipe-manifold end	1	40-10-20 std eng,48,18,28		
		BM 170126	Elbow-combination pump to manifold pipe-manifold end	1	All eight cyl		
		BM 170125	Elbow-combination pump to manifold pipe-pump end	1	All six cyl		
		BM 170128	Union-combination pump to manifold pipe-pump end	1	All eight cyl		
	N5-			GASOLINE TANK AND PIPES (CONT'D.)			
				NOTE: parts marked † discontinued in production Jan. 15, 1952. Parts marked †† used after Jan. 15, 1952, starting car No. 37067. See introduction.			
				NOTE: Gasoline tank assembly includes filler neck			
			C 157786	Gasoline tank assembly	12-1/2 gal	1	40 2Sed-Sed-UCo
			C 157787	Gasoline tank assembly	12-1/2 gal	1	40 VicCpe,40P 3Cpe-CvCpe-CvSed
			C 157788	Gasoline tank assembly	12-1/2 gal	1	40T 3Cpe,40C UCpe
			C 155274	Gasoline tank assembly	16-1/2 gal	1	40C-48C Cab-Panel
			C 161068	Gasoline tank assembly	16-1/2 gal	1	40C-48C CabPu
			C 157789	Gasoline tank assembly	16-1/2 gal	1	41-44-45 2Sed-Sed,43,47,48P
			C 157790	Gasoline tank assembly	16-1/2 gal	1	41-44 3Cpe-VicCpe-CvCpe-CvSed
			C 162405	Gasoline tank assembly	12-1/2 gal	1	10-20 3Cpe-ClubCpe-UCpe-CvSed
			C 162408	Gasoline tank assembly	12-1/2 gal	1	10-20 2Sed-Sed-UCo
			C 162411	Gasoline tank assembly	16-1/2 gal	1	1941-1942 3Cpe-ClubCpe-CvSed exc 10-20
			C 162414	Gasoline tank assembly	16-1/2 gal	1	1941-1942 2Sed-Sed exc 10-20
			C 162543	Gasoline tank assembly	16-1/2 gal	1	10C Del,1941-1942 Cab-CabPu-Sta
3		48	BZ 157794	Filler neck assembly-gasoline tank	1	1940 2Sed-Sed-UCo	
			BZ 157796	Filler neck assembly-gasoline tank	1	1940 VicCpe-CvCpe-CvSed,40P-41-44 3Cpe	
			BZ 157798	Filler neck-gasoline tank	1	40T 3Cpe,40C UCpe	
			BZ 155277	Filler neck-gasoline tank	1	40C-48C Cab-Panel	
3		48	BZ 161071	Filler neck assembly-gasoline tank	1	40C-48C CabPu	
			BZ 162419	Filler neck assembly-gasoline tank	1	1941-1942 All exc Cab-CabPu-Sta-10C Del	
			BZ 162544	Filler neck assembly-gasoline tank	1	1941-1942 Cab-CabPu-Station 10C Del	
5		48	BZ 157802	Extension assembly-gasoline tank filler neck	1	40T 3Cpe,40C UCpe	
			BZ 155278	Extension assembly-gasoline tank filler neck	1	40C-48C Cab-Panel	
			BZ 155297	Hose-gasoline tank filler neck	2" ID x 5-5/8"	1	40T 3Cpe,1940 Cab-Panel-UCp
			BZ 170062	Clamp-gasoline tank filler neck hose	2-3/8"	1	40T 3Cpe,1940 Cab-Panel-UCp
			F 155298	Filler cap assembly-gasoline tank t	Std	1	All
			F 165182	Filler cap assembly-gasoline tank tt	Std	1	1942 All
			HA 150638	Filler cap assembly-gasoline tank	Locking type	1	All
			HA 164061	Filler cap assembly-gasoline tank	Locking type	1	All
			BM 71100	Drain plug-gasoline tank	3/8" socket type	1	All
			BZ 26877	Boss-for drain plug-on gasoline tank		1	All
			F 159110	Gauge assembly-gasoline tank unit		1	All
			BZ 150131	Gasket-gasoline tank gauge		1	All
BZ 71490		Screw-gasoline tank gauge attaching	10-24 x 3/8"	6	All		
BZ 70863	Terminal screw-gasoline tank gauge	8-32 x 1/4"	1	All			

Group & Illus. No.	Plate No.	Part No.	NAME	Per Car	Models	
N5-	9	48	GASOLINE TANK AND PIPES (CONT'D.)			
			BZ 153027	Outlet unit-gasoline tank suction pipe	1	1940-1941 All,1942 Cab-CabPu-Sta
			BZ 164434	Outlet unit-gasoline tank suction pipe	1	1942 All exc Cab-CabPu-Station
			BZ 47090	Gasket-gasoline tank outlet unit	1	1940-1941 All,1942 Cab-CabPu-Sta
			BZ 71490	Screw-gasoline tank outlet unit	2	All
			BZ 71442	Gasket-gasoline tank outlet screw	2	All
			BZ 153559	Screen-gasoline tank outlet unit	1	All
			BZ 158273	Grommet-gas tank filler neck to body	1	1940 2Sed-Sed-UCo-CA
			BZ 45344	Grommet-gas tank filler neck to body	1	1940 3Cpes and Convertibles
			BZ 45344	Grommet-gas tank filler neck to body	1	Cab,CabPu,10C Del,1941-1942 Sta
			BZ 162421	Grommet-gas tank filler neck to body	1	1941-1942 All exc Cab-CabPu-Station
			BZ 157799	Cushion-gasoline tank filler neck to body	1	1940 2Sed-Sed-UCo-CA
			BZ 44959	Cushion-gasoline tank filler neck to body	1	1940 Cpes and Convertibles 1941-
			BZ 163376	Cushion-gasoline tank filler neck to body	1	1942 All exc Cab-CabPu-Station
			BZ 157778	Reinforcement-gasoline tank filler neck to body cushion	1	1940 2Sed-Sed-UCo-CA 1941-
			BZ 163389	Reinforcement-gasoline tank filler neck to body cushion	1	1942 All exc Cab-CabPu-Station
			BZ 153031	Pad-gasoline tank to seat tray	1	Cab,CabPu,All pass cars exc 40-10-20
			BM 155749	Pad-gasoline tank to seat tray	2	40-10-20 exc Cab-CabPu-Panel-Del
			BM 155749	Pad-gasoline tank to support	2	1941 Panel,10C Del
			BZ 158098	Strap and heat deflector assembly-RH-gasoline tank	1	41,43,44,45,47,48P
			BZ 162424	Strap and heat deflector assembly-RH-gasoline tank	1	11-21 exc Sta,12,14,15,17,18P,22,24,25,27
			BZ 157804	Strap-LH-gasoline tank support	1	41,43,44,45,47,48P
			BZ 162423	Strap-LH-gasoline tank support	1	11-21 exc Sta,12,14,15,17,18P,22,24,25,27
			BZ 157804	Strap-gasoline tank support	2	40-48 exc Cab
			BZ 153017	Strap-gasoline tank support	2	40-48 Cab
			BZ 162423	Strap-gasoline tank support	2	10T,10P,10C Uco-UCpe,20T,20P
			BZ 162546	Strap-gasoline tank support	2	1941-1942 Cab-CabPu,10C Del
			BZ 162641	Strap-gasoline tank support	2	1941-1942 Station
			BZ 71067	Bolt-front-gasoline tank strap	2	1940 exc Cab-CabPu-Panel
			BZ 170419	Bolt-front-gasoline tank strap	2	1940 CabPu,1941-1942 All
			BM 219	Bolt-front-gasoline tank strap	2	1940 Cab
			BZ 908	Bolt-rear-gasoline tank strap	2	1940 exc Cab-CabPu-Panel 1940
			BO 12194	Bolt-rear-gasoline tank strap	2	Cab
			BX 18303	Bolt-rear-gasoline tank strap	2	1940 CabPu-Panel
			BZ 170419	Bolt-rear-gasoline tank strap	2	1941-1942 Cab-CabPu-Station
			BZ 122	Nut-front-gasoline tank strap bolt	AR	All
			BZ 170510	Spring nut-front-gasoline tank strap bolt	2	1941-1942 All exc Cab-CabPu-Station
			BZ 40627	Plate-front-gasoline tank strap bolt	2	All
			BZ 122	Nut-rear-gasoline tank strap bolt	2	1940 exc Cab,1941 Cab-CabPu-Station
			BZ 155415	Retainer-assembly-rear-gasoline strap bolt nut	2	1940 Cab
			BZ 40627	Plate-rear-gasoline tank strap bolt	2	1940 All,1941-1942 Cab-CabPu-Sta
			BZ 160214	Pipe assembly-gasoline tank to fuel pump	1	40,41
			BZ 160937	Pipe assembly-gasoline tank to fuel pump	1	43,48
			BZ 160216	Pipe assembly-gasoline tank to fuel pump	1	44,45
			BZ 160215	Pipe assembly-gasoline tank to fuel pump	LHD	44,45
			BZ 160218	Pipe assembly-gasoline tank to fuel pump	RHD	47
			BZ 160217	Pipe assembly-gasoline tank to fuel pump	LHD	47
			BZ 162834	Pipe assembly-gasoline tank to fuel pump	RHD	10,11,12,20C,21 Station
			BZ 162835	Pipe assembly-gasoline tank to fuel pump	1	18,28
			BZ 162836	Pipe assembly-gasoline tank to fuel pump	1	14,15
			BZ 162837	Pipe assembly-gasoline tank to fuel pump	LHD	14,15
			BZ 162838	Pipe assembly-gasoline tank to fuel pump	RHD	17
			BZ 162839	Pipe assembly-gasoline tank to fuel pump	LHD	17
BZ 164612	Pipe assembly-gasoline tank to fuel pump	RHD	20T,20P,21 exc Station,22			
BZ 164614	Pipe assembly-gasoline tank to fuel pump	1	24,25			
BZ 164615	Pipe assembly-gasoline tank to fuel pump	LHD	24,25			
BZ 164616	Pipe assembly-gasoline tank to fuel pump	RHD	27			
BZ 164617	Pipe assembly-gasoline tank to fuel pump	LHD	27			
BM 11828	Nut-gasoline tank to fuel pump pipe	RHD	All			
BO 18197	Clip-gasoline tank to fuel pump pipe	2	All			
			5/16"			
			Strap type			

Group & Illus. No.	Plate No.	Part No.	NAME	Per Car	Models
N5-			GASOLINE TANK AND PIPES (CONT'D.)		
		BO 170065	Clip-gasoline tank to fuel pump pipe	Snap type 4	All
		BO 71295	Screw-gasoline pipe clip	5/16" x 5/8" ST 1	All
		BO 170041	Screw-gasoline pipe clip	14 x 1/2" ST 1	All
N6-			THROTTLE CONTROL-LHD		
		BZ 160121	Accelerator pedal complete	Taupe 1	1940 All
		BZ 161668	Accelerator pedal complete	Black 1	43-47 5Sed
		BZ 162862	Accelerator pedal complete	Gray 1	1941 A11,1942 All exc Sta
		BZ 162863	Accelerator pedal complete	Brown 1	1941 exc 10T-10C-18,1942 exc Cab-CabPu
		BZ 162864	Accelerator pedal complete	Green 1	1941 exc 10T-10C-18
		BZ 164084	Accelerator pedal complete	Green 1	1942 All exc Cab-CabPu- Station 20T
		BZ 155448	Anchor bracket-accelerator pedal		1940 All
		BZ 162871	Anchor bracket assembly-accelerator pedal		1941 exc Del,1942 All
		BZ 163208	Anchor bracket assembly-accelerator pedal		10C Del
		BZ 71113	Clevis pin-accelerator pedal anchor bracket	1/4" x 2 1	1940 All
		BZ 170542	Clevis pin-accelerator pedal anchor bracket	1/4" x 17/32" 1	1941-1942 All
		BZ 41207	Anti-rattle spring-accelerator pedal		1940 All
		BZ 38206	Anti-rattle spring-anchor bracket clevis pin		1941-1942 All
		BO 18474	Rivet-accelerator pedal anchor bracket	3/16" x 5/16" 2	All
		BZ 155549	Rubber bumper-accelerator pedal toe plate	Without VD 1	1940 All
5	29	BZ 160871	Link-accelerator pedal to bellcrank		1940 All
		BT 71522	Clevis pin-medal to bellcrank link	1/4" x 7/8" 1	1940 All
		BZ 38206	Silencing spring-pedal to bellcrank link		1940 All
		BZ 262	Washer-pedal to bellcrank link silencing spring		1940 All
		BZ 45164	Sleeve-pedal to bellcrank link		1940 All
5	29	BZ 162874	Rod-pedal to bellcrank	Without OD 1	10 exc Del,11,12,18
5	19	BZ 163286	Rod-pedal to bellcrank	With OD 1	10,11,12,18
		BZ 163441	Rod-pedal to bellcrank		10C Del
5	29	BZ 162876	Rod-pedal to bellcrank	Without OD 1	14,15,17
5	19	BZ 163288	Rod-pedal to bellcrank	With OD 1	14,15,17
5	29	BZ 162874	Rod-pedal to bellcrank	Without HDM-VD or OD 1	20,21,22,28
5	20	BZ 164562	Rod-pedal to bellcrank	With HDM-VD 1	20,21,22,28
5	20	BZ 164564	Rod-pedal to bellcrank		24,25,27
6	19	BZ 163289	Washer-pedal to bellcrank rod- to operate OD switch		1941 All
		BZ 71443	Nut-for washer-with OD	1/4"-28 x 7/32" 2	1941 All
		BZ 163378	Sleeve-pedal to bellcrank rod	Rubber 1	1941-1942 All
11	29	BZ 163446	End-pedal to bellcrank rod		1941 All
11	29	BZ 163446	End-pedal to bellcrank rod	Without HDM-VD or OD 1	20,21,22,28
11	20	BZ 164565	End-pedal to bellcrank rod	With HDM-VD or OD 1	20,21,22,28
11	20	BZ 164565	End-pedal to bellcrank rod		24,25,27
12	29	BO 71443	Nut-pedal to bellcrank rod end	1/4"-28 x 7/32" 2	1941-1942 All
13	29	BZ 33539	Clip-pedal to bellcrank rod	For return spring 1	1941-1942 All
		BZ 163434	Relay bracket and lever assembly		10C Del
		BZ 163439	Link-accelerator pedal to relay lever		10C Del
14	29	BZ 155451	Bellcrank-pedal link		40,41,43,48
14	29	HZ 160751	Bellcrank-pedal link		44,45,47
15	29	BZ 162877	Bellcrank-pedal link	Without VD 1	1941 All
15	19	BZ 163447	Bellcrank assembly-pedal link	With VD 1	1941 All
15	29	BZ 162877	Bellcrank-pedal link	Without HDM-VD or OD 1	20,21,22,28
15	20	BZ 164568	Bellcrank-pedal link	With HDM or VD 1	1942 All
		BZ 164918	Bellcrank-pedal link	With OD, without HDM or VD 1	20,21,22,28
		BZ 164918	Bellcrank-pedal link	Without HDM or VD 1	24,25,27
		BZ 155452			1940 All
			Bracket-pedal link bellcrank		1941 All
16	29	BZ 162878	Support-pedal link bellcrank	Without HDM-VD or OD 1	20,21,22,28
16	29	BZ 162878	Support-pedal link bellcrank	With HDM-VD or OD 1	20,21,22,28
16	29	BZ 164569	Support-pedal link bellcrank		24,25,27
		BZ 164569	Support-pedal link bellcrank		1942 All
		BZ 164570	Bushing-for 164569 support		1940 All
		BO 18474	Rivet-pedal link bellcrank bracket	3/16" x 5/16" 1	1940 All
		BZ 6998	Clevis pin-pedal link bellcrank bracket	1/4" x 5/8" 1	1941-1942 All
17	29	BZ 70177	Washer-pedal link bellcrank support	Brass 1	1941-1942 All
		BZ 170709	Washer-pedal link bellcrank support	Steel 1	20,21,22,28
		BZ 164571	Torsion spring-pedal link bellcrank	With HDM-VD or OD 1	24,25,27
		BZ 164571	Torsion spring-pedal link bellcrank		



Throttle Control-1940



Throttle Control-1941-1942

Group & Illus. No.	Plate No.	Part No.	NAME	Per Car	Models
N6-			THROTTLE CONTROL - LHD (CONT'D)		
		BZ 164572	Operating lever assy-pedal link bellcrank	1	20-21-22-28 with HDM-VD or OD
18	29	BZ 164572	Operating lever assy	1	24,25,27
		BZ 155453	Rod-pedal link bellcrank to cross shaft	1	1940 All
		BZ 160611	Rod-pedal link bellcrank to cross shaft	1	1940 All
19	29	BO 71073	Nut-bellcrank to cross shaft rod	1	1940 All
20	29	BZ 5771	Clevis-bellcrank to cross shaft rod	1	1940 All
		BZ 5825	Clevis pin-bell crank to cross shaft rod	1	1940 All
		BZ 160612	Washer-bellcrank to cross shaft rod	1	1940 All
		BT 160613	Swivel-bellcrank to cross shaft rod	1	1940 All
		BT 160614	Sleeve-bellcrank to cross shaft rod swivel	1	1940 All
		BO 71073	Lock nut-for swivel	1	1940 All
		BT 158029	Spring-for swivel	1	1940 All
		BZ 71260	Washer-for swivel spring	1	1940 All
25	29	BZ 162879	Rod-cross shaft operating	1	10,11,12,18
25	19	BZ 163443	Rod-cross shaft operating	1	10,11,12,18
25	29	BZ 162880	Rod-cross shaft operating	1	14,15,17
25	19	BZ 163444	Rod-cross shaft operating	1	14,15,17
25	20	BZ 162879	Rod-cross shaft operating	1	20,21,22,28
		BZ 164575	Rod-cross shaft operating	1	21,21,22,28
		BZ 164576	Rod-cross shaft operating	1	24,25,27
		BZ 164222	Clip-cross shaft operating rod	1	20,21,22,28
		BZ 164222	Clip-cross shaft operating rod	1	24,25,27
30	29	BZ 155455	Cross shaft assembly	1	1940 All
30	29	BZ 162881	Cross shaft and support assembly	1	10 std eng,10C Del,1,18
30	29	BZ 162882	Cross shaft and support assembly	1	10 L eng exc Del,1,1,12
30	29	BZ 162883	Cross shaft and support assembly	1	14,15,17
30	29	BZ 162881	Cross shaft and support assembly	1	20 std engine,28
30	20	BZ 164577	Cross shaft and support assembly ...	1	20 std engine,28
30	29	BZ 162882	Cross shaft and support assembly	1	20 L eng,21,22
30	20	BZ 164578	Cross shaft and support assembly	1	20 L eng,21,22
30	20	BZ 164579	Cross shaft and support assembly	1	24,25,27
33	29	BZ 152978	Bracket-cross shaft	2	1940 All
		BO 18447	Screw-cross shaft bracket	4	1940 All
		BO 71073	Nut-cross shaft bracket screw	4	1940 All
		BO 70028	Rivet-cross shaft bracket	4	1940 All
		BO 170405	Nut-cross shaft support to cyl head stud	2	10,11,12,18,20,21,22,28
		BZ 170571	Nut-cross shaft support to cyl head stud	2	14,15,17,24,25,27
35	29	BZ 170583	Stop screw-cross shaft lever	1	1941-1942 All
		BO 71073	Nut-for cross shaft lever stop screw	1	1941-1942 All
37	29	BZ 155461	Compression spring-cross shaft	1	All
		BZ 673	Washer-cross shaft compression spring	1	1940 All
40	29	BZ 155462	Anti rattle spring-cross shaft	2	1940 All
40	29	BZ 162891	Anti rattle spring-cross shaft	1	1941-1942 All
		BZ 9152	Rivet-cross shaft anti rattle spring	1	1941-1942 All
41	29	BZ 163013	Tension spring-cross shaft lever	1	1941 All
41	29	BZ 164597	Tension spring-cross shaft lever	1	1942 All
43	29	BZ 160163	Rod-cross shaft to pull lever	1	1940 All
50	29	BZ 160164	Pull lever-throttle control	1	1940 All
51	29	BZ 6998	Clevis pin-throttle control pull lever	1	1940 All
52	29	BZ 155452	Bracket-throttle control pull lever	1	1940 All
		BO 18474	Rivet-throttle control pull lever bracket	2	1940 All
53	29	BZ 161122	Rod assembly-pull lever to manifold bellcrank	1	40 std eng,48
		BZ 155465	Rod assembly-pull lever to carburetor bellcrank	1	40 L eng,41,43
		BZ 155468	Rod assembly-pull lever to carburetor bellcrank	1	44,45,47
56	29	BZ 5771	Clevis-pull lever to bellcrank rod	1	1940 All
57	29	BZ 155467	Ball joint-pull lever to bellcrank rod	1	1940 All
58	29	BO 71073	Nut-for clevis and ball joint	2	1940 All
59	29	BZ 5825	Clevis pin-pull lever to bellcrank rod	1	1940 All
60	29	BZ 45169	Bellcrank-on manifold	1	40 std eng,48
		BZ 162894	Bellcrank-on manifold	1	10 std eng,10C Del,18
		BZ 164588	Bellcrank-on manifold	1	20 std eng,28
61	29	BM 41133	Spring-manifold bellcrank	1	40 std eng,48
62	29	BZ 43220	Stud-manifold bellcrank	1	40-10 std eng,10C Del,48,18
		BM 164345	Stud-manifold bellcrank	1	20 std eng,28
		BO 262	Washer-manifold bellcrank stud	1	40-10-20 std eng,10C Del, 48,18,28
63	29	BZ 159504	Rod assembly-manifold bellcrank to carburetor	1	40-10-20 std eng,10C Del, 48,18,28
		BO 71073	Nut-manifold bellcrank to carburetor rod	2	40-10-20 std eng,10C Del, 48,18,28
64	29	BZ 162892	Rod-cross shaft to carburetor	1	10,11,12,18
64	19	BZ 161972	Rod-cross shaft to carburetor	1	10,11,12,18

Group & Illus. No.	Plate No.	Part No.	NAME	Per Car	Models
N6-			THROTTLE CONTROL - LHD (CONT'D)		
64	29	BZ 162893	Rod-cross shaft to carburetor	Without OD 1	14,15,17
64	29	BZ 161974	Rod-cross shaft to carburetor	With OD 1	14,15,17
64	29	BZ 162892	Rod-cross shaft to carburetor	Without HDM-VD 1	20,21,22,28
64	20	BZ 164586	Rod-cross shaft to carburetor	or OD 1	20,21,22,28
64,	20	BZ 164587	Rod-cross shaft to carburetor	With HDM-VD 1	24,25,27
		BO 71073	Nut-cross shaft to carburetor rod	or OD 3	1941 All
		BT 160613	Swivel-cross shaft to carburetor rod	With OD 1	1941 All
65	19	BT 160614	Sleeve-cross shaft to carburetor rod swivel	With OD 1	1941 All
		BT 158029	Spring-cross shaft to carburetor rod swivel	With OD 1	1941 All
		BZ 71260	Washer-cross shaft to carburetor rod swivel	With OD 1	1941 All
		BZ 164221	Clip-cross shaft to carburetor rod swivel-at cross shaft	With OD 1	1942 all with HDM-VD or OD, 24,25,27
		BZ 164222	Clip-cross shaft to carburetor rod	Carb end 1	1942 all with HDM-VD or OD, 24,25,27
66	29	BZ 155657	Return spring-throttle control	At dash 1	1940 All
		BZ 152987	Return spring-throttle control	At carburetor 1	40 L eng,41,43,44,45,47
		BM 153168	Pin-for return spring	At manifold 1	40 L eng,41,43,44,45,47
		BZ 160165	Clip-throttle control return spring	1	40 L eng,41,43,44,45,47
		BZ 162897	Tension spring-throttle control cross shaft	1	1941 All
68	29	BZ 162011	Tension spring-throttle control	At bellcrank 1	1941 All
68	29	BZ 162011	Tension spring-throttle control bellcrank	1	20-21-22-28 without HDM-VD or OD
		BZ 160683	Tension spring-throttle control bellcrank	At manifold 1	1942 All with HDM-VD or OD, 24,25,27
		BZ 164596	Tension spring-throttle control	1	1942 All with HDM or VD
		BZ 164589	Bracket-throttle control tension spring	1	20 std eng-28 with HDM or VD
		BM 71108	Nut-tension spring bracket to manifold stud	1	20 std eng-28 with HDM or VD
N7-			THROTTLE CONTROL - RHD		
		BZ 160122	Accelerator pedal complete	Taupe 1	1940 All
		BZ 161669	Accelerator pedal complete	Black 1	43-47 5Sed
		BZ 163252	Accelerator pedal complete	Gray 1	1941 All,1942 All exc Station
		BZ 163253	Accelerator pedal complete	Brown 1	1941-1942 All exc 10T-10C- 20T-20C
		BZ 163254	Accelerator pedal complete	Green 1	10P,11,12,14,15,17
		BZ 164085	Accelerator pedal complete	Green 1	20P,21 exc Station,22,24, 25,27
		BZ 155448	Anchor bracket-accelerator pedal	1	All
		BZ 71113	Clevis pin-accelerator pedal anchor bracket	1/4" x 1/2" bracket . 1	All
		BO 18474	Rivet-accelerator pedal anchor bracket	3/16" x 5/16" 3	1940 All
		BO 18474	Rivet-accelerator pedal anchor bracket	3/16" x 5/16" 1	1941-1942 All
		BO 70028	Rivet-accelerator pedal anchor bracket	3/16" x 3/8" 1	1941-1942 All
		BZ 155549	Rubber bumper-accelerator pedal toe plate .	Without VD 1	1940 All
		BZ 156304	Link-accelerator pedal to bellcrank	Without OD 1	1940 All
		BZ 161132	Link-accelerator pedal to bellcrank	With OD 1	1940 All
		BZ 163263	Link-accelerator pedal to bellcrank	1	1941-1942 All
		BT 71522	Clevis pin-pedal to bellcrank link	1	All
		BZ 38206	Silencing spring-pedal to bellcrank link	1	1940 All
		BO 262	Washer-pedal to bellcrank silencing spring	1	1940 All
		BZ 45164	Rubber sleeve-pedal to bellcrank link	1	1940 All
		BZ 163378	Rubber sleeve-pedal to bellcrank link	1	1941-1942 All
		BZ 41207	Anti rattle spring-pedal	At upper bracket 1	All
		BZ 156305	Bellcrank-pedal link	1	1940 All
		BZ 163264	Bellcrank-pedal link	1	1941-1942 All
		BZ 155452	Bracket-pedal link bellcrank	1	All
		BO 18447	Screw-pedal link bellcrank bracket	10-32 x 5/8" 2	1940 All
		HO 71073	Nut-pedal link bellcrank bracket screw	2	1940 All
		BO 18474	Rivet-pedal link bellcrank bracket	3/16" x 5/16" 2	1941-1942 All
		BZ 6998	Clevis pin-pedal link bellcrank bracket	1/4" x 5/8" 1	All
		BZ 155454	Rod-pedal link bellcrank to cross shaft	Without OD 1	1940 All
		BZ 161134	Rod-pedal link bellcrank to cross shaft	With OD 1	1940 All
		BZ 163265	Rod-pedal link bellcrank to cross shaft	Without OD 1	1941-1942 All
		BZ 163267	Rod-pedal link bellcrank to cross shaft	With OD 1	1941-1942 All
		BT 160612	Washer-bellcrank to cross shaft rod	With OD 1	All
		BO 71073	Nut-bellcrank to cross shaft rod	With OD 2	All
		BT 160613	Swivel-bellcrank to cross shaft rod	With OD 1	All
		BT 158029	Spring-for swivel	With OD 1	All
		BZ 71260	Washer-for swivel	With OD 1	All
		BO 71073	Lock nut-for swivel	With OD 1	All
		BO 71073	Nut-for swivel spring washer	With OD 1	All

Group & Illus. No.	Plate No.	Part No.	NAME	Per Car	Models		
N7-			THROTTLE CONTROL - RHD (CONT'D)				
		BZ 155456	Cross shaft assembly	Without VD	1		
		BZ 155455	Cross shaft assembly	With VD	1	1940 All	
		BZ 163268	Cross shaft assembly		1	1940 All	
		BZ 163269	Cross shaft assembly		1	10-20 std eng,10C Del,18,28	
		BZ 163270	Cross shaft assembly		1	10-20 L eng exc Del,11,12,21,22	
		BZ 152979	Bracket-cross shaft		1	14,15,17,24,25,27	
		BZ 152978	Bracket-cross shaft	With VD	2	All	
		BO 18447	Screw-cross shaft bracket	10-32 x 5/8"	2	1940 All	
		BO 71073	Nut-cross shaft bracket screw	10-32 x 1/8"	2	All	
		BZ 155461	Compression spring-cross shaft	With VD	1	All	
		BZ 155461	Compression spring-cross shaft		1	1940 All	
		BZ 673	Washer-cross shaft compression spring	With VD	1	1941-1942 All	
		BZ 673	Washer-cross shaft compression spring		1	1940 All	
		BZ 155462	Anti rattle spring-cross shaft	With VD	2	1941-1942 All	
		BZ 155760	Rod-cross shaft to pull lever	With VD	1	1940 All	
		BZ 5771	Clevis-cross shaft to pull lever rod	With VD	1	1940 All	
		BO 71073	Nut-cross shaft to pull lever rod clevis	With VD	1	1940 All	
		BZ 5825	Clevis pin-cross shaft to pull lever rod	With VD	1	1940 All	
		BZ 155762	Rod-short to long-cross shaft	With VD	1	1940 All	
		BZ 5774	Clevis-cross shaft short to long rod	With VD	1	1940 All	
		BO 71443	Nut-cross shaft short to long rod clevis	With VD	1	1940 All	
		BZ 71152	Clevis-pin-cross shaft short to long rod	With VD	1	1940 All	
		HZ 161122	Rod assembly-cross shaft to manifold bellcrank		1	40 std eng,48	
		BZ 155465	Rod assembly-cross shaft to carburetor bellcrank		1	40 L eng,41,43	
		BZ 155468	Rod assembly-cross shaft to carburetor bellcrank		1	44,45,47	
		BZ 163273	Rod-cross shaft to carburetor		1	10,11,12,18,20,21,22,28	
		BZ 163275	Rod-cross shaft to carburetor		1	14,15,17,24,25,27	
		BZ 5771	Clevis-cross shaft to carburetor rod		1	All	
		BZ 5825	Clevis pin-cross shaft to carburetor rod	3/16"x 11/16"	1	All	
		BZ 155467	Ball joint-cross shaft to carburetor rod		2	1940 All	
		BO 71073	Nut-for clevis and ball joint	10-32 x 1/8"	1	All	
		BZ 45169	Bellcrank-manifold		1	40 std eng,48	
		BZ 162894	Bellcrank-manifold		1	10 std eng,18,10C Del	
		BZ 164588	Bellcrank-manifold		1	20 std eng,28	
		BZ 41133	Spring-manifold bellcrank		1	40 std eng,48	
		BZ 43220	Stud-manifold bellcrank		1	40-10 std eng,10C Del,48,10	
		BM 164345	Stud-manifold bellcrank		1	20 std eng,28	
		BO 262	Washer-manifold bellcrank stud		1	40-10-20 std eng,10C Del,48,18,28	
		BZ 159504	Rod assembly-manifold bellcrank to carburetor		1	40-10-20 std eng,10C Del,48,18,28	
		BO 71073	Nut-manifold bellcrank to carburetor rod		1	40-10-20 std eng,10C Del,48,18,28	
		BZ 155657	Return spring-throttle control-at dash	With VD	1	1940 All	
		BZ 152987	Return spring-throttle control-at dash	Without VD	1	1940 All	
		BZ 152987	Return spring-throttle control-at dash		1	1941-1942 All	
		BZ 152987	Return spring-throttle control-at carburetor		1	40 L eng,41,43,44,45,47	
		BZ 153168	Pin-for return spring-at intake manifold		1	40 L eng,41,43,44,45,47	
		BZ 160165	Clip-for return spring		1	40 L eng,41,43,44,45,47	
	P1-			MUFFLER AND ATTACHING PARTS			
			160003	Muffler assembly	Use 162635	1	1940 six cyl
			F 162635	Muffler assembly		1	1941-1942 six cyl
			F 160004	Muffler assembly		1	All eight cyl
			BZ 160005	Clamp-front-for muffler		1	1940 All,1941-1942 six cyl
			BZ 153058	Clamp-front-for muffler		1	1941-1942 eight cyl
			BZ 155375	Clamp-rear-for muffler		1	40,41,43,48,10C-20C Cab-CabPu-Del,18,28
			BZ 153063	Clamp-rear-for muffler		1	44,45,47
			BZ 162708	Clamp-rear-for muffler		1	10T,10P,10C UCo-UCpe,11,12,20T,20P,21,22
			BZ 162709	Clamp-rear-for muffler		1	14,15,17,24,25,27
			BZ 12275	Bolt-muffler clamp	5/16"-18 x 1"	2	All
			BZ 122	Nut-muffler clamp bolt	5/16-18 x 5/16"	2	1940-1941 All
			BZ 12115	Nut-muffler clamp bolt	5/16-18 x 17/64"	2	1942 All
			BZ 160007	Support bracket assembly-muffler clamp	Front	1	40,41,43,48,10C Cab-CabPu-Del,18,20C,28
			BZ 160009	Support bracket assembly-muffler clamp	Front	1	44,45,47

1940 -- 1941 -- 1942

Group & Illus. No.	Plate No.	Part No.	NAME	Per Car	Models	
P1-			MUFFLER AND ATTACHING PARTS			
		BZ 162710	Support bracket assembly-muffler clamp	Front	1	10P,10T,10C UCo-UCpe,11,12,20T,20P,21,22
		BZ 156846	Fabric-muffler clamp support	Front	1	1940 All,10C Cab-CabPu-Del,18,20C,28
		BZ 162851	Fabric-muffler clamp support	Front	1	10T,10P,10C UCo-UCpe,11,12,20T,20P,21,22
		BZ 326	Rivet-muffler clamp fabric to bracket	Front	2	1940 A11,10,11,12,18,20,21,22,28
		BZ 12275	Bolt-muffler clamp to fabric	Front	1	1940 A11,10,11,12,18,20,21,22,28
		BZ 12115	Nut-muffler clamp to fabric bolt	Front	1	1940 A11,10,11,12,18,20,21,22,28
		BM 219	Bolt-muffler clamp support bracket to frame	Front	2	1940 A11,10,11,12,18,20,21,22,28
		BZ 12115	Nut-muffler clamp support bracket to frame bolt	Front	2	1940 A11,13,11,12,18,20,21,22,28
		BZ 162712	Support assembly-muffler clamp	Rear	1	10T,10P,10C UCo-UCpe,11,12,20T,20P,21,22
		BZ 162714	Support assembly-muffler clamp	Rear	1	14,15,17,24,25,27
		BZ 153069	Fabric-muffler clamp support	Rear	1	10T,10P,10C UCo-UCpe,11,12,20T,20P,21,22
		BZ 162871	Fabric-muffler clamp support	Rear	1	14,15,17,24,25,27
		BZ 326	Rivet-muffler clamp support fabric	Rear	2	1941-1942 All exc Cab-CabPu-Del
		BZ 12275	Bolt-muffler clamp support fabric	Rear	2	1941-1942 All exc Cab-CabPu-Del
		BZ 12115	Nut-muffler clamp support fabric bolt	Rear	2	1941-1942 All exc Cab-CabPu-Del
		BM 219	Bolt-muffler clamp support to frame	Rear	2	1941-1942 All exc Cab-CabPu-Del
		BZ 12115	Nut-muffler clamp support to frame bolt	Rear	2	1941-1942 All exc Cab-CabPu-Del
P2-			HEAT DEFLECTORS			
		C 160031	Heat deflector assembly-muffler		1	44,45,47
		BZ 160033	Strap-muffler heat deflector		1	44 exc CvCpe-CvSed,45,47
		BZ 161004	Strap-muffler heat deflector		1	44 CvCpe-CvSed
		BM 219	Bolt-muffler heat deflector strap	5/16"-18 x 3/4"	2	44,45,47
		BZ 122	Nut-muffler heat deflector strap bolt	5/16"-18 x 5/16"	2	44,45,47
		BZ 70549	Bolt-muffler heat deflector to frame	1/4"-20 x 1/2"	2	44,45,47
		BZ 70874	Nut-muffler heat deflector to frame bolt	1/4"-20 x 1/4"	2	44,45,47
P3-			EXHAUST PIPE			
		CF 160011	Exhaust pipe assembly		1	40 with std eng
		C 161590	Exhaust pipe assembly		1	40 with L eng
		CF 160013	Exhaust pipe assembly		1	41,43,48
		CF 160015	Exhaust pipe assembly		1	44,45,47
		CF 162720	Exhaust pipe assembly		1	10T,10P,10C UCo-UCpe,11,12
		CF 162724	Exhaust pipe assembly		1	10C Cab-CabPu-Del,18
		CF 162726	Exhaust pipe assembly		1	14,15
		CF 162728	Exhaust pipe assembly		1	17
		CF 164602	Exhaust pipe assembly-without OD	LHD	1	20T-20P-21-22 exc CvSed-Sta
		CF 162720	Exhaust pipe assembly-without OD	RHD	1	20T-20P-21-22 exc CvSed-Sta
		CF 162720	Exhaust pipe assembly-without OD		1	20-21-22 CvSed,21 Station
		CF 164604	Exhaust pipe assembly-without OD	LHD	1	24-25 exc CvSed
		CF 162726	Exhaust pipe assembly-without OD	RHD	1	24-25 exc CvSed
		CF 162726	Exhaust pipe assembly-without OD		1	24 CvSed
		CF 164606	Exhaust pipe assembly-without OD	LHD	1	27
		CF 162728	Exhaust pipe assembly-without OD	RHD	1	27
		CF 162720	Exhaust pipe assembly-with OD		1	20T,20P,21,22
		CF 162726	Exhaust pipe assembly-with OD		1	24,25
		CF 162728	Exhaust pipe assembly-with OD		1	27
		CF 162724	Exhaust pipe assembly		1	20C-28 Cab-CabPu
		BZ 42245	Flange-exhaust pipe		1	All
		BZ 42246	Gasket-exhaust pipe flange		1	All
		BT 18430	Bolt-exhaust pipe flange clamp	3/8"-24 x 2-1/8"	1	All
		F 71237	Nut-exhaust pipe flange clamp bolt	3/8"-24 x 21/64"	1	All
		BO 2404	Bolt-exhaust pipe flange	3/8"-16 x 1-5/8"	2	All
		BM 71058	Nut-exhaust pipe flange bolt	3/8"-16 x 3/8"	2	All
		BZ 40413	Lock-exhaust pipe flange bolt nut		2	All
		BZ 160005	Clamp-exhaust pipe		1	1941-1942 eight cylinder
		BZ 2490	Bolt-exhaust pipe clamp	5/16"-18 x 1-1/8"	1	1941-1942 eight cylinder
		BZ 12115	Nut-exhaust pipe clamp bolt	5/16"-18 x 17/64"	1	1941-1942 eight cylinder

EXHAUST SYSTEM

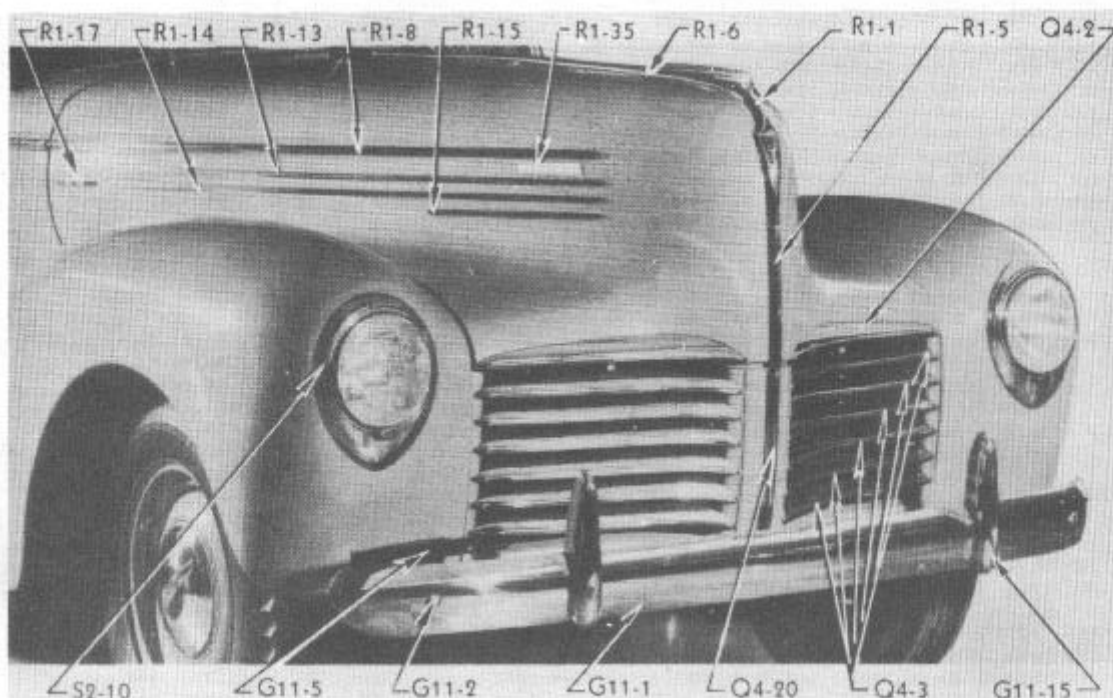
1940 -- 1941 -- 1942

P

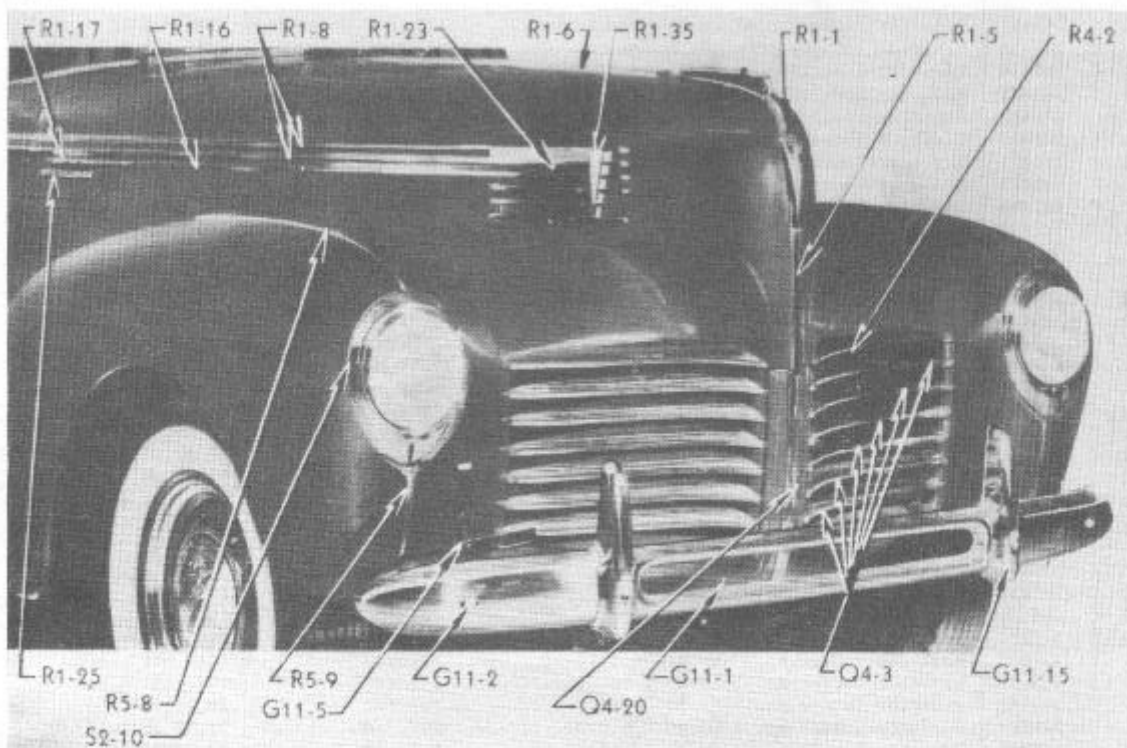
Group & Illus. No.	Plate No.	Part No.	NAME	Per Car	Models	
P3-			EXHAUST PIPE (CONT'D)			
		BZ 162710	Bracket assembly-exhaust pipe support	1	1941-1942 eight cylinder	
		BZ 162851	Fabric-exhaust pipe support	1	1941-1942 eight cylinder	
		BZ 326	Rivet-exhaust pipe support fabric	2	1941-1942 eight cylinder	
		BZ 12275	Bolt-exhaust pipe clamp to support bracket			
				5/16" x 3/4"		
				5/16"-18 x 1"	1	1941-1942 eight cylinder
		BZ 12115	Nut-exhaust pipe clamp to support bracket bolt		1	1941-1942 eight cylinder
		BM 219	Bolt-exhaust pipe support bracket		2	1941-1942 eight cylinder
				5/16"-18 x 3/4"		
		BZ 12115	Nut-exhaust pipe support bracket bolt		2	1941-1942 eight cylinder
				5/16"-18 x 17/64"		
		BM 160064	Exhaust pipe cover-front		1	40 std eng
		BM 160065	Exhaust pipe cover-rear		1	40 std eng
		BM 161592	Exhaust pipe cover-front		1	40 L eng
		BM 161593	Exhaust pipe cover-rear		1	40 L eng
		BM 160066	Exhaust pipe cover-front		1	41,43,48
		BM 160067	Exhaust pipe cover-rear		1	41,43,48
		BM 160068	Exhaust pipe cover-front		1	44,45,47
		BM 160)69	Exhaust pipe cover-rear		1	44,45,47
		BM 162732	Exhaust pipe cover-front or rear		2	10,11,12,18
		BM 162733	Exhaust pipe cover-front		1	14,15,17
		BM 162734	Exhaust pipe cover-rear		1	14,15,17
		BM 162732	Exhaust pipe cover-front or rear	With OD	2	20,21,22,28
		BM 162733	Exhaust pipe cover-front	With OD	1	24,25,27
		BM 162734	Exhaust pipe cover-rear	With OD	1	24,25,27
		BM 164608	Exhaust pipe cover-front	Without OD-LHD	1	20T-20P-21-22 exc CvSed-Station
		BM 164609	Exhaust pipe cover-rear	Without OD-LHD	1	20T-20P-21-22 exc CvSed-Station
		BM 164610	Exhaust pipe cover-front	Without OD-LHD	1	24-25 exc CvSed,27
		BM 164611	Exhaust pipe cover-rear	Without OD-LHD	1	24-25 exc CvSed,27
		BM 162732	Exhaust pipe cover-front or rear	Without OD-RHD	2	20T-20P-21-22 exc CvSed-Station
		BM 162733	Exhaust pipe cover-front	Without OD-RHD	1	24-25 exc CvSed,27
		BM 162734	Exhaust pipe cover-rear	Without OD-RHD	1	24-25 exc CvSed,27
		BM 162733	Exhaust pipe cover-front	Without OD	1	24 CvSed
		BM 162734	Exhaust pipe cover-rear	Without OD	1	24 CvSed
		BM 162732	Exhaust pipe cover-front or rear	Without OD	2	20-21-22 CvSed,21 Sta,20C,2
		BM 2397	Strap-exhaust pipe cover		2	All
	P4-			TAIL PIPE		
			CF 160021	Tail pipe	1	40T,40P,40C UCo-UCpe,41
			CF 160095	Tail pipe	1	40C Cab-CabPu-Panel
			CF 160022	Tail pipe	1	43,48P,18P
			CF 160023	Tail pipe	1	44,45
			CF 160024	Tail pipe	1	47
			CF 160096	Tail pipe	1	48C Cab-CabPu
			CF 162741	Tail pipe	1	10 exc Cab-CabPu-Del,
					1	11 exc Sta,12
		CF 162745	Tail pipe	1	10C-20C Cab-CabPu,10C Del	
		C 163817	Tail pipe	1	11 Station	
		CF 162743	Tail pipe	1	14 exc Station,15,17	
		C 163818	Tail pipe	1	14 Station	
		CF 162746	Tail pipe	1	18C,28	
		CF 164455	Tail pipe	1	20T,20P,21 exc Sta,22	
		C 164093	Tail pipe	1	21 Station	
		CF 164457	Tail pipe	1	24,25,27	
		BZ 160025	Clamp-front-tail pipe		1	40,41,10C-20C Cab-CabPu,10C Del
		BZ 155367	Clamp-front-tail pipe		1	43,48
		BZ 160026	Clamp-front-tail pipe		1	44,45
		BZ 153066	Clamp-front-tail pipe		1	47
		BZ 162748	Clamp-front-tail pipe		1	18,28
		BZ 12275	Bolt-front-tail pipe clamp		1	1940 All,10C-20C Cab-CabPu,10C Del,18,28
				5/16"-18 x 1"		
		BZ 12115	Nut-front-tail pipe clamp bolt		1	1940 All,10C-20C Cab-CabPu,10C Del,18,28
				5/16"-18 x 17/64"		
		BZ 160027	Support assembly-tail pipe clamp-front		1	40,41,44,45,10C-20C Cab-CabPu,10C Del
		BZ 157773	Support assembly-tail pipe clamp-front		1	43,47,48
		BZ 162747	Support assembly-tail pipe clamp-front		1	18,28
		BZ 160029	Fabric-tail pipe clamp support-front		1	40,41,44,45,10C-20C Cab-CabPu,10C Del
		BZ 153069	Fabric-tail pipe clamp support-front		1	43,47,48,18,28

Group & Illus. No.	Plate No.	Part No.	NAME	Per Car	Models		
P4-			TAIL PIPE (CONT'D.)				
		BZ 326	Rivet-tail pipe clamp support fabric	5/16" x 3/4"	1	1940 All,10C-20C Cab-CabPu, 10C Del,18,28	
		BZ 12275	Bolt-tail pipe clamp-front-to support fabric	5/16"-18 x 1"	1	1940 All,10C-20C Cab-CabPu, 10C Del,18,28	
		BZ 12115	Nut-tail pipe clamp-front-to support fabric bolt		1	1940 All,10C-20C Cab-CabPu, 10C Del,18,28	
		BM 219	Bolt-tail pipe clamp-front-support to frame	5/16"-18 x 3/4"	2	1940 All,10C-20C Cab-CabPu, 10C Del,18,28	
		BZ 12115	Nut-tail pipe clamp-front-support to frame bolt		2	1940 All,10C-20C Cab-CabPu, 10C Del,18,28	
		BZ 153070	Bracket-rear-tail pipe		1	All	
		BZ 12275	Bolt-tail pipe bracket-rear-to fabric	5/16"-18 x 1"	1	All	
		BZ 12115	Nut-tail pipe bracket-rear-to fabric bolt		1	All	
		BZ 155375	Clamp-rear tail pipe bracket		1	All six cylinder	
		BZ 153063	Clamp-rear tail pipe bracket		1	All eight cylinder	
		BZ 12275	Bolt-tail pipe bracket-rear-clamp	5/16"-18 x 1"	1	All	
		BZ 12115	Nut-tail pipe bracket-rear-clamp bolt	5/16"-18 x 17/64"	1	All	
		BZ 157842	Fabric and plate assembly-tail pipe bracket-rear		1	All exc Cab-CabPu-Del	
		BZ 157776	Fabric-tail pipe bracket-rear		1	All exc Cab-CabPu-Del	
		BZ 154582	Fabric-tail pipe bracket-rear		1	All Cab-CabPu-Del	
		BZ 12275	Bolt-tail pipe bracket-rear-to fabric	5/16"-18 x 1"	1	All	
		BZ 12115	Nut-tail pipe bracket-rear-to fabric bolt		1	All	
		BZ 12275	Bolt-tail pipe bracket-rear-to frame	5/16"-18 x 1"	2	All	
		BZ 12115	Nut-tail pipe bracket-rear-to frame bolt	5/16"-18 x 17/64"	2	All	
		BZ 70970	Rivet-tail pipe bracket-rear-to fabric	1/4" x 5/8"	1	All	
		HA 48647	Tail pipe extension	Service	1	All	
	Q2			RADIATOR AND ATTACHING PARTS			
			C 159615	Radiator core assembly		1	40
			C 159616	Radiator core assembly		1	41,43,48
			C 159617	Radiator core assembly		1	44,45,47
		C 163355	Radiator core assembly		1	10	
		C 163357	Radiator core assembly		1	11,12,18	
		C 163356	Radiator core assembly		1	14,15,17,24,25,27	
		C 164098	Radiator core assembly		1	20	
		C 164099	Radiator core assembly		1	21,22,28	
		BZ 163553	Bracket-for stay rod	On upper tank	1	1940 All	
		BZ 170085	Mounting bolt-radiator	3/8"-16 x 1-3/16"	2	40,44,45,47,10,14,15,17, 20,24,25,27	
		BZ 170346	Mounting bolt-radiator	3/8"-16 x 1-7/16"	2	41,43,48,11,12,18,21,22,28	
		BM 6189	Nut-radiator mounting bolt	3/8"-16 x 21/64"	2	All	
		BZ 170087	Companion nut-radiator mounting bolt	3/8"-16	2	All	
		BZ 70716	Washer-radiator mounting bolt	1/8" x 1-3/8"	2	40,44,45,47,10,14,15,17,20, 24,25,27	
		BZ 159769	Plate-radiator mounting bolt		2	41,43,48,11,12,18,21,22,28	
		BZ 152558	Shim-radiator mounting	Rubber	AR	All	
		BZ 152559	Shim-radiator mounting	Steel	AR	All	
		F 152554	Filler cap-radiator		1	All	
		BM 18118	Drain cock-radiator	1/4"	1	All	
		HA 111684	Radiator cleaner and inhibitor	Combination package	AR	All	
		BZ 160267	Baffle and bracket assembly-radiator core		1	40,10 exc Del,10C Del to car 33608	
		BZ 162643	Baffle-radiator core		2	10C Del after car 33608	
		BZ 160268	Baffle and bracket assembly-radiator core		1	41,43,48,11,12,18	
		BZ 160269	Baffle and bracket assembly-radiator core		1	44,45,47,14,15,17	
		BZ 160267	Baffle and bracket assembly-radiator core		1	1942 All	
		BM 71648	Screw-radiator core to baffle	10-32 x 3/8"	AR	All	
		BZ 70792	Nut-radiator core to baffle screw	10-32	AR	All	
		BO 170060	Screw-radiator core baffle to fender side dust shield		1	40,44,45,47,10 exc Del,14, 15,17,1942 All	
		BZ 70874	Nut-radiator core baffle to fender side dust shield cover bolt		1	41,43,48,11,12,18	
		C 163571	Stay rod kit-radiator	1941 type for 1940 cars	1	1940 six cylinder	
		C 163572	Stay rod kit-radiator	1941 type for 1940 cars	1	1940 eight cylinder	
		C 159948	Stay rod-radiator		2	1940 six cylinder	
		C 159949	Stay rod-radiator		2	1940 eight cylinder	
		C 162487	Stay rod-radiator		1	1941-1942 six cyl exc 10C Del	
		C 163397	Stay rod-radiator		1	10C Del	
		C 162488	Stay rod-radiator		1	1941-1942 eight cylinder	

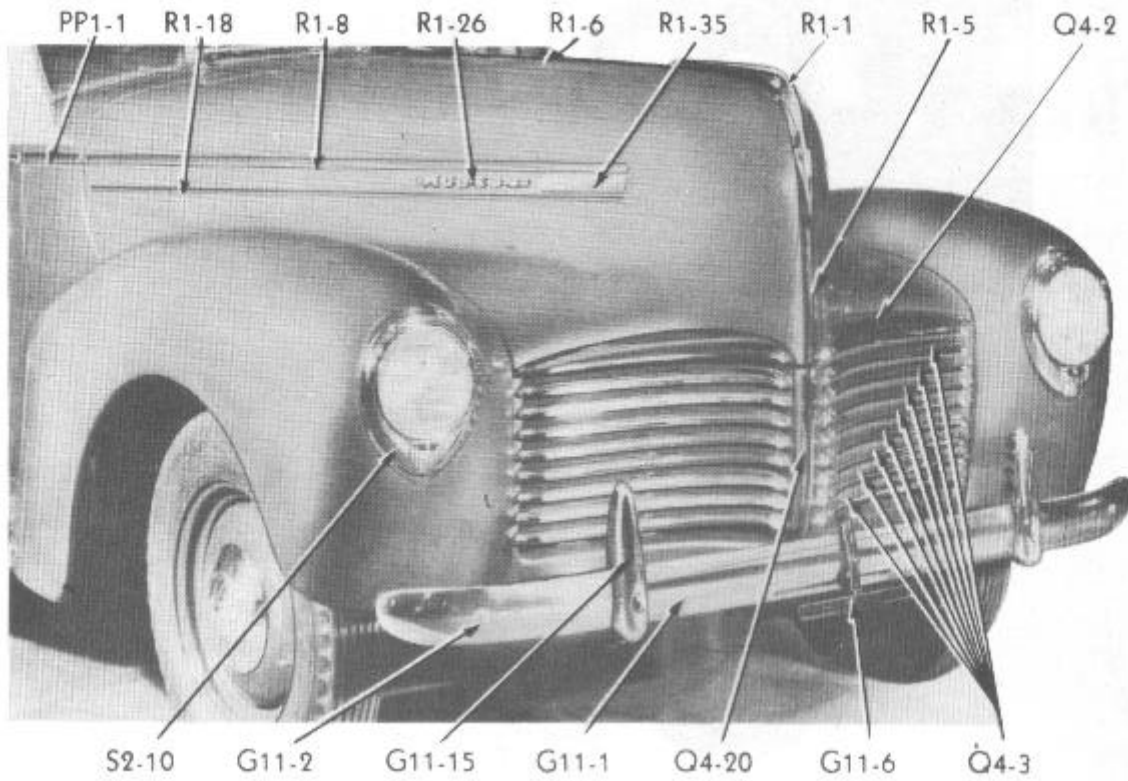
Group & Illus. No.	Plate No.	Part No.	NAME	Per Car	Models
Q2-			RADIATOR AND ATTACHING PARTS (CONT'D.)		
		BZ 100516	U bolt-radiator stay rod	1	1940 All
		BZ 100517	Plate-radiator stay rod U bolt	1	1940 All
		BO 71443	Nut-radiator stay rod U bolt 1/4"-38 x 7/32"	2	1940 All
		BO 71642	Bolt-radiator stay rod-at radiator 1/4"-20 x 7/8"	2	1940 All
		BZ 70874	Nut-radiator stay rod bolt-at radiator 1/4"-20 x 1/4"	2	1940 All
		BO 71443	Nut-radiator stay rod-at dash 1/4"-28 x 7/32"	4	1940 All
		F 71237	Nut-radiator stay rod 3/8"-24 x 21/64"	4	1941-1942 All
		BO 120678	Dash bracket-RH-radiator stay rod	1	1940 All
		BO 120679	Dash bracket-LH-radiator stay rod	1	1940 All
		BO 146024	Dash bracket-radiator stay rod	1	1941-1942 All
		BO 70028	Rivet-radiator stay rod dash bracket 3/16" x 3/8"	4	1940 All
		BO 70004	Rivet-radiator stay rod dash bracket 3/16" x 1/2"	2	1941-1942 All
Q3-			TANK SHIELD		
		A 140312	Lower tank shield-radiator	1	40
		A 140313	Lower tank shield-radiator	1	41,43,48
		A 140314	Lower tank shield-radiator	1	44,45,47
		A 146377	Lower tank shield and clip assembly-radiator	1	10 exc Del
		A 146378	Lower tank shield and clip assembly-radiator	1	11,12,18
		A 146379	Lower tank shield and clip assembly-radiator	1	14,15,17
		A 204439	Lower tank shield and clip assembly-radiator	1	20
		A 204440	Lower tank shield and clip assembly-radiator	1	21,22,28
		A 204441	Lower tank shield and clip assembly-radiator	1	24,25,27
		BO 170332	Screw-lower tank shield to side dust shield #12 x 3/4"	AR	All
		BZ 70692	Bolt-lower tank shield to frame 5/16"-18 x 3/4"	1	1940-1941 All
		BZ 170024	Screw-lower tank shield to frame 7/16" x 7/8"	1	1942 All
		BZ 71427	Screw-lower tank shield to frame 3/8" x 5/8"	2	1942 All
		BO 170214	Spring nut-lower tank shield to side dust shield bolt #12	1	1940-1941 All
		BO 70674	Spring nut-lower tank shield to frame bolt	1	1940-1941 All
		BO 170332	Screw-lower tank shield to louver panel #12 SM	1	1940-1941 All
		BO 170214	Spring nut-lower tank shield to louver panel screw	1	1940-1941 All
		BO 140349	Clip-lower tank shield For wires	2	1941-1942 All
Q4-			RADIATOR LOUVERS		
			NOTE: Parts marked †discontinued in production Jan. 15, 1942. Parts marked †† used after Jan. 15, 1942, starting car No. 37067. See introduction.		
2		C 141420	Radiator louver-upper RH-on bonnet Chrome	1	1940 All
2		C 141421	Radiator louver-upper LH-on bonnet Chrome	1	1940 All
2		C 147420	Radiator louver-upper RH-on bonnet Chrome	1	1941 All exc 10C Del
2		C 147421	Radiator louver-upper LH-on bonnet Chrome	1	1941 All exc 10C Del
3		C 141422	Radiator louver-lower RH-on louver panel Chrome	6	1940 All
3		C 141423	Radiator louver-lower LH-on louver panel Chrome	6	1940 All
3		C 147422	Radiator louver-lower RH Chrome	8	1941 All exc 10C Del
3		C 147423	Radiator louver-lower-LH Chrome	8	1941 All exc 10C Del
		C 147422	Radiator louver-RH Chrome	10	10C Del
		C 147423	Radiator louver-LH Chrome	10	10C Del
4		C 204428	Radiator louver-No. 1-RH-upper † Chrome	1	1942 All
4		C 204429	Radiator louver-No. 1-LH-upper † Chrome	1	1942 All
5		C 204426	Radiator louver-No. 2-RH † Chrome	1	1942 All
5		C 204427	Radiator louver-No. 2-LH † Chrome	1	1942 All
6		C 204424	Radiator louver-No. 3-RH † Chrome	1	1942 All
6		C 204425	Radiator louver-No. 3-LH † Chrome	1	1942 All
7		C 204422	Radiator louver-No. 4-RH † Chrome	1	20,21,28
7		C 204423	Radiator louver-No. 4-LH † Chrome	1	20,21,28
7		C 204420	Radiator louver-No. 4-RH † Chrome	1	22,24,25,27
7		C 204421	Radiator louver-No. 4-LH † Chrome	1	22,24,25,27
8		C 204420	Radiator louver-No. 5-RH † Chrome	1	1942 All
8		C 204421	Radiator louver-No. 5-LH † Chrome	1	1942 All
4		C 205834	Radiator louver-No. 1-RH †† Painted	1	1942 All
4		C 205835	Radiator louver-No. 1-LH †† Painted	1	1942 All
5		C 205836	Radiator louver-No. 2-RH †† Painted	1	1942 All
5		C 205837	Radiator louver-No. 2-LH †† Painted	1	1942 All
6		C 205838	Radiator louver-No. 3-RH †† Painted	1	1942 All
6		C 205839	Radiator louver-No. 3-LH †† Painted	1	1942 All
7		C 205842	Radiator louver-No. 4-RH †† Painted	1	20,21,28
7		C 205843	Radiator louver-No. 4-LH †† Painted	1	20,21,28
7		C 205840	Radiator louver-No. 4-RH †† Painted	1	22,24,25,27
7		C 205841	Radiator louver-No. 4-LH †† Painted	1	22,24,25,27



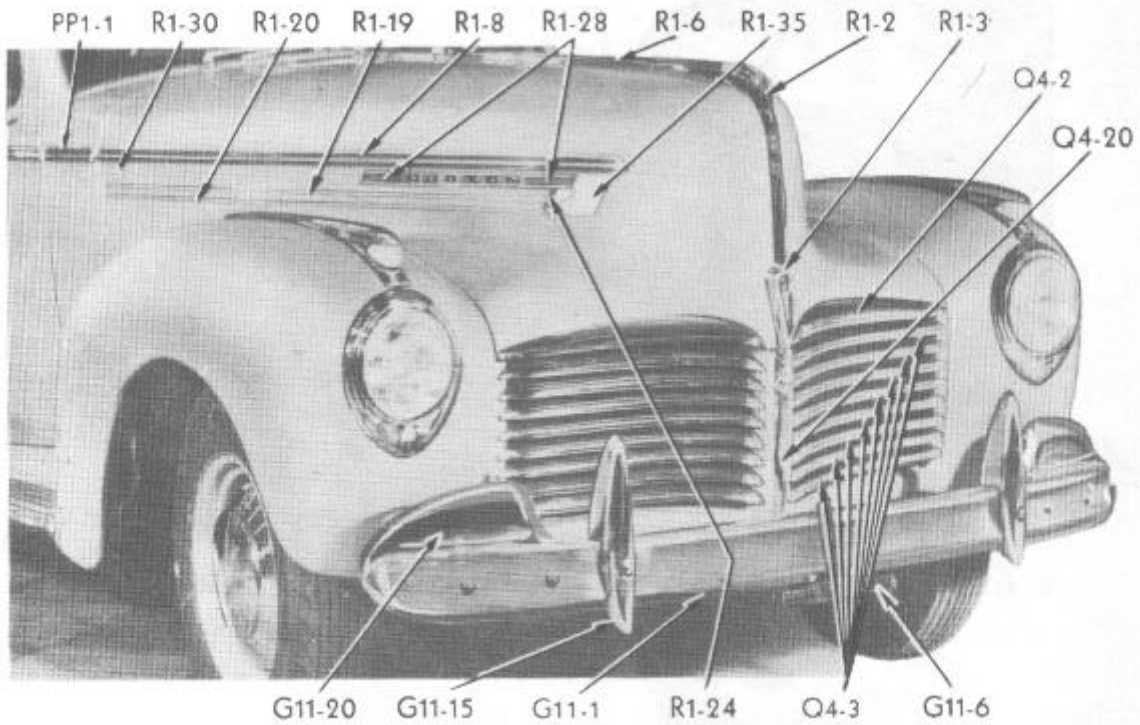
Radiator and Bonnet—Model 40



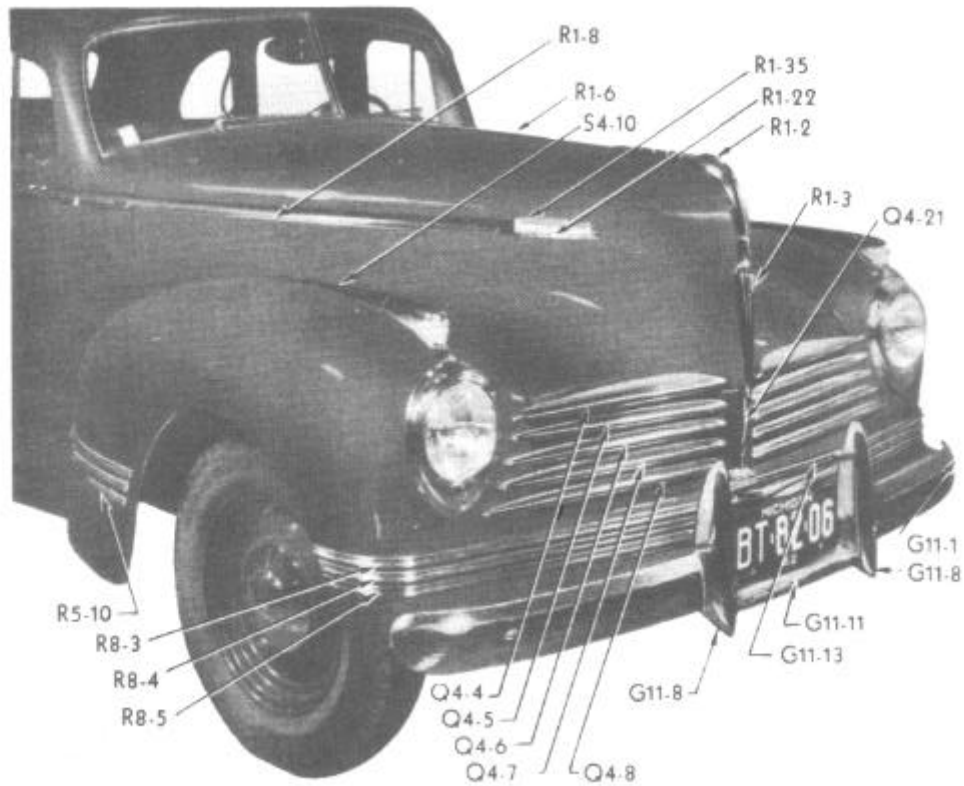
Radiator and Bonnet—Model 45



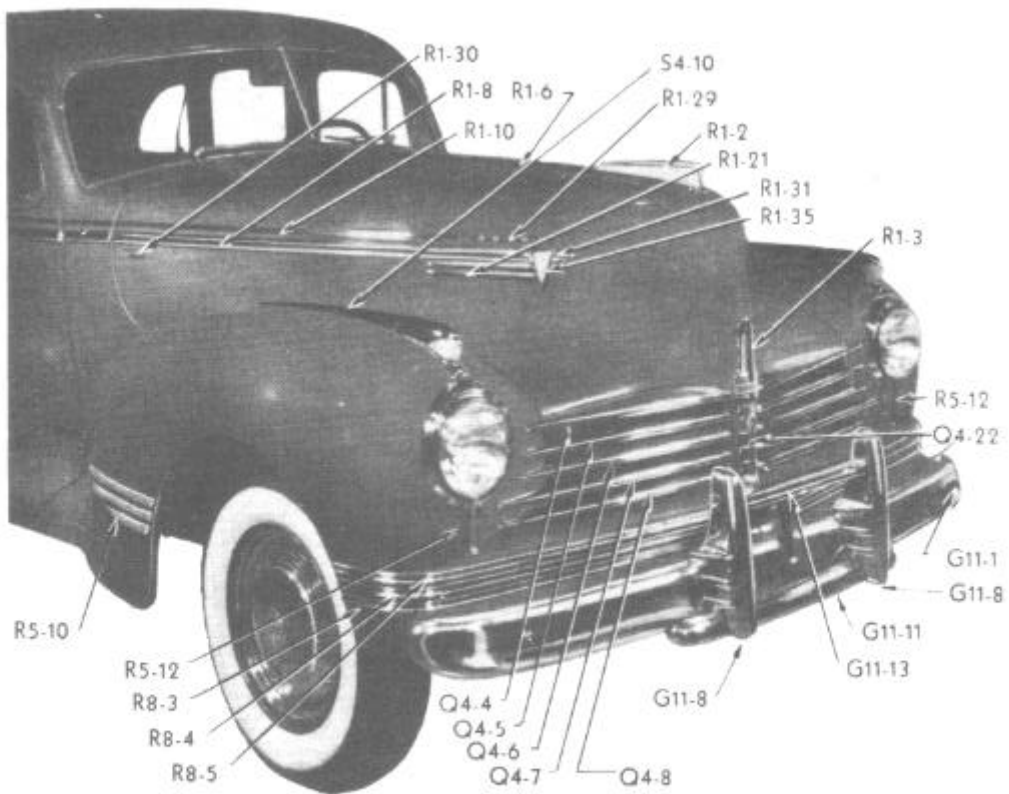
Radiator and Bonnet—Model 10



Radiator and Bonnet—Commodore Models—1941



Radiator and Bonnet—Model 20



Radiator and Bonnet—1942 Commodore Models

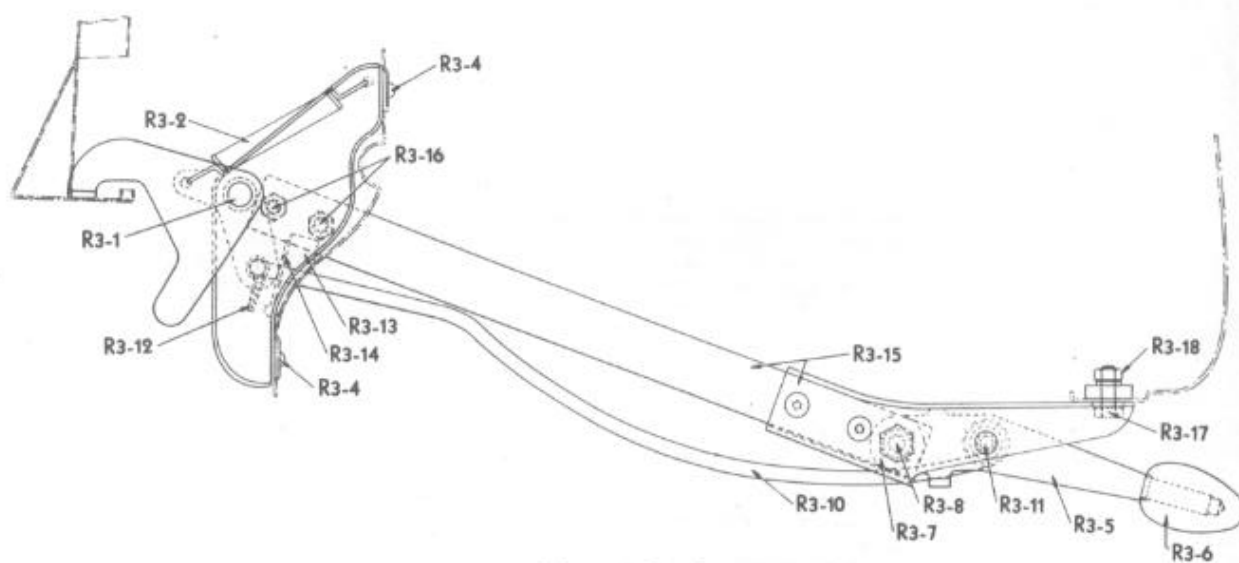
Group & Illus. No.	Plate No.	Part No.	NAME		Per Car	Models
Q4-			RADIATOR LOUVERS (CONT'D.)			
8	32	C 205840	Radiator louver-No. 5-RH ††	Painted	1	1942 All
8	32	C 205841	Radiator louver-No. 5-LH ††	Painted	1	1942 All
		BO 170404	Screw-radiator louver-upper	10-32 x 3/8"	8	1940-1941 All
		BO 70071	Lock washer-louver screw-upper	3/16"	8	1940-1941 All
		BO 7762	Plain washer-louver screw-upper		8	1940 All
		BO 70155	Plain washer-louver screw-upper		8	1941 All
		BO 170367	Screw-radiator louver-lower	10-32 x 1/2"	24	1940 All
		BO 18447	Screw-radiator louver-lower	10-32 x 5/8"	12	1940 All
		&J 170610	Screw-radiator louver-lower	1/2" special SM	48	1941 All
		BO 170707	Screw-radiator louver	#10 x 1/2" SM	32	1942 All
		BZ 96014	Cup washer-louver screw-lower		12	1940 All
		BO 70660	Lock washer-louver screw-lower	3/16"	36	1940 All
		BO 7762	Plain washer-louver screw-lower		12	1940 All
		BO 204430	Spacer-radiator louver	Rubber	8	1942 All
		A 140311	Louver panel assembly		1	1940 All
		A 146311	Louver panel assembly		1	1941 All exc Del
		A 203311	Louver center panel assembly-upper		1	1942 All
		BZ 204446	Louver-panel-lower-and extension brace assembly		1	1942 All
		BZ 204445	Brace-louver center panel to lower tank shield extension		1	1942 All
		BO 18453	Screw-lower tank shield extension to brace		1	1942 All
		BZ 12857	Washer-lower tank shield extension to brace screw		1	1942 All
		BO 71334	Screw-louver panel-lower-to bumper splash apron		6	1942 All
		BO 70157	Screw-louver panel-lower-to bumper splash apron		2	1942 All
		BZ 70795	Nut-louver panel-lower-to bumper splash apron		6	1942 All
		BZ 79874	Nut-louver panel-lower-to bumper splash apron		2	1942 All
		BZ 12857	Washer-louver panel-lower-to bumper splash apron		8	1942 All
		BZ 204432	Support-upper-louver center panel	4" long	1	1942 All
		BZ 204433	Support-lower-louver center panel to frame	13" long	1	1942 All
		BO 9159	Bolt-louver center panel support	1/4"-20 x 5/8"	1	1942 All
		BZ 70874	Nut-louver center panel support bolt	1/4"-20 x 1/4"	1	1942 All
		BZ 12857	Washer-louver center panel support bolt		2	1942 All
		BZ 204170	Louver support-outer-RH		1	1942 All
		BZ 204171	Louver support-outer-LH		1	1942 All
		BZ 204172	Louver support-inner		2	1942 All
		BO 9159	Bolt-louver support to dust shield	1/4"-20 x 5/8"	4	1942 All
		BZ 12857	Washer-louver support to dust shield bolt		4	1942 All
20	30	BO 141679	Moulding-center-louver panel		1	40,41,44,45,48
20	30	BO 141669	Moulding-center-louver panel		1	43,47
20	31	BO 147879	Moulding-center-louver panel		1	10 exc Del,11,18
20	31	BO 148316	Moulding-center-louver panel		1	12
20	31	BO 148315	Moulding-center-louver panel		1	14,15,17
21	32	BO 204873	Moulding-louver center panel-upper †	Chrome	1	20,21,28
21	32	BO 205849	Moulding-louver center panel-upper ††	Painted	1	20,21,28
22	32	BO 204874	Ornament-louver center panel-upper †	Chrome	1	22,24,25,27
22	32	BO 205856	Ornament-louver center panel-upper †	Painted	1	22,24,25,27
		BO 71073	Nut-radiator louver center moulding	10-32 x 1/8"	3	40,41,44,45,10 exc Del,11,18
		BO 18447	Screw-radiator louver center moulding		3	43,47,12,14,15,17
		BZ 96014	Cup washer-radiator louver center moulding		3	43,47,12,14,15,17
		BO 71073	Nut-louver center panel-upper-moulding		2	1942 All
		BO 71055	Washer-louver center panel-upper-moulding		2	1942 All
		HA 140928	Radiator grille cover		1	1940 All
		HA 200293	Radiator grille cover		1	1941 All
		HA 205093	Radiator grille cover		1	1942 All
		BO 136831	Fastener-radiator grille cover		AR	1940-1941 All
		HA 140929	Radiator insect screen		1	1940 All
		HA 200294	Radiator insect screen		1	1941 All
Q7-			HOSE CONNECTIONS			
		F 152555	Hose-radiator inlet	10" x 1-1/2" ID	1	All six cylinder
		F 159698	Hose-radiator inlet	7-3/4" x 1-1/2" ID	1	All eight cylinder
		F 150550	Hose-radiator outlet	8-1/2" x 1-5/8" ID	1	All six cylinder
		F 159699	Hose-radiator outlet	10" x 1-5/8" ID	1	All eight cylinder
		F 150243	Hose-water pump outlet	3-1/4" x 1-1/2" ID	1	All
		F 150244	Hose-water pump by pass	2-5/16" x 1" ID	1	43,47,15,17,25,27
		BZ 151568	Reinforcing spring-radiator outlet hose		1	All
		F 71614	Clamp-radiator inlet hose	1-3/4"	2	All
		F 71615	Clamp-radiator outlet hose	1-5/16"	2	1940-1941 All
		F 170676	Clamp-radiator outlet hose	1-7/8"	2	1942 All
		F 71614	Clamp-water pump outlet hose-cylinder end	1-3/4"	1	All
		F 170082	Clamp-water pump outlet hose-pump end	1-7/8"	1	All
		F 71255	Clamp-water pump by pass	1-1/4"	2	43,47,15,17,25,27
		F 151404	Hose-3ft length	1-5/16" ID x 36"	AR	All
		F 151405	Hose-3ft length	1-3/8" ID x 36"	AR	All
		F 151406	Hose-3ft length	1-1/2" ID x 36"	AR	All
		F 151407	Hose-3ft length	1-9/16" ID x 36"	AR	All
		F 151408	Hose-3ft length	1-5/8" ID x 36"	AR	All
		F 151409	Hose-3ft length	2-1/4" ID x 36"	AR	All

Group & Illus. No.	Plate No.	Part No.	NAME	Per Car	Models
RI-			BONNET ASSEMBLY, ORNAMENTS AND MOULDINGS		
			NOTE: Parts marked † discontinued in production Jan. 15, 1942. Parts marked †† used after Jan. 15, 1942, starting car No. 37067. See introduction.		
		A 140212	Bonnet assembly	1	40
		A 140202	Bonnet assembly	1	41,43,44,45,47,48
		A 146222	Bonnet assembly	1	10 exc Del
		A 146232	Bonnet assembly	1	11,12,14,15,17,18
		A 203219	Bonnet assembly	1	20
		A 203289	Bonnet assembly	1	21,28
		A 203299	Bonnet assembly	1	22,24,25,27
1	30	BO 141670	Bonnet top ornament	1	40,41,44,45,48
1	30	BO 141671	Bonnet top ornament	1	43,47
1	31	BO 147870	Bonnet top ornament	1	10 exc Del,11,18
2	31	BO 147874	Bonnet top ornament-upper	1	12,14,15,17
2	32	BO 204872	Bonnet top ornament-upper-1st type †	1	20,21,28
2	32	BO 204877	Bonnet top ornament-upper-2nd type †	1	20,21,28
			NOTE: 204872 (zinc die casting) and 204877 (lead die casting) are interchangeable, but use different attaching screws		
2	32	BO 205846	Bonnet top ornament-upper tt Painted	1	20,21,28
2	32	BO 205874	Bonnet top ornament-upper	1	22,24,25,27
3	31	BO 147872	Bonnet top ornament-lower	1	12,14,15,17
3	32	BO 204870	Bonnet top ornament-lower †	1	20,21,28
3	32	BO 205850	Bonnet top ornament-lower ††	1	20,21,28
3	32	BO 204876	Bonnet top ornament-lower †	1	22,24,25,27
3	32	BO 205847	Bonnet top ornament-lower ††	1	22,24,25,27
		BO 205875	Base-bonnet top ornament-upper †	1	22,24,25,27
		BO 205848	Base-bonnet top ornament-upper ††	1	22,24,25,27
		BO 205876	Clamp-bonnet top ornament-upper	2	22,24,25,27
		BO 170367	Screw-bonnet top ornament	3-4	1940-1941 All
		BO 170367	Screw-bonnet top ornament-for	3	20,21,28
		BO 170514	Screw-bonnet top ornament-for 204877	3	20,21,28
		BO 170674	Spring nut-bonnet top ornament	5	22,24,25,27
		BO 71703	Nut-bonnet top ornament-lower	2	1942 All
		BO 7762	Washer-bonnet top ornament	3-4	1940 All
		BO 70153	Washer-bonnet top ornament	AR	1941-1942 All
5	30	BO 141676	Top ornament extension-front	1	40,41,44,45
5	30	BO 142197	Top ornament extension and name plate assembly	1	43,47
5	30	BO 141673	Top ornament extension-front	1	43,47
		BZ 141766	Name plate-top ornament extension-front	1	43,47
5	31	BO 147424	Top ornament extension-front	1	10 exc Del,11,18
6	30-31	C 141677	Top ornament extension-rear †	1	40,10 exc Del,20
6	32	C 205844	Top ornament extension-rear ††	1	20
6	30	C 141678	Top ornament extension-rear †	1	41,44,45,48,11,18,21,28
6		C 205858	Top ornament extension-rear ††	1	21,28
6	30	C 141672	Top ornament extension-rear	1	43,47,12,14,15,17
6	32	C 205877	Top ornament extension-rear †	1	22,24,25,27
6	32	C 205859	Top ornament extension-rear ††	1	22,24,25,27
		BO 170367	Screw-top ornament extension	AR	43,47
		BO 7762	Washer-top ornament extension	AR	1940-1941 All exc Del
		BO 70155	Washer-top ornament extension	AR	1942 All
		BO 71073	Nut-top ornament extension	AR	1940 exc 43-47,10,11, 18, 1942 All
8	30	C 140982	Moulding-bonnet belt	2	40
8	30	C 140983	Moulding-bonnet belt	4	41,43,44,45,47,48
8	31	C 148310	Moulding-bonnet belt-RH Stainless Steel	1	10 exc Del
8	31	C 148311	Moulding-bonnet belt-LH Stainless Steel	1	10 exc Del
8	31	C 201116	Moulding-bonnet belt-RH Chrome	1	10 exc Del
8	31	C 201117	Moulding-bonnet belt-LH Chrome	1	10 exc Del
8	31		NOTE: Stainless steel mouldings used to car 63678, and again after car 65549		
8	31		chrome mouldings used from car 63678 to 65549.		
8	32				
8	32	C 148322	Moulding-bonnet belt-RH	1	11,12,14,15,17,18
8	32	C 148323	Moulding-bonnet belt-LH	1	11,12,14,15,17,18
8	32	C 205310	Moulding-bonnet belt-RH †	1	20
8	32	C 205311	Moulding-bonnet belt-LH †	1	20
		C 205826	Moulding-bonnet belt-RH ††	1	20
		C 205827	Moulding-bonnet belt-LH ††	1	20
		C 205322	Moulding-bonnet belt-RH †	1	21,22,24,25,27,28

Group & Illus. No.	Plate No.	Part No.	NAME	Per Car	Models
RI-			BONNET ASSEMBLY, ORNAMENTS AND MOULDINGS (CONT'D.)		
8	32	C 205323	Moulding-bonnet belt-LH †	Stainless Steel	1 21,22,24,25,27,28
8	32	C 205828	Moulding-bonnet belt-RH ††	Painted	1 21,22,24,25,27,28
8	32	C 205829	Moulding-bonnet belt-LH ††	Painted	1 21,22,24,25,27,28
		BO 141694	Clip-bonnet belt moulding		12 40
		BO 141717	Clip-bonnet belt moulding	AR	41,43,44,45,47
		BO 147266	Clip-bonnet belt moulding	AR	10 exc Del,20
		BO 147267	Clip-bonnet belt moulding	AR	1941-1942 All exc 10-20
		BO 133694	Bolt-bonnet belt moulding		6 40
		BO 170401	Bolt-bonnet belt moulding	AR	41,43,44,45,47
		BO 200176	Bolt-bonnet belt moulding		4 10 exc Del,20
		BO 200177	Bolt-bonnet belt moulding	AR	1941-1942 All exc 10-20
		BO 71073	Nut-bonnet belt moulding bolt	10-32 x 1/8"	AR 40,1941-1942 All
		BO 71152	Nut-bonnet belt moulding bolt	6-32 x 7/64"	AR 41,43,44,45,47
		BO 7762	Washer-bonnet belt moulding bolt		6 40
		BO 70155	Washer-bonnet belt moulding bolt	AR	1941-1942 All
10	32	C 205324	Moulding-auxiliary belt-RH †	Stainless Steel	1 22,24,25,27
10	32	C 205325	Moulding-auxiliary belt-LH †	Stainless Steel	1 22,24,25,27
10	32	C 205832	Moulding-auxiliary belt-RH ††	Painted	1 22,24,25,27
10	32	C 205833	Moulding-auxiliary belt-LH ††	Painted	1 22,24,25,27
		BO 205300	Retainer-auxiliary belt moulding		14 22,24,25,27
		BO 205301	Retainer-auxiliary belt moulding	Front	2 22,24,25,27
		BO 170694	Screw-auxiliary belt moulding retainer	#6 x 1/4" SM	16 22,24,25,27
		C 140980	Moulding-bonnet side-to car 15255	Long	4 40
13	30	C 140980	Moulding-bonnet side-after car 15255	Upper-Long	2 40
14	30	C 142392	Moulding-bonnet side-after car 15255	Lower-Long	2 40
15	30	BO 140981	Moulding-bonnet side-front	Short	2 40
16	30	C 140984	Moulding-bonnet side-1st type	See note	2 41,43,44,47
16	30	C 142393	Moulding-bonnet side-2nd type	See note	2 41,43,44,47,48
17	30	BO 142390	Extension-used with 2nd type side moulding-lower		2 40 after car 15255
17	30	BO 142391	Extension-used with 2nd type side moulding	See note	2 41,43,44,45,47,48
			NOTE: 2nd type 1940 side mould legs and extensions effective with car Nos. 4112075 exc 4112201 to 411364: 4313593; 4412079 exc 4412201 to 4413603;		
18	31	C 148312	Moulding-bonnet side-RH-to car 63678	Stainless Steel	1 10 exc Del
18	31	C 148313	Moulding-bonnet side-LH-to car 63678	Stainless Steel	1 10 exc Del
18	31	C 201118	Moulding-bonnet side-RH-car 63678 to 65549	Chrome	1 10 exc Del
18	31	C 201119	Moulding-bonnet side-LH-car 63678 to 65549	Chrome	1 10 exc Del
18	31	C 148312	Moulding-bonnet side-RH-after car 65549	Stainless Steel	1 10 exc Del
18	31	C 148313	Moulding-bonnet side-LH-after car 65549	Stainless Steel	1 10 exc Del
19	31	C 148324	Moulding-bonnet side-upper-RH	Stainless Steel	1 11,12,14,15,17,18
19	31	C 148325	Moulding-bonnet side-upper-LH	Stainless Steel	1 11,12,14,15,17,18
20	31	C 148326	Moulding-bonnet side-lower-RH	Stainless Steel	1 11,12,14,15,17,18
20	31	C 148327	Moulding-bonnet side-lower-LH	Stainless Steel	1 11,12,14,15,17,18
21	32	C 205326	Moulding-bonnet side-RH †	Stainless Steel	2 21,22,24,25,27,28
21	32	C 205327	Moulding-bonnet side-LH †	Stainless Steel	2 21,22,24,25,27,28
21	32	C 205830	Moulding-bonnet side-RH ††	Stainless Steel	2 21,22,24,25,27,28
21	32	C 205831	Moulding-bonnet side-LH ††	Painted	2 21,22,24,25,27,28
		BO 140993	Clip-bonnet side moulding	Painted	34 40
		BO 141717	Clip-bonnet side moulding	AR	41,43,44,45,47,48
		BO 147724	Clip-bonnet side moulding		16 10 exc Del
		BO 148328	Clip-bonnet side moulding	AR	11,12,14,15,17,18
		BO 147724	Clip-bonnet side moulding		12 21,22,24,25,27,28
		BO 170359	Bolt-bonnet side moulding	10-32 x 1/2"	6 40
		BO 170401	Bolt-bonnet side moulding	6-32 x 5/16"	AR 41,43,44,45,47,48
		BO 170574	Bolt-bonnet side moulding	8-32 x 1/4"	4 11,12,14,15,17,18
		BO 71073	Nut-bonnet side moulding	10-32 x 1/8"	6 40
		BO 71152	Nut-bonnet side moulding	6-32 x 7/64"	AR 41,43,44,45,47,48
		BO 12790	Nut-bonnet side moulding	8-32 x 1/8"	4 11,12,14,15,17,18
		BO 71073	Nut-bonnet side moulding extension	10-32 x 1/8"	4 1940 All
		BO 7762	Washer-bonnet side moulding extension		4 1940 All
22	32	BO 205314	Ornament assembly-bonnet belt moulding-RH †	SS	1 20
22	32	BO 205315	Ornament assembly-bonnet belt moulding-LH †	SS	1 20
22	32	BO 205852	Ornament assembly-bonnet belt moulding-RH ††		1 20
22	32	BO 205853	Ornament assembly-bonnet belt moulding-LH ††		1 20
		BO 71073	Nut-bonnet belt moulding ornament	10-32 x 1/8"	4 20
		BO 70155	Washer-bonnet belt moulding ornament		4 20
23	30	C 141674	Ornament-bonnet side-RH		1 41,43,44,45,47,48

Group & Illus. No.	Plate No.	Part No.	NAME	Per Car	Models
RI-			BONNET ASSEMBLY, ORNAMENTS AND MOULDINGS (CONT'D.)		
23	30	C 141675	Ornament-bonnet side LH	1	41,43,44,45,47,48
		BO 170367	Screw-bonnet side ornament	8	41,43,44,45,47,48
		BO 170427	Speed nut-bonnet side ornament	30	41,43,44,45,47,48
			10-32 x 1/2" 3/16"		
24	31	BO 148330	Ornament-bonnet side moulding-RH	1	11,12,14,15,17,18
24	31	BO 148331	Ornament-bonnet side moulding-LH	1	11,12,14,15,17,18
		BO 71073	Nut-bonnet side moulding ornament	4	11,12,14,15,17,18
		BO 7762	Washer-bonnet side moulding ornament	4	11,12,14,15,17,18
25	30	BO 142235	Name plate-bonnet side (HUDSON EIGHT)	2	44,45
25	30	BO 142074	Name plate-bonnet side (COUNTRY CLUB)	2	43,47
26	31	BO 148304	Name plate-bonnet side-RH-1st type	1	10 exc Del
26	31	BO 148305	Name plate-bonnet side-LH-1st type	1	10 exc Del
26	31	BO 200468	Name plate-bonnet side-RH-2nd type	1	10 exc Del
26	31	BO 200469	Name plate-bonnet side-LH 2nd type	1	10 exc Del
27	31	BO 148400	Name plate-bonnet side-RH-does not include letters	1	11,12,14,15,17,18
27	31	BO 148401	Name plate-bonnet side-LH-does not include letters	1	11,12,14,15,17,18
		BO 148406	Letter H-bonnet side name plate	2	11,12,14,15,17,18
		BO 148407	Letter U-bonnet side name plate	2	11,12,14,15,17,18
		BO 148408	Letter D-bonnet side name plate	2	11,12,14,15,17,18
		BO 148409	Letter S-bonnet side name plate	2	11,12,14,15,17,18
		BO 148410	Letter O-bonnet side name plate	2	11,12,14,15,17,18
		BO 148411	Letter N-bonnet side name plate	2	11,12,14,15,17,18
28	31	BO 148404	Ornament-bonnet side name plate-RH	1	11,12,14,15,17,18
28	31	BO 148405	Ornament-bonnet side name plate-LH	1	11,12,14,15,17,18
29	32	BO 205328	Name plate assembly-bonnet side (HUDSON) †	2	21,22,24,25,27,28
29	32	BO 205937	Name plate assembly-bonnet side (HUDSON) ††	2	21,22,24,25,27,28
30	32	BO 142234	Name plate-bonnet rear (EIGHT) †	2	27,14,15,17,22,24,25,27
30	32	BO 205936	Name plate-bonnet rear (EIGHT) ††	2	22,24,25,27
30	31	BO 147233	Name plate-bonnet rear (SUPER SIX) †	2	11,21
		BO 205934	Name plate-bonnet rear (SUPER SIX) ††	2	21
30	31	BO 147235	Name plate-bonnet rear (COMMODORE) †	2	12,14,15,17,22,24,25,27
30	32	BO 205935	Name plate-bonnet rear (COMMODORE) ††	2	22,24,25,27
		BO 170423	Speed nut-bonnet side name plate	6	43,44,45,47
		BO 170423	Speed nut-bonnet side name plate ornament and letters	AR	11,12,14,15,17,18
		BO 170423	Speed nut-bonnet side name plate-rear	AR	1941-1942 All exc 10-20
		BO 170358	Speed nut-bonnet side name plate	4	10 exc Del
		BO 170263	Speed nut-bonnet side name plate	8	21,22,24,25,27,28
		BO 71073	Nut-bonnet side name plate	6	11,12,14,15,17,18
			1/8"		
			1/8"		
			1/4"		
			5/32"		
			10-32 x 1/8"		
31	32	BO 205316	Ornament assembly-bonnet side lamp-RH †	1	21,22,24,25,27,28
31	32	BO 205317	Ornament assembly-bonnet side lamp-LH †	1	21,22,24,25,27,28
31	32	BO 205854	Ornament assembly-bonnet side lamp-RH ††	1	21,22,24,25,27,28
31	32	BO 205855	Ornament assembly-bonnet side lamp-LH ††	1	21,22,24,25,27,28
		BO 71073	Nut-bonnet side lamp ornament	6	21,22,24,25,27,28
		BO 70155	Washer-bonnet side lamp ornament	6	21,22,24,25,27,28
		BO 142120	Housing-bonnet side lamp	2	40
		BO 142113	Housing-bonnet side lamp	2	41,43,44,45,47,48
		BO 148306	Housing-bonnet side lamp	2	10 exc Del
		BO 148318	Housing-bonnet side lamp-RH	1	11,12,14,15,17,18
		BO 148319	Housing-bonnet side lamp-LH	1	11,12,14,15,17,18
		BO 205306	Housing-bonnet side lamp	2	20
		BO 205318	Housing-bonnet side lamp	2	21,22,24,25,27,28
		BO 200176	Screw-upper-bonnet side lamp housing	4	10 exc Del
		BO 70901	Screw-lower-bonnet side lamp housing	4	10 exc Del
		BO 71073	Nut-bonnet side lamp housing screw	8	10 exc Del
		BO 70155	Washer-bonnet side lamp housing screw	8	10 exc Del
			10-32 x 9/16"		
			10-32 x 1/8"		
35	30	BO 142118	Lens-bonnet side lamp-RH	1	40
35	30	BO 142119	Lens-bonnet side lamp-LH	1	40
35	30	BO 142114	Lens-bonnet side lamp-RH	1	41,43,44,45,47,48
35	30	BO 142115	Lens-bonnet side lamp-LH	1	41,43,44,45,47,48
35	31	BO 148308	Lens-bonnet side lamp-RH	1	10 exc Del
35	31	BO 148309	Lens-bonnet side lamp-LH	1	10 exc Del
35	31	BO 148320	Lens-bonnet side lamp-RH	1	11,12,14,15,17,18
35	31	BO 148321	Lens-bonnet side lamp-LH	1	11,12,14,15,17,18
35	32	BO 205308	Lens-bonnet side lamp-RH	1	20
35	32	BO 205309	Lens-bonnet side lamp-LH	1	20
35	32	BO 205320	Lens-bonnet side lamp	2	21,22,24,25,27
		BO 142117	Gasket-bonnet side lamp lens	2	40
		BO 142116	Gasket-bonnet side lamp lens	2	41,43,44,45,47
		BO 148307	Gasket-bonnet side lamp lens	2	10 exc Del
		BO 148317	Gasket-bonnet side lamp lens	2	11,12,14,15,17,18
		BO 205331	Gasket-bonnet side lamp lens	2	20
		BO 205332	Gasket-bonnet side lamp lens	2	21,22,24,25,27,28
		BO 160438	Socket and wires assembly-bonnet side lamp-RH	1	1940 all without DI

Group & Illus. No.	Plate No.	Part No.	NAME	Per Car	Models	
		BO 160439	Socket and wires assembly-bonnet side lamp-LH	1	1940 All without DI	
		BO 160392	Socket and wires assembly-bonnet side lamp-RH	1	1940 All with DI	
		BO 160394	Socket and wires assembly-bonnet side lamp-LH	1	1940 All with DI	
		BO 163183	Socket and wires assembly-bonnet side lamp-RH	1	1941 exc 10C Del	
		BO 163181	Socket and wires assembly-bonnet side lamp-LH	1	1941 exc 10C Del	
		BO 164758	Socket and wires assembly-bonnet side lamp	1	1942 All	
		BO 160482	Socket assembly-bonnet side lamp	Without DI	2	40,41,44,45
		BO 160483	Socket assembly-bonnet side lamp	With DI	2	1940 All
		BO 153675	Socket-bonnet side lamp		2	1941-1942 All exc 10C Del
		BO 153676	Terminal washer-bonnet side lamp socket	Without DI	2	40,41,44,45
		BO 160490	Terminal washer-bonnet side lamp socket	With DI	2	1940 All
		BO 153676	Terminal washer-bonnet side lamp socket		2	1941-1942 All exc 10C Del
		BO 153678	Terminal spring-bonnet side lamp socket	Without DI	2	40,41,44,45,1941 exc Del
		BO 158085	Terminal spring-bonnet side lamp socket	With DI	2	1940 All
		BO 164910	Terminal spring-bonnet side lamp socket		2	1942 All
		BO 160492	Insulating washer-bonnet side lamp socket	With DI	2	1940 All
		BO 170406	Terminal-bonnet side lamp wire		2	1940-1941 All
		BO 153623	Connector-bonnet side lamp wire	Double	2	1940 All
		BO 71550	Bulb-bonnet side lamp-without DI	2CP,SC,#55	2	40,41,44,45
		BO 170363	Bulb-bonnet side lamp-with DI	3-21CP,DC,#1154	2	1940 All
		BO 71550	Bulb-bonnet side lamp	2CP,SC,#55	2	1941-1942 exc 10C Del



Bonnet Lock

PLATE 33

Group & Illus. No.	Plate No.	Part No.	NAME	Per Car	Models	
R3-			BONNET LOCK AND HINGE			
1	33	C 134491	Cross shaft assembly-bonnet lock-1st type	LHD	1	1940 All
1	33	C 140238	Cross shaft assembly-bonnet lock-2nd type	LHD	1	1940 All
1	33	C 134490	Cross shaft assembly-bonnet lock-1st type	RHD	1	1940 All
1	33	C 140239	Cross shaft assembly-bonnet lock-2nd type	RHD	1	1940 All
			NOTE: 2nd type 1940 cross shaft clamps have holes for 140217 return spring.			
1	33	C 140238	Cross shaft assembly-bonnet lock	LHD	1	1941 All exc Del
1	33	C 140239	Cross shaft assembly-bonnet lock	RHD	1	1941 All exc Del
1	33	C 203238	Cross shaft assembly-bonnet lock	LHD	1	1942 All
1	33	C 203239	Cross shaft assembly-bonnet lock	RHD	1	1942 All
2	33	BO 111696	Spring-bonnet lock cross shaft lever	2-9/16"long	1	1940 All (1st and 3rd types)
		BO 140217	Spring-bonnet lock cross shaft lever	12-5/16"long	1	1940 All (2nd type)
2	33	BO 111696	Spring-bonnet lock cross shaft lever		1	1941-1942 All exc 10C Del
		BO 71631	Bolt-bonnet lock cross shaft bracket	1/4"-20 x 1/2"	4	1940 All
		BZ 70874	Nut-bonnet lock cross shaft bracket bolt	RHD	2	1940 All

Group & Illus. No.	Plate No.	Part No.	NAME	Per Car	Models
R3-			BONNET LOCK AND HINGE (CONT'D.)		
4	33	BO 12264	Rivet-bonnet lock cross shaft bracket	1/4" x 3/8"	AR 1941-1942 All exc 10C Del
5	33	BO 136378	Handle assembly-bonnet lock		1 All exc 10C Del
6	33	BO 159779	Knob-bonnet lock handle	Taupe	1 1940 All,10T,10C,18,20C,28
6	33	BO 161702	Knob-bonnet lock handle	Black	1 43-47 5Sed
6	33	BO 147297	Knob-bonnet lock handle	Gray	1 1941 All exc Del
6	33	BO 203990	Knob-bonnet lock handle	Gray	1 1942 All exc 20C-28
7	33	BO 170502	Spacer-bonnet lock handle	29/64" x 1" x 3/32"	1 1940 All
7	33	BO 134487	Spacer-bonnet lock handle	15/32" x 1" x .090	1 1941-1942 All exc 10C Del
8	33	BO 134476	Bolt-bonnet lock handle	5/16"-18 x 1-1/8"	1 All exc 10C Del
		BO 70674	Nut-bonnet lock handle bolt	Shoulder	1 All exc 10C Del
10	33	BO 134479	Link-bonnet lock handle	5/16"-18 x 5/16"	1 All exc 10C Del
11	33	BO 134480	Rivet-bonnet lock handle link	Spring steel	1 All exc 10C Del
12	33	BO 96089	Spring-bonnet lock handle link	1/4" x 7/8" Special	1 All exc 10C Del
13	33	BO 134489	Weatherseal-bonnet lock handle link		1 All exc 10C Del
14	33	BO 71659	Washer-bonnet lock handle link weatherseal	Sponge Rubber	1 1940 All
14	33	BO 70332	Washer-bonnet lock handle link weatherseal		1 1941-1942 All exc 10C Del
15	33	BO 134486	Bracket and tie bar assembly-bonnet lock handle		1 All exc 10C Del
		BO 134477	Bracket-bonnet lock handle		1 All exc 10C Del
		BO 134478	Tie bar-bonnet lock handle		1 All exc 10C Del
16	33	BZ 70872	Bolt-bonnet lock handle bracket to dash tie bar		2 All exc 10C Del
		BZ 70874	Nut-bonnet lock handle bracket to dash tie bar		2 All exc 10C Del
17	33	BZ 70872	Bolt-bonnet lock bracket	1/4"-20 x 3/4"	2 All exc 10C Del
18	33	BZ 70874	Nut-bonnet lock bracket bolt	1/4"-20 x 1/4"	2 All exc 10C Del
		BO 140224	Lock bracket-bonnet rear reinforcement-1st type		2 1940 All
		BO 140233	Lock bracket-bonnet rear reinforcement-2nd type		2 1940 All
		BO 140233	Lock bracket-bonnet rear reinforcement		2 1941-1942 All exc Del
		BO 70028	Rivet-bonnet rear reinforcement lock bracket		8 1940 All
			NOTE: Rivet 70028 discontinued and brackets welded to reinforcement August 29, 1939		
		C 140225	.Reinforcement and brackets assembly-bonnet center		1 All exc 10C Del
		140364	Hinge arm and cross shaft assembly		1 1940 All
		C 146315	Hinge arm and cross shaft assembly		1 1941 All exc Del
		C 203372	Hinge arm and cross shaft assembly	Use 146315	1 1942 All
		BO 140349	Wiring clip-bonnet hinge cross shaft		1 1940-1941 All exc 10C Del
		BO 85747	Wiring clip-bonnet hinge cross shaft		1 1942 All
		BZ 1062	Bolt-bonnet hinge arm bracket to panel bracket		8 1940-1941 All exc 10C Del
		BX 12415	Nut-bonnet hinge arm bracket to panel, bracket bolt		8 1940-1941 All exc 10C Del
		BO 140369	Adjusting bracket-bonnet hinge cross shaft		2 1940-1941 All exc 10C Del
		BO 71683	Screw-cross shaft adjusting bracket to frame bracket		4 1940-1941 All exc 10C Del
		BO 140370	Frame bracket-RH-bonnet hinge cross shaft		1 1940-1941 exc 10C Del
		BO 140371	Frame bracket-LH-bonnet hinge cross shaft		1 1940-1941 exc 10C Del
		BO 203368	Frame bracket-bonnet hinge cross shaft		2 1942 All
		BO 71683	Bolt-cross shaft frame bracket to frame		4 1940-1941 All exc 10C Del
		BO 12481	Nut-cross shaft frame bracket to frame bolt		4 1940-1941 All exc 10C Del
		BZ 170348	Adjusting washer-bonnet hinge cross shaft		AR 1940-1941 All exc 10C Del
		HZ 170349	Adjusting washer-bonnet hinge cross shaft		AR 1940-1941 All exc 10C Del
		BO 71683	Bolt-bonnet hinge arm attaching plate	1/16"	6 1942 All
		BO 12481	Nut-bonnet hinge arm attaching plate bolt	1/8"	6 1942 All
		BX 71099	Bolt-hinge support bracket to fender corner bracket	5/16"-24 x 7/8"	4 1942 All
		BZ 4963	Washer-hinge support bracket to fender corner bracket		4 1942 All
		BO 203366	Bracket-hinge to bonnet panel-RH		1 1942 All
		BO 203367	Bracket-hinge to bonnet panel-LH		1 1942 All
		BO 170649	Bolt-bonnet hinge		2 1942 All
		BZ 12334	Check nut-bonnet hinge bolt		2 1942 All
		BO 203373	Spring-bonnet hinge	7/16"-20 x 2-1/4"	2 1942 All
		BO 203377	Bushing-bonnet hinge	7/16"-20 x 1/4"	4 1942 All
		BO 203378	Liner-bonnet hinge bushing		2 1942 All
		BO 170502	Washer-bonnet hinge bushing		4 1942 All
		BO 203379	Retainer-bonnet hinge bushing		2 1942 All
		BO 141750	Bonnet support assembly-RH		1 All exc 10C Del
		BO 141751	Bonnet support assembly-LH		1 All exc 10C Del
		BO 141752	Support arm-upper		2 All exc 10C Del
		BO 141753	Support arm-lower		2 All exc 10C Del
		BO 140218	Rivet-support arm pivot		2 All exc 10C Del
		BO 140230	Rivet-support arm spring		2 All exc 10C Del
		BO 141432	Spring-support arm		2 40,10 exc Del
		BO 141433	Spring-support arm		2 1940-1941 exc 40-10,20
		BO 204180	Spring-support arm		2 21,22,24,25,27,28
		BO 141755	Bracket-lower-bonnet support arm		2 All exc 10C Del
		BO 140231	Rivet-bonnet support arm lower pivot		2 All exc 10C Del
		BO 140232	Pivot bolt-bonnet support arm-upper		2 All exc 10C Del

FENDERS

1940 -- 1941 -- 1942

R

Group & Illus. No.	Plate No.	Part No.	NAME	Per Car	Models	
R3-			BONNET LOCK AND HINGE (CONT'D.)			
		BO 71443	Nut-upper support arm pivot bolt	2	All exc 10C Del	
		BO 141754	Bracket-upper-bonnet support	2	All exc 10C Del	
		BO 70293	Rivet-upper support bracket to reinforcement	4	All exc 10C Del	
		BO 9159	Bolt-lower support bracket	1/4"-20 x 5/8"	3	All exc 10C Del
		BZ 70872	Bolt-lower support bracket	1/4"-20 x 3/4"	1	All exc 10C Del
	BZ 70874	Nut-lower support bracket bolt	1/4"-20 x 1/4"	4	All exc 10C Del	
	BO 12857	Washer-lower support bracket bolt		4	All exc 10C Del	
R4-			BONNET BUMPERS AND SHIMS			
		BO 142289	Bumper-bonnet to cowl panel	2	All exc 10C Del	
		BO 170048	Screw-bonnet to cowl panel bumper	#8 x 3/8" SM	4	All exc 10C Del
		BZ 130535	Shim-bonnet to cowl		1	All exc 10C Del
		BO 70733	Screw-bonnet to cowl shim	#8 x 7/16"	AR	All exc 10C Del
	BO 147849	Silencer-bonnet rear reinforcement		2	1941-1942 All exc 10C Del	
R5-			FRONT FENDER			
		A 140880	Fender assembly-front-RH	1	40,41,44,48	
		A 140881	Fender assembly-front-LH	1	40,41,44,48	
		A 140882	Fender assembly-front-RH	1	43,45,47	
		A 140883	Fender assembly-front-LH	1	43,45,47	
		A 146880	Fender assembly-front-RH-without lamp holes	Std.	1	10 exc Del, 11,18
		A 146881	Fender assembly-front-LH-without lamp holes	Std.	1	10 exc Del, 11,18
		A 146882	Fender assembly-front-RH-with lamp holes	Opt.	1	10 exc Del, 11, 18
		A 146883	Fender assembly-front-LH-with lamp holes	Opt.	1	10 exc Del, 11,18
		A 201158	Fender-front-RH	NA	1	10C Del
		A 201159	Fender-front-LH	NA	1	10C Del
		A 146882	Fender assembly-front-RH		1	12,14,15,17
		A 146883	Fender assembly-front-LH		1	12,14,15,17
		A 203880	Fender assembly-front-RH-without lamp holes	Std.	1	20T,20P,21 exc Station
		A 203881	Fender assembly-front-LH-without lamp holes	Std.	1	20T,20P,21 exc Station
		A 203882	Fender assembly-front-RH-with lamp holes	Opt.	1	20T,20P,21 exc Station
		A 203883	Fender assembly-front-LH-with lamp holes	Opt.	1	20T,20P,21 exc Station
		203884	Fender assembly-front-RH Use 203882	Use 203882	1	22,24,25,27
		203885	Fender assembly-front-LH Use 203883	Use 203883	1	22,24,25,27
		A 203890	Fender assembly-front-RH		1	20C-28 Cab-CabPu
		A 203891	Fender assembly-front-LH		1	20C-28 Cab-CabPu
		A 203894	Fender assembly-front-RH-without lamp holes	Std.	1	21 Station
		A 203895	Fender assembly-front-LH-without lamp holes	Std.	1	21 Station
		A 203896	Fender assembly-front-RH-with lamp holes	Opt.	1	21 Station
		A 203897	Fender assembly-front-LH-with lamp holes	Opt.	1	21 Station
		BZ 140436	Brace rod-front fender to frame crossmember		2	1940 All
		C 146596	Brace rod-front fender to frame crossmember-RH		1	1941-1942 All exc 10C Del
		C 146597	Brace rod-front fender to frame crossmember-LH		1	1941-1942 All exc 10C Del
		BO 71683	Bolt-fender to crossmember brace rod		2	1940 All
		BZ 71264	Bolt-fender to crossmember brace rod		2	1941-1942 All exc 10C Del
		DO 12481	Nut-fender to crossmember brace rod bolt		2	All exc 10C Del
		BX 12415	Lock nut-fender to crossmember brace rod bolt		4	All exc 10C Del
		BZ 94743	Clamp-fender to crossmember brace rod		1	1941-1942 All exc 10C Del
		BZ 94744	Plate-fender to crossmember brace rod clamp		1	1941-1942 All exc 10C Del
		DO 12481	Nut-fender to crossmember brace rod clamp		1	1941-1942 All exc 10C Del
		BZ 140434	Reinforcement-fender dust shield brace rod-RH		1	1940 All
		BZ 140435	Reinforcement-fender dust shield brace rod-LH		1	1940 All
		BZ 146594	Reinforcement-fender dust shield brace rod-RH,		1	1941-1942 exc 10C Del
		BZ 146595	Reinforcement-fender dust shield brace rod-LH		1	1941-1942 exc 10C Del
		BO 71683	Bolt-fender to frame bracket to lower panel		4	1940 All
		BO 71683	Bolt-fender to corner bracket to frame		4	1941-1942 All exc 10C Del
		BO 71683	Bolt-fender to frame bracket to frame		4	1940 All
	BO 12481	Nut-fender to frame bracket and corner bracket		AR	All exc 10C Del	
	BO 71683	Bolt-front fender to running board	5/16"-24 x 7/8"	AR	1940-1941 All,20C,21 Station,28	
	BO 12481	Nut-front fender to running board bolt		AR	1940-1941 All,20C,21 Station,28	
	BO 345	Washer-front fender to running board bolt		AR	1940-1941 All,20C,21 Station,28	
	BC 71389	Spacer-front fender to frame		AR	All exc 10C Del	
	BO 71683	Bolt-fender dust shield to louver panel		2	All exc 10C Del	
	BO 71389	Washer-fender dust shield to louver panel bolt		2	All exc 10C Del	
	BO 170210	Bolt-fender to cowl panel	5/16"-24 x 1-1/8"	12	All exc 10C Del	
	BO 170284	Washer-fender to cowl panel bolt		24	All exc 10C Del	
	BO 12481	Nut-fender to cowl panel bolt		12	All exc 10C Del	

Group & Illus. No.	Plate No.	Part No.	NAME	Per Car	Models		
R5-			FRONT FENDER (CONT'D.)				
		BO 141608	Shim-fender to cowl panel	AR	All exc 10C Del		
		BZ 140291	Apron support assembly-front fender	2	All exc 10C Del		
		BO 70796	Bolt-fender apron support to apron	4	All exc 1010C Del		
		BZ 70795	Nut-fender apron support to apron bolt	4	All exc 10C Del		
		BO 12857	Washer-fender apron support to apron bolt	4	All exc 10C Del		
		BO 170277	Bolt-fender apron support to dust shield	2	All exc 10C Del		
		BO 345	Washer-fender apron support to dust shield bolt	2	All exc 10C Del		
		BO 71683	Bolt-fender to floor extension	2	1942 exc Cab-CabPu-Station		
		BO 12481	Nut-fender to floor extension bolt	2	1942 exc Cab-CabPu-Station		
		BO 170041	Bolt-fender dust shield to frame	8	1940-1941 All exc 10C Del		
		BO 170536	Bolt-fender dust shield to frame	8	1942 All		
		BO 140468	Shim-fender dust shield to frame	2	All exc 1010C Del		
		BO 140349	Clip-fender dust shield	9	All exc 10C Del		
		BO 85747	Clip-fender dust shield	3	All exc 10C Del		
		BZ 140469	Bonnet guide-front-on dust shield	2	All exc 10C Del		
		BZ 140470	Bonnet guide-center and rear-on dust shield	2	1940 All		
		BZ 147065	Bonnet guide-rear-on dust shield	2	1941-1942 All exc 10C Del		
		BO 170442	Screw-for bumper guide-front	2	1940-1941 All exc 10C Del		
		BO 170707	Screw-for bumper guide-front	2	1942 All		
		BO 170347	Screw-for bumper guide-center and rear	8	All exc 10C Del		
		BO 140471	Speed nut-for bumper guide screw-front	2	All exc 1010C Del		
		BO 170189	Grommet-fender side dust shield	3	All exc 10C Del		
		A 140356	Cover assembly-fender side dust shield hole-RH	1	All exc 10C Del		
		BO 170071	Bolt-dust shield hole cover to shield-front	1	1940-1941 All exc 10C Del		
		BO 9159	Bolt-dust shield hole cover to shield	5	1940-1941 All exc 10C Del		
		BO 170231	Bolt-dust shield hole cover to shield	6	1942 All		
		BZ 12587	Washer-dust shield hole cover to shield bolt	6	All exc 10C Del		
		BZ 140756	Bracket-suspension hole cover to frame-RH-front	1	All exc 10C Del		
		BZ 140757	Bracket-suspension hole cover to frame-LH-front	1	All exc 10C Del		
		BZ 140758	Brace-suspension hole cover to frame bracket-front	2	All exc 10C Del		
		BZ 71295	Bolt-suspension hole cover to frame bracket brace	4	All exc 10C Del		
		BO 71440	Bolt-suspension hole cover to frame bracket brace	2	All exc 10C Del		
		BO 70674	Nut-suspension hole cover to frame bracket brace	2	All exc 10C Del		
		BZ 140759	Bracket-suspension hole cover to frame	1	All exc 10C Del		
		BO 70293	Rivet-suspension hole cover to frame bracket	2	All exc 10C Del		
		BZ 170210	Bolt-suspension hole cover to frame bracket	1	All exc 10C Del		
		BZ 4963	Spacer-suspension hole cover to frame bracket	1	All exc 10C Del		
		BZ 140760	Nut retainer-suspension hole cover to frame bracket	1	40,48,10 ex 10C Del,18		
		BO 100941	Nut retainer-suspension hole cover to frame bracket	1	All exc 40-48-10-18-20		
		BZ 140438	Battery hold down bracket-rear-used with large battery	1	All exc 10C Del		
		BO 70293	Rivet-battery hold down bracket	3	All exc 10C Del		
		BO 130593	Stone guard kit-front fender	Service	1	40,41,44,45,48,1941 all ex 10C Del	
		BZ 116142	Stone guard-front fender	Standard	2	43,47	
		BZ 120644	Upper support-front fender stone guard	Standard	2	43,47	
		BZ 3506	Bolt-front fender stone guard upper support	Standard	4	43,47	
		BZ 71316	Washer-front fender stone guard upper support	Standard	4	43,47	
		BZ 70874	Nut-front fender stone guard upper support	Standard	4	43,47	
		BZ 120640	Lower support-RH-front fender stone guard	Standard	1	43,47	
		BZ 120641	Lower support-LH-front fender stone guard	Standard	1	43,47	
		BZ 203190	Stone deflector kit-front fender	Service	1	1942 All	
		BZ 203194	Stone deflector assembly-RH	Service	1	1942 All	
		BZ 203195	Stone deflector assembly-LH	Service	1	1942 All	
		BZ 170210	Bolt-front fender stone deflector	Service	4	1942 All	
		BO 12481	Nut-front fender stone deflector bolt	Service	4	1942 All	
		BM 71011	Plain washer-stone deflector bolt	Service	6	1942 All	
		BZ 70675	Lock washer-stone deflector bolt	Service	4	1942 All	
		BZ 204855	Welt-lower-front fender		2	1942 all exc Cab-CabPu-Station	
		BO 170059	Drive screw-front fender lower welt	#4 x 1/2"	8	1942 all exc Cab-CabPu-Station	
		C 141666	Splash apron assembly-front fender	Used without RB	2	1940-1941 all exc 10C Del	
			NOTE: Parts marked † discontinued in production Jan. 15, 1942. Parts marked †† used after Jan. 15, 1942, starting car No. 37067. See Introduction.				
			BO 140987	Trim moulding-front fender	Used without RB	2	1940 All
			BO 147056	Trim moulding-front fender-RH	Used without RB	1	1941 all exc Cab-CabPu Stati
			BO 147057	Trim moulding-front fender-LH	Used without RB	1	1941 all exc Cab-CabPu Station
	8	30	C 140985	Trim moulding-upper-front fender		2	43,45,47
	9	30	BO 140986	Trim moulding-lower-front fender		2	43,45,47
			A 200314	Trim moulding kit-front fender	Service	1	1941 all exc Cab-CabPu-Del
			BO 200310	Trim moulding-front fender	Service	8	1941 all exc Cab-CabPu-Del
	10	32	C 204300	Trim moulding-upper-RH-front fender †	SS	1	1942 all exc Cab-CabPu-Station

FENDERS

1940 -- 1941 -- 1942

R

Group & Illus. No.	Plate No.	Part No.	NAME	Per Car	Models
R5-			FRONT FENDER (CONT'D.)		
10	32	C 204301	Trim moulding-upper-LH-front fender †	SS	1 1942 all exe Cab-CabPu-Station
10	32	C 205870	Trim moulding-upper-RH-front fender ††	Painted	1 1942 all exe Cab-CabPu-Station
10	32	C 205871	Trim moulding-upper-LH-front fender ††	Painted	1 1942 all exe Cab-CabPu-Station
10	32	BO 204302	Trim moulding-center-RH-front fender †	SS	1 1942 all exe Cab-CabPu-Station
10	32	BO 204303	Trim moulding-center-LH-front fender ††	SS	1 1942 all exe Cab-CabPu-Station
10	32	BO 205872	Trim moulding-center-RH-front fender ††	Painted	1 1942 all exe Cab-CabPu-Station
10	32	BO 205873	Trim moulding-center-LH-front fender ††	Painted	1 1942 all exe Cab-CabPu-Station
10	32	BO 204304	Trim moulding-lower-RH-front fender †	SS	1 1942 all exe Cab-CabPu-Station
10	32	BO 204305	Trim moulding-lower-LH-front fender †	SS	1 1942 all exe Cab-CabPu-Station
10	32	BO 205878	Trim moulding-lower-RH-front fender ††	Painted	1 1942 all exe Cab-CabPu-Station
10	32	BO 205879	Trim moulding-lower-LH-front fender ††	Painted	1 1942 all exe Cab-CabPu-Station
10		C 200310	Trim moulding-front fender t	SS	6 21 Station
		C 205896	Trim moulding-front fender tt	Painted	6 21 Station
		BO 121519	Clip-front fender trim moulding		18 43,45,47
		BO 147266	Clip-front fender trim moulding		24 1942 all exe Cab-CabPu-Station
		BO 140992	Bolt-front fender trim moulding	Used without RB	6 1940 All
		BO 133694	Bolt-front fender trim moulding	Service	24 1941 all exe Cab-CabPu-Station
		BO 203314	Bolt-front fender trim moulding		12 1942 all exe Cab-CabPu-Station
		BO 133694	Bolt-front fender trim moulding		18 21 Station
		BO 71443	Nut-front fender trim moulding		AR 1940-1941 All
		BO 71073	Nut-front fender trim moulding	Service	AR 1941-1942 all exe Cab-CabPu-Station
		BO 12857	Washer-front fender trim moulding	Used without RB	6 1940 All
		BO 262	Washer-front fender trim moulding	Used without RB	4 1941 all exe Cab-CabPu-Del
12	32	BO 204312	Ornament-front fender-RH †	SS	1 22,24,25,27
12	32	BO 204313	Ornament-front fender-LH †	SS	1 22,24,25,27
12	32	BO 205868	Ornament-front fender-RH ††	Painted	1 22,24,25,27
12	32	BO 205869	Ornament-front fender-LH ††	Painted	1 22,24,25,27
		BO 71073	Nut-front fender ornament	10-32 x 1/8"	4 22,24,25,27
		BO 71055	Washer-front fender ornament		4 22,24,25,27
		HA 123031	Fender guides-pair	Service	1 All
		BO 123032	Crest-fender guide	Service	2 All
R6-			REAR FENDERS		
			NOTE: 1940 rear fenders started 1st type were used on cars with quarter panel mounted tall lamps. 2nd type, for fender mounted tall lamps, effective with 1940 car No. 32410.		
		A 142280	Fender-rear-RH-1st type	Used with RB	1 40T 2Sed-Sed,40C UCo
		A 142281	Fender-rear-LH-1st type	Used with RB	1 40T 2Sed-Sed,40C UCo
		A 140030	Fender-rear-RH-2nd type	Used with RB	1 40T 2Sed-Sed,40C UCo
		A 140031	Fender-rear-LH-2nd type	Used with RB	1 40T 2Sed-Sed,40C UCo
		A 140030	Fender-rear-RH	Used with RB	1 40P-41-44-45 2Sed-Sed,47,48P
		A 140031	Fender-rear-LH	Used with RB	1 49P-41-44-45 2Sed-Sed,47,48P
		A 140040	Fender-rear-RH	Used with RB	1 40T 3Cpe-VicCpe
		A 140039	Fender-rear-LH	Used with RB	1 40T 3Cpe
		A 140041	Fender-rear-LH	Used with RB	1 40T VicCpe
		A 140040	Fender-rear-RH	Used with RB	1 40P-41-44 3Cpe-VicCpe-CvCpe-CvSed
		A 140041	Fender-rear-LH	Used with RB	1 40P-41-44 3Cpe-VicCpe-CvCpe-CvSed
		A 140044	Fender-rear-RH	LHD-Used with RB	1 40C UCpe
		A 140045	Fender-rear-LH	LHD-Used with RB	1 40C UCpe
		A 140046	Fender-rear-RH	RHD-Used with RB	1 40C UCpe
		A 140047	Fender-rear-LH	RHD-Used with RB	1 40C UCpe
		A 140136	Fender-rear-RH	Used with RB	1 40-48 CabPu
		A 140137	Fender-rear-LH	Used with RB	1 40-48 CabPu
		A 142998	Fender-rear-RH	Used with RB	1 40-48 Panel
		A 142999	Fender-rear-LH	Used with RB	1 40-48 Panel
		A 146030	Fender-rear-RH	Used with RB	1 1941 all pass cars
		A 146031	Fender-rear-LH	Used with RB	1 1941 all pass cars
		A 146500	Fender-rear-RH	Used with RB	1 1941-1942 CabPu
		A 146501	Fender-rear-LH	Used with RB	1 1941-1942 CabPu
		A 146490	Fender-rear-RH	Used with RB	1 1941 Station
		A 146491	Fender-rear-LH	Used with RB	1 1941 Station
		A 204080	Fender-rear-RH	Used with RB	1 1942 Station
		A 204081	Fender-rear-LH	Used with RB	1 1942 Station
		A 142282	Fender-rear-RH-1st type	Used without RB	1 40T 2Sed-Sed
		A 142283	Fender-rear-LH-1st type	Used without RB	1 40T 2Sed-Sed
		A 140032	Fender-rear-RH-2nd type	Used without RB	1 40T 2Sed-Sed
		A 140033	Fender-rear-LH-2nd type	Used without RB	1 40T 2Sed-Sed

Group & Illus. No.	Plate No.	Part No.	NAME	Per Car	Models	
R6-			REAR FENDERS (CONT'D.)			
		A 140032	Fender-rear-RH	Used without RB	1	40P-41-44-45 2Sed-Sed,47,48P 40C UCo
		A 140033	Fender-rear-LH	Used without RB	1	40P-41-44-45 2Sed-Sed,47,48P 40C UCo
		A 140042	Fender-rear-RH	Used without RB	1	40T 3Cpe-VicCpe
		A 140049	Fender-rear-LH	Used without RB	1	40T 3Cpe
		A 140043	Fender-rear-LH	Used without RB	1	40T VicCpe
		A 140042	Fender-rear-RH	Used without RB	1	40P-41-44 3Cpe-VicCpe-CvCpe- CvSed
		A 140043	Fender-rear-LH	Used without RB	1	40P-41-44 3Cpe-VicCpe-CvCpe- CvSed
		A 146032	Fender-rear-RH	Used without RB	1	1941 all exc Cab-CabPu- Station-Del
		A 146033	Fender-rear-LH	Used without RB	1	1941 all exc Cab-CabPu- Station-Del
		A 201160	Fender-rear-RH		1	10C Del
		A 201161	Fender-rear-LH		1	10C Del
		A 203030	Fender-rear-RH		1	1942 all exc Cab-CabPu- Station
		A 203031	Fender-rear-LH		1	1942 all exc Cab-CabPu- Station
		BZ 133193	Apron support assembly-rear fender		2	1940 2Sed-Sed-UCo-CA
		BZ 130019	Apron support assembly-rear fender		2	1940 Coupes and Convertible:
		C 140132	Apron support-rear fender		2	1940 CabPu
		BZ 140931	Apron support-rear fender		2	1940 Panel
		C 146950	Stone guard and apron support-rear-RH		1	1941-1942 all pass cars
		C 146951	Stone guard and apron support-rear-LH		1	1941-1942 all pass cars
		C 146509	Apron support-rear fender		2	1941-1942 Cab-CabPu-Station
		BO 70796	Bolt-apron support to apron	12-28 x 3/4"	AR	1940 all exc Cab,1941-1942 CabPu-Station
		BZ 12857	Washer-apron support to apron bolt		AR	1940 all exc Cab,1941-1942 CabPu-Station
		HZ 70795	Nut-apron support to apron bolt	12-28	AR	1940 all exc Cab,1941-1942 CabPu-Station
		BT 71081	Bolt-apron support attaching	3/8"-16 x 1	2	1940 all exc CabPu-Panel
		HZ 70983	Bolt-apron support attaching	5/16"-24 x 7/8"	2	1940 CabPu,1941-1942 CabPu- Station
		BZ 12849	Bolt-apron support attaching	1/4"-20 x 2-1/4"	2	1940 Panel
		BM 71011	Washer-apron support attaching bolt		2	1940 all exc CabPu
		BO 71389	Washer-apron support attaching bolt		2	1940 CabPu,1941-1942 CabPu-Station
		BZ 12857	Washer-apron support attaching bolt		2	1940 Panel
		BO 12841	Nut-apron support attaching bolt	5/16"-24 x 17/64"	2	1940 CabPu,1941-1942 CabPu-Station
		BZ 70874	Nut-apron support attaching bolt	1/4"-20 x 1/4"	2	1940 Panel
		BO 170604	Bolt-stone guard and apron support to body		4	1941-1942 all pass cars
		BO 18453	Bolt-stone guard and apron support to fender		2	1941-1942 all pass cars
		BO 170485	Nut-stone guard and apron support to body bolt		4	1941-1942 all pass cars
		BZ 70874	Nut-stone guard and apron support to fender bolt		2	1941-1942 all pass cars
		BO 1041	Washer-stone guard and apron support to body bolt		4	1941-1942 all pass cars
		BZ 70872	Bolt-rear fender to floor extension	1/4"-20 x 3/4"	AR	All exc Cab-CabPu-Station
		BZ 70874	Nut-rear fender to floor extension	1/4"-20 x 1/4"	AR	All exc Cab-CabPu-Station
		BO 170385	Bolt-rear fender to body	3/8"-16 x 7/8"	AR	1940 all exc CabPu-Panel
		BZ 70983	Bolt-rear fender to body	5/16"-24 x 7/8"	AR	CabPu
		BM 71044	Bolt-rear fender to body	3/8"-16 x 1-1/8"	AR	1940 Panel
		BO 170484	Bolt-rear fender to body	5/16"-10 x 7/8"	AR	1941-1942 all pass cars
		BO 170604	Bolt-rear fender to body	5/16"-10 x 5/8"	4	1941 all pass cars
		BO 12481	Nut-rear fender to body bolt	5/16"-24	AR	CabPu
		BO 170485	Nut-rear fender to body bolt	5/16"-10	AR	1941-1942 all pass cars
		BZ 70674	Nut-rear fender to body bolt	5/16"-18	24	1942 Station
		BO 170488	Washer-rear fender to body bolt		18	1941-1942 all pass cars
		BO 170614	Washer-rear fender to body bolt	Rear	2	1941-1942 all pass cars
		BO 71389	Washer-rear fender to body bolt		AR	1941-1942 CabPu-Station
		C 142582	Welt-rear fender		2	1940 2Sed-UCo-CA
		C 141179	Welt-rear fender		2	1940 Cpes-Convertibles- Panel
		C 147861	Welt-rear fender	Rubber	2	10-11-12-18 pass cars
		C 147859	Welt-rear fender	SS	2	11 Station,14,15,17
		C 204857	Welt-upper-rear fender	Rubber	2	20-21 exc Cab-CabPu- Station
		C 204858	Welt—upper—rear fender †	SS	2	22,24,25,27
		C 204857	Welt-upper-rear fender ††	Rubber	2	22,24,25,27
		C 147859	Welt-rear fender †	SS	2	21 Station
		C 147861	Welt-rear fender ††	Rubber	2	21 Station

FENDERS

1940 -- 1941 -- 1942

R

Group & Illus. No.	Plate No.	Part No.	NAME	Per Car	Models
R6-			REAR FENDERS (CONT'D.)		
		C 204856	Welt-lower-rear fender-used without stone protector	2	1942 all exc Cab-CabPu-Station
		BO 1590	Wood screw-rear fender welt	2	1941-1942 Station
		BZ 12349	Washer-rear fender welt screw	2	1941-1942 Station
		BZ 140958	Stone guard kit-rear fender	Service	1940 2Sed-Sed-UCo-CA
		13Z 140959	Stone guard kit-rear fender	Service	1940 Cpes and Convertibles
		BZ 134268	Stone guard-rear fender	Service	1940 2Sed-Sed-UCo-CA
		BZ 116142	Stone guard-rear fender	Service	1940 Cpes and Convertibles
		BZ 134264	Upper support-rear fender stone guard	Service	1940 2Sed-Sed-UCo-CA
		BZ 120644	Upper support-rear fender stone guard	Service	1940 Cpes and Convertibles
		BZ 140950	Lower support-rear fender stone guard-RH	Service	1940 2Sed-Sed-UCo-CA
		BZ 140951	Lower support-rear fender stone guard-LH	Service	1940 2Sed-Sed-UCo-CA
		BZ 140952	Lower support-rear fender stone guard-RH	Service	1940 Cpes and Convertibles
		BZ 140953	Lower support-rear fender stone guard-LH	Service	1940 Cpes and Convertibles
		BM 3506	Bolt-stone guard upper support	Service	1940 all exc Cab-CabPu-Panel
		BZ 70874	Nut-stone guard upper support bolt	Service	1940 all exc Cab-CabPu-Panel
		C 141430	Stone protector pad-rear fender-RH	Without RB	1940 all exc Cab-CabPu-Panel-UCpe
		C 141431	Stone protector pad-rear fender-LH	Without RB	1940 all exc Cab-CabPu-Panel-UCpe
		C 147430	Stone protector pad-rear fender-RH	Without RB	1941 all pass cars exc UCpe
		C 147431	Stone protector pad-rear fender-LH	Without RB	1941 all pass cars exc UCpe
		BZ 204550	Stone protector pad-rear fender-RH		1942 all exc Cab-CabPu-Station
		BZ 204551	Stone protector pad-rear fender-LH		1942 all exc Cab-CabPu-Station
		BZ 107487	Retaining wedge-rear fender stone protector	14	1940-1941 all pass cars exc UCpe
		BO 18459	Screw-stone protector to fender	4	1940 all exc Cab-CabPu-Panel-UCpe
		BZ 70792	Speed nut-stone protector to fender screw	4	1940 all exc Cab-CabPu-Panel-UCpe
		BO 71268	Washer-stone protector	AR	1940-1941 all pass cars exc UCpe
		HA 200314	Trim moulding kit-for front and rear fenders	1	1941 all exc Cab-CabPu-Del-Station
		BO 200311	Trim moulding-rear fender	Service	1941 all exc Cab-CabPu-Del-Station
5	49	C 204306	Trim moulding-upper-rear fender-RH †	SS	1942 all exc Cab-CabPu-Station
5	49	C 204307	Trim moulding-upper-rear fender-LH †	SS	1942 all exc Cab-CabPu-Station
5	49	C 201880	Trim moulding-upper-rear fender-RH ††		1942 all exc Cab-CabPu-Station
5	49	C 205881	Trim moulding-upper-rear fender-LH ††		1942 all exc Cab-CabPu-Station
6	49	C 204308	Trim moulding-center-rear fender-RH †	SS	1942 all exc Cab-CabPu-Station
6	49	C 204309	Trim moulding-center-rear fender-LH †	SS	1942 all exc Cab-CabPu-Station
6	49	C 204310	Trim moulding-lower-rear fender-RH †	SS	1942 all exc Cab-CabPu-Station
6	49	C 204311	Trim moulding-lower-rear fender-LH †	SS	1942 all exc Cab-CabPu-Station
6	49	C 205882	Trim moulding-center-rear fender-RH ††		1942 all Cab-CabPu-Station
6	49	C 205883	Trim moulding-center-rear fender-LH ††		1942 all exc Cab-CabPu-Station
6	49	C 205884	Trim moulding-lower-rear fender-RH ††		1942 all exc Cab-CabPu-Station
6	49	C 205885	Trim moulding-lower-rear fender-LH ††		1942 all exc Cab-CabPu-Station
		BO 200311	Trim moulding-rear fender †	SS	6 1942 Station
		BO 205897	Trim moulding-rear fender ††		6 1942 Station
		BO 133694	Bolt-rear fender trim moulding	AR	1941 pass cars, 1942 Station
		BO 203314	Bolt-rear fender trim moulding		12 1942 all exc Cab-CabPu-Station
		BO 71073	Nut-rear fender trim moulding bolt	10-32 x 1/8"	AR 1941-1942 all pass cars

Group & Illus. No.	Plate No.	Part No.	NAME	Per Car	Models
R8-			SPLASH GUARDS		
			NOTE: Parts marked † discontinued in production Jan. 15, 1942. Parts marked †† used after Jan. 15, 1942, start ing car No. 37067. See introduction.		
		A 140120	Splash guard-rear	1	1940 Cpes and Convertibles
		BO 70097	Bolt-rear splash guard to rear panel	7	1940 Cpes and Convertibles
		BZ 70872	Bolt-rear splash guard to fender	6	1940 Cpes and Convertibles
		BZ 70874	Nut-rear splash guard bolt	13	1940 Cpes and Convertibles
		A 204380	Splash apron-front bumper-RH	1	1942 All
		A 204381	Splash apron-front bumper-LH	1	1942 All
		BZ 204382	Center plate-front bumper splash apron †	1	1942 All
		BZ 205866	Center plate-front bumper splash apron ††	1	1942 All
		BZ 170538	Screw-front bumper splash apron center plate	1	1942 All
3	32	C 204384	Moulding-lower-front bumper splash apron-RH †	1	1942 All
3	32	C 204385	Moulding-lower-front bumper splash apron-LH †	1	1942 All
3	32	C 205860	Moulding-lower-front bumper splash apron-RH ††	1	1942 All
3	32	C 205861	Moulding-lower-front bumper splash apron-LH ††	1	1942 All
4	32	C 204386	Moulding-center-front bumper splash apron-RH †	1	1942 All
4	32	C 204387	Moulding-center-front bumper splash apron-LH †	1	1942 All
4	32	C 205862	Moulding-center-front bumper splash apron-RH ††	1	1942 All
4	32	C 205863	Moulding-center-front bumper splash apron-LH ††	1	1942 All
5	32	C 204388	Moulding-upper-front bumper splash apron-RH †	1	1942 All
5	32	C 204389	Moulding-upper-front bumper splash apron-LH †	1	1942 All
5	32	C 205864	Moulding-upper-front bumper splash apron-RH ††	1	1942 All
5	32	C 205865	Moulding-upper-front bumper splash apron-LH ††	1	1942 All
		BZ 204383	Bolt-front bumper splash apron moulding	30	1942 All
		BO 71073	Nut-front bumper splash apron moulding bolt	30	1942 All
		HZ 70872	Bolt-front bumper splash apron to fender	8	1942 All
		BZ 70874	Nut-front bumper splash apron to fender bolt	8	1942 All
		BZ 12857	Washer-front bumper splash apron to fender bolt	8	1942 All
		BZ 203998	Anti squeak-front bumper splash apron to frame bar	4	1942 All
		A 41183	Flywheel guard assembly	1	All six cyl
		A 42635	Flywheel guard assembly	1	All eight cyl
		BM 41121	Gasket flywheel guard	2	All
		BZ 42638	Webbing-flywheel guard	1	All eight cyl
		BZ 42639	Webbing-flywheel guard	2	All eight cyl
		BZ 70872	Bolt-flywheel guard to clutch housing	2	All
		A 160070	Engine guard-RH	1	40 std eng
		A 161221	Engine guard-RH	1	40 L eng
		A 160074	Engine guard-RH	1	41,43,44,45,47,48
		A 160499	Engine guard-RH-front	1	All eight cyl
		A 162366	Engine guard-RH	1	10 std eng
		A 162367	Engine guard-RH	1	10 L eng
		A 162368	Engine guard-RH	1	11,12,18
		A 162369	Engine guard-RH	1	14,15,17
		A 164088	Engine guard-RH-used without OD	LHD	20 std eng exc CvSed
		A 164089	Engine guard-RH-used without OD	LHD	20 L eng exc CvSed
		A 164090	Engine guard-RH-used without OD	LHD	21-22-24 exc CvSed-Station, 25,27,28
		A 162366	Engine guard-RH-used with OD	LHD	20 std eng exc CvSed
		A 162367	Engine guard-RH-used with OD	LHD	20 L eng exc CvSed
		A 162368	Engine guard-RH-used with OD	LHD	21-22 exc CvSed-Station,28
		A 162369	Engine guard-RH-used with OD	LHD	24 exc CvSed,25,27
		A 162366	Engine guard-RH	RHD	20 std eng exc CvSed
		A 162367	Engine guard-RH	RHD	20 L eng exc CvSed
		A 162368	Engine guard-RH	RHD	21-22 exc CvSed-Station,28
		A 162369	Engine guard-RH	RHD	24 exc CvSed, 25,27
		A 162366	Engine guard-RH	1	20 CvSed std eng
		A 162367	Engine guard-RH	1	20 CvSed L eng
		A 162368	Engine guard-RH	1	21-22 CvSed,21 Station
		A 162369	Engine guard-RH	1	24 CvSed
		A 160072	Engine guard assembly-LH	RHD	40,10,20
		A 160076	Engine guard assembly-LH	RHD	All exc 40-10-20
		A 160073	Engine guard-LH	1	40,10,20
		A 160077	Engine guard-LH	1	All exc 40-10-20
		BO 160078	Cover-engine guard opening-LH	RHD	All
		BO 18447	Bolt-engine guard opening cover	RHD	All
		BO 71073	Nut-engine guard opening cover bolt	RHD	All
		A 153106	Engine guard-rear	1	All
		BO 170041	Screw-engine guard	#14 x 1/2" ST	AR
		BO 18447	Bolt-engine guard-rear	10-32 x 5/8"	2
		BO 71073	Nut-engine guard bolt	10-32 x 1/8"	2

Group & Illus. No.	Plate No.	Part No.	NAME	Per Car	Models
R9-			RUNNING BOARDS AND SAFETY STEPS		
			NOTE: Parts marked † discontinued in production Jan. 15, 1942. Parts marked †† used after Jan. 15, 1942, start ing car No. 37067. See introduction.		
		C 140604	Running Board installation kit	Service	1 40
		C 140605	Running board installation kit	Service	1 41,44,45
		C 140606	Running board installation kit	Service	1 43,47,48
		C 200874	Running board installation kit- without mouldings	Service	1 10 exc Del
		C 200876	Running board installation kit- without mouldings	Service	1 11
		C 200878	Running board installation kit- without mouldings	Service	1 18
		C 200875	Running board installation kit-with mouldings .	Service	1 10 exc Del
		C 200877	Running board installation kit-with mouldings .	Service	1 11,12,14,15
		C 200879	Running board installation kit-with mouldings .	Service	1 17,18
			NOTE: Running board installation kits above are for installing running boards on cars not originally so equipped. Running board removal kits below are for removing running boards on cars which had them as original equipment.		
		C 142366	Running board removal kit	Service	1 40T,40P,40C UCo
		C 142367	Running board removal kit	Service	1 41,44,45
		C 142368	Running board removal kit	Service	1 43,47,48P
		C 200880	Running board removal kit	Service	1 10C,10P,10C, UCo
		C 200881	Running board removal kit	Service	1 11
		C 200882	Running board removal kit	Service	1 12,14,15
		C 200883	Running board removal kit	Service	1 17,18P
		C 140608	Running board assembly-RH	1	40
		C 140609	Running board assembly-LH	1	40
		C 140610	Running board assembly-RH	1	41,44,45
		C 140611	Running board assembly-LH	1	41,44,45
		C 140612	Running board assembly-RH	1	43,47
		C 140613	Running board assembly-LH	1	43,47
		C 140614	Running board assembly-RH	1	48
		C 140615	Running board assembly-LH	1	48
		C 146808	Running board assembly-RH	1	10 exc Del, 20C Cab-CabPu
		C 146809	Running board assembly-LH	1	10 exc Del, 20C Cab-CabPu
		C 146810	Running board assembly-RH	1	11 to car 50085, 21 Station
		C 146811	Running board assembly-LH	1	11 to car 50085, 21 Station
		C 146818	Running board assembly-RH	1	18,28
		C 146819	Running board assembly-LH	1	18,28
		C 146814	Running board assembly-RH	1	11 after car 50085 exc Station
		C 146815	Running board assembly-LH	1	11 after car 50085 exc Station
		C 146814	Running board assembly-RH	1	12,14,15
		C 146815	Running board assembly-LH	1	12,14,15
		C 146816	Running board assembly-RH	1	17
		C 146817	Running board assembly-LH	1	17
		C 200930	Running board assembly-RH	1	10 exc Del
		C 200931	Running board assembly-LH	1	10 exc Del
		C 200932	Running board assembly-RH	1	12-14-15 std,11 opt
		C 200933	Running board assembly-LH	1	12-14-15 std,11 opt
		C 200934	Running board assembly-RH	1	17 Std,18 opt
		C 200935	Running board assembly-LH	1	17 std,18 opt
		BZ 140635	Bracket-front-running board	Welded to RB	2 1940 All
		BZ 146840	Bracket-front-running board	Welded to RB	2 1941 exc Del,1942 Cab-CabPu-Station
		BZ 140637	Bracket-center-running board	Welded to RB	2 1940 All
		BZ 146842	Bracket-center-running board	Welded to RB	2 1941 exc Del,1942 Cab-CabPu-Station
		BZ 140640	Bracket-rear-running board	Welded to RB	2 1940 All
		BZ 146844	Bracket-rear-running board	Welded to RB	2 1941 exc Del,1942 Cab-CabPu-Station
		BZ 141231	Extension assembly-running board rear bracket		2 43,47,48
		BZ 70086	Clinch nut-running board rear bracket extension		2 43,47,48
		BO 71683	Bolt-running board rear bracket extension		2 43,47,48
		BO 71746	Bolt-running board to floor extension	1/4"-28 x 3/4"	AR 1940-1941 All exc 10C Del
		BZ 70872	Bolt-running board to floor extension	. 1/4"-20 x 3/4"	8 1942 Cab-CabPu-Station
		BO 71443	Nut-running board to floor extension bolt	1/4"-28	AR 1940-1941 All exc 10C Del
		BZ 70874	Nut-running board to floor extension bolt	1/4"-20	8 1942 Cab-CabPu-Station
		HZ 12857	Washer-running board to floor extension bolt		AR 1940-1941 All,1942 Cab-CabPu-Station

Group & Illus. No.	Plate No.	Part No.	NAME	Per Car	Models
R9-			RUNNING BOARDS AND SAFETY STEPS (CONT'D.)		
		BO 71683	Bolt-running board attaching	5/16"-24 x 7/8"	6 1940 All
		BZ 71427	Screw-running board attaching	3/8" x 5/8" ST	6 1941 exc Del, 1942 Cab-CabPu-Station
		BO 70839	Washer-running board attaching bolt		6 1940 All
		BZ 345	Washer running board attaching screw		6 1941 exc Del, 1942 Cab-CabPu-Station
		HA 200470	Trim moulding kit-running board	Side only	1 10 exc Del
		HA 200472	Trim moulding kit-running board	Side only	1 11
		HA 200471	Trim moulding kit-running board	Top and side	1 10 exc Del
		HA 200473	Trim moulding kit-running board	Top and side	1 11
		HA 204187	Trim moulding kit-running board	Top only	1 21 Station
		C 147409	Trim moulding-side	Standard	2 43,47,48
		C 148414	Trim moulding-side	Optional	2 10 exc Del
		C 148418	Trim moulding-side-RH	Standard	1 11,12,14,15
		C 148419	Trim moulding-side-LH	Standard	1 11,12,14,15
			NOTE: Running board side mouldings became standard on model 11 with car 1150085 exc Station.		
		C 148420	Trim moulding-side-RH		1 17 std, 18 opt
		C 148421	Trim moulding-side-LH		1 17 std, 18 opt
		C 148418	Trim moulding-side-RH †	SS	1 21 Station
		C 148419	Trim moulding-side-LH †	SS	1 21 Station
		C 205928	Trim moulding-side-RH ††	Painted	1 21 Station
		C 205929	Trim moulding-side-LH ††	Painted	1 21 Station
		BZ 140994	Clip-running board side trim moulding	AR	43,47,48
		BO 148442	Clip-running board side trim moulding	AR	1941 exc Del, 1942 Sta
		C 148412	Trim moulding-top outer	Optional	2 10 exc Del
		C 148422	Trim moulding-top outer-RH		1 11 opt, 12-14-15 std
		C 148423	Trim moulding-top outer-LH		1 11 opt, 12-14-15 std
		C 148424	Trim moulding-top outer-RH		1 17 std, 18 opt
		C 148425	Trim moulding-top outer-LH		1 17 std, 18 opt
		C 148422	Trim moulding-top outer-RH	Service	1 21 Station
		C 148423	Trim moulding-top outer-LH	Service	1 21 Station
		BZ 148748	Bolt-running board top outer trim moulding	AR	1941 exc Del, 1942 Sta
		BO 12790	Nut-running board top outer trim moulding bolt	AR	1941 exc Del, 1942 Sta
		C 148392	Trim moulding-top No. 1-next to top outer moulding		2 10 exc Del (Opt)
		C 148426	Trim moulding-top No. 1-next to top outer moulding		2 11 opt, 12-14-15 std
		C 148428	Trim moulding-top No. 1-next to top outer moulding		2 17 std, 18 opt
		C 148426	Trim moulding-top No. 1-next to top outer moulding		2 21 Sta (service)
		C 148394	Trim moulding-top No. 2	Optional	2 10 exc Del
		C 148430	Trim moulding-top No. 2		2 11 opt, 12-14-15 std
		C 148432	Trim moulding-top No. 2		2 17 std, 18 opt
		C 148430	Trim moulding-top No. 2	Service	2 21 Station
		C 148396	Trim moulding-top No. 3	Optional	2 10 exc Del
		C 148434	Trim moulding-top No. 3		2 11 opt, 12-14-15 std
		C 148436	Trim moulding-top No. 3		2 17 std, 18 opt
		C 148434	Trim moulding-top No. 3	Service	2 21 Station
		C 148398	Trim moulding-top No. 4-inner	Optional	2 10 exc Del
		C 148438	Trim moulding-top No. 4-inner		2 11 opt, 12-14-15 std
		C 148440	Trim moulding-top No. 4-inner		2 17 std, 18 opt
		C 148438	Trim moulding-top No. 4-inner	Service	2 21 Station
		BO 148444	Clip-running board top trim moulding	AR	1941 exc Del, 1942 Sta
		C 203470	Metal panel assembly-safety step-RH		1 20 exc Cab-CabPu
		C 203471	Metal panel assembly-safety step-LH		1 20 exc Cab-CabPu
		C 203472	Metal panel assembly-safety step-RH		1 21 exc Sta, 22,23,24,25
		C 203473	Metal panel assembly-safety step-LH		1 21 exc Sta, 22,23,24,25
		C 203474	Metal panel assembly-safety step-RH		1 27
		C 203475	Metal panel assembly-safety step-LH		1 27
		C 203270	Tread-RH-safety step	1st type	1 1942 2Sed-UCo-Cpes-CvSed
		C 203271	Tread-LH-safety step	1st type	1 1942 2Sed-11Co-Cpes-CvSed
		C 203272	Tread-front RH-safety step	1st type	1 20-21-22-24 Sed
		C 203273	Tread-front-LH-safety step	1st type	1 20-21-22-24 Sed
		C 203270	Tread-front RH-safety step	1st type	1 27 Sed
		C 203271	Tread-front LH-safety step	1st type	1 27 Sed
		C 203274	Tread-rear RH-safety step	1st type	1 1942 All Sed
		C 203275	Tread-rear LH-safety step	1st type	1 1942 All Sed
			NOTE: 2nd type treads below are Identical with 1st type above, except that they have a bead at outer edge.		

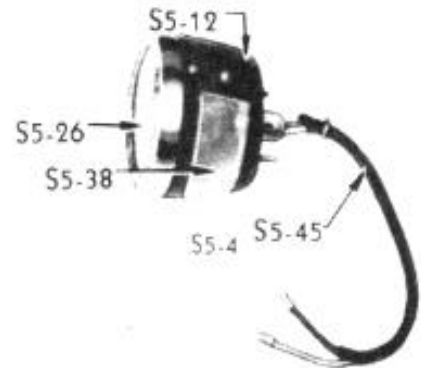
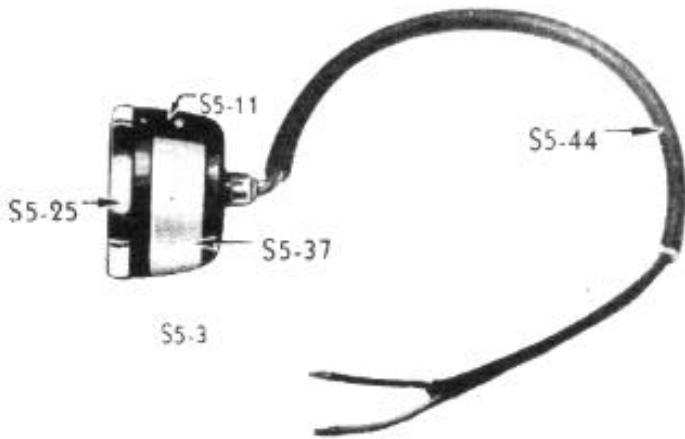
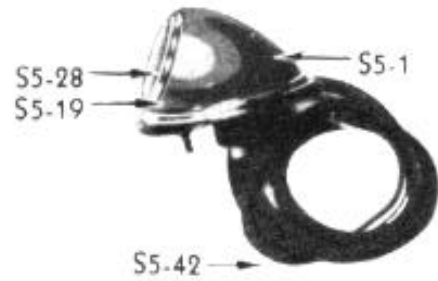
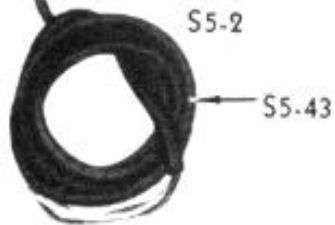
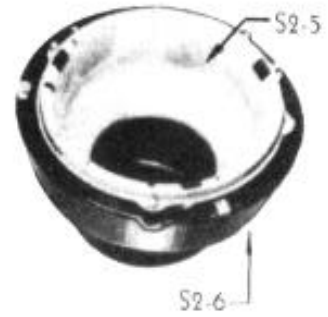
Group & Illus. No.	Plate No.	Part No.	NAME	Per Car	Models
R9-			RUNNING BOARDS AND SAFETY STEPS (CONT'D.)		
		C 203582	Tread-RH-safety step	2nd type-after car 21781	1 1942 2Sed-UCo-Cpes-CvSed
		C 203583	Tread-LH-safety step	2nd type-after car 21781	1 1942 2Sed-UCo-Cpes-CvSed
		C 203584	Tread-front RH	2nd type-after car 12889	1 20,21,22,24 Sed
		C 203585	Tread-front LH	2nd type-after car 12889	1 20,21,22,24 Sed
		C 203582	Tread-front RH	2nd type-after car 21781	1 27 Sed
		C 203583	Tread-front LH	2nd type-after car 21781	1 27 Sed
		C 203586	Tread-rear-RH	2nd type-after car 12889	1 1942 all Sed
		C 203587	Tread-rear LH	2nd type-after car 12889	1 1942 all Sed
		HA 205097	Trim moulding kit-safety step	SS	1 20T,20P
3	49	C 204710	Trim moulding-RH-safety step	Painted	1 20T,20P (Standard)
3	49	C 204711	Trim moulding-LH-safety step	Painted	1 20T,20P (Standard)
3	49	C 204720	Trim moulding-RH-safety step-1st type	SS	1 20T,20P (Optional)
3	49	C 204721	Trim moulding-LH-safety step-1st type	SS	1 20T,20P (Optional)
3	49	C 204716	Trim moulding-RH-safety step-1st type	SS	1 21 exc Station 22,24,25
3	49	C 204717	Trim moulding-LH-safety step-1st type	SS	1 21 exc Station 22,24,25
3	49	C 204718	Trim moulding-RH-safety step-1st type	SS	1 27
3	49	C 204719	Trim moulding-LH-safety step-1st type	SS	1 27
			NOTE: 2nd type trim mouldings below are same as 1st type above, except that attaching studs are lowered 1/0". 1st type mould ings can be used with either 1st or 2nd type safety step treads. 2nd type mouldings can be used		
3	49	C 205342	Trim moulding-RH-safety step-2nd type †	SS	1 20T,20P
3	49	C 205343	Trim moulding-LH-safety step-2nd type †	SS	1 20T,20P
3	49	C 205344	Trim moulding-RH-safety step-2nd type †	SS	1 21 exc Station 22,23,24,25
3	49	C 205345	Trim moulding-LH-safety step-2nd type †	SS	1 21 exc Station 22,23,24,25
3	49	C 205346	Trim moulding-RH-safety step-2nd type †	SS	1 27 Sed
3	49	C 205347	Trim moulding-LH-safety step-2nd type †	SS	1 27 Sed
3	49	C 204710	Trim moulding-RH-safety step ††	Painted	1 20T,20P
3	49	C 204711	Trim moulding-LH-safety step ††	Painted	1 20T,20P
3	49	C 204712	Trim moulding-RH-safety step ††	Painted	1 21 exc Station 22,24,25
3	49	C 204713	Trim moulding-LH-safety step ††	Painted	1 21 exc Station 22,24,25
3	49	C 204714	Trim moulding-RH-safety step ††	Painted	1 27 Sed
3	49	C 204715	Trim moulding-LH-safety step ††	Painted	1 27 Sed
		BO 71440	Nut-safety step trim moulding stud	1/4"-28 x 7/32"	AR 1942 all exc Cab-CabPu-Station
		BO 70874	Nut-safety step trim moulding stud	1/4"-20 x 1/4"	AR 1942 all exc Cab-CabPu-Station
			NOTE: Parts marked † discontinued in production Jan. 15, 1942. Parts marked †† used after Jan. 15, 1942, starting car No. 37087. See introduction.		
S1-			WIRING		
		BZ MS 3009	Cable-7mm-HT		B All
		BZ MS 3010	Cable-single #12-braid covered	Black	B All
		BZ MS 3011	Cable-single #14-braid covered	Black-Red	B All
		BZ MS 3012	Cable-single #16-braid covered	Black	B All
		BZ MS 3031	Cable-single #16-braid covered	White	B 1941-1942 All
		BZ MS 3032	Cable-single #8-braid covered	Black	B 1941 All
		BZ MS 3020	Cable-single #2-braid covered	Black	B 1942 All
		BZ MS 3023	Cable-double-two #16-braid covered	Black-White	B All
		BZ MS 3024	Cable-triple-two #16-braid covered		B 1941-1942 All
		F 160338	Cable assembly-battery to starter	33" long	1 40,10,20
		F 160339	Cable assembly-battery to starter	38" long .	1 All exc 40,10,20
		BZ 41101	Sleeve-battery to starter cable	At solenoid	1 All
		BZ 12843	Clamp bolt-battery to starter cable		1 All
		BZ 12844	Nut-battery to starter cable clamp bolt		1 All
		F 153630	Connection-battery to ground-1st type	14" long	1 1940 All
		F 160828	Connection-battery to ground-2nd type	7" long	1 All
		BZ 12843	Clamp bolt-battery to ground connection	At battery	1 All
		BZ 12844	Nut-battery to ground connection clamp	At battery	1 All
		BO 71683	Bolt-battery to ground connection	At ground	1 All
		BZ 170155	Washer-battery to ground connection bolt	At ground	1 All
		BO 12481	Nut-battery to ground connection bolt	At ground	1 All
		BZ 155776	Connection-clutch housing to ground		1 All
		BM 219	Bolt-clutch housing to ground connection		1 All
		BT 70414	Washer-clutch housing to ground connection bolt		1 All
		BZ 122	Nut-clutch housing to ground connection bolt		1 All
		BO 160480	Wire harness-instrument panel	LHD	1 1940 All
		BO 160481	Wire harness-instrument panel	RHD	1 1940 All
		BO 161950	Wire harness-instrument panel	LHD	1 1941 all exc Del

Group & Illus. No.	Plate No.	Part No.	NAME	Per Car	Models	
SI-			WIRING (CONT'D.)			
		BO 163232	Wire harness-instrument panel	LHD	1	10C Del
		BO 163202	Wire harness-instrument panel	RHD	1	1941 All
		BO 164913	Wire harness-instrument panel-to car 18369	LHD	1	20,21,28
		BO 164001	Wire harness-instrument panel-after 18369	LHD	1	20,21,28
		BO 164914	Wire harness-instrument panel-to car 15821	LHD	1	22,24,25,27
		BO 164002	Wire harness-instrument panel-after 15821	LHD	1	22,24,25,27
		BO 164915	Wire harness-instrument panel-to car 16208	RHD	1	1942 All
		BO 164072	Wire harness-instrument panel-after 16208	RHD	1	1942 All
		BO 164916	Wire harness-chassis-to cars LHD 18369- 16208		1	20
		BO 164003	Wire harness-chassis-after cars LHD 18369- 16208		1	20
		BO 164917	Wire harness-chassis-to cars LHD 18369- 16208		1	21,28
		BO 164004	Wire harness-chassis-after cars LHD 18369- 16208		1	21,28
		BO 164917	Wire harness-chassis		1	22,24,25,27
		BT 160690	Wire harness-overdrive	LHD	1	1940 All
		BT 160691	Wire harness-overdrive	RHD	1	1940 All
		BT 161952	Wire harness-overdrive	LHD	1	1941 All
		BT 163236	Wire harness-overdrive	RHD	1	1941 All
		BO 164073	Wire harness-overdrive-body half	LHD	1	1942 All
		BO 164074	Wire harness-overdrive-body half	RHD	1	1942 All
		BO 164075	Wire harness-overdrive-chassis half		1	1942 All
		BZ 160275	Wire harness-vacumotive drive		1	1940 All
		BZ 163216	Wire harness-vacumotive drive-to car 26840		1	1941 All
		BZ 163291	Wire harness-vacumotive drive-after car 26840 exc 28001 to 28075		1	1941 All
		BO 163045	Wire assembly-VD to switch-use with 163291 harness		1	1941 All
		BO 164076	Wire harness-vacumotive drive		1	1942 All
		BO 164985	Wire harness-HDM-body half-to car 15926		1	1942 All
		BO 164077	Wire harness-HDM-body half-after 15926		1	1942 All
		BO 164986	Wire harness-HDM-chassis half-to car 15926		1	1942 All
		BO 164078	Wire harness-HDM-chassis half-after 15926		1	1942 All
			See also Group K 22			
		BO 160684	Wire harness-direction indicator-standard 43-47	LHD	1	1940 All
		BO 160685	Wire harness-direction indicator-standard 43-47	RHD	1	1940 All
		BO 163175	Wire harness-direction indicator-standard 15-17	LHD	1	1941 All
		BO 163176	Wire harness-direction indicator-standard 15-17	RHD	1	1941 All
		BO 164679	Wire harness-direction indicator-standard 25-27	LHD	1	1942 All
		BO 164842	Wire harness-direction indicator-standard 25-27	RHD	1	1942 All
		BO 160486	Wire harness-electric clock-standard on 43-47	LHD	1	1940 All
		BO 160487	Wire harness-electric clock-standard on 43-47	RHD	1	1940 All
					1	40,41,44,45,48
		BO 160475	Wire and socket assembly-mechanical clock	LHD	1	40,41,44,45,48
		BO 160476	Wire and socket assembly-mechanical clock	RHD	1	1940 CvCpe-CvSed
		BO 160472	Wire and socket assembly-service lamp	LHD	1	1940 CvCpe-CvSed
		BO 155976	Wire and socket assembly-service lamp	RHD	1	40,41,43,48
		C 160698	Wires and loom assembly-generator		1	44,45,47
		C 160699	Wires and loom assembly-generator		1	10,11,12,18
		BO 163050	Wires and loom assembly-generator		1	14,15,17
		BO 163051	Wires and loom assembly-generator		1	1942 All
		BO 165002	Wires and loom assembly-generator		1	1941 CvSed
		BO 163733	Wire assembly-top lift motor feed		1	1942 CvSed
		BO 164648	Wire assembly-top lift motor feed		1	43,47
		BO 142150	Wire assembly-cigar lighter-instrument panel	LHD	1	43,47
		BO 142151	Wire assembly-cigar lighter-instrument panel	RHD	1	1941-1942 All
		BO 148197	Wire assembly-cigar lighter-instrument panel		1	43,47
		BO 142207	Wire assembly-cigar lighter-quarter		1	15,16,25,27
		BO 148535	Wire assembly-cigar lighter-quarter			
			Wire assembly-clock	See Group T 5		
			Wire assembly-bonnet lamp	See Group R 1		
			Wire assembly-license lamp	See Group S 6		
			Wire assembly-tail light	See Group S 5		
		BO 160400	Wire assembly-coil to distributor	LT	1	40,41,43,48
		BO 160402	Wire assembly-coil to distributor	LT	1	44,45,47
		BO 163070	Wire assembly-coil to distributor-without OD	LT	1	10C Del
		BO 163072	Wire assembly-coil to distributor-without OD	LT	1	10 exc Del,11,12,18
		BO 163074	Wire assembly-coil to distributor-without OD	LT	1	14,15,17
		BO 163125	Wire assembly-coil to distributor-used with OD	LT	1	10 exc Del,11,12,18
		BO 163126	Wire assembly-coil to distributor-used with OD	LT	1	14,15,17
		BO 163072	Wire assembly-coil to distributor	LT	1	20,21,22,28
		BO 164166	Wire assembly-coil to distributor	LT	1	24,25,27
		BO 18166	Terminal-coil to distributor wire		2	All
		BO 31548	Sleeve-coil to distributor wire terminal		2	All
		F 160313	Ignition HT wires-set		1	All six cylinder
		F 43538	Ignition HT wires-set		1	All eight cylinder
		BO 160364	Wire assembly-coil to distributor	HT	1	All six cylinder exc 10C Del

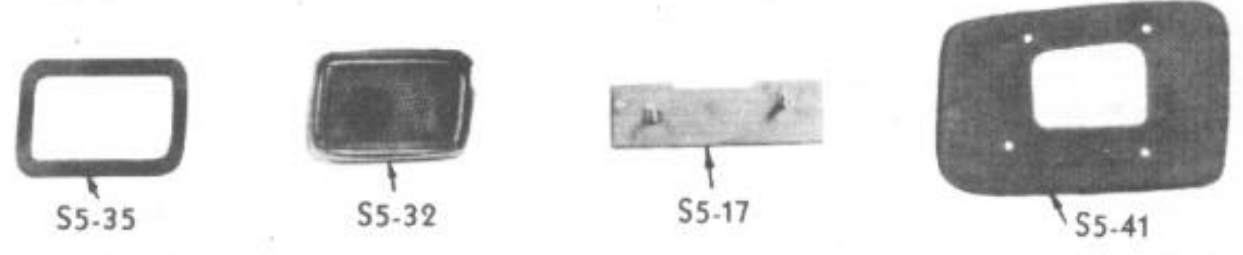
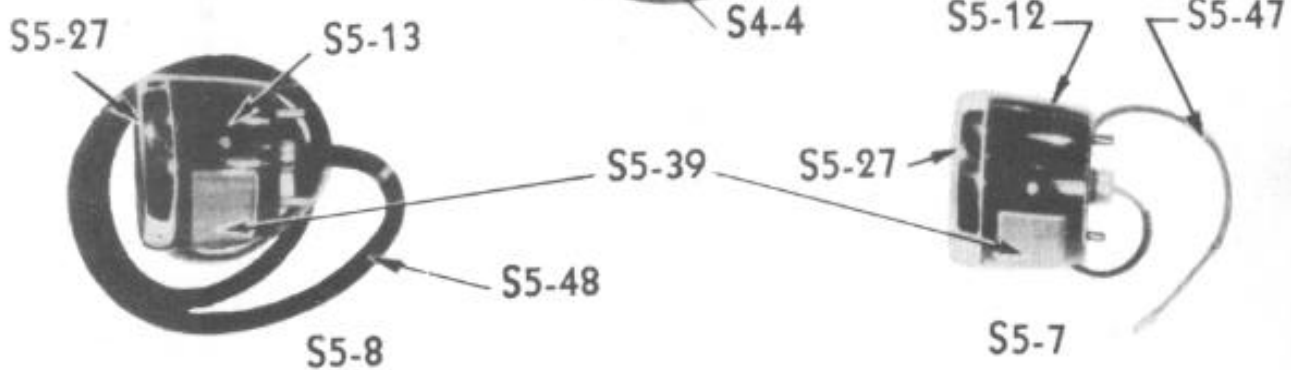
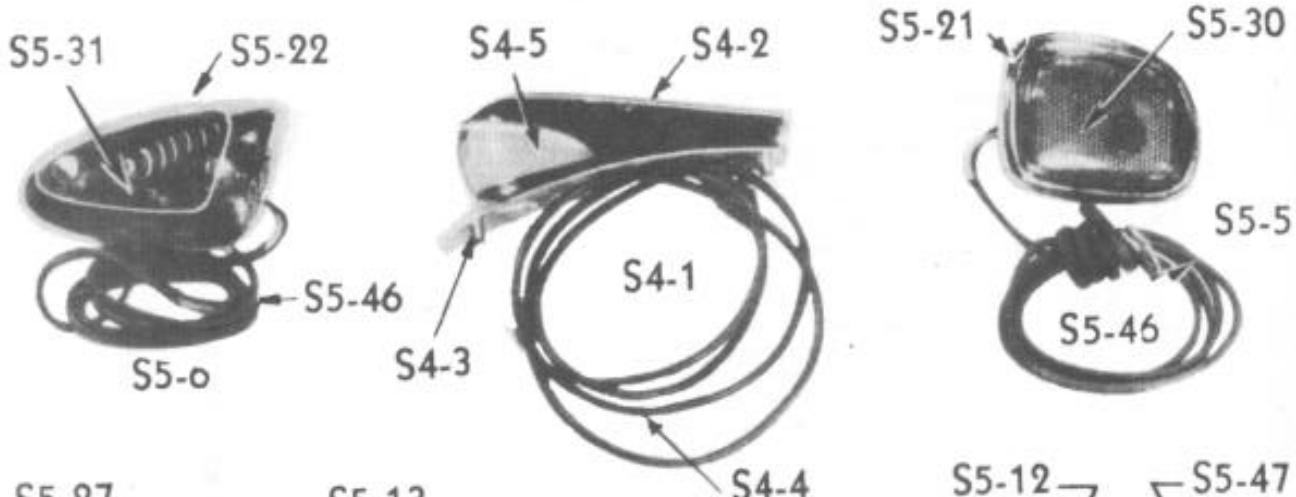
Group & Illus. No.	Plate No.	Part No.	NAME	Per Car	Models	
SI-			WIRING (CONTD.)			
		BO 163095	Wire assembly-coil to distributor	HT	1	10C Del
		BO 160367	Wire assembly-coil to distributor	HT	1	44,45,47
		BO 163092	Wire assembly-coil to distributor	HT	1	14,15,17,24,25,27
		BO 36566	Terminal-coil to distributor wire	Coil end	1	All
		BM 170310	Terminal-coil to distributor wire	Dist end	1	All
		BM 45157	Insulator-coil to distributor wire	Coil end	1	All
		BM 32012	Insulator-coil to distributor wire	Dist end	1	All
		BM 160352	Wire assembly-spark plug-No. 1		1	All six cylinder
		BM 160354	Wire assembly-spark plug-No. 2		1	All six cylinder
		BM 160356	Wire assembly-spark plug-No. 3		1	All six cylinder
		BM 160358	Wire assembly-spark plug-No. 4		1	All six cylinder
		BM 160360	Wire assembly-spark plug-No. 5		1	All six cylinder
		BM 160362	Wire assembly-spark plug-No. 6		1	All six cylinder
		BM 42647	Wire assembly-spark plug-No. 1		1	All eight cylinder
		BM 155956	Wire assembly-spark plug-No. 2		1	All eight cylinder
		BM 42651	Wire assembly-spark plug-No. 3		1	All eight cylinder
		BM 155958	Wire assembly-spark plug-No. 4		1	All eight cylinder
		BM 42657	Wire assembly-spark plug-Nos. 5 and 6		2	All eight cylinder
		BM 155960	Wire assembly-spark plug-No. 7		1	All eight cylinder
		BM 155958	Wire assembly-spark plug-No. 8		1	All eight cylinder
		BM 71144	Terminal-spark plug wire	At plug	6-8	All
		BO 170310	Terminal-spark plug wire	At dist	6-8	All
		BM 32012	Insulator-spark plug wire	At dist	6-8	All
10	13	BM 160117	Holder assembly-ignition wires		1	All six cylinder
		BM 155763	Holder assembly-ignition wires	Front	1	All eight cylinder
		BM 160115	Holder assembly-ignition wires	Rear	1	44,45,47
11	14	BM 162679	Holder assembly-ignition wires	Rear	1	14,15,17,24,25,27
12	13	BM 161002	Bracket assembly-ignition wires	Side	1	44,45,47
		BM 155769	Bracket-ignition wires	Side	1	44,45,47
		BZ 71552	Grommet-ignition wire bracket-side	1/2" ID	1	44,45,47
		BM 170104	Grommet-ignition wire bracket-side	1-1/16" ID	1	44,45,47
		BM 9665	Nut-ignition wires holder-front-to cylinder head stud		1	44,45,47
		BZ 170571	Nut-ignition wires holder-front-to cylinder head stud		1	14,15,17,24,25,27
		BT 395	Bolt-ignition wires holder-rear-to manifold		1	All eight cylinder
		BO 158185	Loom-bonnet lamp wire-without DI	1/4" ID x 22" long	1	40,41,44,45,48
		BO 35539	Loom-bonnet lamp wire-with DI		1	1940 All
		BO 153558	Loom-bonnet lamp wire	1/4" ID x 18" long	1	1941 All
		BO 164035	Loom-bonnet lamp wire	1/4" ID x 14" long	1	1942 All
		BO 155969	Loom-generator wire	3/8" ID x 18" long	1	40,41,43,48 10 exc Del, 11,12,18
		BO 155970	Loom-generator wire	3/8" ID x 26-1/2" long	1	44,45,47,14,15,17
		BO 164036	Loom-generator wire	3/8" ID x 15" long	1	1942 All
		BO 158185	Loom-license lamp wire	1/4" ID x 22" long	1	1940 all exc Cab-CabPu-Panel
		BO 158185	Loom-license lamp wire	1/4" ID x 22" long	1	1941-1942 2Sed-Sed-UCo, 18CA
		BO 162034	Loom-license lamp wire	1/4" ID x 27" long	1	1941-1942 Cpes and Cvtbles.
		BT 160806	Loom-overdrive control wire	1/4" ID	1	40T,40C,48
		BO 165013	Loom-hydraulic top life wire	3/4" ID x 8" long	1	1942 CvSed
		BO 170090	Terminal-for #10 wire	39/64" Douglas	AR	All
		BO 170406	Terminal-for #14 wire	17/32" Douglas	AR	All
		BO 170562	Terminal-for #12 wire	17/32" Douglas	AR	1941-1942 All
		BO 170118	Terminal	3/16" spade	AR	All
		BM 71120	Terminal	1/4" eye	AR	All
		BO 18166	Terminal	3/16" eye	AR	All
		BO 170120	Terminal	5/16" eye	AR	1941-1942 All
		BO 170681	Terminal	1/8" eye	AR	1942 All
		BO 153622	Connector-single	Douglas	AR	All
		BO 153623	Connector-double	Douglas	AR	All
		BO 170686	Connector-6 wire	Bakelite	AR	1942 All
		BO 31548	Insulator-for wire terminal	Rubber	AR	All
		BZ 154483	Clip-battery to starter cable		1	All
		BZ 154483	Clip-hydraulic top life power cable		4	1942 CvSed
		BZ 40919	Clip-direction indicator to column bracket		1	1940-1942 All
		BZ 40919	Clip-at transmission cover		1	1940-1941 All
		BZ 40919	Clip-stop switch wire at master cylinder	RHD	1	All
		BZ 40919	Clip-tail lamp wires to LR fender		1	Cab-CabPu
		BZ 40919	Clip-tail lamp wires to clutch housing		1	All
		BZ 40919	Clip-tail lamp jumper wire to floor	RHD	3	Cab-CabPu
		BM 161137	Clip-generator wire loom		2-3	1940-1941 All
		BM 161137	Clip-at water jacket cover		1-2	1941-1942 All

Group & Illus. No.	Plate No.	Part No.	NAME	Per Car	Models
S1-			WIRING (CONT'D.)		
		BO 154482	Clip-generator wire loom	2-3	1940 All
		BO 162638	Clip-instrument harness to locker box	2-3	1941-1942 All
		BO 160341	Clip-instrument harness to clutch housing	1	All
		BO 13733	Clip-instrument harness to locker box hinge	2	1940 All
		BZ 38884	Clip-to trans cover-with OD or HUM	2	1942 All
		BZ 65907	Clip-generator wire loom	1	1942 All
		BZ 65907	Clip-inst harness to panel	1	1942 All
		BZ 65907	Clip-tail lamp wires to floor	AR	All
		BZ 65907	Clip-stop switch wire at dimmer switch	1	All
		BO 140349	Clip-tail lamp wires to inst panel	1	1941-1942 All
		BO 158121	Clip-wires to roof panel	AR	1940 All
		BO 162029	Clip-wires to roof panel	AR	1941 All
		BO 163410	Clip-wires to roof panel	AR	1942 All
		BZ 164071	Clip-coil to distributor wire-at dash	2	24,25,27
		BO 164095	Clip-dimmer switch wires-at dash	5	1942 All
		BO 164095	Clip-HDM harness-at dash	2	1942 All
		BZ 164097	Clip-chassis harness-at dash	1	1942 All
		BZ 164097	Clip-chassis harness-at starter cable	3	1942 All
		BZ 164096	Clip-HDM harness to power cylinder	2	1942 All
		BZ 70872	Bolt-battery cable clip	1	All
		BO 71266	Bolt-instrument harness clip	1	1941-1942
		BZ 70692	Bolt-instrument harness clip	1	All
		BM 71648	Bolt-tail lamp wire clip	1	1941-1942 All
		BO 18459	Bolt-tail lamp wire clip	3	10C Del
		BO 71485	Bolt-wire clip	1	1942 All
		BO 71707	Screw-wire clip	AR	All
		BO 170304	Screw-wire clip	1	11-14-21 Station
		BZ 70874	Nut-battery cable clip bolt	1	All
		BO 71073	Nut-wire clip bolt	AR	All
		BO 160340	Junction block-headlamp wires	1	All
		BO 160341	Junction block-tail and stop lamp wires	1	All pass cars
		BO 170060	Screw-headlamp junction block	2	1940 All
		BO 170519	Screw-headlamp junction block	2	1941 All
		BO 170707	Screw-headlamp junction block	2	1942 All
		BO 170060	Screw-tail lamp junction block	2	1940 2Sed-Sed-UCo-CA
		BO 18459	Bolt-tail lamp junction block	2	1940 Cpes and CvSed
		BO 170633	Screw-tail lamp junction block	2	1941-1942 All
		BO 71073	Nut-tail lamp junction block screw	4	All
		BO 160088	Fuse block assembly	1	1940 All
		BO 162899	Fuse block assembly	1	1941-1942 All
		BO 164385	Fuse block assembly	1	1942 All
		BO 164049	Spacer-fuse block	1	1942 All
		BO 163203	Insulator-fuse block	2	1942 All
		BO 71266	Screw-fuse block to instrument panel	2	1940 All
		BO 70157	Screw-fuse block to instrument panel	1	1941 All
		BO 18453	Screw-fuse block to instrument panel	1	1942 All
		BO 170004	Fuse-electric clock	1	1940-1941 All
		BO 170691	Fuse-electric clock	1	1942 All
		80 170425	Fuse-direction indicator	1	All
		BO 170480	Fuse-heater	1	All
		BO 18269	Fuse-lights	2	1940 All
		BT 170420	Fuse-overdrive relay	1	1940 All
		BT 170420	Fuse -radio	1	1940-1941 All
		BO 18269	Fuse-radio	1	1942 All
		BO 170613	Fuse-lights	1	1941-1942 All
		BO 71133	Fuse-air horns	1	1940 All
		BO 160939	Fuse kit-box contains 5 silver tip fuses		
			NOTE: The following lamp bulbs are listed with specifications and corresponding Mazda numbers for your convenience in obtaining from local source.		
			Min-miniature base; std-standard bayonet base; SC-single contact double contact; CP-candlepower.		
		BO 71641	Bulb-headlamp beam indicator	1	All
		BO 71550	Bulb-bonnet lamp-without DI	2	All
		BO 170363	Bulb-bonnet lamp-with DI	2	1940 All
		BO 170460	Bub-mech clock-black tip	1	1940 All
		BO 71550	Bulb-electric clock	2	All
		BO 71641	Bulb-direction indicator tell-tale	1	All
		BO 70001	Bulb-dome lamp	1-2	1940-1941 All
		BO 170659	Bulb-dome lamp	1-2	20 1st type 1942 All

Group & Illus. No.	Plate No.	Part No.	NAME	Per Car	Models	
S1-			WIRING (CONT'D.)			
		BO 170528	Bulb-fog lamp	1-2	1940-1941 All	
		BO 170690	Bulb-fog lamp	1-2	1942 All	
		BO 170518	Bulb-spot light	1	1940-1941 All	
		BO 170689	Bulb-spot light	1	1942 All	
		BO 170659	Bulb-courtesy lamp	2	21 exc Sta,22,24,25,27	
		BO 71550	Bulb-instrument lamp	2	1940 All	
		BO 71550	Bulb-speedometer lamp	2	12,14,15,17	
		BO 71641	Bulb-speedometer lamp	2	1940 All,10,11,18,1942 All	
		BO 71641	Bulb-oil and gen tell-tale	2	All	
		BO 71550	Bulb-ignition lock	1	1941-1942 All	
		BO 18100	Bulb-license lamp	1	All	
		BO 71550	Bulb-service lamp	1	1940 All	
		BO 70900	Bulb-tail and lamp	1	Cab-CabPu-Panel-Del-Station	
		BO 170363	Bulb-tail and stop lamp	2	All pass cars	
		BO 18100	Bulb-fender lamp-without DI	2	1941-1942 All	
		BO 170531	Bulb-fender lamp-with DI	2	1941 All	
		BO 70900	Bulb-fender lamp-with DI	2	1942 All	
S2-			HEADLAMPS			
			NOTE: Parts marked † discontinued in production Jan. 15, 1942. Parts marked †† used after Jan. 15, 1942, starting car Po. 37067. See introduction.			
		BO 141870	Headlamp assembly	LHD	2	1940 All
		BO 200250	Headlamp assembly-RH-chrome †	LHD	1	1941-1942 all exc 10C Del
		BO 200251	Headlamp assembly-LH-chrome †	LHD	1	1941-1942 all exc 10C Del
		BO 206070	Headlamp assembly-RH ††	LHD	1	1942 All
		BO 206071	Headlamp assembly-LH ††	RHD	1	1942 All
		BO 200254	Headlamp assembly-RH-chrome †	RHD	1	1941-1942 All
		BO 200255	Headlamp assembly-LH-chrome †	RHD	1	1941-1942 All
		BO 206072	Headlamp assembly-RH ††	RHD	1	1942 All
		BO 206073	Headlamp assembly-LH ††		1	1942 All
		BO 201150	Headlamp assembly-RH		1	10C Del
		BO 201151	Headlamp assembly-LH		1	10C Del
2	34	HA 141850	Sealed beam unit	LHD	2	All exc 10C Del
3	34	BO 141853	Retainer-sealed beam unit †	Chrome	2	All exc 10C Del
		BO 205900	Retainer-sealed beam unit ††		2	1942 All
		BO 141685	Screw-sealed beam retainer to housing		6	All exc 10C Del
5	34	BO 141855	Housing-sealed beam unit	LHD	2	All exc 10C Del
		BO 141856	Housing-sealed beam unit	RHD	2	All exc 10C Del
		BO 141857	Retaining spring-sealed beam housing		4	All exc 10C Del
6	34	BO 141854	Housing assembly-headlamp		2	1940 All
6	34	BO 200360	Housing assembly-headlamp		2	1941-1942 All exc 10C Del
7	34	BO 142072	Gasket-headlamp housing to fender		2	All exc 10C Del
		BO 71707	Screw-headlamp housing to fender	#10 x 5/8" SM	8	1940-1941 All exc 10C Del
		BO 170707	Screw-headlamp housing to fender	#10 x 1/2" SM	8	1942 All
		BO 170354	Clip Nut-headlamp housing to fender screw		8	All exc 10C Del
		BO 201153	Lens-headlamp		2	10C Del
		BO 201152	Rim-headlamp lens		2	10C Del
10	34	BO 147499	Rim-headlamp lens	chrome	2	1940-1941 All exc 10C Del
10	34	BO 147499	Rim-headlamp lens t	chrome	2	20,21,28
10	34	BO 205899	Rim-headlamp lens tt		2	20,21,28
10	34	BO 203499	Rim-headlamp lens t	chrome	2	22,24,25,27
10	34	BO 205898	Rim-headlamp lens tt		2	22,24,25,27
			NOTE: 203499 sirs was used in production in place of 147499 on some Model 20-21-28 cars.			
		BO 170355	Screw-headlamp lens rim to housing	10-32 x 1	6	All exc 10C Del
		BO 141858	Adjusting screw-headlamp		4	All exc 10C Del
		BO 141859	Nut-headlamp adjusting screw-1st type		4	1940-1941 All exc 10C Del
		BO 200361	Nut-headlamp adjusting screw-2nd type		4	1941-1942 All exc 10C Del
		BO 200362	Retainer-for 2nd type adjusting screw nut		4	1941-1942 All exc 10C Del
		BO 33506	Rivet-for 2nd type adjusting screw nut retainer		8	1941-1942 All exc 10C Del
		BO 201154	Rubber seal-headlamp to body		2	10C Del
14	34	BO 141863	Wires and connector assembly-headlamp		2	1940 All
14	34	BO 200252	Wires and connector assembly-headlamp-RH		1	1941-1942 exc 10C Del
14	34	BO 200253	Wires and connector assembly-headlamp-LH		1	1941-1942 exc 10C Del
		BO 200263	Connector assembly-includes terminal clips		2	1941-1942 All exc 10C Del
		BO 170118	Terminal-headlamp wire	3/16" spade	4	All exc 10C Del
		BO 200262	Cable assembly-headlamp ground		2	1941-1942 exc 10C Del
		BO 133913	Gasket-wire conduit retainer		2	1940 All



Lamps



LAMPS

Group & Illus. No.	Plate No.	Part No.	NAME	Per Car	Models
S2-			HEADLAMPS (CONT'D)		
		BO 170048	Screw-wire conduit retainer	#8 x 3/8" SM	4 1940 All
		BO 71665	Screw-headlamp ground terminal	8-32 x 5/16"	2 All exc 10C Del
		BO 12790	Nut-headlamp ground terminal screw	8-32 x 1/8"	2 All exc 10C Del
		BO 170167	Lockwasher-headlamp ground terminal screw	#8	2 All exc 10C Del
S3-			COURTESY LAMPS		
		BO 203166	Support-courtesy lamp socket		2 21-22-24-27 Sed
		BO 203169	Support-courtesy lamp socket		2 21-22-24-25 exc Sed-Sta
		BO 164034	Socket assembly-courtesy lamp		2 21 exc Sta,22,24,25,27
		BO 160490	Washer-courtesy lamp socket terminal		2 21 exc Sta,22,24,25,27
		BO 160492	Insulating washer-courtesy lamp socket		2 21 exc Sta,22,24,25,27
		BO 109807	Spring-courtesy lamp socket washer		2 21 exc Sta,22,24,25,27
		BO 204618	Lens-courtesy lamp		2 21 exc Sta,22,24,25,27
		BO 170544	Screw-courtesy lamp lens		2-4 21 exc Sta,22,24,25,27
		BO 165028	Plunger switch-courtesy lamp	Door. hinge	2-4 21 exc Sta,22,24,25,27
		BO 170553	Nut-courtesy lamp switch		2-4 21 exc Sta,22,24,25,27
		BO 170391	Lockwasher-courtesy lamp switch		2-4 21 exc Sta,22,24,25,27
		BO 203167	Bracket-courtesy lamp switch	Front	2 21 exc Sta,22,24,25,27
		BO 170696	Bolt-courtesy lamp switch bracket	1/4"-20 x 1/2"	2 21 exc Sta,22,24,25,27
		BZ 70874	Nut-courtesy lamp switch bracket bolt		2 21 exc Sta,22,24,25,27
		BO 164778	Wire assembly-connector to courtesy lamp		2 21-22-24-25 2Sed-3 Cpe-Club Cpe
		BO 164781	Wire assembly-connector to courtesy lamp		2 21-22-24-27 Sed
		BO 164142	Wire assembly-connector to courtesy lamp-RH		1 21-22-24 CvSed
		BO 164144	Wire assembly-connector to courtesy lamp-LH		1 21-22-24 CvSed
S4-			FENDER LAMPS		
			NOTE: Parts marked † discontinued in production Jan. 15, 1942. Parts marked †† used after Jan. 15, 1942, starting car No. 37067. See introduction.		
			Fender lamps standard on Models 12-14-15-17-22-24-25-27, and optional on 10-11-18-20-21-28.		
		HA 201063	Fender lamp kit	Service	1 10 exc Del,11,18
		HA 204520	Fender lamp kit	Service	1 20,21,28
1	35	BO 148648	Fender lamp assembly-RH-with DI	1st type-21 CP	1 1941 All exc 10C Del
1	35	BO 148649	Fender lamp assembly-LH-with DI	1st type-21 CP	1 1941 All exc 10C Del
1	35	BO 148652	Fender lamp assembly-RH-without DI	1st type-3 CP	1 1941 All exc 10C Del
1	35	BO 148653	Fender lamp assembly-LH-without DI	1st type-3 CP	1 1941 All exc 10C Del
1	35	BO 201048	Fender lamp assembly-RH-with DI	2nd type-21 CP	1 1941 All exc 10C Del
1	35	BO 201049	Fender lamp assembly-LH-with DI	2nd type-21 CP	1 1941 All exc 10C Del
1	35	BO 201052	Fender lamp assembly-RH-without DI 2nd	2nd type-3 CP	1 1941 All exc 10C Del
1	35	BO 201053	Fender lamp assembly-LH-without DI	2nd type-3 CP	1 1941 All exc 10C Del
			NOTE: Parts marked † discontinued in production Jan. 15, 1942. Parts marked †† used after Jan. 15, 1942, starting car No. 37067. See introduction.		
1	35		Fender lamps standard on Models 12-14-15-17-22-24-25-27, and optional on 10-11-18-20-21-28.		1
1	35				1
1	35				1 1942 All
1	35				1 1942 All
1	35	BO 204514	Fender lamp assembly-RH-with DI †	Chrome	1 1942 All
1	35	BO 204515	Fender lamp assembly-LH-with DI †	Chrome	1 1942 All
1	35	BO 205902	Fender lamp assembly-RH-with DI ††	Painted	1 1942 All
2	35	BO 205903	Fender lamp assembly-LH-with DI ††	Painted	1 1942 All
2	35	BO 204510	Fender lamp assembly-RH-without DI †	Chrome	1 1942 All
2	35	BO 204511	Fender lamp assembly-LH-without DI †	Chrome	1 1942 All
2	35	BO 205906	Fender lamp assembly-RH-without DI ††	Painted	1
2	35	BO 205907	Fender lamp assembly-LH-without DI ††	Painted	1 1941 All exc Del
2	35			1st type	1 1941 All exc Del
2	35	BO 148666	Housing-fender lamp-RH	1st type	1 1941 All exc Del
2	35	BO 148667	Housing-fender lamp-LH	2nd type	1 1941 All exc Del
3	35	BO 201060	Housing-fender lamp-RH	2nd type	1 1942 All
3	35	BO 201061	Housing-fender lamp-LH	Chrome	1 1942 All
3	35	BO 201060	Housing-fender lamp-RH †	Chrome	1 1942 All
3	35	BO 201061	Housing-fender lamp-LH †	Painted	1 1942 All
3	35	BO 205910	Housing-fender lamp-RH ††	Painted	1 1941 All exc Del
3	35	BO 205911	Housing-fender lamp-LH ††	1st type	1 1941 All exc Del
3	35	BO 148656	Base, socket, and wires assembly-RH	1st type	1 1941 All exc Del
		BO 148657	Base, socket, and wires assembly-LH	2nd type	1 1941 All exc Del
		BO 201056	Base, socket, and wires assembly-RH	2nd type	1 1942 All
		BO 201057	Base, socket, and wires assembly-LH		1 1942 All
		BO 204518	Base, socket, and wires assembly-RH		1 1941 All exc Del
		BO 204519	Base, socket, and wires assembly-LH	1st type	
		BO 148664	Base and socket assembly-RH		

Group & Illus. No.	Plate No.	Part No.	NAME	Per Car	Models	
S4-			FENDER LAMPS (CONT'D)			
3	35	BO 148665	Base and socket assembly-LH	1st type	1	1941 All exc Del
3	35	BO 201064	Base and socket assembly-RH	2nd type	1	1941 All exc Del
3	35	BO 201065	Base and socket assembly-LH	2nd type	1	1941 All exc Del
3	35	BO 204534	Base and socket assembly-RH		1	1942 All
3	35	BO 204535	Base and socket assembly-LH		1	1942 All
4	35	BO 148668	Wire-fender lamp-RH		1	1941 exc Del
4	35	BO 148669	Wire-fender lamp-LH		1	1941 exc Del
4	35	BO 204536	Wire-fender lamp-RH		1	1942 All
4	35	BO 204537	Wire-fender lamp-LH		1	1942 All
		BO 170406	Terminal-fender lamp wire	Bullet type	2	1941-1942 All exc 10C Del
		BO 170118	Terminal-fender lamp wire	Spade type	2	1941-1942 All exc 10C Del
		BO 170558	Screw-fender lamp housing	1st type	2	1941 All exc Del
		BO 201062	Screw-fender lamp housing	2nd type	2	1941-1942 All exc 10C Del
5	35	BO 148658	Lens-fender lamp		2	1941-1942 All exc 10C Del
		BO 148659	Gasket-fender lamp lens	Rear	2	1941-1942 All exc 10C Del
		BO 148660	Gasket-fender lamp lens	Lower	2	1941-1942 All exc 10C Del
		BO 170531	Bulb-fender lamp-with DI	SC,21CP,#1129	2	1941 All exc Del
		BO 70900	Bulb-fender lamp-with DI	DC,21-3CP,#1158	2	1942 All
		BO 18100	Bulb-fender lamp-without DI	SC,3CP,#63	2	1941-1942 All exc 10C Del
		BO 148661	Pad-fender lamp		2	1941-1942 All exc 10C Del
		BO 170367	Screw-fender lamp to fender	10-32 x 1/2"	4	1941-1942 All exc 10C Del
		BZ 96014	Cup washer-fender lamp screw		4	1941-1942 All exc 10C Del
10	32	BO 148670	Ornament-fender lamp	Chrome	2	1941-1942 All exc 10C Del
10	32	BO 205901	Ornament-fender lamp tt	Painted	2	1942 All
		BO 18447	Screw-fender lamp ornament	10-32 x 5/8"	6	1941-1942 All exc 10C Del
		BZ 96014	Cup washer-fender lamp ornament screw		6	1941-1942 All exc 10C Del
S5-			TAIL AND STOP LAMP			
1	34	BO 128218	Tail lamp assembly-RH	1st type-on qr panel	1	40T 2Sed-Sed,40C UCo
1	34	BO 128219	Tail lamp assembly-LH	1st type-on qr panel	1	40T 2Sed-Sed,40C UCo
2	34	BO 141770	Tail lamp assembly-RH-after car 32410	On fender	1	40T 2Sed-Sed,40C UCo
2	34	BO 141771	Tail lamp assembly-LH-after car 32410	On fender	1	40T 2Sed-Sed,40C UCo
2	34	BO 141770	Tail lamp assembly-RH	On fender	1	40P-41-44-45 2Sed-Sed, 43,47,48P
2	34	BO 141771	Tail lamp assembly-LH	On fender	1	40P-41-44-45 2Sed-Sed, 43,47,48P
2	34	BO 141772	Tail lamp assembly-RH	On fender	1	1940 3Cpe-VicCpe- CvCpe-CvSed
2	34	BO 141773	Tail lamp assembly-LH	On fender	1	1940 3Cpe-VicCpe- CvCpe-CvSed
3	34	BO 130511	Tail lamp assembly		1	1940 UCpe
4	34	BO 120777	Tail lamp assembly-to car 59080		1	1940 Cab-CabPu-Panel
4	34	BO 144730	Tail lamp assembly-after car 59080		1	1940 Cab-CabPu-Panel
5	35	BO 148250	Tail lamp assembly-RH		1	10-11 2Sed-Sed,10 UCo, 18P
5	35	BO 148251	Tail lamp assembly-LH		1	10-11 2Sed-Sed,10 UCo, 18P
5	35	BO 148254	Tail lamp assembly-RH		1	10-11 3Cpe-ClubCpe-CvSed, 10 UCpe
5	35	BO 148255	Tail lamp assembly-LH		1	10-11 3Cpe-ClubCpe-CvSed, 10 UCpe
6	35	BO 148260	Tail lamp assembly-RH		1	12-14 2Sed-Sed,17
6	35	BO 148261	Tail lamp assembly-LH		1	12-14 2Sed-Sed,17
6	35	BO 148264	Tail lamp assembly-RH		1	12-14 3Cpe-ClubCpe,CvSed,15
6	35	BO 148265	Tail lamp assembly-LH		1	12-14 3Cpe-ClubCpe,CvSed,15
7	35	BO 144730	Tail lamp assembly		1	1941 Cab-CabPu
8	35	BO 200925	Tail lamp assembly		1	1941 Station
		BO 201155	Tail lamp assembly		1	10C Del
			NOTE: Parts marked † discontinued In product ion Jan. 15, 1942. Parts marked †† used after Jan. 15, 1942, start ing car No. 37067. See introduction.			
		BO 205600	Tail lamp assembly-RH †	Chrome	1	20-21 2Sed-Sed,20 UCo
		BO 205601	Tail lamp assembly-LH †	Chrome	1	20-21 2Sed-Sed,20 UCo
		BO 205912	Tail lamp assembly-RH ††		1	20-21 2Sed-Sed,20 UCo
		BO 205913	Tail lamp assembly-LH ††		1	20-21 2Sed-Sed,20 UCo
		BO 205604	Tail lamp assembly-RH †	Chrome	1	20-21 Cpes-CvSed, 20 UCpe
		BO 205605	Tail lamp assembly-LH †	Chrome	1	20-21 Cpes-CvSed, 20 UCpe
		BO 205916	Tail lamp assembly-RH ††		1	20-21 Cpes-CvSed, 20 UCpe
		BO 205917	Tail lamp assembly-LH ††		1	20-21 Cpes-CvSed, 20 UCpe
		BO 205610	Tail lamp assembly-RH †	Chrome	1	22-24 2Sed-Sed,27
		BO 205611	Tail lamp assembly-LH †	Chrome	1	22-24 2Sed-Sed,27
		BO 205920	Tail lamp assembly-RH ††		1	22-24 2Sed-Sed,27
		BO 205921	Tail lamp assembly-LH ††		1	22-24 2Sed-Sed,27

Group & Illus. No.	Plate No.	Part No.	NAME	Per Car	Models		
TAIL AND STOP LAMP (CONT'D)							
S5-		BO 205614	Tail lamp assembly-RH †	Chrome	1	22-24-25 Cpes-CvSed	
		BO 205615	Tail lamp assembly-LH †	Chrome	1	22-24-25 Cpes-CvSed	
		BO 205924	Tail lamp assembly-RH ††		1	22-24-25 Cpes-CvSed	
		BO 205925	Tail lamp assembly-LH ††		1	22-24-25 Cpes-CvSed	
		BO 144730	Tail lamp assembly †	Chrome	1	1942 Cab-CabPu	
		BO 206066	Tail lamp assembly ††		1	1942 Cab-CabPu	
		BO 200925	Tail lamp assembly †	Chrome	1	1942 Station	
		BO 206068	Tail lamp assembly ††		1	1942 Station	
		BO 142584	Housing assembly-tail lamp-RH	2nd type-on fender	1	40T 2Sed-Sed,40 UCo	
		BO 142585	Housing assembly-tail lamp-LH	2nd type-on fender	1	40T 2Sed-Sed,40 UCo	
		BO 142584	Housing assembly-tail lamp-RH		1	40P-41-44-45 2Sed-Sed,43,47,48P	
		BO 142585	Housing assembly-tail lamp-LH		1	40P-41-44-45 2Sed-Sed,43,37,48P	
		BO 142590	Housing assembly-tail lamp-RH		1	1940 3Cpe-ClubCpe-CvCpe-CvSed	
		BO 142591	Housing assembly-tail lamp-LH		1	1940 3Cpe-ClubCpe-CvCpe-CvSed	
	11	34	BO 123553	Housing assembly-tail lamp		1	1940 UCpe
	12	34	BO 121647	Housing assembly-tail lamp	To car 59080	1	1940 Cab-CabPu-Panel
	12	34	BO 144732	Housing assembly-tail lamp	After car 59080	1	1940 Cab-CabPu-Panel
	12	35	BO 144732	Housing assembly-tail lamp		1	1941-1942 Cab-CabPu, 10C Del
	13	35	BO 200929	Housing assembly-tail lamp		1	1941-1942 Station
			BO 129106	Base plate assembly-tail lamp-RH	1st type-qr panel	1	40T 2Sed-Sed,40 UCo
			BO 129107	Base plate assembly-tail lamp-LH	1st type-qr panel	1	40T 2Sed-Sed,40 UCo
			BO 148580	Base, socket, and wires assembly-tail lamp-RH		1	10-11 2Sed-Sed,10 UCo,18P
			BO 148581	Base, socket, and wires assembly-tail lamp-LH		1	10-11 2Sed-Sed,10 UCo,18P
			BO 148582	Base, socket, and wires assembly-tail lamp-RH		1	10-11 Cpes-CvSed,10 UCpe
			BO 148583	Base, socket, and wires assembly-tail lamp-LH		1	10-11 Cpes-CvSed,10 UCpe
			BO 148584	Base, socket, and wires assembly-tail lamp-RH		1	12-14 2Sed-Sed,17
			BO 148585	Base, socket, and wires assembly-tail lamp-LH		1	12-14 2Sed-Sed,17
			BO 148586	Base, socket, and wires assembly-tail lamp-RH		1	12-14 Cpes-CvSed,15
			BO 148587	Base, socket, and wires assembly-tail lamp-LH		1	12-14 Cpes-CvSed,15
			BO 148576	Base and socket assembly-tail lamp-RH		1	10-11-18 exe-Cab-CabPu-Sta-Del
			BO 148577	Base and socket assembly-tail lamp-LH		1	10-11-18-exc Cab-CabPu-Sta-Del
			BO 148578	Base and socket assembly-tail lamp-RH		1	12,14 exc Sta,15,17
			BO 148579	Base and socket assembly-tail lamp-LH		1	12,14, exc Sta,15,17
			BO 148611	Socket assembly-tail lamp		2	1941 All exc Cab-CabPu-Sta-Del
	14	35	BO 205624	Base plate assembly-outer-RH tail lamp-less wires		1	20T,20P,21 exc Sta
	14	35	BO 205625	Base plate assembly-outer-LH tail lamp-less wires		1	20T,20P,21 exc Sta
	15	35	BO 205626	Base plate assembly-inner-RH tail lamp		1	20T,20P,21 exc Sta
15	35	BO 205627	Base plate assembly-inner-LH tail lamp		1	201,20P,21 exc Sta	
16	35	BO 205636	Base plate assembly-upper-RH tail lamp-less wires		1	22,24,25,27	
16	35	BO 205637	Base plate assembly-upper-LH tail lamp-less wires		1	22,24,25,27	
17	35	BO 205638	Base plate assembly-lower-RH tail lamp		1	22,24,25,27	
17	35	BO 205639	Base plate assembly-lower-LH tail lamp		1	22,24,25,27	
		BO 170634	Screw-base plate retainer	#6-22 x 1/411 SM	4	1942 2Sed-Sed-Cpes-CvSed	
18	35	BO 206027	Socket and bracket assembly		2	1942 2Sed-Sed-Cpes-CvSed	
19	34	BO 129053	Bezel-tail lamp lens	1st type-qr panel	2	40T 2Sed-Sed, 40C UCo	
20	34	BO 142588	Bezel-tail lamp lens-RH	2nd type-fender	1	40T 2Sed-Sed, 40C UCo	
20	34	BO 142589	Bezel-tail lamp lens-LH	2nd type-fender	1	40T 2Sed-Sed, 40C UCo	
20	34	BD 142588	Bezel-tail lamp lens-RH		1	40P-41-44-45 2Sed-Sed, 43,41	
20	34	BO 142589	Bezel-tail lamp lens-LH		1	40P-41-44-45 2Sed-Sed, 43,41	
20	34	BO 142594	Bezel-tail lamp lens-RH		1	1940 Cpes-Cvtbles	
20	34	BO 142595	Bezel-tail lamp lens-LH		1	1940 Cpes-Cvtbles	
NOTE: 1941 bezels are 1st and 2nd type with same part numbers. 1st type has tapped holes for 148298 machine screw; 2nd type has cored holes							
21	35	BO 148286	Bezel-tail lamp lens-RH	See note above	1	10-11 2Sed-Sed, 10 UCo, 18P	
21	35	BO 148287	Bezel-tail lamp lens-LH	See note above	1	10-11 2Sed-Sed, 10 UCo, 18P	
21	35	BO 148288	Bezel-tail lamp lens-RH	See note above	1	10-11 Cpes-CvSed,10 UCpe	
21	35	BO 148289	Bezel-tail lamp lens-LH	See note above	1	10-11 Cpes-CvSed,10 UCpe	
22	35	BO 148292	Bezel-tail lamp lens-RH	See note above	1	12-14 2Sed-Sed, 17	
22	35	BO 148293	Bezel-tail lamp lens-LH	See note above	1	12-14 2Sed-Sed, 17	
22	35	BO 148294	Bezel-tail lamp lens-RH	See note above	1	12-14 Cpes-CvSed, 15	
22	35	BO 148295	Bezel-tail lamp lens-LH	See note above	1	12-14 Cpes-CvSed, 15	
23	35	BO 205622	Bezel-tail lamp-RH ††	Chrome	1	20T,20P,21 exc Sta	

Group & Illus. No.	Plate No.	Part No.	NAME	Per Car	Models
SS-			TAIL AND STOP LAMP (CONT'D)		
23	35	BO 205623	Bezel-tail lamp-LH † Chrome	1	20T,20P,21 exc Sta
23	35	BO 206028	Bezel-tail lamp-RH ††	1	20T,20P,21 exc Sta
23	35	BO 206029	Bezel-tail lamp-LH ††	1	20T,20P,21 exc Sta
24	35	BO 205634	Bezel-tail lamp-RH †	1	22,24,25,27
24	35	BO 205635	Bezel-tail lamp-LH † Chrome	1	22,24,25,27
24	35	BO 206056	Bezel-tail lamp-RH †† Chrome	1	22,24,25,27
24	35	BO 206057	Bezel-tail lamp-LH ††	1	22,24,25,27
		BO 170390	Screw-tail lamp bezel 6-32 x 1/2"	6	1940 All exc Cab-CabPu-Panel
		BO 148298	Screw-tail lamp bezel-1st type 6-32 x 1/4"	8	1941 All exc Cab-CabPu-Sta-Del
		BO 170634	Screw-tail lamp bezel-2nd type 6-22 x 1/4" SM	8	1941 All exc Cab-CabPu-Sta-Del
		BO 148299	Stud-tail lamp bezel	8	1941 All exc Cab-CabPu-Sta-Del
25	34	BO 121648	Door and lens assembly-tail lamp	1	1940 UCpe
26	34	BO 121648	Door and lens assembly-tail lamp	1	1940 Cab-CabPu-Panel
		BO 144736	Rim-tail lamp lens After car 59080	1	1940 Cab-CabPu-Panel
27	35	BO 144736	Rim-tail lamp lens † Nickel	1	1941-1942 Cab-CabPu-Sta,10C Del
		BO 206059	Rim-tail lamp lens ††	1	1942 Cab-CabPu-Sta
		BO 170316	Screw-tail lamp door To car 59080	2	1940 Cab-CabPu-Panel
28	34	BO 129054	Lens-tail lamp-RH 1st type-qr panel	1	40T 2Sed-Sed, 40 UCo
28	34	BO 129055	Lens-tail lamp-LH 1st type-qr panel	1	40T 2Sed-Sed, 40 UCo
29	34	BO 14258	Lens-tail lamp-RH 2nd type-fender	1	40T 2Sed-Sed, 40 UCo
29	34	BO 14258	Lens-tail lamp-LH 2nd type-fender	1	40T 2Sed-Sed, 40 UCo
29	34	BO 142586	Lens-tail lamp-RH	1	40P-41-44-45 2Sed,43,47,48P
29	34	BO 142587	Lens-tail lamp-LH	1	40P-41-44-45 2Sed,43,47,48P
29	34	BO 142592	Lens-tail lamp-RH	1	1940 Cpes-Cvtbles
29	34	BO 142593	Lens-tail lamp-LH	1	1940 Cpes-Cvtbles
		BO 144735	Lens-tail lamp After car 59080	1	1940 Cab-CabPu-Panel
30	35	BO 148270	Lens-tail lamp-RH	1	10-11-18 exc Cab-CabPu-Sta-Del
30	35	BO 148271	Lens-tail lamp-LH	1	10-11-18 exc Cab-CabPu-Sta-Del
31	35	BO 148278	Lens-tail lamp-RH	1	12,14 exc Sta, 15,17
31	35	BO 148279	Lens-tail lamp-LB	1	12,14 exc Sta, 15,17
32	35	BO 205620	Lens-tail lamp-RH	1	20T,20P,21 exc Sta
32	35	BO 205621	Lens-tail lamp-LH	1	201,20P,21 exc Sta
33	35	BO 205632	Lens-tail lamp-RH	1	22,24,25,27
33	35	BO 205633	Lens-tail lamp-LH	1	22,24,25,27
		BO 144735	Lens-tail lamp	1	1941-1942 Cab-CabPu-Sta,10C Del
		BO 144737	Spring-tail lamp lens retainer After car 59080	1	1940 Cab-CabPu-Panel
		BO 144737	Spring-tail lamp lens retainer	1	1941-1942 Cab-CabPu-Sta,10C Del
		BO 70924	Screw-tail lamp lens retainer	1	Cab,CabPu,Panel,Sta,Del
		BO 129052	Gasket-tail lamp lens 1st type-qr panel	2	40T 2Sed-Sed, 40 UCo
		BO 142596	Gasket-tail lamp lens-RH 2nd type-fender	1	40T 2Sed-Sed, 40 UCo
		BO 142597	Gasket-tail lamp lens-LH 2nd type-fender	1	40T 2Sed-Sed, 40 UCo
		BO 142596	Gasket-tail lamp lens-RH	1	40T exc 2Sed-Sed,40P,41,43,44, 45,47,48P
		BO 142597	Gasket-tail lamp lens-LH	1	40T exc 2Sed-Sed,40P,41,43,44, 45,47,48P
		BO 148272	Gasket-tail lamp lens-RH	1	10-11-18 exc Cab-CabPu-Sta-Del
		BO 148273	Gasket-tail lamp lens-LH	1	10-11-18 exc Cab-CabPu-Sta-Del
		BO 148280	Gasket-tail lamp lens-RH	1	12,14 exc Sta,15,17
		BO 148281	Gasket-tail lamp lens-LH	1	12,14 exc Sta,15,17
35	35	BO 205628	Gasket-tail lamp lens	2	20T,20P,21 exc Sta
36	35	BO 205640	Gasket-tail lamp lens	2	22,24,25,27
37	34	BO 121666	License lens-tail lamp	1	1940 UCpe
38	34	BO 121666	License lens-tail lamp To car 59080	1	1940 Cab-CabPu-Panel
39	35	BO 144738	License lens-tail lamp After car 59080	1	1940 Cab-CabPu-Panel
		BO 144738	License lens-tail lamp	1	1941-1942 Cab-CabPu-Sta,10C Del
		BO 121667	Gasket-tail lamp license lens	1	1940 UCpe
		BO 121667	Gasket-tail lamp license lens To car 59080	1	1940 Cab-CabPu-Panel
		BO 144739	Gasket-tail lamp license lens After car 59080	1	1940 Cab-CabPu-Panel
		BO 144739	Gasket-tail lamp license lens	1	1941-1942 Cab-CabPu-Sta,10C Del
		BO 144740	Clip-tail lamp license lens After car 59080	2	1940 Cab-CabPu-Panel
		BO 144740	Clip-tail lamp license lens	2	1941-1942 Cab-CabPu-Sta,10C Del
		BO 70924	Screw-tail lamp license lens clip After car 59080	2	1940 Cab-CabPu-Panel
		BO 70924	Screw-tail lamp license lens clip	2	1941-1942 Cab-CabPu-Sta,10C Del
		BO 134336	Pad-tail lamp 1st type-qr panel	2	40T 2Sed-Sed, 40 UCo
		BO 142243	Pad-tail lamp 2nd type-fender	2	40T 2Sed-Sed, 40 UCo
		BO 142243	Pad-tail lamp	2	40P-41-44-45 2Sed-Sed,43,47,48P
		BO 142299	Pad-tail lamp	2	1940 Cpes-Cvtbles
		BO 130641	Pad-tail lamp	1	1940 UCpe
		BO 148274	Pad-tail lamp	2	10-11 2Sed-Sed, 10 UCo, 18
		BO 148276	Pad-tail lamp	2	10-11 Cpes-CvSed
		BO 148282	Pad-tail lamp	2	12-14 2Sed-Sed, 17
		BO 148284	Pad-tail lamp	2	12-14 Cpes-CvSed, 15

Group & Illus. No.	Plate No.	Part No.	NAME	Per Car	Models
S5-			TAIL AND STOP LAMP (CONT'D)		
40	35	BO 205630	Pad-tail lamp	2	20-21 2Sed-Sed, 20 UCo
40	35	BO 205642	Pad-tail lamp	2	20-21 Cpes-CvSed, 20 UCpe
41	35	BO 205631	Pad-tail lamp	2	22-24 2Sed-Sed, 27
41	35	BO 205643	Pad-tail lamp	2	22-24 Cpes-CvSed, 25
		BO 141762	Ornament-tail RH	1	43,45,47
		BO 141763	Ornament-tail lamp LH	1	43,45,47
		BO 170427	Speed nut-tail lamp ornament	8	43,45,47
		BM 70874	Nut-tail lamp stud	6	40T 2Sed-Sed, 40 UCo
		BM 7525	Nut-tail lamp stud	6	All pass cars
		BZ 70874	Nut-tail lamp stud	2	Cab,CabPu,Panel,Sta,Del
		BO 170144	Lockwasher-tail lamp stud	6	40T 2Sed-Sed, 40 UCo
		BO 170188	Lockwasher-tail lamp stud	8	All pass cars
		BO 71730	Lockwasher-tail lamp stud	2	Cab,CabPu,Panel,Sta,Del
		BO 130640	Bracket-tail lamp	1	1940 UCpe
		BO 9159	Bolt-tail lamp to bracket	2	1940 UCpe
		BM 70484	Bolt-tail lamp bracket to fender	1	1940 UCpe
		BO 9159	Bolt-tail lamp bracket to fender	1	1940 UCpe
42	34	BO 129051	Wire assembly-tail lamp	2	40T 2Sed-Sed, 40 UCo
43	34	BO 136239	Wire assembly-tail lamp	2	40T 2Sed-Sed, 40 UCo
43	34	BO 136239	Wire assembly-tail lamp	2	40T exc 2Sed-Sed,40P,41,43,44, 45,47,48P
44	34	BO 130513	Wire assembly-tail lamp	1	1940 UCpe
45	34	BO 121649	Wire assembly-tail lamp	1	1940 Cab-CabPu-Panel
		BO 144734	Wire assembly-tail lamp	1	1940 Cab-CabPu-Panel
			To car 59080		
			After car 59080		
46	35	BO 148262	Wire assembly-tail lamp	2	1941-1942 2Sed-Sed-UCo,18P CA
46	35	BO 148263	Wire assembly-tail lamp	2	1941-1942 Cpes-CvSed
47	35	BO 144734	Wire assembly-tail lamp	1	1941-1942 Cab-CabPu,10C Del
48	35	BO 200927	Wire assembly-tail lamp	1	1941-1942 Station
		BO 170088	Terminal-tail lamp wire	AR	40T 2Sed-Sed, 40 UCo-UCpe
		BO 170406	Terminal-tail lamp wire	AR	1940 All exc UCpe,1941-1942 Cab-CabPu-Sta
		BO 148302	Terminal-tail lamp wire-socket end	2	1941-1942 All pass cars
		BO 71552	Grommet-tail lamp wire	1	1940 Panel
		BO 18342	Screw-tail lamp ground	1	1941-1942 Station
		BO 71073	Nut-tail lamp grounding screw	1	1941-1942 Station
		BO 170363	Bulb-tail lamp	2	All pass cars
		BO 70900	Bulb-tail lamp	1	Cab,CabPu,Panel,Sta,Del
S6-			REAR LICENSE LAMP		
			NOTE: 1st type lamps (1939 type) used on 40T 2Sed-Sed and 40 UCo without trunk, to car 25105. 2nd type used on these models after car 25105 exc		
1	48	BO 141774	License lamp assembly-2nd type	1	40T 2Sed-Sed, 40C UCo
		BO 141774	License lamp assembly	1	40P-41-44-45 2Sed-Sed,43,47,48P
		BO 141775	License lamp assembly	1	1940 3Cpe-VicCpe-CvCpe-CvSed
		BO 148350	License lamp assembly †	1	1941-1942 exc Cab-CabPu-Sta-Del
		BO 205723	License lamp assembly ††	1	1942 exc Cab-CabPu-Sta
		BO 134875	Housing-license lamp-1st type	1	40T 2Sed-Sed, 40 UCo
		BO 142598	Housing-license lamp-2nd type	1	40T 2Sed-Sed, 40 UCo
		BO 142598	Housing-license lamp	1	40P-41-44-45 2Sed-Sed,43,47,48P
		BO 134876	Housing-license lamp	1	1940 2Sed-Sed-UCo-CA
		BO 142603	Housing-license lamp	1	1940 3Cpe-VicCpe-CvCpe-CvSed
		BO 148351	Housing-license lamp †	1	1941-1942 exc Cab-CabPu-Sta-Del
		BO 205711	Housing-license lamp ††	1	1942 exc Cab-CabPu-Sta
		BO 134959	Gasket-license lamp housing-1st type	1	40T 2Sed-Sed, 40 UCo
		BO 141780	Seal-license lamp housing-2nd type	1	40T 2Sed-Sed, 40 UCo
		BO 141780	Seal-license lamp housing	1	40P-41-44-45 2Sed-Sed, 43,47,48P
		BO 134958	Gasket-license lamp housing	1	1940 2Sed-Sed-UCo-CA
		BO 142609	Gasket-license lamp housing	1	1940 3Cpe-VicCpe-CvCpe-CvSed
		BO 148356	Gasket-license lamp housing	1	1941-1942 All pass cars
		BO 136130	Key hole lens-license lamp-1st type	1	40T 2Sed-Sed, 40 UCo
		BO 136128	Lens-license lamp-1st type	1	40T 2Sed-Sed, 40 UCo
		BO 142600	Lens-license lamp-2nd type	1	40T 2Sed-Sed, 40 UCo
		BO 142600	Lens-license lamp	1	40P-41-44-45 2Sed-Sed,43,47,48P
		BO 136128	Lens-license lamp	1	1940 2Sed-Sed-UCo-CA
		BO 142605	Lens-license lamp	1	1940 3Cpe-VicCpe-CvCpe-CvSed
		BO 148352	Lens-license lamp	1	1941-1942 All pass cars
		BO 136129	Gasket-license lamp lens-1st type	1	40T 2Sed-Sed, 40 UCo
		BO 142601	Gasket-license lamp lens-2nd type	1	40T 2Sed-Sed, 40 UCo

Group & Illus. No.	Plate No.	Part No.	NAME	Per Car	Models		
S6-			REAR LICENSE LAMP (CONT'D)				
		BO 142601	Gasket-license lamp lens	Without trunk	1	40P-41-44-45 2Sed-Sed,43,47,	
		BO 136129	Gasket-license lamp lens	With trunk	1	1940 2Sed-Sed-UCo-CA	
		BO 142606	Gasket-license lamp lens		1	1940 3Cpe-VicCpe-CvCpe-CvSed	
		BO 148353	Gasket-license lamp lens		1	1941-1942 All pass cars	
		BO 142602	Retainer spring-license lamp lens-2nd type		1	40T 2Sed-Sed, 40 UCo	
		BO 142602	Retainer spring-license lamp lens	Without trunk	1	40P-41-44-45 2Sed-Sed,43,47,	
		BO 142607	Retainer clip-license lamp lens	Without trunk	2	1940 3Cpe-VicCpe-CvCpe-CvSed	
		BO 148354	Retainer-license lamp lens		1	1941-1942 All pass cars	
		BO 170408	Screw-license lamp lens retaining clip	Front	1	1940 3Cpe-VicCpe-CvCpe-CvSed	
		BO 170394	Screw-license lamp lens retaining clip	Rear	1	1940 3Cpe-VicCpe-CvSed	
		BO 148355	Screw-license lamp lens retainer		1	1941-1942 All pass cars	
		BO 142599	Base plate-license lamp-2nd type	Without trunk	1	40T 2Sed-Sed, 40 UCo	
		BO 142599	Base plate-license lamp	Without trunk	1	40P-41-44-45 2Sed-Sed,43,47,,	
		BO 142604	Base plate-license lamp		1	1940 3Cpe-VicCpe-CvCpe-CvSed	
		BZ 12488	Screw-license lamp base plate	8-32 x 7/16"	2	1940 2Sed-Sed-UCo-CA	
		BO 170393	Screw-license lamp base plate	6-32 x 5/16"	2	1940 3Cpe-VicCpe-CvCpe-CvSed	
		BO 158179	Wires and socket assembly-license lamp		1	1940 2Sed-Sed-UCo-CA	
		BO 160435	Wires and socket assembly-license lamp		1	1940 3Cpe-VicCpe-CvCpe-CvSed	
		BO 163155	Wires and socket assembly-license lamp	73" long	1	1941-1942 2Sed-Sed-UCo-CA	
		BO 163157	Wires and socket assembly-license lamp	86" long	1	1941-1942 3Cpe-ClubCpe-UCpe	
		BO 163199	Wires and socket assembly-license lamp	79" long	1	1941-1942 CvSed	
		BO 158176	Socket assembly-license lamp		1	1940 2Sed-Sed-UCo-CA	
		BO 160484	Socket assembly-license lamp		1	1940 3Cpe-VicCpe-CvCpe-CvSed	
		BO 161969	Socket assembly-license lamp		1	1941-1942 All pass cars	
		BO 158084	Washer-license lamp socket terminal		1	All pass cars	
		BO 158085	Spring-license lamp socket terminal washer		1	1940-1941 All pass cars	
		BO 109807	Spring-license lamp socket terminal washer		1	1942 All pass cars	
	S7-		BM 70484	Bolt-license lamp	1/4"-20 x 7/16"	4	1940 2Sed-Sed-UCo-CA
			BO 170583	Bolt-license lamp-with trunk	3/8"-16 x 2-5/8"	1	1940 2Sed-Sed-UCo-CA
			BO 170392	Bolt-license lamp	5/16"-18 x 1/2"	2	1940 Cpes-Cvtbles
			BO 9159	Bolt-license lamp	1/4"-20 x 5/8"	3	1941 All pass cars
			BO 71631	Bolt-license lamp	1/4"-20 x 1/2"	3	1942 All pass cars
			BO 71073	Nut-license lamp bolt-with trunk		1	1940 2Sed-Sed-UCo-CA
			BO 142608	Mounting clip-license lamp		1	1940 Cpes-Cvtbles
			BO 134968	Seal washer-license lamp	1-1/4" x 15/32" x 1/16"	4	1940 2Sed-Sed-UCo-CA
			BO 136109	Seal washer-outer-license lamp		2	1940 2Sed-Sed-UCo-CA
			BO 134967	Seal washer-license lamp	3/16" x 7/8" x 1/16"	1	1940 2Sed-Sed-UCo-CA
			BT 71521	Plain washer-license lamp	1/2" x 1-1/4" x 5/64"	AR	1940 2Sed-Sed-UCo-CA
			BO 102069	Cup washer-license lamp		3	1941-1942 All pass cars
					REAR LICENSE PLATE BRACKET		
			BZ 134868	License plate bracket assembly-1st type	Without trunk	1	40T 2Sed-Sed, 40 UCo
		BZ 140869	License plate bracket assembly-2nd type	Without trunk	1	40T 2Sed-Sed, 40 UCo	
		BZ 140869	License plate bracket assembly	Without trunk	1	40P-41-44-45 2Sed-Sed,43,47,,	
		BO 140559	License plate bracket assembly		1	1940 3Cpe-VicCpe-CvCpe-CvSed	
		BZ 134868	License plate bracket assembly	With trunk	1	1940 2Sed-Sed-UCo-CA	
		BZ 112774	License plate bracket assembly		1	1940 UCpe, All Cabs	
		BZ 129410	License plate bracket assembly		1	All CabPu, 1941-1942 Sta	
		BZ 128303	License plate bracket assembly		1	1940 Panel	
		BZ 147864	License plate bracket assembly		1	10T,10P,10UCo-UCpe,11,18P	
		BZ 204545	License plate bracket assembly	Includes name plate	1	20T,20P,21 exc Sta	
		BZ 147869	License plate bracket assembly		1	12,14,15,17,22,24,25,27	
		80 204543	Name plate (HUDSON)-included in 204545 assembly		1	20,21	
		BO 70004	Rivet-license plate bracket to ornament	3/16" x 1/2"	2	1940 2Sed-Sed-UCo-CA	
	BO 140967	Washer-license plate bracket seal	Discontinued	1	1940 2Sed-Sed-UCo-CA		
	BO 70899	Bolt-license plate bracket to panel	1/4"-20 x 11/16"	2	1940 3Cpe-VicCpe-CvCpe-CvSed		
	BZ 70185	Bolt-license plate bracket to panel	1/4"-20 x 7/8"	2	1941-1942 All pass cars		
	BZ 70872	Bolt-license plate bracket	1/4"-20 x 3/4"	1	Cab		
	BZ 71313	Bolt-license plate bracket	1/4"-20 x 2-1/2"	1	1941 Panel		
	BZ 70874	Nut-license plate bracket to panel bolt	1/4"-20	AR	All		
	BO 70004	Rivet-license plate bracket	3/16" x 1/2"	2	1941-1942 All pass cars		
	BO 120774	Clamp-license plate bracket		1	All pass cars		
	BO 70899	Bolt-license plate bracket clamp	1/4"-20 x 11/16"	1	1940 2Sed-Sed-UCo-CA		
	BO 170360	Bolt-license plate bracket clamp	1/4"-20 x 1/2"	1	1940 Cpes-Cvtbles		
	BO 70899	Bolt-license plate bracket clamp	1/4"-20 x 11/16"	1	1941-1942 All pass cars		
	BZ 70874	Bolt-license plate bracket clamp bolt	1/4"-20	1	All pass cars		

Group & Illus. No.	Plate No.	Part No.	NAME	Per Car	Models	
S8-			DISTRIBUTOR			
			X - Serviced by Electric Auto-Lite Company, Toledo, Ohio, or their authorized service outlets. For Auto-Lite parts list see Section L			
		X 159925	Distributor assembly Auto Lite IGW-4203	Auto Lite IGW-4203	1	1940 six cylinder
		X 162862	Distributor assembly Auto Lite 1GW-4203-A	Auto Lite IGW-4203-A	1	1941-1942 six cylinder
		X 153182	Distributor assembly Auto Lite IGP-4008-A	Auto Lite GP-4008-A	1	All eight cylinder
		BM 42349	Gasket-distributor		1	All eight cylinder
		BT 395	Bolt-distributor 5/16"-18 x 5/8"	5/16"-18 x 5/8"	1	All eight cylinder
		BO 71266	Screw-distributor terminal	10-32 x 5/16"	1	All
		BO 100782	Plug-distributor hole	Rubber	1	All six cylinder
6	14	BM 161753	Grease cup assembly-distributor		1	All six cylinder
		BM 159555	Shaft-distributor drive		1	All six cylinder
		BM 159556	Sleeve-distributor drive shaft		1	All six cylinder
		BM 170328	Pin-distributor drive shaft sleeve	1/8" x 13/16"	1	All six cylinder
		BM 159557	Washer-distributor drive shaft		2	All six cylinder
10	13-14	BM 159558	Support assembly-distributor drive shaft		1	All six cylinder
		BM 159560	Bushing-distributor drive shaft support	1st type	2	1940 six cylinder
		BM 159560	Bushing-distributor drive shaft support	2nd type	1	All six cylinder
			NOTE: Upper bushing discontinued after 1940 car 46164.			
11	14	BM 159561	Anchor bolt-distributor drive shaft support		1	All six cylinder
		BM 170328	Pin-distributor drive shaft gear		1	All six cylinder
13	1344	BM 160615	Tube assembly-distributor vacuum control		1	40-10-20 std eng,48,18,28
13	1344	BM 160617	Tube-assembly-distributor vacuum control		1	40-10-20 L eng,41,43,11,12, 21,22
		BM 170379	Nut-distributor vacuum control tube	3/16"	2	40-10-20 L eng,41,43,11,12, 21,22
		BM 170380	Elbow-distributor vacuum control tube	45°-3/16"	2	40-10-20 std eng,48,18,28
		BM 170381	Connector-distributor vacuum control tube		2	40-10-20 L eng,41,43,11,12, 21,22
S9-			GENERATOR AND CONTROL			
			X-Serviced by Electric Auto-Lite Company, Toledo, Ohio, or their authorized service outlets. For Auto-Lite parts list see Section Z			
		X 157654	Generator assembly	Auto Lite GDS-4801-A	1	40 std eng,48
		X 159927	Generator assembly	Auto Lite GEC-4801-A	1	40 L eng,41,43,44,45,47
		X 157654	Generator assembly	Auto Lite GDS-4801-A	1	10 std eng exc CvSed,18
		X 159927	Generator assembly	Auto Lite GEC-4801-A	1	10 L eng exc CvSed,11,12,14, 15,17
		X 157654	Generator assembly-to car 31046	Auto Lite GDS-4801-A	1	10P CvSed
		X 159927	Generator assembly-after car 31046	Auto Lite GEC-4801-A	1	10P CvSed
		X 164247	Generator assembly-without HDM	Auto Lite GDS-4801-A	1	20 std eng exc 20P CvSed,28
		X 164248	Generator assembly-without HDM	Auto Lite GEC-4801-A	1	20P CvSed,20 L eng, 21 thru 27
		X 164248	Generator assembly-with HDM	Auto Lite GEC-4801-A	1	1942 All
		BO 71121	Nut-generator terminal post (A)	#14-24	1	All
		BM 154293	Nut-generator terminal post (F)	#10-32	1	A11
		BM 153192	Support bracket—for small generators 157654-164247		1	40,48,10,18,20,28
		BM 159696	Support bracket-for large generators 159927-164248		1	All
		BZ 71607	Bolt-generator support bracket	3/8"-16 x 7/8"	2	All
		BM 45095	Adjusting bracket-generator		1	All
		BM 227	Stud-generator adjusting bracket	3/8"-16 x 1-1/2"	1	1940-1941 All
		BM 170654	Stud-generator adjusting bracket	3/8"-16 x 1-3/8"	1	1942 All
		BM 110	Nut-generator adjusting bracket stud	3/8"-16 x 3/8"	1	All
		BZ 908	Bolt-generator to adjusting bracket	5/16"-18 x 7/8"	1	All
		BZ 2490	Bolt-generator to support bracket	5/18"-18 x 1-1/8"	2	All
		BZ 122	Nut-generator to bracket bolt		2	All
		X 159928	Charge regulator-generator	Auto-Lite VRR-4001-A	1	All
		BO 71707	Screw-charge regulator to dash	#10 x 5/8" SM	2	1940-1941 All
		BO 170514	Screw-charge regulator to dust shield	#10 x 5/8" SM	2	1942 All
		BO 71266	Screw-charge regulator terminal	10-32 x 5/16"	3	All
		BM 71648	Screw-charge regulator terminal	10-32 x 3/8"	1	1940-1941 All
		BO 170369	Screw-charge regulator terminal	4-40 x 1/4"	1	1942 All
		BO 146023	Attaching plate assembly-charge regulator		1	1941 All
		Bo 170060	Screw-charge regulator attaching plate	#10 x 3/8" SM	4	1941 All
		BO 146026	Cover-charge regulator		1	1941 All
		BO 170060	Screw-charge regulator cover	#10 x 3/8" SM	2	1941 All

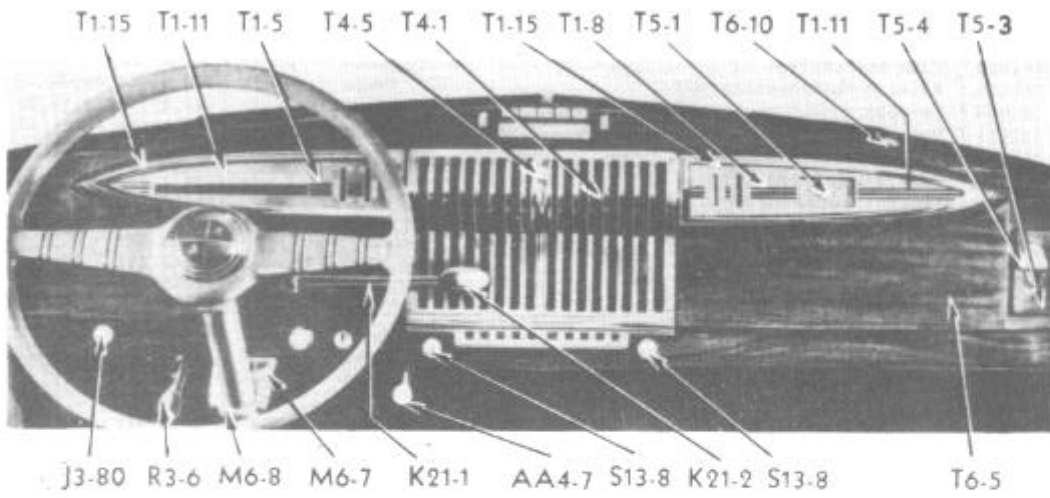
Group & Illus. No.	Plate No.	Part No.	NAME	Per Car	Models
S10-			STARTING MOTOR		
			X-Serviced by Electric Auto-Lite Company, Toledo, Ohio, or their authorized service outlets. For Auto-Lite parts list see Section Z.		
		X 159933	Starting motor assembly-less solenoid MZ-4079	1	1940 six cyl
		X 159934	Starting motor assembly-less solenoid MAB-4103	1	1940 eight cyl
		X 160574	Starting motor and solenoid switch assembly MZ-4079A	1	1940 six cyl
		X 160575	Starting motor and solenoid switch assembly MAB-4103A	1	1940 eight cyl
		X 162857	Starting motor and solenoid switch assembly MZ-4902	1	1941-1942 six cyl
		X 45101	Starting motor and solenoid switch assembly MAB-4100	1	1941-1942 eight cyl
		BM 160630	Mounting stud-starting motor	2	40,41,43,48,1941-1942 All
		BM 40690	Mounting stud-starting motor	2	44,45,47
		BM 159935	Solenoid switch assembly	1	1940 All
		BM 110	Nut-starting motor mounting stud 3/8"-16 x 3/8"	2	All
		BM 160135	Connector-starting motor solenoid	1	1940 All
		BO 12481	Terminal nut-starting motor solenoid 5/16"-24 x 17/64"	1	All
		BO 71073	Terminal nut-starting motor solenoid 10-32 x 1/8"	1	All
		BM 71648	Attaching screw-starting motor solenoid . 10-32 x 3/8"	1	All
S11-			IGNITION COIL AND LOCK		
			X-Serviced by Electric Auto-Lite Company, Toledo, Ohio, or their authorized service outlets. For Auto-Lite parts list see Section Z.		
		X 159930	Coil and brackets assembly-IG-4662 LHD	2	1940 six cyl, 10C Del
		X 159931	Coil and brackets assembly-CE-4641 LHD	1	1940 eight cyl
		X 160097	Coil and brackets assembly-IG-4664 RHD	1	1940 six cyl
		X 160098	Coil and brackets assembly-CE-4643 RHD	1	1940 eight cyl
		X 162853	Coil and brackets assembly-IG-4098	1	1941-1942 six cyl exc 10C D
		X 162854	Coil and brackets assembly-CE-4029	1	1941-1942 eight cyl
		BO 71485	Screw-coil terminal 10-32 x 1/4"	1	All
		BO 71073	Nut-coil terminal screw 10-32 x 1/8"	1	All
		BO 38027	Lockwasher-coil terminal screw	1	All
		BO 71707	Screw-coil bracket to dash #10 x 5/8"	1	All exc IOC Del
		BO 70309	Bolt-coil mounting 1/4"-20 x 3/4"	1	10C Del
		BZ 70874	Nut-coil mounting bolt 1/4"-20 x 1/4"	2	10C Del
		BO 162849	Ignition lock case and bracket assy-less cyl Gray	2	1941 exc Del,1942 All (LHD)
		BO 161931	Ignition lock case and bracket assy-less cyl Gray	1	1941 exc Del (RHD)
		BO 164295	Ignition lock case and bracket assy-less cyl Ivory	1	1942 All (LHD)
		BO 164296	Ignition lock case and bracket assy-less cyl Ivory	1	1942 All (RHD)
		BO 162012	Bezel-ignition lock case Gray	1	1941 exc Del,1942 All
		BO 164297	Bezel-ignition lock case Ivory	1	1942 All
		BO 47630	Cylinder and keys assembly-ignition lock Coded	1	All
		BO 45986	Key-ignition lock Specify key No.	1	All
		BO 152043	Cylinder-ignition lock Not coded	2	All
		BO 70157	Bolt-lock case bracket to panel 1/4"-20 x 1/2"	1	1940 without OD,1941-1942 All
		BO 170254	Bolt-lock case bracket to panel 1/4"-20 x 7/8"	2	1940 with OD
		BO 71665	Screw-ignition lock terminal 8/32" x 5/16"	2	All
		BZ 71552	Grommet-ignition lock cable In dash	2	All
				1	
			BATTERY		
S12-			XX-Serviced by National Battery Company, St. Paul, Minnesota.		
		XX 48150	Battery assembly National National 1530W	1	All six cyl
		XX 150763	Battery assembly National National 1661W	1	All eight cyl
		BZ 153282	Drip pan assembly-battery	1	All six cyl
		BZ 153283	Drip pan assembly-battery	1	All eight cyl
		BZ 160286	Drain tube-battery drip pan Rubber	1	All
		BZ 159975	Hold down assembly-battery	1	All six cyl
		BZ 159977	Hold down assembly-battery	1	All eight cyl
		BZ 159874	Bolt-battery hold down 5/16"-24 x 7-15/16"	2	All exc 10C Del
		BZ 163393	Bolt-battery hold down	2	10C Del
		BO 12481	Nut-battery hold down bolt 5/16"-24 x 17/64"	2	All
		BZ 140438	Bracket-battery hold down bolt-rear	1	All eight cyl
		BO 70293	Rivet-battery hold down bracket 1/4" x 1/2"	3	All eight cyl
		HA 162659	Automatic battery filler kit	1	All
		BO 163381	Bracket-upper-automatic battery filler to dash	1	All
		80 163382	Bracket-lower-automatic battery filler to dash	1	All
		BM 70855	Screw-automatic battery filler bracket . 10-32 x 3/8"	3	All
		BO 71073	Nut-automatic battery filler bracket screw	3	All
		BO 163725	Bottle-automatic battery filler	3	All
		HA 164534	Battery cap-automatic battery filler-set of 3 1-1/4"-13	1	All
		HA 165149	Battery cap-automatic battery filler-set of 3 1"-13	1	All

Group & Illus. No.	Plate No.	Part No.	NAME	Per Car	Models
S13-			SWITCHES		
		BO 160089	Switch-headlight dimmer	LHD 1	1940 All
		BO 161729	Switch-headlight dimmer	RHD 1	1940 All
		BO 162964	Switch-headlight dimmer	1	1941 All
		BO 164439	Switch-headlight dimmer Includes wires	Includes wires 1	1942 All
		BO 70157	Screw-headlamp dimmer switch	1/4"-20 x 1/2" 2	All
		F 160087	Switch-lighting	1	1940 All, 10C Del
		F 200417	Switch-lighting	1	1941 All exc Del, 1942 All
		BO 160086	Switch-starting	1	1940 All
		BO 200416	Switch-starting	1	1941 All exc Del, 1942 All
		BO 155679	Switch-starting	1	10C Del
		BO 153201	Collar-for lighting and starting switches	2	1940 All, 10C Del
		BO 147838	Bracket-for lighting and starting switches †	Nickel 2	1941 All exc Del, 1942 All
		BO 205941	Bracket-for lighting and starting switches ††	2	1942 All
8	36	BO 160044	Knob assembly-lighting and starting switches	Taupe 2	1940 All
8	36	BO 161680	Knob assembly-lighting and starting switches	Black 2	43,47
		BZ 162588	Knob assembly-lighting and starting switches	2	10C Del
9	36	BO 147847	Push button-lighting switch	1	1941 All exc Del
9	36	BO 204847	Push button-lighting switch	1	1942 All
10	36	BO 147846	Push button-starting switch	1	1941 All exc Del
10	36	BO 204846	Push button-starting switch	1	1942 All
		BO 157696	Insert-lighting and starting switch knob	2	1940 All
		BO 153204	Retainer-lighting and starting switch knob retainer	2	1940 All, 10C Del
		BO 153205	Set screw-lighting and starting switch knob	2	1940 All, 10C Del
		BO 200418	Spring-lighting and starting switch push button	2	1941 All exc Del, 1942 All
		BO 70121	Washer-lighting and starting switch push button	4	1941 All exc Del, 1942 All
		BO 70122	Nut-lighting and starting switch push button	2	1941 All exc Del, 1942 All
		BO 147839	Pin-lighting and starting switch bracket hinge	2	1941 All exc Del, 1942 All
		BD 170367	Screw-lighting and starting switch bracket screw	2	1941 All exc Del, 1942 All
		BO 160091	Switch-service lamp	1	1940 CvSed
		F 160090	Switch-stop light	1	All
		BZ 71490	Screw-stop light switch	10-24 x 3/8" 2	All
		BO 160092	Rheostat-instrument panel lights	1	43,47,12,14,15,17,22,24, 25,27
		BO 170022	Screw-instrument panel light rheostat	8-32 x 9/16" 2	43,47,12,14,15,17,22,24, 25,27
			Control switch-direction indicator	See group S15-	
			Flasher switch-direction indicator	See group S15-	
			Switch-dome light	See group MN6-	
			Switch-courtesy light	See group S3-	
			Throttle switch-overdrive	See group K9-	
			Control switch-overdrive	See group K9-	
			Governor switch-overdrive	See group K9-	
			Shift rail switch-vacumotive drive	See group J3-	
			Accelerator switch-vacumotive drive	See group J3-	
			Governor switch-vacumotive drive	See group J3-	
			Instrument panel switch-VD	See group J3-	
			Switch-hydraulic top lift	See group H110-	
			Switch-car heater	See group U4-	
			Switch-Hudson Weather-Master	See group US-	
			Switch-fog lamp	See group S16-	
			Transmission switch assembly-HDM	See group K22-	
			Governor switch-HDM	See group K22-	
			Instrument panel switch-HDM	See group K22-	
			HORN - VIBRATOR TYPE		
			Standard on 40T-40C-48-10T-10C-18-20T-20C-28		
		BO 160620	Horn assembly	1	40T,40C,48,10T,10C,18,20T, 20C,28
		BO 12790	Nut-horn terminal	8-32 x 1/8" 2	40T,40C,48,10T,10C,18,20T, 20C,28
		BZ 1549	Lockwasher-horn to bracket screw	No 8 2	40T,40C,48,10T,10C,18,20T, 20C,28
		BM 7525	Nut-horn to bracket screw	12-24 x 5/32" 2	40T,40C,48,10T,10C,18,20T, 20C,28
		BO 160276	Bracket assembly-horn	1	40T,40C,48,10T,10C,18,20T, 20C,28
		BO 170405	Nut-horn bracket to cyl head stud	3/8"-16 x 21/64" 1	40T,40C,48,10T,10C,18,20T, 20C,28
S14-					

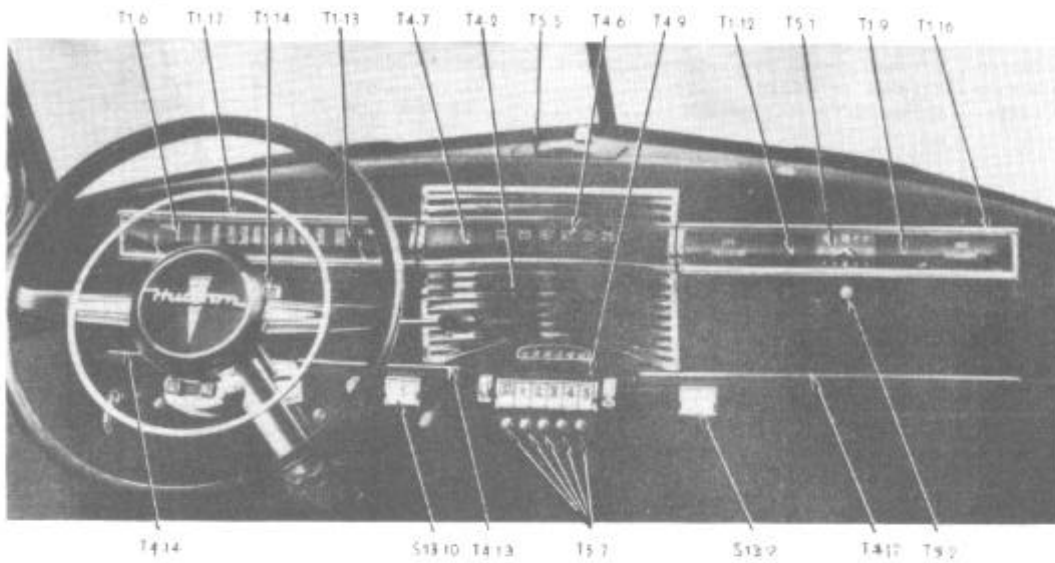
Group & Illus. No.	Plate No.	Part No.	NAME	Per Car	Models	
S14-			ELECTRIC AIR HORNS Standard 40P-10P-20P, 41 thru 47, 11 thru 17, 21 thru 27			
		HA 160749	Twin horn kit	Air type	1	40T,40C,48
		HA 163600	Twin horn kit	Air type	1	10T,10C,18
		HA 164849	Twin horn kit	Air type	1	20T,20C,28
		BO 160278	Horn assembly-short-high pitch	1st type	1	1940 All
		BO 160279	Horn assembly-long-low pitch	1st type	1	1940 All
		BO 160790	Horn assembly-short	2nd type	1	1940 All
		BO 160791	Horn assembly-long	2nd type	1	1940 All
			NOTE: 2nd type 1940 horns became effective on car 40480 exceptions 41301 to 41527.			
		BO 162952	Horn assembly-short-high pitch	Lower	1	1941 All
		BO 162953	Horn assembly-long-low pitch	Upper	1	1941 All
		BO 164491	Horn assembly-high pitch	Upper	1	1942 All
		BO 164492	Horn assembly-low pitch	Lower	1	1942 All
		BO 160308	Cover-horn motor		2	1940 All
		BO 160308	Cover-horn motor	For low pitch horn	1	1941-1942 All
		BO 162001	Cover-horn motor	For high pitch horn	1	1941-1942 All
		BO 160318	Trumpet-short		1	1940-1941 All
		BO 160326	Trumpet-long		1	1940-1941 All
		BO 160282	Bracket and brace assembly-horn	1st type	1	1940 All
		BO 160788	Bracket and brace assembly-horn	2nd type	1	1940 All
		BO 160788	Bracket and brace assembly-horn		1	1941 All
		BO 164493	Bracket and brace assembly-horn		1	20
		BO 164494	Bracket and brace assembly-horn		1	21,22,24,25,27,28
		BO 170648	Screw-horn bracket to frame	3/8" x 7/8"	2	All
		BO 160287	Clamp-horn mounting	1st type horn	2	1940 All
		BO 160288	Rubber bushing-horn mounting clamp	1st type horn	2	1940 All
		BO 71631	Bolt-horn mounting clamp	1st type horn	4	1940 All
		BZ 70874	Nut-horn mounting clamp bolt	1st type horn	4	1940 All
		BO 160290	Rubber bushing-horn trumpet spacer	1st type horn	2	1940 All
		BO 70157	Bolt-horn trumpet spacer	1st type horn	2	1940 All
		BZ 70874	Nut-horn trumpet spacer bolt	1st type horn	2	1940 All
		BO 160917	Ground strap-horn to bracket	1st type horn	2	1940 All
		BO 160798	Spring plate-horn support	2nd type horn	4	1940 All
		BO 160798	Spring plate-horn support		4	1941 All
		BO 164498	Spring plate-horn support		4	1942 All
		BO 170468	Rivet-horn support spring plate	2nd type horn	4	1940 All
		BO 170468	Rivet-horn support spring plate		4	1941 All
		BO 160290	Rubber bushing-horn support	2nd type horn	2	1940 All
		BO 163532	Rubber bushing-horn support		2	1941 All
		BO 160343	Horn relay	1st type horn	1	1940 All
		BO 160799	Horn relay	2nd type horn	1	1940 All
		BO 162957	Horn relay		1	1941 All
		BO 164401	Horn relay		1	1942 All
		BO 71631	Bolt-horn relay	1/4"-20 x 1/2"	2	1940 All
		BZ 70874	Nut-horn relay bolt	1/4"-20 x 1/4"	2	1940 All
		BO 71707	Screw-horn relay to dash	#10 x 5/8" SM	2	1941 All
		BO 170514	Screw-horn relay to dust shield	#10 x 5/8" SM	2	1942 All
		BZ 70863	Screw-horn relay terminal	8-32 x 1/4"	3	1941-1942 All
		BO 160915	Wire-short-horn to relay 1st type	1st type	1	1940 All
		BO 160916	Wire-long-horn to relay 1st type	1st type	1	1940 All
		BO 160794	Wire-short-horn to relay 2nd type	2nd type	1	1940 All
		BO 160795	Wire-long-horn to relay 2nd type	2nd type	1	1940 All
		NOTE: The following parts for Sparton electric air horns are not supplied by Hudson Motor Car Company. They may be obtained from Sparks-Withington Co., Jackson, Michigan.				
	A-13710	Armature		2	All	
	A-13036	Armature spring		2	All	
	A-13682	Clip-field coil		4	1941-1942 All	
	A-13474-7	Contact and terminal assembly		2	1940-1941 All	
	A-13474-7	Contact and terminal assembly-high pitch horn		1	1942 All	
	A-13474-22	Contact and terminal assembly-low pitch horn		1	1942 All	
	A-11558	Contact spring		1	All	
	A-13914	Contact support		2	All	
	B-7696	Diaphragm-high pitch		1	All	

Group & Illus. No.	Plate No.	Part No.	NAME	Per Car	Models			
S15-		ELECTRIC AIR HORNS (CONTID.)						
		B-7697	Diaphragm-low pitch	1	All			
		A-13681	Field coil	2	All			
		A-13598	Gasket	2	All			
		Z-13683	Insulator-field coil	4	1940 All			
		A-7532	Insulator-contact spring	2	1941-1942 All			
		A-7544-4	Insulator-contact screw	2	1941-1942 All			
		B-85-44	Lockwasher-horn	12-8	All			
		B-7700-3	Motor assembly-high pitch	1	1940 All			
		B-7700-10	Motor assembly-high pitch	1	1941 All			
		B-7700-14	Motor assembly-high pitch	1	1942 All			
		B-7701-3	Motor assembly-low pitch	1	1940 All			
		B-7701-10	Motor assembly-low pitch	1	1941 All			
		B-7701-14	Motor assembly-low pitch	1	1942 All			
		A-5992-A	Nut-armature adjusting	2	All			
		A-5993	Nut-armature locking	2	All			
		A-822-CD	Nut-horn assembly	12-8	All			
		C-5370-1	Projector-high pitch	1	1942 All			
		C-5369-1	Projector-low pitch	1	1942 All			
		A-988	Rivet-spring plate	4	1942 All			
		A-11189	Resistor	2	All			
		A-1025-8-9-CD	Screw-contact stack	4	All			
		A-2390-3-CD	Screw-horn assembly-short	12-8	All			
		A-1085-12-12-CD	Screw-horn assembly-long	4	1941-1942 All			
		A-13035	Washer	2	1940 All			
		A-1516	Washer	4	1942 All			
		A-12283	Terminal-field coil-high pitch	1	1941-1942 All			
		A-16417	Terminal-field coil-low pitch	1	1941-1942 All			
		S15-	36	DIRECTION INDICATER Standard on 43 47 15 17 25 27; optional on other models				
				NOTE: Parts marked † discontinued in production Jan. 15, 1942. Parts marked †† used after Jan. 15, 1942, starting car No. 37067. See introduction.				
				HA 160629	Direction indicator kit	1	40,41,44,45,48	
				HA 163298	Direction indicator kit-painted	LHD	10,11,18	
				HA 163299	Direction indicator kit-plated	LHD	12,14	
				HA 164170	Direction indicator kit-painted	LHD	20,21,28	
				HA 164171	Direction indicator kit-plated	LHD	22,24	
				BO 164174	Switch, case, and cover assembly-direction indicator	1	22,24,25,27	
				BO 160258	Case-DI switch Painted	Painted	40,41,44,45,48,10,11,18	
				BO 161679	Case-DI switch Plated	Plated	43,47,12,14,15,17	
				BO 164177	Case-DI switch Painted	Painted	20,21,28	
				BO 164178	Case-DI switch-part of 164174 assembly †	NP	22,24,25,27	
				BO 165238	Case-DI switch ††	1	22,24,25,27	
				BO 170066	Screw-DI switch case	5/16"-24 x 3/4" cad	2	40,41,44,45,48,10,11,18,20,21,28
				BO 170486	Screw-DI switch case	5/16"-24 x 3/4" NP	2	43,47,12,14,15,17,22,24,25,27
BO 160259	Cover assembly-DI switch case			Painted	1	40,41,44,45,48,10,11,18		
BO 161690	Cover assembly-DI switch case			NP	1	43,47,12,14,15,17		
BO 164179	Cover-DI switch case-part of 164174 †			NP	1	1942 All		
BO 165239	Cover-DI switch case ††			Painted	1	1942 All		
BO 170161	Screw-DI switch case cover			6-32 x 5/16"	2	1940-1941 All		
BO 170656	Screw-DI switch case cover			6-32 x 3/8"	3	1942 All		
BO 160261	Jewel-DI switch case cover			1	1940-1941 All			
BO 158148	Jewel-DI tell-tale			On inst panel	1	1942 All		
BO 158159	Retainer-DI tell-tale jewel			On inst panel	1	1942 All		
BO 71641	Bulb-DI tell-tale			Mazda #51	1	All		
BO 160256	Switch-direction indicator			1	1940-1941 All			
BO 164176	Switch-direction indicator-part of 164174 assembly			1	1942 All			
BO 170369	Screw-DI switch			4-40 x 1/4"	3	1940-1941 All		
BO 170656	Screw-DI switch			6-32 x 3/8"	4	1942 All		
BO 170163	Lockwasher-DI switch cover screw			3	1940-1941 All			
BO 170658	Lockwasher-DI switch cover screw			4	1942 All			
BO 160262	Push button-right-DI			Taupe	1	40,41,44,45,48		
BO 161692	Push button-right-DI			Black	1	43,47,12,14,15,17		
BO 161959	Push button-right-DI			Gray	1	10,11,18		
BO 160263	Push button-left-DI			Taupe	1	40,41,44,45,48		
BO 161693	Push button-left-DI			Black	1	43,47,12,14,15,17		

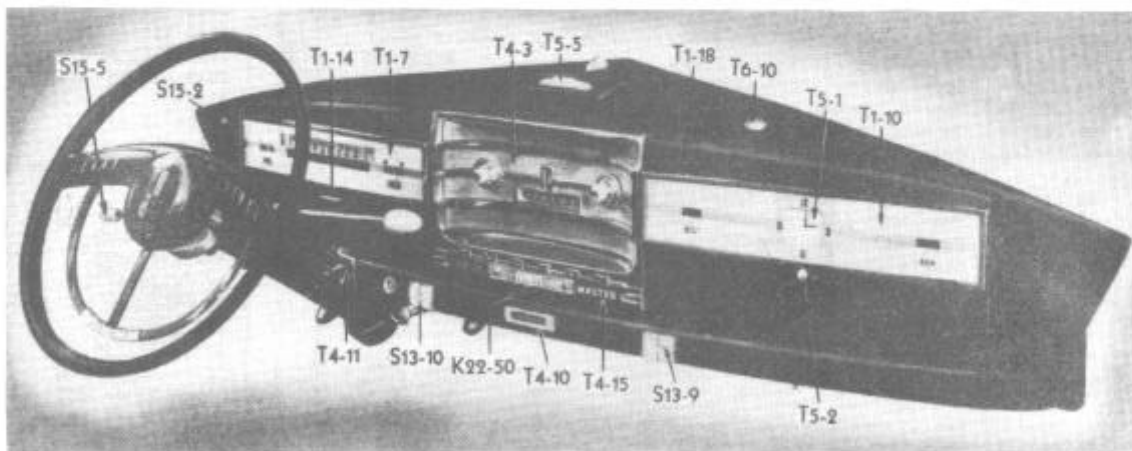
Group & Illus. No.	Plate No.	Part No.	NAME	Per Car	Models					
S15-	5	3	DIRECTION INDICATOR (CONT'D.) Standard on 43 47 15 17 25 27; optional on other models							
			BO 161960	Push button-left-DI	Gray	1	10,11,18			
			BO 160264	Release button-center-DI	Taupe	1	40,41,44,45,48			
			BO 161694	Release button-center-DI	Black	1	43,47,12,14,15,17			
			BO 161961	Release button-center-DI	Gray	1	10,11,18			
			BO 160345	Spring-DI push button retainer		3	1940-1941 All			
			BO 164180	Control lever-DI-part of 164174 †	NP	1	1942 All			
			BO 165237	Control lever-DI ††	Painted	1	1942 All			
			BO 170670	Nut-DI control lever to switch	1/4"-20 acorn	1	1942 All			
			BO 164181	Knob-DI control lever-part of 164174		1	1942 All			
			BO 170657	Trip pin-DI switch	In steering wheel	2	1942 All			
			BO 160684	Wire harness-direction indicator	1HD	1	1940 All			
			BO 160685	Wire harness-direction indicator	RHD	1	1940 All			
			BO 163175	Wire harness-direction indicator	1HD	1	1941 All			
			BO 163176	Wire harness-direction indicator	RHD	1	1941 All			
			BO 164679	Relay and wires assembly-DI	1HD	1	1942 All			
			BO 164842	Relay and wires assembly-DI	RHD	1	1942 All			
			BO 164846	Mounting bar-DI relay		1	1942 All			
			BZ 170583	Bolt-DI relay mounting bar	10-32 x 1	2	1942 All			
			BO 71073	Nut-DI relay mounting bar bolt	10-32 x 1/8"	2	1942 All			
			BZ 40919	Clip-DI harness to steering column bracket		1	1940 All			
			BO 160265	Conduit-DI switch case to strg column brkt	Painted NP	1	40,41,44,45,48,10,11,18,20, 21,28			
			BO 161706	Conduit-DI switch case to strg column brkt †		1	43,47,12,14,15,17,22,24, 25,27			
			BO 165246	Conduit-DI switch case to strg column brkt ††		1	22,24,25,27			
			BO 160266	Flasher switch-DI	Assembles to locker box hinge	1	1940 All			
			BO 160266	Flasher switch-DI	Assembles with speedometer screws	1	1941 All			
			BO 164249	Flasher switch-DI		1	1942 All			
			BO 18459	Screw-DI flasher switch	10-32 x 1/2"	1	1942 All			
			S16-			SPOT LIGHT AND FOG LAMPS				
						128206	Spot light complete-LH mounting	Use 147877	1	1940 All
						137131	Spot light complete-RH mounting	Use 147878	1	1940 All
						HA 147877	Spot light complete-LH mounting	Appleton	1	1941-1942 All
						HA 147878	Spot light complete-RH mounting	Appleton	1	1941-1942 All
						HA 200333	Spot light complete-LH mounting	Unity	1	1942 All
						HA 200334	Spot light complete-RH mounting	Unity	1	1942 All
						BO 170518	Bulb-spot light-for Appleton lamp	32CP-#1209S	1	All
						BO 170689	Bulb-spot light-for Unity lamp	32CP-#1323	1	1942 All
						BO 201127	Shield-spot light bulb	Unity	1	1942 All
						BO 148138	Reflector-spot light	Appleton	1	All
						BO 148139	Spring-spot light reflector	Appleton	3	All
						BO 148146	Grip-spot light reflector spring	Appleton	3	All
						BO 129260	Lens-spot light	Appleton	1	All
						BO 201128	Lens-spot light	Unity	1	All
						BO 129262	Gasket-spot light lens		1	1940 All
						BO 148136	Gasket-spot light lens	Appleton	1	1941-1942 All
BO 201131	Gasket-spot light lens	Unity				1	1942 All			
BO 129263	Rim-spot light lens					1	1940 All			
BO 148140	Rim-spot light lens	Appleton				1	1941-1942 All			
BO 201132	Rim-spot light lens-includes screw and nut	Unity				1	1942 All			
BO 129264	Screw-spot light lens rim					1	1940 All			
BO 148141	Screw-spot light lens rim	Appleton				1	1941-1942 All			
BO 201133	Screw and nut-spot light lens rim	Unity				1	1942 All			
BO 148137	Inside bracket and bolt assembly-spot light .	Appleton				1	All			
BO 148179	Outside bracket-LH mounted spot light	Appleton				1	All			
BO 148178	Outside bracket-RH mounted spot light	Appleton				1	All			
HA 136402	Fog lamps-pair-installation kit					1	1940 All			
HA 147876	Fog lamps-pair-installation kit	Appleton				1	1941 All			
HA 200332	Fog lamps-pair-installation kit	Unity				1	1942 All			
HA 128397	Single installation kit-fog lamp					1	All			
NOTE: Fog lamp installation kits 136402, 147876, and 200332 consist of two lamps with necessary wiring and switch to make complete installation.										
Single installation kit 128397 consists of switch and wiring for installation of one lamp, but does not include lamp.										
BO 170528	Bulb-fog lamp-for Appleton lamp	32CP-#1211S				1-2	1940-1941 All			
BO 170690	Bulb-fog lamp-for Unity lamp	50CP-#1503				1-2	1942 All-1st type			
BO 201129	Shield-fog lamp bulb	Unity				1-2	1942 All-1st type			



Instrument Panel—1940



Instrument Panel—1941



Instrument Panel—1942

Group & Illus. No.	Plate No.	Part No.	NAME	Per Car	Models		
S16-			SPOT LIGHT AND FOG LAMPS (CON'TD.)				
		BO 129261	Lens-fog lamp	1-2	1940 All		
		BO 148142	Lens-fog lamp	1-2	1941 All		
		BO 201130	Lens-fog lamp (Unity #9165)	5-7/8" amber	1-2	1942 All-1st type	
			Lens-fog lamp (Unity #9165-T)	5-7/8" amber and clear	1-2	1942 All-1st type	
			Sealed beam assembly (Unity #4013)		1-2	1942 All-1st type	
			Replacement for 9165 or 9165-T lens			(Specify "with adapter")	
			Sealed beam assembly (Unity 4015)		1-2	1942 All-2nd type	
		BO 129262	Gasket-fog lamp lens		1-2	1940 All	
		BO 148143	Gasket-fog lamp lens	Appleton	1-2	1941 All	
		BO 201131	Gasket-fog lamp lens	Unity	1-2	1942 All	
		BO 129263	Rim-fog lamp lens		1-2	1940 All	
		BO 148140	Rim-fog lamp lens	Appleton	1-2	1941 All	
		BO 201132	Rim-fog lamp lens-includes screw and nut	Unity	1-2	1942 All	
		BO 129264	Screw-fog lamp lens rim		1-2	1942 All	
		BO 148141	Screw-fog lamp lens rim	Appleton	1-2	1941 All	
		BO 201133	Screw and nut-fog lamp lens rim	Unity	1-2	1942 All	
		BO 148138	Reflector-fog lamp	Appleton	1-2	1941 All	
		BO 148139	Spring-fog lamp reflector	Appleton	1-2	1941 All	
		BO 148146	Grip-fog lamp reflector spring	Appleton	1-2	1941 All	
		BO 129265	Bracket assembly-fog lamp		1-2	1940 All	
		BO 148144	Bracket assembly-fog lamp		1-2	1941 All	
		BO 204506	Bracket, clamp, and bolt assembly-fog lamp		1-2	1942 All	
		BO 136375	Switch-fog lamp		1	1940 All	
		BO 148145	Switch-fog lamp		1	1941 All	
	T1-			INSTRUMENT CLUSTERS AND GAUGES			
				NOTE: Parts marked † discontinued in production Jan. 15, 1942. Parts marked †† used after Jan. 15, 1942, starting car No. 37067. See introduction.			
			F 141311	Instrument cluster assembly-oil and generator	1	1940 All	
			B3 142890	Instrument cluster assembly-fuel and temperature	1	1940 All	
			BZ 70863	Screw-instrument cluster to panel	8-32 x 1/4"	6	1940 All
			BO 170167	Lock washer-instrument cluster to panel	#8 light	6	1940 All
			F 147811	Indicator assembly-oil and generator		2	1941 All
			F 204811	Indicator assembly-oil and generator		2	1942 All
			F 141196	Gauge assembly-gasoline	1st type-with line marks	1	1940 All
			F 142136	Gauge assembly-gasoline	2nd type-diamond marks	1	1940 All
			F 147803	Gauge assembly-gasoline		1	1941-1942 All
			F 141197	Gauge assembly-temperature	1st type-with line marks	1	1940 All
		F 142137	Gauge assembly-temperature	2nd type-diamond marks	1	1940 All	
		F 147804	Gauge assembly-temperature		1	1941-1942 All	
		BZ 70863	Screw-gauge attaching	8-32 x 1/4"	4	All	
		BO 170167	Lock washer-gauge attaching screw	#8 light	4	All	
		BO 71073	Nut-gauge	10-32 x 1/8"	4	1941-1942 All	
		BO 170397	Screw-gauge terminal	8-32 x 1/4"	3	1940 All	
		BO 170464	Nut-gauge terminal-inner		4	1440 All	
		BO 170465	Nut-gauge terminal-outer		4	1940 All	
		BO 142128	Light baffle-fuel and temperature gauge		1	1940 All	
		BO 204161	Dial and bezel assy-spdomtr side-red letters †		1	20-21-28 LHD	
		BO 204162	Dial and bezel assy-spdomtr side-red letters †		1	20-21-28 RHD	
		BO 204131	Dial and bezel assy-spdomtr side-white letters †		1	22-24-25-27 LHD	
		BO 204132	Dial and bezel assy-spdomtr side-white letters †		1	22-24-25-27 RHD	
		BO 205944	Dial and bezel assy-spdomtr side-red letters ††		1	20-21-28 LHD	
		BO 205945	Dial and bezel assy-spdomtr side-red letters ††		1	20-21-28 RHD	
		BO 205952	Dial and bezel assy-spdomtr side-white letters ††		1	22-24-25-27 LHD	
		BO 205953	Dial and bezel assy-spdomtr side-white letters ††		1	22-24-25-27 RHD	
			NOTE: Instrument panel dials with red letters were used on some models 22 and 24 to car No. 5996.				
		BO 204165	Dial and bezel assy-clock side-red letters †		1	20-21-28 LHD	
		BO 204166	Dial and bezel assy-clock side-red letters †		1	20-21-28 RHD	
		BO 204135	Dial and bezel assy-clock side-white letters †		1	22-24-25-27 LHD	
		BO 204136	Dial and bezel assy-clock side-white letters †		1	22-24-25-27 RHD	
		BO 205948	Dial and bezel assy-clock side-red letters ††		1	20-21-28 LHD	
		BO 205949	Dial and bezel assy-clock side-red letters ††		1	20-21-28 RHD	
		BO 205956	Dial and bezel assy-clock side-white letters ††		1	22-24-25-27 LHD	
		BO 205957	Dial and bezel assy-clock side-white letters ††		1	22-24-25-27 RHD	
5		36	BO 141589	Dial-speedometer side	LHD	1	40,41,44,45,48
			BO 141591	Dial-speedometer side	RHD	1	40,41,44,45,48
5		36	BO 141319	Dial-speedometer side	LHD	1	43,47
			BO 141321	Dial-speedometer side	RHD	1	43,47

Group & Illus. No.	Plate No.	Part No.	NAME	Per Car	Models
T1-			INSTRUMENT CLUSTERS AND GAUGES (CONT'D.)		
			"NOTE: In replacing 1941 instrument dial or lens, it is necessary also to use new bezel. To remove bezel, the studs must be drilled out.		
6	36	BO 147819	Dial-speedometer side LHD *	1	10,11,18
		BO 147823	Dial-speedometer side RHD *	1	10,11,18
6	36	BO 147825	Dial-speedometer side LHD *	1	12,14,15,17
		BO 147827	Dial-speedometer side RHD *	1	12,14,15,17
7	36	BO 204100	Dial-speedometer side-red letters LHD	1	20,21,28
		BO 204102	Dial-speedometer side-red letters RHD	1	20,21,28
7	36	BO 204110	Dial-speedometer side-white letters LHD	1	22,24,25,27
		BO 204112	Dial-speedometer side-white letters RHD	1	22,24,25,27
8	36	BO 141593	Dial-clock side LHD	1	40,41,44,45,48
		BO 141594	Dial-clock side RHD	1	40,41,44,45,48
8	36	BO 141323	Dial-clock side LHD	1	43,47
		BO 141324	Dial-clock side RHD	1	43,47
9	36	BO 147821	Dial-clock side LHD *	1	10,11,18
		BO 147822	Dial-clock side RHD *	1	10,11,18
9	36	BO 147829	Dial-clock side LHD *	1	12,14,15,17
		BO 147830	Dial-clock side RHD *	1	12,14,15,17
10	36	BO 204104	Dial-clock side-red letters LHD	1	20,21,28
		BO 204105	Dial-clock side-red letters RHD	1	20,21,28
10	36	BO 204114	Dial-clock side-white letters LHD	1	22,24,25,27
		BO 204115	Dial-clock side-white letters RHD	1	22,24,25,27
		BO 204167	Gasket-for instrument dial Rubber	2	20,21,28
		BO 147880	Finish plate-instrument dial-spdomtr side LHD	1	12,14,15,17
		BO 147881	Finish plate-instrument dial-spdomtr side RHD	1	12,14,15,17
		BO 204126	Finish plate-instrument dial-spdomtr side LHD	1	22,24,25,27
		BO 204127	Finish plate-instrument dial-spdomtr side RHD	1	22,24,25,27
		BO 147882	Finish plate-instrument dial-clock side LHD	1	12,14,15,17
		BO 147883	Finish plate-instrument dial-clock side RHD	1	12,14,15,17
		BO 204124	Finish plate-instrument dial-clock side LHD	1	22,24,25,27
		BO 204125	Finish plate-instrument dial-clock side RHD	1	22,24,25,27
		BO 204120	Backing plate-instrument dial-spdomtr side LHD	1	1942 All
		BO 204121	Backing plate-instrument dial-spdomtr side RHD	1	1942 All
		BO 204122	Backing plate-instrument dial-clock side LHD	1	1942 All
		BO 204123	Backing plate-instrument dial-clock side RHD	1	1942 All
11	36	BO 141330	Lens-instrument cluster	2	1940 All
12	36	BO 148180	Lens-instrument cluster-RH *	1	1941 All
13	36	BO 148181	Lens-instrument cluster-LH *	1	1941 All
			Lens-instrument cluster (same as dial) See Dial	See Dial	1942 All
14	36	BO 142388	Lens-mileage indicator	1	All
15	36	BO 141331	Bezel-instrument cluster	2	1940 All
16	36	BO 148182	Bezel-instrument cluster-RH *	1	1941 All
17	36	BO 148183	Bezel-instrument cluster-LH *	1	1941 All
18	36	BO 204182	Bezel-instrument cluster †	2	1942 All
18	36	BO 205867	Bezel-instrument cluster ††	2	1942 All
		BO 170331	Speed nut-instrument bezel to panel 1/8"	18	1940 All
		BO 147833	Hole plug-instrument bezel Rubber - 11/64" x 1-25/64"	4	10,11,18
			NOTE: Speedometer and shaft are serviced by Stewart-Wamer, Chicago, Illinois		
		141301	Speedometer head assembly	1	1940 All
		147801	Speedometer head assembly	1	1941-1942 All
		200338	Speedometer head assembly-used with taximeter	1	1941-1942 All
		BZ 70863	Screw-lower-speedometer head retaining 8-32 x 1/4"	6	1940 All
		BO 170356	Bolt-upper-speedometer head retaining " 8-32 x 3/8"	2	1940 All
		BZ 70863	Screw-speedometer head retaining 8-32 x 1/4"	6	1941-1942 All
			Flexible shaft-speedometer See group K8-	.	
T2-			INSTRUMENT PANEL LIGHTS, SOCKETS, AND WIRES		
			NOTE: Service lamp is standard on 1940 CvCpe-CvSed: service accessory for other models.		
		BO 117316	Bracket-service lamp	1	1940 All
		BO 71555	Screw-service lamp bracket #6 x 3/8"	2	1940 All
		BO 70417	Finish washer-service lamp bracket screw	2	1940 All
		BO 160472	Wires and socket assembly-service lamp LHD	1	1940 All
		BO 155996	Wires and socket assembly-service lamp RHD	1	1940 All
		BO 156143	Wire assembly-inst. harness to service lamp	1	1940 All
		BO 170406	Terminal-service lamp wire-switch end 17/32" Douglas	1	1940 All
		BO 170118	Terminal-service lamp wire-ground end 3/16" Spade	1	1940 All

Group & Illus. No.	Plate No.	Part No.	NAME	Per Car	Models
T2-			INSTRUMENT PANEL LIGHTS, SOCKETS, AND WIRES (CON'TD.)		
		BO 71550	Bulb-service lamp	SC, 2CP, #55	1 1940 All
		BO 160091	Switch-service lamp		1 1940 All
		BO 71665	Screw-service lamp switch	8-32 x 5/16"	2 1940 All
		HA 161378	Service lamp kit	LHD	1 All
		HA 161379	Service lamp kit	RHD	1 All
			NOTE: Following parts marked * are included in instrument wire harness.		
		BO 153675	Socket assembly-clock lamp		1 1940 All
		BO 161966	Socket assembly-clock lamp	*	2 1941-1942 All
		BO 153680	Socket assembly-service lamp		1 1940 All
		BO 153679	Socket assembly-oil and generator tell tale	*	2 1940 All
		BO 161967	Socket assembly-oil and generator tell tale		2 1941-1942 All
		BO 153675	Socket assembly-speedometer and headlight beam indicator	*	3 1940 All
		BO 161968	Socket assembly-spdmtr, beam indicator, and ignition lock	*	4 1941-1942 All
		BO 153676	Terminal washer-socket	*	AR All
		BO 153677	Terminal spring-clock lamp socket		1 1940 All
		BO 153678	Terminal spring-socket Except 1940 Clock	Except 1940 Clock *	AR All
T3-			INSTRUMENT PANEL KNOBS AND CONTROLS		
			Cigar lighter	See group T5-	
			Clock knob	See group T5-	
			Fog Lamp switch	See group S16-	
			Heater control	See group U5-	
			Hudson Drive Master Control	See group K22-	
			Ignition lock	See group S11-	
			Light control	See group S13-	
			Overdrive control	See group K9-	
			Radio control	See group U9-	
			Starter control	See group S13-	
			Top control-CvSed	See group HH10-	
			Vacumotive drive control	See group J3-	
			Windshield cleaner control	See group U4-	
T4-			INSTRUMENT PANEL GRILLE, ORNAMENTS, AND COVERS		
			NOTE: Parts marked † discontinued In production Jan. 15, 1942. Parts marked †† used after Jan. 15, 1942, starting car No. 37067. See Introduction		
	1	36	BO 141434	Grille-instrument panel-1st type	1 1940 All
	1	36	BO 141438	Grille-instrument panel-2nd type	1 44,45,47
			NOTE: 141438 grille is identical with 141434 except It has three additional 5/32" holes for attaching name plate. Change effective with car Nos. 4453469, 4552736, 4753236.		
	2	36	BO 147435	Grille-instrument panel	1 10 exc Del,11,18
	2	36	BO 147434	Grille-instrument panel	1 12,14,15,17
	3	36	BO 204434	Grille-instrument panel †	1 1942 All
	3	36	BO 205950	Grille-instrument panel ††	1 1942 All 4
			BO 170136	Screw-instrument panel grille-used on 1st 1500 cars	2 1940 All
			BO 170430	Screw-instrument panel grille-used after 1st 1500 cars	2 1940 All
			BZ 70874	Nut-instrument panel grille screw-1st 1500 cars	2 1940 All
			BO 170429	Nut-instrument panel grille screw-after 1st 1500 cars	2 1940 All
			BO 170427	Nut-instrument panel grille	4 3/16" speed 1941 All exc Del
			BO 71073	Nut-instrument panel grille	4 10-32 x 1/8" 1942 All
			BO 141514	Retaining bar-instr. panel grille-painted	1 1940 Cab-CabPu-Panel,43,47
			BO 141515	Retaining bar-instr. panel grille-grained	1 1940 All
			BO 71073	Nut-instrument panel grille retaining bar	2 1940 All
			BO 142053	Screen-instrument panel grille-1st type grille	1 Brown 1940 All
			BO 142098	Screen-instrument panel grille-2nd type grille	1 Brown 44,45,47
			BO 144770	Screen-instrument panel grille	1 Blue or green 43-47 5Sed
			BO 147440	Screen-instrument panel grille	1 Grained 1941 All exc Del
			BO 147441	Screen-instrument panel grille	1 Gray 10P,11,12,14,15,17
			BO 147442	Screen-instrument panel grille	1 Green 10P,11,12,14,15,17
			BO 203801	Screen-instrument panel grille	1 1942 All
			BO 170423	Nut-instrument panel grille screen	4 1/8" speed 1940 All
			BO 170331	Nut-instrument panel grille screen	AR 1/8" speed 1941-1942 All exc 10C Del
	5	36	BO 141436	Ornament-instrument panel grille	1 1940 All
			BO 170423	Nut-instrument panel grille ornament	2 1/8" speed 1940 All
			BO 141518	Name plate kit-for 1st type instrument panel grille	1 44,45,47

Group & Illus. No.	Plate No.	Part No.	NAME	Per Car	Models
T4-			INSTRUMENT PANEL GRILLE, ORNAMENTS, AND COVERS (CONT'D.)		
		BO 141519	Name plate-instrument panel grille	HUDSONEIGHT	1 44,45,47
		BO 170423	Nut-instrument panel grille name plate	1/8" speed	3 44,45,47
6	36	BO 147818	Dial-instrument panel grille		1 10 exc Del, 18
6	36	BO 147816	Dial-instrument panel grille		1 11
6	36	BO 147831	Dial-instrument panel grille		1 12
6	36	BO 147832	Dial-instrument panel grille		1 14,15,17
		BO 147817	Backing plate-instrument panel grille dial		1 1941 All exc 10C Del
		BO 147884	Finish plate-instrument panel grille dial		1 12,14,15,17
7	36	BO 148184	Lens-instrument panel grille		1 1941 All exc 10C Del
		BO 170331	Nut-instrument panel grille lens	1/8" speed	10 1941 All exc 10C Del
		BO 147932	Cover-radio opening-used without radio	Grained	1 1941 All exc 10C Del
		BO 147930	Cover-radio opening-used without radio	Painted	1 10P,12,15,17,11-14 exc Sta
		BO 204889	Cover-radio opening-used without radio		1 1942 All
		BO 117249	Washer-radio opening cover stud	Used without radio	2 1941 All exc 10C Del
		BZ 12349	Washer-radio opening cover stud	Used without radio	2 1942 All
		BO 70792	Nut-radio opening cover stud	Used without radio	2 1941 All exc 10C Del
		BO 71073	Nut-radio opening cover stud	Used without radio	2 1942 All
		BO 148748	Cover-radio dial hole	Used without radio	1 1941 All exc 10C Del
		BO 200067	Clip-radio dial hole cover	Used without radio	1 1941 All exc 10C Del
9	36	BO 147933	Escutcheon assembly-radio opening-with radio	Grained	1 1941 All exc 10C Del
9	36	BO 147931	Escutcheon assembly-radio opening-with radio	Painted	1 10P,12,15,17,11-14 exc Sta
		BO 170523	Retaining bushing-radio opening escutcheon	On radio	2 1941 All with SA41 or DB41 radio
10	36	BO 204880	Name plate-instrument panel		1 20,28
10	36	BO 204881	Name plate-instrument panel	SUPER-SIX	1 21
10	36	BO 204882	Name plate-instrument panel	COMMODORE	1 22
10	36	BO 204883	Name plate-instrument panel	COMMODORE 8	1 24,25,27
		BO 204884	Lens-instrument panel name plate		1 1942 All
		BO 170673	Nut-instrument panel name plate lens	3/32" spring	2 1942 All
11	36	BO 148782	Escutcheon-inner-steering column hole †	LHD	1 1941-1942 exc Cab-CabPu-Del-7Sed
11	36	BO 148790	Escutcheon-inner-steering column hole †	LHD	1 1941-1942 Cab-CabPu,1941 Del-7Sed
		BO 148785	Escutcheon-inner-steering column hole †	RHD	1 1941-1942 exc Cab-CabPu-Del-7Sed
		BO 148793	Escutcheon-inner-steering column hole †	RHD	1 1941-1942 Cab-CabPu,1941 Del-7Sed
		BO 205962	Escutcheon-inner-steering column hole ††	LHD	1 1942 exc Cab-CabPu
		BO 206046	Escutcheon-inner-steering column hole ††	LHD	1 1942 Cab-CabPu
		BO 205965	Escutcheon-inner-steering column hole ††	RHD	1 1942 exc Cab-CabPu
		BO 206049	Escutcheon-inner steering column hole ††	RHD	1 1942 Cab-CabPu
		BO 148783	Escutcheon-outer-steering column hole †	LHD	1 1941-1942 exc Cab-CabPu-Del-7Sed
		BO 148791	Escutcheon-outer-steering column hole †	LHD	1 1941-1942 Cab-CabPu,1941 Del-7Sed
		BO 148784	Escutcheon-outer-steering column hole †	RHD	1 1941-1942 exc Cab-CabPu-Del-7Sed
		BO 148792	Escutcheon-outer-steering column hole †	RHD	1 1941-1942 Cab-CabPu,1941 Del-7Sed
		BO 205963	Escutcheon-outer-steering column hole ††	LHD	1 1942 exc Cab-CabPu
		BO 206047	Escutcheon-outer-steering column hole ††	LHD	1 1942 Cab-CabPu
		BO 205964	Escutcheon-outer-steering column hole ††	RHD	1 1942 exc Cab-CabPu
		BO 206048	Escutcheon-outer-steering column hole ††	RHD	1 1942 Cab-CabPu
		BO 148799	Retainer-steering column hole escutcheon		1 1941-1942 All
		BO 170238	Screw-steering column hole escutcheon retainer		2 1941 All
		BO 170239	Screw-steering column hole escutcheon retainer		2 1942 All
12	36				
13	36	C 200420	Moulding-RH-instrument panel		1 12,14,15,17
14	36	BO 200421	Moulding-LH inner-instrument panel		1 12,14,15,17
		BO 200422	Moulding-LH outer-instrument panel		1 12,14,15,17
		BO 204885	Moulding assembly-center-instrument panel †		1 1942 All without VD or HDM
15	36	BO 204886	Moulding assembly-center-instrument panel †		1 1942 All with VD
		BO 204887	Moulding assembly-center-instrument panel †		1 1942 All with HDM
		BO 205938	Moulding assembly-center-instrument panel ††		1 1942 All without VD or HDM
		BO 205939	Moulding assembly-center-instrument panel ††		1 1942 All with VD
		BO 205940	Moulding assembly-center-instrument panel ††		1 1942 All with HDM
		BO 200423	Clip-instrument panel moulding		8 12,14,15,17
		BO 170512	Screw-instrument panel center moulding	8-32 x 1/2	2 1942 All
		BO 141550	Moulding-locker box door		2 43,47
		BO 204184	Moulding-locker box door †		2 22,24,25,27
		BO 205958	Moulding-locker box door ††		2 22,24,25,27
		BO 204186	Retainer-locker box door moulding		8 22,24,25,27
		BO 170702	Clip-locker box door moulding		8 22,24,25,27

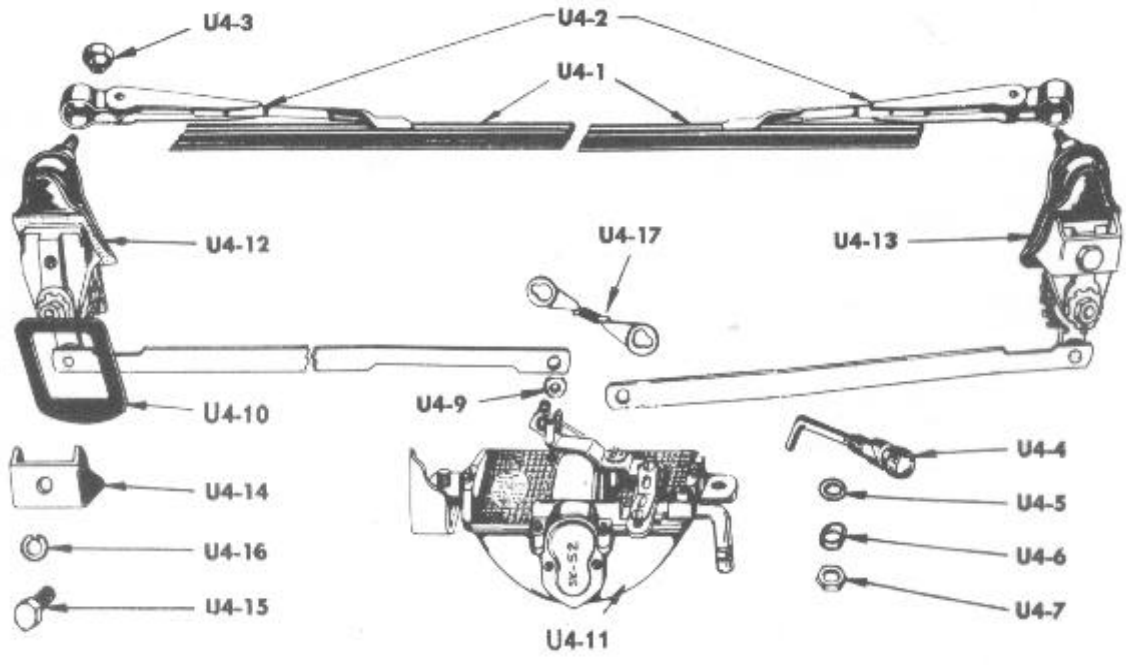
Group & Illus. No.	Plate No.	Part No.	NAME	Per Car	Models
T5-			CLOCK, CIGAR LIGHTER, ASH TRAY, MISC.		
			NOTE: Mechanical clock std on 4OP-41-44 after car Nos. 4052264, 4152263, 4452277, also std on 45-48-10-11-18-20-21-28.		
			Electrical clock std on 43-47-12-14-15-17-22-24-25-27; optional for other models.		
			NOTE: Parts marked † discontinued in production Jan. 15, 1942. Parts marked †† used after Jan. 15, 1942, starting car No. 37067. See introduction.		
1	36	BO 141312	Clock assembly-mechanical	Standard	1 40,41,44,45,48
1	36	BO 147812	Clock assembly-mechanical	Standard	1 10,11,18
1	36	BO 204812	Clock assembly-mechanical	Standard	1 20,21,28
		BO 141316	Winding key-mechanical clock		1 40,41,44,45,48
		HA 140891	Light kit-mechanical clock	LHD	1 40,41,44,45,48
		HA 140890	Light kit-mechanical clock	RHD	1 40,41,44,45,48
		BO 160475	Wire and socket assy-mechanical clock light	LHD	1 40,41,44,45,48
		BO 160476	Wire and socket assy-mechanical clock light	RHD	1 40,41,44,45,48
		BO 170460	Bulb-mechanical clock light	2CP, black tip	1 40,41,44,45,48
		BO 140889	Baffle-mechanical clock light	LHD	1 40,41,44,45,48
		BO 140888	Baffle-mechanical clock light	RHD	1 40,41,44,45,48
		HA 142612	Electric clock kit		1 40,41,44,45,48
		HA 200292	Electric clock kit		1 10,11,18
		HA 205074	Electric clock kit		1 20,21,28
1	36	HA 141726	Electric clock assembly	Opt	1 40,41,44,45,47
1	36	BO 141313	Electric clock assembly	Std	1 43,47
1	36	BO 147814	Electric clock assembly	Opt	1 10,11,18
1	36	BO 147813	Electric clock assembly Std	Std	1 12,14,15,17
1	36	BO 204814	Electric clock assembly-red hands Opt	Opt	1 20,21,28
1	36	BO 204814	Electric clock assembly-red hands Std	Std	1 22-24 to car 5996
1	36	BO 204813	Electric clock assembly-white hands Std	Std	1 22,24,25,27
		BO 160486	Wire harness-electric clock	LHD	1 1940 All
		BO 160487	Wire harness-electric clock	RHD	1 1940 All
		BO 163185	Wire assembly-electric clock	LHD	1 1941-1942 All
		BO 163187	Wire assembly-electric clock	RHD	1 1941-1942 All
		BO 161925	Connector-electric clock wire	Female fuse holder	1 1941-1942 All
		BO 161926	Terminal-electric clock wire connector		1 1941-1942 All
		BO 161927	Spring-for terminal		1 1941-1942 All
		BO 161928	Washer-for terminal spring		1 1941-1942 All
		BO 170118	Terminal-electric clock wire	3/16" spade	1 All
		BO 170088	Terminal-electric clock wire	Douglas	1 1940 All
		BO 31548	Sleeve-electric clock wire	Rubber	1 1941-1942 All
		BO 170004	Fuse-electric clock	2 amp	1 1941-1942 All
		BO 170691	Fuse-electric clock	3 amp	1 1942 All
		BO 160304	Insulator-electric clock fuse		1 1940 All
		BO 163203	Insulator-electric clock fuse		1 1941-1942 All
		BO 71550	Bulb-for electric clock	SC,2CP,#55	1-2 All
		BO 71266	Screw-for mechanical or electric clock	10-32 x 5/16"	2-3 All
		BO 200413	Gasket-for mechanical or electric clock	Paper	1 1941 All
2	36	BO 200412	Knob-for mechanical or electric clock		1 1941 All
2	36	BO 204815	Knob-for mechanical or electric clock		1 1942 All
			NOTE: Instrument panel cigar lighter std on 43-47-12-14-15-17-22-24-25-27; service accessory for other models.		
		HA 142140	Cigar lighter assembly-with taupe knob	LHD	1 1940 All
		HA 142141	Cigar lighter assembly-with taupe knob	RHD	1 1940 All
		BD 144771	Cigar lighter assembly-with black knob	LHD	1 43-47 5Sed
		BO 144772	Cigar lighter assembly-with black knob	RHD	1 43-47 5Sed
		HA 148190	Cigar lighter assembly-with gray knob		1 1941 All
		HA 203992	Cigar lighter assembly-with ivory knob †		1 1942 All
		BO 142144	Element and knob assembly Taupe knob	Taupe knob	1 1940 All
		BO 144774	Element and knob assembly Black knob	Black knob	1 43-47 5Sed
		BO 148195	Element and knob assembly		1 1941 All
		BO 203995	Element and knob assembly †	NP	1 1942 All
		BO 206044	Element and knob assembly ††		1 1942 All
		BO 142146	Heating element †	NP	1 All
		BO 206036	Heating element ††		1 1942 All
		BO 142149	Base assembly-cigar lighter †	NP	1 All
		BO 206040	Base assembly-cigar lighter ††		1 1942 All
		BO 142143	Clamp-cigar lighter base		1 1940 All
		BO 148189	Clamp-cigar lighter base		1 1941-1942 All
		BO 12790	Terminal nut-cigar lighter	8-32 x 1/8"	1 1940 All
		BO 170567	Terminal nut-cigar lighter	8-32 x 3/32"	1 1941-1942 All
		BO 142150	Wire assembly-cigar lighter	LHD	1 1940 All
		BO 143151	Wire assembly-cigar lighter	RHD	1 1940 All

Group & Illus. No.	Plate No.	Part No.	NAME	Per Car	Models
T5-			CLOCK, CIGAR LIGHTER, ASH TRAY, MISC. (CONT'D.)		
		BO 148197	Wire assembly-cigar lighter	1	1941-1942 All
		BO 170118	Terminal-cigar lighter wire	1	All
		BO 31548	Sleeve-cigar lighter wire terminal	1-2	All
		BO 142152	Sleeve-cigar lighter wire terminal	1	1940 All
		BO 142105	Ash receiver assembly-instr panel-side	1	1940 All
		BO 144745	Ash receiver assembly-instr panel-side	1	43-47 5Sed
		BO 142106	Tray and cover assy-side ash receiver	1	1940 All
		BO 144746	Tray and cover assy-side ash receiver	1	43-47 5Sed
3	36	BO 142107	Cover plate-side ash receiver	1	1940 All
3	36	BO 144747	Cover plate-side ash receiver	1	43-47 5Sed
4	36	BO 142091	Knob-instr panel side ash receiver	1	1940 All
4	36	BO 144748	Knob-instr panel side ash receiver	1	43-47 5Sed
		BZ 70863	Screw-instr panel side ash receiver knob	1	1940 All
		BO 142109	Guide-instr panel side ash receiver tray	1	1940 All
		BO 71716	Screw-side ash receiver to panel	2	1940 All
		BO 142101	Ash receiver-less tray-instr panel-center	1	1940 All without radio
		BO 144744	Ash receiver-less tray-instr panel-center	1	43-47 5Sed without radio
		BO 142102	Tray assembly-instr panel center ash receiver	1	1940 All without radio
		BO 144790	Knob-instr panel center ash receiver	1	1940 All without radio
		BO 142121	Knob-instr panel center ash receiver	1	43-47 5Sed without radio
		80 170359	Screw-instr panel center ash receiver	2	1940 All without radio
		BO 71073	Nut-instr panel center ash receiver screw	2	1940 All without radio
5	36	BO 147500	Ash receiver assembly-instr panel	1	1941 All
5	36	BO 147501	Ash receiver assembly-instr panel	1	1941 exc 10T-10C-18-Sta
5	36	BO 204500	Ash receiver assembly-instr panel †	1	1942 All
5	36	BO 204501	Ash receiver assembly-instr panel †	1	1942 exc 20T-20C-28-Sta
5	36	BO 205978	Ash receiver assembly-instr panel ††	1	1942 All
5	36	BO 205980	Ash receiver assembly-instr panel ††	1	1942 exc 20T-20C-28-Sta
		BO 147513	Bumper-ash receiver cover	2	1941-1942 All
		BO 147515	Knob-ash receiver cover	1	1941 All
		BO 203991	Knob-ash receiver cover	1	1942 All
		BO 147514	Retainer-ash receiver cover knob	1	1941-1942 All
		BO 200010	Support-accessory switch bracket	1	1941-1942 All
		BO 170367	Screw-accessory switch bracket support	4	1941-1942 All
		BO 170395	Washer-accessory switch bracket support screw	4	1941-1942 All
7	36	HA 200020	Bracket-for cigar lighter	1	1941-1942 All
7	36	HA 200022	Bracket-for Vacuumotive Drive switch	1	1941 All
7	36	HA 200024	Bracket-for heater or fog lamp switch	1	1941-1942 All
7	36	BO 200028	Bracket-for CvSed top control switch	1	1941 CvSed
		BO 204469	Bracket-for CvSed top control switch	1	1942 CvSed
		BO 71266	Screw-accessory switch bracket	AR	1941-1942 All
		BO 170395	Lockwasher-accessory switch bracket screw	AR	1941-1942 All
T6-			LOCKER BOX AND DOORS		
		BO 142200	Locker box assembly	1	1940 All
		BO 142201	Locker box assembly	1	1940 All
		BO 147445	Locker box assembly	1	1941 exc Del,1942 All
		BO 147446	Locker box assembly	1	1941 exc Del, 1942 All
		BO 141548	Bracket-locker box to dash	2	1940 All
		BO 12264	Rivet-locker box to dash bracket	1	1940 All
		BO 70455	Screw-locker box to dash bracket	1	1940 All
		BO 71672	Nut-locker box to dash bracket screw	1	1940 All
		BO 12316	Washer-locker box to dash bracket screw	5	1940 All
		BO 70455	Screw-locker box to instrument panel	10	1941 exc Del,1942 All
		BO 170471	Screw-locker box to instrument panel	5	1940 All
		BO 71672	Nut-locker box to instrument panel screw	10	1941 exc Del,1942 All
		BO 170513	Nut-locker box to instrument panel screw	5	1940 All
		BO 12316	Washer-locker box to instrument panel screw	1	1940 All
		BO 142364	Spacer-locker box to cowl panel	1	1940 All
		BO 200344	Door, lens, and bezel assy-locker-box-RH-grained	1	10 exc Del,11,18
		BO 200345	Door, lens, and bezel assy-locker box-LH-grained	1	10 exc Del,11,18
		BO 200350	Door, lens, and bezel assy-locker box-RH-grained	1	12,14,15,17
		BO 200351	Door, lens, and bezel assy-locker box-LH-grained	1	12,14,15,17
		BO 200348	Door, lens, and bezel assy-locker box-RH-gray	1	11 exc Sta
		BO 200349	Door, lens, and bezel assy-locker box-LH-gray	1	11 exc Sta
		BO 200354	Door, lens, and bezel assy-locker box-RH-gray	1	12,14,exc Sta,15,17
		BO 200355	Door, lens, and bezel assy-locker box-LH-gray	1	12,14 exc Sta,15,17
		BO 200346	Door, lens, and bezel assy-locker box-RH-green	1	11 exc Sta

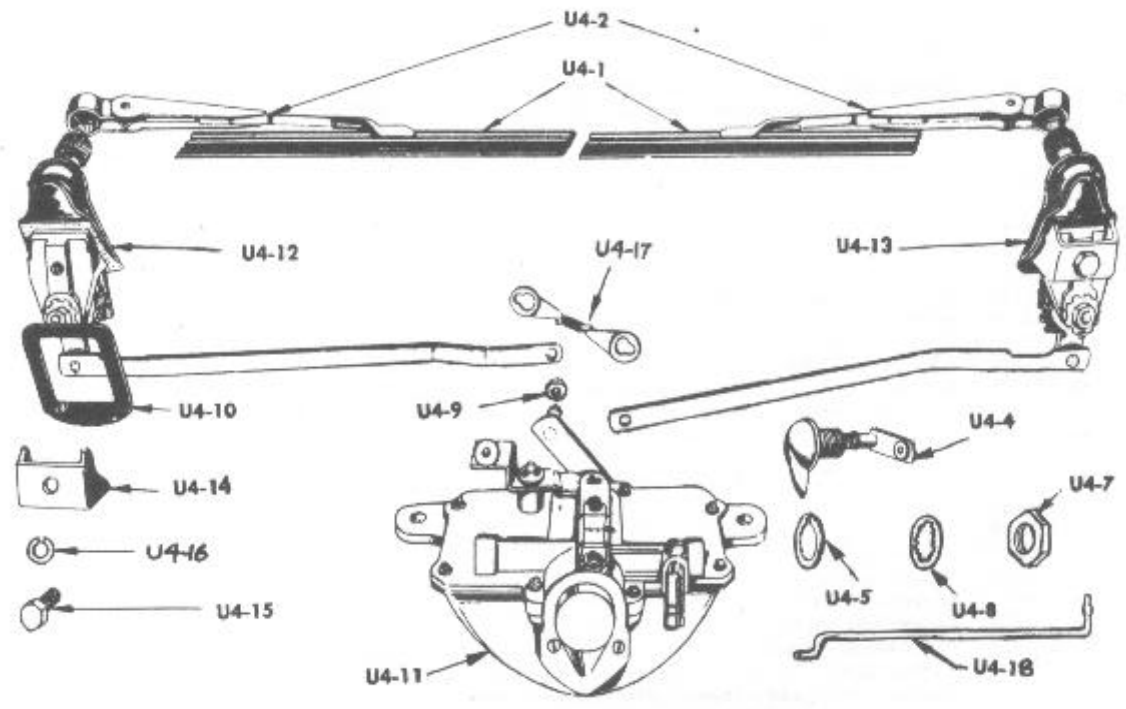
Group & Illus. No.	Plate No.	Part No.	NAME	Per Car	Models	
T6-			LOCKER BOX AND DOORS (CONT'D.)			
		BO 200347	Door, lens, and bezel assy-locker box-LH-green	LHD	1	11 exc Sta
		BO 200352	Door, lens, and bezel assy-locker box-RH-green	LHD	1	12,14 exc Sta,15,17
		BO 200353	Door, lens, and bezel assy-locker box-LH-green	LHD	1	12,14 exc Sta,15,17
5	36	BO 141528	Door assembly-locker box-RH-grained	LHD	1	40T,40P,40 UCo-UCpe,41,44,45,48P
		BO 141529	Door assembly-locker box-LH-grained	LHD	1	40T,40P,40 UCo-UCpe,41,44,45,48P
	36	BO 141532	Door assembly-locker box-RH-grained	LHD	1	43,47
5		BO 141533	Door assembly-locker box-LH-grained	LHD	1	43,47
	36	BO 141524	Door assembly-locker box-RH-painted	LHD	1	1940 Cab-CabPu-Panel
5		BO 141525	Door assembly-locker box-LH-painted	LHD	1	1940 Cab-CabPu-Panel
	36	BO 144784	Door assembly-locker box-RH-painted	LHD	1	43,47 (Specify color)
5		BO 144785	Door assembly-locker box-LH-painted	LHD	1	43,47 (Specify color)
	36	BO 141530	Door assembly-locker box-RH-grained	RHD	1	40T,40P,40 UCo-UCpe,41,44,45,48P
		BO 141531	Door assembly-locker box-LH-grained	RHD	1	40T,40P,40 UCo-UCpe,41,44,45,48P
5	36	BO 141534	Door assembly-locker box-RH-grained	RHD	1	43,47
		BO 141535	Door assembly-locker box-LH-grained	RHD	1	43,47
5	36	BO 141526	Door assembly-locker box-RH-painted	RHD	1	1940 Cab-CabPu-Panel
		BO 141527	Door assembly-locker box-LH-painted	RHD	1	1940 Cab-CabPu-Panel
5	36	BO 144786	Door assembly-locker box-RH-painted	RHD	1	43,47 (Specify color)
		BO 144787	Door assembly-locker box-LH-painted	RHD	1	43,47 (Specify color)
		BO 146636	Door assembly-locker box-RH-gray	LHD	1	10C Del
		BO 146637	Door assembly-locker box-LH-gray	LHD	1	10C Del
		BO 146630	Door assembly-locker box-RH-grained	RHD	1	1941 All exc Del
		BO 146631	Door assembly-locker box-LH-grained	RHD	1	1941 All exc Del
		BO 146626	Door assembly-locker box-RH-gray	RHD	1	11-14 exc Sta,12,15,17
		BO 146627	Door assembly-locker box-LH-gray	RHD	1	11-14 exc Sta,12,15,17
		BO 146634	Door assembly-locker box-RH-green	RHD	1	11-14 exc Sta,12,15,17
		BO 146635	Door assembly-locker box-LH-green	RHD	1	11-14 exc Sta,12,15,17
		BO 204772	Door assembly-locker box-RH-grained	LHD	1	20,21,28
		BO 204773	Door assembly-locker box-LH-grained	LHD	1	20,21,28
		BO 204788	Door assembly-locker box-RH-grained	LHD	1	22,24,25,27
		BO 204789	Door assembly-locker box-LH-grained	LHD	1	22,24,25,27
		BO 204764	Door assembly-locker box-RH-gray	LHD	1	20P,21 exc Sta
		BO 204765	Door assembly-locker box-LH-gray	LHD	1	20P,21 exc Sta
		BO 204780	Door assembly-locker box-RH-gray	LHD	1	22,24,25,27
		BO 204781	Door assembly-locker box-LH-gray	LHD	1	22,24,25,27
		BO 204768	Door assembly-locker box-RH-green	LHD	1	20P,21 exc Sta
		BO 204769	Door assembly-locker box-LH-green	LHD	1	20P,21 exc Sta
		BO 204784	Door assembly-locker box-RH-green	LHD	1	22,24,25,27
		BO 204785	Door assembly-locker box-LH-green	LHD	1	22,24,25,27
		BO 204774	Door assembly-locker box-RH-grained	RHD	1	20,21,28
		BO 204775	Door assembly-locker box-LH-grained	RHD	1	20,21,28
		BO 204790	Door assembly-locker box-RH-grained	RHD	1	22,24,25,27
		BO 204791	Door assembly-locker box-LH-grained	RHD	1	22,24,25,27
		BO 204766	Door assembly-locker box-RH-gray	RHD	1	20P,21 exc Sta
		BO 204767	Door assembly-locker box-LH-gray	RHD	1	20P,21 exc Sta
		BO 204782	Door assembly-locker box-RH-gray	RHD	1	22,24,25,27
		BO 204783	Door assembly-locker box-LH-gray	RHD	1	22,24,25,27
		BO 204770	Door assembly-locker box-RH-green	RHD	1	20P,21 exc Sta
		BO 204771	Door assembly-locker box-LH-green	RHD	1	20P,21 exc Sta
		BO 204786	Door assembly-locker box-RH-green	RHD	1	22,24,25,27
		BO 204787	Door assembly-locker box-LH-green	RHD	1	22,24,25,27
		BO 141547	Hinge and pin assembly-locker box door	Body half	2	1940 All
		BO 147403	Hinge and pin assembly-locker box door	Body half	1-2	1941-1942 All
		BO 141555	Hinge-locker box door	Door half	4	1940 All
		BO 147401	Hinge-locker box door	Inner-door half	1-2	1941-1942 All
		BO 147402	Hinge-locker box door	Outer-door half	1-2	1941-1942 All
		BO 141557	Pin-locker box door hinge		4	1940 All
		BO 170521	Pin-locker box door hinge		2-4	1941-1942 All
		BO 18447	Screw-locker box door hinge to door	10-32 x 5/8"	AR	All
		BO 18470	Screw-locker box door hinge to panel	10-32 x 5/8"	6	1940 All
		BO 18459	Screw-locker box door hinge to panel	10-32 x 1/2"	8	1941 exc Del
		BO 170367	Screw-locker box door hinge to panel	10-32 x 1/2"	3	1942 All
		BO 71376	Washer-locker box door hinge to door screw		8	1940 All
		BO 12316	Washer-locker box door hinge to panel screw		6	1940 All
		BO 71260	Washer-locker box door hinge screw		AR	1941 exc Del,1942 All
		BO 71073	Nut-locker box door hinge to panel screw		6	1940 All

Group & Illus. No.	Plate No.	Part No.	NAME	Per Car	Models
T6-			LOCKER BOX AND DOORS (CONT'D.)		
		BO 141559	Spring-locker box door		1940 All
		BO 147221	Spring-locker box door	Under striker plate	1 1941 exc Del,1942 All
		BO 141549	Clip-for retaining stationary door		1 1940 All
		BO 147220	Clip-for retaining stationary door		1 1941 exc Del,1942 All
		BO 170356	Bolt-for stationary door retaining clip	8-32 x 3/8"	2 All exc 10C Del
		BO 7762	Washer-stationary door retaining clip bolt		2 All exc 10C Del
		BO 134592	Bumper-locker box door hinge		2 1940 All
		BO 200101	Bumper-locker box door hinge		2 1941 exc Del,1942 All
		BO 142217	Bumper-outer-locker box door		2 All exc 10C Del
		BO 142218	Bumper-inner-locker box door		2 All exc 10C Del
		BO 70455	Screw-locker box door bumper	8-32 x 3/4"	4 1940 All
		BO 170512	Screw-locker box door bumper-left side	8-32 x 1/2"	2 1941 exc Del,1942 All
		BO 170238	Screw-locker box door bumper-right side	8 x 3/4" SM	2 1941 exc Del
		BO 170703	Screw-locker box door bumper-right side	8 x 5/8" SM	2 1942 All
		BO 71672	Speed nut-locker box door bumper screw	8-32	AR All exc 10C Del
		BO 170513	Spring nut-locker box door bumper screw	8-32	2 1941 exc Del,1942 All
		BO 70350	Finish washer-locker box door bumper screw		4 All exc 10C Del
		BZ 125575	Hole plug-locker box door inner panel	5/8" rubber	1 40T,40C,43,47,48
		BO 147404	Bracket-locker box door support		1 1941 exc Del,1942 All
		BO 18459	Screw-locker box door support bracket to panel		3 1941 exc Del
		BO 170367	Screw-locker box door support bracket to panel		3 1942 All
		BO 71073	Nut-support bracket to panel screw		3 1941 exc Del,1942 All
		BO 71654	Screw-support bracket to door		2 1941 exc Del,1942 All
		BO 12349	Washer-support bracket to door screw		2 1941 exc Del,1942 All
		BO 141558	Striker plate-locker box door		1 1940 All
		BO 147222	Striker plate-locker box door		1 1941-1942 All
		BO 148569	Striker plate-locker box door	Left	1 1941 Del
		BO 18459	Screw-locker box door striker plate	10-32 x 1/2"	2 1940-1941 All
		BO 170367	Screw-locker box door striker plate	10-32 x 1/2"	2 1942 All
		BO 170267	Screw-locker box door striker plate	10-32 x 7/16"	2 10C Del
		BO 71073	Nut-striker plate screw		2 10C Del
		BO 7762	Washer-striker plate screw		2 All
10	36	BO 141552	Lock, cylinder, and keys assembly-locker box door		1 1940 All
10	36	BO 147224	Lock, cylinder, and keys assembly-locker box door		1 1941 exc Del,1942 All
		BO 141551	Lock assembly-less cylinder		1 1940 All
		BO 147223	Lock assembly-less cylinder		1 1941 exc Del,1942 All
		BO 200295	Lock catch		1 1941 exc Del,1942 All
		BO 200296	Lock catch operating rod		1 1941 exc Del,1942 All
		BO 200297	Lock catch spring		1 1941 exc Del,1942 All
		BO 136304	Cylinder and keys assembly		1 1940 All
		BO 147227	Cylinder and keys assembly		1 1941 exc Del,1942 All
		BO 45986	Key-locker box door	Specify key No.	2 All exc 10C Del
		BO 136303	Lock cylinder-locker box door	Not coded-Service	1 1940 All
		BO 147226	Lock cylinder-locker box door	Not coded-Service	1 1941 exc Del,1942 All
		BO 141553	Retaining sleeve-locker box door lock		1 1940 All
		BO 147228	Retaining sleeve-locker box door lock		1 1941 exc Del,1942 All
		BO 71706	Retaining screw-locker box door lock	6-32 x 5/16"	1 All exc 10C Del
		BO 148568	Latch assembly-locker box door		1 10C Del
		BO 200295	Lock catch		1 10C Del
		BO 200296	Lock catch operating rod		1 10C Del
		BO 200297	Lock catch spring		1 10C Del
		BO 71706	Screw-locker box door latch		2 10C Del
		BO 200403	Weatherseal-locker box door	Upper & lower	4 10C Del
		BO 200404	Weatherseal-locker box door	Inner	2 10C Del
		BO 200405	Weatherseal-locker box door	Outer	2 10C Del
UI-			TOOLS		
		BZ 160921	Tool kit		1 40P,10P,40T-10T exc 3Cpe, 40 UCpe
		BZ 161396	Tool kit		1 40T 3Cpe,40C UCpe
		BZ 161396	Tool kit-for cars with inside tire carrier		1 10T 3Cpe,10C UCpe
		BZ 160921	Tool kit-for cars with rear compartment tire carrier		1 10T 3Cpe
		BZ 160923	Tool kit-for cars with rear compartment tire carrier		1 10C UCpe
		BZ 160922	Tool kit		1 1940-1941 all exc 40-10-48C-18C
		BZ 160923	Tool kit		1 40C Panel
		BZ 160924	Tool kit		1 48C Panel
		BZ 160925	Tool kit		1 40C-10C Cab-CabPu
		BZ 160927	Tool kit		1 48C-18C Cab-CabPu
		BZ 164634	Tool kit		1 20 exc Cab-CabPu-UCpe
		BZ 164635	Tool kit		1 20 UCpe
		BZ 164636	Tool kit		1 21,22,24,25,27

Group & Illus. No.	Plate No.	Part No.	NAME	Per Car	Models
U1-			TOOLS (CONT'D.)		
		BZ 165158	Tool kit	1	20C,28C
		BZ 155580	Tool bag assembly-less tools	Short 1	All pass cars exc 40T-10T 3Cpe
		BZ 151430	Tool bag assembly-less tools	Long 1	Cab,CabPu,UCpe,40T-10T 3Cpe,1940 Panel
			NOTE: Bumper type jack std on all models except Cab-CabPu. Axle jack std on Cab-Cabpu		
		157174	Screw assembly-for bumper jack	Use 164591 1	40,48P,10,18P,Panel
		BZ 157667	Screw assembly-for bumper jack	1	41,43,44,45,47,11,12,14,15,17
		BZ 164591	Screw assembly-for bumper jack	1	20T,20P
		BZ 164593	Screw assembly-for bumper jack	1	21,22,24,25,27
		C 157175	Base-for bumper jack	1	40,48P,10,18P,20,Panel
		BZ 157668	Base-for bumper jack	1	41 thru 47,11 thru 17,21 thru 27
		BZ 40693	Jack-axle type	1	Cab-CabPu
		BZ 151578	Handle-for axle type jack	See starting crank 1	Cab-CabPu
		BZ 46172	Handle adapter-for axle type jack	1	Cab-CabPu
		BZ 153401	Handle extension-for axle type jack	1	Cab-CabPu
		BZ 151578	Starting crank-used as axle jack handle	Std 1	Cab-CabPu
		BZ 151578	Starting crank	Service 1	1940-1941 all exc Cab-CabPu
		BZ 153400	Extension-starting crank Used to operate	Std 1	40C-10C Cab-CabPu
		BZ 153401	Extension-starting crank axle jack	Std 1	48C-18C Cab-CabPu
		BZ 153400	Extension-starting crank	Service 1	40-10 exc Cab-CabPu
		BZ 153401	Extension-starting crank	Service 1	41,43,48P,11,12,18P
		BZ 153403	Extension-starting crank	Service 1	44,45,47,14,15,17
		BZ 160285	Hub bolt wrench and bumper jack handle	1	All exc UCpe and 40T-10T 3Cpe
		BZ 155569	Hub bolt wrench and bumper jack handle		UCpe,40T-10T 3Cpe
U4-			WINDSHIELD CLEANER		
			NOTE: Parts marked † discontinued in production Jan. 15, 1942. Parts marked †† used after Jan. 15, 1942, starting car No. 37067. See introduction.		
		BO 141814	Windshield cleaner auxiliary kit-RH.	LHD 1	40T,40C,48
		BO 141815	Windshield cleaner auxiliary kit-LH	RHD 1	40T,40C,48
1	37	HA 142398	Blade-windshield cleaner	8-3/4" laminated 2	All exc CvCpe-CvSed
1	37	HA 136456	Blade-windshield cleaner	8-3/4" moulded 2	All exc CvCpe-CvSed
1	37	HA 141819	Blade-windshield cleaner	8-1/4" laminated 2	CvCpe,CvSed
1	37	HA 122528	Blade-windshield cleaner	8-1/4" moulded 2	CvCpe,CvSed
2	37	BO 141810	Arm and spring assembly-windshield cleaner	2	1940 All exc CvCpe-CvSed
2	37	BO 122532	Arm and spring assembly-windshield cleaner	1	1940 CvCpe-CvSed
2	37	BO 148728	Arm and spring assembly-windshield cleaner	1	1941-1942 All exc CvSed
2	37	BO 148729	Arm and spring assembly-windshield cleaner	1	1941-1942 CvSed
3	37	BO 117025	Acorn nut-windshield cleaner arm	2	1940 All
4	37	BO 141305	Control assembly-windshield cleaner	Taupe knob 1	1940 All
4	37	BO 141806	Control assembly-windshield cleaner	Black knob 1	43-47 5Sed
4	37	BO 148155	Control assembly-windshield cleaner	Gray knob 1	1941 All
4	37	BO 204175	Control assembly-windshield cleaner †	NP base 1	1942 All
4	37	BO 205968	Control assembly-windshield cleaner ††	1	1942 All
5	37	BO 118224	Gasket-windshield cleaner control	1	1940 All
5	37	BO 148159	Gasket-windshield cleaner control	1	1941-1942 All
6	37	BO 141809	Spacer-windshield cleaner control	1	1940 All
7	37	BO 117016	Nut-windshield cleaner control	1	1940 All
7	37	BO 170524	Nut-windshield cleaner control	1	1941-1942 All
		BZ 70867	Lockwasher-windshield cleaner control	7/16" int. tooth 1	1940 All
8	37	BO 170002	Lockwasher-windshield cleaner control	1/2" int. tooth 1	1941-1942 All
9	37	BO 117034	Felt washer-windshield cleaner connecting link	2	All
10	37	BO 141804	Rubber gasket-windshield cleaner chain housing	2	All
		BO 141178	Tubing-windshield cleaner-with std fuel pump	33-1/2" 1	1940 All
		BO 117495	Tubing-windshield cleaner-with std fuel pump	43-1/2" 1	1941-1942 All
		BO 117495	Tubing-windshield cleaner-with combination pump	1	1940 All
		BO 148163	Tubing-windshield cleaner-with combination pump	53" 1	1941-1942 All
		BM 158635	Tubing extension-used when installing combination	1	1940 All
		BM 158635	Connector-for tubing extension	Copper 1	1940 All
		BO 141812	Cover-windshield cleaner housing hole-RH	1	40T,40C,48
		BO 130268	Clamp-housing hole cover-RH	1	40T,40C,48
		BO 141804	Gasket-housing hole cover-RH	1	40T,40C,48
		BZ 7753	Screw-housing hole cover-RH	10-32 x 1/2" 1	40T,40C,48



Windshield Cleaner—1940



Windshield Cleaner—1941-1942

Group & Illus. No.	Plate No.	Part No.	NAME	Per Car	Models	
U4-			WINDSHIELD CLEANER (CONT 'D.)			
			NOTE: The following windshield cleaner parts are not supplied by Hudson Motor Car Co., but may be obtained from Trico Products Corporation, Buffalo, New York, or their authorized dealers. Trico symbols are shown.			
11	37	SK-52	Motor assembly	1	1940 All	
11	37	SSM-103	Motor assembly	1	1941-1942 All	
		76235-J	Shaft with lever	1	1940 All	
		79057-5J	Shaft with lever	1	1941-1942 All	
		R- 76235-J	Paddle assembly	1	1940 All	
		L- 79195-5J	Paddle assembly	1	1941-1942 All	
		SP-1075	Motor renewal parts set	1	1940 All	
		SP-1082-1A	Motor renewal parts set	1	1941-1942 All	
		SP-1083	Linkage repair set	1	1940 All	
		SP-1083-1A	Linkage repair set	1	1941-1942 All	
		8897-17	Motor kicker	1	1940 All	
		78170-17	Motor kicker	1	1941-1942 All	
12	37	78662-C	Chain housing and linkage-driver side	1	1940 All	
12	37	78662-1C	Chain housing and linkage-driver side	1	1941-1942 All	
13	37	78663-C	Chain housing and linkage-passenger side	1	1940 All	
13	37	78663-1C	Chain housing and linkage-passenger side	1	1941-1942 All	
14	37	78665-J	Clamp bracket-chain housing	2	All	
15	37	634-24-J	Hex head screw-clamp bracket	2	All	
16	37	2328-24J	Lock washer-clamp bracket screw	2	All	
17	37	76125-J	Retainer assembly-connecting link	1	All	
18	37	79138	Control wire	1	1941-1942 All	
U5-			HEATERS: CUSTOM, DE LUXE AND RECIRCULATING			
			NOTE: Custom and DeLuxe Heaters discontinued and replaced by Recirculating Heater on Oct. 16, 1940. Heater assemblies complete do not include Defroster			
		160293	Heater complete- DeLuxe	Use 163239	1	1940-1941 All
		160294	Heater complete- Custom	Use 163239	1	1940-1941 All
		HA 164239	Heater complete- Recirculating		1	1941-1942 All
		BO 161448	Core assembly	DeLuxe & Recirculating	1	All
		BO 159060	Core assembly	Custom	1	1940-1941 All
		BO 159066	Motor assembly	DeLuxe	1	1940-1941 All
		BO 159067	Motor assembly	Custom	1	1940-1941 All
		BO 163796	Motor assembly	Recirculating	1	1941-1942 All
		BO 159068	Gasket-motor mounting	DeLuxe	1	1940-1941 All
		BO 159069	Gasket-motor mounting	Custom	1	1940-1941 All
		BO 163560	Gasket-motor mounting	Recirculating	1	1941-1942 All
		BO 159070	Grommet-motor mounting		2	All
		BO 161449	Fan and blower assembly	DeLuxe	1	1940-1941 All
		BO 161450	Fan and blower assembly	Custom	1	1940-1941 All
		BO 163797	Fan and blower assembly	Recirculating	1	1941-1942 All
		BO 159071	Fan	DeLuxe	1	1940-1941 All
		BO 159072	Fan	Custom	1	1940-1941 All
		BO 159073	Blower wheel	DeLuxe	1	1940-1941 All
		BO 159074	Blower wheel	Custom,	1	1940-1941 All
		BO 159075	Set screw-fan and blower	DeLuxe	1	1940-1941 All
		BO 159076	Set screw-fan and blower	Custom	1	1940-1941 All
		BO 163564	Set screw-fan and blower	Recirculating	1	1941-1942 All
		BO 159061	Door-upper		1	All
		BO 159062	Door-lower		1	All
		BO 161454	Handle-heater door	DeLuxe-Custom	2	1940-1941 All
		BO 163798	Handle-heater door	Recirculating	2	1941-1942 All
		BO 159064	Rubber bumper-heater door		2	All
		BO 159065	Spring-heater door		.4	All
		BO 161452	Name plate-heater door		1	All
		BO 159077	Bolt-heater mounting	DeLuxe & Custom	3	1940-1941 All
		BO 163795	Bolt-heater mounting	Recirculating	3	1941-1942 All
		BO 159078	Washer-heater mounting bolt	DeLuxe-Recirculating	3	All
		BO 170596	Washer-heater mounting bolt	7/16"x2-1/2" Recirculating	3	1941-1942 All
		BO 159079	Hose	6 ft. length	1	All
		BO 159086	Hose clamp		4	All
		BM 2397	Strap-for hose		1	All
		BO 161989	Clip-for hose		1	All six cyl
		BO 70792	Spring nut-for hose clip	10-32	1	All six cyl
		BO 159081	Nipple-heater hose pipe		1	All
		BO 157818	Shut off valve-heater	Recirculating	1	1941-1942 All
		BO 161346	Jumper wire	DeLuxe-Custom	1	1940-1941 All
		BO 163799	Jumper wire assembly-fused	Recirculating	1	1941-1942 All
		BO 161456	Fuse connector-jumper wire		1	All
		BO 160189	Cap-fuse connector		1	All
		BO 161459	Terminal-fuse connector		2	All

Group & Illus. No.	Plate No.	Part No.	NAME	Per Car	Models
U5-			HEATERS: CUSTOM, DE LUXE AND RECIRCULATING (CONT'D.)		
		BO 160191	Insulator-fuse connector terminal	2	All
		BO 160192	Spring-fuse connector terminal	1	All
		BO 160193	Washer-fuse connector terminal spring	1	All
		BO 170480	Fuse	14 amp	All
		BO 161451	Switch assembly-heater	DeLuxe-Custom	1940-1941 All
		BO 163794	Switch assembly-heater	Recirculating	1941-1942 All
		BO 158870	Switch assembly-automatic control	trol Service	1940 All
		BO 163846	Escutcheon plate-heater switch	Recirculating	1941-1942 All
		BO 161458	Knob-heater switch	DeLuxe-Custom	1940-1941 All
		BO 163358	Knob-heater switch	Recirculating	1941-1942 All
U5-			HUDSON WEATHERMASTER Optional On All Models		
		BO 160295	Weathermaster complete-includes defroster	Taupe knobs	1940 All
		BO 161715	Weathermaster complete-includes defroster	Black knobs	43-47 5Sed
		HA 161900	Weathermaster complete-includes defroster	Brown	1941 All
		HA 161901	Weathermaster complete-includes defroster	Gray	1941 All
		HA 161902	Weathermaster complete-includes defroster	Green	1941 All
		HA 164230	Weathermaster complete-includes defroster	Russet	1942 All
		HA 164231	Weathermaster complete-includes defroster	Gray	1942 All
		HA 164232	Weathermaster complete-includes defroster	Green	1942 All
		BO 161444	Hook rod-HWM mounting		1940 All
		BO 161420	Core assembly-HWM		1940 All
		BO 163569	Core assembly-HWM		1941-1942 All
		BO 161439	Core tube-for hose connection	Short	1940 All
		BO 161440	Core tube-for hose connection	Long	1940 All
		BO 161439	Core tube-for hose connection		1941-1942 All
		BO 161421	Motor assembly		1940 All
		BO 163555	Motor assembly		1941-1942 All
		BO 159069	Gasket-motor mounting		1940 All
		BO 163560	Gasket-motor mounting		1941-1942 All
		BO 159070	Grommet-motor mounting		All
		BO 161422	Fan and blower assembly		1940 All
		BO 163556	Fan and blower assembly		1941-1942 All
		BO 159076	Set screw-fan and blower		1940 All
		BO 163564	Set screw-fan and blower		1941-1942 All
		BO 161424	Door assembly-RH		1940 All
		BO 161425	Door assembly-LH		1940 All
		BO 163559	Door assembly		1941-1942 All
		BO 161428	Spring-HWM door		1940 All
		BO 163561	Spring-HWM door		1941-1942 All
		BO 161429	Hinge pin-HWM door		1940 All
		BO 161434	Link-HWM door		1940 All
		BO 163563	Knob-HWM door	Gray	1941-1942 All
		BO 164601	Knob-HWM door	Ivory	1941-1942 All
		BO 161427	Name plate-HWM		1940 All
		BO 161452	Name plate-HWM		1941 All
		BO 163609	Control arm replacement kit		1941-1942 All
		BO 161426	Control arm assembly		1940 All
		BO 140278	Knob-control arm	Taupe	1940 All
		BO 144725	Knob-control arm	Black	43-47 5Sed
		BO 163563	Knob-control arm	Gray	1941 All
		BO 164601	Knob-control arm	Ivory	1942 All
		BO 158864	Fresh air-filter-HWM		1940 All
		BO 163568	Fresh air filter-HWM		1941-1942 All
		BO 161445	Staple-fresh air filter		All
		BO 112197	Tapping plate-heater to air duct		1941 All
		BO 70796	Screw-heater to air duct tapping plate	12-28 x 3/4"	1941 All
		BO 170623	Screw-heater to air duct	#12SM	1941-1942 All
		BO 170214	Nut-heater to air duct screw	#12 spring	1941-1942 All
		BO 161447	Seal-water tube to dash-1/2" ID	Sponge Rubber	All
		BO 161991	Seal-core duct	Sponge Rubber	1941-1942 All
		BO 161430	Sealing strip-heater case		1940 All
		BO 161455	Rod-cowl ventilator operating	Used with HWM	1940 All
		BO 161431	Boot-cowl ventilator operating rod		1940 All
		BO 161432	Ring-cowl ventilator operating rod boot		1940 All
		BO 161433	Rivet-cowl ventilator operating rod boot		1940 All
		BO 161441	Hose	54" length	1940 All
		BO 163566	Hose	51" length	1941-1942 All
		BO 159080	Hose clamp		All
		BM 2397	Strap-for hose		All
		BO 159081	Nipple	3/8" pipe, 1-7/8" long	All
		BO 161446	Drain hose		1940 All
		BO 163567	Drain hose		1941-1942 All

Group & Illus. No.	Plate No.	Part No.	NAME	Per Car	Models
U5-			HUDSON WEATHERMASTER (CONT'D.) Optional On All Models		
		BO 161442	Water shut off valve assembly	1	All
		BO 161457	Gasket-shut off valve	1	All
		BO 164826	Stem and disc assembly-shut off valve	1	All
		BO 164827	Crank and swivel assembly-shut off valve	1	All
		BO 18116	Set screw-shut off valve	1	All
		BO 161443	Bowden wire-to operate shut off valve	1	1940 All
		BO 163565	Bowden wire-to operate shut off valve	1	1941-1942 All
		BO 161435	Clamp-for Bowden wire	1	All
		BO 31548	Sleeve-for Bowden wire	1	1940 All
		BO 163650	Sleeve-for Bowden wire	1	1941-1942 All
		BO 161436	Jumper wire	1	1940 All
		BO 161437	Jumper wire	1	43-47 Sed
		BO 163558	Jumper wire	1	1941-1942 All
		BO 161423	Switch assembly-HWM	1	1940 All
		BO 163557	Switch assembly-HWM	1	1941 All
		BO 164241	Switch assembly-HWM	1	1942 All
		BO 161711	Knob-HWM switch	1	43-47 Sed
		BO 161724	Knob-HWM switch	1	1940 All
			Rubber	1	1940 All
			Rubber-14" long	1	1941-1942 All
			Black	1	43-47 Sed
			Taupe	1	1940 All
U5-			DEFROSTER		
			NOTE: Defroster is standard with Hudson Weathermaster, and optional with DeLuxe, Custom, and Recirculating Heaters.		
		HA 161054	Defroster kit-for DeLuxe or Custom heater	1	1940 All
		HA 161909	Defroster kit-for DeLuxe or Custom heater	1	1941 All
		HA 163237	Defroster kit-for Recirculating heater	1	1941-1942 All
		BO 160938	Outlet elbow-at instrument panel	2	All
		BO 170415	Bolt-outlet elbow	2	All
		BO 170416	Bolt-outlet elbow	2	All
		BO 70681	Lockwasher-outlet elbow bolt	4	All
		BO 161055	Defroster Y	1	1940-1941 All
		BO 161056	Stud-defroster V to dash	1	1940-1941 All
		BZ 6440	Plain washer-defroster Y to dash stud	1	1940-1941 All
		BO 60675	Lockwasher-defroster Y to dash stud	1	1940-1941 All
		BO 70674	Nut-defroster Y to dash stud	1	1940-1941 All
		161059	Hose-17" long-Use 163245	3	1940 All
		161059	Hose-17" long-taupe	1	1941 All
		BO 163240	Hose-22-1/2" long-taupe	2	1941 All
		BO 163245	Hose-34" long-brown	1	1942 All
		BO 163246	Hose-22-1/2" long-brown	1	1942 All
		80 161057	Hose-21" long-taupe	1	1940 All
		BO 161713	Hose-21" long-gray	1	1940 All
		BO 161058	Hose-26" long-taupe	1	1940 All
		BO 161714	Hose-26" long-gray	1	1940 All
		BO 163241	Hose-21" long-brown	2	1941 All
		BO 163242	Hose-21" long-gray	2	1941 All
		BO 163243	Hose-21" long-green	2	1941 All
		BO 163246	Hose-22-1/2" long-brown	1	1942 All
		BO 164237	Hose-21" long-gray	2	1942 All
		BO 163238	Coupling-hose	1	1941 All
		BO 161060	Strap-hose	1	1940 All
		BO 18470	Bolt-hose strap	1	1940 All
		BO 71073	Nut-hose strap bolt	1	1940 All
		BO 12316	Finish washer-hose strap bolt	1	1940 All
		BO 70071	Lockwasher-hose strap bolt	1	1940 All
		BO 161453	Outlet elbow-heater	1	1940-1941 All
		BO 161438	Outlet elbow-heater	1	1940 All
		BO 163562	Outlet elbow-heater	2	1941-1942 All
U6-			RADIO ASSEMBLIES AND MOUNTING PARTS		
			1940 DeLuxe - 6 tube - Stewart Warner - SA40		
			Custom - 7 tube - Stewart Warner - DB40		
			Junior - 5 tube - Detrola - JA40		
			1941 DeLuxe - 6 tube - Stewart Warner - SA41		
			Custom - 8 tube - Stewart Warner - DB41		
			Junior - 5 tube - Stewart Warner - JA41		
			1942 Custom - 6 tube - Zenith - DB42		
		HA 160321	Radio complete-SA40-Specify grained or painted escutcheon	1	1940 All
		HA 160322	Radio complete-DB40-Specify grained or painted escutcheon	1	1940 All

Group & Illus. No.	Plate No.	Part No.	NAME	Per Car	Models
U6-			RADIO ASSEMBLIES AND MOUNTING PARTS (CONT'D.)		
		HA 160808	Radio complete-JA40	Service 1	1940 All
		HA 200200	Radio complete-SA41	1	1941 All exc Del.
		HA 200201	Radio complete-DB41	1	1941 All exc Del.
		HA 200202	Radio complete-JA41	Service 1	1941 All exc Del.
		HA 204800	Radio complete-DB42 †	Chrome fittings 1	1942 All
		BO 161401	Lower unit-SA40 radio	1	1940 All
		BO 161402	Lower unit-DB40 radio	1	1940 All
		BO 170451	Nut-lower unit to dash	1	1940 SA40-DB40
		BO 161489	Lockwasher-lower unit to dash	1	1940 SA40-DB40
		BO 161404	Tuning unit	Specify escutcheon finish 1	1940 SA40
		BO 161405	Tuning unit	Specify escutcheon finish 2	1940 DB40
		BO 161415	Bolt-tuning unit mounting	2	1940 SA40-DB40
		BO 161416	Clip-tuning unit mounting bolt	2	1940 SA40-DB40
		BO 170454	Wing nut-tuning unit bolt	1/4"-20 1	1940 SA40-DB40
		BO 161740	Cover and escutcheon assy-tuning unit	Blue 1.	1940 SA40-DB40
		BO 161741	Cover and escutcheon assy-tuning unit	Green 2	1940 SA40-DB40
		BO 200687	J bolt-radio mounting	2	1941 All
		BO 200688	Wing nut-radio mounting	1	1941 All
		BO 204021	Bracket-radio mounting	1	1942 All
		BO 205289	Wing nut-radio mounting	2	1942 All
		BO 205295	Washer-radio mounting	1	1942 All
		BZ 70872	Bolt-mounting bracket to body	1/4"-20 x 3/4" 1	1942 All
		BZ 70874	Nut-mounting bracket to body bolt	1/4"-20 x 7/16" 1	1942 All
		BO 203832	Installation kit-for installing	1942 radio in 1941 cars 1	1941 All
		BO 161412	Instruction book	1	1940 SA40-SA41
		BO 204948	Instruction book		1942 All
U7-			RADIO CONDENSERS AND RESISTORS		
		BO 161470	Condenser-variable gang	Tuning 1	1940 DeLuxe-Custom
		BO 200215	Condenser-variable gang	Tuning 1	1941 Custom
		BO 200216	Condenser-variable gang	Tuning 1	1941 DeLuxe
		BO 161470	Condenser-trimmer	Antenna 1	1940 DeLuxe-Custom
		BO 161471	Condenser-trimmer	Oscillator 1	1940 DeLuxe-Custom
		BO 200214	Condenser-trimmer	1	1941 DeLuxe-Custom
		BO 200221	Condenser-trimmer	1	1941 Junior
		BO 200222	Condenser-trimmer	1	1941 Junior
		BO 200217	Condenser-air trimmer	1	1941 DeLuxe-Custom
		BO 204918	Condenser-trimmer	Antenna 1	1942 All
		BO 204912	Condenser-trimmer-single section ceramic	1	1942 All
		BO 204913	Condenser-trimmer-single section ceramic	1	1942 All
		BO 161474	Condenser-temperature compensating	1	1940 DeLuxe-Custom
		BO 200220	Condenser-temperature compensating	1	1941 Custom
		BO 200225	Condenser-temperature compensating	1	1941 DeLuxe
		BO 204917	Condenser-compensator	350 MFD 1	1942 All
		BO 161475	Condenser-electrolytic	4MFD-200 volts 1	1940 DeLuxe-Custom
		BO 161468	Condenser-multiple electrolytic	1	1940 DeLuxe-Custom
		BO 161650	Condenser-electric	10 x 15-20 MFD 1	1940 Junior
		BO 158463	Condenser-oil filled	.01 MFD-2000 volts 1	1940 DeLuxe-Custom
		BO 161652	Condenser-oil filled	.005 MFD-11200 volts 1	1940 Junior
		BO 158447	Condenser-mica	260 MMFDF 2	1940 DeLuxe-Custom, 1941 All
		BO 158448	Condenser-mica	110 MMFDF 2	1940-1941 DeLuxe-Custom
		BO 158450	Condenser-mica	51 MMFDF 1	1940 Custom, 1941 Junior
		BO 158455	Condenser-mica	2100 MMFDF 2	1940 DeLuxe-Custom, 1941 DeLuxe
		BO 161651	Condenser-paper	.2-60 volts 1	1940 Junior
		BO 161473	Condenser	.5 MFD-150 volts 4	1940 DeLuxe-Custom
		BO 161469	Condenser	.008 MFD-600 volts 1	1940 DeLuxe
		BO 161472	Condenser	.006 MFD-600 volts 1	1940 Custom
		BO 161463	Condenser	.004 MFD-600 volts 1	1940 DeLuxe-Custom
		BO 161467	Condenser	.002 MFD-600 volts 1	1940 DeLuxe-Custom
		BO 161462	Condenser	.01 MFD-600 volts 2-4	1940 DeLuxe-Custom
		BO 161466	Condenser	.02 MFD-600 volts 1	1940 DeLuxe-Custom
		BO 161465	Condenser	.05 MFD-600 volts 2	1940 DeLuxe-Custom
		BO 161461	Condenser	.1 MFD-600 volts 8-7	1940 DeLuxe-Custom
		BO 161464	Condenser	.2 MFD-600 volts 1	1940 Custom
		BO 200203	Condenser-mica	26 MMFDF 1	1941 DeLuxe-Custom
		BO 200204	Condenser-mica	120 MMFDF 1	1941 Junior
		BO 200213	Condenser-mica	11 MMFDF-5% 4	1941 DeLuxe-Custom
		BO 200219	Condenser-mica	840 .MMFDF 1	1941 Custom
		BO 200226	Condenser-mica	15 MMFDF 1	1941 DeLuxe
		BO 200228	Condenser-mica	21 MMFDF-5% 1	1941 Custom
		BO 161461	Condenser	.1 MFD-600 volts 5	1941 DeLuxe-Custom
		BO 161461	Condenser	.1 MFD-600 volts 3	1941 Junior

Group & Illus. No.	Plate No.	Part No.	NAME	Per Car	Models	
U7-			RADIO CONDENSERS AND RESISTOR'S (CONT'D.)			
		BO 161465	Condenser	.05 MFD-600 volts	1	1941 Custom-Junior
		BO 161465	Condenser	.05 MFD-600 volts	2	1941 DeLuxe
		BO 161473	Condenser	.5 MFD-150 volts	2	1941 All
		BO 200205	Condenser	.25 MFD-150 volts	1	1941 All
		BO 200206	Condenser	.01 MFD-600 volts	3-4	1941 DeLuxe-Custom
		BO 200206	Condenser	.01 MFD-600 volts	2	1941 Junior
		BO 200207	Condenser	.02 MFD-600 volts	2-3	1941 All
		BO 200208	Condenser	.015 MFD-600 volts	1	1941 Junior
		BO 200209	Condenser	.008 MFD-600 volts	1	1941 Custom
		BO 200211	Condenser	.004 MFD-630 volts	1	1941 Junior
		BO 200212	Condenser	.001 MFD-600 volts	1	1941 Custom
		BO 200227	Condenser-buffer	.01 MFD-2000 volts	1	1941 All
		BO 200218	Condenser-metal clad	.0002 MFD	1	1941 All
		BO 158460	Condenser-electrolytic	.10 MFD-35 volts	2	1941 Custom
		BO 200223	Condenser-electrolytic	.10 MFD-450 volts	1	1941 DeLuxe-Junior
		BO 20)224	Condenser-electrolytic	.10 MFD-453 volts	1	1941 All
		BO 200229	Condenser-electrolytic	.15 MFD-450 volts	1	1941 Custom
		BO 204903	Condenser	.0001 MFD-600 volts	2	1942 All
		BO 204901	Condenser	.1 MFD-400 volts	1	1942 All
		BO 204902	Condenser	.0002.5 MFD-600 volts	1	1942 All
		BO 204903	Condenser	.1 MFD-200 volts	1	1942 All
		BO 204904	Condenser	.05 MFD-200 volts	2	1942 All
		BO 204905	Condenser	.005 MFD-600 volts	1	1942 All
		BO 204906	Condenser	.005 MFD-200 volts	2	1942 All
		BO 204907	Condenser	.5 MFD-120 volts	1	1942 All
		BO 204908	Condenser	.007 MFD-200 volts	1	1942 All
		BO 204909	Condenser-dual spark plate		2	1942 All
		BO 204910	Condenser	.1 MFD-600 volts	1	1942 All
		BO 204911	Condenser-dry electrolytic	20 MFD-25V, 10 MFD-300V, 20 MFD, 350 volts	1	1942 All
		BO 204914	Condenser	.5 MFD-120 volts	1	1942 All
		BO 204915	Condenser	.004 MFD-600 volts	1	1942 All
		BO 204916	Condenser	.008 MFD-1630 volts	1	1942 All
		BO 161480	Resistor-carbon	1000 OHMS-1/2 watt	1	1940 DeLuxe-Custom
		BO 161478	Resistor-carbon	33000 OHMS-1/10 watt	1	1940 DeLuxe-Custom
		BO 161477	Resistor-carbon	470000 OHMS-1/10 watt	1	1940 DeLuxe-Custom
		BO 161488	Resistor-insulated	220 OHMS-1/4 watt	1	1940 Custom
		BO 158470	Resistor-insulated	330 OHMS-1/4 watt	1	1940 Custom
		BO 158483	Resistor-insulated	1000 OHMS-1/4 watt	1	1940 DeLuxe-Custom
		BO 161486	Resistor-insulated	6800 OHMS-1/4 watt	1	1940 Custom
		BO 161481	Resistor-insulated	22000 OHMS-1 watt	1	1940 DeLuxe-Custom
		BO 161484	Resistor-insulated	47000 OHMS-1/2 watt	1	1940 DeLuxe
		BO 161483	Resistor-insulated	47000 OHMS-1 watt	2	194J DeLuxe-Custom
		BO 161479	Resistor-insulated	47000 OHMS-1/4 watt	1	1940 Custom
		BO 161490	Resistor-insulated	'50000 OHMS-1/4 watt	1	1940 DeLuxe
		BO 158489	Resistor-insulated	220000 OHMS-1/4 watt	2-3	1940 DeLuxe-Custom
		BO 158478	Resistor-insulated	330000 OHMS-1/4 watt	1	1943 DeLuxe-Custom
		BO 158477	Resistor-insulated	470000 OHMS-1/4 watt	1	1940 DeLuxe-Custom
		BO 158479	Resistor-insulated	1.5 MEGOHMS-1/4 watt	2	1940 Custom
		BO 161485	Resistor-insulated	3.5 MEGOHMS-1/4 watt	1	1940 DeLuxe
		BO 158480	Resistor-wire wound	223 OHMS-1/2 watt	1	1943 DeLuxe-Custom
		BO 161639	Resistor-wire wound	300 OHMS-1/2 watt	1	194) Junior
		BO 158493	Resistor-wire wound	430 OHMS-2 watt	1	1940 Custom
		BO 161487	Resistor-wire wound	500 OHMS-1 watt	1	1940 DeLuxe
		BO 161640	Resistor-wire wound	700 OHMS-1 watt	1	1943 Junior
		BO 158481	Resistor	470 OHMS-1/4 watt	1	1940 DeLuxe
		BO 161482	Resistor	560 OHMS-1/4 watt	1-2	1940 DeLuxe-Custom
		BO 161476	Resistor	100000 OHMS-1/4 watt	2	1940 DeLuxe-Custom
		BO 161477	Resistor-carbon	470000 OHMS-1/10 watt	1	1941 DeLuxe-Custom
		BO 158470	Resistor-insulated	330 OHMS-1/4 watt	2-3	1941 DeLuxe-Custom
		BO 158477	Resistor-insulated	47000 OHMS-1/4 watt	1-2	1941 DeLuxe-Junior
		BO 158481	Resistor-insulated	470 OHMS-1/4 watt	1	1941 Junior
		BO 158483	Resistor-insulated	1000 OHMS-1/4 watt	1-2	1941 All
		BO 158489	Resistor-insulated	220000 OHMS-1/4 watt	2-5	1941 All
		BO 200230	Resistor-insulated	22000 OHMS-2 watt	1	1941 Deluxe
		BO 200231	Resistor-insulated	10 MEGOHMS-1/4 watt	1	1941 Junior
		BO 161479	Resistor-insulated	47000 OHMS-1/4 watt	1	1941 Junior
		BO 200233	Resistor-insulated	68000 OHMS-1/4 watt	1	1941 Deluxe
		BO 161480	Resistor-insulated	10000 OHMS-1/2 watt	1	1941 Deluxe
		BO 200235	Resistor-insulated	680 OHMS-1/4 watt	1	1941 Deluxe
		BO 200236	Resistor-insulated	300 OHMS-2 watt	1	1941 Deluxe-Junior
		BO 200237	Resistor-insulated	27000 OHMS-2 watt	1	1941 Custom
		BO 161486	Resistor-insulated	6800 OHMS-1/4 watt	1	1941 Deluxe-Junior
		BO 200241	Resistor-insulated	15000 OHMS-1 watt	1	1941 Junior
		BO 200242	Resistor-insulated	1500 OHMS-1 watt	1	1941 Junior
		BO 158480	Resistor-wire wound	220 OHMS-1/2 watt	2	1941 Deluxe-Custom

Group & Illus. No.	Plate No.	Part No.	NAME	Per Car	Models
U7-			RADIO CONDENSERS AND RESISTORS (CONT'D.)		
		BO 158493	Resistor-wire wound	1	1941 Custom
		BO 200232	Resistor	1	1941 Junior
		BO 200246	Resistor	2	1941 Custom
		BO 200236	Resistor	1	1941 DeLuxe
		BO 200234	Resistor	1	1941 DeLuxe-Custom
		BO 161478	Resistor	1	1941 DeLuxe
		BO 161488	Resistor	1	1941 Junior
		BO 200238	Resistor	1	1941 DeLuxe
		BO 200239	Resistor	1	1941 Junior
		BO 200240	Resistor	1	1941 Junior
		BO 200243	Resistor	1	1941 DeLuxe-Custom
		BO 200244	Resistor	1	1941 DeLuxe-Custom
		BO 200245	Resistor	1	1941 DeLuxe
		BO 200247	Resistor	1	1941 Custom
		BO 200248	Resistor	1	1941 Custom
		BO 204927	Resistor-insulated	1	1942 All
		BO 204928	Resistor-insulated	1	1942 All
		BO 204929	Resistor-insulated	1	1942 All
		BO 204930	Resistor-insulated	1	1942 All
		BO 204919	Resistor	1	1942 All
		BO 204920	Resistor	1	1942 All
		BO 204921	Resistor	1	1942 All
		BO 204922	Resistor	1	1942 All
		BO 204923	Resistor	3	1942 All
		BO 204924	Resistor	1	1942 All
		BO 204925	Resistor	1	1942 All
		BO 204926	Resistor	1	1942 All
		BO 204931	Resistor	1	1942 All
		BO 204932	Resistor	2	1942 All
U8-			RADIO CHASSIS PARTS		
		BO 161508	Cable and Plug Assembly	1	1940 DeLuxe & Custom
		BO 161511	"A" Cable-control unit to lower unit	1	1940 Deluxe & Custom
		BO 161504	"A" Lead-short-from lower unit	1	1940 Deluxe & Custom
		BO 161410	"A" Lead extension assembly	1	1940 Deluxe & Custom
		BO 161410	"A" Cable and fuse housing	1	1941 All
		BO 200591	"A" Cable and bracket	1	1941 All
		BO 204935	Battery cable-set to fuse holder	1	1942 All
		Bo 204936	Battery cable-fuse holder to fuse block	1	1942 All
		BO 204934	Housing-antenna connector	1	1942 All
		BT 170420	Fuse-20 amp-"A" lead	1	1940-1941 Deluxe & Custom, 1941 Junior
		BO 18269	Fuse-20 amp	1	1942 All
		BO 158497	Insulator-"A" lead fuse	1	1940-1941 Deluxe & Custom, 1941 Junior
		BO 161498	Coil-RF	1	1940 DeLuxe & Custom
		BO 293572	Coil-RF	1	1941 Custom
		BO 200578	Coil-RF-with shield	1	1941 Deluxe
		BO 204898	Coil-RF-with shield	2	1942 All
		BO 161500	Coil assembly-antenna	1	1940 Deluxe & Custom
		BO 161646	Coil assembly-antenna	1	1940 Junior
		BO 200575	Coil-antenna	1	1941 Custom
		BO 200582	Coil-antenna-with shield	1	1941 DeLuxe
		BO 200594	Coil-and tuning core-antenna-less shield	1	1941 Junior
		BO 200597	Tuning Core and threaded shaft-antenna coil	1	1941 Junior
		BO 161506	Coil-oscillator	1	1940 Deluxe & Custom
		BO 161647	Coil-oscillator	1	1940 Junior
		BO 203576	Coil - oscillator	1	1941 Custom
		BO 200580	Coil-oscillator	1	1941 Deluxe
		BO 200595	Coil and tuning core-oscillator-less shield	1	1941 Junior
		BO 200596	Tuning core and threaded shaft-oscillator coil	1	1941 Junior
		BO 204891	Coil-oscillator series	1	1942 All
		BO 204897	Coil and shield assembly-oscillator	1	1942 All
		BO 204899	Coil assembly-oscillator shunt	1	1942 All
		BO 161492	Coil-choke-in "A" supply-short	1	1940 Deluxe & Custom
		BO 161495	Coil-choke-in "A" line	1	1940 Deluxe & Custom
		BO 161645	Coil-"A" choke	1	1940 Junior
		BO 161648	Coil-spark choke	1	1940 Junior
		BO 200583	Coil-choke	2-1	1941 All
		HO 200593	Coil-choke	1	1941 Junior
		BO 161580	Coil-antenna motor noise	1	1940-1941 Deluxe-Custom
		BO 204984	Coil-motor noise	1	1942 All
		BO 161502	Coil-filter choice	1	1940 Deluxe-Custom

Group & Illus. No.	Plate No.	Part No.	NAME	Per Car	Models	
U-8			RADIO CHASSIS PARTS (CONT'D.)			
		BO 161495	Coil-choke-in "A" Line.	2	1941 Deluxe-Custom	
		BO 200702	Coil-iron core-filter choke	1	1941 Custom	
		BO 204890	Coil-main hash choke	1	1942 All	
		BO 204896	Coil-heater line choke	1	1942 All	
		BO 204895	Coil and core assembly-untuned RF	1	1942 All	
		BO 161491	Clip-coil mounting	1	1940 Deluxe-Custom	
		BO 161493	Vibrator	6 Volt	1	1940 Deluxe-Custom
		BO 200577	Vibrator		1	1941 All
		BO 204947	Vibrator		1	1942 All
		BO 158504	Clamp-vibrator		1	1941 DeLuxe
		BO 161512	Socket and lead-antenna		1	1940 Deluxe-Custom
		BO 161494	Socket-small octal base		6-7	1940 Deluxe-Custom
		BO 161501	Socket-lower unit	10 Contact	1	1940 Deluxe-Custom
		BO 158500	Socket-vibrator	4 Prong	1	1940 Deluxe-Custom
		BO 158500	Socket-vibrator	4 Prong	1	1941 All
		BO 161494	Socket-octal base'		AR	1941 All
		BO 204938	Socket-vibrator		1	1942 All
		BO 204939	Socket-foot switch		1	1942 All
		BO 204940	Socket-loktal tube	8 Contact	4	1942 All
		BO 204941	Socket-loktal tube	6 Contact	1	1942 All
		BO 204942	Socket-loktal tube	5 Contact	1	1942 All
		BO 204943	Socket-antenna connector		1	1942 All
		BO 161505	Transformer-1st IF-in lower unit		1	1940 Deluxe-Custom
		BO 161509	Transformer-1st IF-in control unit		1	1940 Deluxe-Custom
		BO 161642	Transformer-1st IF		1	1940 Junior
		BO 200574	Transformer-1st IF		1	1941 Custom
		BO 200579	Transformer-1st IF		1	1941 DeLuxe
		BO 200589	Transformer-1st IF		1	1441 Junior
		BO 204892	Transformer-1st IF		1	1942 All
		BO 161496	Transformer-2nd IF		1	1940 Custom
		BO 161510	Transformer-2nd IF		1	1940 Deluxe
		BO 161643	Transformer-2nd IF		1	1940 Junior
		BO 200573	Transformer-2nd IF		1	1941 Custom
		BO 200581	Transformer-2nd IF		1	1941 Deluxe
		BO 200590	Transformer-2nd IF		1	1941 Junior
		BO 204893	Transformer-2nd IF		1	1942 All
		BO 161507	Transformer-output		1	1940 Deluxe
		BO 161497	Transformer-output		1	1940 Custom
		BO 200585	Transformer-output		1	1941 Custom
		BO 200586	Transformer-output		1	1941 Deluxe-Junior
		BO 204945	Transformer-output		1	1942 All
		BO 161499	Transformer-power		1	1940 Deluxe-Custom
		BO 200599	Transformer-power		1	1941 Custom
		BO 200598	Transformer-power		1	1941 Deluxe
		BO 200587	transformer-power		1	1941 Junior
		BO 204944	Transformer-power		1	1942 All
		BO 161641	Transformer-speaker		1	1940 Junior
		BO 161644	Transformer-vibrator		1	1940 Junior
		BO 161564	Plug button		1	1940-1941 Deluxe-Custom
		BO 200690	Plug button		1	1941 Junior
		BO 158552	Anti Rattle clips-for case		19	1940 Deluxe-Custom
		BO 161565	Top cover-for lower unit case	Gray	1	1940 Custom
		BO 161566	Top cover-for lower unit case	Brown	1	1940 Deluxe
		BO 161570	Bottom cover-for lower unit case	Gray	1	1940 Custom
		BO 161572	Bottom cover-for lower unit case	Brown	1	1940 Deluxe
		BO 161569	Case and name plate-lower unit	Gray	1	1940 Custom
		BO 161571	Case and name plate-lower unit	Brown	1	1940 Deluxe
		BO 161567	Top cover-for control unit-less escutcheon	Gray	1	1940 Custom
		BO 161576	Top cover-for control unit-less escutcheon	Brown	1	1940 Deluxe
		BO 161568	Bottom cover-for control unit	Gray	1	1940 Custom
		BO 161575	Bottom cover-for control unit	Brown	1	1940 Deluxe
		BO 161573	Case-for control unit	Gray	1	1940 Custom
		BO 161574	Case-for control unit	Brown	1	1940 Deluxe
		BO 200694	Receiver case-wrap around section	Gray	1	1941 Custom
		BO 200699	Receiver case-wrap around section	Brown	1	1941 Deluxe
		BO 200698	Receiver case-wrap around section		1	1941 Junior
		BO 200695	Bottom cover-radio case		1	1941 Deluxe-Custom
		BO 200696	Bottom cover-radio case		1	1941 Junior
		BO 158551	Screw-radio case	#8 x 1/4"	17	1941 Deluxe-Custom
		BO 200689	Ground clip-radio case		1	1941 Deluxe-Custom
		BO 200692	Case nose-section around control head		1	1941 Deluxe-Custom
		BO 200693	Case nose-section around control head		1	1941 Junior

Group & Illus. No.	Plate No.	Part No.	NAME	Per Car	Models
U9-			RADIO CONTROL PARTS		
			NOTE: Parts marked t discontinued in production Jan. 15, 1942. Parts marked tt used after Jan 1942 starting car No. 37067. See introduction.	15,	
		BO 161654	Knob-volume and tuning-includes spring	2	1940 Junior
		BO 161526	Knob-tone control	1	1940 Custom
		BO 200657	Knob-tone control	1	1941 Custom
		BO 200641	Knob-unlock	1	1941 Deluxe-Custom
		BO 200669	Knob-push on	2	1941 Junior
		BO 205290	Knob kit complete-tuning †	1	1942 All
		BO 206061	Knob kit complete-tuning ††	1	1942 All
		BO 205291	Knob assembly-tuning control trim & switch †	1	1942 All
		BO 206062	Knob assembly-tuning control trim & switch ††	1	1942 All
		BO 205292	Knob-volume control	1	1942 All
		BO 205293	Knob-tone control †	1	1942 All
		BO 206063	Knob-tone control ††	1	1942 All
		BO 205294	Knob-dummy †	1	1942 All
		BO 206064	Knob-dummy ††	1	1942 All
		BO 200606	Nut-for unlock knob 200641	1	1941 Deluxe-Custom
		BO 205297	Set screw-tuning control knob	1	1942 All
		BO 161503	Tone control-500000 ohms	1	1940 Custom
		BO 200600	Tone control-500000 ohms	1	1941 Custom
		BO 204933	Tone control, volume control, and switch	1	1942 All
		BO 161513	Volume control-with switch	1	1940 Deluxe-Custom
		BO 161649	Volume control	1	1940 Junior
		BO 200592	Volume control-with switch	1	1941 Junior
		BO 200588	Volume control-1 megohm	1	1941 Deluxe-Custom
		BO 200570	Switch-tone control	1	1941 Deluxe-Custom
		BO 200584	Switch-off-on	1	1941 Deluxe-Custom
		BO 161540	Wheel and pinion assembly-tuning control	1	1940 Deluxe-Custom
		BO 161546	Wheel and pinion assembly-volume control	1	1940 Deluxe-Custom
		BO 200637	Wheel and pinion gear-volume	1	1941 Deluxe-Custom
		BO 200638	Wheel and pinion gear-tuning	1	1941 Deluxe-Custom
		BO 204025	Shaft and gear assembly-tuning	1	1942 All
		BO 161530	Shaft-volume control wheel	1	1940 Deluxe-Custom
		BO 161416	Hair pin clip-retains volume control drive shaft	1	1940 Deluxe-Custom
		BO 161416	Hair pin clip-retains spiral shaft	1	1941 Junior
		BO 200601	Retaining ring-for drive wheels and gears	1	1941 Deluxe-Custom
		BO 204029	Retaining ring-for tuning shaft	1	1942 All
		BO 161637	Dial-radio	1	1940 Junior
		BO 161519	Dial scale-radio	1	1940 Deluxe-Custom
		BO 200661	Dial scale-radio	1	1941 Custom
		BO 200662	Dial scale-radio	1	1941 Deluxe
		BO 200670	Dial scale and mounting disc-radio	1	1941 Junior
		BO 204043	Tuning scale-manual-calibrated	1	1942 All
		BO 204044	Tuning scale-automatic	1	1942 All
		BO 161520	Dial crystal-celluloid	1	1940 Deluxe-Custom
		BO 161653	Dial crystal-celluloid	1	1940 Junior
		BO 161638	Dial pointer	1	1940 Junior
		BO 161547	Dial cylinder with pointer-includes end cup	1	1940 Deluxe-Custom
		BO 200622	Dial pointer	1	1941 Deluxe-Custom
		BO 204040	Dial pointer	1	1942 All
		BO 204041	Retaining ring-dial pointer	1	1942 All
		BO 161539	Dial drum and bushings-includes counter weights	1	1940 Deluxe-Custom
		BO 200703	Dial drum and counter weights	1	1941 Deluxe
		BO 200640	Dial drum-for cord drive-with counter weights & set screws	1	1941 Custom
		BO 200609	Dial drum	1	1941 Junior
		BO 204031	Dial drum-indicator	1	1942 All
		BO 200603	Hair pin-dial drum bushing	1	1941 Junior
		BO 200699	Dial window	1	1941 Deluxe-Custom
		BO 200666	Dial background	1	1941 Deluxe-Custom
		BO 205284	Mounting screw-dial scale	2	1942 All
		BO 161516	Escutcheon-control head	1	1940 Deluxe-Custom
		BO 200620	Escutcheon-dial face	1	1941 Junior
		BO 200621	Escutcheon-dial face	1	1941 Deluxe-Custom
		BO 170476	Rivet-escutcheon	2	1940 Deluxe-Custom
		BO 200667	Retaining plate-dial scale & background	1	1941 Deluxe-Custom
		BO 200623	Clip-retainer for dial scale	2	1941 Deluxe-Custom
		BO 158521	Cord-dial	1	1940-1941 Deluxe-Custom
		BO 200607	Cord-dial	AR	1941 Junior
		BO 161515	Spring-dial cord	1	1940 Deluxe-Custom
		BO 158526	Spring-dial cord tension	1	1941 Deluxe-Custom

Group & Illus. No.	Plate No.	Part No.	NAME	Per Car	Models
U9-			RADIO CONTROL PARTS (CONT'D.)		
		BO 200605	Spring-dial cord tension	1	1941 Junior
		BO 161545	Socket and bracket assembly-dial lamp	1	1940 Deluxe-Custom
		BO 200679	Socket and bracket assembly-dial lamp	1	1941 Junior
		BO 200675	Socket and bracket assembly-pilot lamp	1	1941 Deluxe-Custom
		BO 204047	Socket and wires assembly-pilot lamp	1	1942 All
		BO 71550	Bulb-dial lamp	2	1940 Deluxe-Custom
		BO 200571	Bulb-dial lamp	1	1941 All
		BO 71641	Bulb-dial lamp	1	1942 All
		BO 161552	Reflector-dial light	1	1941 Deluxe-Custom
		BO 161553	Diffusion plate-dial light	1	1940 Deluxe-Custom
		BO 161551	Shield-felt-for escutcheon	1	1940 Deluxe-Custom
		BO 200676	Shield-felt-dial light	1	1941 Deluxe-Custom
		BO 200678	Shield-cambic-pilot light	1	1941 Deluxe-Custom
		BO 204045	Shield and background plate-dial light	1	1942 All
		BO 161522	Push button-color changed from white to walnut car 27277	5	1940 Deluxe-Custom
		BO 200611	Push button-on-off	1	1941 Deluxe-Custom
		BO 200610	Push button-No. 1	1	1941 Deluxe-Custom
		BO 200612	Push button-No. 2	1	1941 Deluxe-Custom
		BO 200613	Push button-No. 3	1	1941 Deluxe-Custom
		BO 200614	Push button-No. 4	1	1941 Deluxe-Custom
		BO 200615	Push button-No. 5	1	1941 Deluxe-Custom
		BO 161521	Pin-push button mounting	1	1940 Deluxe-Custom
		BO 161525	Spring-push button return	5	1940 Deluxe-Custom
		BO 200624	Spring-push button	6	1941 Deluxe-Custom
		BO 200664	Spring-on shaft-push button	5	1941 Deluxe-Custom
		BO 161514	Adjusting lug-for push button shaft	5	1940 Deluxe-Custom
		BO 200625	Rod-push button	1	1941 Deluxe-Custom
		BO 200616	Escutcheon-push button	1	1941 Deluxe-Custom
		BO 170523	Bushing-push button escutcheon retaining	2	1941 Deluxe-Custom
		BO 161544	Keys and contact plate assy-push button	1	1940 Deluxe-Custom
		BO 161533	Spring-push button key return	1	1940 Deluxe-Custom
		BO 161523	Gathering bar-operates keys with plunger assembly	1	1940 Deluxe-Custom
		BO 161518	Retaining collar-left end of gathering bar shaft	1	1940 Deluxe-Custom
		BO 161534	Frame and guide bar assy-less keys	1	1940 Deluxe-Custom
		BO 161517	Solenoid assembly-complete	1	1940 Deluxe-Custom
		BO 161528	Solenoid coil	1	1940 Deluxe-Custom
		BO 161517	Stop screw-solenoid back	1	1940 Deluxe-Custom
		BO 161578	Nut-rear of solenoid	1	1940 Deluxe-Custom
		BO 161529	Spring-solenoid plunger return	1	1940 Deluxe-Custom
		BO 161532	Spur gear-volume control drive	1	1940 Deluxe-Custom
		BO 161524	Gear segment-gang condenser drive	1	1940 Deluxe-Custom
		BO 161538	Pinion gear-gang condenser drive	1	1940 Deluxe-Custom
		BO 161542	Gear-intermediate drive-between tuning wheel & camshaft	1	1940 Deluxe-Custom
		BO 161543	Pinion gear & bushing-intermediate drive	1	1940 Deluxe-Custom
		BO 161579	"C" Washer-hardened	1	1940 Deluxe-Custom
		BO 161535	Clutch assembly-includes both sections& spacer springs	1	1940 Deluxe-Custom
		BO 161541	Disc and drive gear-clutch engaging	1	1940 Deluxe-Custom
		BO 161527	Declutching arm	1	1940 Deluxe-Custom
		BO 161548	Pin-declutching arm to plunger	1	1940 Deluxe-Custom
		BO 161537	Control arm-plunger & gathering bar	1	1940 Deluxe-Custom
		BO 161536	Shaft & end cam-for gathering bar	1	1940 Deluxe-Custom
		BO 161549	Set screw	2	1940 Deluxe-Custom
		BO 161554	Screw-stop arm adjusting	1	1940 Deluxe-Custom
		BO 161531	Set screw-contact	1	1940 Deluxe-Custom
		BO 200680	Camshaft assembly-includes cams on shaft	1	1941 Deluxe-Custom
		BO 200633	Camshaft	1	1941 Deluxe-Custom
		BO 200628	Cam-for tuning mechanism	5	1941 Deluxe-Custom
		BO 200652	Cam lever-upper right	1	1941 Deluxe-Custom
		BO 200651	Cam lever-upper intermediate	3	1941 Deluxe-Custom
		BO 200653	Cam lever-upper left	1	1941 Deluxe-Custom
		BO 200654	Cam lever-lower right	1	1941 Deluxe-Custom
		BO 200656	Cam lever-lower intermediate	3	1941 Deluxe-Custom
		BO 200655	Cam lever-lower left	1	1941 Deluxe-Custom
		BO 200627	Spring-between cams	5	1941 Deluxe-Custom
		BO 200629	Spacer-between cams	8	1941 Deluxe-Custom
		BO 200632	Pin-for locking cams on shaft	1	1941 Deluxe-Custom
		BO 200631	Wedge collar-for locking cams	1	1941 Deluxe-Custom
		BO 200617	Wedge screw-for locking cams	1	1941 Deluxe-Custom
		BO 200630	Spring washer-left side of camshaft	1	1941 Deluxe-Custom
		BO 200636	Bushing & shaft-for cam levers	2	1941 Deluxe-Custom

Group & Illus. No.	Plate No.	Part No.	NAME	Per Car	Models
U9-			RADIO CONTROL PARTS (CONT'D.)		
		BO 200634	End plate & dial cord pulleys-left side of mechanism	1	1941 Deluxe-Custom
		BO 200626	Tuner frame & gear studs	1	1941 Deluxe-Custom
		BO 200635	Sector gear-for condenser drive	1	1941 Deluxe-Custom
		BO 200639	Pinion gear-on gang shaft	1	1941 Deluxe-Custom
		BO 200643	Pinion & gear assy-1st intermediate	1	1941 Deluxe-Custom
		BO 200644	Pinion & Gear assy-2nd intermediate	1	1941 Deluxe-Custom
		BO 200649	Cup gear-on volume control shaft	1	1941 Deluxe-Custom
		BO 200660	Lock unlock mechanism-includes drive bolt	1	1941 Deluxe-Custom
		BO 200665	Tension spring-for pawl arm	10	1941 Deluxe-Custom
		BO 200667	Compression spring-on unlock drive shaft	1	1941 Deluxe-Custom
		BO 200602	Washer-spring type-for spiral drive shaft	1	1941 Junior
		BO 158645	"C" Washer-for tuning shaft	1	1941 Junior
		BO 200658	Retaining spring-for spiral drive shaft-acts as thread	1	1941 Junior
		BO 200663	Set screw-for spiral drive shaft retaining collar	2	1941 Junior
		BO 200671	Flexible tuning shaft & support bracket	1	1941 Junior
		BO 200672	Frame & coil shield assy-for tuner	1	1941 Junior
		BO 200673	Guide bar-for tuning core	1	1941 Junior
		BO 20J674	Spiral drive shaft & collar-for tuner	1	1941 Junior
		BO 200645	Clutch case and coil assy	1	1941 Deluxe-Custom
		BO 200646	Clutch pressure plate & washer	1	1941 Deluxe-Custom
		BO 200647	Clutch face & gear	1	1941 Deluxe-Custom
		BO 200604	Clutch spring	1-2	1941 Deluxe-Custom
		BO 200608	Clutch spring-for tuning dial drum	1	1941 Junior
		BO 200650	Clutch retaining collar	1	1941 Deluxe-Custom
		BO 200642	Set screw-clutch retaining collar	1	1941 Deluxe-Custom
		BO 200648	Clutch tension spring-for trip bar	1	1941 Deluxe-Custom
		BO 200619	Clutch contact switch	1	1941 Deluxe-Custom
		BO 200618	Clutch trip rod-actuates switch	1	1941 Deluxe-Custom
		BO 200668	Compression spring-between clutch & pressure plate	1	1941 Deluxe-Custom
		BO 204026	Manual automatic bakelite breaker collar	1	1942 All
		BO 204027	Manual automatic selector switch blade assy	1	1942 All
		BO 204028	Tuning shaft rear bracket & index spring	1	1942 All
		BO 204030	Automatic shaft, gear, screw & stop assy	1	1942 All
		BO 204032	Ratchet gear	1	1942 All
		80 204033	Ratchet gear drive lever & spring assy	1	1942 All
		80 204034	Ratchet gear drive return spring	1	1942 All
		BO 204035	Front magnet mounting bracket & detent lever spring assy	1	1942 All
		BO 204036	Rear magnet mounting bracket	1	1942 All
		BO 204037	Magnet coil and terminal assy	1	1942 All
		BO 204038	Magnet core, pin, cross arm & pointer drive bracket assy	1	1942 All
		BO 204039	Magnet coil plunger return spring	1	1942 All
		BO 204042	Tuning drive bushing & bracket assy	1	1942 All
		BO 204046	Tuning adjustment screw & grommet assembly	3	1942 All
		BO 205283	Flange nut-for mounting set †	2	1942 All
		BO 206065	Flange nut-for mounting set ††	2	1942 All
		BO 204485	Foot control switch & cable assy	1	1942 All
		BO 170687	Mounting screw-foot control switch	2	1942 All
		BO 85747	Clip-foot control switch wire	1	1942 All
U10-			RADIO SPEAKER		
		BO 161558	Speaker-6"	1	1940 Deluxe
		BO 161559	Speaker-8"	1	1940 Custom
		BO 161655	Speaker	1	1940 Junior
		BO 200681	Speaker-Dynamic 5"	1	1941 Junior
		BO 200682	Speaker-Dynamic 6"	1	1941 Deluxe
		BO 200683	Speaker-Dynamic	1	1941 Custom
		BO 204023	Speaker-Dynamic 6"	1	1942 All
		BO 161562	Cone & voice coil assy	1	1940 Custom
		BO 161563	Cone & voice coil assy	1	1940 Deluxe
		BO 200685	Cone & voice coil assy	1	1941 Deluxe
		BO 200686	Cone & voice coil assy	1	1941 Custom
		BO 200684	Cone & voice coil assy	1	1941 Junior
		BO 204949	Cone & voice coil assy	1	1942 All
		BO 200697	Cover & gasket-speaker	1	1941 Junior
		BO 200700	Cover & gasket-speaker	1	1941 Deluxe
		BO 200701	Cover & gasket-speaker	1	1941 Custom
		BO 200691	Gasket-speaker	1	1941 All
		BO 204024	Gasket-speaker	1	1942 All
		BO 161656	Screen-speaker opening	1	1941 Junior
		BO 161560	Mounting plate-speaker	1	1940 Custom
		BO 161561	Mounting plate-speaker	1	1940 Deluxe

Group & Illus. No.	Plate No.	Part No.	NAME	Per Car	Models
U10-			RADIO SPEAKER (CONT'D.)		
		BO 204020	Support bracket-speaker	On inst panel	1 1942 All
		BO 204022	Cover plate-speaker		1 1942 All
		BO 170456	Grommet-speaker mounting	3/16"	4 1940 Deluxe-Custom
		BO 170457	Bolt-speaker mounting	10-32 x 1/2"	4 1940 Deluxe-Custom
		BO 161557	Screw-speaker to mounting plate	screw	4 1940 Deluxe-Custom
		BO 161556	Washer-speaker to mounting plate screw		4 1940 Deluxe-Custom
		BO 161555	Nut-speaker to mounting plate screw		4 1940 Deluxe-Custom
		BO 170567	Nut-hexagon	8-32 x 5/16"	4 1942 All
		BO 205287	Machine screw-hexagon head	8-32 x 1/2"	4 1942 All
		BO 205288	Machine screw-acorn	10-32 x 5/16"	2 1942 All
		BO 204937	Cable & plug-speaker		1 1942 All
			RADIO SUPPRESSOR EQUIPMENT		
		BO 151399	Suppressor-distributor		1 1940 All
		BO 147786	Suppressor-distributor	10,000 OHMS	1 1941 All
		BO 205281	Suppressor-distributor		1 1942 All
U11-		BM 32012	Insulator-distributor suppressor		1 1940 All
		BO 151402	Condenser-gasoline gauge	.25 MFD	1 All (Discontinued after 500 1942 cars)
		BO 152022	Condenser-generator	.5 MFD	1 All
		BO 161418	Condenser-ignition	.5 MFD	1 1940 All
		BO 200210	Condenser-ignition	.5 MFD	1 1941 All
		BO 205280	Condenser-ignition	.5 MFD	1 1942 All
		BO 152021	Condenser-temperature gauge	.2 MFD	1 All
		BO 71485	Bolt-generator condenser	10-32 x 1/4"	1 All
		BO 155821	Ground strap-engine to dash		1 1940-1941 All
		BO 204481	Ground strap-engine to dash		1 1942 All
		BO 71707	Screw-ground strap to dash	#10 x 5/8"	1 All
		BO 170395	Lockwasher-ground strap to dash screw		2 All
		BM 6189	Nut-ground strap to cylinder head stud		1 All
		BO 161417	Ground strap-bonnet to cowl		1 1940-1941 All
		BO 205282	Ground clip-bonnet to cowl		1 1942 All
		BO 170304	Screw-ground strap to cowl	#8 x 1/2"	1 All
U12-			RADIO ANTENNA		
		HA 160348	Antenna complete-60" telescopic	Manual type	1 1940-1941 All
		HA 205452	Antenna complete-60" telescopic	Manual type	1 1942 All
		HA 160519	Antenna complete-90" telescopic	Manual type	1 1940-1941 All
		HA 205450	Antenna complete-90" telescopic	Manual type	1 1942 All
		HA 161659	Antenna complete-vacuum type		1 1940 All
		HA 200249	Antenna complete-vacuum type		1 1941 All
		HA 205451	Antenna complete-vacuum type		1 1942 All
		BO 161228	Antenna and mounting only	Manual antenna	1 All
		BO 161230	Ball-antenna tip	Manual antenna	1 All
		BO 161244	Eye bolt-brass	Manual antenna	2 All
		BO 170432	Spring nut-for eye bolt	Manual antenna	1 All
		BO 161242	Grounding plate-antenna mounting	Manual antenna	1 All
		BO 161243	Rubber pad-antenna mounting	Manual antenna	1 All
		BO 170435	Nut-10-32-for eye bolt	Manual antenna	3 All
		BO 170445	Retaining screw-antenna	Manual antenna	1 All
		BO 161245	Bakelite bushing-for eye bolt	Manual antenna	1 All
		BO 161246	Ceramic bushing-for eye bolt	Manual antenna	1 All
		BO 161247	Lead in wire and shield assy	Manual antenna	1 1940-1941 All
		BO 205453	Lead in wire and shield assy	Manual antenna	1 1942 All
		BO 161249	Cover-lead in shield cup	Manual antenna	1 All
		BO 200319	Ball-antenna tip	Vacuum antenna	1 All
		BO 201088	Rubber pad-antenna to cowl	Vacuum antenna	1 All
		BO 201089	Insulator-bakelite	Vacuum antenna	1 All
		BO 201090	Flat washer-upper	Vacuum antenna	1 All
		BO 201091	Hexagon dome nut	Vacuum antenna	1 All
		BO 201092	Leather seal	Vacuum antenna	1 All
		BO 201093	Spring-for leather seal	Vacuum antenna	1 All
		BO 201094	Seat-for leather seal spring	Vacuum antenna	1 All
		BO 71520	Metal plug-antenna hole	For 4-1/64" hole	AR All
		BO 133719	Rubber plug-antenna hole	For 1/2" hole	AR All
U20-			SERVICE REPAIR PARTS KITS		
		F 163504	Brake shoes and lining kit-2 wheels	9-1/16" brakes	2 40T,40P
		F 163506	Brake shoes and lining kit-2 wheels	10-1/16" brakes	2 40C,41,48
		F 163508	Brake shoes and lining kit-2 wheels	11-1/16" brakes	2 43,44,45,47

Group & Illus. No.	Plate No.	Part No.	NAME	Per Car	Models	
U20-			SERVICE REPAIR PARTS KITS (CONT'D.)			
	F	163411	Brake shoes and lining kit-2 wheels	10" brakes	2	10T,10P,11,12,18,20,21,22,28
	F	163508	Brake shoes and lining kit-2 wheels-1940	11-1/16" brakes	2	10C to car 54731
	F	163411	Brake shoes and lining kit-2 wheels-1941	10" brakes	2	10C after car 54731
	F	163412	Brake shoes and lining kit-2 wheels	11" brakes	2	14,15,17,24,25,27
	F	163505	Brake lining and rivets kit-2 wheels	9-1/16" brakes	2	40T,40P
	F	163507	Brake lining and rivets kit-2 wheels	10-1/16" brakes	2	40C,41,48
	F	163509	Brake lining and rivets kit-2 wheels	11-1/16" brakes	2	43,44,45,47
	F	163413	Brake lining and rivets kit-2 wheels	10" brakes	2	10T,10P,11,12,18,20,21,22,28
	F	163509	Brake lining and rivets kit-2 wheels-1940 brakes	11-1/16" brakes	2	10C to car 54731
	F	163413	Brake lining and rivets kit-2 wheels-1941	10" brakes	2	10C after car 54731
	F	163414	Brake lining and rivets kit-2 wheels	11" brakes	1	14,15,17,24,25,27
	F	161377	Clutch driving plate kit	9" clutch	1	40-41-10-11 without OD, 20-21 without OD-VD-HDM
	BO	160939	Fuse kit-contains 5 fuses	30 amp	1	All
	F	158344	Gasket kit-transmission		1	1940 All
	BT	163293	Gasket kit-transmission		1	1941-1942 All
	F	161739	Gasket kit-valve chamber cover		1	All six cylinder
	F	163526	Gasket kit-valve chamber cover		1	All eight cylinder
	F	160313	Ignition wires kit		1	All six cylinder
	F	43536	Ignition wires kit		1	All eight cylinder
	F	158433	Brake master cylinder repair kit		1	1940 All
	F	158433	Brake master cylinder repair kit		1	1941 to car 14290
	F	163610	Brake master cylinder repair kit		1	1941 after 14290 exc 14501 to 15323
	F	163610	Brake master cylinder repair kit		1	1942 All
	F	163610	Brake master cylinder repair kit		1	1942 All
	BZ	158435	Brake wheel cylinder repair kit		1	40T,40P
	BZ	158434	Brake wheel cylinder repair kit		1	1940 exc 40T-40P,1941-1942 All
	F	161781	Piston ring kit-steel segment type-for six cylinders .		AR	All
	F	159519	Rebushing kit-steering spindle support		1	All
	F	159782	Tie rod ends complete		1	1940-1941 All
	F	165143	Tie rod ends complete-RH rod		1	1942 All
	F	165144	Tie rod ends complete-LH rod		1	1942 All
	F	157734	Universal joint repair kit	See Group L1-	1	All
	F	164369	Universal joint repair kit-lubricated	See Group L1-	1	All
	F	159152	Water pump repair parts kit		1	All
			SERVICE ACCESSORIES			
	HA	200475	Accessory display board			
	HA	200266	Accessory sign-illuminated			
			Arm rest kits	See Group MMI-		
	HA	162659	Battery filler-automatic	Group S12-	1	All
	HA	205094	Bumper deck guard-rear	Group G12-	1	20P
	HA	205095	Bumper deck guard-rear	Group G12-	1	21,22,24
	HA	142642	Bumper deck guard-rear-cross bar type		1	40,41,44,45,48
	HA	141399	Bumper deck guard-rear-triangle		1	1940 Cpes-Cvtbles
	HA	142859.	Bumper grille guard-front	Group G11-	1	40,41,44,48
	HA	142849	Bumper grille guard-front	Group G11-	1	43,45,47
	HA	142997	Bumper grille and fender guard-front	Group G11-	1	1940 All,10P,11
	HA	200316	Bumper grille and fender guard-front	Group G11-	1	10T,10C,18
	HA	147958	Bumper guard and cross bar kit-front	Group G11-	1	12,14
	HA	147959	Bumper guard and cross bar kit-rear	Group G12-	1	12,14
	HA	147996	Bumper guard and cross bar kit-rear	Group G12-	1	10P,11
	HA	204960	Bumper fender guard-front outer-kit	Group G11-	1	20T,20C,28
	HA	204970	Bumper fender guard-front outer-kit	Group G11-	1	20P
	HA	204990	Bumper fender guard-front outer-kit	Group G11-	1	21,22,24,25,27
	HA	147988	Bumper wing kit-front and rear	Groups G11-G12-	1	11 after car 50085
	HA	204988	Bumper wing kit-rear	Group G12-	1	21 exc Station
	HA	142140	Cigar lighter-automatic	Group T5-	1	40-41-44-45-48 LHD
	HA	142141	Cigar lighter-automatic	Group T5-	1	40-41-44-45-48 RHD
	HA	148190	Cigar lighter-automatic	Group T5-	1	10,11,18
	HA	203992	Cigar lighter-automatic	Group T5-	1	20,21,28
	HA	142612	Clock-electric	Group T5-	1	40,41,44,45,48
	HA	200292	Clock-electric	Group T5-	1	10,11,18
	HA	205074	Clock-electric	Group T5-	1	20,21,28
	HA	140891	Clock light kit-mechanical clock	Group T5-	1	40-41-44-45-48 LHD
	HA	140890	Clock light kit-mechanical clock	Group T5-	1	40-41-44-45-48 RHD
	HA	160629	Direction indicator kit	Group S15-	1	40,41,44,45,48
	HA	163298	Direction Indicator kit-painted	Group S15-	1	10,11,18
	HA	163299	Direction indicator kit-plated	Group S15-	1	12,14
U22-						

ACCESSORIES

1940 -- 1941 -- 1942

U

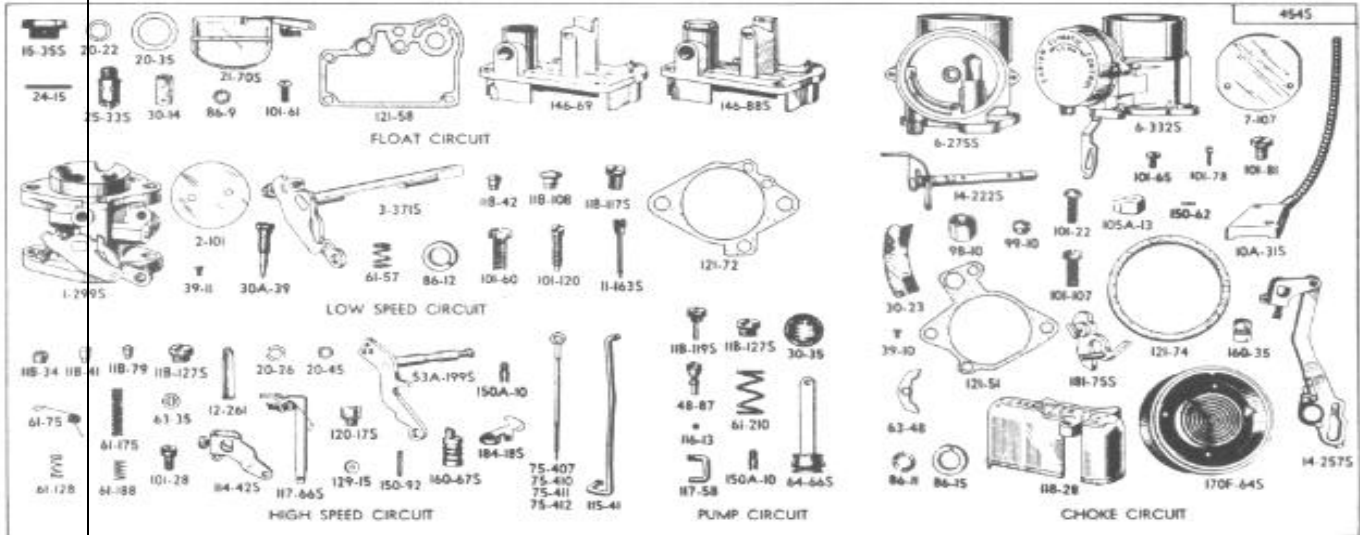
Group & Illus. No.	Plate No.	Part No.	NAME	Per Car	Models
U22-			SERVICE ACCESSORIES (CONT'D.)		
		HA 164170	Direction indicator kit-painted	Group S15-	1 20,21,28
		HA 164171	Direction indicator kit-plated	Group S15-	1 22,24
		HA 123567	Door pull to cords-pair	Group MM8-	1 1940 2Sed-Sed-UCo-Cpes
		HA 124708	Draft deflector		1 40T,40C UCo-UCpe
		HA 163294	Dust filter-cowl ventilator	Group AA4-	1 1941-1942 All without HWM
		HA 203989	Display Stand-spot and fog lamps		1 1942
		HA 48647	Exhaust deflector (Tail pipe extension)		1 All
		HA 123031	Fender guides-pair	Group R5-	1 All
		HA 121063	Fender lamps-kit	Group S4-	1 10 exc Del,11,18
		HA 204520	Fender lamps-kit	Group S4-	1 20,21,28
		HA 200314	Fender trim mouldings-kit	Groups R5-R6-	1 1941 exc Cab-CabPu-Del
		136402	Fog lamps-pair (Use 147876)	Group S16-	1 1940 All
		HA 147876	Fog lamps-pair (Appleton)	Group S16-	1 1941 All
		HA 200332	Fog lamps-pair (Unity)	Group S16-	1 1942 All
		HA 128397	Fog lamp single installation kit		1 All
		HA 160515	Fuel and vacuum pump kit	Group N4-	1 40-10-20 std eng,48,18,28
		HA 160516	Fuel and vacuum pump kit	Group N4-	1 40-10-20 L eng,41,43,11,12,21,22
		HA 160517	Fuel and vacuum pump kit-LHD	Group N4-	1 All eight cyl
		HA 160638	Gasoline tank locking cap	Group N5-	1 All
		HA 164061	Gasoline tank locking cap		1 All
		HA 164784	Guardsall Auto Alarm	Group N5-	1 All
		HA 141850	Headlamp sealed beam unit	Group S2-	1 All
		HA 163239	Heater-recirculating	Group U5-	1 All
		HA 160295	Heater-Hudson Weather Master	Group U5-	1 1940 All
		HA 161900	Heater-Hudson Weather Master-brown	Group U5-	1 1941 All
		HA 161901	Heater-Hudson Weather Master-gray	Group U5-	1 1941 All
		HA 161902	Heater-Hudson Weather Master-green	Group U5-	1 1941 All
		HA 164230	Heater-Hudson Weather Master-russet	Group U5-	1 1942 All
		HA 164231	Heater-Hudson Weather Master-gray	Group U5-	1 1942 All
		HA 164232	Heater-Hudson Weather Master-green	Group U5-	1 1942 All
		HA 161054	Heater defroster kit-Custom & Deluxe Heaters	Group U5-	1 1940 All
		HA 161909	Heater defroster kit-Custom 4; Deluxe Heaters	Group aU5-	1 1941 All
		HA 163237	Heater defroster kit-Recirculating Heater	Group U5-	1 1941-1942 All
		HA 160243	Hill-hold-kit	Group C14-	1 1940 All
		HA 163851	Hill-hold-kit-LHD	Group C14-	1 1941-1942 All
		HA 163600	Horns-twin air electric-kit	Group S14-	1 40T,40C,48,10T,10C,18
		HA 164849	Horns-twin air electric-kit	Group S14-	1 20T,20C,28
		HA 164696	Horn ring kit-17" wheel-gray	Group M8-	1 20,28
		HA 164697	Horn ring kit-17" wheel-russet	Group M8-	1 20,28
		HA 164698	Horn ring kit-17" wheel-green	Group M8-	1 20,28
		HA 163431	Hub caps-kit (Set of 4-162353)	Group E2-	1 10,11-18
		HA 164539	Hub caps-kit (Set of 4-164537)	Group E2-	1 20,21,28
		HA 115526	License plate frames-pair	Group G11-	1 All
		HA 148166	License plate guard kit	Group G11-	1 10P,11
		HA 148167	License plate guard kit	Group G11-	1 12,14,15,17
		HA 161378	Locker box light kit	Group T2-	1 All LHD
		HA 161379	Locker box light kit	Group T2-	1 All RHD
		HA 200128	Mirror-rear view-external mounting	Group MM9-	1 All
		HA 129119	Mirror-rear view-oval	Group MM9-	1 All
		HA 114539	Mirror-vanity	Group MM9-	1 All
		HA 161040	Oil filter kit	Group H13-	1 All
		HA 161007	Oil filter cartridge	Group H13-	1 All
		HA 140928	Radiator grille cover	Group Q4-	1 1940 All
		HA 200293	Radiator grille cover	Group Q4-	1 1941 All
		HA 205093	Radiator grille cover	Group Q4-	1 1942 All
		HA 140929	Radiator insect screen	Group Q4-	1 1940 All
		HA 200294	Radiator insect screen	Group Q4-	1 1941 All
		HA 200200	Radio complete-Deluxe	Group U6-	1 1941 All
		HA 200201	Radio complete-Custom	Group U6-	1 1941 All
		HA 200202	Radio complete-Junior	Group U6-	1 1941 All
		HA 204800	Radio complete	Group U6-	1 1942 All
		HA 203832	Radio installation kit (1942 radio in 1941 cars)		1 1941 All
		HA 160348	Radio antenna-60"	Group U12-	1 1940-1941 All
		HA 205452	Radio antenna-60"	Group U12-	1 1942 All
		HA 160519	Radio antenna-90"	Group U12-	1 1940-1941 All
		HA 205450	Radio antenna-90"	Group U12-	1 1942 All
		HA 161659	Radio antenna-vacuum type	Group U12-	1 1940 All
		HA 200249	Radio antenna-vacuum type	Group U12-	1 1941 All
		HA 205451	Radio antenna-vacuum type	Group U12-	1 1942 All
		HA 200471	Running board trim moulding kit	Group R9-	1 10 exc Del
		HA 200473	Running board trim moulding kit	Group R9-	1 11
		HA 200470	Running board side moulding kit	Group R9-	1 10 exc Del
		HA 200472	Running board side moulding kit	Group R9-	1 11

Group & Illus. No.	Plate No.	Part No.	NAME	Per Car	Models
U22-			SERVICE ACCESSORIES (CONT'D.)		
		HA 204187	Running board top moulding kit	Group R9-	1 21 Sta
		HA 205097	Safety step moulding kit	Group R9-	1 20
			Seat covers	See Group TT9-	
		HA 157054	Spark plug-J9	Group H3-	AR All
		HA 157053	Spark plug-J5	Group H3-	AR All
		HA 202220	Sleeper kit		1 1940-1941 2Sed-Sed-UCo
		HA 207350	Sleeper kit		1 1942 2Sed-Sed-UCo
		C 136682	Mattress	Sleeper kit	1 All 2Sed-Sed-UCo
		BO 136685	Strap assembly-rear seat hold up	Sleeper kit	2 All 2Sed-Sed-UCo
		BO 70187	Footman loop-rear seat strap	Sleeper kit	2 All 2Sed-Sed-UCo
		BO 170237	Screw-footman loop-#10x3/4 SM	Sleeper kit	4 All 2Sed-Sed-UCo
		BO 71546	Wood screw-footman loop	Sleeper kit	4 All 2Sed-Sed-UCo
		C 202221	Boat assembly-rear seat back	Sleeper kit	1 1941 2Sed-Sed-UCo
		C 207351	Boat assembly-rear seat back	Sleeper kit	1 1942 2Sed-Sed-UCo
		C 207366	Support-for mattress	Sleeper kit	1 1942 2Sed-Sed-UCo
		C 202223	Trim assy-wheel house panel	Sleeper kit	1 1941-1942 2Sed-Sed-UCo
		C 202224	Trim assy-rear seat back cmpt panel	Sleeper kit	1 1941 2Sed-Sed-UCo
		C 202225	Trim assy-rear seat back bmpt panel	Sleeper kit	1 1941 2Sed-Sed-UCo
		C 207506	Trim assy-rear seat back cmpt panel	Sleeper kit	1 1942 2Sed-Sed-UCo
		C 207507	Trim assy-rear seat back cmpt panel	Sleeper kit	1 1942 2Sed-Sed-UCo
		C 136677	Filler block-rear seat tray	Sleeper kit	1 1941-1942 2Sed-Sed-UCo
		C 202226	Filler block-rear seat cushion retainer		1 1941 2Sed-Sed-UCo
		BO 207367	Bracket-rear seat back support	Sleeper kit	1 1942 2Sed-Sed-UCo
		HA 147877	Spot light-LH (Appleton)	Group S16-	1 1940-1941 All
		HA 147878	Spot light-RH (Appleton)	Group S16-	1 1940-1941 All
		HA 200333	Spot light-LH (Unity)	Group S16-	1 1942 All
		HA 200334	Spot light-RH (Unity)	Group S16-	1 1942 All
		HA 161999	Steering wheel kit-18"-gray	Group M7-	1 10,11,18
		HA 162865	Steering wheel kit-18"-black	Group M7-	1 10,11,18
		HA 164835	Steering wheel kit-18"-blue	Group M7-	1 20,28
		HA 164836	Steering wheel kit-18"-russet	Group M7-	1 20,28
		HA 164837	Steering wheel kit-18"-green	Group M7-	1 20,28
		HA 165113	Thermostat regulator-water outlet	Group H3-	1 All
		HA 134987	Visor-hinge type	Group MM11-	1 All
		HA 134990	Visor-swivel type-RH	Group MM11-	1 1940-1941 All
		HA 134991	Visor-swivel type-LH	Group MM11-	1 1940-1941 All
		HA 205092	Visor-swivel type	Group MM11-	1 1942 All
			Vacumotive drive kit	See Group J3-	
		HA 200784	Venetian sun shade-rear window		1 All
		HA 156273	Wheel trim ring-16" wheel	Group E2-	1 All
		HA 152687	Wheel trim ring-15" wheel	Group E2-	1 All
		HA 164799	Wheel trim rings-set of 5-156273	Group E2-	1 All
		HA 122528	Windshield cleaner blade-moulded-8-1/4"	Group U4-	1 CvCpe-CvSed
		HA 141819	Windshield cleaner blade-laminated-8-1/4"		1 CvCpe-CvSed
		HA 136456	Windshield cleaner blade-moulded-8-3/4"		1 All exc CvCpe-CvSed
		HA 142398	Windshield cleaner blade-laminated-8-3/4"		1 All exc CvCpe-CvSed
		HA 136738	Windshield washer kit		1 All
		HA 136774	Bracket kit-windshield washer		1 All
		HA 136381	Anti freeze fluid-for windshield washer	3 oz. can	
		HA 129368	Cleaner-All Purpose	quart	
		HA 129365	Cleaner-All Purpose	gallon	
		HA 144841	Cleaner-All Purpose	25 lb. can	
		HA 118684	Cleaner-body	pint	
		HA 118685	Cleaner-body	gallon	
		HA 164847	Gasket paste-Perfect Seal	4 oz. jar	
		HA 164848	Gasket paste-Perfect Seal	1 lb. can	
		HA 160671	Hudsonite clutch compound	1/3 pint	
		HA 151961	Hudsonite clutch compound	quart	
		HA 151962	Hudsonite clutch compound	gallon	
		HA 151963	Hudsonite clutch compound	5 gal. drum	
		HA 151967	Hydraulic brake fluid	quart	
		HA 151968	Hydraulic brake fluid	gallon	
		HA 162016	Hydraulic top lift fluid	pint	
		HA 118680	Polish and cleaner	pint	
		HA 118681	Polish and cleaner	gallon	
		HA 118682	Polish body-wax base	pint	
		HA 118683	Polish-body-wax base	gallon	
		HA 136419	Polish-chrome	4 oz. can	
		HA 111684	Radiator cleaner and rust inhibitor	package	
		HA 119902	Rubbing compound-body	gallon	
		HA 151964	Shock absorber fluid	quart	
		HA 151965	Shock absorber fluid	gallon	
		HA 151966	Shock absorber fluid	5 gal. can	
		HA 111939	Wax-body	7 oz. can	
		HA 119849	Wax-body	1 lb. can	

CARTER CARBURETOR PARTS LIST

NOTE: Carburetor parts are not supplied by Hudson Motor Car Company, but may be obtained from Carter Carburetor Corporation, St. Louis, Missouri, or their dealers.

Part numbers shown here are Carter symbols.



No. 454S

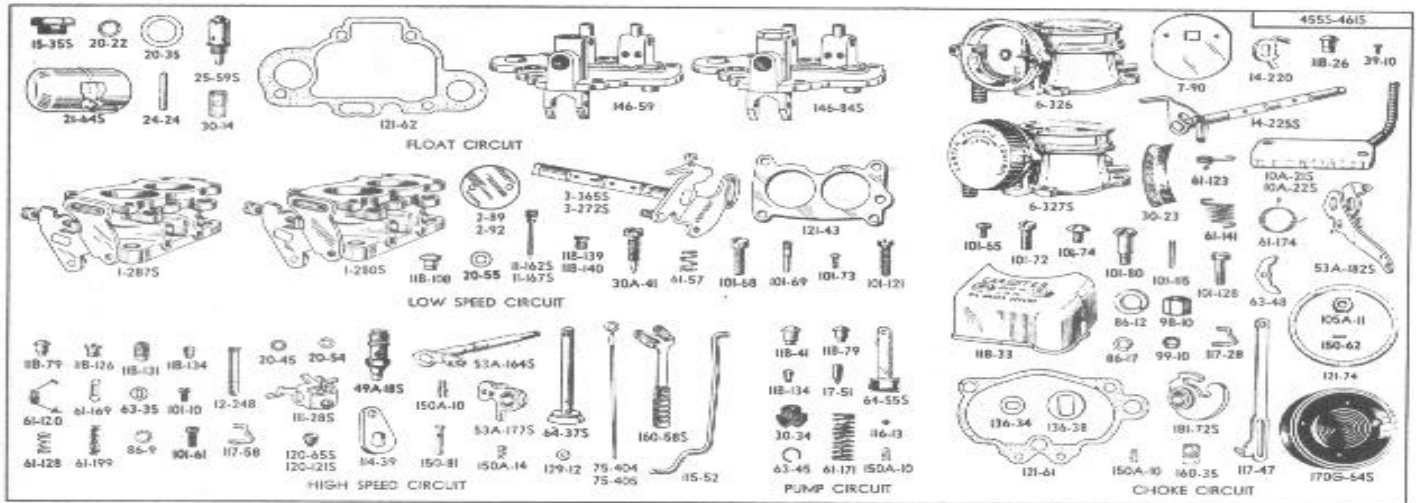
WHEN SERVICING, USE GASKET ASSORTMENT No. 142

Part No.	PART NAME	Part No.	PART NAME
1-299S	Body flange assembly	75-410	Metering rod-1 size lean—.074"-.074" to .066"-.046"
2-101	Throttle valve		
3-371S	Throttle shaft and lever assembly	75-411	Metering rod-2 sizes lean—.076"-.076" to .068"-.048"
6-275S	Air horn and piston housing assembly	75-412	Metering rod-3 sizes lean—.078"-.078" to .070"-.050"
6-332S	Air horn and climatic control assembly		
7-107	Choker valve	86-9	Bowl cover lock washer (6)
10A-31S	Manifold stove, connection and tubing ass'y	86-11	Air horn lock washer (2)
11-163S	Low speed jet assembly—No. 70 drill	86-12	Body flange lock washer (2)
11B-34	Nozzle retainer plug	86-15	Flange stud lock washer (2)
11B-41	Rivet plug	98-10	Compression coupling nut
11B-42	Body flange rivet plug	99-10	Compression coupling cone
11B-79	Rivet plug (5)	101-22	Piston housing attaching screw
11B-108	Idle port rivet plug	101-28	Throttle shaft arm clamp screw
11B-117S	Idle passage plug and gasket assembly	101-60	Body flange attaching screw (2)
11B-119S	Ball retainer plug and gasket assembly	101-61	Bowl cover attaching screw (5)
11B-127S	Pump jet and nozzle plug and gasket ass'y (2)	101-65	Thermostat housing attaching screw (2)
12-261	Nozzle	101-78	Choker lever clamp screw
14-222S	Choke piston lever link and shaft ass'y	101-81	Fast idle cam screw
14-257S	Choke lever, screw and link assembly	101-107	Air horn attaching screw (2)
15-35S	Strainer nut and gasket assembly	101-120	Throttle lever adjusting screw
20-22	Needle seat gasket (3)	105A-13	Flange stud nut (2)
20-26	Metering rod jet gasket (3)	114-42S	Throttle shaft arm and screw assembly
20-35	Bowl strainer gasket	115-41	Throttle connector rod
20-45	Nozzle gasket	116.13	Ball (2)
21-70S	Float and lever assembly	117-58	Pump connector link
24-15	Float lever pin	117-66S	Piston link and spring assembly
25-33S	Needle and seat assembly	118-28	Dust cover
30-14	Bowl strainer gauze	120-17S	Metering rod jet and gasket assembly—.096"
30.23	Piston housing strainer	121-51	Air horn gasket
30-35	Pump strainer	121-58	Bowl gasket
30A-39	Idle adjustment screw	121-72	Body flange gasket
39-10	Choke valve attaching screw (2)	121-74	Coil housing gasket
39-11	Throttle valve attaching screw (2)	129-15	Metering rod disk
48-87	Pump jet—No. 70 drill	146-69	Bowl cover
53A-199S	Pump arm and countershaft assembly	146-88S	Bowl cover and strainer assembly
61-57	Adjustment screw Spring	150-62	Piston pin
61-75	Metering rod spring	150-92	Anti-percolator pin
61-128	Connector rod spring	150A-10	Pin spring (3)
61-175	Vacuum piston spring	160-35	Choke piston
61-188	Rocker arm spring	160-67S	Vacuum piston and pin assembly
61-210	Pump spring	170F64S	Thermostat housing and coil assembly
63-35	Spring retainer	181-75S	Fast idle cam and pin assembly
63-48	Housing retainer (2)	184-18S	Anti-percolator cap and rocker arm ass'y
64-668	Plunger and rod assembly		
75-407	Metering rod—standard—.072"-.072" to .064"-.044"		

CARTER CARBURETOR PARTS LIST

NOTE: Carburetor parts are not supplied by Hudson Motor Car Company, but may be obtained from Carter Carburetor Corporation, St. Louis, Missouri, or their dealers.

Part numbers shown here are Carter symbols.



No. 455S-461S

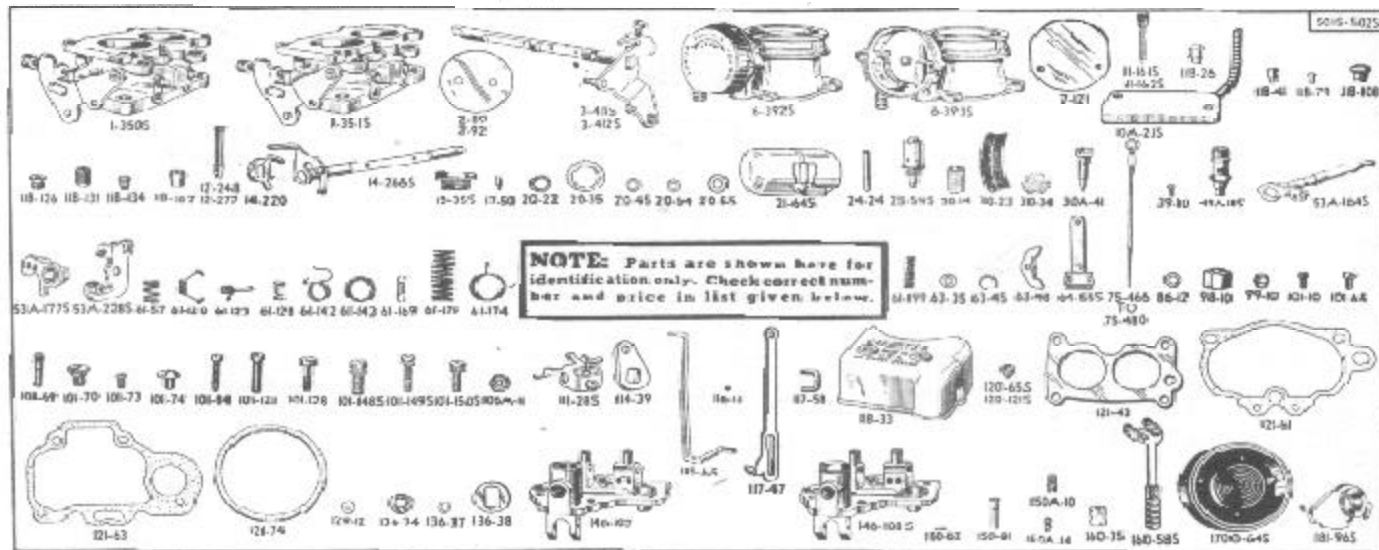
WHEN SERVICING, USE GASKET ASSORTMENT No. 142A

Part No.	PART NAME	Part No.	PART NAME
1-280S	Body flange assembly (455S)	75-405	Metering rod—standard (455S)—.0625"-.0625"
1-287S	Body flange assembly (461S)		to .055"-.A46" (2)
2-89	Throttle valve (461S) (2)	75-414	Metering rod—1 size lean (401S)—.064"-.064"
2-92	Throttle valve (455S) (2)		to .057"-.0-3" (2)
3-272S	Throttle shaft and lever assembly (461S)	75-415	Metering rod-2 sizes lean (461S)—.065"-.065" to
3-365S	Throttle shaft and lever assembly (455S)		.066"-.054" (2)
6-326	Air horn and piston housing	75-416	Metering rod-3 sizes lean (461S)—.066"-.066"
6-327S	Air horn and climatic control assembly		to .059"-.055" (2)
7-90	Choker valve	75-418	Metering rod-1 size lean (455S)—.0635"-.0635"
10A-21 S	Manifold stove, connection and tubing assembly (461S)		to .057"-.048" (2)
10A-22S	Manifold stove, connection and tubing assembly (455S)	75-419	Metering rod-2 sizes lean (455S)—.0645"-.0645"
			to .057"-.048" (2)
11-162S	Low speed jet assembly (461S) (2)	75-420	Metering rod-3 sizes lean (455S)—.0655"-.0655"
11-167S	Low speed jet assembly (455S) (2)		to .058"-.049" (2)
11B-26	Rivet plug	86-9	Bowl cover lock washer (6)
11B-41	Rivet plug	86-12	Flange stud lock washer (4)
11B-79	Rivet plug (5)	86-17	Air horn lock washer (6)
11B-108	Idle port rivet plug (2)	98-10	Compression coupling nut
11B-126	Nozzle passage plug (2)	99-10	Compression coupling cone
11B-131	Nozzle retainer plug (2)	101-10	Metering rod arm clamp screw
11B-134	Rivet plug (2)	101-61	Bowl cover attaching screw (6)
11B-139	By-pass bleeder screw plug (47.5S) (2)	101-65	Thermostat housing attaching screw..(3)
11B-140	By-pass bleeder screw plug (461S) (2)	101-68	Body flange attaching screw (4)
12-248	Nozzle (2)	101-69	Throttle centering screw
14-220	Choker trip lever	101-72	Air horn attaching screw (2)
14-225S	Choker piston lever, link and shaft assembly	101-73	Throttle valve attaching screw (9)
15-35S	Strainer nut and gasket assembly	101-74	Throttle shaft arm attaching screw
17-51	"unto check needle	101-80	Dash-pot arm attaching screw
20-22	Needle seat gasket	101-115	Fast idle adjustment screw
20-35	Bowl strainer gasket	101-121	Throttle lever adjustment screw
20-45	Nozzle gasket (2)	101-128	Air horn attaching screw—special
20-54	Metering rod jet gasket (2)	105A-11	Flange stud nut
20-55	Idle passage gasket (3)	111-28S	Anti-percolator arm and screw assembly
21-64S	Float end lever assembly	114-39	Throttle shaft arm
24-24	Float lever pin	115-52	Throttle connector rod
25-59S	Needle and seat assembly	116-13	Ball
30-14	Bowl cover strainer gauze	117-28	Dash-pot connector link
30-23	Piston housing strainer	117-47	Fast idle connector link
30-34	Pump strainer	117-58	Pump arm connector link
30A-41	Idle adjustment screw (2)	118-33	Dust cover
39-10	Choke valve attaching screw (2)	120-65S	Metering rod jet and gasket assembly—.082"
49A-18S	Anti-percolator valve plug assembly (2)		(461S) (2)
53A-164S	Pump operating lever and countershaft ass'y	120-121S	Metering rod jet and gasket assembly—.086"
53A-177S	Pump arm and collar assembly		(455S) (2)
53A-182S	Dash-pot arm, pin and screw assembly	121.43	Body flange gasket
61-57	Adjustment screw lock spring (2)	121-61	Air horn gasket
61-120	Metering rod spring	121-62	Bowl cover gasket
61-123	Connector link spring	121-74	Coil housing gasket
61-128	Connector rod spring	129-12	Metering rod disk (2)
61-141	Dash-pot arm spring	136-34	Choker shaft washer
61-169	Pump arm spring	136-38	Throttle shaft washer
61-171	Pump spring	146-59	Bowl cover
61.174	Fast idle cam spring	146-84S	Bowl cover and strainer assembly
61.199	Vacuum piston spring	150-62	Piston pin
63-35	Spring retainer	150-81	Metering rod pin
63.45	Ball retainer ring	150A-10	Pin spring (5)
63-48	Housing retainer (2)	150A-14	Countershaft pin spring
64-37S	Dash-pot plunger and rod assembly	160.35	Choke piston
64-55S	Pump plunger and rod assembly	160-58S	Vacuum piston and link assembly
75-404	Metering rod—standard (461S)—.063"-.063" to .056"-.052" (2)	160-66S	Vacuum piston and link ass'y (Sup. by 160-58S)
		170064 S	Thermostatic coil and housing assembly
		181-72S	Fast idle cam and collar assembly

CARTER CARBURETOR PARTS LIST

NOTE: Carburetor parts are not supplied by Hudson Motor Car Company, but may be obtained from Carter Carburetor Corporation, St. Louis, Missouri, or their dealers.

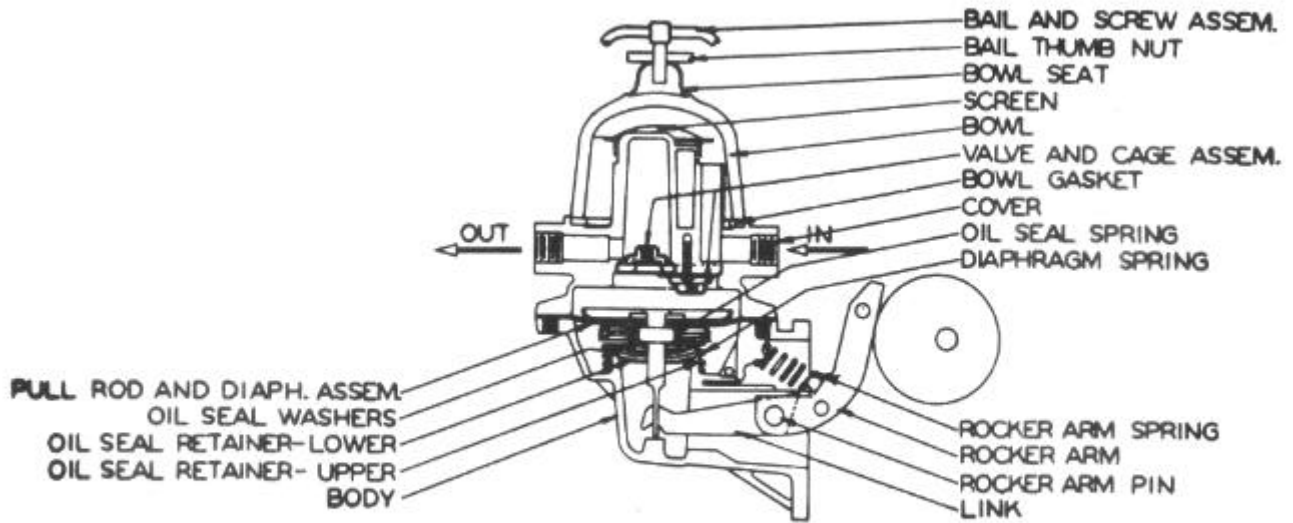
Part numbers shown here are Carter symbols.



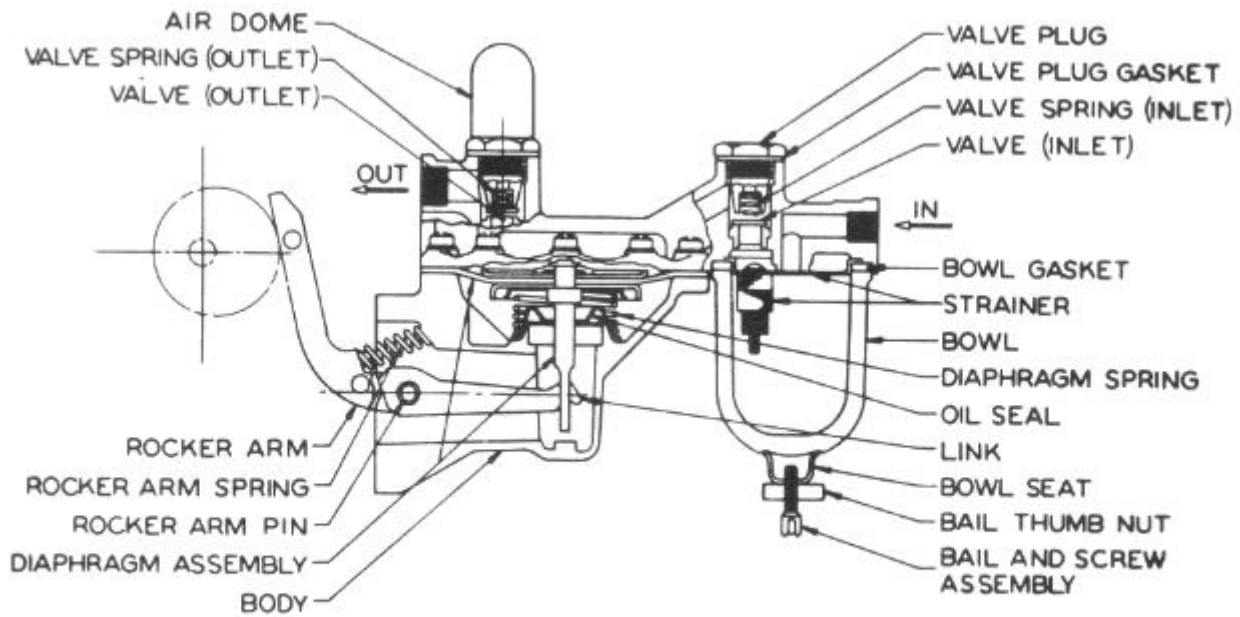
No. 501S-502S

WHEN SERVICING, USE GASKET ASSORTMENT No. 149

Part No.	PART NAME (2)	Part No.	PART NAME
1-350S	Body flange assembly (502S) (2)	75-467	Metering rod—Standard (501S) .0615"-.0615" to .057"-.047" (2)
1-351S	Body flange assembly (501S)	75-474	Metering rod-1 size lean (501S) .0625"-.0625" to .058"-.048" (2)
2-89	Throttle valve (501S)	75-475	Metering rod-2 sizes lean (501S) .0635"-.0635" to .059"-.049" (2)
2-92	Throttle valve (502S)	75-476	Metering rod-3 sizes lean (501S) .0645"-.0645" to .060"-.050" (2)
3-411S	Throttle shaft and lever assembly (502S)	75-478	Metering rod-1 size lean (502S) .062"-.062" to .056"-.045" (2)
3-412S	Throttle shaft and lever assembly (501S)	75-479	Metering rod-2 sizes lean (502S) .063"-.063" to .057"-.046" (2)
6-392S	Air horn and climatic control assembly	75-480	Metering rod-3 sizes lean (502S) .064"-.064" to .058"-.047" (2)
6-393S	Air horn and pump jet assembly...	86-12	Flange stud nut (4)
7-121	Choker valve	98-10	Compression coupling nut (501S)
10A-21s	Manifold stove, connection and tubing assembly (501S)	99-10	Compression coupling cone (501S)
11-161S	Low speed jet assembly (501S) (2)	101-10	Metering rod arm clamp screw
11-162S	Low speed jet assembly (502S) (2)	101-65	Thermostat housing and trip lever attaching screw (3)
11 B-26	Rivet plug	101-69	Throttle centering screw
11 B-41	Rivet plug	101-70	Fast idle arm attaching screw
11B-79	Rivet plug (5)	101-73	Throttle valve attaching screw (4)
11B-108	Idle port rivet plug (2)	101-74	Throttle shaft arm attaching screw
11 B -126	Nozzle passage plug. (2)	101-84	Fast idle adjustment screw
11 B-131	Nozzle retainer plug (2)	101-121	Throttle lever adjustment screw
11 B-134	Rivet plug (2)	101-128	Air horn attaching screw—(special)
11B-167	By-pass bleeder screw plug (2)	101-148S	Bowl cover attaching screw and washer assembly (6)
12-248	Nozzle (502S) (2)	101-149S	Body flange attaching screw and washer assembly (4)
12-277	Nozzle (501S) (2)	101-150S	Air horn attaching screw and washer assembly (2)
14-220	Choker trip lever	105A-11	Flange stud lock washer (4)
14-266S	Choker piston lever, link and shaft assembly	111-28S	Anti-percolator arm and screw assembly
15-35S	Strainer nut and gasket assembly	114-39	Throttle shaft arm
17-50	Pump check needle	115-65	Throttle connector rod
20-22	Needle seat gasket	116-13	Pump check ball
20-35	Bowl strainer gasket	117-47	Fast idle connector link
20-45	Nozzle gasket (2)	117-58	Pump arm connector link
20-54	Metering rod jet gasket (2)	118-33	Dust cover
20-55	Idle passage gasket (3)	120-65S	Metering rod jet and gasket assembly (501S)
21-64S	Float and lever assembly	120-121S	Metering rod jet and gasket assembly (502S)
24-24	Float lever pin	121-43	Body flange gasket
25-59S	Needle and seat assembly	121-61	Air horn gasket
30-14	Bowl cover strainer gauze	121-63	Bowl cover gasket
30-23	Piston housing strainer	121-74	Coil housing gasket
30-34	Pump strainer	129-12	Metering rod disk (2)
30A-41	Idle adjustment screw (2)	136-34	Choker shaft washer
39-10	Choke valve attaching screw	136-37	Connector rod washer
49A-18S	Anti-percolator valve plug assembly	136-38	Throttle shaft washer
53A-164S	Pump operating lever and countershaft assy.	146-107	Bowl cover
53A-177S	Pump arm and collar assembly	146-108S	Bowl cover and strainer assembly
53A-288S	Fast idle arm, pin and screw assembly	150-62	Piston pin
61-57	Adjustment screw lock spring (2)	150-81	Metering rod pin
61-120	Metering rod spring	150A-10	Pin spring (4)
61-123	Connector link spring	150A-14	Countershaft pin spring
61-128	Connector rod spring	160-35	Choke piston
61-142	Fast idle arm spring	160-58S	Vacuum piston and link assembly
61-143	Plunger spring	170G64S	Thermostatic coil and housing assembly
61-169	Pump arm spring	181-96S	Fast idle cam and spring assembly
61-171	Pump spring		
61-174	Fast idle cam spring		
61-199	Vacuum piston spring		
63-35	Spring retainer		
63-45	Ball retainer ring		
63-48	Coil housing retainer (2)		
64-55S	Pump plunger and rod assembly		
75-466	Metering rod—Standard (502S) .061"-.061" to .055"-.044" (2)		
CARBU			



Standard Fuel Pump—Series AF



Standard Fuel Pump—Series AK

FUEL PUMP

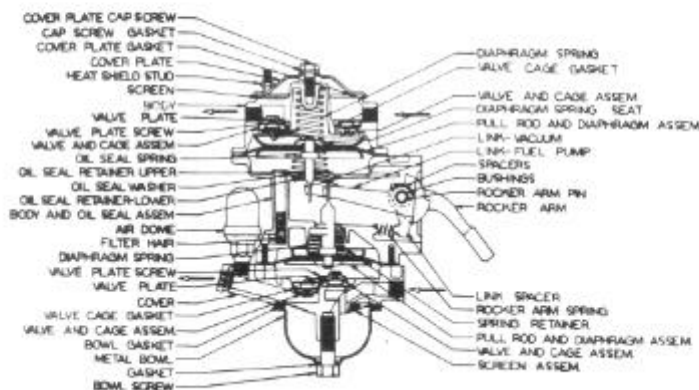
1940 -- 1941 -- 1942

Z

AC PART NO	NAME	SERIES AF 1523753	SERIES AK 1523289
STANDARD FUEL PUMP Series "AF" and "AK"			
NOTE: Fuel Pump parts are not supplied by Hudson Motor Car Company. They are available through United Motors Service Branches and authorized AC Service Stations, Part numbers shown are AC symbols.			
1523753	Fuel pump assembly-Series AF	x	
1523289	Fuel pump assembly-Series AK		x
855918	Air dome		x
1523231	Bail-gas strainer	x	
854016	Bail-gas strainer		x
1523090	Body	x	
1523114	Body		x
1523094	Bowl-gas strainer	x	
854004	Bowl-gas strainer		x
1522024	Bushing-rocker arm pin		x
1522199	Diaphragm assembly	x	
1523299	Diaphragm assembly		x
509	EXCHANGE PUMP	x	
499	EXCHANGE PUMP		x
855559	Gasket-diaphragm	x	
1521566	Gasket-diaphragm		x
1523096	Gasket-gas strainer bowl	x	
854003	Gasket-gas strainer bowl		x
1521953	Gasket-valve and cage	x	
855282	Gasket-valve plug		x
1521708	Link	x	
1523295	Link		x
855064	Lockwasher-cover-screw	x	x
855763	Nut-gas strainer thumb	x	x
1521468	Pin-rocker arm	x	
1522023	Pin-rocker arm		x
855281	Plug-valve		x
1522072	Retainer-diaphragm spring		x
1522001	Retainer-oil seal washer lower	x	
1522026	Retainer-oil seal washer upper	x	
1521956	Retainer-valve and cage	x	
1521645	Rocker arm	x	
1523292	Rocker arm		x
1523099	Screen	x	
854009	Screen		x
855493	Screw-top cover	x	x
132696	Screw-valve and cage retainer	x	
854005	Seat-gas strainer bowl	x	x
1523121	Spacer-link		x
1522264	Spring-diaphragm	x	
1522073	Spring-diaphragm		x
1522027	Spring-oil seal washer retainer	x	
1522046	Spring-rocker arm	x	
1523118	Spring-rocker arm		x
856270	Spring-valve		x
1523084	Top cover	x	
855761	Top cover		x
1523106	Valve and cage-outlet and inlet valves	x	x
855279	Valve		x
1522002	Washer-oil seal	x	
1522222	Washer-rocker arm pin	x	x

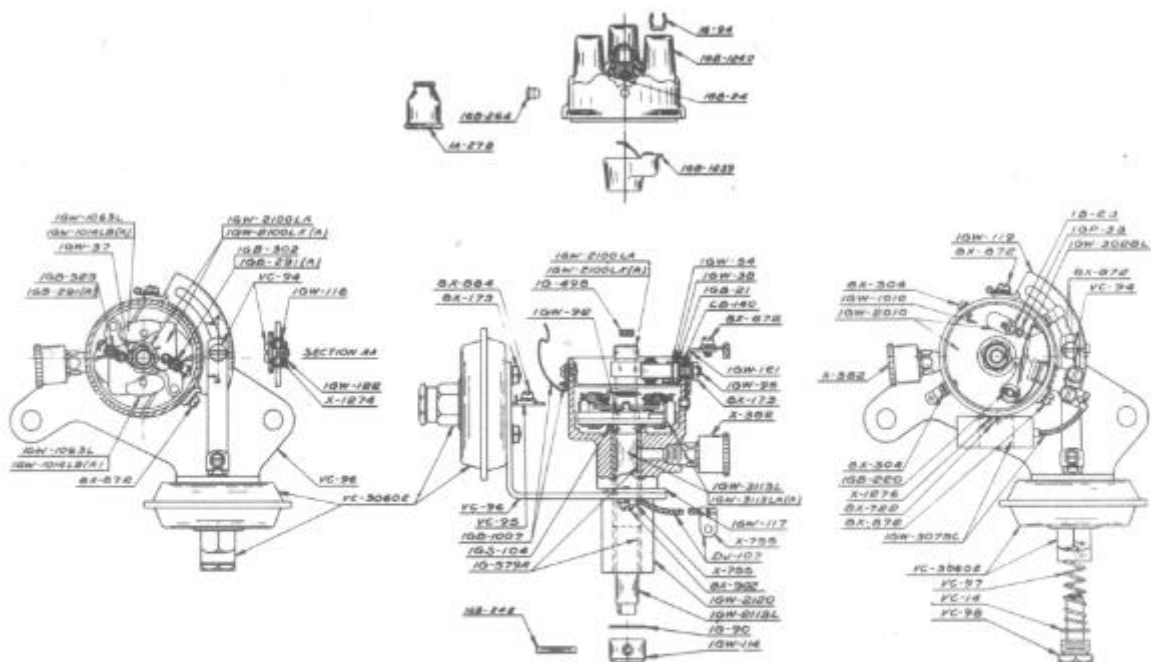
COMBINATION FUEL AND VACUUM PUMP Series "AJ"			
NOTE: Fuel Pump parts are not supplied by the Hudson Motor Car Company. They are available through United Motors Service Branches and authorized AC Service Stations. Part numbers shown are AC symbols.			
1523937	Fuel pump assembly-Series AJ		
1523936	Fuel pump assembly-Series AJ		
1523319	Air dome		
1523281	Body and oil seal-fuel section		
1523799	Body-vacuum section		

Combination Fuel and Vacuum Pump Series AJ

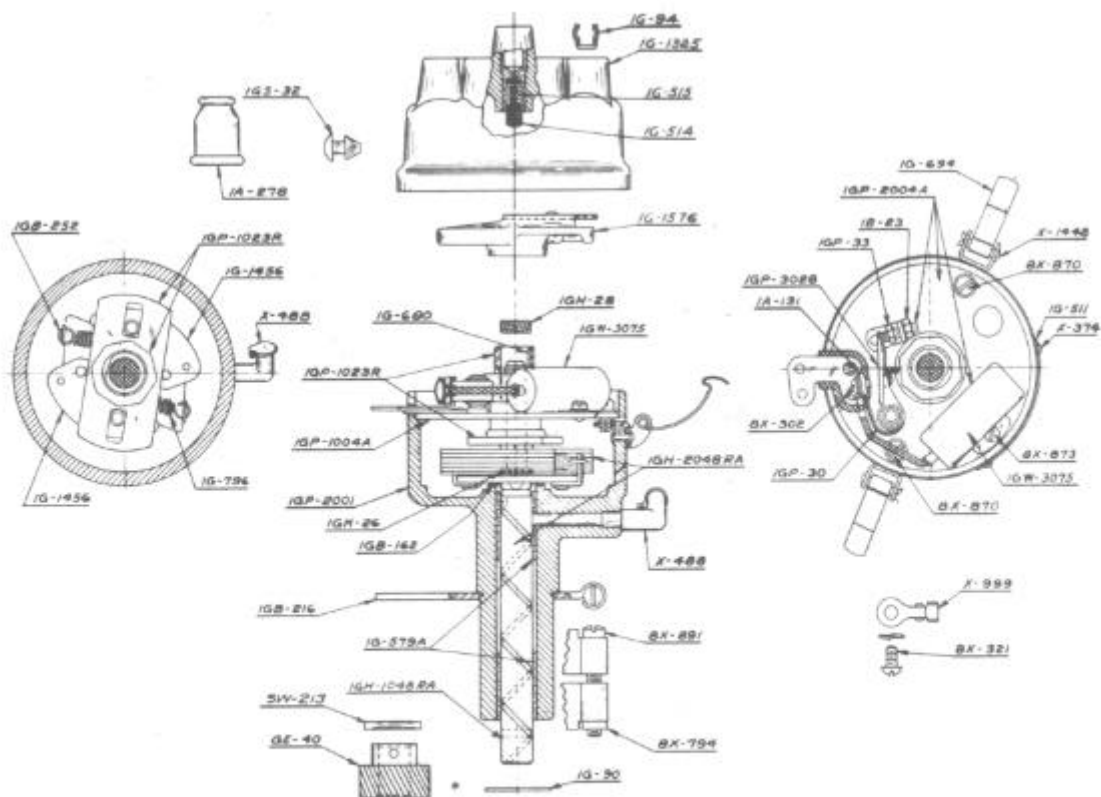


COMBINATION FUEL AND VACUUM PUMP (CONTD.) Series "AJ"

AC PART NO.	NAME
1523130	Bowl-metal-fuel section
1523221	Bushing-rocker arm pin
1523945	Cover-fuel section
1523132	Diaphragm assembly-fuel section
1537079	Diaphragm assembly-vacuum section
1521666	Gasket-fuel section diaphragm
1523120	Gasket-fuel section oil seal
1521953	Gasket-fuel and vacuum-valve and cage
1523128	Gasket-metal bowl-fuel section
1523129	Gasket-metal bowl retaining screw
1521476	Gasket-cover plate cap screw
1523801	Gasket-cover plate-vacuum section
1521553	Hair-fuel section curled
1522077	Link-fuel section
1522078	Link-RH-vacuum section
1522079	Link-LH-vacuum section
855064	Lockwasher-fuel section cover screw
1522023	Pin-rocker arm
1523800	Plate-vacuum section cover-1940
1537195	Plate-vacuum section cover-1941-1942
1523259	Retainer-fuel section diaphragm spring
1523765	Retainer-curled hair spring
1523664	Retainer or valve plate-fuel and vacuum
1523803	Retainer-vacuum section screen
1523191	Retainer-vacuum section lower oil seal
1523150	Retainer-vacuum section upper oil seal
1523938	Rocker arm
1537193	Screen-fuel section
1523802	Screen-vacuum section
855493	Screw-fuel section cover
132900	Screw-valve plate-fuel and vacuum
1523131	Screw-metal bowl retaining
123325	Screw-vacuum section cover plate-1940
123442	Screw-vacuum section cover plate-1941-1942
1523122	Seal assembly-fuel section oil
1521909	Spacer-fuel section link
1523124	Spring-fuel section diaphragm
1521427	Spring-rocker arm
1523804	Spring-vacuum section diaphragm
1523921	Spring-vacuum section upper oil seal
1523106	Valve and cage assembly-vacuum and fuel
1523043	Washer-fuel section link spacer
1521288	Washer-rocker arm pin
1522002	Washer-vacuum section oil seal (leather)



IGW-4203,A DISTRIBUTOR



IGP-4008A DISTRIBUTOR

PART NO.	NAME	IGW-4203	IGW-4203A	IGP-4008A
	DISTRIBUTOR			
	NOTE: The following parts are not supplied by the Hudson Motor Car Company. Order these parts from the Electric Auto Lite Co. Toledo Ohio; (in Canada Auto Electric Service Co.) or their authorized dealers. Part numbers shown are Electric Auto Lite symbols			
IGW-4203	Distributor complete	1		
IGW-4203A	Distributor complete		1	
IGP-4008A	Distributor complete			1
GE-40	Distributor gear-follower			1
IA-278	Secondary terminal rubber cap	7	7	9
IG-90	Thrust washer	1	1	1
IG-94	High tension wire terminal	7	7	9
10-495	Cam sleeve felt wick	1	1	
IGH-28	Cam sleeve felt wick			1
IGB-21L	Terminal post insulation	1	1	
CB-140	Insulating bushing	1	1	
IGB-216	Advance control arm			1
IG-680	Lock spring ring			1
IGB-220	Lock spring	1	1	
IGB-1007	Distributor cap spring and hinge assembly	2	2	
10-1576	Rotor			1
IGB-1239	Rotor	1	2	
10-1325	Distributor cap assembly			1
IGB-1240	Distributor cap assembly	1	1	
IGB-24	Contact plunger	1	1	
IG-514	Contact spring plunger			1
IG-515	Contact spring			1
IGS-104	Thrust washer	1	1	
IGW-38	Insulating bushing	1	1	
IGW-95	Terminal post	1	1	
IGB-162	Thrust washer			1
IGW-54	Washer	1	1	
IGW-114	Distributor drive coupling	1	1	
IGW-117	Housing bearing plate	1	1	
IGW-118	Link clip	1	1	
IGW-121	Terminal	1	1	
IGW-122	Link	1	1	
IGP-2004A	Breaker plate assembly			1
IB-23	Breaker point lock nut	1	1	1
IGP-33	Breaker screw point	1	1	1
IGK-26	Washer-.020" thick			1
IGW-3028LS	Breaker point set-Service	1	1	1
SW-213	Distributor drive rivet	1	1	1
X-196	Lock washer-#10			2
12X-196	Lock washer #10	7	7	1
8X-321	Round head screw-#10-32 x 5/16"			1
8Y-794	Square nut-#10-32			1
8-891	Fillister head screw-#10-32 x 1-1/2"			1
8X-902	Fillister head screw-#10-32 x 3/8"			2
X-999	Terminal			1
IGS-32	Rubber plug			1
IGB-264	Rubber plug		1	
VC-94	Plunger screw	1	1	
VC-95	Plunger stop	1	1	
VC-96	Vacuum support	1	1	
VC-3850E	Vacuum chamber assembly	1		
VC-3060ES	Vacuum chamber assembly		1	
VC-14	Gasket-1/32" thick	1	1	
VC-97	Spring	1	1	
VC-98	Plug	1	1	
8X-173	Hex nut-#10-32	3	3	
X-195	Lock washer-#8	4	4	
8X-304	Round head screw-#8-32 x 5/16"	3	3	
8X-722	Binding head screw-#8-32 x 3/16"	1	1	
8X-59	Round head screw-#8-32 x 3/16"		1	
8X-870	Fillister head screw-#10-32 x 5/16"	2	2	
8X-872	Fillister head screw-#10-32 x 1/4"	2	2	
8X-884	Fillister head screw-#8-32 x 3/16"	1	1	
X-1274	Shakeproof washer-#10	1	1	
X-1276	Shakeproof washer-#8	1	1	
IGP-1004A	Breaker plate part assembly			1
IGW-1010	Breaker plate part assembly	1	1	
IA-131	Breaker arm spring clip			1
IGP-3028	Breaker arm assembly			1
IGW-3028L	Breaker arm assembly	1	1	
IGP-30	Breaker arm spring			1
IGW-3075	Condenser assembly			1

GENERATOR

1940 -- 1941 -- 1942

Z

PART NO.	NAME	IGW-4203	IGW-203A	IGP-4808A
DISTRIBUTOR (CONT'D.)				
IGW-3075C	Condenser assembly	1	1	
X-194	Lockwasher-#10			1
8X-302	Round head screw-#6-32 x 1/4"			1
8X-873	Fillister head screw-#6-32 x 3/16"			1
X-1012	Lock washer-#6			1
IGP-2001	Distributor base assembly			1
IGW-2120	Distributor base assembly	1	1	
IG-511	Name plate			1
IG-511D	Name plate	1	1	
IG-579A	Absorbent bronze bearing	2	2	2
IGW-119	Link bracket	1	1	
X-278	Tubular rivet-3/32" x 3/16"	2	2	
X-374	Split rivet-3/32" x 1/4"			2
X-196	#10 lock washer	2	2	
8X-872	Fillister head screw-#10-32 x 1/4"	2	2	
X-382	Grease cup-1/8"	1	1	
X-488	1/4" oiler-press in elbow			1
IG-694	Distributor cap spring			2
X-1448	Hinge pin			2
IGH-2048RA	Drive shaft and governor assembly			1
IGW-3113L	Drive shaft and governor assembly	1		
IGW-3113LA	Drive shaft and governor assembly		1	
IG-796	Weight spring			1
IGB-252	Weight spring	1		1
IGB-323	Weight spring	1		
IGB-302	Weight spring	1		
IGB-302CS	Weight spring set-service			
LGB-291S	Weight spring set		1	
IG-1456	Weight assembly			2
IGW-1063L	Weight assembly	2		
IGW-1014LB	Weight assembly		2	
IGW-37	Lock spring ring	1	1	
IGW-92	Washer	1	1	
IGH-1048RA	Drive shaft assembly			1
IGW-2113L	Drive shaft assembly	1	1	
IGP-1023R	Cam and stop plate			1
IGW-2100LA	Cam and stop plate	1		
IGW-2100L	Cam assembly		1	

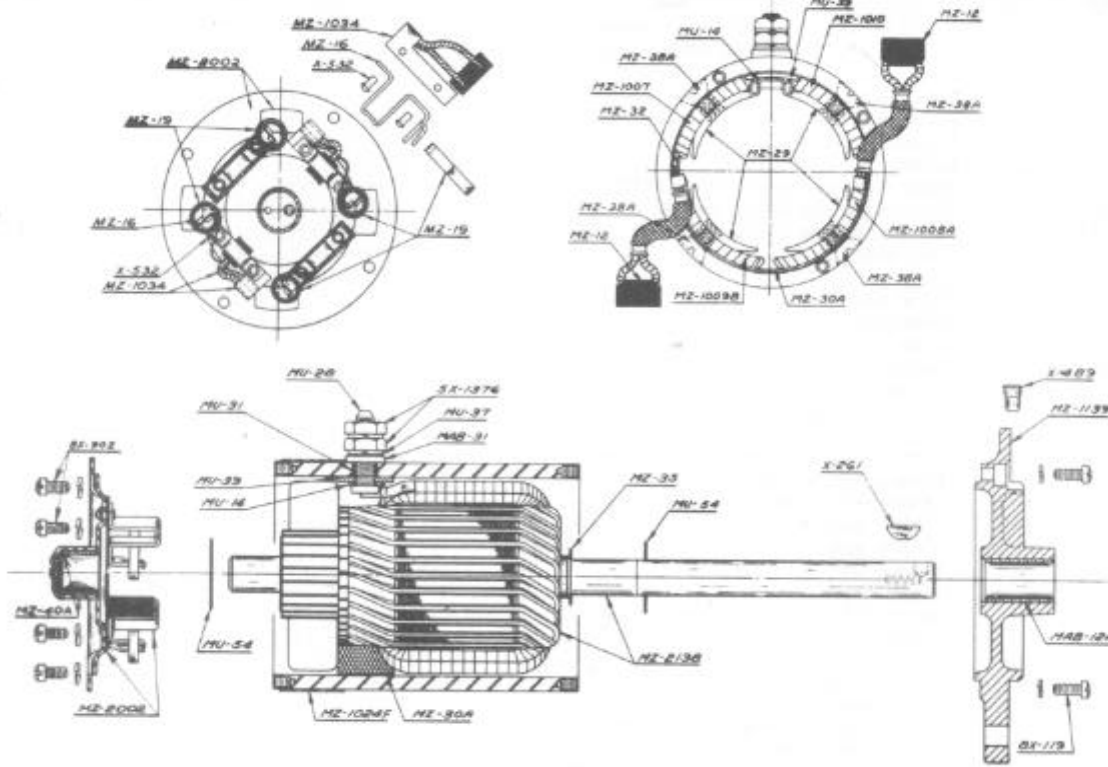
GENERATOR		GDS-4801A	GEC-4801A
NOTE: The following parts are not supplied by the Hudson Motor Car Company. Order these parts from the Electric Auto Lite Co., Toledo, Ohio; (In Canada, Auto Electric Service Co.) or their authorized dealers. Part numbers shown are Electric Auto Lite symbols.			
GDS-4801A	Generator assembly	1	
GEC-4801A	Generator assembly		1
GDS-2001	Frame and field assembly	1	
GEC-2001	Frame and field assembly		1
GBW-66	Terminal post bottom insulation	1	
GBW-67	Terminal post bottom insulation	1	
GEA-34	Terminal post bottom insulation		1
GCT-25	Insulating bushing	1	1
GCY-25	Insulating bushing	1	1
GAA-32	Terminal post top insulation	1	1
GDS-29	Pole piece	2	2
GAL-44	Field connection insulation	1	1
GBW-34	Insulating washer	1	1
GDS-30	Lead assembly	1	1
GAA-27	Terminal post	1	1
X-847	Terminal	1	1
GBW-58	Terminal post	1	1
GDS-1005	Field coil complete	1	1
GDS-1007	Field coil assembly-left terminal	1	1
GDS-1008A	Field coil-right	1	
GDZ-1008	Field coil assembly-right		1
X-976	Terminal	1	1
GK-38	Pole piece screw	1	1
MN-21	Dowel pin	2	2
8X-177	Hex nut-#14-24	1	
5X-177	Hex nut-#14-24		1
X-193	Lock washer-#14	1	1
X-196	Lock washer-#10	1	1
8X-349	Plain washer-#10	1	1
8X-361	Plain washer-1/4"	1	1
8X-1377	Hex nut-#10-32	1	
5X-1377	Hex nut-#10-32		1

GENERATOR

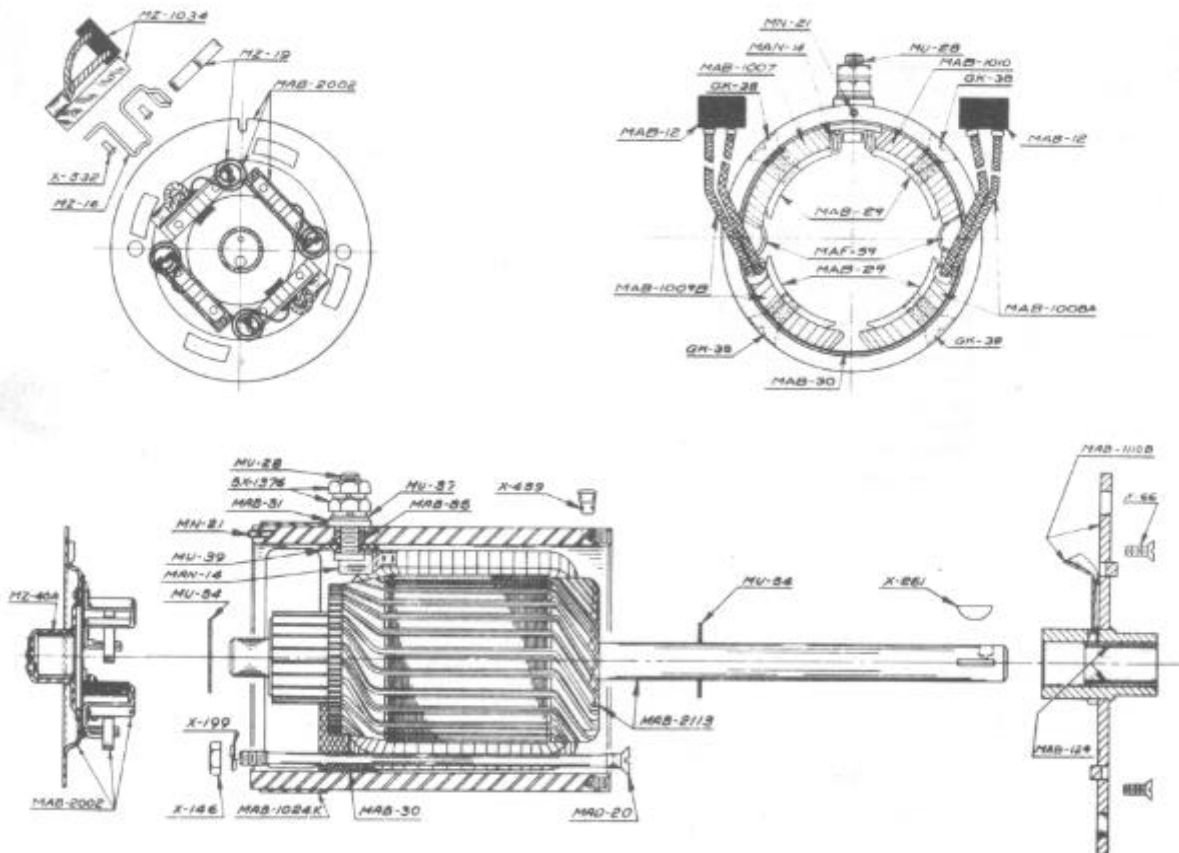
1940 -- 1941 -- 1942

Z

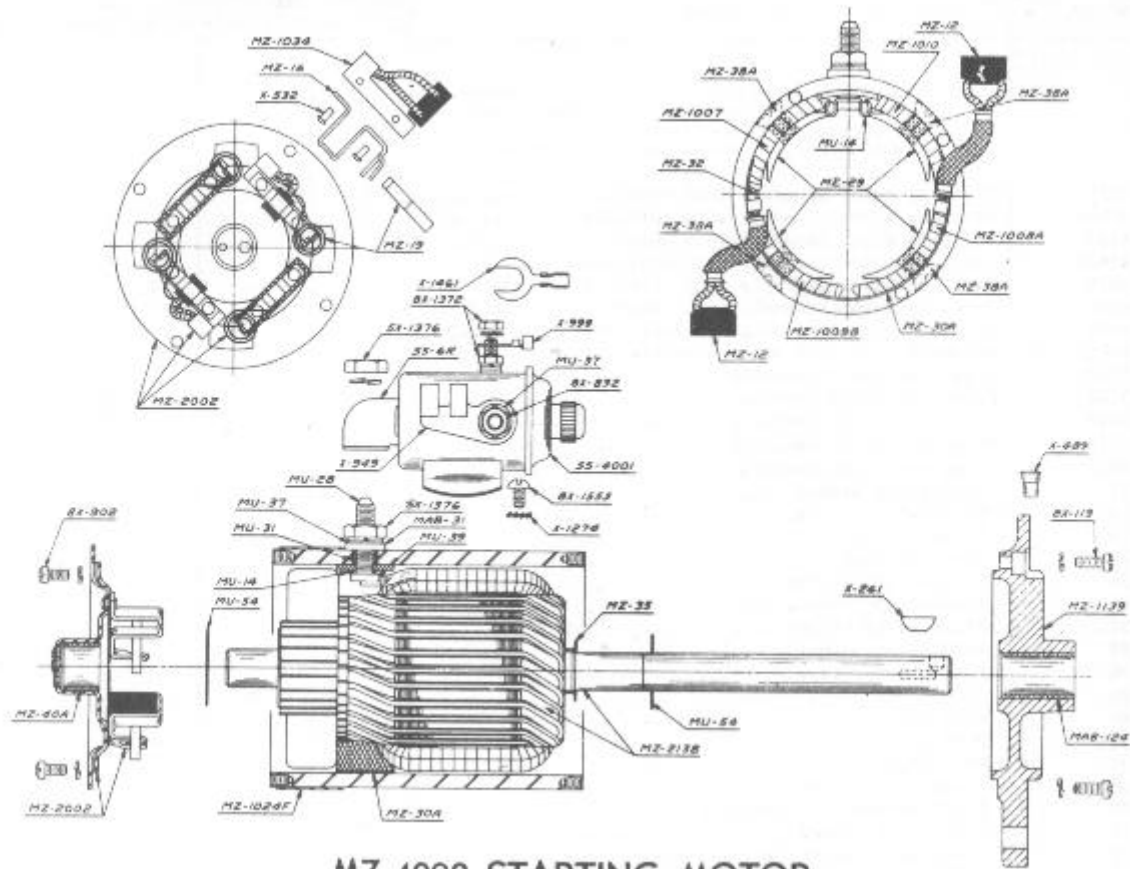
PART NO.	NAME	GDS-4801A	GEC-4801A
GENERATOR (CONT'D.)			
GK-20	Frame screw	2	
GY-20A	Frame screw		2
X-199	Lockwasher-1/4"	2	2
X-196	Lockwasher-#10	1	
8X-321	Round head screw-#10-32 x 5/16"	1	
GDF-2002A	Commutator end plate assembly	1	
GEC-2084	Commutator end plate assembly		1
GAR-73	Oil wick	1	1
GAR-98	Wick cover	1	
GAR-98A	Wick cover		1
GBW-30A	Commutator end cap cover	1	
GBW-30B	Commutator end cap cover		1
GBW-31	Gasket	1	1
GBW-72	Oil guard	1	1
GBW-73	Oil retaining gasket	1	1
GCI-51	3rd brush plate retaining spring	1	1
GCI-1002C	Commutator end plate part assembly	1	
GCI-1084A	Commutator end plate part assembly		1
GBF-79	Absorbent bronze bearing	1	1
GBW-45	Brush spring	1	1
GCI-26	Brush arm	2	2
GDF-1012	Brush-main	2	2
GDF-1013	Brush-third	1	
GEC-1013	Brush-third		1
GCI-1014	Third brush plate assembly	1	1
GBW-45	Brush spring	1	1
GCI-26	Brush arm	1	1
X-195	Lock washer-#8	5	5
8X-311	Round head screw-#10-32 x 3/8"	1	1
X-489	1/4" oiler-press in type	1	1
8X-888	Fillister head screw-#8-32 x 5/16"	4	4
X-195	Lock washer-#8	2	2
8X-1507	Binding head screw-#8-32 x 1/4"	3	3
GBM-21	Armature shaft nut	1	1
GDF-2006	Armature assembly	1	
GDZ-2006F	Armature assembly		1
GAR-71	Snap ring	1	1
GR-32	Felt washer retainer	1	1
SP-1323	Drive pulley	1	1
X-260	Woodruff key-#5	1	1
X-864	Lock washer-.669	1	1
GBJ-1065	Drive end head assembly	1	1
GAR-63	Felt guard	2	2
GAR-64	Bearing retainer	2	2
GBJ-65	Drive end head	1	1
GG-164	Felt washer	2	2
8X-173	Hex nut-#10-32	3	3
X-196	Lock washer-#10	3	3
X-295	Ball bearing-S.A.E.#203	1	1
X-489	1/4" oiler-press in type	1	1
8X-1003	Round head screw-#10-32 x 7/8"	3	3
GEW-24	Head band assembly	1	1
X-714	Round head machine screw-#10-32 x 1-1/2"	1	
X-715	Round head machine screw-#10-32 x 1-1/4"		1
8X-794	Square nut-#10-32	1	1



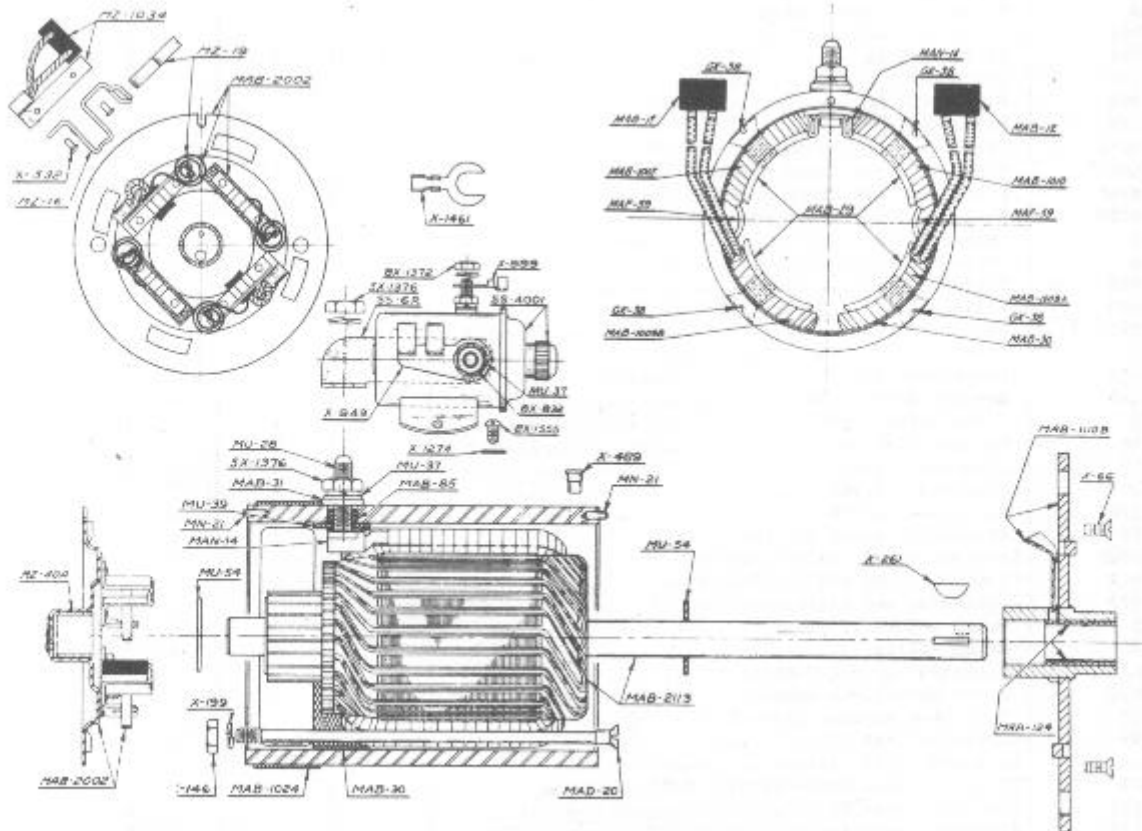
MZ-4079 STARTING MOTOR



MAB-4103 STARTING MOTOR



MZ-4092 STARTING MOTOR



MAB-4100 STARTING MOTOR

PART NO.	NAME	MZ-4079 MZ-4079A	MAB-4103 MAB-4103A	MZ-4092	MAB-4100	MBM-4100
	NOTE: Following parts are not supplied by Hudson Motor Car Company. Order these parts from the Electric Auto Lite Company, Toledo, Ohio (in Canada, Auto Electric Service Co.) or their authorized dealers. Part numbers shown are Electric Auto Lite symbols					
MZ-4079	Starting motor assembly-less solenoid	1				
MZ-4079A	Starting motor assembly-with solenoid	1				
MAB-4103	Starting motor assembly-less solenoid		1			
MAB-4103A	Starting motor assembly-with solenoid		1			
MZ-4092	Starting motor assembly-with solenoid			1		
MAB-4100	Starting motor assembly-with solenoid				1	
MBM-4001	Hydraulic top lift motor assembly-1941					1
EO-6662	Hydraulic top lift motor assembly-1942					
MZ-2140	Frame and field assembly	1				
MAB-2134	Frame and field assembly		1			
MZ-2093	Frame and field assembly			1		
MAB-2132	Frame and field assembly				1	
MBM-2001	Frame and field assembly					1
MAB-31	Insulating washer	1	1	1	1	1
MU-14	' Terminal	1		1		2
MAN-14	Terminal		1		1	
MU-28	Terminal post	1	1	1	1	2
MU-31	Insulating bushing	1		1		2
MAB-85	Insulating bushing		1		1	
MU-37	Plain washer-5/16"	1	1	1	1	2
MU-39	Insulating washer	1	1	1	1	2
MZ-29	Pole piece	4		4		
MAB-29	Pole piece		4		4	
MA-29	Pole piece					4
MZ-38A	Pole piece screw	4		4		4
GK-38	Pole piece screw		4		4	
MZ-30A	Field connection insulator	1		1		1
MAB-30	Field connection insulator		1		1	
MZ-32	Field coil connector	2		2		
MAF-39	Field coil connector		2			
MAF-59	Field coil connector				2	
MBM-32	Field coil connector					1
MBM-33	Field coil connector					1
MBM-34	Field coil connector					1
MZ-1007	Field coil-UL	1		1		
MAB-1007	Field coil-UL		1		1	
MBM-1007	Field coil-UL					1
MBM-1008	Field coil-LL					1
MBM-1009	Field coil-LR					1
MZ-1008A	Field coil and brush assembly-LR	1		1		
MAB-1008A	Field coil and brush assembly-LR		1			
MZ-1009B	Field coil and brush assembly-LL	1		1		
MAB-1009B	Field coil and brush assembly-LL		1		1	
MZ-12	Brush	2		2		2
MAB-12	Brush		2	2		
MZ-1010	Field coil-UR	1		1		
MAB-1010	Field coil-UR		1		1	
MZ-1007	Field coil-UR					1
MN-21	Dowel pin				1	
X-1014	Lockwasher-5/16"	1	1	1	1	2
5X-1376	Hex nut-5/16" x 24	1	1	1	1	2
MAD-20	Frame screw		2		2	
X-146	Hex nut-1/4"-20		2		2	
X-199	Lockwasher-1/4"		1		2	
X-1014	Lockwasher-5/16"	1	1	1	1	2
5X-1376	Hex nut-5/16"-14	1	1	1	1	2
X-489	Oiler-1/4"-press in type	1	1		1	
MZ-2002B	Commutator end plate assembly	1		1		
MAB-2002	Commutator end plate assembly		1		1	
MBL-2002	Commutator end plate assembly					1
MZ-16	Brush holder	2	2	2	2	2
MZ-19	Brush spring	4	4	4	4	2
MZ-40A	Absorbent bronze bearing	1	1	1	1	1
MZ-1034	Brush assembly-grounded	2	2	2	2	1
X-532	Oval head tubular rivet-1/8" x 1/4"	4	4	4	4	4
X-196	Lockwasher-#10			4		
X-544	Lockwasher-#10					2
X-902	Fillister head screw-10-32 x 3/8"			4		2
MZ-2138	Armature assembly	1		1		
MAB-2113	Armature assembly		1		1	
MMA-2151	Armature assembly					1

STARTER

1940 -- 1941 -- 1942

Z

PART NO.	NAME	MZ-4079 MZ-4079A	MAB-4103 MAB-4103A	MZ-4092	MAB-4100	MBM-4100
MZ-35	Bearing thrust spacer	1		1		
MBL-35	Bearing thrust spacer					1
MU-54	Thrust hasher-1/32" thick	2	2	2	2	1
X-261	Woodruff key-#6	1		1	1	
EBA-29	Bendix drive assembly	1	1	1	1	
EB-108	Lockwasher	2	2	2	2	
EB-8506	Special screw	1	1	1	1	
EBA-513	Antidrft spring	1	1	1	1	
EBA-525	Meshing spring	1	1	1	1	
EBA-531	Screw shaft assembly	1	1	1		
EBA-532	Pinion assembly	1	1	1		
EBA-1233	Retaining ring-wide groove	1	1	AR	AR	
EBA-533	Retaining ring-narrow groove			AR	AR	
EBA-2905	Drive spring	1	1	1	1	
EBA-2907	Shaft spring screw	1	1	1	1	
MA-1024F	Head band assembly	1				
MAB-1024K	Head band assembly		1			
MZ-1024F	Head band assembly			1		
MAB-1024	Head band assembly				1	
MZ-1024	Head band assembly					1
MZ-1139	Drive end head assembly	1		1		
MAB-1110B	Drive end head assembly		1		1	
MAB-124	Absorbent bronze bushing	1	1	1	1	
X-489	1/4" oiler-press in type	1	1	1		
8X-119	Fillister head screw-10-32 x 1/2"	4		4		
X-66	Flathead screw-10-32 x 1/2"		2		2	
X-308	Round head screw-10-32 x 1-3/8"	1		1		
8X-308	Round head screw-10-32 x 1-3/8"				1	
8X-15555	Round head screw-10-32 x 5/16"			2	2	
X-715	Round head screw-10-32 x 1/4"		1		1	
X-544	Lockwasher-#10	4		4		
8X-794	Square nut-10-32	1	1	1	1	1
X-1274	Shakeproof washer-#10			2		
SS-4001	Solenoid starting switch	1	1	1	1	
8X-832	Hex nut-5/16" x 24			2	2	
12X-1014	Lockwasher-5/16"			2	2	
8X-1372	Hex nut-10-32			1	1	
X-949	Terminal			1	1	
X-999	Terminal			1	1	
X-1461	Terminal			1	1	

GROUP
PARTS BOOK

FOR

1940-1941-1942

Hudson Cars

BODY SECTION

BODY MODELS

ABBREVIATION	NAME	CHASSIS MODELS
2Sed	Two door Sedan	40T,40P,41,44,45,101,10P,11,12, 14,20T,20P,21,22,24
Sed	Four door Sedan-5 or 7 Passenger	40T,40P,41,43,44,45,47,48P,10T,10P,11,12,14,17,18P,20T,20P,21,22,24,27
5Sed	Four door Sedan-5 Passenger	40T,40P,41,43,44,45,47,10T,10P,11,12,14,17,20T,20P,21,22,24,27
7Sed	Four door Sedan-7 Passenger	43,47,48P,17,18P
3Cpe	Three passenger Coupe	40T,40P,41,44,10T,10P,11,12,14,15,201,20P,21,22,24
VicCpe	Victoria Coupe	40T,40P,41,44
ClubCpe	Club Coupe	10T,10P,11,12,14,15,20T,20P,21,22,24,25
CvCpe	Convertible Coupe	40P,41,44
CvSed	Convertible Sedan	40P,41,44,10P,11,12,14,20T,20P,21,22,24
UCo	Utility Coach	40C,10C,20T
UCpe	Utility Coupe	40C,10C,20T
CA	Carryall	48P,18P
Cab	Chassis with Cab	40C,48C,10C,18C,20C,28C
CabPu	Cab Pickup	40C,48C,10C,18C,20C,28C
Panel	Panel Delivery	40C,48C
Station	Station Wagon	11,14,21
Del	All-Purpose Delivery	10C

BODY GROUPS

At the start of the chassis section is an explanation of the chassis groups. A similar group plan is used in this body section.

For parts classification purposes, the body is divided into seventeen main sections. These sections are designated by double letters so that there will be no possibility of confusing them with the chassis sections. An extra section devoted to special body information not classified in the regular groups, is designated by the letters XX.

The main body sections are as follows-

AA--FRONT END
 BB--PILLARS AND HEADERS
 CC--METAL PANELS
 DD--HANDLES
 EE--DOORS
 FF--WINDOWS
 GG--TOP-CLOSED BODIES
 HH--TOP-CONVERTIBLES
 JJ--FLOOR

KK--SEATS
 LL--REAR END
 MM--INTERIOR FITTINGS
 NN--INSIDE FINISH MOULDINGS
 PP--OUTSIDE MOULDINGS AND ORNAMENTS
 QQ--BODY ATTACHING PARTS
 TT--TRIM SECTION
 UU--PAINT AND LACQUER
 XX--SPECIAL BODY SECTION

1940-1941-1942

DIVISION OF GROUPS

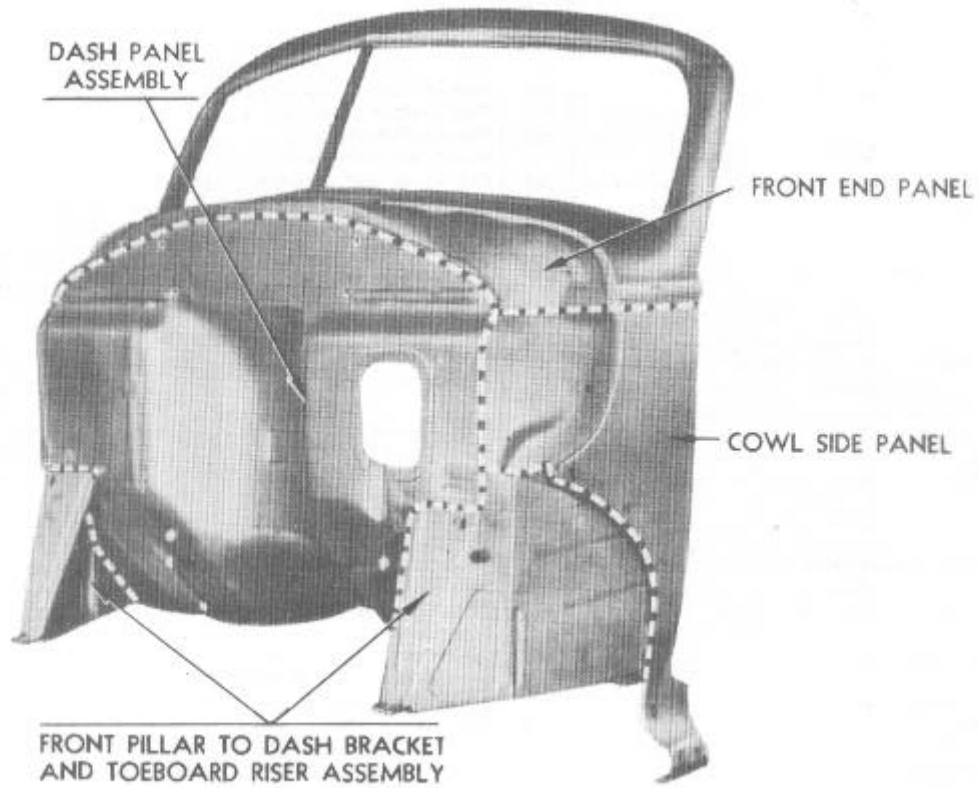
The main body sections are sub-divided into smaller groups, each of which is designated by a number preceded by its main section letters

The group subdivisions and the page on which each group will be found, are as follows.

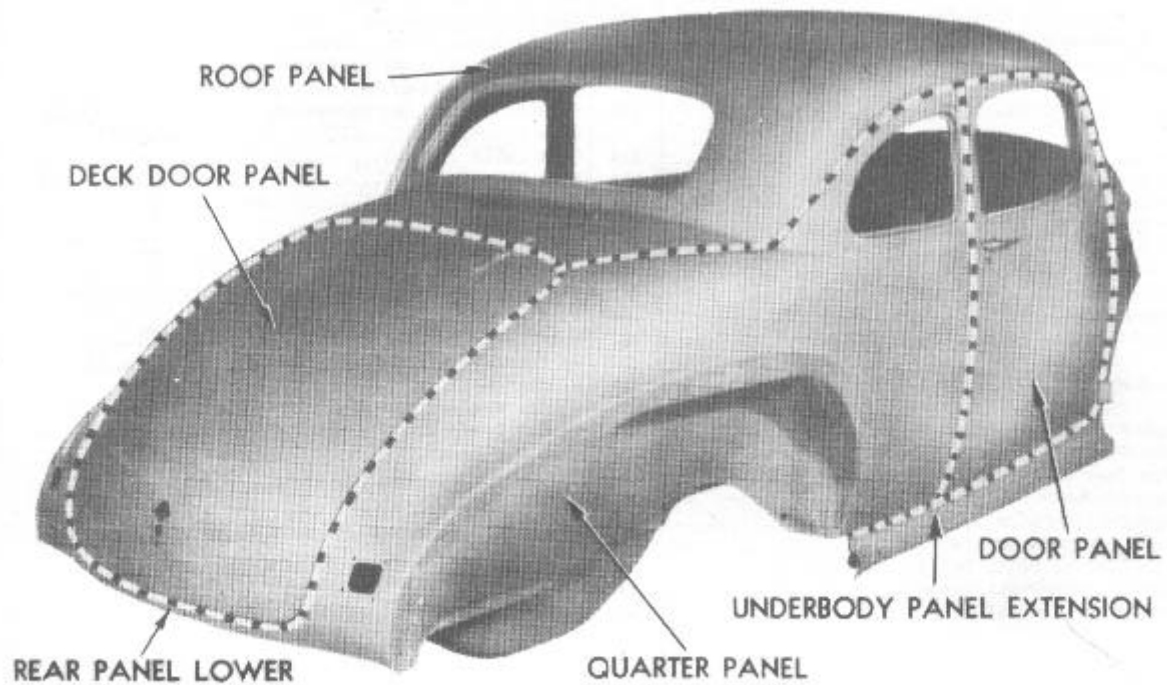
		Page No.			Page No.
	AA-FRONT END			KK-SEATS (CONTD.)	
AA-1	Front end assembly	204		PART TWO-Front seats-bench type	257
AA-3	Cowl side trim panels	204	KK-6	Front seat back	257
AA-4	Cowl ventilator and control	205	KK-7	Front seat cushion	261
AA-5	Dash panel group	206	KK-8	Front seat springs	263
AA-6	Instrument panel group	207	KK-9	Front seat frames	264
AA-8	Toe board riser	207	KK-10	Front seat back support	267
AA-9	Miscellaneous parts	208	KK-11	Seat tracks	267
AA-10	Windshield	208	KK-12	Seat hinges and support	270
	BB-BODY PILLARS AND HEADERS			PART THREE-Rear Seats	
			KK-13	Rear seat cushions and backs	270
BB-1	Body pillars		KK-14	Rear seat springs	275
BB-2	Body headers	208	KK-15	Rear seat back frame-CvSed	276
		209	KK-16	Rear seat cushion riser and retainer	276
	CC-METAL PANELS		KK-18	Aux seat cushion and back-VicCpe-CvCpe	277
			KK-19	Aux seat springs and frame-VicCpe-CvCpe	277
CC-1	Body panels	209	KK-20	Aux seat hinges and support-VicCpe-CvCpe	277
CC-2	Roof panels	211	KK-21	Auxiliary seat-seven passenger sedan-CA	278
CC-3	Door panels	213	KK-23	Center seat-carryall	278
				LL-REAR END	
	DD-HANDLES				
DD-1	Door outside handles	213	LL-2	Rear compartment door	279
DD-2	Door inside handles	215	LL-3	Rear compartment door hinges	279
DD-3	Window regulator handles	215	LL-4	Rear compartment door check arms	281
DD-4	Rear compartment handles	217	LL-5	Rear compartment door locks	282
			LL-7	Rear compartment floor	283
	EE-DOORS		LL-8	Rear compartment miscellaneous fittings	283
			LL-9	Partition and package compartment-Coupes	285
EE-1	Door assemblies	217	LL-13	Utility coupe rear section	286
EE-2	Door hinges	221		MM-INTERIOR FITTINGS	
EE-3	Door checks	222			
EE-4	Door locks and remote control	222	MM-1	Arm rest	287
EE-7	Door dovetails and bumpers	224	MM-2	Ash receivers-quarter	288
EE-8	Door track and panel strainer	224	MM-3	Assist straps	290
EE-9	Door weatherstrips	225	MM-4	Cigar lighter-quarter	291
			MM-6	Dome lamp and switch	291
	FF-WINDOWS		MM-7	Foot rest	292
FF-2	Glass frames and rest channels	226	MM-8	Door pull-to	293
FF-3	Glass runs and channels	228	MM-9	Rear view mirror	293
FF-4	Window weatherstrips and seals	229	MM-10	Robe rails	293
FF-5	Window bumpers and cushions	231	MM-11	Visor	295
FF-6	Window miscellaneous parts	231	MM-13	Front seat partition-seven pass. sedan	296
FF-7	Front door wing-friction type	231		NN-INSIDE FINISH MOULDINGS	
FF-8	Front door wing-crank swing type	233			
FF-11	Window regulators	234	NN-1	Windshield finish mouldings	296
FF-12	Quarter window opening blind	235	NN-2	Front door window finish mouldings	297
FF-13	Window drain troughs	235	NN-3	Rear door window finish mouldings	299
			NN-4	Quarter window finish mouldings	299
	GG-TOP-CLOSED BODIES			PP-OUTSIDE MOULDINGS AND ORNAMENTS	
GG-1	Roof bows	235			
GG-6	Roof drip mouldings	236	PP-1	Outside mouldings-front end	300
			PP-2	Outside mouldings-quarter panel	301
	HH-TOP-CONVERTIBLES		PP-3	Door outside mouldings	304
HH-1	Top deck and quarters	236	PP-4	Window reveal mouldings	306
HH-3	Rear curtain group	237	PP-5	Underbody extension mouldings	307
HH-3	Top dust boot	241		QQ-BODY ATTACHING PARTS	
HH-4	Folding top group	241			
HH-5	Top front header rail	244	QQ-1	Body bolts and nuts	307
HH-6	Top clamp and handles	244	QQ-3	Body shims and spacers	307
HH-8	Top fasteners	244		TT-TRIM	
HH-9	Top miscellaneous parts	245			
HH-10	Top hydraulic control-CvSed	246	TT-4	Windlaces	310
			TT-5	Trim mouldings and ornaments	310
	JJ-FLOOR		TT-6	Trim protectors	315
JJ-1	Underbody panels	248	TT-7	Trim rails and trim sticks	316
JJ-3	Floor plates and covers	249	TT-8	Trim retainers	316
JJ-1	Door scuff plates	250		UU-PAINT AND LACQUER	
JJ-5	Seat trays	250			
JJ-6	Floor carpets and pads	252	UU-1	Body lacquer	317
				XX-SPECIAL BODY SECTION	
	KK-SEATS				
	PART ONE-Front Seats-Bucket Type				
KK-1	Front seat cushion and backs	254			
KK-2	Front seat springs	255	XX-4	Cab Pickup body	318
KK-3	Front seat frame	255	XX-5	Panel Delivery body	319
KK-4	Front seat support	256	XX-6	Station Wagon body	330
KK-5	Front seat tracks	256	XX-7	All-Purpose Delivery body	323

ALPHABETICAL INDEX OF BODY GROUPS

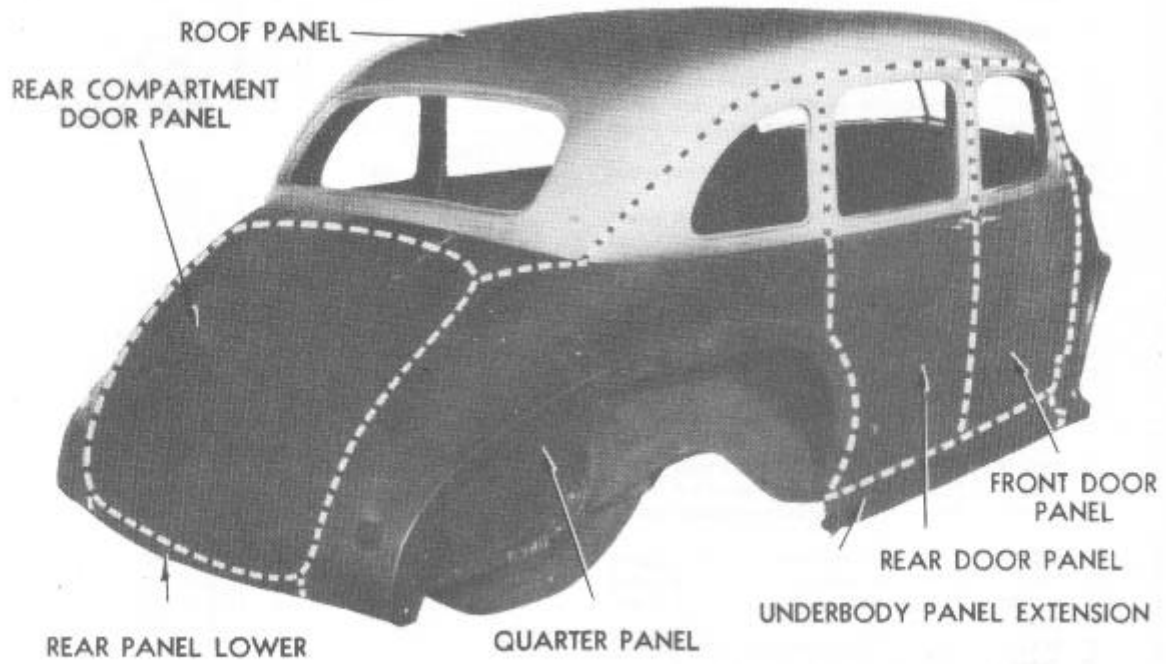
	Page No.		Page No.
All-Purpose Delivery Body	323	Panels-Body Metal	209
Arm Rest	287	Panels-Door	212
Ash Receivers	288	Panels-Roof	211
Assist Straps	290	Panels-Underbody	248
		Panel Delivery Body	319
Body Hold Down Bolts	307	Partition and Package Compartment-Cpes	285
Body Shims and Spacers	307	Partition-7Sed	296
Bows-Roof	235	Pillars-Body	208
		Pull-To Assemblies	293
Cab Pickup Rear Section	318		
Carpets and Pads	252	Quarter Window Opening Blind	235
Cigar Lighter	291		
Color Options	317	Rear Compartment-Miscellaneous	283
Cowl Side Trim Panels	204	Rear View Mirror	293
Cowl Ventilator	205	Robe Rails	293
Curtain-Rear-CvSed	237		
		Scuff Plates	250
Dash Panel Group	206	Seat-Auxiliary-7Sed	278
Dome Lamp and Switch	291	Seat Backs-Front-Bench Type	257
Door Assemblies	217	Seat Backs-Front-Bucket Type	254
Door Bumpers	224	Seat Backs-Rear	270
Door Checks	222	Seat Back Support-Front-Bench Type	267
Door Check Arm-Rear Compartment	281	Seat-Center-CA	278
Door Dovetails	224	Seat Cushions-Front-Bench Type	261
Door Handles-Inside	215	Seat Cushions-Front-Bucket Type	254
Door Handles-Outside	213	Seat Cushions-Rear	270
Door Handles-Rear Compartment	217	Seat Frame-Front-Bench Type	264
Door Hinges	221	Seat Frame-Front-Bucket Type	255
Door Hinges-Rear Compartment	279	Seat Hinges and Support-Cab-CabPu	270
Door Scuff Plates	250	Seat Riser-Rear	276
Door Locks	222	Seat Springs-Front-Bench Type	263
Door-Rear Compartment	279	Seat Springs-Front-Bucket Type	255
Door Lock-Rear Compartment	282	Seat Springs-Rear	275
Door Track and Panel Strainer	224	Seat Tracks-Bench Seats	267
Drip Moulding-Roof	236	Seat Tracks-Bucket Type	256
Dust Boot-Top-CvSed-CvCpe	241	Seat Support-Front-Bucket Type	256
		Seat Trays	250
Foot Rest	292	Station Wagon Body	320
Floor Plates and Covers	249		
Floor-Rear Compartment	283	Toe Board Riser	207
		Top Clamp and Handles-CvSed-CvCpe	244
Folding Top	241	Top Deck and Quarters-CvSed-CvCpe	236
Front End Assembly	204	Top Fasteners-CvSed-CvCpe	244
Front End Miscellaneous	208	Top Hydraulic Control-CvSed	246
		Top Miscellaneous Parts-CvSed-CvCpe	245
Glass Runs and Channels	228	Trim Mouldings and Ornaments	310
		Trim Protectors	315
Handles-Door Inside	215	Trim Rails	316
Handles-Door Outside	213	Trim Retainers	316
Handles-Rear Compartment	217	Trim Sticks	316
Handles-Window Regulator	215		
Headers-Body	209	Utility Coupe-Rear Section	286
Header Rail-CvSed-CvCpe	244		
		Visor	295
Instrument Panel	207		
Interior Fittings	287	Weatherstrips-Door	225
		Weatherstrips and Seals-Window	229
Lacquer-Body	317	Windlances	310
		Window Bumpers and Cushions	231
Mouldings-Front Door Inside Finish	297	Window Drain Troughs	235
Mouldings-Rear Door Inside Finish	299	Window Frames	226
Mouldings-Quarter Window Inside Finish	299	Window Miscellaneous Parts	231
Mouldings-Windshield Finish	296	Window Regulators	234
Mouldings-Door Outside	304		
Mouldings-Front End Outside	300	Window Rest Channel	226
Mouldings-Quarter Panel Outside	301	Windshield	208
Mouldings-Underbody Extension	307	Wing-Crank Swing Type	233
Mouldings-Window Reveal	306	Wing-Friction Type	231



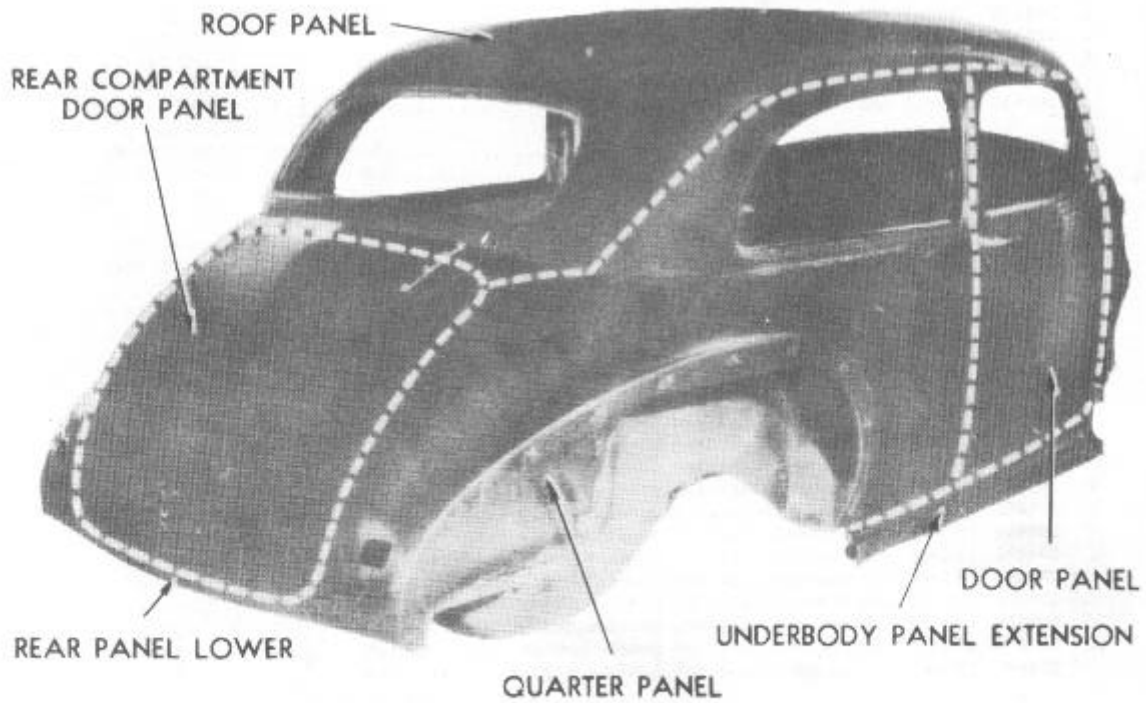
Front End Panels



Metal Panels—Coupe



Metal Panels—Four-Door Sedan



Metal Panels—Two-Door Sedan

Group & Illus. No.	Plate No.	Part No.	NAME	Per Car	Models
AAI-			FRONT END ASSEMBLIES		
		C 140566	Front end assembly-grained panel	LHD 1	40T-40P exc CvCpe-CvSed, 40C UCo-UCpe
		C 140567	Front end assembly-grained panel	RHD 1	401-40P exc CvCpe-CvSed, 40C UCo-UCpe
		C 140574	Front end assembly-grained panel	LHD 1	40P CvCpe-CvSed
		C 140575	Front end assembly-grained panel	RHD 1	40P CvCpe-CvSed
		C 140568	Front end assembly-grained panel	LHD 1	41-44 exc CvCpe-CvSed, 43,45,47,48P
		C 140569	Front end assembly-grained panel	RHD 1	41-44 exc CvCpe-CvSed, 43,45,47,48P
		C 140576	Front end assembly-grained panel	LHD 1	41-44 CvCpe-CvSed
		C 140577	Front end assembly-grained panel	RHD 1	41-44 CvCpe-CvSed
		C 148825	Front end assembly-grained panel	LHD 1	10T-10P exc CvSed,10C
		C 148826	Front end assembly-grained panel	RHD 1	10T-10P exc CvSed,10C
		C 148846	Front end assembly-grained panel	LHD 1	10P CvSed "
		C 148847	Front end assembly-grained panel	RHD 1	10P CvSed
		C 148835	Front end assembly-grained panel	LHD 1	11-12-14 exc CvSed-Sta, 15,17,18
		C 148836	Front end assembly-grained panel	RHD 1	11-12-14 exc CvSed Sta, 15,17,18
		C 148849	Front end assembly-grained panel	LHD 1	11-12-14 CvSed
		C 148850	Front end assembly-grained panel	RHD 1	11-12-14 CvSed
		C 148841	Front end assembly-grained panel	LHD 1	11-14 Station
		C 205460	Front end assembly-grained panel	LHD 1	20T-20P exc CvSed
		C 205461	Front end assembly-grained panel	RHD 1	201-20P exc CvSed
		C 205488	Front end assembly-grained panel	LHD 1	201-20P CvSed
		C 205489	Front end assembly-grained panel	RHD 1	20T-20P CvSed
		C 205524	Front end assembly-grained panel	LHD 1	21 exc CvSed-Station
		C 205525	Front end assembly-grained panel	RHD 1	21 exc CvSed-Station
		C 205546	Front end assembly-grained panel	LHD 1	21 CvSed
		C 205547	Front end assembly-grained panel	RHD 1	21 CvSed
		C 205528	Front end assembly-grained panel	LHD 1	21 Station
		C 205530	Front end assembly-grained panel	LHD 1	22-24 exc CvSed,25,27
		C 205531	Front end assembly-grained panel	RHD 1	22-24 exc CvSed,25,27
		C 205548	Front end assembly-grained panel	LHD 1	22-24 CvSed
		C 205549	Front end assembly-grained panel	RHD 1	22-24 CvSed
		C 205512	Front end assembly-grained panel	LHD 1	20C Cab-CabPu
		C 205513	Front end assembly-grained panel	RHD 1	20C Cab-CabPu
		C 205534	Front end assembly-grained panel	LHD 1	28C Cab-CabPu
		C 205535	Front end assembly-grained panel	RHD 1	28C Cab-CabPu
		C 140582	Front end assembly-grained panel	LHD 1	40C Cab-CabPu-Panel
		C 140583	Front end assembly-painted panel	RHD 1	40C Cab-CabPu-Panel
		C 140584	Front end assembly-painted panel	LHD 1	48C Cab-CabPu-Panel
		C 140585	Front end assembly-painted panel	RHD 1	48C Cab-CabPu-Panel
		C 140584	Front end assembly-painted panel-specify color	LHD 1	43-47 5Sed
		C 140585	Front end assembly-painted panel-specify color	RHD 1	43-47 5Sed
		C 148837	Front end assembly-painted panel-specify color	LHD 1	11-12-14 exc CvSed-Sta,15,17
		C 148838	Front end assembly-painted panel-specify color	RHD 1	11-12-14 exc CvSed-Sta,15,17
		C 148851	Front end assembly-painted panel-specify color	LHD 1	11-12-14 CvSed
		C 148852	Front end assembly-painted panel-specify color	RHD 1	11-12-14 CvSed
		C 205520	Front end assembly-painted panel-specify color	LHD 1	20P exc CvSed
		C 205521	Front end assembly-painted panel-specify color	RHD 1	20P exc CvSed
		C 205544	Front end assembly-painted panel-specify color	LHD 1	20P CvSed
		C 205545	Front end assembly-painted panel-specify color	RHD 1	20P CvSed
		C 205468	Front end assembly-painted panel-specify color	LHD 1	21 exc CvSed-Station
		C 205469	Front end assembly-painted panel-specify color	RHD 1	21 exc CvSed-Station
		C 205492	Front end assembly-painted panel-specify color	LHD 1	21 CvSed
		C 205493	Front end assembly-painted panel-specify color	RHD 1	21 CvSed
		C 205476	Front end assembly-painted panel-specify color	LHD 1	22-24 exc CvSed,25,27
		C 205477	Front end assembly-painted panel-specify color	RHD 1	22-24 exc CvSed,25,27
		C 205496	Front end assembly-painted panel-specify color	LHD 1	22-24 CvSed
		C 205497	Front end assembly-painted panel-specify color	RHD 1	22-24 CvSed
AA3-			COWL SIDE TRIM PANELS		
		C 143568	Trim panel-RH-cowl	Taupe 1	1940 All
		C 143569	Trim panel-LH-cowl	Taupe 1	1940 All
		C 143570	Trim panel-RH-cowl	Blue gray 1	43-47 5Sed
		C 143571	Trim panel-LH cowl	Blue gray 1	43-47 5Sed
		C 143572	Trim panel-RH-cowl	Blue green 1	43-47 5Sed

Group & Illus. No.	Plate No.	Part No.	NAME	Per Car	Models
AA3-			COWL SIDE TRIM PANELS (CON'D.)		
		C 143573	Trim panel-LH-cowl	Blue green	1 43-47 5Sed
		C 149164	Trim panel-RH-cowl-to car 1966	Tan	1 10T
		C 149165	Trim panel-LH-cowl-to car 1966	Tan	1 10T
		C 149166	Trim panel-RH-cowl-after car 1966	Gray	1 10T
		C 149167	Trim panel-LH-cowl-after car 1966	Gray	1 10T
		C 149164	Trim panel-RH-cowl	Tan	1 10P,11,12,14,15,17
		C 149165	Trim panel-LH-cowl	Tan	1 10P,11,12,14,15,17
		C 149166	Trim panel-RH-cowl	Gray	1 10C exc Del,10P,11,12,14,15,17,18
		C 149167	Trim panel-LH-cowl	Gray	1 10C exc Del,10P,11,12,14,15,17,18
		C 149168	Trim panel-RH-cowl	Green	1 10P,11,12,14,15,17
		C 149169	Trim panel-LH-cowl	Green	1 10P,11,12,14,15,17
		C 207150	Trim panel-RH-cowl	Tan-LHD	1 1942 All exc Cab-CabPu
		C 207155	Trim panel-LH-cowl	Tan-LHD	1 1942 All exc Cab-CabPu
		C 207160	Trim panel-RH-cowl	Tan-RHD	1 1942 All exc Cab-CabPu
		C 207165	Trim panel-LH-cowl	Tan-RHD	1 1942 All exc Cab-CabPu
		C 207151	Trim panel-PH-cowl	Gray-LHD	1 1942 All exc Station
		C 207156	Trim panel-LH-cowl	Gray-LHD	1 1942 All exc Station
		C 207161	Trim panel-RH-cowl	Gray-RHD	1 1942 All exc Station
		C 207166	Trim panel-LH-cowl	Gray-RHD	1 1942 All exc Station
		C 207152	Trim panel-RH-cowl	Green-LHD	1 1942 All exc Cab-CabPu-Station
		C 207157	Trim panel-LH-cowl	Green-LHD	1 1942 All exc Cab-CabPu-Station
		C 207162	Trim panel-RH-cowl	Green-RHD	1 1942 All exc Cab-CabPu-Station
		C 207167	Trim panel-LH-cowl	Green-RHD	1 1942 All exc Cab-CabPu-Station
		BO 71354	Screw-cowl trim panel	No. 8 x 3/4"	2 1940 All
		BO 170551	Screw-cowl trim panel	No. 8 x 3/4"	2 1941 All exc Del
		BO 70958	Bolt-cowl trim panel	10-32 x 1-3/4"	2 1942 All
		BO 7762	Plain washer-cowl trim panel	13/64" x 1/2" x 1/32"	2 All
		BO 12316	Finish washer-cowl trim panel	No. 10	2 All
		BZ 70792	Speed nut-cowl trim panel	10-32	2 1942 All
		BO 71b28	Clinch button-cowl trim panel	3/16" x 2"	2 1942 All
		BO 207483	Clip-cowl trim panel	Russet	2 1942 All exc Cab-CabPu
		BO 148339	Clip-cowl trim panel	Gray	2 1942 All exc Station
		BO 148340	Clip-cowl trim panel	Green	2 1942 All exc Cab-CabPu-Station
		BO 148338	Clip-cowl trim panel	Tan	2 1942 All
AA4-			COWL VENTILATOR		
			NOTE: Parts marked † discontinued in production Jan. 15, 1942. Parts marked †† used after Jan. 15, 1942, starting car No. 37067. See introduction.		
		BO 140274	Cover assembly-cowl ventilator		1 1940 All
		BO 146780	Cover assembly-cowl ventilator		1 1941 All exc Del,1942 All
		BO 142050	Ornament-cowl ventilator cover		1 40,41,44,45,48
		BO 142051	Ornament-cowl ventilator cover		1 43,47
	49	BO 147850	Ornament-cowl ventilator cover † Chromium	Chromium	1 10 exc Del,11,18,20,21,28
	49	147851	Ornament-cowl ventilator cover Use 147850	Use 147850	1 12,14,15,17,22,24,25,27
		BO 205692	Ornament-cowl ventilator cover ††		1 1942 All
		BO 147852	Seal washer-cover ornament	Discontinued Sept. 3, 1941	1 1941 All exc Del,1942 All
		BO 170523	Clip-cover ornament		2 1941 All exc Del,1942 All
		BO 140272	Bracket-RH-deflector to hinge		1 1940 All
		BO 140273	Bracket-LH-deflector to hinge		1 1940 All
		BO 146762	Bracket-RH-cowl ventilator hinge		1 1941 All exc Del,1942 All
		BO 146763	Bracket-LH-cowl ventilator hinge		1 1941 All exc Del,1942 All
		BO 120344	Bracket-operating link to deflector		1 1940 All
		BO 146764	Bracket-RH-hinge link pivot		1 1941 All exc Del,1942 All
		BO 146765	Bracket-LH-hinge link pivot		1 1941 All exc Del,1942 All
		BO 126250	Hinge-RH-cowl ventilator cover		1 1940 All
		BO 126251	Hinge-LH-cowl ventilator cover		1 1940 All
		BO 146768	Hinge link and rod assembly-cowl ventilator		1 1941 All exc Del,1942 All
		BO 126252	Rivet-cover hinge to trough	35/64" x 5/16"	2 1940 All
		BO 146772	Rivet-hinge bracket to hinge link		2 1941 All exc Del,1942 All
		BO 146773	Rivet-hinge link to pivot bracket		4 1941 All exc Del,1942 All
		BO 70004	Rivet-operating link to deflector bracket	3/16" x 1/2"	2 1940 All
		BO 9159	Bolt-hinge to bracket	1/4"-20 x 5/8"	4 1940 All

Group & Illus. No.	Plate No.	Part No.	NAME	Per Car	Models
AA4-			COWL VENTILATOR (CONT'D.)		
		BO 140281	Tension washer-hinge to trough rivet	2	1940 All
		BO 140281	Tension washer-hinge bracket to hinge link	2	1941 All exc Del,1942 All
		BO 120347	Tension washer-hinge link to pivot bracket	4	1941 All exc Del,1942 All
		BO 87602	Tapping plate-hinge to bracket	2	1940 All
		BO 85424	Spacer-cover hinge	2	1940 All
		BO 146770	Lever-hinge rod	1	1941 All exc Del,1942 All
		BO 146771	Anti rattle spring-hinge rod	1	1941 All exc Del,1942 All
		BO 18447	Screw-hinge rod lever	1	1941 All exc Del,1942 All
		BO 134489	Grommet-hinge rod	1	1941 All exc Del,1942 All
		BO 146759	Retainer-hinge rod grommet	1	1941 All exc Del,1942 All
		BO 116090	Weatherstrip-cowl ventilator	1	All exc Del
		BO 121529	Screen-cowl ventilator	1	1940 All
		BO 148246	Screen-cowl ventilator	1	1941 All exc Del,1942 All
		BO 140275	Rod-cowl ventilator operating-without Weathermaster	1	1940 All
		BO 161455	Rod-cowl ventilator operating-with Weathermaster	1	1940 All
		BO 146769	Rod-cowl ventilator operating	1	1941 All exc Del,1942 All
		BO 96089	Spring-cowl ventilator operating rod	2	All exc Del
7	36	BO 136090	Handle assembly-cowl ventilator operating	1	1940 All
		BO 147411	Handle assembly-cowl ventilator operating	1	1941 All exc Del
		BO 204411	Handle assembly-cowl ventilator operating	1	1942 All
		BO 126256	Rivet-operating handle	2	1940 All
		BO 147409	Rivet-operating handle	2	1941 All exc Del,1942 All
		BO 146758	Bolt-operating handle	2	1941 All exc Del
		BO 71073	Nut-operating handle bolt	2	1941 All exc Del
		BO 120347	Tension washer-operating handle	2	All exc Del
		BO 146753	Bracket-operating handle	1	1941 All exc Del,1942 All
		BZ 70872	Bolt-operating handle bracket to panel		1941 All exc Del,1942 All
		BZ 70874	Nut-operating handle bracket to panel bolt-	2	1941 All exc Del,1942 All
		BO 71393	Spacer-operating handle bracket	2	1941 All exc Del,1942 All
		BO 140278	Knob-operating handle	1	1940 All
		BO 144725	Knob-operating handle	1	43-47 5Sed
		BO 140276	Guide-operating handle ratchet	1	1940 All
		BO 18459	Bolt-operating handle ratchet guide	1	1940 All
		BO 71073	Nut-operating handle ratchet guide bolt	4	1940 All
		BO 146752	Bracket-air duct to panel	4	1941 All exc Del,1942 All
		BO 170360	Bolt-air duct to panel bracket	1	1941 All exc Del,1942 All
		BZ 70874	Nut-air duct to panel bracket bolt	2	1941 All exc Del,1942 All
		BO 71717	Bolt-air duct panel to hinge bracket	2	1941 All exc Del,1942 All
		BO 136762	Seal washer-air duct panel to hinge bracket bolt	4	1941 All exc Del,1942 All
		BO 9159	Bolt-air duct to dash panel	4	1941 All exc Del,1942 All
		BO 146775	Drain tube air duct	4	1941 All exc Del,1942 All
		BO 200019	Clip-air duct drain tube	1	1941 All exc Del,1942 All
		BO 146776	Weather seal-air duct drain tube	1	1941 All exc Del,1942 All
		HA 163294	Dust filter kit	1	1941 All exc Del,1942 All
		BO 163568	Dust filter-standard with Weathermaster	1	1941 All exc Del,1942 All
		BO 161445	Staple-dust filter	3	1941 All exc Del,1942 All
AA5-			DASH PANEL GROUP		
		C 143561	Silencer and trimboard assy-dash	1	1940 All
		C 143562	Silencer and trimboard assy-dash	1	1940 All
		C 143563	Silencer and trimboard assy-dash	1	43-47 5Sed
		C 143564	Silencer and trimboard assy-dash	1	43-47 5Sed
		C 143565	Silencer and trimboard assy-dash	1	43-47 5Sed
		C 143566	Silencer and trimboard assy-dash	1	43-47 5Sed
		C 149154	Silencer and trimboard assy-dash	1	10T to car 1966
		C 149156	Silencer and trimboard assy-dash	1	10T after car 1966
		C 149157	Silencer and trimboard assy-dash	1	10T
		C 149154	Silencer and trimboard assy-dash	1	10P,11,12,14,15,17
		C 149155	Silencer and trimboard assy-dash	1	10P,11,12,14,15,17
		C 149156	Silencer and trimboard assy-dash	1	10C exc Del,10P,11,12,14,15,17,18
		C 149157	Silencer and trimboard assy-dash	1	10C exc Del,10P,11,12,14,15,17,18
		C 149158	Silencer and trimboard assy-dash	1	10P,11,12,14,15,17
		C 149159	Silencer and trimboard assy-dash	1	10P,11,12,14,15,17
		C 207143	Silencer and trimboard assy-dash	1	1942 All exc Cab-CabPu
		C 207144	Silencer and trimboard assy-dash	1	1942 All exc Station
		C 207145	Silencer and trimboard assy-dash	1	1942 All exc Cab-CabPu-Station

Group & Illus. No.	Plate No.	Part No.	NAME	Per Car	Models
AA5-			DASH PANEL (CONTD.)		
		BO 71628	Clinch button-dash silencer	3/16x2 AR	All exc Del
		BO 18359	Clinch button-dash silencer	3/16x1-1/2 4	1940 all, 1941 exc Del
		BO 70697	Plain washer-dash clinch button	AR	All exc Del
		BO 70958	Bolt-silencer and trimboard	10-32x1-3/4 4	1940 all, 1941 exc Del
		BO 70415	Bolt-silencer and trimboard	19-32x1-5/8 2	1940 all with HWM
		BZ 70792	Nut-silencer and trimboard bolt	10-32 AR	1940 all, 1942 all exc Del
		BO 170181	Screw-silencer and trimboard	No. 10x1-3/4 2	1940 all, 1942 all exc Del
		BO 12316	Finish washer-silencer and trimboard screw	No. 10 6	1940 all, 1942 all exc Del
		BO 140349	Clip-dash panel wiring	AR	1940 all, 1942 all exc Del
		BO 85747	Clip-dash panel wiring	AR	1940 all, 1942 all exc Del
		BO 200019	Clip-dash panel wiring	2	1941 all
		BO 85747	Clip-speedometer cable	1	1942 all
		BZ 71552	Grommet-dash panel	1/2 ID 1	All
		BO 134757	Grommet-dash panel-for OD cable	3/4 ID 1	All
		BO 170303	Grommet-dash panel	1/2 ID 1	1942 all
		BO 147089	Cover plate-heater tube	Used without HWM 1	1941-1942 all
		BO 170060	Screw-heater tube cover plate	Used without HWM 1	1941-1942 all
AA6-			INSTRUMENT PANEL		
		A 141206	Instrument panel assembly-grained	LHD 1	1940 all exc Cab-CabPu-Panel
		A 141207	Instrument panel assembly-grained	RHD 1	1940 all exc Cab-CabPu-Panel
		A 147106	Instrument panel assembly-grained	LHD 1	1941 all exc Del
		A 147107	Instrument panel assembly-grained	RHD 1	1941 all exc Station
		A 205404	Instruments panel assembly-grained	LHD 1	1942 all
		A 205405	Instrument panel assembly-grained	RHD 1	1942 all
		A 141204	Instrument panel assembly-grained	Painted-Specify color-LHD 1	1940 Cab-CabPu-PanelL,43-47 5Sed
		A 141205	Instrument panel assembly-grained	Painted-Specify color-RHD 1	1940 Cab-CabPu-PanelL,43-47 5Sed
		A 147104	Instrument panel assembly-grained	Painted-Specify color-LHD 1	1941 all exc 10-18-Station
		A 147105	Instrument panel assembly-grained	Painted-Specify color-RHD 1	1941 all exc 10-18-Station
		A 205402	Instrument panel assembly-grained	Painted-Specify color-LHD 1	1942 all exc 20T-20C-28-Station
		A 205403	Instrument panel assembly-grained	Painted-Specify color-RHD 1	1942 all exc 20T-20C-28-Station
		BO 70397	Clinch nut-windshield defroster	10-32 4	All exc Del
		BO 140439	Clip-instrument panel	2	1941-1942 all
AA8-			TOE BOARD RISER		
		C 140156	Dash bracket & toe board riser assembly-RH	LHD 1	40
		C 140157	Dash bracket & toe board riser assembly-LH	LHD 1	40
		C 140158	Dash bracket & toe board riser assembly-RH	RHD 1	40
		C 140159	Dash bracket & toe board riser assembly-LH	RHD 1	40
		C 140160	Dash bracket & toe board riser assembly-RH	LHD 1	41,42,44,45,47,48
		C 140161	Dash bracket & toe board riser assembly-LH	LHD 1	41,42,44,45,47,48
		C 140162	Dash bracket & toe board riser assembly-RH	RHD 1	41,42,44,45,47,48
		C 140163	Dash bracket & toe board riser assembly-LH	RHD 1	41,42,44,45,47,48
		C 146156	Dash bracket & toe board riser assembly-RH	LHD 1	10 exc Del, 20
		C 146158	Dash bracket & toe board riser assembly-RH	RHD 1	10 exc Del, 20
		C 146157	Dash bracket & toe board riser assembly-LH	1	10
		C 203157	Dash bracket & toe board riser assembly-LH	1	20
		C 146160	Dash bracket & toe board riser assembly-RH	LHD 1	11,12,14,15,17,18,21,22, 24,25,27,28
		C 146162	Dash bracket & toe board riser assembly-RH	RHD 1	11,12,14,15,17,18,21,22, 24,25,27,28
		C 146161	Dash bracket & toe board riser assembly-LH	1	11,12,14,15,17,18
		C 203161	Dash bracket & toe board riser assembly-LH	1	21,22,24,25,27,28
		BO 106300	Rubber plug-toe board riser hole	2	1940 All
		BO 70691	Rubber plug-toe board riser dimmer switch	RHD 1	1941 All exc Del, 1942 All
		BO 85747	Clip-toe board riser wiring & speedometer cable	2	1940 All
		BO 122758	Clip-toe board riser wiring	1	1940 All
		BO 140349	Clip-toe board riser wiring & dash bracket	2	1941 exc Del, 1942 All
		BO 85747	Clip-front pillar to dash bracket	for OD 1	1941 exc Del
		BO 170009	Rivet-toe board riser to floor panel	1/4x5/16 6	All exc Del
		BO 18474	Rivet-toe board riser to pillar bracket & dash panel	6	All exc Del

Group & Illus. No.	Plate No.	Part No.	NAME	Per Car	Models
AA9-			FRONT END MISCELLANEOUS PARTS		
		BO 170189	Grommet-front pillar to dash bracket wire For 1-1/4" hole	1	1940 All (Discontinued 8-9-39)
		BO 70243	Grommet-front pillar to dash bracket-LH For 1-1/8" hole	1	1941 exc Del, 1942 All
		BO 70243	Grommet-Voltage regulator attaching plate For 1-1/8" hole	1	1941 exc Del
		BZ 125575	Plug-front pillar to dash bracket	2	1940 All
		BO 133719	Plug-cowl side panel fender reinforcement- without radio	7	1940 All (Discontinued 8-31-39)
		BO 108489	Plug-instrument panel to locker box corner gusset	2	1940 All
		BO 147833	Plug-for speedometer, clock & instrument bezel hole	2	10,11,18
		BO 170466	Plug-instrument panel hole-metal 7/8" hole RHD	1	1940 Panel
		BO 70648	Plug-instrument panel hole-metal 3/4" hole RHD	1	1940 Panel
		BO 170048	Screw-instrument panel to locker box corner gusset	2	1940 All
		BO 140934	Gusset-instrument panel to locker box-corner LHD	1	1940 All
		BO 140935	Gusset-instrument panel to locker box-corner RHD	1	1940 All
		BO 170559	Cage nut-cowl panel hinge reinforcement 5/16-24	6	1941-1942 All
AA10-			WINDSHIELD		
			NOTE: Parts marked † discontinued in production Jan. 15, 1942. Parts marked †† used after Jan. 15, 1942, starting car No. 37067. See introduction.		
		BO 142040	Weatherstrip-RH-windshield	1	40T,40C,48,10T,10C exc DeL,18 20T exc CvSed,20C,28
		BO 142041	Weatherstrip-LH-windshield	1	40T,40C,48,10T,10C exc DeL,18 20T exc CvSed,20C,28
		BO 142042	Weatherstrip-RH-windshield	1	All exc CvSed-Del-and above models
		BO 142043	Weatherstrip-LH-windshield	1	All exc CvSed-Del-and above models
		BO 142254	Weatherstrip-RH-windshield	1	CvCpe-CvSed
		BO 142255	Weatherstrip-LH-windshield	1	CvCpe-CvSed
		BO 140964	Center bar-outer-windshield (zinc die cast) Chrome	1	All exc CvSed
		BO 204397	Center bar-outer-windshield (lead die cast) † Chrome	1	All exc CvSed
		BO 205693	Center bar-outer-windshield (lead die cast) ††	1	1942 all exc CvSed
		PO 140969	Center bar-outer-windshield (zinc die cast) Chrome	1	CvCpe-CvSed
		BO 204396	Center bar-outer-windshield (lead die cast) Chrome	1	CvCpe-CvSed
		BO 141784	Shim-windshield center bar Rubber	1	All
		BO 170417	Screw-windshield center bar 8-32x1-5/16	3	All (use with zinc die cast)
		BO 170708	Screw-windshield center bar 8-15x1-5/16SM	3	All (use with lead die cast)
BB1-			BODY PILLARS		
		C 120180	Pillar-RH-front Included in front end assy.	1	1940 All exc CvCpe-CvSed
		C 120181	Pillar-LH-front Included in front end assy.	1	1940 All exc CvCpe-CvSed
		C 146192	Pillar assembly-RH-fronty. Included in front end assy	1	1941 All exc CvSed-Del
		C 146193	Pillar assembly-LH-front Included in front end assy	1	1941 All exc CvSed-Del
		C 204094	Pillar assembly-RH-front Included in front end assy	1	1942 All exc Cab-CabPu-Del
		C 204395	Pillar assembly-LH-front Included in front end assy	1	1942 All exc Cab-CabPu-Del
		C 146192	Pillar assembly-RH-front Included in front end assy	1	1942 Cab-CabPu
		C 146193	Pillar assembly-LH-front Included in front end assy	1	1942 Cab-CabPu
		C 143091	Pillar assembly-center	2	1940 Sed-CA
		C 146091	Pillar assembly-center	2	1941 Sed-CA
		C 203838	Pillar assembly-RH-center	1	20 Sed
		C 203839	Pillar assembly-LH-center	1	20 Sed
		C 203840	Pillar assembly-RH-center	1	21-22-24-27 Sed
		C 203841	Pillar assembly-LH-center	1	21-22-24-27 Sed
		C 203098	Extension-center pillar	2	20 Sed
		C 203099	Extension-center pillar	2	21-22-24-27 Sed
		C 140166	Pillar assembly-RH-rear	1	1940 2 Sed-UCo
		C 140167	Pillar assembly-LH-rear	1	1940 2 Sed-UCo
		C 146166	Pillar assembly-RH-rear	1	1941-1942 2 Sed-UCo
		C 146167	Pillar assembly-LH-rear	1	1941-1942 2 Sed-UCo
		C 134182	Pillar assembly-RH-rear	1	1940 Sed-CA
		C 134183	Pillar assembly-LH-rear	1	1940 Sed-CA
		C 146272	Pillar assembly-RH-rear	1	1941-1942 Sed,1941 CA
		C 146273	Pillar assembly-LH-rear	1	1941-1942 Sed,1941 CA
		C 140168	Pillar assembly-RH-rear	1	1940 3Cpe-VicCpe-UCpe
		C 140169	Pillar assembly-LH-rear	1	1940 3Cpe-VicCpe-UCpe
		C 146168	Pillar assembly-RH-rear	1	1941-1942 3Cpe-ClubCpe-Ucpe

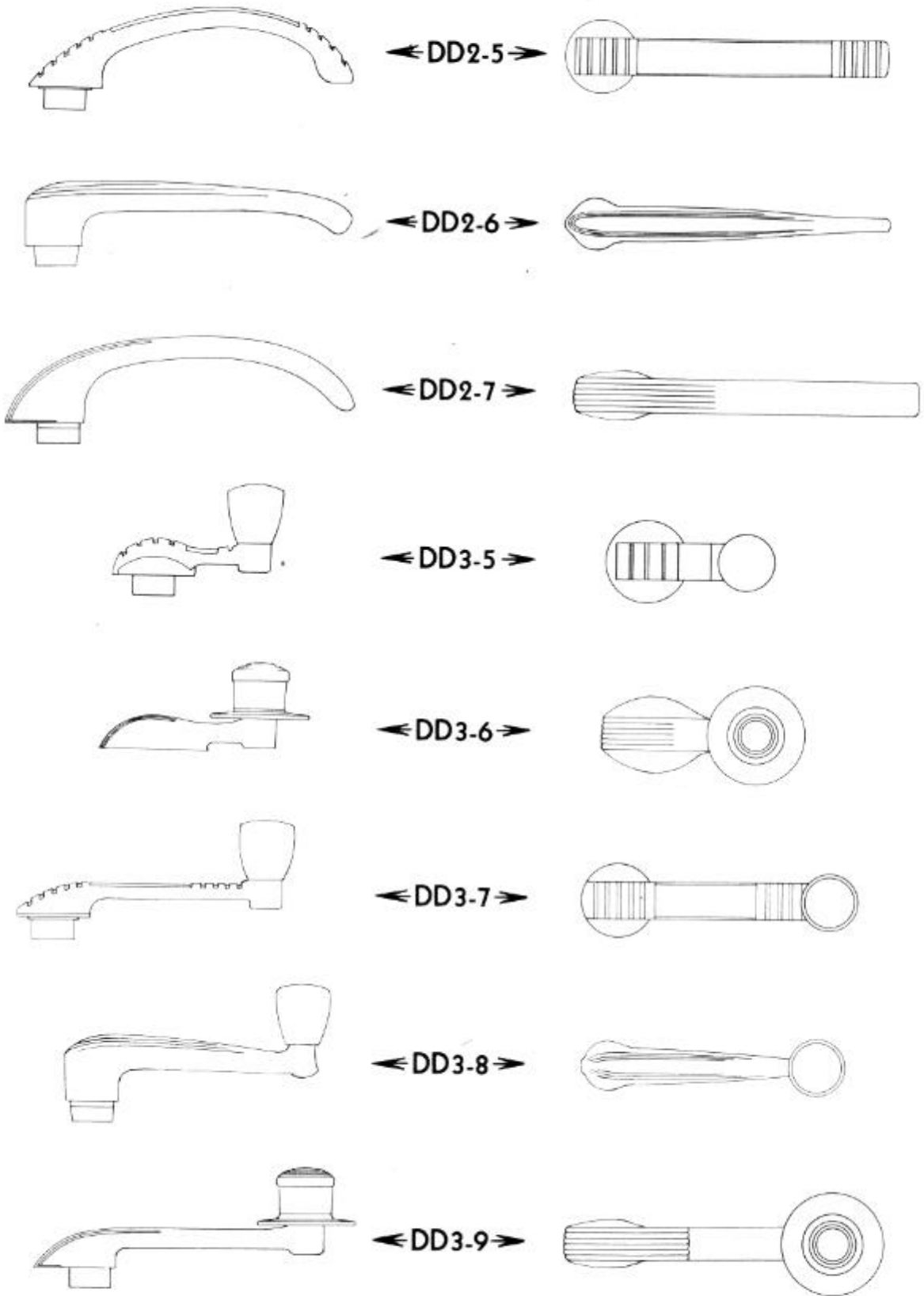
Group & Illus. No.	Plate No.	Part No.	NAME	Per Car	Models
BB1-			BODY PILLARS (CONTD.)		
		C 146169	Pillar assembly-LH-rear	1	1941-1942 3Cpe-ClubCpe-UCpe
		C 140096	Pillar assembly-RH-rear	1	1940 CvCpe-CvSed
		C 140097	Pillar assembly-LH-rear	1	1940 CvCpe-CvSed
		C 146098	Pillar assembly-RH-rear	1	1941-1942 CvSed
		C 146099	Pillar assembly-LH-rear	1	1941-1942 CvSed
		C 140186	Pillar assembly-RH-rear	1	1940 Cab-CabPu
		C 140187	Pillar assembly-LH-rear	1	1940 Cab-CabPu
		C 146186	Pillar assembly-RH-rear	1	1941-1942 Cab-CabPu
		C 146187	Pillar assembly-LH-rear	1	1941-1942 Cab-CabPu
		C 128454	Pillar assembly-RH-rear	To car 54416	40C Panel
		C 128455	Pillar assembly-LH-rear	To car 54416	40C Panel
		C 140188	Pillar assembly-RH-rear	After car 54416	40C-48C Panel
		C 140189	Pillar assembly-LH-rear	After car 54416	40C-48C Panel
BB2-			BODY HEADERS		
		C 140131	Header assembly-windshield	1	1940 All exc CvCpe-CvSed
		C 146131	Header assembly-windshield	1	1941-1942 All exc CvSed-Del
		C 122244	Header assembly-windshield	1	All CvCpe-CvSed
		BO 140080	Bracket-windshield dome lamp	1	All exc CvCpe-CvSed-Del
		C 130114	Header assembly-RH-body	1	1940 2Sed-UCo
		C 130115	Header assembly-LH-body	1	1940 2Sed-UCo*
		C 146112	Header assembly-RH-body	1	1941-1942 2Sed-UCo
		C 146113	Header assembly-LH-body	1	1941-1942 2Sed-UCo
		C 130116	Header assembly-RH-body	1	40-41-44-45 Sed
		C 130117	Header assembly-LH-body	1	40-41-44-45 Sed
		C 142192	Header assembly-RH-body	1	43-47-48P Sed,48P CA
		C 142193	Header assembly-LH-body	1	43-47-48P Sed,48P CA
		C 146120	Header assembly-RH-body	1	10 11 12 14 20 21 22 24 Sed
		C 146121	Header assembly-LH-body	1	10 11 12 14 20 21 22 24 Sed
		C 146122	Header assembly-RH-body	1	17-18P-27 Sed
		C 146123	Header assembly-LH-body	1	17-18P-27 Sed
		C 130118	Header assembly-RH-body	1	1940 3Cpe-VicCpe-UCpe
		C 130119	Header assembly-LH-body	1	1940 3Cpe-VicCpe-UCpe
		C 146118	Header assembly-RH-body	1	1941-1942 3Cpe-ClubCpe-UCpe
		C 146119	Header assembly-LH-body	1	1941-1942 3Cpe-ClubCpe-UCpe
		C 128458	Header assembly-RH-body	1	1940 Cab-CabPu-Panel
		C 128459	Header assembly-LH-body	1	1940 Cab-CabPu-Panel
		C 146258	Header assembly-RH-body	1	1941-1942 Cab-CabPu
		C 146259	Header assembly-LH-body	1	1941-1942 Cab-CabPu
		C 147006	Header assembly-RH-body	1	1941-1942 Station
		C 147007	Header assembly-LH-body	1	1941-1942 Station
		BO 71552	Grommet-body header wiring	1/2"	All Sed-CA
		BO 122758	Clip-body header wiring	2	1940 2Sed-UCo
CC1-			BODY PANELS		
		C 140006	Panel-front end	1	40 exc CvCpe-CvSed
		C 140007	Panel-front end	1	41 43 44 45 47 48 exc CvCpe-CvSed
		C 146006	Panel-front end	1	1941 All exc CvSed-Del
		C 146006	Panel-front end	1	20-21 exc CvSed,28
		C 203006	Panel-front end	1	22-24-25-27 exc CvSed
		C 142978	Panel-front end	1	1940 CvCpe-CvSed
		C 203542	Panel-front end	1	1941-1942 CvSed
		C 140028	Panel assembly-dash	LHD	1940 All
		C 140029	Panel assembly-dash	RHD	1940 All
		C 146028	Panel assembly-dash	LHD	1941 All exc Del
		C 146029	Panel assembly-dash	RHD	1941 All exc Del
		C 203028	Panel assembly-dash	LHD	1942 All
		C 203029	Panel assembly-dash	RHD	1942 All
		C 140002	Panel-RH-cowl side	1	40,10 exc Del
		C 140003	Panel-LH-cowl side	1	40,10 exc Del
		C 140004	Panel-RH-cowl side	1	41,43,44,45,47,48
		C 140005	Panel-LH-cowl side	1	41,43,44,45,47,48
		C 146004	Panel-RH-cowl side	1	11,12,14,15,17,18
		C 146005	Panel-LH-cowl side	1	11,12,14,15,17,18
		C 203536	Panel and extension assy-RH-cowl side	1	20T,20P
		C 203537	Panel and extension assy-LH-cowl side	1	20T,20P
		C 203538	Panel and extension assy-RH-cowl side	1	21 exc station,22,24,25,27
		C 203539	Panel and extension assy-LH-cowl side	1	21 exc station,22,24,25,27
		C 203004	Panel-RH-cowl side	1	20C Cab-CabPu

Group & Illus. No.	Plate No.	Part No.	NAME	Per Car	Models
CC1-			BODY PANELS (CONT'D.)		
		C 203005	Panel-LH-cowl side	1	20C Cab-CabPu
		C 203020	Panel-RH-cowl side	1	28C Cab-CabPu
		C 203021	Panel-LH-cowl side	1	28C Cab-CabPu
		C 120545	Panel-upper-rear	1	1940 CvCpe-CvSed
		C 147545	Panel-upper-rear	1	1941-1942 CvSed
		C 147125	Panel-upper-rear	1	1941-1942 Cab-CabPu
		C 140930	Panel-lower-rear	1	1940 2Sed-Sed-UCo-CA
		C 129129	Panel-lower-rear	1	1940 3Cpe-VicCpe-UCpe-CvCpe-CvSed
		C 146934	Panel-assembly-lower-rear	1	1941-1942 All exc Cab-CabPu-Del
		C 147132	Panel-assembly-lower-center-rear	1	1941-1942 Cab-CabPu
		C 147128	Panel-RH-lower-side	1	1941-1942 Cab-CabPu
		C 147129	Panel-LH-lower-side	1	1941-1942 Cab-CabPu
		C 147130	Reinforcement-lower-rear panel	1	1941-1942 Cab-CabPu
		C 147133	Panel-inner-rear	1	1941-1942 Cab-CabPu
		C 147134	Brace-rear panel inner to upper ,	4	1941-1942 Cab-CabPu
		C 147136	Backing plate-rear panel inner-seat retainer-welded to panel	2	1941-1942 Cab-CabPu
		BO 170027	Screw-rear panel to underbody	8	1941-1942 Cab-CabPu
		C 140300	Panel-rear seat back shelf	1	All 2Sed-5Sed-UCo
		C 140301	Panel-rear seat, back shelf	1	All 7Sed-CA
		C 146370	Panel-rear seat back shelf	1	1941-1942 3Cpe-ClubCpe-UCpe
		C 142400	Panel assembly-RH-Quarter	1	1940 2Sed
		C 142401	Panel assembly-LH-Quarter	1	1940 2Sed
		C 142410	Panel assembly-RH-Quarter	1	1940 UCo
		C 142411	Panel assembly-LH-Quarter	1	1940 UCo
		C 142420	Panel assembly-RH-Quarter	1	1940 5Sed
		C 142421	Panel assembly-LH-Quarter	1	1940 5Sed
		C 142422	Panel assembly-RH-Quarter	1	1940 7Sed
		C 142423	Panel assembly-LH-Quarter	1	1940 7Sed
		C 142436	Panel assembly-RH-Quarter	1	1940 CA
		C 142437	Panel assembly-LH-Quarter	1	1940 CA
		C 142440	Panel assembly-RH-Quarter	1	40T 3Cpe,40C UCpe
		C 142439	Panel assembly-LH-Quarter	1	40T 3Cpe,40C UCpe
		C 142440	Panel assembly-RH-Quarter	1	40P-41-44 3Cpe
		C 142441	Panel assembly-LH-Quarter	1	40P-41-44 3Cpe
		C 142454	Panel assembly-RH-Quarter	1	40 VicCpe
		C 142455	Panel assembly-LH-Quarter	1	40 VicCpe
		C 142452	Panel assembly-RH-Quarter	LHD	41-44 VicCpe
		C 142455	Panel assembly-LH-Quarter	LHD	41-44 VicCpe
		C 142454	Panel assembly-RH-Quarter	RHD	41-44 VicCpe
		C 142453	Panel assembly-LH-Quarter	RHD	41-44 VicCpe
		C 140410	Panel-RH-Quarter	1	1940 CvCpe-CvSed
		C 140411	Panel-LH-Quarter	1	1940 CvCpe-CvSed
		C 148878	Panel assembly-RH-Quarter-without reveal mldg holes	1	10-11 2Sed,10C UCo
		C 148879	Panel assembly-LH-Quarter-without reveal mldg holes	1	10-11 2Sed,10C UCo
		C 205100	Panel assembly-RH-Quarter-without reveal mldg holes	1	20 2Sed-UCo
		C 205101	Panel assembly-LH-Quarter-without reveal mldg holes	1	20 2Sed-UCo
		C 205112	Panel assembly-RH-Quarter-without reveal mldg holes	1	21 2Sed
		C 205113	Panel assembly-LH-Quarter-without reveal mldg holes	1	21 2Sed
		C 148882	Panel assembly-RH-Quarter-without reveal mldg holes	1	10-11 Sed
		C 148883	Panel assembly-LH-Quarter-without reveal mldg holes	1	10-11 Sed
		C 205130	Panel assembly-RH-Quarter-without reveal mldg holes	1	20-21 Sed
		C 205131	Panel assembly-LH-Quarter-without reveal mldg holes	1	20-21 Sed
		C 148888	Panel assembly-RH-Quarter-without reveal mldg holes	1	10-11 3Cpe,10C UCpe
		C 143889	Panel assembly-LH-Quarter-without reveal mldg holes	1	10-11 3Cpe,10C UCpe
		C 205160	Panel assembly-RH-Quarter-without reveal mldg holes	1	20 3Cpe-UCpe
		C 205161	Panel assembly-LH-Quarter-without reveal mldg holes	1	20 3Cpe-UCpe
		C 205180	Panel assembly-RH-Quarter-without reveal mldg holes	1	21 3Cpe
		C 205181	Panel assembly-LH-Quarter-without reveal mldg holes	1	21 3Cpe
		C 200950	Panel assembly-RH-Quarter-without reveal mldg holes	1	10-11 ClubCpe
		C 200951	Panel assembly-LH-Quarter-without reveal mldg holes	1	10-11 ClubCpe
		C 205168	Panel assembly-RH-Quarter-without reveal mldg holes	1	20 ClubCpe
		C 205169	Panel assembly-LH-Quarter-without reveal mldg holes	1	20 ClubCpe
		C 205188	Panel assembly-RH-Quarter-without reveal mldg holes	1	21 ClubCpe
		C 205189	Panel assembly-LH-Quarter-without reveal mldg holes	1	21 ClubCpe
		C 148884	Panel assembly-RH-Quarter-without reveal mldg holes	1	18P 7Sed
		C 148885	Panel assembly-LH-Quarter-without reveal mldg holes	1	18P 7Sed
		C 148886	Panel assembly-RH-Quarter-without reveal mldg holes	1	18P CA
		C 148887	Panel assembly-LH-Quarter-without reveal mldg holes	1	18P CA
		C 148890	Panel assembly-RH-Quarter-without reveal mldg holes	1	10P-11-12-14 2Sed

Group & Illus. No.	Plate No.	Part No.	NAME	Per Car	Models	
CC1-			BODY PANELS (CONT'D.)			
		C 148891	Panel assembly-LH-Quarter-with reveal mldg holes	1	10P-11-12-14-2Sed	
		C 205102	Panel assembly-RH-Quarter-with reveal mldg holes	1	20 2Sed-UCo	
		C 205103	Panel assembly-LH-Quarter-with reveal mldg holes	1	20 2Sed-UCo	
		C 205114	Panel assembly-RH-Quarter-With reveal mldg holes	1	21 2Sed	
		C 205115	Panel assembly-LH-Quarter-with reveal mldg holes	1	21 2Sed	
		C 205122	Panel assembly-RH-Quarter-with reveal mldg holes	1	22-24 2Sed	
		C 205123	Panel assembly-LH-Quarter-with reveal mldg holes	1	22-24 2Sed	
		C 148896	Panel assembly-RH-Quarter-with reveal mldg holes	1	10P-11-12-14-17 5Sed	
		C 148897	Panel assembly-LH-Quarter-with reveal mldg holes	1	10P-11-12-14-17 5Sed	
		C 148898	Panel assembly-RH-Quarter-with reveal mldg holes	1	17 7Sed	
		C 148899	Panel assembly-LH-Quarter-with reveal mldg holes	1	17 7Sed	
		C 205132	Panel assembly-RH-Quarter-with reveal mldg holes	1	20-21 Sed	
		C 205133	Panel assembly-LH-Quarter-with reveal mldg holes	1	20-21 Sed	
		C 205150	Panel assembly-RH-Quarter-with reveal mldg holes	1	22-24-27 Sed	
		C 205151	Panel assembly-LH-Quarter-with reveal mldg holes	1	22-24-27 Sed	
		C 148902	Panel assembly-RH-Quarter-with reveal mldg holes	1	10P-11-12-14-15 3Cpe	
		C 148903	Panel assembly-LH-Quarter-with reveal mldg holes	1	10P-11-12-14-15 3Cpe	
		C 205162	Panel assembly-RH-Quarter-with reveal mldg holes	1	20 3Cpe-UCpe	
		C 205163	Panel assembly-LH-Quarter-with reveal mldg holes	1	20 3Cpe-UCpe	
		C 205182	Panel assembly-RH-Quarter-with reveal mldg holes	1	21 3Cpe	
		C 205183	Panel assembly-LH-Quarter-with reveal mldg holes	1	21 3Cpe	
		C 205200	Panel assembly-RH-Quarter-with reveal mldg holes	1	22-24 3Cpe	
		C 205201	Panel assembly-LH-Quarter-with reveal mldg holes	1	22-24 3Cpe	
		C 200952	Panel assembly-RH-Quarter-with reveal mldg holes	1	10P-11-12-14-15 ClubCpe	
		C 200953	Panel assembly-LH-Quarter-with reveal mldg holes	1	10P-11-12-14-15 ClubCpe	
		C 205170	Panel assembly-RH-Quarter-with reveal mldg holes	1	20 ClubCpe	
		C 205171	Panel assembly-LH-Quarter-with reveal mldg holes	1	20 ClubCpe	
		C 205190	Panel assembly-RH-Quarter-with reveal mldg holes	1	21 ClubCpe	
		C 205191	Panel assembly-LH-Quarter-with reveal mldg holes	1	21 ClubCpe	
		C 205204	Panel assembly-RH-Quarter-with reveal mldg holes	1	22-24-25 ClubCpe	
		C 205205	Panel assembly-LH-Quarter-with reveal mldg holes	1	22-24-25 ClubCpe	
		C 146406	Panel-RH-Quarter	1	1941 CvSed	
		C 146407	Panel-LH-Quarter	1	1941 CvSed	
		C 205210	Panel assembly-RH-Quarter	1	20 CvSed	
		C 205211	Panel assembly-LH-Quarter	1	20 CvSed	
		C 205214	Panel assembly-RH-Quarter	1	21-22-24 CvSed	
		C 205215	Panel assembly-LH-Quarter	1	21-22-24 CvSed	
		BO 85747	Clip-Quarter panel	AR	All exc Cab-CabPu-Panel-Del-Sta	
		BO 121774	Clip-Quarter panel trim retainer	4	All 2Sed-Sed-UCo-CA	
		BO 70028	Rivet-Quarter panel trim retainer clip	2	All 2Sed-Sed-UCo-CA	
		BO 203148	End plate-front-Quarter panel extension-RH	1	20-21 2Sed-UCo-Cpes	
	BO 203149	End plate-front-Quarter panel extension-LH	1	20-21 2Sed-UCo-Cpes		
	BO 203164	End plate-front-quarter panel extension-RH	1	22-24-25 2Sed-Cpes		
	BO 203165	End plate-front-quarter panel extension-LH	1	22-24-25 2Sed-Cpes		
CC2-			ROOF PANELS			
			NOTE: Roof panels do not include drip mould ings or rear window reinforcement.			
		C 140060	Panel-roof	1	40-41-44-45 2 Sed-Sed-UCo	
		C 146061	Panel-roof	1	10 11 12 14 20 21 2Sed-Sed-UCo	
		C 203061	Panel-roof	1	22-24 2Sed-Sed	
		C 140065	Panel-roof	1	1940 2Cpe-VicCpe-UCpe	
		C 146066	Panel-roof	1	1941-1942 3Cpe-ClubCpe-UCpe	
		C 140053	Panel-roof	1	1940 Panel	
		C 140067	Panel-roof	1	1940 Cab-CabPu	
		C 146067	Panel-roof	1	1941-1942 Cab-CabPu	
		C 146069	Panel-roof	1	1941-1942 Station	
		C 140062	Panel assembly-roof	1	43-47-48P Sec,48P CA	
		C 146062	Panel assembly-roof	1	17-18P-27 Sed	
		C 140940	Reinforcement-rear window opening	} Without	1	40-41-44-45 2Sed-Sed-UCo
		C 126971	Reinforcement-rear window opening		1	1940 3Cpe-VicCpe-UCpe
		C 146940	Reinforcement-rear window opening		1	10,11,20,21,12-14-15-22-24-25 Cpes
		C 140941	Reinforcement assy-rear window opening	} With dome	1	43-47-48P
		C 146941	Reinforcement assy-rear window opening		1	12-14-22-24-Sed,17,18P,27
						Roof drip mouldings-See Group GG6-

Group & Illus. No.	Plate No.	Part No.	NAME	Per Car	Models
CC3-			DOOR PANELS		
			NOTE: Parts marked * used on correspond ing body models on 40T-40C-48-10T-10C-18 when equipped with optional wing type ventilation.		
		C 140502	Panel-RH-front door outside	1	40T 2Sed,40C UCo,48P Sed-CA
		C 140503	Panel-LH-front door outside	1	40T 2Sed,40C UCo,48P Sed-CA
		C 140500	Panel-RH-front door outside	* 1	40P-41-44-45 2Sed,43,47
		C 140501	Panel-LH-front door outside	* 1	40P-41-44-45 2Sed,43,47
		C 140506	Panel-RH-front door outside	1	40T Sed,1940 Cab-CabPu, 48C Panel
		C 140507	Panel-LH-front door outside	1	40T Sed,1940 Cab-CabPu, 48C Panel
		C 140504	Panel-RH-front door outside	* 1	40P-41-44-45 Sed
		C 140505	Panel-LH-front door outside	* 1	40P-41-44-45 Sed
		C 140510	Panel-RH-front door outside	1	40T 3Cpe-VicCpe,40C UCpe
		C 140511	Panel-LH-front door outside	1	40T 3Cpe-VicCpe,40C UCpe
		C 140508	Panel-RH-front door outside	* 1	40P-41-44-45 3Cpe-VicCpe
		C 140509	Panel-LH-front door outside	* 1	40P-41-44-45 3Cpe-VicCpe
		C 125304	Panel-RH-front door outside	To car 54416	40C Panel
		C 125305	Panel-LH-front door outside	To car 54416	40C Panel
		C 140506	Panel-RH-front door outside	After car 54416	40C Panel
		C 140507	Panel-LH-front door outside	After car 54416	40C Panel
		C 140532	Panel assembly-RH-front door outside	1	40P CvCpe-CvSed
		C 140533	Panel assembly-LH-front door outside	1	40P CvCpe-CvSed
		C 140534	Panel assembly-RH-front door outside	1	41-44 CvCpe-CvSed
		C 140535	Panel assembly-LH-front door outside	1	41-44 CvCpe-CvSed
		C 146602	Panel-RH-front door outside-without reveal mldg holes	1	10T 2Sed,10C UCo,18P
		C 146603	Panel-LH-front door outside-without reveal mldg holes	1	10T 2Sed,10C UCo,18P
		C 146660	Panel-RH-front door outside-without reveal mldg holes	* 1	10T-10P 2Sed,10C UCo,18P
		C 146661	Panel-LH-front door outside-without reveal mldg holes	* 1	10T-10P 2Sed,10C UCo,18P
		C 203660	Panel-RH-front door outside-without reveal mldg holes	1	20-21 2Sed,20 UCo
		C 203661	Panel-LH-front door outside-without reveal mldg holes	1	20-21 2Sed,20 UCo
		C 146606	Panel-RH-front door outside-without reveal mldg holes	1	10T Sed,10C-18C Cab-CabPu
		C 146607	Panel-LH-front door outside-without reveal mldg holes	1	10T Sed,10C-18C Cab-CabPu
		C 146664	Panel-RH-front door outside-without reveal mldg holes	* 1	10T-10P Sed,10C-18C Cab-CabPu
		C 146665	Panel-LH-front door outside-without reveal mldg holes	* 1	10T-10P Sed,10C-18C Cab-CabPu
		C 203664	Panel-RH-front door outside-without reveal mldg holes	1	20-21 Sed
		C 203665	Panel-LH-front door outside-without reveal mldg holes	1	20-21 Sed
		C 146610	Panel-RH-front door outside-without reveal mldg holes	1	10T-3Cpe-ClubCpe,10C UCpe
		C 146611	Panel-LH-front door outside-without reveal mldg holes	1	10T 3Cpe-ClubCpe,10C UCpe
		C 146662	Panel-RH-front door outside-without reveal mldg holes	* 1	10T-10P-3Cpe-ClubCpe,10C UCpe
		C 146663	Panel-LH-front door outside-without reveal mldg holes	* 1	10T-10P 3Cpe-ClubCpe,10C UCpe
		C 203662	Panel-RH-front door outside-without reveal mldg holes	1	20-21 3Cpe-ClubCpe,20 UCpe
		C 203663	Panel-LH-front door outside-without reveal mldg holes	1	20-21 3Cpe-ClubCpe,20 UCpe
		C 203682	Panel-RH-front door outside-without reveal mldg holes	1	20C-28C Cab-CabPu
		C 203683	Panel-LH-front door outside-without reveal mldg holes	1	20C-28C Cab-CabPu
		C 146600	Panel-RH-front door outside-with reveal mldg holes	1	10P-11-12-14 2Sed,17
		C 146601	Panel-LH-front door outside-with reveal mldg holes	1	10P-11-12-14 2Sed,17
		C 203666	Panel-RH-front door outside-with reveal mldg holes	1	20-21 2Sed,20 UCo
		C 203667	Panel-LH-front door outside-with reveal mldg holes	1	20-21 2Sed,20 UCo
		C 203676	Panel-RH-front door outside-with reveal mldg holes	1	22-24 2Sed,27
		C 203677	Panel-LH-front door outside-with reveal mldg holes	1	22-24 2Sed,27
		C 146604	Panel-RH-front door outside-with reveal mldg holes	1	10P-11-12-14 Sed
		C 146605	Panel-LH-front door outside-with reveal mldg holes	1	10P-11-12-14 Sed
		C 203670	Panel-RH-front door outside-with reveal mldg holes	1	20-21 Sed
		C 203671	Panel-LH-front door outside-with reveal mldg holes	1	20-21 Sed
		C 203680	Panel-RH-front door outside-with reveal mldg holes	1	22-24 Sed
		C 203681	Panel-LH-front door outside-with reveal mldg holes	1	22-24 Sed
		C 146608	Panel-RH-front door outside-with reveal mldg holes	1	10P-11-12-14-15 3Cpe-ClubCpe
		C 146609	Panel-LH-front door outside-with reveal mldg holes	1	10P-11-12-14-15 3Cpe-ClubCpe
		C 203668	Panel-RH-front door outside-with reveal mldg holes	1	20-21 3Cpe-ClubCpe,20 UCpe
		C 203669	Panel-LH-front door outside-with reveal mldg holes	1	20-21 3Cpe-ClubCpe,20 UCpe
		C 203678	Panel-RH-front door outside-with reveal mldg holes	1	22-24 3Cpe-ClubCpe,25
		C 203679	Panel-LH-front door outside-with reveal mldg holes	1	22-24 3Cpe-ClubCpe,25
		C 146672	Panel-RH-Door Outside	1	1941 CvSed
		C 146673	Panel-LH-door outside	1	1941 CvSed
		C 203672	Panel-RH-door outside	1	20-21 CvSed

Group & Illus. No.	Plate No.	Part No.	NAME	Per Car	Models
CC3-			DOOR PANELS (CONT'D.)		
		C 203673	Panel-LH-door outside	1	20-21 CvSed
		C 203674	Panel-RH-door outside	1	22-24 CvSed
		C 203675	Panel-LH-door outside	1	22-24 CvSed
		C 140514	Panel-RH-rear door outside-without reveal mldg holes	1	1940 Sed-CA
		C 140515	Panel-LH-rear door outside-without reveal mldg holes	1	1940 Sed-CA
		C 146666	Panel-RH-rear door outside-without reveal mldg holes	1	10-11 Sed,18P
		C 146667	Panel-LH-rear door outside-without reveal mldg holes	1	10-11 Sed,18P
		C 203688	Panel-RH-rear door outside-without reveal mldg holes	1	20-21 Sed
		C 203689	Panel-LH-rear door outside-without reveal mldg holes	1	23-21 Sed
		C 146614	Panel-RH-rear door outside-with reveal mldg holes	1	10P-11-12-14-17 Sed
		C 146615	Panel-LH-rear door outside-with reveal mldg holes	1	10R-11-12-14-17 Sed
		C 203692	Panel-RH-rear door outside-with reveal mldg holes	1	20-21 Sed
		C 203693	Panel-LH-rear door outside-with reveal mldg holes	1	20-21 Sed
		C 203696	Panel-RH-rear door outside-with reveal mldg holes	1	22-24 Sed
		C 203697	Panel-LH-rear door outside-with reveal mldg holes	1	22-24 Sed
		C 203698	Panel-RH-rear door outside-with reveal mldg holes	1	27 Sed
		C 203699	Panel-LH-rear door outside-with reveal mldg holes	1	27 Sed
		C 203046	Extension assy-RH-front door outside panel	1	1942 2Sed-UCo-3Cpe-ClubCpe-UCpe-CvSed
		C 203047	Extension assy-LH-front door outside panel	1	1942 2Sed-UCo-3Cpe-ClubCpe-UCpe-CvSed
		C 203040	Extension assy-RH-front door outside panel	1	23-21-22-24 Sed
		C 203041	Extension assy-LH-front door outside panel	1	20-21-22-24 Sed
		C 203046	Extension assy-RH-front door outside panel	1	27 Sed
		C 203347	Extension assy-LH-front door outside panel	1	27 Sed
		C 203176	Extension assy-RH-rear door outside panel	1	1942 All sedans
		C 203177	Extension assy-LH-rear door outside panel	1	1942 All sedans
DD1-			DOOR OUTSIDE HANDLE		
			NOTE: Parts marked † discontinued in production Jan. 15, 1942. Parts marked †† used after Jan. 15, 1942, starting car No. 37067. See introduction.		
		F 142020	Handle assembly-front door	2	40,41,44,48
		F 142023	Handle assembly-front door	2	43,45,47
		F 142021	Handle assembly-rear door	2	40,41,44,48
		F 142022	Handle assembly-rear door	2	43,45,47
		F 147120	Handle assembly-RH-front-LH-rear door	1-2	10 exc Del
		F 147121	Handle assembly-LH-front-RH-rear door	1-2	10 exc Del
		F 147118	Handle assembly-RH-front-LH-rear door	1-2	11,18
		F 147119	Handle assembly-LH-front-RH-rear door	1-2	11,18
		F 147122	Handle assembly-RH-front-LH-rear door	1-2	12,14,15,17
		F 147123	Handle assembly-LH-front-RH-rear door	1-2	12,14,15,17
		F 204140	Handle assembly-RH-front-LH-rear door †	Chrome 1-2	20,21
		F 204141	Handle assembly-LH-front-RH-rear door †	Chrome 1-2	20,21
		F 205762	Handle assembly-RH-front-LH-rear door ††	1-2	20,21
		F 205763	Handle assembly-LH-front-RH-rear door ††	1-2	20,21
		F 204142	Handle assembly-RH-front-LH-rear door †	Chrome 1-2	21,28
		F 204143	Handle assembly-LH-front-RH-rear door †	Chrome 1-2	21,28
		F 205764	Handle assembly-RH-front-LH-rear door ††	1-2	21,28
		F 205765	Handle assembly-LH-front-RH-rear door ††	1-2	21,28
		F 204144	Handle assembly-RH-front-LH-rear door †	Chrome 1-2	22,24,25,27
		F 204145	Handle assembly-LH-front-RH-rear door †	Chrome 1-2	22,24,25,27
		F 205766	Handle assembly-RH-front-LH-rear door ††	1-2	22,24,25,27
		F 205767	Handle assembly-LH-front-RH-rear door ††	1-2	22,24,25,27
		BO 141758	Pad-door outside handle escutcheon	Black fiber 2-4	40,41,44,48
		BO 141757	Pad-door outside handle escutcheon	Black fiber 2-4	43,45,47
		BO 204138	Return spring-RH-door outside handle	2-4	10,11,18,20,21,28
		BO 204139	Return spring-LH-door outside handle	2-4	10,11,18,20,21,28
		BO 204146	Return spring-RH-door outside handle	2-4	12,14,15,17,22,24,25,27
		BO 204147	Return spring-LH-door outside handle	2-4	12,14,15,17,22,24,25,27
		BO 70526	Screw-door outside handle to door	10-32 x 7/8" 4-8	1940 All
		BO 170556	Screw-door outside handle to door	12-24 x 5/8" AR	1941 exc Del,1942 All
		BO 170557	Screw-door outside handle to door	10-32 x 1/2" AR	1941 exc Del,1942 All
		BO 122205	Handle and lock cylinder assy-rear door outside	1	1940 Panel
		BO 122206	Handle-less cylinder-rear door outside	1	1940 Panel
		BO 121828	Lock cylinder-blank-rear door outside handle-Not coded	1	140 Panel
		BO 121845	Lock cylinder and keys assy-rear door outside handle	1	1940 Panel
		BO 45986	Key-rear door outside handle	1	1940 Panel
		BO 71546	Screw-rear door outside handle	No. 10 x 1" 2	1940 Panel

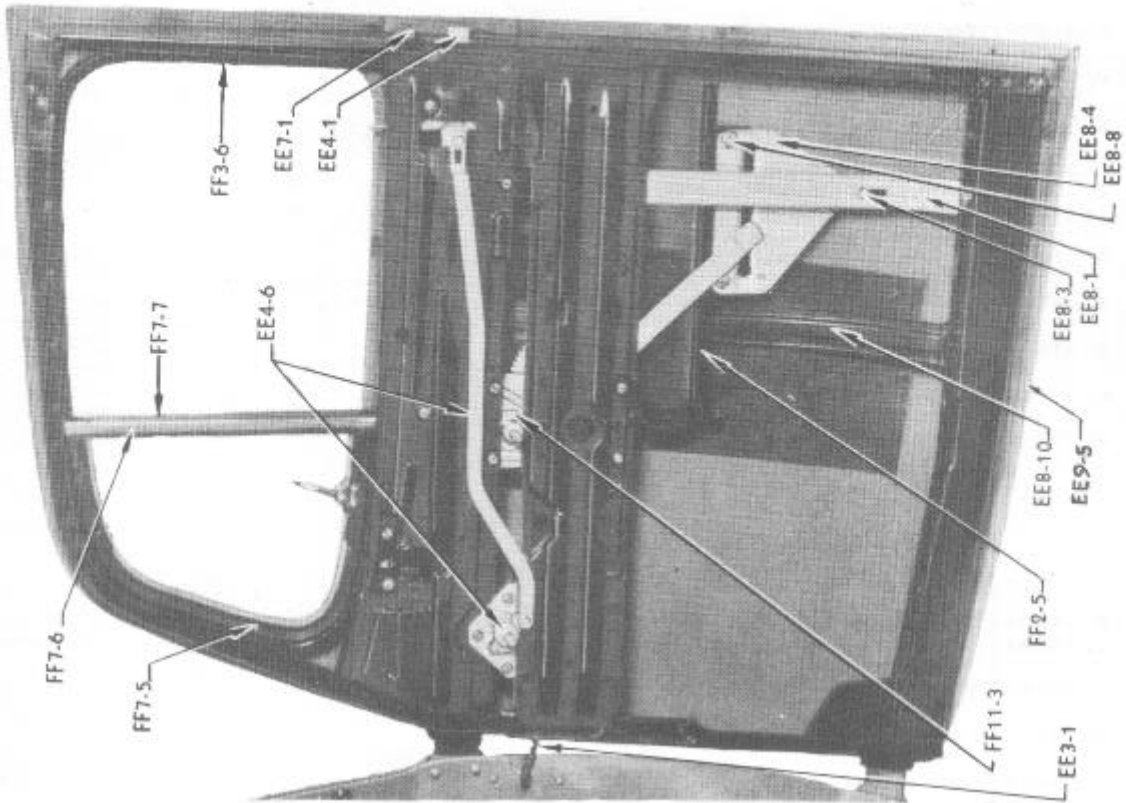


Inside Door Handles-1942

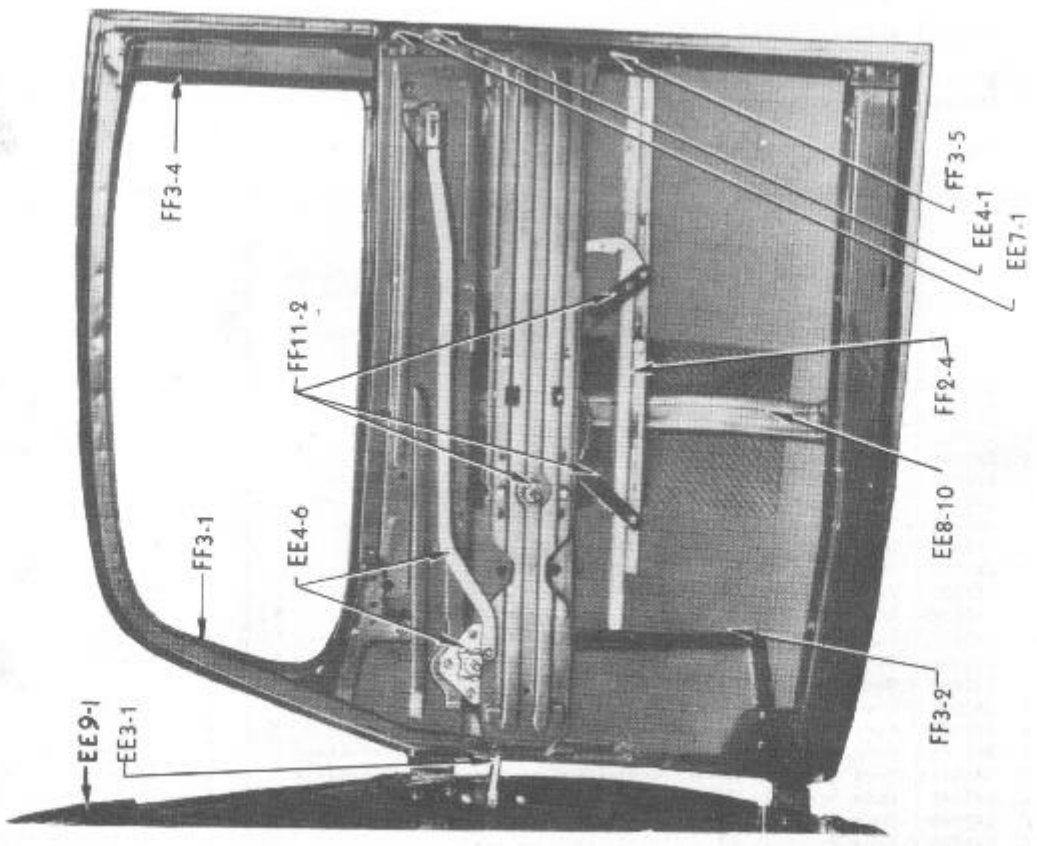
Group & Illus. No.	Plate No.	Part No.	NAME	Per Car	Models
DD2-			DOOR OUTSIDE HANDLE		
			NOTE: Parts marked † discontinued in production Jan. 15, 1942. Parts marked †† used after Jan. 15, 1942, starting car No. 37067. See introduction.		
			NOTE: Several types of handles used optionally on models 20-21-28. For identification see illustration plate 40.		
		BO 134746	Handle-door inside-to car 408604	2-4	40T
		BO 142009	Handle-door inside-after car 408604	2-4	401
		BO 142009	Handle-door inside	2-4	40C, 40P, 41,44,45,48
		BO 142010	Handle-door inside	2-4	43,47
		BO 147275	Handle-door inside	2-4	10 exc Del,11,18
		BO 147271	Handle-door inside	2-4	12,14,15,17
5	40	BO 147275	Handle-door inside †	NP or chrome	2-4 20,21,28
5	40	BO 205795	Handle-door inside ††	Polished	2-4 20,21,28
6	40	BO 121840	Handle-door inside †	Nickel	2-4 20,21,28
6	40	BO 205805	Handle-door inside ††	Polished	2-4 20,21,28
7	40	BO 204250	Handle-door inside †	NP or chrome	2-4 21 exc Station,22,24,25,27
7	40	BO 205815	Handle-door inside ††	Polished	2-4 21 exc Station,22,24,25,27
		BO 134749	Escutcheon-door inside handle-to car 408604	2-4	40T
		BO 142013	Escutcheon-door inside handle-after car 408604	2-4	40T
		BO 142013	Escutcheon-door inside handle	2-4	40C,40P,41,44,45,48, 10 exc Del,11,18
		BO 142014	Escutcheon-door inside handle	Taupe	4 43,47
		BO 144761	Escutcheon-door inside handle	Black	4 43-47 5Sed
		BO 147268	Escutcheon-door inside handle		2-4 12,14,15,17
		BO 204263	Escutcheon-door inside handle	Russet	2-4 20,21,28
		BO 204264	Escutcheon-door inside handle	Green	2-4 20,21,28
		BO 204265	Escutcheon-door inside handle	Blue	2-4 20,21,28
		BO 121838	Escutcheon-used with 121840 handle †	Nickel	2-4 20,21,28
		BO 205809	Escutcheon-used with 205805 handle ††	Polished	2-4 20,21,28
		BO 204266	Escutcheon-door inside handle †	Russet	2-4 22,24,25,27
		BO 205822	Escutcheon-door inside handle ††	Russet	2-4 22,24,25,27
		BO 204267	Escutcheon-door inside handle †	Green	2-4 22,24,25,27
		BO 205823	Escutcheon-door inside handle ††	Green	2-4 22,24,25,27
		BO 204268	Escutcheon-door inside handle †	Blue	2-4 22,24,25,27
		BO 205824	Escutcheon-door inside handle ††	Blue	2-4 22,24,25,27
		BO 134740	Insert-door inside handle escutcheon		2-4 40T to car 408604
		BO 79309	Spring-door inside handle escutcheon		2-4 All exc Del
		BO 147278	Pin-door inside handle escutcheon		2-4 All
DD3-			WINDOW REGULATOR HANDLES		
			NOTE: Parts marked † discontinued in production Jan. 15, 1942. Parts marked †† used after Jan. 15, 1942, starting car No. 37067. See introduction.		
			NOTE: Several types of handles used optionally on models 20-21-28. For identification see illustration plate 40.		
		BO 142011	Handle assembly-door wing regulator		2 1940 CvCpe-CvSed
		BO 142017	Handle assembly-door wind regulator	Taupe Knob	2 43-47 Sed
		BO 144760	Handle assembly-door wing regulator	Black Knob	2 43-47 5Sed
		BO 147274	Handle assembly-door wing regulator		2 10P-11 CvSed
		BO 147270	Handle assembly-door wing regulator		2 12,14 exc Station, 15,17
5	40	BO 204257	Handle assembly-door wing regulator-russet knob	NP	2 20-21 CvSed
5	40	BO 204258	Handle assembly-door wing regulator-green knob	NP	2 20P-21 CvSed
5	40	BO 204259	Handle assembly-door wing regulator-blue knob	NP	2 20P-21 CvSed
6	40	BO 204260	Handle assembly-door wing regulator-russet knob †	NP	2 21,22,24,25,27
6	40	BO 205819	Handle assembly-door wing regulator-russet knob ††.		2 21,22,24,25,27
6	40	BO 204261	Handle assembly-door wing regulator-green knob †	NP	2 21,22,24,25,27
6	40	BO 205820	Handle assembly-door wing regulator-green knob ††		2 21,22,24,25,27
6	40	BO 204262	Handle assembly-door wing regulator-blue knob †	NP	2 21,22,24,25,27
6	40	BO 205821	Handle assembly-door wing regulator-blue knob ††		2 21,22,24,25,27
		BO 134747	Handle assembly-door window regulator-to car 408604		2-4 40T 2Sed-Sed-3Cpe-VicCpe
		BO 142012	Handle assembly-door window regulator-after car 408604		2-4 40T 2Sed-Sed-3Cpe-VicCpe
		BO 142012	Handle assembly-door window regulator		2-4 40C,40P,41,44,45,48
		BO 142016	Handle assembly-door window regulator	Taupe Knob	2-4 43-47 Sed
		BO 144759	Handle assembly-door window regulator	Black Knob	2-4 43-47 Sed
		BO 147276	Handle assembly-door window regulator		2-4 10,11,18
		BO 147272	Handle assembly-door window regulator		2-4 12,14,15,17
		BO 134744	Handle assembly-quarter window regulator-to car 408604		2 40T 2Sed
		BO 142012	Handle assembly-quarter window regulator-after car 408604		2 40T 2Sed
		BO 142012	Handle assembly-quarter window regulator		2 40C UCo,40P-41-44-45 2Sed

Group & Illus. No.	Plate No.	Part No.	NAME	Per Car	Models
DD3-			WINDOW REGULATOR HANDLES (CONT'D.)		
		BO 142011	Handle assembly-quarter window	2	41-44-45 Sed
		BO 142017	Handle assembly-quarter window	2	43-47 Sed
		BO 144760	Handle assembly-quarter window	2	43-47 5Sed
		BO 147276	Handle assembly-quarter window	2	10T-10P-11 2Sed,10C UCo
		BO 147272	Handle assembly-quarter window	2	12-14 2Sed
		BO 147274	Handle assembly-quarter window	2	10P-11 Sed, 11 ClubCpe
		BO 147270	Handle assembly-quarter window	2	12-14 Sed-ClubCpe,15,17
7		BO 204251	Handle assembly-door & quarter window - russet knob †	NP 2-4	20,21,28
7		BO 205796	Handle assembly-door & quarter window - russet knob ††	Polished 2-4	20,21,28
7		BO 204252	Handle assembly-door & quarter window - green knob †	NP 2-4	20P,21
7		BO 205797	Handle assembly-door & quarter window - green knob ††	Polished 2-4	20P,21
7		BO 204253	Handle assembly-door & quarter window - blue knob †	NP 2-4	20P,21
7		BO 205798	Handle assembly-door & quarter window - blue knob ††	Polished 2-4	20P,21
8		BO 205334	Handle assembly-door & quarter window - russet knob †	NP 2-4	20,21,28
8		BO 205806	Handle assembly-door & quarter window - russet knob ††	Polished 2-4	20,21,28
8		BO 205335	Handle assembly-door & quarter window - green knob †	NP 2-4	20P,21
8		BO 205807	Handle assembly-door & quarter window - green knob ††	Polished 2-4	20P,21
8		BO 205336	Handle assembly-door & quarter window - blue knob †	NP 2-4	20P,21
8		BO 205808	Handle assembly-door & quarter window - blue knob ††	Polished 2-4	20P,21
9		BO 204254	Handle assembly-door & quarter window - russet knob †	NP 2-4	21,22,24,25,27
9		BO 205816	Handle assembly-door & quarter window - russet knob ††	Polished 2-4	21,22,24,25,27
9		BO 204255	Handle assembly-door & quarter window - green knob †	NP 2-4	21,22,24,25,27
9		BO 205817	Handle assembly-door & quarter window - green knob ††	Polished 2-4	21,22,24,25,27
9		BO 204256	Handle assembly-door & quarter window - blue knob †	NP 2-4	21,22,24,25,27
9		BO 205818	Handle assembly-door & quarter window - blue knob ††	Polished 2-4	21,22,24,25,27
		BO 134749	Escutcheon-door & quarter window handle	AR	402 to car 408604
		BO 142013	Escutcheon-door & quarter window handle	AR	40T after car 408604
		BO 142013	Escutcheon-door & quarter window handle	AR	40C,40P,41,44,48
		BO 142014	Escutcheon-door & quarter window handle	Taupe	AR 43-47 Sed
		BO 142013	Escutcheon-door window handle	AR	45
		BO 144761	Escutcheon-door window handle	Black	2 43-47 5Sed
		BO 142025	Escutcheon-quarter window handle	Black	2 45
		BO 144763	Escutcheon-quarter window handle	Black	2 43-47 5Sed
		BO 144762	Escutcheon-door wing handle	Black	2 43-47 5Sed
		BO 142013	Escutcheon-door window handle		2 10 exc Del,11,18
		BO 147268	Escutcheon-door window and wing handle	AR	12,14,15,17
		BO 142013	Escutcheon-quarter window handle	2	10-11 2Sed-Sed,10C UCo, 11 ClubCpe
		BO 147268	Escutcheon-quarter window handle	2	12-14 2Sed-Sed-ClubCpe 15,17
		BO 121838	Escutcheon-door & quarter window handle †	NP	AR 20,21,28
		BO 205809	Escutcheon-door & quarter window handle ††	AR	20,21,28
		BO 204263	Escutcheon-door & quarter window handle-	Russet	AR 20,21,28
		BO 204264	Escutcheon-door and quarter window handle	Green	AR 20P,21
		BO 204265	Escutcheon-door and quarter window handle	Blue	AR 20P,21
		BO 204266	Escutcheon-door and quarter window handle †	Russet	AR 21,22,24,25,27
		BO 205822	Escutcheon-door and quarter window handle ††	Russet	AR 21,22,24,25,27
		BO 204267	Escutcheon-door and quarter window handle †	Green	AR 21,22,24,25,27

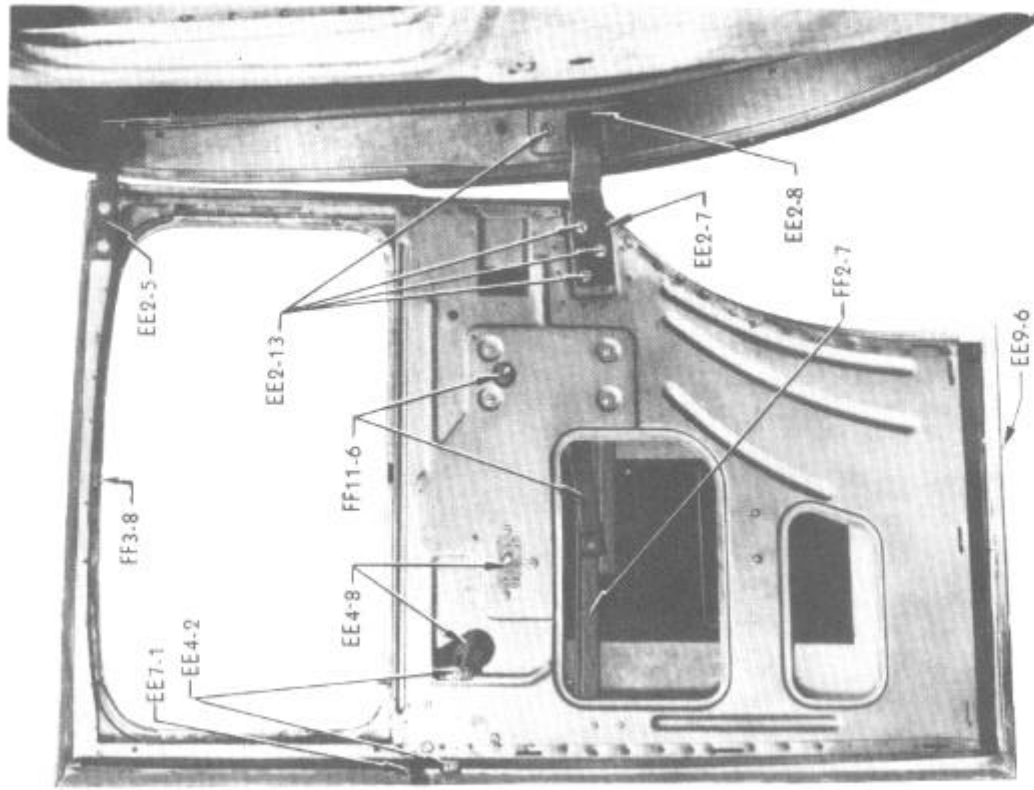
Group & Illus. No.	Plate No.	Part No.	NAME	Per Car	Models
DD3-			WINDOW REGULATOR HANDLES (CONT'D.)		
		BO 205823	Escutcheon-door and quarter window handle ††	Green AR	21,22,24,25,27
		BO 204268	Escutcheon-door and quarter window handle †	Blue AR	21,22,24,25,27
		BO 205824	Escutcheon-door and quarter window handle ††	Blue AR	21,22,24,25,27
		BO 134750	Insert-door and quarter handle escutcheon ..	AR	40T to car 408604
		BO 79709	Spring-door and quarter handle escutcheon	AR	All
		BO 147278	Pin-door and quarter handle escutcheon	AR	All
		BO 170541	Screw-wing and quarter handle	4	10P-11-12-14 Sed-ClubCpe-CvSed,15,17
		BO 147279	Shim-wing handle	2	12-14 2Sed-Sed-3Cpe-ClubCpe,10P-11 CvSed
		BO 204237	Knob-quarter window -push pull type	Russet 2	20P-21-22-24-27 Sed, 21-22-24-25 ClubCpe
		BO 204238	Knob-quarter window -push pull type	Blue 2	20P-21-22-24-27 Sed, 21-22-24-25 ClubCpe
		BO 204239	Knob-quarter window -push pull type	Green 2	20P-21-22-24-27 Sed, 21-22-24-25 ClubCpe
DD4-			DOOR OUTSIDE HANDLE		
			NOTE: Parts marked † discontinued in production Jan. 15, 1942. Parts marked †† used after Jan. 15, 1942, starting car No. 37067. See introduction.		
			Handle assembly-rear compartment door		
1	48	BO 142015	Handle assembly-rear deck door	1	1940 2Sed-Sed-UCo-CA
1	48	BO 134689	Handle assembly-less cylinder-rear compartment door †	2	1940 3Cpe-VicCpe-UCpe-CvCpe-CvSed
1	48	BO 147394	Handle assembly-less cylinder-rear compartment door ††	Chrome 1	1941-1942 All exc Cab CabPu-Station-Del
1	48	BO 205932	Lock cylinder & keys assy-rear compartment door handle	Polished 1	1942 All exc Cab-CabPu--Sta
		BO 121845	Lock cylinder-blank-rear compartment door handle	1	1941-1942 exc Cab-CabPu-Station-Del
		BO 121828	Key-rear compartment door handle	1	1941-1942 exc Cab-CabPu-Station-Del
		BO 45986	Nut-rear compartment door handle	1	1941-1942 exc Cab-CabPu-Station-Del
		BZ 71463	Weatherseal-rear compartment door handle	1	1940 2Sed-Sed-UCo-CA, 1940-1942
		BO 134918	Spring-rear compartment door handle	1	1940 2Sed-Sed-UCo-CA
		P.O 205098	Screw-rear deck door handle	1	1941-1942 All exc Cab-CabPu-Station-Del
		BO 70526	Pad-rear deck door handle	10-32 x 5/8" 2	1940 3Cpe-VicCpe-UCpe-CvCpe-CvSed
		BO 120579		2	1940 3Cpe-VicCpe-UCpe-CvCpe-CvSed
EEI-			DOOR ASSEMBLY		
			NOTE: Wing type front door ventilation standard on all models except 40T-40C-48-10T-10C-18; and is optional on these models. Sol id type front door window standard on 40T-40C-48-10C-10T-18. Parts marked * used on corresponding body models on 40T-40C-48-10T-10C-18 when equipped with optional wing type ventilation.		
		C 141912	Door assembly-RH-skeleton-front	1	40T 2Sed, 40C UCo
		C 141913	Door assembly-LH-skeleton-front	1	40T 2Sed, 40C UCo
		C 141920	Door assembly-RH-skeleton-front	1	40T Sed,40C Cab-CabPu
		C 141921	Door assembly-LH-skeleton-front	1	40T Sed,40C Cab-CabPu
		C 134506	Door assembly-RH-skeleton-front-to car 54416	1	40C Panel
		C 134507	Door assembly-LH-skeleton-front-to car 54416	1	40C Panel
		C 141920	Door assembly-RH-skeleton-front-after car 54416	1	40C Panel
		C 141921	Door assembly-LH-skeleton-front-after car 54416	1	40C Panel
		C 141928	Door assembly-RH-skeleton-front	1	40T 3Cpe-VicCpe,40C UCpe
		C 141929	Door assembly-LH-skeleton-front	1	40T 3Cpe-VicCpe,40C UCpe
		C 141936	Door assembly-RH-skeleton-front	* 1	40P 2Sed
		C 141937	Door assembly-LH-skeleton-front	* 1	40P 2Sed
		C 141944	Door assembly-RH-skeleton-front	* 1	40P Sed
		C- 141945	Door assembly-LH-skeleton-front	* 1	40P Sed
		C 141952	Door assembly-RH-skeleton-front	* 1	40P 3Cpe-VicCpe
		C 141953	Door assembly-LH-skeleton-front	* 1	40P 3Cpe-VicCpe
		C 141940	Door assembly-RH-skeleton-front	* 1	41-44-45 2Sed,43-47 Sed
		C 141941	Door assembly-LH-skeleton-front	* 1	41-44-45 2Sed,43-47 Sed
		C 141948	Door assembly-RH-skeleton-front	* 1	41-44-45 Sed
		C 141949	Door assembly-LH-skeleton-front	* 1	41-44-45 Sed
		C 141956	Door assembly-RH-skeleton-front	1	41-44 3Cpe-VicCpe
		C 141957	Door assembly-LH-skeleton-front	1	41-44 3Cpe-VicCpe



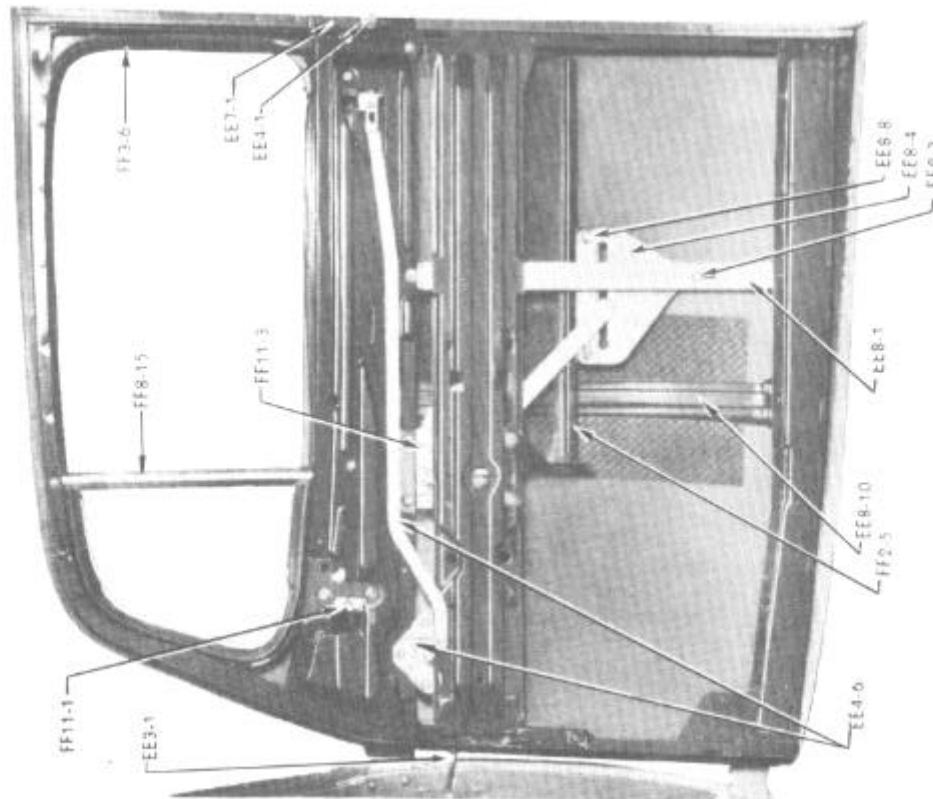
Front Door—Friction Wing Type



Front Door—Solid Window Type



Rear Door—Sedan



Front Door—Crank Wing Type

Group & Illus. No.	Plate No.	Part No.	NAME	Per Car	Models
EE1-			DOOR ASSEMBLY (CONT'D.)		
		C 141916	Door assembly-RH-skeleton-front	1	48P Sed-CA
		C 141917	Door assembly-LH-skeleton-front	1	48P Sed-CA
		C 141924	Door assembly-RH-skeleton-front	1	48C Cab-CabPu-Panel
		C 141925	Door assembly-LH-skeleton-front	1	48C Cab-CabPu-Panel
		C 141960	Door assembly-RH-skeleton	1	40P CvCpe-CvSed
		C 141961	Door assembly-LH-skeleton	1	40P CvCpe-CvSed
		C 141964	Door assembly-RH-skeleton	1	41-44 CvCpe-CvSed
		C 141965	Door assembly-LH-skeleton	1	41-44 CvCpe-CvSed
		C 148452	Door assembly-RH-skeleton-front	1	10T 2Sed,10C UCco,18P
		C 148453	Door assembly-LH-skeleton-front	1	10T 2Sed,10C UCco,18P
		C 148496	Door assembly-RH-skeleton-front	*	10P-11 2Sed
		C 148497	Door assembly-LH-skeleton-front	*	10P-11 2Sed
		C 203902	Door assembly-RH-skeleton-front	1	20-21 2Sed,20 UCco
		C 203903	Door assembly-LH-skeleton-front	1	20-21 2Sed,20 UCco
		C 148456	Door assembly-RH-skeleton-front	1	10T Sed,1941 Cab-CabPu
		C 148457	Door assembly-LH-skeleton-front	1	10T Sed,1941 Cab-CabPu
		C 148500	Door assembly-RH-skeleton-front	*	10P-11 Sed
		C 148501	Door assembly-LH-skeleton-front	*	10P-11 Sed
		C 203910	Door assembly-RH-skeleton-front	1	20-21 Sed
		C 203911	Door assembly-LH-skeleton-front	1	20-21 Sed
		C 148460	Door assembly-RH-skeleton-front	1	10T 3Cpe-ClubCpe, 10C UCpe
		C 148461	Door assembly-LH-skeleton-front	1	10T 3Cpe-ClubCpe, 10C UCpe
		C 148504	Door assembly-RH-skeleton-front	*	10P-11 3Cpe-ClubCpe
		C 148505	Door assembly-LH-skeleton-front	*	10P-11 3Cpe-ClubCpe
		C 203922	Door assembly-RH-skeleton-front	1	20-21 3Cpe-ClubCpe, 20 UCpe
		C 203923	Door assembly-LH-skeleton-front	1	20-21 3Cpe-ClubCpe, 20 UCpe
		C 203918	Door assembly-RH-skeleton-front	1	1942 Cab-CabPu
		C 203919	Door assembly-LH-skeleton-front	1	1942 Cab-CabPu
		C 148464	Door assembly-RH-skeleton-front	1	10P-11-12-14 2Sed,17
		C 148465	Door assembly-LH-skeleton-front	1	10P-11-12-14 2Sed,17
		C 203906	Door assembly-RH-skeleton-front	1	20-21 2Sed,20 UCco
		C 203907	Door assembly-LH-skeleton-front	1	20-21 2Sed,20 UCco
		C 203930	Door assembly-RH-skeleton-front	1	22-24 2Sed,27 Sed
		C 203931	Door assembly-LH-skeleton-front	1	22-24 2Sed,27 Sed
		C 148468	Door assembly-RH-skeleton-front	1	10P-11-12-14 Sed
		C 148469	Door assembly-LH-skeleton-front	1	10P-11-12-14 Sed
		C 203914	Door assembly-RH-skeleton-front	1	20-21 Sed
		C 203915	Door assembly-LH-skeleton-front	1	20-21 Sed
		C 203934	Door assembly-RH-skeleton-front	1	22-24 Sed
		C 203935	Door assembly-LH-skeleton-front	1	22-24 Sed
		C 148472	Door assembly-RH-skeleton-front	1	10P-11-12-14-15 3Cpe-ClubCpe
		C 148473	Door assembly-LH-skeleton-front	1	10P-11-12-14-15 3Cpe-ClubCpe
		C 203926	Door assembly-RH-skeleton-front	1	20-21 3Cpe-ClubCpe, 20C UCpe
		C 203927	Door assembly-LH-skeleton-front	1	20-21 3Cpe-ClubCpe, 20C UCpe
		C 203938	Door assembly-RH-skeleton-front	1	22-24 3Cpe-ClubCpe, 25
		C 203939	Door assembly-LH-skeleton-front	1	22-24 3Cpe-ClubCpe, 25
		C 148614	Door assembly-RH-skeleton	1	1941 CvSed
		C 148615	Door assembly-LH-skeleton	1	1941 CvSed
		C 203942	Door assembly-RH-skeleton	1	20-21 CvSed
		C 203943	Door assembly-LH-skeleton	1	20-21 CvSed
		C 203946	Door assembly-RH-skeleton	1	22-24 CvSed
		C 203947	Door assembly-LH-skeleton	1	22-24 CvSed
		C 141968	Door assembly-RH-skeleton-rear	1	40T-40P Sed
		C 141969	Door assembly-LH-skeleton-rear	1	40T-40P Sed
		C 141976	Door assembly-RH-skeleton-rear	1	41-44-45 Sed
		C 141977	Door assembly-LH-skeleton-rear	1	41-44-45 Sed
		C 141980	Door assembly-RH-skeleton-rear	1	43-47-48P Sed, 48P CA
		C 141981	Door assembly-LH-skeleton-rear	1	43-47-48P Sed, 48P CA
		C 148488	Door assembly-RH-skeleton-rear	1	10-11 Sed,18P
		C 148489	Door assembly-LH-skeleton-rear	1	10-11 Sed,18P
		C 203962	Door assembly-RH-skeleton-rear	1	20-21 Sed
		C 203963	Door assembly-LH-skeleton-rear	1	20-21 Sed
		C 148480	Door assembly-RH-skeleton-rear	1	10P-11-12-14-17 Sed
		C 148481	Door assembly-LH-skeleton-rear	1	10P-11-12-14-17 Sed
		C 203966	Door assembly-RH-skeleton-rear	1	20-21 Sed
		C 203967	Door assembly-LH-skeleton-rear	1	20-21 Sed
		C 203978	Door assembly-RH-skeleton-rear	1	22-24 Sed
		C 203979	Door assembly-LH-skeleton-rear	1	22-24 Sed
		C 203982	Door assembly-RH-skeleton-rear	1	27 Sed
		C 203983	Door assembly-LH-skeleton-rear	1	27 Sed

Group & Illus. No.	Plate No.	Part No.	NAME	Per Car	Models
EE2-			DOOR HINGES		
		BO 120524	Hinge-upper RH-front-door half-to car 54416	1	40C Panel
		BO 120525	Hinge-upper LH-front-door half-to car 54416	1	40C Panel
		BO 142554	Hinge-upper RH-front-door half-after car 54416	1	40C Panel
		BO 142555	Hinge-upper LH-front-door half-after car 54416	1	40C Panel
		BO 142554	Hinge-upper RH-front-door half	1	1940 All exc Panel
		BO 142555	Hinge-upper LH-front-door half	1	1940 All exc Panel
		BO 147558	Hinge-upper RH-front-door half	1	1941 All exc Del
		BO 147559	Hinge-upper LH-front-door half	1	1941 All exc Del
		BO 203558	Hinge-upper RH-front-door half	1	1942 All exc Cab-CabPu
		BO 203559	Hinge-upper LH-front-door half	1	1942 All exc Cab-CabPu
		BO 147558	Hinge-upper RH-front-door half	1	1942 Cab-CabPu
		BO 147559	Hinge-upper LH-front-door half	1	1942 Cab-CabPu
				1	
		BO 120528	Hinge-lower RH-front-door half-to car 54416	1	40C Panel
		BO 120529	Hinge-lower LH-front-door half-to car 54416	1	40C Panel
		BO 142558	Hinge-lower RH front-door half-after car 54416	1	40C Panel
		BO 142559	Hinge-lower LH-front-door half-after car 54416	1	40C Panel
		BO 142558	Hinge-lower RH-front-door half	1	1940 All exc Panel
		BO 142559	Hinge-lower LH-front-door half	1	1940 All exc Panel
		BO 147564	Hinge-lower RH-front-door half	1	1941 All exc Del
		BO 147565	Hinge-lower LH-front-door half	1	1941 All exc Del
		BO 203562	Hinge-lower RH-front-door half	1	1942 All exc Cab-CabPu
		BO 203563	Hinge-lower LH-front-door half	1	1942 All exc Cab-CabPu
		BO 147564	Hinge-lower RH front-door half	1	1942 Cab-CabPu
		BO 147565	Hinge-lower LH-front-door half	1	1942 Cab-CabPu
			Hinge-upper RH-front-door-body half	1	
		BO 142556		1	1940 All
		BO 142557	Hinge-upper LH-front-door-body half	1	1940 All
		BO 147554	Hinge & cover plate assy-upper RH-front-door-body half	1	1941 All exc Del
		BO 147555	Hinge & cover plate assy-upper LH-front-door-body half	1	1941 All exc Del
		BO 203554	Hinge & cover plate assy-upper-RH-front door-body half	1	1942 All exc Cab-CabPu
		BO 203555	Hinge & cover plate assy-upper LH-front-door-body half	1	1942 All exc Cab-CabPu
		BO 147554	Hinge & cover plate assy-upper RH-front-door-body half	1	1942 Cab-CabPu
		BO 147555	Hinge & cover plate assy-upper LH-front-door-body half	1	1942 Cab-CabPu
				1	
		BO 142560	Hinge-lower RH-front-door-body half	1	1940 All
		BO 142561	Hinge-lower LH-front-door-body half	1	1940 All
		BO 147562	Hinge-lower RH-front-door-body half	1	1941 All exc Del
		BO 147563	Hinge-lower LH-front-door-body half	1	1941 All exc Del
		BO 203564	Hinge-lower RH-front-door-body half	1	1942 All exc Cab-CabPu
		BO 203565	Hinge-lower LH-front-door-body half	1	1942 All exc Cab-CabPu
5	42	BO 147562	Hinge-lower RH-front-door-body half	1	1942 Cab-CabPu
5	42	BO 147563	Hinge-lower LH-front-door-body half	1	1942 Cab-CabPu
				1	
		BO 125288	Hinge-upper RH-rear-door half	1	1940 Sed-CA
7	42	BO 125289	Hinge-upper LH-rear-door half	1	1940 Sed-CA
7	42	BO 147570	Hinge-upper RH-rear-door half	1	1941 Sed-CA,1942 Sed
		BO 147571	Hinge-upper LH-rear-door half	1	1941 Sed-CA,1942 Sed
		BO 125294	Hinge-lower RH-rear-door half	1	1940 Sed-CA
		BO 125295	Hinge-lower LH-rear-door half	1	1940 Sed-CA
		BO 147580	Hinge-lower RH-rear-door half	1	1941 Sed-CA,1942 Sed
		BO 147581	Hinge-lower LH-rear-door half	1	1941 Sed-CA,1942 Sed
				1	
		BO 125290	Hinge-upper RH-rear-door-body half	1	1940 Sed-CA
		BO 125291	Hinge-upper LH-rear-door-body half	1	1940 Sed-CA
8	42	BO 147568	Hinge-upper RH-rear-door-body half	1	1941 Sed-CA
8	42	BO 147569	Hinge-upper LH-rear-door-body half	1	1941 Sed-CA
8	42	BO 204568	Hinge-upper RH-rear-door-body half	1	1942 Sed
		BO 204569	Hinge-upper LH-rear-door-body half	1	1942 Sed
8	42	BO 125296	Hinge-lower RH-rear-door-body half	1	1940 Sed-CA
		BO 125297	Hinge-lower LH-rear-door-body half	1	1940 Sed-CA
		BO 147576	Hinge & cover plate assy-lower-RH-rear-door-body half	1	1941 Sed-CA
		BO 147577	Hinge & cover plate assy-lower LH-rear-door-body half	1	1941 Sed-CA
		BO 147576	Hinge & cover plate assy-lower RH-rear-door-body half-	1	
				1st type	1942 Sed
		BO 147577	Hinge & cover plate assy-lower LH-rear-door-body half	1	
				1st type	1942 Sed
		BO 203576	Hinge & cover plate assy-lower RH-rear-door-body half	1	
				2nd type	1942 Sed (after 11-7-41)
		BO 203577	Hinge & cover plate assy-lower LH-rear-door-body half	1	
				2nd type	1942 Sed (after 11-7-41)

Group & Illus. No.	Plate No.	Part No.	NAME	Per Car	Models
EE2-			DOOR HINGES (CONT'D.)		
		BO 203556	Friction spring-front door upper hinge-Upper R-Lower L	2	1942 All
		BO 203557	Friction spring-front door upper hinge-Upper L-Lower R	2	1942 All
		BO 147630	Friction spring-rear door lower hinge-RH	2	1941 Sed-CA, 1942 Sed 1st type
		BO 147631	Friction spring-rear door lower hinge-LH	2	1941 Sed-CA, 1942 Sed 1st type
		BO 203578	Friction spring-rear door lower hinge	1	1942 Sed 2nd type
		BO 203579	Friction spring-rear door lower hinge	1	1942 Sed 2nd type
		BO 120532	Pin-front door hinge	4	1940 All
		BO 200436	Pin-front door hinge-upper	2	1941 All exc Del, 1942 All
		BO 120532	Pin-front door hinge-lower	2	1941 All exc Del, 1942 Cab-CabPu
		BO 203566	Pin-front door hinge-lower	2	1942 All exc Cab-CabPu
		BO 117524	Pin-rear door hinge-upper	2	1940 Sed-CA
		BO 200435	Pin-rear door hinge-upper	2	1941 Sed-CA, 1942 Sed
		BO 117525	Pin-rear door hinge-lower	2	1940 Sed-CA
		BO 200436	Pin-rear door hinge-lower	2	1941 Sed-CA, 1942 Sed
		BO 70870	Rivet-door hinge-door half	AR	1/4" x 11/16" 1940 All
		BM 71307	Rivet-door hinge-body half	AR	1/4" x 3/4" 1940 All
		BO 70870	Rivet-front door lower hinge-door half	8	1/4" x 11/16" 1941 exc Del, 1942 All
		BO 71307	Rivet-front door lower hinge-body half	6	1/4" x 3/4" 1941 exc Del, 1942 All
		BO 70656	Rivet-rear door hinge-upper-body half to header	4	1/4" x 7/16" 1941 Sed-CA, 1942 Sed
		BO 70293	Rivet-rear door hinge-upper-body half to pillar	2	1/4" x 1/2" 1941 Sed-CA, 1942 Sed
		BO 200437	Bushing-door hinge pin	12	1941 exc Del, 1942 All
		BO 170644	Bolt-front door hinge-upper-body half	6	5/1616"-24 x 3/4" 1941 exc Del, 1942 All
		BO 170501	Bolt-front door hinge-upper-door half	6	5/16"-24 x 7/8" 1941 exc Del, 1942 All
		BO 170643	Bolt-rear door hinge-upper-door half	4	5/16"-24 x 3/4" 1941 Sed-CA, 1942 Sed
		BO 170644	Bolt-rear door hinge-lower	12	5/16"-24 x 3/4" 1941 Sed-CA, 1942 Sed
		BO 147582	Tapping plate-front door hinge-upper-door half	2	1941 All-exc Del, 1942 All
		BO 147583	Tapping plate-rear door hinge-upper-door half	2	1941 Sed-CA, 1942 Sed
		BO 147582	Tapping plate-rear door hinge-lower-door half	2	1941 Sed-CA, 1942 Sed
EE3-			DOOR CHECK		
1	41	BO 119248	Check-front	2	1940 All
1	41	BO 147490	Check-front door	2	1941 All exc Del-Station
		BO 147495	Check-front door	2	1942 All
		BO 118616	Check-rear door	2	1940 Sed-CA
		BO 147495	Check-rear door	2	1941 Sed-CA, 1942 Sed
		BO 120518	Guide and bumper assembly-front door check	2	1940 All
		BO 107171	Guide and bumper assembly-rear door check	2	1940 Sed-CA
		BO 120516	Guide-front door check	2	1940 All
		BO 107179	Bumper-front door check	2	1940 All
		BO 147491	Bumper-front door check	2	1941 All exc Del-Station, 1942 All
		BO 109091	Bumper-rear door check	2	1940 Sed-CA
		HZ 18389	Rivet-door check bumper	8	9/64" x 3/8" 1940 All
		BO 70042	Rivet-door check bumper	4	#9 x 1/4" 1940 All exc Del-Station, 1942 All
		BO 170522	Pivot screw-door check	2-4	10-32 x 7/16" 1941 exc Del-Station, 1942 All
		BO 94115	Bracket-front door check	2	On door 1940 All
		BO 94115	Bracket-rear door check	2	On body 1940 All
		BO 146796	Bracket-pillar door check	2	On body 1941 All exc Del-Station, 1942 All
		BO 70114	Nut-pillar door check bracket	2-4	1/2"-20 x 5/16" 1941 All exc Del-Station, 1942 All
		BO 96089	Anti rattle spring-door check	2-4	1940 All
		BZ 6998	Clevis pin-door check	2-4	1/4" x 5/8" 1940 All
		BO 18459	Screw-door check guide attaching	AR	10-32 x 1/2" 1940 All
		BZ 125575	Hole plug-front pillar door check bracket	2	1941-1942 Station
EE4-			DOOR LOCKS		
1	41	BO 136048	Lock assembly-RH-front-door	1	To car 54416 40C Panel
1	41	BO 136049	Lock assembly-LH-front door	1	To car 54416 40C Panel
1	41	BO 141730	Lock assembly-RH-front door	1	After car- 54416 40C Panel
1	41	BO 141731	Lock assembly-LH-front door	1	After car 54416 40C Panel
1	41	BO 141730	Lock assembly-RH-front door	1	1940 All exc Panel
1	41	BO 141731	Lock assembly-LH-front door	1	1940 All exc Panel
1	41	BO 147730	Lock assembly-RH-front door	1	1941 All exc Del-Station
1	41	BO 147733	Lock assembly-LH-front door	1	1941 All exc Del-Station

Group & Illus. No.	Plate No.	Part No.	NAME	Per Car	Models
EE4-			DOOR LOCKS (CONT'D.)		
1	41	BO 204730	Lock assembly-RH-front door	1	1942 All exc Station
1	41	BO 204733	Lock assembly-LH-front door	1	1942 All exc Station
2	42	BO 141732	Lock assembly-RH-rear door	1	1940 Sed-CA
2	42	BO 141733	Lock assembly-LH-rear door	1	1940 Sed-CA
2	42	BO 147733	Lock assembly-RH-rear door	1	1941 Sed-CA
2	42	BO 147731	Lock assembly-LH-rear door	1	1941 Sed-CA
		BO 204733	Lock assembly-RH-rear door	1	1942 Sed
		BO 204731	Lock assembly-LH-rear door	1	1942 Sed
		BO 136086	Spring-door lock bolt	2-4	1940 All
		BO 142052	Release knob-door lock	Taupe 2-4	1940 All
		BO 144758	Release knob-door lock	Black 2-4	43-47 5Sed
		BO 147269	Release knob-door lock	Gray 2-4	1941 All
		BO 204269	Release knob-door lock-to car 12564	Gray 2-4	1942 All exc Station
		BO 204398	Release knob-door lock-after car 12564 exc 13006 to 13944	2-4	1942 All exc Station
		BO 141729	Spring-door lock release knob	2-4	1940 All
		BO 142026	Safety plate-RH-door lock	On door lock pillar 1	1940 All
		BO 142027	Safety plate-LH-door lock	On door lock pillar 1	1940 All
		BO 170239	Screw-door lock safety plate	#8 x 3/8" 4-8	1940 All
		BO 70853	Screw-door lock to frame	1/4"-28 x 9/16" 2-4	All exc Del-Station
		BO 170327	Screw-door lock to frame	1/4"-28 x 5/8" 4-8	1940 All
		BO 170602	Screw-door lock to frame	1/4"-28 x 1/2" 4-8	1941 exc Del,1942 All exc Station
		BO 141736	Striker assembly-door lock-RH front-LH rear	1-2	1940 All
		141737	Striker assembly-door lock-LH front-RH rear	Use 148345 1-2	1940 All
		BO 148344	Striker assembly-door lock-RH front-LH rear	1-2	1941 All exc Del, 1942 All exc Station
		BO 148345	Striker assembly-door lock-LH front-RH rear	1-2	1941 All exc Del, 1942 All exc Station
		BO 200181	Spacer plate-door lock striker plate	1/8" thick AR	1941 All exc Del, 1942 All exc Station
		BO 200298	Spacer plate-door lock striker plate	1/16" thick AR	1941 All exc Del, 1942 All exc Station
		BO 141345	Oil wick-door lock striker plate	AR	All exc Del-Station
		BO 140175	Tapping plate-door lock striker plate	4-8	All exc Del-Station
		BO 170431	Screw-door lock striker plate	1/4"-28 x 1/2" AR	All exc Del-Station
		BO 170441	Screw-door lock striker plate	1/4"-28 x 11/16" AR	1941 All exc Del, 1942 All exc Station
		BO 128731	Safety lock complete-RH front door	To car 54416 1	40C Panel
		BO 141238	Safety lock complete-RH front door	After car 54416 1	40C Panel
		BO 141238	Safety lock complete-RH front door	1	1940 All exc Panel,1942 All exc Del-Station
		BO 204014	Safety lock complete-RH front door	1	1942 All exc Station
		141236	Safety lock assembly-less cylinder	Use 204012 1	1940 All,1941 All exc Del-Station
		BO 204012	Safety lock assembly-less cylinder	1	1942 All exc Station
		141276	Cylinder and keys assy-door safety lock	1	All exc Del-Station
		BO 134758	Bezel-door safety lock	1	All exc Del-Station
		BO 170264	Set screw-door safety lock	10-32 x 11/16" 2-4	All exc Del-Station
		BO 201124	Safety lock kit-for LH front door	Service 1	1941-1942 All exc Del-Station
6	41	BO 140830	Remote control assy-RH-front door lock	1	1940 2Sed-UCo-3Cpe-VicCpe-UCpe-CvCpe-CvSed,43,47,48P
6	41	BO 140831	Remote control assy-LH-front door lock	1	1940 2Sed-UCo-3Cpe-VicCpe-UCpe-CvCpe-CvSed,43,47,48P
6	41	BO 140832	Remote control assy-RH-front door lock	1	40-41-44-45 Sed,1940 Cab-CabPu,48C Panel
6	41	BO 140833	Remote control assy-LH-front door lock	1	40-41-44-45 Sed,1940 Cab-CabPu,48C Panel
		BO 136056	Remote control assy-RH-front door lock	To car 54416 1	40C Panel
		BO 136057	Remote control assy-LH-front door lock	To car 54416 1	40C Panel
		BO 140832	Remote control assy-RH-front door lock	After car 54416 1	40C Panel
		BO 140833	Remote control assy-LH-front door lock	After car 54416 1	40C Panel
6	41	BO 148170	Remote control assy-RH-front door	1	1941 2Sed-UCo-3Cpe-ClubCpe-UCpe,17,18P
6	41	BO 148171	Remote control assy-LH-front door	1	1941 2Sed-UCo-3Cpe-ClubCpe-UCpe,17,18P
6	41	BO 148172	Remote control assy-RH-front door	1	10-11-12-14 Sed,1941 Cab-CabPu
6	41	BO 148173	Remote control assy-LH-front door	1	10-11-12-14 Sed, 1941 Cab-CabPu

Group & Illus. No.	Plate No.	Part No.	NAME	Per Car	Models
EE4-			DOOR LOCKS (CONT'D.)		
		BO 140830	Remote control assy-RH-front door	1	1941 CvSed
		BO 140831	Remote control assy-LH-front door	1	1941 CvSed
		BO 205270	Remote control assy-RH-front door	1	1942 2Sed-UCo-3Cpe-ClubCpe-UCpe,27
		BO 205271	Remote control assy-LH-front door	1	1942 2Sed-UCo-3Cpe-ClubCpe-UCpe,27
		BO 205272	Remote control assy-RH-front door	1	20-21-22-24 Sed, 1942 Cab-CabPu
		BO 205273	Remote control assy-LH-front door	1	20-21-22-24 Sed, 1942 Cab-CabPu
		BO 205274	Remote control assy-RH-front door	1	1942 CvSed
		BO 205275	Remote control assy-LH-front door	1	1942 CvSed
8	42	BO 140834	Remote control assy-RH-rear door	1	1940 Sed-CA
8	42	BO 140835	Remote control assy-LH-rear door	1	1940 Sed-CA
8	42	BO 148176	Remote control assy-RH-rear door	1	1941 Sed-CA
8	42	BO 148177	Remote control assy-LH-rear door	1	1941 Sed-CA
8	42	BO 205276	Remote control assy-RH-rear door	1	1942 Sed
8	42	BO 205277	Remote control assy-LH-rear door	1	1942 Sed
		BO 136087	Spring-door lock remote control	2-4	All exc Del-Station
		BO 122087	Washer-door lock remote control spring	2	40C Panel
		BO 71389	Washer-door lock remote control link	2-4	1941 All exc Del-Station, 1942 All exc Station
		BO 96089	Anti rattle spring-door lock remote control link	2-4	1941 All exc Del-Station, 1942 All exc Station
		BO 140838	Plate & support assy-RH-door lock remote control	1	1940 CvCpe-CvSed
		BO 140839	Plate & support assy-LH-door lock remote control	1	1940 CvCpe-CvSed
		BO 18464	Bolt-remote control plate & support	4	1940 CvCpe-CvSed
		BO 18464	Bolt-remote control attaching	AR	1940 All
		BO 170602	Bolt-remote control attaching	12	1941 All exc Del-Station, 1942 All exc Station
		BZ 70874	Nut-remote control attaching bolt-rear	4	1940 Sed-CA
			DOOR DOVETAILS AND BUMPERS		
EE7-					
1	41	BO 141734	Dovetail-male	2-4	All exc CvCpe-CvSed-Panel-Del-Station
		BO 141735	Dovetail-male	2	All CvCpe-CvSed
		PO 94870	Dovetail-male-To car 54416	2	1940 Panel
		BO 141734	Dovetail-male-After car 54416	2	1940 Panel
		BO 170441	Screw-door dovetail	4-8	All exc CvCpe-CvSed-Del-Station
		BO 170438	Screw-door dovetail	4	All CvCpe-CvSed
		BO 71678	Screw-door dovetail-To car 54416	4	1940 Panel
		BO 141345	Oil wick-door dovetail	AR	All exc Del-Station
		BO 94541	Tapping plate-door dovetail-To car 54416	2	1940 Panel
		BO 120510	Retainer-door dovetail tapping plate-To car 54416	2	1940 Panel
		BO 70079	Rivet-door dovetail tapping plate retainer-To car 54416	4	1940 Panel
		BO 170023	Screw-door dovetail tapping plate-To car 54416	4	1940 Panel
		BO 94831	Pocket complete-door dovetail-To car 54416	2	1940 Panel
		BO 94834	Cushion-door dovetail pocket-To car 54416	4	1940 Panel
		BO 94833	Retaining spring-door dovetail pocket-To car 54416	2	1940 Panel
		BO 170023	Screw-door dovetail pocket to pillar-To car 54416	4	1940 Panel
		BO 142214	Bumper-door	4-8	All exc CvCpe-CvSed-Del-Station
		BO 123695	Bumper-door	2	All CvCpe-CvSed
		BO 141738	Bumper-upper-door	2	All CvCpe-CvSed
		BO 75152	Retainer-door bumper	4-8	All exc CvCpe-CvSed-Del-Station
		BO 170375	Screw-door bumper retainer	4-8	All exc CvCpe-CvSed-Del-Station
		BO 141739	Tapping plate-upper-door bumper	2	All CvCpe-CvSed
		BO 170412	Screw-upper-door bumper tapping plate .	4	All CvCpe-CvSed
EE8-			FRONT DOOR TRACK AND PANEL STRAINER		
			NOTE: Wing type ventilation standard on all models except 40T-40C-48-10T- 10C-18; and is optional on these models.		
			Parts marked * used on corresponding body model s on 40T-40C-48-10T-10C-18 when equipped with optional wing type ventilation		
1	41	BO 141351	Track assembly-front door	*	2 All wing vent exc CvCpe-CvSed
		BO 140820	Track assembly-RH-door	1	1940 CvCpe-CvSed

Group & Illus. No.	Plate No.	Part No.	NAME	Per Car	Models
EE8-			FRONT DOOR TRACK AND PANEL STRAINER (CONT'D.)		
		BO 140821	Track assembly-LH-door	1	1940 CvCpe-CvSed
		BO 148992	Track assembly-RH-door	1	1941-1942 CvSed
		BO 148993	Track assembly-LH-door	1	1941-1942 CvSed
		BO 18464	Bolt-track to cross member	4	All wing vent exc CvCpe-CvSed
		BZ 70874	Nut-track to cross member bolt	4	All wing vent exc CvCpe-CvSed
		BO 141365	Shim-track to auxiliary cross member	2	All wing vent exc CvCpe-CvSed
3	41	BO 141353	Window stop-on track	2	All wing vent exc CvCpe-CvSed
		BO 170330	Lock washer-track window stop	4	All wing vent exc CvCpe-CvSed
		BO 71443	Nut-track window stop	2	All wing vent exc CvCpe-CvSed
4	41	BO 141354	Roller guide-RH-front door window	1	All wing vent exc CvCpe-CvSed
4	41	BO 141355	Roller guide-LH-front door window	1	All wing vent exc CvCpe-CvSed
		BO 141356	Pilot-roller guide to track	2	All wing vent exc CvCpe-CvSed
		BO 141357	Friction washer-roller guide to track pilot	4	All wing vent exc CvCpe-CvSed
		BO 22699	Spring-roller guide to track pilot	2	All wing vent exc CvCpe-CvSed
		BO 71443	Nut-roller guide to track pilot	2	All wing vent exc CvCpe-CvSed
8	41	BO 18464	Bolt-roller guide to support bracket	4	All wing vent exc CvCpe-CvSed
		BO 114853	Spring-door track	2	All CvCpe-CvSed
		BO 114854	Buffer-door track spring	2	All CvCpe-CvSed
		BO 70523	Rivet-door track spring buffer	16	All CvCpe-CvSed
		BO 107774	Support assembly-RH-door track	1	1940 CvCpe-CvSed
		BO 107775	Support assembly-LH-door track	1	1940 CvCpe-CvSed
		BO 148994	Support assembly-door track	2	1941-1942 CvSed
		BO 120294	Bracket-RH-door track support	1	1940 CvCpe-CvSed
		BO 120295	Bracket-LH-door track support	1	1940 CvCpe-CvSed
		BO 148998	Bracket-door track support	2	1941-1942 CvSed
		BO 70028	Rivet-support bracket to cross member	4	1940-1942 CvSed
		BO 18464	Bolt-support to lower and belt member	AR	All CvCpe-CvSed
		BZ 70874	Nut-support to lower member bolt	4	All CvCpe-CvSed
		BO 108796	Track reinforcement and trimboard support assy-RH	1	1940 CvCpe-CvSed
		80 108797	Track reinforcement and trimboard support assy-LH	1	1940 CvCpe-CvSed
		BO 107836	Support assy-RH-door glass cantilever	1	All CvCpe-CvSed
		BO 107837	Support assy-LH-door glass cantilever	1	All CvCpe-CvSed
		BO 116924	Brace-track support to regulator	2	1941-1942 CvSed
		BO 18458	Bolt-track support to regulator brace-	2	1941-1942 CvSed
		BO 70874	Nut-track support to regulator brace bolt	2	1941-1942 CvSed
10	41	C 134287	Strainer-front door panel	2	1941-1942 CvSed 1940 All, 1941 All exc Del
EE9-			DOOR WEATHERSTRIPS		
		BO 122710	Weatherstrip-door opening	2	1940 2 Sed-3 Cpe-VicCpe-UCo-UCpe
		BO 122712	Weatherstrip-door opening	2	40-41-44-45 Sed
		BO 122714	Weatherstrip-door opening	2	43-47-48P Sed,48P CA
		BO 122718	Weatherstrip-door opening	2	1940 Cab-CabPu-Panel
1	41	BO 123717	Weatherstrip-upper-door opening	2	1940 CvCpe-CvSed
		BO 200730	Weatherstrip-upper-door opening	2	1941-1942 2 Sed-3 Cpe-ClubCpe-UCo-UCpe
1	41	BO 200731	Weatherstrip-upper-door opening	2	10-11-12-14-20-22-24 Sed
1	41	BO 200732	Weatherstrip-upper-door opening	2	17-18P-27 Sed, 18P CA
		BO 200733	Weatherstrip-upper-door opening	2	1941-1942 Cab-CabPu
		BO 200734	Weatherstrip-upper-door opening	2	1941-1942 CvSed
		BO 123688	Weatherstrip-lower-RH-front-door opening-on door	1	1940 All
		BO 123689	Weatherstrip-lower-LH-front-door opening-on door	1	1940 All
		BO 200735	Weatherstrip-lower-front-door opening-on door	2	1941-1942 All exc CvSed-Del-Station
		BO 200736	Weatherstrip-lower-front-door opening-on door	2	1941-1942 CvSed
		BO 136094	Retainer-RH-door opening weatherstrip	1	1940 2Sed-Sed-CA-UCo-3 Cpe-VicCpe-UCpe
		BO 136095	Retainer-LH-door opening weatherstrip	1	1940 2Sed-Sed-CA-UCo-3 Cpe-VicCpe-UCpe
			Welded to front pillar		

Group & Illus. No.	Plate No.	Part No.	NAME	Per Car	Models		
EE9-	41	DOOR WEATHERSTRIPS (CONT'D.)					
		C 121472	Retainer-RH upper-door opening weatherstrip	1	1940 Cab-CabPu-Panel		
		C 121473	Retainer-LH upper-door opening weatherstrip	1	1940 Cab-CabPu-Panel		
		BO 70733	Screw-door opening weatherstrip retainer	12	1940 Cab-CabPu-Panel		
				#6 x 7/16"			
		C 144188	Weatherstrip assy-RH-front door bottom	1	40-41-44-45 Sed,1940 Cab-CabPu-Panel		
		C 144189	Weatherstrip assy-LH-front door bottom	1	40-41-44-45 Sed,1940 Cab-CabPu-Panel		
		C 144190	Weatherstrip assy-RH-front door bottom	1	1940 All exc above models		
		C 144191	Weatherstrip assy-LH-front door bottom	1	1940 All exc above models		
		C 202664	Weatherstrip assy-RH-front door bottom	1	10-11-12-14-20-21-22-24 Sed,1941-1942 Cab-CabPu		
		5	41	C 202665	Weatherstrip assy-LH-front door bottom	1	10-11-12-14-20-21-22-24 Sed,1941-1942 Cab-CabPu
		5	41	C 202666	Weatherstrip assy-RH-front door bottom	1	1941-1942 All exc above
		5	41	C 202667	Weatherstrip assy-LH-front door bottom	1	1941-1942 All exc above
		6	42	C 144192	Weatherstrip assy-rear door bottom	2	1940 Sed-CA
				C 202668	Weatherstrip assy-rear door bottom	2	1941-1942 Sed,1940 CA
				C 204244	Weatherstrip-front door panel extension	2	20-21-22-24 Sed
				C 204245	Weatherstrip-front door panel extension	2	20-21-22-24 exc Sed-Cab-CabPu,27
				C 204246	Weatherstrip-rear door panel extension	2	1942 All Sedans
				BO 203836	Weatherstrip-door lock pillar	2-4	1942 All exc CvBro-Station
					Service		
		FF2-	WINDOW FRAMES AND REST CHANNELS				
NOTE: Parts marked * used on corresponding body models on 40T-40C-48-10T-10C-18 when equipped with optional wing type ventilation.							
C 148984	Window glass,frame,and rest channel assy-RH door		1	1941-1942 CvSed			
C 148985	Window glass,frame, and rest chanel assy-LH door		1	1941-1942 CvSed			
C 109414	Frame-door glass		2	1940 CvCpe-CvSed			
C 148983	Frame-door glass		2	1941-1942 CvSed			
C 141370	Frame assy-RH-quarter window		1	1940 2Sed-UCo			
C 141371	Frame assy-LH-quarter window		1	1940 2Sed-UCo			
C 146574	Frame assy-RH-quarter window		1	1941-1942 2Sed-UCo			
C 146575	Frame assy-LH-quarter window		1	1941-1942 2Sed-UCo			
C 134344	Frame assy-RH-quarter window		1	41-43-44-45-47 Sed			
C 134345	Frame assy-LH-quarter window		1	41-43-44-45-47 Sed			
C 146588	Frame assy-RH-quarter window		1	10P-11-12-14-17 Sed			
C 146589	Frame assy-LH-quarter window		1	10P-11-12-14-17 Sed			
C 204202	Frame assy-RH-quarter window		1	20P-21-22-24-27 Sed			
C 204203	Frame assy-LH-quarter window		1	20P-21-22-24-27 Sed			
C 146530	Frame assy-RH-quarter window		1	11-12-14 ClubCpe			
C 146531	Frame assy-LH-quarter window		1	11-12-14 ClubCpe			
C 200166	Frame assy-RH-quarter window		1	15 ClubCpe			
C 200167	Frame assy-LH-quarter window		1	15 ClubCpe			
C 204206	Frame assy-RH-quarter window		1	21-22-24-25 ClubCpe			
C 204207	Frame assy-LH-quarter window		1	21-22-24-25 ClubCpe			
C 204794	Frame assy-RH-quarter window		1	21-22-24-25 ClubCpe			
C 204795	Frame assy-LH-quarter window		1	21-22-24-25 ClubCpe			
				To car 23797			
				To car 23797			
				After car 23797			
				After car 23797			
BO 70352	Bolt-quarter window frame to panel		4	1/4"-20 x 1/2"	1940 2Sed-UCo		
BO 170292	Bolt-quarter window frame to panel		6	1/4"-20 x 7/8"	41-43-44-45-47 Sed		
BZ 70957	Bolt-quarter window frame to panel		6	1/4"-20 x 5/8"	1940 2Sed-UCo,41-43-44-45-47 Sed		
BO 170292	Bolt-quarter window frame attaching		6	1/4"-20 x 7/8"	10P-11-12-14 Sed-ClubCpe, 15,17		
BO 18464	Bolt-quarter window frame attaching		6	1/4"-20 x 5/8"	20P-21-22-24 Sed-ClubCpe, 25,27		
BO 170292	Bolt-lower rear-quarter window- after car 23797		2	1/4"-20 x 7/8"	20P-21-22-24 Sed-ClubCpe, 25,27		
BO 112012	Plate assy-upper-quarter window frame fastening		4		1940 2Sed-UCo		
BO 134311	Plate assy-quarter window frame fastening		6		1941-1942 Sed-ClubCpe exc 10T-18-20T		
BZ 70874	Nut-quarter window frame attaching bolt		6	1/4"-20 x 1/4"	20P-21-22-24 Sed-ClubCpe, 25,27		
BO 86272	Washer-quarter window frame attaching bolt		6		1940 2Sed-UCo,1941-1942 Sed-ClubCpe exc 10T-18-20T		
BO 170060	Screw-quarter window frame		2	#10 x 3/8"	20P-21-22-24 Sed-ClubCpe, 25,27		
BO 108169	Bracket assy-quarter window flange		2		1940 2Sed-UCo		
BO 134346	Bracket-quarter window frame to compartment panel		2		41-43-44-45-47 Sed		
BO 136798	Bracket-RH-quarter window frame to compartment panel	1		43-47 7Sed			
BO 136799	Bracket-LH-quarter window frame to compartment panel	1		43-47 7Sed			

WINDOWS

1940-1941-1942

FF

Group & Illus. No.	Plate No.	Part No.	NAME	Per Car	Models
FF2-			WINDOW FRAMES AND REST CHANNELS (CONT'D.)		
		BO 134289	Bracket-quarter window frame to compartment panel	2	1940 2Sed-UCo
		BO 204215	Bracket-upper-quarter window frame to compartment panel	2	20P-21-22-24 Sed-ClubCpe, 25,27
		BO 204052	Bracket-lower-quarter window frame to compartment panel	2	20P-21-22-24-27 Sed
		BO 204213	Bracket-quarter window to fastening plate	4	20P-21-22-24 Sed-ClubCpe, 25,27
		BO 18464	Bolt-quarter window frame to compt. panel bracket	2	1940 2Sed-UCo,41-43-44-45-47 Sed
		BZ 70874	Nut-quarter window frame to compt. panel bracket bolt	2	1940 2Sed-UCo,41-43-44-45-47 Sed
		BO 134314	Retainer assy-RH-quarter window weatherstrip	1	41-43-44-45-47 Sed
		BO 134315	Retainer assy-LH-quarter window weatherstrip	1	41-43-44-45-47 Sed
		BO 146550	Retainer assy-RH-quarter window weatherstrip	1	10P-11-12-14-17 Sed
		BO 146551	Retainer assy-LH-quarter window weatherstrip	1	10P-11-12-14-17 Sed
		BO 146526	Retainer assy-RH-quarter window weatherstrip	1	11-12-14-15 ClubCpe
		BO 146527	Retainer assy-LH-quarter window weatherstrip	1	11-12-14-15 ClubCpe
		BO 204208	Retainer assy-RH-quarter window weatherstrip-To car 23797	1	20P-21-22-24-27 Sed
		BO 204209	Retainer assy-LH-quarter window weatherstrip-To car 23797	1	20P-21-22-24-27 Sed
		BO 204210	Retainer assy-RH-quarter window weatherstrip-To car 23797	1	21-22-24-25 ClubCpe
		PO 204211	Retainer assy-LH-quarter window weatherstrip-To car 23797	1	21-22-24-25 ClubCpe
		BO 204706	Retainer assy-RH-quarter window weatherstrip-To car 23797	1	20P-21-22-24-27 Sed
		BO 204707	Retainer assy-LH-quarter window weatherstrip-To car 23797	1	20P-21-22-24-2/ Sed
		BO 204792	Retainer assy-RH-quarter window weatherstrip-To car 23797	1	21-22-24-25 ClubCpe
		BO 204793	Retainer assy-LH-quarter window weatherstrip-To car 23797	1	21-22-24-25 ClubCpe
4	41	BO 120588	Rest channel assy-RH-front door glass	1	40T-10T exc CvCpe-CvSed, 40C-10C UCo-UCpe,48P,18P
4	41	BO 120589	Rest channel assy-LH-front door glass	1	40T-10T exc CvCpe-CvSed, 40C-10C UCo-UCpe,48P,18P
4	41	BO 120590	Rest channel assy-RH-front door glass	1	40T-10T Sed,1940-1941 Cab-CabPu,1940 Panel
4	41	BO 120591	Rest channel assy-LH-front door glass	1	40T-10T Sed,1940-1941 Cab CabPu,1940 Panel
5	41	BO 141362	Rest channel and guide assy-RH-front door glass	*	40P-41-44-45-10P-11-12-14 2Sed-3Cpe-ClubCpe,43, 47,15,17
5	41	BO 141363	Rest channel and guide assy-LH-front door glass	1	40P-41-44-45-10P-11-12-14 2Sed-3Cpe ClubCpe,43, 47,15,17
5	41	BO 141360	Rest channel and guide assy-RH-front door glass	*	40P-41-44-45-10P-11-12-14 Sed
5	41	BO 141361	Rest channel and guide assy-LH-front door glass	*	40P-41-44-45-10P-11-12-14 Sed
5	41	BO 141362	Rest channel and guide assy-RH-front door glass	1	1942 2Sed-UCo-3Cpe-ClubCpe-UCpe,27
5	41	BO 141363	Rest channel and guide assy-LH-front door glass	1	1942 2Sed-UCo-3Cpe-ClubCpe-UCpe,27
5	41	BO 141360	Rest channel and guide assy-RH-front door glass	1	20-21-22-24 Sed,20C-28C Cab-CabPu
5	41	BO 141361	Rest channel and guide assy-LH-front door glass	1	20-21-22-24 Sed,20C-28C Cab-CabPu
7	42	C 109316	Rest channel and brace assy-RH-door glass	1	CvCpe-CvSed
7	42	C 109317	Rest channel and brace assy-LH-door glass	1	CvCpe-CvSed
7	42	BO 120198	Rest channel and guide assy-RH-rear door glass	1	Sed-CA
7	42	BO 120199	Rest channel and guide assy-LH-rear door glass	1	Sed-CA
		C 116915	Rest channel assy-quarter window	2	1940 2Sed-UCo
		BO 146568	Rest channel assy-quarter window	2	1941-1942 2Sed-UCo
		BO 134326	Rest channel assy-quarter window	2	41-43-44-45-47-10P-11-12-14-17 Sed
		BO 146517	Rest channel assy-quarter window	2	11-12-14-15 ClubCpe
		BO 204266	Rest channel and regulator assy-qr. window-RH	1st type	1 20P Sed,21-22-24 Sed-ClubCpe,25,27
		BO 204267	Rest channel and regulator assy-qr. window-LH	1st type	1 20P Sed,21-22-24 Sed-ClubCpe,25,27
		BO 204704	Rest channel and regulator assy-qr. window-RH †	2nd type	1 20P Sed,21-22-24 Sed-Club Cpe,25,27

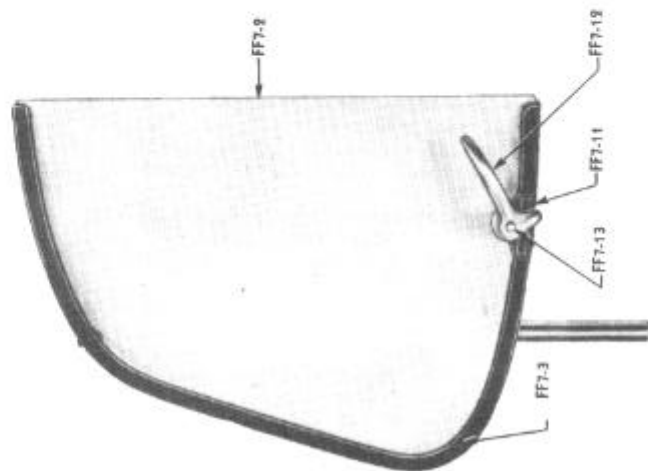
Group & Illus. No.	Plate No.	Part No.	NAME	Per Car	Models
FF2-			WINDOW FRAMES AND REST CHANNELS (CONT'D.)		
		BO 204705	Rest channel and regulator assy-qr. window-LH † 2nd type	1	20P Sed,21-22-24 Sed-ClubCpe,25,27
			NOTE: 2nd type 1942 channel was used after following car numbers - Sed 23587, ClubCpe 23979	1	20P Sed,21-22-24 Sed-ClubCpe,25,27
		BO 206016	Rest channel and regulator assy-qr. window-RH ††	1	20P Sed,21-22-24 Sed-ClubCpe,25,27
		BO 206017	Rest channel and regulator assy-qr. window-LH ††		
FF3-			GLASS RUNS AND CHANNELS		
			NOTE: Parts marked * used on corresponding body models on 40T-40C-48-10T-10C-18 when equipped with optional wing type ventilation		
1	41	C 112765	Glass run assy-upper-front door hinge pillar	2	40T-10T Sed,1940-1941 Cab-CabPu,1940 Panel
1	41	C 112767	Glass run assy-upper-front door hinge pillar	2	40T-10T 2Sed-3Cpe-VicCpe-ClubCpe,40C-10C UCo-UCpe,48P,18P
2	41	BO 114971	Glass run-lower-front door hinge pillar	2	40T,40C,48,10T,10C exc Del,18
4	41	BO 112769	Glass run-upper-front door lock pillar	2	40T-10T 3Cpe-VicCpe-ClubCpe 40C-10C UCpe
4	41	BO 112768	Glass run-upper-front door lock pillar	2	40T-10T 2Sed-Sed,40C-10C UCo-Cab-CabPu,48,18
5	41	BO 114970	Glass run-lower-front door lock pillar	2	40T,40C,48,10T,10C exc Del,18
6	41	C 126986	Glass run-front door	2	1940-1941 2Sed exc 40T-10T,1942 2Sed-UCo,43,47,17,27
6	41	C 126988	Glass run-front door	2	40P-41-44-45-10P-11-12-14-20-21-22-24 Sed,1942 Cab-CabPu
6	41	C 126990	Glass run-front door	* 2	40P-41-44-10P-11-12-14-15 3Cpe-VicCpe-ClubCpe,1942 3Cpe-ClubCpe-UCpe
7	43	BO 109424	Glass run-center RH-door glass	1	CvCpe-CvSed
7	43	BO 109425	Glass run-center LH-door glass	1	CvCpe-CvSed
		C 140809	Glass run-door center bar	* 2	2Sed-Sed-3Cpe-VicCpe-ClubCpt exc 40T-10P,CvCpe,CvSed,1942 UCpe-Cab-CabPu-Sta
8	42	C 112687	Glass run-rear door	2	Sed-CA
		BO 120844	Glass run-front-quarter window	2	1940-1941 Sed exc 40T-10T
		BO 134239	Glass run-front-bottom-quarter window	2	1940-1941 Sed exc 40T-10T
		BO 120844	Glass run-quarter window	4	11-12-14-15 ClubCpe
		C 116920	Glass run-quarter window	2	1940 2Sed-UCo
		C 146571	Felt-quarter window glass stop	2	1941-1942 2Sed-UCo
		BO 204219		2	21-22-24 Sed-ClubCpe,20P Sed,25,27
		BO 75261	Clip-glass run	AR	40T,40C,48,10T,10C,18,1942 exc CvSed
		BO 70042	Rivet-glass run clip	AR	All
		BO 70814	Screw-upper-glass run	AR	All
		BO 71369	Screw-glass run	AR	All
		BO 1636	Screw-glass run-center	8	CvCpe-CvSed
		BO 114968	Glass run and channel assy-RH-front door lock pillar .	1	40T,40C,48,10T,10C exc Del,18
		BO 142679	Glass run channel & plate assy-LH-front door lock pillar	1	40T,40C,48,10T,10C exc Del,18
		BO 114966	Glass run channel-RH-front door lock pillar	1	All exc 40T-40C-48-10T-10C-18-CvSed-CvCpe-Station
		BO 142679	Glass run channel & plate assy-LH-front door lock pillar *	1	All exc 40T-40C-48-10T-10C-18-CvSed-CvCpe-Station
		BO 125186	Glass run channel & bracket assy-RH-front door hinge pilar	1	40T,40C,48,10T,10C exc Del,18
		BO 125187	Glass run, channel & bracket assy-LH-front door hinge pillar	1	40T,40C,48,10T,10C exc Del,18
		BO 125185	Belt brace assembly-front door hinge pillar glass run channel	1	40T,40C,48,10T,10C exc Del,18
		BO 140824	Channel & bracket assy-RH front door glass run	* 2	All exc 40T-40C-48-10T-10C-18-CvSed-CvCpe-Station
		BO 140825	Channel & bracket assy-LH front door glass run	1	All exc 40T-40C-48-10T-10C-18-CvSed-CvCpe-Station
		BO 122522	Channel assy-RH rear door window glass run	1	1940 CvCpe-CvSed

WINDOWS

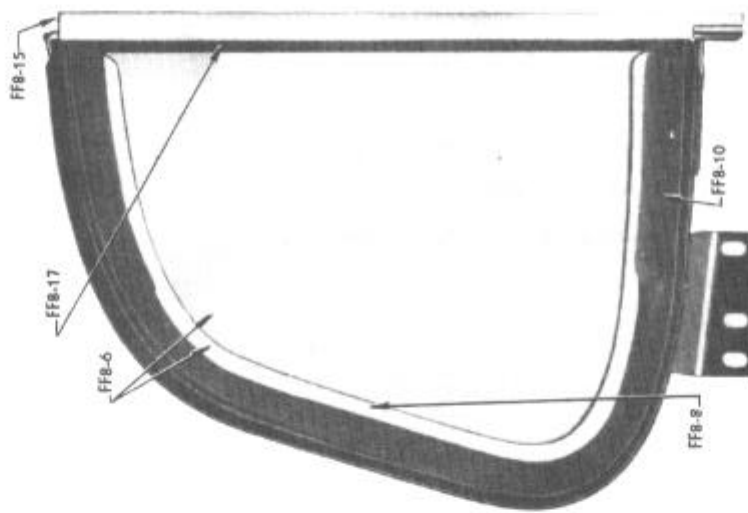
1940-1941-1942

FF

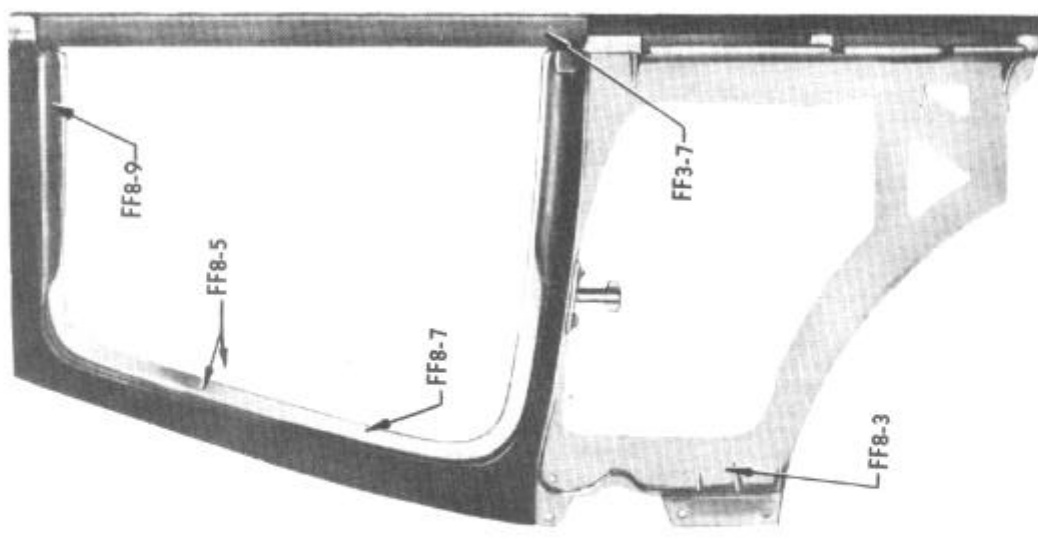
Group & Illus. No.	Plate No.	Part No.	NAME	Per Car	Models	
FF3-			GLASS RUNS AND CHANNELS (CONT'D)			
		BO 122523	Channel assy-LH-rear door window glass run	1	1940 CvCpe-CvSed	
		BO 146692	Channel assy-RH rear door window glass run	1	1941-1942 CvSed	
		BO 146693	Channel assy-LH rear door window glass run	1	1941-1942 CvSed	
		BO 109124	Tapping plate-front door hinge pillar glass run channel bracket	2	40T,40C,48,10T,10C exc Del,18	
		BO 18453	Bolt-lower-front door hinge pillar glass run channel bracket	2	40T,40C,48,10T,10C exc Del,18	
		BZ 70874	Nut-lower-front door hinge pillar glass run channel bolt	2	40T,40C,48,10T,10C exc Del,18	
		BO 170267	Screw-front door lock pillar glass run channel to pillar bracket	2	All exc 40T-40C-48-10T-10C-18-CvCpe-CvSed	
		BO 18464	Bolt-front door glass run channel bracket-front	2	All exc 40T,40C-48-10T-10C-18-CvCpe-CvSed	
		BO 18451	Bolt-front door glass run channel-lower	2	CvCpe-CvSed	
		BO 107172	Channel & bracket assy-RH-rear door hinge pillar glass run	1	Sed,CA	
		BO 107173	Channel & bracket assy-LH-rear door hinge pillar glass run	1	Sed,CA	
		BO 120284	Channel assy-RH rear door lock pillar-to car 19468	1	1940 Sed-CA	
		BO 120285	Channel assy-LH rear door lock pillar-to car 19468	1	1940 Sed-CA	
		BO 142688	Channel assy-RH rear door lock pillar-after car 19468	1	1940 Sed-CA	
		BO 142689	Channel assy-LH rear door lock pillar-after car 19468	1	1940 Sed-CA	
		BO 142688	Channel assy-RH rear door lock pillar	1	1941-1942 Sed,1941 CA	
		BO 142689	Channel assy-LH rear door lock pillar	1	1941-1942 Sed,1941 CA	
		BO 18459	Bolt-rear door lock pillar glass run channel	4	1940-1941 Sed-CA	
	FF4-		BO 170367	Bolt-rear door lock pillar glass run channel	4	1942 Sed
			BO 18479	Nut-rear door lock pillar glass run channel bolt	4	Sed,CA
				WINDOW WEATHERSTRIPS AND SEALS		
				NOTE: Parts marked * used on corresponding body models on 40T-40C-48-10T-10C-18 when equipped with optional wing type ventilation.		
			BO 130463	Weatherstrip-RH inner-front door window belt	1	40T-10T exc Sed,40C-10C UCo-UCpe,48P,18P
			BO 130462	Weatherstrip-LH inner-front door window belt	1	40T-10T exc Sed,40C-10C UCo-UCpe,48P,18P
			BO 130464	Weatherstrip-RH inner-front door window belt	1	40T-10T Sed,1940-1941 Cab-CabPu,48C Panel
			BO 130465	Weatherstrip-LH inner-front door window belt	1	40T-10T Sed,1940-1941 Cab-CabPu,48C Panel
			BO 117492	Weatherstrip-inner-front door window belt	2	40C Panel to car 54416
			BO 130464	Weatherstrip-RH inner-front door window belt	1	40C Panel after car 54416
			BO 130465	Weatherstrip-LH inner-front door window belt	1	40C Panel after car 54416
			BO 125484	Weatherstrip-RH inner-front door window belt	*	2 Sed-3Cpe-VicCpe-ClubCpe exc 40T-10T,1942 UCo-UCpe, 43,47,15,17,27
			BO 125485	Weatherstrip-LH inner-front door window belt	*	2 Sed-3Cpe-VicCpe-ClubCpe exc 40T-10T,1942 UCo-UCpe, 43,47,15,17,27
			BO 125486	Weatherstrip-RH inner-front door window belt	*	40P-41-44-45-10P-11-12-14-20-21-22-24 Sed, 1942 Cab-CabPu
			BO 125487	Weatherstrip-LH inner-front door window belt	*	40P-41-44-45-10P-11-12-14-20-21-22-24 Sed, 1942 Cab-CabPu
			BO 142154	Weatherstrip-RH inner-door window belt	1	CvCpe,CvSed
			BO 142155	Weatherstrip-LH inner-door window belt	1	CvCpe,CvSed
			BO 125494	Weatherstrip-inner-rear door window belt	2	Sed,CA
			BO 170059	Screw-door belt weatherstrip	8	40C Panel to car 54416
		BO 170474	Staple-door belt weatherstrip Service	AR	All	
		BO 142156	Weatherstrip-RH-inner-quarter window belt	1	1940 2Sed-UCo	
		BO 142157	Weatherstrip-LH-inner-quarter window belt	1	1940 2Sed-UCo	
		BO 147148	Weatherstrip-RH-inner-quarter window belt	1	1941-1942 2Sed-UCo	
		BO 147149	Weatherstrip-LH-inner-quarter window belt	1	1941-1942 2Sed-UCo	
		BO 148742	Weatherstrip-RH-quarter window belt	1	1941-1942 CvSed	
		BO 148743	Weatherstrip-LH-quarter window belt	1	1941-1942 CvSed	
		BO 134292	Weatherstrip-inner-quarter window	2	1940 Sedan exc 40-48P	
		BO 146592	Weatherstrip-RH-inner-quarter window	1	1941 Sedan exc 10T-18P	
		BO 146593	Weatherstrip-LH-inner-quarter window	1	1941 Sedan exc 10T-18P	
		BO 146590	Weatherstrip-RH-inner-quarter window	1	1941 ClubCpe exc 10	
		BO 146591	Weatherstrip-LH-inner-quarter window	1	1941 ClubCpe exc 10	
		BO 204230	Weatherstrip-RH-inner-quarter window	1	1942 Sedan exc 20T	
		BO 204231	Weatherstrip-LH-inner-quarter window	1	1942 Sedan exc 20T	



Door Wing
Friction Type



Door Wing
Crank Type for Closed Cars



Door Wing
Crank Type for Convertibles

Group & Illus. No.	Plate No.	Part No.	NAME	Per Car	Models
FF4-			WINDOW WEATHERSTRIPS AND SEALS (CONT'D.)		
		BO 204232	Weatherstrip-RH-inner-quarter window	1	1942 ClubCpe exc 20
		BO 204233	Weatherstrip-LH-inner-quarter window	1	1942 ClubCpe exc 20
		BO 134294	Weatherstrip-RH-outer-quarter window	1	1940 Sedan exc 40-48P
		BO 134295	Weatherstrip-LH-outer-quarter window	1	1940 Sedan exc 40-48P
		BO 146546	Weatherstrip-RH-outer-quarter window	1	1941-1942 Sedan exc 10T-18P-20T
		BO 146547	Weatherstrip-LH-outer-quarter window	1	1941-1942 Sedan exc 10T-18P-20T
		BO 146522	Weatherstrip-RH-outer-quarter window	1	1941-1942 ClubCpe exc 10-20
		BO 146523	Weatherstrip-LH-outer-quarter window	1	1941-1942 ClubCpe exc 10-20
		BO 140690	Weatherstrip-quarter window	Painted 2	40T Sed,48P
		BO 140691	Weatherstrip-quarter window	Grained 2	40P Sed
		BO 130181	Weatherstrip-quarter window	2	1940 3Cpe-VicCpe-UCpe
		BO 147774	Weatherstrip-quarter window	2	10T-20T Sed,18P
		BO 147790	Weatherstrip-quarter window	2	1941-1942 3Cpe-UCpe,10-20 ClubCpe
		BO 170304	Screw-quarter window weatherstrip	#8 x 1/2" 4	1941-1942 CvSed
		BO 130180	Weatherstrip-rear window	1	1940 3Cpe-VicCpe-UCpe
		C 142035	Weatherstrip-rear window-to car 3828	1	40T 2Sed-Sed,40C UCo,48P
		C 142626	Weatherstrip-rear window-after car 3828	1	40T 2Sed-Sed,40C UCo,48P
		BO 141216	Weatherstrip-rear window	1	1940 2Sed-Sed exc 40T
		BO 128657	Weatherstrip-rear window	1	Cab,CabPu
		C 148626	Weatherstrip-rear window	1	1941-1942 All exc Cab-CabPu-CvSed
		C 144289	Welt & retainer assy-rear window	1	40P-41-44-45 2Sed-Sed,43,47 40T 2Sed-Sed,40C UCo,48P Sed to car 3828
	FF5-			WINDOW BUMPERS AND CUSHIONS	
		BO 125482	Cushion-front door window glass	2	40C Panel to car 54416
		BO 109223	Cushion-front door window glass	2	40C Panel after car 54416
		BO 109223	Cushion-front door window glass	2	All
		BO 112755	Cushion-front door hinge pillar glass run channel bracket	4	40T,40C,48,10T,10C exc,Del,18
		BO 170059	Screw-front door window glass cushion #4 x 1/2"	#4 x 1/2" 4	40C Panel to car 54416
		BO 18353	Rivet-front door hinge pillar glass run channel bracket cushion	8	40T,40C,48,10T,10C exc Del,18
		BO 109223	Cushion-quarter and rear door window	2-4	2Sed,Sed,CA,UCo
		BO 120848	Bumper-quarter window	2	1940 2Sed-UCo
FF6-				WINDOW MISCELLANEOUS PARTS	
		BO 122524	Stop-upper-door window glass	2	CvCpe,CvSed
		BO 109431	Stop-lower-door window glass	2	CvCpe,CvSed
		BO 18464	Bolt-upper & lower-door window glass stop stop	1/4"-20 x 11/16" 8	CvCpe-CvSed
		BZ 70874	Nut-lower-door window glass stop	1/4"-20 x 1/4" 2-4	CvCpe,CvSed
		C 140940	Reinforcement-rear window opening	1	40-41-44-45 2Sed-Sed,40C UCo
		C 126971	Reinforcement-rear window opening	1	40-41-44 3Cpe-VicCpe,40C UCpe
		C 140940	Reinforcement-rear window opening	1	10,11,18C,20,21,12-14-15-22-24-25 2Sed-Cpes
		C 140941	Reinforcement assy-rear window opening	1	43,47,48P
		C 146941	Reinforcement assy-rear window opening	1	12-14-15-17-18P-22-24-27 Sed
		BO 140081	Bracket-dome lamp-on rear window opening reinforcement	1	43,47,48P
		BO 146081	Bracket-dome lamp-on rear window opening reinforcement	1	12,14,15,17,18P,22,24,27
	FF7-			FRONT DOOR WING-FRICTION TYPE	
			Standard on 40P-41-44-45-10P-11-20-21 2Sed-Sed-3Cpe,VicCpe-ClubCpe,21 Station, 28.		
			Optional on 40T-40C-48-10T-10C exc Del, II exc Station, 18.		
			NOTE: Parts marked † discontinued in production Jan. 15, 1942. Parts marked †† used after Jan. 15, 1942, starting car No. 37067. See Introduction.		
		BO 141902	Wing and weatherstrip retainer complete-RH †	Chrome 1	40P-41-44-45-10P-11-20-21-28 exc Convertibles
		BO 141903	Wing and weatherstrip retainer complete-LH †	Chrome 1	40P-41-44-45-10P-11-20-21-28 exc Convertibles
	BO 205670	Wing and weatherstrip retainer complete-RH ††	Enamel 1	20-21 exc CvSed,28	

Group & Illus. No.	Plate No.	Part No.	NAME		Per Car	Models
FF7-			FRONT DOOR WING-FRICTION TYPE (CONT'D.)			
		BO 205671	Wing and weatherstrip retainer complete-LH ††	Enamel	1	20-21 exc CvSed,28
		BO 141610	Retainer assembly-RH-wing weatherstrip		1	40P-41-44-45-10P-11-20-21-28 exc Convertibles
		BO 141611	Retainer assembly-LH-wing weatherstrip		1	40P-41-44-45-10P-11-20-21-28 exc Convertibles
2	43	BO 140874	Glass and frame assy-RH wing †	Chrome	1	40P-41-44-45-10P-11-20-21-28 exc Convertibles
2	43	BO 140875	Glass and frame assy-LH wing †	Chrome	1	40P-41-44-45-10P-11-20-21-28 exc Convertibles
		BO 206050	Glass and frame assy-RH wing ††	Black Enamel	1	20-21 exc CvSed,28
		BO 206051	Glass and frame assy-LH wing ††	Black Enamel	1	20-21 exc CvSed,28
3	43	BO 141842	Frame-RH-wing glass †	Chrome	1	40P-41-44-45-10P-11-20-21-28 exc Convertibles
3	43	BO 141843	Frame-LH-wing glass †	Chrome	1	40P-41-44-45-10P-11-20-21-28 exc Convertibles
		BO 205744	Frame-RH-wing glass ††	Black Enamel	1	20-21 exc CvSed,28
		BO 205745	Frame-LH-wing glass ††	Black Enamel	1	20-21 exc CvSed,28
		BO 170048	Screw-weatherstrip retainer to. header	#8 x 3/8"	2	40P-41-44-45-10P-11-20-21-28 exc Convertibles
5	41	BO 142250	Weatherstrip-RH wing		1	40P-41-44-45-10P-11-20-21-28 exc Convertibles
5	41	BO 142251	Weatherstrip-LH wing		1	40P-41-44-45-10P-11-20-21-28 exc Convertibles
6	41	BO 134230	Center bar and weatherstrip assy-RH-wing †	Chrome	1	40P-41-44-45-10P-11-20-21-28 exc Convertibles
6	41	BO 134231	Center bar and weatherstrip assy-LH-wing †	Chrome	1	40P-41-44-45-10P-11-20-21-28 exc Convertibles
6	41	BO 205742	Center bar and weatherstrip assy-RH-wing ††	Enamel	1	20-21 exc CvSed,28
6	41	BO 205743	Center bar and weatherstrip assy-LH-wing ††	Enamel	1	20-21 exc CvSed,28
		BZ 18333	Rivet-lower-wing center bar	3/16" x 1/4"	4	40P-41-44-45-10P-11-20-21-28 exc Convertibles
		BO 126414	Weatherstrip-wing center bar		2	40P-41-44-45-10P-11-20-21-28 exc Convertibles
7	41	C 140809	Glass run-wing center bar		2	40P-41-44-45-10P-11-20-21-28 exc Convertibles
		BO 70042	Rivet-wing center bar weatherstrip	#9 x 1/4"	2	40P-41-44-45-10P-11-20-21-28 exc Convertibles
		BO 123514	Cushion-wing		2	40P-41-44-45-10P-11-20-21-28 exc Convertibles
		BO 108510	Shim-thin-wing pivot		AR	40P-41-44-45-10P-11-20-21-28 exc Convertibles
		BO 108511	Shim-thick-wing pivot		AR	40P-41-44-45-10P-11-20-21-28 exc Convertibles
		BO 141619	Clamp assembly-wing		2	40P-41-44-45-10P-11-20-21-28 exc Convertibles
		BO 126370	Spring-wing clamp		4	40P-41-44-45-10P-11-20-21-28 exc Convertibles
		BO 170071	Bolt-wing clamp	1/4"-20 x 1"	4	40P-41-44-45-10P-11-20-21-28 exc Convertibles
		BO 126371	Backing plate-wing clamp		2	40P-41-44-45-10P-11-20-21-28 exc Convertibles
		BO 170327	Bolt-wing clamp to cross member	1/4"-28 x 11/16"	4	40P-41-44-45-10P-11-20-21-28 exc Convertibles
11	43	BO 141841	Stud assembly-wing frame		2	40P-41-44-45-10P-11-20-21-28 exc Convertibles
		BO 170645	Rivet-wing frame stud to frame	9/64" x 1/4"	4	40P-41-44-45-10P-11-20-21-28 exc Convertibles
12	43	BO 136542	Handle-RH-wing locking		1	40P-41-44-45-10P-11-20-21-28 exc Convertibles
12	43	BO 136543	Handle-LH-wing locking		1	40P-41-44-45-10P-11-20-21-28 exc Convertibles
		BO 136840	Plunger-wing locking handle		2	40P-41-44-45-10P-11-20-21-28 exc Convertibles
13	43	BO 136841	Knob-wing locking handle plunger		2	40P-41-44-45-10P-11-20-21-28 exc Convertibles
		BO 126378	Spring-wing locking handle plunger		2	40P-41-44-45-10P-11-20-21-28 exc Convertibles
		BO 126437	Washer-wing locking handle plunger spring		2	40P-41-44-45-10P-11-20-21-28 exc Convertibles
		BO 126419	Pin-wing locking handle		2	40P-41-44-45-10P-11-20-21-28 exc Convertibles
		BO 136548	Plate-wing locking		2	40P-41-44-45-10P-11-20-21-28 exc Convertibles
		BO 70079	Rivet-wing locking plate	9/64" x 3/16"	4	40P-41-44-45-10P-11-20-21-28 exc Convertibles

Group & Illus. No.	Plate No.	Part No.	NAME	Per Car	Models
FRONT DOOR WING-CRANK TYPE					
Standard on 45-47-12-24 exc Station-15-17-23-24-25-27- All Convertibles.					
NOTE: Parts marked † discontinued in production Jan. 15, 1942. Parts marked †† used after Jan. 15, 1942, starting car to. 37067. See Introduction.					
		BO 141906	Retainer complete-RH-wing weatherstrip †	Chrome	1 43,47,15,17,25,27,12-14-22-24 exc CvSed
		BO 141907	Retainer complete-LH-wing weatherstrip †	Chrome	1 43,47,15,17,25,27,12-14-22-24 exc CvSed
		BO 205674	Retainer complete-RH-wing weatherstrip ††	Enamel	1 25,27,22-24 exc CvSed
		BO 205675	Retainer complete-LH-wing weatherstrip ††	Enamel	1 25,27,22-24 exc CvSed
		BO 142694	Cradle complete-RH-wing		1 1940 CvCpe-CvSed
		BO 142695	Cradle complete-LH-wing		1 1940 CvCpe-CvSed
		BO 146804	Cradle complete-RH-wing		1 1941-1942 CvSed
		BO 146805	Cradle complete-LH-wing		1 1941-1942 CvSed
3	43	BO 140816	Cradle-RH-wing		1 1940 CvCpe-CvSed
3	43	BO 140817	Cradle-LH-wing		1 1940 CvCpe-CvSed
3	43	BO 146686	Cradle-RH-wing		1 1941-1942 CvSed
3	43	BO 146687	Cradle-LH-wing		1 1941-1942 CvSed
		BO 18447	Screw-wing cradle	10-32 x 5/8"	8 CvCpe,CvSed
		BO 71073	Nut-wing cradle screw	10-32 x 1/8"	4 CvCpe,CvSed
		BO 140818	Support-RH-wing cradle		1 1940 CvCpe-CvSed
		BO 140819	Support-LH-wing cradle		1 1940 CvCpe-CvSed
		BO 18447	Screw-wing cradle support	10-32 x 5/8"	4 1940 CvCpe-CvSed
5	43	BO 140844	Glass and frame assy-RH wing		1 CvCpe,CvSed
5	43	BO 140845	Glass and frame assy-LH wing		1 CvCpe,CvSed
6	43	BO 134224	Glass and frame assy-RH wing †	Chrome	1 43,47,15,17,25,27,12-14-22-24 exc CvSed
6	43	BO 134225	Glass and frame assy-LH wing †	Chrome	1 43,47,15,17,25,27,12-14-22-24 exc CvSed
6	43	BO 205748	Glass and frame assy-RH-wing ††	Black Enamel	1 25,27,22-24 exc CvSed
6	43	BO 205749	Glass and frame assy-LH-wing ††	Black Enamel	1 25,27,22-24 exc CvSed
7	43	BO 140812	Frame-RH-wing glass		1 CvCpe,CvSed
7	43	BO 140813	Frame-LH-wing glass		1 CvCpe,CvSed
8	43	BO 134222	Frame-RH-wing glass †	Chrome	1 43,47,15,17,25,27,12-14-22-24 exc CvSed
8	43	BO 134223	Frame-LH-wing glass †	Chrome	1 43,47,15,17,25,27,12-14-22-24 exc CvSed
8	43	BO 205746	Frame-RH-wing glass ††	Black Enamel	1 25,27,22-24 exc CvSed
8	43	BO 205747	Frame-LH-wing glass ††	Black Enamel	1 25,27,22-24 exc CvSed
		BO 140842	Guide-wing glass frame		2 CvCpe,CvSed
		BO 71266	Screw-wing glass frame guide	10-32 x 5/16"	4 CvCpe,CvSed
9	43	BO 109426	Weatherstrip-RH-wing		1 CvCpe,CvSed
9	43	BO 109426	Weatherstrip-LH-wing		1 CvCpe,CvSed
10	43	BO 142252	Weatherstrip-RH-wing		1 43,47,15,17,25,27,12-14-22-24 exc CvSed
10	43	BO 142253	Weatherstrip-LH-wing		1 43,47,15,17,25,27,12-14-22-24 exc CvSed
		BO 111884	Pin-wing weatherstrip retaining		2 CpCpe,CvSed
		BO 140610	Retainer assy-RH-wing weatherstrip		1 43,47,15,17,25,27,12-14-22-24 exc CvSed
		BO 140611	Retainer assy-LH-wing weatherstrip		1 43,47,15,17,25,27,12-14-22-24 exc CvSed
		BO 170327	Bolt-wing weatherstrip retainer to cross member		2 43,47,15,17,25,27,12-14-22-24 exc CvSed
		BO 71443	Nut-wing weatherstrip retainer to cross member bolt		2 43,47,15,17,25,27,12-14-22-24 exc CvSed
15	43	BO 134230	Center bar & weatherstrip assy-RH-wing †	Chrome	1 43,47,15,17,25,27,12-14-22-24 exc CvSed
15	43	BO 134231	Center bar & weatherstrip assy-LH-wing †	Chrome	1 43,47,15,17,25,27,12-14-22-24 exc CvSed
15	43	BO 205742	Center bar & weatherstrip assy-RH-wing ††	Enamel	1 25,27,22-24 exc CvSed
15	43	BO 205743	Center bar & weatherstrip assy-LH-wing ††	Enamel	1 25,27,22-24 exc CvSed
		C 140809	Glass run-wing center bar		2 43,47,15,17,25,27,12-14-22-24 exc CvSed
		BO 70042	Rivet-wing center bar glass run	#9 x 1/4"	2 43,47,15,17,25,27,12-14-22-24 exc CvSed
17	43	BO 126414	Weatherstrip-wing center bar		2 43,47,15,17,25,27,12-14-22-24 exc CvSed
		BO 108515	Cushion-wing		2 CvCpe,CvSed
		BO 123514	Cushion-wing		2 43,47
		BO 108515	Cushion-wing		2 12,14,15,17,22,24,25,27
		BO 108907	Screw-wing pivot		2 CvCpe,CvSed
		BO 108510	Shim-thin-wing pivot	AR	A11
		BO 108511	Shim-thick-wing pivot	AR	A11

Group & Illus. No.	Plate No.	Part No.	NAME	Per Car	Models
FF11-			WINDOW REGULATORS		
			NOTE: Parts marked • used on correspond ing body models on models NOT-40C-48-10T-10C-18 when equipped with wing type ventilation. See Group DD3 for regulator handles.		
1	42	BO 141340	Regulator assy-RH-door wing	1	43,47,1940 CvCpe-CvSed
1	42	BO 141341	Regulator assy-LH-door wing	1	43,47,1940 CvCpe-CvSed
1	42	BO 148602	Regulator assy-RH-door wing	1	12,14,15,17,10-11 CvSed
1	42	BO 148603	Regulator assy-LH-door wing	1	12,14,15,17,10-11 CvSed
1	42	BO 141340	Regulator assy-RH-door wing	1	22,24,25,27,20-21 CvSed
1	42	BO 141341	Regulator assy-LH-door wing	1	22,24,25,27,20-21 CvSed
1	42	BO 170327	Screw-door wing regulator	4	43,47,12,14,15,17,22,24, 25,27,All CvCpe-CvSed
		BO 70186	Washer-lower-door wing regulator spacing	2	1941-1942 CvSed
		BO 17900	Washer-upper-door wing regulator spacing	1	1941-1942 CvSed
2	41	BO 112752	Regulator assy-RH-front door window	1	40T,40C,48
2	41	BO 112753	Regulator assy-LH-front door window	1	40T,40C,48
2	41	BO 200520	Regulator assy-RH-front door window	1	10T,10C,18
2	41	BO 200521	Regulator assy-LH-front door window	1	10T,10C,18
3	41	BO 141342	Regulator assy-RH-front door window	*	A11 exc 40T-40C-48-10T-10C-18-Convertibles
3	41	BO 141343	Regulator assy-LH-front door window	*	A11 exc 40T-40C-48-10T-10C-18-Convertibles
		BO 109462	Regulator assy-RH-door window	1	1940 CvCpe-CvSed
		BO 109463	Regulator assy-LH-door window	1	1940 CvCpe-CvSed
		BO 148608	Regulator assy-RH-door window	1	1941-1942 CvSed
		BO 148609	Regulator assy-LH-door window	1	1941-1942 CvSed
		BM 70484	Bolt-front door window regulator	6	40T,40C,48
		BO 18464	Bolt-front door window regulator	AR	CvCpe,CvSed
		BO 170327	Screw-front door window regulator	8	1940 A11 exc 40T-40C-48-Convertibles
		BO 170602	Screw-front door window regulator	8	1941-1942 A11 exc CvSed
		BZ 70484	Nut-front door window regulator bolt	AR	A11 CvCpe-CvSed
		BO 18461	Lockwasher-front door window regulator bolt	AR	A11 Models
		BO 71316	Spacing lockwasher-front door window regulator bolt	2	1940 CvCpe-CvSed
		BO 70186	Spacing lockwasher-front door window regulator bolt	6	1941-1942 CvSed
		BO 141366	Shim-regulator to auxiliary cross member	2	A11 exc 40T-40C-48-10T-10C-18-Convertibles
		BO 120498	Regulator assy-RH-rear door window	1	1940 Sed-CA
		BO 120499	Regulator assy-LH-rear door window	1	1940 Sed-CA
6	42	BO 148606	Regulator assy-RH-rear door window	1	1941-1942 Sed,1941 CA
6	42	BO 148607	Regulator assy-LH-rear door window	1	1941-1942 Sed,1941 CA
		BO 70865	Bolt-rear door window regulator	8	1940 Sed-CA
		BO 170602	Bolt-rear door window regulator	8	1941-1942 Sed,1941 CA
		BO 112597	Regulator assy-RH-quarter window	1	1940 2Sed-UCo
		BO 112598	Regulator assy-LH-quarter window	1	1940 2Sed-UCo
		BO 146584	Regulator assy-RH-quarter window	1	1941-1942 2Sed-UCo
		BD 146585	Regulator assy-LH-quarter window	1	1941-1942 2Sed-UCo
		BO 120839	Regulator assy-quarter window	2	1940 Sed exc 40-48P
		BO 148600	Regulator assy-quarter window	2	1941 Sed exc 10T-18P, 11-12-14-15 ClubCpe
		BO 204228	Panel assy-RH-quarter window regulator	1	1942 Sed exc 20T,21-22-24-25 ClubCpe
		BO 204229	Panel assy-LH-quarter window regulator	1	1942 Sed exc 207,21-22-24-25 ClubCpe
		BZ 18218	Screw-quarter window regulator	4	1940 Sed exc 40-48P
		BZ 18218	Screw-quarter window regulator to car 900	4	1941 Sed exc 10T-18P,11-12-14-15 ClubCpe
		BO 70853	Screw-quarter window regulator after after car 900 1/4"-28 x 9/16"	4	1941 Sed exc 10T-18P,11-12-14-15 ClubCpe
		BO 71642	Bolt-quarter window regulator strap	4	1940 2Sed-UCo
		BO 71737	Bolt-quarter window regulator to frame	4	1940 2Sed-UCo
		BO 170563	Screw-quarter window regulator	8	1941-1942 2Sed-UCo
		BO 71500	Screw-quarter window regulator to channel	4	1941-1942 Sed-ClubCpe exc 40-48-10T-18P
		BZ 70874	Nut-quarter window regulator to frame bolt	4	1940 2Sed-Sed
		BO 86272	Washer-quarter window regulator screw	4	1941-1942 Sed-ClubCpe exc 40-48-10T-18P

Group & Illus. No.	Plate No.	Part No.	NAME	Per Car	Models	
FF11-			WINDOW REGULATORS (CONT'D.)			
		BO 170514	Stop screw-quarter window regulator panel	#10 x 5/8"	2	21-22-24-25 ClubCpe
		BO 204722	Spacer-quarter window regulator panel		2	1942 Sed-ClubCpe exc 20
			NOTE: For push-pull type quarter window regulator on 1942 Sed and ClubCpe, see Group FF2.			
FF12-			QUARTER WINDOW OPENING BLIND			
		C 118594	Blind assy - RH-quarter window opening		1	1940 UCo
		C 118595	Blind assy - LH-quarter window opening		1	1940 UCo
		C 202180	Blind assy - RH-quarter window opening		1	1941 UCo
		C 202181	Blind assy - LH-quarter window opening		1	1941 UCo
		BO 111057	Bracket-quarter window opening blind		4	1940-1941 UCo
		BO 71408	Rivet-quarter window opening blind bracket	9/64" x 1/4"	4	1940-1941 UCo
FF13-			WINDOW DRAIN TROUGH			
		C 141892	Trough assy - RH-quarter window		1	1940 2Sed-UCo
		C 141893	Trough assy - LH-quarter window		1	1940 2Sed-UCo
		C 202122	Trough assy - RH-quarter window		1	1941 2Sed-UCo
		C 202123	Trough assy - LH-quarter window		1	1941 2Sed-UCo
		C 207788	Trough assy - RH-quarter window		1	1942 2Sed-UCo
		C 207789	Trough assy - LH-quarter window		1	1942 2Sed-UCo
		C 135370	Trough assy - RH-quarter window		1	1940 Sed exc 40-48P
		C 135371	Trough assy - LH-quarter window		1	1940 Sed exc 40-48P
		C 134214	Trough assy - RH-quarter window		1	40P-48P Sed,48P CA
		C 134215	Trough assy - LH-quarter window		1	40P-48P Sed,48P CA
		C 147986	Trough assy - RH-quarter window		1	1941 Sed exc 10T-18P
		C 147987	Trough assy - LH-quarter window		1	1941 Sed exc 10T-18P
		C 207786	Trough assy - RH-quarter window		1	1942 Sed exc 20T
		C 207787	Trough assy - LH-quarter window		1	1942 Sed exc 20T
		C 147212	Trough assy - RH-quarter window	On wheelhouse	1	1941-1942 2Sed-UCo-UCpe-3Cpe-ClubCpe
		C 147213	Trough assy - LH-quarter window	On wheelhouse	1	1941-1942 2Sed-UCo-UCpe-3Cpe-ClubCpe
		C 147214	Trough assy - RH-quarter window	On wheelhouse	1	1941 Sed-CA
		C 147215	Trough assy - LH-quarter window	On wheelhouse	1	1941 Sed-CA
		BO 170462	Screw-quarter window drain trough		4	1941 2Sed-UCo
		BO 146582	Brace-quarter window regulator panel to drain trough .		2	1941-1942 2Sed-UCo
		BO 18464	Screw-quarter window regulator panel to drain trough brace		6	1941-1942 2Sed-UCo
		BO 70874	Nut-quarter window regulator panel to drain trough brace screw		6	1941-1942 2Sed-UCo
GG1-			ROOF BOWS			
		C 126740	Bow-No. 1 - roof	50-23/32"	1	1940 All exc CvCpe-CvSed
		C 148371	Bow-No. 1 - roof	52-5/8"	1	1941-1942 2Sed-Sed-CA-UCo-Cab-CabPu
		C 200444	Bow-No. 1 - roof	56-3/4"	1	1941-1942 3Cpe-ClubCpe-UCpe
		C 126741	Bow-No. 2 - roof	54-13/32"	1	1940 Cab-CabPu-Panel
		C 126742	Bow-No. 2 - roof	57-25/32"	1	40-41-44-45 2Sed-Sed
		C 126446	Bow-No. 2 - roof	58-17/32"	1	1940 3Cpe-VicCpe-UCpe,43,47,48P
		C 148383	Bow-No. 2 - roof	56-21/32"	1	1941-1942 2Sed-UCo
		C 148372	Bow-No. 2 - roof	57-5/8"	1	10-11-12-14-20-21-22-24 Sed,1941-1942 Cab-CabPu
		C 200442	Bow-No. 2 - roof	55-3/4"	1	17,18P,27
		C 200445	Bow-No. 2 - roof	56-5/32"	1	1941-1942 3Cpe-ClubCpe-UCpe
		C 126745	Bow-No. 3 - roof	58-1/4"	1	1940 2Sed-UCo
		C 126743	Bow-No. 3 - roof	57-25/32"	1	1940 Sed-CA
		C 126748	Bow-No. 3 - roof	59-13/16"	1	1940 3Cpe-VicCpe-UCpe
		C 148374	Bow-No. 3 - roof	58-15/16"	1	1941 2Sed-UCo-3Cpe-ClubCpe-UCpe
		C 148373	Bow-No. 3 - roof	58-5/16"	1	10-11-12-14 Sed
		C 200441	Bow-No. 3 - roof	57-1/4"	1	17,18P,27
		C 148373	Bow-No. 3 - roof	58-5/16"	1	20-21-22-24 Sed
		C 148374	Bow-No. 3 - roof	58-15/16"	1	1942 3Cpe-ClubCpe-UCpe
		C 148384	Bow-No. 3 - roof	59-3/16"	1	1942 2Sed-UCo
		C 126748	Bow-No. 4 - roof	59-13/16"	1	1940 VicCpe
		C 133764	Bow-No. 4 - roof	56-11/16"	1	1940 2Sed-UCo
		C 133762	Bow-No. 4 - roof	57-7/8"	1	40-48P Sed,48P CA
		C 133760	Bow-No. 4 - roof	56-11/16"	1	1940 Sed exc 40-48P
		C 148374	Bow-No. 4 - roof	58-15/16"	1	1941-1942 2Sed-UCo
		C 148380	Bow-No. 4 - roof	58-5/32"	1	10 11 12 14 20 21 22 24 Sed
		C 200443	Bow-No. 4 - roof	57-7/8"	1	17,18P,27
		C 148376	Bow-No. 4 - roof	59-7/8"	1	1941 3Cpe-UCpe,10 ClubCpe

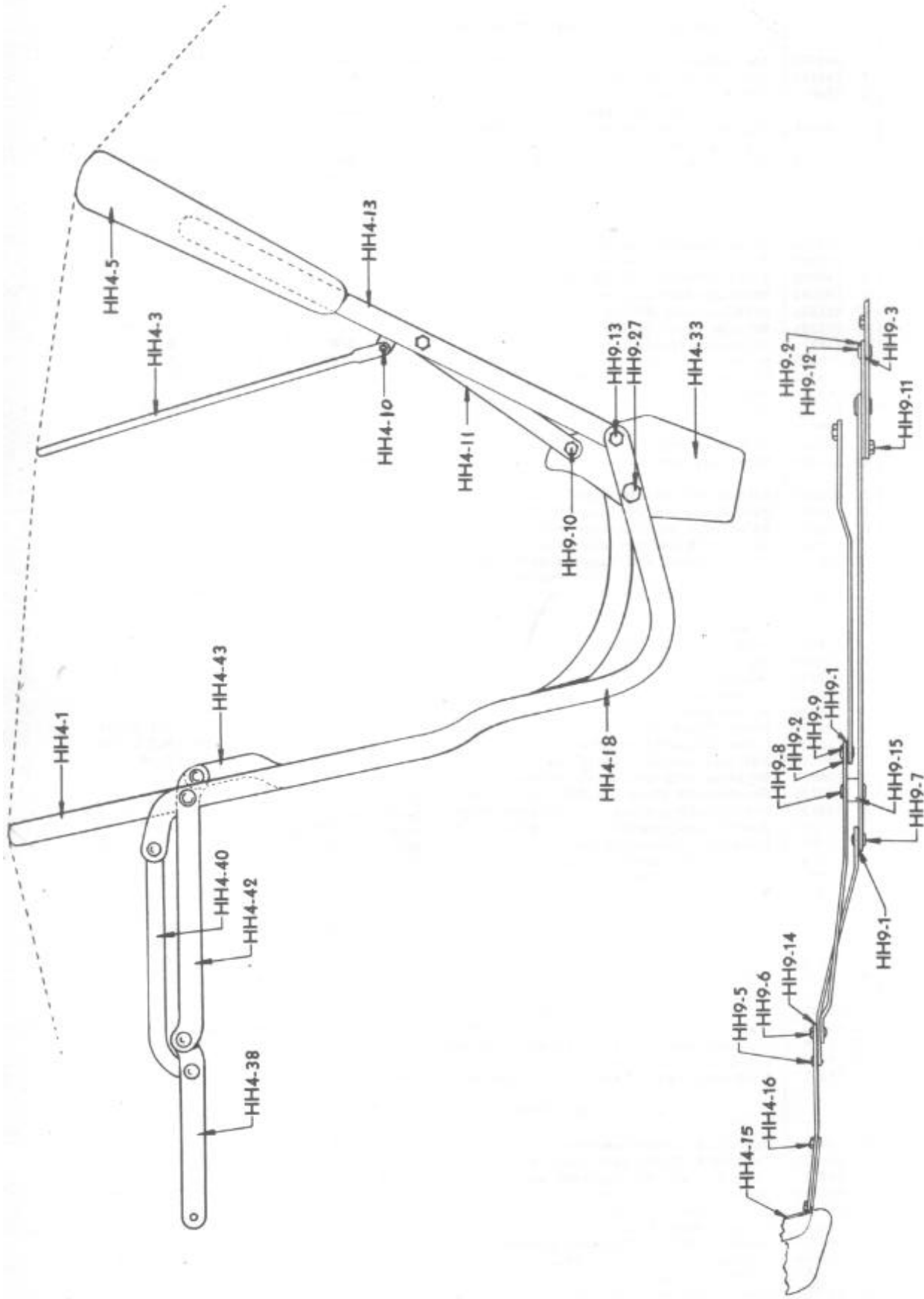
Group & Illus. No.	Plate No.	Part No.	NAME	Per Car	Models
GG1-			ROOF BOWS (CONT'D)		
		C 148375	Bow-No. 4-roof	59-3/16"	1 11 12 14 15 21 22 24 25 ClubCpe
		C 204416	Bow-No. 4-roof	59-3/8"	1 1942 3Cpe-UCpe,20 ClubCpe
		C 133765	Bow-No. 5-roof	56-3/8"	1 1940 2Sed-UCo
		C 133763	Bow-No. 5-roof	57-1/16"	1 40-48P Sed,48P CA
		C 133761	Bow-No. 5-roof	55-1/4"	1 1940 Sed exc 40-48P
		C 200440	Bow-No. 5-roof	56-3/4"	1 1941 2Sed-UCo
		C 148381	Bow-No. 5-roof	56"	1 1941 Sed exc 10T-18P
		C 148375	Bow-No. 5-roof	59-3/16"	1 10T Sed,11-12-14-15 ClubCpe,18P
		C 148377	Bow-No. 5-roof	59-3/4"	1 1941 3Cpe-UCpe,10 ClubCpe
		C 148381	Bow-No. 5-roof	56"	1 1942 2Sed-UCo-Sed exc 201
		C 148375	Bow-No. 5-roof	59-3/16"	1 21-22-24-25 ClubCpe
		C 204417	Bow-No. 5-roof	55-15/16"	1 20T Sed
		C 204416	Bow-No. 5-roof	59-3/8"	1 1942 3Cpe-UCpe, 20 ClubCpe
		C 148376	Bow-No. 6-roof	59-7/8"	1 1941 2Sed-UCo
		C 148382	Bow-No. 6-roof	57-3/16"	1 10-18P Sed,18P CA
		C 148381	Bow-No. 6-roof	56"	1 1941 Sed exc 10-18P
		C 148381	Bow-No. 6-roof	56"	1 1942 2Sed-UCo-Sed exc 20T
		C 204418	Bow-No. 6-roof	54-7/8"	1 20T Sed
		C 126741	Bow-betweenNo.1-No.2	leather trim	1 1940 A11 exc 40T
		BO 144728	Bracket-RH-roof bow	Sedan 64060,2Sed	1 1940 A11 exc 40T
		BO 144729	Bracket-LH-roof bow	Cpes-CA 67006	1 1940 A11 exc 40T
		BO 71625	Bolt-roof bow	1/4"-20 x 7/8"	AR 1940 A11
		BZ 70957	Bolt-roof bow	1/4"-20 x 1-5/8"	6 1940 2Sed-UCo
		BO 18464	Bolt-roof bow	1/4"-20 x 11/16"	AR 1940 Sed-3Cpe-VicCpe-UCpe
		BZ 18218	Bolt-roof bow	1/4"-20 x 5/8"	4 1940 Sed exc 40-48P
		BO 170514	Screw-roof bow	No. 10 x 5/8"	AR 1941-1942 A11 exc CvSed
		BO 170606	Screw-roof bow to quarter window frame	10-32 x 3/4"	4 1941 Sed-ClubCpe exc 10T-18P
		BO 89819	Clip nut-roof bow bolt		AR 1940 A11 exc CvCpe-CvSed
		BO 170529	Clip nut-roof bow	No. 10	AR 1941-1942 A11 exc CvSed
		BO 119919	Shim-roof bow	2-29/32" x 1-1/16"	AR 1940 All exc CvCpe-CvSed
		BO 116825	Shim-roof bow	1-1/16" square	AR 1940 A11 exc CvCpe-CvSed
		BO 117534	Tapping plate-roof bow		AR 1940 All exc CvCpe-CvSed
		BO 200147	Reinforcement-headlining rear corner		2 1941 CA
		BO 170472	Screw-headlining rear corner reinforcement .	#8 x 1/2"	6 1941 CA
		BO 203059	Bracket-roof bow		2 1942 All exc Cab-CabPu- CvSed-Station
GG6-			ROOF DRIP MOULDINGS		
		C 126920	Drip moulding-RH-roof panel		1 1940 2Sed-UCo
		C 126921	Drip moulding-LH-roof panel		1 1940 2Sed-UCo
		C 126922	Drip moulding-RH-roof panel		1 40-41-44-45 Sed
		C 126923	Drip moulding-LH-roof panel		1 40-41-44-45 Sed
		C 126924	Drip moulding-RH-roof panel		1 43,47,48P
		C 126925	Drip moulding-LH-roof panel		1 43,47,48P
		C 126926	Drip moulding-RH-roof panel		1 1940 3Cpe-VicCpe-UCpe
		C 126927	Drip moulding-LH-roof panel		1 1940 3Cpe-VicCpe-UCpe
		C 147920	Drip moulding-RH-roof panel		1 1941-1942 2Sed-UCo
		C 147921	Drip moulding-LH-roof panel		1 1941-1942 2Sed-UCo
		C 147922	Drip moulding-RH-roof panel		1 1941-1942 Sed exc 17-18P-27
		C 147923	Drip moulding-LH-roof panel		1 1941-1942 Sed exc 17-18P-27
		C 147924	Drip moulding-RH-roof panel		1 17,18P,27
		C 147925	Drip moulding-LH-roof panel		1 17,18P,27
		C 147926	Drip moulding-RH-roof panel		1 1941-1942 3Cpe-ClubCpe-UCpe
		C 147927	Drip moulding-LH-roof panel		1 1941-1942 3Cpe-ClubCpe-UCpe
					1
HHI-			TOP DECK AND QUARTERS -CONVERTIBLES		
			NOTE: Models 40-10-20 CvSed standard without and optional with quarter windows. Models 41-44-11-12-14-21-22-24 CvSed standard with and optional with-out quarter windows.		
			First and second type top for 1940 CvSed differ In respect to position of rear bow. Second type, which requires new rear curtain and slide fastener, became effective as follows: 41-44 CvSed black top car 40042, 40 CvSed black top car 48175, and 40-41-44 CvSed with tan top car 53232.		
		C 144195	Top complete-trimmed Specify color	Specify color	1 1940 CvCpe
		C 130990	fop complete-trimmed-without qr. windows-1st type		1 1940 CvSed
		C 144415	Top complete-trimmed-without qr. windows-2nd type		1 1940 CvSed
		C 137016	Top complete-trimmed-with qr. windows-1st type		1 1940 CvSed
		C 144413	Top complete-trimmed-with qr. windows-2nd type		1 1940 CvSed
		C 202530	Top complete trimmed-without qr. windows	Specify color	1 1941-1942 CvSed

TOP-CONVERTIBLES

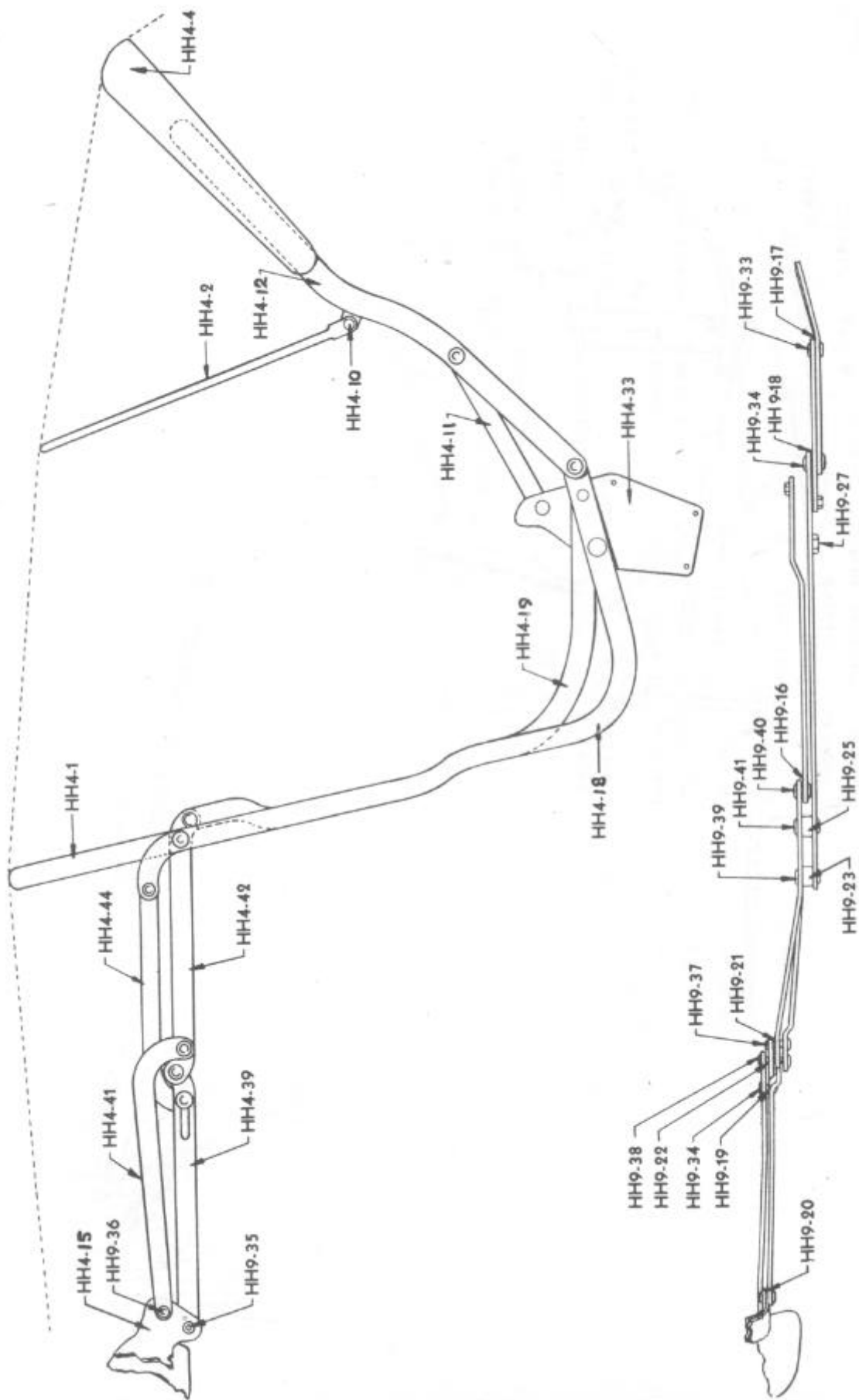
1940-1941-1942

HH

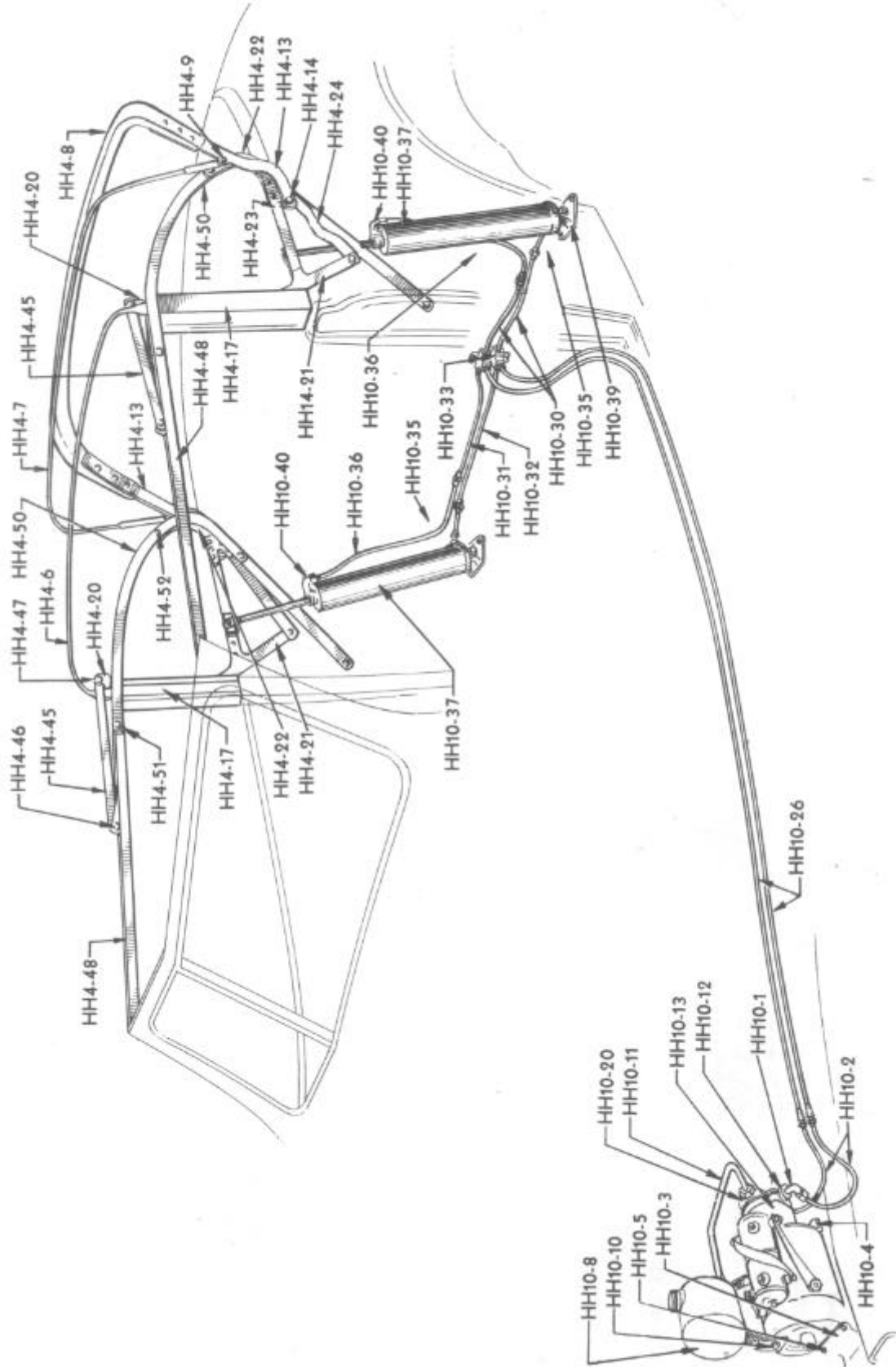
Group & Illus. No.	Plate No.	Part No.	NAME	Per Car	Models
HH1-			TOP DECK AND QUARTERS-CONVERTIBLES (CONT'D.)		
		C 202532	Top complete-trimmed-with qr. windows	Specify color	1 1941-1942 CvSed
		C 144198	Top deck & side quarters assy	Specify color	1 1940 CvCpe
		C 130991	Top deck & weatherstrip assy-without qr. windows-1st type		1 1940 CvSed
		C 144416	Top deck & weatherstrip assy-without qr. windows-2nd type		1 1940 CvSed
		C 137017	Top deck & side quarters assy-with qr. windows-1st type		1 1940 CvSed
		C 144414	Top deck & side quarters assy-with qr. windows-2nd type		1 1940 CvSed
		C 202531	Top deck & side quarters assy-without qr. windows		1 1941-1942 CvSed
		C 202533	Top deck & side quarters assy-with qr. windows		1 1941-1942 CvSed
		C 144196	Reinforcement assy-RH-top		1 1940 CvCpe
		C 144197	Reinforcement assy-LH-top		1 1940 CvCpe
		C 130992	Reinforcement assy-RH-top		1 1941 CvSed
		C 130993	Reinforcement-LH-top		1 1940 CvSed
		C 202534	Reinforcement-RH-top		1 1941-1942 CvSed
		C 202535	Reinforcement-LH-top		1 1941-1942 CvSed
		BO 71527	Screw-top reinforcement to bow	#6 x 3/8"	4 CvCpe,CvSed
		BO 170196	Washer-top reinforcement to bow screw	#6	4 CvCpe,CvSed
		BO 144354	Weatherseal flap assy-RH-top side quarter		1 1940 CvCpe
		BO 144355	Weatherseal flap assy-LH-top side quarter		1 1940 CvCpe
		C 135888	Weatherseal flap assy-RH-top side quarter		1 1940 CvSed
		C 135889	Weatherseal flap assy-LH-top side quarter		1 1940 CvSed
		C 131022	Back stay assy-RH-top	Used with 1st type top	1 1940 CvSed
		C 131023	Back stay assy-LH-top	Used with 1st type top	1 1940 CvSed
		C 135892	Window and curtain assy-RH-quarter		1 1940 CvSed
		C 135893	Window and curtain assy-LH-quarter		1 1940 CvSed
		C 144356	Retainer & curtain assy-RH-quarter window		1 1940 CvSed
		C 144357	Retainer & curtain assy-LH-quarter window		1 1940 CvSed
		BO 128601	Reinforcement assy-upper-quarter window		1 1940 CvSed
		BO 128602	Reinforcement assy-lower-quarter window		1 1940 CvSed
		C 123500	Window assy-RH-quarter-crystal	Optional	1 1940 CvSed
		C 123501	Window assy-LH-quarter-crystal	Optional	1 1940 CvSed
		C 123502	Window assy-RH-quarter-safety	Standard	1 1940 CvSed
		C 123503	Window assy-LH-quarter-safety	Standard	1 1940 CvSed
		C 148730	Window assy-RH-quarter-safety	Standard	1 1941-1942 CvSed
		C 148731	Window assy-LH-quarter-safety	Standard	1 1941-1942 CvSed
		C 148732	Window assy-RH-quarter-crystal	Optional	1 1941 CvSed
		C 148733	Window assy-LH-quarter-crystal	Optional	1 1941 CvSed
		C 148734	Frame-RH-quarter window		1 1941-1942 CvSed
		C 148735	Frame-LH-quarter window		1 1941-1942 CvSed
		C 136638	Retainer assy-RH-quarter window		1 1940 CvSed
		C 136639	Retainer assy-LH-quarter window		1 1940 CvSed
		C 148736	Retainer-RH-quarter window frame glass		1 1941-1942 CvSed
		C 148737	Retainer-LH-quarter window frame glass		1 1941-1942 CvSed
		BO 123497	Weatherstrip-quarter window glass		2 1940 CvSed
		BO 148741	Weatherstrip-quarter window glass		2 1941-1942 CvSed
		BO 148744	Weatherstrip-quarter window frame		2 1941-1942 CvSed
		BO 200847	Pin-quarter window frame weatherstrip		2 1941 CvSed
		BO 170685	Screw-quarter window frame weatherstrip		2 1942 CvSed
		BO 170020	Acorn nut-quarter window retainer		28 1940 CvSed
		BO 170593	Screw-quarter window	1/4"-20 x 1/2"	4 1941-1942 CvSed
		BO 71642	Bolt-quarter window	1/4"-20 x 7/8"	4 1941-1942 CvSed
		BZ 70874	Nut-quarter window bolt	1/4"-20 x 1/4"	4 1941-1942 CvSed
		BO 12857	Washer-quarter window bolt		4 1941-1942 CvSed
		BO 144417	Strap assy-front-quarter window retaining		2 1940 CvSed
		BO 144418	Strap assy-rear-quarter window retaining		2 1940 CvSed
		BO 12243	Socket-quarter window retaining strap		4 1940 CvSed
		BO 12244	Cap-rear-quarter window retaining strap socket		2 1940 CvSed
		BO 170046	Cap-front-quarter window retaining strap socket		2 1940 CvSed
		BO 71491	Stud-rear-quarter window retaining strap fastener		2 1940 CvSed
HH2-			REAR CURTAIN		
		C 144199	Curtain & window assy-rear	Specify color	1 1940 CvCpe
		C 128606	Curtain & window assy-rear-1st type		1 1940 CvSed
		C 144410	Curtain & window assy-rear-2nd type	See note in Group HH1	1 1940 CvSed
		C 202536	Curtain & window assy-rear	Specify color	1 1941-1942 CvSed
		C 122724	Reinforcement-bottom-rear curtain		1 1940 CvCpe
		C 122725	Reinforcement-bottom-rear curtain		1 1940 CvSed
		C 148724	Reinforcement-bottom-rear curtain		1 1941-1942 CvSed
		C 131062	Valance assy-rear curtain-used with 1st type top-See HH1		1 1940 CvSed
		BO 123760	Frame-inner-rear curtain		1 CvCpe,CvSed



Convertible Coupe Top-1940



Convertible Sedan Top—1940



Convertible Sedan Top—1941-1942

Group & Illus. No.	Plate No.	Part No.	NAME	Per Car	Models
HH4-			FOLDING TOP (CONT'D.)		
		BO 12120	Nut-top front corner bracket to side rail bolt 1/4"-20 x 1/4"	4	1941-1942 CvSed
		BO 71389	Washer-top front corner bracket to slat iron bolt 21/64" x 3/4" x 1/16"	4	1940 CvCpe
		BO 12857	Washer-top front corner bracket to side rail bolt 7/64" x 3/4" x 1/16"	4	1941-1942 CvSed
		BO 170586	Sleeve-top front corner bracket to header bolt	4	1941-1942 CvSed
		BO 122704	Bracket-top front center	1	1940 CvCpe-CvSed
		BO 200801	Bracket-top front center	1	1941-1942 CvSed
		BM 71657	Bolt-top front center to hold-down clamp 5/16"-24 x 5/8"	2	1940 CvCpe-CvSed
		BO 71531	Bolt-top front center 1/4"-20 x 1-3/8"	2	1941-1942 CvSed
		BO 71528	Nut-top front center bolt 1/4"-20 x 1/4"	2	1941-1942 CvSed
		BO 170260	Bolt-top front center to hold-down clamp 10-32 x 5/8"	4	1941-1942 CvSed
		BO 128586	Pillar-RH-folding top	1	1940 CvCpe-CvSed
		BO 128587	Pillar-LH-folding top	1	1940 CvCpe-CvSed
17	46	BO 200938	Pillar assy-RH-folding	1	1941-1942 CvSed
17	46	BO 200939	Pillar assy-LH-folding top	1	1941-1942 CvSed
18	45	BO 128575	Slat iron-folding top pillar	2	1940 CvSed
18	44	BO 142715	Slat iron-folding top pillar	2	1940 CvCpe
		BO 200832	Slat iron-RH-folding top pillar	1	1941-1942 CvSed
		BO 200833	Slat iron-LH-folding top pillar	1	1941-1942 CvSed
19	45	BO 128584	Slat iron-RH-folding top pillar guide	1	1940 CvSed
19	45	BO 128585	Slat iron-LH-folding top pillar guide	1	1940 CvSed
		BO 128400	Weatherseal-RH bottom-folding top pillar	1	1940 CvCpe-CvSed
		BO 128401	Weatherseal-LH bottom-folding top pillar	1	1940 CvCpe-CvSed
		BO 148722	Weatherseal-RH bottom-folding top pillar	1	1941-1942 CvSed
		BO 148723	Weatherseal-LH bottom-folding top pillar	1	1941-1942 CvSed
		BO 17912	Screw-folding top pillar weatherseal #8 x 5/8"	4	1940 CvCpe-CvSed
		BO 71665	Screw-folding top pillar weatherseal 8-32 x 5/16"	8	1941-1942 CvSed
		BO 202658	Weatherstrip-RH-folding top pillar	1	1941-1942 CvSed
		BO 202659	Weatherstrip-LH-folding top pillar	1	1941-1942 CvSed
		BO 170471	Screw-folding top pillar weatherstrip #8 x 1/2"	8	1941-1942 CvSed
		BO 70733	Screw-folding top pillar weatherstrip #6 x 7/16"	4	1941-1942 CvSed
		BO 123470	Weatherseal-RH bottom-front body pillar	1	CvCpe-CvSed
		BO 123471	Weatherseal-LH bottom-front body pillar	1	CvCpe,CvSed
		BO 170304	Screw-front body pillar bottom weatherseal #8 x 1/2"	4	CvCpe,CvSed
		C 130960	Weatherstrip-RH-front body pillar	1	CvCpe,CvSed
		C 130961	Weatherstrip-LH-front body pillar	1	CvCpe,CvSed
		BO 170584	Screw-folding top pillar 1/4"-20 x 1/2"	8	1941-1942 CvSed
20	46	BO 200830	Bracket-RH upper-folding top pillar	1	1941-1942 CvSed
20	46	BO 200831	Bracket-LH upper-folding top pillar	1	1941-1942 CvSed
21	46	BO 200812	Hinge-RH front-folding top pillar	1	1941-1942 CvSed
21	46	BO 200813	Hinge-LH front-folding top pillar	1	1941-1942 CvSed
22	46	BO 200814	Hinge-RH rear-folding top pillar	1	1941-1942 CvSed
22	46	BO 200815	Hinge-LH rear-folding top pillar	1	1941-1942 CvSed
23	46	80 200816	Brace-upper-folding top pillar hinge	2	1941-1942 CvSed
24	46	BO 200817	Brace-lower-folding top pillar hinge	2	1941-1942 CvSed
		BO 70295	Rivet-folding top pillar hinge brace 1/4" x 9/16"	16	1941-1942 CvSed
		BO 170585	Stop bolt-folding top pillar hinge 5/16"-24 x 2	2	1941-1942 CvSed
		BO 12481	Nut-folding top pillar hinge stop bolt 5/16"-24 x 17/64"	2	1941-1942 CvSed
		BO 141404	Brace-RH-top support Guide	1	1940 CvCpe-CvSed
		BO 141405	Brace-LH-top support Guide	1	1940 CvCpe-CvSed
		BO 128538	Strainer-RH-top support brace to wheelhouse	1	1940 CvCpe-CvSed
		BO 128539	Strainer-LH-top support brace to wheelhouse	1	1940 CvCpe-CvSed
		BO 70870	Rivet-top support brace to pillar 1/4" x 11/16"	2	1940 CvCpe-CvSed
		BO 70295	Rivet-top support brace to wheelhouse strainer 1/4" x 9/16"	8	1940 CvCpe-CvSed
		BM 71307	Rivet-top support brace to pillar 1/4" x 3/4"	4	1940 CvCpe-CvSed
		BO 8057	Rivet-top support brace to pillar 1/4" x 3/4"	4	1940 CvCpe-CvSed
		BO 9159	Bolt-top support brace to pillar 1/4"-20 x 5/8"	2	1940 CvCpe-CvSed
		BZ 70874	Nut-top support brace to pillar bolt 1/4"-20 x 1/4"	2	1940 CvCpe-CvSed
		C 142122	Tie arm-RH-top support brace to rear seat back	1	1940 CvSed
		C 142123	Tie arm-LH-top support brace to rear seat back	1	1940 CvSed
		C 200280	Tie arm-RH-top support brace to rear seat back	1	1941-1942 CvSed
		C 200281	Tie arm-LH-top support brace to rear seat back	1	1941-1942 CvSed
		BO 71646	Bolt-top support brace to rear seat back tie arm 1/4"-20 x 3/4"	2	1940 CvSed
		BO 71641	Bolt-top support brace to rear seat back 1/4"-20 x 1/4"	4	All CvSed
		BO 170254	Screw-top rear pillar to rear seat back tie arm 1/4"-20 x 7/8"	4	1941-1942 CvSed
		BO 70452	Finish washer-top support & rear pillar to rear seat back 1/4"	2	All CvSed
33	44	BO 142696	Bracket-RH-top pivot	1	1940 CvCpe-CvSed
33	44	BO 142697	Bracket-LH-top pivot	1	1940 CvCpe-CvSed

TOP-CONVERTIBLES

1940-1941-1942

HH

Group & Illus. No.	Plate No.	Part No.	NAME	Per Car	Models
HH4-			FOLDING TOP (CONT'D.)		
		BO 146428	Bracket-RH-top pivot	1	1941-1942 CvSed
		BO 146429	Bracket-LH-top pivot	1	1941-1942 CvSed
		BM 71307	Rivet-top pivot bracket	8	1941-1942 CvSed
		BO 200825	Link-lower-top pivot bracket	2	1941-1942 CvSed
		BO 200835	Pivot bolt-top pivot bracket lower link	2	1941-1942 CvSed
		BX 12415	Nut-top pivot bracket lower link pivot bolt	2	1941-1942 CvSed
		BO 170578	Bolt-folding top pivot	2	1941-1942 CvSed
		F 398	Nut-folding top pivot bolt	2	1941-1942 CvSed
		BX 18093	Lock nut-folding top pivot bolt	2	1941-1942 CvSed
		BO 146424	Bracket-RH-top rear pillar	1	1941-1942 CvSed
		BO 146425	Bracket-LH-top rear pillar	1	1941-1942 CvSed
		C 142702	Side arm assembly-RH-folding top	To car 51328	1 1940 CvCpe
		C 142703	Side arm assembly-LH-folding top	To car 51328	1 1940 CvCpe
		C 142752	Side arm assembly-RH-folding top	After car 51328	1 1940 CvCpe
		C 142753	Side arm assembly-LH-folding top	After car 51328	1 1940 CvCpe
38	44	C 128598	Side arm assembly-RH-folding top	1	1940 CvSed
38	44	C 128599	Side arm assembly-LH-folding top	1	1940 CvSed
38	44	BO 142704	Side arm-RH No. 1-folding top	To car 51328	1 1940 CvCpe
38	44	BO 142705	Side arm-LH No. 1-folding top	To car 51328	1 1940 CvCpe
39	45	BO 142754	Side arm-RH No. 1-folding top	After car 51328	1 1940 CvCpe
39	45	BO 142755	Side arm-LH No. 1-folding top	After car 51328	1 1940 CvCpe
40	44	BO 128576	Side arm-RH No. 1-folding top	1	1940 CvSed
40	44	BO 128577	Side arm-LH No. 1-folding top	1	1940 CvSed
41	45	BO 142706	Side arm-RH No. 2-folding top	1	1940 CvCpe
41	45	BO 142707	Side arm-LH No. 2-folding top	1	1940 CvCpe
42	44	BO 128578	Side arm-RH No. 2-folding top	1	1940 CvSed
42	44	BO 128579	Side arm-LH No. 2-folding top	1	1940 CvSed
42	45	Bp 142708	Side arm-RH No. 3-folding top	1	1940 CvCpe
42	45	BO 142709	Side arm-LH No. 3-folding top	1	1940 CvCpe
43	44	BO 128580	Side arm-RH No. 3-folding top	1	1940 CvSed
43	44	BO 128581	Side arm-LH No. 3-folding top	1	1940 CvSed
44	45	BO 142710	Side arm-RH No. 4-folding top	1	1940 CvCpe
44	45	BO 142711	Side arm-LH No. 4-folding top	1	1940 CvCpe
45	46	BO 128582	Side arm-RH No. 4-folding top	1	1940 CvSed
46	46	BO 128583	Side arm-LH No. 4-folding top	1	1940 CvSed
47	46				
		BO 200807	Link-folding top pillar to side header	2	1941-1942 CvSed
		BO 200836	Pivot bolt-front-folding top pillar to side header link	2	1941-1942 CvSed
		BO 200837	Pivot bolt-rear-folding top pillar to side header link	2	1941-1942 CvSed
		BO 200840	Spacer-rear-folding top pillar to side header link	2	1941-1942 CvSed
		BO 200846	Tension washer-folding top pillar to side header link	2	1941-1942 CvSed
48	46	BT 18018	Plain washer-folding top pillar to side header link	2	1941-1942 CvSed
48	46	BO 204178	Leather washer-rear-folding top pillar to side header link	2	1942 CvSed
		C 200802	Rail Assembly-RH-folding top pillar side header	1	1941-1942 CvSed
		C 200803	Rail Assembly-LH-folding top pillar side header	1	1941-1942 CvSed
		BO 200660	Weatherstrip assembly-RH-folding top pillar side header rail	1	1941-1942 CvSed
		BO 200661	Weatherstrip assy-LH-folding top pillar side header rail	1	1941-1942 CvSed
		BO 170471	Screw-folding top pillar side header rail weatherstrip	14	1941-1942 CvSed
		BO 170523	Bolt-folding top pillar side header rail to corner bracket	2	1941-1942 CvSed
		BZ 70874	Nut-folding top pillar side header rail to corner bracket bolt	2	1941-1942 CvSed
		BO 170593	Screw-folding top pillar trimboard	4	1941-1942 CvSed
		BO 170471	Screw-folding top pillar trimboard	2	1941-1942 CvSed
		BO 200804	Bracket-RH-folding pillar side header rail	1	1941-1942 CvSed
		BO 200805	Bracket-LH-folding pillar side header rail	1	1941-1942 CvSed
		BO 70004	Rivet-folding pillar side header rail bracket	4	1941-1942 CvSed
		BO 170580	Rivet-folding pillar side header rail bracket	4	1941-1942 CvSed
		BO 200806	Bumper-folding pillar side header rail	2	1941-1942 CvSed
		BO 170581	Screw-folding pillar side header rail bumper	2	1941-1942 CvSed
		BO 204168	Link assembly-RH-side header hinge	1	1942 CvSea
		BO 204169	Link assembly-LH-side header hinge	1	1942 CvSed
50	46	BO 200820	Link-RH-side header hinge	1	1941-1942 CvSed
50	46	BO 200821	Link-LH-side header hinge	1	1941-1942 CvSed
		BO 200840	Spacer-front-side header rail to pillar hinge link	2	1941 CvSed
		BO 204173	Spacer-front-side header rail to pillar hinge link	2	1942 CvSed
51	46	BO 200842	Bolt-front-side header rail to pillar hinge link	2	1941-1942 CvSed
52	46	BO 200839	Pivot bolt-side header rail to pillar hinge link	2	1941-1942 CvSed
		BO 128587	Washer-side header rail to pillar hinge link pivot bolt	2	1941 CvSed

Group & Illus. No.	Plate No.	Part No.	NAME	Per Car	Models
HH4-			FOLDING TOP (CONT'D.)		
		BO 204178	Washer-leather-side header rail to pillar hinge link pivot bolt	2	1942 CvSed
		BO 128558	Rivet-lower-side header rail to pillar hinge link	2	1941-1942 CvSed
		BO 200840	Spacer-side header rail to pillar hinge link	2	1941 CvSed
		BO 204181	Spacer-lower-side header rail to pillar hinge link	2	1942 CvSed
		BO 200822	Reinforcement-side header rail to pillar hinge link	2	1941-1942 CvSed
		BO 70295	Rivet-side header rail to pillar hinge link reinforcement	2	1941-1942 CvSed
		BO 200823	Sleeve-side header rail to pillar hinge link	2	1941 CvSed
		BO 200824	Bracket-side header rail to pillar hinge link guide	2	1941-1942 CvSed
		BO 170579	Screw-side header rail to pillar hinge link guide bracket	4	1941-1942 CvSed
		BO 204179	Pad-side header rail to pillar hinge link	2	1942 CvSed
		BO 170697	Washer-side header rail to pillar hinge link pad	12	1942 CvSed
		BO 148794	Filler block-RH-folding top to quarter panel	1	1941-1942 CvSed
		BO 148795	Filler block-LH-folding top to quarter panel	1	1941-1942 CvSed
		BO 148796	Weatherstrip-folding top to quarter panel filler block	2	1941-1942 CvSed
		BZ 70957	Bolt-folding top to quarter panel filler block	4	1941-1942 CvSed
		BZ 70874	Nut-folding top to quarter panel filler block bolt	4	1941-1942 CvSed
HH5-			TOP FRONT HEADER RAIL		
		C 122244	Header assembly-windshield	1	CvCpe,CvSed
		C 142071	Header rail and brackets-front	1	1940 CvCpe
		C 142751	Header rail and brackets-front	1	1940 CvCpe
		C 128551	Header rail and brackets-front	1	1940 CvSed
		C 122705	Header rail-front	1	1940 CvCpe-CvSed
		C 148675	Header rail-front	1	1941-1942 CvSed
		C 122721	Panel assembly-front header rail	1	CvCpe,CvSed
		BO 71531	Bolt-front header rail	12	1940 CvCpe-CvSed
		BO 71528	Nut-front header rail bolt	12	1940 CvCpe-CvSed
		80.112659	Bumper-front header rail	3	CvCpe,CvSed
		BO 122706	Weatherstrip-front header rail	1	CvCpe,CvSed
		BO 109897	Weatherstrip-end-front header rail	2	1940 CvCpe-CvSed
		BO 112658	Retainer-front header rail weatherstrip	2	1940 CvCpe-CvSed
		BO 71576	Screw-front header rail weatherstrip retainer #6x 1/2"	8	1940 CvCpe-CvSed
		BO 136295	Dowel-front header rail	2	CvCpe,CvSed
HH6-			TOP CLAMPS AND HANDLES		
		BO 118516	Clamp assembly-center-hold down	1	CvCpe,CvSed
		BO 136331	Clamp assembly-end-hold down	2	CvCpe,CvSed
		BO 136332	Spring-end-hold down clamp	2	CvCpe,CvSed
		BO 109594	Spring-center-hold down clamp	1	CvCpe,CvSed
		BO 107886	Bushing-hold down clamp	6	CvCpe,CvSed
		BO 118517	Handle-center-hold down clamp	1	CvCpe,CvSed
		BO 136333	Handle-end-hold down clamp	2	CvCpe,CvSed
		80 109597	Rivet-hold down clamp handle	6	CvCpe,CvSed
		BO 118848	Bracket-hold down clamp	3	CvCpe,CvSed
		BO 122525	Bracket-body-hold down clamp	3	CvCpe,CvSed
		BO 71646	Bolt-hold down clamp body bracket to header	6	CvCpe,CvSed
		BO 71513	Nut-hold down clamp to front bracket	6	CvCpe,CvSed
HH8-			TOP FASTENERS		
		BO 71476	Tip-square-binding end-rear	2	CvCpe,CvSed
		BO 71477	Tip-pointed-binding end-front	2	CvCpe,CvSed
		BO 170148	Screw-binding end tip	4	1940 CvCpe-CvSed
		BO 170594	Screw-binding end tip	4	1941 CvSed
		BO 18084	Stud Weatherseal flap #5 x 217/32" Wood screw type	2	1940 CvCpe-CvSed
		BO 12244	Cap to folding	2	1940 CvCpe-CvSed
		BO 12243	Socket pillar fastener		1940 CvCpe-CvSed
		BO 12243	Socket	2	1940 CvCpe-CvSed
		BO 12244	Cap Weatherseal	AR	1940 CvCpe-CvSed
		BO 71491	Stud flap to slat	4-6	1940 CvCpe-CvSed
		BO 12222	Plate iron fastener	AR	1940 CvCpe-CvSed
				4	

Group & Illus. No.	Plate No.	Part No.	NAME	Per Car	Models	
HH8-			TOP FASTENERS (CONT'D.)			
		BO 4931	Stud-top	9/16" x 11/64"	8 1940 CvSed	
		BO 71492	Stud-bottom	8-32 x 5/8"	8 1940 CvSed	
		BO 71507	Stud-bottom front	8-32 x 25/64"	4 1940 CvSed	
		BO 18084	Stud-folding pillar	#5 x 21/32"	6 1940 CvSed	
		BO 12244	Cap		24 1940 CvSed	
		BO 170046	Cap-long		8 1940 CvSed	
		BO 12243	Socket		26 1940 CvSed	
		BO 12222	Plate-top front		2 1940 CvSed	
		BO 71491	Stud-on tie arm	8-32 x 1/4"	4 1940 CvCpe-CvSed	
		BO 71507	Stud-on tie arm and seat back	8-32 x 25/64"	11 CvCpe,CvSed	
		BO 170147	Stud-on binding	8-32 x 3/4"	AR CvCpe,CvSed	
		BO 18084	Stud-rear pillar and strainer	#5 x 21/32"	6 1940 CvCpe-CvSed	
		BO 71507	Stud-belt and rear compartment	8-32 x 25/64"	AR CvCpe,CvSed	
		BO 71491	Stud-belt-front	8-32 x 1/4"	2 1941-1942 CvSed	
		BO 4931	Stud-top-front	9/16" x 11/64"	6 1941-1942 CvSed	
		BO 12244	Cap		AR CvCpe,CvSed	
		BO 170046	Cap-top-front		10 1941-1942 CvSed	
		BO 12243	Socket		AR CvCpe,CvSed	
		BO 170615	Socket		8 1941-1942 CvSed	
		BO 170616	Socket screw-to front	6-32 x 3/4"	16 1941-1942 CvSed	
		BO 71507	Stud-front-on belt	8-32 x 25/64"	4-6 1940 CvCpe-CvSed	
		BO 71492	Stud-front-on belt	8-32 x 5/8"	6 1940 CvCpe	
		BO 12244	Cap-front-on belt		AR 1940 CvCpe-CvSed	
		BO 12243	Socket-front-on belt		AR 1940 CvCpe-CvSed	
		BO 12243	Socket		1 CvCpe,CvSed	
		BO 71507	Stud	8-32 x 25/64"	1 1941-1942 CvSed	
		BO 170147	Button	Rear	1 1940 CvCpe-CvSed	
		BO 12790	Nut	Curtain	8-32 x 1/8"	1 CvCpe,CvSed
		BO 7762	Plain washer	13/64" x 1/2" x 3/2"	1 CvCpe,CvSed	
		BO 70660	Lock	3/16"	1 CvCpe,CvSed	
HH9-			TOP MISCELLANEOUS PARTS			
1	44	BO 128594			2 1940 CvCpe	
2	44	BO 142725	Spring washer-two used with each pivot bolt		AR 1940 CvCpe	
3	44	BO 128594	Washer-rear bow hinge link to extension		2 1940 CvCpe	
		BO 128600	Spring washer-side arms		AR 1940 CvCpe	
5	44	BO 142721	Pivot bolt-top link No. 1 to link No. 2	3/8"-24 x 5/8"	2 1940 CvCpe	
6	44	BO 142723	Pivot bolt-top link No. 1 to link No. 3	3/8"-24 x 15/16"	2 1940 CvCpe	
7	44	BO 142721	Pivot bolt-top link No. 2 to slat iron	3/8"-24 x 5/8"	2 1940 CvCpe	
8	44	BO 142724	Pivot bolt-top link No. 3 to slat iron	3/8"-24x1-1/16"	2 1940 CvCpe	
9	44	BO 142721	Pivot bolt-top link No. 2 to link No. 4	3/8"-24 x 5/8"	2 1940 CvCpe	
10	44	BO 128555	Pivot bolt-top link No. 4 to pivot bracket	3/8"-16 x 11/16"	2 1940 CvCpe	
11	44	BO 142722	Pivot bolt-rear bow extension to pillar slat iron		2 1940 CvCpe	
12	44	BO 142721	Pivot bolt-rear bow hinge link to extension	3/8"-24 x 5/8"	2 1940 CvCpe	
13	44	BO 128555	Pivot bolt-rear bow hinge link to pivot bracket 3/8"-16 x 11/16"	3/8"-16 x 11/16"	2 1940 CvCpe	
14	44	BO 142720	Spacer-top link No. 1 to link No. 2	3/8" x 1" dia.	2 1940 CvCpe	
15	44	BO 128573	Spacer-top link No. 3 to slat iron	1/2" x 7/8" dia.	2 1940 CvCpe	
16	44	BO 128594	Spacer-top link no. 2 to slat iron	1/16" x 1" dia.	2 1940 CvCpe	
17	45	BO 128594	Spacer-rear bow extension to hinge link	1/16" x 1" dia.	2 1940 CvSed	
18	45	BO 128596	Spacer-rear bow extension to pillar slat iron	5/16" x 1" dia.	2 1940 CvCpe-CvSed	
19	45	BO 128557	Spacer-top link No. 1 to link No. 4	1/16" x 1" dia.	2 1940 CvSed	
20	45	BO 128567	Spacer-top link No. 2 to corner bracket	3/32" x 1" dia.	2 1940 CvSed	
21	45	BO 128569	Spacer-top link No. 2 to link No. 3	7/16" x 1" dia.	2 1940 CvSed	
22	45	BO 128571	Spacer-top link No. 3 to link No. 1	13/16" x 1" dia.	2 1940 CvSed	
23	45	BO 128573	Spacer-top link No. 3 to pillar slat iron	1/2" x 7/8" dia.	2 1940 CvSed	
		BO 128594	Spacer-top link No. 3 to pillar guide slat iron	1/16" x 1" dia.	2 1940 CvSed	
25	45	BO 128573	Spacer-top link No. 4 to pillar slat iron	1/2" x 7/8" dia.	2 1940 CvSed	
					4 1940 CvCpe-CvSed	
27	44	BO 128554	Bolt-pivot bracket to pillar slat iron	1/2"-20 x 3/4"	4 1940 CvSed	
		BO 128555	Bolt-pivot bracket to pillar and rear bow slat iron			
		BO 128588	Screw-pillar slat iron No. 1 to roof bow	1/4"-20 x 1-5/8"	2 1940 CvCpe-CvSed	
		BO 128589	Screw-pillar slat iron No. 1 to roof bow	1/4"-20 x 2-1/16"	2 1940 CvCpe-CvSed	

Group & Illus. No.	Plate No.	Part No.	NAME	Per Car	Models
HH9-			TOP MISCELLANEOUS PARTS (CONT'D.)		
		BO 17922	Wood screw-pillar #10 x 1-1/4"	1	1940 CvCpe
33	45	BO 128593	Rivet-rear bow extension to hinge link 5/8" x 3/8"	2	1940 CvSed
34	45	BO 128595	Rivet-rear bow extension to pillar slat iron 7/8" x 3/8"	2	1940 CvSed
34	45	BO 128556	Rivet-top link No. 1 to Link No. 4 Shoulder 1/2" x 3/8"	2	1940 CvSed
35	45	BO 128558	Rivet-top link No. 1 to front corner bracket 1/2" x 3/8"	2	1940 CvSed
36	45	BO 128566	Rivet-top link No. 2 to front corner bracket 19/32" x 3/8"	2	1940 CvSed
37	45	BO 128568	Rivet-top link No. 2 to link No. 3 15/16" x 3/8"	2	1940 CvSed
38	45	BO 128570	Rivet-top link No. 3 to link No. 1 1-5/16" x 3/8"	2	1940 CvSed
39	45	BO 128572	Rivet-top link No. 3 to pillar slat iron 1" x 3/8"	2	1940 CvSed
40	45	BO 128574	Rivet-top link No. 3 to pillar guide slat iron	2	1940 CvSed
41	45	BO 128572	Rivet-top link No. 4 to pillar slat iron 1" x 3/8"	2	1940 CvSed
		C 142717	Moulding-rear bow	1	1940 CvCpe
		C 136362	Moulding-rear bow	1	1940 CvSed
		C 148673	Moulding-rear bow	1	1941-1942 CvSed
		C 136360	Moulding-front header rail	1	1940 CvCpe-CvSed
		C 148674	Moulding-front header rail	1	1941-1942 CvSed
		BO 136367	Filler-moulding-front and rear Brown	AR	All CvCpe-CvSed
		BO 136368	Filler-moulding-front and rear Maroon	AR	All CvCpe-CvSed
		BO 149287	Filler-moulding-front and rear Green	AR	1941 CvSed
		BO 136366	Filler-moulding-front and rear Black	AR	1940-1941 CvCpe-CvSed
HH10-			TOP HYDRAULIC CONTROL		
			NOTE: Top hydraulic control is standard on 1011-12-14-20P-21-22-24 CvSed, optional on 20T.		
			Tubes and fittings changed from lie to 5/16" effective with 1941 car 59967.		
		C 163452	Power unit assembly-includes motor, pump and oil reservoir	1	1941 CvSed
		C 164102	Power unit assembly-includes motor, pump and oil reservoir	1	1942 CvSed
1	46	BO 163760	Elbow-power unit-first type 1/4"	2	1941 CvSed to car 59967
1	46	BO 163573	Elbow-power unit-second type 5/16" *	2	1941 CvSed after car 59967
		BO 163573	Elbow-power unit 5/16"	2	1942 CvSed
2	46	BO 163469	Flexible hose-power unit-first type 17"	2	1941 CvSed to car 59967
2	46	BO 163752	Flexible hose-power unit-second type 17" *	2	1941 CvSed after car 59967
		BO 164103	Flexible hose-power unit 7-11/16"	2	1942 CvSed
		BZ 71552	Grommet-rubber-power unit flexible hose 1/2"	4	1941 CvSed
3	46	BO 163459	Bracket assembly-front-motor mounting	1	1941 CvSed
		110 165073	Bracket assembly-front-motor mounting	1	1942 CvSed
4	46	BO 163461	Bracket-rear-motor mounting	1	1941 CvSed
		BO 165074	Bracket-rear-motor mounting	1	1942 CvSed
S	46	BO 163773	Screw-front-mounting bracket to motor	2	1941 CvSed
		PO 163791	Bolt-rear-mounting bracket to pump	2	1941 CvSed
		BO 163792	Nut-rear-mounting bracket to pump bolt	2	1941 CvSed
		BM 219	Bolt-front-power unit mounting 5/16"-18 x 3/4"	1	1941 CvSed
		BT 1308	Bolt-rear-power unit mounting 3/8"-16 x 1-1/8"	1	1941 CvSed
		BZ 70633	Bolt-power unit mounting 5/16"-18 x 3/4"	3	1942 CvSed
		BZ 12115	Nut-front-power unit mounting bolt 5/16"-18 x 17/	1	1941 CvSed
		BM 6189	Nut-rear-power unit mounting bolt 64"	1	1941 CvSed
		BO 170668	Nut-Power unit mounting bolt 3/8"-16 x 21/	3	1942 CvSed
		BO 165053	Gasket-motor 64"	1	1942 CvSed
		BO 163733	Wire assembly-motor feed 5/16"-18 x 17/	1	1941 CvSed
		BO 164648	Wire assembly-motor feed 64"	1	1942 CvSed
		BO 170120	Terminal-motor feed wire	2	1941-1942 CvSed
		BZ 41101	Sleeve-motor feed wire	1	1941-1942 CvSed
		HA 162016	Fluid-power unit 3/8"	AR	1941-1942 CvSed
8	46	BO 163454	Oil reservoir assembly-includes brackets 3/8"	1	1941 CvSed
		BO 165068	Oil reservoir assembly-includes brackets Pint can	1	1942 CvSed
		163847	Filler cap-oil reservoir-Use 1 each 165069-165070	1	1941 CvSed
		BO 165069	Filler cap-oil reservoir	1	1942 CvSed
		BO 165070	Gasket-oil reservoir filler cap	1	1942 CvSed
10	46	BO 163773	Screw-oil reservoir bracket attaching	3	1941 CvSed
11	46	BO 163458	Tube assembly-oil reservoir	1	1941 CvSed
		BO 165071	Tube assembly-oil reservoir	1	1942 CvSed
12	46	BO 170127	Union-oil reservoir tube	2	1941 CvSed
		BO 165072	Elbow-oil reservoir tube	2	1942 CvSed
			1/4"		

TOP-CONVERTIBLES

1940-1941-1942

HH

Group & Illus. No.	Plate No.	Part No.	NAME	Per Car	Models
HH10-			TOP HYDRAULIC CONTROL (CONT'D.)		
13	46	BO 163770	Pump assembly	1	1941 CvSed
		BO 165054	Pump assembly	1	1942 CvSed
		BO 163771	Housing assembly-pump	1	1941 CvSed
		BO 165055	Housing-pump	1	1942 CvSed
		BO 163722	Oil seal-pump housing	1	1941 CvSed
		BO 165056	Rotor assembly-inner-pump	1	1942 CvSed
		BO 165057	Rotor-outer-pump	1	1942 CvSed
		BO 163774	Gasket-inner-pump	1	1941 CvSed
		HO 165058	Gasket-inner-pump	1	1942 CvSed
		DO 163775	Plate-rear-pump	1	1941 CvSed
		BO 163779	Plate-inner-pump	1	1941 CvSed
		BO 165059	Adapter-pump plate	1	1942 CvSed
		BO 163780	Washer-pump	1	1941 CvSed
		BO 165060	Thrust washer-pump	1	1942 CvSed
		BO 163776	Gear-drive-pump	1	1941 CvSed
		BO 163778	Gear-driven-pump	1	1941 CvSed
		BO 163777	Key-pump drive gear	1	1941 CvSed
		BO 163773	Screw-pump housing to motor	4	1941 CvSed
20	46	BO 163781	Valve Assembly	1	1941 CvSed
		BO 165061	Valve assembly-pressure balance	1	1942 CvSed
		BO 165062	Gasket-pressure balance valve	1	1942 CvSed
		BO 170695	Elbow-pressure balance valve	2	1942 CvSed
		BO 163781	Housing-valve	1	1941 CvSed
		BO 163785	Fitting-outlet-valve	2	1941 CvSed
		BO 163786	Gasket-valve outlet fitting	2	1941 CvSed
		BO 163787	Check valve assembly	2	1941 CvSed
		BD 163788	Spring-valve	2	1941 CvSed
		BO 163783	Gasket-valve housing	1	1941 CvSed
		BO 163784	Screw-valve housing to pump	4	1941 CvSed
		BO 165065	Solenoid assembly	1	1942 CvSed
		BO 18342	Screw-solenoid mounting	1	1942 CvSed
		BO 71073	Nut-solenoid mounting screw	1	1942 CvSed
		BO 170395	Washer-solenoid mounting screw	1	1942 CvSed
		BO 165065	Insulator-solenoid loom	1	1942 CvSed
		BO 165066	Connector-solenoid	Battery	1942 CvSed
		BO 165067	Connector-solenoid	Field	1942 CvSed
		BO 41101	Sleeve-solenoid connector	Battery	1942 CvSed
26	46	C 163462	Tube assembly-frame-first type	1/4"	2 1941 CvSed to car 59967
26	46	C 163758	Tube assembly-frame-second type	5/16" *	2 1941 CvSed after car 59967
30	46	BO 163466	Tube assembly-rear-short		2 1941 CvSed
30	46	BO 164105	Tube assembly-rear-short		2 1942 CvSed
31	46	C 153471	Tube assembly-upper-long		1 1941 CvSed
		C 164106	Tube assembly-upper-long		1 1942 CvSed
32	46	C 163473	Tube assembly-lower-long		1 1941 CvSed
		C 164107	Tube assembly-lower-long		1 1942 CvSed
33	46	BO 163464	Tee-at rear frame tube-first type		2 1941 CvSed to car 59967
33	46	BO 163753	Tee-at rear frame tube-second type	*	2 1941 CvSed after car 59967
		BO 164104	Tee-at rear frame tube		2 1942 CvSed
		BM 219	Bolt-frame tube tee	5/16"-18 x 3/4"	1 1941 CvSed
		BO 71384	Bolt-frame tube tee	5/16"-18 x 5/8"	2 1942 CvSed
		BZ 12115	Nut-frame tube tee bolt	5/16"-18 x 17/64"	1 1941 CvSed
		BO 170668	Nut-frame tube tee bolt	5/16"-18 x 17/64"	2 1942 CvSed
		BO 163465	Bracket-frame tube tee		1 1941 CvSed
		BM 219	Bolt-frame tube tee bracket	5/16"-18 x 3/4"	1 1941 CvSed
		BZ 12115	Nut-frame tube tee bracket bolt	5/16"-18 x 17/64"	1 1941 CvSed
		BM 71622	Nut-rear tube-at tee	Flared 1/4"	4 1941-1942 CvSed
		BO 170180	Nut-rear tube-at hose	Flared 1/4"	4 1941-1942 CvSed
		BZ 170064	Clip-frame tube clip-first type	1/4"	8 1941 CvSed to car 59967
		BZ 170065	Clip-frame tube clip-second type	5/16" *	8 1941 CvSed after car 59967
		BO 18197	Clip-rear tube	5/16" single	1 1941 CvSed
		BO 41030	Clip-rear tube		1-2 1941-1942 CvSed
		BO 170041	Screw-rear tube clip	#14 x 1"	1-2 1941-1942 CvSed
35	46	BO 163468	Hose-rear tube to cylinder	15-1/2" long	2 1941 CvSed
36	46	BO 163470	Hose-rear tube to cylinder	20-1/2" long	2 1941 CvSed
		BO 163469	Hose-rear tube to cylinder	17" long	2 1942 CvSed
		BO 164110	Hose-rear tube to cylinder	8-3/4" long	2 1942 CvSed
37	46	BO 200850	Cylinder assembly-hydraulic		2 1941-1942 CvSed
		BO 204866	Packing-hydraulic cylinder piston		2 1941 1942 CvSed
		BO 204867	Support-hydraulic cylinder piston packing		2 1941-1942 CvSed
		BO 204868	Spacer-hydraulic cylinder piston packing support		2 1941-1942 CvSed

Group & Illus. No.	Plate No.	Part No.	NAME	Per Car	Models		
HH10-	39 46	TOP HYDRAULIC CONTROL (CONT'D.)					
		BT 170230	Nut-hydraulic cylinder piston rod	2	1941-1942 CvSed		
		BO 200851	Yoke-hydraulic cylinder connecting rod	2	1941-1942 CvSed		
		BX 70125	Lock nut-hydraulic cylinder connecting rod yoke	1/2"-20 x 7/16"	2	1941-1942 CvSed	
		BO 200838	Pivot screw-hydraulic cylinder connecting rod yoke ...		2	1941-1942 CvSed	
		BO 204178	Washer-leather-hydraulic cylinder connecting rod yoke		2	1941-1942 CvSed	
		BO 170588	Clevis pin-hydraulic cylinder	3/8" x 13/32"	2	1941-1942 CvSed	
		BO 147074	Bracket-hydraulic cylinder	On floor	2	1941-1942 CvSed	
		BM 170410	Elbow-90°-hydraulic cylinder	1/8" pipe x 7/16" x 20	4	1941 CvSed	
		BO 70661	Elbow-lower-hydraulic cylinder		2	1942 CvSed	
		BM 170410	Elbow-upper-hydraulic cylinder		2	1942 CvSed	
		BO 70243	Grommet-14 seat tray-hydraulic cylinder wire		1	1942 CvSed	
		BO 163217	Switch-instrument panel	Nickel-bright	1	1941 CvSed	
		BO 164108	Switch-instrument panel	Nickel-bright	1	1942 CvSed to car 28387	
		BO 163217	Switch-instrument panel	Nickel-bright	1	1942 CvSed after car 28387	
		BO 163218	Mounting collar-instrument panel switch		1	1941 CvSed	
		BO 164109	Mounting collar-instrument panel. switch	Nickel-bright	1	1942 CvSed to car 28387	
		BO 164751	Mounting collar-instrument panel switch	Nickel-bright	1	1942 CvSed after car 28387	
		BO 162588	Knob assembly-instrument panel switch		1	1941 CvSed	
		BO 164182	Knob assembly-instrument panel switch		1	1942 CvSed	
		BO 153204	Retaining spring-instrument panel switch knob		1	1941-1942 CvSed	
		BO 153205	Set screw-instrument panel switch knob		1	1941-1942 CvSed	
		JJ1-		UNDERBODY PANELS			
				C 140701	Underbody panel assembly	1	1940 2Sed
				C 147320	Underbody panel assembly	1	1941 2Sed
				C 204320	Underbody panel assembly	1	20 2Sed
				C 204334	Underbody panel assembly	1	21-22-24 2Sed
				C 140702	Underbody panel assembly	1	1940 UCo
				C 147321	Underbody panel assembly	1	1941 UCo
				C 204321	Underbody panel assembly	1	1942 UCo
C 140704	Underbody panel assembly			1	40-41-42-44-45 Sed		
C 140705	Underbody panel assembly			1	43-47-48P 5Sed		
C 140709	Underbody panel assembly			1	43-47-48P 7Sed		
C 147322	Underbody panel assembly			1	10-11-12-14 Sed		
C 147323	Underbody panel assembly			1	17 Sed		
C 147324	Underbody panel assembly			1	17 7Sed, 18P Sed-CA		
C 204322	Underbody panel assembly			1	20 Sed		
C 204335	Underbody panel assembly			1	21-22-24 Sed		
C 204323	Underbody panel assembly			1	27 Sed		
C 140710	Underbody panel assembly			1	48P CA to Car 60791		
C 140709	Underbody panel assembly			1	48P CA after car 60791		
C 140703	Underbody panel assembly			1	1940 3Cpe-UCpe		
C 147328	Underbody panel assembly			1	1941 3Cpe-UCpe		
C 204328	Underbody panel assembly			1	20 3Cpe-UCpe		
C 204337	Underbody panel assembly			1	21-22-24 3Cpe		
C 140713	Underbody panel assembly			LHD	1	1940 VicCpe	
C 140712	Underbody panel assembly			RHD	1	1940 VicCpe	
C 147330	Underbody panel assembly				1	1941 ClubCpe	
C 204330	Underbody panel assembly				1	20 ClubCpe	
C 204338	Underbody panel assembly				1	21-22-24-25 ClubCpe	
C 140706	Underbody panel assembly				1	1940 CvCpe-CvSed	
C 147329	Underbody panel assembly				1	1941 CvSed	
C 204349	Underbody panel assembly				1	20T CvSed	
C 204329	Underbody panel assembly				1	20P CvSed	
C 204339	Underbody panel assembly				1	21-22-24 CvSed	
C 140714	Underbody panel assembly				1	40C Cab-CabPu	
C 140715	Underbody panel assembly				1	48C Cab-CabPu	
C 147327	Underbody panel assembly				1	1941-1942 Cab-CabPu	
C 140998	Underbody panel assembly				1	40C Panel	
C 140999	Underbody panel assembly				1	48C Panel	
C 147335	Underbody panel assembly				1	1941-1942 Station	
C 140260	Extension-RH-underbody panel				1	40,41,44,45	
C 140261	Extension-LH-underbody panel				1	40,41,44,45	
C 140262	Extension-RH-underbody panel				1	43,47,48	
C 140263	Extension-LH-underbody panel				1	43,47,48	
C 146260	Extension-RH-underbody panel		1	10 Exc Cab-CabPu-Del,11, 12,14,15			
C 146261	Extension-LH-underbody panel		1	10 Exc Cab-CabPu-Del,11, 12,14,15			
C 146262	Extension-RH-underbody panel		1	17,18P			
C 146263	Extension-LH-underbody panel		1	17,18P			

Group & Illus. No.	Plate No.	Part No.	NAME	Per Car	Models
JJ1-			UNDERBODY PANELS (CONT'D.)		
		C 146256	Extension-RH-underbody panel	1	1941-1942 Cab-CabPU
		C 146257	Extension-LH-underbody panel	1	1941-1942 Cab-CabPU
		C 203470	Extension Assy-RH-underbody panel (Safety step) See group R9	1	20 Exc Cab-CabPU
		C 203471	Extension Assy-LH-underbody panel (Safety step) See group R9	1	20 Exc Cab-CabPU
		C 203472	Extension Assy-RH-underbody panel (Safety step) See group R9	1	21 Exc Station,22,24,25
		C 203473	Extension Assy-LH-underbody panel (Safety step) See group R9	1	21 Exc Station,22,24,25
		C 203474	Extension Assy-RH-underbody panel (Safety step) See group R9	1	27
		C 203475	Extension Assy-LH-underbody panel (Safety step) See group R9	1	27
		C 146260	Extension-RH-underbody panel	1	1942 Station
		C 146261	Extension-LH-underbody panel	1	1942 Station
		C 142570	Cover plate-RH-underbody panel extension	1	40C CabPU
		C 142571	Cover plate-LH-underbody panel extension	1	40C CabPU
		C 142572	Cover plate-RH-underbody panel extension	1	48C CabPU
		C 142573	Cover plate-LH-underbody panel extension	1	48C CabPU
		BO 71703	Screw-underbody panel extension cover plate #8 x 1/2"	10	40C-48C CabPU
		BO 121768	Shim-front-underbody panel to frame	2	All Exc Del
		BO 121769	Silencer-center-underbody panel to frame	1	All Exc Del
		BO 121770	Silencer-rear-underbody panel to frame	2	All Exc Del
		BO 85747	Clip-underbody panel wiring	AR	Cab,CabPU,1940-1941 CvCpe-CvSed,Panel
		BO 140349	Clip-underbody panel wiring	4	1942 CvSed
		BZ 125575	Hole Plug-underbody panel 5/8" Rubber	AR	All Exc Del
		BO 133719	Hole Plug-underbody panel 11/16" Rubber	22	1942 All
		BO 144018	Weatherseal-at center pillar-underbody panel Rubber	2	Sed,CA
		BO 122745	Clip assembly-underbody panel to partition	7	1940 3Cpe-UCpe
		BO 128327	Bracket assembly-underbody panel to partition	6	1941-1942 3Cpe-UCpe
		BZ 71427	Bolt-underbody panel extension to frame bracket	4	1942 All Exc Cab-CabPu-Station
JJ3-			FLOOR PLATES & COVERS		
		C 140074	Floor cover & accelerator pedal bracket assy- transmission opening LHD	1	1940 All
		C 146074	Floor cover & accelerator pedal bracket assy- transmission opening LHD	1	1941 All exc Del,1942 All
		C 140073	Floor cover-transmission opening RHD	1	1940 All
		C 146073	Floor cover-transmission opening RHD	1	1941 exc Del,1942 All
		BZ 70983	Bolt-transmission opening floor cover 5/16"-24 x 11/16"	9	1940 All
		BZ 71295	Screw-transmission opening floor cover 5/16"-12 x 5/8"	2	1940 All
		BO 170536	Bolt-transmission opening floor cover 8-32 x 3/8"	AR	1941 exc Del,1942 All
		BO 170041	Bolt-transmission opening floor cover #14 x 1/2"	1	1941 exc Del,1942 All
		BM 71011	Washer-transmission opening floor cover bolt 25/64" x 1-1/8" x 3/32"	8	1940 All
		BO 71389	Washer-transmission opening floor cover screw 21/64" x 3/4" x 1/16"	2	1940 All
		BZ 71316	Washer-transmission opening floor cover bolt 17/64" x 7/8" x 3/32"	15	1941 exc Del,1942 All
		BO 170537	Clip nut-transmission opening floor cover bolt No. 14	15	1941 exc Del,1942 All
		BZ 135387	Cover-fiber-steering column hole	1	All exc Del
		BO 140755	Cover-steel-steering column hole	1	1940 All
		BO 146115	Cover-steel-steering column hole LHD	1	1941 All exc Del,1942 All
		BO 146116	Cover-steel-steering column hole RHD	1	1941 All exc Del,1942 All
		BO 133744	Cover-rubber-steering column hole Black	1	40 exc 40F Sed,43-47 5Sed,48
		BO 142138	Cover-rubber-steering column hole Taupe	1	40P Sed,41,43,44,45,47
		BO 148508	Cover-rubber-steering column hole Tan	1	1941 exc Del,1942
		BO 148509	Cover-rubber-steering column hole Gray	1	exc Cab-CabPu
		BO 148510	Cover-rubber-steering column hole Green	1	1941 exc Del,1942
		BO 207929	Cover-rubber-steering column hole Green	1	exc 20T-28
		BO 71420	Screw-steering column hole cover No. 8 x 1/2"	1	1941 exc 10T-10C-18
		BO 170472	Screw-steering column hole cover No. 8 x 1/2"	2	1942 exc 20T-20C-28 1940 All 1941 exc Del,1942 All

Group & Illus. No.	Plate No.	Part No.	NAME	Per Car	Models	
JJ4-			DOOR SCUFF PLATES			
			NOTE: Parts marked † discontinued In production Jan. 15, 1942. Parts marked †† used after Jan. 15, 1942, starting car No. 37067. See introduction.			
		C 141280	Scuff plate-RH-front door †	Cadmium	1	40-10-20 2Sed-UCo-3Cpe-VicCpe-ClubCpe-UCpe-CvCpe-CvSed,48P,18P
		C 141281	Scuff plate-LH-front door †	Cadmium	1	40-10-20 2Sed-UCo-3Cpe-VicCpe-ClubCpe-UCpe-CvCpe-CvSed,48P,18P
		C 205970	Scuff plate-RH-front door ††	Painted	1	20 2Sed-UCo-3Cpe-ClubCpe-UCpe-CvSed
		C 205971	Scuff plate-LH-front door ††	Painted	1	20 2Sed-UCo-3Cpe-ClubCpe-UCpe-CvSed
		C 141284	Scuff plate-RH-front door †	Cadmium	1	40-10-20 Sed,40C Panel to car 54416
		C 141285	Scuff plate-LH-front door †	Cadmium	1	40-10-20 Sed,40C Panel to car 54416
		C 205972	Scuff plate-RH-front door ††	Painted	1	20 Sed
		C 205973	Scuff plate-LH-front door ††	Painted	1	20 Sed
		C 141282	Scuff plate-RH-front door †	Stainless steel	1	41-44-45-11-12-14-21-22-24 2Sed-3Cpe-VicCpe-ClubCpe-CvCpe-CvSed,43,47,15,17,25,27
		C 141283	Scuff plate-LH-front door †	Stainless steel	1	41-44-45-11-12-14-21-22-24 2Sed-3Cpe-VicCpe-ClubCpe-CvCpe-CvSed,43,47,15,17,25,27
		C 205970	Scuff plate-RH-front door ††	Painted	1	21-22-24 2Sed-3Cpe-ClubCpe-CvSed,25,27
		C 205971	Scuff plate-LH-front door ††	Painted	1	21-22-24 2Sed-3Cpe-ClubCpe-CvSed,25,27
		C 141286	Scuff plate-RH-front door †	Stainless steel	1	41-44-45-11-12-14-21-22-24 Sed, 11-14-21 Station
		C 141287	Scuff plate-LH-front door †	Stainless steel	1	41 44 45 11 12 14 21 22 24 Sed, 11-14-21 Station
		C 205972	Scuff plate-RH-front door ††	Painted	1	21-22-24 Sed,21 Station
		C 205973	Scuff plate-LH-front door ††	Painted	1	21-22-24 Sed,21 Station
		BO 141288	Scuff plate-RH-rear door		1	40 Sed
		BO 141289	Scuff plate-LH-rear door		1	40 Sed
		BO 141290	Scuff plate-RH-rear door		1	41-44-45 Sed
		BO 141291	Scuff plate-LH-rear door		1	41-44-45 Sed
		BO 141294	Scuff plate-RH-rear door		1	43-47 Sed
		BO 141295	Scuff plate-LH-rear door		1	43-47 Sed
		BO 141292	Scuff plate-RH-rear door		1	48P Sed-CA
		BO 141293	Scuff plate-LH-rear door		1	48P Sed-CA
		BO 147744	Scuff plate-RH-rear door †	Cadmium	1	10-20 Sed
		BO 147745	Scuff plate-LH-rear door †	Cadmium	1	10-20 Sed
		BO 205974	Scuff plate-RH-rear door ††	Painted	1	20 Sed
		BO 205975	Scuff plate-LH-rear door ††	Painted	1	20 Sed
		BO 147746	Scuff plate-RH-rear door †	Stainless steel	1	11-12-14-21-22-24 Sed, 11-14-21 Station
		BO 147747	Scuff plate-LH-rear door †	Stainless steel	1	11-12-14-21-22-24 Sed, 11-14-21 Station
		BO 205974	Scuff plate-RH-rear door	Painted	1	21-22-24 Sed,21 Station
		BO 205975	Scuff plate-LH-rear door ††	Painted	1	21-22-24 Sed,21 Station
		BO 147750	Scuff plate-RH-rear door †	Stainless steel	1	17-27 Sed
		BO 147751	Scuff plate-LH-rear door †	Stainless steel	1	17-27 Sed
		BO 205976	Scuff plate-RH-rear door ††	Painted	1	27 Sed
		BO 205977	Scuff plate-LH-rear door ††	Painted	1	27 Sed
		BO 147748	Scuff plate-RH-rear door		1	18P Sed-CA
		BO 147749	Scuff plate-LH-rear door		1	18P Sed-CA
		BO 71703	Screw-front door scuff plate	Chrome No. 8 x 1/2"	2	40C Panel to car 54416
		BO 71420	Screw-front door scuff plate	Parkerized No. 8 x 1/2"	8	40C Panel to car 54416
		BO 170471	Screw-front door scuff plate	Chrome No. 8	AR	All exc Panel
		BO 170472	Screw-rear door scuff plate	Parkerized No. 8 x 1/2"	4	All
JJ5-			SEAT TRAYS			
		C 142510	Tray assembly-rear seat	Without tire well	1	1940 2Sed-Sed-CA
		C 146151	Tray assembly-rear seat	Without tire well	1	1941 2Sed-Sed
		C 203150	Tray assembly-rear seat	Without tire well	1	1942 2Sed-Sed
		C 142511	Tray assembly-rear seat	Without tire well	1	1940 UCo
		C 147451	Tray assembly-rear seat	Without tire well	1	1941 UCo

Group & Illus. No.	Plate No.	Part No.	NAME	Per Car	Models	
JJ5			SEAT TRAYS (CONT'D.)			
		C 204151	Tray assembly-rear seat	Without tire well	1	1942 UCo
		C 142515	Tray assembly-rear seat	Without tire well	1	40T 3Cpe,40C UCpe
		C 142519	Tray assembly-rear seat	Without tire well	1	40P CvCpe
		C 142520	Tray assembly-rear seat	Without tire well	1	41-44 CvCpe
		C 142521	Tray assembly-rear seat	Without tire well	1	40P CvSed
		C 142522	Tray assembly-rear seat	Without tire well	1	40P CvSed
		C 142527	Tray assembly-rear seat	With tire well	1	40 VicCpe
		C 142514	Tray assembly-rear seat	With tire well-LHD	1	41-44 VicCpe
		C 142529	Tray assembly-rear seat	With tire well-RHD	1	41-44 VicCpe
		C 142512	Tray assembly-rear seat	With tire well	1	40P 3Cpe
		C 142513	Tray assembly-rear seat	With tire well	1	41-44 3Cpe
		C 147454	Tray assembly-rear seat	With tire well	1	10 ClubCpe
		C 147455	Tray assembly-rear seat	With tire well	1	11-12-14-15 ClubCpe
		C 147452	Tray assembly-rear seat	With tire well	1	10 3Cpe-Ucpe
		C 147453	Tray assembly-rear seat	With tire well	1	11-12-14-15 3Cpe
		C 147456	Tray assembly-rear seat	With tire well	1	10P CvSed
		C 147457	Tray assembly-rear seat	With tire well	1	11-12-14 CvSed
		C 200786	Tray assembly-rear seat	With tire well	1	18P CA
		C 204154	Tray assembly-rear seat	With tire well	1	20 ClubCpe
		C 204155	Tray assembly-rear seat	With tire well	1	21-22-24-25 ClubCpe
		C 204152	Tray assembly-rear seat	With tire well	1	20 3Cpe-Ucpe
		C 204153	Tray assembly-rear seat	With tire well	1	21-22-24 3Cpe
		C 204156	Tray assembly-rear seat	With tire well	1	20 CvSed
		C 204157	Tray assembly-rear seat	With tire well	1	21-22-24 CvSed
		C 140155	Extension assy-rear seat tray		1	1940 2Sed-5Sed-UCo-CA
		C 140182	Extension assy-rear seat tray		1	1940 7Sed
		BO 120075	Cover plate-rear seat tray drain hole		1	1940 3Cpe-VicCpe-UCpe-CvCpe-CvSed
		BO 170304	Screw-rear seat tray drain hole cover plate	#8 x 1/2"	2	1940 3Cpe-VicCpe-UCpe-CvCpe-CvSed
		BO 85747	Clip-rear seat tray wiring		AR	All CvCpes-CvSed
		BO 170303	Grommet-rear seat tray wire	1/2"	AR	All
		BO 136349	Grommet-rear seat tray tail lamp wire		2	1940 3Cpe-VicCpe-UCpe-CvCpe-CvSed
		BO 70243	Grommet-rear seat tray hydraulic top lift wire		1	1942 CvSed
		BZ 125575	Plug-rear seat tray hole	7/8"	AR	1940-1941 All
		BO 133719	Plug-rear seat tray hole	5/8"	AR	All
		BO 134757	Plug-rear seat tray tail lamp wire	1/2"	1	1940 UCpe
		BO 121771	Silencer-rear seat tray to frame		1	All exc Cab-CabPu-Panel-Del-Station
		BO 120817	Shim-rear seat tray to frame		2	All exc Cab-CabPu-Panel-Del-Station
		C 140180	Tire well-rear seat tray		1	1940-1941 2Sed-Sed-UCo-CA-VicCpe-ClubCpe-3Cpe exc 40T,1941 CvSed-UCpe
		C 203225	Tire well-rear seat tray		1	1942 exc Cab-CabPu-Station
		C 136351	Cover assy-rear seat tray tire well		1	1940 7Sed
		BO 141348	Cover board kit-rear seat tray tool box	Service	1	40-41-44-45-48P 2Sed Sed-CA-UCo
10	48	C 140697	Cover board assy-rear seat tray tool box		1	43-47 Sed
		C 140698	Cover board-rear seat tray tool box		1	43-47 Sed
		BO 134699	Spring catch-rear seat tray tool cover board		1	43-47 Sed
		BZ 12329	Rivet-rear seat tray tool cover board spring catch		2	43-47 Sed
		BO 134700	Hinge-rear seat tray tool cover board		2	43-47 Sed
		BZ 12329	Rivet-rear seat tray tool cover board hinge	3/16"x3/8"	4	43-47 Sed
		BZ 134181	Clip-rear seat tray-for jack		1-2	1940 2Sed-Sed-UCo-CA
		BZ 200322	Clip assy-rear seat tray-for jack		1	1941-1942 All exc Cab-CabPu-Station
		BZ 70872	Bolt-rear seat tray jack clip	1/4"-20 x 3/4"	2	43-47-48P Sed-CA
		BZ 70874	Nut-rear seat tray jack clip bolt	1/4"-20 x 1/4"	2	43-47-48P Sed-CA
		BO 170041	Screw-rear seat tray jack clip		2	1941 Del
		BO 128327	Bracket assy-rear seat tray to compartment partition-RHD		3	41-44 VicCpe
		BO 134261	Bracket assy-RH-rear seat tray to compartment partition-LHD		1	41-44 VicCpe
		BO 128327	Bracket assy-rear seat tray to compartment partition-LHD		2	41-44 VicCpe
		BO 128327	Bracket assy-rear seat tray to compartment partition		1	40 VicCpe
		BO 122745	Bracket assy-rear seat tray to seat back spring		4	1941-1942 ClubCpe-CvSed
		BO 121849	Air cleaner assembly		1	1940 All exc Cab-CabPu-Panel

Group & Illus. No.	Plate No.	Part No.	NAME	Per Car	Models
JJ5-			SPRAY TRAYS (CONT'D.)		
		BO 149800	Air cleaner assembly	1	1941 All exc Cab-CabPu-Del-Station
		BO 208190	Air cleaner assembly	1	1942 All exc Cab-CabPu-Station
		C 200913	Cover panel assy-rear seat tray hole }With divided	1	1941 2Sed-Sed-UCo
JJ6-		BO 170304	Screw-rear seat tray hole cover panel rear seats	8	1941 2Sed-Sed-UCo
			FLOOR CARPETS AND PADS		
		BO 201134	Mat and pad assy-front floor-universal service type	LHD	1 All
		BO 142132	Mat and pad assy-front floor	LHD	1 40 exc 40P Sed,48
		BO 142133	Mat and pad assy-front floor	RHD	1 40 exc 40P Sed,48
		BO 142134	Mat and pad assy-front floor	LHD	1 40P Sed,41,44
		BO 142135	Mat and pad assy-front floor	RHD	1 40P Sed,41,44
		BO 142130	Mat and pad assy-front floor	Standard-LHD	1 43,45,47
		BO 142131	Mat and pad assy-front floor	Standard-RHD	1 43,45,47
		BO 148511	Mat and pad assy-front floor	Standard-LHD	1 10T,10C exc Del,18
		BO 148512	Mat and pad assy-front floor	Standard-RHD	1 10T,10C exc Del,18
		BO 148513	Mat and pad assy-front floor	Optional-LHD	1 10T,10C UCo-UCpe
		BO 148514	Mat and pad assy-front floor	Optional-RHD	1 10T,10C UCo-UCpe
		BO 207911	Mat and pad assy-front floor	Standard-LHD	1 1942 Cab-CabPu
		BO 207912	Mat and pad assy-front floor	Standard-RHD	1 1942 Cab-CabPu
		BO 148513	Mat and pad assy-front floor	LHD	1 10P,11
		BO 148514	Mat and pad assy-front floor	RHD	1 10P,11
		BO 148519	Mat and pad assy-front floor	LHD	1 12,14
		BO 148520	Mat and pad assy-front floor	RHD	1 12,14
		BO 207913	Mat and pad assy-front floor	LHD	1 20,21
		BO 207914	Mat and pad assy-front floor	RHD	1 20,21
		BO 207919	Mat and pad assy-front floor	LHD	1 22,24
		BO 207920	Mat and pad assy-front floor	RHD	1 22,24
		BO 148515	Mat and pad assy-front floor	LHD	1 10P,11 exc Station
		BO 148516	Mat and pad assy-front floor	RHD	1 10P,11 exc Station
		BO 148521	Mat and pad assy-front floor	LHD	1 12,14 exc Station
		BO 148522	Mat and pad assy-front floor	RHD	1 12,14 exc Station
		BO 207915	Mat and pad assy-front floor	LHD	1 20P,21 exc Station
		BO 207916	Mat and pad assy-front floor	RHD	1 20P,21 exc Station
		BO 207921	Mat and pad assy-front floor	LHD	1 22,24
		BO 207922	Mat and pad assy-front floor	RHD	1 22,24
		BO 148517	Mat and pad assy-front floor	LHD	1 10P,11 exc Station
		BO 148518	Mat and pad assy-front floor	RHD	1 10P,11 exc Station
		BO 148523	Mat and pad assy-front floor	LHD	1 12,14 exc Station
		80 148524	Mat and pad assy-front floor	RHD	1 12,14 exc Station
		BO 207917	Mat and pad assy-front floor	LHD	1 20P,21 exc Station
		BO 207918	Mat and pad assy-front floor	RHO	1 20P,21 exc Station
		BO 207923	Mat and pad assy-front floor	LHD	1 22,24
		BO 207924	Mat and pad assy-front floor	RHD	1 22,24
		BO 144651	Carpet assy-front floor	Optional-LHD	1 43-47 5Sed
		BO 144652	Carpet assy-front floor	Optional-RHD	1 43-47 Sed
		BO 202167	Carpet assy-front floor	LHD	1 15,17,25,27
		BO 202168	Carpet assy-front floor	RHO	1 15,17,25,27
		BO 144653	Pad-front floor carpet	Optional-LHD	1 43-47 Sed
		BO 144654	Pad-front floor carpet	Optional-RHD	1 43-47 5Sed
		BO 202165	Pad-front floor carpet	LHD	1 15,17,25,27
		BO 202166	Pad-front floor carpet	RHD	1 15,17,25,27
		BO 148526	Insert-RH-front floor mat carpet	Specify color	1 12,14,22,24
		BO 148525	Insert-LH-front floor mat carpet	Specify color	1 12,14,22,24
		BO 202169	Carpet assy-front floor trans opening	LHD	1 15,17,25,27
		BO 202170	Carpet assy-front floor trans opening	RHD	1 15,17,25,27
		BO 143330	Carpet assy-RH-front seat side floor		1 1940-1941 7Sed
		BO 143331	Carpet assy-LH-front seat side floor		1 1940-1941 7Sed
		BO 144932	Mat-RH-front seat side floor		1 1940 CA to car 60791
		BO 144933	Mat-LH-front seat side floor		1 1940 CA to car 60791
		BO 127842	Carpet assy-folding seat compartment floor	LHD	1 1940 VicCpe
		BO 128169	Carpet assy-folding seat compartment floor	RHD	1 1940 VicCpe
		BO 137219	Carpet assy-front seat back kick		2 1940-1941 7Sed
		BO 137218	Carpet assy-front seat cushion riser		1 1940-1941 7Sed
		BO 144013	Carpet assy-front seat cushion riser		1 1940 CvSed
		BO 121040	Clip-front floor mat and pad		6 40 exc 40P Sed,48,10T,10C, 18,1942 Cab-CabPu
		BO 121041	Clip-front floor mat and pad	AR	40P Sed,41,43,44,45,47

Group & Illus. No.	Plate No.	Part No.	NAME	Per Car	Models	
JJ6-			FLOOR CARPETS AND PADS (CONT'D.)			
		BO 148338	Clip-front floor mat and pad	Tan	6	10,11,12,14,20,21,22,24
		BO 148339	Clip-front floor mat and pad	Gray	6	10P,11,12,14,20P,21,22,24
		BO 148340	Clip-front floor mat and pad	Green	6	10P,11,12,14,20P,21,22,24
		BO 71348	Screw-front floor carpet	#8 x 1/2"	10	43-47 5Sed
		BO 170471	Screw-front floor carpet-with 144651-2	#8x1/2"	8	43-47 5Sed
		BO 170328	Screw-front floor carpet	#8 x 3/4"	12	15,17,25,27
		BO 70350	Finish washer-front floor carpet screw	#8 CTSK	AR	43,47,15,17,25,27
		BO 143315	Carpet assy-rear floor	LHD	1	1940 2Sed
		BO 143316	Carpet assy-rear floor	RHD	1	1940 2Sed
		BO 202125	Carpet assy-rear floor	LHD	1	10-11 2Sed
		BO 202126	Carpet assy-rear floor	RHD	1	10-11 2Sed
		BO 202807	Carpet assy-rear floor	LHD	1	12-14 2Sed
		BO 202808	Carpet assy-rear floor	RHD	1	12-14 2Sed
		BO 143313	Carpet assy-rear floor	Used with bench type seats	1	40-41-44-45 Sed
		BO 143314	Carpet assy-rear floor		1	43-47 5Sed
		BO 143312	Carpet assy-rear floor		1	48P 5Sed to car 143314
		BO 143314	Carpet assy-rear floor		1	48P 5Sed after car 143314
		BO 202130	Carpet assy-rear floor		1	10-11 Sed
		BO 202806	Carpet assy-rear floor		1	12-14 Sed
		BO 202131	Carpet assy-rear floor		1	17 5Sed
		BO 143973	Carpet assy-rear floor	LHD	1	1940 2Sed
		BO 143974	Carpet assy-rear floor	RHD	1	1940 2Sed
		BO 202844	Carpet assy-rear floor	LHD	1	10-11 2Sed
		BO 202845	Carpet assy-rear floor	RHD	1	10-11 2Sed
		BO 202846	Carpet assy-rear floor	LHD	1	12-14 2Sed
		BO 202847	Carpet assy-rear floor	RHD	1	12-14 2Sed
		BO 143975	Carpet assy-rear floor	LHD	1	40-41-44-45 Sed
		BO 143976	Carpet assy-rear floor	RHD	1	40-41-44-45 Sed
		BO 143977	Carpet assy-rear floor	LHD	1	43-47 5Sed
		BO 143978	Carpet assy-rear floor	RHD	1	43-47 5Sed
		BO 143979	Carpet assy-rear floor	LHD	1	48P 5Sed
		BO 143980	Carpet assy-rear floor	RHD	1	48P 5Sed
		BO 202848	Carpet assy-rear floor	LHD	1	10-11 Sed
		BO 202849	Carpet assy-rear floor	RHD	1	10-11 Sed
		BO 202850	Carpet assy-rear floor	LHD	1	12-14 Sed
		BO 202851	Carpet assy-rear floor	RHD	1	12-14 Sed
		BO 202852	Carpet assy-rear floor	LHD	1	17 5Sed
		BO 202853	Carpet assy-rear floor	RHD	1	17 5Sed
		BO 135851	Carpet assy-rear floor	LHD	1	1940 UCo
		BO 135852	Carpet assy-rear floor	RHD	1	1940 UCo
		BO 202741	Carpet assy-rear floor	LHD	1	1941-1942 UCo
		BO 202742	Carpet assy-rear floor	RHD	1	1941-1942 UCo
		BO 202807	Carpet assy-rear floor	LHD	1	1942 2Sed
		BO 202808	Carpet assy-rear floor	RHD	1	1942 2Sed
		BO 143317	Carpet assy-rear floor		1	43-47 7Sed to car 60791
		BO 144643	Carpet assy-rear floor		1	43-47 7Sed after car 60791
		BO 143318	Carpet assy-rear floor		1	48P 7Sed to car 60791
		BO 144643	Carpet assy-rear floor		1	48P 7Sed after car 60791
		BO 144642	Carpet assy-rear floor		1	48P CA
		BO 144395	Mat assy-rear floor		1	1940 CA to car 60791
		BO 202805	Carpet assy-rear floor		1	17 7Sed
		BO 202804	Carpet assy-rear floor		1	18P 7Sed
		BO 202785	Carpet assy-rear floor		1	18P CA
		BO 202806	Carpet assy-rear floor		1	20-21-22-24 Sed
		BO 202131	Carpet assy-rear floor		1	27 Sed
		BO 143319	Carpet assy-rear floor		1	1940 3Cpe-UCpe
		BO 202129	Carpet assy-rear floor		1	10-11 3Cpe,10C UCpe
		BO 202813	Carpet assy-rear floor		1	12-14 3Cpe,1940 3Cpe-UCpe
		BO 202811	Carpet assy-rear floor	LHD	1	15 3Cpe
		BO 202812	Carpet assy-rear floor	RHD	1	15 3Cpe
		BO 143321	Carpet assy-rear floor	LHD	1	1940 VicCpe
		BO 143322	Carpet assy-rear floor	RHD	1	1940 VicCpe
		BO 202127	Carpet assy-rear floor	LHD	1	10-11 ClubCpe
		BO 202128	Carpet assy-rear floor	RHD	1	10-11 ClubCpe
		BO 202809	Carpet assy-rear floor	LHD	1	12-14-15 ClubCpe,1942 ClubCpe
		BO 202810	Carpet assy-rear floor	RHD	1	12-14-15 ClubCpe,1942 ClubCpe
		BO 143325	Carpet assy-rear floor		1	1940 CvCpe
		BO 143327	Carpet assy-rear floor	LHD	1	1940 CvSed
		BO 143328	Carpet assy-rear floor	RHD	1	1940 CvSed
		BO 202463	Carpet assy-rear floor	LHD	1	10P-11 CvSed
		BO 202464	Carpet assy-rear floor	RHD	1	10P-11 CvSed

Group & Illus. No.	Plate No.	Part No.	NAME	Per Car	Models	
JJ6-		FLOOR CARPETS AND PADS (CONT'D.)				
		BO 202815	Carpet assy-rear floor	LHD	1	12-14 CvSed,1942 CvSed
		BO 202816	Carpet assy-rear floor	RHD	1	12-14 CvSed,1942 CvSed
		BO 71348	Screw-rear floor carpet	#8 x 1/2"	AR	1940 All
		BO 170471	Screw-rear floor carpet	#8 x 1/2"	AR	1941-1942 All
		BO 70350	Finish washer-rear floor carpet screw	#8 CTSK	AR	1940 All
		BO 144209	Carpet assy-rear floor riser		1	1940 CvCpe
		BO 144292	Carpet assy-RH-rear pillar floor		1	1940 CvCpe-CvSed
		BO 144293	Carpet assy-LH-rear pillar floor		1	1940 CvCpe-CvSed
		BO 202462	Carpet assy-rear pillar floor		2	1941-1942 CvSed
		BO 202465	Covering assy-rear seat tray		1	1941-1942 CvSed
		BO 70733	Screw-rear pillar floor carpet	#6 x 7/16"	8	1940 CvCpe-CvSed
		BO 170471	Screw-rear seat tray covering		4	1941-1942 CvSed
		BO 144206	Carpet assy-RH-rear compartment wheelhouse		1	1940 CvCpe
		BO 144207	Carpet assy-LH-rear compartment wheelhouse		1	1940 CvCpe
		BO 135858	Carpet assy-RH-rear compartment wheelhouse		1	1940 CvSed
		BO 135859	Carpet assy-LH-rear compartment wheelhouse		1	1940 CvSed
		BO 202466	Carpet assy-RH-rear compartment wheelhouse		1	1941-1942 CvSed
		BO 202467	Carpet assy-LH-rear compartment wheelhouse		1	1941-1942 CvSed
		BO 143239	Carpet assy-rear compartment floor		1	1940 UCo
		BO 202740	Carpet assy-rear compartment floor		1	1941-1942 UCo
		BO 144208	Carpet assy-rear compartment floor		1	1940 CvCpe
		BO 127991	Carpet assy-rear compartment floor		1	1940 CvSed
		BO 135458	Covering assy-rear compartment floor		1	40-41-44-45 2Sed-Sed, 48P Sed
		BO 202102	Covering assy-rear compartment floor		1	10-11 2Sed-Sed
		BO 207540	Covering assy-rear compartment floor		1	20-21 2Sed-Sed
		BO 144059	Covering assy-rear compartment floor		1	40T 3Cpe
		BO 135457	Covering assy-rear compartment floor		1	40P-41-44 3Cpe,40VicCpe
		BO 144593	Covering assy-rear compartment floor	LHD	1	41-44 VicCpe
		DO 144594	Covering assy-rear compartment floor	RHD	1	41-44 VicCpe
		DO 202103	Covering assy-rear compartment floor		1	10-11-20-21 3Cpe-ClubCpe
		BO 202379	Covering assy-rear compartment floor		1	10-11-20-21 CvSed
		BO 137045	Covering assy-rear compartment floor		1	48P 7Sed
		BO 202743	Covering assy-rear compartment floor		1	18P 7Sed
		BO 71348	Screw-rear compartment floor covering	#8 x 1/2"	AR	1940-1941 All
		BO 170471	Screw-rear compartment floor covering	#8 x 1/2"	AR	1942 All
		BO 70350	Finish washer-rear compartment floor covering screw		AR	1940-1941 All
		BO 128630	Mat-rear compartment floor		1	40C Panel
		BO 128631	Mat-rear compartment floor		1	48C Panel
		BO 142580	Mat-rear compartment floor		1	43-47 5Sed
		BO 142581	Mat-rear compartment floor		1	43-47 7Sed
		BO 202100	Mat-rear compartment floor		1	12-14 2Sed-Sed,17 5Sed
		BO 202101	Mat-rear compartment floor		1	12-14-15 3Cpe-ClubCpc
		BO 202423	Mat-rear compartment floor		1	12-14 CvSed,17 7Sed
		BO 207727	Mat-rear compartment floor		1	22-24 2Sed-Sed,27 Sed
		BO 207728	Mat-rear compartment floor		1	22-24 3Cpe-ClubCpe,25
		BO 207729	Mat-rear compartment floor		1	22-24 CvSed
		BO 71707	Screw-rear compartment floor mat	#10 x 5/8"	8	1940 Panel
		BO 71646	Screw-rear compartment floor mat	1/4"-20 x 3/4"	8	43-47 Sed
		BO 70452	Finish washer-rear compartment floor mat	1/4" CTSK		43-47 5Sed
KK1-		FRONT SEAT CUSHIONS & BACKS - BUCKET SEATS				
		NOTE: Bucket seats are standard on UCo-1940 Panel; Optional on T00-154T 2Sed-Sed-UCpe-40T 3Cpe.				
		C 131067	Back complete-driver seat	Cloth-LHD	1	UCo,40T 3Cpe,1940-1941 2Sed-Sed-UCpe
		C 131068	Back complete-driver seat	Cloth-RHD	1	UCo,40T 3Cpe,1940-1941 2Sed-Sed-UCpe
		C 131115	Back complete-driver seat	Leather-LHD	1	UCo,40T 3Cpe,1940-1941 2Sed-Sed-UCpe
		C 131116	Back complete-driver seat	Leather-RHD	1	UCo,40T 3Cpe,1940-1941 2Sed-Sed-UCpe
		C 123011	Back complete-driver seat	Leather-LHD	1	1940 Panel
		C 123012	Back complete-driver seat	Leather-RHD	1	1940 Panel
		C 131069	Back complete-driver seat Back complete-passenger seat	Cloth-LHD	1	UCo,40T 3Cpe,1940-1941 2Sed-Sed-UCpe
		C 131070	Back complete-passenger seat	Cloth-RHD	1	UCo,40T 3Cpe,1940-1941 2Sed-Sed-UCpe
		C 131117	Back complete-passenger seat	Leather-LHD	1	UCo,40T 3Cpe,1940-1941 2Sed-Sed-UCpe

Group & Illus. No.	Plate No.	Part No.	NAME	Per Car	Models		
KK1-			FRONT SEAT CUSHIONS & BACKS - BUCKET SEATS (CONT'D.)				
		C 131118	Back complete-passenger seat	Leather-RHD	1	UCo,40T 3Cpe,1940-1941 2Sed-Sed-UCpe	
		C 123017	Back complete-passenger seat	Leather-LHD	1	1940 Panel	
		C 123018	Back complete-passenger seat	Leather-RHD	1	1940 Panel	
		C 131075	Cushion complete-driver seat	Cloth-LHD	1	1940 UCo-2Sed-Sed-UCpe, 40T 3Cpe	
		C 131076	Cushion complete-driver seat	Cloth-RHD	1	1940 UCo-2Sed-Sed-UCpe, 40T 3Cpe	
		C 149723	Cushion complete-driver seat	Cloth-LHD	1	1941 UCo-2Sed-Sed-UCpe, 1942 UCo	
		C 149724	Cushion complete-driver seat	Cloth-RHD	1	1941 UCo-2Sed-Sed-UCpe, 1942 UCo	
		C 131123	Cushion complete-driver seat	Leather-LHD	1	1940 UCo-2Sed-Sed-UCpe, 40T 3Cpe	
		C 131124	Cushion complete-driver seat	Leather-RHD	1	1940 UCo-2Sed-Sed-UCpe, 40T 3Cpe	
		C 149725	Cushion complete-driver seat	Leather-LHD	1	1941 UCo-2Sed-Sed-UCpe, 1942 UCo	
		C 149726	Cushion complete-driver seat	Leather-RHD	1	1941 UCo-2Sed-Sed-UCpe, 1942 UCo	
		C 123013	Cushion complete-driver seat	Leather-LHD	1	1940 Panel	
		C 123014	Cushion complete-driver seat	Leather-RHD	1	1940 Panel	
		C 131077	Cushion complete-passenger seat	Cloth-LHD	1	1940 UCo-2Sed-Sed-UCpe, 40T 3Cpe	
		C 131078	Cushion complete-passenger seat	Cloth-RHD	1	1940 UCo-2Sed-Sed-UCpe, 40T 3Cpe	
		C 149735	Cushion complete-passenger seat	Cloth-LHD	1	1941 UCo-2Sed-Sed-UCpe, 1942 UCo	
		C 149736	Cushion complete-passenger seat	Cloth-RHD	1	1941 UCo-2Sed-Sed-UCpe, 1942 UCo	
		C 131125	Cushion complete-passenger seat	Leather-LHD	1	1940 UCo-2Sed-Sed-UCpe, 40T 3Cpe	
		C 131126	Cushion complete-passenger seat	Leather-RHD	1	1940 UCo-2Sed-Sed-UCpe, 40T 3Cpe	
		C 149737	Cushion complete-passenger seat	Leather-LHD	1	1941 UCo-2Sed-Sed-UCpe, 1942 UCo	
		C 149738	Cushion complete-passenger seat	Leather-RHD	1	1941 UCo-2Sed-Sed-UCpe, 1942 UCo	
		C 123019	Cushion complete-passenger seat	Leather-LHD	1	1940 Panel	
		C 123020	Cushion complete-passenger seat	Leather-RHD	1	1940 Panel	
	KK2-			FRONT SEAT SPRINGS-BUCKET SEATS			
			C 117910	Spring-RH-front seat back		1	UCo,1940-1941 2Sed-Sed-UCpe,40T 3Cpe,1940 Panel
			C 117911	Spring-LH-front seat back		1	UCo,1940-1941 2Sed-Sed-UCpe,40T 3Cpe,1940 Panel
		C 119190	Spring-RH-front seat cushion		1	UCo,1940-1941 2Sed-Sed-UCpe,40T 3Cpe,1940 Panel	
	C 119191	Spring-LH-front seat cushion		1	UCo,1940-1941 2Sed-Sed-UCpe,40T 3Cpe,1940 Panel		
KK3-			FRONT SEAT FRAME-BUCKET SEAT				
		C 117220	Frame assembly-driver seat back-RH	RHD	1	UCo,1940-1941 2Sed-Sed-UCpe,40T 3Cpe,1940 Panel	
		C 117221	Frame assembly-driver seat back-LH	LHD	1	UCo,1940-1941 2Sed-Sed-UCpe,40T 3Cpe,1940 Panel	
		C 117222	Frame assembly-pass. seat back-RH	LHD	1	UCo,1940-1941 2Sed-Sed-UCpe,40T 3Cpe,1940 Panel	
		C 117223	Frame assembly-pass. seat back-LH	RHD	1	UCo,1940-1941 2Sed-Sed-UCpe,40T 3Cpe,1940 Panel	
		C 122210	Frame assembly-RH-front seat cushion		1	1940 UCo-2Sed-Sed-UCpe-Panel,40T 3Cpe	
		C 122211	Frame assembly-LH-front seat cushion		1	1940 UCo-2Sed-Sed-UCpe-Panel,40T 3Cpe	
		C 200072	Frame assembly-RH-front seat cushion		1	1941 UCo-2Sed-Sed-UCpe, 1942 UCo	
		C 200073	Frame assembly-LH-front seat cushion		1	1941 UCo-2Sed-Sed-UCpe, 1942 UCo	
		BO 117226	Bracket-RH-Passenger seat frame to back frame		1	UCo,1940-1941 2Sed-Sed-UCpe,40T 3Cpe,1940 Panel	
		BO 117227	Bracket-LH-Passenger seat frame to back frame		1	UCo,1940-1941 2Sed-Sed-UCpe,40T 3Cpe,1940 Panel	

Group & Illus. No.	Plate No.	Part No.	NAME	Per Car	Models
KK3-			FRONT SEAT FRAME-BUCKET SEAT		
		BZ 70692	Bolt-passenger seat frame to back frame bracket	2	UCo,1940-1941 2Sed-Sed-UCpe,40T 3Cpe,1940 Panel
		BO 70674	Nut-passenger seat frame to back frame bracket bolt	2	UCo,1940-1941 2Sed-Sed-UCpe,40T 3Cpe,1940 Panel
		BO 109954	Bracket-upper-passenger seat frame support	2	UCo,1940-1941 2Sed-Sed-UCpe,40T 3Cpe,1940 Panel
		BO 122218	Bracket-lower-passenger seat frame support	2	UCo,1940-1941 2Sed-Sed-UCpe,40T 3Cpe,1940 Panel
		BO 71734	Rivet-passenger seat frame support bracket to cushion frame	4	UCo,1940-1941 2Sed-Sed-UCpe,40T 3Cpe,1940 Panel
		BO 71600	Bolt-passenger seat frame support bracket to floor	2	UCo,1940-1941 UCpe, 40T 3Cpe,1940 Panel
		BO 170030	Bolt-outer-passenger seat frame support bracket to floor	1	1940-1941 2Sed-Sed
		BO 71600	Bolt-inner-passenger seat frame support bracket to floor	1	1940-1941 2Sed-Sed
		BO 12481	Nut-inner-passenger seat frame support bracket to floor bolt	1	1940-1941 2Sed-Sed
		BZ 549	Clevis pin-passenger seat frame support bracket	2	UCo,1940-1941 2Sed-Sed-UCpe,40T 3Cpe,1940 Panel
		BO 123405	Spacer-passenger seat frame support bracket to floor .	1	UCo,1940-1941 2Sed-Sed-UCpe,40T 3Cpe,1940 Panel
	KK4-			FRONT SEAT BACK SUPPORT-BUCKET SEATS	
		BO 117224	Support-RH front seat back	2	UCo,1940-1941 2Sed-Sed-UCpe,40T 3Cpe,1940 Panel
		BO 117225	Support-LH-front seat back	2	UCo,1940-1941 2Sed-Sed-UCpe,40T 3Cpe,1940 Panel
		BO 71617	Rivet-drivers seat back support to cushion frame	8	UCo,1940-1941 2Sed-Sed-UCpe,40T 3Cpe,1940 Panel
		BO 71618	Rivet-rear-pass. seat back support to cushion frame	4	UCo,1940-1941 2Sed-Sed-UCpe,40T 3Cpe,1940 Panel
		BO 71617	Rivet-front-pass. seat back support to cushion frame .	4	UCo,1940-1941 2Sed-Sed-UCpe,40T 3Cpe,1940 Panel
		BO 108529	Pivot collar-front seat back support	2	UCo,1940-1941 2Sed-Sed-UCpe,40T 3Cpe,1940 Panel
		BO 70135	Taper pin-front seat back support pivot collar .000x3/4	2	UCo,1940-1941 2Sed-Sed-UCpe,40T 3Cpe,1940 Panel
KK5-			FRONT SEAT BACK SUPPORT-BUCKET SEATS		
		C 136046	Track assembly-driver seat	LHD	1940 UCo-2Sed-Sed-UCpe-Panel,40T 3Cpe
		C 136047	Track assembly-driver seat	RHD	1940 UCo-2Sed-Sed-UCpe-Panel,40T 3Cpe
		C 200070	Track assembly-driver seat	LHD	1941 UCo-2Sed-Sed-UCpe, 1942 UCo
		C 200071	Track assembly-driver seat	RHD	1941 UCo-2Sed-Sed-UCpe, 1942 UCo
		BO 126265	Roller assembly-driver seat track	4	UCo,1940-1941 2Sed-Sed-UCpe,40T 3Cpe,1940 Panel
		BO 126266	Clevis pin-driver seat track roller	4	UCo,1940-1941 2Sed-Sed-UCpe,40T 3Cpe,1940 Panel
		BO 126267	Spring washer-driver seat track roller clevis pin	4	UCo,1940-1941 2Sed-Sed-UCpe,40T 3Cpe,1940 Panel
		BO 122212	Slide bracket-driver seat track	4	UCo,1940-1941 2Sed-Sed-UCpe,40T 3Cpe,1940 Panel
		BO 71734	Rivet-driver seat track slide bracket to frame	8	UCo,1940-1941 2Sed-Sed-UCpe,40T 3Cpe,1940 Panel
		BO 123405	Spacer-driver seat track to floor	2	UCo,1940-1941 2Sed-Sed-UCpe,40T 3Cpe,1940 Panel
		BO 128103	Spring-driver seat track locking handle	1	UCo,1940-1941 2Sed-Sed-UCpe,40T 3Cpe,1940 Panel
		BZ 70511	Bolt-driver seat track to slide bracket	4	UCo,1940-1941 2Sed-Sed-UCpe,40T 3Cpe,1940 Panel
		BO 71738	Bolt-inner-driver seat track to floor	2	UCo,1940-1941 UCpe,40T 3Cpe,Panel
		BO 170030	Bolt-inner-driver seat track to floor	2	1940-1941 2Sed-Sed
		BO 170030	Bolt-outer-driver seat track to floor	2	UCo,1940-1941 2Sed-UCpe, 40T 3Cpe,1940 Panel
		BO 12481	Nut-inner-driver seat track to floor bolt	2	1940-1941 2Sed-Sed

Group & Illus. No.	Plate No.	Part No.	NAME	Per Car	Models	
KK5-			FRONT SEAT BACK-BENCH TYPE SEAT			
		C 143423	Back complete-driver seat	Cloth-LHD	1	40T 2Sed-VicCpe
		C 143424	Back complete-driver seat	Cloth-RHD	1	40T 2Sed-VicCpe
		C 143441	Back complete-driver seat	Cloth-LHD	1	40P 2Sed-VicCpe
		C 143442	Back complete-driver seat	Cloth-RHD	1	40P 2Sed-VicCpe
		C 143451	Back complete-driver seat-exc mohair	Cloth-LHD	1	41-44-45 2Sed,41-44 VicCpe
		C 143452	Back complete-driver-seat-exc mohair	Cloth-RHD	1	41-44-45 2Sed,41-44 VicCpe
		C 144431	Back complete-driver seat-mohair	Cloth-LHD	1	41-44-45 2Sed,41-44 VicCpe
		C 144432	Back complete-driver seat-mohair	Cloth-RHD	1	41-44-45 2Sed,41-44 VicCpe
		C 149577	Back complete-driver seat	Cloth-LHD	1	10-11 2Sed
		C 149578	Back complete-driver seat	Cloth-RHD	1	10-11 2Sed
		C 149833	Back complete-driver seat	Cloth-LHD	1	12-14 2Sed
		C 149834	Back complete-driver seat	Cloth-RHD	1	12-14 2Sed
		C 207569	Back complete-driver seat	Cloth-LHD	1	20 2Sed
		C 207570	Back complete-driver seat	Cloth-RHD	1	20 2Sed
		C 207951	Back complete-driver seat-exc mohair	Cloth-LHD	1	21 2Sed
		C 207952	Back complete-driver-seat-exc mohair	Cloth-RHD	1	21 2Sed
		C 207569	Back complete-driver seat-mohair	Cloth-LHD	1	21 2Sed
		C 207570	Back complete-driver seat-mohair	Cloth-RHD	1	21 2Sed
		C 207979	Back complete-driver seat	Cloth-LHD	1	22-24 2Sed
		C 207980	Back complete-driver seat	Cloth-RHD	1	22-24 2Sed
		C 149811	Back complete-driver seat	Cloth-LHD	1	10-11 ClubCpe
		C 149812	Back complete-driver seat	Cloth-RHD	1	10-11 ClubCpe
		C 149843	Back complete-driver seat	Cloth-LHD	1	12-14 ClubCpe
		C 149844	Back complete-driver seat	Cloth-RHD	1	12-14 ClubCpe
		C 149869	Back complete-driver seat	Cloth-LHD	1	15 3Cpe-ClubCpe
		C 149870	Back complete-driver seat	Cloth-RHD	1	15 3Cpe-ClubCpe
		C 207573	Back complete-driver seat	Cloth-LHD	1	20 ClubCpe
		C 207574	Back complete-driver seat	Cloth-RHD	1	20 ClubCpe
		C 207961	Back complete-driver seat-exc mohair	Cloth-LHD	1	21 ClubCpe
		C 207962	Back complete-driver seat-exc mohair	Cloth-RHD	1	21 ClubCpe
		C 207573	Back complete-driver seat-mohair	Cloth-LHD	1	21 ClubCpe
		C 207574	Back complete-driver seat-mohair	Cloth-RHD	1	21 ClubCpe
		C 207985	Back complete-driver seat	Cloth-LHD	1	22-24 ClubCpe
		C 207986	Back complete-driver seat	Cloth-RHD	1	22-24 ClubCpe
		C 208003	Back complete-driver seat	Cloth-LHD	1	25 ClubCpe
		C 208004	Back complete-driver seat	Cloth-RHD	1	25 ClubCpe
		C 143989	Back complete-driver seat	Leather-LHD	1	40T 2Sed-VicCpe
		C 143990	Back complete-driver seat	Leather-RHD	1	40T 2Sed-VicCpe
		C 143921	Back complete-driver seat	Leather-LHD	1	40P-41-44-45 2Sed,40P-41-44 VicCpe
		C 143922	Back complete-driver seat	Leather-RHD	1	40P-41-44-45 2Sed,40P-41-44 VicCpe
		C 143989	Back complete-driver seat	Leather-LHD	1	40P CvCpe-CvSed
		C 143990	Back complete-driver seat	Leather-RHD	1	40P CvCpe-CvSed
		C 143999	Back complete-driver seat	Leather-LHD	1	41-44 CvCpe-CvSed
		C 144000	Back complete-driver seat	Leather-RHD	1	41-44 CvCpe-CvSed
		C 202321	Back complete-driver seat	Leather-LHD	1	10-11 2Sed
		C 202322	Back complete-driver seat	Leather-RHD	1	10-11 2Sed
		C 2023.43	Back complete-driver seat	Leather-LHD	1	12-14 2Sed
		C 202334	Back complete-driver seat	Leather-RHD	1	12-14 2Sed
		C 208315	Back complete-driver seat	Leather-LHD	1	20-21 2Sed
		C 208316	Back complete-driver seat	Leather-RHD	1	20-21 2Sed
		C 208335	Back complete-driver seat	Leather-LHD	1	22-24 2Sed
		C 208336	Back complete-driver seat	Leather-RHD	1	22-24 2Sed
		C 202351	Back complete-driver seat	Leather-LHD	1	10-11 ClubCpe
		C 202352	Back complete-driver seat	Leather-RHD	1	10-11 ClubCpe
		C 202355	Back complete-driver seat	Leather-LHD	1	12-14-15 ClubCpe,15 3Cpe
		C 202356	Back complete-driver seat	Leather-RHD	1	12-14-15 ClubCpe,15 3Cpe
		C 202485	Back complete-driver seat	Leather-LHD	1	10P-11 CvSed
		C 202486	Back complete-driver seat	Leather-RHD	1	10P-11 CvSed
		C 202503	Back complete-driver seat	Leather-LHD	1	12-14 CvSed
		C 202504	Back complete-driver seat	Leather-RHD	1	12-14 CvSed
		C 208357	Back complete-driver seat	Leather-LHD	1	20-21-22-24-25 ClubCpe
		C 208358	Back complete-driver seat	Leather-RHD	1	20-21-22-24-25 ClubCpe
		C 208275	Back complete-driver seat	Leather-LHD	1	20-21 CvSed
		C 208276	Back complete-driver seat	Leather-RHD	1	20-21 CvSed
		C 208303	Back complete-driver seAt	Leather-LHD	1	22-24 CvSed
		C 208304	Back complete-driver seat	Leather-RHD	1	22-24 CvSed
		C 143425	Back complete-passenger seat	Cloth-LHD	1	40T 2Sed-VicCpe
		C 143426	Back complete-passenger seat	Cloth-RHD	1	40T 2Sed-VicCpe
		C 143443	Back complete-passenger seat	Cloth-LHD	1	40P 2Sed-VicCpe
		C 143444	Back complete-passenger seat	Cloth-RHD	1	40P 2Sed-VicCpe
		C 143453	Back complete-passenger seat-exc mohair	Cloth-LHD	1	41-44-45 2Sed,41-44 VicCpe

Group & Illus. No.	Plate No.	Part No.	NAME	Per Car	Models	
KK6-			FRONT SEAT BACK-BENCH TYPE SEAT (CONT'D.)			
		C 143454	Back complete-passenger seat-exc mohair	Cloth-RHD	1	41-44-45 2Sed,41-44 VicCpe
		C 144433	Back complete-passenger seat-mohair	Cloth-LHD	1	41-44-45 2Sed,41-44 VicCpe
		C 144434	Back complete-passenger seat-mohair	Cloth-RHD	1	41-44-45 2Sed,41-44 VicCpe
		C 149579	Back complete-passenger seat	Cloth-LHD	1	10-11 2Sed
		C 149580	Back complete-passenger seat	Cloth-RHD	1	10-11 2Sed
		C 149835	Back complete-passenger seat	Cloth-LHD	1	12-14 2Sed
		C 149836	Back complete-passenger seat	Cloth-RHD	1	12-14 2Sed
		C 207571	Back complete-passenger seat	Cloth-LHD	1	20 2Sed
		C 207572	Back complete-passenger seat	Cloth-RHD	1	20 2Sed
		C 207953	Back complete-passenger seat-exc mohair	Cloth-LHD	1	21 2Sed
		C 207954	Back complete-passenger seat-exc mohair	Cloth-RHD	1	21 2Sed
		C 207571	Back complete-passenger seat-mohair	Cloth-LHD	1	21 2Sed
		C 207572	Back complete-passenger seat-mohair	Cloth-RHD	1	21 2Sed
		C 207981	Back complete-passenger seat	Cloth-LHD	1	22-24 2Sed
		C 207982	Back complete-passenger seat	Cloth-RHD	1	22-24 2Sed
		C 149813	Back complete-passenger seat	Cloth-LHD	1	10-11 ClubCpe
		C 149814	Back complete-passenger seat	Cloth-RHD	1	10-11 ClubCpe
		C 149845	Back complete-passenger seat	Cloth-LHD	1	12-14 ClubCpe
		C 149846	Back complete-passenger seat	Cloth-RHD	1	12-14 ClubCpe
		C 149871	Back complete-passenger seat	Cloth-LHD	1	15 3Cpe-ClubCpe
		C 149872	Back complete-passenger seat	Cloth-RHD	1	15 3Cpe-ClubCpe
		C 207575	Back complete-passenger seat	Cloth-LHD	1	20 ClubCpe
		C 207576	Back complete-passenger seat	Cloth-RHD	1	20 ClubCpe
		C 207963	Back complete-passenger seat-exc mohair	Cloth-LHD	1	21 ClubCpe
		C 207964	Back complete-passenger seat-exc mohair	Cloth-RHD	1	21 ClubCpe
		C 207575	Back complete-passenger seat-mohair	Cloth-LHD	1	21 ClubCpe
		C 207576	Back complete-passenger seat-mohair	Cloth-RHD	1	21 ClubCpe
		C 207987	Back complete-passenger seat	Cloth-LHD	1	22-24 ClubCpe
		C 207988	Back complete-passenger seat	Cloth-RHD	1	22-24 ClubCpe
		C 208005	Back complete-passenger seat	Cloth-LHD	1	25 ClubCpe
		C 208006	Back complete-passenger seat	Cloth-RHD	1	25 ClubCpe
		C 143991	Back complete-passenger seat	Leather-LHD	1	40T 2Sed-VicCpe
		C 143992	Back complete-passenger seat	Leather-RHD	1	40T 2Sed-VicCpe
		C 143923	Back complete-passenger seat	Leather-LHD	1	40P-41-44-45 2Sed, 40P-41-44 VicCpe
		C 143924	Back complete-passenger seat	Leather-RHD	1	40P-41-44-45 2Sed, 40P-41-44 VicCpe
		C 143991	Back complete-passenger seat	Leather-LHD	1	40P CvCpe-CvSed
		C 143992	Back complete-passenger seat	Leather-RHD	1	40P CvCpe-CvSed
		C 144001	Back complete-passenger seat	Leather-LHD	1	41-44 CvCpe-CvSed
		C 144002	Back complete-passenger seat	Leather-RHD	1	41-44 CvCpe-CvSed
		C 202323	Back complete-passenger seat	Leather-LHD	1	10-11 2Sed
		C 202324	Back complete-passenger seat	Leather-RHD	1	10-11 2Sed
		C 202335	Back complete-passenger seat	Leather-LHD	1	12-14 2Sed
		C 202336	Back complete-passenger seat	Leather-RHD	1	12-14 2Sed
		C 208317	Back complete-passenger seat	Leather-LHD	1	20-21 2Sed
		C 208318	Back complete-passenger seat	Leather-RHD	1	20-21 2Sed
		C 208337	Back complete-passenger seat	Leather-LHD	1	22-24 2Sed
		C 208338	Back complete-passenger seat	Leather-RHD	1	22-24 2Sed
		C 202353	Back complete-passenger seat	Leather-LHD	1	10-11 ClubCpe
		C 202354	Back complete-passenger seat	Leather-RHD	1	10-11 ClubCpe
		C 202357	Back complete-passenger seat	Leather-LHD	1	12-14-15 ClubCpe,15 3Cpe
		C 202358	Back complete-passenger seat	Leather-RHD	1	12-14-15 ClubCpe,15 3Cpe
	C 208359	Back complete-passenger seat	Leather-LHD	1	20-21-22-24-25 ClubCpe	
	C 208360	Back complete-passenger seat	Leather-RHD	1	20-21-22-24-25 ClubCpe	
	C 202487	Back complete-passenger seat	Leather-LHD	1	10P-11 CvSed	
	C 202488	Back complete-passenger seat	Leather-RHD	1	10P-11 CvSed	
	C 202505	Back complete-passenger seat	Leather-LHD	1	12-14 CvSed	
	C 202506	Back complete-passenger seat	Leather-MD	1	12-14 CvSed	
	C 208277	Back complete-passenger seat	Leather-LHD	1	20-21 CvSed	
	C 208278	Back complete-passenger seat	Leather-RHD	1	20-21 CvSed	
	C 208305	Back complete-passenger seat	Leather-LHD	1	22-24 CvSed	
	C 208306	Back complete-passenger seat	Leather-RHD	1	22-24 CvSed	
	C 143430	Back complete-RH-front seat	Cloth	1	40T 3Cpe,40C UCpe	
	C 143431	Back complete-LH-front seat	Cloth	1	40T 3Cpe,40C UCpe	
	C 149880	Back complete-RH-front seat	Cloth	1	10C UCpe	
	C 149881	Back complete-LH-front seat	Cloth	1	10C UCpe	
	C 207582	Back complete-LH-front seat	Cloth	1	20 UCpe	
	C 207583	Back complete-LH-front seat	Cloth	1	20 UCpe	
	C 143989	Back complete-RH-front seat	Leather	1	40T 3Cpe,40C UCpe	
	C 143990	Back complete-LH-front seat	Leather	1	40T 3Cpe,40C UCpe	

Group & Illus. No.	Plate No.	Part No.	NAME		Per Car	Models
KK6-			FRONT SEAT BACK-BENCH TYPE SEAT (CONT'D.)			
		C 202342	Back complete-RH-front seat	Leather	1	10C UCpe
		C 202343	Back complete-LH-front seat	Leather	1	10C UCpe
		C 208330	Back complete-RH-front seat	Leather	1	20 UCpe
		C 208331	Back complete-LH-front seat	Leather	1	20 UCpe
		C 143389	Back complete-front seat	Cloth-LHD	1	40T Sed
		C 143390	Back complete-front seat	Cloth-RHD	1	40T Sed
		C 143397	Back complete-front seat	Cloth-LHD	1	40P Sed
		C 143398	Back complete-front seat	Cloth-RHD	1	40P Sed
		C 143405	Back complete-front seat-exc mohair	Cloth-LHD	1	41-44-45 Sed
		C 143406	Back complete-front seat-exc mohair	Cloth-RHD	1	41-44-45 Sed
		C 144425	Back complete-front seat-mohair	Cloth-LHD	1	41-44-45 Sed
		C 144426	Back complete-front seat-mohair	Cloth-RHD	1	41-44-45 Sed
		C 143413	Back complete-front seat } exc mohair	Cloth-LHD	1	43-47 Sed
		C 143414	Back complete-front seat } blue or gray	Cloth-RHD	1	43-47 Sed
		C 144451	Back complete-front seat-mohair	Cloth-LHD	1	43-47 5Sed
		C 144452	Back complete-front seat-mohair	Cloth-RHD	1	43-47 5Sed
		C 144656	Back complete-front seat } Blue gray or	Cloth-LHD	1	43-47 Sed
		C 144657	Back complete-front seat } green gray	Cloth-RHD	1	43-47 Sed
		C 143395	Back complete-front seat	Cloth-LHD	1	48P 5Sed
		C 143396	Back complete-front seat	Cloth-RHD	1	48P Sed
		C 144060	Back complete-front seat-optional	Cloth	1	43-47-48P 7Sed
		C 149567	Cushion frame & back comp-front seat	Cloth-LHD	1	10T Sed to car 30341
		C 149568	Cushion frame & back comp-front seat	Cloth-RHD	11	10T Sed to car 30341
		C 202643	Cushion frame & back comp-front seat	Cloth-LHD	1	10T Sed after car 30341
		C 202644	Cushion frame & hack comp-front seat	Cloth-RHD	1	10T Sed after car 30341
		C 202367	Cushion frame & back comp-front seat-mohair	Cloth-LHD	1	10T Sed
		C 202368	Cushion frame & back comp-front seat-mohair	Cloth-RHD	1	10T Sed
		C 149601	Cushion frame & hack comp-front seat-	Cloth-LHD	1	10P Sed
		C 149602	Cushion frame & back comp--front seat	Cloth-RHD	1	10P Sed
		C 149801	Cushion frame & back comp-front seat } Except	Cloth-LHD	1	11 Sed
		C 149802	Cushion frame & back comp-front seat } mohair	Cloth-RHD	1	11 Sed
		C 202369	Cushion frame & back comp-front seat-mohair	Cloth-LHD	1	11 Sed
		\C 202370	Cushion frame & back comp-front seat-mohair	Cloth-RHD	1	11 Sed
		C 149823	Cushion frame & back comp-front seat	Cloth-LHD	1	12-14 Sed
		C 149824	Cushion frame & back comp-front seat .	Cloth-RHD	1	12-14 Sed
		C 149853	Cushion frame & back comp-front seat	Cloth-LHD	1	17 Sed
		C 149854	Cushion frame & back comp-front seat	Cloth-RHD	1	17 Sed
		C 202707	Back complete-front seat	Cloth	1	17-18P 7Sed
		C 207559	Cushion frame & back complete-front seat	Cloth-LHD	1	20T Sed (exc mohair)
		C 207560	Cushion frame & back complete-front seat	Cloth-RHD	1	20T Sed (exc mohair)
		C 208415	Cushion frame & back complete-front seat	Cloth-LHD	1	20T Sed (mohair)
		C 208416	Cushion frame & back complete-front seat	Cloth-RHD	1	20T Sed (mohair)
		C 207637	Cushion frame & hack comp-front seat	Cloth-LHD	1	20P Sed
		C 207638	Cushion frame & back comp-front seat	Cloth-RHD	1	20P Sed
		C 207941	Cushion frame & back comp-front seat-mohair	Cloth-LHD	1	21 Sed
		C 207942	Cushion frame & back comp-front seat	Cloth-RHD	1	21 Sed
		C 208417	Cushion frame & back comp-front seat-mohair	Cloth-LHD	1	20P-21 Sed
		C 208418	Cushion frame & back comp-front seat-mohair	Cloth-RHD	1	20P-21 Sed
		C 207969	Cushion frame & back comp--front seat-mohair	Cloth-LHD	1	22-24 Sed
		C 207970	Cushion frame & back comp-front seat	Cloth-RHD	1	22-24 Sed
		C 208813	Cushion frame 8. back comp-front seat	Cloth-LHD	1	27 Sed
		C 208814	Cushion frame & back comp-front seat	Cloth-RHD	1	27 Sed
		C 143399	Back complete-front seat	Cloth-LHD	1	40P 3Cpe
		C 143400	Back complete-front seat	Cloth-RHD	1	40P 3Cpe
		C 143407	Back complete-front seat-exc mohair	Cloth-LHD	1	41-44 3Cpe
		C 143408	Back complete-front seat-exc mohair	Cloth-RHD	1	41-44 3Cpe
		C 144427	Back complete-front seat-mohair	Cloth-LHD	1	41 44 3Cpe
		C 144428	Back complete-front seat-mohair	Cloth-RHD	1	41-44 3Cpe
		C 202089	Cushion frame & back comp-front seat	Cloth-LHD	1	10T 3Cpe to car 30341
		C 202090	Cushion frame & back comp-front seat	Cloth-RHD	1	10T 3Cpe to car 30341
		C 202651	Cushion frame & back comp-front seat	Cloth-LHD	1	10T 3Cpe after car 30341
		C 202652	Cushion frame & back comp-front seat	Cloth-RHD	1	10T 3Cpe after car 30341

Group & Illus. No.	Plate No.	Part No.	NAME	Per Car	Models
KK6-			FRONT SEAT BACK-BENCH TYPE SEAT (CONT'D.)		
		C 149889	Cushion frame & back comp-front seat	Cloth-LHD	1 10P 3Cpe
		C 149890	Cushion frame & back comp-front seat	Cloth-RHD	1 10P 3Cpe
		C 149803	Cushion frame & back comp-front seat	Cloth-LHD	1 11 3Cpe
		C 149804	Cushion frame & back comp-front seat	Cloth-RHD	1 11 3Cpe
		C 149889	Cushion frame & back comp-front seat-mohair	Cloth-LHD	1 10T-11 3Cpe
		C 149890	Cushion frame & back comp-front seat-mohair	Cloth-RHD	1 10T-11 3Cpe
		C 149825	Cushion frame & back comp-front seat	Cloth-LHD	1 12-14 3Cpe
		C 149826	Cushion frame & back comp-front seat	Cloth-RHD	1 12-14 3Cpe
		C 207561	Cushion frame & back comp-front seat	Cloth-LHD	1 20T 3Cpe
		C 207562	Cushion frame & back comp-front seat	Cloth-RHD	1 20T 3Cpe
		C 207639	Cushion frame & back comp-front seat	Cloth-LHD	1 20P 3Cpe
		C 207640	Cushion frame & back comp-front seat	Cloth-RHD	1 20P 3Cpe
		C 207943	Cushion frame & back comp-front seat	Cloth-LHD	1 21 3Cpe
		C 207944	Cushion frame & back comp-front seat	Cloth-RHD	1 21 3Cpe
		C 208419	Cushion frame & back comp-front seat-ohair	Cloth-LHD	1 20-21 3Cpe
		C 208420	Cushion frame & back comp-front seat-mohair	Cloth-RHD	1 20-21 3Cpe
		C 207971	Cushion frame & back comp-front seat	Cloth-LHD	1 22-24 3Cpe
		C 207972	Cushion frame & back comp-front seat	Cloth-RHD	1 22-24 3Cpe
		C 144253	Back complete-front seat	Leather-LHD	1 40T Sed
		C 144254	Back complete-front seat	Leather-RHD	1 40T Sed
		C 143931	Back complete-front seat	Leather-LHD	1 40P-41-44-45 Sed
		C 143932	Back complete-front seat	Leather-RHD	1 40P-41-44-45 Sed
		C 143940	Back complete-front seat	Leather-LHD	1 43-47 5Sed
		C 143941	Back complete-front seat	Leather-RHD	1 43-47 5Sed
		C 144259	Back complete-front seat	Leather-LHD	1 48P 5Sed
		C 144258	Back complete-front seat	Leather-RHD	1 48P 5Sed
		C 137324	Back complete-front seat-standard	Leather	1 43-47-48P 7Sed
		C 144374	Back complete-front seat Leather	Leather	1 48P CA to car 60791
		C 144621	Back complete-front seat Leather	Leather	1 48P CA after car 60791
		C 202287	Cushion frame & back comp-front seat	Leather-LHD	1 10T Sed
		C 202288	Cushion frame & back comp-front seat	Leather-RHD	1 10T Sed
		C 202289	Cushion frame & back comp-front seat	Leather-LHD	1 10P Sed
		C 202290	Cushion frame & back comp-front seat	Leather-RHD	1 10P Sed
		C 202301	Cushion frame & back comp-front seat	Leather-LHD	1 11-12-14 Sed
		C 202302	Cushion frame & back comp-front seat	Leather-RHD	1 11-12-14 Sed
		C 202307	Cushion frame & back comp-front seat	Leather-LHD	1 17 5Sed
		C 202308	Cushion frame & back comp-front seat	Leather-RHD	1 17 5Sed
		C 202708	Back complete-front seat Leather	Leather	1 17-18P 7Sed
		C 144621	Back complete-front seat Leather	Leather	1 18P CA
		C 208339	Cushion frame & back comp-front seat	Leather-LHD	1 20T Sed
		C 208340	Cushion frame & back comp-front seat	Leather-RHD	1 20T Sed
		C 208341	Cushion frame & back comp-front seat	Leather-LHD	1 20P-21 Sed
		C 208342	Cushion frame & back comp-front seat	Leather-RHD	1 20P-21 Sed
		C 208351	Cushion frame & back comp-front seat	Leather-LHD	1 22-24 Sed
		C 208352	Cushion frame & back comp-front seat	Leather-RHD	1 22-24 Sed
		C 208369	Cushion frame & back comp-front seat	Leather-LHD	1 27 Sed
		C 208370	Cushion frame & back comp-front seat	Leather-RHD	1 27 Sed
		C 143933	Back complete-front seat	Leather-LHD	1 40P-41-44 3Cpe
		C 143934	Back complete-front seat	Leather-RHD	1 40P-41-44 3Cpe
		C 202291	Cushion frame & back comp-front seat	Leather-LHD	1 10 3Cpe
		C 202292	Cushion frame & back comp-front seat	Leather-RHD	1 10 3Cpe
		C 202305	Cushion frame & back comp-front seat	Leather-LHD	1 11-12-14 3Cpe
		C 202306	Cushion frame & back comp-front seat	Leather-RHD	1 11-12-14 3Cpe
		C 208343	Cushion frame & back comp-front seat	Leather-LHD	1 20-21 3Cpe
		C 208344	Cushion frame & back comp-front seat	Leather-RHD	1 20-21 3Cpe
		C 208305	Cushion frame & back comp-front seat	Leather-LHD	1 22-24 3Cpe
		C 208306	Cushion frame & back comp-front seat	Leather-RHD	1 22-24 3Cpe
		C 128837	Back complete-front seat Leather	Leather	1 All Cab-CabPu 1940-1941 7Sed
		C 137177	Pad-rubber-front seat back		1
		BO 143349	Spring-front seat back pocket		1 41-44-45-11-12-14-17-20P-21 21-24 5Sed
		BO 208222	Spring-front seat back pocket		1 27 Sed
		C 143420	Lid & trim assy-front seat back compt- exc blue-green gray	Cloth	1 43-47 5Sed
		C 144691	Lid & trim assy-front seat back compt- blue-green gray	Cloth	1 43-47 5Sed
		C 143947	Lid & trim assy-front seat back compt	Leather	1 43-47 5Sed
		C 143628	Skirt assy-front seat compt door bootom	Cloth	1 43-47 5Sed
		C 143959	Skirt assy-front seat compt door bottom	Leather	1 43-47 5Sed
		BO 130219	Hinge-front seat compt door		3 43-47 5Sed
		BO 170365	Rivet-front seat compt door hinge to door	1/4" x 3/8"	6 43-47 5Sed
		BO 142239	Lock cylinder and keys assy-front seat compartment	Taupe	1 43-47 5Sed

Group & Illus. No.	Plate No.	Part No.	NAME	Per Car	Models	
KK6-			FRONT SEAT BACK-BENCH TYPE SEAT (CONT'D.)			
		BO 142336	Lock, cylinder and keys assy-front seat compartment			
			compartment	Black	1 43-47 5Sed	
		BO 142238	Lock-less cylinder-front seat compartment.	Taupe	1 43-47 5Sed	
		BO 142337	Lock-less cylinder-front seat compartment	Black	1 43-47 5Sed	
		BO 125990	Lock cylinder and keys-front seat compartment		1 43-47 5Sed	
		BO 71706	Screw-front seat compartment lock	6-32 x 5/16"	1 43-47 5Sed	
		BO 142241	Plate-front seat compartment lock retaining		1 43-47 5Sed	
		BO 12867	Pin-front seat compartment lock retaining plate	#13 x 3/8	4 43-47 5Sed	
		BO 142242	plate-front seat compartment lock striker		1 43-47 5Sed	
		BO 143787	Strap assy-front seat compartment door		2 43-47 5Sed	
		BO 170388	Screw-wood-front seat compartment door strap	#10x7/8"	2 43-47 5Sed	
		BO 170389	Screw-machine-front seat compartment door strap	10-32 x 1/2"	2 43-47 5Sed	
		BO 12316	Finish washer-front seat compartment door strap screw		4 43-47 5Sed	
		C 143592	Trim panel-front seat compartment	Standard	1 43-47 5Sed	
		C 144708	Trim panel-front seat compartment	Blue gray	1 43-47 5Sed	
		C 144709	Trim panel-front seat compartment	Green gray	1 43-47 5Sed	
		C 143419	Board & trim assy-front seat back	Standard	1 43-47 5Sed	
		C 144690	Board & trim assy-front seat back	Blue or green gray	1 43-47 Sed	
		C 143946	Board & trim assy-front seat back	Leather	1 43-47 5Sed	
		C 149863	Arm rest complete-front seat back	Cloth	1 17 5Sed	
		C 208020	Arm rest complete-front seat back	Cloth	1 27 Sed	
		C 202314	Arm rest complete-front seat back	Leather	1 17 5Sed	
		C 208374	Arm rest complete-front seat back	Leather	1 27 Sed	
		BO 147286	Pad-rubber-front seat back arm rest		1 17 5Sed	
		BO 208184	Pad-rubber-front seat back arm rest		1 27 Sed	
		BO 147287	Hinge assy-front seat back arm rest		1 17-27 5Sed	
		BO 18465	Screw-arm rest hinge bracket to spring	1/4"-20 x 7/8"	4 17-27 5Sed	
		BO 71394	Screw-arm rest hinge to board	1/4"-20 x 1-1/8"	4 17-27 5Sed	
		BO 141259	Rivet-arm rest hinge		2 17-27 5Sed	
		BO 70028	Rivet-arm rest hinge stop	3/16" x 3/8"	2 17-27 5Sed	
		C 200003	Spring-front seat back panel-to car 48501		16 10-11-12-14 ClubCpe-CvSed	
		C 200466	Spring-front seat back panel-after car 48501		16 10-11-12-14 ClubCpe-CvSed	
		C 200003	Spring-front seat back panel-to car 46611		16 15 3Cpe-ClubCpe	
		C 200466	Spring-front seat back panel-after car 46611		16 15 3Cpe-ClubCpe	
		C 200466	Spring-front seat back panel		16 20-21-22-24 ClubCpe-CvSed,25	
	KK7-		BO 141543	Clip-front seat back panel spring	AR	1940,2Sed,1941 Sed-3Cpe, All VicCpe-ClubCpe UCpe CvCpe,CvSed
			BO 200141	Clip-front seat back spring	AR	1941-1942 ClubCpe-CvSed, 15 3Cpe
				FRONT SEAT CUSHION-BENCH TYPE SEAT		
			C 143436	Cushion complete-front seat-standard	Cloth trim	1 40T 2Sed-3Cpe-VicCpe, 40C UCpe
			C 143646	Cushion complete-front seat-airfoam	Cloth trim	1 40T 2Sed-3Cpe-VicCpe, 40C UCpe
			C 143445	Cushion complete-front seat-standard	Cloth trim	1 40P 2Sed-VicCpe
			C 143646	Cushion Complete-front seat-airfoam	Cloth trim	1 40P 2Sed-VicCpe
			C 143455	Cushion complete-front seat-exc mohair	Cloth trim	1 41-44-45 2Sed,41-44 VicCpe
			C 144435	Cushion complete-front seat-mohair	Cloth trim	1 41-44-45 2Sed,41-44 VicCpe
			C 143392	Cushion complete-front seat-standard	Cloth trim	1 40T-48P 5Sed
			C 143643	Cushion complete-front seat-airfoam	Cloth trim	1 40T-48P 5Sed
			C 143402	Cushion complete-front seat-standard	Cloth trim	1 40P Sed-3Cpe
			C 143643	Cushion complete-front seat-sirform	Cloth trim	1 40P Sed-3Cpe
			C 143411	Cushion complete-front seat-exc mohair	Cloth trim	1 41-44-45 Sed, 41-44 3Cpe
		C 144422	Cushion complete-front-seat-mohair	Cloth trim	1 41-44-45 Sed, 41-44 3Cpe	
		C 143416	Cushion complete-front seat } Exc mohair,blue	Cloth trim	1 43-47 5Sed to car 41541	
		C 144152	Cushion complete-front seat } or gray	Cloth trim	1 43-47 5Sed after car 41541	
		C 144422	Cushion complete-front seat-mohair	Cloth trim	1 43-47 5Sed	
		C 144659	Cushion complete-front seat-blue or gray	Cloth trim	1 43-47 5Sed	
		C 144062	Cushion complete-front seat-optional	Cloth trim	1 43-47-48P-17-18P 7Sed	
		C 149879	Cushion complete-front seat-standard } Except	Except Cloth trim	1 10T 2Sed-ClubCpe,10C UCpe	
		C 149885	Cushion complete-front seat-airform } mohair	Mohair Cloth trim	1 10T 2Sed-ClubCpe,10C UCpe	
		C 149818	Cushion complete-front seat-standard-mohair	Cloth trim	1 10T 2Sed-ClubCpe,10C UCpe	
	C 149820	Cushion complete-front seat-airfoam-mohair	Cloth trim	1 10T 2Sed-ClubCpe,10C UCpe		

Group & Illus. No.	Plate No.	Part No.	NAME	Per Car	Models
KK7-			FRONT SEAT CUSHION-BENCH TYPE SEAT (CONT'D.)		
		C 149818	Cushion complete-front seat-standard	Cloth trim	1 10P-11 2Sed-ClubCpe
		C 149820	Cushion complete-front seat-airfoam	Cloth trim	1 10P-11 2Sed-ClubCpe
		C 149847	Cushion complete-front seat	Cloth trim	1 12-14 2Sed-ClubCpe
		C 149570	Cushion complete-front seat-standard	Cloth trim	1 10T Sed-3Cpe (exc mohair)
		C 149572	Cushion complete-front seat-airfoam	Cloth trim	1 Sed-3Cpe (exc mohair)
		C 149604	Cushion complete-front seat-standard-mohair	Cloth trim	1 10T Sed-3Cpe
		C 149606	Cushion complete-front seat-airfoam-mohair	Cloth trim	1 10T Sed-3Cpe
		C 149604	Cushion complete-front seat-standard	Cloth trim	1 10P-11 Sed-3Cpe
		C 149606	Cushion complete-front seat-airfoam	Cloth trim	1 10P-11 Sed-3Cpe
		C 149828	Cushion complete-front seat	Cloth trim	1 12-14 Sed-3Cpe
		C 149859	Cushion complete-front seat	Cloth trim	1 17 Sed
		C 149866	Cushion complete-front seat	Cloth trim	1 15 3Cpe-ClubCpe
		C 207594	Cushion complete-front seat-standard	Cloth trim	1 20T 2Sed-ClubCpe-UCpe
		C 207596	Cushion complete-front seat-airfoam } Except mohair	Cloth trim	1 20T 2Sed-ClubCpe-UCpe
		C 207652	Cushion complete-front seat-standard-mohair	Cloth trim	1 20T 2Sed-ClubCpe
		C 207654	Cushion complete-front seat-airfoam-mohair	Cloth trim	1 20T 2Sed-ClubCpe
		C 207652	Cushion complete-front seat-standard	Cloth trim	1 20P 2Sed-ClubCpe
		C 207654	Cushion complete-front seat-airfoam	Cloth trim	1 20P 2Sed-ClubCpe
		C 207955	Cushion complete-front seat-exc mohair	Cloth trim	1 21 2Sed-ClubCpe
		C 207654	Cushion complete-front seat-mohair	Cloth trim	1 21 2Sed-ClubCpe
		C 207994	Cushion complete-front seat	Cloth trim	1 22-24 2Sed-ClubCpe
		C 207590	Cushion complete-front seat-standard	Cloth trim	1 20T Sed-3Cpe (exc mohair)
		C 207592	Cushion complete-front seat-airfoam	Cloth trim	1 20T Sed-3Cpe (exc mohair)
		C 207648	Cushion complete-front seat-standard-mohair	Cloth trim	1 20T Sed-3Cpe
		C 207650	Cushion complete-front seat-airfoam-mohair	Cloth trim	1 10T Sed-3Cpe
		C 207648	Cushion complete-front seat-standard	Cloth trim	1 20P Sed-3Cpe
		C 207650	Cushion complete-front seat-airfoam	Cloth trim	1 20P Sed-3Cpe
		C 207947	Cushion complete-front seat-exc mohair	Cloth trim	1 21 Sed-3Cpe
		C 207650	Cushion complete-front seat-mohair	Cloth trim	1 21 Sed-3Cpe
		C 207974	Cushion complete-front seat	Cloth trim	1 22-24 Sed-3Cpe
		C 208018	Cushion complete-front seat	Cloth trim	1 27 Sed
		C 208010	Cushion complete-front seat	Cloth trim	1 25 ClubCpe
		C 144252	Cushion complete-front seat-standard	Leather trim	1 40T 2Sed-3Cpe-VicCpe,40C UCpe
		C 143993	Cushion complete-front seat-airfoam	Leather trim	1 40T 2Sed-3Cpe-VicCpe,40C UCpe
		C 143925	Cushion complete-front seat-standard	Leather trim	1 40P 2Sed-VicCpe
		C 143930	Cushion complete-front seat-airfoam	Leather trim	1 40P 2Sed-VicCpe
		C 143930	Cushion complete-front seat	Leather trim	1 41-44-45 2Sed, 41-44 ClubCpe
		C 144256	Cushion complete-front seat-standard	Leather trim	1 40T-48P 5Sed
		C 144257	Cushion complete-front seat-airfoam	Leather trim	1 40T-48P 5Sed
		C 143936	Cushion complete-front seat-standard	Leather trim	1 40P Sed-3Cpe
		C 143939	Cushion complete-front seat-airfoam	Leather trim	1 40P Sed-3Cpe
		C 143939	Cushion complete-front seat	Leather trim	1 41-44-45 Sed, 41-44 3Cpe
		C 143943	Cushion complete-front seat	Leather trim	1 43-47 Sed
		C 137325	Cushion complete-front seat-standard	Leather trim	1 43-47-48P-17-18P 7Sed
		C 144376	Cushion complete-front seat	Leather trim	1 48P CA to car 60791
		C 144623	Cushion complete-front seat	Leather trim	1 48P CA after car 60791
		C 143993	Cushion complete-front seat	Leather trim	1 1940 CvCpe-CvSed
		C 122934	Cushion complete-front seat	Leather trim	1 All Cab-CabPu
		C 202364	Cushion complete-front seat-standard	Leather trim	1 10-11 2Sed-ClubCpe, 10C UCpe
		C 202365	Cushion complete-front seat-airfoam	Leather trim	1 10-11 2Sed-ClubCpe, 10C UCpe
		C 202365	Cushion complete-front seat	Leather trim	1 12-14-2Sed-ClubCpe, 15 3Cpe-ClubCpe
		C 202294	Cushion complete-front seat-standard	Leather trim	1 10-11 5Sed-3Cpe
		C 202295	Cushion complete-front seat-airfoam	Leather trim	1 10-11 5Sed-3Cpe
		C 202295	Cushion complete-front seat	Leather trim	1 12-14 Sed-3Cpe, 17 5Sed
		C 144623	Cushion complete-front seat	Leather trim	1 18P CA
		C 202492	Cushion complete-front seat	Leather trim	1 10P-11 CvSed
		C 202510	Cushion complete-front seat	Leather trim	1 12-14 CvSed
		C 208319	Cushion complete-front seat-standard	Leather trim	1 20 2Sed-ClubCpe-UCpe
		C 208321	Cushion complete-front seat-airfoam	Leather trim	1 20 2Sed-ClubCpe-UCpe
		C 208321	Cushion complete-front seat	Leather trim	1 21-22-24 2Sed-ClubCpe, 25 ClubCpe
		C 208346	Cushion complete-front seat-standard	Leather trim	1 20 Sed-3Cpe
		C 208348	Cushion complete-front seat-airfoam	Leather trim	1 20 Sed-3Cpe
		C 208348	Cushion complete-front seat	Leather trim	1 21-22-24 Sed-3Cpe, 27Sed
		C 208282	Cushion complete-front seat	Leather trim	1 20T CvSed
		C 208295	Cushion complete-front seat	Leather trim	1 20P-21 CvSed
		C 208310	Cushion complete-front seat	Leather trim	1 22-24 CvSed

Group & Illus. No.	Plate No.	Part No.	NAME	Per Car	Models	
KK7-			FRONT SEAT CUSHION-BENCH TYPE SEAT (CONT'D.)			
		C 143382	Pad-rubber-front seat cushion spring optional	Cloth trim	1 40 2Sed-ClubCpe, 40T 3Cpe, 40C UCpe	
		C 143380	Pad-rubber-front seat cushion spring optional	Cloth trim	1 40-48P Sed, 40P 3Cpe	
		C 143383	Pad-rubber-front seat cushion spring exc mohair	Cloth trim	1 41-44-45 2Sed, 41-44 VicCpe	
		C 143381	Pad-rubber-front seat cushion spring-mohair	Cloth trim	1 41-44-45 2Sed, 41-44 VicCpe	
		C 143743	Pad-rubber-front seat cushion spring	exc mohair-blue	1 43-47 Sed to car 41541	
		C 143381	Pad-rubber-front seat cushion spring	or green gray	1 43-47 5Sed after car 41541	
		C 143738	Pad-rubber-front seat cushion spring mohair-blue or green gray	Cloth trim	1 43-47 5Sed	
		C 136225	Pad-rubber-front seat cushion spring	Cloth trim	1 1940-1941 7Sed	
		C 143383	Pad-rubber-front seat cushion spring	Cloth trim	1 10-11 2Sed-ClubCpe, 10C UCpe	
		C 143381	Pad-rubber-front seat cushion spring	Cloth trim	1 10-11 Sed-3Cpe, 18P 5Sed	
		C 149980	Pad-rubber-front seat cushion spring	Cloth trim	1 12-14 2Sed-ClubCpe	
		C 149899	Pad-rubber-front seat cushion spring	Cloth trim	1 12-14 Sed-ClubCpe	
		C 149976	Pad assy-rubber-front seat cushion spring	Cloth trim	1 15 3Cpe-ClubCpe	
		C 149900	Pad assy-rubber-front seat cushion spring	Cloth trim	1 17 Sed	
		C 207623	Pad-rubber-front seat cushion spring	Cloth trim	1 20 2Sed-ClubCpe-UCpe	
		C 207622	Pad-rubber-front seat cushion spring	Cloth trim	1 20 Sed-3Cpe	
		C 207619	Pad-rubber-front seat cushion spring	Cloth trim	1 21 2Sed-ClubCpe	
		C 207618	Pad-rubber-front seat cushion spring	Cloth trim	1 21 Sed-3Cpe	
		C 207996	Pad-rubber-front seat cushion spring		1 22-24 2Sed-ClubCpe	
		C 207997	Pad-rubber-front seat cushion spring		1 22--24 Sed-3Cpe	
		C 149980	Pad-rubber-front seat cushion spring	Cloth trim	1 25 ClubCpe	
		C 149899	Pad-rubber-front seat cushion spring	Cloth trim	1 27 Sed	
		C 143739	Pad-rubber-front seat cushion spring		1 1940 2Sed-VicCpe-UCpe CvCpe-CvSed, 40T 3Cpe	
		C 143738	Pad-rubber-front seat cushion spring	Mohair or Leather trim	1 1940 5Sed-3Cpe	
		C 143739	Pad-rubber-front seat cushion spring.		1 1941 2Sed-ClubCpe-UCpe, 15,10-11 CvSed	
		C 149976	Pad-rubber-front seat cushion	Leather trim	1 12-14 CvSed	
		C 143738	Pad-rubber-front seat cushion	Leather trim	1 1941 5Sed-3Cpe-Station	
		C 207996	Pad-rubber-front seat cushion	Leather trim	1 20-21 2Sed-ClubCpe, 25 ClubCpe	
		C 207997	Pad-rubber-front seat cushion	Leather trim	1 20-21 Sed-3Cpe, 27Sed	
		C 207619	Pad-rubber-front seat cushion	Leather trim	1 20-21 CvSed	
		C 207618	Pad-rubber-front seat cushion	Leather trim	1 21 Station	
		C 149976	Pad-rubber-front seat cushion spring	Leather trim	1 22-24 CvSed	
		C 136324	Protector-for cushion rubber pad	Leather trim	1 1940 2Sed-Sed-3Cpe-VicCpe-UCpe-CvCpe-CvSed	
		C 202097	Protector-for cushion rubber pad	Cloth trim	1 1941-1942 2Sed-5Sed-3Cpe-ClubCpe-UCpe	
		C 202097	Protector-for cushion rubber pad	Leather trim	1 1940 CvSed, 22-24 2Sed-Sed-3Cpe-ClubCpe-CvSed	
		C 136324	Protector-for cushion rubber pad		1 1941 7Sed	
	KK8-			FRONT SEAT SPRINGS-BENCH TYPE SEAT		
				NOTE: Second type springs became effective with the following car numbers - 10-11 Sed-3Cpe cloth trim 44468-leather trio 40969 Exc 41601 to 41691.		
				12-14 Sed-3Cpe tan cloth 40010 foe 40201 to 40654-gray cloth 39617 Exc 40201 to 40264-green cloth 39959 Exc 40201 to 40669-leather trim 40969 Exc 41601 to 41691.		
				10-11-12-14 ClubCpe-CvSed 48501; 15 3Cpe-ClubCpe 46611.		
			C 142322	Spring-RH-front seat back		1 1940 2Sed-VicCpe-Ucpe-CvCpe-40T 3Cpe
		C 142323	Spring-LH-front seat back		1 1940 2Sed-VicCpe-Ucpe-CvCpe-CvSed, 40T 3Cpe	
		C 142341	Spring-front seat back		1 40P-41-44 Sed-3Cpe, 40T-45-48P Sed	
		C 142342	Spring-front seat back		1 43-47 5Sed	
		C 142955	Spring-front seat back		1 48P CA to car 60791	
		C 144713	Spring-front seat back		1 48P CA after car 60791	
		C 123091	Spring-front seat back		1 All Cab-CabPu	
		C 142322	Spring-RH-front seat back		1 1941 2Sed-UCpe	
		C 142323	Spring-LH-front seat back		1 1941 2Sed-UCpe	
		C 142341	Spring-front seat back-1st type	See note	1 10-11-12-14 Sed-3Cpe, 18P 5Sed	
		C 200320	Spring-front seat back-2nd type	See note	1 10-11-12-14 Sed-3Cpe, 18P 5Sed	

Group & Illus. No.	Plate No.	Part No.	NAME	Per Car	Models	
KK8-			FRONT SEAT SPRINGS-BENCH TYPE SEAT (CONT'D.)			
		C 200038	Spring-RH-front seat back	1	17 5Sed	
		C 200039	Spring-LH-front seat back	1	17 5Sed	
		C 144713	Spring-front seat back	1	18P CA	
		C 200796	Spring-RH-front seat back-1st type	See note	1941 ClubCpe-CvSed, 15 3Cpe	
		C 200797	Spring-LH-front seat back-1st type	See note	1941 ClubCpe-CvSed, 15 3Cpe	
		C 200464	Spring-RH-front seat back-2nd type	See note	1941 ClubCpe-CvSed, 15 3Cpe	
		C 200465	Spring-LH-front seat back-2nd type	See note	1941 ClubCpe-CvSed, 15 3Cpe	
		C 204596	Spring-RH-front seat back	1	1942 2Sed-UCpe	
		C 204597	Spring-LH-front seat back	1	1942 2Sed-UCpe	
		C 204590	Spring-front seat back	1	20-21-22-24 Sed-3Cpe	
		C 204598	Spring-RH-front seat back	1	1942 ClubCpe-CvSed	
		C 204599	Spring-LH-front seat back	1	1942 ClubCpe-CvSed	
		C 204586	Spring-RH-front seat back	1	27 Sed	
		C 204587	Spring-LH-front seat back	1	27 Sed	
		C 142355	Spring-front seat cushion-standard	Cloth trim	1	40 2Sed-ClubCpe, 40T 3Cpe-UCpe
		C 142320	Spring-front seat cushion-airfoam	Cloth trim	1	40 2Sed-ClubCpe, 40T 3Cpe-UCpe
		C 142320	Spring-front seat cushion	Cloth trim	1	41-44 2Sed-ClubCpe, 45 2Sed
		C 142353	Spring-front seat cushion-standard	Cloth trim	1	40P Sed-3Cpe, 40T-48P 5Sed
		C 142340	Spring-front seat cushion-airfoam	Cloth trim	1	40P Sed-3Cpe, 40T-48P 5Sed
		C 142340	Spring-front seat cushion	Cloth trim	1	41-44 2Sed-3Cpe, 45Sed
		C 142340	Spring-front seat cushion-exc blue or gray	Cloth trim	1	43-47 5Sed
		C 142338	Spring-front seat cushion-blue or green gray	Cloth trim	1	43-47 5Sed
		C 137165	Spring-front seat cushion		1	1940-1941 7Sed
		C 200270	Spring-front seat cushion	Cloth or Leather	1	10-11 2Sed, 10C UCpe
		C 200047	Spring-front seat cushion	Cloth trim	1	12-14 2Sed
		C 200043	Spring-front seat cushion	Cloth or Leather	1	10-11 Sed-3Cpe
		C 200048	Spring-front seat cushion	Cloth trim	1	12-14 Sed-3Cpe, 17 5Sed
		C 200270	Spring-front seat cushion	Cloth or Leather	1	10-11 ClubCpe
		C 200047	Spring-front seat cushion	Cloth trim	1	12-14-15 ClubCpe, 15 3Cpe
		C 200908	Spring-front seat cushion		1	1941 Police cars & Taxicabs
		C 204592	Spring-front seat cushion	Cloth or Leather	1	20-21-22-24 2Sed-ClubCpe, 20 UCpe
		C 204580	Spring-front seat cushion	Cloth or Leather	1	20-21-22-24 Sed-3Cpe
		C 204583	Spring-front seat cushion	Cloth trim	1	27 Sed
		C 204591	Spring-front seat cushion	Cloth trim	1	25 ClubCpe
		C 204600	Spring-front seat cushion-with Sedan type seat		1	1942 Police Cars & Taxicabs
		C 204604	Spring-front seat cushion-with pivot type seat		1	1942 Police Cars & Taxicabs
		C 142356	Spring-front seat cushion-standard	Leather trim	1	40 2Sed-ClubCpe, 40T 3Cpe-UCpe
		C 142339	Spring-front seat cushion-airfom	Leather trim	1	40 2Sed-ClubCpe, 40T 3Cpe-UCpe
		C 142339	Spring-front seat cushion	Leather trim	1	41-44 2Sed-ClubCpe, 45 2Sed
		C 142354	Spring-front seat cushion-standard	Leather trim	1	40P Sed-3Cpe, 40T-48P 5Sed
		C 142338	Spring-front seat cushion-airfoam	Leather trim	1	40P Sed-3Cpe, 40T-48P 5Sed
		C 142338	Spring-front seat cushion	Leather trim	1	41-44 Sed-3Cpe, 43-45-47 5Sed
		C 142339	Spring-front seat cushion	Leather trim	1	1940 CvCpe-CvSed
		C 142954	Spring-front seat cushion	Leather trim	1	48P CA to car 60791
		C 144712	Spring-front seat cushion	Leather trim	1	48P CA after car 60791
		C 123090	Spring-front seat cushion	Leather trim	1	All Cab-CabPu
		C 200042	Spring-front seat cushion	Leather trim	1	12-14 2Sed
		C 200043	Spring-front seat cushion	Leather trim	1	12-14 Sed-3Cpe, 17 5Sed
		C 200270	Spring-front seat cushion	Leather trim	1	12-14-15 ClubCpe, 15 3Cpe
		C 200033	Spring-front seat cushion	Leather trim	1	12-14 CvSed
		C 200270	Spring-front seat cushion	Leather trim	1	10-11 CvSed
		C 144713	Spring-front seat cushion	Leather trim	1	18P CA
	C 204580	Spring-front seat cushion	Leather trim	1	27 Sed	
	C 204592	Spring-front seat cushion	Leather trim	1	25 ClubCpe, 20-21 CvSed	
	C 204591	Spring-front seat cushion	Leather trim	1	22-24 CvSed	
KK9-			FRONT SEAT FRAME-BENCH TYPE SEAT			
			NOTE: Parts marked * used on 1941 3Cpe when spare tire is placed behind driver.			
		C 137166	Frame assembly-front seat	1	1940 7Sed	
		C 200060	Frame assembly-front seat	1	1941 7Sed	
		BO 137169	Bracket-upper-front seat frame corner	2	1940-1941 7Sed	
		BO 137170	Bracket-RH lower front seat frame corner	1	1940-1941 7Sed	
		BO 137171	Bracket-LH lower-front seat frame corner	1	1940-1941 7Sed	
		BO 71642	Screw-front seat frame corner bracket to seat frame	12	1940-1941 7Sed	
		BO 96023	Tee nut-front seat frame corner bracket to seat frame screw	12	1940-1941 7Sed	

SEATS

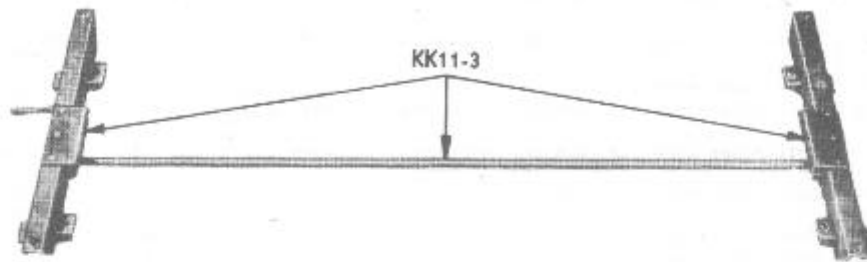
1940-1941-1942

KK

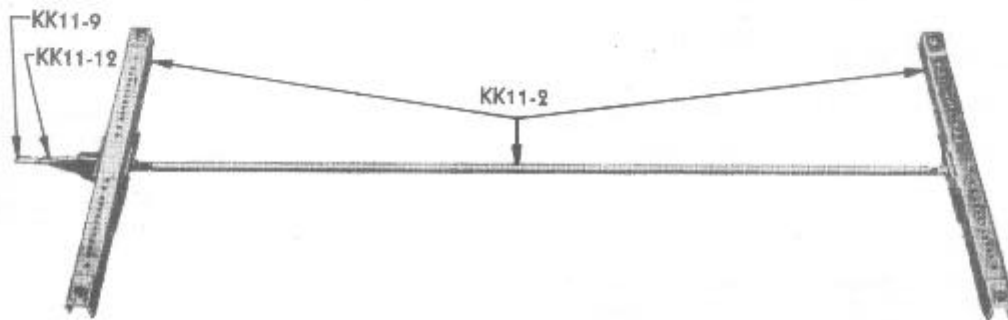
Group & Illus. No.	Plate No.	Part No.	NAME	Per Car	Models	
KK9-			FRONT SEAT FRAME-BENCH TYPE SEAT (CONT'D.)			
		C 137172	Bracket-RH-front seat frame to floor	1	1940-1941 7Sed	
		C 137173	Bracket-LH-front seat frame to floor	1	1940-1941 7Sed	
		BO 170306	Bolt-front seat frame to floor reinforcement	2	1940-1941 7Sed	
		BO 71434	Bolt-front seat frame to floor and frame	2	1940-1941 7Sed	
		BX 12415	Nut-front seat frame to floor and frame bolt	2	1940-1941 7Sed	
		BO 170315	Tip-front seat frame top binding corner	2	1940-1941 7Sed	
		BO 12861	Screw-wood-front seat frame bracket	14	1940-1941 7Sed	
		C 140764	Frame assy-front seat back	1	40-41-44-45-48P Sed, 40P-41-44 3Cpe	
		C 140768	Frame assy-front seat back	1	43-47 Sed	
		C 142914	Frame assy-front seat back	1	48P CA to car 60791	
		C 144710	Frame assy-front seat back	1	48P CA after car 60791	
		C 140761	Frame assy-front seat back	1	10-11-12-14 Sed-3Cpe	
		C 121296	Frame assy-front seat back	1	Cab,CabPu	
		C 148812	Frame assy-front seat back	1	17 Sed	
		C 144710	Frame assy-front seat back	1	18P CA	
		C 203818	Frame assy-front seat back	1	27 Sed	
		C 140782	Panel assy-RH-front seat back	LHD	1	1940 2Sed-VicCpe-UCpe-CvCpe-CvSed,40T 3Cpe
		C 140783	Panel assy-LH-front seat back	LHD	1	1940 2Sed-VicCpe-UCpe-CvCpe-CvSed,40T 3Cpe
		C 140784	Panel assy-RH-front seat back	RHD	1	1940 2Sed-VicCpe-UCpe-CvCpe-CvSed,40T 3Cpe
		C 140785	Panel assy-LH-front seat back	RHD	1	1940 2Sed-VicCpe-UCpe-CvCpe-CvSed,40T 3Cpe
		C 140782	Panel assy-RH-front seat back	LHD	1	1941 2Sed
		C 140783	Panel assy-LH-front seat back	LHD	1	1941 2Sed
		C 140784	Panel assy-RH-front seat back	RHD	1	1941 2Sed
		C 140785	Panel assy-LH-front seat back	LHD	1	1941 2Sed
		C 140783	Panel assy-RH-front seat back	*	1	1941 UCpe-3Cpe
		C 140784	Panel assy-LH-front seat back	*	1	1941 UCpe-3Cpe
		C 146682	Panel assy-RH-front seat back	LHD	1	1941 ClubCpe-CvSed, 15 3Cpe
		C 146683	Panel assy-LH-front seat back	LHD	1	1941 ClubCpe-CvSed, 15 3Cpe
		C 146684	Panel assy-RH-front seat back		1	1941 ClubCpe-CvSed, 15 3Cpe
		C 146685	Panel assy-LH-front seat back	RHD	1	1941 ClubCpe-CvSed, 15 3Cpe
		C 200490	Panel assy-RH-front seat back	RHD	1	1941 ClubCpe-CvSed, 15 3Cpe
		C 200491	Panel assy-LH-front seat back	LHD	1	1941 ClubCpe-CvSed, 15 3Cpe
		C 200492	Panel assy-RH-front seat back	LHD	1	1941 ClubCpe-CvSed, IS 3Cpe
		C 200493	Panel assy-LH-front seat back	RHD	1	1941 ClubCpe-CvSed, 15 3Cpe
		C 203810	Panel assy-RH-front seat back	LHD	1	1942 2Sed
		C 203811	Panel assy-LH-front seat back	LHD	1	1942 2Sed
		C 203812	Panel assy-RH-front seat back	RHD	1	1942 2Sed
		C 203813	Panel assy-LH-front seat back	RHD	1	1942 2Sed
		C 203814	Panel assy-RH-front seat back	LHD	1	1942 ClubCpe-CvSed
		C 203815	Panel assy-LH-front seat back	LHD	1	1942 ClubCpe-CvSed
		C 203816	Panel assy-RH-front seat back	RHD	1	1942 ClubCpe-CvSed
		C 203817	Panel assy-LH-front seat back	RHD	1	1942 ClubCpe-CvSed
		C 203812	Panel assy-RH-front seat back		1	1942 UCpe
		C 203811	Panel assy-LH-front seat back		1	1942 UCpe
		C 203821	Panel assy-front seat back		1	20-21-22-24 Sed-3Cpe
		C 140766	Frame assy-front seat cushion	LHD	1	1940 2Sed-VicCpe-CvCpe-CvSed
		C 140767	Frame assy-front seat cushion	RHD	1	1940 2Sed-VicCpe-CvCpe-CvSed
		C 141782	Frame assy-front seat cushion	LHD	1	40T 3Cpe, 40C UCpe
		C 141783	Frame assy-front seat cushion	RHD	1	40T 3Cpe, 40C UCpe
		C 140870	Frame assy-front seat cushion		1	40P-41-44 3Cpe, 48P Sed
		C 140761	Frame assy-front seat cushion		1	40-41-44-45 Sed
		C 140762	Frame assy-front seat cushion		1	43-47 Sed
		C 121295	Frame assy-front seat cushion		1	Cab, CabPu
		C 142911	Frame assy-front seat cushion		1	1940-1941 CA
		C 148806	Frame assy-front seat cushion	LHD	1	1941-1942 2Sed
		C 148807	Frame assy-front seat cushion	RHD	1	1941-1942 2Sed
		C 148816	Frame assy-front seat cushion	LHD	1	1941-1942 ClubCpe-CvSed, 15 3Cpe
		C 148817	Frame assy-front seat cushion	RHD	1	1941-1942 ClubCpe-CvSed, 15 3Cpe
		C 148810	Frame assy-front seat cushion		1	10-11-12-14 Sed
		C 148811	Frame assy-front seat cushion		1	10-11-12-14 3Cpe, 17 5Sed

Group & Illus. No.	Plate No.	Part No.	NAME	Per Car	Models
KK9-			FRONT SEAT FRAME-BENCH TYPE SEAT (CONT'D.)		
		C 203773	Frame assy-front seat cushion	1	20-21-22-24 Sed
		C 203828	Frame assy-front seat cushion	1	27 Sed
		C 203775	Frame assy-front seat cushion	1	20-21-22-24 3Cpe
		C 200170	Frame assy-front seat cushion	1	1941-1942 UCpe
		C 200171	Frame assy-front seat cushion	1	1941-1942 UCpe
					LHD *
					RHD *
		C 140676	Panel & brackets assy-front seat riser	1	1940 2Sed-VicCpe-CvCpe-CvSed-UCpe, 40T 3Cpe
		C 140656	Panel & brackets assy-front seat riser	1	40P-41-44-45 Sed-3Cpe, 40T-48P 5Sed
		C 140656	Panel & brackets assy-front seat riser	1	43-47 5Sed to car 34012
		C 140677	Panel & brackets assy-front seat riser	1	43-47 5Sed after car 34012
		C 146362	Panel & brackets assy-front seat riser	1	1941-1942 2Sed-UCpe
		C 146352	Panel & brackets assy-front seat riser	1	10-11-12-14 3Cpe, 1941 5Sed
		C 146356	Panel & brackets assy-front seat riser	1	1941-1942 ClubCpe-CvSed, 15 3Cpe
		C 203792	Panel & brackets assy-front seat riser	1	1942 3Cpe-Sed exc 27
		C 203834	Panel & brackets assy-front seat riser	1	27 Sed
		C 142918	Retainer assy-RH-front seat cushion	1	48P CA to car 60791
		C 142919	Retainer assy-LH-front seat cushion	1	48P CA to car 60791
		C 144716	Retainer assy-RH-front seat cushion	1	48P CA after car 60791, 18P CA
		C 144717	Retainer assy-LH-front seat cushion	1	48P CA after car 60791, 18P CA
		BO 170388	Screw-front seat cushion retainer to cushion frame	10	1941-1942 CA
		BO 140682	Bracket assy-RH-front seat back panel hinge	1	2Sed, ClubCpe, UCpe, CvCpe, CvSed, 40T 3Cpe, 15 3Cpe
		BO 140683	Bracket assy-LH-front seat back panel hinge	1	2Sed, ClubCpe, UCpe, CvCpe, CvSed, 40T 3Cpe, 15 3Cpe
		BO 70295	Rivet-front seat back panel to hinge	4	2Sed, ClubCpe, UCpe, CvCpe, CvSed, 40T 3Cpe, 15 3Cpe
		BO 140669	Pivot pin-front seat back panel hinge	2	2Sed, ClubCpe, UCpe, CvCpe, CvSed, 40T 3Cpe, 15 3Cpe
		BO 170329	Washer-front seat back panel hinge pivot pin	2	2Sed, ClubCpe, UCpe, CvCpe, CvSed, 40T 3Cpe, 15 3Cpe
		140667	Bracket-front seat side panel to cushion frame-use 203807	2	1940-1941 Sed exc 43-47-17P
		BO 140668	Bracket-front seat side panel to cushion frame	2	43-47 5Sed
		BO 146347	Bracket-front seat side panel to cushion frame	2	17 5Sed
		BO 140663	Bracket-front seat side panel to cushion frame	2	27 Sed
		BO 203806	Bracket-front seat side panel to back frame	2	27 Sed
		BO 203807	Bracket-front seat back panel to back frame	2	27 Sed
		BZ 12849	Bolt-side panel to cushion frame bracket	4	40P-41-44-45 Sed-3Cpe, 40T-48P 5 Sed
		BO 170642	Bolt-side panel to cushion frame bracket	4	1941 5Sed-3Cpe
		BO 170641	Bolt-side panel to cushion frame bracket	6	27 Sed
		BO 170642	Bolt-back panel to cushion frame bracket	4	27 Sed
		BO 71300	Bolt-side panel to back frame bracket	AR	Sed, 3Cpe
		BO 71461	Bolt-upper-center-side panel to back frame bracket	AR	1940-1941 5Sed-3Cpe
		BO 18455	Bolt-lower-side panel to back frame bracket	AR	1940-1941 5Sed-3Cpe
		BO 70181	Bolt-side panel to back frame bracket	4	43-47 5Sed
		BO 70874	Nut-side panel to cushion frame bolt	AR	1940-1941 5Sed-3Cpe, 27 Sed
		BO 12857	Washer-side panel to cushion frame bolt	AR	1940-1941 5Sed-3Cpe, 27 Sed
		BO 70656	Rivet-side panel to cushion frame	4	27 Sed
		BO 100788	Shim-side panel to cushion frame	AR	1940-1941 5Sed-3Cpe, 27 Sed
		BO 140664	Bracket-RH-riser panel to cushion frame corner	1	1940 2Sed-Sed-3Cpe-ClubCpe-CvCpe-CvSed
		BO 140665	Bracket-LH-riser panel to cushion frame corner	1	1940 2Sed-Sed-3Cpe-ClubCpe-CvCpe-CvSed
		BO 146348	Bracket-RH-riser panel to cushion frame corner	1	1941-1942 2Sed-5Sed-3Cpe-UCpe
		BO 146349	Bracket-LH-riser panel to cushion frame corner	1	1941-1942 2Sed-5Sed-3Cpe-UCpe
		BO 140663	Bracket-riser panel to cushion frame	2	43-47 5Sed, 1941 Sed-3Cpe
		BO 146359	Bracket-riser panel to cushion frame	2	1941-1942 ClubCpe-CvSed, 15 3Cpe
		BO 70656	Rivet-riser panel to cushion frame corner bracket	AR	2Sed, Sed, 3Cpe, ClubCpe, CvCpe, CvSed, UCpe
		BO 70970	Rivet-riser panel to support side & extension	4	1940 2Sed-ClubCpe-CvCpe-CvSed-UCpe, 40T 3Cpe
		BO 12264	Rivet-riser panel to side panel & extension	2	1941 All
		BO 18187	Bolt-riser panel to cushion frame corner bracket	2	1940 2Sed-Sed-3Cpe-ClubCpe-CvCpe-CvSed

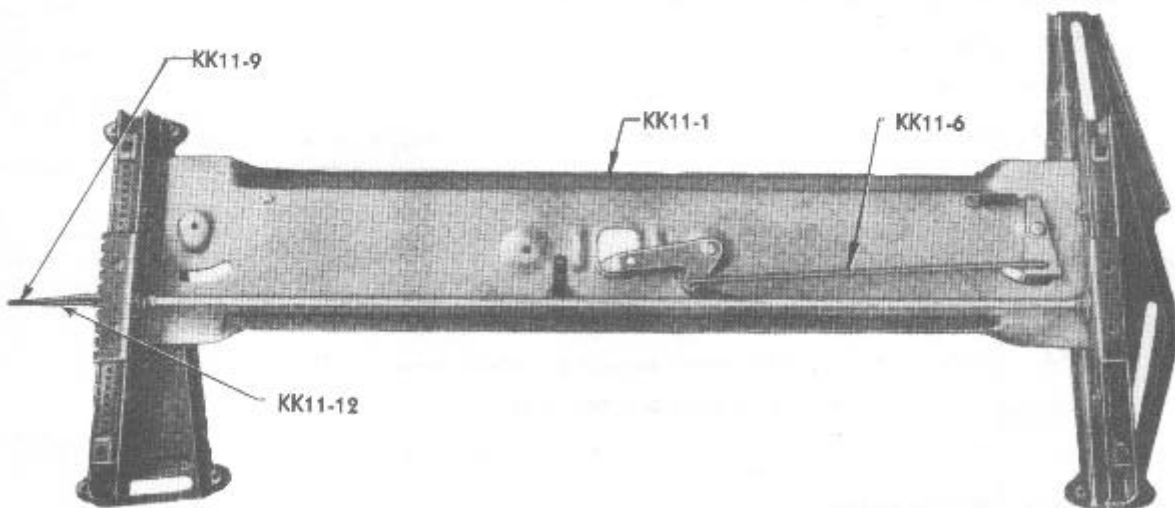
Group & Illus. No.	Plate No.	Part No.	NAME	Per Car	Models
KK9-			FRONT SEAT FRAME BENCH TYPE SEAT (CONT'D.)		
		BO 12849	Bolt-riser panel to cushion frame corner bracket	2	1940 2Sed-Sed-3Cpe-ClubCpe-CvCpe-CvSed
		BO 170055	Bolt-riser panel to cushion frame bracket	2	43-47 5Sed
		BO 170461	Bolt-riser panel to cushion frame corner bracket	2	1941-1942 2Sed-5Sed-3Cpe-UCpe
		BO 170462	Bolt-riser panel to cushion frame corner bracket	2	1941-1942 2Sed-5Sed-3Cpe-UCpe
		BO 170460	Bolt-riser panel to cushion frame bracket	2	1941-1942 ClubCpe-CvSed, 15 3Cpe
		BZ 70874	Nut-riser panel to cushion frame bracket bolt	AR	All
		BO 100788	Shim-riser panel to cushion frame corner bracket	AR	All
		BO 140666	Bracket-center-riser panel to cushion frame	1	1940 All exc UCo-7Sed
		BO 146346	Bracket-center-riser panel to cushion frame	1	1941-1942 2Sed-Sed-3Cpe-UCpe
		BZ 12849	Bolt-riser panel to cushion frame center bracket	2	1940 All exc UCo-7Sed
		BO 170642	Bolt-riser panel to cushion frame center bracket	2	1941-1942 2Sed-Sed-3Cpe-UCpe
		BZ 70874	Nut-riser panel to cushion frame center bracket bolt	2	All
		BO 170288	Shim-riser panel to cushion frame center bracket	AR	All
		BO 204062	Bracket-RH-back panel extension to cushion frame	1	20-21-22-24 Sed-3Cpe
		BO 204063	Bracket-LH-back panel extension to cushion frame	1	20-21-22-24 Sed-3Cpe
		BO 170642	Bolt-back panel extension to cushion frame bracket	6	20-21-22-24 Sed-3Cpe
		BZ 70874	Nut-back panel extension to cushion frame bracket bolt	4	20-21-22-24 Sed-3Cpe
		BZ 70656	Washer-back panel extension to cushion frame bracket bolt	4	20-21-22-24 Sed-3Cpe
		BO 71394	Screw-back panel extension to cushion frame bracket	4	20-21-22-24 Sed-3Cpe
		BO 70295	Rivet-back panel extension to cushion frame bracket	6	20-21-22-24 Sed-3Cpe
		BZ 204071	Bracket assy-back panel spring anchor	AR	1942 2Sed-ClubCpe-3Cpe-CvSed, Sed exc 27
		BZ 204072	Bracket-back panel spring hanger-1st type	AR	1942 2Sed-ClubCpe-CvSed-UCpe
		BZ 204191	Bracket-back panel spring hanger-2nd type	4	1942 2Sed-ClubCpe-CvSed-UCpe, Sed exc 27
		BO 71631	Bolt-back panel spring anchor bracket	AR	1942 2Sed-ClubCpe-CvSed-3Cpe-UCpe, Sed exc 27
		BO 11982	Bracket-seat hack frame hanger	2	Cab,CabPu
		BO 70076	Screw-seat hock frame hanger bracket	4	Cab,CabPu
		BO 71073	Nut-seat back frame hanger bracket bolt	4	Cab,CabPu
KK10-			FRONT SEAT BACK SUPPORT-BENCH TYPE SEAT		
			NOTE: Parts marked * used on 1941 3Cpe when spare tire is placed behind driver		
		BO 28048	Support assy-center-front seat back	1	2Sed,VicCpe,ClubCpe,CvCpe,CvSed,UCpe, 40T-15 3Cpe
		BO 121573	Pivot pin-front seat back center support	1	2Sed,VicCpe,ClubCpe,CvCpe-CvSed,UCpe, 40T-15 3Cpe
		BO 108529	Retainer-front seat back center support pivot pin	2	2Sed,VicCpe,ClubCpe,CvCpe,CvSed,UCpe,40T-15 3Cpe
		BO 70135	Taper pin-front seat back center support pivot pin	2	2Sed,VicCpe,ClubCpe,CvCpe,CvSed,UCpe,40T-15 3Cpe
		BO 170394	Screw-front seat back support to cushion frame	8	2Sed,VicCpe,ClubCpe,CvCpe,CvSed,UCpe,40T-15 3Cpe
		BO 12849	Bolt-front seat back support to cushion frame	4	1940-1941 2Sed-VicCpe-ClubCpe-CvCpe-CvSed-UCpe, 40T-15 3Cpe
		BO 170462	Bolt-front seat back support to cushion frame	4	1942 2Sed-ClubCpe-CvSed-UCpe
		BZ 70874	Nut-front seat back support to cushion frame bolt	4	2Sed,VicCpe,ClubCpe,CvCpe,CvSed,UCpe,40T-15 3Cpe
		BO 100788	Shim-front seat back support to cushion frame	AR	2Sed,VicCpe,ClubCpe,CvCpe,CvSed,UCpe,40T-15 3Cpe
		BO 122169	Spring-front seat back to operating rod-anti-rattle	2	2Sed,VicCpe,ClubCpe,CvCpe,CvSed,UCpe,40T-15 3Cpe
		BZ 4963	Spacer-front seat back center support to cushion frame	6	1942 CvCpe-CvSed
KK11-			FRONT SEAT TRACK-BENCH TYPE SEAT		
			NOTE: Parts marked * used on models 10-11-12-14 3Cpe when equipped with UCpe front seat with tire back of driver.		
				1	1940 2Sed-VicCpe-CvCpe-CvSed
1	47	C 142002	Track assy-front seat	LHD	1940 2Sed-VicCpe-CvCpe-CvSed
		C 142003	Track assy-front seat	RHD	1941-1942 2Sed-ClubCpe-CvSed,15 3Cpe
1	47	C 148802	Track assy-front seat	LHD	1941-1942 2Sed-ClubCpe-CvSed,15 3Cpe
		C 148803	Track assy-front seat	RHD	1941-1942 2Sed-ClubCpe-CvSed,15 3Cpe



Seat Track—Sedan Type



Seat Track—Utility Coupe



Seat Track—Pivoting Type

Group & Illus. No.	Plate No.	Part No.	NAME	Per Car	Models
KK11-			FRONT SEAT TRACK-BENCH TYPE SEAT (CONT'D.)		
2	47	C 141000	Track assy-front seat	1	40T 3Cpe,40C UCpe
2	47	C 200175	Track assy-front seat	1	1941-1942 UCpe
3	47	C 142000	Track assy-front seat	1	1940 5Sed,40P-41-44 3Cpe
		C 142001	Track assy-front seat	1	1940 5Sed,40P-41-44 3Cpe
3	47	C 148800	Track assy-front seat	1	1941-1942 5Sed-3Cpe exc 15
		C 148801	Track assy-front seat	1	1941-1942 5Sed-3Cpe exc 15
		C 142912	Track assy-front seat	1	1940 CA to car 60791
		C 142913	Track assy-front seat	1	1940 CA to car 60791
		C 144718	Track assy-front seat	1	1940 CA after car 60791
		C 144719	Track assy-front seat	1	1940 CA after car 60791
		C 144718	Track assy-front seat	1	1941 CA
		C 144719	Track assy-front seat	1	1941 CA
		C 200340	Track assy RH-front seat	1	All 5Sed-3Cpe exc 40T
		C 200341	Track assy LH-front seat	1	All Sed-3Cpe exc 40T
		C 200342	Tie bar assy-front seat	1	All 5Sed-3Cpe exc 40T
		BO 126265	Roller assy-front seat track	4	All
		BO 126266	Clevis pin-front seat track roller	4	All
		BO 126267	Spring washer-front seat track roller clevis pin	4	All
6	47	BO 128056	Adjusting rod-front seat track	1	2Sed,VicCpe,ClubCpe,CvCpe,CvSed,15 3Cpe
		BO 142202	Stop rod-front seat track adjusting rod	1	2Sed,VicCpe,ClubCpe,CvCpe,CvSed,15 3Cpe
9	47	BO 123997	Anti-rattle spring-front seat track lock rod	1	40T 3Cpe,All UCpe
9	47	BZ 41134	Clip-front seat track lock rod anti-rattle spring	1	40T 3Cpe,A11 UCpe
		BO 142004	Locking handle-front seat track	1	1940 2Sed-VicCpe-UCpe-CvCpeCvSed,40T 3Cpe
		BO 148804	Locking handle-front seat track	1	1941-1942 2Sed-ClubCpe-UCpeCvSed,15 3Cpe
12	47	BO 170439	Rivet-front seat track locking handle	2	2Sed,VicCpe,ClubCpe,UCpe,CvCpe,CvSed,40T-15 3Cpe
		BO 142005	Knob-front seat track locking handle	1	2Sed,VicCpe,ClubCpe,UCpe,CvCpe,CvSed,40T-15 3Cpe
		BO 128099	Knob-front seat track locking handle	1	5Sed,3Cpe exc 40T-15, CA-Station
		BO 128107	Spring-front seat track locking handle	1	2Sed,VicCpe,ClubCpe,UCpe,CvCpe,CvSed,40T-15 3Cpe
		BO 140948	Spring-front seat track locking handle	1	1940 5Sed-3Cpe exc 40T
		BO 136067	Escutcheon-front seat track locking handle-1st type	1	1940 2Sed-Sed-3Cpe-VicCpe-UCpe-CvCpe-CvSed,40T 3Cpe
		BO 142078	Escutcheon-front seat track locking handle-2nd type †	1	2Sed,Sed,3Cpe,VicCpe,ClubCpeUCpe,CvCpe,CvSed
		BO 205794	Escutcheon-front seat track locking handle ††	1	1942 2Sed-Sed-3Cpe-ClubCpe-UCpe,CvSed
		BO 136034	Backing plate-front seat track locking handle Escutcheon	1	2Sed,Sed,3Cpe,VicCpe,ClubCpeUCpe,CvCpe,CvSed (Discontinued 10-22-41)
		BO 140673	Adjusting plate-front seat track-Discontinued 10-23-39	2	1940 5Sed-3Cpe exc 40T
		BO 146363	Adjusting plate-front seat track	2	1941-1942 ClubCpe-CvSed,15 3Cpe
		BO 101798	Spacer-front seat track adjusting plate to floor	4	1941-1942 ClubCpe-CvSed,15 3Cpe
		BO 170210	Bolt-lower-front seat track adjusting plate to floor	4	1941-1942 ClubCpe-CvSed,15 3Cpe
		BO 70095	Bolt-upper-front seat track adjusting plate to floor	4	1941-1942 ClubCpe-CvEed,15 3Cpe
		BO 71389	Washer-rear-front seat track adjusting plate to floor bolt	2	1941-1942 ClubCpe-CvSed,15 3Cpe
		BO 136010	Clamp-front seat track	4	5Sed,3Cpe exc 40T-15, CA,Station
		BO 136011	Pad-rubber-front seat track clamp	4	5Sed,3Cpe exc 40T-15, CA,Station
		BO 136012	Washer-rubber-front seat track clamp	4	5Sed,3Cpe exc 40T-15, CA,Station
		BO 170243	Washer-steel-front seat track clamp	4	5Sed,3Cpe exc 40T-15, CA,Station
		BO 136036	Spring-front seat track return	2	5Sed,3Cpe exc 40T-15, Station
		BO 136037	Bracket-front seat track return spring	2	5Sed,3Cpe exc 40T-15, Station
		BO 170055	Bolt-front seat track return spring bracket	2	1940 Sed-3Cpe exc 40T
		BO 170640	Bolt-front seat track return spring bracket	2	1941-1942 Sed-3Cpe exc 15, Station
		BO 70874	Nut-front seat track return spring bracket bolt	2	A11 5Sed-3Cpe exc 40T-15,Station

Group & Illus. No.	Plate No.	Part No.	NAME	Per Car	Models	
KK11-			FRONT SEAT TRACK-BENCH TYPE SEAT (CONT'D.)			
		BO 71631	Bolt-front seat track stop	1/4"-20 x 1/2"	1	1940-1941 CA
		BZ 70874	Nut-front seat track stop bolt	1/4"-20 x 1/4"	1	1940-1941 CA
		BO 123405	Spacer-front-front seat		4	1940 CvCpe-CvSed
		BO 170284	Spacer-rear-front seat		4	1940 CvCpe-CvSed
		BO 142203	Spacer-front-front seat		2	1940 2Sed-VicCpe-UCpe, 40T 3Cpe
		BO 123405	Spacer-rear-front seat		2	1940 2Sed-VicCpe-UCpe, 40T 3Cpe
		BO 142203	Spacer-front-front seat	*	2	1941-1942 2Sed-UCpe
		BO 123405	Spacer-rear-front seat	*	2	1941-1942 2Sed-UCpe
		BO 123405	Spacer-front seat		AR	1941-1942 5Sed-3Cpe exc 15,CA,Station
		BO 136013	Spacer-front seat track		2	All 5Sed-3Cpe exc 40T 3Cpe,CA,Station
		BO 123405	Spacer-front seat track to cushion frame		4	1941-1942 UCpe
		BO 101798	Spacer-front seat track to floor		6	27 Sed
		BO 170277	Bolt-front seat track spacer to floor	5/16"-24 x 1 *	2	1940 5Sed-3Cpe exc 40T, 1940 CA
		BO 170030	Bolt-front seat track spacer to floor	5/16"-24 x 1-1/4"	2	1941-1942 3Cpe-Station
		BO 170030	Bolt-front seat track spacer	5/16"-24 x 1-1/4"*	4	5Sed,3Cpe exc 40T-15, CA, Station
		BO 170612	Bolt-front seat track spacer to floor	5/16-24 x 1-3/4"	2	27 Sed
		BO 71641	Bolt-front-front seat track to cushion frame		4	2Sed,1940 VicCpe-CvCpe-CvSed
		BO 70181	Bolt-front-front seat track to cushion frame		4	1941-1942 ClubCpe-CvSed
		BO 71641	Bolt-rear-front seat track to cushion frame		3	2Sed,VicCpe,ClubCpe,CvCpe,CvSed
		BO 18455	Bolt-rear-front seat track to cushion frame		1	2Sed,VicCpe,ClubCpe,CvCpe,CvSed
		BO 170174	Bolt-front seat track to cushion frame	5/16"-18 x 2	4	40T 3Cpe,1941 3Cpe, All UCpe
		BO 70911	Bolt-front-front seat track to cushion frame	*	2	5Sed,3Cpe exc 40T-15,CA
		BO 170047	Bolt-rear-front seat track to cushion frame	*	2	5Sed,3Cpe exc 401-15
		BZ 1430	Bolt-rear-front seat track to cushion frame		AR	1940-1941 CA
		BO 123378	Washer-front seat track to cushion frame bolt		2	5Sed,3Cpe exc 40T-15,CA
		BO 170371	Bolt-front-front seat track to floor	5/16"-24 x 1-3/4"	2	2Sed,VicCpe,ClubCpe,CvCpe,CvSed,UCpe,40T-15 3Cpe
		BO 170030	Bolt-rear front seat track to floor	5/16"--24 x 3/4"	2	2Sed,VicCpe,ClubCpe,UCpe, 1941-1942 CvSed,40T-15 3Cpe
		BO 70095	Bolt-rear-front seat track to floor	5/16"-24 x 7/8"	2	1940 CvCpe-CvSed
		BO 170030	Bolt-front-front seat track to floor	5/16"-24 x 3/4"	2	1940 5Sed-3Cpe exc 40T, 1940 CA
		BO 170370	Bolt-rear-front seat track to floor	5/16"-24 x 1-3/4"	2	1940 5Sed-3Cpe exc 40T, 1940 CA
		BO 170612	Bolt-front seat track to floor	5/16"-24 x 1-3/4"	4	1941 5Sed-3Cpe exc 15, 1941 CA-Station
		BO 170612	Bolt-front seat track to floor	5/16"-24 x -3/4"	4	1942 3Cpe-Station-5Sed exc 27
		BO 170612	Bolt-front-front seat track to floor	5/16"-24 x -3/4"	4	27 Sed
		BO 170210	Bolt-front-front seat track to floor	5/16"-24 x 1-1/8"	4	27 Sed
		BO 86272	Washer-front seat track to cushion frame bolt		7	2Sed,VicCpe,ClubCpe,UCpe,CvCpe,CvSed,40T-15 3Cpe
		BO 140684	Washer-front seat track to cushion frame bolt		AR	40T 3Cpe, All UCpe,1941 3Cpe, 1942 5Sed-3Cpe
		BO 100788	Shim-front seat track to cushion frame		4	5Sed,3Cpe exc 401-15,1940-1941 CA
	KK12-			SEAT HINGES AND SUPPORT-BENCH TYPE SEAT		
			BO 89828	Hinge assy-cushion frame to back frame		3
		BO 170460	Bolt-cushion frame to back frame hinge	1/4"-20x1-1/4"	9	Cab,CabPu
		BZ 70874	Nut-cushion frame to back frame hinge bolt	1/4"-20 x 1/4"	9	Cab,CabPu
		BO 170190	Bolt-cushion riser to floor	5/16"-24 x 2-1/2"	4	Cab,CabPu
		BO 129105	Dowel-cushion		2	Cab,CabPu
		BZ 70874	Nut-cushion dowel	1/4"-20 x 1/4"	2	Cab,CabPu
		C 119820	Bracket-seat back spring hanger		2	Cab,CabPu
		BO 70076	Screw-seat back spring hanger bracket	10-32 x 1-3/8"	4	Cab,CabPu
		BO 71073	Nut-seat back spring hanger bracket screw	10-32 x 1/8"	4	Cab,CabPu
KK13-			REAR SEAT BACK AND CUSHIONS			
		C 144003	Back complete-rear seat	Cloth trim	1	1940 UCo
		C 202561	Back complete-rear seat-exc mohair	Cloth trim	1	1941 UCo
	C 202564	Back complete-rear seat-mohair	Cloth trim	1	1941 UCo	

Group & Illus. No.	Plate No.	Part No.	NAME	Per Car	Models	
KK13-			REAR SEAT BACK AND CUSHIONS (CON' T			
		C 207607	Back complete-rear seat-exc mohair	Cloth trim	1	1942 UCco
		C 208428	Back complete-rear seat-mohair	Cloth trim	1	1942 UCo
		C 143574	Back complete-rear seat	Cloth trim	1	40T 2Sed-Sed,48P 5Sed
		C 143579	Back complete-rear seat	Cloth trim	1	40P 2Sed-Sed
		C 143584	Back complete-rear seat-exc mohair	Cloth trim	1	41-44-45 2Sed-Sed
		C 144439	Back complete-rear seat-mohair	Cloth trim	1	41-44-45 2Sed-Sed
		C 143588	Back complete-rear seat-exc mohair-blue or green	Cloth trim	1	43-47 5Sed
		C 144456	Back complete-rear seat-mohair	Cloth trim	1	43-47 5Sed
		C 144693	Back complete-rear seat-blue or green gray	Cloth trim	1	43-47 5Sed
		C 144604	Back complete-rear seat-exc mohair	Cloth trim	1	43-47 7Sed
		C 144457	Back complete-rear seat-mohair	Cloth trim	1	43-47 7Sed
		C 144072	Back complete-rear seat	Cloth trim	1	48P 7Sed
		C 144818	Back complete-RH-for divided rear seat	Cloth trim	1	1940 2Sed-5Sed-UCo
		C 144819	Back complete LH-for divided rear seat	Cloth trim	1	1940 2Sed-5Sed-UCo
		C 149588	Back complete-rear seat-exc mohair	Cloth trim	1	10T 2Sed-Sed
		C 149616	Back complete-rear seat-mohair	Cloth trim	1	10T 2Sed-Sed
		C 149616	Back complete-rear seat	Cloth trim	1	10P-11 2Sed-Sed
		C 149352	Back complete-rear seat	Cloth trim	1	12-14 2Sed-Sed
		C 149359	Back complete-rear seat	Cloth trim	1	17 5Sed
		C 202669	Back complete-rear seat	Cloth trim	1	17 7Sed
		C 202683	Back complete-rear seat	Cloth trim	1	18P 7Sed
		C 202746	Back complete-RH-for divided rear seat	Cloth trim	1	1941 2Sed-Sed-UCo
		C 202747	Back complete-LH-for divided rear seat	Cloth trim	1	1941 2Sed-Sed-UCo
		C 207601	Back complete-rear seat-exc mohair	Cloth trim	1	20T 2Sed-Sed
		C 207656	Back complete-rear seat	Cloth trim	1	20P 2Sed-Sed
		C 208024	Back complete-rear seat-exc mohair	Cloth trim	1	21 2Sed-Sed
		C 207656	Back complete-rear seat-mohair	Cloth trim	1	201-21 2Sed-Sed
		C 208036	Back complete-rear seat	Cloth trim	1	22-24 2Sed-Sed
		C 208063	Back complete-rear seat	Cloth trim	1	27 Sed
		C 149365	Back complete-rear seat-exc mohair	Cloth trim	1	10T ClubCpe
		C 149384	Back complete-rear seat-mohair	Cloth trim	1	10T ClubCpe
		C 149384	Back complete-rear seat	Cloth trim	1	10P-11 ClubCpe
		C 149390	Back complete-rear seat	Cloth trim	1	12-14 ClubCpe
		C 149534	Back complete-rear seat	Cloth trim	1	15 ClubCpe
		C 207610	Back complete-rear seat-exc mohair	Cloth trim	1	20T ClubCpe
		C 207670	Back complete-rear seat	Cloth trim	1	20P ClubCpe
		C 208030	Back complete-rear seat-exc mohair	Cloth trim	1	21 ClubCpe
		C 207670	Back complete-rear seat-mohair	Cloth trim	1	20T-21 ClubCpe
		C 208045	Back complete-rear seat	Cloth trim	1	22-24 ClubCpe
		C 208056	Back complete-rear seat	Cloth trim	1	25 ClubCpe
		C 144358	Back complete-rear seat	Leather trim	1	1940 UCo
		C 202567	Back complete-rear seat	Leather trim	1	1941 UCo
		C 208380	Back complete-rear seat	Leather trim	1	1942 Uco
		C 144276	Back complete-rear seat	Leather trim	1	40T 2Sed-Sed,48P 5Sed
		C 144131	Back complete-rear seat	Leather trim	1	401).41-44-45 2Sed-Sed
		C 144132	Back complete-rear seat	Leather	1	43-47 Sed
		C 144134	Back complete-rear seat	Headlining	1	43-47 7Sed
		C 144282	Back complete-rear seat	Leather trim	1	48P 7Sed
		C 144275	Back complete-rear seat	Leather trim	1	401 2Sed-Sed,48P 5Sed
		C 143948	Back complete-rear seat	Leather trim	1	40P-41-44-45 2Sed-Sed
		C 144953	Back complete-rear seat	Cloth	1	43-47 5Sed
		C 144068	Back complete-rear seat	Headlining	1	43-47 7Sed
		C 144281	Back complete-rear seat	Leather trim	1	48P 7Sed
		C 144387	Back complete-rear seat	Leather trim	1	48P CA to Car 60791
		C 144638	Back complete-rear seat	Leather trim	1	48P CA after Car 60791
		C 144826	Back complete RH-rear seat	Used with	1	1940 2Sed-5Sed-UCo
		C 144827	Back complete LH-rear seat	Divided seat	1	1940 2Sed-5Sed-UCo
		C 202371	Back complete-rear seat	Used with	1	10-11-12-14 2Sed-Sed
		C 202377	Back complete-rear seat	Leather	1	17 5Sed
		C 202674	Back complete-rear seat	Headlining	1	17 7Sed
		C 202372	Back complete-rear seat	Used with	1	10-11-12-14 2Sed-Sed
		C 202378	Back complete-rear seat	Cloth	1	17 Sed
		C 202675	Back complete-rear seat	Headlining	1	17 7Sed
		C 202691	Back complete-rear seat	Leather trim	1	18P 7Sed
		C 202698	Back complete-rear seat	Leather trim	1	18P CA
		C 202754	Back complete RH-rear seat	Used with	1	1942 2Sed-Sed-UCo
		C 202755	Back complete LH-rear seat	Divided seats	1	1942 2Sed-Sed-UCo
		C 208378	Back complete-rear seat	Leather trim	1	20T 2Sed-Sed
		C 208379	Back complete-rear seat	Leather trim	1	20P-21 2Sed-Sed
		C 208386	Back complete-rear seat	Leather trim	1	22-24 2Sed-Sed,27
		C 202391	Back complete-rear seat	Leather trim	1	10-11-12-14 ClubCpe

Group & Illus. No.	Plate No.	Part No.	NAME	Per Car	Models
KK13-			REAR SEAT BACK AND CUSHIONS (CONT'D.)		
		C 202398	Back complete-rear seat	Leather trim	1 15 ClubCpe
		C 208399	Back complete-rear seat	Leather trim	1 20-21 ClubCpe
		C 208405	Back complete-rear seat	Leather trim	1 22-24-25 ClubCpe
		C 144006	Back complete-rear seat } Without quarter	Leather trim	1 40P CvSed
		C 144135	Back complete-rear seat } Windows	Leather trim	1 41-44 CvSed
		C 144007	Back complete-rear seat } With quarter	Leather trim	1 40P CvSed
		C 144009	Back complete-rear seat } Windows	Leather trim	1 41-44 CvSed
		C 202494	Back complete-rear seat	Leather trim	1 10P-11-20P-21 CvSed
		C 202512	Back complete-rear seat	Leather trim	1 12-14-22-24 CvSed
		C 208286	Back complete-rear-seat	Leather trim	1 20T CvSed
		C 143732	Arm rest complete-rear seat back	Cloth trim	1 43-47 5Sed
		C 202116	Arm rest complete-rear seat back	Cloth trim	1 17 5Sed
		C 202680	Arm rest complete-rear seat back	Cloth trim	1 17 7Sed
		C 202118	Arm rest complete-rear seat back	Cloth trim	1 15 ClubCpe
		C 208045	Arm rest complete-rear seat back	Cloth trim	1 22-24 2Sed-Sed
		C 208052	Arm rest complete-rear seat back	Cloth trim	1 22-24 ClubCpe
		C 208061	Arm rest complete-rear seat back	Cloth trim	1 25 ClubCpe
		C 208070	Arm rest complete-rear seat back	Cloth trim	1 27 Sed
		C 144022	Arm rest complete-rear seat back	Leather trim	1 43-47 5Sed
		C 202382	Arm rest complete-rear seat back	Leather trim	1 17 5Sed
		C 202682	Arm rest complete-rear seat back	Leather trim	1 17 7Sed
		C 202409	Arm rest complete-rear seat back	Leather trim	1 15 ClubCpe
		C 208387	Arm rest complete-rear seat back	Leather trim	1 22-24 2Sed-Sed, 27 Sed
		C 208408	Arm rest complete-rear seat back	Leather trim	1 22-24-25 ClubCpe
		C 143731	Rubber pad-arm rest		1 43-47 5Sed, 17Sed
		C 202279	Rubber pad-arm rest		1 15 ClubCpe
		C 208185	Rubber pad-arm rest	Cloth trim	1 22-24 2Sed-Sed
		C 208186	Rubber pad-arm rest	Cloth trim	1 27 Sed
		C 208187	Rubber pad-arm rest	Cloth trim	1 22-24 ClubCpe
		C 208188	Rubber pad-arm rest	Cloth trim	1 25 ClubCpe
		C 208442	Rubber pad-arm rest	Leather trim	1 22-24 2Sed-Sed-ClubCpe, 25,
		BO 140946	Hinge assy-arm rest		1 43-47 5Sed, 15, 17, 22-24 2Sed Sed-ClubCpe, 25, 27
		BO 18465	Screw-arm rest hinge bracket to spring	1/4"-20 x 7/8"	4 43, 47 5Sed, 15, 17, 22-24 2Sed Sed-ClubCpe, 25, 27
		BO 71394	Screw-arm rest hinge to hoard	1/4"-20 x 1-1/8"	4 43-47 5Sed, 15, 17, 22-24 2Sed Sed-ClubCpe, 25, 27
		BO 141259	Rivet-arm rest hinge		2 43-47 5Sed, 15, 17, 22-24 2Sed Sed-ClubCpe, 25, 27
		BO 70028	Rivet-arm rest hinge stop	3/16" x 3/8"	2 43-47 5Sed, 15, 17, 22-24 2Sed Sed-ClubCpe, 25, 27
		BO 136685	Strap assy-rear seat back hold-up		2 1940-1941 2Sed-Sed-UCo-CA
		BO 70187	Footman loop-rear seat back hold-up		2 1940-1941 2Sed-Sed-UCo-CA
		BO 170327	Screw-rear seat back footman loop		4 1940-1941 2Sed-Sed-UCo-CA
			NOTE: Following parts are used with divided rear seat, which is optional on 1940-1941 2Sed-5Sed-UCo. In this construction, left side of back hinges into horizontal position, being supported by metal arm, and left cushion is carried between seat back and headlining		
		C 144860	Board assy-RH-rear seat back partition		1 1940 2Sed-Sed-UCo
		C 200918	Board assy-RH-rear seat back partition		1 1941 2Sed-Sed-UCo
		C 144861	Board assy-LH-rear seat back partition		1 1940-1941 2Sed-Sed-UCo
		BO 96023	Tee nut-rear seat back partition board	1/4" x 20"	AR 1940-1941 2Sed-Sed-UCo
		BO 144864	Bracket-partition-RH-to shelf panel		1 1940-1941 2Sed-Sed-UCo
		BO 144865	Bracket-partition-RH-to seat tray support		1 1940 2Sed-Sed-UCo
		BO 200917	Bracket-partition-RH-to seat tray support		1 1941 2Sed-Sed-UCo
		BO 71642	Screw-partition-RH-to bracket	1/4"-20 x 7/8"	4 1940-1941 2Sed-Sed-UCo
		BO 70885	Bolt-partition-RH-to bracket	1/4"-20 x 1-1/4"	1 1940-1941 2Sed-Sed-UCo
		BO 70097	Bolt-partition-RH-to compartment panel	1/4"-20 x 7/8"	1 1940-1941 2Sed-Sed-UCo
		BO 144868	Bracket assy-RH-support rod and pivot		1 1940-1941 2Sed-Sed-UCo
		BO 144869	Bracket assy-LH-support rod and pivot		1 1940-1941 2Sed-Sed-UCo
		BO 144871	Bracket-support rod		2 1940-1941 2Sed-Sed-UCo
		BO 71642	Screw-support rod bracket to partition	1/4"-20 x 7/8"	AR 1940-1941 2Sed-Sed-UCo
		BO 128351	Hinge-rear seat back		2 1940-1941 2Sed-Sed-UCo
		BO 18464	Bolt-hinge-to shelf panel		4 1940-1941 2Sed-Sed-UCo
		BZ 70874	Nut-hinge to shelf panel bolt	1/4"-20 x 1/4"	4 1940-1941 2Sed-Sed-UCo
		BO 12187	Screw-wood-hinge to partition		4 1940-1941 2Sed-Sed-UCo
		BO 71642	Screw-hinge to partition	1/4"-20 x 7/8"	2 1940-1941 2Sed-Sed-UCo
		BO 144872	Strap & loops assy-upper-rear seat back retaining		1 1940-1941 2Sed-Sed-UCo
		BO 144873	Strap-lower-rear seat back retaining		1 1940-1941 2Sed-Sed-UCo
		BO 170253	Screw-upper-retaining strap to shelf panel	1/4"-20 x 5/8"	2 1940-1941 2Sed-Sed-UCo

Group & Illus. No.	Plate No.	Part No.	NAME	Per Car	Models
KK13-			REAR SEAT BACK AND CUSHIONS (CONT'D)		
		BZ 70874	Nut-upper-retaining strap to shelf panel screw	2	1940-1941 2Sed-Sed-UCo
		BO 170388	Screw-lower-retaining strap to partition	2	1940-1941 2Sed-Sed-UCo
		BO 12316	Washer-lower-retaining strap to partition	2	1940-1941 2Sed-Sed-UCo
		BO 71392	Footman loop-retaining strap	1	1940-1941 2Sed-Sed-UCo
		BO 12243	Socket-support rod strap fastener	2	1941 2Sed-Sed-UCo
		BO 12244	Cap-support rod strap fastener socket	2	1941 2Sed-Sed-UCo
		BO 18084	Stud-support rod strap fastener	2	1941 2Sed-Sed-UCo
		BO 170388	Screw-wood-support rod strap attaching	2	1941 2Sed-Sed-Uco
		BO 12316	Washer-finish-support rod strap	2	1941 2Sed-Sed-UCo
		C 200913	Panel assy-rear seat tray hole cover	1	1941 2Sed-Sed-UCo
		BO 170304	Screw-rear seat tray hole cover panel	8	1941 2Sed-Sed-Uco
		C 144015	Cushion complete-rear seat	Cloth trim	1940 UCo
		C 202562	Cushion complete-rear seat-exc mohair	Cloth trim	1941 UCo
		C 202565	Cushion complete-rear seat-mohair	Cloth trim	1941 UCo
		C 207608	Cushion complete-rear seat-exc mohair	Cloth trim	1942 UCo
		C 208436	Cushion complete-rear seat-mohair	Cloth trim	1942 UCo
		C 143576	Cushion complete-rear seat-standard	Cloth trim	40T 2Sed-Sed,48P 5Sed
		C 143649	Cushion complete-rear seat-airfoam	Cloth trim	40T 2Sed-Sed,48P 5Sed
		C 143581	Cushion complete-rear seat-standard	Cloth trim	40P 2Sed-Sed
		C 143649	Cushion complete-rear seat-airfoam	Cloth trim	40P 2Sed-Sed
		C 143586	Cushion complete-rear seat-exc mohair	Cloth trim	41-44-45 2Sed-Sed
		C 143590	Cushion complete-rear seat- Except mohair-	Cloth trim	43-47 5Sed to car 41541
		C 144154	Cushion complete-rear seat- blue or gray	Cloth trim	43-47 5Sed after car 41541
		C 144698	Cushion complete-rear seat- blue or green gray	Cloth trim	43-47 5Sed
		C 144441	Cushion complete-rear seat-mohair	Cloth trim	41-44-45 2Sed-Sed,43-47 5Sed
		C 144066	Cushion complete-rear seat-exc mohair	Cloth trim	43-47 7Sed
		C 144459	Cushion complete-rear seat-mohair	Cloth trim	43-47 7Sed
		C 144074	Cushion complete-rear seat-standard	Cloth trim	48P 7Sed
		C 144076	Cushion complete-rear seat-airfoam	Cloth trim	48P 7Sed
		C 144822	Cushion complete-RH-rear seat Used with	Cloth trim	1940 2Sed-Sed-UCo
		C 144823	Cushion complete-LH-rear seat divided seats	Cloth trim	1940 2Sed-Sed-UCo
		C 149590	Cushion complete-rear seat-standard-exc mohair	Cloth trim	10T 2Sed-Sed
		C 149592	Cushion complete-rear seat-airfoam-exc mohair	Cloth trim	10T 2Sed-Sed
		C 149618	Cushion complete-rear seat-standard-mohair	Cloth trim	10T 2Sed-Sed
		C 149620	Cushion complete-rear seat-airfoam-mohair	Cloth trim	10T 2Sed-Sed
		C 149618	Cushion complete-rear seat-standard	Cloth trim	10P-11 2Sed-Sed
		C 149620	Cushion complete-rear seat-airfoam	Cloth trim	10P-11 2Sed-Sed
		C 149354	Cushion complete-rear seat	Cloth trim	12-14 2Sed-Sed
		C 149358	Cushion complete-rear seat	Cloth trim	17 5Sed
		C 202672	Cushion complete-rear seat	Cloth trim	17 7Sed
		C 202687	Cushion complete-rear seat-standard	Cloth trim	18P 7Sed
		C 202688	Cushion complete-rear seat-airfoam	Cloth trim	18P 7Sed
		C 202750	Cushion complete-RH-rear seat Used with	Cloth trim	1941 2Sed-Sed-UCo
		C 202751	Cushion complete-LH-rear seat divided seats	Cloth trim	1941 2Sed-Sed-UCo
		C 207603	Cushion complete-rear seat-standard-exc mohair	Cloth trim	20T 2Sed-Sed
		C 207605	Cushion complete-rear seat-airfoam-exc mohair	Cloth trim	20T 2Sed-Sed
		C 207658	Cushion complete-rear seat-standard-mohair	Cloth trim	20T 2Sed-Sed
		C 207666	Cushion complete-rear seat-airfoam-mohair	Cloth trim	20T 2Sed-Sed
		C 207658	Cushion complete-rear seat-standard	Cloth trim	20P 2Sed-Sed
		C 207666	Cushion complete-rear seat-airfoam	Cloth trim	20P 2Sed-Sed
		C 208026	Cushion complete-rear seat-exc mohair	Cloth trim	21 2Sed-Sed
		C 207666	Cushion complete-rear seat-mohair	Cloth trim	21 2Sed-Sed
		C 208037	Cushion complete-rear seat	Cloth trim	22-24 2Sed-Sed
		C 208066	Cushion complete-rear seat	Cloth trim	27 Sed
		C 149367	Cushion complete-rear seat-standard-exc mohair	Cloth trim	10T ClubCpc
		C 149380	Cushion complete-rear seat-airfoam-exc mohair	Cloth trim	10T ClubCpe
		C 149386	Cushion complete-rear seat-standard-mohair	Cloth trim	10T ClubCpe
		C 149388	Cushion complete-rear seat-airfoam-mohair	Cloth trim	10T ClubCpe
		C 149386	Cushion complete-rear seat-standard	Cloth trim	10P-11 ClubCpe
		C 149388	Cushion complete-rear seat-airfoam	Cloth trim	10P-11 ClubCpe
		C 149392	Cushion complete-rear seat-	Cloth trim	12-14 ClubCpe
		C 149535	Cushion complete-rear seat	Cloth trim	15 ClubCpe
		C 207612	Cushion complete-rear seat-standard-exc mohair	1	20T ClubCpe
		C 207614	Cushion complete-rear seat-airfoam-exc mohair	1	20T ClubCpe

Group & Illus. No.	Plate No.	Part No.	NAME	Per Car	Models
KK13-			REAR SEAT BACK AND CUSHIONS (CONT'D.)		
		C 207672	Cushion complete-rear seat-standard-mohair	Cloth trim	1 20P ClubCpe
		C 207674	Cushion complete-rear seat-airfoam-mohair	Cloth trim	1 20T ClubCpe
		C 207672	Cushion complete-rear seat-standard	Cloth trim	1 20P ClubCpe
		C 207674	Cushion complete-rear seat-airfoam	Cloth trim	1 20P ClubCpe
		C 208032	Cushion complete-rear seat-exc mohair	Cloth trim	1 21 ClubCpe
		C 207674	Cushion complete-rear seat-mohair	Cloth trim	1 21 ClubCpe
		C 208048	Cushion complete-rear seat	Cloth trim	1 22-24 ClubCpe
		C 208057	Cushion complete-rear seat	Cloth trim	1 25 ClubCpe
		C 144359	Cushion complete-rear seat	Leather trim	1 1940 UCo
		C 202568	Cushion complete-rear seat	Leather trim	1 1941 UCo
		C 208396	Cushion complete-rear seat	Leather trim	1 1942 UCo
		C 144278	Cushion complete-rear seat-standard	Leather trim	1 40T 2Sed-Sed,48P 5Sed
		C 144279	Cushion complete-rear seat-airfoam	Leather trim	1 40T 2Sed-Sed,48P 5Sed
		C 143950	Cushion complete-rear seat-standard	Leather trim	1 40P 2Sed-Sed
		C 143952	Cushion complete-rear seat-airfoam	Leather trim	1 40P 2Sed-Sed
		C 143952	Cushion complete-rear seat	Leather trim	1 41-44-45 2Sed-Sed
		C 143956	Cushion complete-rear seat	Leather trim	1 43-47 5Sed
		C 144070	Cushion complete-rear seat	Leather trim	1 43-47 7Sed
		C 144284	Cushion complete-rear seat-standard	Leather trim	1 48P 7Sed
		C 144285	Cushion complete-rear seat-airfoam	Leather trim	1 48P 7Sed
		C 144389	Cushion complete-rear seat	Leather trim	1 48P CA to car 60791
		C 144640	Cushion complete-rear seat	Leather trim	1 48P CA after car 60791
		C 144830	Cushion complete-RH-rear seat	Leather trim	1 1940 2Sed-Sed-UCo
		C 144831	Cushion complete-LH-rear seat	Leather trim	1 1940 2Sed-Sed-UCo
		C 202374	Cushion complete-rear seat-standard	Leather trim	1 10-11 2Sed-Sed
		C 202375	Cushion complete-rear seat-airfoam	Leather trim	1 10-11 2Sed-Sed
		C 202375	Cushion complete-rear seat	Leather trim	1 12-14 2Sed-Sed, 17 5Sed
		C 202678	Cushion complete-rear seat	Leather trim	1 17 7Sed
		C 202693	Cushion complete-rear seat-standard	Leather trim	1 18P 7Sed
		C 202694	Cushion complete-rear seat-airfoam	Leather trim	1 18P 7Sed
		C 202700	Cushion complete-rear seat	Leather trim	1 18P CA
		C 202758	Cushion complete-RH-rear seat	Leather trim	1 1941 2Sed-Sed-UCo
		C 202759	Cushion complete-LH-rear seat	Leather trim	1 1941 2Sed-Sed-UCo
		C 208382	Cushion complete-rear seat-standard	Leather trim	1 20 2Sed-Sed
		C 208384	Cushion complete-rear seat-airfoam	Leather trim	1 20 2Sed-Sed
		C 208384	Cushion complete-rear seat	Leather trim	1 21-22-24 2Sed-Sed,27 Sed
		C 202393	Cushion complete-rear seat-standard	Leather trim	1 10-11 ClubCpe
		C 202394	Cushion complete-rear seat-airfoam	Leather trim	1 10-11 ClubCpe
		C 202394	Cushion complete-rear seat	Leather trim	1 12-14-15 ClubCpe
		C 208401	Cushion complete-rear seat-standard	Leather trim	1 20 ClubCpe
		C 208403	Cushion complete-rear seat-airfoam	Leather trim	1 20 ClubCpe
		C 208403	Cushion complete-rear seat	Leather trim	1 21-22-24-25 ClubCpe
		C 144011	Cushion complete-rear seat	Leather trim	1 1940 CvSed
		C 202496	Cushion complete-rear seat	Leather trim	1 10P-11 CvSed
		C 202514	Cushion complete-rear seat	Leather trim	1 12-14 CvSed
		C 208288	Cushion complete-rear seat	Leather trim	1 20T CvSed
		C 208297	Cushion complete-rear seat	Leather trim	1 20P-21 CvSed
		C 208290	Cushion complete-rear seat	Leather trim	1 22-24 CvSed
		C 143384	Rubber pad-rear scat cushion spring exc mohair	Cloth trim	1 40 2Sed-Sed,48P 5Sed
		C 143385	Rubber pad-rear seat cushion spring exc mohair	Cloth trim	1 41-44-45 2Sed-Sed
		C 143474	Rubber pad-rear seat cushion spring exc mohair	Cloth trim	1 43-47 5Sed to car 41541
		C 143385	Rubber pad-rear seat cushion spring exc mohair	Cloth trim	1 43-47 5Sed after car 41541
		C 143740	Rubber pad-rear seat cushion spring-mohair	Cloth trim	1 1940 2Sed-5Sed
		C 144051	Rubber pad-rear seat cushion spring	Cloth trim	1 43-47 7Sed
		C 144052	Rubber pad-rear seat cushion spring	Cloth trim	1 48P 7Sed
		C 143385	Rubber pad-rear seat cushion spring	Cloth trim	1 10-11 2Sed-Sed,18P 7Sed
		C 149902	Rubber pad-rear seat cushion spring	Cloth trim	1 10-11 ClubCpe
		C 149903	Rubber pad-rear seat cushion spring	Cloth trim	1 12-14 2Sed-Sed
		C 149981	Rubber pad-rear seat cushion spring	Cloth trim	1 12-14 ClubCpe
		C 149978	Rubber pad-rear seat cushion spring	Cloth trim	1 15 ClubCpe
		C 149904	Rubber pad-rear seat cushion spring	Cloth trim	1 17 5Sed
		C 202663	Rubber pad-rear seat cushion spring	Cloth trim	1 17 7Sed
		C 207624	Rubber pad-rear seat cushion spring	Cloth trim	1 20 2Sed-Sed
		C 207625	Rubber pad-rear seat cushion spring	Cloth trim	1 20 ClubCpe
		C 207620	Rubber pad-rear seat cushion spring	Cloth trim	1 21 2Sed-Sed
		C 207621	Rubber pad-rear seat cushion spring	Cloth trim	1 21 ClubCpe
		C 207998	Rubber pad-rear seat cushion spring	Cloth trim	1 22-24 2Sed-Sed

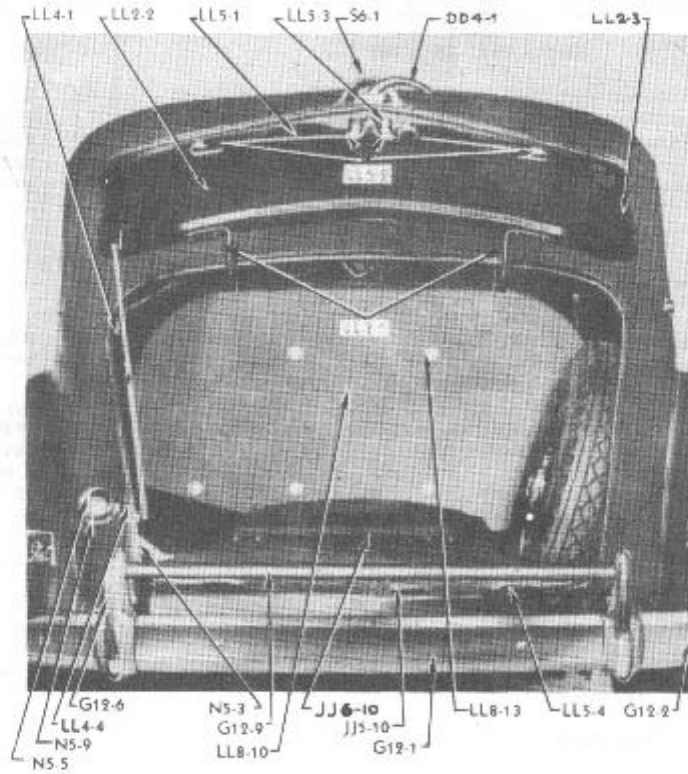
Group & Illus. No.	Plate No.	Part No.	NAME	Per Car	Models		
KK13-			REAR SEAT BACK AND CUSHIONS (CONT'D.)				
		C 207999		1	22-24 ClubCpe		
		C 149981	Rubber pad-rear seat cushion spring	Cloth trim	1	25 ClubCpe	
		C 149903	Rubber pad-rear seat cushion spring	Cloth trim	1	27 Sed	
			Rubber pad-rear seat cushion spring	Cloth trim			
		C 143740			1	1940 2Sed-5Sed	
		C 144053	Rubber pad-rear seat cushion spring	Leather trim	1	1940 7Sed	
		C 136228	Rubber pad-rear seat cushion spring	Leather trim	1	1940 CvSed	
		C 143740	Rubber pad-rear seat cushion spring	Leather trim	1	1941 2Sed-Sed	
		C 149898	Rubber pad-rear scat cushion spring	Leather trim	1	1941 ClubCpe,10-11 CvSed	
		C 202477	Rubber pad-rear seat cushion spring	Leather trim	1	12-14 CvSed	
		C 207998	Rubber pad-rear seat cushion spring	Leather trim	1	1942 2Sed-Sed	
		C 207999	Rubber pad-rear seat cushion spring	Leather trim	1	1942 ClubCpe	
		C 207621	Rubber pad-rear seat cushion spring	Leather trim	1	20P-21 CvSed	
		C 202477	Rubber pad-rear seat cushion spring	Leather trim	1	22-24 CvSed	
		C 136324	Rubber pad-rear seat cushion spring				
			Protector-rear seat cushion spring		1	1940 2Sed-Sed	
		C 136227	rubber pad	Mohair or leather			
			Protector-assy-rear seat cushion spring		1	1940 CvSed	
		BO 202097	rubber pad				
			Protector assy-rear seat cushion spring		1	1941-1942 2Sed-ClubCpe-	
		BO 170617	rubber pad	Cloth or leather	4	CvSed	
			Screw-rear seat cushion support to seat tray	#10 x 1		1941-1942 ClubCpe-CvSed	
	KK14-			REAR SEAT SPRINGS			
				NOTE: Second type springs became effective with the following car numbers: 10-11 2Sed-Sed cloth trim 42726 exc 43201 to 43539-leather trim 40969 exc 41601 to 41691; 10S UCo cloth or leather 40969 exc 41601 to 41691; 12-14 2Sed-Sed cloth trim tan 37933 exc 40201 to 40384-gray trim 37964 exc 40201 to 40406-green trim 40043 exc 40201 to 40698-leather trim 40969 exc 41601 to 41691.			
			C 142319	Spring-rear seat back	Cloth trim	1	40-41-44-45 2Sed-Sed, 48P 5Sed
			C 142548	Spring-rear seat back	Cloth trim	1	43-47 5Sed
			C 142346	Spring-rear seat back	Cloth trim	1	43-47-48P 7Sed
			C 142327	Spring-rear seat back	Leather trim	1	40-41-44-45 2Sed-Sed,UCo, 48P 5Sed
			C 142549	Spring-rear seat back	Leather trim	1	43-47 5Sed
			C 142347	Spring-rear seat back	Leather trim	1	43-47-48P 7Sed
			C 142977	Spring-rear seat back	Leather trim	1	48P CA to car 60791
			C 144724	Spring-rear seat hack	Leather trim	1	48P CA to car 60791
		C 136252	Spring-rear seat back	Leather trim	1	1940 CvSed	
		C 144854	Spring-RH-rear seat back-with divided seat		1	1940-1941 2Sed-Sed-UCo	
		C 144855	Spring-LH-rear seat back-with divided seat		1	1940-1941 2Sed-Sed-UCo	
		C 200040	Spring-rear seat back-1st type See note	See note	1	1941 2Sed-UCo,10-11-12-14 Sed	
		C 200321	Spring-rear seat back-2nd type See note	See note	1	1941 2Sed-UCo,11-11-12-14 Sed	
		C 200037	Spring-rear seat back		1	17 5Sed	
		C 200885	Spring-rear seat back		1	17 7Sed	
		C 200886	Spring-rear seat back		1	18P Sed-CA	
		C 200273	Spring-rear seat back		1	10-11-12-14 ClubCpe	
		C 200271	Spring-rear seat back		1	15 ClubCpe	
		C 200035	Spring-rear seat back		1	1941 CvSed	
		C 204582	Spring-rear seat back		1	20-21 2Sed-Sed,20 UCo	
		C 204588	Spring-rear seat back		1	22-24 2Sed-Sed,27 Sed	
		C 204593	Spring-rear seat back		1	20-21 ClubCpe	
		C 204584	Spring-rear seat back		1	22 24-25 ClubCpe	
		C 200035	Spring-rear seat back		1	1942 CvSed	
		BO 70885	Bolt-rear seat back spring to seat tray	1/4"-20x1-1/4"	4	1940 2Sed-Sed-UCo-CA	
		BM 9182	Bolt-rear seat back spring attaching	1/4"-20 x 1"	4	1940 CvSed	
		BO 170548	Bolt-rear seat back spring to seat tray	#14 x 1-1/2"	2	1941-1942 2Sed-Sed-UCo, 1941 CA	
		BO 170071	Bolt-rear seat back spring attaching	1/4"-20 x 1	4	1941-1942 ClubCpe-CvSed	
		BO 170537	Nut-rear seat back spring to seat tray bolt		2	1941-1942 2Sed-Sed-UCo, 1941 CA	
		C 142357	Spring-rear seat cushion-standard	Cloth trim	1	40 2Sed-Sed	
		142318	Spring-rear seat cushion-airfoam-use 142357	Cloth trim	1	40 2Sed-Sed	
	C 142348	Spring-rear seat cushion	Cloth trim	1	40C UCo		
	142318	Spring-rear seat cushion-use 142357	Cloth trim	1	41-44-45 2Sed-Sed,43-47-48P 5Sed		
	C 142344	Spring-rear seat cushion	Cloth Trim	1	43-47-48P 7Sed		
	C 200036	Spring-rear seat cushion	Cloth trim	1	12-14 2Sed-Sed,17 5Sed		
	C 200275	Spring-rear seat cushion	Cloth trim	1	12-14-15 ClubCpe		

Group & Illus. No.	Plate No.	Part No.	NAME	Per Car	Models		
KK14-			REAR SEAT SPRINGS (CONT'D.)				
		C 204837	Spring-rear seat cushion	Cloth trim	1	21 2Sed-Sed	
		C 204594	Spring-rear seat cushion	Cloth trim	1	20-22-24-25 ClubCpe	
		C 204838	Spring-rear seat cushion	Cloth trim	1	21 ClubCpe	
		C 204585	Spring-rear seat cushion	Cloth trim	1	27 Sed	
		C 142358	Spring-rear seat cushion-standard	Leather trim	1	40 2Sed-Sed,48P 5Sed	
		C 142326	Spring-rear seat cushion-airfoam	Leather trim	1	40 2Sed-Sed,48P 5Sed	
		C 142382	Spring-rear seat cushion-	Leather trim	1	40C UCo	
		C 142326	Spring-rear seat cushion	Leather trim	1	41-44-45 2Sed-Sed,43-47-48P 5Sed	
		C 142345	Spring-rear seat cushion	Leather trim	1	43-47-48P 7Sed	
		C 142976	Spring-rear seat cushion	Leather trim	1	48P CA to car 60791	
		C 142345	Spring-rear seat cushion	Leather trim	1	48P CA to after car 60791	
		C 136251	Spring-rear seat cushion	Leather trim	1	1940 CvSed	
		C 200044	Spring-rear seat cushion	Leather trim	1	12-14 2Sed-Sed, 17 5Sed	
		C 200272	Spring-rear seat cushion	Leather trim	1	12-14-15 ClubCpe	
		C 200034	Spring-rear seat cushion	Leather trim	1	10P 11 CvSed	
		C 200269	Spring-rear seat cushion	Leather trim	1	12-14 CvSed	
		C 204581	Spring-rear seat cushion	Leather trim	1	21 2Sed-Sed,27Sed	
		C 204594	Spring-rear seat cushion	Leather trim	1	1942 ClubCpe	
		C 204595	Spring-rear seat cushion	Leather trim	1	1942 CvSed	
		C 144856	Spring-RH-rear seat cushion-with divided seat		1	1940 2Sed-Sed-UCo	
		C 144857	Spring-LH-rear seat cushion-with divided seat		1	1940 2Sed-Sed-UCo	
		C 200044	Spring-rear seat cushion		1	10-11 2Sed-Sed	
		C 202909	Spring-rear seat cushion		1	1941 Police cars & Taxicabs	
		C 200079	Spring-rear seat cushion		1	1941-1942 UCo	
		C 200887	Spring-rear seat cushion		1	17-18P 7Sed, 18P CA	
		C 200272	Spring-rear seat cushion		1	10-11 ClubCpe	
		C 200914	Spring-RH-rear seat cushion-with divided seat		1	1941 2Sed-Sed-UCo	
		C 200915	Spring-LH-rear seat cushion-with divided seat		1	1941 2Sed-Sed-UCo	
		C 204581	Spring-rear seat cushion		1	20-22-24 2Sed-Sed	
		C 204601	Spring-rear seat cushion		1	1942 Police cars & Taxicabs	
		BO 71707	Screw-rear seat cushion spring to seat tray bracket		6	1940-1941 2Sed-Sed-UCo	
		BO 170514	Screw-rear seat cushion spring to seat tray bracket		6	1942 2Sed-Sed-UCo	
	KR15-			REAR SEAT BACK FRAME-CVSED			
			C 143873	Trim panel and bag assy-rear seat back-with qr. windows		1	1940 CvSed
			BO 12244	Cap-trim panel bag fastener		3	1940 CvSed
			BO 12243	Socket-trim panel bag fastener		3	1940 CvSed
			BO 12222	Plate-trim panel bag fastener		3	1940 CvSed
			BO 4931	Stud-trim panel bag fastener		3	1940 CvSed
			BO 71514	Rivet-trim panel bag	9/64" x 1/2"	2	1940 CvSed
			BO 7762	Washer-trim panel bag rivet		2	1940 CvSed
			BO 71354	Screw-trim panel	#8 x 3/4"	6	1940 CvSed
			BO 70350	Washer-trim panel screw finish	#8 Ctsk	6	1940 CvSed
	KK16-			REAR SEAT CUSHION RISER AND RETAINERS			
			C 142124	Riser assembly-rear seat cushion		1	1940 CvSed
			BZ 122757	Bracket-rear seat cushion riser		4	1940 CvSed
			BO 170304	Screw-rear seat cushion riser bracket to floor	#8x1/2"	4	1940 CvSed
			C 141583	Retainer assy-rear seat cushion		1	1941 2Sed-5Sed-UCo
		C 146993	Retainer assy-rear seat cushion	Cloth trim	1	10-11 2Sed-Sed	
		C 146995	Retainer assy-rear seat cushion	Leather trim	1	10-11 2Sed-Sed	
		C 146995	Retainer assy-rear seat cushion		1	12-14 2Sed-Sed,17 5Sed, 1942 2Sed-Sed	
		C 200192	Retainer assy-rear seat cushion	Cloth trim	1	10-11 ClubCpe	
		C 200193	Retainer assy-rear seat cushion	Leather trim	1	10-11 ClubCpe	
		C 200193	Retainer assy-rear seat cushion		1	12-14-15 ClubCpe,1942 ClubCpe	
		C 147000	Retainer assy-rear seat cushion		1	1941-1942 CvSed	
		C 146991	Retainer assy-rear seat cushion	Cloth trim	1	1941 UCo	
		C 147001	Retainer assy-rear seat cushion	Leather trim	1	1941 UCo	
		C 147001	Retainer assy-rear seat cushion		1	1942 UCo	
		C 141583	Retainer assy-rear seat cushion-with divided seat		1	1940 2Sed-Sed-UCo	
		C 146995	Retainer assy-rear seat cushion-with divided seat		1	1941 2Sed-Sed-UCo	
		BO 141586	Bracket-rear seat cushion retainer to floor		4	1940 2Sed-Sed-UCo	
		BO 147753	Bracket-rear seat cushion retainer to floor& seat tray		2	1941-1942 2Sed-5Sed-UCo-ClubCpe-CvSed	
		BO 146998	Bracket-rear seat cushion retainer to seat tray		2	1941-1942 2Sed-5Sed-UCo-ClubCpe-CvSed	
		BO 71707	Screw-rear seat cushion retainer to bracket		8	1940 2Sed-5Sed-UCo	
		BO 170514	Screw-rear seat cushion retainer to bracket	#10 x 5/8"	AR	1941-1942 2Sed-5Sed-UCo-ClubCpe-CvSed	
		BO 70028	Rivet-rear seat cushion retainer to bracket		4	1941-1942 ClubCpe-CvSed	
	BO 170284	Spacer-rear seat cushion retainer to bracket & support		2	22-24 2Sed-Sed,27Sed		

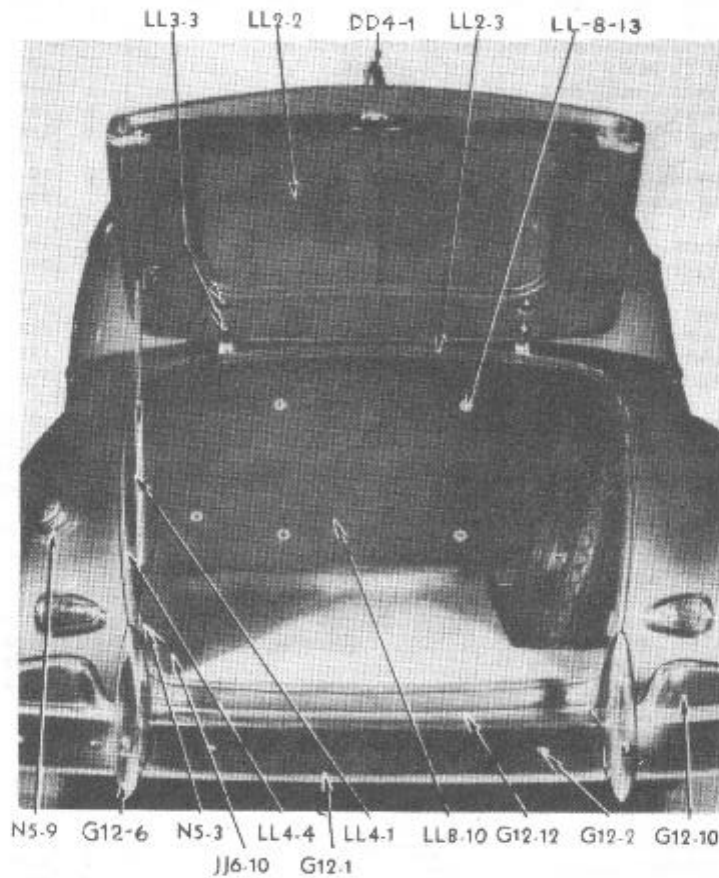
Group & Illus. No.	Plate No.	Part No.	NAME	Per Car	Models		
KK18-			AUXILIARY SEAT BACKS AND CUSHIONS-VICCP-E-CVCPE				
		C 144031	Back complete-auxiliary seat	Cloth trim-LHD	1	40T VicCpe	
		C 144032	Back complete-auxiliary seat	Cloth trim-RHD	1	40T VicCpe	
		C 143763	Back complete-auxiliary seat	Cloth trim-LHD	1	40P VicCpe	
		C 143764	Back complete-auxiliary seat	Cloth trim-RHD	1	40P VicCpe	
		C 143771	Back complete-auxiliary seat-exc mohair	Cloth trim-LHD	1	41-44 VicCpe	
		C 143772	Back complete-auxiliary seat-exc mohair	Cloth trim-RHD	1	41-44 VicCpe	
		C 144443	Back complete-auxiliary seat-mohair	Cloth trim-LHD	1	41-44 VicCpe	
		C 144444	Back complete-auxiliary seat-mohair	Cloth trim-RHD	1	41-44 VicCpe	
		C 144267	Back complete-auxiliary seat	Leather trim-LHD	1	40T VicCpe	
		C 144268	Back complete-auxiliary seat	Leather trim-RHD	1	40T VicCpe	
		C 143779	Back complete-auxiliary seat	Leather trim-LHD	1	40P-41-44 VicCpe	
		C 143780	Back complete-auxiliary seat	Leather trim-RHD	1	40P-41-44 VicCpe	
		C 144033	Cushion complete-auxiliary seat	Cloth trim-LHD	1	40T VicCpe	
		C 144034	Cushion complete-auxiliary seat	Cloth trim-RHD	1	40T VicCpe	
		C 143767	Cushion complete-auxiliary seat	Cloth trim-LHD	1	40P VicCpe	
		C 143768	Cushion complete-auxiliary seat	Cloth trim-RHD	1	40P VicCpe	
		C 143775	Cushion complete-auxiliary seat-exc mohair	Cloth trim-LHD	1	41-44 VicCpe	
		C 143776	Cushion complete-auxiliary seat-exc mohair	Cloth trim-RHD	1	41-44 VicCpe	
		C 144447	Cushion complete-auxiliary seat-mohair	Cloth trim-LHD	1	41-44 VicCpe	
		C 144448	Cushion complete-auxiliary seat-mohair	Cloth trim-RHD	1	41-44 VicCpe	
		C 144272	Cushion complete-auxiliary seat	Leather trim-LHD	1	40T VicCpe	
		C 144273	Cushion complete-auxiliary seat	Leather trim-RHD	1	40T VicCpe	
		C 143783	Cushion complete-auxiliary seat	Leather trim-LHD	1	40P-41-44 VicCpe	
		C 143784	Cushion complete-auxiliary seat	Leather trim-RHD	1	40P-41-44 VicCpe	
		C 143789	Seat complete-folding-exc mohair	Cloth trim-LHD	1	41-44 VicCpe	
		C 143790	Seat complete-folding-exc mohair	Cloth trim-RHD	1	41-44 VicCpe	
		C 144534	Seat complete-folding-mohair	Cloth trim-LHD	1	41-44 VicCpe	
		C 144535	Seat complete-folding-mohair	Cloth trim-RHD	1	41-44 VicCpe	
		C 143791	Seat complete-folding	Leather trim-LHD	1	41-44 VicCpe	
		C 143792	Seat complete-folding	Leather trim-RHD	1	41-44 VicCpe	
		C 144180	Seat complete-RH-folding	Leather trim	1	1940 CvCpe	
		C 144613	Seat complete-LH-folding	Leather trim	1	1940 CvCpe	
	KK19-			AUXILIARY SEAT SPRINGS AND FRAMES			
			C 136379	Spring-auxiliary seat back	LHD	1	40P-41-44 VicCpe
			C 136380	Spring-auxiliary seat back	RHD	1	40P-41-44 VicCpe
			C 123092	Spring-auxiliary seat cushion	LHD	1	40P-41-44 VicCpe
			C 136342	Frame assy-auxiliary seat back	RHD	1	40P-41-44 VicCpe
			C 136343	Frame assy-auxiliary seat back	LHD	1	40P-41-44 VicCpe
			C 128360	Frame assy-folding seat cushion	RHD	1	41-44 VicCpe
			C 128361	Frame assy-folding seat cushion		1	41-44 VicCpe
			C 142664	Frame assy-folding seat cushion		2	1940 CvCpe
			BO 70469	Bolt-auxiliary seat back frame to floor bracket		2	40P-41-44 VicCpe
			BO 96023	Tee Nut-auxiliary seat back frame to floor bracket		2	40P-41-44 VicCpe
			BO 122118	Plate-auxiliary seat cushion bottom attaching		1	40P-41-44 VicCpe
			BO 170304	Screw-auxiliary seat cushion bottom attaching plate		1	40P-41-44 VicCpe
			BO 122063	Bracket assy-auxiliary seat back frame to floor		2	40P-41-44 VicCpe
			BO 70293	Rivet-auxiliary seat back frame to floor bracket	1/4" x 1/2"	4	40P-41-44 VicCpe
			BO 75149	Dowel-auxiliary seat cushion		2	40P-41-44 VicCpe
		KK20-			AUXILIARY SEAT SUPPORT		
			BO 128351	Hinge-folding seat cushion frame		2-4	1940 VicCpe-CvCpe
			BZ 71309	Bolt-folding seat cushion frame hinge	1/4"-20 x 1	2	1940 VicCpe
			BO 18458	Bolt-folding seat cushion frame hinge	1/4"-20 x 11/16"	4	1940 CvCpe
	BZ 70957		Screw-folding seat cushion frame to riser	1/4"-20 x 1-5/8"	2-4	1940 VicCpe-CvCpe	
	BZ 70874		Nut--folding seat cushion frame to riser screw		2	1940 VicCpe	
	BO 136039		Rest-folding seat		1-2	1940 VicCpe-CvCpe	
	BO 170254		Screw-folding seat rest	1/4"-1/4"-20 x 7/8"	2-4	1940 VicCpe-CvCpe	
	BO 143871		Strap assy-folding seat	Cloth trim	1	1940 VicCpe	
	BO 143872		Strap assy-folding seat	Leather trim	1	1940 VicCpe	
	BO 144213		Strap assy-folding seat		2	1940 CvCpe	
	BO 12243		Socket-folding seat strap fastener		1-2	1940 VicCpe-CvCpe	
	BO 12244		Cap-folding seat strap fastener		1-2	1940 VicCpe-CvCpe	
	BO 18084		Stud-folding seat strap fastener		1-2	1940 VicCpe-CvCpe	
	BO 170388		Screw-folding seat strap	#10 x 7/8"	1	1940 VicCpe	
	BO 170422		Bolt-folding seat strap	10-32 x 7/8"	2	1940 CvCpe	
	BO 71073		Nut-folding seat strap bolt	10-32 x 1/8"	2	1940 CvCpe	
	BO 12316		Washer-folding seat strap bolt finish	#10 Ctsk	1-2	1940 VicCpe-CvCpe	
	BO 96023		Tee Nut-folding seat cushion frame	1/4"-20	8	1940 CvCpe	

Group & Illus. No.	Plate No.	Part No.	NAME	Per Car	Models	
KK21-			AUXILIARY SEATS-7PASS SED-CA			
			NOTE: Auxiliary seats used on 1940 CA after car 50791.			
		C 137271	Seat complete-RH-auxiliary Cloth trim	Cloth trim	1	43-47-48P 7Sed
		C 137272	Seat complete-LH-auxiliary Cloth trim	Cloth trim	1	43-47-48P 7Sed
		C 137273	Seat complete-RH-auxiliary Leather trim	Leather trim	1	43-47-48P 7Sed
		C 137274	Seat complete-LH-auxiliary Leather trim	Leather trim	1	43-47-48P 7Sed
		C 144632	Seat complete-RH-auxiliary		1	48P CA after car 60791
		C 144633	Seat complete-LH-auxiliary		1	48P CA after car 60791
		C 202418	Seat complete-RH-auxiliary Cloth trim	Cloth trim	1	17-18P 7Sed
		C 202419	Seat complete-LH-auxiliary Cloth trim	Cloth trim	1	17-18P 7Sed
		C 202702	Seat complete-RH-auxiliary Leather trim	Leather trim	1	17-18P 7Sed
		C 202703	Seat complete-LH-auxiliary Leather trim	Leather trim	1	17-18P 7Sed
		C 202414	Seat complete-RH-auxiliary		1	18P CA
		C 202415	Seat complete-LH-auxiliary		1	18P CA
		C 137110	Pad-auxiliary seat back		2	43-47-48P 7Sed
		C 144628	Pad-auxiliary seat back		2	48P CA,17-18P 7Sed-CA
		C 137111	Pad-auxiliary seat cushion		2	43-47-48P 7Sed
		C 144629	Pad-auxiliary seat cushion		2	48P CA, 17-18P 7Sed-CA
		C 137270	Frame assy-auxiliary seat back		2	All 7Sed-CA
		C 137106	Frame assy-auxiliary seat cushion		2	43-47-48P 7Sed
		C 144722	Frame assy-RH-auxiliary seat cushion		1	48P CA
		C 144723	Frame assy-LH-auxiliary seat cushion		1	48P CA
		C 200432	Frame assy-RH-auxiliary seat cushion		1	17-18P 7Sed,18P CA
		C 200433	Frame assy-LH-auxiliary seat cushion		1	17-18P 7Sed,18P CA
		BO 18455	Bolt-front-auxiliary seat back frame to cushion frame		4	7Sed,CA
		BZ 70957	Bolt-rear-auxiliary seat back frame to cushion frame		4	7Sed,CA
		BO 96023	Tee Nut-auxiliary seat cushion frame	1/4"-20	18	7Sed,CA
		BO 137107	Hinge-auxiliary seat		2	7Sed,CA
		BD 170309	Bolt-auxiliary seat hinge	9/1611-18 x 1-3/4"	2	43-47-48P 7Sed,48P CA
		BO 170605	Bolt-auxiliary seat hinge	9/16"-18 x 2-1/8"	2	17-18P 7Sed,18P CA
		BO 70263	Bolt-auxiliary seat hinge to cushion frame		10	7Sed,CA
		BO 137108	Bracket-RH-auxiliary seat hinge		1	7Sed,CA
		BO 137109	Bracket-LH-auxiliary seat hinge		1	7Sed,CA
		BO 200434	Support-auxiliary seat hinge bracket		2	17-18P 7Sed,18P CA
		BO 170307	Screw-auxiliary seat hinge bracket to floor and frame	5/16"-24 x 1-1/8"	2	7Sed,CA
		BO 12481	Nut-auxiliary seat hinge bracket to floor and frame bolt	5/16"-24 x 17/64"	2	7Sed,CA
		BO 101798	Spacer-auxiliary seat hinge bracket to floor and frame		2	43-47-48P 7Sed,48P CA
		BO 71011	Spacer-auxiliary seat hinge bracket to floor and frame		4	17-18P 7Sed,18P CA
		BO 170313	Bolt-auxiliary seat hinge bracket to reinforcement		5	43-47-48P 7Sed,48P CA
		BD 12481	Nut-auxiliary seat hinge bracket to reinforcement bolt	5/16"-24 x 17/64"	5	43-47-48P 7Sed,48P CA
		BO 170312	Screw-auxiliary seat hinge bracket to reinforcement	5/16"-24 x 1-3/4"	1	43-47-48P 7Sed,48P CA
		BO 141722	Reinforcement-RH-auxiliary seat hinge bracket		1	43-47-48P 7Sed-48P CA to car 60791
		BO 141723	Reinforcement-LH-auxiliary seat hinge bracket		1	43-47-48P 7Sed-48P CA to car 60791
		BD 144700	Reinforcement-RH-auxiliary seat hinge bracket		1	43-47-48P 7Sed-48P CA after car 60791
		BO 144701	Reinforcement-LH-auxiliary seat hinge bracket floor		1	43-47-48P 7Sed-48P CA after car 60791
		BO 170311	Tee Nut-auxiliary seat hinge bracket floor reinforcement		1	43-47-48P 7Sed-48P CA
		BO 170313	Screw-auxiliary seat hinge bracket floor reinforcement		14	43-47-48P 7Sed-48P CA
		BO 12481	Nut-auxiliary seat hinge bracket floor reinforcement screw		14	43-47-48P 7Sed-48P CA
		BO 170307	Screw-auxiliary seat hinge bracket to floor	5/16"-24 x 7/8"	6	17-18P 7Sed,18P CA
		BO 12481	Nut-auxiliary seat hinge bracket to floor screw		6	17-18P 7Sed,18P CA
		BX 1061	Bolt-auxiliary seat hinge bracket support to frame		4	17-18P 7Sed-18P CA
		BX 12415	Nut-auxiliary seat hinge bracket support to frame bolt		4	17-18P 7Sed-18P CA
		BO 170307	Screw-floor to cross member	5/16" 24 x 7/8"	4	43-47-48P 7Sed,48P CA
	BO 12481	Nut-floor to cross member bolt	5/16"-24 x 17/64"	4	43-47-48P 7Sed,48P CA	
KK23-			CENTER SEAT-CA			
			NOTE: Center seat used on 1940 CA to Car 60791.			
		C 144381	Back complete-center seat		1	1940 CA
		C 144383	Cushion complete-center seat		1	1940 CA
		C 142915	Frame assy-center seat back		1	1940 CA
		C 142927	Frame assy-center seat cushion		1	1940 CA
		BO 96023	Tee nut-center seat cushion frame	1/4"-20	12	1940 CA
		C 142975	Spring-center seat cushion		1	1940 CA
	C 142924	Frame-center seat back trim		1	1940 CA	

Group & Illus. No.	Plate No.	Part No.	NAME	Per Car	Models		
KK23-			CENTER SEAT-CA (CONT'D.)				
		BO 170311	Tee nut-center seat back trim frame	5/16-24	5	1940-CA	
		C 144385	Trimboard and trim assy-center seat back trim frame		1	1940 CA	
		C 142953	Bracket assy-center seat support and hinge		1	1940-CA	
		BO 70949	Screw-center seat bracket to cushion frame	5/16-24 x 1	4	1940 CA	
	BO 170467	Screw-center seat back frame to trim frame	#12 x 7/8	5	1940 CA		
LL2-			REAR COMPARTMENT DOOR				
			NOTE: Parts marked † discontinued In production Jan. 15, 1942- Parts marked †† used after Jan. 15, 1942, starting car No. 37067. See introduction.				
		C 133714	Door assembly-rear compartment	With trunk	1	1940 2Sed-Sed-UCo-CA	
		C 133728	Door assy-rear compartment-to car 25105	Without trunk	1	40T 2Sed-Sed	
		C 142293	Door assy-rear compartment-after car 25105	Without trunk	1	40T 2Sed-Sed	
		C 142293	Door assy-rear compartment-exc 40T	Without trunk	1	1940 2Sed-Sed-UCo-CA	
		C 146212	Door assy-rear compartment		1	10-11-2Sed-Sed,10C UCo,18P Sed-CA	
		C 146213	Door assy-rear compartment		1	12-14 2Sed-Sed, 17Sed	
		C 203211	Door assy-rear compartment		1	20-21 2Sed-Sed,20 UCo	
		C 203213	Door assy-rear compartment		1	22-24 2Sed-Sed,27 Sed	
		C 142303	Door assy-rear deck		1	40 3Cpe-VicCpe-CvCpe-CvSed	
		C 142305	Door assy-rear deck-used on 40T VicCpe with wing ventilation		1	41-44 3Cpe-VicCpe-CvCpe-CvSed	
		C 142307	Door assy-rear deck		1	40 UCpe	
		C 147305	Door assy-rear deck-use 203215		1	10-11 3Cpe-ClubCpe-CvSed,10C UCpe	
		C 147307	Door assy-rear deck		1	12-14-15 3Cpe-ClubCpe,12-14 CvSed	
		C 203215	Door assy-rear deck		1	20-21 3Cpe-ClubCpe-CvSed, 20UCpe	
		C 203217	Door assy-rear deck		1	22-24 3Cpe-ClubCpe-CvSed,25 ClubCpe	
		C 135742	Liner-rear compartment door	With trunk	1	1940 2Sed-Sed-UCo-CA	
	2	48	C 135021	Liner-rear compartment door-to car 25105		1	40T 2Sed-Sed
			C 142216	Liner-rear compartment door-after car 25105 exc 25501 to 26315		1	40T 2Sed-Sed
			C 142216	Liner-rear compartment door-exc 40T		1	1940 2Sed-Sed-UCo-CA
	2	48	C 202134	Silencer-large-door panel	24" x 19"	1	1941-1942 2Sed-Sed-UCo,1941 CA
	2	48	C 202135	Silencer-large-door panel	32" x 19"	1	1941-1942 3Cpe-ClubCpe-UCpe-CvSed
	2	48	C 202198	Silencer-small-door panel	24" x 13"	1	1941-1942 2Sed-Sed-UCo, 1941 CA
	2	48	C 202199	Silencer-small door panel	32" x 13"	1	1941-1942 3Cpe-ClubCpe-UCpe-CvSed
	3	48	BO 141249	Weatherstrip-rear compartment door		1	1940 2Sed-Sed-UCo-CA
	3	48	BO 121262	Weatherstrip-rear deck door		1	1940 3Cpe-ClubCpe-UCpe-CvCpe-CvSed
	3	48	BO 146249	Weatherstrip-rear compartment door		1	1941 2Sed-Sed-UCo-CA
	3	48	146248	Weatherstrip-rear deck door-use 203073		1	1941 3Cpe-ClubCpe-UCpe-CvSed
	3	48	BO 203072	Weatherstrip-rear compartment door		1	1942 2Sed-Sed-UCo
	3	48	BO 203073	Weatherstrip-rear deck door		1	1942 3Cpe-ClubCpe-UCpe-CvSed
			BO 147543	Name plate-HUDSON	Chrome	1	10 exc Cab-CabPu-Del,11 exc Station
			BO 147542	Name plate-HUDSON †	Chrome	1	12,22
			BO 147541	Name plate-HUDSON 8 †	Chrome	1	14 exc Station,15,17,24,25,27
			BO 204543	Name plate-door-included in 204545-see group S7 †	Chrome	1	20 exc Cab-CabPu,21 exc Station
			BO 205712	Name plate-door-included in 204545-see group S7 ††	Chrome	1	20 exc Cab-CapPu,21 exc Station
			BO 205713	Name plate assy-HUDSON ††		1	22
			BO 205714	Name plate assy-HUDSON 8 ††		1	24,25,27
			BO 170629	Spring nut-door name plate	3/16"	3	12,14,15,17,22,24,25,27
			BO 204546	Name plate-DRIVE-MASTER †	Chrome	1	1942 All with HDM
			BO 205715	Name plate-DRIVE-MASTER ††		1	1942 All with HDM
			BO 170629	Spring nut-door drive indicator name plate	3/16"	2	1942 All with HDM
	LL3-			REAR COMPARTMENT DOOR HINGES			
				NOTE: Parts marked f discontinued in production Jan. 15, 1942. Parts marked ft used after Jan. 15, 1942, starting car No. 37067. See introduction.			
		1	48	BO 134200	Hinge-RH-door		1
1		48	BO 134201	Hinge-LH-door		1	1940 2Sed-Sed-UCo-CA
		BO 121782	Hinge assy-door		2	1940 3Cpe-VicCpe-UCpe-CvCpe-CvSed	



Rear Compartment-1940



Rear Compartment-1941-1942

Group & Illus. No.	Plate No.	Part No.	NAME	Per Car	Models
LL3-			REAR COMPARTMENT DOOR HINGES (CONT'D.)		
		147530	Hinge assy-RH-door-use 204540	1	1941 All exc Cab-CabPu-Station-Del
		BO 147531	Hinge assy-LH-door	1	1941 All exc Cab-CabPu-Station-Del
		BO 204540	Hinge assy-RH-door Chrome	1	1942 All exc Cab-CabPu-Station
		BO 204541	Hinge assy-LH-door † Chrome	1	1942 All exc Cab-CabPu-Station
		BO 205930	Hinge assy-RH-door †† Painted	1	1942 All exc Cab-CabPu-Station
		BO 205931	Hinge assy-LH-door †† Painted	1	1942 All exc Cab-CabPu-Station
		BO 134202	Bracket-RH-door hinge	1	1940 2Sed-Sed-UCo-CA
		BO 134203	Bracket-LH-door hinge	1	1940 2Sed-Sed-UCo-CA
		BO 134204	Tapping plate-door hinge	2	1940 2Sed-Sed-UCo-CA
		BO 107540	Tapping plate-door hinge	2	1940 3Cpe-VicCpe-UCpe-CvCpe-CvSed
		BO 147532	Gasket-body half-door hinge	2	1941 All exc Cab-CabPu-Station-Del
		BO 147533	Gasket-door half-door hinge	2	1941 All exc Cab-CabPu-Station-Del
		BO 204542	Gasket-body half-door hinge	2	1942 All exc Cab-CabPu-Station
		BO 147533	Gasket-door half-door hinge	2	1942 All exc Cab-CabPu-Station
		BZ 8683	Clevis pin-door hinge	2	1940 3Cpe-VicCpe-ClubCpe-CvCpe-CvSed
		BZ 570	Rivet-door hinge	2	1940 2Sed-Sed-UCo-CA
		BZ 901	Rivet-door hinge	2	1940 2Sed-Sed-UCo-CA
		BO 170277	Bolt-door hinge	4	1940 2Sed-Sed-UCo-CA
		BO 1062	Bolt-door hinge to panel	4	1940 3Cpe-VicCpe-UCpe-CvCpe-CvSed
3	48	BO 9159	Bolt-door hinge	8	1941-1942 All exc Cab-CabPu-Station-Del
		BZ 4963	Washer-door hinge to panel	4	1940 3Cpe-VicCpe-UCpe-CvCpe-CvSed
		BO 170329	Washer-plain-door hinge	8	1941 all exc Cab-CabPu-Station-Del
		BO 134968	Washer-seal-door hinge	8	1941 all exc Cab-CabPu-Station-Del
		BO 102069	Washer-cup-door hinge	8	1941-1942 All exc Cab-CabPu-Station-Del
		BO 85747	Clip-door opening reinforcement wiring	AR	All exc Cab-CabPu-Station-Panel-Del
		BO 140349	Clip-door opening reinforcement wiring	4	1941-1942 CvSed
LL4-			REAR COMPARTMENT CHECK ARM		
			NOTE: Parts marked # used on 40T VicCpe when equipped with wing type ventilation.		
1	48	BO 134661	Arm assy-door check	1	1940 2Sed-Sed-UCo-CA
1	48	BO 134671	Arm assy-door check	1	41-44 3Cpe-VicCpe-CvCpe-CvSed
		BO 124264	Arm assy-RH-door check	1	1940 UCpe
1	48	BO 124265	Arm assy-LH-door check	1	40 3Cpe-VicCpe-UCpe-CvCpe-CvSed
1	48	BO 147726	Arm assy-door check	1	1941-1942 exc Cab-CabPu-Station-Del
		BO 124270	Arm-upper-door check	1-2	40 3Cpe-VicCpe-UCpe-CvCpe-CvSed
		BO 124266	Arm-lower RH-door check	1	1940 UCpe
		BO 124267	Arm-lower LH-door check	1	40 3Cpe-VicCpe-UCpe-CvCpe-CvSed
4	48	BO 134662	Bracket-lower-door check arm	1	1940 2Sed-Sed-UCo-CA
4	48	BO 134672	Bracket-lower-door check arm	#	41-44 3Cpe-VicCpe-CvCpe-CvSed
4	48	BO 120865	Bracket-lower-door check arm	1-2	40 3Cpe-VicCpe-UCpe-CvCpe-CvSed
4	48	BO 147728	Bracket-lower-door check arm	1	1941-1942 All exc Cab-CabPu-Station-Del
		BO 124269	Bracket-upper LH-door check arm	1	40 3Cpe-VicCpe-UCpe-CvCpe-CvSed
		BO 124268	Bracket-upper-RH-door check arm	1	1940 UCpe
		BO 121397	Plate-door check arm attaching	1-2	40 3Cpe-VicCpe-UCpe-CvCpe-CvSed
		BO 83191	Plate-door check arm bracket tapping	#	All exc Cab-CabPu-Station-Panel-Del
		BO 121394	Spring-door check arm	1-2	40 3Cpe-VicCpe-UCpe-CvCpe-CvSed
		BO 121396	Rivet-door check arm spring	1-2	40 3Cpe-VicCpe-UCpe-CvCpe-CvSed
		BO 124271	Rivet-door check arm spring rivet retainer	1-2	40 3Cpe-VicCpe-UCpe-CvCpe-CvSed
		BO 124399	Rivet-door check arm	2-4	40 3Cpe-VicCpe-UCpe-CvCpe-CvSed
		BO 137164	Rivet-door check arm bracket	#	All exc Cab-CabPu-Station-Panel-Del

Group & Illus. No.	Plate No.	Part No.	NAME	Per Car	Models
LL4-			REAR COMPARTMENT CHECK ARM (CONT'D).		
		BO 9159	Bolt-door check arm to panel	1/4"-30 x 5/8" #	2-4 1940 exc Cab-CabPu-Panel
		BM 70242	Bolt-door check arm to reinforcement	1/4"-20 x 3/4"	2-4 40 3Cpe-VicCpe-UCpe-CvCpe-CvSed
		BO 134663	Bolt-door check arm bracket	1/4"-20 x 21/32" #	1 All exc Cab-CabPu-Station-Panel-Del
		BZ 70874	Nut-door check arm bolt	1/4"-20 x 1/4" #	AR All exc Cab-CabPu-Station-Panel-Del
		BO 140281	Spring washer-door check arm spring		4-8 40 3Cpe-VicCpe-UCpe-CvCpe-CvSed
		BO 170300	Spring washer-door check arm bracket	#	2 All exc Cab-CabPu-Station-Panel-Del
LL5-			REAR COMPARTMENT DOOR LOCK		
			NOTE: For door handles see Group DD4-		
		BO 141240	Latch assy-door-to car 15870		1 1940 2Sed-Sed-UCo-CA
		BO 142880	Spring rod assy-door latch-after car 15870		1 1940 2Sed-Sed-UCo-CA
		BO 141242	Guide-door latch spring rod		4 1940 2Sed-Sed-UCo-CA
		BO 141246	Base assy-door latch-to car 15870		1 1940 2Sed-Sed-UCo-CA
		BO 142881	Base assy-door latch-after car 15870 exc 16601 to 16862		1 1940 2Sed-Sed-UCo-CA
		BO 140936	Lock plate-door latch		2 1940 2Sed-Sed-UCo-CA
		BO 70796	Screw-door latch	12"-28 x 3/4"	2 1940 2Sed-Sed-UCo-CA
		BO 71602	Screw-door latch	12"-28 x 1/2"	4 1940 2Sed-Sed-UCo-CA
		BO 70155	Washer-door latch screw.		AR 1940 2Sed-Sed-UCo-CA
		BZ 70795	Nut-door latch	12"-28 x 3/16"	2 1940 2Sed-Sed-UCo-CA
		BO 144727	Spacer assy-door latch to door panel reinforcement		1 1940 2Sed-Sed-UCo-CA
		BO 116779	Lock assy-door		2 1940 3Cpe-VicCpe-UCpe-CvCpe-CvSed
		BO 18464	Screw-door lock	1/4"-20 x 11/16"	8 1940 3Cpe-VicCpe-UCpe-CvCpe-CvSed
		BO 116085	Striker-door lock		2 1940 3Cpe-VicCpe-UCpe-CvCpe-CvSed
		BO 147766	Lever and brackets assy-RH-latch clamping		1 1941 exc Cab-CabPu-Station-Del
		BO 147767	Lever and brackets assy-LH-latch clamping		1 1941 exc Cab-CabPu-Station-Del
		BO 203766	Lever and brackets assy-RH-latch clamping		1 1942 exc Cab-CabPu-Station-Del
		BO 203767	Lever and brackets assy-LH-latch clamping		1 1942 exc Cab-CabPu-Station-Del
		BO 147763	Bracket-latch clamp		2 1941-1942 exc Cab-CabPu-Station-Del
		BO 9159	Screw-latch clamping lever bracket	1/4"-20 x 5/8"	4 1941 exc Cab-CabPu-Station-Del
		BO 71631	Screw-latch clamping lever bracket	1/4"-20 x 1/2"	4 1942 exc Cab-CabPu-Station
		BO 170253	Screw-latch clamping lever bracket	1/4"-20 x 5/8"	4 1942 exc Cab-CabPu-Station
		BO 147762	Rivet-latch clamping lever		2 1941 exc Cab-CabPu-Station-Del
		BO 170661	Rivet-latch clamping lever		2 1942 exc Cab-CabPu-Station
		BO 203762	Spring-RH-latch clamping lever		2 1942 exc Cab-CabPu-Station
		BO 203763	Spring-LH-latch clamping lever		2 1942 exc Cab-CabPu-Station
		BO 147759	Link-latch		2 1941-1942 2Sed-Sed-UCo, 1941 CA
		BO 147760	Link-latch		2 1941-1942 3Cpe-ClubCpe-UCpe-CvSed
		BO 96089	Spring-latch link anti-rattle		4 1941-1942 exc Cab-CabPu-Station-Del
		BO 147761	Lever-latch operating		1 1941-1942 exc Cab-CabPu-Station-Del
		BO 125891	Striker plate-center-door safety lock		1 1940 3Cpe-VicCpe-UCpe-CvCpe-CvSed
		BO 128317	Housing-door safety lock		1 1940 exc Cab-CabPu-Panel
		BO 128279	Lock cylinder assy-blank-door safety lock		1 1940 exc Cab-CabPu-Panel
		BO 128282	Lock assy-less cylinder-door safety lock		1 1940 exc Cab-CabPu-Panel
		BO 126724	Lock cylinder and keys assy-door safety lock		1 1940 exc Cab-CabPu-Panel
		BO 45986	Key-door safety lock Specify Key No.		1 1940 exc Cab-CabPu-Panel
		BO 107102	Mounting nut-door safety lock	3/4"-28 x 7/8"	2 1940 exc Cab-CabPu-Panel
		BO 70539	Lockwasher-door safety lock mounting nut	3/4"	1 1940 exc Cab-CabPu-Panel
		BO 134141	Eccentric-door safety lock operating		1 1940 exc Cab-CabPu-Panel
		BO 70304	Screw-door safety lock eccentric	10"-32 x 3/4"	1 1940 exc Cab-CabPu-Panel
		BZ 128291	Spring washer-door safety lock eccentric		1 1940 exc Cab-CabPu-Panel
		BO 134142	Link-door safety lock operating		1 1940 exc Cab-CabPu-Panel
		BO 128284	Link-door safety lock operating		1 1940 2Sed-Sed-UCo-CA
		BO 96089	Spring-door safety lock operating link anti-rattle		1 1940 Cpes and Cables
		BO 141239	Plunger-door safety lock operating-to car 15870		1 1940 exc Cab-CabPu-Panel
		BO 142883	Plunger-door safety lock operating-after 15870 exc 16601 to 16862		1 1940 2Sed-Sed-UCo-CA
		BO 128287	Plunger-door safety lock operating-1st type .	4-1/8" Long	1 1940 2Sed-Sed-UCo-CA
		BO 142883	Plunger-door safety lock operating-2nd type	3-27/32" Long	1 1940 Cpes and Cables
		BO 128316	Spring-door safety lock operating plunger anti-rattle ..		1 1940 exc Cab-CabPu-Panel

Group & Illus. No.	Plate No.	Part No.	NAME	Per Car	Models		
LL5-			REAR COMPARTMENT DOOR LOCK (CONT'D.)				
		BO 134143	Guide-door safety lock operating plunger	1	1940 2Sed-Sed-UCo-CA		
		BO 128288	Guide-door safety lock operating plunger	1	1940 Cpes and Cables		
		BO 71631	Bolt-door safety lock operating plunger guide	2	1940 Cpes and Cables		
		BO 126387	Tapping plate-door safety lock operating plunger guide.	1	1940 Cpes and Cables		
		BO 128290	Housing-door safety lock operating	1	1940 Cpes and Cables		
		BO 170043	Screw-door safety lock operating housing	1	1940 Cpes and Cables		
		BO 71631	Screw-door safety lock operating housing	2	1940 Cpes and Cables		
		BO 128277	Reinforcement--door safety lock to panel	1	1940 Cpes and Cables		
		BO 147770	Reinforcement-door panel lamp	1	1941-1942 exc Cab-CabPu-Station-Del		
		BO 128289	Spacer-door safety lock to panel	1	1940 2Sed-Sed-UCo-CA		
		BO 9159	Screw-door panel lamp reinforcement	1	1941 exc Cab-CabPu-Station-Del		
		BO 71631	Screw-door panel lamp reinforcement	1	1942 exc Cab-CabPu-Station		
				REAR COMPARTMENT FLOOR			
		C	130223	Floor board	1	1940 CvCpe-CvSed	
		C	137011	Floor board	1	1940 7Sed	
		C	142902	Floor board-RH	1	1940 CA	
		C	142903	Floor board assy-LH	1	1940 CA	
		C	142901	Floor board assy-center	1	1940 CA	
		C	200790	Floor board-RH	1	1941 CA	
		C	200799	Floor board assy-left front	1	1941 CA	
		C	200793	Floor board assy-left rear	1	1941 CA	
		C	200789	Floor board assy-center	1	1941 CA	
		BO	134184	Riser-floor board	2	1940 CvCpe-CvSed-7Sed	
		BO	71630	Rivet-floor board riser	4	1940 CvCpe-CvSed-7Sed	
		BO	130219	Hinge-floor board	2	1940 CvCpe-CvSed,1940-1941 CA	
	BO	137010	Hinge-floor board	2	1940 7Sed		
	BO	71630	Rivet-floor board hinge	4	1940 CvCpe-CvSed-7Sed		
	BO	12861	Screw-wood-floor board hinge	8	1940 CA		
	BO	71707	Screw-sheet metal-floor board hinge	8	1941 CA		
	BO	122587	Bracket-front LH-floor board riser	1	1940 CvCpe-CvSed		
	80	134198	Bracket-front RH-floor board riser	1	1940 CvCpe--CvSed		
	BO	170209	Bolt-floor board riser to seat tray	2	1940 CvCpe-CvSed-7Sed		
	BO	70674	Nut-floor board riser to seat tray bolt	2	1940 CvCpe-CvSed-7Sed		
LL7-		BO 170179	Screw-floor board hinge to compartment board	2	1940 7Sed		
		C	134194	Cross bar assy-floor board	1	1940 CvCpe-CvSed	
		BO	123114	Spacer-floor board cross bar	2	1940 CvCpe-CvSed	
		BO	70469	Bolt-floor board cross bar to hinge	4	1940 CvCpe-CvSed	
		BO	170019	Bolt-floor board cross bar to riser and panel	4	1940 CvCpe-CvSed	
		BO	70674	Nut-floor board cross bar to riser and panel bolt	4	1940 CvCpe-CvSed	
		BO	142905	Bracket-floor board-center mounting	1	1940-1941 CA	
		BO	142906	Bolt-floor board-center-mounting bracket	1	1940-1941 CA	
		BO	70182	Bolt-floor board-left	1	1940-1941 CA	
		BO	142904	Support assy-floor board-front	1	1940 CA	
		BO	200792	Support assy-floor board-front	1	1941 CA	
		BZ	70980	Bolt-floor board-front support	2	1940 CA	
		BO	70182	Bolt-please board-front support	2	1941-CA	
		BZ	270874	Nut-floor board-front-support bolt	2	1940-1941 CA	
		BZ	12857	Washer-floor board-front	2	1940-1941 CA	
	LL8-			REAR COMPARTMENT MISCELLANEOUS FITTINGS			
			BO	136540	Silencer for jack	2	1940 3Cpe-VicCpe-CvCpe-CvSed
			BO	136539	Strap assy-jack	1	1940 3Cpe-VicCpe-CvCpe-CvSed
		BO	170304	Screw-jack strap	2	1940 3Cpe-VicCpe-CvCpe-CvSed	
		BZ	71260	Washer-jack strap screw	2	1940 3Cpe-VicCpe-CvCpe-CvSed	
		BO	18313	Socket-jack strap	1	1940 3Cpe-VicCpe-CvCpe-CvSed	
		BO	12247	Plate-jack strap socket	1	1940 3Cpe-VicCpe-CvCpe-CvSed	
		BO	71496	Stud-jack strap	1	1940 3Cpe-VicCpe-CvCpe-CvSed	
		BO	108898	Strap-trunk	2	1940 2Sed-Sed-UCo-CA	
		BO	71392	Loop-trunk strap	4	1940 2Sed-Sed-UCo-CA	
		BO	170253	Screw-trunk strap loop	8	1940 2Sed-Sed-UCo-CA	

Group & Illus. No.	Plate No.	Part No.	NAME	Per Car	Models
LL8-			REAR COMPARTMENT MISCELLANEOUS FITTINGS (CONT'D.)		
		BO 134877	Ornament-upper door	1	1940 2Sed-Sed-UCo-CA
		BO 134967	Seal washer-upper-door ornament	2	1940 2Sed-Sed-UCo-CA
		BZ 12349	Plain washer-upper-door ornament	2	1940 2Sed-Sed-UCo-CA
		BO 70660	Lock washer-upper-door ornament	2	1940 2Sed-Sed-UCo-CA
		BO 71073	Nut-upper-door ornament	2	1940 2Sed-Sed-UCo-CA
		BO 140966	Ornament-door	1	1940 3Cpe-VicCpe-CvCpe-CvSed
		BO 140967	Seal washer-door ornament	1	1940 3Cpe-VicCpe-CvCpe-CvSed
		BO 71659	Plain washer-door ornament	1	1940 3Cpe-VicCpe-CvCpe-CvSed
		BO 170358	Speed nut-door ornament	1	1940 3Cpe-VicCpe-CvCpe-CvSed
		BO 140968	Moulding-door	1	1940 3Cpe-VicCpe-CvCpe-CvSed
		BO 141694	Clip-door moulding	1	1940 3Cpe-VicCpe-CvCpe-CvSed
		BO 133695	Bolt-door moulding	2	1940 3Cpe-VicCpe-CvCpe-CvSed
		BO 71073	Nut-door moulding bolt	2	1940 3Cpe-VicCpe-CvCpe-CvSed
		C 135309	Trim panel-LH-rear compartment	1	43-47 5Sed
		C 136876	Trim panel-RH-rear compartment	1	43-47 7Sed
		C 136877	Trim panel-LH-rear compartment	1	43-47 7Sed
		C 207764	Trim panel assy-RH-side-rear compartment	1	1942 2Sed-Sed
		C 207765	Trim panel assy-LH-side-rear compartment	1	1942 2Sed-Sed
		C 202855	Trim panel-LH-side-rear compartment	1	1941-1942 CvSed
		C 202471	Trim board-rear compartment	1	1941-1942 CvSed
		BO 71348	Screw-rear compartment trim panel	1-2	43-47 5-7Sed
		BO 170617	Screw-rear compartment trim panel	4	1942 2Sed-Sed
		BO 170059	Screw-rear compartment side trim panel	4	1941-1942 CvSed
		BN 70242	Bolt-rear compartment trim board	4	1941 CvSed
		BO 170600	Screw-rear compartment trim board	4	1942 CvSed
		BO 170586	Tee nut-rear compartment trim board bolt	4	1941 CvSed
		BO 12316	Finish washer-rear compartment trim panel screw	1-2	43-47 5-7Sed
		BO 70697	Finish washer-rear compartment trim panel screw	4	1942 2Sed-Sed
		BO 70452	Finish washer-rear compartment trim board	4	1941-1942 CvSed
		C 136678	Trim assy-RH-rear seat back compt panel & wheelhouse .	1	1940 2Sed-5Sed-UCo
		C 136679	Trim assy-LH-rear seat back compt panel & wheelhouse .	1	1940 2Sed-5Sed-UCo
		C 202224	Trim assy-RH-rear seat back compt panel	1	1941 2Sed-5Sed-UCo
		C 202225	Trim assy-LH-rear seat back compt panel	1	1941 2Sed-5Sed-UCo
		C 207506	Trim assy-RH-rear seat hack compt panel	1	1942 2Sed-5Sed-UCo
		C 207507	Trim assy-LH-rear seat back compt panel	1	1942 2Sed-5Sed-UCo
		C 202223	Trim assy-rear compt wheelhouse	2	1941-1942 2Sed-Sed-UCo, 1941 CA
		BO 85747	Clip-rear seat back shelf panel wiring	2	43-47 Sed,1941-1942 2Sed-Sed-UCo,1941 CA
		BO 140349	Clip-rear seat back shelf panel wiring	4	1941-1942 2Sed-Sed-UCo
		BO 85747	Clip-rear seat back comp panel wiring	4	1941-1942 CvSed
10	48	C 135310	Trimboard-rear seat back spring	1	1940 2Sed,40-41-44-45-48P 5Sed
10	48	C 136603	Trimboard-rear seat back spring	1	1940 UCo
10	48	C 143821	Trimboard assy-rear seat back spring	1	43-47 5Sed
10	48	C 136850	Trimboard-rear seat back spring	1	43-47 7Sed
10	48	C 136852	Trimboard-rear seat back spring	1	48P 7Sed
		C 135798	Trimboard-rear seat back spring-without qr. windows	1	1940 CvSed
		C 143873	Trimboard-assy-seat back spring-with qr windows	1	1940 CvSed
		C 144816	Trimboard-RH-rear seat back spring	1	1940 2Sed-Sed-UCo
		C 144817	Trimboard-LH-rear seat back spring	1	1940 2Sed-Sed-UCo
10	48	C 202086	Trimboard-rear seat back spring	1	1941 2Sed,10-11-12-14-18P Sed
10	48	C 202088	Trimboard-assy-rear seat back spring	1	17 Sed
10	48	C 202560	Trimboard-rear seat back spring	1	1942 UCo
10	48	C 202159	Trimboard-rear seat hack spring	1	10-11-12-14 ClubCpe
10	48	C 202206	Trimboard-assy-rear seat back spring	1	15 ClubCpe
10	48	C 202480	Trimboard-rear seat back spring	1	1941-1942 CvSed
		C 207767	Trimboard-rear seat back spring	1	20-21 2Sed-Sed
		C 207829	Trimboard assy-rear seat back spring	1	22-24 2Sed-Sed,27Sed
		C 207766	Trim board-rear seat back spring	1	1942 UCo
		C 202159	Trimboard-rear seat back spring	1	20 21 ClubCpe
		C 202206	Trimboard-assy-rear seat back spring	1	22-24-25 ClubCpe
		C 202744	Trimboard-RH-rear seat back spring	1	1941 2Sed-Sed-UCo
		C 202745	Trimboard-LH-rear seat back spring	1	1941 2Sed-Sed-UCo
13	48	BO 170179	Screw-rear seat hack spring trim board	6	1940 2Sed-Sed-UCo

Group & Illus. No.	Plate No.	Part No.	NAME	Per Car	Models
LL8-			REAR COMPARTMENT MISCELLANEOUS FITTINGS (CONT'D.)		
13	48	BO 170428	Screw-upper-rear seat back spring trimboard #10 x 1/2"	2	43-47 SSed
13	48	BO 170617	Screw-rear seat back spring trimboard #10-1	AR	1941 2Sed-Sed-UCo-ClubCpe-CvSed
13	48	BO 170618	Screw-upper-rear seat back spring trimboard #10x1-1/2"	2	15 ClubCpe,17Sed
13	48	BO 170617	Screw-rear seat back spring trimboard #10 x 1	AR	20-21 2Sed-Sed-UCo-ClubCpe,1942 CvSed
13	48	BO 170618	Screw-rear seat back spring trimboard #10 x 1-1/2"	2	22-24 2Sed-Sed-ClubCpe, 27 Sed
		BO 170274	Washer-rear seat back spring trimboard screw	6	1940 2Sed-Sed-UCO
		BO 70697	Washer-rear seat back spring trimboard screw	AR	1941-1942 2Sed-Sed-UCo-ClubCpe-CvSed
		BO 144143	Spacer-rear seat back spring trimboard	2	43-47-17-27 5Sed,15-25 ClubCpe, 22-24 2Sed-Sed-ClubCpe
		C 142943	Board assy-rear seat back partition	1	1940 CA
		C 200778	Board assy-rear seat back partition	1	1941 CA
		BO 142944	Bracket-rear seat back partition board to seat tray	1	1940-1941 CA
		BO 70978	Rivet-rear seat back partition board to seat tray bracket	2	1940-1941 CA
LL9-			PARTITION AND PACKAGE COMPARTMENT		
			Coupes and Convertibles		
		C 140482	Board assy-partition	1	1940 3Cpe-UCpe
		C 142359	Board-partition	1	40 VicCpe
		C 142383	Board-partition-RH for LHD-LH for RHD	1	41-44 VicCpe
		C 142381	Board-partition LHD	1	41-44 VicCpe
		C 142380	Board-partition RHD	1	41-44 VicCpe
		C 130527	Board-partition	1	1940 CvCpe-CvSed
		C 146423	Board assy-partition	1	1941-1942 3Cpe-UCpe
		BO 71531	Screw-partition board 1/4"-20 x 1-3/8"	AR	1940-1941 3Cpe-UCpe,1940 CvCpe-CvSed
		BZ 71300	Screw-partition board 1/4"-20 x 1"	AR	1940 VicCpe
		BZ 170600	Screw-partition board 1/4"-20 x 1-3/8"	AR	1942 3Cpe-UCpe
		BO 96023	Tee nut-partition board screw 1/4"-20	AR	3Cpe,UCpe,1940 CvCpe-CvSed
		BO 70452	Washer-partition board screw 1/4" NP	AR	3Cpe,UCpe,1940 CvCpe-CvSed
		BO 86272	Washer-partition board screw	AR	1940 VicCpe
		BO 70926	Bolt-partition board attaching 1/4"-20 x 1	2	1940 CvCpe-CvSed
		BO 122058	Bracket assy-RH-partition to quarter panel	1	1940 VicCpe
		BO 122059	Bracket assy-LH-partition to quarter panel	1	1940 VicCpe
		BO 128327	Bracket assy-partition to quarter panel	1	41-44 VicCpe
		BO 128327	Bracket assy-partition to package compt bottom	1	41-44 VicCpe
		C 140300	Panel-rear seat back shelf	1	1940 2Sed-5Sed-UCo
		C 140301	Panel-rear seat back shelf	1	1940 7Sed-CA
		C 146300	Panel-rear seat back shelf	1	1941 1942 2Sed-5Sed-UCo
		C 146301	Panel-rear seat back shelf	1	1941 7Sed-CA
		C 134934	Panel assy-rear compartment	1	1940 3Cpe-UCpe
		C 146370	Panel-rear compartment shelf Steel	1	1941-1942 3Cpe-UCpe-ClubCpe
		C 147313	Extension assy-rear compt shelf panel Wood	1	1941-1942 3Cpe-UCpe
		BO 9159	Bolt-rear compt shelf panel extension 1/4"-20 x5/8"	5	1941-1942 3Cpe-UCpe
		BO 140349	Clip-rear compt shelf panel wiring	3	1941-1942 3Cpe-UCpe
		C 142369	Bottom assy-package compartment LHD	1	41-44 VicCpe
		C 142370	Bottom assy-package compartment RHD	1	41-44 VicCpe
		C 142360	Bottom assy-package compartment	1	40 VicCpe
		BO 128320	Brace-RH-package compt back panel corner bracket LHD	1	41-44 VicCpe
		BO 128321	Brace-LH-package compt back panel corner bracket RHD	1	41-44 VicCpe
		BO 128324	Bracket assy-RH-package compt hach panel corner	1	1940 VicCpe
		BO 128325	Bracket assy-LH-package compt back panel corner	1	1940 VicCpe
		BO 130846	Brace-RH-package compt back panel to rear window reinforcement	1	1940 3Cpe-UCpe
		BO 130847	Brace-LH-package compt back panel to rear window window reinforcement	1	1940 3Cpe-UCpe
		C 149760	Trimboard & trim assy-rear-rear compt shelf Cloth trim	1	1941-1942 3Cpe-ClubCpe-UCpe
		C 207541	Trimboard & trim assy-rear-rear compt shelf Leather trim	1	1942 3Cpe-ClubCpe exc 20T
		BO 170544	Screw-center-bottom-rear compt shelf trimboard #8 x 1/2"	4	1941-1942 3Cpe-ClubCpe-UCpe
		BO 170551	Screw-sides-rear compt shelf trim board	2	1941-1942 3Cpe-ClubCpe-UCpe
		BO 70350	Finish washer-rear compt shelf trimboard screw #8 Ctsk	6	1941-1942 3Cpe-ClubCpe-UCpe
		BO 170123	Clip-rear compt shelf trim board screw	3	1941 ClubCpe
		C 202570	Trim panel-rear seat back shelf Newport Tan	1	1941 2Sed-5Sed

Group & Illus. No.	Plate No.	Part No.	NAME	Per Car	Models
LL 9-			PARTITION AND PACKAGE COMPARTMENT (CONT'D.)		
		C 202580	Trim panel-rear seat back shelf	Newport Tan	1 1941 7Sed
		C 202574	Trim panel-rear seat back shelf	Light Tan	1 1941 2Sed-5Sed-UCo
		C 202584	Trim panel-rear seat back shelf	Light Tan	1 18P 7Sed
		C 202585	Trim panel-rear seat back shelf	Tan	1 18P CA
		C 202571	Trim panel-rear seat back shelf	Gray	1 1941 2Sed-5Sed
		C 202581	Trim panel-rear seat back shelf	Gray	1 1941 7Sed
		C 202572	Trim panel-rear seat back shelf	Green	1 1941 2Sed-5Sed
		C 202582	Trim panel-rear seat back shelf	Green	1 1941 7Sed
		C 202573	Trim panel-rear seat back shelf	Maroon	1 1941 2Sed-5Sed
		C 202583	Trim panel-rear seat back shelf	Maroon	1 1941 7Sed
		C 207770	Trim panel-rear seat back shelf	Russet	1 1942 2Sed-Sed-UCo
		C 207771	Trim panel-rear seat back shelf	Gray	1 1942 2Sed-Sed
		C 207772	Trim panel-rear seat back shelf	Green	1 1942 2Sed-Sed
		C 207773	Trim panel-rear seat back shelf	Maroon	1 1942 2Sed-Sed
		C 202720	Trim panel-bottom-rear compt shelf	Newport Tan	1 1941 3Cpe-UCpe
		C 202730	Trim panel-bottom-rear compt shelf	Newport Tan	1 1941 ClubCpe
		C 202724	Trim panel-bottom-rear compt shelf	Light Tan	1 1941 3Cpe-UCpe
		C 202734	Trim panel-bottom-rear compt shelf	Light Tan	1 1941 ClubCpe
		C 202721	Trim panel-bottom-rear compt shelf	Gray	1 1941 3Cpe
		C 202731	Trim panel-bottom-rear compt shelf	Gray	1 1941 ClubCpe
		C 202722	Trim panel-bottom-rear compt shelf	Green	1 1941 3Cpe
		C 202732	Trim panel-bottom-rear compt shelf	Green	1 1941 ClubCpe
		C 202723	Trim panel-bottom-rear compt shelf	Maroon	1 1941 3Cpe
		C 202733	Trim panel-bottom-rear compt shelf	Maroon	1 1941 ClubCpe
		C 207720	Trim panel-bottom-rear compt shelf	Russet	1 1942 3Cpe-UCpe
		C 207730	Trim panel-bottom-rear compt shelf	Russet	1 1942 ClubCpe
		C 207721	Trim panel-bottom-rear compt shelf	Gray	1 1942 3Cpe
		C 207731	Trim panel-bottom-rear compt shelf	Gray	1 1942 ClubCpe
		C 207722	Trim panel-bottom-rear compt shelf	Green	1 1942 3Cpe
		C 207732	Trim panel-bottom-rear compt shelf	Green	1 1942 ClubCpe
		C 207723	Trim panel-bottom-rear compt shelf	Maroon	1 1942 3Cpe
		C 207733	Trim panel-bottom-rear compt shelf	Maroon	1 1942 ClubCpe
		BO 170544	Screw-rear compt shelf bottom trim panel #8 x 1/2"	#8 x 1/2"	3 1941-1942 3Cpe-ClubCpe-UCpe
		BO 70350	Finish washer-rear compt shelf bottom trim panel screw		3 1941-1942 3Cpe-ClubCpe-UCpe
LL13-			UTILITY COUPE-REAR SECTION		
			Sliding Type Box - 1940		
		C 130583	Pickup box assy		1 1940 UCpe
		BO 123406	Support-front-pickup box		1 1940 UCpe
		BO 123405	Spacer-pickup box front support		4 1940 UCpe
		BZ 1062	Bolt-pickup box front support to side member		4 1940 UCpe
		BX 12415	Nut-pickup box front support to side member bolt		4 1940 UCpe
		C 123407	Support-rear-pickup box		1 1940 UCpe
		BZ 1062	Bolt-pickup box rear support to side member		2 1940 UCpe
		BX 12415	Nut-pickup box rear support to side member bolt		2 1940 UCpe
		BO 101798	Spacer-pickup box rear support		2 1940 UCpe
		C 123408	Support-side RH-pickup box		1 1940 UCpe
		C 123409	Support-side LH-pickup box		1 1940 UCpe
		C 133375	Cross member-rear seat tray to side support		1 1940 UCpe
		BO 170304	Screw-rear seat tray to side support cross member		12 1940 UCpe
		BX 71252	Bolt-rear seat tray to side support cross member		2 1940 UCpe
		BX 12415	Nut-rear seat tray to side support cross member bolt		2 1940 UCpe
		BO 123415	Roller assy-pickup box		6 1940 UCpe
		BO 123402	Stud-pickup box roller		6 1940 UCpe
		F 398	Nut-pickup box roller stud	5/8"-18 x 35/64"	6 1940 UCpe
		DO 170049	Spacer-pickup box roller stud		AR 1940 UCpe
		BO 123411	Stop-pickup box		4 1940 UCpe
		BZ 1062	Bolt-pickup box stop	3/8"-24 x 7/8"	8 1940 UCpe
		BX 12415	Nut-pickup box stop bolt	3/8"-24 x 21/64"	8 1940 UCpe
		C 123418	Lock rod-RH-pickup box		1 1940 UCpe
		C 123419	Lock rod-LH-pickup box		1 1940 UCpe
		BO 123412	Bracket-front-pickup box lock rod		2 1940 UCpe
		BO 70157	Bolt-pickup box lock rod front bracket	1/4"-20 x 1/2"	4 1940 UCpe
		BZ 70874	Nut-pickup box lock rod front bracket bolt		4 1940 UCpe
		BO 123414	Bracket-pickup box lock rod		2 1940 UCpe
		BZ 1062	Bolt-pickup box lock rod bracket	3/8"-24 x 7/8"	4 1940 UCpe
		BO 123416	Lock pin-pickup box		2 1940 UCpe
		BO 95978	Retainer-pickup box lock pin		2 1940 UCpe
		BO 79308	Pin-pickup box lock pin retainer		2 1940 UCpe
		BO 123417	Spring-pickup box lock pin		2 1940 UCpe
		BO 128942	Chain & cover assy-RH-pickup box tail gate		1 1940 UCpe
		BO 128943	Chain & cover assy-LH-pickup box tail gate		1 1940 UCpe

Group & Illus. No.	Plate No.	Part No.	NAME	Per Car	Models	
LL13-			UTILITY COUPE - REAR SECTION (CONT'D.) Stationary Box - 1941-1942			
			NOTE: Pickup box is optional on 1941 3Cpe			
MM1-		C 200502	Floor board-pickup box	1	1941 UCpe	
		C 205070	Floor board-pickup box	1	1942 UCpe	
		C 202512	Side board-RH-pickup box	1	1941-1942 UCpe	
		C 202513	Side board-LH-pickup box	1	1941 UCpe	
		C 205063	Side board-LH-pickup box	1	1942 UCpe	
		C 200505	Angle assy-floor board to side board	2	1941 UCpe	
		C 205072	Angle assy-RH-floor board to side board	1	1942 UCpe	
		C 205065	Angle assy-LH front-floor board to side board	1	1942 UCpe	
		C 205067	Angle assy-LH rear-floor board to side board	1	1942 UCpe	
		C 200514	Angle-side board to rear compartment partition	2	1941-1942 UCpe	
		C 200506	Angle-floor board to rear compartment partition	1	1941-1942 UCpe	
		BO 17912	Wood screw-angle #8 x 5/8"	AR	1941-1942 UCpe	
		BO 71343	Wood-screw-side board to floor board #12 x 2-1/4"	4	1941-1942 UCpe	
		BO 70263	Wood-machine-side board to floor board 1/4"-20 x 1-1/8"	12	1941-1942 UCpe	
		BO 70452	Finish washer-side board to floor board screw 1/4" Ctsk	12	1941-1942 UCpe	
		C 205069	Plate assy-floor board to side board kick up cover	1	1942 UCpe	
		80 17912	Wood screw-floor board to side board kick up cover plate	11	1942 UCpe	
		C 200516	Brace-side board to hinge reinforcement cross member	2	1941-1942 UCpe	
		BO 70484	Bolt-side board to hinge reinforcement cross member	4	1941-1942 UCpe	
		BO 170071	Bolt-side board to hinge reinforcement cross member	4	1941-1942 UCpe	
		BZ 70874	Nut-side board to hinge reinforcement cross member bolt	8	1941-1942 UCpe	
		BZ 71316	Washer-side board to hinge reinforcement cross member bolt	4	1941-1942 UCpe	
		C 200503	Board-tail gate	1	1941-1942 UCpe	
		BO 200507	Hinge-tail gate	3	1941-1942 UCpe	
		BO 96023	Tee nut-tail gate 1/4"-20	9	1941-1942 UCpe	
		BZ 18218	Screw-tail gate hinge 1/4"-20 x 5/8"	9	1941-1942 UCpe	
		BO 70756	Wood screw-tail gate hinge	9	1941-1942 UCpe	
		BO 200515	Lock assy-tail gate	2	1941-1942 UCpe	
		BO 200508	Striker plate-tail gate lock	2	1941-1942 UCpe	
		BO 8615	Wood screw-tail gate lock and striker plate #6 x 1/2"	12	1941-1942 UCpe	
		BO 200517	Cover-filler neck hole	1	1941-1942 UCpe	
		BO 71576	Wood screw-filler neck hole cover #6 x 1/2"	8	1941-1942 UCpe	
				FRONT DOOR ARM REST		
			BO 144308	Arm rest kit-front door Cloth trim	1	40T,40P,40C UCo-UCpe,48P
			BO 144317	Arm rest kit-front door Cloth trim	1	41,44,45
			BO 202098	Arm rest kit-front door Cloth trim	1	10T,10P,10C UCo-UCpe,11,12,14
			BO 208136	Arm rest kit-front door-exc mohair Cloth trim	1	20T,20P,21,22,24
			BO 208137	Arm rest kit-front door-mohair Cloth trim	1	20,21
			BO 144309	Arm rest kit-front door Leather trim	1	40,41,44,45,48
			BO 202099	Arm rest kit-front door Leather trim	1	10,11,12,14,18
			BO 208138	Arm rest kit-front door Leather trim	1	20-21-22-24 exc CvSed
			BO 208443	Arm rest kit-front door Leather trim	1	1942 CvSed
			BO 143636	Arm rest assy-front door Cloth trim	2	40T,40P,40C UCo-UCpe,48P
			BO 143652	Arm rest assy-front door-exc mohair Cloth trim	2	41,44,45
			BO 144532	Arm rest assy-front door-mohair Cloth trim	2	41,44,45
			BO 143692	Arm rest assy-front door Cloth trim	2	43-47
			BO 149790	Arm rest assy-front door Cloth trim	2	10T,10P,10C UCo-UCpe,11,12,14,18P
			BO 149794	Arm rest assy-front door Cloth trim	2	15,17
			BO 208124	Arm rest assy-front door-exc mohair Cloth trim	2	20T,20P,21,22,24
			BO 208126	Arm rest assy-front door-mohair Cloth trim	2	20,21
		BO 208132	Arm rest assy-front door Cloth trim	2	25,27	
		BO 143637	Arm rest assy-front door Leather trim	2	40,41,44,45,48	
		BO 143693	Arm rest assy-front door Leather trim	2	43,47	
		BO 149792	Arm rest assy-front door Leather trim	2	10,11,12,14,18	
		BO 149796	Arm rest assy-front door Leather trim	2	15,17	
		BO 208128	Arm rest assy-front door Leather trim	2	20,21,22,24,28C	
		BO 208134	Arm rest assy-front door Leather trim	2	25,27	
		BZ 70957	Bolt-front door arm rest to panel	2	40,41,44,45,48	
		BO 170292	Bolt-front door arm rest to panel	4	43,47,15,17	
		BO 18455	Bolt-front door arm rest to panel	2	10,11,12,14,18	
		BO 86272	Washer-front door arm rest to panel bolt	2-4	1940-1941 All	
		BO 143632	Reinforcement-front door arm rest to panel	1-2	1940 All	
		BO 149789	Reinforcement-front door arm rest to panel	1-2	1941 All	
		BO 170671	Screw-arm rest block and to bracket	AR	1942 All	
		BO 170412	Screw-arm rest block bracket and cross member	AR	1942 All	

Group & Illus. No.	Plate No.	Part No.	NAME	Per Car	Models
MM1-			FRONT DOOR ARM REST (CONT'D.)		
		BO 71443	Nut-arm rest block bracket screw	AR	1942 All
		BO 70452	Washer-finish-arm rest block bracket screw	4	25,27
		BO 170155	Washer-plain-arm rest block bracket screw	4	25,27
		BO 204278	Bracket-arm rest block	2-4	20,21,22,24
		BO 204276	Bracket-arm rest block	4	25,27,1942 CvSed
MM2-			ASH RECEIVER		
			NOTE: Parts marked † discontinued in product ion Jan. 15, 1942. Parts marked †† used after Jan. 15, 1942, start Imp car No. 37067. See introduction.		
			For Instrument panel ash receiver see Group TS.		
		BO 142085	Ash receiver assy-arm rest	2	40P 2Sed-Sed
		BO 142080	Ash receiver assy RH-arm rest	Cloth trim	1 41-44-45 2Sed-Sed
		BO 142081	Ash receiver assy LH-arm rest	Cloth trim	1 41-44-45 2Sed-Sed
		BO 142085	Ash receiver assy-arm rest	Leather trim	2 41-44-45 2Sed-Sed
		BO 142080	Ash receiver assy-RH-arm rest	Taupe	1 43-47 Sed
		BO 142081	Ash receiver assy-LH-arm rest	Taupe	1 43-47 Sed
		BO 144750	Ash receiver assy-RH-arm rest	Blue or Black	1 43-47 SSed
		BO 144751	Ash receiver assy-LH-arm rest	Blue or green gray	1 43-47 SSed
		BO 148385	Ash receiver assy-arm rest	Black	2 10P-11 2Sed-Sed
		BO 142086	Tray and cover assy-arm rest ash receiver	Black	2 40P 2Sed-Sed
		BO 142082	Tray and cover assy RH-arm rest ash receiver	Cloth trim	1 41-44-45 2Sed-Sed
		BO 142083	Tray and cover assy LH-arm rest ash receiver	Cloth trim	1 41-44-45 2Sed-Sed
		BO 142086	Tray and cover assy-arm rest ash receiver	Leather trim	2 41-44-45 2Sed-Sed
		BO 142082	Tray and cover assy-RH-arm rest ash receiver	Taupe	1 43-47 Sed
		BO 142083	Tray and cover assy-LH-arm rest ash receiver	Taupe	1 43-47 Sed
		BO 144752	Tray and cover assy-RH-arm rest ash receiver	Black	1 43-47 SSed
		BO 144753	Tray and cover assy-LH-arm rest ash receiver	Black	1 43-47 5Sed
		BO 148386	Tray and cover assy-arm rest ash receiver	Black	2 10P-11 2Sed-Sed
		BO 142091	Knob-arm rest ash receiver tray	Black	2 40P 2Sed-Sed
		BO 142084	Knob-arm rest ash receiver tray	Cloth trim	2 41-44-45 2Sed-Sed
		BO 142091	Knob-arm rest ash receiver tray	Leather trim	2 41-44-45 2Sed-Sed
		BO 142084	Knob-arm rest ash receiver tray	Taupe	2 43-47 5-7Sed
		BO 144754	Knob-arm rest ash receiver tray	Black	2 43-47 5Sed
		BO 148391	Knob-arm rest ash receiver tray	Black	4 10P-11 2Sed-Sed
		BZ 70863	Screw-arm rest ash receiver tray knob	8-32 x 1/4"	2 40P 2Sed-Sed,41-44-45 leather trim
		BO 71665	Screw-arm rest ash receiver tray knob	8-32 x 5/16"	4 41-42-44 2Sed-Sed,43-47 Sed
		BO 170427	Speed nut-arm rest ash receiver tray knob	3/16"	4 10P-11 2Sed-Sed
		BO 142087	Cover plate-arm rest ash receiver tray	Black	2 40P 2Sed-Sed
		BO 142087	Cover plate-arm rest ash receiver tray.	Leather trim	2 41-44-45 2Sed-Sed
		BO 148387	Cover plate-arm rest ash receiver tray	Black	2 10P-11 2Sed-Sed
		BO 142088	Gasket-arm rest ash receiver tray cover plate	Black	2 40P 2Sed-Sed
		BO 142088	Gasket-arm rest ash receiver tray cover plate	Leather trim	2 41-44-45 2Sed-Sed
		BO 148388	Gasket-arm rest ash receiver tray cover plate	Black	2 10P-11 2Sed-Sed
		BO 142090	Guide-arm rest ash receiver tray	Black	2 40P 2Sed-Sed
		BO 142090	Guide-arm rest ash receiver tray	Leather trim	2 41-44-45 2Sed-Sed
		BO 148390	Guide-arm rest ash receiver tray	Black	2 10P-11 2Sed-Sed
		BO 8615	Screw-arm rest ash receiver tray guide	#6 x 1/2.	4 40P-41-44-45 2Sed-Sed
		BO 170608	Rivet-arm rest ash receiver tray guide	9/64" x 3/4"	4 10P-11 2Sed-Sed
		BO 136168	Retainer assy RH-arm rest ash receiver	Cloth trim	1 41-44-45 2Sed-Sed,43-47 Sed
		BO 136169	Retainer assy LH-arm rest ash receiver	Cloth trim	1 41-44-45 2Sed-Sed,43-47 Sed
		BO 170258	Screw-arm rest ash receiver retainer	#8 x 1/2"	2 41-44-45 2Sed-Sed,43-47 Sed
		BO 8615	Screw-arm rest ash receiver retainer	#6 x 1/2"	2 41-44-45 2Sed-Sed,43-47 Sed
		BO 204820	Ash receiver assy-rear qr. †	Grained NP	2 20P-21-22-24 2Sed-Sed-ClubCp
		BO 206003	Ash receiver assy-rear qr. ††	used Lac	2 20P-21-22-24 2Sed-Sed-ClubCp
		BO 204450	Ash receiver assy-rear qr. †	with all NP Cloth trim	2 25 ClubCpe,27 Sed
		BO 206010	Ash receiver assy-rear qr. ††	trim Lac-Cloth trim	2 25 ClubCpe,27 Sed
		BO 204820	Ash receiver assy-rear qr. †	exc blue NP-Leather trim	2 25 ClubCpe,27 Sed
		BO 206003	Ash receiver assy-rear qr. ††	or green Lac-Leather trim	2 25 ClubCpe,27 Sed
		BO 204821	Ash receiver assy-rear qr. †	NP	2 20P-21-22-24 2Sed-Sed-ClubCp
		BO 206004	Ash receiver assy-rear qr. ††	Blue used Lac	2 20P-21-22-24 2Sed-Sed-ClubCp
		BO 204451	Ash receiver assy-rear qr. †	with NP-Cloth trim	2 25 ClubCpe,27 Sed
		BO 206011	Ash receiver assy-rear qr. ††	with Lac-Cloth trim	2 25 ClubCpe,27 Sed
		BO 204821	Ash receiver assy-rear qr. †	blue NP-Leather trim	2 25 ClubCpe,27 Sed
		BO 206004	Ash receiver assy-rear qr. ††	trim Lac-Leather trim	2 25 ClubCpe,27 Sed

Group & Illus. No.	Plate No.	Part No.	NAME	Per Car	Models		
MM3-			ASH RECEIVER (CONT'D.)				
		BO 204822	Ash receiver assy-rear qr. †	NP	2	20P-21-22-24 2Sed-Sed-ClubCpe	
		BO 206005	Ash receiver assy-rear qr. ††	Green used with green trim	2	20P-21-22-24 2Sed-Sed-ClubCpe	
		BO 204452	Ash receiver assy-rear qr. †	NP-Cloth trim	2	25 ClubCpe,27 Sed	
		BO 206012	Ash.receiver assy-rear qr. ††	Lac-Cloth trim	2	25 ClubCpe,27 Sed	
		BO 204822	Ash receiver assy-rear qr. †	NP-Leather trim	2	25 ClubCpe,27 Sed	
		BO 206005	Ash receiver assy-rear qr. ††	Lac-Leather trim	2	25 ClubCpe,27 Sed	
		BO 200050	Tray assy-rear quarter ash receiver	Grained	2	10P-11-12-14 2Sed-Sed-ClubCpe,15,17	
		BO 200051	Tray assy-rear quarter ash receiver	Gray	2	10P-11-12-14 2Sed-Sed-ClubCpe,15,17	
		BO 200052	Tray assy-rear quarter ash receiver	Green	2	10P-11-12-14 2Sed-Sed-ClubCpe,15,17	
		BO 200053	Cover-rear quarter ash receiver	Grained	2	10P-11-12-14 2Sed-Sed-ClubCpe,15,17	
		BO 200054	Cover-rear quarter ash receiver	Gray	2	10P-11-12-14 2Sed-Sed-ClubCpe,15,17	
		BO 200055	Cover-rear quarter ash receiver	Green	2	10P-11-12-14 2Sed-Sed-ClubCpe,15,17	
		BO 204823	Cover-rear qr. ash receiver †	Grained used with all trim exc blue or green	NP	2	20P-21-22-24 2Sed-Sed-ClubCpe
		BO 206006	Cover-rear qr. ash receiver ††		IAC	2	20P-21-22-24 2Sed-Sed-ClubCpe
		BO 204453	Cover-rear qr. ash receiver †		NP-Cloth trim	2	25 ClubCpe,27 Sed
		BO 206013	Cover-rear qr. ash receiver ††		Lac-Cloth trim	2	25 ClubCpe,27 Sed
		BO 204823	Cover-rear qr. ash receiver †		NP-Leather trim	2	25 ClubCpe,27 Sed
		BO 206006	Cover-rear qr. ash receiver ††	Lac-Leather trim	2	25 ClubCpe,27 Sed	
		BO 204824	Cover-rear qr. ash receiver †	Blue used with blue trim	NP	2	20P-21-22-24 2Sed-Sed-ClubCpe
		BO 206007	Cover-rear qr. ash receiver ††		Lac	2	20P-21-22-24 2Sed-Sed-ClubCpe
		BO 204454	Cover-rear qr. ash receiver †		NP-Cloth trim	2	25 ClubCpe,27 Sed
		BO 206014	Cover-rear qr. ash receiver ††		Lac-Cloth trim	2	25 ClubCpe,27 Sed
		BO 204824	Cover-rear qr. ash receiver †		NP-Leather trim	2	25 ClubCpe,27 Sed
		BO 206007	Cover-rear qr. ash receiver ††	Lac-Leather trim	2	25 ClubCpe,27 Sed	
		BO 204825	Cover-rear qr. ash receiver †	Green used with green trim	NP	2	20P-21-22-24 2Sed-Sed-ClubCpe
		BO 206008	Cover-rear qr. ash receiver ††		Lac	2	20P-21-22-24 2Sed,Sed-ClubCpe
		BO 204455	Cover-rear qr. ash receiver †		NP-Cloth trim	2	25 ClubCpe,27 Sed
		BO 206015	Cover-rear qr. ash receiver ††		Lac-Cloth trim	2	25 ClubCpe,27 Sed
		BO 204825	Cover-rear qr. ash receiver †		NP-Leather trim	2	25 ClubCpe,27 Sed
		BO 206008	Cover-rear qr. ash receiver ††	Lac-Leather trim	2	25 ClubCpe,27 Sed	
		BO 200057	Retainer-rear quarter ash receiver		2	10P-11-12-14 2Sed-Sed-ClubCpe,15,17	
		BO 200057	Retainer-rear quarter ash receiver †	NP	2	20P-21-22-24 2Sed-Sed-ClubCpe,25,27	
		BO 206002	Retainer-rear quarter ash receiver ††	Lac	2	20P-21-22-24 2Sed-Sed-ClubCpe,25,27	
		BO 170607	Rivet-rear quarter ash receiver retainer	9/64" x 1/2"	4	10P-11-12-14 2Sed-Sed-ClubCpe,15,17	
		BO 18388	Rivet-rear quarter ash receiver retainer	9/64" x 5/16"	4	20P-21-22-24 2Sed-Sed-ClubCpe,25,27	
		BO 71518	Washer-rear quarter ash receiver retainer rivet		4	1941-1942 2Sed-Sed-ClubCpe exc 10T-20T	
		BO 200058	Knob-rear quarter ash receiver		2	10P-11-12-14 2Sed-Sed-ClubCpe,15,17	
		BO 204830	Knob-rear quarter ash receiver	Russet	2	20P-21-22-24 2Sed-Sed-ClubCpe	
		BO 204831	Knob-rear quarter ash receiver	Blue	2	20P-21-22-24 2Sed-Sed-ClubCpe	
		BO 204832	Knob-rear quarter ash receiver	Green	2	20P-21-22-24 2Sed-Sed-ClubCpe	
		BO 204470	Knob-rear quarter ash receiver-cloth trim	Russet	2	25 ClubCpe,27 Sed	
	BO 204471	Knob-rear quarter ash receiver-cloth trim	Blue	2	25 ClubCpe,27 Sed		
	BO 204472	Knob-rear quarter ash receiver-cloth trim	Green	2	25 ClubCpe,27 Sed		
	BD 204830	Knob-rear quarter ash receiver-leather trim	Russet	2	25 ClubCpe,27 Sed		
	BO 204831	Knob-rear quarter ash receiver-leather trim	Blue	2	25 ClubCpe,27 Sed		
	80 204832	Knob-rear quarter ash receiver-leather trim	Green	2	25 ClubCpe,27 Sed		

Group & Illus. No.	Plate No.	Part No.	NAME	Per Car	Models
MM2-			ASH RECEIVER (CONT'D.)		
		BO 71417	Screw-rear quarter ash receiver knob 8-32 x 3/8. 8-32 x 3/8"	2	10P-11-12-14 2Sed-Sed ClubCpe,15,17
		BO 71706	Screw-rear quarter ash receiver knob 6-32 x 5/16" 6-32 x 5/16"	2	20P-21-22-24 2Sed-Sed ClubCpe,25,27
MM3-			ASSIST STRAPS		
			NOTE: Parts marked † discontinued in production Jan. 15, 1942. Parts marked †† used after Jan. 15, 1942, starting car No. 37067. See introduction.		
		BO 143485	Assist strap assembly-to car 40227 Taupe cloth	1-2	40P 2Sed-Sed
		BO 143481	Assist strop assembly-after car 40227 Brown cloth	1-2	40P 2Sed-Sed
		BO 143482	Assist strap assembly Gray cloth	1-2	41-44-45 2Sed-Sed
		BO 143485	Assist strap assembly-to car 40227 Mohair cloth	1-2	41-44-45 2Sed-Sed,43-47 Sed
		BO 143481	Assist strap assembly-after car 40227 Mohair cloth	1-2	41-44-45 2Sed-Sed,43-47 Sed
		BO 143481	Assist strap assembly Cloth trim exc gray	1-2	45 2Sed-Sed
		BO 143491	Assist strap assembly Combination & light brown cloth	2	43-47 Sed
		BO 143492	Assist strap assembly-to car 46630 Bedford cord	2	43-47 7Sed
		BO 135052	Assist strap assembly-after car 46630 Bedford cord	2	43-47 7Sed
		BO 143491	Assist strap assembly Brown diamond twist	2	43-47 7Sed
		BO 143491	Assist strap assembly Brown wool & light brown cloth	2	43-47 Sed
		BO 143493	Assist strap assembly Blue gray	2	43-47 5Sed
		BO 143494	Assist strap assembly Green gray	2	43-47 5Sed
		BO 149181	Assist strap assembly Boucle cloth	2	10T Sed,18P CA
		BO 149182	Assist strap assembly Mohair cloth	2	10T Sed,18P 7Sed
		BO 143492	Assist strap assembly Bedford cord	2	17-18P 7Sed
		BO 149116	Assist strap assembly Tan cloth	1-2	10P-11 2Sed-Sed-ClubCpe
		149216	Assist strap assembly-use 207206 Gray cloth	1-2	10P-11 2Sed-Sed-ClubCpe
		BO 149316	Assist strap assembly Green cloth	1-2	10P-11 2Sed-Sed-ClubCpe
		BO 149126	Assist strap assembly Tan cloth	1-2	12-14 2Sed-Sed-ClubCpe
		BO 149226	Assist strap assembly Gray cloth	1-2	12-14 2Sed-Sed-ClubCpe
		BO 149326	Assist strap assembly Green cloth	1-2	12-14 2Sed-Sed-ClubCpe
		BO 149176	Assist strap assembly Tan cloth	1-2	15 ClubCpe,27 Sed
		BO 149276	Assist strap assembly Gray cloth	1-2	15 ClubCpe,27 Sed
		BO 149376	Assist strap assembly Green cloth	1-2	15 ClubCpe,27 Sed
		BO 207181	Assist strap assembly-NP bracket † Boucle cloth	2	20T Sed
		BO 207182	Assist strap assembly-NP bracket † Mohair cloth	2	20T Sed
		BO 207106	Assist strap assembly-NP bracket † Brown cloth	1-2	20P-21 2Sed-Sed-ClubCpe
		BO 207206	Assist strap assembly--NP bracket † Gray cloth	1-2	20P-21 2Sed-Sed-ClubCpe
		BO 207306	Assist strap assembly-NP bracket † Green cloth	1-2	20P-21 2Sed-Sed-ClubCpe
		BO 207126	Assist strap assembly-NP bracket † Brown cloth	1-2	22-24 2Sed-Sed-ClubCpe
		BO 207226	Assist strap assembly-NP bracket † Gray cloth	1-2	22-24 2Sed-Sed-ClubCpe
		BO 207326	Assist strap assembly-NP bracket † Green cloth	1-2	22-24 2Sed-Sed-ClubCpe
		BO 207176	Assist strap assembly-NP bracket † Brown cloth	1-2	25 ClubCpe,27 Sed
		BO 207276	Assist strap assembly NP bracket † Gray cloth	1-2	25 ClubCpe,27 Sed
		BO 207376	Assist strap assembly-NP bracket † Green cloth	1-2	25 ClubCpe,27 Sed
		BO 207190	Assist strap assembly-Lac bracket †† Boucle cloth	2	20T Sed
		BO 207191	Assist strap assembly-Lac bracket †† Mohair cloth	2	20T Sed
		BO 207168	Assist strap assembly-Lac bracket †† Brown cloth	1-2	20P-21 2Sed-Sed-ClubCpe
		BO 207268	Assist strap assembly-Lac bracket †† Gray cloth	1-2	20P-21 2Sed-Sed-ClubCpe
		BO 207368	Assist strap assembly-Lac bracket †† Green cloth	1-2	20P-21 2Sed-Sed-ClubCpe
		BO 207169	Assist strap assembly-Lac bracket †† Brown cloth	1-2	22-24 2Sed-Sed-ClubCpe
		BO 207269	Assist strap assembly-Lac bracket †† Gray cloth	1-2	22-24 2Sed-Sed-ClubCpe
		BO 207369	Assist strap assembly-Lac bracket †† Green cloth	1-2	22-24 2Sed-Sed-ClubCpe
		BO 207196	Assist strap assembly-Lac bracket †† Brown cloth	1-2	25 ClubCpe,27 Sed
		BO 207296	Assist strap assembly-Lac bracket †† Gray cloth	1-2	25 ClubCpe,27 Sed
		BO 207396	Assist strap assembly-Lac bracket †† Green cloth	1-2	25 ClubCpe,27 Sed
		BO 143481	Assist strap assembly Taupe leather Taupe leather	2	40P-41-44-45 2Sed-Sed, 43-47 Sed
		BO 143483	Assist strap assembly Maroon leather Maroon leather	2	40P-41-44-45 2Sed-Sed, 43-47 Sed
		BO 143484	Assist strap assembly Tan leather Tan leather	2	40P-41-44-45 2Sed-Sed, 43-47 Sed
		BO 149116	Assist strap assembly Tan leather tan leather	1-2	10P-11-12-14 2Sed-Sed,15,17
		BO 149216	Assist strap assembly-use 207206 Gray leather Gray leather	1-2	10P-11-12-14 2Sed-Sed,15,17
		BO 149316	Assist strap assembly Green leather Green leather	1-2	10P-11-12-14 2Sed-Sed,15,17
		BO 143483	Assist strap assembly Maroon leather Maroon leather	1-2	10P-11-12-14 2Sed-Sed,15,17
		BO 149183	Assist strap assembly Leather trim Leather trim	2	10T 5Sed,18P 7Sed

Group & Illus. No.	Plate No.	Part No.	NAME	Per Car	Models		
MM3-			ASSIST STRAPS (CONT'D.)				
		BO 207182 BO 207130	Assist strap assembly Assist strap assembly-NP bracket †	Leather trim Russet leather	2 1-2	20T Sed 20P-21-22-24 2Sed-Sed,25 ClubCpe,27 Sed	
		BO 207206	Assist strap assembly-NP bracket †	Gray leather	1-2	20P-21-22-24 2Sed-Sed,25 ClubCpe,27 Sed	
		BO 207306	Assist strap assembly-NP bracket †	Green leather	1-2	20B-21-22-24 2Sed-Sed,25 ClubCpe,27 Sed	
		BO 143483	Assist strap assembly-NP bracket †	Maroon leather	1-2	20P-21-22-24 2Sed-Sed,25 ClubCpe,27 Sed	
		BO 207055	Assist strap assembly-Lac bracket ††	Russet leather	1-2	20P-21-22-24 2Sed-Sed,25 ClubCpe,27 Sed	
		BO 207268	Assist strap assembly-Lac bracket ††	Gray leather	1-2	20P-21-22-24 2Sed-Sed,25 ClubCpe,27 Sed	
		BO 207368	Assist strap assembly-Lac bracket ††	Green leather	1-2	20P-21-22-24 2Sed-Sed,25 ClubCpe,27 Sed	
		BO 207056	Assist strap assembly-Lac bracket ††	Maroon leather	1-2	20P-21-22-24 2Sed-Sed,25 ClubCpe,27 Sed	
		BO 135048	Bracket-assist strap for 135052 strap		2	43-47 Sed	
		BO 135049	Plate-assist strap attaching-for 135052 strap		2	43-47 Sed	
		BO 170293	Screw-assist strap attaching-for 135052 strap	#10 x 1"	4	43-47 Sed	
		BO 149179	Bracket-assist strap		2	18P CA	
		BO 143477	Screw-assist strap bracket		4	All 2Sed-Sed,1941-1942 ClubCpe	
		BO 170254	Screw-assist strap bracket	Mohair leather trim	2-4	10T-20T Sed,18P Sed-CA	
		BO 71123	Washer-assist strap bracket screw		2-4	All 2Sed-Sed,1941-1942 ClubCpe	
	MM4-			CIGAR LIGHTER-QUARTER PANEL			
				NOTE: Parts marked † discontinued in production Jan. 15, 1942. Parts marked †† used after Jan. 15, 1942, starting car No. 37067. See introduction.			
			BO 142144	Heating element and knob assy	Taupe	1	43-47 Sed
			BO 144774	Heating element and knob assy	Black	1	43-47 Sed
			BO 148532	Heating element and knob assy †	NP	1	17-27 Sed
			BO 206038	Heating element and knob assy ††		1	27 Sed
			BO 142146	Heating element only-cigar lighter †	NP	1	43-47-17-27 Sed
			BO 206036	Heating element only-cigar lighter		1	27 Sed
			BO 142149	Base assy-cigar lighter †	NP	1	43-47-17-27. Sed
		BO 206040	Base assy-cigar lighter ††		1	27 Sed	
		BO 142206	Clamp-cigar lighter base		1	43-47 Sed	
		BO 148537	Clamp-cigar lighter base	1-11/32" long	1	17-27 Sed	
		BO 203787	Clamp-cigar lighter base	1-7/32" long	1	27 Sed	
		BO 142207	Wire assy-cigar lighter		1	43-47 Sed	
		BO 148535	Wire assy-cigar lighter		1	17-27 Sed	
		BO 170406	Terminal-cigar lighter wire		1	43-47-17-27 Sed	
		BO 12790	Nut-cigar lighter wire terminal	8"-32 x 1/8"	1	43-47 Sed	
		BO 170567	Nut-cigar lighter wire terminal	8°-32 x 3/32"	1	17-27 Sed	
		BO 142152	Insulator-cigar lighter wire terminal		1	43-47-17-27 Sed	
		BO 136179	Escutcheon-cigar lighter		1	43-47 Sed	
		BO 148529	Escutcheon-cigar lighter †	NP	1	17-27 Sed	
		BO 205969	Escutcheon-cigar lighter ††		1	27 Sed	
		BO 142199	Insert-cigar lighter escutcheon	Taupe	1	43-47 Sed	
		BO 144779	Insert-cigar lighter escutcheon	Black	1	43-47 Sed	
		BO 142153	Shim-cigar lighter escutcheon insert		1	43-47 Sed	
	BO 136221	Reinforcement assy-cigar lighter		1	43-47-17-27 Sed		
MM6-			DOME LAMP AND SWITCHES				
			NOTE: For front dome lamp bracket see Group 082, for rear dome lamp bracket see Group FF6. Front dome lamp is standard on all 2Sed-Sed-UCo-3Cpe-VicCpe-ClubCpe-UCpe-CA-Station.				
			Rear dome /amp is standard for Sedans 43-47-43P-12-14-17-18P-22-28-27.				
			Second type dome lamps used in 1942 Model 20 became effective with the following car numbers-2Sed-3Cpe-ClubCpe-Uco-UCpe car 34961, Sedans car 33864. First type uses single contact bulb, second type uses double contact bulb.				
		BO 141426	Rim and glass assy-dome lamp		1-2	1940-1941 All exc Cab-CabPu-Panel-CvCpe-CvSed	
		BO 141426	Rim and glass assy-dome lamp-1st type		1-2	20 exc Cab-CabPu-CvSed	
		BO 205426	Rim and glass assy-dome lamp-2nd type †	NP	1-2	20 exc Cab-CabPu-CvSed	
	BO 205426	Rim and glass assy-dome lamp †	NP	1-2	21-22-24 exc CvSed,25,27		
	BO 205967	Rim and glass assy-dome lamp ††	Lac	1-2	1942 All exc CabCabPu-CvSed		

Group & Illus. No.	Plate No.	Part No.	NAME	Per Car	Models
MM6-			DOME LAMP AND SWITCHES (CONT'D.)		
		BO 201156	Lens-dome lamp	2	10C Del
		BO 141427	Reflector and socket assy-dome lamp	1-2	1940-1941 All exc Cab-CabPu-Panel-CvCpe-CvSed
		BO 141427	Reflector and socket assy-dome lamp-1st type	1-2	20 exc Cab-CabPu-CvSed
		BO 205427	Reflector and socket assy-dome lamp-	1-2	20 exc Cab-CabPu-CvSed
		BO 205427	Reflector and socket assy-dome lamp	1-2	21-22-24 exc CvSed,25,27
		BO 170161	Screw-dome lamp attaching	4-8	All exc Cab-CabPu-Panel-CvCpe-CvSed
				6"-32 x 5-16"	
		BO 160091	Switch-dome lamp-on pillar	1	1940-1941 exc Cab-CabPu-Panel-CvCpe-CvSed
		BO 160091	Switch-dome lamp-on pillar-1st type	1	20 exc Cab-CabPu-CvSed
		BO 164388	Switch-dome lamp-on pillar-	1	20 exc Cab-CabPu-CvSed
		BO 164388	Switch-dome lamp-on pillar	1	21-22-24 exc CvSed,25,27
		BO 137263	Switch-dome lamp-on front seat partition	1	43-47-17-18P Sed
		BO 154194	Switch-dome lamp-rear door	1	43-47-17 Sed
		BO 160091	Switch-dome lamp-on instrument panel	1	12-14-17 Sed,11-14 Station
		BO 155736	Switch-dome lamp-on instrument panel	1	10C Del
		BO 164388	Switch-dome lamp-on instrument panel	1	22-24-27 Sed,21 Station
		BO 154195	Nut-rear door dome lamp switch	1	43-47-17 Sed
		BO 170002	Lock washer-rear door dome lamp switch	1	43-47-17 Sed
		BO 170320	Screw-dome lamp front seat partition switch	2	43-47-17-18P 7Sed
		BO 71665	Screw-dome lamp instrument panel switch	2	12 14 17 22 24 27 Sed,11-14-21 Station
				8"-32 x 9-16"	
		BO 134867	Escutcheon plate-dome lamp switch t	1	All exc Cab-CabPu-Panel-CvCpe-CvSed
				SS	
		BO 205773	Escutcheon plate-dome lamp switch tt	1	1942 All exc Cab-CabPu-CvSed
		BO 170222	Screw-dome lamp switch escutcheon	2	All exc Cab-CabPu-Panel-CvSed
				8"-32 x 9-16"	
		BO 127498	Spacer-dome lamp switch	1	1940-1941 All exc Cab-CabPu-Panel-CvCpe-CvSed
		BO 127698	Insulator-dome lamp switch	1	1940 exc Cab-CabPu-Panel-CvCpe-CvSed
		BO 200061	Insulator-dome lamp switch	1	1941 exc Cab-CabPu-CvSed, 2 exc Cab-CabPu-CvSed
				. For switch 160091	
		BO 153201	Mounting collar-dome lamp switch	1	10C Del
		BO 162588	Knob assy-dome lamp switch	1	10C Del
		BO 153204	Retaining spring-dome lamp switch	1	10C Del
		BO 153205	Set screw-dome lamp switch	1	10C Del
		BO 204089	Grounding strip-dome lamp switch	1	1942 All sedans
		BO 204088	Grounding strip-dome lamp switch	1	1942 2Sed-UCo-3Cpe-ClubCpe-UCpe
		BO 70001	Bulb-dome lamp-use with 141426	1-2	1940-1941 exc Cab-CabPu-Panel-CvCpe-CvSed,20 exc Cab-CatCvSed
				SC	
		BO 170659	Bulb-dome lamp-use with 205426	1-2	1942 exc Cab-CabPu-CvSed
		BO 158084	Washer-dome lamp wire socket terminal	2	1940-1941 exc Cab-CabPu-Panel-CvSed
				DC	
		BO 158085	Spring-dome lamp wire socket terminal washer	2	1940-1941 exc Cab-CabPu-Panel-CvSed
		BO 160490	Washer-dome lamp wire socket terminal	2	1942 exc Cab-CabPu-CvSed
		BO 165030	Washer-dome lamp wire socket terminal	2	1942 exc Cab-CabPu-CvSed
		BO 160492	Washer-dome lamp wire socket insulating	2	1942 exc Cab-CabPu-CvSed
		BO 165029	Washer-dome lamp wire socket insulating	2	1942 exc Cab-CabPu-CvSed
		BO 158085	Spring-dome lamp wire socket terminal washer	2	1942 exc Cab-CabPu-CvSed
		BO 109807	Spring-dome lamp wire socket terminal washer	2	1942 exc Cab-CabPu-CvSed
		BO 170406	Terminal-dome lamp wire	AR	All exc Cab-CabPu-Panel-CvCpe-CvSed
MM7-			FOOT REST		
			NOTE: Foot rest for 1941 was discontinued Dec. 19, 1940.		
		C 134871	Foot rest assembly	1	43-47-17 7Sed
		C 122660	Foot rest assembly	1	48P-18P Sed
		C 95225	Bar-foot rest	1	43-47-17 7Sed
		C 122661	Bar assy-foot rest	1	48P-18P Sed
		BO 134872	Bracket and arm assy-RH-foot rest	1	43-47 7Sed
		BO 134873	Bracket and arm assy-LH-foot rest	1	43-47 7Sed
		BO 122666	Bracket and arm assy-RH-foot rest	1	17 7Sed
		BO 122667	Bracket and arm assy-LH-foot rest	1	17 7Sed
		BO 122662	Bracket-RH-foot rest	1	48P-18P Sed
		BO 122663	Bracket-LH-foot rest	1	48P-18P Sed
		BO 70889	Screw-foot rest bar to arm	6	43-47-17 7Sed
				12"-24 x 7-8"	

Group & Illus. No.	Plate No.	Part No.	NAME	Per Car	Models
MM7-			FOOT REST (CONT'D.)		
		BO 170223	Screw-foot rest to floor #14 x 1"	4	43-47-17Sed,48P-18P Sed
			DOOR PULL-TO		
			NOTE: Parts marked † discontinued in production Jan. 15, 1942. Parts marked †† used after Jan. 15, 1942, starting car No. 37067. See introduction.		
		BO 123567	Pull to cord-pair Service	1	1940 2Sed-Sed-UCo-3Cpe-VicCpc-UCpe-CA
		BO 142312	Pull to handle-front door † NP	2	15-25 ClubCpe,43-47-17-27 Sed
		BO 206052	Pull to handle-front door †† Polished	2	25 ClubCpe,27 Sed
		BO 142311	Bracket-front door pull to handle	4	43-47 Sed
		BO 148244	Bracket-front door pull to handle † NP	4	15-25 ClubCpe,17-27 Sed
		BO 206053	Bracket-front door pull to handle †† Polished	4	25 ClubCpe,27 Sed
	BO 120347	Tension washer-front door pull to handle	4	15-25 ClubCpe,43-47-17-27 Sed	
MM9-			REAR VIEW MIRROR		
		HA 129119	Mirror-oval-rear view-inside Service	1	All
		BO 123060	Mirror assy-rear view-external With arm	1	1940 Cab-CabPu-Panel
		BO 123113	Mirror-rear view-external Less arm	1	1940 Cab-CabPu-Panel
		BO 148870	Mirror assy-rear view-external With arm-LHD	1	1941-1942 Cab-CabPu,10C Del
		BO 148869	Mirror assy-rear view-external With arm-RHD	1	1941-1942 Cab-CabPu
		BO 148871	Mirror assy-rear view-external Less arm	1	1941-1942 Cab-CabPu,10C Del
		136406	Mirror-rear view-RH door mounting-use 200128 Service	1	1940 All
		BO 136559	Mirror-rear view-LH door mounting Service	1	1940 All
		HA 200128	Mirror-rear view-RH-LH door mounting Service	1	1941-1942 All
		BO 116996	Mirror assy-rear view-less bracket Standard	1	All exc Cab-CabPu-Panel-Del
		BO 119940	Stud-rear view mirror Standard	1	All exc Cab-CabPu-Panel-Del
		80 142073	Bracket-rear view mirror Standard	1	1940-1941 exc Cab-CabPu-Panel-Del-CvCpe-CvSed
		BO 204177	Bracket-rear view mirror Standard	1	1942 exc Cab-CabPu-CvSed
		BO 117477	Bracket-rear view mirror	1	All CvCpe-CvSed
		BO 170257	Screw-rear view mirror to header 10"-32 x 1-1/4"	1-2	All exc Cab-CabPu-Panel-Del
		BO 123061	Nut-rear view mirror attaching	1	1940 Cab-CabPu-Panel
		BO 71153	Lock washer-rear view mirror attaching nut	1	1940 Cab-CabPu-Panel
		BO 124783	Arm-rear view mirror	1	1940 Cab-CabPu-Panel
		BO 148872	Arm-rear view mirror	1	1941-1942 Cab-CabPu,1941 Del
		BO 148873	Gasket-outer-rear view mirror	1	1941-1942 Cab-CabPu,1941 Del
		BO 148874	Gasket-inner-rear view mirror	1	1941-1942 Cab-CabPu,1941 Del
		BO 148875	Plate-rear view mirror door panel reinforcement	1	1941-1942 Cab-CabPu,1941 Del
		BO 71443	Lock nut-rear view mirror 1/4"-28 x 7/32"	1	1941-1942 Cab-CabPu,1941 Del
		BZ 70673	Lock washer-rear view mirror 1/4"	1	1941-1942 Cab-CabPu,1941 Del
	BO 170367	Screw-rear view mirror arm 10"-32 x 12"	2	1941-1942 Cab-CabPu,1941 Del	
MM10-			ROBE RAILS		
			NOTE: Parts marked † discontinued in production Jan. 15, 1942. Parts marked †† used after Jan. 15, 1942, starting car No. 37067. See introduction.		
		C 134593	Robe rail assembly-less brackets NP	1	43-47 5Sed,17-18P 7Sed
		C 141278	Bar-robe rail	1	43-47 5Sed,17-18P 7Sed
		BO 141277	End robe rail	2	43-47 5Sed,17-18P 7Sed
		BO 170498	Screw-robe rail bar #6 x 3-8"	2	43-47 5Sed,17-18P 7Sed
		BO 126983	Bracket-inner-robe rail	2	43-47 5Sed,17-18P 7Sed
		BO 134594	Bracket-outer-robe rail	2	43-47 5Sed,17-18P 7Sed
		80 143822	Robe hanger assembly-to car 40227 Taupe cloth	1	40P Sed
		BO 143140	Robe hanger assembly-after car 40227 Brown cloth	1	40P Sed
		BO 143141	Robe hanger assembly Gray cloth	1	41-44-45 Sed
		BO 135099	Robe hanger assembly-to car 40227 Mohair cloth	1	41-44 Sed
		BO 143142	Robe hanger assembly-after car 40227 Brown wool & mohair	1	41-44-45 Sed
		BO 149105	Robe hanger assembly Tan cloth	1	10P Sed
		BO 149115	Robe hanger assembly Tan cloth	1	11 Sed
		BO 149071	Robe hanger assembly Tan cloth	1	12-14 Sed
		BO 149251	Robe hanger assembly Tan cloth	1	17 5Sed
		BO 149074	Robe hanger assembly Tan cloth	2	12-14 2Sed
		BO 149074	Robe hanger assembly-to car 39351 Tan cloth	2	12-14 ClubCpe
		BO 149254	Robe hanger assembly-to car 39302 Tan cloth	2	15 3Cpe-ClubCpe

Group & Illus. No.	Plate No.	Part No.	NAME	Per Car	Models	
MM10-			ROBE RAILS (CONT'D.)			
		149205	Robe hanger assembly-use 207205	Gray cloth	1	10P Sed
		BO 149215	Robe hanger assembly	Gray cloth	1	11 Sed
		BO 149072	Robe hanger assembly	Gray cloth	1	12-14 Sed
		BO 149252	Robe hanger assembly	Gray cloth	1	17 5Sed
		BO 149075	Robe hanger assembly	Gray cloth	1	12-14 2Sed
		BO 149075	Robe hanger assembly	Gray cloth	2	12-14 ClubCpe
		BO 149075	Robe hanger assembly-to car 39036	Gray cloth	2	15 3Cpe-ClubCpe
		BO 149255	Robe hanger assembly-to car 39302	Gray cloth	2	10P-11 Sed
		BO 149315	Robe hanger assembly	Green cloth	1	12-14 Sed
		BO 149073	Robe hanger assembly	Green cloth	1	17 5Sed
		BO 149253	Robe hanger assembly	Green cloth	1	12-14 2Sed
		BO 149076	Robe hanger assembly	Green cloth	2	12-14 ClubCpe
		BO 149076	Robe hanger assembly-to car 39260	Green cloth	2	15 3Cpe-ClubCpe
		BO 149256	Robe hanger assembly-to car 39302	Green cloth	2	
		BO 207105	Robe hanger assembly †	NP-Brown cloth	1	20P Sed
		BO 207117	Robe hanger assembly †	NP-Brown cloth	1	21 Sed
		BO 207127	Robe hanger assembly †	NP-Brown cloth	1	22-24 Sed
		BO 207177	Robe hanger assembly †	NP-Brown cloth	1	27 Sed
		BO 207128	Robe hanger assembly †	NP-Brown cloth	1	22-24 I1 Sed
		BO 207128	Robe hanger assembly †	NP-Brown cloth	2	20P Sed
		BO 207205	Robe hanger assembly †	NP-Dark gray cloth	1	21 Sed
		BO 207217	Robe hanger assembly †	NP-Dark gray cloth	1	22-24 Sed
		BO 207227	Robe hanger assembly †	NP-Dark gray cloth	1	27 Sed
		BO 207277	Robe hanger assembly †	NP-Dark gray cloth	1	22-24 2Sed
		BO 207228	Robe hanger assembly †	NP-Dark gray cloth	2	20P Sed
		BO 207305	Robe hanger assembly †	NP-Green cloth	1	21 Sed
		BO 207317	Robe hanger assembly †	NP-Green cloth	1	22-24 Sed
		BO 207327	Robe hanger assembly †	NP-Green cloth	1	27 Sed
		BO 207377	Robe hanger assembly †	NP-Green cloth	1	22-24 2Sed
		BO 207328	Robe hanger assembly †	NP-Green cloth	2	20P Sed
		BO 207186	Robe hanger assembly ††	Tan cloth	1	21 Sed
		BO 207187	Robe hanger assembly ††	Tan cloth	1	20P Sed
		BO 207188	Robe hanger assembly ††	Tan cloth	1	21 Sed
		BO 207192	Robe hanger assembly ††	Tan cloth	1	22-24 Sed
		BO 207189	Robe hanger assembly ††	Tan cloth	1	27 Sed
		BO 207189	Robe hanger assembly ††	Tan cloth	2	22-24 2Sed
		BO 207286	Robe hanger assembly ††	Dark gray cloth	1	20P Sed
		BO 207287	Robe hanger assembly ††	Dark gray cloth	1	21 Sed
		BO 207288	Robe hanger assembly ††	Dark gray cloth	1	22-24 Sed
		BO 207292	Robe hanger assembly ††	Dark gray cloth	1	27 Sed
		BO 207289	Robe hanger assembly ††	Dark gray cloth	2	22-24 2Sed
		BO 207386	Robe hanger assembly ††	Green cloth	1	20P Sed
		BO 207387	Robe hanger assembly ††	Green cloth	1	21 Sed
		BO 207388	Robe hanger assembly ††	Green cloth	1	22-24 Sed
		BO 207392	Robe hanger assembly ††	Green cloth	1	27 Sed
		BO 207389	Robe hanger assembly ††	Green cloth	2	22-24 2Sed
		BO 143142	Robe hanger assembly	Taupe leather	1	40P-41-44-45 Sed
		80 143159	Robe hanger assembly	Maroon leather	1	40P-41-44-45 Sed
		BO 143160	Robe hanger assembly	Tan leather	1	40P-41-44-45 Sed
		BO 144084	Robe hanger assembly	Taupe leather	1	43-47 7Sed
		BO 144086	Robe hanger assembly	Maroon leather	1	43-47 7Sed
		BO 144088	Robe hanger assembly	Tan leather	1	43-47 7Sed
		BO 144128	Robe hanger assembly	Brown leather	1	48P 7Sed
		BO 149251	Robe hanger assembly	Tan leather	1	10P-11-12-14-17 5Sed
		BO 149254	Robe hanger assembly	Tan leather	1	12-14 2Sed
		BO 149254	Robe hanger assembly-to car 39351	Tan leather	2	12-14 ClubCpe
		BO 149254	Robe hanger assembly-to car 39302	Tan leather	2	15 3Cpe-ClubCpe
		BO 149252	Robe hanger assembly	Gray leather	1	10P-11-21-14-17 5Sed
		BO 149255	Robe hanger assembly	Gray leather	2	12-14 2Sed
		BO 149255	Robe hanger assembly-to car 39036	Gray leather	2	12-14 ClubCpe
		BO 149255	Robe hanger assembly-to car 39302	Gray leather	2	15 3Cpe-ClubCpe
		BO 149253	Robe hanger assembly	Green leather	1	10P-11-12-14-17 5Sed
		80 149256	Robe hanger assembly	Green leather	2	12-14 2Sed
		BO 149256	Robe hanger assembly-to car 39260	Green leather	2	12-14 ClubCpe
		BO 149256	Robe hanger assembly-to car 39302	Green leather	2	15 3Cpe-ClubCpe
		BO 149257	Robe hanger assembly	Maroon leather	1	10P-11-12-14-17 5Sed
		BO 149258	Robe hanger assembly	Maroon leather	2	12-14 2Sed
		BO 149258	Robe hanger assembly-to car 39260	Maroon leather	2	12-14 ClubCpe
		BO 149258	Robe hanger assembly-to car 39302	Maroon leather	2	15 3Cpe-ClubCpe
		BO 207177	Robe hanger assembly †	NP-Tan leather	1	20P-21-22-24-27 Sed
		BO 207129	Robe hanger assembly †	NP-Tan leather	2	22-24 2Sed
		BO 207277	Robe hanger assembly †	NP-Gray leather	1	20P-21-22-24-27 Sed
		BO 207229	Robe hanger assembly †	NP-Gray leather	1	22-24 2Sed

Group & Illus. No.	Plate No.	Part No.	NAME	Per Car	Models		
MM10-			ROBE RAILS (CONT'D.)				
		BO 207377	Robe hanger assembly †	NP-Green leather	1	20P-21-22-24-27 Sed	
		BO 207329	Robe hanger assembly †	NP-Green leather	2	22-24 2Sed	
		BO 149257	Robe hanger assembly †	NP-Maroon leather	1	20P-21-22-24-27 Sed	
		BO 149258	Robe hanger assembly †	NP-Maroon leather	2	22-24 2Sed	
		BO 207192	Robe hanger assembly ††	Tan leather	1	20P-21-22-24-27 Sed	
		BO 207193	Robe hanger assembly ††	Tan leather	2	22-24 2Sed	
		BO 207292	Robe hanger assembly ††	Gray leather	1	20P-21-22-24-27 Sed	
		BO 207293	Robe hanger assembly ††	Gray leather	2	22-24 2Sed	
		BO 207392	Robe hanger assembly ††	Green leather	1	20P-21-22-24-27 Sed	
		BO 207393	Robe hanger assembly ††	Green leather	2	22-24 2Sed	
		BO 207501	Robe hanger assembly ††	Maroon leather	1	20P-21-22-24-27 Sed	
		BO 207503	Robe hanger assembly ††	Maroon leather	2	22-24 2Sed	
		BO 149069	Bracket-hook end-robe hanger-NP †	Leather trim	1	10P-11-20P-21 Sed	
		BO 207059	Bracket-hook end-robe hanger-Lac ††	Leather trim	1	10P-11-20P-21 Sed	
		BO 149069	Bracket-hook end-robe hanger-NP †		1-2	12-14-22-24 2Sed-Sed, 17-27 5Sed	
		BO 207059	Bracket-hook end-robe hanger-Lac ††		1-2	12-14-22-24 2Sed-Sed, 17-27 5Sed	
		BO 262	Spacer-robe hanger bracket	Leather trim	4	40P-10P-Sed	
		BO 262	Spacer-robe hanger bracket		2-4	41-44-45-11-12-14-17 5Sed	
		BO 170246	Screw-robe hanger bracket	Cloth trim	4	40P-10P Sed	
		BO 170245	Screw-robe hanger bracket	Leather trim	4	40P-10P Sed	
		BO 170250	Screw-robe hanger bracket	Cloth trim	4	20P Sed	
		BO 170237	Screw-robe hanger bracket	Leather trim	4	20P Sed	
		BO 170245	Screw-robe hanger bracket	#10 x 1-1/4"	4	41-44-45-47-11-12-14-17 5Sed	
		BO 170247	Screw-outer-robe hanger bracket	#10 x 1-1/2"	2	43-47-48P 7Sed	
		BO 170246	Screw-inner-robe hanger bracket	#8 x 1-1/4"	2	43-47-48P 7Sed	
		PO 170237	Screw-robe hanger bracket	#10 x 1-3-4"	8	12--14 2Sed	
		BO 170237	Screw-robe hanger bracket	#10 x 1-3-4"	4-8	22-24 2Sed-Sed,21 Sed	
		BO 170679	Screw-robe hanger bracket	#10 x 1-1/4"	4	27 Sed	
	MM11-			VISOR			
				NOTE: When order ing visors only (without brackets and side arms) order by description, g lying car number and color of trim desired.			
				Swivel type visor is standard on 43-47-12-14-15-17-22-24-25-27, optional on 40-41-04-45-48-10-11-18-20-21-28.			
			HA 134987	Visor complete-inside-hinge type	Service kit	1	40,41,44,45,48,10 exc Del, 11, 14,Station,18,20,21, 28, A11 CvCpe-CvSed
			HA 134990	Visor complete-RH-swivel type	Service kit	1	43,47,12-14 exc CvSed-Station,15,17
			HA 134991	Visor complete-LH-swivel type	Service kit	1	43,47,12-14 exc CvSed-Station,15,17
			HA 205092	Visor complete-swivel type	NP-Service kit	1	22-24 exc CvSed,25,27
			BO 120672	Arm-inside visor †	NP	2	43,47,12-14-22-24 exc CvSed,15,17,25,27
			BO 205889	Arm-inside visor ††	Lac	2	22-24 exc CvSed,25,27
			BO 120668	Clamp-support rod †	NP	2	43,47,12-14-22-24 exc CvSed,15,17,25,27
			BO 205888	Clamp-support rod ††	Lac	2	22-24 exc CvSed,25,27
			BO 120677	Clamp-hinge †	NP	2	43,47,12-14-22-24 exc CvSed,15,17,25,27
			BO 205891	Clamp-hinge ††	For Lac	2	22-24 exc CvSed,25,27
			BO 120676	Plate-hinge †	NP	2	43,47,12-14-22-24 exc CvSed,15,17,25,27
			BO 205890	Plate-hinge †† Lac	Lac	2	22-24 exc CvSed,25,27
			BO 134985	Screw-arm to clamp & clamp to plate †	NP	4	43,47,12-14-22-24 exc CvSed,15,17,25,27
		BO 205894	Screw-arm to clamp & clamp to plate †	Lac	4	22-24 exc CvSed,25,27	
		BO 134986	Screw-header clamp †	NP	4	43,47,12-14-22-24 exc CvSed,15,17,25,27	
		BO 205895	Screw-header clamp ††	Lac	4	22-24 exc CvSed,25,27	
		BO 170327	Screw-visor attaching	#10 x 3/4"	2-4	40,41,44,45,48,10 exc Del,11,14,Station,18, 20,21,28	
		BO 170407	Screw-visor attaching	#10 x 7-8"	2-4	CvCpe,CvSed	
		BO 144025	Spacer-visor bracket		2	CvCpe,CvSed	

Group & Illus. No.	Plate No.	Part No.	NAME	Per Car	Models	
MM13-			FRONT SEAT PARTITION			
			Optional on 7Sed			
		C 137250	Partition assy-front seat		1	1940 7Sed
		C 148798	Partition assy-front seat		1	1941 7Sed
		BO 170399	Bolt-partition to pillar	10-32 x 4-1/2"	2	1940-1941 7Sed
		BO 170321	Screw-wood-partition to pillar	#14 x 3	2	1940-1941 7Sed
		C 137252	Channel-side-partition glass		2	1940-1941 7Sed
		C 137253	Channel-upper-partition glass		1	1940-1941 7Sed
		C 137254	Channel-lower-partition glass		1	1940-1941 7Sed
		DO 170318	Screw-wood-partition glass channel	#4 x 1-2"	22	1940-1941 7Sed
		BO 137256	Lock clamp-partition glass		1	1940-1941 7Sed
		BO 137257	Lock lever-partition glass		1	1940-1941 7Sed
		BO 8410	Pin-partition glass lock lever		2	1940-1941 7Sed
		130 137258	Trunnion-partition glass lock		1	1940-1941 7Sed
		BO 137259	Bracket-partition glass lock		1	1940-1941 7Sed
		BO 170319	Screw-wood-partition glass lock bracket	#6 x 3-4"	4	1940-1941 7Sed
		BO 137260	Screw assy-partition glass lock clamping		1	1940-1941 7Sed
	NN1-			FINISH MOULDING-WINDSHIELD		
		C 141792	Finish mldg-RH-upper windshield	Grained	1	40-41-44-45 exc CvCpe-CvSed,48
		C 141793	Finish mldg-LH-upper windshield	Grained	1	40-41-44-45 exc CvCpe-CvSed,48
		C 141844	Finish mldg-RH-upper-windshield	Grained	1	1940 CvCpe-CvSed
		C 141845	Finish mldg-LH-upper-windshield	Grained	1	1940 CvCpe-CvSed
		C 141792	Finish mldg-RH-upper-windshield	Grained	1	43-47 Sed
		C 141793	Finish mldg-LH-upper-windshield	Grained	1	43-47 Sed
		C 141794	Finish mldg-RH-upper-windshield	Painted	1	43-47 5Sed
		C 141795	Finish mldg-LH-upper-windshield	Painted	1	43-47 5Sed
		C 147240	Finish mldg-RH-upper-windshield	Grained	1	1941 exc CvSed-Del
		C 147241	Finish moulding-LH-upper-windshield	Grained	1	11-12-14 exc CvSed-Del
		C 147248	Finish moulding-RH-upper-windshield	Grained	1	1941 CvSed
		C 147249	Finish moulding-LH-upper-windshield	Grained	1	1941 CvSed
		C 147242	Finish moulding-RH-upper-windshield	Painted	1	11-12-14 exc CvSed,15,17
		C 147243	Finish moulding-LH-upper-windshield	Painted	1	11-12-14 exc CvSed,15,17
		C 147250	Finish moulding-RH-upper-windshield	Painted	1	11-12-14 CvSed
		C 147251	Finish moulding-LH-upper-windshield	Painted	1	11-12-14 CvSed
		C 204690	Finish moulding-RH-upper-windshield	Grained	1	1942 exc CvSed
		C 204691	Finish moulding-LH-upper-windshield	Grained	1	1942 exc CvSed
		C 204696	Finish moulding-RH-upper-windshield	Grained	1	1942 CvSed
		C 204697	Finish moulding-LH-upper-windshield	Grained	1	1942 CvSed
		C 147242	Finish moulding-RH-upper-windshield	Painted	1	20P-21-22-24 exc CvSed,25,27
		C 147243	Finish moulding-LH-upper-windshield	Painted	1	20P-21-22-24 exc CvSed,25,27
		C 147250	Finish moulding-RH-upper-windshield	Painted	1	20P-21-22-24 CvSed
		C 147251	Finish moulding-LH-upper-windshield	Painted	1	20P-21-22-24 CvSed
		C 141786	Finish moulding-lower-windshield-exc blue-green gray	Grained	1	1940 A11
		C 141787	Finish moulding-lower-windshield-blue or green gray	Painted	1	43-47 5Sed
		C 147236	Finish moulding-lower-windshield	Grained	1	1941 A11
		C 147237	Finish moulding-lower-windshield	Painted	1	11,12,14,15,17
		C 204700	Finish moulding-lower-windshield	Grained	1	1942 A11
		C 147237	Finish moulding-lower-windshield	Painted	1	20P,21,22,24,25,27
		BO 140808	Air stop block-lower-windshield finish moulding		4	All
		DO 170242	Screw-upper-windshield finish moulding	#8 x 1-1-4"	AR	All
		BO 170351	Screw-lower-windshield finish moulding	#8 x 1-1-2"	AR	All
		BO 70701	Washer-windshield finish moulding screw		AR	1940 All
		BO 142093	Cover-windshield finish moulding joint		1	Cab,CabPu,1940 Panel
		BO 170257	Screw-windshield finish moulding joint cover		10	All Cab,CabPu,1940 Panel
		BO 140965	Moulding-center-windshield inside finish		1	All exc CvCpe-CvSed-Del
		BO 140979	Moulding-center-windshield inside finish		1	CvCpe,CvSed
		BO 170417	Screw-center-windshield inside finish moulding		3	All exc Del

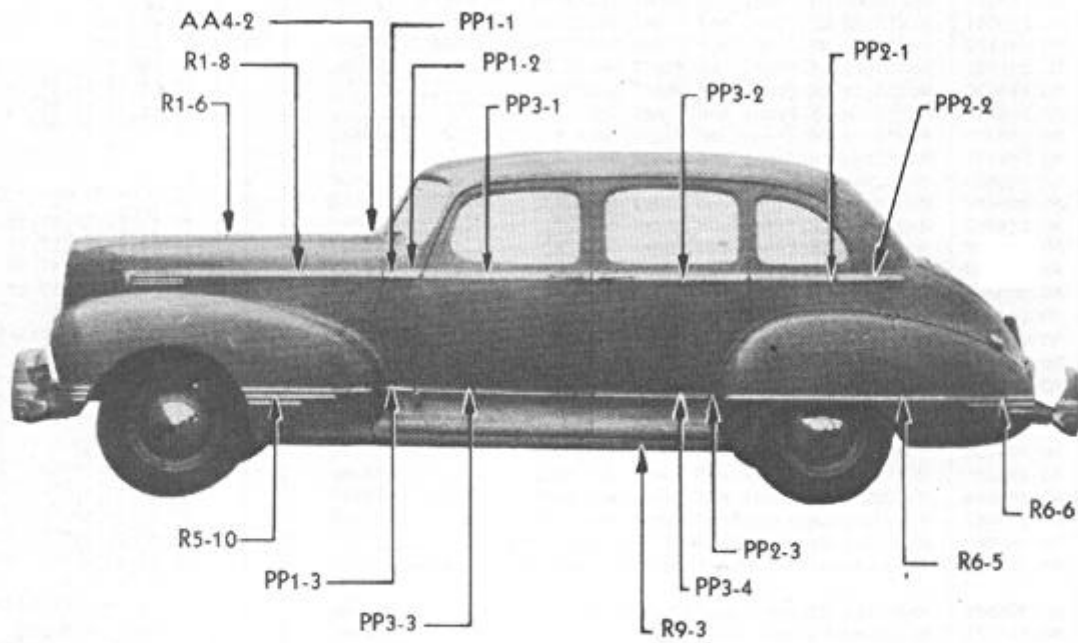
Group & Illus. No.	Plate No.	Part No.	NAME	Per Car	Models
NN2-			FINISH MOULDING-FRONT DOOR WINDOW		
			NOTE: Parts marked † discontinued in production Jan. 15, 1942. Parts marked †† used after Jan. 15, 1942, starting car No. 37067. See introduction.		
			NOTE: Parts marked # used on models 40T-40C-48-10T-10C ear Del-18 when equipped with wing type ventilation.		
		C 144914	Moulding & W/strip assy-RH front door	Grained	1 40T 2Sed,40C UCo, 48P Sed-CA
		C 144915	Moulding & W/strip assy-LH-front door	Grained	1 40T 2Sed,40C UCo, 48P Sed-CA
		C 144916	Moulding & W/strip assy-RH-front door	Grained #	1 40P 2Sed
		C 144917	Moulding & W/strip assy-LH-front door	Grained #	1 40P 2Sed
		C 144918	Moulding & W/strip assy-RH-front door	Satin NP	1 41-44 2Sed
		C 144919	Moulding & W-strip assy-LH-front door	Satin NP	1 41-44 2Sed
		C 144920	Moulding & W/strip assy-RH-front door	Chrome	1 45 2Sed
		C 144921	Moulding & W/strip assy-LH-front door	Chrome	1 45 2Sed
		C 148914	Moulding & W/strip assy-RH-front door	Grained	1 10T 2Sed,10C UCo,18P Sed-CA
		C 148915	Moulding & W/strip assy-LH-front door	Grained	1 10T 2Sed,10C UCo,18P Sed-CA
		C 148916	Moulding & W/strip assy-RH-front door	Grained #	1 10P 2Sed
		C 148917	Moulding & W-strip assy-LH-front door	Grained #	1 10P 2Sed
		C 148910	Moulding & W/strip assy-RH-front door	Painted	1 10P 2Sed
		C 148911	Moulding & W/strip assy-LH-front door	Painted	1 10P 2Sed
		C 147890	Moulding assy-RH-front door	Satin NP	1 11 2Sed
		C 147891	Moulding assy-LH-front door	Satin NP	1 11 2Sed
		C 147890	Moulding assy-RH-front door	Satin NP	1 12-14 2Sed to Car 60464
		C 147891	Moulding assy-LH-front door	Satin NP	1 12-14 2Sed to Car 60464
		C 147892	Moulding assy-RH-front door	NP	1 12-14 2Sed after Car 60464
		C 147893	Moulding assy-LH-front door	NP	1 12-14 2Sed after Car 60464
		C 204554	Moulding & W/strip assy-RH-front door	Grained	1 20-21 2Sed,20 UCo
		C 204555	Moulding & W/strip assy-LH-front door	Grained	1 20-21 2Sed,20 UCo
		C 148910	Moulding & W/strip assy-RH-front door	Painted	1 20P-21 2Sed
		C 148911	Moulding & W/strip assy-LH-front door	Painted	1 20P-21 2Sed
		C 148920	Moulding & W/strip assy-RH-front door †	NP	1 22-24 2Sed
		C 148921	Moulding & W/strip assy-LH-front door †	NP	1 22-24 2Sed
		C 206076	Moulding & W/strip assy-RH-front door ††		1 22-24 2Sed
		C 206077	Moulding & W/strip assy-LH-front door ††		1 22-24 2Sed
		C 144924	Moulding & W/strip assy-front door	Grained	1 40T Sed
		C 144925	Moulding & W/strip assy-front door	Grained	1 40T Sed
		C 144926	Moulding & W/strip assy-front door	Grained#	1 40P Sed
		C 144927	Moulding & W/strip assy-front door	Grained#	1 40P Sed
		C 144928	Moulding & W/strip assy-front door	Satin NP	1 41-44 Sed
		C 144929	Moulding & W/strip assy-front door	Satin NP	1 41-44 Sed
		C 144930	Moulding & W/strip assy-front door	Bright chrome	1 45 Sed
		C 144931	Moulding & W/strip assy-front door	Bright chrome	1 45 Sed
		C 144918	Mldg. & W/strip assy-front door	Satin NP	
		C 144919	Mldg & W-strip assy-front door	Satin NP	1 43-47 Sed
			Exc brown wool blue or green gray		1 43-47 5Sed
		C 144920	Mldg & W/strip assy-front door	Chrome	1 43-47 7Sed
		C 144921	Mldg. & W/strip assy-front door	Chrome	1 43-47 7Sed
		C 144922	Mldg & W/strip assy-front door	Painted	1 43-47 5Sed
		C 144923	Mldg. & W/strip assy-Front door	Painted	1 43-47 Sed
		C 148972	Moulding & W/strip assy-front door	Grained	1 10T Sed
		C 148973	Moulding & W/strip assy-front door	Grained	1 10T Sed
		C 148974	Moulding & W/strip assy-front door	Grained #	1 10P Sed
		C 148975	Moulding & W/strip assy-front door	Grained #	1 10P Sed
		C 148924	Moulding & W/strip assy-RH-front door	Painted	1 10P Sed
		C 148925	Moulding & W/strip assy-LH-front door	Painted	1 10P Sed
		C 147896	Moulding assy-RH-front door	Satin NP	1 11 Sed
		C 147897	Moulding assy-LH-front door	Satin NP	1 11 Sed
		C 147896	Moulding assy-RH-front door	Satin NP	1 12-14 Sed to Car 50464
		C 147897	Moulding assy-LH-front door	Satin NP	1 12-14 Sed to Car 60464
		C 147898	Moulding assy-RH-front door	Bright NP	1 12-14 Sed after Car 60464
		C 147899	Moulding assy-LH-front door	Bright NP	1 12-14 Sed after Car 60464
		C 148920	Moulding & W/strip assy-RH-front door	Bright NP	1 17 Sed
		C 148921	Moulding & W/strip assy-LH-front door	Bright NP	1 17 Sed
		C 204556	Moulding & W/strip assy-RH-front door	Grained	1 20-21 2Sed
		C 204557	Moulding & W/strip assy-LH-front door	Grained	1 20-21 2Sed
		C 148924	Moulding & W/strip assy-RH-front door	Painted	1 20P 21 2Sed
		C 148925	Moulding & W/strip assy-LH-front door	Painted	1 20P 21 2Sed
		C 148928	Moulding & W/strip assy-RH-front door †	NP	1 22-24 Sed
		C 148929	Moulding & W/strip assy-LH-front door ††	NP	1 22-24 Sed
		C 206078	Moulding & W/strip assy-RH-front door ††		1 22-24 Sed
		C 206079	Moulding & W/strip assy-LH-front door ††		1 22-24 Sed
		C 148920	Moulding & W/strip assy-RH-front door †	NP	1 27 Sed
		C 148921	Moulding & W/strip assy-LH-front door †	NP	1 27 Sed
		C 206076	Moulding & W/strip assy-RH-front door ††		1 27 Sed
		C 206077	Moulding & W/strip assy-LH-front door ††		1 27 Sed

Group & Illus. No.	Plate No.	Part No.	NAME	Per Car	Models	
NN2-			FINISH MOULDING-FRONT DOOR WINDOW (CONT'D)			
		C 144932	Moulding & W/strip assy-RH--front door	Grained	1	40T 3Cpe-VicCpe, 40C UCpe
		C 144933	Moulding & W/strip assy-LH-front door	Grained	1	40T 3Cpe-VicCpe, 40C UCpe
		C 144934	Moulding & W/strip assy-RH-front door	Grained#	1	40P 3Cpe-VicCpe
		C 144935	Moulding & W/strip assy-LH-front door	Grained#	1	40P 3Cpe-VicCpe
		C 144936	Moulding & W/strip assy-RH-front door	Satin NP	1	41-44 3Cpe-VicCpe
		C 144937	Moulding & W/strip assy-LH-front door	Satin NP	1	41-44 3Cpe-VicCpe
		C 148930	Moulding & W/strip assy-RH-front door	Grained	1	10T 3Cpe-ClubCpe, 10C UCpe
		C 148931	Moulding & W/strip assy-LH-fron* door	Grained	1	10T 3Cpe-ClubCpe, 10C UCpe
		C 148932	Moulding & W/strip assy-RH-front door	Grained#	1	10P 3Cpe-ClubCpe,
		C 148933	Moulding & W/strip assy-LH-front door	Grained#	1	10P 3Cpe-ClubCpe
		C 148912	Moulding & W/strip assy-RH-front door	Painted	1	10P 3Cpe-ClubCpe
		C 148913	Moulding & W/strip assy-LH-front door	Painted	1	10P 3Cpe-ClubCpe
		C 147902	Moulding assy-RH-front door	Satin NP	1	11 3Cpe-ClubCpe
		C 147903	Moulding assy-LH-front door	Satin NP	1	11 3Cpe-ClubCpe
		C 147902	Moulding assy-RH-front door	Satin NP	1	12-14 3Cpe-ClubCpe to Car 60464
		C 147903	Moulding assy-LH-front door	Satin NP	1	12-14 3Cpe-ClubCpe to Car 60464
		C 147904	Moulding assy-RH-front door	NP	1	12-14 3Cpe-ClubCpe after Car 60464
		C 147905	Moulding assy-LH-front door	NP	1	12-14 3Cpe-ClubCpe after Car 60464
		C 148936	Moulding & W/strip assy-RH-front door	NP	1	15 3Cpe-ClubCpe
		C 148937	Moulding & W/strip assy-LH-front door	NP	1	15 3Cpe-ClubCpe
		C 204558	Moulding & W/strip assy-RH-front door	Grained	1	20-21 3Cpe-ClubCpe, 20 UCpe
		C 204559	Moulding & W/strip assy-LH-front door	Grained	1	20-21 3Cpe-ClubCpe, 20 UCpe
		C 148912	Moulding & W/strip assy-RH-front door	Painted	1	20P-21 3Cpe-ClubCpe
		C 148913	Moulding & W/strip assy-LH-front door	Painted	1	20P-21 3Cpe-ClubCpe
		C 148936	Moulding & W/strip assy-RH-front door †	NP	1	22-24 3Cpe-ClubCpe, 25 ClubC
		C 148937	Moulding & W/strip assy-LH-front door †	NP	1	22-24 3Cpe-ClubCpe, 25 ClubC
		C 206080	Moulding & W/strip assy-RH-front door ††	Lac	1	22-24 3Cpe-ClubCpe, 25 ClubC
		C 206081	Moulding & W/strip assy-LH-front door ††	Lac	1	22-24 3Cpe-ClubCpe, 25 ClubC
		C 144938	Moulding & W/strip assy-RH-front door	Chrome	1	CvCpe, CvSed
		C 144939	Moulding & W/strip assy-LH-front door	Chrome	1	CvCpe, CvSed
		C 144924	Moulding & W/strip assy-RH-front door	Grained	1	1940 Cab-CabPu, 48C Panel
		C 144925	Moulding & W/strip assy-LH-front door	Grained	1	1940 Cab-CabPu, 48C Panel
		C 121318	Moulding assy-RH-front door	Painted	1	40C Panel to Car 54416
		C 121319	Moulding assy-LH-front door	Painted	1	40C Panel to Car 54416
		C 144924	Moulding & W/strip assy-RH-front door	Grained	1	40C Panel after Car 54416
		C 144925	Moulding & W/strip assy-LH-front door	Grained	1	40C Panel after car 54416
		C 144926	Moulding & W/strip assy-RH-front door	Grained #	1	1940 Cab-CabPu-Panel
		C 144927	Moulding & W/strip assy-LH-front door	Grained #	1	1940 Cab-CabPu-Panel
		C 148922	Moulding & W/strip assy-RH-front door	Painted	1	1941 Cab-CabPu
		C 148923	Moulding & W/strip assy-LH-front door	Painted	1	1941 Cab-CabPu
		C 148924	Moulding & W/strip assy-RH-front door	Painted #	1	1941-1942 Cab-CabPu
		C 148925	Moulding & W/strip assy-LH-front door	Painted #	1	1941-1942 Cab-CabPu
		BO 170238	Screw-finish moulding	#8 x 3/4	AR	1940 All, 1941 exc Del-Station
		BO 170239	Screw-finish moulding	#8 x 7/8	AR	1941-1942 exc Del-Station
		BO 170240	Screw-finish moulding	#8 x 1	AR	All exc Del-Station
		BO 70701	Washer-finish moulding screw		AR	1940 All
		C 148952	Valance & W/strip assy-RH-finish moulding	Grained	1	11 2Sed-3Cpe-ClubCpe
		C 148953	Valance & W/strip assy-LH-finish moulding	Grained	1	11 2Sed-3Cpe-ClubCpe
		C 148960	Valance & W/strip assy-RH-finish moulding	Grained	1	11 Sed
		C 148961	Valance & W/strip assy-LH-finish moulding	Grained	1	11 Sed
		C 148956	Valance & W/strip assy-RH-finish moulding	Grained	1	12-14 2Sed-3Cpe-ClubCpe
		C 148957	Valance & W/strip assy-LH-finish moulding	Grained	1	12-14 2Sed-3Cpe-ClubCpe
		C 148964	Valance & W/strip assy-RH-finish moulding	Grained	1	12-14 Sed
		C 148965	Valance & W/strip assy-LH-finish moulding	Grained	1	12-14 Sed
		C 148954	Valance & W/strip assy-RH-finish moulding	Painted	1	11 2Sed-3Cpe-ClubCpe
		C 148955	Valance & W/strip assy-LH-finish moulding	Painted	1	11 2Sed-3Cpe-ClubCpe
		C 148962	Valance & W/strip assy-RH-finish moulding	Painted	1	11 Sed
		C 148963	Valance & W/strip assy-LH-finish moulding	Painted	1	11 Sed
		C 148958	Valance & W/strip assy-RH-finish moulding	Painted	1	12-14 2Sed-3Cpe-ClubCpe
		C 148959	Valance & W/strip assy-LH-finish moulding	Painted	1	12-14 2Sed-3Cpe-ClubCpe
		C 148966	Valance & W/strip assy-RH-finish moulding	Painted	1	12-14 Sed
		C 148967	Valance & W/strip assy-LH-finish moulding	Painted	1	12-14 Sed
		BO 170238	Screw-finish moulding valance	#8 x 3/4	AR	11-12-14 2Sed-Sed-3Cpe-ClubCpe
		BO 170240	Screw-finish moulding valance	#8 x 1	AR	11-12-14 2Sed-Sed-3Cpe-ClubCpe
		BO 147200	Ornament-front-finish moulding valance		2	11 2Sed-3Cpe-ClubCpe
		BO 147201	Ornament-rear-finish moulding valance		2	11 2Sed-3Cpe-ClubCpe
		BO 147201	Ornament-front-finish moulding valance		2	11 Sed
		BO 147202	Ornament-rear-finish moulding valance		2	11 Sed
		BO 147262	Ornament-front-finish moulding valance assy		2	12-14 2Sed-3Cpe-ClubCpe

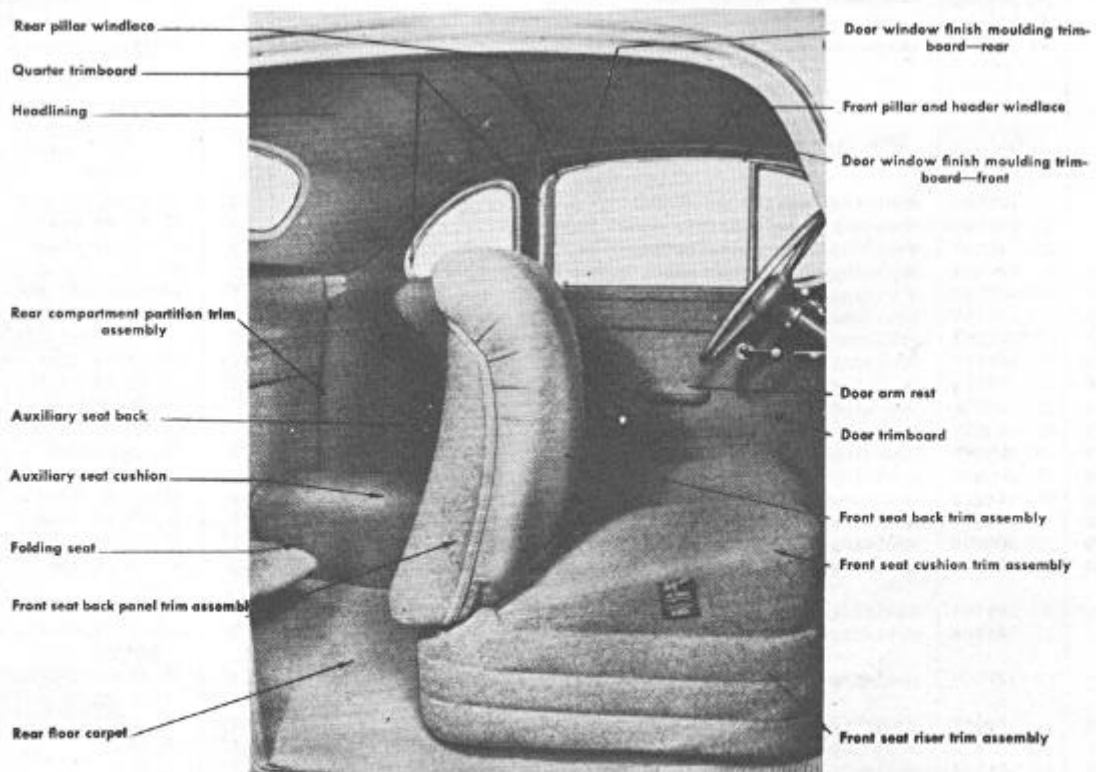
Group & Illus. No.	Plate No.	Part No.	NAME	Per Car	Models
NN2--			FINISH MOULDING-FRONT DOOR WINDOW (CONT'D)		
		BO 147264	Ornament-rear-finish moulding valance assy	2	12-14 2Sed-3Cpe-ClubCpe
		BO 147263	Ornament-front-finish moulding valance assy	2	12-14 Sed
NN3-		BO 147265	Ornament-rear-finish moulding valance assy	2	12-14 Sed
		BO 121519	Clip-finish moulding valance ornament	AR	11 2Sed-Sed-3Cpe-ClubCpe
			FINISH MOULDING-REAR DOOR WINDOW		
		C 144906	Moulding & W/strip assy-RH-rear door	Grained	1 40 Sed,48P Sed-CA
		C 144907	Moulding & W/strip assy-LH-rear door	Grained	1 40 Sed,48P Sed-CA
		C 144908	Moulding & W/strip assy-RH-rear door	Satin NP	1 41-44 Sed
		C 144909	Moulding & W/strip assy-LH-rear door	Satin NP	1 41-44 Sed
		C 144910	Moulding & W/strip assy-RH-rear door	Chrome	1 45 Sed
		C 144911	Moulding & W/strip assy-LH-rear door	Chrome	1 45 Sed
		C 144908	Moulding & W/strip assy-RH-rear door	Exc brown wool- NP	1 43-47 Sed
		C 144909	Moulding & W/strip assy-LH-rear door	Blue green NP	1 43-47 Sed
				gray	1
		C 144910	Moulding & W/strip assy-RH-rear door	Brown Chrome	1 43-47 7Sed
		C 144911	Moulding & W/strip assy-LH-rear door	wool Chrome	1 43-47 7Sed
		C 144912	Mldg & W/strip assy-RH-rear door	Blue or Painted	1 43-47 5Sed
		C 144913	Mldg & W/strip assy-LH-rear door	green gray Painted	1 43-47 5Sed
		C 148940	Moulding & W/strip assy-RH-rear door	Grained	1 10 Sed,18P Sed-CA
		C 148941	Moulding & W/strip assy-LH-rear door	Grained	1 10 Sed,18P Sed-CA
		C 148976	Moulding & W/strip assy-RH-rear door	Painted	1 10P Sed
		C 148977	Moulding & W/strip assy-LH-rear door	Painted	1 10P Sed
		C 147908	Moulding assy-RH-upper-rear door	Satin NP	1 11 Sed
		C 147909	Moulding assy-LH-upper-rear door	Satin NP	1 11 Sed
		C 147908	Moulding assy-RH-upper-rear door	Satin NP	1 12-14 Sed to Car 60464
		C 147909	Moulding assy-LH-upper-rear door	Satin NP	1 12-14 Sed to Car 60464
		C 147910	Moulding assy-RH-upper-rear door	Bright NP	1 12-14 Sed after Car 60464
		C 147911	Moulding assy-LH-upper-rear door	Bright NP	1 12-14 Sed after Car 60464
		C 148944	Moulding & W/strip assy-RH-rear door	Bright NP	1 17 Sed
		C 148945	Moulding & W/strip assy-LH-rear door	Bright NP	1 17 Sed
		C 204560	Moulding & W/strip assy-RH-rear door	Grained	1 20-21 Sed
		C 204561	Moulding & W/strip assy-LH-rear door	Grained	1 20-21 Sed
		C 148976	Moulding & W/strip assy-RH-rear door	Painted	1 20P-21 Sed
		C 148977	Moulding & W/strip assy-LH-rear door	Painted	1 20P-21 Sed
		C 148944	Moulding & W/strip assy-RH-rear door †	NP	1 22-24-27 Sed
		C 148945	Moulding & W/strip assy-LH-rear door †	NP	1 22-24-27 Sed
		C 206082	Moulding & W/strip assy-RH-rear door ††	Lac	1 22-24-27 Sed
		C 206083	Moulding & W/strip assy-LH-rear door ††	Lac	1 22-24-27 Sed
		BO 170239	Screw-rear door finish moulding	#8 x 3/8"	AR All exc Del-Station
		BO 170238	Screw-rear door finish moulding	#8 x 3/4"	AR 1940-1941 exc Del-Station
		BO 170240	Screw-rear door finish moulding	#8 x 1"	AR 1941-1942 exc Del-Station
		BO 70701	Washer-rear door finish moulding screw		AR 1940 All
		C 148968	Valance & W/strip assy-RH-finish moulding	Grained	1 11-12-14 Sed
		C 148969	Valance & W/strip assy-LH-finish moulding	Grained	1 11-12-14 Sed
		C 148970	Valance & W/strip assy-RH-finish moulding	Painted	1 11-12-14 Sed
		C 148971	Valance & W/strip assy-LH-finish moulding	Painted	1 11-12-14 Sed
		BO 170238	Screw-finish moulding valance	#8 x 3/4"	4 11-12-14 Sed
		BO 147202	Ornament-finish moulding valance		2 11 Sed
		BO 147265	Ornament-finish moulding valance assy		2 12-14 Sed
		BO 121519	Clip-finish moulding valance ornament	AR	11 Sed
NN4-			FINISH MOULDING-QUARTER WINDOW		
		C 144900	Moulding & W/strip assy-RH-qr window	Grained	1 40 2Sed,40C UCo
		C 144901	Moulding & W/strip assy-LH-qr window	Grained	1 40 2Sed,40C UCo
		C 144902	Moulding & W/strip assy-RH-qr window	Satin NP	1 41-44 2Sed
		C 144903	Moulding & W/strip assy-LH-qr window	Satin NP	1 41-44 2Sed
		C 144904	Moulding & W/strip assy-RH-qr window	Chrome	1 45 2Sed
		C 144905	Moulding & W/strip assy-LH-qr window	Chrome	1 45 2Sed
		C 148946	Moulding & W/strip assy-RH-qr window	Grained	1 10 2Sed,10C UCo
		C 148947	Moulding & W/strip assy-LH-qr window	Grained	1 10 2Sed,10C UCo
		C 148978	Moulding & W/strip assy-RH-qr window	Painted	1 10P 2Sed
		C 148979	Moulding & W/strip assy-LH-qr window	Painted	1 10P 2Sed
		C 148948	Moulding & W/strip assy-RH-qr window	Satin NP	1 11 2Sed
		C 148949	Moulding & W/strip assy-LH-qr window	Satin NP	1 11 2Sed
		C 148948	Moulding & W/strip assy-RH-qr window	Satin NP	1 12-14 2Sed to Car 60464
		C 148949	Moulding & W/strip assy-LH-qr window	Satin NP	1 12-14 2Sed to Car 60464

Group & Illus. No.	Plate No.	Part No.	NAME	Per Car	Models	
NN4-			FINISH MOULDING-QUARTER WINDOW (CONT'D.)			
		C 148950	Moulding & W/strip assy-RH-qr window	Bright NP	1 12-14 2Sed after Car 60464	
		C 148951	Moulding & W/strip assy-LH-qr window	Bright NP	1 12-14 2Sed after Car 60464	
		C 204562	Moulding & W/strip assy-RH-qr window	Grained	1 20-21 2Sed,20 UCo	
		C 204563	Moulding & W/strip assy-LH-qr window	Grained	1 20-21 2Sed,20 UCo	
		C 148978	Moulding & W/strip assy-RH-qr window	Painted	1 20P-21 2Sed	
		C 148979	Moulding & W/strip assy-LH-qr window	Painted	1 20P-21 2Sed	
		C 148950	Moulding & W/strip assy-RH-qr window †	NP	1 22-24 2Sed	
		C 148951	Moulding & W/strip assy-LH-qr window †	NP	1 22-24 2Sed	
		C 206084	Moulding & W/strip assy-RH-qr window ††	Lac	1 22-24 2Sed	
		C 206085	Moulding & W/strip assy-LH-qr window ††	Lac	1 22-24 2Sed	
		C 133248	Moulding assy-RH-qr window	Satin NP	1 41-44 Sed	
		C 133249	Moulding assy-LH-qr window	Satin NP	1 41-44 Sed	
		C 141658	Moulding assy-RH-qr window	Chrome	1 45 Sed	
		C 141659	Moulding assy-LH-qr window	Chrome	1 45 Sed	
		C 133248	Moulding assy-RH-qr window	Exc brown wool or blue-green gray	NP	1 43-47 Sed
		C 133249	Moulding assy-LH-qr window		NP	1 43-47 Sed
		C 141658	Moulding assy-RH-qr window	Brown	Chrome	1 43-47 7Sed
		C 141659	Moulding assy-LH-qr window	wool	Chrome	1 43-47 7Sed
		C 141900	Moulding assy-RH-qr window	Blue or	Painted	1 43-47 5Sed
		C 141901	Moulding assy-LH-qr window	green gray	Painted	1 43-47 5Sed
		C 147672	Moulding assy-RH-qr window		Grained	1 10P Sed
		C 147673	Moulding assy-LH-qr window		Grained	1 10P Sed
		C 147674	Moulding assy-RH-qr window		Painted	1 10P Sed
		C 147675	Moulding assy-LH-qr window		Painted	1 10P Sed
		C 147668	Moulding assy-RH-qr window		Satin NP	1 11 Sed
		C 147669	Moulding assy-LH-qr window		Satin NP	1 11 Sed
		C 147668	Moulding assy-RH-qr window		Satin NP	1 12-14 Sed to Car 60464
		C 147669	Moulding assy-LH-qr window		Satin NP	1 12-14 Sed to Car 60464
		C 147670	Moulding assy-RH-qr window		Bright NP	1 12-14 Sed after Car 60464
		C 147671	Moulding assy-LH-qr window		Bright NP	1 12-14 Sed after Car 60464
		C 147670	Moulding assy-RH-qr window		Bright NP	1 17 Sed
		C 147671	Moulding assy-LH-qr window		Bright NP	1 17 Sed
		C 204610	Moulding & W/strip assy-RH-qr window		Grained	1 20P-21 Sed
		C 204611	Moulding & W/strip assy-LH-qr window		Grained	1 20P-21 Sed
		C 204612	Moulding & W/strip assy-RH-qr window		Painted	1 20P-21 Sed
		C 204613	Moulding & W/strip assy-LH-qr window		Painted	1 20P-21 Sed
		C 204614	Moulding & W/strip assy-RH-qr window †		Bright NP	1 22-24-27 Sed
		C 204615	Moulding & W/strip assy-LH-qr window †		Bright NP	1 22-24-27 Sed
		C 206086	Moulding & W/strip assy-RH-qr window ††		Lac	1 22-24-27 Sed
		C 206087	Moulding & W/strip assy-LH-qr window ††		Lac	1 22-24-27 Sed
		C 147690	Moulding assy-RH-qr window		Satin NP	1 11 ClubCpe
		C 147691	Moulding assy-LH-qr window		Satin NP	1 11 ClubCpc
		C 147690	Moulding assy-RH-qr window		Satin NP	1 12-14 ClubCpe to Car 60464
		C 147691	Moulding assy-LH-qr window		Satin NP	1 12-14 ClubCpe to Car 60464
		C 147692	Moulding assy-RH-qr window		Bright NP	1 12-14 ClubCpe after Car 60464
		C 147693	Moulding assy-LH-qr window		Bright NP	1 12-14 ClubCpe after Car 60464
		C 204740	Moulding & W/strip assy-RH-qr window		Grained	1 21 ClubCpe
		C 204741	Moulding & W/strip assy-LH-qr window		Grained	1 21 ClubCpc
		C 204742	Moulding & W/strip assy-RH-qr window		Painted	1 21 ClubCpe
		C 204743	Moulding & W/strip assy-LH-qr window		Painted	1 21 ClubCpe
		C 204744	Moulding & W/strip assy-RH-qr window †		NP	1 22-24-25 ClubCpe
		C 204745	Moulding & W/strip assy-LH-qr window †		NP	1 22-24-25 ClubCpe
		C 206088	Moulding & W/strip assy-RH-qr window ††		Lac	1 22-24-25 ClubCpe
		C 206089	Moulding & W/strip assy-LH-qr window ††		Lac	1 22-24-25 ClubCpe
		BO 170255	Screw-quarter window finish moulding	#8 x 7/8	AR	1940-1941 All exc Del-Station
		BO 170239	Screw-quarter window finish moulding	#8 x 3/8"	AR	All exc Del-Station
		BO 70701	Washer-quarter window finish moulding screw		AR	1940 All
	PP1-			OUTSIDE MOULDINGS-FRONT END		
				NOTE: Parts marked † discontinued in production Jan. 15, 1942. Parts marked †† used after Jan. 15, 1942, starting car No. 37067. Set introduction.		
			BO 141696	Moulding-RH-front end panel belt		1 40
			BO 141697	Moulding-LH-front end panel belt		1 40
			BO 141698	Moulding-RH-upper-front end panel belt		1 41,43,44,45,47,48
			BO 141699	Moulding-LH-upper-front end panel belt		1 41,43,44,45,47,48
			BO 141700	Moulding-RH-lower-front end panel belt		1 41,43,44,45,47,48
			BO 141701	Moulding-LH-lower-front end panel belt		1 41,43,44,45,47,48

Group & Illus. No.	Plate No.	Part No.	NAME	Per Car	Models
OUTSIDE MOULDINGS-FRONT END (CONT'D.)					
PP1-					
1	31	BO 148200	Moulding-RH-front end panel bell	SS	1 10 exc Del
1	31	BO 148201	Moulding-LH-front end panel belt	SS	1 10 exc Del
1	31	BO 201100	Moulding-RH-front end panel belt	Chrome	1 10 exc Del
1	31	BO 201101	Moulding-LH-front end panel belt	Chrome	1 10 exc Del
1	31	BO 148202	Moulding-RH-front end panel belt		1 11,12,14,15,17,18
1	31	BO 148203	Moulding-LH-front end panel belt		1 11,12,14,15,17,18
1	49	BO 148200	Moulding-RH-front end panel belt †	Chrome	1 20
1	49	BO 148201	Moulding-LH-front end panel belt †	Chrome	1 20
1	49	BO 205688	Moulding-RH-front end panel belt ††	Painted	1 20
1	49	BO 205689	Moulding-LH-front end panel belt ††	Painted	1 20
1	49	BO 148202	Moulding-RH-front end panel belt †	Chrome	1 21,22,24,25,27,28
1	49	BO 148203	Moulding-LH-front end panel belt †	Chrome	1 21,22,24,25,27,28
1	49	BO 205690	Moulding-RH-front end panel belt ††	Painted	1 21,22,24,25,27,28
1	49	BO 205691	Moulding-LH-front end panel belt ††	Painted	1 21,22,24,25,27,28
		BO 148216	Retainer-front end panel belt moulding		2 10 exc Del,20
		BO 148347	Retainer-front end panel belt moulding		2 1941-1942 exc 10-20
		BO 141694	Clip-front end panel belt moulding		4 40
		BD 141717	Clip-front end panel belt moulding		12 41,43,44,45,47,48
		BO 170538	Screw-front end panel belt moulding retainer	#10 x 1/8"	4 1941-1942 exc Del
2	49	DO 205230	Moulding-RH-front end panel aux belt †	Chrome	1 22,24,25,27
2	49	BO 205231	Moulding-LH-front end panel aux belt †	Chrome	1 22,24,25,27
2	49	BO 205750	Moulding-RH-front end panel aux belt ††	Painted	1 22,24,25,27
2	49	BO 205751	Moulding-LH-front end panel aux belt ††	Painted	1 22,24,25,27
		BO 205300	Retainer-front end panel aux belt moulding		6 22,24,25,27
		BO 170694	Screw-front end panel aux belt moulding retainer		6 22,24,25,27
3	49	BO 205256	Moulding-RH-cowl panel lower †	Chrome	1 20 exc Cab-CabPu
3	49	BO 205257	Moulding-LH-cowl panel lower ††	Chrome	1 20 exc Cab-CabPu
3	49	BO 205686	Moulding-RH-cowl panel lower ††	Painted	1 20 exc Cab-CabPu
3	49	BO 205687	Moulding-LH-cowl panel lower ††	Painted	1 20 exc Cab-CabPu
3	49	BO 205254	Moulding-RH-cowl panel lower †	Chrome	1 21 exc Station,22,24,25,27
3	49	BO 205255	Moulding-LH-cowl panel lower †	Chrome	1 21 exc Station,22,24,25,27
3	49	BO 205684	Moulding-RH-cowl panel lower ††	Painted	1 21 exc Station,22,24,25,27
3	49	BO 205685	Moulding-LH-cowl panel lower ††	Painted	2 21 exc Station,22,24,25,27
		BO 205249	Retainer-cowl panel lower moulding		2 21 exc Station,22,24,25,27
		BO 170538	Screw-cowl panel lower moulding retainer	#10 x 1/8"	2 21 exc Station,22,24,25,27
		BO 170692	Clip-cowl panel lower moulding		20 exc Cab-CabPu
OUTSIDE MOULDINGS-QUARTER PANEL					
NOTE: Parts marked † discontinued in product ion Jan. 15, 1942. Parts marked †† used after Jan. 15, 1942, start ing car No. 37067. See introduction.					
1	49	C 141702	Moulding-quarter panel belt		2 40 2Sed,40C UCo
1	49	C 141706	Moulding-upper-quarter panel belt		2 41 44-45 2Sed
1	49	C 141707	Moulding-lower-quarter panel belt		2 41-44-45 2Sed
1	49	C 148204	Moulding-RH-quarter panel belt	To car 63678 and	1 10 2Sed,10C UCo
1	49	C 148205	Moulding-LH-quarter panel belt	after car 65549	1 10 2Sed,10C UCo
1	49	C 201102	Moulding-RH-quarter panel belt	From car 63678	1 10 2Sed,10C UCo
1	49	C 201103	Moulding-LH-quarter panel belt	to car 65549	1 10 2Sed,10C UCo
1	49	C 148210	Moulding-RH-quarter panel belt		1 11-12-14 2Sed
1	49	C 148211	Moulding-LH-quarter panel belt		1 11-12-14 2Sed
1	49	C 148204	Moulding-RH-quarter panel belt †	Chrome	1 20 2Sed-UCo
1	49	C 148205	Moulding-LH-quarter panel belt †	Chrome	1 20 2Sed-UCo
1	49	C 205694	Moulding-RH-quarter panel belt ††	Painted	1 20 2Sed-UCo
1	49	C 205695	Moulding-LH-quarter panel belt ††	Painted	1 20 2Sed-UCo
1	49	C 148210	Moulding-RH-quarter panel belt †	Chrome	1 21-22-24 2Sed
		C 148211	Moulding-LH-quarter panel belt †	Chrome	1 21-22-24 2Sed
		C 205698	Moulding-RH-quarter panel belt ††	Painted	1 21-22-24 2Sed
		C 205699	Moulding-LH-quarter panel belt ††	Painted	1 21-22-24 2Sed
		C 141703	Moulding-quarter panel belt		2 40 Sed
		C 141708	Moulding-upper-quarter panel belt		2 41-43-44-45-47-48P Sed,
1	49	C 141709	Moulding-lower-quarter panel belt		1 48P CA
1	49	C 141709	Moulding-lower-quarter panel belt		1 41 43 44-45-47-4T? Sed,
1	49	C 148206	Moulding-RH-quarter panel belt	To car 63678 and	1 10 Sed
1	49	C 148207	Moulding-LH-quarter panel belt	after car 65549	1 10 Sed
1	49	C 201104	Moulding-RH-quarter panel belt	From car 63678	1 10 Sed
1	49	C 201105	Moulding-LH-quarter panel belt	to car 65549	1 10 Sed
		C 148212	Moulding-RH-quarter panel belt		11-12-14-17-18P Sed,18P CA
		C 148213	Moulding-LH-quarter panel belt		11-12-14-17-18P Sed,18P CA
		C 148206	Moulding-RH-quarter panel belt †	Chrome	20 Sed



Outside Mouldings



Victoria Coupe Trim

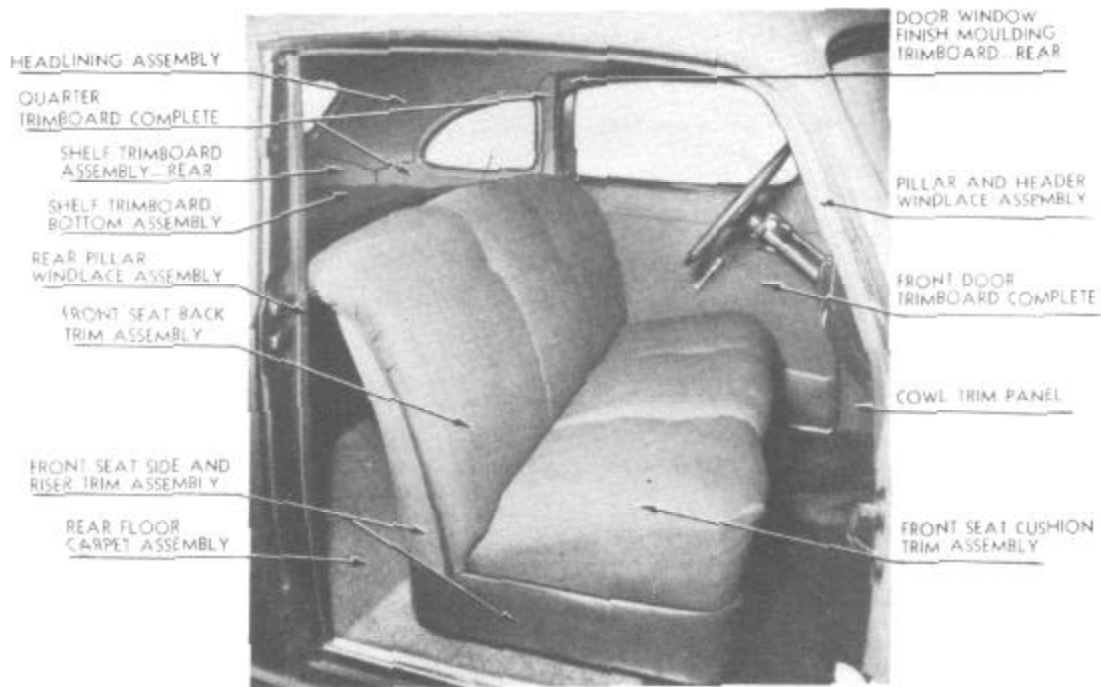
Group & Illus. No.	Plate No.	Part No.	NAME	Per Car	Models
OUTSIDE MOULDINGS-QUARTER PANEL (CONT'D.)					
1	49	C 148207	Moulding-LH-quarter panel belt †	Chrome	1 20 Sed
1	49	C 205696	Moulding-RH-quarter panel belt ††	Painted	1 20 Sed
1	49	C 205697	Moulding-LH-quarter panel belt ††	Painted	1 20 Sed
1	49	C 148212	Moulding-RH-quarter panel belt †	Chrome	1 21-22-24-27 Sed
1	49	C 148213	Moulding-LH-quarter panel belt †	Chrome	1 21-22-24-27 Sed
1	49	C 205700	Moulding-RH-quarter panel belt ††	Painted	1 21-22-24-27 Sed
1	49	C 205701	Moulding-LH-quarter panel belt ††	Painted	1 21-22-24-27 Sed
		C 141704	Moulding-RH-quarter panel belt		1 40 3Cpe-VicCpe,40C UCpe
		C 141705	Moulding-LH-quarter panel belt		1 40 3Cpe-VicCpe,40C UCpe
		BO 141710	Moulding-RH-upper-quarter panel belt		1 41-44 3Cpe-VicCpe
		BO 141712	Moulding-RH-lower-quarter panel belt		1 41-44 3Cpe-VicCpe
		BO 141711	Moulding-LH-upper-quarter panel belt		1 41-44 3Cpe-VicCpe
		BO 141713	Moulding-LH-lower-quarter panel belt		1 41-44 3Cpe-VicCpe
1	49	C 148208	Moulding-RH-quarter panel belt	SS	1 10 3Cpe-ClubCpe,10C UCpe
1	49	C 148209	Moulding-LH-quarter panel belt	SS	1 10 3Cpe-ClubCpe,10C UCpe
1	49	C 201106	Moulding-RH-quarter panel belt	Chrome	1 10 3Cpe-ClubCpe,10C UCpe
1	49	C 201107	Moulding-LH-quarter panel belt	Chrome	1 10 3Cpe-ClubCpe,10C UCpe
1	49	C 148214	Moulding-RH-quarter panel belt		1 11-12-14-15 3Cpe-ClubCpe
1	49	C 148215	Moulding-LH-quarter panel belt		1 11-12-14-15 3Cpe-ClubCpe
1	49	C 148208	Moulding-RH-quarter panel belt †	Chrome	1 20 3Cpe-ClubCpe-UCpe
1	49	C 148209	Moulding-LH-quarter panel belt †	Chrome	1 20 3Cpe-ClubCpe-UCpe
1	49	C 205702	Moulding-RH-quarter panel belt ††	Painted	1 20 3Cpe-ClubCpe-UCpe
1	49	C 205703	Moulding-LH-quarter panel belt ††	Painted	1 20 3Cpe-ClubCpe-UCpe
1	49	C 148214	Moulding-RH-quarter panel belt †	Chrome	1 21-22-24 3Cpe-ClubCpe, 25 ClubCpe
1	49	C 148215	Moulding-LH-quarter panel belt †	Chrome	11 21-22-24 3Cpe-ClubCpe, 25 ClubCpe
1	49	C 205704	Moulding-RH-quarter panel belt ††	Painted	1 21-22-24 3Cpe-ClubCpe, 25 ClubCpe
1	49	C 205705	Moulding-LH-quarter panel belt ††	Painted	1 21-22-24 3Cpe-ClubCpe, 25 ClubCpe
		BO 141714	Moulding-quarter panel belt		2 40 CvCpe-CvSed
		BO 141715	Moulding-upper-quarter panel belt		2 41-44 CvCpe-CvSed
		BO 141716	Moulding-lower-quarter panel belt		2 41-44 CvCpe-CvSed
		BO 148248	Moulding-RH-quarter panel belt	SS	1 10 CvSed
		BO 148249	Moulding-LH-quarter panel belt	SS	1 10 CvSed
		BO 201108	Moulding-RH-quarter panel belt	Chrome	1 10 CvSed
		BO 201109	Moulding-LH-quarter panel belt	Chrome	1 10 CvSed
		BO 148258	Moulding-RH-quarter panel belt		1 11-12-14 CvSed
		BO 148259	Moulding-LH-quarter panel belt		1 11-12-14 CvSed
		80 148248	Moulding-RH-quarter panel belt	Chrome	1 20 CvSed
		BO 148249	Moulding-LH-quarter panel belt	Chrome	1 20 CvSed
		BO 148258	Moulding-RH-quarter panel belt	Chrome	1 21-22-24 CvSed
		BO 148259	Moulding-LH-quarter panel belt	Chrome	1 21-22-24 CvSed
		BO 148217	Retainer-quarter panel belt moulding		AR 10 axe Cab-CabPu-Del-Station
		BO 148238	Retainer-quarter panel belt moulding		AR 11,12,14,15,17,18P
		BO 148216	Retainer-quarter panel belt moulding		AR 20 exc Cab-CabPu
		BO 148347	Retainer-quarter panel belt moulding		AR 21 exc Station, 22,24,25,27
		BO 170538	Screw-quarter panel belt moulding retainer	#10 x 3/8"	AR 1941-1942 exc Cab-CabPu-Del-Station
		BO 141694	Clip-quarter panel belt moulding		AR 40 exc Cab-CabPu-Panel
		BO 141717	Clip-quarter panel belt moulding		AR 41,43,44,45,47,48P
		BO 133694	Bolt-quarter panel belt moulding		2 40 2Sed-Sed,40C UCco
		BO 170401	Bolt-quarter panel belt moulding	6-32 x 5/16"	4 41-44-45 2Sed-Sed,43,47,48P
		BO 170417	Bolt-quarter panel belt moulding	10-32 x 5/8"	4 41-44 3Cpe-VicCpe
		BO 148223	Bolt-quarter panel belt moulding	10-32 x 9/16"	2 11-12-14 exc CvSed,15, 17,18P
		BO 148222	Bolt-quarter panel belt moulding	10-32 x 9/16"	2 10 exc CvSed-Del
		BO 200177	Bolt-quarter panel belt moulding	10-32 x 9/16"	2 11-12-14 CvSed
		BO 200176	Bolt-quarter panel belt moulding	10-32 x 9/16"	2 10 CvSed
		BO 200177	Bolt-quarter panel belt moulding	10-32 x 9/16"	2 21 exc Station,22,24,25,27
		BO 200176	Bolt-quarter panel belt moulding	10-32 x 9/16"	2 20 exc Cab-CabPu
		BO 71073	Nut-quarter panel belt moulding bolt	10-32 x 1/8"	2 40 exc Cab-CabPu-Panel
		BO 71152	Nut-quarter panel belt moulding bolt	6-32 x 7/64"	4 41,43,44,45,47,48P
		BO 71073	Nut-quarter panel belt moulding bolt	10-32 x 1/8"	2 1941-1942 exc Cab-CabPu-Del
2	49	C 205238	Moulding-RH-quarter panel aux belt †	Chrome	1 22-24 2Sed
2	49	C 205239	Moulding-LH-quarter panel aux belt †	Chrome	1 22-24 2Sed
2	49	C 205754	Moulding-RH-quarter panel aux belt ††	Painted	1 22-24 2Sed
2	49	C 205755	Moulding-LH-quarter panel aux belt ††	Painted	1 22-24 2Sed

Group & Illus. No.	Plate No.	Part No.	NAME	Per Car	Models
PP2-			OUTSIDE MOULDINGS-QUARTER PANEL (CONT'D.)		
2	49	C 205240	Moulding-RH-quarter panel aux belt †	Chrome	1 22-24-27 Sed
2	49	C 205241	Moulding-LH-quarter panel aux belt †	Chrome	1 22-24-27 Sed
2	49	C 205756	Moulding-RH-quarter panel aux belt ††	Painted	1 22-24-27 Sed
2	49	C 205757	Moulding-LH-quarter panel aux belt ††	Painted	1 22-24-27 Sed
2	49	C 205242	Moulding-RH-quarter panel aux belt †	Chrome	1 22-24 3Cpe-ClubCpe, 25 ClubCpe
2	49	C 205243	Moulding-LH-quarter panel aux belt †	Chrome	1 22-24 3Cpe-ClubCpe, 25 ClubCpe
2	49	C 205758	Moulding-RH-quarter panel aux belt ††	Painted	1 22-24 3Cpe-ClubCpe, 25 ClubCpe
2	49	C 205759	Moulding-LH-quarter panel aux belt ††	Painted	1 22-24 3Cpe-ClubCpe, 25 ClubCpe
		BO 205244	Moulding-RH-quarter panel aux belt	Chrome	1 22-24 CvSed
		BO 205245	Moulding-LH-quarter panel aux belt	Chrome	1 22-24 CvSed'
		BO 205247	Cover-quarter panel aux belt moulding joint †	Chrome	1 22,24,25,27
		BO 205739	Cover-quarter panel aux belt moulding joint ††	Painted	1 22,24,25,27
		BO 205300	Retainer-quarter panel aux belt moulding	AR	2 22,24,25,27
		BO 205301	Retainer-rear-quarter panel aux belt moulding	AR	2 22-24 CvSed
		BO 170694	Screw-quarter panel aux bell moulding retainer	AR	2 22,24,25,27
		BO 203364	Bolt-quarter panel aux belt moulding	AR	2 22,24,25,27
		BO 71073	Nut-quarter panel aux belt moulding bolt	AR	2 22,24,25,27
		BO 134967	Seal washer-quarter panel aux belt moulding bolt	AR	2 22,24,25,27
		BO 202253	Moulding-lower-quarter panel †	Chrome	2 1942 All exc Sed-Cab-CabPu-Station
		BO 205710	Moulding-lower-quarter panel ††	Painted	2 1942 All exc Sed-Cab-CabPu-Station
		BO 205248	Retainer-lower-quarter panel moulding		4 1942 All exc Sed-Cab-CabPu-Station
3	49	BO 170538	Screw-lower-quarter panel moulding retainer	#10 x 3/8"	8 1942 All exc Sed-Cab-CabPu-Station
3	49	BO 205256	Filler-RH-quarter panel lower moulding		1 1942 All exc Cab-CabPu-Station
		BO 205257	Filler-LH-quarter panel lower moulding		1 1942 All exc Cab-CabPu-Station
		BO 170692	Clip-quarter panel lower moulding filler		2 1942 All exc Cab-CabPu-Station
PP3-			DOOR OUTSIDE MOULDINGS		
			NOTE: Parts marked † discontinued in production Jan. 15, 1942. Parts marked †† used after Jan. 15, 1942, starting car No. 37067. See introduction.		
		C 141680	Moulding-RH-front door belt		1 40 exc Sed-Cab-CabPu-Panel
		C 141681	Moulding-LH-front door belt		1 40 exc Sed-Cab-CabPu-Panel
		C 141682	Moulding-RH-front door belt		1 40 Sed,40C Cab-CabPu-Panel
		C 141683	Moulding-LH-front door belt		1 40 Sed,40C Cab-CabPu-Panel
		C 141684	Moulding-RH-upper-front door		1 41-44-45 exc Sed,43,47,48P
		C 141685	Moulding-LH-upper-front door		1 41-44-45 exc Sed,43,47,48P
		C 141686	Moulding-RH-lower-front door		1 41-44-45 exc Sed,43,47,48P
		C 141687	Moulding-LH-lower-front door		1 41-44-45 exc Sed,43,47,38P
		C 141688	Moulding-RH-upper-front door		1 41-44-45 Sed,48C Cab-CabPu-Panel
		C 141689	Moulding-LH-upper-front door		1 41-44-45 Sed,48C Cab-CabPu-Panel
		C 141690	Moulding-RH-lower-front door		1 41-44-45 Sed,48C Cab-CabPu-Panel
		C 141691	Moulding-LH-lower-front door		1 41-44-45 Sed,48C Cab-CabPu-Panel
1	49	C 148224	Moulding-RH-front door belt	SS	1 10 exc Sed-Cab-CabPu-Del
1	49	C 148225	Moulding-LH-front door belt	SS	1 10 exc Sed-Cab-CabPu-Del
1	49	C 201110	Moulding-RH-front door belt	Chrome	1 10 exc Sed-Cab-CabPu-Del
1	49	C 201111	Moulding-LH-front door belt	Chrome	1 10 exc Sed-Cab-CabPu-Del
1	49	C 148226	Moulding-RH-front door belt		1 11-12-14 exc Sed-Station, 15,17,18P
1	49	C 148227	Moulding-LH-front door belt	SS	1 11-12-14 exc Sed-Station, 15,17,18P
1	49	C 148228	Moulding-RH-front door belt	Chrome	1 10 Sed,10C Cab-CabPu
1	49	C 148229	Moulding-LH-front door belt	Chrome	1 10 Sed,10C Cab-CabPu
1	49	C 201112	Moulding-RH-front door belt		1 10 Sed,10C Cab-CabPu
1	49	C 201113	Moulding-LH-front door belt		1 10 Sed,10C Cab-CabPu
1	49	C 148230	Moulding-RH-front door belt		1 11-12-14 Sed,18C Cab-CabPu
1	49	C 148231	Moulding-LH-front & or belt		1 11-12-14 Sed,18C Cab-CabPu

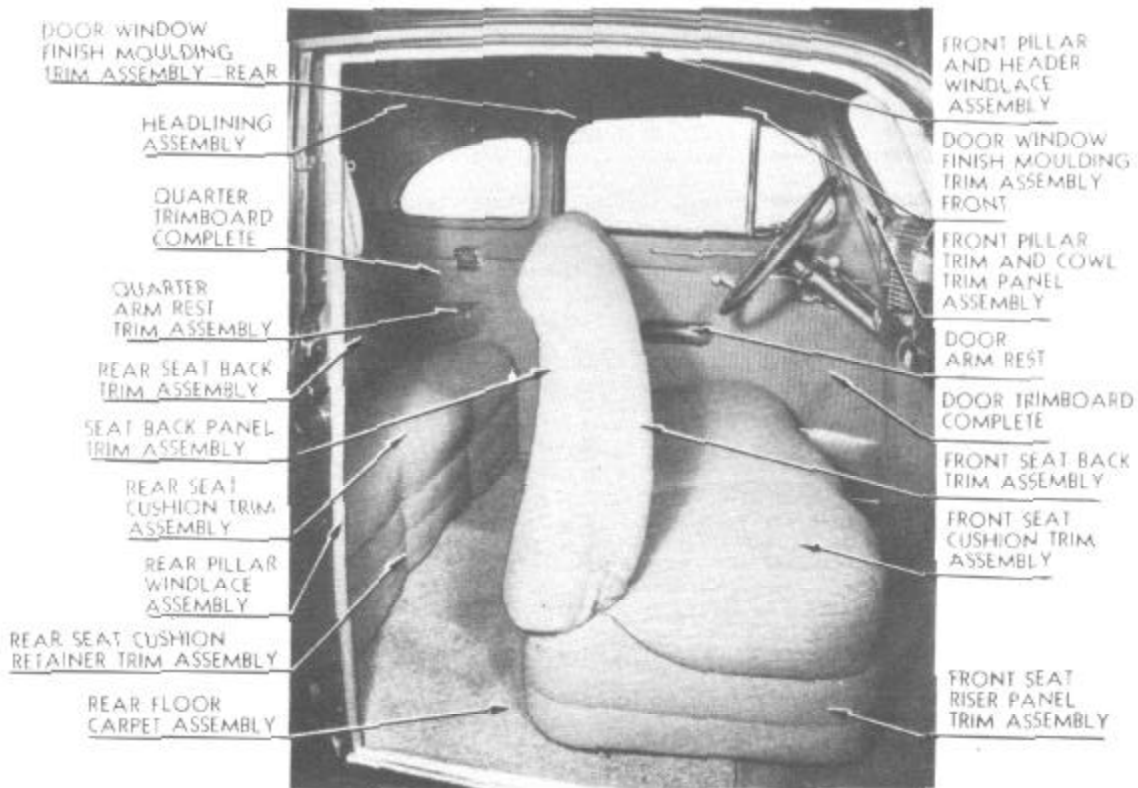
Group & Illus. No.	Plate No.	Part No.	NAME	Per Car	Models
PP3-			DOOR OUTSIDE MOULDINGS (CONT'D.)		
1	49	C 148224	Moulding-RH-front door belt †	Chrome	1 20 exc Sed-Cab-CabPu
1	49	C 148225	Moulding-LH-front door belt †	Chrome	1 20 exc Sed-Cab-CabPu
1	49	C 205724	Moulding-RH-front door belt ††	Painted	1 20 exc Sed-Cab-CabPu
1	49	C 205725	Moulding-LH-front door belt ††	Painted	1 20 exc Sed-Cab-CabPu
1	49	C 148226	Moulding-RH-front door belt †	Chrome	1 21-22-24 exc Sed,25,27
1	49	C 148227	Moulding-LP-front door belt †	Chrome	1 21-22-24 exc Sed,25,27
1	49	C 205730	Moulding-RH-front door belt ††	Painted	1 21-22-24 exc Sed,25,27
1	49	C 205731	Moulding-LH-front door belt ††	Painted	1 21-22-24 exc Sed,25,27
1	49	C 148228	Mouleing-RH-front door belt †	Chrome	1 20 Sed,20C Cab-CabPu
1	49	C 148229	Moulding-LH-front door belt †	Chrome	1 20 Sed,20C Cab-CabPu
1	49	C 205726	Moulding-RH-front door belt †	Painted	1 20 Sed,20C Cab-CabPu
1	49	C 205727	Moulding-LH-front door belt ††	Painted	1 20 Sed,20C Cab-CabPu
1	49	C 148230	Moulding-RH-front door belt †	Chrome	1 21-22-24 Sed,28C Cab-CabPu
1	49	C 148231	Moulding-LH-front door belt. †	Chrome	1 21-22-24 Sed,28C Cab-CabPu
1	49	C 205732	Moulding-RH-front door belt ††	Painted	1 21-22-24 Sed,28C Cab-CabPu
1	49	CC 205733	Moulding-LH-front door belt ††	Painted	1 21-22-24 Sed,28C Cab-CabPu
		C 141692	Moulding-rear door belt		2 40 Sed
		C 141693	Moulding-rear door belt		2 41-44-45-47-48P Sed, 48P CA
				SS	
2	49	C 148322	Moulding-RH-rear door belt	SS	1 10 Sed
2	49	C 148323	Moulding-LH-rear door belt	Chrome	1 10 Sed
2	49	C 201114	Moulding-RH-rear door belt	Chrome	1 10 Sed
2	49	C 201115	Moulding-LH-rear door belt		1 10 Sed
2	49	C 148234	Moulding-RH-rear door belt		1 11-12-14-17-18P Sed, 18P CA
2	49	C 148235	Moulding-LH-rear door belt		1 11-12-14-17-18P Sed, 18P CA
2	49	C 204372	Moulding-RH-rear door belt †	Chrome	1 20 Sed
2	49	C 204373	Moulding-LH-rear door belt †	Chrome	1 20 Sed
2	49	C 205728	Moulding-RH-rear door belt ††	Painted	1 20 Sed
2	49	C 205729	Moulding-LH-rear door belt ††	Painted	1 20 Sed
2	49	C 204374	Moulding-RH-rear door belt †	Chrome	1 21-22-24-27 Sed
2	49	C 204375	Moulding-LH-rear door belt †	Chrome	1 21-22-24-27 Sed
2	49	C 205734	Moulding-RH-rear door belt ††	Painted	1 21-22-24-27 Sed
2	49	C 205735	Moulding-LH-rear door belt ††	Painted	1 21-22-24-27 Sed
		BO 148217	Retainer-door panel belt moulding	AR	10 exc Del
		BO 148238	Retainer-door panel belt moulding	AR	11,12,14,15,17,18
		BO 148216	Retainer-door panel belt moulding	AR	20
		BO 148347	Retainer-door panel belt moulding	AR	21,22,24,25,27,28
		BO 170538	Screw-door panel belt moulding retainer	AR	1941-1942 All exc Del
		BO 141694	Clip-door panel belt moulding	AR	40
		BO 141717	Clip-door panel belt moulding	AR	41,43,44,45,47,48
		C 205232	Moulding-RH-front door aux belt †	Chrome	1 22 24 exc Sed,25,27
		C 205233	Moulding-LH-front door aux belt †	Chrome	1 22-24 exc Sed,25,27
		C 205768	Moulding-RH-front door aux belt ††	Painted	1 22-24 exc Sed,25,27
		C 205769	Moulding-LH-front door aux belt ††	Painted	1 22-24 exc Sed,25,27
		C 205234	Moulding-RH-front door aux belt †	Chrome	1 22-24 Sed
		C 205235	Moulding-LH-front door aux belt †	Chrome	1 22-24 Sed
		C 205770	Moulding-RH-front door aux belt ††	Painted	1 22-24 Sed
		C 205771	Moulding-LH-front door aux belt ††	Painted	1 22-24 Sed
		C 205236	Moulding-rear door aux belt †	Chrome	2 22-24-25-27 Sed
		C 205772	Moulding-rear door aux belt ††	Painted	2 22-24-25-27 Sed
		BO 205300	Retainer-door aux belt moulding	AR	22,24,25,27
		BO 170694	Screw-door aux belt moulding retainer #6 x 1/4,1	#6 x 1/4"	AR 22,24,25,27
3	49	C 205250	Moulding-lower-front door †	Chrome	2 20-21-22-24 exc Sed-Cab-CabPu-Sta,25,27
3	49	C 205736	Moulding-lower-front door ††	Painted	2 20-21-22-24 exc Sed-Cab-CabPu-Sta,25,27
3	49	C 205251	Moulding-lower-front door †	Chrome	2 20-21-22-24 Sed
3	49	C 205737	Moulding-lower-front door ††	Painted	2 20-21-22-24 Sed
4	49	C 205252	Moulding-lower-rear door †	Chrome	2 20-21-22-24-27 Sed
4	49	C 205738	Moulding-lower-rear door ††	Painted	2 20-21-22-24-27 Sed
		BO 205248	Retainer-door lower moulding	AR	All exc Cab-CabPu-Station
		BO 170538	Screw-door lower moulding retainer #10 x 3/8"	#10 x 3/8"	AR All exc Cab-CabPu-Station

Group & Illus. No.	Plate No.	Part No.	NAME	Per Car	Models
PP4-			WINDOW REVEAL MOULDINGS		
			NOTE: Parts marked t discontinued in product ion Jan. 15, 1942. Parts marked tt used after Jan. 15, 1942, starting car No. 37067. See Introduction.		
			Door and quarter window reveal mouldings on standard on 12-14-15-17-22-24-25-27: optional on 10-11-18-20-21-28.		
		C 142030	Moulding-RH-windshield reveal	1	1940-1941 exc CvSed-40T-40C-48-10T-10C-18
		C 142031	Moulding-LH-windshield reveal	1	1940-1941 exc CvSed-40T-40C-48-10T-10C-18
		C 142048	Moulding-RH-windshield reveal	1	1940 CvCpe-CvSed,1941 CvSed
		C 142049	Moulding-LH-windshield reveal	1	1940 CvCpe-CvSed,1941 CvSed
		C 142030	Moulding-RH-windshield reveal †	1	1942 exc CvSed-20T-20C-28C
		C 142031	Moulding-LH-windshield reveal †	1	1942 exc CvSed-20T-20C-28C
		C 205716	Moulding-RH-windshield reveal ††	1	1942 exc CvSed-20T-20C-28C
		C 205717	Moulding-LH-windshield reveal ††	1	1942 exc CvSed-20T-20C-28C
		C 142048	Moulding-RH-windshield reveal †	1	1942 CvSed
		C 142049	Moulding-LH-windshield reveal †	1	1942 CvSed
		C 205996	Moulding-RH-windshield reveal ††	1	1942 CvSed
		C 205997	Moulding-LH-windshield reveal ††	1	1942 CvSed
		C 147710	Moulding-RH-front door window reveal †	1	12-14-22-24 2Sed,17,27
		C 147711	Moulding-LH-front door window reveal †	1	12-14-22-24 2Sed,17,27
		C 205774	Moulding-RH-front door window reveal ††	1	22-24 2Sed,27
		C 205775	Moulding-LH-front door window reveal ††	1	22-24 2Sed,27
		C 147712	Moulding-RH-front door window reveal †	1	12-14-22-24 Sed
		C 147713	Moulding-LH-front door window reveal †	1	12-14-22-24 Sed
		C 205776	Moulding-RH-front door window reveal ††	1	22-24 Sed
		C 205777	Moulding-LH-front door window reveal ††	1	22-24.Sed
		C 147720	Moulding-RH-front door window reveal †	1	12-14-15-22-24 3Cpe-ClubCpe, 25
		C 147721	Moulding-LH-front door window reveal †	1	12-14-15-22-24 3Cpe-ClubCpe, 25
		C 205778	Moulding-RH-front door window reveal ††	1	22-24 3Cpe-ClubCpe,25
		C 205779	Moulding-LH-front door window reveal ††	1	22-24 3Cpe-ClubCpe,25
		C 147714	Moulding-RH-rear door window reveal †	1	12-14-17-22-24-27 Sed
		C 147715	Moulding-LH-rear door window reveal †	1	12-14-17-22-24-27 Sed
		C 205780	Moulding-RH-rear door window reveal ††	1	22-24-27 Sed
		C 205781	Moulding-LH-rear door window reveal ††	1	22-24-27 Sed
		C 147718	Moulding-RH-quarter window reveal †	1	12-14-22-24 2Sed
		C 147719	Moulding-LH-quarter window reveal †	1 -	12-14-22-24 2Sed
		C 205782	Moulding-RH-quarter window reveal ††	1	22-24 2Sed
		C 205783	Moulding-LH-quarter window reveal ††	1	22-24 2Sed
		C 147722	Moulding-RH-quarter window reveal †	1	12-14-15-22-24 3Cpe-ClubCpe, 25
		C 147723	Moulding-LH-quarter window reveal †	1	12-14-15-22-24 3Cpe-ClubCpe, 25
		C 205786	Moulding-RH-quarter window reveal ††	1	22-24 3Cpe-ClubCpe,25
		C 205787	Moulding-LH-quarter window reveal ††	1	22-24 3Cpe-ClubCpe,25
		C 147716	Moulding-RH-quarter window reveal †	1	12-14-17-22-24-27 Sed
		C 147717	Moulding-LH-quarter window reveal †	1	12-14-17-22-24-27 Sed
		C 205784	Moulding-RH-quarter window reveal ††	1	22-24-27 Sed
		C 205785	Moulding-LH-quarter window reveal ††	1	22-24-27 Sed
		C 141212	Moulding-RH-rear window reveal	1	1940 2Sed-Sed exc 40T
		C 141213	Moulding-LH-rear window reveal	1	1940 2Sed-Sed exc 40T
		C 148620	Moulding-RH-rear window reveal †	1	1941-1942 2Sed-Sed-3Cpe-ClubCpe exc 10T-20T
		C 148621	Moulding-LH-rear window reveal †	1	1941-1942 2Sed-Sed-3Cpe-ClubCpe-exc 10T-20T
		C 205718	Moulding-RH-rear window reveal ††	1	1942-2Sed-Sed-3Cpe-ClubCpe exc 20T
		C 205719	Moulding-LH-rear window reveal ††	1	1942 2Sed-Sed-3Cpe-ClubCpe exc 20T
		BO 142296	Cover-rear window reveal moulding joint	2	1940 2Sed-Sed exc 40T
		BO 148622	Cover-rear window reveal moulding joint †	2	1941-1942 2Sed-Sed-3Cpe-ClubCpe
		BO 205722	Cover-rear window reveal moulding joint ††	2	1942 2Sed-Sed-3Cpe-ClubCpe exc 20T
		BO 204736	Moulding-inner-rear window glass †	2	22-24 2Sed-Sed-3Cpe-ClubCpe, 25,27
		BO 204737	Moulding-outer-rear window glass †	2	22-24 2Sed-Sed-3Cpe-ClubCpe, 25,27

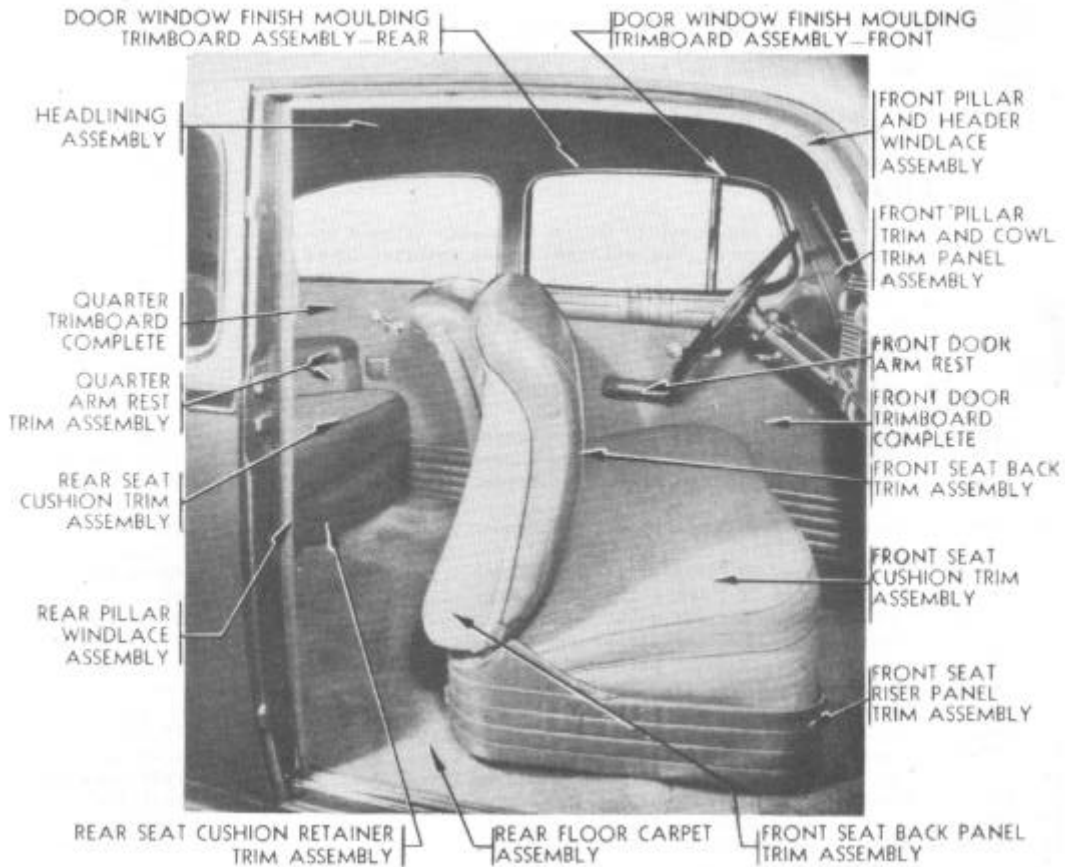
Group & Illus. No.	Plate No.	Part No.	NAME	Per Car	Models	
PP4-			WINDOW REVEAL MOULDINGS (CONT'D.)			
		BO 205721	Moulding-inner-rear window glass ††	Painted	2	22-24 2Sed-Sed-3Cpe-ClubCpe, 25,27
		BO 205720	Moulding-outer-rear window glass ††	Painted	2	22-24 2Sed-Sed-3Cpe-ClubCpe, 25,27
		BO 204738	Shim-rear window glass moulding		4	22-24 2Sed-Sed-3Cpe-ClubCpe, 25,27
		BO 134296	Clip-window-reveal moulding		AR	All
PP5-			UNDERBODY EXTENSION MOULDINGS			
			NOTE: Underbody extension trim mouldings are used on cars without running boards. Painted mouldings are standard on 10-11; stainless steel mouldings standard on 1940—12-14-15-17-18P, optional on 10-11. See Group R9 for 1942 Safety Step Mouldings.			
		C 140988	Moulding-underbody extension		2	40 exc Cab-CabPu-Panel
		C 140989	Moulding-underbody extension		2	41,44,45
		C 140991	Moulding-underbody extension		2	43,47,48P
		C 147050	Moulding-RH-underbody extension	Painted	1	10 exc Cab-CabPu-Del
		C 147051	Moulding-LH--underbody extension	Painted	1	10 exc Cab-CabPu-Del
		C 147058	Moulding-RH-underbody extension	Painted	1	11 exc Station
		C 147059	Moulding-LH-underbody extension	Painted	1	11 exc Station
		C 147060	Moulding-RH-underbody extension	SS	1	10 exc Cab-CabPu-Del
		C 147061	Moulding-LH-underbody extension	SS	1	10 exc Cab-CabPu-Del
		C 147052	Moulding-RH-underbody extension	SS	1	11 exc Station
		C 147053	Moulding-LH-underbody extension	SS	1	11 exc Station
		C 147052	Moulding-RH-underbody extension	SS	1	12,14 exc Station,15
		C 147053	Moulding-LH-underbody extension	SS	1	12,14 exc Station,15
		C 147054	Moulding-RH-underbody extension	SS	1	17,18P
		C 147055	Moulding-LH-underbody extension	SS	1	17,18P
		BO 140992	Bolt-underbody extension moulding		AR	1940 exc Cab-CabPu-Panel
		BO 71443	Nut-underbody extension moulding	1/4"-28 x 7/32"	AR	1940-1941 exc Cab-CabPu-Panel-Del
	QQ1-			BODY BOLTS		
		BO 71720	Bolt-body hold down	3/8"-24 x 1-1/8"	AR	1940 All
		BO 117359	Bolt-body hold down	Taper head 3/8"-24	AR	All exc Cab-CabPu-Panel-Del-Station
		BO 71722	Bolt-body hold down	Hex head 3/8"-24 x 1-1/2"	AR	All
		BX 1061	Bolt-body hold down	3/8"-24 x 1-1/8"	AR	All
		BO 170444	Bolt-body hold down	Self tapping 3/8" x 1-1/4"	2	1940 UCpe
		BO 71434	Bolt-body hold down	3/8"-24 x 2"	AR	1940 UCpe-CvCpe-Cab-CabPu, All CvSed
		BO 996	Bolt-body hold down	3/8"-16 x 3"	6	1940 Panel
		BO 170149	Bolt-body hold down	3/8"-16 x 5"	2	1940 Panel
		BO 170005	Bolt-body hold down	Self tapping 3/8" x 7/8"	AR	All
		BO 170024	Bolt-body hold down	Self tapping 7/16" x 7/8"	AR	All exc Del-Station
		BO 170505	Bolt-body hold down	8"	2	1941-1942 All
		BO 170627	Bolt-body hold down	3/8-16" x 1-1/4"	2	1941-1942 Station
		BO 170628	Bolt-body hold down	3/8"-24 x 3-1/2"	2	1941-1942 Station
		BX 12415	Nut-body hold down bolt	3/8"-24 x 4-1/2"	AR	All
		BO 71463	Nut-body hold down bolt	3/8"-24 x 21/64"	6	1940 Panel
		BO 117437	Retainer-body hold down bolt	1/4"-20 x 1/4"	AR	1940 All
QQ2-				BODY SHIMS AND SPACERS		
		BO 100788	Shim-body hold down bolt	1-1/2" square	AR	All
		BO 101798	Spacer-body hold down bolt		2	1940 CabPu,1941 Del
		BO 124258	Spacer-rear body pillar bracket body bolt	Thin	AR	CvCpe,CvSed
		BO 124259	Spacer-rear body pillar bracket body bolt	Thick	AR	CvCpe,CvSed
		BZ 3118	Clovis pin-rear body pillar bracket	3/8" x 1-1/8"	2	1941-1942 CvSed
		BO 100582	Washer-body hold down bolt	1-7/16" square x 1/8"	AR	1940 All,1941-1942 CvSed-Station
		BO 170175	Washer-body hold down bolt	3/8"	AR	1940 Panel
		BO 71356	Washer-body hold down bolt	15/32" x 1-1/4" x 1/8"	AR	All exc Cab-CabPu-Panel-Del-Station
		BO 71011	Washer-body hold down bolt	25/64" x 1-1/8" x 3/32"	AR	All
	BO 170284	Washer-body hold down bolt	25/64" x 1-1/8" x 1/8"	AR	1941-1942 exc Del	



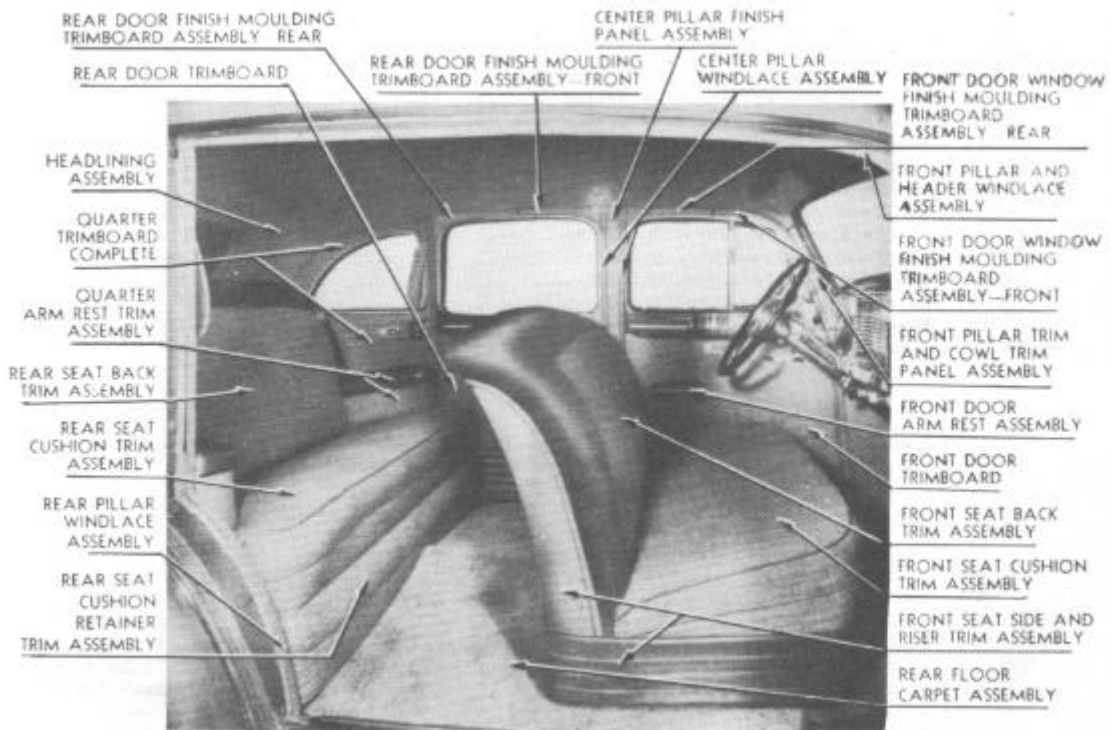
Three-Pass. Coupe Trim-Model 10T



Club Coupe Trim-Model 10P



Two-Door Sedan Trim-Model 12



Four-Door Sedan Trim-Model 14

Group & Illus. No.	Plate No.	Part No.	NAME	Per Car	Models	
TT4-			BODY UPHOLSTERY			
			For seat cushions and backs, see Section KK.			
			When ordering trim material or trimmed panels, give car serial number, type of body, and a complete description of the parts wanted. Also include a sample of material if possible.			
			In case it is not possible for us to supply trimmed assemblies as ordered, we will supply the material to be assembled locally.			
			BODY WINDLACES			
		C 127390	Windlace assy-RH-front pillar and header	1	1940 2Sed-UCo-3Cpe-VicCpe-Ucpe-	
		C 127391	Windlace assy-LH-front pillar and header	1	1940 2Sed-UCo-3Cpe-VicCpe-	
		C 149626	Windlace assy-RH-front pillar and header	1	UCpe	
				1	1941-1942 2Sed-UCo-3Cpe-ClubCpe-	
		C 149627	Windlace assy-LH-front pillar and header	1	UCpe	
				1	1941-1942 2Sed-UCo-3Cpe-ClubCpe-	
		C 127384	Windlace assy-RH-front pillar and header	1	UCpe	
		C 127385	Windlace assy-LH-front pillar and header	1	40-41-44-45 Sed	
		C 127386	Windlace assy-RH-front pillar and header	1	40-41-44-45 Sed	
		C 127387	Windlace assy-LH-front pillar and header	1	43-47-48P Sed,48P CA	
		C 149630	Windlace assy-RH-front pillar and header	1	43-47-48P Sed,48P CA	
		C 149631	Windlace assy-LH-front pillar and header	1	1941-1942 Sed exc 17-18P-27	
		C 149632	Windlace assy-RH-front pillar and header	1	1941-1942 Sed exc 17-18P-27	
		C 149633	Windlace assy-LH-front pillar and header	1	17-18P-27 Sed,18P CA	
		C 127448	Windlace assy-RH-front pillar and header	1	17-18P-27 Sed,18P CA	
		C 127449	Windlace assy-LH-front pillar and header	1	1940 Cab-CabPu-Panel	
		C 149628	Windlace assy-RH-front pillar and header	1	1940 Cab-CabPu-Panel	
		C 149629	Windlace assy-LH-front pillar and header	1	1941-1942 Cab-CabPu	
		C 202860	Windlace assy-RH-front pillar and header	1	1941-1942 Cab-CabPu	
		C 202861	Windlace assy-LH-front pillar and header	1	1941-1942 Station	
		C 124042	Windlace assy-RH-front pillar	1	1941-1942 Station	
		C 124043	Windlace assy-LH-front pillar	1	1940 CvCpe-CvSed	
		C 149624	Windlace assy-RH-front pillar	1	1940 CvCpe-CvSed	
		C 149625	Windlace assy-LH-front pillar	1	1941-1942 CvSed	
		C 143476	Windlace assy-center pillar	1	1941-1942 CvSed	
		C 202859	Windlace assy-center pillar	2	Sed,CA	
		C 143342	Windlace assy-RH-rear body pillar	4	1941-1942 Station	
		C 143343	Windlace assy-LH-rear body pillar	1	2Sed,UCo,Cab,CabPu,1940 Pane	
		C 122482	Windlace assy-RH-rear body pillar	1	2Sed,UCo,Cab,CabPu,1940 Pane	
		C 122483	Windlace assy-LH-rear body pillar	1	1940 Sed-CA	
		C 149636	Windlace assy-RH-rear body pillar	1	1940 Sed-CA	
		C 149637	Windlace assy-LH-rear body pillar	1	1941-1942 Sed-CA	
		C 143344	Windlace assy-RH-rear body pillar	1	1941-1942 Sed-CA	
		C 143345	Windlace assy-LH-rear body pillar	1	3Cpe,VicCpe,ClubCpe,UCpe	
		C 124039	Windlace assy-rear body pillar	1	3Cpe,VicCpe,ClubCpe,UCpe	
		C 202862	Windlace assy-rear body pillar	2	CvCpe,CvSed	
		BO 71514	Rivet-front pillar windlace to pillar	2	1941-1942 Station	
		BO 7762	Washer-front pillar windlace to pillar rivet	AR	All	
		BO 70733	Screw-center and rear pillar windlace to header	AR	All	
	TT5-			TRIM MOULDINGS AND ORNAMENTS	AR	All
				NOTE: Quarter trim panel mouldings used on 12-14 2Sed-ClubCoupe beginning with following car numbers: 2Sed tan cloth-maroon leather 48028-gray cloth and leather 49298-green cloth and leather 49265; Club Coupe cloth trim 45697- maroon-tan-gray leather 45740-green leather 45658.		
				Parts marked † discontinued in production Jan. 15, 1942. Parts marked †† used after Jan. 15, 1942, starting car No. 37067. See introduction.		
			BO 140997	Moulding-quarter arm rest-exc blue or green gray	2	43-47 Sed
			BO 140997	Moulding-quarter arm rest-blue or green gray	4	43-47 5Sed
			BO 144756	Moulding-center-quarter arm rest-blue or green gray	4	43-47 5Sed
			BO 148542	Moulding-quarter arm rest-exc mohair cloth	2	11-12-14 2Sed-Sed
			BO 148542	Moulding-quarter arm rest-leather trim	2	10 2Sed-Sed-UCo,17-18P 5Sed
			C 140972	Moulding-quarter trim panel Cloth trim	2	Cloth trim
			C 140975	Moulding-quarter trim panel Cloth trim	2	Cloth trim
			C 140974	Moulding-quarter trim panel Cloth trim	2	40P 2Sed
			C 140971	Moulding-quarter trim panel Leather trim	2	40P Sed
			C 140974	Moulding-quarter trim panel Leather trim	2	40P 3Cpe-VicCpe
			C 140974	Moulding-quarter trim panel Leather trim	2	40P CvSed

Group & Illus. No.	Plate No.	Part No.	NAME	Per Car	Models		
TRIM MOULDINGS AND ORNAMENTS (CONT'D.)							
TT5-		C 140972	Moulding-quarter trim panel	Cloth trim	4	45 2Sed	
		C 140976	Moulding-quarter trim panel	Cloth trim	4	45 Sed	
		C 140976	Moulding-quarter trim panel	} Blue or green gray trim	7	43-47 5Sed	
		C 144764	Moulding-RH-front lower-quarter trim panel		1	43-47 5Sed	
		C 144765	Moulding-RH-rear lower-quarter trim panel		1	43-47 5Sed	
		C 148639	Moulding-upper-quarter trim panel	Leather trim	2	10T 2Sed	
		C 148633	Moulding-lower-quarter trim panel	Leather trim	2	10T 2Sed	
		C 148633	Moulding-quarter trim panel	Leather trim	2	10T Sed	
		C 148636	Moulding-quarter trim panel	Leather trim	2	10T ClubCpe	
		C 148639	Moulding-upper-quarter trim panel		2	10P 2Sed	
		C 148633	Moulding-lower-quarter trim panel		2	10P 2Sed	
		C 148633	Moulding-quarter trim panel		2	10P Sed	
		C 148618	Moulding-long-quarter trim panel		2	10P ClubCpe	
		C 148619	Moulding-short-quarter trim panel		2	10P ClubCpe	
		BO 147201	Moulding-upper-quarter trim panel	See note	4	11-12-14 2Sed	
		C 148639	Moulding-lower-quarter trim panel	See note	2	11-12-14 2Sed	
		BO 147201	Moulding-upper-quarter trim panel	See note	2	11-12-14 ClubCpe	
		C 148619	Moulding-lower front-quarter trim panel	See note	2	11-12-14 ClubCpe	
		C 148618	Moulding-lower rear-quarter trim panel	See note	2	11-12-14 ClubCpe	
		C 148636	Moulding--quarter trim panel		2	1941 CvSed	
		C 148618	Moulding-quarter trim panel	} Cloth trim except mohair	10	15 ClubCpe	
		BO 148630	Moulding-quarter trim panel		10	17 Sed	
		C 148725	Moulding-quarter trim panel			2	18P Sed-CA
		C 207678	Moulding-RH-quarter trim panel †		SS	1	20T 2Sed-UCo
		C 207679	Moulding-LH-quarter trim panel †		SS	1	201 2Sed-UCo
		C 208480	Moulding-RH-quarter trim panel ††		Lac	1	20T 2Sed-UCo
		C 208481	Moulding-LH-quarter trim pabel ††		Lac	1	20T 2Sed-UCo
		C 207660	Moulding-RH-quarter trim panel †		SS	1	20T ClubCpe
		C 207661	Moulding-LH-quarter trim panel †		SS	1	207 ClubCpe
		C 208482	Moulding-RH-quarter trim panel ††		Lac	1	20T ClubCpe
		C 208483	Moulding-LH-quarter trim panel ††		Lac	1	207 ClubCpe
		C 207690	Moulding-RH-quarter trim panel †		SS	1	21 2Sed
		C 207691	Moulding-LH-quarter trim panel †		SS	1	21 2Sed
		C 208500	Moulding-RH-quarter trim panel ††		Lac	1	21 2Sed
		C 208501	Moulding-LH-quarter trim panel ††		Lac	1	21 2Sed
		C 207696	Moulding-RH-quarter trim panel †		SS	1	21 ClubCpe
		C 207697	Moulding-LH-quarter trim panel †		SS	1	21 ClubCpe
		C 208498	Moulding-RH-quarter trim panel ††		Lac	1	21 ClubCpe
		C 208499	Moulding-LH-quarter trim panel ††		Lac	1	21 ClubCpe
		C 207688	Moulding-RH-quarter trim panel †		} Mohair trim	SS	1
		C 207689	Moulding-LH-quarter trim panel †	SS		1	20T-21 2Sed,20 UCo
		C 208490	Moulding-RH-quarter trim panel ††	Lac		1	201-21 2Sed,20 UCo
		C 208491	Moulding-LH-quarter trim panel ††	Lac		1	201-21 2Sed,20 UCo
		C 207686	Moulding-RH-quarter trim panel †	SS		1	20T-21 ClubCpe
		C 207687	Moulding-LH-quarter trim panel †	SS		1	201-21 ClubCpe
		C 208492	Moulding-RH-quarter trim panel ††	Lac		1	20T-21 ClubCpe
		C 208493	Moulding-LH-quarter trim panel ††	Lac		1	20T-21 ClubCpe
		C 207688	Moulding-RH-quarter trim panel-cloth trim †	SS	1	20P 2Sed	
		C 207689	Moulding-LH-quarter trim panel-cloth trim †	SS	1	20P 2Sed	
		C 208490	Moulding-RH-quarter trim panel-cloth trim ††	Lac	1	20P 2Sed	
	C 208491	Moulding-LH-quarter trim panel-cloth trim ††	Lac	1	20P 2Sed		
	C 207686	Moulding-RH-quarter trim panel-cloth trim †	SS	1	20P ClubCpe		
	C 207687	Moulding-LH-quarter trim panel-cloth trim †	SS	1	20P ClubCpe		
	C 208492	Moulding-RH-quarter trim panel-cloth trim ††	Lac	1	20P ClubCpe		
	C 208493	Moulding-LH-quarter trim panel-cloth trim ††	Lac	1	20P ClubCpe		
	C 148639	Moulding-upper-quarter trim panel-cloth trim †	SS	2	22-24 2Sed		
	C 148633	Moulding-lower-quarter trim panel-cloth trim †	SS	2	22-24 2Sed		
	C 208503	Moulding-upper-quarter trim panel-cloth trim ††	Lac	2	22-24 2Sed		
	C 208508	Moulding-lower-quarter trim panel-cloth trim ††	Lac	2	22-24 2Sed		
	C 148636	Moulding-upper-quarter trim panel-cloth trim †	SS	2	22-24 ClubCpe		
	C 148619	Moulding-lower-quarter trim panel-cloth trim †	SS	2	22-24 ClubCpe		
	C 208504	Moulding-upper-quarter trim panel-cloth trim ††	Lac	2	22-24 ClubCpe		
	C 208509	Moulding-lower-quarter trim panel-cloth trim ††	Lac	2	22-24 ClubCpe		
	C 207660	Moulding-RH-quarter trim panel-cloth trim †	SS	1	25 ClubCpe		
	C 207661	Moulding-LH-quarter trim panel-cloth trim †	SS	1	25 ClubCpe		
	C 208482	Moulding-RH-quarter trim panel-cloth trim ††	Lac	1	25 ClubCpe		
	C 208483	Moulding-LH-quarter trim panel-cloth trim ††	Lac	1	25 ClubCpe		
	BO 207884	Moulding-No. 1-Quarter trim panel-cloth trim †	SS	2	25 ClubCpe		
	BO 208514	Moulding-No. 1-quarter trim panel-cloth trim ††	Lac	2	25 ClubCpe		
	BO 207888	Moulding-No. 2-3-4-5-quarter trim panel-cloth trim †	SS	8	25 ClubCpe		
	BO 208516	Moulding-No. 2-3-4-5-quarter trim panel-cloth trim ††	Lac	8	25 ClubCpe		
	C 148633	Moulding-quarter trim panel-cloth trim †	SS	2	20-21-22-24 Sed		

Group & Illus. No.	Plate No.	Part No.	NAME	Per Car	Models	
TRIM MOULDINGS AND ORNAMENTS (CONT'D.)						
TT5-		C 208508	Moulding-quarter trim panel-cloth trim ††	Lac	2	20-21-22-24 Sed
		BO 207879	Moulding-RH-quarter trim panel-cloth trim †	SS	2	27 Sed
		BO 208517	Moulding-RH-quarter trim panel-cloth trim ††	Lac	2	27 Sed
		BO 207881	Moulding-LH-short quarter trim panel-cloth trim †	SS	14	27 Sed
		BO 208511	Moulding-LH-short-quarter trim panel-cloth trim ††	Lac	14	27 Sed
		BO 207885	Moulding-LH-long-quarter trim panel-cloth trim †	SS	14	27 Sed
		BO 208515	Moulding-LH-long-quarter trim panel-cloth trim ††	Lac	2	27 Sed
		C 204404	Moulding-bottom-quarter trim panel-cloth trim †	SS	2	25 ClubCpe
		C 208521	Moulding-bottom-quarter trim panel-cloth trim ††	Lac	2	25 ClubCpe
		C 207678	Moulding-RH-quarter trim panel-lea trim †	SS	1	20-21 2Sed,20 UCo
		C 207679	Moulding-LH-quarter trim panel-lea trim †	SS	1	20-21 2Sed,20 UCo
		C 208480	Moulding-RH-quarter trim panel-lea trim ††	Lac	1	20-21 2Sed,20 UCo
		C 208481	Moulding-LH-quarter trim panel-lea trim ††	Lac	1	20-21 2Sed,20 UCo
		C 207660	Moulding-RH-quarter trim panel-lea trim †	SS	1	20-21 ClubCpe
		C 207661	Moulding-LH-quarter trim panel-lea trim †	SS	1	20-21 ClubCpe
		C 208482	Moulding-RH-quarter trim panel-lea trim ††	Lac	1	20-21 ClubCpe
		C 208483	Moulding-LH-quarter trim panel-lea trim ††	Lac	1	20-21 ClubCpe
		C 148639	Moulding-upper-quarter trim panel-lea trim †	SS	2	22-24 2Sed
		C 148633	Moulding-lower-quarter trim panel-lea trim †	SS	2	22-24 2Sed
		C 208503	Moulding-upper-quarter trim panel-lea trim ††	Lac	2	22-24 2Sed
		C 208508	Moulding-lower-quarter trim panel-lea trim ††	Lac	2	22-24 2Sed
		C 148636	Moulding-upper-quarter trim panel-lea trim †	SS	2	22-24-25 ClubCpe
		C 148619	Moulding-lower-quarter trim panel-lea trim †	SS	2	22-24-25 ClubCpe
		C 208504	Moulding-upper-quarter trim panel-lea trim ††	Lac	2	22-24-25 ClubCpe
		C 208509	Moulding-lower-quarter trim panel-lea trim ††	Lac	2	22-24-25 ClubCpe
		C 148633	Moulding-quarter trim panel-lea trim †	SS	2	1942 Sedans
		C 208508	Moulding-quarter trim panel-lea trim ††	Lac	2	1942 Sedans
		C 207678	Moulding-RH-quarter trim panel-lea trim †	SS	1	20T CvSed
		C 207679	Moulding-LH-quarter trim panel-lea trim †	SS	1	20T CvSed
		C 148636	Moulding-upper-quarter trim panel-lea trim †	SS	2	20P-21-22-24 CvSed
		C 148619	Moulding-lower-quarter trim panel-lea trim ††	SS	2	20P-21-22-24 CvSed
		BO 141759	Ornament-quarter trim panel Cloth trim	Cloth trim	2	
		BO 200068	Ornament-quarter trim panel		2	40P 2Sed
		BO 170263	Speed nut-quarter trim panel ornament	5/32"	AR	10P 2Sed
		BO 200316	Clip-quarter trim panel moulding		AR	40P-10P 2Sed
		BO 7762	Washer-quarter trim panel moulding	Cloth trim	4	11-12-14 2Sed-ClubCpe 25 ClubCpe
		C 140971	Moulding-front door trim panel		2	40P Sed
		C 140978	Moulding-front door trim panel		2	40P exc Sed
		C 140971	Moulding-front door trim panel		4	45 Sed
		C 140978	Moulding-front door trim panel		4	45 2Sed
		C 140972	Moulding-front door trim panel-two tone trim		14	43-47 Sed
		C 140972	Moulding-front door trim panel-brown wool trim		4	43-47 7Sed
		BO 140995	Moulding-upper-front door trim panel-two tone and brown wool trim		2	43-47 Sed
		C 140972	Moulding-front door trim panel-mohair and bedford cloth trim		4	43-47 Sed
		C 140972	Moulding-front door trim panel-light brown cloth cloth or		4	43-47 Sed
		C 140978	Moulding-No 1-front door trim panel-blue or green gray trim		2	43-47 5Sed
		BO 144757	Moulding-No 2-3-4-front door trim panel-blue or green gray trim		6	43-47 5Sed
		C 140972	Moulding-lower-front door trim panel-blue or green gray trim		2	43-47 5Sed
		C 148636	Moulding-upper-front door trim panel	Leather trim	2	10T Sed
		C 148638	Moulding-upper-front door trim panel	Leather trim	2	10T exc Sed
		C 148637	Moulding-lower-front door trim panel	Leather trim	2	10T Sed
		C 148639	Moulding-lower-front door trim panel	Leather trim	2	10T exc Sed
		C 148636	Moulding-upper-front door trim panel		2	10P Sed
	C 148638	Moulding-upper-front door trim panel		2	10P exc Sed,18P	
	C 148637	Moulding-lower-front door trim panel		2	10P Sed	
	C 148639	Moulding-lower-front door trim panel		2	10P exc Sed,18P	
	C 148635	Moulding-No 1-2-3 long-front door trim panel		6	15,17	
	C 148631	Moulding-No 1-2-3 short-front door trim panel		6	15,17	
	C 148638	Moulding-No 4-5-front door trim panel		2	15,17	
	C 207678	Moulding-RH-front door trim panel	SS	1	20T exc Sed-CvSed	
	C 207679	Moulding-LH-front door trim panel	SS	1	20T exc Sed-CvSed	
	C 208480	Moulding-RH-front door trim panel ††	Lac	1	20T exc Sed-CvSed	
	C 208481	Moulding-LH-front door trim panel ††	Lac	1	20T exc Sed-CvSed	
	C 207660	Moulding-RH-front door trim panel †	SS	1	20T Sed	
	C 207661	Moulding-LH-front door trim panel †	SS	1	20T Sed	
	C 208482	Moulding-RH-front door trim panel ††	Lac	1	20T Sed	

Group & Illus. No.	Plate No.	Part No.	NAME	Per Car	Models	
TT5-			TRIM MOULDINGS AND ORNAMENTS (CONT'D.)			
		C 208483	Moulding-LH-front door trim panel ††	Lac	1	20T Sed
		C 207692	Moulding-RH-front door trim panel †	SS	1	21 exc Sed-CvSed
		C 207693	Moulding-LH-front door trim panel †	SS	1	21 exc Sed-CvSed
		C 208494	Moulding-RH-front door trim panel ††	Lac	1	21 exc Sed-CvSed
		C 208495	Moulding-LH-front door trim panel ††	Lac	1	21 exc Sed-CvSed
		C 207694	Moulding-RH-front door trim panel †	SS	1	21 Sed
		C 207695	Moulding-LH-front door trim panel †	SS	1	21 Sed
		C 208496	Moulding-RH-front door trim panel ††	Lac	1	21 Sed
		C 208497	Moulding-LH-front door trim panel ††	Lac	1	21 Sed
		C 207680	Moulding-RH-front door trim panel-mohair trim †	SS	1	20T-21 exc Sed-CvSed
		C 207681	Moulding-LH-front door trim panel-mohair trim †	SS	1	201-21 exc Sed-CvSed
		C 208484	Moulding-RH-front door trim panel-mohair trim ††	Lac	1	20T-21 exc Sed-CvSed
		C 208485	Moulding-LH-front door trim panel-mohair trim ††	Lac	1	20T-21 exc Sed-CvSed
		C 207682	Moulding-RH-front door trim panel-mohair trim †	SS	1	201-21 Sed
		C 207683	Moulding-LH-front door trim panel-mohair trim †	SS	1	20T-21 Sed
		C 208486	Moulding-RH-front door trim panel-mohair trim ††	Lac	1	201-21 Sed
		C 208487	Moulding-LH-front door trim panel-mohair trim ††	Lac	1	20T-21 Sed
		C 148638	Moulding-upper-front door trim panel-cloth trim †	SS	2	22-24 exc Sed-CvSed
		C 148639	Moulding-lower-front door trim panel-cloth trim †	SS	2	22-24 exc Sed-CvSed
		C 208502	Moulding-upper-front door trim panel-cloth trim ††	Lac	2	22-24 exc Sed-CvSed
		C 208503	Moulding-lower-front door trim panel-cloth trim ††	Lac	2	22-24 exc Sed-CvSed
		C 148636	Moulding-upper-front door trim panel-cloth trim †	SS	2	22-24 Sed
		C 148637	Moulding-lower-front door trim panel-cloth trim †	SS	2	22-24 Sed
		C 208504	Moulding-upper-front door trim panel-cloth trim ††	Lac	2	22-24 Sed
		C 208505	Moulding-lower-front door trim panel-cloth trim ††	Lac	2	22-24 Sed
		C 207678	Moulding-RH-front door trim panel-cloth trim †	SS	1	25 ClubCpe,27
		C 207679	Moulding-LH-front door trim panel-cloth trim †	SS	1	25 ClubCpe,27
		C 208480	Moulding-RH-front door trim panel-cloth trim ††	Lac	1	25 ClubCpe,27
		C 208481	Moulding-LH-front door trim panel-cloth trim †	Lac	1	25 ClubCpe,27
		C 207880	Moulding-No 1-2-5-front door trim panel-cloth trim †	SS	6	25 ClubCpe,27
		C 208510	Moulding-No 1-2-5-front door trim panel-cloth trim ††	Lac	6	25 ClubCpe,27
		BO 207881	Moulding-No 3-4-front-front door trim panel-cloth trim †	SS	4	25 ClubCpe,27
		BO 208511	Moulding-No 3-4-front-front door trim panel-cloth trim ††	Lac	4	25 ClubCpe,27
		BO 207882	Moulding-No3-4-center-front door trim panel-cloth trim †	SS	4	25 ClubCpe,27
		BO 208512	Moulding-No 3-4-center-front door trim panel-cloth trim ††	Lac	4	25 ClubCpe,27
		BO 207883	Moulding-No3-4-rear-front door trim panel-cloth trim †	SS	4	25 ClubCpe,27
		BO 208513	Moulding-No3-4-rear-front door trim panel-cloth trim ††	Lac	4	25 ClubCpe,27
		C 207678	Moulding-RH-front door trim panel-lea trim †	SS	1	20-21 exc Sed-CvSed
		C 207679	Moulding-LH-front door trim panel-lea trim †	SS	1	20-21 exc Sed-CvSed
		C 208480	Moulding-RH-front door trim panel-lea trim ††	Lac	1	20-21 exc Sed-CvSed
		C 208481	Moulding-LH-front door trim panel-lea trim ††	Lac	1	20-21 Sed
		C 207660	Moulding-RH-front door trim panel-lea trim †	SS	1	20-21 Sed
		C 207661	Moulding-LH-front door trim panel-lea trim †	SS	1	20-21 Sed
		C 208482	Moulding-RH-front door trim panel-lea trim ††	Lac	1	20-21 Sed
		C 208483	Moulding-LH-front door trim panel-lea trim ††	Lac	1	22-24 exc Sed,25,27
		C 148638	Moulding-upper-front door trim panel-lea trim †	SS	1	22-24 exc Sed,25,27
		C 148639	Moulding-lower-front door trim panel-lea trim †	SS	1	22-24 exc Sed,25,27
		C 208502	Moulding-upper-front door trim panel-lea trim ††	Lac	1	22-24 exc Sed,25,27
		C 208503	Moulding-lower-front door trim panel-lea trim ††	Lac	1	22-24 Sed
		C 148636	Moulding-upper-front door trim panel-lea trim †	SS	1	22-24 Sed
		C 148637	Moulding-lower-front door trim panel-lea trim †	SS	1	22-24 Sed
		C 208504	Moulding-upper-front door trim panel-lea trim ††	Lac	1	22-24 Sed
		C 208505	Moulding-lower-front door trim panel-lea trim ††	Lac	1	20T CvSed
		C 207678	Moulding-RH-front door trim panel-lea trim †	SS	1	201 CvSed
		C 207679	Moulding-LH-front door trim panel-lea trim †	SS	1	20T CvSed
		C 208480	Moulding-RH-front door trim panel-lea trim ††	Lac	1	201 CvSed
		C 208481	Moulding-LH-front door trim panel-lea trim ††	Lac	1	20P-21-22-24 CvSed
		C 148638	Moulding-upper-front door trim panel-lea trim †	SS	1	20P-21-22-24 CvSed
		C 148639	Moulding-lower-front door trim panel-lea trim †	SS	1	20P-21-22-24 CvSed
		C 140973	Moulding-rear door trim panel		2	40P-45 Sed
		C 140973	Moulding-No 1-2-3-rear door trim panel	2 tone trim	6	43-47 Sed
		C 140974	Moulding-No4-rear door trim panel	2 tone trim	2	43-47 Sed
		C 140975	Moulding-No 5-rear door trim panel	2 tone trim	2	43-47 Sed

Group & Illus. No.	Plate No.	Part No.	NAME	Per Car	Models
TT5-			TRIM MOULDINGS AND ORNAMENTS (CONT'D.)		
		C 140976	Moulding-No 6-rear door trim panel	2 tone trim	2 43-47 Sed
		C 140977	Moulding-No 7-rear door trim panel	2 tone trim	2 43-47 Sed
		C 140973	Moulding-rear door trim panel-brown wool trim		4 43-47 7Sed
		BO 140996	Moulding-upper-rear door trim panel-two tone and brown wool trim		4 43-47 Sed
		C 140973	Moulding-rear door trim panel-mohair and bedford cord trim		4 43-47 Sed
		C 140973	Moulding-rear door trim panel-light brown cloth and lea trim		4 43-47 Sed
		C 140973	Moulding-rear door trim panel-blue or green trim		8 43-47 Sed
		C 140977	Moulding-lower-rear door trim panel-blue or green trim		2 43-47 5Sed
		C 148634	Moulding-upper-rear door trim panel	Leather trim	2 10T Sed
		C 148725	Moulding-lower-rear door trim panel	Leather trim	2 10T Sed
		C 148634	Moulding-upper-rear door trim panel		2 10P Sed,18P
		C 148725	Moulding-lower-rear door trim panel		2 10P Sed,18P
		C 148634	Moulding-rear door trim panel		10 17 Sed
		C 207660	Moulding-RH-rear door trim panel †	SS	1 20T Sed
		C 207661	Moulding-LH-rear door trim panel †	SS	1 20T Sed
		C 208482	Moulding-RH-rear door trim panel ††	Lac	1 20T Sed
		C 208483	Moulding-LH-rear door trim panel ††	Lac	1 20T Sed
		C 207696	Moulding-RH-rear door trim panel †	SS	1 21 Sed
		C 207697	Moulding-LH-rear door trim panel †	SS	1 21 Sed
		C 208498	Moulding-RH-rear door trim panel ††	Lac	1 21 Sed
		C 208499	Moulding-LH-rear door trim panel ††	Lac	1 21 Sed
		C 207684	Moulding-RH-rear door trim panel-mohair trim †	SS	1 20T-21 Sed
		C 207685	Moulding-LH-rear door trim panel-mohair trim †	SS	1 20T-21 Sed
		C 208488	Moulding-RH-rear door trim panel-mohair trim ††	Lac	1 20T-21 Sed
		C 208489	Moulding-LH-rear door trim panel-mohair trim ††	Lac	1 20T-21 Sed
		C 207684	Moulding-RH-rear door trim panel-cloth trim †	SS	1 20P Sed
			Moulding-LH-rear door trim panel-cloth trim †	SS	1 20P Sed
		C 207685	Moulding-RH-rear door trim panel-cloth trim ††	Lac	1 20P Sed
		C 208488	Moulding-LH-rear door trim panel-cloth trim ††	Lac	1 20P Sed
		C 208489	Moulding-upper-rear door trim panel-cloth trim †	SS	2 22-24 Sed
		C 148634	Moulding-lower-rear door trim panel-cloth trim †	SS	2 22-24 Sed
		C 148725	Moulding-upper-rear door trim panel-cloth trim ††	Lac	2 22-24 Sed
		C 208506	Moulding-lower-rear door trim panel-cloth trim ††	Lac	2 22-24 Sed
		C 208507	Moulding-RH-rear door trim panel-cloth trim †	SS	1 27 Sed
		C 207660	Moulding-LH-rear door trim panel-cloth trim †	SS	1 27 Sed
		C 207661	Moulding-RH-rear door trim panel-cloth trim ††	Lac	1 27 Sed
		C 208482	Moulding-LH-rear door trim panel-cloth trim ††	Lac	1 27 Sed
		C 208483	Moulding-No 1-2-5-rear door trim panel-cloth trim †	SS	6 27 Sed
		BO 207884	Moulding-No 1-2-5-rear door trim panel-cloth trim ††	Lac	6 27 Sed
		BO 208514	Moulding-No 3-4-front-rear door trim panel-cloth trim †	SS	4 27 Sed
		BO 207885	Moulding-No 3-4-front-rear door trim panel-cloth trim ††	Lac	4 27 Sed
		BO 208515	Moulding-No 3-4-center-rear-rear door trim panel-cloth trim †	SS	8 27 Sed
		BO 207882	Moulding-No 3-4-center-rear-rear door trim panel-cloth trim ††	Lac	8 27 Sed
		C 207660	Moulding-RH-rear door trim panel-lea trim †	SS	1 20-21 Sed
		C 207661	Moulding-LH-rear door trim panel-lea trim †	SS	1 20-21 Sed
		C 208482	Moulding-RH-rear door trim panel-lea trim ††	Lac	1 20-21 Sed
		C 208483	Moulding-LH-rear door trim panel-lea trim ††	Lac	1 20-21 Sed
		C 148634	Moulding-upper-rear door trim panel-lea trim †	SS	2 22-24-27 Sed
		C 148725	Moulding-lower-rear door trim panel-lea trim †	SS	2 22-24-27 Sed
		C 208506	Moulding-upper-rear door trim panel-lea trim ††	Lac	2 22-24-27 Sed
		C 208507	Moulding-lower-rear door trim panel-lea trim ††	Lac	2 22-24-27 Sed
		BO 141759	Ornament-door trim panel	Cloth trim	2-4 40P
		BO 200068	Ornament-door trim panel		2-4 10P
		BO 170263	Speed nut-door trim panel ornament	5/32"	AR 40P,10P
		C 136666	Moulding kit-bottom-front door trim panel	Service	1 1940 2Sed-3Cpe-VicCpe
		C 136667	Moulding kit-bottom-front door trim panel	Service	1 40-41-44-45 Sed
		BO 129267	Moulding kit-bottom-rear door trim panel	Service	1 40-41-44-45 Sed
		C 136175	Moulding-bottom-front door trim panel		2 1940 2Sed-3Cpe-VicCpe
		C 136177	Moulding-bottom-front door trim panel		2 40-41-44-45 Sed
		C 142094	Moulding-RH-bottom-front door trim panel-exc blue or green trim		1 43-47 Sed
		C 142095	Moulding-LH-bottom-front door trim panel-exc blue or green trim		1 43-47 Sed

Group & Illus. No.	Plate No.	Part No.	NAME		Per Car	Models		
TT5-			TRIM MOULDINGS AND ORNAMENTS (CONT'D.)					
		C 204401	Moulding-bottom-front door trim panel-cloth trim †	SS	2	25 ClubCpe,27		
		C 208520	Moulding-bottom-front door trim panel-cloth trim ††	Lac	2	25 ClubCpe,27		
		BO 128254	Moulding-RH bottom-rear door trim panel		1	40-41-44-45 Sed		
		BO 128255	Moulding-LH bottom-rear door trim panel		1	40-41-44-45 Sed		
		BO 142096	Moulding-RH bottom-rear door trim panel-exc blue or green trim		1	43-47 Sed		
		BO 142097	Moulding-LH bottom-rear door trim panel-exc blue or green trim		1	43-47 Sed		
		C 204402	Moulding-RH bottom-rear door trim panel-cloth trim †	SS	1	27 Sed		
		C 204403	Moulding-LH bottom-rear door trim panel-cloth trim †	SS	1	27 Sed		
		C 208518	Moulding-RH bottom-rear door trim panel-cloth trim ††	Lac	1	27 Sed		
		C 208519	Moulding-LH bottom-rear door trim panel-cloth trim ††	Lac	1	27 Sed		
		BO 7762	Washer-door bottom trim moulding		AR	1940,25,27		
		C 142270	Moulding-top-front seat back frame		1	43-47 5Sed		
		C 207542	Moulding-upper-front seat back panel †	SS	1	27 Sed		
		C 207543	Moulding-lower-front seat back panel †	SS	5	27 Sed		
		C 208522	Moulding-upper-front seat back panel ††	Lac	1	27 Sed		
		C 208523	Moulding-lower-front seat back panel ††	Lac	5	27 Sed		
		C 204723	Moulding-lower-front seat back frame trim †	SS	1	27 Sed		
		C 205804	Moulding-lower-front seat back frame trim †	Lac	1	27 Sed		
		C 142272	Retainer-front seat back frame top moulding		1	43-47 Sed		
		BO 170319	Screw-front seat back frame trim moulding	#6 x 3/4"	7	27 Sed		
		C 204724	Moulding-RH-front seat riser panel trim †	SS	1	27 Sed		
		C 204725	Moulding-LH-front seat riser panel trim †	SS	1	27 Sed		
		C 205788	Moulding-RH-front seat riser panel trim ††	Lac	1	27 Sed		
		C 205789	Moulding-LH-front seat riser panel trim ††	Lac	1	27 Sed		
		C 204726	Moulding-RH-front seat riser panel trim †	SS	1	22-24 2Sed-Sed-3Cpe		
		C 204727	Moulding-LH-front seat riser panel trim †	SS	1	22-24 2Sed-Sed-3Cpe		
		C 205790	Moulding-RH-front seat riser panel trim ††	Lac	1	22-24 2Sed-Sed-3Cpe		
		C 205791	Moulding-LH-front seat riser panel trim ††	Lac	1	22-24 2Sed-Sed-3Cpe		
		C 204862	Moulding-RH-front seat riser panel trim †	SS	1	22-24-25 ClubCpe-CvSed		
		C 204863	Moulding-LH-front seat riser panel trim †	SS	1	22-24-25 ClubCpe-CvSed		
		C 205792	Moulding-RH-front seat riser panel trim ††	Lac	1	22-24-25 ClubCpe-CvSed		
		C 205793	Moulding-LH-front seat riser panel trim ††	Lac	1	22-24-25 ClubCpe-CvSed		
	TT6-			TRIM PROTECTORS				
			C 142564	Panel ay-RH-quarter trim protector		1	1940 UCo	
			C 142565	Panel ay-LH-quarter trim protector		1	1940 UCo	
			C 146134	Panel ay-RH-quarter trim protector		1	1941 UCo	
			C 146135	Panel ay-LH-quarter trim protector		1	1941 UCo	
			C 203114	Panel ay-RH-quarter trim protector		1	1942 UCo	
			C 203115	Panel ay-LH-quarter trim protector		1	1942 UCo	
			BO 170022	Wing bolt-quarter trim protector panel	5/16"-18 x 3/4"	2	All UCo	
					1940 SEAT COVERS			
			HA 142613	Seat covers-front	Custom	1	40-41-44-45-48P 5Sed-3Cpe	
			HA 142614	Seat covers-front	Custom	1	43-47 5Sed	
			HA 142615	Seat covers-front	Custom	1	1940 2Sed-VicCpe	
			HA 142616	Seat covers-rear	Custom	1	40-41-44-45-48P 2Sed-Sed	
			HA 142617	Seat covers-rear	Custom	1	43-47 Sed	
			HA 140938	Seat cover-auxiliary seat	Custom	1	1940 VicCpe	
			HA 142637	Seat cover-front	DeLuxe	1	40-41-44-45-48P 5Sed-3Cpe	
		HA 142638	Seat cover-front	DeLuxe	1	1940 2Sed-VicCpe		
		HA 142639	Seat cover-rear	DeLuxe	1	40-41-44-45-48P 2Sed-Sed		
		HA 140939	Seat cover-auxiliary seat	DeLuxe	1	1940 VicCpe		
		HA 137373	Seat pad		1	190 2Sed-Sed-Cpes-UCo		
				1941 SEAT COVERS				
		HA 200162	Seat covers-front		1	10-11-12-14 Sed-3Cpe		
		HA 200156	Seat covers-front		1	10-11-12-14-15 2Sed-ClubCpe, 15 3Cpe		
		HA 200174	Seat covers-front		1	17 Sed		
		HA 200163	Seat covers-rear		1	10-11-12-14 2Sed-Scd		
		HA 200178	Seat covers-rear		1	10-11-12-14 ClubCpe		
		HA 200168	Seat covers-rear		1	15 ClubCpe		
		HA 200179	Seat covers-rear		1	17 Sed		
				1942 SEAT COVERS				
		HA 205076	Seat covers-front	Custom	1	20-21-22-24 Sed-3Cpe		
		HA 205078	Seat covers-front	Custom	1	1942 2Sed-ClubCpe		
		HA 205080	Seat covers-front	Custom	1	27 Sed		

Group & Illus. No.	Plate No.	Part No.	NAME	Per Car	Models	
TT6-			1942 SEAT COVERS (CONT'D.)			
		HA 205082	Seat covers-rear	Custom	1	20-21 2Sed-Sed
		HA 205084	Seat covers-rear	Custom	1	22-24 2Sed-Sed,27 Sed
		HA 205089	Seat covers-rear	Custom	1	20-21 ClubCpe
		HA 205091	Seat covers-rear	Custom	1	22-24-25 ClubCpe
		HA 205075	Seat covers-front	DeLuxe	1	20-21-22-24 Sed-3Cpe
		HA 205077	Seat covers-front	DeLuxe	1	1942 2Sed-ClubCpe
		HA 205079	Seat covers-front	DeLuxe	1	27 Sed
		HA 205081	Seat covers-rear	DeLuxe	1	20-21 2Sed-Sed
		HA 205083	Seat covers-rear	DeLuxe	1	22-24 2Sed-Sed,27 Sed
	HA 205088	Seat covers-rear	DeLuxe	1	20-21 ClubCpe	
	HA 205090	Seat covers-rear	DeLuxe	1	22-24-25 ClubCpe	
TT7-			TRIM RAILS AND TRIMSTICKS			
		BO 128342	Trimstick-rear compartment partition		1	1940 VicCpe
		BO 128339	Trimstick-package compartment side		1	1940 VicCpe
		C 126448	Trimstick-headlining		2	1940 Cab-CabPu
		C 142070	Trimstick-RH-rear pillar		1	1940 CvCpe-CvSed
		C 142071	Trimstick-LH_rear pillar		1	1940 CvCpe-CvSed
		BO 200009	Trimstick-upper rear pillar		2	1941-1942 CvSed
		BO 148247	Trimstick-lower rear pillar		2	1941-1942 CvSed
		BO 12186	Screw-trimstick	#10 x 1-3/4"	AR	1940 VicCpe
		BO 71300	Bolt-rear pillar trimstick to pillar	1/4 "-20 x 1"	4	1940 CvCpe-CvSed
	BZ 70980	Screw-rear pillar trimstick	1/4"-20 x 2-1/2"	4	1941-1942 CvSed	
	BZ 70874	Nut-rear pillar trimstick screw	1/4"-20 x 1/4"	4	1941-1942 CvSed	
TT8-			TRIM RETAINERS			
		C 123446	Retainer assy-RH-front body pillar trim		1	1940 CvCpe-CvSed
		C 123447	Retainer assy-LH-front body pillar trim		1	1940 CvCpe-CvSed
		C 148552	Retainer assy-RH-front body pillar trim		1	1941-1942 CvSed
		C 148553	Retainer assy-LH-front body pillar trim		1	1941-1942 CvSed
		C 120952	Retainer assy-RH-front body pillar trim		1	1940 All exc CvCpe-CvSed
		C 120953	Retainer assy-LH-front body pillar trim		1	1940 All exc CvCpe-CvSed
		C 148550	Retainer assy-RH-front body pillar trim		1	1941-1942 All exc CvSed
		C 148551	Retainer assy-LH-front body pillar trim		1	1941-1942 All exc CvSed
		C 141266	Retainer assy-RH-rear body pillar trim		1	1940-1941 2Sed-UCo
		C 141267	Retainer assy-LH-rear body pillar trim		1	1940-1941 2Sed-UCo
		C 205060	Retainer assy-RH-rear body pillar trim		1	1942 2Sed-UCo
		C 205061	Retainer assy-LH-rear body pillar trim		1	1942 2Sed-UCo
		C 120920	Retainer assy-RH-rear body pillar trim		1	1940 Sed-CA
		C 120921	Retainer assy-LH-rear body pillar trim		1	1940 Sed-CA
		C 148556	Retainer assy-RH-rear body pillar trim		1	1941-1942 Sed,1941 CA
		C 148557	Retainer assy-LH-rear body pillar trim		1	1941-1942 Sed,1941 CA
		C 141268	Retainer assy-RH-rear body pillar trim		1	1940 3Cpe-VicCpe-UCpe
		C 141269	Retainer assy-LH-rear body pillar trim		1	1940 3Cpe-VicCpe-UCpe
		C 200462	Retainer assy-RH-rear body pillar trim		1	1941 3Cpe-ClubCpe-UCpe
		C 200463	Retainer assy-LH-rear body pillar trim		1	1941 3Cpe-ClubCpe-UCpe
		C 205262	Retainer assy-RH-rear body pillar trim		1	1942 3Cpe-ClubCpe-UCpe
		C 205263	Retainer assy-LH-rear body pillar trim		1	1942 3Cpe-ClubCpe-UCpe
		C 141266	Retainer assy-RH-rear body pillar trim		1	Cab,CabPu
		C 141267	Retainer assy-LH-rear body pillar trim		1	Cab,CabPu
		C 120912	Retainer assy-RH-rear body pillar trim		1	40C Panel to car 54416
		C 120913	Retainer assy-LH-rear body pillar trim		1	40C Panel to car 54416
		C 141266	Retainer assy-RH-rear body pillar trim		1	40C Panel after car 54416
		C 141267	Retainer assy-LH-rear body pillar trim		1	40C Panel after car 54416
		C 141266	Retainer assy-RH-rear body pillar trim		1	48C Panel
		C 141267	Retainer assy-LH-rear body pillar trim		1	48C Panel
		C 128150	Retainer assy-RH-body header trim		1	1940 2Sed-UCo
		C 128150	Retainer assy-LH-body header trim		1	1940 2Sed-UCo
		C 148546	Retainer assy-RH-body header trim		1	1941-1942 2Sed-UCo
		C 148547	Retainer assy-LH-body header trim		1	1941-1942 2Sed-UCo
		C 128154	Retainer assy-RH-body header trim		1	40-41-44-45 Sed
		C 128155	Retainer assy-LH-body header trim		1	40-41-44-45 Sed
		C 128162	Retainer assy-RH-body header trim		1	43-47-48P Sed-CA
		C 128163	Retainer assy-LH-body header trim		1	43-47-48P Sed-CA
		C 148558	Retainer assy-RH-body header trim		1	1941-1942 Sed exc 17-18P-27
		C 148559	Retainer assy-LH-body header trim		1	1941-1942 Sed exc 17-18P-27
		C 148562	Retainer assy-RH-body header trim		1	17-18P-27 Sed,18P CA
		C 148563	Retainer assy-LH-body header trim		1	17-18P-27 Sed,18P CA
		C 128158	Retainer assy-RH-body header trim		1	1940 3Cpe-VicCpe-UCpe
		C 128159	Retainer assy-LH-body header trim		1	1940 3Cpe-VicCpe-UCpe
	C 148566	Retainer assy-RH-body header trim		1	1941-1942 3Cpe-ClubCpe-UCpe	
	C 148567	Retainer assy-LH-body header trim		1	1941-1942 3Cpe-ClubCpe-UCpe	

Group & Illus. No.	Plate No.	Part No.	NAME	Per Car	Models	
TT8-			TRIM RETAINERS (CONT'D.)			
		C 126336	Retainer assy-RH-body header trim	1	Cab,CabPu,Panel	
		C 126337	Retainer assy-LH-body header trim	1	Cab,CabPu,Panel	
		C 141260	Retainer assy-RH-front door lock pillar trim	1	1940 exc CvCpe-CvSed	
		C 141261	Retainer assy-LH_front door lock pillar trim	1	1940 exc CvCpe-CvSed	
		C 141260	Retainer assy-RH-front door lock pillar trim	1	10 exc CvSed-Del,15,17,18	
		C 141261	Retainer assy-LH-front door lock pillar trim	1	10 exc CvSed-Del,15,17,18	
		C 148756	Retainer assy-RH-front door lock pillar trim	1	11-12-14 exc CvSed	
		C 148757	Retainer assy-LH-front door lock pillar trim	1	11-12-14 exc CvSed	
		C 141262	Retainer assy-RH-front door lock pillar trim	1	1940-1941 CvCpe-CvSed	
		C 141263	Retainer assy-LH-front door lock pillar trim	1	1940-1941 CvCpe-CvSed	
		C 120924	Retainer assy-RH-front door hinge pillar trim	1	1940 exc CvCpe-CvSed	
		C 120925	Retainer assy-LH-front door hinge pillar trim	1	1940 exc CvCpe-CvSed	
		C 148752	Retainer assy-RH-front door hinge pillar trim	1	10 exc CvSed,15,17,18	
		C 148753	Retainer assy-LH-front door hinge pillar trim	1	10 exc CvSed,15,17,18	
		C 148760	Retainer assy-RH-front door hinge pillar trim	1	11-12-14 exc CvSed	
		C 148761	Retainer assy-LH-front door hinge pillar trim	1	11-12-14 exc CvSed	
		C 123430	Retainer assy-RH-front door hinge pillar trim	1	1940 CvCpe-CvSed	
		C 123431	Retainer assy-LH-front door hinge pillar trim	1	1940 CvCpe-CvSed	
		C 148764	Retainer assy-RH-front door hinge pillar trim	1	1941 CvSed	
		C 148765	Retainer assy-LH-front door hinge pillar trim	1	1941 CvSed	
		C 141264	Retainer assy-RH-rear door lock pillar trim	1	1940 Sed-CA	
		C 141265	Retainer assy-LH-rear door lock pillar trim	1	1940 Sed-CA	
		C 141264	Retainer assy-RH-rear door lock pillar trim	1	10-17-18P Sed-CA	
		C 141265	Retainer assy-LH-rear door lock pillar trim	1	10-17-18P Sed-CA	
		C 148772	Retainer assy-RH-rear door lock pillar trim	1	11-12-14 Sed	
		C 148773	Retainer assy-LH-rear door lock pillar trim	1	11-12-14 Sed	
		C 120940	Retainer assy-RH-rear door hinge pillar trim	1	1940 Sed-CA	
		C 120941	Retainer assy-LH-rear door hinge pillar trim	1	1940 Sed-CA	
		C 148768	Retainer assy-RH-rear door hinge pillar trim	1	10-17-18P Sed-CA	
		C 148769	Retainer assy-LH-rear door hinge pillar trim	1	10-17-18P Sed-CA	
		C 148776	Retainer assy-RH-rear door hinge pillar trim	1	11-12-14 Sed	
		C 148779	Retainer assy-LH-rear door hinge pillar trim	1	11-12-14 Sed	
		C 133522	Retainer assy-RH bottom-front door trim	1	1940-1941 All exc Cab-CabPu-Panel-Sed	
		C 133523	Retainer assy-LH bottom-front door trim	1	1940-1941 All exc Cab-CabPu-Panel-Sed	
		C 203070	Retainer assy-RH bottom-front door trim	1	1942 All exc 20-21-22 Sed	
		C 203071	Retainer assy-LH bottom-front door trim	1	1942 All exc 20-21-22 Sed	
		C 133524	Retainer assy-RH bottom-front door trim	1	40 41 44 45 10 11 12 14 Sed-Cab-CabPu	
		C 133525	Retainer assy-LH bottom-front door trim	1	40 41 44 45 10 11 12 14 Sed-Cab-CabPu	
		C 133522	Retainer assy-RH bottom-front door trim	1	43-47-48P-17-18P CA	
		C 133523	Retainer assy-LH bottom-front door trim	1	43-47-48P-17-18P CA	
		C 203102	Retainer assy-RH bottom-front door trim	1	20-21-22-24 Sed,1942 Cab-CabPu	
		C 203103	Retainer assy-LH bottom-front door trim	1	20-21-22-24 Sed,1942 Cab-CabPu	
		BO 133521	Retainer assy-bottom-rear door	2	1940 Sed-CA	
		C 148750	Retainer assy-bottom-rear door	2	1941 Sed-CA	
		C 203105	Retainer assy-bottom-rear door	2	1942 Sed	
		BO 71420	Screw-trim retainer	#8 x 1/2"	AR	1940 All
		BO 71355	Screw-trim retainer	#8 x 1"	AR	1940 All
		BO 71352	Screw-trim retainer	#8 x 3/4"	AR	1940 All
		BO 170572	Screw-trim retainer	#8 x 3/4"	AR	1941 exc Del-Station
	BO 170472	Screw-trim retainer	#8 x 1/2"	AR	1941-1942 exc Del-Station	
	BO 170609	Screw-trim retainer	#8 x 1"	AR	1941-1942 exc Del-Station	
	BO 70079	Rivet-trim retainer	9/64" x 3/16"	AR	All exc Del-Station	
	BO 95075	Bracket-door trimboard	On pillar	AR	1940-1941 exc Del-Station	
	BO 202252	Clip-door trimboard retaining		AR	1940-1941 exc Del-Station	
	BO 207491	Clip-door trimboard retaining		AR	1942 exc Station	
UU1-			BODY LACQUERS			
			NOTE: Virgin lacquer is supplied in 1/4 pint, 1/2 pint, pint, quart and gallon containers. Order by part number, color name, and quantity.			
			On 1940 cars, the color option letter is stamped on rear of right front body pillar; on 1941 and 1942 cars, option letter is on right front door upper hinge. Letters may be seen when door is open.			
		C 88024	Black Regular	Option K	All	
	C 175080	Harbor blue Opalescent	Option H	1940		

Group & Illus. No.	Plate No.	Part No.	NAME	Per Car	Models	
UU1-			BODY LACQUERS (CONT'D.)			
		C 175070	Baltic blue	Regular	Option B	1940 to car 54421
		C 175100	Boulevard blue	Regular	Option B	1940 after car 54421
		C 175060	Jay blue	Opalescent	Option J	1940
		C 175131	Baronet blue	Opalescent	Option B	1941
		C 175127	Jewel blue	Opalescent	Option J	1941
		C 175222	Brigade blue	Opalescent.	Option B	1942
		C 175218	Jackson blue	Opalescent	Option J	1942
		C 175059	Pearl green	Opalescent	Option P	1940
		C 175061	Sage green	Opalescent	Option S	1940
		C 175122	Pine green	Opalescent	Option P	1941
		C 175126	Silver green	Opalescent	Option S	1941
		C 175221	Pageant green	Opalescent	Option P	1942
		C 175220	Spring green	Opalescent	Option S	1942
		C 88723	Queen gray	Opalescent	Option Q	1940
		C 175040	Radiant gray	Opalescent	Option R	1940
		C 175124	Quaker gray	Opalescent	Option Q	1941
		C 175129	Richmond gray	Opalescent	Option R	1941
		C 175209	Quartz gray	Opalescent	Option Q	1942
		C 175217	Republic gray	Opalescent	Option R	1942
		C 175056	Naples tan	Opalescent	Option N	1940
		C 175123	Newport tan	Opalescent	Option N	1941
		C 175125	Hollywood tan	Opalescent	Option H	1941
		C 175215	Nomad tan	Opalescent	Option N	1942
		C 175214	Hickory tan	Opalescent	Option H	1942
		C 175057	Gunmetal	Opalescent	Option G	1943,1941
		C 175223	Gunmetal	Opalescent	Option G	1942
		C 175051	Maroon	Opalescent	Option M	1940
		C 175128	Maroon	Opalescent	Option M	1941,1942
		C 88730	Morocco red	Regular	Option RR	1940
		C 175132	Regal red	Opalescent	Option RR	1941
		C 175219	Royal red	Opalescent	Option RR	1942
		C 175081	California cream	Regular	Option CC	1940
		C 175130	Crystal bronze	Opalescent	Option CC	1941
		C 175216	Copper russet	Opalescent	Option CC	1942
		C 175125	Hollywood tan-upper	Two tone	Option NH	1941
		C 175123	Newport tan-lower			
		C 175214	Hickory tan-upper	Two tone	Option NH	1942
		C 175215	Nomad tan-lower			
		CC 175129	Richmond gray-upper	Two tone	Option QR	1941
		C 175124	Quaker gray-lower			
		C 175217	Republic gray-upper }	Two tone	Option QR	1942
		C 175209	Quartz gray-lower			
		C 175126	Silver green-upper	Two tone	Option PS	1941
		C 175122	Pine green-lower			
		C 175220	Spring green-upper	Two tone	Option PS	1942
		C 175221	Pageant green-lower			
		C 175129	Richmond gray-upper	Two tone	Option BR	1941
	C 175131	Baronet blue-lower				
	C 175217	Republic gray-upper	Two tone	Option BR	1942	
	C 175222	Brigade blue-lower				
	C 203826	Motor car lacq (clear lacquer for mouldings)		1/2 pint		
	C 175052	Lacquer thinner		1 gallon		
XX4-			CAB PICKUP-REAR SECTION			
		C 142800	Pickup box assembly			40C CabPu
		C 142801	Pickup box assembly			48C CabPu
		C 147700	Pickup box assembly		LHD	10C-20C CabPu
		C 147698	Pickup box assembly		RHD	10C-20C CabPu
		C 147701	Pickup box assembly		LHD	18C-28C CabPu
		C 147699	Pickup box assembly		RHD	18C-28C CabPu
		C 142788	Tail gate assembly-pickup box			CabPu
		BO 142790	Lock bracket-RH-gate half-pickup box tail gate			CabPu
		BO 142791	Lock bracket-LH-gate half-pickup box tail gate			CabPu
		BO 142792	Lock bracket-RH-body half-pickup box tail gate			CabPu
		BO 142793	Lock bracket-LH-body half-pickup box tail gate			CabPu

Group & Illus. No.	Plate No.	Part No.	NAME	Per Car	Models	
XX4-			CAB PICKUP-REAR SECTION (CONT'D.)			
		BZ 70970	Rivet-tail gate lock bracket	1/4" 1/4" x 5/8"	8 CabPu	
		BO 142797	Bracket-on body-tail gate hinge		2 CabPu	
		BO 142796	Bushing-tail gate hinge bracket		2 CabPu	
		BZ 71264	Bolt-tail gate hinge bracket	5/16"-2.4 x 3/4"	4 CabPu	
		BO 12481	Nut-tail gate hinge bracket bolt	5/16"-24 x 17/64"	4 CabPu	
		BO 70086	Clinch nut-tail gate hinge bracket bolt	5/16"-24 x 5/64"	2 CabPu	
		BO 142794	Chain and cover assy-RH-pickup box tail gate		1 CabPu	
		BO 142795	Chain and cover assy-LH-pickup box tail gate		1 CabPu	
		C 142798	Skid strip-pickup box		5 40C CabPu	
		C 142799	Skid strip-pickup box		5 48C CabPu	
		C 147598	Skid strip-pickup box		8 10C-20C CabPu	
		C 147599	Skid strip-pickup box		8 18C-28C CabPu	
		C 142828	Floor board-center-pickup box		4 40C CabPu	
		C 142829	Floor board-center-pickup box		4 48C CabPu	
		C 147596	Floor board-center-pickup box		7 10C-20C CabPu	
		C 147597	Floor board-center-pickup box		7 18C-28C CabPu	
		C 142830	Floor board-outer RH-pickup box		1 40C CabPu	
		C 142831	Floor board-outer LH-pickup box		1 40C CabPu	
		C 142832	Floor board-outer RH-pickup box		1 48C CabPu	
		C 142833	Floor board-outer LH-pickup box		1 48C CabPu	
		C 147592	Floor board-outer-RH-pickup box		1 10C-20C CabPu	
		C 147593	Floor board-outer LH-pickup box		1 10C-20C CabPu	
		C 147594	Floor board-outer RH-pickup box		1 18C-28C CabPu	
		C 147595	Floor board-outer LH-pickup box		1 18C-28C CabPu	
		C 147736	Cover plate-RH-pickup box to running board		1 10C-20C CabPu	
		C 147737	Cover plate-LH-pickup box to running board		1 10C-20C CabPu	
		C 147738	Cover plate-RH-pickup box to running board		1 18C-28C CabPu	
		C 147739	Cover plate-LH-pickup box to running board		1 18C-28C CabPu	
		BO 71631	Bolt-pickup box to running board cover plate		AR 1941-1942 CabPu	
		BZ 70874	Nut-pickup box to running board cover plate bolt		AR 1941-1942 CabPu	
		BZ 70673	Lock washer-pickup box to running board cover plate bolt		AR 1941-1942 CabPu	
		C 142804	Pocket-front-pickup box stake Welded		2 CabPu	
		C 142806	Pocket assy-RH rear-pickup box stake to		1 CabPu	
		C 142807	Pocket assy-LH rear-pickup box stake side panel		1 CabPu	
		BO 121771	Silencer-pickup box to frame		1 1941-1942 CabPu	
		BO 120817	Shim-pickup box to frame		4 1941-1942 CabPu	
		BO 71616	Bolt-pickup box to floor	5/16"-18 x 1-1/4"	AR CabPu	
		BO 18483	Nut-pickup box to floor bolt	5/16"-18 x 1-1/4"	AR CabPu	
	XX5-			PANEL DELIVERY BODY		
				NOTE: Body parts not listed below should be ordered by description, giving car serial number and as complete information as possible		
			BO 116902	Ornament-roof panel-rear		1 1940 Panel Delivery
			BO 116816	Seal washer-roof panel rear ornament		4 1940 Panel Delivery
			BO 118312	Cup washer-roof panel rear ornament		4 1940 Panel Delivery
			BZ 12111	Lock washer-roof panel rear ornament		4 1940 Panel Delivery
			BM 71648	Screw-roof panel rear ornament	10-32 x 3/8"	4 1940 Panel Delivery
			C 137400	Panel-inside RH-rear door		1 1940 Panel Delivery
			C 137401	Panel-inside LH-rear door		1 1940 Panel Delivery
			C 137415	Header assy-rear door opening		1 1940 Panel Delivery
			C 137402	Panel assy-rear sill		1 1940 Panel Delivery
			C 137410	Panel-rear sill		1 1940 Panel Delivery
			C 137411	Panel-filler-rear sill		1 1940 Panel Delivery
			C 137403	Cover-gas tank filler neck		1 1940 Panel Delivery
		C 137404	Pillar assy-RH-rear body		1 1940 Panel Delivery	
		C 137405	Pillar assy-LH-rear body		1 1940 Panel Delivery	
		C 137412	Pillar-RH-rear body hinge		1 1940 Panel Delivery	
		C 137413	Pillar-LH-rear body hinge		1 1940 Panel Delivery	
		C 137406	Panel-front-roof		1 1940 Panel Delivery	
		C 137416	Strainer-center-roof		1 1940 Panel Delivery	
		C 137418	Tail splice-RH-roof sub		1 1940 Panel Delivery	
		C 137419	Tail splice-LH-roof sub		1 1940 Panel Delivery	
		BO 136647	Dovetail-male-rear door		2 1940 Panel Delivery	
		BO 136648	Dovetail-female-rear door		2 1940 Panel Delivery	
		C 137420	Bow-No. 1-roof		1 1940 Panel Delivery	
		C 137421	Bow-No. 2-roof		1 1940 Panel Delivery	
		C 137422	Bow-No. 3-roof		1 1940 Panel Delivery	
		C 137423	Bow-No. 4-roof		1 1940 Panel Delivery	
		C 137424	Bow-No. 5-roof		1 1940 Panel Delivery	

Group & Illus. No.	Plate No.	Part No.	NAME	Per Car	Models	
XX5-			PANEL DELIVERY BODY (CONT'D.)			
		C 137426	Sub rail-roof-RH	1	1940 Panel Delivery	
		C 137427	Sub rail-roof-LH	1	1940 Panel Delivery	
		C 137440	Rail-RH-roof side	1	1940 Panel Delivery	
		C 137441	Rail-LH-roof side	1	1940 Panel Delivery	
		C 137446	Pillar-RH-rear body side	1	1940 Panel Delivery	
		C 137447	Pillar-LH-rear body side	1	1940 Panel Delivery	
		C 137438	Pillar-RH-front body lock	1	1940 Panel Delivery	
		C 137439	Pillar-LH-front body lock	1	1940 Panel Delivery	
		C 137408	Panel-RH-rear header face	1	1940 Panel Delivery	
		C 137409	Panel-LH-rear header face	1	1940 Panel Delivery	
		C 137414	Sill-rear cross	1	40C Panel Del	
		C 137407	Sill-rear cross	1	48C Panel Del	
		C 137417	Block-dome lamp	1	1940 Panel Del	
		C 137436	Rail-RH-belt	1	1940 Panel Del	
		C 137437	Rail-LH-belt	1	1940 Panel Del	
		C 137430	Wheelhouse assembly-RH	1	40C Panel Del	
		C 137431	Wheelhouse assembly-LH	1	40C Panel Del	
		C 137428	Wheelhouse assembly-RH	1	48C Panel Del	
		C 137429	Wheelhouse assembly-LH	1	48C Panel Del	
		C 137432	Filler-RH-front sill	1	40C Panel Del	
		C 137433	Filler-LH-front sill	1	40C Panel Del	
		C 137434	Filler-FH-front sill	1	48C Panel Del	
		C 137435	Filler-LH-front sill	1	48C Panel Del	
		C 137442	Pillar-RH-front wheelhouse	1	40C Panel Del	
		C 137443	Pillar-LH-front wheelhouse	1	40C Panel Del	
		C 137450	Pillar-RH-front wheelhouse	1	48C Panel Del	
		C 137451	Pillar-LH-front wheelhouse	1	48C Panel Del	
		C 137444	Pillar-RH-rear wheelhouse	1	40C Panel Del	
		C 137445	Pillar-LH-rear wheelhouse	1	40C Panel Del	
		C 137448	Pillar-RH-rear wheelhouse	1	48C Panel Del	
		C 137449	Pillar-LH-rear wheelhouse	1	48C Panel Del	
		C 137452	Pillar-RH-center wheelhouse	1	1940 Panel Del	
		C 137453	Pillar-LH-center wheelhouse	1	1940 Panel Del	
	XX6-			STATION WAGON BODY		
				The following 1941 Station Wagon body parts are identified by body manufacturers symbols. Distributors place orders for parts with Hudson Motor Car Company, Detroit, Michigan. Dealers order from Distributor.		
				Symbols for 1942 Station Wagon parts are the same as 1941 except that the first two figures are changed from 41 to 42.		
				FLOOR-STATION BODY		
			H 4101	Floor covering-for well	Rubber	1
			H 4102	Floor covering-for rear level	Linoleum	1
			H 4109	Front cross sill cover	Metal	1
			H 4110	Rear end bar cover	Metal	1
			H 4111	Rear end sill cover (tailboard)	Metal	1
				SIDE ASSEMBLIES-STATION WAGON		
			H 4120	Side assy. complete-finished-less glass and hardware-LH		1
			H 4121	Side assy. complete-finished-less glass and hardware-RH		1
			H 4122	Side quarter panel upper-LH		1
		H 4123	Side quarter panel upper-RH		1	
		H 4124	Side quarter panel lower-LH		1	
		H 4125	Side quarter panel lower-RH		1	
		H 4126	Pillar, rear corner-LH		1	
		H 4127	Pillar, rear corner-RH		1	
		H 4132	Pillar, rear body lock-LH		1	
		H 4133	Pillar, rear body lock-RH		1	
		H 4134	Top rail, rear quarter-LH		1	
		H 4135	Top rail, rear quarter-RH		1	
	H 4136	Moulding-rear quarter panel-LH		1		
	H 4137	Moulding-rear quarter panel-RH		1		
	H 4138	Cover, wheelhouse inside-LH	Metal	1		
	H 4139	Cover, wheelhouse inside-RH	Metal	1		
	H 4142	Bracket-fender	Metal	4		
	H 4143	Bumper and casing assy (female dovetail)		2		
	H 4145	Bolt-fender mounting		24		

Group & Illus. No.	Plate No.	Part No.	NAME	Per Car	Models
XX6-			SIDE ASSEMBLIES-STATION WAGON (CONT'D.)		
		H 4154	Moulding-rear body lock pillar-inner upper-LH	1	
		H 4155	Moulding-rear body lock pillar-inner upper-RH	1	
		H 4156	Moulding-rear body lock pillar-inner lower-LH	1	
		H 4157	Moulding-rear body lock pillar-inner lower-RH	1	
		H 4162	Channel,glass run	2	130"
		H 4163	Glass, stationary, rear side window	2	
		H 4164	Glass, sliding, rear side window	2	
		H 4165	Channel, rear side window division-L or R	2	
		H 4166	Lock, window sliding glass-LH	1	
		H 4167	Lock, window sliding glass-RH	1	
		H 4168	Glass knob, sliding glass window	2	
		H 4170	Weatherstrip and binding-rear pillar inner	1	40"
			FRONT SIDE DOOR-STATION WAGON		
		H 4180	Door assy., front side, less glass and handles, includes lock assy., regulator and reg. plate-LH		
		H 4181	Door assy., front side, less glass and handles, includes lock assy., regulator and reg. plate-RH		
		H 4184	Panel, front door outer-LH	1	
		H 4185	Panel, front door outer-RH	1	
		H 4186	Panel, front door inner-LH	1	
		H 4187	Panel, front door inner-RH	1	
		H 4190	Moulding-panel outer-L or R	2	
		H 4191	Moulding-reveal inner-LH	1	
		H 4192	Moulding-reveal inner-RH	1	
		H 4193	Welt, door panel inside	2	64"
		H 4198	Flap, door bottom (31" required) L or R	1	
		H 4199	Channel, glass run (85" required) L or R	1	
		H 41100	W/Strip, glass-27-1/2"-L or R	2	
		H 41102	Lock assy.-2-13/16" remote strap-LH	1	
		H 41103	Locking assy.-2-13/16" remote strap-RH	1	
		H 41104	Regulator only-LH	1	
		H 41105	Regulator only-RH	1	
		H 41106	Regulator board-LH	1	Metal
		H 41107	Regulator-board-RH	1	Metal
		H 41108	Handle assy.-front door-outer LH	1	
		H 41109	Handle assy.-front door-outer RH	1	
		H 41110	Handle assy.-front door-remote control	1	
		H 41111	Handle assy.-front door-regulator	1	
		H 41112	Escutcheon plate and washer-front door-inside handle	2	
		H 41113	Bumper wedge plate-front door-(male dovetail)	2	
		H 41114	Door check strap 6" long	2	6" long
		H 41115	Bracket, door check strap	2	
		H 41116	Glass, front side door window	2	
		H 41117	Hinge,-front side door-upper-LH	1	
		H 41118	Hinge,-front side door-upper-RH	1	
		H 41119	Hinge-front side door-lower-LH	1	
		H 41120	Hinge-front side door-lower-RH	1	
		H 41121	W/Strip and binding-front door-inside-11' required	2	
		H 41122	W/Strip-door lip-12' required-L or R	2	
			REAR SIDE DOORS-STATION WAGON		
		H 41130	Door assy. rear side, less glass and handles, includes lock regulator and reg. plate-LH	1	
		H 41131	Door assy. rear side, less glass and handles, includes lock regulator and reg. plate-RH	1	
		H 41134	Panel, rear door outer-LH	1	
		H 41135	Panel, rear door outer-RH	1	
		H 41136	Panel, rear door inner-LH	1	
		H 41137	Panel, rear door inner-RH	1	
		H 41140	Moulding-panel outer-LH	1	
		H 41141	Moulding-panel outer-RH	1	
		H 41142	Moulding-reveal inner-LH	1	
		H 41143	Moulding-reveal inner-RH	1	
		H 4193	Welt, door panel inner-L or R	2	64"
		H 41147	Flap, door bottom (19" required) L or R	2	
		H 41148	Channel, glass run (60" required) L or R	2	
		H 41149	W/Strip-glass (25" required-2 pieces) L or R	2	
		H 41102	Locking assy. 2-13/16" remote strap-LH	1	
		H 41103	Locking assy. 2-13/16" remote strap-RH	1	
		H 41104	Regulator only-LH	1	
		H 41105	Regulator only-RH	1	
		H 41151	Regulator board-LH	1	Metal
		H 41152	Regulator board-RH	1	Metal

Group & Illus. No.	Plate No.	Part No.	NAME	Per Car	Models	
XX6-			REAR SIDE DOORS-STATION WAGON (CONT,D.)			
		H 41108	Handle assy. right side door-L or R	2		
		H 41110	Handle assy.-remote control	2		
		H 41111	Handle assy.-regulator	2		
		H 41112	Escutcheon plate and washer-inside handles	2		
		H 41113	Bumper wedge plate (male dovetail)	2		
		H 41114	Door check strap	2	6" long	
		H 41154	Glass rear side door window	2		
		H 41155	Channel, glassheader (27" required) L or R	2		
		H 41156	Hinge, rear door-LH	1		
		H 41157	Hinge, rear door-RH	1		
		H 41121	W/Strip and binding-inside (11, required) L or R	2		
		H 41122	W/Strip-door lip (12, required) L or R	2		
				UPPER ENDGATE-STATION WAGON		
		H 41170	Upper endgate complete less all hardware and trim	1		
		H 41172	Hinge	1		
		H 41174	Glass	2	12" x 24"	
		H 41175	Locking handle-outer	1		
		H 41176	Locking assy. with handle-inner	1		
		H 41177	Support arm assy, with adjusting wheel-LH	1		
		H 41178	Support arm assy. with adjusting wheel-RH	1		
		H 41179	W/Strip and binding inner (52" required)	1		
		H 41180	Flap	1		
				LOWER ENDGATE-STATION WAGON		
		H 41190	Lower endgate complete less all hardware and trim	1		
		H 41193	Moulding, panel-L or R	2		
		H 41194	Hinge, piano	1		
		H 41195	Wear iron, with eye for chain-LH	1		
		H 41196	Wear iron, with eye for chain-RH	1		
		H 41197	Endgate chain	2		
		H 41198	Endgate chain cover	2		
		H 41199	Endgate latch lever-LH	1		
		H 41200	Endgate latch lever-RH	1		
		H 41201	Endgate latch plate-LH	1		
		H 41202	Endgate latch plate-RH	1		
		H 41203	Spring, lower endgate	1		
		H 41204	Cover-lower endgate spring	1		
		H 41205	Eye bolt, endgate spring to floor	1		
		H 4144	Striker-upper-endgate lock	1		
		H 41207	Bracket, tail light and license plate	1		
		H 41208	Bracket, tire carrier-complete	1		
				TOP-STATION WAGON		
		H 41210	Frame assy. (less all trim)	1		
		H 41211	Roof rail-front	1		
		H 41212	Roof rail-side-LH	1		
		H 41213	Roof rail-side-RH	1		
		H 41214	Roof rail-rear	1		
		H 41215	Roof bow-standard	11		
		H 41216	Ridge pole	1		
		H 41217	Roof slat	32		
				TOP TRIM-STATION WAGON		
		H 41230	Top material	1	66" x 9'	
		H 41231	Top batting (blue felt)	1		
		H 41232	Top sheeting 9' x 9'	3	9' x 9'	
		H 41233	Moulding and filler, top front finish	1		
		H 41234	Moulding and filler, side drip-L or R	2		
		H 41235	Moulding and filler, rear drip	1		
		H 41236	Head lining and binding-top inside front	1		
			Drip moulding filler (Hudson BO 149992) specify color	1		
				BODY PILLARS-STATION WAGON		
		H 41240	Pillar-front side body lock and hinge-LH	2		
		H 41241	Pillar-front side body lock and hinge-RH	2		
		H 41242	Brace, front side body pillar to floor-L or R	2		
		H 4143	Bumper and casing assembly (female dovetail)	2		
		H 4144	Striker-door lock	2		
		H 41243	Moulding, inside garnish-L or R	2		

Group & Illus. No.	Plate No.	Part No.	NAME	Per Car	Models
			SEATS-STATION WAGON		
	H	41251	Cushion assembly-front seat-imitation leather	1	
	H	41252	Cushion assembly-front seat-genuine leather	1	
	H	41253	Cushion cover trim assembly-front seat-imitation-leather	1	
	H	41254	Cushion cover trim assembly-front seat-genuine leather	1	
	H	41255	Back assembly-front seat-imitation leather	1	
	H	41256	Back assembly-front seat-genuine leather	1	
	H	41257	Back cover trim assembly-front seat-imitation leather	1	
	H	41258	Back cover trim assembly-front seat-genuine leather	1	
	H	41259	Spring assembly-front seat cushion	1	
	H	41260	Spring assembly-front seat back	1	
	H	41261	Panel-front seat back of back-plywood	1	
	H	41262	Frame assembly complete-front seat	1	
	H	41267	Center seat cushion assembly-imitation leather	1	
	H	41268	Center seat cushion assembly-genuine leather	1	
	H	41269	Center seat cover trim assembly-imitation leather	1	
	H	41270	Center seat cover trim assembly-genuine leather	1	
	H	41271	Center seat back assembly-imitation leather	1	
	H	41272	Center back assembly-genuine leather	1	
	H	41273	Center back cover trim assembly-imitation leather	1	
	H	41274	Center back cover trim assembly-genuine leather	1	
	H	41275	Center seat cushion spring assembly	1	
	H	41276	Center seat back spring assembly	1	
	H	41277	Panel, center seat back of back-imitation leather	1	
	H	41278	Panel, center seat back of back-genuine leather	1	
	H	41285	Rear seat cushion assembly-imitation leather	1	
	H	41286	Rear seat cushion assembly-genuine leather	1	
	H	41287	Rear seat cover trim assembly-imitation leather	1	
	H	41288	Rear seat trim assembly-genuine leather	1	
	H	41289	Rear seat back assembly-imitation leather	1	
	H	41290	Rear seat back assembly-genuine leather	1	
	H	41291	Rear seat back cover trim-imitation leather	1	
	H	41292	Rear seat back cover trim-genuine leather	1	
	H	41293	Rear seat spring assembly	1	
	H	41294	Rear seat spring assembly	1	
	H	41295	Panel, rear seat back of back-imitation leather	1	
	H	41296	Panel, rear seat back of back-genuine leather	1	
			ALL PURPOSE DELIVERY BODY		
	BO	126432	Front end ornament	1	10C Del.
	BO	71073	Front end ornament nut	2	10C Del
	BZ	71260	Front end ornament nut plain washer	2	10C Del
	BZ	70563	Front end ornament nut lock washer	2	10C Del
	BO	116902	Rear roof panel ornament	1	10C Del
	BO	116816	Rear roof panel ornament seal washer	4	10C Del
	BO	118312	Rear roof panel ornament cup washer	4	10C Del
	BM	70855	Rear roof panel ornament screw	4	10C Del
	BZ	12111	Rear roof panel ornament screw lock washer	4	10C Del
	BZ	200286	Front wheel house panel reinforcement-RH	*	10C Del
	BZ	200287	Front wheel house panel reinforcement-LH	*	10C Del
	BO	201150	Headlamp assembly-RH	*	10C Del
	BO	201151	Headlamp assembly-LH	*	10C Del
	BO	201152	Headlamp rim	*	10C Del
	BO	201153	Headlamp lens	*	10C Del
	BO	201154	Headlamp to body rubber seal	*	10C Del
	BO	201155	Tail lamp assembly	*	10C Del
	BO	201156	Dome lamp lens	*	10C Del
	BO	148870	Rear view mirror External	External *	10C Del
	A	201157	Louver panel assembly	*	10C Del
	C	147422	Louver-RH	*	10C Del
	C	147423	Louver-LH	*	10C Del
	A	201158	Front fender-RH	*	10C Del
	A	201159	Front fender-LH	*	10C Del
	A	201160	Rear fender-RH	*	10C Del
	A	201161	Rear fender-LH	*	10C Del
	BO	201162	Engine compartment cover latch assembly	*	10C Del
	BO	201163	Sliding door outside handle	*	10C Del
	BO	201164	Sliding door inside handle	*	10C Del
	BO	201165	Sliding door latch assembly	*	10C Del
	BO	201166	Sliding door roller assembly-upper	*	10C Del
	BO	201167	Sliding door roller assembly-lower	*	10C Del
	BO	201168	Rear door outside handle-RH	*	10C Del
	BO	201170	Rear door slam lock assembly-RH	*	10C Del

1940-1941-1942

INDEX OF ILLUSTRATIONS

	Plate No.	Page No.		Plate No.	Page No.
Auto-Poise	2	11	Overdrive	23	88
Axle-rear	3	14	Panels-metal-front end	38	202
Brake-1940	4	20	Panels-metal-coupe	38	202
Brake-1941-1942	5	21	Panels-metal-sedan	39	203
Brake control	6	14	Pedals	8	30
Brake cylinders	7	26	Radiator-1940	30	120
Bonnet-1940	30	120	Radiator-1941	31	121
Bonnet-1941	31	121	Radiator-1942	32	122
Bonnet-1942	32	122	Rear compartment	48	280
Bonnet lock	33	127	Seat tracks	47	268
Carburetor		181	Shock absorbers	11	40
Clutch	18	70	Spindle-front	2	11
Distributor		187	Spring shackle arrangement	10	38
Door-front-crank wing type	42	219	Starting motor		192
Door-front-friction wing type	41	218	Steering gear	27	100
Door-front-solid window type	41	218	Steering wheels	27	100
Door-rear	42	219	Throttle control	29	112
Door inside handles	40	214	Tie Rods	1	10
Door wings	43	230	Timing gears	17	68
Drag link	28	106	Top-convertible coupe	44	238
Engine-1940	13	54	Top-convertible sedan-1940	45	239
Engine-1941-1942	14	55	Top-convertible sedan-1941-1942	46	240
Engine-cross section	15	56	Transmission-1940	21	78
Frame	12	44	Transmission-1941-1942	22	79
Front suspension	1	10	Transmission control-handy shift	24	92
Fuel pump		184	Transmission control-Hudson		
Generator		190	Drive Master	25	96
Handles-door inside	40	214	Trim-3 pass coupe	50	308
Handy Shift	24	92	Trim-club coupe	50	308
Hudson Drive Master	25	96	Trim-2 door sedan	51	309
Hydraulic hill hold	7	26	Trim-4 door sedan	51	309
Instrument panel	36	156	Trim-Victoria coupe	49	302
Lamps	34	142	Universal joints	26	98
Lamps	35	143	Vacumotive Drive-1940-1941	19	72
Master cylinder	7	26	Vacumotive Drive-1942	20	73
Mouldings-body outside	49	302	Water pump	16	66
Oil check valve	16	66	Wheel cylinder	7	26
Oil pump	16	66	Windshield cleaner	37	166

PLATE INDEX

Plate No.		Page No.	Plate No.		Page No.
1	Front suspension-tie rods	10	27	Steering gear-steering wheels	100
2	Front spindle-Auto-Poise	11	28	Drag link	106
3	Rear axle	14	29	Throttle control	112
4	Brake-1940	20	30	Radiator and bonnet-1940	120
5	Brake-1941-1942	21	31	Radiator and bonnet-1941	121
6	Brake control	24	32	Radiator and bonnet-1942	122
7	Brake cylinders-hill hold	26	33	Bonnet lock	127
8	Pedals	30	34	Lamps	142
9	Rear spring chart	34	35	Lamps	143
10	Rear spring shackle arrangement	38	36	Instrument panel	156
11	Shock absorbers	40	37	Windshield cleaner	166
12	Frame	44	38	Front end panels-coupe metal panels	202
13	Engines-1940	54	39	Sedan metal panels	203
14	Engines-1941-1942	55	40	Inside door handles	214
15	Engine-cross section	56	41	Front door	218
16	Oil pump--check valve-water pump	66	42	Front door-rear door	219
17	Timing gears	68	43	Front door wings	230
18	Clutch	70	44	Convertible coupe top	238
19	Vacumotive Drive-1940-1941	72	45	Convertible sedan top-1940	239
20	Vacumotive Drive-1942	73	46	Convertible sedan top-1941-1942	240
21	Transmission-1940	78	47	Seat tracks	268
22	Transmission-1941-1942	79	48	Rear compartment	280
23	Overdrive	88		Body outside mouldings-	
24	Handy Shift	92	49	Victoria coupe trim	302
25	Hudson Drive Master	96	50	3 coupe and club coupe trim	308
26	Universal joints	98	51	Sedan trim	309

the 1990s, the number of people in the world who are under 15 years of age has increased from 1.1 billion to 1.3 billion (UNEP 2000).

As a result of the increasing number of children in the world, the number of children in the world who are under 5 years of age has increased from 0.8 billion to 1 billion (UNEP 2000). This increase in the number of children in the world has led to a corresponding increase in the number of children who are under 5 years of age who are at risk of malnutrition.

Malnutrition is a major cause of child mortality and morbidity in the developing world. It is a condition that is caused by a deficiency of essential nutrients, such as protein, energy, and vitamins. Malnutrition can lead to a number of health problems, including stunted growth, weakened immunity, and increased susceptibility to disease.

Malnutrition is a complex problem that is caused by a number of factors, including poverty, lack of access to food, and lack of access to health care. Malnutrition is a global problem that affects millions of children in the developing world. It is a condition that is preventable and treatable, but it is a condition that is often overlooked.

Malnutrition is a condition that is caused by a deficiency of essential nutrients, such as protein, energy, and vitamins. Malnutrition can lead to a number of health problems, including stunted growth, weakened immunity, and increased susceptibility to disease. Malnutrition is a complex problem that is caused by a number of factors, including poverty, lack of access to food, and lack of access to health care.

Malnutrition is a condition that is caused by a deficiency of essential nutrients, such as protein, energy, and vitamins. Malnutrition can lead to a number of health problems, including stunted growth, weakened immunity, and increased susceptibility to disease. Malnutrition is a complex problem that is caused by a number of factors, including poverty, lack of access to food, and lack of access to health care.

Malnutrition is a condition that is caused by a deficiency of essential nutrients, such as protein, energy, and vitamins. Malnutrition can lead to a number of health problems, including stunted growth, weakened immunity, and increased susceptibility to disease. Malnutrition is a complex problem that is caused by a number of factors, including poverty, lack of access to food, and lack of access to health care.

Malnutrition is a condition that is caused by a deficiency of essential nutrients, such as protein, energy, and vitamins. Malnutrition can lead to a number of health problems, including stunted growth, weakened immunity, and increased susceptibility to disease. Malnutrition is a complex problem that is caused by a number of factors, including poverty, lack of access to food, and lack of access to health care.

Malnutrition is a condition that is caused by a deficiency of essential nutrients, such as protein, energy, and vitamins. Malnutrition can lead to a number of health problems, including stunted growth, weakened immunity, and increased susceptibility to disease. Malnutrition is a complex problem that is caused by a number of factors, including poverty, lack of access to food, and lack of access to health care.

Malnutrition is a condition that is caused by a deficiency of essential nutrients, such as protein, energy, and vitamins. Malnutrition can lead to a number of health problems, including stunted growth, weakened immunity, and increased susceptibility to disease. Malnutrition is a complex problem that is caused by a number of factors, including poverty, lack of access to food, and lack of access to health care.

Malnutrition is a condition that is caused by a deficiency of essential nutrients, such as protein, energy, and vitamins. Malnutrition can lead to a number of health problems, including stunted growth, weakened immunity, and increased susceptibility to disease. Malnutrition is a complex problem that is caused by a number of factors, including poverty, lack of access to food, and lack of access to health care.