



In This Preliminary List
NEW! . . . TO HELP YOU!

C-17 — Power Brakes

M-9 — Power Steering

New Trim Code! . . . Read Page 77

GROUP PARTS CATALOG

PRELIMINARY

1954 MODELS

New and Non-Interchangeable Parts

SEPT. 1, 1953

STOCK NO. S-452

PRELIMINARY GROUP PARTS LIST
NEW AND NON-INTERCHANGEABLE PARTS

1954
"D" SERIES HUDSON

<u>Name</u>	<u>Chassis Model</u>	<u>Series</u>	<u>Body Types</u>
Jet	1	D	4Sed,2Sed
Super Jet	2	D	4Sed,2Sed
Jet-Liner	3	D	4Sed,2Sed
Was[4	D	4Sed,2Sed,Cpe
Super Wasp	5	D	4Sed,2Sed,Cpe,CvBro,Hlywd
Hornet	7	D	4Sed,Cpe,CvBro,Hlywd

This Catalog is to be used in conjunction with the Hudson 1953 GROUP PARTS CATALOG as a preliminary Service Parts List for "D" Series Models.

PARTS LISTED FOR "D" SERIES MODELS 1D,2D,3D TWO DOOR SEDAN ALSO FIT MODELS 1C,2C TWO DOOR SEDAN.

Hudson Motor Car Company
Detroit 15, Michigan, U.S.A.

TABLE OF CONTENTS

Page	
2	List of Illustrations
3	Car Serial Number Plate
4	Illustration Plates
13	Chassis Parts List
57	Body Parts List
77	Trim Code
87	Index

LIST OF ILLUSTRATIONS

Plate		Page
1	Power brake operating mechanism	4
2	Power brake cylinder	5
3	Power steering operating mechanism	6
4	Power steering oil pump	7
5	4D-5D-7D Grille	8
6	Hornet-front	9
7	Hornet-RH side	10
8	Hornet-LH side	11
9	Super Jet	12

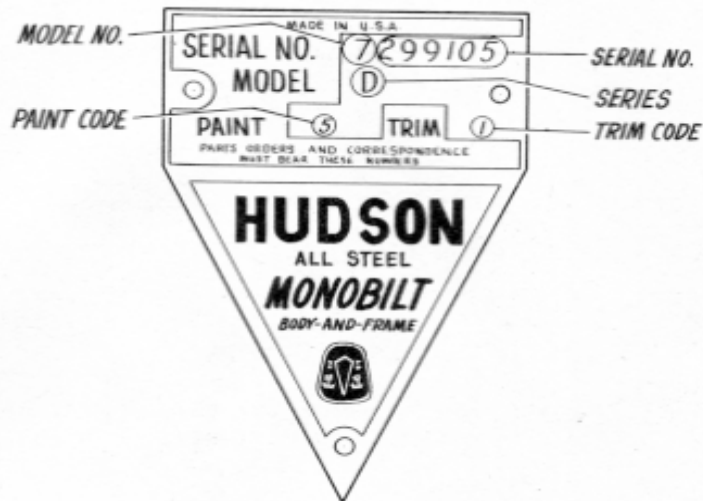
PARTS CODE

Please add the following to your Parts Code

PB	Power Brakes
PS	Power Steering

ILLUSTRATION NUMBERING

Illustration Plate Numbers given in this book refer to the plates published herein. However, if illustration numbers appear in this Preliminary Catalog without plate numbers they refer to similar or typical parts in the 1953 Catalog.



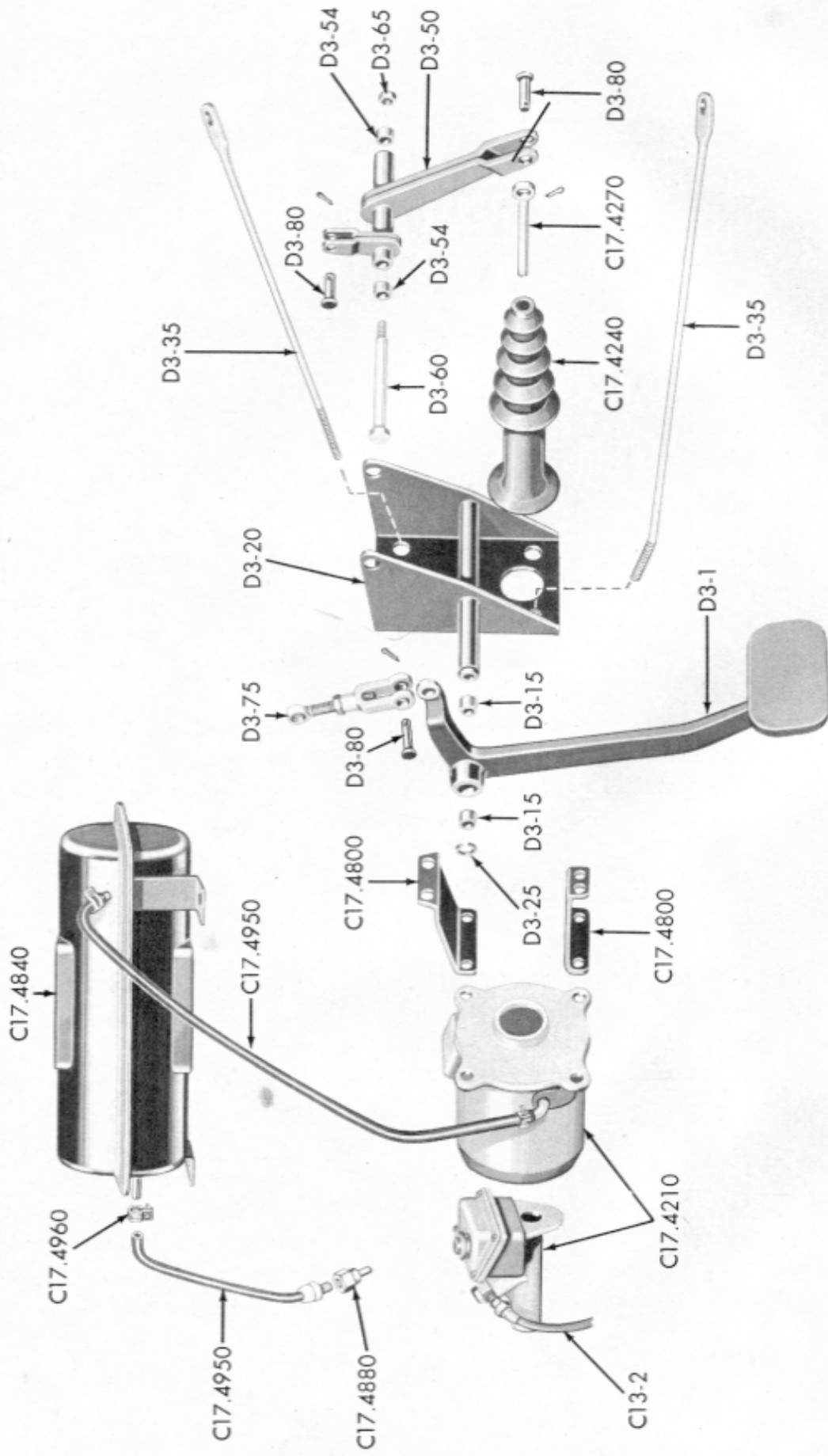
SERIAL NUMBER AND NAME PLATE: It is attached to the right front pillar of each Hudson automobile and can be observed by opening the right front door. On it is stamped certain identifying information about the car. It includes the Car Serial Number which is the same as the Car Engine Number.

SERIAL NUMBER: Each car is numbered serially as it is built. The serial number is prefixed by a model number, which becomes a part of the serial number. This serial number, including the model number, is also stamped on the upper right front corner of the cylinder block.

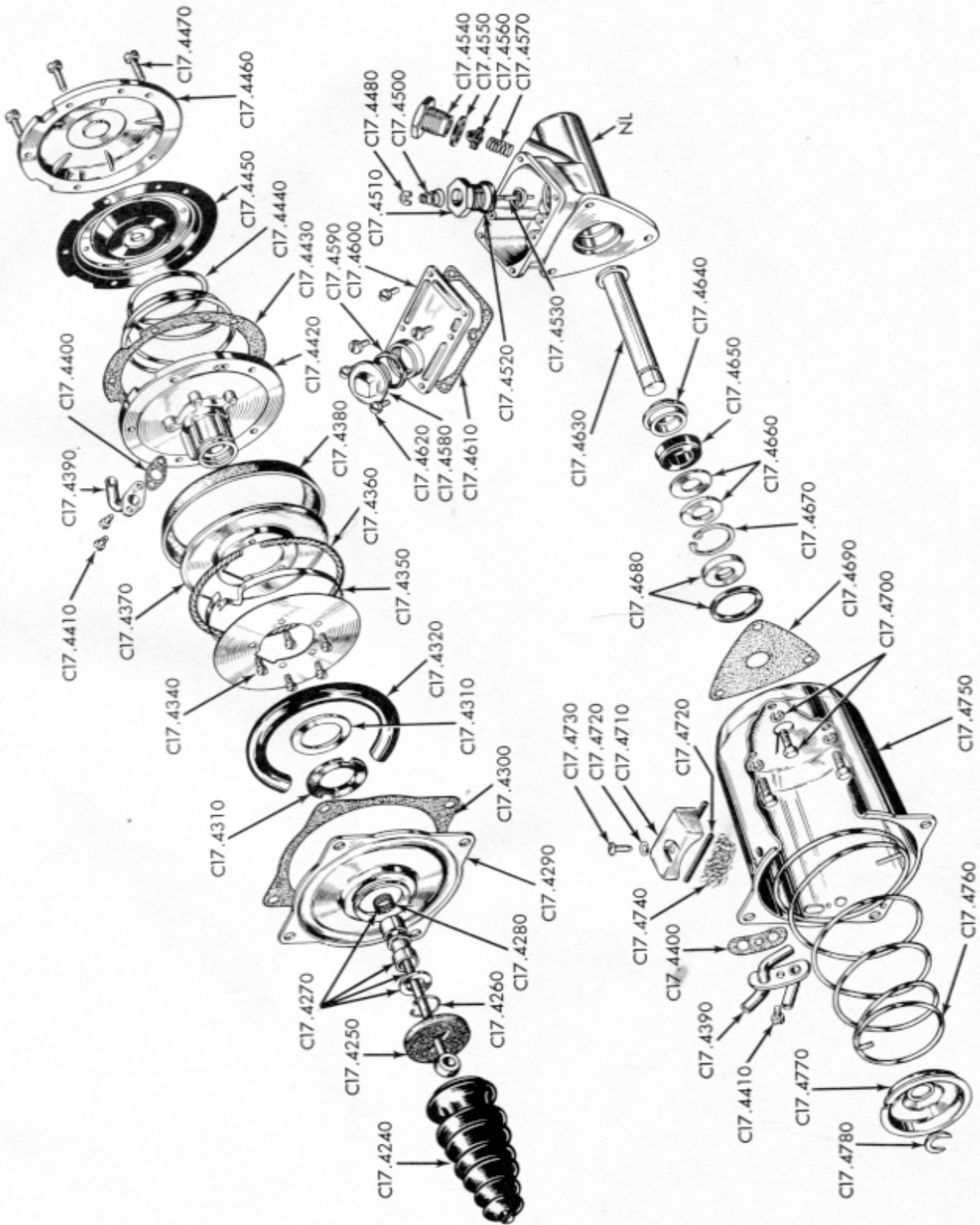
SERIES: The letter stamped after "Model" indicates the series, i.e., "D" series or 1954, of the car.

PAINT CODE: To identify the original color of the car, a numeral is etched on the Serial Number Plate. It is also stamped on the body half of the upper right front door hinge. To determine the color or colors on the car obtain the Paint Code Number and refer to Group UU. Code numbers always identify one color or combination only.

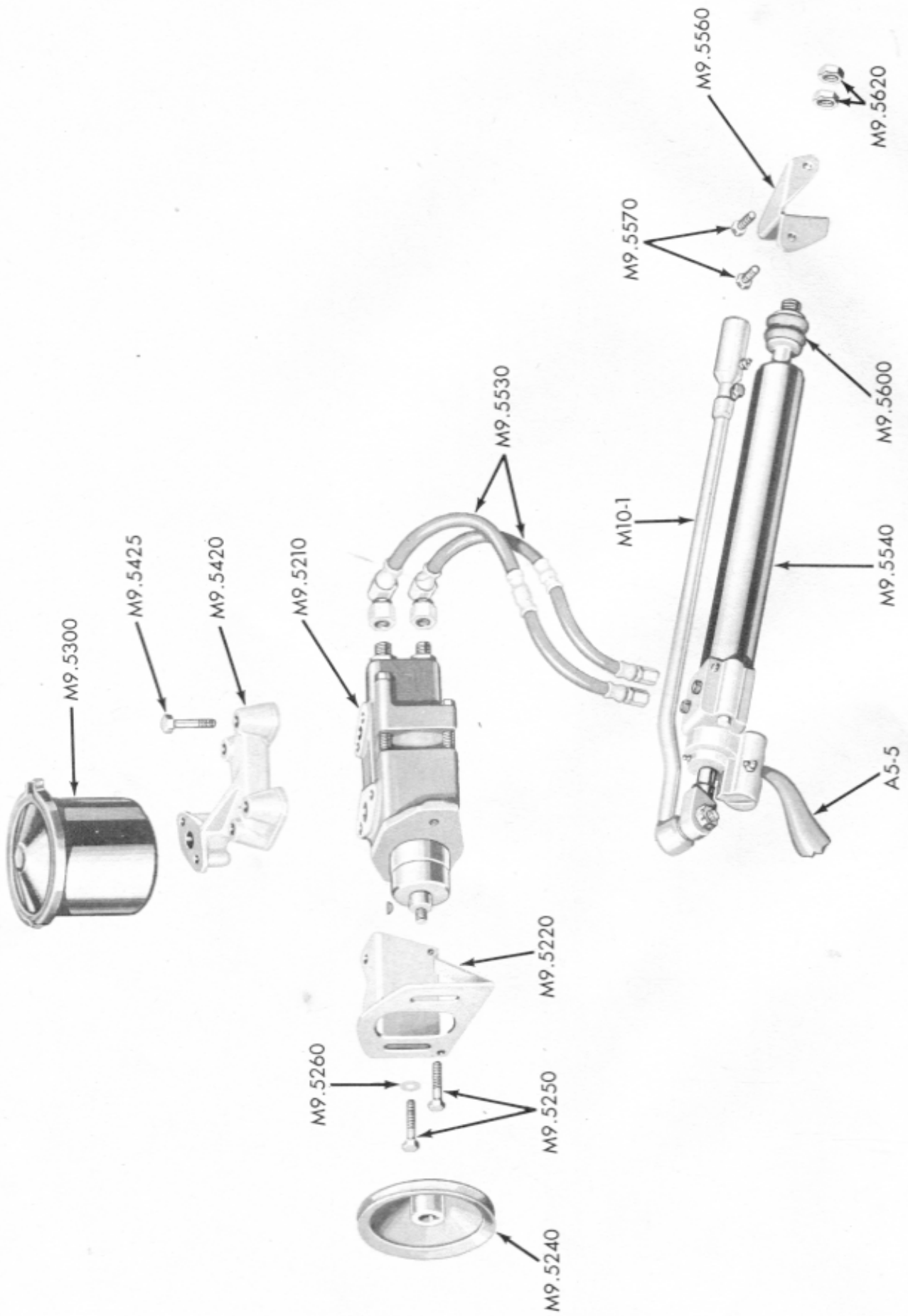
TRIM CODE: To identify the original interior trim combination used in "D" Series Hudsons, a Trim Code Number is etched on the Serial Number Plate. To determine the trim combination obtain the Trim Code Number and refer to Group TT. Code numbers always identify one trim combination only. They must be used when ordering upholstery and trim parts.



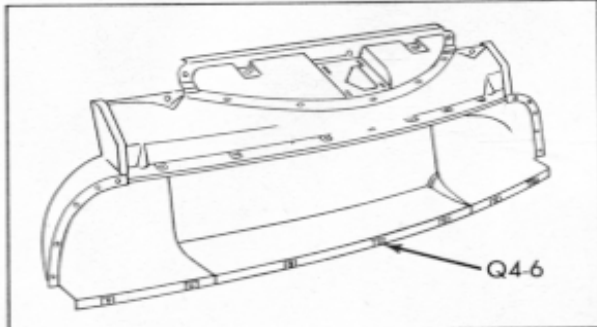
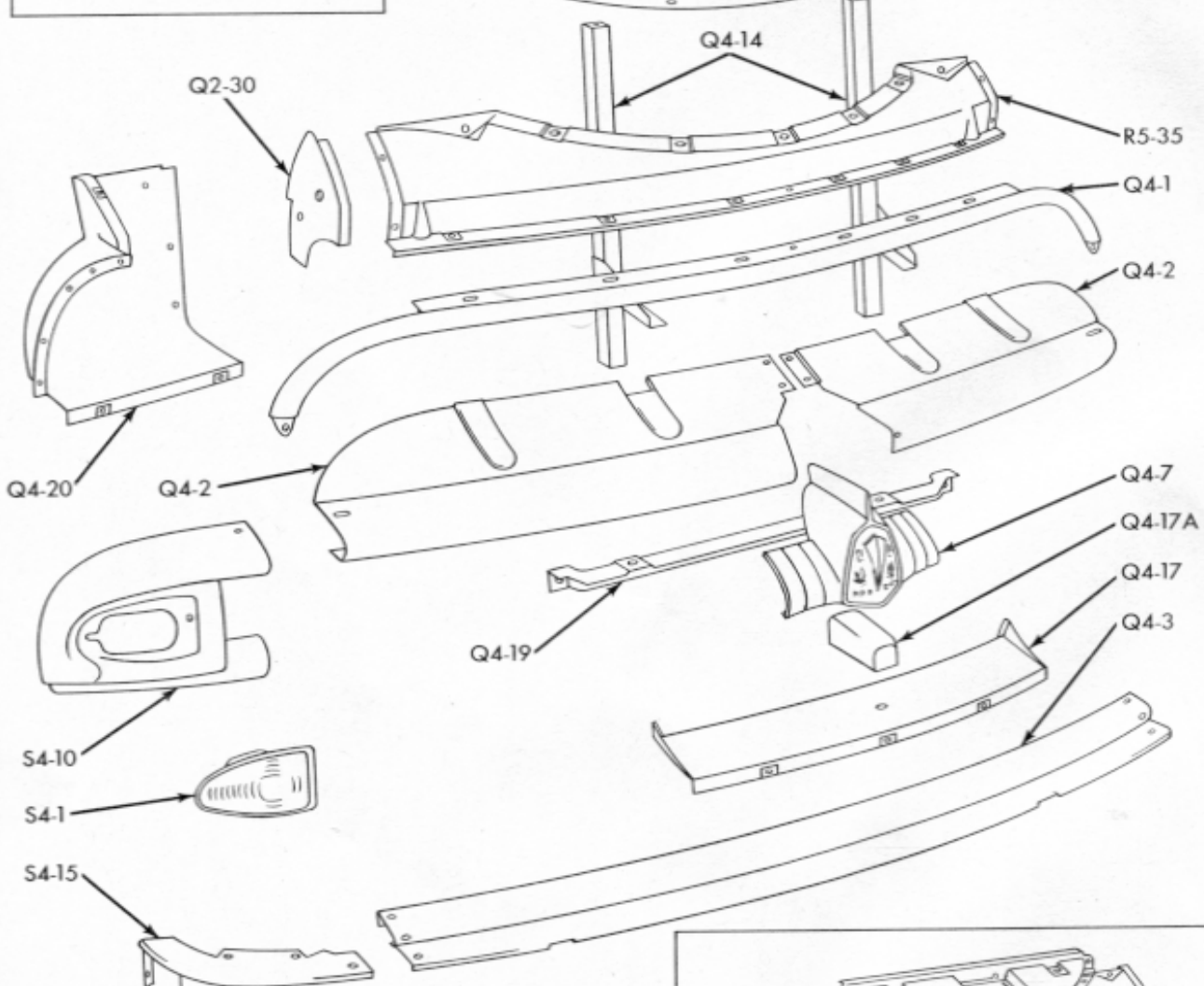
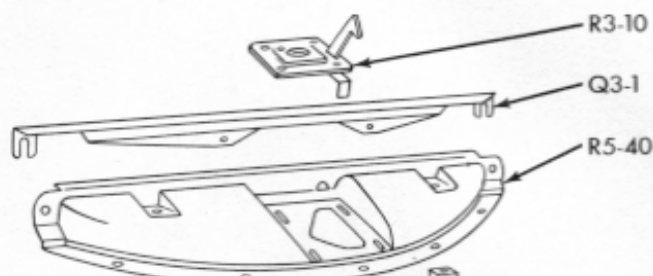
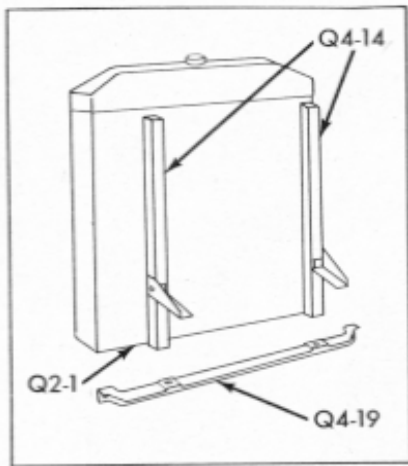
Power Brake Operating Mechanism



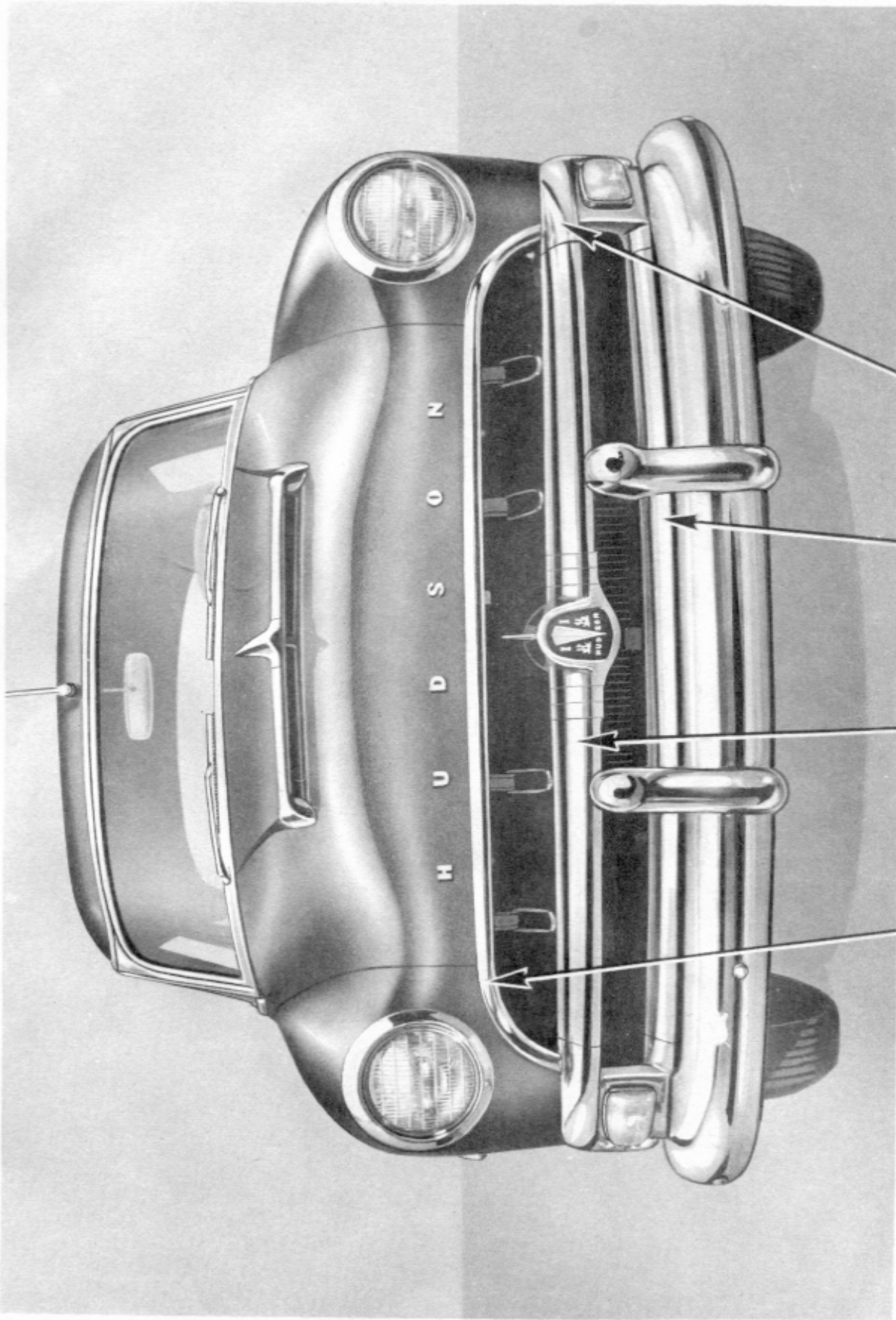
Power Brake Cylinder



Power Steering Operating Mechanism



4D, 5D, 7D Grille



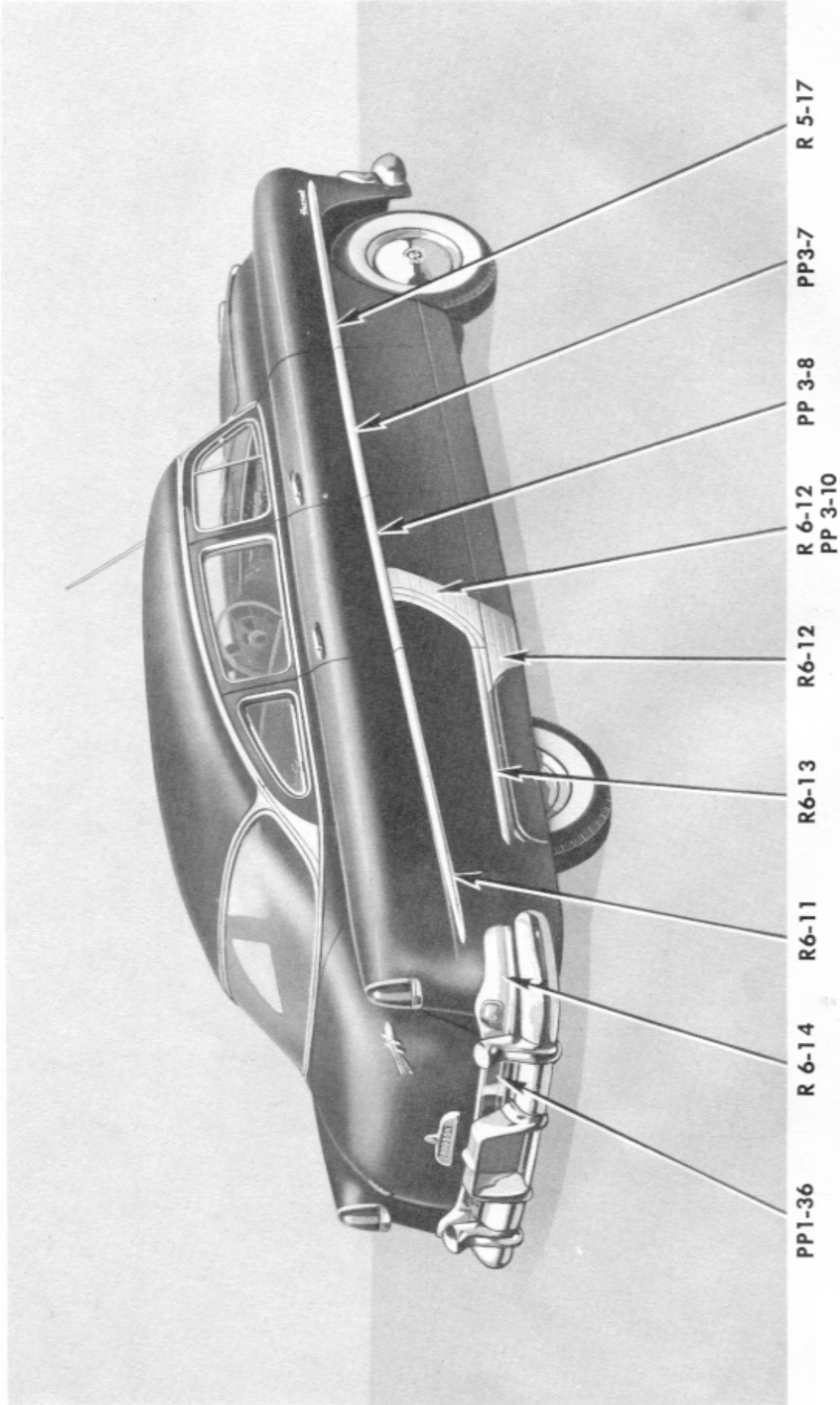
S 4-20

Q4-3

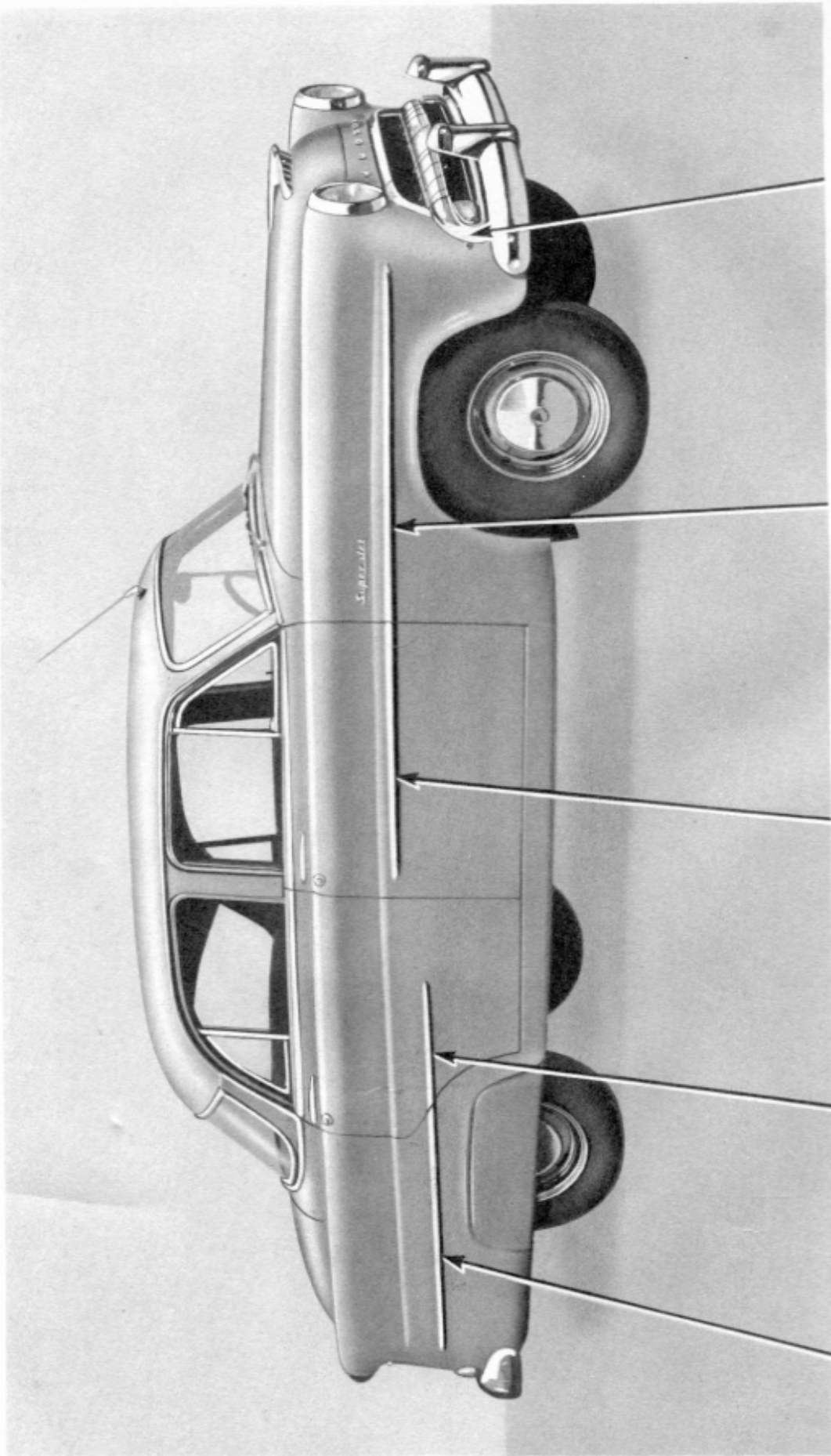
Q4-2

Q4-1

1954 Hornet



1954 Hornet



S 4-20

R 5-17

PP 3-7

PP 3-12

R 6-12

1954 Super Jet

1954 PRELIMINARY

Group & Illus. No.	Plate No.	Part No.	NAME	Per Car	Models																																																	
A1			FRONT SUSPENSION																																																			
		C 310385	Suspension complete-RH	LHD	1 4D,5D,7D																																																	
		C 310386	Suspension complete-LH	LHD	1 4D,5D,7D																																																	
A5			STEERING ARMS																																																			
		BX 310387	Arm-RH-outer steering	LHD	1 4D,5D,7D																																																	
		BX 310388	Arm-LH-outer steering	LHD	1 4D,5D,7D																																																	
5	3	BX 310043	Arm & pivot assy-center steering	LHD	1 7D,4D-5D with P/S																																																	
		BX 303039	Arm & pivot assy-center steering	LHD	1 4D-5D less P/S																																																	
			REAR AXLE																																																			
			The following Gear Ratios are available as standard or optional equipment for 1954 models.																																																			
			<table border="0"> <thead> <tr> <th>Models</th> <th>Std.</th> <th>Tag. No</th> <th>Opt.</th> <th>Tag No.</th> <th>Opt.</th> <th>Opt.</th> </tr> </thead> <tbody> <tr> <td>1D-2D-3D less OD-HT</td> <td>4.10</td> <td>41/4.10</td> <td>4.27</td> <td></td> <td>3.31</td> <td></td> </tr> <tr> <td>4D-5D-7D less OD-HT</td> <td>4.09</td> <td>45/11</td> <td>4.55</td> <td></td> <td></td> <td></td> </tr> <tr> <td>1D-2D-3D with OD</td> <td>4.27</td> <td>47/11</td> <td>4.10</td> <td></td> <td>3.31</td> <td>3.54</td> </tr> <tr> <td>4D-5D-7D with OD</td> <td>4.55</td> <td>50/11</td> <td>4.09</td> <td></td> <td></td> <td></td> </tr> <tr> <td>1D-2D-3D with HT</td> <td>3.54</td> <td>46/13</td> <td></td> <td>43/11</td> <td></td> <td></td> </tr> <tr> <td>4D-5D-7D with HT</td> <td>3.07</td> <td>3.07</td> <td>3.31</td> <td></td> <td></td> <td></td> </tr> </tbody> </table>	Models	Std.	Tag. No	Opt.	Tag No.	Opt.	Opt.	1D-2D-3D less OD-HT	4.10	41/4.10	4.27		3.31		4D-5D-7D less OD-HT	4.09	45/11	4.55				1D-2D-3D with OD	4.27	47/11	4.10		3.31	3.54	4D-5D-7D with OD	4.55	50/11	4.09				1D-2D-3D with HT	3.54	46/13		43/11			4D-5D-7D with HT	3.07	3.07	3.31					
Models	Std.	Tag. No	Opt.	Tag No.	Opt.	Opt.																																																
1D-2D-3D less OD-HT	4.10	41/4.10	4.27		3.31																																																	
4D-5D-7D less OD-HT	4.09	45/11	4.55																																																			
1D-2D-3D with OD	4.27	47/11	4.10		3.31	3.54																																																
4D-5D-7D with OD	4.55	50/11	4.09																																																			
1D-2D-3D with HT	3.54	46/13		43/11																																																		
4D-5D-7D with HT	3.07	3.07	3.31																																																			
			Axle ratios may be identified by tag attached to axle by axle cover bolt.																																																			
			Models 1D-2D-3D when equipped with "Severe Usage" rear axles require components of axles specified for models 4D, 5D, 7D except housing and axle shafts.																																																			
			BRAKES AND BRAKE SIZES																																																			
			<table border="0"> <thead> <tr> <th>Models</th> <th>Brake Sizes</th> </tr> </thead> <tbody> <tr> <td>1D,2D,3D</td> <td>Front Brake 9" x 2"</td> </tr> <tr> <td>4D</td> <td>Front Brake 11" x 1 3/4"</td> </tr> <tr> <td>5D,7D (Opt 4D)</td> <td>Front Brake 11" x 2 1/4"</td> </tr> <tr> <td>1D,2D,3D</td> <td>Rear Brake 9" x 2"</td> </tr> <tr> <td>4D,5D,7D</td> <td>Rear Brake 11" x 1 3/4"</td> </tr> </tbody> </table>	Models	Brake Sizes	1D,2D,3D	Front Brake 9" x 2"	4D	Front Brake 11" x 1 3/4"	5D,7D (Opt 4D)	Front Brake 11" x 2 1/4"	1D,2D,3D	Rear Brake 9" x 2"	4D,5D,7D	Rear Brake 11" x 1 3/4"																																							
Models	Brake Sizes																																																					
1D,2D,3D	Front Brake 9" x 2"																																																					
4D	Front Brake 11" x 1 3/4"																																																					
5D,7D (Opt 4D)	Front Brake 11" x 2 1/4"																																																					
1D,2D,3D	Rear Brake 9" x 2"																																																					
4D,5D,7D	Rear Brake 11" x 1 3/4"																																																					
			Models 1D-2D-3D when equipped with "Severe Usage" rear axles use same rear brakes and backing plates as regular production models 4D, 5D, 7D.																																																			
			IMPORTANT																																																			
			POWER BRAKES are offered as OPTIONAL equipment on LHD models 4D, 5D, 7D. Installation involved parts in the following groups. C10, C12, C13, C16, C17 added, DI, D2, D3, AA5 and JJ1.																																																			
C10			BRAKE CONTROL RODS AND LEVERS																																																			
		BZ 300468	Link-brake pedal to master cyl.	LHD	1 1D,2D,3D,4D-5D-7D less P/B																																																	
		BZ 303094	Pull rod complete-pedal to brake control lever		1 4D-5D less P/B																																																	
		BZ 300756	Pull rod complete-pedal to brake control lever		1 7D less P/B																																																	
		BZ 300714	Lever assy-brake control	LHD	1 4D-5D-7D less P/B																																																	
		BZ 300716	Bracket-brake control lever pivot pin	LHD	1 4D-5D-7D less P/B																																																	

1954 PRELIMINARY

Group & Illus. No.	Plate No.	Part No.	NAME	Per Car	Models
C10			BRAKE CONTROL RODS AND LEVERS (Cont'd)		
		BZ 300658	Play link assy	1	4D-5D-7D less P/B
		BZ 300914	Return spring-pull rod to guide hanger	1	4D-5D-7D less P/B
		BZ 300916	Spring-control lever to guide hanger return	1	4D-5D-7D less P/B
C12			MASTER CYLINDER		
			Models equipped with POWER BRAKES have master cylinder which is part of Power Brake master unit. Stop lamp switch is installed in fitting on front of master unit.		
		F 300130	Master cylinder assy	1	4D-5D-7D less P/B
C13			BRAKE TUBES AND FITTINGS		
		BZ 303093	Tube assy-master cylinder to frame tee	LHD 1	4D-5D ST less P/B
		BZ 305807	Tube assy-master cylinder to frame tee	LHD 1	4D-5D HT less P/B
2	1	BZ 310620	Hose-master unit to frame hose tee	LHD 1	4D-5D with P/B
		BZ 310647	Tube assy-frame hose tee to frame tee	LHD 1	4D-5D ST with P/B
		BZ 310649	Tube assy-frame hose tee to frame tee	LHD 1	4D-5D HT with P/B
		BZ 300781	Tube assy-master cylinder to frame tee	LHD 1	7D ST less P/B
		BZ 304464	Tube assy-master cylinder to frame tee	LHD 1	7D HT less P/B
2	1	BZ 310322	Hose-master unit frame hose tee	LHD 1	7D with P/B
		BZ 310332	Tube assy-frame hose tee to frame tee	LHD 1	7D ST with P/B
		BZ 310376	Tube assy-frame hose tee to frame tee	LHD 1	7D HT with P/B
		BZ 305808	Tube assy-frame tee to connector	LHD 1	4D-5D HT less P/B
		BZ 310650	Tube assy-frame tee to right connector	LHD 1	4D-5D HT with P/B
		BZ 306445	Tube assy-frame tee to right connector	LHD 1	7D HT less P/B
		BZ 310377	Tube assy-frame tee to right connector	LHD 1	7D HT with P/B
		BZ 303258	Tube assy-frame tee to left front hose	LHD 1	4D-5D ST less P/B
		BZ 305809	Tube assy-frame tee to left front hose	LHD 1	4D-5D HT less P/B
		BZ 310646	Tube assy-frame hose tee to left front hose	LHD 1	4D-5D with P/B
		BZ 300783	Tube assy-frame tee to left front hose	LHD 1	7D ST less P/B
		BZ 304466	Tube assy-frame tee to left front hose	LHD 1	7D HT less P/B
		BZ 310331	Tube assy-frame hose tee to left front hose	LHD 1	7D with P/B
		BZ 310586	Tube assy-master cylinder to rear axle tee	LHD 1	1D,2D,3D
		BZ 310587	Tube assy-master cylinder to rear axle tee	RHD 1	1D,2D,3D
		BZ 306209	Tube assy-master cylinder to rear connector	LHD 1	4D-5D ST less P/B
		BZ 306874	Tube assy-master cylinder to rear connector	LHD 1	4D-5D HT less P/B
		BZ 310648	Tube assy-frame tee to rear connector	LHD 1	4D-5D ST with P/B
		BZ 310333	Tube assy-frame tee to rear connector	LHD 1	4D-5D HT with P/B
		BZ 306444	Tube assy-master cylinder to rear connector	LHD 1	7D less P/B
		BZ 310333	Tube assy-frame tee to rear connector	LHD 1	7D HT with P/B
		BZ 310378	Tube assy-frame tee to rear connector	LHD 1	7D ST with P/B
		BZ 310323	Tee-frame hose	1	4D-5D-7D with P/B
C16			HAND BRAKE		
		BZ 310101	Bracket-cable to #3 crossmember	1	7D with P/B
		BZ 71427	Screw-bracket to #3 crossmember	1	7D ST with P/B
		BZ 303584	Clip-hand brake cable	At str. gear 1	1D,2D,3D,4D-5D-7D less P/S
		BZ 310102	Clip-hand brake cable	1	4D-5D-7D with P/B

1954 PRELIMINARY

C17

POWER BRAKE

1		.4210 MASTER UNIT ASSEMBLY, POWER BRAKES		
	BZ 310066	1	7D	mounts on dash panel
	BZ 310422	1	4D,5D	mounts on dash panel
		.4220 KITS-MASTER UNIT REPAIR		
	BZ 310989	1	4D,5D,7D	cylinder repair piston packing
	BZ 310990	1	4D,5D,7D	
2		.4240 GUARD, MASTER CYLINDER		
	BZ 310067*	1	7D	
	BZ 310423	1	4D,5D	
2		.4250 WASHER, PUSH ROD FELT		
	BZ 310556*	1	4D,5D,7D	
2		.4260 SNAP RING-SLIDE VALVE RETAINING		
	BZ 310538*	1	4D,5D,7D	
2		.4270 PUSH ROD, SLIDE VALVE AND SCREEN		
	BZ 310531	1	7D	
	BZ 311042	1	4D,5D	
2		.4280 SCREEN-SLIDE VALVE		
	BZ 310533*	1	4D,5D,7D	
2		.4290 END PLATE-VACUUM CYLINDER		
	BZ 310554	1	4D,5D,7D	
2		.4300 GASKET-CYLINDER END PLATE		
	BZ 310553*	1	4D,5D,7D	
2		.4310 WASHER-VACUUM PISTON STOP		
	BZ 310537	1	4D,5D,7D	rubber steel
	BZ 310572	1	4D,5D,7D	
2		.4320 HOSE-VACUUM		
	BZ 310555**	1	4D,5D,7D	
2		.4330 SCREW-RETAINING PLATE SELF TAPPING		
	BZ 172028	5	4D,5D,7D	#8-32 x 3/8
2		.4340 PLATE-EXPANDER SPRING & WICK RETAINING		
1	BZ 310517**	1	4D,5D,7D	
2		.4350 SPRING-PISTON PACKING EXPANDING		
	BZ 151150**	1	4D,5D,7D	
2		.4360 WICK-PISTON PACKING		
	BZ 310519*	1	4D,5D,7D	
2		.4370 PLATE-VACUUM PISTON		
	BZ 310518	1	4D,5D,7D	
2		.4380 PACKING-LEATHER PISTON		
	BZ 310520**	1	4D,5D,7D	
2		.4390 PLATE AND TUBE-VACUUM		
	BZ 310510	1	4D,5D,7D	at piston

Parts marked (*) included in Kit 310989. Parts marked (**) included Kit 310990.

1954 PRELIMINARY

C17

POWER BRAKE (Cont'd)

2	.4390 PLATE AND TUBE-VACUUM (Cont'd)			
	BZ 310542	1	4D,5D,7D	at cyl shell
2	.4400 GASKET-TUBE PLATE			
	BZ 310516	1	4D,5D,7D	at piston
	BZ 310552*	1	4D,5D,7D	at cyl shell
2	.4410 SCREW-PLATE & TUBE ATTACHING			
	BZ 172028	2	4D,5D,7D	#8-32 x 3/8 self tapping to piston
	BZ 172029	1	4D,5D,7D	#8-32 x 3/8 self tapping to cyl.
2	.4420 PLATE AND SLEEVE-VACUUM PISTON			
	BZ 310513	1	4D,5D,7D	
2	.4430 GASKET-DIAPHRAGM			
	BZ 310540**	1	4D,5D,7D	
2	.4440 SPRING-DIAPHRAGM RETURN			
	BZ 310539*	1	4D,5D,7D	
2	.4450 DIAPHRAGM, PLATES AND STOP			
	BZ 310521**	1	4D,5D,7D	
2	.4460 COVER-DIAPHRAGM			
	BZ 310541	1	4D,5D,7D	
2	.4470 SCREW-COVER ATTACHING			
	BZ 172030	5	4D,5D,7D	8-32 x 1/2 self tapping
2	.4480 "C" WASHER-COMPENSATING VALVE RETAINING			
	BZ 310481	1	4D,5D,7D	
2	.4500 SPRING-COMPENSATING VALVE			
	BZ 310480	1	4D,5D,7D	
2	.4510 FITTING-COMPENSATING VALVE			
	BZ 310479	1	4D,5D,7D	
2	.4520 SEAL-COMPENSATING VALVE FITTING			
	BZ 310478	1	4D,5D,7D	
2	.4530 POPPET AND STEM-COMPENSATING VALVE			
	BZ 310563*	1	4D,5D,7D	
2	.4540 FITTING-HYDRAULIC OUTLET			
	BZ 310494	1	4D,5D,7D	
2	.4550 SEAL-HYDRAULIC OUTLET FITTING			
	BZ 310493*	1	4D,5D,7D	
2	.4560 RETAINER & SEAL-RESIDUAL CHECK VALVE			
	BZ 310486	1	4D,5D,7D	
2	.4570 SPRING-RESIDUAL CHECK VALVE			
	BZ 310495	1	4D,5D,7D	
2	.4580 CAP-MASTER CYL FILLER			
	BZ 310545	1	4D,5D,7D	

1954 PRELIMINARY

C17

POWER BRAKE (Cont'd)

2		.4590 GASKET-MASTER CYLINDER FILLER CAP	
	BZ 310551*	1 4D,5D,7D	
2		.4600 COVER-FLUID RESERVOIR	
	BZ 310482	1 4D,5D,7D	
2		.4610 GASKET-RESERVOIR COVER	
	BZ 310492*	1 4D,5D,7D	
2		.4620 SCREW-COVER TO MASTER CYLINDER	
	BZ 172026	6 4D,5D,7D	#10-24 x 7/16 self tapping
2		.4630 PLUNGER-HYDRAULIC	
	BZ 310489	1 4D,5D,7D	
2		.4640 RETAINER-HYDRAULIC PLUNGER CUP	
	BZ 310496	1 4D,5D,7D	
2		.4650 CUP-HYDRAULIC PLUNGER	
	BZ 310497*	1 4D,5D,7D	
2		.4660 WASHERS-HYDRAULIC PLUNGER	
	BZ 310570*	1 4D,5D,7D	spaldite
	BZ 310571	1 4D,5D,7D	steel
2		.4670 SNAP RING-STOP WASHER	
	BZ 310498*	1 4D,5D,7D	
2		.4680 SEALS-HYDRAULIC PLUNGER	
	BZ 310502*	1 4D,5D,7D	leather
	BZ 310503*	1 4D,5D,7D	rubber
2		.4690 GASKET-CYLINDER TO MASTER CYLINDER	
	BZ 310504*	1 4D,5D,7D	
2		.4700 SCREW & LOCKWASHER-CYLINDER TO MASTER CYLINDER	
	BZ 172027	3 4D,5D,7D	1/4 - 20 x 5/8
2		.4710 SHELL-AIR CLEANER	
	BZ 310559	1 4D,5D,7D	
2		.4720 GASKET-AIR CLEANER	
	BZ 310560*	1 4D,5D,7D	shell
	BZ 310561*	1 4D,5D,7D	attaching screw
2		.4730 SCREW-AIR CLEANER SHELL ATTACHING	
	BO 170304	1 4D,5D,7D	
2		.4740 HAIR-AIR CLEANER	
	BZ 43910	1 4D,5D,7D	
2		.4750 SHELL-VACUUM CYLINDER	
	BZ 310500	1 4D,5D,7D	
2		.4760 SPRING-PISTON RETURN	
	BZ 310505	1 4D,5D,7D	

1954 PRELIMINARY

C17				POWER BRAKE (Cont'd)	
	2			.4770 RETAINER-PISTON RETURN SPRING	
		BZ 310507	1	4D,5D,7D	
	2			.4780 "C" WASHER-HYDRAULIC PLUNGER	
		BZ 310506*	1	4D,5D,7D	
	1			.4800 BRACKET-MASTER UNIT MOUNTING	
		BZ 310069	1	7D	upper
		BZ 310424	1	4D,5D	upper
		BZ 310071	1	7D	lower
		BZ 310425	1	4D,5D	lower
				.4810 BOLT-MASTER UNIT AND BRAKE ATTACHING	
		BX 71099	4	4D,5D,7D	unit to bracket
		BO 170232	4-3	4D,5D,7D	bracket to dash & pedal bracket
				.4820 WASHER-MASTER UNIT & BRACKET ATTACHING BOLT	
		BO 71153	4	4D,5D,7D	unit to bracket lock
		BZ 71465	4-3	4D,5D,7D	bracket to dash lock
				.4830 NUT-BRACKET MOUNTING BOLT	
		BX 12415	3	7D	
	1			.4840 TANK ASSEMBLY-VACUUM	
		BZ 310153	1	7D	mounts on dust shield
		BZ 310538	1	4D,5D	mounts on dust shield
				.4850 SCREW-TANK ATTACHING	
		BZ 171243	3	4D,5D,7D	to dust shield
				.4860 WASHER-TANK ATTACHING SCREW	
		BO 71376	6	4D,5D,7D	plain
		BZ 1549	3	4D,5D,7D	lock
				.4870 NUT-TANK ATTACHING SCREW	
		BO 70874	3	4D,5D,7D	
	1			.4880 CHECK VALVE-VACUUM	
		BZ 310320	1	4D,5D,7D	
				.4890 BODY-VACUUM CHECK VALVE	
		BZ 310567	1	4D,5D,7D	
				.4900 SPRING-VACUUM CHECK VALVE	
		BZ 310565	1	4D,5D,7D	
				.4910 BALL-VACUUM CHECK VALVE	
		BZ 310566	1	4D,5D,7D	
				.4920 RETAINER-VACUUM CHECK VALVE SPRING	
		BZ 310564	1	4D,5D,7D	
				.4930 SNAP RING-VACUUM CHECK VALVE	
		BZ 310568	1	4D,5D,7D	
				.4940 FITTINGS-VACUUM AND MASTER UNITS	
		BZ 171992	1	4D,5D,7D	check valve reducing bushing
		BM 170278	1	4D,5D,7D	check valve elbow

1954 PRELIMINARY

C17

POWER BRAKE (Cont'd)

.4940 FITTINGS-VACUUM AND MASTER UNITS (Cont'd)

BZ 171993	1	4D,5D,7D (S)	manifold vacuum pipe nipple
BZ 171994	1	4D,5D,7D (T)	manifold vacuum pipe nipple
BZ 310321	1	4D,5D,7D	master unit outlet fitting

1

.4950 HOSES-VACUUM

BZ 310897	1	4D,5D	unit to vacuum tank (53 1/2")
BZ 310317	1	7D	unit to vacuum tank (39 1/2")
BZ 310898	1	4D,5D (S)	tank to check valve (13 1/2")
BZ 310318	1	7D (S)	tank to check valve (10")
BZ 310899	1	4D,5D (T)	tank to check valve (11")
BZ 310319	1	7D (T)	tank to check valve (15")

1

.4960 CLAMP-VACUUM TANK HOSE

BZ 17071	4	4D,5D,7D
----------	---	----------

.4970 GASKET-MASTER UNIT OUTLET FITTING

BZ 151067	1	4D,5D,7D
-----------	---	----------

.4980 BOLT-MASTER UNIT OUTLET FITTING

BZ 154447	1	4D,5D,7D
-----------	---	----------

.4990 WASHER-MASTER UNIT OUTLET FITTING BOLT

BZ 151069	1	4D,5D,7D
-----------	---	----------

1954 PRELIMINARY

Group & Illus. No.	Plate No.	Part No.	NAME	Per Car	Models
D1			PEDAL SHAFT HOUSING		
		BZ 300418	Housing assy-pedal shaft	1	4D-5D-7D ST less P/B
		BZ 306188	Housing assy-pedal lever shaft	1	4D-5D HT less P/B
		BZ 304413	Housing assy-pedal lever shaft	1	7D HT less P/B
		BZ 310198	Housing assy-pedal lever shaft	1	7D ST with P/B
				1	4D-5D ST with P/B
		BZ 310201	Grease fitting-pedal shaft housing	1	7D ST with P/B
D2			CLUTCH PEDAL		
		BZ 302140	Spring-pedal lever return	LHD	1 7D ST less P/B
		BZ 310234	Spring-pedal lever return	LHD	1 7D ST with P/B
		BZ 301282	Clip-pedal lever return spring	LHD	1 7D ST with P/B
D3			BRAKE PEDAL		
			Brake Pedal on models 4D-5D-7D equipped with Power Brakes is suspended from the dash panel.		
		BZ 303143	Pedal assy-rod and	LHD	1 4D-5D ST less P/B
		BZ 306185	Pedal assy-rod and	LHD	1 4D-5D HT less P/B
1	1	BZ 310440	Pedal assy	LHD	1 4D-5D ST with P/B
1	1	BZ 310441	Pedal assy	LHD	1 4D-5D HT with P/B
		BZ 300404	Pedal assy-rod and		1 7D less P/B
1	1	BZ 310084	Pedal assy	LHD	1 7D with P/B
		BZ 303147	Cover-pedal pad	Black	1 1D,2D,3D,4D-5D-7D less P/B
		BZ 310086	Cover-pedal pad	Black	1 4D-5D-7D with P/B
15	1	BZ 308286	Bushing-pedal lever		2 1D,2D,3D,7D with P/B
		BZ 300417	Bushing-pedal lever	LHD	2 4D-5D-ST less P/B 7D less P/B
15	1	BZ 310444	Bushing-pedal		2 4D-5D with P/B
20	1	BZ 310072	Shaft and bracket assy-pedal	On dash	1 7D with P/B
		BZ 310445	Shaft-pedal	On dash	1 4D-5D with P/B
20	1	BZ 310427	Bracket assy-pedal shaft to dash		1 4D-5D with P/B
25	1	BZ 308452	Snap ring-pedal lever to shaft		1 1D-2D-3D HT, 7D with P/B
25	1	BZ 310446	Snap ring-pedal to shaft		1 4D-5D with P/B
		BZ 172010	Spacer-pedal to shaft		1 4D-5D with P/B
		BZ 171970	Nut-pedal shaft self locking		2 4D-5D with P/B
		BO 170232	Bolt-bracket to dash & cylinder bracket		2-3 4D-5D-7D with P/B
		BX 12415	Nut-bracket to dash & cylinder bracket bolt		3 7D with P/B
		BZ 310432	Bracket assy-pedal bracket to auxiliary dash brace		1 4D-5D with P/B
35	1	BZ 310334	Brace-pedal bracket to pillar cross brace		1 7D with P/B
35	1	BZ 310335	Brace-pedal bracket to instrument panel		1 7D with P/B
		BO 70633	Bolt-brace to bracket & brace		3 4D-5D with P/B
		BZ 908	Bolt-brace to pillar cross brace		1 7D with P/B
		BO 171156	P/washer-brace to bracket bolt		1 4D-5D with P/B
		BZ 170155	P/washer-brace to brace bolt		4 4D-5D
		BZ 71153	L/washer-brace to pillar cross brace bolt		3-1 4D-5D-7D with P/B
		BZ 171080	Nut-brace to pillar cross brace bolt		3-1 4D-5D-7D with P/B
		BZ 71465	L/washer-brace to bracket		4 7D with P/B
		BX 12415	Nut-brace to bracket	4	7D with P/B
50	1	BZ 310433	Bellcrank complete-pedal		1 4D-5D with P/B
50	1	BZ 310075	Bellcrank complete-pedal		1 7D with P/B
54	1	BZ 310077	Bushing-bellcrank	2	4D-5D-7D with P/B
60	1	BZ 310081	Bolt-bellcrank pivot	1	7D with P/B
60	1	BZ 310437	Bolt-bellcrank pivot	1	4D-5D with P/B
65	1	BZ 171970	Nut-bellcrank pivot bolt self locking		2-1 4D-5D-7D with P/B
75	1	BZ 310438	Link assy-pedal to bellcrank		1 4D-5D with P/B
75	1	BZ 310082	Link assy-pedal to bellcrank		1 7D with P/B

1954 PRELIMINARY

Group & Illus. No.	Plate No.	Part No.	NAME	Per Car	Models
D3			BRAKE PEDAL (Cont'd)		
80	1	BZ 171973	Pin-pedal link to pedal & bellcrank clevis	2	4D-5D-7D with P/B
80	1	BZ 171973	Pin-pedal link to master unit clevis	1	4D-5D-7D with P/B
E1			WHEELS		
			15 x 5.90 tires on 15 x 4.00 wheels standard for model 1D. 15 x 6.40 tires on 15 x 4.50 wheels standard for models 2D-3D and optional model 1D. 15 x 7.10 tires on 15 x 5.00 wheels standard for models 4D-5D-7D exc CvBro. 15 x 7.60 tires on 15 x 5.50 wheels standard for model 7D CvBro and optional for other model 4D,5D,7D Body Types.		
E2			HUB CAPS AND TRIM RINGS		
			Small hub caps standard for models 1D,2D,4D. Large Hub caps standard for model 5D. Wheel discs standard for models 3D,7D. Large hub caps optional model 4D. Wheel discs optional models 1D, 2D, 4D, 5D.		
		F 310632	Hub cap-outer Small	4	1D,2D
		CF 310309	Hub cap-outer Large	4	5D
		HA 310582	Kit-4 large hub caps 1	4D	
F1			SPRING ASSEMBLIES		
		C 309780	Spring-front coil	2	1D,2D,3D (Std)
		C 309413	Spring-front coil	2	1D,2D,3D (Opt)
			Load 1775, Rate 376		
			Load 1775, Rate 475		
		C 309787	Spring & cover assy-rear	2	1D-2D-3D (Std)
		C 309154	Spring & cover assy-rear	2	1D-2D-3D (Opt)
			Load 700 Rate 100		
			Load 725 Rate 100		
			Spring & cover assemblies required for all Models 1D-2D-3D less Hydra-Matic transmission.		
		C 309789	Spring assy-rear	2	1D-2D-3D HT
		C 309790	Spring assy-rear	2	1D-2D-3D HT
		C 309791	Spring assy-rear	2	1D-2D-3D HT
			Load 700, Rate 100		
			Load 700, Rate 100		
			Load 725, Rate 100		
F4			REAR SPRING SHACKLES, BUSHING & BOLTS		
		F 309349	Bushing assy-upper threaded	2	1D,2D,3D,4D,5D,7D
		F 309349	Bushing assy-RH-lower threaded	1	1D,2D,3D,4D,5D,7D
		F 309350	Bushing assy-LH-lower threaded	1	1D,2D,3D,4D,5D,7D
		F 309353	Bushing assy-RH-threaded .020 0/5	AR	Service for 309349
		F 309354	Bushing assy-LH-threaded .020 0/5	AR	Service for 309350
		F 309357	Kit-RH-shackle and bushing	1	1D,2D,3D,4D,5D,7D
		F 309358	Kit-LH-shackle and bushing	1	1D,2D,3D,4D,5D,7D
G1			FRONT FRAME		
		C 309697	Frame assy	LHD 1	1D-2D-3D ST
		C 309699	Frame assy	LHD 1	1D-2D-3D HT
		C 309698	Frame assy	RHD 1	1D,2D,3D
		C 309279	Frame assy	LHD 1	4D-5D ST
		C 309281	Frame assy	LHD 1	4D-5D HT
		C 309280	Frame assy	RHD 1	4D,5D
		C 309282	Frame assy	LHD 1	7D ST
		C 309284	Frame assy	LHD 1	7D HT
		C 309283	Frame assy	RHD 1	7D
		C 309285	Sidemember assy-RH	1	4D,5D
		C 309286	Sidemember assy-LH	1	4D,5D
		C 309289	Sidemember assy-RH	1	7D
		C 309290	Sidemember assy-LH	1	7D

1954 PRELIMINARY

Group & Illus. No.	Plate No.	Part No.	NAME	Per Car	Models	
G1		FRONT FRAME (Cont'd)				
		C 310018	Crossmember assy-No. 1		1	4D,5D,7D
		BZ 310019	Bracket-radiator core mounting		1	4D,5D,7D
		C 309365	Crossmember assy-No. 3	LHD	1	4D-5D-7D ST
		C 309366	Crossmember assy-No. 3	RHD	1	4D,5D,7D
G7		REAR FRAME				
		C 240008	Sidemember-RH-outer front		1	4D,5D
		C 240006	Sidemember-RH-outer front		1	7D
		C 240009	Sidemember-LH-outer front		1	4D,5D
		C 240007	Sidemember-LH-outer front		1	7D
		C 240750	Sidemember-RH-outer rear		1	4D,5D,7D
		C 240751	Sidemember-LH-outer rear		1	4D,5D,7D
		C 240632	Sidemember assy-RH-inner front		1	4D-5D 4Sed-2Sed-C1Cpe
		C 240634	Sidemember assy-RH-inner front		1	4D-5D CvBro-Hlywd
		C 240596	Sidemember assy-RH-inner front		1	7D 4Sed-C1Cpe
		C 240598	Sidemember assy-RH-inner front		1	7D CvBro-Hlywd
		C 240633	Sidemember assy-LH-inner front		1	4D-5D 4Sed-2Sed-C1Cpe
		C 240635	Sidemember assy-LH-inner front		1	4D-5D CvBro-Hlywd
		C 240597	Sidemember assy-LH-inner front		1	7D 4Sed-C1Cpe
		C 240599	Sidemember assy-LH-inner front		1	7D CvBro-Hlywd
		C 240462	Sidemember assy-RH-inner rear		1	4D,5D,7D
		C 240463	Sidemember assy-LH-inner rear		1	4D,5D,7D
		C 240752	Extension-RH-rear outer sidemember		1	4D,5D,7D
		C 240753	Extension-LH-rear outer sidemember		1	4D,5D,7D
		C 243019	Crossmember assy-No. 7		1	1D,2D,3D
		BZ 243018	Bracket-brake hose		1	1D,2D,3D
		C 240472	Crossmember-rear outer		1	4D,5D,7D
		BZ 239052	Bracket assy-RH-center impact bar		1	4D,5D,7D
BZ 239053	Bracket assy-LH-center impact bar		1	4D,5D,7D		
G11		FRONT BUMPER				
		C 240239	Bar-impact			
		C 240820	Bar-RH-impact bar to frame		1	4D,5D,7D
		C 240821	Bar-LH-impact bar to frame		1	4D,5D,7D
		BZ 226874	Guard assy-RH-inner		1	4D,5D
		BZ 226875	Guard assy-LH-inner		1	4D,5D
		BZ 240878	Guard assy-RH-inner		1	7D
BZ 240879	Guard assy-LH-inner		1	7D		
G12		REAR BUMPER				
		C 240086	Bar-RH-outer impact		1	4D,5D,7D
		C 240087	Bar-LH-outer impact		1	4D,5D,7D
		BZ 240043	Bumper-license plate rubber		1	5D,7D
		BZ 239052	Bracket-RH-center impact bar	On frame	1	4D,5D,7D
BZ 239053	Bracket-LH-center impact bar	On frame	1	4D,5D,7D		

1954 PRELIMINARY

Group & Illus. No.	Plate No.	Part No.	NAME	Per Car	Models
H1			ENGINE ASSEMBLY & MOUNTINGS		
			Service engine assemblies do not include cylinder head, clutch, electrical equipment, carburetor, fuel pump or clutch or flywheel housing.		
			Cu. In. Engine Models Cylinder Head		
			"202" 1D,2D,3D Cast Iron-Std. Aluminum-Opt.		
			"232" 4D Cast Iron-Std. Aluminum-Opt.		
			"262" 4D (Opt), 5D Cast Iron-Std. Aluminum-Opt.		
			"308" 7D Aluminum-Std. Cast Iron-Opt.		
			(S) one carburetor (T) two carburetors (PS) power steering		
		C 309597	Engine assembly-"202" (S)	1	1D-2D-3D ST
		C 309598	Engine assembly-"202" (5)	1	1D-2D-3D HT
		C 310573	Engine assembly-"232" 9" clutch	1	4D less PS
		C	Engine assembly-"232" 9" clutch	1	4D with PS
		C 310574	Engine assembly-"232" 10" clutch	1	4D less PS
		C	Engine assembly-"232" 10" clutch	1	4D with PS
		C 310575	Engine assembly-"232"	1	4D HT less PS
		C	Engine assembly-"232"	1	4D HT with PS
		C 310576	Engine assembly-"262"	1	4D-5D ST less PS
		C	Engine assembly-"262"	1	4D-5D ST with PS
		C 310577	Engine assembly-"262"	1	4D-5D HT less PS
		C	Engine assembly-"262"	1	4D-5D HT with PS
		C 310578	Engine assembly-"308"	1	7D ST less PS
		C	Engine assembly-"308"	1	7D ST with PS
		C 310579	Engine assembly-"308"	1	7D HT less PS
		C	Engine assembly-"308"	1	7D HT with PS
		C 309377	Skeleton engine-"202"	1	1D,2D,3D
		C 310977	Skeleton engine-"232"	1	4D
		C 310978	Skeleton engine-"262"	1	4D,5D
		C 310979	Skeleton engine-"308"	1	7D
		C 309395	Skeleton engine-"7X"	1	7D
H2			CYLINDER & SUPPORT PLATES		
		C 310103	Cylinder & Pistons assy "232".	1	4D
		C 310104	Cylinder & Pistons assy "262"	1	4D,5D
		C 310105	Cylinder & Pistons assy "308"	1	7D
		BM 310398	Oil filler tube	1	7D
		BM 300007	Gauge assy-oil level	1	4D,5D,7D less P/B
		BM 310548	Gauge assy-oil level	1	7D with P/B
		BM 310549	Guide assy-oil lever gauge	1	7D with P/B
H3			CYLINDER HEAD		
		C 309112	Head assy-cast iron "232" Std.	1	4D
		C 309114	Head assy-aluminum "232" Opt.	1	4D
		C 309116	Head assy-cast iron "262" Std.	1	4D,5D
		C 309118	Head assy-aluminum "262" Opt.	1	4D,5D
		C 309122	Head assy-aluminum "308" Std.	1	7D
		C 309120	Head assy-cast iron "308" Opt.	1	7D
		F 310580	Ignition wire kit	1	1D,2D,3D
H7			CAMSHAFT		
		C 309742	Camshaft 1		4D,5D,7D

1954 PRELIMINARY

Group & Illus. No.	Plate No.	Part No.	NAME	Per Car	Models
H10			VIBRATION DAMPENER		
		BM 301934	Dampener assy	1	4D-5D-7D less P/S
		BM 310051	Dampener assy	1	4D-5D-7D with P/S
		BM 301935	Pulley-fan belt	1	4D-5D-7D less P/S
		BM 310052	Pulley-fan belt	1	4D-5D-7D with P/S
H13			OIL PUMP, CHECK VALVE, WARNING SWITCH & FILTER		
		BM 310375	Switch assy-oil pressure warning Carter A6585	1	1D,2D,3D,4D,5D,7D
		HA 302494	Oil filter kit		
			Oil filter offered as an option and Service Accessory for models 1D-2D-3D less HT and Models 4D-5D-7D less Twin Carburetors with Oil Bath Air Cleaners in combination with P/S and P/B.		
H14			WATER PUMP		
		BM 300566	Water pump assy	1	4D-5D-7D less P/S
		BM 310909	Water pump assy	1	4D-5D-7D with P/S
		F 300214	Shaft, bearing and slinger assy		1 4D-5D-7D less P/S
		F 310062	Shaft, bearing and slinger assy		1 4D-5D-7D with P/S
		BM 301276	Pulley-water pump	1	4D-5D-7D less P/S
		BM 310064	Pulley-water pump	1	4D-5D-7D with P/S
		F 310903	Fan belt set (incl two fan belts)	1	4D-5D-7D with P/S
		F 301279	Fan belt	1	4D-5D-7D less P/S
J1			CLUTCH		
	1	BT 310963	Clutch cover assembly		1 1D,2D,3D
		F 310980	Plate-9" pressure	1	1D,2D,3D
		BT 309561	Spring-clutch engaging		3 1D,2D,3D
		BT 307818	Spring-clutch engaging		3 1D,2D,3D
K1			TRANSMISSION		
K8			SPEEDOMETER HOUSING, GEARS AND CABLE		
		BT 309529	Pinion-15 teeth, 3.31 to 1 axle	1	1D-2D-3D with OD
		BT 309530	Pinion-16 teeth, 3.54 to 1 axle	1	1D-2D-3D with OD
		BZ 310594	Cable assy-speedo RHD 87 1/2"	1	4D,5D
		BZ 310604	Cable assy-speedo RHD 90 1/2"	1	4D,5D
		BZ 310590	Cable assy-speedo LHD 65 1/2"	1	4D-5D-7D ST
		BZ 310598	Cable assy-speedo LHD 75 1/2"	1	4D-5D-7D ST
		BZ 310602	Cable assy-speedo RHD 84 1/2"	1	7D
		BZ 310592	Cable assy-speedo RHD 84 1/2"	1	7D
		BZ 310600	Cable assy-speedo LHD 73 1/2"	1	4D,5D,7D
K9			OVERDRIVE		
		BT 310325	Bracket-overdrive control mounting	1	4D,5D,7D
		BT 171996	Screw-bracket to instrument panel	2	4D,5D,7D
		BO 171080	Nut-bracket to instrument panel screw	2	4D,5D,7D
		BT 310196	Wire harness-overdrive	1	4D,5D,7D

1954 PRELIMINARY

Group & Illus. No.	Plate No.	Part No.	NAME	Per Car	Models
K21			TRANSMISSION CONTROL		
		BT 309707	Lever assy-low and reverse shift LHD	1	4D-5D-7D ST
MI			STEERING GEAR		
		C 310004	Steering gear assembly LHD	1	4D-5D less P/S
		C 310455	Steering gear assembly LHD	1	4D-5D with P/S
		C 310006	Steering gear assembly LHD	1	1D less P/S
		C 310462	Steering gear assembly LHD	1	7D with P/S
		C 310005	Steering gear assembly RHD	1	4D, 5D
		C 310007	Steering gear assembly RHD	1	7D
		BZ 171056	Bolt-steering gear to frame	3	4D,5D,7D less P/S
		BZ 171056	Bolt-steering gear to frame	2-1	4D-5D-7D with P/S
		BZ 171977	Bolt-steering gear to frame (stop bracket)	1-2	4D-5D-7D with P/S
		BZ 310096	Spacer-steering gear to frame bolt (stop bracket)	1	7D with P/S
		BZ 171181	P/washer-steering gear to frame bolt	3-2	1D,2D,3D,4D,5D,7D
		BZ 104	L/washer-steering gear to frame bolt	3	1D,2D,3D,4D,5D,7D
		BZ 310878	Bracket-steering gear arm stop	1	4D-5D with P/S
		BZ 310391	Bracket-steering gear arm stop	1	7D with P/S
		BO 71752	Bolt-steering arm stop bracket	2-1	4D,5D-7D with P/S
		BX 12415	Nut-steering arm stop bracket	2-1	4D-5D-7D with P/S
		BZ 71728	Bolt-bracket to steering gear	1	4D-5D with P/S
		BZ 71465	L/washer-bracket to steering gear bolt	1	4D-5D with P/S
M2			STEERING GEAR HOUSING		
		BZ 303616	Housing assembly LHD	1	4D-5D less P/S
		BZ 310456	Housing assembly LHD	1	4D-5D with P/S
M4			CROSS SHAFT & PITMAN ARM		
		BZ 310302	Cross shaft & roller tooth assembly LHD	1	4D,5D
		BZ 310303	Cross shaft & roller tooth assembly RHD	1	4D,5D
		BZ 303185	Arm-pitman LHD	1	4D-5D less P/S
		BZ 310584	Arm-pitman LHD	1	4D-5D with P/S
		BZ 306089	Arm-pitman LHD	1	7D less P/S
		BZ 310161	Arm-pitman LHD	1	7D with P/S
M5			MAIN COLUMN TUBE & WORM		
		C 310310	Column & worm assembly LHD	1	4D,5D
		C 310312	Column & worm assembly LHD	1	7D
		C 310311	Column & worm assembly RHD	1	4D,5D
		C 310313	Column & worm assembly RHD	1	7D
M6			JACKET TUBE AND SUPPORT		
		C 310009	Tube & bearing assembly-painted LHD	1	4D,5D
		C 310011	Tube & bearing assembly-plated LHD	1	7D
		C 310010	Tube & hearing assembly-painted RHD	1	4D,5D
		C 310138	Tube & bearing assembly-plated RHD	1	7D
		BO 241303	Escutcheon-steering column upper LHD	1	4D,5D
		BO 241304	Escutcheon-steering column upper RHD	1	4D,5D
		BO 241300	Escutcheon-steering column upper LHD	1	7D
		BO 241301	Escutcheon-steering column lower	1	4D,5D,7D
		BO 241309	Silencer-escutcheon to instrument panel	1	4D,5D,7D
		BO 241307	Pad-steering column escutcheon	1	4D,5D
		BO 241306	Pad-steering column escutcheon	1	7D

1954 PRELIMINARY

Group & Illus. No.	Plate No.	Part No.	NAME	Per Car	Models	
M7			STEERING WHEEL			
			Two spoke steering wheel with horn button standard for Models 1D-4D. Two spoke steering wheel with horn button and ring standard for Models 2D-3D and optional for Models 1D-4D. Three spoke steering wheel with spoke covers and horn ring standard for Models 5D-7D and optional for Models 2D-3D.			
		C 309001	Wheel &spoke cover-tan custom	1	5D,7D	
		C 309002	Wheel &spoke cover-blue custom	1	5D,7D	
		C 309003	Wheel &spoke cover-green custom	1	5D,7D	
		C 309375	Wheel &spoke cover-red custom	1	5D,7D	
		C 308670	Wheel-two spoke tan	1	1D,2D,3D,4D	
		C 308839	Wheel-two spoke blue	1	1D,2D,3D,4D	
		C 308840	Wheel-two spoke green	1	1D,2D,3D,4D	
		C 309004	Wheel-three spoke custom	1	5D,7D	
		C 309005	Wheel-three spoke custom	1	5D,7D	
		C 309006	Wheel-three spoke custom	1	5D,7D	
		C 309376	Wheel-three spoke custom	1	5D,7D	
		BX 18093	Nut-steering wheel to tube	1	1D,2D,3D,4D,5D,7D	
		BZ 309013	Cover-steering wheel spoke	3	5D,7D	
		BZ 171509	Screw-cover to spoke	3	5D,7D	
	M8			HORN BUTTON RING		
			Horn button standard for Models 1D and 4D. Horn button and ring standard for Models 2D,5D,7D. Optional Models 1D-4D.			
		BZ 308704	Button and trim ring complete	Tan	1	1D,4D
		BZ 308674	Button and horn ring complete	Blue	1	2D,3D
		BZ 308868	Button and horn ring complete	Green	1	2D,3D
		BZ 309007	Button and horn ring complete	Tan	1	5D,7D
		BZ 309008	Button and horn ring complete	Blue	1	5D,7D
		BZ 309009	Button and horn ring complete	Green	1	5D,7D
		BZ 309226	Button and horn ring complete	Red	1	5D,7D
		BZ 308678	Button	Tan	1	1D,4D
		BZ 308677	Button	Blue	1	2D,3D
		BZ 308870	Button	Green	1	2D,3D
		BZ 309010	Button	Tan	1	5D,7D
		BZ 309011	Button	Blue	1	5D,7D
		BZ 309012	Button	Green	1	5D,7D
		BZ 309227	Button	Red	1	5D,7D
		BZ 308699	Retainer-horn button		1	1D,2D,3D,4D
		BZ 309015	Retainer-horn button		1	5D,7D
		BZ 308705	Spacer-button		1	1D,2D,3D,4D
		BZ 309016	Spacer-button		1	5D,7D
		BZ 308695	Ring-button trim		1	1D,4D
		BZ 308679	Ring-horn		1	2D,3D
		BZ 309014	Ring-horn		1	5D,7D
		BZ 309146	Seat-contact cup pressure		1	1D,2D,3D,4D,5D,7D
		BZ 308700	Contact cuP 1		1D,2D,3D,4D,5D,7D	
		BZ 308673	Insulator-step washer		3	1D,2D,3D,4D,5D,7D
		BZ 308701	Plate-index		1	1D,2D,3D,4D,5D,7D

1954 PRELIMINARY

Group & Illus. No.	Plate No.	Part No.	NAME	Per Car	Models
M8		BZ 171868	Screw-horn ring	3	1D,2D,3D,4D,5D,7D
		BZ 308703	Pad-index plate shock	1	1D,2D,3D,4D,5D,7D
		BZ 308780	Spring-button index plate	1	1D,4D
		BZ 309361	Spring-ring index plate	1	2D,3D,5D,7D
		BZ 308629	Wire assembly-button to harness	1	1D,2D,3D,4D,5D
		BZ 308629	Wire assembly-button to harness	1	RHD 7D
		BZ 310399	Wire assembly-button to harness	1	LHD 7D
		BZ 308935	Wire assembly-relay to horn	1	RHD 1D,2D,3D

1954 PRELIMINARY

M9				POWER STEERING	
	3			.5210 PUMP ASSEMBLY	
		BZ 309535	1	4D,5D,7D	includes fittings
	3			.5220 BRACKET-PUMP TO CYLINDER BLOCK	
		BZ 310890	1	4D,5D,7D	uses cylinder head cap screws
				.5230 SUPPORT	
		BZ 310049	1	4D,5D,7D	
	3			.5240 PULLEY ASSEMBLY-PUMP	
		BZ 310050	1	4D,5D,7D	
	3			.5250 BOLT-PUMP, BRACKET AND SUPPORT	
		BZ 71728	2	4D,5D,7D	pump to bracket
		BZ 172031	1	4D,5D,7D	bracket tension
		BM 219	1	4D,5D,7D	support to bracket
	3			.5260 WASHER-PUMP, BRACKET AND SUPPORT BOLTS	
		BO 171328	3	4D,5D,7D	brkt attaching & tension bolt plain
		BT 70414	1	4D,5D,7D	support bolt lock
		BZ 71465	2	4D,5D,7D	attaching bolt lock
				.5270 NUT-PUMP TENSION BOLT	
		BT 170230	1	4D,5D,7D	
				.5280 NUT-PUMP PULLEY ATTACHING	
		BO 171473	1	4D,5D,7D	
				.5290 WASHERS-PUMP PULLEY NUT	
		BZ 70905	1	4D,5D,7D	
		BO 170329	1	4D,5D,7D	lock plain
	4			.5300 RESERVOIR-PUMP FLUID	
		BZ 310202	1	4D,5D,7D	
	4			.5301 COVER ASSEMBLY-FLUID RESERVOIR	
		BZ 310625	1	4D,5D,7D	
	4			.5302 GASKET-FLUID RESERVOIR COVER	
		BZ 310628	1	4D,5D,7D	
	4			.5303 GASKET-FLUID RESERVOIR COVER BOLT	
		BZ 310629	1	4D,5D,7D	
	4			.5304 GUIDE-FLUID RESERVOIR COVER BOLT	
		BZ 310630	1	4D,5D,7D	
	4			.5305 WASHER-FLUID RESERVOIR COVER BOLT	
		BT 73	1	4D,5D,7D	
		BZ 310631	1	4D,5D,7D	lock plain
	4			.5306 BOLT-FLUID RESERVOIR COVER	
		BZ 172021	1	4D,5D,7D	
	4			.5310 GASKET-RESERVOIR TO MANIFOLD	
		BZ 310247	1	4D,5D,7D	reservoir to manifold

1954 PRELIMINARY

M9				POWER STEERING (Cont'd)	
4		.5320 BOLT-RESERVOIR TO MANIFOLD			
	BZ 172022	2	4D,5D,7D		
		.5340 KIT-PUMP SERVICE GASKET			
	BZ 310263	1	4D,5D,7D		
		.5350 KIT-PUMP MASTER SERVICE REPAIR			
	BZ 310264	1	4D,5D,7D		
		.5360 KIT-RING, ROTOR & VANE SERVICE REPAIR			
	BZ 310264	1	4D,5D,7D		included in 310264
4		.5370 KIT-VANE SERVICE			
	BZ 310266	1	4D,5D,7D		included in 310264 & 310265
4		.5380 CONTROL VALVE ASSEMBLY-PUMP			
	BZ 310244	1	4D,5D,7D		
4		.5390 BODY-PUMP			
	BZ 310245	1	4D,5D,7D		
4		.5400 COVER-PUMP			
	BZ 310246	1	4D,5D,7D		
4		.5405 BOLT-PUMP COVER TO BODY			
	BZ 172016	2	4D,5D,7D		long
	BT 273	2	4D,5D,7D		short
4		410 GASKET-MANIFOLD TO PUMP BODY & COVER			
	BZ 310247	1	4D,5D,7D		body
	BZ 310248	1	4D,5D,7D		cover
4		.5420 MANIFOLD-RESERVOIR TO PUMP			
	BZ 310249	1	4D,5D,7D		
4		.5425 SCREW ASSEMBLY-MANIFOLD TO PUMP			
	BZ 172020	4	4D,5D,7D		
4		.5430 PIN-PUMP RING DOWEL			
	BZ 310250	2	4D,5D,7D		
4		.5440 PLATE-PUMP PRESSURE			
	BZ 310251	1	4D,5D,7D		
4		.5450 RING-PUMP DRIVE SHAFT BEARING RETAINING			
	BZ 310252	1	4D,5D,7D		
4		.5460 RING-PUMP			
	BZ 310253	1	4D,5D,7D		optional with each other
	BZ 310581	1	4D,5D,7D		
4		.5470 ROTOR-PUMP			
	BZ 310254	1	4D,5D,7D		
4		.5480 SEAL-PUMP DRIVE SHAFT			
	BZ 310256	1	4D,5D,7D		

1954 PRELIMINARY

M9

POWER STEERING (Cont'd)

4	.5490 SHAFT-PUMP DRIVE			
	BZ 310257	1	4D,5D,7D	
4	.5492 BEARINGS-PUMP DRIVE SHAFT			
	BZ 172014	1	4D,5D,7D	inner
	BZ 172015	1	4D,5D,7D	outer
4	.5495 KEY-PUMP DRIVE SHAFT			
	BZ 172017	1	4D,5D,7D	
4	.5500 SPRING-PUMP FLOW CONTROL			
	BZ 310258	1	4D,5D,7D	
4	.5510 FITTINGS-PUMP			
	BZ 310261	1	4D,5D,7D	union-pressure
	BZ 310262	1	4D,5D,7D	union-return
4	.5520 SEALS-PUMP FITTINGS			
	BZ 310259	1	4D,5D,7D	pressure
	BZ 310260	1	4D,5D,7D	return
3	.5530 HOSES-PUMP PRESSURE AND RETURN			
	BZ 309536	1	4D,5D,7D	pressure-small orifice
	BZ 309537	1	4D,5D,7D	return-large orifice
3	.5540 CYLINDER ASSEMBLY-OPERATING			
	BZ 310221	1	7D	
	.5550 VALVE ASSEMBLY-OPERATING CYLINDER CONTROL			
	BZ 310203	1	7D	
3	.5560 BRACKET-OPERATING CYLINDER TO FRAME			
	BZ 310040	1	7D	
	BZ 310904	1	4D,5D,	
3	.5570 BOLT-OPERATING CYLINDER BRACKET TO FRAME			
	BZ 71607	2	7D	
	BZ 170767	1-2	4D,5D	
	BM 219	1	4D,5D	
	.5580 WASHER-OPERATING CYLINDER BRACKET TO FRAME BOLT			
	BZ 71076	2	7D	lock
	BO 73	2	4D,5D	lock
	.5590 TAPPING PLATE-OPERATING CYLINDER BRACKET TO FRAME BOLT			
	BZ 310041	1	7D	
3	.5600 BUSHING-CYLINDER TO BRACKET			
	BZ 310037	2	4D,5D,7D	
	.5610 RETAINER OR WASHER-CYLINDER MOUNTING BUSHING			
	BZ 310038	2	4D,5D,7D	retainer
	BZ 310039	2	4D,5D,7D	washer
3	.5620 NUT-CYLINDER TO BRACKET			
	BO 171473	2	4D,5D,7D	
	.5630 RING-CYLINDER ROD WIPER BACK-UP			
	BZ 310238	1	7D	

1954 PRELIMINARY

M9

POWER STEERING (Cont'd)

		.5640 RETAINER-CYLINDER ROD WIPER BACK-UP RING	
BZ 310239	1 7D		
		.5650 SEAL-CYLINDER PISTON ROD	
BZ 310240	1		
		.5660 WASHER-CYLINDER PISTON ROD SEAL	
BZ 310241	1 7D		
		.5670 RING-CYLINDER PISTON ROD WIPER	
BZ 310242	1 7D		
		.5680 HOUSING & SHAFT-STEERING BALL	
BZ 310204	1 7D		
		.5690 HOUSING ASSEMBLY-STEERING BALL	
BZ 310205	1 7D		
		.5700 HOUSING-STEERING BALL	
BZ 310206	1 7D		
		.5710 HOUSING & PIN ASSEMBLY-STEERING BALL	
BZ 310393	1 7D		
		.5720 GREASE FITTING-STEERING BALL HOUSING	
BZ 45354	1 7D		
		.5730 COVER-STEERING BALL HOUSING RELAY LINK SPACER	
BZ 310394	1 7D		
		.5740 PLUGS-STEERING BALL HOUSING	
BZ 310207	1 7D		
BZ 310227	1 7D		end safety
		.5750 SEAT-STEERING BALL HOUSING	
BZ 310208	2 7D		
		.5760 SPRING-STEERING BALL HOUSING SEAT	
BZ 310229	1 7D		
		.5770 PIN-STEERING BALL HOUSING SEAT	
BZ 172006	1 7D		
		.5780 BOLT-STEERING ARM BALL HOUSING	
			1/4-28 x 5/16
		.5800 SHAFT-STEERING SPOOL MOUNTING	
BZ 310213	1 7D		
		.5810 RINGS-STEERING SPOOL MOUNTING SHAFT	
BZ 310211	1 7D		retainer
		.5820 HOUSING & SPOOL ASSEMBLY-STEERING VALVE	
BZ 310214	1 7D		
		.5830 NUTS-STEERING VALVE SPOOL MOUNTING SHAFT	
BZ 310216	1 7D		lock
BZ 310217	1 7D		

1954 PRELIMINARY

M9

POWER STEERING (Cont'd)

	.5840 SEAL-PILOT LOCK NUT		
BZ 310232	1	7D	
	.5850 SEAL RING-STEERING VALVE HOUSING		
BZ 310218	1	7D	
	.5860 SPRING-STEERING VALVE CENTERING		
BZ 310219	1	7D	
	.5870 WASHER-STEERING VALVE		
BZ 310220	2	7D	
	.5880 BOLT-CONTROL VALVE ATTACHING SELF LOCKING		
BZ 310231	2	7D	
	.5890 SEAL-VALVE HOUSING TO CYLINDER END		
BZ 310233	1	7D	
	.5900 FITTINGS-CYLINDER PRESSURE & RETURN		
BZ 310236	1	7D	pressure
BZ 310235	1	7D	return

1954 PRELIMINARY

Group & Illus. No.	Plate No.	Part No.	NAME	Per Car	Models
M10			DRAG LINK		
1	3	C 310222	Drag link and end assembly	LHD 1	7D with P/S
		C 303066	Drag link assembly	LHD 1	4D-5D less P/S
		C 310907	Drag link assembly	LHD 1	4D-5D with P/S
		C 310165	Drag link assembly	LHD 1	7D less P/S
		C 310223	Drag link assembly	LHD 1	7D with P/S
		F 153497	Grease fitting-drag link straight		1 7D with P/S
		BZ 60533	Plug-drag link end	2	4D-5D-7D less P/S
		BZ 310207	Plug-drag link end	1	7D with P/S
		BZ 310227	Plug-drag link safety	1	7D with P/S
		BZ 310224	Socket assembly-drag link	1	7D with P/S
		BZ 310426	Housing-drag link socket	1	7D with P/S
		BZ 310225	Clamp-drag link socket	1	7D with P/S
		BZ 171988	Bolt-drag link socket clamp	1	7D with P/S
		BZ 71234	Washer-drag link socket clamp bolt	1	7D with P/S
		BX 12415	Nut-drag link socket clamp bolt	1	7D with P/S
		BZ 42899	Spring-drag link socket ball	2	4D-5D-7D less P/S
		BZ 310229	Spring-drag link socket ball	1	7D with P/S
		BZ 301405	Seat-drag link ball socket	3	4D-5D-7D less P/S
		BZ 310228	Seat-drag link ball socket	2	7D with P/S
		BZ 151706	Seat-drag link ball socket	1	4D-5D-7D less P/S
		BZ 71660	Shim-drag link ball socket	1/32" AR	4D-5D-7D less P/S
		BZ 71661	Shim-drag link socket ball seat	1/16" AR	4D-5D-7D less P/S
		BZ 71662	Shim-drag link socket ball seat	1/8" AR	4D-5D-7D less P/S
		BZ 310230	Washer-drag link socket ball seat	1	7D with P/S
N1			CARBURETOR		
		BM 309652	Carburetor assembly-WA1 2009SA	(5) LHD 1	1D,2D,3D
		BM 303101	Carburetor assembly-WA1 749S	(5) LHD 1	4D "232" eng.
		BM 311007	Carburetor assembly-WGD 7765	(S) LHD 1	4D "262" eng., 5D,7D
		BM 308749	Carburetor assembly-WA1 2013S	(T) LHD 2	1D,2D,3D
		BM 307490	Carburetor assembly-WA1 990S	(T) LHD 2	4D "262", 5D
		BM 311009	Carburetor assembly-WA1 968S	(T) LHD 2	7D
		BM 309653	Carburetor assembly-WA12043SA	(S) RHD 1	1D,2D,3D
		BM 303523	Carburetor assembly-WA1 775S	(5) RHD 1	4D "232" eng.
		BM 301645	Carburetor assembly-WDO 667SA	(S) RHD 1	4D "262" eng., 5D,7D
N5			GASOLINE TANK & PIPES		
		C 310021	Tank assembly	20 gal. 1	4D,5D,7D
		BZ 310024	Neck assembly-filler	1	4D,5D,7D
		BZ 310035	Protector-filler neck	1	4D,5D,7D
		BZ 310027	Pipe-vent	1	4D,5D,7D
		F 310087	Cap-gas tank	1	4D,5D,7D
N6			THROTTLE CONTROL-LHD		
		BZ 309650	Bellcrank complete	1	1D-2D-3D HT
		HZ 309648	Rod assembly-bellcrank to HT throttle	1	1D-2D-3D HT
Q2			RADIATOR CORE AND MOUNTING		
		C 240807	Channel assembly-radiator mounting	1	4D,5D,7D
30	5	BZ 240796	Filler-RH-mounting channel to fender shield	1	4D,5D,7D
		BZ 240797	Filler-LH-mounting channel to fender shield	1	4D,5D,7D

1954 PRELIMINARY

Group & Illus. No.	Plate No.	Part No.	NAME	Per Car	Models	
Q4	5	RADIATOR GRILLE				
		A 240929	Replacement parts kit-grille	1	1D,2D,3D	
		A	Replacement parts kit-grille	1	4D,5D,7D	
		1	C 240025	Molding-grille upper	1	4D,5D,7D
		2	C 242446	Louver-grille upper	1	1D,2D,3D
			C 240020	Louver-RH-grille upper	1	4D,5D,7D
		2	C 240021	Louver-LH-grille upper	1	4D,5D,7D
		3	C 240016	Louver-grille lower	1	4D,5D,7D
		6	C 240017	Structure assembly-grille	1	4D,5D,7D
			BO 236901	Bumper-lower louver to bumper	AR	1D,2D,3D,4D,5D,7D
		7	BO 240026	Tee bolt-grille upper molding	2	4D,5D,7D
			BO 242444	Ornament-grille center	1	1D,2D,3D
			BO 240090	Ornament assembly-grille center	1	4D,5D,7D
		14	BO 240091	Housing-grille center ornament	1	4D,5D,7D
			BO 240743	Support assembly-grille upper louver	2	4D,5D,7D
		17	A 240010	Baffle-grille lower	1	4D,5D,7D
		17A	BZ 240011	Filler-lower baffle center	1	4D,5D,7D
		19	BZ 240868	Support grille	1	4D,5D,7D
		20	A 240392	Deflector assembly-RH-grille side	1	4D,5D,7D
		20	A 240393	Deflector assembly-RH-grille side	1	4D,5D,7D
R1	5	HOOD ASSEMBLY & ORNAMENTS				
		A 240057	Hood assembly	1	4D,5D	
		A 240059	Hood assembly	1	4D,5D	
		A 240048	Reinforcement-hood front	1	4D,5D,7D	
		BO 240046	Stiffener-panel to front reinforcement	1	4D,5D,7D	
		BO 240998	Molding-hood air intake	2	4D,5D,7D	
		BO 241001	Bolt-hood air intake molding	6	4D,5D,7D	
		BO 170968	Bolt-air intake molding & stiffener	2	4D,5D,7D	
		BO 171566	L/washer-air intake molding bolt	6	4D,5D,7D	
		BZ 17944	Nut-air intake	6	4D,5D,7D	
		BO 240890	Crest-RH-hood	1	4D,5D,7D	
		BO 240891	Crest-LH-hood	1	4D,5D,7D	
		BO 240892	Crest-hood center	1	4D	
		BO 240893	Crest-hood center	1	5D,7D	
		BO 171905	Screw-crest to hood	4-5	4D,5D,7D	
		BO 241002	Cup washer-crest to hood screw	4-5	4D,5D,7D	
		BO 236360	Letter "H"-hood front	1	1D,2D,3D,4D,5D,7D	
		BO 236361	Letter "U"-hood front	1	1D,2D,3D,4D,5D,7D	
		BO 236362	Letter "D"-hood front	1	1D,2D,3D,4D,5D,7D	
		BO 236363	Letter "S"-hood front	1	1D,2D,3D,4D,5D,7D	
BO 236364	Letter "O"-hood front	1	1D,2D,3D,4D,5D,7D			
BO 236365	Letter "N"-hood front	1	1D,2D,3D,4D,5D,7D			
BO 171848	Clip-letter stud	12	1D,2D,3D,4D,5D,7D			
R5	5	FRONT FENDER				
		A 240188	Fender assembly-RH-less extension	1	4D,5D	
A 240189	Fender assembly-LH-less extension	1	4D,5D			

1954 PRELIMINARY

Group & Illus. No.	Plate No.	Part No.	NAME	Per Car	Models
R5			FRONT FENDER (Cont'd)		
		A 240192	Fender assembly-RH-less extension	1	7D
		A 240193	Fender assembly-LH-less extension	1	7D
		A 240370	Extension-RH	1	4D,5D
		A 240371	Extension-LH	1	4D,5D
		A 240380	Extension-RH	1	7D
		A 240381	Extension-LH	1	7D
		BO 240154	Filler block-fender pillar bracket		2 4D,5D,7D
		BZ 241196	Name plate-RH-side	1	3D
		BZ 241197	Name plate-LH-side	1	3D
		BZ 241184	Name plate-RH-side	1	"Wasp"
		BZ 241185	Name plate-LH-side	1	"Wasp"
		BZ 241182	Name plate-RH-side	1	"Super Wasp"
		BZ 241183	Name plate-LH-side	1	"Super Wasp"
		BZ 241170	Name plate-RH-side	1	"Hornet"
		BZ 241171	Name plate-LH-side	1	"Hornet"
	17	9	C 243191	Molding-front fender bumper	2 2D,3D
			C 243174	Molding-RH-front fender bumper	1 4D,5D
			C 243175	Molding-LH-front fender bumper	1 4D,5D
	17	7	C 243170	Molding-RH-front fender bumper	1 7D
			C 243171	Molding-LH-front fender bumper	1 7D
			C 243192	Retainer-fender bumper molding	2 2D,3D
			C 243176	Retainer-RH-fender bumper molding	1 4D,5D
			C 243177	Retainer-LH-fender bumper molding	1 4D,5D
			C 243172	Retainer-RH-fender bumper molding	1 7D
			C 243173	Retainer-LH-fender bumper molding	1 7D
			BO 171451	Screw-bumper molding retainer to fender	AR 2D,3D,4D,5D,7D
			A 241852	Shield assembly-RH-side dust	LHD 1 4D,5D
			A 241853	Shield assembly-LH-side dust	LHD 1 4D,5D
			A 241856	Shield assembly-RH-side dust	LHD 1 7D
			A 241857	Shield assembly-LH-side dust	1 7D
			A 241854	Shield assembly-RH-side dust	RHD 1 4D,5D
			A 241855	Shield assembly-LH-side dust	RHD 1 4D,5D
			A 241858	Shield assembly-RH-side dust	RHD 1 7D
			A 240378	Reinforcement assembly-RH-dust shield	1 4D,5D
			A 240379	Reinforcement assembly-LH-dust shield	1 4D,5D
			A 240388	Reinforcement assembly-RH-dust shield	1 7D
			A 240389	Reinforcement assembly-LH-dust shield	1 7D
			C 240296	Guard assembly-RH-stone	1 4D,5D
			C 240297	Guard assembly-LH-stone	1 4D,5D
			C 240226	Guard assembly-RH-stone	1 7D
			C 240227	Guard assembly-LH-stone	1 7D
	35	5	A 240294	Panel-front fender tie	1 4D,5D,7D
			BZ 240478	Bracket-RH-tie panel	1 4D,5D,7D
			BZ 240479	Bracket-LH-tie panel	1 4D,5D,7D
	0	5	A 240060	Support-hood lock	1 4D,5D,7D
R6			REAR FENDER & WHEEL COVERS		
			A 237656	Fender assembly-RH	2Sed 1 1D
			A 237657	Fender assembly-LH	2Sed 1 1D
			A 237654	Fender assembly-RH	2Sed 1 2D,3D
			A 237655	Fender assembly-LH	2Sed 1 2D,3D
			A 240322	Fender assembly-RH	4Sed 1 4D,5D
			A 240323	Fender assembly-LH	4Sed 1 4D,5D
			A 240334	Fender assembly-RH	2Sed 1 4D,5D
			A 240335	Fender assembly-LH	2Sed 1 4D,5D

1954 PRELIMINARY

Group & Illus. No.	Plate No.	Part No.	NAME	Per Car	Models		
R6			REAR FENDER & WHEEL COVERS (Cont'd)				
		A 241728	Fender assembly-RH C1Cpe	1	4D,5D		
		A 241729	Fender assembly-LH C1Cpe	1	4D,5D		
		A 240328	Fender assembly-RH CvBro-Hlywd	1	5D		
		A 240329	Fender assembly-LH CvBro-Hlywd	1	5D		
		A 240324	Fender assembly-RH 4Sed	1	7D		
		A 240326	Fender assembly-LH 4Sed	1	7D		
		A 241730	Fender assembly-RH C1Cpe	1	7D		
		A 241731	Fender assembly-LH C1Cpe	1	7D		
		A 240330	Fender assembly-RH CvBro-Hlywd	1	7D		
		A 240331	Fender assembly-LH CvBro-Hlywd	1	7D		
				Rear fenders for all models welded into body. CvBro Hlwd fenders are bolted at pillar brackets.			
		A 240114	Reinforcement-RH-rear fender to body	4Sed	1	4D,5D,7D	
		A 240115	Reinforcement-LH-rear fender to body	4Sed	1	4D,5D,7D	
		BZ 240548	Bracket-RH-rear fender to frame		1	4D,5D,7D	
		BZ 240549	Bracket-LH-rear fender to frame		1	4D,5D,7D	
		BO 170519	Screw-bracket to frame		4	4D,5D,7D	
		BO 171043	P/washer-bracket to frame screw		4	4D,5D,7D	
		BZ 240394	Door assembly-gas filler In LH fender		1	4D,5D,7D	
			Gas filler models 1D,2D,3D in Group CC1				
		BO 240364	Hinge-gas filler door		1	4D,5D,7D	
		BO 171098	Screw-hinge attaching		2	4D,5D,7D	
		BO 170965	P/washer-hinge attaching screw		2	4D,5D,7D	
		BZ 236164	Grommet-gas tank filler neck		1	4D,5D,7D	
	12	9	C 243350	Molding-RH-fender side or ornament 4Sed	1	2D,3D	
			C 243351	Molding-LH-fender side or ornament 4Sed	1	2D,3D	
			C 243458	Molding-fender side or ornament Exc 4Sed	2	2D,3D	
			C 243186	Molding-RH-fender bumper 4Sed	1	4D,5D	
			C 243187	Molding-LH-fender bumper 4Sed	1	4D,5D	
		C 243376	Molding-RH-fender bumper Exc 4Sed	1	4D,5D		
		C 243377	Molding-LH-fender bumper Exc 4Sed	1	4D,5D		
		11	7	C 243178	Molding-RH-fender bumper 4Sed	1	7D
				C 243179	Molding-LH-fender bumper 4Sed	1	7D
				C 243370	Molding-RH-fender bumper Exc 4Sed	1	7D
				C 243371	Molding-LH-fender bumper Exc 4Sed	1	7D
				C 243352	Retainer-fender or side ornament molding 4Sed	2	2D,3D
				C 243459	Retainer-fender or side ornament molding Exc 4Sed	2	2D,3D
				C 243188	Retainer-RH-fender bumper molding 4Sed	1	4D,5D
				C 243189	Retainer-LH-fender bumper molding 4Sed	1	4D,5D
	C 243376			Retainer-RH-fender bumper molding rear Exc 4Sed	1	4D,5D	
	C 243377			Retainer-LH-fender bumper molding rear Exc 4Sed	1	4D,5D	
	C 243380	Retainer-fender bumper molding front Exc 4Sed	2	4D,5D			
	C 243180	Retainer-RH-fender bumper molding 4Sed	1	7D			
	C 243181	Retainer-LH-fender bumper molding 4Sed	1	7D			
	C 243372	Retainer-RH-fender bumper molding rear Exc 4Sed	1	7D			
C 243373	Retainer-LH-fender bumper molding rear Exc 4Sed	1	7D				
BO 243374	Retainer-fender bumper molding front Exc 4Sed	1	7D				
BO 171451	Screw-bumper molding retainer	AR	1D,2D,3D,4D,5D,7D				
BO 171461	L/washer-side or ornament moulding screw	2	2D-3D 2Sed				
HZ 17944	Nut-side or ornament moulding screw	2	2D-3D 2Sed				
C 243454	Ornament-RH-fender side upper Exc 4Sed	1	3D				
C 243455	Ornament-LH-fender side upper Exc 4Sed	1	3D				

1954 PRELIMINARY

Group & Illus. No.	Plate No.	Part No.	NAME	Per Car	Models			
R6	7	REAR FENDER AND WHEEL COVERS (Cont'd)						
		C 243462	Ornament-RH-fender side upper	Exc 4Sed	1	5D-7D		
		C 243463	Ornament-LH-fender side upper	Exc 4Sed	1	5D-7D		
		Upper ornament for model 3D-5D-7D 4Sed shown in Group PP3 as door ornament.						
		12	BZ 243348	Ornament-RH-fender side lower	4Sed	1	3D	
			BZ 243349	Ornament-LH-fender side lower	4Sed	1	3D	
			BZ 243456	Ornament-RH-fender side lower	Exc 4Sed	1	3D	
			BZ 243457	Ornament-LH-fender side lower	Exc 4Sed	1	3D	
			BZ 243332	Ornament-RH-fender side lower	4Sed	1	5D,7D	
			BZ 243333	Ornament-LH-fender side lower	4Sed	1	5D,7D	
			BZ 243464	Ornament-RH-fender side lower	Exc 4Sed	1	5D,7D	
			BZ 243465	Ornament-LH-fender side lower	Exc 4Sed	1	5D,7D	
			BO 243160	Bolt-fender side upper ornament	Exc 4Sed	10-8	3D,5D,7D	
			BO 220152	Seal washer-fender side upper ornament bolt	Exc 4Sed	10-8	3D,5D,7D	
			BO 171605	Screw-fender upper & lower side ornament		4-6	3D,5D,7D	
			BO 171999	Screw-fender lower side ornament				
		BO 170368	P/washer-fender upper side ornament screw	Exc 4Sed	10-8	3D,5D,7D		
		BO 170395	L/washer-fender upper side ornament screw	Exc 4Sed	10-8	3D,5D,7D		
		13	C 243334	Molding-door or fender side ornament		2	4D,5D	
			C 243335	Retainer-door or fender side ornament molding		2	4D,5D	
			BO 171451	Screw-retainer attaching		12	4D,5D	
			BO. 235830	Ornament-rear upper under tail lamp		2	3D	
			BO 241243	Gasket-rear upper ornament		2	3D	
			BZ 210619	Seal washer-rear upper ornament		4	3D	
			BO 170368	P/washer-rear upper ornament		4	3D	
			BO 170395	L/washer-rear upper ornament		4	3D	
			BO 17944	Nut-rear upper ornament		4	3D	
			BO 241244	Molding-rear vertical		2	3D	
			14	BO 241104	Ornament-RH-rear lower		1	7D
				BO 241105	Ornament-LH-rear lower		1	7D
		BO 236323		Cover-ornament hole	less back-up lamp	2	2D,3D,7D	
		BO 236322		Gasket-ornament hole cover	less back-up lamp	2	2D,3D,7D	
		BO 241262		Pad-RH-ornament		1	2D,3D	
		BO 241263		Pad-LH-ornament		1	2D,3D	
		BO 241108		Seal-ornament to fender		2	7D	
		BO 171395		Screw-ornament hole cover		4	2D,3D	
		BO 171959		Screw-ornament hole cover		4	7D	
		BO 171559		Screw-ornament to fender upper		10	7D	
		BO 171228		Screw-ornament to fender lower		10	7D	
		BO 147852		Seal washer-ornament to fender screw		10	7D	
		BO 71659		P/washer-ornament to fender screw or bolt		4-10	7D	
		BO 71730		L/washer-ornament to fender screw or bolt		4-10	7D	
		C 240344		Cover-RH-rear wheel	prime	1	4D,5D,7D	
		C 240345		Cover-LH-rear wheel	prime	1	4D,5D,7D	
		BZ 240346		Weatherseal-wheel cover rear		2	4D,5D,7D	
BZ 240347	Weatherseal-wheel cover front			2	4D,5D,7D			
BZ 240476	Clip-wheel cover to frame			4	4D,5D,7D			
R7	ROCKER PANEL							
	A 235180	Panel-RH	4Sed	1	1D,2D,3D			
	A 235181	Panel-LH	4Sed	1	1D,2D,3D			

1954 PRELIMINARY

Group & Illus. No.	Plate No.	Part No.	NAME	Per Car	Models		
R7		ROCKER PANEL (Cont'd)					
		A 237590	Panel-RH Exc	4Sed	1	1D,2D,3D	
		A 237591	Panel-LH Exc	4Sed	1	1D,2D,3D	
		A 240304	Panel assembly-RH	4Sed	1	4D,5D,7D	
		A 240305	Panel assembly-LH	4Sed	1	4D,5D,7D	
		A 240306	Panel assembly-RH	Hlywd-2Sed-C1Cpe	1	4D, 5D ,7D	
		A 240307	Panel assembly-LH	Hlywd-2Sed-C1Cpe	1	4D,5D,7D	
		A 242804	Panel assembly-RH	CvBrO	1	4D,5D,7D	
		A 242805	Panel assembly-LH	CvBrO	1	4D,5D,7D	
			Rocker panel for CvBro attached with screws to permit access to wiring and tubing. It is welded to frame on balance of models.				
		BO 170707	Screw-rocker panel attaching CvBro		22	5D,7D	
		BO 235279	Bumper-panel to frame		4	1D,2D,3D	
		C 244372	Molding-RH-rocker panel		1	3D	
		C 244373	Molding-LH-rocker panel		1	3D	
		C 244374	Retainer-RH-rocker panel molding		1	3D	
		C 244375	Retainer-LH-rocker panel molding		1	3D	
		BO 171451	Screw-retainer to panel		20	3D	
		A 241716	Extension-RH-front-under scuff plate	4Sed	1	4D,5D,7D	
		A 241717	Extension-LH-front-under scuff plate	4Sed	1	4D,5D,7D	
		A 241714	Extension-RH-under scuff plate	Exc 4Sed	1	4D,5D,7D	
		A 241715	Extension-LH-under scuff plate	Exc 4Sed	1	4D,5D,7D	
		A 241718	Extension-RH-rear-under scuff plate	4Sed	1	4D,5D,7D	
		A 241719	Extension-LH-rear-under scuff plate	4Sed	1	4D,5D,7D	
	R8		SPLASH GUARDS				
			A 310098	Guard assembly-engine left side	1	7D	
		A 303118	Guard-engine left side	1	4D-5D less P/S		
		A 310959	Guard assembly-engine left side	1	4D-5D with P/S		
S1		WIRING					
		BO 308690	Harness-engine and instrument wire	LHD	1	1D-2D-3D ST	
		BO 308691	Harness-engine and instrument wire	LHD	1	1D-2D-3D HT	
		BO 310336	Harness-engine and instrument wire	LHD	1	4D ST	
		BO 310337	Harness-engine and instrument wire	LHD	1	4D HT	
		BO 310338	Harness-engine and instrument wire	LHD	1	5D-7D ST less P/B	
		BO 310359	Harness-engine and instrument wire	LHD	1	5D-7D ST with P/B	
		BO 310339	Harness-engine and instrument wire	LHD	1	5D-7D HT	
		BO 308949	Harness-engine and instrument	RHD	1	1D,2D,3D	
		BO 310636	Harness-engine and instrument	RHD	1	5D,7D	
		BO 310355	Harness-RH-body wire		1	5D	
		BO 310396	Harness-RH-body wire		1	5D 2Sed-C1Cpe	
		BO 310178	Harness-RH-body wire		1	7D 4Sed	
		BO 310360	Harness-RH-body wire		1	7D C1Cpe	
		BO 310610	Harness-RH-body wire		1	5D-7D Hlywd	
		BO 310356	Harness-LH-body wire	LHD	1	4D 4Sed-2Sed	
		BO 310389	Harness-LH-body wire	LHD	1	4D C1Cpe	
		BO 310395	Harness-LH-body wire	LHD	1	5D 2Sed	
		BO 310181	Harness-LH-body wire	LHD	1	5D-7D 4Sed	
		BO 310361	Harness-LH-body wire	LHD	1	5D-7D C1Cpe	

1954 PRELIMINARY

Group & Illus. No.	Plate No.	Part No.	NAME	Per Car	Models	
S1			WIRING (Cont'd)			
		BO 310611	Harness-LH-body wire	1	5D-7D ClCpe	
		BO 310884	Harness-LH-body wire	RHD 1	4D 4Sed-2Sed	
		BO 310885	Harness-LH-body wire	RHD 1	4D ClCpe	
		BO 310886	Harness-LH-body wire	RHD 1	5D 2Sed	
		BO 310637	Harness-LH-body wire	RHD 1	5D-7D 4Sed	
		BO 310638	Harness-LH-body wire	RHD 1	5D-7D ClCpe	
		BO 308634	Harness-body wire	LHD 1	1D 4Sed-2Sed	
		BO 309142	Harness-body wire	LHD 1	2D-3D 2Sed	
		BO 309024	Harness-body wire	LHD 1	2D-3D 4Sed	
		BO 306395	Harness-body wire	LHD 1	5D-7D CvBro	
		BO 309272	Harness-body wire	RHD 1	1D	
		BO 309273	Harness-body wire	RHD 1	2D-3D 2Sed	
		BO 308933	Harness-body wire	RHD 1	2D-3D 4Sed	
		F 310580	Wire set-ignition	1	1D,2D,3D	
S2			HEADLAMPS			
		BO 240837	Headlamp assy	LHD 2	4D,5D,7D	
		BO 240838	Headlamp assy	RHD 2	4D,5D,7D	
		BO 240098	Rim-headlamp mounting	2	7D	
	BO 240839	Wires and connector assembly-headlamp	2	4D,5D,7D		
S4			PARKING LAMP			
	1	5	BO 240920	Lamp assembly-RH	1	4D,5D,7D
			BO 240921	Lamp assembly-LH	1	4D,5D,7D
			BO 171738	Nut assy-parking lamp attaching	4	4D,5D,7D
			BO 240922	Lens-RH-parking lamp	1	4D,5D,7D
			BO 240923	Lens-LH-parking lamp	1	4D,5D,7D
		BO 240928	Gasket-parking lamp lens	2	4D,5D,7D	
		BO 171778	Screw-lens attaching	6	4D,5D,7D	
	10	5	BO 240760	Ornament assembly-RH-parking lamp	1	4D,5D,7D
			BO 240761	Ornament assembly-LH-parking lamp	1	4D,5D,7D
			BO 220152	Seal washer-ornament attaching screw	2-4	1D,2D,3D,4D,5D,7D
			BO 71659	P/washer-ornament to fender lower stud	2	4D,5D,7D
			BZ 1349	P/washer-ornament to fender upper stud	2	4D,5D,7D
			BO 170395	L/washer-ornament to fender stud	4	4D,5D,7D
			BZ 17944	Nut-ornament to fender stud	2-4	1D,2D,3D,4D,5D,7D
			BO 171779	Screw-ornament to upper & lower louvers	8-6	1D,2D,3D,4D,5D,7D
	BO 171834	Nut-ornament to upper & lower louver screws	8-6	1D,2D,3D,4D,5D,7D		
	15	5	BO 240764	Extension-RH-parking lamp ornament	1	4D,5D,7D
			BO 240765	Extension-LH-parking lamp ornament	1	4D,5D,7D
			BO 71717	Bolt-extension to fender	6-4	1D,2D,3D,4D,5D,7D
BO 170330			L/washer-extension to fender bolt	6-4	1D,2D,3D,4D,5D,7D	
BO +			Nut-extension to fender bolt	6-4	1D,2D,3D,4D,5D,7D	
BO 171485			Screw-extension to ornament	2	1D,2D,3D,4D,5D,7D	
130 171779			Screw-extension to lower louver	2	1D,2D,3D,4D,5D,7D	
BZ 170155			P/washer-extension to lower louver screw	2	1D,2D,3D,4D,5D,7D	
BO 171834	Nut-extension to lower louver screw	2	1D,2D,3D,4D,5D,7D			
BO 233493	Gasket-parking lamp to fender	2	4D,5D,7D			

1954 PRELIMINARY

Group & Illus. No.	Plate No.	Part No.	NAME	Per Car	Models	
S5 1			TAIL LAMP			
		BO 240720	Lamp assembly	2	4D,5D,7D	
		BO 240722	Lens assembly-tail lamp	2	4D,5D,7D	
		BO 171997	Screw-lens attaching	4	4D,5D,7D	
		BO 240723	Gasket-tail lamp lens 2		4D,5D,7D	
		BO 240726	Gasket-tail lamp to fender	2	4D,5D,7D	
		BZ 70874	Nut-lamp attaching stud	6	1D,2D,3D,4D,5D,7D	
		BO 170330	L/washer-lamp attaching stud	6	1D,2D,3D,4D,5D,7D	
		BO 310179	Wire assembly-RH Incl socket	1	4D,5D,7D	
		BO 310180	Wire assembly-LH Incl socket	1	4D,5D,7D	
		BO 243478	Ornament-RH-tail lamp top of fender	1	3D	
		BO 243479	Ornament-LH-tail lamp top of fender	1	3D	
	S6			LICENSE LAMP		
		BO 240880	Lamp and left handle assembly-license	1	4D	
		BO 230744	Cover-key hole	1	4D	
		BO 230745	Spring-key hole cover	1	4D	
		BO 231483	Gasket-left handle to door	1	4D	
		BO 240930	Pin-key hole cover spring retaining	1	4D	
		BO 170191	Washer-key hole cover spring retaining pin	1	4D	
		BO 240022	Lamp assembly-license	1	5D,7D	
		BO 241747	Cylinder, housing and keys assembly-lock	1	4D	
		BO 310617	Wire assembly Incl socket	1	4D 4Sed-2Sed	
		BO 310618	Wire assembly Incl socket	1	4D Cpe-CvBro-Hlywd	
		BO 240023	Wire assembly Incl socket	1	5D,7D	
S9				GENERATOR AND CONTROLS		
		BM 308391	Generator complete GGW 4802A	1	1D,2D,3D,4D-5D-7D with P/	
		BM 308988	Generator complete GGW 4801B	1	4D-5D-7D less P/S	
		BM 307651	Generator complete (Special Order 55 AMP) . GGJ 6001B	1	4D-5D-7D less P/S	
		BM 300341	Bracket-generator support	1	4D-5D-7D less P/S	
		BM 310054	Bracket-generator support	1	4D-5D-7D with P/S	
		BM 302800	Bracket-adjusting	1	4D-5D-7D less P/S	
		BM 310879	Bracket-adjusting	1	4D-5D-7D with P/S	
	S11			IGNITION COIL & LOCK		
			BO 310033	Switch assembly-ignition and starter	1	4D,5D,7D
		BO 171978	Screw-switch to instrument panel upper	1	5D,7D	
		BO 171967	Screw-switch to instrument panel upper	1	4D	
		BO 70681	L/washer-switch to instrument panel upper screw	1	5D,7D	
		BO 70563	L/washer-switch to instrument panel upper screw	1	4D	
		BO 171008	Screw-switch to instrument panel lower	1	4D,5D,7D	
		BO 310003	Escutcheon-ignition & starter switch	1	4D	
		BO 171933	Clip-ignition & starter switch escutcheon	1	4D	

1954 PRELIMINARY

Group & Illus. No.	Plate No.	Part No.	NAME	Per Car	Models
S13			SWITCHES AND CIRCUIT BREAKERS		
		BO 310033	Switch assembly-starter & ignition	1	4D,5D,7D
		BO 310036	Switch and wires assembly-direction indicator	1	4D,5D,7D
		BM 310375	Switch-oil pressure warning King-Seeley #47170	1	1D,2D,3D,4D,5D,7D
S15			DIRECTION INDICATOR		
		HA 310635	Kit-direction indicator LHD	1	1D,2D,3D,4D,5D,7D
		BO 308842	Switch and wires assembly	1	1D,2D,3D,4D,5D,7D
		BO 171258	Screw-switch attaching	2	1D,2D,3D,4D,5D,7D
		BO 308844	Lever-control	1	1D,2D,3D,4D,5D,7D
		BZ 308843	Sleeve-indicator trip In wheel	1	1D,2D,3D,4D,5D,7D
		BO 308845	Conduit-wire painted	1	1D,4D,5D
		BO 308846	Conduit-wire plated	1	2D,3D,7D
		BO 308893	Switch-flasher	1	1D,2D,3D,4D,5D,7D
		BO 308657	Wire assembly-flasher to junction block LHD	1	1D,2D,3D,4D,5D,7D
		BO 309797	Wire assembly-flasher to junction block RHD	1	1D,2D,3D,4D,5D,7D
		BO 308658	Wire assembly-flasher to ignition switch	1	1D,2D,3D,4D,5D,7D
		BO 308891	Harness-pilot lamp	1	1D,2D,3D,4D,5D,7D
		SP 71550	Bulb-pilot lamp #55 2	1D,2D,3D,4D,5D,7D	
		BO 308797	Junction block	1	1D,2D,3D,4D,5D,7D
		BO 171929	Screw-junction block attaching	2	1D,2D,3D,4D,5D,7D
		BO 171930	Nut-junction block attaching screw	2	1D,2D,3D,4D,5D,7D
	BO 308579	Wire assembly-front crossover	1	1D,2D,3D,4D,5D,7D	
S16			SPOTLAMP		
		HA 235687	Kit-spotlamp left hand mounting Incl mirror	1	1D,2D,3D
		HA 235688	Kit-spotlight right hand mounting Incl mirror	1	1D,2D,3D
		HA 233235	Kit-spotlamp left hand mounting Incl mirror	1	4D,5D,7D
		HA 233236	Kit-spotlamp right hand mounting Incl mirror	1	4D,5D,7D
		BO 235696	Bracket & screw package-RH-outside spotlamp	1	1D,2D,3D
		BO 235697	Bracket & screw package-LH-outside spotlamp	1	1D,2D,3D
		BO 233240	Bracket & screw package-RH-outside spotlamp	1	4D,5D,7D
		BO 233239	Bracket & screw package-LH-outside spotlamp	1	4D,5D,7D
		BO 233238	Bracket & screw package-inside spotlamp	2	1D,2D,3D,4D,5D,7D
		BO 235698	Gasket-spotlamp outside bracket	2	1D,2D,3D
		BO 233241	Gasket-spotlamp outside bracket	2	4D,5D,7D
		BO 235701	Mirror & mounting package-spotlamp	2	1D,2D,3D
		BO 233237	Mirror & mounting package-spotlamp	2	1D,2D,3D
S17			DOMELAMP		
		BO 240041	Bracket-front dome lamp & radio antenna	1	4D,5D,7D
		BO 242692 BO 170685	Lamp assembly-top rear bow Screw-rear bow lamp attaching	1 2	4D-5D-7D CvBro 4D-5D-7D CvBro
S19			BACK UP LAMP LHD Only		
		HA 238506	Kit-back up lamp Service	1	1D
		HA 238502	Kit-back up lamp	1	2D,3D,7D
		HA 240999	Kit-back up lamp	1	4D,5D
		BO 236318	Lamp assembly-less ornament	2	2D,3D,7D

1954 PRELIMINARY

Group & Illus. No.	Plate No.	Part No.	NAME	Per Car	Models			
S9		BACK UP LAMP (Cont'd) LHD Only						
		BO 171935	Screw-lamp assembly to ornament		4	2D,3D,7D		
		BO 236322	Gasket-lamp assembly to ornament		2	2D,3D,7D		
		BO 227306	Gasket-base plate to body		2	1D		
		BO 241262	Pad-RH-back up lamp to fender		1	2D,3D,7D		
		BO 241263	Pad-LH-back up lamp to fender		1	2D,3D,7D		
		BO 240806	Spacer-base plate to body		2	4D,5D		
		BO 308659	Socket & wire assembly		2	1D,2D,3D,4D,5D,7D		
		BO 309068	Wire assembly-switch to instrument harness		1	1D,2D,3D,4D,5D,7D		
		BO 310642	Wire assembly-switch to rear connector		1	1D,2D,3D,4D,5D,7D		
		BO 308951	Wire assembly-rear connector to lamp		1	1D,2D,3D		
		BO 301081	Wire assembly-rear connector to lamp		1	4D,5D,7D		
		HA 238027	Kit-back up lamp installation		1	4D-5D-7D ST		
		HA 238503	Kit-back up lamp installation		1	1D-2D-3D ST		
		T1		INSTRUMENT AND GAUGES				
				BO 236960	Cluster assembly-instrument	Taupe	1	1D
				BO 236962	Cluster assembly-instrument	Blue	1	2D,3D
				BO 236964	Cluster assembly-instrument	Green	1	2D,3D
BO 241327	Cluster assembly-instrument			Blue Steel Blue	1	3D		
BO 241329	Cluster assembly-instrument			Sea Green	1	3D		
BO 241331	Cluster assembly-instrument			Lipstick	1	3D		
BO 241335	Cluster assembly-instrument			Blue	1	4D (Mech clock)		
BO 241336	Cluster assembly-instrument			Blue	1	4D (Elect clock)		
BO 241337	Cluster assembly-instrument			Toro Red	1	4D (Mech clock)		
BO 241338	Cluster assembly-instrument			Toro Red	1	4D (Elect clock)		
BO 241339	Cluster assembly-instrument			Green	1	4D (Mech clock)		
BO 241340	Cluster assembly-instrument			Green	1	4D (Elect clock)		
Assemblies for 4D equipped with glass dial.								
BO 241343	Cluster assembly-instrument			Blue	1	5D (Mech clock)		
BO 241344	Cluster assembly-instrument			Blue	1	5D,7D (Elect clock)		
BO 241345	Cluster assembly-instrument			Green	1	5D (Mech clock)		
BO 241346	Cluster assembly-instrument			Green	1	5D,7D (Elect clock)		
BO 241347	Cluster assembly-instrument			Toro Red	1	5D (Mech clock)		
BO 241348	Cluster assembly-instrument			Toro Red	1	5D,7D (Elect clock)		
BO 241349	Cluster assembly-instrument			Autumn Brown	1	5D (Mech clock)		
BO 241350	Cluster assembly-instrument			Autumn Brown	1	5D,7D (Elect clock)		
BO 241369	Cluster assembly-instrument			Blue Steel Blue	1	5D Hlywd (Mech clock)		
BO 241370	Cluster assembly-instrument			Blue Steel Blue	1	5D-7D Hlywd (Elect clock)		
BO 241371	Cluster assembly-instrument			Sea Green	1	5D Hlywd (Mech clock)		
BO 241372	Cluster assembly-instrument			Sea Green	1	5D-7D Hlywd (Elect clock)		
BO 241373	Cluster assembly-instrument			Lipstick	1	5D Hlywd (Mech clock)		
BO 241374	Cluster assembly-instrument			Lipstick	1	5D-7D Hlywd (Elect clock)		
Instrument clusters used for models 5D-7D have plastic dials.								
Instrument cluster assemblies for models 4D-5D-7D include fuel gauges temperature gauges, speedometer and clock.								
BO 236970	Housing and stud assembly-instrument cluster			prime	1	1D,2D,3D		
BO 236974	Dial-temperature gauge				1	1D,2D,3D		
BO 236975	Dial-fuel gauge				1	1D,2D,3D		
BO 237058	Mask-speedometer				1	1D,2D,3D		
BO 237059	Mask-temp and fuel gauge				2	1D,2D,3D		
BO 237078	Red lens-oil and amp signal				2	1D,2D,3D		
BO 237079	Wire assembly-instrument cluster lamp				1	1D,2D,3D		
BO 237054	Socket-instrument cluster lamp				1	1D,2D,3D		

1954 PRELIMINARY

Group & Illus. No.	Plate No.	Part No.	NAME	Per Car	Models		
T1			INSTRUMENT AND GAUGES (Cont'd)				
		BO 308671	Harness-clock instrument and speedo lamp	1	1D,2D,3D		
		BO 310177	Harness-clock instrument and speedo lamp	1	4D,5D,7D		
		BZ 17944	Nut-cluster attaching	6	1D,2D,3D		
		BO 70874	Nut-cluster attaching	8	4D,5D,7D		
		BO 171154	L/washer-cluster attaching nut	6	1D,2D,3D		
		BO 71730	L/washer-cluster attaching nut	8	4D,5D,7D		
		BO 236966	Gauge assembly-temperature	1	1D,2D,3D		
		BO 241383	Gauge assembly-temperature	1	4D,5D,7D		
		BO 236967	Gauge assembly-fuel	1	1D,2D,3D		
		BO 241382	Gauge assembly-fuel	1	4D,5D,7D		
		BO 236977	Regulator assembly-cluster voltage	1	1D,2D,3D		
		BO 241384	Regulator assembly-cluster voltage	1	4D,5D,7D		
		BO 236976	Wire assembly-voltage regulator lead	1	1D,2D,3D		
		BO 226576	Wire assembly-voltage regulator lead	1	4D,5D,7D		
		BO 171258	Screw-regulator terminals	2	1D,2D,3D,4D,5D,7D		
		BO 71073	Nut-fuel & temp gauge terminal	4	1D,2D,3D,4D,5D,7D		
		BO 170395	L/washer-fuel & temp gauge terminal screw	4	1D,2D,3D,4D,5D,7D		
		BO 236968	Speedometer assembly-miles	1	1D,2D,3D		
		BO 241401	Speedometer assembly-miles	1	4D		
		BO 241400	Speedometer assembly-miles	1	5D,7D		
		BO 236972	Dial-speedometer	1	1D,2D,3D		
	T4			INSTRUMENT PANEL & FITTINGS			
			A 236091	Panel-instrument lower finish	Prime	1	1D,2D,3D (LHD)
			A 236092	Panel-instrument lower finish	Prime	1	1D,2D,3D (RHD)
			A 240900	Panel-instrument finish	Prime	1	4D,5D,7D (LHD)
			A 240901	Panel-instrument finish	Prime	1	4D,5D,7D (RHD)
				Instrument finish panels will require painting to match trim code. Part 240901 & 240956 when used for model 7D will require drilling of holes for lower molding.			
			BO 235231	Tee bolt-instrument finish panel		6	1D,2D,3D,4D,5D,7D
			BZ 17944	Nut-instrument finish panel tee bolt		6	1D,2D,3D,4D,5D,7D
			BO 171154	L/washer-instrument finish panel tee bolt		6	1D,2D,3D,4D,5D,7D
			BO 170117	Screw-instrument finish panel lower		8-7	1D,2D,3D,4D,5D,7D
		BO 12316	F/washer-instrument finish panel lower screw		8-7	1D,2D,3D,4D,5D,7D	
		BO 225338	Rubber washer-instrument finish panel lower screw		8-7	1D,2D,3D,4D,5D,7D	
		BO 171605	Screw-instrument finish panel upper side		2'	1D,2D,3D,4D,5D,7D	
		BO 171154	L/washer-instrument finish panel upper side screw		2	1D,2D,3D,4D,5D,7D	
		BO 241250	Molding-instrument finish panel upper center		1	4D,5D,7D	
		BO 241245	Molding-RH-instrument finish panel upper center end		1	4D,5D,7D (LHD)	
		BO 241246	Molding-LH-instrument finish panel upper center end		1	4D,5D,7D (RHD)	
		BO 171923	Nut-instrument finish panel center moldings		4	4D,5D,7D	
		BO 241260	Molding-instrument finish panel lower center		1	7D	
		BO 171923	Nut-instrument finish panel lower center molding		4	7D	
		C 240419	Covering-instrument panel top		1	4D,5D,7D	
			When ordering specify trim code number to obtain proper color.				
		BO 241253	Cover-radio dial hole	Less radio	1	4D,5D,7D (LHD)	
		BO 241254	Cover-radio dial hole	Less radio	1	4D,5D,7D (RHD)	
		BO 241234	Molding-RH-instrument finish panel radio		1	4D,5D,7D (LHD)	
		BO 241241	Molding-LH-instrument finish panel radio		1	4D,5D,7D (LHD)	

1954 PRELIMINARY

Group & Illus. No.	Plate No.	Part No.	NAME	Per Car	Models		
T4		INSTRUMENT PANEL FITTINGS AND ORNAMENTS (Cont'd)					
		BO 241242	Molding-RH-instrument finish panel radio	1	4D,5D,7D (RHD)		
		BO 241235	Molding-LH-instrument finish panel radio	1	4D,5D,7D (RHD)		
		BO 171923	Nut-hole cover or molding	2	1D,2D,3D,4D,5D,7D		
		BO 241291	Receiver assembly-ash	1	4D,5D,7D		
		BO 241298	Handle-ash receiver	1	4D,5D,7D		
		BO 241230	Molding-ash receiver	1	4D,5D,7D		
		BO 171300	Screw-ash receiver handle	2	4D,5D,7D		
		BO 241265	Panel-instrument switch mounting	1	5D,7D		
		BO 171923	Nut-instrument switch mounting panel	2	5D,7D		
		BO 241215	Cover-HWC control hole	Less HWC	1 4D,5D,7D		
		BO 241214	Escutcheon-HWC control	With HWC	1 4D,5D,7D		
		BO 171923	Nut-cover or escutcheon	2	1D,2D,3D,4D,5D,7D		
		BO 241090	Grille-radio speaker Prime	1	4D,5D,7D		
		To be painted to match trim code					
		Steering column escutcheons for 1954 models also serve as steering column brackets and are listed in Group M6.					
		T5		CLOCK AND CIGAR LIGHTER			
				BO 241413	Clock assembly-mechanical	Std.	1 4D
BO 241411	Clock assembly-mechanical			Std.	1 5D		
HA 241412	Clock assembly-electric			Opt.	1 4D		
HA 241410	Clock assembly-electric			Opt.	1 7D, Opt 5D		
Clock assemblies for models 4D,5D,7D include lead wire fuse holder and fuse.							
BO 241216	Escutcheon-cigar lighter	1	4D				
BO 240459	Clamp-cigar lighter housing	1	4D,5D,7D				
T6		GLOVE BOX AND DOORS					
		BO 240063	Glove box assembly	1	4D,5D,7D		
		BO 241286	Door-glove box	1	1D,2D,3D,4D,5D,7D		
		Use of 241286 for model 7D will require drillingholes for lower molding.					
		BO 240470	Hinge assembly-locker box door	1	4D,5D,7D		
		BO 171485	Screw-hinge to door & instrument panel	4	1D,2D,3D,4D,5D,7D		
		BO 240024	Tee bolt-door lock attaching	2	1D,2D,3D,4D,5D,7D		
		BO 171936	Nut-lock tee bolt	2	1D,2D,3D,4D,5D,7D		
		BO 241221	Name plate-glove box door	WasP 1	4D,5D		
		BO 241220	Name plate-glove box door	Hornet	1 7D		
		BO 171837	Screw-name plate attaching	4	1D,2D,3D,4D,5D,7D		
BO 241225	Molding-locker box door lower	1	7D				
BO 171928	Nut-locker box door lower molding	3	7D				

1954 PRELIMINARY

Group & Illus. No.	Plate No.	Part No.	NAME	Per Car	Models	
U4			WINDSHIELD WIPER			
		SP 240429	Blade assembly	2	4D,5D,7D	
		SP 240686	Arm-RH-wiper	1	4D,5D,7D	
		SP 240687	Arm-LH-wiper	1	4D,5D,7D	
		BO 240061	Bracket-wiper motor	1	4D,5D,7D	
U5			WEATHER CONTROL			
		HA 310993	Weather control complete	1	4D,5D,7D	
			Installation of 310993 in model 4D will require 1-241214, 2-96014 and 2-171837 in addition to Weather-Control kit.			
		BO 310994	Fittings-bag of installation	1	4D,5D,7D	
		BO 310448	Control assembly-instrument panel	1	4D,5D,7D	
		BO 310449	Bracket assembly-control	1	4D,5D,7D	
		BO 310008	Bracket-control to instrument panel	1	4D,5D,7D	
		BO 241214	Escutcheon-instrument panel control	1	4D,5D,7D	
		BO 309147	Nozzle assembly-defroster	LHD 2	1D,2D,3D,4D,5D,7D	
		BO 309317	Nozzle assembly-defroster	RHD 2	1D,2D,3D,4D,5D,7D	
		BO 171605	Screw-nozzle attaching	4	1D,2D,3D,4D,5D,7D	
		BO 310379	Hose-defroster	21" 1	4D,5D,7D	
		BO 310380	Hose-defroster	26" 1	4D,5D,7D	
U6			RADIO ASSEMBLIES AND MOUNTINGS			
		HA 242492	Radio kit-push button	Sylvania SH 758 1	4D,5D,7D	
		BO 241236	Bracket-RH-radio mounting	LHD 1	4D,5D	
		BO 241239	Bracket-LH-radio mounting	LHD 1	4D,5D	
		BO 241414	Bracket-RH-radio mounting	LHD 1	7D	
		BO 241417	Bracket-LH-radio mounting	LHD 1	7D	
		BO 241237	Bracket-RH-radio mounting	RHD 1	4D,5D	
		BO 241238	Bracket-LH-radio mounting	RHD 1	4D,5D	
		BO 241415	Bracket-RH-radio mounting	RHD 1	7D	
		BO 241416	Bracket-LH-radio mounting	RHD 1	7D	
	U12			RADIO ANTENNA		
		HA 236550	Antenna kit complete-roof mounted	1	1D,2D,3D	
		HA 242500	Antenna kit complete-roof mounted	1	4D,5D,7D	
		HA 237549	Antenna kit complete-fender mounted	1	1D,2D,3D,4D,5D,7D	
		BO 236557	Cable assembly-roof antenna lead	73" 1	1D,2D,3D	
		BO 240254	Cable assembly-roof antenna lead	94 1/2" 1	4D,5D,7D	
		BO 240876	Control assembly-roof antenna	1	4D,5D,7D	
		BO 242505	Escutcheon-control knob	Maroon 1	5D-7D exc CvBro-Hlywd	
U22				ACCESSORIES		
				RADIOS		
		HA 236476	Radio Kit-6 tube manual control	SH759 1	1D,2D,3D	
		HA 236486	Radio Kit-8 tube push button control	SH758 1	1D,2D,3D	
		HA 242492	Radio Kit-8 tube push button control	SH758 1	4D,5D,7D	
		HA 236550	Antenna Kit-roof mounted	1	1D,2D,3D	
		HA 242500	Antenna Kit-roof mounted	1	4D,5D,7D	
		HA 237549	Antenna Kit-fender mounted	1	1D,2D,3D,4D,5D,7D	

1954 PRELIMINARY

Group & Illus. No.	Plate No.	Part No.	NAME	Per Car	Models	
U22		ACCESSORIES - RADIOS (Cont'd)				
		HA 213908	Rear seat speaker kit	Exc CvBro-Hlywd	1	1D,2D,3D,4D,5D,7D
		WEATHER CONTROL				
		HA 308856	Weather control kit-complete		1	1D,2D,3D
		HA 310993	Weather control kit-complete		1	4D,5D,7D
		HA 301990	Underseat heater		1	1D,2D,3D,4D,5D,7D
		Use of 310993 in model 4D requires 1-241214 escutcheon, 2-96014 washer and 2-17837 screw				
		in addition to those supplied in kit.				
		ELECTRICAL				
		HA 238506	Back up lamp kit-complete	LHD	1	1D
		HA 238502	Back up lamp kit-complete	LHD	1	2D,3D,7D
		HA 240999	Back up lamp kit-complete	LHD	1	4D,5D
		HA 238503	Installation kit-back up lamp	ST	1	1D,2D,3D (LHD)
		HA 238027	Installation kit-back up lamp	ST	1	4D,5D,7D (LHD)
		HA 235139	Cigar lighter kit-complete		1	1D
		HA 236908	Clock kit-electric		1	1D,2D,3D
		HA 241412	Clock-electric		1	4D
		HA 241410	Clock-electric		1	5D
		HA 309812	Electric shaver kit, 6-110 volt auto & home		1	1D,2D,3D,4D,5D,7D
		Use of 309812 in model 1D will require installation of 235139 cigar lighter kit.				
		HA 226244	Glove box light-automatic		1	1D,2D,3D,4D,5D,7D
		HA 211233	Spotlight-LH		1	
		HA 211234	Spotlight-RH		1	
		HA 225346	Fog lamps (Pr.)		1	1D,2D,3D,4D,5D,7D
		HA 225347	Fog lamp installation kit		1	1D,2D,3D,4D,5D,7D
		HA 235687	Spotlamp & mirror kit-left mounting		1	1D,2D,3D
		HA 235688	Spotlamp & mirror kit-right mounting		1	1D,2D,3D
		HA 233235	Spotlamp & mirror kit-left mounting		1	4D,5D,7D
		HA 233236	Spotlamp & mirror kit-right mounting		1	4D,5D,7D
		HA 235334	Spotlamp-hand portable		1	1D,2D,3D,4D,5D,7D
		HA 243206	Trunk light-automatic		1	1D,2D,3D,4D,5D,7D
		HA 213987	Underhood light-automatic		1	1D,2D,3D,4D,5D,7D
		VISORS AND SHADES				
		HA 238363	Vent wing shields-pair door		1	1D,2D,3D
		HA 216297	Vent wing shields-pair door		1	4D,5D,7D
HA 220544	Traffic light viewer		1	1D,2D,3D,4D,5D,7D		
HA 235177	Window vent shade kit-doors	4Sed	1	1D		
HA 235176	Window vent shade kit-doors	4Sed	1	2D,3D		
HA 236090	Window vent shade kit-doors & quarter window	2Sed	1	1D,2D,3D		
HA 212918	Window vent shade kit-doors	4Sed	1	4D,5D,7D		
HA 216130	Window vent shade kit-doors & quarter window	2Sed	1	4D,5D,7D		
HA 216131	Window vent shade kit-doors & quarter window	C1Cpe	1	4D,5D,7D		
SAFETY AND SERVICE						
HA 309096	Direction Indicator kit		1	1D,2D,3D		
HA 310635	Direction Indicator kit		1	4D,5D,7D		
HA 165534	Gasoline filter		1	1D,2D,3D,4D,5D,7D		
HA 303671	Hill hold kit	ST	1	7D less P/B		

1954 PRELIMINARY

Group & Illus. No.	Plate No.	Part No.	NAME	Per Car	Models
U22			ACCESSORIES (Cont'd)		
			SAFETY AND SERVICE (Cont'd)		
		HA 307195	Hydraulic jack	1	1D,2D,3D,4D,5D,7D
		HA 206236	Magnalite	1	1D,2D,3D,4D,5D,7D
		HA 207299	Mirror -vanity	1	1D,2D,3D,4D,5D,7D
		HA 239047	Mirror-inside glare proof	1	1D,2D,3D
		HA 240691	Mirror-inside glare proof	1	4D,5D,7D
		HA 220865	Mirror-outside rear view	2	1D,2D,3D,4D,5D,7D
		HA 302494	Oil filter kit-FRAM	1	1D-2D-3D ST,4D,5D,7D
		HA 307808	Tire chains-pair 6:40 x 15	1	2D,3D
		HA 303720	Tire chains-pair 7:10 x 15	1	4D,5D,7D
		HA 303721	Tire chains-pair 6:15 x 16, 7:60 x 15	1	4D,5D,7D
		HA 303722	Tire chains-emergency strap on	AR	1D,2D,3D,4D,5D,7D
		HA 232242	Windshield washer kit	1	1D,2D,3D,4D,5D,7D
			GENERAL ACCESSORIES		
		HA 216160	Curb signal kit	1	1D,2D,3D,4D,5D,7D
		HA 244382	"dor-gard" (door edge molding) 4Sed	1	1D,2D,3D
		HA 244383	"dor-gard" (door edge molding) 2Sed	1	1D,2D,3D
		HA 243097	"dor-gard" (door edge molding) 4Sed	1	4D,5D,7D
		HA 243098	"dor-gard" (door edge molding) Exc. 4Sed	1	4D,5D,7D
			Kits include chrome moldings for door edges with necessary clips for attachment.		
		HA 305418	Exhaust deflector	1	1D,2D,3D,4D,5D,7D
		HA 309558	Exhaust extension-tubular	1	1D,2D,3D,4D,5D,7D
		HA 229320	Floor mat-auxiliary	1	1D,2D,3D,4D,5D,7D
		HA 220714	Fender top ornament kit-front	1	4D,5D,7D
		HA 310582	Hub cap kit-(4 large hub caps)	1	4D
		HA 206229	Kleenex and dispenser kit	1	1D,2D,3D,4D,5D,7D
		HA 206675	License plate frame-pair	Type A	1 1D,2D,3D,4D,5D,7D
		HA 206676	License plate frame-pair	Type B	1 1D,2D,3D,4D,5D,7D
		HA 206677	License plate frame-pair	Type C	1 1D,2D,3D,4D,5D,7D
		HA 206678	License plate frame-pair	Type D	1 1D,2D,3D,4D,5D,7D
		HA 206680	License plate frame-pair	Type I	1 1D,2D,3D,4D,5D,7D
		HA 206681	License plate frame-pair	Type J	1 1D,2D,3D,4D,5D,7D
		HA 206682	License plate frame-pair	Type K	1 1D,2D,3D,4D,5D,7D
		HA 206683	License plate frame-pair	Type L	1 1D,2D,3D,4D,5D,7D
		HA 206684	License plate frame-pair	Type BB	1 1D,2D,3D,4D,5D,7D
		HA 206685	License plate frame-pair	Type CC	1 1D,2D,3D,4D,5D,7D
		HA 206652	License plate frame-pair	Type H	1 1D,2D,3D,4D,5D,7D
		HA 206199	License plate frame-pair adjustable	1	1D,2D,3D,4D,5D,7D
		HA 241251	Rear Tire Mounting kit-standard wheels	1	1D,2D,3D
		HA 241252	Rear Tire Mounting kit-wire wheels	1	1D,2D,3D
		HA 212331	Thermaster 8 hour jug		
		HA 212333	Thermaster portable refrigerator		
		HA 309097	Twin carburetor kit-dry air cleaner	LHD	1 1D,2D,3D
		HA 309564	Twin carburetor kit-oil bath air cleaner	LHD	1 1D,2D,3D
	HA 307554	Twin carburetor kit-dry air cleaner	LHD	1 4D "262" eng, 5D	
		Twin carburetor-dry replacement cartridge type air cleaner	LHD	1 4D "262" eng, 5D	
	HA 307363	Twin carburetor kit-dry air cleaner	LHD	1 7D	
	HA 307629	Twin carburetor kit-oil bath air cleaner	LHD	1 7D	

1954 PRELIMINARY

Group & Illus. No.	Plate No.	Part No.	NAME	Per Car	Models
U22			ACCESSORIES (Cont'd)		
			GENERAL ACCESSORIES (Cont'd)		
		HA 307604	Twin exhaust manifold & pipe kit (T)	1	4D,5D,7D
		HA 236335	Wheel cover kit-prime	1	1D,2D
		HA 301980	Wheel trim ring kit	1	1D,2D,4D,5D
		HA 306197	Wheel trim disc kit	1	1D,2D,4D,5D
		HA 309701	Wire wheel disc kit	1	1D,2D,3D
		HA 309702	Wire wheel disc kit	1	4D,5D,7D
		HA 309821	Wire wheel kit-velchrome	1	1D,2D,3D
		HA 309822	Wire wheel kit-chrome	1	1D,2D,3D
		HA 309823	Wire wheel kit-velchrome	1	4D,5D,7D
		HA 309824	Wire wheel kit-chrome	1	4D,5D,7D
			Wire wheels kits include 5 wheels, 4 hub caps and 5 tire flaps.		
		HA 217242	Woodland folding grille		
			SEAT COVER SETS		
			ALL SEAT COVER SETS IN THIS GROUP FIT MODELS 1D-2D-3D		
			FIBRE		
		HA 239940	Blue Stripe	4Sed	
		HA 239941	Green Stripe	4Sed	
		HA 239942	Red Check	4Sed	
		HA 239919	Blue Stripe	2Sed	
		HA 239920	Green Stripe	2Sed	
		HA 239921	Red Check	2Sed	
			PLASTIC		
		HA 239952	Tan Plaid	4Sed	
		HA 239953	Green Plaid	4Sed	
		HA 239954	Blue Plaid	4Sed	
		HA 239931	Tan Plaid	2Sed	
		HA 239932	Green Plaid	2Sed	
		HA 239933	Blue Plaid	2Sed	
			NYLON		
		HA 234950	Gray Stripe	4Sed	
		HA 234951	Blue Stripe	4Sed	
		HA 234952	Green Stripe	4Sed	
		HA 234953	Gray Figure	4Sed	
	HA 234954	Blue Figure	4Sed		
	HA 234955	Green Figure	4Sed		
	HA 239874	Gray Stripe	2Sed		
	HA 239875	Blue Stripe	2Sed		
	HA 239876	Green Stripe	2Sed		
	HA 239877	Gray Figure	2Sed		
	HA 239878	Blue Figure	2Sed		
	HA 239879	Green Figure	2Sed		
		SEAT COVER SETS IN THIS GROUP FIT MODEL 4D			
		NYLON			
	HA 233561	Gray Stripe	4Sed		
	HA 233564	Gray Figure	4Sed		
	HA 234960	Blue Stripe	4Sed		
	HA 234961	Green Stripe	4Sed		

1954 PRELIMINARY

Group & Illus. No.	Plate No.	Part No.	NAME	Per Car	Models
ACCESSORIES (Cont'd)					
SEAT COVER SETS IN THIS GROUP FIT MODEL 4D					
NYLON					
		HA 234962	Blue Figure	4Sed	
		HA 234963	Green Figure	4Sed	
		HA 233567	Gray Stripe	2Sed	
		HA 233570	Gray Figure	2Sed	
		HA 234966	Blue Stripe	2Sed	
		HA 234967	Green Stripe	2Sed	
		HA 234958	Blue Figure	2Sed	
		HA 234959	Green Figure	2Sed	
		HA 233573	Gray Stripe	Club Cpe.	
		HA 233576	Gray Figure	Club Cpe.	
		HA 234964	Blue Stripe	Club Cpe.	
		HA 234965	Green Stripe	Club Cpe.	
		HA 234966	Blue Figure	Club Cpe.	
		HA 234967	Green Figure	Club Cpe.	
FIBRE					
		HA 239946	Blue Stripe	4Sed	
		HA 239947	Green Stripe	4Sed	
		HA 239948	Red Check	4Sed	
		HA 239943	Blue Stripe	2Sed	
		HA 239944	Green Stripe	2Sed	
		HA 239945	Red Check	2Sed	
		HA 239949	Blue Stripe	Club Cpe.	
		HA 239950	Green Stripe	Club Cpe.	
		HA 239951	Red Check	Club Cpe.	
PLASTIC					
		HA 239958	Tan Plaid	4Sed	
		HA 239959	Green Plaid	4Sed	
		HA 239960	Blue Plaid	4Sed	
		HA 239955	Tan Plaid	2Sed	
		HA 239956	Green Plaid	2Sed	
		HA 239957	Blue Plaid	2Sed	
		HA 239961	Tan Plaid	Club Cpe.	
		HA 239962	Green Plaid	Club Cpe.	
		HA 239963	Blue Plaid	Club Cpe.	
SEAT COVER SETS IN THIS GROUP FIT MODEL 5D					
NYLON					
		HA 233530	Brown Stripe	4Sed	
		HA 233531	Gray Stripe	4Sed	
		HA 233532	Red Stripe	4Sed	
		HA 233533	Brown Figure	4Sed	
		HA 233534	Gray Figure	4Sed	
		HA 233535	Red Figure	4Sed	
		HA 234968	Blue Stripe	4Sed	
		HA 234969	Green Stripe	4Sed	
		HA 234970	Blue Figure	4Sed	
		HA 234971	Green Figure	4Sed	

1954 PRELIMINARY

Group & Illus. No.	Plate No.	Part No.	NAME	Per Car	Models	
U22		ACCESSORIES (Cont'd)				
		SEAT COVER SETS IN THIS GROUP FIT MODEL 7D				
		NYLON				
		HA 233548	Brown Stripe	4Sed		
		HA 233549	Gray Stripe	4Sed		
		HA 233550	Red Stripe	4Sed		
		HA 233551	Brown Figure	4Sed		
		HA 233552	Gray Figure	4Sed		
		HA 233553	Red Figure	4Sed		
		HA 234980	Blue Stripe	4Sed		
		HA 234981	Green Stripe	4Sed		
		HA 234982	Blue Figure	4Sed		
		HA 234983	Green Figure	4Sed		
		HA 233554	Brown Stripe	Club Cpe-Hlywd.		
		HA 233555	Gray Stripe	Club Cpe-Hlywd.		
		HA 233556	Red Stripe	Club Cpe-Hlywd.		
		HA 233557	Brown Figure	Club Cpe-Hlywd.		
		HA 233558	Gray Figure	Club Cpe-Hlywd.		
		HA 233559	Red Figure	Club Cpe-Hlywd.		
		HA 234984	Blue Stripe	Club Cpe-Hlywd.		
		HA 234985	Green Stripe	Club Cpe-Hlywd.		
		HA 234986	Blue Figure	Club Cpe-Hlywd.		
		HA 234987	Green Figure	Club Cpe-Hlywd.		
		PLASTIC				
		HA 233700	Brown Plaid	4Sed		
		HA 233701	Blue & Gray Stripe	4Sed		
		HA 233702	Green & Red Stripe	4Sed		
		HA 233703	Red & Gray Stripe	4Sed		
		HA 233704	Brown Plaid	Club Cpe-Hlywd.		
		HA 233705	Blue & Gray Stripe	Club Cpe-Hlywd.		
		HA 233706	Green & Red Stripe	Club Cpe-Hlywd.		
		HA 233707	Red & Gray Stripe	Club Cpe-Hlywd.		
		NYLON				
		HA 233536	Brown Stripe	2Sed		
		HA 233537	Gray Stripe	2Sed		
		HA 233538	Red Stripe	2Sed		
		HA 233539	Brown Figure	2Sed		
		HA 233540	Gray Figure	2Sed		
		HA 233541	Red Figure	2Sed		
		HA 234972	Blue Stripe	2Sed		
		HA 234973	Green Stripe	2Sed		
		HA 234974	Blue Figure	2Sed		
		HA 234975	Green Figure	2Sed		
		HA 233542	Brown Stripe	Club Cpe-Hlywd.		
		HA 233543	Gray Stripe	Club Cpe-Hlywd.		
		HA 233544	Red Stripe	Club Cpe-Hlywd.		
		HA 233545	Brown Figure	Club Cpe-Hlywd.		
		HA 233546	Gray Figure	Club Cpe-Hlywd.		
		HA 233547	Red Figure	Club Cpe-Hlywd.		
		HA 234976	Blue Stripe	Club Cpe-Hlywd.		
		HA 234977	Green Stripe	Club Cpe-Hlywd.		
		HA 234978	Blue Figure	Club Cpe-Hlywd.		
HA 234979	Green Figure	Club Cpe-Hlywd.				
PLASTIC						
HA 233708	Brown Plaid	4Sed				
HA 233709	Blue & Gray Stripe	4Sed				
HA 233710	Green & Red Stripe	4Sed				
HA 233711	Red & Gray Stripe	4Sed				

1954 PRELIMINARY

Group & Illus. No.	Plate No.	Part No.	NAME	Per Car	Models
U22			ACCESSORIES (Cont'd)		
			SEAT COVER SETS (Cont'd)		
			NYLON (Cont'd)		
		HA 233712	Brown Plaid	2Sed	
		HA 233713	Blue & Gray Stripe	2Sed	
		HA 233714	Green & Red Stripe	2Sed	
		HA 233715	Red & Gray Stripe	2Sed	
		HA 233716	Brown Plaid	Club Cpe-Hlywd.	
		HA 233717	Blue & Gray Stripe	Club Cpe-Hlywd.	
	HA 233718	Green & Red Stripe	Club Cpe-Hlywd.		
	HA 233719	Red & Gray Stripe	Club Cpe-Hlywd.		
U23			SHOP AND OWNER SUPPLIES		
			CAR WASHING GROUP		
		HS 301915	White side wall cleaner	13 oz can	
		HS 302097	White side wall cleaner	gal	
			USED CAR RECONDITIONING MATERIAL		
		HS 229042	Adhesive	gal flock	
		HS 229040	Carpet flock	2 lb bag	
		HS 229057	Chrome reconditioning package		
		HS 206226	Fabric cleaner	gal can	
		HS 209734	Fabric cleaner	pint can	
		HS 229076	Fabric wash	gal	
		HS 229060	Instrument panel & Garnish Molding finish-blue gray		
		HS 229061	Instrument panel & Garnish Molding finish-mahogany		
		HS 229083	Plastic dye-black	gal	
		HS 229084	Plastic dye-brown	qt	
		HS 229056	Quick grain gloss		
		HS 229041	Rayon flock	2 lb bag	
		HS 229085	Steering wheel enamel		
		HS 229086	Steering wheel filler		
		HS 229088	Spot remover		
		HS 229096	Tampico brush		
		HS 229044	Top dye-black	qt	
		HS 229045	Top dye-tan	qt	
		HS 229046	Top dye-maroon	qt	
		HS 229062	Walnut finish		
			POLISHES, WAXES AND CLEANERS		
		HS 235041	Chrome protector	8 oz can	
		HS 209737	Chrome polish	8 oz	
		HS 118682	Combination cleaner & wax	pt	
		HS 118683	Combination cleaner & wax	gal can	
		HS 119902	Hand rubbing compound	gal	
		HS 229122	Liquid glaze application cloth	10 lb. roll	
		HS 229066	Liquid glaze cleaner-non abrasive	gal	
		HS 229067	Liquid glaze cleaner-service car	gal	
		HS 229070	Liquid glaze color dress	pt	
		HS 229124	Liquid glaze color dress cloth	10' x 1 yd	
	HS 233265	Liquid glaze kit-owner			
	HS 229069	Liquid glaze sealer	qt		
	HS 229068	Liquid glaze super sheen paste	1/2 gal		
	HS 118680	Polish & cleaner	qt		
	HS 118681	Polish & cleaner	gal		
	HS 205259	Polishing cloth			
	HS 118684	Pre-wax cleaner	pt		
	HS 118685	Pre-wax cleaner	gal		
	HS 209736	Rubber finish-black	gal		
	HS 111939	Wax	7 oz		

1954 PRELIMINARY

Group & Illus. No.	Plate No.	Part No.	NAME	Per Car	Models
U23			SHOP AND OWNER SUPPLIES (Cont'd)		
			LUBRICANTS, OILS		
		HS 304349	Engine tune-up oil	4 oz	
		HS 304350	Engine tune-up oil	1 pt	
		HS 165899	General use oil	4 oz	
		HS 215784	Lock ease	4 oz	
		HS 165898	Penetrating oil	4 oz	
		HS 166605	Ru Glyde rubber lubricant	4 oz	
		HS 166606	Ru Glyde rubber lubricant	gal	
			MISCELLANEOUS GROUP		
		HS 302402	Anti-freeze	54 gal drum	
		HS 302569	Anti-freeze	gal can	
		HS 304634	Anti-freeze-permanent type	gal can	
		HS 307522	Anti-freeze-permanent type type	qt. can	
		HS 307199	Display stand-engine		
		HS 210356	Glass cleaner-dispenser can	10 oz	
		HS 165897	Gasket cement	2 oz	
		HS 305666	Gasket compound (Pliobond)	2 oz	
		HS 164848	Gasket paste-perfect seal	1 lb.	
		HS 165955	Pib-ignition water proofing	1 oz	
		HS 165956	Pib-ignition water proofing	4 oz	
		HS 165922	Radiator cleaning kit		
		HS 166548	Radiator flush pt	pt	
		HS 165923	Radiator rust resistor	pt	
		HS 165896	Radiator stop leak	10 oz	
		HS 214698	Sealzit-glass sealer	2 oz	
		HS 206225	Spot remover-brush top	5 oz	
		HS 214773	Top dressing-convertible	qt	
		HS 214774	Top dressing-convertible	gal	
		HS 175431	Undercoating	55 gal drum	
		HS 166724	Valve grinding compound-water base	4 oz	
		HS 209976	Windshield washer solvent-all season .	6 oz	
			TOUCH UP LACQUER		
			1 oz bottles exterior colors		
		HS 176072	Ebony Black	Code 5	
		HS 176301	Beret Blue	Code 158	
		HS 176302	Silver Blue	Code 159	
		HS 176303	St. Clair Gray	Code 160	
		HS 176304	Spring Green	Code 161	
		HS 176305	Pacific Blue Green	Code 162	
		HS 176306	Palm Beach Green	Code 163	
		HS 176307	Pasture Green	Code 164	
		HS 176308	Roman Bronze	Code 165	
		HS 176309	Coronation Cream	Code 166	
		HS 176310	Royal Red	Code 167	
		HS 176311	Algerian Blue	Code 168	
			1 oz bottles interior colors		
		HS 176312	Autumn Brown		
		HS 176079	Toro Red		
		HS 176204	Turkish Taupe		
		HS 176205	Marlin Blue		
		HS 176206	Forest Green		
		HS 176348	Blue Steel Blue		
		HS 176349	Sea Green		
		HS 176350	Lipstick		

1954 PRELIMINARY

Group & Illus. No.	Plate No.	Part No.	NAME	Per Car	Models	
U24			SPECIAL PARTS			
		SP 302215	Battery 1-W-90	1	1D,2D,3D	
		SP 302797	Battery 2 L-S-100	1	4D,5D,7D	
		SP 151968	Brake fluid	12 oz can		
		SP 166177	Brake fluid	gal can		
		SP 18100	Bulb-lamp	#63		
		SP 70001	Bulb-lamp	#87		
		SP 70900	Bulb-lamp	#1158		
		SP 71550	Bulb-lamp	#55		
		SP 71641	Bulb-lamp	#51		
		SP 170363	Bulb-lamp	#1154		
		SP 170531	Bulb-lamp	#1129		
		SP 170659	Bulb-lamp	#88		
		SP 171066	Bulb-lamp	#81		
		SP 171584	Bulb-lamp	#1133		
		SP 151962	Clutch compound-Hudsonite	gal can		
		SP 160671	Clutch compound-Hudsonite	1 shot bottle		
		SP 302754	Fuel pump-Carter M-729-SB		1	1D,2D,3D,4D
		SP 309363	Fuel pump-combination fuel and vacuum AC 5594057			
		SP 309609	Repair kit-fuel side diaphragm		1	For 309363
		SP 309610	Repair kit-vacuum side diaphragm		1	For 309363
		SP 309608	Repair kit-complete pump		1	For 309363
		SP 305094	Hydra-matic trans fluid	55 gal drum		
		SP 305095	Hydra-matic trans fluid	5 gal can		
		SP 305096	Hydra-matic trans fluid	qt can		
		SP 305694	Lubricaps-carton 500			
		SP 302496	Cartridge kit-oil filter replacement			For 302494
		SP 309311	Piston ring set-Sealed Power cast iron	Std	1	"202" eng
		SP 309312	Piston ring set-Sealed Power cast iron	.020 0/S	1	"202" eng
		SP 309313	Piston ring set-Sealed Power steel segment	Std	1	"202" eng
		SP 309314	Piston ring set-Sealed Power steel segment	.020 0/S	1	"202" eng
		SP 309315	Piston ring set-Sealed Power Kromex	Std	1	"202" eng
		SP 309316	Piston ring set-Sealed Power Kromex	.020 0/5	1	"202" eng
		SP 302185	Piston ring set-Sealed Power cast iron	Std	1	"232" & "262" eng
		SP 302448	Piston ring set-Sealed Power cast iron	.020 0/S	1	"232" & "262" eng
		SP 306674	Piston ring set-Sealed Power steel segment	Std	1	"232" & "262" eng
		SP 306676	Piston ring set-Sealed Power steel segment	.020 0/S	1	"232" & "262" eng
		SP 307532	Piston ring set-Sealed Power Kromex	Std	1	"232" & "262" eng
		SP 307533	Piston ring set-Sealed Power Kromex	.020 0/S	1	"232" & "262" eng
		SP 305133	Piston ring set-Sealed Power cast iron	Std	1	"308" eng
		SP 305134	Piston ring set-Sealed Power cast iron	.020 0/S	1	"308" eng
		SP 306677	Piston ring set-Sealed Power steel segment	Std	1	"308" eng
		SP 306679	Piston ring set-Sealed Power steel segment	.020 0/S	1	"308" eng
		SP 307534	Piston ring set-Sealed Power Kromex	Std	1	"308" eng
		SP 307535	Piston ring set-Sealed Power Kromex	.020 0/S	1	"308" eng
		SP 308401	Radiator pressure cap		1	1D,2D,3D
		SP 302265	Radiator pressure cap		1	4D,5D,7D
		SP 141850	Sealed beam unit-headlamp			
		SP 216662	Sealed beam unit-spotlamp			
		SP 157055	Spark plug-H10		1	1D,2D,3D,4D,5D
	SP 306719	Spark plug-H11		1	7D	
	SP 239596	Blade-windshield wiper		2	1D,2D,3D	
	SP 240429	Blade-windshield wiper		2	4D,5D,7D	

1954 PRELIMINARY

Group & Illus. No.	Plate No.	Part No.	NAME	Per Car	Models	
U24			SPECIAL PARTS (Cont'd)			
			SP 235824	Arm-RH-windshield wiper	1	1D,2D,3D
			SP 235825	Arm-LH-windshield wiper	1	1D,2D,3D
			SP 240686	Arm-RH-windshield wiper	1	4D,5D,7D
			SP 240687	Arm-LH-windshield wiper	1	4D,5D,7D

BODY SECTION

1954 PRELIMINARY

Group & Illus. No.	Plate No.	Part No.	NAME	Per Car	Models		
AA3			TRIM PANEL				
		C 244510	Panel & silencer assembly-RH-cowl trim	Blue	1	3D (Blue Comb Lea)	
		C 244511	Panel & silencer assembly-LH-cowl trim	Blue	1	3D (Blue Comb Lea)	
		C 244512	Panel & silencer assembly-RH-cowl trim	Green	1	3D (Green Comb Lea)	
		C 244513	Panel & silencer assembly-LH-cowl trim	Green	1	3D (Green Comb Lea)	
		C 244514	Panel & silencer assembly-RH-cowl trim	Red	1	3D (Red Comb Lea)	
		C 244515	Panel & silencer assembly-LH-cowl trim	Red	1	3D (Red Comb Lea)	
		C 241974	Panel & silencer assembly-RH-cowl trim	Blue	1	4D,5D	
		C 241975	Panel & silencer assembly-LH-cowl trim	Blue	1	4D,5D	
		C 241976	Panel & silencer assembly-RH-cowl trim	Green	1	4D,5D	
		C 241977	Panel & silencer assembly-LH-cowl trim	Green	1	4D,5D	
		C 241980	Panel & silencer assembly-RH-cowl trim	Red	1	4D,5D	
		C 241981	Panel & silencer assembly-LH-cowl trim	Red	1	4D,5D	
		C 241983	Panel & silencer assembly-LH-cowl trim	Blue	1	5D CvBro (Hyd wdo)	
		C 241985	Panel & silencer assembly-LH-cowl trim	Blue Green	1	5D CvBro (Hyd wdo)	
		C 241989	Panel & silencer assembly-LH-cowl trim	Red	1	5D CvBro (Hyd wdo)	
		C 241987	Panel & silencer assembly-LH-cowl trim	Brown	1	5D CvBro (Hyd wdo)	
		C 242226	Panel & silencer assembly-RH-cowl trim	Blue	1	7D 4Sed-CICpe-Hlywd-CvBr	
		C 242227	Panel & silencer assembly-LH-cowl trim	Blue	1	7D 4Sed-CICpe-Hlywd	
		C 242228	Panel & silencer assembly-RH-cowl trim	Green	1	7D 4Sed-CICpe-Hlywd-CvBr	
		C 242229	Panel & silencer assembly-LH-cowl trim	Green	1	7D 4Sed-CICpe-Hlywd	
		C 242232	Panel & silencer assembly-RH-cowl trim	Red	1	7D 4Sed-CICpe-Hlywd-CvBr	
		C 242233	Panel & silencer assembly-LH-cowl trim	Red	1	7D 4Sed-CICpe-Hlywd	
		C 242230	Panel & silencer assembly-RH-cowl trim	Brown	1	7D CICpe-Hlywd-CvBro	
		C 242231	Panel & silencer assembly-LH-cowl trim	Brown	1	7D CICpe-Hlywd-CvBro	
		C 241990	Panel & silencer assembly-RH-cowl trim	Blue	1	5D Hlywd (Blue Comb Lea)	
		C 241991	Panel & silencer assembly-LH-cowl trim	Blue	1	5D Hlywd (Blue Comb Lea)	
		C 241992	Panel & silencer assembly-RH-cowl trim	Green	1	5D Hlywd (Green Comb Lea)	
		C 241993	Panel & silencer assembly-LH-cowl trim	Green	1	5D Hlywd (Green Comb Lea)	
		C 241994	Panel & silencer assembly-RH-cowl trim	Red	1	5D Hlywd (Red Comb Lea)	
		C 241995	Panel & silencer assembly-LH-cowl trim	Red	1	5D Hlywd (Red Comb Lea)	
		C 242242	Panel & silencer assembly-RH-cowl trim	Blue	1	7D Hlywd (Blue Comb Lea)	
		C 242243	Panel & silencer assembly-LH-cowl trim	Blue	1	7D Hlywd (Blue Comb Lea)	
		C 242244	Panel & silencer assembly-RH-cowl trim	Green	1	7D Hlywd (Green Comb Lea)	
		C 242245	Panel & silencer assembly-LH-cowl trim	Green	1	7D Hlywd (Green Comb Lea)	
		C 242246	Panel & silencer assembly-RH-cowl trim	Red	1	7D Hlywd (Red Comb Lea)	
		C 242247	Panel & silencer assembly-LH-cowl trim	Red	1	7D Hlywd (Red Comb Lea)	
		C 242235	Panel & silencer assembly-LH-cowl trim	Blue	1	7D CvBro	
		C 242237	Panel & silencer assembly-LH-cowl trim	Green	1	7D CvBro	
		C 242241	Panel & silencer assembly-LH-cowl trim	Red	1	7D CvBro	
		C 242239	Panel & silencer assembly-LH-cowl trim	Brown	1	7D CvBro	
	AA4			COWL VENTILATOR			
			BO 237685	Clip-lower-handle rod retaining		1	1D,2D,3D
			BO 237684	Clip-upper-handle rod retaining		1	1D,2D,3D
			BO 237685	Clip-bellcrank rod retaining		2	1D,2D,3D
			BO 241236	Bracket-RH-radio mounting	LHD	1	4D,5D
			BO 241239	Bracket-LH-radio mounting	LHD	1	4D,5D
			BO 241414	Bracket-RH-radio to cross brace	LHD	1	7D
			BO 241417	Bracket-LH-radio to cross brace	LHD	1	7D
			BO 241237	Bracket-LH-radio mounting	RHD	1	4D,5D
			BO 241238	Bracket-RH-radio mounting	RHD	1	4D,5D
			BO 241415	Bracket-LH-radio mounting	RHD	1	7D
			BO 241416	Bracket-RH-radio mounting	RHD	1	7D
			BO 71631	Screw-bracket to duct & plug or support		AR	1D,2D,3D
			BO 12285	Screw-radio mounting bracket		1	4D,5D,7D
			BO 170330	L/washer-bracket to duct & plug		AR	1D,2D,3D
			BO 171694	L/washer-radio to instrument panel		2	4D,5D,7D

1954 PRELIMINARY

Group & Illus. No.	Plate No.	Part No.	NAME	Per Car	Models
AA4			COWL VENTILATOR (Cont'd)		
		BO 71443	Nut-radio mounting bracket bolt RHD	1	4D,5D,7D
		BO 70874	Nut-radio mounting stud	2	4D,5D,7D
		BO 171934	Nut-radio to instrument panel	2	4D,5D,7D
AA5			DASH PANEL		
		C 240447	Panel assembly-dash	1	4D,5D
		C 241445	Trim panel & silencer assembly-LH	LHD 1	4D,5D less PB
		C 242489	Trim panel & silencer assembly-LH	LHD 1	4D-5D PB
		C 242490	Trim panel & silencer assembly-center	LHD 1	4D-5D
		C 241441	Trim panel & silencer assembly-LH	LHD 1	7D less PB
		C 241443	Trim panel & silencer assembly-LH	LHD 1	7D PB
		C 241444	Trim panel & silencer assembly-center	LHD 1	7D PB
		C 241450	Trim panel & silencer assembly-RH	RHD 1	4D,5D
		C 241451	Trim panel & silencer assembly-LH	RHD 1	4D,5D
		C 241448	Trim panel & silencer assembly-RH	RHD 1	7D
		C 241449	Trim panel & silencer assembly-LH	RHD 1	7D
		C 241757	Silencer-LH-dash panel	LHD 1	7D PB
		C 241758	Silencer-LH-dash panel	LHD 1	7D PB
		C 241759	Silencer-center-dash panel	LHD 1	7D PB
AA6			INSTRUMENT PANEL		
		A 240410	Panel-instrument	1	4D,5D,7D
		C 240419	Covering-instrument panel top Specify Trim code	1	4D,5D,7D
		C 240945	Brace-instrument panel main	LHD 1	4D,5D,7D
		C 241085	Brace-instrument panel main	RHD 1	4D,5D,7D
		BO 71717	Bolt-brace to dash panel	LHD 2	4D,5D,7D
		BO 171559	Bolt-brace to dash panel	RHD 2	4D,5D,7D
		BO 170330	L/washer-brace to dash panel bolt	LHD 2	4D-5D-7D LHD
		BO 170965	P/washer-brace to dash panel bolt	RHD 2	4D,5D,7D
AA10			WINDSHIELD		
		BO 240804	W/strip-glass	Req 235799 1	4D,5D,7D
BB1			BODY PILLAR		
		C 240074	Pillar assembly-RH-front	Manual wdo 1	5D-7D 4Sed-2Sed-Cpe-Hlywd
		C 240076	Pillar assembly-RH-front	Hyd. wdo 1	5D-7D CvBro
		C 240075	Pillar assembly-LH-front	Manual wdo 1	5D-7D 4Sed-2Sed-Cpe
		C 240079	Pillar assembly-LH-front	Manual wdo 1	5D-7D CvBro-Hlywd
		C 240077	Pillar assembly-LH-front	Hyd. wdo 1	5D-7D CvBro
		C 240507	Cross brace assembly-front pillar	1	4D,5D
		C 241129	Cross brace assembly-front pillar	1	7D
		C 241258	Pillar assembly-RH-center	1	1D-2D-3D 4Sed
		C 240560	Pillar assembly-RH-center	1	4D 4Sed
		C 240556	Pillar assembly-RH-center	1	5D-7D 4Sed
	15	C 241259	Pillar assembly-LH-center	1	1D-2D-3D 4Sed
	15	C 240561	Pillar assembly-LH-center	1	4D 4Sed
	15	C 240557	Pillar assembly-LH-center	1	5D-7D 4Sed
		C 237572	Pillar assembly-RH-rear	1	1D-2D-3D 2Sed
		C 240580	Pillar-assembly-RH-rear	1	4D 2Sed-Cpe
		C 240576	Pillar assembly-RH-rear	1	5D-7D 2Sed-Cpe
		C 240568	Pillar assembly-RH-rear	1	4D-5D-7D 4Sed
		C 242454	Pillar assembly-RH-rear	1	5D-7D CvBro

1954 PRELIMINARY

Group & Illus. No.	Plate No.	Part No.	NAME	Per Car	Models
BB1			BODY PILLAR (Cont'd)		
	15	C 242456	Pillar assembly-RH-rear	1	5D-7D CvBro
		C 240866	Pillar & brackets assembly-RH-rear	1	4D Hlywd
		C 240864	Pillar & brackets assembly-RH-rear	1	5D-7D Hlywd
		C 237573	Pillar assembly-LH-rear	1	1D-2D-3D 2Sed
		C 240581	Pillar assembly-LH-rear	1	4D 2Sed-Cpe
	20	C 240577	Pillar assembly-LH-rear	1	5D-7D 2Sed-Cpe
		C 240569	Pillar assembly-LH-rear	1	4D-5D-7D 4Sed
	12	C 242455	Pillar assembly-LH-rear	1	4D CvBro
		C 242457	Pillar assembly-LH-rear	1	5D-7D CvBro
		C 240867	Pillar & brackets assembly-LH-rear	1	4D Hlywd
		C 240865	Pillar & brackets assembly-LH-rear	1	5D-7D Hlywd
BB2			BODY HEADER		
	15	C 237614	Header & reinforcement assembly-RH-body	1	1D-2D-3D 2Sed
		C 237615	Header & reinforcement assembly-LH-body	1	1D-2D-3D 2Sed
		C 241294	Header & reinforcement assembly-RH-body	1	4D-5D 2Sed
		C 241295	Header & reinforcement assembly-LH-body	1	4D-5D 2Sed
		C 241292	Header & reinforcement assembly-RH-body	1	4D-5D-7D 4Sed
		C 241293	Header & reinforcement assembly-LH-body	1	4D-5D-7D 4Sed
		C 241296	Header & reinforcement assembly-RH-body	1	4D-5D-7D Cpes
		C 241297	Header & reinforcement assembly-LH-body	1	4D-5D-7D Cpes
	21	C 241124	Reinforcement-RH-body header	1	4D-5D-7D Hlywd
		C 241125	Reinforcement-LH-body header	1	4D-5D-7D Hlywd
		BO 240054	Bracket-RH-rear body header extension to wheelhouse	1	4D-5D-7D Hlywd
		BO 240055	Bracket-LH-rear body header extension to wheelhouse	1	4D-5D-7D Hlywd
		BO 240041	Bracket assembly-dome lamp & antenna	1	4D,5D,7D
CC1			BODY PANEL, SILENCER AND SEAL		
	1	C 241064	Panel assembly-front end	1	4D-5D-7D CvBro
		C 241063	Panel assembly-front end	1	4D-5D-7D 4Sed-Cpes
		C 241065	Panel assembly-front end	1	4D-5D-7D Hlywd
	6	C 240400	Panel assembly-RH-cowl side	1	4D-5D-7D 4Sed-2Sed-Cpes
		C 240401	Panel assembly-LH-cowl side	1	4D-5D-7D 4Sed-2Sed-Cpes
		C 240402	Panel assembly-RH-cowl side	1	4D-5D-7D CvBro-Hlywd
		C 240403	Panel assembly-LH-cowl side	1	4D-5D-7D CvBro-Hlywd
		C 240406	Reinforcement assembly-RH-cowl side panel	1	4D-5D-7D 4Sed-2Sed
		C 240407	lie inf or cement assembly-LH-cowl side panel	1	4D-5D-7D 4Sed-2Sed
	7	C 240665	Panel-rear compartment opening upper	1	4D-5D-7D CvBro
		C 240664	Panel-rear compartment opening upper	1	4D-5D-7D Hlywd
	8	C 240530	Panel assembly-rear compartment opening lower	1	4D,5D,7D
		C 240672	Trough-RH-luggage compartment opening side	1	4D-5D-7D 4Sed-2Sed
		C 240673	Trough-LH-luggage compartment opening side	1	4D-5D-7D 4Sed-2Sed
		C 240676	Trough assembly-luggage compartment opening upper	1	4D-5D-7D 4Sed-2Sed
		C 240677	Trough assembly-luggage compartment opening upper	1	4D-5D-7D Cpe-Hlywd
		C 240668	Trough assembly-luggage compartment opening upper	1	4D-5D-7D CvBro
		C 240651	Brace assembly-luggage compartment opening upper	1	4D-5D-7D 4Sed
		C 240649	Brace assembly-luggage compartment opening upper	1	4D-5D 2Sed
		C 240653	Brace assembly-luggage compartment opening upper	1	4D-5D-7D Cpe-Hlywd
		C 240655	Brace assembly-luggage compartment opening upper	1	4D-5D-7D CvBro
		BO 240734	Brace-RH-luggage compartment opening side trough to w/house	1	4D-5D-7D Cpes-CvBro-Hlywd
		BO 240735	Brace-LH-luggage compartment opening side trough to w/house	1	4D-5D-7D Cpes-CvBro-Hlywd

1954 PRELIMINARY

Group & Illus. No.	Plate No.	Part No.	NAME	Per Car	Models
CC1			BODY PANEL, SILENCER AND SEAL (Cont'd)		
		C 237564	Frame-RH-quarter window	1	1D-2D-3D 2Sed
		C 237565	Frame-LH-quarter window	1	1D-2D-3D 2Sed
		BO 171925	Screw-quarter window frame	12	1D-2D-3D 2Sed
	15	C 240630	Panel-RH-quarter outer	1	4D-5D 2Sed
		C 240631	Panel-LH-quarter outer	1	4D-5D 2Sed
		C 240620	Panel-RH-quarter outer	1	4D-5D-7D 4Sed
		C 240621	Panel-LH-quarter outer	1	4D-5D-7D 4Sed
		C 240640	Panel-RH-quarter outer	1	4D-5D-7D Cpes
		C 240641	Panel-LH-quarter outer	1	4D-5D-7D Cpes
		C 240788	Panel-RH-quarter outer	1	4D-5D-7D CvBro
		C 240789	Panel-LH-quarter outer	1	4D-5D-7D CvBro
	15	C 240692	Panel-RH-quarter outer	1	4D-5D-7D Hlywd
		C 240693	Panel-LH-quarter outer	1	4D-5D-7D Hlywd
	24	C 242486	Panel-RH-wheelhouse inner	1	1D,2D,3D
		C 242487	Panel-LH-wheelhouse inner	1	1D,2D,3D
		C 241750	Panel assembly-RH-quarter trim support front	1	4D-5D-7D CvBro
		C 241751	Panel assembly-LH-quarter trim support front	1	4D-5D-7D CvBro
		C 241003	Liner assembly-quarter panel outer	2	4D-5D 2Sed
		C 241212	Liner assembly-quarter panel outer	2	4D-5D-7D Cpes
		C 241213	Liner assembly-quarter panel outer	2	4D-5D-7D Hlywd
CC2			ROOF PANEL AND SILENCER		
	1	C 240645	Panel	1	4D-5D-7D 4Sed-2Sed
	1	C 240980	Panel	1	4D-5D-7D Hlywd
		C 240737	Panel	1	4D-5D-7D Cpes
		C 240990	Panel-front	1	4D-5D-7D CvBro
		C 240996	Panel assembly-front finish	1	4D-5D-7D CvBro
CC3			DOOR PANEL AND SEAL		
		C 241620	Panel assembly-RH-front door outer	1	4D-5D-7D 4Sed
		C 241621	Panel assembly-LH-front door outer	1	4D-5D-7D 4Sed
		C 237622	Panel assembly-RH-door outer	1	1D-2D-3D 2Sed
		C 237623	Panel assembly-LH-door outer	1	1D-2D-3D 2Sed
		C 241628	Panel assembly-RH-door outer	1	4D-5D-7D 2Sed-Cpes
		C 241629	Panel assembly-LH-door outer	1	4D-5D-7D 2Sed-Cpes
		C 241632	Panel assembly-RH-door outer	1	4D-5D-7D CvBro-Hlywd
		C 241633	Panel assembly-LH-door outer	1	4D-5D-7D CvBro-Hlywd
		C 241622	Panel assembly-RH-rear door outer	1	4D-5D-7D 4Sed
		C 241623	Panel assembly-LH-rear door outer	1	4D-5D-7D 4Sed
		C 238159	Liner-front door inner	2	1D-2D-3D 2Sed
		C 238385	Liner-front door outer	2	1D-2D-3D 2Sed
DD3			WINDOW REGULATOR HANDLE		
		BO 238444	Escutcheon-door wing regulator handle	2	7D
EE1			DOOR ASSEMBLY		
		C 241660	Door assembly-RH-front skeleton	1	4D-5D-7D 4Sed
		C 241661	Door assembly-LH-front skeleton	1	4D-5D-7D 4Sed
		C 239194	Door assembly-RH-skeleton	1	1D-2D-3D 2Sed
		C 239195	Door assembly-LH-skeleton	1	1D-2D-3D 2Sed

1954 PRELIMINARY

Group & Illus. No.	Plate No.	Part No.	NAME	Per Car	Models			
EE1		DOOR ASSEMBLY (Cont'd)						
		C 241676	Door assembly-RH-skeleton		1	4D-5D-7D 2Sed-Cpes		
		C 241677	Door assembly-LH-skeleton		1	4D-5D-7D 2Sed-Cpes		
		C 241684	Door assembly-RH-skeleton	Manual wdos	1	4D-5D-7D CvBro-Hlywd		
		C 241685	Door assembly-LH-skeleton	Manual wdos	1	4D-5D-7D CvBro-Hlywd		
		C 241688	Door assembly-RH-skeleton	Hyd wdos	1	4D-5D-7D CvBro		
		C 241689	Door assembly-LH-skeleton	Hyd wdos	1	4D-5D-7D CvBro		
		C 241668	Door assembly-RH-rear skeleton		1	4D-5D-7D 4Sed		
		C 241669	Door assembly-LH-rear skeleton		1	4D-5D-7D 4Sed		
			Frame assembly-RH-door		1	1D-2D-3D 2Sed		
			Frame assembly-LH-door		1	1D-2D-3D 2Sed		
		EE2		DOOR HINGE				
				BO 237683	Hinge-door upper body half		2	1D-2D-3D 2Sed
				BO 237682	Hinge-door upper door half		2	1D-2D-3D 2Sed
				BO 237693	Hinge-door lower body half		2	1D-2D-3D 2Sed
BO 237692	Hinge-door lower door half				2	1D-2D-3D 2Sed		
EE4	10	DOOR LOCKS & REMOTE CONTROLS						
		BO 240520	Lock assembly-RH-front door		1	4D,5D,7D		
		BO 240521	Lock assembly-LH-front door		1	4D,5D,7D		
		BO 240522	Lock assembly-RH-rear door		1	4D-5D-7D 4Sed		
		BO 240523	Lock assembly-LH-rear door		1	4D-5D-7D 4Sed		
		BO 171828	Screw-door lock to door		AR	1D,2D,3D,4D,5D,7D		
		BO 241813	Knob-door lock release	Blue		3D,5D-7D Hlywd (Comb Lea		
		BO 241814	Knob-door lock release	Green		3D,5D-7D Hlywd (Comb Lea		
		BO 241815	Knob-door lock release	Red		3D,5D-7D Hlywd (Comb Lea,		
		BO 236466	Anti-rattle strip-lock release rod	Rubber	2-4	1D,2D,3D		
		BO 236388	Striker assembly-RH-door lock		1-2	4D,5D,7D		
		BO 236389	Striker assembly-LH-door lock		1-2	4D,5D,7D		
		BO 171829	Screw-striker attaching		AR	4D,5D,7D		
		BO 171595	Screw-striker attaching		AR	1D,2D,3D		
		BO 235542	Plate-striker tapping		2-4	1D,2D,3D,4D-5D-7D exc 4Sed		
		BO 240554	Plate-striker tapping-front		2	4D-5D-7D 4Sed		
		BO 235542	Plate-striker tapping-rear		2	4D-5D-7D 4Sed		
		BO 235546	Retainer-striker tapping plate		2-4	1D,2D,3D,4D-5D-7D exc 4Sed		
		BO 240564	Retainer-striker tapping plate-front		2	4D-5D-7D exc 4Sed		
		BO 235546	Retainer-striker tapping plate-rear		2	4D-5D-7D exc 4Sed		
		BO 236204	Retainer-door safety lock		2	1D-2D-3D 2Sed		
		BO 237584	Control assembly-RH-door remote		1	1D-2D-3D 2Sed		
		BO 237585	Control assembly-LH-door remote		1	1D-2D-3D 2Sed		
		BO 240490	Control assembly-RH-front door remote		1	4D-5D-7D 4Sed		
		BO 240491	Control assembly-LH-front door remote		1	4D-5D-7D 4Sed		
BO 240510	Control assembly-RH-floor remote		1	4D-5D-7D 2Sed-Cpes				
BO 240511	Control assembly-LH-door remote		1	4D-5D-7D 2Sed-Cpes				
BO 240514	Control assembly-RH-door remote		1	4D-5D-7D CvBro-Hlywd				
BO 240515	Control assembly-LH-door remote		1	4D-5D-7D CvBro-Hlywd				
BO 235777	Sleeve-door control silencer		2	1D-2D-3D 2Sed				

1954 PRELIMINARY

Group & Illus. No.	Plate No.	Part No.	NAME	Per Car	Models		
EE9			DOOR WEATHERSTRIPS				
		BO 236496	Weatherstrip-RH-door upper	1	1D-2D-3D 2Sed		
		BO 236497	Weatherstrip-LH-door upper	1	1D-2D-3D 2Sed		
		BO 241310	Weatherstrip-RH-door upper	1	4D-5D-7D 4Sed		
		BO 241311	Weatherstrip-LH-door upper	1	4D-5D-7D 4Sed		
		BO 241314	Weatherstrip-RH-door upper	1	4D-5D-7D 2Sed-Cpes		
		BO 241315	Weatherstrip-LH-door upper	1	4D-5D-7D 2Sed-Cpes		
		BO 241434	Weatherstrip-RH-door front	1	4D-5D-7D CvBro-Hlywd		
		BO 241435	Weatherstrip-LH-door front	1	4D-5D-7D CvBro-Hlywd		
		BO 241436	Weatherstrip-RH-door rear	1	4D-5D-7D CvBro-Hlywd		
		BO 241437	Weatherstrip-LH-door rear	1	4D-5D-7D CvBro-Hlywd		
		BO 241318	Weatherstrip-RH-front door belt	"S"	1	4D-5D-7D 4Sed-2Sed-Cpes	
		BO 241319	Weatherstrip-LH-front door belt	"S"	1	4D-5D-7D 4Sed-2Sed-Cpes	
		BO 241434	Weatherstrip-RH-door belt	"S"	1	4D-5D-7D CvBro-Hlywd	
		BO 241435	Weatherstrip-LH-door belt	"S"	1	4D-5D-7D CvBro-Hlywd	
		BO 236498	Weatherstrip-RH-door lower		1	1D-2D-3D 2Sed	
		BO 236499	Weatherstrip-LH-door lower		1	1D-2D-3D 2Sed	
		BO 241312	Weatherstrip-RH-front door lower		1	4D-5D-7D 4Sed	
		BO 241313	Weatherstrip-LH-front door lower		1	4D-5D 7D 4Sed	
		BO 241317	Weatherstrip-RH-door lower		1	4D-5D-7D 2Sed-Cpe	
		BO 241316	Weatherstrip-LH-door lower		1	4D-5D-7D CvBro-Hlywd	
		BO 241438	Weatherstrip-RH-door lower		1	4D-5D-7D CvBro-Hlywd	
		BO 241439	Weatherstrip-LH-door lower		1	4D-5D-7D CvBro-Hlywd	
		BO 170685	Screw-front door lower weatherstrip		AR	4D-5D-7D 4Sed-2Sed-Cpe	
		BO 241430	Weatherstrip-RH-rear door upper		1	4D-5D 7D 4Sed	
		BO 241431	Weatherstrip-LH-rear door upper		1	4D-5D-7D 4Sed	
		BO 241432	Weatherstrip-RH-rear door lower		1	4D-5D-7D 4Sed	
		BO 241433	Weatherstrip-LH rear door lower		1	4D-5D 7D 4Sed	
	FF1			WINDOW GLASS			
			C 237638	Glass-door clear	4464S	1	1D-2D-3D 2Sed
			C 237639	Glass-door solex	4464S	1	1D-2D-3D 2Sed
			C 237568	Glass-quarter clear	4463S	1	1D-2D-3D 2Sed
			C 237569	Glass-quarter solex	4463S	1	1D-2D-3D 2Sed
			C 242400	Glass-rear clear			14D-5D-7D Hlywd
		C 242401	Glass-rear solex			14D-5D-7D Hlywd	
FF4				FRONT DOOR WINDOW			
		BO 236056	Channel assembly-RH-glass rest	1	1D-2D-3D 2Sed		
		BO 236057	Channel assembly-LH-glass rest	1	1D-2D-3D 2Sed		
		BO 236034	Weatherseal-RH-rest channel	1	1D-2D-3D 2Sed		
		BO 236035	Weatherseal-LH-rest channel	1	1D-2D-3D 2Sed		
		C 236661	Glass run assembly		2	1D-2D-3D 2Sed	
		C 239880	Weatherstrip-RH-window belt inner		1	1D-2D-3D 2Sed	
		C 239881	Weatherstrip-LH-window belt inner		1	1D-2D-3D 2Sed	
		C 237588	Weatherstrip-RH-window belt outer		1	1D-2D-3D 2Sed	
		C 237589	Weatherstrip-LH-window belt outer		1	1D-2D-3D 2Sed	
FF9			QUARTER WINDOW - EXCEPT WING TYPE				
		BO 237738	Weatherstrip-window opening		2	1D-2D-3D 2Sed	
		BO 236018 BO 236019	Rest channel assembly-RH Rest channel assembly-LH		1 1	1D-2D-3D 2Sed 1D-2D-3D 2Sed	

1954 PRELIMINARY

Group & Illus. No.	Plate No.	Part No.	NAME	Per Car	Models
FF9		QUARTER WINDOW - EXCEPT WING TYPE (Cont'd)			
		BO 236041	Weatherseal-rest channel	2	1D-2D-3D 2Sed
		BO 237555	Support assembly-glass	2	1D 2Sed
		BO 171400	Screw-glass support	4	1D 2Sed
		BO 171117	P/washer glass support	4	1D 2Sed
		C 236667	Glass run assembly	2	1D-2D-3D 2Sed
		BO 236955	Clip-glass run	AR	1D-2D-3D 2Sed
		BO 237560	Channel-glass run	4	1D-2D-3D 2Sed
		C 239836	Weatherstrip assembly-RH-outer belt	1	1D-2D-3D 2Sed
		C 230837	Weatherstrip assembly-LH-outer belt	1	1D-2D-3D 2Sed
		C 239838	Weatherstrip-inner belt	2	1D-2D-3D 2Sed
		BO 235938	Clip-belt weatherstrip	AR	1D-2D-3D 2Sed
FF10		REAR WINDOW			
		BO 242404	Weatherstrip-rear window glass	1	4D-5D-7D Hlywd
FF11		WINDOW REGULATORS			
		BO 237586	Regulator assembly-RH-door glass	1	1D-2D-3D 2Sed
		BO 237587	Regulator assembly-LH-door glass	1	1D-2D-3D 2Sed
		BO 310092	Switch-LH-window operating multiple	Hyd 1	4D-5D-7D CvBro
		BO 310094	Switch-RH-window operating single	Hyd 1	4D-5D-7D CvBro
		BO 310093	Plate-multiple switch	Hyd 1	4D-5D-7D CvBro
		BO 310095	Plate-single switch	Hyd 1	4D-5D-7D CvBro
		BO 237556	Regulator assembly-RH-quarter window	1	2D-3D 2Sed
		BO 237557	Regulator assembly-LH-quarter window	1	2D-3D 2Sed
		BO 235689	Retainer-quarter window regulator upper arm	4	2D-3D 2Sed
		BO 310094	Switch-quarter window operating	2	4D-5D-7D CvBro
		BO 310095	Plate-single switch	2	4D-5D-7D CvBro
GG1		ROOF BOWS - CLOSED CARS			
		C 236942	Bow #2-roof	1	1D-2D-3D 2Sed
HH1		TOP DECK - CVBRO			
		C 242992	Top complete-trimmed-duck	Small wdo 1	4D,5D
		C 242994	Top complete-trimmed-orkon	Small wdo 1	4D,5D
		C 242996	Top complete-trimmed-duck	Small wdo 1	7D
		C 242998	Top complete-trimmed-orkon	Small wdo 1	7D
		C 242993	Top complete-trimmed-duck	Large wdo 1	4D,5D
		C 242995	Top complete-trimmed-orkon	Large wdo 1	4D,5D
		C 242997	Top complete-trimmed-duck	Large wdo 1	7D
		C 242999	Top complete-trimmed-orkon	Large wdo 1	7D
HH4		FOLDING TOP - CVBRO			
	14	C 240014	Bow assembly-top rear	1	4D,5D
	14	C 240015	Bow assembly-top rear	1	7D

1954 PRELIMINARY

Group & Illus. No.	Plate No.	Part No.	NAME	Per Car	Models
HH10			TOP & WINDOW HYDRAULIC CONTROL		
		BO 310327	Rod-valve operating	1	4D,5D,7D
		BO 310328	Bracket-valve operating rod molding	1	4D,5D,7D
		BO 310329	Bracket-operating lever mounting bracket	1	4D,5D,7D
		BO 310452	Lever assembly-valve operating	1	4D,5D,7D
	BO 310330	Rod-lever to valve operating	1	4D,5D,7D	
JJ1			UNDERBODY PANELS AND SILENCERS		
		C 241494	Silencer-RH-front floor	LHD 1	4D-5D ST
		C 241496	Silencer-RH-front floor	LHD 1	4D-5D HT
		C 240584	Silencer-RH-front floor	LHD 1	7D
		C 241495	Silencer-LH-front floor	LHD 1	4D-5D ST
		C 241497	Silencer-LH-front floor	LHD 1	4D-5D HT
		C 240585	Silencer-LH-front floor	LHD 1	7D
		C 241478	Silencer-RH-front floor	RHD 1	4D,5D
		C 240618	Silencer-RH-front floor	RHD 1	7D
		C 241479	Silencer-LH-front floor	RHD 1	4D,5D
		C 240619	Silencer-LH-front floor	RHD 1	7D
		C 240873	Cover assembly-transmission opening	LHD 1	7D
		C 242335	Cover assembly-transmission opening	RHD 1	4D,5D
		C 242331	Cover assembly-transmission opening	RHD 1	7D
		BZ 240870	Cover-steering hole	RHD 1	4D,5D
		BZ 240871	Cover-steering hole	RHD 1	7D
		BO 170968	Screw-steering hole cover	RHD 3	4D,5D,7D
		BZ 71316	P/washer-steering hole cover screw	RHD 3	4D,5D,7D
		BO 170330	L/washer-steering hole cover screw	RHD 3	4D,5D,7D
		C 240068	Filler-toeboard riser side	2	7D
		C 240066	Filler-toeboard riser side	2	4D,5D
		C 240094	Filler-RH-rear seat floor panel side	1	4D-5D-7D 4Sed-2Sed-Cpe
		C 240095	Filler-LH-rear seat floor panel side	1	4D-5D 7D 4Sed-2Sed-Cpe
		C 240092	Filler-RH-rear seat floor panel side	1	5D-7D CvBro
		C 240093	Filler-LH-rear seat floor panel side	1	5D-7D CvBro
		C 240096	Filler-RH-rear seat floor panel side	1	5D-7D Hlywd
		C 240097	Filler-LH-rear seat floor panel side	1	5D-7D Hlywd
		C 240698	Silencer-RH-upper-rear seat floor panel	1	4D,5D,7D
		C 240694	Silencer-RH-lower-rear seat floor panel	1	7D
		C 240699	Silencer-LH-upper-rear seat floor panel	1	4D,5D,7D
		C 240695	Silencer-LH-lower-rear seat floor panel	1	7D
		C 242480	Panel-rear floor	1	1D,2D,3D
		BZ 242485	Deflector-muffler heat	1	1D,2D,3D
	BO 240033	Seal-gas filler hole	1	4D,5D,7D	
JJ4			DOOR SCUFF PLATES		
		C 240962	Plate-RH-front	1	4D-5D 4Sed
		C 240952	Plate-RH-front	1	7D 4Sed
		C 235962	Plate-RH-door	1	1D-2D-3D 2Sed
		C 240960	Plate-RH-door	1	4D-5D exc 4Sed
		C 240950	Plate-RH-door	1	7D exc 4Sed

1954 PRELIMINARY

Group & Illus. No.	Plate No.	Part No.	NAME	Per Car	Models
JJ4			DOOR SCUFF PLATES (Cont'd)		
3		C 240963	Plate-LH-front	1	4D-5D 4Sed
3		C 240953	Plate-LH-front	1	7D 4Sed
		C 235963	Plate-LH-door	1	1D-2D-3D 2Sed
		C 240961	Plate-LH-door	1	4D-5D exc 4Sed
		C 240951	Plate-LH-door	1	7D exc 4Sed
		C 240954	Plate-RH-rear	1	7D 4Sed
6		C 240955	Plate-LH-rear	1	7D 4Sed
		BO 241588	Seal-RH-front	1	4D,5D,7D
		BO 241589	Seal-LH-front	1	4D,5D,7D
		BO 241590	Seal-RH-rear	1	4D-5D-7D 4Sed
		BO 241591	Seal-LH-rear	1	4D-5D-7D 4Sed
		BO 241586	Seal-RH-rear	1	4D-5D-7D exc 4Sed
		BO 241587	Seal-LH-rear	1	4D-5D-7D exc 4Sed
		BO 241592	Seal-RH-front	1	4D-5D-7D 4Sed
		BO 241593	Seal-LH-front	1	4D-5D-7D 4Sed
		BO 241594	Seal-RH-rear	1	4D-5D-7D 4Sed
		BO 241595	Seal-LH-rear	1	4D-5D-7D 4Sed
JJ6			FLOOR COVERINGS, CARPETS, AND PADS		
		C 241890	Mat and pad assembly-front	LHD	1 4D-5D less PB
		C 241891	Mat and pad assembly-front	LHD	1 4D-5D ST-PB
		C 241892	Mat and pad assembly-front		1 4D-5D HT
		C 241893	Mat and pad assembly-front	LHD	1 4D-5D ST-PB
		C 241768	Carpet assembly-front-blue	LHD	1 7D
		C 241772	Carpet assembly-front-green	LHD	1 7D
		C 241776	Carpet assembly-front-red	LHD	1 7D
		C 141780	Carpet assembly-front-brown	LHD	1 7D
		C 240937	Pad-front floor carpet	LHD	1 7D
		C 240938	Pad-front floor carpet	RHD	1 7D
		C 241896	Mat and pad assembly-front	RHD	1 4D,5D
		C 241800	Carpet assembly-front-blue	RHD	1 7D
		C 241801	Carpet assembly-front-green	RHD	1 7D
		C 241802	Carpet assembly-front-red	RHD	1 7D
		C 241803	Carpet assembly-front-brown	RHD	1 7D
		BO 240032	Retainer-front floor mat		2 4D-5D
		BO 240034	Retainer-front floor mat		2 7D
		BO 240035	Retainer-rear floor mat		2 4D-5D-7D 4Sed-2Sed-Cpe
		BO 240036	Retainer-rear floor mat		2 4D-5D-7D Hlywd
		BO 240037	Retainer-rear floor mat		2 4D-5D-7D CvBro
		BO 171779	Screw-floor mat retainer	AR	4D,5D,7D
		C 240983	Mat-rear seat		1 4D-5D 4Sed-2Sed
		C 240985	Mat-rear seat		1 4D-5D C1Cpe
		C 240986	Mat-rear seat		1 4D-5D CvBro
		C 240984	Mat-rear seat		1 4D-5D Hlywd
		C 242426	Carpet assembly-rear seat	Blue	1 7D 4Sed
		C 242427	Carpet assembly-rear seat	Green	1 7D 4Sed
		C 242428	Carpet assembly-rear seat	Red	1 7D 4Sed
		C 242429	Carpet assembly-rear seat	Brown	1 7D 4Sed
		C 242430	Carpet assembly-rear seat	Blue	1 7D Cpe
		C 242431	Carpet assembly-rear seat	Green	1 7D Cpe
		C 242432	Carpet assembly-rear seat	Red	1 7D Cpe
		C 242433	Carpet assembly-rear seat	Brown	1 7D Cpe
		C 242434	Carpet assembly-rear seat	Blue	1 7D Hlywd
		C 242435	Carpet assembly-rear seat	Green	1 7D Hlywd
		C 242436	Carpet assembly-rear seat	Red	1 7D Hlywd

1954 PRELIMINARY

Group & Illus. No.	Plate No.	Part No.	NAME	Per Car	Models		
JJ6			FLOOR COVERINGS, CARPETS, AND PADS (Cont'd)				
		C 242437	Carpet assembly-rear seat	Brown	1	7D Hlywd	
		C 233101	Carpet assembly-rear seat	Blue	1	7D CvBro	
		C 242326	Trimboard complete-RH-front seat tray side		1	4D,5D,7D	
		C 242327	Trimboard complete-LH-front seat tray side		1	4D,5D,7D	
		C 242960	Covering-luggage compartment floor		1	4D-5D 4Sed-2Sed	
		C 242961	Covering-luggage compartment floor		1	4D-5D Cpe	
		C 242963	Covering-luggage compartment floor		1	4D-5D Hlywd	
		C 242962	Covering-luggage compartment floor		1	4D-5D CvBro	
		C 242964	Mat-luggage compartment floor		1	7D 4Sed	
		C 242965	Mat-luggage compartment floor		1	7D Cpe	
		C 242966	Mat-luggage compartment floor		1	7D Hlywd	
		C 242967	Mat-luggage compartment floor		1	7D CvBro	
		C 238320	Board assembly-auxiliary floor (over seat tray)		1	1D 2Sed	
		BO 238252	Riser-auxiliary floor board		2	1D 2Sed	
		BO 240816	Riser-auxiliary floor board front		1	1D 2Sed	
		BO 240817	Mat-auxiliary floor board front-riser		1	1D 2Sed	
		BO 171962	Screw-auxiliary floor board to risers		11	1D 2Sed	
		BO 171203	Screw-auxiliary floor board to floor panel		2	1D 2Sed	
		BO 172000	Screw-auxiliary floor board front riser front		4	1D 2Sed	
		BO 70690	F/washer-auxiliary floor board front riser front screw		4	1D 2Sed	
	KK6			FRAME SEAT FRAME & BACK ASSEMBLY			
				All orders for Upholstery or Trimmed Parts must include Model number, Serial number and Trim Code Number.			
				Seat backs and cushions which are supplied separately for Models 4D, 1D-2D and 3D are listed in Groups K7 & K8.			
			C 243550	Cushion frame & back complete	Cloth	1	5D 4Sed
			C 244277	Cushion frame & back complete	Cloth	1	7D 4Sed
			C 243552	Cushion frame & back complete	Cloth	1	5D 2Sed-Cpe (LHD)
			C 243554	Cushion frame & back complete	Cloth	1	5D 2Sed-Cpe (RHD)
			C 244278	Cushion frame & back complete	Cloth	1	7D Cpe (LHD)
			C 244279	Cushion frame & back complete	Cloth	1	7D Cpe (RHD)
		C 244280	Cushion frame & back complete	Cloth	1	5D-7D Hlywd (LHD)	
		C 244281	Cushion frame & back complete	Cloth	1	5D-7D Hlywd (RHD)	
		C 243551	Cushion frame & back complete	Leather	1	5D 4Sed	
		C 243553	Cushion frame & back complete	Leather	1	5D 2Sed-Cpe-Hlywd (LHD)	
		C 243555	Cushion frame & back complete	Leather	1	5D 2Sed-Cpe-Hlywd (RHD)	
		C 243559	Cushion frame & back complete	Leather	1	7D 4Sed	
		C 243560	Cushion frame & back complete	Leather	1	7D Cpe-Hlywd (LHD)	
		C 243561	Cushion frame & back complete	Leather	1	7D Cpe-Hlywd (RHD)	
		C 243556	Cushion frame & back complete	Leather	1	5D CvBro	
		C 243562	Cushion frame & back complete	Leather	1	7D CvBro	
		C 240565	Cushion frame & back assembly		1	5D-7D 4Sed	
		C 240605	Cushion frame assembly		1	5D-7D 2Sed-Cpe-Hlywd	
KK7				FRONT SEAT BACK			
				All orders for Upholstery or Trimmed Parts must include Model number, Serial number and Trim Code number.			
			C 238330	Back complete-RH	Cloth	1	1D 2Sed
			C 238331	Back complete-LH	Cloth	1	1D 2Sed
		C 238334	Back complete-RH	Cloth	1	2D-3D 2Sed	
		C 238335	Back complete-LH	Cloth	1	2D-3D 2Sed	

1954 PRELIMINARY

Group & Illus. No.	Plate No.	Part No.	NAME	Per Car	Models		
KK7			FRONT SEAT BACK (Cont'd)				
		C 238332	Back complete-RH	Leather	1	1D 2Sed	
		C 238333	Back complete-LH	Leather	1	1D 2Sed	
		C 238336	Back complete-RH	Leather	1	2D 2Sed	
		C 238337	Back complete-LH	Leather	1	2D 2Sed	
		C 243587	Back complete	Cloth	1	4D 4Sed	
		C 243588	Back complete-RH	Cloth	1	4D 2Sed-Cpe	
		C 243589	Back complete-LH	Cloth	1	4D 2Sed-Cpe	
		C 243590	Back complete-RH	Leather	1	4D 2Sed-Cpe	
		C 243591	Back complete-LH	Leather	1	4D 2Sed-Cpe	
		C 244288	Spring & trim assembly	Cloth	1	7D 4Sed	
		C 244292	Spring & trim assembly	Cloth	1	5D-7D Hlywd	
		C 244293	Spring & trim assembly	Cloth	1	5D-7D Hlywd	
		C 244290	Spring & trim assembly-RH	Cloth	1	7D Cpe	
		C 244291	Spring & trim assembly-LH	Cloth	1	7D Cpe	
		C 238470	Spring assembly-frame and	Leather	1	4D 4Sed	
		C 242712	Spring assembly-frame and	Cloth	1	4D 4Sed	
		C 236614	Spring assembly-RH-frame and		1	1D-2D 2Sed	
		C 236615	Spring assembly-LH-frame and		1	1D-2D 2Sed	
		C 236612	Spring assembly-RH-frame and		1	1D-2D 2Sed	
		C 236613	Spring assembly-LH-frame and		1	1D-2D 2Sed	
		C 240642	Back assembly		1	5D-7D 4Sed	
		C 242886	Carpet assembly-foot rest board	Blue	1	7D 4Sed	
		C 242887	Carpet assembly-foot rest board	Green	1	7D 4Sed	
		C 242888	Carpet assembly-foot rest board	Maroon	1	7D 4Sed	
		C 242889	Carpet assembly-foot rest board	Brown	1	7D 4Sed	
	KK8			FRONT SEAT CUSHION			
				All orders for Upholstery or Trimmed Parts must include Model number, Serial number and Trim Code number.			
				Foam rubber pads standard for Model 3D,5D and 7D on front seat cushion, optional on other Models.			
				Code "A" without foam rubber pads. Code "B" with foam rubber pads.			
			C 238290	Cushion & frame complete	"A" Cloth	1	1D 2Sed
			C 238291	Cushion & frame complete	"B" Cloth	1	1D 2Sed
			C 238292	Cushion & frame complete	"A" Cloth	1	2D-3D 2Sed
			C 238293	Cushion & frame complete	"B" Cloth	1	2D-3D 2Sed
			C 244271	Cushion complete	Cloth	1	7D 4Sed
			C 242186	Cushion & frame complete	"A" Cloth	1	4D 2Sed-Cpe
			C 242187	Cushion & frame complete	"B" Cloth	1	4D 2Sed-Cpe
			C 244270	Cushion complete	Cloth	1	5D Hlywd
			C 244272	Cushion complete	Cloth	1	7D Cpe
			C 244273	Cushion complete	Cloth	1	7D Hlywd
			C 239934	Cushion & frame complete	"A" Leather	1	1D-2D 4Sed
			C 237694	Cushion & frame complete	"B" Leather	1	1D-2D 4Sed
			C 238294	Cushion & frame complete	"A" Leather	1	1D-2D 2Sed
			C 238295	Cushion & frame complete	"B" Leather	1	1D-2D 2Sed
			C 236565	Spring assembly-frame and		1	1D-2D-3D 2Sed
		C 238005	Pad-cushion kick		1	1D-2D-3D 4Sed	
		C 238004	Pad-cushion kick		1	1D-2D 3D 2Sed	
		C 237384	Shield-RH-cushion side	Painted	1	1D-2D-3D 2Sed	
		C 237385	Shield-RH-cushion side	Painted	1	1D-2D-3D 2Sed	

1954 PRELIMINARY

Group & Illus. No.	Plate No.	Part No.	NAME	Per Car	Models
KK9			FRONT SEAT TRACK		
		BZ 307147	Spring-tie rod anti-rattle	1	1D,2D
KK13			REAR SEAT BACK		
			All orders for Upholstery or Trimmed Parts must include Model number, Serial number and Trim Code number.		
		C 237288	Back complete	Cloth 1	1D 2Sed
		C 241486	Back complete	Cloth 1	1D 4Sed
		C 241742	Back complete	Cloth 1	2D
		C 241818	Back complete	Cloth 1	4D 4Sed-2Sed
		C 241819	Back complete	Cloth 1	4D Cpe 7D 4Sed
		C 243929	Back complete	Cloth 1	5D Hlywd .
		C 243930	Back complete-RH	Cloth 1	7D 4Sed
		C 243931	Back complete-LH	Cloth 1	7D 4Sed
		C 243932	Back complete-RH	Cloth 1	7D Cpe
		C 243933	Back complete-LH	Cloth 1	7D Cpe
		C 243934	Back complete-RH	Cloth 1	7D Hlywd
		C 243935	Back complete-LH	Cloth 1	7D Hlywd
		C 239978	Back complete	Leather 1	1D 2Sed
		C 241487	Back complete	Leather 1	1D 4Sed
		C 241743	Back complete	Leather 1	2D
		C 242764	Spring-seat back	1	1D 4Sed
		C 236894	Spring-seat back	Cloth 1	1D 2Sed
		C 236895	Spring-seat back	1	2D,1D Lea.
		C 210735	Spring-seat back	Cloth 1	4D 4Sed-2Sed
		C 242718	Spring-seat back	Cloth 1	4D Cpe
		C 241217	Panel assembly-seat back trim	1	3D,1D-2D 4Sed
		C 236882	Panel assembly-seat back trim	1	2D 2Sed
		C 232787	Panel assembly-seat back trim	1	4D-5D-7D 4Sed-2Sed
KK14			REAR SEAT CUSHION		
			All orders for Upholstery or Trimmed Parts must include Model number, Serial number and Trim Code number.		
			Foam rubber pads standard on rear seat cushion for all Models 3D,7D and 5D-7D CvBro. Optional on other Models.		
			Code "A" without foam rubber pads, Code "B" with foam rubber pads.		
		C 244306	Cushion complete	"A" Cloth 1	1D 2Sed
		C 243389	Cushion complete	"A" Cloth 1	1D-2D-3D 4Sed
		C 243390	Cushion complete	"B" Cloth 1	1D-2D-3D 4Sed
		C 243385	Cushion complete	"A" Cloth 1	2D 2Sed
		C 243386	Cushion complete	"B" Cloth 1	2D-3D 2Sed
		C 243397	Cushion complete	"A" Cloth 1	4D 4Sed-2Sed
		C 243398	Cushion complete	"B" Cloth 1	4D 4Sed-2Sed
		C 243425	Cushion complete	"A" Cloth 1	5D 4Sed-2Sed
		C 243426	Cushion complete	"B" Cloth 1	5D 4Sed-2Sed
		C 243435	Cushion complete	Cloth 1	7D 4Sed
		C 243401	Cushion complete	"A" Cloth 1	4D Cpe
		C 243402	Cushion complete	"B" Cloth 1	4D Cpe
		C 243429	Cushion complete	"A" Cloth 1	5D Cpe
		C 243430	Cushion complete	"B" Cloth 1	5D Cpe
		C 243437	Cushion complete	Cloth 1	7D Cpe
		C 243433	Cushion complete	"A" Cloth 1	5D Hlywd
		C 243434	Cushion complete	"B" Cloth 1	5D-7D Hlywd

1954 PRELIMINARY

Group & Illus. No.	Plate No.	Part No.	NAME	Per Car	Models	
KK14			REAR SEAT CUSHION (Cont'd)			
		C 244307	Cushion complete "A" Leather	1	1D 2Sed	
		C 243391	Cushion complete "A" Leather	1	1D-2D 4Sed	
		C 243392	Cushion complete "B" Leather	1	1D-2D 4Sed	
		C 243387	Cushion complete "A" Leather	1	2D 2Sed	
		C 243388	Cushion complete "B" Leather	1	2D 2Sed	
		C 243399	Cushion complete "A" Leather	1	4D 4Sed-2Sed	
		C 243400	Cushion complete "B" Leather	1	4D 4Sed-2Sed	
		C 243427	Cushion complete "A" Leather	1	5D 4Sed-2Sed	
		C 243428	Cushion complete "B" Leather	1	5D 4Sed-2Sed	
		C 243436	Cushion complete Leather	1	7D 4Sed	
		C 243403	Cushion complete "A" Leather	1	4D Cpe	
		C 243404	Cushion complete "B" Leather	1	4D Cpe	
		C 243431	Cushion complete "A" Leather	1	5D Cpe	
		C 243432	Cushion complete "B" Leather	1	5D Cpe	
		C 243438	Cushion complete Leather	1	7D Cpe	
		BO 213565	Bracket-cushion locating	2	1D-2D 2Sed	
		BO 240615	Bracket-cushion locating	2	3D,1D-2D 4Sed	
		C 242586	Pad-foam rubber	1	1D-2D 4Sed	
		C 242587	Pad-foam rubber	1	2D 2Sed	
		C 242762	Spring-cushion	1	1D-2D-3D 4Sed	
		C 239993	Spring-cushion	1	2D-3D 2Sed	
		C 241476	Spring-cushion	1	1D 2Sed	
		C 240434	Spring-cushion	1	4D 4Sed-2Sed	
		C 240435	Spring-cushion	1	5D 4Sed-2Sed	
		C 240436	Spring-cushion	1	7D 4Sed	
		C 240517	Spring-cushion	1	4D Cpe	
		C 240518	Spring-cushion	1	5D Cpe	
		C 240519	Spring-cushion	1	7D Cpe	
	LL2			LUGGAGE COMPARTMENT DOOR		
			C 241264	Door assembly	1	1D-2D-3D 4Sed-2Sed
			C 240215	Door assembly	1	4D-5D-7D 4Sed-2Sed
			C 240217	Door assembly	1	4D-5D-7D ClCpe-CvBro-Hlywd
			C 240203	Silencer-door	1	4D-5D-7D 4Sed-2Sed
		C 240213	Silencer-door	1	4D-5D-7D ClCpe-Cvbro Hlywd	
		C 240221	Weatherseal-door opening upper	1	4D-5D-7D 4Sed-2Sed	
		BO 241222	Weatherseal-door opening lower	1	4D-5D-7D 4Sed-2Sed	
		BO 240286	Weatherseal-door opening upper	1	4D-5D-7D ClCpe-CvBro-Hlywd	
		BO 240287	Weatherseal-door opening lower	1	4D-5D-7D ClCpe-CvBro-Hlywd	
		BO 241138	Handle assembly-lift	1	1D,2D,3D	
		BO 240840	Handle assembly-lift	1	5D,7D	
		BO 240845	Gasket-handle to door	1	4D,5D,7D	
		BO 71631	Screw-handle to door	2	4D,5D,7D	
		BO 70549	Screw-handle to door	2	1D,2D,3D	
		BO 71730	L/washer-handle to door screw	2	4D,5D,7D	
		BO 171625	L/washer-handle to door screw	2	1D,2D,3D	
		BO 170965	P/washer-handle to door screw	2	4D,5D,7D	
		BO 210619	P/washer-handle to door screw	2	1D,2D,3D	
		BO 147852	Seal washer-handle to door screw	2	4D,5D,7D	
		BO 102069	Cup washer-handle to door screw	2	1D,2D,3D	

1954 PRELIMINARY

Group & Illus. No.	Plate No.	Part No.	NAME	Per Car	Models	
LL2			LUGGAGE COMPARTMENT DOOR (Cont'd)			
		BO 240757	Name plate-door upper	"Wasp"	1 5D	
		BO 240758 BO 171658	Name plate-door upper Screw-name plate	"Hornet"	1 7D 2 5D,7D	
LL3			REAR COMPARTMENT DOOR HINGE			
		BO 240700	Hinge assembly-RH	1	4D-5D-7D 4Sed-2Sed	
		BO 240701	Hinge assembly-LH	1	4D-5D-7D 4Sed-2Sed	
		BO 240702	Hinge assembly-RH	1	4D-5D-7D C1Cpe-CvBro-Hlywd	
		BO 240703	Hinge assembly-LH	1	4D-5D-7D C1Cpe-CvBro-Hlywd	
		BO 240814	Bracket-RH-luggage compartment door hinge mounting .	1	4D-5D-7D 4Sed-2Sed	
		BO 240815	Bracket-LH-luggage compartment door hinge mounting	1	4D-5D-7D 4Sed-2Sed	
		BO 240684	Bracket-RH-luggage compartment door hinge mounting	1	4D-5D-7D Cpe-CvBro-Hlywd	
		BO 240685	Bracket-LH-luggage compartment door hinge mounting . . .	1	4D-5D-7D Cpe-CvBro-Hlywd	
		BZ 71264	Bolt-door hinge mounting bracket	4	4D,5D,7D	
		BZ 71126	L/washer-door hinge mounting bracket bolt	4	4D,5D,7D	
	LL5			LUGGAGE COMPARTMENT DOOR LATCH		
			BO 241050	Lock assembly-rear compartment door	1	4D,5D,7D
		BO 240417	Cover-door lock	1	4D,5D,7D	
		BO 241747	Cylinder,housing and keys assembly-rear compartment lock	1	4D,5D,7D	
LL9			REAR SHELF & LUGGAGE COMPARTMENT PARTITION			
		C 238316	Panel & trim assembly-RH-partition side	1	1D 2Sed	
		C 238317	Panel & trim assembly-LH-partition side	1	1D 2Sed	
		C 238313	Door assembly-partition	1	1D 2Sed	
		C 238319	Stop assembly-partition door	1	1D 2Sed	
		C 240027	Panel assembly-luggage compartment partition	1	4D-5D-7D CvBro	
		BO 171059	Screw-partition side panel attaching	2	1D 2Sed	
		BO 170679	Screw-partition side panel attaching	6	1D 2Sed	
		BO 171069	Screw-partition door stop attaching	5	1D 2Sed	
		BO 171982	Screw-partition door hinge to body	4	1D 2Sed	
		BO 171270	Screw-partition door hinge to door	4	1D 2Sed	
		BO 171250	Screw-partition attaching	8	5D-7D CvBro	
		BO 213559	Washer-partition door fastener	2	1D 2Sed	
		BO 170368	P/washer-partition side panel screw	8	1D 2Sed	
		BO 170395	L/washer-partition side panel screw	8	1D 2Sed	
		BO 12316	F/washer-partition side panel screw	8	1D 2Sed	
		BO 170395	L/washer-partition door stop screw	5	1D 2Sed	
		BZ 170368	P/washer-partition door stop screw	5	1D 2Sed	
		BO 12316	F/washer-partition door stop screw	5	1D 2Sed	
		BO 71073	Nut-partition side panel screw	8	1D 2Sed	
		BO 71073	Nut-partition door stop screw	5	1D 2Sed	
		BO 171271	Nut-partition door hinge tee	4	1D 2Sed	
		BO 239453	Hinge-partition door	2	1D 2Sed	
		BO 213907	Hinge-partition door	2	1D 2Sed	
		BO 213557	Handle assembly-partition door	2	1D 2Sed	
		BO 213554	Cross-pin-partition door fastener	2	1D 2Sed	
		BO 238234	Bracket assembly-RH-partition door fastener	1	1D 2Sed	
		BO 238235	Bracket assembly-LH-partition door fastener	1	1D 2Sed	
		BO 171963	Screw-partition door fastener	4	1D 2Sed	

1954 PRELIMINARY

Group & Illus. No.	Plate No.	Part No.	NAME	Per Car	Models	
LL9			REAR SHELF & LUGGAGE COMPARTMENT PARTITION (Cont'd)			
		BO 238257	Mat-partition door	1	1D 2Sed	
		BO 238259 BO 171160	Filler-rear floor panel partition Screw-rear floor panel partition filler	1 3	1D 2Sed 1D 2Sed	
MM1			ARM RESTS			
			Arm rest standard on driver door only for model 1D			
			Arm rest standard on driver door only for model 1D.			
		BO 236596	Arm rest assembly-RH-door & quarter	Brown	1-2	1D
		BO 236597	Arm rest assembly-LH-door & quarter	Brown	1-2	1D
		BO 236592	Arm assembly-RH-quarter	Blue	1-2	4D
		BO 236593	Arm rest assembly-LH-door & quarter	Blue	1-2	4D
		BO 221440	Arm rest assembly-RH-door & quarter	Leather	1-2	4D
		BO 221441	Arm rest assembly-LH-door & quarter	Leather	1-2	4D
		BO 242506	Arm rest assembly-RH-door & quarter	Green Cloth	1-2	4D
		BO 242507	Arm rest assembly-LH-door & quarter	Green Cloth	1-2	4D
		BO 236602	Arm rest assembly-RH-rear door	Blue Cloth	1	4D 4Sed
		BO 236603	Arm rest assembly-LH-rear door	Blue Cloth	1	4D 4Sed
		BO 242664	Arm rest assembly-RH-rear door	Green Cloth	1	4D 4Sed
		BO 242665	Arm rest assembly-LH-rear door	Green Cloth	1	4D 4Sed
	BO 221466	Arm rest assembly-RH-rear door	Leather	1	4D 4Sed	
	BO 221467	Arm rest assembly-LH-rear door	Leather	1	4D 4Sed	
MM2			ASH RECEIVER			
		BO 241291	Ash receiver-instrument panel Bright		4D,5D,7D	
		BO 240967	Retainer-seat back ash receiver Brown	1	7D 4Sed	
		130 241290	Retainer-instrument panel ash receiver	1	4D,5D,7D	
		BO 241298 BO 241230	Knob-instrument panel ash receiver Molding-instrument panel ash receiver	1 1	4D,5D,7D 4D,5D,7D	
MM3			ASSIST STRAPS			
		BO 238878	Strap assembly	Blue Cloth	1-2 4D	
		BO 238879 BO 232722	Strap assembly Strap assembly	Green Cloth Leather Trim	1-2 4D 1-2 4D	
MM9			REAR VIEW MIRROR			
		BO 240018	Mirror assembly-inside	STD	1 3D,4D,5D	
		BO 240019	Mirror assembly-inside	STD	1 7D	
		HA 240691	Mirror kit-inside	Glare proof	1 1D,2D,3D,4D,5D,7D	
	BO 240045	Bracket assembly-inside mirror		1 4D,5D,7D		
MM10			ROBE HANGERS & ASSIST HANDLES CLOTH TRIM			
		BO 242568	Hanger assembly	Blue Cloth	1 4D 4Sed	
		BO 242569	Hanger assembly	Green Cloth	1 4D 4Sed	
		BO 242630	Hanger assembly-RH	Brown Leather	1 7D 4Sed	
		BO 242631	Hanger assembly-LH	Brown Leather	1 7D 4Sed	
		BO 242570	Hanger assembly	Blue Cloth	2 4D 2Sed-Cpe	
		BO 242571	Hanger assembly	Green Cloth	2 4D 2Sed-Cpe	
		BO 242590	Hanger assembly	Brown Leather	2 5D-7D Hlywd, 7D Cpe	

1954 PRELIMINARY

Group & Illus. No.	Plate No.	Part No.	NAME	Per Car	Models			
MM10		ROBE HANGERS & ASSIST HANDLES (Cont'd) LEATHER TRIM						
		BO 242572	Hanger assembly	Ivory Leather	1	3D 4Sed		
		BO 242566	Hanger assembly	Blue Leather	1	4D 4Sed		
		BO 242732	Hanger assembly	Maroon Leather	1	5D 4Sed		
		BO 242573	Hanger assembly	Ivory Leather	2	3D 2Sed		
		BO 242591	Hanger assembly	Ivory Leather	2	5D-7D Hlywd		
M11		INSIDE VISOR CLOTH TRIM						
		BO 243494	Visor assembly-pivot type	Blue Cloth	2	4D		
		BO 243495	Visor assembly-pivot type	Green Cloth	2	4D		
		BO 242550	Visor assembly-RH-pivot type	Blue	1	5D 4Sed-2Sed-CICpe-Hlywd		
		BO 242551	Visor assembly-LH-pivot type	Blue	1	5D 4Sed-2Sed-CICpe-Hlywd		
		BO 242552	Visor assembly-RH-pivot type	Brown	1	5D Hlywd		
		BO 242553	Visor assembly-LH-pivot type	Brown	1	5D Hlywd		
		BO 242576	Visor assembly-swivel type	Blue	1	7D 4Sed-CICpe-Hlywd		
		BO 242577	Visor assembly-swivel type	Brown	1	7D 4Sed-CICpe-Hlywd		
		LEATHER TRIM		BO 244673	Visor assembly-pivot type	Ivory Leather	2	3D
				BO 242554	Visor assembly-pivot type	Ivory Leather	2	5D-7D Hlywd
		NN1		INSIDE FINISH MOLDINGS - WINDSHIELD				
Inside windshield and window finish moldings are no longer supplied with weatherstrip and welt in assemblies. Starting with the D Series they are furnished in a Prime color. The inner belt weatherstrips are listed in their particular section of Group FF.								
C 236822	Molding-RH			Prime	1	1D,2D,3D		
C 236823	Molding-LH			Prime	1	1D,2D,3D		
C 241014	Molding-RH-upper			Prime	1	4D,5D,7D		
C 241015	Molding-LH-upper			Prime	1	4D,5D,7D		
C 241034	Molding-RH-lower			Prime	1	4D,5D,7D		
C 241035	Molding-LH-lower			Prime	1	4D,5D,7D		
BO 236911	Cover-molding joint			Prime	1	1D,2D,3D		
BO 241387	Cover-molding joint			Prime	1	4D,5D,7D		
BO 240949	Block-lower airstop				2	4D,5D,7D		
NN2				INSIDE FINISH MOLDINGS - FRONT DOOR WINDOW				
				C 236802	Molding-RH	Prime	1	1D-2D 4Sed
		C 236803	Molding-LH	Prime	1	1D-2D 4Sed		
		C 238102	Molding-RH	Prime	1	4D-5D-7D 4Sed		
		C 238103	Molding-LH	Prime	1	4D-5D-7D 4Sed		
		C 239864	Molding-RH	Prime	1	1D-2D 2Sed		
		C 239865	Molding-LH	Prime	1	1D-2D 2Sed		
		C 238142	Molding-RH	Prime	1	4D-5D-7D 2Sed-Cpe		
C 238143	Molding-LH	Prime	1	4D-5D-7D 2Sed-Cpe				
NN3		INSIDE FINISH MOLDING - REAR DOOR WINDOW						
		C 236812	Molding-RH	Prime	1	1D-2D 4Sed		
		C 236813	Molding-LH	Prime	1	1D-2D 4Sed		
		C 238122	Molding-RH	Prime	1	4D-5D-7D 4Sed		
		C 238123	Molding-LH	Prime	1	4D-5D-7D 4Sed		

1954 PRELIMINARY

Group & Illus. No.	Plate No.	Part No.	NAME	Per Car	Models			
NN4		INSIDE FINISH MOLDINGS - QUARTER WINDOW						
		C 239844	Molding-RH	Prime	1	1D-2D 2Sed		
		C 239845	Molding-LH	Prime	1	1D-2D 2Sed		
		C 238162	Molding-RH	Prime	1	4D-5D-7D 4Sed		
		C 238163	Molding-LH	Prime	1	4D-5D-7D 4Sed		
		C 238202	Molding-RH	Prime	1	4D-5D-7D 2Sed		
		C 238203	Molding-LH	Prime	1	4D-5D-7D 2Sed		
		C 238182	Molding-RH	Prime	1	4D-5D-7D Cpe		
C 238183	Molding-LH	Prime	1	4D-5D-7D C Cpe				
NN8		INSIDE MOLDINGS - TOP						
		BO 240082	Molding-RH-front header		1	7D Hlywd		
		BO 240083	Molding-LH-front header		1	7D Hlywd		
		BO 240298	Cover-header molding center joint		1	7D with radio		
		BO 240299	Cover-header molding center joint		1	7D less radio		
		BO 240084	Cover-RH-front to body header molding		1	7D Hlywd		
		BO 240085	Cover-LH-front to body header molding		1	7D Hlywd		
BO 240418	Spacer-front header molding		6	7D Hlywd				
PP1		OUTSIDE MOLDINGS BODY						
		BO 240974	Ornament-RH-windshield side		1	7D 4Sed-Cpe		
		BO 240975	Ornament-LH-windshield side		1	7D 4Sed-Cpe		
		BO 240976	Ornament-RH-windshield side		1	7D CvBro		
		BO 240977	Ornament-LH-windshield side		1	7D CvBro		
		BO 240978	Ornament-RH-windshield side		1	4D-5D-7D Hlywd		
		BO 240979	Ornament-LH-windshield side		1	4D-5D-7D Hlywd		
		BO 241134	Molding-RH-windshield side		1	7D,4D-5D Hlywd		
		BO 241135	Molding-LH-windshield side		1	7D,4D-5D Hlywd		
		BO 241136	Retainer-windshield side molding		2	7D,4D-5D Hlywd		
		BO 241540	Seal-retainer screw		AR	1D,2D,3D,4D,5D,7D		
		BO 241174	Molding-RH-windshield belt inner		1	4D,5D,7D		
		BO 241173	Molding-LH-windshield belt inner		1	4D,5D,7D		
		C 237734	Molding-RH-rear belt		1	1D-2D-3D 2Sed		
		C 237735	Molding-LH-rear belt		1	1D-2D-3D 2Sed		
		BO 241180	Cover-windshield belt molding joint		1	4D,5D,7D		
		BO 241178	Washer-small-windshield inner belt molding retaining		2	4D,5D,7D		
		BO 241179	Washer-large-windshield inner belt molding retaining		2	4D,5D,7D		
		BO 237736	Retainer-RH-rear belt molding front		1	1D-2D-3D 2Sed		
		BO 237737	Retainer-LH-rear belt molding front		1	1D-2D-3D 2Sed		
		BO 241540	Seal-belt molding retainer attaching screw		AR	1D,2D,3D,4D,5D,7D		
		BO 230609	Name plate-rear lower panel	"Hudson"	1	4D		
		36	7	C 241110	Molding-rear lower panel		1	5D
				C 241100	Ornament-RH-rear lower panel center		1	7D
				C 241101	Ornament-LH-rear lower panel center		1	7D
				BO 241111	Teebolt-rear lower panel molding		4	5D
				BO 171469	Screw-lower-rear lower panel center ornament		1	7D
BO 71730	L/washer-rear lower panel molding teebolt				4	5D		
BO 71443	Nut-rear lower panel molding teebolt				4	5D		
BO 171706	Nut-rear lower panel ornament				10	7D		

1954 PRELIMINARY

Group & Illus. No.	Plate No.	Part No.	NAME	Per Car	Models
PP3			OUTSIDE MOLDING - DOOR		
7	9	C 243183	Molding-front door bumper	2	2D-3D 4Sed-2Sed
		C 243446	Molding-RH-front door bumper	1	4D-5D 4Sed
		C 243447	Molding-LH-front door bumper	1	4D-5D 4Sed
		C 243450	Molding-RH-door bumper	1	4D-5D exc 4Sed
		C 243451	Molding-LH-door bumper	1	4D-5D exc 4Sed
		C 243534	Molding-RH-rear door bumper	1	4D-5D 4Sed
		C 243535	Molding-LH-rear door bumper	1	4D-5D 4Sed
8	7	C 243220	Molding-RH-rear door bumper	1	7D 4Sed
		C 243221	Molding-LH-rear door bumper	1	7D 4Sed
		C 243184	Retainer-front door bumper molding	2	2D-3D 4Sed-2Sed
		C 243448	Retainer-front door bumper molding	2	4D-5D 4Sed
		C 243452	Retainer-door bumper molding	2	4D-5D exc 4Sed
		BO 243536	Retainer-RH-rear door bumper molding front	1	4D-5D 4Sed
		BO 243537	Retainer-LH-rear door bumper molding front	1	4D-5D 4Sed
		BO 243538	Retainer-RH-rear door bumper molding rear	1	4D-5D 4Sed
		BO 243539	Retainer-LH-rear door bumper molding rear	1	4D-5D 4Sed
		BO 243222	Retainer-RH-rear door bumper molding front	1	7D 4Sed
		BO 243223	Retainer-LH-rear door bumper molding front	1	7D 4Sed
		BO 243224	Retainer-RH-rear door bumper molding rear	1	7D 4Sed
		BO 243225	Retainer-LH-rear door bumper. molding rear	1	7D 4Sed
		C 237592	Molding-RH-door belt	1	1D-2D-3D 2Sed
		C 237593	Molding-LH-door belt	1	1D-2D-3D 2Sed
		C 237594	Retainer-RH-door belt molding	1	1D-2D-3D 2Sed
		C 237595	Retainer-LH-door belt molding	1	1D-2D-3D 2Sed
		C 243340	Ornament-RH-door side	1	3D 4Sed
		C 243341	Ornament-LH-door side	1	3D 4Sed
10	7	C 243330	Ornament-RH-door side	1	5D-7D 4Sed
		C 243331	Ornament-LH-door side	1	5D-7D 4Sed
12	9	C 243342	Molding-RH-door side ornament	1	3D 4Sed
		C 243343	Molding-LH-door side ornament	1	3D 4Sed
		BO 243345	Retainer-front door side ornament molding	2	3D 4Sed
		BO 243344	Retainer-rear-door side ornament molding	2	3D 4Sed
		BO 171605	Screw-door side ornament	2-4	3D-5D-7D 4Sed
		BO 171451	Screw-door side ornament molding retainer	10	3D 4Sed
		BO 243160	Bolt-door side ornament	8-10	3D-5D-7D 4Sed
		BO 171461	L/washer-door side ornament bolt	8-10	3D-5D-7D 4Sed
		BZ 17944	Nut-door side ornament bolt	8-10	3D-5D-7D 4Sed
PP4			OUTSIDE MOLDINGS - WINDOW REVEAL		
		C 237626	Molding-RH-door	1	2D-3D 2Sed
		C 237627	Molding-LH-door	1	2D-3D 2Sed
		C 237558	Molding-RH-quarter window	1	2D-3D 2Sed
		C 237559	Molding-LH-quarter window	1	2D-3D 2Sed
PP7			OUTSIDE MOLDINGS TOP		
		C 240846	Molding-RH-roof panel front	1	7D 4Sed-Cpe
		C 240847	Molding-LH-roof panel front	1	7D 4Sed-Cpe
		C 240862	Molding-roof panel front	1	7D CvBro
		C 240850	Molding-RH-roof panel side	1	7D 4Sed
		C 240851	Molding-LH-roof panel side	1	7D 4Sed
		C 240856	Molding-RH-roof panel side	1	7D Cpe
		C 240857	Molding-LH-roof panel side	1	7D Cpe
		C 241208	Molding-RH-roof panel side	1	5D-7D Hlywd
		C 241209	Molding-LH-roof panel side	1	5D-7D Hlywd
		C 241200	Molding-rear window upper	1	7D 4Sed-Cpe

1954 PRELIMINARY

Group & Illus. No.	Plate No.	Part No.	NAME	Per Car	Models
PP7		OUTSIDE MOLDINGS TOP (Cont'd)			
		BO 240869	Cover-roof panel molding joint	1	7D,5D Hlywd
		C 240848	Retainer-RH-roof panel front molding	1	7D 4Sed-Cpe
		C 240849	Retainer-LH-roof panel front molding	1	7D 4Sed-Cpe
		C 240863	Retainer-roof panel front molding	1	7D CvBro
		C 240852	Retainer-RH-roof panel side molding	1	7D 4Sed
		C 240853	Retainer-LH-roof panel side molding	1	7D 4Sed
		C 240858	Retainer-RH-roof panel side molding	1	7D Cpe
		C 240859	Retainer-LH-roof panel side molding	1	7D Cpe
		C 241210	Retainer-RH-roof panel side molding front	1	5D-7D Hlywd
		C 241211	Retainer-LH-roof panel side molding front	1	5D-7D Hlywd
		C 241201	Retainer-rear window upper molding	1	7D 4Sed-Cpe
		BO 171605	Screw-roof panel ornament & molding retaining	AR	1D,2D,3D,4D,5D,7D
		BO 170194	P/washer-roof panel ornament & molding retaining screw .	AR	1D,2D,3D,4D,5D,7D
		BO 171647	Seal washer-roof panel ornament & molding retaining screw	AR	1D,2D,3D,4D,5D,7D
		BO 241190	Ornament-RH-rear quarter upper	1	5D 4Sed-2Sed
		BO 241191	Ornament-LH-rear quarter upper	1	5D 4Sed-2Sed
		BO 241194	Ornament-RH-rear quarter upper	1	5D Cpe
		BO 241195	Ornament-LH-rear quarter upper'	1	5D Cpe
		BO 240834	Ornament-RH-rear quarter upper	1	7D 4Sed
		BO 240835	Ornament-LH-rear quarter upper	1	7D 4Sed
		BO 241186	Ornament-LH-rear quarter upper	1	7D Cpe
		BO 241187	Ornament-LH-rear quarter upper	1	7D Cpe
		BO 241192	Retainer-rear quarter upper ornament	2	5D 4Sed-2Sed-Cpe
		BO 237338	Filler-rear quarter ornament	2	2D,3D

NOTES

1954 PRELIMINARY

TRIM STYLE SUMMARY FOR "D" SERIES

For detailed information about trim styles for specific Model and Body Types see the TRIM CODE & UPHOLSTERY CHART on succeeding pages.

1D

Brown Cloth
Gray Leather

2D

Blue Cloth
Green Cloth
Blue Leather
Green Leather

3D

Blue Cloth
Green Cloth
Blue & Ivory Comb. Leather
Green & Ivory Comb. Leather
Red & Ivory Comb. Leather

4D

Blue Cloth
Green Cloth
Maroon Leather

5D and 7D

Blue Cloth
Green Cloth
Brown Cloth
Blue Leather
Green Leather
Maroon Leather
Blue & Ivory Comb. Leather
Green & Ivory Comb. Leather
Red & Ivory Comb. Leather

TRIM CODE AND UPHOLSTERY CHART

The TRIM CODE NUMBER which identifies the trim combination of each "D" series car is etched on the serial number and name plate. It can be observed by opening the right front door and locating it on the right front pillar.

Listed in this chart are the upholstery materials used in fabricating trim assemblies. The width of the cloth and imitation leather varies from 54" to about 62". Cloth and imitation leather are sold by the running yard. Genuine leather is priced and sold by the square foot. The average hide has 50 square ft. of leather in it.

Upholstery and trim assemblies are still special order items through parts depots. To facilitate accurate handling of these special orders the following information must be included with the order.

1. Proper descriptive name of part or material
2. Car model and serial number
3. Car trim number

TRIM CODE NO.	MODEL AND CODE	STYLE AND COLOR	SEAT BACK & CUSHION Description	Part No.	TRIM PANEL-DOOR & QTR Description	Part No.	HEADLINING Description	Part No.
1	TD 4Sed	Brown Cloth	Brown cord cloth Brown cloth	TC 241837 TC 241848	Brown cord cloth Brown imitation leather	TC 241837 TC 239174	Brown cloth	TC 242029
2	TD 4Sed	Blue Cloth	Blue cord cloth Blue cloth	TC 241835 TC 241846	Blue cord cloth Blue imitation leather	TC 241835 TC 237097	Blue cloth	TC 242028
3	TD 4Sed	Green Cloth	Green cord cloth Green cloth	TC 241836 TC 241847	Green cord cloth Green imitation leather	TC 241836 TC 237098	Green cloth	TC 237094
4	TD 4Sed	Blue Leather	Blue leather	TC 238866	Blue imitation leather	TC 237097	Blue imitation leather	TC 238868
5	TD 4Sed	Green Leather	Green leather	TC 238867	Green imitation leather	TC 237098	Green imitation leather	TC 238869
6	TD 4Sed	Maroon Leather	Maroon leather	TC 214706	Maroon imitation leather	TC 239175	Maroon imitation leather	TC 214708
7	TD Cpe	Brown Cloth	Brown cord cloth Brown cloth	TC 241837 TC 241848	Brown cord cloth Brown imitation leather	TC 241837 TC 239174	Brown cloth	TC 242029
8	TD Cpe	Blue Cloth	Blue cord cloth Blue cloth	TC 241835 TC 241846	Blue cord cloth Blue imitation leather	TC 241835 TC 237097	Blue cloth	TC 242028
9	TD Cpe	Green Cloth	Green cord cloth Green cloth	TC 241836 TC 241847	Green cord cloth Green imitation leather	TC 241836 TC 237098	Green cloth	TC 237094
10	TD Cpe	Blue Leather	Blue leather	TC 238866	Blue imitation leather	TC 237097	Blue imitation leather	TC 238868
11	TD Cpe	Green Leather	Green leather	TC 238867	Green imitation leather	TC 237098	Green imitation leather	TC 238869

1954 PRELIMINARY

TRIM CODE NO.	MODEL AND CODE	STYLE AND COLOR	SEAT BACK & CUSHION Description	Part No.	TRIM PANEL-DOOR & QTR Description	Part No.	HEADLINING Description	Part No.
12	7D Cpe	Maroon Leather	Maroon leather	TC 214706	Maroon imitation leather	TC 239175	Maroon imitation leather	TC 214708
13	7D CvBro	Blue Leather	Blue leather	TC 238866	Blue imitation leather	TC 237097		
14	7D CvBro	Green Leather	Green leather	TC 238867	Green imitation leather	TC 237098		
15	7D CvBro	Maroon Leather	Maroon leather	TC 214706	Maroon imitation leather	TC 239175		
16	7D Hlywd	Brown Cloth	Brown with white dot cloth Brown imitation leather	TC 241840 TC 243503	Brown with white dot cloth Brown imitation leather	TC 241840 TC 239174	Brown cloth	TC 242029
17	7D Hlywd	Blue Cloth	Blue with white dot cloth Blue imitation leather	TC 241838 TC 243501	Blue with white dot cloth Blue imitation leather	TC 241838 TC 237097	Blue cloth	TC 242028
18	7D Hlywd	Green Cloth	Green with white dot cloth Green imitation leather	TC 241839 TC 243502	Green with white dot cloth Green imitation leather	TC 241839 TC 237098	Green cloth	TC 237094
19	Hlywd	Blue Leather	Blue leather	TC 238866	Blue imitation leather	TC 237097	Blue imitation leather	TC 238868
20	Hlywd	Green Leather	Green leather	TC 238867	Green imitation leather	TC 237098	Green imitation leather	TC 238869
21	Hlywd	Maroon Leather	Maroon leather	TC 214706	Maroon imitation leather	TC 239175	Maroon imitation leather	TC 214708
22	5D 2Sed	Blue Cloth	Blue with check cloth Blue cloth	TC 241833 TC 241844	Blue with check cloth Blue cloth	TC 241833 TC 241844	Blue cloth	TC 242028
23	5D 2Sed	Green Cloth	Green with check cloth Green cloth	TC 241834 TC 241845	Green with check cloth Green cloth Green imitation leather	TC 241834 TC 241845 TC 237098	Green cloth	TC 237094
24	5D 2Sed	Blue Leather	Blue leather	TC 238866		TC 237097	Blue imitation leather	TC 238868
25	5D 2Sed	Green Leather	Green leather	TC 238867	Green imitation leather	TC 237098	Green imitation leather	TC 238869
26	5D 2Sed	Maroon Leather	Maroon leather	TC 222022	Dark red imitation leather	TC 214731	Maroon imitation leather	TC 214708
27	5D 4Sed	Blue Cloth	Blue with check cloth Blue cloth	TC 241833 TC 241844	Blue with check cloth Blue cloth Blue imitation leather	TC 241833 TC 241844 TC 237097	Blue cloth	TC 242028
28	5D 4Sed	Green Cloth	Green with check cloth Green cloth	TC 241834 TC 241845	Green with check cloth Green cloth Green imitation leather	TC 241834 TC 241845 TC 237098	Green cloth	TC 237094
29	5D 4Sed	Blue Leather	Blue leather	TC 238866	Blue imitation leather	TC 237097	Blue imitation leather	TC 238868
30	5D 4Sed	Green Leather	Green leather	TC 238867	Green imitation leather	TC 237098	Green imitation leather	TC 238869
31	5D 4Sed	Maroon Leather	Dark red leather	TC 222022	Dark red imitation leather	TC 214731	Maroon imitation leather	TC 214708

1954 PRELIMINARY

TRIM CODE NO.	MODEL AND CODE	STYLE AND COLOR	SEAT BACK & CUSHION Description	Part No.	TRIM PANEL-DOOR & QTR Description	Part No.	HEADLINING Description	Part No.
32	5D Cpe	Blue Cloth	Blue with check cloth Blue cloth	TC 241833 TC 241844	Blue with check cloth Blue cloth Blue imitation leather	TC 241833 TC 241844 TC 237097	Blue cloth	TC 242028
33	5D Cpe	Green Cloth	Green with check cloth Green cloth	TC 241834 TC 241845	Green with check cloth Green cloth Green imitation leather	TC 241834 TC 241845 TC 237098	Green cloth	TC 237094
34	5D Cpe	Blue Leather	Blue leather	TC 238866	Blue imitation leather	TC 237097	Blue imitation leather	TC 238868
35	5D Cpe	Green Leather	Green leather	TC 238867	Green imitation leather	TC 237098	Green imitation leather	TC 238869
36	5D Cpe	Maroon Leather	Dark red leather	TC 222022	Dark red imitation leather	TC 214731	Maroon imitation leather	TC 214708
37	5D CvBro	Blue Leather	Blue leather	TC 238866	Blue imitation leather	TC 237097		
38	5D CvBro	Green Leather	Green leather	TC 238867	Green imitation leather	TC 237098		
39	5D CvBro	Maroon Leather	Dark red leather	TC 222022	Dark red imitation leather	TC 214731		
40	5D Hlywd	Brown Cloth	Brown with white dot cloth Brown imitation leather	TC 241840 TC 243503	Brown with white dot cloth Brown imitation leather	TC 241840 TC 239174	Brown cloth	TC 242029
41	5D Hlywd	Blue Cloth	Blue with white dot cloth Blue imitation leather	TC 241838 TC 243501	Blue with white dot cloth Blue imitation leather	TC 241838 TC 237097	Blue cloth	TC 242028
42	5D Hlywd	Green Cloth	Green with white dot cloth Green imitation leather	TC 241839 TC 243502	Green with white dot cloth Green imitation leather	TC 241839 TC 237098	Green cloth	TC 237094
43	5D Hlywd	Blue Leather	Blue leather	TC 238866	Blue imitation leather	TC 237097	Blue imitation leather	TC 238868
44	5D Hlywd	Green Leather	Green leather	TC 238867	Green imitation leather	TC 237098	Green imitation leather	TC 238869
45	5D Hlywd	Maroon Leather	Dark red leather	TC 222022	Dark red imitation leather	TC 214731	Maroon imitation leather	TC 214708
46	4D 2Sed	Blue Cloth	Blue check with nap cloth	TC 237085	Blue check with nap cloth Blue woven cloth Blue imitation leather	TC 237085 TC 239178 TC 237097	Blue cloth	TC 242028
47	4D 2Sed	Green Cloth	Green check with nap cloth	TC 237087	Green check with nap cloth Green woven cloth Green imitation leather	TC 237087 TC 239493 TC 237098	Green cloth	TC 237094
48	4D 2Sed	Maroon Leather	Dark red leather	TC 222022	Dark red imitation leather	TC 214731	Maroon imitation leather	TC 214708
49	4D 4Sed	Blue Cloth	Blue check with nap cloth	TC 237085	Blue check with nap cloth Blue woven cloth Blue imitation leather	TC 237085 TC 239178 TC 237097	Blue cloth	TC 242028

1954 PRELIMINARY

TRIM CODE NO.	MODEL AND COLOR	STYLE AND COLOR	SEAT BACK & CUSHION Description	Part No.	TRIM PANEL-DOOR & QTR Description	Part No.	HEADLINING Description	Part No.
50	4D 4Sed	Green Cloth	Green check with nap cloth	TC 237087	Green check with nap cloth Green woven cloth Green imitation leather	TC 237087 TC 239493 TC 237098	Green cloth	TC 237094
51	4D 4Sed	Maroon Leather	Dark red leather	TC 222022	Dark red imitation leather	TC 214731	Maroon imitation leather	TC 214708
52	4D Cpe	Blue Cloth	Blue check with nap cloth	TC 237085	Blue check with nap cloth Blue woven cloth Blue imitation leather	TC 237085 TC 239178 TC 237097	Blue cloth	TC 242028
53	4D Cpe	Green Cloth	Green check with nap cloth	TC 237087	Green check with nap cloth Green woven cloth Green imitation leather	TC 237087 TC 239493 TC 237098	Green cloth	TC 237094
54	4D Cpe	Maroon Leather	Dark red leather	TC 222022	Dark red imitation leather	TC 214731	Maroon imitation leather	TC 214708
55	2D-3D 2Sed	Blue Cloth	Blue check cloth Blue cloth	TC 237081 TC 237082	Blue cloth Blue imitation leather	TC 237082 TC 239063	Blue cloth	TC 237093
56	2D-3D 2Sed	Green Cloth	Green check cloth Green cloth	TC 237083 TC 237084	Green cloth Green imitation leather	TC 237084 TC 237098	Green cloth	TC 237094
57	2D 2Sed	Blue Leather	Blue imitation leather	TC 237097	Blue imitation leather	TC 237097	Blue imitation leather	TC 238868
58	2D 2Sed	Green Leather	Green imitation leather	TC 237098	Green imitation leather	TC 237098	Green imitation leather	TC 238869
59	2D 4Sed	Blue Cloth	Blue check cloth Blue cloth	TC 237081 TC 237082	Blue cloth Blue imitation leather	TC 237082 TC 239063	Blue cloth	TC 237093
60	2D 4Sed	Green Cloth	Green check cloth Green cloth	TC 237083 TC 237084	Green cloth Green imitation leather	TC 237084 TC 237098	Green cloth	TC 237094
61	2D 4Sed	Blue Leather	Blue imitation leather	TC 237097	Blue imitation leather	TC 237097	Blue imitation leather	TC 238868
62	2D 4Sed	Green Leather	Green imitation leather	TC 237098	Green imitation leather	TC 237098	Green imitation leather	TC 238869
63	1D 2Sed	Brown Cloth	Brown stripe cord cloth Brown cloth	TC 231000 TC 237080	Brown stripe cord cloth Brown imitation leather	TC 231000 TC 239174	Gray cloth	TC 221502
64	1D 2Sed	Gray Leather	Gray imitation leather	TC 237101	Gray imitation leather Brown imitation leather	TC 232881 TC 239174	Gray imitation leather	TC 237102
65	1D 4Sed	Brown Cloth	Brown stripe cord cloth Brown bolster cloth	TC 231000 TC 237080	Brown stripe cord cloth Brown imitation leather	TC 231000 TC 239174	Gray cloth	TC 231502
66	1D 4Sed	Gray Leather	Gray imitation leather	TC 237101	Gray imitation leather Brown imitation leather	TC 232881 TC 239174	Gray imitation leather	TC 237102

1954 PRELIMINARY

TRIM CODE NO.	MODEL AND CODE	STYLE AND COLOR	SEAT BACK & CUSHION Description	Part No.	TRIM PANEL-DOOR & QTR Description	Part No.	HEADLINING Description	Part No.
69	3D 2Sed	Blue Comb Lea.	Blue imitation leather Ivory imitation leather	TC 244425 TC 244428	Blue imitation leather Ivory imitation leather	TC 244425 TC 244428	Ivory imitation leather	TC 244429
70	3D 2Sed	Green Comb Lea.	Green imitation leather Ivory imitation leather	TC 244426 TC 244428	Green imitation leather Ivory imitation leather	TC 244426 TC 244428	Ivory imitation leather	TC 244429
71	3D 2Sed	Red Comb Lea.	Red imitation leather Ivory imitation leather	TC 244427 TC 244428	Red imitation leather Ivory imitation leather	TC 244427 TC 244428	Ivory imitation leather	TC 244429
72	3D 4Sed	Blue Comb Lea.	Blue imitation leather Ivory imitation leather	TC 244425 TC 244428	Blue imitation leather Ivory imitation leather	TC 244425 TC 244428	Ivory imitation leather	TC 244429
73	3D 4Sed	Green Comb Lea.	Green imitation leather Ivory imitation leather	TC 244426 TC 244428	Green imitation leather Ivory imitation leather	TC 244426 TC 244428	Ivory imitation leather	TC 244429
74	3D 4Sed	Red Comb Lea.	Red imitation leather Ivory imitation leather	TC 244427 TC 244428	Red imitation leather Ivory imitation leather	TC 244427 TC 244428	Ivory imitation leather	TC 244429
75	7D Hlywd	Blue Comb Lea.	Blue imitation leather Ivory imitation leather	TC 244425 TC 244428	Blue imitation leather Ivory imitation leather	TC 244425 TC 244428	Ivory imitation leather	TC 244429
76	7D Hlywd	Green Comb Lea.	Green imitation leather Ivory imitation leather	TC 244426 TC 244428	Green imitation leather Ivory imitation leather	TC 244426 TC 244428	Ivory imitation leather	TC 244429
77	7D Hlywd	Red Comb Lea.	Red imitation leather Ivory imitation leather	TC 244427 TC 244428	Red imitation leather Ivory imitation leather	TC 244427 TC 244428	Ivory imitation leather	TC 244429
78	5D Hlywd	Blue Comb Lea.	Blue imitation leather Ivory imitation leather	TC 244425 TC 244428	Blue imitation leather Ivory imitation leather	TC 244425 TC 244428	Ivory imitation leather	TC 244429
79	5D Hlywd	Green Comb Lea.	Green imitation leather Ivory imitation leather	TC 244426 TC 244428	Green imitation leather Ivory imitation leather	TC 244426 TC 244428	Ivory imitation leather	TC 244429
80	5D Hlywd	Red Comb Lea.	Red imitation leather Ivory imitation leather	TC 244427 TC 244428	Red imitation leather Ivory imitation leather	TC 244427 TC 244428	Ivory imitation leather	TC 244429

1954 PRELIMINARY

Group & Illus. No.	Plate No.	Part No.	NAME		Per Car	Models	
TT4 4			BODY WINDHOSES				
		C 239314	Windhose assembly-RH-rear pillar front		1	1D-2D 2Sed	
		C 239315	Windhose assembly-LH-rear pillar front		1	1D-2D 2Sed	
		C 239344	Windhose assembly-RH-rear pillar rear		1	1D-2D 2Sed	
		C 239345	Windhose assembly-LH-rear pillar rear		1	1D-2D 2Sed	
		C 242936	Windhose & trim ret assy-RH-front pillar	Brown	1	4D,5D,7D	
		C 242937	Windhose & trim ret assy-LH-front pillar	Brown	1	4D,5D,7D	
		C 242938	Windhose & trim ret assy-RH-front pillar	Blue	1	4D,5D,7D	
		C 242939	Windhose & trim ret assy-LH-front pillar	Blue	1	4D,5D,7D	
		C 242940	Windhose & trim ret assy-RH-front pillar	Green	1	4D,5D,7D	
		C 242941	Windhose & trim ret assy-LH-front pillar	Green	1	4D,5D,7D	
		C 242942	Windhose & trim ret assy-RH-front pillar	Maroon	1	4D,5D,7D	
		C 242943	Windhose & trim ret assy-LH-front pillar	Maroon	1	4D,5D,7D	
		C 242540	Windhose assembly-rear pillar	Brown	2	5D-7D Hlywd	
		C 239792	Windhose assembly-rear pillar	Maroon	2	7D CvBro-Hlywd	
	TT5			TRIM MOLDINGS & ORNAMENTS			
			C 237992	Molding-front door trim panel rear		2	1D-2D 2Sed
			C 236921	Molding-front seat back		2	1D-2D-3D 2Sed
			BO 241752	Molding-RH-quarter trim support panel front		1	5D-7D CvBro
		BO 241753	Molding-LH-quarter trim support panel front		1	5D-7D CvBro	
		BO 241754	Molding-quarter trim support panel center		2	5D-7D CvBro	

UU1-

LACQUER-CODE AND EXTERIOR BODY

The exterior finishes of the "D" Series are identified by Code Numbers etched on the Serial Number and Name Plate which is attached to the right front pillar. It can be observed by opening the right front door. One number identifies one color or color combination and will always identify that color or combination only.

Pint	Quart	Touch Up	Name	Code
C 175500	C 175501	HS 176072	Ebony Black (Non-Opal)	5
C 176221	C 176279	HS 176301	Beret Blue (Opal)	158
C 176222	C 176280	HS 176302	Silver Blue (Non-Opal)	159
C 176223	C 176281	HS 176303	St. Clair Gray (Non-Opal)	160
C 176224	C 176282	HS 176304	Spring Green (Non-Opal)	161
C 176225	C 176283	HH 176305	Pacific Blue Green (Non-Opal)	162
C 176226	C 176284	HS 176306	Palm Beach Green (Non-Opal)	163
C 176227	C 176285	HS 176307	Pasture Green (Opal)	164
C 176228	C 176286	HS 176308	Roman & Bronze (Non-Opal)	165
C 176229	C 176287	HS 176309	Coronation Cream (Non-Opal)	166
C 176230	C 176288	HS 176310	Royal Red (Non-Opal)	167
C 176231	C 176289	HS 176311	Algerian Blue (Opal)	168

TWO COLOR PAINT COMBINATION OPTIONS 2D,3D,5D AND 7D

<u>Name</u>	<u>Code</u>	<u>Name</u>	<u>Code</u>
Beret Blue - upper) Silver Blue - lower)	169	Pacific Blue Green - upper) Palm Beach Green - lower)	174
Coronation Cream - upper) Silver Blue - lower)	170	Ebony Black - upper) Royal Red - lower)	175
Beret Blue - upper) Algerian Blue - lower)	171	Palm Beach Green - upper) Coronation Cream - lower)	176
Coronation Cream - upper) Palm Beach Green - lower)	172	Pasture Green - upper) Coronation Cream - lower)	177
Ebony Black - upper) Palm Beach Green - lower)	173	Pasture Green - upper) Spring Green - lower)	178
	C 176326 C 176327	Kit-Lacquer-Pints Kit-Lacquer-Quarts	
	C 176313 C 176314	Kit-Touch up Lacquer Kit & stand Kit-Touch up Lacquer	

UU2-

LACQUER-INTERIOR BODY

Pint	Touch Up	Name
C 176331	ITS 176312	Autumn Brown
C 176332	HS 176204	Turkish Taupe
C 176333	HS 176205	Marlin Blue
C 176334	HS 176206	Forest Green
C 175799	HS 176079	Toro Red
C 176351	ITS 176348	Blue Steel Blue
C 176352	ITS 176349	Sea Green
C 176353	HS 176350	Lipstick

MISCELLANEOUS

C 175554	Chassis Enamel (Black)	Pint	C 175558	Primer Surfacer (Red)	Gallon
C 175555	Chassis Enamel (Black)	Quart	C 175559	Lacquer Thinner	Gallon
C 175556	Chassis Enamel (Black)	Gallon	C 175560	Lacquer Thinner	5 Gallon
C 175924	Engine Enamel (Bronze)	Pint	C 175561	Lacquer Thinner	55 Gallon
C 175557	Primer Surfacer (Red)	Quart	C 175502	Ebony Black Lacquer	Gallon

NUMERICAL INDEX

NUMERICAL INDEX

PART NO.	GROUP	PART NO.	GROUP	PART NO.	GROUP	PART NO.	GROUP
BO 73	Lockwasher	BX 160671	U24	BO 171559	Screw	C 175555	UU3
BZ 104	Lockwasher	HS 164848	U23	BO 171566	Washer	C 175556	UU3
BM 119	Cap Screw	HA 165534	U22	SP 171584	Bulb	C 175557	UU3
BT 273	Bolt	HS 165548	U23	BO 171595	Screw	C 175558	UU3
BZ 908	Bolt	HS 165896	U23	BO 171605	Screw	C 175559	UU3
BZ 1349	Washer	HS 165898	U23	BT 171625	Washer	C 175560	UU3
BZ 1549	Lockwasher	HS 165899	U23	BO 171647	P/washer	C 175561	UU3
BO 12285	Bolt	HS 165922	U23	BO 171658	Screw	HS 175672	UU2
BO 12316	Washer	HS 165923	U23	BO 171694	L/Washer	C 175799	UU1
BX 12415	Nut	HS 165955	U23	BO 171706	Nut	C 175924	UU3
BZ 17944	Nut	HS 165956	U23	BO 171738	Nut	HS 176072	U23
BX 18093	Nut	SP 166177	U24	BM 171767	Stud	HS 176072	UU1
SP 18100	Bulb	HS 166605	U23	BO 171778	Screw	HS 176079	UU2
BZ 12899	M10	HS 166606	U23	BO 171779	Screw	HS 176079	U23
BZ 13910	C17	HS 166724	U23	BO 171828	Screw	HS 176204	U23
BZ 15354	M9	BO 170117	Screw	BO 171829	Screw	HS 176204	UU2
BZ 60533	M10	BZ 170155	Washer	BO 171834	Nut	HS 176205	U23
SP 70001	Bulb	BO 170191	Washer	BO 171837	Screw	HS 176205	UU2
BT 70414	Lockwasher	BO 170194	Washer	BO 171848	Clip	HS 176206	U23
BZ 70549	Screw	BT 170230	Nut	BZ 171868	Screw	HS 176206	UU2
BZ 70563	Lockwasher	BO 170232	Bolt	BO 171905	Screw	C 176221	UU1
BO 70633	Bolt	BM 170278	Elbow	BO 171923	Nut	C 176222	UU1
BO 70681	Lockwasher	BO 170304	Screw	BO 171925	Screw	C 176223	UU1
BZ 70874	Nut	BO 170329	Plainwasher	BO 171928	Nut	C 176224	UU1
BO 70690	F/washer	BO 170330	Lockwasher	BO 171929	Screw	C 176225	UU1
SP 70900	Bulb	SP 170363	Bulb	BO 171930	Nut	C 176226	UU1
BZ 70905	Washer	BO 170368	Washer	BO 171933	Clip	C 176227	UU1
BO 71073	Nut	BO 170395	Lockwasher	BO 171934	Nut	C 176228	UU1
BO 71076	Lockwasher	BO 170519	Screw	BO 171935	Screw	C 176229	UU1
BX 71099	Bolt	SP 170531	Bulb	BO 171936	Nut	C 176230	UU1
BZ 71126	Lockwasher	BZ 170559	Nut	BO 171959	Screw	C 176231	UU1
BO 71153	Lockwasher	SP 170659	Bulb	BO 171962	Screw	C 176279	UU1
BZ 71234	Lockwasher	BO 170679	Screw	BO 171963	Screw	C 176280	UU1
BZ 71264	Bolt	BO 170685	Screw	BO 171967	Screw	C 176281	UU1
BZ 71316	Washer	BO 170707	Screw	BZ 171970	Nut	C 176282	UU1
BO 71376	Washer	BO 170965	Washer	BZ 171973	Pin	C 176283	UU1
BZ 71427	Screw	BO 170968	Bolt	BZ 171977	Bolt	C 176284	UU1
BO 71443	Nut	BO 171008	Screw	BO 171978	Screw	C 176285	UU1
BZ 71465	L/washer	BO 171043	Washer	BO 171982	Screw	C 176286	UU1
SP 71550	Bulb	BZ 171056	Washer	BZ 171988	Bolt	C 176287	UU1
BZ 71607	Bolt	BZ 171059	Screw	BZ 171992	Fitting	C 176288	UU1
SP 71641	Bulb	SP 171066	Bulb	BZ 171993	Fitting	C 176289	UU1
BO 71659	Plain washer	BO 171069	Screw	BZ 171994	Fitting	HS 176301	U23
BZ 71660	Shim	BZ 171071	Clamp	BT 171996	Screw	HS 176301	UU1
BZ 71661	Shim	BZ 171080	Nut	BO 171997	Screw	HS 176302	U23
BZ 71662	Shim	BO 171098	Screw	BO 171999	Screw	HS 176302	UU1
BO 71717	Bolt	BO 171117	Washer	BO 172000	JJ6	HS 176303	U23
BZ 71728	Bolt	BO 171154	L/Washer	BZ 172006	M9	HS 176303	UU1
BO 71730	Lockwasher	BO 171156	Washer	BZ 172010	D3	HS 176304	U23
BO 71752	Bolt	BO 171160	Screw	BZ 172014	M9	HS 176304	UU1
BO 102069	LL2	BZ 171181	Washer	BZ 172015	M9	HS 176305	U23
HS 111939	U23	BO 171203	Screw	BZ 172016	M9	HS 176305	UU1
HS 118680	U23	BO 171228	Screw	BZ 172017	M9	HS 176306	U23
HS 118681	U23	BO 171243	Bolt	BZ 172020	M9	HS 176306	UU1
HS 118682	U23	BO 171250	Screw	BZ 172021	M9	HS 176307	U23
HS 118683	U23	BZ 171258	Screw	BZ 172022	M9	HS 176307	UU1
HS 118684	U23	BO 171270	Screw	BZ 172026	C17	HS 176308	U23
HS 118685	U23	BO 171271	Nut	BZ 172026	C17	HS 176308	UU1
HS 119902	U23	BO 171300	Screw	BZ 172027	C17	HS 176309	U23
BZ 151067	C17	BO 171328	P/washer	BZ 172028	C17	HS 176309	UU1
BZ 151069	C17	BO 171395	Screw	BZ 172029	C17	HS 176310	U23
BZ 151150	C17	BO 171400	Screw	BZ 172030	C17	HS 176310	UU1
BZ 151706	M10	BO 171451	Screw	BZ 172031	M9	HS 176311	U23
SP 151962	U24	BO 171461	Washer	HS 175431	U23	HS 176311	UU1
SP 151968	U24	BO 171469	Screw	C 175500	UU1	HS 176312	U23
F 153497	M10	BO 171473	Nut	C 175501	UU1	HS 176312	UU1
BZ 154447	C17	BO 171485	Screw	C 175502	UU3	C 176331	UU2
SP 157055	U24	BZ 171509	Screw	C 175554	UU3	C 176332	UU2

NUMERICAL INDEX

PART NO.	GROUP	PART NO.	GROUP	PART NO.	GROUP	PART NO.	GROUP
C 176333	UU2	BO 221440	MM1	HA 233537	U22	HA 234968	U22
C 176334	UU2	BO 221441	MM1	HA 233538	U22	HA 234969	U22
HS 176348	U23	BO 221466	MM1	HA 233539	U22	HA 234970	U22
HS 176348	UU2	BO 221467	MM1	HA 233540	U22	HA 234971	U22
HS 176349	U23	TC 221502	TT	HA 233541	U22	HA 234972	U22
HS 176349	UU2	TC 222022	TT	HA 233542	U22	HA 234973	U22
HS 176350	U23	BO 225338	T4	HA 233543	U22	HA 234974	U22
HS 176350	UU2	HA 225346	U22	HA 233544	U22	HA 234975	U22
C 176351	UU2	HA 225347	U22	HA 233545	U22	HA 234976	U22
C 176352	UU2	HA 226244	U22	HA 233546	U22	HA 234977	U22
C 176353	UU2	BO 226576	T1	HA 233547	U22	HA 234978	U22
HS 205259	U23	BZ 226874	G11	HA 233548	U22	HA 234979	U22
HA 206199	U22	BZ 226875	G11	HA 233549	U22	HA 234980	U22
HS 206225	U23	BO 227306	S19	HA 233550	U22	HA 234981	U22
HS 206226	U23	HS 229040	U23	HA 233551	U22	HA 234982	U22
HA 206229	U22	HS 229041	U23	HA 233552	U22	HA 234983	U22
HA 206236	U22	HS 229042	U23	HA 233553	U22	HA 234984	U22
HA 206652	U22	HS 229044	U23	HA 233554	U22	HA 234985	U22
HA 206675	U22	HS 229045	U23	HA 233555	U22	HA 234986	U22
HA 206676	U22	HS 229046	U23	HA 233556	U22	HA 234987	U22
HA 206677	U22	HS 229056	U23	HA 233557	U22	HS 235041	U23
HA 206678	U22	HS 229057	U23	HA 233558	U22	HA 235139	U22
HA 206680	U22	HS 229060	U23	HA 233559	U22	HA 235176	U22
HA 206681	U22	HS 229061	1523	HA 233561	U22	HA 235177	U22
HA 206682	U22	HS 229062	U23	HA 233564	U22	A 235180	R7
HA 206683	U22	HS 229066	U23	HA 233567	U22	A 235181	R7
HA 206684	U22	HS 229067	U23	HA 233573	U22	BO 235231	T4
HA 206685	U22	HS 229068	U23	HA 233576	U22	BO 235279	R7
HA 207299	U22	HS 229069	U23	B Z 233655	R5	HA 235334	U22
HS 209734	U23	HS 229070	U23	HA 233700	U22	BO 235542	EE4
HS 209736	U23	HS 229076	U23	HA 233701	U22	BO 235546	EE4
HS 209737	U23	HS 229083	U23	HA 233702	U22	BO 235616	T4
HS 209976	U23	HS 229084	U23	HA 233703	U22	HA 235687	S16
HS 210356	U23	HS 229086	U23	HA 233704	U22	HA 235687	U22
BZ 210619	R6	HS 229088	U23	HA 233705	U22	HA 235688	S16
BZ 210619	LL2	HS 229096	U23	HA 233706	U22	HA 235688	1122
C 210735	KK13	HS 229122	U23	HA 233707	U22	BO 235689	FF11
HA 211233	U22	HS 229124	1123	HA 233708	U22	BO 235696	S16
HA 211234	U22	HA 229320	U22	HA 233709	U22	BO 235697	S16
BO 211247	BB2	BO 230609	PP1	HA 233710	U22	BO 235698	S16
HA 212331	U22	BO 230744	S6	HA 233711	U22	BO 235701	S16
HA 212333	U22	BO 230745	S6	HA 233712	U22	BO 235777	EE4
HA 212918	U22	C 230837	FF9	HA 233713	U22	SP 235824	U24
BO 213554	LL9	TC 231000	TT	HA 233714	U22	SP 235825	U24
BO 213557	LL9	BO 231483	S6	HA 233715	U22	BO 235830	R6
BO 213559	LL9	HA 232242	U22	HA 233716	U22	BO 235938	FF9
BO 213565	KK14	BO 232722	MM3	HA 233717	U22	C 235962	JJ4
BO 213907	LL9	C 232787	KK13	HA 233718	U22	C 235963	134
HA 213908	U22	TC 232881	TT	HA 233719	U22	BO 236018	FF9
HA 213987	U22	C 233101	JJ6	HA 234950	U22	BO 236019	FF9
HS 214698	U23	HA 233235	S16	HA 234951	U22	BO 236034	FF4
TC 214706	TT	HA 233235	U22	HA 234951	U22	BO 236035	FF4
TC 214708	TT	HA 233236	S16	HA 234952	U22	BO 236041	FF9
TC 214731	TT	HA 233236	U22	HA 234953	U22	BO 236056	FF4
HS 214773	U23	BO 233237	S16	HA 234954	U22	BO 236057	FF4
HS 214774	U23	BO 233238	S16	HA 234955	U22	HA 236090	U22
HS 215784	U23	BO 233239	S16	HA 234956	U22	A 236091	T4
HA 216130	U22	BO 233240	S16	HA 234957	U22	A 236092	T4
HA 216131	U22	BO 233241	S16	HA 234958	U22	BZ 236164	R6
HA 216160	U22	HS 233265	U23	HA 234959	U22	BO 236204	EE4
HA 216297	U22	BO 233493	S4	HA 234960	U22	BO 236318	S19
SP 216662	U24	HA 233530	U22	HA 234961	U22	BO 236322	S19
HA 217242	U22	HA 233531	U22	HA 234962	1122	BO 236322	R6
BO 220152	R6	HA 233532	U22	HA 234963	U22	BO 236323	R6
BO 220152	S4	HA 233533	U22	HA 234964	U22	BO 236329	S19
HA 220544	U22	HA 233534	U22	HA 234965	U22	HA 236335	U22
HA 220714	1122	HA 233535	U22	HA 234966	U22	HO 236360	R1
HA 220865	U22	HA 233536	U22	HA 234967	U22	BO 236361	R1

NUMERICAL INDEX

PART NO.	GROUP	PART NO.	GROUP	PART NO.	GROUP	PART NO.	GROUP
BO 236362	R1	TC 237093	TT	C 238159	CC3	C 239860	NN2
BO 236363	R1	TC 237094	TT	C 238162	NN4	C 239861	NN2
BO 236364	R1	TC 237097	TT	C 238163	NN4	C 239864	NN2
BO 236365	R1	TC 237098	TT	C 238182	NN4	C 239865	NN2
BO 236388	EE4	TC 237101	TT	C 238183	NN4	HA 239874	U22
BO 236389	EE4	TC 237102	TT	C 238202	NN4	HA 239875	U22
BO 236466	EE4	C 237288	KK13	C 238203	NN4	HA 239876	U22
HA 236476	U22	BO 237338	PP7	BO 238234	LL9	HA 239877	U22
HA 236486	U22	C 237384	KK8	BO 238235	LL9	HA 239878	U22
BO 236496	EE9	C 237385	KK8	BO 238252	JJ6	HA 239879	U22
BO 236497	EE9	HA 237549	U12	BO 238257	LL9	C 239880	FF4
BO 236498	EE9	HA 237549	U22	BO 238259	LL9	C 239881	FF4
BO 236499	EE9	BO 237555	FF9	C 238290	KK8	HA 239919	U22
HA 236550	U22	BO 237556	FF11	C 238291	KK8	HA 239920	U22
HA 236550	U12	BO 237557	FF11	C 238292	KK8	HA 239921	U22
BO 236557	U12	C 237558	PP4	C 238293	KK8	HA 239931	U22
C 236565	KK8	C 237559	PP4	C 238294	KK8	HA 239932	U22
BO 236592	MM1	BC 237560	FF9	F 238295	KK8	HA 239933	U22
BO 236593	MM1	C 237564	CC1	C 238313	LL9	C 239934	KK8
BO 236596	MM1	C 237565	CC1	C 238316	LL9	HA 239940	U22
BO 236597	MM1	C 237568	FF1	C 238317	LL9	HA 239941	U22
BO 236602	MM1	C 237569	FF1	C 238319	LL9	HA 239942	U22
BO 236603	MM1	C 237572	BB1	C 238320	JJ6	HA 239943	U22
C 236612	KK7	C 237573	BB1	C 238330	KK7	HA 239944	U22
C 236613	KK7	BO 237584	EE4	C 238331	KK7	HA 239945	U22
C 236614	KK7	BO 237585	EE4	C 238332	KK7	HA 239946	U22
C 236615	KK7	C 237588	FF4	C 238333	KK7	HA 239947	U22
C 236661	FF4	C 237589	FF4	C 238334	KK7	HA 239948	U22
C 236667	FF9	A 237590	R7	C 238335	KK7	HA 239949	U22
C 236802	NN2	A 237591	R7	C 238336	KK7	HA 239950	U22
C 236803	NN2	C 237592	PP3	C 238337	KK7	HA 239951	U22
C 236812	NN3	C 237593	PP3	HA 238363	U22	HA 239952	U22
C 236813	NN3	C 237594	PP3	C 238385	CC3	HA 239953	U22
C 236822	NN1	C 237595	PP3	BO 238444	DD3	HA 239954	U22
C 236823	NN1	C 237622	CC2	C 238470	KK7	HA 239955	U22
C 236882	KK13	C 237623	CC2	HA 238502	U22	HA 239956	U22
C 236894	KK13	C 237626	PP4	HA 238502	S19	HA 239957	U22
C 236895	KK13	C 237627	PP4	HA 238503	U22	HA 239958	U22
BO 236901	Q4	C 237638	FF1	HA 238503	S19	HA 239959	U22
HA 236908	U22	C 237639	FF1	TC 238866	TT	HA 239960	U22
BO 236911	NN1	A 237654	R6	TC 238867	TT	HA 239961	U22
C 236921	TT5	A 237655	R6	TC 238868	TT	HA 239962	U22
C 236942	GG1	A 237656	R6	TC 238869	TT	HA 239963	U22
BO 236955	FF9	A 237657	R6	BO 238878	MM3	C 239978	KK13
BO 236960	T1	C 237672	EE1	BO 238879	MM3	C 239993	KK14
BO 236962	T1	C 237673	EE1	HA 239047	U22	C 240006	G7
BO 236964	T1	BO 237682	EE2	BZ 239052	G7	C 240007	G7
BO 236966	T1	BO 237683	EE2	BZ 239052	G12	C 240008	G7
BO 236967	T1	BO 237684	AA4	BZ 239053	G7	C 240009	G7
BO 236968	T1	BO 237685	AA4	BZ 239053	G12	A 240010	Q4
BO 236970	T1	BO 237686	FF11	TC 239063	TT	BZ 240011	Q4
BO 236972	T1	BO 237687	FF11	TC 239174	TT	C 240014	HH4
BO 236974	T1	BO 237692	EE2	TC 239175	TT	C 240015	HH4
BO 236975	T1	BO 237693	EE2	TC 239176	TT	C 240016	Q4
BO 236976	T1	C 237694	KK8	C 239194	EE1	C 240017	Q4
BO 236977	T1	C 237734	PP1	C 239195	EE1	BO 240018	MM9
BO 237054	T1	C 237735	PP1	C 239314	TT4	BO 240019	MM9
BO 237058	T1	BO 237736	PP1	C 239315	TT4	C 240020	Q4
BO 237059	T1	BO 237737	PP1	C 239344	TT4	C 240021	Q4
BO 237078	T1	BO 237738	FF9	C 239345	TT4	BO 240022	S6
BO 237079	T1	C 237992	TT5	BO 239453	LL9	BO 240023	S6
TC 237080	TT	C 238004	KK8	TC 239493	TT	BO 240024	T6
TC 237081	TT	C 238005	KK8	SP 239596	U24	C 240025	Q4
TC 237082	TT	C 238102	NN2	C 239792	TT4	C 240026	Q4
TC 237083	TT	C 238103	NN2	C 239836	FF9	C 240027	LL9
TC 237084	TT	C 238122	NN3	C 239838	FF9	C 240032	JJ6
TC 237085	TT	C 238142	NN2	C 239844	NN2	C 240033	JJ1
TC 237087	TT	C 238143	NN2	C 239845	NN2	C 240034	JJ6

NUMERICAL INDEX

PART NO.	GROUP	PART NO.	GROUP	PART NO.	GROUP	PART NO.	GROUP
C 240035	JJ6	A 240325	R6	C 240557	BB1	C 240737	CC2
C 240036	JJ6	A 240328	R6	C 240560	BB1	BO 240743	Q4
C 240037	JJ6	A 240329	R6	C 240561	BB1	C 240750	G7
BO 240041	BB2	A 240330	R6	BO 240564	EE4	C 240751	G7
BO 240041	S17	A 240331	R6	C 240565	KK6	C 240752	G7
C 240043	G12	A 240334	R6	C 240568	BB1	C 240753	G7
BO 240045	MM9	A 240335	R6	C 240569	BB1	BO 240757	LL2
A 240046	R1	C 240344	R6	C 240576	BB1	BO 240758	LL2
A 240048	R1	C 240345	R6	C 240577	BB1	BO 240760	S4
BO 240054	BB2	C 240346	R6	C 240580	BB1	BO 240761	S4
BO 240055	BB2	C 240347	R6	C 240581	BB1	BO 240764	S4
A 240057	R1	BO 240364	R6	C 240584	H1	BO 240765	S4
A 240059	R1	A 240370	R5	C 240555	JJ1	C 240788	CC1
A 240060	R5	A 240371	R5	C 240596	G7	C 240789	CC1
BO 240061	U4	A 240378	R5	C 240597	G7	BZ 240796	Q2
BO 240063	T6	A 240379	R5	C 240598	G7	BZ 240797	Q2
C 240066	JJ1	A 240380	R5	C 240599	G7	BO 240804	AA10
C 240068	JJ1	A 240381	R5	C 240605	KK6	BO 240806	S19
C 240074	BB1	A 240388	R5	BO 240615	KK14	C 240807	Q2
C 240075	BB1	A 240389	R5	C 240618	H1	BO 240814	LL2
C 240076	BB1	A 240392	Q4	C 240619	H1	BO 240815	LL2
C 240077	BB1	A 240393	Q4	C 240620	CC1	BO 240816	JJ6
C 240079	BB1	BZ 240394	R6	C 240621	CC1	BO 240817	JJ6
BO 240082	NN8	C 240400	CC1	C 240630	CC1	C 240820	G11
BO 240083	NN8	C 240401	CC1	C 240631	CC1	C 240821	G11
BO 240084	NN8	C 240402	CC1	C 240632	G7	BO 240834	PP7
BO 240085	NN8	C 240403	CC1	C 240633	G7	BO 240835	PP7
C 240086	G12	C 240406		C 240634	G7	BO 240837	S2
C 240087	G12	C 240407		C 240635	G7	BO 240838	S2
C 240090	Q4	A 240410	AA5	C 240640	CC1	BO 240839	S2
C 240091	Q4	BO 240417	LL5	C 240641	CC1	BO 240840	LL2
C 240092	JJ1	BO 240418	NN8	C 240642	KK7	BO 240845	LL2
C 240093	H1	C 240420	AA6	C 240645	CC2	C 240846	PP7
C 240094	H1	C 240420	T4	C 240649	CC1	C 240847	PP7
C 240095	H1	SP 240429	U24	C 240651	CC1	C 240848	PP7
C 240096	H1	SP 240429	U4	C 240653	CC1	C 240849	PP7
C 240097	H1	C 240434	KK14	C 240655	CC1	C 240850	PP7
BO 240098	S2	C 240435	KK14	C 240661	CC1	C 240851	PP7
A 240114	R6	C 240436	KK14	C 240663	CC1	C 240852	PP7
A 240115	R6	C 240447	AA5	C 240664	CC1	C 240853	PP7
BO 240154	R5	BO 240459	T5	C 240665	CC1	C 240856	PP7
A 240188	R5	BO 240460	T5	C 240668	CC1	C 240857	PP7
A 240189	R5	C 240462	G7	C 240674	CC1	C 240858	PP7
A 240192	R5	C 240463	G7	C 240675	CC1	C 240859	PP7
A 240193	R5	BO 240470	T6	BO 240684	LL2	C 240862	PP7
C 240203	LL2	C 240472	G7	BO 240685	LL2	C 240863	PP7
C 240213	LL2	BZ 240476	R6	SP 240686	U24	C 240864	BB1
C 240215	LL2	BZ 240478	R5	SP 240686	U4	C 240865	BB1
C 240217	LL2	BZ 240479	R5	SP 240687	U24	C 240866	BB1
C 240221	LL2	BO 240490	EE4	SP 240687	U4	C 240867	BB1
C 240226	R5	BO 240491	EE4	HA 240691	MM9	BZ 240868	Q4
C 240227	R5	C 240507	BB1	HA 240691	U22	BO 240869	PP7
C 240239	G11	BO 240510	EE4	C 240692	CC1	C 240870	JJ1
BO 240254	U12	BO 240511	EE4	C 240693	CC1	C 240871	H1
BO 240286	LL2	BO 240514	EE4	C 240694	H1	C 240873	JJ1
BO 240287	LL2	BO 240515	EE4	C 240695	H1	BO 240876	U12
A 240294	R5	C 240517	KK14	C 240698	H1	C 240878	G11
C 240296	R5	C 240518	KK14	C 240699	H1	C 240879	G11
C 240297	R5	C 240519	KK14	BO 240700	LL2	BO 240880	S6
BO 240298	NN8	BO 240520	EE4	BO 240701	LL2	BO 240890	R1
BO 240299	NN8	BO 240521	EE4	BO 240702	LL2	BO 240891	R1
A 240304	R7	BO 240522	EE4	BO 240703	LL2	BO 240892	R1
A 240305	R7	BO 240523	EE4	BO 240720	S5	BO 240893	R1
A 240306	R7	C 240530	CC1	BO 240722	S5	A 240901	T4
A 240307	R7	BZ 240548	R6	BO 240723	S5	BO 240920	S4
A 240322	R6	BZ 240549	R6	BO 240726	S5	BO 240921	S4
A 240323	R6	BO 240554	EE4	BO 240734	CC1	BO 240922	S4
A 240324	R6	C 240556	BB1	BO 240735	CC1	BO 240923	S4

NUMERICAL INDEX

PART NO.	GROUP	PART NO.	GROUP	PART NO.	GROUP	PART NO.	GROUP
BO 240928	S4	BO 241180	PP1	C 241293	BB2	BO 241431	EE9
A 240929	Q4	BZ 241182	R5	C 241294	BB2	BO 241432	EE9
BO 240930	S6	BZ 241183	R5	C 241295	BB2	BO 241433	EE9
C 240937	J76	BZ 241184	R5	C 241296	BB2	BO 241434	EE9
C 240938	JJ6	BZ 241185	R5	C 241297	BB2	BO 241435	EE9
C 240945	AA6	BO 241186	PP7	BO 241298	MM2	BO 241436	EE9
:BO 240949	NN1	BO 241187	PP7	BO 241298	T4	BO 241437	EE9
C 240950	JJ4	BO 241190	PP7	BO 241300	M6	BO 241438	EE9
C 240951	114	BO 241191	PP7	BO 241301	M6	BO 241439	EE9
C 240952	JJ4	BO 241192	PP7	BO 241303	M6	C 241441	AA5
C 240953	JJ4	BO 241194	PP7	BO 241304	M6	C 241443	AA5
C 240954	JJ4	BO 241195	PP7	BO 241306	M6	C 241444	AA5
C 240955	JJ4	BZ 241196	R5	BO 241307	M6	C 241445	AA5
A 240956	T4	BZ 241197	R5	BO 241309	M6	C 241448	AA5
C 240960	JJ4	C 241200	PP7	BO 241310	EE9	C 241449	AA5
C 240961	JJ4	C 241201	PP7	BO 241311	EE9	C 241450	AA5
C 240962	JJ4	C 241208	PP7	BO 241312	EE9	C 241451	AA5
C 240963	JJ4	C 241209	PP7	BO 241313	EE9	C 241476	KK14
BO 240967	MM2	C 241210	PP7	BO 241314	EE9	C 241478	JJ1
BO 240974	PP1	C 241211	PP7	BO 241315	EE9	C 241479	JJ1
BO 240975	PP1	C 241212	CC1	BO 241316	EE9	C 241486	KK13
BO 240976	PP1	C 241213	CC1	BO 241317	EE9	C 241487	KK13
BO 240977	PP1	BO 241214	T4	BO 241318	EE9	C 241489	AA5
BO 240978	PP1	BO 241214	U5	BO 241319	EE9	C 241490	AA5
BO 240979	PP1	BO 241215	T4	BO 241327	T1	C 241494	JJ1
C 240980	CC2	BO 241216	T5	BO 241329	T1	C 241495	JJ1
C 240983	JJ6	C 241217	KK13	BO 241331	T1	C 241496	JJ1
C 240984	116	BO 241220	T6	BO 241335	T1	C 241497	JJ1
C 240985	JJ6	BO 241221	T6	BO 241336	T1	BO 241540	PP1
C 240986	JJ6	BO 241222	LL2	BO 241337	T1	BO 241586	JJ4
C 240990	CC2	BO 241225	T6	BO 241338	T1	BO 241587	JJ4
C 240996	CC2	BO 241230	MM2	BO 241339	T1	BO 241588	JJ4
BO 240998	R1	BO 241230	T4	BO 241340	T1	BO 241589	JJ4
HA 240999	S19	BO 241234	T4	BO 241343	T1	BO 241590	JJ4
HA 240999	U22	BO 241235	T4	BO 241344	T1	BO 241591	JJ4
BO 241001	R1	BO 241236	AA4	BO 241345	T1	BO 241592	JJ4
BO 241002	R1	BO 241236	U6	BO 241346	T1	BO 241593	JJ4
C 241003	CC1	BO 241237	AA4	BO 241347	T1	BO 241594	JJ4
C 241014	NN1	BO 241237	U6	BO 241348	T1	BO 241595	114
C 241015	NN1	BO 241238	AA4	BO 241349	T1	C 241620	CC3
C 241034	NN1	BO 241238	U6	BO 241350	T1	C 241621	CC3
C 241035	NN1	BO 241239	AA4	BO- 241369	T1	C 241622	CC3
BO 241050	LL5	BO 241239	U6	BO 241370	T1	C 241623	CC3
C 241063	CC1	BO 241241	T4	BO 241371	T1	C 241628	CC3
C 241064	CC1	BO 241242	T4	BO 241372	T1	C 241629	CC3
C 241065	CC1	BO 241243	R6	BO 241373	T1	C 241632	CC3
C 241085	AA6	BO 241244	R6	BO 241374	T1	C 241633	CC3
BO 241091	T4	BO 241245	T4	BO 241382	T1	C 241660	EE1
C 241100	PP1	BO 241246	T4	BO 241383	T1	C 241661	EE1
C 241101	PP1	BO 241250	T4	BO 241384	T1	C 241668	EE1
BO 241104	R6	HA 241251	U22	BO 241387	NN1	C 241669	EE1
BO 241105	R6	HA 241252	U22	BO 241400	T1	C 241676	EE1
BO 241108	R6	BO 241253	T4	BO 241401	T1	C 241677	EE1
C 241110	PP1	BO 241254	T4	HA 241410	T5	C 241684	EE1
BO 241111	PP1	C 241258	BB1	HA 241410	U22	C 241685	EE1
C 241124	BB2	C 241259	BB1	BO 241411	T5	C 241688	EE1
C 241125	BB2	BO 241260	T4	HA 241412	T5	C 241689	EE1
C 241129	BB1	BO 241262	R6	HA 241412	U22	A 241714	R7
BO 241134	PP1	BO 241262	S19	BO 241414	AA4	A 241715	R7
BO 241135	PP1	BO 241263	R6	BO 241414	T5	A 241716	R7
BO 241136	PP1	BO 241263	S19	BO 241414	U6	A 241717	R7
BO 241138	LL2	C 241264	LL2	BO 241415	AA4	A 241718	R7
BZ 241170	R5	BO 241265	T4	BO 241415	U6	A 241719	R7
BZ 241171	R5	BO 241286	T6	BO 241416	AA4	A 241728	R6
BO 241173	PP1	BO 241290	MM2	BO 241416	U6	A 241729	R6
BO 241174	PP1	BO 241291	MM2	BO 241417	AA4	A 241730	R6
BO 241178	PP1	BO 241291	T4	BO 241417	U6	A 241731	R6
BO 241179	PP1	C 241292	BB2	BO 241430	EE9	C 241742	KK13

NUMERICAL INDEX

PART NO.	GROUP	PART NO.	GROUP	PART NO.	GROUP	PART NO.	GROUP
C 241743	KK13	C 242187	KK8	BO 242572	MM10	C 243186	R6
BO 241747	LL5	C 242226	AA3	BO 242573	MM10	C 243187	R6
BO 241747	S6	C 242227	AA3	C 242586	KK14	C 243188	R6
C 241750	CC1	C 242228	AA3	C 242587	KK14	C 243189	R6
C 241751	CC1	C 242229	AA3	BO 242590	MM10	C 243191	R5
BO 241752	TT5	C 242230	AA3	BO 242591	MM10	C 243192	R5
BO 241753	TT5	C 242231	AA3	BO 242630	MM10	HA 243206	U22
BO 241754	TT5	C 242232	AA3	BO 242631	MM10	C 243220	PP3
C 241757	AA5	C 242233	AA3	BO 242664	MM1	C 243221	PP3
C 241758	AA5	C 242235	AA3	BO 242665	MM1	BO 243222	PP3
C 241759	AA5	C 242237	AA3	BO 242692	S17	BO 243223	PP3
C 241768	JJ6	C 242239	AA3	C 242712	KK7	BO 243224	PP3
C 241772	JJ6	C 242241	AA3	C 242718	KK13	BO 243225	PP3
C 241776	JJ6	C 242242	AA3	BO 242732	MM10	C 243330	PP3
C 241780	JJ6	C 242243	AA3	C 242762	KK14	C 243331	PP3
C 241800	JJ6	C 242244	AA3	C 242764	KK13	BZ 243332	R6
C 241801	JJ6	C 242245	AA3	A 242804	R7	BZ 243333	R6
C 241802	JJ6	C 242246	AA3	A 242805	R7	C 243334	R6
C 241803	JJ6	C 242247	AA3	C 242815	NN3	C 243335	R6
BO 241813	EE4	C 242326	JJ6	C 242819	NN2	C 243340	PP3
BO 241814	EE4	C 242327	JJ6	C 242886	KK7	C 243341	PP3
BO 241815	EE4	C 242331	JJ1	C 242887	KK7	C 243342	PP3
C 241818	KK13	C 242335	JJ1	C 242888	KK7	C 243343	PP3
C 241819	KK13	C 242400	FF1	C 242889	KK7	BO 243344	PP3
TC 241833	TT	C 242401	FF1	C 242936	TT4	BO 243345	PP3
TC 241834	TT	BO 242404	FF10	C 242937	TT4	BZ 243348	R6
TC 241835	TT	C 242426	JJ6	C 242938	TT4	BZ 243349	R6
TC 241836	TT	C 242427	JJ6	C 242939	TT4	C 243350	R6
TC 241837	TT	C 242428	JJ6	C 242940	TT4	C 243351	R6
TC 241838	TT	C 242429	JJ6	C 242941	TT4	C 243352	R6
TC 241839	TT	C 242430	JJ6	C 242942	TT4	C 243370	R6
TC 241840	TT	C 242431	JJ6	C 242943	TT4	C 243371	R6
TC 241844	TT	C 242432	JJ6	C 242960	JJ6	C 243372	R6
TC 241845	TT	C 242433	JJ6	C 242961	JJ6	C 243373	R6
TC 241846	TT	C 242434	JJ6	C 242962	JJ6	BO 243374	R6
TC 241847	TT	C 242435	JJ6	C 242963	116	C 243376	R6
TC 241848	TT	C 242436	JJ6	C 242964	JJ6	C 243377	R6
A 241852	R5	C 242437	JJ6	C 242965	JJ6	C 243380	R6
A 241853	R5	BO 242444	Q4	C 242966	JJ6	C 243385	KK14
A 241854	R5	C 242446	Q4	C 242967	JJ6	C 243386	KK14
A 241855	R5	C 242454	BB1	C 242992	HH1	C 243387	KK14
A 241856	R5	C 242455	BB1	C 242993	HH1	C 243388	KK14
A 241857	R5	C 242456	BB1	C 242994	HH1	C 243389	KK14
A 241858	R5	C 242457	BB1	C 242995	HH1	C 243390	KK14
C 241890	JJ6	BO 242476	MM11	C 242996	HH1	C 243391	KK14
C 241891	116	BO 242477	MM11	C 242997	HH1	C 243392	KK14
C 241892	JJ6	C 242480	JJ1	C 242998	HH1	C 243397	KK14
C 241893	JJ6	BZ 242485	JJ1	C 242999	HH1	C 243398	KK14
C 241896	JJ6	C 242486	CC1	BZ 243018	G7	C 243399	KK14
C 241974	AA3	C 242487	CC1	C 243019	G7	C 243400	KK14
C 241975	AA3	HA 242492	U6	HA 243097	U22	C 243401	KK14
C 241976	AA3	HA 242492	U22	HA 243098	U22	C 243402	KK14
C 241977	AA3	HA 242500	U12	BO 243160	PP3	C 243403	KK14
C 241980	AA3	HA 242500	U22	BO 243160	R6	C 243404	KK14
C 241981	AA3	BO 242505	U12	C 243170	R5	C 243425	KK14
C 241983	AA3	BO 242506	MM1	C 243171	R5	C 243426	KK14
C 241985	AA3	BO 242507	MM1	C 243172	R5	C 243427	KK14
C 241987	AA3	C 242540	TT4	C 243173	R5	C 243428	KK14
C 241989	AA3	BO 242550	MM11	C 243174	R5	C 243429	KK14
C 241990	AA3	BO 242551	MM11	C 243175	R5	C 243430	KK14
C 241991	AA3	BO 242552	MM11	C 243176	R5	C 243431	KK14
C 241992	AA3	BO 242553	MM11	C 243177	R5	C 243432	KK14
C 241993	AA3	BO 242554	MM11	C 243178	R6	C 243433	KK14
C 241994	AA3	BO 242566	MM10	C 243179	R6	C 243434	KK14
C 241995	AA3	BO 242568	MM10	C 243180	R6	C 243435	KK14
TC 242028	TT	BO 242569	MM10	C 243181	R6	C 243436	KK14
TC 242029	TT	BO 242570	MM10	C 243183	PP3	C 243437	KK14
C 242186	KK8	BO 242571	MM10	C 243184	PP3	C 243438	KK14

NUMERICAL INDEX

PART NO.	GROUP	PART NO.	GROUP	PART NO.	GROUP	PART NO.	GROUP
C 243446	PP3	C 244372	R7	BZ 303185	M4	BO 308671	T1
C 243447	PP3	C 244373	R7	BZ 303258	C13	BZ 308673	M8
C 243448	PP3	C 244374	R7	BM 303523	N1	BZ 308674	M8
C 243450	PP3	C 244375	R7	BZ 303584	C16	BZ 308677	M8
C 243451	PP3	HA 244382	U22	BZ 303616	M2	BZ 308678	M8
C 243452	PP3	HA 244383	U22	HA 303671	U22	BZ 308679	M8
C 243454	R6	TC 244425	TT	HA 303720	U22	BO 308690	S1
C 243455	R6	TC 244426	TT	HA 303721	U22	BO 308691	S1
BZ 243456	R6	TC 244427	TT	HA 303722	U22	BZ 308695	M8
BZ 243457	R6	TC 244428	TT	HS 304349	U23	BZ 308699	M8
C 243458	R6	TC 244429	TT	HS 304350	U23	BZ 308700	M8
C 243459	R6	C 244510	AA3	C 304413	D1	BZ 308701	M8
C 243462	R6	C 244511	AA3	BZ 304464	C13	BZ 308703	M8
C 243463	R6	C 244512	AA3	BZ 304466	C13	BZ 308704	M8
BZ 243464	R6	C 244513	AA3	HS 304634	U23	BZ 308705	M8
BZ 243465	R6	C 244514	AA3	SP 305094	U24	BM 308749	N1
BO 243478	S5	C 244515	AA3	SP 305095	U24	BZ 308780	M8
BO 243479	S5	BO 244673	MM11	SP 305096	U24	BO 308797	S15
BO 243494	MM' 1	BM 300007	H2	SP 305133	U24	C 308839	M7
BO 243495	MM11	C 300130	C12	SP 305134	U24	C 308840	M7
TC 243501	TT	F 300214	H14	HA 305418	U22	BO 308842	S15
TC 243502	TT	'BM 300341	S9	SP 305666	U23	BZ 308843	S15
TC 243503	TT	BZ 300404	D3	SP 305694	U24	BO 308844	S15
C 243534	PP3	BZ 300417	D3	BZ 305807	C13	BO 308845	S15
C 243535	PP3	BZ 300418	D1	BZ 305808	C13	BO 308846	S15
BO 243536	PP3	BZ 300468	C10	BZ 305809	C13	HA 308856	U22
BO 243537	PP3	BM 300566	H14	BZ 306089	M4	BZ 308868	M8
BO 243538	PP3	BZ 300658	C10	BZ 306185	D3	BZ 308870	M8
BO 243539	PP3	BZ 300714	C10	BZ 306188	D1	BO 308891	S15
C 243550	KK6	BZ 300716	C10	HA 306197	U22	BO 308893	S15
C 243551	KK6	BZ 300756	C10	BZ 306209	C13	BO 308933	S1
C 243552	KK6	BZ 300781	C13	BO 306395	51	BZ 308935	M8
C 243553	KK6	BZ 300783	C13	BZ 306444	C13	BO 308949	S1
C 243554	KK6	BZ 300914	C10	BZ 306445	C13	BO 308951	S19
C 243555	KK6	BZ 300916	C10	SP 306674	U24	BM 308988	S9
C 243556	KK6	BO 301081	S19	SP 306676	U24	C 309001	M7
C 243559	KK6	BM 301276	H14	SP 306677	U24	C 309002	M7
C 243560	KK6	F 301279	H14	SP 306679	U24	C 309003	M7
C 243561	KK6	BZ 301282	D2	SP 306719	U24	C 309004	M7
C 243562	KK6	BZ 301405	M10	BZ 306874	C13	C 309005	M7
C 243587	KK7	BM 301645	N1	BZ 307147	KK9	C 309006	M7
C 243588	KK7	HS 301915	U23	HA 307195	U22	BZ 309007	M8
C 243589	KK7	BM 301934	H10	HS 307199	U23	BZ 309008	M8
C 243590	KK7	BM 301935	H10	HA 307363	U22	BZ 309009	M8
C 243591	KK7	HA 301980	U22	BM 307490	N1	BZ 309010	M8
C 243929	KK13	HA 301990	U22	HS 307522	U23	BZ 309011	M8
C 243930	KK13	HS 302097	U23	SP 307532	U24	BZ 309012	M8
C 243931	KK13	BZ 302140	D2	SP 307533	U24	BZ 309013	M7
C 243932	KK13	SP 302185	U24	SP 307534	U24	BZ 309014	M8
C 243933	KK13	SP 302215	U24	SP 307535	U24	BZ 309015	M8
C 243934	KK13	SP 302265	U24	HA 307554	U22	BZ 309016	M8
C 243935	KK13	HS 302402	U23	SP 307604	U22	BO 309024	S1
C 244270	KK8	SP 302448	U24	HA 307629	U22	BO 309068	S19
C 244271	KK8	HA 302494	H13	BM 307651	S9	HA 309096	U22
C 244272	KK8	HA 302494	U22	HA 307808	U22	HA 309097	U22
C 244273	KK8	SP 302496	U24	BT 307818	J1	C 309112	H3
C 244277	KK6	HS 302569	U23	BZ 308286	D3	C 309114	H3
C 244278	KK6	SP 302754	U24	BT 308378	J1	C 309116	H3
C 244279	KK6	SP 302797	U24	BM 308391	S9	C 309118	H3
C 244280	KK6	BM 302800	S9	SP 308401	U24	C 309120	H3
C 244281	KK6	BX 303039	A5	BZ 308452	D3	C 309122	H3
C 244288	KK7	C 303066	M10	BO 308579	S15	BO 309142	S1
C 244290	KK7	BZ 303093	C13	BZ 308629	M8	BZ 309146	M8
C 244291	KK7	BZ 303094	C10	BO 308634	S1	BO 309147	115
C 244292	KK7	BM 303101	N1	BO 308657	S15	C 309154	F1
C 244293	KK7	A 303118	R8	BO 308658	S15	BZ 309226	M8
C 244306	KK14	BZ 303143	D3	BO 308659	S19	BZ 309227	M8
C 244307	KK14	BZ 303147	D3	C 308670	M7	BO 309272	S1

NUMERICAL INDEX

PART NO.	GROUP	PART NO.	GROUP	PART NO.	GROUP	PART NO.	GROUP
BO 309273	S1	BO 310003	S11	BZ 310204	M9	BZ 310318	C17
C 309279	G1	C 310004	M1	BZ 310205	M9	BZ 310319	C17
C 309280	G1	C 310005	M1	BZ 310206	M9	BZ 310320	C17
C 309281	G1	C 310006	M1	BZ 310207	M9	BZ 310321	C17
C 309282	G1	C 310007	M1	BZ 310207	M10	BZ 310322	C13
C 309283	G1	BO 310008	U5	BZ 310208	M9	BZ 310323	C13
C 309284	G1	C 310009	M6	BZ 310211	M9	BT 310324	K9
C 309285	G1	C 310010	M6	BZ 310213	M9	BO 310327	HH10
C 309286	G1	C 310011	M6	BZ 310214	M9	BO 310328	HH10
C 309289	G1	C 310018	G1	BZ 310216	M9	BO 310329	HH10
C 309290	G1	BZ 310018	G1	BZ 310217	M9	BO 310330	HH10
SP 309311	U24	C 310021	N5	BZ 310218	M9	BZ 310331	C13
SP 309312	U24	BZ 310024	N5	BZ 310219	M9	BZ 310332	C13
SP 309313	U24	BZ 310027	N5	BZ 310220	M9	BZ 310333	C13
SP 309314	U24	BO 310033	S11	BZ 310221	M9	BZ 310334	D3
SP 309315	U24	BO 310033	S13	C 310222	M10	BZ 310335	D3
SP 309316	U24	BZ 310035	N5	C 310223	M10	BO 310336	51
BO 309317	U5	BO 310036	S13	BZ 310224	M10	BO 310337	51
F 309349	F4	BZ 310037	M9	BZ 310225	M10	BO 310338	51
F 309350	F4	BZ 310038	M9	BZ 310227	M9	BO 310339	S1
F 309353	F4	BZ 310039	M9	BZ 310227	M10	BO 310355	S1
F 309354	F4	BZ 310040	M9	BZ 310228	M10	BO 310356	S1
F 309357	F4	BZ 310041	M9	BZ 310229	M9	BO 310359	S1
F 309358	F4	BX 310043	AS	BZ 310229	M10	BO 310360	51
BZ 309361	M8	BZ 310049	M9	BZ 310230	M10	BO 310361	51
SP 309363	U24	BZ 310050	M9	BZ 310231	M9	BM 310375	S13
C 309365	G1	BM 310051	H10	BZ 310232	M9	BM 310375	H13
C 309366	G1	BM 310052	H10	BZ 310233	M9	BZ 310376	C13
C 309375	M7	BM 310054	S9	BZ 310234	M9	BZ 310377	C13
C 309376	M7	F 310062	H14	BZ 310234	D2	BZ 310378	C13
C 309377	H1	BM 310064	H14	BZ 310235	M9	BO 310379	U5
C 309395	H1	BZ 310066	C17	BZ 310236	M9	BO 310380	U5
C 309413	F1	BZ 310067	C17	BZ 310237	M9	C 310385	A1
BT 309529	K8	BZ 310069	C17	BZ 310238	M9	C 310386	A1
BT 309530	K8	BZ 310071	C17	BZ 310239	M9	BX 310387	AS
BZ 309535	M9	BZ 310072	D3	BZ 310240	M9	BX 310388	A5
BZ 309536	M9	BZ 310075	D3	BZ 310241	M9	BO 310389	S1
BZ 309537	M9	BZ 310077	D3	BZ 310242	M9	BZ 310391	M1
HA 309558	U22	BZ 310081	D3	BZ 310244	M9	BZ 310393	M9
BT 309561	J1	BZ 310082	D3	BZ 310245	M9	BZ 310394	M9
HA 309564	U22	BZ 310084	D3	BZ 310246	M9	BO 310395	51
C 309597	H1	BZ 310086	D3	BZ 310247	M9	BO 310396	S1
C 309598	H1	F 310087	N5	BZ 310248	M9	BM 310398	H2
SP 309608	U24	BO 310092	FF11	BZ 310249	M9	BZ 310399	M8
SP 309609	U24	BO 310093	FF11	BZ 310250	M9	BZ 310422	C17
SP 309610	U24	BO 310094	FF11	BZ 310251	M9	BZ 310423	C17
BZ 309648	N6	BO 310095	FF11	BZ 310252	M9	BZ 310424	C17
BZ 309650	N6	BZ 310096	M1	BZ 310253	M9	BZ 310425	C17
BM 309652	N1	A 310098	R8	BZ 310254	M9	BZ 310426	M10
BM 309653	N1	BZ 310101	C16	BZ 310256	M9	BZ 310427	D3
C 309697	G1	BZ 310102	C16	BZ 310257	M9	BZ 310432	D3
C 309698	G1	C 310103	H2	BZ 310258	M9	BZ 310433	D3
C 309699	G1	C 310104	H2	BZ 310259	M9	BZ 310437	D3
HA 309701	U22	C 310105	H2	BZ 310260	M9	BZ 310438	D3
HA 309702	U22	C 310138	M6	BZ 310261	M9	BZ 310440	D3
BT 309707	K21	BZ 310153	C17	BZ 310262	M9	BZ 310441	D3
C 309742	H7	BZ 310161	M4	BZ 310263	M9	BZ 310444	D3
BT 309749	J1	C 310165	M19	BZ 310264	M9	BZ 310445	D3
C 309780	F1	BO 310177	T1	BZ 310265	M9	BZ 310446	D3
C 309787	F1	BO 310178	S1	BZ 310266	M9	BO 310448	U5
C 309789	F1	BO 310179	S5	BZ 310302	M4	BO 310449	U5
C 309790	F1	BO 310180	S5	BZ 310303	M4	BO 310452	HH10
C 309791	F1	BO 310181	S1	CF 310309	E2	C 310455	M1
HA 309812	U22	BT 310196	K9	C 310310	M5	BZ 310456	M2
HA 309821	U22	BZ 310198	D1	C 310311	M5	C 310462	M1
HA 309822	U22	BZ 310201	D1	C 310312	M5	BZ 310478	C17
HA 309823	U22	BZ 310202	M9	C 310313	M5	BZ 310479	C17
HA 309824	U22	BZ 310203	M9	BZ 310317	C17	BZ 310480	C17

NUMERICAL INDEX

PART NO.	GROUP	PART NO.	GROUP	PART NO.	GROUP	PART NO.	GROUP
BZ 310481	C17	BZ 310541	C17	BZ 310581	M9	BZ 310647	C13
BZ 310482	C17	BZ 310542	C17	HA 310582	U22	BZ 310648	C13
BZ 310486	C17	BZ 310545	C17	HA 310582	E2	BZ 310649	C13
BZ 310489	C17	BM 310548	H2	BZ 310583	C17	BZ 310650	C13
BZ 310492	C17	BM 310549	H2	BZ 310584	M4	BZ 310878	M1
BZ 310493	C17	BZ 310551	C17	BZ 310586	C13	BM 310879	S9
BZ 310494	C17	BZ 310552	C17	BZ 310587	C13	BO 310884	S1
BZ 310495	C17	BZ 310553	C17	BZ 310590	K8	BO 310885	S1
BZ 310496	C17	BZ 310554	C17	BZ 310592	K8	BO 310886	S1
BZ 310497	C17	BZ 310555	C17	BZ 310594	K8	BZ 310890	M9
BZ 310498	C17	BZ 310556	C17	BZ 310598	K8	BZ 310897	C17
BZ 310500	C17	BZ 310559	C17	BZ 310600	K8	BZ 310898	C17
BZ 310502	C17	BZ 310560	C17	BZ 310602	K8	BZ 310899	C17
BZ 310503	C17	BZ 310561	C17	BZ 310604	K8	F 310903	H14
BZ 310504	C17	BZ 310563	C17	BO 310610	S1	BZ 310904	M9
BZ 310505	C17	BZ 310564	C17	BO 310611	S1	C 310907	M10
BZ 310506	C17	BZ 310565	C17	BO 310617	S6	BM 310909	H14
BZ 310507	C17	BZ 310566	C17	BO 310618	S6	A 310959	R8
BZ 310510	C17	BZ 310567	C17	BZ 310620	C13	BT 310963	I1
BZ 310513	C17	BZ 310568	C17	BZ 310625	M9	C 310977	H1
BZ 310516	C17	BZ 310570	C17	BZ 310628	M9	C 310978	H1
BZ 310517	C17	BZ 310571	C17	BZ 310629	M9	C 310979	H1
BZ 310518	C17	BZ 310572	C17	BZ 310630	M9	F 310980	71
BZ 310519	C17	C 310573	H1	BZ 310631	M9	BZ 310989	C17
BZ 310520	C17	C 310574	H1	F 310632	E2	BZ 310990	C17
BZ 310521	C17	C 310575	H1	HA 310635	U22	HA 310993	U5
BZ 310531	C17	C 310576	H1	HA 310635	S15	HA 310993	U22
BZ 310533	C17	C 310577	H1	BO 310636	S1	BO 310994	U5
BZ 310537	C17	C 310578	H1	BO 310637	S1	BM 311007	N1
BZ 310538	C17	C 310579	H1	BO 310638	S1	BM 311009	N1
BZ 310539	C17	F 310580	S1	BO 310642	S19	BZ 311042	C17
BZ 310540	C17	F 310580	H3	BZ 310646	C13		

1954 PRELIMINARY

NOTES

1954 PRELIMINARY

NOTES

1954 PRELIMINARY

NOTES

