



SALTDogg® SPREADERS



**NEW MEDIUM DUTY
COMBINATION DUMP SPREADER
FOR CLASS 4 - 7 TRUCKS**

See page 34 for full details

NOTHING WORKS LIKE A DOGG™

Our History

1946

 Buyers Products Company founded by Sam Ruven and Bessie Kleinman as a distributor of driveline components.



Buyers continued to grow its product offerings and build valued relationships with customers and suppliers. Increased demand for products led to the pursuit of supply chain manufacturing solutions.



1992
 Buyers acquired Trailer Components Manufacturing (Tracom) for CNC precision machining and tooling, as well as state-of-the-art welding.



1995
 Buyers acquired Progressive Powder Coating. Our Nordson automatic powder application booth is used to powder coat our Buyers toolboxes and other truck and trailer accessories.



2002
 Buyers moved its corporate headquarters to a brand new 235,000 sq. ft. state-of-the-art office and distribution center.



2004
 Buyers acquired Romotech in New Paris, Indiana. Our Ferry Industries Rotospeed molding machines are used to manufacture our poly salt spreaders.



2007
 Buyers began manufacturing the SnowDogg stainless steel snowplow at our Mentor, Ohio facility.



2009
 Buyers began our operations at Boomerang Rubber, in Botkins, Ohio manufacturing mudflaps, wheel chocks and other rubber truck and trailer accessories.



2013
 Buyers acquired an additional 500,000 sq. ft. manufacturing facility in Mentor, Ohio allowing for expansion of our aluminum and stainless steel manufacturing.



2016
 Buyers establishes a 22,000 sq ft Engineering Tech Center in Mentor, Ohio. It's multi-use lab, design, training and prototyping space is dedicated to the research and development of innovative product.

**ALL YOUR WORK
 TRUCK PRODUCTS
 ALL THE TIME.**

2017
 Buyers launches new website with business partner portal, to make online ordering and account maintenance easy for customers.



Our Corporate Family of Companies



Founded in 1946, Buyers Products is a fully integrated manufacturer and a leader in the truck equipment industry. Our engineering, manufacturing and assembly operations take place in the USA, under the Buyers family of companies. **Buyers Products' mission is to improve our Customers' profitability and productivity while enhancing the quality of our products and services.**



Tailgate Spreaders.....	Page 4-9
0.75 - 2.5 Cubic Yard Spreaders (Electric/Gas).....	Page 10-17
3 - 6 Cubic Yard Spreaders (Electric).....	Page 20-23
Mid-Size Spreaders (Gas/Electric/Hydraulic).....	Page 24-27
Municipal Spreaders (Electric/Hydraulic).....	Page 30-32
Medium Duty Dump Spreaders.....	Page 34-35
Municipal Dump Spreaders.....	Page 36-37
Under Tailgate Spreaders.....	Page 38-39
Replacement Tailgate Spreaders.....	Page 40-41
Anti-Ice Systems.....	Page 42-45
Walk / Tow Behind Spreaders.....	Page 46
ATV / UTV Spreaders.....	Page 47
Pre-Wet Systems.....	Page 48-51
Accessories.....	Page 53-54
Equipment Specifications.....	Page 55-59

NEW PRODUCTS:

MDS Medium Duty Dump Spreader

For Class 4 - 7 Trucks *pg. 34-35*



PRO1500 Spreaders for 6' Beds

5-1/4 Inch Full Length Auger or
12 Inch Pintle Chain Feed *pg. 12-13*



PRO Stainless Steel

5-1/4 Inch Full Length Auger *pg. 14-16*



Dual Auger Municipal Spreaders

Hydraulic Drive *pg. 31*



TAILGATE SPREADERS

Gravity / Vertical Auger Feed



TGS01B shown



OPTIONAL ACCESSORIES

Additional Accessories pg. 9

Wintergate Spreader Mount



PART NO.	DESCRIPTION
025000A	Wintergate Spreader Mount for TGS05B

Conversion Kit



- Control from cab
- Variable speed
- Higher HP

PART NO.	DESCRIPTION
3005423	Conversion Kit, TGSUV1B to TGSUVPROA

Auger for Fine Material



PART NO.	DESCRIPTION
3016231	Fine Material Auger for TGS05B*
3016233	Fine Material Auger for TGSUVPROA* / TGS01B*

*Required to use Ice Melt with these spreaders

TGSUV1B — Residential Use —
Capacity: 4.4 cubic feet
Motor: 1/8 HP, 12V motor with auxiliary plug adapter
Spread Range: 3-14 feet
Feed Mechanism: Manual open/close gate with gravity feed
Power: Electric
Construction: Poly hopper, powder-coated steel frame
Mount: 1-1/4 and 2 inch receiver hitches
Application: SUVs, 1/2, 3/4, and 1 ton trucks

Bulk Salt	Ice Melt	Bagged #1 Rock Salt	50 / 50 Salt / Sand
	✓	✓	



TGSUVPROA — Light Commercial Use —
Capacity: 4.4 cubic feet
Motor: 1/2 HP, 12V motor with variable speed controller
Spread Range: 3-30 feet
Feed Mechanism: Gravity feed with vertical auger
Power: Electric
Construction: Poly hopper, powder-coated steel frame
Mount: 2 inch receiver hitches
Application: SUVs, 1/2, 3/4, and 1 ton trucks

Bulk Salt	Ice Melt	Bagged #1 Rock Salt	50 / 50 Salt / Sand
	✓	✓	

**Optional fine auger required for Ice Melt (3016233)*



TGS01B — Commercial Use —
Capacity: 8 cubic feet
Motor: 1/2 HP, 12V
Spread Range: 3-30 feet
Feed Mechanism: Gravity feed with vertical auger
Power: Electric
Construction: Poly hopper, powder-coated steel frame
Mount: Step bumper mount, 2 inch receiver hitches
Application: 1/2, 3/4, and 1 ton trucks

Bulk Salt	Ice Melt	Bagged #1 Rock Salt	50 / 50 Salt / Sand
	✓	✓	

**Optional fine auger required for Ice Melt (3016233)*



TGS05B — Commercial Use —
Capacity: 10.79 cubic feet
Motor: 1/2 HP, 12V
Spread Range: 3-30 feet
Feed Mechanism: Gravity feed with vertical auger
Power: Electric
Construction: Low-profile poly hopper, powder-coated steel frame
Mount: Step bumper mount, 2 inch receiver hitches
Application: 1/2, 3/4, and 1 ton trucks

Bulk Salt	Ice Melt	Bagged #1 Rock Salt	50 / 50 Salt / Sand
	✓	✓	

**Optional fine auger required for Ice Melt (3016231)*



TAILGATE SPREADERS

Horizontal Auger Feed



TGS07 shown

OPTIONAL ACCESSORIES

Additional Accessories pg. 9

Bumper Extensions



Vibrator Kits



PART NO.	DESCRIPTION
3038518	Bumper Extender for TGS03
3038520	Bumper Extender for TGS07

Use bumper extensions to mount **TGS03 & TGS07** spreaders on trucks with flared tailgates

PART NO.	DESCRIPTION
3028195	80 lb Vibrator Kit for TGS02
3008241	80 lb Vibrator Kit for TGSUV1B/PROA/5B
3020340*	200 lb Vibrator Kit for TGS03

*TGS03 requires optional vibrator for bulk sand and salt / sand mix

TGS02 — Commercial Use —

- Capacity:** 4 cubic feet
- Motor:** 1/3 HP, 12V dual shaft gear motor
- Spread Range:** 3-30 feet
- Feed Mechanism:** Horizontal auger feed
- Power:** Electric
- Construction:** Poly hopper, powder-coated steel frame
- Mount:** 2 inch receiver hitches
- Application:** SUVs, 1/2, and 3/4 ton trucks



3011864

Bulk Salt	Ice Melt	Bagged #1 Rock Salt	50 / 50 Salt / Sand
	✓	✓	

Variable Speed In-Cab Controller with "Blast" and Vibrator Control

TGS03 — Commercial Use —

- Capacity:** 8 cubic feet
- Motor:** 1/2 HP, 12V dual shaft gear motor
- Spread Range:** 3-30 feet
- Feed Mechanism:** Horizontal auger feed with stainless steel trough
- Power:** Electric
- Construction:** Poly hopper, powder-coated steel frame
- Mount:** 2 inch Class 4 receiver with horizontal and vertical adjustments to rest on step bumper
- Application:** 1/2 and 3/4 ton trucks



3011864

Bulk Salt	Ice Melt	Bagged #1 Rock Salt	50 / 50 Salt / Sand*
✓	✓	✓	✓

Optional vibrator required for bulk sand and salt / sand mix (3020340)
Optional bumper extension to mount on trucks with flared tailgates (3038518)

Variable Speed In-Cab Controller with "Blast" and Vibrator Control

TGS07 — Commercial Use —

- Capacity:** 11 cubic feet
- Motor:** 1/2 HP, 12V dual shaft gear motor
- Spread Range:** 3-30 feet
- Feed Mechanism:** Horizontal auger feed with stainless steel trough
- Power:** Electric
- Construction:** Poly hopper, powder-coated steel frame
- Mount:** 2 inch Class 4 receiver with horizontal and vertical adjustments to rest on step bumper
- Application:** 3/4 and 1 ton trucks
- Includes:** 200 lb concealed vibrator



3011864

Bulk Salt	Ice Melt	Bagged #1 Rock Salt	50 / 50 Salt / Sand
✓	✓	✓	✓

Optional bumper extension to mount on trucks with flared tailgates (3038520)

Variable Speed In-Cab Controller with "Blast" and Vibrator Control

TAILGATE SPREADERS

Gravity / Vibrator Feed



TGS06 shown

TGS06

Bulk Salt	Ice Melt	Bagged #1 Rock Salt	50 / 50 Salt / Sand
	✓	✓	

FEATURES

Capacity: 10 cubic feet

Motor: 12V motor housed in sealed chamber

Spread Range: 3-30 feet

Feed Mechanism: Manual open/close gate with gravity feed

Power: Electric

Construction: Poly hopper, powder-coated steel frame

Mount: 2 inch hitch receiver
(Includes universal stake pocket attachment)

Application: 3/4 and 1 ton trucks

CONTROLLER

Variable speed controller

- Vibrator On/Off switch
- Digital speed display
- Blast button "blasts" extra material where heavy spreading is required



3011864

TAILGATE SPREADERS COMPARISON CHART

PART NO.	CAPACITY CU. FT.	SPREAD (FT)	IDEAL USE	VEHICLE APPLICATION	SPINNER	RECEIVER HITCH	DIMENSIONS (H X W X L)	WT. (LB)
TGSUV1B	4.41	12-14	Residential	SUVs, 1/2, and 3/4 ton trucks	9" Poly	1-1/4" & 2", Class 3 or 4	40.5" x 22.5" x 20.5"	68
TGSUVPROA	4.41	3-30	Residential / Light Commercial	SUVs, 1/2, and 3/4 ton trucks	9" Poly	2", Class 4	40.5" x 22.5" x 20.5"	74
TGS02	4.0	3-30	Residential / Light Commercial	SUVs, 1/2, and 3/4 ton trucks	9" Poly	2", Class 4	32" x 30" x 22"	64
TGS03	8.0	3-30	Commercial	1/2 and 3/4 ton trucks	9" Poly	2", Class 4	45" x 38" x 30"	160
TGS01B	8.0	3-30	Commercial	1/2, 3/4 and 1 ton trucks	9" Poly	1-1/4" & 2", Class 4	45.7" x 29.7" x 30.3"	135
TGS05B	10.79	3-30	Commercial	3/4 and 1 ton trucks	9" Poly	2", Class 4	40.1" x 54.3" x 27.3"	212
TGS06	10	3-30	Commercial	3/4 and 1 ton trucks	9" Poly	2", Class 4	40" x 63" x 27"	160
TGS07	11	3-30	Commercial	3/4 and 1 ton trucks	12" Poly	2", Class 4	46" x 53" x 31.5"	230

TAILGATE ACCESSORIES

Wintergate Spreader Mount



PART NO.	DESCRIPTION
025000A	Wintergate Spreader Mount for TGS01B/5B

Vibrator Kits



PART NO.	DESCRIPTION
3028195	80 lb Vibrator Kit for TGS02
3008241	80 lb Vibrator Kit for TGSUV1B/PROA/5B
3020340	200 lb Vibrator Kit for TGS03

Conversion Kit



PART NO.	DESCRIPTION
3005423	Conversion Kit, TGSUV1B to TGSUVPROA

Stake Pocket Anchor Kit & Receiver Tube



PART NO.	DESCRIPTION
0207005	2" Receiver Tube Spreader Mount for TGS01B/5B
3012415	Stake Pocket Anchor Kit for TGS01B

Auger for Fine Material



PART NO.	DESCRIPTION
3016231	Fine Material Auger for TGS05B
3016233	Fine Material Auger for TGSUVPROA & TGS01B

Bumper Extensions



PART NO.	DESCRIPTION
3038518*	Bumper Extension for TGS03
3038520*	Bumper Extension for TGS07

*Mount TGS03/07 spreaders on trucks with flared tailgates

ELECTRIC POLY SPREADERS

2-1/2 Inch Auger Feed



SHPE2000 shown with EZ Lids™

2-YEAR WARRANTY
on all SHPE Spreaders



COMMON FEATURES

Spread Range: 5-30 feet

Feed Mechanism: 2-1/2 inch stainless steel auger and trough

Motor: Two 12V direct drive gear motors
(1/2 HP for auger, 1/4 HP for spinner)

Construction: Patented double-wall poly hopper

- Additional Features:**
- Top screen
 - Removable spinner assembly
 - Independent direct drive auger and spinner motors

INCLUDED ACCESSORIES

- 200 lb vibrator
- Fitted tarp
- Tie-downs
- Remote auger bearing grease kit

CONTROLLER

Variable speed controller

- Vibrator On/Off switch with pause button
- Independent auger and spinner controls
- Auto reverse functionality to help clear auger jams



3014199

OPTIONAL ACCESSORIES



PART NO.	DESCRIPTION
3034577	EZ Lids™ for SHPE2000 Series (2018+ Models)



LS6 (Mounted on SHPE1500)

LS14 (Mounted on SHPE2000)

PART NO.	DESCRIPTION
LS6	Pre-Wet System with 30 Gallon Tank for SHPE1500 and SHPE2000 (Pre-2018 Models)
LS14*	Pre-Wet System with 60 Gallon Tank for SHPE2000 (2018+ Models)

See pg. 48 for details

SHPE0750 — Light / Medium Commercial Use —
Capacity: 0.75 cubic yards (4 feet 6 inches)
Application: UTVs, 1/2, and 3/4 ton trucks
Available Models: Standard chute model (**SHPE0750**)
 Extended chute model (**SHPE0750X**)

Bulk Salt	Bulk Sand	Bagged #1 Rock Salt	50 / 50 Salt / Sand
✓		✓	✓



SHPE1000 — Medium / Heavy Commercial Use —
Capacity: 1 cubic yard (5 feet 8 inches)
Application: 1/2 and 3/4 ton trucks
Available Models: Standard chute model (**SHPE1000**)
 Extended chute model (**SHPE1000X**)

Bulk Salt	Bulk Sand	Bagged #1 Rock Salt	50 / 50 Salt / Sand
✓		✓	✓



SHPE1500 — Medium / Heavy Commercial Use —
Capacity: 1.5 cubic yard (7 feet 3 inches)
Application: 3/4 and 1 ton trucks
Available Models: Standard chute models (**SHPE1500, SHPE1500RED, SHPE1500YEL**)
 Extended chute models (**SHPE1500X, SHPE1500XRED, SHPE1500XYEL**)

Bulk Salt	Bulk Sand	Bagged #1 Rock Salt	50 / 50 Salt / Sand
✓		✓	✓



SHPE2000 — Heavy Commercial Use —
Capacity: 2 cubic yard (8 feet)
Application: 3/4 and 1 ton trucks
Available Models: Standard chute models (**SHPE2000, SHPE2000RED, SHPE2000YEL**)
 Extended chute models (**SHPE2000X, SHPE2000XRED, SHPE2000XYEL**)

Bulk Salt	Bulk Sand	Bagged #1 Rock Salt	50 / 50 Salt / Sand
✓		✓	✓



COMMERCIAL GRADE PRO SERIES ELECTRIC POLY SPREADERS

5-1/4 Inch Auger or 12 Inch Pintle Chain Feed



2-YEAR WARRANTY
on all
PRO Series
Spreaders



PRO2000 shown with EZ Lids™

COMMON FEATURES

Spread Range: 5-30 feet

Construction: Patented double-wall poly hopper

- Additional Features:**
- Top screen
 - Chute adjusts to 3 positions
 - Stainless steel inverted V
 - Swing away chute for bulk unloading

INCLUDED ACCESSORIES

- Tarp
- Tie-downs kit
- 12V vibrator rated at 200 lb

CONTROLLER

Variable speed controller

- Independent auger / conveyor and spinner control
- Vibrator control



3016934

OPTIONAL ACCESSORIES



PART NO.	DESCRIPTION
3034577	EZ Lids™ for PRO2000 / PRO2000CH



PART NO.	DESCRIPTION
LS13*	Pre-Wet System with 60 Gallon Tank for PRO2000 and PRO2500 Series

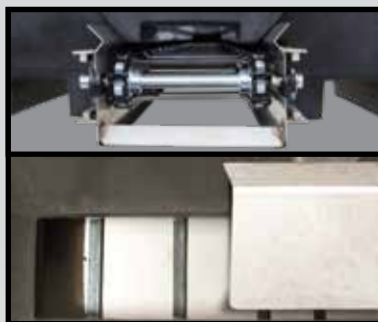
See pg. 48 for details

What Makes a **PRO?**



5-1/4" full length carbon steel auger with 3/4 HP motor

OR



12" wide all steel pintle chain conveyor with 3/4 HP motor

PLUS



High flow swing away chute and large 14" spinner with 1/2 HP motor



AUGER MODELS

Feed Mechanism: 5-1/4 inch full length steel variable pitch auger, stainless steel trough

Motor: Two 12V direct drive gear motors (3/4 HP for auger and 1/2 HP for spinner)

PRO1500*

Capacity: 1.5 cubic yards (6 feet)
Application: Minimum 10,000 lb GVW

PRO2000

Capacity: 2 cubic yards (8 feet)
Application: Minimum 10,000 lb GVW

PRO2500

Capacity: 2.5 cubic yards (8 feet)
Application: Minimum 13,000 lb GVW

Bulk Salt	Bulk Sand	Bagged #1 Rock Salt	50 / 50 Salt / Sand
✓		✓	✓

CHAIN MODELS

Feed Mechanism: 12 inch wide all steel pintle chain conveyor and stainless steel trough

Motor: Two 12V direct drive gear motors (3/4 HP for chain and 1/2 HP for spinner)

PRO1500CH*

Capacity: 1.5 cubic yards (6 feet)
Application: Minimum 10,000 lb GVW

PRO2000CH

Capacity: 2 cubic yards (8 feet)
Application: Minimum 10,000 lb GVW

PRO2500CH

Capacity: 2.5 cubic yards (8 feet)
Application: Minimum 13,000 lb GVW

Bulk Salt	Bulk Sand	Bagged #1 Rock Salt	50 / 50 Salt / Sand
✓	✓	✓	✓

ELECTRIC SLIDE-IN SPREADERS

5-1/4 Inch Auger or 12 Inch Pintle Chain Feed



1400601SS shown

FEATURES

Spread Range: 2-30 feet

Construction: 304 stainless steel hopper

Application: 3/4 and 1 ton pickup, flatbed or dump truck

Additional Features:

- Top screen
- Stainless steel inverted V

INCLUDED ACCESSORIES

• Tie-downs kit

CONTROLLER

Variable speed controller

- Independent auger / conveyor and spinner control
- Vibrator control



3016934



AUGER MODEL

1470601SS*

Capacity: 2 cubic yards (8 feet)

Application: Minimum 10,000 lb GVW

Feed Mechanism: 5-1/4 inch full length steel variable pitch auger, stainless steel trough

Motor: Two 12V direct drive gear motors (3/4 HP for auger and 1/2 HP for spinner)

Chute Assembly: Spinner assembly includes side-swing feature for easy cleaning, storage and bulk unloading

Bulk Salt	Ice Melt	Bagged #1 Rock Salt	50 / 50 Salt / Sand
✓	✓	✓	✓



CHAIN MODELS

Feed Mechanism: 12 inch wide all steel pintle chain conveyor

Feed Gate: Lever operated with friction lock for accurate adjustment

Motor: Two 12V direct drive gear motors (3/4 HP for chain and 1/2 HP for spinner)

Chute Assembly: 14 inch polymer disc with six-fins, chute adjusts 11.5 inches

1400701SS

Capacity: 1.5 cubic yards (6 feet)

Application: Minimum 10,000 lb GVW

1400601SS

Capacity: 2 cubic yards (8 feet)

Application: Minimum 10,000 lb GVW

Bulk Salt	Ice Melt	Bagged #1 Rock Salt	50 / 50 Salt / Sand
✓	✓	✓	✓

GAS SLIDE-IN SPREADERS

12 Inch Pintle Chain Feed



1400050SS shown



COMMON FEATURES

Spread Range: 5-30 feet

Feed Mechanism: 12 inch wide all steel pintle chain conveyor

Conveyor Gear Case: Gear ratio is 20:1 with 1 inch input shaft and 1-1/8 output shaft on tapered roller bearings

Feedgate: Lever operated with friction lock for accurate adjustment

Motor: Two 12V direct drive gear motors
(3/4 HP for chain / auger and 1/2 HP for spinner)

Application: 3/4, 1 ton pickup, flatbed or dump truck

Additional Features:

- Top screen
- Stainless steel adjustable inverted V

CONTROLLER

- In-cab controller
- Automatic choke
- Electric clutch
- In-cab throttle with hold
- Material "blast" function
- Built-in circuit breaker



3010390

OPTIONAL ACCESSORIES



PART NO.	DESCRIPTION
LS7	Pre-Wet System for 1400 Series*

See pg. 48 for details



PART NO.	DESCRIPTION
1491701	Tarp for 1.5 Cubic Yard Models
1491501	Tarp for 2 Cubic Yard Models
1491301	Tarp for 2.5 Cubic Yard Models
1496505	Nylon Ratchet Strap Mounting Kit

Tarps are not for Poly V-Box Spreaders

STAINLESS STEEL MODELS

1.5 cubic yards
6 feet

1400200SS

Standard Chute Model

1400250SS

Extended Chute Model

2 cubic yards
8 feet

1400050SS

Standard Chute Model

1400100SS

Extended Chute Model

2.5 cubic yards
10 feet

1400300SS

Standard Chute Model

1400350SS

Extended Chute Model

Bulk Salt	Bulk Sand	Bagged #1 Rock Salt	50 / 50 Salt / Sand
-----------	-----------	---------------------	---------------------



Optional 6 inch Side Extensions, for 8 foot models add 0.6 cubic yards (3020766)

Optional 12 inch Side Extensions, for 8 foot models add 1.2 cubic yards (1493501SS)

Optional 12 inch Side Extensions, for 10 foot models add 1.5 cubic yards (1493550SS)



POLY MODEL

2 cubic yards
8 feet

1400400

Standard Chute Model

1400450

Extended Chute Model

Bulk Salt	Bulk Sand	Bagged #1 Rock Salt	50 / 50 Salt / Sand
-----------	-----------	---------------------	---------------------



Optional Tie Downs (146505)

Optional Vibrator Kit (3008046)

*Poly Models are not compatible with Pre Wet Systems



0.75 - 2.5 CUBIC YARD SPREADER **COMPARISON CHART**

PART NO.	CAPACITY CU. YDS.	POWER	HOPPER MATERIAL	SPREAD (FT)	VEHICLE APPLICATION	FEED MECHANISM	DIMENSIONS (H X W X L)	WT. (LB)
SHPE0750 SERIES	0.75	Electric	Poly	5-30	UTVs, 1/2, and 3/4 ton trucks	Auger	28" x 48" x 63.2"	280
SHPE1000 SERIES	1.0	Electric	Poly	5-30	1/2 and 3/4 ton trucks	Auger	34" x 48" x 71.5"	343
SHPE1500 SERIES	1.5	Electric	Poly	5-30	3/4 and 1 ton trucks	Auger	38" x 50.5" x 99.7"	520
SHPE2000 SERIES	2.0	Electric	Poly	5-30	3/4 and 1 ton trucks	Auger	40" x 47.8" x 100"	560
PRO1500*	1.5	Electric	Poly	5-30	Minimum 10,000 lb GVW	Auger	38" x 48" x 89.5"	647
PRO1500CH*	1.5	Electric	Poly	5-30	Minimum 10,000 lb GVW	Chain	38" x 48" x 89.5"	667
PRO2000	2.0	Electric	Poly	5-30	Minimum 10,000 lb GVW	Auger	44.3" x 48" x 96"	705
PRO2000CH	2.0	Electric	Poly	5-30	Minimum 10,000 lb GVW	Chain	44.3" x 48" x 96"	725
PRO2500	2.5	Electric	Poly	5-30	Minimum 13,000 lb GVW	Auger	44.3" x 48" x 116.5"	986
PRO2500CH	2.5	Electric	Poly	5-30	Minimum 13,000 lb GVW	Chain	44.3" x 48" x 116.5"	1,023
1400701SS	1.5	Electric	Stainless Steel	2-30	3/4 and 1 ton pickup, flatbed or dump truck	Chain	32.1" x 47" x 86.6"	682
1400601SS	2.0	Electric	Stainless Steel	2-30	3/4 and 1 ton pickup, flatbed or dump truck	Chain	32.1" x 47" x 110.8"	995
1470601SS*	2.0	Electric	Stainless Steel	2-30	3/4 and 1 ton pickup, flatbed or dump truck	Auger	32.25" x 47" x 111.75"	995
1400200SS	1.5	Gas	Stainless Steel	2-30	3/4, 1 ton pickup, flatbed or dump truck	Chain	32.1" x 47" x 91.7"	753
1400250SS	1.5	Gas	Stainless Steel	2-30	3/4, 1 ton pickup, flatbed or dump truck	Chain	32.1" x 47" x 91.7"	764
1400050SS	2.0	Gas	Stainless Steel	2-30	3/4, 1 ton pickup, flatbed or dump truck	Chain	32.1" x 47" x 115.7"	750
1400100SS	2.0	Gas	Stainless Steel	2-30	3/4, 1 ton pickup, flatbed or dump truck	Chain	32.1" x 47" x 115.7"	760
1400400	2.0	Gas	Poly	2-30	3/4, 1 ton pickup, flatbed or dump truck	Chain	32.1" x 47" x 139.7"	837
1400450	2.0	Gas	Poly	2-30	3/4, 1 ton pickup, flatbed or dump truck	Chain	32.1" x 47" x 139.7"	853
1400300SS	2.5	Gas	Stainless Steel	2-30	3/4, 1 ton pickup, flatbed or dump truck	Chain	35" x 47" x 115.6"	910
1400350SS	2.5	Gas	Stainless Steel	2-30	3/4, 1 ton pickup, flatbed or dump truck	Chain	35" x 47" x 115.6"	922

0.75 - 2.5 CUBIC YARD SPREADER ACCESSORIES

Pre-Wet Systems (see pg. 48-49 for details)



LS6 (Mounted on SHPE1500)



LS7 (Mounted on 1400100SS)



LS13 (Mounted on PRO2000)

PART NO.	DESCRIPTION	APPLICATION
LS6	Electric 30 Gallon Tank System (Poly Spreaders)	SHPE1000 / SHPE1500 Series
LS7	Electric 30 Gallon Tank System (Steel / Stainless Spreaders)	1400 Series
LS8	Electric (2) 30 Gallon Tank System (Steel / Stainless Spreaders)	1400 Series
LS13	Electric 55 Gallon Tank System (Poly Spreaders)	PRO2000 Series
LS14	Electric (2) 55 Gallon Tank System (Poly Spreaders)	SHPE2000 Series

EZ Lids™ for SHPE2000 / PRO2000



EZ Lids™ shown on PRO2000

- Helps keep moisture and debris out of your hopper to keep your material pure
- Durable poly construction won't corrode and resists wear and tear
- Easily attaches to Saltdogg® SHPE2000 (2018+) and PRO2000 spreaders using the included mounting hardware

PART NO.	DESCRIPTION
3034577	EZ Lids™ for SHPE2000 / PRO2000 Series (2018+ Models)

Tie Downs & Tarps



PART NO.	DESCRIPTION
1491701	Tarp for 1.5 cubic yard Gas V-Box Spreaders
1491501	Tarp for 2 cubic yard Gas V-Box Spreaders
1491301	Tarp for 2.5 cubic yard Gas V-Box Spreaders
1496505	Nylon Ratchet Strap Mounting Kit (4 Straps)

ELECTRIC POLY SPREADERS

6 Inch Auger or 12 Inch Pintle Chain Feed



SHPE3000 shown

2-YEAR WARRANTY
on all SHPE Spreaders



COMMON FEATURES

Spread Range: 5-30 feet

Construction: Patented double-wall poly hopper

- Additional Features:**
- Top screen
 - Stainless steel inverted V
 - Spinner assembly can be easily removed for cleaning and storage
 - Chute adjusts 12 inches
 - Removable chute for bulk unloading

INCLUDED ACCESSORIES

- Standard double doors with interlocking system to channel water away
- Spreader tie-down kit
- 12V 400 lb vibrator for the 6 inch auger model (SHPE3000)

CONTROLLER

Variable speed controller

- Independent auger / conveyor and spinner control
- Vibrator control



3016934



AUGER MODEL

Not recommended for highway use

SHPE3000 — Commercial Use

Capacity: 3 cubic yards (8 feet 6 inches)

Application: Minimum 13,000 lb GVW

Feed Mechanism: 6 inch steel auger, stainless steel trough

Motor: Two 12V direct drive gear motors (3/4 HP for auger and 1/2 HP for spinner)

Bulk Salt	Bulk Sand	Bagged #1 Rock Salt	50 / 50 Salt / Sand
✓		✓	✓



CHAIN MODEL

SHPE3000CH — Commercial Use

Capacity: 3 cubic yards (8 feet 6 inches)

Application: Minimum 13,000 lb GVW

Feed Mechanism: 12 inch wide all steel pintle chain conveyor

Motor: Two 12V direct drive gear motors (3/4 HP for chain and 1/2 HP for spinner)

Bulk Salt	Bulk Sand	Bagged #1 Rock Salt	50 / 50 Salt / Sand
✓	✓	✓	✓

ELECTRIC POLY SPREADERS

5-1/2 Inch Auger or 12 Inch Pintle Chain Feed



SHPE6000 shown

**2-YEAR
WARRANTY**
on all SHPE
Spreaders



COMMON FEATURES

Spread Range: 5-30 feet

Construction: Double-wall poly-molded hopper with stainless steel frame

- Additional Features:**
- Two top screens
 - Stainless steel inverted V
 - Spinner assembly can be easily removed for cleaning and storage
 - Weighs 1,000 lb less compared to steel/stainless steel (SHPE6000 Series)

INCLUDED ACCESSORIES

- Vinyl tarp with tie-down kit (SHPE4000 series)
- 12V 400 lb vibrator (SHPE4000 comes with 2, SHPE4000CH only comes with 1)
- 12V 900 lb vibrator (SHPE6000 series)

CONTROLLER

Variable speed controller

- Independent auger / conveyor and spinner control
- Vibrator control



3016934



SHPE6000

AUGER MODELS

Feed Mechanism: 5-1/2 inch steel auger, stainless steel trough

Motor: Two 12V direct drive motors (3/4 HP for auger, 1/2 HP for spinner)

SHPE4000

Capacity: 4 cubic yards (10 feet 7 inches)

Application: Minimum 26,000 lb GVW

SHPE6000

Capacity: 6 cubic yards (10 feet 7 inches)

Application: Minimum 26,000 lb GVW

Bulk Salt	Bulk Sand	Bagged #1 Rock Salt	50 / 50 Salt / Sand
✓		✓	✓

Optional tarp kit for SHPE6000 models (3021928)



SHPE4000CH

CHAIN MODELS

Feed Mechanism: 12 inch wide all steel pintle chain conveyor

Motor: Two 12V direct drive motors (3/4 HP for chain, 1/2 HP for spinner)

SHPE4000CH

Capacity: 4 cubic yards (10 feet 7 inches)

Application: Minimum 26,000 lb GVW

SHPE6000CH

Capacity: 6 cubic yards (10 feet 7 inches)

Application: Minimum 26,000 lb GVW

Bulk Salt	Bulk Sand	Bagged #1 Rock Salt	50 / 50 Salt / Sand
✓	✓	✓	✓

2.5-3 CU. YD. MID-SIZE SPREADERS

14-1/2 Inch Pintle Chain Feed with 1/4 Inch Crossbars



1400465SSE shown

COMMON FEATURES

Spread Range: 2-30 feet

Feed Mechanism: 14-1/2 inch wide conveyor chain with 1/4 inch crossbars

Motor: Gas: 10-1/2 HP gas engine

Electric: Two 12V gear motors (3/4 HP for chain and 1/2 HP for spinner)

Hydraulic: Two independent hydraulic motors

Construction: 304 stainless steel hopper

Application: Minimum 13,000 lb GVW

- Additional Features:**
- 4 hinged top screens, 1/4 inch bars
 - Inverted V installed
 - Spinner chute has two adjustable internal baffles
 - Adjustable feedgate
 - 18 inch poly spinner disc

CONTROLLERS

Electric Model Controller

- Variable speed control for auger / conveyor and spinner

3016934



Gas Model Controller

- Automatic choke
- Electric clutch
- In-cab throttle with hold
- Material "blast" function
- Built-in circuit breaker

3010390



Hydraulic systems controller sold separately



1400460SSH shown

CHAIN MODELS

2.5 cubic yards
8 feet

1400455SS
Gas Model

1400455SSE
Electric Model

1400455SSH
Hydraulic Model

3 cubic yards
10 feet

1400465SS
Gas Model

1400465SSE
Electric Model

1400465SSH
Hydraulic Model

2.75 cubic yards
9 feet

1400460SS
Gas Model

1400460SSE
Electric Model

1400460SSH
Hydraulic Model

Bulk Salt	Bulk Sand	Bagged #1 Rock Salt	50 / 50 Salt / Sand
✓	✓	✓	✓

OPTIONAL ACCESSORIES

Mid-Size Spreader Stands (see pg. 28 for details)



PART NO.	DESCRIPTION
3037145	Spreader Stand, 8ft., Black Powder Coat

Additional Mid-Size Spreader Stands on pg. 28

Pre-Wet Systems (see pg. 48 for details)



LS7 Pre-Wet System

PART NO.	DESCRIPTION
LS7	Electric 30 Gallon Tank System
LS8	Electric (2) 30 Gallon Tank System
LS8H	Hydraulic (2) 30 Gallon Tank System

3.5-5.5 CU. YD. MID-SIZE SPREADERS

5-1/4 Inch Auger or 14-1/2 Inch Pintle Chain Feed with 1/4 Inch Crossbars



1400475SS shown with optional LS1 and 88911445

COMMON FEATURES

Spread Range: 2-30 feet

Feed Mechanism: 14-1/2 inch wide conveyor chain with 1/4 inch crossbars

Motor: Gas: 10-1/2 HP gas engine

Electric: Two 12V gear motors (3/4 HP for chain and 1/2 HP for spinner)

Hydraulic: Two independent hydraulic motors

Construction: 304 stainless steel hopper

- Additional Features:**
- 4 hinged top screens, 1/4 inch bars
 - Stainless steel inverted V
 - Spinner chute has two adjustable internal baffles
 - Adjustable feedgate
 - Bolt-on spinner housing
 - 18 inch poly spinner disc

CONTROLLERS

Electric Model Controller

- Variable speed control for auger / conveyor and spinner

3016934



Gas Model Controller

- Automatic choke
- Electric clutch
- In-cab throttle with hold
- Material "blast" function
- Built-in circuit breaker

3010390



Hydraulic systems controller sold separately

AUGER MODELS — 5-1/4 inch variable pitch auger

3.5 cubic yards 8 feet Minimum 15,000 lb GVW	1470475SSE <i>Electric Model</i>	4 cubic yards 9 feet Minimum 15,000 lb GVW	1470500SSE <i>Electric Model</i>
	1470475SSH <i>Hydraulic Model</i>		1470500SSH <i>Hydraulic Model</i>
4.5 cubic yards 10 feet Minimum 17,500 lb GVW	1470550SSE <i>Electric Model</i>	5 cubic yards 9 feet Minimum 19,500 lb GVW	1470505SSE <i>Electric Model</i>
	1470550SSH <i>Hydraulic Model</i>		1470505SSH <i>Hydraulic Model</i>
5.5 cubic yards 10 feet Minimum 19,500 lb GVW	1470560SSE <i>Electric Model</i>		
	1470560SSH <i>Hydraulic Model</i>		

Bulk Salt	Bulk Sand	Bagged #1 Rock Salt	50 / 50 Salt / Sand
✓		✓	✓

CHAIN MODELS — 14-1/2 inch wide conveyor chain with 1/4 inch crossbars

3.5 cubic yards 8 feet Minimum 15,000 lb GVW	1400475SS <i>Gas Model</i>	4 cubic yards 9 feet Minimum 15,000 lb GVW	1400500SS <i>Gas Model</i>
	1400475SSE <i>Electric Model</i>		1400500SSE <i>Electric Model</i>
	1400475SSH <i>Hydraulic Model</i>		1400500SSH <i>Hydraulic Model</i>
4.5 cubic yards 10 feet Minimum 17,500 lb GVW	1400550SS <i>Gas Model</i>	5 cubic yards 9 feet Minimum 19,500 lb GVW	1400505SS <i>Gas Model</i>
	1400550SSE <i>Electric Model</i>		1400505SSE <i>Electric Model</i>
	1400550SSH <i>Hydraulic Model</i>		1400505SSH <i>Hydraulic Model</i>
5.5 cubic yards 10 feet Minimum 19,500 lb GVW	1400560SS <i>Gas Model</i>		
	1400560SSE <i>Electric Model</i>		
	1400560SSH <i>Hydraulic Model</i>		

Bulk Salt	Bulk Sand	Bagged #1 Rock Salt	50 / 50 Salt / Sand
✓	✓	✓	✓

OPTIONAL ACCESSORIES

Mid-Size Spreader Stands (see pg. 28 for details)



1470475SSE shown with optional spreader stand 3037145

PART NO.	DESCRIPTION
3037145	Spreader Stand, 8ft., Black Powder Coat

Additional Mid-Size Spreader Stands on pg. 28

Pre-Wet Systems (see pg. 48 for details)



LS4 Pre-Wet System

LS1 Pre-Wet System

PART NO.	DESCRIPTION
LS4	(1) Electric 105 Gallon Tank System
LS5	(2) Electric 105 Gallon Tank System
LS1	(1) Electric 55 Gallon Tank System
LS3	(2) Electric 55 Gallon Tank System

MID-SIZE SPREADERS ACCESSORIES

Spreader Stands



- Available in black powder-coated or hot-dipped galvanized steel
- Simplifies loading, unloading and storage of your mid-size SaltDogg® spreader
- Adjustable legs to accommodate your bed height
- Built-in rollers make loading and unloading your spreader simple and smooth
- Sturdy 1/4 in. structural steel tubing for durability



Built-In Rollers for smooth unloading



Adjustable legs to accommodate your bed height

PART NO.	DESCRIPTION
3037145	Spreader Stand, 8ft., Black Powder-Coated
3037146	Spreader Stand, 8ft., Galvanized
3037294	Spreader Stand, 9ft.-10ft., Black Powder-Coated
3037295	Spreader Stand, 9ft.-10ft., Galvanized

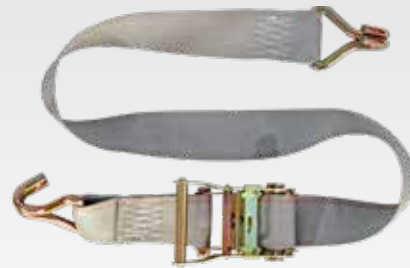
Spreader Control Kit



- 3 function controller with LED display: spinner, auger-conveyor, electric pre-wet
- Enclosed proportional valves
- Adjustable 1-30 second material blast
- Wire harness
- Garmin™ GPS plug-in antenna (sold separately)

PART NO.	DESCRIPTION
HV715EPG	Elec-Hyd Spreader Control Kit, 7 GPM Spinner / 15 GPM Auger-Conveyor

Ratchet Straps



PART NO.	DESCRIPTION
1496505	Nylon Ratchet Strap Mounting Kit (4 Straps to a Set)

Cab Guard



PART NO.	DESCRIPTION
1497051	Cab Guard, Stainless Steel (70" x 22" x 51"), for 3.5-5.0 cu. yd. Models

Dump Body Tailgate Latch



3008560

- 3" structural steel channel
- 1.25" pins
- Black powder coat finish or stainless steel

PART NO.	DESCRIPTION
3008560	Steel Dump Body Tailgate Lock Kit
3036588	Stainless Steel Dump Body Tailgate Lock Kit

MID-SIZE SPREADERS **COMPARISON CHART**

PART NO.	CAPACITY CU. YDS.	POWER	HOPPER MATERIAL	SPREAD (FT)	MINIMUM GVW (LB)	FEED MECHANISM	DIMENSIONS (H X W X L)	WT. (LB)
SHPE3000	3.0	Electric	Poly	5-30	13,000	Auger	52.7" x 49.6" x 123.7"	945
SHPE3000CH	3.0	Electric	Poly	5-30	13,000	Chain	52.7" x 49.6" x 123.7"	945
SHPE4000	4.0	Electric	Poly	5-30	17,500	Auger	43.5" x 74" x 114.8"	895
SHPE4000CH	4.0	Electric	Poly	5-30	17,500	Chain	43.5" x 74" x 114.8"	895
SHPE6000	6.0	Electric	Poly	5-30	26,000	Auger	57" x 77" x 133.5"	1,134
SHPE6000CH	6.0	Electric	Poly	5-30	26,000	Chain	57" x 77" x 133.5"	1,134
1400455SS	2.5	Gas	Stainless Steel	2-30	13,000	Chain	38" x 58" x 96"	1,395
1400455SE	2.5	Electric	Stainless Steel	2-30	13,000	Chain	38" x 58" x 96"	1,335
1400455SSH	2.5	Hydraulic	Stainless Steel	2-30	13,000	Chain	38" x 58" x 96"	1,335
1400460SS	2.75	Gas	Stainless Steel	2-30	13,000	Chain	38" x 58" x 108"	1,460
1400460SE	2.75	Electric	Stainless Steel	2-30	13,000	Chain	38" x 58" x 108"	1,400
1400460SSH	2.75	Hydraulic	Stainless Steel	2-30	13,000	Chain	38" x 58" x 108"	1,400
1400465SS	3.0	Gas	Stainless Steel	2-30	13,000	Chain	38" x 58" x 120"	1,526
1400465SE	3.0	Electric	Stainless Steel	2-30	13,000	Chain	38" x 58" x 120"	1,466
1400465SSH	3.0	Hydraulic	Stainless Steel	2-30	13,000	Chain	38" x 58" x 120"	1,466
1400475SS	3.5	Gas	Stainless Steel	2-30	15,000	Chain	45.5" x 70" x 115.9"	1,470
1400475SE	3.5	Electric	Stainless Steel	2-30	15,000	Chain	45.5" x 70" x 115.9"	1,500
1400475SSH	3.5	Hydraulic	Stainless Steel	2-30	15,000	Chain	45.5" x 70" x 118.8"	1,405
1400500SS	4.0	Gas	Stainless Steel	2-30	15,000	Chain	45.5" x 70" x 127.9"	1,500
1400500SE	4.0	Electric	Stainless Steel	2-30	15,000	Chain	45.5" x 70" x 127.9"	1,500
1400500SSH	4.0	Hydraulic	Stainless Steel	2-30	15,000	Chain	45.5" x 70" x 130.0"	1,435
1400550SS	4.5	Gas	Stainless Steel	2-30	17,500	Chain	45.5" x 70" x 127.5"	1,560
1400550SE	4.5	Electric	Stainless Steel	2-30	17,500	Chain	45.5" x 70" x 120.9"	1,560
1400550SSH	4.5	Hydraulic	Stainless Steel	2-30	17,500	Chain	45.5" x 70" x 120.9"	1,500
1400505SS	5.0	Gas	Stainless Steel	2-30	19,500	Chain	57.5" x 70" x 138.9"	2,375
1400505SE	5.0	Electric	Stainless Steel	2-30	19,500	Chain	57.5" x 70" x 138.9"	1,975
1400505SSH	5.0	Hydraulic	Stainless Steel	2-30	19,500	Chain	57.5" x 70" x 141.8"	1,975
1400560SS	5.5	Gas	Stainless Steel	2-30	19,500	Chain	50.6" x 70" x 138.9"	1,620
1400560SE	5.5	Electric	Stainless Steel	2-30	19,500	Chain	50.6" x 70" x 138.9"	1,560
1400560SSH	5.5	Hydraulic	Stainless Steel	2-30	19,500	Chain	50.6" 70" 141.8"	1,560
1470475SE	3.5	Electric	Stainless Steel	2-30	15,000	Auger	45" x 70" x 127"	1,290
1470475SSH	3.5	Hydraulic	Stainless Steel	2-30	15,000	Auger	45" x 70" x 127"	1,290
1470500SE	4.0	Electric	Stainless Steel	2-30	15,000	Auger	45" x 70" x 127"	1,369
1470500SSH	4.0	Hydraulic	Stainless Steel	2-30	15,000	Auger	45" x 70" x 127"	1,369
1470550SE	4.5	Electric	Stainless Steel	2-30	17,500	Auger	45" x 70" x 139"	1,911
1470550SSH	4.5	Hydraulic	Stainless Steel	2-30	17,500	Auger	45" x 70" x 139"	1,911
1470505SE	5.0	Electric	Stainless Steel	2-30	19,500	Auger	50.4" x 70" x 127"	1,473
1470505SSH	5.0	Hydraulic	Stainless Steel	2-30	19,500	Auger	50.4" x 70" x 127"	1,473
1470560SE	5.5	Electric	Stainless Steel	2-30	19,500	Auger	50.4" x 70" x 139"	1,961
1470560SSH	5.5	Hydraulic	Stainless Steel	2-30	19,500	Auger	50.4" x 70" x 139"	1,961

HYDRAULIC MUNICIPAL SPREADERS

24 Inch Pintle Chain Feed with 3/8 Inch Crossbars



1450757SSH shown with optional 8891166 lightbar and LS5 liquid spray system

COMMON FEATURES *See pg. 56 - 57 for full product listing*

Capacity: 6 - 20 cubic yards / 9 - 15 feet/

Application: Minimum 26,000 - 66,000 lb GVW

Spread Range: 2-40 feet

Feed Mechanism: 24 inch wide conveyor with 3/8 inch crossbars

Construction: 304 stainless steel hopper

Motor: Two independent direct-drive hydraulic motors

- Additional Features:**
- Adjustable feedgate
 - Choice of three gear box ratios: 50:1, 25:1, 6:1
 - 2 inch drive shaft and bearings with 8-tooth sprockets
 - 1-1/2 inch spring loaded idler shaft and bearings with 8-tooth sprockets
 - Quick release hinged chute (no tools needed)
 - Hinged top screens, 3/8 inch bars on 2-1/2 inch openings
 - Stainless steel inverted V
 - 20 inch poly spinner disc

OPTIONS

- Stainless steel drag chain
- Belt over chain
- Speed sensing motors
- **Front discharge**
- Airport runway spinner assemblies
- Hopper tailgate for bulk unloading
- Galvanized or stainless steel top screens
- Rear hopper spoiler

HYDRAULIC MUNICIPAL SPREADERS

7 Inch Auger Feed or Dual 7 Inch Auger Feed*



Dual 7" Hard Faced Augers Option*



High Torque Auger Motor



2" Auger Bearing



Optional Rubber Side Deflectors
Part No. 1492144



1471056SSH shown
with optional rubber
side deflectors

COMMON FEATURES *See pg. 57 for full product listing*

Capacity: 7 - 10 cubic yards /10 - 14 feet/

Application: Minimum 33,000 lb GVW

Spread Range: 2-30 feet

Feed Mechanism: Single 7 inch diameter, variable-pitch hard faced auger
Dual 7 inch diameter, variable-pitch hard faced augers

Construction: 304 stainless steel hopper

Motor: Two independent, direct-drive hydraulic motors

Additional Features:

- Adjustable height spinner chute
- 3/8 inch heavy-duty hinged top screens with 4 inch peak
- 18 inch poly spinner disc

OPTIONS

- **Dual augers***
- Tilt up spinner chute
- Stainless steel top screens
- Speed sensing motors
- Slurry tube
- Rear hopper spoiler
- Stainless steel front spill shield

ELECTRIC MUNICIPAL SPREADERS

24 Inch Pintle Chain Feed with 1/4 Inch Crossbars



1490757SSE shown with optional 3027468 spreader stand, 8891168 lightbar, and LS5 Pre-Wet System



COMMON FEATURES *See pg. 57 for full product listing*

Capacity: 7 - 10 cubic yards / 10 - 14 feet/

Application: Minimum 26,000 - 33,000 lb GVW

Spread Range: 2-30 feet

Feed Mechanism: 24 inch wide conveyor with 1/4 inch crossbars

Construction: 304 stainless steel hopper

Motor: 12V-powered electric drive with independent conveyor and spinner motors

- Additional Features:**
- Quick release hinged chute
 - Hinged top screens
 - Stainless steel inverted V
 - 20 inch poly spinner disc

CONTROLLER

- Variable speed controller
- Independent auger / conveyor and spinner control
 - Vibrator control



3016934

OPTIONS

- Stainless steel drag chain
- Belt over chain
- Stainless steel top screens
- Hopper tailgate for bulk unloading

MUNICIPAL SPREADER OPTIONS AND ACCESSORIES

Spreader Stands



PART NO.	DESCRIPTION
3025885	Spreader Stand, 10ft.-11ft., Black Power-Coated
3025886	Spreader Stand, 12ft.-13ft., Black Power-Coated
3025887	Spreader Stand, 14ft.-15ft., Black Power-Coated
3038267	Spreader Stand, 9ft., Galvanized
3027468	Spreader Stand, 10ft.-11ft., Galvanized
3027469	Spreader Stand, 12ft.-13ft., Galvanized
3027470	Spreader Stand, 14ft.-15ft., Galvanized
3038266	Spreader Stand, 9ft., Black Powder-Coated
3037102	Spreader Stand 10ft.-11ft., Stainless Steel
3037145	Spreader Stand, 8ft., Black Power-Coated
3037146	Spreader Stand, 8ft., Galvanized
3037294	Spreader Stand, 9ft.-10ft., Black Powder-Coated
3037295	Spreader Stand, 9ft.-10ft., Galvanized

Dump Body Tailgate Lock Kits



- 3" structural steel channel
- 1.25" pins
- Black powder coat finish or stainless steel

3008560

PART NO.	DESCRIPTION
3008560	Steel Dump Body Tailgate Lock Kit
3036588	Stainless Steel Dump Body Tailgate Lock Kit

30 Gallon 6 Function Central Hydraulic System



- In-cab controllers
- Full color TFT-LCD touchscreen display
- High quality 304 stainless steel reservoir stands up to salt and weather

PART NO.	DESCRIPTION
6383060	30 Gallon 6 Function Central Hydraulic System without GPS
6383061	30 Gallon 6 Function Central Hydraulic System with GPS

Remote Grease Kit & Chain Lubricator Kit



3020624 (Remote Grease Kit)



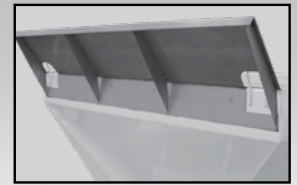
3020625 (Stainless Steel Chain Lubricator Kit)

PART NO.	DESCRIPTION
3020624	Remote Grease Kit, 3-Point
3020625	Chain Lubricator Kit, Stainless Steel

Spreader Full Size Ladder & Spill Shield



3022060



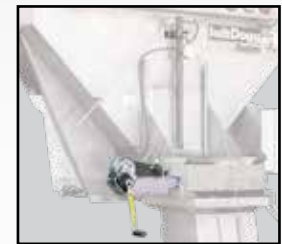
3022963

PART NO.	DESCRIPTION
3022060	Folding Stainless Steel Spreader Ladder, Full Size
3022963	12" Front Spill Shield/Cab Shield

Spreader Chute Accessories



3026067 (Lane Changing Chute)



3020626 (Crank)

PART NO.	DESCRIPTION
3020626	Crank Up Chute Kit
3026067	12V Powered Lane Changing Chute, In-Cab Controls with Gas Spring Flip-Up
3020704	16" Chute Extension, Stainless Steel for Taller Mounting Heights

Pre-Wet Systems (see pg. 43 and 44 for details)



LS4H (Mounted on 1490757SSE)



LS10 (Mounted on 1451057SSH)

PART NO.	DESCRIPTION
LS4/LS4H	Electric or Hydraulic 105 Gallon Tank System
LS5/LS5H	Electric or Hydraulic (2) 105 Gallon Tank System
LS10/LS10H	Electric or Hydraulic (2) 400 Gallon Tank System

NEW MDS SERIES: MEDIUM DUTY DUMP SPREADER FOR CLASS 4 - 7 TRUCKS

14-1/2 Inch Conveyor Chain Feed with 1/4 Inch Crossbars



COMMON FEATURES See pg. 57 for full product listing

Capacity: 3 - 4 cubic yards /9 - 11 feet/

Application: Class 4 -7 trucks

Spread Range: 2-30 feet

Feed Mechanism: 14-1/2 inch wide conveyor with 1/4 inch crossbars

Power Source: Available with electric or hydraulic drive
(Electric option eliminates need for central hydraulic system)

Construction: 304 stainless steel hopper

- Additional Features:**
- LED DOT truck lights
 - Under chain floor pan
 - Conveyor cover plate
 - Full length subframe
 - Easy electrically actuated rear lower tailgate latch
 - Fully boxed dirt shedding top rails
 - Side board pockets

HIGHLIGHTS



Cross member-free design makes the unit easy to clean with a low center of gravity that reduces strain on the vehicle



A high speed conveyor chain feed, 14-1/2" wide conveyor with 1/4" bars



Double-acting Mailhot® nitrided cylinder for powerful and reliable lifting and lowering



Removable spinner assembly for easy switch between spreader and dump applications

AVAILABLE OPTIONS

- Cab Shield: 1/4 or Half
- Top Screens
- Tarp Systems
- Pre-Wet (LS15, LS15H)
- Central Hydraulics
- 72" Truck Box



Standard tarp system



Cab shield 9331018



Shown with 72" truck box 1751651



Integrated pre-wet system with LS15 (twin 80 gallon tanks)

MDS SERIES: MUNICIPAL DUMP SPREADER FOR CLASS 8 TRUCKS

30-1/2 Inch Conveyor Chain Feed or Dual 7 Inch Auger



COMMON FEATURES See pg. 58 for full product listing

Capacity: 6.4 - 11.2 cubic yards /9 - 15 feet/

Application: Minimum 26,000 lb GVW

Spread Range: 2-40 feet

Feed Mechanism: 30-1/2 inch wide conveyor with 1/2 inch crossbars
or dual 7 inch auger drive

Construction: 304 stainless steel hopper

Additional Features:

- Removable conveyor cover plate
- Twin air cylinder tailgate latch
- LED DOT truck lights and rear strobes

HIGHLIGHTS



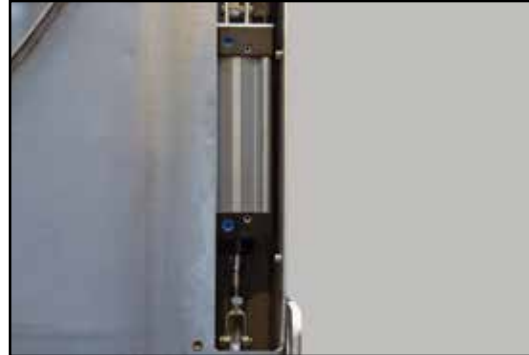
Unique, roll-formed sides and cross member-less design



"Hex flow" chute and 24 inch spinner with adjustable baffles for optimal spread pattern



Mailhot® multi-stage, double-acting, nitrified cylinder, trunnion-mounted hoist



Dual air tailgate cylinders standard

AVAILABLE OPTIONS



Cab shield with Tarp System

- Cab Shield: Half or Full Length
- Ladder
- Top Screens
- Electric Tarp
- Under Chain Floor Pan
- Front Discharge

- Anti-Ice
- Central Hydraulics
- Full Length Fenders
- Pre-Wet Systems:
(LS11, LS11H, LS12, LS12H)



Ladder shown extended down



30.25" wide conveyor with 1/2" bars



Dual 7" auger drive

OR



LS11 (MDS Mount two, 160 gal.)



LS12 (Behind Cab Mount 120 gal.)

UNDER TAILGATE SPREADERS

9 Inch Auger / 6 Inch Auger with 3/8 Inch Flighting



92420SSA shown

COMMON FEATURES *See pg. 55 for full product listing*

Application: 96 inch wide dump bodies (electric models for trucks without central hydraulics)

Construction: 304 stainless steel (6 inch auger hydraulic models available in orange powder-coated steel)

Additional Feature: Auger screen



Heavy Duty 9 inch Dia. Auger for 92450SSA and 92452SSA
6 inch Dia. Auger for all other models



UTS Auger Screen Included



92451SS Optional Berm Chute
For heavy duty 9 inch auger model
(92450SSA / 92452SSA)

HEAVY DUTY HYDRAULIC — 9 INCH AUGER — Standard discharge only

- Spread Range:** 2-40 feet
- Feed Mechanism:** 9 inch auger with 3/8 inch flighting
- Motor:** Direct drive, hydraulic drive auger
- Features:** Reversible driver or passenger side discharge
Hinged full-length trough for easy clean out
Hydraulic safety lockout system
Anti-flow plate
Material can be discharged to either side; DS for spinner, PS for optional berm chute
- Includes:** 18 inch poly spinner disc



Bulk Salt	Bulk Sand	3/8 Inch Gravel	50 / 50 Salt / Sand
✓	✓	✓	✓

Optional berm chute shown above (92451SS)
Optional stainless steel spill shield (924F0106SS)
and stainless steel spill shield pair (924F0106SSPR)

HYDRAULIC — 6 INCH AUGER — Available with standard, center, left, and dual discharge

- Spread Range:** 2-40 feet
- Feed Mechanism:** 6 inch auger with 3/8 inch flighting
- Motor:** Independent direct drive hydraulic auger and spinner motors
- Features:** Sealed, self-aligning 1-1/4 inch diameter bearing with grease fitting
Low-speed, high-torque orbital motors
Hydraulic safety lockout system
Bottom cover allows for easy access to entire auger assembly and one-person cleanout
- Includes:** 18 inch poly spinner disc

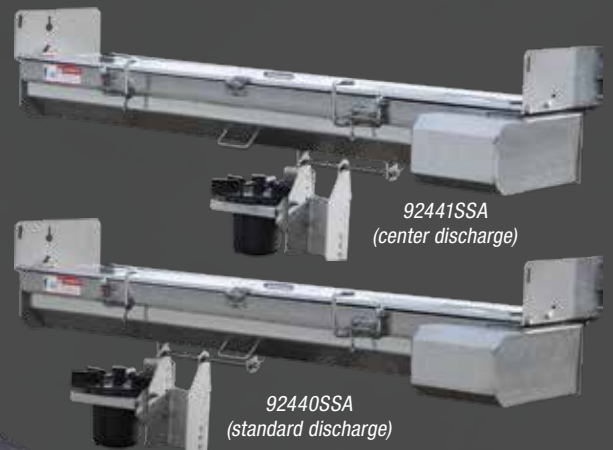


Bulk Salt	Bulk Sand	3/8 Inch Gravel	50 / 50 Salt / Sand
✓	✓		✓

Optional hard face flighting
Optional speed sensing motors
Optional powder coated spill shields (924F0106PR)
Optional stainless steel spill shields (924F0206SSPR)

ELECTRIC — 6 INCH AUGER — Available with standard discharge or center discharge

- Spread Range:** 2-25 feet
- Feed Mechanism:** 6 inch auger with 3/8 inch flighting
- Motor:** Two 12V direct drive motors (3/4 HP for auger, 1/2 HP for spinner)
- Features:** Bottom cover allows for easy access to entire auger assembly and one-person cleanout
Sealed, self-aligning 1-1/4" diameter bearings with grease fittings
- Includes:** Stainless steel dump body mounting plates, 18 inch poly spinner disc
- Controller:** In-cab closed-loop controller with independent auger and spinner speeds, and vibrator control



3016934

Bulk Salt	Bulk Sand	3/8 Inch Gravel	50 / 50 Salt / Sand
✓	✓		✓

Optional stainless steel spill shields (924F0106SSPR)

REPLACEMENT TAILGATE SPREADERS

6 Inch Auger Feed



9035100 and
535000 shown

STANDARD FEATURES AND ACCESSORIES *See pg. 55 for full product listing*

- Anti-flow plate
- 18 inch poly spinner
- Mounting kit to fit multiple dump body configurations
- 304 stainless steel body



5" Dia. Auger and mixing tines (5535000)



6" Dia. Auger and Screen (9035100)

ELECTRIC — Available with center and driver side discharge

Spread Range: 2-25 feet

Feed Mechanism: 6 inch auger with 3/8 inch flighting

Application: Fits in place of tailgate on 1 ton / super duty dump body

Motor: Independent variable speeds for the auger and spinner

Additional Features: Hinged, full-length trough for easy clean out

Controller: In-cab closed-loop controller with independent auger and spinner speeds, and vibrator control



9035100

3016934
Heavy Duty Variable Speed Controller

Bulk Salt	Bulk Sand	3/8 Inch Gravel	50 / 50 Salt / Sand
✓	✓		✓

HYDRAULIC — Available with center and driver side discharge

Spread Range: 2-25 feet

Feed Mechanism: 6 inch auger with 3/8 inch flighting

Application: Fits in place of tailgate on 1 ton / super duty dump body

Motor: Auger and spinner powered by independent hydraulic motors

Additional Features: Hinged, full-length trough for easy clean out



9035102

Bulk Salt	Bulk Sand	3/8 Inch Gravel	50 / 50 Salt / Sand
✓	✓		✓

DUMPERDOGG® ELECTRIC — Center discharge

Spread Range: 2-20 feet

Feed Mechanism: 5 inch auger with mixing tines

Application: Fits in place of DumperDogg® tailgate

Motor: Two 12V direct drive motors
(3/4 HP for auger, 1/2 HP for spinner)

Additional Features: Auger (5 inch O.D. x 2.4 inch I.D. x 20 inch L) with mixing tines
Hinged 18 inch poly spinner



3016934
Heavy Duty Variable Speed Controller

Bulk Salt	Bulk Sand	3/8 Inch Gravel	50 / 50 Salt / Sand
✓	✓		✓

ANTI-ICE HYDRAULIC SYSTEMS



6192716 shown above

Hydraulic Systems - Powered by 235 GPM hydraulic pumps, with an oil requirement of 4-11 GPM

HYDRAULIC / GAS SYSTEM FEATURES

UV Stabilized, High Density Polyethylene Tank
1,065 and 1,750 gallon tanks include internal baffling to help minimize "sloshing" for better vehicle control.

Included Powder-Coated Leg Frame Stand
For easy loading and unloading from the truck and convenient off-season storage.

Stainless Steel or PVC Spray Bar
One or three lane spray bar depending on desired lane coverage.

Clip-On Spray Nozzles with Adjustable Angle
Nozzles adjust to apply proper surface coverage and are removable for easy cleaning and maintenance.

Manifold-Type Fittings
Built with glass-injected polypropylene to support leak-free connections and easy service.

Loading-unloading utilizing system pump fork lift pockets. (550 gallon frames)

TANK SIZE (GALLONS)	FLOW RATE	SPRAY BAR	APPLICATION RATE CONTROL	MODEL
GAS				
550	25 GPM	1 Lane PVC	Manual	6191120
			Automatic	6191121
1065	185 GPM	1 Lane Stainless	Manual	6191610
			Automatic	6191611*
1065	185 GPM	3 Lane Stainless	Manual	6191615
			Automatic	6191616*
1750	185 GPM	1 Lane Stainless	Manual	6191630
			Automatic	6191631*
1750	185 GPM	3 Lane Stainless	Manual	6191635
			Automatic	6191636*
HYDRAULIC				
1065	235 GPM	1 Lane Stainless	Manual	6192710*
			Automatic	6192711*
1065	235 GPM	3 Lane Stainless	Manual	6192715*
			Automatic	6192716*
1750	235 GPM	1 Lane Stainless	Manual	6192730*
			Automatic	6192731*
1750	235 GPM	3 Lane Stainless	Manual	6192735*
			Automatic	6192736*

*Automatic application rate controllers are sold separately. Starred systems do not come with any controller.

ANTI-ICE GAS SYSTEMS



6191121 shown above
with 3035046 hose reel

Gas Systems - Powered by Honda® engines: 5 HP for 185 GPM systems/2.8 HP for 25 GPM systems

CONTROLLERS

Rocker Switch with Bracket



- A momentary electric "open/close" switch operates the application valve.
- Switch comes standard on the following gas engine models: **6191120, 6191121, 6191615, 6191635.**

3014187 "Switch" & 3014188 "Bracket"

5-Switch Prewired Panel (Sold Separately)



3034457

- Allows left, center, and right boom sections to be controlled independently.
- Includes a master on/off switch, and 2 additional auxiliary switches.

Micro-Track Roadmaster™ (Sold Separately)



9021000

- Maintains exact application rates to save brine and ensure proper coverage.
- Includes Garmin® Astro™ 5 GPS Ground Speed Sensor.
- Includes 3 integrated boom section on/off switches.
- Has multiple modes to adjust how you want.
- Includes a blast switch, key lock switch, and all needed mounting hardware.
- Download data lists to analyze usage.

ANTI-ICE ELECTRIC SYSTEMS



3044971 and 6190160
shown above

Electric Systems - Powered by a 12V, 18 Amp, 6 GPM electric pump



ELECTRIC STANDARD FEATURES

UV Stabilized, High Density Polyethylene Tank

For reliable, corrosion resistant brine storage.

Hitch-Mounted Electric Pump and PVC Spray Bar

Easily remove pump enclosure and spray bar when not in use.

Clip-On Spray Nozzles with Adjustable Angle

Nozzles adjust to apply proper surface coverage and are removable for easy cleaning and maintenance.

Electric Operation

Quiet and easy to maintain, ideal for most off-road applications.

CONTROLLER



6391001

Standard On/Off Backlit Switch

Backlit switch turns pump on/off for simple operation.

TANK SIZE (GALLONS)	FLOW RATE	SPRAY BAR	APPLICATION RATE CONTROL	MODEL
ELECTRIC				
55	6 GPM	1 Lane PVC	Manual	3044971*
210	6 GPM	1 Lane PVC	Manual	6190150
325	6 GPM	1 Lane PVC	Manual	6190160
550	6 GPM	1 Lane PVC	Manual	6190170

Optional Accessories

Hose Reel and Spray Gun with Adjustable Nozzle



- Lets you apply anti-ice solution to sidewalks, steps, and hard to reach areas
- Activates your anti-ice system pump on demand
- Spring retractable hose stores on a compact reel
- Adjustable spray nozzle lets you regulate flow

PART NUMBER	DESCRIPTION
3035046	3/8 Inch Diameter, 50 Foot Long Kit

PVC Spray Bar Auxiliary Mounting Kit*



- Allows 1 lane PVC spray bar to be mounted on frame without using the vehicle receiver tube
- Mounts to powder-coated frame stand, hardware included

*For use with **6191120, 6191121**

PART NUMBER	DESCRIPTION
3038505	PVC Spray Bar Auxiliary Mounting Kit

3-Way Loading Valve



- Allows the tank to be filled through the bottom output port, rather than the manhole at the top

PART NUMBER	DESCRIPTION
3038494	3-Way Loading Valve

Custom Configurations Available

Please call, fax, or email your requirements to receive a quote.

p. (440)974-8888 ex. 1169

f. (800)841-8003

e. anti-ice@buyersproducts.com

Buyers Products is proud to present a variety of custom Anti-Ice configurations and options. Buyers combines expertise in the snow and ice management industry with vertically integrated manufacturing to offer the best options at competitive prices.

Custom configuration may include:

- Tank Sizes
- Frame Finishes
- Drive Options
- Spray Bar Options
- Controller Options

WALK BEHIND / TOW BEHIND SPREADERS

WALK BEHIND BROADCAST SPREADERS

WB155BG

Black Powder-Coated Steel Frame

WB255BG

Stainless Steel Frame

Winter Use

Bulk Salt	Ice Melt	Bagged #1 Rock Salt
✓	✓	✓

All Season Use

Feed	Seed	Fertilizer
✓	✓	✓

- 1.5 cubic feet
- 24 foot spread
- Enclosed gear box
- Black powder-coated steel frame (**WB155BG**)
- Stainless steel frame (**WB255BG**)
- Included rain cover
- Bulk flow gate to handle bulk material
- See additional specs on page 59



Large single flow gate for bulk & bagged material (**WB155BG, WB255BG**)

WALK BEHIND DROP SPREADER

WB400

Stainless Steel Main Frame

Winter Use

Bulk Salt	Ice Melt	Bagged #1 Rock Salt
	✓	✓

- 2.5 cubic feet
- 44 inch wide drop spread
- Ideal for sidewalks and places with sensitive vegetation
- Stainless steel trough
- Includes rain cover
- See additional specs on page 59



TOW BEHIND BROADCAST SPREADER

TB150BG

Black Powder Coated Steel Frame

Winter Use

Bulk Salt	Ice Melt	Bagged #1 Rock Salt
✓	✓	✓

All Season Use

Feed	Seed	Fertilizer
✓	✓	✓

- 1.5 cubic feet
- 24 foot spread
- For year-round use
- Enclosed gear box
- Black powder-coated steel frame
- Comes with a tow-bar for small tractors, utility vehicles and ATVs
- Bulk flow gate to handle bulk material
- See additional specs on page 59



ATV / UTV SPREADERS

ATV ALL PURPOSE SPREADER

ATVS100

Horizontal Mount

Winter Use

Bulk Salt	Ice Melt	Bagged #1 Rock Salt
✓	✓	✓

All Season Use

Feed	Seed	Fertilizer
✓	✓	✓

- 12.5 gallon capacity
- Spread width up to 25 feet
- Adjustable shut-off gate
- Spreads dry free-flowing materials
- See additional specs on page 59



Handle-mounted switch



ATV ALL PURPOSE SPREADER

ATVS15A

Vertical Mount

Winter Use

Bulk Salt	Ice Melt	Bagged #1 Rock Salt
✓	✓	✓

All Season Use

Feed	Seed	Fertilizer
✓	✓	✓

- 15 gallon capacity
- Quick detachable mounting bracket
- Spread width up to 30 feet
- Adjustable shut-off gate
- 8-1/2 foot power cable with ON/OFF switch
- 12V, 5 AMP
- Gravity feed
- Spreads dry free-flowing materials
- See additional specs on page 59



Handle-mounted switch



UTV ALL PURPOSE SPREADER

UTVS16

Receiver Mount

Winter Use

Bulk Salt	Ice Melt	Bagged #1 Rock Salt
✓	✓	✓

All Season Use

Feed	Seed	Fertilizer
✓	✓	✓

- 15 gallon capacity
- 2 inch receiver mount
- Quickly detaches from hitch mount
- Spread width up to 30 feet
- Adjustable shut-off gate
- 8-1/2 inch power cable with ON/OFF switch
- 12V, 5 AMP
- Gravity feed
- Spreads dry free-flowing materials
- See additional specs on page 59



Handle-mounted switch



POLY SALT BOXES

- Durable, corrosion-free construction
- Double panel sloped lid with integral hasp
- Hand holds for ease of carrying
- Fork lift slots
- Stackable (9031100)
- 9031100: 36"W x 24"D x 30"H
- 9031105: 36"W x 24"D x 20"H (Ships UPS)
- 9031110: Salt Scoop



9031110

PRE-WET SYSTEMS

30 GALLON TANK, V-BOX MOUNTED SYSTEMS

System Includes

- Tank(s) with:
 - Stainless steel mounting bracket and hardware
 - Tie down strap(s) (for mounting)
- All needed hoses, fittings, valves, and clamps
- Pre-plumbed/pre-wired pump enclosure with:
 - 12V, 3 GPM diaphragm pump*/ 4.5 GPM hydraulic pump**
 - Proportional valve**
 - Pressure switch (to activate low/high pressure buzzer)
- Pre-Wet System Electric In-Cab Controller (WSE1*/WSE75**) with wiring harness

*Electric only, **Hydraulic only



LS6 (Mounted on SHPE1500)



LS7 (Mounted on 1400100SS)



WSE1 - Electric Controller

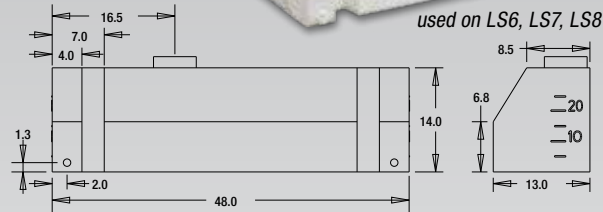


WSE75 - Hydraulic Controller



used on LS6, LS7, LS8

PART NO.	DESCRIPTION	DIMENSIONS (L X W X H)	PORTS	WT (LB)
LS6	Electric 30 Gallon Tank System, (Poly Spreaders)			
LS7	Electric 30 Gallon Tank System, (Steel / Stainless Spreaders)			
LS8	Electric (2) 30 Gallon Tank System, (Steel / Stainless Spreaders)			
LS8H	Hydraulic (2) 30 Gallon Tank System, (Steel / Stainless Spreaders)			
3036808	Tank Only	48" x 13" x 15.5"	(2) 3/4" NPT Ports	116.4



55 GALLON TANK, V-BOX MOUNTED SYSTEMS

System Includes

- Tank(s) with:
 - Stainless steel mounting bracket and hardware
 - Tie down strap(s) (for mounting)
- All needed hoses, fittings, valves, and clamps
- Pre-plumbed/pre-wired pump enclosure with:
 - 12V, 3 GPM diaphragm pump
 - Pressure switch (to activate low/high pressure buzzer)
- Pre-Wet System Electric In-Cab Controller (WSE1/WSE75) with wiring harness



LS1 & LS3 (3.5-5.0 cy V-Box Mount 55 gal.)

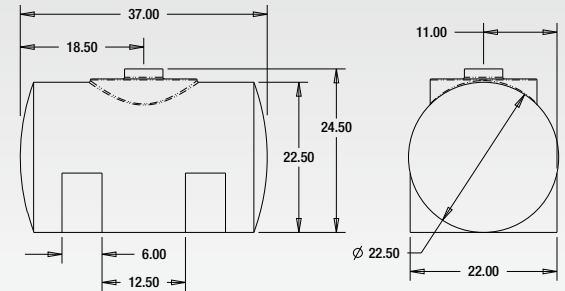


used on LS1 & LS3



WSE1 - Electric Controller

PART NO.	DESCRIPTION	DIMENSIONS (L X W X H)	PORTS	WT (LB)
LS1	Electric 55 Gallon Tank System			
LS3	Electric (2) 55 Gallon Tank System			
LS2	Electric System (No Tank Included)			
WSE26	Tank Only	37" x 22" x 23"	3/4" NPT Port	51



NEW 60 GALLON TANK, V-BOX MOUNTED SYSTEMS

System Includes

- Tank(s) with:
 - Stainless steel mounting bracket and hardware
 - Tie down strap(s) (for mounting)
- All needed hoses, fittings, valves, and clamps
- Pre-plumbed/pre-wired pump enclosure with:
 - 12V, 3 GPM diaphragm pump
 - Pressure switch (to activate low/high pressure buzzer)
- Pre-Wet System Electric In-Cab Controller (WSE1) with wiring harness



Part No. LS13 & LS14 - 60 gal. pre-wet system for PRO Series and SHPE2000

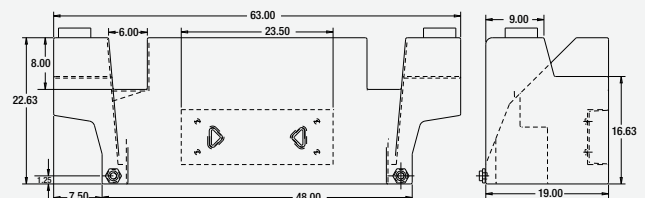


3040055



WSE1 - Electric Controller

PART NO.	DESCRIPTION	DIMENSIONS (L X W X H)	PORTS	WT (LB)
LS13*	Electric 60 Gallon Tank System for PRO2000 and PRO2500 Series			
LS14*	Electric 60 Gallon Tank System for SHPE2000 (2018+ Models)			
3040055	Tank Only	69" x 19" x 23"	3/4" NPT Port	46.5



See pg. 55 - 59 for full product listing

105 GALLON TANK, V-BOX MOUNTED SYSTEMS

System Includes

- Tank(s) with:
 - Stainless Steel Mounting Bracket and Hardware
 - Tie Down Strap(s) (for mounting)
 - All Needed Hoses, Fittings, Valves, and Clamps
 - Pre-Plumbed/Pre-Wired Pump Enclosure with:
 - 12V, 3 GPM Diaphragm Pump*/ 4.5 GPM Hydraulic Pump**
 - Proportional Valve**
 - Pressure Switch (to activate low/high pressure buzzer)
 - Pre-Wet System Electric In-Cab Controller (WSE1*/WSE75**) with Wiring Harness
- *Electric Only, **Hydraulic Only



LS4 & LS5 (6-20 cy V-Box Mount 105 gal.)



used on LS4 & LS5

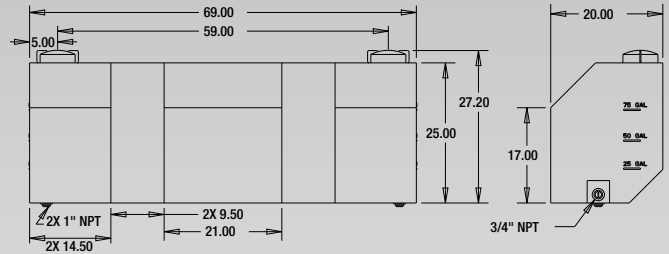


WSE1 - Electric Controller



WSE75 - Hydraulic Controller

PART NO.	DESCRIPTION	DIMENSIONS (L X W X H)	PORTS	WT (LB)
LS4	Electric 105 Gallon Tank System			
LS4H	Hydraulic 105 Gallon Tank System			
LS5	Electric (2) 105 Gallon Tank System			
LS5H	Hydraulic (2) 105 Gallon Tank System			
PART NO.	DESCRIPTION	DIMENSIONS (L X W X H)	PORTS	WT (LB)
3010816	Tank Only	63" x 20" x 26.5"	(2) 3/4" NPT Ports, (2) 1" NPT Ports	62



160 GALLON TANK, MDS-MOUNTED SYSTEM

System Includes

- Tank(s) with:
 - Mounting Bracket and Hardware
 - Stainless Steel Tank Strap
 - All Needed Hoses, Fittings, Valves, and Clamps
 - Pre-Plumbed/Pre-Wired Pump Enclosure with:
 - 12V, 3 GPM Diaphragm Pump*/ 4.5 GPM Hydraulic Pump**
 - Proportional Valve**
 - Pressure Switch (to activate low/high pressure buzzer)
 - Pre-Wet System Electric In-Cab Controller (WSE1/WSE75) with Wiring Harness
- *Electric Only, **Hydraulic Only



WSE1 - Electric Controller

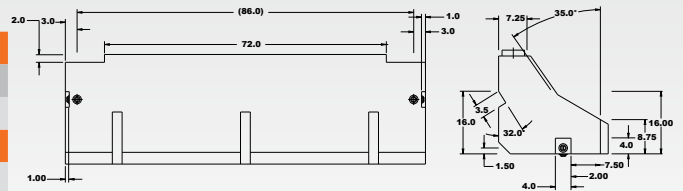


WSE75 - Hydraulic Controller

PART NO.	DESCRIPTION	DIMENSIONS (L X W X H)	PORTS	WT (LB)
LS11	Electric (2) 160 Gallon Tank System			
LS11H	Hydraulic (2) 160 Gallon Tank System			
PART NO.	DESCRIPTION	DIMENSIONS (L X W X H)	PORTS	WT (LB)
3032330	Tank Only	92" x 26" x 25"	3/4" NPT Ports, (2) 1" NPT Ports	87



LS11 (MDS Mount two, 160 gal.)



NEW TWIN 80 GALLON TANK, MEDIUM DUTY DUMP SPREADER-MOUNTED SYSTEM

System Includes

- Tank(s) with:
 - Mounting Bracket and Hardware
 - Stainless Steel Tank Strap
 - All Needed Hoses, Fittings, Valves, and Clamps
 - Pre-Plumbed/Pre-Wired Pump Enclosure with:
 - 12V, 3 GPM Diaphragm Pump*/ 4.5 GPM Hydraulic Pump**
 - Proportional Valve**
 - Pressure Switch (to activate low/high pressure buzzer)
 - Pre-Wet System Electric In-Cab Controller (WSE1/WSE75) with Wiring Harness
- *Electric Only, **Hydraulic Only



WSE1 - Electric Controller

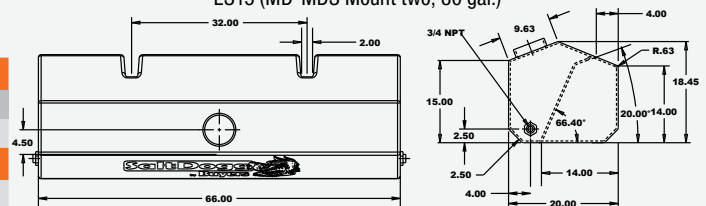


WSE75 - Hydraulic Controller

PART NO.	DESCRIPTION	DIMENSIONS (L X W X H)	PORTS	WT (LB)
LS15*	Electric (2) 80 Gallon Tank System			
LS15H*	Hydraulic (2) 80 Gallon Tank System			
PART NO.	DESCRIPTION	DIMENSIONS (L X W X H)	PORTS	WT (LB)
3042828	Tank Only	66" x 20" x 18.5"	(2) 3/4" NPT Ports	60



LS15 (MD-MDS Mount two, 80 gal.)



PRE-WET SYSTEMS

400 GALLON TANK, V-BOX MOUNTED SYSTEMS

System Includes

- 2 Tanks with:
 - Stainless Steel Mounting Bracket and Hardware
- All Needed Hoses, Fittings, Valves, and Clamps
- Pre-Plumbed/Pre-Wired Pump Enclosure with:
 - 12V, 3 GPM Diaphragm Pump*/ 4.5 GPM Hydraulic Pump**
 - Proportional Valve**
 - Pressure Switch (to activate low/high pressure buzzer)
- Pre-Wet System Electric In-Cab Controller (WSE1*/WSE75**) with Wiring Harness

*Electric Only, **Hydraulic Only



LS10 (12' V-Box Mount two, 400 gal.)



used on LS10

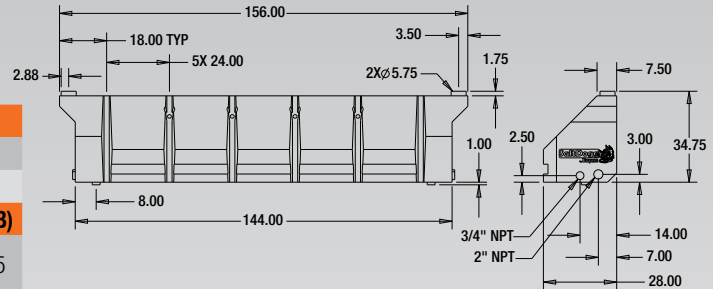


WSE1 - Electric Controller



WSE75 - Hydraulic Controller

PART NO.	DESCRIPTION	DIMENSIONS (L X W X H)	PORTS	WT (LB)
LS10	Electric (2) 400 Gallon Tank System			
LS10H	Hydraulic (2) 400 Gallon Tank System			
PART NO.	DESCRIPTION	DIMENSIONS (L X W X H)	PORTS	WT (LB)
3026538	Tank Only	156" x 28" x 35"	(4) 3/4" NPT Ports, (2) 2" NPT Ports	255.5



30 GALLON TANK, UNDERBODY MOUNTED SYSTEMS

System Includes

- Tanks with:
 - Powder-Coated Steel Mounting Brackets and Hardware
 - Tie Down Straps (for mounting)
- All Needed Hoses, Fittings, Valves, and Clamps
- Pre-Plumbed/Pre-Wired Pump Enclosure with:
 - 12V, 3 GPM Diaphragm Pump*/ 4.5 GPM Hydraulic Pump**
 - Proportional Valve**
 - Pressure Switch (to activate low/high pressure buzzer)
- Pre-Wet System Electric In-Cab Controller (WSE1*/WSE75**) with Wiring Harness

*Electric Only, **Hydraulic Only



LS9 (Frame Mount 30 gal.)



used on LS9

82123909 82123919 82123929



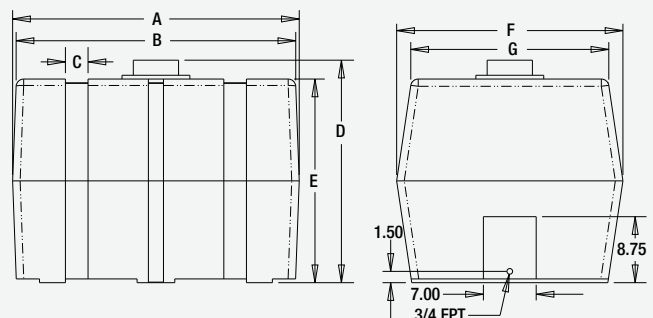
WSE1 - Electric Controller



WSE75 - Hydraulic Controller

PART NO.	DESCRIPTION	DIMENSIONS (L X W X H)	PORTS	WT (LB)
LS9	Electric 30 Gallon Tank System			
LS9H	Hydraulic 30 Gallon Tank System			
PART NO.	DESCRIPTION	DIMENSIONS (L X W X H)	PORTS	WT (LB)
82123909	Tank Only	24" x 19" x 22"	3/4" FPT Port	18
82123919	Tank Only	38" x 19" x 22"	3/4" FPT Port	25
82123929	Tank Only	38" x 30" x 29"	3/4" FPT Port	40

PART NO.	A	B	C	D	E	F	G
82123909	23	24	2.5	22.5	20	19	18
82123919	38	37	2.5	22.5	20	19	18
82123929	38	37	3	29.5	27	30	26



105 GALLON TANK, TAILGATE MOUNT SYSTEMS FOR UNDER TAILGATE SPREADERS

System Includes

- Tanks with:
 - Stainless Steel Mounting Bracket and Hardware
 - Tie Down Straps (for mounting)
- All Needed Hoses, Fittings, Valves, and Clamps
- Pre-Plumbed/Pre-Wired Pump Enclosure with:
 - 12V, 3 GPM Diaphragm Pump*/ 4.5 GPM Hydraulic Pump**
 - Proportional Valve**
 - Pressure Switch (to activate low/high pressure buzzer)
- Pre-Wet System Electric In-Cab Controller (WSE1*/WSE75**) with Wiring Harness

*Electric Only, **Hydraulic Only



WSE1 - Electric Controller



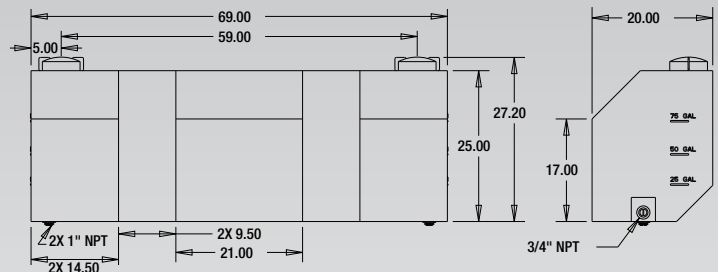
WSE75 - Hydraulic Controller



LS4T (Dump Tailgate Mount 105 gal.)



used on LS4 & LS5



PART NO.	DESCRIPTION	DIMENSIONS (L X W X H)	PORTS	WT (LB)
LS4T	Electric 105 Gallon Tank System			
LS4TH	Hydraulic 105 Gallon Tank System			
PART NO.	DESCRIPTION	DIMENSIONS (L X W X H)	PORTS	WT (LB)
3010816	Tank Only	63" x 20" x 26.5"	(2) 3/4" NPT Ports, (2) 1" NPT Ports	62

120 GALLON TANK, BETWEEN CAB & BODY MOUNTED SYSTEM

System Includes

- Tanks with:
 - Stainless Steel Mounting Bracket and Hardware
 - Tie Down Straps (for mounting)
- All Needed Hoses, Fittings, Valves, and Clamps
- Pre-Plumbed/Pre-Wired Pump Enclosure with:
 - 12V, 3 GPM Diaphragm Pump*/ 4.5 GPM Hydraulic Pump**
 - Proportional Valve**
 - Pressure Switch (to activate low/high pressure buzzer)
- Pre-Wet System Electric In-Cab Controller (WSE1*/WSE75**) with Wiring Harness

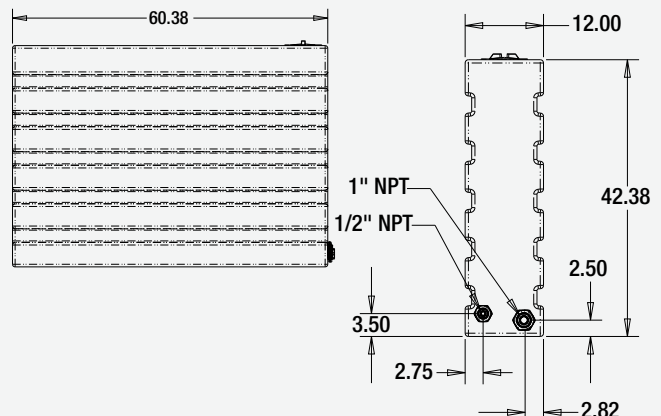
*Electric Only, **Hydraulic Only



LS12 (Behind Cab Mount 120 gal.)

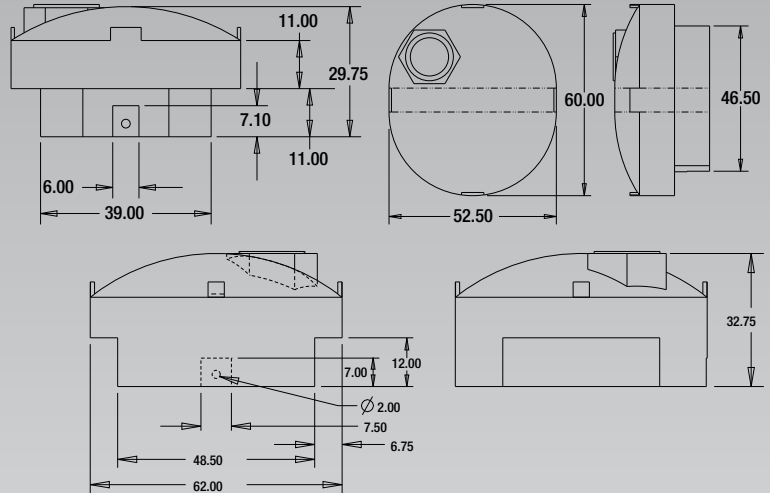


used on LS12

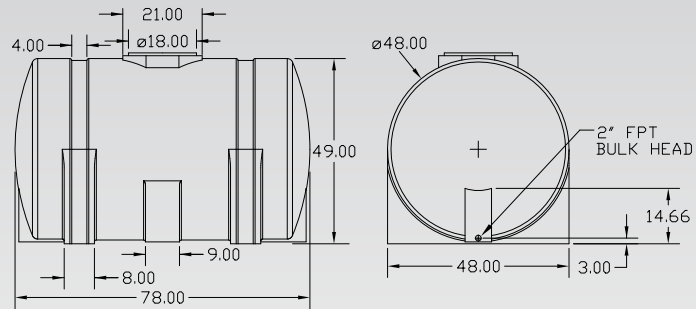


PART NO.	DESCRIPTION	DIMENSIONS (L X W X H)	PORTS	WT (LB)
LS12	Electric 120 Gallon Tank System			
LS12H	Hydraulic 120 Gallon Tank System			
PART NO.	DESCRIPTION	DIMENSIONS (L X W X H)	PORTS	WT (LB)
3030139	Tank Only	60.38" x 12" x 42.38"	1/2" NPT Port, 1" NPT Port	206
3026538	Galvanized frame for 3030139			105

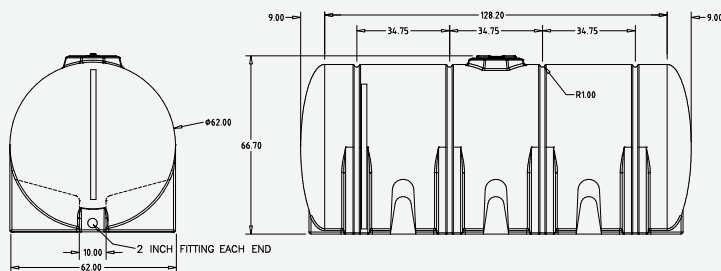
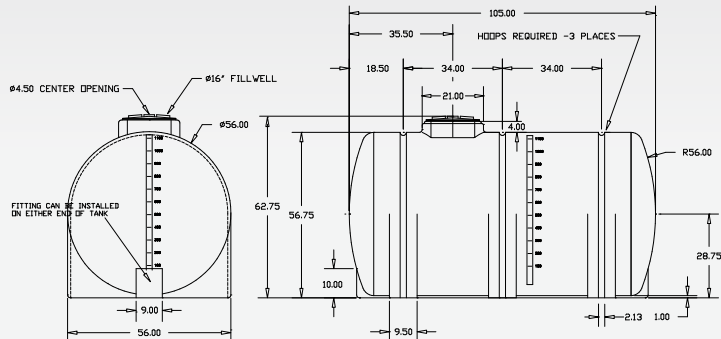
TANKS



PART NO.	CAPACITY	DIMENSIONS (L X W X H)	PORTS	WT (LB)
82124639	210 gal	60" x 52.5" x 29.75"	2" FPT Port	90
82124649	325 gal	63-5/16" x 52.5" x 32.75"	2" FPT Port	110



PART NO.	CAPACITY	DIMENSIONS (L X W X H)	PORTS	WT (LB)
82124269	550 gal	78" x 48" x 49"	2" FPT Port	160



PART NO.	CAPACITY	DIMENSIONS (L X W X H)	PORTS	WT (LB)
3027742	1,065 gal	105" x 56" x 62.75"	2" FPT Port	540
3035110	1,750 gal	146" x 62" x 67"	2" FPT Port	340

ACCESSORIES

44" LIGHT BAR KITS



8891144



8891145

PART NO.	DESCRIPTION
8891144 (Round)	(1) 304 Stainless Steel Light Box, Dimension: 44" L x 8" H x 3" D (2) 4" Round STT Lights, 10 Red LEDs (2) 4" Round Strobe Lights, 24 Amber LEDs (3) 2.5" Round Marker Lights, 4 Red LEDs (1) Wire Harness (2) LED Load Equalizers
8891145 (Oval)	(1) 304 Stainless Steel Light Box, Dimension: 44" L x 8" H x 3" D (2) 6" Oval STT Lights, 10 Red LEDs (2) 6" Oval Strobe Lights, 24 Amber LEDs (3) 2.5" Round Marker Lights, 4 Red LEDs (1) Wire Harness (2) LED Load Equalizers

66" LIGHT BAR KITS



8891150



8891168



8891166



8891169



8891167

PART NO.	DESCRIPTION
8891150 (Oval)	(1) 304 Stainless Steel Light Box, Dimension: 66" L x 4" H x 3" D (2) 6.5" Oval STT Lights, 10 Red LEDs (2) 6.5" Oval Strobe Lights, 24 Amber LEDs (3) .75" Round Marker Lights, 3 Red LEDs (1) Wire Harness (2) LED Load Equalizers/Turn Signals
8891166 (Round)	(1) 304 Stainless Steel Light Box, Dimension: 66" L x 8" H x 3" D (2) 4" Round STT Lights, 10 Red LEDs (2) 4" Round Back-Up Lights, 10 Clear LEDs (2) 4" Round Strobe Lights, 24 Amber LEDs (3) 2.5" Round Marker Lights, 4 Red LEDs (1) Wire Harness (2) LED Load Equalizers
8891167 (Round)	(1) 304 Stainless Steel Light Box, Dimension: 66" L x 8" H x 3" D (4) 4" Round STT Lights, 10 Red LEDs (2) 4" Round Strobe Lights, 24 Amber LEDs (3) 2.5" Round Marker Lights, 4 Red LEDs (1) Wire Harness (2) LED Load Equalizers
8891168 (Oval)	(1) 304 Stainless Steel Light Box, Dimension: 66" L x 8" H x 3" D (2) 6" Oval STT Lights, 10 Red LEDs (2) 6" Oval Back-Up Lights, 10 Clear LEDs (2) 6" Oval Strobe Lights, 24 Amber LEDs (3) 2.5" Round Marker Lights, 4 Red LEDs (1) Wire Harness (2) LED Load Equalizers
8891169 (Oval)	(1) 304 Stainless Steel Light Box, Dimension: 66" L x 8" H x 3" D (4) 6" Oval STT Lights, 10 Red LEDs (2) 6" Oval Strobe Lights, 24 Amber LEDs (3) 2.5" Round Marker Lights, 4 Red LEDs (1) Wire Harness (2) LED Load Equalizers

77" LIGHT BAR KITS



8891177



8891178

PART NO.	DESCRIPTION
8891177 (Oval)	(1) 304 Stainless Steel Light Box, Dimension: 77" L x 4" H x 3" D (2) 6.5" Oval Strobe Lights, 24 Amber LEDs (2) 6.5" Oval Back-Up Lights, 10 Clear LEDs (2) 6.5" Oval STT, 10 Red LEDs (3) .75" Round Marker Lights, 3 Red LEDs (1) Wire Harness (2) LED Load Equalizers
8891178 (Oval)	(1) 304 Stainless Steel Light Box, Dimension: 77" L x 4" H x 3" D (4) 6" Oval STT Lights, 10 Red LEDs (2) 6" Oval Strobe Lights, 24 Amber LEDs (3) .75" Round Marker Lights, 3 Red LEDs (1) Wire Harness (2) LED Load Equalizers/Turn Signal

ACCESSORIES

LIGHT OPTIONS FOR SPREADERS

See more at www.buyersproducts.com/electrical-lighting



1492100



1492110



1492111



1492115



1492116



1492127



1492117



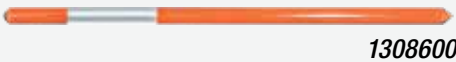
1492119



1492128

PART NO.	SIZE	LEDS	AMPS	LUMENS	COLOR	MOUNT	LEAD LENGTH	CONNECTION	WT. (LB)
1492100	5"	-	2.92	-	Clear	Zinc	10"	Blunt Cut	2.64
1492110	5"	54	3.0	375	Clear	8mm stud SST	36"	Blunt Cut	1.63
1492111	5"	54	3.0	375	Amber	8mm stud SST	36"	Blunt Cut	1.63
1492115	4.6"	6	1.5	1350	Clear	8mm stud SST	36"	Blunt Cut	1.20
1492116	4.6"	6	1.5	1350	Amber	8mm stud SST	36"	Blunt Cut	1.20
1492127	5"	14	3.0	3780	Clear	SST	36"	Blunt Cut	1.20
1492117	4.3"	5	1.2	1050	Clear	SST	36"	Blunt Cut	1.20
1492119	5.3"	9	2.25	1500	Clear	SST	36"	Blunt Cut	1.76
1492128	4.6"	16	3.8	4320	Clear	SST	36"	Blunt Cut	2.25

Driveway Markers



1308600

- Reflective tape
- 5/16" x 48"
- Pencil end for easy staking
- Rounded end resists splintering

PART NO.	DESCRIPTION
1308600	Orange Markers (36 per Case)

Tie Down Kit



3010548

- Heavy-duty chain and turn buckle tie down kit
- Zinc plated hardware
- Powder-coated brackets

PART NO.	DESCRIPTION
3010548	Heavy-Duty Chain & Turn Buckle Tie Down Kit for 6-20 Cubic Yard Municipal Spreaders

SPECIFICATION CHART

PART NUMBER	CAPACITY	HEIGHT	WIDTH	LENGTH OVERALL	HOPPER LENGTH	FEED MECHANISM	PRE-WET SYSTEM COMPATIBILITY
ELECTRIC POLY HOPPER SPREADERS PG. 4-8							
TGSUV1B	4.4 cu. ft.	40.5"	22.5"	21"	19"	Manual Open/Close Gate w/Gravity Feed	N/A
TGSUVPROA	4.4 cu. ft.	40.5"	22.5"	21"	19"	Gravity Feed w/Vertical 12V Auger Assist	N/A
TGS01B	8 cu. ft.	45.7"	29.7"	26"	26"	Gravity Feed w/Vertical 12V Auger Assist	N/A
TGS05B	10.79 cu. ft.	40.1"	54.3"	52.25"	23"	Gravity Feed w/Vertical 12V Auger Assist	N/A
TGS02	4.0 cu. ft.	31.5"	30.9"	30"	18.3"	Horizontal Auger Feed	N/A
TGS03	8 cu. ft.	45"	38"	38"	28"	Horizontal Auger Feed	N/A
TGS07	11 cu. ft.	46"	53"	51"	26"	Horizontal Auger Feed	N/A
TGS06	10 cu. ft.	40"	63"	52"	26.9"	Manual Open/Close Gate w/Gravity Feed	N/A
ELECTRIC POLY HOPPER SPREADERS PG. 10-11							
SHPE0750	0.75 cu. yds.	28"	48"	63.2"	53"	2.5" Stainless Steel Auger & Trough	LS13
SHPE0750X	0.75 cu. yds.	28"	48"	66.7"	53"	2.5" Stainless Steel Auger & Trough	LS13
SHPE1000	1.0 cu. yds.	34"	48"	82.1"	68"	2.5" Stainless Steel Auger & Trough	LS13
SHPE1000X	1.0 cu. yds.	34"	48"	82.1"	68"	2.5" Stainless Steel Auger & Trough	LS13
SHPE1500	1.5 cu. yds.	38"	50.5"	99.7"	87.3"	2.5" Stainless Steel Auger & Trough	LS13
SHPE1500X	1.5 cu. yds.	38"	50.5"	103.1"	87.3"	2.5" Stainless Steel Auger & Trough	LS13
SHPE2000	2 cu. yds.	40"	47.8"	100"	96"	2.5" Stainless Steel Auger & Trough	LS13
SHPE2000X	2 cu. yds.	40"	47.8"	103.3"	96"	2.5" Stainless Steel Auger & Trough	LS13
PRO1500*	1.5 cu. yds.	38"	48"	89.5"	89.5"	5.25" Steel Auger, Stainless Steel Trough	LS13
PRO1500CH*	1.5 cu. yds.	38"	48"	89.5"	89.5"	12" Wide Conveyor Chain	LS13
PRO2000	2 cu. yds.	44.3"	48"	96"	96"	5.25" Steel Auger, Stainless Steel Trough	LS13
PRO2000CH	2 cu. yds.	44.3"	48"	96"	96"	12" Wide Conveyor Chain	LS13
PRO2500	2.5 cu. yds.	44.3"	48"	116.5"	116.5"	5.25" Steel Auger, Stainless Steel Trough	LS13
PRO2500CH	2.5 cu. yds.	44.3"	48"	116.5"	116.5"	12" Wide Conveyor Chain	LS13
ELECTRIC V-BOX SLIDE-IN SPREADERS PG. 14-15							
1470601SS*	2.0 cu. yds.	32.1"	47"	110.8"	96"	5-1/4" Auger	LS7
1400601SS	2.0 cu. yds.	32.1"	47"	110.8"	96"	12" Wide Conveyor Chain	LS7
1400701SS	1.5 cu. yds.	32.1"	47"	86.8"	72"	12" Wide Conveyor Chain	LS7
GAS V-BOX SLIDE-IN SPREADERS PG. 16-17							
1400200SS	1.5 cu. yds.	32.1"	47"	99.7"	72"	12" Wide Conveyor Chain	LS7
1400250SS	1.5 cu. yds.	32.1"	47"	99.7"	72"	12" Wide Conveyor Chain	LS7
1400050SS	2 cu. yds.	32.1"	47"	100"	96"	12" Wide Conveyor Chain	LS7
1400100SS	2 cu. yds.	32.1"	47"	100"	96"	12" Wide Conveyor Chain	LS7
1400400	2 cu. yds.	35"	47"	100"	95.5"	12" Wide Conveyor Chain	LS7
1400450	2 cu. yds.	35"	47"	100"	95.5"	12" Wide Conveyor Chain	LS7
1400300SS	2.5 cu. yds.	32.1"	47"	124.8"	120"	12" Wide Conveyor Chain	LS7
1400350SS	2.5 cu. yds.	32.1"	47"	124.8"	120"	12" Wide Conveyor Chain	LS7
MID-SIZE ELECTRIC POLY HOPPER SPREADERS PG. 20-23							
SHPE3000	3 cu. yds.	52.7"	49.6"	123.7"	114"	6" Steel Auger, Stainless Steel Trough	N/A
SHPE3000CH	3 cu. yds.	52.7"	49.6"	123.7"	114"	12" Wide Steel Pintle Conveyor Chain	N/A
SHPE4000	4 cu. yds.	43.5"	74"	114.8"	99.5"	5.5" Steel Auger, Stainless Steel Trough	N/A
SHPE4000CH	4 cu. yds.	43.5"	74"	114.8"	99.5"	12" Wide Steel Pintle Chain Conveyor	N/A
SHPE6000	6 cu. yds.	57"	77"	133.5"	127"	6" Steel Auger, Stainless Steel Trough	N/A
SHPE6000CH	6 cu. yds.	57"	77"	133.5"	127"	12" Wide Steel Pintle Chain Conveyor	N/A

SPECIFICATION CHART

PART NUMBER	CAPACITY	HEIGHT	WIDTH	LENGTH OVERALL	HOPPER LENGTH	FEED MECHANISM	PRE-WET SYSTEM COMPATIBILITY
2.5 – 3.0 CU. YD. GAS / ELECTRIC / HYDRAULIC MID-SIZE SPREADERS PG. 24-25							
1400455SS	2.5 cu. yds.	38.0"	38.0"	115.9"	96"	14.5" Wide Conveyor Chain, Gas	LS7, LS8, LS8H
1400455SSE	2.5 cu. yds.	38.0"	38.0"	116.5"	96"	14.5" Wide Conveyor Chain, Electric	LS7, LS8, LS8H
1400455SSH	2.5 cu. yds.	38.0"	38.0"	118.8"	96"	14.5" Wide Conveyor Chain, Hydraulic	LS7, LS8, LS8H
1400460SS	2.75 cu. yds.	38.0"	38.0"	127.9"	108"	14.5" Wide Conveyor Chain, Gas	LS7, LS8, LS8H
1400460SSE	2.75 cu. yds.	38.0"	38.0"	128.5"	108"	14.5" Wide Conveyor Chain, Electric	LS7, LS8, LS8H
1400460SSH	2.75 cu. yds.	38.0"	38.0"	130.0"	108"	14.5" Wide Conveyor Chain, Hydraulic	LS7, LS8, LS8H
1400465SS	3.0 cu. yds.	38.0"	38.0"	138.9"	120"	14.5" Wide Conveyor Chain, Gas	LS7, LS8, LS8H
1400465SSE	3.0 cu. yds.	38.0"	38.0"	140.5"	120"	14.5" Wide Conveyor Chain, Electric	LS7, LS8, LS8H
1400465SSH	3.0 cu. yds.	38.0"	38.0"	141.8"	120"	14.5" Wide Conveyor Chain, Hydraulic	LS7, LS8, LS8H
3.5 – 5.5 CU. YD. GAS / ELECTRIC / HYDRAULIC MID-SIZE SPREADERS PG. 26-27							
1400475SS	3.5 cu. yds.	45.5"	70"	115.9"	96"	14.5" Wide Conveyor Chain, Gas	LS1, LS4
1400475SSE	3.5 cu. yds.	45.5"	70"	115.9"	96"	14.5" Wide Conveyor Chain, Electric	LS1, LS4
1400475SSH	3.5 cu. yds.	45.5"	70"	118.8"	96"	14.5" Wide Conveyor Chain, Hydraulic	LS1, LS4
1400500SS	4.0 cu. yds.	45.5"	70"	127.9"	108"	14.5" Wide Conveyor Chain, Gas	LS1, LS4
1400500SSE	4.0 cu. yds.	45.5"	70"	127.9"	108"	14.5" Wide Conveyor Chain, Electric	LS1, LS4
1400500SSH	4.0 cu. yds.	45.5"	70"	130.0"	108"	14.5" Wide Conveyor Chain, Hydraulic	LS1, LS4
1400550SS	4.5 cu. yds.	45.5"	70"	138.9"	120"	14.5" Wide Conveyor Chain, Gas	LS1, LS4
1400550SSE	4.5 cu. yds.	45.5"	70"	138.9"	120"	14.5" Wide Conveyor Chain, Electric	LS1, LS4
1400550SSH	4.5 cu. yds.	45.5"	70"	141.8"	120"	14.5" Wide Conveyor Chain, Hydraulic	LS1, LS4
1400505SS	5.0 cu. yds.	57.5"	70"	138.9"	120"	14.5" Wide Conveyor Chain, Gas	LS1, LS4
1400505SSE	5.0 cu. yds.	57.5"	70"	138.9"	120"	14.5" Wide Conveyor Chain, Electric	LS1, LS4
1400505SSH	5.0 cu. yds.	57.5"	70"	141.8"	120"	14.5" Wide Conveyor Chain, Hydraulic	LS1, LS4
1400560SS	5.5 cu. yds.	50.6"	70"	138.9"	120"	14.5" Wide Conveyor Chain, Gas	LS1, LS4
1400560SSE	5.5 cu. yds.	50.6"	70"	138.9"	120"	14.5" Wide Conveyor Chain, Electric	LS1, LS4
1400560SSH	5.5 cu. yds.	50.6"	70"	141.8"	120"	14.5" Wide Conveyor Chain, Hydraulic	LS1, LS4
1470475SSE	3.5 cu. yds.	45.5"	70"	115"	96"	5.25" Variable Pitch Auger, Electric	LS1, LS4
1470475SSH	3.5 cu. yds.	45.5"	70"	115"	96"	5.25" Variable Pitch Auger, Hydraulic	LS1, LS4
1470500SSE	4.0 cu. yds.	45.5"	70"	127"	108"	5.25" Variable Pitch Auger, Electric	LS1, LS4
1470500SSH	4.0 cu. yds.	45.5"	70"	127"	108"	5.25" Variable Pitch Auger, Hydraulic	LS1, LS4
1470550SSE	4.5 cu. yds.	45.5"	70"	139"	120"	5.25" Variable Pitch Auger, Electric	LS1, LS4
1470550SSH	4.5 cu. yds.	45.5"	70"	139"	120"	5.25" Variable Pitch Auger, Hydraulic	LS1, LS4
1470505SSE	5.0 cu. yds.	50.4"	70"	127"	108"	5.25" Variable Pitch Auger, Electric	LS1, LS4
1470505SSH	5.0 cu. yds.	50.4"	70"	127"	108"	5.25" Variable Pitch Auger, Hydraulic	LS1, LS4
1470560SSE	5.5 cu. yds.	50.4"	70"	139"	120"	5.25" Variable Pitch Auger, Electric	LS1, LS4
1470560SSH	5.5 cu. yds.	50.4"	70"	139"	120"	5.25" Variable Pitch Auger, Hydraulic	LS1, LS4
6 - 20 CU. YD. HYDRAULIC MUNICIPAL SPREADERS PG. 30							
1450657SSH	6 cu. yds.	57"	82"	132"	108"	24" Wide Conveyor, 50:1 Gearbox Ratio	LS5
1425657SSH	6 cu. yds.	57"	82"	132"	108"	24" Wide Conveyor, 25:1 Gearbox Ratio	LS5
1406657SSH	6 cu. yds.	57"	82"	132"	108"	24" Wide Conveyor, 6:1 Gearbox Ratio	LS5
1450757SSH	7 cu. yds.	57"	82"	144"	120"	24" Wide Conveyor, 50:1 Gearbox Ratio	LS5
1425757SSH	7 cu. yds.	57"	82"	144"	120"	24" Wide Conveyor, 25:1 Gearbox Ratio	LS5
1406757SSH	7 cu. yds.	57"	82"	144"	120"	24" Wide Conveyor, 6:1 Gearbox Ratio	LS5
1450863SSH	8 cu. yds.	63"	82"	144"	120"	24" Wide Conveyor, 50:1 Gearbox Ratio	LS5
1425863SSH	8 cu. yds.	63"	82"	144"	120"	24" Wide Conveyor, 25:1 Gearbox Ratio	LS5

PART NUMBER	CAPACITY	HEIGHT	WIDTH	LENGTH OVERALL	HOPPER LENGTH	FEED MECHANISM	PRE-WET SYSTEM COMPATIBILITY
6 - 20 CU. YD. HYDRAULIC MUNICIPAL SPREADERS - CONTINUED PG. 30							
1406863SSH	8 cu. yds.	63"	82"	144"	120"	24" Wide Conveyor, 6:1 Gearbox Ratio	LS5
1450969SSH	9 cu. yds.	69"	82"	144"	120"	24" Wide Conveyor, 50:1 Gearbox Ratio	LS5
1425969SSH	9 cu. yds.	69"	82"	144"	120"	24" Wide Conveyor, 25:1 Gearbox Ratio	LS5
1406969SSH	9 cu. yds.	69"	82"	144"	120"	24" Wide Conveyor, 6:1 Gearbox Ratio	LS5
1451057SSH	10 cu. yds.	57"	82"	168"	144"	24" Wide Conveyor, 50:1 Gearbox Ratio	LS5
1421057SSH	10 cu. yds.	57"	82"	168"	144"	24" Wide Conveyor, 25:1 Gearbox Ratio	LS5
1461057SSH	10 cu. yds.	57"	82"	168"	144"	24" Wide Conveyor, 6:1 Gearbox Ratio	LS5
1451163SSH	11 cu. yds.	63"	82"	168"	144"	24" Wide Conveyor, 50:1 Gearbox Ratio	LS5
1421163SSH	11 cu. yds.	63"	82"	168"	144"	24" Wide Conveyor, 25:1 Gearbox Ratio	LS5
1461163SSH	11 cu. yds.	63"	82"	168"	144"	24" Wide Conveyor, 6:1 Gearbox Ratio	LS5
1451369SSH	13 cu. yds.	69"	82"	168"	144"	24" Wide Conveyor, 50:1 Gearbox Ratio	LS5
1421369SSH	13 cu. yds.	69"	82"	168"	144"	24" Wide Conveyor, 25:1 Gearbox Ratio	LS5
1461369SSH	13 cu. yds.	69"	82"	168"	144"	24" Wide Conveyor, 6:1 Gearbox Ratio	LS5
1451257SSH	12 cu. yds.	57"	82"	192"	168"	24" Wide Conveyor, 50:1 Gearbox Ratio	LS5
1421257SSH	12 cu. yds.	57"	82"	192"	168"	24" Wide Conveyor, 25:1 Gearbox Ratio	LS5
1461257SSH	12 cu. yds.	57"	82"	192"	168"	24" Wide Conveyor, 6:1 Gearbox Ratio	LS5
1451363SSH	13 cu. yds.	63"	82"	192"	168"	24" Wide Conveyor, 50:1 Gearbox Ratio	LS5
1421363SSH	13 cu. yds.	63"	82"	192"	168"	24" Wide Conveyor, 25:1 Gearbox Ratio	LS5
1461363SSH	13 cu. yds.	63"	82"	192"	168"	24" Wide Conveyor, 6:1 Gearbox Ratio	LS5
1451469SSH	14 cu. yds.	69"	82"	192"	168"	24" Wide Conveyor, 50:1 Gearbox Ratio	LS5
1421469SSH	14 cu. yds.	69"	82"	192"	168"	24" Wide Conveyor, 25:1 Gearbox Ratio	LS5
1461469SSH	14 cu. yds.	69"	82"	192"	168"	24" Wide Conveyor, 6:1 Gearbox Ratio	LS5
7 - 10 CU. YD. HYDRAULIC AUGER SPREADERS PG. 31							
1471056SSH	7 cu. yds.	55.25"	82"	82"	120"	7" Hard Surface, Multi Pitch Auger	LS5
1471156SSH	8 cu. yds.	55.25"	82"	82"	132"	7" Hard Surface, Multi Pitch Auger	LS5
1471256SSH	9 cu. yds.	55.25"	82"	82"	144"	7" Hard Surface, Multi Pitch Auger	LS5
1471456SSH	10 cu. yds.	55.25"	82"	82"	168"	7" Hard Surface, Multi Pitch Auger	LS5
1481056SSH*	7 cu. yds.	55.25"	82"	82"	120"	Dual 7" Hard Surface, Multi Pitch Augers	LS5
1481156SSH*	8 cu. yds.	55.25"	82"	82"	132"	Dual 7" Hard Surface, Multi Pitch Augers	LS5
1481256SSH*	9 cu. yds.	55.25"	82"	82"	144"	Dual 7" Hard Surface, Multi Pitch Augers	LS5
1481456SSH*	10 cu. yds.	55.25"	82"	82"	168"	Dual 7" Hard Surface, Multi Pitch Augers	LS5
7 - 10 CU. YD. ELECTRIC MUNICIPAL SPREADERS PG. 32							
1490757SSE	7 cu. yds.	50"	82"	144"	120"	24" Wide Conveyor with 1/4" Bars	LS5
1490957SSE	9 cu. yds.	50"	82"	168"	144"	24" Wide Conveyor with 1/4" Bars	LS5
1491057SSE	10 cu. yds.	50"	82"	168"	144"	24" Wide Conveyor with 1/4" Bars	LS5
MEDIUM DUTY DUMP SPREADERS PG. 34-35							
933093135*	3.2 cu. yds.	36"	84"	111"	108"	14.5" Wide Conveyor with 1/4" Bars	LS15
933113135*	4.4 cu. yds.	36"	84"	135"	132"	14.5" Wide Conveyor with 1/4" Bars	LS15
933093135E1*	3.2 cu. yds.	36"	84"	111"	108"	14.5" Wide Conveyor with 1/4" Bars	LS15
933113135E1*	4.4 cu. yds.	36"	84"	135"	132"	14.5" Wide Conveyor with 1/4" Bars	LS15
933093135E2*	3.2 cu. yds.	36"	84"	111"	108"	14.5" Wide Conveyor with 1/4" Bars	LS15
933113135E2*	4.4 cu. yds.	36"	84"	135"	132"	14.5" Wide Conveyor with 1/4" Bars	LS15

For spreaders above 14 cubic yards contact customer services.

SPECIFICATION CHART

PART NUMBER	CAPACITY	HEIGHT	WIDTH	LENGTH OVERALL	HOPPER LENGTH	FEED MECHANISM	PRE-WET SYSTEM COMPATIBILITY
MUNICIPAL DUMP SPREADERS PG. 36-37							
933093648	6.4 cu. yds.	36"	96"	111"	108"	30.25" Wide Conveyor with 1/2" Bars	LS12
933103648	7.2 cu. yds.	36"	96"	123"	120"	30.25" Wide Conveyor with 1/2" Bars	LS12
933113648	8.0 cu. yds.	36"	96"	135"	132"	30.25" Wide Conveyor with 1/2" Bars	LS12
933123648	8.8 cu. yds.	36"	96"	147"	144"	30.25" Wide Conveyor with 1/2" Bars	LS12
933133648	9.6 cu. yds.	36"	96"	159"	156"	30.25" Wide Conveyor with 1/2" Bars	LS12
933143648	10.4 cu. yds.	36"	96"	170"	168"	30.25" Wide Conveyor with 1/2" Bars	LS12
933153648	11.2 cu. yds.	36"	96"	182"	180"	30.25" Wide Conveyor with 1/2" Bars	LS12
934093648	6.4 cu. yds.	36"	96"	111"	108"	7" Dual Auger Drive	LS12
934103648	7.2 cu. yds.	36"	96"	123"	120"	7" Dual Auger Drive	LS12
934113648	8.0 cu. yds.	36"	96"	135"	132"	7" Dual Auger Drive	LS12
934123648	8.8 cu. yds.	36"	96"	147"	144"	7" Dual Auger Drive	LS12
934133648	9.6 cu. yds.	36"	96"	159"	156"	7" Dual Auger Drive	LS12
934143648	10.4 cu. yds.	36"	96"	170"	168"	7" Dual Auger Drive	LS12
934153648	11.2 cu. yds.	36"	96"	182"	180"	7" Dual Auger Drive	LS12

PART NUMBER	HEIGHT	WIDTH	LENGTH OVERALL	DROP POSITION	FEED MECHANISM
UNDER TAILGATE SPREADERS PG. 38-39					
92440SSA	31.25" / 34.25"	96"	25"	stnd	6" Auger w/3/8" Flighting, Electric
92441SSA	31.25" / 34.25"	96"	25"	center	6" Auger w/3/8" Flighting, Electric
92420A	31.25" / 34.25"	96"	18"	stnd	6" Auger w/3/8" Flighting, Hydraulic
92420SSA	31.25" / 34.25"	96"	18"	stnd	6" Auger w/3/8" Flighting, Hydraulic
92421SSA	38" / 41"	96"	19"	stnd	6" Auger w/3/8" Flighting, Hydraulic
92422SSA	38" / 41"	96"	19"	stnd	6" Auger w/3/8" Hard Faced Flighting, Hydraulic
92425SSA	31.25" / 34.25"	96"	18"	ds	6" Auger w/3/8" Flighting, Hydraulic
92426SSA	38" / 41"	96"	19"	ds	6" Auger w/3/8" Flighting, Hydraulic
92427SSA	38" / 41"	96"	19"	ds	6" Auger w/3/8" Hard Faced Flighting, Hydraulic
92428SSA	31.25" / 34.25"	96"	18"	center	6" Auger w/3/8" Flighting, Hydraulic
92429SSA*	31.25" / 34.25"	96"	18"	dual spinner	6" Auger w/3/8" Flighting, Hydraulic
92430A	31.25" / 34.25"	96"	18"	stnd	6" Auger w/3/8" Flighting, 5:1 Gearbox Ratio, Hydraulic
92430SSA	31.25" / 34.25"	96"	18"	stnd	6" Auger w/3/8" Flighting, 5:1 Gearbox Ratio, Hydraulic
92450SSA	31.25" / 34.25"	96"	18"	stnd	9" Auger w/3/8" Flighting, Hydraulic
92452SSA	31.25" / 34.25"	96"	18"	stnd	9" Auger w/3/8" Flighting, Hydraulic
REPLACEMENT TAILGATE SPREADERS PG. 40-41					
9035100	37.2-40.2	84.25-90.25	N/A	center	6" Auger w/3/8" Flighting, Electric
9035101	37.2-40.2	84.25-90.25	N/A	ds	6" Auger w/3/8" Flighting, Electric
9035102	35.5-38.5	84.25-90.25	N/A	center	6" Auger w/3/8" Flighting, Hydraulic
9035103	35.5-38.5	84.25-90.25	N/A	ds	6" Auger w/3/8" Flighting, Hydraulic
5535000	36"	73" - 95"	N/A	center	5" Auger w/Mixing Tines

PART NUMBER	CAPACITY	FLOW RATE	SPRAY BAR	APPLICATION RATE CONTROL
HYDRAULIC / GAS / ELECTRIC ANTI-ICE SYSTEMS PG. 42-44				
6191120	550 Gallons	25 GPM	1 Lane PVC	Manual
6191121	550 Gallons	25 GPM	1 Lane PVC	Automatic†
6191615	1065 Gallons	185 GPM	3 Lane Stainless	Manual
6191616	1065 Gallons	185 GPM	3 Lane Stainless	Automatic†
6191635	1750 Gallons	185 GPM	3 Lane Stainless	Manual
6191636	1750 Gallons	185 GPM	3 Lane Stainless	Automatic†
6192715	1065 Gallons	235 GPM	3 Lane Stainless	Manual
6192716	1065 Gallons	235 GPM	3 Lane Stainless	Automatic†
6192735	1750 Gallons	235 GPM	3 Lane Stainless	Manual
6192736	1750 Gallons	235 GPM	3 Lane Stainless	Automatic†
3044971*	55 Gallons	6 GPM	1 Lane PVC	Manual
6190150	210 Gallons	6 GPM	1 Lane PVC	Manual
6190160	325 Gallons	6 GPM	1 Lane PVC	Manual
6190170	550 Gallons	6 GPM	1 Lane PVC	Manual

†Controls sold separately.

PART NUMBER	CAPACITY	HEIGHT	WIDTH	LENGTH OVERALL	HOPPER LENGTH	FEED MECHANISM
WALK BEHINDS/ATV/UTV PG. 46-47						
WB155BG	1.5 cu.ft/ 100 lb.	31.5"	26.5"	22.5"	19"	Gravity Feed with Agitator
WB255BG	1.5 cu.ft/ 100 lb.	31.5"	26.5"	22.5"	19"	Gravity Feed with Agitator
TB150BG	1.5 cu.ft/ 100 lb.	31.5"	26.5"	46"	19"	Gravity Feed with Agitator
WB400	2.5 cu.ft/ 200 lb.	35"	44"	18.3"	43.1"	Gravity Feed
ATVS15A	15 Gallon	32.75"	18"	18.25"	16.5"	Gravity Feed
ATVS100	12.5 Gallon	16.25"	26.5"	32.75"	19"	Gravity Feed
UTVS16	15 Gallon	45"	18"	46"	16.5"	Gravity Feed

SaltDogg® Anti-Ice systems are available with either **automatic application rate control** or **manual application rate control**.

Automatic application rate control can be paired with a automatic ground speed sensor (GPS or vehicle-based), the system automatically adjusts application rate per mile based on vehicle speed.

Manual application rate control systems are solely controlled by the operator, who must turn the system on or off and manually adjust the flow-rate.

The Buyers family of manufacturing companies

Tracom

Boomerang
RUBBER, INC.

Romotech
Rotational Molding Technologies, Inc.

PROGRESSIVE
POWDER COATING, INC.

www.buyersproducts.com

