

BMW X5 M  
BMW X6 M



Sheer  
Driving Pleasure



**THE BMW X5 M.  
THE BMW X6 M.**

**THE NEXT  
100 YEARS**





## VELKOMMEN TIL UDSTYRSSEKTIONEN.

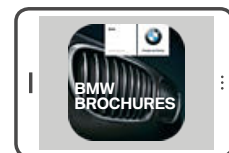
De resterende sider i kataloget er en oversigt over det ekstra- og standardudstyr, bilen leveres med i Tyskland. På de allersidste sider i kataloget finder du en udstyrsrliste, som er gældende specifikt for det danske marked.

Med venlig hilsen  
BMW Danmark A/S



In 2016 the BMW brand will be celebrating its 100th anniversary. Find out more at [www.next100.bmw](http://www.next100.bmw)

## WANT TO DISCOVER MORE?



Discover the BMW X5 M and the BMW X6 M in digital: simply download the interactive BMW brochure app for your device and select the model of your choice.

Internet use may incur costs, depending on your mobile contract.



## THE BMW X5 M. THE BMW X6 M. CONQUER NEW TERRITORY.

### THE MODELS SHOWN.

- 04 BMW X5 M:**  
M TwinPower Turbo eight-cylinder petrol engine, 423kW (575hp), 20" M light alloy wheels Double-spoke style 611 M, gloss-lathed, exterior colour Donington Grey metallic, seats in full fine-grain leather Merino, Mugello Red, interior trim Aluminium Trace.
- BMW X6 M:**  
M TwinPower Turbo eight-cylinder petrol engine, 423kW (575hp), 21" M light alloy wheels Double-spoke style 612 M, forged and gloss-lathed, exterior colour Long Beach Blue metallic, seats in full fine-grain leather Merino, Aragon Brown, interior trim Carbon Fibre.

For further information about fuel consumption and CO<sub>2</sub> emissions see pages 48 | 49 or consult your BMW partner.

### INNOVATION AND TECHNOLOGY.

- 24 M TWIN POWER TURBO ENGINE:**  
Performance with maximum efficiency.
- 26 SUSPENSION:**  
Innovative systems for more driving pleasure.
- 28 M DRIVER ORIENTATION:**  
The optimal focus for the greatest possible control.
- 30 BMW CONNECTED DRIVE:**  
Services & Apps and driver assistance systems.

### INDIVIDUALITY AND CHOICE.

- 34 EQUIPMENT:** BMW X5 M and BMW X6 M, BMW Individual and equipment highlights.
- 44 COLOURS:** Exterior and interior colours.
- 48 TECHNICAL DATA:** Vehicle weight, engine, driving performance, fuel consumption, wheels, electrical systems and technical drawings.
- 50 BMW SERVICE:** BMW Service, BMW Financial Services and BMW Experience.

# THE POWER TO PLEASE.

CLAIMS YOUR TERRITORY. 

Boldness, perseverance and assertiveness – you need a well-rounded array of qualities if you want to make your own rules like these masters of versatility do. Their outstanding power is reflected in the distinctive M design. Experience superior performance, discover the BMW X5 M and the BMW X6 M.





**GIVE YOUR EARDRUMS  
GOOSEBUMPS.**

When these two model athletes from the M family flex their muscles, untold powers are unleashed. Their M TwinPower Turbo eight-cylinder petrol engines are high-performance units with typical M power delivery and the tremendous thrust of double turbocharging; they also produce a unique sound, befitting their performance and acceleration.



**THEIR SPECIALTY: EVERYTHING.**



Get acquainted with the unknown: discover entirely new paths and push the limits in the BMW X5 M and BMW X6 M. Whether on the racetrack, a gravel road or a motorway – you'll take every territory by storm.





A start from the pole position. A campaign of conquest through the countryside. Or a short sprint that gets your heart racing: in the BMW X5 M and BMW X6 M, you'll always stay on track and have the situation under control. The optional completely electric M multifunctional seats with specially formed sides and integrated headrests provide perfect support when driving through a curve – for gripping dynamics.



**HIGH PERFORMANCE BASED ON  
DEEPEST CONVICTION.**





**575 HORSES.  
JUST ONE REIN.**



Peak performance comes with great control: The athletic and ergonomically shaped M leather steering wheel puts the dynamics of these powerful models from the M vehicle workshop right in your hands. With the help of the M Servotronic, you can negotiate every curve with greater control: depending on driving speed, steering power is optimally adjusted to provide direct, precise, comfortable steering behaviour.





**SOMETIMES, EXCEPTION  
BECOMES THE NORM.**

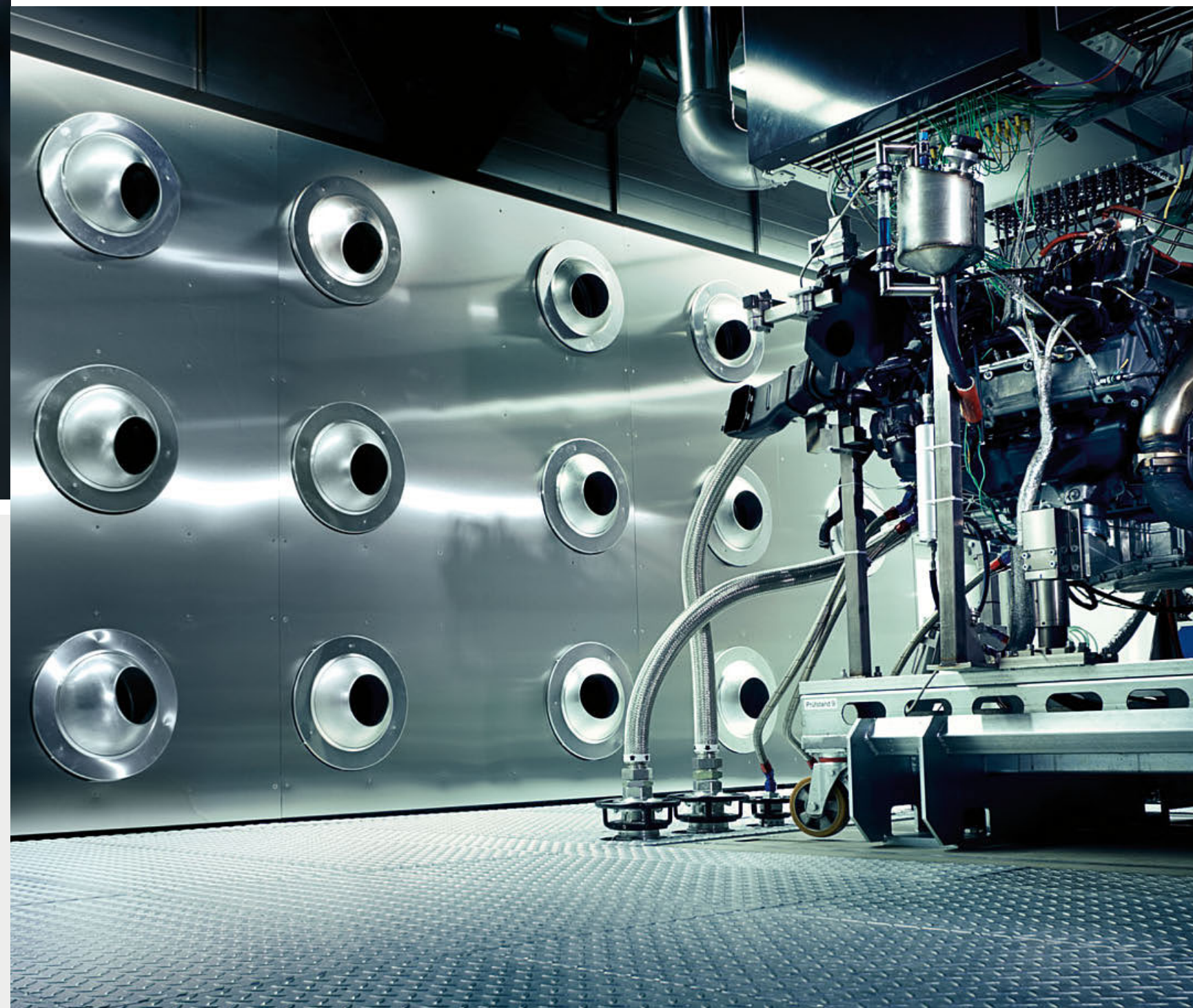
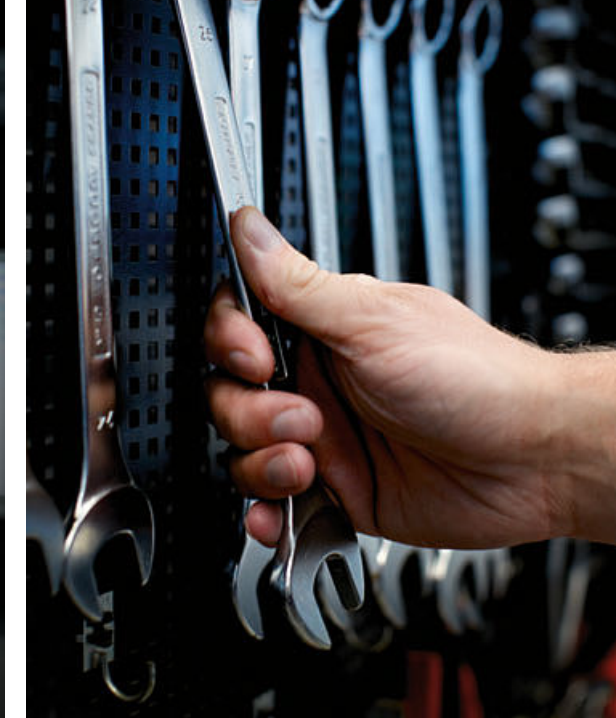


Unrivalled dynamics with maximum control result in exceptional performance and an inspiring driving experience. All this awaits you in the BMW X5 M and in the BMW X6 M. Even during extremely dynamic driving manoeuvres, the M-specific intelligent four-wheel drive BMW xDrive holds the road and gives driving pleasure free rein.

# X REASONS TO DRIVE AN M.



A striking presence that radiates superiority: distinctive forms and powerful contours characterize the inspiring M design. It emphasises the confident athleticism, the ambitious pioneering spirit and the classic elegance of these two vehicles. For them, limitations are merely the starting gun for the next challenge to overcome.



# INNOVATION AND TECHNOLOGY.

**M TWIN POWER TURBO ENGINE:** Performance with maximum efficiency.

**SUSPENSION:** Innovative systems for more driving pleasure.

**M DRIVER ORIENTATION:** The optimal focus for the greatest possible control.

**BMW CONNECTED DRIVE:** Services & Apps and driver assistance systems.

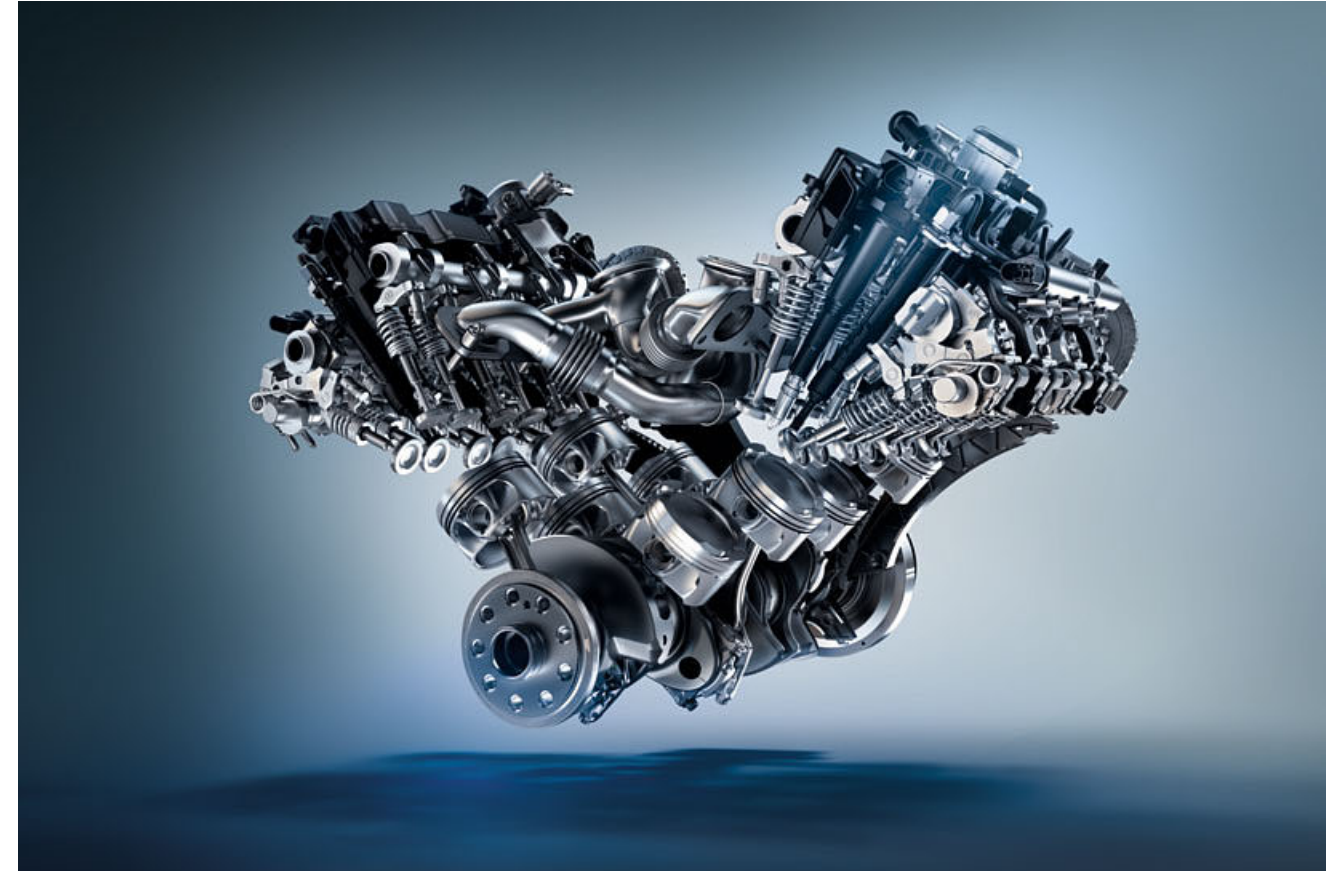
## M TwinPower Turbo engine. Performance with maximum efficiency.

The M TwinPower Turbo technology combines great performance with impressive efficiency. Outstanding responsiveness, linear increase in power, a high-revving character and tremendous thrust are the hallmarks of the 8-cylinder petrol engine in the EfficientDynamics engine family. From just above idling to high rpms – there's plenty of torque available across the entire range of engine speeds. The result: more than enough power in every situation and a thrilling performance in the upper rpm range.



### RACETRACK-READY COOLING CONCEPT.

To match the increased performance of the M TwinPower Turbo engine, BMW M has developed a racetrack-ready cooling concept that ensures optimal cooling of the engine components. The system includes four cooling circuits with ten radiators, five coolant pumps, enlarged intercoolers and additional gearbox oil cooling.



### BMW X5 M / BMW X6 M.

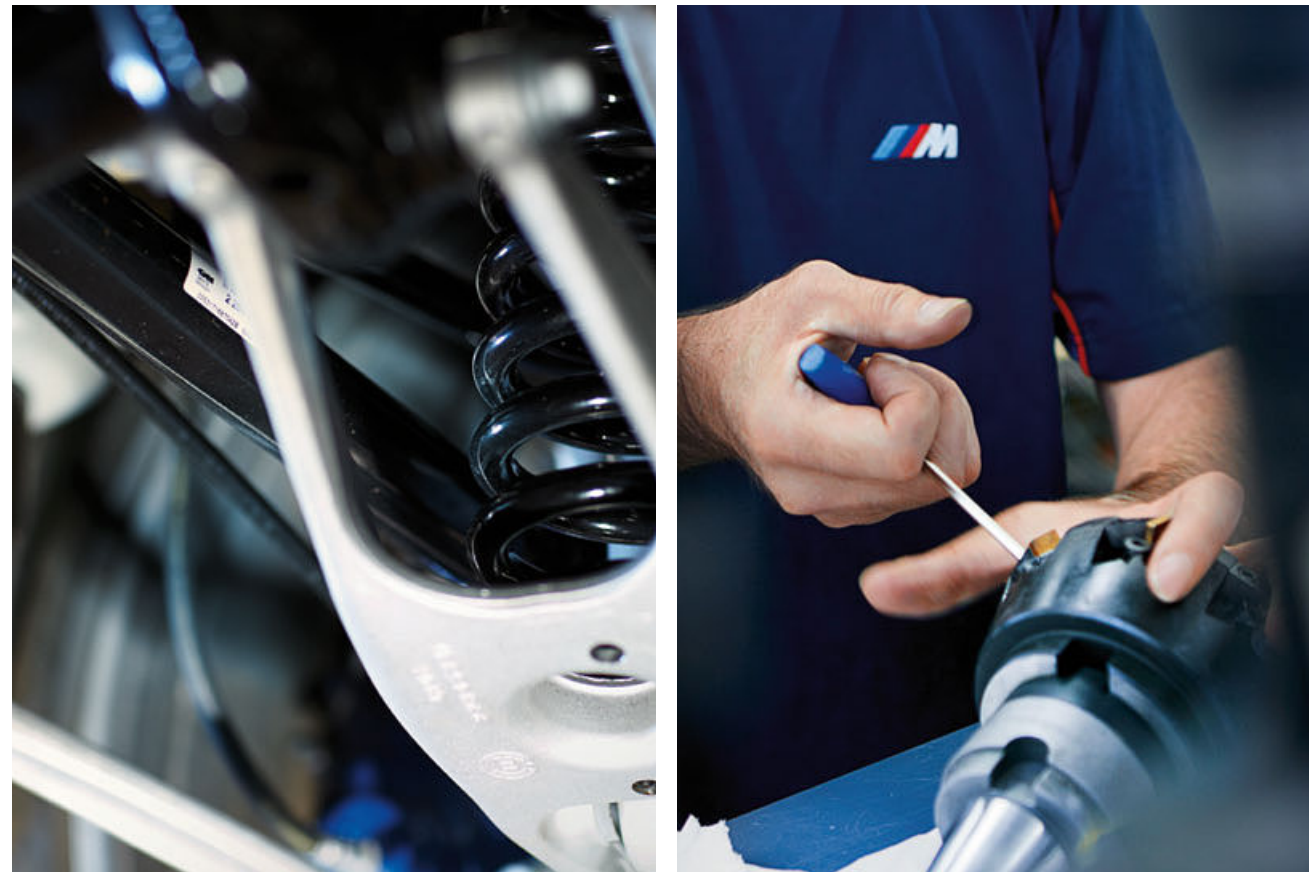
- M TwinPower Turbo 8-cylinder petrol engine with 423kW (575hp) output and 750Nm of torque
- acceleration 0–100km/h: 4.2s
- top speed: 250km/h (electronically limited)
- combined fuel consumption: 11.1l/100km<sup>1</sup>
- combined CO<sub>2</sub> emissions: 258g/km<sup>1</sup>

<sup>1</sup> Fuel consumption and CO<sub>2</sub> emission are dependent on wheel and tyre size (higher figures refer to models with optional wheels). Further information on fuel consumption and CO<sub>2</sub> emissions can be found on pages 48/49 or consult your BMW partner.

## Suspension.

### A solid foundation for superior driving dynamics.

The BMW X5 M and the BMW X6 M defy all conventional rules: as independent developments of BMW M GmbH, they are consistent with the M philosophy, combining high performance with everyday practicality in harmonious perfection. To fulfil such a challenging demand, each and every component of the elaborately constructed M high-performance suspension was optimised for high-dynamic use.

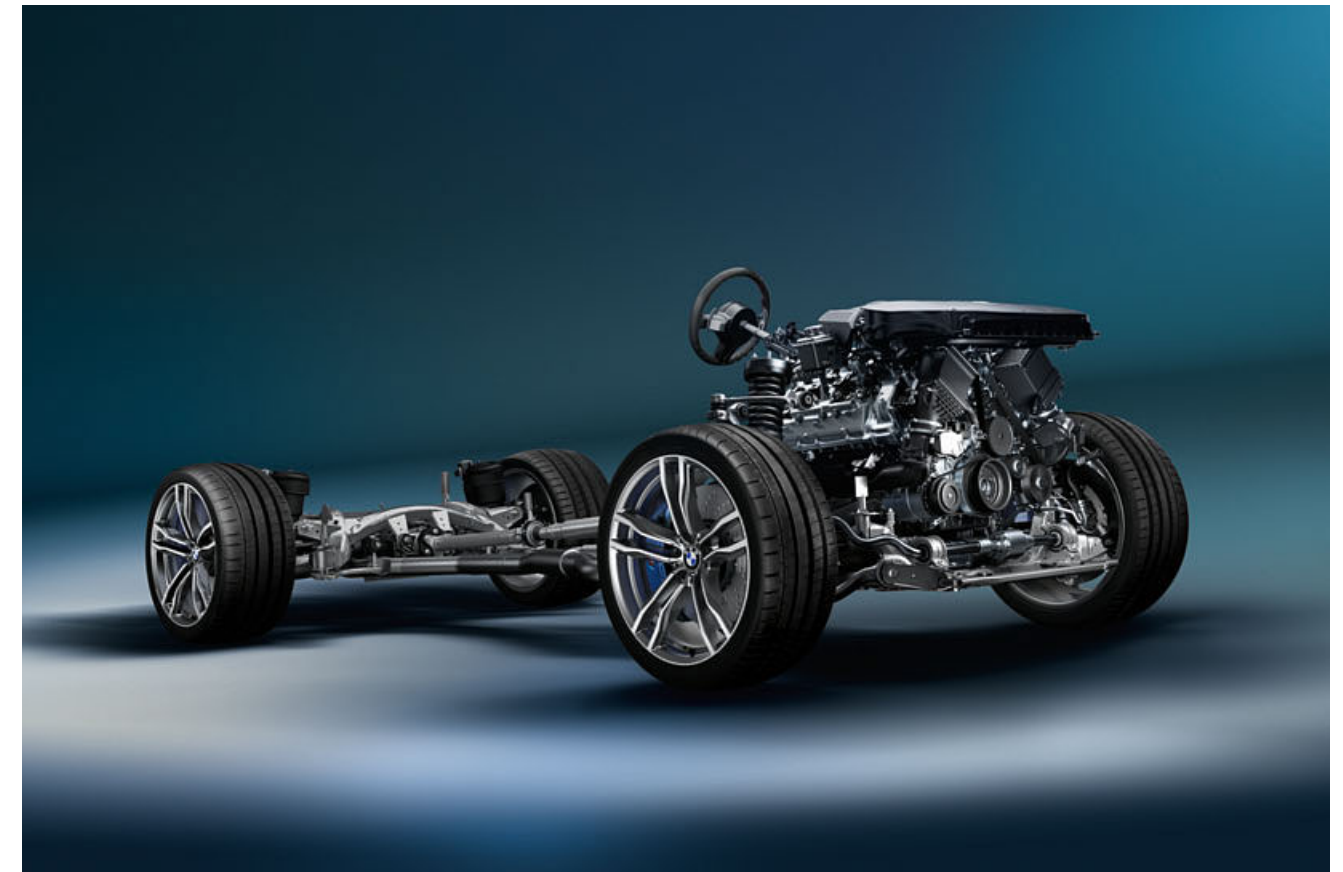


The intelligently networked suspension components and control systems provide maximum driving dynamics and agility as well as the greatest possible precision and control. Experience a captivatingly authentic driving sensation.

The intelligent **BMW xDrive all-wheel drive system** provides smooth M-specific variable drive-power distribution to the axles with an emphasis on the rear wheels – for maximum traction, directional stability and safety in every driving situation. The electronically operated force distribution also counteracts under or oversteering, which above all improves handling.

**Dynamic Performance Control (DPC)** improves power delivery and optimises driving dynamics by flexibly distributing drive power between the wheels on the rear axle. DPC provides even greater driving precision and athleticism. With its M-specific calibration, steering effort is reduced and accuracy is increased.

**Dynamic Damper Control** constantly adjusts the damper characteristics to suit the current driving situation. The driver can choose from a range of settings, from comfort, which nonetheless retains high dynamic potential, to a very tight setting for markedly athletic driving behaviour and undiluted M driving pleasure on winding roads.



**M Servotronic** adjusts the power steering to suit the current speed and ensures a direct and precise steering response even at high speeds. It also ensures supreme comfort by minimising the physical effort required for steering, as well as maximising agility when parking, manoeuvring or navigating narrow or twisting roads.

The **eight-gear M Steptronic transmission with Drivelogic** offers a variety of shifting options: from extremely athletic and dynamic to comfortable and barely noticeable to fuel-saving. The driver can shift manually with the gear lever or with the gearshift paddles on the steering wheel, or leave it to the car with the transmission's automatic mode.

Thanks to the use of a mix of specific materials, **M compound brakes** achieve outstanding deceleration and are extremely solid and highly durable. They also weigh less, which has a positive impact on agility, dynamics and acceleration. The blue metallic brake callipers with the M logo are the hallmark of these high-performance compound brakes.

## M driver orientation. Putting the driver centre stage for optimal control.

The ergonomic concept of the M vehicles features an exclusive cockpit with the driver orientation that is characteristic of the M line. All controls are designed with a focus on the driver. As in racing, intuitive and absolute control over the vehicle together with the shortest possible response times are our key priorities.



That cockpit-feel, perfect seat ergonomics, knee pads, M driver footrest, direct access to all controls relevant to driving dynamics, the optional BMW Head-Up Display with M-specific features, M gear selector and M-specific instrument cluster are the central components of the athletic-ergonomic driver orientation. Gearshift paddles adopted from racing sports and two M Drive buttons for quickly activating the M modes are located on the M leather steering wheel.

The **M-specific instrument cluster** with Black Panel technology includes four easy-to-read round instruments: one for speed (with a scale that goes up to 330km/h), engine speed (with M logo), fuel level and oil temperature, as well as a display for M Drivelogic and on-board computer functions. The instruments feature white illumination with red indicators, typical for M.

The **M leather steering wheel** features a reduced circumference and the Double-spoke style, which echoes that of the M light alloy wheels. The M logo, M Drive buttons, gearshift paddles, chrome detailing and colour contrast stitching all create a perceptible racing feel.

The ergonomically optimised, illuminated **M gear selector** brings motor sport flair to the centre console. By pulling it back or pushing it forward, the driver can shift manually in automatic mode into higher or lower gears. In manual mode, the engine takes advantage of each gear's peak rpms and the transmission doesn't automatically shift up too early.



**M Drive** allows for the individual configuration of the DSC mode, the appearance of the optional BMW Head-Up Display and personal driving profiles – from comfortable gliding all the way up to an athletic-direct set-up – by adjusting the engine, damper and steering characteristics, as well as the transmission. Activation is as simple as touching one of the two M Drive buttons integrated into the M leather steering wheel.

**Launch Control** allows maximum acceleration from a standing start. It automatically adjusts the engine to its ideal starting speed, and the eight-gear M Steptronic transmission with Drivelogic constantly sets the gearshift points so that when shifting up, the next optimal engine speed is available.



## BMW ConnectedDrive

### So connected, you're free.

Our world is becoming more closely networked every day. BMW drivers are used to the fact that their vehicle and their world are connected – that they can request information, communicate via telephone or email and always be up to date while they're on the go. The BMW ConnectedDrive<sup>1</sup> concept encompasses all the services and innovative technologies that link BMW vehicles and their passengers to the outside world and surrounding traffic.



The equipment option **ConnectedDrive Services\*** forms the basis for BMW ConnectedDrive functions, which provide the driver with a wide range of information, entertainment and service features while on the road.

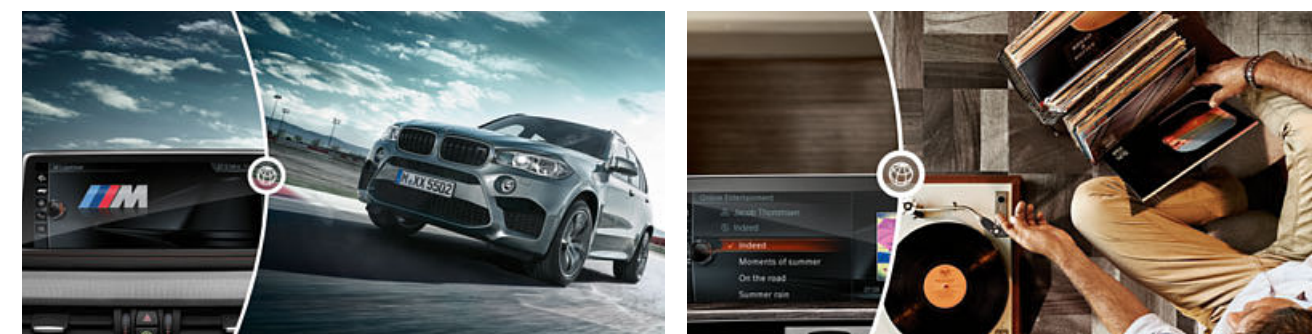
These include BMW Online, which provides access to current, location-based information such as weather and news, an online search powered by Google™ as well as office functions. In addition, an individual range of services such as fuel price information, parking information, as well as travel and hotel guides may be set up via the applications menu.

This also includes convenient, secure and unlimited access to selected smartphone apps. ConnectedDrive Services also provides access to the **BMW ConnectedDrive Store**, in which services such as Real Time Traffic Information, Remote Services, Online Entertainment and Concierge Services can easily be ordered and extended to suit the user's individual requirements. The equipment option ConnectedDrive Services offers all this and more, making every trip in a BMW a real experience.

BMW ConnectedDrive encompasses a wide range of intelligent services and assistance systems, allowing everybody to choose just what they need. **BMW ConnectedDrive Services & Apps** provides greater flexibility by networking the driver, car and the outside world. The **BMW ConnectedDrive driver assistance systems** make every drive in a BMW both safer and more convenient. Intelligent systems make the driver's job easier and minimise the risk of accidents.



The optional full-colour **BMW Head-Up Display with M-specific display<sup>2</sup>** projects all information relevant for the journey directly into the driver's field of vision. With the press of a button, the driver can switch to the M-specific display, which includes a gear indicator, the rpm as a dynamic range curve, as well as shift lights indicating the optimal moment to shift.



With the **BMW M Laptimer app**, driving data from the racetrack can be accurately recorded and then analysed with the aim of improving driving performance. The information, which falls into categories such as accelerator position, steering angle, G-force and best lap time, can be posted as snapshots to social media, or sent by email.

**Music to go.** To ensure that every trip in your BMW becomes an unforgettable experience, the vehicle comes with music apps that play the right song for every occasion. Whether commuting to work, going shopping or heading off on holiday, you can compile your own radio station, choose between a huge array of audio books or stream your own music – all from the comfort of your BMW with the BMW ConnectedDrive Services optional equipment.

\* May not be available in all countries. Please contact your BMW partner.

<sup>1</sup> For further information on BMW ConnectedDrive, particularly on the duration of the services and associated costs, please contact your BMW partner or visit [www.bmw-ConnectedDrive.com](http://www.bmw-ConnectedDrive.com).

<sup>2</sup> The display is not fully visible when wearing polarised sunglasses.

Image shows features that are only available for the German market.



# INDIVIDUALITY AND CHOICE.

**EQUIPMENT:** BMW X5 M and BMW X6 M, BMW Individual and equipment highlights.

**COLOURS:** Exterior and interior colours.

**TECHNICAL DATA:** Vehicle weight, engine, driving performance, fuel consumption, wheels, electrical systems and technical drawings.

**BMW SERVICE:** BMW Service, BMW Financial Services and BMW Experience.



# BMW X5 M.



**[01 | 03]** The exterior design of the BMW X5 M stands for pure power and agile dynamism, and therefore for the ultimate in driving pleasure. The M-specific design elements impressively accentuate its athletic qualities.

**[02]** The M gearshift lever and the driving dynamics buttons on the centre console, M leather steering wheel and further M details emphasise the car's high-performance character.

**[04]** The objective of BMW M interior design is to offer the driver the best possible control during dynamic driving in a customised ambience with optional M multifunctional seats and optimised lateral support.

**[05]** 20" M light alloy wheels Double-spoke style 611 M, gloss-lathed with mixed tyres, front size 10 J x 20 with 285/40 R 20 tyres, rear 11.5 J x 20 with 325/35 R 20 tyres.

## BMW X6 M.



**[ 01 | 03 ]** On the exterior of the BMW X6 M, the characteristic M front apron with large air inlets, an athletically wide rear and M-specific design elements such as the M exterior mirrors with double-bridge design and the M gills make for an extroverted appearance.

**[ 02 ]** From the BMW characteristic instrument cluster with M-specific colouring, to the M leather steering wheel with galvanised gearshift paddles, classic M design elements emphasise the vehicle's performance potential.

**[ 04 ]** The optional M multifunctional seats provide optimal lateral support and a high level of comfort even on long journeys. The M footrest gives a stable hold and cushioned leather kneepads on the centre console provide additional support when driving quickly through curves.

**[ 05 ]** Optional 21" M light alloy wheels Double-spoke style 612 M, forged and gloss-lathed with mixed tyres, front size 10 J x 21 with 285/35 R 21 tyres, rear 11.5 J x 21 with 325/30 R 21 tyres.

# BMW Individual

The expression of personality.



BMW Individual paint finish  
Azurite Black metallic.



## The BMW X6 M. Inspired by BMW Individual.

Simply driving a BMW shows that you have a one-of-a-kind sense of character. But if you want to add an even more personalised touch to your car, BMW Individual Collection and BMW Individual Manufaktur offer a nearly unlimited number of ways to distinguish your vehicle from the rest.

Designed to perfectly complement each series of cars, BMW Individual Collection provides a highly exclusive selection of equipment options: paint finishes that brilliantly dazzle or refract light. Extensive leather upholstery in unique colours, completed with sophisticated contrasts. Interior trims made with exclusive fine woods or in a flawless piano finish.

This array of choices is surpassed only by that offered by BMW Individual Manufaktur, which has one overarching goal: to meet, wherever possible, every individualised request down to the last detail with style and a meticulous sense of perfection.



BMW Individual leather-covered instrument panel  
and interior trim Piano finish Black.



BMW Individual extended fine-grain Merino leather upholstery in Smoke White with roofliner Alcantara  
in Smoke White, leather-covered instrument panel and interior trim in Piano finish Black.



EXPERIENCE BMW INDIVIDUAL INTERACTIVE.  
WITH THE BMW INDIVIDUAL APP FOR iOS AND ANDROID.

# EQUIPMENT HIGHLIGHTS.

■ Standard equipment □ Optional equipment



**[ 01 ]** The M kidney grille with high-gloss Black double slats and "X6 M" logo emphasises the forward projecting design of the car's front end.

**[ 03 ]** The aerodynamically optimised M exterior mirrors with double-bridge design and integrated LED indicators accentuate the athletic character of the car.

**[ 05 ]** The functional rear spoiler in the body colour provides additional propulsion for the rear axle and visually extends the silhouette (only for the BMW X6 M).

**[ 02 ]** The distinctive M gills underscore the car's sporty appearance and together with the integrated Air Breather, they optimise the car's aerodynamics.

**[ 04 ]** Panorama glass roof, electric, with slide and lift functions, a wind deflector and a comfort opening function via the car's remote control (only with the BMW X5 M).

**[ 06 ]** The Adaptive LED headlights produce a light colour very similar to daylight and adjust their light distribution automatically according to speed and steering angle.

**[ 07 ]** 21" M light alloy wheels in Double-spoke style 612 M with mixed tyres, forged and gloss-lathed.

**[ 10 ]** 20" M light alloy wheels Double-spoke style 611 M with mixed tyres, black.

**[ 12 ]** The two bevelled M double tailpipes made of high-gloss chrome fit harmoniously into the flowing lines of the rear apron.

**[ 08 ]** Thanks to the use of various materials, M compound brakes achieve outstanding deceleration values and are extremely stable and highly durable.

**[ 11 ]** 20" M light alloy wheels Double-spoke style 611 M with mixed tyres, gloss-lathed.

**[ 13 ]** BMW Individual leather finished instrument panel (XT1)<sup>1</sup> in Walknappa leather at the top<sup>2</sup> and fine-grain Merino leather in the colour of the upholstery at the bottom.<sup>3</sup>

**[ 09 ]** Door sill finishers with model lettering on chrome-plated inlays on the front door sills emphasize the vehicle's exclusivity.

<sup>1</sup> Only available in conjunction with the BMW Individual extended fine-grain Merino leather upholstery.  
<sup>2</sup> In Black with Amaro Brown, Nutmeg or Criollo Brown upholstery. In Scotch dark with Smoke White or Taupe upholstery.  
<sup>3</sup> The upper and lower parts of the instrument panel and the door panels feature contrast stitching.

Optional and standard equipment vary according to country.

## EQUIPMENT HIGHLIGHTS.

■ Standard equipment □ Optional equipment



**[ 01 ]** M leather steering wheel in Double-spoke style with gearshift paddles, M logo, M Drive buttons, chrome detailing and contrast stitching.

**[ 02 ]** The full-colour BMW Head-Up Display<sup>1</sup> projects important information directly into the driver's field of vision – including engine speed and optimum shift time when in the M mode.

**[ 03 ]** Keep sight of what is important – the M-specific instrument cluster with Black Panel technology includes four round instruments and several displays.

**[ 04 ]** M Drive allows for the individual configuration of the vehicle set-up by adjusting the engine, damper and steering characteristics, as well as the transmission.

**[ 05 ]** The iDrive Touch Controller (part of the navigation system Professional): intuitive control via the iDrive Controller touchpad.

**[ 06 ]** Navigation system Professional, including hands-free kit, USB interface, LCD colour display, Radio Professional with DVD drive and 20 GB of memory for audio files. Operation is intuitive thanks to the iDrive Controller with direct menu control buttons and eight functional bookmarks. The maps are displayed in 3D.

**[ 07 ]** The BMW Individual roof liner in Alcantara Anthracite, which also features body pillars lined in Alcantara, gives the interior an added touch of sophistication.

**[ 08 ]** Rear-seat entertainment Professional provides excellent entertainment for rear passengers thanks to two separate colour displays.

**[ 09 ]** M multifunction seats in full leather with integrated headrests offer perfect lateral support, even during very dynamic driving.

**[ 10 ]** The Bang & Olufsen high-end surround sound system enthral listeners with its full sound, illumination effects and extendible centre speaker.

**[ 11 ]** The 8-speed Steptronic transmission offers numerous gear shift options: from extremely sporty to comfortable, manual or automatic.

<sup>1</sup> Wearing polarised sunglasses will reduce the visibility of the display. The exact content shown on the BMW Head-Up Display will depend on the equipment options chosen and further optional equipment may be required.

Optional and standard equipment vary according to country.

# EXTERIOR COLOURS.

■ Standard equipment □ Optional equipment



■ Non-metallic 300 Alpine White

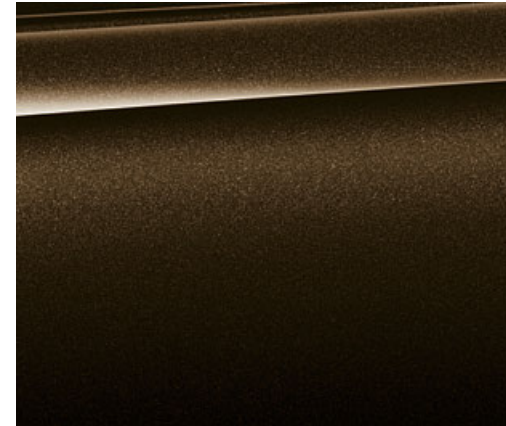


■ Metallic A96 Mineral White



■ Metallic A29 Silverstone

## BMW INDIVIDUAL



□ BMW Individual X13 Pyrite Brown metallic



□ BMW Individual S34 Azurite Black metallic



■ Metallic 416 Carbon Black



■ Metallic 475 Black Sapphire



■ Metallic C28 Donington Grey



■ Metallic C16 Long Beach Blue



■ Metallic A75 Melbourne Red



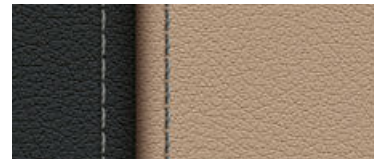
# INTERIOR COLOURS.

■ Standard equipment □ Optional equipment

## UPHOLSTERY COLOURS



■ **Fine-grain Merino leather upholstery, extended** LKSW Black with contrast stitching in grey



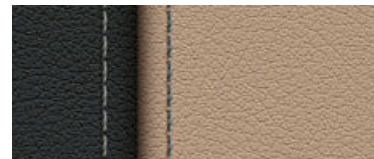
■ **Fine-grain Merino leather upholstery, extended** LKJR Sonoma Beige with contrast stitching in grey



■ **Fine-grain Merino leather upholstery, extended** LKA9 Silverstone with contrast stitching in grey



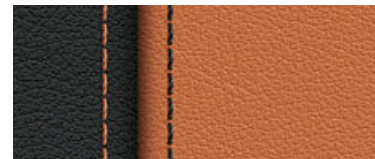
□ **Full fine-grain Merino leather** X3SW Black, contrast stitching in grey<sup>1</sup>



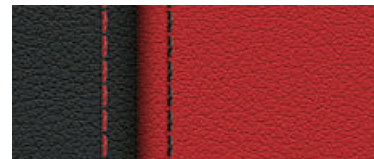
□ **Full fine-grain Merino leather** X3JR Sonoma Beige, contrast stitching in grey<sup>1</sup>



□ **Full fine-grain Merino leather** X3A9 Silverstone, contrast stitching in grey<sup>1</sup>

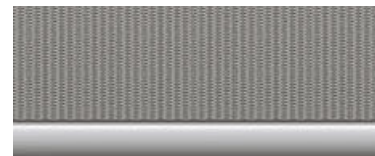


□ **Full fine-grain Merino leather** X3D8 Aragon Brown, contrast stitching in black<sup>1</sup>

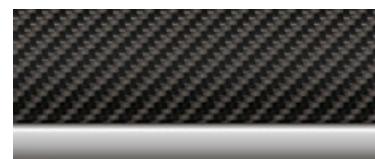


□ **Full fine-grain Merino leather** X3MR Mugello Red, contrast stitching in black<sup>1</sup>

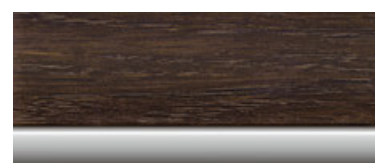
## INTERIOR TRIMS



■ **4L9 Aluminium Trace, Pearl-Gloss Chrome** accent line

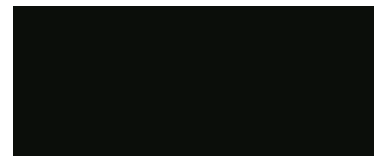


□ **4MC Carbon Fibre, Pearl-Gloss Chrome** accent line



□ **4CV Fine-wood trim American Oak, Pearl-Gloss Chrome** accent line

## INTERIOR COLOURS

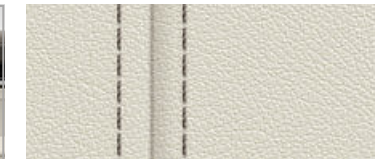


■ **Black**

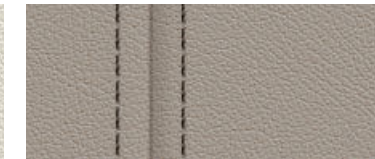
## BMW INDIVIDUAL



## UPHOLSTERY COLOURS



□ **BMW Individual fine-grain Merino leather<sup>2</sup>** ZAFU Smoke White<sup>3,4,5</sup>



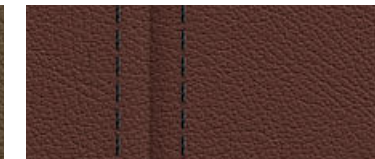
□ **BMW Individual fine-grain Merino leather<sup>2</sup>** ZAN3 Taupe<sup>3,4,5</sup>



□ **BMW Individual fine-grain Merino leather<sup>2</sup>** ZAP5 Amaro Brown<sup>3,4,5</sup>



□ **BMW Individual fine-grain Merino leather<sup>2</sup>** ZAML Nutmeg<sup>3,4,5</sup>



□ **BMW Individual fine-grain Merino leather<sup>2</sup>** ZAP3 Criollo Brown<sup>3,4,5</sup>

## BMW INDIVIDUAL



## INTERIOR TRIMS



□ **BMW Individual interior trim** XEW Fine-wood trim Sen Light Brown, Pearl-Gloss Chrome accent line

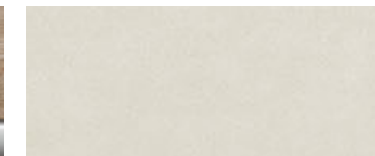


□ **BMW Individual interior trim** 4WC Fine-wood trim in Ash Vulcano Brown, Pearl-Gloss Chrome accent line

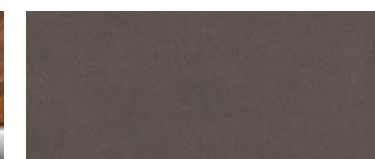


□ **BMW Individual interior trim** 4ML Piano finish Black, Pearl-Gloss Chrome accent line

## BMW INDIVIDUAL ROOFLINER



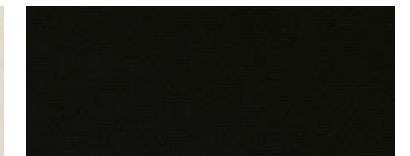
□ **BMW Individual roofliner** XD5 Alcantara Smoke White<sup>6</sup>



□ **BMW Individual roofliner** XD5 Alcantara Scotch dark<sup>7</sup>



□ **BMW Individual roofliner** 776 Alcantara Anthracite



■ **BMW Individual roofliner** 775 Anthracite

Please note that even normal long or short-term use can lead to permanent upholstery stains. This can be caused in particular by non-colourfast clothing. In conjunction with the active seat ventilation, front, the M multifunction seats for driver and front passenger come with perforated surfaces on the front and rear.

Optional and standard equipment vary according to country.

<sup>1</sup> Only available in conjunction with the BMW Individual roofliner Alcantara Anthracite.

<sup>2</sup> BMW Individual extended fine-grain Merino leather trim includes the front and rear seats with headrests, rear panels on the front seat backrests, door panel inserts, centre console including armrest, armrests in the doors and the door handles. Contrast stitching includes front and rear seats as well as headrests. The front seats and/or headrests are stamped with the M symbol.

<sup>3</sup> Only available in conjunction with the M multifunctional seats.

<sup>4</sup> Only available in conjunction with the BMW Individual roofliner Alcantara Anthracite or the BMW Individual roofliner Alcantara.

<sup>5</sup> Only available in conjunction with the BMW Individual leather-covered instrument panel.

<sup>6</sup> Only available in conjunction with BMW Individual fine-grain Merino leather in Amaro Brown, Criollo Brown or Smoke White.

<sup>7</sup> Only available in conjunction with BMW Individual fine-grain Merino leather in Taupe or Nutmeg.

		BMW X5 M	BMW X6 M
--	--	----------	----------

Weight			
Unladen weight EU <sup>1</sup>	kg	2350	2340
Max. permissible total weight	kg	2970	2950
Permitted load	kg	695	685
Luggage compartment volume min.-max.	l	650–1870	550–1525

Engine <sup>2,3</sup>			
Cylinders/valves		8/4	8/4
Capacity	cc	4395	4395
Max. output/engine speed	kW (hp)/rpm	423 (575)/6000–6500	423 (575)/6000–6500
Max. torque/engine speed	Nm/rpm	750/2200–5000	750/2200–5000

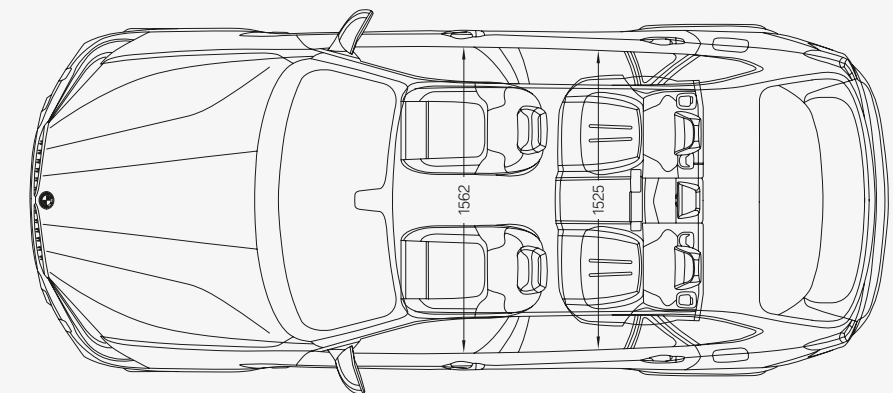
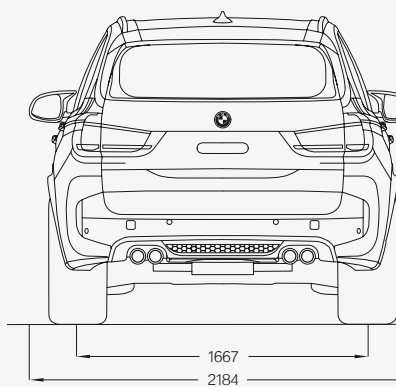
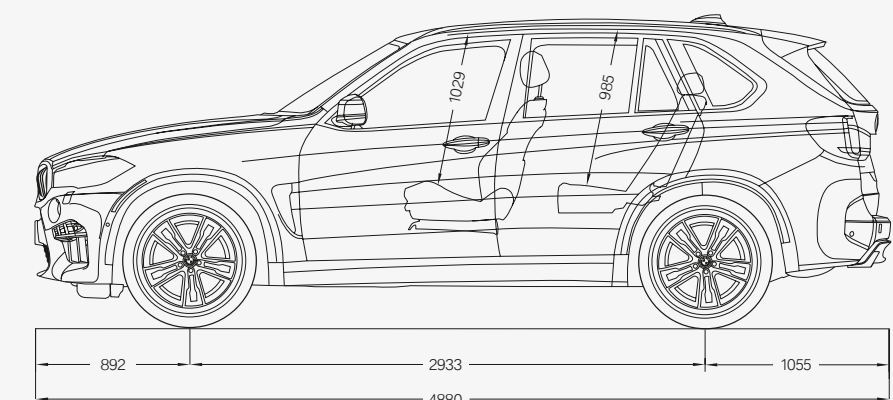
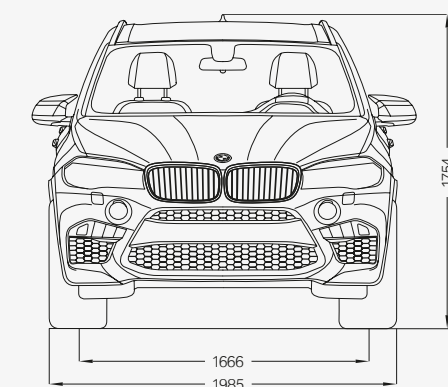
Transmission			
Drive configuration		All-wheel	All-wheel
Standard		8-speed M Steptronic	8-speed M Steptronic

Performance			
Top speed	km/h	250 <sup>4</sup>	250 <sup>4</sup>
Acceleration 0–100km/h	s	4.2	4.2
Acceleration 0–200km/h	s	14.9	14.9

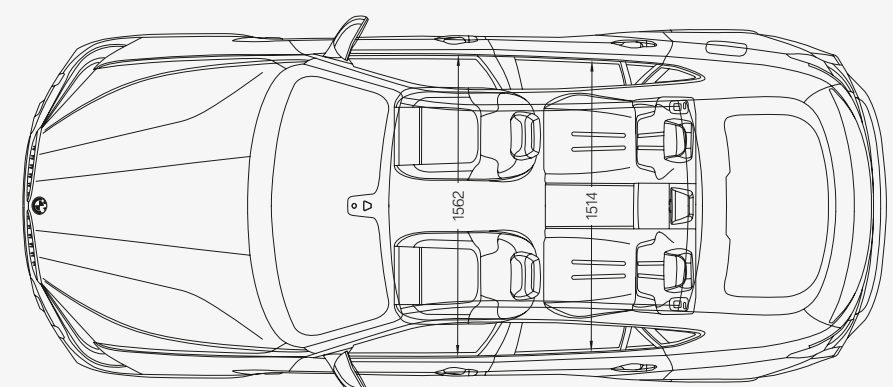
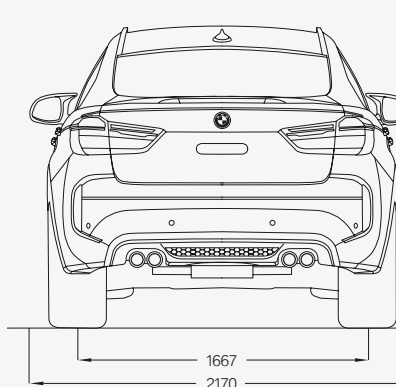
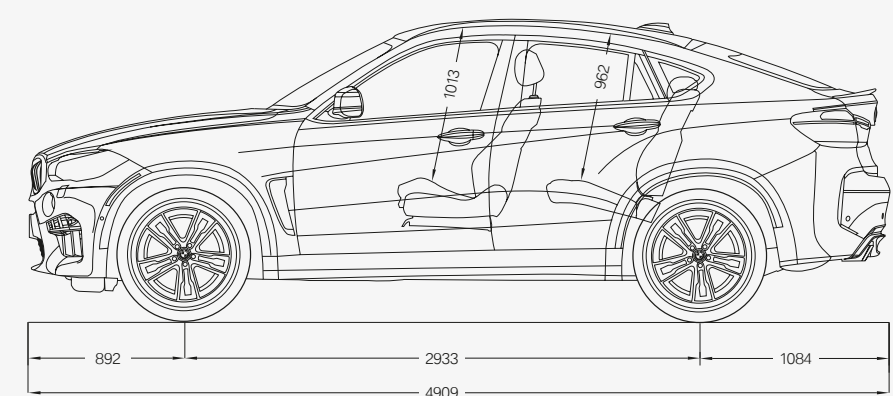
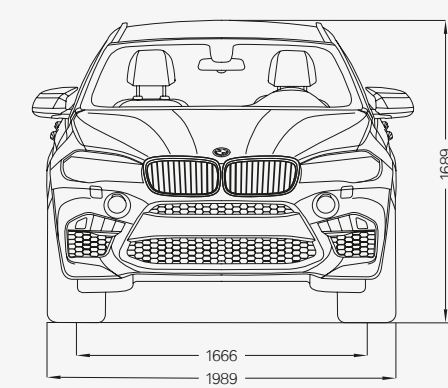
Consumption <sup>2,3</sup>			
Urban	l/100km	14.7	14.7
Extra-urban	l/100km	9.0	9.0
Combined	l/100km	11.1	11.1
Combined CO <sub>2</sub> emissions	g/km	258	258
Tank capacity approx.	l	85	85

Wheels/tyres			
Tyre dimensions front/rear		285/40 R 20 Y/325/35 R 20 Y	285/40 R 20/325/35 R 20
Wheel dimensions front/rear		10 J x 20/11.5 J x 20	10 J x 20/11.5 J x 20
Material		Light alloy	Light alloy

**BMW X5 M**



**BMW X6 M**



All dimensions in the technical drawings are given in millimetres.

<sup>1</sup> The figure quoted includes a 90% full tank, 68 kg for the driver and 7kg for luggage. Unladen weight applies to vehicles with standard equipment. Optional equipment will increase this figure.

<sup>2</sup> BMW recommends the use of premium quality unleaded 95 RON fuels. Regular unleaded fuels 91 RON and higher with a maximum ethanol content of 10% (E10) may also be used. Output and fuel consumption figures apply to use with 98 RON fuel.

<sup>3</sup> All engines comply with the EU6 emissions standard. Fuel consumption is determined in accordance with the ECE driving cycle (93/116/EU) which consists of approximately one-third urban traffic and two-thirds extra-urban driving (based on the distance covered). CO<sub>2</sub> emissions are measured in addition to fuel consumption. Optional equipment may increase these figures. For further information about fuel consumption and CO<sub>2</sub> emissions, please consult your BMW partner.

<sup>4</sup> Electronically limited.

Kode	Beskrivelse	X5 xDrive 35i	X5 xDrive 40e iP	X5 xDrive 50i	X5 sDrive 25d	X5 xDrive 25d	X5 xDrive 30d	X5 xDrive 40d	X5 xDrive M50d	X5 M
205	Automatgear									
255	Sportslædderræt									
258	Runflat-dæk									
2AZ	Letmetalfælge 18" Dobbelt-eger 446									
2H7	Letmetalfælge 19" V-eger 450									
2PA	Låsebolte									
2PV	M letmetalfælge 19" Dobbelt-eger 467. Ikke med 7S5 / 927. Ikke med 3E1 / 3E2. Kun med 337									
2TB	Sportautomatgear Steptronic med gearskift paddles									
2TN	M letmetalfælge 20" Dobbelt-eger 611									
2VB	Dæktryk monitor									
2VF	Adaptive M Sport undervogn									
2VM	Adaptive 'Comfort' undervognspakke									
2VP	Adaptive 'Dynamic' undervognspakke									
302	Alarm									
316	Automatisk bagklap									
337	M Sportspakke, inkl. 300, 2PV, 2TB, 2VF, 3MC, 481, 4MR, 710, 715, 760, 775 OBS. Indtræk er ikke inkluderet i prisen.									
346	Forkromede rudelister									
3AT	Tagræling Aluminium satinated									
3MB	BMW Individual Exterieur Line Aluminium									
413	Bagagenet									
428	Advarselstrekant									
430	El-indfoldelige sidespejle (m. antiblænd funktion, førerside)									
459	Sædeindstilling, el. m. memory for fører									
481	Sportssæder, for									
488	Lændestøtte, for									
493	Bagagerumspakke									
494	Sædevarme, for									
4AC	Kabinelister, Ædeltræ poppel, kornet									
4DY	Kabinelister, 'Oxide Silver dark' mat									
4L9	Kabinelister, Aluminium 'Trace'									
4M5	BMW Individual instrumentbord i læder									
4MA	M multifunktion sportssæder (Kun med LKA9 / LKJR / LKSW / X3A9 / X3D8 / X3JR / X3MR / X3SW / ZAFU / ZAML / ZAN3 / ZAP3 / ZAP5									
4MR	Kabinelister, Aluminium Hexagon									
502	Forlygtevask med intensivrens									
508	PDC, for og bag									
521	Regnsensor									



2AZ – Letmetalfælge 18" Dobbelt-eger 446



2H7 – Letmetalfælge 19" V-eger 450



2PV – M letmetalfælge 19" Dobbelt-eger 467 Ikke med 7S5 / 927, Ikke med 3E1 / 3E2, Kun med 337



2TN – M letmetalfælge 20" Dobbelt-eger 611

522	Xenon-lygter									
534	Klimaautomatik med 2-zone kontrol									
552	Adaptive LED forlygter									
563	Belysningspakke									
575	Ekstra 12-volt stik									
5A1	LED Tågelygter									
5AS	Driving Assistant (Vejstribealarm med City breaking)									
5DA	Deaktivering airbag, passagerside									
609	Navigationssystem Professional									
676	HiFi højttalersystem									
6AC	SOS opkald									
6AE	Teleservice									
6AG	eDrive Services									
760	BMW Individual high-gloss Shadow Line									
775	BMW Individual loftsbebræk antrazit									
	Stof "Twill"									
	Alcantara/læder kombination									
	Læder "Merino" udvidet									

■ = Standardudstyr

Der tages forbehold for evt. fejl og ændringer.

Kode	Beskrivelse	xDrive35i	xDrive50i	xDrive30d	xDrive40d	M50d	X6M
255	Sportslæderrat						
258	Runflat-dæk						
2L4	Letmetalfælg 19" Y-eger 595						
2LW	Letmetalfælg 19" Y-eger 594						
2PA	Låsebolte						
2TB	Sportsautomatgear						
2TN	M letmetalfælg 20" Dobbelt-eger 611						
2TW	M letmetalfælg 19" Dobbelt-eger 623 (kun med 337)						
2VB	Dæktryk monitor						
2VF	Adaptive M Sport undervogn						
2VM	Adaptive komfort undervogn pakke						
2VP	Adaptive 'Dynamic' undervogn pakke						
302	Alarm						
316	Automatisk bagklap						
337	M Sports pakke (inkl. 300, 2TW, 2VF, 481, 4MR, 710, 715, 760, 775)						
3MB	BMW Individual Exterior Line Aluminium						
428	Advarselstrekant						
430	El-indfoldelige sidespejle (m. antiblænd funktion, førerside)						
459	Sædeindstilling, el. med memory for fører						
481	Sportssæder, for						
488	Lændestøtte, for						
493	Bagagerumspakke						
494	Sædevarme, for						
4AC	Kabinelister, Ædeltræ poppel, kornet						
4DY	Kabinelister, 'Oxide Silver dark', mat						
4L9	Kabinelister, 'Oxide Silver dark', mat						
4M5	BMW Individual instrumentbord i læder						
4MR	Kabinelister, Aluminium Hexagon						
502	Forlygtevask med intensivrens						
508	PDC, for og bag						
521	Regnsensor						
522	Xenon-lygter						
534	Klimaautomatik med 2-zone kontrol						
552	Adaptive LED forlygter						
563	Belysningspakke						
575	Ekstra 12-volt stik						
5A1	LED tågelygter						
5AS	Driving Assistant (Vejstribealarm med City breaking)						
5DA	Deaktivering airbag						
676	HiFi højttalersystem						
6AC	SOS opkald						



2L4 – Letmetalfælg 19" Y-eger 595



2LW – Letmetalfælg 19" Y-eger 594



2TN – M letmetalfælg 20" Dobbelt-eger 611



2TW – M letmetalfælg 19" Dobbelt-eger 623  
Kun med 337

6AE	Teleservice						
710	M Sport læderrat						
760	Individual Satin Chrome						
775	BMW Individual loftsbebræk antrazit						
	Alcantara/læder kombination						
	Læder "Dakota"						
	Læder "Merino" udvidet						

■ = Standardudstyr

Der tages forbehold for evt. fejl og ændringer.

## WELL TAKEN CARE OF WITH BMW SERVICES:

When you buy a BMW, you can look forward to superb service and comprehensive customer care. For example, the **Condition Based Service** independently tracks both service fluid levels and the condition of parts subject to wear and then notifies you in the display when the vehicle requires servicing. So you only need to go to your BMW service partner when it's really necessary. When you do go, our

**qualified BMW service specialists** take care of your vehicle using the newest workshop technology and only **original BMW parts**. This service is available worldwide in more than 3,300 BMW service partner establishments in over 150 countries, to provide you with limitless driving pleasure.

### BMW SERVICE.



**BMW Service Packages\*:** Individual and stress-free, just for you. Individual, well-thought-out servicing solutions carefully tailored to you and your vehicle. With one-off, predictable costs, BMW Service Packages give you complete peace of mind, so you can enjoy owning a BMW to the very fullest. Whether it's fresh from the showroom or already well-travelled – there's a BMW Service Package for every phase of your vehicle's life. All bringing you maximum quality, expertise and value retention, always at reasonable, transparent rates. And always carefully tailored to you and your BMW. Find out just how stress-free truly individual service can be!

[www.bmw.com/serviceinclusive](http://www.bmw.com/serviceinclusive)



**BMW Mobile Service\*:** This service is there for you day and night. As soon as you call, we spring into action, and take care of everything that may need doing after an accident or breakdown, with specially trained technicians working – on site or via telephone – to get your car back on the road. We offer comprehensive, country-specific mobility packages for breakdowns, and insurance that covers you in the event of an accident or theft. So if anything untoward does happen, simply call up the BMW accident hotline and we'll go to work. We'll take care of calling the emergency services, a tow truck, a replacement car, notifying your insurance company and much more. For further information please visit [www.bmw.com](http://www.bmw.com)



**BMW TeleServices\*:** With Condition Based Service, you'll be automatically reminded of your next necessary service appointment on the vehicle screen. Provided you've consented, key vehicle data will be relayed to BMW automatically for analysis. Your assigned BMW service partner will access the information and contact you free of charge to make a service appointment as and when necessary. To access BMW Teleservices, the vehicle must be equipped with the optional Intelligent Emergency Call or ConnectedDrive Services. The service can be deactivated at any time you so desire, and you can change your service partner in the iDrive menu or ConnectedDrive portal. Find out more at [www.bmw.com/teleservices](http://www.bmw.com/teleservices)

### BMW FINANCIAL SERVICE.



**BMW Financial Services\*:** Mobility solutions to meet your needs. BMW Financial Services provides you with attractive leasing, finance and insurance options. To find out more, see the price list or go to [www.bmwfs.com](http://www.bmwfs.com). Your BMW partner will also be glad to draw up an individual offer for you in person.

### THE BMW EXPERIENCE.



**BMW TV\*:** [www.bmw.tv](http://www.bmw.tv) enables you to experience the BMW brand in all its diversity. Features, portraits and background reports provide you with information on automobiles, innovations, sports and lifestyle topics.



**BMW Driving Experience:** The better you control your BMW, the more enjoyment you will derive from driving it. Use our training courses to learn for yourself what it means to reach a car's physical limits on various types of surfaces, and what you have to do to control your vehicle even in extreme situations. For further information please visit [www.bmwdrivingexperience.com](http://www.bmwdrivingexperience.com)



**BMW Welt:** Picking up a car at BMW Welt has always ranked among the best moments for any driver. Turn this moment into one whole unforgettable day: experience the handover of your new BMW as just one part of a programme of activities perfectly tailored to your interests. At BMW Welt, the BMW Group plant, the BMW Museum, the BMW Group headquarters and the BMW Group Classic all combine to provide you with a great experience of an exciting history, a breathtaking present – and spectacular visions for the future. Find out more at [www.bmw-welt.com/en](http://www.bmw-welt.com/en)



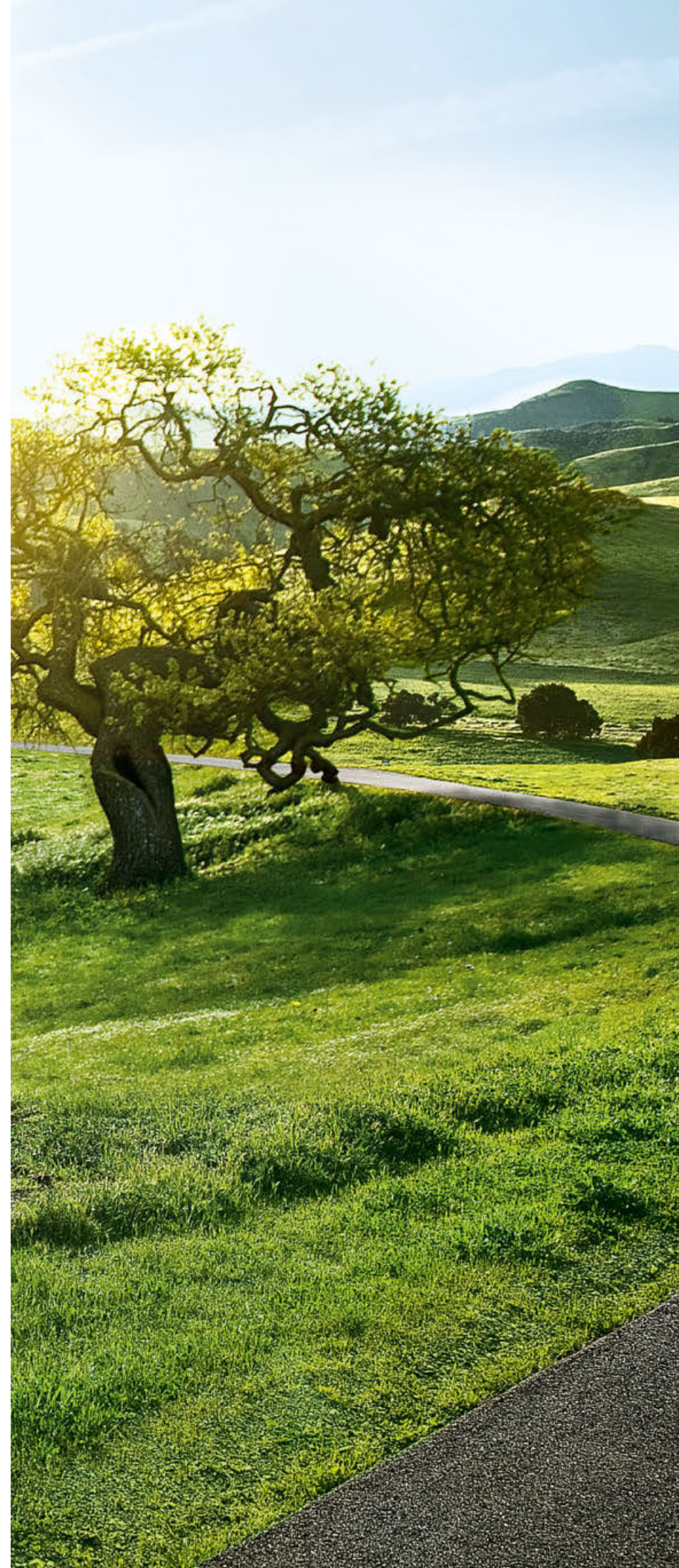
**BMW Magazine:** In BMW Magazine, experience the newest BMW models in front of stunning backdrops. Discover new design trends, travel destinations and the richness of modern life. Encounter people with visionary ideas who are changing the world. Find out more at [www.bmw.com/magazine](http://www.bmw.com/magazine)

\* May not be available in all countries. Please consult your BMW partner.

## SHAPING THE FUTURE – RESPONSIBLY.

In 2015, the BMW Group was once more listed in the Dow Jones Sustainability Index as the most sustainable automotive company worldwide. This makes BMW Group the only company in the automotive industry to be listed without interruption since the index was established. The development of efficient vehicle concepts and environmentally friendly production processes, including recycling, is an integral part of our philosophy. BMW EfficientDynamics and electric vehicles have enabled us to cut CO<sub>2</sub> emissions from our European new-vehicle fleet by more than 40% since 1995. We have also reduced the amount of resources used in production, such as water and energy, by 34% between 2006 and 2015, with a reduction to 45% of previous levels aimed at for 2020. In terms of other resources (such as volatile organic compounds, process wastewater and waste) our 45% target was met in 2014, and we will continue to work on further improvement. Production at our engine plant in Steyr has been waste-water free since 2007. And of course, at the end of its service life, every one of our vehicles can be easily and economically recycled. To return your end-of-life vehicle, please contact your BMW partner. For more information on this issue please visit our website.

[www.bmw.com/EfficientDynamics](http://www.bmw.com/EfficientDynamics)  
[www.bmwgroup.com/responsibility](http://www.bmwgroup.com/responsibility)  
[www.bmw.com/recycling](http://www.bmw.com/recycling)



BMW M



Sheer  
Driving Pleasure

The models illustrated in this brochure show the specifications of vehicles produced by BMW AG for the German market. In part, they include optional equipment and accessories not fitted as standard. According to the specific requirements of the markets of other European Union member states, alterations in models, standard and optional equipment, as described in this brochure, may occur. For more information about country-specific vehicle versions, please contact your local BMW partner. The images and descriptions are subject to change to the product's details.

© BMW AG, Munich/Germany. Not to be reproduced wholly or in part without written permission of BMW AG, Munich.

4 11 999 28820 2 2016 BM. Printed in Germany 2016.

