

Argo 6x6
Frontier EFI



Argo 6x6
Frontier EFI

PARTS MANUAL

From Serial # ...17913

Foreword

ODG has prepared this parts manual for the FRONTIER model to assist both qualified mechanics and vehicle owners in ordering correct, quality replacement ARGO parts. For the most current parts manual visit our website at www.argoatv.com.

Proper and regular service, and replacing old, worn or broken parts with the correct ARGO replacement parts, are both essential to prolonging the life of the ARGO. Please refer to this parts manual and/or our website www.argoatv.com before ordering any replacement part.

All information contained in this FRONTIER Parts Manual is based on the latest product specification available at time of printing. If your FRONTIER differs from the specifications contained in this manual, check our website www.argoatv.com for the most current information.

ODG reserves the right to alter specifications on the FRONTIER model at any time, without obligation or prior notification.

Reproduction of this FRONTIER Parts Manual, in whole or in part, is prohibited without prior written permission from Ontario Drive & Gear Limited.

Vehicle Identification

FRONTIER - Serial Nos. ...17913

Explanation of Parts Manual Format

- Ref** - Reference number between assembly diagram and component parts list
- Part No.** - Argo replacement part number for identification and re-ordering
- Description** - Part description for identification and re-ordering
- Qty** - Indicates the quantity of a part used in an assembly

ARGO 6x6 Frontier EFI

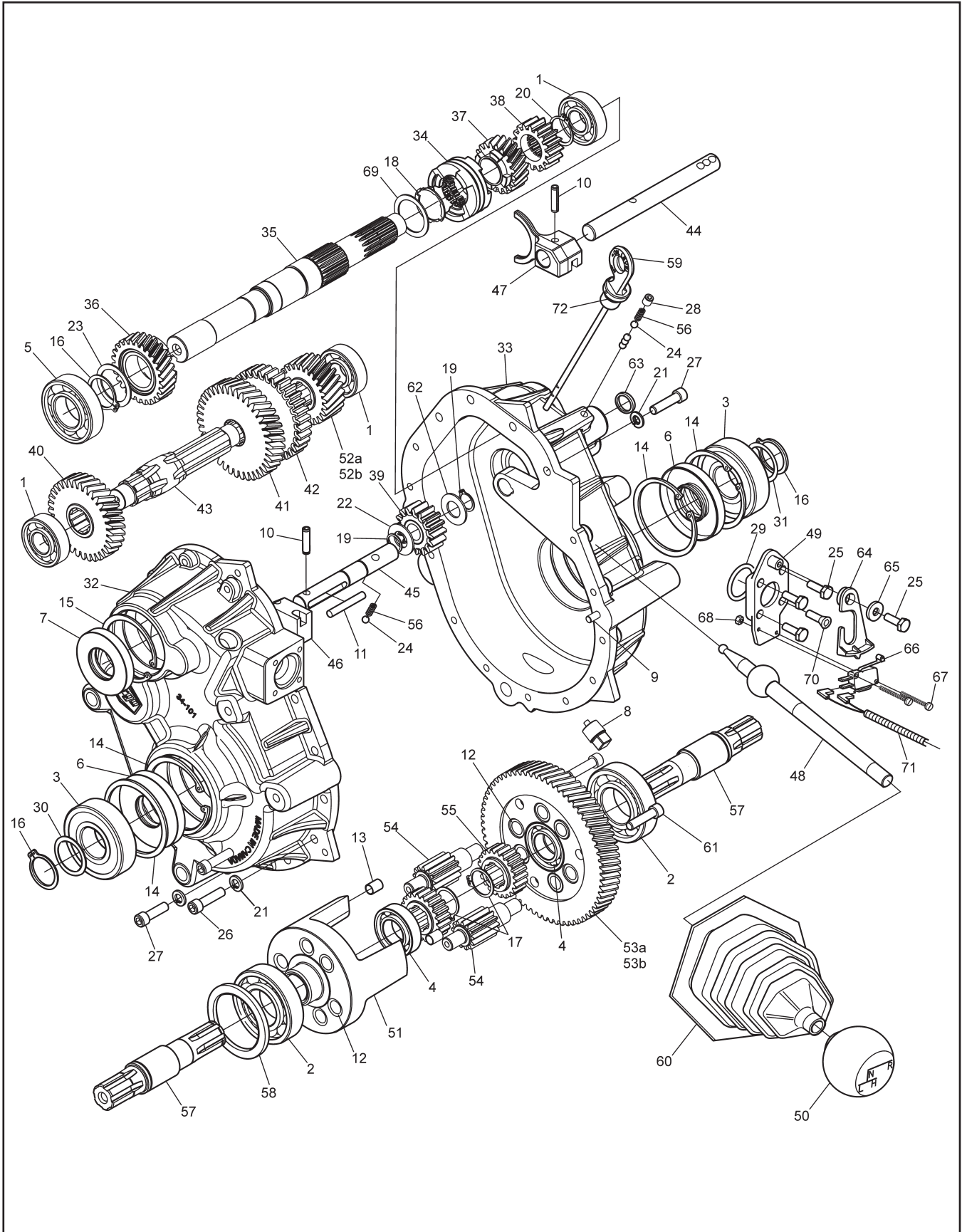


Using the Parts Manual

1. Find the major vehicle assembly in the Table of Contents on this page, and turn to that section.
2. Locate the part in the illustration that you wish to order.
3. Refer to the parts list in that section.
4. Find the correct part number (Part No.), part description (Description) and correct quantity (Qty).
5. Use *only* this information to order ARGO replacement parts. **DO NOT** attempt to order a replacement part by reference number or page number.

Table of Contents

Foreword	i
Vehicle Identification.....	i
Using the Parts Manual	ii
1.0 Transmission	1
2.0 Intake and Exhaust System.....	3
3.0 Clutch System	5
4.0 Power Pack Assembly	7
5.0 Steering & Brake System	9
6.0 Parking Brake	11
7.0 Vehicle Body & Firewall.....	13
8.0 Frame & Drive System	15
9.0 Fuel System & Seat Assembly	17
10.0 Electrical System.....	19
11.0 Scout Option.....	21

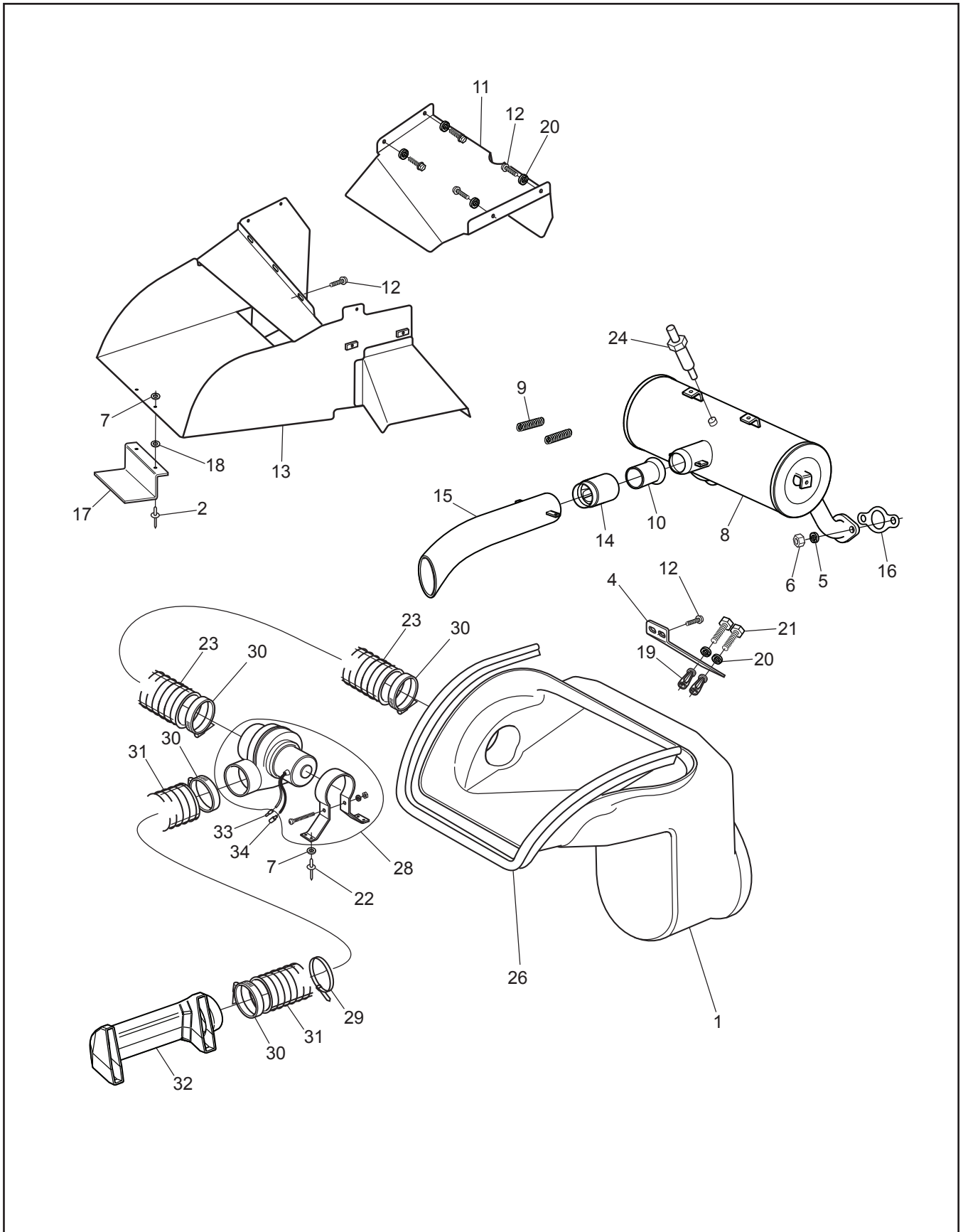


6x6 Frontier EFI Parts Manual

1.0 Transmission

Ref.	Qty.	Part #	Description	Ref.	Qty.	Part #	Description
	1	34-100	Transmission Assembly	40	1	34-109	Gear, Helical - HI 12DP 33T
	1	34-100-3.3	Transmission Assembly	41	1	34-110	Gear, Helical - LOW 12DP 39T
1	3	101-01	Bearing, Ball 6204Z-C3	42	1	34-111	Gear, Reverse - 10DP 33T
2	2	101-03	Bearing, Ball 6207-C3	43	1	34-112	Shaft, Spline
3	2	101-05	Bearing, Ball 6306LLU-C3/2A	44	1	34-113	Shaft, Shift - Forward
4	2	101-15	Bearing, Ball 6005-C3	45	1	34-114	Shaft, Shift - Reverse
5	1	101-16	Bearing, Ball 6206-C3	46	1	34-115	Block, Shift
6	2	102-03	Seal,Oil WBS 30x72x10 NB D/LIP	47	1	34-116	Fork, Shift
7	1	102-05	Seal,Oil WBS 30x62x10 NB D/LIP	48	1	34-117	Lever, Shift
8	1	103-02	Plug, Magnetic 3/8-18NPT SQ.HD	49	1	34-131	Plate, Shifter
9	2	104-03	Pin, Dowel 1/4x7/8	50	1	34-121	Knob, Shift - w/Argo Logo
10	2	104-39	Pin, Spring - 1/4 x 1.0	51	1	34-122	Cage, Differential
11	1	104-40	Pin, Dowel - 1/4 x 1.75	52a	1	34-123	Pinion, Helical - 25T - 2.6
12	12	105-03	Bushing, Oilite - 1/2x3/4	52b	1	34-125	Pinion, Helical - 21T - 3.3
13	3	105-23	Bushing, Dowel - .312 x .5	53a	1	34-124	Gear Plate - 66T - 2.6
14	4	106-03	Retaining Ring HO-281PA	53b	1	34-126	Gear Plate - 70T - 3.3
15	1	106-05	Retaining Ring HO-244-PA	54	6	34-13	Gear, Planet - 12T
16	3	107-02	Retaining Ring SH-0118-PA	55	2	34-14	Gear, Sun - 21T
17	2	107-04	Retaining Ring SH-0098-PA	56	2	34-32	Spring, Comp. 0.22x.50
18	1	107-14	Retaining Ring LC-125-PA	57	2	34-98	Shaft, Output - Splined
19	2	107-11	Retaining Ring	58	1	114-01	Washer, Shim 2.25 x 2.81 x .02
20	1	107-15	Retaining Ring SHR-098-PA	59	1	CE-035	Dipstick - with Breather - 190mm
21	15	108-05	Lockwasher 5/16 Split Ring Zn	60	1	609-38	Boot, Shifter
22	1	108-78	Washer, Thrust	61	3	112-64	SHCS, 5/16-18 x 1.25
23	1	108-79	Washer, Thrust	62	1	108-88	Washer, Retaining Thrust
24	5	109-05	Ball, Steel 6mm 62-67 Rc	63	1	113-16	O-Ring #AS568-014-70BN 5/8"OD x 1/2"ID x 1/16" Thk
25	4	112-04	HHCS 1/4-20x3/4 Gr2 Zn	64	1	34-132	Follower, Neutral Start
26	14	112-143	SHCS 5/16 x 1.25 Zn	65	1	108-08	Washer, .28 x .62 x .07 Zn
27	1	112-144	SHCS 5/16 x 1.0 Zn	66	1	809-202	Switch, Limit - Two Pole
28	1	112-145	SHSS 5/16 - 18 X 3/8	67	2	112-172/PI	SHMS, #5-40x3/4 Zn
29	1	113-11	O-Ring #AS568-216-70BN	68	2	112-173/PI	Locknut, #5-40 Zn
30	1	114-04	Washer, Shim 1.19x1.50x.04	69	1	108-85	Washer, Retaining Thrust
31	1	114-05	Washer, Shim 1.19x1.50x.02	70	1	112-171	FHSC 1/4-20 x 3/4 Gr2 Zn
32	1	34-101	Housing, Transmission - L	71	1	613-112	Wire Harness, Neutral Start
33	1	34-102	Housing, Transmission - R	72	1	161-28	O-Ring, 3mm CS x 12mm ID
34	1	34-127	Clutch, Dog				
35	1	34-130	Shaft, Input - 19/15T Spline				
36	1	34-128	Pinion, Helical - HI 12DP 26T				
37	1	34-129	Pinion, Helical - LO 12DP 20T				
38	1	34-107	Pinion, Reverse - 10DP 16T				
39	1	34-108	Gear, Idler - Rev - 10DP 16T				

2.0 Intake and Exhaust System 6x6 Frontier EFI Parts Manual

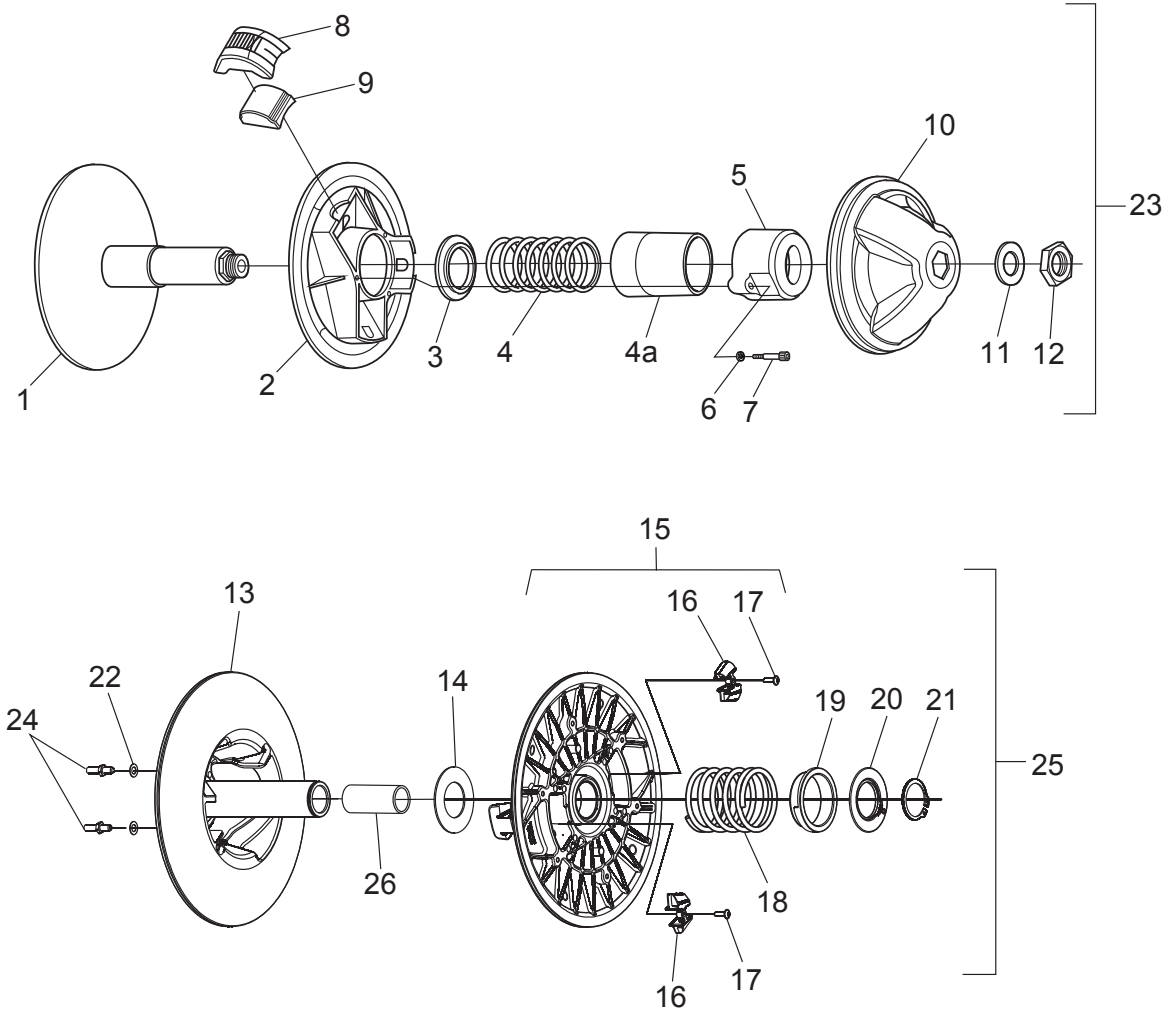


6x6 Frontier EFI Parts Manual 2.0 Intake and Exhaust System

Ref.	Qty.	Part #	Description
1	1	809-15	Duct, Intake - Frontier
2	2	120-31	Rivet, 3/16 x 1/4". Open End
4	1	707-55	Bracket, Intake Duct - Frontier EFI
5	4	108-02	Lockwasher 5/16 Hi-Collar Bare
6	4	117-73	Nut, M8 x 1,25 Zn
7	4	120-04	Washer, .19 x .50 x .08 Zn
8	1	607-121	Muffler Ass'y, Avenger EFI
9	2	127-187	Spring, Extension - 17/32 x 3.75
10	1	607-135	Tube, Muffler, Flared x 2.0
11	1	607-210	Shield, Heat, Frontier EFI
12	9	112-19	Screw, IHWH T/C Slot 1/4-20 x 1/2
13	1	607-164	Duct, Exhaust - Frontier
14	1	607-126	Spark Arrester, 1.75 Dia.
15	1	607-134	Pipe, Tail Asy
16	2	24 041 49	Gasket, Exhaust Manifold
17	1	707-45	Support, Exhaust Duct
18	2	125-58	Washer, Fibre - W-77F
19	2	117-53	Nut, Jack 1/4-20 8L-JNS Zn
20	6	108-03	Lockwasher 1/4 Split Ring Zn
21	2	103-97	HHCS 1/4-20 x 1.25 Gr5 Zn
22	4	120-09	Rivet, 3/16 x 1.0 Black
23	1	127-140	Hose, Brake Fan Inlet
24	1		See Section 4.0 Power Pack Assembly
26	1	807-77-86	Seal, Radiator, 86"
28	1	127-184	Blower Fan*
29	1	100-102	Tie Wrap, 14" - White*
30	4	125-35	Clamp, Gear 3.50" HF-52*
31	1	127-139	Hose, Brake Fan Discharge*
32	1	127-134	Duct, Brake Cooling*
33	1	118-02	Terminal, Male #76-1251*
34	1	118-03	Terminal, Female #76-1289*
			* If equipped

3.0 Clutch System

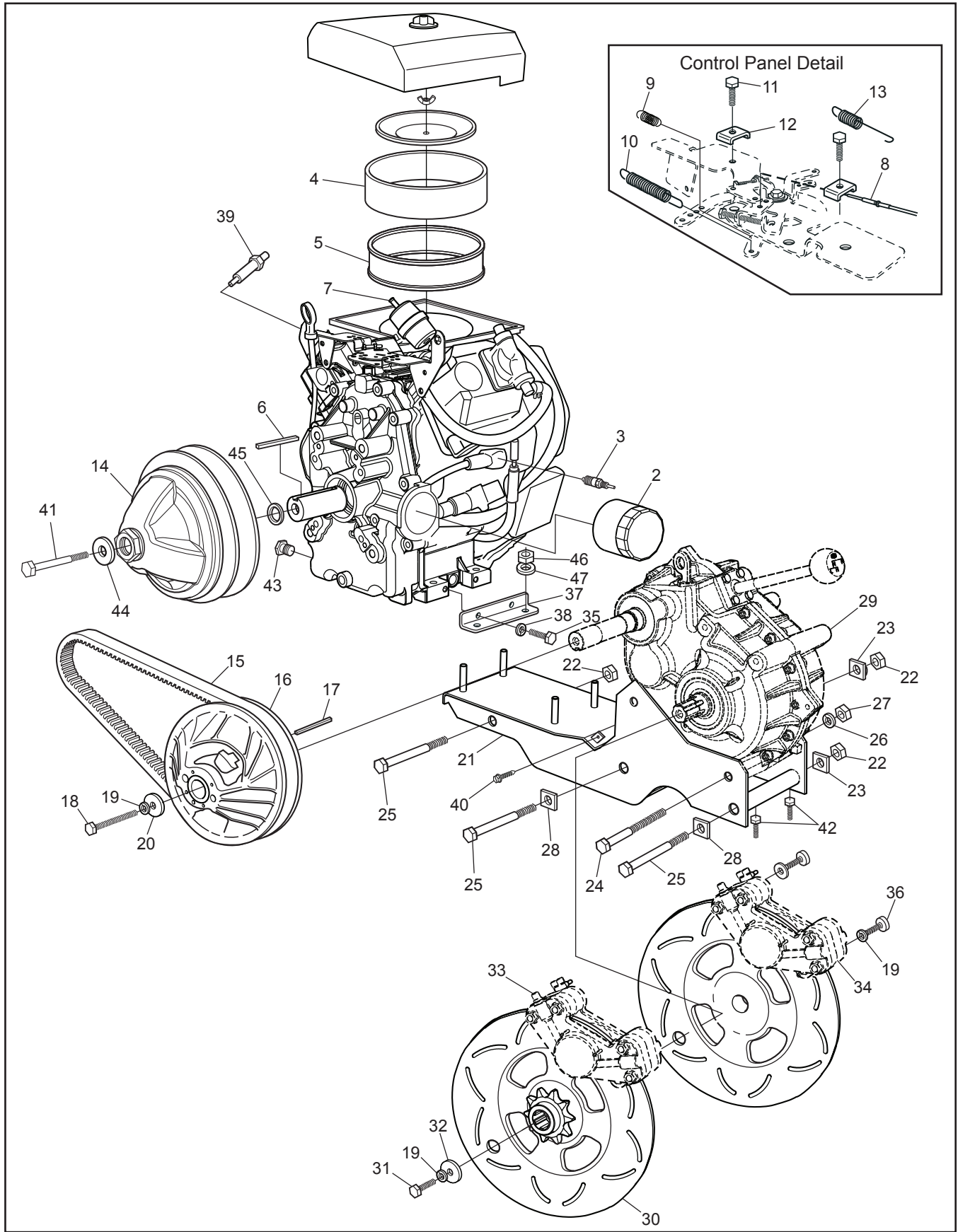
6x6 Frontier EFI Parts Manual



Ref.	Qty.	Part #	Description
1	1	0405-0139	Flange, Fixed - 6x6 Frontier EFI (19 hp)
	1	0405-0138	Flange, Fixed - 6x6 Frontier EFI (23 hp)
2	1	0410-0033	Flange, Sliding
3	1	0150-1014	Spring Guide Washer
4	1	1151-1110	Spring (610-129) (Kohler 19 hp)
	1	1151-1114	Spring (610-126) (Kohler 23 hp)
4a	1	0450-3002	Guide, Spring
5	1	0440-0005	Spring Cover
6	3	0080-0167	Lockwasher
7	3	0080-0021	Screw, Cap
8	3	0130-3012	Block
9	3	0135-3065	Weight (275gr) - 6x6 Frontier EFI (610-126 & 610-129)
	1	127-208	Weight Set (3), 185g - High Elevation
	1	127-209	Weight Set (3), 220g - High Elevation
	1	127-210	Weight Set (3), 240g - High Elevation
10	1	0115-2061	Cap
11	1	0080-0804	Washer, Zn
12	1	0080-V16J1	Nut
13	1	5905-0003	Flange, Fixed
14	1	0080-0164	Washer, Shim
15	1	5910-0002	Flange, Sliding
16	2	5930-3001	Cam Shoe
17	2	0080-0031	Screw
18	1	5951-1009	Spring
19	1	5950-3003	Spring Protector
20	1	5950-3002	Spring Support
21	1	0080-0216	Retaining Ring, Outside
22	2	0080-0167	Lockwasher
23	1	610-129	Clutch, Driver - 6x6 Frontier EFI (19 hp)
	1	610-126	Clutch, Driver - 6x6 Frontier EFI (23 hp)
24	2	0080-0035	Screw & Nut Ass'y
25	1	127-156	Clutch, Driven - INVANCE
26	1	5940-2001	Keyway Stopper

4.0 Power Pack Assembly

6x6 Frontier EFI Parts Manual

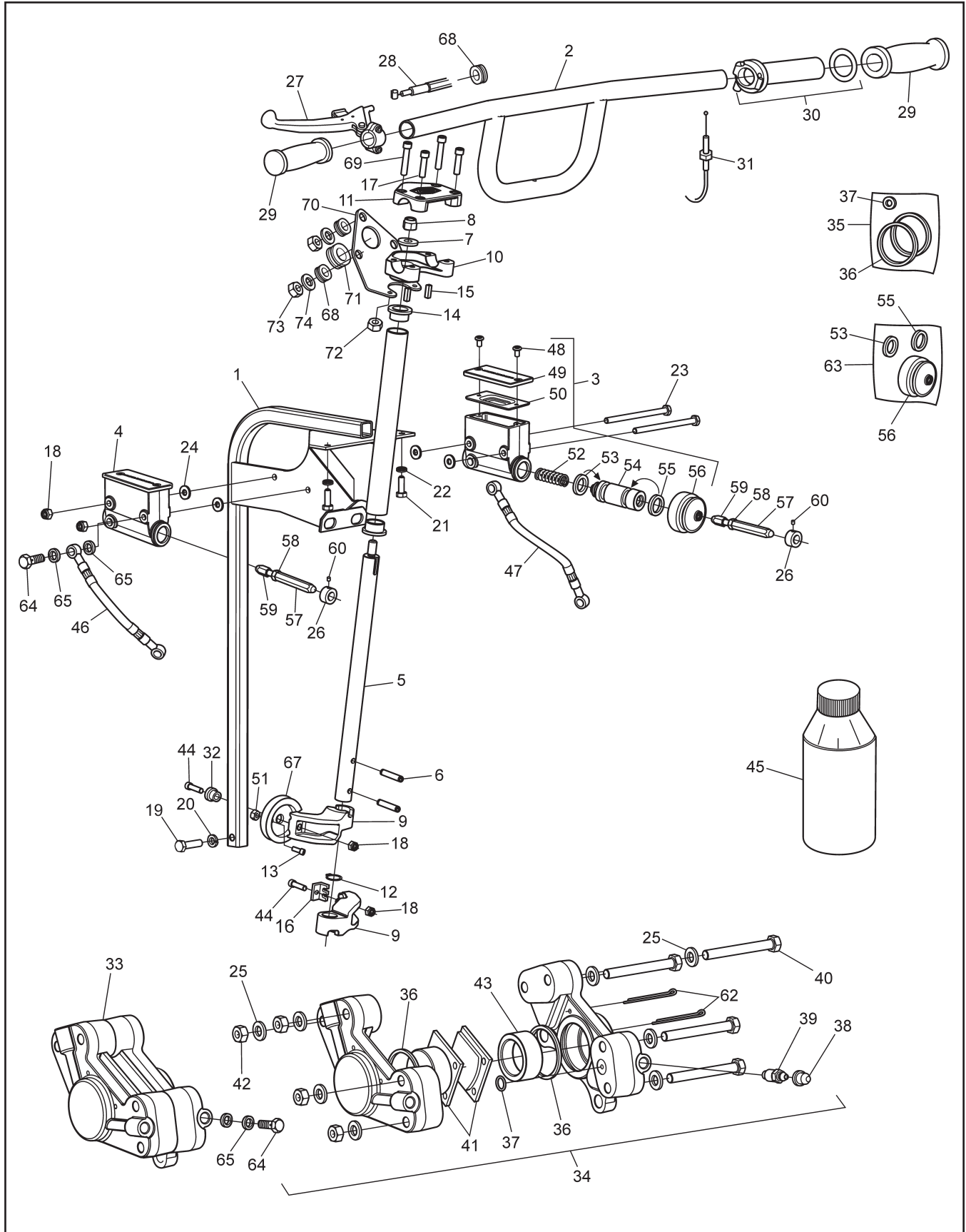


6x6 Frontier EFI Parts Manual

4.0 Power Pack Assembly

Ref.	Qty.	Part #	Description	Ref.	Qty.	Part #	Description
1	1	ECH730-3044	Engine, Kohler 23HP EFI	33			See Section 5.0 Steering & Brake System
	1	ECH630	Engine, Kohler 19HP EFI (Opt.)	34			See Section 5.0 Steering & Brake System
2	1	12 050 01	Filter, Oil - Kohler				
3	2	25 132 12	Sparkplug 3071	35	2	112-20	HHCS M8x1,25x25mm Zn
4	1	24 083 05	Prefilter, Air ECH730	36	4	103-41	SHCS 3/8-16 x 1.25 Zn
5	1	24 083 03	Filter, Air ECH730	37	1	610-134	Brkt, Powerpack - Side Mnt
6	1	110-18	Key 1/4 x 1/4 x 1.75 RC45	38	2	108-05	Lockwasher 5/16 Split-Ring Zn
7	1	25 050 42	Filter, Fuel				
8	1	612-101	Cable Asm, Throttle- FRN/AVG	39	1	25 418 07	Sensor, Oxygen 4 Wire
9	1	24 089 51	Spring, Throttle	40	2	103-71	Screw, IHWH T/C 1/4-20 x 1.25
10	1	24 089 46	Spring, Governor				
11	1	M-545016	Screw	41	1	112-160	HHCS, 7/16-20 x 5" Lg
12	1	12 237 01	Clamp, Cable	42	2	103-53	HHCS 3/8-16 x 3.0 Full Thread
13	1	127-49	Spring, Extension - .375 x 2.55				
14			See Section 3.0 Clutch System	43	1	112-156	Plug, Oil Drain 3/8-18NPT Hex
15	1	127-159	Drive Belt - Frontier - 11.3" Cen. Dist	44	1	108-58	Washer .47 x 1.37 x .12 Hi-Carbon
	1	127-159HD	Drive Belt -Frontier -Heavy Duty (Opt.)	45	1	108-84	Washer, Engine, Clutch
16			See Section 3.0 Clutch System	46	4	117-118	Locknut, Nylon 3/8-16 Flanged
17	1	110-03	Key 1/4 x 3/16 x 2.375 RC46	47	4	108-26	Washer .43 x 1.02 x .09 Zn
18	1	112-164	HHCS 3/8-16 x 3.50 Gr5 Zn				
19	7	108-06	Lockwasher 3/8 Split Ring Zn				
20	1	108-46	Washer .40 x 1.37 x 1.2 Hi-Carbon				
21	1	610-131	Frame, Power Pack FR EFI				
22	3	117-83	Locknut, Stover 5/8-11 Zn				
23	2	811-09	Washer, Square - .64 ID				
24	2	103-20	HHCS 1/2-13 x 6.5 Gr5 Zn				
25	3	112-58	HHCS 5/8-11 x 7.5 Gr5 Zn				
26	2	108-107	Lockwasher 1/2" High Alloy				
27	2	117-06	Nut, Fin Hex 1/2-13 Zn				
28	2	811-15	Washer, Square Lock .64 ID				
29			See Section 1.0 Transmission				
30	2	606-74	Disc, Brake-Splined #60-10T				
31	2	103-18	HHCS 3/8-24 x 1.25 Gr5 Zn				
32	2	108-18	Washer .40 x 1.37 x .12 Zn				

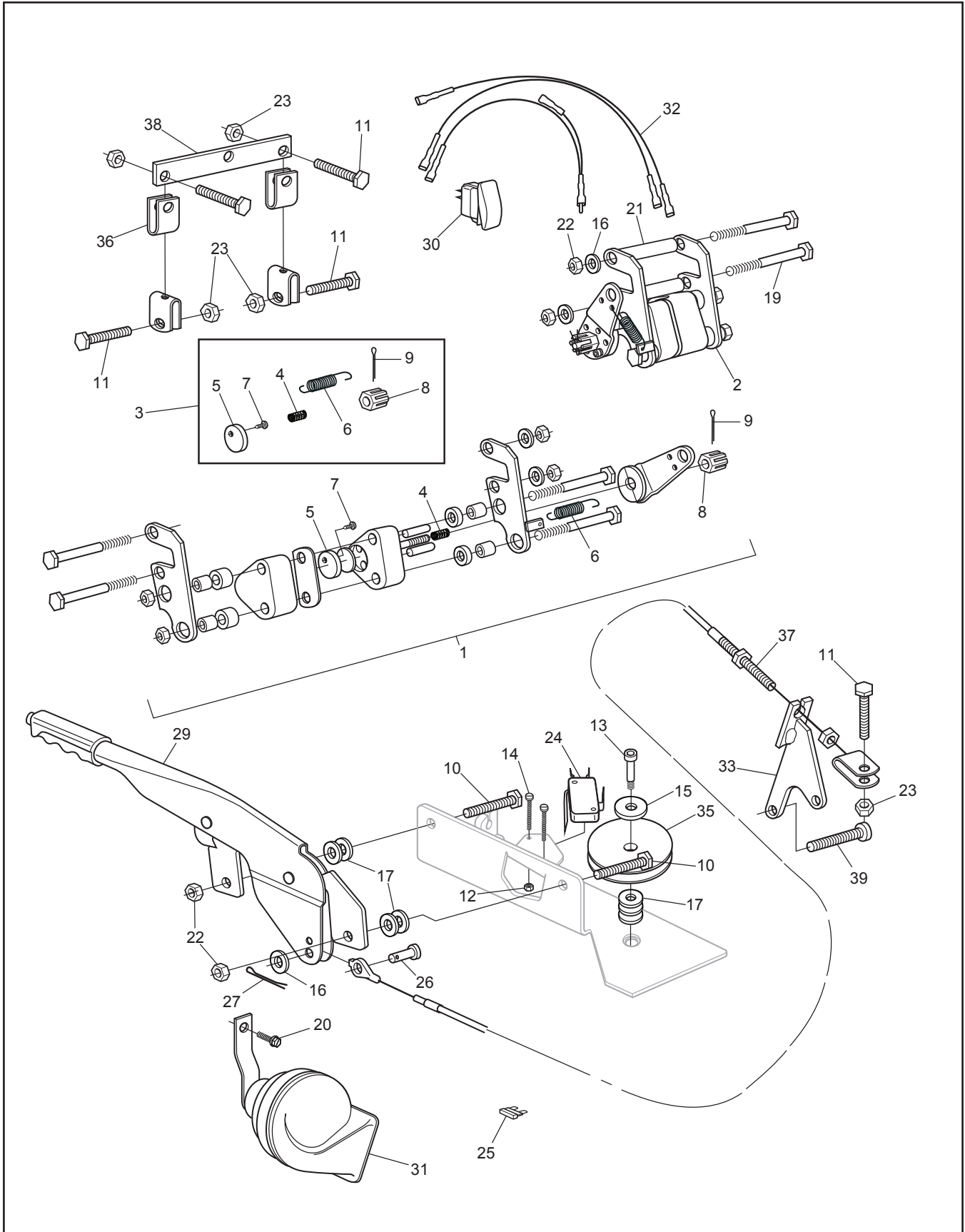
5.0 Steering & Brake System 6x6 Frontier EFI Parts Manual



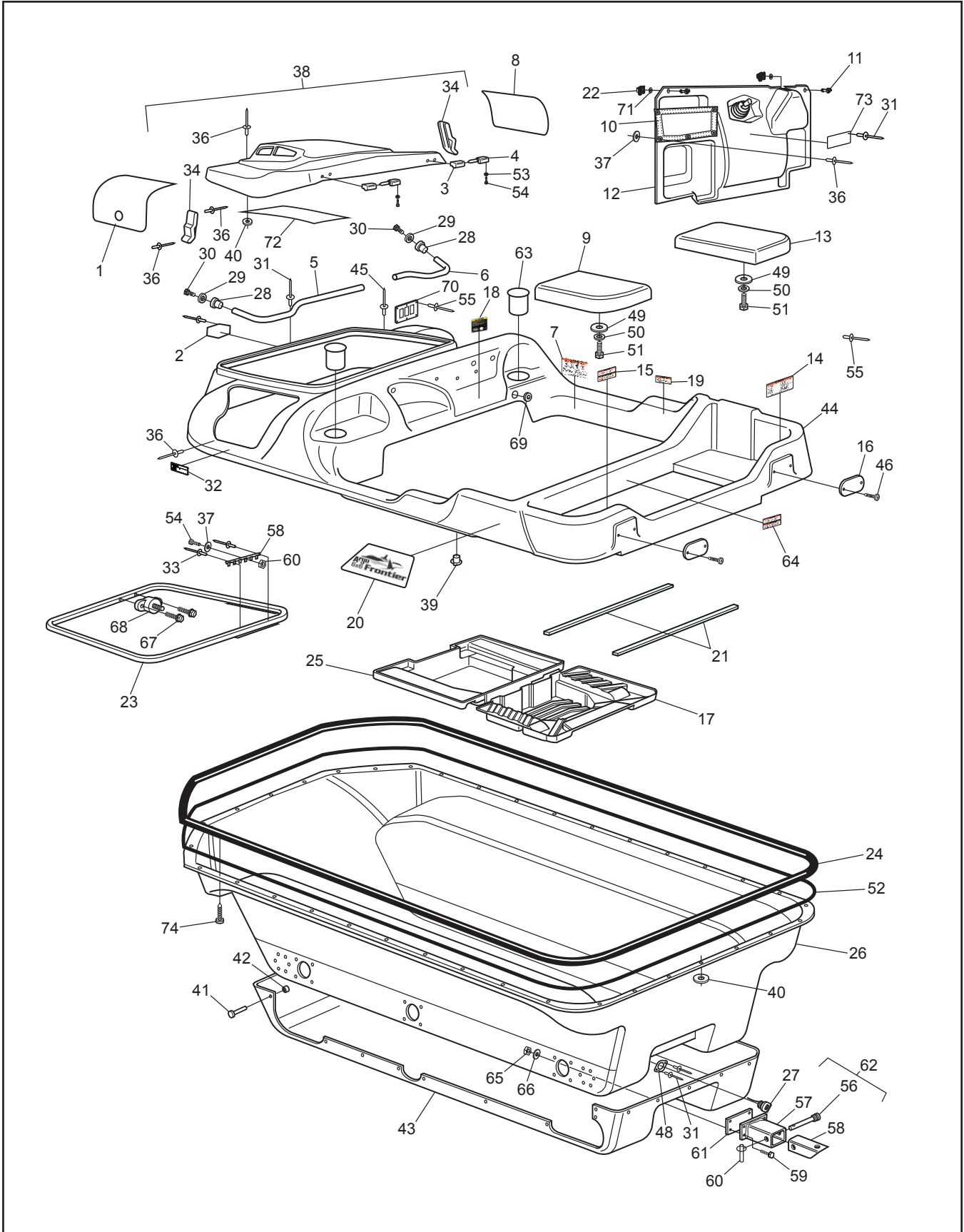
Ref.	Qty.	Part #	Description	Ref.	Qty.	Part #	Description
1	1	612-123	Frame Assembly, Steering Column	44	2	112-159	BHCS, 1/4-20 x 1.0, Plated
2	1	612-107	Handlebar Assembly	45		126-19	Fluid, Brake-Silicon Dot 5 - .35L
3	1	165-08	Master Cylinder, Grimeca - R	46	1	163-06	Hose Asm, Hydraulic - Right - SS
4	1	165-07	Master Cylinder, Grimeca - L	47	1	163-05	Hose Asm, Hydraulic - Left
5	1	612-128	Shaft, Steering - Avenger	48	2x2	160-42	Screw, FHMS M5 x 0,8 x 6mm
6	2	104-42	Pin, Spring 1/4 x 1.5"	49	2x1	168-08	Cover
7	1	108-47	Washer, .39 x .94 x .13 Zn Di-chr	50	2x1	168-09	Cover, Rubber
8	1	117-29	Locknut, Nylon 3/8-16 Zn	51	1	117-10	Locknut, 10-24 N/I Zn
9	2	612-124	Arm, Steering	52	2x1	162-08	Spring, Comp. 17.3 x 49.3mm
10	1	612-106	Clamp, Lower Handlebar	53	2x1		Seal, Primary, 19mm (See Ref. 63)
11	1	612-105	Clamp, Upper Handlebar	54	2x1	168-10	Piston 19mm dia.
12	1	106-07	Ring, Retaining SH-0075PA	55	2x1		Seal, Secondary, 19mm (See Ref. 63)
13	1	160-46	SHCS, #10-24 x 3/8"	56	2x1		Boot, Rubber (See Ref. 63)
14	2	105-16	Bushing, Oilite - 3/4 x 1/2	57	2	812-30	Pin, Female
15	2	110-17	Key, 3/16 x 3/16 x .625	58	2	117-03	Nut, Fin Hex 1/4-20 Zn
16	1	128-24	Retainer, Handbrake Cable	59	2	812-31	Fin, Male
17	2	112-47	SHCS, 1/4-20 x 1.0 Zn	60	2	112-02	SHSS 10-24x1/4 Knurl Cup PT, PL
18	4	117-27	Locknut, Nylon 1/4-20 Zn	62	2x2	168-07	Pin, Cotter 1/8 x 3.00 Zn
19	1	103-38	HHCS 5/16-18 x 1.25 Gr5 Zn	63	2x1	161-25	O-Ring Kit - Master Cylinder - Grimeca (incl. Ref. 53, 55 & 56)
20	1	108-05	Lockwasher 5/16 Split-Ring Zn	64	4	160-44	Bolt, Banjo - M10 x 1,0 x 21,0
21	2	112-04	HHCS 1/4-20 x 3/4 Gr2 Zn	65	8	160-01	Washer, Copper - 1,5 x 10,0 x 14,0
22	2	108-03	Lockwasher 1/4 Split Ring Zn	67	1	165-18	Pulley, Handbrake Cable
23	2	103-66	HHCS, 1/4-20 x 4.0 Gr5 Zn	68	4	125-84	Grommet, Rubber
24	4	108-08	Washer, .28 x .62 x .04 Zn	69	2	103-69	SHCS 1/4-20 x 1.5 Zn
25	2x8	108-24	Washer, .34 x .70 x .06 Zn	70	1	612-132	Bracket, LCD Gauge - Painted
26	2	812-17	Collar	71	1	128-27	Grommet 1-1/4ID x 1-1/2x3/32
27	1	128-17	Lever Assembly, Handbrake, Spring	72	2	117-86	Nut, Acorn, 1/4-20 Zn
28	1	128-21	Cable Assembly, Handbrake	73	3	117-85	Nut, Acorn, M5 Zn
29	2	127-35	Grip, Molded	74	3	120-04	Washer .19 x .50 x.08 Zn
30	1	127-81	Throttle Twist Grip				
31	1	612-101	Cable Asm., Throttle - Frontier				
32	1	105-25	Bushing, Flange Oilite FF-310				
33	1	166-10	Caliper, Hydraulic Brake - L w/o pads				
34	1	166-11	Caliper, Hydraulic Brake - R w/o pads				
35	2	161-05	O-ring Kit, Knott Caliper				
36	4		Seal, Piston				
37	2		Seal, Rubber				
38	2x1	168-20	Plug, Rubber				
39	2x1	168-02	Screw, Bleeding, Knott Caliper				
40	2x4	103-55	HHCS, 5/16-18 x 2.75 Gr5 Zn				
41	1	170-03	Pad Set (4), Brake - Non-Asbestos				
42	2x4	117-03	Nut, Fin Hex 5/16-18 Zn				
43	2x2	168-01	Piston, Knott Caliper				

6.0 Parking Brake

6x6 Frontier EFI Parts Manual



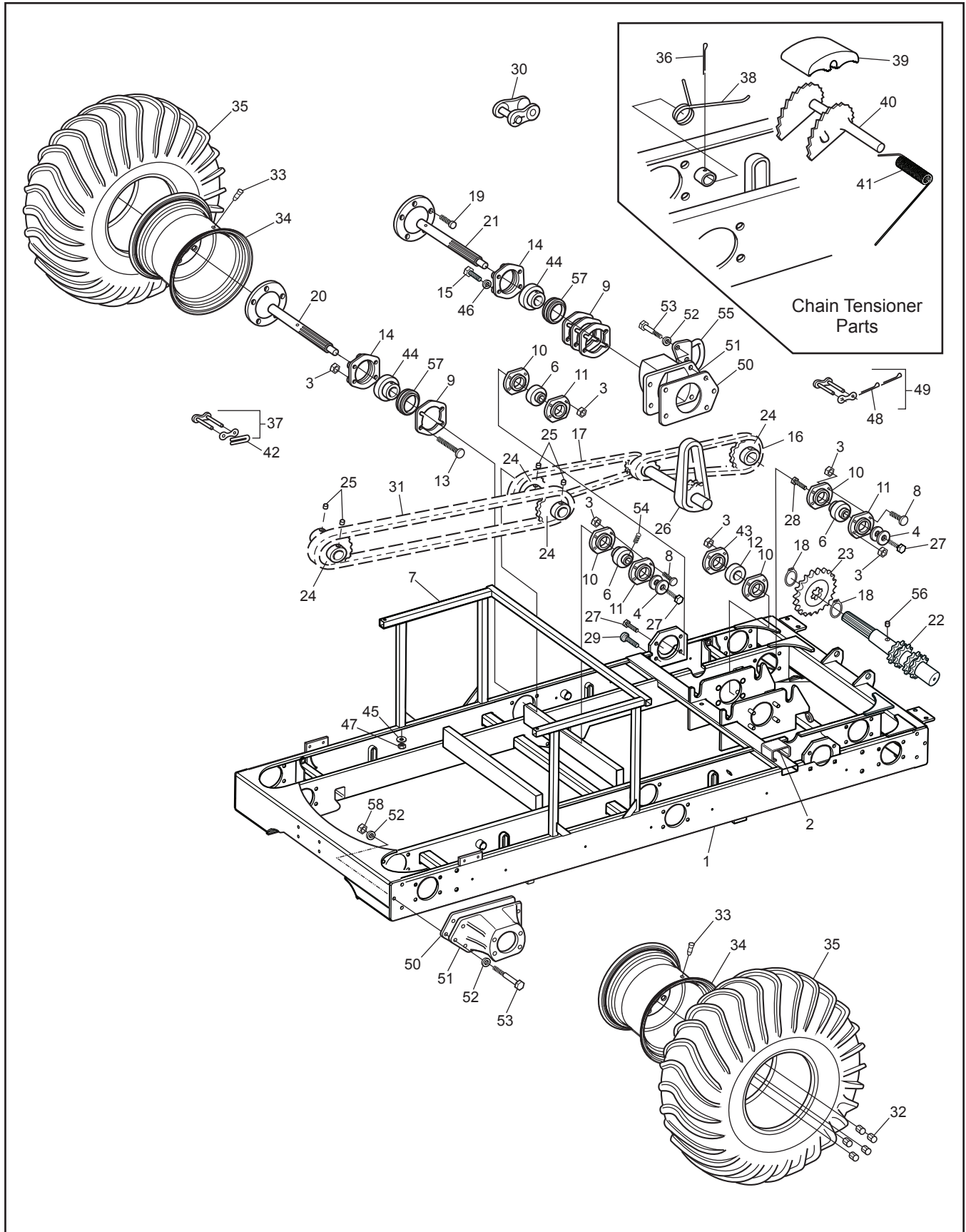
Ref.	Qty.	Part #	Description
1	1	850-96	Caliper Ass'y, LH, Parking Brake
2	1	850-97	Caliper Ass'y, RH, Parking Brake
3	1	850-98	Kit, Service, Parking Brake (includes Ref. 4 - 9, not sold separately)
4	1		Cam Tension Spring (compression)
5	1		Left & Right Brake Pads
6	1		Cam Arm Spring (tension)
7	1		Brake Pad Retaining Screw
8	1		Castle Nut
9	1		Cotter Pin
10	2	103-06	HHCS 5/16-18x1.0 Gr5 Zn
11	5	103-08	HHCS 1/4-20x1.0 Zn
12	2	112-173	Locknut, #5-40, Zn
13	1	112-178	Bolt, Shoulder, 1/2 x 5/8
14	2	112-172	SHCS 5-40 x 3/4 Zn
15	1	108-35	Washer .53 x 1.06 x .09 Zn
16	5	108-24	Washer .34x.70x.06 Zn
17	7	108-47	Washer .39x.94x.13 Zn Di-Chro
18	1	117-10	Locknut, 10-24 N/I Zn
19	4	112-132	HHCS 5/16-18 x 3.25 Gr5 Zn
20	1	112-19	Screw, IHWH T/C Slot 1/4-20x1/2*
21	2	105-43	Bushing .37x.03 Wall x 2.1 Lng
22	6	117-21	Locknut, Nylon 5/16-18 Zn
23	5	117-27	Locknut, Nylon 1/4-20 Zn
24	1	613-120	Switch, Micro, Lever
25	1	118-52	Fuse, 10A 2-Prong (AT010)*
26	1	104-27	Pin, Clevis 5/16x.75" Zn
27	1	100-100	Pin, Cotter 1/8x3/4 Zn
29	1	809-147	Lever, Parking Brake
30	1	848-175	Switch, Horn, Momentary*
31	1	848-87	Horn, Electric*
32	1	848-176	Harness, Horn, Momentary*
33	1	850-72	Bracket Asm, Parking/Brake
35	1	850-79	Pulley, Parking Brake Cable
36	2	850-80	Cable, Parking Brake Equalizer
37	1	850-81	Cable, Parking Brake
38	1	850-82	Flat Bar, Equalizer
39	1	112-143/PI	SHCS 5/16x1.25 Zn
			*If equipped



6x6 Frontier EFI Parts Manual

7.0 Vehicle Body & Firewall

Ref.	Qty.	Part #	Description	Ref.	Qty.	Part #	Description
1	1	707-43	Screen - Exhaust	39	2	117-44	T- Nut 1/4-20 Zn
2	1	601-44	Nameplate, "Argo"	40	90	120-04	Washer .19 x .50 x .08 Zn
3	2	127-45B	Knuckle, Hinge	41	26	120-27	Pin, Magna Grip (if equipped)
4	2	127-45A	Pin, Hinge	42	26	120-28	Collar, Magna Grip (if equipped)
5	1	601-103	Tube, Dash Handle, Pass.Side	43	1	603-98	Skid Plate, 6x6 - Black (if equipped)
6	1	601-104	Tube, Dash Handle, Driver Side	44	1	601-105	Body & Hood, Upper - Frontier (spec. colour) (incl. 23, 33, 38)
7	1	126-68	Plate, Operation	45	109	120-09	Rivet 3/16 x 1 - Black
8	1	707-42	Screen, Intake	46	4	103-48	T/S Pan HD PHIL #10 x 5/8
9	1	601-03	Seat, Rear - Left - 6x6 - Black	47	1	613-37	Terminal Strip, Ground
	1	601-03CF	Seat, Rear - Left - 6x6 - CF	48	2	100-114	Gasket, Drain Plug
10	1	100-108	Mesh, Glove Box	49	2	603-15	Washer, Plastic 5/16 Hole
11	2	112-199	Stud, Q-Turn - Long	50	2	108-01	Washer, Fender 1/4 BS x 1.25 OD
12	1	803-68	Firewall	51	2	103-08	HHCS 1/4-20 x 1.0 Zn
13	1	601-02	Seat, Rear - Right - 6x6 - Black	52	1	126-60	Vinyl Strip, 1/2" x 1/4" x 37.5'
	1	601-02CF	Seat, Rear - Right - 6x6 - CF	53	8	108-59	Lockwasher #10 Int. Tooth Zn
14	1	126-67	Plate, Floor Pan	54	9	103-47	HHCS 10-24 x 1/2
15	1	127-173	Plate, Vehicle Capacity	55	44	120-24	Rivet, 3/32 x 3/8 Alum. (all plates)
16	2	127-01	Reflector, Red	56	1	104-13	Pin, Toplink - 3/4 x 2.75
17	1	803-61	Floor Pan, Rear - Frontier	57	1	616-16	Hitch Assembly
18	1	127-141	Label, Caution - Keyswitch	58	1	616-19	Tube, Hitch
19	1	126-69	Plate, Fuel	59	4	103-61	HHCS 3/8-24 x 1.5 Gr5 Zn
20	2	129-05	Nameplate, 6X6 Frontier EFI	60	1	104-11	Pin, Lynch - Ring
21	2	601-106	Trim, Vinyl - 30" Black	61	1	616-20	Gasket, Rear Hitch
22	2	117-91	Receptacle, Q-Turn	62	1	626-10	Hitch Kit
23	1	602-53	Frame Ass'y, Hood - Front	63	2	100-109	Cup Holder Insert
24	1	601-05	Bumper, Vinyl - 6x6	64	1	127-51	Plate, Capacity 6x6
	1	801-202	Bumper, Vinyl - 6x6, Brown - Scout	65	4	117-24	Locknut, Nylon 3/8-24 Zn
25	1	803-59	Floor Pan, Front	66	4	108-15	Washer .42 x .81 x .05 Zn
26	1	603-99	Body, Lower - Frontier	67	2	112-51	Screw, IHWH T/C #10-24x5/8
27	2	100-107	Plug, Drain - Flanged	68	1	613-123	Post, Power, 5/16-18, Red
28	2	113-12	Insert, 1/2-13	69	1	128-26	Grommet, 1-1/2ID x 1-3/4x1/4
29	2	108-35	Washer .53 x 1.06 x .09 Zn	70	1	127-150	Plate, Switch Mounting -3 Hole
30	2	112-151	HHCS 1/2-13 x 1" Gr2 Zn	71	2	114-24	Retainer, Q-Turn Washer
31	17	120-13	Rivet, 3/16 x 3/4 Black	72	1	602-68	Screen, 1 Pc Hood/Scoop
32	1	127-144	Label, Warning - HOT	73	1	129-01	Plate, Geared By ODG
33	2	120-15	Rivet - 1/8 x 7/16	74	8	112-292	T/S Washer Hd Phil #8x3/4 Blk
34	2	602-56	Latch, Hood - Soft Draw				
35	1	117-10	Locknut, 10-24 N/I Zn				
36	31	120-11	Rivet 5/32 x 9/16 - Black				
37	6	120-05	Washer, .19 x .50 x .04 Zn				
38	1	602-57	Hood Kit - Frontier (spec. colour) (incl. 3, 4, 34, 36, 53, 54)				

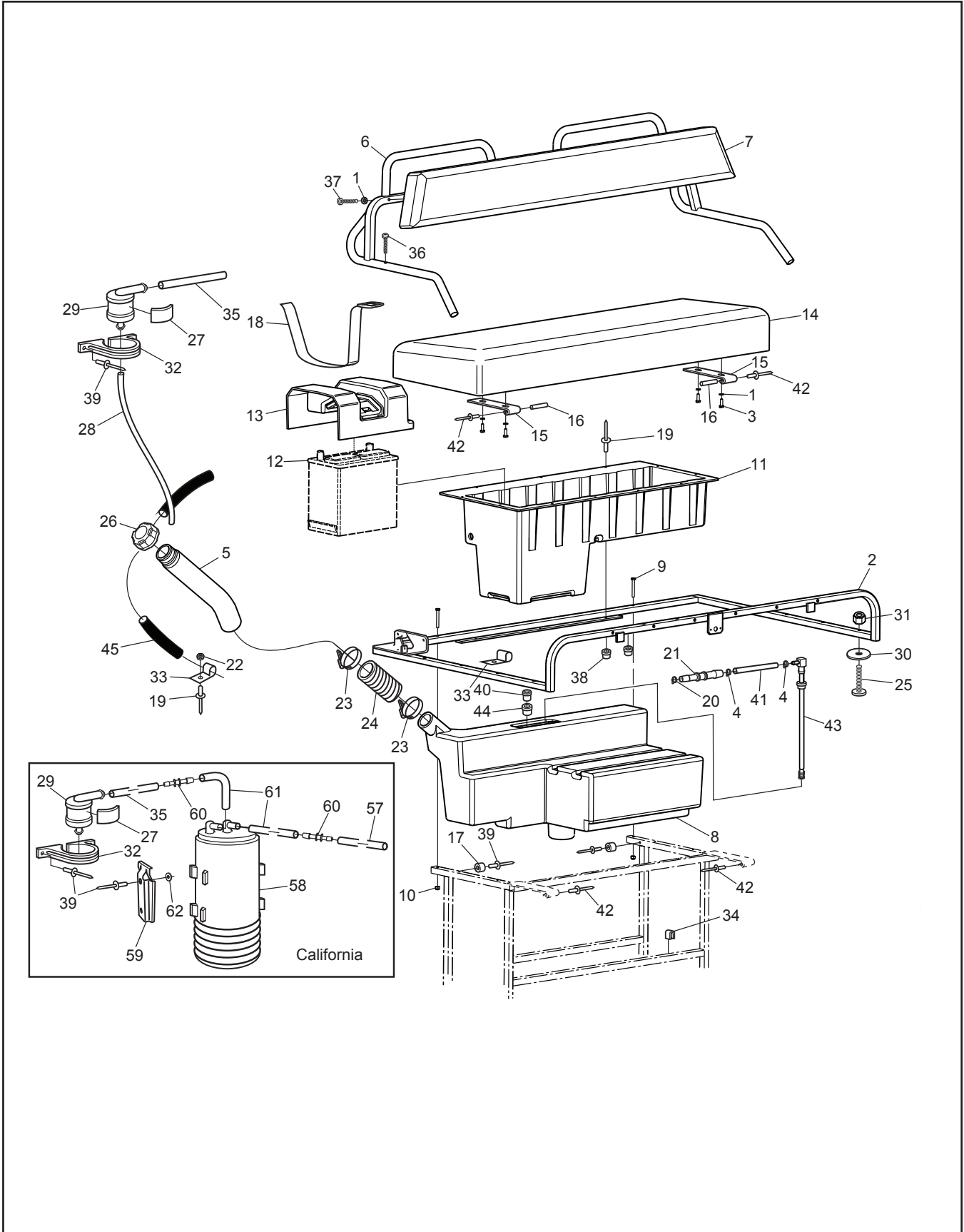


6x6 Frontier EFI Parts Manual

8.0 Frame and Drive System

Ref.	Qty.	Part #	Description	Ref.	Qty.	Part #	Description
1	1	604-152	Frame Wldt, 6x6 Frontier	36	4	100-01	Pin, Cotter 1/8 x 1.50 Zn
2	2	606-43	Slide, Chain - 2-3/4"	37	1x6	603-84	Con. Link, RC60-1 H.D.
3	64	117-118	Locknut, Nylon 3/8-16 Flanged	38	4	127-65	Spring Torsion - 1.16x0.35
4	12	108-46	Washer .40 x 1.37 x .12 Hi-Carbon	39	4	606-44	Slider Block
6	8	101-41	Bearing, Ball - 1.0	40	4	606-82	Tensioner Asm, Chain
7	1	604-154	Frame Wldt, Seat 6x6	41	4	127-64	Spring, Torsion - .76 x 1.9
8	23	103-88	C/Bolt 3/8-16 x 1.0 Gr5 Zn	42	6	603-96	Spring Clip - RC 60 Closed
9	12	606-90	Gasket, Flange - 72mm	43	2	606-93	Flange, Greaseable - 90 Deg
10	10	606-91	Flange - 4 Hole Hd	44	6	101-95	Bearing, Ball -1.25 x 72mm
11	8	606-92	Flange, Greasable - 4 Hole Hd	45	4	108-24	Washer .34x.70x.06 Zn
12	2	101-96	Bearing, Ball - 1.25x1.5 No Grv	46	12	108-06	Lockwasher 3/8 Split-RingZn
13	24	112-187	C-Bolt 3/8-16x2.0 Gr5 Zn	47	4	117-21	Locknut, Nylon 5/16-18 Zn
14	6	606-88	Flange Ass'y, Outer Bearing	48	4	104-35	Pin, Cotter 2mm x 12mm
15	16	103-68	HHCS 3/8-16 x 2.0 Gr5 Zn	49	2	127-188	Link, Con. #60 Lambda
16	2	606-45	Chain, RC60 - 1 x 42P (incl. Ref. 37)	50	4	606-25	Gasket - Bearing Extension (if equipped)
17	2	606-46	Chain, RC60 - 1 x 64P (incl. Ref. 37)	51	4	810-112	Bearing Extension (w/Ref. # 52, 58) (if equipped)
18	4	107-10	Retaining Ring SH-0125-PA	52	26	108-34	Washer .47 x .94 x .06 Zn
19	5x6	112-183	Stud, Wheel 7/16-20 x 1.5	53	20	112-181	HHCS 7/16-20 x 1.5 Gr5 Zn
20	2/6	810-113	Axle Ass'y - Mid HD	54	2	112-60	SHSS 1/4-28 x 1/2 Cup Pt.
21	4	810-92	Axle Ass'y - Front/Rear HD (650 only)	55	2	642-47	Tie Down Bracket
22	2	606-78	Shaft, Idler - 10T #60 Weldment	56	1	613-127	Magnet, Speedometer
23	2	606-81	Sprocket, Idler S60 x 20T	57	6	606-89	Carrier, Axle Bearing
24	8	606-34	Sprocket, S60 x 19T	58	6	117-32	Locknut, Nylon 7/16-20 Zn
25	6	112-03	SHSS 5/16-18 x 3/8 1/2 DOG, PL				
26	2	803-62	Chain, RC60-1 x 34P Idler, Lambda				
27	10	112-31	HHCS 3/8-16 x 1.0 2B Gr8 Zn				
28	1	103-82	HHCS 3/8-16 x 1.5 Gr5 Zn				
29	4	112-61	C/Bolt 3/8-16 x 1.25 Gr5 Zn				
30		127-80	Link, Half - RC60 - 1 (opt.)				
31	2	606-47	Chain, RC60-1 x 96P (incl. Ref. 37)				
32	5x6	117-35	Nut, Wheel 7/16-20 Zn				
33	6	125-26	Valve, Tire				
34	6	125-13BL	Rim - 8x7, 5 Bolt - Black				
35	6	127-158	Tire, Argo 24 x 10-8				

9.0 Fuel System & Seat Assembly 6x6 Frontier EFI Parts Manual

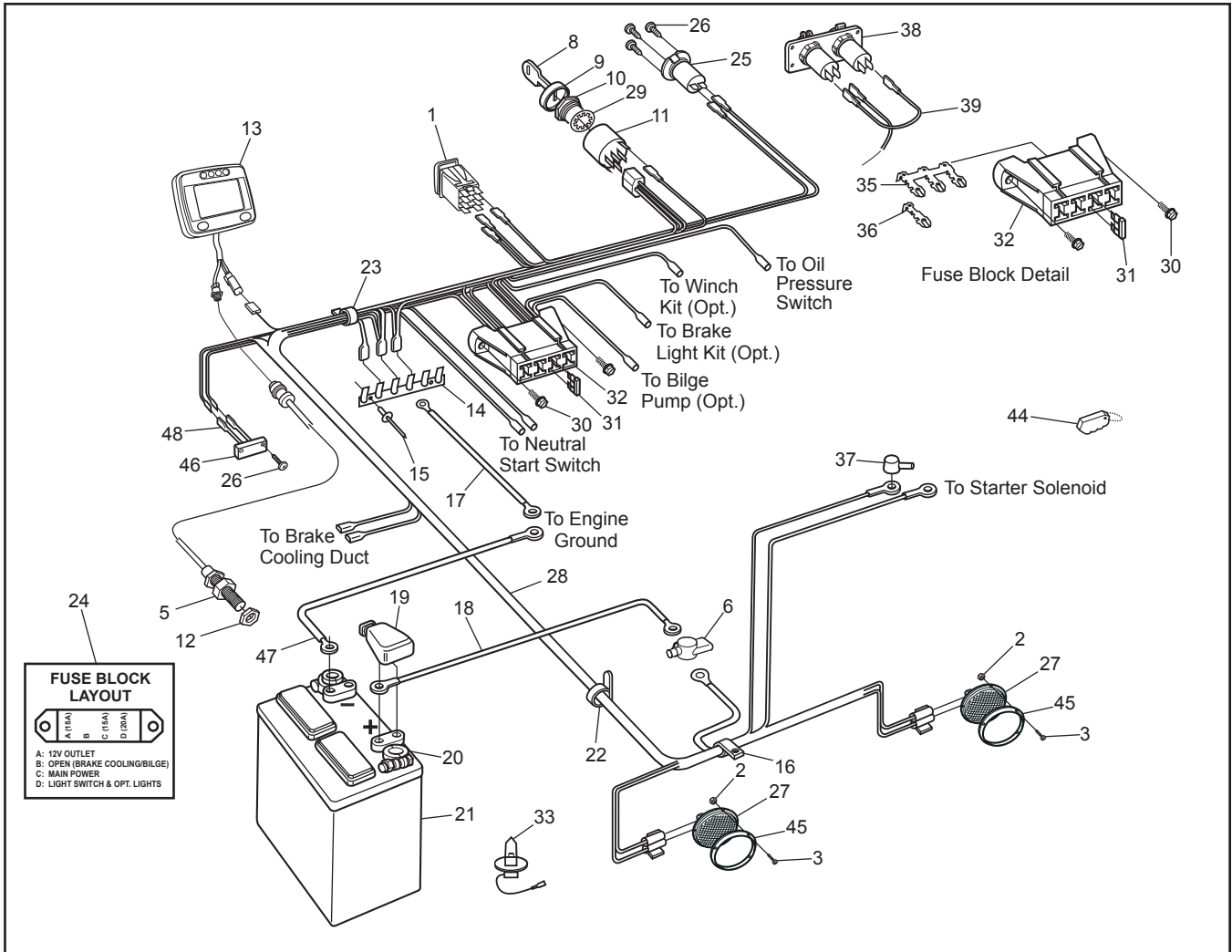


6x6 Frontier EFI Parts Manual 9.0 Fuel System & Seat Assembly

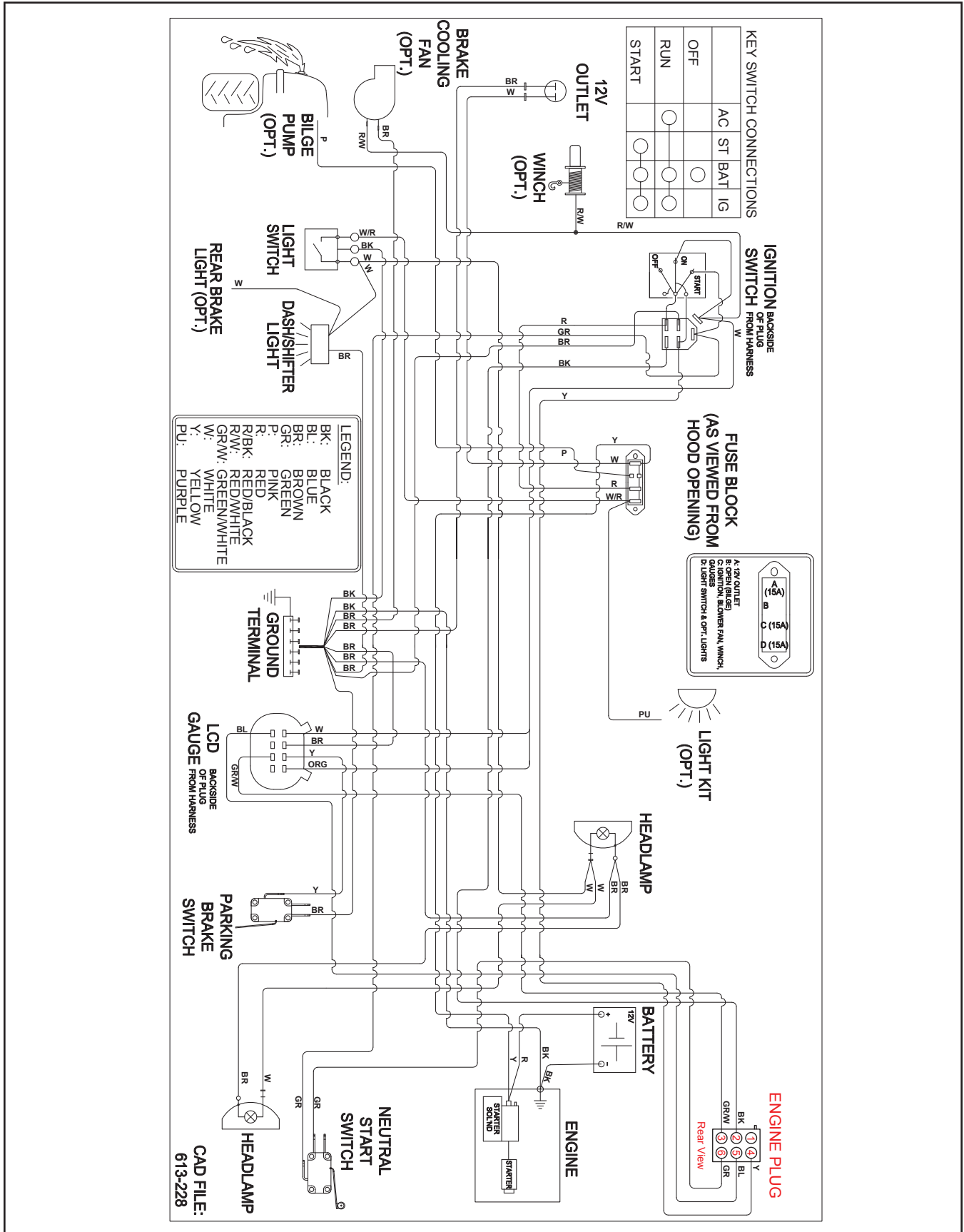
Ref.	Qty.	Part #	Description	Ref.	Qty.	Part #	Description
1	8	108-03	Lockwasher 1/4 Split Ring Zn	44	1	608-136	Grommet, Fuel Return
2	1	608-74	Frame Assembly, Seat	45	1	608-66	Hose, Fuel 1/4" ID, 80"
3	4	112-04	HHCS 1/4-20x3/4 Gr2 Zn				United States Vehicle Kit
4	2	112-78	Clamp, Hose, 9/16				Tank, Fuel Low Permeation
5	1	608-140	Fuel, Fill Neck Assembly	8	1	608-120	Plate, Serial Blank Double
6	1	608-76	Frame Assembly, Backrest	1	1	127-273	Label, U.S EPA EVAP
7	1	608-39	Back Pad Assembly - Black	1	1	127-274	Approval
	1	608-39CF	Back Pad Assembly - CF	46	2	120-24	Rivet, Alum - 3/32 x 3/8
8	1	608-122	Tank, Fuel Single Layer				Black
	1	608-120	Tank, Fuel Low Permeation (for U.S.)				California Vehicle Kit
9	2	103-77	HHCS, 1/4-28 x 2.0	8	1	608-120	Tank, Fuel Low Permeation
10	2	117-01	Locknut, Nylon 1/4-28 Zn	1	1	127-273	Plate, Serial Blank Double
11	1	608-54	Toolbox	1	1	127-274	Label, U.S EPA EVAP
12	1	127-54	See Section 10.0 Electrical System				Approval
13	1	608-55	Cover, Battery	39	2	120-13	Rivet - 3/16 x 3/4 Black
14	1	608-88	Seat Assembly, Bench - Thick	56	4	120-24	Rivet, Alum - 3/32 x 3/8
	1	608-88CF	Seat Assembly, Bench - CF				Black
15	2	608-81	Hinge, Seat, Bolted	1	1	127-275	Label, Carb EVAP
16	2	104-43	Pin, 3/16" x 1-1/8"				Approval
17	2	126-102	Bumper, Recessed Hole	57	1	126-101RM	Hose, Vent 3/16" ID
18	1	608-56	Strap, Battery	58	1	609-45	Carbon Canister 800cc
19	17	120-09	Rivet 3/16x1 - Black	59	1	609-46	Bracket, Carbon Canister
20	4	112-79	Clamp, Hose, 1/2" Red	60	2	609-48	Reducer, Barbed 1/4" to 3/16"
21	1	808-133	Reducer, 5/16" to 1/4" Barbed	61	2	127-160-3	Hose, 1/4ID x 3/8OD - 3" Long
22	8	120-04	Washer .19 x .50 x .08 Zn	62	2	120-05	Washer .19x.50x.04 Zn
23	2	100-12	Clamp, Gear 2.25" HF-36				
24	1	125-94	Hose, Filler				
25	10	112-07	RHMS 10-24 x 1.50 Zn				
26	1	126-100	Fuel Cap, Tethered				
27	1	126-60	Vinyl Strip 1/2" x 1/4"				
28	6'	127-160RM	Tubing, 1/4 ID Clear Plastic				
29	1	609-47	Valve, Rollover				
30	10	108-42	Washer .21 x 1.0x.06 Zn				
31	14	117-10	Locknut, Nylon #10-24 Zn				
32	1	609-50	Clamp, Rollover Valve				
33	9	126-93	Clamp, Nylon Wire - 1/2" ID				
34	2	702-06	Foam Cushion				
35	2	126-101RM	Hose, Vent 3/16" ID				
36	2	112-41	PHMS, Phil 1/4-20 x 1.25 Zn				
37	4	103-03	PHMS, Phil 1/4-20 x 1.50 Zn				
38	2	117-64	Insert, 1/4-20 Steel Cad Pltg.				
39	4	120-13	Rivet, 3/16 x 3/4 Black				
40	1	608-137	Plug, Push-In				
41	2"	608-69RM	Hose, Fuel - 5/16" ID Carb				
42	4	120-31	Rivet, 3/16" x 1/4, Open End				
43	1	608-127	Pick-up, Fuel, 5/16 105 Mesh				

10.0 Electrical System

6x6 Frontier EFI Parts Manual

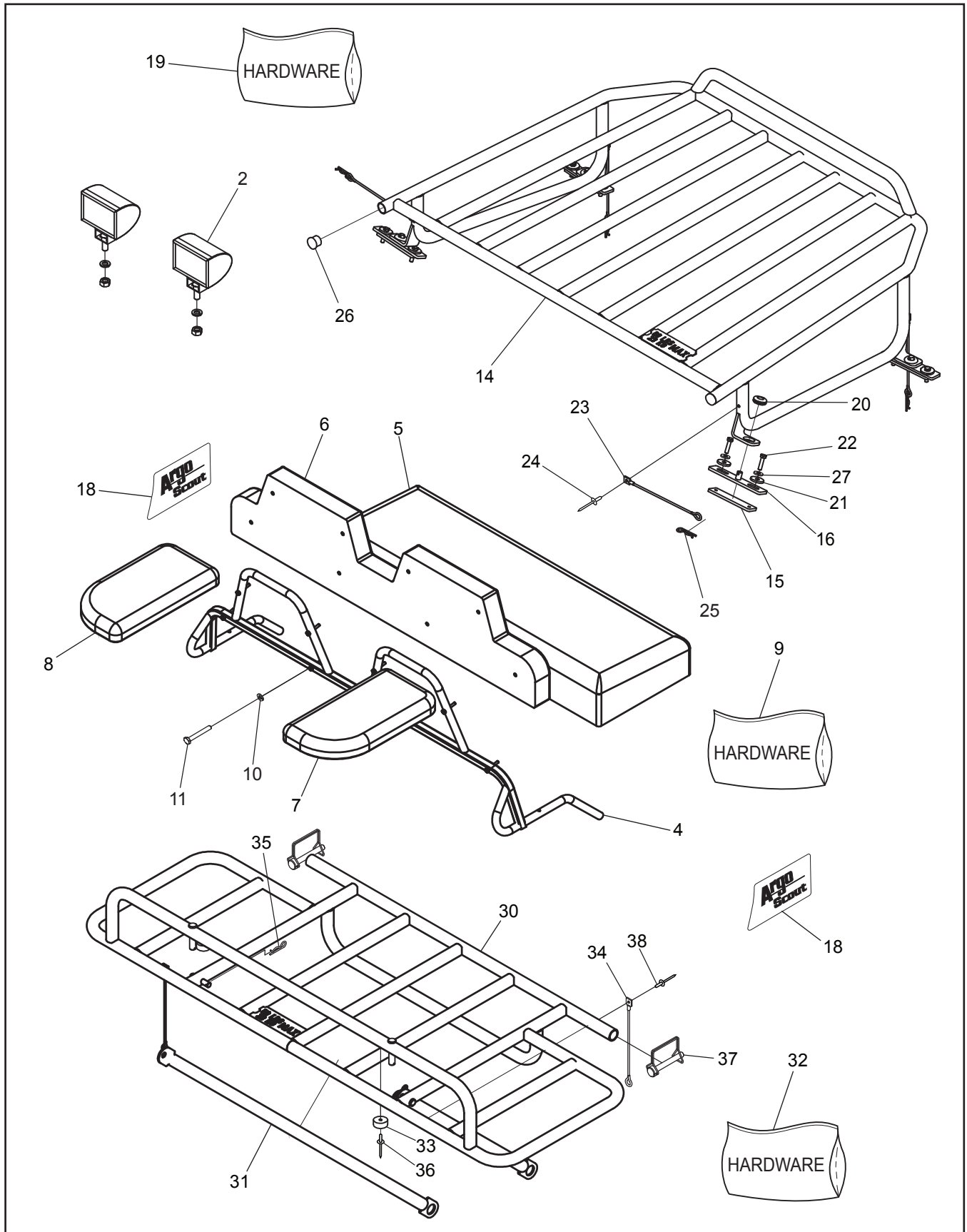


Ref.	Qty.	Part #	Description	Ref.	Qty.	Part #	Description
1	1	613-153	Switch, Light	25	1	613-90	Outlet, 12 V DC
2	8	117-93	Nut, Speed #10	26	6	112-139	OHPS T/S #4 x 5/8 Black Zn
3	8	112-198	T/S Pan Hd Phil #10 x 1 Blk.	27	2	613-159	Headlight - 3.75W
5	1	613-226	Sensor, Speedo Pickup 1 Pc.	28	1	613-228	Wire Harness
6	1	613-124	Insulator, 2 Way w/cap, Red	29	1	114-26	Lockwasher, 5/8 Int. Tooth
7	1	118-30	Terminal, Eye #10	30	2	112-51	Screw, IHWH T/C #10-24x5/8
8	2	127-108	Key, Molded	31	3	118-49	Fuse, 15 A 2-prong (AT015)
9	1	127-107	Cover, Nut	32	1	118-60	Block Fuse - 8 position (4 fuse)
10	1	127-106	Nut, Flanged - Plastic	33	2	127-46	Bulb, Headlight - Halogen
11	1	127-105	Switch - Ignition	35	1	118-63	Terminal, Fuse - Triple
12	1	117-87	Nut, M12 x 1.25, Zn	36	5	118-62	Terminal, Fuse - Single
13	1	613-130	Gauge, LCD	37	3	613-45	Insulator, Terminal (6 ga.)
14	1	613-37	Terminal Strip, Ground	38	1	118-80	Outlet, 12V & Twin USB (if equipped)
15	2	120-15	Rivet 1/8 x 7/16	39	1	613-231	Wire Harness, USB (if equipped)
16	4	127-24	Clamp, Nylon - 1" ID	44	1	681-00	FOB, Key - Floating
17	1	613-14	Wire, Ground - 14"	45	2	613-152	Bezel, Headlamp
18	1	613-94	Wire, Positive Battery	46	1	613-99	Light, Shifter Illumination
19	1	127-55	Cap, Battery Terminal - Red	47	1	613-95	Wire, Negative Battery
20	2	127-56	Terminal, Battery Post	48	2	118-69	Terminal, 3/16 Male Blade 22 Ga
21	1	127-54	Battery, Exide 45-60				
	1	613-161	Battery, Optima - Argo (Opt.)				
22	8	100-64	Tie Wrap - 5.5" - Black				
23	13	126-93	Clamp, Nylon Wire - 1/2" ID				
24	1	127-154	Label, Fuse Panel				



11.0 Scout Option

6x6 Frontier EFI Parts Manual



6x6 Frontier EFI Parts Manual

11.0 Scout Option

Ref.	Qty.	Part #	Description	Ref.	Qty.	Part #	Description
2	2	613-233	Light, Multi Spot, 18W	30	1	850-328	Wldt, Rear Rack, Argo
4	1	850-351	Wldt, Backrest, Scout	31	2	850-367	Support, Rear Rack, Argo
5	1	850-319	Seat, Front Bench, Scout	32	1	850-330HDW	Acc, Rear Rack, Argo, Hardware (incl. Ref. 33-38)
6	1	850-320	Seat, Front Backrest, Scout				
7	1	850-321	Seat, Rear RH - 6x6, Scout	33	2	126-102	Bumper, Recessed Hole
8	1	850-322	Seat, Rear LH - 6x6, Scout	34	2	104-80	Lanyard, 6" Loop, W/Tab
9	1	850-350HDW	Acc, Scout Seating, Hardware	35	2	100-16	Clip, Hitch Pin 1.625 Zn
10	8	108-03	Lockwasher 1/4 Split Ring Zn	36	2	120-13	Rivet, 3/16 x 3/4 Black
11	8	112-297	HHCS 1/4-20 X 1.75 Full Thread	37	2	104-84	Pin, Safety, 3/8 x 2-1/4, Brown
14	1	850-338	Wldt, Hood Rack, Scout	38	2	120-31	Rivet, 3/16" x 1/4", Open End
15	4	958-268	Wldt, Hood Rack Mount - Rear				
16	4	850-339	Plate, Backing, Hood Rack Argo				
17	1	850-353	Nameplate, Argo, Scout LH				
18	1	850-354	Nameplate, Argo, Scout RH				
19	1	850-340HDW	Acc, Hood Rack, Argo, Hardware (incl. Ref. 20-27)				
20	4	127-132	Grommet, Rubber - 1/2" ID				
21	8	108-104	Washer, 0.28ID x 1.0OD x 0.13, Blk				
22	8	112-212	HHCS M6x1x25mm, Black Zn				
23	4	104-80	Lanyard, 6" Loop, W/Tab				
24	4	120-31	Rivet, 3/16" X 1/4", Open End				
25	4	100-16	Clip, Hitch Pin 1.625 Zn				
26	2	639-25	Plug, End - Black				
27	8	108-105	Lockwasher, 1/4 Split, Blk Zn				
				Note: Scout 6x6 trim package also includes the following standard Argo accessories: 622-143 Winch 642-80 Brush Guard 603-98 Skid Plate 638-40 Bilge Pump 848-240 Dual Entry Step Front and rear bearing extensions (see Section 8.0)			

ARGO Products Manufactured by:

Ontario Drive & Gear Limited

220 Bergey Court

New Hamburg, Ontario

Canada N3A 2J5

Phone: (519) 662-2840

Fax: (519) 662-2421

www.argoatv.com

ODG *Dedicated to quality and performance*