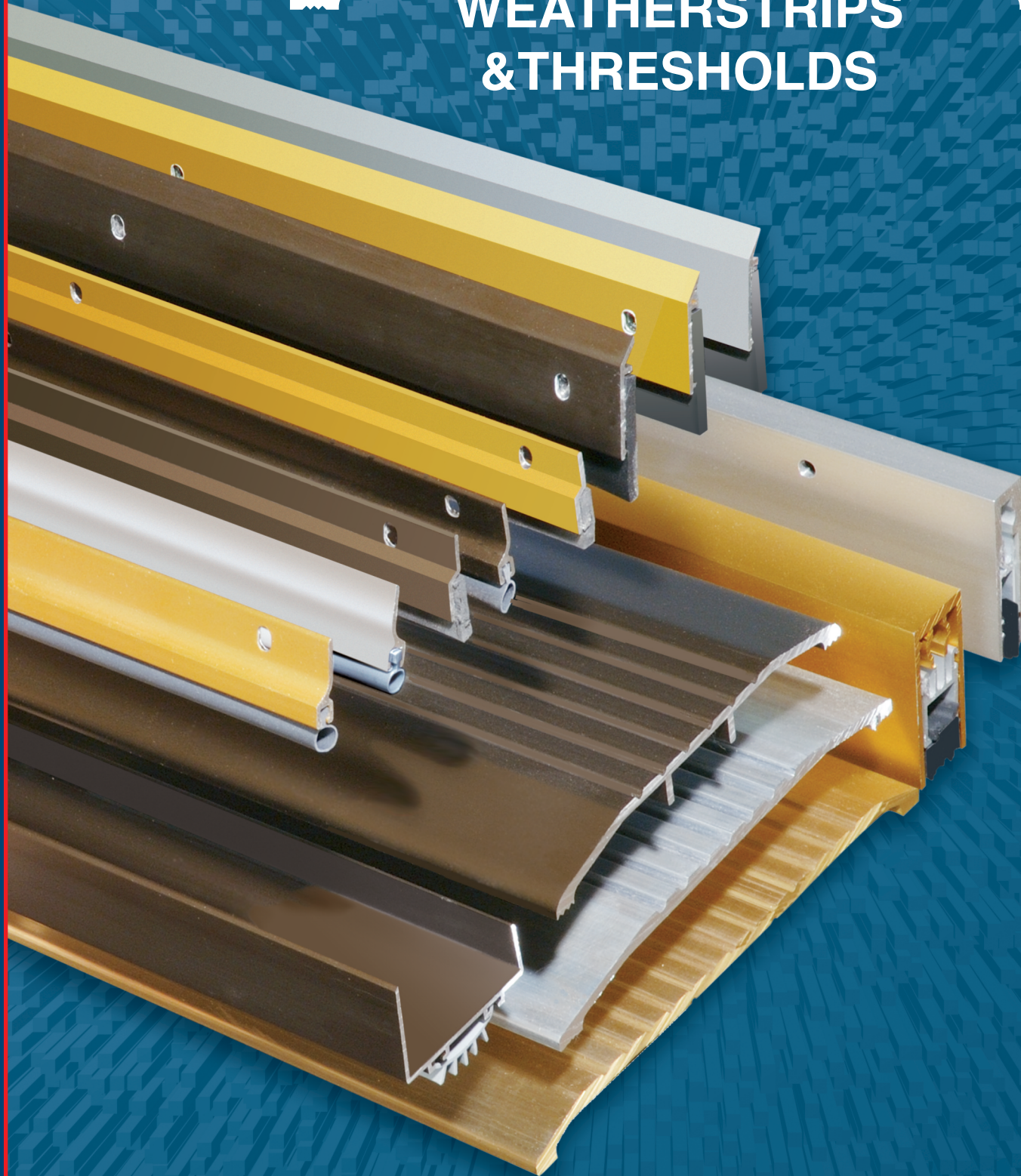




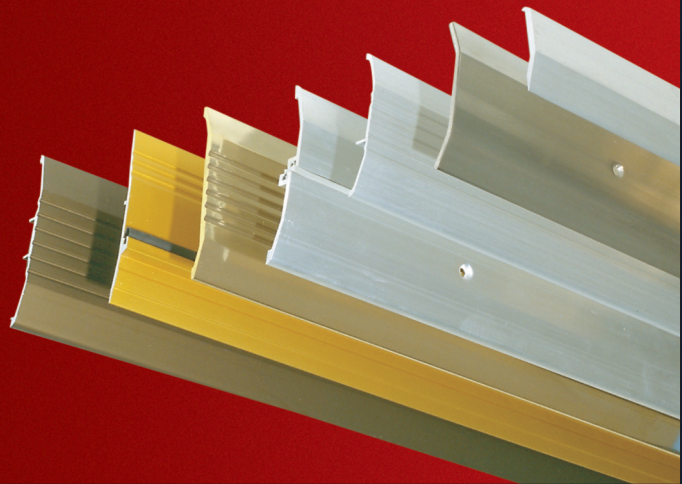
Reese



WEATHERSTRIPS & THRESHOLDS



THRESHOLDS



Phone 1-800-328-0953

Fax 1-800-334-8823

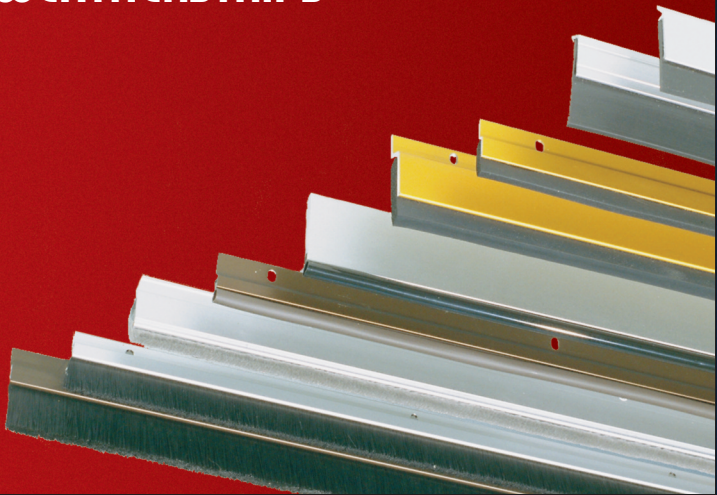
www.reeseusa.com

info@reeseusa.com

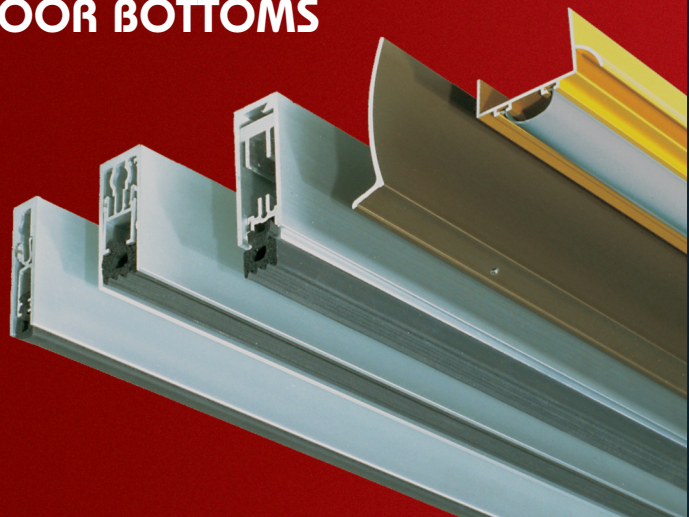
Continuous Service and Quality

Reese Enterprises, Inc. has more than 90 years experience in manufacturing weatherstrips along with many other door & floor products. During that time, we have devoted both time and dollars to product development, research and testing. Our highest valued asset, however, is you — our customer. That's why you'll talk to a pleasant, helpful person when you call Reese. No answering machines or recorded menus. Call us and hear for yourself.

WEATHERSTRIPS



DOOR BOTTOMS



Reese
WEATHERSTRIPS
& THRESHOLDS

GENERAL INFORMATION

800-328-0953



All Reese products comply with the Buy American Act (BAA) and the American Reinvestment and Recovery Act (ARRA).



FIRE RATED — UL10B classified and UL10C Positive Pressure Classified — Category J Listed (see page 43).



HANDICAPPED THRESHOLDS — These thresholds have less than 1/4" vertical rise, beveled rise slope no greater than 1:2 up to 1/2", and ramps with slope less than 1:12. They meet ANSI spec. A117.1.



SOUND TEST — ASTM standard E90-75. See page 27.



AIR INFILTRATION TEST — E283-73 AND SDI 116 Air. See page 27.



SMOKE AND DRAFT CONTROL TEST — Category H Listed, UL-1784. For use on "S" labeled doors. See page 28-29.



POSITIVE PRESSURE EDGE SEAL TEST — Category G Listed. See page 29.

STANDARD SCREWS FURNISHED WITH THRESHOLDS: No. 10 Phillips Flat Head Wood Screws in appropriate length.

STANDARD SCREWS FURNISHED WITH WEATHERSTRIP: 6 x 5/8" pan screws (furnished for most weatherstrips)

All aluminum weatherstrip comes standard with slotted holes. (Exception: DS69, 669 and 961)

MATERIAL DESIGNATIONS

A – Mill finish aluminum
B – Architectural brass
C – Clear anodized aluminum

D – Dark bronze anodized aluminum
G – Gold anodized
SS – Stainless steel
V – Vinyl insert

N – Neoprene insert
U – Polyurethane insert
P – Pile insert
PR – Polypropene insert
S – Silicone insert

mf — Material Finishes

Aluminum extrusions shown are alloy 6063-T5. They are available in mill finish, clear, gold and duranodic bronze finish as noted.

Bronze extrusions are alloy 385 architectural bronze. They are furnished in mill finish, which is a light brass color.

Spring bronze weatherstrips are roll-formed from 85/15 red brass strip.

All vinyl weatherstrips are extruded from "cold weather" vinyl, which remains flexible down to -30°F and is in compliance with commercial standard CS230-60, as published by the U.S. Department of Commerce and ASTM D-2287-81.

Polyurethane is an ether-based elastomeric thermoplastic, resin especially developed for low temperature flexibility, abrasion resistance and durability. See page 23 for more attributes.

All expanded (sponge) neoprene is closed cell, and extruded with a tough outer skin for extra abrasion resistance or slitted without outer skin. It is black in color for maximum weatherability. See page 25 for more attributes.

Silicone rubber is a synthetic polymer able to withstand a wide range of temperature extremes. See page 24 for more attributes.

Polypropene is a thermoplastic rubber compound developed by Reese that has excellent low temperature flexibility and weather resisting qualities. See page 24 for more attributes.

c/c — Code Acceptability, Certification

All Reese products are guaranteed for two years against defects in material or workmanship. Defective goods will be replaced or repaired, at our option. No claims for damage incurred or work done thereon will be allowed. Reese does not assume liability for consequential damages or delays, and claims for labor will not be allowed.

pp — Product Presentations

Product drawings in this catalog are full size cross-section profiles, unless noted, and are designed to illustrate the uses and applications of the products. Dimensions not shown may be obtained by scaling the drawings. Catalog illustrations are sufficiently accurate to use as templates.

a/c — Availability, Costs

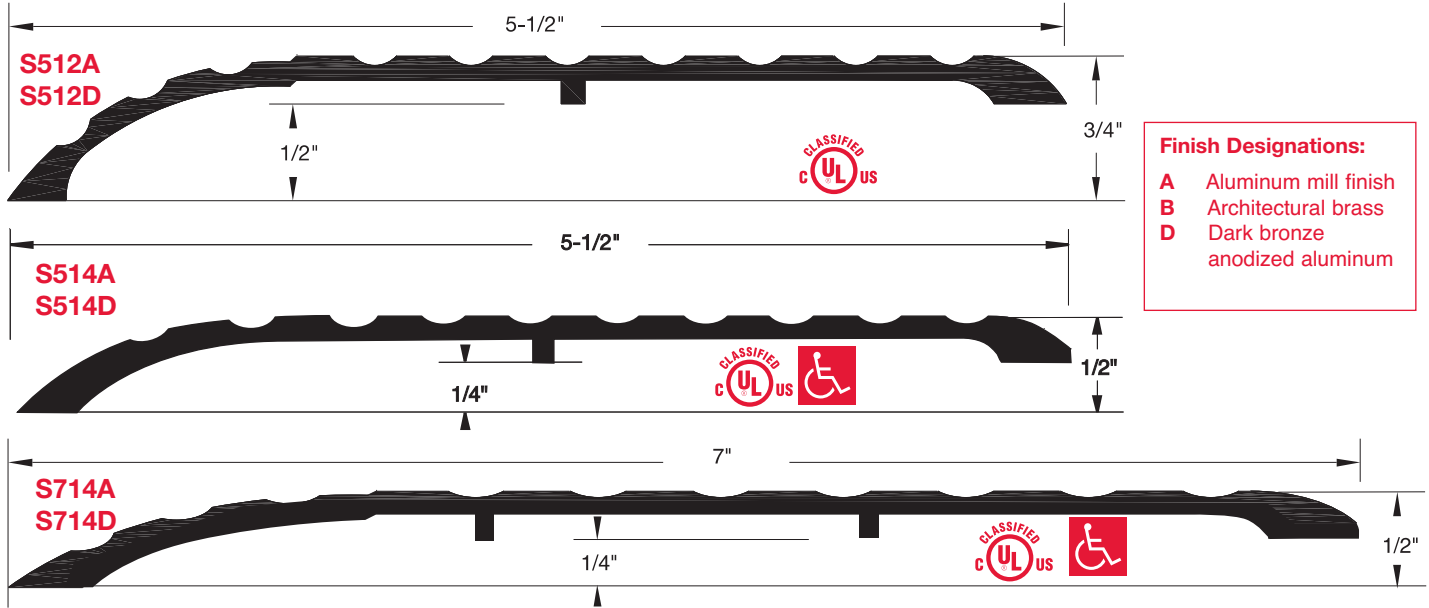
All products in this catalog are stocked for prompt shipment at our Rosemount, Minnesota plant. Catalogs and price lists are available from our plant.



To receive UL label on parts, add prefix "F-" when ordering

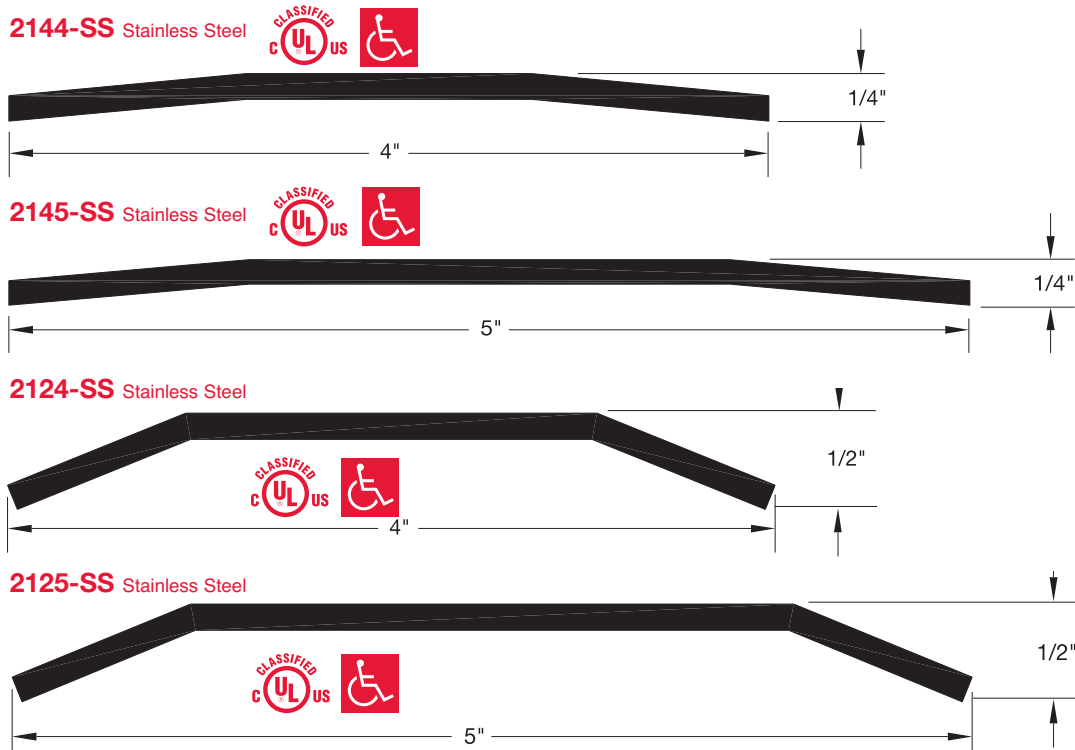


Offset Saddle Thresholds



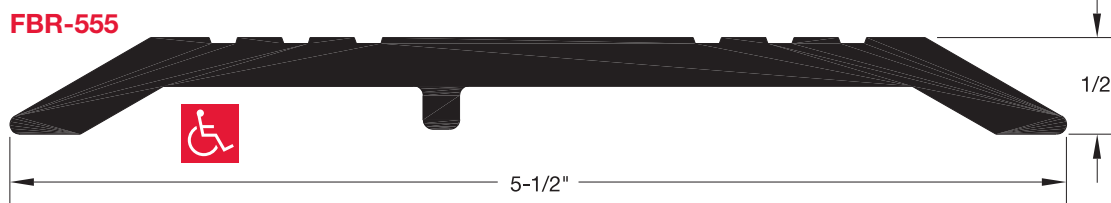
Finish Designations:
A Aluminum mill finish
B Architectural brass
D Dark bronze anodized aluminum

Stainless Steel Thresholds



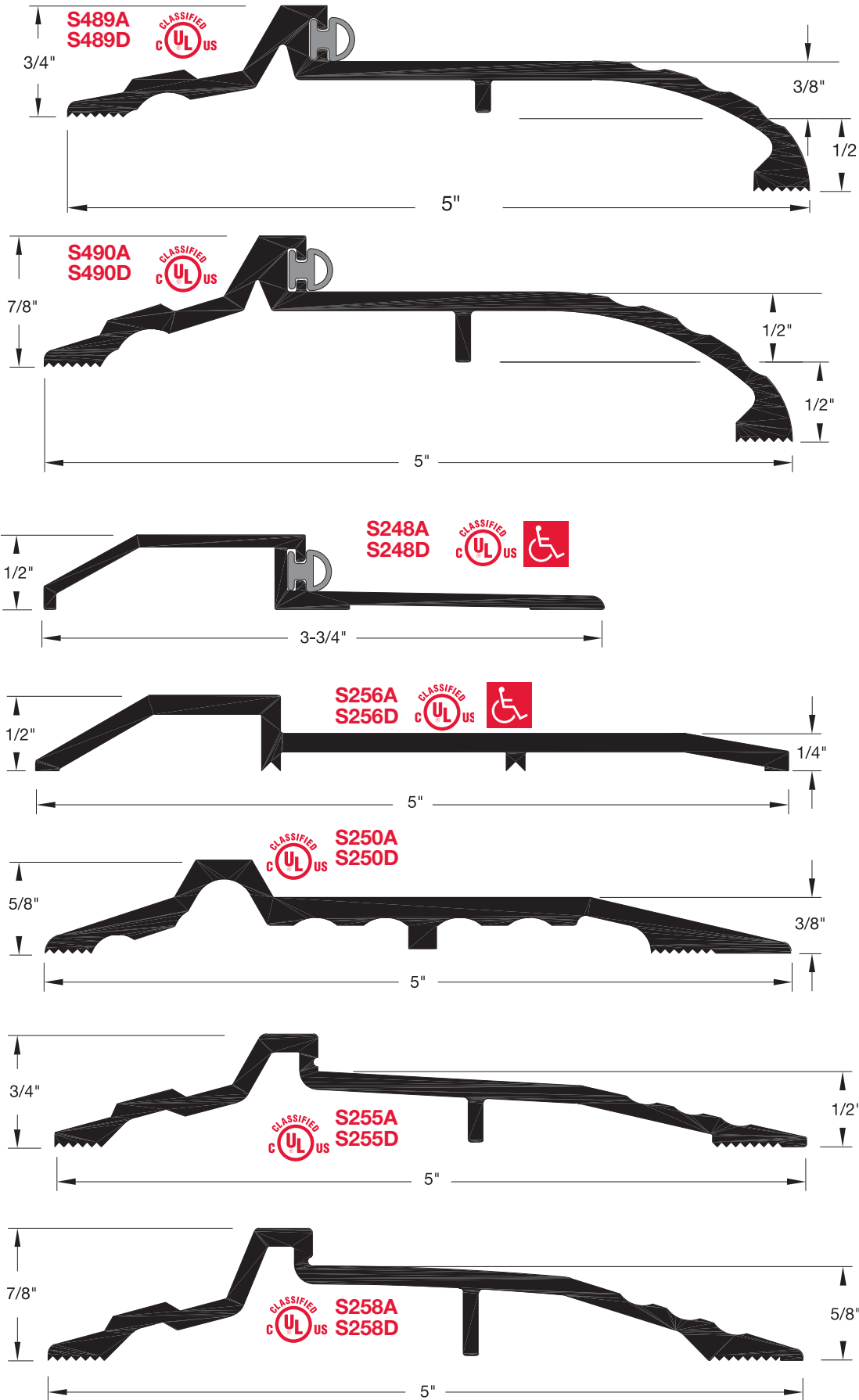
Non-rusting, low carbon, 10 gauge #304 Stainless Steel alloy in a mill finish

Fiberglass Thresholds





To receive UL label on parts, add prefix "F-" when ordering



Vinyl insert shipped if no insert specified

Options for vinyl inserts:

- Grey Vinyl add **V**
- Black Polyprene add **PR**
- Black Polyurethane add **U**
- Grey Pile add **P**

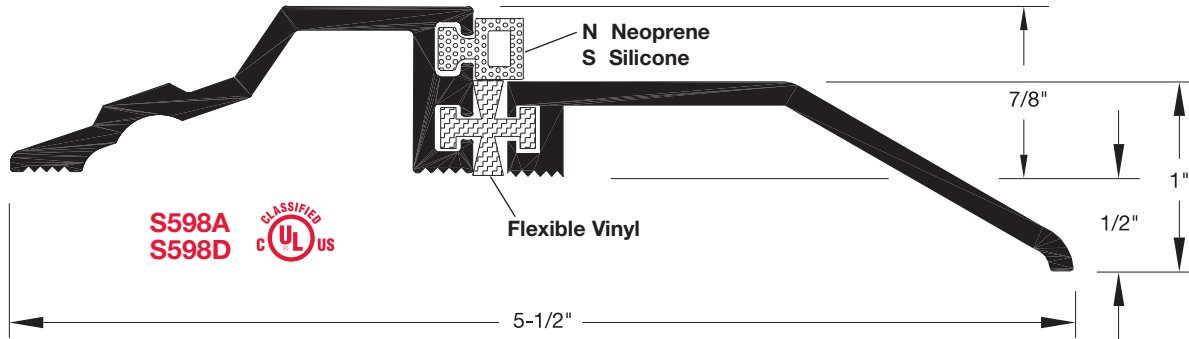
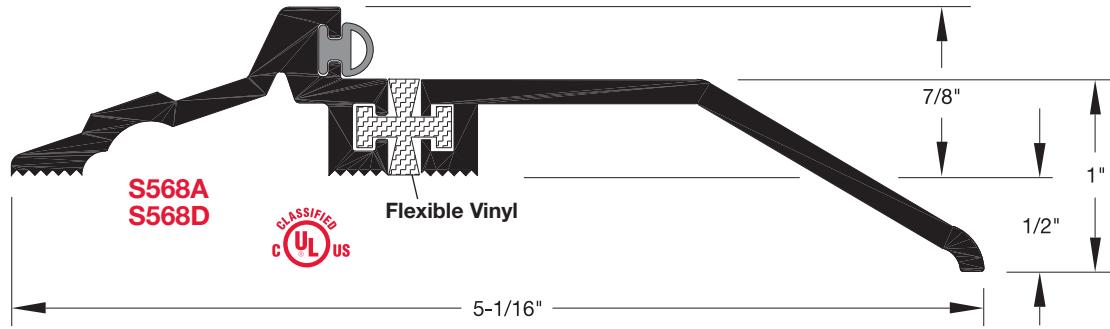
Finish Designations:

- A** Aluminum mill finish
- B** Architectural brass
- D** Dark bronze anodized aluminum

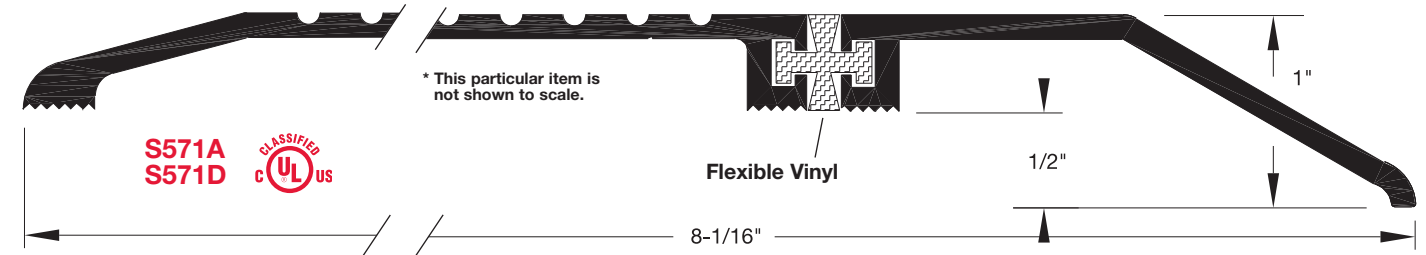
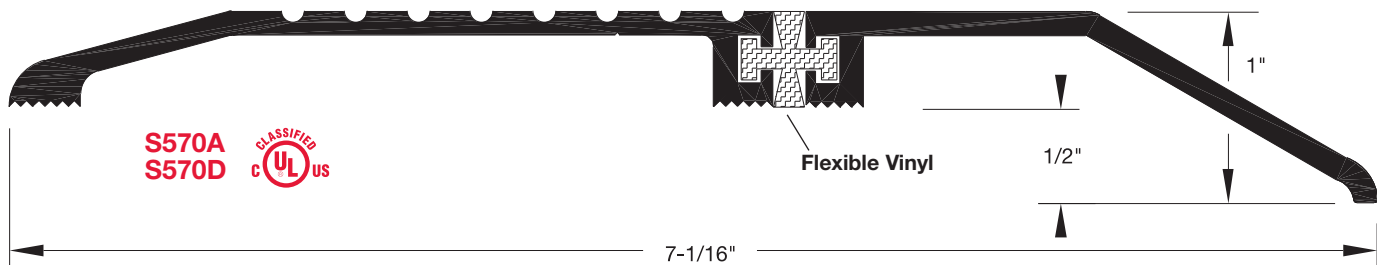
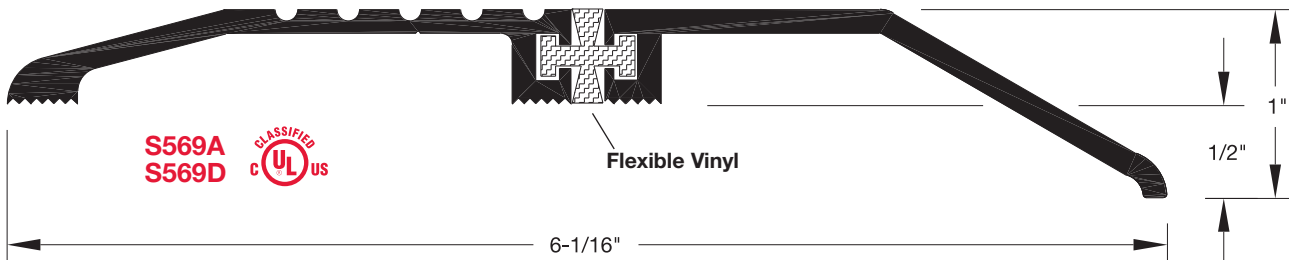
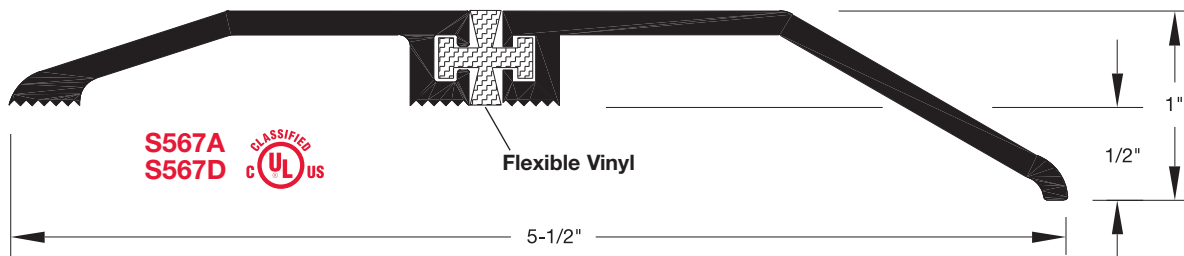




To receive UL label on parts, add prefix "F-" when ordering



Thermal Break Offset Thresholds



Fire Rated Weatherstrips and Thresholds

All Fire Rated Weatherstrips and Thresholds listed on this page have been tested and have passed **THE POSITIVE PRESSURE REQUIREMENTS UL10C and meets CAN4-S104-2010. CATEGORY J LISTED**. UL rated materials cover the Fire test of door assemblies for **UL10B**.



The "F" prefix designates that the product has been fire tested and that each piece has the UL label attached. **Materials are not shipped with the UL label unless specified by ordering with the prefix "F-"**.

Fire rated materials at no extra charge

Perimeter Seals	33	DS77	373SS	631	688	779	815	875	962
	39	DS78	399	632	754	786	817	884	964
	49	DS79	403	633	755	788	818	888	965
	59	93	499	638	757	793	822	918	967
	DS62	95CV	599	653	758	794	854	934	968
	DS63	99	608	655	759	795	855	956	970
	DS69	DS106	612	657	769	796	856	957	973
	DS70	128V	619	659	770	797	858	958	
	DS75	129V	629	669	775	798	859	959	
	DS76	364SS	630	678	778	807	863	961	
				320	330	371	430	933	
			321	370	372	521	943		
Automatic Door Bottoms									
Astragals		M35	95	129P	183SS	678	807	967	
		DS75	95P	129V	203	688	959		
		92	95V	183C	276	792	961		
		93	103	183SP	393	804	964		
Door Sweeps		M15	DB591U	DB594V	602	960	971		
		M35	DB591V	DB595F	603	962	973		
		64	DB592F	DB595U	701	963	977		
		323	DB592U	DB595V	772	964	978		
		353	DB592V	DB596F	773	965	979		
		354	DB593F	DB596U	805	966	984		
		362	DB593U	DB596V	806	967	985		
		377	DB593V	DB600F	810	968			
		DB469	DB594F	DB600U	825	969			
		DB591F	DB594U	DB600V	959	970			
	Thresholds								
All									
UL 10C — Category J listed									
Intended for application to/with listed steel frames and/or classified hollow metal or steel covered composite type fire doors rated up to 3 hours; wood composite and plastic covered type fire doors rated up to 1-1/2 hours, and wood core type 20 minutes.									
UL 10B									
Intended for application to/with listed steel frames and/or classified hollow metal or steel covered composite type fire doors rated up to 3 hours; wood composite type fire doors rated up to 1-1/2 hours, and wood core type 20 minutes w/o hose stream.									

REESE TRAFFIC MASTERS™

At Reese, we design and manufacture our thresholds, weatherstrips, strip doors, mats and grates for heavy and frequent traffic. All Reese products meet and exceed the requirements for commercial/industrial application. To that end, we use only industrial grade brass and aluminum extrusions — to support your traffic. Our products are manufactured and tested in Minnesota — so we know they work in highly variable weather conditions. And our order processing/shipping system is the best in the industry. Call us on your next project. We deliver.



Post Office Box 459
Rosemount, MN 55068-0459
Phone (651) 423-1126
Fax (651) 423-2662
TOLL FREE (800) 328-0953
TOLL FREE FAX (800) 334-8823
www.reeseusa.com
info@reeseusa.com

