



# Dacia Sandero Stepway



# Introducing Dacia Sandero Stepway

All the style of a Sports Utility Vehicle. All the practicality of a family hatchback. Enjoy the best of both worlds with the new Sandero Stepway crossover.

Its raised ride height gives you a commanding view of the road ahead. Its black wheelarch extensions, side sills and front and rear scuff plates make it every inch a robust SUV. Yet there's a suave and sophisticated side to those rugged good looks: 16" 'Stepway' design wheels, satin chrome roof bars and a choice of four optional stunning metallic colours give Sandero Stepway an assured presence about town.

Off-roader style no longer means off-roader running costs. Sandero Stepway offers a choice of two frugal engines, which blend brisk performance with exceptional fuel efficiency and low CO<sub>2</sub> emissions. Using turbocharging technology, the state-of-the-art TCe 90 petrol engine generates an impressive 90hp from just 3-cylinders, yet achieves 5.1 l/100km\*. Or, for ultimate cruising ability, choose the dCi 90 turbo-diesel engine, which achieves 3.8 l/100km\* and emits just 98 g/km of CO<sub>2</sub>. So, you really can enjoy the best of both worlds.

Sandero Stepway is a crossover at supermini prices. Choose from two simple versions: the stylish and affordable Alternative or the luxurious Signature, complete with MediaNav touchscreen navigation, air conditioning and rear parking sensors as standard.

Sandero Stepway. SUV style. Supermini costs.

\*On the combined cycle. Fuel consumption will vary according to driving style



Model shown is a Sandero Stepway Signature in Fire Red

## Equipment

### CORE FEATURES - Available on ALL versions of Dacia Sandero Stepway

#### Exterior Features

- 16" 'Stepway' design wheels
- Body-coloured bumpers (front and rear upper section)
- Body-coloured door mirrors
- Fog light surrounds in satin chrome
- Black door handles
- Black side sills
- Black wheelarch extensions
- Raised ride height (+40mm vs Sandero)
- Roof bars - satin chrome
- Scuff plates - front and rear in satin chrome
- 'Stepway' logo on front door panel
- Tinted windows

#### Interior Features

- Chrome air vent surrounds
- Chrome instrument dial surrounds
- Chrome steering wheel logo surround
- Graphite central console surround
- Graphite steering wheel lower insert
- Upholstery - Dark carbon 'Stepway' cloth

#### Safety

- 3 x 3-point rear seatbelts
- Anti-lock braking system (ABS) and Emergency Brake Assist (EBA)
- Child locks in rear doors
- Door open - visual warning
- Driver's airbag

- ESC (Electronic Stability Control) with ASR (Traction control)
- Front side airbags
- Height-adjustable front headrests
- High-level third rear brake light
- ISOFIX points for child seats in both outer rear seats
- Passenger airbag with deactivation function
- Seatbelt not fastened - visual and audible warning
- Tyre pressure monitor
- Tyre inflation kit

#### Driving and Controls

- Gear shift indicator
- Headlights left on - audible and visual warning
- Power-assisted steering
- Rev counter

#### Visibility and Exterior Lighting

- 3-speed front windscreen wipers
- Daytime running lights (DRL)
- Front courtesy light
- Heated rear window
- Rear wash / wipe
- Single optic headlights with chrome surrounds

#### Comfort and Convenience

- 12v socket
- 4-speed heating and ventilation system
- 60/40 split folding rear seat (seatback only split)



Model shown is a Sandero Stepway Signature in Azure Blue

### ALTERNATIVE - additional equipment over Core Features

#### Safety

- 3 height-adjustable rear headrests

#### Security

- Anti-intruder automatic door-locking system
- Remote central locking

#### Driving and Controls

- ECO mode
- Stop & Start

#### Visibility and Exterior Lighting

- Front fog lights

#### Comfort and Convenience

- Boot light
- Electric front windows
- Front passenger grabhandle
- Manually-adjustable door mirrors
- Manual rear windows
- Passenger vanity mirror in sunvisor

#### Communication and Connectivity

- Radio with CD player including MP3 CD reader with fingertip controls and 2 front speakers
- AUX input
- Bluetooth connectivity
- USB connection for MP3 players



Rear parking sensors - standard on Signature only

### SIGNATURE - additional equipment over Alternative

#### Exterior Features

- Chrome front grille

#### Interior Features

- Chrome heating control inserts
- Graphite front door handles
- Leather steering wheel and gearknob

#### Safety

- Height-adjustable front seatbelts

#### Driving and Controls

- 7-function on-board computer: odometer, trip computer, fuel used, average fuel consumption, fuel range, average speed, next service indicator, outside temperature gauge
- Cruise control and speed limiter
- Rear parking sensors

#### Comfort and Convenience

- Electrically-adjustable and heated door mirrors
- Electric rear windows
- Height-adjustable driver's seat
- Height-adjustable steering wheel
- Manual air-conditioning
- Map pockets on front seatbacks
- Rear passenger grab handles



MediaNav 7" touchscreen multimedia system - standard on Signature only

## Colours



Colour Code	Commercial Name	Alternative	Signature
<b>SOLID</b>			
369	Glacier White	●	●
<b>METALLIC</b>			
D69	Platinum	○	○
B76	Fire Red	○	○
676	Pearl Black	○	○
RPL	Azure Blue	○	○
RPR	Cosmos Blue	○	○

## Wheels



16" 'Stepway' design wheels

	Alternative	Signature
16" 'Stepway' design wheels	●	●

● = Standard ○ = Optional - = Not available

## Range Overview

Version Name	Engines	Euro Status	HP	CO <sub>2</sub> g/km	CO <sub>2</sub> Band	Combined Fuel Consumption (l/100km)
Alternative	TCe 90	6	90	115	C	5.1
	dCi 90	6	90	98	A	3.8
Signature	TCe 90	6	90	115	C	5.1
	dCi 90	6	90	98	A	3.8

## Options and Accessories

OPTIONS	Alternative	Signature
Metallic paint	○	○

### ACCESSORY PACKS

For details on accessories and accessory packs available for Sandero Stepway, please contact your Dacia Dealer

## Interior



Dark carbon 'Stepway' cloth upholstery

Signature interior with MediaNav



60/40 split folding rear seats

Graphite front door handles - Signature only

## DACIA Finance

Have you found the car that would best suit your needs? DACIA Finance will help you to drive away with it!

- At DACIA Finance, we pride ourselves on being:
- Flexible. We have flexible payment plans. We can tailor the term, the deposit or the repayment to meet your needs.
- Competitive. We offer competitive rates and attractive financial packages you will not find anywhere else.
- Simple. We provide an easy application process, quick decision and minimum paperwork, all at your Local Dealer.
- Creditable. We are part of one of Europe's largest motor finance companies and offer financial services to millions of customers everyday.

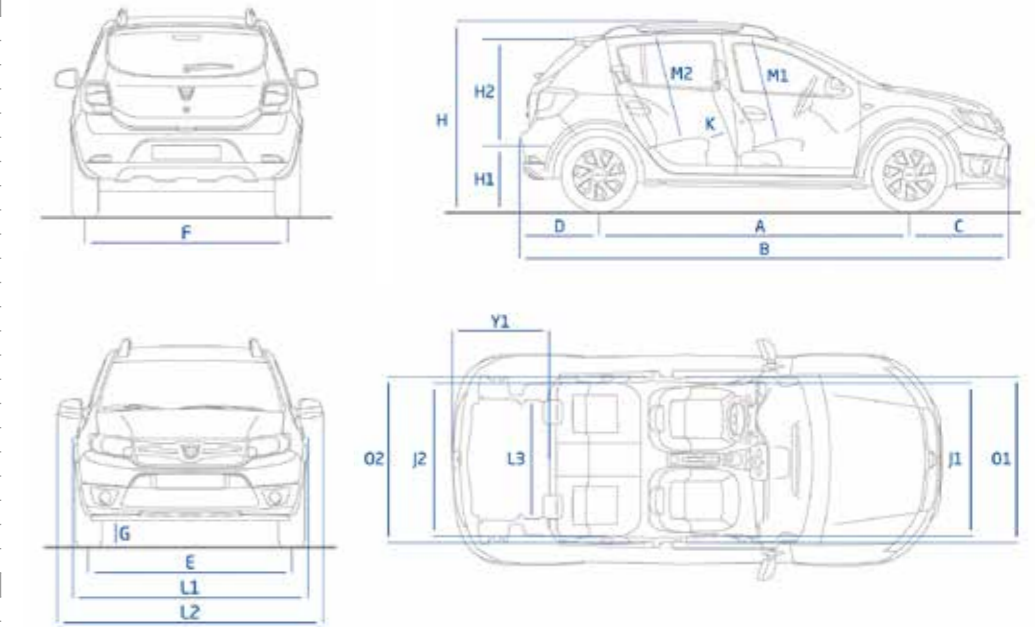
DACIA Finance is a trading name of RCI Banque Branch Ireland, a wholly owned subsidiary of the Renault Group. RCI Banque is regulated by the French banking authority and is supervised by the Central Bank of Ireland for conduct of business purposes.

## Technical Specifications

	TCe90	dCi90	
<b>ENGINE</b>	Engine type	H4B 408	K9K 612
	Cubic capacity (cm <sup>3</sup> )	898	1,461
	Number of cylinders/valves	3 in line / 12	4 in line / 8
	Fuel	Unleaded petrol	Diesel
	Fuel injection type	Multipoint sequential	Commonrail direct + multipoint injection
	Aspiration	Turbocharged	Turbocharged
	Particulate filter (PF)	-	Standard
	Bore x Stroke (mm)	72.2 x 73.1	76.0 x 80.5
	Compression ratio	9.5	15.5
	Peak power Kw (HP) @ RPM	66 (90) @ 5,000	66 (90) @ 4,000
	Peak torque (Nm) @ RPM	140 @ 2,250	220 @ 1,750
	Stop and Start	Yes	Yes
	<b>PERFORMANCE</b>	Maximum Speed mph (km/h)	104 (168)
0- 62 mph - secs (0-100 km/h)		11.1	11.8
0 - 400m (secs)		17.5	18.2
0 - 1000m (secs)		33.1	33.9
CO <sub>2</sub> (g/km)		115	98
<b>FUEL CONSUMPTION* AND EMISSIONS</b> (in l/100 km and g/km)	Urban cycle - mpg (l/100 km)	48.7 (5.8)	64.7 (4.4)
	Extra-urban cycle - mpg (l/100km)	60.1 (4.7)	80.4 (3.5)
	Combined cycle - mpg (l/100km)	55.4 (5.1)	74.3 (3.8)
	Drive type	Front-wheel drive	Front-wheel drive
<b>GEARBOX</b>	Gearbox type/index	JH3/351	JR5/373
	Number of forward gears	5	5
	Vehicle speeds (km/h) per 1000 rpm: in 1st gear	6.88	9.63
	Vehicle speeds (km/h) per 1000 rpm: in 2nd gear	13.11	18.34
	Vehicle speeds (km/h) per 1000 rpm: in 3rd gear	20.80	29.10
	Vehicle speeds (km/h) per 1000 rpm: in 4th gear	28.40	39.73
	Vehicle speeds (km/h) per 1000 rpm: in 5th gear	38.89	54.41
	Steering type	Power-assisted (Hydraulic)	
	Turning circle between pavements / walls (m)	10.5	10.5
	Number of turns (lock-to-lock)	3.2	3.2
<b>SUSPENSION</b>	Front suspension type	Pseudo McPherson with triangular arm	
	Rear suspension type	Flexible axle with programmed deflection and coil springs	
<b>WHEELS / TYRES</b>	Wheel size	6J16	6J16
	Tyre specification	205 / 55 R 16	205 / 55 R 16
<b>FUEL TANK CAPACITY</b>	Front: - diameter (mm) / thickness (mm)	258 / 22	258 / 22
	Rear: - diameter (inches)	8	8
	Anti-lock Braking System (ABS)	Standard	Standard
	Electronic Brakeforce Distribution (EBD)	Standard	Standard
	Emergency Brake Assist (EBA)	Standard	Standard
	ESC (Electronic Stability Control)	Standard	Standard
	Fuel tank capacity (litres)	50	50
	Kerb Weight (Excluding Driver) (kg)	1,023	1,083
<b>WEIGHT</b>	Unladen weight on front axle (kg)	630	691
	Unladen weight on rear axle (kg)	393	392
	Gross vehicle weight (kg)	1,550	1,600
	Gross train weight (kg)	2,340	2,390
	Max payload (kg)	527	517
<b>TOWING CAPACITY</b>	Max braked trailer (within gross train weight limit) (kg)	1,100	1,100
	Max unbraked trailer (kg)	545	575

## Dimensions

EXTERIOR DIMENSIONS (mm)	
A - Wheelbase	2,590
B - Overall bodywork length	4,081
C - Front overhang	835
D - Rear overhang	656
E - Front track	1,490
F - Rear track	1,481
G - Ground clearance (laden)	min 207
H - Unladen height with roof bars	1559 / 1618
H1 - Unladen sill height	799
H2 - Rear tailgate height	622
Unladen height with hatchback open	2,041
K - Rear knee room	144
L1 - Overall width without door mirrors	1,733
L2 - Overall width with door mirrors	1,994
M1 - Distance between hip joint and ceiling in front seats	900
M2 - Distance between hip joint and ceiling in rear seats	880
O1 - Front elbow room	1,417
O2 - Rear elbow room	1,436
J1 - Front shoulder width	1,387
J2 - Rear shoulder width	1,393
L3 - Interior width between wheel arches	1,005
Y1 - Loading length, rear seat in place	856
Height beneath parcel shelf	469
BOOT VOLUME	
Maximum boot capacity with rear seats in place (litres)	320
Maximum load capacity with rear seats folded down (litres)	1200



# Dacia Sandero Stepway



## Network

To find your nearest Dacia dealer, please consult the dealer locator on our website at [www.dacia.ie](http://www.dacia.ie). Alternatively, you can call our Dacia Customer Services helpline on 1890 771 771.

## Servicing

The service interval on all versions of Dacia Sandero Stepway is 1 year or 20,000 km, whichever limit is reached first. Your local Dacia dealer is fully equipped to service your Dacia Sandero Stepway.

## Warranty

Your new Dacia is covered by a standard 3 year / 100,000 km\* warranty package. Under the terms of this Warranty, your Dacia dealer is able to repair or replace, without charge, parts that are found to have a material or assembly defect that is recognised by Dacia. Your new Dacia also comes with a 2 year paintwork warranty, as well as a 6 year anti-corrosion warranty.

## Extended Warranty

At Dacia, we don't force you to pay a premium for a longer warranty if you don't want one, but we'll offer you the opportunity to purchase one if you do. By extending your warranty, you'll benefit from ongoing protection from mechanical and electrical failure after the standard manufacturer's warranty has expired. Extended warranties may be purchased at any time up to one year after the first date of registration. You can choose to extend your Warranty to the following levels:

- 5 years / 200,000 km\*

## Roadside Assistance

We don't expect it to happen, but we'll ensure help is on hand if it does. In the event of a breakdown, help is just a phone call away with Dacia Assistance. This service is provided 24 hours a day, 365 days a year. We'll provide prompt roadside assistance in Ireland for the first 3 years / 100,000km\*, in line with the terms of the standard manufacturer's Warranty.

\* From first date of registration. Expires on the first of the two limits reached.

The utmost has been done to ensure that the content of this publication is accurate and up-to-date when going to press. This document has been created on the basis of pilot lots and prototypes. As part of its ongoing product improvement policy, DACIA reserves the right to modify the specifications, vehicles and accessories described and shown at any time. Such modifications are communicated to DACIA dealers as quickly as possible. Depending on the country of sale, certain versions may differ and certain equipment may be unavailable (as standard, optional or accessory). Please contact your nearest DACIA dealer for the latest information. For printing reasons, the colours which appear in this document may differ slightly from the actual paint and the upholstery colours. All rights reserved. It is forbidden to reproduce in any format and by any means all or part of this publication without prior written authorisation from DACIA. All visuals are for illustrative purposes only. \*3 Year / 100,000km warranty as standard.

CHARTERHOUSE - PUBLICATION DATE 05/16

UP TO  
**5 YEARS**  
WARRANTY\*