

1 9 8 8

# FORD MUSTANG



## FORD MUSTANG FOR 1988



*Mustang LX Convertible shown in Oxford White. Some equipment shown may be optional. See the options list on pages 16-17.*

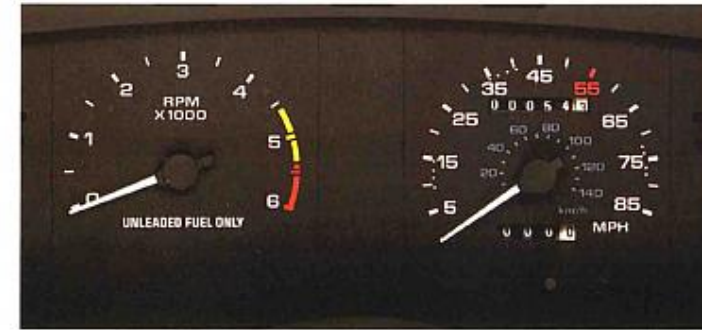
**B**est-built American cars seven years running. For the past seven consecutive years, Ford quality has led all other American car companies. That's based on an average of owner-reported problems in a series of surveys of '81-'87 models designed and built in North America. It's the result of our commitment to product integrity.

The 1988 Ford Mustang is one of the products of that total commitment. Find out for yourself in a test drive at your Ford Dealer soon. Mustang. Exciting to drive. Satisfying to own.

**Contents**

Driver Control and Passenger Comfort .....	4-7
Mustang LX .....	8-9
Mustang GT .....	10-13
Ford Mustang Engineering .....	14-15
Features and Options .....	16-17
Safety and Owner Benefits .....	18-19

# FORD MUSTANG: DRIVER CONTROL AND PASSENGER COMFORT



*Analog gauges are large and backlit for excellent readability, day or night.*

**A** driver's ability to control a car is of the utmost importance. Aside from the obvious reasons of safety, there is the side benefit of driving enjoyment. The more inviting a car is to drive, the more fun you're going to have driving it. Those are the ideas behind the design and placement of Mustang's instruments and controls. Outstanding control. Outstanding enjoyment.



*Rotary design climate control dials ease operation.*



*Control pods for running lights, flashers and rear defroster are placed within clear view and easy reach.*



*The interval wiper/washer, high beam and flash-to-pass control is at your fingertips.*

*A driver's-eye view of Mustang controls. Some equipment shown may be optional. See the options list on pages 16-17.*



**T**he approach to comfort in Mustang goes hand in hand with the approach to control. The front bucket seats are firm and supportive to help reduce fatigue and keep you alert on those long drives you may be inclined to take. Reclining seat backs provide good lower back support. Seat cushions feature high density foam pads over a spring steel base. Seat cushion side bolsters

offer good lateral support. In Mustang GT the front buckets feature adjustable side bolsters and under-thigh support plus a power adjustable lumbar support. The rear seat in hatchbacks has a split/fold feature for great versatility. Fold down one seat back to accommodate longer cargo, like skis for example, and still have room for one rear passenger. Fold both seat backs down for 30.0 cu. ft. of cargo volume.

*Mustang LX interior shown in Scarlet Red. Some equipment shown may be optional. See the options list on pages 16-17.*

*The climate control and entertainment systems are centered for an equally easy reach for both front passenger and driver.*

*The standard AM/FM stereo search radio (may be deleted for credit) is electronically tuned to optimize reception, and the system includes four speakers.*

*You may also choose the electronic AM/FM stereo search radio with cassette tape player; the Premium Sound System which includes a four-channel power amplifier and six speakers; or select a seven-band graphic equalizer that includes Premium Sound.*

*The center console features a driver-biased contour with offset parking brake handle.*

*The left and right rearview mirrors are both remote controlled. Or, even greater convenience is provided by optional dual electric remote-control mirrors (standard in convertibles).*

## FORD MUSTANG LX: THE FREE SPIRIT OF EXPRESSION



**F**ord Mustang is synonymous with excitement and freedom of expression. In LX, you have a personal car that makes you feel good about driving. The 2-door hatchback complements a go anywhere attitude with the versatility of extra room in the back whenever you need it. Look confident in the well-equipped and sporty 2-door sedan. Or pop the top and get that special feeling you can only get in a convertible. Get behind the wheel of a Mustang soon and set your spirit free.



2-door hatchbacks feature split/fold rear seat backs for added versatility.



Mustang LX 2-door sedan shown in Dark Brown Metallic.

Some equipment shown may be optional. See the options list on pages 16-17.

Ford Mustang LX 2-door hatchback shown in Cabernet Red. Equipped with the 5.0L engine option (see the description on page 16).

# FORD MUSTANG GT: THINK PERFORMANCE



**T**hink performance. Because that's exactly what this car delivers. Aggressive styling. A taut handling suspension system. Road-grabbing Goodyear radials. And a High-Output V-8 with electronically controlled sequential multiple port fuel injection.

The interior is designed to help you get the most out of those performance attributes. Controls are designed and placed for just that...control. Full analog instrumentation is standard and visible through the soft-feel, two-spoke, five position tilt steering wheel. Modified positioned pedals allow "heel-and-toe" downshifting and there is a left-side footrest/support for the driver during hard cornering. The front performance bucket seats (shown above) are fully adjustable including power lumbar supports.

Ford Mustang GT, striving for best-in-class performance. Available in 2-door hatchback or convertible.

*Mustang GT Convertible shown in Medium Shadow Blue with Titanium lower accent. Some equipment shown may be optional. See the options list on pages 16-17.*



**M**ustang GT is quick. No question about it. But it is also agile with a taut suspension, quick ratio power assisted rack and pinion steering and road-hugging performance radials.

The awesome power of the 5.0L HO V-8 (rated at 225 horsepower at 4,200 rpm with 300 ft. lb. of torque at only 3,200 rpm) is transmitted to the road through the 5-speed manual transmission (or optional automatic overdrive transmission) and Traction-Lok rear axle.

The handling suspension system includes progressive rate

*Above: Mustang GT in Dark Grey Metallic with Titanium lower accent.*

*Some equipment shown may be optional. See the options list on pages 16-17.*



*Power rack-and-pinion steering with a quick 15:1 ratio, gas-pressurized front struts...*



*...a gas-pressurized rear quadra-shock suspension system, front and rear stabilizer bars and...*



*...15-inch Goodyear Eagle performance tires help Mustang react quickly...*



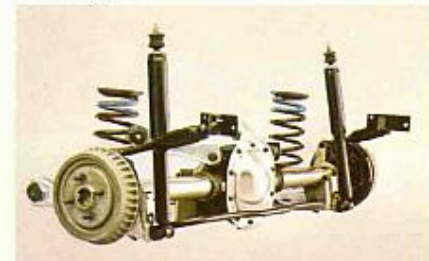
*...and respond predictably to your commands.*

springs and front and rear stabilizer bars. The front modified MacPherson struts are gas pressurized and there's a Quadra-shock set-up in the rear. Quadra-shocks consist of vertically-mounted gas-pressurized shocks and horizontally-mounted axle dampers. Traction is supplied by P225/60VR15 unidirectional Goodyear Eagle radials. The rack and pinion steering features a quick 15:1 steering gear ratio.

Wrap all that in a Mustang GT's bold, dynamic shape and you have the makings for pure performance and serious fun. For more on Mustang GT standard features, see page 17.

# FORD MUSTANG ENGINEERING

**A**nyone who knows anything about racing knows about the 24 Hours of Daytona. What many don't know is that only one make of car has proven itself tough enough and quick enough to win the GTO class of this road racing classic for the last three years in a row — a race-prepared Ford Mustang. In your street-prepared Ford Mustang, you will find an exciting blend of responsive performance and love for the open road. In the LX you get a free-spirited, personal car that's as practical as it is fun-to-drive. In the GT you get the pure performance of a driving machine that's bred to run.

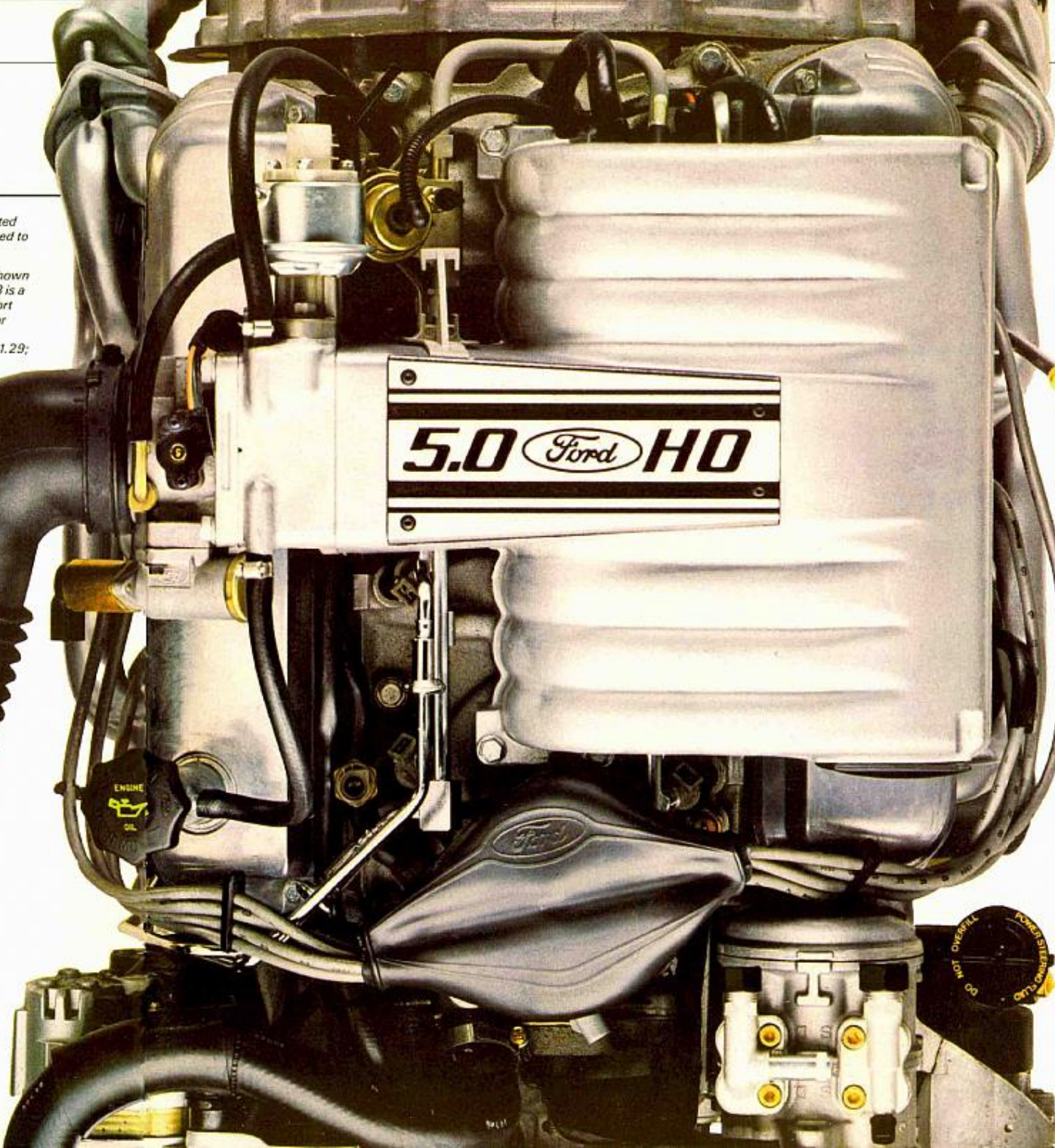
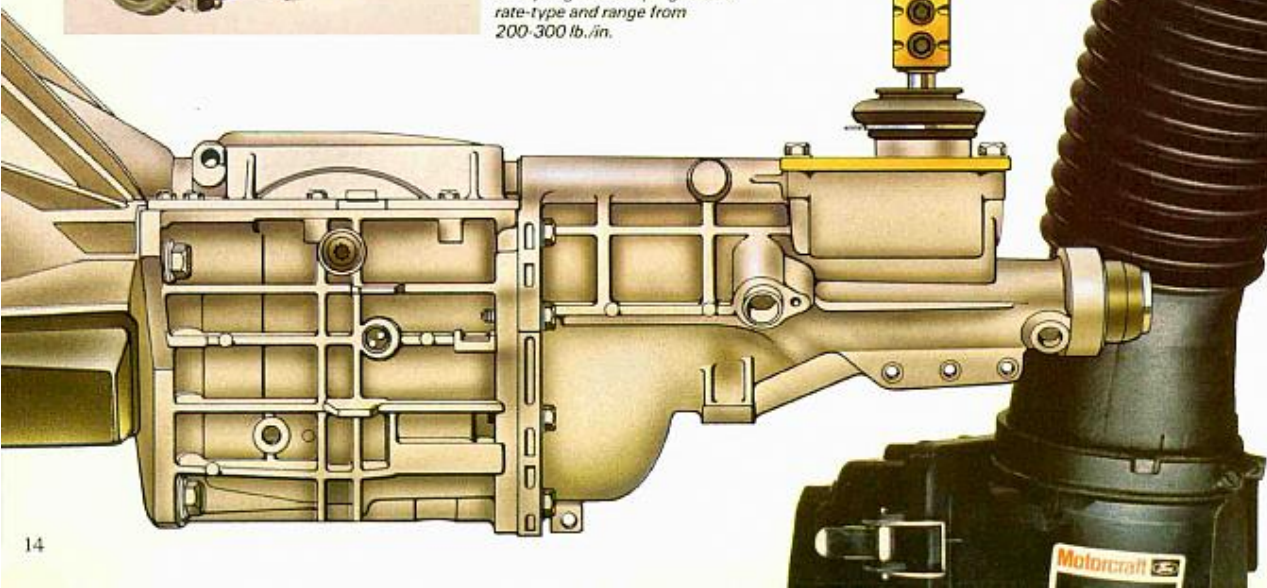


Rear Quadra-shock suspension of GT (also included with the 5.0L EFI HO engine option) consists of vertically-mounted, gas-pressurized shocks, horizontally-mounted axle dampers and a stabilizer bar. The coil springs are the progressive rate-type and range from 200-300 lb./in.



Mustang's front power-assisted disc brakes are internally vented to aid cooling.

The standard transmission (shown below) used with the 5.0L V-8 is a Borg Warner 5-speed with short throws and crisp feel. The gear ratios are: 1st gear — 3.35; 2nd gear — 1.93; 3rd gear — 1.29; 4th gear — 1.00; 5th gear — 0.68.

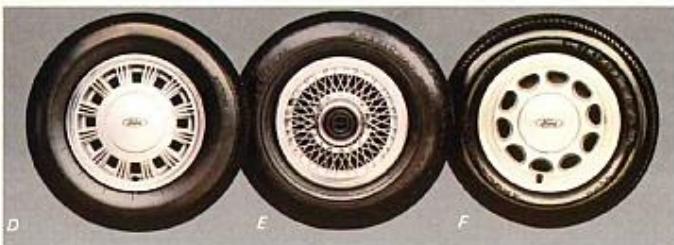


The 5.0L uses forged aluminum alloy pistons for light weight and good heat dissipation. The connecting rods are forged steel for strength.

The 5.0L V-8 used in the GT and available with the 5.0L engine option in LX is an overhead valve design with modified wedge combustion chambers. The block and head are cast iron. The intake manifold is aluminum and the exhaust headers are tuned stainless steel. Other premium performance components: induction hardened steel camshaft; low friction roller tappets; double roller timing chain and sequentially timed multiple port electronic fuel injection.



# FEATURES AND OPTIONS



**Illustrated Options:** (A) Electronic AM/FM stereo search radio with cassette tape player and digital clock (B) Air conditioning (C) T-Roof (includes soft vinyl storage cases) (D) Styled road wheels (E) Wire-style wheel covers (F) Cast aluminum wheels (available and included only with the 5.0L V-8 engine package)

**M**ustang standard features, Option Groups and individual options are listed on the facing page. In selecting the individual options you want, compare your choices with the Option Groups. You may find that most of the equipment you want has already been included in a group. The advantage is that Option Groups save you money, based on the options purchased separately.

Preferred Equipment Packages, Option Groups and individual options and their availability are subject to change during the year.

## MUSTANG SPECIAL VALUE



The Mustang LX pictured above, also includes the Special Value Group — at no extra charge. All you do is equip your LX with the standard 2.3L engine. The Special Value Group includes these items:

- Power Lock Group (includes door locks, remote locking fuel door and trunk/hatch release)
- Electronic AM/FM stereo search radio with cassette tape player
- Dual electric remote control mirrors
- Speed control
- Styled road wheels

Some options may be subject to ordering restrictions. Your Ford Dealer can advise you of current status.

5.0L HO V-8 Engine Option. You can order this engine option for your LX 2-door sedan, hatchback or convertible. It includes the performance equipment that is standard with GT. You get the 5.0L EFI HO V-8 engine; Traction-Lok axle; GT suspension system components; 15:1 steering ratio; heavy-duty battery; Goodyear Eagle P225/60VR15 handling tires; 5.0L fender badging; and unique cast aluminum wheels (see item F to the left, this page).

## STANDARD FEATURES

Standard equipment	LX	GT
2.3L EFI OHC 4-cylinder engine and 5-speed manual overdrive transmission	•	•
5.0L EFI HO V-8 engine package and 5-speed manual overdrive transmission		•
Heavy-Duty maintenance-free battery	•	•
Power rack and pinion steering (1)	•	•
Power front disc/rear drum brakes	•	•
Handling Suspension Package (2)	•	•
Front stabilizer bar	•	•
Rear stabilizer bar	•	•
P195/75R14 BSW steel-belted radials	•	•
P225/60VR15 unidirectional Goodyear Eagle performance tires		•
Dual remote control mirrors	•	•
Hella® fog lamps with covers	•	•
Single wing rear spoiler with integrated high-mount stop lamp (hatchback)		•
Bodyside paint stripe	•	•
Bodyside molding insert stripe (3)	•	•
Turbine wheel covers	•	•
16-spoke cast aluminum wheels		•
Full instrumentation (4)	•	•
Reclining low back bucket seats	•	•
Articulated sport seats with adjustable thigh support, seat cushion side bolsters, and power inflatable lumbar support		•
Split fold-down rear seat (hatchback)	•	•
Console	•	•
Electronic AM/FM stereo search radio with 4 speakers (5)	•	•
Steering column-mounted controls	•	•
Tilt steering wheel	•	•
Tinted glass, complete	•	•
Remote control fuel filler door release	•	•
Dual visor mirrors with covers	•	•
Light Group (6)	•	•
Carpeted luggage compartment/cargo area	•	•
Cargo area cover (hatchback)	•	•
CONVERTIBLE FEATURES		
Decklid luggage rack with integrated high-mount stop lamp		•
Power retractable top with zip-out fold-down rear glass window		•
Roll down quarter windows		•
Dual electric remote control mirrors		•

(1) 20:1 ratio on LX. 15:1 ratio on GT. (2) Includes variable rate springs, gas-filled front struts, Quadra-shock rear suspension (gas-filled vertical shocks, horizontal axle dampers), uprated front stabilizer bar, rear stabilizer bar. 15:1 ratio steering gear, revised ball joints, front strut assembly and mount, lower spring insulator and front and rear spring dampers, adjusted spring and bushing rates. Standard on GT. Optional on LX as part of the 5.0L EFI HO V-8 engine option. (3) Bright Bittersweet on LX. Red or Blue color coordinated on GT. (4) Includes tachometer, trip odometer, oil pressure, temperature and battery voltage gauges. (5) May be deleted for credit or upgraded at extra cost. (6) Includes lights for engine compartment, luggage compartment/cargo area, ashtray, glove box, dual beam dome/mag light (mirror-mounted Convertibles), and headlamps "on" reminder chime. (7) Hatchbacks only. (8) Available and included only with the 5.0L HO V-8 engine option on LX. (9) Convertibles only. (10) Includes six upgraded speakers and 4-channel power amplifier. (11) NA on convertibles. (12) Includes power quarter windows on convertibles.

## PREFERRED EQUIPMENT PACKAGES

Special Value Group*	LX 240A	GT 249A
Power Lock Group	•	•
Electronic AM/FM stereo search radio with cassette tape player	•	•
Speed control	•	•
Dual electric remote control mirrors	•	•
Styled road wheels	•	•

\*Included at no extra charge on Mustang LX models equipped with 2.3L engine. Styled road wheels deleted with LX with 5.0L engine package.

## OPTION GROUP

Custom Equipment Group:	LX	GT
Air conditioning	•	•
Tinted glass	•	•
Dual electric remote-control mirrors	•	•
Dual illuminated visor mirrors	•	•
Tilt steering wheel (standard on GT)	•	•
Power side windows	•	•

## OPTIONS

Optional equipment	LX	GT
PERFORMANCE		
2.3L EFI OHC 4-cylinder engine and automatic overdrive (A4LD) transmission	•	•
5.0L EFI HO V-8 engine package and 5-speed manual overdrive transmission	•	•
5.0L EFI HO V-8 engine package and automatic overdrive (ADD) transmission	•	•
Handling Suspension Package (2)	•	•
P195/70R14 WSW steel-belted radials	•	•
EXTERIOR		
Flip-up open-air roof (7)	•	•
T-roof (7)	•	•
Titanium lower accent treatment (no cost requirement with Metallic paints)	•	•
Bodyside molding insert stripe (3)	•	•
Cast aluminum wheels (8)	•	•
Wire style wheel covers	•	•
INTERIOR		
Articulated sport seats with leather seating surfaces, adjustable thigh support, and side bolsters, and power inflatable lumbar support (9)	•	•
Graphic equalizer (includes Premium Sound)	•	•
Premium Sound System (10)	•	•
Tilt steering wheel	•	•
Rear window defroster (11)	•	•
Air conditioner (tinted glass recommended)	•	•
Tinted glass, complete	•	•
Power front side windows (12)	•	•

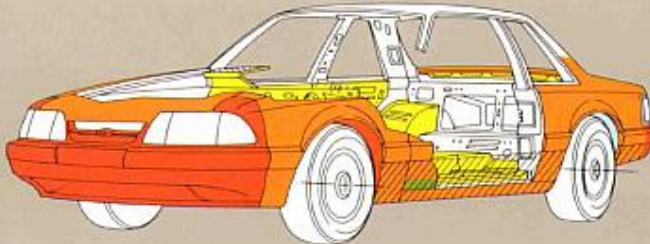
Interior Trim Colors					Exterior Colors
Regatta Blue	Scarlet Red	Medium Grey	Beige		
					Black
X	X				Dark Grey Metallic
X	X				Light Grey
X	X	X			Scarlet Red
X	X	X			Cabernet Red
X		X			Medium Shadow Blue Metallic
		X			Tropical Yellow
X		X			Deep Shadow Blue Metallic
X					Bright Regatta Blue Metallic
			X		Sand Beige
X	X	X	X		Dark Brown Metallic
					Oxford White

Some of these paint and trim colors are shown in this catalog. On the printed page, of course, colors are at best only representative of the originals. Your Ford Dealer can show you actual sample paint colors and trim materials.



# SAFETY AND OWNER BENEFITS

- Plastic
- Two-sided galvanized steel
- One-sided galvanized steel
- Urethane lower bodyside protection
- Corrosion protection wax
- PVC coating (underside only)



**Mustang 6-year/100,000-mile corrosion protection**  
Mustang corrosion warranty coverage for body panel rust-through is for 6 years or 100,000 miles, whichever comes first. See your Ford Dealer for details and a copy of this limited warranty.



**F**ord Motor Company strongly encourages all passengers to use their safety belts. Ford urges the use of child and infant restraints. Ford's easy-to-install Tot-Guard (for children 20 to 50 pounds) and Infant Carrier (for children up to 20 pounds) are available at all Ford Dealers. If a child restraint requires a top tether, Ford cars provide for attachment of an anchor at each rear outboard seating position (except Mustang Convertible).

The optional Tot-Guard, available at your Ford Dealer.



## Ford Lifeguard Design Safety Features

### Vehicle operation

- Split service hydraulic brake system with alert light
- Corrosion-resistant brake lines
- Flash-to-pass headlamps
- Turn indicator lever with lane-changing signal feature
- Hazard flasher
- Backup lights
- Side marker lights
- Parking lights coupled with headlamps
- High-mount brake lamp
- Variable speed windshield wipers
- Outside rearview mirrors
- Glare-reduced instrument panel, windshield wiper arms and windshield pillars
- Uniform transmission shift quadrant (on all cars equipped with automatic transmission)
- Continuously variable illumination intensity (instrument panel illumination)
- Safety hood latch system
- Function-rated windshield defroster system
- Tamper-resistant (non-reversing) odometer
- Speedometer with highlighted 55 mph

### Occupant protection

- Safety-designed front end structure
- Safety-designed roof structure (except convertibles)
- Steel guard rails in side doors
- Safety-designed door hinges and double yoke safety door latches
- Integral lap and shoulder belts with automatic retractors for occupants of front seats
- Safety belt fastening reminder light and buzzer for the driver's seat
- Lap belts with retractors for rear seat

- Energy-absorbing steering column
- Energy-absorbing armrests and safety-designed door handles
- Energy-absorbing instrument panel with padding
- Energy-absorbing sun visors
- Energy-absorbing front seat back tops
- Self-locking seat back latches
- Head restraints for front seat occupants
- Safety glove box latch
- Inside yieldaway rearview mirror
- Impact-absorbing laminated safety glass windshield
- Flame-resistant interior materials
- Safety-designed coat hooks
- Safety-designed radio control knobs and push buttons

### Anti-theft

- Locking steering column with key chime (with push-button key release)
- Visible vehicle identification number

### 6-year/60,000-mile powertrain warranty

Ford's powertrain warranty covers all 1988 cars for 6 years/60,000 miles, whichever comes first. This limited warranty covers major powertrain components. Certain restrictions and deductible apply. Ask to see a copy of this warranty when you visit your Ford Dealer.

### 5-mile-per-hour bumpers

Bumper systems on Ford Mustang are designed to protect lamps, cooling system, exhaust and other body components in the event of a minor impact.

While some manufacturers equip their cars with bumpers that just meet the 2½-mph federal standard, Ford equips Mustang and every other car it makes with bumpers designed to absorb impacts of 5-mph.

### Scheduled maintenance

Here are some examples of scheduled maintenance intervals for the 1988 Mustang. For complete maintenance recommendations, refer to the Maintenance Schedule and Record Log.

Engine oil change	each 7,500 miles or six months
Spark plug change	each 30,000 miles
Air filter replacement	each 30,000 miles
Engine coolant replacement	each 30,000 miles or 3 years

### Measurements

	Sedan/Hatchback/Convertible
Wheelbase	100.5"
Length	179.6"
Height	52.1"/52.1"/51.9"
Width	69.1"
Tread, front	56.6"
Tread, rear	57.0"
Trunk or cargo volume (cu. ft.)	9.9/12.3*/16.4
Fuel capacity (gal.)	15.4
Curb weight (lb.)	2751/2818/2953
Passenger capacity	4

Based on Motor Vehicle Manufacturers Association Specifications \*30.0 with rear seats down.



Participating Ford Dealers offer the Free Lifetime Service Guarantee, which guarantees their work on your Ford vehicle for as long as you own it. This means that the covered repair is paid for once — and never again. If it ever has to be fixed again the repairing dealer will fix it free. Free parts. Free labor. Even if the vehicle is kept a lifetime. It doesn't matter where it was purchased or whether it was new or used; the work is still covered by the repairing dealer. Ask to see this limited warranty when you visit your participating Ford Dealer.



Optional Ford Extended Service Plans cover major components on new Ford cars and light trucks for longer than the vehicle's basic warranty. The limited warranty cost is so moderate for the protection you get that it could pay for itself the first time you need it. Your Ford Dealer has full details.



Genuine Ford and Motorcraft original equipment replacement parts meet the same high standards as those installed in production.



Every qualified buyer of a Ford product. A participating dealer can arrange financing terms or a Red Carpet Lease\* tailored to your circumstances. Ford Credit has offices conveniently located throughout the United States.

Ford Motor Credit Company is interested in helping to fill the transportation needs of

### Ford-paid repair programs after the warranty period

Sometimes Ford Motor Company offers adjustment programs to pay all or part of the cost of certain repairs. These programs are intended to assist owners and are in addition to the warranty or to required recalls.

### Technical service bulletins

All vehicles need repairs during their lifetime. Sometimes Ford issues technical service bulletins (TSBs) and easy-to-read explanations describing unusual engine or transmission conditions which may lead to costly repairs, the recommended repairs, and new repair procedures. Often a repair now can prevent a more serious repair later.

### For more information...

Ask Ford Motor Company or your Ford or Lincoln, Mercury Dealer about Ford's paid repair programs and/or TSBs relating to your vehicle.

To get copies of materials for your vehicle or the vehicle of interest to you: Call Ford toll-free at 1-800-241-3673. Alaska/Hawaii call 1-800-241-3711 and in Georgia call 1-800-282-0959.

Or write Ford at:  
Ford Customer Information System  
Post Office Box 95427  
Atlanta, Georgia 30347

We'll need your name and address; year, make, model and vehicle identification number, as well as engine size.

### Options availability

Options shown or described in this catalog are available at extra cost and may be offered only in combination with other options or subject to additional ordering requirements or limitations.

### Product changes

Ford Division reserves the right to change product specifications at any time without incurring obligations.

### "Ask your Ford Dealer"

Following publication of this catalog, certain changes in standard equipment, options, prices and the like, or product delays, may have occurred which would not be included in these pages. Your Ford Dealer is your best source for up-to-date information.

### Buy or lease a new Ford Mustang

M U S T A N G

