

2005 SUBARU BAJA



A M E R G I N G O F U T I L I T Y , S T Y L E A N D F U N C T I O N .

Beware the beaten path. It is the path of followers, not leaders. Of tourists, not explorers. It is the road traveled by those more trusting of convention than invention. And it is not the path of Subaru. Because for over three decades we have blazed our own trail, building the kind of cars people depend on every day. Capable cars. Rational cars. Intelligent cars. We introduced America to the beauty of All-Wheel Drive. We proved ourselves on rally courses around the world, but our journey never truly ends, it merely evolves. As do we, with cars that offer more than mere capability. Much more. They are stylish. Powerful. Exhilarating. They ignite passion. In this way, we constantly push the boundaries. Continually redefining what a Subaru can be.

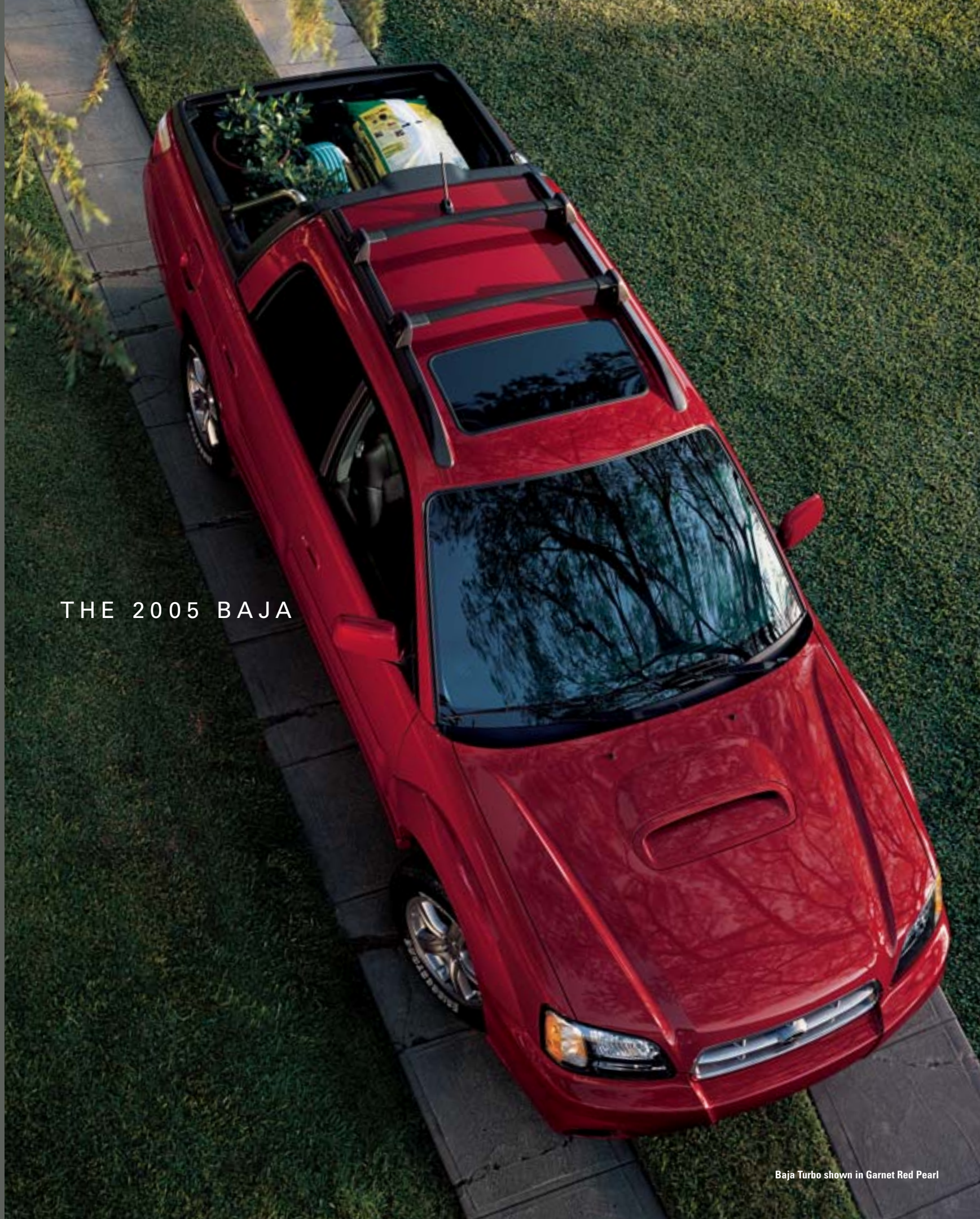
Some spend their weekends in search of the perfect wave. Others would rather spend their time searching for the perfect home accessory. No matter. Because the fun-loving 2005 Subaru Baja is ready to take on whatever activity suits your particular lifestyle. Stylish and capable, both the spirited Baja Sport and the even more exhilarating Baja Turbo feature

## AND FUN.

our Subaru Boxer engine with sure-footed Symmetrical All-Wheel Drive. A well-appointed cabin with room for four. Plus an innovative, surfboard-swallowing Switchback System that allows you to configure the cargo bed and passenger compartment to carry all the gear you need, any way you need to carry it.

Weekends may never be the same again.

## THE 2005 BAJA



Baja Turbo shown in Garnet Red Pearl

Subaru introduces the BRAT, a success with its combination of four-wheel-drive capability, pickup-truck utility and economy-car frugality.

16" 5-spoke wheels

Raised suspension

5-speed manual

Moonroof

Fog lights with stone guards

**BAJA TURBO.** Engineered to invigorate every aspect of your action-packed life, the versatile Baja Turbo works hard and plays even harder. Its performance-minded personality is defined by attributes like a potent 210-hp, intercooled, turbocharged



**1** A new standard hard bed cover gives the Baja Turbo with Leather Package a streamlined form while keeping valuables under lock and key.<sup>2</sup>  
**2** The stylish Baja Turbo with Leather Package features eye-catching 6-spoke aluminum-alloy wheels for a well-heeled appearance.

Subaru Boxer engine, coupled with Symmetrical All-Wheel Drive. A pothole-devouring heavy-duty raised fully independent suspension. Plus an optional 4-speed automatic transmission with SPORTSHIFT manual control for effortless, on-the-fly shifting.<sup>1</sup>

Roof rails with cross bars

Switchback System

Cargo-bed sport bars

Integrated cargo-bed liner

Cargo-bed tie-down hooks



<sup>1</sup>Standard with Leather Package. <sup>2</sup>Delayed availability. See your dealer. Bed cover will be available as an accessory for Baja Sport and Baja Turbo following introduction of Baja Turbo with Leather Package.



16" 5-spoke wheels

Raised suspension

Fog lights with  
stone guards

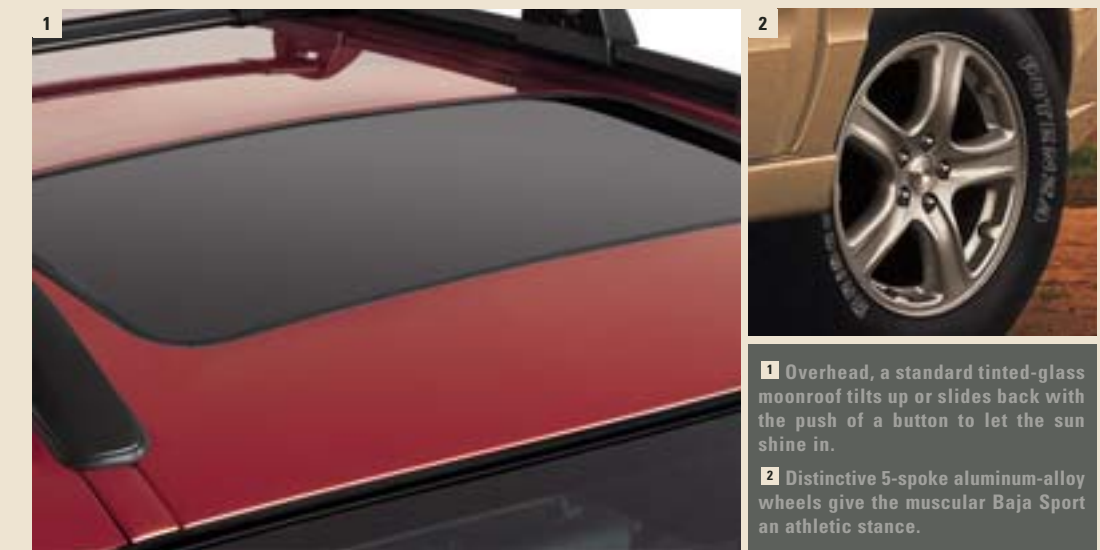
Power mirrors

Roof rails with cross bars

**BAJA SPORT.** Go where the streets have no name. Or pavement, for that matter.

Because the multi-dimensional Baja Sport is ready, willing and able to take you

and all your gear wherever your sense of wanderlust leads you. Its credentials?



An energetic, 2.5-liter Subaru Boxer engine. Symmetrical All-Wheel Drive for sure-

footed all-road capability. And underneath it all, a heavy-duty raised fully independent

suspension that delivers confidence-inspiring handling in virtually any environment.

Switchback System

Cargo-bed sport bars

Integrated cargo-bed liner

Cargo-bed tie-down hooks

Tailgate cup holders

Leather-trimmed upholstery<sup>1</sup>

Leather-wrapped shifter handle<sup>2</sup>

Medium Gray metallic trim

In-dash CD player

Power windows



Baja Turbo with Leather Package shown with Gray Perforated leather

**PROVING THAT CAPABILITY** and comfort can go hand in hand, inside every Baja you'll find a cabin that's stylish, driver-focused and remarkably accommodating.

Consider the Baja Sport and Baja Turbo, with their durable cloth upholstery.



**1** All Baja models feature our innovative Switchback System that allows the rear cargo area to be configured to accommodate items of various sizes quickly and easily. For smaller items, four tie-down hooks and an accessory cargo-bed net help keep things snug and secure.

**2** Need more room? Then fold down the Switchback door to expand the cargo area length.

**3** And for even greater capacity, an accessory bed extender adds even more length, creating a space that's over 93 inches long.

Or the Baja Turbo with Leather Package, where you'll enjoy such refinements as a 4-speed automatic transmission with SPORTSHIFT, perforated leather-trimmed upholstery, a 6-way power driver's seat and toasty, dual-mode heated front seats.

Power door locks

Keyless entry system

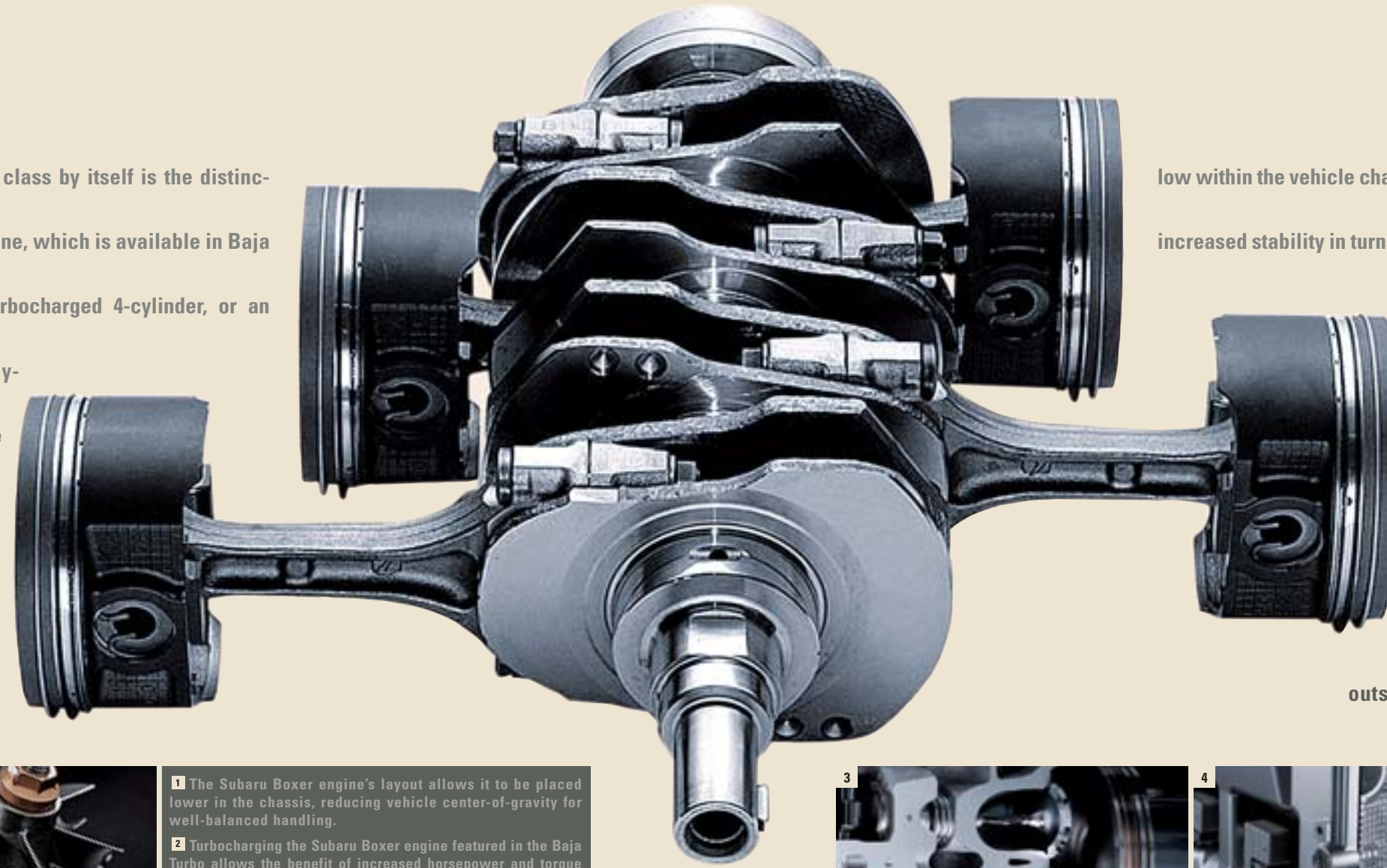
12-volt power outlet

Ambient temperature gauge

Switchback cargo-bed door

<sup>1</sup>Baja Turbo with Leather Package only. <sup>2</sup>Baja Turbo models only.

**TECHNOLOGICALLY SPEAKING**, what places Subaru in a class by itself is the distinctively innovative, horizontally opposed Subaru Boxer engine, which is available in Baja models as either a powerful 210-hp intercooled and turbocharged 4-cylinder, or an energetic 165-hp naturally aspirated 4-cylinder. Rally-proven for exceptional reliability, it is unlike the more conventional engine layouts of other manufacturers in that its cylinders are aligned on a single, horizontal plane. The benefits of this unique design are many. For one, the compact size of the Subaru Boxer engine allows it to sit



low within the vehicle chassis. This helps lower the vehicle's center of gravity, resulting in increased stability in turns, less body roll while cornering and more responsive handling.

Moreover, because the opposed pistons counteract each other's action, vibration is greatly reduced, leading to smoother operation and improved engine durability. Baja Turbo models are also equipped with our Electronic Throttle Control (ETC) drive-by-wire technology for more accurate response. All told, the Subaru Boxer engine delivers outstanding performance across a wide variety of driving conditions.



**1** The Subaru Boxer engine's layout allows it to be placed lower in the chassis, reducing vehicle center-of-gravity for well-balanced handling.

**2** Turbocharging the Subaru Boxer engine featured in the Baja Turbo allows the benefit of increased horsepower and torque without having to increase engine size or displacement.

**3** Our Active Valve Control System (AVCS) found in Baja Turbo helps to deliver increased low-end power while allowing for greater breathing at higher engine speeds.



**4** Aluminum-alloy block and cylinder heads help to reduce weight, improving overall vehicle balance without sacrificing strength or durability.

Baja Engines	
Baja Turbo	2.5-liter Turbocharged 4-cylinder 210 hp, 235 lb.-ft. of torque
Baja Sport	2.5-liter 4-cylinder 165 hp, 166 lb.-ft. of torque

FOR OVER 30 YEARS, the Subaru name has been synonymous with All-Wheel Drive (AWD). It is our heritage, our passion, and an integral part of the Subaru experience. So it should come as no surprise that every vehicle we build comes equipped with our advanced Symmetrical All-Wheel Drive. Uniquely innovative, it features drivetrain components positioned along a

Baja Models	AWD System	How It Works
Baja Sport and Baja Turbo with 5-speed manual	Continuous	Utilizing a viscous-center locking differential, under normal conditions power is split 50/50 between the front and rear wheels. If wheel slippage occurs, the center differential helps transfer power to the wheels with the best traction.
Baja Sport with 4-speed automatic	Active	Featuring an electronically managed, continuously variable multi-plate transfer clutch, this AWD system monitors parameters such as wheel slippage and vehicle speed, transferring power to the front or rear wheels with the best traction.
Baja Turbo models with 4-speed automatic	VTD	Variable Torque Distribution (VTD) uses an electronically controlled hydraulic transfer clutch in conjunction with a planetary gear-type center differential to control power distribution between the front and rear wheels. Under normal driving conditions, the VTD system splits power 45% front and 55% rear, to deliver more of a performance-driving feel.



longitudinal axis and between the vehicle axles for optimum balance and control. In turn, power is constantly delivered to all four wheels and automatically distributed where traction is needed most. This is quite unlike some of the less sophisticated two-wheel-drive-based systems of other manufacturers. What's more, because every vehicle and driving



style has its own specific All-Wheel Drive requirements, Subaru engineers have developed multiple systems, each with its own distinct advantages and capabilities. When integrated



with our Subaru Boxer engine and complemented by our 4-wheel fully independent suspension, these advanced AWD systems deliver the performance and handling that make a Subaru, a Subaru.



Since tested, Subaru models have maintained the highest rating in frontal offset crash test results from the Insurance Institute for Highway Safety (IIHS)!<sup>1</sup>

Symmetrical AWD

Advanced front air bags (SRS)<sup>2</sup>

Side-impact door beams

Seatbelt pre-tensioners

Seatbelt force limiters

**THE SUBARU DRIVING EXPERIENCE EVOKES MANY EMOTIONS.** Confidence should always be one of them. Which is why every Subaru is engineered according to the principles of “Active Driving/Active Safety.” Proactive safety components such as full-time Symmetrical AWD and 4-wheel anti-lock disc brakes (ABS) with Electronic Brake-force Distribution (EBD) provide the



**1** A Ring-Shaped Reinforcement Frame body structure helps dissipate crash-impact energy away from occupants.

**2** Advanced front air bags, including passenger-side dual-stage deployment, help provide optimal protection for the driver and front passenger.

**3** For all-weather driving confidence, the Baja features full-time Symmetrical AWD, which distributes power according to where traction is needed most.

driver with outstanding vehicle control during evasive maneuvering. And when the unexpected becomes the unavoidable, a cocoon of passive safety features, including an energy-dispersing Ring-Shaped Reinforcement Frame body structure, front seatbelt pre-tensioners and force limiters, and front and rear crumple zones, work together to help keep all occupants safe.

Collapsible steering column

Steering-column support beam

Child safety door locks

LATCH system<sup>3</sup>

Daytime Running Lights (DRL)

<sup>1</sup>For more information, contact the Insurance Institute for Highway Safety or visit their Web site at [www.iihs.org](http://www.iihs.org).  
<sup>2</sup>Always wear seatbelts. Children should be properly restrained in the rear seat. <sup>3</sup>LATCH system: Lower Anchors and Tethers for Children.

## **2005 SUBARU WARRANTIES, CUSTOMER SERVICE AND SUPPORT**

**Basic Warranty: 3 years or 36,000 miles, whichever comes first.**

**Powertrain Warranty: 5 years or 60,000 miles, whichever comes first.**

**Rust Perforation Warranty: 5 years, unlimited mileage.**


**Subaru Added Security<sup>®</sup> could be the most important option you choose. Protect your investment with a Subaru Added Security extended service contract—the only one backed by Subaru of America, Inc. Ask your salesperson for coverage details and assistance in selecting the plan that's best for you, up to 7 years or 100,000 miles.**

**The Subaru Roadside Assistance Program covers all 2005 Subaru vehicles during the first three years or 36,000 miles, whichever comes first. By calling the toll-free number in the Owner's Information Kit, Subaru owners can take advantage of any of the following benefits:**

- **24-hour Roadside Assistance, seven days a week, 365 days a year, throughout the United States.**
- **Emergency Towing Service to the nearest authorized Subaru dealer.**
- **Emergency Roadside Assistance, for jump starts, gasoline (up to two gallons), flat tire change, emergency lockout service (lost key or key is locked in the vehicle) and emergency fluid replacement.**

**See your Subaru dealer for details.**

**For complete warranty information, including coverage and exclusions, see your Subaru dealer.**

**SUBARU.COM** YOU CAN BEGIN YOUR SUBARU EXPERIENCE RIGHT NOW, IN YOUR VERY OWN LIVING ROOM. GO TO **SUBARU.COM**, WHERE YOU'LL DISCOVER AN ONLINE ENVIRONMENT RICH WITH IN-DEPTH INFORMATION, REVIEWS, SPECIFICATIONS AND PHOTOGRAPHS ENCOMPASSING THE FULL LINE OF SUBARU VEHICLES. HERE YOU CAN TAKE A 360° TOUR OF ANY MODEL, BUILD YOUR OWN SUBARU, LOCATE VEHICLES, EVEN SCHEDULE A TEST DRIVE. AND AT **MY.SUBARU.COM**, SUBARU OWNERS CAN ACCESS THEIR VEHICLE'S SERVICE AND WARRANTY HISTORY, SCHEDULE APPOINTMENTS AND MUCH MORE. IT'S ALL QUICK, EASY AND JUST A MOUSE-CLICK AWAY. 

## PAINT COLORS



Atlantic Blue Pearl



Brilliant Silver Metallic



Garnet Red Pearl



Regal Blue Pearl



Monterey Silver Metallic/  
Brilliant Silver Metallic



Obsidian Black Pearl/  
Onyx Metallic



Satin White Pearl/  
Brilliant Silver Metallic

## UPHOLSTERY



Dark Gray  
Flat Woven Cloth



Gray Perforated Leather

## COLOR COMBINATIONS

Baja Models		<i>Atlantic Blue Pearl</i>	<i>Brilliant Silver Metallic</i>	<i>Garnet Red Pearl</i>	<i>Regal Blue Pearl</i>	<i>Monterey Silver Metallic/ Brilliant Silver Metallic</i>	<i>Obsidian Black Pearl/ Onyx Metallic</i>	<i>Satin White Pearl/ Brilliant Silver Metallic</i>
<b>Baja Sport</b>	Dark Gray Flat Woven Cloth	■	■	■	■	■	■	—
<b>Baja Turbo</b>	Dark Gray Flat Woven Cloth	■	■	■	■	■	■	■
<b>Baja Turbo with Leather Package</b>	Gray Perforated Leather	■	■	■	■	■	■	■

■ Standard    — Not Available

Ski and snowboard attachment

Bed-mounted bicycle carrier

Hard bed cover<sup>1</sup>

Cargo-bed net

Security system upgrade kit

**CRAFTED WITH THE SAME QUALITY** and durability as the Baja itself, Genuine Subaru Accessories are backed by our basic vehicle **3-year/36,000-mile warranty** when installed at the time of vehicle purchase. For complete warranty details, or to learn more about the full range of available Baja accessories, see your Subaru dealer or visit [www.subaru.com](http://www.subaru.com).

**1** Heavy-duty Roof Cargo Basket with Fork-mounted Bicycle Carrier: Weather-resistant, steel construction, measuring 44 x 39 x 6.5 in., mounts to cross bars and accommodates up to 100 pounds of cargo. Includes mounting hardware, black cargo net with hooks and a custom fairing to help deflect wind and noise. Bike carrier can be used with the Heavy-duty Roof Cargo Basket. Front-wheel Holder sold separately.

**2** Hood Protector: Acrylic plastic wrap-around design helps protect your Baja from stone chips and bugs.

**3** Soft Bed Cover (Tonneau): Unique weather-resistant vinyl and plastic cover helps protect cargo-bed area from the elements. Vinyl cover may be rolled up and secured to access bed area.

**4** Auto-dimming Rearview Mirror with Compass: Includes electronic compass. Mirror darkens when headlights are detected from the rear of vehicle.

**5** Trailer Hitch: Heavy-duty rated at 200 lbs. tongue weight, 2,400 lbs. towing capacity.<sup>2</sup>

**6** Turbo-boost Gauge: Illuminated Turbo-boost Gauge mounts conveniently to side of steering column.



6-disc in-dash CD changer

Tweeter and speaker kits

Subwoofer/amplifier

All-weather floor mats

Splash guard kit

<sup>1</sup>Delayed availability. See your dealer. <sup>2</sup>Trailer brakes may be needed. Ball not included.

## SPECIFICATIONS

### Baja Sport

### Baja Turbo

#### ENGINE AND DRIVETRAIN

Engine	2.5-liter SOHC aluminum-alloy 16-valve horizontally opposed 4-cylinder Subaru Boxer engine. Platinum-tipped spark plugs.	2.5-liter DOHC intercooled, turbocharged aluminum-alloy 16-valve 4-cylinder horizontally opposed Subaru Boxer engine with Active Valve Control System (AVCS). Iridium spark plugs. Sodium-filled exhaust valves.
Power	165 hp @ 5,600 rpm	210 hp @ 5,600 rpm
Torque	166 lb.-ft. @ 4,000 rpm	235 lb.-ft. @ 3,600 rpm
Compression ratio	10.0:1	8.2:1
Bore and stroke	99.5 x 79 mm	99.5 x 79 mm
Intake system	Aluminum-alloy intake manifold.	Aluminum-alloy intake manifold. Turbocharger with intercooler. Maximum boost pressure: 11.6 psi.
Fuel and ignition system	Sequential multi-port fuel injection. Engine management with integrated self-diagnostics and adaptive driving habits capability. Electronic Throttle Control (ETC) – Baja Turbo. Distributorless electronic ignition – Baja Sport. Direct Ignition – Baja Turbo.	
Manual transmission	Standard fully synchronized 5-speed manual with clutch pedal-controlled starter interlock.	
Automatic transmission	Optional 4-speed electronically controlled automatic.	Optional 4-speed electronic direct-control automatic with SPORTSHIFT manual control. <sup>1</sup>
Fuel economy (city/highway)	Manual: 21/27 mpg, Automatic: 21/28 mpg	Manual: 19/25 mpg, Automatic: 18/23 mpg

#### SYMMETRICAL ALL-WHEEL DRIVE

Continuous All-Wheel Drive	Baja Sport and Baja Turbo equipped with 5-speed manual transmission utilize a viscous-type locking center differential with torque distribution configured at a 50/50-split front-to-rear. Also included is a viscous-type limited-slip rear differential.	
Active All-Wheel Drive	Baja Sport equipped with 4-speed automatic transmission utilizes an electronically controlled variable transfer clutch to distribute power to where traction is needed. Sensors monitor parameters such as wheel slippage, throttle position and braking to help determine torque distribution to the wheels with optimum traction. Also included is a viscous-type limited-slip rear differential.	
Variable Torque Distribution (VTD) All-Wheel Drive	Baja Turbo equipped with 4-speed automatic transmission utilizes an electronically controlled variable transfer clutch in conjunction with a planetary-type center differential. Rear wheel-biased torque distribution normally configured at 45/55-split front-to-rear. Also included is a viscous-type limited-slip rear differential.	

#### CHASSIS

Steering	Engine-speed-sensing power-assisted rack-and-pinion. Turns lock-to-lock: 3.4. Turning circle: 36.7 ft.	
Suspension	4-wheel independent heavy-duty raised suspension. Front: Strut-type with internal rebound spring and lower L-arm. Antidive geometry. Front stabilizer bar. Rear: Multi-link with antilift geometry. Rear stabilizer bar.	
Brakes	4-wheel disc, ventilated front. 4-channel, 4-sensor ABS.	
Brake discs (in.)	11.4 front/11.3 rear	

#### WHEELS AND TIRES

Wheels	16 x 6.5-inch 5-spoke aluminum-alloy. Silver finish.	16 x 6.5-inch 5-spoke aluminum-alloy. Gray finish. With optional Leather Pkg.: 16 x 6.5-inch 6-spoke aluminum-alloy. Silver finish.
Tires	225/60 R16 97H M+S all-season	

#### DIMENSIONS

Length	193.3 in.	
Height	65.1 in. (includes roof rails and cross bars)	
Width	70.1 in.	
Wheelbase	104.3 in.	
Track (front/rear)	57.7 in./57.7 in.	
Curb weight (manual/automatic)	Baja Sport: 3,480 lbs./3,545 lbs.	Baja Turbo: 3,610 lbs./3,665 lbs. (3,735 lbs. with optional Leather Package)
Coefficient of drag (cd)	0.36	
Ground clearance	8.4 in.	
Angle of approach	18.7°	
Breakover angle	Baja Sport: 18.8°	Baja Turbo: 19.2°
Angle of departure	20.4°	
Towing capacity (Class I)	2,400 lbs.	
Headroom (front/rear)	38.3 in./37.3 in.	
Legroom (front/rear)	43.3 in./33.5 in.	
Shoulder room (front/rear)	53.9 in./53.6 in.	
Cabin capacity	90.5 cu. ft.	
Cargo bed	Length: 41.5 in., Width: 49.0 in. (between wheelhouses: 39.2 in.), Height: 17.0 in.	
Cargo bed capacity	17.7 cu. ft.	

<sup>1</sup>Included with optional Leather Package.

<sup>2</sup>The Supplemental Restraint System (SRS) (air bags) affords the driver and front passenger additional protection in a moderate to severe frontal collision. This system provides supplemental protection only, and seatbelts must be worn in order to avoid injuries to out-of-position occupants upon bag deployment and to provide the best combined protection in a serious accident. Children should always be properly restrained in the rear seat.

<sup>3</sup>Delayed availability. See your dealer.

Some images shown are for illustration purposes only. Specifications in this brochure are based on the latest product information available at the time of publication. Some equipment shown in photography in this brochure is optional at extra cost. Specific options may be available only in combination with other options. Specific combinations of equipment or features may vary from time to time and by geographic area. Certain accessories and equipment may not be available at the time of publication. Subaru of America, Inc., reserves the right to change or discontinue at any time, without notice, prices, colors, materials, equipment, accessories, specifications, models and packages without incurring any obligation to make the same or similar changes on vehicles previously sold. Colors shown may vary due to reproduction and printing processes. This brochure was prepared by Subaru of America, Inc. A warranty from Subaru of America, Inc., is available only on cars sold to the first retail purchaser through an authorized Subaru dealer in the continental U.S. or Alaska. Subaru, Subaru Boxer, Baja, SPORTSHIFT, Switchback, and MOMO are registered trademarks. For more information, contact your Subaru dealer or log on to [www.subaru.com](http://www.subaru.com).

## EQUIPMENT

	Baja Sport	Baja Turbo
<b>EXTERIOR</b>		
Multi-reflector low-beam and high-beam halogen headlights; large multi-reflector halogen fog lights with stone guards	■	■
Functional hood scoop (feeds turbocharger intercooler)	—	■
Lower-body cladding with enlarged front and rear fenders	■	■
Monochromatic or contrasting-color painted bumpers and lower-body cladding (depending on exterior color)	■	■
Black side mirrors; black door handles	■	—
Body-color side mirrors; body-color door handles	—	■
Two-speed windshield wipers with variable intermittent mode	■	■
Black-finish raised roof rails with cross bars (100 lbs. capacity)	■	■
Power tilt/sliding glass moonroof	■	■
Cargo bed with integrated bedliner, 4 tie-down hooks, cargobed light and chrome sport bars	■	■

### SEATING AND TRIM

6-way manually adjustable driver's seat; 4-way manually adjustable front passenger seat	■	■
Heated 6-way power-adjustable driver's seat with manually adjustable lumbar support; heated 4-way manually adjustable front passenger seat	—	□ <sup>1</sup>
Switchback System: fold-down rear seatback with pass-through door to cargo-bed area	■	■
4-spoke steering wheel with manually adjustable tilt column	■	—
Leather-wrapped 4-spoke MOMO brand steering wheel with manually adjustable tilt column; leather-wrapped shifter handle	—	■
Medium Gray metallic trim on dash and console	■	■
Carpeted floor mats	■	■

### CONVENIENCE FEATURES

Keyless entry system with answer-back electronic chirp	■	■
Power front and rear windows with driver's auto-down; power mirrors	■	■
In-dash storage compartment and illuminated glovebox; sun visors with illuminated vanity mirrors	■	■
Center console with armrest and enclosed storage compartment; 12-volt power outlet in center console storage compartment	■	■
Dual cupholders in center console, dual rear cupholders in rear console	■	■
Durable hard lining on back of rear seatbacks	■	■

### INSTRUMENTATION

Analog speedometer, tachometer, coolant temperature and fuel gauges with silver trim rings and illuminated yellow needles on dark blue faces with white indicators	■	■
Digital clock and odometer including dual-mode trip odometer; digital ambient temperature gauge	■	■

### AUDIO SYSTEM

80-watt 4-speaker audio system with single-disc in-dash CD player	■	—
80-watt 4-speaker audio system with 6-disc in-dash CD player	—	■

### CLIMATE CONTROL

Manually adjustable CFC-free air conditioning system with rotary controls for temperature, 4-speed fan and airflow direction	■	■
--	---	---

### SAFETY

Dual driver and front passenger front air bags (SRS) <sup>2</sup> ; dual-stage deployment front passenger front air bag (SRS) <sup>2</sup>	■	■
Height-adjustable front seat head restraints; fixed head restraints at both rear seating positions	■	■
Height-adjustable 3-point front seatbelts with pre-tensioners and force limiters; 3-point rear seatbelts at all seating positions	■	■
Energy-absorbing collapsible steering column	■	■
Ring-Shaped Reinforcement Frame body structure	■	■
LATCH system: Lower Anchors and Tethers for Children.	■	■
Daytime Running Lights (DRL)	■	■

### OPTIONAL EQUIPMENT

Antitheft security system with answer-back electronic chirp	□	□
Baja Turbo Leather Package <sup>3</sup> : Perforated leather-trimmed upholstery with Baja-embossed front seats, 6-way power adjustable driver's seat with manually adjustable lumbar support, Dual-mode heated front seats, 4-speed electronic direct-control automatic with SPORTSHIFT manual control, Lockable hard bed cover	—	□

■ Standard □ Optional — Not available



**SUBARU**<sup>®</sup>  
DRIVEN BY WHAT'S INSIDE.<sup>™</sup>