

2006 SUBARU
B9 TRIBECA



2006 SUBARU B9 TRIBECA



THINK. About innovating. About creating a passionate new design. About what people really want in an SUV. In engineering vehicles that go beyond the expected, we never stop thinking. To create new driving experiences. To find the ideal balance of flexibility and refinement. And to preserve the ingenuity that makes a Subaru, a Subaru.





B9 Tribeca Limited shown with Desert Beige leather and optional navigation system.

The Subaru B9 Tribeca Innovation, in a most dynamic new form. Introducing the progressive sport utility that adapts to your life as eagerly as it takes to the road. With new levels of refinement, flexible seating for up to seven, and available features like touch-screen navigation and a rear-seat DVD entertainment system. Still, it's every inch a Subaru, with the stability of Symmetrical All-Wheel Drive, the balance of our boxer engine, and the assurance you feel behind the wheel.

7

B9 Tribeca | 7-passenger

Get 7-passenger capability in a cabin trimmed with premium cloth upholstery. Seating includes a third row that splits and folds, and a second row that splits, folds, reclines and slides. All contributing to seemingly endless versatility.

B9 Tribeca Limited | 7-passenger

Full 7-passenger capacity with the split/folding second and third rows, plus luxurious leather-trimmed seating and a premium audio system.



5

B9 Tribeca | 5-passenger

For those who don't need seating for seven, the 5-passenger version retains the same front bucket seats and tri-split, reclining/sliding/folding second row. A sizable under-floor storage tray replaces the third row in the cargo area.

B9 Tribeca Limited | 5-passenger

Roomy seating for five upholstered in luxurious leather, plus a premium audio system. Also equipped with the cargo-area under-floor storage tray.



B9 Tribeca shown in Titanium Silver Metallic.



F E E L .

Inside the Subaru B9 Tribeca is a universe of harmony.

Flexibility with refinement. Space with technology. You with the road.



Entertainment | Navigation

Go ahead, plan that extended road trip. You know that the Subaru B9 Tribeca will enhance every journey with its numerous entertainment and information systems. Entrhall your passengers with an available rear-seat DVD entertainment system with its large screen and wireless headphones. You can also plug in a console to play video games, or simply play an audio CD. When you do finally park, you can watch the movie on the multifunction screen in the dashboard.¹ It's just one of the features that won't make the distance any shorter, but will make the time more enjoyable.



Audio systems Find your groove with the 6-speaker audio/single-disc CD player. Be dazzled by the premium 9-speaker system of the B9 Tribeca Limited with its 6-disc in-dash CD changer to keep the music flowing. And both can read MP3-formatted discs.



Navigation system The available GPS navigation system guides the way, whether it is to that out-of-the-way diner or the amusement park across the country. And you can access it all with some simple taps on the easy-to-use touch-screen.

Multifunction display The in-dash screen offers audio and clock readouts plus a trip computer with fuel economy, driving distance and more. If you opt for the GPS navigation system, the color display adds maintenance reminders, a calendar, calculator and controls for many vehicle settings.



¹ When equipped with available GPS navigation system.



B9 Tribeca Limited shown with Slate Gray leather and optional rear-seat DVD entertainment system.

Versatility

7 Passengers

Leave no one behind. Take everything you need.

40/20/40

Second row With a seatback split three ways, the flexible design lets you configure the space according to your needs. Seat three across. Or fold down one or two seatbacks to carry longer cargo. The second row can also recline and slide for comfort.

50/50

Third row The even split lets you utilize the entire row for full 7-passenger capability, or fold one or both seats for increased cargo space.

It's the biggest, most versatile Subaru ever. With room for up to seven, a second row that slides, reclines and folds, an available split third row and plenty of cargo and storage space, the interior of the Subaru B9 Tribeca is intelligently designed to accommodate your life. Seven passengers. Over 74 cu. ft. of cargo capacity. 64 variations in between. Imagine the possibilities.



Real-world functionality

Some numbers that may make your day easier: 64 unique seating and cargo configurations in the 7-passenger version. Up to 74.4 cu. ft. of cargo volume in both 5- and 7-passenger versions. Ten cupholders. Four 12V power outlets. Four cargo tiedowns. Two grocery hooks. And a low load height to save your back.





DRIVE.



Subaru Boxer Engine

Press the accelerator to get outstanding power, along with a healthy dose of innovation. At the heart of the B9 Tribeca is our legendary SUBARU BOXER engine, with pistons laid flat in horizontal opposition. Used in every Subaru, this design lowers the center of gravity, providing more precise handling, while increasing durability and reducing vibration. Balance. Stability. Power. It's what makes a Subaru, a Subaru.

The 3.0-liter 24-valve 6-cylinder SUBARU BOXER engine that powers the B9 Tribeca makes a potent 250 horsepower and 219 lb-ft of torque. Aluminum construction reduces weight while maintaining strength. Sophisticated computer-controlled valve timing and lift deliver smooth, instantaneous acceleration throughout engine's rpm range. You never knew sport utility could be this sporty.

5-speed automatic transmission

The electronically controlled adaptive 5-speed delivers smooth shifting and a seamless supply of power. For enhanced performance, it has a lateral sensor that holds a lower gear to power out of corners and a Sport mode that allows you to enjoy more of the engine's power before upshifting. For those who wish to shift on their own, the SPORTSHIFT manual control puts gear selection in the palm of your hand.



SUBARU BOXER engine

Other engine type

Better balance The lower the center of gravity, the greater the stability, and the better to keep the car along your intended path, especially when changing direction quickly. The SUBARU BOXER engine's lightweight, compact design lets the engine fit lower in the chassis, providing a lower center of gravity that greatly improves handling and safety. Body roll is reduced during cornering, stability is improved and control maintained.



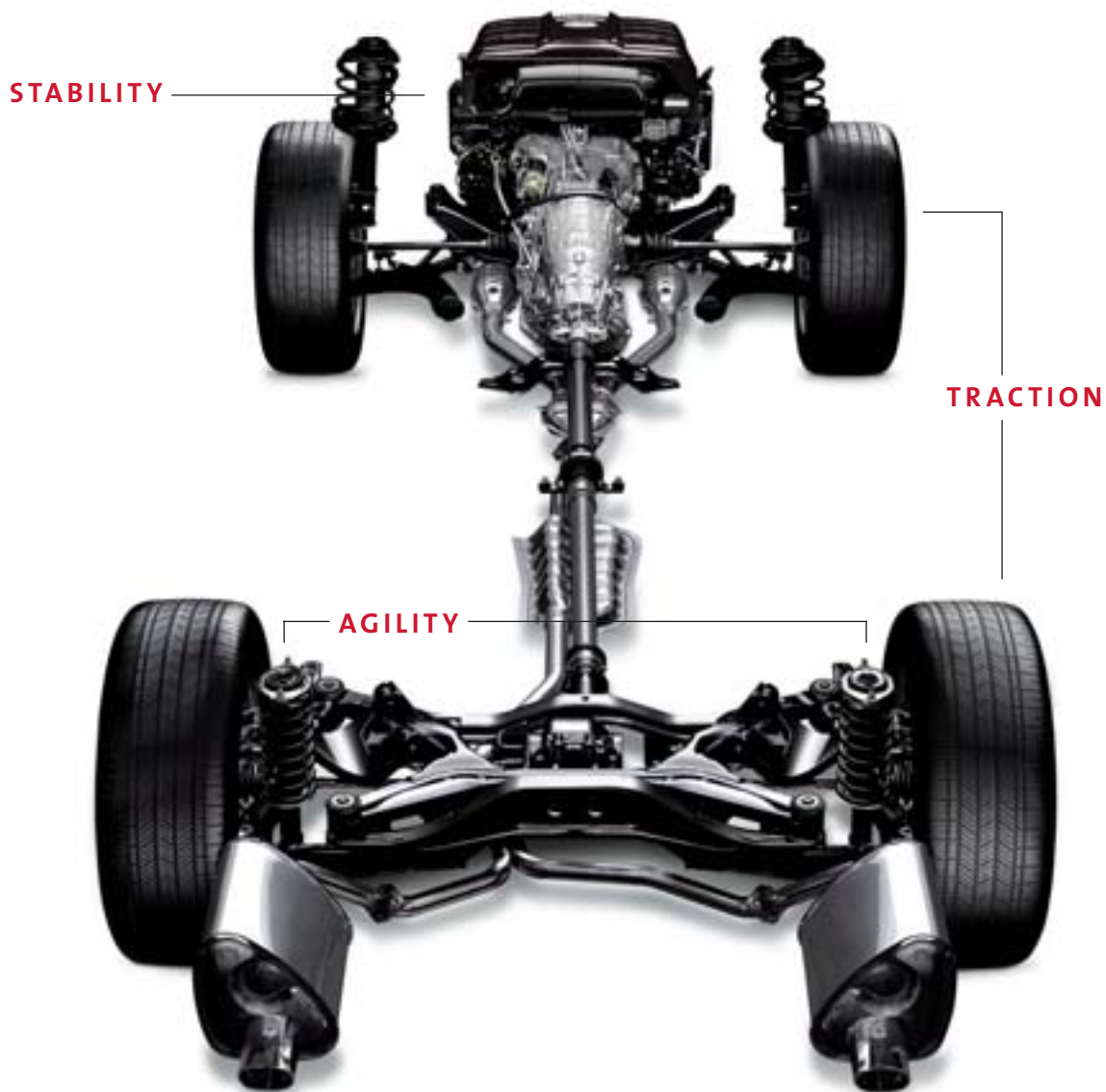




B9 Tribeca shown in Atlantic Blue Pearl with accessory roof-mounted crossbars.

Symmetrical All-Wheel Drive

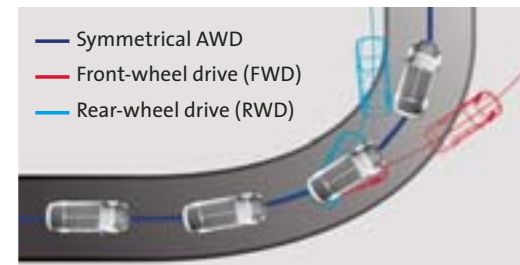
All-wheel drive isn't unique. But Symmetrical All-Wheel Drive is. Its ideal balance ensures stability and poise. And its efficiency at transmitting power ensures greater grip and quick response to slippage. Providing more than just safety on slick roads, it delivers intensified performance on any road. All-wheel drive is not just our heritage, it is our passion.



Symmetrical All-Wheel Drive

More than three decades since Subaru adapted all-wheel drive (AWD) into the lineup, we continue to set the standard. The latest example is the advanced Variable Torque Distribution (VTD) All-Wheel Drive system in the B9 Tribeca. Under normal driving conditions, the system splits power 45% front and 55% rear to deliver a sporty feel. When wheel slippage is detected, the B9 Tribeca AWD system adjusts power delivery between the front and rear wheels for maximum traction. Integrated with our Vehicle Dynamics Control (VDC) stability system, sensors continually monitor driving conditions to detect unintended deviations in the vehicle's path and help correct them. Together, they enhance the surefooted acceleration, composure at speed and overall confidence that are hallmarks of the Subaru driving experience.

Control The Symmetrical All-Wheel Drive system, with its fore, aft and lateral balance, results in neutral cornering and superior handling. Unlike two-wheel-drive vehicles, which may be more prone to understeer or oversteer, the full-time AWD automatically transfers power to all four wheels. This results in greater traction and cohesion for more predictable handling, no matter what the road surface or the weather has in store.



Handling | Chassis

We didn't stop with the AWD system. Every drivetrain component and chassis part has been engineered to optimally blend athletic performance and comfort. From the precise rack-and-pinion steering to the 4-wheel ventilated disc brakes and independent suspension, it's all geared to one goal—driving pleasure.

Suspension Between you and the road is the performance-tuned B9 Tribeca 4-wheel independent suspension. The double-wishbone rear suspension supplies a fluid yet responsive ride. Antidive and antisquat geometry is dialed right in to keep the B9 Tribeca level during hard braking and acceleration. It all works to deliver spirited performance without sacrificing comfort.



Aluminum wheels Large 18-inch wheels and tires, standard on the B9 Tribeca, help increase handling limits and can provide greater stopping power. The aluminum-alloy construction reduces weight for more precise and controlled wheel movement.

Body strength The B9 Tribeca is built on an extremely rigid platform, which not only aids its considerable handling abilities, but also provides a solid, smooth, quiet ride.





B9 Tribeca shown in Titanium Silver Metallic.

Accident Avoidance The least dangerous accident is the one that never happens. With this in mind, we've enhanced the B9 Tribeca with numerous technologies to help keep you out of harm's way, such as ventilated four-wheel antilock disc brakes with Electronic Brake-force Distribution (EBD) to increase stopping power. Vehicle Dynamics Control (VDC) to help your B9 Tribeca stay true to your intended course. And, of course, our trademark Symmetrical AWD and lower center of gravity—working in concert with the four-wheel independent, double-wishbone rear suspension and rigid chassis—for nimbleness and agility to help avoid danger. At Subaru, every innovation is designed with your safety in mind.



Vehicle Dynamics Control This stability system helps keep you on your intended path by measuring variables such as steering input, braking and vehicle angle. Sensing any slide that causes the vehicle to deviate from your intended course, VDC applies individual brakes and/or reduces engine power to counteract the slide and help keep you safely in control.

Tire Pressure Monitoring System Maintaining the proper pressure for your tires is key in preserving the B9 Tribeca's optimal driving dynamics and control in handling. The tire pressure system alerts you when one or more of your tires loses air pressure so that you may correct the situation as soon as possible.

Impact Protection We never rest in our enduring effort to devise better ways to protect passengers. In the new B9 Tribeca, the results are features like seatbelts with front pretensioners and load limiters, energy-absorbing crumple zones, side-impact beams and a Ring-Shaped Reinforcement Frame around the cabin to help dissipate the impact of a crash. Active front-seat head restraints help reduce the chances of whiplash. And an extensive array of air bags helps offer protection from the front and sides.¹



Front, side and curtain air bags An intelligent front air bag system senses driver's seat position and front-passenger seat occupancy to determine the safest deployment level for each. Front side-impact air bags are mounted to the seat to stay in position as the seat is adjusted. And side-curtain air bags help protect front and outboard 2nd-row passengers.

Reinforced construction Ring-shaped reinforcements around the cabin help dissipate crash-impact energy away from occupants.



¹ Always wear seatbelts. Children should be properly restrained in the rear seat.

Accessories

Outfit your Subaru to be as unique as your adventures. Backed by a 3-year/36,000-mile limited warranty,¹ Genuine Subaru Accessories give you the ability to take everything—and anything—you need.



Heavy-duty Roof Cargo Basket Shown with fork-mounted bike carrier, front-wheel holder and accessory crossbars (each sold separately). Accommodates up to 100 pounds of cargo capacity. Includes mounting hardware, cargo net with hooks, and custom fairing.

Autodimming Mirror with Compass When bright headlights from the rear are detected, the rearview mirror automatically darkens to reduce glare. Also includes electronic compass.

Available accessories

- Moonroof Air Deflector
- Aero Crossbar Kit
- Roof-mounted Bike Attachment (single)²
- Kayak Carrier
- Ski Attachment (6 pair)
- Hitch-mounted Bike Attachment
- Puddle Lights
- Trailer Towing Kit
- Cargo-area Compartment Cover
- Compartment Separator/Dog Guard
- Cargo-area Nets
- Severe Weather Companion
- Cargo-area Spotlight
- Security System Shock Sensor
- Subwoofer/Amplifier
- Car Cover
- All-weather Floor Mats
- Hood Protector
- Front Bumper Underguard
- Splash Guards (black)²
- Rear Bumper Cover
- Wheel Locks
- Battery Warmer
- Engine Block Heater

For a complete list of available accessories, log on to www.subaru.com



Extended Roof Cargo Carrier and Aero Crossbar Kit

Mounted to the accessory crossbars, this cargo carrier provides 16 cubic feet and up to 100 pounds of lockable storage capacity, and may be opened on either the right or left side. Holds skis of up to 180 cm in length. Vehicle also shown with accessory rear bumper cover.

¹ Accessories backed by 3-year/36,000-mile New Car Limited Warranty when installed at time of vehicle purchase. For complete details on warranty coverage and exclusions, see your Subaru dealer or log on to www.subaru.com.
² Delayed availability. See your dealer.

Ownership

Enjoying your Subaru for years to come—that's the promise of our comprehensive warranties and roadside assistance program. It's a fact attested by the nearly 97% of Subaru vehicles sold in the past 10 years that are still on the road today.¹ It's the confidence you feel when you get behind the wheel.

New Car Limited Warranty 3 years or 36,000 miles, whichever comes first.

Wear Item Limited Warranty 3 years or 36,000 miles, whichever comes first.

Powertrain Limited Warranty 5 years or 60,000 miles, whichever comes first.

Rust Perforation Limited Warranty 5 years, unlimited mileage.

The Subaru Roadside Assistance Program covers all 2006 Subaru vehicles during the first 3 years or 36,000 miles, whichever comes first. By calling the toll-free number in the Owner's Information Kit, Subaru owners can take advantage of any of the following benefits:

- 24-hour Roadside Assistance, seven days a week, 365 days a year, throughout the United States.
- Emergency Towing Service to the nearest authorized Subaru dealer.
- Emergency Roadside Assistance for jump starts, gasoline (up to two gallons), flat tire change, emergency lockout service (lost key or key is locked in the vehicle) and emergency fluid replacement.

Subaru Added Security[®] could be the most important option you choose. Protect your investment with a Subaru Added Security extended service contract—the **only** one backed by Subaru of America, Inc. Ask your salesperson for coverage details and assistance in selecting the plan that's best for you, up to 7 years or 100,000 miles.



Stop by subaru.com to begin your Subaru experience. Here, you can find extensive information including specs, photos and reviews. Build your own Subaru, locate dealers and schedule a test drive. After your purchase, join my.subaru.com, where Subaru owners can access their vehicle's service and warranty history, schedule appointments and much more.

subaru.com

Colors

Paint



Atlantic Blue Pearl



Champagne Gold Opal



Mahogany Red Pearl



Obsidian Black Pearl

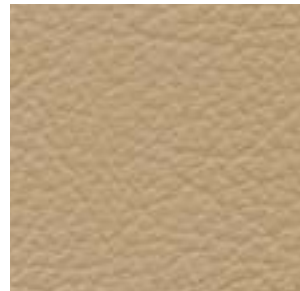


Satin White Pearl

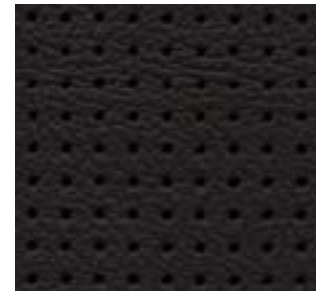


Seacrest Green Metallic

Upholstery



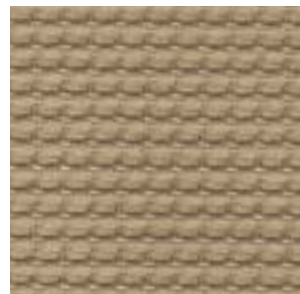
Desert Beige Leather



Slate Gray Leather



Titanium Silver Metallic



Desert Beige Cloth



Slate Gray Cloth

B9 TRIBECA

Color Combinations

PAINT	7-PASSENGER				5-PASSENGER				
	B9 TRIBECA LIMITED		B9 TRIBECA		B9 TRIBECA LIMITED		B9 TRIBECA		
	UPHOLSTERY	Desert Beige Leather	Slate Gray Leather	Desert Beige Cloth	Slate Gray Cloth	Desert Beige Leather	Slate Gray Leather	Desert Beige Cloth	Slate Gray Cloth
Atlantic Blue Pearl	●	●	●	●	●	-	●	-	-
Champagne Gold Opal	●	-	●	-	●	-	●	-	-
Mahogany Red Pearl	●	●	●	●	●	-	●	-	-
Obsidian Black Pearl	●	●	●	●	●	-	●	-	-
Satin White Pearl	●	●	●	●	-	●	-	-	●
Seacrest Green Metallic	●	●	●	●	●	-	●	-	-
Titanium Silver Metallic	-	●	-	●	-	●	-	-	●

● Available - Not available

ENGINE AND DRIVETRAIN**B9 TRIBECA AND B9 TRIBECA LIMITED**

Engine	3.0-liter DOHC aluminum-alloy 24-valve 6-cylinder horizontally opposed SUBARU BOXER engine with Active Valve Control System (AVCS) and Active Valve Lift System (AVLS). Iridium spark plugs.
Power	250 hp @ 6,600 rpm
Torque	219 lb-ft @ 4,200 rpm
Compression ratio	10.7:1
Bore and stroke	89.2 x 80 mm
Intake system	Composite-resin intake manifold
Fuel and ignition system	Sequential multiport fuel injection. Electronic Throttle Control (ETC). Engine management with integrated self-diagnostics and adaptive driving habits capability. Direct ignition.
Transmission	Standard 5-speed adaptive electronic direct-control automatic with SPORTSHIFT manual control
Emissions	Certified Low Emission Vehicle Tier 2 (LEV2)

FUEL

Fuel economy (city/highway)	18/23 mpg
Fuel requirement	Premium unleaded gasoline (91 octane) recommended

SYMMETRICAL ALL-WHEEL DRIVE

Variable Torque Distribution (VTD)	VTD All-Wheel Drive utilizes an electronically controlled variable transfer clutch in conjunction with a planetary-type center differential. Torque distribution is normally configured at a performance-oriented rear-wheel-biased 45/55-split front-to-rear. Utilizing Vehicle Dynamics Control (VDC) sensors, VTD All-Wheel Drive evaluates road conditions by continually estimating surface friction and adjusts torque distribution accordingly front-to-rear for optimum traction.
------------------------------------	---

STABILITY AND TRACTION

Vehicle Dynamics Control (VDC)	Integrated with VTD All-Wheel Drive, standard VDC stability control utilizes sensors which constantly monitor wheel speed, steering angle, brake pressure, vehicle yaw rate and lateral g-forces. If VDC detects a difference between the driver's intended path and the one the vehicle is actually taking, VDC applies braking power and/or reduces engine torque to help correct vehicle path.
Traction Control System (TCS)	VDC also incorporates an all-wheel, all-speed traction control system which senses a loss of traction and applies braking force to the slipping wheel or wheels as necessary to maintain vehicle motion.

CHASSIS

Steering	Engine-speed-sensitive power-assisted rack-and-pinion. Turns lock-to-lock: 3.4. Turning circle: 35.4 ft.
Suspension	Performance-tuned 4-wheel independent raised suspension. Front: Strut-type with lower L-arm. Antidive geometry. Stabilizer bar. Rear: Double-wishbone with upper A-arm. Antilift geometry. Stabilizer bar.
Brakes	4-wheel disc, ventilated front and rear. 4-channel, 4-sensor ABS with Electronic Brake-force Distribution (EBD).
Brake discs	Front: 12.3 in./Rear: 12.4 in.

WHEELS AND TIRES

Wheels	18 x 8.0-inch 7-spoke aluminum-alloy
Tires	255/55 R18 104H M+S all-season

EXTERIOR DIMENSIONS

Length	189.8 in.
Height	66.4 in.
Width	73.9 in.
Wheelbase	108.2 in.
Track (front/rear)	62.2 in./62.1 in.
Curb weight ¹	4,155 lbs.
Coefficient of drag (cd)	0.38
Ground clearance	8.4 in.
Angle of approach	18.0°
Breakover angle	18.5°
Angle of departure	21.1°
Towing capacity (Class I)	2,000 lbs. (3,500 lbs. with accessory trailer towing kit including auxiliary transmission oil cooler)

INTERIOR DIMENSIONS

Headroom (front/2nd row/available 3rd row)	38.9 in./38.2 in./36.2 in.
Legroom (front/2nd row/available 3rd row)	42.3 in./34.3 in./30.9 in.
Shoulder room (front/2nd row/available 3rd row)	58.1 in./57.5 in./51.3 in.

EXTERIOR	B9 TRIBECA LIMITED		B9 TRIBECA	
	7-PASSENGER	5-PASSENGER	7-PASSENGER	5-PASSENGER
Projector-beam low-beam and multireflector high-beam headlights and fog lights	●	●	●	●
Aluminum-alloy hood	●	●	●	●
Subaru airfoil grille	●	●	●	●
Front bumper with lower air intake and integrated front spoiler	●	●	●	●
Chrome-finished door handles	●	●	●	●
Body-color power mirrors with integrated turn signals	●	●	●	●
Heated side mirrors and windshield wipers de-icer	●	●	●	●
Two-speed windshield wipers with variable intermittent mode	●	●	●	●
Single-speed rear-window wiper with de-icer and speed-sensitive intermittent mode (when front wipers are on, selecting reverse gear activates rear wiper)	●	●	●	●
Integrated rear spoiler	●	●	●	●
Dual polished stainless-steel exhaust outlets	●	●	●	●
Power tilt/sliding-glass moonroof	●	●	●	●
Privacy glass for rear doors, rear quarters and liftgate	●	●	●	●
SEATING AND TRIM				
8-way power driver's seat and 4-way power front-passenger seat, both with manually adjustable lumbar support	●	●	●	●
3-stage heated front seats	●	●	●	–
60/40-split sliding 2nd-row seats with 7.8" fore/aft travel and passenger-side tip-forward/slide function for 3rd-row (if equipped) entry/exit	●	●	●	●
60/40-split reclining 2nd-row seatbacks	●	●	●	●
40/20/40-split flat-folding 2nd-row seatbacks	●	●	●	●
3rd-row seats with 50/50-split flat-folding seatbacks	●	–	●	–
Rear-center armrest	●	●	●	●
Leather-wrapped 3-spoke steering wheel with manually adjustable tilt column	●	●	●	●
Leather-wrapped shifter handle	●	●	●	●
Leather-trimmed upholstery	● ²	●	–	–
Premium cloth upholstery	–	–	●	●
Silver metallic trim on dashboard, doors and center console	●	●	●	●
Carpeted floor mats	●	●	●	●
CONVENIENCE FEATURES				
Power front and rear windows with driver's auto-down	●	●	●	●
Electronically controlled cruise control	●	●	●	●
Center console with armrest, enclosed storage compartment and rear storage drawer	●	●	●	●
Dual cup holders in center console with retractable lid and backlighting	●	●	●	●
Four cup holders in rear-center armrest and rear-cabin-area side panels	●	●	●	●
Four bottle holders in door storage pockets	●	●	●	●
Sun visors with extenders and illuminated vanity mirrors	●	●	●	●
Overhead console with dual maplights and sunglasses storage	●	●	●	●
HomeLink® remote transmitter with 3 memory settings	●	●	●	●
Courtesy lighting in overhead console, doors, rear-cabin area, cargo area and tailgate	●	●	●	●
Automatic ambient lighting of center console area and front and 2nd-row footwells	●	●	●	●
Illuminated glove box	●	●	●	●
Four 12-volt power outlets in center console storage compartment and cargo area	●	●	●	●
Cargo-area-concealed under-floor storage compartments	●	–	●	–
Cargo-area-concealed multicompartment under-floor storage tray	–	●	–	●
Storage compartment with net in cargo-area side panel	–	–	●	●
Four cargo-area tiedown hooks. Dual cargo-area grocery hooks.	●	●	●	●

● Standard ● Optional – Not available

COMMUNICATION AND ENTERTAINMENT SYSTEMS	B9 TRIBECA LIMITED		B9 TRIBECA	
	7-PASSENGER	5-PASSENGER	7-PASSENGER	5-PASSENGER
100-watt 6-speaker audio system with single-disc in-dash CD player and MP3 compatibility	–	–	●	●
160-watt 9-speaker premium audio system with subwoofer, 6-disc in-dash CD changer and MP3 compatibility	●	●	–	–
Steering wheel-mounted audio controls	●	●	●	●
Touch-screen GPS navigation system	○	–	–	–
Rear-seat DVD entertainment system with 9" widescreen format, two wireless headsets, wireless remote and auxiliary input for game console or portable MP3 player	○	–	○	–
INSTRUMENTATION				
Analog speedometer and tachometer with illuminated red needles on black faces and white indicators	●	●	●	●
Digital coolant temperature and fuel gauges	●	●	●	●
Electroluminescent lighting	●	●	●	●
Gauge needles full-sweep on start-up	●	●	●	●
Digital odometer and automatic transmission shift-position indicator	●	●	●	●
Multifunction screen displaying audio system information, clock, ambient temperature and trip computer functions such as elapsed time, instantaneous or average fuel economy, and remaining driving distance	●	●	●	●
Multifunction screen displaying navigation system information, audio system information, trip computer functions, maintenance intervals, controls for various vehicle settings, calendar, calculator and memo-taking function. Video input from rear-seat DVD entertainment system may also be displayed (if equipped and with vehicle in Park).	○	–	–	–
CLIMATE CONTROL				
Dual-zone automatic climate control system with air filtration and controls for temperature, 6-speed fan, airflow direction, automatic mode and CFC-free air conditioning	●	●	●	●
Rear-cabin air conditioner with control for 4-speed fan	●	–	●	–
SECURITY				
Keyless entry system with tailgate unlock and answer-back electronic chirp	●	●	●	●
Antitheft security system with engine immobilizer and answer-back electronic chirp	●	●	●	●
SAFETY				
Dual-stage deployment driver and front-passenger front air bags (SRS) ³	●	●	●	●
Intelligent air bag system with driver's seat position sensor and front-passenger seat occupant-detection sensor (SRS) ³	●	●	●	●
Side-curtain air bags protecting front and outboard 2nd-row occupants (SRS) ³	●	●	●	●
Seat-mounted front side-impact air bags (SRS) ³	●	●	●	●
Height-adjustable active front-seat head restraints	●	●	●	●
Three individual height-adjustable 2nd-row head restraints. Two individual height-adjustable 3rd-row (if equipped) head restraints.	●	●	●	●
3-point height-adjustable outboard 2nd-row and fixed 2nd-row center seatbelts. 3-point fixed 3rd-row (if equipped) rear seatbelts. Emergency Locking Retractors (ELR) at all 2nd- and 3rd-row seating positions.	●	●	●	●
Rear child-safety door locks	●	●	●	●
LATCH system: Lower Anchors and Tethers for Children	●	●	●	●
Safety brake pedal system	●	●	●	●
Energy-absorbing collapsible steering column	●	●	●	●
Ring-Shaped Reinforcement Frame body structure	●	●	●	●
Daytime Running Lights (DRL)	●	●	●	●
Tire Pressure Monitoring System (TPMS)	●	●	●	●
OPTIONAL EQUIPMENT				
Touch-screen GPS navigation system	○	–	–	–
Rear-seat DVD entertainment system with 9" widescreen format, two wireless headsets, wireless remote and auxiliary input for game console or portable MP3 player	○	–	○	–

¹ Curb weight figure based on standard B9 Tribeca 5-passenger model.

² On front and 2nd-row seats.

³ The Supplemental Restraint System (SRS) (air bags) affords the driver and the front passenger additional protection in moderate to severe frontal and side-impact collisions, and outboard 2nd-row passengers additional protection in moderate to severe side-impact collisions. This system provides supplemental protection only, and seatbelts must be worn in order to avoid injuries to out-of-position occupants upon bag deployment and to provide the best combined protection in a serious accident. Children should always be properly restrained in the rear seat.

Some images shown are for illustration purposes only. Specifications in this brochure are based on the latest product information available at the time of publication. For the most up-to-date product information, log on to www.subaru.com. Some equipment shown in photography in this brochure is optional at extra cost. Specific options may be available only in combination with other options. Specific combinations of equipment or features may vary from time to time and by geographic area. Certain accessories and equipment may not be available at the time of publication. Subaru of America, Inc., reserves the right to change or discontinue at any time, without notice, prices, colors, materials, equipment, accessories, specifications, models and packages without incurring any obligation to make the same or similar changes on vehicles previously sold. Colors shown may vary due to reproduction and printing processes. This brochure was prepared by Subaru of America, Inc. A warranty from Subaru of America, Inc., is available only on cars sold to the first retail purchaser through an authorized Subaru dealer in the continental U.S. or Alaska. Subaru and SUBARU BOXER are registered trademarks. B9 Tribeca is a trademark. SPORTSHIFT is a registered trademark of Prodrive Ltd. HomeLink is a registered trademark of Prince Corporation, a wholly owned subsidiary of Johnson Controls. For more information, contact your Subaru dealer or log on to www.subaru.com.