

CLS 63 AMG 4MATIC  
CLS 63 AMG S 4MATIC



**AMG**  
DRIVING PERFORMANCE



Mercedes-Benz



# Expressive dynamism, attractively sporty.

Now more than ever, the CLS 63 AMG 4MATIC is an exceptional automobile in its class. The sporty, elegant Coupé is an exciting proposition boasting a new and revolutionary AMG design idiom, exciting driving dynamics. Its AMG 5.5-litre V8 biturbo engine, with an output of 410 kW (557 hp) and 720 Nm of torque, combined with a performance-oriented 4MATIC all-wheel-drive system developed by Mercedes-AMG. Its rear-biased torque distribution ratio of 33:67 as well as light pre-lock torque combine optimum traction and hallmark AMG driving dynamics. This allows the CLS 63 AMG 4MATIC to accelerate from 0 to 100 km/h in 3.7 seconds.

The athletic elegance and superior dynamism of the CLS 63 AMG 4MATIC is being taken to new exciting levels with the S-Model. The output level of the AMG 5.5-litre V8 biturbo engine, which was raised to 410 kW (557 hp) and 720 Nm in 2013, is to be pushed even further in the CLS 63 AMG S 4MATIC, to 430 kW (585 hp) and 800 Nm. The standard-specification AMG 4MATIC all-wheel drive and specially developed AMG rear axle differential lock also contribute to the vehicle's superior performance. The sporty, exceptional position of the CLS 63 AMG S 4MATIC is also distinguished by such details as red-painted brake callipers and spoiler lip in the vehicle colour or seat belts in crystal grey in the interior.



# Contents

Overview | From Page 3

**Expressive dynamism, attractively sporty.**

Facts and Highlights | From Page 5

**Special highlights enhance driving pleasure.**

Equipment | From Page 7

**Exquisite details fulfill outstanding experience.**

Paintwork and appointments | From Page 11

**Color options satisfy personal taste.**

Dimensions | From Page 14

CLS 63 AMG 4MATIC  
CLS 63 AMG S 4MATIC



# Elegant lines, powerful contours.

The CLS 63 AMG 4MATIC is an exciting blend of sporty elegance and the new, revolutionary AMG design idiom. This includes a front design incorporating the AMG radiator grille with twin louvres in silver chrome and the masculine AMG front apron in eye-catching A-wing design with a trim strip in silver chrome. The large cooling air inlets are surrounded by black flics as an additional means of guiding the flow of cooling air. These elements perfectly complement the AMG-specific bonnet and the wider front wings. The impressive side design includes AMG side sill panels and 48.3 cm (19-inch) AMG 5-spoke light-alloy wheels. The powerful AMG rear apron with side air outlets and diffuser insert and the AMG sports exhaust system with two chrome-plated twin tailpipe trim elements add dynamic final touches.



## Model Prices

Model	CLS 63 AMG 4MATIC	CLS 63 AMG S 4MATIC
Rated Output (kW/hp/rpm)	410/557/5500	430/585/5500
Rated Torque (Nm/rpm)	720/1750-5250	800/1750-5000
Cyl./Displacement (cc)	V8/5461	V8/5461
Fuel consumption, combined	11.1	11.1
Acceleration 0-100 km/h (s)	3.7	3.6
Top speed (km/h)	250	250
Tyres/wheels, front	255/35 ZR19	255/35 ZR19
Tyres/wheels, rear	285/30 ZR19	285/30 ZR19
Length/Width/Height (mm)	4971/1881/1411	4971/1881/1411
MSRP (RMB)	1,778,000	1,868,000

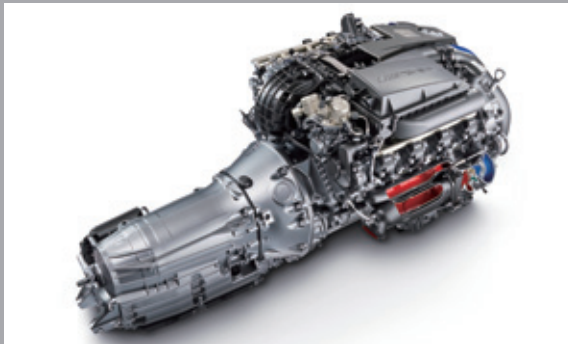
Any inquiry for financial programs or products information, please dial Mercedes-Benz Customer Service Hotline 400-818-1188



## Down payment starting from RMB 355,600

Please scan the QR code to know more about the latest financing and agility programs.

# Highlights



AMG SPEEDSHIFT MCT 7-speed sports transmission



MULTIBEAM LED



AMG Performance steering wheel in black Nappa leather<sup>1</sup>



AMG sports seats<sup>1</sup>



AMG-specific 4MATIC all-wheel drive



AMG Cooling<sup>2</sup>

<sup>1</sup>Standard for CLS 63 AMG 4MATIC

<sup>2</sup>Standard for CLS 63 AMG S 4MATIC

# Equipment

AMG Specific Equipment	CLS 63 AMG 4MATIC	CLS 63 AMG S 4MATIC
AMG-specific IWC-design analogue clock	●	●
AMG-specific bonnet	●	●
AMG carbon-fibre engine cover <sup>1</sup>	○	○
AMG bodystyling	●	—
AMG bodystyling	—	●
"S model" inscription on boot lid	—	●
Brake callipers, anodised silver-colour finish	●	—
Red-painted brake callipers	—	●
AMG instrument cluster with AMG main menu including RACETIMER and AMG start-up screen	●	—
AMG instrument cluster with AMG main menu including RACETIMER, AMG start-up screen, "S" lettering and red trim highlights	—	●
AMG floor mats	●	●
AMG sports seats with AMG-specific seat upholstery layout, optimised lateral support, contrasting topstitching and AMG emblem embossed into the front head restraints	—	●
AMG sports seats with AMG-specific seat upholstery layout, optimised lateral support and AMG badge in the front seat backrests	●	—
AMG front door sill panels in stainless steel with "AMG" lettering	●	—
AMG front door sill panels with white LED illumination	—	●
AMG Performance steering wheel in black Nappa leather	●	—
AMG Performance steering wheel in black Nappa leather/DINAMICA microfibre	—	●
AMG SPEEDSHIFT MCT 7-speed sports transmission	●	●
AMG Cooling	—	●
AMG rear axle differential lock	—	●
AMG DRIVE UNIT	●	●
AMG-specific 4MATIC all-wheel drive	●	●
AMG RIDE CONTROL sports suspension	●	●
AMG speed-sensitive sports steering	●	●
AMG sports exhaust system	●	●
AMG high-performance composite braking system	●	●
AMG high-performance ceramic composite braking system <sup>2</sup>	—	○

<sup>1</sup>MSRP RMB 33,000

<sup>2</sup>MSRP RMB 149,500

● Chinese standard equipment

○ Chinese optional equipment

— Not available in China



# Equipment

Exterior	CLS 63 AMG 4MATIC	CLS 63 AMG S 4MATIC
designo manganite grey magno <sup>1</sup>	○	○
designo diamond white bright <sup>2</sup>	○	○
designo hyacinth red metallic <sup>3</sup>	○	○
19-inch AMG 5-spoke light-alloy wheels	●	—
19-inch AMG 10-spoke light-alloy wheels	—	●
Electric glass sunroof	●	●
Preparation for roof carrier system	●	●
Heated windscreen washer system	●	●
Mirror package	●	●
Electric sunblind for rear window	●	●
Heated exterior mirrors, left and right, electrically adjustable from inside	●	●
Heated rear window with timer control	●	●
Windscreen wipers with rain sensor	●	●
Tinted glass	●	●
Electric folding exterior mirrors	●	●
Automatically dimming interior mirror, driver's side door mirror	●	●
LED tail lamp with adaptive light intensity	●	●
Ambient lighting	●	●
Adaptive Highbeam Assist Plus with MULTIBEAM LED	●	●
KEYLESS-GO package	●	●
Anti-theft alarm system (ATA)	●	●
<b>designo extras</b>		
Seat belts in crystal grey	—	●

<sup>1</sup>MSRP RMB 26,000

<sup>2</sup>MSRP RMB 15,000

<sup>3</sup>MSRP RMB 8,000

● Chinese standard equipment

○ Chinese optional equipment

— Not available in China

# Equipment

Interior	CLS 63 AMG 4MATIC	CLS 63 AMG S 4MATIC
PASSION leather upholstery	●	●
Cruise control with SPEEDTRONIC variable speed limiter	●	●
Headlining in grey fabric <sup>1</sup>	○	○
Headlining in beige fabric <sup>1</sup>	○	○
Headlining in black fabric <sup>1</sup>	○	○
Cooling capacity booster package	●	●
Residual engine heat utilisation	●	●
THERMOTRONIC automatic climate control	●	●
3-point seat belts	●	●
Active Multicontour Seat package	●	●
Automatic child seat recognition (ACSR)	●	●
Driving Assistance package Plus	●	●
NECK-PRO front head restraints	●	●
Climatised front seats	●	●
Seat occupancy sensor for front passenger seat	●	●
Memory package	●	●
Heated rear seats	●	●
AMG carbon-fibre/black piano lacquer trim <sup>2</sup>	—	○
Black piano lacquer trim	●	●
Ambient lighting	●	●
Footwell lighting	●	●
Front and rear ashtray inserts in the stowage compartments as well as cigarette lighter in the front	●	●
Net in the front passenger footwell and luggage net on side of boot	●	●
EASY-PACK quickfold	●	●

<sup>1</sup>Without extra charge

<sup>2</sup>MSRP RMB 65,000

● Chinese standard equipment

○ Chinese optional equipment

— Not available in China

# Equipment

<b>Safety and Assistance System</b>	<b>CLS 63 AMG 4MATIC</b>	<b>CLS 63 AMG S 4MATIC</b>
Mercedes-Benz Connect	●	●
3-stage Electronic Stability Program (ESP®), Brake Assist (BAS), Anti-lock braking system (ABS)Acceleration skid control (ASR)	●	●
Sidebags, windowbag, airbags for driver and co-driver and pelvisbag	●	●
ECO start/stop function	●	●
Childproofing	●	●
ATTENTION ASSIST	●	●
DISTRONIC PLUS	●	●
ADAPTIVE BRAKE	●	●
360° camera	●	●
Active Parking Assist including PARKTRONIC	●	●
Parking package	●	●
Active Service System ASSYST PLUS	●	●
Active Blind Spot Assist	●	●
Active Lane Keeping Assist	●	●
Traffic Sign Assist	●	●
Tyre pressure loss warning system	●	—
Tyre pressure monitoring system	—	●
Driving Assistance package Plus	●	●
Rear Seat Safety package	●	●
<b>Infotainment, navigation and communication</b>		
Instrument cluster with Asian characters	●	●
COMAND Online High-resolution colour display with a screen	●	●
DVD changer	●	●
Harman Kardon® Logic 7® surround sound system	●	●
Tyre-change tool kit	●	●

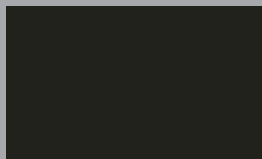
● Chinese standard equipment

○ Chinese optional equipment

— Not available in China

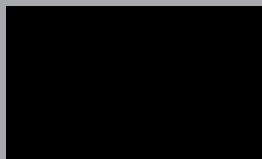
# Paintwork

Non-metallic paints

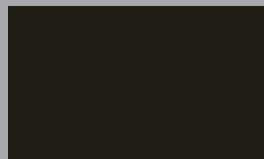


040 Black

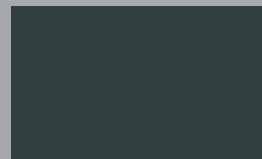
Metallic paints



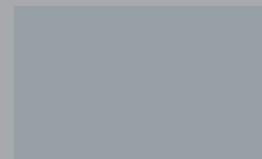
183 Magnetite black



197 Obsidian black



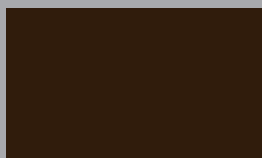
755 Tenorite grey



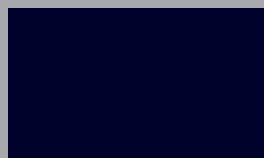
775 Iridium silver



792 Palladium silver



796 Citrine brown

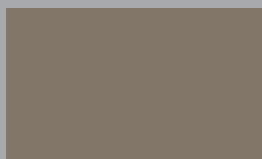


890 Cavansite blue

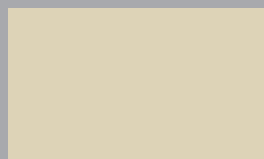


988 Diamond silver

designo漆面



795 designo manganite  
grey magno<sup>1</sup>



799 designo diamond  
white bright<sup>2</sup>



996 designo hyacinth  
red metallic<sup>3</sup>

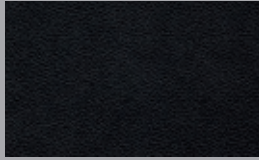
<sup>1</sup>MSRP RMB 26,000

<sup>2</sup>MSRP RMB 15,000

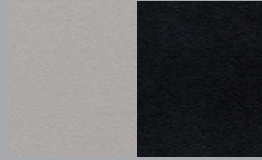
<sup>3</sup>MSRP RMB 8,000

# Upholstery and Leather

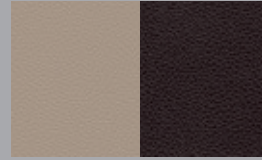
PASSION leather



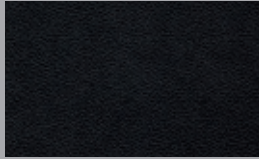
801 Black/black



818 Crystal grey/black

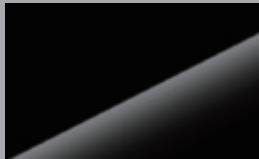


845 Beige silk/espresso brown

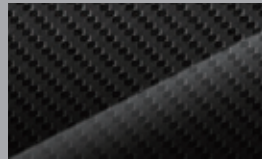


831 Black/black<sup>1</sup>

# Trim



H21 Black piano lacquer trim



H73 AMG carbon-fibre/  
black piano lacquer trim<sup>2</sup>

<sup>1</sup>Standard for CLS 63 AMG S 4MATIC

<sup>2</sup>Optional for CLS 63 AMG S 4MATIC, MSRP RMB 149,500

\*Actual colors may differ slightly from those shown owing to the limitations of the printing process.

## Wheels



19-inch AMG 5-spoke light-alloy wheels<sup>1</sup>

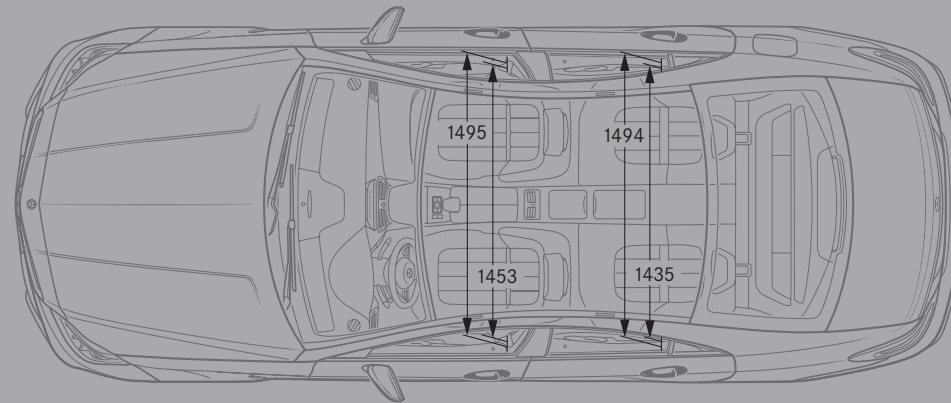
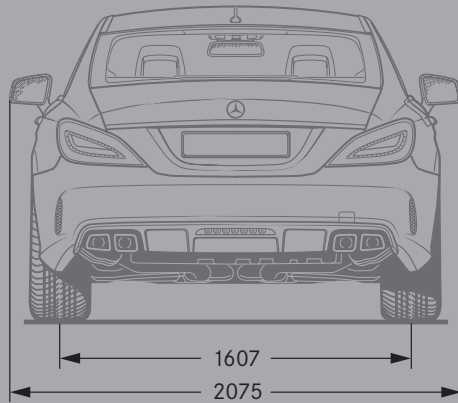
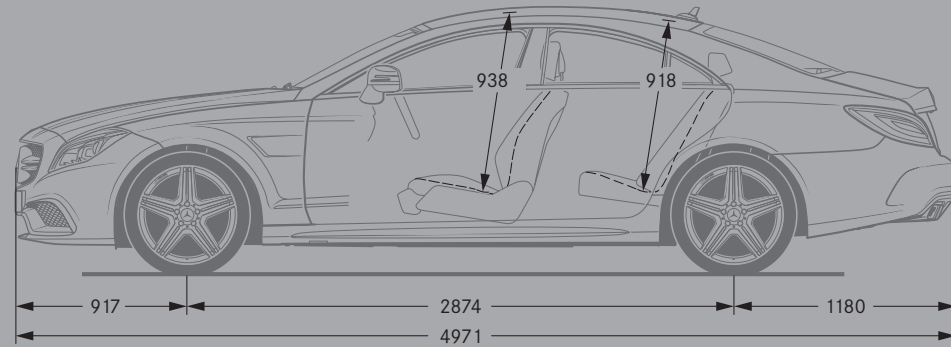
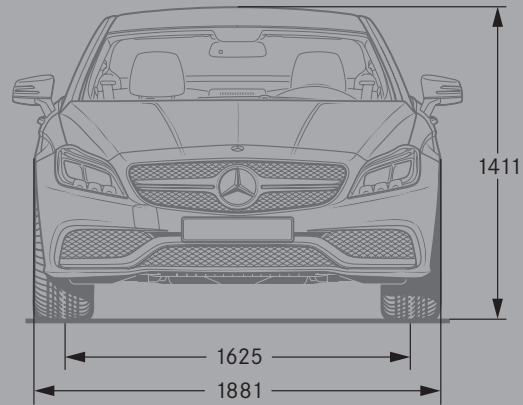


19-inch AMG 10-spoke light-alloy wheels<sup>2</sup>

<sup>1</sup>Standard for CLS 63 AMG 4MATIC

<sup>2</sup>Standard for CLS 63 AMG S 4MATIC

# Dimensions



All dimensions in millimetres. The dimensions shown are mean values and apply to standard-specification, unladen vehicles.

Please note: changes may have been made to the product since the brochure went to press (1.2015). The manufacturer reserves the right to make changes to the design, form, color and specification of any Mercedes-Benz vehicle during the lifecycle period, provided these changes, while taking into account the interests of the dealer, can be deemed reasonable with respect to the purchaser. The illustrations may include accessories and optional extras which do not form part of the standard specification. Actual colours may differ slightly from those shown owing to the limitations of the printing process. Some of the models, features, optional extras, colours and/or services shown may not be available in China or may only be available in a different specification. Actual colors may differ slightly from those shown owing to the limitations of the printing process.

For current and more specific information, please contact your local Mercedes-Benz authorized dealers or call Customer Assistance Center at 400-818-1188.

[www.mercedes-benz.com.cn](http://www.mercedes-benz.com.cn)