

# All New Mercedes-Maybach S-Class



MAYBACH



Mercedes-Benz



礼待天下

# Honoring the world with the highest respect.

Representing the perfect embodiment of virtues passed on since the creation of the automobile, the all new Mercedes-Maybach S-Class sends an unparalleled sense of respect in perfecting a comfortable and exclusive space while enhancing its luxurious cachet. The long contours of its 5.45-meter body, tastefully and elegantly designed and proportioned, stand out with distinction to elevate our esteemed guests' precious enjoyment and premium status, by honoring their luxury driving experience. The exclusive Mercedes-Maybach AGARWOOD fragrance and one-of-a-kind diamond stitching embody a time-honored tradition of the highest respect that is beyond words. The First-Class rear compartment with two individual executive seating units creates a serene and tranquil environment, reflecting the highest respect to our guests in offering unparalleled refinement. The all new Mercedes-Maybach S-Class is the fullest expression of all that is exclusive and venerable, honoring the world with highest respect.



# Contents

Overview | From Page 3

**Honoring the world with the highest respect.**

Facts and Highlights | From Page 9

**Special highlights enhance driving pleasure.**

Equipment | From Page 12

**Exquisite details fulfill outstanding experience.**

Paintwork and appointments | From Page 15

**Color options satisfy personal taste.**

Dimensions | From Page 18

# All New Mercedes-Maybach S-Class

# The highest respect delights your eyes.

The details of the exterior of the all new Mercedes-Maybach S-Class display the utmost degree of respect and consideration. Its 5.45-meter body and extended 3.36-meter wheelbase have a breadth and balance which reflect innate magnanimity. The sophisticated, compact design of the radiator grille with twin louvres in chrome stands out among its fusion of distinctive features; an all new design of the contours along the sides of the vehicle's body together with the fixed window on C-Pillar have a charisma which captivates the admiration of others. The proprietary Mercedes-Maybach forged wheels and the Maybach badge epitomize the height of prestige and unequalled admiration. Distinction and elegance come in many forms. Only the highest respect stands tall in a realm all of its own.





V12

Mercedes-AMG

## The highest respect comforts you.

The most profound expression of the highest respect is attained via deep consideration. The First-Class rear compartment with two individual executive seats is equipped with ENERGIZING massage function that relaxes body and mind to provide luxurious comfort with unparalleled pleasure. The hall-class Burmester® high end 3D-surround sound system embraces you in a wave of natural sound, giving you the ultimate sensory experience. The rear seats with actively extending belt buckle quietly welcome you to enjoy an exceptional level of intimate comfort. Only the highest respect can attain perfection in elegance and taste, setting the benchmark for excellence.





# The highest respect pleases your heart.

The Mercedes-Maybach S-Class carries on a tradition of over a century of Mercedes-Benz innovation in automotive science, bringing together the finest in contemporary luxury automobile technology and craftsmanship to honor the Mercedes-Benz legacy with a classic car of unparalleled prestige to express the highest respect. The essence of more than a hundred years of automotive manufacturing defines the contours of its newly designed body which ripple naturally in waves from its midsection to the trim of its rear doors. Its uniquely inspired design deftly places the triangular windows alongside the rear compartment seats to give you the most pleasureable personal intimacy and exclusivity. The optional Panoramic roof with MAGIC SKY CONTROL enables you to enjoy the degree of light you desire. The result is to have fantastic scenery tailored to your heart's desire.







## Model Prices

Model	Mercedes-Maybach S 400 4MATIC	Mercedes-Maybach S 600
Rated Output (kW/hp/rpm)	245/333/5250	390/530/4900
Rated Torque (Nm/rpm)	480/1600-4000	830/1900-4000
Cyl./Displacement (cc)	V6/2996	V12/5980
Fuel consumption, combined	9.4	12.3
Acceleration 0-100 km/h (s)	6.3	5.0
Top speed (km/h)	250	250
Tyres/wheels, front	245/45 R19	245/40 R20
Tyres/wheels, rear	275/40 R19	275/35 R20
Length/Width/Height (mm)	5457/1899/1498	5457/1899/1501
MSRP (RMB)	1,438,000	2,888,000

Any inquiry for financial programs or products information, please dial Mercedes-Benz Customer Service Hotline 400-818-1188

# Highlights



Magic Body Control<sup>1</sup>



Direct-Steer system



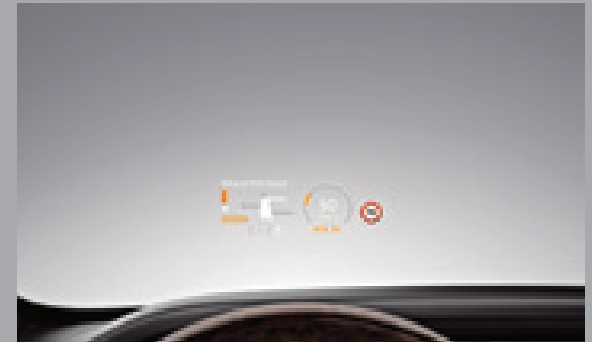
Panoramic roof with MAGIC SKY CONTROL<sup>2</sup>



LED Light package



Heat-insulating, noise-insulating and infrared-reflecting laminated glass<sup>1</sup>



Head-up display<sup>1</sup>

<sup>1</sup>Standard for Mercedes-Maybach S 600

<sup>2</sup>Optional for Mercedes-Maybach S 600

# Highlights



Driving Assistance Package Plus<sup>1</sup>



IWC-design analogue clock



Night View Assist Plus<sup>1</sup>



designo Exclusive semi-aniline leather package<sup>1</sup>



Ambient lighting and AIR-BALANCE package



Burmester<sup>®</sup> high end 3D surround sound system<sup>1</sup>

<sup>1</sup>Standard for Mercedes-Maybach S 600

# Equipment

Safety and Security	Mercedes-Maybach S 400 4MATIC	Mercedes-Maybach S 600
Anti-lock braking system (ABS), Brake Assist (BAS), Electronic Stability Program (ESP®), Acceleration skid control (ASR)	●	●
ESP® Curve Dynamic Assist	●	●
Airbags for driver and co-driver, Sidebag for driver and front passenger, Sidebags in rear, Windowbag	●	●
Automatic front passenger airbag deactivation	●	●
COLLISION PREVENTION ASSIST PLUS	●	—
PRE-SAFE® system	●	●
PRE-SAFE® rear package	—	●
Night View Assist Plus	—	●
Tyre pressure loss warning system	●	—
Tyre pressure loss warning system	—	●
Driving Assistance package Plus <sup>1</sup>	○	●
ATTENTION ASSIST	●	●
ADAPTIVE BRAKE	●	●
Head-up display	—	●
360° camera	●	●
Parking package	●	●
Brake wear warning display	●	●
Electric parking brake	●	●
ISOFIX child seat attachment points with TopTether	●	●
LED Light package	●	●
LED tail lights	●	●
First-aid kit	●	●

<sup>1</sup>MSRP RMB 42,000

● Chinese standard equipment

○ Chinese optional equipment

— Not available in China

# Equipment

Comfort	Mercedes-Maybach S 400 4MATIC	Mercedes-Maybach S 600
7G-TRONIC PLUS	●	●
AIRMATIC	●	—
ECO start/stop function	●	●
Direct-Steer system	●	●
Magic Body Control	—	●
MAGIC VISION CONTROL, heated	●	●
Electrically folding exterior mirrors, interior mirror and driver's exterior mirror automatically dimming	●	●
Electric sunblind for rear window	●	●
Electric sunblinds in rear doors, left and right	●	●
Heated rear window with timer control	●	●
Heat-insulating, noise-insulating and infrared-reflecting laminated glass	—	●
HANDS-FREE ACCESS	●	●
KEYLESS-GO package	●	●
THERMOTRONIC automatic climate control	●	●
Cruise control	●	—
Climatised front seats	●	●
Electrically adjustable front seats	●	●
Memory package	●	●
EASY ADJUST luxury head restraints for driver and front passenger, folding and removable on front passenger side	●	●
Folding table in the rear	—	●
Seat Comfort package for driver and front passenger	—	●
Climatised rear seats	●	●
Chauffeur package	●	●
<b>Exterior</b>		
19" 5-spoke light-alloy wheels	●	—
20" forged wheels	—	●
Front and rear door sill panels in stainless steel	●	—
Door sill panels with "Mercedes-Benz" lettering, illuminated front	—	●

● Chinese standard equipment

○ Chinese optional equipment

— Not available in China



# Equipment

Luxury	Mercedes-Maybach S 400 4MATIC	Mercedes-Maybach S 600
Panoramic sliding sunroof	●	●
Panoramic roof with MAGIC SKY CONTROL <sup>1</sup>	—	○
Executive seat	●	●
Rear Seat Comfort package <sup>2</sup>	○	●
First-Class rear compartment <sup>2</sup>	○	●
Refrigerated compartment <sup>3</sup>	○	●
Electrically-adjustable rear seats including memory function	●	●
Ambient lighting	●	●
AIR-BALANCE package	●	●
Exclusive trim package	●	●
Brown high-gloss burr walnut wood trim <sup>4</sup>	●	○
Black high-gloss poplar wood trim <sup>4</sup>	○	○
designo metallised ash wood trim <sup>5</sup>	○	—
designo brown high-gloss sunburst myrtle wood	—	●
Exclusive upholstery package	—	●
Velour floor mats	●	—
Floor mats 4, velour floor mats with V12 emblem	—	●
Entertainment and Communication		
COMAND Online	●	●
Rear Seat Telephony	—	●
DVD changer	●	●
Mercedes-Benz Connect	●	●
CMMB TV	—	●
SPLITVIEW	—	●
Individual Entertainment in the rear	●	●
TV receiver	—	●
Touchpad	●	●
Burmester <sup>®</sup> surround Sound system	●	—
Burmester <sup>®</sup> high end 3D surround sound system	—	●

<sup>1</sup>MSRP RMB 112,000    <sup>2</sup>Rear Seat Comfort package and first-Class rear compartment should be equipped altogether as a package. MSRP RMB 58,000

<sup>3</sup>MSRP RMB 20,000

<sup>4</sup>Without extra charge

<sup>5</sup>MSRP RMB 9,200

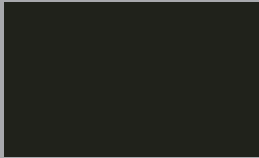
● Chinese standard equipment

○ Chinese optional equipment

— Not available in China

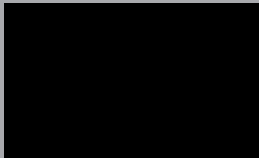
# Paintwork

Non-metallic paints

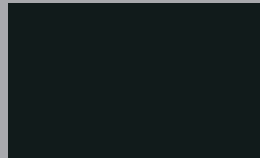


040 Black

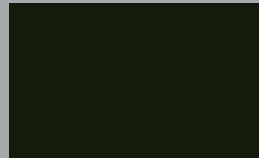
Metallic paints



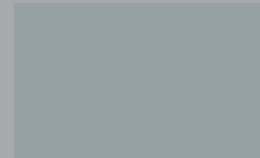
183 Magnetite black



197 Obsidian black



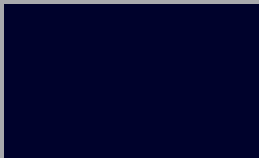
474 Peridot brown



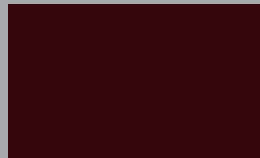
775 Iridium silver



792 Palladium silver



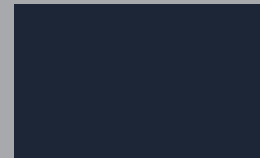
890 Cavansite blue



897 Ruby black

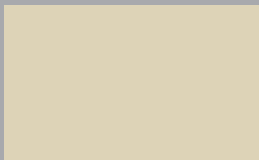


988 Diamond silver



998 Anthracite blue

designo Paint finishes



799 Diamond white<sup>1</sup>

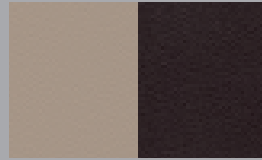
<sup>1</sup>MSRP RMB 16,000

# Upholstery and Leather

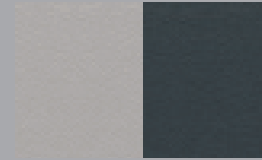
## Leather<sup>1</sup>



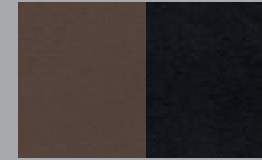
201 Black



205 Silk beige/  
Espresso brown

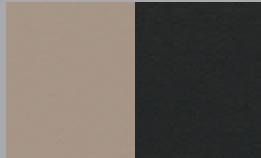


208 Crystal grey/  
Seashell grey

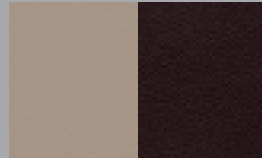


214 Nut brown/Black

## designo Exclusive semi-aniline leather package<sup>2</sup>

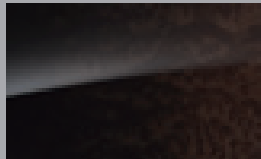


965 Silk beige/Titanium  
grey pear



975 Silk beige/Satin  
red pear

## Trims



727 designo brown  
high-gloss sunburst  
myrtle wood<sup>2</sup>



729 Black high-gloss  
poplar wood trim<sup>3</sup>



731 Brown high-gloss  
burr walnut wood  
trim<sup>4</sup>



H06 designo metallised  
ash wood trim<sup>5</sup>

<sup>1</sup>Standard for Mercedes-Maybach S 400 4MATIC    <sup>2</sup>Standard for Mercedes-Maybach S 600    <sup>3</sup>Without extra charge

<sup>4</sup>Standard for Mercedes-Maybach S 400 4MATIC, optional for Mercedes-Maybach S 600 without extra charge

<sup>5</sup>Optional for Mercedes-Maybach S 400 4MATIC, MSRP RMB 9,200

\*Actual colors may differ slightly from those shown owing to the limitations of the printing process.

## Wheels

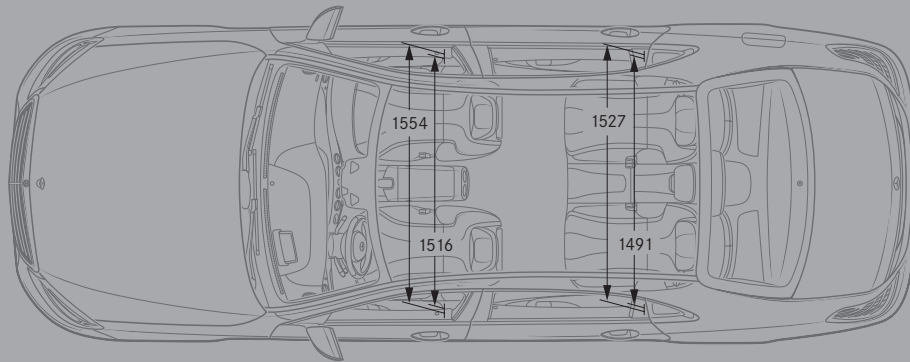
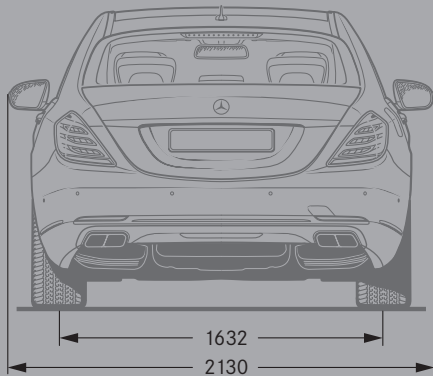
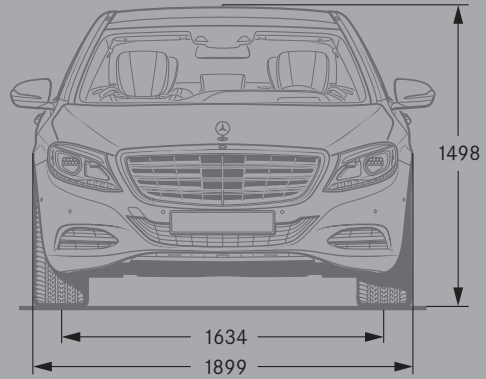


19" 5-spoke light-alloy wheels  
(Standard for Mercedes-Maybach S 400 4MATIC)



20" forged wheels  
(Standard for Mercedes-Maybach S 600)

# Dimensions



All dimensions in millimetres. The dimensions shown are mean values and apply to standard-specification, unladen vehicles.

Above drawings are only for reference. Product appearance please refer to models on sale in China.

Please note: changes may have been made to the product since the brochure went to press (3.2015). The manufacturer reserves the right to make changes to the design, form, color and specification of any Mercedes-Benz vehicle during the lifecycle period, provided these changes, while taking into account the interests of the dealer, can be deemed reasonable with respect to the purchaser. The illustrations may include accessories and optional extras which do not form part of the standard specification. Actual colours may differ slightly from those shown owing to the limitations of the printing process. Some of the models, features, optional extras, colours and/or services shown may not be available in China or may only be available in a different specification. Actual colors may differ slightly from those shown owing to the limitations of the printing process.

For current and more specific information, please contact your local Mercedes-Benz authorized dealers or call Customer Assistance Center at 400-818-1188.

[www.mercedes-benz.com.cn](http://www.mercedes-benz.com.cn)