



TT|TTS



# Personalising your Audi TT

This guide has been designed to help you tailor and price your Audi TT quickly and logically. At the back, you will find information on CO2 emissions-based taxation and services offered with your Audi, including Finance and Insurance. You can also configure your Audi TT online at [www.audi.co.uk](http://www.audi.co.uk)

The images featured in this guide are for illustrative purposes only. They may feature left-hand drive vehicles and include equipment that is not UK specification.

## The Audi TT

Audi Matrix LED lights	16
quattro	20
Audi Virtual Cockpit	26
Audi Connect	28
Technology	30

## Model details and prices

Sport model equipment	32
S line model equipment	34
Black Edition model equipment	36
TTS quattro model equipment	38
TTS quattro Black Edition	40
Model prices	42

## Colour and upholstery

Paint	46
Hood colours	48
Upholstery	50
Colour and trim guide	58

## Interior styling

### Options

Wheels, tyres and suspension	70
Packages	72
Audio and communication	76
Interior equipment	77
Exterior equipment	78
Safety and security	80

## Everything your Audi needs

Warranty	84
Accessories	86
Merchandise	87
Audi Difference	88

## Technical details

Technical data and dimensions	90
-------------------------------	----

## Important information

98







## Vorsprung durch Technik

Three words that express the very essence of Audi – Vorsprung durch Technik. It's not just a slogan, it's our way of seeing the world and the driving force behind our history of innovation that continues into the 21st century. Indeed, many technologies that have become synonymous with Audi remain in our cars today. Some are milestones in the history of the motorcar. From our beginnings in 1899, to the Auto Union team's Grand Prix successes in the 1930s and our more recent wins at Le Mans, we have always been at the forefront of the motor industry.

Vorsprung durch Technik makes us who we are. To see more of its influence, just read on.



## The Audi TT. The history of an icon.

When revolutionary design meets advanced technology, legends are born.

Indeed, when the Audi TT concept car was first unveiled to the public in 1995, it met with immediate and huge acclaim.

Few production cars resembled their concept quite as closely as this one. And when the Audi TT first went on sale in 1998, it quickly became one of the most popular sports cars in its class.

In 2006, another milestone. The second-generation TT launched. With Audi Space Frame technology, it was 90kg lighter than the first generation model – translating into an improved drive that garnered award after award.

Now we've reached the next chapter: the third-generation TT. Unique, distinctive, unmistakably Audi: it continues to define the notion of what a sports car should be.



Three generations of design









## **The Audi TT. Redesigned, re-engineered, reborn.**

The curves, contours and proportions are familiar from the previous generations, but the design is sharper, the engines are more powerful and the handling is more responsive.

Welcome to the third-generation Audi TT. The latest iteration combines advanced Audi technology with a striking evolution of an iconic design.

The changes begin with a wider, more imposing stance. At the front, a broad, single-framed grille flanked by dramatic, angular headlights. And at the rear, a hidden central brake light underneath a concealed spoiler that rises automatically at speeds above 74mph.\*

Inside, a redesigned cabin, featuring the Audi Virtual Cockpit showing all driver information on a high-resolution LCD display.

Under the bonnet, an improved 2.0 TFSI petrol engine. With output increased from 211PS to 230PS, acceleration is even quicker, from 0-62mph in 5.3 seconds.

The Audi TT. The icon is reborn.

## **TT Coupé**

From the outside, the TT Coupé has all the iconic style of its predecessors. The classic shape has been streamlined but its silhouette remains as recognisable as ever.

Step inside the latest incarnation of the TT Coupé however, and you'll find a completely redesigned interior. Air conditioning controls have a clever design and are integrated into the air vents. And with innovations like the Audi Virtual Cockpit that puts all of the car's controls at your fingertips, the TT Coupé puts you firmly in the driving seat.











## **TT** Roadster

The TT Roadster maintains all the distinctive hallmarks that make it instantly recognisable. A fully-automatic fabric hood. Aluminium-look rollbars. And the unmistakable TT silhouette.

But under the bonnet, things have changed.

Our award-winning 2.0-litre TFSI engine has been enhanced yet further to generate more power and torque. And despite the advances in performance, it uses less fuel than its predecessor. Which is one improvement you'll appreciate from the very first drive.

# TTS

## A beauty and a beast

The S badge on an Audi model signifies something special. And the TTS is something very special. Combining impressive performance with marque-defining styling, the third-generation TTS is both beautiful and powerful. Power has been increased by 38PS so the 2.0-litre TFSI four-cylinder, variable valve engine now puts 310PS through either a 6-speed manual or S tronic transmission to power the quattro all-wheel-drive. We've also enhanced the way power is delivered to the wheels. It means that the TTS Coupé now accelerates from 0-62mph in 4.6 seconds,\* while the TTS Roadster achieves the same in 4.9 seconds.\* Whichever car you choose, they're both capable of going on to an electronically limited top speed of 155mph.\*\*

Highly distinctive bumpers and rear diffuser. Chrome-plated quad exhaust tailpipes. 19" 5-arm alloy wheels with black painted calipers. They all make a powerful impression. Inside, the TTS also delights. Front Super Sport seats look and act the part, while the TTS specific Audi Virtual Cockpit displays the superb performance of the TTS in a wide 12.3" fully digital display.











# Matrix LED lights

## **Illuminating features**

Far from just making a dramatic statement, optional Matrix LED headlights available on the Audi TT incorporate technology that adapts automatically to the car's surroundings.

Sensors and an inbuilt camera allow Matrix LED headlights to detect rear and oncoming lights of other road users, as well as ambient light in built-up areas. The technology then reacts by dipping individual LEDs to prevent dazzle, while still illuminating the remainder of the road.

Using the vehicle's optional navigation data, Matrix LED technology can even anticipate corners, adjusting LEDs as you negotiate the bend. The result is a much wider visual range, benefitting both you and other road users. And with dynamic, sweeping LED indicators at both front and rear, the striking look is complete.













# quattro

## **Driving confidence, whatever the weather**

Loose gravel. Icy patches. A tight bend in the rain. Conditions on the road are always changing so quattro\* changes too.

When coupled with Dynamic mode in Audi Drive Select, the system that enables you to adjust the performance characteristics of your car, more torque is now distributed to the rear axle in a fraction of a second for more agility on sportier drives. While in Efficiency, Comfort, Auto and Individual modes, the ideal amount of power is distributed to each wheel to maintain the TT's perfectly balanced handling according to driving conditions and your preference.

It's made for the most challenging conditions of all – the ones you encounter every day. Whatever the road holds, you can be confident that quattro will react.

\*quattro is an option available in conjunction with 2.0 TFSI engine on TT Coupé and Roadster models and standard on TTS models.













## Inner beauty

Using our latest innovations and meticulous attention to detail, our designers created a sleek, uncluttered cabin.

It's partly thanks to the Audi Virtual Cockpit, which shows all the information you need directly behind the steering wheel, on a single dynamic display. The result is a cleaner and crisper instrument panel.

With a stroke of inspiration, the air conditioning controls and optional digital displays are housed within the iconic round air vents.

Standard Sport seats in Alcantara/leather with integrated headrests complete the cabin's look: sharp, minimalist, sporty.

# Audi Virtual Cockpit

## Visible innovation

The Audi Virtual Cockpit, first featured in the Audi TT, sets new standards.

Located directly behind the steering wheel, a 1,440 x 540 pixel, 12.3" digital screen shows all information directly in front of the driver.

Operated via the MMI Touch button, voice control and the multi-function steering wheel, the display can be switched between 'classic', with prominent speedometer and rev counter,

or 'infotainment', which brings functions such as the navigation map or media to the fore. And in the TTS there is a unique screen showcasing a rev counter in the centre of the virtual cockpit.

With high-quality graphics, a 3D impression and highly detailed effects, the Audi Virtual Cockpit is the embodiment of the TT's technological innovation.







### Switch views at the touch of a button

Drivers can choose their preferred view but switch easily as required, simply by pressing the 'view' button on the multi-function steering wheel.



### Ultimate driver control

The Audi Virtual Cockpit can be controlled using the multi-function steering wheel, voice-control or MMI Touch – the touch-sensitive panel on the rotary/push-button in the centre console which enables you to enter letters and digits with your fingers – allowing for intuitive operation without taking your eyes off the road.

# Audi Connect



## Stay networked on the move

Being inside your car shouldn't mean losing touch with the outside world. That's why, with the optional Audi Connect, the TT creates a link between you and the internet.

With 4G internet access in your car,\* you can go online to access information, entertainment and Google Earth™ navigation maps by scrolling, tapping or speaking your commands. Audi Connect can even find you the cheapest fuel price in your area. And, with a wireless hotspot within the car, passengers can connect their mobile devices – to browse the internet, download emails, or access social media.

With Audi Connect, the world stays at your fingertips.

\*Please note that an external data source is required to enable Audi Connect online services. Terms and conditions apply to certain Audi Connect functions. Please see page 99 for additional information. \*Only available with compatible mobile phones and software versions, please see [www.audi.co.uk/phonecompatibility](http://www.audi.co.uk/phonecompatibility)





### Wi-Fi hotspot

Connects your mobile devices to the internet



### Email

Your emails can be transmitted to your Audi MMI and read out conveniently\*



### Online media streaming

Pairing a smartphone with the Audi Music stream app offers access to worldwide radio stations and music stored on the smartphone



### Twitter

Enables you to tweet and receive updates on the move, with text-to-speech and other convenient text functions



### Weather information

Gives you forecasts and maps for your chosen destination



### Map update

The map version delivered can be updated free of charge with the first five navigation updates which are issued at intervals of 6 months



### Access smartphone voice control

Such as Siri (iPhone 4S and higher). By pressing and holding the voice control button on the multi-function leather steering wheel you can access the voice control function of the Bluetooth-connected smartphone directly, even while driving



### News online (individual)

Text and images from your favourite news sources with text-to-speech function



### City events

Up-to-date information about events happening at your destination



### Points-of-interest

Search Google™ using voice control



### Traffic information online

Complements the dynamic route guidance with real-time traffic flow information for individual stretches of road



### myAudi – special destinations

Import individual points-of-interest (POI) lists to your Satellite Navigation system via the myAudi portal



### Train information

Find departure and arrival times and platform information while you're on the road (also available for other types of public transport such as underground systems)



### Country-specific information

The legal regulations for a specific country, such as speed limits or whether it is compulsory to carry a high-visibility vest or display a motorway toll sticker, are displayed when crossing a border



### Fuel prices

Information on filling stations with the cheapest prices in your selected search area



### Parking information

Helps you find car parks nearby and, where available, information on prices and currently vacant spaces



### Flight information

Get information about departure and arrival times as well as the corresponding gates and search directly for flight numbers



### Navigate with Google Earth™ and Google Street View™

Uses high-resolution aerial and satellite images as well as photos to guide you to your destination



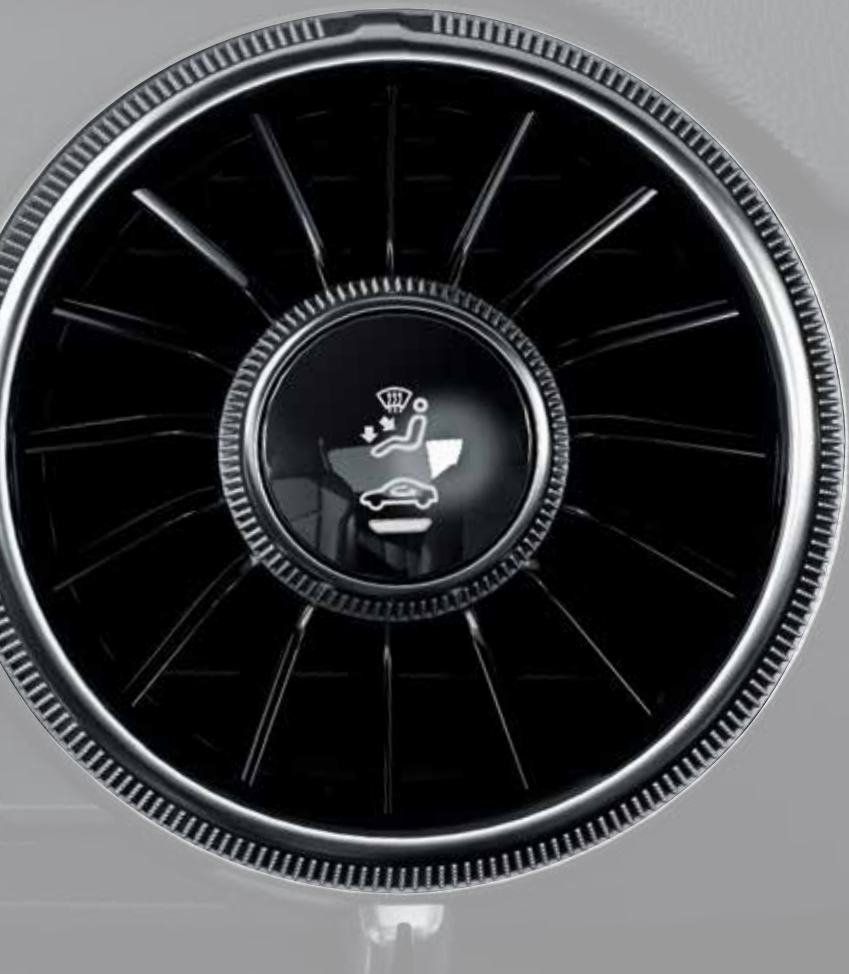
### Destination entry via myAudi or Google Maps™

If required, navigation destinations can be conveniently planned on your PC or smartphone. myAudi and Google Maps™ allow individual navigation destinations to be sent to the vehicle. When you start your journey, these can be easily loaded as your destination

# Technology







We're always improving our technology to enhance the way it feels to drive our cars. So in the Audi TT, you can take advantage of our optional climate control, navigation and sound systems – all designed to fit seamlessly into the new, redesigned interior.

### **Climate control**

With an aviation inspired, turbine-like look, the round air vents exemplify the TT's interior design. The optional deluxe climate control (available also as part of the Comfort and Sound package) adds distinctive digital displays that are integrated within the air vents. Electronic regulation of the air temperature is also a feature and, if optional seat heating is selected, the controls for this can be found in the driver's and passenger's side air vents.



### **MMI Navigation Plus**

With optional MMI Navigation Plus, the navigation system is integrated into the stunning 12.3" Audi Virtual Cockpit to offer a 3D map display. It enables you to set your destination by simply writing characters on the touchpad or by saying a town or street name, so you don't need to divert your eyes from the road.

MMI Navigation Plus is available as part of the Technology Package with Audi Connect.



### **Bang & Olufsen sound system**

With a 680 watt, 14-channel amplifier and 12 optimally placed loudspeakers, the Audi TT's optional Bang & Olufsen system offers our most premium sound experience.

When combined with the Technology Package, this system delivers high-definition, 5.1 surround sound which, thanks to the standard active VNC (Vehicle Noise Compensation), reduces the impact of internal or external ambient noise.

But it's not just about listening pleasure: every visible part of the system is designed to integrate elegantly into the car's sleek cabin.

# Sport model equipment

All TT Sport models have the following items of standard equipment

## Wheels, tyres and suspension

18" x 8.5J '10-spoke' design alloy wheels with 245/40 R18 tyres

**Audi Drive Select with four pre-configured modes** – Auto, Comfort, Dynamic, Efficiency and an Individual mode, allowing the driver to electronically adjust the engine, transmission and steering. Modes can be selected via a button in the centre console or via the MMI system

Anti-theft wheel bolts

Tyre repair kit

Electromechanical parking brake

**Progressive steering** – increases the vehicle's agility when cornering and reduces steering work when parking – can be configured via Audi Drive Select thanks to variable steering ratio

**Start-Stop system** with energy recuperation

## Audio and communication

**Audi Virtual Cockpit** – 12.3" high resolution LCD display. The fully digital instrument cluster is customisable by the driver. All the functions and services are depicted using superb graphics with a 3D impression and detailed effects in brilliant clarity

**Audi Music Interface** – for the connection of portable media players via USB interface (including charging function)

**MMI radio which includes:**

- Single CD player and two SDXC memory card readers (MP3, WMA and ACC compatible)
- MMI control panel with MMI Touch – a touch sensitive control panel that enables the driver to enter letters and digits using their fingers
- TP memo, which automatically saves traffic news when driving
- FM and AM (MW) radio reception
- 8 passive speakers

## DAB digital radio

**Bluetooth mobile telephone preparation** – for hands-free mobile phone connectivity and Bluetooth audio streaming (depending on compatibility of mobile phone and software version, please visit [www.audi.co.uk/phonecompatibility](http://www.audi.co.uk/phonecompatibility))

**Seat belt microphone** – integrated into the seat belt to improve voice quality while making a call using a Bluetooth bonded telephone (Roadster only)



18" x 8.5J '10-spoke' design alloy wheels



Audi Virtual Cockpit



Xenon headlight with LED daytime-running light

### Exterior equipment

**Fully automatic acoustic hood** made from insulated, three-layered fabric. Opens and closes in just 10 seconds up to road speeds of 31mph (Roadster only)

**Xenon headlights with LED daytime-running lights** with automatic headlight range control. Also includes LED rear lights, brake lights and rear indicators

**Door mirrors** – electrically adjustable and heated with built-in LED side indicators and painted in body colour

**Retractable rear spoiler** – deploys and retracts automatically at set speed or when the centre console button is pushed

### Interior equipment

**3-spoke flat-bottomed leather-trimmed multi-function Sport steering wheel** – includes speech dialogue system, adjustable in height and distance. With gear-shift paddles on S tronic models

**Manual air conditioning** with adjustable controls integrated directly in the air vents

**Front centre armrest**

**Inlays in aluminium design**

**Aluminium door sill trims**

**Non-smoking package** – includes standard 12V socket

### Seats

**Front Sport seats with integrated head restraints** with manual forwards, backwards and backrest angle adjustment (on driver's and front passenger's side)

**Alcantara/leather upholstery**

- Seat centre panels and door trim inserts in black Alcantara

- Seat side bolsters and head restraints in black leather

**ISOFIX child seat mounting** for front passenger seat (with airbag deactivation) and outer rear seats. Including Top Tether attachment point

**Split-folding rear seat** (Coupé only)

### Safety and security

**Cruise control** – maintains any speed above 18mph, provided that the engine power output and engine braking effect permit it. Operated via separate steering column stalk, with set speed displayed in the Audi Virtual Cockpit

**Roll-over bars** – enhance safety for the driver and front passenger (Roadster only)

**Front airbags** with front passenger deactivation

**Tool kit, warning triangle and car jack**

**Keyless go** – allows engine to be started by simply pressing the start/stop button in the centre console

**Anti theft alarm**

**First aid kit**

**Tyre pressure loss indicator**

**Audi lane assist** including windscreen sunband (2.0 TFSI and TTS only)



Fully automatic acoustic hood



3-spoke multi-function steering wheel\*



Manual air conditioning

\*Image shown also features aluminium footrest. On UK models this will be black.



# S line model equipment

## In addition to Sport model equipment

Total RRP inc VAT\*  
£2,550.00

### Wheels, tyres and suspension

19" x 9.0J '5-arm Star' design alloy wheels with 245/35 R19 tyres

Optional S line Sport suspension – lowered by 10mm

### Exterior equipment

**All-weather LED headlights.** LED technology provides lower energy consumption than conventional headlights and enhanced contrast with a colour similar to daylight, for increased safety and good recognition by other road users. Includes all-weather light function to reduce the risk of the driver being dazzled when visibility is poor (in fog, rain or snow). Also includes Headlight cleaning system

**LED tail lights** including LED dynamic rear indicators

**S line badges on the front wings**

**Radiator grille** in high-gloss black

**S line body styling comprising:**

- S line front and rear bumpers
- S line side sills
- S line rear diffuser with platinum grey insert

### Interior equipment

**S line badge** on the steering wheel

**Extended aluminium look in the interior** with pedals in stainless steel

**Inlays** in matt-brushed aluminium

**Door sill trims** with S line logo

**Gear lever knob** in black perforated leather

**Black headlining**

### Seats

**Black Alcantara/leather upholstery** with 'S' embossing and contrasting silver stitching on the upholstery, steering wheel and gear knob gaiter

**Electric 4-way lumbar support** – for front seats

### Safety and security

**Light and rain sensors** – automatically switches the dipped beam headlights and windscreen wipers on/off depending on the light and rain conditions. Includes coming home/leaving home function which delays the deactivation of the front and rear lights after locking and automatic activation of the lights when unlocking. Also includes windscreen sunband



19" x 9.0J '5-arm Star' design alloy wheels



All-weather LED headlights



LED tail lights including LED dynamic rear indicators



Image shows TT S line models in optional Daytona grey, pearl effect paint (6Y) with optional 20" x 9.0J '10-Y-spoke' design alloy wheels (CE5) on the Coupé and 19" x 9.0J '5-spoke Blade' design wheels (C5H) on the Roadster

# Black Edition model equipment

In addition or replacement to S line

Total RRP inc VAT\*  
£1,600.00

## Wheels, tyres and suspension

19" x 9.0J '5-spoke-blade' design  
Audi Sport alloy wheels  
in black gloss with 245/35 R19 tyres

## Exterior equipment

**Black styling pack** – adds black highlights to the exterior, including the radiator grille and front and rear bumpers

**Privacy glass** – dark-tinted rear and rear-side windows from B-pillar backwards (Coupé only)

**Wind deflector** with electric retraction and extension, reduces the draughts in the interior and thus ensures greater driving comfort (Roadster only)

**Black door mirrors**

## Audio and communication

**Bang & Olufsen sound system** – features 12 high-performance speakers and a 14-channel amplifier with a total power of 680 watts. The system is equipped with VNC (Vehicle Noise Compensation), which, through the on-board microphone detects the sound reproduced and compensates for external and internal noise. 5.1 surround sound is possible when combined with Technology Package (WB4)



19" x 9.0J '5-spoke-blade' design Audi Sport alloys wheels



Bang & Olufsen sound system



Privacy glass (Coupé only)





Image shows TT Black Edition models in optional Scuba blue, metallic paint (S9)

# TTS quattro model equipment

## In addition to Sport model equipment

### Wheels, tyres and suspension

19" x 9.0J '5-parallel-spoke Star' design alloy wheels  
245/35 R19 tyres

#### Audi Magnetic Ride with vehicle lowering:

- Audi Magnetic Ride continuously adapts the suspension damping to the changing driving situation
- It does this automatically and in just a fraction of a second by means of an electronically controlled magnetic field
- The body is 10mm lower than the Audi TT suspension, creating an even sportier driving feel

### Audio and communication

#### Audi Sound System. Features:

- 9 speakers in total including centre speaker and two bass speakers in the doors
- 5-channel amplifier with a total output of 155 watts

Audi Virtual Cockpit with a TTS specific screen

### Exterior equipment

**All-weather LED headlights.** LED technology provides lower energy consumption than conventional headlights and enhanced contrast with a colour similar to daylight, for increased safety and good recognition by other road users. Includes all-weather light function to reduce the risk of the driver being dazzled when visibility is poor (in fog, rain or snow). Also includes Headlight cleaning system

**LED tail lights** including LED dynamic rear indicators

#### 'S' design body styling comprising:

- Audi Single-frame grille in Platinum grey featuring horizontal double struts in aluminium-look as well as a TTS emblem
- TTS front bumper with accentuated side air inlets with horizontal aluminium-look slats and side sill trims
- TTS rear bumper incorporating a diffuser insert in Platinum grey with a surround in aluminium-look

**Brake calipers painted black with TTS logo**

**Door sill trims with aluminium inlay and TTS logo**

### Interior equipment

**Auto-dimming rear-view mirror**

**Coloured interior elements** in quartz anthracite: on the side of seat, sides of the centre console and air vents

**Foot pedals in stainless steel**

**Inlays in matt-brushed aluminium**

**Flat-bottomed TTS Sport 3-spoke contour leather multi-function steering wheel**, with more heavily contoured steering wheel rim and TTS badging

### Seats

**Super Sport seats** upholstered in Fine Nappa leather with S embossing

- Manual adjustment of the seat height, front and back position, seat angle and backrest angle
- Electric 4-way lumbar support

#### Heated front seats

**Leather package** – armrests in the doors, door pull handles, trim on the centre console and instrument panel cover in black leather

### Safety and security

**Audi lane assist** – helps the driver stay in lane by gentle steering intervention, particularly useful on motorways. Can be used between speeds of 37-155mph\*

**Light and rain sensors** – automatically switches the dipped beam headlights and windscreen wipers on/off depending on the light and rain conditions. Includes coming home/leaving home function which delays the deactivation of the front and rear lights after locking and automatic activation of the lights when unlocking. Also includes windscreen sunband



19" x 9.0J '5-parallel-spoke Star' design alloy wheels



Brake calipers painted in black with TTS logo



TTS rear bumper incorporating a diffuser insert in Platinum grey with a surround in aluminium look



Image shows TTS models in Tango red, metallic paint (Y1) with optional 20" x 9.0J '10-Y-spoke' design alloy wheels (CE5) on the Coupé



# TTS quattro Black Edition model equipment

In addition or  
replacement  
to TTS quattro

Total RRP inc VAT\*  
£1,600.00

## Wheels, tyres and suspension

19" x 9.0J '5-spoke-blade' design  
Audi Sport alloy wheels  
in black gloss with 245/25 R19 tyres

## Exterior equipment

**Black styling pack** – adds black highlights to the exterior, including the radiator grille and front and rear bumpers

**Privacy glass** – dark-tinted rear and rear-side windows from B-pillar backwards (Coupé only)

**Wind deflector** with electric retraction and extension, reduces the draughts in the interior and thus ensures greater driving comfort (Roadster only)

**Black door mirrors**

## Audio and communication

**Bang & Olufsen sound system** – features 12 high-performance speakers and a 14-channel amplifier with a total power of 680 watts. The system is equipped with VNC (Vehicle Noise Compensation), which, through the on-board microphone detects the sound reproduced and compensates for external and internal noise. 5.1 surround sound is possible when combined with Technology Package (WB4)



19" x 9.0J '5-spoke-blade' design Audi Sport alloys wheels\*



Bang & Olufsen sound system



Privacy glass (Coupé only)



Image shows TTS models in optional Nano grey, metallic paint (0C) with optional brake calipers painted in red with TTS logo (PC2)

## TT Coupé Sport

Engines	Power	Transmissions	CO <sub>2</sub> g/km*	Total RRP inc VAT <sup>^</sup>	Recommended OTR <sup>†</sup>
1.8 TFSI	180PS	6-speed manual	138	£26,770.00	£27,585.00
2.0 TFSI	230PS	6-speed manual	141	£29,820.00	£30,650.00
2.0 TFSI	230PS	6-speed S tronic	150	£31,300.00	£32,130.00
2.0 TFSI quattro	230PS	6-speed S tronic	153	£32,730.00	£33,600.00
2.0 TDI ultra	184PS	6-speed manual	117	£29,860.00	£30,545.00

## TT Coupé S line

Engines	Power	Transmissions	CO <sub>2</sub> g/km*	Total RRP inc VAT <sup>^</sup>	Recommended OTR <sup>†</sup>
1.8 TFSI	180PS	6-speed manual	138	£29,320.00	£30,135.00
2.0 TFSI	230PS	6-speed manual	141	£32,370.00	£33,200.00
2.0 TFSI	230PS	6-speed S tronic	150	£33,850.00	£34,680.00
2.0 TFSI quattro	230PS	6-speed S tronic	153	£35,280.00	£36,150.00
2.0 TDI ultra	184PS	6-speed manual	117	£32,410.00	£33,095.00

## TT Coupé Black Edition

Engines	Power	Transmissions	CO <sub>2</sub> g/km*	Total RRP inc VAT <sup>^</sup>	Recommended OTR <sup>†</sup>
1.8 TFSI	180PS	6-speed manual	138	£30,920.00	£31,735.00
2.0 TFSI	230PS	6-speed manual	141	£33,970.00	£34,800.00
2.0 TFSI	230PS	6-speed S tronic	150	£35,450.00	£36,280.00
2.0 TFSI quattro	230PS	6-speed S tronic	153	£36,880.00	£37,750.00
2.0 TDI ultra	184PS	6-speed manual	117	£34,010.00	£34,695.00

\*Please note: Values based on standard EU test figures for comparative purposes and may not reflect real driving results.

The maximum power output figures are quoted in PS (or Pferdestärke, which is the metric equivalent of brake horsepower). To convert to brake horsepower, divide the PS figure by 1.0139.

## TT Roadster Sport

Engines	Power	Transmissions	CO <sub>2</sub> g/km*	Total RRP inc VAT <sup>^</sup>	Recommended OTR <sup>†</sup>
1.8 TFSI	180PS	6-speed manual	142	£28,385.00	£29,215.00
2.0 TFSI	230PS	6-speed manual	144	£31,570.00	£32,400.00
2.0 TFSI	230PS	6-speed S tronic	155	£33,050.00	£33,920.00
2.0 TFSI quattro	230PS	6-speed S tronic	158	£34,480.00	£35,350.00
2.0 TDI ultra	184PS	6-speed manual	121	£31,610.00	£32,295.00

## TT Roadster S line

Engines	Power	Transmissions	CO <sub>2</sub> g/km*	Total RRP inc VAT <sup>^</sup>	Recommended OTR <sup>†</sup>
1.8 TFSI	180PS	6-speed manual	142	£30,935.00	£31,765.00
2.0 TFSI	230PS	6-speed manual	144	£34,120.00	£34,950.00
2.0 TFSI	230PS	6-speed S tronic	155	£35,600.00	£36,470.00
2.0 TFSI quattro	230PS	6-speed S tronic	158	£37,030.00	£37,900.00
2.0 TDI ultra	184PS	6-speed manual	121	£34,160.00	£34,845.00

## TT Roadster Black Edition

Engines	Power	Transmissions	CO <sub>2</sub> g/km*	Total RRP inc VAT <sup>^</sup>	Recommended OTR <sup>†</sup>
1.8 TFSI	180PS	6-speed manual	142	£32,535.00	£33,365.00
2.0 TFSI	230PS	6-speed manual	144	£35,720.00	£36,550.00
2.0 TFSI	230PS	6-speed S tronic	155	£37,200.00	£38,070.00
2.0 TFSI quattro	230PS	6-speed S tronic	158	£38,630.00	£39,500.00
2.0 TDI ultra	184PS	6-speed manual	121	£35,760.00	£36,445.00

<sup>^</sup>Total RRP inc VAT - Recommended Retail Price including VAT which is calculated at 20%. This may alter to reflect any change in the applicable VAT rate.

<sup>†</sup>Recommended On-The-Road (OTR) retail prices include: delivery charge, half a tank of fuel, number plates at £630.00 (inc. VAT), Road Fund Licence (which may vary depending on model/transmission - see page 98 for details) and first registration fee at £55.00. Vehicle Excise Duty correct at time of going to print, but this may alter to reflect any change in the applicable VED rate.



## TTS Coupé

Engines	Power	Transmissions	CO <sub>2</sub> g/km*	Total RRP inc VAT <sup>^</sup>	Recommended OTR <sup>†</sup>
TTS quattro	310PS	6-speed manual	168	£38,700.00	£39,685.00
TTS quattro	310PS	6-speed S tronic	159	£40,180.00	£41,050.00

## TTS Coupé Black Edition

Engines	Power	Transmissions	CO <sub>2</sub> g/km*	Total RRP inc VAT <sup>^</sup>	Recommended OTR <sup>†</sup>
TTS quattro	310PS	6-speed manual	168	£40,300.00	£41,285.00
TTS quattro	310PS	6-speed S tronic	159	£41,780.00	£42,650.00

\*Please note: Values based on standard EU test figures for comparative purposes and may not reflect real driving results.

The maximum power output figures are quoted in PS (or Pferdestärke, which is the metric equivalent of brake horsepower). To convert to brake horsepower, divide the PS figure by 1.0139.

## TTS Roadster

Engines	Power	Transmissions	CO <sub>2</sub> g/km*	Total RRP inc VAT <sup>^</sup>	Recommended OTR <sup>†</sup>
TTS quattro	310PS	6-speed manual	173	£40,450.00	£41,435.00
TTS quattro	310PS	6-speed S tronic	163	£41,930.00	£42,800.00

## TTS Roadster Black Edition

Engines	Power	Transmissions	CO <sub>2</sub> g/km*	Total RRP inc VAT <sup>^</sup>	Recommended OTR <sup>†</sup>
TTS quattro	310PS	6-speed manual	173	£42,050.00	£43,035.00
TTS quattro	310PS	6-speed S tronic	163	£43,530.00	£44,400.00

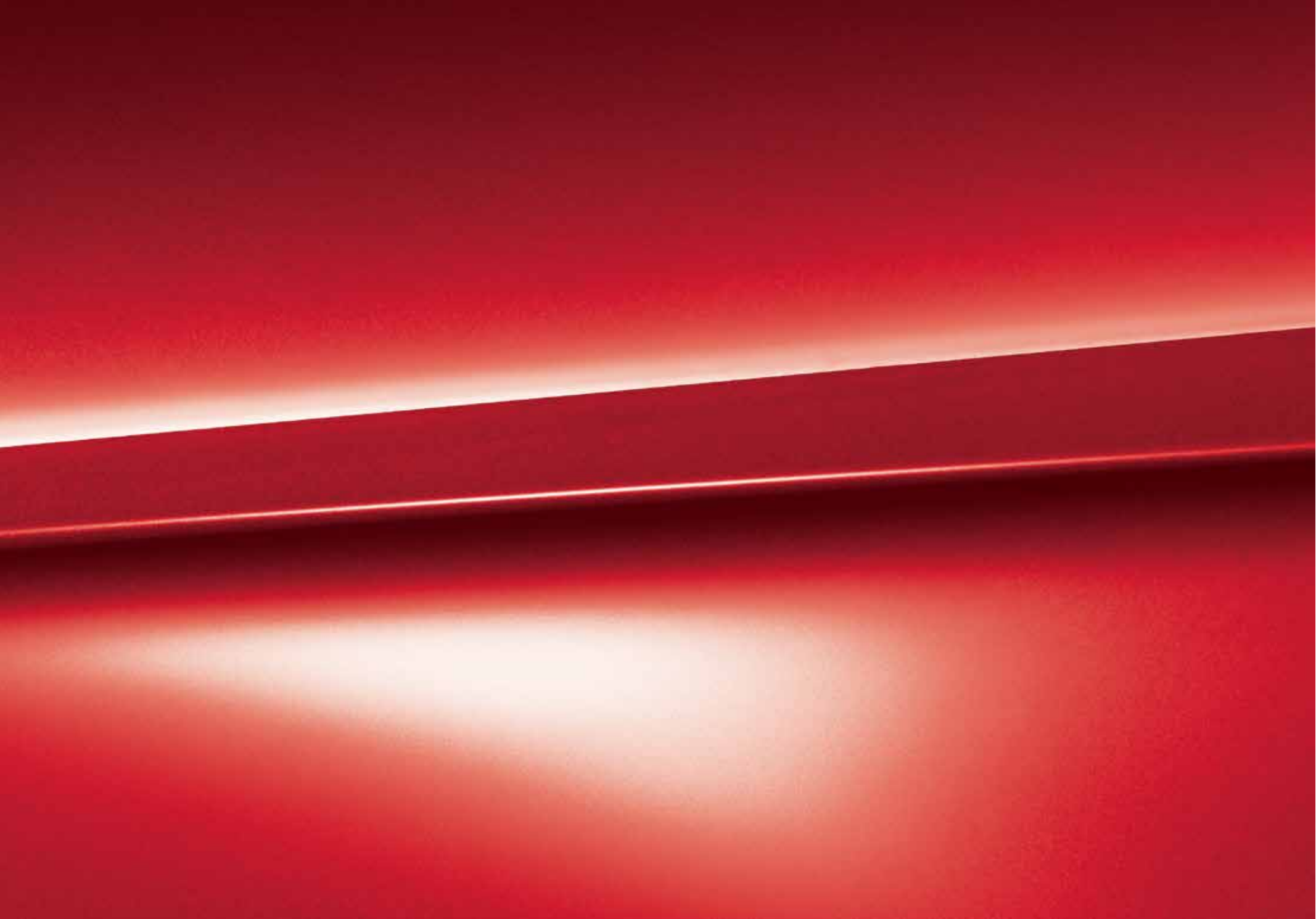
<sup>^</sup>Total RRP inc VAT – Recommended Retail Price including VAT which is calculated at 20%. This may alter to reflect any change in the applicable VAT rate.

<sup>†</sup>Recommended On-The-Road (OTR) retail prices include: delivery charge, half a tank of fuel, number plates at £630.00 (inc. VAT), Road Fund Licence (which may vary depending on model/transmission – see page 98 for details) and first registration fee at £55.00. Vehicle Excise Duty correct at time of going to print, but this may alter to reflect any change in the applicable VED rate.

# Paint

We believe that every part of your car should have a personal touch. Which is why you can choose from a wide range of paint colours, from solid to metallic and pearl-effect finishes.





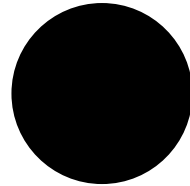
# Paint

You can select one of the standard colours shown opposite or, for a different look, choose from the range of metallic or pearl-effect finishes.

## Standard colours

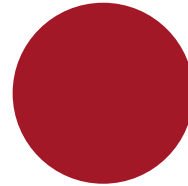


Ibis white - T9

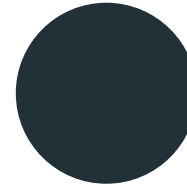


Brilliant black - A2

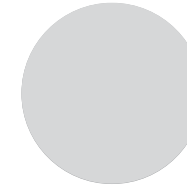
## Optional colours



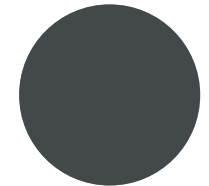
Tango red, metallic - Y1



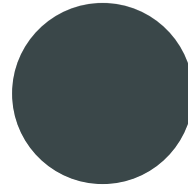
Nano grey, metallic - G3



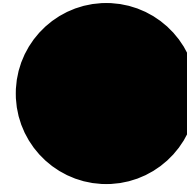
Floret silver, metallic - L5



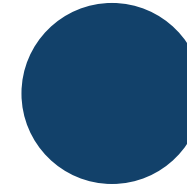
Daytona grey, pearl effect - 6Y



Monsoon grey, metallic - 0C



Mythos black, metallic - 0E



Scuba blue, metallic - S9\*



Glacier white, metallic - 2Y

## S line, Black Edition, TTS and TTS Black Edition colour

Options are subject to availability and may extend time taken for delivery.

All the colour swatches on this page are matched as accurately as possible to the actual paint colours used. However, due to print processes, Audi UK cannot guarantee that colours shown are 100% accurate.

\*Not available on TTS or TTS Black Edition.

Visit your local Audi Centre for a more accurate colour swatch.

\*Total RRP inc VAT - Recommended Retail Price including VAT which is calculated at 20%. This may alter to reflect any change in the applicable VAT rate.

### Optional colours

Total RRP inc VAT†  
£550.00



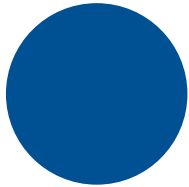
## TTS and TTS Black Edition colours



Vegas yellow - L1

### Vegas yellow

**Total RRP inc VAT\***  
£550.00



Ara blue, crystal effect - K6

### Ara blue

**Total RRP inc VAT\***  
£775.00

## Paint

### Audi exclusive

Everyone has a favourite colour. No matter what yours is, Audi exclusive provides a range of unique colours that have been designed to set your car apart. Choose from the swatches here, or specify any other paint colour in the Audi range.\*

### Customised

If you have a particular colour in mind, we'll mix the exact metallic or pearl-effect shade you want.\*\*

Options are subject to availability and may extend time taken for delivery.

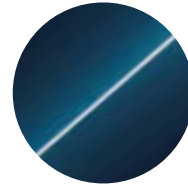
\*Audi exclusive paint is subject to factory approval. Visit your local Audi Centre for colour samples.

\*\*Customised paint is subject to factory approval, and is available for metallic and pearl-effect water-based paints only. Three-colour process colours and two-tone schemes are not available.

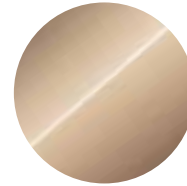
All the colour swatches on this page are matched as accurately as possible to the actual paint colours used. However, due to print processes, Audi UK cannot guarantee that colours shown are 100% accurate.

Visit your local Audi Centre for a more accurate colour swatch.

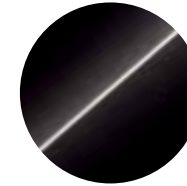
\*Total RRP inc VAT - Recommended Retail Price including VAT which is calculated at 20%. This may alter to reflect any change in the applicable VAT rate.



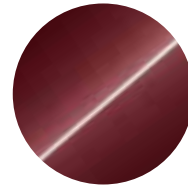
Palace blue, pearl effect



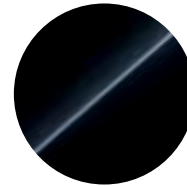
Sand beige, pearl effect



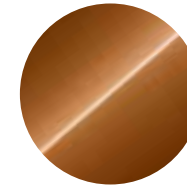
Saddle brown, pearl effect



Classic red, pearl effect



Mamba black, metallic



Ipanema brown, metallic



Any colour in the Audi range or 100 exclusive colours to choose from\*

### Audi exclusive\*

**Total RRP inc VAT\***  
£2,025.00



Customised paint\*\*

### Customised\*\*

**Total RRP inc VAT\***  
£2,525.00

# Hood colours

The fully-automatic acoustic hood is available in the colours opposite, so you can complement your car's exterior and interior.

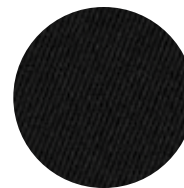
Order Code		Black (PA)	Grey (SW)	Beige (PD)
T9	Ibis white	●	●	●
A2	Brilliant black	●	●	●
Y1	Tango red, metallic	●	●	—
G3	Nano grey, metallic	●	—	●
L5	Floret silver, metallic	●	●	●
0C	Monsoon grey, metallic	●	●	●
0E	Mythos black, metallic	●	●	●
S9	Scuba blue, metallic*	●	●	—
2Y	Glacier white, metallic	●	●	●
6Y	Daytona grey, pearl effect	●	●	●
E9	Sepang blue, pearl effect	●	●	—
L1	Vegas yellow	●	●	—

Options are subject to availability and may extend time taken for delivery.

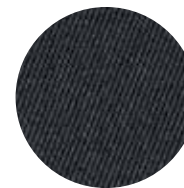
- = Not available
- = Available
- S = Standard

All colour swatches on this page are matched as accurately as possible to the actual upholstery colours used. However, due to print processes, Audi UK cannot guarantee that the colours shown are 100% accurate. Visit your local Audi Centre for a more accurate colour swatch.

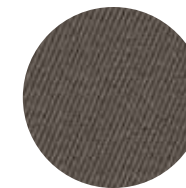
\*Not available on TTS or TTS Black Edition.



Black - PA



Grey - SW



Beige - PD



## Upholstery

Give your seats the look and feel you want with a choice of Alcantara or Fine Nappa leather upholstery in black. Upgrade to Super Sport seats and you'll also be able to choose from a selection of colours designed to complement your interior.







# Upholstery

## TT Sport models with Sport seats

Choose your favourite upholstery from the swatches shown opposite to give your car's interior the look and feel you want.

Alcantara/leather



Black - JN/MI\*

**Sport seats in Alcantara/leather.** Seat centre sections and door trim inserts in Alcantara. Head restraints, seat side bolsters and front centre armrest in leather

Sport	S line	Black Edition	TTS quattro	TTS quattro Black Edition	Total RRP inc VAT <sup>†</sup>
S	-	-	-	-	£0.00

## TT S line and Black Edition models with Sport seats

Alcantara/leather



Black - EI

**Sport seats in Alcantara/leather with 'S' embossing on the front seats.** Seat centre sections and door trim inserts in Alcantara. Head restraints, seat side bolsters and front centre armrest in leather

-	S	S	-	-	£0.00
---	---	---	---	---	-------

Options are subject to availability and may extend time taken for delivery.

- = Not available
- = Available
- S = Standard

All colour swatches on this page are matched as accurately as possible to the actual upholstery colours used. However, due to print processes, Audi UK cannot guarantee that the colours shown are 100% accurate. Visit your local Audi Centre for a more accurate colour swatch.

\*Coupé only.

<sup>†</sup>Total RRP inc VAT - Recommended Retail Price including VAT which is calculated at 20%. This may alter to reflect any change in the applicable VAT rate.

# Upholstery

## Sport seats

Options are subject to availability and may extend time taken for delivery.

- = Not available
- = Available
- S = Standard

All colour swatches on this page are matched as accurately as possible to the actual upholstery colours used. However, due to print processes, Audi UK cannot guarantee that the colours shown are 100% accurate. Visit your local Audi Centre for a more accurate colour swatch.



Sport seat in Alcantara/leather for Sport model

# Upholstery

## TT Sport models with Super Sport seats

Super Sport seats include integrated head restraints, pronounced side bolsters for improved lateral support when cornering, manual seat adjustment with extendable thigh support and electric lumbar support.

## TT S line and Black Edition models with Super Sport seats

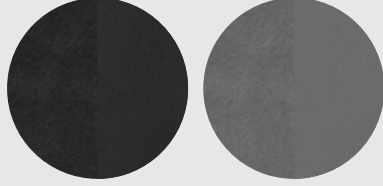


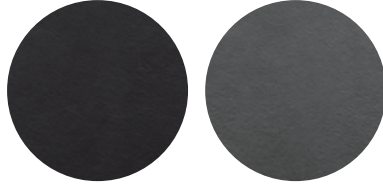
Options are subject to availability and may extend time taken for delivery.

- = Not available  
• = Available  
S = Standard

All colour swatches on this page are matched as accurately as possible to the actual upholstery colours used. However, due to print processes, Audi UK cannot guarantee that the colours shown are 100% accurate. Visit your local Audi Centre for a more accurate colour swatch.

\*Coupé only.

\*Total RRP inc VAT – Recommended Retail Price including VAT which is calculated at 20%. This may alter to reflect any change in the applicable VAT rate.

						Sport	S line	Black Edition	TTS quattro	TTS quattro Black Edition	Total RRP inc VAT <sup>+</sup>
Alcantara/leather	 <p>Black - JN/MI*      Rock grey - NJ/NI*</p>	<p><b>Super Sport seats in Alcantara/leather.</b> Seat centre sections in Alcantara with diamond quilting. Door trim inserts in Alcantara. Head restraints, seat side bolsters and front centre armrest in leather</p>	•	-	-	-	-	-	-	£695.00	
			Fine Nappa leather	 <p>Black - JN/MI*      Rock grey - NJ/NI*      Palomino brown - OD</p>	<p><b>Super Sport seats in Fine Nappa leather.</b> Seat centre sections in Fine Nappa leather with diamond quilting. Door trim inserts in Alcantara. Head restraints, seat side bolsters and front centre armrest in Fine Nappa leather. Rear seats partly in artificial leather</p>	•	-	-	-	-	£1,390.00
Alcantara/leather	 <p>Black with Rock grey stitching - EI      Rotor grey with Anthracite stitching - OQ</p>	<p><b>Super Sport seats in Alcantara/leather with 'S' embossing.</b> Seat centre sections in Alcantara with diamond quilting. Door trim inserts in Alcantara. Head restraints, seat side bolsters and front centre armrest in leather</p>				-	•	•	-	-	£450.00
						Fine Nappa leather	 <p>Black - EI      Rotor grey - OQ</p>	<p><b>Super Sport seats in Fine Nappa leather with 'S' embossing on the front seats.</b> Seat centre sections in Fine Nappa leather with diamond quilting. Door trim inserts in Alcantara. Head restraints, seat side bolsters and front centre armrest in Fine Nappa leather. Rear seats partly in artificial leather</p>	-	•	•



# Upholstery

## Super Sport seats

Options are subject to availability and may extend time taken for delivery.

- = Not available  
• = Available  
S = Standard

All colour swatches on this page are matched as accurately as possible to the actual upholstery colours used. However, due to print processes, Audi UK cannot guarantee that the colours shown are 100% accurate. Visit your local Audi Centre for a more accurate colour swatch.






\*Image shown also includes optional electric front seats and interior elements in Quartz lacquer silver, both of which are available at additional cost.



Super Sport seat in Fine Nappa leather with black upholstery\*

# Upholstery

TTS and TTS Black Edition models with Super Sport seats

							Sport	S line	Black Edition	TTS quattro	TTS quattro Black Edition	Total RRP inc VAT*
Alcantara/leather			<p><b>Super Sport seats in Alcantara/leather</b> with 'S' embossing. Seat centre sections in Alcantara with diamond quilting. Door trim inserts in Alcantara. Head restraints, seat side bolsters and front centre armrest in leather</p>				-	-	-	•	•	£0.00
	Black - XG	Rotor grey - OB										
Fine Nappa leather				<p><b>Super Sport seats in Fine Nappa leather.</b> Seat centre sections in Fine Nappa leather with diamond quilting. Door trim inserts in Alcantara. Head restraints, seat side bolsters and front centre armrest in Fine Nappa leather. Rear seats partly in artificial leather</p>						S	S	£0.00
	Black - XG	Rotor grey - OB	Express red - OH									

Options are subject to availability and may extend time taken for delivery.

- = Not available
- = Available
- S = Standard

All colour swatches on this page are matched as accurately as possible to the actual upholstery colours used. However, due to print processes, Audi UK cannot guarantee that the colours shown are 100% accurate. Visit your local Audi Centre for a more accurate colour swatch.

\*Total RRP inc VAT - Recommended Retail Price including VAT which is calculated at 20%. This may alter to reflect any change in the applicable VAT rate.



# Colour and trim guide

## Interior trim colours

### Sport models with Sport seats

Order Code	Upholstery	Carpet	Dashboard (upper/lower)	Headlining	Alcantara/leather (N7U)
<b>JN</b>	Black	Black	Black/Black	Black	●
<b>MI*</b>	Black	Black	Black/Black	Rock grey	●

### S line and Black Edition models with Sport seats

Order Code	Upholstery	Carpet	Dashboard (upper/lower)	Headlining	Alcantara/leather (N7K)
<b>EI</b>	Black	Black	Black/Black	Black	●

### Sport models with Super Sport seats

Order Code	Upholstery	Carpet	Dashboard (upper/lower)	Headlining	Alcantara/leather (N7U/PS6)	Fine Nappa leather (N3Q/PS6)
<b>JN</b>	Black	Black	Black/Black	Black	●	●
<b>MI*</b>	Black	Black	Black/Black	Rock grey	●	●
<b>NJ</b>	Rock grey	Black	Black/Black	Black	●	●
<b>NI*</b>	Rock grey	Black	Black/Black	Rock grey	●	●
<b>OD</b>	Palomino brown	Black	Black/Black	Black	—	●

### S line and Black Edition models with Super Sport seats

Order Code	Upholstery	Carpet	Dashboard (upper/lower)	Headlining	Alcantara/leather (N7K/PS6)	Fine Nappa leather (N2R/PS6)
<b>EI</b>	Black with Rock grey stitching	Black	Black/Black	Black	●	●
<b>OQ</b>	Rotor grey with Anthracite stitching	Black	Black/Black	Black	●	●

Options are subject to availability and may extend time taken for delivery.

— = Not available  
● = Available  
S = Standard

\*Coupé only.



# Colour and trim guide

## Interior trim colours

TTS and TTS Black Edition models with Sport seats

Order Code	Upholstery	Carpet	Dashboard (upper/lower)	Headlining	Alcantara/leather (NK7)	Fine Nappa leather (N2R)
XG	Black	Black	Black/Black	Black	●	●
OB	Rotor grey	Black	Black/Black	Black	●	●
OH	Express red	Black	Black/Black	Black	—	●

## Seat options

Order Code		Sport	S line	Black Edition	TTS quattro	TTS quattro Black Edition	Total RRP inc VAT*
7P1	<b>Electric lumbar support.</b> For front seats with horizontal and vertical adjustment	●	S	S	S	S	£245.00
4A3	<b>Heated front seats.</b> Individually controlled variable temperature adjustment for driver and front passenger seats	●	●	●	S	S	£325.00
3PK	<b>Electric front seats.</b> Includes adjustment for height, forwards and backwards position and backrest angle and pneumatic adjustment of backrest side bolsters as well as pneumatic lumbar support. Only in combination with Super Sport seats (PS6)	●	●	●	●	●	£995.00

## Extended leather packs

Options are subject to availability and may extend time taken for delivery.

- = Not available
- = Available
- S = Standard

\*Total RRP inc VAT – Recommended Retail Price including VAT which is calculated at 20%. This may alter to reflect any change in the applicable VAT rate.

Order Code		Sport	S line	Black Edition	TTS quattro	TTS quattro Black Edition	Total RRP inc VAT*
7HB	<b>Leather package.</b> Armrests in the doors, door pull handles and trim on the centre console in black leather	●	●	●	—	—	£395.00
7HC	<b>Extended leather package in black leather.</b> Armrests in the doors, door pull handles, trim on the centre console and instrument panel cover in black leather	●	●	●	S	S	£595.00
7HD	<b>Extended leather package in colour-coordinated leather.</b> Armrests in the doors, door pull handles, trim on the centre console and instrument panel cover colour-coordinated to the respective interior colour with steering wheel collapsible collar trim in black leather. Only available with Super Sport seats (PS6). Not available with black upholstery	●	●	●	—	—	£695.00
		—	—	—	●	●	£100.00

# Upholstery

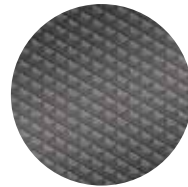
## Audi design selection

The Audi design selection includes some of our most striking design features, all of which have been selected by our experts. This package is exclusively available with the TT Coupé and TTS Coupé.

Order Code	Sport	S line	Black Edition	TTS quattro	TTS quattro Black Edition	Total RRP inc VAT*
<b>Audi design selection package in Murillo brown</b> – only available for TT Coupé and TTS Coupé. Includes the following equipment items: - Front Super Sport seats - Seat centre panel, seat side bolster and head restraints in Murillo brown Fine Nappa leather	●	-	-	-	-	£2,995.00
<b>PEP</b> - Door and side panel trim inserts in Murillo brown Alcantara - Centre armrest in Murillo brown leather, with contrasting stitching in Steel grey - Armrests in the doors and door pull handles, centre console trim and instrument panel cover in Stone grey leather, with contrasting stitching in Murillo brown - Aluminium drift anthracite inlays - Floor mats in black-Murillo brown with piping in black	-	-	-	●	●	£1,095.00



Fine Nappa leather, Murillo brown with Steel grey stitching – OE



Aluminium drift anthracite inlays



Audi design selection package in Murillo brown



Inlays in Aluminium drift anthracite



Front Super Sports seats in Murillo brown with Steel grey stitching

Options are subject to availability and may extend time taken for delivery.

- = Not available
- = Available
- S = Standard

All colour swatches on this page are matched as accurately as possible to the actual upholstery colours used. However, due to print processes, Audi UK cannot guarantee that the colours shown are 100% accurate. Visit your local Audi Centre for a more accurate colour swatch.

\*Total RRP inc VAT – Recommended Retail Price including VAT which is calculated at 20%. This may alter to reflect any change in the applicable VAT rate.

# Upholstery

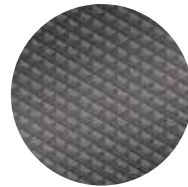
## Audi design selection

The Audi design selection includes some of our most striking design features, all of which have been selected by our experts. And because this package is exclusively available with the TT Roadster and TTS Roadster, it promises to give your car a look that's as unique as it is sophisticated.

Order Code	Sport	S line	Black Edition	TTS quattro	TTS quattro Black Edition	Total RRP inc VAT*
<b>Audi design selection package in Admiral blue</b> – only available for TT Roadster and TTS Roadster. Includes the following items of equipment:						
- Front Super Sports seats	●	-	-	-	-	£2,995.00
- Seat centre panel, seat side bolster and head restraints in Admiral blue Fine Nappa leather with contrasting stitching in anthracite						
<b>PEP</b>						
- Door and side panel trim inserts in Admiral blue Alcantara						
- Centre armrest in Admiral blue leather, with contrasting stitching in anthracite						
- Armrests in the doors and door pull handles, centre console trim and instrument panel cover in Stone grey leather, with contrasting stitching in anthracite blue						
- Aluminium drift anthracite inlays	-	-	-	●	●	£1,095.00
- Floor mats in black-Admiral blue with piping in black						



Fine Nappa leather, Admiral blue with anthracite stitching – OG



Aluminium drift anthracite inlays



Audi design selection package in Admiral blue



Door panel trim inserts in Admiral blue Alcantara



Audi design selection package in Admiral blue

Options are subject to availability and may extend delivery.

- = Not available
- = Available
- S = Standard

All colour swatches on this page are matched as accurately as possible to the actual upholstery colours used. However, due to print processes, Audi UK cannot guarantee that the colours shown are 100% accurate. Visit your local Audi Centre for a more accurate colour swatch.

\*Total RRP inc VAT – Recommended Retail Price including VAT which is calculated at 20%. This may alter to reflect any change in the applicable VAT rate.

## Interior styling

Our interior elements packages enhance your Super Sport seats with your chosen finish on the seat sides, as well as bringing a distinctive look to the centre console and air vents. Combined with inlays for a unique finishing touch, they ensure your Audi TT will be just as eye-catching on the inside as it is on the outside.



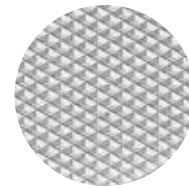




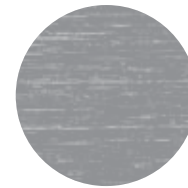
# Inlays

Inlays are the all-important finishing touch that add flair and interest to your car's interior.

Order Code		Sport	S line	Black Edition	TTS quattro	TTS quattro Black Edition	Total RRP inc VAT*
<b>5TH</b>	<b>Aluminium drift silver</b>	S	–	–	–	–	£0.00
<b>5TG</b>	<b>Matt-brushed aluminium</b>	–	S	S	S	S	£0.00



Aluminium drift silver – 5TH



Matt-brushed aluminium – 5TG

Options are subject to availability and may extend time taken for delivery.

- = Not available
- = Available
- S = Standard

All the inlay swatches on this page are matched as accurately as possible to the actual inlays colours used. However, due to print processes, Audi UK cannot guarantee that colours shown are 100% accurate.

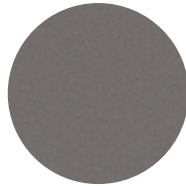
\*Total RRP inc VAT – Recommended Retail Price including VAT which is calculated at 20%. This may alter to reflect any change in the applicable VAT rate.



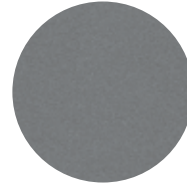
# Interior elements

Personalise your TT's interior further with our interior elements options for the optional Super Sport seats. They add your chosen finish on the seat sides, the edges of the centre console and air vents.

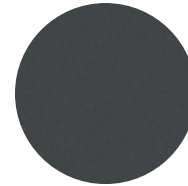
Order Code		Sport	S line	Black Edition	TTS quattro	TTS quattro Black Edition	Total RRP inc VAT*
<b>OUF</b>	<b>Interior elements in Fine lacquer bronze*</b>	●	—	—	—	—	£250.00
<b>OUL</b>	<b>Interior elements in Fine lacquer metal grey*</b>	●	—	—	—	—	£250.00
<b>OIJ</b>	<b>Interior elements in Fine lacquer anthracite*</b>	—	●	●	S	S	£250.00
<b>OJK</b>	<b>Interior elements in Fine lacquer silver*</b>	—	●	●	●	●	£250.00



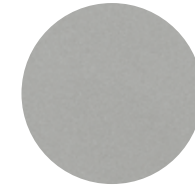
Interior elements in  
Fine lacquer bronze – **OUF\***



Interior elements in  
Fine lacquer metal grey – **OUL\***



Interior elements in  
Fine lacquer anthracite – **OIJ\***



Interior elements in  
Fine lacquer silver – **OJK\***

Options are subject to availability and may extend time taken for delivery.

— = Not available  
● = Available  
S = Standard

All the interior elements swatches on this page are matched as accurately as possible to the actual colours used. However, due to print processes, Audi UK cannot guarantee that the colours shown are 100% accurate. Visit your local Audi Centre for a more accurate colour swatch.

\*Only in combination with Super Sport seats.

\*Total RRP inc VAT – Recommended Retail Price including VAT which is calculated at 20%. This may alter to reflect any change in the applicable VAT rate.





## Options

Every driver has different needs, which is why we have created some useful options to further enhance your car. For extra comfort, support, style or function, you can choose from a variety of additional features, tailoring everything from your infotainment and audio equipment to your wheels and lighting.





## Wheels, tyres and suspension

Choose a set of specially selected alloy wheels to subtly enhance the way your car looks.



18" x 8.5J '10-spoke'  
design alloy wheels - CV8



18" x 8.5J '20-spoke-V'  
design alloy wheels - C3A



18" x 8.5J '5-twin-spoke Dynamic'  
design alloy wheels - C3G



18" x 8.5J '10-V-spoke'  
design alloy wheels - C6C



19" x 9.0J '5-arm Star'  
design alloy wheels - CJ3



19" x 9.0J '5-parallel-spoke Star'  
design alloy wheels - CV9



19" x 9.0J '5-spoke Blade'  
design alloy wheels - C5H



19" x 9.0J '5-twin-spoke'  
design alloy wheels - C5K



20" x 9.0J '10-Y-spoke'  
design alloy wheels - CE5

Options are subject to availability and may extend time taken for delivery.

All alloy wheel images are matched as accurately as possible to the actual colour. However, due to print processes, Audi UK cannot guarantee that colours shown are 100% accurate.



# Wheels, tyres and suspension

Order Code		Sport	S line	Black Edition	TTS quattro	TTS quattro Black Edition	Total RRP inc VAT*
CV8	18" x 8.5J '10-spoke' design alloy wheels with 245/40 R18 tyres	S	–	–	–	–	£0.00
C3A	18" x 8.5J '20-spoke-V' design alloy wheels with 245/40 R18 tyres	●	–	–	–	–	£0.00
C3G	18" x 8.5J '5-twin-spoke Dynamic' design alloy wheels with 245/40 R18 tyres	●	–	–	–	–	£450.00
C6C	18" x 8.5J '10-V-spoke' design alloy wheels with 245/40 R18 tyres	–	●	–	–	–	£0.00
CJ3	19" x 9.0J '5-arm Star' design alloy wheels with 245/35 R19 tyres	–	S	–	–	–	£0.00
F46	19" x 9.0J '5-spoke-Blade' design alloys wheels in black gloss with 245/35 R19 tyres	–	–	S	–	S	£0.00
CV9	19" x 9.0J '5-parallel-spoke Star' design alloy wheels with 245/35 R19 tyres	–	–	–	S	–	£0.00
C5H	19" x 9.0J '5-spoke Blade' design alloy wheels with 245/35 R19 tyres	–	●	–	●	–	£450.00
C5K	19" x 9.0J '5-twin-spoke' design alloy wheels with 245/35 R19 tyres	–	●	–	●	–	£450.00
C5T	19" x 9.0J '5-twin-spoke' design alloys wheels in titanium matt with 245/35 R19 tyres	–	–	●	–	●	£0.00
CE5	20" x 9.0J '10-Y-spoke' design alloy wheels with 255/30 R20 tyres. Only available on TT Coupé and TTS Coupé	–	●	–	●	–	£850.00
CE6	20" x 9.0J '5-V-spoke' design alloy wheels in titanium matt with 255/30 R20 tyres	–	–	●	–	●	£550.00
1BV	S line suspension lowered by 10mm	–	●	●	–	–	£0.00
PC2	Brake calipers painted in red with TTS logo	–	–	–	●	●	£325.00
2MV	Audi Magnetic Ride – improves ride comfort and driving dynamics by regulating the damping forces based on the driving situation; adaptive damper system with three individual suspension settings (Auto/Comfort/Dynamic) operated via Audi Drive Select. The vehicle is also lowered by 10mm	●	●	●	S	S	£1,095.00

Options are subject to availability and may extend time taken for delivery.

– = Not available  
● = Available  
S = Standard

\*Total RRP inc VAT – Recommended Retail Price including VAT which is calculated at 20%. This may alter to reflect any change in the applicable VAT rate.

# Packages

Some items work well together, which is why we've created these special packages.

Order Code	Sport	S line	Black Edition	TTS quattro	TTS quattro Black Edition	Total RRP inc VAT*
WB4	•	•	•	•	•	£1,490.00

**Technology Package featuring Audi Connect.** Utilise the stunning graphics of the Audi Virtual Cockpit with 3D navigation and the addition of Audi Connect to offer internet access on the move. Includes:

**MMI Navigation Plus.** Highlights include: Navigation system integrated into the stunning 12.3" Audi Virtual Cockpit to offer 3D map display, map update service for the first five half-yearly navigation updates, 8 passive loudspeakers, total power of 100 watts, Media jukebox with space for approximately 10GB and album cover display, DVD drive (MP3, WMA, AAC and MPEG-4-compatible) for music CDs and video DVDs, whole-word address input in one sentence using voice control system and MMI Search: Free text search with intelligent suggestions during input

**Audi Connect.** Convenient connection of your vehicle to the internet via an integrated data module with LTE/UMTS connection. Highlights of Audi Connect services include navigation with Google Earth™ and Google Street View™, destination input via myAudi or Google Maps™, access to Twitter, Wi-Fi hotspot, weather and news online and travel information

Please see pages 28, 29 and 99 for a full description of this option including functionality and compatibility details  
**Important connectivity information.** An external data source is required to enable the Audi Connect Online Services. A separate SIM card can be inserted in the SIM card reader

Options are subject to availability and may extend time taken for delivery.

- = Not available
- = Available
- S = Standard

\*Total RRP inc VAT – Recommended Retail Price including VAT which is calculated at 20%. This may alter to reflect any change in the applicable VAT rate.



MMI Navigation Plus – part of the Technology Package

# Packages

Order Code		Sport	S line	Black Edition	TTS quattro	TTS quattro Black Edition	Total RRP inc VAT*
<b>WFS</b>	<b>Open-Top Driving Package.</b> The ultimate package for driving with the top down even in the winter (Roadster only). Includes: <b>Head-level heating.</b> Air vents in the backrests of the front seats provide a warming flow of air at head level. Can be adjusted in three stages using the rotary control in the outer air vents <b>Electrically operated wind deflector.</b> Reduces draughts in the interior. Electrically retracted and extended using a button in the centre console <b>Heated seats.</b> Individually controlled variable temperature adjustment for driver and front passenger seats, controlled via integrated rotary knobs in the outer air vents <b>Super Sport seats.</b> Include integrated head restraints, pronounced side bolsters for improved lateral support when cornering, manual seat adjustment with extendable thigh support and electric lumbar support	●	●	-	-	-	£1,695.00
		-	-	●	-	-	£1,270.00
		-	-	-	●	-	£1,000.00
	In combination with Super Sport seats in Fine Nappa leather	●	●	-	●	-	£1,000.00
		-	-	●	-	-	£675.00

Options are subject to availability and may extend time taken for delivery.

- = Not available
- = Available
- S = Standard

\*Total RRP inc VAT – Recommended Retail Price including VAT which is calculated at 20%. This may alter to reflect any change in the applicable VAT rate.



# Packages

Vehicle driver assistance and safety systems are not a substitute for attentive driving. Drivers retain full responsibility for providing the necessary inputs for safe control of the vehicle. System descriptions within this brochure are provided for information purposes only. System limitations and operational requirements apply. See manual for details.

Options are subject to availability and may extend time taken for delivery.

- = Not available
- = Available
- S = Standard

\*Total RRP inc VAT – Recommended Retail Price including VAT which is calculated at 20%. This may alter to reflect any change in the applicable VAT rate.

Order Code	Sport	S line	Black Edition	TTS quattro	TTS quattro Black Edition	Total RRP inc VAT*
<b>WB3</b>	•	•	-	-	-	£1,460.00
<b>9VS</b>	-	-	-	•	-	£1,190.00

**Comfort and Sound Package.** Combines the ultimate in sound quality together with everyday comfort items. Includes:  
**Bang & Olufsen sound system.** Features 12 high-performance speakers and a 14-channel amplifier with a total power of 680 watts. The system is equipped with VNC (Vehicle Noise Compensation), which, through the on-board microphone detects the sound reproduced and compensates for external and internal noise. 5.1 surround sound is possible when combined with Technology Package (WB4)  
**Deluxe automatic air conditioning with integrated digital displays.** Features digital displays integrated directly in the air vents and electronically regulates the air temperature, air flow rate and air distribution. Automatic recirculation mode by means of air quality sensor, combined filter, and humidity regulation for more efficient climate control  
**Audi parking system, rear.** Makes reverse parking easier by indicating acoustically how far away the vehicle is from an object detected behind it. Measurement is by ultrasonic sensors integrated discreetly in the bumper



Electronic climate control – part of the Comfort and Sound Package



Bang & Olufsen sound system – part of the Comfort and Sound Package





Image shown also features aluminium footrest. On UK models this will be black

# Audio and communication

Stay in touch using our range of communication functions, and give each journey its own soundtrack with our advanced audio equipment.

Order Code		Sport	S line	Black Edition	TTS quattro	TTS quattro Black Edition	Total RRP inc VAT*
<b>9VD</b>	<b>Audi Sound System.</b> Ensures perfectly balanced sound throughout the entire passenger compartment: - 9 speakers in total including centre speaker and two bass speakers in the doors - 5-channel amplifier with a total output of 155 watts	●	●	—	S	—	£270.00
<b>9ZE</b>	<b>Audi Phone Box.</b> Allows phone calls to be made with improved reception quality by placing the mobile phone in the storage compartment provided in the centre console to create a 'wireless' connection to the vehicle aerial. Operated via the MMI control panel or multi-function steering wheel. Wireless charging available (with Qi enabled compatible smartphones) or via USB port. Also provides an additional Bluetooth interface for a second device, meaning two mobile phones can be connected to the vehicle simultaneously. For mobile phone Bluetooth compatibility, please visit your Audi Centre or <a href="http://www.audi.co.uk/phonecompatibility">www.audi.co.uk/phonecompatibility</a>	●	●	●	●	●	£325.00
<b>9VS</b>	<b>Bang &amp; Olufsen sound system.</b> Features 12 high-performance speakers and a 14-channel amplifier with a total power of 680 watts. The system is equipped with VNC (Vehicle Noise Compensation), which, through the on-board microphone detects the sound reproduced and compensates for external and internal noise. 5.1 surround sound is possible when combined with Technology Package (WB4)	●	●	S	—	S	£895.00
		—	—	—	●	—	£625.00

Options are subject to availability and may extend time taken for delivery.

- = Not available
- = Available
- S = Standard

\*Total RRP inc VAT - Recommended Retail Price including VAT which is calculated at 20%. This may alter to reflect any change in the applicable VAT rate.

# Interior equipment

Specify every detail of your car's interior with this range of options.

Options are subject to availability and may extend time taken for delivery.

- = Not available  
 • = Available  
 S = Standard

\*Total RRP inc VAT - Recommended Retail Price including VAT which is calculated at 20%. This may alter to reflect any change in the applicable VAT rate.

Order Code		Sport	S line	Black Edition	TTS quattro	TTS quattro Black Edition	Total RRP inc VAT*
9AK	<b>Deluxe automatic air conditioning with integrated digital displays.</b> Features digital displays integrated directly in the air vents and electronically regulates the air temperature, air flow rate and air distribution. Automatic recirculation mode by means of air quality sensor, combined filter, and humidity regulation for more efficient climate control	•	•	•	•	•	£495.00
9K1	<b>Head-level heating (Roadster only).</b> Air vents in the backrests of the front seats provide a warming flow of air at head level. Can be adjusted in three stages using the rotary control in the outer air vents. Only in combination with heated front seats (4A3)	•	•	•	•	•	£495.00
7S1	<b>Wind deflector</b> with electric retraction and extension, reduces the draughts in the interior and thus ensures greater driving comfort (Roadster only)	•	•	S	•	S	£425.00
QE1	<b>Storage and luggage package</b> provides additional space for storage, including: - Storage nets on the backs of the front seat backrests - Storage net in the front passenger footwell - Storage under the front seats containing two safety vests - A 12V socket and additional LED lighting in the luggage compartment	•	•	•	•	•	£175.00
PU7	<b>Auto-dimming rear-view mirror with Light and rain sensor package.</b> Includes: - A light sensor which detects when the headlights behind are too bright and dims the rear-view mirror automatically - Automatically switches the dipped beam headlights and windscreen wipers on/off depending on the light and rain conditions - Coming home/leaving home function which delays the deactivation of the front and rear lights after locking and automatic activation of the lights when unlocking	•	-	-	-	-	£265.00
QQ1	<b>LED interior lighting package</b> , in addition to the standard interior lighting: - Anti-glare lighting for the passenger compartment comprising door sill and footwell lighting at the front - Illuminated inside door openers - Active door reflectors	•	•	•	S	S	£270.00
PG3	<b>Advanced key.</b> Access and authorisation system which automatically exchanges data between key and vehicle, allowing the driver to keep the key in their pocket or bag at all times. To unlock and open, simply lift the exterior door handle. To lock, press the button on the handle	•	•	•	•	•	£455.00
9JD	<b>Smoking package</b> with cigarette lighter and 12V socket in the centre console	•	•	•	•	•	£30.00



Wind deflector



Front centre armrest



Light and rain sensor

# Exterior equipment

Make sure your car looks exactly as you want it to by selecting some of our striking options.

Options are subject to availability and may extend time taken for delivery.

- = Not available
- = Available
- S = Standard

\*Total RRP inc VAT – Recommended Retail Price including VAT which is calculated at 20%. This may alter to reflect any change in the applicable VAT rate.

Order Code		Sport	S line	Black Edition	TTS quattro	TTS quattro Black Edition	Total RRP inc VAT*
PX2 PU7	<b>LED headlights.</b> All-weather LED headlights for all front lighting functions. LED technology provides lower energy consumption and enhanced contrast with a colour similar to daylight, for increased safety and good recognition by other road users. Includes all-weather light function to reduce the risk of the driver being dazzled when visibility is poor (in fog, rain or snow). Also includes the Light and rain sensor package (PU7) and LED tail lights with dynamic flashing rear indicators and headlight cleaning system (8X1)	•	S	S	S	S	£1,695.00
8G1	<b>High-beam assist.</b> Working within system limits, automatically detects the headlights of oncoming traffic, the rear lights of other road users and built-up areas and, depending on the traffic situation, the high beam is automatically switched on or off. Only in combination with Auto-dimming rear-view mirror with Light and rain sensor package (PU7)	•	•	•	•	•	£160.00
PXC PU7	<b>Audi Matrix LED headlights.</b> Audi Matrix technology provides maximum and precise illumination at all times without dazzling other road users whilst minimising energy usage. The Matrix LED units each incorporate 12 separate controllable LEDs which form the high beam and can be individually shut off when sensors detect traffic ahead or approaching, to 'divert' the beam around other road users without diminishing its effectiveness. The vehicle uses information from a camera to detect other road users and identify the appropriate lighting required. Also includes: - Dynamic front and rear indicators which sweep from inside to out - Headlight cleaning system (8X1) - Auto-dimming rear-view mirror with Light and rain sensor package (PU7)	•	-	-	-	-	£2,375.00
VW1	<b>Privacy glass.</b> Dark tinted rear and rear-side windows from B-pillar backwards (Coupé only)	•	•	S	•	S	£450.00
6XE	<b>Door mirrors</b> – electrically adjustable, folding and heated. Also includes an automatic kerb view dipping function on the passenger side when reverse gear is selected	•	•	•	•	•	£215.00
6XK	<b>Door mirrors</b> – auto-dimming on the driver's side, electrically adjustable, folding and heated. Also includes an automatic kerb view dipping function on the passenger side when reverse gear is selected. Only in combination with Auto-dimming rear-view mirror (PU7)	•	•	•	•	•	£280.00
2Z0	<b>Deletion of model and technology designation</b>	•	•	•	•	•	£0.00







# Safety and security

Intelligent technology designed to give you better all-round awareness and safety on the road.

Vehicle driver assistance and safety systems are not a substitute for attentive driving. Drivers retain full responsibility for providing the necessary inputs for safe control of the vehicle. System descriptions within this brochure are provided for information purposes only. System limitations and operational requirements apply. See manual for details.

Options are subject to availability and may extend time taken for delivery.

- = Not available
- = Available
- S = Standard

\*Total RRP inc VAT – Recommended Retail Price including VAT which is calculated at 20%. This may alter to reflect any change in the applicable VAT rate.

Order Code		Sport	S line	Black Edition	TTS quattro	TTS quattro Black Edition	Total RRP inc VAT*
UH2	<b>Hold assist</b>	•	•	•	•	•	£90.00
7X1	<b>Audi parking system, rear</b> (also available as part of the Comfort and Sound Package). The system warns the driver about obstacles with a warning tone which gets progressively faster as the vehicle moves closer to the obstacle	•	•	•	•	•	£430.00
7X2	<b>Audi parking system plus, front and rear with selective display.</b> In addition to Audi parking system rear, also includes: - Selectable sensors and detection systems for the front of the vehicle - A visual display in the Audi Virtual Cockpit which shows the parking situation around the vehicle, displaying white distance markers for obstacles that would not be touched and red symbols for obstacles that may be touched	•	•	•	•	•	£840.00
	In combination with Comfort and Sound Package	•	•	–	•	–	£410.00
7X5	<b>Audi parking system plus, with park assist.</b> In addition to parking system plus front and rear with selected display: - Ultrasonic sensors are used to search for parking spaces by the roadside and the system calculates the ideal parking path for reverse and parallel parking spaces - Assisted parking is now even possible in smaller parking spaces and bend areas, and the system will park the car in several moves if required - Steering action is performed by the system while the driver only needs to accelerate and apply the brakes - Additional sensors indicate obstacles detected all around and at the side of the vehicle, and warn the driver, making parking easier and safer by setting the correct steering angle	•	•	•	•	•	£1,070.00
	In combination with Comfort and Sound Package	•	•	–	•	–	£640.00
KA2	<b>Reversing Camera.</b> Gives a camera image of the area behind the vehicle shown in the Audi Virtual Cockpit, with dynamic display modes highlighting the calculated path (steer-angle dependent). Only in combination with Audi parking system plus (7X2 or 7X5)	•	•	•	•	•	£450.00



Audi parking system plus, with park assist



Audi parking system plus, with park assist

# Safety and security

Intelligent technology designed to give you better all-round awareness and safety on the road.

Vehicle driver assistance and safety systems are not a substitute for attentive driving. Drivers retain full responsibility for providing the necessary inputs for safe control of the vehicle. System descriptions within this brochure are provided for information purposes only. System limitations and operational requirements apply. See manual for details.

Options are subject to availability and may extend time taken for delivery.

- = Not available
- = Available
- S = Standard

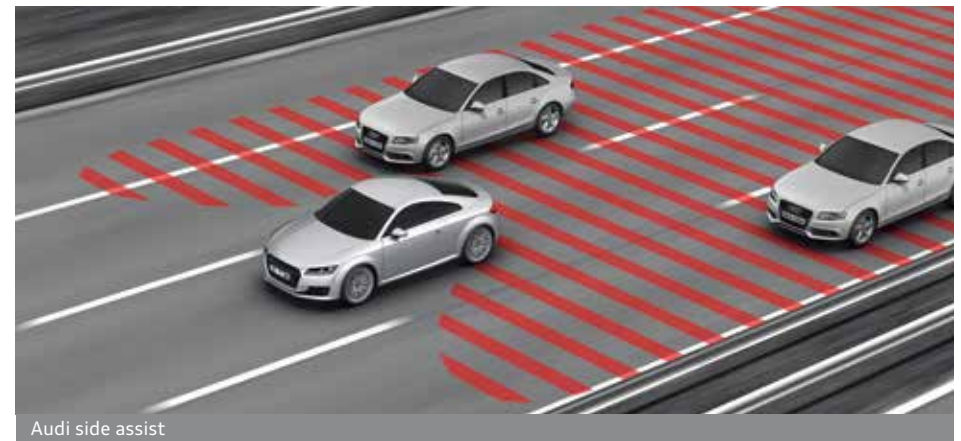
\*Where the law permits.

\*Total RRP inc VAT – Recommended Retail Price including VAT which is calculated at 20%. This may alter to reflect any change in the applicable VAT rate.

Order Code		Sport	S line	Black Edition	TTS quattro	TTS quattro Black Edition	Total RRP inc VAT*
611	<p><b>Audi active lane assist.</b> Helps the driver stay in lane, with gentle steering intervention, providing enhanced safety and comfort, especially on motorways and country roads:</p> <ul style="list-style-type: none"> <li>- Working within the system limits, it functions between speeds of approx 37mph* to 155mph* and detects lane markings</li> <li>- It then helps the driver remain in lane by active steering intervention and, if desired, vibration when inadvertently leaving the lane without indicating</li> <li>- The system is activated manually by a switch on the indicator stalk</li> </ul> <p>(Standard on 2.0 TFSI and TTS engines) Only in combination with Auto-dimming rear-view mirror with Light and rain sensor package (PU7) on the 2.0 TDI and 1.8 TFSI engines with Sport trim</p>	•	•	•	S	S	£650.00
7Y1	<p><b>Audi side assist.</b> Increased safety thanks to monitoring of the blind spot:</p> <ul style="list-style-type: none"> <li>- Working within the system limits, it functions above 19mph using radar sensors to monitor the areas to the side and behind the vehicle</li> <li>- It then informs the driver with a visual warning signal in the door mirror if there is a vehicle in their blind spot or approaching quickly from behind</li> <li>- The system is activated using the MMI car settings</li> </ul> <p>Only available in combination with Auto-dimming rear-view mirror with Light and rain sensor package (PU7)</p>	•	•	•	•	•	£595.00
QR9	<p><b>Traffic sign recognition.</b> The camera-based recognition of traffic signs enables the current statutory speed limit to be conveniently displayed in the Audi Virtual Cockpit. Should the camera fail to see a sign properly, the speed limit from the data for the navigation system will be shown instead. Some advantages of this system are:</p> <ul style="list-style-type: none"> <li>- Current detected speed limits, including additional signs, are displayed at all times in the Audi Virtual Cockpit</li> <li>- In addition, speed limits are evaluated according to the situation if the road surface is wet or at certain times of day</li> <li>- Within system limits, the camera-based system also recognises temporary speed restrictions at roadworks and on digital signs (e.g. overhead signs on motorways)</li> </ul> <p>Only available in combination with Technology Package featuring Audi Connect (WB4) and Auto-dimming rear-view mirror with Light and rain sensor package (PU7) on the Sport trim</p>	•	•	•	•	•	£160.00



Audi active lane assist



Audi side assist

## Everything your Audi needs

Once you've chosen your ideal model, there are options available to protect it further, including a range of extended warranties. And there's also a wide selection of Audi accessories and merchandise to choose from, enabling you to personalise and safeguard your car.







# Warranty

All new Audi models come with a three-year warranty as standard, and you can choose to extend this to a four or five-year warranty\* for a one-off cost. What's more, if you decide to sell your Audi before the warranty expires, it will be fully transferred to the new owner.

Order Code		TT	TTS	Total RRP inc VAT <sup>†</sup>
-	<b>Audi Warranty</b> , covering you for unlimited mileage in the first two years of ownership, and up to 60,000 miles in the third year. Transferable between owners**	S	S	£0.00
EA6	<b>Audi Warranty</b> , covering you for up to four years or 75,000 miles, whichever comes sooner. Cover includes a two-year unlimited mileage warranty, and up to 75,000 miles in the third and fourth years. Transferable between owners**	●	●	£385.00
EA9	<b>Audi Warranty</b> , covering you for up to five years or 90,000 miles, whichever comes sooner. Cover includes a two-year unlimited mileage warranty, and up to 90,000 miles in the third, fourth and fifth years. Transferable between owners**	●	●	£905.00

- = Not available  
● = Available  
S = Standard

\*Three-year warranty consists of a two-year unlimited mileage warranty and a third year warranty with a 60,000-mile limitation. Four-year warranty consists of a two-year unlimited mileage warranty and two further years' coverage with a 75,000-mile limitation. Five-year warranty consists of a two-year unlimited mileage warranty and three further years' coverage with a 90,000-mile limitation.

\*\*Only available prior to registration of your Audi TT. Please speak to your Audi Centre for full details.

<sup>†</sup>Total RRP inc VAT – Recommended Retail Price including VAT which is calculated at 20%. This may alter to reflect any change in the applicable VAT rate.







## Accessories

Choosing an Audi isn't just a matter of deciding on the model you want; it's about creating a car that suits your needs perfectly. And that's why we've developed a whole range of optional accessories to enhance your TT, enabling you to customise it down to the last detail. Like your Audi, all these accessories are developed to the highest possible standards. They're all available exclusively from Audi. To find out more, just visit [www.audi.co.uk/accessories](http://www.audi.co.uk/accessories) or contact your local Audi Centre.

### Warranty

All of the accessories available on the TT are covered by a three-year warranty\* if they are ordered and included in the purchase price of the car at date of delivery. Any accessories ordered and installed after delivery include a two-year warranty.\*

\*Excluding Road Angel products. Audi Accessories warranty terms and conditions can be found at [www.audi.co.uk/warrantyterms](http://www.audi.co.uk/warrantyterms)





## Merchandise

From the enthusiasts' motorsport collection to the sophisticated Audi collection, there's a wide variety of adults' and children's clothing, lifestyle accessories and collectables, all of which bear the Audi name.

Please speak to a member of our team at your local Audi Centre to see the full Audi collection and to place an order. A selection of Audi merchandise is also available to buy from [www.audi.co.uk/merchandise](http://www.audi.co.uk/merchandise)



Image shown is the Audi kids' car legends, item number 320.13.004.00

# The Audi **Difference**

## The experts in Vorsprung durch Technik

Our Audi Approved Master Technicians have undergone an impressive 100,000 hours of training over a 10-year programme to ensure they have the latest technical expertise for maintaining and servicing your Audi. All our Service Advisors undergo a specialist induction and training to ensure they are Audi professionals and able to talk to you about any issues you may have with your Audi vehicle.

## Servicing tailored to your needs

Regular servicing is key to safeguarding your Audi's performance and a full service history could help you enhance the future re-sale value. To make servicing easy, the Audi Service Schedules have been designed to work with your individual driving style and vehicle.

We offer two different schedules: the Fixed Inspection Service and the Flexible Service schedule. The conventional Fixed Inspection Service schedule has fixed intervals for the Oil-change Service and Inspection Service, which are determined by time and distance.

With the Flexible Service schedule, the Inspection Service intervals are also fixed but the Oil-change Service intervals are variable. Sensors take account of driving style and conditions to determine when the Oil-change Service is required and the driver is informed via the on-board service interval display.

The choice of Service Schedule will depend on journey type and mileage as well as individual driving style and conditions. The table to the right can be used for guidance but your Audi Centre will help you to determine the most suitable Service Schedule for you based on your individual circumstances and preferences.

## Fixed Inspection Service Schedule

	Vehicle usage:
Mileage	Less than 10,000 miles per annum Mainly city/town centre driving. Short journeys.
	Service intervals:
Oil-change Service	Fixed to every 9,000+ miles/one year
Inspection Service	Fixed to every 19,000+ miles/ two years

## Flexible Service Schedule

	Vehicle usage:
Mileage	More than 10,000 miles per annum Motorway and main road driving. Mainly longer distance journeys. Constant speeds.
	Service intervals:
Oil-change Service	Variable to a maximum of every 19,000+ miles/two years
Inspection Service	Fixed to every 19,000+ miles/ two years

When a vehicle is frequently used in the following conditions, we recommend a Fixed Inspection Service Schedule, regardless of mileage:  
Uneconomical driving styles, e.g. heavy acceleration and braking, constant use of high revs  
High engine-loading conditions, e.g. frequent towing and hill climbs

\*As indicated by the service interval display. Mileages are approximate as the Service Indicator system uses kilometres as its distance measurement.

## Your convenience comes first

At Audi you can choose from a range of convenient services that suit your needs. Why not book a 'service while you wait' appointment\* and enjoy our complimentary refreshments while your car is with us? Or, if you need to be mobile, take advantage of one of our courtesy cars which we can even deliver to you.\* We guarantee we can service your Audi within five days without a courtesy car or within 10 days if you need transport. We will also ensure your car is returned to you with a full valet.

## Audi Genuine Parts

You can rest assured that only Audi Genuine Parts will be used on your vehicle. What's more, Audi parts and labour come with a two-year guarantee.\*\*

## No hidden costs

We believe strongly in transparency when it comes to our prices. For added peace of mind, we will give you a quotation over the phone for the work you have requested and email you the price confirmation. We'll consult you if any additional work on your car is needed when it is with us. We won't carry out any extra work without asking your permission first.

## All part of the service

Whenever we see an Audi for a service, we connect it directly to our headquarters in Ingolstadt which enables us to check your car's software and make sure it's as up-to-date as possible. If the factory has released a software upgrade for your model, it can be applied immediately - improving anything from your car's efficiency to the precision of its parking system.

## Audi Roadside Assistance

Your new car comes complete with three years' complimentary roadside assistance and recovery across the UK, provided by Automobile Association Insurance Services Limited. Also included is roadside assistance throughout Europe, managed by Automobile Association Insurance Services Limited.

For further information and terms and conditions please visit [www.audi.co.uk](http://www.audi.co.uk)

\*Subject to availability.  
\*\*Excludes wear and tear.





# TT Coupé

## technical data

The information on this page is relevant for new factory orders only and is correct at time of publication. Please confirm with your Audi Centre the exact specification and technical data for your model.

<sup>4</sup>Highest insurance group rating shown. Group may be lower dependent on trim level. Please visit [www.thatcham.org/abigrouprating](http://www.thatcham.org/abigrouprating) for details.

**Please note:** The maximum power output figures are quoted in PS (or Pferdestärke, which is the metric equivalent of brake horsepower). To convert to brake horsepower, divide the PS figure by 1.0139.

<sup>1</sup>The given value was obtained in accordance with the specified measurement procedure (the respective current version of the Directive 80/1269/EEC).

<sup>2</sup>Top speed is achieved in top gear.

<sup>3</sup>Fuel consumption and CO<sub>2</sub> emissions figures are obtained under standardised test conditions (Directive 93/116/EEC) using a representative model. This allows direct comparison between different models from different manufacturers, but may not represent the actual fuel consumption achieved in 'real world' driving conditions. More information is available at [www.dft.gov.uk/vca](http://www.dft.gov.uk/vca)

<sup>4</sup>Vehicle's unladen weight without driver (calculated in accordance with the current version of Directive 80/1268/EEC). The fitting of additional equipment may increase the vehicle's unladen weight and drag coefficient, whereupon the potential carrying capacity and top speed will be correspondingly reduced.

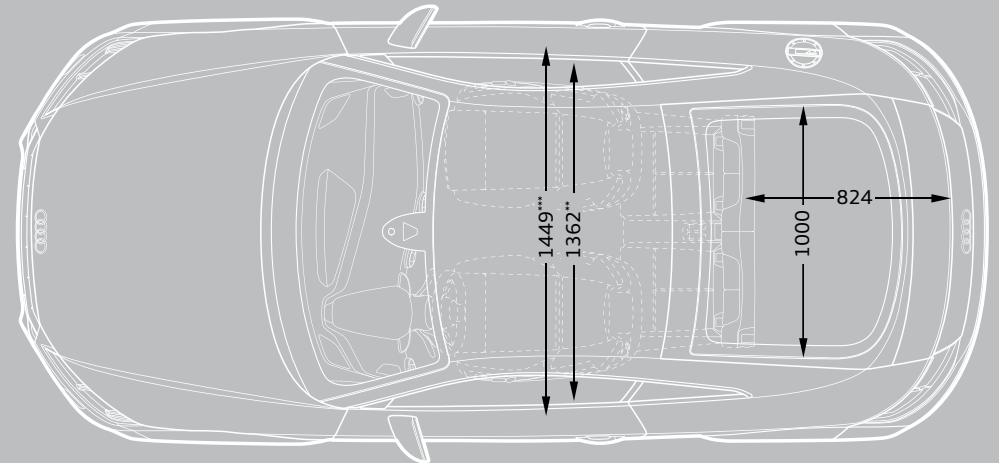
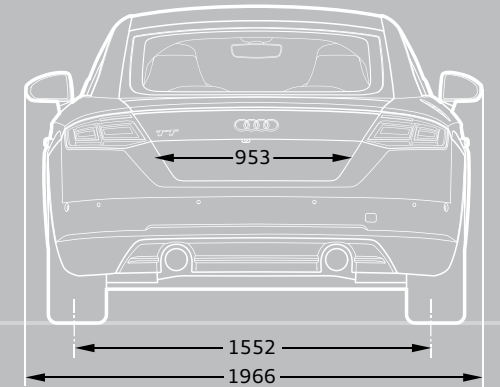
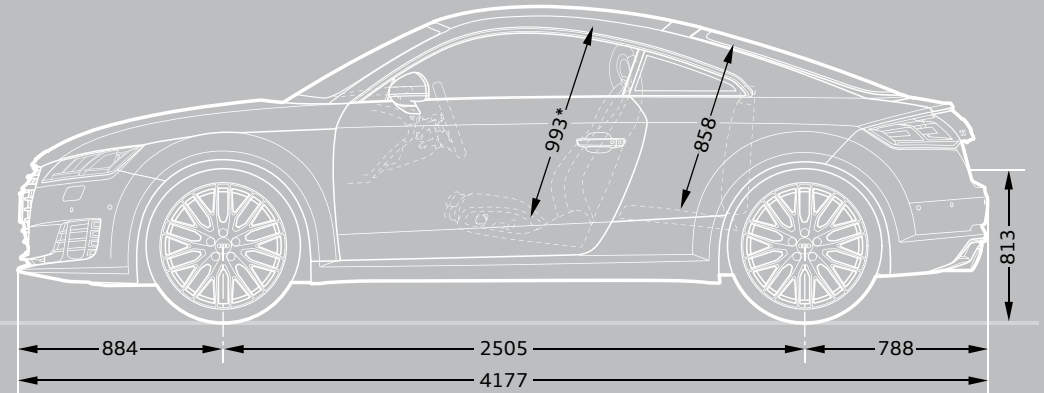
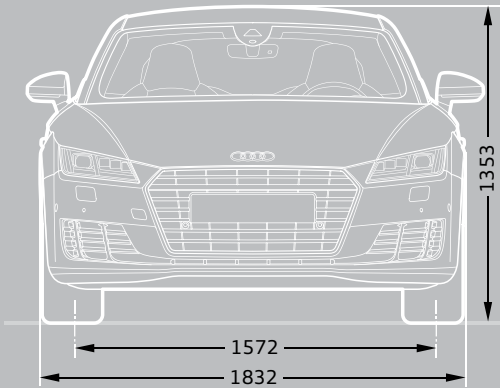
<sup>5</sup>The engine's power output always goes down with increasing altitude. At 1,000m above sea level, and for every additional 1,000m, deduct 10% from the weight of the outfit (trailer load limit + gross weight of the towing vehicle).

Engine	Petrol				Diesel
	1.8 TFSI	2.0 TFSI	2.0 TFSI	2.0 TFSI quattro	2.0 TDI ultra
Transmission	6-speed manual	6-speed manual	6-speed S tronic	6-speed S tronic	6-speed manual
Cylinder	4-cylinder	4-cylinder	4-cylinder	4-cylinder	4-cylinder
Displacement, cubic cm (valves per cylinder)	1798 (4)	1984 (4)	1984 (4)	1984 (4)	1968 (4)
Max. power <sup>1</sup> , PS at rpm	180/5100-6200	230/4500-6200	230/4500-6200	230/4500-6200	184/3500-4000
Max. torque, Nm at rpm	250/1250-5000	370/1600-4300	370/1600-4300	370/1600-4300	380/1750-3250
Top speed <sup>2</sup> , mph	149	155	155	155	149
0-62mph acceleration, seconds	6.9	6.0	5.9	5.3	7.1
CO <sub>2</sub> emissions <sup>3</sup> , g/km	138	141	150	153	117
Benefit in kind 2016/17 tax year (BIK)%	24%	25%	27%	27%	23%
Fuel consumption <sup>3</sup> , mpg (l/100km) Urban	37.2 (7.6)	37.7 (7.5)	33.6 (8.4)	33.2 (8.5)	54.3 (5.2)
Fuel consumption <sup>3</sup> , mpg (l/100km) Extra Urban	55.4 (5.1)	54.3 (5.2)	52.3 (5.4)	50.4 (5.6)	70.6 (4.0)
Fuel consumption <sup>3</sup> , mpg (l/100km) Combined	47.1 (6.0)	46.3 (6.1)	43.5 (6.5)	42.8 (6.6)	62.8 (4.5)
ABI insurance group 1-50 <sup>4</sup>	TBC	TBC	TBC	TBC	TBC
Unladen weight <sup>4</sup> , kg	1210	1230	1260	1335	1265
Gross weight limit, kg	1610	1630	1660	1735	1665
Roof load limit	75	75	75	75	75
Luggage compartment capacity, rear seats upright, litres	305	305	305	305	305
Luggage compartment capacity, rear seats folded, litres	712	712	712	712	712
Fuel tank capacity approx, litres	50	50	50	55	50
Emission standard	EU6	EU6	EU6	EU6	EU6



# TT Coupé dimensions

The technical drawings opposite show the exact dimensions of the Audi TT Coupé, so you can check everything – from whether the car will fit in your garage to whether your luggage will fit in the boot.



Dimensions in millimetres. Optional equipment may affect dimensions.

\*Maximum headroom.

\*\*Elbow room width.

\*\*\*Shoulder room width.

Turning circle approx 11m.

Dimensions were measured with vehicle at unladen weight, ground clearance measured with vehicle carrying its maximum load.

# TTS Coupé technical data

<sup>4</sup>Highest insurance group rating shown. Group may be lower dependent on trim level. Please visit [www.thatcham.org/abigrouprating](http://www.thatcham.org/abigrouprating) for details.

**Please note:** The maximum power output figures are quoted in PS (or Pferdestärke, which is the metric equivalent of brake horsepower). To convert to brake horsepower, divide the PS figure by 1.0139.

<sup>5</sup>The given value was obtained in accordance with the specified measurement procedure (the respective current version of the Directive 80/1269/EEC).

<sup>6</sup>Top speed is achieved in top gear.

<sup>7</sup>Fuel consumption and CO<sub>2</sub> emissions figures are obtained under standardised test conditions (Directive 93/116/EEC) using a representative model. This allows direct comparison between different models from different manufacturers, but may not represent the actual fuel consumption achieved in 'real world' driving conditions. More information is available at [www.dft.gov.uk/vca](http://www.dft.gov.uk/vca)

<sup>8</sup>Vehicle's unladen weight without driver (calculated in accordance with the current version of Directive 80/1268/EEC). The fitting of additional equipment may increase the vehicle's unladen weight and drag coefficient, whereupon the potential carrying capacity and top speed will be correspondingly reduced.

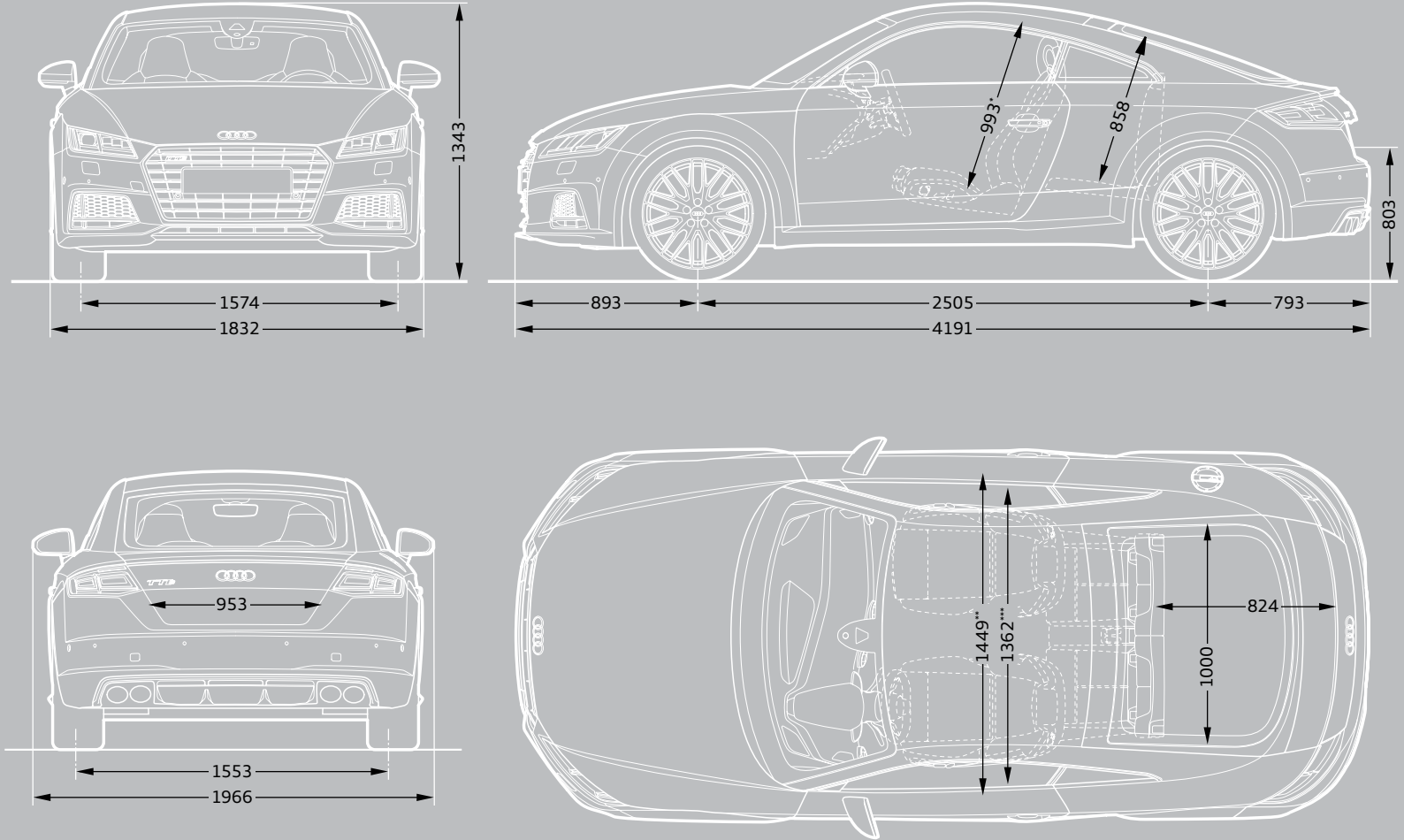
<sup>9</sup>The engine's power output always goes down with increasing altitude. At 1,000m above sea level, and for every additional 1,000m, deduct 10% from the weight of the outfit (trailer load limit + gross weight of the towing vehicle).

Engine	Petrol	
	2.0 TTS quattro	2.0 TTS quattro
Transmission	6-speed manual	6-speed S tronic
Cylinder	4-cylinder	4-cylinder
Displacement, cubic cm (valves per cylinder)	1984 (4)	1984 (4)
Max. power <sup>1</sup> , PS at rpm	310/5800-6200	310/5800-6200
Max. torque, Nm at rpm	380/1800-5700	380/1800-5700
Top speed <sup>2</sup> , mph	155	155
0-62mph acceleration, seconds	4.9	4.6
CO <sub>2</sub> emissions <sup>3</sup> , g/km	168	159
Benefit in kind 2016/17 tax year (BIK)%	30%	28%
Fuel consumption <sup>3</sup> , mpg (l/100km) Urban	30.1 (9.4)	33.6 (8.4)
Fuel consumption <sup>3</sup> , mpg (l/100km) Extra Urban	46.3 (6.1)	47.1 (6.0)
Fuel consumption <sup>3</sup> , mpg (l/100km) Combined	38.7 (7.3)	40.9 (6.9)
ABI insurance group 1-50 <sup>4</sup>	TBC	TBC
Unladen weight <sup>5</sup> , kg	1365	1385
Gross weight limit, kg	1765	1785
Roof load limit	75	75
Luggage compartment capacity, rear seats upright, litres	305	305
Luggage compartment capacity, rear seats folded, litres	712	712
Fuel tank capacity approx, litres	55	55
Emission standard	EU6	EU6



# TTS Coupé dimensions

The technical drawings opposite show the exact dimensions of the Audi TTS Coupé, so you can check everything – from whether the car will fit in your garage to whether your luggage will fit in the boot.



Dimensions in millimetres. Optional equipment may affect dimensions.

\*Maximum headroom.

\*\*Elbow room width.

\*\*\*Shoulder room width.

Turning circle approx 11m.

Dimensions were measured with vehicle at unladen weight, ground clearance measured with vehicle carrying its maximum load.

# TT Roadster

## technical data

The information on this page is relevant for new factory orders only and is correct at time of publication. Please confirm with your Audi Centre the exact specification and technical data for your model.

<sup>4</sup>Highest insurance group rating shown. Group may be lower dependent on trim level. Please visit [www.thatcham.org/abigrouprating](http://www.thatcham.org/abigrouprating) for details.

**Please note:** The maximum power output figures are quoted in PS (or Pferdestärke, which is the metric equivalent of brake horsepower). To convert to brake horsepower, divide the PS figure by 1.0139.

<sup>1</sup>The given value was obtained in accordance with the specified measurement procedure (the respective current version of the Directive 80/1269/EEC).

<sup>2</sup>Top speed is achieved in top gear.

<sup>3</sup>Fuel consumption and CO<sub>2</sub> emissions figures are obtained under standardised test conditions (Directive 93/116/EEC) using a representative model. This allows direct comparison between different models from different manufacturers, but may not represent the actual fuel consumption achieved in 'real world' driving conditions. More information is available at [www.dft.gov.uk/vca](http://www.dft.gov.uk/vca)

<sup>4</sup>Vehicle's unladen weight without driver (calculated in accordance with the current version of Directive 80/1268/EEC). The fitting of additional equipment may increase the vehicle's unladen weight and drag coefficient, whereupon the potential carrying capacity and top speed will be correspondingly reduced.

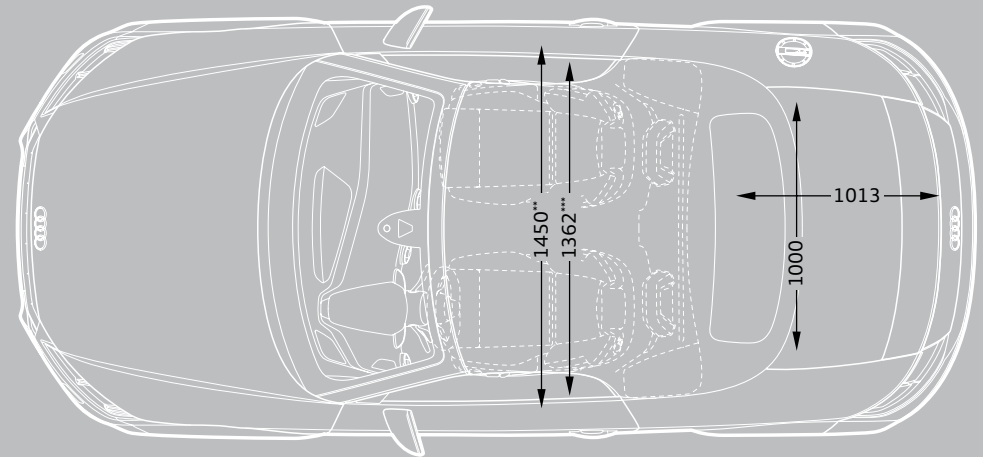
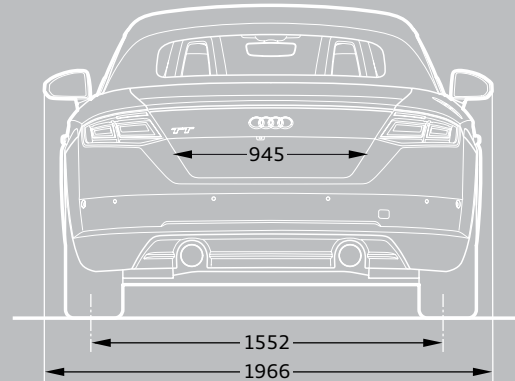
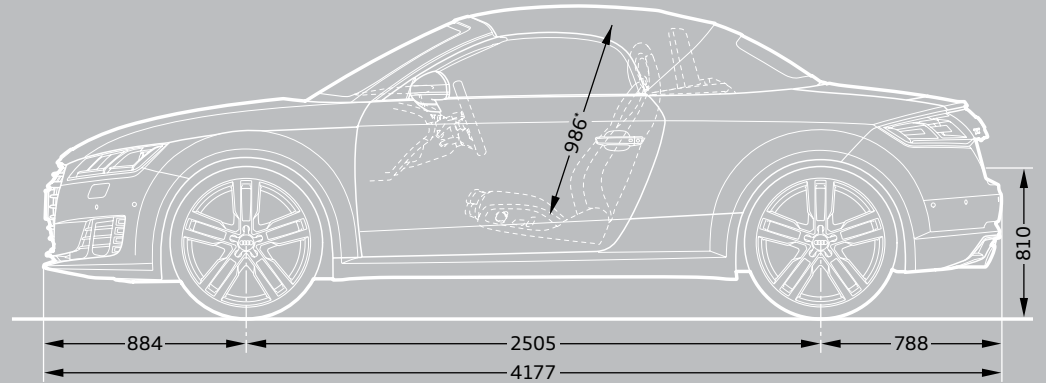
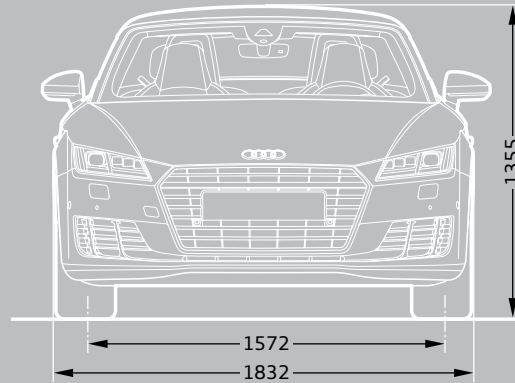
<sup>5</sup>The engine's power output always goes down with increasing altitude. At 1,000m above sea level, and for every additional 1,000m, deduct 10% from the weight of the outfit (trailer load limit + gross weight of the towing vehicle).

Engine	Petrol				Diesel
	1.8 TFSI	2.0 TFSI	2.0 TFSI	2.0 TFSI quattro	2.0 TDI ultra
Transmission	6-speed manual	6-speed manual	6-speed S tronic	6-speed S tronic	6-speed manual
Cylinder	4-cylinder	4-cylinder	4-cylinder	4-cylinder	4-cylinder
Displacement, cubic cm (valves per cylinder)	1798 (4)	1984 (4)	1984 (4)	1984 (4)	1968 (4)
Max. power <sup>1</sup> , PS at rpm	180/5100-6200	230/4500-6200	230/4500-6200	230/4500-6200	184/3500-4000
Max. torque, Nm at rpm	250/1250-5000	370/1600-4300	370/1600-4300	370/1600-4300	380/1750-3250
Top speed <sup>2</sup> , mph	147	155	155	155	147
0-62mph acceleration, seconds	7.2	6.2	6.1	5.6	7.3
CO <sub>2</sub> emissions <sup>3</sup> , g/km	142	144	155	158	121
Benefit in kind 2016/17 tax year (BIK)%	25%	25%	28%	28%	24%
Fuel consumption <sup>3</sup> , mpg (l/100km) Urban	36.7 (7.7)	36.7 (7.7)	32.8 (8.6)	32.5 (8.7)	52.3 (5.4)
Fuel consumption <sup>3</sup> , mpg (l/100km) Extra Urban	54.3 (5.2)	52.3 (5.4)	50.4 (5.6)	48.7 (5.8)	67.3 (4.2)
Fuel consumption <sup>3</sup> , mpg (l/100km) Combined	46.3 (6.1)	45.6 (6.2)	42.2 (6.7)	40.9 (6.9)	61.4 (4.6)
ABI insurance group 1-50 <sup>4</sup>	TBC	TBC	TBC	TBC	TBC
Unladen weight <sup>4</sup> , kg	1300	1320	1350	1425	1360
Gross weight limit, kg	1620	1640	1670	1745	1680
Luggage compartment capacity, litres	280	280	280	280	280
Fuel tank capacity approx, litres	50	50	50	55	50
Emission standard	EU6	EU6	EU6	EU6	EU6



# TT Roadster dimensions

The technical drawings opposite show the exact dimensions of the Audi TT Roadster, so you can check everything – from whether the car will fit in your garage to whether your luggage will fit in the boot.



Dimensions in millimetres. Optional equipment may affect dimensions.

\*Maximum headroom.

\*\*Elbow room width.

\*\*\*Shoulder room width.

Turning circle approx 11m.

Dimensions were measured with vehicle at unladen weight, ground clearance measured with vehicle carrying its maximum load.

# TTS Roadster technical data

	Petrol	
	2.0 TTS quattro	2.0 TTS quattro
Engine	2.0 TTS quattro	2.0 TTS quattro
Transmission	6-speed manual	6-speed S tronic
Cylinder	4-cylinder	4-cylinder
Displacement, cubic cm (valves per cylinder)	1984 (4)	1984 (4)
Max. power <sup>1</sup> , PS at rpm	310/5800-6200	310/5800-6200
Max. torque, Nm at rpm	380/1800-5700	380/1800-5700
Top speed <sup>2</sup> , mph	155	155
0-62mph acceleration, seconds	5.2	4.9
CO <sub>2</sub> emissions <sup>3</sup> , g/km	173	163
Benefit in kind 2016/17 tax year (BIK)%	31%	29%
Fuel consumption <sup>3</sup> , mpg (l/100km) Urban	29.7 (9.5)	32.8 (8.6)
Fuel consumption <sup>3</sup> , mpg (l/100km) Extra Urban	44.8 (6.3)	45.6 (6.2)
Fuel consumption <sup>3</sup> , mpg (l/100km) Combined	37.7 (7.5)	39.8 (7.1)
ABI insurance group 1-50 <sup>4</sup>	TBC	TBC
Unladen weight <sup>4</sup> , kg	1450	1470
Gross weight limit, kg	1770	1790
Luggage compartment capacity, rear seats upright, litres	280	280
Fuel tank capacity approx, litres	55	55
Emission standard	EU6	EU6

\*Highest insurance group rating shown. Group may be lower dependent on trim level. Please visit [www.thatcham.org/abigrouprating](http://www.thatcham.org/abigrouprating) for details.

**Please note:** The maximum power output figures are quoted in PS (or Pferdestärke, which is the metric equivalent of brake horsepower). To convert to brake horsepower, divide the PS figure by 1.0139.

<sup>1</sup>The given value was obtained in accordance with the specified measurement procedure (the respective current version of the Directive 80/1269/EEC).

<sup>2</sup>Top speed is achieved in top gear.

<sup>3</sup>Fuel consumption and CO<sub>2</sub> emissions figures are obtained under standardised test conditions (Directive 93/116/EEC) using a representative model. This allows direct comparison between different models from different manufacturers, but may not represent the actual fuel consumption achieved in 'real world' driving conditions. More information is available at [www.dft.gov.uk/vca](http://www.dft.gov.uk/vca)

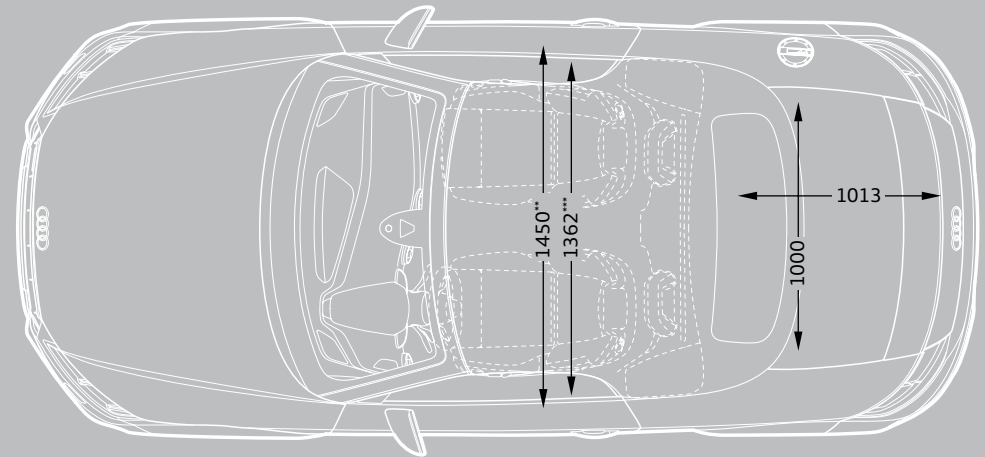
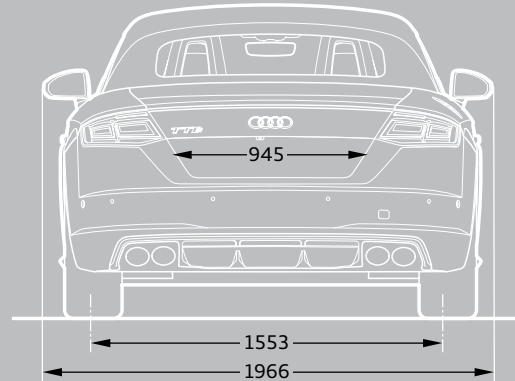
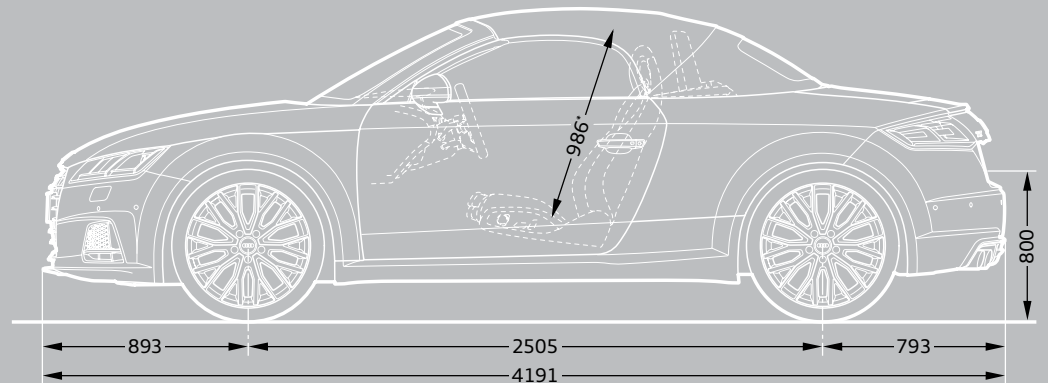
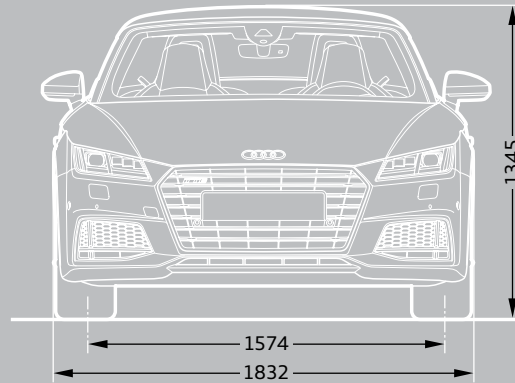
<sup>4</sup>Vehicle's unladen weight without driver (calculated in accordance with the current version of Directive 80/1268/EEC). The fitting of additional equipment may increase the vehicle's unladen weight and drag coefficient, whereupon the potential carrying capacity and top speed will be correspondingly reduced.

<sup>5</sup>The engine's power output always goes down with increasing altitude. At 1,000m above sea level, and for every additional 1,000m, deduct 10% from the weight of the outfit (trailer load limit + gross weight of the towing vehicle).



# TTS Roadster dimensions

The technical drawings opposite show the exact dimensions of the Audi TTS Roadster, so you can check everything – from whether the car will fit in your garage to whether your luggage will fit in the boot.



Dimensions in millimetres. Optional equipment may affect dimensions.

\*Maximum headroom.

\*\*Elbow room width.

\*\*\*Shoulder room width.

Turning circle approx 11m.

Dimensions were measured with vehicle at unladen weight, ground clearance measured with vehicle carrying its maximum load.

# Important information

## Welcome to Audi

By placing an order for your Audi, you're choosing to drive a car created in the spirit of Vorsprung durch Technik. And because we believe the service we offer should reflect the quality of our cars, we want to let you know exactly what you can expect from us, now and in the future.

## Audi Customer Care

Every new Audi benefits from the comprehensive Audi Customer Care Package, which comprises:

- ▶ A three-year Audi warranty, which covers you for unlimited mileage in the first two years of ownership, with a full mechanical and electrical warranty which covers you for up to 60,000 miles in the third year
- ▶ A three-year paint warranty
- ▶ A 12-year anti-corrosion warranty
- ▶ Three years' UK roadside assistance and recovery
- ▶ A three-year Accessories warranty on any accessories purchased with your car (two-year warranty if purchased separately from your new Audi)\*

You also have the option when ordering your new car of choosing a four-year or five-year Audi warranty. Speak to a member of the sales team for more information. Warranty terms and conditions apply. Please see [www.audi.co.uk/warrantyterms](http://www.audi.co.uk/warrantyterms) for further details.

## Information in this guide

We've done all we can to make the prices, specifications, technical details and all other information you see in this guide accurate at the time of publication. However, as our products are constantly being updated, we recommend checking the details with your Audi Centre. We reserve the right to change prices or specifications at any time.

All prices are subject to VAT, currently charged at 20%, but this may alter to reflect any change in the applicable VAT rate.

Delivery charges and number plates are not included in the Total RRP inc VAT vehicle price.

Delivery charge	£504.99
Number plate	£20.00
VAT	£105.01
Total	£630.00

Recommended On-The-Road (OTR) prices include the delivery and number plate charges above, Road Fund Licence (which may vary depending on model/transmission – see table for details) and first registration fee at £55.00.

The images featured in this guide are for illustrative purposes only. They may feature left-hand drive vehicles and include equipment that is not UK specification.

## CO2 data and information

### CO2 emissions-based Vehicle Excise Duty

Vehicle Excise Duty (Road Fund Licence) is based upon the amount of Carbon Dioxide (CO2) a vehicle emits, measured in grams per kilometre (g/km). First year VED rates apply to the first year of ownership. Annual VED rates apply thereafter. The DVLA has created 13 categories:

Petrol and Diesel engines	First year	Annual rate (second year onwards)
<b>A – up to 100g/km</b>	£0.00	£0.00
<b>B – 101 to 110g/km</b>	£0.00	£20.00
<b>C – 111 to 120g/km</b>	£0.00	£30.00
<b>D – 121 to 130g/km</b>	£0.00	£110.00
<b>E – 131 to 140g/km</b>	£130.00	£130.00
<b>F – 141 to 150g/km</b>	£145.00	£145.00
<b>G – 151 to 165g/km</b>	£185.00	£185.00
<b>H – 166 to 175g/km</b>	£300.00	£210.00
<b>I – 176 to 185g/km</b>	£355.00	£230.00
<b>J – 186 to 200g/km</b>	£500.00	£270.00
<b>K – 201 to 225g/km</b>	£650.00	£295.00
<b>L – 226 to 255g/km</b>	£885.00	£500.00
<b>M – over 255g/km</b>	£1,120.00	£515.00

Vehicle Excise Duty (VED) rates correct at time of going to print, but these may alter to reflect any change in the applicable VED rate.

\*Excludes Road Angel products.



### **Audi tax-free sales**

If you are entitled to purchase a vehicle free of VAT, normally through military or diplomatic privilege, please contact your local Audi Centre for full details.

Should you have any difficulty obtaining the information you require, please call 0870 241 5663.

### **Audi Financial Services**

Audi Financial Services specialises in providing funding solutions for Audi drivers. Whether your Audi is for private or business use, there is a range of funding options to choose from.

Below is the full range of finance products, which comprises:

- ▶ Solutions – a Personal Contract Plan
- ▶ Hire purchase
- ▶ Lease purchase
- ▶ Finance lease
- ▶ Contract hire

With all products, you can choose a fixed-cost maintenance plan designed to help you budget accurately.

No matter which Audi model you choose, your local Audi Centre can provide you with a personalised quote designed to fit your budget and motoring needs.

Audi Financial Services is a trading name of Volkswagen Financial Services (UK) Limited. An offer of finance depends on certain conditions. Available to people over 18 in the UK only.

### **Audi Insurance**

To ensure you can start enjoying your new car from day one, the first five days' insurance is included as standard with all new Audi models. To activate simply call 0330 303 6900, provide us with a few details, and we'll send a cover note to your Audi Centre. They will then tax your car and you can drive it away. Telephone lines are open Monday to Friday 8am–8pm and Saturday 9am–4pm. For details of our full range of Insurance products visit [www.insurewithaudi.co.uk](http://www.insurewithaudi.co.uk)

### **Audi Connect**

An external data source is required to enable Audi Connect online services. One of two can be used:

1. A separate SIM card with data option (which can be inserted into the included SIM card reader). If LTE usage is required the SIM card will also need an LTE option. When a separate SIM card is used, hands-free phone calls are possible by connecting a different mobile telephone via Bluetooth Hands-Free Profile. For mobile phone and software compatibility please visit [www.audi.co.uk/phonecompatibility](http://www.audi.co.uk/phonecompatibility) or your Audi Centre
2. On capable mobile phones the phone's data connection can be shared with the car via personal hotspot/tethering. Using this method may result in high consumption of your mobile phone battery

Online services will only be available within the coverage of the mobile phone network; there may be additional costs for the use of these services (charges and billing correspond to the personal mobile phone contract or SIM card contract). Due to high data volumes, a mobile phone contract including an unlimited or high usage data plan is strongly recommended. The content and scope of the online-based services offered may vary.

When ordered as an option, a 36-month Audi Connect subscription is provided with your vehicle. The subscription runs from the point of vehicle delivery. Should you wish to continue to use Audi Connect after 36 months, please consult your Audi Centre for details (including the latest subscription fees).

Audi Connect services listed are correct at time of publication. We may add, change, replace or remove individual Audi Connect services or features at any time during your subscription.

Audi Connect enables access to the services of Google and Twitter. Permanent availability cannot be guaranteed as this is the responsibility of Google and Twitter. Google and the Google logo are registered trademarks of Google Inc.

The availability of services supported by Audi Connect varies from country to country and is dependent on the capability of your mobile phone. For mobile phone and software compatibility please visit [www.audi.co.uk/phonecompatibility](http://www.audi.co.uk/phonecompatibility) or your Audi Centre.

### **Map updates**

The map version delivered can be updated with the first five updates which are issued at intervals of 6 months. The current navigation data can be downloaded from the myAudi Platform at [www.audi.com/myaudi](http://www.audi.com/myaudi) and installed in the vehicle via SD card. In addition it is possible to have the new navigation data installed by an Audi Centre at extra cost.



