



The Audi A8 L

Audi A8 L



Don't think of it as a car. The new Audi A8 L | 01 - 07
Think bigger. The new Audi A8 L | 08 - 19
More versatile. Equipment highlights | 20 - 27
More exceptional. Chrome exterior package and Audi design selection | 28 - 31
More unmistakable. Audi exclusive | 32 - 33
Powerful look and Further equipment | 34 - 42

Saying not doing.





Everyday language interaction.

- 🗣️ Recognises the way you talk
- 🗨️ No predefined words and phrases required
- + It's your voice that counts

You set the tone. Because you are being heard. In your usual natural voice and in your own words. The new Audi A8 L can be equipped with a voice assistant for performing certain vehicle functions and for easier operation of systems such as the MMI. So you stay well informed and entertained. It's that simple.

Conducting

not
operating.

-  The MMI touch response
-  Focuses on the essentials
-  Intuitive control with tactile feedback
-  Operating convenience, just how you like it

Buttons are for coats. And in the past. The MMI touch response comes as standard with 25.6 and 21.8 cms high-resolution HD touchscreens for displaying and controlling infotainment and convenience functions. No buttons, fewer keys, and a richer experience. Feel the difference thanks to haptic feedback. And with custom configuration options for the user interface. Just like on your smartphone.



Don't think of it as a car.





Think of it as home.

Welcome aboard the new Audi A8 L. Enjoy luxurious space and exquisite ambience. Exceptional materials, exclusive to the touch. And top-class workmanship that sets new standards. Experience next-generation operating convenience. Digital networking throughout. Innovative technology that entertains and delights.

Image used is for representation purpose only. Please contact your nearest Audi authorised dealership or visit www.audi.in for detailed information about standard and optional equipment.

Comfort that invites you on board and is revealed in a whole new light. And in many colours. Thanks to the contour/ambience lighting package. Including six preset colour profiles that ensure an ambience of well-being.



Start before you're ready.

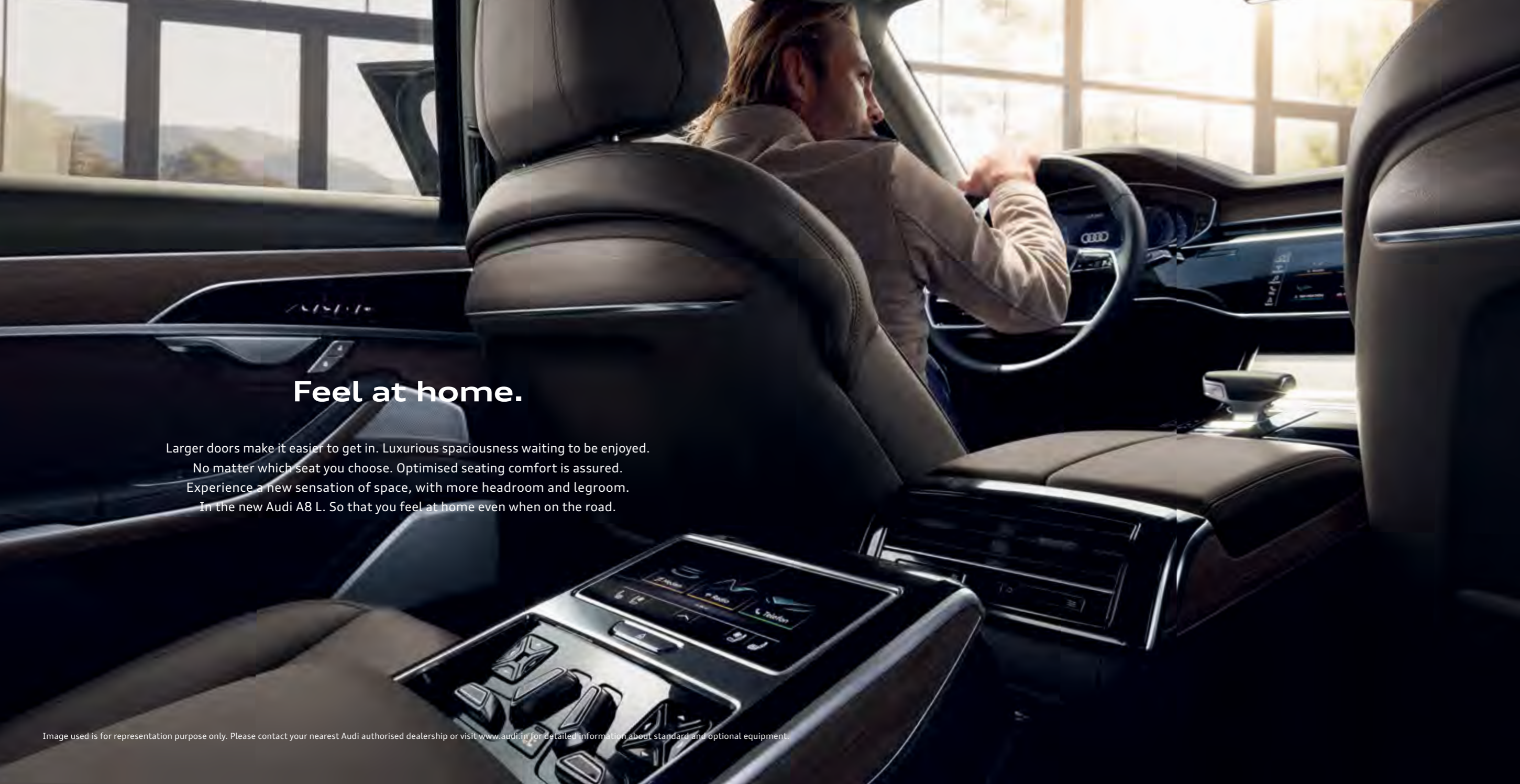
Optional OLED technology in the rear lights offers outstanding homogeneous illumination in an innovative light design: large and precise.

Impressive on every journey. And when stationary. Thanks to the new dynamic, futuristic light display of the coming home/leaving home function (in conjunction with HD Matrix LED Headlight with Audi Laser light). To ensure that the end of every trip is as fascinating as its beginning.

Don't be under the illusion that you have seen it all.

Wide Singleframe, sporty roof line, coupé-like silhouette.
Unmistakeable quattro architecture. The new Audi design language.
Manifested in the new Audi A8 L.





Feel at home.

Larger doors make it easier to get in. Luxurious spaciousness waiting to be enjoyed.
No matter which seat you choose. Optimised seating comfort is assured.
Experience a new sensation of space, with more headroom and legroom.
In the new Audi A8 L. So that you feel at home even when on the road.





Don't think of it as a car.
Think bigger.

The new Audi A8 L.

Longer wheelbase, larger rear doors, significantly more headroom and legroom and top-class equipment: the long-wheelbase version of the new Audi A8 promises you an exceptionally spacious environment in which to unwind.



**Don't think about a new office.
Drive one.**

Take a seat in the lounge or get to work in the office. All in a relaxed, calm setting. Thanks to improved interior acoustics. Digitally networked with the Rear Seat Entertainment¹ including the removable 25.6 cm touchscreen that also serves as an Android tablet. Available is a Rear Seat Remote, putting the control of various comfort & convenience and infotainment functions at your fingertips.

Image used is for representation purpose only. Please contact your nearest Audi authorised dealership or visit www.audi.in for detailed information about standard and optional equipment.

Audi is more.

More versatile.

A quick look at your options.

The new Audi A8 L – an exceptional vehicle whose diverse range of outstanding equipment will impress you. Numerous innovations, comfort and convenience features and assistance systems make each journey special.



01

01-02 360 degree cameras¹ – 4 wide-angle 360 degree cameras cover the entire area immediately around the vehicle – different views can be selected via the touchscreen

¹Please note: The systems work only within system limits and assist the driver. However, the driver remains responsible for driving the vehicle and is required to be attentive at all times.



02



01

- 01 Panoramic glass sunroof (2-section)** – creates a well-lit interior ambience and improves the interior climate by means of efficient ventilation; entire roof area in tinted glass, including electrically operated, lightproof sunblinds
- 02 Audi phone box** – optimised phone calls in the vehicle thanks to improved reception and call quality
- 03 Control buttons in black glass look** with tactile feedback and including extended aluminium look
- 04 Bang & Olufsen Advanced Sound System with 3D sound** – for superior-quality sound in every seat (optional)

Image used is for representation purpose only. Please contact your nearest Audi authorised dealership or visit www.audi.in for detailed information about standard and optional equipment.



-02



-03



-04



01

More exceptional.

With the chrome exterior package and Audi design selection. In an Audi A8, there is plenty of scope for your own ideas.

The chrome exterior package provides additional chrome elements to ensure an even more visible presence.

Make an exceptional vehicle even more exceptional. This can be stylishly achieved with the Audi design selection, which offers an attractive range of special materials and colours for the interior.

Or even combine selected inlays with exquisite leather seats featuring attractive contrasting stitching.



02

01 Chrome exterior package – including additional chrome strips in the front and rear bumpers – chrome inserts in the door handles – black-painted brake callipers

02 Audi design selection, merino grey – including seat upholstery in perforated Valcona leather, merino grey with contrasting stitching and piping in espresso brown – door trim inserts in Alcantara – upper part of dashboard in leather, meteorite grey with contrasting stitching in espresso brown – lower part of dashboard in merino grey (optional)

More unmistakable.

With Audi exclusive. Make your Audi A8 L unique – as unmistakable as you are – with Audi exclusive. With selected decors, coloured leather and customised paint finishes in a wide range of colours. Whatever your heart desires.



**An individual
vehicle for your
unique personality.**

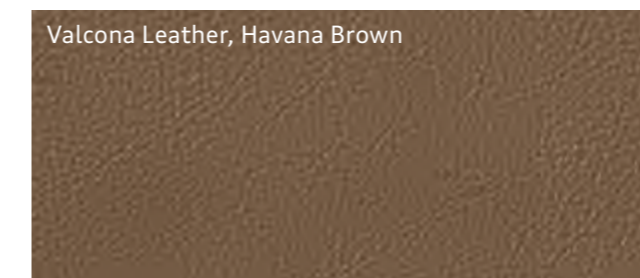
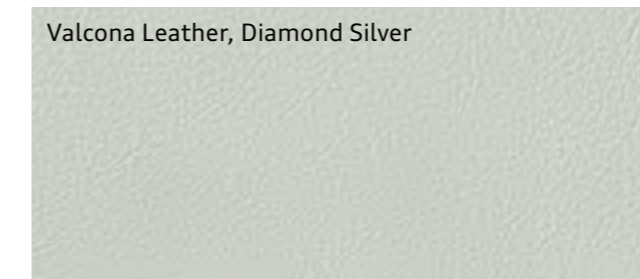
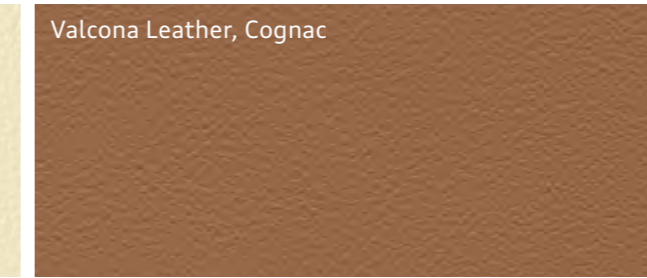
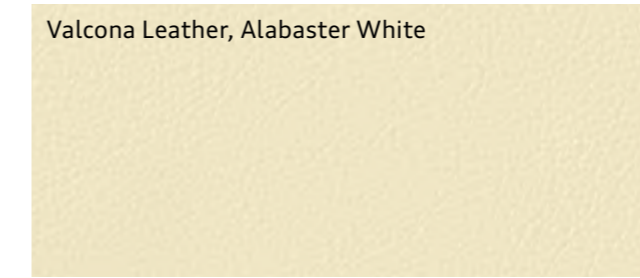


Audi exclusive leather upholstery and trim (package 4) in Valcona leather with comfort customised contour seats with relaxation seat function in diamond silver and contrasting stitching and piping in ocean blue – Audi exclusive seat belts in diamond silver – Audi exclusive wood upper inlays¹ in fine grain ash, natural noble grey – lower inlays in dark matt brushed aluminium – Audi exclusive carpet and floor mats in diamond silver with edging and stitching in jet grey.

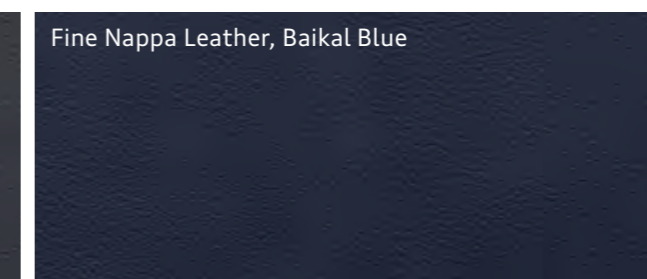
Image used is for representation purpose only. Please contact your nearest Audi authorised dealership or visit www.audi.in for detailed information about standard and optional equipment.



Leather upholstery and trim – Audi exclusive main colours



Leather upholstery and trim – additional Audi exclusive colours for upper part of dashboard, steering wheel and door rail



The Audi exclusive customised paint finishes.

You don't get a second chance to make a first impression. Seize this one and choose your own personal exterior paint finish from the wide range of colours available from Audi exclusive. Here's a small selection.

01

- 01 Quantum grey
- 02 Ipanema brown, metallic
- 03 Misano red, pearl effect
- 04 Ara blue, crystal effect
- 05 Goodwood green, pearl effect
- 06 Diamond beige, metallic
- 07 Suzuka grey, metallic



Powerful look.

Select the paint colour that best suits your personality. Secure in the knowledge that the quality will be superb, because your vehicle is painted not just once, but four times. So not only do you look radiant in your Audi, the car is also protected from environmental influences and wear. Ensuring that the car maintains its powerful look throughout its entire lifetime.

Standard Exterior Colours

- 01 Terra grey, metallic
- 02 Vesuvius grey, metallic
- 03 Moonlight blue, metallic
- 04 Navarra blue, metallic
- 05 Seville red, metallic
- 06 Impala beige, pearl effect
- 07 Glacier white, metallic

01



-02

-03

04-

05-

06-

07-



Powerful presence.

With Audi wheels, you can emphasise your own individual style and the character of your Audi A8. Why not indulge yourself and create a powerful presence with your favourite design. And for peace of mind when out on the road: Audi wheels are subjected to special test procedures, undergo rigorous testing and are of superb quality.

01 48.26 cm cast aluminium wheels in 5-arm design, contrasting grey, partly polished



01

More quality.

With leather upholstery and trim. You have a special place in your Audi.

Exclusive comfort can be felt on the front and rear seats: thanks to high-quality materials and first-class workmanship.

Regardless of which seat upholstery you choose, you're sitting in the right place.

01 Comfort customised contour seats, front, in perforated Valcona leather, merlot red

02 Comfort customised contour seats, front, in perforated unicum leather, sard brown, including upper part of dashboard and centre console in tourmaline blue with contrasting stitching and piping in rock grey.



02

Valcona leather in pearl beige, perforated, with contrasting stitching and piping in steel grey

Valcona leather in sard brown, perforated, with contrasting stitching and piping in steel grey

Valcona leather, merlot red, perforated

Valetta leather in saiga beige, perforated

Valcona leather in merino grey, perforated, with contrasting stitching and piping in espresso brown

Unicum leather in sard brown, perforated, with contrasting stitching and piping in rock grey

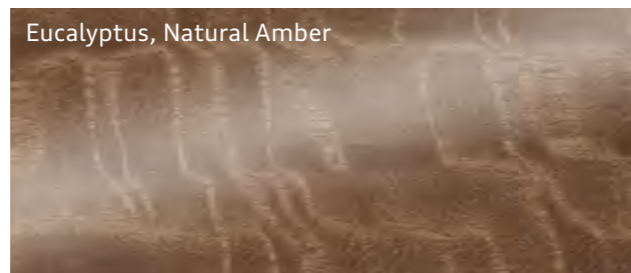
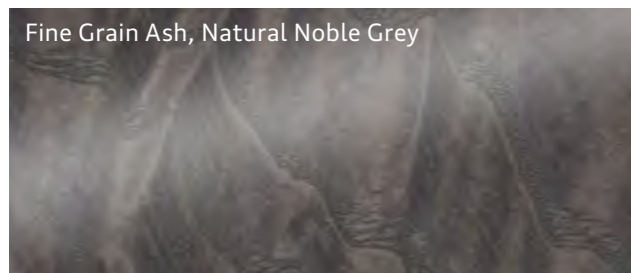
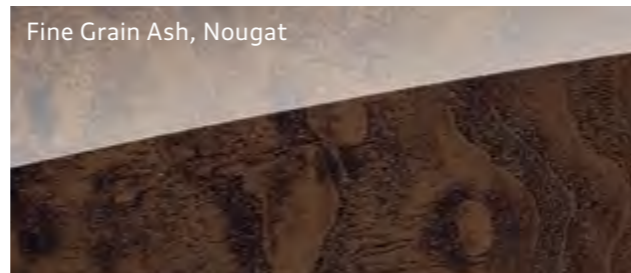
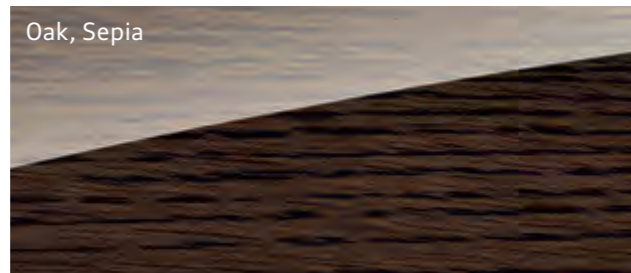
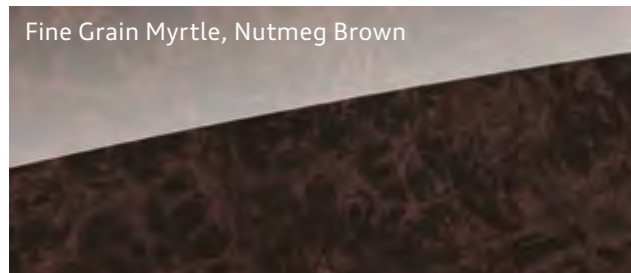
More exclusive.

With the inlays. Exclusive ambience is a question of style. Your style.

A style you can refine right down to the last detail. Create tangible accents with high-quality Audi inlays. Experience the fascination of selected materials: fine woods combined with graphite grey fine paint finish or dark matt brushed aluminium – whatever suits your own individual taste.

- 01** Fine grain ash, natural grey brown | **02** Dark matt brushed aluminium
- 03** Poplar, brown silver | **04** Dark matt brushed aluminium
- 05** Beech interval, natural grey brown | **06** Fine paint finish, graphite grey
- 07** Eucalyptus, natural grey brown | **08** Fine paint finish, graphite grey

Audi exclusive wood upper inlays¹



-01



- 01 Audi exclusive personalised door sill trims, front and rear
- 02 Audi exclusive coolbox

Technical data.

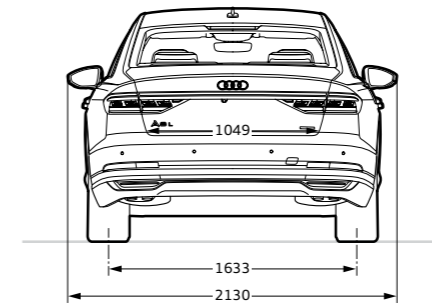
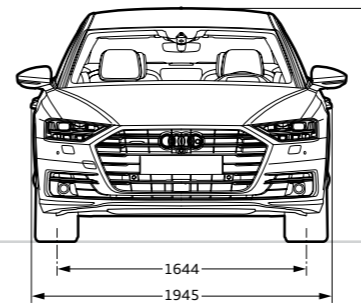
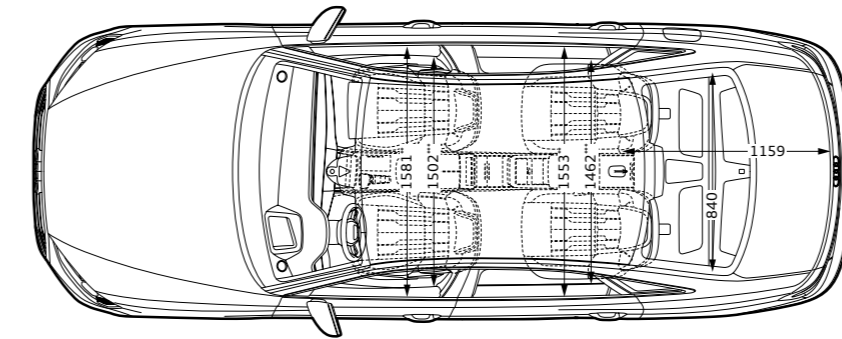
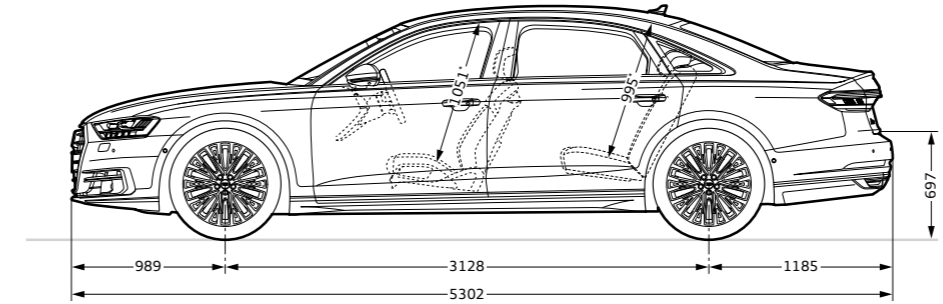
Model	A8 L 55 TFSI quattro (250 kW)
Engine type	V6 petrol engine with direct fuel injection and turbocharging, Mild Hybrid Electric Vehicle (MHEV)
Displacement in cc (valves per cylinder)	2,995 (4)
Max. output ¹ in kW at rpm	250/5,000-6,400
Max. torque in Nm at rpm	500/1,370-4,500
Power transmission	
Drive type	quattro permanent all-wheel drive
Transmission type	8-speed tiptronic
Weights/capacities	A8 L
Unladen weight ² in kg	2,030
Gross vehicle weight in kg	2,755
Fuel tank capacity, approx. in l	72
Performance/consumption⁴	
Top speed in km/h	250 ³
Acceleration 0-100 km/h in s	5.7
Fuel grade	Sulphur-free super RON 95 ⁵
Fuel consumption in l/100 km combined	8.3-8.1
Emission standard	EU6

Explanatory notes

- ¹ The figure given was calculated using the specified measuring procedure (current version of UN-R 85).
- ² Unladen vehicle weight includes driver (75 kg) and fuel tank 90 % full, calculated in accordance with the current version of Reg. (EU) 1230/2012. Optional equipment may increase the car's unladen weight and drag coefficient, whereupon the possible payload limit and the top speed will be reduced accordingly.
- ³ We recommend using sulphur-free super unleaded RON 95 fuel complying with DIN EN 228. If this is not available, use sulphur-free regular unleaded RON 91 fuel complying with DIN EN 228; power output will be slightly reduced. Unleaded RON 95 fuel with a maximum ethanol content of 10 % (E10) can generally be used. Fuel consumption details refer to operation with RON 95 fuel complying with 692/2008/EC.
- ⁴ Regulated.

Dimensions.

Audi A8 L	Dimensions in mm
Dimensions are for unladen vehicle weight. Luggage capacity ¹ : 505 l; turning circle approx. 12.9 m. *Maximum headroom. **Elbow room width. ***Shoulder room width.	



Legal information about the Audi tablet

The functions of the Audi tablet may vary by region. Mobile phone charges may apply. The vehicle data that can be displayed depends on the given vehicle and equipment. The navigation function requires an Audi connect Wi-Fi hotspot and internet access, in some countries exclusively follow mode with display of current vehicle position. The Google Play Store™² function requires internet access.

For further legal information and notes on using Audi connect, please visit www.audi.in/connect.

AUDI INDIA

A division of ŠKODA AUTO
Volkswagen India Private Limited
(formerly known as Volkswagen
India Private Limited)
Mumbai - India
CIN: U70102PN2007FTC133117
www.audi.in
Date published: December, 2019

Printed in India

The vehicles and equipment versions illustrated and described in this catalogue and some of the services listed are not available in all countries. Some of the cars illustrated are equipped with optional features for which an extra charge is made. Details concerning the delivery specifications, appearance, performance, dimensions and weights, fuel consumption and running costs of the vehicles were correct to the best of our knowledge at the time of going to press. Deviations from the colours and shapes shown in the illustrations may occur. No liability will be accepted for errors and printing errors. The right to introduce modifications is reserved. Not to be reproduced, including in part, without the written approval of AUDI AG.