



The new G-Class

Effective from May 2024 Production.

Mercedes-Benz





Book a test drive



Find your G-Class



Find a Showroom



Some of the model features, optional extras and colours shown may not be available, or may only be available in a different specification.

| Design | Technology | Model line | Model prices | Mercedes-AMG | Mercedes-AMG prices | Personalisation | Standard equipment | Genuine accessories | Technical data | Additional information |
|--------|------------|------------|--------------|--------------|---------------------|-----------------|--------------------|---------------------|----------------|------------------------|
|--------|------------|------------|--------------|--------------|---------------------|-----------------|--------------------|---------------------|----------------|------------------------|



Book a test drive



Find your G-Class



Find a Showroom



Some of the model features, optional extras and colours shown may not be available, or may only be available in a different specification.

| | | | | | | | | | | |
|--------|------------|------------|--------------|--------------|---------------------|-----------------|--------------------|---------------------|----------------|------------------------|
| Design | Technology | Model line | Model prices | Mercedes-AMG | Mercedes-AMG prices | Personalisation | Standard equipment | Genuine accessories | Technical data | Additional information |
|--------|------------|------------|--------------|--------------|---------------------|-----------------|--------------------|---------------------|----------------|------------------------|



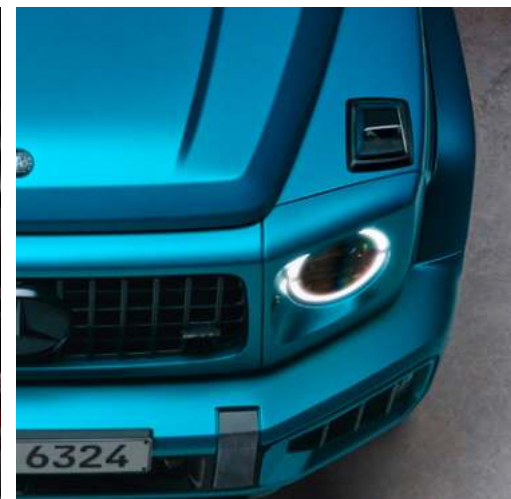
Book a test drive



Find your G-Class



Find a Showroom



Some of the model features, optional extras and colours shown may not be available, or may only be available in a different specification.

| Design | Technology | Model line | Model prices | Mercedes-AMG | Mercedes-AMG prices | Personalisation | Standard equipment | Genuine accessories | Technical data | Additional information |
|--------|------------|------------|--------------|--------------|---------------------|-----------------|--------------------|---------------------|----------------|------------------------|
|--------|------------|------------|--------------|--------------|---------------------|-----------------|--------------------|---------------------|----------------|------------------------|



Book a test drive



Find your G-Class



Find a Showroom



Some of the model features, optional extras and colours shown may not be available, or may only be available in a different specification.

| | | | | | | | | | | |
|--------|------------|------------|--------------|--------------|---------------------|-----------------|--------------------|---------------------|----------------|------------------------|
| Design | Technology | Model line | Model prices | Mercedes-AMG | Mercedes-AMG prices | Personalisation | Standard equipment | Genuine accessories | Technical data | Additional information |
|--------|------------|------------|--------------|--------------|---------------------|-----------------|--------------------|---------------------|----------------|------------------------|



Book a test drive



Find your G-Class



Find a Showroom



Some of the model features, optional extras and colours shown may not be available, or may only be available in a different specification.

| | | | | | | | | | | |
|--------|------------|------------|--------------|--------------|---------------------|-----------------|--------------------|---------------------|----------------|------------------------|
| Design | Technology | Model line | Model prices | Mercedes-AMG | Mercedes-AMG prices | Personalisation | Standard equipment | Genuine accessories | Technical data | Additional information |
|--------|------------|------------|--------------|--------------|---------------------|-----------------|--------------------|---------------------|----------------|------------------------|



Book a test drive



Find your G-Class



Find a Showroom

G-Class

Technology



STRONGER THAN TIME

Design

Technology

Model line

Model prices

Mercedes-AMG

Mercedes-AMG
prices

Personalisation

Standard
equipment

Genuine
accessories

Technical data

Additional
information

More is impossible

In off-road terrain the G-Class remains an unrivalled legend. It masters the key off-road disciplines effortlessly and with impressive results, e.g. gradeability, ground clearance, wading depth, angle of approach/departure and lateral slopes.

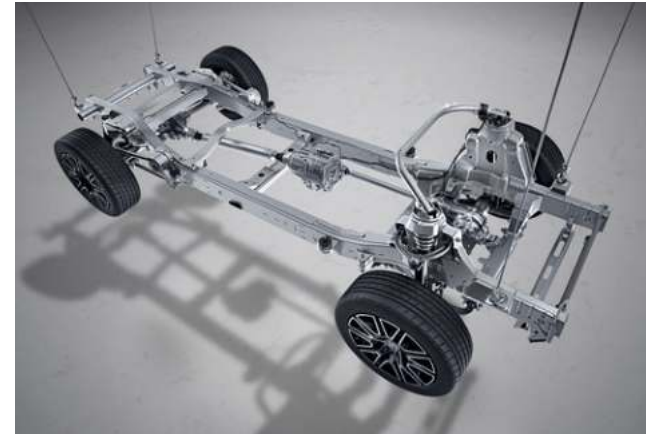
OFFROAD COCKPIT

Off the beaten track, the new OFFROAD COCKPIT provides an overview of the relevant data for off-road driving in both the driver and media displays, as well as functions to support off-road driving.



Rear axle

Extremely robust rigid axle with high degree of axial twist supports the chassis and the body. The rigid axle is connected to the ladder frame by means of two lower and two upper trailing arms as well as a panhard rod, which prevents sideways movements in the suspension in terms of between the vehicle body and rigid rear axle, and ensures the necessary traction even in the most difficult terrain and based on the road surface.



Off-road performance

- Angle of approach/departure: 30.9°/29.9°
- Breakover angle: 25.7°
- Climbing ability: up to 100%
- Ground clearance: 24.1cm
- Maximum fording depth: 70 cm
- Side slope angle: up to 70%

Front axle

It is executed as a double-wishbone axle with independent suspension and spring strut and ensures the necessary traction in even the most difficult off-road terrain. The new independent suspension enables more precise wheel location, thus in turn enabling better control of the G-Class.

Body

The ladder frame has formed the basis for the G-Class since the very beginning. The ladder frame consists of sheet steel of up to 3.4 mm in thickness with closed side members and cross members. This design is considerably more robust and better suited to off-road use than a self-supporting body.



Book a test drive



Find your G-Class



Find a Showroom

Inside, luxury meets adventure

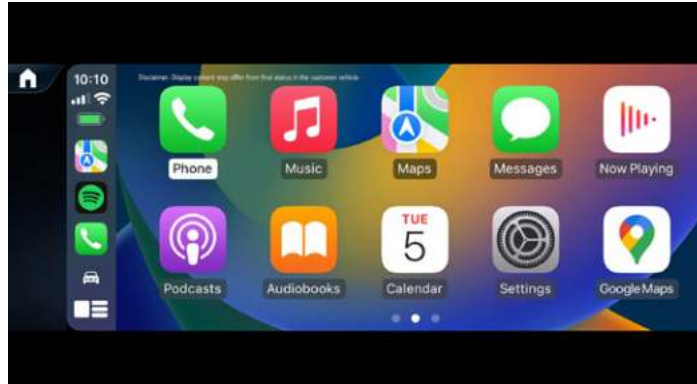
The G-Class combines timeless design with advanced technology, featuring the MBUX infotainment system for intuitive control and smartphone integration for seamless connectivity. Additionally, its THERMOTRONIC 3-zone automatic climate control ensures a personalised feel-good atmosphere on board.

MBUX (Mercedes-Benz User Experience)

The MBUX (Mercedes-Benz User Experience) infotainment system with 12.3-inch driver and media displays including touch control is in all model variants for the first time. Smartphone integration connects the mobile phone wirelessly to the MBUX multimedia system via Android Auto Wireless¹ or Apple CarPlay[®].



¹Compatible mobile phone required



Smartphone integration¹

Smartphone integration¹ merges the mobile phone with the infotainment system via Apple CarPlay[®] and Android Auto[™]. This gives you convenient access to the most important applications on your smartphone. You can also use apps from third-party service providers such as Spotify quickly and easily.



THERMOTRONIC automatic climate control

The THERMOTRONIC automatic climate control system with three climate zones and three climate styles provide an individual feel-good atmosphere on board. The driver and front passenger are able to set the temperature, air distribution and climate style to suit their personal needs. The third climate zone is in the rear – with separately adjustable temperature and airflow.

| | | | | | | | | | | |
|--------|------------|------------|--------------|--------------|---------------------|-----------------|--------------------|---------------------|----------------|------------------------|
| Design | Technology | Model line | Model prices | Mercedes-AMG | Mercedes-AMG prices | Personalisation | Standard equipment | Genuine accessories | Technical data | Additional information |
|--------|------------|------------|--------------|--------------|---------------------|-----------------|--------------------|---------------------|----------------|------------------------|

Cares for what matters Driving Assistance package¹

The Driving Assistance package¹ contains a range of highly intelligent features to help you stay safe on the road – by making the drive more effortless, by warning of danger, and by taking steps to protect you in an emergency. The Driving Assistance package is standard on all G-Class models.

Active Brake Assist with turn-off function with vehicle, pedestrian and bicycle detection incl. collision warning with autonomous emergency braking function

Active Distance Assist DISTRONIC helps maintain the desired distance from the vehicle in front

Active Emergency Stop Assist: immediate emergency braking if evasion is impossible

Active Lane Keeping Assist with visual and audible warning when a lane change is requested and a vehicle is detected in the blind spot

Active Speed Limit Assist ensures detected speed limits are automatically adopted as the set speed for Active Distance Assist DISTRONIC

Active Steering Assist: targeted steering intervention to prevent unintentional drifting out of lane with Active Emergency Stop Assist with SOS function and emergency lane function

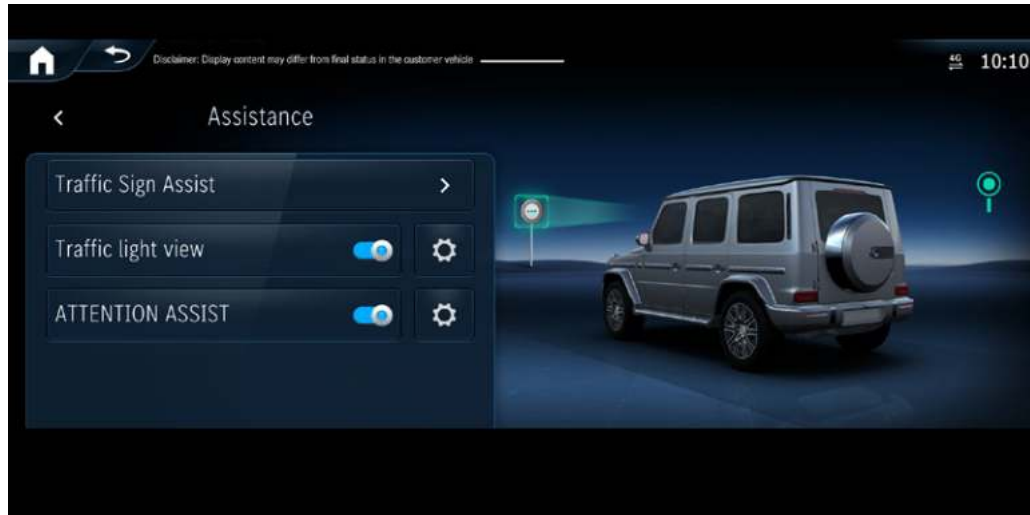
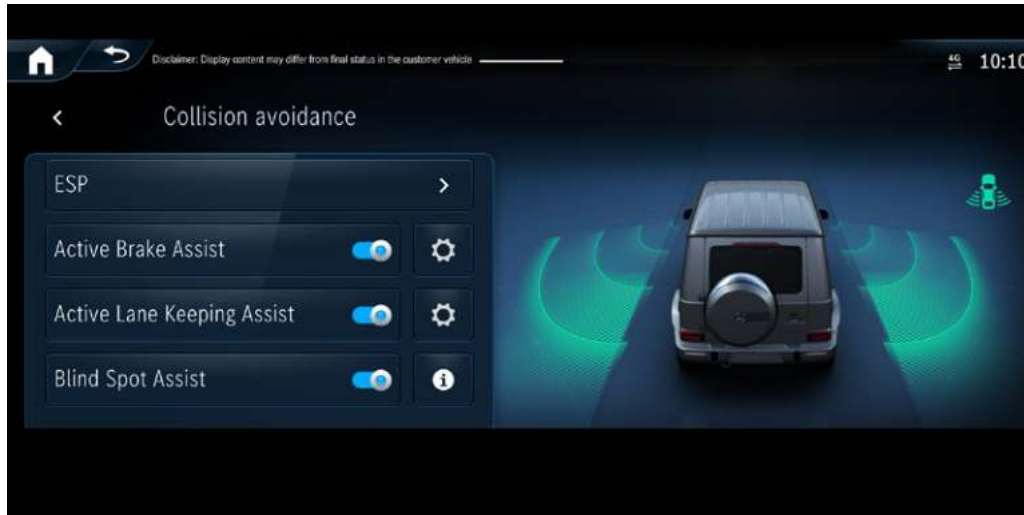
Blind Spot Assist can warn the driver of vehicles in the blind spot during a lane change

Extended restart on motorways

PRE-SAFE® Impulse side²

Route-based speed adjustment: adaption of speed before curves, roundabouts and junctions

Traffic Sign Assist recognises speed limits, overtaking bans and entry restrictions using camera and map data



¹Our driver assistance and safety systems are aids and do not relieve you of your responsibility as the driver. Please take note of the information in the Owner's Manual and the system limits which are described therein

²Only available when MANUFATUR package (code DPM) is selected (standard on Mercedes-AMG G63 MANUFATUR Edition and Mercedes-AMG G63 Magno Edition)

AMG Line Premium Plus



The ultimate fusion of luxury and performance

Introducing the AMG Line Premium Plus, boasting 20" AMG alloy wheels with a stylish 5-twin-spoke design, alongside 4MATIC Permanent four-wheel drive, ensuring exceptional control. Customise your driving experience with DYNAMIC SELECT's seven transmission modes. Enjoy enhanced visibility with precision-guided MULTIBEAM LED headlamps,

and effortless navigation through MBUX augmented reality on dual bonded 12.3-inch widescreen displays, accompanied by sumptuous nappa leather upholstery.

AMG Line Premium Plus

OTR from £136,690¹

¹The recommended on-the-road price includes the Road Fund Licence applicable to the standard model plus delivery charge (£730.00 incl. VAT), new vehicle registration fee (£55.00), fuel (£50.00 incl. VAT), and number plates (£25.00 incl. VAT). VAT is calculated at the standard rate of 20%. Some of the model features, optional extras and colours shown may not be available, or may only be available in a different specification, or at a different price

| | | | | | | | | | | |
|--------|------------|------------|--------------|--------------|---------------------|-----------------|--------------------|---------------------|----------------|------------------------|
| Design | Technology | Model line | Model prices | Mercedes-AMG | Mercedes-AMG prices | Personalisation | Standard equipment | Genuine accessories | Technical data | Additional information |
|--------|------------|------------|--------------|--------------|---------------------|-----------------|--------------------|---------------------|----------------|------------------------|

AMG Line Premium Plus Standard equipment highlights



Option shown: sodalite blue metallic (code 842)



Option shown: sodalite blue metallic (code 842)

Engine, Transmission and Suspension

4MATIC Permanent four-wheel drive

DYNAMIC SELECT with seven transmission modes: 'Comfort', 'ECO', 'Sport', 'Individual', 'Trail', 'ROCK' and 'Sand'

Suspension with selective passive damping system

Exterior

20" AMG alloy wheels – 5-twin-spoke design, painted high-gloss black with a high-sheen finish (code R16)

Brake calipers with 'Mercedes-Benz' lettering

Bumper insert in stainless steel

Electric sunroof – sliding with one-touch opening

Exterior protective strip with trim insert in brushed aluminium

Heated windscreen

Mirror housings in vehicle colour

MULTIBEAM LED headlamps with Adaptive Highbeam Assist Plus

Privacy glass – dark glass from B-pillar backwards

Running boards

Spare wheel cover in vehicle colour with spare wheel ring in stainless steel

Summer tyres

Trailer coupling with ESP® trailer stabilisation

Underguard in silver



| Design | Technology | Model line | Model prices | Mercedes-AMG | Mercedes-AMG prices | Personalisation | Standard equipment | Genuine accessories | Technical data | Additional information |
|--------|------------|------------|--------------|--------------|---------------------|-----------------|--------------------|---------------------|----------------|------------------------|
|--------|------------|------------|--------------|--------------|---------------------|-----------------|--------------------|---------------------|----------------|------------------------|



Interior

Ambient lighting – 64 colours

DINAMICA microfibre roof liner in black

Dashboard in leather

Ionisation of interior air including fine-particle activated charcoal filter system

Memory package

Seats – electrically adjustable (front)

Seats – heated (front and rear)

Steering wheel – multifunction sports steering wheel in nappa leather, heated

Stowage Space package

THERMOTRONIC automatic climate control

Communications, Safety and Assistance Systems

Burmester® 3D surround sound system

DAB digital radio tuner

Dashcam

Driving Assistance package¹

GUARD 360° Vehicle protection Plus²

KEYLESS GO

MBUX augmented reality navigation

MBUX infotainment system

Parking package with 360° camera

Sound personalisation

Widescreen cockpit with dual bonded 12.3-inch widescreen displays



Trim and Upholstery

Trim – MANUFAKTUR black flamed open-pore ash wood

Upholstery – Nappa leather in black



¹Our driver assistance and safety systems are aids and do not relieve you of your responsibility as the driver. Please take note of the information in the Owner's Manual and the system limits which are described therein of network providers

²The connection of the communication module to the mobile phone network including the emergency call system depends on the respective network coverage and availability

Model prices

| Model line | Engine | Transmission | CO ₂ WLTP ^{1,*} | Basic RRP excl. VAT (£) | Total RRP incl. VAT (£) | Road Fund Licence (£) ² WLTP | Rec. OTR price (£) ³ WLTP | P11D value (£) | BiK tax rate 2024/25 (%) ² |
|------------------------------|---|---------------------|-------------------------------------|-------------------------|-------------------------|---|--------------------------------------|----------------|---------------------------------------|
| AMG Line Premium Plus | | | | | | | | | |
| G450 d | Diesel – 2,989cc, 6-cylinder, 367 hp/270 kW Mild hybrid drive – 20 hp/15 kW | 9G-TRONIC automatic | 235 | 111,250.00 | 133,500.00 | 2,330.00 | 136,690.00 | 134,305.00 | 37 |
| G500 | Petrol – 2,999 cc, 6-cylinder, 449 hp/330 kW Mild hybrid drive – 20 hp/15 kW | 9G-TRONIC automatic | 257 | 118,750.00 | 142,500.00 | 2,735.00 | 146,095.00 | 143,305.00 | 37 |

¹The indicated values were determined according to the prescribed measurement method - Worldwide Harmonised Light Vehicle Test Procedure (WLTP). Figures shown may include options which are not available in the UK. ²Figures shown are for comparability purposes; only compare with other cars tested to the same technical procedures. Figures may not reflect real life driving results, which will depend upon a number of factors including factory-fitted options, accessories fitted (post registration), variations in weather, driving styles and vehicle load. Further information about the test used to establish fuel consumption and CO₂ figures can be found at <http://www.mercedes-benz.co.uk/WLTP> ³A different first year rate of Vehicle Excise Duty (Road Fund Licence) applies for new cars. Please refer to page 72 for the relevant rate for the second and subsequent years ³The recommended on-the-road price includes the Road Fund Licence applicable to the standard model plus delivery charge (£730.00 incl. VAT), new vehicle registration fee (£55.00), fuel (£50.00 incl. VAT), and number plates (£25.00 incl. VAT). VAT is calculated at the standard rate of 20%. Some of the model features, optional extras and colours shown may not be available, or may only be available in a different specification, or at a different price



Book a test drive



Find your G-Class



Find a Showroom



AMG



G-Class

Mercedes-AMG

| | | | | | | | | | | |
|--------|------------|------------|--------------|--------------|---------------------|-----------------|--------------------|---------------------|----------------|------------------------|
| Design | Technology | Model line | Model prices | Mercedes-AMG | Mercedes-AMG prices | Personalisation | Standard equipment | Genuine accessories | Technical data | Additional information |
|--------|------------|------------|--------------|--------------|---------------------|-----------------|--------------------|---------------------|----------------|------------------------|



Mercedes-AMG G-Class Model lines overview

Mercedes-AMG G 63 »



Mercedes-AMG G 63 Carbon Edition »



Mercedes-AMG G 63 MANUFAKTUR Edition »



Mercedes-AMG G 63 Magno Edition »



| | | | | | | | | | | |
|--------|------------|------------|--------------|--------------|---------------------|-----------------|--------------------|---------------------|----------------|------------------------|
| Design | Technology | Model line | Model prices | Mercedes-AMG | Mercedes-AMG prices | Personalisation | Standard equipment | Genuine accessories | Technical data | Additional information |
|--------|------------|------------|--------------|--------------|---------------------|-----------------|--------------------|---------------------|----------------|------------------------|



Mercedes-AMG G 63 Standard equipment highlights



Option shown: iridium silver metallic (code 775)

Engine, Transmission and Suspension

AMG ACTIVE RIDE CONTROL with active hydraulic roll stabilisation

AMG SPEEDSHIFT PLUS 9G-TRONIC

OTR from **£184,595¹**



Option shown: iridium silver metallic (code 775)

Exterior

22" AMG forged wheels – cross-spoke design, painted matt black with a high-sheen rim flange (code RG4)

AMG bodystyling with exclusive Mercedes-AMG G 63 front aprons with cooling air intakes and flared wheel arches in vehicle colour

AMG red brake callipers

AMG-specific radiator grille

Bumper insert in stainless steel

Exterior protective strip with trim insert in black

Electric sunroof – sliding, with one-touch opening

Heated windscreen

MULTIBEAM LED headlamps with Adaptive Highbeam Assist Plus

Privacy glass – dark glass from B-pillar backwards

Running boards

Spare wheel cover in vehicle colour with spare wheel ring in stainless steel

Summer tyres

Trailer coupling ESP® trailer stabilisation

Underguard in silver



¹The recommended on-the-road price includes the Road Fund Licence applicable to the standard model plus delivery charge (£730.00 incl. VAT), new vehicle registration fee (£55.00), fuel (£50.00 incl. VAT), and number plates (£25.00 incl. VAT). VAT is calculated at the standard rate of 20%. Some of the model features, optional extras and colours shown may not be available, or may only be available in a different specification, or at a different price

| Design | Technology | Model line | Model prices | Mercedes-AMG | Mercedes-AMG prices | Personalisation | Standard equipment | Genuine accessories | Technical data | Additional information |
|--------|------------|------------|--------------|--------------|---------------------|-----------------|--------------------|---------------------|----------------|------------------------|
|--------|------------|------------|--------------|--------------|---------------------|-----------------|--------------------|---------------------|----------------|------------------------|



● Full standard equipment list



Book a test drive



Find your G-Class



Find a Showroom



Communications, Safety and Assistance Systems

Widescreen cockpit with dual bonded 12.3-inch widescreen display

Burmester® 3D surround sound system

MBUX multimedia system

DAB digital radio tuner

Driving Assistance package¹

Parking package with 360° camera

Smartphone integration² including Apple CarPlay® and Android Auto™



Interior

Ambient lighting - choice of 64 colour settings

AMG floor mats with 'AMG' lettering

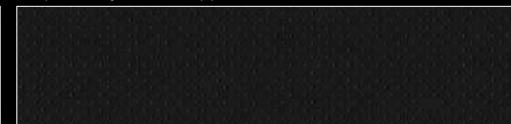
AMG Performance steering wheel in nappa leather, heated

Illuminated AMG door sill panels with 'AMG' lettering at front and rear

Trim and Upholstery

Trim - metal structure trim element

Upholstery - AMG nappa leather in black



¹Our driver assistance and safety systems are aids and do not relieve you of your responsibility as the driver. Please take note of the information in the Owner's Manual and the system limits which are described therein

²Compatible mobile phone required

| Design | Technology | Model line | Model prices | Mercedes-AMG | Mercedes-AMG prices | Personalisation | Standard equipment | Genuine accessories | Technical data | Additional information |
|--------|------------|------------|--------------|--------------|---------------------|-----------------|--------------------|---------------------|----------------|------------------------|
|--------|------------|------------|--------------|--------------|---------------------|-----------------|--------------------|---------------------|----------------|------------------------|



Mercedes-AMG G 63 Carbon Edition Standard equipment highlights



Option shown: MANUFAKTUR monza grey magno (code 054)



Option shown: MANUFAKTUR monza grey magno (code 054)

In addition to/replacement of Mercedes-AMG G 63:

Exterior

22" AMG forged wheels – cross-spoke design, painted matt black with a high-sheen rim flange (code RG4)

AMG Exterior Carbon-Fibre package

AMG mirror cover in carbon-fibre design

Bumper insert in carbon fibre

Front simulated underguard in carbon fibre

Spare wheel cover in carbon fibre with spare wheel ring painted in obsidian black

Summer tyres



OTR from £194,595¹

¹The recommended on-the-road price includes the Road Fund Licence applicable to the standard model plus delivery charge (£730.00 incl. VAT), new vehicle registration fee (£55.00), fuel (£50.00 incl. VAT), and number plates (£25.00 incl. VAT). VAT is calculated at the standard rate of 20%. Some of the model features, optional extras and colours shown may not be available, or may only be available in a different specification, or at a different price

| Design | Technology | Model line | Model prices | Mercedes-AMG | Mercedes-AMG prices | Personalisation | Standard equipment | Genuine accessories | Technical data | Additional information |
|--------|------------|------------|--------------|--------------|---------------------|-----------------|--------------------|---------------------|----------------|------------------------|
|--------|------------|------------|--------------|--------------|---------------------|-----------------|--------------------|---------------------|----------------|------------------------|



● Full standard equipment list



Book a test drive



Find your G-Class



Find a Showroom



Interior

AMG Performance steering wheel in carbon-fibre design/MICROCUT microfibre, heated

Trim and Upholstery

Trim – AMG carbon fibre

Upholstery – AMG nappa leather in black



| | | | | | | | | | | |
|--------|------------|------------|--------------|--------------|---------------------|-----------------|--------------------|---------------------|----------------|------------------------|
| Design | Technology | Model line | Model prices | Mercedes-AMG | Mercedes-AMG prices | Personalisation | Standard equipment | Genuine accessories | Technical data | Additional information |
|--------|------------|------------|--------------|--------------|---------------------|-----------------|--------------------|---------------------|----------------|------------------------|



Mercedes-AMG G 63 MANUFAKTUR Edition Standard equipment highlights



No-cost option shown: MANUFAKTUR south seas blue metallic (code I62)



No-cost option shown: MANUFAKTUR south seas blue metallic (code I62)

In addition to/replacement of Mercedes-AMG G 63 Carbon Edition:

Exterior

22" AMG forged wheels – cross-spoke design, painted matt black with a high-sheen rim flange (code RG4)

Bumper insert in stainless steel

Exterior mirror housings in vehicle colour

Exterior protective strip with trim insert in black

MANUFAKTUR Logo package

MANUFAKTUR logo projector in exterior mirror

MANUFAKTUR paint

MANUFAKTUR spare wheel cover and spare wheel ring painted in vehicle colour

Summer tyres



OTR from **£201,095¹**

¹The recommended on-the-road price includes the Road Fund Licence applicable to the standard model plus delivery charge (£730.00 incl. VAT), new vehicle registration fee (£55.00), fuel (£50.00 incl. VAT), and number plates (£25.00 incl. VAT). VAT is calculated at the standard rate of 20%. Some of the model features, optional extras and colours shown may not be available, or may only be available in a different specification, or at a different price

| Design | Technology | Model line | Model prices | Mercedes-AMG | Mercedes-AMG prices | Personalisation | Standard equipment | Genuine accessories | Technical data | Additional information |
|--------|------------|------------|--------------|--------------|---------------------|-----------------|--------------------|---------------------|----------------|------------------------|
|--------|------------|------------|--------------|--------------|---------------------|-----------------|--------------------|---------------------|----------------|------------------------|



● Full standard equipment list



Book a test drive



Find your G-Class



Find a Showroom



MANUFAKTUR grab handles in leather

Interior

AMG Performance steering wheel in nappa leather, heated

Dashboard in nappa leather

ENERGIZING package Plus

MANUFAKTUR grab handles in leather

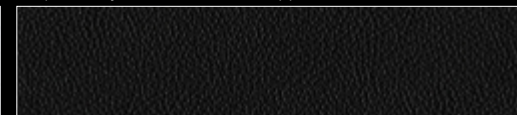
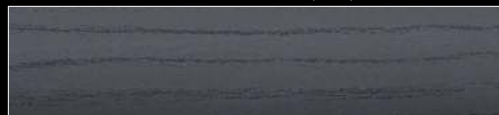
MANUFAKTUR package

Seats - ventilated, multicontour seats (front)

Trim and Upholstery

Trim - MANUFAKTUR black flamed open-pore ash wood

Upholstery - AMG Exclusive nappa leather in black



| | | | | | | | | | | |
|--------|------------|------------|--------------|--------------|---------------------|-----------------|--------------------|---------------------|----------------|------------------------|
| Design | Technology | Model line | Model prices | Mercedes-AMG | Mercedes-AMG prices | Personalisation | Standard equipment | Genuine accessories | Technical data | Additional information |
|--------|------------|------------|--------------|--------------|---------------------|-----------------|--------------------|---------------------|----------------|------------------------|



Mercedes-AMG G 63 Magno Edition Standard equipment highlights



Option shown: hyacinth red exclusive magno (code 823)



Option shown: hyacinth red exclusive magno (code 823)

In addition to/replacement of Mercedes-AMG G 63 MANUFAKTUR Edition:

Exterior

22" AMG forged wheels – cross-spoke design, painted matt black with a high-sheen rim flange (code RG4)

AMG Night package II – including typography and Mercedes star at front and rear in high-gloss black

AMG Night package

Bumper insert in night black magno

Exterior mirror housings in night black magno

Paint – magno

Spare wheel cover in vehicle colour with spare wheel ring in night black magno

Simulated underguard in night black magno

Summer tyres

Underguard in night black magno



OTR from **£203,595¹**

¹The recommended on-the-road price includes the Road Fund Licence applicable to the standard model plus delivery charge (£730.00 incl. VAT), new vehicle registration fee (£55.00), fuel (£50.00 incl. VAT), and number plates (£25.00 incl. VAT). VAT is calculated at the standard rate of 20%. Some of the model features, optional extras and colours shown may not be available, or may only be available in a different specification, or at a different price

| Design | Technology | Model line | Model prices | Mercedes-AMG | Mercedes-AMG prices | Personalisation | Standard equipment | Genuine accessories | Technical data | Additional information |
|--------|------------|------------|--------------|--------------|---------------------|-----------------|--------------------|---------------------|----------------|------------------------|
|--------|------------|------------|--------------|--------------|---------------------|-----------------|--------------------|---------------------|----------------|------------------------|



● Full standard equipment list



Book a test drive



Find your G-Class



Find a Showroom



Interior

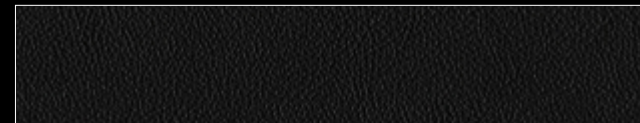
AMG Performance steering wheel in carbon-fibre design/MICROCUT microfibre, heated

Trim and Upholstery

Trim - AMG carbon fibre



Upholstery - AMG Exclusive nappa leather in black



| | | | | | | | | | | |
|--------|------------|------------|--------------|--------------|---------------------|-----------------|--------------------|---------------------|----------------|------------------------|
| Design | Technology | Model line | Model prices | Mercedes-AMG | Mercedes-AMG prices | Personalisation | Standard equipment | Genuine accessories | Technical data | Additional information |
|--------|------------|------------|--------------|--------------|---------------------|-----------------|--------------------|---------------------|----------------|------------------------|



Book a test drive



Find your G-Class



Find a Showroom

Become the AMG expert

Unleash a new level of performance.



Step into the world of performance and experience the AMG brand at Mercedes-Benz World – from the powerful sound of the engines to the smell of the leather to the unmistakable design of our vehicles.

Mercedes-Benz World invites all Mercedes-AMG customers to a complimentary adrenaline-packed driving experience. Feel the sensational AMG driving performance, develop your driving skills and even try your hand at power-sliding on the Wet Skid Circle. With expert one-to-one guidance from a Driving Specialist in the passenger seat, experience every inch of our Handling Circuits, Dynamic Straight and low friction surfaces.

[Click here for more information](#)



TERMS AND CONDITIONS

The following customers only are eligible: The first purchaser/registered keeper of a newly registered Mercedes-AMG. The complimentary training must be booked and taken within 12 months of email receipt. The training is available Monday - Friday only (excluding bank holidays) and subject to availability. Upgrades are available for an additional cost, details upon request. Transferable to individuals who reside at the same postal address only. Mercedes-Benz UK Limited reserves the right to amend or withdraw this training experience. Attendees must hold a full UK driving licence. Attendees will be required to sign the Mercedes-Benz World Driving Risk Acknowledgement prior to undertaking the training experience.

The training experience is also subject to the Mercedes-Benz World Terms and Conditions, as applicable. Retailer demonstrator vehicles are not eligible.

| | | | | | | | | | | |
|--------|------------|------------|--------------|--------------|---------------------|-----------------|--------------------|---------------------|----------------|------------------------|
| Design | Technology | Model line | Model prices | Mercedes-AMG | Mercedes-AMG prices | Personalisation | Standard equipment | Genuine accessories | Technical data | Additional information |
|--------|------------|------------|--------------|--------------|---------------------|-----------------|--------------------|---------------------|----------------|------------------------|

Mercedes-AMG prices



| Model line | Engine | Transmission | CO ₂ WLTP ¹ * | Basic RRP excl. VAT (£) | Total RRP incl. VAT (£) | Road Fund Licence (£) ² WLTP | Rec. OTR price (£) ³ WLTP | P11D value (£) | BiK tax rate 2024/25 (%) ² |
|--|--|-------------------------------|-------------------------------------|-------------------------|-------------------------|---|--------------------------------------|----------------|---------------------------------------|
| Mercedes-AMG | | | | | | | | | |
| Mercedes-AMG G 63 4MATIC | Petrol – 3,982cc, 8-cylinder, 585 hp/430 kW Mild hybrid drive – 20 hp/15 kW | AMG SPEEDSHIFT PLUS 9G-TRONIC | 338 | 150,833.33 | 181,000.00 | 2,735 | 184,595.00 | 181,805.00 | 37 |
| Mercedes-AMG Carbon Edition | | | | | | | | | |
| Mercedes-AMG G 63 4MATIC | Petrol – 3,982cc, 8-cylinder, 585 hp/430 kW Mild hybrid drive – 20 hp/15 kW | AMG SPEEDSHIFT PLUS 9G-TRONIC | 338 | 159,166.67 | 191,000.00 | 2,735 | 194,595.00 | 191,805.00 | 37 |
| Mercedes-AMG MANUFAKTUR Edition | | | | | | | | | |
| Mercedes-AMG G 63 4MATIC | Petrol – 3,982cc, 8-cylinder, 585 hp/430 kW Mild hybrid drive – 20 hp/15 kW | AMG SPEEDSHIFT PLUS 9G-TRONIC | 338 | 164,583.33 | 197,500.00 | 2,735 | 201,095.00 | 198,305.00 | 37 |
| Mercedes-AMG Magno Edition | | | | | | | | | |
| Mercedes-AMG G 63 4MATIC | Petrol – 3,982cc, 8-cylinder, 585 hp/430 kW Mild hybrid drive – 20 hp/15 kW | AMG SPEEDSHIFT PLUS 9G-TRONIC | 338 | 166,666.67 | 200,000.00 | 2,735 | 203,595.00 | 200,805.00 | 37 |

¹The indicated values were determined according to the prescribed measurement method - Worldwide Harmonised Light Vehicle Test Procedure (WLTP). Figures shown may include options which are not available in the UK. ²Figures shown are for comparability purposes; only compare with other cars tested to the same technical procedures. Figures may not reflect real life driving results, which will depend upon a number of factors including factory-fitted options, accessories fitted (post registration), variations in weather, driving styles and vehicle load. Further information about the test used to establish fuel consumption and CO₂ figures can be found at <http://www.mercedes-benz.co.uk/WLTP> ³A different first year rate of Vehicle Excise Duty (Road Fund Licence) applies for new cars. Please refer to page 72 for the relevant rate for the second and subsequent years ⁴The recommended on-the-road price includes the Road Fund Licence applicable to the standard model plus delivery charge (£730.00 incl. VAT), new vehicle registration fee (£55.00), fuel (£50.00 incl. VAT), and number plates (£25.00 incl. VAT). VAT is calculated at the standard rate of 20%. Some of the model features, optional extras and colours shown may not be available, or may only be available in a different specification, or at a different price

| | | | | | | | | | | |
|--------|------------|------------|--------------|--------------|---------------------|-----------------|--------------------|---------------------|----------------|------------------------|
| Design | Technology | Model line | Model prices | Mercedes-AMG | Mercedes-AMG prices | Personalisation | Standard equipment | Genuine accessories | Technical data | Additional information |
|--------|------------|------------|--------------|--------------|---------------------|-----------------|--------------------|---------------------|----------------|------------------------|

Personalisation Overview



Trim

● Standard □ No-cost option — Not available



VA1 MANUFAKTUR black flamed open-pore ash wood

| | |
|--------------------------------------|---|
| AMG Line Premium Plus | ● |
| Mercedes-AMG G 63 | □ |
| Mercedes-AMG G 63 Carbon Edition | — |
| Mercedes-AMG G 63 MANUFAKTUR Edition | ● |
| Mercedes-AMG G 63 Magno Edition | — |



VA2 Open-pore natural walnut wood

| | |
|--------------------------------------|---|
| AMG Line Premium Plus | □ |
| Mercedes-AMG G 63 | □ |
| Mercedes-AMG G 63 Carbon Edition | — |
| Mercedes-AMG G 63 MANUFAKTUR Edition | — |
| Mercedes-AMG G 63 Magno Edition | — |



VA5 Metal structure trim element

| | |
|--------------------------------------|---|
| AMG Line Premium Plus | — |
| Mercedes-AMG G 63 | ● |
| Mercedes-AMG G 63 Carbon Edition | — |
| Mercedes-AMG G 63 MANUFAKTUR Edition | — |
| Mercedes-AMG G 63 Magno Edition | — |



ZG6 AMG carbon fibre

| | |
|--------------------------------------|---|
| AMG Line Premium Plus | — |
| Mercedes-AMG G 63 | — |
| Mercedes-AMG G 63 Carbon Edition | ● |
| Mercedes-AMG G 63 MANUFAKTUR Edition | — |
| Mercedes-AMG G 63 Magno Edition | ● |

Upholstery AMG Line Premium Plus

Nappa leather¹ – no-cost option



501A*+P76 black



545A+P76 truffle brown/black



575A+P76 macchiato beige/black

*Standard. Available with MANUFATUR seat belts in red ¹100% of seat upholstery is pure leather

| | | | | | | | | | | |
|--------|------------|------------|--------------|--------------|---------------------|-----------------|--------------------|---------------------|----------------|------------------------|
| Design | Technology | Model line | Model prices | Mercedes-AMG | Mercedes-AMG prices | Personalisation | Standard equipment | Genuine accessories | Technical data | Additional information |
|--------|------------|------------|--------------|--------------|---------------------|-----------------|--------------------|---------------------|----------------|------------------------|

Upholstery AMG Line Premium Plus

MANUFAKTUR nappa leather¹ - no-cost option



923A+P76 platinum white/black



924A+P76 espresso brown/black



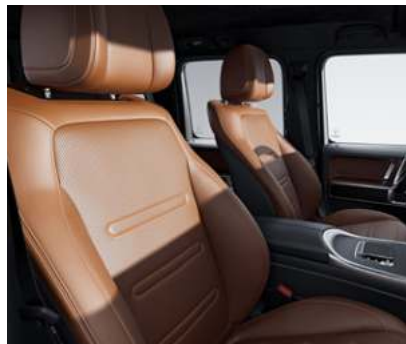
925A+P76 catalana beige/black



927A+P76 bengal red/black



928A+P76 titanium grey pearl/black



934A+P76 saddle brown/black



937A+P76 red pepper/black



938A+P76 sage grey/black

¹100% of seat upholstery is pure leather

Upholstery AMG Line Premium Plus

MANUFAKTUR nappa leather¹ two-tone – no-cost option



953A+P76 two-tone platinum white/black



954A+P76 two-tone espresso brown/black



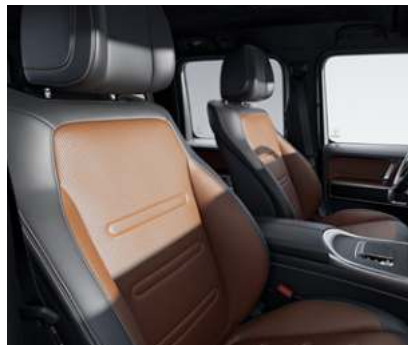
955A+P76 two-tone catalana beige/black



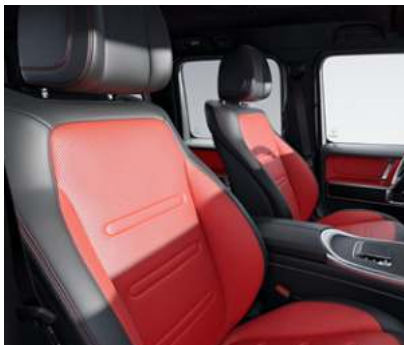
957A+P76 two-tone bengal red/black



958A+P76 two-tone titanium grey/black



964A+P76 two-tone saddle brown/black



967A+P76 two-tone red pepper/black



968A+P76 two-tone sage grey/black

¹100% of seat upholstery is pure leather

| | | | | | | | | | | |
|--------|------------|------------|--------------|--------------|---------------------|-----------------|--------------------|---------------------|----------------|------------------------|
| Design | Technology | Model line | Model prices | Mercedes-AMG | Mercedes-AMG prices | Personalisation | Standard equipment | Genuine accessories | Technical data | Additional information |
|--------|------------|------------|--------------|--------------|---------------------|-----------------|--------------------|---------------------|----------------|------------------------|

Upholstery AMG Line Premium Plus

MANUFAKTUR nappa leather¹ with contrast topstitching - no-cost option



902A+P76 black with blue topstitching



903A+P76 black with white topstitching



904A+P76 black with bronze topstitching



906A+P76 black with lime green topstitching



907A+P76 black with red topstitching



909A+P76 black with gold topstitching

¹100% of seat upholstery is pure leather

| | | | | | | | | | | |
|--------|------------|------------|--------------|--------------|---------------------|-----------------|--------------------|---------------------|----------------|------------------------|
| Design | Technology | Model line | Model prices | Mercedes-AMG | Mercedes-AMG prices | Personalisation | Standard equipment | Genuine accessories | Technical data | Additional information |
|--------|------------|------------|--------------|--------------|---------------------|-----------------|--------------------|---------------------|----------------|------------------------|

Upholstery Mercedes-AMG

AMG nappa leather¹ – no-cost option



501A+P76* black



545A+P76* truffle brown/black



575A+P76* macchiato beige/black

*Not available on Mercedes-AMG G63 MANUFATUR Edition or Mercedes-AMG G63 Magno Edition. Available with MANUFATUR seat belts in red ¹100% of upholstery is pure leather

| | | | | | | | | | | |
|--------|------------|------------|--------------|--------------|---------------------|-----------------|--------------------|---------------------|----------------|------------------------|
| Design | Technology | Model line | Model prices | Mercedes-AMG | Mercedes-AMG prices | Personalisation | Standard equipment | Genuine accessories | Technical data | Additional information |
|--------|------------|------------|--------------|--------------|---------------------|-----------------|--------------------|---------------------|----------------|------------------------|

Upholstery Mercedes-AMG

AMG MANUFAKTUR nappa leather¹ – no-cost option



923A+P76* platinum white/black



924A+P76* espresso brown/black



925A+P76* catalana beige/black



927A+P76* bengal red/black



928A+P76* titanium grey pearl/black



934A+P76* saddle brown/black



937A+P76* red pepper/black



938A+P76* sage grey/black

*Not available on Mercedes-AMG G 63 MANUFAKTUR Edition or Mercedes-AMG G 63 Magno Edition ¹100% of upholstery is pure leather

| | | | | | | | | | | |
|--------|------------|------------|--------------|--------------|---------------------|-----------------|--------------------|---------------------|----------------|------------------------|
| Design | Technology | Model line | Model prices | Mercedes-AMG | Mercedes-AMG prices | Personalisation | Standard equipment | Genuine accessories | Technical data | Additional information |
|--------|------------|------------|--------------|--------------|---------------------|-----------------|--------------------|---------------------|----------------|------------------------|

Upholstery Mercedes-AMG

AMG MANUFAKTUR nappa leather¹ two-tone - no-cost option



953A+P76* two-tone platinum white/black



954A+P76* two-tone espresso brown/black



955A+P76* two-tone catalana beige/black



957A+P76* two-tone bengal red/black



958A+P76* two-tone titanium grey/black



964A+P76* two-tone saddle brown/black



967A+P76* two-tone red pepper/black



968A+P76* two-tone sage grey/black

*Not available on Mercedes-AMG G 63 MANUFAKTUR Edition or Mercedes-AMG G 63 Magno Edition ¹100% of upholstery is pure leather

| | | | | | | | | | | |
|--------|------------|------------|--------------|--------------|---------------------|-----------------|--------------------|---------------------|----------------|------------------------|
| Design | Technology | Model line | Model prices | Mercedes-AMG | Mercedes-AMG prices | Personalisation | Standard equipment | Genuine accessories | Technical data | Additional information |
|--------|------------|------------|--------------|--------------|---------------------|-----------------|--------------------|---------------------|----------------|------------------------|

Upholstery Mercedes-AMG

AMG MANUFAKTUR nappa leather¹ with contrast topstitching - no-cost option



902A+P76* black with blue topstitching



903A+P76* black with white topstitching



904A+P76* black with bronze topstitching



906A+P76* black with lime green topstitching



907A+P76* black with red topstitching



909A+P76* black with gold topstitching

^{*}Not available on Mercedes-AMG G 63 MANUFAKTUR Edition or Mercedes-AMG G 63 Magno Edition, no-cost option for all other Mercedes-AMG G 63 models ¹100% of seat upholstery is pure leather

| | | | | | | | | | | |
|--------|------------|------------|--------------|--------------|---------------------|-----------------|--------------------|---------------------|----------------|------------------------|
| Design | Technology | Model line | Model prices | Mercedes-AMG | Mercedes-AMG prices | Personalisation | Standard equipment | Genuine accessories | Technical data | Additional information |
|--------|------------|------------|--------------|--------------|---------------------|-----------------|--------------------|---------------------|----------------|------------------------|

MANUFAKTUR package

● Standard ○ Optional

Indulge in the luxury of choice with the MANUFAKTUR package, which offers an array of upholstery combinations to elevate the iconic G-Class to new heights of personalisation. Experience upgraded upholstery, the invigorating ENERGIZING package Plus, and the comfort of multicontour seats – all tailored to enhance your driving experience.

Designed and priced as a package, including items listed below.

Consisting of:

| | |
|--|--|
| Active Multicontour Seat package Plus | Instrument panel in nappa leather |
| ENERGIZING package Plus | Seat upholstery layout in a diamond design |
| Extended scope of upholstery in nappa leather: armrest and rear facing of the centre console, door centre panels and trim, armrests in the doors, pull handles on the doors and kneepads on the side of the centre console | |

| Model line | MANUFAKTUR package (code DPM) |
|-----------------------------------|-------------------------------|
| AMG Line Premium Plus | ○ |
| Mercedes-AMG G 63 | ○ |
| Mercedes-AMG G 63 Carbon Edt. | ○ |
| Mercedes-AMG G 63 MANUFAKTUR Edt. | ● |
| Mercedes-AMG G 63 Magno Edt. | ● |
| Total incl. VAT | £7,995.00 |



913A+DPM two-tone black with accent band in platinum white

Please see pages 38-42 for available upholstery options for AMG Line Premium Plus and pages 43-47 for available upholstery options for Mercedes-AMG G-Class variants

MANUFAKTUR package (cont.) Upholstery for AMG Line Premium Plus

Nappa leather¹



801A+DPM black



808A+DPM macchiato beige/magma grey



825A+DPM truffle brown/black

¹100% of seat upholstery is pure leather

| | | | | | | | | | | |
|--------|------------|------------|--------------|--------------|---------------------|-----------------|--------------------|---------------------|----------------|------------------------|
| Design | Technology | Model line | Model prices | Mercedes-AMG | Mercedes-AMG prices | Personalisation | Standard equipment | Genuine accessories | Technical data | Additional information |
|--------|------------|------------|--------------|--------------|---------------------|-----------------|--------------------|---------------------|----------------|------------------------|

MANUFAKTUR package (cont.) Upholstery for AMG Line Premium Plus

MANUFAKTUR nappa leather¹



923A+DPM platinum white/black



924A+DPM espresso brown/black



925A+DPM catalana beige/black



927A+DPM bengal red/black



928A+DPM titanium grey pearl/black



934A+DPM saddle brown/black



937A+DPM red pepper/black



938A+DPM sage grey/black

¹100% of seat upholstery is pure leather

| | | | | | | | | | | |
|--------|------------|------------|--------------|--------------|---------------------|-----------------|--------------------|---------------------|----------------|------------------------|
| Design | Technology | Model line | Model prices | Mercedes-AMG | Mercedes-AMG prices | Personalisation | Standard equipment | Genuine accessories | Technical data | Additional information |
|--------|------------|------------|--------------|--------------|---------------------|-----------------|--------------------|---------------------|----------------|------------------------|

MANUFAKTUR package (cont.) Upholstery for AMG Line Premium Plus

MANUFAKTUR nappa leather two-tone¹



953A+DPM two-tone platinum white/black



954A+DPM two-tone espresso brown/black



955A+DPM two-tone catalana beige/black



957A+DPM two-tone bengal red/black



958A+DPM two-tone titanium grey/black



964A+DPM two-tone saddle brown/black



967A+DPM two-tone red pepper/black



968A+DPM two-tone sage grey/black

¹100% of seat upholstery is pure leather

| | | | | | | | | | | |
|--------|------------|------------|--------------|--------------|---------------------|-----------------|--------------------|---------------------|----------------|------------------------|
| Design | Technology | Model line | Model prices | Mercedes-AMG | Mercedes-AMG prices | Personalisation | Standard equipment | Genuine accessories | Technical data | Additional information |
|--------|------------|------------|--------------|--------------|---------------------|-----------------|--------------------|---------------------|----------------|------------------------|

MANUFAKTUR package (cont.) Upholstery for AMG Line Premium Plus

MANUFAKTUR nappa leather¹ with accent band



913A+DPM two-tone black with accent band in platinum white



914A+DPM two-tone black with accent band in saddle brown



915A+DPM two-tone black with accent band in catalana beige



916A+DPM two-tone black with accent band in lime green



917A+DPM two-tone black with accent band in bengal red



918A+DPM two-tone black with accent band in sage grey



944A+DPM two-tone black with accent band in espresso brown



947A+DPM two-tone black with accent band in red pepper



948A+DPM two-tone black with accent band in titanium grey

¹100% of seat upholstery is pure leather

| | | | | | | | | | | |
|--------|------------|------------|--------------|--------------|---------------------|-----------------|--------------------|---------------------|----------------|------------------------|
| Design | Technology | Model line | Model prices | Mercedes-AMG | Mercedes-AMG prices | Personalisation | Standard equipment | Genuine accessories | Technical data | Additional information |
|--------|------------|------------|--------------|--------------|---------------------|-----------------|--------------------|---------------------|----------------|------------------------|

MANUFAKTUR package (cont.) Upholstery for AMG Line Premium Plus

MANUFAKTUR nappa leather¹ with contrast topstitching



902A+DPM black with blue topstitching



903A+DPM black with white topstitching



904A+DPM black with bronze topstitching



906A+DPM black with lime green topstitching



907A+DPM black with red topstitching



909A+DPM black with gold topstitching

¹100% of seat upholstery is pure leather

| | | | | | | | | | | |
|--------|------------|------------|--------------|--------------|---------------------|-----------------|--------------------|---------------------|----------------|------------------------|
| Design | Technology | Model line | Model prices | Mercedes-AMG | Mercedes-AMG prices | Personalisation | Standard equipment | Genuine accessories | Technical data | Additional information |
|--------|------------|------------|--------------|--------------|---------------------|-----------------|--------------------|---------------------|----------------|------------------------|

MANUFAKTUR package (cont.) Upholstery for Mercedes-AMG

AMG nappa leather¹



801A+DPM black



808+DPM macchiato beige/magma grey



825A+DPM truffle brown/black

¹100% of upholstery is pure leather

| | | | | | | | | | | |
|--------|------------|------------|--------------|--------------|---------------------|-----------------|--------------------|---------------------|----------------|------------------------|
| Design | Technology | Model line | Model prices | Mercedes-AMG | Mercedes-AMG prices | Personalisation | Standard equipment | Genuine accessories | Technical data | Additional information |
|--------|------------|------------|--------------|--------------|---------------------|-----------------|--------------------|---------------------|----------------|------------------------|

MANUFAKTUR package (cont.) Upholstery for Mercedes-AMG

AMG MANUFAKTUR nappa leather¹



923A+DPM platinum white/black



924A+DPM espresso brown/black



925A+DPM catalana beige/black



927A+DPM bengal red/black



928A+DPM titanium grey pearl/black



934A+DPM saddle brown/black



937A+DPM red pepper/black



938A+DPM sage grey/black

¹100% of upholstery is pure leather

| | | | | | | | | | | |
|--------|------------|------------|--------------|--------------|---------------------|-----------------|--------------------|---------------------|----------------|------------------------|
| Design | Technology | Model line | Model prices | Mercedes-AMG | Mercedes-AMG prices | Personalisation | Standard equipment | Genuine accessories | Technical data | Additional information |
|--------|------------|------------|--------------|--------------|---------------------|-----------------|--------------------|---------------------|----------------|------------------------|

MANUFAKTUR package (cont.) Upholstery for Mercedes-AMG

AMG MANUFAKTUR nappa leather two-tone¹



953A+DPM two-tone platinum white/black



954A+DPM two-tone espresso brown/black



955A+DPM two-tone catalana beige/black



957A+DPM two-tone bengal red/black



958A+DPM two-tone titanium grey/black



964A+DPM two-tone saddle brown/black



967A+DPM two-tone red pepper/black



968A+DPM two-tone sage grey/black

¹100% of upholstery is pure leather

| | | | | | | | | | | |
|--------|------------|------------|--------------|--------------|---------------------|-----------------|--------------------|---------------------|----------------|------------------------|
| Design | Technology | Model line | Model prices | Mercedes-AMG | Mercedes-AMG prices | Personalisation | Standard equipment | Genuine accessories | Technical data | Additional information |
|--------|------------|------------|--------------|--------------|---------------------|-----------------|--------------------|---------------------|----------------|------------------------|



Book a test drive



Find your G-Class



Find a Showroom

MANUFAKTUR package (cont.) Upholstery for Mercedes-AMG

AMG MANUFAKTUR nappa leather¹ with accent band



913A+DPM two-tone black with accent band in platinum white



914A+DPM two-tone black with accent band in saddle brown



915A+DPM two-tone black with accent band in catalana beige



916A+DPM two-tone black with accent band in lime green



917A+DPM two-tone black with accent band in bengal red



918A+DPM two-tone black with accent band in sage grey



944A+DPM two-tone black with accent band in espresso brown



947A+DPM two-tone black with accent band in red pepper



948A+DPM two-tone black with accent band in titanium grey

¹100% of seat upholstery is pure leather

| | | | | | | | | | | |
|--------|------------|------------|--------------|--------------|---------------------|-----------------|--------------------|---------------------|----------------|------------------------|
| Design | Technology | Model line | Model prices | Mercedes-AMG | Mercedes-AMG prices | Personalisation | Standard equipment | Genuine accessories | Technical data | Additional information |
|--------|------------|------------|--------------|--------------|---------------------|-----------------|--------------------|---------------------|----------------|------------------------|

MANUFAKTUR package (cont.) Upholstery for Mercedes-AMG

AMG MANUFAKTUR nappa leather¹ with contrast topstitching



902A+DPM* black with blue topstitching



903A+DPM* black with white topstitching



904A+DPM* black with bronze topstitching



906A+DPM* black with lime green topstitching



907A+DPM* black with red topstitching



909A+DPM* black with gold topstitching

*Not available on Mercedes-AMG G 63 MANUFAKTUR Edition or Mercedes-AMG G 63 Magno Edition, no-cost option for all other Mercedes-AMG G 63 models ¹100% of seat upholstery is pure leather

| | | | | | | | | | | |
|--------|------------|------------|--------------|--------------|---------------------|-----------------|--------------------|---------------------|----------------|------------------------|
| Design | Technology | Model line | Model prices | Mercedes-AMG | Mercedes-AMG prices | Personalisation | Standard equipment | Genuine accessories | Technical data | Additional information |
|--------|------------|------------|--------------|--------------|---------------------|-----------------|--------------------|---------------------|----------------|------------------------|

Rear Seat Entertainment package

Films, internet, video games or music: the Rear Seat Entertainment System package, with a variety of interfaces for external media, ensures nobody gets bored. The two 10-inch touchscreens installed on the backrest boast brilliant picture quality.

Rear Seat Entertainment package (code DRS) – designed and priced as a package, including items listed below.

Total incl. VAT £3,495.00

Consisting of:

Internet access via browser and email client possible

Integral media player for playback of a variety of media

Two touchscreen displays with 10-inch screen diagonal for brilliant picture quality

USB 2.0, AUX and HDMI interfaces for the integration of smartphone content, laptop content or games consoles (SD memory cards via adapter)

Please note headphones are not included in this package. Any Bluetooth® headphone will, however, work with this system.



Night package and AMG Night package

● Standard ○ Optional – Not available

Add the Night package or AMG Night package to your G-Class to create an even bolder look – a sleek upgrade featuring darkened indicators, tail lights, and headlights, along with additional exterior elements painted in obsidian black.

Designed and priced as a package, including items listed below.

Consisting of:

Darkened indicators, tail lights and headlights

Exterior mirror housing painted obsidian black

Exterior protective strip with trim insert in black pinstripe

Radiator grille including louvres and surround of Mercedes star painted obsidian black (code P55 only) or AMG-specific radiator grille, dark chrome-plated (code P56 only)

Spare wheel rim painted obsidian black

Trim elements bumpers painted in obsidian black

| Model line | Night package (code P55) | AMG Night package (code P56) |
|----------------------------------|-----------------------------|---------------------------------|
| AMG Line Premium Plus | ○ | – |
| Mercedes-AMG G63 | – | ○ |
| Mercedes-AMG G63 Carbon Edt. | – | – |
| Mercedes-AMG G63 MANUFAKTUR Edt. | – | ○ |
| Mercedes-AMG G63 Magno Edt. | – | ● |
| Total incl. VAT | £1,500.00 | £2,250.00 |



Extended Night package and Extended AMG Night package¹

○ Optional – Not available

With the Extended Night package or Extended AMG Night package you can elevate your vehicle's style further with MANUFAKTUR roof, bumpers and flared wheel arches in obsidian black, complemented by MANUFAKTUR running boards in black and an AMG-specific exhaust system in black (Mercedes-AMG models only), all designed to enhance both aesthetics and performance. This package is only available in conjunction with Night package (code P55) or AMG Night package (code P56).

Designed and priced as a package, including items listed below.

Consisting of:

AMG-specific exhaust system in black (code DPB only)

MANUFAKTUR roof painted in obsidian black

MANUFAKTUR bumpers and flared wheel arches in obsidian black

MANUFAKTUR running boards in black

| Model line | Extended Night package (code DPS) | Extended AMG Night package (code DPB) |
|-----------------------------------|-----------------------------------|---------------------------------------|
| AMG Line Premium Plus | ○ | – |
| Mercedes-AMG G 63 | – | ○ |
| Mercedes-AMG G 63 Carbon Edt. | – | ○ |
| Mercedes-AMG G 63 MANUFAKTUR Edt. | – | ○ |
| Mercedes-AMG G 63 Magno Edt. | – | – |
| Total incl. VAT | £2,995.00 | £2,995.00 |



¹Extended Night package (code DPS) and Extended AMG Night package (DPB) is not available in conjunction with obsidian black metallic (code 197)

Extended Night package Magno and Extended AMG Night package Magno¹

○ Optional – Not available

With the Extended Night package or Extended AMG Night package you can elevate your vehicle's style further with MANUFAKTUR roof, bumpers and flared wheel arches in night black magno, complemented by MANUFAKTUR running boards in black and an AMG-specific exhaust system in black (Mercedes-AMG models only), all designed to enhance both aesthetics and performance. This package is only available in conjunction with Night package (code P55) or AMG Night package (code P56).

Designed and priced as a package, including items listed below.

Consisting of:

AMG-specific exhaust system in black (code DPA only)

MANUFAKTUR bumpers and flared wheel arches in night black magno

MANUFAKTUR roof painted in night black magno

MANUFAKTUR running boards in black



| Model line | Extended Night package Magno (code DPN) | Extended AMG Night package Magno (code DPA) |
|-----------------------------------|---|---|
| AMG Line Premium Plus | ○ | – |
| Mercedes-AMG G 63 | – | ○ |
| Mercedes-AMG G 63 Carbon Edt. | – | ○ |
| Mercedes-AMG G 63 MANUFAKTUR Edt. | – | ○ |
| Mercedes-AMG G 63 Magno Edt. | – | ○ |
| Total incl. VAT | £2,995.00 | £2,995.00 |

¹Extended Night package Magno (code DPN) and Extended AMG Night package Magno (DPA) is not available in conjunction with night black magno (code 056)

MANUFAKTUR Schöckl Design package

With the MANUFAKTUR Schöckl Design package, you can enhance the visual appeal of your vehicle. The MANUFAKTUR Schöckl insert within the spare wheel cover, MANUFAKTUR Schöckl exterior protective strip, and MANUFAKTUR Schöckl front door sill panels are all meticulously crafted to represent rugged sophistication.

MANUFAKTUR Schöckl Design package (code HK1)
– designed and priced as a package, including items listed below.

AMG Line Premium Plus only
Total incl. VAT £850.00

Consisting of:

MANUFAKTUR Schöckl insert in spare wheel cover

MANUFAKTUR Schöckl exterior protective strip

MANUFAKTUR Schöckl front door sill panels



Wheels

Standard No-cost option



R16 20" AMG alloy wheels – 5-twin-spoke design, painted high-gloss black with a high-sheen finish, 275/50 R20 tyres

AMG Line Premium Plus



R17 20" AMG alloy wheels – 5-twin-spoke design, painted himalayas grey with a high-sheen finish, 275/50 R20 tyres

AMG Line Premium Plus



R18 20" AMG alloy wheels – 5-twin-spoke design, painted black and burnished, 275/50 R20 tyres

AMG Line Premium Plus



| Design | Technology | Model line | Model prices | Mercedes-AMG | Mercedes-AMG prices | Personalisation | Standard equipment | Genuine accessories | Technical data | Additional information |
|--------|------------|------------|--------------|--------------|---------------------|-----------------|--------------------|---------------------|----------------|------------------------|
|--------|------------|------------|--------------|--------------|---------------------|-----------------|--------------------|---------------------|----------------|------------------------|

Wheels Mercedes-AMG

Standard No-cost option



RG4 22" AMG forged wheels - cross-spoke design, painted matt black with a high-shine rim flange, 295/40 R22 tyres

| | |
|--------------------------------------|-------------------------------------|
| Mercedes-AMG G 63 | <input checked="" type="checkbox"/> |
| Mercedes-AMG G 63 Carbon Edition | <input checked="" type="checkbox"/> |
| Mercedes-AMG G 63 MANUFAKTUR Edition | <input checked="" type="checkbox"/> |
| Mercedes-AMG G 63 Magno Edition | <input checked="" type="checkbox"/> |



RG5 22" AMG forged wheels - cross-spoke design, painted titanium grey with a high-shine finish, 295/40 R22 tyres

| | |
|--------------------------------------|--------------------------|
| Mercedes-AMG G 63 | <input type="checkbox"/> |
| Mercedes-AMG G 63 Carbon Edition | <input type="checkbox"/> |
| Mercedes-AMG G 63 MANUFAKTUR Edition | <input type="checkbox"/> |
| Mercedes-AMG G 63 Magno Edition | <input type="checkbox"/> |



R19 22" AMG forged wheels - multi-spoke design, painted matt black with a high-shine finish, 295/40 R22 tyres

| | |
|--------------------------------------|--------------------------|
| Mercedes-AMG G 63 | <input type="checkbox"/> |
| Mercedes-AMG G 63 Carbon Edition | <input type="checkbox"/> |
| Mercedes-AMG G 63 MANUFAKTUR Edition | <input type="checkbox"/> |
| Mercedes-AMG G 63 Magno Edition | <input type="checkbox"/> |



R20 22" AMG forged wheels - multi-spoke design, painted himalaya grey with a high-shine finish, 295/40 R22 tyres

| | |
|--------------------------------------|--------------------------|
| Mercedes-AMG G 63 | <input type="checkbox"/> |
| Mercedes-AMG G 63 Carbon Edition | <input type="checkbox"/> |
| Mercedes-AMG G 63 MANUFAKTUR Edition | <input type="checkbox"/> |
| Mercedes-AMG G 63 Magno Edition | <input type="checkbox"/> |

Colour options Non-metallic and metallic paints

● Standard □ No-cost option - Not available



149 polar white non-metallic

| | |
|-----------------------------------|--------------------------|
| AMG Line Premium Plus | <input type="checkbox"/> |
| Mercedes-AMG G 63 | <input type="checkbox"/> |
| Mercedes-AMG G 63 Carbon Edt. | <input type="checkbox"/> |
| Mercedes-AMG G 63 MANUFAKTUR Edt. | - |
| Mercedes-AMG G 63 Magno Edt. | - |



197 obsidian black metallic

| | |
|-----------------------------------|---|
| AMG Line Premium Plus | ● |
| Mercedes-AMG G 63 | ● |
| Mercedes-AMG G 63 Carbon Edt. | ● |
| Mercedes-AMG G 63 MANUFAKTUR Edt. | - |
| Mercedes-AMG G 63 Magno Edt. | - |



775 iridium silver metallic

| | |
|-----------------------------------|--------------------------|
| AMG Line Premium Plus | <input type="checkbox"/> |
| Mercedes-AMG G 63 | <input type="checkbox"/> |
| Mercedes-AMG G 63 Carbon Edt. | <input type="checkbox"/> |
| Mercedes-AMG G 63 MANUFAKTUR Edt. | - |
| Mercedes-AMG G 63 Magno Edt. | - |



842 sodalite blue metallic

| | |
|-----------------------------------|--------------------------|
| AMG Line Premium Plus | <input type="checkbox"/> |
| Mercedes-AMG G 63 | <input type="checkbox"/> |
| Mercedes-AMG G 63 Carbon Edt. | <input type="checkbox"/> |
| Mercedes-AMG G 63 MANUFAKTUR Edt. | - |
| Mercedes-AMG G 63 Magno Edt. | - |



859 mojave silver metallic

| | |
|-----------------------------------|--------------------------|
| AMG Line Premium Plus | <input type="checkbox"/> |
| Mercedes-AMG G 63 | <input type="checkbox"/> |
| Mercedes-AMG G 63 Carbon Edt. | <input type="checkbox"/> |
| Mercedes-AMG G 63 MANUFAKTUR Edt. | - |
| Mercedes-AMG G 63 Magno Edt. | - |



896 brilliant blue metallic

| | |
|-----------------------------------|--------------------------|
| AMG Line Premium Plus | <input type="checkbox"/> |
| Mercedes-AMG G 63 | <input type="checkbox"/> |
| Mercedes-AMG G 63 Carbon Edt. | <input type="checkbox"/> |
| Mercedes-AMG G 63 MANUFAKTUR Edt. | - |
| Mercedes-AMG G 63 Magno Edt. | - |



989 emerald green metallic

| | |
|-----------------------------------|--------------------------|
| AMG Line Premium Plus | <input type="checkbox"/> |
| Mercedes-AMG G 63 | <input type="checkbox"/> |
| Mercedes-AMG G 63 Carbon Edt. | <input type="checkbox"/> |
| Mercedes-AMG G 63 MANUFAKTUR Edt. | - |
| Mercedes-AMG G 63 Magno Edt. | - |



992 selenite grey metallic

| | |
|-----------------------------------|--------------------------|
| AMG Line Premium Plus | <input type="checkbox"/> |
| Mercedes-AMG G 63 | <input type="checkbox"/> |
| Mercedes-AMG G 63 Carbon Edt. | <input type="checkbox"/> |
| Mercedes-AMG G 63 MANUFAKTUR Edt. | - |
| Mercedes-AMG G 63 Magno Edt. | - |

Please note that, owing to limitations of on-screen representation, paint colours may differ from those shown

Colour options MANUFAKTUR paints

● Standard □ No-cost option ○ Optional – Not available



026 ocean blue metallic

| | |
|-----------------------------------|--------------------------|
| AMG Line Premium Plus | <input type="radio"/> |
| Mercedes-AMG G 63 | <input type="radio"/> |
| Mercedes-AMG G 63 Carbon Edt. | <input type="radio"/> |
| Mercedes-AMG G 63 MANUFAKTUR Edt. | <input type="checkbox"/> |
| Mercedes-AMG G 63 Magno Edt. | – |
| Total RRP incl. VAT | £4,000 |



041 graphite metallic

| | |
|-----------------------------------|-------------------------------------|
| AMG Line Premium Plus | <input type="radio"/> |
| Mercedes-AMG G 63 | <input type="radio"/> |
| Mercedes-AMG G 63 Carbon Edt. | <input type="radio"/> |
| Mercedes-AMG G 63 MANUFAKTUR Edt. | <input checked="" type="checkbox"/> |
| Mercedes-AMG G 63 Magno Edt. | – |
| Total RRP incl. VAT | £4,000 |



124 classic grey solid

| | |
|-----------------------------------|--------------------------|
| AMG Line Premium Plus | <input type="radio"/> |
| Mercedes-AMG G 63 | <input type="radio"/> |
| Mercedes-AMG G 63 Carbon Edt. | <input type="radio"/> |
| Mercedes-AMG G 63 MANUFAKTUR Edt. | <input type="checkbox"/> |
| Mercedes-AMG G 63 Magno Edt. | – |
| Total RRP incl. VAT | £4,000 |



162 south seas blue metallic

| | |
|-----------------------------------|--------------------------|
| AMG Line Premium Plus | <input type="radio"/> |
| Mercedes-AMG G 63 | <input type="radio"/> |
| Mercedes-AMG G 63 Carbon Edt. | <input type="radio"/> |
| Mercedes-AMG G 63 MANUFAKTUR Edt. | <input type="checkbox"/> |
| Mercedes-AMG G 63 Magno Edt. | – |
| Total RRP incl. VAT | £4,000 |



255 olive metallic

| | |
|-----------------------------------|--------------------------|
| AMG Line Premium Plus | <input type="radio"/> |
| Mercedes-AMG G 63 | <input type="radio"/> |
| Mercedes-AMG G 63 Carbon Edt. | <input type="radio"/> |
| Mercedes-AMG G 63 MANUFAKTUR Edt. | <input type="checkbox"/> |
| Mercedes-AMG G 63 Magno Edt. | – |
| Total RRP incl. VAT | £4,000 |



464 desert sand non-metallic

| | |
|-----------------------------------|--------------------------|
| AMG Line Premium Plus | <input type="radio"/> |
| Mercedes-AMG G 63 | <input type="radio"/> |
| Mercedes-AMG G 63 Carbon Edt. | <input type="radio"/> |
| Mercedes-AMG G 63 MANUFAKTUR Edt. | <input type="checkbox"/> |
| Mercedes-AMG G 63 Magno Edt. | – |
| Total RRP incl. VAT | £4,000 |



660 rubellite red metallic

| | |
|-----------------------------------|--------------------------|
| AMG Line Premium Plus | <input type="radio"/> |
| Mercedes-AMG G 63 | <input type="radio"/> |
| Mercedes-AMG G 63 Carbon Edt. | <input type="radio"/> |
| Mercedes-AMG G 63 MANUFAKTUR Edt. | <input type="checkbox"/> |
| Mercedes-AMG G 63 Magno Edt. | – |
| Total RRP incl. VAT | £4,000 |



693 travertine beige metallic

| | |
|-----------------------------------|--------------------------|
| AMG Line Premium Plus | <input type="radio"/> |
| Mercedes-AMG G 63 | <input type="radio"/> |
| Mercedes-AMG G 63 Carbon Edt. | <input type="radio"/> |
| Mercedes-AMG G 63 MANUFAKTUR Edt. | <input type="checkbox"/> |
| Mercedes-AMG G 63 Magno Edt. | – |
| Total RRP incl. VAT | £4,000 |



825 deep green non-metallic

| | |
|-----------------------------------|-------------------------------------|
| AMG Line Premium Plus | <input type="radio"/> |
| Mercedes-AMG G 63 | <input type="radio"/> |
| Mercedes-AMG G 63 Carbon Edt. | <input type="radio"/> |
| Mercedes-AMG G 63 MANUFAKTUR Edt. | <input checked="" type="checkbox"/> |
| Mercedes-AMG G 63 Magno Edt. | – |
| Total RRP incl. VAT | £4,000 |



885 opalite white bright

| | |
|-----------------------------------|--------------------------|
| AMG Line Premium Plus | <input type="radio"/> |
| Mercedes-AMG G 63 | <input type="radio"/> |
| Mercedes-AMG G 63 Carbon Edt. | <input type="radio"/> |
| Mercedes-AMG G 63 MANUFAKTUR Edt. | <input type="checkbox"/> |
| Mercedes-AMG G 63 Magno Edt. | – |
| Total RRP incl. VAT | £4,000 |

Please note that, owing to limitations of on-screen representation, paint colours may differ from those shown

[Book a test drive](#)[Find your G-Class](#)[Find a Showroom](#)

Colour options MANUFAKTUR paints

No-cost option Optional Not available



904 dark blue non-metallic

| | |
|----------------------------------|--------------------------|
| AMG Line Premium Plus | <input type="radio"/> |
| Mercedes-AMG G63 | <input type="radio"/> |
| Mercedes-AMG G63 Carbon Edt. | <input type="radio"/> |
| Mercedes-AMG G63 MANUFAKTUR Edt. | <input type="checkbox"/> |
| Mercedes-AMG G63 Magno Edt. | – |
| Total RRP incl. VAT | £4,000 |



914 sun yellow non-metallic

| | |
|----------------------------------|--------------------------|
| AMG Line Premium Plus | <input type="radio"/> |
| Mercedes-AMG G63 | <input type="radio"/> |
| Mercedes-AMG G63 Carbon Edt. | <input type="radio"/> |
| Mercedes-AMG G63 MANUFAKTUR Edt. | <input type="checkbox"/> |
| Mercedes-AMG G63 Magno Edt. | – |
| Total RRP incl. VAT | £4,000 |



934 vintage blue non-metallic

| | |
|----------------------------------|--------------------------|
| AMG Line Premium Plus | <input type="radio"/> |
| Mercedes-AMG G63 | <input type="radio"/> |
| Mercedes-AMG G63 Carbon Edt. | <input type="radio"/> |
| Mercedes-AMG G63 MANUFAKTUR Edt. | <input type="checkbox"/> |
| Mercedes-AMG G63 Magno Edt. | – |
| Total RRP incl. VAT | £4,000 |



963 indium grey metallic

| | |
|----------------------------------|--------------------------|
| AMG Line Premium Plus | <input type="radio"/> |
| Mercedes-AMG G63 | <input type="radio"/> |
| Mercedes-AMG G63 Carbon Edt. | <input type="radio"/> |
| Mercedes-AMG G63 MANUFAKTUR Edt. | <input type="checkbox"/> |
| Mercedes-AMG G63 Magno Edt. | – |
| Total RRP incl. VAT | £4,000 |



996 hyacinth red metallic

| | |
|----------------------------------|--------------------------|
| AMG Line Premium Plus | <input type="radio"/> |
| Mercedes-AMG G63 | <input type="radio"/> |
| Mercedes-AMG G63 Carbon Edt. | <input type="radio"/> |
| Mercedes-AMG G63 MANUFAKTUR Edt. | <input type="checkbox"/> |
| Mercedes-AMG G63 Magno Edt. | – |
| Total RRP incl. VAT | £4,000 |

Please note that, owing to limitations of on-screen representation, paint colours may differ from those shown

Colour options MANUFAKTUR magno paints¹

No-cost option Optional



051 platinum magno

| | |
|----------------------------------|--------------------------|
| AMG Line Premium Plus | <input type="radio"/> |
| Mercedes-AMG G63 | <input type="radio"/> |
| Mercedes-AMG G63 Carbon Edt. | <input type="radio"/> |
| Mercedes-AMG G63 MANUFAKTUR Edt. | <input type="checkbox"/> |
| Mercedes-AMG G63 Magno Edt. | <input type="checkbox"/> |
| Total RRP incl. VAT | £6,000 |



054 monza grey magno

| | |
|----------------------------------|--------------------------|
| AMG Line Premium Plus | <input type="radio"/> |
| Mercedes-AMG G63 | <input type="radio"/> |
| Mercedes-AMG G63 Carbon Edt. | <input type="radio"/> |
| Mercedes-AMG G63 MANUFAKTUR Edt. | <input type="checkbox"/> |
| Mercedes-AMG G63 Magno Edt. | <input type="checkbox"/> |
| Total RRP incl. VAT | £6,000 |



056 night black magno

| | |
|----------------------------------|--------------------------|
| AMG Line Premium Plus | <input type="radio"/> |
| Mercedes-AMG G63 | <input type="radio"/> |
| Mercedes-AMG G63 Carbon Edt. | <input type="radio"/> |
| Mercedes-AMG G63 MANUFAKTUR Edt. | <input type="checkbox"/> |
| Mercedes-AMG G63 Magno Edt. | <input type="checkbox"/> |
| Total RRP incl. VAT | £6,000 |



164 dark olive green magno

| | |
|----------------------------------|--------------------------|
| AMG Line Premium Plus | <input type="radio"/> |
| Mercedes-AMG G63 | <input type="radio"/> |
| Mercedes-AMG G63 Carbon Edt. | <input type="radio"/> |
| Mercedes-AMG G63 MANUFAKTUR Edt. | <input type="checkbox"/> |
| Mercedes-AMG G63 Magno Edt. | <input type="checkbox"/> |
| Total RRP incl. VAT | £6,000 |



271 citrine brown magno

| | |
|----------------------------------|--------------------------|
| AMG Line Premium Plus | <input type="radio"/> |
| Mercedes-AMG G63 | <input type="radio"/> |
| Mercedes-AMG G63 Carbon Edt. | <input type="radio"/> |
| Mercedes-AMG G63 MANUFAKTUR Edt. | <input type="checkbox"/> |
| Mercedes-AMG G63 Magno Edt. | <input type="checkbox"/> |
| Total RRP incl. VAT | £6,000 |



658 copper orange magno

| | |
|----------------------------------|--------------------------|
| AMG Line Premium Plus | <input type="radio"/> |
| Mercedes-AMG G63 | <input type="radio"/> |
| Mercedes-AMG G63 Carbon Edt. | <input type="radio"/> |
| Mercedes-AMG G63 MANUFAKTUR Edt. | <input type="checkbox"/> |
| Mercedes-AMG G63 Magno Edt. | <input type="checkbox"/> |
| Total RRP incl. VAT | £6,000 |



659 opalite white magno

| | |
|----------------------------------|--------------------------|
| AMG Line Premium Plus | <input type="radio"/> |
| Mercedes-AMG G63 | <input type="radio"/> |
| Mercedes-AMG G63 Carbon Edt. | <input type="radio"/> |
| Mercedes-AMG G63 MANUFAKTUR Edt. | <input type="checkbox"/> |
| Mercedes-AMG G63 Magno Edt. | <input type="checkbox"/> |
| Total RRP incl. VAT | £6,000 |



677 kalahari gold magno

| | |
|----------------------------------|--------------------------|
| AMG Line Premium Plus | <input type="radio"/> |
| Mercedes-AMG G63 | <input type="radio"/> |
| Mercedes-AMG G63 Carbon Edt. | <input type="radio"/> |
| Mercedes-AMG G63 MANUFAKTUR Edt. | <input type="checkbox"/> |
| Mercedes-AMG G63 Magno Edt. | <input type="checkbox"/> |
| Total RRP incl. VAT | £6,000 |



739 olive magno

| | |
|----------------------------------|--------------------------|
| AMG Line Premium Plus | <input type="radio"/> |
| Mercedes-AMG G63 | <input type="radio"/> |
| Mercedes-AMG G63 Carbon Edt. | <input type="radio"/> |
| Mercedes-AMG G63 MANUFAKTUR Edt. | <input type="checkbox"/> |
| Mercedes-AMG G63 Magno Edt. | <input type="checkbox"/> |
| Total RRP incl. VAT | £6,000 |



795 manganite grey magno

| | |
|----------------------------------|--------------------------|
| AMG Line Premium Plus | <input type="radio"/> |
| Mercedes-AMG G63 | <input type="radio"/> |
| Mercedes-AMG G63 Carbon Edt. | <input type="radio"/> |
| Mercedes-AMG G63 MANUFAKTUR Edt. | <input type="checkbox"/> |
| Mercedes-AMG G63 Magno Edt. | <input type="checkbox"/> |
| Total RRP incl. VAT | £6,000 |

¹MANUFAKTUR magno matt paint finishes require extra care. Please refer to the Owner's Manual for instructions Please note that, owing to limitations of on-screen representation, paint colours may differ from those shown

Colour options MANUFAKTUR magno paints¹

No-cost option Optional Not available



376 green hell magno

| | |
|-----------------------------------|--------------------------|
| AMG Line Premium Plus | – |
| Mercedes-AMG G 63 | <input type="radio"/> |
| Mercedes-AMG G 63 Carbon Edt. | <input type="radio"/> |
| Mercedes-AMG G 63 MANUFAKTUR Edt. | <input type="checkbox"/> |
| Mercedes-AMG G 63 Magno Edt. | <input type="checkbox"/> |
| Total RRP incl. VAT | £7,500 |



644 brilliant blue magno

| | |
|-----------------------------------|--------------------------|
| AMG Line Premium Plus | <input type="radio"/> |
| Mercedes-AMG G 63 | <input type="radio"/> |
| Mercedes-AMG G 63 Carbon Edt. | <input type="radio"/> |
| Mercedes-AMG G 63 MANUFAKTUR Edt. | <input type="checkbox"/> |
| Mercedes-AMG G 63 Magno Edt. | <input type="checkbox"/> |
| Total RRP incl. VAT | £7,500 |



823 hyacinth red magno

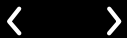
| | |
|-----------------------------------|--------------------------|
| AMG Line Premium Plus | <input type="radio"/> |
| Mercedes-AMG G 63 | <input type="radio"/> |
| Mercedes-AMG G 63 Carbon Edt. | <input type="radio"/> |
| Mercedes-AMG G 63 MANUFAKTUR Edt. | <input type="checkbox"/> |
| Mercedes-AMG G 63 Magno Edt. | <input type="checkbox"/> |
| Total RRP incl. VAT | £7,500 |



964 hyper blue magno

| | |
|-----------------------------------|-----------------------|
| AMG Line Premium Plus | – |
| Mercedes-AMG G 63 | <input type="radio"/> |
| Mercedes-AMG G 63 Carbon Edt. | – |
| Mercedes-AMG G 63 MANUFAKTUR Edt. | – |
| Mercedes-AMG G 63 Magno Edt. | – |
| Total RRP incl. VAT | £4,000 |

¹MANUFAKTUR magno matt paint finishes require extra care. Please refer to the Owner's Manual for instructions Please note that, owing to limitations of on-screen representation, paint colours may differ from those shown



Book a test drive



Find your G-Class



Find a Showroom

Standard equipment AMG Line Premium Plus

Engine, Transmission and Suspension

4MATIC Permanent four-wheel drive

9G-TRONIC transmission with cruise control and variable speed limiter

Differential locks (transfer case, front and rear axle)

DYNAMIC SELECT with seven transmission modes: 'Comfort', 'ECO', 'Sport', 'Individual', 'Trail', 'ROCK' and 'Sand'

Suspension with selective passive damping system

Exterior

Adaptive Highbeam Assist Plus – the driver is free to concentrate on the traffic without constantly having to select between low and high beam

Ambient lighting with projection of brand logo

Brake calipers with 'Mercedes-Benz' lettering

Bumper insert in stainless steel

Diesel particulate filter (G450 d only)

Door mirrors – electrically adjustable and heated Integrated indicators, front area lighting and automatically dimming driver's mirror

Electric sunroof – sliding, with one-touch opening

Exterior mirror housings in vehicle colour

Exterior protective strip with trim insert in brushed aluminium

Heated windscreen

Low range gear reduction (electronically selectable while driving)

MULTIBEAM LED headlamps – individually controlled LEDs precisely mask out other vehicles and at the same time illuminate the surroundings in light which is almost as bright as daylight without dazzling other road users

Petrol particulate filter (G500 only)

Privacy glass – dark glass from B-pillar backwards

Rain-sensing wipers

Running boards

Spare wheel cover in vehicle colour with spare wheel ring in stainless steel

Tail lights featuring LED technology

Trailer coupling with ESP® trailer stabilisation

Underguard in silver – reinforced underfloor panelling the full length of the vehicle

Wheels

20" AMG alloy wheels – 5-twin-spoke design, painted high-gloss black with a high-sheen finish (code R16)

Summer tyres

Interior

Ambient lighting – 64 colours

AMG floor mats with 'AMG' lettering

Automatically dimming rear-view mirror

Centre armrest between front seats with integrated stowage compartment

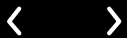
Cup holders – front (2) and rear (2)

Dashboard – leather

Electric windows (4)

Ionisation of interior air including fine-particle activated charcoal filter system

| Design | Technology | Model line | Model prices | Mercedes-AMG | Mercedes-AMG prices | Personalisation | Standard equipment | Genuine accessories | Technical data | Additional information |
|--------|------------|------------|--------------|--------------|---------------------|-----------------|--------------------|---------------------|----------------|------------------------|
|--------|------------|------------|--------------|--------------|---------------------|-----------------|--------------------|---------------------|----------------|------------------------|



Book a test drive



Find your G-Class



Find a Showroom

Standard equipment AMG Line Premium Plus

Interior (continued)

KEYLESS-GO starting function

Luggage compartment cover

Memory package – memory function for seats, head restraints, exterior mirrors and steering wheel

Partition net

Seats – electrically adjustable (front and rear)

Seats – heated (front)

Seats – rear bench split-folding 1/3:2/3

Seat belt pre-tensioners (4)

Seat belts, 3-point design in black

Stainless steel door sill panels, set of four, illuminated, with 'Mercedes-Benz' lettering at the front

Stowage Space package – including removable double cup holder in centre console, bottle holders in door pockets, map pockets on back of front seats, and glasses compartment in overhead control panel

THERMOTRONIC automatic climate control with three climate zones and three climate styles: Medium, Diffuse and Focused

Steering

Steering column – electrically adjustable with automatic adjustment for entry/exit

Steering wheel – heated

Steering wheel – multifunction sports steering wheel in nappa leather

Paint, Trim and Upholstery

Paint – metallic

Roof lining – DINAMICA roof liner in black

Trim – MANUFAKTUR black flamed open-pore ash wood

Upholstery – nappa leather in black

Communications and In-Car Entertainment

12 V sockets in centre console, rear and load compartment

Bluetooth® interface for hands-free telephony

Burmester® 3D surround sound system

Communications module (LTE) for the use of Mercedes me connect services¹

DAB digital radio tuner

MBUX augmented reality navigation

MBUX multimedia system

Smartphone integration² comprising Apple CarPlay® and Android Auto™ – see www.apple.com/uk/ios/carplay/ or www.android.com/intl/en_uk/auto for compatibility and approved apps. Certain features and apps require a 3G/4G data connection. Control of features available through voice control and controller on centre console

Sound personalisation

Two USB ports in the rear

Widescreen cockpit with dual bonded 12.3" widescreen displays

Wireless charging² (front)

¹The connection of the communication module to the mobile phone network including the emergency call system depends on the respective network coverage and availability of network providers

²Compatible mobile phone required

| Design | Technology | Model line | Model prices | Mercedes-AMG | Mercedes-AMG prices | Personalisation | Standard equipment | Genuine accessories | Technical data | Additional information |
|--------|------------|------------|--------------|--------------|---------------------|-----------------|--------------------|---------------------|----------------|------------------------|
|--------|------------|------------|--------------|--------------|---------------------|-----------------|--------------------|---------------------|----------------|------------------------|

Standard equipment AMG Line Premium Plus

Safety and Assistance Systems

- Active Parking Assist PARKTRONIC¹
- Anti-lock braking system (ABS) with Brake Assist (BAS)
- Anti-theft alarm system with tow-away protection and interior motion sensor (Thatcham Category 1 compliant)
- ATTENTION ASSIST – can detect typical symptoms of drowsiness on the basis of driver behaviour and alert the driver to increasing fatigue and inattention
- Dashcam
- Driving Assistance package¹ (see page 10 for details)
- Electronic Stability Programme (ESP®) with Acceleration Skid Control (ASR)
- Four-wheel Electronic Traction System (4ETS)
- GUARD 360° vehicle protection Plus² – anti-theft protection hardware including alarm and immobilizer. Theft notification and park damage detection³, stolen vehicle locator³, 360° surroundview-camera snapshots³ and remote key immobilizer³
- Headlight Assist – automatic headlamp activation
- i-Size child seat attachment system for outer rear seats

- Parking package with 360° camera
- PRE-SAFE® system – preventive occupant protection
- Remote Services Premium²
- Service indicator ASSYST
- Technology package – maximum safety and relaxed driving with the Driving Assistance package and Parking package with 360° camera
- Traffic Sign Assist
- Transparent bonnet
- Tyre pressure monitoring system

¹Our driver assistance and safety systems are aids and do not relieve you of your responsibility as the driver. Please take note of the information in the Owner's Manual and the system limits which are described therein of network providers ³Free of charge for three years from activation

²The connection of the communication module to the mobile phone network including the emergency call system depends on the respective network coverage and availability

Standard equipment Mercedes-AMG

● Standard ○ Optional △ Part of a package – Not available

Engine, Transmission and Suspension

| | G 63 | G 63 MANUFAKTUR Edition | G 63 Magna Edition | G 63 |
|---|------|-------------------------|--------------------|------|
| 4MATIC Permanent four-wheel drive | ● | ● | ● | ● |
| 100% differential locks | ● | ● | ● | ● |
| AMG ACTIVE RIDE CONTROL with active hydraulic roll stabilisation | ● | ● | ● | ● |
| AMG DYNAMIC SELECT with 8 transmission modes 'Comfort', 'Slippery', 'Sport', 'Sport+', 'Individual', 'Trail', 'Rock', 'Sand' and AMG Dynamics agilisation functions 'Basic', 'Advanced' and 'Pro' | ● | ● | ● | ● |
| AMG high-performance braking system with internally ventilated and perforated brake discs measuring 400×38 mm at the front, 370×22 mm at the rear | ● | ● | ● | ● |
| AMG SPEEDSHIFT 9G-TRONIC sports transmission with cruise control and variable speed limiter | ● | ● | ● | ● |

Exterior

| | | | | |
|--|---|---|---|---|
| Adaptive Highbeam Assist Plus – the driver is free to concentrate on the traffic without constantly having to select between low and high beam | ● | ● | ● | ● |
| Ambient lighting with projection of brand logo | ● | ● | ● | ● |
| AMG bodystyling with exclusive Mercedes-AMG G 63 front aprons with cooling air intakes and flared wheel arches in vehicle colour | ● | ● | ● | ● |
| AMG brake callipers, painted red | ● | ● | ● | ● |
| AMG Exterior Carbon-Fibre package | – | ● | – | – |
| AMG Night package | ○ | – | ○ | ● |
| AMG Night package II – typography in high-gloss black and Mercedes-Benz star in high-gloss black front and rear | – | – | – | ● |
| AMG mirror cover in carbon-fibre design | – | ● | – | – |
| AMG Performance exhaust system, selectable and two chrome-trimmed twin tailpipes, left and right | ● | ● | ● | ● |
| AMG-specific radiator grille with AMG logo | ● | ● | ● | ● |

| | G 63 | G 63 MANUFAKTUR Edition | G 63 Magna Edition | G 63 |
|---|------|-------------------------|--------------------|------|
| Bumper insert in carbon fibre | – | ● | – | – |
| Bumper insert in night black magno | △ | – | △ | ● |
| Bumper insert in obsidian black | △ | – | △ | – |
| Bumper insert in stainless steel | ● | – | ● | – |
| Door mirrors – electrically adjustable and heated Integrated indicators, front area lighting and automatically dimming driver's mirror | ● | ● | ● | ● |
| Electric sunroof – sliding, with one-touch opening | ● | ● | ● | ● |
| Exterior mirror housings in night black magno | △ | – | △ | ● |
| Exterior mirror housings in obsidian black | △ | – | △ | – |
| Exterior mirror housings in vehicle colour | ● | – | ● | – |
| Exterior protective strip with trim insert in black | ● | – | ● | ● |
| Exterior protective strip with trim insert in carbon-fibre design | – | ● | – | – |
| Heated windscreen | ● | ● | ● | ● |
| Low range gear reduction (electronically selectable while driving) | ● | ● | ● | ● |
| MANUFAKTUR Logo package | – | – | ● | – |
| MANUFAKTUR logo projector in exterior mirror | – | – | ● | – |
| MULTIBEAM LED headlamps enable continuous main beam without dazzling other road users. Individually controlled LEDs precisely mask out other vehicles and at the same time illuminate the surroundings in light which is almost as bright as daylight | ● | ● | ● | ● |
| Petrol particulate filter | ● | ● | ● | ● |
| Privacy glass – dark glass from B-pillar backwards | ● | ● | ● | ● |
| Rain-sensing wipers | ● | ● | ● | ● |

Standard equipment Mercedes-AMG

● Standard △ Part of a package – Not available

Exterior (continued)

| | G 63 | G 63 MANUFAKTUR | G 63 Carbon Edition | G 63 Magno Edition |
|---|------|-----------------|---------------------|--------------------|
| Tail lights featuring LED technology | ● | ● | ● | ● |
| Trailer coupling with ESP® trailer stabilisation | ● | ● | ● | ● |
| Underguard – front simulated underguard in carbon fibre | – | ● | – | – |
| Underguard – simulated underguard in night black magno | △ | – | △ | ● |
| Underguard – silver | ● | – | ● | – |
| 'V8 BITURBO' lettering | ● | ● | ● | ● |

Wheels

| | | | | |
|--|---|---|---|---|
| 22" AMG forged wheels – cross-spoke design, painted matt black with a high-shine rim flange, 295/40 R22 tyres (code RG4) | ● | ● | ● | ● |
| Spare wheel cover – vehicle colour | ● | – | – | ● |
| Spare wheel cover – carbon fibre | – | ● | – | – |
| Spare wheel cover – MANUFAKTUR spare wheel cover in vehicle colour | – | – | ● | – |
| Spare wheel ring – night black magno | △ | – | △ | ● |
| Spare wheel ring – obsidian black | – | ● | – | – |
| Spare wheel ring – stainless steel | ● | – | – | – |
| Spare wheel ring – vehicle colour | – | – | ● | – |
| Summer tyres | ● | ● | ● | ● |

Interior

| | G 63 | G 63 MANUFAKTUR | G 63 Carbon Edition | G 63 Magno Edition |
|---|------|-----------------|---------------------|--------------------|
| 12V sockets in centre console, rear and load compartment | ● | ● | ● | ● |
| Active Multicontour Seat package Plus – SUPERIOR Line interior, dashboard in nappa leather | △ | △ | ● | ● |
| Ambient lighting – 64 colours | ● | ● | ● | ● |
| AMG floor mats with 'AMG' lettering | ● | ● | ● | ● |
| Automatically dimming rear-view mirror | ● | ● | ● | ● |
| Centre armrest between front seats with integrated stowage compartment | ● | ● | ● | ● |
| Cup holders – front (2) and rear (2) | ● | ● | ● | ● |
| Dashboard – leather | ● | ● | – | – |
| Dashboard – nappa leather | △ | △ | ● | ● |
| Electric windows (4) | ● | ● | ● | ● |
| ENERGIZING package Plus – for enhanced performance capability at the wheel and an extremely pleasant journey, this package combines the active multicontour seats with ENERGIZING comfort control. Your vehicle can revitalise and pamper you with 6 perfectly composed programs including massage function | △ | △ | ● | ● |
| Ionisation of interior air including fine-particle activated charcoal filter system | ● | ● | ● | ● |
| KEYLESS-GO starting function | ● | ● | ● | ● |
| Luggage compartment cover | ● | ● | ● | ● |
| MANUFAKTUR grab handles in leather | – | – | ● | – |
| MANUFAKTUR package – see page 37 for details | – | – | ● | – |
| Memory package – memory function for seats, head restraints, exterior mirrors and steering wheel | ● | ● | ● | ● |
| Partition net | ● | ● | ● | ● |

Standard equipment Mercedes-AMG

● Standard ○ Optional △ Part of a package – Not available

Interior (continued)

| | G 63 | G 63 MANUFAKTUR Edition | G 63 Magna Edition | G 63 |
|--|------|-------------------------|--------------------|------|
| Seats – rear bench seats split-folding 1/3:2/3 | ● | ● | ● | ● |
| Seats – heated and electrically adjustable (front) | ● | ● | ● | ● |
| Seats – heated (rear) | ● | ● | ● | ● |
| Seats – ventilated, multicontour seats (front) | △ | △ | ● | ● |
| Seat belts, 3-point design in black | ● | ● | ● | ● |
| Seat belt pre-tensioners (4) | ● | ● | ● | ● |
| Set of four illuminated stainless steel door sill panels | ● | ● | ● | ● |
| Stowage Space package – including removable double cup holder in centre console, bottle holders in door pockets, map pockets on back of front seats, and glasses compartment in overhead control panel | ● | ● | ● | ● |
| THERMOTRONIC automatic climate control with three climate zones and three climate styles: Medium, Diffuse and Focused | ● | ● | ● | ● |

Steering

| | | | | |
|---|---|---|---|---|
| AMG Performance steering wheel in carbon fibre/DINAMICA microfibre 3-spoke design, with flattened bottom section, steering wheel trim in silver chrome with 'AMG' lettering and silver-coloured aluminium shift paddles, 12 o'clock marking and touch control buttons | – | ● | – | ● |
| AMG Performance steering wheel in nappa leather 3-spoke design, with flattened bottom section, steering wheel trim in silver chrome with 'AMG' lettering and silver-coloured aluminium shift paddles, 12 o'clock marking and touch control buttons | ● | – | ● | – |
| AMG steering wheel buttons | ● | ● | ● | ● |
| Heated steering wheel | ● | ● | ● | ● |
| Steering column – electrically adjustable, with automatic adjustment for entry/exit | ● | ● | ● | ● |

Paint, Trim and Upholstery

| | G 63 | G 63 MANUFAKTUR Edition | G 63 Magna Edition | G 63 |
|---|------|-------------------------|--------------------|------|
| Paint – magno | ○ | ○ | ○ | ● |
| Paint – MANUFAKTUR | – | – | ● | – |
| Paint – metallic | ● | ● | – | – |
| Roof lining – DINAMICA roof liner in black | ● | ● | ● | ● |
| Trim – AMG carbon fibre | – | ● | – | ● |
| Trim – MANUFAKTUR black flamed open-pore ash wood | ○ | – | ● | – |
| Trim – metal structure trim element | ● | – | – | – |
| Upholstery – nappa leather in black | ● | ● | – | – |
| Upholstery – Exclusive nappa leather in black | △ | △ | ● | ● |

Communications and In-Car Entertainment

| | | | | |
|---|---|---|---|---|
| AMG instrument cluster with dual bonded 12.3-inch widescreen displays | ● | ● | ● | ● |
| Bluetooth® interface for hands-free telephony | ● | ● | ● | ● |
| Communications module (LTE) for the use of Mercedes me connect services ¹ – preparation for use of Mercedes me connect services with particularly rapid and dependable data transfer | ● | ● | ● | ● |
| DAB digital radio tuner | ● | ● | ● | ● |
| MBUX augmented reality navigation | ● | ● | ● | ● |
| MBUX multimedia system | ● | ● | ● | ● |
| Smartphone integration ² comprising Apple CarPlay® and Android Auto™ – see www.apple.com/uk/ios/carplay/ or www.android.com/intl/en_uk/auto for compatibility and approved apps. Certain features and apps require a 3G/4G data connection. Control of features available through voice control and controller on centre console | ● | ● | ● | ● |

¹The connection of the communication module to the mobile phone network including the emergency call system depends on the respective network coverage and availability of network providers

²Compatible mobile phone required

Standard equipment Mercedes-AMG

● Standard – Not available

Communications and In-Car Entertainment (continued)

| | G 63 | G 63 MANUFAKTUR Edition | G 63 Magna Edition | G 63 |
|---|------|-------------------------|--------------------|------|
| Surround sound system – Burmester® 3D surround sound system 16 high-performance speakers as well as electronics and acoustic features tailored specifically to the interior make for the first-class Burmester sound | ● | ● | ● | ● |
| Sound personalisation | ● | ● | ● | ● |
| Two USB ports in the rear | ● | ● | ● | ● |
| Wireless charging ¹ (front) | ● | ● | ● | ● |
| Widescreen cockpit with dual bonded 12.3-inch widescreen displays | ● | ● | ● | ● |

Safety and Assistance Systems

| | | | | |
|--|---|---|---|---|
| Active Blind Spot Assist ¹ | ● | ● | ● | ● |
| Active Distance Assist DISTRONIC ² | ● | ● | ● | ● |
| Active Parking Assist with PARKTRONIC ² | ● | ● | ● | ● |
| Anti-lock braking system (ABS) with Brake Assist (BAS) | ● | ● | ● | ● |
| Anti-theft alarm system with tow-away protection and interior motion sensor (Thatcham Category 1 compliant) | ● | ● | ● | ● |
| ATTENTION ASSIST – can detect typical symptoms of drowsiness on the basis of driver behaviour and alert the driver to increasing fatigue and inattention | ● | ● | ● | ● |
| Dashcam | ● | ● | ● | ● |

| | G 63 | G 63 MANUFAKTUR Edition | G 63 Magna Edition | G 63 |
|--|------|-------------------------|--------------------|------|
| Driving Assistance package ² (see page 10 for details) | ● | ● | ● | ● |
| Electronic Stability Programme (ESP®) with Acceleration Skid Control (ASR) | ● | ● | ● | ● |
| Four-wheel Electronic Traction System (4ETS) | ● | ● | ● | ● |
| GUARD 360° Vehicle Protection Plus ³ – anti-theft protection hardware including alarm and immobilizer. Theft notification and park damage detection ⁴ , stolen vehicle locator ⁴ , 360° surroundview-camera snapshots ⁴ and remote key immobilizer ⁴ | ● | ● | ● | ● |
| Headlight Assist – automatic headlamp activation | ● | ● | ● | ● |
| i-Size child seat attachment system for outer rear seats | ● | ● | ● | ● |
| Parking Assist PARKTRONIC | ● | ● | ● | ● |
| Parking package with 360° camera | ● | ● | ● | ● |
| PRE-SAFE® system – preventive occupant protection | ● | ● | ● | ● |
| Remote Services Premium ³ | ● | ● | ● | ● |
| Service indicator ASSYST | ● | ● | ● | ● |
| Technology package – maximum safety and relaxed driving with the Driving Assistance package ² and Parking package with 360° camera | ● | ● | ● | ● |
| Traffic Sign Assist | ● | ● | ● | ● |
| Transparent bonnet | ● | ● | ● | ● |
| Tyre pressure monitoring system | ● | ● | ● | ● |

¹Compatible mobile phone required ²Our driver assistance and safety systems are aids and do not relieve you of your responsibility as the driver. Please take note of the information in the Owner's Manual and the system limits which are described therein ³Free of charge for three years from activation

⁴The connection of the communication module to the mobile phone network including the emergency call system depends on the respective network coverage and availability of network providers

[Accessories Configurator](#)[Book a test drive](#)[Find your G-Class](#)[Find a Showroom](#)

Genuine accessories

We've developed a range of Accessories you can add to help personalise and enhance your G-Class.



Mercedes-Benz roof box 450

Impact-resistant, sturdy, durable, recyclable, spray-protected. Opens on both sides. Single lock system with three locking mechanisms on each side. Gas-filled struts for easy opening and closing of lid. Straps to hold contents in place. Maximum load capacity of 75 kg. (A0008401200)



Bicycle rack

Easy to use, convenient and lightweight. Bicycles can be attached at ground level before the rack is fitted. Up to three bicycle carriers can be fitted at one time. The alustyle cycle carrier is designed for the alustyle basic carrier bars, making your life easier, with know-how from Mercedes-Benz. (A0008900293)



Boot tub, shallow

For your everyday requirements the easy-clean boot tub suits all of your needs. The shape of the tub, with its slightly raised edge, is tailored to the boot with the honeycomb structure preventing slipping. (A4638140000)



Concertina load sill protector

The concertina load sill protector not only protects the boot, but also protects the bumper and boot sill from becoming scratched. As the mat can be folded out, even your clothes stay clean when loading. The load sill guard can be attached via hooks to the lifting eyes or can be attached via a velcro strip to the reversible mat or roof box. (A2536932000)



Basic carrier bars, three crossbars

Aluminium carrier bars, precision-tailored to the body of your Mercedes-Benz - the perfect basis for a range of Mercedes-Benz transport accessories: ski and snowboard rack, bicycle rack or roof boxes. Fitted in next to no time without the use of tools, thanks to new, innovative quick-release fasteners. (A4638902900)



AMG indoor car cover

Silver-coloured, with black AMG lettering. The breathable outer layer in tearproof synthetic fibre and the antistatic inner layer in flannel protect the vehicle against dust and scratches. Elasticated edging at the front and rear ensures that the cover stays in place and provides an ideal fit, particularly for AMG models. (A4638990500)

All the above accessories are subject to availability and compatibility. Please ask your Mercedes-Benz Authorised Repairer for more information

| | | | | | | | | | | |
|--------|------------|------------|--------------|--------------|---------------------|-----------------|--------------------|---------------------|----------------|------------------------|
| Design | Technology | Model line | Model prices | Mercedes-AMG | Mercedes-AMG prices | Personalisation | Standard equipment | Genuine accessories | Technical data | Additional information |
|--------|------------|------------|--------------|--------------|---------------------|-----------------|--------------------|---------------------|----------------|------------------------|

Technical data

● Standard – Not available

| Model | | G 450 d | G 500 | Mercedes-AMG G 63 |
|-------------------------------|----------------|-----------------|-----------------------|-------------------|
| Engine | | | | |
| Fuel delivery | | Diesel | Petrol | Petrol |
| Total displacement | cc | 2,989 | 2,999 | 3,982 |
| Arrangement/cylinders/valves | | in-line/6/24 | in-line/6/24 | V/8/32 |
| Power ¹ | hp (kW) at rpm | | | |
| Combustion engine | | 367 (270)/4,000 | 449 (330)/5,800–6,100 | 585 (430)/6,000 |
| Mild hybrid drive | | 20 (15) | 20 (15) | 20 (15) |
| Torque ¹ | Nm at rpm | 750/1,350–2,800 | 560/2,200–5,000 | 850/2,500–3,500 |
| Compression ratio | | 15.5:1 | 10.5:1 | 8.6:1 |
| Emissions standard | | EURO 6E | EURO 6E | EURO 6E |
| Transmission | | | | |
| 9G-TRONIC automatic | | ● | ● | – |
| AMG SPEEDSHIFT PLUS 9G-TRONIC | | – | – | ● |
| Performance | | | | |
| Acceleration 0–62 mph | sec | 5.8 | 5.4 | 4.4 |
| Top speed ² | mph | 130 | 130 | 137 |

¹Figures according to Directive 80/1269/EEC in the currently applicable version ²Electronically limited

Technical data

| Model | G 450 d | G 500 | Mercedes-AMG G 63 |
|-------------------------------------|----------------|-------------|-------------------|
| Weights and capacities | | | |
| Kerb weight ³ | kg 2,727-2,733 | 2,664-2,670 | 2,755-2,773 |
| Perm. Gross Vehicle Weight | kg 3,200 | 3,200 | 3,200 |
| Boot capacity - seats up/seats down | l 640/2,010 | 640/2,010 | 640/2,010 |
| Towing capacity - unbraked/braked | kg 750/3,500 | 750/3,500 | 750/3,500 |
| Fuel tank capacity/of which reserve | l 100/12 | 100/12 | 100/12 |
| Turning circle | m 13.6 | 13.6 | 13.43 |

Fuel consumption^{4,5,6}

| | | | |
|---|--------------------------|--------------|--------------|
| Combined (consumption dependent on chosen optional equipment) | l/100 km 8.9 mpg 31.7 | 11.3 25.0 | 14.8 19.1 |
|---|--------------------------|--------------|--------------|

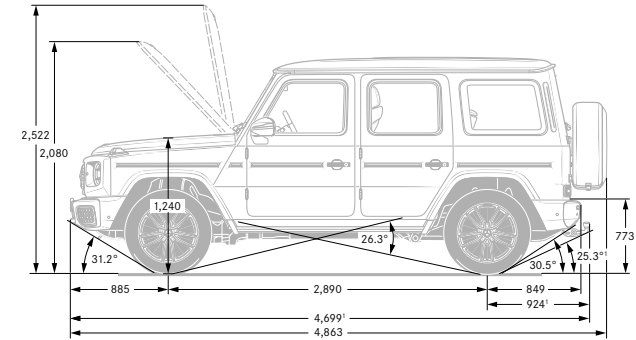
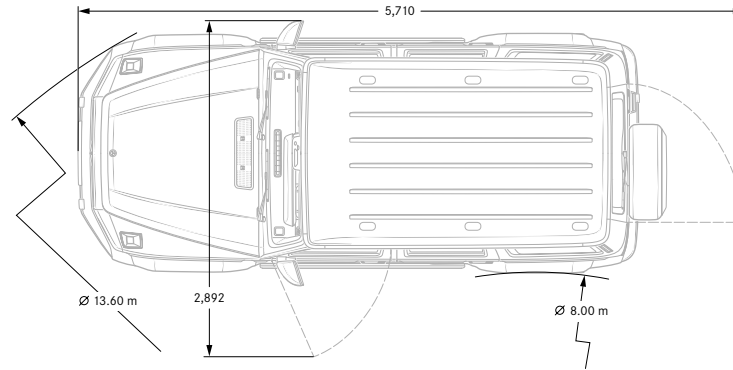
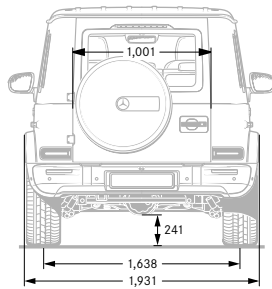
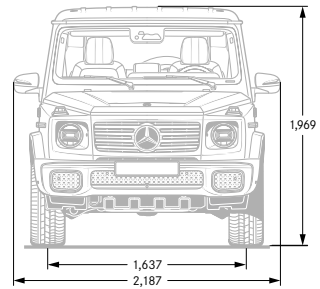
Insurance

| | | | |
|--------------|-----|-----|-----|
| Group rating | tba | tba | tba |
|--------------|-----|-----|-----|

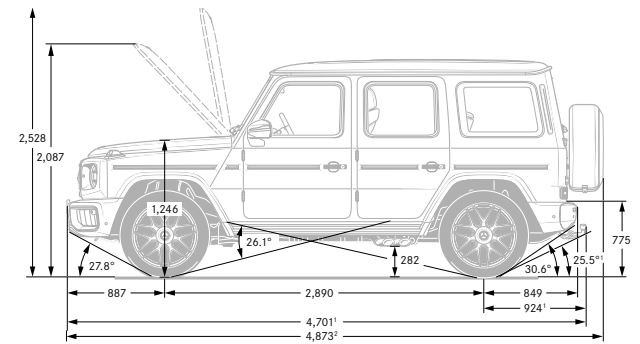
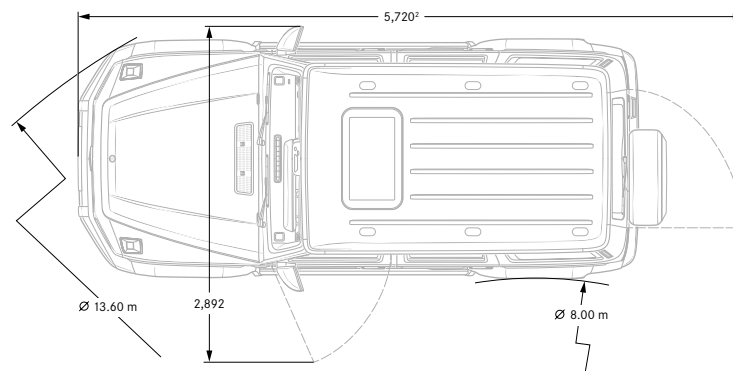
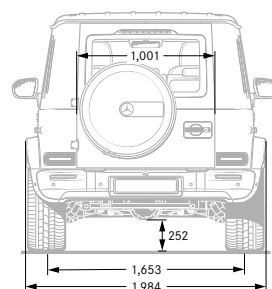
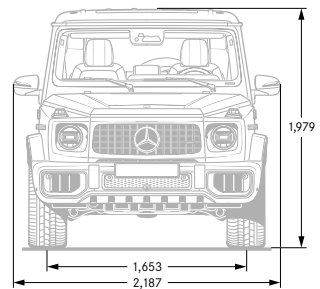
Insurance ratings may vary depending on model line and specification. Please refer to <http://www.thatcham.org/abigrouprating/> for further details

³Mass of the vehicle in running order with at least 90% full fuel tank, plus the mass of the driver (estimated by law at 75 kg), fuel and fluids, equipped with the standard equipment as specified by the manufacturer as well as, where applicable, the mass of the body, cab, trailer coupling and spare wheel(s) as well as tools. Optional extras, additional equipment and accessories can influence the weight, residual payload, rolling resistance, aerodynamics, etc., and therefore also affect the consumption/CO₂ values ⁴All figures are based on a standard specification with the smallest tyre size ⁵The choice of wheels and transmission may affect CO₂ emissions and corresponding Road Fund Licence ⁶The indicated values were determined according to the prescribed measurement method - Worldwide Harmonised Light Vehicle Test Procedure (WLTP). Figures shown may include options which are not available in the UK

AMG Line Premium Plus



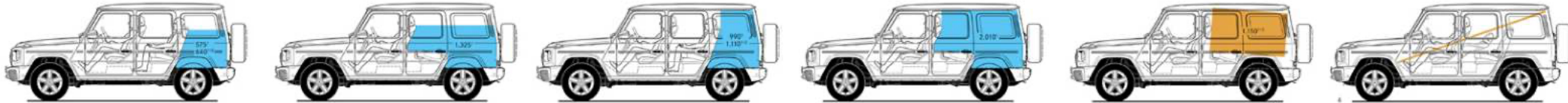
Mercedes-AMG G 63



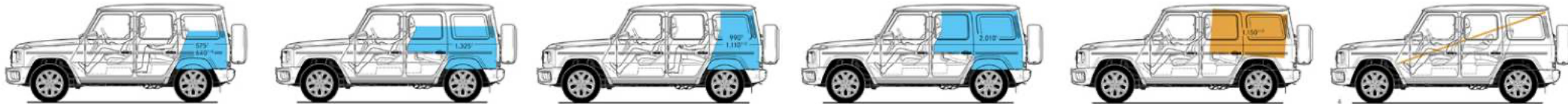
¹Incl. number-plate adapter (8 mm) ²Without number plate adapter (8 mm) ³Measured for an inclination of 14.4° ⁴With trailer tow hitch (optional equipment) All measurements in millimetres. The dimensions shown are mean values and apply to standard-specification, unladen vehicles

| Design | Technology | Model line | Model prices | Mercedes-AMG | Mercedes-AMG prices | Personalisation | Standard equipment | Genuine accessories | Technical data | Additional information |
|--------|------------|------------|--------------|--------------|---------------------|-----------------|--------------------|---------------------|----------------|------------------------|
|--------|------------|------------|--------------|--------------|---------------------|-----------------|--------------------|---------------------|----------------|------------------------|

AMG Line Premium Plus – Boot capacity



Mercedes-AMG G 63 – Boot capacity



¹Volume in litres ²With backrest in cargo position ³Largest cuboid: dimensions 1,420 × 960 × 850 mm, volume 1,150 litres
All measurements in millimetres. The dimensions shown are mean values and apply to standard-specification, unladen vehicles

⁴Longest board: dimensions 2,700 × 400 × 30 mm

Luggage compartment capacity according to guideline ISO 3832:2002-06. Luggage compartment capacity may differ depending on optional extras

| | | | | | | | | | | |
|--------|------------|------------|--------------|--------------|---------------------|-----------------|--------------------|---------------------|----------------|------------------------|
| Design | Technology | Model line | Model prices | Mercedes-AMG | Mercedes-AMG prices | Personalisation | Standard equipment | Genuine accessories | Technical data | Additional information |
|--------|------------|------------|--------------|--------------|---------------------|-----------------|--------------------|---------------------|----------------|------------------------|

Road Fund Licence

All road vehicle registrations are subject to Vehicle Excise Duty (Road Fund Licence), which varies in accordance with the vehicle's CO₂ emissions. A first year rate for each taxation band will apply. The table below shows the bands (A-M) created by the DVLA and the corresponding Road Fund Licence. CO₂ emissions and the relevant Excise Duty are shown on the model pricing pages.

| Band | CO ₂ emissions (g/km) | First year rate petrol and RDE2 diesel (£) | First year rate alternative fuel (£) | Electric vehicles | | Alternative fuel vehicles | | Petrol/diesel vehicles | |
|------|----------------------------------|--|--------------------------------------|-------------------|-------------------------------|---------------------------|-------------------------------|------------------------|-------------------------------|
| | | | | Standard rate (£) | Premium rate (£) ¹ | Standard rate (£) | Premium rate (£) ¹ | Standard rate (£) | Premium rate (£) ¹ |
| A | 0 | 0.00 | 0.00 | 0.00 | 0.00 | 0.00 | 0.00 | 0.00 | 0.00 |
| B | 1 to 50 | 10.00 | 0.00 | 0.00 | 0.00 | 180.00 | 590.00 | 190.00 | 600.00 |
| C | 51 to 75 | 30.00 | 20.00 | 0.00 | 0.00 | 180.00 | 590.00 | 190.00 | 600.00 |
| D | 76 to 90 | 135.00 | 125.00 | 0.00 | 0.00 | 180.00 | 590.00 | 190.00 | 600.00 |
| E | 91 to 100 | 175.00 | 165.00 | 0.00 | 0.00 | 180.00 | 590.00 | 190.00 | 600.00 |
| F | 101 to 110 | 195.00 | 185.00 | 0.00 | 0.00 | 180.00 | 590.00 | 190.00 | 600.00 |
| G | 111 to 130 | 220.00 | 210.00 | 0.00 | 0.00 | 180.00 | 590.00 | 190.00 | 600.00 |
| H | 131 to 150 | 270.00 | 260.00 | 0.00 | 0.00 | 180.00 | 590.00 | 190.00 | 600.00 |
| I | 151 to 170 | 680.00 | 670.00 | 0.00 | 0.00 | 180.00 | 590.00 | 190.00 | 600.00 |
| J | 171 to 190 | 1,095.00 | 1,085.00 | 0.00 | 0.00 | 180.00 | 590.00 | 190.00 | 600.00 |
| K | 191 to 225 | 1,650.00 | 1,640.00 | 0.00 | 0.00 | 180.00 | 590.00 | 190.00 | 600.00 |
| L | 226 to 255 | 2,340.00 | 2,330.00 | 0.00 | 0.00 | 180.00 | 590.00 | 190.00 | 600.00 |
| M | over 255 | 2,745.00 | 2,735.00 | 0.00 | 0.00 | 180.00 | 590.00 | 190.00 | 600.00 |



Some of the model features, optional extras and colours shown may not be available, or may only be available in a different specification
¹Premium rate only applicable to vehicles where the list price is over £40,000 including any factory-fitted options, standard UK delivery charge and VAT

Services and insurance

Mercedes-Benz ServiceCare

We believe that servicing costs should be as flexible and affordable as possible for your G-Class, which is why we offer ServiceCare, an easy way to budget for all your servicing costs. It spreads your bills into manageable payments based on whether you have a new or used Mercedes-Benz. With ServiceCare we guarantee the price of parts and labour for up to four services and safeguard against any further inflation. It also covers the cost of all recommended service items including brake fluid, spark plugs, air filters, fuel filters and screen wash. You can choose either to add your servicing costs into your monthly spend or pay the full amount in a one-off payment, giving you peace of mind that they are taken care of for the period of the plan.

[> Click here for more information](#)

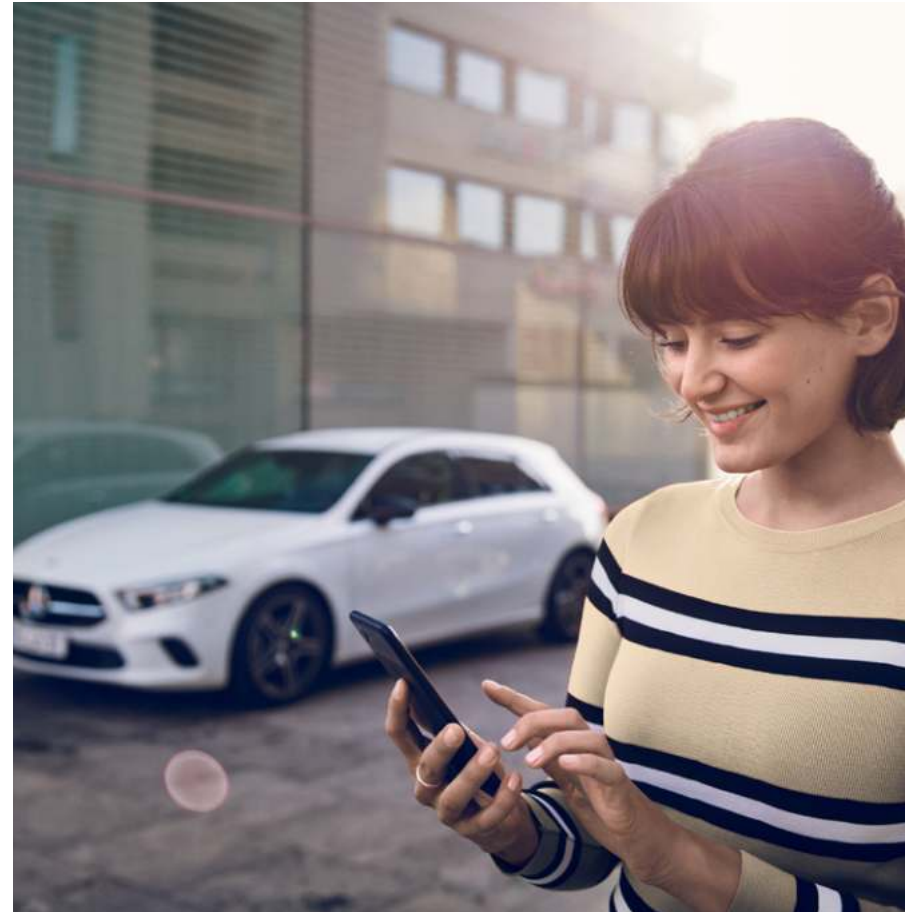
Warranty and breakdown cover

Every Mercedes-Benz comes with a three-year unlimited mileage warranty against manufacturing or material defects¹ and up to 30 years warranty against perforation due to corrosion from the inside out.² What's more, it's also covered by Mercedes-Benz Roadside Assistance – a unique package comprising up to 30 years pan-European breakdown assistance.²

Motor Insurance

We know that once you have chosen your Mercedes-Benz you can't wait to drive it – that's why we created First Cover³. It gives you 7 days' free comprehensive Motor Insurance when you buy a new or used vehicle from a Mercedes-Benz Agent. We will also send you a quote for annual cover, so you can enjoy the same peace of mind all year round.

[> Apply for First Cover](#)



¹Applies to vehicles sold by Mercedes-Benz in the UK to its franchised Mercedes-Benz Agents ²Subject to full Terms and Conditions, dependent on date of registration, available upon request
³Terms and Conditions apply. We are an independent intermediary dealing with selected insurers in respect of annual insurance



Effective from May 2024 Production. Information correct at time of publication 04.04.2024.
Prices and specifications are subject to change without prior notice.
MBW465PL/0424 MY X23+054

