

Hussmann Product Overview

Product Offering and Future Initiatives

Case Model Summary

Case Type	Model Name
Glass Door Freezer	RL RLT RLS (Schott doors) KG15 KG16 KG20
Wide Island Freezer	GHN KF08
Multideck	MJPE (open) MPD (doors) ACM KM20
Semi Vertical	GVS143 (self contained) SMD SME (with / without doors) SMDN (narrow) 14,15,16,17
Deli	V Series DC09 DC13 DD10, DD13, D13 (square) DM13 CSD11 (combo) CSD13 (combo)

Case Type	Model Name
Hot	RHR KH14 (island) DH13 SMH (wall) HCCV & HCCR (combo)
Specialty	DMW13 KM22 (cheese) NS09 (fish)
Self Contained	H1 KJ09 KJ10 MPC
In Development	H1T range JM12 UM15
Accessories & Panasonic Products	Electronic shelf labels Refrigerated locker Space Player (projector) Commercial Kitchen Series

• Case models included in the following pages comply with all relevant Australian Electrical Standards. Current CS certificates are held for each of these models.

Glass Door Freezer



Glass Door Freezer

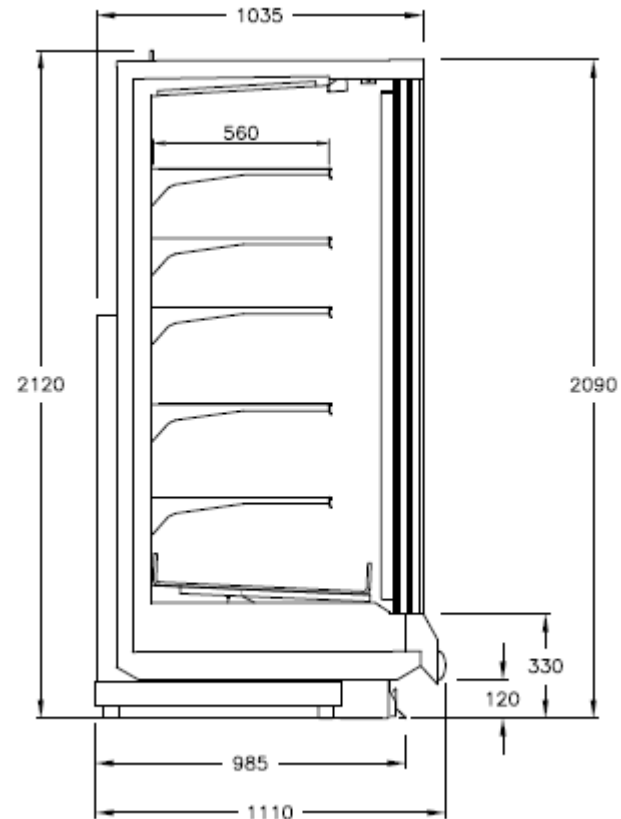


Optional
Semi frameless
Schott door
solution
available



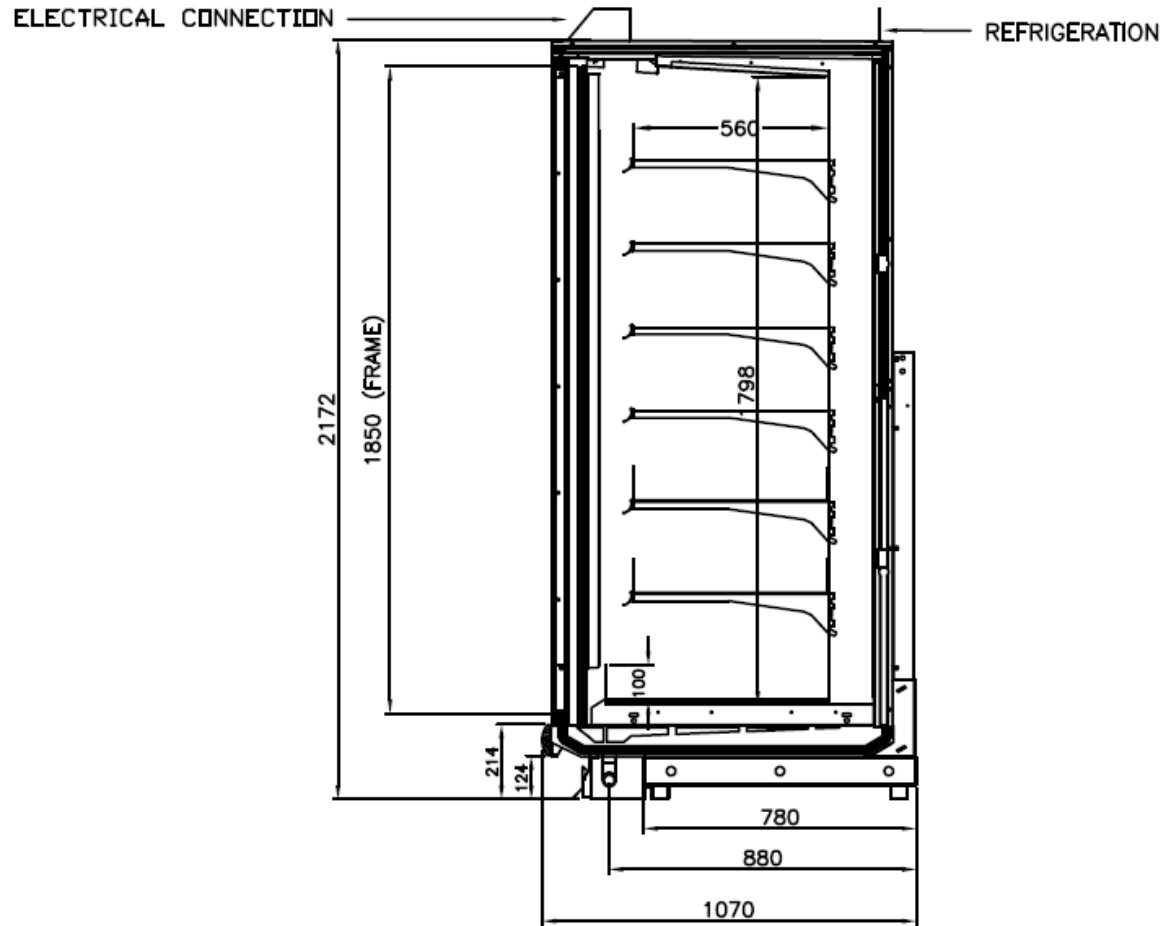
Glass Door Freezer RL

	KG15 Frozen
Climate Class	3L1
Case Depth	1125mm (inc. rear air gap)
Case Lengths	2 door 1575mm 3 door 2350mm 4 door 3122mm 5 door 3895mm
Case Height	2090mm
Shelves	5 plus base 560mm deep
Configuration	Wall
Refrigerant	R404A / R134A CO2 sub critical TCO2 80 bar R410A waterloop
Lighting	Hussmann Ecoshine 2 Lighting mounted vertically on the mullion
Controller	XM678D V2.8 (E-spec)
Valve types	TX Sporlan Carel E2V



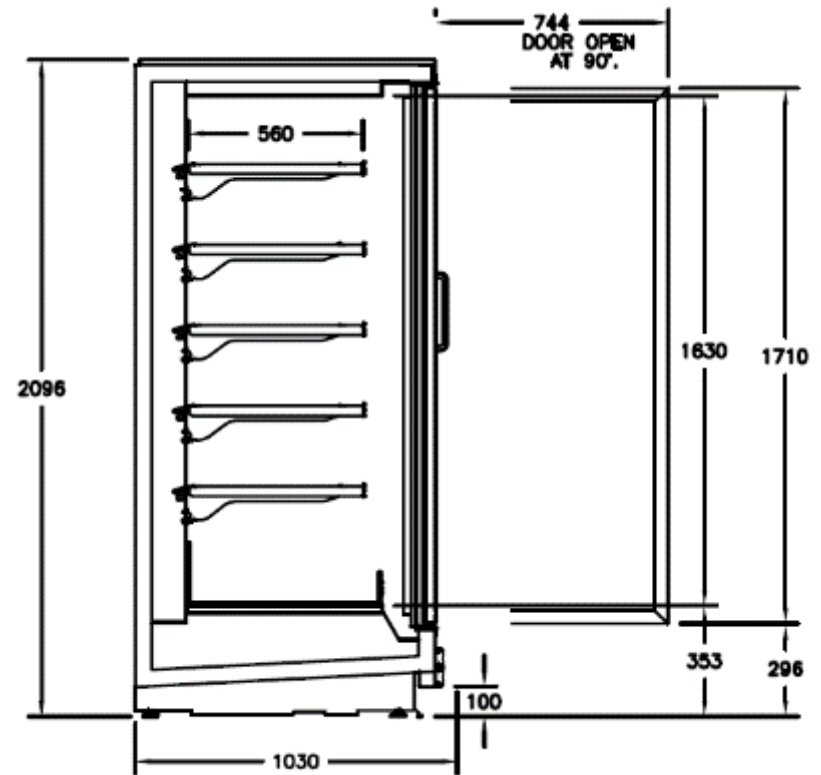
Glass Door Freezer RLТ

	KG15 Frozen
Climate Class	3L1
Case Depth	1070mm
Case Lengths	2 door 1575mm 3 door 2350mm 4 door 3122mm 5 door 3895mm
Case Height	2172mm
Shelves	5 plus base 560mm deep
Configuration	Wall
Refrigerant	R404A / R134A CO2 sub critical TCO2 80 bar R410A waterloop
Lighting	Hussmann Ecoshine 2 Lighting mounted vertically on the mullion
Controller	XM678D V2.8 (E-spec)
Valve types	TX Sporlan Carel E2V



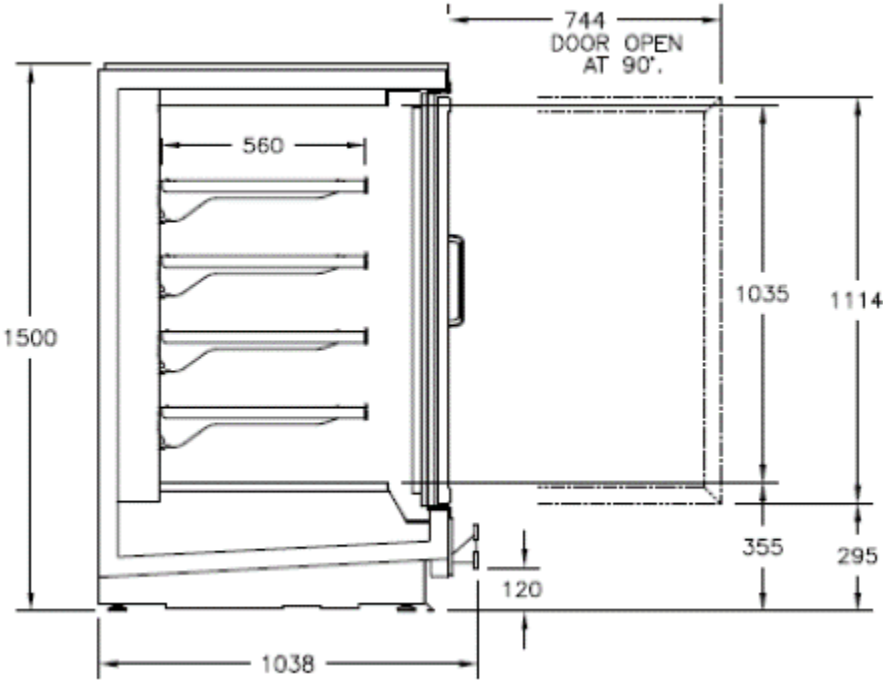
Glass Door Freezer KG20

	KG20 Frozen
Climate Class	3L1
Case Depth	1030mm (inc. bumper)
Case Lengths	2 door 1570mm 3 door 2347mm 4 door 3124mm 5 door 3900mm
Case Height	2100mm
Shelves	5 plus wire basket 560mm deep
Configuration	Wall or Island
Refrigerant	R404A CO2 sub critical CO2 trans critical R410A waterloop
Lighting	Philips mullion LED
Controller	XM678D V2.8 (E-spec)
Valve types	TX Sporlan Carel E2V

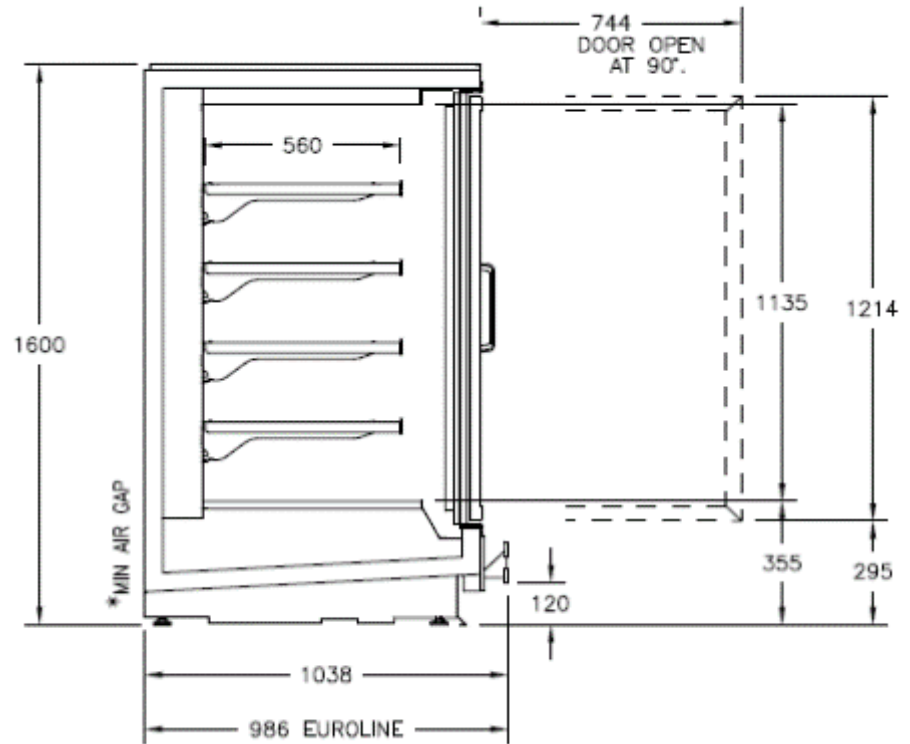


Low Height Glass Door Freezer KG15

	KG15 Frozen
Climate Class	3L1
Case Depth	1038mm (inc. bumper)
Case Lengths	2 door 1570mm 3 door 2347mm 4 door 3124mm 5 door 3900mm
Case Height	1500mm
Shelves	4 plus base 560mm deep
Configuration	Wall or Island
Refrigerant	R404A CO2 sub critical CO2 trans critical R410A waterloop
Lighting	Nualight mullion LED
Controller	XM678D V2.8 (E-spec)
Valve types	TX Sporlan Carel E2V



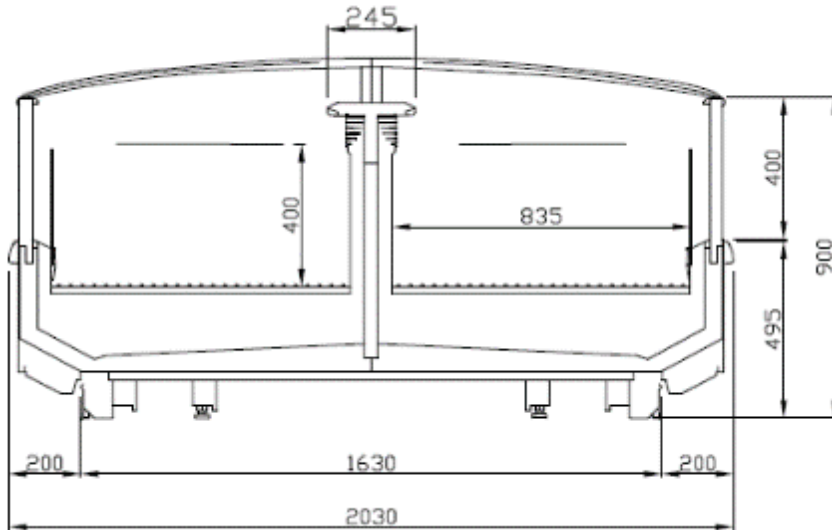
	KG16 Frozen
Climate Class	3L1
Case Depth	1038mm (inc. bumper)
Case Lengths	2 door 1570mm 3 door 2347mm 4 door 3124mm 5 door 3900mm
Case Height	1600mm
Shelves	4 plus base 560mm deep
Configuration	Wall or Island
Refrigerant	R404A CO2 sub critical CO2 trans critical R410A waterloop
Lighting	Philips mullion LED
Controller	XM678D V2.8 (E-spec)
Valve types	TX Sporlan Carel E2V



Wide Island Freezer



Wide Island Freezer GHN74



	GHN74
Climate Class	3L1
Case Depth	2030mm (inc. bumper)
Case Lengths	CE 2030mm 2500mm 3750mm
Case Height	900mm
Configuration	Island
Refrigerant	Upon Request
Lighting	N/A
Controller	Upon Request
Valve types	Upon Request

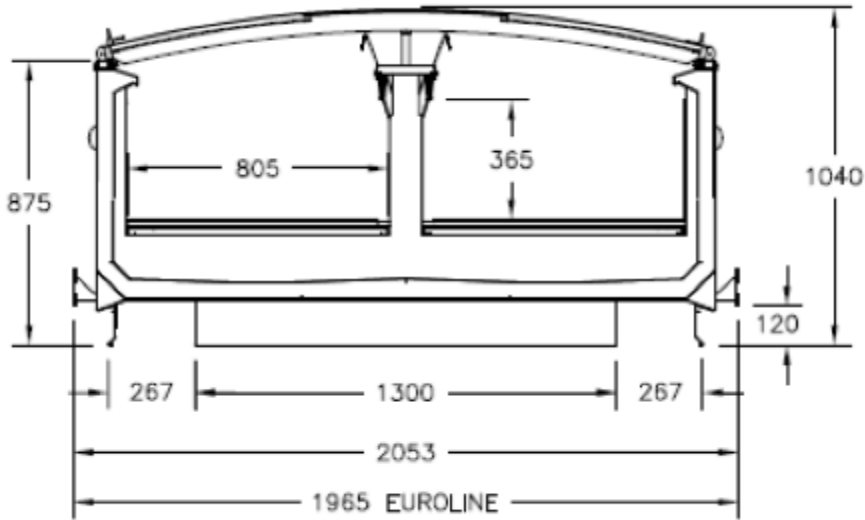
- Spec including refrigerant options available upon request



Wide Island Freezer KF08



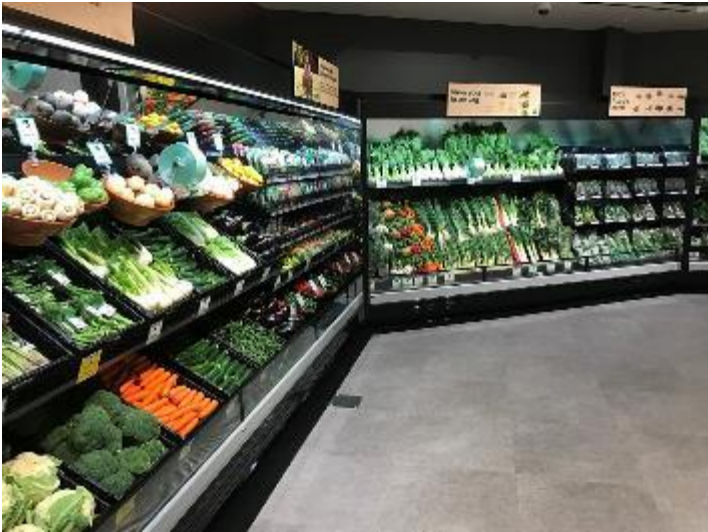
	KF08
Climate Class	3L1
Case Depth	2053mm (inc. bumper)
Case Lengths	CE 1960mm 2500mm 3750mm
Case Height	875mm/1040mm
Configuration	Island
Refrigerant	R404A CO2 sub critical CO2 trans critical R410A waterloop
Lighting	N/A
Controller	XM678D V2.8 (E-spec)
Valve types	TX Sporlan AKV Danfoss Carel E2V



Multideck



Multi Deck



Multi Deck MJPE Bakery, Dairy & Meat



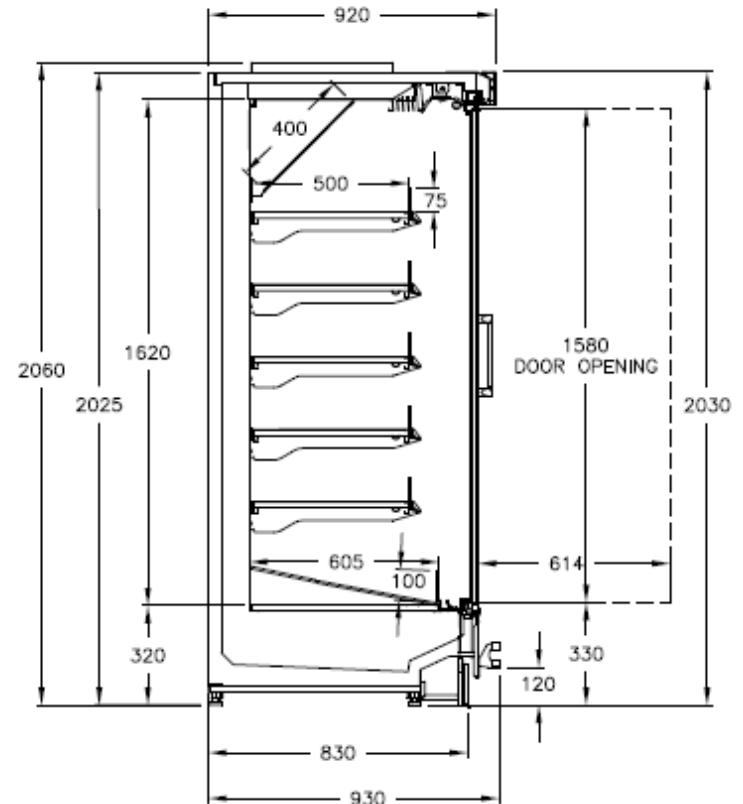
	MJPE218 Bakery	MJPE218 Dairy	MJPE218 Meat
Climate Class	3M1	3M1	3M0
Case Depth	1035mm (inc. bumper)	1035mm (inc. bumper)	1035mm (inc. bumper)
Case Lengths	CE 2125mm 1250mm 1875mm 2500mm 3750mm	CE 2125mm 1250mm 1875mm 2500mm 3750mm	CE 2125mm 1250mm 1875mm 2500mm 3750mm
Case Height	2260mm	2260mm	2260mm
Shelves	5 plus base wire fence 410mm/ 460mm/510mm deep	5 plus base 510mm deep	5 plus base wire fence 410mm/ 460mm/510mm deep
Configuration	Wall or Island	Wall or Island	Wall or Island
Refrigerant	R134A, R404A CO2 trans critical	R134A, R404A CO2 trans critical	R134A, R404A CO2 trans critical
Lighting	Upon Request	Upon Request	Upon Request
Night blind	Manual	Manual	Manual
Controller	XM678D V2.8 (E-spec)	XM678D V2.8 (E-spec)	XM678D V2.8 (E-spec)
Valve types	TX Sporlan Carel E2V	TX Sporlan Carel E2V	TX Sporlan Carel E2V

Multi Deck MJPE Produce & Liquor



	MJPE218 Produce	MJPE218 Liquor
Climate Class	3M1	3M1
Case Depth	1035mm (inc. bumper)	1035mm (inc. bumper)
Case Lengths	CE 2125mm 1250mm 1875mm 2500mm 3750mm	CE 2125mm 1250mm 1875mm 2500mm 3750mm
Case Height	2260mm	2260mm
Shelves	4 plus wire tray wire fence 410mm/ 460mm/510mm deep	5 plus base 510mm deep
Configuration	Wall or Island	Wall or Island
Refrigerant	R134A, R404A CO2 trans critical	R134A, R404A CO2 trans critical
Lighting	Upon Request	Upon Request
Night blind	Manual	Manual
Controller	XM678D V2.8 (E-spec)	XM678D V2.8 (E-spec)
Valve types	TX Sporlan Carel E2V	TX Sporlan Carel E2V

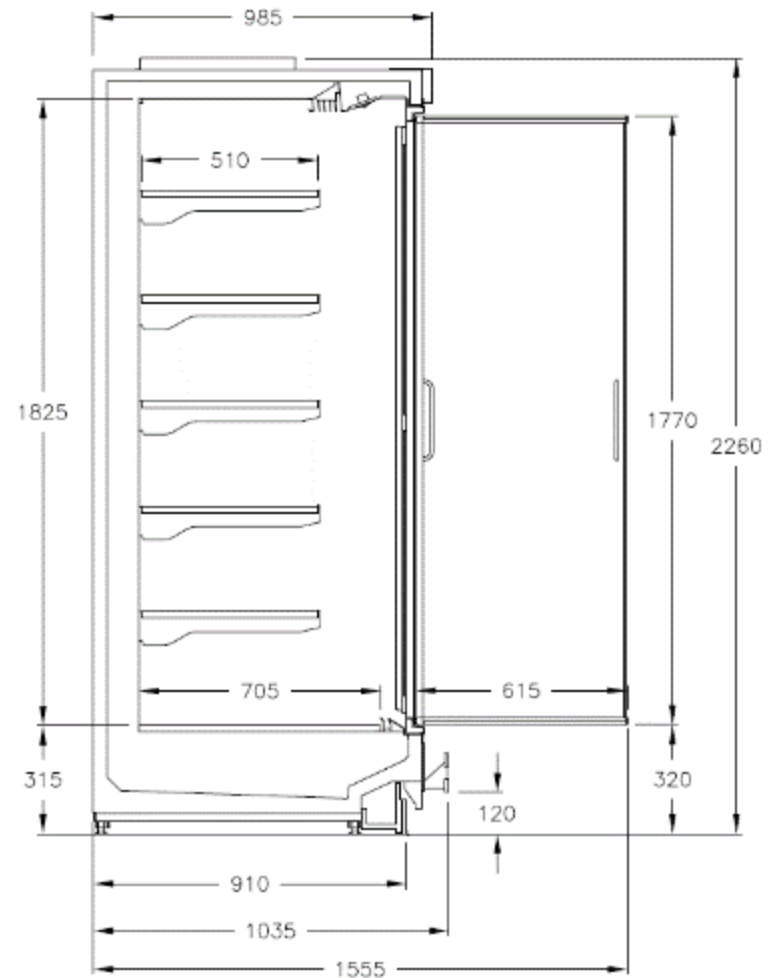
	MPD218 Dairy
Climate Class	3M1
Case Depth	900mm
Case Lengths	CE 2115mm 1250mm 1875mm 2500mm 3750mm
Case Height	2060mm
Shelves	5 plus base 510mm deep
Configuration	Wall or Island
Refrigerant	R134A, R404A CO2 trans critical
Lighting	Philips mullion LED Shelf lights optional
Night blind	N/A
Controller	XM678D V2.8 (E-spec)
Valve types	TX Sporlan Carel E2V



- Supplied as standard with semi frameless doors

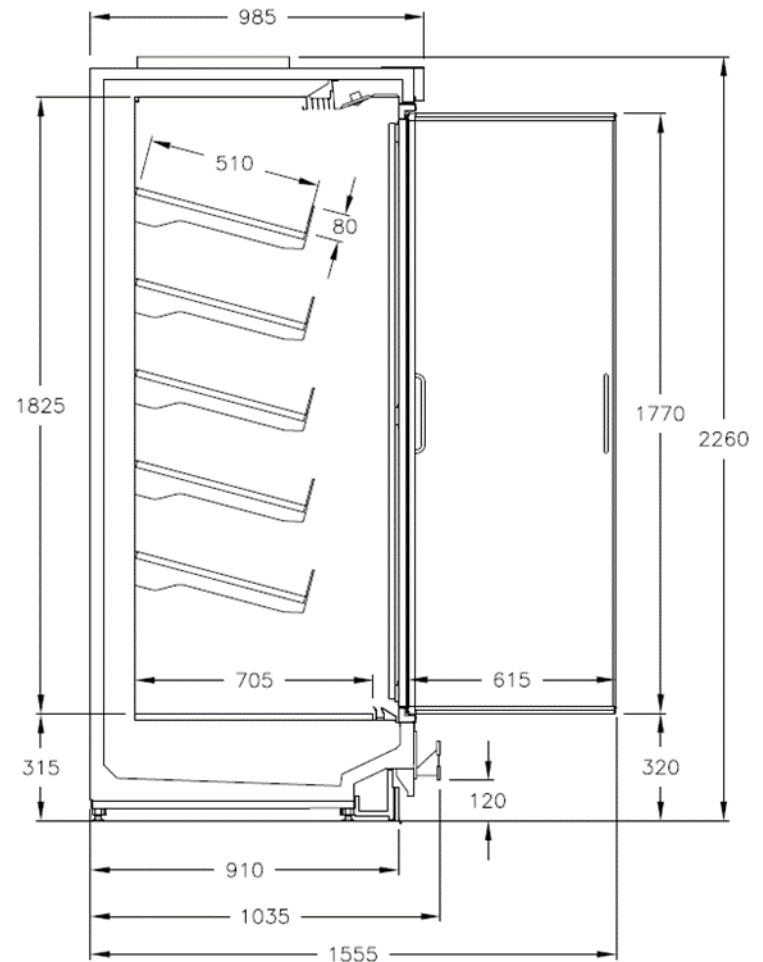
Multi Deck (door) MPD Dairy & Deli

	MPD218 Dairy	MPD218 Deli
Climate Class	3M1	3M0
Case Depth	1035mm (inc. bumper)	1035mm (inc. bumper)
Case Lengths	CE 2115mm 1250mm 1875mm 2500mm 3750mm	CE 2115mm 1250mm 1875mm 2500mm 3750mm
Case Height	2260mm	2260mm
Shelves	5 plus base 510mm deep	5 plus base wire fence 510mm deep
Configuration	Wall or Island	Wall or Island
Refrigerant	R134A, R404A CO2 trans critical	R134A, R404A CO2 trans critical
Lighting	Philips mullion LED	Philips mullion LED
Night blind	N/A	N/A
Controller	XM678D V2.8 (E-spec)	XM678D V2.8 (E-spec)
Valve types	TX Sporlan Carel E2V	TX Sporlan Carel E2V



- Supplied as standard with semi frameless doors

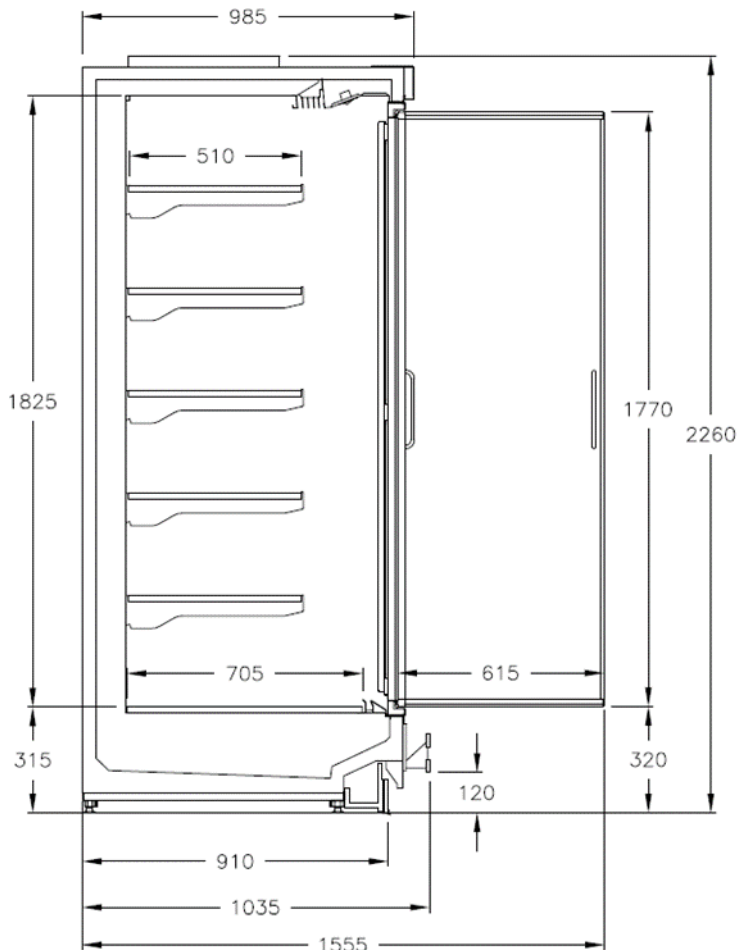
	MPD218 Meat	MPD218 Produce
Climate Class	3M0	3M1
Case Depth	1035mm (inc. bumper)	1035mm (inc. bumper)
Case Lengths	CE 2115mm 1250mm 1875mm 2500mm 3750mm	CE 2115mm 1250mm 1875mm 2500mm 3750mm
Case Height	2260mm	2260mm
Shelves	5 plus base wire fence 510mm deep	4/5 plus wire tray wire fence 410mm/510mm deep
Configuration	Wall or Island	Wall or Island
Refrigerant	R134A, R404A CO2 trans critical	R134A, R404A CO2 trans critical
Lighting	Philips mullion LED	Philips mullion LED
Night blind	N/A	N/A
Controller	XM678D V2.8 (E-spec)	XM678D V2.8 (E-spec)
Valve types	TX Sporlan Carel E2V	TX Sporlan Carel E2V



- Supplied as standard with semi frameless doors

Multi Deck (door) MPD Liquor

	MPD218 Liquor
Climate Class	3M2
Case Depth	1035mm (inc. bumper)
Case Lengths	1250mm 1875mm 2500mm 3750mm
Case Height	2260mm
Shelves	5 plus base 510mm deep
Configuration	Wall or Island
Refrigerant	R134A, R404A CO2 trans critical
Lighting	Philips mullion LED
Night blind	N/A
Controller	XM678D V2.8 (E-spec)
Valve types	TX Sporlan Carel E2V

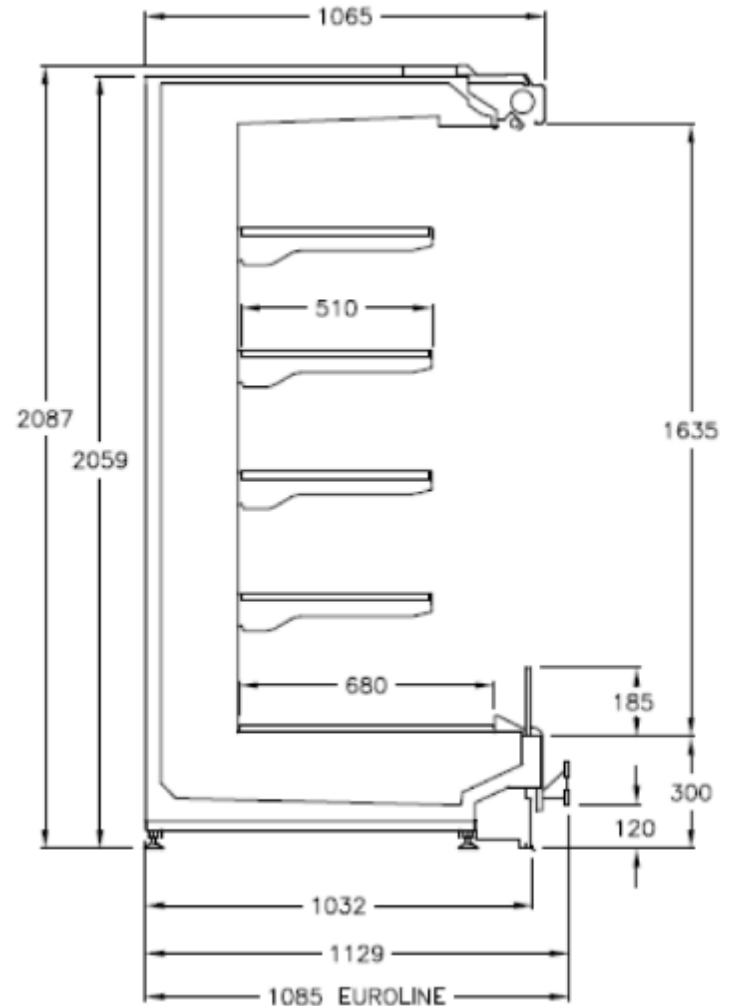


- Metro spec with painted shelves/ base trays and single shelf stiffener
- Liquor spec with stainless steel shelves/ base trays and double shelf stiffener

- Supplied as standard with semi frameless doors

Multi Deck ACM Dairy & Produce

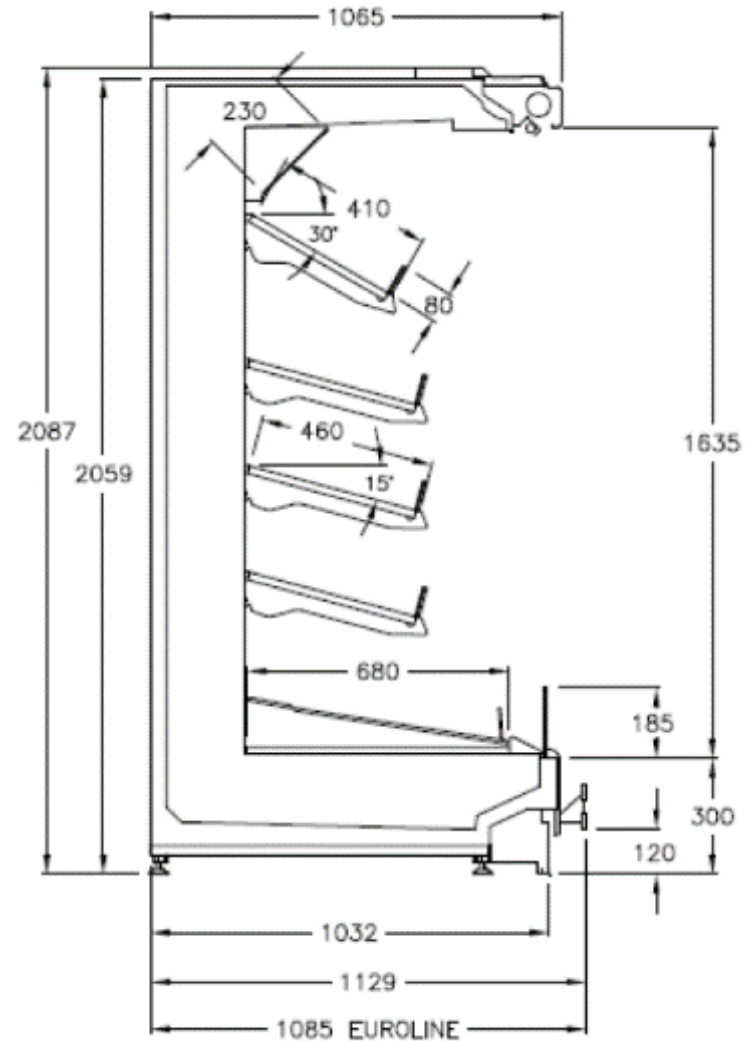
	ACM316 Dairy	ACM316 Produce
Climate Class	3M1	3M1
Case Depth	1085mm (inc. bumper)	1085mm (inc. bumper)
Case Lengths	CE 2125mm 1250mm LH/RH 1695mm 1875mm 2500mm 3125mm 3750mm	CE 2125mm 1250mm LH/RH 1695mm 1875mm 2500mm 3125mm 3750mm
Case Height	2060mm	2060mm
Shelves	4 plus base 510mm deep	3 plus wire tray Wire fence 410mm/510mm deep
Configuration	Wall or Island	Wall or Island
Refrigerant	R134A, R404A CO2 trans critical	R134A, R404A CO2 trans critical
Lighting	Nualight canopy LED	Nualight canopy LED
Night blind	Manual	Manual
Controller	XM678D V2.8 (E-spec)	XM678D V2.8 (E-spec)
Valve types	Carel E2V	Carel E2V



- Dairy cases available with doors on request

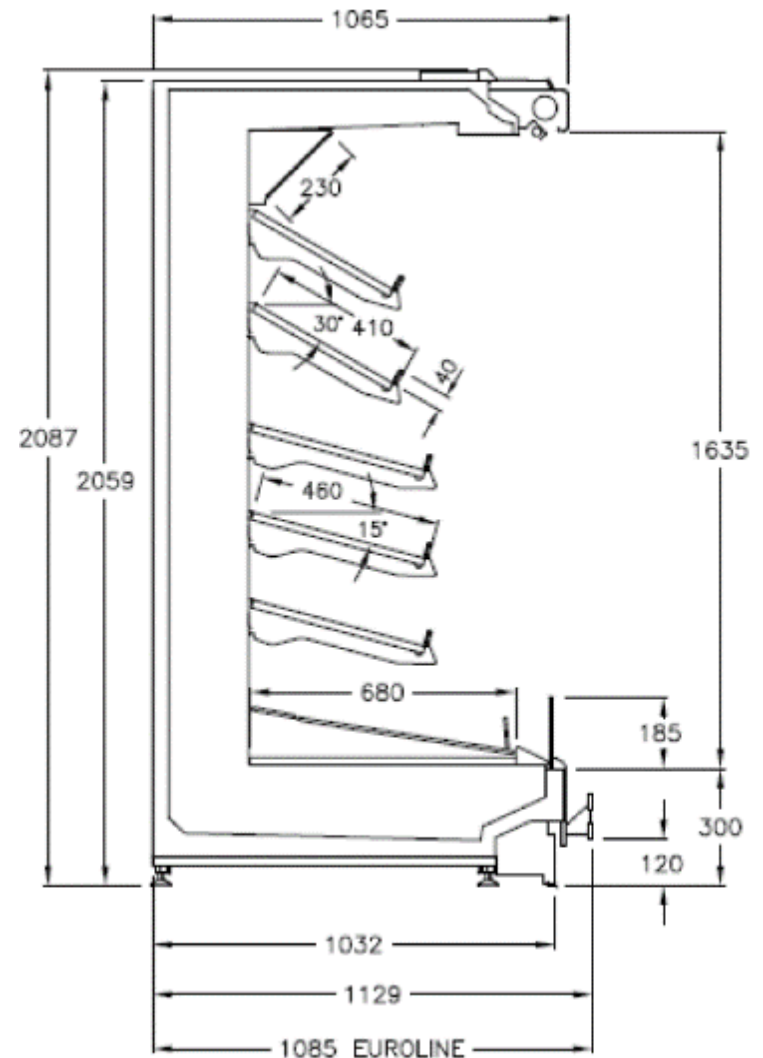
Multi Deck ACM Meat

	ACM316 Meat
Climate Class	3M0
Case Depth	1085mm (inc. bumper)
Case Lengths	2500mm 3750mm
Case Height	2060mm
Shelves	4 plus wire tray wire fence 410mm/460mm deep
Configuration	Wall or Island
Refrigerant	R134A, R404A CO2 trans critical
Lighting	Nualight canopy/ shelf LED
Night blind	Manual
Controller	XM678D V2.8 (E-spec)
Valve types	TX Sporlan Carel E2V



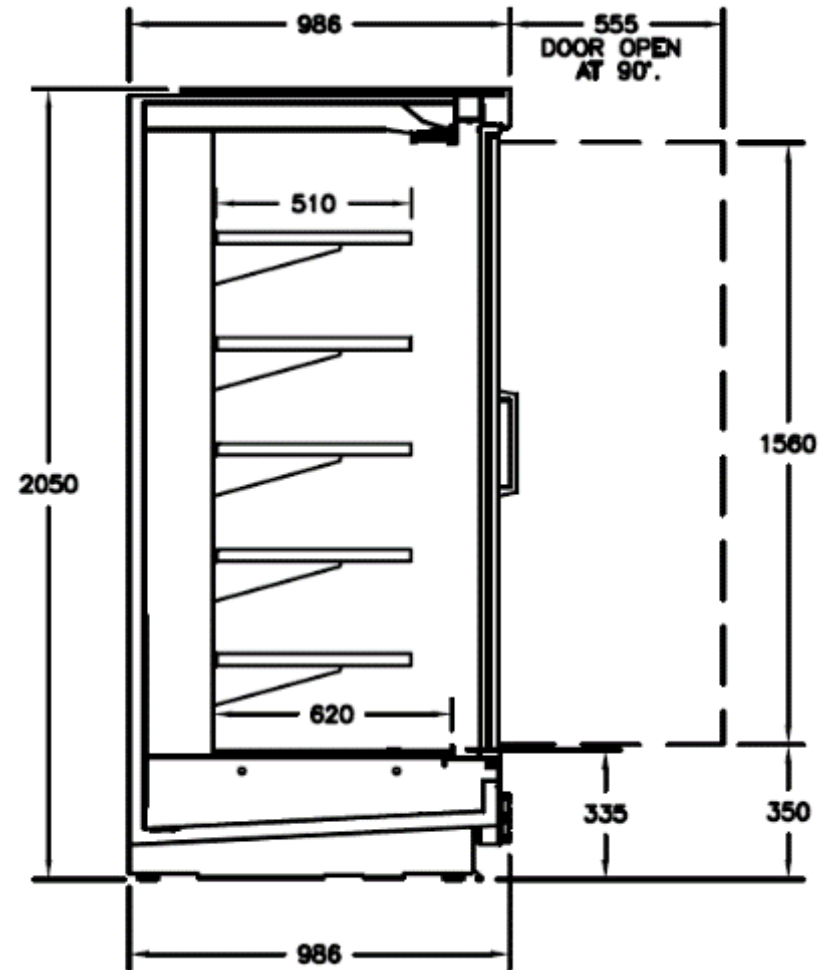
Multi Deck ACM Bakery & Deli

	ACM316 Bakery	ACM316 Deli
Climate Class	3M1	3M0
Case Depth	1085mm (inc. bumper)	1085mm (inc. bumper)
Case Lengths	2500mm 3750mm	2500mm 3750mm
Case Height	2060mm	2060mm
Shelves	5 plus wire tray wire fence 410mm/460mm deep	5 plus wire tray wire fence 460mm/510mm deep
Configuration	Wall or Island	Wall or Island
Refrigerant	R134A, R404A CO2 trans critical	R134A, R404A CO2 trans critical
Lighting	Nualight canopy/ shelf LED	Nualight canopy/ shelf LED
Night blind	Manual	Manual
Controller	XM678D V2.8 (E-spec)	XM678D V2.8 (E-spec)
Valve types	Carel E2V	Carel E2V



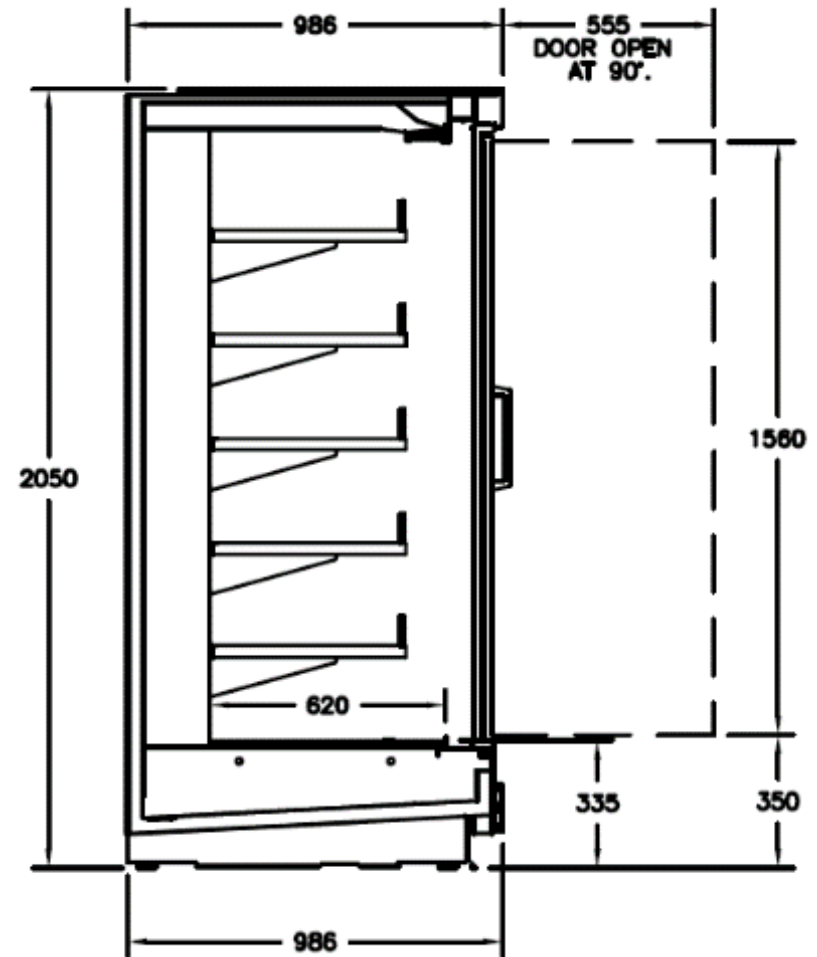
Multi Deck KM20 Dairy

	KM20 Dairy (doors)
Climate Class	3M1
Case Depth	985mm (inc. bumper)
Case Lengths	1250mm 1875mm 2500mm 3125mm 3750mm
Case Height	2050mm
Shelves	5 plus base 510mm deep
Configuration	Wall or Island
Refrigerant	R134A, R404A CO2 trans critical R410A waterloop
Lighting	Philips mullion LED
Night blind	N/A
Controller	XM678D V2.8 (E-spec)
Valve types	TX Sporlan Carel E2V



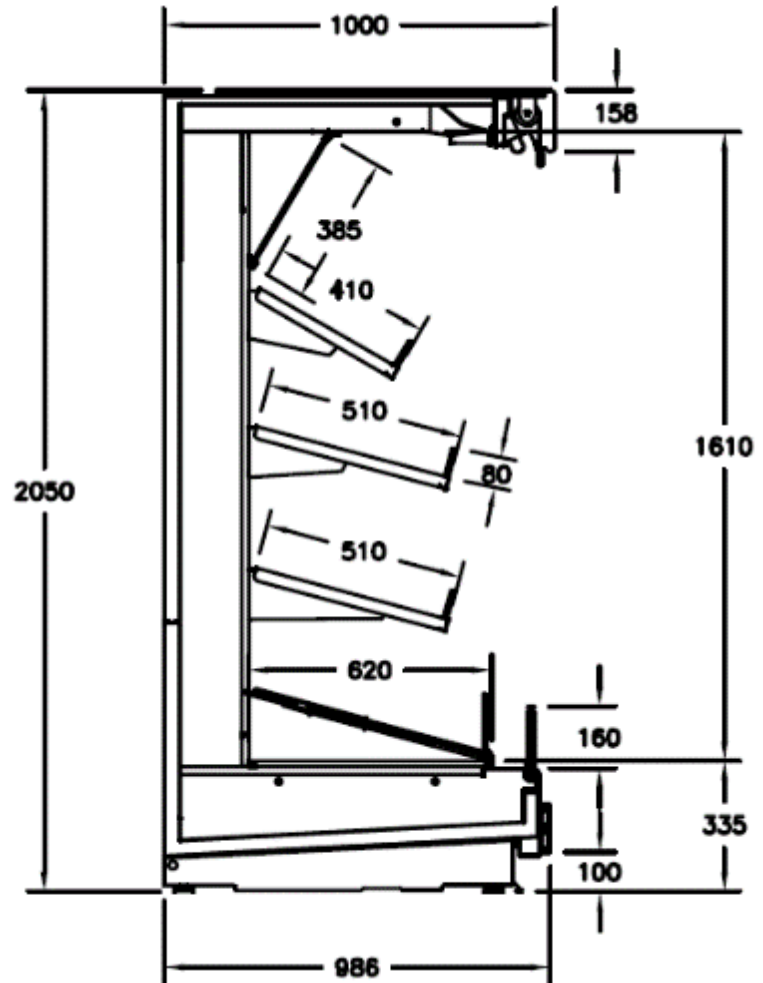
Multi Deck KM20 Meat

	KM20 Meat (doors)
Climate Class	3M0
Case Depth	985mm (inc. bumper)
Case Lengths	1875mm 2500mm 3125mm 3750mm
Case Height	2050mm
Shelves	5 plus base wire fence 510mm deep
Configuration	Wall or Island
Refrigerant	R134A, R404A CO2 trans critical R410A waterloop
Lighting	Philips mullion LED
Night blind	N/A
Controller	XM678D V2.8 (E-spec)
Valve types	TX Sporlan Carel E2V



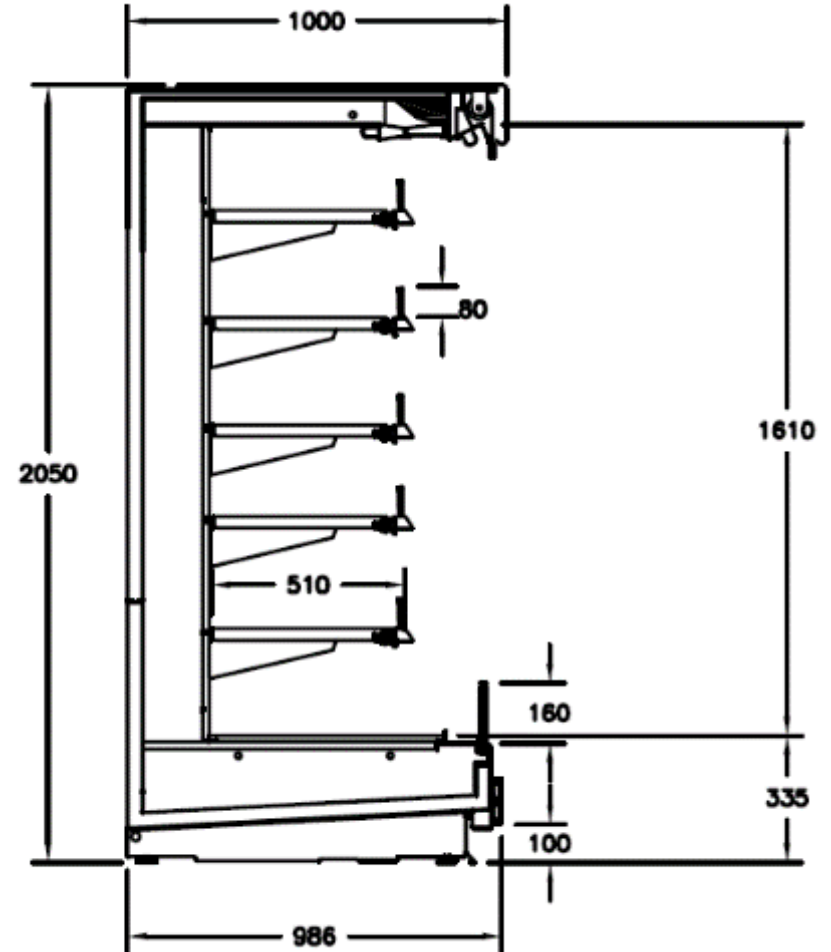
Multi Deck KM20 Produce

	KM20 Produce
Climate Class	3M1
Case Depth	985mm (inc. bumper)
Case Lengths	CE 1955mm 1250mm 1875mm 2500mm 3125mm 3750mm
Case Height	2050mm
Shelves	3 plus wire tray wire fence 410mm/510mm deep
Configuration	Wall or Island
Refrigerant	R134A, R404A CO2 trans critical R410A waterloop
Lighting	Nualight canopy LED
Night blind	Manual
Controller	XM678D V2.8 (E-spec)
Valve types	TX Sporlan Carel E2V



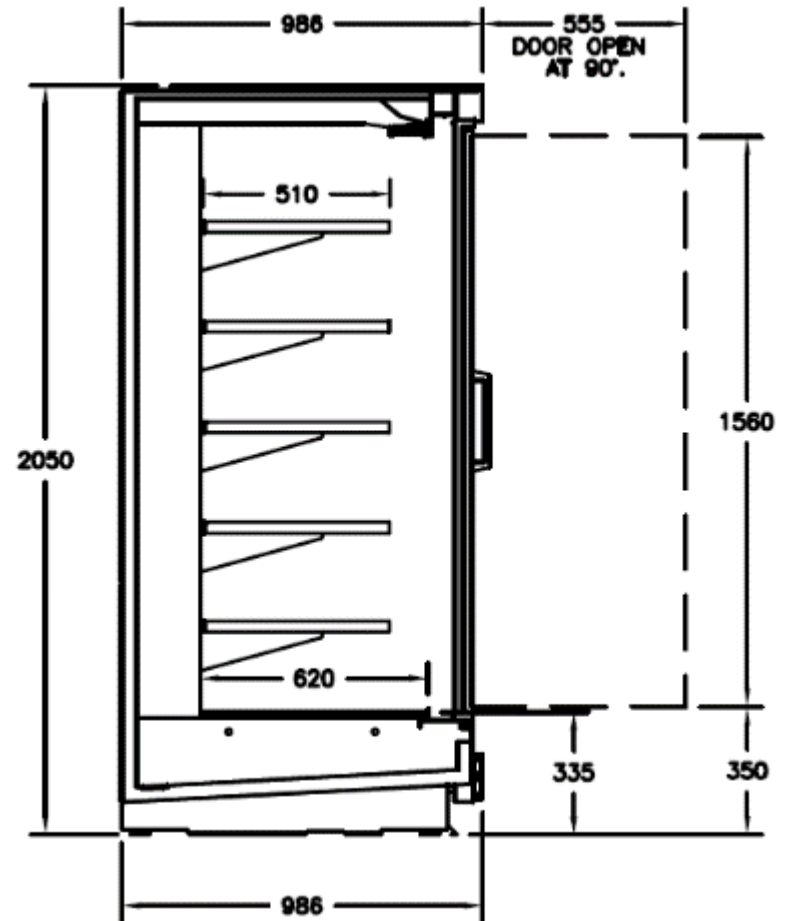
Multi Deck KM20 Deli

	KM20 Deli
Climate Class	3M0
Case Depth	985mm (inc. bumper)
Case Lengths	CE 1955mm 2500mm 3125mm 3750mm
Case Height	2050mm
Shelves	5 plus wire tray wire fence 510mm deep
Configuration	Wall or Island
Refrigerant	R134A, R404A CO2 trans critical R410A waterloop
Lighting	Nualight canopy/ shelf LED
Night blind	Manual
Controller	XM678D V2.8 (E-spec)
Valve types	TX Sporlan Carel E2V



Multi Deck KM20 Liquor

	KM20 Liquor (doors)
Climate Class	3M2
Case Depth	985mm (inc. bumper)
Case Lengths	1250mm 1875mm 2500mm 3750mm
Case Height	2050mm
Shelves	5 plus base 510mm deep
Configuration	Wall or Island
Refrigerant	R134A, R404A CO2 trans critical R410A waterloop
Lighting	Philips mullion LED
Night blind	N/A
Controller	XM678D V2.8 (E-spec)
Valve types	TX Sporlan Carel E2V

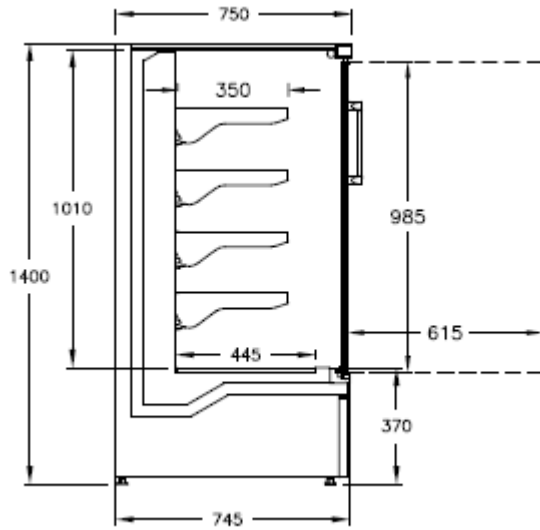


Semi Vertical

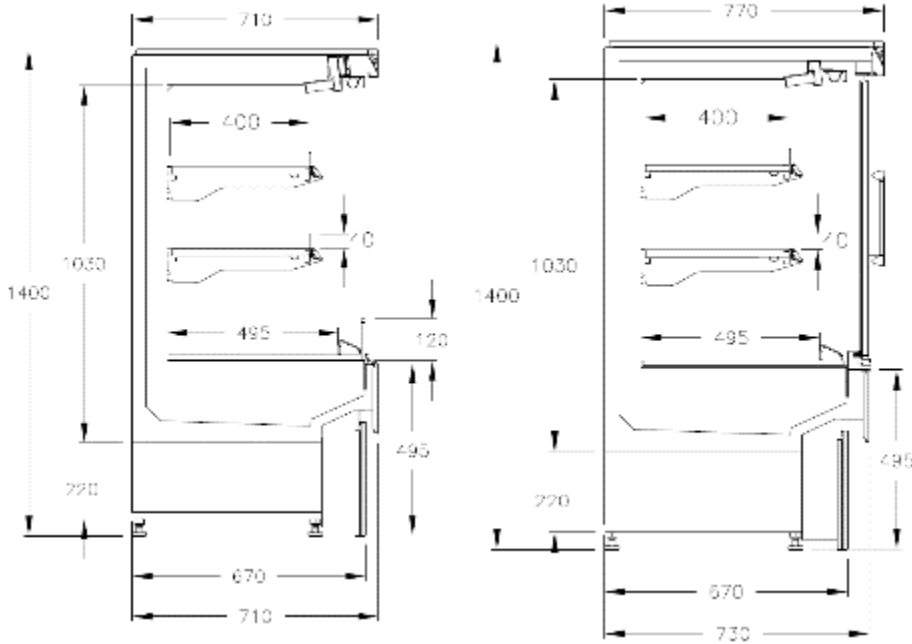


Semi Vertical





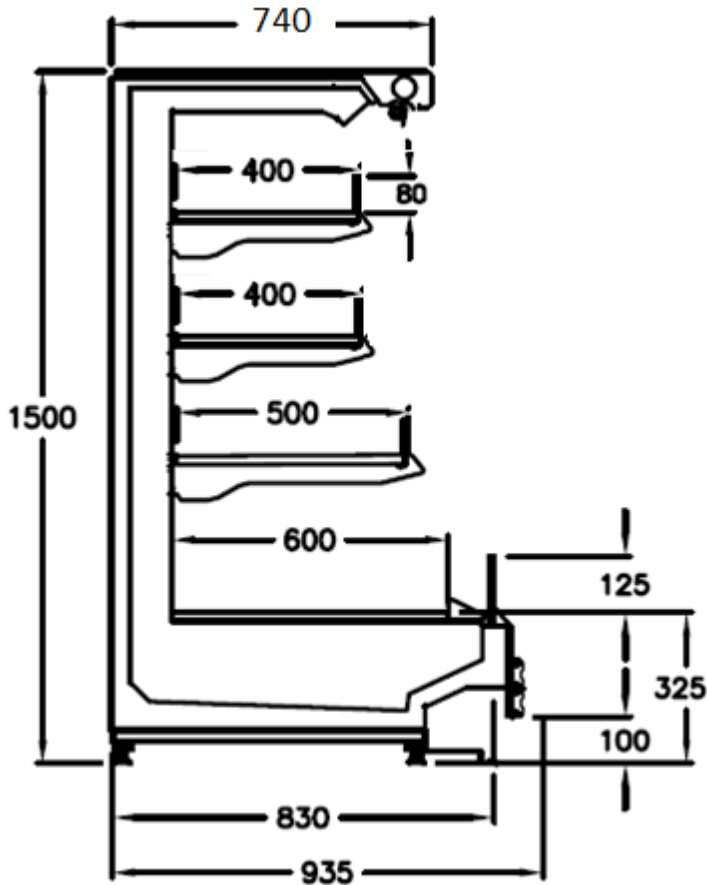
Self Contained SMN 1400 high



	SMN143S	SMND143S (doors)
Case Depth	710mm (no. bumper)	730mm (no. bumper)
Case Lengths	820mm 1795mm 2420mm	820mm 1795mm 2420mm
Case Height	1400mm	1400mm
Shelves	2 plus base 400mm deep	2 plus base 400mm deep
Refrigerant	R290	R290
Lighting	Upon Request	Upon Request
Night blind	Upon Request	Upon Request
Controller	Upon Request	Upon Request
Valve types	Upon Request	Upon Request



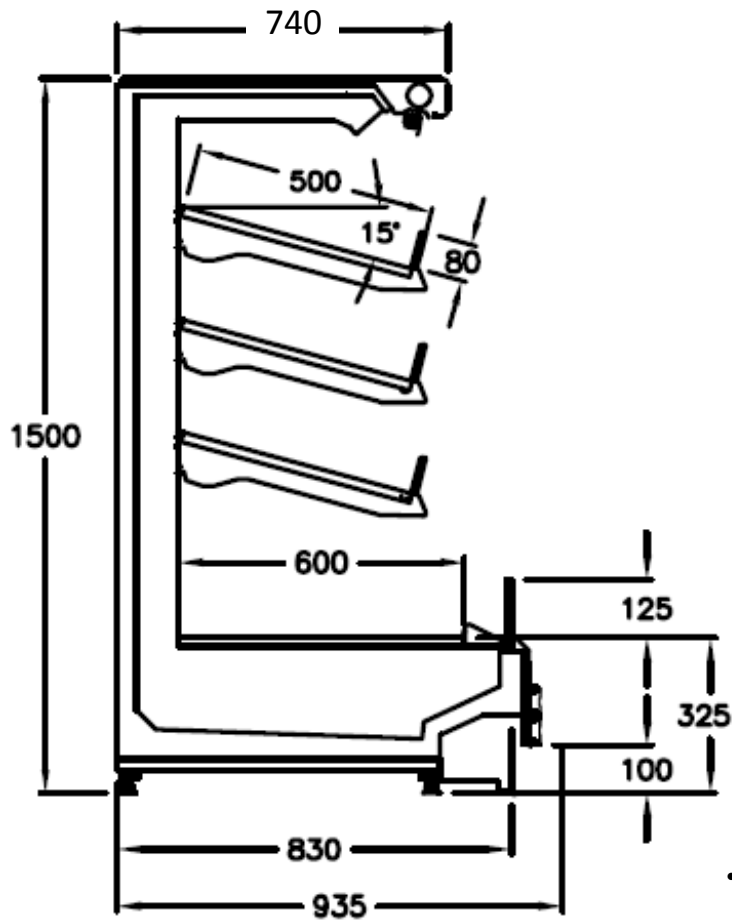
Semi Vertical SME152 Deli



	SME152 Deli
Climate Class	3M0
Case Depth	935mm (inc. bumper)
Case Lengths	CE 1750mm 2500mm 3750mm
Case Height	1500mm
Shelves	3 plus base wire fence 400mm/500mm deep
Configuration	Island
Refrigerant	R134A, R404A CO2 trans critical
Lighting	Nualight canopy/ shelf LED
Night blind	Manual
Controller	XM678D V2.8 (E-spec)
Valve types	TX Sporlan Carel E2V

* For R410 Waterloo versions, the SME152 will increase in height and become a SME162 with the Waterloo box below the case

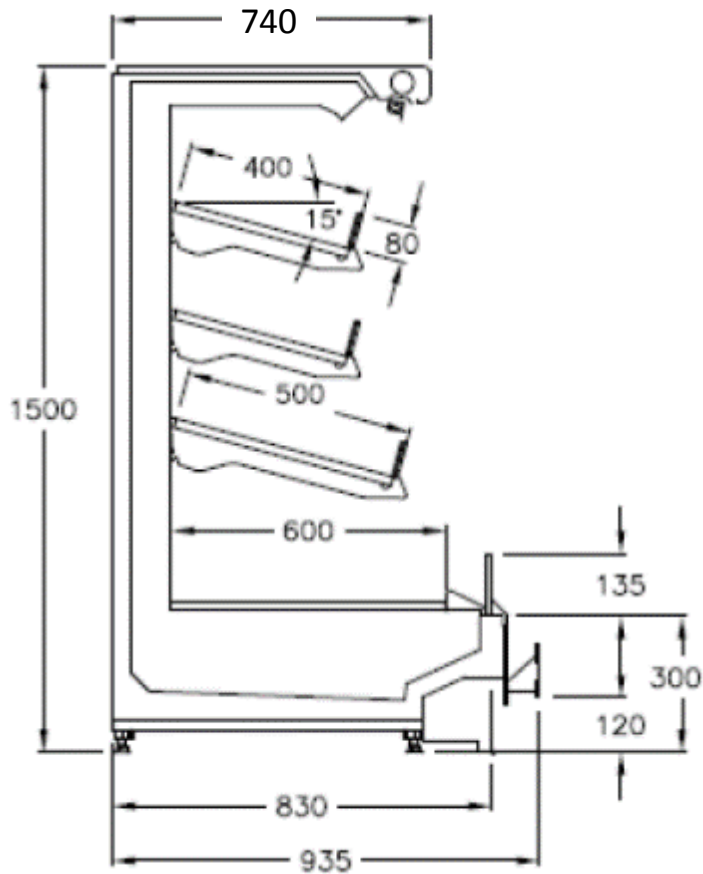
Semi Vertical SME152 Meat



- For R410 Waterloo versions, the SME152 will increase in height and become a SME162 with the Waterloo box below the case

	SME152 Meat
Climate Class	3M0
Case Depth	935mm (inc. bumper)
Case Lengths	CE 1750mm 1250mm 1875mm 2500mm 3750mm
Case Height	1500mm
Shelves	3 plus base wire fence 500mm deep
Configuration	Island
Refrigerant	R134A, R404A CO2 trans critical
Lighting	Nualight canopy/ shelf LED
Night blind	Manual
Controller	XM678D V2.8 (E-spec)
Valve types	TX Sporlan Carel E2V

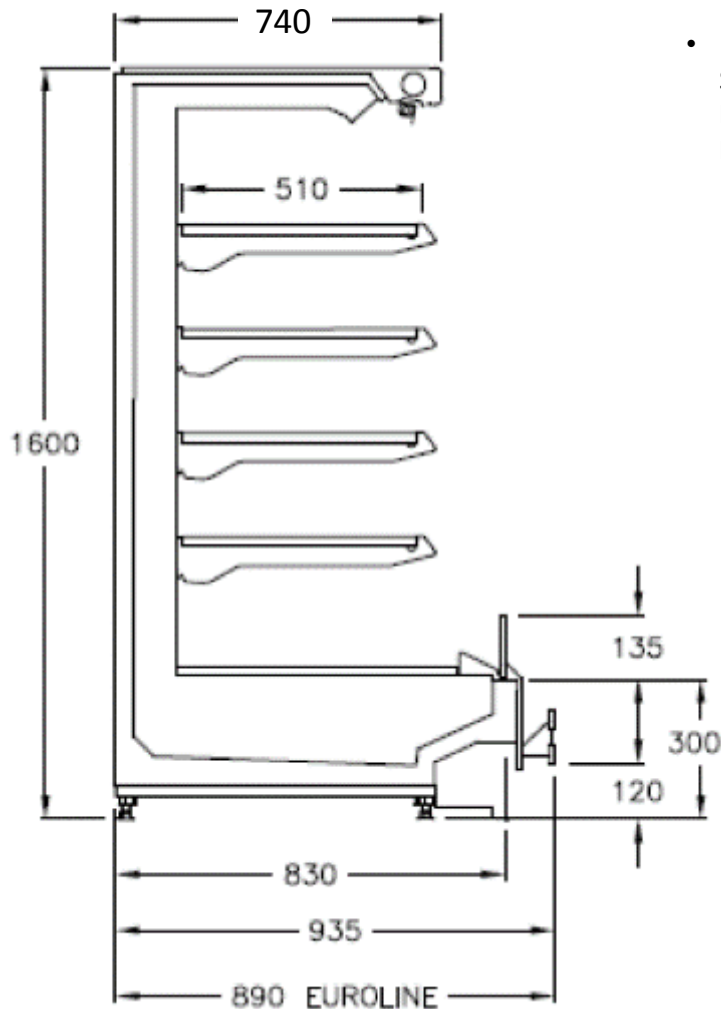
Semi Vertical SME152 Produce



- For R410 waterloop versions, the SME152 will increase in height and become a SME162 with the waterloop box below the case

	SME152 Produce
Climate Class	3M1
Case Depth	935mm (inc. bumper)
Case Lengths	CE 1750mm 2500mm 3750mm
Case Height	1500mm
Shelves	3 plus base wire fence 400mm/500mm deep
Configuration	Island
Refrigerant	R134A, R404A CO2 trans critical
Lighting	Nualight canopy LED
Night blind	Manual
Controller	XM678D V2.8 (E-spec)
Valve types	TX Sporlan Carel E2V

Semi Vertical SME162 Dairy



- For R410 Waterloo versions, the SME152 will increase in height and become a SME162 with the Waterloo box below the case

	SME162 Dairy
Climate Class	3M1
Case Depth	935mm (inc. bumper)
Case Lengths	CE 1750mm 1250mm 1875mm 2500mm 3750mm
Case Height	1600mm
Shelves	4 plus base 500mm deep
Configuration	Island
Refrigerant	R134A, R404A CO2 trans critical
Lighting	Nualight canopy LED
Night blind	Manual
Controller	XM678D V2.8 (E-spec)
Valve types	TX Sporlan Carel E2V

Deli







DD Square Front Series

1350mm



CSD11 Combo Series

1100mm



CSD13 Combo Series

1345mm

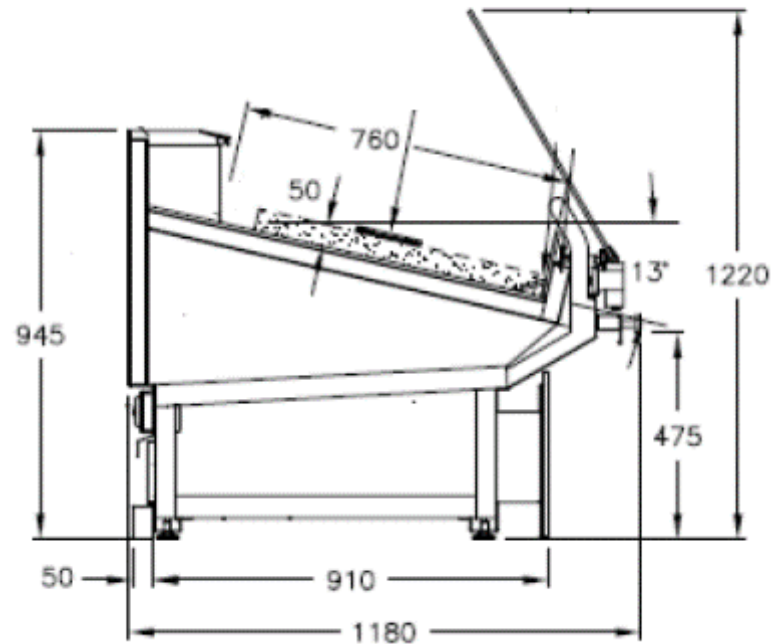
1

2

3

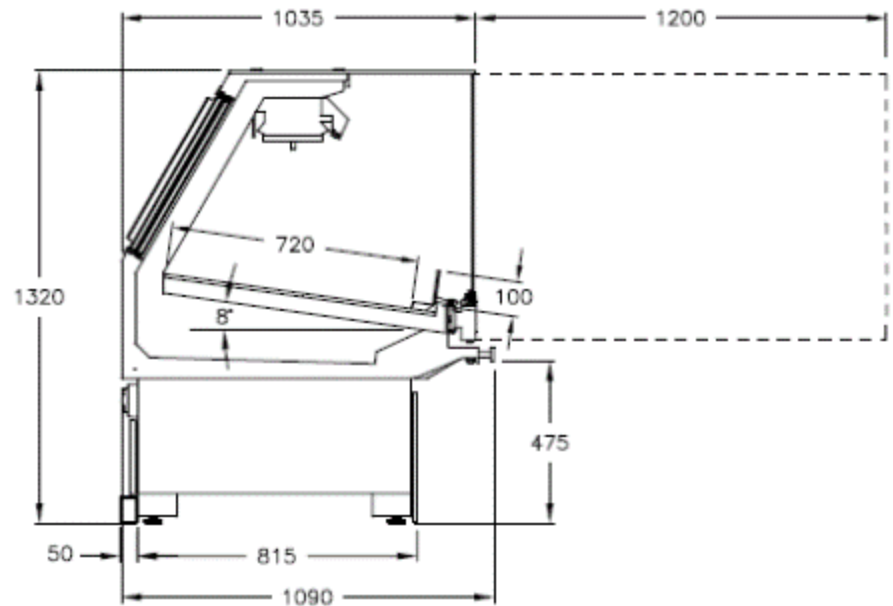
Deli DC09

	DC09
Climate Class	3M1
Case Depth	1180mm (inc. bumper)
Case Lengths	2448mm 3672mm
Case Height	1220mm
Refrigerant	R134A, R404A CO2 trans critical R410A waterloop
Lighting	Nualight deli nose LED (optional)
Controller	XM678D V2.8 (E-spec)
Valve types	Carel E2V



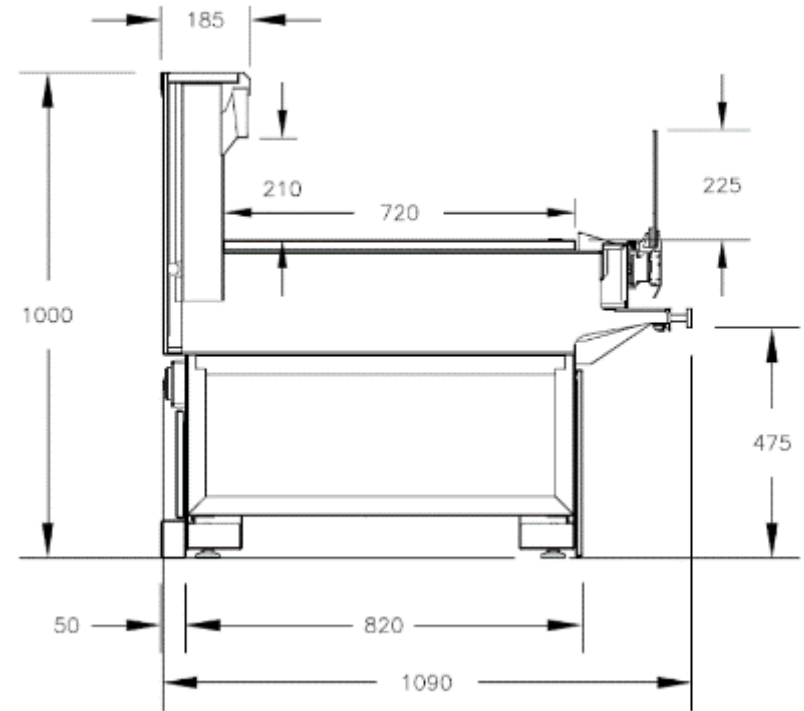
Deli DC13

	DC13 Fish & Meat
Climate Class	3M0
Case Depth	1090mm (inc. bumper)
Case Lengths	1836mm 2448mm 3672mm
Case Height	1320mm
Refrigerant	R134A, R404A CO2 trans critical R410A waterloop
Lighting	Nualight deli canopy LED Nualight deli nose LED (optional)
Controller	XM678D V2.8 (E-spec)
Valve types	Carel E2V



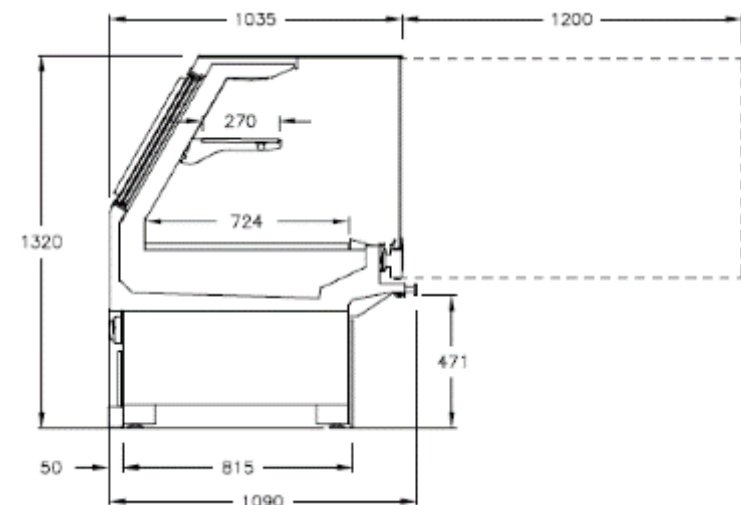
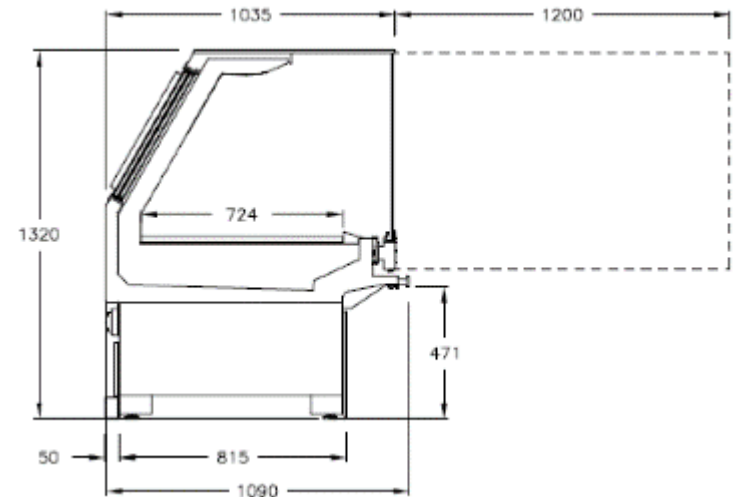
Deli DD10

	DD10
Climate Class	3M1
Case Depth	1090mm (inc. bumper)
Case Lengths	2448mm 3672mm
Case Height	1000mm
Refrigerant	R134A, R404A CO2 trans critical R410A waterloop
Lighting	Nualight deli nose LED (optional)
Controller	XM678D V2.8 (E-spec)
Valve types	Carel E2V



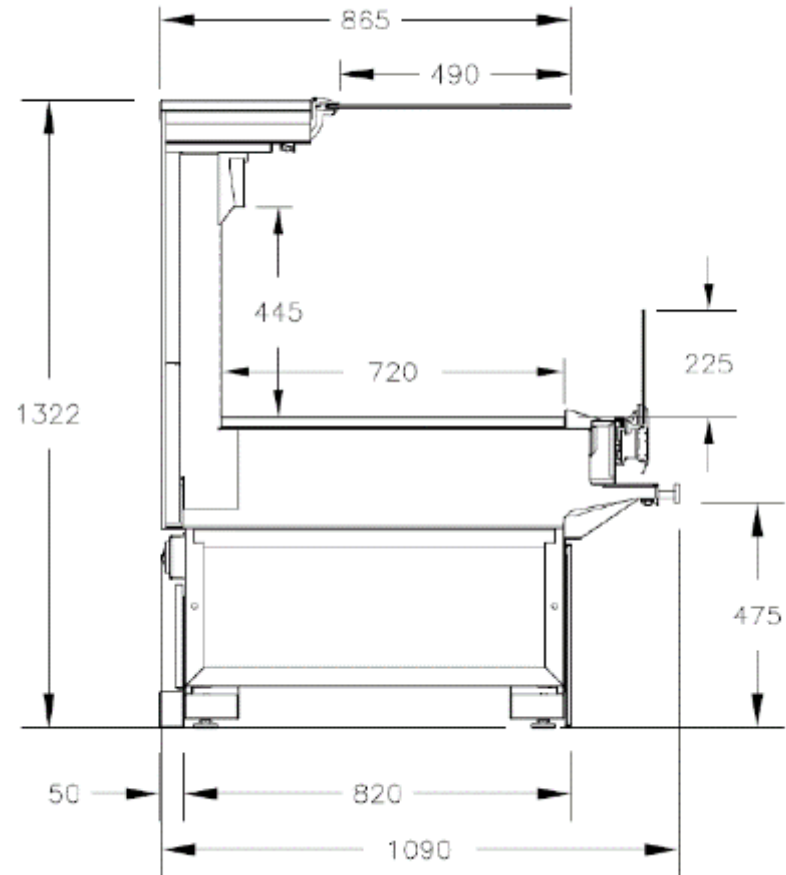
Deli DD13

	DD13 1 tier	DD13 2 tier
Climate Class	3M0	3M1
Case Depth	1090mm (inc. bumper)	1090mm (inc. bumper)
Case Lengths	1224mm 1836mm 2448mm 3672mm	1224mm 1836mm 2448mm 3672mm
Case Height	1320mm	1320mm
Shelves	N/A	1 plus base 270mm deep
Refrigerant	R134A, R404A CO2 trans critical R410A waterloop	R134A, R404A CO2 trans critical R410A waterloop
Lighting	Nualight deli canopy LED Nualight deli nose LED (optional)	Nualight deli canopy/shelf LED Nualight deli nose LED (optional)
Controller	XM678D V2.8 (E-spec)	XM678D V2.8 (E-spec)
Valve types	Carel E2V	Carel E2V



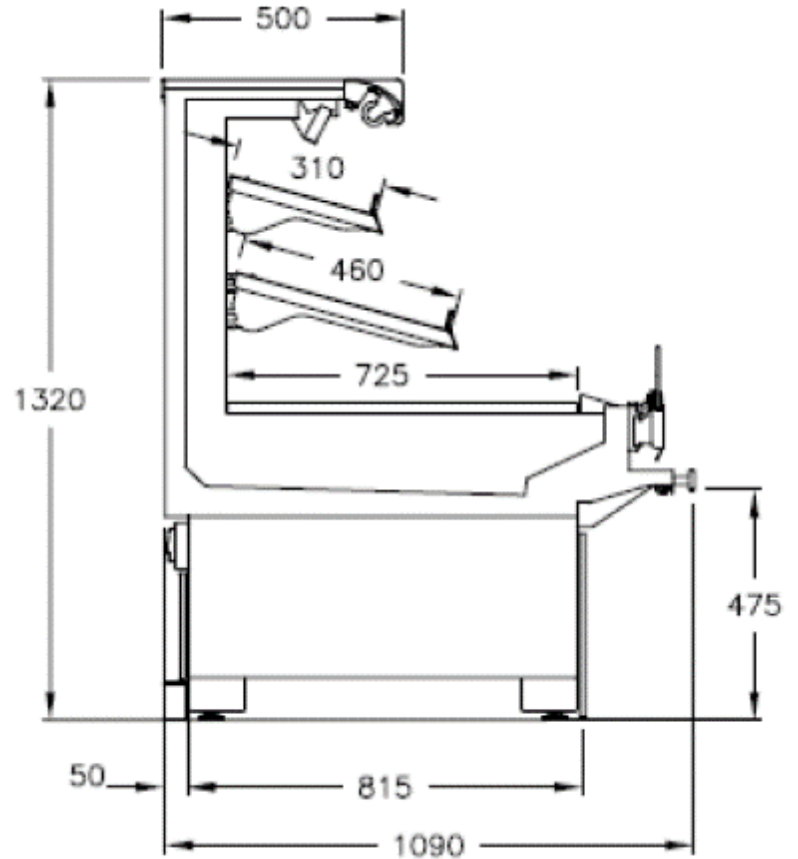
Deli DO13

	DO13
Climate Class	3M1
Case Depth	1090mm (inc. bumper)
Case Lengths	1224mm
Case Height	1320mm
Refrigerant	R134A, R404A
Lighting	Nualight deli canopy LED Nualight deli nose LED (optional)
Controller	XM678D V2.8 (E-spec)
Valve types	Carel E2V

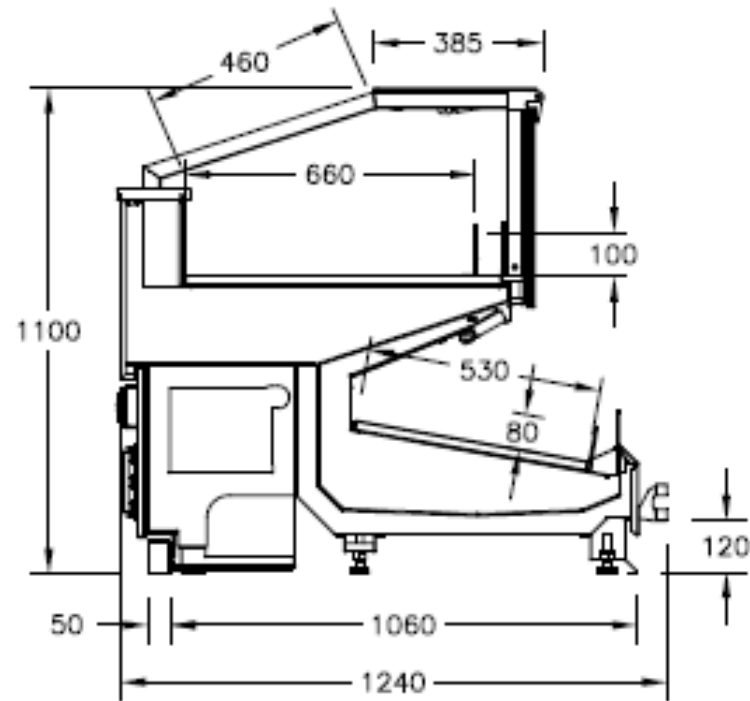


Deli DM13

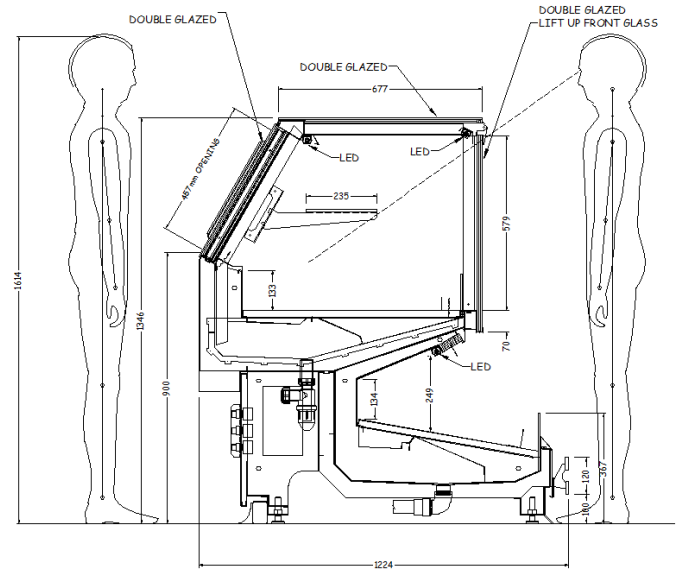
	DM13
Climate Class	3M0
Case Depth	1090mm (inc. bumper)
Case Lengths	1224mm 1836mm 2448mm 3672mm
Case Height	1320mm
Shelves	2 plus base 310mm/460mm deep
Configuration	Wall
Refrigerant	R134A, R404A
Lighting	Nualight canopy/shelf LED Nualight deli nose LED (optional)
Night blind	Manual
Controller	XM678D V2.8 (E-spec)
Valve types	Carel E2V



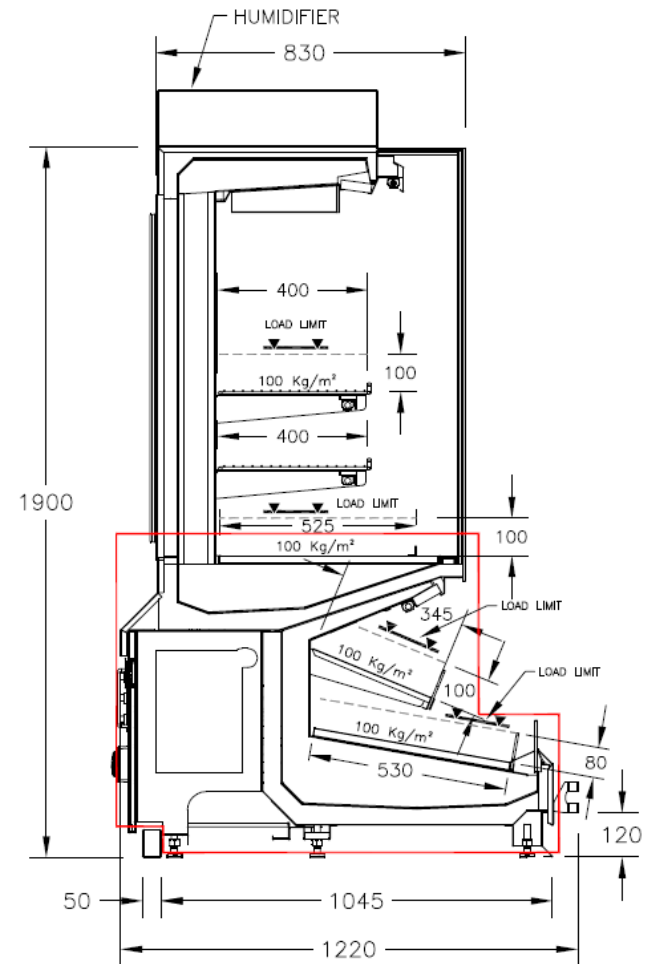
- CO2 trans critical and R410A waterloop available on request



Deli CSD13



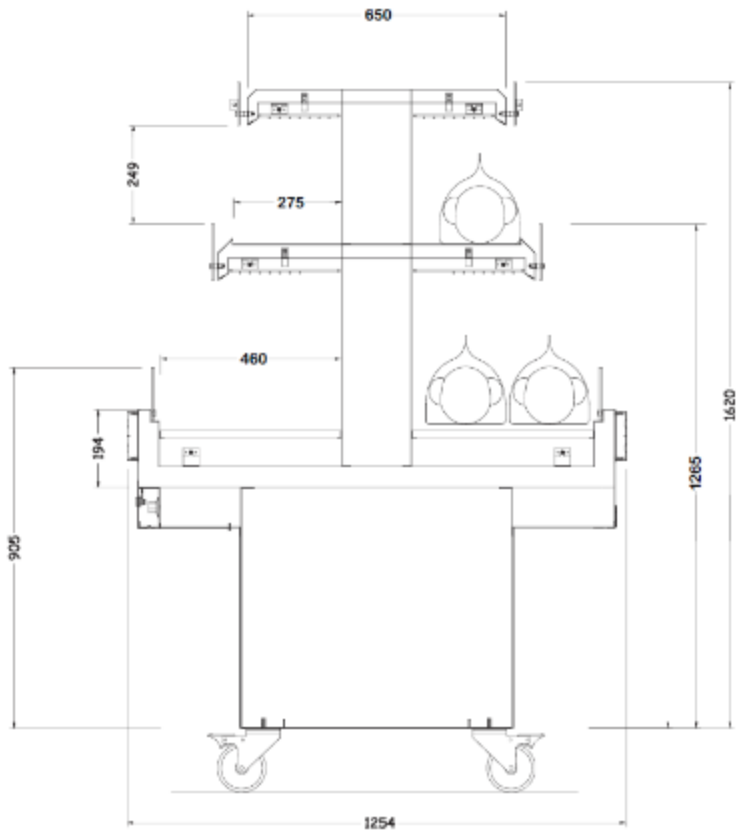
CSP13 Dry Aged Tower



Hot



Hot RHR



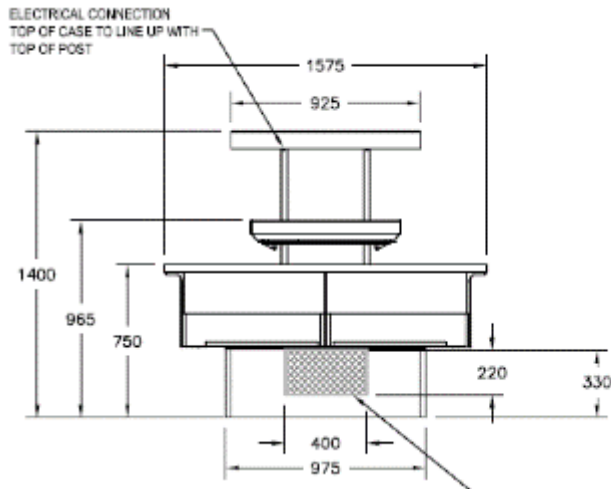
	RHR
Case Depth	1254mm (inc. bumper)
Case Lengths	1254mm
Case Height	1620mm
Lighting	Halogen canopy/ shelf lights



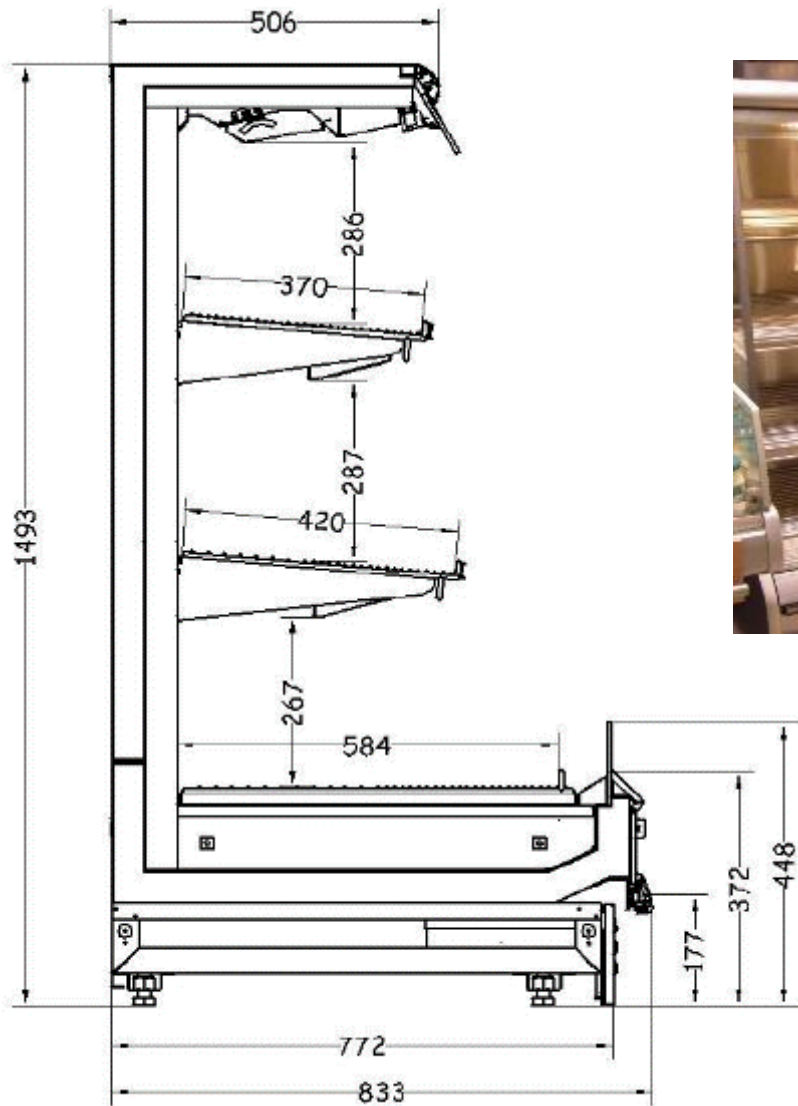
Hot KH14



	KH14
Case Depth	1265mm (inc. bumper)
Case Lengths	1575mm 2200mm
Case Height	1400mm
Lighting	Halogen canopy/ shelf lights
Controller	LTR-5CSRE-A
TEC kWh/day	1575mm = 44.00 2200mm = 60.20

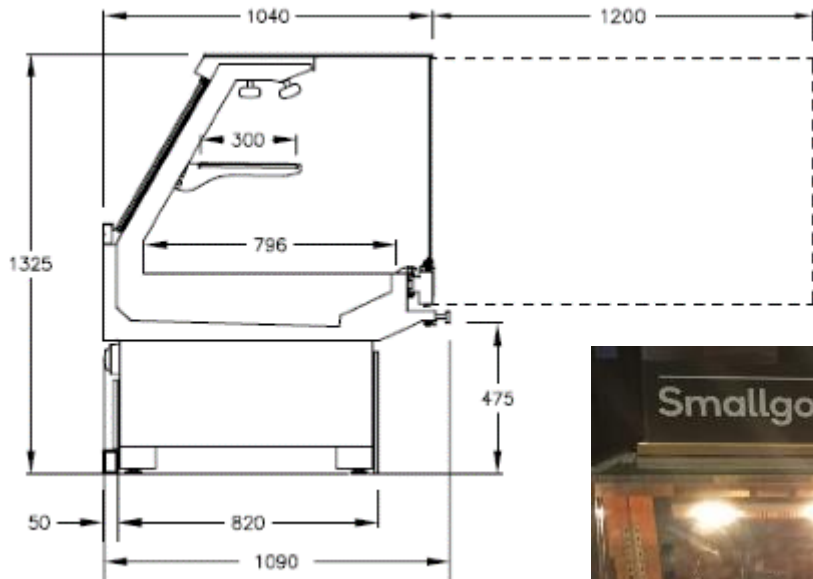


Hot SMH



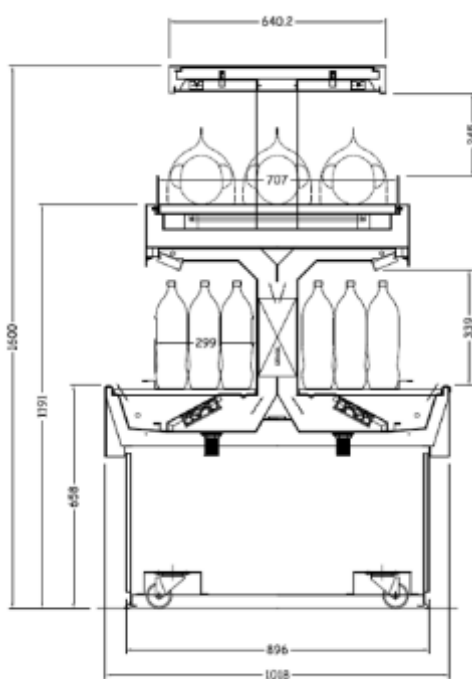
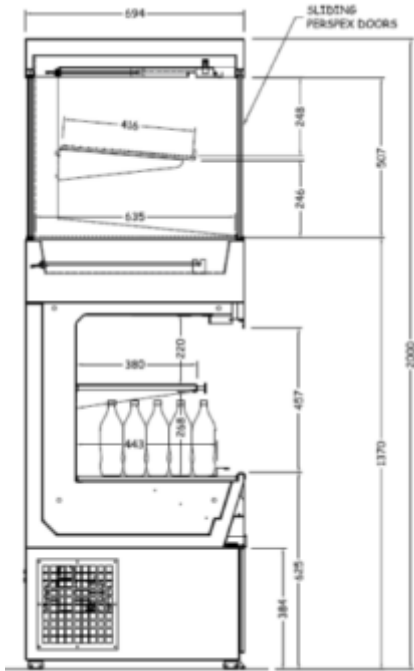
	SMH
Case Depth	833mm (inc. bumper)
Case Lengths	938mm 1250mm 1875mm 2500mm
Case Height	1500mm
Shelves	2 plus base or 3 plus base
Lighting	Halogen canopy/ shelf lights

Hot DH13



	DH13
Case Depth	1090mm (inc. bumper)
Case Lengths	1224mm 1832mm
Case Height	1320mm
Shelves	1 plus base 300mm deep
Lighting	Halogen canopy lights Nualight deli nose LED (optional)
Controller	Dixell XR35CX V5.6
TEC kWh/day	1224mm = 27.12 1832mm = 40.70

Hot / Cold HCCV & HCCR



Minimum chicken capacity – 15 birds

	HCCV	HCCR
Case Depth	700mm (no bumper)	1018mm (inc. bumper)
Case Lengths	1334mm	1334mm
Case Height	2000mm	1600mm
Shelves	1 plus base	1 plus base
Lighting	Halogen canopy/ shelf lights	Halogen canopy/ shelf lights

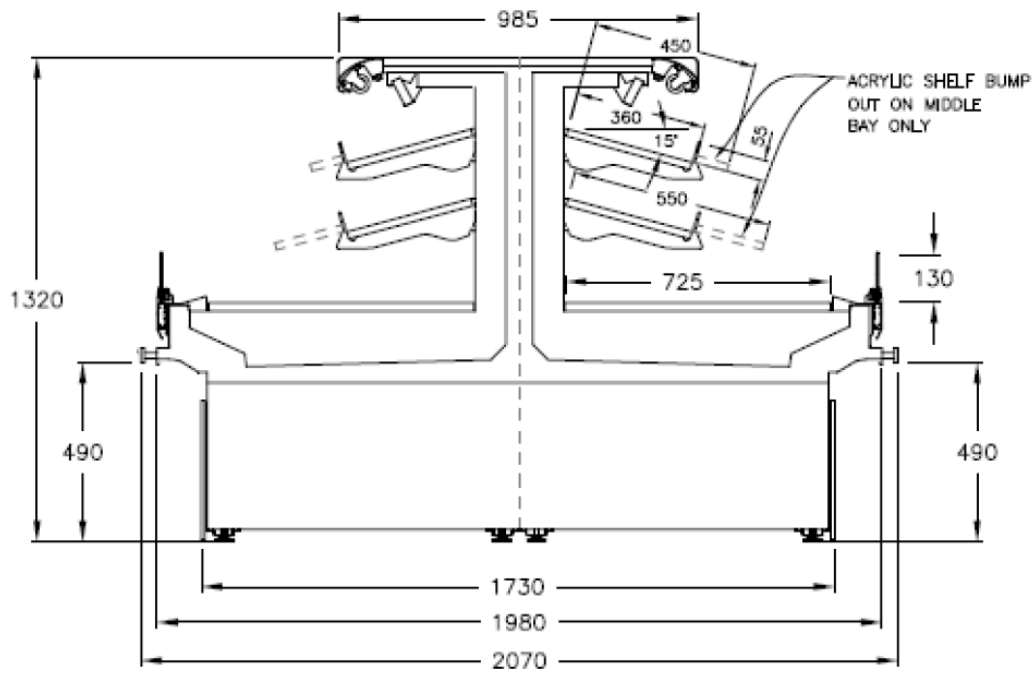


Specialty



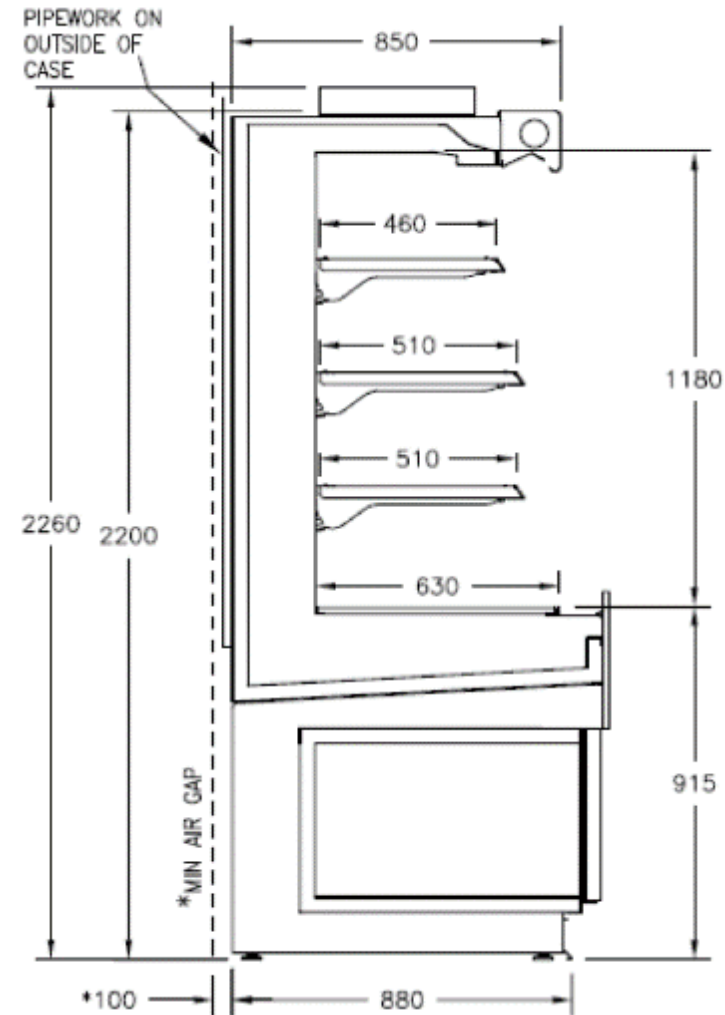
Specialty DMW13

	DMW13
Climate Class	3M1
Case Depth	2070mm (inc. bumper)
Case Lengths	2448mm 3672mm
Case Height	1320mm
Shelves	2 plus base 450mm deep
Configuration	Island
Refrigerant	R134A, R404A CO2 trans critical
Lighting	Nualight canopy/shelf LED
Night blind	Manual
Controller	XM678D V2.8 (E-spec)
Valve types	TX Sporlan Carel E2V



Specialty KM22

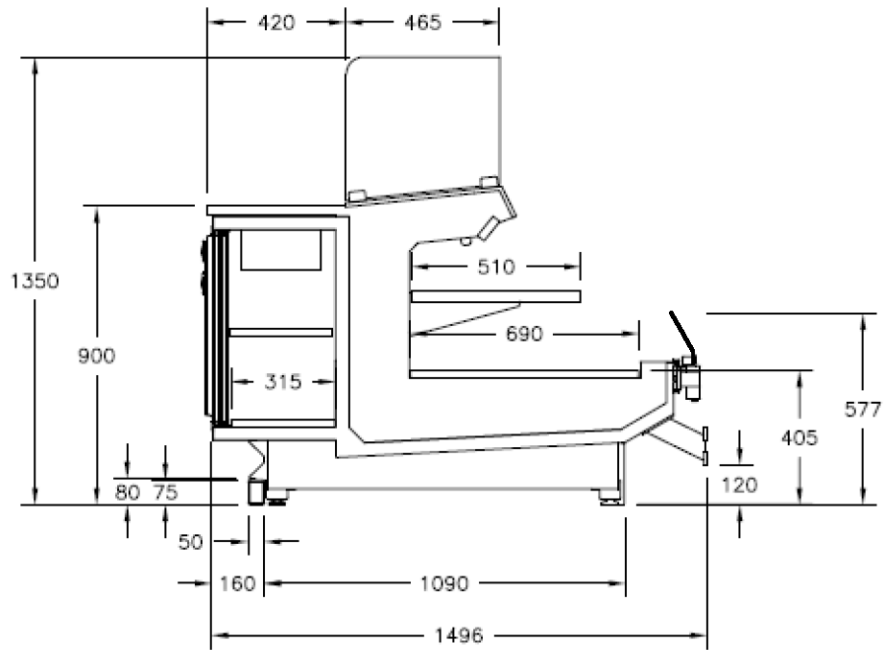
	KM22
Climate Class	3M1
Case Depth	960mm (no bumper)
Case Lengths	2500mm 3750mm
Case Height	2200mm
Shelves	3 plus base 460mm/510mm deep
Configuration	Wall
Refrigerant	R134A, R404A CO2 trans critical
Lighting	Nualight canopy/shelf LED
Night blind	Manual
Controller	XM678D V2.8 (E-spec)
Valve types	TX Sporlan Carel E2V



- Current version does not include the drop down ledge and is supplied with the lower doors in black

Specialty NS09

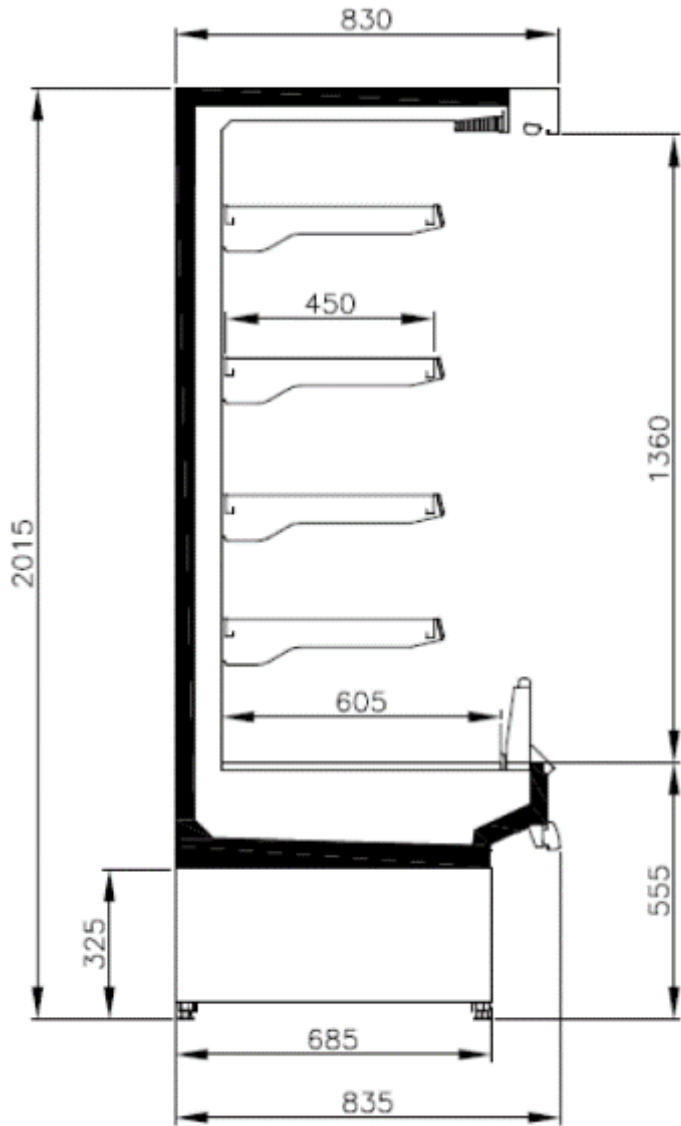
	NS09
Climate Class	3M1
Case Depth	1496mm (inc. bumper)
Case Lengths	2448mm 3672mm
Case Height	1350mm
Shelves	1 row plus base 510mm deep
Refrigerant	R134A, R404A CO2 trans critical R410A waterloop
Lighting	Nualight canopy/shelf LED
Controller	XM678D V2.8 (E-spec)
Valve types	Carel E2V



Self Contained



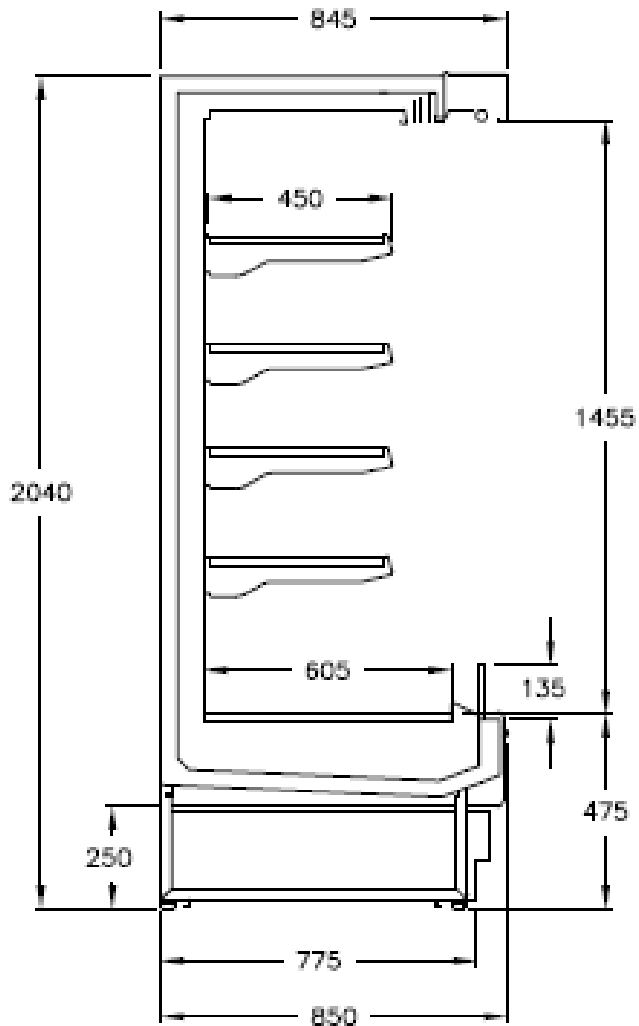
Self Contained H1



	H1
Climate Class	3M1
Case Depth	835mm (inc. bumper)
Case Lengths	980mm 1330mm
Case Height	2015mm
Shelves	4 plus base 450mm deep
Refrigerant	Upon Request
Lighting	Upon Request
Night blind	Manual
Controller	Upon Request
Valve types	Upon Request
TEC kWh/day Test 1	980mm = 29.89 1330mm = 42.00
TEC kWh/day Test 2	980mm = 25.41 1330mm = 35.70

- Spec including refrigerant options available upon request

Self Contained H1T

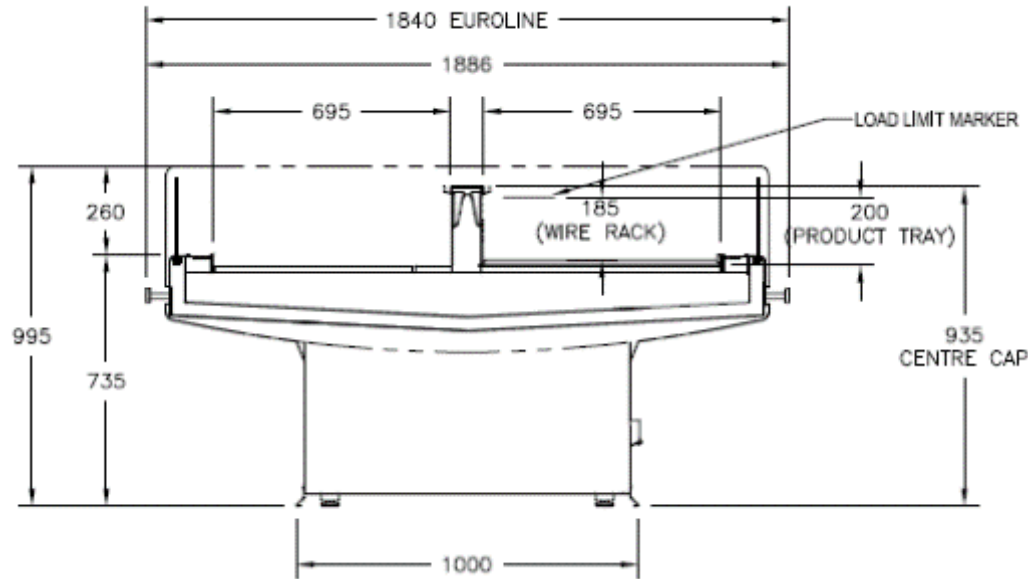


	H1T-14
Case Depth	850mm (no. bumper)
Case Lengths	1330mm
Case Height	2040mm
Refrigerant	R448

- Initial development
 - Medium temperature with doors
 - Medium temperature without doors
 - Frozen with doors
- Next phase (late 2019)
 - Hot case with doors
 - Hot case without doors

Bigger merchandising face

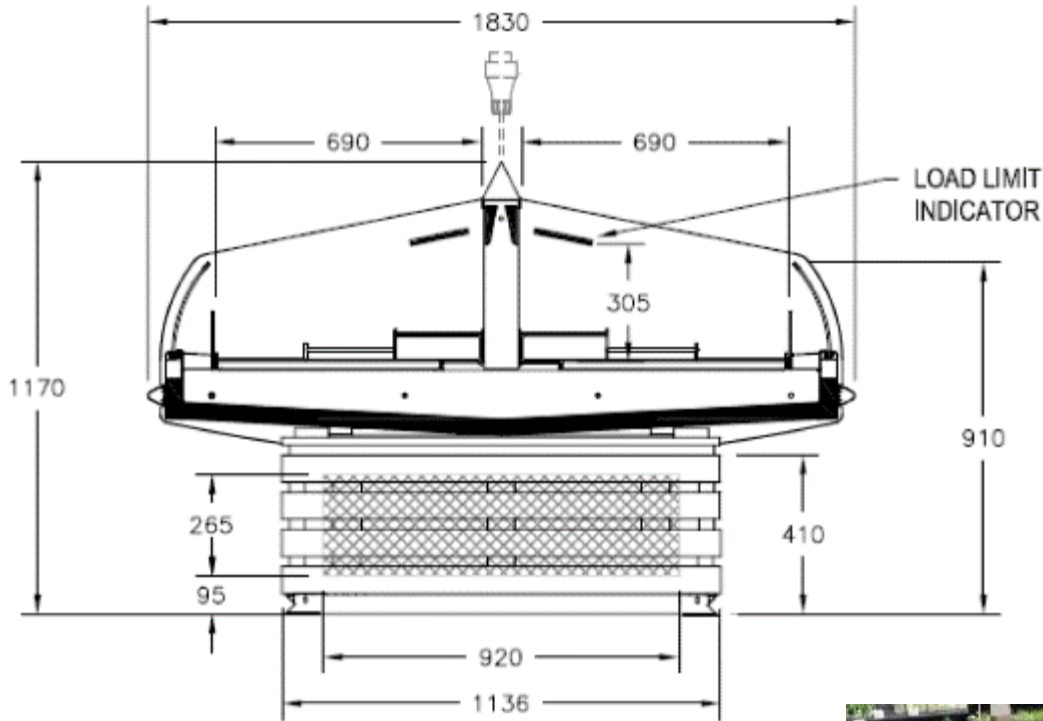
Self Contained KJ09



	KJ09
Climate Class	3M1
Case Depth	1886mm (inc. bumper)
Case Lengths	2500mm 3750mm
Case Height	995mm
Configuration	Island
Refrigerant	R134A
Lighting	N/A
Controller	Dixell XR75CX V5.6
Valve types	TX Sporlan
DEC kWh/day	3750mm = 0.72
TEC kWh/day	3750mm = 17.63



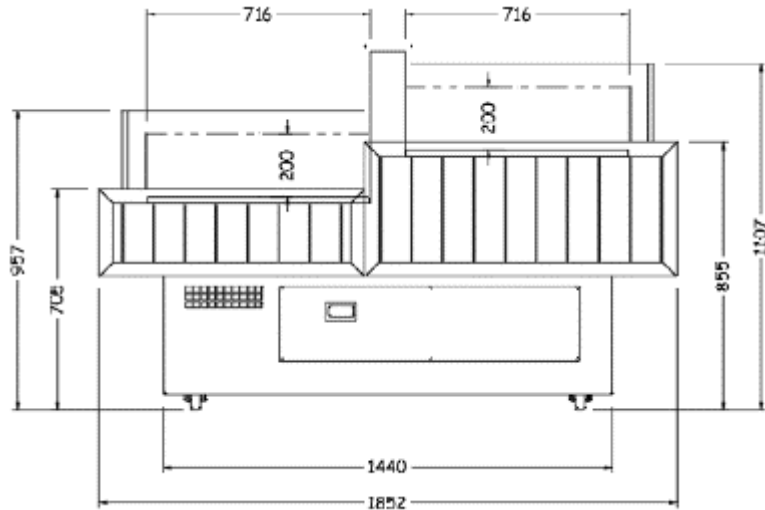
Self Contained KJ10



	KJ10
Climate Class	3M1
Case Depth	1830mm (inc. bumper)
Case Lengths	2500mm 3750mm
Case Height	1170mm
Refrigerant	R134A
Lighting	N/A
Controller	Dixell XR75CX V5.6
Valve types	TX Sporlan
TEC kWh/day	2500mm = 29.03 3750mm = 43.80



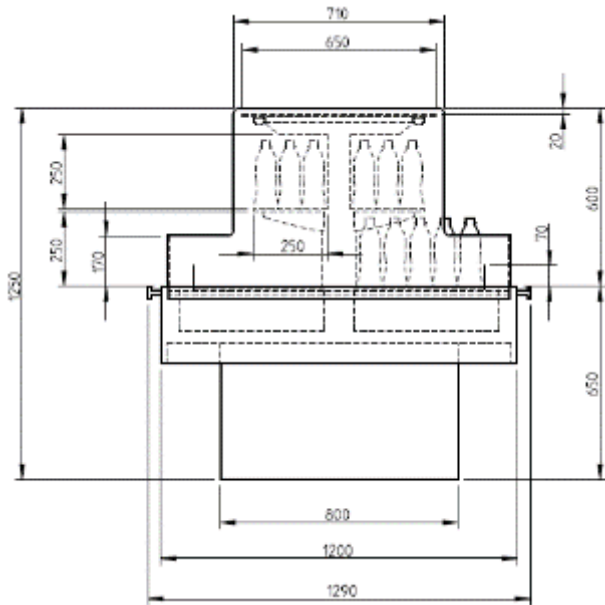
Self Contained MPC



	MPC
Climate Class	3M0
Case Depth	1076mm (no bumper)
Case Lengths	1852mm
Case Height	1107mm
Refrigerant	R449A
Lighting	N/A
Controller	Dixell XR40CX
Valve types	TX Sporlan
TEC kWh/day	20.93

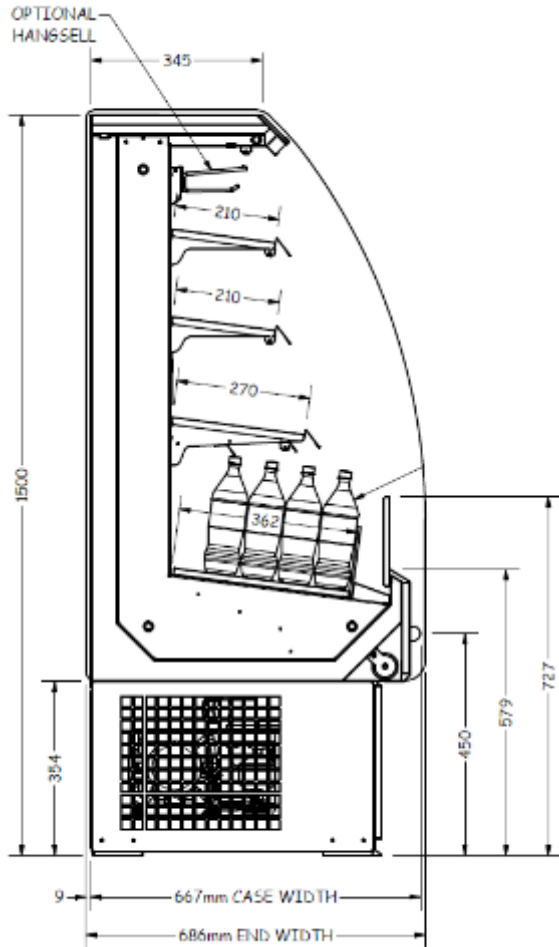


Self Contained JM12



	JM12
Climate Class	3M1
Case Depth	1290mm (inc. bumper)
Case Lengths	1250mm 1875mm 2500mm 3750mm
Case Height	1250mm
Shelves	1 plus base 250mm deep
Refrigerant	R404A, R448A
Lighting	Upon Request
Controller	Upon Request
Valve types	Upon Request

Self Contained UM15



	UM15
Climate Class	3M1
Case Depth	670mm (inc. bumper)
Case Lengths	938mm
Case Height	1500mm
Shelves	3 plus base 210mm/270mm deep
Refrigerant	R448A
Lighting	Upon Request
Controller	Upon Request
Valve types	Upon Request

Panasonic Solutions



Total Solutions as a Service (TSaaS)



Electronic Shelf Labels

Three Colors

1.6" 2.2" 2.6" 2.7" 4.2" 12.2"

6.0" 7.4" 4.5"

Featured

2.2" 2.6" 4.2" Waterproof

Freezer

1.6" & 2.7" Fashion tag

Ultra Low Power

VISION

Retail IoT Cloud

VISION

V:connect NFC

VISION

V:com Dual Radio

VISION

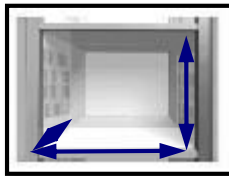
Panasonic Locker



- Customizable locker and drawer design
- Refrigerator Locker: 0 to 4 °C
- Freezer Locker: -20 to -18 °C



**COMPLIANT TO
OUTDOOR/INDOOR
CONDITIONS &
TEMPERATURES**



**VARIOUS
CONFIGURABLE
COMPARTMENT SIZES
AVAILABLE**



**VARIOUS
SCALABLE SIZE
AND OPTIONS
AVAILABLE**





**LOCKER MANAGEMENT
ALLOCATION FOR EXPRESS
PICKUP FOR DISABILITY
FUNCTION**



**INTERGRATED
TECHNOLOGY –
CCTV, DOOR
INDICATOR LIGHTS**

Space Player



<u>Product images and model numbers</u>		
40Cup model	30Cup model	23Cup model
		
SR-GA721/ SR-GA721F	SR-GA541/ SR-GA541F	SR-GA421/ SR-GA421F

- 1. Uniform cooking by triple coil**
- 2. Micro switch control for more durability**
- 3. Double thermal fuse for superior safety**
- 4. Stainless steel LID**
- 5. Product complainant to Australia standard (in near future)**

- Used in various convenience store applications overseas
- Products will be available in Australia in the near future
- Introduction will commence with open front and reach in cases (3M1 & 3L1)
- Future expansion to whole Panasonic product range with natural refrigerant options



SRM-CD471/671



LDG-188LVSDVC



SCR-509VC



SAR-375/475/675/875

Panasonic Commercial Kitchen



Systems & Refrigerants



Future Proofing Stores

Natural Solutions



CRS TC02 rack – South Africa

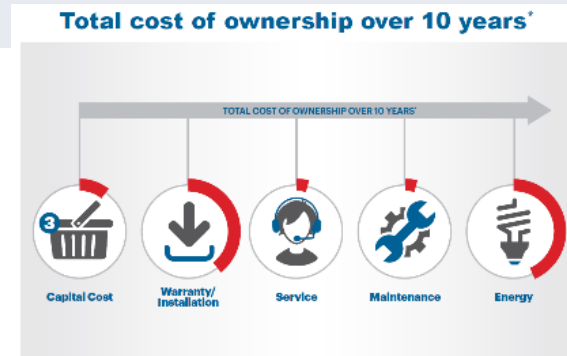
With an increased focus on energy and sustainability we have seen a major shift in interest in **transcritical CO2** or **waterloop** solutions for new stores builds.

Hussmann and our key Channel Partners are well equipped to provide a one stop shop solution for;

- ✓ Combined cooling plants = lower total cost of ownership
- ✓ 80 bar rated evaporators and equipment suitable for high pressure systems

We can support the **value add proposition** through






- ✓ Total Cost of Ownership Tools
- ✓ Energy incentive scheme / rebate calculators (VEETS)



WaterLoop



Benefits




-  Best for local conditions
-  Available for a chilled and frozen cool rooms from metro size to full size stores
-  Enhanced performance
-  Save time in commissioning and maintenance - separate refrigeration and electrical components
-  Save costs and inventory with common components

CRS Transcritical CO2 Racks



Larger Format Stores

Benefits




-  Leading product, tried and tested by the Hussmann-Oceania team
-  Quick and easy to install
-  Whole of life cost savings and environmental benefits.

Panasonic TCO2



Small format 2HP & 10HP units

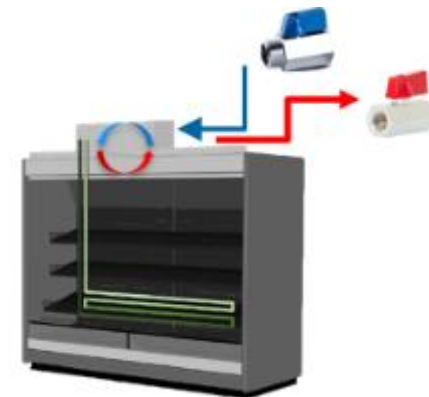
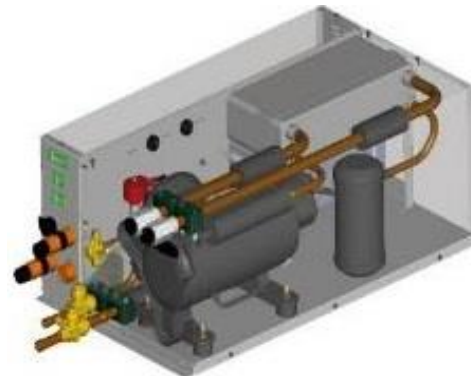
Benefits

-  Phenomenal uptake in Japan, tried and tested by over 2400 stores
-  Scalable, robust and future-proofed
-  Whole of life cost savings and environmental benefits.

Product Features

- Box is fully interchangeable
- Ball valve access on outside of box for refrigerant and water circuits
- Schrader valves on outside of box on liquid and suction lines
- All powered sockets are quick disconnect with twist lock safety feature
- Probes, digital switch and RS485 monitoring input, PGDe connection all push in socket
- Optimised design for Australian conditions with/without chiller
- BLDC inverter compressor
- Liquid injection on LT cabinets (compressor safety feature)
- Heat exchanger outlet is located above the receiver inlet enhancing performance
- Oil management optimised by suction line gas velocity with controller algorithm

- Refrigeration and electrical components are split in box
- Low and high voltage wiring and components are separated
- 10Amp auxiliary socket included on box
- Critical charge with minimum refrigerant mass
- Smart initiation defrost
- Common components across range to reduce inventory



Founded in 1976 in Johannesburg, South Africa, CRS initially focused on refrigeration installations using the latest technology. With a commitment to continuous development and providing clients with future-proof solutions, and have now become a forerunner in energy-efficient cooling and heating.

The benefits of CO₂

- Future-proof solution
- No global warming impact
- No ozone depletion potential (ODP)
- Non-toxic and non-flammable
- Less expensive than Freons (the gases commonly used in refrigeration systems)
- No phase-out regulation (Freons are being phased out in line with global regulations)
- Stable performance with high heat rejection and no temperature glide
- Good thermodynamic properties, making it up to 10% more efficient
- High volumetric efficiency, so smaller components are required



Transcritical CO2 Condensing Unit



2HP Available



10HP Available

Feature of OCU-CR1000VF8 & OCU-CR1000VF8SL

Outdoor Type 7.3kW CO2 Refrigeration Unit

2-stage compression CO2 rotary compressor

For medium temperature application (ET -20°C ~ -5°C)

Transfer Pressure Control Type
(Pressure to showcase : Approx. 60 bar)

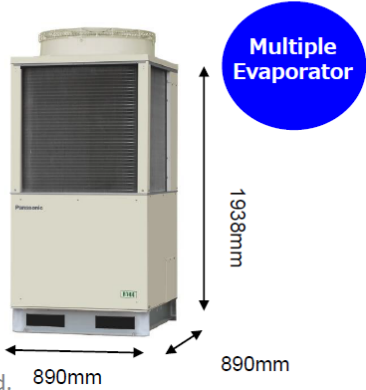
For walk-in cooler, showcase, at CVS, mini supermarket and gasoline stand store

Compact design and low fan noise (60dB(A)*1)
*1 <condition> ET: -10°C, 65Hz, 10m from product

New Transfer Pressure Control Type

7.3kW

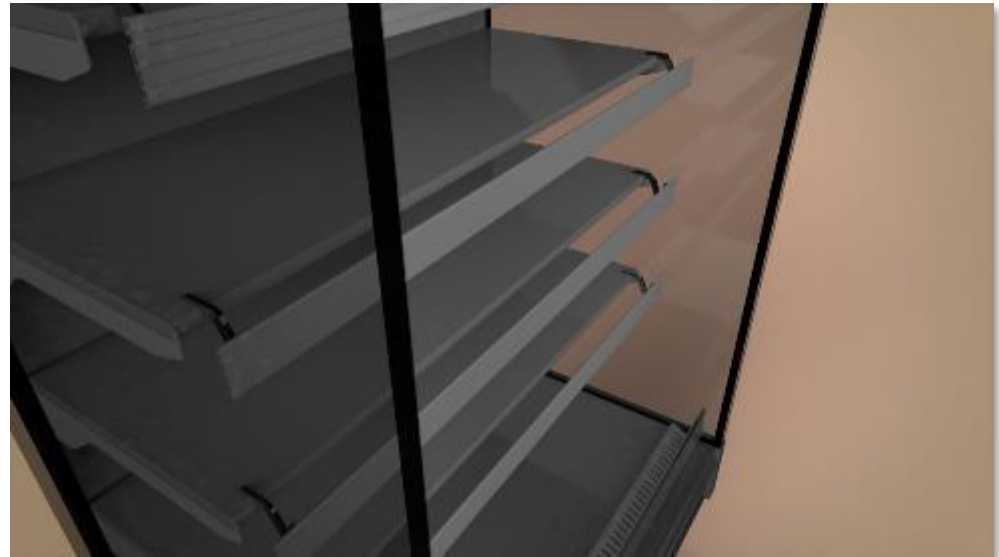
10HP



Please note all specifications are subject to change without prior notice.

Copyright © 2018 Panasonic Corporation All Rights Reserved.

Plug-in Chiller (H1T-A)



Design Features

- Width of cabinet (1240mm)
- Natural refrigerant solution R290
- View ends
- Rear air discharge delivery duct
- Panasonic shelf edge technology
- High efficiency condensate removal system
- Canopy and undershelf lighting Jamicon 4000K

Turnkey Solution



Turnkey through Partners



**Demand for
Turnkey
solutions**



One Stop Shop Solution

Refrigeration & HVAC installations specialist

Skilled in natural refrigerant solutions including Transcritical CO2

Owned by Panasonic and has extensive manufacturing capabilities

Focused on all retail solutions including refrigerated lockers, commercial fridges, technology (electronic shelf labels) and digital display.



Your Partner for Sustainable Retail Solutions **HUSSMANN®**



Refrigeration Cabinet Supply

- Multi-deck
- Semi-vertical
- Freezer
- Delicatessen
- Remote
- Self Contained
- Speciality
- Commercial Kitchen Equipment

Refrigeration Plant Room Equipment

- Racks
- HVAC
- Coolrooms
- Transcritical CO2 Condensing Units

Energy Efficient Solutions

- Transcritical CO2
- Waterloo
- Energy Rebates
- Total Cost of Ownership Tools
- Sustainability Retrofit Kits

Technology & Innovation

- Electronic Shelf Labels
- Refrigerated Locker
- S Cubo Energy Management
- Space Player
- Cold Roll Box

Installation, Service & Maintenance

- Full turnkey solution through channel partners



HUSSMANN®