

# Cubicle systems

made of enamelled safety glass

Forhandler:  
**GHV**  
www.ghv.no - 38 01 55 90

**schäfer**  
Trennwandsysteme



Type VITRUM





**Certificated safety. Exclusive design.**  
**The Schäfer glass cubicle VITRUM.**



**Exclusivity at first sight. For many years.** Exclusivity, quality, safety – no other cubicle offers all these attributes for such a long time. Glass as a construction material does not just give a special and high-quality ambience, but is also very suitable for creating robust, durable and vandalproof constructions. For instance „graffiti artists“ will stand little chance. The good impression is longlasting and no costs for difficult repairs and special cleaning will arise. The TÜV-certificated quality ensures that you are on the safe side.

**Durable and very safe.**

Schäfer Trennwandsysteme exclusively uses TÜV tested single pane safety glass (ESG-H) as well as laminate safety glass (VSG). This represents the idea of high quality and safety which we demand on our products. After being produced the used ESG-H is proven if there is any nickel sulphide (Heat-Soak-Test regarding DIN EN 14179/1). The risk of a sudden break is nearly eliminated. This extensive test is what we owe to our customers!

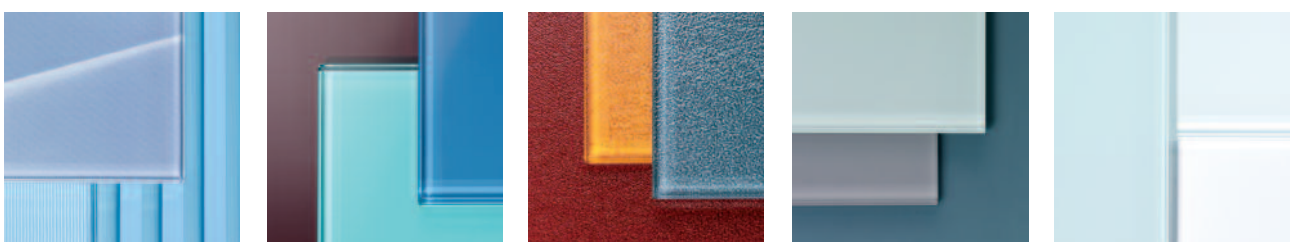
**High quality – high durability.**

The outstandingly high scratch-resistance is achieved by using vitreous enamel paints. Stains caused by ball point pens, felt tips or spray paint are removed very easily. The entire system is 100% recycable, as only glass, aluminium, chromed aluminum or stainless steel are used. All fittings are made from aluminium or stainless steel, protected against corrosion. All paints are lead and cadmium free. It is also seawater and UV resistant.


**Diverse, flexible and very elegant.**

The diverse design and combination possibilities of glass type, glass colour or an individual picture print enable you to create a high-quality, elegant ambience and thus an unusual highlight in any sanitary, wellness or changing area.

Design of even the smallest detail. This is how you live up your customers' high expectations.





 **PREMIÚMLÍNE**  
Exclusive as your requirements

**Design meets purism.** The new glass cubicle system type VITRUM III takes up totally new design ideas. Reduced fittings solutions out of stainless steel render a minimalist design as well as a very special optic to this cubicle system. Perfect for the exclusive sanitary area.





(1)



(2)



(3)



(4)



(5)



(6)

(1) Cubicle system VITRUM III. A highly exclusive solution with restrained stainless steel fittings and a minimalist design. **The appropriate vanity units out of glass you can find in our product brochure „vanity units“.**

(2) Wall-mounted privacy screens out of glass fixed by 4 stainless steel angles.

(3) Stainless steel one hand door knob including an emergency unlocking on the cubicle's exterior.

(4) An easily graspable rotating disk and lock completely out of stainless steel guarantee long-life and an easy handling.

(5) By using a special hinge construction the door is fixed in an upper guide track. No hinges have to be put on the glass and an additional front element is not necessary. So a very special design is possible.

(6) The matching part is fixed on the floor. The door operates stable and durable by this central pin. A highly elegant solution.

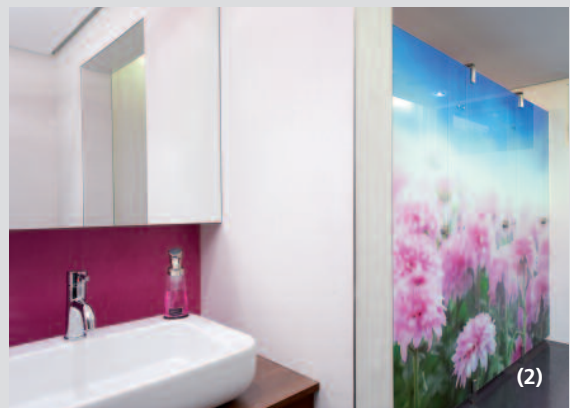


Pure experience instead of functional element. This is the individual style of „Emotionsraum“. The creative team from Rosenheim, Germany, develops wholistic room concepts in order to make rooms perceivable and to centre attributes such as wellbeing, refreshment and recreation. Schäfer Trennwandsysteme is the competent partner to realize such a concept on a cubicle system.





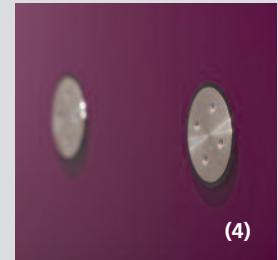
(1)



(2)



(3)



(4)

**(1)** Cubicle system type VITRUM III with an individual picture print requested by the customer. An extremely exceptional solution. Already during the glass production the picture is printed on the panels. As a consequence, the picture gets the same high surface quality as in case of a conventional silk printing.

**(2)** The result of the Emotionsraum-concept is a harmonious room design.

**(3)** The partition wall is connected to the front wall by means of restrained stainless steel brackets in the cubicle. The screw connections are hidden very elegant by stainless steel cover sheets.

**(4)** Connection rosettes out of stainless steel which are fitted flush into the glass front wall enable an easy cleaning and are an absolute eye-catcher.



**Wholistic design.** Due to a various choice of glass and colour nearly every design is possible. In fact, one is able to perfectly implement the architect's design wishes and thus to realize a very special room concept. Thus, there is a perfect connection between design, functionality and sustainability.





**PREMIUMLINE**  
Exclusive as your requirements

(1)



(2)



(3)

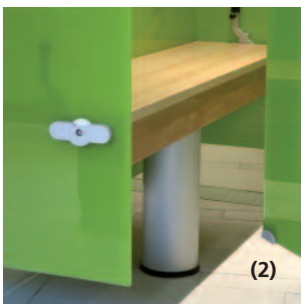
**(1)** Cubicle system type VITRUM II CHROM: only fittings out of chrome are used. Especially in combination with dark glass colours a very exceptional noble ambience is achieved.

**(2)** The use of handles including toilet locking systems is only one of many design possibilities.

**(3)** Schäfer one hand door knob with emergency unlocking out of chromed aluminium. A comfortable design orientated fitting solution.



**Architecture without compromises.** No other material offers as many arrangement possibilities as glass. The material and the colours fulfill an architect's concept without subordinating to it. The minimalist design of Schäfer glass cubicles centres the material glass. So the changing cubicles become the basic constitutive criteria of a room. As the cubicles are longlife and extremely easy to clean they are an input in a high-quality changing area which lasts a long time.







**PREMIUMLINE**  
Exclusive as your requirements

(1)



(3)

**(1)** Left side: Schäfer changing cubicles type VITRUM II front without feet. Right side: Table for hair-dryers with solid-wood surface and wall claddings made of mirror glass behind. Deposit boxes are installed underneath the vanity unit.

**(2)** By using a massive central cubicle foot it is mostly not necessary to put feet under front elements. The central locking system under the bench makes it possible to close both doors comfortably at the same time.

**(3)** The curved glass front is perfectly matched to the ceiling. Deposit boxes integrated flush with the wall and a hair dryer space also made of glass provide for a coherent concept.





**PREMIUMLINE**  
Exclusive as your requirements

**Colour and material as a room's concept.** High-quality glass cubicles in connection with the possibility to realize an individual colour concept gives a unique feeling to every changing area. The high lucency and airiness which is occurring gives a positive impression to the visitor even at the beginning of his visit to the swimming pool. Thus, the changing area is not only the first but even the last impression - an impression that lasts in the visitors' mind!





(1)



(2)




(3)

**(1)** Changing area with rows combined of changing cubicles and cloakroom lockers. The clever choice of colours and partitioning of the corridors with walls made of transparent glass help the visitors to find their way. So the material becomes the directory.

**(2)** The VITRUM GS lockers fit well with the glass dressing rooms.

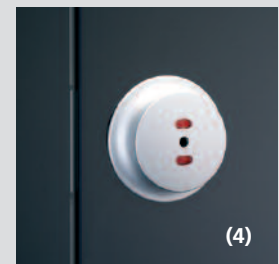
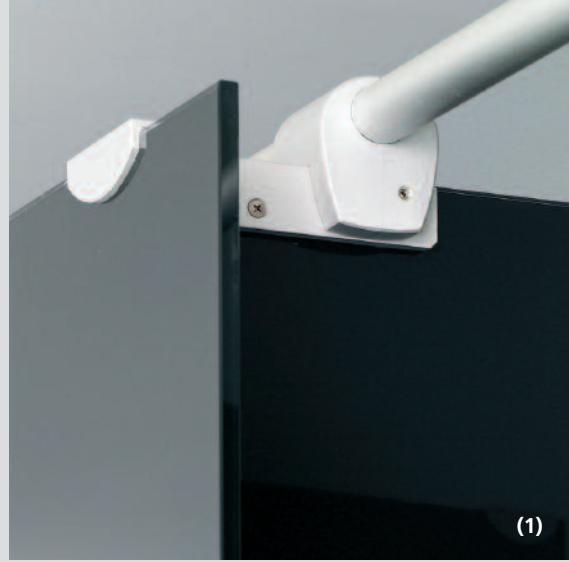
**(3)** Today glass is often found in architecture and gives a unique feeling to the room. Therefore it is logical to use this material even for changing cubicles.



**PREMIUMLINE**  
Exclusive as your requirements

**Floating elegance.** The Schäfer glass cubicle system VITRUM II. A floating impression is achieved through a recessed head profile and recessed feet. The modern and understated design of the fittings optimally underlines the high-quality character of glass. The 10 mm strong single pane safety glass, in connection with anodised aluminium fittings, guarantees the highest stability and durability.





**(1)** Upper bracket with recessed head profile. The front is stabilised with solid aluminium brackets and a stabilising aluminium connector.

**(2)** Lower bracket with recessed aluminium foot. Here as well, aluminium bracket and aluminium connector form a very strong connection between the cubicle front and the dividing walls.

**(3)** The heavy aluminium lock with stainless steel bolt offers the highest wear resistance and vandalism safety.

**(4)** The aluminium knob with vacant/occupied display on the outside of the cubicle offers an elegant solution. For emergency opening a hexagon socket is intergrated.



(1)

**Elegant and absolutely private.** Room-high constructions comply with the desire for privacy in sanitary field which is especially required by a demanding clientele. At the same time, you do not have to do without elegance and airiness. The combination and continuation of the material glass even up to a washbasin make it possible to create wholistic design variations.



# PREMIÚMLÍNE

Exclusive as your requirements

**(1)** The room-high glass cubicle system type VITRUM ALTUS offers the highest level of privacy. The front elements go from floor to ceiling. On top of the doors a flush-fitting plate is installed in order to stabilise the complete cubicle unit.

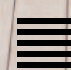
**(2)** Wall-mounting privacy screen, durable installed by 4 anodized aluminium brackets.

**(3)** Vanity units with glass doors. Thus, the overall glass design is unbroken. Customer can decide on measurements and different arrangement possibilities.

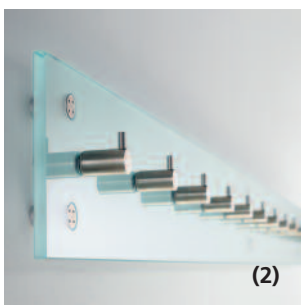
**(4)** Over the door flush-fitting plates out of glass are installed. Fixing is done by means of minimalist fitting solutions.





 **PREMIÚMLÍNE**  
Exclusive as your requirements

**Beautiful and incredibly variable.** The Schäfer cloakroom lockers combine



the best of proven technology and new design - combined in a winning solution. By using a locker system that has a variable height, depth and width as well as a push-in system made of HPL materials, the system can be easily assembled to fit into existing buildings. Any space can be used effectively.





(1)



(3)



(4)

(1) The VITRUM GS lockers system here with front-mounted seats in solid lacquered beechwood.

(2) The hook rack has a support plate of 10 mm safety glass that can either be frosted, clear or painted. It has special stainless steel hooks and mounts flush to the wall with stainless steel covers.

(3) Shelf solutions perfectly complement the lockers.

(4) The VITRUM glass washstand also has a lower cabinet made of glass. The entire unit is built in and is equipped with mirrors on the back wall, sidewall, and ceiling.

**Additional elegant solutions for changing room lockers and washstands can be found in the respective brochures.**



 **PREMIÚMLÍNE**  
Exclusive as your requirements

**Dream of a distant location.** A customised print can really accentuate a space and perfectly address the theme of the building or architecture. There are virtually no limits to the design ideas.





(1)



(2)



(3)

**(1)** End wall in a changing area with a custom motif. Through the use of the sea and beach motif, the geographical location of the swimming pool is addressed. The silhouette-shaped clear areas in the motif provide an interesting view into the corridors.

**(2)** Personal lockers integrated flush with the wall. The doors are attached to special hinges so that additional visible attachment points can be omitted. The label for the personal lockers is printed into the glass and thereby directly integrated into the motif.

**(3)** Wall coverings made of glass. A visually successful solution. The wall is optimally protected and is easy to clean. The glass plates are glued to the existing wall using a special adhesive so that no attachment points are visible. The motif brings out the main design points.

## Courage for colour.

Glass allows for countless design possibilities. With different types of glass, numerous colour variations, or individual motifs, any requirements can be met.

Coloured printing on glass is essentially a screen-printing process. Ceramic enamel colours are used. When heated, these form an enamel and bind to the glass. The result is a strong and durable surface coating. All glass colourants are free of lead and cadmium.

For selecting the colours, the RAL colour chart can be used as a basis. Keep in mind that the intrinsic colour may have a different appearance on each type of glass. It is therefore recommended that the desired colour be tested on the respective glass.

### Safety glass.

#### Approved quality for the demands of our customers.

Schäfer partition systems exclusively use single-paned and laminated safety glass. This corresponds to the high quality and security of our products. After processing, the single-paned glass is checked for nickel sulphide inclusions via a heat-soak test (according to DIN EN 14179/1). This essentially eliminates the risk of spontaneous breakage. Our customers deserve this thorough testing!

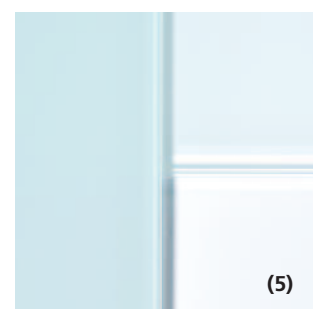
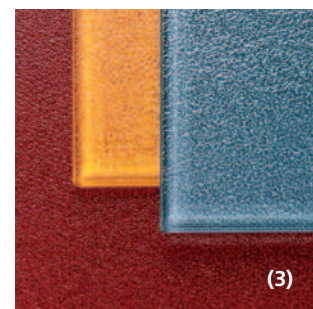
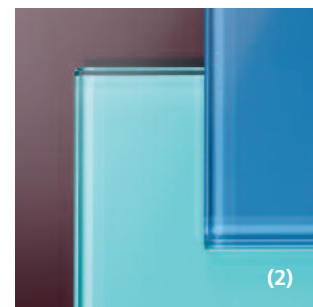
**(1)** Using the screen-printing method, numerous motifs are possible. Customers can choose from standard designs, or a custom motif can be realized.

**(2)** Float glass. These smooth, high-gloss surfaces are easy to clean.

**(3)** Patterned glass (here texture 200). The textured surface reduces the lustre of the glass, which minimises the visibility of impurities and gives the glass a special look.

**(4)** Frosted glass. The glass is slightly roughened by etching one side. The glass has a highly noble matte character. Frosted glass should not be used for showers due to the cleaning requirements.

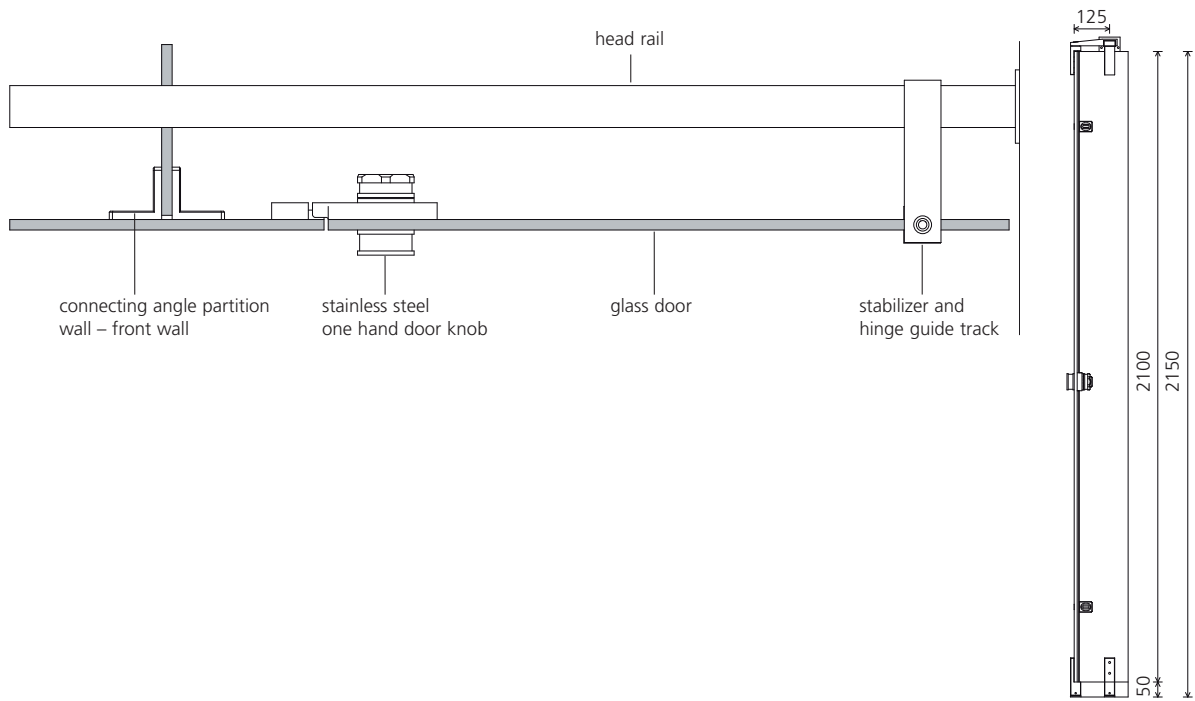
**(5)** Clear glass usually has an intrinsic colour, usually in the green range. For bright colours, especially for white screen-printing, colour distortion may arise (left half of the image). To avoid this, it is possible to use low-iron glass to allow the hue to come into its own (right half of the image).





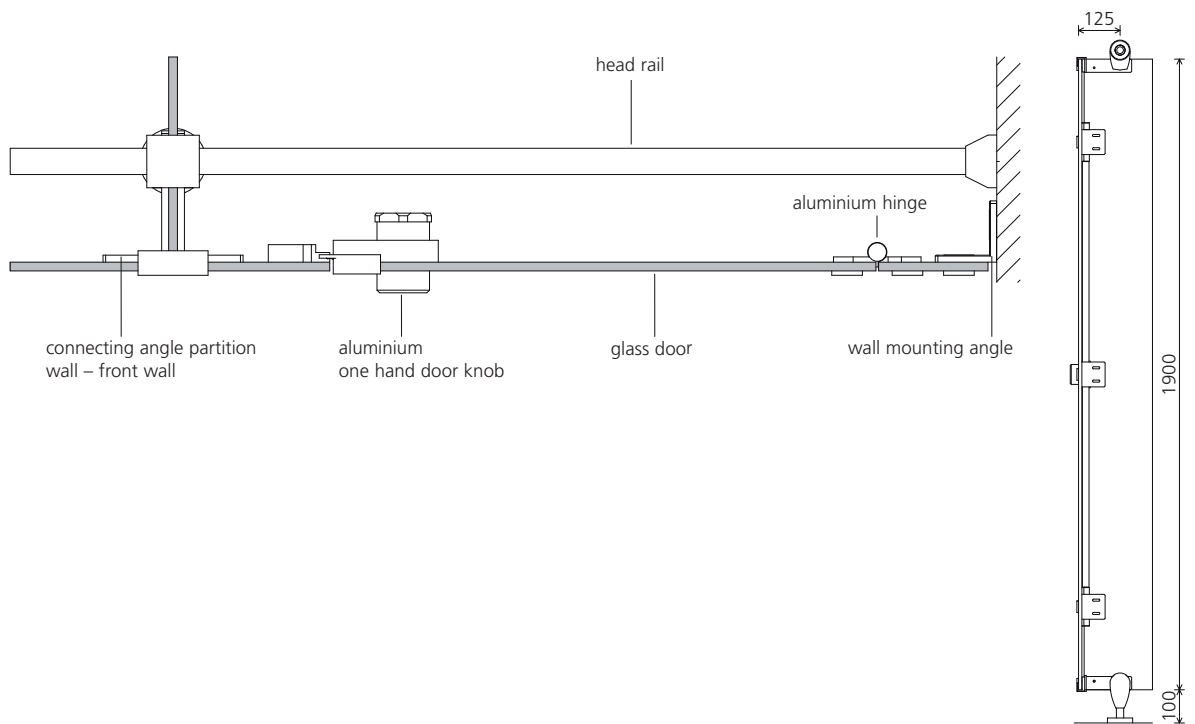
Cubicle type VITRUM III

Section drawing



Cubicle type VITRUM II

Section drawing



We reserve the right to make technical alterations.

Stylish and elegant partitioning.

**schäfer**  
Trennwandsysteme



cubicle systems –  
easy to design on  
[www.plantastisch3d.de](http://www.plantastisch3d.de)



*registered at the German  
society of pre-qualification  
for building companies e.V.  
Registration number:  
010.049740*



# Cubicle systems

Sandwich elements with solid grade laminate surface



**schäfer**  
Trennwandsysteme

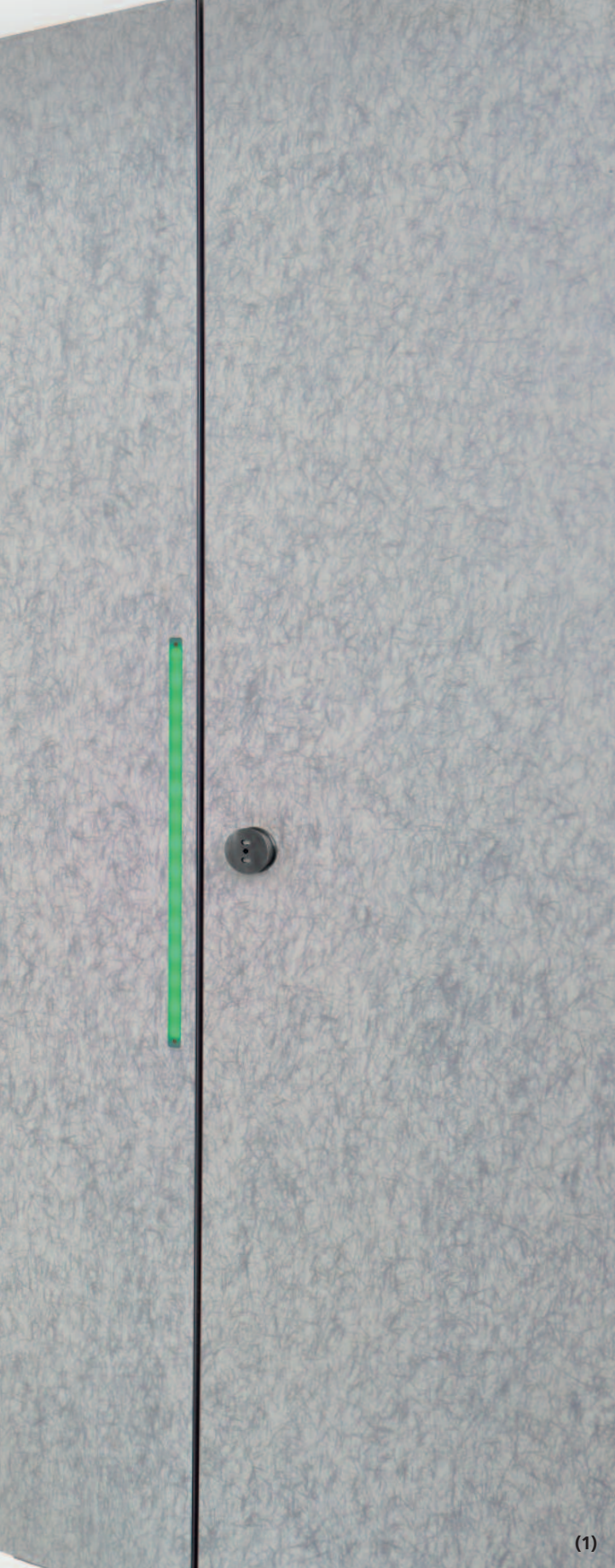


Type EF-3



**Floating walls.** The cubicle system EF-3 JUMP convinces through its floating look. The recessed feet and the recessed head section in connection with the wall connectors as shadow gap give this system a very special visual appeal. Not far removed from the standard and yet a highly exclusive system.





**(1) LED 'Vacant/Occupied' indicator.** Not only an eye-catcher but also a real innovation regarding functionality. Whether the toilet cubicle is vacant or occupied is permanently indicated by an LED light strip. When a door gets locked, the lightband turns from green into red. Thus, every user can directly and very easily see which cubicles are to be used. Beside a simplified visitors' guidance the innovative LED indication is a real highlight in design. The power is supplied via 12-volt direct current. The supply line can be hidden inside the elements.

**(2)** Cubicles with a very large front wall might be necessary to stabilize with an additional foot.

**(3)** Matching privacy screen type EF-3 as wall-mounting construction completes the toilet area.

TÜV tested safety stands  
for highest quality.





(1)

More light. More room. More sense of being. Illuminated front:



The perfect combination of design and function. Top your sanitary area with this sort of light and get a very exclusive light effect. Energy-saving LEDs, with changeable colours can be employed.



**(1)** EF-3 JUMP cubicle system with light element. The floating appearance, flush cubicle front, and high-quality materials create an elegant atmosphere. The combination with matching vanity units completes the interior.

**Feel free to request a brochure for our vanity units.**

**(2)** Single-paned security glass is suspended in the element. Visible fittings are omitted to complete the design. The glass can be removed by maintenance services. The power supply is hidden in the partition or via the top section. The colour of the lighting can be freely chosen via the LED control.

**(3) + (4)** Colour combinations according to the architectural guidelines! By combining different colours, special effects can be achieved.

**(5)** The head rail is recessed 150 mm to the rear. Aluminium brackets combined with sturdy aluminium angles help to create the necessary stability.

**(6)** Dividing wall with recessed stainless steel base in connection with anodized aluminium bracket. For the necessary stabilization of the front elements, a T-connector is screwed under the partition and front. The side elements are supported by additional aluminium angles and concealed fixings.



TÜV tested safety stands for highest quality.





The height of the space creates privacy! The desire for privacy in public WC areas, especially in high-quality buildings, is increasing. The EF-3 ALTUS system provides the optimal conditions for this. Flush, lightweight, yet very stable elements allow for elements that not only look good but are also easy to clean.





(1)

TOI TOI Superior Line Sanitärcontainer  
Foto: ADCO GmbH



(2)



(3)

**(1)** Due to the room-high construction of cubicle type EF-3 ALTUS a maximum level of privacy is achieved. The smooth, flush-fitting front, the continuous elements and the invisible fittings make this cubicle type and – as a consequence – even the total sanitary area a real premium product. The front shown here is also curved. Just one of many options.

**(2)** EF-3 ALTUS floor to ceiling toilet partition with a customized motive. Here, implemented in a casino, the visitor is greeted with an exceptional design. Suspended partitions made of colourful enamelled security glass are not only the optimal hygienic solution but also contribute to the spatial concept.

**(3)** Different colour schemes for different areas. The design options are almost limitless.

TÜV tested safety stands  
for highest quality.





**Very special!** The maximum of exclusivity and individuality can be achieved by designing the surface in accordance with your requirements, thus turning your sanitary area into a unique showpiece. Here we do not shy away from unusual solutions but regard them as an exciting and challenging opportunity.





**(1)** Room-high cubicle system type EF-3 ALTUS with a special motive on the doors. The optional minimalist stainless steel one-handed latch emphasizes the sleek design.

**(2)** Full height corner system with covered floor, ceiling and wall connectors and a print specified by the customer. The print is applied during the production of the HPL panels and is covered with a protective overlay, making the surface easy to clean and durable. The choice of images knows no bounds.

TÜV tested safety stands  
for highest quality.





(1)

**Cubicle systems for exacting demands.** EF-3 - the name given to this Schäfer cubicle system stands for the highest perfection in cubicle construction. An outstanding design, high stability and absolute water resistance enable the system to be used in all areas. Due to the wide range of optical designs, it is possible to greatly enhance any sanitary or changing room facility. The Schäfer cubicle system EF-3 is guaranteed to cater every request.



The cubicle system EF-3 consists of 36 mm strong sandwich elements with 3 mm strong HPL coating on both sides and an interior, warp-free aluminium frame. The interior polyurethane foam (CFC free) ensures that the construction is extremely sturdy and will not warp. The door rebate is also formed by the interior aluminium frame and, together with the drawn-in rubber damping, ensures that the doors close silently. Together with the interior pin hinge a completely smooth construction is formed. With two joining aluminium sections the pin hinge also acts as an effective and durable finger guard. All profiles are anodized (E6/EV1); the entire system is completely waterproof.

**(1)** Cubicle system EF-3, with stainless steel handles. One of many handle options.

**(2) + (3)** Cubicle system EF-3. The complete flush surface construction fits unobtrusively in every sanitary area.



(2)



(3)

TÜV tested safety stands for highest quality.





For the high demand in design. The cubicle system EF-3 JUMP is excellently

suitable for the fitting of changing rooms. Flush surface front, construction with less feet and



interesting colourings are the best conditions for a good looking

changing area. By using a central foot under the cubicle bench it

is widely possible to relinquish of using feet in the front. Design

and userfriendliness in perfect combination!

TÜV tested safety stands  
for highest quality.







**(1)** The cubicle can be elevated in the front by the central pedestal under the cubicle bench. High stability is guaranteed by the steel frame on the raw concrete floor.

**(2)** Continuous design: The same design is used for the locker systems next to the changing cubicles: less feet constructions make the room easy to clean. The smooth fronts without profiles and the changeovers adapt to the overall picture.



A premium solution for the pool area. Due to the diverse design possibilities and the flush front, the EF-3 changing cubicle is the optimal solution for the high-



(2)

quality changing area. Here, family and group changing cubicle systems can be ideally combined in one front. Affixed pictograms provide optimal orientation.





(1)



(3)



(4)

**(1)** EF-3 changing cubicle system.

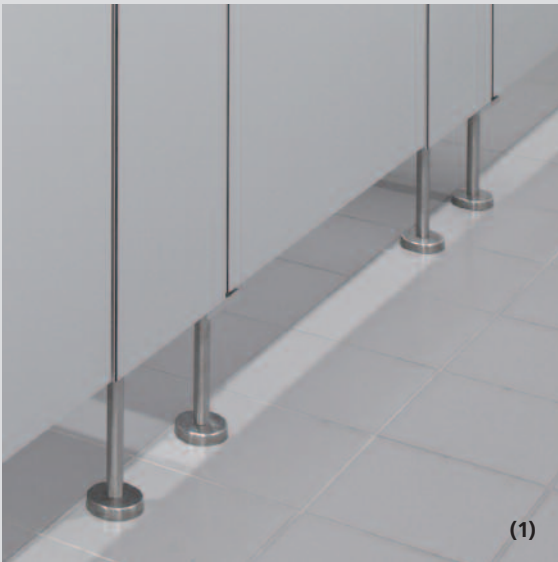
**(2)** EF-3 changing cubicle system with concrete pedestals under the bench. This eliminates the need for support legs in the front. The result is a calm appearance and high stability.

**(3)** The perfect combination: Schäfer locker systems (shown here is the GVKF13) fit perfectly into the changing cubicle area. Using the same laminate surfaces in both systems results in a consistent design. When using a central foot below the changing cubicle bench, supporting feet can be omitted in the front. This results in a sleek appearance and makes cleaning extremely easy.

**(4)** Changing cubicle type EF-3.

TÜV tested safety stands  
for highest quality.





(1)



(2)



(3)

**(1)** The fully height-adjustable support foot is completely made of stainless steel. This is standard for these cubicles.

**(2)** Aluminium gravity hinge with high-performance polymer inserts. These inserts guarantee permanent freedom from maintenance and also a silent, automatic closing of the door. The doors will not wear and will still work properly – even after many years. These door hinges are generally used for door-opening angles greater than 110° as well as for EF-3 JUMP and EF-3 ALTUS systems.

**(3)** EF-3 systems with hinges in the door edge are optional. They are thus flush with both the interior and exterior of the cabin (not available with self-closing function).

**(4)** One-hand door knob made of silver coloured nylon with stainless steel bar.

**(5)** Silver-coloured plastic knob on the outside of the cubicle with free/occupied display. A hex socket is built in for opening the door in an emergency.

**(6)** Schäfer one-hand door knob INSAFE with a large viewing window on the cubicle inside. The easy-grip door knob is easy to use for children and older people. INSAFE is completely made of aluminium and is extremely durable and robust.

**(7)** Schäfer one-hand door knob INSAFE on the cubicle outside. The large viewing window also provide a convenient overview from a distance. For emergency opening a hexagon socket is integrated.

The new fitting solution INSAFE is the first door knob with a red-white display on the inside of the cubicle unit. This shows the user in the cubicle unit if the door is locked. A true innovation with “added value” for the customer.



**GERMAN  
DESIGN  
AWARD  
WINNER  
2016**



**reddot award 2015  
winner**



**(8)** High-quality stainless steel one-hand door knob on the inside of the toilet cubicle.

**(9)** Stainless steel knob with vacant/occupied display on the outside of the toilet cubicle. For emergency opening a hexagon socket is integrated.

**(10)** Aluminium door handle, natural anodised, with rosette on the inside of the toilet cubicle.

**(11)** Aluminium door handle, natural anodised, with vacant/occupied display on the outside of the cubicle.

**(12)** Stainless steel door handle with rosette on the inside of the toilet cubicle.

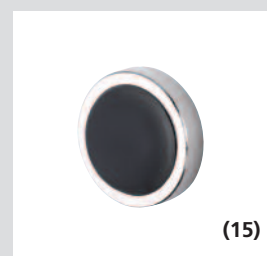
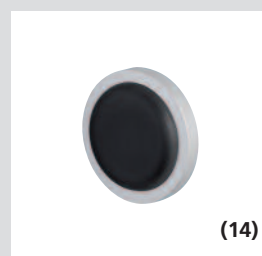
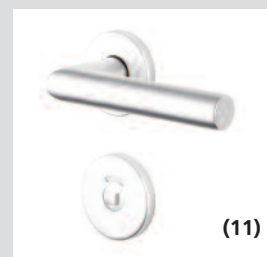
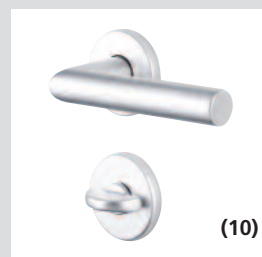
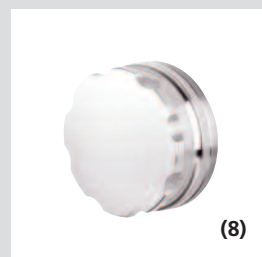
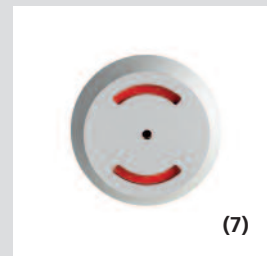
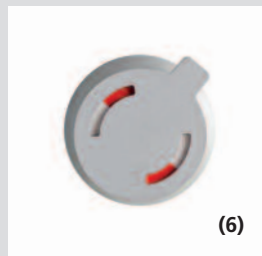
**(13)** Stainless steel door handle with vacant/occupied display on the outside of the cubicle.

**(14)** Door buffer with aluminium plate, invisible mounted. Protects the wall and door handle from damage by opening of the door ruggedly.

**(15)** Door buffer with stainless steel plate, invisible mounted. Protects the wall and door handle from damage by opening of the door ruggedly.

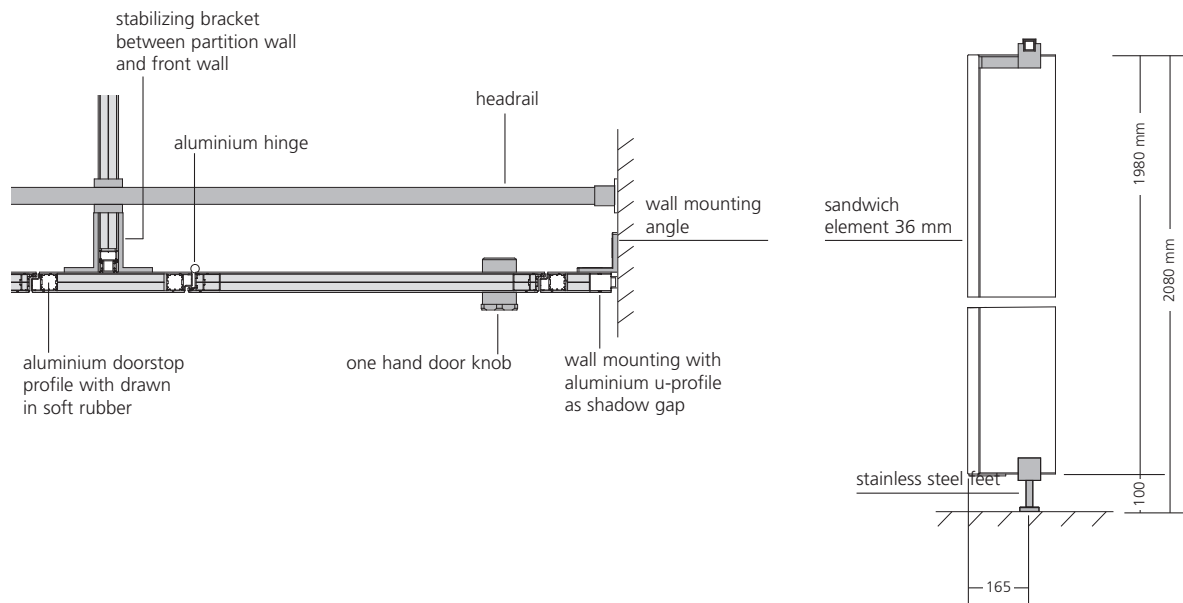
**(16)** Aluminium hook.

**(17)** Stainless steel hook.



### Cubicle type EF-3 JUMP

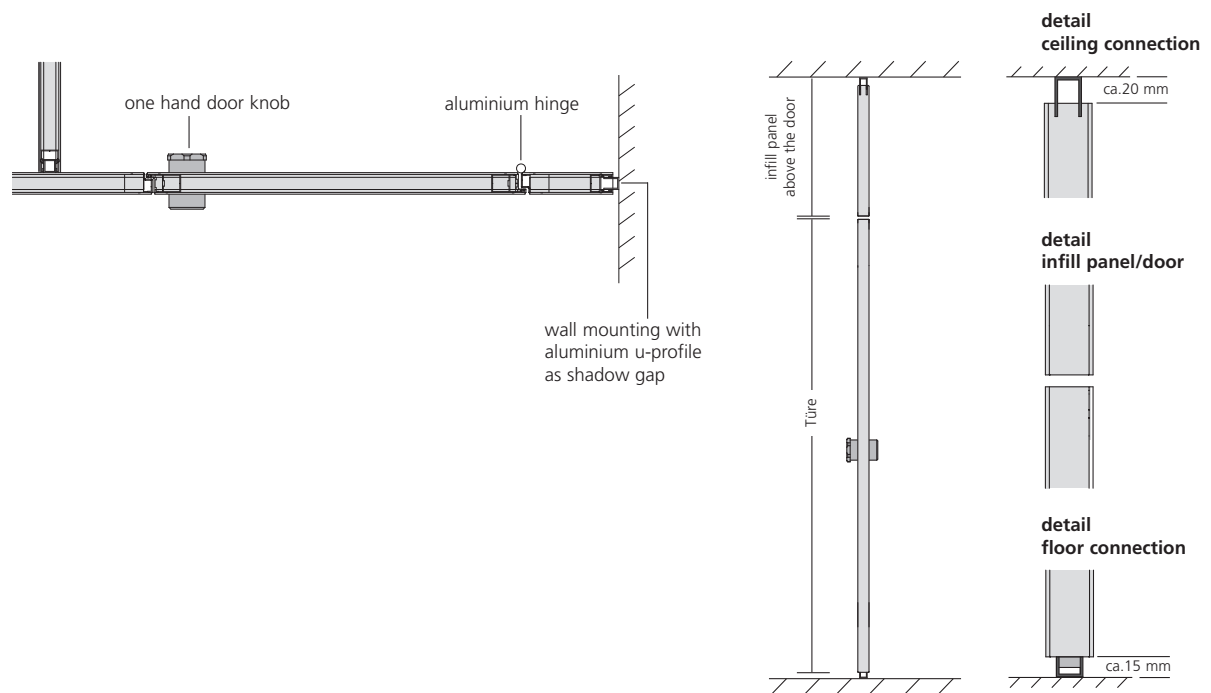
### Section drawing



For a floating appearance, the connecting parts must be stably attached to the front. Please note our special technical information.

### Cubicle type EF-3 ALTUS

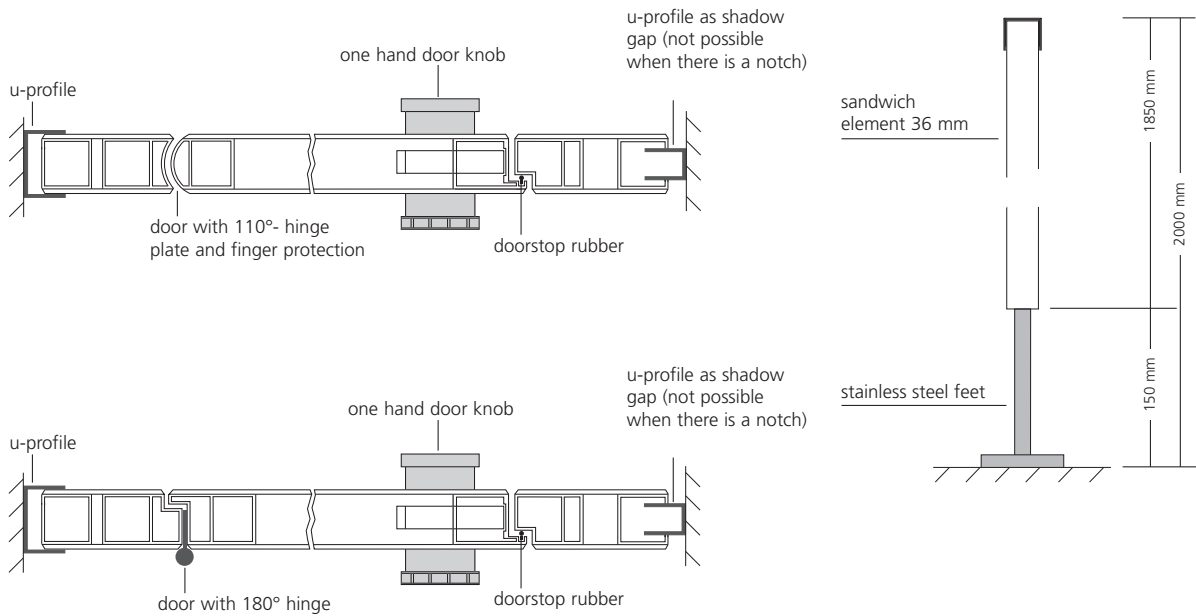
### Section drawing



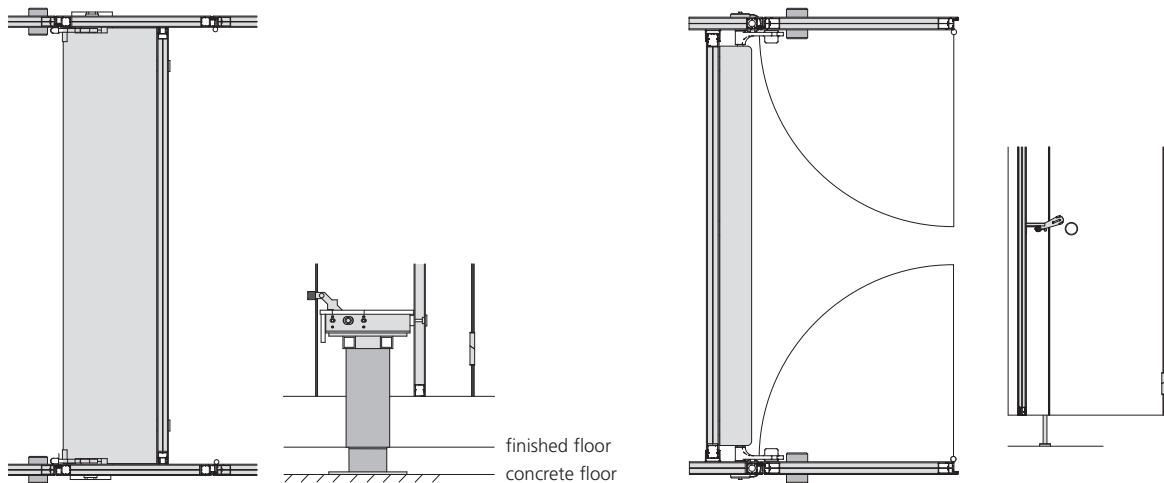


## Cubicle type EF-3

## Section drawing



## Changing cubicle type EF-3



The EF-3 changing cubicle can either be locked by a central or folding lock system.

The central pedestal under the bench is anchored to the sub-floor. This allows the entire cubicle to be elevated on one foot, and feet in the front are largely unnecessary.

Stylish and elegant partitioning.

**schäfer**  
Trennwandsysteme



cubicle systems –  
easy to design on  
[www.plantastisch3d.de](http://www.plantastisch3d.de)



*registered at the German  
society of pre-qualification  
for building companies e.V.  
Registration number:  
010.049740*



# Cubicle systems

made of 13mm solid grade laminate panels



**schäfer**  
Trennwandsysteme



Type VK13



**Individuality for all cases.** The ingenious combination of high stability, absolute

water resistance, problem-free cleaning and sophisticated design means that Schärer type VK13



cubicle system in 13 mm solid grade laminate panels are suitable for all areas of use. Regardless of whether toilet, shower or changing room, the Schärer VK13 cubicle system leaves enough options open for individual space and colour design.



**(1)** Cubicle system type VK13 in a row. The vertical profiles not only result in an extremely stable construction, but are additionally drilled to the head rail to form a continuous link to the floor. The result is a highly robust and long-lasting cubicle system. The double-coloured cubicle on the picture helps the visitor to orient himself.

**(2)** Schäfer cubicle system type VK13 is, with its many types of variants, the ideal type for Kindergartens. Individual combinations of colours, water-resistance, unusual possibilities of design and a high level of safety and durability are more of the advantages of this cubicle system.

**Ask for the brochure of our cubicles for children, too.**

**(3)** Shower system type VK, also combinable with curtains, swinging doors, splashbacks and many other outfitting options.

**(4)** Wall-mounted privacy screen fixed in place by stable anodised round aluminium plates.

**(5)** Sliding door solutions for handicapped and family cubicles are integrated into the overall concept.



TÜV tested safety stands for highest quality.







**Floating walls.** Cubicle system VK13 Jump catches with its floating optics. The recessed feed give a very special optics to this cubicle type. Not far from standard but a highly exclusive cubicle system.





TÜV tested safety stands  
for highest quality.



**(1)** Dividing wall with recessed foot, completely made of anodised aluminium. Large front elements are stabilised with an additional aluminium bracket which is screwed on the dividing wall. Side walls get additional stabilising brackets at the wall connection, too.

**(2)** Wall-mounted privacy screens made of enamelled safety glass. Just one of many design options. **Ask for our VITRUM glass brochure, too.**



**Footless, beautiful and functional.** Schäfer's VKH13 cubicle system stands out thanks to its ease of cleaning. The hanging construction makes supporting feet unnecessary to a great extent. It is a good alternative for a high quality system combined with extreme user-friendliness.





(1)



(2)

**(1)** Cubicle system type VKH13 as changing cubicles with glass doors. This is one of many possibilities to upgrade the optics of the cubicle system. Necessary supporting stands are made of square pipes. An optical highlight and a highly durable solution.

**(2)** Cubicles system type VKH13 between walls. up to a length of 5 meters you do not need feet when there are stable brick walls.

TÜV tested safety stands  
for highest quality.







**Incredibly varied and yet so durable.** The changing cubicles type VK13 WK is characterized by a variety of design possibilities. With the stable profile design a durable and long-lasting construction is provided, which works perfectly even after years of continuous using in a high frequented pool area. The materials used are perfectly tuned to these particular requirements.





(1)



(2)



(3)

**(1)** Changing cubicle unit type VK13 WK elliptical shaped. The used decor panels give the cubicle unit a very special accent.

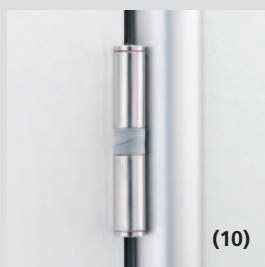
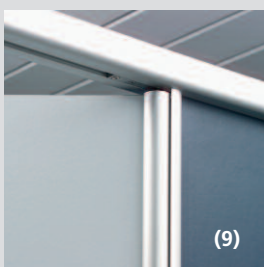
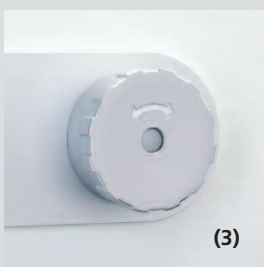
**(2)** Completely white, this is an absolute design highlight. A consistent colour scheme, here by the use of white profiles and white plates creates a very special atmosphere in the changing area. Passage barriers made of stainless steel, in conjunction with clear glass helps the visitors to find their way through the changing area.

**(3)** A central foot underneath the seating bench in the changing cubicle allows a nearly "feet free" cubicle front. This is not only a visually successful solution, but also allows a much easier cleaning of the floor.

TÜV tested safety stands  
for highest quality.







**Safe from outside! Safe from inside!**  
**The new fitting solution INSAFE is the first door knob with a red-white display on the inside of the cubicle unit. This shows the user in the cubicle unit if the door is locked. A true innovation with "added value" for the customer.**

**(1)** Schäfer one-hand door knob INSAFE with a large viewing window on the cubicle inside. The easy-grip door knob is easy to use for children and older people. INSAFE is completely made of aluminium and is extremely durable and robust.

**(2)** Schäfer one-hand door knob INSAFE on the cubicle outside. The large viewing window also provide a convenient overview from a distance. In an emergency, a hexagon is integrated.

**(3)** Quick-lock closure system made of silver coloured plastic with stainless steel bar and anodised aluminium lock plate that gives the lock area extra strength and effectively prevents it coming loose.

**(4)** Silver-coloured plastic knob on the outside of the cubicle with free/occupied display. A hex socket is built in for opening the door in an emergency.

**(5)** High-quality stainless steel door knob with reinforcing lock plate also out of stainless steel.

**(6)** Stainless steel knob with vacant/occupied display on the outside of the cubicle. For emergency opening a hexagon socket is integrated.

**(7)** The height-adjustable support foot with collar is made entirely of stainless steel and complies with DIN 1.4301.

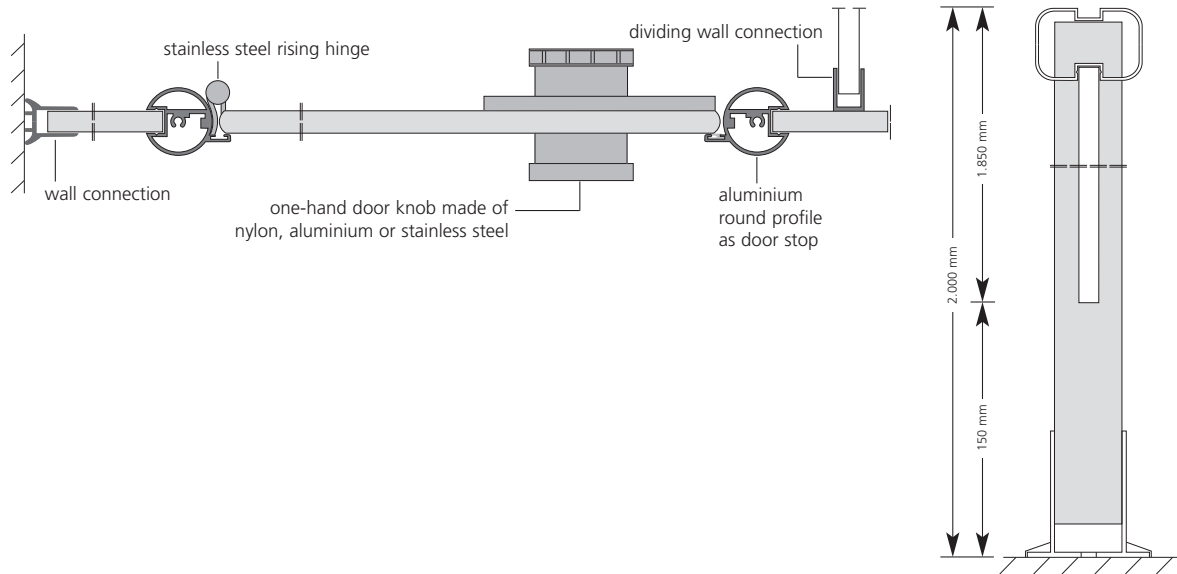
**(8)** Height-adjustable foot made of anodised aluminium (E6/EV1). This variant is used with the anodised profiles.

**(9)** Two interwoven aluminium profiles on the hinge side form a highly effective and durable finger anti-trap protection with integrated self-closing function.

**(10)** Stainless steel rising strip with high-efficiency polymer inserts. These inserts ensure that maintenance is never needed and that the doors close silently. The parts never wear out or show signs of fatigue, ensuring that the doors still close perfectly even after years of use. Stainless steel tapping screws are used to screw stainless steel strips to a plate equipped with tapping holes. It is a fastening method that has proven itself for more than 20 years, giving lasting stability.

**Cubicle unit type VK13 with stainless steel rising hinges**

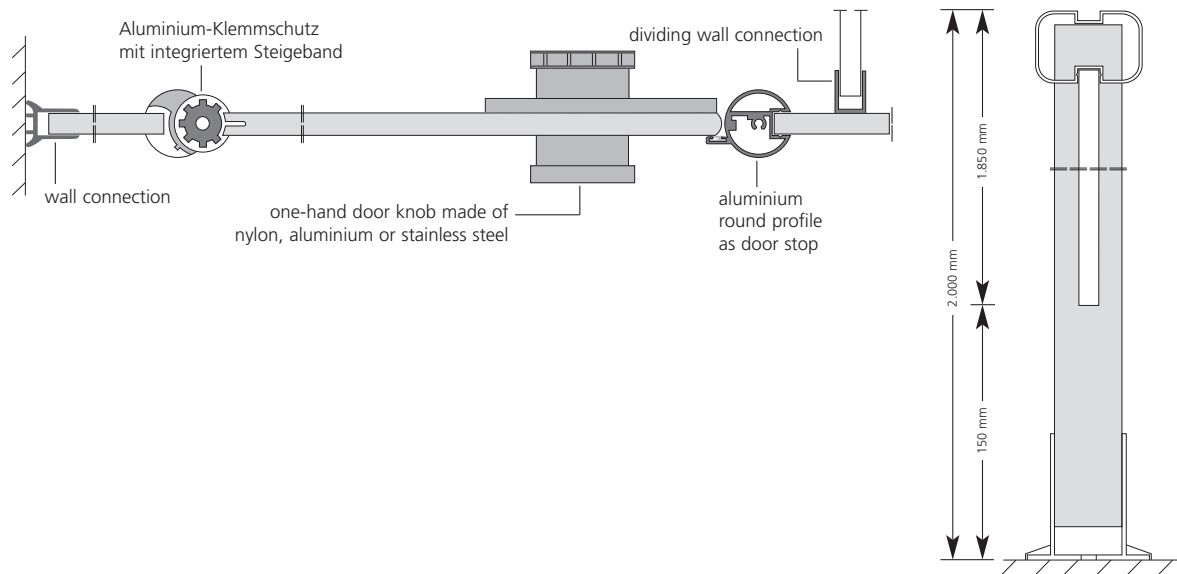
**sectional drawing**



The continuous vertical profiles are drilled into the top rail to ensure optimum stability.

**Cubicle unit type VK13 with aluminium finger protection**

**sectional drawing**



The continuous vertical profiles are drilled into the top rail to ensure optimum stability.



Stylish and elegant partitioning.

**schäfer**  
Trennwandsysteme



cubicle systems –  
easy to design on  
[www.plantastisch3d.de](http://www.plantastisch3d.de)



*registered at the German  
society of pre-qualification  
for building companies e.V.  
Registration number:  
010.049740*



# Cubicle system

in composite chipboard



**schäfer**  
Trennwandsysteme



Type SVFG40

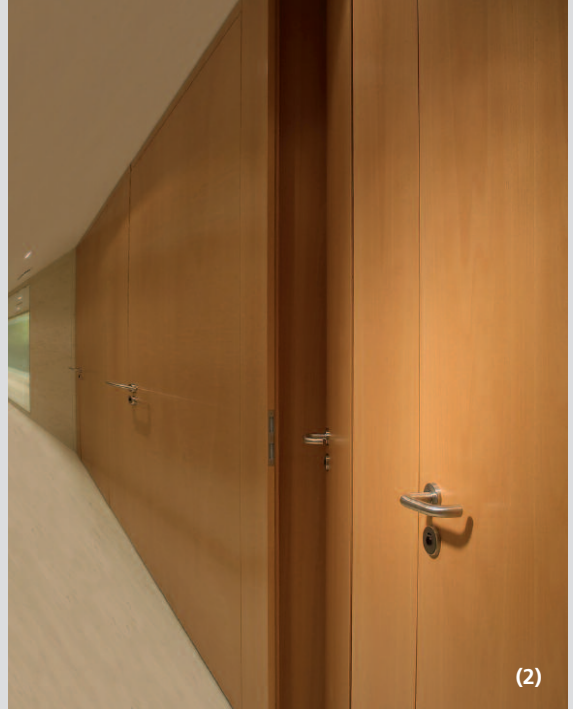




**Elegant. Unusual. Durable.** The Schäfer SVFG40 ALTUS cubicle sets new standards for dry room systems. The elegant design, restrained appearance and everything a tasteful colour scheme are just a few of the features of this first class system.



(1)



(2)



(3)

**(1)** Cubicle system type SVFG40 ALTUS, here as room-high construction. The flush-fitting front as well as the wall-, floor- and ceiling-mounting as shadow gap lend an extremely high-quality overall impression to the system. A special highlight is the customized picture print.

**(2) + (3)** The use of high-quality materials such as solid cherry wood veneer lead to highly exclusive designs with smooth and calm surfaces. Natural stone walls and floors combined with a colour scheme to suit the room doors give the sanitary area an exclusive luxurious ambience.

 **PREMIÚMLÍNE**  
Exclusive as your requirements





# PREMIÚMLÍNE

Exclusive as your requirements

Room-high partition wall concepts become more and more common in modern buildings. Due to the room-high partition walls of cubicle system type SVFG40 ALTUS the desire for more privacy as well as an exclusive design is optimally fulfilled.

**(1)** Room-high cubicle system type SVFG40 ALTUS. The front elements are done without any gaps from floor-to-ceiling. Over the doors an infill panel is fitted flush which is assembled without any visible fixing material. The perfect picture is completed by privacy screens from silkscreen-printed tempered safety glass.

**(2)** A customized picture printed on the solid grade laminate panel sets a special course. Already during production process of the panels the picture is being printed on them. As a consequence, the surface gets extremely scratch-proof and robust.

**(3)** Wall hanging privacy screens made of tempered safety glass. Just one of many individual design options. **You can request also our brochure of the glass cubicles.**

## Product advantages of the SVFG40 ALTUS roomheight cubicle system:

- high level of privacy through design structure with room-height
- consistent flush-fitting creates a high quality appearance.
- extremely easy to clean due to smooth surfaces
- diverse colour and surface variations
- cheaper and more economical than conventional dry lining







**Composition made of one piece.** By using the same surface for the WC dividing walls, the bordering vanity units and even the wall cladding in one room arises a perfect syntonic interior design. This lets the sanitary area look as an overall solution and induces to a positive visitor's impression.



(1)



(2)



(3)

**(1)** WC cubicle type SVFG40 ALTUS with an optional frame construction of the doors. Thereby the doors can be made without an infill panel on the upper side. The frame construction assures a small weight with high stability.

**(2)** Door accessories can be realized to customers requirement by a wide product range and for instance conformed to the existing access doors.

**(3)** Optional SVFG40 cubicles are available with in the rabbet integrated hinges. Thereby the units are completely flush fitting on the inside as well as on the outside. (Not available with self closing hinges).

 **PREMIÚMLÍNE**  
Exclusive as your requirements





High-quality hardwood cross bands on the vertical door and counter edges and an optimum combination of solid chipboard and aluminium profiles provide a high degree of stability.

The Schäfer SVFG40 cubicle system fulfills every wish with regard to dry room areas.

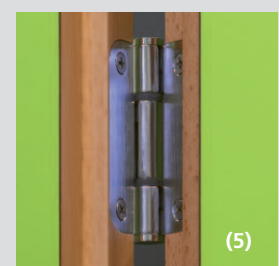
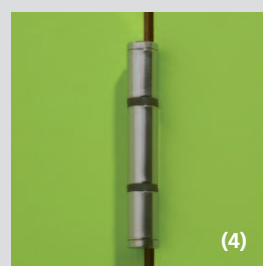
**(1)** Fresh colours, high-quality fittings from stainless steel and the flush-fitting front lend even in standard version an outstanding design to this cubicle system.

**(2)** Solid wood cross bands combined with dark surfaces make a very special ambiance.

**(3)** Wall-mounted privacy screens from 30 mm or 40 mm thick solid chipboard. Together with the adequate ABS-edge band an uniform overall picture is achieved.

**(4)** High-quality flush-fitting stainless steel hinges with special inserts from high quality polymere guarantee long durability and maintenance-free operation for years.

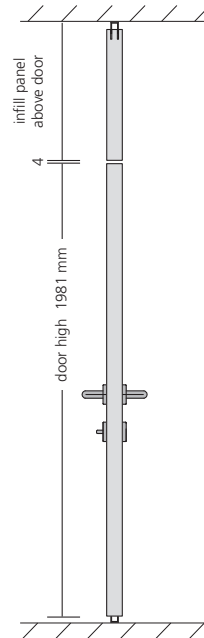
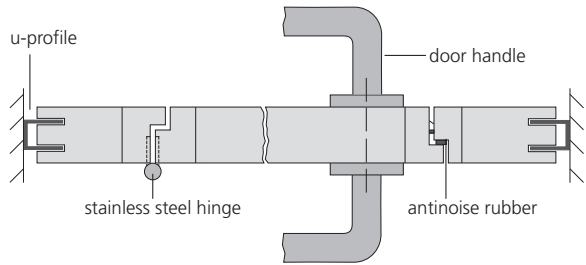
**(5)** Rebated solid wood cross bands with a high-quality coat of lacquer by means of DD-lacquer emphasise the very special charm of this cubicle system. In the standard version the cross bands are from beech. Other kinds of wood, coloured or stained angles can be delivered upon request.



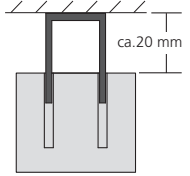


**Cubicle type SVFG40 ALTUS with shadow gap**

**Section drawing**



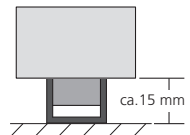
**detail ceiling connection**



**detail infill panel - door**

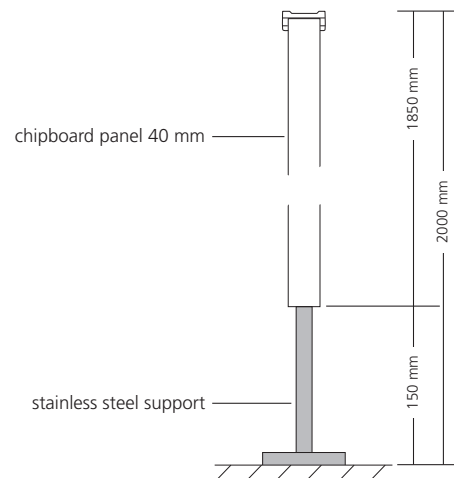
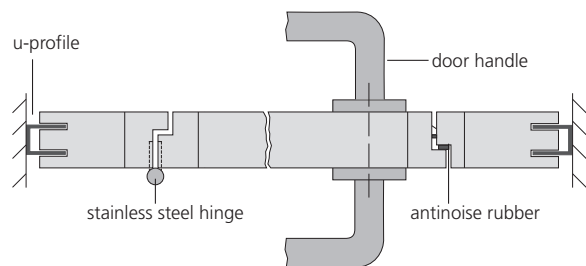


**detail floor connection**



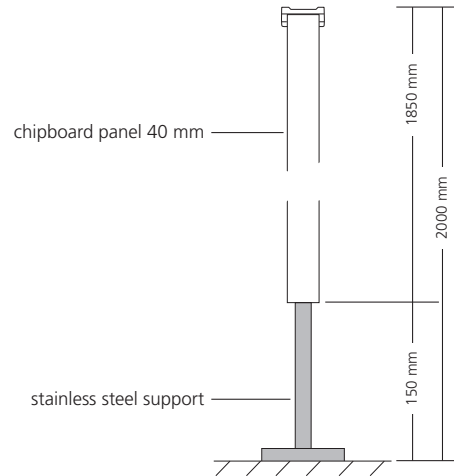
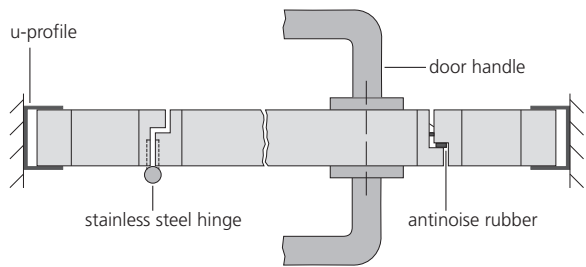
**Cubicle type SVFG40 with shadow gap**

**Section drawing**

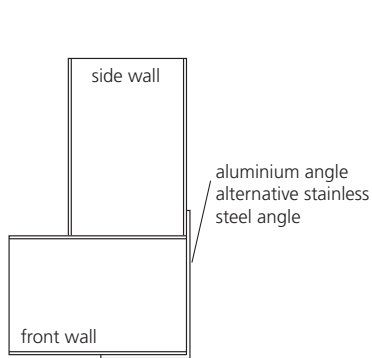


**Cubicle type SVFG40 with encompass U-profile**

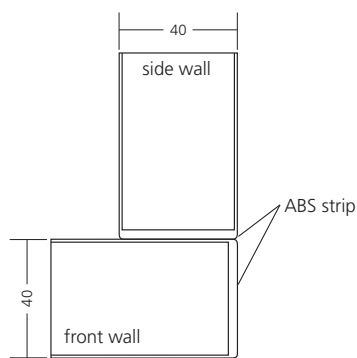
**Section drawing**



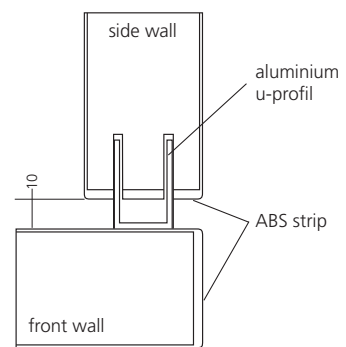
**corner constructions**



**corner with corner angle**



**corner ABS-strip**



**corner with shadow gap**

The connection side panel to front wall can be executed with each of these three versions. For reasons of stability, the connection centre partition to front wall can only be executed with surrounding u-profile or flush mounted.



Stylish and elegant partitioning.

**schäfer**  
Trennwandsysteme



cubicle systems –  
easy to design on  
[www.plantastisch3d.de](http://www.plantastisch3d.de)



*registered at the German  
society of pre-qualification  
for building companies e.V.  
Registration number:  
010.049740*

# Cubicle system

made of composite chipboard



**schäfer**  
Trennwandsysteme



Type SVF30 / SV30





(1)

**A floating system.** With the cubicle system of type SVF30 JUMP the use of recessed supports and a recessed head section results in a floating impression. In connection with wall connections as shadow gap the system thus becomes a visual highlight.

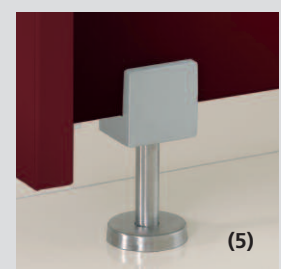
**(1)** Cubicle system SVF30 JUMP with recessed feet and recessed head section for a floating look. Wall connections are made by a shadow gap (not possible if there has to be a cut out) resulting in a completely smooth front.

**(2)** Cubicle system SVF30 JUMP in anthracite colour. The completely smooth front punctuates the high quality and puristic optics.

**(3)** Wall-mounted privacy screens with an ABS strip in the colour of the panel are installed with durable aluminium holders.

**(4)** Massive aluminium holders in connection with a head section which is recessed by 150 mm ensure the necessary stability. These parts are not visible from the front.

**(5)** Stainless steel supports are recessed below the dividing wall. To avoid breakages an aluminium holder is used for additional stability. Furthermore, the connection between partition and front is stabilised with a T-connector.







**Floor-to-ceiling and very private.** The SVF30/S ALTUS toilet cubicle is the ideal entry-level solution when it comes to full-height WC-partitions. The flush-mounted front, circulating connections as a shadow gap and consistent colouring are convincing arguments for this type of system. Privacy guaranteed!



(1)



(2)



(3)

**(1)** Cubicle system type SVF30/S ALTUS. Quality chipboards with an 0,8 mm thick laminate cladding on both sides are used for increased stability. The use of ABS edges in the same shade as the boards makes the colouring even.

**(2)** Wall-mounted urinal screens in the same material as the front of the stalls are included in the delivery programme and give it a harmonious overall image.

**(3)** A flush-mounted top panel is installed over the doors, which is secured with invisible compression spring pins. Stainless steel hinges with tread high-performance polymer are installed flush-mounted on the edge.





(1)

**A concept on the special note.** The cubicle type SVF30 from melamine resin-coated chipboard with coloured ABS strips. This is an alternative cubicle, where beside pure function, design is demanded. This flush fitting system lends a modern note with a smooth and straight front wall. Fast cleaning of the partition walls, effective protection of edges and a responding design are convincing arguments for this cubicle type.

**(1)** The outside of type SVF30 cubicle systems is generally flush-fitting. This is achieved by using a special cover section which ensures a flush fit even for doors opening outwards. The result is a high-quality, calm look, which lifts the entire impression of the sanitary area.

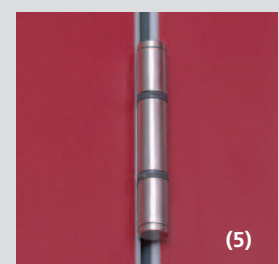
**(2)** Cubicle type SVF30. Flush-mounted as though it were all one panel!

**(3)** This cubicle system is nearly perfect for a courageous colouring. Due to the flushfitting structure the front design is not interrupted by profiles. Regarding design, ABS-strips might be chosen in a contrast colour to the panel colour and thus set a special priority.

**(4)** Stainless steel cubicle support in accordance with DIN 1.4301, infinitely variable height adjustment.

**(5)** Three roll stainless steel hinge with special high-performance polymer treads. These treads ensure that no maintenance is required and that the door can be shut quietly.

The hinges (no image) are installed flush-mounted on the edge. A plastic strip is milled into the edge as a privacy shield that fits into the corresponding groove on the other side when closing the doors.

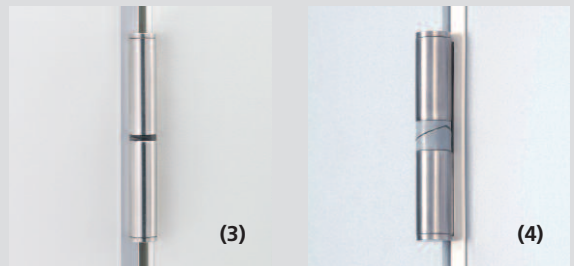






The favourite cubicle system for dry room areas. The Schäfer cubicle system type SV30 is fabricated out of melamine resin-coated chipboard. The correct choice for a simple, solid and easy-care cubicle. The ideal alternative for dry sanitary areas.





**(1)** Cubicle system type SV30, made of 30 mm strong quality particle board together with anodised or powder coated surfaces. A high-quality and robust cubicle type, offering many configuration variations even for smaller budgets.

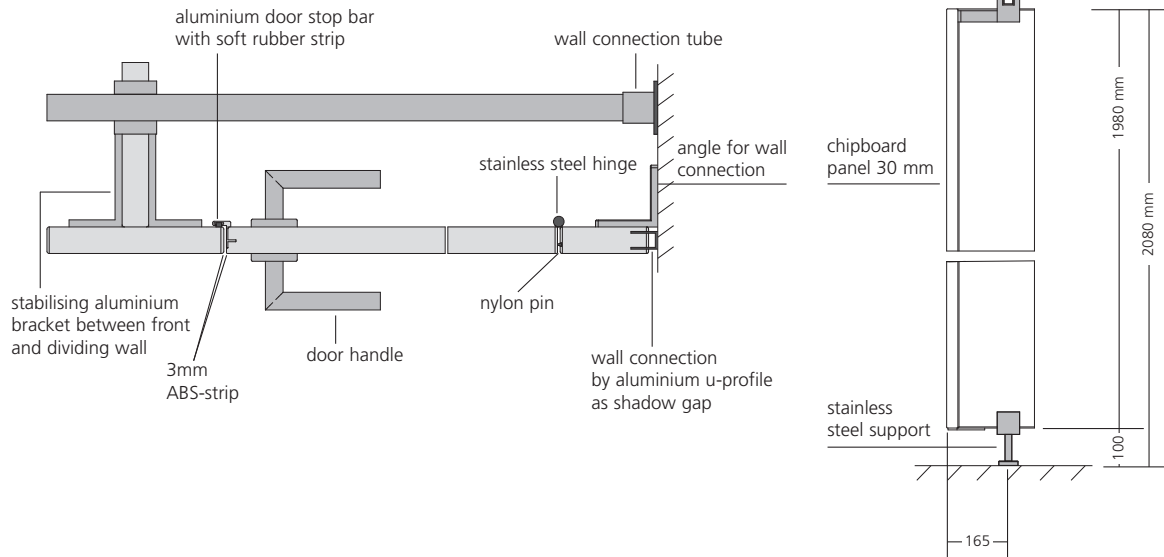
**(2)** Wall hanging privacy screens from satined tempered safety glass. This is only one of various design options.  
**You can also order our product brochure glass cubicle systems.**

**(3)** Stainless steel hinge with high-performance polymer treads. These treads ensure that no maintenance is required and that the doors can be shut quietly.

**(4)** As an option, the doors can be equipped with self-closing stainless steel hinges.

### Cubicle system Type SVF30 JUMP

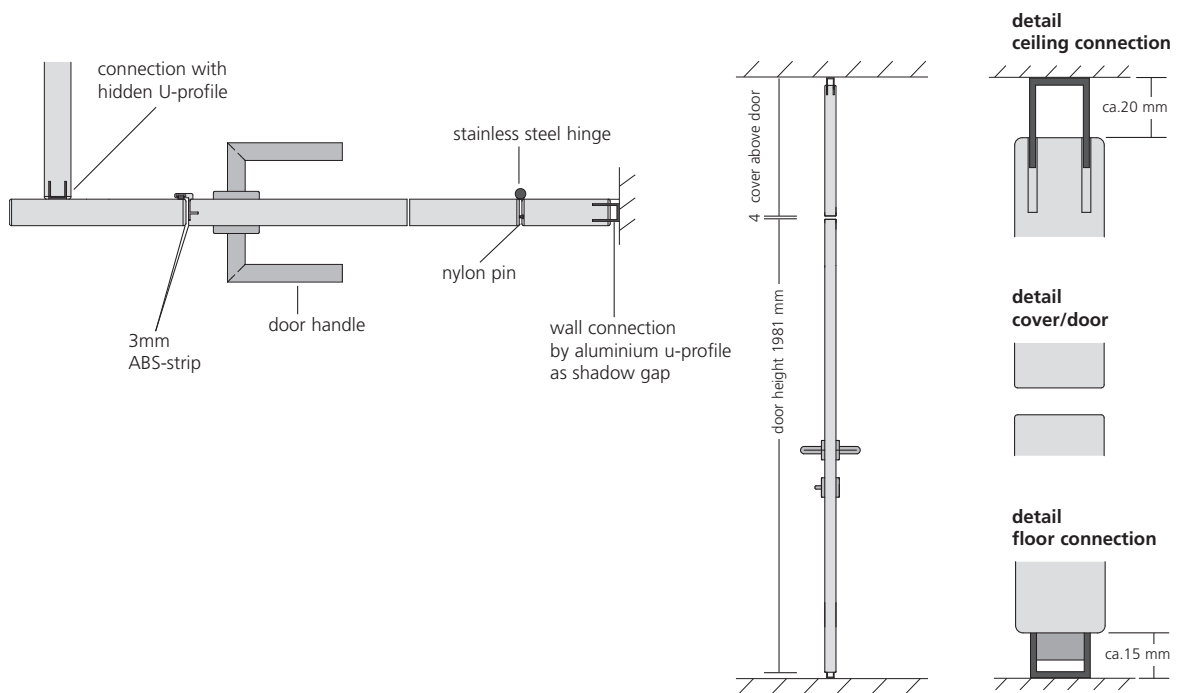
### Drawing: cross-section



Because of the floating system, a stable wall connection of the front elements is essential. Please note our technical sheet for details.

### Cubicle system Type SVF30/S ALTUS

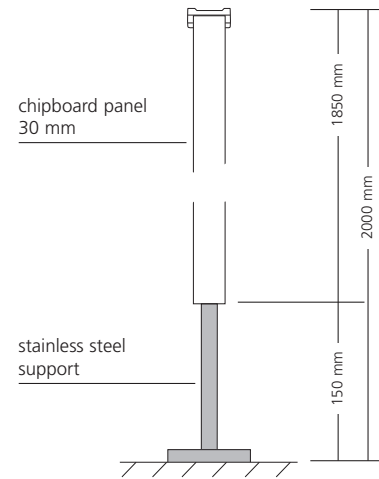
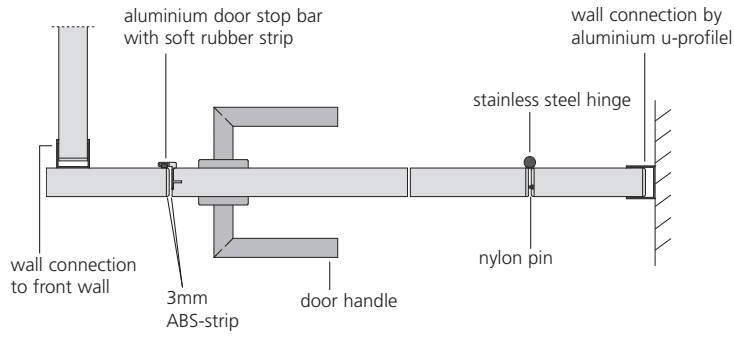
### Drawing: cross-section





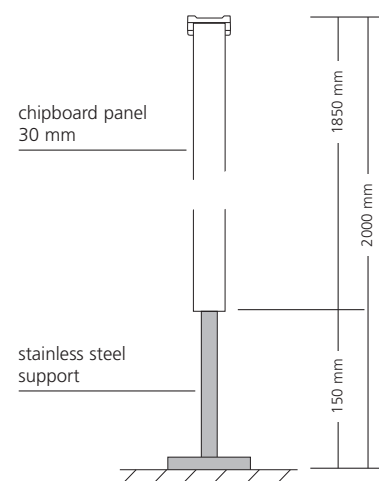
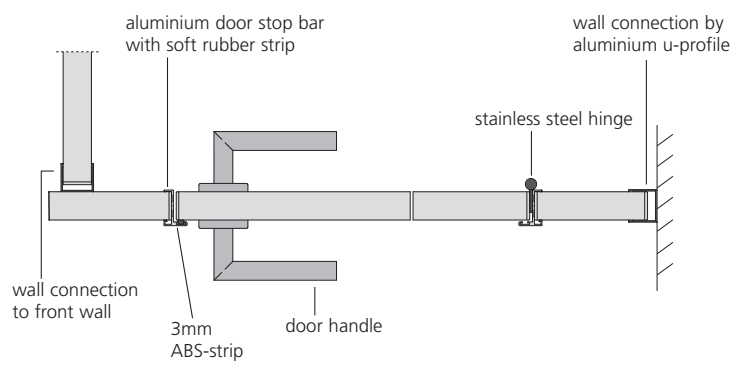
**Cubicle system Type SVF30**

**Drawing: cross-section**



**Cubicle system Type SV30**

**Drawing: cross-section**



Stylish and elegant partitioning.

**schäfer**  
Trennwandsysteme



cubicle systems –  
easy to design on  
[www.plantastisch3d.de](http://www.plantastisch3d.de)



*registered at the German  
society of pre-qualification  
for building companies e.V.  
Registration number:  
010.049740*



# Cubicle systems

Sandwich elements  
with coated steel or aluminium sheet



**schäfer**  
Trennwandsysteme



Type PUP30 / PU-ES30 / PUP40



**Beautiful and floating!** The model PUP30 JUMP toilet cubicle unit appears to be floating, due to the recessed positions of the feet and the head rail and due to the completely flush fitting front. Thereby the cubicle units optimally adapt to the interior design.





(1)



(2)

**(1)** Cubicle system type PUP30 JUMP. Sandwich elements comprised of two powder-coated steel sheet or aluminium shells with a rigid internal profile frame and completely filled with CFC-free polyurethane hard foam. Metal fittings like stainless steel knobs can be integrated upon request.

**(2)** The recessed head rail and feet are secured with solid aluminium brackets for additional stability. Selfclosing doors with high-quality stainless steel hinges.





(1)

**Beautifully shaped, robust, functional.** Schäfer's PUP30 model toilet cubicle unit is impressive, due to its smooth front surfaces and full colour harmony. This makes for a high quality and architecturally successful overall unit. The light, yet extremely sturdy sandwich construction easily accommodates even the most unconventional assemblies. For the elements' finish, choose from either stainless steel or powder-coated steel or aluminium sheets.

**(1)** Toilet cubicle unit type PUP30. Colours may be chosen from the entire RAL palette, permitting nearly unlimited design options.

This photo shows our cubicle system PUP30 in a special construction with only one support underneath the front wall pilasters. Available against surcharge.

**(2)** Toilet cubicle unit in stainless steel, model PU-ES30. The outer surfaces in stainless steel 1.4301 are especially low maintenance, hygienic, suitable for use with disinfectants and bacteriostatic. Side profiles and head rails are black.

**(3)** All elements exhibit the same powder-coated surface, ensuring uniform colour design.

The fully height-adjustable support foot is completely made of stainless steel. This is standard for these cubicles.







(1)

**Flush and very elegant!** Schäfer cubicles type PUP40 sets new benchmarks. The sheets are edged completely without additional profiles. The system is powder coated and so the cubicles can be finished jointless in many colour variations. This is a very elegant and optically highclass solution which is very easy to clean due to its flush surfaces.



**(1)** Cubicles type PUP40 ALTUS as room high construction guarantee a lot of privacy.

The cubicles can be made of steel sheet (PUP40), aluminum sheet (PUP-AL40) or stainless steel (PU-ES40).

**(2)** Cubicles type PUP40, here as construction without foot clearance. One of many design alternatives.

**(3)** Durable self-closing stainless steel hinges integrated into the element. This guarantees steady closure and looks good.

**(4)** The door rebates also completely powder coated which ensures a joistless changeover. Stainless steel handle with WC-locking - only one of many hardware possibilities.

#### **Surfaces and colors for all product types:**

Powder coated elements allow a completely colour coordinated layout, which arranges a permanent fine surface. The elements get powder coated by stove enameling with polyester epoxide resin.

The product line of PUP offers a high creative leeway with the selection of the colours. All RAL colours are convertible against a low colour change allowance.

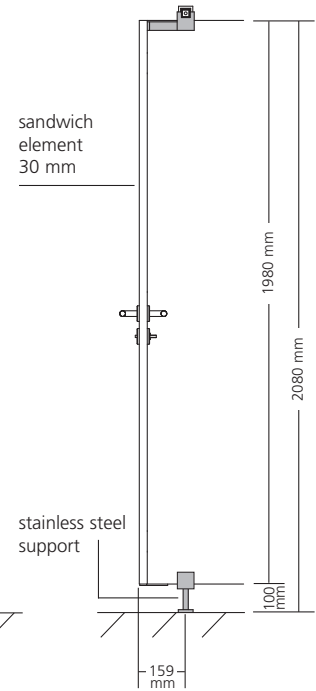


## Cubicle type PUP30 JUMP

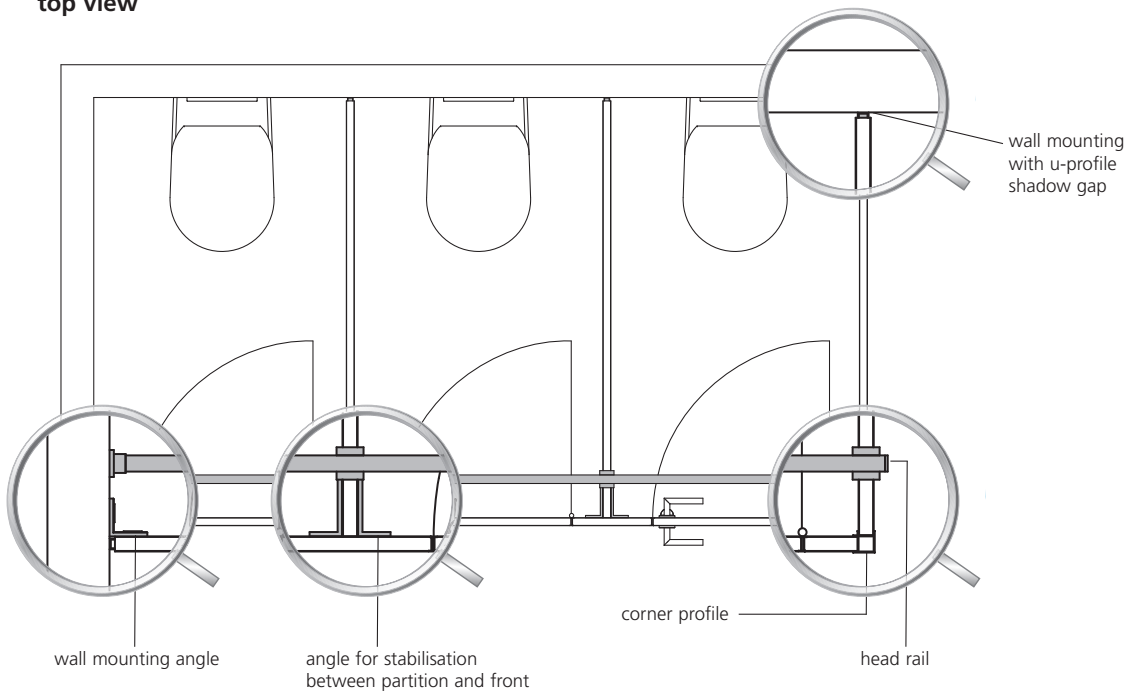
front view



section drawing



top view



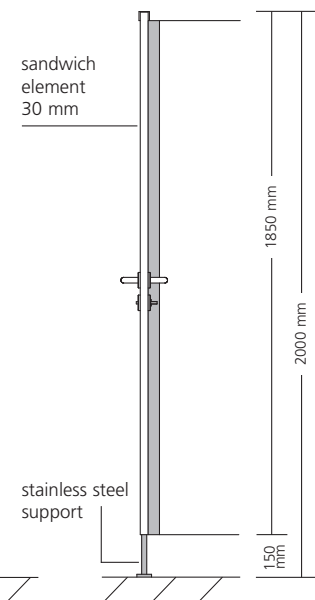
For a floating appearance, the connecting parts must be stably attached to the front. Please note our special technical information.

## Cubicle type PUP30

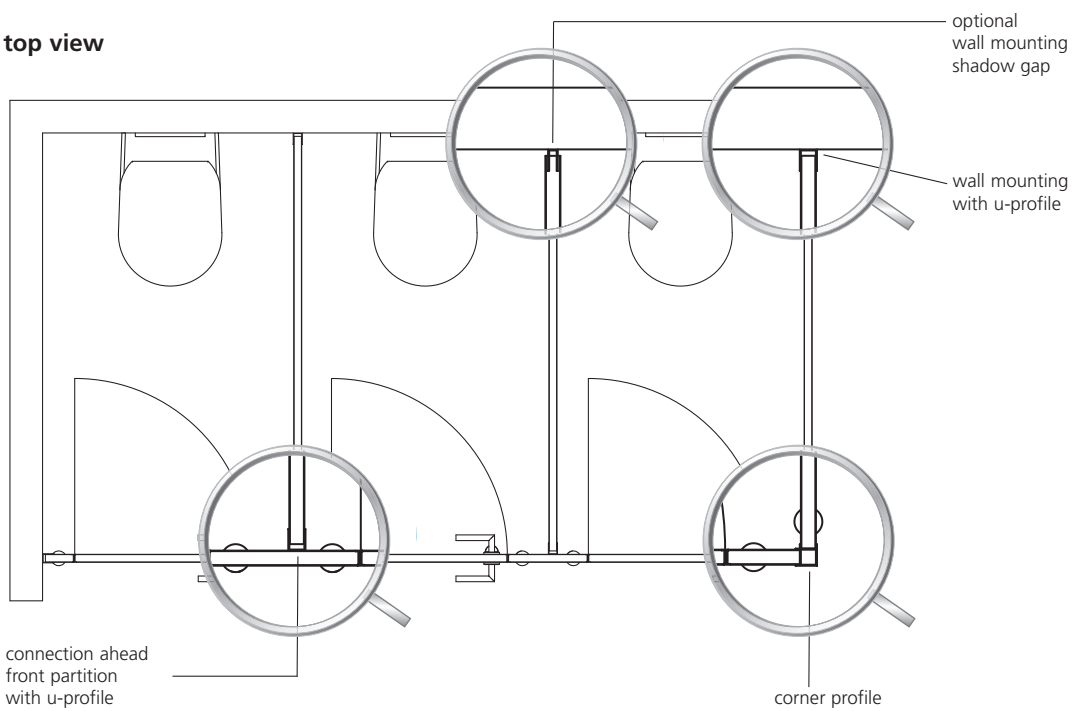
front view



section drawing



top view



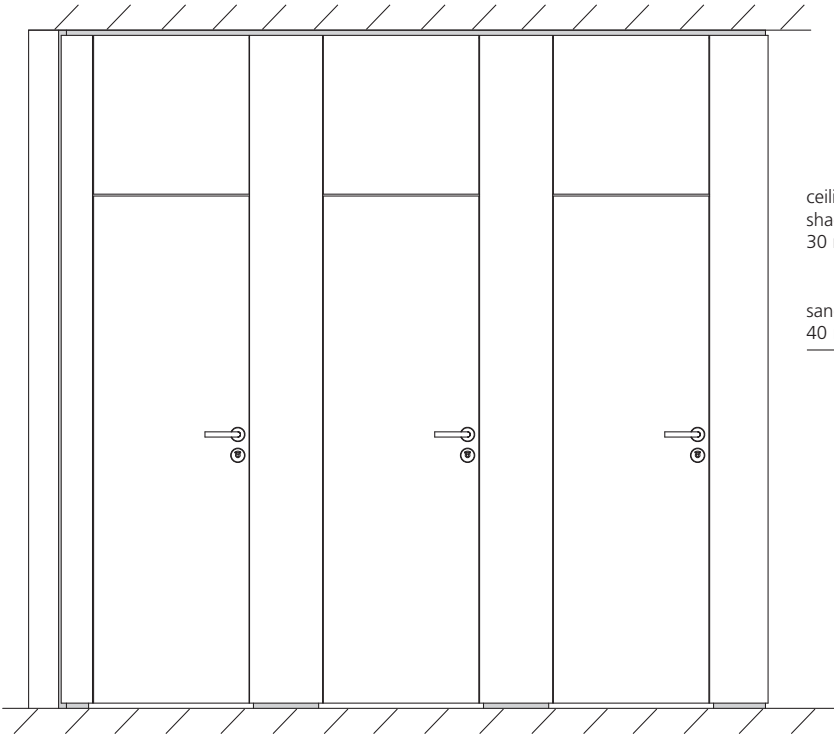
Using steel cap profiles as element filling, the PUP30 unit's design can be simply and easily modified so as to be flame-resistant. The result is a new applications in fire-sensitive areas, as no flammable parts are used.

Subject to technical modifications.

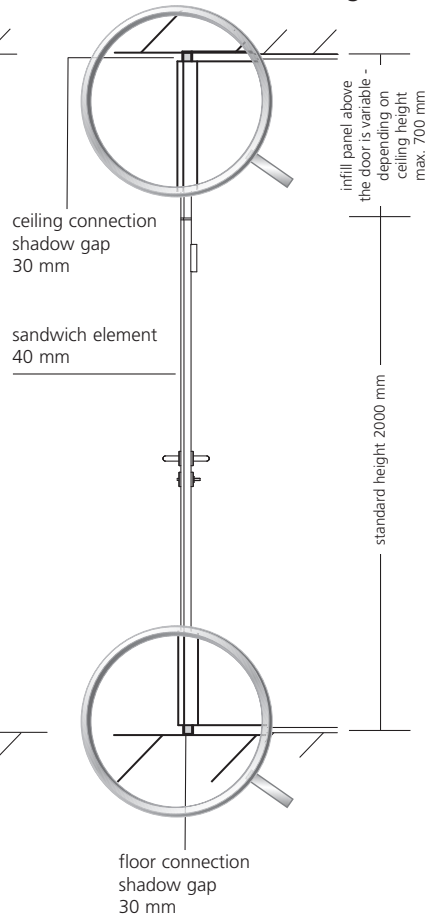


# Cubicle type PUP40 ALTUS

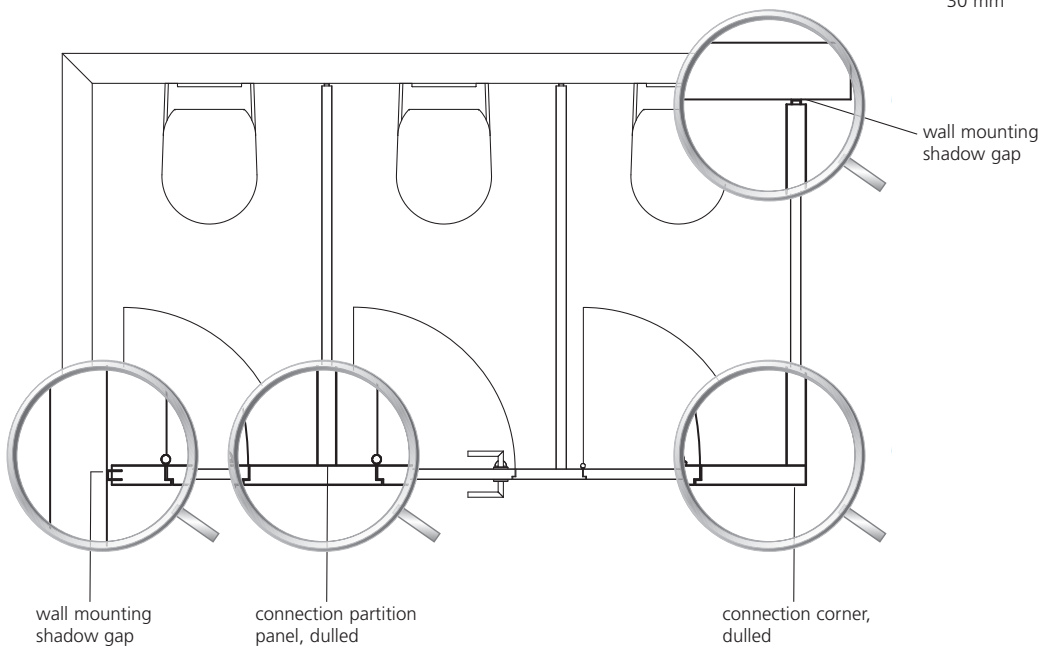
front view



section drawing



top view

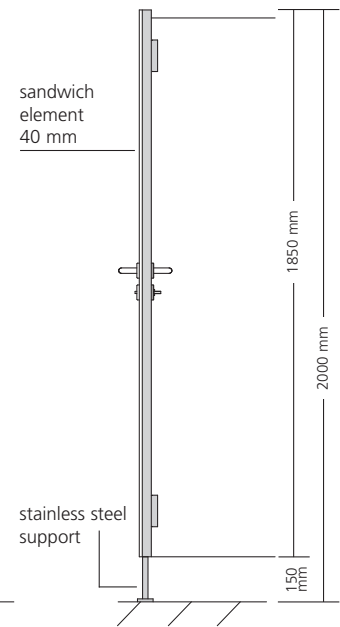


## Cubicle type PUP40

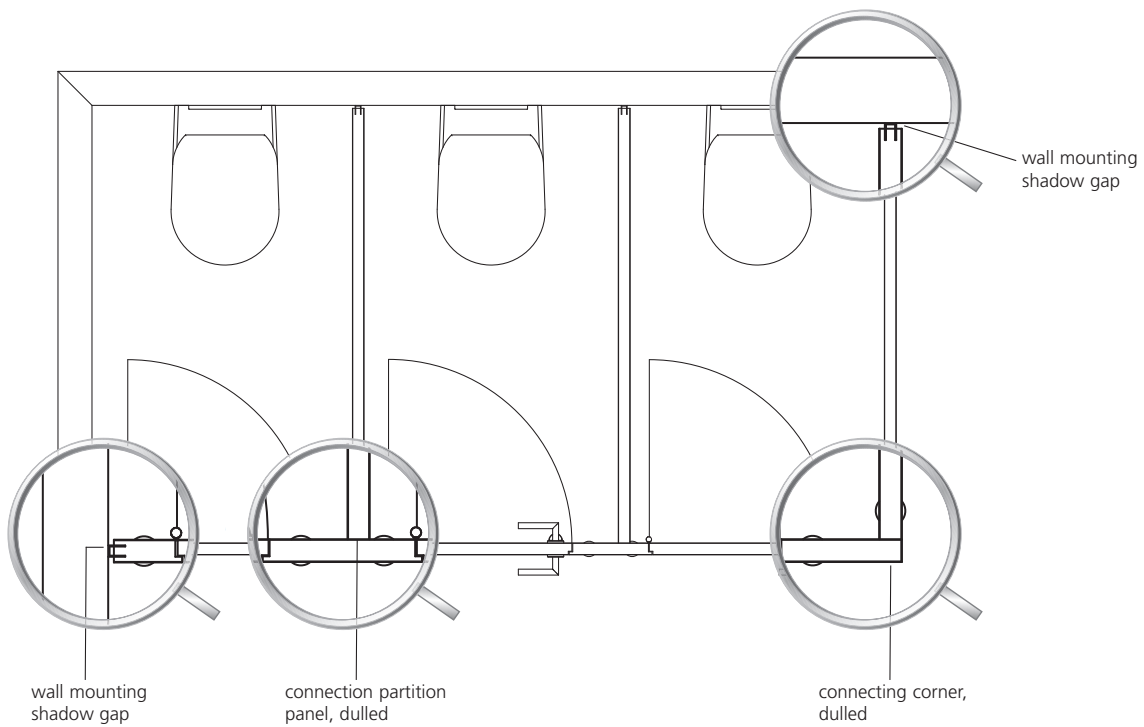
front view



section drawing



top view



Subject to technical modifications.

Stylish and elegant partitioning.

**schäfer**  
Trennwandsysteme



cubicle systems –  
easy to design on  
[www.plantastisch3d.de](http://www.plantastisch3d.de)



*registered at the  
German society of  
pre-qualification for  
building companies e.V.  
Registration number:  
010.049740*



# Locker systems & Cloakroom systems




**schäfer**  
Trennwandsysteme



Type VITRUM GS / GVKF13 / SGVK13 / AGVK13 / S20



 **PREMIÚMLÍNE**  
Exclusive as your requirements

**Puristic elegance.** Coloured glass front panes combined with stone, concrete and wood. Despite the opposing materials used, a perfect ensemble was created. The Schäfer lockers Vitrum GS with security glass front panels are the design highlight in the changing area. The material glass with its endless variations of colours creates the impression of elegance and quality and offers architecture nearly limitless design options. Moreover, glass attributes a variety of product advantages for its use in the changing areas: Very simple and efficiently to clean, high resistance against mechanical damages and due to the known properties of the material type glass, careful handling by its users. That warrants that a changing area with glass cabinets still looks perfect and well cared after many years of use.





(1)



(2)

**(1)** Lockers type Vitrum GS. Body made of white HPL, front sides made of 10 mm enamelled single pane safety glass. The installation in the picture is mounted on a tiled concrete plinth. This is only one of many installation options.

**(2)** Dark glass colours in general radiate a subtle quietness and elegance. The sense of space can be significantly influenced with the selection of colours.





**Appealing design and incredibly adjustable.** The Schäfer lockers Vitrum combine the best of proven technology and new design - combined in a winning solution.



By using a cabinet system that has variable height, depth and width as well as a push-in system made from HPL-materials, the system can be easily assembled to fit into existing buildings. Any space can be used effectively. An unique, innovative finger protection guarantees best safety - certificated by the German TÜV!

# PREMIUMLINE

Exclusive as your requirements



(1)



(3)



(4)

(1) Lockers made of glass installed on tiled plinth existing on site. Different colours should give the visitors a better orientation.

(2) Deposit boxes installed in a niche.

(3) Optionally, the glass doors of the lockers are available with bonded hinges. Thus, the existing aluminum fixing rosettes omitted in the hinge area. The result: a smooth and calm optic.

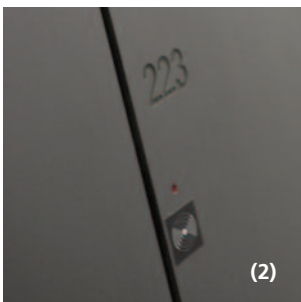
(4) Due to the variable construction, also round designs can be realised without problems. On top of the lockers, a room height cover with ventilation openings.

German TÜV approved safety  
guarantees perfect quality!





**Design and function oriented.** Schäfer lockers, type GVKF13 with flush mounted front panels. This creates a calm optic and the coloured panel material displays its advantages. The combination of different surfaces and colours creates visual design highlights. The variable locker body construction allows an easy adjustment to the dimensions from the project.







**PREMIUMLINE**  
Exclusive as your requirements

(1)



(3)



(4)

**(1)** Lockers type GVKF13, in this example, installed on central supporter legs. With this measure, cleaning is extremely simplified. One aspect, which especially in pool areas caters long term cost advantages.

**(2)** Entirely surface flush mounted doors with transponder lock and engraved cabinet number.

**(3)** Locker system type GVKF13 on a tiled plinth on-site. Variations in colour loosen up the design and set special accents.

**(4)** Lockers type GVKF13 installed on a tiled concrete plinth.

German TÜV approved safety  
guarantees perfect quality!







## Limitless individuality.

Schäfer lockers type GVKF13, completely made of waterproof HPL. Dimensioning and separation is entirely free and supplemented with the option to design the front panels with your own motifs. This allows realising your very own and special designs. In such cases, the designs are usually provided by the client and will be imprinted during the manufacturing processes of the HPL panel material. That creates a robust and durable surface.



front panels with your own motifs. This allows realising your very own and special designs. In such cases, the designs are usually provided by the client and will be imprinted during the manufacturing processes of the HPL panel material. That creates a robust and durable surface.



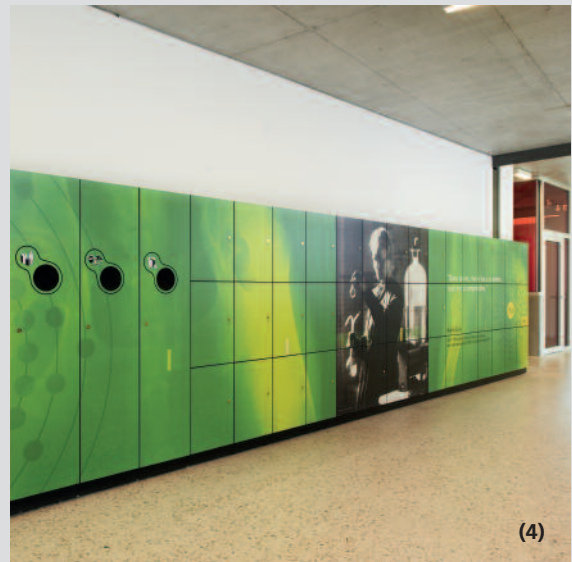


**PREMIUMLINE**  
Exclusive as your requirements

(1)



(3)



(4)

(1) Lockers type GVKF 13 (here the locker body in a special version) with a customized front motif. The complete body is made of water-resistant HPL and therefore extremely robust and durable.

(2) Optional door numbering engraved into the HPL.

(3) Threefold locker set on an aluminium plinth with plinth cover. This is only one of many possible variants.

(4) In this case, the motif is adapted to the overall project 'school' and the 'learning' theme. That way, the furniture design emphasizes the overall architecture.

German TÜV approved safety  
guarantees perfect quality!







**Economically and variable.** Lockers of the types SGVK13 resp. AGVK13 are

economical alternatives for the wardrobe area. A locker body of paint coated steel resp. aluminium

in combination with a 13 mm HPL door allows many design options.

The body is spot welded, which guarantees high stability. A protective

baked enamel finish creates the necessary surface protection.





**PREMIUMLINE**  
Exclusive as your requirements

(1)



(3)



(4)

(1) Locker system type SGVK13 installed on a tiled plinth with a bench attached. A comfortable and elegant solution, which combines high usage comfort with cleaning friendliness.

(2) Cabinet number engraved in the HPL door.

(3) Due to the high variability, alternating single and double lockers is not a problem. Facing changing cubicles of type EF-3 complete the overall solution.

(4) Interesting design highlights can be realised by playing with diverse colour combinations.

German TÜV approved safety guarantees perfect quality!







(1)



(2)



Storing valuables has a high significance especially in pool and fitness areas. The storage of valuables should generally be separated from the regular lockers. For that purpose, monitored areas are more suitable.

- (1)** Safety deposit box system type Vitrum GS, here with security glass doors, printed with a client individual motif. A very functional and exclusive overall solution where the safety deposit boxes are flush mounted in to the front glass panel.
- (2)** An architectonic highlight: Free hanging glass safety deposit box (type Vitrum GS). The material combination of concrete and glass is an ideal match. Facing deposit boxes, also type Vitrum GS.
- (3)** Safety deposit box type GVKF13 with 13 mm full core panel shelf board attached below. Compartment separations and sizes are nearly freely selectable.
- (4)** Safety deposit box system type GVKF13, colour matched to other furniture.
- (5)** A glass version of deposit lockers type Vitrum GS.



TÜV geprüfte Sicherheit  
spricht für höchste Qualität.





(1)



(2)



Shelf solutions, shelf spaces and hook rails complete the cabinet program in a perfect manner. An overall furnishing concept can be realised by using the same materials and surfaces. Hereby, dimensions, separations and shapes can be realised according to the customer's desire.

**(1)** Floor placed shelf system made of 13 mm HPL panels with with an aluminium-veneered plinth. The high stability of this construction allows its use as a bench.

**(2)** Wall mounted shelf system made of 13 mm HPL panels. The irregular and asymmetric compartment separation creates an interesting design effect with economic user comfort.

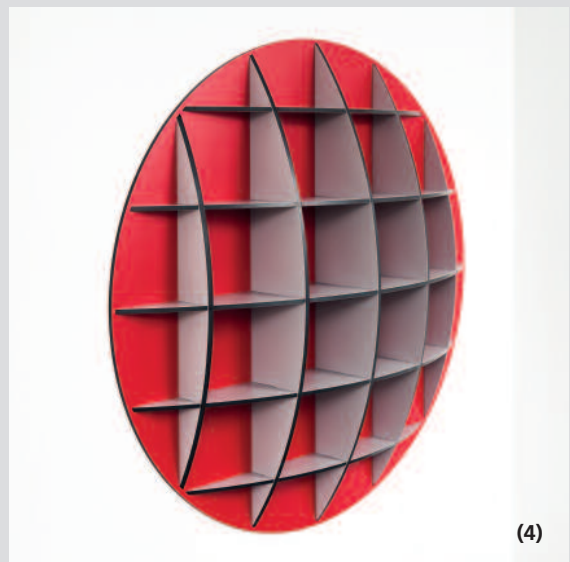
**(3)** Wall mounted shelf system made of 13 mm HPL panels with differently coloured rear wall.

**(4)** An interesting filling system provides the Schäfer shelf solution in hemispherical shape. Outside diameter 1,520 mm, tray sizes 250 x 250 mm. The design can varied by colourful accents.

**(5)** Glass solutions are suitable for shelf areas as well. That way, shelves and towel holders can be designed according to customer requirements.



(3)



(4)



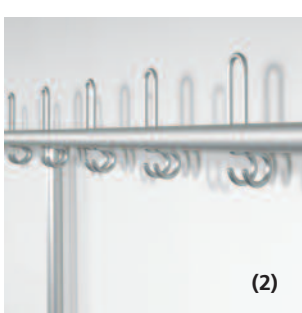
(5)





**Safety, stability, modern design.** The Schäfer S20 cloakroom system com-

bines safety requirements in the changing area with robust stability under heavy loads and



appealing design for attractive layout in various situations. This makes it

perfectly suited for all areas of application, such as swimming pools,

sports halls, schools and changing areas. Due to the simple, systematic

method of construction it can be adapted to suit almost all structural

requirements.

**(1)** Double-sided bench with a hook rail round the top. The underframe of the bench can be supplied either powdercoated or anodised, as required.

This construction is also available as single sided bench with a hook rail (type d).

In standard version, the bench seating consists of 20 mm, the back rest of 13 mm thick solid grade laminate panels. These can be delivered without joint up to a length of 2.500 mm. All corners and edges are rounded for safety. Moreover, the used safety hooks guarantee a high safety standard. Alternatively, the bench tops can be supplied made out of 13 mm solid-core shelves, doubled up to 26 mm, as shown here.

**(2)** Hook rail made of round aluminium tubing, with triple safety hooks. The hooks are fixed behind the rail, so that no parts are overhanging and the danger of hurts is minimized.

**(3)** Wall-mounted bench with wall-mounted hook rail. This is a very easy to clean solution but it requires a high stability and bearing strength of the brickwall.

**(4)** For dry areas, bench seatings alternatively are available out of lacquered solid wood panels. This leads to high-quality optics. In this picture shown in combination with glass locker type Vitrum GS.

**(5)** Hook rail with a carrier panel of 10 mm safety glass, optionally satin finished, clear or colour coated, with special stainless steel hooks and flush mounting rosettes for wall installation.



TÜV geprüfte Sicherheit  
spricht für höchste Qualität.





**(1)** A very solid stainless steel doorstopper (for single, double and Z-cabinets) limits the door opening angle to app. 95°. The doorstopper is equipped with a buffer to minimise noise emission. All doors are equipped with flush mounted and maintenance free stainless steel hinges. Img. Type GVKF13.



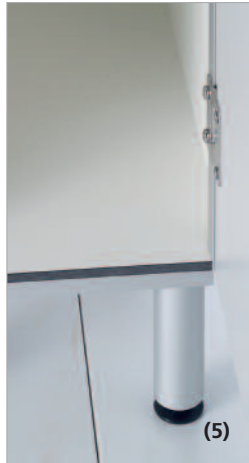
**(2)** At cabinets of type SGVK13/AGVK13 the opening limiter is mounted throughout the cabinet's body and is equipped with a buffer.

**(3)** The interior of the single cabinet type GVKF13 consists of the hat rack, clothes rail and movable double hook. Other interiors are available on customer request.



**(4)** The interior of the single cabinet type SGVK13/AGVK13 consists of the hat rack, clothes rail and two movable hooks. An optional cabinet perforation will be based on customer request.

**(5)** Shelf rack of a wardrobe cabinet type GVKF13, completely closed. The insensitive full core material and the rounded body corners are easy to clean.



**(6)** Optional rail rack of aluminium tubes. Here, water can drop down.

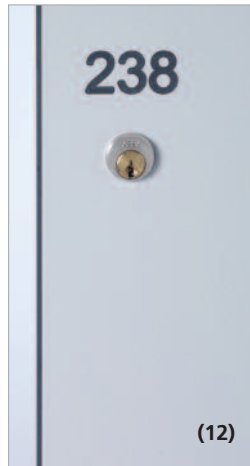
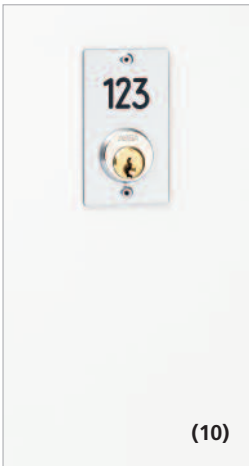
**(7)** Optional, the cabinet floor can be perforated or slotted according to customer request.

**(8)** Locking solutions, e.g. deposit locks can also be integrated without problems to the cabinet systems. The doors of single and double as well as Z-cabinets are equipped with a theft security bolt.



**(9)** Cylinder lever locks designed as master key system are usually used in the area of personal lockers.

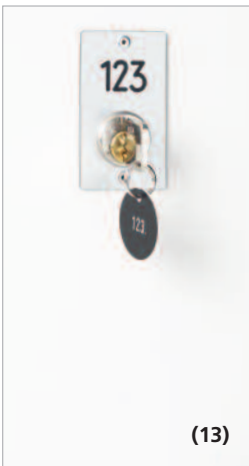




**(10)** By standard, all cabinet types are equipped with a silver colour plastic number plate with black engraving. Optionally, number plates are available in aluminium or stainless steel.

**(11)** Engraving directly in the HPL is a permanent and optically appealing option. This image shows a contour engraving.

**(12)** Optionally, the number or design can be completely milled out.



**(13) + (14) + (15)** Key bracelets made of various materials, key tags with engraved numbers and other cabinet accessories can be designed according to customers requirements. Please contact us.



**(16)** Nonbreakable nylon clothes hangers, designed for the standard sizes of the wardrobe cabinets.

**(17)** An additional clothes net increases the visitors comfort.

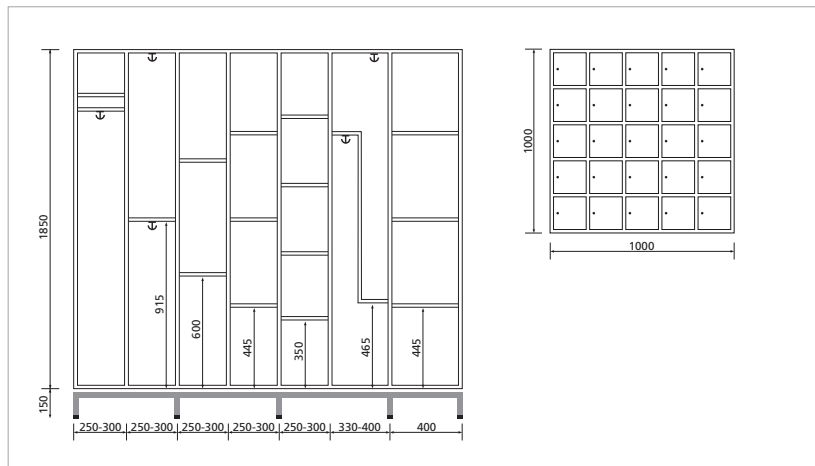
**(18)** Clothes hangers with additional shoe hooks.

**(19)** Clothes hangers with shoe hooks and net.



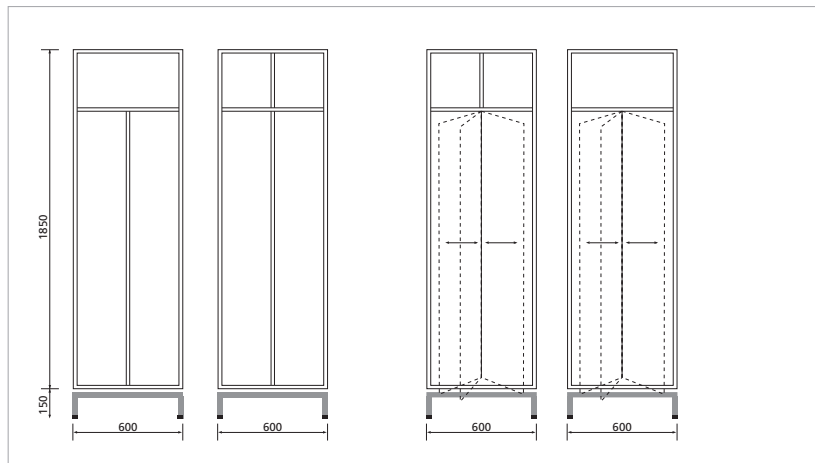
## Lockers

The division of Schäfer lockers is very variable. No matter if single, double, multiple cabinets up to Z-cabinets, helmet and safety deposit boxes. Sizes and arrangements can be ideally attuned to the present space situation.



## Personal lockers

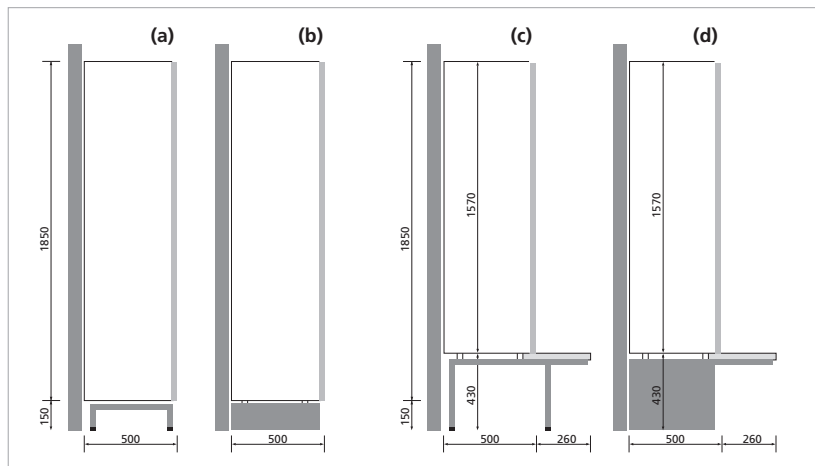
Personal lockers as black-white cabinets are available in various designs. One centre divider wall in the cabinet compartment segregates street clothes from working clothes. For example, this centre wall can also be movable.



## Set-up variations

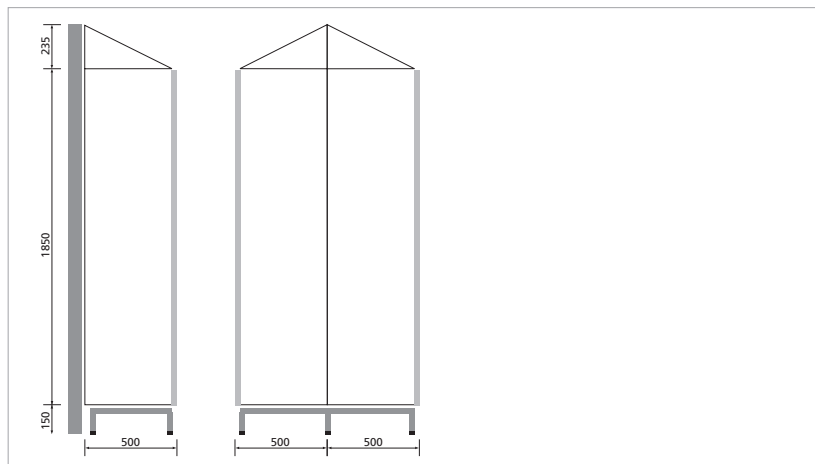
Also the set-up options cater for the relevant building situation:

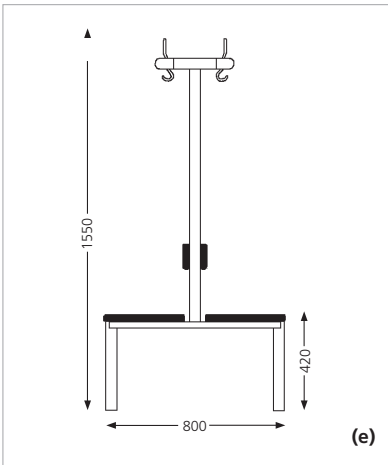
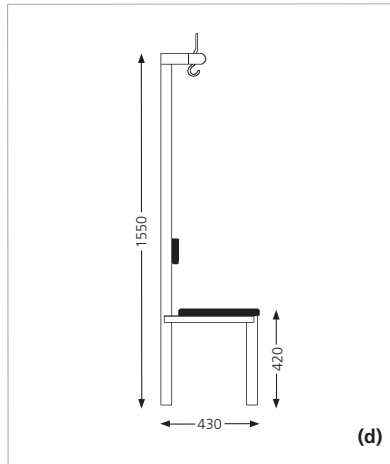
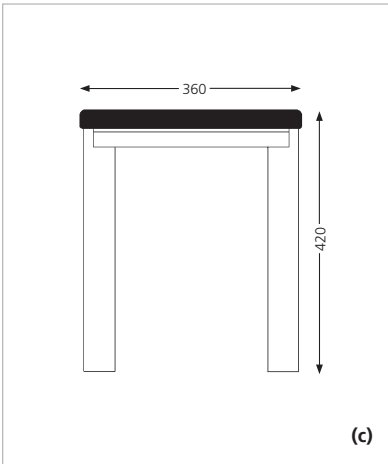
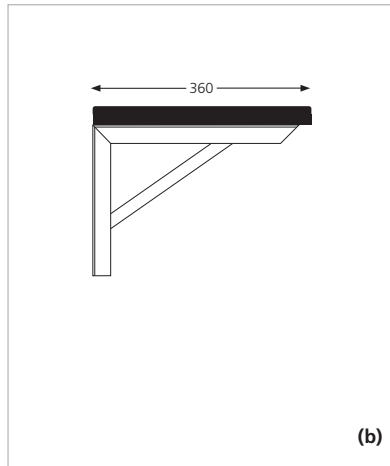
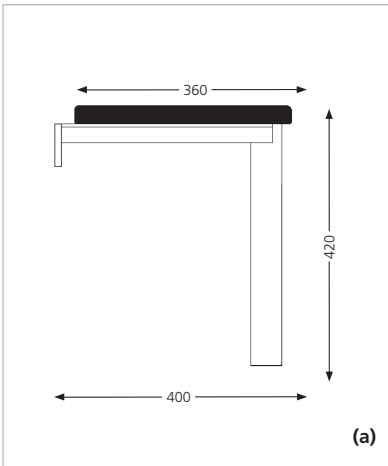
- (a) Installation on aluminium plinth.
- (b) Installation on a tiled concrete plinth.
- (c) Installation on an aluminium plinth with integrated bench.
- (d) Installation on a tiled concrete plinth with integrated bench.



## Roof variants

Attached slanted rooves prevent that bags or other items will be placed on top of the cabinets. An important criterion in hygiene sections.





**Bench-variants:**

**(a)** Bench with front support and wall attachment.

**(b)** Foot-free bench with wall attachment.

**(c)** Bench as a free standing stool bench design.

**(d)** Single-sided bench with hook rail and backrest

**(e)** Double-sided bench with hook rail and backrest.

**(f)** Bench with shoe rack, available for all styles.

Subject to technical alteration.



Stylish and elegant partitioning!

**schäfer**  
Trennwandsysteme



cubicle systems –  
easy to design on  
[www.plantastisch3d.de](http://www.plantastisch3d.de)



*registered at the German  
society of pre-qualification  
for building companies e.V.  
Registration number:  
010.049740*

# Vanity units

made of glass / HPL / mineral composite

**schäfer**  
Trennwandsysteme



Type VITRUM WT / VKW / MWT



(1)

**Design meets purism.** Schäfer vanity units made of glass focus on high class working materials, a minimalistic design and perfect manufacturing. The result is an extraordinary vanity unit very flexible in design which can be customized to the individual project. So easy but so elegant.



**(1)** Vanity units with a lower cabinet made of white laminate and a vanity top made of black, printed single-pane glass.

**(2)** Vanity unit made entirely of glass and mounted on sturdy, stainless steel brackets.

**(3)** Glass vanity unit with lower cabinet and glass front. The entire unit is built in and is equipped with mirrors on the back wall, sidewall, and ceiling. This results in a complete solution that perfectly contrasts the exposed concrete enveloping the building.

**(4)** The glass unit can be matched to the interior design. A rear glass wall protects the area behind the basin. It is both easy to clean and hygienic.



(2)



(3)



(4)



Full of fantasy, hygiene and functionality. Schäfer vanity units type VKW do not leave much to desire. Colours, designs and fitting can be realised regarding to the customers demand. By using adequate materials the focus is set on easy cleaning, hygiene and longlife without compromises in optic and design. This is an extraordinary solution for ambitious sanitary areas.





(1)



(2)



(3)



(4)

**(1)** Vanity unit type VKW with a layer of 13 mm laminate plates and a peripheral splash back. Colour-matched to a base cabinet, which is also made of 13 mm laminate plates.

**(2)** The combination of different colours and interesting contrasts can be customised.

**(3) + (4)** Paper towel holders and soap dispensers are concealed behind a mirror. These necessary accessories do not interfere with the interior design, yet they are perfectly accessible. For convenient filling, the mirror can be raised via an electric motor.





A material that leaves no wish unfulfilled. Washbasins made of mineral composite are the perfect choice for public sanitary facilities. Various designs will provide a new sense of space. The seamless processing guarantees lasting premium aesthetics. The easy-to-clean surface is also an investment in a long-term, high-quality sanitary facility.







(1)



(3)

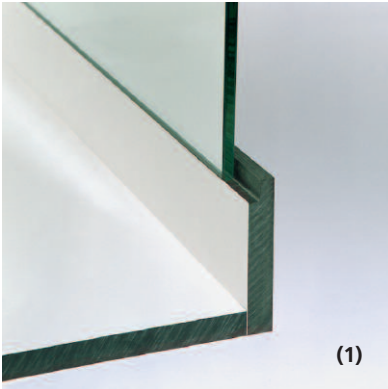
**(1)** Hair dryer and washstand with an overlay made of mineral composite and lower siding made of coloured printed glass with integrated paper dispensers and waste bins.

**(2)** Washstands made of mineral composite are designed according to the form and dimensions required by the customer. Different basin types can also be integrated.

**(3)** Through the seamless design and rear wiper edge, washstands made of mineral composite are easy to clean and feature a very pleasant look.

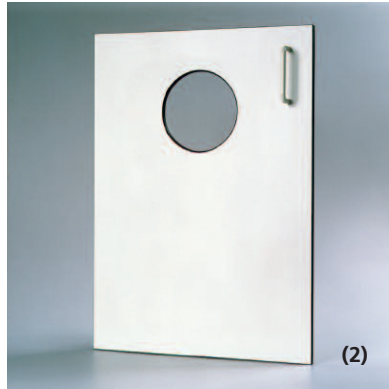
Stylish and elegant partitioning.

**schäfer**  
Trennwandsysteme



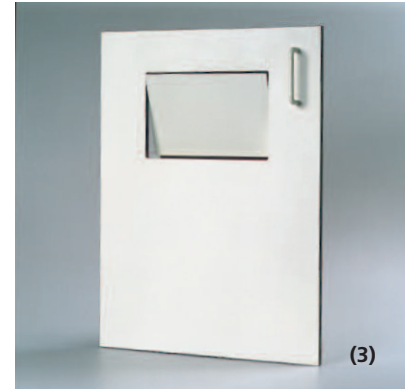
(1)

**(1)** Rear raised edging of the vanity unit. Upon request, this can be equipped with a rebate to provide an elegantly shaped and flush-fitting rest for a mirror.



(2)

**(2)** Door of a floor locker with round opening (e.g. for paper towels). Doors are equipped either with handles or with a cylinder lock.



(3)

**(3)** Door of a vanity unit with a waste disposal flap for paper towels. Just one of numerous other design options.

We reserve the right to make technical alterations.



cubicle systems –  
easy to design on  
[www.plantastisch3d.de](http://www.plantastisch3d.de)



registered at the German  
society of pre-qualification  
for building companies e.V.  
Registration number:  
010.049740



# Kindergarten cubicles



**schäfer**  
Trennwandsysteme



Type VK13 / SVF30 KIGA / CHANGING TABLES



**Playful, robust and safe.** When fitting out a kindergarten, the versatility of the equipment plays an important role. Ideally, the products should meet the requirements of the age



groups involved just as perfectly as those of adults. The combination of colours, materials and picture motifs creates a friendly and cheerful effect. Lively elements such as pictograms make it easier for the children to find their way around the building.

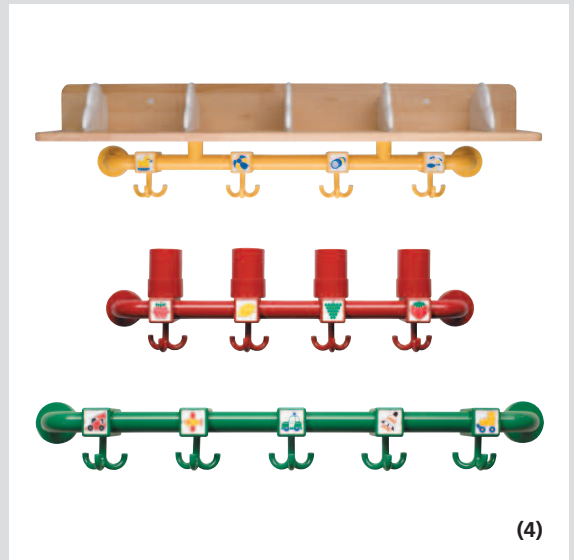




(1)



(3)



(4)

**(1)** Cubicle system type VK13 KIGA made of 13 mm HPL boards, connected with aluminium profiles for a high stability.

**(2)** Finger-protection on the hinge and closing edges in compliance with the safety regulations of the GUV.

**(3)** The perfect combination of toilet cubicles and high shower doors.

**(4)** Wall coat rack with shelf for caps, toothbrush tumblers and top rails with safety hooks and icon holders.

As no stabilising overhead profile is used in kindergarten units, additional aluminium brackets are attached to the partition wall joints at the front end and the wall.

TÜV tested safety stands  
for highest quality.







**Exclusively for children.** Thanks to the large range of versions available, the Schäfer cubicle system VK13 KIGA is the ideal design for use in kindergartens. Individual colour combinations, waterproof, unusual configuration options and the highest standards of safety and strength are among the plus points of this partition wall design.



(2)



(1)



(3)



(4)

**(1)** Cubicle system type VK13 KIGA in two-tone design, and in combination with a cubicle that is suitable for use by those with physical handicaps. The possible colour schemes are virtually unlimited. They not only make the unit more visually attractive but also help children to find their way around more easily.

**(2)** Toothbrush tumbler rails with two towel hooks. Here as well, the children are helped to find their way around by photo holders.

**(3)** Ergonomically perfect wash basin solutions fit harmoniously into the overall picture. The different heights of the wash basins mean that children of all ages and sizes can use them freely.

**(4)** The product range is rounded off with a baby changing table, supply cabinet and WC unit for the staff, thus enabling individual configuration that addresses all your needs.

TÜV tested safety stands  
for highest quality.







(1)

**Big things for the little ones.** The Schäfer cubicle system type SVF30 KIGA combines excellent quality with compliance with the high safety requirements that are demanded in this area. Simple care, maintenance-free design and an attractive appearance make this unit the optimum solution for the kindergarten.



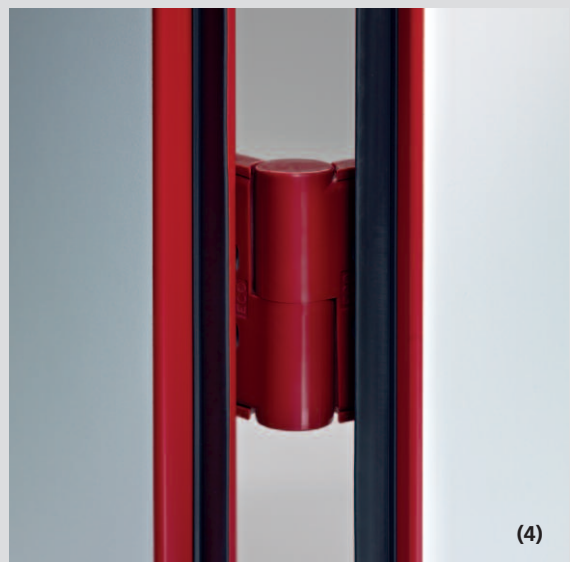
**(1)** Cubicle system type SVF30 KIGA made from 30 mm melamine resin-coated solid chipboard panels. The front is completely flush, making it especially easy to clean and providing an attractive finish.

**(2)** Also an eye-catcher completely in white.

**(3)** The safety ring grip is fitted as standard in all Schäfer kindergarten units. It means that easy and safe use is guaranteed even for the smallest children.

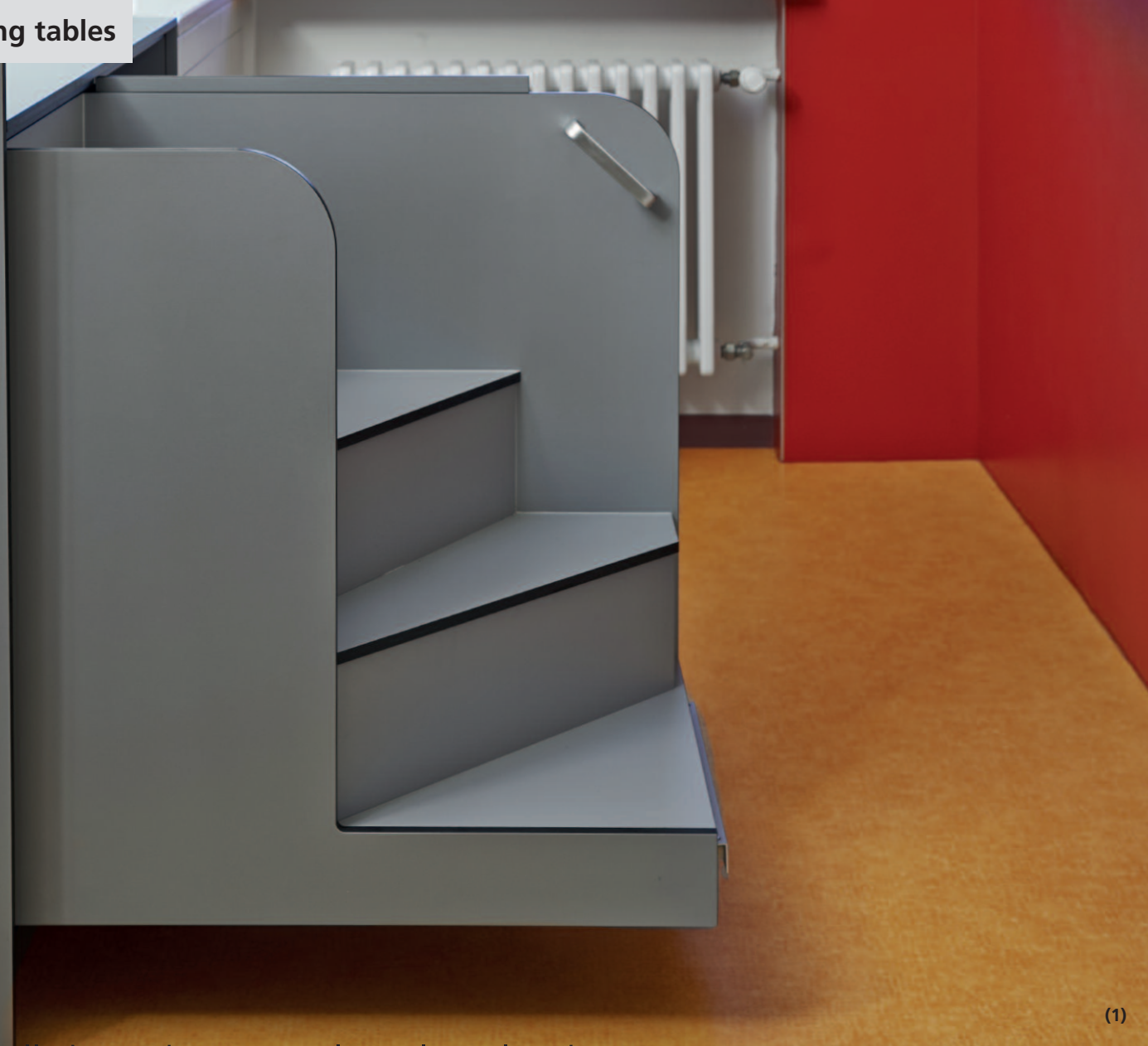
**(4)** Finger-protection on the hinge and closing edges in compliance with the safety regulations of the GUV.

As no stabilising overhead profile is used in kindergarten units, additional aluminium brackets are attached to the partition wall joints at the front end and at the wall.



TÜV tested safety stands for highest quality.





**Well thought-out. Cleverly solved.** Schäfer baby's changing table solutions are the ideal product to respond to the changing care needs of today: the significant increase in the number of children under three and the associated work involved in changing the nappies of the little ones also requires new equipment. The pull-out steps of the Schäfer baby's changing table reduce the strain on the backs of nursery staff and in addition are great fun for the children. TÜV approved!



**(1)** Baby's changing table solution with pull-out steps in circular form. This solution is especially ideal for confined spaces. When not in use the steps are hidden behind a lockable door. The unit is unlocked by means of a foot pedal. When fully extended the steps then lock into place and can be retracted again by pressing the foot pedal.

**(2)** Pull-out steps in a straight version. The rails on the side serve as handrails.

**(3)** The steps are fitted into the baby's changing table depending on the available space. The baby's changing table can be fitted according to customer requirements with drawers, shelves or cupboard doors.

**(4)** When not in use the steps are hidden behind a lockable door.



(2)



(3)



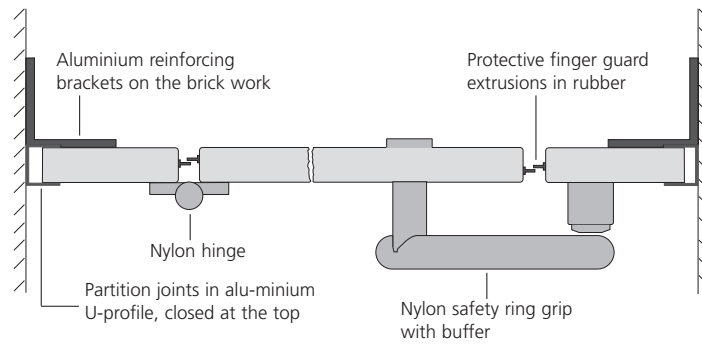
(4)

TÜV tested safety stands  
for highest quality.

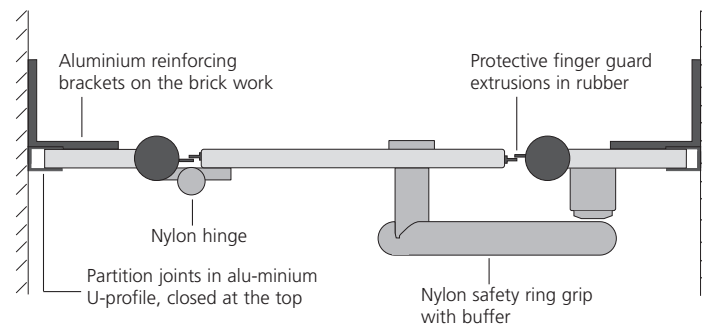




### Cubicle system type SVF30 KIGA



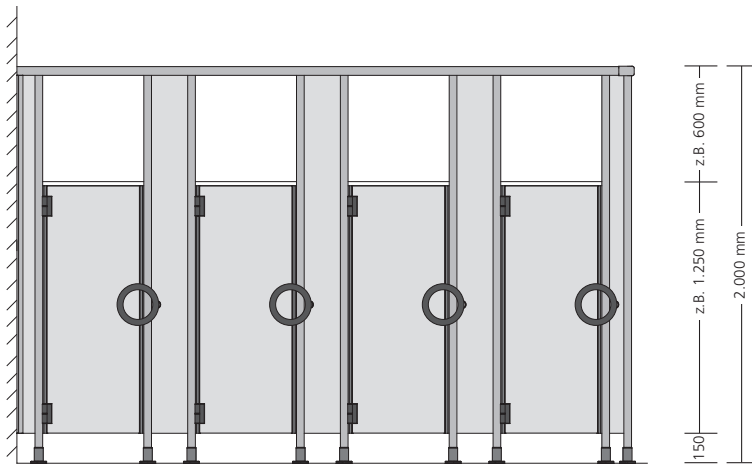
### Cubicle system type VK13 KIGA



TÜV tested safety stands  
for highest quality.



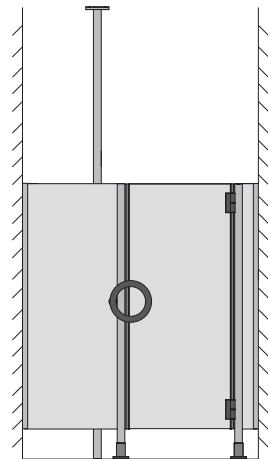
## Kindergarten cubicles type SVF30 KIGA or type VK13 with high front elements



Due to their low height kindergarten cubicles generally do not have a stabilising upper section.

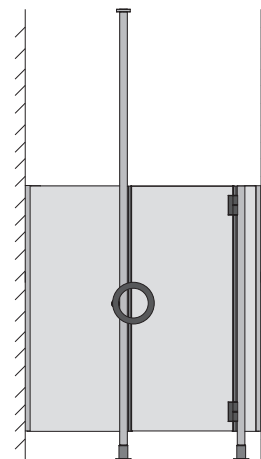
A tried-and-tested variant is therefore the implementation of the front section at a height of 2.000 mm, so that an upper profile can be extended over the front for stabilisation purposes.

### Solution for stabilisation of wide fronts



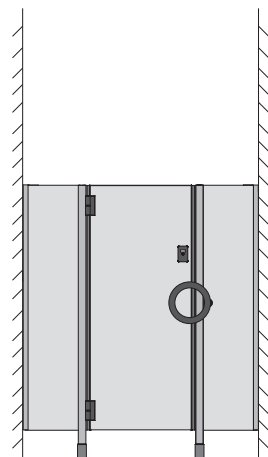
Broad front sections can be stabilised by an aluminium tube which extends to the ceiling.

### Solution for stabilisation of wide fronts (only for type VK13 KIGA)

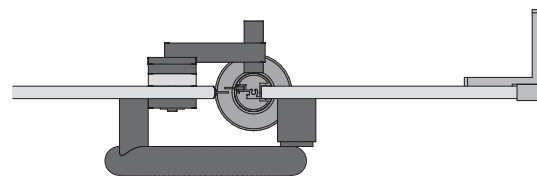


With Model VK13 Kiga the stabilising tube can be directly formed by the extension of a front profile.

### Locking device



If required a door lock can be fitted. This is arranged in such a way that nursery staff can reach over the door to unlock it in an emergency.



Stylish and elegant partitioning.

**schäfer**  
Trennwandsysteme



cubicle systems –  
easy to design on  
[www.plantastisch3d.de](http://www.plantastisch3d.de)



*registered at the German  
society of pre-qualification  
for building companies e.V.  
Registration number:  
010.049740*



# Damp room doors



Type NT40



The perfect door for wet areas. Water-resistant doors amend the product range of Schäfer in the sanitary field. The decors of the damp room doors can exactly be coordinated to the colors of the cubicles and lockers in order to get the room an uniform and harmonious overall impression. In combination with high quality aluminium frames Schäfer damp room door type NT40 is the perfect product for shower rooms and swimming pools.





**(1)** Schäfer damp rooms doors, type NT40, are absolutely waterproof. The 40 mm thick doors consist of 3 mm solid grade laminate panels on both sides which are glued together on a continuous nylon frame. The elements are filled with a polystyrene rigid foam. Thus, a highly stable but also lightweight construction is achieved. Schäfer damp room doors are available dulled or rabbeted. Optional you can get the damp room doors as a fireproof door (T30). The doors will then be 50 mm thick.

**(2)** High quality mortice locks made of brass and stainless steel are very long lasting. The customer can choose either free/occupied handle, safety fittings or handle/knob combination.

**(3)** In combination with high-quality aluminium frames which are perfect for the use in wet areas and swimming pools a first class overall impression is achieved. The frames are available in different types and designs.

**(4)** High class hinges allow a long lasting function of the doors.

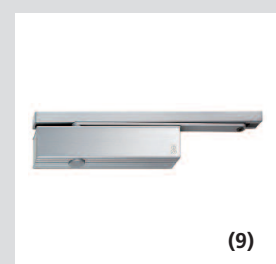
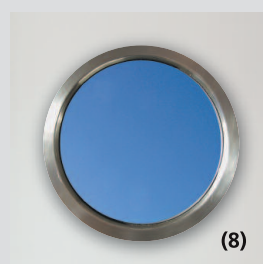
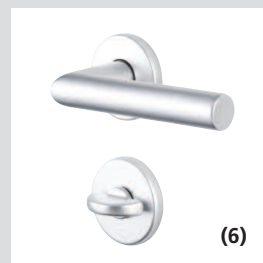
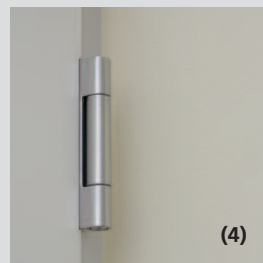
**(5)** The hinges are installed flush into the door and thus optimally adjusted to the construction of the frame.

**(6)** Door handles made of aluminium with free/occupied indicator. One of many fitting possibilities.

**(7)** Door handles made of stainless steel with free/occupied indicator.

**(8)** If required cut outs for glass and portholes are available.

**(9)** A door closer with guide rail is also available.



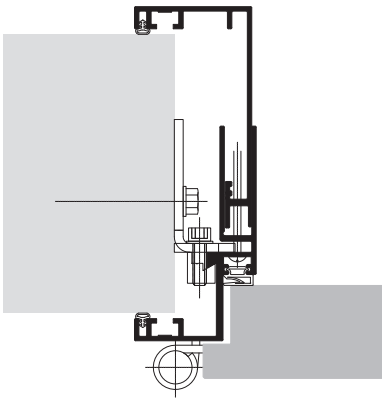


Stylish and elegant partitioning.

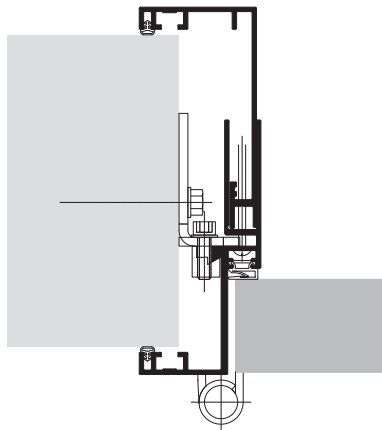
**schäfer**  
Trennwandsysteme

This is just a choice of possible frames from our partner Küffner.  
There are more alternative frames on [www.kueffner.de](http://www.kueffner.de)

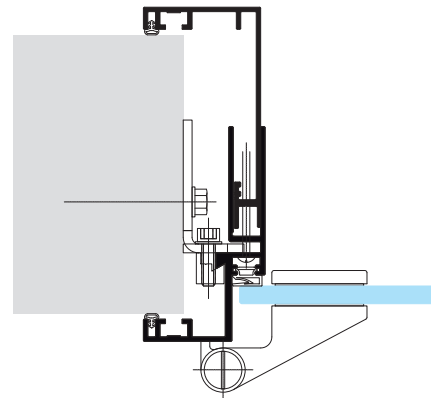
**Aluminium frame type Hardline  
for rabbeted doors.**



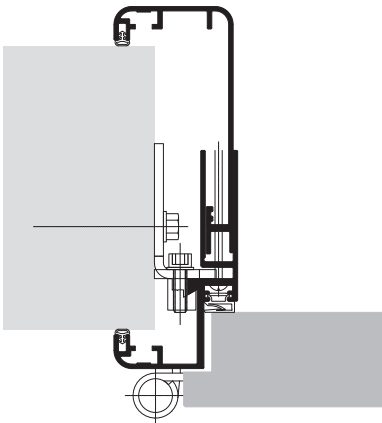
**Aluminium frame type Hardline  
for dulled doors.**



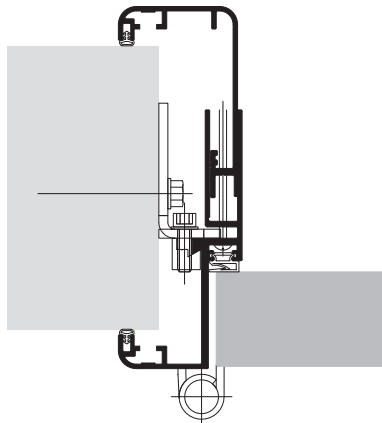
**Aluminium frame type Hardline  
for glass doors.**



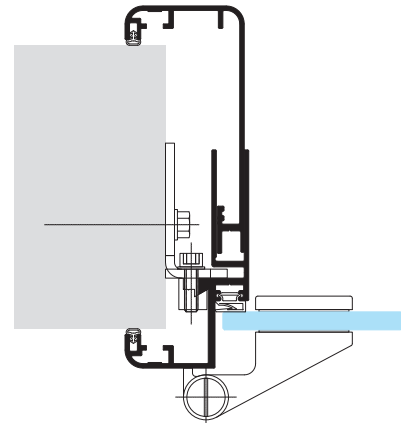
**Aluminium frame type Modernline  
for rabbeted doors.**



**Aluminium frame type Modernline  
for dulled doors.**



**Aluminium frame type Modernline  
for glass doors.**



registered at the  
German society of  
pre-qualification for  
building companies e.V.  
Registration number:  
010.049740

# Farben / colours

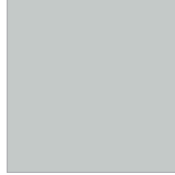
Typ VK13 / EF-3 / GVK / S20 / VKW / NT40

**schäfer**  
Trennwandsysteme

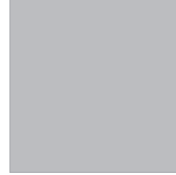
## Plattendekore / Panels:



11001  
Weiß



11002  
Hellgrau



14001  
Aluminiumgrau  
Metallic



11004  
Anthrazit



13001  
Pepper Weiß



12006  
Limonengrün



12003  
Atlantik



12005  
Rot



12001  
Mango

## Profile / Profiles:

Sonderfarben zu Plattendekoren sowie Profile in allen RAL Farben und Sonderbeschläge liefern wir gerne ganz nach Ihren Wünschen. Fragen Sie uns!

Drucktechnisch bedingte Farbabweichungen sind möglich.

Special colours for panels and profiles in all RAL colours and special accessories on request. Ask us!

There may be a difference between printed colours and real colours.



RAL 1023  
Verkehrsgelb



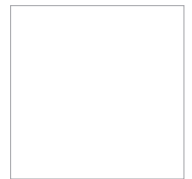
RAL 3003  
Rubinrot



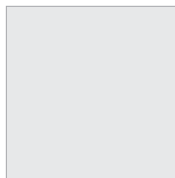
RAL 5002  
Ultramarinblau



RAL 7038  
Achatgrau



RAL 9010  
Reinweiß



E6/EV1  
Eloxiert



eingetragen beim  
Verein für die  
Präqualifikation von  
Bauunternehmen e.V.  
unter der  
Registriernummer  
010.049740

# Farben / colours

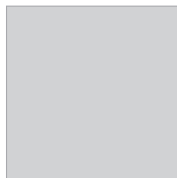
Typ SV30 / SVF30

**schäfer**  
Trennwandsysteme

## Plattendekore / Panels:



1001  
Weiß



1002  
Silbergrau



1004  
Anthrazit



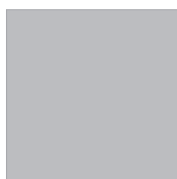
2003  
Arktis



2005  
Rot



2006  
Limonengrün

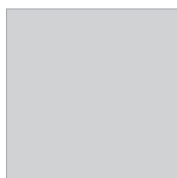


4001  
Aluminiumgrau  
Metallic

## ABS-Kanten / ABS-Strips:



1001  
Weiß



1002  
Silbergrau



1004  
Anthrazit



2001  
Goldgelb



2003  
Arktis



2005  
Rot



2006  
Limonengrün



2007  
Ultramarinblau



4001  
Aluminiumgrau  
Metallic

## Profile / Beschläge Profiles / Accessories:

Sonderfarben zu Plattendekoren und ABS-Kanten sowie Profile in allen RAL Farben und Sonderbeschläge liefern wir gerne ganz nach Ihren Wünschen. Fragen Sie uns!

Drucktechnisch bedingte Farbabweichungen sind möglich.

\* bei SV30 gegen Mehrpreis lieferbar

Special colours for panels and ABS-Strips, profiles in all RAL colours and special accessories on request.

There may be a difference between printed colours and real colours.

\* for SV30 with surcharge



RAL 1023  
Verkehrsgelb\*



RAL 3003  
Rubinrot\*



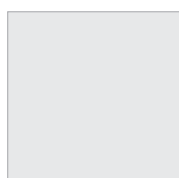
RAL 5002  
Ultramarinblau\*



RAL 7038  
Achatgrau



RAL 9010  
Reinweiß



Profile eloxiert  
(E6/EV1)



eingetragen beim  
Verein für die  
Präqualifikation von  
Bauunternehmen e.V.  
unter der  
Registriernummer  
010.049740



# Farben / colours

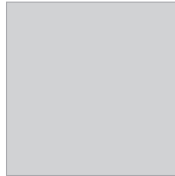
Typ SV30S / SVF30S / SVFG40

**schäfer**  
Trennwandsysteme

## Plattendekore / Panels:



1001  
Weiß



1002  
Silbergrau

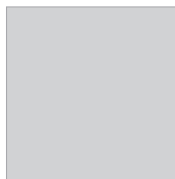


1004  
Anthrazit

## ABS-Kanten / ABS-Strips:



1001  
Weiß



1002  
Silbergrau



1004  
Anthrazit

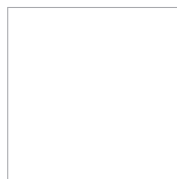
## Profile / Beschläge Profiles / Accessories:

Sonderfarben zu Plattendekoren und ABS-Kanten sowie Profile in allen RAL Farben und Sonderbeschläge liefern wir gerne ganz nach Ihren Wünschen. Fragen Sie uns!

Drucktechnisch bedingte Farbabweichungen sind möglich.

Special colours for panels and ABS-Strips, profiles in all RAL colours and special accessories on request.

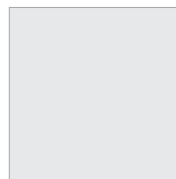
There may be a difference between printed colours and real colours.



RAL 9010  
Reinweiß



RAL 7038  
Achatgrau



Profile eloxiert  
(E6/EV1)



eingetragen beim  
Verein für die  
Präqualifikation von  
Bauunternehmen e.V.  
unter der  
Registriernummer  
010.049740

# Farbübersicht

Vitrum Glaskabinen und Vitrum GS Garderobenschränke

## Colour chart

Vitrum Glass cubicles and Vitrum GS lockers

**schäfer**  
Trennwandsysteme

Die folgende Übersicht zeigt die lieferbaren Farben für unsere Vitrum Produkte. Die Preisgruppe 1 (PG 1) ist im Preis enthalten. Den Aufpreis für Preisgruppe 2 (PG 2) erfragen Sie bitte bei uns. Andere RAL Töne, RAL Design Farben und NCS Farbtöne sind auf Anfrage lieferbar.

The following table shows the available colours for our Vitrum product range. Price group 1 (PG 1) is included in the pricing. The surcharge for price group 2 (PG 2) is available upon request. Other RAL colours, RAL Design colours and NCS colours are available upon request.

RAL Nummer RAL Number	Farbton Colour	Preisgruppe Price Group
1001	Beige	PG 1
1002	Sandgelb	PG 1
1003	Signalgelb	PG 1
1005	Honiggelb	PG 2
1007	Narzissengelb	PG 1
1013	Perlweiß	PG 1
1014	Elfenbein	PG 1
1015	Hellelfenbein	PG 2
1016	ähnl. Schwefelgelb	PG 1
1017	Safrangelb	PG 1
1018	Zinkgelb	PG 1
1019	Graubeige	PG 2
1021	Rapsgelb	PG 2
1023	Verkehrsgelb	PG 1
1027	Currygelb	PG 2
1028	Melonengelb	PG 2
1032	Ginstergelb	PG 1
1033	Dahliengelb	PG 1
1034	Pastellgelb	PG 2
1036	Perlgold	PG 2
1037	Sonnengelb	PG 2
2000	Gelborange	PG 2
2001	Rotorange	PG 2
2002	Blutorange	PG 2
2003	Pastellorange	PG 2
2004	Reinorange	PG 1
2007	Leuchthellorange	PG 2
2008	Hellorange	PG 2
2009	Verkehrsortange	PG 2
2011	Tieforange	PG 1

RAL Nummer RAL Number	Farbton Colour	Preisgruppe Price Group
2012	Lachsorange	PG 2
2013	Perlorange	PG 2
3000	Feuerrot	PG 1
3001	Signalrot	PG 2
3002	Kaminrot	PG 2
3003	Rubinrot	PG 1
3004	Purpurrot	PG 2
3005	Weinrot	PG 2
3009	Oxidrot	PG 2
3011	Braunrot	PG 2
3013	Tomatenrot	PG 1
3014	Altrosa	PG 2
3016	Korallenrot	PG 1
3017	Rose	PG 1
3018	Erdbeerrot	PG 1
3020	Verkehrsrot	PG 1
3022	Lachsrot	PG 1
3028	Reinrot	PG 2
3031	Orientrot	PG 2
4002	Rotviolett	PG 2
4004	Bordeauxviolett	PG 2
4007	Purpurviolett	PG 2
4009	Pastellviolett	PG 2
5000	Pastellviolett	PG 2
5002	Ultramarinblau	PG 2
5003	Saphirblau	PG 2
5005	Signalblau	PG 2
5007	Billantblau	PG 2
5009	Azurblau	PG 2
5010	Enzianblau	PG 2

RAL Nummer RAL Number	Farbton Colour	Preisgruppe Price Group
5011	Stahlblau	PG 2
5012	Lichtblau	PG 2
5014	Taubenblau	PG 1
5015	Himmelblau	PG 2
5017	Verkehrsblau	PG 2
5018	Türkisblau	PG 1
5019	Capriblau	PG 2
5021	Wasserblau	PG 1
5022	Nachtblau	PG 2
5023	Fernblau	PG 2
5024	Pastellblau	PG 2
6000	Patinagrün	PG 1
6018	Gelbgrün	PG 1
6019	Weißgrün	PG 1
6024	Verkehrsgrün	PG 2
6026	Opalgrün	PG 1
6027	Lichtgrün	PG 1
6029	Minzgrün	PG 1
6032	Signalgrün	PG 2
6033	Minttürkis	PG 1
6034	Pastelltürkis	PG 1
6036	Perlopalgrün	PG 2
7001	Silbergrau	PG 1
7004	Signalgrau	PG 1
7005	Mausgrau	PG 2
7006	Beigegrü	PG 1
7011	Eisengrau	PG 1
7012	Basaltgrau	PG 1
7015	Schiefergrau	PG 2
7016	Anthrazitgrau	PG 1
7021	Schwarzgrau	PG 2
7022	Umbragrau	PG 2
7023	Betongrau	PG 2
7024	Graphitgrau	PG 2
7030	Steingrau	PG 2
7032	Kieselgrau	PG 2

RAL Nummer RAL Number	Farbton Colour	Preisgruppe Price Group
7035	Lichtgrau	PG 1
7036	Platingrau	PG 1
7037	Staubgrau	PG 2
7038	Achatgrau	PG 1
7039	Quarzgrau	PG 2
7040	Fenstergrau	PG 1
7042	Verkehrsgrau A	PG 1
7047	Telegrau 4	PG 1
7048	Perlmausgrau	PG 2
8003	Lehmbraun	PG 2
8004	Kupferbraun	PG 2
8007	Rehbraun	PG 2
8017	Schokoladenbraun	PG 2
8019	Graubraun	PG 2
8029	Perlkupfer	PG 2
9001	Cremeweiß	PG 2
9002	Grauweiß	PG 1
9003	Signalweiß	PG 1
9005	Schwarz	PG 1
9007	Graualuminium	PG 2
9010	Reinweiß	PG 1
9017	Verkehrsschwarz	PG 1
9018	Papyrusweiß	PG 2
9022	Perlhellgrau	PG 2



eingetragen beim  
Verein für die  
Präqualifikation von  
Bauunternehmen e.V.  
unter der  
Registriernummer  
010.049740



# Variations of accessories

## Type VITRUM

fittings / buffer / hooks

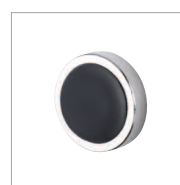
### Type VITRUM II

aluminium door knob.  
aluminium buffer. Schäfer AL7015  
aluminium hook. Schäfer AL7010



### Type VITRUM III

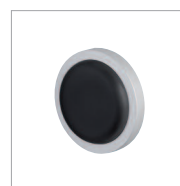
stainless steel door knob.  
stainless steel buffer. Schäfer ES6015  
stainless steel hook. Schäfer ES6010



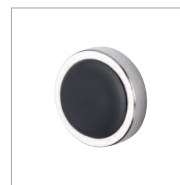
## Type EF-3

fittings / buffer / hooks

aluminium handle. Schäfer AL7050  
aluminium buffer. Schäfer AL7015  
aluminium hook. Schäfer AL7011



stainless steel handle. Schäfer ES6050  
stainless steel buffer. Schäfer ES6015  
stainless steel hook. Schäfer ES6011



nylon door knob.  
aluminium buffer. Schäfer AL7015  
aluminium hook. Schäfer AL7011



**INSAFE** aluminium door knob INSAFE  
the first cubicle handle, which has a red-white indicator on the inside  
aluminium buffer. Schäfer AL7015  
aluminium hook. Schäfer AL7011



stainless steel door knob. Available in August 2011  
stainless steel buffer. Schäfer ES6015  
stainless steel hook. Schäfer ES6011

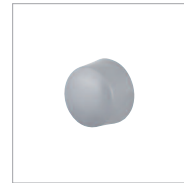


# Variations of accessories

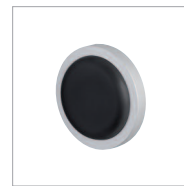
## Type VK13

### fittings / buffer / hooks

nylon door knob.  
nylon buffer grey. Schäfer N8015  
nylon hook silver. Schäfer N8010



**INSAFE** aluminium door knob INSAFE  
the first cubicle handle, which has a red-white indicator on the inside  
aluminium buffer. Schäfer AL7015  
aluminium hook. Schäfer AL7011



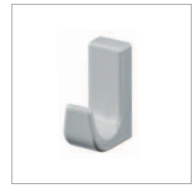
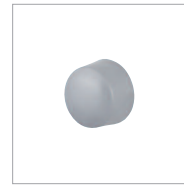
stainless steel door knob. Available in August 2011  
stainless steel buffer. Schäfer ES6015  
stainless steel hook. Schäfer ES6011



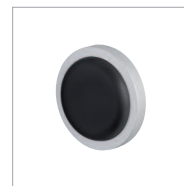
## Type SV30 / SVF30 / SVFG40

### fittings / buffer / hooks

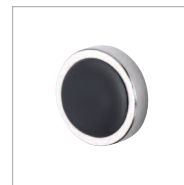
nylon handle. Schäfer N8051  
nylon buffer white / grey / black. Schäfer N8015  
colour depends on colour of panels and fittings.  
nylon hook in in colour of fittings. Schäfer N8010



aluminium handle. Schäfer AL7050  
aluminium buffer. Schäfer AL7015  
aluminium hook. Schäfer AL7011



stainless steel handle. Schäfer ES6050  
stainless steel buffer. Schäfer ES6015  
stainless steel hook. Schäfer ES6011



There may be a difference between printed colours and real colours.  
We reserve the right to make technical alterations.

# Zubehör / accessories

## Aluminium / Aluminium

(1) Rollenhalter / Toilet roll holder. Schäfer AL7001

(2) Ersatzrollenhalter / Spare roll holder. Schäfer AL7002

(3) WC-Bürstengarnitur / Toilet brush unit. Schäfer AL7003

(4) Haken / Hook. Schäfer AL7010

(5) Hakenpuffer / Hook with buffer. Schäfer AL7007



## Edelstahl / Stainless steel

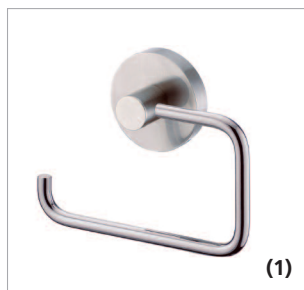
(1) Rollenhalter / Toilet roll holder. Schäfer ES6001

(2) Ersatzrollenhalter / Spare roll holder. Schäfer ES6002

(3) WC-Bürstengarnitur / Toilet brush unit. Schäfer ES6003

(4) Haken / Hook. Schäfer ES6010

(5) Hakenpuffer / Hook with buffer. Schäfer ES6007

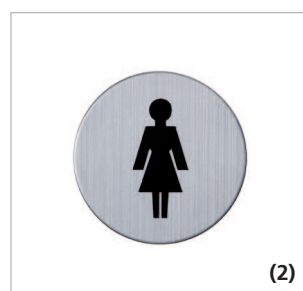
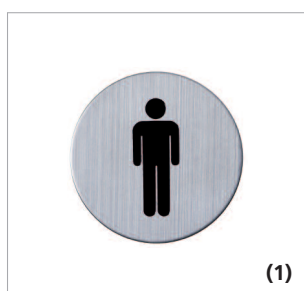


## Piktogramme Edelstahl / Indicator stainless steel

(1) Herren / Male. Schäfer PI1001

(2) Damen / Female. Schäfer PI1002

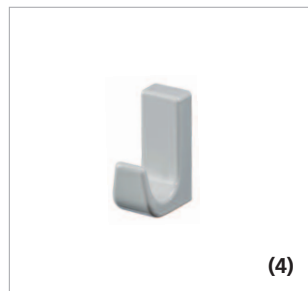
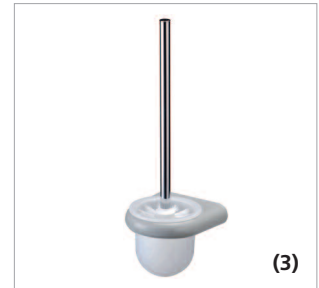
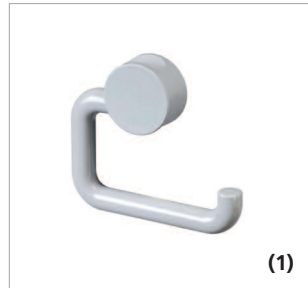
(3) Behindertengerecht / Handicapped. Schäfer PI1003





## Nylon / Nylon

- (1)** Rollenhalter / Toilet roll holder. Schäfer N8001
- (2)** Ersatzrollenhalter / Spare roll holder. Schäfer N8002
- (3)** WC-Bürstengarnitur / Toilet brush unit. Schäfer N8003
- (4)** Haken / Hook. Schäfer N8010
- (5)** Hakenpuffer / Hook with buffer. Schäfer N8007



## Nylon Farben / Colours



RAL 1023



RAL 3003



RAL 5002



RAL 7038



RAL 9010

**(1)** Wickeltisch Löwenzahn aus Multiplexplatte mit HPL Oberfläche / changing table from plywood with SGL surface, 620 x 770 mm. Schäfer ZB1006



**(2)** Wickeltisch Pusteblume aus HPL Kompaktplatte / changing table from SGL, 550 x 770 mm. Schäfer ZB1007



**(3)** Wickeltisch aus Polyethylen, antibakteriell / changing table from polyethylene, 460 x 870 mm. Schäfer ZB1001



**(4)** Wickeltisch aus Polyethylen, antibakteriell / changing table from polyethylene, 500 x 880 mm. Schäfer ZB1002



*Drucktechnisch bedingte Farbabweichungen möglich. Technische Änderungen vorbehalten.*

*There may be a difference between printed colours and real colours. We reserve the right to make technical alterations.*