

Your Catalog of Accessories & Parts for

# Chevrolet SUV

Blazer - Tahoe - Suburban 1992-99

# GMC SUV

Yukon - Suburban 1992-99

Denali 1999-00

2024 EDITION

Vol. 2

# CSD.72



Hanz Fonferek's  
1997 Chevy Suburban  
See page 115 for story.



"Keeping Generations On The Road"®

Prices Valid From April 16, 2024 Through July 15, 2024

**LMCTRUCK.com**  
**(800) 562-8782**



**Seat Belt Sets**



Seat Belt Sets feature end release buckles and are constructed of OE-quality herringbone webbing. Seat Belt Sets included for left, right and center seating positions (except models with front bucket seats). Seat belts are a simple, direct bolt-in installation using the original seat belt mounting holes. Reuse existing hardware to install seat belts. Federal regulations require seat belts in all trucks manufactured after July 1971.



PART	DESCRIPTION	APPLICATION	REQD	PRICE
<b>Front Bench Seat</b>				
38-2233-BL	FRONT SEAT BELT SET-BLACK	CHEVY GMC 92-99	(1)	\$310.95
38-2233-LL	FRONT SEAT BELT SET-BLUE	CHEVY GMC 92-99	(1)	\$310.95
38-2233-GR	FRONT SEAT BELT SET-GRAY	CHEVY GMC 92-99	(1)	\$304.95
38-2233-RD	FRONT SEAT BELT SET-RED	CHEVY GMC 92-99	(1)	\$304.95
38-2233-TN	FRONT SEAT BELT SET-TAN	CHEVY GMC 92-99	(1)	\$304.95
<b>Front Bucket Seats</b>				
38-2236-BL	FRONT SEAT BELT SET-BLACK	CHEVY GMC 92-99	(1)	\$310.95
38-2236-LL	FRONT SEAT BELT SET-BLUE	CHEVY GMC 92-99	(1)	\$284.95
38-2236-GR	FRONT SEAT BELT SET-GRAY	CHEVY GMC 92-99	(1)	\$284.95
38-2236-RD	FRONT SEAT BELT SET-RED	CHEVY GMC 92-99	(1)	\$284.95
38-2236-TN	FRONT SEAT BELT SET-TAN	CHEVY GMC 92-99	(1)	\$284.95
<b>Seat Belt Hardware</b>				
30-0361	BOLT-RETRACTOR TO FLOOR	CHEVY GMC 92-99	(2)	\$1.55

**Cowl Panels**

1992-99 Chevy Blazer, Tahoe, Suburban  
1992-99 GMC Yukon, Suburban

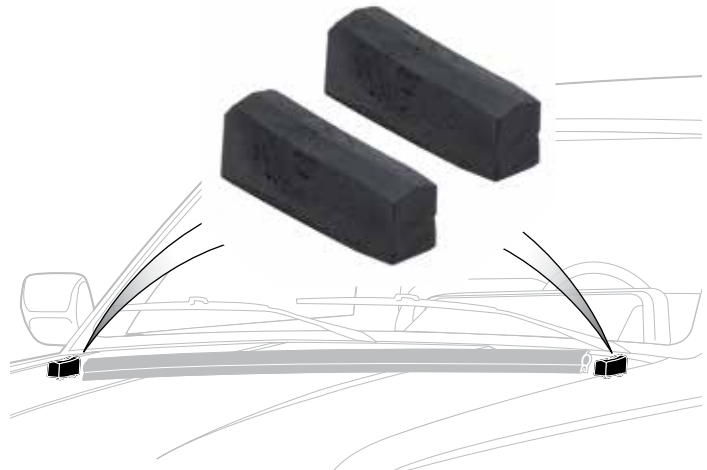


PART	ILL#	DESCRIPTION	APPLICATION	REQD	PRICE
39-7530	(1)	COWL PANEL-LH	CHEVY GMC 92-99	(1)	\$15.95
39-7532	(2)	COWL PANEL-CENTER	CHEVY GMC 92-99	(1)	\$89.95*
39-7533	(3)	COWL PANEL-RH	CHEVY GMC 92-99	(1)	\$15.95

\* Or \*\* after the sell price means your order will incur an Oversize Part Charge for each oversized part. \* Means extra charge will be \$20. \*\* Means extra charge will be \$50. Due to packing and/or transportation requirements, please allow additional time for delivery. Oversized Parts are not available for air delivery.

**NEW Wiper Cowl Seal Set**

1992-99 Chevy Blazer, Tahoe, Suburban  
1992-99 GMC Yukon, Suburban



PART	DESCRIPTION	APPLICATION	REQD	PRICE
38-8304	WIPER COWL SEAL SET	CHEVY GMC 92-99	(1)	\$9.95

**LED Parklight Set ... The Future of Automotive Lighting**



37-7459



37-7368



LED parklights are a direct replacement for stock parklights and are made to factory specifications. No modifications to fit needed. They feature LEDs for parklights and turn signals.

**Additional LED benefits:**

LED lights have no filament, which means they are less sensitive to vibrations, and they can last up to 20,000 hours. They use only 15% of the energy required by incandescent bulbs, reducing the load placed on your truck's charging system, and less heat is emitted.

PART	DESCRIPTION	APPLICATION	REQD	PRICE
37-7459	LED PARKLIGHT SET CRYSTAL CLEAR	CHEVY GMC 94-99	(1)	\$149.95
37-7368	LED PARKLIGHT SET BLACK	CHEVY GMC 94-99	(1)	\$149.95



# NEW PRODUCTS!

Quad 4 Amplifier	67
Seat Padding Material	54
Speaker Set, Premium	67
Wiper Cowl Seal Set	15



Seat Padding Material  
See Page 54



Speaker Set, Premium  
See Page 67



Quad 4 Amplifier  
See Page 67

"Right Part ...  
Right Price ...  
Right Now"®  
Place your order today  
It's Fast, Simple & Safe!

**Body Parts**

**Exterior Accessories**

**Windshield**

**Stock Grilles**

**Custom Grilles**

**Bumpers**

**Mirrors**

**Door Components**

**Interior**

**Gas Tanks / Axles**

**Custom Wheels**

**Suspension**

**Steering**

**Engine Accessories**

**Exhaust**

**Electrical / Wipers**

**Lamps**

**Custom Lighting**

**Truck Care**

**Order Policy**

## CONTACT US

CALL USA & CANADA: **(800) 562-8782**

¿Habla Español? **(855) 456-2288**

<b>Ordering Hours:</b> Central Time	Customer Service:	(800) 222-5664
<b>Monday - Friday:</b> 7:00 a.m. - 8:00 p.m.	Fax:	(800) 541-8525
<b>Saturday:</b> 8:00 a.m. - 6:00 p.m.	Kansas City:	(913) 492-8756
<b>Sunday:</b> Closed	International Orders:	1 (913) 541-0684
	International Fax Orders:	1 (913) 599-0323

Shop Online  
**LMCTRUCK.com**

## LOCAL CITY PICK-UP COUNTER



<b>Ordering Hours:</b> Central Time
<b>Monday - Friday:</b> 9:00 a.m. - 7:00 p.m.
<b>Saturday:</b> 9:00 a.m. - 6:00 p.m.
<b>Sunday:</b> Closed

If you're in the Kansas City area or plan on stopping by for a visit to LMC Truck, call ahead and we will have your order ready when you come in.

**15450 W. 108th Street, Lenexa, KS 66219**  
**Kansas City Area Call: (913) 562-8782**

LMC TRUCK is in no way affiliated with the General Motors Corporation nor do we intend to imply that. The names General Motors and Chevrolet are used for reference only.

Applications listed in this catalog are based on original factory information. However, variances will occur due to non-documented substitutions, and changes made during the vehicle's production.

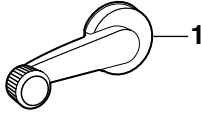
Long Motor Corporation © Copyright 2024  
Printed In The USA

Effective: April 16, 2024

CSD.72 Vol. 2, First Printing. This edition supersedes all previous publications, including prices. We reserve the right to change our prices at any time, without notice. All rights are reserved. No part of this publication may be copied, reproduced, stored in any retrieval system, communicated or transmitted in any form or by any means: photocopying, electronic recording or otherwise, without prior written permission.



## Example: Window Handles



PART	ILL#	DESCRIPTION	APPLICATION	REQD	PRICE
38-6548	(1)	WINDOW HANDLE	CHROME CHEVY GMC 92-94	(2)	\$4.95

Please Note: Product drawings are only representations. Products supplied may vary from illustrations in this catalog.

ALL ITEMS ARE PRICED EACH IN THIS CATALOG.

"Kit" means the components that are required to do a replacement for one part, check required column. "Set" means a number of parts that complete one truck.

Explanation of policies is on pages 113 and 114.

A		B		C		D		E		F	
A-Arm & Parts	80-81	Backup Light Bar, LED	111	Cab Emblem	22	Dakota Digital Gauge Clusters	65	Door Lock Actuator	45-46,49	Fastener Removal Tool	43
A-Pillar Gauge Pods	68	Ball Joint	80-81	Cab Handle Set	18	Dash Cover, Molded Plastic	66	Door Lock Rods	45	Fender Extensions	40
A/C Disconnect Tool Set	92	Ball Joint Boots, Poly	79,81	Cab Roof Light Kit	111	Dash Gauge Clusters	65	Door Lock Striker	49	Fender Flares	40
AC Harness W/Relay	96	Battery Disconnect Switches	100	Cab Weatherstrip	45	Dash Gauges & Parts	68	Door Lock Switch	50	Fender Hardware	9
Accelerator Controls	69	Battery Post & Terminal Cleaner	100	Cam Bolt Kit	80-81	Dash Mount Plate	62	Door Locks & Parts	45-46,50		
Accelerator Pedal Pad	69	Battery Tap Kit	100	Cam Kit, Performer, EDELBROCK	87	Dash Pad Assembly	59	Door Mirror & Parts	42		
Accelerator Pedal Return Spring	69	Battery Terminal Conversion Set	100	Cargo Door Components	12-13	Dash Parts	58-62,64,68	Door Panel Reflector	43		
Access Hole Cover, Door	13	Battery Tray Parts	100	Cargo Door Handle	13	Dash Protector, Velour	66	Door Panel Retainer	45-46,49		
Actuator Harness Upgrade, 4WD	75	Belt Molding Remover Tool	44	Cargo Door Hinge Pins	13	Dash Speaker Grille	59-60	Door Panel Sets	52		
Adhesive Spray, LOCTITE	70	Belt Molding Remover Tool	44	Cargo Opening, Weatherstrip	12,15	Dash Vent Outlets	59	Door Parts	13,15,45-52		
Adhesive Tape Strips, 3M	70	Billet Steering Wheel	84	Cargo Sill Plates	43	Decals	88	Door Pillar Trim Set	41		
Adhesive/Stripe Eraser Wheel	21	Blind Spot Mirror	42	Carpet Set, Kick Panel	53	Defroster Nozzle	61	Door Rubber	15		
Air Cleaner Top, EDELBROCK	87	Body Gap Filler Set	16	Carpet Sets, Molded	55	Denali Grilles & Parts	24	Door Seals	15,47		
Air Cleaner Tops, Chrome	91	Body Lift Kit	83	Cat-Back Exhaust Systems	93	Differential Cover, Chrome	90	Door Shell, Steel	9		
Air Deflector, Bumper	36	Body Mount Bushing Sets, Poly	10	Center Caps, Wheel	76-78	Digital Dash Kit	63	Door Sill Plate Set	43		
Air Deflectors & Hardware	36,62	Body Mounting Hardware	10	Chevrolet Decals	88	Disc Brake Pad Sets	87	Door Skin, Steel	9		
Air Door Actuators	61-62	Body Mounting Hardware	10	Chevrolet Emblems	22,25-26	Dolly Set, Auto	88	Door Striker & Parts	13,45		
Air Hold Fittings	94	Body Panel Alignment Shims	21	Chrome Bumpers	31-33,36,39	Dome Light & Parts	104,108	Door Weatherstrip	12,46		
Air Vent & Parts	61-62	Body Panels, Steel	9	Chrome Engine Parts	90-91	Dome Light Lens, Clear	108	Door Window Channel Kit	48		
Air Vent Outlets	61			Cigarette Lighters & Housing	60	Door Alignment Tool	46	Door Window Glass & Parts	44,47-48		
Amplifier, Quad 4	67			Clutch Pedal Pad	69	Door Bottom, Cargo, Inner/Outer	9	Door Window Glass Holder	44		
Antenna Grommet	112			Coil Spring & Parts	80	Door Bottom, Inner	9	Door Window Handles	51		
Antenna, Amplified Hide-Away	98			Coil Spring Compressor Tool	80	Door Bumpers	15,46,49	Door Window Seal Kit	48		
Anti-Seize Lubricant	70			ColorBond Products	71	Door Conduit, Rubber	15,45-46,49	Door Window Stop Pad	45		
Anti-Seize Stick, LOCTITE	70			Column Cover	85	Door Edge Protection Film	110	Drip Weatherstrip	15		
Ashtray Assembly Parts	60			Column Shifter, Billet	58	Door Emblem	22	Driving Light Set	39,111		
AutoMeter Digital Dash Kit	63			Console, Bench Seat	54	Door Fastener Removal Tool	43	Drop Coil Springs	83		
AutoMeter GPS Module	63					Door Glass & Seals	44,47-48	Drop Spindle Set	83		
Axle Parts, Front	75					Door Handle Bezel	47,50	Dual Gauge Pods, A-Pillar	68		
Axle Shaft Assemblies, Front	75					Door Handle Bezel Set, Chrome	51	DVDs, Kevin Tetz, Paintucation	72		
						Door Handle Set, Chrome	47,50-51				
						Door Handles & Parts	13,44-45,47-51				
						Door Handles, Inside	13,47,50-51				
						Door Handles, Outside	46				
						Door Hinges & Parts	45				
						Door Jamb Switch	14				
						Door Key Blanks	14				
						Door Latch & Parts	13,45				
						Door Lock & Window Switch	50				

## Listing Explanation:

**PART:** The part number you order, i.e. #38-6548.  
**ILL #:** Illustration reference number, i.e. (1) is the Window Handle.  
**DESCRIPTION:** Name of part, i.e. Chrome Window Handle.  
**APPLICATION:** Model and year part fits, i.e. Chevrolet and GMC 1992-94.  
**REQD:** Quantity of the part required for one truck, i.e. two (2) Window Handles are required for one truck.  
**PRICE:** The low price you pay for one part, i.e. Window Handle is \$4.95, making your total net cost \$9.90 + Delivery & Handling for two Window Handles required for one truck.

### Part Number Definitions

**-T** After a part number means that part must be shipped Truck Freight. The prepaid order will include a \$150.00 charge for delivery in the 48 contiguous United States. Orders outside of the 48 states will be quoted. Additional delivery time required.

**-R** Remanufactured Part - No core charge.

**\* Or \*\*** after the sell price means your order will incur an Oversize Part Charge for each oversized part. \* Means extra charge will be \$20. \*\* Means extra charge will be \$50. Due to packing and/or transportation requirements, please allow additional time for delivery. Oversized Parts are not available for air delivery.



Throughout this catalog, the application line of the part number describes which model of GM Truck that particular part will fit. The models this catalog covers are Blazer, Tahoe, Yukon, Chevrolet and GMC Suburbans. Because not everyone can identify their truck by these model descriptions, here is an example of what each word and number that appears on the description line stands for:

	APPLICATION	REQD
CHEVY GMC = Blazer, Tahoe, Yukon, Chevrolet and GMC Suburban	<b>CHEVY GMC</b>	<b>92-99 (1)</b>
CHEVY = Blazer, Tahoe and Chevrolet Suburban		
GMC = Yukon and GMC Suburban		
BLZ = Chevrolet Blazer		
TAH YKN = Tahoe and Yukon		
TAHOE = Chevrolet Tahoe		
YUKON = GMC Yukon		
SUBURBAN = Suburban 1/2 and 3/4 ton		
SUB 1500 = Suburban 1/2 ton		
SUB 2500 = Suburban 3/4 ton		
DENALI = Yukon Denali		
Part fits this year span _____		
Quantity required to complete one truck _____		

PART	ILL#	DESCRIPTION	APPLICATION	REQD	PRICE
31-1876	(4)	HOOD HINGE SEAL	CHEVY GMC 96-99	(2)	\$7.95

The application line states that this part, **#31-1876**, fits all Chevrolet and GMC models from 1996-99.

PART	ILL#	DESCRIPTION	APPLICATION	REQD	PRICE
38-5227	(5)	GLOVE BOX DOOR ASSEMBLY "A"	CHEVY GMC 92-94	(1)	\$39.95

The application line states that this part, **#38-5227**, fits all Chevrolet and GMC models from 1992-94. On the description line you see "A", this means there is a special note about this particular part.

At the bottom of the page the part appears on you will find a shadow box that will describe to you what the special note for this part is.

### Example:

Note: "A" Glove box pivots on outer door. Paint to match.

This note is telling you that this part is a glove box door that pivots on the outer door, and you should paint it to match your interior.

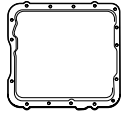
Fender Trim Molding	40	Glove Box Stop Cable	61	Hood Hinge Bracket	12	Light Wiring Kit	36,38-39
Flare Tool Set, SAE	88	Gloves, Disposable	74	Hood Hinge Seal	12,15	Lighter Parts, Cigarette	60
Flex Edge Steel	21	GM Style Door Mirrors	42	Hood Hinge Set, Billet	11	Lighting	36,38-39,101-109,111
Flex Loom	99	GMC Decals	88	Hood Hinge Spring	12	Line Clamp Set, NotchHead	88
Flexplate Cover, Chrome	91	GMC Emblems	22	Hood Insulation Kit, ABS	12	Lock Actuators, Door	45-46,49
Flip Socket Set	75	GPS Module	63	Hood Insulator	12	Lock Cylinder	13
Floor Console Latch	43	GPS Speed Sending Unit	64	Hood Latch & Parts	12,23	Lock Set, Door	45
Floor Liners	57	Grille & Parts	24-30	Hood Parts	12	LOCTITE Products	70
Floor Mat Set, Carpet W/Logo	55	Grille Baffle	23	Hood Pin Set, Hair Pin Style	18	Lower Grille Panel Set, Chrome	19,23
Floor Mats	55,57	Grille Emblems, Chevy	25-27	Hood Protection Film	110	Lowering Parts	83
Floor Mats, Carpeted	55	Grille Emblems, GMC	26	Hood Release Cable Assembly	12	Lubricants & Adhesives	70
Floor Mats, OE Style	56	Grille Mounting Parts	23-25	Hood Scoop, Steel	17	Lug Nuts	76-77
Floor Mats, Rubber	56	Grille Overlays	28-29	Hood to Cowl Seal	15	<b>M</b>	
Fog Light & Parts	109	Grille Support Brackets	23	Hood, Steel	9,11	Magnetic Glove Dispenser	74
Fog Light Assembly	109	Grille, Billet - Chevy	28	Horn Buttons, Billet	84	Manifold, EDELBROCK	87
Fog Lights, Bumper	36,39	Grille, Chevrolet	25-28	Horns	99	Manuals, Workshop	72
Front Axle Actuator Eliminator	75	Grille, Custom - Chevy	26-28	<b>I</b>		Marker Lens Sets, Clear	109
Front Axle Actuator, 4WD	75	Grille, Custom - GMC	29-30	Impact Strips, Bumper	33,37	Mass Air Flow Sensors, JET	89
Front Axle Parts	75	Grille, GMC	24,29-30	In Channel Window Visor Set	19	Master Cylinder Cover, Chrome	91
Front Bumper, Chrome	31,36,39	Grilles	24	Inner Fender, Primed	9	Mirror Mounts & Glue	58
Front Bumper, Lighted	36,39	Grommets, Engine	91	Installation Kits, Steering Wheel	84	Mirror, Door	42
Front Door Parts	44-45	Ground Straps	100	Instrument Cluster Covers, Billet	58	Mirror, Rear View	58
Front Door Sill Plate Sets	43	<b>H</b>		Insulation Material	55,57	Molded Carpet	55
Front Fender	9	Hair Pin Style Hood Pin Set	18	Insulator, Bed to Frame	81	Molding Kit, Wheel Arch	40
Front Valances, Chrome	38	Halogen Bulbs	36,38-39,102,106	Interior Parts	43,51-52,54-59,63-68,71	Molding Sets, Side	41
Fuel Door Bumper	15	Hand Riveter Set	48	<b>K</b>		Mounting Kit, Radiator Core	10
Fuel Door Skin Kit, Chrome	16	Handle, Door	13,45-47,49-51	Key Blanks	13	Mud Guards	41
Fuel Line Disconnect Tool Set	92	Handle, Window	44,47-48,51	Keyless Access Kit, Remote	51	Musical Horn System	99
Fuel Line Extension Set	93	Hats W/Embroidered Logo	8	Kick Panel Carpet Set	53	<b>O</b>	
Fuel Pressure Regulator Kit, JET	89	HAYNES Manuals	72	<b>L</b>		OBD-II/CAN Interface	65
Full Pillar Triple Gauge Pod	68	Head Gasket Sets	95	Lamp Bulbs	104,109	Oil Caps, Chrome	91
Fuse Box Cover	60	Header Bolt Set	95	Lamps & Parts	104	Oil Drain Plug, Magnetic	91
<b>G</b>		Header Reducer Sets	95	Latches, Door	45	Oil Drain Valve, EZ	90
Gas Tank & Parts	73	Header Set, HEDMAN HEDDERS	95	Leaf Spring & Parts	82	Oil Filter Cover, Chrome	91
Gas Tank Filler Pipe	73	Header Wrap	94	Leaf Spring Anchor Plate	82	Oil Pan & Parts	91
Gas Tank Strap Sets	73	Headers & Parts	95	Leaf Spring Bushing Set, Poly	79	Oil Pan Snap-Ups	90
Gas-Charged Shocks, HD	80-82	Headlight & Parts	101-102	Leaf Spring Hangers	82	Oil Pan, Chrome	91
Gasket Sealant, LOCTITE	70	Headlight Adjuster	101	Leaf Spring Shackle	82	Oil Pressure Gauge	68
Gauge Clusters	63-65	Headlight Assemblies	101	LED Bulbs	106,108-109	Oil Pump Priming Tool	90
Gauge Clusters, New Vintage	64	Headlight Brackets	101	LED Cab Roof Light Kit	111	Overflow Kit, Coolant	90,96
Gauge Needle Paint	68	Headlight Harness, HD	102	LED Headlight	102	<b>P</b>	
Gauge Overlays, White Face	68	Headlight Mounts	101	LED License Plate Bolt Set	109	Padding Material, Seat	54
Gauge Panels	68	Headlight Protection Film	111	LED Parklights	107	Paint Protection Film	110
Gauge Pods, A-Pillar	68	Headlight Retainer	101	LED Tail Light	108	Paintucation DVDs, Kevin Tetz	72
Gauges & Parts	68	Headlight, High Performance	101	License Plate Bolt Set, LED	109	Panel & Trim Removal Tool Set	21
Gear Position Sensor	65	Headlights, Custom	101-103	License Plate Bracket	32-33	Parking Brake Pedal Pad	69,86
Glass & Windshield Sealant	22,70	Heated Windshield Washer Kit	98	License Plate Bracket, Chrome	36	Parklight & Parts	102,105-107
Glass, Door Window	44,47-48	High Beam Headlight Relay	101	License Plate Frame	32	Parklight Kit	105-106
Glass, Windshield	22	Hitch Ball Mounts	78	License Plate Lamp & Parts	35,37,104	Parklight Protection Film	111
Glove Box & Parts	61-62	Hitch Balls, Chrome	78	Liftgate & Tailgate Parts	14	Parklight Set, Custom	102,107
Glove Box Bumpers	62	Hitch Pin & Clip	78	Liftgate Release Actuator	14	Pedal Pad Kit	69
Glove Box Door Striker	61	Hitch, Switch-Ball Set	78	Liftgate Striker	14	Pedal Pads	86
Glove Box Doors	61	Hood Bumpers	12,15				
Glove Box Latch	61	Hood Catch	12				



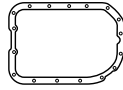
## Transmission Identification

4L60/TH700R4, 4L60E and 4L80E Transmissions can be identified by the absence of the Modulator and by the shape of the transmission pan.

- 4L60/TH700R4, 4L60E and 4L80E - Have no modulator.



**4L60/TH700R4  
and 4L60E**  
Square Pan with  
16 Bolts  
No Modulator



**4L80E**  
Pan with 17 Bolts  
No Modulator

## Differential Case Identification



10 Bolt with  
8-1/2" Ring Gear



14 Bolt with  
9-1/2" Ring Gear

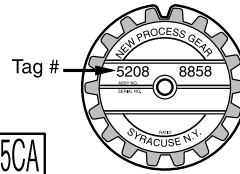


14 Bolt with  
10-1/2" Ring Gear

## Transfer Case Identification



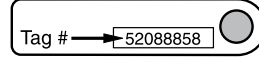
Tag #



Tag #



Tag #



Tag # → 52088858

All Transfer Cases have an assembly tag attached to their case. The tag may be a bolted, riveted or screwed on metal tag, or a stick-on paper tag. The Transfer Case must be identified by the assembly number listed on the tag. If your tag number does not appear on the line, it will not fit your truck. See illustration.

Pedal Pads & Parts	69	Seat Heater Kit	54	Tailgate Cables	14	Washer Nozzles	97-98
Penetrating Graphite Powder	70	Seat Padding Material	54	Tailgate Handle	14	Washer Pump	97-98
Performance Exhaust	93,95	Serpentine Drive Systems	92	Tailgate Lock Cylinder	14	Washer Reservoir & Parts	97
Permatex Orange Threadlocker	70	Sheet Metal & Flex Edge Steel	21	Temperature Control Assemblies	62	Water Deflector, Air Vent	61-62
Pillar Post Trim Kit, Chrome	16	Sheet Metal Plugs	13	Temperature Gauge	68	Water Outlet, Chrome	91
Pitman Arm Puller	85	Shift Indicator	60	Third Brake Light & Parts	109	Water Outlets & Parts	91
Plug Weld Pliers	21	Shift Lever Parts	85	Third Brake Light, LED	109	Water Outlets, Swivel Neck	91
Polishing Kit, Deluxe	74	Shims, Body Panel Alignment	21	Thread Sealant	70	Water Reservoir Cap, Chrome	91
POR-15 Restoration Products	20	Shock Absorber, Front	79-81	Threshold Plate Set, Door	43	Water Temperature Gauge	68
Power Door Mirrors	42	Shock Absorber, Rear	79	Threshold Protection Film	110	WeatherPak Wire Extractor Tool	99
Power Mirror Switch	50	Shock Absorbers, KYB	79-82	Throttle Body Spacer	89,93	Weatherstrip Adhesive	70
Power Steering Cap, Chrome	91	Side Window Deflectors	19	Throttle Cable Bracket	94	Weatherstrip, Door	15,45-46,49
Power Window Switch	47,50	Sidemarkers, Custom	105	Tie Rod End Boot, Poly	79	Weatherstrip, Liftgate	14-15
Pry Bar Set, Plastic	21	Sidemarkers, Light & Parts	105	Tire Black, ColorBond	71	Weatherstrip, Tailgate	14-15
		Sidemarkers Set, Custom	107	Tool Set, Panel & Trim Removal	21	Wheel Arch Molding	40
		Sill Plates, Door	43	Torsion Bar Adjusting Arms	81	Wheel Arch Panels	9
<b>Q</b>		Sound Control Mat	57	Torsion Bars	81	Wheel Bearing Grease Packer	75
Quarter Panel, Front Lower	9	Spark Plug Boot Sleeves	94	Tow Hooks	32-34	Wheel Center Cap	76-77
		Speaker Grille, Door	50	Tow Mirror	42	Wheel Lock Set	77
<b>R</b>		Speaker, Stereo	67	Tow Mirror Cover Set, Chrome	42	Wheel Lug Nuts	76
Radiator Cap	96	Speed Sensor Connector	60	Transfer Case Components	75	Wheel Paint, ColorBond	71
Radiator Core Mounting Kit	10	Splash Shields W/Clips	15	Transmission Controller, TORC	74	Wheels & Parts	76-77
Radio Button Kit	58	Spot Weld Cutter	21	Transmission Dipstick, Chrome	90	Window Channel Kit, Door	44,47-48
Radio Knob Kit, Replacement	58	Spray Adhesive, LOCTITE	70	Transmission Mount, Poly	89	Window Deflectors, Side	19
Radio Speaker	67	Starter Switch, Remote	88	Transmission Oil Pan, Chrome	91	Window Glass & Seals, Door	44,47-48
Ram Air Look Hoods	11	Steering Column Filler	60	Transmission Pans, Black	74	Window Glass, Side	47
Rear Cargo Door Parts	13	Steering Column Parts	85	Trim Paint, Exterior	71	Window Handle & Parts	44,47-48
Rear Differential Parts	90	Steering Shaft	85	Truck Cover	112	Window Handle, Billet	51
Rear Door Handle Parts	46	Steering Shaft, Replacement	85	Truck Cover Lock Kit	112	Window Handles	51
Rear Door Panels	46-49	Steering Wheel Puller	85	Truck Dolly, XHD	88	Window Lockout Switch	50
Rear Emblems	22	Steering Wheels	84	Tube Cutter, Mini	88	Window Motor, Power	44,47-48
Rear Lower Panels	9	Steering Wheels, Leather/Wood	84	Turn Signal Cover, Billet	58	Window Regulator, Door	44
Rear Roll Pan	35	Step Bars	17	Turn Signal Lever	85	Window Switch, Power	47,50
Rear Step Bumper & Parts	37	Step Bumper, OE Style	37			Window Visor Set	19
Rear Step Bumper, OE Style	37	Step Bumper, Rear	37	<b>U</b>		Windshield & Glass Sealant	22,70
Rear Suspension Parts	82	Step Pad, Rear Bumper	35,37	U-Bolts, Leaf Spring	82	Windshield & Parts	22
Rear View Mirror	58	Stereo Equipment	67	Underhood Lamp	104	Windshield Removal Tool	22
Rear Step Bumper & Parts	37	Stereo, Digital, AM/FM	67	Underhood Light	104	Windshield Seal	22
Rear Suspension Parts	82	Stock Grilles	24	Underhood Paint, Black	71	Windshield Washer Hose	97
Rear View Mirror	58	Stock Grilles, GMC	24			Windshield Washer Kit	98
Receiver Hitch & Parts	78	Stop Lamp Switch	69	<b>V</b>		Windshield Washer Parts	97
Reflector Set, Custom	102	Strip Caulk	70	V-Drive System	92	Windshield Wiper Parts	97
Reflector, Door Panel	43	Subwoofer, Powered	67	Vacuum Cap Assortment, Rubber	94	Wiper Arm & Parts	97
Reflectors	105	Sun Visor & Parts	53	Valance Light Kit	38	Wiper Arm Tool	97
Reflectors, Front Sidemarkers	105	Sun Visor Brackets	53	Valance, Chrome	38	Wiper Arms	97
Remote Starter Switch	88	Sun Visor Sets, Cloth	53	Valance, Paintable	38	Wiper Blade	97
Riveter Set	48	Superwhite Bulbs	36,39,106	Valve Cover Gasket	91	Wiper Cowl	18
Rocker Panel Protection Film	110	Suspension Parts	79-83	Valve Cover, Chrome	91	Wiper Delay Module	97
Rocker Panel Trim	16	Sway Bar Bushing, Poly	79	Valve Spring Compressor	94	Wiper Linkage	97
Rocker Panel, Outer	9	Switch Plate	60	Vehicle Speed Sensor	60	Wiper Motor & Parts	97
Roof Light Kits, Cab	111	Switch-Ball Set	78	Vent Cable	60	Wiper Post Cover Set, Billet	58
Roof Marker Light & Parts	109	Switches	47,50,69,88	Vent Outlets, Dash	59,61	Wire Loom Installation Tool	99
RTV Red, LOCTITE	70			Vent Valve, Gas Tank	73	Wire Terminal Extractor Tool	99
Rubber Floor Mats	56	<b>T</b>		Vinyl Edge Sealer Pen	70	Wiring Grommet Assortment	99
Rubber Parts, Exterior	12-15,22,44-49	Tail Light & Parts	109	Vision Wheels	77	Wiring Harness	78
Rubber Parts, Interior	14-15,44-49	Tail Light Assembly	109	Voltmeter Gauge	68		
Rubberized Undercoating	70	Tail Light Connector	109				
Running Boards	17	Tail Light Covers	110	<b>W</b>			
		Tail Light Set, Custom	108	Washer Jar Assembly	97		
<b>S</b>		Tail Light, LED	108	Washer Jar Cap	97		
Sealants & Adhesives	70						
Seam Sealer	70						
Seat Belt Hardware	53						
Seat Belts	53						

## 1992-00 Blazer, Tahoe, Yukon and Suburban Vehicle ID Number (VIN)

The VIN plate is mounted on the driver's side of the instrument panel and is visible through the windshield.

1GK EC13KXSJ10001

### Division/Make

1 = US Built  
 3 = Mexico Built  
 GC = Chevrolet Truck  
 GN = Chevrolet MPV  
 GT = GMC Truck  
 GK = GMC MPV

### GVW Range & Brake System

E = 6001-7000 Hydraulic  
 F = 7001-8000 Hydraulic  
 G = 8001-9000 Hydraulic

### Line & Chassis Type

C = 2 Wheel Drive  
 K = 4 Wheel Drive

### Series

1 = 1/2 Ton  
 2 = 3/4 Ton

### Body Type

3 = 4 Door Cab/Utility  
 6 = Suburban  
 8 = Utility

### Engine Description

#### 1992-95

K = 350 V8  
 N = 454 V8  
 F = 6.5L V8 Turbo Diesel  
 S = 6.5L V8 Turbo Diesel

#### 1996-99

R = 350 V8  
 J = 454 V8  
 F = 6.5L V8 Turbo Diesel  
 S = 6.5L V8 Turbo Diesel

#### 2000

R = 350 V8

### Check Digit

### Model Year

N = 1992  
 P = 1993  
 R = 1994  
 S = 1995  
 T = 1996  
 V = 1997  
 W = 1998  
 X = 1999  
 Y = 2000

### Plant Code

G = Silao, Mexico  
 J = Janesville, WI  
 R = Arlington, TX

### Production Assembly Sequence Number

## 1992-00 Blazer, Tahoe, Yukon and Suburban History

- 1992** Restyled models introduced based on the new truck platform. GMC Jimmy name replaced with Yukon. Blazer and Yukon models were all 4WD, 2 doors with an upper liftgate/lower tailgate. Passenger capacity increased from 5 to 6, with a full metal roof instead of fiberglass. Blazers were available in Base, Sport and Silverado trim levels and Yukons available in Base SL, Sport and upgraded SLE trim levels. 4 wheel ABS was standard and worked in 4WD. 5.7L was only engine available, while a 5-speed manual replaced the old 4-speed transmission. Suburban models had cargo doors as standard equipment with liftgate optional. Chevrolet Suburbans were offered in Cheyenne and Silverado trim and GMCs were available in SL and SLE trim. 5.7L and 7.4L engines available, with a 4-speed automatic transmission. 2WD and 4WD versions offered, 4WD models featured Insta-Trac 4WD.
- 1993** All models featured an anti-chip coating applied to the leading edges of the hood, roof and A-pillars. Yukon GT included monochromatic exterior trim and color matched grille. 4L60E electronic overdrive automatic transmission replaced non-electric version and featured second gear start feature. Engine fan was disengaged upon startup to reduce noise.
- 1994** Grilles received updates. Guard beams added to both front doors for safety. Third Brake light added to roof. Air conditioning system switched to R134A. SLT trim added to GMC. 6.5L turbocharged diesel available. Blazer renamed Tahoe the following year.
- 1995** Tahoe replaced full-size Blazer and a 4 door model offered midyear available in 2WD and 4WD. Revised interior and driver's side airbag offered. Rear cargo doors standard on Tahoe and Yukon. Base, LS and LT replaced previous trim levels on Chevrolet models. Remote Keyless entry was optional. Brake/shift interlock added to automatic transmission.
- 1996** Quieter-riding tires, extended service intervals, daytime running lights and illuminated entry added. 2WD available on two door models. 5.7L engine renamed Vortec 5700 and received 50 horsepower increase. 4-speed automatic only transmission available. NP1 electric shift transfer case was available, eliminating floor-mounted shifter. OBDII introduced.
- 1997** Passenger side airbag added. Electronic speed sensitive power steering system introduced. A power lock switch was added to the cargo area. Rear mounted heat and air conditioning was standard on some trim levels.
- 1998** Autotrac automatic 4WD system was optional. Heated seats and mirrors were available. Electrochromic rear view mirror was optional. Rear temperature controls were optional on 4 door models. Second generation airbags and Passlock theft-deterrent system added. OnStar was a dealer-installed option.
- 1999** Limited version available in 2WD only. Z71 4WD off-road package included engine, front differential and transmission skid plates with Bilstein shocks and all terrain tires. Denali trim available on the Yukon featuring upgraded exterior and interior changes. Cargo net dropped and new exterior colors added. 4L60E and 4L80E transmissions revised for smoother running and longer durability. Catalytic converter was removed from diesel equipped models.
- 2000** Although new models were introduced, previous Chevrolet versions were still offered, the Limited and Z71. The GMC Denali also continued, adding OnStar as standard equipment.

**LMCTRUCK** is in no way affiliated with the General Motors Corporation nor do we intend to imply that. The names General Motors and Chevrolet are used for reference only.

Applications listed in this catalog are based on original factory information. However, variances will occur due to non-documented substitutions, and changes made during the vehicle's production.



**Embroidered Logo Hats**



38-0648-BL

38-0648-TN

These low-profile cotton twill embroidered logo hats are comfortable and stylish. Chevy and GMC logos are officially licensed by General Motors. One size fits all with the adjustable rear strap.

GM Official Licensed Product is purchased from an authorized GM Licensee.

**Mesh Back Logo Hat**

**\$16.95**  
each



38-0717-BL

38-0717-LL

38-0717-TN

38-0717-CM

**Abbreviations** To help make your ordering easier, here is a list of abbreviations used throughout this catalog.

<p>-R Reman- No Core Charge -T Ships Truck Freight 2DR 2 Door 4DR 4 Door 2WD 2 Wheel Drive 4WD 4 Wheel Drive 5 SPD 5 Speed Manual Transmission A.I.R. Air Injection Reactor <b>A/C OR AC</b> Air Conditioning AR As Required ALT Alternator ASSY Assembly <b>A/T OR AT</b> Automatic Transmission AUTO Automatic Transmission AUX Auxiliary BAT Battery BMC Brake Master Cylinder BRG Bearing</p>	<p><b>BRKT</b> Bracket <b>BTM</b> Bottom CA California Model <b>COMP</b> Compressor <b>CORP</b> Corporate <b>CT</b> Center <b>CYL</b> Cylinder <b>DIA</b> Diameter <b>DIFF</b> Differential <b>DIST</b> Distributor <b>FRT</b> Front <b>FWC</b> Front Wheel Cylinder <b>GVW</b> Gross Vehicle Weight Rating <b>HDC</b> Heavy-Duty Cooling <b>HDR</b> Heavy-Duty Radiator <b>HP</b> Horse Power <b>HYD</b> Hydraulic Brakes <b>ID</b> Inner Diameter</p>	<p><b>KIT</b> Multiple Pieces <b>L/R</b> Left/Right <b>LH</b> Left Hand (Driver) <b>LWR</b> Lower <b>MLDG</b> Molding <b>M/T OR MT</b> Manual Transmission <b>OD</b> Outer Diameter <b>OE</b> Original Equipment <b>PMP</b> Pump <b>PNL</b> Panel <b>PS</b> Power Steering <b>PTM</b> Paint To Match <b>PWR</b> Power <b>R.M.C.</b> Rolling Model Change <b>REINF</b> Reinforced <b>REMAN</b> Remanufactured <b>REPRO</b> Reproduction <b>REQD</b> Required</p>	<p><b>RH</b> Right Hand (Passenger) <b>RND</b> Round <b>RPO</b> Regular Production Option <b>RR</b> Rear <b>RSB</b> Rear Standard Bearing <b>RWC</b> Rear Wheel Cylinder <b>SET</b> Complete Truck Set <b>SS</b> Stainless Steel <b>STD</b> Standard <b>STL</b> Steel <b>UPR</b> Upper <b>VAC</b> Vacuum <b>W.W/O</b> With Or Without <b>W/</b> With <b>W/O</b> Without <b>WB</b> Wheelbase <b>WHL</b> Wheel</p>
---	---	---	--

**Engine Identification**

**Vehicle Identification Numbers (VIN)**  
See Page 7

**350 CID 5.7 Liter (VIN Code K) V8 Engine**

1992	TDK, TFA, TFB, TFC, TFD, TFF, TKA, TKB, TKD, TKF, TND, TNF, TPA
1993	UKA, UKB, UKC, UKD, UKF, UKH, UKJ, UKK, UKL, UKN, UKP, UMA, UMB, UMC, UMF
1994	FSD, FSH, FSL, FSS, FST, FTC, FTK, FTL, FTN, FSB, FSJ, FSN, FSP, FSA, FSC, FSK
1995	PHA, PHB, PHD, PJB, PHF, PJA, PJC, PNC, PJF, PKA, PKB, PKC

**350 CID 5.7 Liter (VIN Code R) V8 Engine**

1996	XJA, XKB, XJF, XKH, XKL, XKP, XKS, XKT, XKU
1997	FKA, FKB, FKF, FLA, FLD, FMA, FMB, FMC, FMD, FJA, FJB
1998	PCA, PCB, PCF, PCH, PDC, PDF, PPA, PPB, PPC, PHX, PJJ, PJP
1999	PCA, PCB, PDC, PDF, PPA, XKA, XKB, XKC, XKD, XKF, XLA, XLB, PHX, XCD, XDA, PJT, XCF
2000	FKA, FKB, FKC, FKD, FKF, FCA, FCB, FCC, FCD

**454 CID 7.4 Liter (VIN Code N) V8 Engine**

1992	TCH, TCJ, TCK, TCL, TCN, TCS, TCT, TDH, TDJ, TDK, TDL
1993	UCH, UCJ, UCK, UCL, UCN, UCS, UCT, UDH, UDJ, UDK, UDL
1994	FCH, FCJ, FCS, FCT, FDH, FDJ, FCK, FCL, FDK, FDL
1995	PCH, PCL, PCK, PCJ, PCS, PCT, PDH, PHJ, PDK, PDL, PDJ

**454 CID 7.4 Liter (VIN Code J) V8 Engine**

1996	XCH, XCL, XCK, XCJ, XCS, XCT, XDH, XDJ
1997	FCH, FCJ, FCK, FCL, FCS, FCT, FDH, FDJ, FDK, FDL, FCY, FDY, FCX, FDX
1998	PCN, PCJ, PCK, PCY, PCS, PDH, PCL, PDK, PDJ, PDY, PDL
1999	PCJ, PCY, PCL, PDJ, PDY, PDL, XCJ, XCN, XCY, XCK, XCS, XCL, XDH, XCT, XDK, XDJ, XDY, XDL

**396 CID 6.5 Liter Turbo Diesel (VIN Code F) V8 Engine**

1994	YYF, YYH, YYJ, YYK, YTF, YTH, YTJ, YTK
1995	YZC, YZF, YZJ, YZK
1996	YBB, YBD, YBC, YBF
1997	YCB, YCC, YCF, YHB, YHD, YHC, YHF
1998	YBD, YDD, YDC, YDF
1999	YDD, YFB, YFD, YFC, YFF, YKF, YDL, YFL, YFN

**396 CID 6.5 Liter Turbo Diesel (VIN Code S) V8 Engine**

1994	YYD	1997	YCA, YHA
1995	YZA	1998	YDL, YDA
1996	YBA	1999	YDA, YFA

### Steel Body Panels and What to Expect

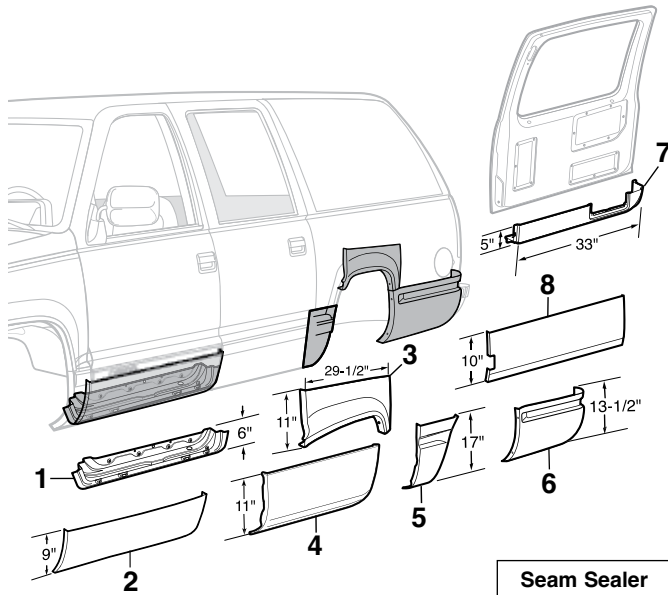
All sheet metal is inspected before it is shipped and careful steps are taken to package parts so there is no damage during shipping. Due to the nature of the product, sheet metal is easily damaged and scratches, dents, dings and other imperfections are normal and not considered damaged. These kinds of imperfections should be expected and can be easily fixed during installation and the paint preparation, sanding and priming stages of your restoration. It is recommended you inspect all sheet metal that is delivered before the delivery driver leaves. Test fitting of all panels before installation is recommended and the use of alignment shims and other adjustments during the install may be required.

\* Or \*\* after the sell price means your order will incur an Oversize Part Charge for each oversized part. \* Means extra charge will be \$20. \*\* Means extra charge will be \$50. Due to packing and/or transportation requirements, please allow additional time for delivery. Oversized Parts are not available for air delivery.

-T after a part number means that part must be shipped Truck Freight. An additional \$150.00 will be charged to your order for delivery in the 48 contiguous United States. Orders outside of the 48 states will be quoted. Additional delivery time required.

## Body Patch Panels

1992-99 Chevy Blazer, Tahoe, Suburban  
1992-99 GMC Yukon, Suburban



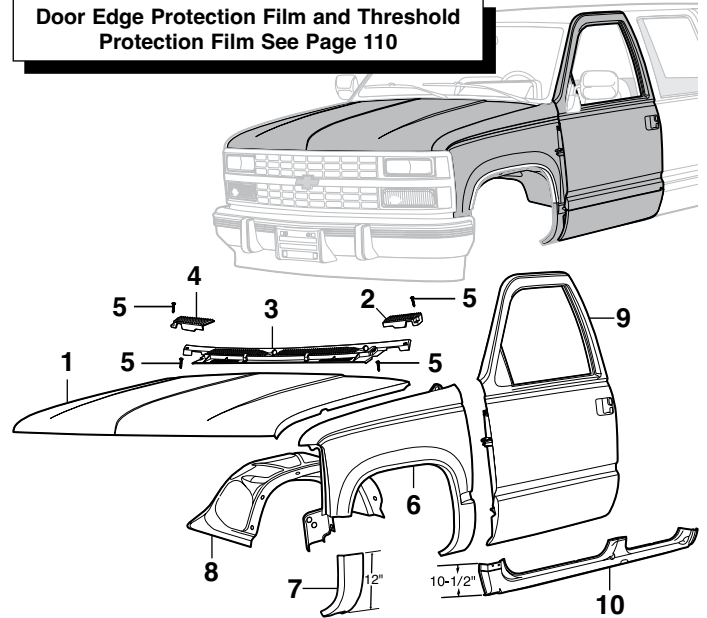
**Seam Sealer**  
See Page 70

PART	ILL#	DESCRIPTION	APPLICATION	REQD	PRICE
39-6408	(1)	DOOR BOTTOM-INNER-FRONT-LH	CHEVY GMC 92-99	(1)	\$54.95
39-6409		DOOR BOTTOM-INNER-FRONT-RH	CHEVY GMC 92-99	(1)	\$54.95
39-6410	(2)	DOOR SKIN-LH	9" HIGH CHEVY GMC 92-99	(1)	\$24.95
39-6411		DOOR SKIN-RH	9" HIGH CHEVY GMC 92-99	(1)	\$24.95
39-6834	(3)	WHEEL ARCH-UPPER-LH	4 DOOR TAHOE 95-99	(1)	\$89.95
39-6835		WHEEL ARCH-UPPER-RH	4 DOOR TAHOE 95-99	(1)	\$89.95
39-6834		WHEEL ARCH-UPPER-LH	4 DOOR YUKON 95-99	(1)	\$89.95
39-6835		WHEEL ARCH-UPPER-RH	4 DOOR YUKON 95-99	(1)	\$89.95
39-6950	(4)	FRONT LOWER QTR PANEL-LH	2 DOOR 92-99	(1)	\$47.95
39-6951		FRONT LOWER QTR PANEL-RH	2 DOOR 92-99	(1)	\$47.95
39-6940	(5)	FRONT LOWER QTR PANEL-LH	SUBURBAN 92-99	(1)	\$35.95
39-6941		FRONT LOWER QTR PANEL-RH	SUBURBAN 92-99	(1)	\$35.95
39-6836	(6)	REAR LOWER PANEL-LH	2 DOOR 92-99	(1)	\$82.95
39-6837		REAR LOWER PANEL-RH	2 DOOR 92-99	(1)	\$82.95
39-6838		REAR LOWER PANEL-LH	4 DOOR 95-99	(1)	\$89.95
39-6839		REAR LOWER PANEL-RH	4 DOOR 95-99	(1)	\$89.95
39-6942		REAR LOWER PANEL-LH	SUBURBAN 92-99	(1)	\$39.95
39-6943		REAR LOWER PANEL-RH	SUBURBAN 92-99	(1)	\$49.95
39-7698	(7)	CARGO DOOR BOTTOM-INNER-LH	CHEVY GMC 92-99	(1)	\$59.95
39-7699		CARGO DOOR BOTTOM-INNER-RH	CHEVY GMC 92-99	(1)	\$49.95
39-7714	(8)	CARGO DOOR BOTTOM-OUTER-LH	CHEVY GMC 92-99	(1)	\$66.95
39-7715		CARGO DOOR BOTTOM-OUTER-RH	CHEVY GMC 92-99	(1)	\$66.95

## Steel Body Parts

1992-99 Chevy Blazer, Tahoe, Suburban  
1992-99 GMC Yukon, Suburban

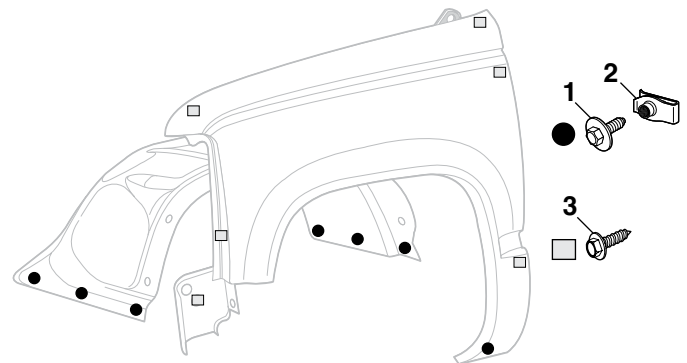
**Door Edge Protection Film and Threshold Protection Film See Page 110**



PART	ILL#	DESCRIPTION	APPLICATION	REQD	PRICE
39-9610-T	(1)	HOOD	CHEVY GMC 92-99	(1)	\$169.95
39-7530	(2)	COWL PANEL-LH	CHEVY GMC 92-99	(1)	\$15.95
39-7532	(3)	COWL PANEL-CENTER	CHEVY GMC 92-99	(1)	\$89.95*
39-7533	(4)	COWL PANEL-RH	CHEVY GMC 92-99	(1)	\$15.95
31-0511	(5)	SCREW-COWL PANEL-LONG	CHEVY GMC 92-99	(AR)	\$.85
40-0470-C		SCREW-COWL PANEL-SHORT	CHEVY GMC 92-99	(AR)	\$.65
39-9616-T	(6)	FRONT FENDER-LH	CHEVY GMC 92-99	(1)	\$84.95
39-9617-T		FRONT FENDER-RH	CHEVY GMC 92-99	(1)	\$84.95
39-7846	(7)	REPAIR PANEL-REAR-LOWER-LH	CHEVY GMC 92-98	(1)	\$29.95
39-7847		REPAIR PANEL-REAR-LOWER-RH	CHEVY GMC 92-98	(1)	\$29.95
39-7662	(8)	INNER FENDER-LH-PRIMED	CHEVY GMC 92-99	(1)	\$39.95*
39-7663		INNER FENDER-RH-PRIMED	CHEVY GMC 92-99	(1)	\$39.95*
39-9618-T	(9)	FRONT DOOR SHELL-LH	CHEVY GMC 92-99	(1)	\$209.95
39-9619-T		FRONT DOOR SHELL-RH	CHEVY GMC 92-99	(1)	\$219.45
39-9624	(10)	OUTER ROCKER PANEL-LH	SUBURBAN 92-99	(1)	\$134.95**
39-9625		OUTER ROCKER PANEL-RH	SUBURBAN 92-99	(1)	\$134.95**

## Front Fender Hardware

1992-99 Chevy Blazer, Tahoe, Suburban  
1992-99 GMC Yukon, Suburban

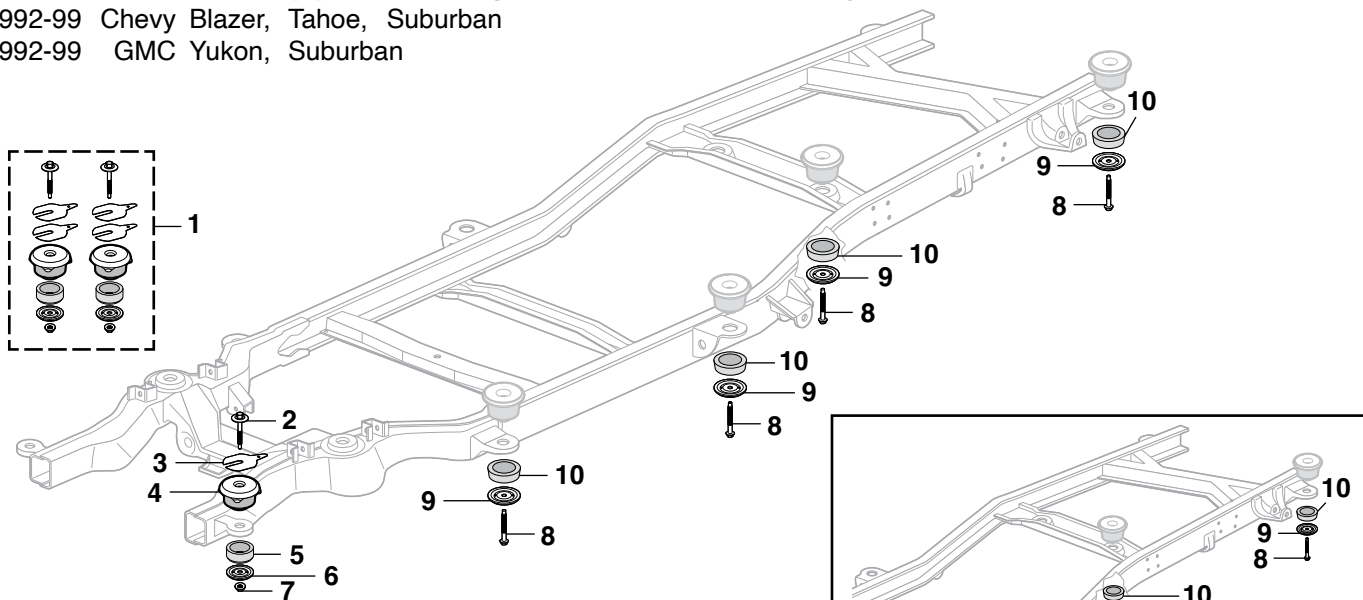


PART	ILL#	DESCRIPTION	APPLICATION	REQD	PRICE
29-0291	(1)	BOLT-FRONT FENDER	CHEVY GMC 92-99	(26)	\$1.25
40-0915-C	(2)	NUT-FRONT FENDER	CHEVY GMC 92-99	(26)	\$.95
31-0262	(3)	BOLT-FRONT FENDER	CHEVY GMC 92-99	(12)	\$.95



**Radiator Core Support / Body to Frame Mounting Hardware**

1992-99 Chevy Blazer, Tahoe, Suburban  
 1992-99 GMC Yukon, Suburban

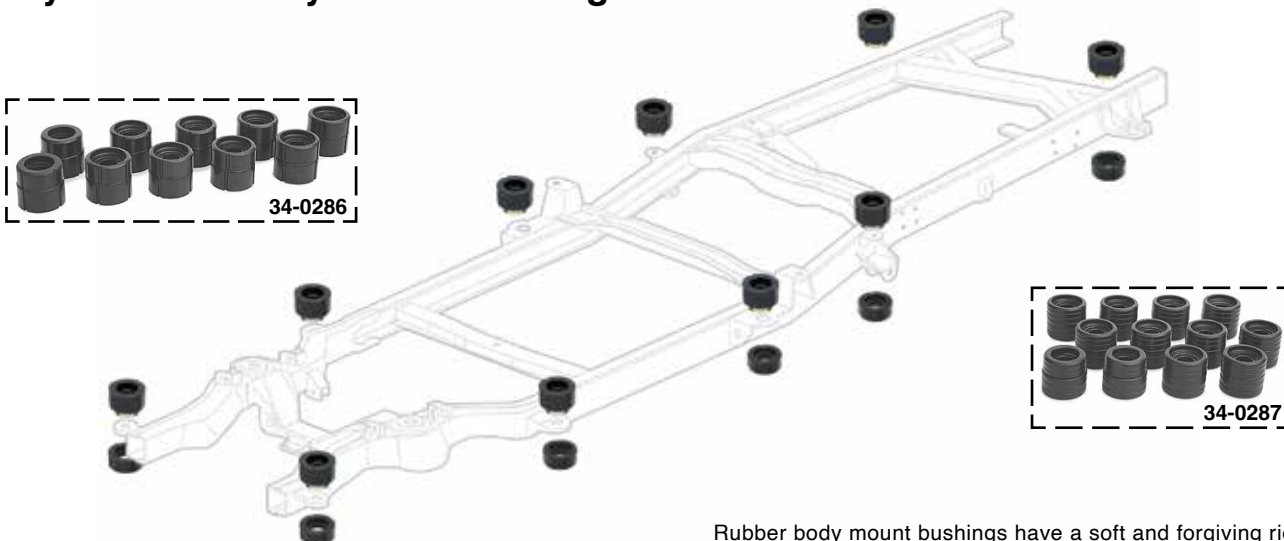


These rubber cushions are made like the originals from the factory. Installing new cushions will help return your truck to its original smooth ride. Replace your rusted, corroded hardware for safety and security. Call or go online and order yours today!

PART	ILL#	DESCRIPTION	APPLICATION	REQD	PRICE
<b>Radiator Core Support Mounting Kit</b>					
31-0184	(1)	RADIATOR CORE MOUNTING KIT	14PC	92-99 (1)	\$79.95
31-0315	(2)	BOLT	CHEVY GMC	92-99 (2)	\$5.25
31-2822	(3)	SHIM-2MM	CHEVY GMC	92-99 (AR)	\$3.95
31-2000	(4)	UPPER CUSHION-CORE MOUNT	CHEVY GMC	92-99 (2)	\$15.95
30-2025	(5)	LOWER CUSHION-CORE MOUNT	CHEVY GMC	92-99 (2)	\$9.95
31-1365	(6)	RETAINER	CHEVY GMC	92-99 (2)	\$4.95
40-0819-C	(7)	NUT	CHEVY GMC	92-99 (2)	\$.95

PART	ILL#	DESCRIPTION	APPLICATION	REQD	PRICE
<b>Body to Frame Mounting - 2 Door</b>					
31-0316	(8)	BOLT-CAB MOUNT	2 DOOR	92-99 (8)	\$3.95
31-1366	(9)	RETAINER-LOWER	2 DOOR	92-99 (8)	\$6.95
31-2001	(10)	LOWER CUSHION-BODY MOUNT	2 DOOR	92-99 (8)	\$11.95
<b>Body to Frame Mounting - 4 Door</b>					
31-0316	(8)	BOLT-CAB MOUNT	4 DOOR	92-99 (10)	\$3.95
31-1366	(9)	RETAINER-LOWER	4 DOOR	92-99 (10)	\$6.95
31-2001	(10)	LOWER CUSHION-BODY MOUNT	4 DOOR	92-99 (10)	\$11.95

**Polyurethane Body Mount Bushing Set**



PART	DESCRIPTION	APPLICATION	REQD	PRICE
34-0286	BODY MOUNT BUSHING SET	BLZ TAH YKN	92-99 (1)	\$169.95
34-0287	BODY MOUNT BUSHING SET	SUBURBAN	92-99 (1)	\$211.30

Rubber body mount bushings have a soft and forgiving ride, but they will crush, harden and crack over time. These polyurethane bushings are specially formulated to be more durable and last much longer than rubber mounts.

## Billet Hood Hinge Sets



**30-3907-BL**  
Black



Transform the look underneath your hood with this Billet Aluminum Hood Hinge Set. Designed to replace stock stamped steel hood hinges, they are CNC machined to perfection in the USA from 6061-T6 billet aluminum. These billet hinges feature nitrogen filled gas struts and sealed ball bearings at all pivot points for smooth and reliable operation. Bolt-on design fits the factory mounting holes with the included stainless steel hardware. Available in Matte Black and Polished finish.



**30-3907-PL**  
Polished

PART	DESCRIPTION	APPLICATION	REQD	PRICE
30-3907-BL	BILLET HOOD HINGE SET-BLACK	CHEVY GMC 92-99	(1)	\$545.00

PART	DESCRIPTION	APPLICATION	REQD	PRICE
30-3907-PL	BILLET HOOD HINGE SET-POLISHED	CHEVY GMC 92-99	(1)	\$545.00

## Cowl Induction Steel Hoods ... Give Your Truck a High Performance Look

Cowl Induction Steel Hood helps cool the engine for increased airflow and increased performance. The outside cold fresh air carries a denser air/fuel mixture to an engine's combustion chambers than the warm underhood air. Hoods are made from primed high-quality steel

with full inner frame that reuses original factory latch and hinges for an easy bolt-on application and must be painted.

-T after a part number means that part must be shipped Truck Freight. An additional \$150.00 will be charged to your order for delivery in the 48 contiguous United States. Orders outside of the 48 states will be quoted. Additional delivery time required.



**39-9601-T**  
Single Cowl Hood  
4" Rise

PART	DESCRIPTION	APPLICATION	REQD	PRICE
39-9601-T	COWL HOOD-SINGLE 4" RISE "A"	92-99	(1)	\$379.95

Note: "A" Models without Denali package.



**39-9611-T**  
Single Cowl Hood  
2" Rise

PART	DESCRIPTION	APPLICATION	REQD	PRICE
39-9611-T	COWL HOOD-SINGLE 2" RISE	CHEVY GMC 92-99	(1)	\$329.95



**39-9613-T**  
Dual Cowl Hood  
with Ram Air Look

PART	DESCRIPTION	APPLICATION	REQD	PRICE
39-9613-T	COWL HOOD-RAM AIR LOOK 2" RISE DUAL "A"	92-99	(1)	\$649.95

Note: "A" Models without Denali package.



**39-9615-T**  
Single Cowl Hood  
with Ram Air Look

PART	DESCRIPTION	APPLICATION	REQD	PRICE
39-9615-T	COWL HOOD-RAM AIR LOOK 2" RISE SINGLE "A"	92-99	(1)	\$369.95

Note: "A" Models without Denali package.

## Cowl Induction Emblem Set



Emblems attach with push nuts and adhesive tape, included. Holes will need to be drilled for installation.

PART	DESCRIPTION	APPLICATION	REQD	PRICE
38-3698	EMBLEM SET "COWL INDUCTION" 4PC		(1)	\$16.55



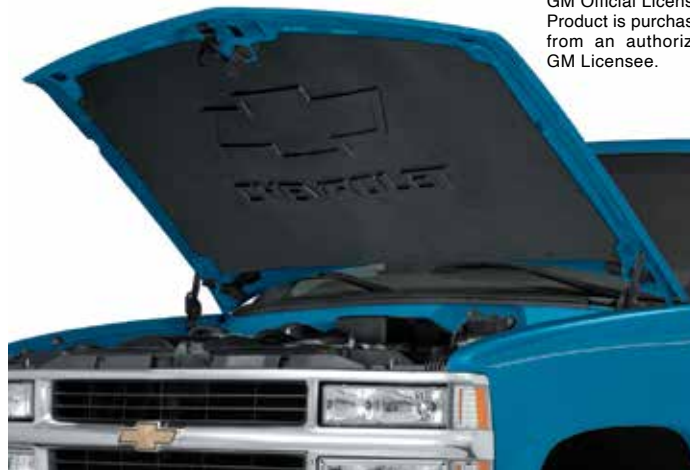
**39-9606-T**  
Single Cowl Hood

PART	DESCRIPTION	APPLICATION	REQD	PRICE
39-9606-T	COWL HOOD-SINGLE 2" RISE "A"	92-99	(1)	\$399.95

Note: "A" Models without Denali package.



**ABS Hood Insulation Kits**



GM Official Licensed Product is purchased from an authorized GM Licensee.



39-2277

**ABS Hood Insulation Kits Do Not Fit Cowl Induction Hoods**

Heat-resistant textured ABS Hood Insulation Kit covers up the underside of your hood and is available with or without officially licensed logo. Each kit includes pre-cut foil-backed insulation material, 14 oz. spray adhesive, 1 roll of aluminum tape, center punch, drill sleeve, mounting hardware and illustrated instructions. Drilling may be required on models not originally equipped with hood insulation. Models with underhood light will need to modify the hood insulator for reinstallation.

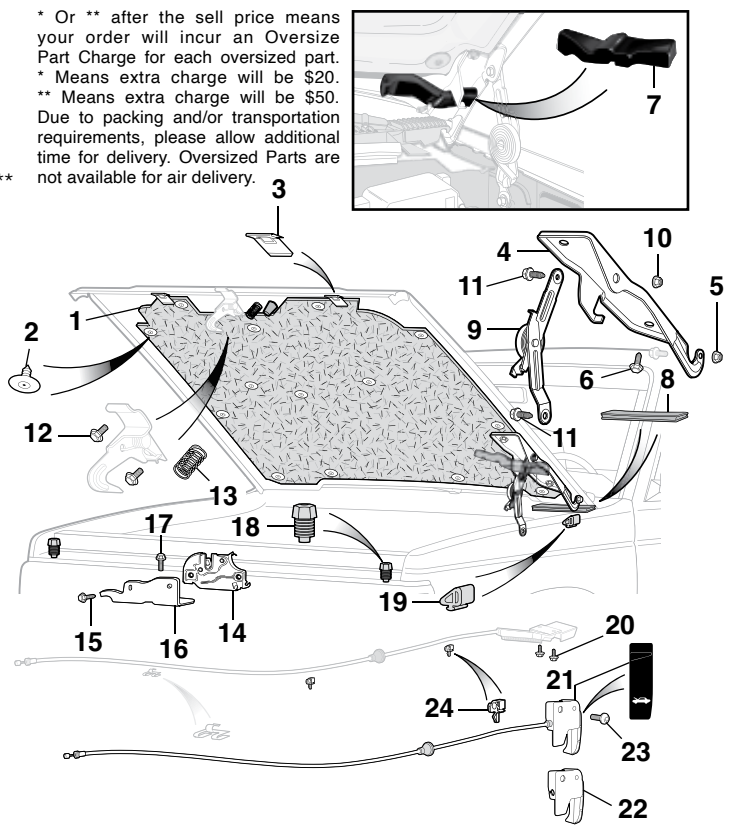
PART	DESCRIPTION	APPLICATION	REQD	PRICE
39-2276	ABS HOOD INSULATION KIT-PLAIN	CHEVY GMC 92-99	(1)	\$199.95
39-2277	ABS HOOD INSULATION KIT-CHEVY	CHEVY	92-99 (1)	\$279.95
39-2278	ABS HOOD INSULATION KIT-GMC	GMC 92-99	(1)	\$279.95

**Hood Components**

1992-99 Chevy Blazer, Tahoe, Suburban  
1992-99 GMC Yukon, Suburban

PART	ILL#	DESCRIPTION	APPLICATION	REQD	PRICE
38-7511	(1)	HOOD INSULATOR	CHEVY GMC 92-99	(1)	\$44.95
39-7500		HOOD INSULATOR-MOLDED	5.7L 7.4L 92-99	(1)	\$257.95**
29-0842	(2)	RETAINER-INSULATOR	CHEVY GMC 92-99	(20)	\$1.95
31-1353	(3)	RETAINER-INSULATOR	CHEVY GMC 92-99	(2)	\$1.95
31-3636	(4)	HOOD HINGE BRACKET-LH	CHEVY GMC 92-99	(1)	\$7.95
31-3637		HOOD HINGE BRACKET-RH	CHEVY GMC 92-99	(1)	\$7.95
31-0878	(5)	NUT-HINGE PIVOT	CHEVY GMC 92-99	(2)	\$.65
31-0262	(6)	BOLT-HINGE	CHEVY GMC 92-99	(4)	\$1.95
31-1874	(7)	HOOD HINGE SEAL-LH	CHEVY GMC 92-95	(1)	\$9.95
31-1875		HOOD HINGE SEAL-RH	CHEVY GMC 92-95	(1)	\$9.95
31-1876	(8)	HOOD HINGE SEAL	CHEVY GMC 96-99	(2)	\$7.95
31-3102	(9)	HOOD HINGE SPRING-LH	CHEVY GMC 92-99	(1)	\$12.95
31-3103		HOOD HINGE SPRING-RH	CHEVY GMC 92-99	(1)	\$12.95
31-0878	(10)	NUT-HINGE SPRING	CHEVY GMC 92-99	(2)	\$.65
31-0262	(11)	BOLT-HINGE SPRING	CHEVY GMC 92-99	(4)	\$1.95
30-0976	(12)	BOLT-CATCH	CHEVY GMC 92-99	(2)	\$1.25
38-7533	(13)	SPRING	CHEVY GMC 92-99	(1)	\$2.95
38-7530	(14)	HOOD LATCH	CHEVY GMC 92-99	(1)	\$9.95
29-0291	(15)	BOLT-LATCH	CHEVY GMC 92-99	(2)	\$1.25
30-1573	(16)	BRACKET-LATCH	CHEVY GMC 92-99	(1)	\$7.95
31-0262	(17)	BOLT-BRACKET	CHEVY GMC 92-99	(2)	\$1.95
30-1826	(18)	HOOD BUMPER-FRONT	CHEVY GMC 92-99	(2)	\$1.95
31-1842	(19)	HOOD BUMPER-SIDE	CHEVY GMC 92-99	(2)	\$3.95
30-0454	(20)	SCREW	CHEVY GMC 92-94	(2)	\$1.95
31-1451	(21)	HOOD RELEASE CABLE ASSEMBLY	CHEVY GMC 95-99	(1)	\$14.95
31-1452	(22)	HANDLE	CHEVY GMC 95-99	(1)	\$6.95
31-0201	(23)	SCREW	CHEVY GMC 95-99	(1)	\$7.25
29-0838	(24)	CLIP-CABLE	CHEVY GMC 92-99	(2)	\$6.39

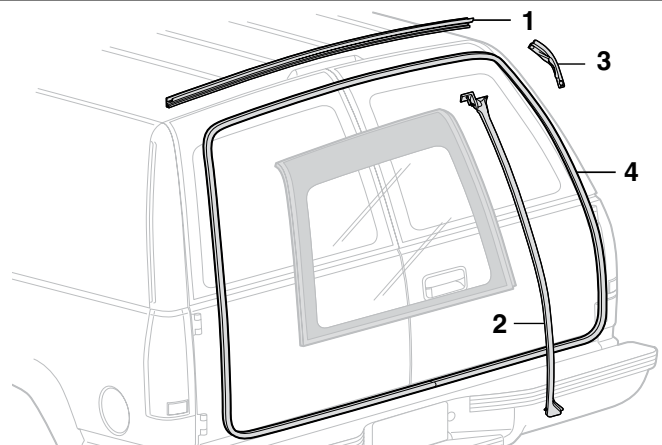
\* Or \*\* after the sell price means your order will incur an Oversize Part Charge for each oversized part. \* Means extra charge will be \$20. \*\* Means extra charge will be \$50. Due to packing and/or transportation requirements, please allow additional time for delivery. Oversized Parts are not available for air delivery.



**Cargo Door Rubber Components**

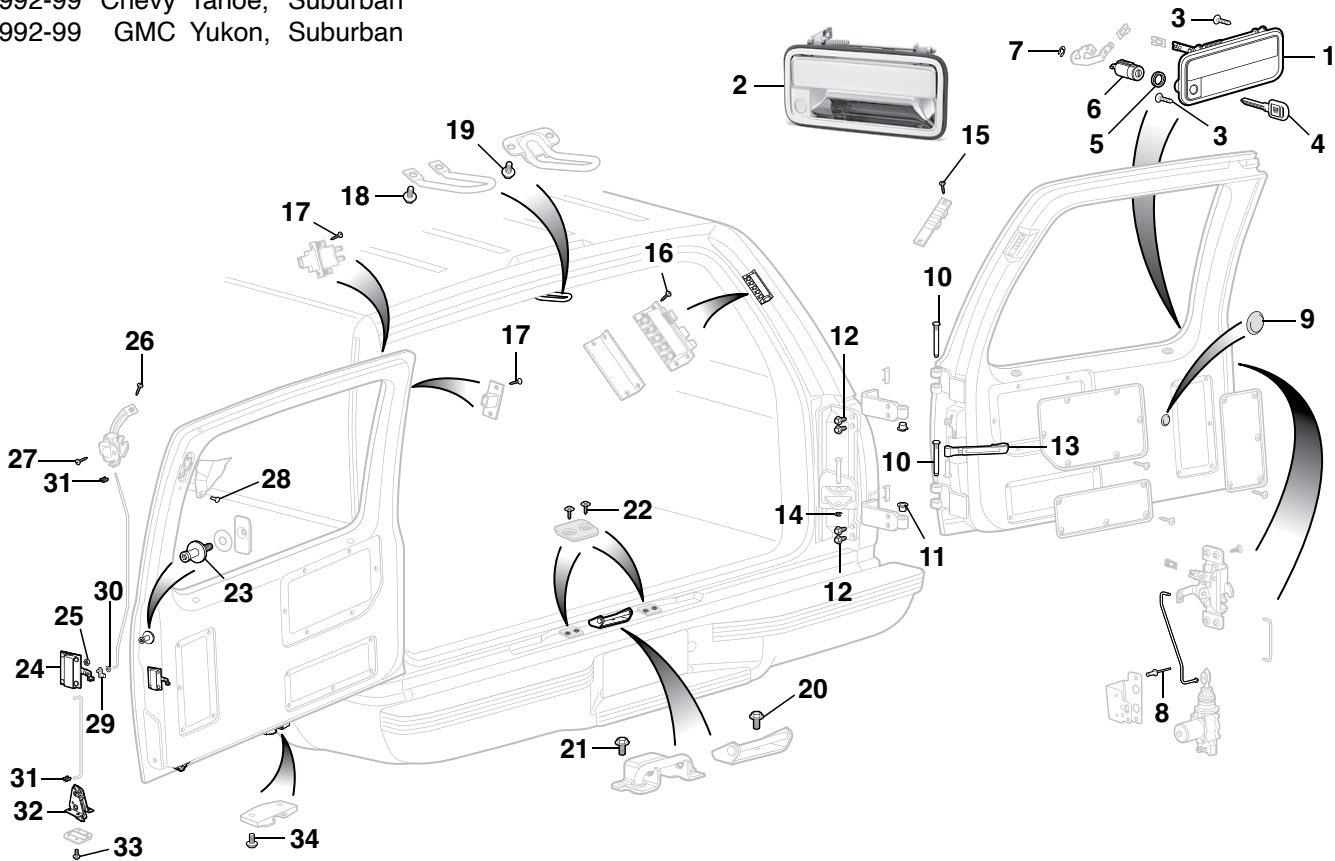
1992-99 Chevy Tahoe, Suburban  
1992-99 GMC Yukon, Suburban

PART	ILL#	DESCRIPTION	APPLICATION	REQD	PRICE
38-6997	(1)	DOOR WEATHERSTRIP-UPPER	CHEVY GMC 92-99	(1)	\$29.95
38-6998	(2)	DOOR WEATHERSTRIP-VERTICAL	CHEVY GMC 92-99	(1)	\$29.95
38-6999	(3)	DOOR WEATHERSTRIP-CORNER	CHEVY GMC 92-99	(1)	\$19.95
38-6996	(4)	WEATHERSTRIP-CARGO OPENING	CHEVY GMC 92-99	(1)	\$45.95



## Cargo Door Components

1992-99 Chevy Tahoe, Suburban  
1992-99 GMC Yukon, Suburban

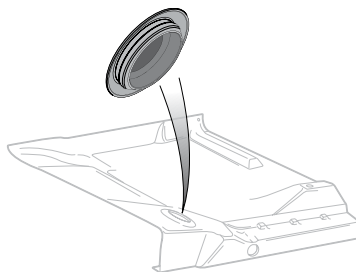


PART	ILL#	DESCRIPTION	APPLICATION	REQD	PRICE
39-6491	(1)	DOOR HANDLE-OUTER SMOOTH	CHEVY GMC 92-94	(1)	\$14.95
39-6495		DOOR HANDLE-OUTER TEXTURED	CHEVY GMC 95-99	(1)	\$14.95
37-8001	(2)	DOOR HANDLE-OUTER CHROME	CHEVY GMC 92-99	(1)	\$22.95
31-0518	(3)	SCREW	CHEVY GMC 92-99	(2)	\$9.25
30-0740	(4)	KEY BLANK	CHEVY GMC 92-94 (AR)		\$2.45
30-0749		KEY BLANK	CHEVY GMC 95-99 (AR)		\$5.95
31-2301	(5)	GASKET	CHEVY GMC 92-99	(1)	\$.99
37-0748	(6)	LOCK CYLINDER-UNCODED	CHEVY GMC 95-99	(1)	\$60.75
31-0766	(7)	RETAINER-LEVER	CHEVY GMC 92-99	(2)	\$1.95
31-0753	(8)	RIVET	CHEVY GMC 92-99	(4)	\$.95
31-0791	(9)	PLUG	CHEVY GMC 92-99	(1)	\$2.45
37-0920	(10)	DOOR HINGE PIN	CHEVY GMC 92-99	(4)	\$3.45
31-0758	(11)	BUSHING-HINGE	CHEVY GMC 92-99	(4)	\$3.45
31-0336	(12)	BOLT-HINGE	CHEVY GMC 92-99	(8)	\$1.25

PART	ILL#	DESCRIPTION	APPLICATION	REQD	PRICE
37-0915	(13)	DOOR CHECK	CHEVY GMC 92-99	(2)	\$9.95
31-0769	(14)	RETAINER CLIP	CHEVY GMC 92-99	(2)	\$1.25
30-0428	(15)	SCREW	CHEVY GMC 92-99	(6)	\$4.25
30-0428	(16)	SCREW-CONTACT	CHEVY GMC 92-99	(4)	\$4.25
30-0428	(17)	SCREW	CHEVY GMC 92-99 (AR)		\$4.25
31-0203	(18)	BOLT	CHEVY GMC 92-97	(2)	\$.65
31-0337	(19)	BOLT	CHEVY GMC 98-99	(2)	\$2.95
31-0203	(20)	BOLT	CHEVY GMC 92-97	(2)	\$.65
31-0337	(21)	BOLT-STRIKER-DOOR-LWR	CHEVY GMC 98-99	(2)	\$2.95
29-0332	(22)	SCREW-PROTECTOR	CHEVY GMC 92-99	(4)	\$1.35
29-7775	(23)	STRIKER-REAR DOOR LOCK	CHEVY GMC 92-99	(1)	\$7.95
37-0950	(24)	DOOR HANDLE-INNER	CHEVY GMC 92-97	(1)	\$99.95
37-0951		DOOR HANDLE-INNER	CHEVY GMC 98-99	(1)	\$22.95
31-0876	(25)	NUT	CHEVY GMC 92-99	(4)	\$.65
31-0201	(26)	SCREW-UPPER	CHEVY GMC 92-97	(1)	\$7.25
31-0201	(27)	SCREW-SIDE	CHEVY GMC 92-99	(1)	\$7.25
29-0914	(28)	RETAINER	CHEVY GMC 92-99	(1)	\$1.25
29-0874	(29)	CLIP-ROD-UPPER LATCH	CHEVY GMC 92-97	(2)	\$1.25
30-0679	(30)	FLAT WASHER	CHEVY GMC 92-97	(1)	\$.65
30-0736	(31)	CLIP	CHEVY GMC 92-97	(2)	\$.95
31-0770		CLIP	CHEVY GMC 98-99	(2)	\$1.45
29-7764	(32)	LATCH-LOWER	CHEVY GMC 92-97	(1)	\$179.95
31-0203	(33)	BOLT	CHEVY GMC 92-99	(4)	\$.65
31-0203	(34)	BOLT-LOWER WEDGE	CHEVY GMC 92-99	(4)	\$.65

## Sheet Metal Plugs

These flush mount Sheet Metal Plugs close unused holes in firewalls, floor pans and doors. Plugs are made of plastic and easily snap into 14 to 26 gauge sheet metal. Available in multiple sizes to fit 3/8" to 1" diameter holes.

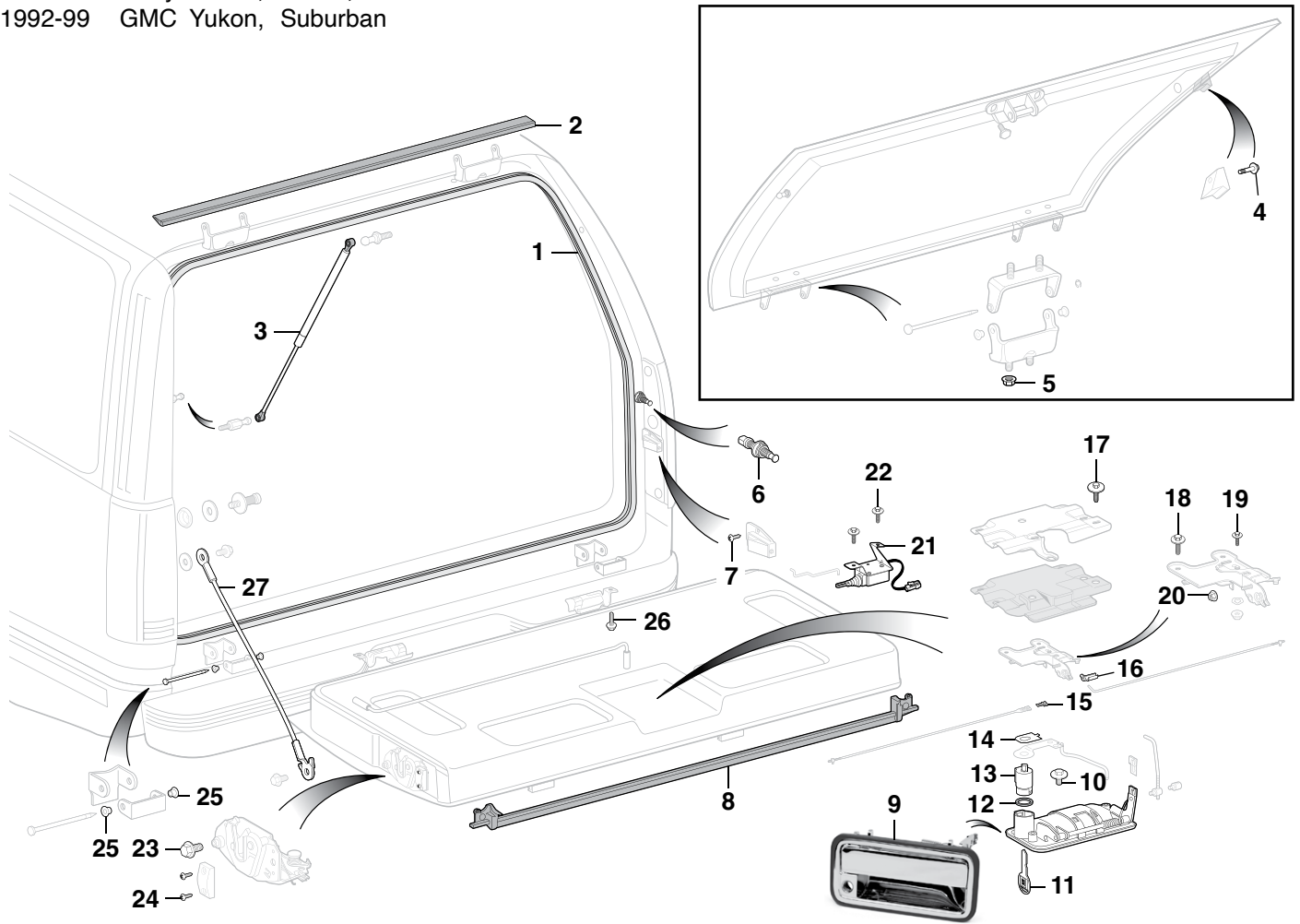


PART	DESCRIPTION	REQD	PRICE
30-1972	PLUG 3/8" HOLE	(AR)	\$.65
30-1966	PLUG 1/2" HOLE	(AR)	\$.65
30-1973	PLUG 5/8" HOLE	(AR)	\$.65
30-1974	PLUG 3/4" HOLE	(AR)	\$.65
30-1975	PLUG 7/8" HOLE	(AR)	\$.65
30-1954	PLUG 1" HOLE	(AR)	\$1.45



**Tailgate and Liftgate Components**

1992-99 Chevy Blazer, Tahoe, Suburban  
 1992-99 GMC Yukon, Suburban



**W/O DEFOG = Models without Rear Window Defogger**  
**W/DEFOG = Models with Rear Window Defogger**

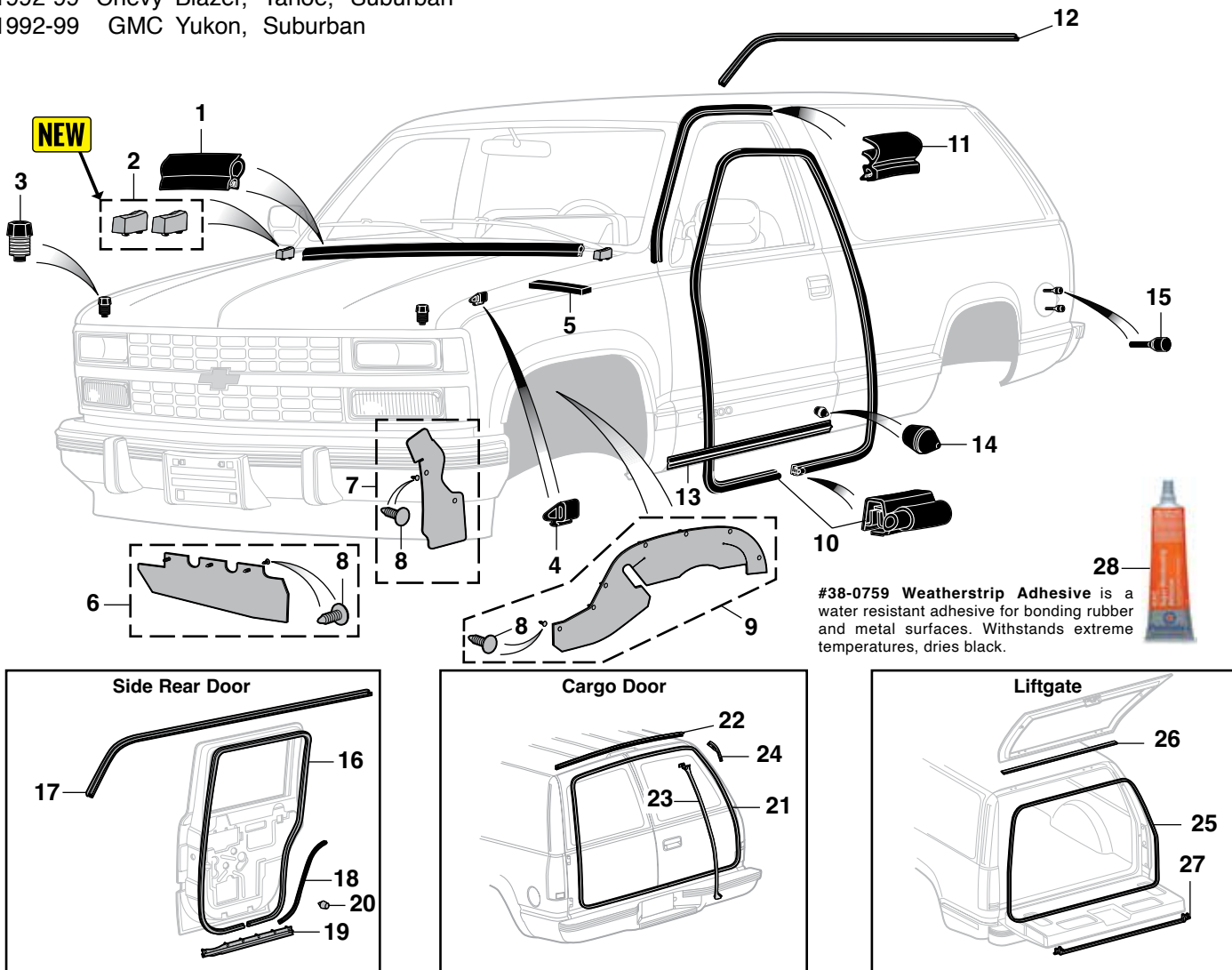
**Tech Tip**  
 Always replace lift struts in pairs to prevent twisting caused by uneven loads.

PART	ILL#	DESCRIPTION	APPLICATION	REQD	PRICE
38-8380	(1)	WEATHERSTRIP-OPENING	CHEVY GMC 92-99	(1)	\$42.95
38-8382	(2)	WEATHERSTRIP-UPPER	CHEVY GMC 92-99	(1)	\$29.95
37-0978	(3)	LIFTGATE STRUT	W/O DEFOG 92-94	(2)	\$19.95
37-0974		LIFTGATE STRUT-LH	W/DEFOG 92-94	(1)	\$24.95
37-0975		LIFTGATE STRUT-RH	W/DEFOG 92-94	(1)	\$24.95
37-0978		LIFTGATE STRUT	95-99	(2)	\$19.95
29-0370	(4)	BOLT	CHEVY GMC 92-99	(AR)	\$1.45
31-0878	(5)	NUT-LIFTGATE HINGE	CHEVY GMC 92-99	(8)	\$.65
37-0982	(6)	DOOR JAMB SWITCH	CHEVY GMC 92-99	(1)	\$24.25
31-0511	(7)	SCREW-TAILGATE BUMPER	CHEVY GMC 92-99	(AR)	\$.85
38-8386	(8)	TAILGATE WEATHERSTRIP	CHEVY GMC 92-99	(1)	\$30.45
37-8002	(9)	TAILGATE HANDLE-CHROME	CHEVY GMC 92-99	(1)	\$21.95
39-6559		TAILGATE HANDLE-BLACK	CHEVY GMC 92-99	(1)	\$16.95
31-0518	(10)	BOLT	CHEVY GMC 92-99	(2)	\$9.25
30-0740	(11)	DOOR KEY BLANK	CHEVY GMC 92-94	(AR)	\$2.45
30-0749		DOOR KEY BLANK	CHEVY GMC 95-99	(AR)	\$5.95
31-2301	(12)	GASKET-LOCK CYLINDER	CHEVY GMC 92-99	(1)	\$.99
37-0748	(13)	LOCK CYLINDER	CHEVY GMC 95-99	(1)	\$60.75

PART	ILL#	DESCRIPTION	APPLICATION	REQD	PRICE
31-0766	(14)	RETAINER	CHEVY GMC 92-94	(2)	\$1.95
31-1603		RETAINER	CHEVY GMC 95-99	(2)	\$2.25
31-1603	(15)	RETAINER-LATCH ROD	CHEVY GMC 92-99	(1)	\$2.25
30-0738	(16)	CLIP	CHEVY GMC 92-99	(1)	\$1.95
29-0361	(17)	BOLT	CHEVY GMC 92-99	(AR)	\$.95
31-0341	(18)	BOLT	CHEVY GMC 92-99	(AR)	\$8.95
31-0342	(19)	BOLT	CHEVY GMC 92-99	(AR)	\$3.95
31-0876	(20)	NUT	CHEVY GMC 92-99	(AR)	\$.65
37-0987	(21)	ACTUATOR-LIFTGATE RELEASE	CHEVY GMC 92-99	(1)	\$89.95
31-0203	(22)	BOLT	CHEVY GMC 92-99	(AR)	\$.65
31-0279	(23)	BOLT	CHEVY GMC 92-99	(AR)	\$1.95
31-0511	(24)	SCREW-TAILGATE BUMPER	CHEVY GMC 92-99	(AR)	\$.85
37-1009	(25)	BUSHING	CHEVY GMC 92-99	(4)	\$3.95
50-0422-C	(26)	BOLT-ROD RETAINER	CHEVY GMC 92-99	(AR)	\$.65
37-1006	(27)	TAILGATE CABLE	CHEVY GMC 92-99	(2)	\$10.95

## Exterior Rubber Components

1992-99 Chevy Blazer, Tahoe, Suburban  
1992-99 GMC Yukon, Suburban



#38-0759 Weatherstrip Adhesive is a water resistant adhesive for bonding rubber and metal surfaces. Withstands extreme temperatures, dries black.

PART	ILL#	DESCRIPTION	APPLICATION	REQD	PRICE
<b>Hood to Cowl Seal</b>					
38-8300	(1)	HOOD TO COWL SEAL	CHEVY GMC 92-99	(1)	\$13.45
38-8304	(2)	WIPER COWL SEAL-SET	CHEVY GMC 92-99	(1)	\$9.95
<b>Hood Bumpers</b>					
30-1826	(3)	HOOD BUMPER-FRONT	CHEVY GMC 92-99	(2)	\$1.95
31-1842	(4)	HOOD BUMPER-SIDE	CHEVY GMC 92-99	(2)	\$3.95
<b>Hood Hinge Seal</b>					
31-1876	(5)	HOOD HINGE SEAL	CHEVY GMC 96-99	(2)	\$7.95
<b>Splash Shields with Clips</b>					
30-2415	(6)	SPLASH SHIELD-RH W/CLIPS	CHEVY GMC 92-99	(1)	\$10.95
30-2417	(7)	SPLASH SHIELD-RH W/CLIPS"A"	GAS 96-99	(1)	\$10.95
30-2417	(8)	SPLASH SHIELD-RH W/CLIPS	DIESEL 94-99	(1)	\$10.95
29-0836	(8)	CLIP	CHEVY GMC 92-99	(AR)	\$1.25
30-2410	(9)	SPLASH SHIELD W/CLIPS	2WD CHEVY GMC 92-99	(2)	\$17.95
30-2412	(9)	SPLASH SHIELD W/CLIPS	4WD CHEVY GMC 92-99	(2)	\$17.95
<b>Door Weatherstrip - Front Door</b>					
38-8310	(10)	DOOR WEATHERSTRIP-FRONT	CHEVY GMC 92-99	(2)	\$21.95
38-8314	(11)	DRIP WEATHERSTRIP-FRONT	2 DOOR 92-99	(2)	\$17.95
38-8350	(12)	DRIP WEATHERSTRIP-FRNT/REAR	4 DOOR 92-99	(2)	\$32.95
38-8316	(13)	LOWER DOOR SEAL-FRONT-LH	CHEVY GMC 92-99	(1)	\$14.45
38-8317	(13)	LOWER DOOR SEAL-FRONT-RH	CHEVY GMC 92-99	(1)	\$15.45
29-1410	(14)	DOOR BUMPER	CHEVY GMC 92-99	(2)	\$1.25

Note: "A" Fits models with production option K47, high capacity air cleaner.

PART	ILL#	DESCRIPTION	APPLICATION	REQD	PRICE
31-1818	(15)	FUEL DOOR BUMPER	CHEVY GMC 92-99	(2)	\$2.45
<b>Door Weatherstrip - Side Rear Door</b>					
38-8371	(16)	DOOR WEATHERSTRIP-REAR	CHEVY GMC 92-99	(2)	\$21.95
38-8350	(17)	DRIP WEATHERSTRIP-FRNT/REAR	CHEVY GMC 92-99	(2)	\$32.95
38-8378	(18)	DOOR SEAL-REAR AUXILIARY	TAH YKN 95-99	(2)	\$10.95
38-8372	(19)	LOWER DOOR SEAL-REAR-LH	TAH YKN 95-99	(1)	\$7.95
38-8373	(19)	LOWER DOOR SEAL-REAR-RH	TAH YKN 95-99	(1)	\$7.95
38-8374	(19)	LOWER DOOR SEAL-REAR-LH	SUBURBAN 92-99	(1)	\$13.45
38-8375	(19)	LOWER DOOR SEAL-REAR-RH	SUBURBAN 92-99	(1)	\$13.45
29-1410	(20)	DOOR BUMPER	CHEVY GMC 92-99	(2)	\$1.25
<b>Cargo Door Weatherstrip</b>					
38-6996	(21)	DOOR WEATHERSTRIP-OPENING	CHEVY GMC 92-99	(1)	\$45.95
38-6997	(22)	DOOR WEATHERSTRIP-UPPER	CHEVY GMC 92-99	(1)	\$29.95
38-6998	(23)	DOOR WEATHERSTRIP-VERTICAL	CHEVY GMC 92-99	(1)	\$29.95
38-6999	(24)	DOOR WEATHERSTRIP-CORNER	CHEVY GMC 92-99	(1)	\$19.95
<b>Liftgate Weatherstrip</b>					
38-8380	(25)	WEATHERSTRIP-OPENING	CHEVY GMC 92-99	(1)	\$42.95
38-8382	(26)	WEATHERSTRIP-UPPER	CHEVY GMC 92-99	(1)	\$29.95
38-8386	(27)	TAILGATE WEATHERSTRIP	CHEVY GMC 92-99	(1)	\$30.45
38-0759	(28)	WEATHERSTRIP ADHESIVE-BLACK	5 OUNCE TUBE		\$8.95



**Stainless Steel Rocker Panel Trim Covers Up Rust and Scratches**



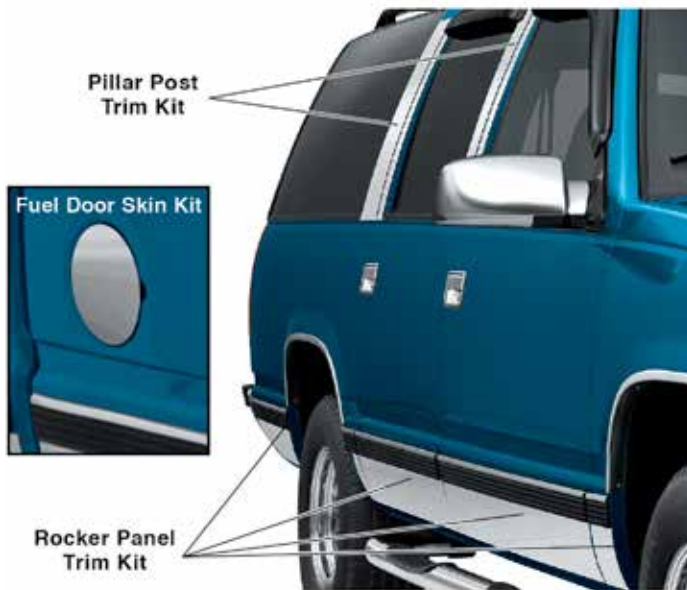
Stainless Steel Rocker Panel Trim features a polished mirror finish that dresses up your truck and covers up rust and scratches.

Easy installation with 3M™ tape, included. No drilling required.

PART	DESCRIPTION	APPLICATION	REQD	PRICE
37-7251	ROCKER PANEL TRIM "A" 2 DOOR BLZ	TAH YKN 92-99	(1)	\$231.30
37-7252	ROCKER PANEL TRIM "B" 2 DOOR BLZ	TAH YKN 92-99	(1)	\$218.32
37-7253	ROCKER PANEL TRIM 4 DOOR	TAH YKN 95-99	(1)	\$231.30
37-7241	ROCKER PANEL TRIM "A"	SUBURBAN 92-99	(1)	\$253.15
37-7242	ROCKER PANEL TRIM "B"	SUBURBAN 92-99	(1)	\$253.15

Note: "A" Fits models without fender flares.  
"B" Fits models with fender flares.

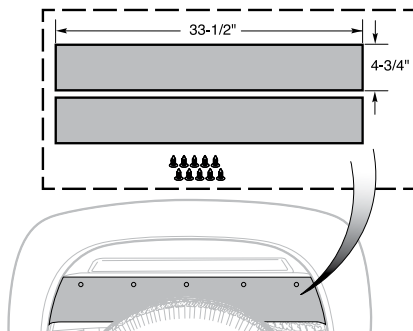
**Custom Flexible Chrome Trim ... Design it – Cut it – Install it**



Add design accents and trim on your vehicle in traditional patterns or create a unique custom look with Flexible Universal Chrome Trim. Available in four widths, any combination of the kits can be used to achieve a desired look. Chrome ABS Trim is scratch-resistant, UV coated with a bright chrome finish and easily cuts with sharp scissors and features 3M™ adhesive peel-off backing. Pattern material is included for design and fitment of the flexible chrome laminate. Use provided sandpaper to clean up any edges or corners. Always double-check all measurements of materials needed for your design for your vehicle against available sizes of kits.

PART	DESCRIPTION	APPLICATION	REQD	PRICE
37-7280	CHROME ROCKER TRIM KIT	5PC 5" X 54"	(AR)	\$202.04
37-7281	CHROME ROCKER TRIM KIT	5PC 6" X 54"	(AR)	\$202.04
37-7282	CHROME ROCKER TRIM KIT	5PC 7" X 54"	(AR)	\$250.38
37-7283	CHROME ROCKER TRIM KIT	5PC 8" X 54"	(AR)	\$250.38
37-7284	CHROME PILLAR POST TRIM KIT	5PC 5" X 24"	(AR)	\$110.05
37-7285	CHROME FUEL DOOR SKIN KIT	1PC 8" X 8"	(AR)	\$34.28

**Body Gap Filler Set**



Body Gap Filler Set covers the gap between the frame and the bed of the truck. Body Gap Filler Set creates a clean backdrop for your wheels and is also used to cover the opening created by a body lift kit. Made from 3/16" thick industrial rubber, each piece measures 33-1/2" long by 4-3/4" wide and must be sized and cut to fit. Drilling is required for installation. Mounting hardware and installation instructions are included.

PART	DESCRIPTION	APPLICATION	REQD	PRICE
30-2440	BODY GAP FILLER SET-REAR		(1)	\$17.95

**4 EASY WAYS TO ORDER**

**ONLINE**

[www.LMCtruck.com](http://www.LMCtruck.com)  
*Fast, Simple & Safe!*

**PHONE**

**(800) 562-8782**

**FAX**

**(800) 541-8525** USA & Canada  
**(913) 599-0323** Worldwide

**MAIL**

**P.O. Box 14991**  
**Lenexa, KS 66285-4991**

**ORDER YOUR PARTS TODAY!**

## Step Bars ... Completely Bolt-On with No Drilling Required

Available in Stainless Steel or Black Powder Coat



37-6328

Step Bars feature 3" round tubes and are completely bolt-on, no drilling required, and feature built-in steps with step pads that are UV tested to ensure long life in hot or cold climates. Sold as a set of two with mounting hardware.

PART	DESCRIPTION	APPLICATION	REQD	PRICE
37-6328	STEP BARS-STAINLESS	2 DOOR BLZ TAH YKN 92-99	(1)	\$249.95*
37-6358	STEP BARS-BLACK	2 DOOR BLZ TAH YKN 92-99	(1)	\$199.95*

\* Or \*\* after the sell price means your order will incur an Oversize Part Charge for each oversized part. \* Means extra charge will be \$20. \*\* Means extra charge will be \$50. Due to packing and/or transportation requirements, please allow additional time for delivery. Oversized Parts are not available for air delivery.



## Aluminum Running Boards Give You a Step Up

Full-size stone guards protect the Extruded Running Boards from road debris. Mounting brackets are made from heavy-duty steel for added strength.

Extruded Aluminum Running Boards feature rugged extruded aluminum finished with a brite-dip anodized coating for durability. Rough tape runs the entire length of the boards for secure stepping all year round.



PART	DESCRIPTION	APPLICATION	REQD	PRICE
37-6309	RUNNING BOARDS-EXTRUDED	SUBURBAN 92-99	(1)	\$499.95**

\* Or \*\* after the sell price means your order will incur an Oversize Part Charge for each oversized part. \* Means extra charge will be \$20. \*\* Means extra charge will be \$50. Due to packing and/or transportation requirements, please allow additional time for delivery. Oversized Parts are not available for air delivery.



## Steel Hood Scoops



38-7775



PART	DESCRIPTION	PRICE
38-7774	HOOD SCOOP-STEEL 2" RISE	\$185.95*
38-7775	HOOD SCOOP-STEEL 4" RISE	\$157.75*

\* Or \*\* after the sell price means your order will incur an Oversize Part Charge for each oversized part. \* Means extra charge will be \$20. \*\* Means extra charge will be \$50. Due to packing and/or transportation requirements, please allow additional time for delivery. Oversized Parts are not available for air delivery.

These 2" and 4" Universal Fit Hood Scoops are stamped from 18-gauge steel and coated with an Electro Deposit Primer (EDP) for a smooth surface. Installation will require cutting and forming the scoop to match the length and curvature of your truck's hood. Welding and body work will be required prior to painting.



Bug Shields

Bug Shields are made from durable impact-resistant materials and include all mounting hardware and installation instructions. Drilling required for installation.

Call or go online and order yours today!



37-7310

Low Profile Bug Shield features lower profile contoured styling for a sleek wrap design.

PART	DESCRIPTION	APPLICATION	REQD	PRICE
37-7310	BUG SHIELD-LOW PROFILE **A**CHROME	CHEVY GMC 92-99	(1)	\$134.95*



38-0306

Premium Bug Shield features a contoured wrap-around aerodynamic shape for complete nose and fender protection.

PART	DESCRIPTION	APPLICATION	REQD	PRICE
38-0306	BUG SHIELD-PREMIUM **A** SMOKE	CHEVY GMC 92-99	(1)	\$64.95*

Note: "A" Models without Denali package.

\* Or \*\* after the sell price means your order will incur an Oversize Part Charge for each oversized part. \* Means extra charge will be \$20. \*\* Means extra charge will be \$50. Due to packing and/or transportation requirements, please allow additional time for delivery. Oversized Parts are not available for air delivery.

Hair Pin Style Hood Pin Set



30-2550



30-2550



30-2551

PART	DESCRIPTION	APPLICATION	REQD	PRICE
30-2550	HAIR PIN STYLE HOOD PIN SET		(1)	\$9.95
30-2551	HAIR PIN SET-CHROME 2PC		(1)	\$3.95

Wiper Cowl ... For the Hottest Look



Before



37-7855

Replace that factory black grate between the hood and windshield with this simple urethane wiper cowl, making the hood flow all the way to the windshield. Comes complete with wiper and washer relief holes.

PART	DESCRIPTION	APPLICATION	REQD	PRICE
37-7855	WIPER COWL-PAINTABLE	CHEVY GMC 92-99	(1)	\$249.95*

\* Or \*\* after the sell price means your order will incur an Oversize Part Charge for each oversized part. \* Means extra charge will be \$20. \*\* Means extra charge will be \$50. Due to packing and/or transportation requirements, please allow additional time for delivery. Oversized Parts are not available for air delivery.

Chrome Cab Handle Set



38-1941

Chrome Cab Handles are 1" in diameter and 12" long. Mounting hardware is included.

PART	DESCRIPTION	PRICE
38-1941	CHROME CAB HANDLE SET OF 2	\$32.95

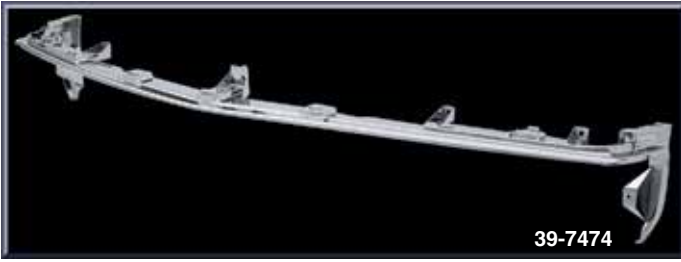
www.LMCtruck.com

Shop Online - Online Catalogs - 24/7

Fast, Simple, Safe!



## Chrome Lower Grille Panel Set



PART	DESCRIPTION	APPLICATION	REQD	PRICE
39-7474	CHROME LOWER GRILLE PANEL SET	3PC 94-99	(1)	\$89.95*

\* Or \*\* after the sell price means your order will incur an Oversize Part Charge for each oversized part. \* Means extra charge will be \$20. \*\* Means extra charge will be \$50. Due to packing and/or transportation requirements, please allow additional time for delivery. Oversized Parts are not available for air delivery.

## Side Window Deflectors ... Keep Your Window Open and the Weather Out

**Side Window Deflectors** ... The perfect addition to any truck. Keep your window open while still keeping out the wind and rain.

Made from durable ABS plastic which will bend but not break, absorbs road vibrations without fracturing. Will not discolor, fade or become brittle due to UV rays. Will not scratch or peel because it is not a laminate or painted on, but is infused into the plastic to give a hard, smooth finish.

Withstands exposure to rough conditions and extreme temperatures. Installs using 3M™ tape, included with set.

PART	DESCRIPTION	APPLICATION	REQD	PRICE
38-0315	SIDE DEFLECTOR SET 2PC SMOKE	2 DOOR 92-99	(1)	\$32.95
37-7311	SIDE DEFLECTOR SET 2PC CHROME	2 DOOR 92-99	(1)	\$99.95
37-7308	SIDE DEFLECTOR SET 4PC SMOKE	4 DOOR 92-99	(1)	\$49.95
37-7309	SIDE DEFLECTOR SET 4PC CHROME	4 DOOR 92-99	(1)	\$149.95

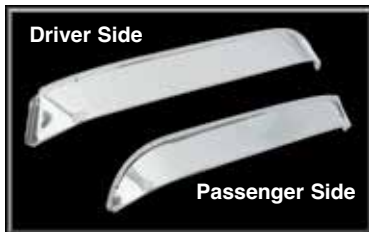


38-0315

## Window Visors ... Let Fresh Air In and Keep Rain Out



37-7305



Window Visor allows you to keep your windows partially open to have fresh air constantly circulating while keeping rain, wind and noise out. Helps reduce damaging heat build-up and comes with one Window Visor for each door. Mounting hardware included.

PART	DESCRIPTION	APPLICATION	REQD	PRICE
37-7305	WINDOW VISOR SET-FRONT-SS	2PC CHEVY GMC 92-99	(1)	\$59.25

## In Channel Slimline Window Visor Provides Airflow and Less Wind Drag



Slimline Window Visor installs easily and firmly into the door channel and provides fresh airflow and less wind drag plus helps prevent window fogging. Available in smoke colored tough acrylic.

PART	DESCRIPTION	APPLICATION	REQD	PRICE
38-0312	IN CHANNEL WINDOW VISORS-2PC	2 DOOR 92-99	(1)	\$60.95

**POR-15 Restoration Products**



**POR-15** is a high-performance rust preventative black paint designed to extend the life of new and rusted metal surfaces. It dries to a rock-hard, non-porous finish that will not rust, chip, crack or peel.

Dries in 2 to 5 hours; body fillers and paint can be applied over POR-15. For maximum effectiveness, degrease metal surfaces with Cleaner Degreaser, then prime with Metal-Prep.

**Approximate product coverage:**  
1 pint = 48 sq. ft.; 1 quart = 96 sq. ft.



**Dry Time Accelerator** reduces the cure time of POR-15 by 30-50% without affecting the final physical properties of the paint. One 8 ounce bottle treats 64 pints or 32 quarts of POR-15.

PART	DESCRIPTION	PRICE
37-8411	POR-15 SEMI-GLOSS-1 PINT	\$41.88
37-8412	POR-15 SEMI-GLOSS-1 QUART	\$63.89
37-8408	POR-15 GLOSS-1 PINT	\$41.88
37-8409	POR-15 GLOSS-1 QUART	\$63.89
37-8418	DRY TIME ACCELERATOR	\$34.05



**High Temp Paint** is an extreme temperature finish that maintains color without burning off or discoloring on manifolds and headers. Withstands high temperatures up to 1,200°F and resists cracking, chipping and peeling. It is weather-, salt- and moisture-resistant. Available in gray or aluminum color; can be brushed or sprayed on. Recommend sandblasting for optimal surface preparation.

**Approximate coverage:** 8 oz. covers a set of big block V8 headers with two coats.

PART	DESCRIPTION	PRICE
37-8484	HIGH TEMP PAINT-GRAY 8 OZ	\$25.51
37-8485	HIGH TEMP PAINT-ALUM 8 OZ	\$25.51



**Metal-Prep** provides adhesion for POR-15 on any metal surface. Gently etches metal, neutralizes rust and creates an ideal anchor for coatings such as POR-15, while leaving a zinc phosphate finish to ensure chemical bonding of paint and steel. Metal-Prep must be used on galvanized metal, aluminum, stainless steel and smooth, polished or new metal surfaces prior to applying POR-15. Metal-Prep is water-based so it is not caustic, corrosive, toxic or flammable.

PART	DESCRIPTION	PRICE
37-8415	METAL-PREP 1 QUART	\$22.14
37-8416	METAL-PREP 1 GALLON	\$44.74



**Cleaner Degreaser** cleans and degreases in one application without messy residues, noxious fumes or flammable solvents. Removes grease, oil, mildew, algae, musty odors, soap films and wax from canvas, vinyl, plastics, nylon, wood, fiberglass and all metal surfaces.

Cleaner Degreaser should be used as a surface prep prior to using Metal-Prep and POR-15.

PART	DESCRIPTION	PRICE
37-8413	CLEANER DEGREASER 1 QUART	\$14.67
37-8414	CLEANER DEGREASER 1 GALLON	\$29.61



**POR-15 Self Etch Primer** is a quick drying and easy-to-apply coating which enables a restorer to quickly topcoat POR-15 Rust Preventive Coating and other basecoats. You can even topcoat POR-15 that's been in place for months or years. This Self Etch Primer is NOT a high-build primer, it can be sprayed on almost any painted surface and can be top coated in 15 - 30 minutes. It bonds incredibly well to POR-15 Rust Preventive Coating, and all topcoats bond incredibly well to POR-15 Self Etch Primer. It can be sanded lightly, and, if desired, multiple coats may be applied.

PART	DESCRIPTION	PRICE
37-8401	SELF ETCH PRIMER-GRAY	\$39.15



37-8402



37-8403



37-8404

**POR-15 Top Coat** can be applied directly to a clean prepped metal surface, but when used as a top coat over POR-15 Rust Preventive Coating it provides the toughest, most permanent protection against rust and corrosion. It has exceptional long-term gloss and color retention when exposed to sunlight and the elements, non-porous, extremely scratch and chip resistant, won't crack, peel or chip. Can be applied directly to metal substrates, with no need for a primer or undercoat, and is formulated to form a robust barrier that sheds moisture.

PART	DESCRIPTION	PRICE
37-8402	TOP COAT-CLEAR	\$28.39
37-8403	TOP COAT-GLOSS BLACK	\$28.39
37-8404	TOP COAT-CHASSIS BLACK	\$28.39

**Chassis Black** has a semi-gloss appearance. For maximum durability, Chassis Black should be clear coated.



**Bed Liner** is a water-based, rubberized coating ideal for protecting truck beds and all other metal, aluminum, fiberglass and wood surfaces exposed to impacts and scuffs. It is UV stable and offers superior adhesion, impact resistance and flexibility. Features a textured semi-gloss black finish for good looks. Prior to application, surfaces should be degreased with Cleaner Degreaser and metal surfaces should be treated with Metal Prep. Bed Liner can be applied over POR-15.

**Approximate product coverage:**  
1 quart = 25-30 sq. ft.; 1 gallon = 100-120 sq. ft.

PART	DESCRIPTION	PRICE
37-8480	BED LINER 1 QUART	\$37.94
37-8481	BED LINER 1 GALLON	\$142.96



**Fuel Tank Sealer** coats the inside of your tank to stop rust and seal pinholes and weld seams. It's a non-porous, flexible film that is resistant to all fuels, alcohols and fuel additives. This environmentally safe sealer does

not contain the harmful chemical Methyl Ethyl Ketone (MEK) and is non-flammable. Cleaner Degreaser and Metal-Prep must be used to prep fuel tank prior to using fuel tank sealer.

**Approximate product coverage:**  
1 pint = to 12.5 gal tank; 1 quart = to 25 gal tank

PART	DESCRIPTION	PRICE
37-8488	FUEL TANK SEALER 1 PINT	\$31.44
37-8489	FUEL TANK SEALER 1 QUART	\$54.60

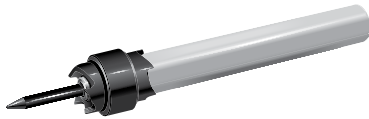


**POR-15 Stop Rust Kit** is designed to stop and/or prevent rust on metal surfaces and ensures the best results when applying POR-15 Rust Preventive Coating. The kit contains everything you need for the 3-step process; 8 ounce bottle of POR-15 Cleaner Degreaser, 8 ounce bottle of POR-15 Metal-Prep, 4 ounce can of POR-15 Gloss Black, two paint brushes, 1 pair of latex gloves, and detailed instructions and tips. The kit is ideal for small projects such as sub-frames, axle replacements, control arms, brake shields and much more! There is enough material in this kit to cover a 6 sq. ft. area with two coats.

PART	DESCRIPTION	PRICE
37-8405	STOP RUST KIT	\$27.84



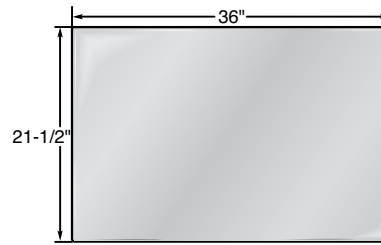
## Spot Weld Cutter



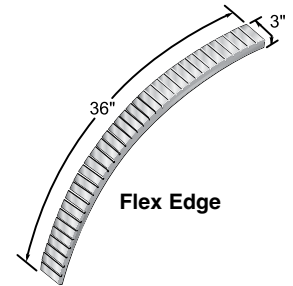
Quickly drills out spot welds on body panels. Features 1/4" arbor and double-ended 3/8" diameter cutting blade with retractable pilot to ensure accurate cuts without damage to underlying panel.

PART	DESCRIPTION	PRICE
38-1307	SPOT WELD CUTTER-3/8"	\$8.95
38-1396	REPL HEAD-3/8"-3 PACK	\$15.95

## Sheet Metal and Flex Edge



Sheet Steel



Flex Edge

PART	DESCRIPTION	PRICE
38-7772	STEEL-36" X 43" 20GA	\$37.95*
38-7773	STEEL-36"X21-1/2" 20GA	\$20.95
38-7897	FLEX EDGE-3/4"X36"X3" 22GA	\$9.95

\* Or \*\* after the sell price means your order will incur an Oversize Part Charge for each oversized part. \* Means extra charge will be \$20. \*\* Means extra charge will be \$50. Due to packing and/or transportation requirements, please allow additional time for delivery. Oversized Parts are not available for air delivery.

## Adhesive/Stripe Eraser Wheel



38-1314

Easily remove decals, pinstriping and adhesive tape residue without damaging your paint! This 3-1/2" diameter eraser wheel includes the arbor and is designed for use in air or electric drills at speeds up to 4,000 rpm.

PART	DESCRIPTION	PRICE
38-1314	ADHESIVE/STRIPE ERASER WHEEL	\$14.95

## Plug Weld Pliers



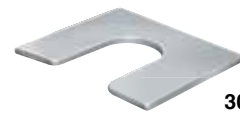
38-1318



Spot weld your new rockers or other body panels with ease and have a factory style weld to show for it. The Plug Weld Pliers feature locking jaws and a replaceable copper alloy pad to prevent burn through. Replacement pads sold below.

PART	DESCRIPTION	PRICE
38-1318	PLUG WELD PLIERS	\$37.95
38-1319	REPLACEMENT PAD	\$11.95

## Body Panel Alignment Shims



30-2826  
30-2827



30-2828  
30-2829

PART	DESCRIPTION	PRICE
30-2826	SHIM 1/16" THICK 3/8" SLOT	\$1.45
30-2827	SHIM 1/8" THICK 3/8" SLOT	\$1.45
30-2828	SHIM 1/16" THICK 1/2" SLOT	\$1.45
30-2829	SHIM 1/8" THICK 1/2" SLOT	\$1.45

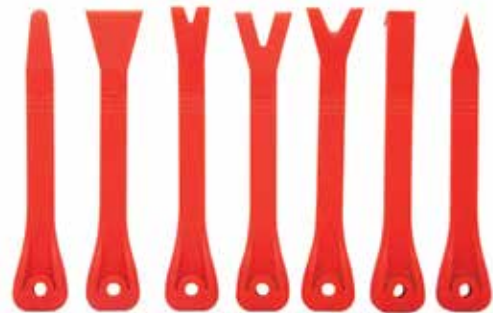
## Panel and Trim Removal Tool Set



Five-piece Panel and Trim Removal Tool Set can be used to remove interior and exterior trim, fasteners, moldings and panels. Constructed of heavy-duty plastic for strength and flexibility. Call or go online and order yours today!

PART	DESCRIPTION	PRICE
38-8245	PANEL & TRIM TOOL SET-5PC	\$9.95

## 7-Piece Plastic Pry Bar Set



These pry bars can be used for scraping, removing fasteners, and of course "prying" with many different configurations, the possibilities are unlimited. The plastic design prevents scratching or marring of sensitive surfaces. All the pry bars are 7" overall length.

PART	DESCRIPTION	REQD	PRICE
38-8247	PLASTIC PRY BAR SET-7PC	(1)	\$10.95

**Windshield and Components**

1992-99 Chevy Blazer, Tahoe, Suburban  
 1992-99 GMC Yukon, Suburban

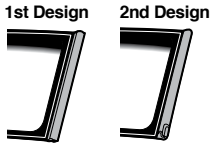
**SHADED**

Window has a full light green tint with a dark band at the top of glass.



There were two different designs used on the side rubber of the windshield.

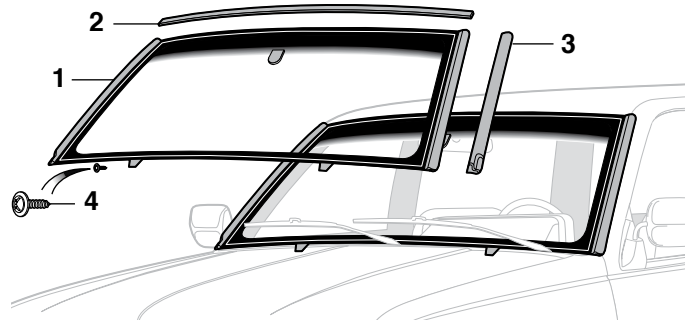
**1st Design:** Windshield has molded rubber flap on sides.  
**2nd Design:** Windshield has side seals.



The windshield on 1992-99 Chevy trucks is attached with urethane adhesive. Professional installation is required. Contact your local glass installer for installation.

PART	ILL#	DESCRIPTION	APPLICATION	REQD	PRICE
39-9402-T	(1)	WINDSHIELD-SHADED 1ST	CHEVY GMC 92-94	(1)	\$199.95
39-9403-T		WINDSHIELD-SHADED 2ND "A"	CHEVY GMC 93-99	(1)	\$189.95
39-8300	(2)	WINDSHIELD SEAL-UPPER	CHEVY GMC 92-99	(1)	\$1.65
39-8302	(3)	WINDSHIELD SIDE SEAL-LH	CHEVY GMC 93-99	(1)	\$6.95
39-8303		WINDSHIELD SIDE SEAL-RH	CHEVY GMC 93-99	(1)	\$6.95
30-0454	(4)	SCREW-WINDSHIELD	CHEVY GMC 92-99	(2)	\$.95

Note: "A" Side seals included.



-T after a part number means that part must be shipped Truck Freight. An additional \$150.00 will be charged to your order for delivery in the 48 contiguous United States. Orders outside of the 48 states will be quoted. Additional delivery time required.

**Windshield and Glass Sealant** is silicone and seals windshields, windows, sunroofs and more. Flows into leaks like water but dries to form a flexible, tough, clear seal resistant to extreme temperatures, vibration, shock and most chemicals.

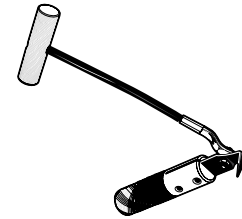


PART	DESCRIPTION	PRICE
38-0783	GLASS SEALANT 1.5 OZ TUBE	\$6.25

38-0783

**Windshield Removal Tool**

Cuts the adhesive compound used to attach windshields. Features tempered steel blade with knurled handles for extra grip and leverage.



PART	DESCRIPTION	APPLICATION	REQD	PRICE
38-0732	WINDSHIELD REMOVAL TOOL	CHEVY GMC 92-99	(1)	\$20.95

**Chevrolet Emblems**

1992-99 Chevy Blazer, Tahoe, Suburban

**Cab Emblems**



**Door Emblem**



**Rear Emblems**



GM Official Licensed Product is purchased from an authorized GM Licensee.

**Emblems Include Adhesive Backing**

PART	DESCRIPTION	APPLICATION	REQD	PRICE
<b>Cab Emblems</b>				
39-3511	EMBLEM "CHEYENNE"	CHEVY	92-94 (2)	\$35.25
39-3512	EMBLEM "SILVERADO"	CHEVY	92-94 (2)	\$70.95
39-3580	EMBLEM "LS"	CHEVY	96-99 (2)	\$33.95
39-3581	EMBLEM "LT"	CHEVY	95-96 (2)	\$13.25
39-3582	EMBLEM "LT"	CHEVY	97-99 (2)	\$15.95
39-3583	EMBLEM "Z71"	TAHOE	99-00 (2)	\$49.45
<b>Door Emblem</b>				
39-3521	EMBLEM "BOWTIE 1500"	"A" CHEVY	92-99 (2)	\$114.25
<b>Rear Emblems</b>				
39-3586	EMBLEM "CHEVROLET"	TAHOE	99-00 (1)	\$81.25
39-3583	EMBLEM "Z71"	TAHOE	99-00 (1)	\$49.45

Note: "A" Emblem attaches to original body molding.

**GMC Emblems**

1997-99 GMC Yukon, Suburban  
 1997-99 GMC Yukon Denali

**Cab Emblem**



39-3517

**Rear Emblem**



39-3549

**Emblems Include Adhesive Backing**

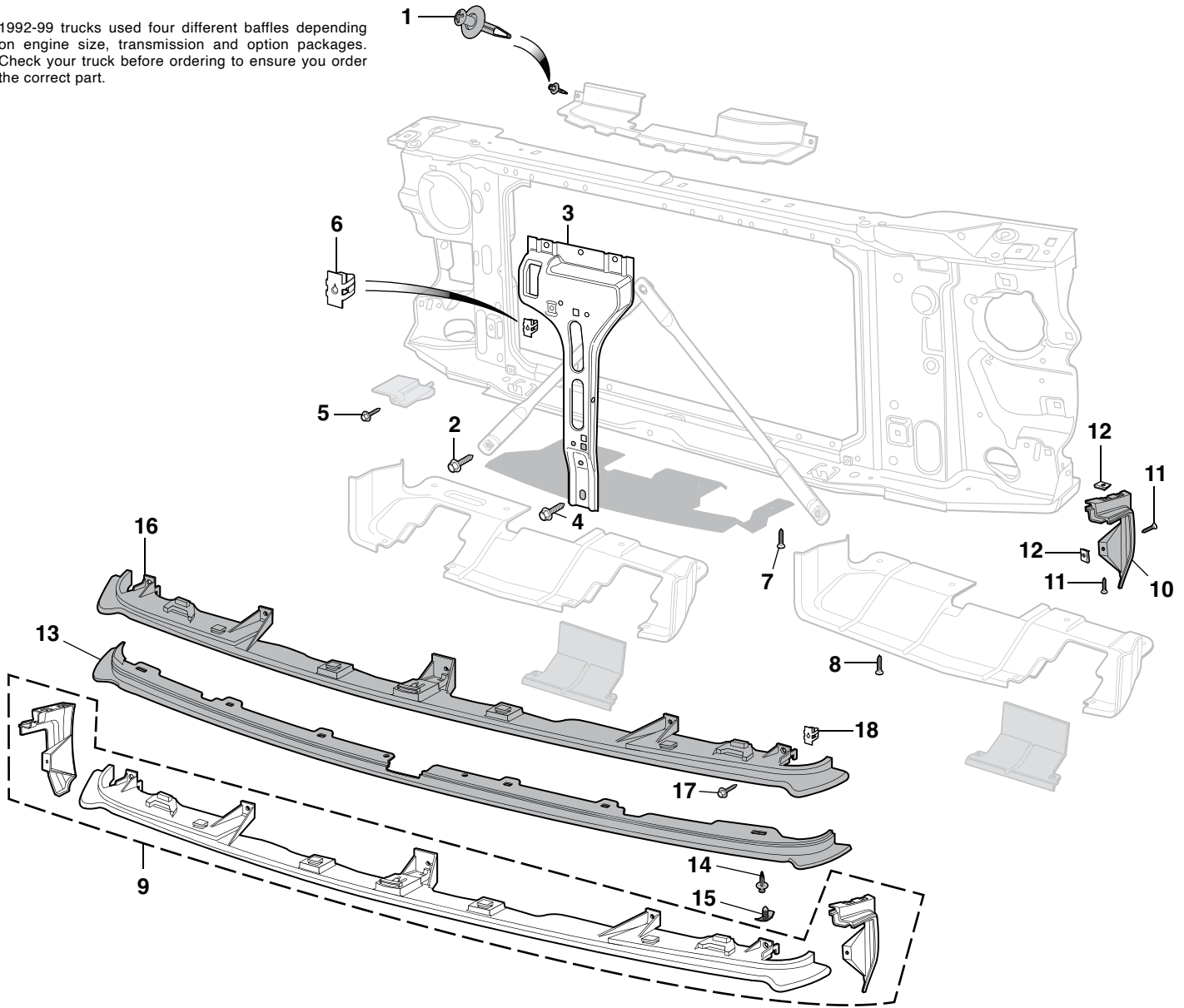
GM Official Licensed Product is purchased from an authorized GM Licensee.

PART	DESCRIPTION	APPLICATION	REQD	PRICE
<b>Cab Emblem</b>				
39-3517	EMBLEM "SLE"	GMC	97-99 (2)	\$33.75
<b>Rear Emblem</b>				
39-3549	EMBLEM "GMC"	GMC	98-99 (1)	\$69.95

## Grille Mounting Components

1992-99 Chevy Blazer, Tahoe, Suburban  
 1992-99 GMC Yukon, Suburban

1992-99 trucks used four different baffles depending on engine size, transmission and option packages. Check your truck before ordering to ensure you order the correct part.



PART	ILL#	DESCRIPTION	APPLICATION	REQD	PRICE
29-0830	(1)	CLIP	CHEVY GMC 92-93	(2)	\$ .95
31-0262	(2)	BOLT-BRACE	CHEVY GMC 92-99	(3)	\$ .95
31-1520	(3)	HOOD LATCH SUPPORT	CHEVY GMC 92-99	(1)	\$9.95
31-0262	(4)	BOLT-SUPPORT	CHEVY GMC 92-99	(3)	\$ .95
30-0594	(5)	SCREW-BRACKET	CHEVY GMC 94-99	(2)	\$1.25
31-0870	(6)	NUT	CHEVY GMC 94-99	(1)	\$ .95
30-0963	(7)	SCREW	CHEVY GMC 92-99	(4)	\$ .95
30-0963	(8)	SCREW	CHEVY GMC 94-99	(4)	\$ .95
39-7474	(9)	LOWER GRILLE PANEL SET	CHROME 94-99	(1)	\$89.95*

PART	ILL#	DESCRIPTION	APPLICATION	REQD	PRICE
39-7464	(10)	LOWER GRILLE PANEL-LH	"A" BLACK 94-99	(1)	\$6.95
39-7467		LOWER GRILLE PANEL-RH	"A" BLACK 94-99	(1)	\$6.95
30-0454	(11)	SCREW	CHEVY GMC 92-99	(6)	\$ .95
30-0829	(12)	U-NUT	CHEVY GMC 92-99	(6)	\$1.25
39-7462	(13)	LOWER GRILLE PANEL-CNTR	"A" BLACK 92-93	(1)	\$23.95
29-0830	(14)	RETAINER	1ST DESIGN CHEVY GMC 92	(8)	\$ .95
31-1602	(15)	RETAINER	2ND DESIGN CHEVY GMC 92-93	(8)	\$1.45
39-7466	(16)	LOWER GRILLE PANEL-CNTR	"A" BLACK 94-99	(1)	\$12.95
30-0594	(17)	SCREW	CHEVY GMC 94-99	(5)	\$1.25
31-0870	(18)	NUT	CHEVY GMC 94-99	(5)	\$ .95

\* Or \*\* after the sell price means your order will incur an Oversize Part Charge for each oversized part. \* Means extra charge will be \$20. \*\* Means extra charge will be \$50. Due to packing and/or transportation requirements, please allow additional time for delivery. Oversized Parts are not available for air delivery.

Note: "A" Paint to match.



1992-93 Single Headlight Models



PART	DESCRIPTION	APPLICATION	REQD	PRICE
39-4071	GRILLE-REPRO SILVER/GRAY	"A" GMC 92-93	(1)	\$84.95*

Note: "A" Fits models without Sports package.

1994-99 Single Headlight Models

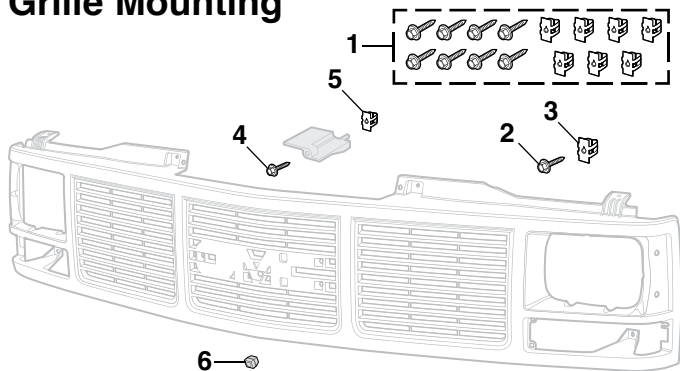


PART	DESCRIPTION	APPLICATION	REQD	PRICE
39-4081	GRILLE-REPRO GRAY	GMC 94-99	(1)	\$49.95*

All Chrome and Custom Grilles See Pages 26, 29-30

\* Or \*\* after the sell price means your order will incur an Oversize Part Charge for each oversized part. \* Means extra charge will be \$20. \*\* Means extra charge will be \$50. Due to packing and/or transportation requirements, please allow additional time for delivery. Oversized Parts are not available for air delivery.

Grille Mounting



PART	ILL#	DESCRIPTION	APPLICATION	REQD	PRICE
31-0073	(1)	GRILLE HARDWARE KIT-15PC	GMC 92-99	(1)	\$7.95
30-0594	(2)	SCREW-GRILLE	GMC 92-99	(AR)	\$1.25
31-0870	(3)	NUT-GRILLE	GMC 92-99	(AR)	\$.95
30-0594	(4)	SCREW-BRACKET	GMC 92-99	(1)	\$1.25
31-0870	(5)	NUT-BRACKET	GMC 92-99	(1)	\$.95
30-0815	(6)	GROMMET-LOWER	GMC 92-93	(1)	\$1.25

1992-93 Composite Headlight Models



39-4073



39-4075

PART	DESCRIPTION	APPLICATION	REQD	PRICE
39-4073	GRILLE-REPRO CHROME/GRAY	"A" GMC 92-93	(1)	\$119.95*
39-4075	GRILLE-REPRO BLACK	"B" GMC 92-93	(1)	\$59.95*

Note: "A" Fits models without Sports package.  
"B" Fits models with Sports package, paint to match.

1994-99 Composite Headlight Models



39-4083



39-4085

PART	DESCRIPTION	APPLICATION	REQD	PRICE
39-4083	GRILLE-REPRO BLACK	"A" GMC 94-99	(1)	\$69.95*
39-4085	GRILLE-REPRO BLACK	"B" GMC 94-99	(1)	\$57.95*

Note: "A" Fits models without Sports package, paint to match.  
"B" Fits models with Sports package, paint to match.

1999-00 Yukon Denali Grille



PART	ILL#	DESCRIPTION	APPLICATION	REQD	PRICE
39-4089	(1)	GRILLE-REPRO PAINTABLE DENALI	DENALI 99-00	(1)	\$129.95**
30-0809	(2)	NUT-EMBLEM	DENALI	(6)	\$.55
31-0075	(3)	GRILLE HARDWARE KIT-20PC	DENALI	(1)	\$19.95
30-0594	(4)	SCREW-GRILLE	DENALI	(12)	\$1.25
31-0870	(5)	NUT-GRILLE	DENALI	(8)	\$.95

## 1992-99 Models with Single Headlights



39-4051



39-4061

PART	DESCRIPTION	APPLICATION	REQD	PRICE
39-4051	GRILLE-REPRO SILVER/GRAY	CHEVY 92-93	(1)	\$64.95*
39-4061	GRILLE-REPRO GRAY	CHEVY 94-99	(1)	\$59.95*

**All Chrome and Custom Grilles**  
See Pages 26-27

\* Or \*\* after the sell price means your order will incur an Oversize Part Charge for each oversized part. \* Means extra charge will be \$20. \*\* Means extra charge will be \$50. Due to packing and/or transportation requirements, please allow additional time for delivery. Oversized Parts are not available for air delivery.

## Grille Emblems Emblems Include Mounting Hardware



39-3402

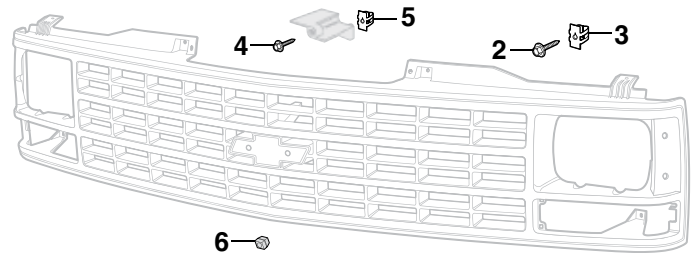
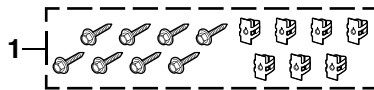


39-3403

GM Official Licensed Product is purchased from an authorized GM Licensee.

PART	DESCRIPTION	APPLICATION	REQD	PRICE
39-3402	EMBLEM "BOWTIE" W/O SPORT	CHEVY 92-93	(1)	\$103.95
39-3403	EMBLEM "BOWTIE" W/SPORT	CHEVY 92-93	(1)	\$82.95
31-0871	NUT-EMBLEM	CHEVY 92-99	(2)	\$.49

## Grille Mounting



PART	ILL#	DESCRIPTION	APPLICATION	REQD	PRICE
31-0073	(1)	HARDWARE KIT-15PC	CHEVY 92-99	(1)	\$7.95
30-0594	(2)	SCREW-GRILLE	CHEVY 92-99	(AR)	\$1.25
31-0870	(3)	NUT-GRILLE	CHEVY 92-99	(AR)	\$.95
30-0594	(4)	SCREW-BRACKET	CHEVY 94-99	(1)	\$1.25
31-0870	(5)	NUT-BRACKET	CHEVY 94-99	(1)	\$.95
30-0815	(6)	GROMMET-LOWER	CHEVY 92-93	(1)	\$1.25

## 1992-93 Models with Composite Headlights



39-4055



39-4057

PART	DESCRIPTION	APPLICATION	REQD	PRICE
39-4055	GRILLE-REPRO CHROME/GRAY	CHEVY "A" 92-93	(1)	\$129.95*
39-4057	GRILLE-REPRO BLACK	CHEVY "B" 92-93	(1)	\$64.95*

Note: "A" Fits models without Sports package.  
"B" Fits models with Sports package, paint to match.

## 1994-99 Models with Composite Headlights



39-4063



39-4067

PART	DESCRIPTION	APPLICATION	REQD	PRICE
39-4063	GRILLE-REPRO CHROME/GRAY	CHEVY "A" 94-99	(1)	\$129.95*
39-4067	GRILLE-REPRO BLACK	CHEVY 94-99	(1)	\$59.95*

Note: "A" Fits models without Sports package.

All Chrome Special Edition Grille

1992-99 Chevy Blazer, Tahoe, Suburban  
 1992-99 GMC Yukon, Suburban



39-4110



39-4110

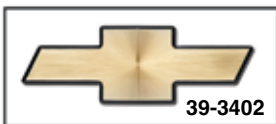


39-4111



39-4111

GM Official Licensed Product is purchased from an authorized GM Licensee.



Emblem Includes Mounting Hardware

Chevrolet Bowtie Emblem sold separately.

Special Edition Grille will fit GMC models if corresponding 1992-93 or 1994-99 Chevrolet sidemarkers and reflectors are purchased. See page 107 for Custom Sidemarker Sets or page 105 for stock replacement sidemarkers.

This engineer-designed Special Edition Grille is made from precision-machined tooling and is a blend of OEM and custom design to achieve unique and timeless styling for a Chevrolet or GMC truck. It is the next level beyond billet.

This rugged plastic all chrome grille is injection molded so there will be no bent or warped bars, no dull finish and no cumbersome brackets needed. Go from stock to style in minutes with easy installation. Grille bolts onto stock location using factory hardware.

PART	DESCRIPTION	APPLICATION	REQD	PRICE
39-4110	SPECIAL EDITION CHROME GRILLE	CHEVY GMC 92-93	(1)	\$199.95*
39-4111	SPECIAL EDITION CHROME GRILLE	CHEVY GMC 94-99	(1)	\$209.95*
39-3402	GRILLE EMBLEM-"BOWTIE" GOLD/BLK	CHEVY 92-99	(1)	\$103.95

\* Or \*\* after the sell price means your order will incur an Oversize Part Charge for each oversized part. \* Means extra charge will be \$20. \*\* Means extra charge will be \$50. Due to packing and/or transportation requirements, please allow additional time for delivery. Oversized Parts are not available for air delivery.



## All Chrome Grille for Chevrolet



39-4058



39-4058



39-4068



39-4068

GM Official Licensed Product is purchased from an authorized GM Licensee.

### Emblems Include Mounting Hardware

Keep the classic OE style but enjoy a brighter, cleaner look of all chrome at an affordable price. Grille and headlight bezel are chromed for that extra shine instead of the dull gray/black plastic in the OE grille. Emblem sold separately. Mounting hardware included. Easy to install.

**Tech Tip:** Grille mounting brackets can be painted black for improved looks.

PART	DESCRIPTION	APPLICATION	REQD	PRICE
39-4058	GRILLE-ALL CHROME	CHEVY 92-93	(1)	\$139.95*
39-3402	EMBLEM-"BOWTIE" GOLD/BLK	CHEVY 92-93	(1)	\$103.95
39-4068	GRILLE-ALL CHROME	CHEVY 94-99	(1)	\$99.95*

\* Or \*\* after the sell price means your order will incur an Oversize Part Charge for each oversized part. \* Means extra charge will be \$20. \*\* Means extra charge will be \$50. Due to packing and/or transportation requirements, please allow additional time for delivery. Oversized Parts are not available for air delivery.



39-3402

**Customize Your Chevrolet Truck with a 4MM Billet Grille**

Custom Headlights  
See Page 103



Call or go online and order yours today!

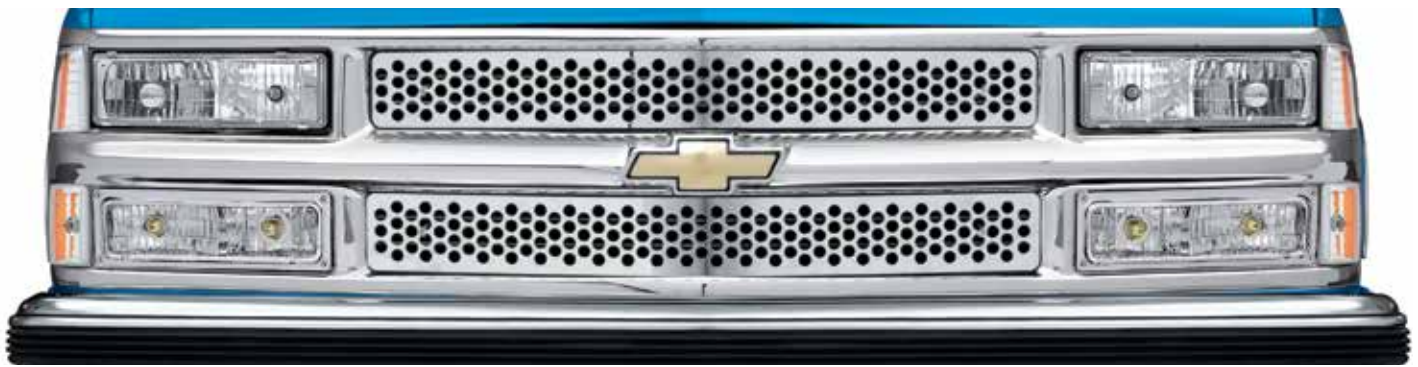
PART	DESCRIPTION	APPLICATION	REQD	PRICE
37-7656	BILLET GRILLE 4MM BARS"A"	CHEVY	92-93 (1)	\$249.95

Note: "A" Requires cutting out plastic center of grille.

**Billet Grilles** - Each Billet Grille is designed for a custom fit and easy installation. They are made from aluminum with a black powder coat finish and highly polished face. Installation instructions and hardware are included.

For use on composite headlight models only.

**Stainless Steel Punch Grille for Chevrolet**



37-8775

**Punch Grilles** - Stainless Steel Punch Grilles give a luxurious high-performance look with heavy-gauge, mirror-finish NeveRust™ stainless steel. Installation instructions and hardware included. Lifetime warranty against rusting. For use on composite headlight models only.

Grille Overlay attaches over original grille; no cutting required.

Custom Headlights  
See Page 103

PART	DESCRIPTION	APPLICATION	REQD	PRICE
37-8775	PUNCH GRILLE OVERLAY-STAINLESS	CHEVY	94-99 (1)	\$209.95



**YOUR TRUCK  
YOUR STORY**

**SHARE YOUR  
TRUCK  
JOURNEY®**

[Imctrucklife.com](http://Imctrucklife.com)



## All Chrome Grille for GMC

1992-93 GMC Yukon, Suburban



**Tech Tip:** Grille mounting brackets can be painted black for improved looks.

Keep the classic OE style but enjoy a brighter, cleaner look of all chrome at an affordable price. Grille and headlight bezel are chromed for that extra shine instead of the dull gray/black plastic in the OE grille. Emblem sold separately. Mounting hardware included. Easy to install.

PART	DESCRIPTION	APPLICATION	REQD	PRICE
39-4076	GRILLE-ALL CHROME	GMC 92-93	(1)	\$139.95*

\* Or \*\* after the sell price means your order will incur an Oversize Part Charge for each oversized part. \* Means extra charge will be \$20. \*\* Means extra charge will be \$50. Due to packing and/or transportation requirements, please allow additional time for delivery. Oversized Parts are not available for air delivery.

GM Official Licensed Product is purchased from an authorized GM Licensee.

## Stainless Steel Punch Grille for GMC



**Punch Grilles** - Stainless Steel Punch Grilles give a luxurious high-performance look with heavy-gauge, mirror-finish NeveRust™ stainless steel. Installation instructions and hardware included. Lifetime warranty against rusting. For use on composite headlight models only.

Grille Overlay attaches over original grille; no cutting required.

**All Chrome Grille for GMC**  
See Pages 26, 29 & 30

**Custom Headlights**  
See Page 103

PART	DESCRIPTION	APPLICATION	REQD	PRICE
37-8780	PUNCH GRILLE OVERLAY-STAINLESS	GMC 94-99	(1)	\$219.95



## All Chrome Grilles for GMC

1994-99 GMC Yukon, Suburban



Keep the classic OE style but enjoy a brighter, cleaner look of all chrome at an affordable price. Grille and headlight bezel are chromed for that extra shine instead of the dull gray/black plastic in the OE grille. Emblem sold separately. Mounting hardware included. Easy to install.

GM Official Licensed Product is purchased from an authorized GM Licensee.

**Tech Tip:** Grille mounting brackets can be painted black for improved looks.

PART	DESCRIPTION	APPLICATION	REQD	PRICE
39-4086	GRILLE-ALL CHROME	GMC	94-99 (1)	\$140.95*

\* Or \*\* after the sell price means your order will incur an Oversize Part Charge for each oversized part. \* Means extra charge will be \$20. \*\* Means extra charge will be \$50. Due to packing and/or transportation requirements, please allow additional time for delivery. Oversized Parts are not available for air delivery.

www.LMC**TRUCK**.com

Shop Online - Online Catalogs - 24/7

Fast, Simple, Safe!



## Chrome Front Bumpers



### Premium Chrome Bumpers

- Bumper is stamped from new tooling using OE-quality steel for strength and durability.
- Bumper is buffed and polished to achieve a smooth defect-free plating surface.
- The Triple Nickel Plating process creates a brilliant, high-quality mirror-like finish.

### Chrome Bumpers

- Bumper used by Collision Damage Repair Shops.
- Bumper is made using a computer-controlled process assuring consistent thickness of nickel and chrome plating.
- Economically priced replacements for your rusty, dull, scratched and pitted bumper.
- Save money, call or go online and order your replacement bumper today.

PART	DESCRIPTION	APPLICATION	REQD	PRICE
39-9802	CHROME BUMPER PREMIUM	92-99	(1)	\$289.95**
39-9803	CHROME BUMPER PREMIUM W/LICENSE	BRKT HOLE 92-99	(1)	\$269.95**
39-9804	CHROME BUMPER PREMIUM W/LICENSE W/AIR	BRKT HOLE 92-99 INTAKE HOLES	(1)	\$269.95**
39-9805	CHROME BUMPER PREMIUM W/LICENSE W/IMPACT	BRKT HOLE 92-99 STRIP HOLES	(1)	\$239.95**
39-9806	CHROME BUMPER PREMIUM W/LICENSE W/IMPACT STRIP/BUMPER	BRKT HOLE 92-99 GUARD HOLES	(1)	\$269.95**
39-9807	CHROME BUMPER PREMIUM W/LICENSE W/IMPACT STRIP/BUMPER GUARD/AIR	BRKT HOLE 92-99 INTAKE HOLES	(1)	\$269.95**
39-9808	CHROME BUMPER PREMIUM W/O LICENSE W/IMPACT STRIP/BUMPER	BRKT HOLE 92-99 GUARD HOLES	(1)	\$269.95**

PART	DESCRIPTION	APPLICATION	REQD	PRICE
39-5202	CHROME BUMPER	92-99	(1)	\$229.95**
39-5203	CHROME BUMPER W/LICENSE	BRKT HOLE 92-99	(1)	\$239.95**
39-5204	CHROME BUMPER W/LICENSE W/AIR	BRKT HOLE 92-99 INTAKE HOLES	(1)	\$259.95**
39-5205	CHROME BUMPER W/LICENSE W/IMPACT	BRKT HOLE 92-99 STRIP HOLES	(1)	\$239.95**
39-5206	CHROME BUMPER W/IMPACT	W/LICENSE BRKT HOLE 92-99 STRIP/BUMPER GUARD HOLES	(1)	\$259.95**
39-5207	CHROME BUMPER W/IMPACT	W/LICENSE BRKT HOLE 92-99 STRIP/BUMPER GUARD/AIR INTAKE HOLES	(1)	\$299.95**

\* Or \*\* after the sell price means your order will incur an Oversize Part Charge for each oversized part. \* Means extra charge will be \$20. \*\* Means extra charge will be \$50. Due to packing and/or transportation requirements, please allow additional time for delivery. Oversized Parts are not available for air delivery.

# YOUR TRUCK YOUR STORY

SHARE YOUR  
**TRUCK  
JOURNEY**  
lmctrucklife.com



**Premium Chrome Bumper**

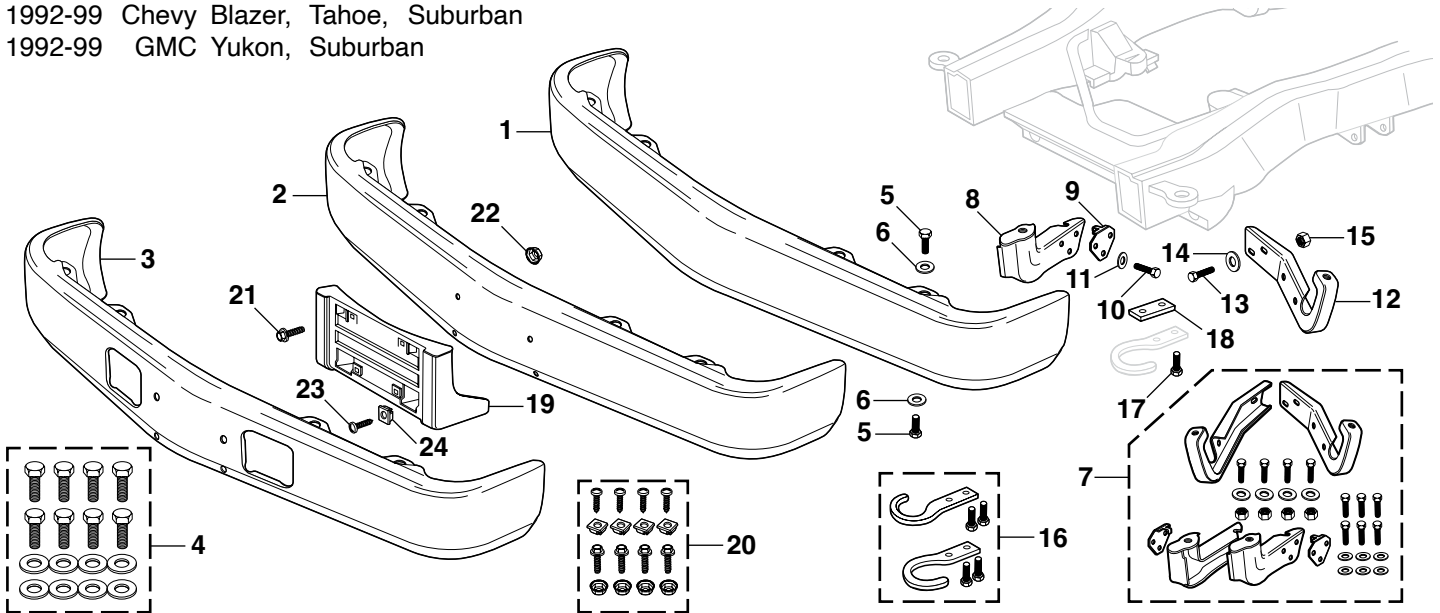
- Bumper is stamped from new tooling using OE-quality steel for strength and durability.
- Bumper is buffed and polished to achieve a smooth defect-free plating surface.
- The Triple Nickel Plating process creates a brilliant, high-quality mirror-like finish.

**Chrome Bumper and Primer Bumper**

- Bumpers used by Collision Damage Repair Shops.
- Chrome Bumper is made with a computer-controlled process assuring consistent thickness of nickel and chrome plating.
- Primer Bumper is finished with an EDP (Electro Deposit Primer) coating that offers a smooth surface for applying your favorite color to match your truck.
- Economically priced replacements for your rusty, dull, scratched and pitted bumper.
- Save money, call or go online and order your bumper today.

**Front Bumper without Impact Strips - Models without Denali Package**

1992-99 Chevy Blazer, Tahoe, Suburban  
1992-99 GMC Yukon, Suburban



Fog lights mount in bumper air intake holes on 1999-00 models with Limited or Z71 package.

PART	ILL#	DESCRIPTION	APPLICATION	REQD	PRICE
39-9802	(1)	CHROME BUMPER PREMIUM	"A" 92-99	(1)	\$289.95**
39-5202		CHROME BUMPER	"A" 92-99	(1)	\$229.95**
39-5602		PRIMER BUMPER	"A" 92-99	(1)	\$169.95**
39-9803	(2)	CHROME BUMPER PREMIUM	"B" 92-99	(1)	\$269.95**
39-5203		CHROME BUMPER	"B" 92-99	(1)	\$239.95**
39-5603		PRIMER BUMPER	"B" 92-99	(1)	\$149.95**
39-9804	(3)	CHROME BUMPER PREMIUM	"C" 92-99	(1)	\$269.95**
39-5204		CHROME BUMPER	"C" 92-99	(1)	\$259.95**
39-5604		PRIMER BUMPER	"C" 92-99	(1)	\$164.95**
31-0040	(4)	BUMPER BOLT KIT-16PC	CHEVY GMC 92-99	(1)	\$5.95
29-0206	(5)	BUMPER BOLT	CHEVY GMC 92-99	(8)	\$1.45
29-0412	(6)	FLAT WASHER	CHEVY GMC 92-99	(8)	\$1.25
31-3725	(7)	BUMPER BRACE KIT	CHEVY GMC 92-93	(1)	\$96.95
31-3726		BUMPER BRACE KIT	CHEVY GMC 94-99	(1)	\$86.95
31-3660	(8)	BUMPER BRACE-LH	CHEVY GMC 92-93	(1)	\$18.95
31-3661		BUMPER BRACE-RH	CHEVY GMC 92-93	(1)	\$15.95
31-3662		BUMPER BRACE-LH	CHEVY GMC 94-99	(1)	\$10.95
31-3663		BUMPER BRACE-RH	CHEVY GMC 94-99	(1)	\$10.95
31-3669	(9)	PLATE-BRACE	CHEVY GMC 92-99	(2)	\$10.45
31-0275	(10)	BOLT-BRACE	CHEVY GMC 92-99	(6)	\$1.95
31-0601	(11)	FLAT WASHER	CHEVY GMC 92-99	(6)	\$ .95
31-3670	(12)	OUTER BRACE-LH	CHEVY GMC 92-99	(1)	\$10.95
31-3671		OUTER BRACE-RH	CHEVY GMC 92-99	(1)	\$10.95
29-0206	(13)	BOLT-BRACE	CHEVY GMC 92-99	(4)	\$1.45
29-0412	(14)	FLAT WASHER	CHEVY GMC 92-99	(4)	\$1.25
40-0819-C	(15)	NUT	CHEVY GMC 92-99	(4)	\$ .95

PART	ILL#	DESCRIPTION	APPLICATION	REQD	PRICE
31-1550	(16)	TOW HOOK SET-CHROME	W/HARDWARE	(1)	\$114.95
31-1540		TOW HOOK SET-BLACK	W/HARDWARE	(1)	\$49.95
31-0276	(17)	BOLT	CHEVY GMC 92-99	(4)	\$1.95
31-0887	(18)	NUT PLATE	CHEVY GMC 92-99	(2)	\$4.95
31-3680	(19)	LICENSE PLATE BRACKET BLACK	CHEVY GMC 92-99	(1)	\$9.95
31-3700		LICENSE PLATE BRACKET CHRME	CHEVY GMC 92-99	(1)	\$35.45
31-0036	(20)	BRACKET HARDWARE KIT-16PC	CHEVY GMC 92-99	(1)	\$5.95
31-0520	(21)	SCREW-BRACKET	CHEVY GMC 92-99	(4)	\$1.95
31-0878	(22)	NUT-BRACKET	CHEVY GMC 92-99	(4)	\$ .65
31-0521	(23)	SCREW-LICENSE PLATE	CHEVY GMC 92-99	(4)	\$ .95
31-0886	(24)	GROMMET-LICENSE PLATE	CHEVY GMC 92-99	(4)	\$1.45

\* Or \*\* after the sell price means your order will incur an Oversize Part Charge for each oversized part. \* Means extra charge will be \$20. \*\* Means extra charge will be \$50. Due to packing and/or transportation requirements, please allow additional time for delivery. Oversized Parts are not available for air delivery.

**Chrome Lighted License Frame**



The perfect solution for roll pans or custom bumpers that don't have lights for your license plate or if your plate is not in the stock location.

PART	DESCRIPTION	PRICE
38-1956	CHROME LIGHTED LICENSE FRAME	\$34.55

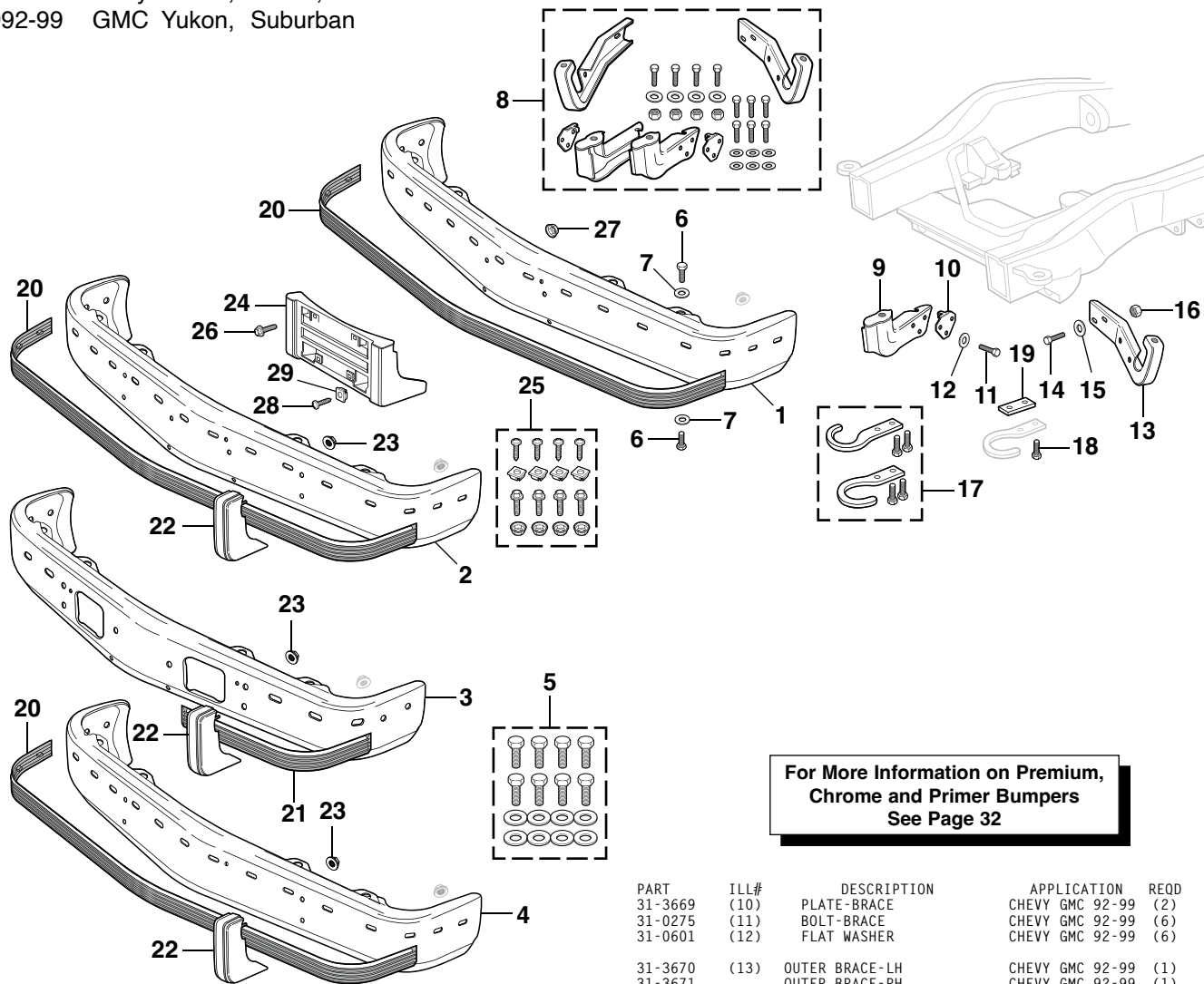
Note: "A" Smooth bumper, without holes for license plate bracket.  
"B" With holes for license plate bracket.  
"C" With holes for license plate bracket and two air intake holes. Holes must be drilled for Z71 brush guard.



## Front Bumper with Impact Strips - Models without Limited, Z71 & Denali Package

1992-99 Chevy Blazer, Tahoe, Suburban

1992-99 GMC Yukon, Suburban



**For More Information on Premium, Chrome and Primer Bumpers See Page 32**

PART	ILL#	DESCRIPTION	APPLICATION	REQD	PRICE
39-9805	(1)	CHROME BUMPER PREMIUM	"A"	92-99 (1)	\$239.95**
39-5205		CHROME BUMPER	"A"	92-99 (1)	\$239.95**
39-5605		PRIMER BUMPER	"A"	92-99 (1)	\$160.95**
39-9806	(2)	CHROME BUMPER PREMIUM	"B"	92-99 (1)	\$269.95**
39-5206		CHROME BUMPER	"B"	92-99 (1)	\$259.95**
39-5606		PRIMER BUMPER	"B"	92-99 (1)	\$149.95**
39-9807	(3)	CHROME BUMPER PREMIUM	"C"	92-99 (1)	\$269.95**
39-5207		CHROME BUMPER	"C"	92-99 (1)	\$299.95**
39-5607		PRIMER BUMPER	"C"	92-99 (1)	\$164.95**
39-9808	(4)	CHROME BUMPER PREMIUM	"D"	92-99 (1)	\$269.95**
39-5608		PRIMER BUMPER	"D"	92-99 (1)	\$149.95**
31-0040	(5)	BUMPER BOLT KIT	16PC CHEVY GMC 92-99	(1)	\$5.95
29-0206	(6)	BUMPER BOLT	CHEVY GMC 92-99	(8)	\$1.45
29-0412	(7)	FLAT WASHER	CHEVY GMC 92-99	(8)	\$1.25
31-3725	(8)	BUMPER BRACE KIT	CHEVY GMC 92-93	(1)	\$96.95
31-3726		BUMPER BRACE KIT	CHEVY GMC 94-99	(1)	\$86.95
31-3660	(9)	BUMPER BRACE-LH	CHEVY GMC 92-93	(1)	\$18.95
31-3661		BUMPER BRACE-RH	CHEVY GMC 92-93	(1)	\$15.95
31-3662		BUMPER BRACE-LH	CHEVY GMC 94-99	(1)	\$10.95
31-3663		BUMPER BRACE-RH	CHEVY GMC 94-99	(1)	\$10.95

PART	ILL#	DESCRIPTION	APPLICATION	REQD	PRICE
31-3669	(10)	PLATE-BRACE	CHEVY GMC 92-99	(2)	\$10.45
31-0275	(11)	BOLT-BRACE	CHEVY GMC 92-99	(6)	\$1.95
31-0601	(12)	FLAT WASHER	CHEVY GMC 92-99	(6)	\$ .95
31-3670	(13)	OUTER BRACE-LH	CHEVY GMC 92-99	(1)	\$10.95
31-3671		OUTER BRACE-RH	CHEVY GMC 92-99	(1)	\$10.95
29-0206	(14)	BOLT-BRACE	CHEVY GMC 92-99	(4)	\$1.45
29-0412	(15)	FLAT WASHER	CHEVY GMC 92-99	(4)	\$1.25
40-0819-C	(16)	NUT	CHEVY GMC 92-99	(4)	\$ .95
31-1550	(17)	TOW HOOK SET-CHROME	W/HARDWARE	(1)	\$114.95
31-1540		TOW HOOK SET-BLACK	W/HARDWARE	(1)	\$49.95
31-0276	(18)	BOLT	CHEVY GMC 92-99	(4)	\$1.95
31-0887	(19)	NUT PLATE	CHEVY GMC 92-99	(2)	\$4.95
31-3300	(20)	IMPACT STRIP "E" BLK/CHROME	CHEVY GMC 92-99	(1)	\$23.45*
31-3302		IMPACT STRIP BLACK	CHEVY GMC 92-99	(1)	\$49.95*
31-3304	(21)	IMPACT STRIP-LH BLK/CHROME	CHEVY GMC 92-99	(1)	\$14.95
31-3305		IMPACT STRIP-RH BLK/CHROME	CHEVY GMC 92-99	(1)	\$14.95
31-3306		IMPACT STRIP-LH BLACK	CHEVY GMC 92-99	(1)	\$10.95
31-3307		IMPACT STRIP-RH BLACK	CHEVY GMC 92-99	(1)	\$10.95
31-3310	(22)	BUMPER GUARD-LH	CHEVY GMC 92-99	(1)	\$16.95
31-3311		BUMPER GUARD-RH	CHEVY GMC 92-99	(1)	\$16.95
31-0878	(23)	NUT-BUMPER GUARD	CHEVY GMC 92-99	(4)	\$ .65
31-3681	(24)	LICENSE PLATE BRACKET BLACK	CHEVY GMC 92-99	(1)	\$8.95
31-3701		LICENSE PLATE BRACKET CHRME	CHEVY GMC 92-99	(1)	\$34.95
31-0036	(25)	BRACKET HARDWARE KIT 16PC	CHEVY GMC 92-99	(1)	\$5.95
31-0520	(26)	SCREW-BRACKET	CHEVY GMC 92-99	(4)	\$1.95
31-0878	(27)	NUT-BRACKET	CHEVY GMC 92-99	(4)	\$ .65
31-0521	(28)	SCREW-LICENSE PLATE	CHEVY GMC 92-99	(4)	\$1.95
31-0886	(29)	GROMMET-LICENSE PLATE	CHEVY GMC 92-99	(4)	\$ .45

Note: "A" With holes for license plate bracket.  
 "B" With holes for license plate bracket and bumper guards.  
 "C" With holes for license plate bracket, bumper guards and air intake holes.  
 "D" With holes for bumper guards, without holes for license plate bracket.  
 "E" Holes need to be drilled on impact strip for license plate bracket.

\* Or \*\* after the sell price means your order will incur an Oversize Part Charge for each oversized part. \* Means extra charge will be \$20. \*\* Means extra charge will be \$50. Due to packing and/or transportation requirements, please allow additional time for delivery. Oversized Parts are not available for air delivery.

**Tow Hook Sets**

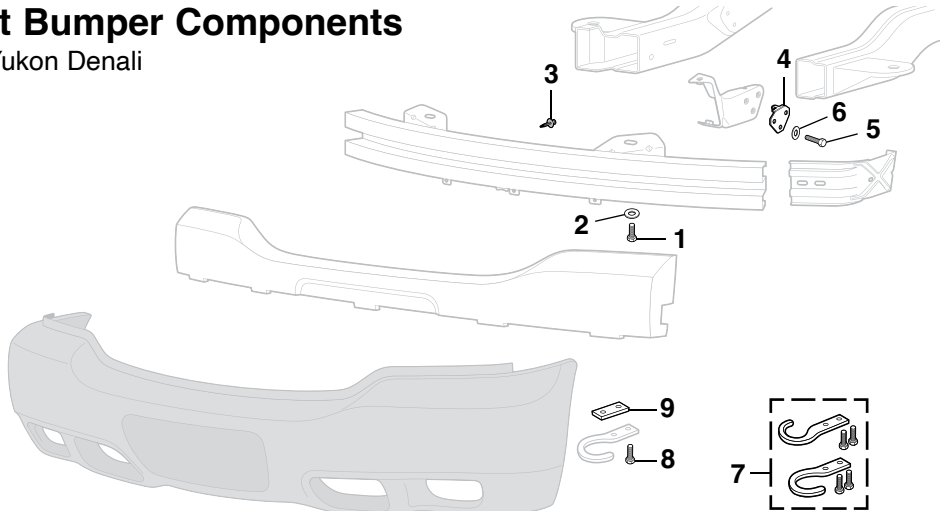


Tow Hook Sets are constructed from high-strength forged steel for maximum strength. Matching the originals in size, they are manufactured to exceed original equipment specifications. Available chrome plated or with a durable powder coat finish. Heavy-duty mounting hardware included.

PART	DESCRIPTION	APPLICATION	REQD	PRICE
31-1550	TOW HOOK SET-CHROME W/HARDWARE	CHEVY GMC 92-99	(1)	\$114.95
31-1540	TOW HOOK SET-BLACK W/HARDWARE	CHEVY GMC 92-99	(1)	\$49.95

**Denali Front Bumper Components**

1999-00 GMC Yukon Denali

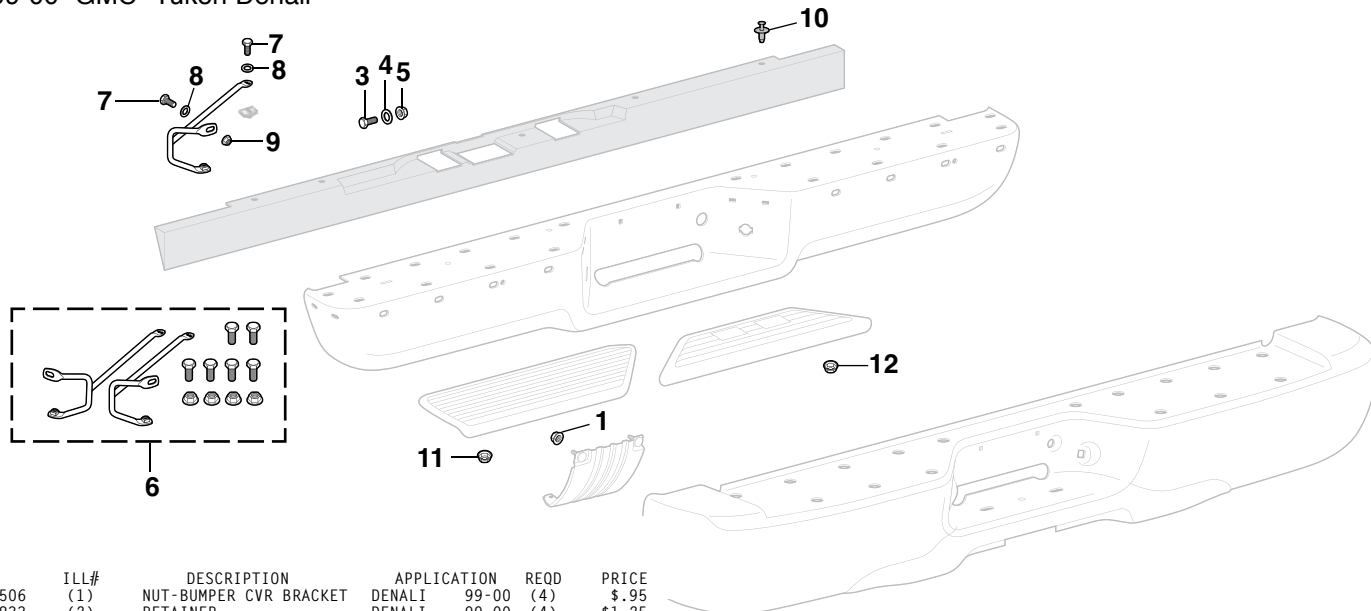


PART	ILL#	DESCRIPTION	APPLICATION	REQD	PRICE
29-0206	(1)	BUMPER BOLT	DENALI 99-00	(4)	\$1.45
29-0412	(2)	FLAT WASHER	DENALI 99-00	(4)	\$1.25
29-0833	(3)	RETAINER-BUMPER COVER	DENALI 99-00	(5)	\$1.25
31-3669	(4)	PLATE-BRACE	DENALI 99-00	(2)	\$10.45
31-0275	(5)	BOLT-BRACE	DENALI 99-00	(6)	\$1.95
31-0601	(6)	FLAT WASHER	DENALI 99-00	(6)	\$.95

PART	ILL#	DESCRIPTION	APPLICATION	REQD	PRICE
31-1550	(7)	TOW HOOK SET-CHROME	DENALI 99-00	(1)	\$114.95
31-1540	(7)	TOW HOOK SET-BLACK	DENALI 99-00	(1)	\$49.95
31-0276	(8)	BOLT	DENALI 99-00	(4)	\$1.95
31-0887	(9)	NUT PLATE	DENALI 99-00	(2)	\$4.95

**Denali Rear Bumper Components**

1999-00 GMC Yukon Denali



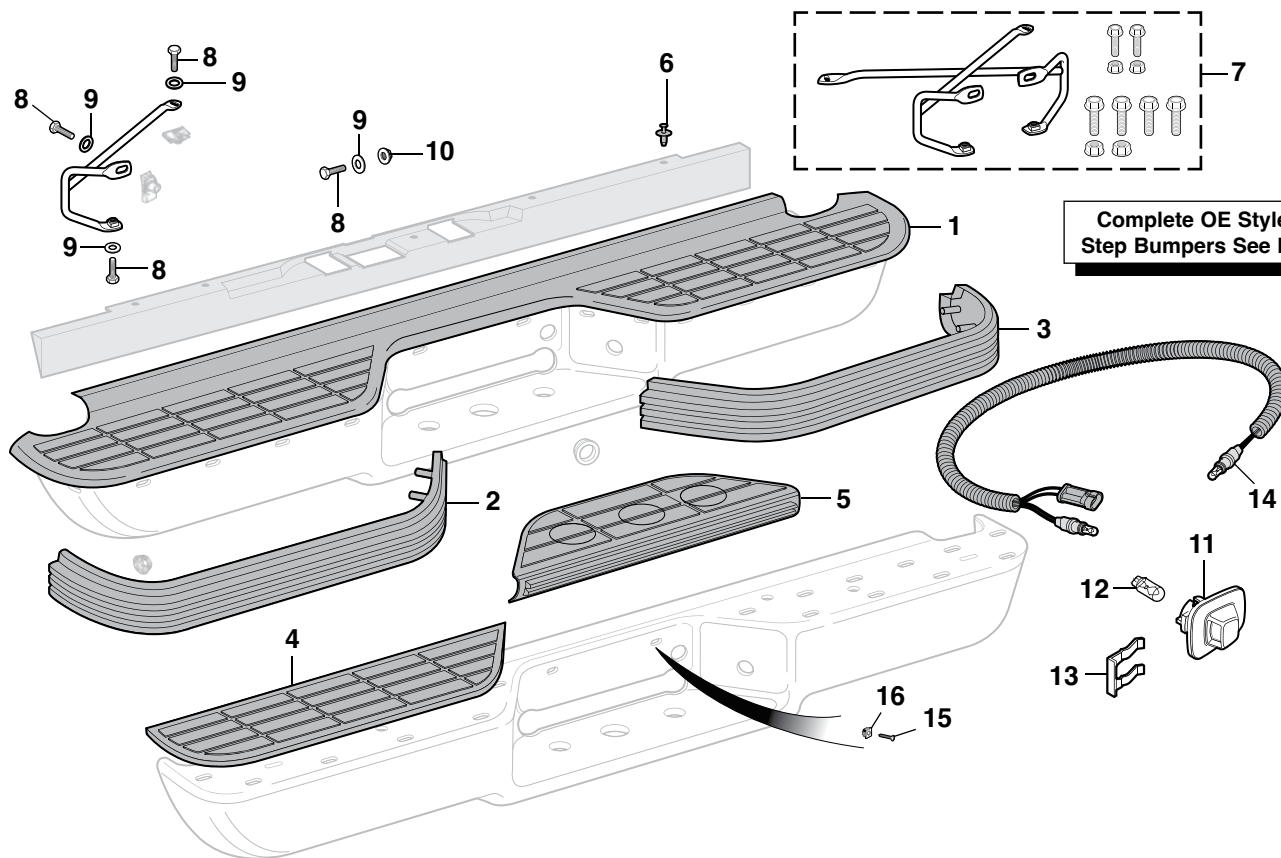
PART	ILL#	DESCRIPTION	APPLICATION	REQD	PRICE
29-0506	(1)	NUT-BUMPER CVR BRACKET	DENALI 99-00	(4)	\$.95
29-0833	(2)	RETAINER	DENALI 99-00	(4)	\$1.25
29-0206	(3)	BOLT-BUMPER	DENALI 99-00	(4)	\$1.45
29-0412	(4)	FLAT WASHER-BUMPER	DENALI 99-00	(4)	\$1.25
40-0819-C	(5)	NUT-BUMPER	DENALI 99-00	(4)	\$.95
31-3719	(6)	BUMPER BRACE KIT	DENALI 99-00	(1)	\$34.95
29-0206	(7)	BOLT-BUMPER	DENALI 99-00	(6)	\$1.45
29-0412	(8)	FLAT WASHER-BUMPER	DENALI 99-00	(6)	\$1.25
40-0819-C	(9)	NUT-BUMPER	DENALI 99-00	(2)	\$.95

PART	ILL#	DESCRIPTION	APPLICATION	REQD	PRICE
31-0756	(10)	RETAINER	DENALI 99-00	(4)	\$1.25
29-0507	(11)	NUT	DENALI 99-00	(8)	\$7.35
29-0507	(12)	NUT	DENALI 99-00	(3)	\$7.35

## Rear Bumper Components - Models without Denali Package

1992-99 Chevy Blazer, Tahoe, Suburban

1992-99 GMC Yukon, Suburban



**Complete OE Style Rear Step Bumpers See Page 37**

PART	ILL#	DESCRIPTION	APPLICATION	REQD	PRICE	PART	ILL#	DESCRIPTION	APPLICATION	REQD	PRICE
31-3330	(1)	PAD-MODEL W/O IMPACT STRIPS	CHEVY GMC 92-99	(1)	\$29.95*	29-0206	(8)	BUMPER BOLT	CHEVY GMC 92-99	(10)	\$1.45
31-3331	(1)	PAD-MODEL W/IMPACT STRIPS	CHEVY GMC 92-99	(1)	\$29.95*	29-0412	(9)	FLAT WASHER	CHEVY GMC 92-99	(10)	\$1.25
31-3340	(2)	IMPACT STRIP-LH	BLACK CHEVY GMC 92-99	(1)	\$15.95	40-0819-C	(10)	NUT	CHEVY GMC 92-99	(4)	\$ .95
31-3341	(3)	IMPACT STRIP-RH	BLACK CHEVY GMC 92-99	(1)	\$15.95	29-8427	(11)	LICENSE LAMP-CHROME	CHEVY GMC 92-99	(2)	\$5.95
31-3332	(4)	STEP PAD-LH 2PC DESIGN	CHEVY GMC 92-99	(1)	\$81.95	37-4334	(12)	LICENSE LAMP-PAINTABLE	CHEVY GMC 92-99	(2)	\$6.95
31-3337	(5)	STEP PAD-CENTER	"A" CHEVY GMC 97-99	(1)	\$14.95	36-0224	(12)	REPLACEMENT BULB-CLEAR	CHEVY GMC 92-99	(2)	\$ .65
31-0756	(6)	RETAINER	CHEVY GMC 92-99	(AR)	\$1.25	29-0814	(13)	RETAINER	CHEVY GMC 92-99	(1)	\$1.95
* Or ** after the sell price means your order will incur an Oversize Part Charge for each oversized part. * Means extra charge will be \$20. ** Means extra charge will be \$50. Due to packing and/or transportation requirements, please allow additional time for delivery. Oversized Parts are not available for air delivery.						37-4331	(14)	LICENSE PLATE LAMP HARNESS	CHEVY GMC 92-99	(1)	\$14.95
						40-0478-C	(15)	SCREW-LICENSE PLATE	CHEVY GMC 92-99	(AR)	\$1.65
						31-0886	(16)	GROMMET-LICENSE PLATE	CHEVY GMC 92-99	(AR)	\$1.45

Note: "A" Pad marked for 500 lb. tongue and 5,000 lb. trailer load.

## Steel Rear Roll Pan



**LED License Plate Bolt Set - See Page 109**

Roll Pans can eliminate stock rear bumpers for a smoother look. Easy installation. Finished with Black Electro Deposit Primer ready for painting. Check local bumper laws before ordering.

PART	DESCRIPTION	APPLICATION	REQD	PRICE
37-7849	REAR ROLL PAN W/LICENSE "A"	CHEVY GMC 92-99	(1)	\$99.95

Note: "A" Roll Pan includes license plate lamp.



**Custom Chrome Front Bumper Lighted**

**Chrome Lighted Bumpers From \$429<sup>95</sup>\*\***



Custom Front Bumpers are stamped from new tooling using OE-quality steel for strength and durability. Bumper is buffed and polished for a smooth defect-free plating surface. The Triple Nickel Plating process creates a brilliant, high-quality mirror-like finish. Combination Fog/Driving Light Bumper is equipped with two 5-3/4" x 2" multi-surface reflector housing fog/driving lights. Lights are installed in the bumper, complete with all necessary wiring and installation instructions.

Lights have an aluminum die-cast housing and three-tier protective finish coating, which makes the housing corrosion free. State-of-the-art reflector, in combination with a strong semi-hardened crystal glass lens, gives maximum light output. Lights use a high efficiency halogen 12V 55W replaceable bulb and are OE quality, DOT and SAE approved and are legal for on-road use. Lights come with a 3-Year Limited Warranty on light assemblies (excluding bulb). Includes one illuminated rocker switch and one 12 volt relay.

For added style, replace the white halogen bulb with a halogen blue-coated bulb. The blue-coated bulb creates an intense white light which is popular in today's new cars and trucks. Get the cool look of HID (high intensity discharge) lighting without the high price; call or go online and order yours today!

**For More Information on Superwhite Bulb Set - See Page 106**



PART	DESCRIPTION	APPLICATION	REQD	PRICE
39-9892	CUSTOM CHROME BUMPER W/2 LIGHTS W/LICENSE HOLES	CHEVY GMC 92-99	(1)	\$459.95**
39-9889	CUSTOM CHROME BUMPER W/2 LIGHTS W/IMPACT STRIP HOLES/LICENSE BRACKET HOLES	CHEVY GMC 92-99	(1)	\$429.95**
38-1269	BUMPER FOG/DRIVING LIGHT SET	CHEVY GMC 92-99	(1)	\$115.95
38-0374	HALOGEN BULB-WHITE	FOR 38-1269	(4)	\$1.95
36-0264	HALOGEN BULB-BLUE	FOR 38-1269	(4)	\$5.95
36-0316	SUPERWHITE BULB SET	FOR 38-1269	(2)	\$5.95
38-1276	LIGHT WIRING KIT	FOR 38-1269	(1)	\$29.95

\* Or \*\* after the sell price means your order will incur an Oversize Part Charge for each oversized part. \* Means extra charge will be \$20. \*\* Means extra charge will be \$50. Due to packing and/or transportation requirements, please allow additional time for delivery. Oversized Parts are not available for air delivery.

**All Chrome License Plate Brackets**

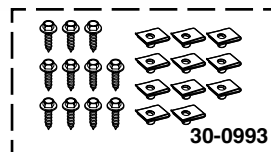


All Chrome License Plate Bracket is an OE style, direct bolt-on replacement with one-piece construction that is manufactured from high-quality Injection ABS Thermoplastic. Bracket is made from new precision machined tooling and has been hand polished for smooth luster and a brighter chrome finish.

PART	DESCRIPTION	APPLICATION	REQD	PRICE
31-3700	LICENSE PLATE BRACKET-FRT-CHROME MODELS W/O IMPACT STRIPS	CHEVY GMC 92-99	(1)	\$35.45
31-3701	LICENSE PLATE BRACKET-FRT-CHROME MODELS W/IMPACT STRIPS	CHEVY GMC 92-99	(1)	\$34.95
31-0036	LICENSE PLATE BRACKET HARDWARE	KIT-16PC 92-99	(1)	\$5.95

**Air Deflectors**

1992-99 Chevy Blazer, Tahoe, Suburban  
1992-99 GMC Yukon, Suburban



PART	DESCRIPTION	APPLICATION	REQD	PRICE
39-7400	AIR DEFLECTOR W/O TOW HOOKS	CHEVY GMC 92-99	(1)	\$11.95
39-7401	AIR DEFLECTOR W/TOW HOOKS	CHEVY GMC 92-99	(1)	\$11.95
30-0993	DEFLECTOR HARDWARE KIT-22PC	CHEVY GMC 92-99	(1)	\$10.95
31-0203	BOLT-AIR DEFLECTOR	CHEVY GMC 92-99	(11)	\$ .65
29-0542	NUT-AIR DEFLECTOR	CHEVY GMC 92-99	(11)	\$ .95

## Rear Step Bumper OE Style

Models without Denali Package



29-8427



37-4334



29-0814

From the hitch assembly and step pad design to the lighting assembly, this OE Style Step Bumper matches the original bumper in every way.

- Meets all your replacement needs.
- Made from die-formed construction.
- Tested to maximum 500 lbs. tongue weight and 5,000 lbs. trailer weight.
- Kits include necessary mounting hardware and wiring harness.
- Mounts to original braces or order a new bumper brace kit below.
- Bumper brace and accessories fit OE and OE style replacement rear bumpers.



**Do not exceed truck manufacturer's recommended towing capacity.**

PART	DESCRIPTION	APPLICATION	REQD	PRICE
<b>Models with Impact Strips</b>				
38-9774	REAR STEP BUMPER OE STYLE CHROME	CHEVY GMC 92-99	(1)	\$374.45*
38-9775	REAR STEP BUMPER OE STYLE PRIMER	CHEVY GMC 92-99	(1)	\$279.95*
31-3331	STEP PAD	CHEVY GMC 92-99	(1)	\$29.95*
<b>Models without Impact Strips</b>				
38-9776	REAR STEP BUMPER OE STYLE CHROME	CHEVY GMC 92-99	(1)	\$374.45*
38-9777	REAR STEP BUMPER OE STYLE PRIMER	CHEVY GMC 92-99	(1)	\$279.95*
31-3330	STEP PAD	CHEVY GMC 92-99	(1)	\$29.95*

Note: "A" Pad marked for 500 lb. tongue and 5,000 lb. trailer load.

\* Or \*\* after the sell price means your order will incur an Oversize Part Charge for each oversized part. \* Means extra charge will be \$20. \*\* Means extra charge will be \$50. Due to packing and/or transportation requirements, please allow additional time for delivery. Oversized Parts are not available for air delivery.

PART	DESCRIPTION	APPLICATION	REQD	PRICE
<b>Bumper Brace Kit</b>				
31-3719	BUMPER BRACE KIT	CHEVY GMC 92-99	(1)	\$34.95
31-3337	STEP PAD-CENTER	"A" CHEVY GMC 92-99	(1)	\$14.95
31-3340	IMPACT STRIP-LH	CHEVY GMC 92-99	(1)	\$15.95
31-3341	IMPACT STRIP-RH	CHEVY GMC 92-99	(1)	\$15.95
29-8427	LICENSE LAMP-CHROME	CHEVY GMC 92-99	(2)	\$5.95
37-4334	LICENSE LAMP-PAINTABLE	CHEVY GMC 92-99	(2)	\$6.95
36-0224	REPLACEMENT BULB	CHEVY GMC 92-99	(2)	\$ .65
29-0814	RETAINER	CHEVY GMC 92-99	(1)	\$1.95
37-4331	LICENSE PLATE LAMP HARNESS	CHEVY GMC 92-99	(1)	\$14.95

**Custom Valances**

Models without Limited, Z71 and Denali Package



37-7883 Custom Chrome Valance with Lights and Insert



**Custom Chrome Front Valances**

Custom Chrome Valances are stamped from new tooling using OE quality steel which is then buffed and polished to achieve a smooth defect-free plating surface. Three layers of nickel – semi-bright nickel, strike nickel and bright nickel – are applied to form the base for chrome plating to create an exceptionally smooth plating surface with a high-quality mirror-like finish. Mounting hardware is included.

PART	DESCRIPTION	APPLICATION	REQD	PRICE
37-7880	CUSTOM CHROME VALANCE	SMOOTHIE	92-99 (1)	\$269.95*



**Custom Chrome Lighted Valances**

Custom Lighted Valances are complete with OE quality halogen fog lights, illuminated rocker switch, 12 volt relay, wiring and installation instructions. The halogen lights have an OE quality aluminum diecast housing and three-tier protective finish coating, making the housing corrosion free. State-of-the-art reflector combined with strong semi-hardened crystal glass lens give the maximum light output from a 3-3/4" diameter light. The halogen lamps use a high-efficiency halogen 12 volt 55W replaceable bulb. Lights are DOT and SAE approved and are legal for road use. Lights come with 3-Year Limited Warranty.

PART	DESCRIPTION	APPLICATION	REQD	PRICE
37-7882	CUSTOM CHROME VALANCE W/LIGHT		92-99 (1)	\$329.95*
37-7883	CUSTOM CHROME VALANCE W/LIGHT W/ 4MM INSERT		92-99 (1)	\$350.95*

**Custom Paintable Front Valances**

Custom Paintable Valances are made from the same tooling as Custom Chrome Valances but have a high-quality powder coat finish which offers a smooth surface for applying your favorite color to match your truck. Mounting hardware included.

PART	DESCRIPTION	APPLICATION	REQD	PRICE
37-7890	CUSTOM PAINTABLE VALANCE	SMOOTHIE	92-99 (1)	\$174.95*
37-7891	CUSTOM PAINTABLE VALANCE W/ 4MM INSERT		92-99 (1)	\$229.95*
37-7892	CUSTOM PAINTABLE VALANCE W/LIGHT		92-99 (1)	\$199.95*
37-7893	CUSTOM PAINTABLE VALANCE W/LIGHT 4MM INSERT		92-99 (1)	\$299.95*

**Fog Light Set**

38-1266	VALANCE FOG LIGHT SET		92-99 (1)	\$84.45
38-0374	HALOGEN BULB	FOR 38-1266	(2)	\$1.95
38-1275	LIGHT WIRING KIT	FOR 38-1266	92-99 (1)	\$25.95

\* Or \*\* after the sell price means your order will incur an Oversize Part Charge for each oversized part. \* Means extra charge will be \$20. \*\* Means extra charge will be \$50. Due to packing and/or transportation requirements, please allow additional time for delivery. Oversized Parts are not available for air delivery.



## Custom Chrome Front Bumpers



### Premium Chrome Front Bumpers

- Bumper is stamped from new tooling using OE-quality steel for strength and durability.
- Bumper is buffed and polished to achieve a smooth defect-free plating surface.
- The Triple Nickel Plating process creates a brilliant, high-quality mirror-like finish.

PART	DESCRIPTION	APPLICATION	REQD	PRICE
39-9802	CHROME BUMPER "A" SMOOTHIE		(1)	\$289.95**
39-9803	CHROME BUMPER SMOOTHIE W/ LICENSE HOLES		(1)	\$269.95**
39-9810	CHROME BUMPER "A" W/2 LIGHTS		(1)	\$299.95**
39-9809	CHROME BUMPER W/2 LIGHTS W/ LICENSE HOLES		(1)	\$349.95**
39-9811	CHROME BUMPER "A" W/4 LIGHTS		(1)	\$359.95**

### Premium Chrome Front Bumpers with 4MM Billet Inserts

39-9813	CHROME BUMPER "A" W/2 LIGHTS	W/TWO INSERTS	(1)	\$359.95**
39-9815	CHROME BUMPER "A"	W/ONE INSERT	(1)	\$329.95**
39-9816	CHROME BUMPER "A" W/2 LIGHTS	W/ONE INSERT	(1)	\$459.95**
39-9817	CHROME BUMPER "A" W/4 LIGHTS	W/ONE INSERT	(1)	\$499.95**

Available lighting choices include fog lights or driving lights. Fog lights provide a low, wide beam pattern for improved short-range vision in fog, rain or snow. Driving lights provide a longer, more focused beam pattern for improved long-range vision at highway speeds.

The 2-Light Bumper is equipped with two halogen fog lights, one illuminated rocker switch and one 12-volt relay. The 4-Light Bumper is equipped with two halogen fog lights and two halogen driving lights with two illuminated rocker switches and two 12-volt relays. Lights are installed in the bumper, complete with all necessary wiring and installation instructions.

Lights have an aluminum die-cast housing and three-tier protective finish coating, which makes the housing corrosion free. State-of-the-art reflector, in combination with a strong semi-hardened crystal glass lens, gives maximum light output from a 3-3/4" diameter light. Lights use a high efficiency halogen 12V 55W replaceable bulb and are OE quality, DOT and SAE approved and are legal for on-road use. Lights come with a 3-Year Limited Warranty on light assemblies (excluding bulb).

### Primer Front Bumpers

- Bumper is finished with an EDP (Electro Deposit Primer) coating that offers a smooth surface for applying your favorite color to match your truck.
- Economically priced replacements for your rusty, dull, scratched and pitted bumper.
- Primer Bumper used by Collision Damage Repair Shops.
- Save money, call or go online and order your bumper today.

PART	DESCRIPTION	APPLICATION	REQD	PRICE
39-5602	PRIMER BUMPER "A" SMOOTHIE		(1)	\$169.95**
39-5603	PRIMER BUMPER SMOOTHIE W/ LICENSE HOLES		(1)	\$149.95**

Note: "A" Without holes for license plate bracket.

\* Or \*\* after the sell price means your order will incur an Oversize Part Charge for each oversized part. \* Means extra charge will be \$20. \*\* Means extra charge will be \$50. Due to packing and/or transportation requirements, please allow additional time for delivery. Oversized Parts are not available for air delivery.

For added style, replace the white halogen bulb with a halogen blue-coated bulb. The blue-coated bulb creates an intense white light which is popular in today's new cars and trucks. Get the cool look of HID (high intensity discharge) lighting without the high price; call or go online and order yours today!

**For More Information on Superwhite Bulb Set See Page 106**



38-1265



38-1268

PART	DESCRIPTION	APPLICATION	REQD	PRICE
<b>Replacement Bumper Lights</b>				
38-1265	BUMPER FOG LIGHT SET	CHEVY GMC 92-99	(1)	\$80.95
38-1268	BUMPER DRIVING LIGHT SET	CHEVY GMC 92-99	(1)	\$60.95
38-0374	HALOGEN BULB WHITE FOR 38-1265	OR 38-1268	(AR)	\$1.95
36-0264	HALOGEN BULB BLUE FOR 38-1265	OR 38-1268	(AR)	\$5.95
36-0316	SUPERWHITE BULB SET FOR 38-1265	OR 38-1268	(AR)	\$5.95
38-1275	LIGHT WIRING KIT	FOR 2 LIGHTS	(1)	\$25.95

**OE Style Aluminum Wheel Arch Molding ... Quick and Easy Replacement**



39-7000



39-7001



39-7000

Kits are sold in sets of 4 with all necessary mounting hardware included.

PART	DESCRIPTION	APPLICATION	REQD	PRICE
39-7000	WHEEL ARCH MOLDING KIT-ALUMINUM	CHEVY GMC 92-99	(1)	\$55.95
39-7010	FRONT WHEEL ARCH MOLDING-LH	ALUMINUM 92-99	(1)	\$9.95
39-7011	FRONT WHEEL ARCH MOLDING-RH	ALUMINUM 92-99	(1)	\$9.95
39-7014	REAR WHEEL ARCH MOLDING-LH	ALUMINUM 92-99	(1)	\$10.95
39-7015	REAR WHEEL ARCH MOLDING-RH	ALUMINUM 92-99	(1)	\$10.95
31-0524	MOLDING SCREW	CHROME 92-99	(22)	\$ .65

PART	DESCRIPTION	APPLICATION	REQD	PRICE
39-7001	WHEEL ARCH MOLDING KIT-BLACK	CHEVY GMC 92-99	(1)	\$52.95
39-7012	FRONT WHEEL ARCH MOLDING-LH	BLACK 92-99	(1)	\$14.95
39-7013	FRONT WHEEL ARCH MOLDING-RH	BLACK 92-99	(1)	\$14.95
39-7016	REAR WHEEL ARCH MOLDING-LH	BLACK 92-99	(1)	\$14.95
39-7017	REAR WHEEL ARCH MOLDING-RH	BLACK 92-99	(1)	\$14.95
31-0525	MOLDING SCREW	BLACK 92-99	(22)	\$ .95

**Reproduction 4X4 Fender Flares**



39-7660

These Flares are exact reproductions of the originals. They come primed black ready to paint to match the color of your truck.

PART	DESCRIPTION	APPLICATION	REQD	PRICE
39-7660	4X4 FENDER FLARE-FRONT-LH	CHEVY GMC 92-99	(1)	\$69.95*
39-7661	4X4 FENDER FLARE-FRONT-RH	CHEVY GMC 92-99	(1)	\$69.95*
39-7684	FENDER FLARE-REAR-LH 2 DOOR BLZ	TAH YKN 92-99	(1)	\$59.95*
39-7685	FENDER FLARE-REAR-RH 2 DOOR BLZ	TAH YKN 92-99	(1)	\$59.95*
39-7684	FENDER FLARE-REAR-LH	SUBURBAN 92-99	(1)	\$59.95*
39-7685	FENDER FLARE-REAR-RH	SUBURBAN 92-99	(1)	\$59.95*
31-0895	NUT-FENDER FLARE	CHEVY GMC 92-99	(AR)	\$5.25
31-0530	SCREW-FENDER FLARE	CHEVY GMC 92-99	(AR)	\$1.25

\* Or \*\* after the sell price means your order will incur an Oversize Part Charge for each oversized part. \* Means extra charge will be \$20. \*\* Means extra charge will be \$50. Due to packing and/or transportation requirements, please allow additional time for delivery. Oversized Parts are not available for air delivery.

**Flexy-Flares™ ... To Cover Those Wide Tires**



Set of 4

38-3208

Flexy-Flares™ provide protection from mud, dirt, gravel and salt and are a necessity in many states where wide tires must be covered by a fender. Constructed from EDPM synthetic rubber, they won't crack, peel or droop in extreme temperatures. These heavy-duty flares use a wire insert on outer edge

for extra strength and added rigidity, and the built-in curvature allows the flare to fit the fenderwell without wrinkles or buckling. Flexy-Flares™ extend your fenders 3" and come with hardware packs for easy installation.

PART	DESCRIPTION	APPLICATION	REQD	PRICE
38-3208	FLEXY-FLARES FENDER EXTENSION 3"	CHEVY GMC 92-99	(1)	\$99.95

**Stainless Steel Fender Trim Molding**



Set of 4

37-7202

Custom fit polished Stainless Steel Fender Trim Molding features a mirror finish that dresses up your truck while protecting your wheel wells.

Guaranteed to fit and installs easily without bending or cutting. Rubber trim and

hardware are included, drilling is required to the bottom of the wheel wells for installation.

PART	DESCRIPTION	APPLICATION	REQD	PRICE
37-7202	FENDER TRIM W/MOLDING 2DR BLZ	TAH YKN 92-99	(1)	\$89.95
37-7203	FENDER TRIM W/O MOLDING 2DR BLZ	TAH YKN 92-99	(1)	\$99.95
37-7232	FENDER TRIM 4DR	TAH YKN 95-99	(1)	\$109.95
37-7202	FENDER TRIM W/MOLDING	SUBURBAN 92-99	(1)	\$89.95
37-7203	FENDER TRIM W/O MOLDING	SUBURBAN 92-99	(1)	\$99.95

## Body Side Molding

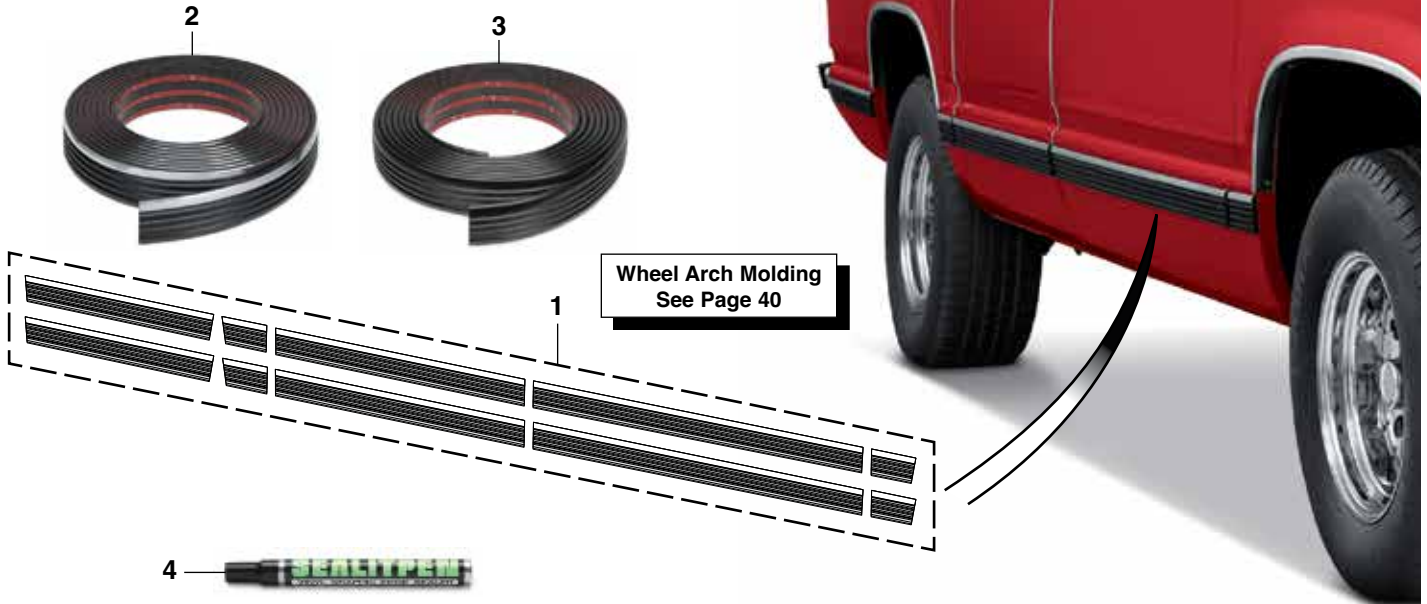
1992-99 Chevy Blazer, Tahoe, Suburban  
 1992-99 GMC Yukon, Suburban

Pre-cut, no hassle, ready-to-install truck molding with factory formed or factory die-cut end treatments. Clear top-coated chrome mylar moldings make your truck look new again. Each pre-cut section has 3M™ tape pre-attached for an easy installation. Due to varying option packages, modification of kit contents may be required for your truck.

**Note:** Door emblems cannot be attached to side molding.



**Adhesive Roll Molding Tech Tip:** Use Vinyl Edge Sealer Pen #38-0921 on all cut ends to ensure maximum molding life.



**Vinyl Edge Sealer Pen** can be used on all vinyl decals/graphics and on the ends of adhesive chrome body moldings that will be exposed to the elements. The pen is filled with .3 ounces of ultraviolet light-blocking, fast-drying, clear acrylic sealer. It features a wedge applicator tip for a smooth, even application and includes a replacement tip so that it can be used over and over. It will also protect edges from damage caused by physical contact such as polishing/waxing and washing.

PART	ILL#	DESCRIPTION	APPLICATION	REQD	PRICE
39-7067	(1)	MOLDING SET-BLACK/CHROME	SUBURBAN	92-99	(1) \$124.95
38-0918	(2)	ADHESIVE MOLDING BLACK/CHROME "A"	CHEVY GMC	92-99	(1) \$92.75
38-0920	(3)	ADHESIVE MOLDING-BLACK "A"	CHEVY GMC	92-99	(1) \$87.95
38-0921	(4)	VINYL EDGE SEALER PEN .3 OZ	CHEVY GMC	92-99	(1) \$12.95

**Note:** "A" Must be sized and cut to fit. Comes in a 2-5/8" x 26' roll.

## Custom Molded Mud Guards Protect Your Truck from Rock Chips



Mud Guards are custom molded and help protect the sides of the vehicle from rock chips, mud and tar buildup. Mud guards are molded in a standard black matte finish that can be painted. Set of two fits front or rear of truck. Buy two sets for four wheel protection.

PART	DESCRIPTION	APPLICATION	REQD	PRICE
38-2660	CUSTOM MOLDED MUD GUARDS 2PC "A"	CHEVY GMC	92-99 (AR)	\$39.95

**Note:** "A" With or without factory wheel well flares.

[www.LMCtruck.com](http://www.LMCtruck.com)

Shop Online - Online Catalogs - 24/7

Fast, Simple, Safe!





### GM Style Reproduction Door Mirror

1992-99 Chevy Blazer, Tahoe, Suburban  
1992-00 GMC Yukon, Suburban



PART	DESCRIPTION	APPLICATION	REQD	PRICE
<b>Manual Mirrors</b>				
39-5888	DOOR MIRROR-LH-BLACK	MANUAL CHEVY GMC 92-99	(1)	\$29.95
39-5889	DOOR MIRROR-RH-BLACK	MANUAL CHEVY GMC 92-99	(1)	\$29.95
31-0876	NUT-DOOR MIRROR	CHEVY GMC 92-99	(6)	\$ .65
<b>Power Mirrors</b>				
39-5890	DOOR MIRROR-LH-BLACK	POWER CHEVY GMC 92-99	(1)	\$37.95
39-5891	DOOR MIRROR-RH-BLACK	POWER CHEVY GMC 92-99	(1)	\$37.95
39-5892	DOOR MIRROR-LH-BLACK "A"	POWER HEATED 98-00	(1)	\$49.95
39-5893	DOOR MIRROR-RH-BLACK "A"	POWER HEATED 98-00	(1)	\$49.95
31-0876	NUT-DOOR MIRROR	CHEVY GMC 92-99	(6)	\$ .65

Note: "A" Does not have auto-dimming function.

### Tow Mirror Set

1992-99 Chevy Blazer, Tahoe, Suburban  
1992-99 GMC Yukon, Suburban



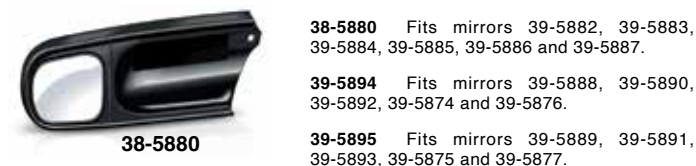
These rugged telescoping Tow Mirror Sets are designed to replace existing mirrors without any modifications. Each mirror head contains an 8"H x 7"W flat glass mirror and a 3-1/2"H x 7"W convex glass mirror. Mirrors can be manually extended 4" outward. Mounting hardware included.

Mirror covers are made from automotive grade ABS plastic finished with a high quality chrome finish and are designed to withstand harsh conditions. Installs quickly and securely with preapplied 3M™ tape. Mirror covers require no drilling or cutting.

PART	DESCRIPTION	APPLICATION	REQD	PRICE
38-5854	TOW MIRROR SET-MANUAL	CHEVY GMC 92-99	(1)	\$149.95
38-5881	TOW MIRROR SET-POWER	CHEVY GMC 92-99	(1)	\$159.95
37-7625	TOW MIRROR COVER SET-CHROME	CHEVY GMC 92-99	(1)	\$109.95

### Custom Towing Mirror

1992-99 Chevy Blazer, Tahoe, Suburban  
1992-99 GMC Yukon, Suburban



**38-5880** Fits mirrors 39-5882, 39-5883, 39-5884, 39-5885, 39-5886 and 39-5887.  
**39-5894** Fits mirrors 39-5888, 39-5890, 39-5892, 39-5874 and 39-5876.  
**39-5895** Fits mirrors 39-5889, 39-5891, 39-5893, 39-5875 and 39-5877.

This Custom Towing Mirror slides over your mirror without obstructing its view. It provides an extended view for towing and leaves no marks on your truck. All durable, corrosion-resistant construction; installs easily and securely with no tools required. Towing mirrors are required in many states, so call or go online and order yours today.

PART	DESCRIPTION	APPLICATION	REQD	PRICE
38-5880	CUSTOM TOWING MIRROR	CHEVY GMC 92-99	(2)	\$30.45
39-5894	CUSTOM TOWING MIRROR-LH	CHEVY GMC 92-99	(1)	\$32.45
39-5895	CUSTOM TOWING MIRROR-RH	CHEVY GMC 92-99	(1)	\$32.45

### GM Style Reproduction Chrome Door Mirrors



Chrome Door Mirrors have durable mirror heads that are manufactured from high-quality Injection ABS Thermoplastic with mirror bases that are cast metal with gloss black finish. They are OE style, direct bolt-on replacements and include mounting hardware and rubber door gasket.

PART	DESCRIPTION	APPLICATION	REQD	PRICE
39-5874	DOOR MIRROR-LH-CHROME	MANUAL CHEVY GMC 92-99	(1)	\$59.95
39-5875	DOOR MIRROR-RH-CHROME	MANUAL CHEVY GMC 92-99	(1)	\$59.95
39-5876	DOOR MIRROR-LH-CHROME	POWER CHEVY GMC 92-99	(1)	\$64.95
39-5877	DOOR MIRROR-RH-CHROME	POWER CHEVY GMC 92-99	(1)	\$64.95

### GM Style Reproduction Manual Door Mirrors

1992-99 Chevy Blazer, Tahoe, Suburban  
1992-99 GMC Yukon, Suburban



PART	DESCRIPTION	APPLICATION	REQD	PRICE
39-5884	DOOR MIRROR-LH-CHROME	CHEVY GMC 92-99	(1)	\$36.95
39-5885	DOOR MIRROR-RH-CHROME	CHEVY GMC 92-99	(1)	\$36.95
39-5882	DOOR MIRROR-LH-BLACK	CHEVY GMC 92-99	(1)	\$32.95
39-5883	DOOR MIRROR-RH-BLACK	CHEVY GMC 92-99	(1)	\$32.95
39-5886	DOOR MIRROR-LH-STAINLESS	CHEVY GMC 92-99	(1)	\$36.95
39-5887	DOOR MIRROR-RH-STAINLESS	CHEVY GMC 92-99	(1)	\$36.95
31-0876	NUT-DOOR MIRROR	CHEVY GMC 92-99	(6)	\$ .65

### Blind Spot Mirror



Blind spot mirrors increase viewing angle, eliminating blind spots. The 2" Adjustable Blind Spot Mirror rotates 360° for a customized wide angle view. Mirrors attach to door mirror with included self-adhesive tape.

PART	DESCRIPTION	APPLICATION	REQD	PRICE
38-5890	BLIND SPOT MIRROR-2"		(AR)	\$1.95
38-5893	BLIND SPOT MIRROR-ADJUSTABLE-2"		(AR)	\$2.25
38-5892	BLIND SPOT MIRROR-3"		(AR)	\$1.95

## Threshold Plate Set

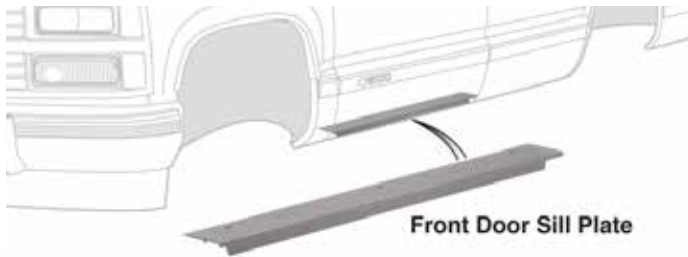


Polished Stainless Steel Threshold Plate Set protects your threshold plates from scuffs and scrapes. Sold as a set of two.

PART	DESCRIPTION	APPLICATION	REQD	PRICE
<b>Polished Stainless Steel Front Threshold Plate Set</b>				
37-8043	THRESHOLD PLATE SET-SS-FRONT	CHEVY GMC 92-99	(1)	\$32.95

## Front Door Sill Plates

1992-99 Chevy Blazer, Tahoe, Suburban  
1992-99 GMC Yukon, Suburban



PART	DESCRIPTION	APPLICATION	REQD	PRICE
39-2400-LL	DOOR SILL PLATE	BLUE	CHEVY GMC 92-94 (2)	\$9.95
39-2402-LL	DOOR SILL PLATE	BLUE	CHEVY GMC 95-99 (2)	\$9.95
39-2402-GR	DOOR SILL PLATE	GRAY	CHEVY GMC 92-94 (2)	\$9.95
39-2404-GR	DOOR SILL PLATE	GRAY	CHEVY GMC 95-99 (2)	\$9.95
39-2400-RD	DOOR SILL PLATE	RED	CHEVY GMC 92-94 (2)	\$9.95
39-2404-RD	DOOR SILL PLATE	RED	CHEVY GMC 95-99 (2)	\$9.95
39-2402-BG	DOOR SILL PLATE	BEIGE	CHEVY GMC 92-95 (2)	\$9.95
39-2400-NT	DOOR SILL PLATE	NEUTRAL	CHEVY GMC 96-99 (2)	\$9.95
31-0540	DOOR SILL SCREW		CHEVY GMC 92-99 (6)	\$1.25

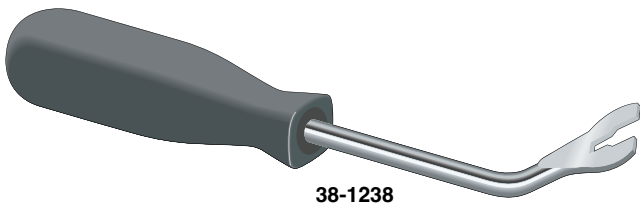
## Floor Console Latch

1995-99 Chevy Tahoe, Suburban  
1995-99 GMC Yukon, Suburban



PART	DESCRIPTION	APPLICATION	PRICE
38-5243	FLOOR CONSOLE LATCH	CHEVY GMC 95-99	\$25.95

## Fastener Removal Tool



This tool effectively removes the plastic fasteners found on most door panels. Working end is offset for ease of access.

PART	DESCRIPTION	REQD	PRICE
38-1238	FASTENER REMOVAL TOOL	(1)	\$4.95

## Door Panel Reflectors

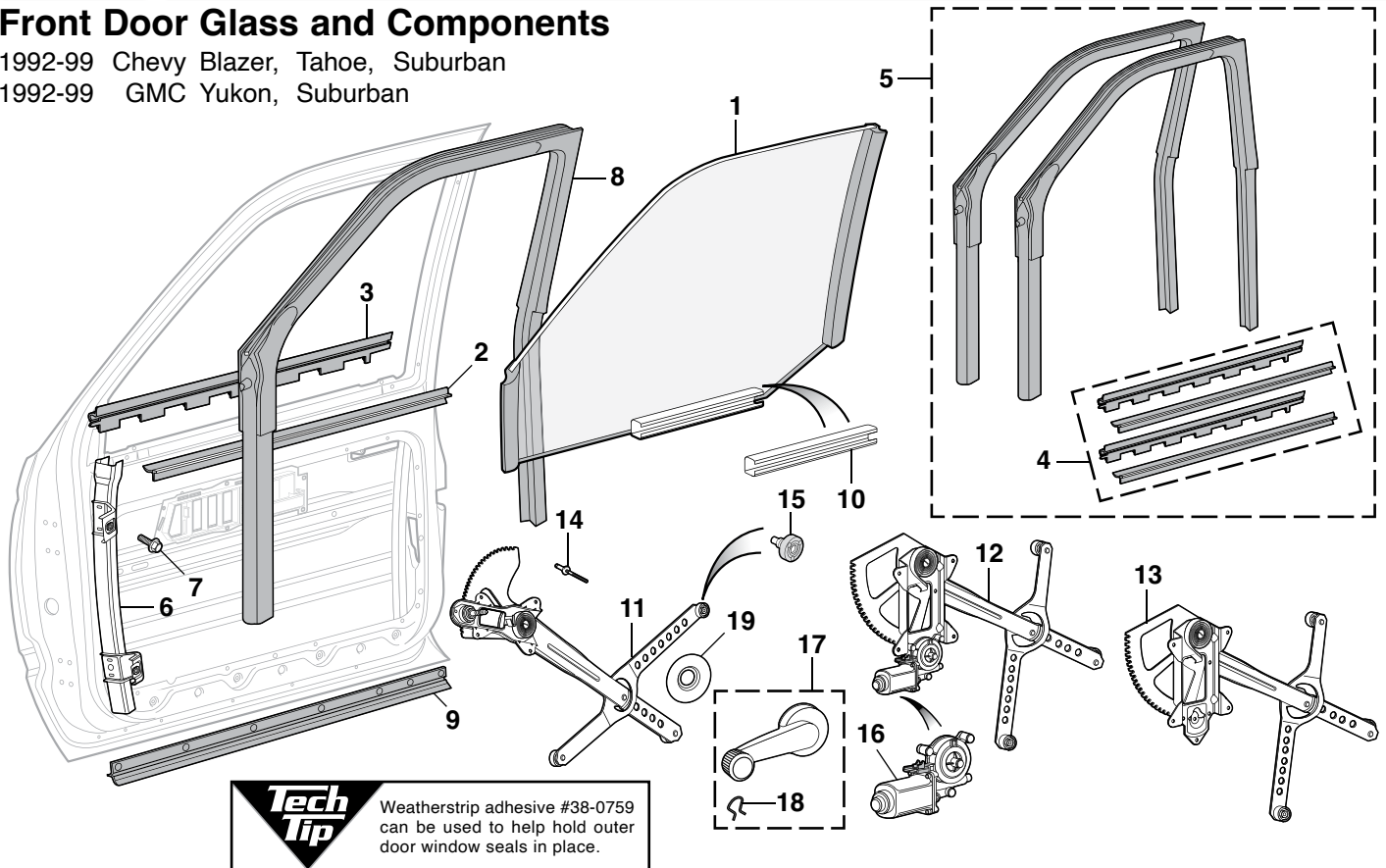
1995-99 Chevy Tahoe, Suburban  
1995-99 GMC Yukon, Suburban



PART	DESCRIPTION	APPLICATION	REQD	PRICE
37-4740	DOOR REFLECTOR-FRONT	RED	CHEVY GMC 95-99 (2)	\$9.95
37-4742	DOOR REFLECTOR-LH-FRT	RED/CLEAR	CHEVY GMC 95-99 (1)	\$37.95
37-4743	DOOR REFLECTOR-RH-FRT	RED/CLEAR	CHEVY GMC 95-99 (1)	\$37.95
37-4742	DOOR REFLECTOR-LH-REAR	RED/CLEAR	CHEVY GMC 95-99 (1)	\$37.95
37-4743	DOOR REFLECTOR-RH-REAR	RED/CLEAR	CHEVY GMC 95-99 (1)	\$37.95

**Front Door Glass and Components**

1992-99 Chevy Blazer, Tahoe, Suburban  
1992-99 GMC Yukon, Suburban



PART	ILL#	DESCRIPTION	APPLICATION	REQD	PRICE
39-6040	(1)	DOOR GLASS-GREEN TINT-LH	CHEVY GMC 92-99	(1)	\$79.95*
39-6041		DOOR GLASS-GREEN TINT-RH	CHEVY GMC 92-99	(1)	\$79.95*
38-8332-BL	(2)	DOOR WINDOW SEAL-INR BLACK	CHEVY GMC 92-99	(2)	\$9.95
38-8330	(3)	DOOR WINDOW SEAL-OUTER-LH	CHEVY GMC 92-99	(1)	\$9.95
38-8331		DOOR WINDOW SEAL-OUTER-RH	CHEVY GMC 92-99	(1)	\$9.95
38-8334-BL	(4)	WINDOW SEAL KIT BLACK	CHEVY GMC 92-99	(1)	\$38.95
38-8336-BL	(5)	WINDOW CHANNEL KIT BLACK	CHEVY GMC 92-99	(1)	\$142.95
39-6416	(6)	CHANNEL-DOOR GLASS-LH	CHEVY GMC 92-99	(1)	\$32.95
31-0203	(7)	BOLT	CHEVY GMC 92-99	(4)	\$.65
38-8328	(8)	DOOR GLASS RUN-LH	CHEVY GMC 92-99	(1)	\$61.95
38-8329		DOOR GLASS RUN-RH	CHEVY GMC 92-99	(1)	\$61.95
38-8316	(9)	DOOR SEAL-LOWER-LH	CHEVY GMC 92-99	(1)	\$14.45
38-8317		DOOR SEAL-LOWER-RH	CHEVY GMC 92-99	(1)	\$15.45

\* Or \*\* after the sell price means your order will incur an Oversize Part Charge for each oversized part. \* Means extra charge will be \$20. \*\* Means extra charge will be \$50. Due to packing and/or transportation requirements, please allow additional time for delivery. Oversized Parts are not available for air delivery.

PART	ILL#	DESCRIPTION	APPLICATION	REQD	PRICE
39-6336	(10)	WINDOW LIFT CHANNEL	CHEVY GMC 92-99	(2)	\$22.95
39-6420	(11)	REGULATOR-LH-MANUAL	CHEVY GMC 92-94	(1)	\$35.95
39-6421		REGULATOR-RH-MANUAL	CHEVY GMC 92-94	(1)	\$35.95
39-6422		REGULATOR-LH-MANUAL	CHEVY GMC 95-99	(1)	\$39.95
39-6423		REGULATOR-RH-MANUAL	CHEVY GMC 95-99	(1)	\$36.95
39-6428	(12)	REGULATOR-LH-PWR W/O MOTOR	CHEVY GMC 92-99	(1)	\$29.95
39-6429		REGULATOR-RH-PWR W/O MOTOR	CHEVY GMC 92-99	(1)	\$29.95
39-6424	(13)	REGULATOR-LH-POWER W/MOTOR	CHEVY GMC 92-99	(1)	\$54.95
39-6425		REGULATOR-RH-POWER W/MOTOR	CHEVY GMC 92-99	(1)	\$49.95
31-0753	(14)	RIVET-REGULATOR	CHEVY GMC 92-99	(8)	\$.95
30-0752	(15)	ROLLER & RIVET	CHEVY GMC 92-99	(6)	\$1.95
39-6426	(16)	MOTOR-LH	CHEVY GMC 92-99	(1)	\$45.95
39-6427		MOTOR-RH	CHEVY GMC 92-99	(1)	\$39.95
38-6548	(17)	WINDOW HANDLE CHROME	CHEVY GMC 92-94	(2)	\$4.95
31-0780	(18)	CLIP-WINDOW HANDLE	CHEVY GMC 92-99	(2)	\$1.65
38-6546	(19)	ESCUTCHEON-WINDOW HANDLE"A"	CHEVY GMC 92-99	(2)	\$1.95

Note: "A" Color will vary; may be painted to match the color of your interior.

**Belt Molding Remover**



Window Belt Molding Remover allows quick removal of your window belt molding without damaging the sheet metal, glass or molding. Plasti-dipped handle provides a wide, comfortable grip.

PART	DESCRIPTION	PRICE
38-1395	BELT MOLDING REMOVER	\$14.55

**Door Window Glass Holder**



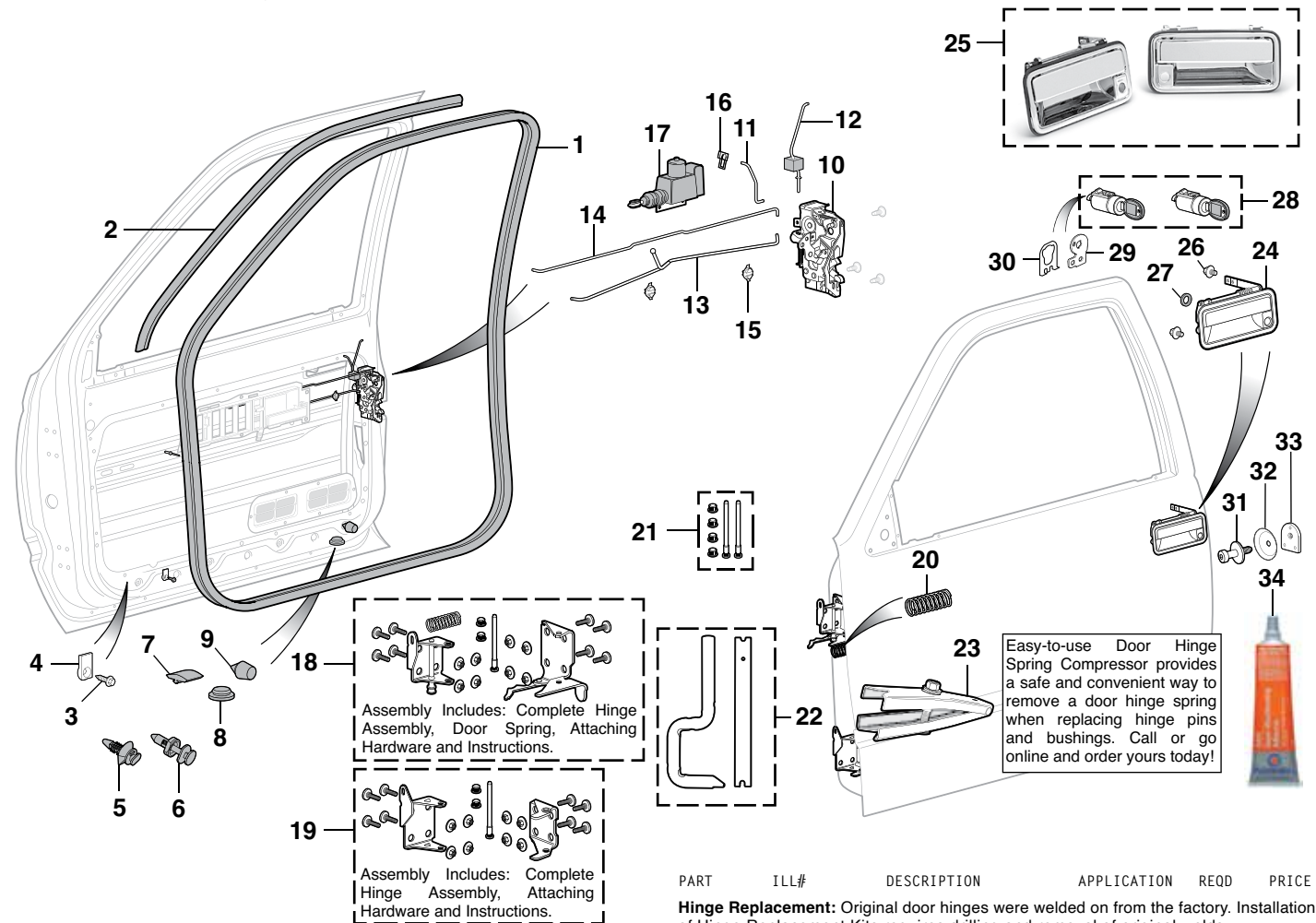
Door Window Glass Holder supports the glass while you work on the window regulator. It works on all trucks with a top door frame. Simply loop cable over door frame and attach suction cups to each side of glass. The glass is then securely held above the door while your work is performed.

PART	DESCRIPTION	PRICE
39-6397	DOOR WINDOW GLASS HOLDER	\$18.95



## Front Door Components

1992-99 Chevy Blazer, Tahoe, Suburban  
1992-99 GMC Yukon, Suburban



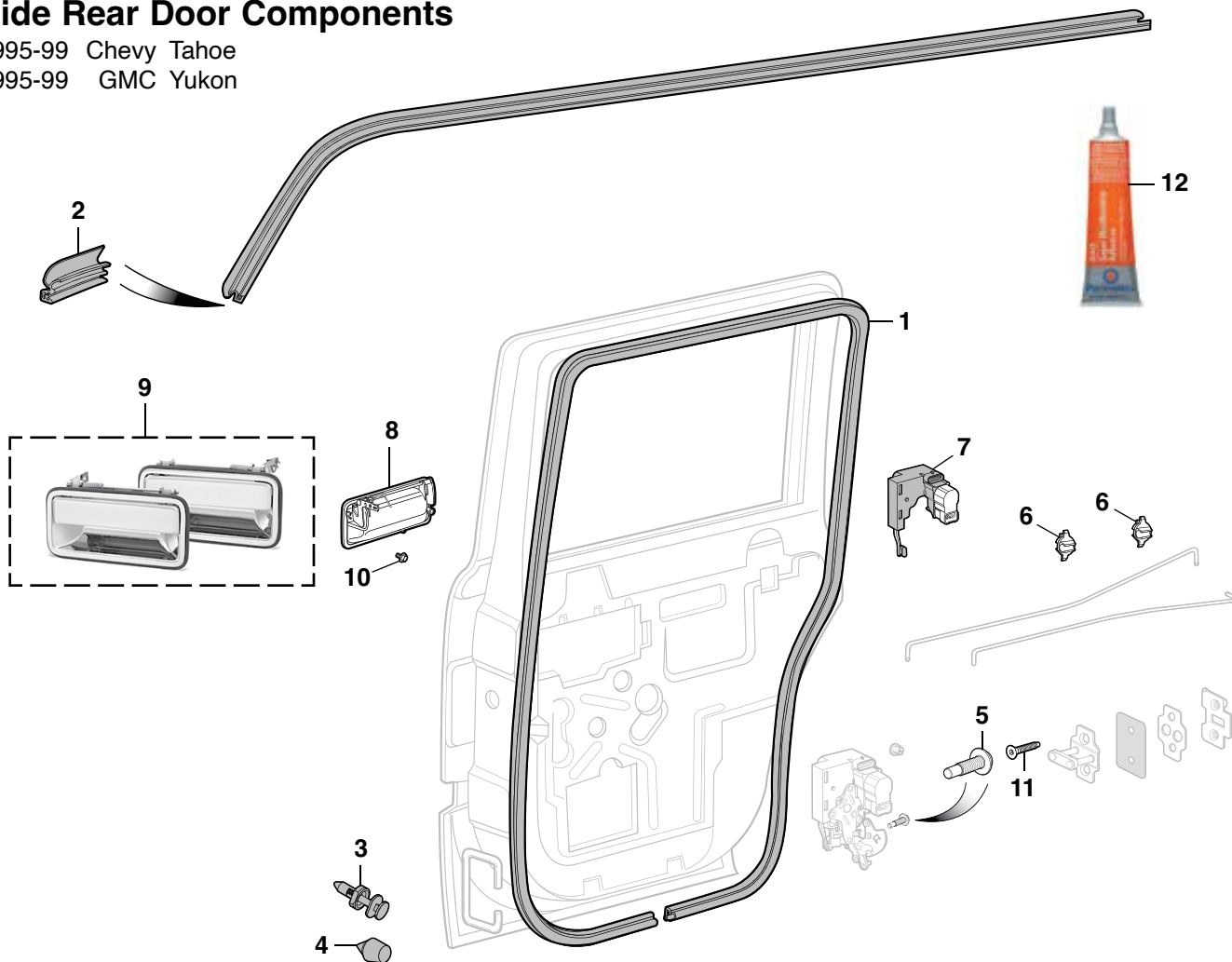
Easy-to-use Door Hinge Spring Compressor provides a safe and convenient way to remove a door hinge spring when replacing hinge pins and bushings. Call or go online and order yours today!

PART	ILL#	DESCRIPTION	APPLICATION	REQD	PRICE
38-8310	(1)	WEATHERSTRIP-CAB-LH/RH	CHEVY GMC 92-99	(2)	\$21.95
38-8314	(2)	DRIP WEATHERSTRIP-CAB 2DOOR	CHEVY GMC 92-99	(2)	\$17.95
30-0454	(3)	SCREW-INNER DOOR PANEL	CHEVY GMC 92-99	(16)	\$.95
31-0880	(4)	NUT-INNER DOOR PANEL	CHEVY GMC 92-99	(16)	\$4.45
31-1373	(5)	RETAINER-DOOR PANEL	CHEVY GMC 92-94	(14)	\$.95
31-1374	(6)	RETAINER-DOOR PANEL	CHEVY GMC 95-99	(20)	\$.95
31-1843	(7)	DOOR WINDOW STOP PAD	CHEVY GMC 92-99	(2)	\$4.95
31-1900	(8)	DOOR PLUG	CHEVY GMC 92-99	(2)	\$4.95
29-1410	(9)	DOOR BUMPER	CHEVY GMC 92-99	(2)	\$1.25
29-7712	(10)	DOOR LATCH-LH	CHEVY GMC 92-99	(1)	\$43.95
29-7713		DOOR LATCH-RH	CHEVY GMC 92-99	(1)	\$43.95
39-6430	(11)	ROD-OUTSIDE LOCK-LH	CHEVY GMC 92-99	(1)	\$12.45
39-6432	(12)	ROD-OUTSIDE HANDLE-LH	CHEVY GMC 92-99	(1)	\$29.25
39-6433		ROD-OUTSIDE HANDLE-RH	CHEVY GMC 92-99	(1)	\$30.55
39-6434	(13)	ROD-INSIDE LOCK-LH	CHEVY GMC 92-94	(1)	\$22.25
39-6436		ROD-INSIDE LOCK-LH	CHEVY GMC 95-99	(1)	\$20.25
39-6440	(14)	ROD-INSIDE HANDLE-LH	CHEVY GMC 95-99	(1)	\$10.95
31-1355	(15)	ROD GUIDE	CHEVY GMC 92-99	(4)	\$1.95
31-1603	(16)	CLIP-METAL	CHEVY GMC 92-99	(AR)	\$2.25
37-0744	(17)	DOOR LOCK ACTUATOR-LH	CHEVY GMC 92-99	(1)	\$34.95
37-0745		DOOR LOCK ACTUATOR-RH	CHEVY GMC 92-99	(1)	\$34.95

PART	ILL#	DESCRIPTION	APPLICATION	REQD	PRICE
<b>Hinge Replacement:</b> Original door hinges were welded on from the factory. Installation of Hinge Replacement Kits requires drilling and removal of original welds.					
39-6620	(18)	DOOR HINGE ASSY-UPPER-LH	CHEVY GMC 92-99	(1)	\$64.95
39-6621		DOOR HINGE ASSY-UPPER-RH	CHEVY GMC 92-99	(1)	\$59.95
39-6622	(19)	DOOR HINGE ASSY-LOWER-LH	CHEVY GMC 92-99	(1)	\$33.95
39-6623		DOOR HINGE ASSY-LOWER-RH	CHEVY GMC 92-99	(1)	\$36.95
31-3101	(20)	DOOR HINGE SPRING	CHEVY GMC 92-99	(2)	\$3.95
31-2701	(21)	DOOR HINGE PIN KIT	CHEVY GMC 92-99	(2)	\$10.45
31-2698	(22)	DOOR HINGE PIN TOOL	CHEVY GMC 92-99	(1)	\$22.95
38-1309	(23)	HINGE SPRING COMPRESSOR	CHEVY GMC 92-99	(1)	\$15.45
<b>Door Hinge Pin Tool:</b> Safely remove door hinge pins without damaging paint. Curved design makes it easy to get around the door and deliver the force required to remove door pins with ease. Includes door pin retainer installation tool.					
39-6490	(24)	OUTER HANDLE-LH SMOOTH	CHEVY GMC 92-94	(1)	\$14.95
39-6491		OUTER HANDLE-RH SMOOTH	CHEVY GMC 92-94	(1)	\$14.95
39-6494		OUTER HANDLE-LH TEXTURED	CHEVY GMC 95-99	(1)	\$14.95
39-6495		OUTER HANDLE-RH TEXTURED	CHEVY GMC 95-99	(1)	\$14.95
37-7989	(25)	OUTER HANDLE SET-CHROME	CHEVY GMC 92-94	(1)	\$49.95
37-7993		OUTER HANDLE SET-CHROME	CHEVY GMC 95-99	(1)	\$49.95
31-0518	(26)	SCREW	CHEVY GMC 92-99	(4)	\$9.25
31-2301	(27)	GASKET-DOOR LOCK	CHEVY GMC 92-99	(2)	\$.99
37-0746	(28)	DOOR LOCK SET W/KEYS	CHEVY GMC 92-94	(1)	\$20.95
37-0796		DOOR LOCK SET W/KEYS	CHEVY GMC 95-99	(1)	\$39.95
37-0742	(29)	DOOR LOCK PAWL-LH	CHEVY GMC 92-99	(1)	\$.99
37-0743		DOOR LOCK PAWL-RH	CHEVY GMC 92-99	(1)	\$.99
31-0766	(30)	RETAINER-DOOR LOCK PAWL	CHEVY GMC 92-99	(2)	\$1.95
29-7775	(31)	DOOR STRIKER	CHEVY GMC 92-99	(2)	\$7.95
31-2900	(32)	SPACER	CHEVY GMC 92-99	(2)	\$2.95
31-0879	(33)	NUT	CHEVY GMC 92-99	(2)	\$5.95
38-0759	(34)	WEATHERSTRIP ADHESIVE-BLACK 5 OUNCE TUBE			\$8.95

Side Rear Door Components

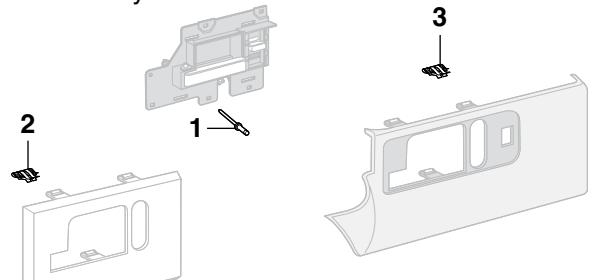
1995-99 Chevy Tahoe  
1995-99 GMC Yukon



PART	ILL#	DESCRIPTION	APPLICATION	REQD	PRICE	PART	ILL#	DESCRIPTION	APPLICATION	REQD	PRICE
38-8371	(1)	DOOR WEATHERSTRIP-REAR	TAH YKN 95-99	(2)	\$21.95	29-7746	(7)	LOCK ACTUATOR-LH	TAH YKN 95-99	(1)	\$29.95
38-8350	(2)	DRIP WEATHERSTRIP-FRONT/RR	TAH YKN 95-99	(2)	\$32.95	29-7747		LOCK ACTUATOR-RH	TAH YKN 95-99	(1)	\$24.95
31-1374	(3)	RETAINER-DOOR PANEL	TAH YKN 95-99	(AR)	\$ .95	39-6548	(8)	OUTSIDE HANDLE-LH TEXTURED	TAH YKN 95-99	(1)	\$15.95
29-1410	(4)	DOOR BUMPER	TAH YKN 95-99	(2)	\$1.25	39-6549		OUTSIDE HANDLE-RH TEXTURED	TAH YKN 95-99	(1)	\$12.95
29-0333	(5)	SCREW-LATCH	TAH YKN 95-99	(6)	\$1.25	37-7991	(9)	OUTSIDE HANDLE SET CHROME	TAH YKN 95-99	(1)	\$39.95
31-1355	(6)	ROD GUIDE	TAH YKN 95-99	(4)	\$1.95	31-0518	(10)	BOLT	TAH YKN 95-99	(4)	\$9.25
						29-0335	(11)	SCREW	TAH YKN 95-99	(4)	\$1.95
						38-0759	(12)	WEATHERSTRIP ADHESIVE-BLACK 5 OZ TUBE			\$8.95

Side Rear Door Handle Components

1992-94 Chevy & GMC Suburban



PART	ILL#	DESCRIPTION	APPLICATION	REQD	PRICE
31-0751	(1)	RIVET-DOOR HANDLE	CHEVY GMC 92-94	(AR)	\$ .75
<b>Models with Cheyenne or SL Trim Level</b>					
31-0773	(2)	RETAINER-BEZEL	CHEVY GMC 92-94	(12)	\$2.95
<b>Models with Silverado or SLE Trim Level</b>					
31-0773	(3)	RETAINER-BEZEL	CHEVY GMC 92-94	(12)	\$2.95

Door Alignment Tool

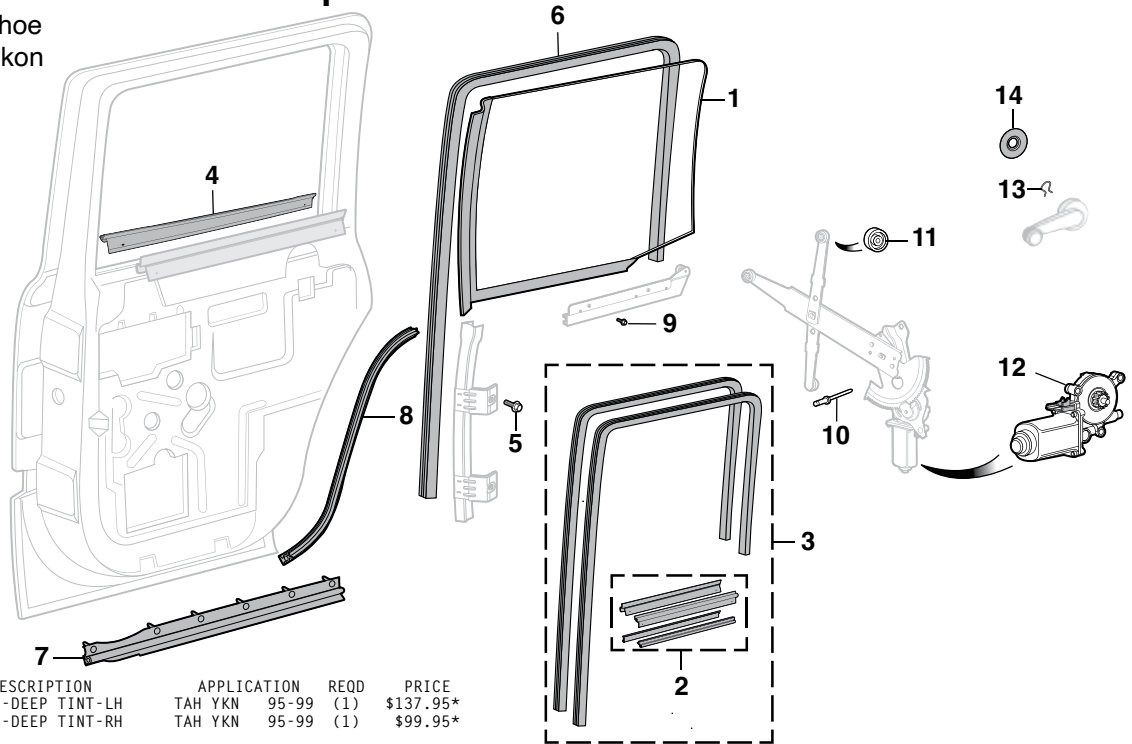


Use the Door Alignment Tool and a 1/2" breaker bar to quickly align doors without the need of a helper.

PART	DESCRIPTION	APPLICATION	REQD	PRICE
38-1336	DOOR ALIGNMENT TOOL	CHEVY GMC 92-99	(1)	\$39.95

## Side Rear Door Glass and Components

1995-99 Chevy Tahoe  
1995-99 GMC Yukon



PART	ILL#	DESCRIPTION	APPLICATION	REQD	PRICE
39-6044	(1)	DOOR GLASS-DEEP TINT-LH	TAH YKN 95-99	(1)	\$137.95*
39-6045		DOOR GLASS-DEEP TINT-RH	TAH YKN 95-99	(1)	\$99.95*
38-8362	(2)	DOOR WINDOW SEAL KIT-4PC	TAH YKN 95-99	(1)	\$47.95
38-8364	(3)	WINDOW CHANNEL KIT	TAH YKN 95-99	(1)	\$112.95
38-8354	(4)	DOOR WINDOW SEAL-OUTER	TAH YKN 95-99	(1)	\$14.95
29-0361	(5)	BOLT	TAH YKN 95-96	(4)	\$ .95
38-8360	(6)	DOOR GLASS RUN-LH	TAH YKN 95-99	(1)	\$25.95
38-8361		DOOR GLASS RUN-RH	TAH YKN 95-99	(1)	\$25.95
38-8372	(7)	LOWER DOOR SEAL-LH	TAH YKN 95-99	(1)	\$7.95
38-8373		LOWER DOOR SEAL-RH	TAH YKN 95-99	(1)	\$7.95

PART	ILL#	DESCRIPTION	APPLICATION	REQD	PRICE
38-8378	(8)	WEATHERSTRIP-AUXILIARY	TAH YKN 95-99	(2)	\$10.95
31-0278	(9)	BOLT-CHANNEL	TAH YKN 95-99	(4)	\$1.45
31-0753	(10)	RIVET	TAH YKN 95-99	(8)	\$ .95
30-0752	(11)	ROLLER	TAH YKN 95-99	(6)	\$1.95
39-6346	(12)	POWER WINDOW MOTOR-LH	TAH YKN 95-99	(1)	\$36.95
39-6347		POWER WINDOW MOTOR-RH	TAH YKN 95-99	(1)	\$36.95
31-0780	(13)	CLIP-WINDOW HANDLE	TAH YKN 95-99	(2)	\$ .65
38-6546	(14)	ESCUTCHEON	"A" TAH YKN 95-99	(2)	\$1.95

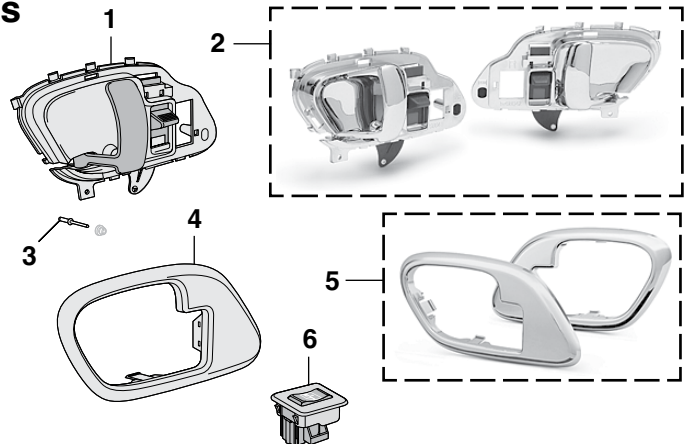
\* Or \*\* after the sell price means your order will incur an Oversize Part Charge for each oversized part. \* Means extra charge will be \$20. \*\* Means extra charge will be \$50. Due to packing and/or transportation requirements, please allow additional time for delivery. Oversized Parts are not available for air delivery.

Note: "A" Color will vary; may be painted to match the color of your interior.

## Side Rear Door Handles and Components

1995-99 Chevy Tahoe, Suburban  
1995-99 GMC Yukon, Suburban

PART	ILL#	DESCRIPTION	APPLICATION	REQD	PRICE
39-6480-BG	(1)	DOOR HANDLE-LH	BEIGE CHEVY GMC 95	(1)	\$9.95
39-6481-BG		DOOR HANDLE-RH	BEIGE CHEVY GMC 95	(1)	\$9.95
39-6480-LL		DOOR HANDLE-LH	BLUE CHEVY GMC 95-99	(1)	\$9.95
39-6481-LL		DOOR HANDLE-RH	BLUE CHEVY GMC 95-99	(1)	\$9.95
39-6480-GR		DOOR HANDLE-LH	GRAY CHEVY GMC 95-99	(1)	\$9.95
39-6481-GR		DOOR HANDLE-RH	GRAY CHEVY GMC 95-99	(1)	\$9.95
39-6480-NT		DOOR HANDLE-LH	NEUTRAL CHEVY GMC 96-99	(1)	\$9.95
39-6481-NT		DOOR HANDLE-RH	NEUTRAL CHEVY GMC 96-99	(1)	\$9.95
39-6480-RD		DOOR HANDLE-LH	RED CHEVY GMC 95-99	(1)	\$9.95
39-6481-RD		DOOR HANDLE-RH	RED CHEVY GMC 95-99	(1)	\$9.95
37-7992	(2)	DOOR HANDLE SET-CHROME	CHEVY GMC 95-99	(1)	\$39.95
31-0751	(3)	RIVET	CHEVY GMC 95-99	(AR)	\$ .75
39-6482-BG	(4)	BEZEL-LH	BEIGE CHEVY GMC 95	(1)	\$4.95
39-6483-BG		BEZEL-RH	BEIGE CHEVY GMC 95	(1)	\$4.95
39-6482-LL		BEZEL-LH	BLUE CHEVY GMC 95-99	(1)	\$5.45
39-6483-LL		BEZEL-RH	BLUE CHEVY GMC 95-99	(1)	\$4.95
39-6482-GR		BEZEL-LH	GRAY CHEVY GMC 95-99	(1)	\$7.95
39-6483-GR		BEZEL-RH	GRAY CHEVY GMC 95-99	(1)	\$6.95
39-6482-NT		BEZEL-LH	NEUTRAL CHEVY GMC 96-99	(1)	\$7.95
39-6483-NT		BEZEL-RH	NEUTRAL CHEVY GMC 96-99	(1)	\$7.95
39-6482-RD		BEZEL-LH	RED CHEVY GMC 95-99	(1)	\$6.95
39-6483-RD		BEZEL-RH	RED CHEVY GMC 95-99	(1)	\$6.95



**Front & Rear Door Handle Sets with Chrome Pulls - See Page 51**

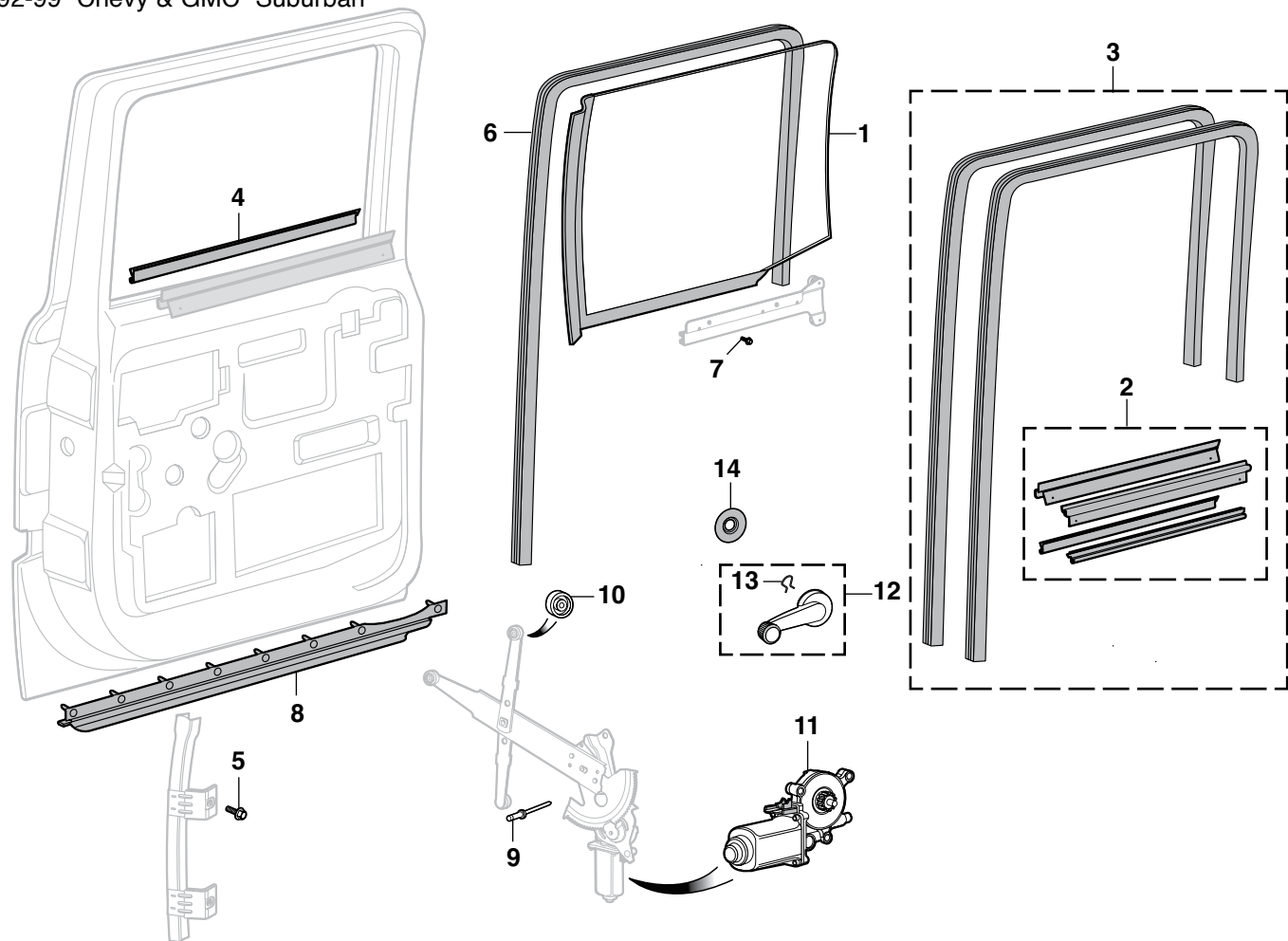
**Match the Color of Your Interior with ColorBond See Page 71**

PART	ILL#	DESCRIPTION	APPLICATION	REQD	PRICE
39-6489	(5)	HANDLE BEZEL SET-CHROME	CHEVY GMC 95-99	(1)	\$18.95
39-6676-LL	(6)	SWITCH-POWER WINDOW-BLUE	CHEVY GMC 95-99	(2)	\$29.95
39-6676-GR		SWITCH-POWER WINDOW-GRAY	CHEVY GMC 95-99	(2)	\$24.95
39-6676-NT		SWITCH-POWER WINDOW-NEUTRAL	CHEVY GMC 96-99	(2)	\$69.95



Side Rear Door Glass and Components

1992-99 Chevy & GMC Suburban



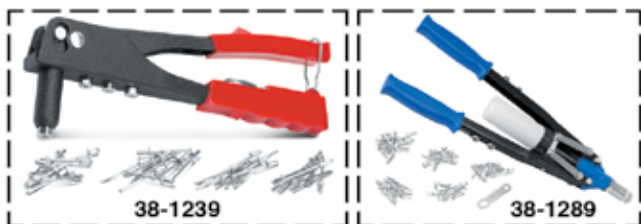
PART	ILL#	DESCRIPTION	APPLICATION	REQD	PRICE
39-6044	(1)	DOOR GLASS-DEEP TINT-LH	SUBURBAN 92-99	(1)	\$137.95*
39-6045		DOOR GLASS-DEEP TINT-RH	SUBURBAN 92-99	(1)	\$99.95*
38-8362	(2)	WINDOW SEAL KIT-4PC	SUBURBAN 92-99	(1)	\$47.95
38-8364	(3)	WINDOW CHANNEL KIT	SUBURBAN 92-99	(1)	\$112.95
38-8354	(4)	DOOR WINDOW SEAL-OUTER	SUBURBAN 92-99	(1)	\$14.95
29-0361	(5)	BOLT	SUBURBAN 92-99	(4)	\$.95
38-8360	(6)	DOOR GLASS RUN-LH	SUBURBAN 92-99	(1)	\$25.95
38-8361		DOOR GLASS RUN-RH	SUBURBAN 92-99	(1)	\$25.95

\* Or \*\* after the sell price means your order will incur an Oversize Part Charge for each oversized part. \* Means extra charge will be \$20. \*\* Means extra charge will be \$50. Due to packing and/or transportation requirements, please allow additional time for delivery. Oversized Parts are not available for air delivery.

PART	ILL#	DESCRIPTION	APPLICATION	REQD	PRICE
31-0278	(7)	BOLT-SASH CHANNEL	SUBURBAN 92-99	(4)	\$1.45
38-8374	(8)	LOWER DOOR SEAL-LH	SUBURBAN 92-99	(1)	\$13.45
38-8375		LOWER DOOR SEAL-RH	SUBURBAN 92-99	(1)	\$13.45
31-0753	(9)	RIVET	SUBURBAN 92-99	(AR)	\$.95
30-0752	(10)	ROLLER	SUBURBAN 92-99	(6)	\$1.95
39-6346	(11)	POWER WINDOW MOTOR-LH	SUBURBAN 92-99	(1)	\$36.95
39-6347		POWER WINDOW MOTOR-RH	SUBURBAN 92-99	(1)	\$36.95
38-6548	(12)	WINDOW HANDLE	SUBURBAN 92-94	(2)	\$4.95
31-0780	(13)	CLIP-WINDOW HANDLE	SUBURBAN 92-99	(2)	\$.65
38-6546	(14)	ESCUTCHEON-WINDOW HANDLE"A"	SUBURBAN 92-99	(2)	\$1.95

Note: "A" Color will vary; may be painted to match the color of your interior.

Hand Riveter Set ... Makes Rivet Installation Easy



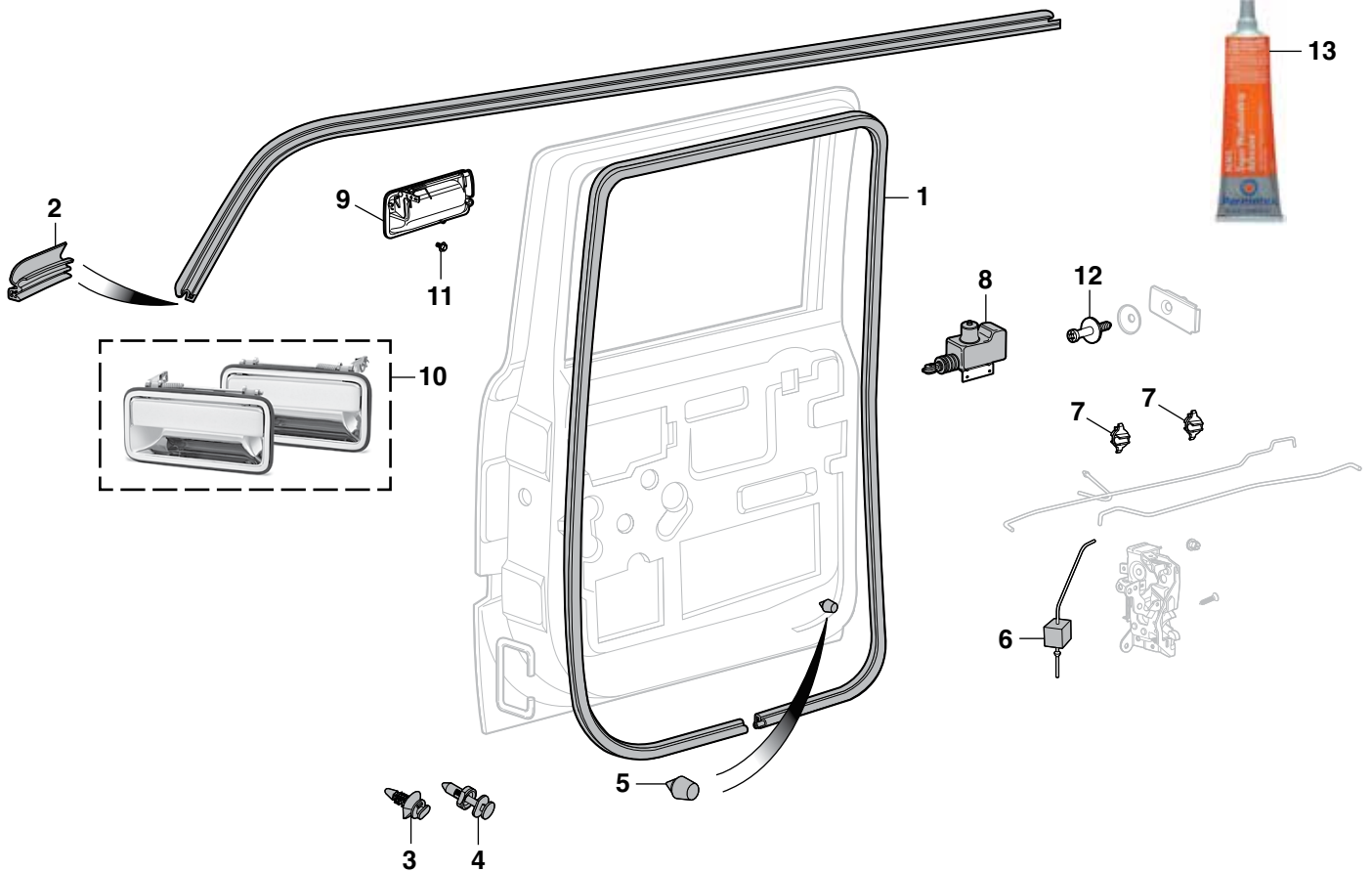
The Hand Riveter Set works great for body clips, door components, ID plates and sheet metal repairs. Comes with four nosepieces (3/32", 1/8", 5/32" and 3/16") and a wrench inside the gun's handle. 60 blind rivets included.

The Heavy-Duty Hand Riveter Set features extra long handles to give you more leverage setting rivets. A collection bottle keeps the workplace safe and clean. Includes 3/32", 1/8", 5/32", 3/16" nosepieces, plus 1/4" for larger projects like installing brackets and window regulators. Comes with a wrench and 50 blind rivets.

PART	DESCRIPTION	PRICE
38-1239	HAND RIVETER SET	\$13.95
38-1289	HAND RIVETER SET-HD	\$19.95

## Side Rear Door Components

1992-99 Chevy & GMC Suburban



PART	ILL#	DESCRIPTION	APPLICATION	REQD	PRICE	PART	ILL#	DESCRIPTION	APPLICATION	REQD	PRICE
38-8371	(1)	DOOR WEATHERSTRIP-REAR	SUBURBAN 92-99	(2)	\$21.95	39-6552	(9)	OUTSIDE HANDLE-LH SMOOTH	SUBURBAN 92-94	(1)	\$18.95
38-8350	(2)	DRIP WEATHERSTRIP-FRONT/RR	SUBURBAN 92-99	(2)	\$32.95	39-6553		OUTSIDE HANDLE-RH SMOOTH	SUBURBAN 92-94	(1)	\$18.95
31-1373	(3)	RETAINER-DOOR PANEL	SUBURBAN 92-94	(AR)	\$.95	39-6548		OUTSIDE HANDLE-LH TEXTURED	SUBURBAN 94-99	(1)	\$15.95
31-1374	(4)	RETAINER-DOOR PANEL	SUBURBAN 95-99	(AR)	\$.95	39-6549		OUTSIDE HANDLE-RH TEXTURED	SUBURBAN 94-99	(1)	\$12.95
29-1410	(5)	DOOR BUMPER	SUBURBAN 92-99	(2)	\$1.25	37-7991	(10)	OUTSIDE HANDLE SET CHROME	SUBURBAN 92-99	(1)	\$39.95
39-6432	(6)	OUTSIDE HANDLE ROD-LH	SUBURBAN 92-99	(1)	\$29.25	31-0518	(11)	BOLT-HANDLE	SUBURBAN 92-99	(4)	\$9.25
39-6433		OUTSIDE HANDLE ROD-RH	SUBURBAN 92-99	(1)	\$30.55	29-7775	(12)	DOOR LOCK STRIKER	SUBURBAN 92-99	(2)	\$7.95
31-1355	(7)	ROD GUIDE	SUBURBAN 92-99	(4)	\$1.95	38-0759	(13)	WEATHERSTRIP ADHESIVE-BLACK 5 OZ TUBE			\$8.95
37-0744	(8)	DOOR LOCK ACTUATOR-LH	SUBURBAN 92-99	(1)	\$34.95						
37-0745		DOOR LOCK ACTUATOR-RH	SUBURBAN 92-99	(1)	\$34.95						

### Gift Cards Now Available

Call (800) 562-8782

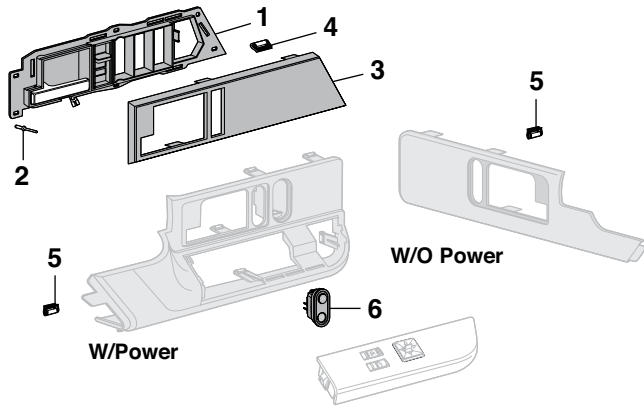
Available in \$25 - \$50 - \$100

- Gift Cards are the perfect gift to ensure you are giving exactly what they want!
- Gift Cards don't expire.
- Orders must be pre-paid. Orders received before 3:00 p.m. Central Time will ship same day.
- Gift Cards can now be redeemed through the mail or by phone.



Front Door Handles and Components

1992-94 Chevy Blazer, Suburban  
1992-94 GMC Yukon, Suburban

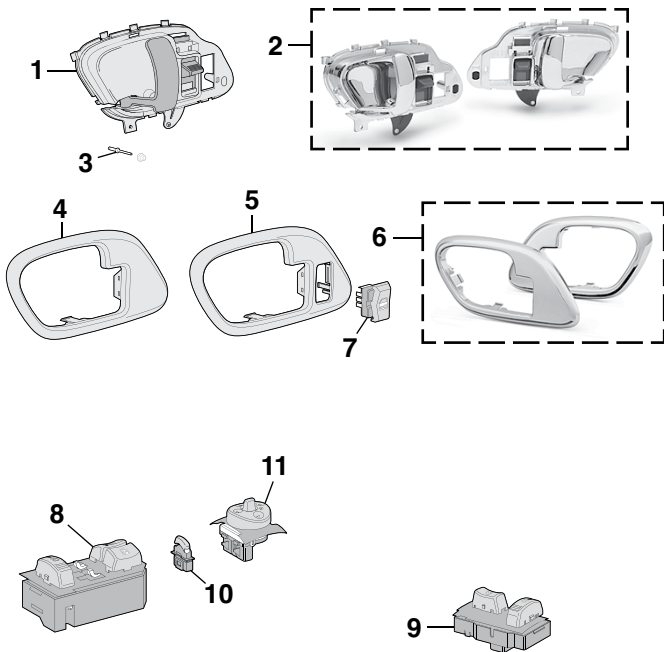


W/POWER = With Power Windows and Locks  
W/O POWER = Without Power Windows and Locks

PART	ILL#	DESCRIPTION	APPLICATION	REQD	PRICE
39-6466	(1)	DOOR HANDLE-INSIDE-LH	CHEVY GMC 92-94	(1)	\$12.95
39-6467		DOOR HANDLE-INSIDE-RH	CHEVY GMC 92-94	(1)	\$12.95
31-0751	(2)	RIVET	CHEVY GMC 92-94	(AR)	\$ .75
<b>Models with Cheyenne or SL Trim Level</b>					
39-6462	(3)	BEZEL-LH	CHEVY GMC 92-94	(1)	\$20.95
39-6463		BEZEL-RH	CHEVY GMC 92-94	(1)	\$11.95
31-0728	(4)	RETAINER-BEZEL	CHEVY GMC 92-94	(12)	\$1.25
<b>Models with Silverado or SLE Trim Level</b>					
31-0728	(5)	RETAINER-BEZEL	CHEVY GMC 92-94	(14)	\$1.25
37-0707	(6)	SWITCH-DOOR LOCK	CHEVY GMC 92-94	(2)	\$9.95

Front Door Handles and Components

1995-99 Chevy Tahoe, Suburban  
1995-99 GMC Yukon, Suburban



Front & Rear Door Handle Sets with Chrome Pulls  
See Page 51

PART	ILL#	DESCRIPTION	APPLICATION	REQD	PRICE
39-6482-BG	(4)	BEZEL-LH BEIGE	W/O DOOR LOCK HOLE	95 (1)	\$4.95
39-6483-BG		BEZEL-RH BEIGE	W/O DOOR LOCK HOLE	95 (1)	\$4.95
39-6482-LL		BEZEL-LH BLUE	W/O DOOR LOCK HOLE	95-99 (1)	\$5.45
39-6483-LL		BEZEL-RH BLUE	W/O DOOR LOCK HOLE	95-99 (1)	\$4.95
39-6482-GR		BEZEL-LH GRAY	W/O DOOR LOCK HOLE	95-99 (1)	\$7.95
39-6483-GR		BEZEL-RH GRAY	W/O DOOR LOCK HOLE	95-99 (1)	\$6.95
39-6482-NT		BEZEL-LH NEUTRAL	W/O DOOR LOCK HOLE	96-99 (1)	\$7.95
39-6483-NT		BEZEL-RH NEUTRAL	W/O DOOR LOCK HOLE	96-99 (1)	\$7.95
39-6482-RD		BEZEL-LH RED	W/O DOOR LOCK HOLE	95-99 (1)	\$6.95
39-6483-RD		BEZEL-RH RED	W/O DOOR LOCK HOLE	95-99 (1)	\$6.95
39-6484-BG	(5)	BEZEL-LH BEIGE	W/DOOR LOCK HOLE	95 (1)	\$7.95
39-6485-BG		BEZEL-RH BEIGE	W/DOOR LOCK HOLE	95 (1)	\$9.95
39-6484-LL		BEZEL-LH BLUE	W/DOOR LOCK HOLE	95-99 (1)	\$7.95
39-6485-LL		BEZEL-RH BLUE	W/DOOR LOCK HOLE	95-99 (1)	\$7.95
39-6484-GR		BEZEL-LH GRAY	W/DOOR LOCK HOLE	95-99 (1)	\$7.95
39-6485-GR		BEZEL-RH GRAY	W/DOOR LOCK HOLE	95-99 (1)	\$7.95
39-6484-NT		BEZEL-LH NEUTRAL	W/DOOR LOCK HOLE	96-99 (1)	\$6.95
39-6485-NT		BEZEL-RH NEUTRAL	W/DOOR LOCK HOLE	96-99 (1)	\$6.95
39-6484-RD		BEZEL-LH RED	W/DOOR LOCK HOLE	95-99 (1)	\$6.95
39-6485-RD		BEZEL-RH RED	W/DOOR LOCK HOLE	95-99 (1)	\$6.95
39-6489	(6)	BEZEL SET-CHROME	W/O DOOR LOCK HOLE	95-99 (1)	\$18.95
37-0708	(7)	SWITCH-DOOR LOCK-LH	CHEVY GMC 95-99	(1)	\$24.95
<b>Models without Power Windows</b>					
<b>Models with Power Windows</b>					
37-0712	(8)	DOOR LOCK&WINDOW SWITCH-LH	2 DOOR	95-99 (1)	\$49.95
29-8108		DOOR LOCK&WINDOW SWITCH-LH	4 DOOR	95-99 (1)	\$39.95
37-0713	(9)	DOOR LOCK&WINDOW SWITCH-RH	CHEVY GMC 95-99	(1)	\$26.25
29-8128	(10)	WINDOW LOCKOUT SWITCH	4 DOOR	95-99 (1)	\$24.95
37-0714	(11)	POWER MIRROR SWITCH	CHEVY GMC 95-99	(1)	\$29.45

PART	ILL#	DESCRIPTION	APPLICATION	REQD	PRICE
39-6480-BG	(1)	DOOR HANDLE-LH BEIGE	CHEVY GMC 95	(1)	\$9.95
39-6481-BG		DOOR HANDLE-RH BEIGE	CHEVY GMC 95	(1)	\$9.95
39-6480-LL		DOOR HANDLE-LH BLUE	CHEVY GMC 95-99	(1)	\$9.95
39-6481-LL		DOOR HANDLE-RH BLUE	CHEVY GMC 95-99	(1)	\$9.95
39-6480-GR		DOOR HANDLE-LH GRAY	CHEVY GMC 95-99	(1)	\$9.95
39-6481-GR		DOOR HANDLE-RH GRAY	CHEVY GMC 95-99	(1)	\$9.95
39-6480-NT		DOOR HANDLE-LH NEUTRAL	CHEVY GMC 96-99	(1)	\$9.95
39-6481-NT		DOOR HANDLE-RH NEUTRAL	CHEVY GMC 96-99	(1)	\$9.95
39-6480-RD		DOOR HANDLE-LH RED	CHEVY GMC 95-99	(1)	\$9.95
39-6481-RD		DOOR HANDLE-RH RED	CHEVY GMC 95-99	(1)	\$9.95
37-7992	(2)	DOOR HANDLE SET-CHROME	CHEVY GMC 95-99	(1)	\$39.95
31-0751	(3)	RIVET	CHEVY GMC 95-99	(AR)	\$ .75



## Chrome Outside Door Handle Sets



PART	DESCRIPTION	APPLICATION	REQD	PRICE	PART	DESCRIPTION	APPLICATION	REQD	PRICE
37-7989	CHROME DOOR HANDLE SET-OUTSIDE	FRONT	92-94 (1)	\$49.95	37-7991	CHROME DOOR HANDLE SET-OUTSIDE	REAR	92-99 (1)	\$39.95
37-7993	CHROME DOOR HANDLE SET-OUTSIDE	FRONT	95-99 (1)	\$49.95	37-8002	CHROME DOOR HANDLE-OUTSIDE	TAILGATE	92-99 (1)	\$21.95
					37-8001	CHROME DOOR HANDLE-OUTSIDE	CARGO	92-99 (1)	\$22.95

## Front/Rear Door Handle Sets with Chrome Pulls

1995-99 Chevy Tahoe, Suburban  
1995-99 GMC Yukon, Suburban



PART	DESCRIPTION	APPLICATION	PRICE
39-6497-BG	DOOR HANDLE SET - BEIGE	W/CHROME PULL 95	\$29.95
39-6497-LL	DOOR HANDLE SET - BLUE	W/CHROME PULL 95-99	\$31.95
39-6497-GR	DOOR HANDLE SET - GRAY	W/CHROME PULL 95-99	\$31.95
39-6497-NT	DOOR HANDLE SET - NEUTRAL	W/CHROME PULL 95-99	\$31.95
39-6497-RD	DOOR HANDLE SET - RED	W/CHROME PULL 95-99	\$29.45

## Chrome Inside Door Handle Sets



PART	DESCRIPTION	APPLICATION	REQD	PRICE
37-7992	CHROME DOOR HANDLE SET-INSIDE	FRONT/REAR	95-99 (2)	\$39.95
39-6489	CHROME HANDLE BEZEL SET-INSIDE	FRONT/REAR	95-99 (2)	\$18.95

## Chrome Window Handle Set



Chrome Window Handles measure 4-1/4" in length and are easy to install. Includes round, square and splined adaptors to fit a variety of window shaft styles.

PART	DESCRIPTION	REQD	PRICE
38-6457	CHROME WINDOW HANDLE SET	(AR)	\$34.95

## Premium Billet Window Handle Sets

Premium Window Handle Sets are manufactured with high-quality black oxide steel inserts and three set screws for maximum shaft grip strength. Handles are 4-5/8" long for greater leverage and feature smooth beveled edges for a comfortable grip. Available in a black anodized finish with machined accents or polished finish. Proudly made in the USA.



39-6693  
\$99.95



39-6694  
\$99.95



39-6695  
\$109.95

## Keyless Remote Kit



Locks and unlocks doors with the keyless remote or the turn of a door key. Lock/unlock function is also activated when a door lock knob is pushed down or pulled up, eliminating the need for separate door switches. Fits 2 door models only.

PART	DESCRIPTION	REQD	PRICE
36-0693	KEYLESS REMOTE KIT-2 DOOR	(1)	\$52.95



Replacement Door Panel Sets



Door Panels are manufactured specifically for your truck from durable ABS plastic and vacuum formed for a perfect fit. Will not crack under extreme temperatures. Includes padded armrest, window weatherstrip and installation hardware. Sold in sets of 2

1995-99 Models Without Power Windows & Locks



Tan      Dark Red      Dark Gray      Blue

Black

PART	DESCRIPTION	APPLICATION	REQD	PRICE
39-2486-BL	DOOR PANEL SET	BLACK W/O POWER	95-99 (1)	\$469.95**
39-2486-LL	DOOR PANEL SET	BLUE W/O POWER	95-99 (1)	\$469.95**
39-2486-GR	DOOR PANEL SET	DARK GRAY W/O POWER	95-99 (1)	\$469.95**
39-2486-DR	DOOR PANEL SET	DARK RED W/O POWER	95-99 (1)	\$469.95**
39-2486-TN	DOOR PANEL SET	TAN W/O POWER	95-99 (1)	\$469.95**

1995-99 Models With Power Windows & Locks



Tan      Dark Red      Dark Gray      Blue

Black

PART	DESCRIPTION	APPLICATION	REQD	PRICE
39-2487-BL	DOOR PANEL SET	BLACK W/POWER	95-99 (1)	\$659.95**
39-2487-LL	DOOR PANEL SET	BLUE W/POWER	95-99 (1)	\$659.95**
39-2487-GR	DOOR PANEL SET	DARK GRAY W/POWER	95-99 (1)	\$659.95**
39-2487-DR	DOOR PANEL SET	DARK RED W/POWER	95-99 (1)	\$659.95**
39-2487-TN	DOOR PANEL SET	TAN W/POWER	95-99 (1)	\$659.95**

\* Or \*\* after the sell price means your order will incur an Oversize Part Charge for each oversized part. \* Means extra charge will be \$20. \*\* Means extra charge will be \$50. Due to packing and/or transportation requirements, please allow additional time for delivery. Oversized Parts are not available for air delivery.



YOUR TRUCK  
YOUR STORY

SHARE YOUR  
TRUCK  
JOURNEY®

Imctrucklife.com

## Sun Visor Set

Reproduction Sun Visors look like the original and are covered with a foam backed cloth material.

There were two types of Sun Visor Brackets used on trucks in 1992. Please check yours before ordering.

**Sun Visor Installation Tip:** If sun visor is loose on rod and won't stay in the up position, bend rod slightly to tighten sun visor on the rod.

PART	DESCRIPTION	APPLICATION	REQD	PRICE
38-2118-BL	CLOTH VISOR SET BLACK	CHEVY GMC 92-99	(1)	\$107.95
38-2118-LL	CLOTH VISOR SET BLUE	CHEVY GMC 92-99	(1)	\$107.95
38-2118-DG	CLOTH VISOR SET DARK GRAY	CHEVY GMC 92-99	(1)	\$107.95
38-2118-LG	CLOTH VISOR SET LIGHT GRAY	CHEVY GMC 92-99	(1)	\$107.95
38-2118-DR	CLOTH VISOR SET DARK RED	CHEVY GMC 92-99	(1)	\$107.95
38-2118-TN	CLOTH VISOR SET TAN	CHEVY GMC 92-99	(1)	\$107.95
38-2110	BRACKET-W/SCREWS-REPRO-LH	"A"	92-99 (1)	\$10.45
38-2111	BRACKET-W/SCREWS-REPRO-RH	"A"	92-99 (1)	\$10.45
38-2114	BRACKET-W/SCREWS-REPRO	"A"	92 (2)	\$11.95



Note: "A" Paintable to match the color of your interior.

## Kick Panel Carpet

1992-94 Chevy Blazer, Suburban  
1992-94 GMC Yukon, Suburban



Made from the highest quality 100% nylon cut pile material, these carpets are made to match the color of the Molded Carpet Sets, sold on page 55.

Edges are finished with color coordinated vinyl trim. Easy installation.

PART	DESCRIPTION	APPLICATION	REQD	PRICE
39-2767-BL	KICK PANEL CARPET SET-BLACK	CHEVY GMC 92-94	(1)	\$35.25
39-2767-GR	KICK PANEL CARPET SET-GRAY	CHEVY GMC 92-94	(1)	\$35.25
39-2767-LL	KICK PANEL CARPET SET-BLUE	CHEVY GMC 92-94	(1)	\$35.25
39-2767-RD	KICK PANEL CARPET SET-RED	CHEVY GMC 92-94	(1)	\$35.25
39-2767-TN	KICK PANEL CARPET SET-TAN	CHEVY GMC 92-94	(1)	\$35.25



## Seat Belt Sets

Seat Belt Sets feature end release buckles and are constructed of OE-quality herringbone webbing. Seat Belt Sets included for left, right and center seating positions (except models with front bucket seats). Seat belts are a simple, direct bolt-in installation using the original seat belt mounting holes. Reuse existing hardware to install seat belts. Federal regulations require seat belts in all trucks manufactured after July 1971.

PART	DESCRIPTION	APPLICATION	REQD	PRICE
<b>Front Bench Seat</b>				
38-2233-BL	FRONT SEAT BELT SET-BLACK	CHEVY GMC 92-99	(1)	\$310.95
38-2233-LL	FRONT SEAT BELT SET-BLUE	CHEVY GMC 92-99	(1)	\$310.95
38-2233-GR	FRONT SEAT BELT SET-GRAY	CHEVY GMC 92-99	(1)	\$304.95
38-2233-RD	FRONT SEAT BELT SET-RED	CHEVY GMC 92-99	(1)	\$304.95
38-2233-TN	FRONT SEAT BELT SET-TAN	CHEVY GMC 92-99	(1)	\$304.95
<b>Front Bucket Seats</b>				
38-2236-BL	FRONT SEAT BELT SET-BLACK	CHEVY GMC 92-99	(1)	\$310.95
38-2236-LL	FRONT SEAT BELT SET-BLUE	CHEVY GMC 92-99	(1)	\$284.95
38-2236-GR	FRONT SEAT BELT SET-GRAY	CHEVY GMC 92-99	(1)	\$284.95
38-2236-RD	FRONT SEAT BELT SET-RED	CHEVY GMC 92-99	(1)	\$284.95
38-2236-TN	FRONT SEAT BELT SET-TAN	CHEVY GMC 92-99	(1)	\$284.95



PART	DESCRIPTION	APPLICATION	REQD	PRICE
30-0361	BOLT-RETRACTOR TO FLOOR	CHEVY GMC 92-99	(2)	\$1.55



Replacement Bench Seat Cushions



Replacement Bench Seat Cushions are manufactured with a precision cold cure molding process that exceeds original quality and is fleet tested and reinforced with a tough Polypropylene mesh.

39-2375

PART	DESCRIPTION	APPLICATION	REQD	PRICE
39-2375	REPLACEMENT FRONT BENCH SEAT W/O EXPOSED SUPPORT SPRINGS	CUSHION SET CHEVY GMC 92-99	(1)	\$319.95*
39-2376	REPLACEMENT FRONT BENCH SEAT W/EXPOSED SUPPORT SPRINGS	CUSHION SET CHEVY GMC 92-99	(1)	\$289.95*

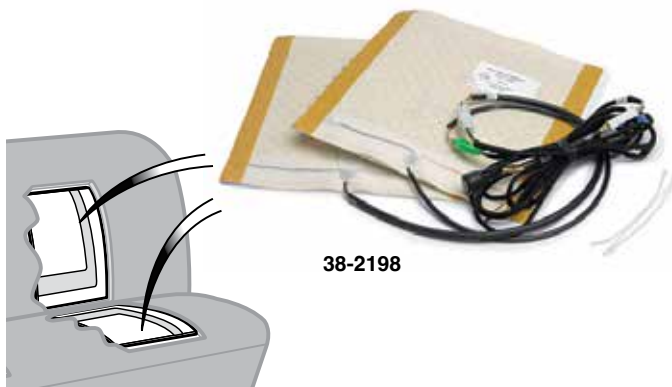
\* Or \*\* after the sell price means your order will incur an Oversize Part Charge for each oversized part. \* Means extra charge will be \$20. \*\* Means extra charge will be \$50. Due to packing and/or transportation requirements, please allow additional time for delivery. Oversized Parts are not available for air delivery.

There were two types of bench seat cushions used from 1992-99. Check your truck before ordering to ensure that you order the correct cushion.

**Without Exposed Support Springs:** The seat cushion is molded around the support springs. No springs are visible underneath the seat. The cushion must be cut away from the support springs and the replacement cushion placed on top of the exposed springs.

**With Exposed Support Springs:** The seat cushion rests on top of the support springs visible underneath the seat. The cushion is removed and the replacement is placed on top of the springs.

Seat Heater Kits ... Warm Yourself Up Before Your Truck Warms Up



38-2198

Seat Heaters are constructed with patented carbon fiber heating elements which give consistent and controlled warmth. Paper thin heating elements are water-resistant and install between any seat cover material and seat cushion. Kit includes heating elements for seat back and bottom, three-way switch (Off/Low/High), pre-wired relay harness with fuse and instructions.

#38-2198 contains two 11" x 11" heater elements. (One for seat back and one for seat bottom.) Ideal for use in bucket seat applications.

#38-2199 contains two 11" x 22" heater elements. (One for seat back and one for seat bottom.) Ideal for use in bench seat applications.

PART	DESCRIPTION	APPLICATION	REQD	PRICE
38-2198	SEAT HEATER KIT-11 X 11 ELEMENTS	CHEVY GMC	(AR)	\$64.95
38-2199	SEAT HEATER KIT-11 X 22 ELEMENTS	CHEVY GMC	(AR)	\$89.95

**NEW** Seat Padding Material



This Seat Padding Material is 1/4"-thick jute-like material that is a great enhancement to your truck's bench seat when installing new upholstery. Padding material comes in a 4 foot by 6 foot roll and contains enough material to cover both the seat back and seat bottom. Trim to fit as needed.

PART	DESCRIPTION	APPLICATION	REQD	PRICE
38-2834	PADDING MATERIAL - NON-FOIL	4FT X 6FT ROLL	(1)	\$15.95

Deluxe Bench Seat Console



Securely Fastens to Your Bench Seat

Bench Seat Console features oversized, dual adjustable cup holders, dense foam padded armrest, bottom mount strap for seat belt mounting, large rear storage area with built-in CD/cassette holder and smaller front storage area. Can also be used in the rear seat. Contents Not Included.

PART	DESCRIPTION	PRICE
38-0644-GR	GRAY 16.5"L X 8.5"W X 9"H	\$59.95

## Molded Carpet ... Fits and Looks Like Original



Cut pile carpet is molded from the original floor pan for a perfect fit that covers the entire floor. It's made from 100% nylon with an OE type heel pad. The heavy 36 ounce jute padding under the front passenger area helps insulate against heat and reduces road noise.



**39-2911-LL**

Color-coordinated original style heel pad is attached. The color coordinated vinyl binding helps prevent fraying and adds the finishing touch.

PART	DESCRIPTION	APPLICATION	PRICE
<b>2 Door Blazer / Tahoe / Yukon</b>			
39-2911-BL	MOLDED CARPET SET-BLACK 2DR "A"	BLZ TAH YKN 92-99	\$294.95
39-2911-GR	MOLDED CARPET SET-GRAY 2DR "A"	BLZ TAH YKN 92-99	\$294.95
39-2911-LL	MOLDED CARPET SET-BLUE 2DR "A"	BLZ TAH YKN 92-99	\$294.95
39-2911-RD	MOLDED CARPET SET-RED 2DR "A"	BLZ TAH YKN 92-99	\$294.95
39-2911-TN	MOLDED CARPET SET-TAN 2DR "A"	BLZ TAH YKN 92-99	\$294.95
<b>4 Door Tahoe / Yukon</b>			
39-2912-BL	MOLDED CARPET SET-BLACK 4DR	TAH YKN 95-99	\$353.35
39-2912-GR	MOLDED CARPET SET-GRAY 4DR	TAH YKN 95-99	\$353.35
39-2912-LL	MOLDED CARPET SET-BLUE 4DR	TAH YKN 95-99	\$353.35
39-2912-RD	MOLDED CARPET SET-RED 4DR	TAH YKN 95-99	\$353.35
39-2912-TN	MOLDED CARPET SET-TAN 4DR	TAH YKN 95-99	\$353.35

PART	DESCRIPTION	APPLICATION	PRICE
<b>Suburban</b>			
39-2913-BL	MOLDED CARPET SET-BLACK "A"	SUBURBAN 92-99	\$329.95
39-2913-GR	MOLDED CARPET SET-GRAY "A"	SUBURBAN 92-99	\$329.95
39-2913-LL	MOLDED CARPET SET-BLUE "A"	SUBURBAN 92-99	\$329.95
39-2913-TN	MOLDED CARPET SET-TAN "A"	SUBURBAN 92-99	\$329.95
39-2914-BL	MOLDED CARPET SET-BLACK "B"	SUBURBAN 95-99	\$329.95
39-2914-GR	MOLDED CARPET SET-GRAY "B"	SUBURBAN 95-99	\$329.95
39-2914-LL	MOLDED CARPET SET-BLUE "B"	SUBURBAN 95-99	\$329.95
39-2914-RD	MOLDED CARPET SET-RED "B"	SUBURBAN 95-99	\$329.95
39-2914-TN	MOLDED CARPET SET-TAN "B"	SUBURBAN 95-99	\$329.95

Note: "A" For models without rear floor vents under front seat.  
 "B" For models with rear floor vents under front seat.

## Multi-Purpose Heat and Sound Insulation

Uses Space Age technology to insulate against heat, cold and noise under hoods, carpeting, headliners, door panels, firewalls or seats as well as other household uses. This 4-foot x 6-foot sheet is made of 3/8" sound deadening fiber padding. Highly reflective aluminum is bonded on one side to achieve 97% reflection of radiant heat. Use this Multi-Purpose Insulation with Sound Control Mat for maximum sound deadening. Call or go online and order both today!

Use #38-0798 Spray Adhesive and #38-0716 Aluminum Tape or #38-0759 Weatherstrip Adhesive to easily install Insulation Material.

PART	DESCRIPTION	APPLICATION	PRICE
38-2829	MULTI-PURPOSE INSULATION	4FT X 6FT ROLL	\$32.95
38-0716	ALUMINUM TAPE	2" X 30FT ROLL	\$4.45
38-0759	WEATHERSTRIP ADHESIVE-BLACK	5 OUNCE TUBE	\$8.95
38-0798	SPRAY ADHESIVE	10.5 OUNCE CAN	\$8.95



## Logo Floor Mat Set Protects Your Carpet

Bowtie and GMC

Sold as Set of 2



**38-2682-BL**

These mats protect your carpets from the everyday wear and tear as well as mud, sand, snow and the sun which cause your carpet to fade. Floor mats are made from OE 100% Nylon cut pile. They are trimmed with color coordinated vinyl binding and feature an embroidered logo and a grip lock non-skid backing to help them stay in place.

PART	DESCRIPTION	APPLICATION	PRICE
38-2682-BL	FRT FLOOR MAT SET-BLACK W/SOLID	RED BOWTIE 92-99	\$144.95
38-2684-BL	FRT FLOOR MAT SET-BLACK W/WHITE	& RED GMC 92-99	\$144.95

## Carpeted Floor Mats

These mats protect your carpets from the everyday wear and tear as well as mud, sand, snow and the sun which cause your carpet to fade. Floor mats are made from 100% nylon, trimmed with color coordinated vinyl binding and feature a grip lock non-skid backing to help them stay in place.



**38-2639-LL**

PART	DESCRIPTION	APPLICATION	REQD	PRICE
38-2639-BL	FRONT MAT SET-BLACK	CHEVY GMC 92-99	(1)	\$96.35
38-2639-LL	FRONT MAT SET-BLUE	CHEVY GMC 92-99	(1)	\$96.35
38-2639-GR	FRONT MAT SET-GRAY	CHEVY GMC 92-99	(1)	\$96.35
38-2639-RD	FRONT MAT SET-RED	CHEVY GMC 92-99	(1)	\$96.35
38-2639-TN	FRONT MAT SET-TAN	CHEVY GMC 92-99	(1)	\$96.35

**DOJAMAT** Retro Floor Mats

RETRO FLOOR MATS DONE RIGHT

Protect your truck's carpet with these Retro Rubber Floor Mats from Dojamat. Patterned after the very popular floor mats available in the '70s and '80s, they're the perfect final touch to your truck's interior.

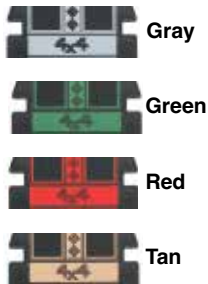
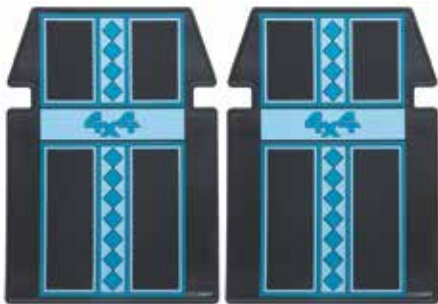
They are made from 100% premium grade durable black rubber, top and bottom. Retro rubber floor mats feature several gripping areas for non-slip fit.

Each set comes with two floor mats.

Floor Mats Measure  
19-3/4" Wide x 27-1/2" Tall



"4x4" Floor Mat Sets



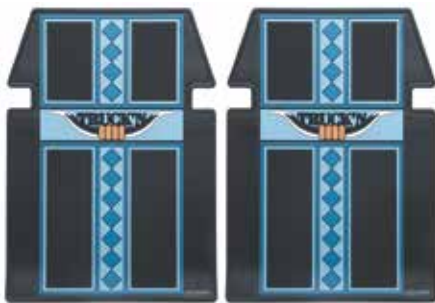
Blue		
PART	DESCRIPTION	PRICE
37-5022-LL	"4X4" - BLUE	\$124.95
37-5022-GR	"4X4" - GRAY	\$124.95
37-5022-GN	"4X4" - GREEN	\$124.95
37-5022-RD	"4X4" - RED	\$124.95
37-5022-TN	"4X4" - TAN	\$124.95

"HORNS" Floor Mat Sets



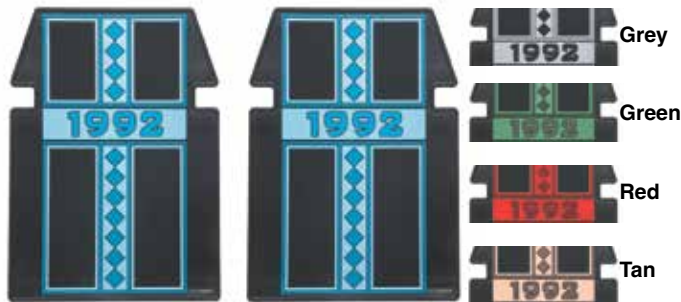
Tan		
PART	DESCRIPTION	PRICE
37-5023-LL	"PLAIN HORNS" - BLUE	\$124.95
37-5023-GR	"PLAIN HORNS" - GRAY	\$124.95
37-5023-GN	"PLAIN HORNS" - GREEN	\$124.95
37-5023-RD	"PLAIN HORNS" - RED	\$124.95
37-5023-TN	"PLAIN HORNS" - TAN	\$124.95

"TRUCK'N HORNS" Floor Mat Sets



Blue		
PART	DESCRIPTION	PRICE
37-5024-LL	"TRUCK'N HORNS" - BLUE	\$124.95
37-5024-GR	"TRUCK'N HORNS" - GRAY	\$124.95
37-5024-GN	"TRUCK'N HORNS" - GREEN	\$124.95
37-5024-RD	"TRUCK'N HORNS" - RED	\$124.95
37-5024-TN	"TRUCK'N HORNS" - TAN	\$124.95

"1992" Floor Mat Sets



Blue		
PART	DESCRIPTION	PRICE
37-5039-LL	"1992" - BLUE	\$124.95
37-5039-GR	"1992" - GRAY	\$124.95
37-5039-GN	"1992" - GREEN	\$124.95
37-5039-RD	"1992" - RED	\$124.95
37-5039-TN	"1992" - TAN	\$124.95

Original Style Front Rubber Floor Mat Set

1992-99 Chevy Blazer, Tahoe, Suburban  
1992-99 GMC Yukon, Suburban



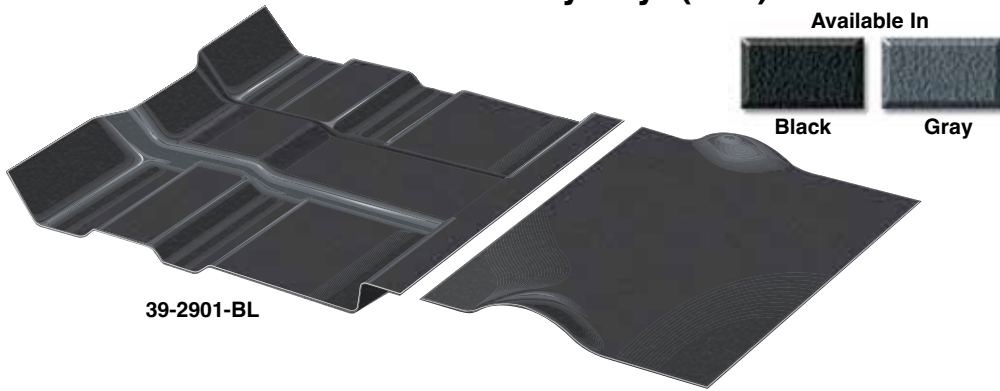
These Rubber Floor Mats protect your carpets from the everyday wear and tear as well as mud, sand and the sun which causes your carpet to fade. Rubber Floor Mats are made from easy to clean PVC Rubber and backed with anti slip spikes to help them stay in place.

GM Official Licensed Product is purchased from an authorized GM Licensee.

PART	DESCRIPTION	APPLICATION	REQD	PRICE
38-2649-BL	FRONT RUBBER FLOOR MAT SET	BLACK	92-99 (1)	\$129.95
38-2649-LL	FRONT RUBBER FLOOR MAT SET	BLUE	92-99 (1)	\$129.95
38-2649-GR	FRONT RUBBER FLOOR MAT SET	GRAY	92-99 (1)	\$129.95



## 1/8" Thick Molded Industrial Polyvinyl (MIP) Floor Mats



Heavy-duty Molded Industrial Polyvinyl (MIP) Floor Mats are made of durable 1/8" thick industrial Polyvinyl and are resistant to moisture and temperature; therefore, they will not dry rot or crack and last longer than rubber. They are vacuum molded from the original floor pan to cover the entire floor, making installation easy.

Mats are easy to clean and protect your interior from water, snow, mud and most chemicals. The MIP Floor Mat includes pre-cut 36 ounce urea padding under the passenger area to provide a higher level of insulation against heat, cold and road noise.

PART	DESCRIPTION	APPLICATION	REQD	PRICE
<b>Front and Rear Molded Industrial Polyvinyl Floor Mat Sets</b>				
<b>2 Door Blazer / Tahoe / Yukon</b>				
39-2900-BL	MIP FLOOR MAT SET-BLACK	2 DOOR	92-99 (1)	\$294.95
39-2900-GR	MIP FLOOR MAT SET-GRAY	2 DOOR	92-99 (1)	\$304.95
<b>4 Door Tahoe / Yukon</b>				
39-2901-BL	MIP FLOOR MAT SET-BLACK	4 DOOR	95-99 (1)	\$353.35
39-2901-GR	MIP FLOOR MAT SET-GRAY	4 DOOR	95-99 (1)	\$359.95
<b>Suburban</b>				
39-2902-BL	MIP FLOOR MAT SET-BLACK	"A" SUBURBAN	92-99 (1)	\$329.95
39-2902-GR	MIP FLOOR MAT SET-GRAY	"A" SUBURBAN	92-99 (1)	\$339.95
39-2903-BL	MIP FLOOR MAT SET-BLACK	"B" SUBURBAN	95-99 (1)	\$329.95
39-2903-GR	MIP FLOOR MAT SET-GRAY	"B" SUBURBAN	95-99 (1)	\$339.95
<b>Front Molded Industrial Polyvinyl Floor Mats</b>				
<b>4 Door Tahoe / Yukon</b>				
39-2905-BL	MIP FLOOR MAT-FRONT-BLACK	4 DOOR	95-99 (1)	\$207.95
39-2905-GR	MIP FLOOR MAT-FRONT-GRAY	4 DOOR	95-99 (1)	\$214.95
<b>Suburban</b>				
39-2906-BL	MIP FLOOR MAT-FRT-BLACK "A"	SUBURBAN	92-99 (1)	\$234.95
39-2907-BL	MIP FLOOR MAT-FRT-BLACK "B"	SUBURBAN	95-99 (1)	\$234.95
39-2907-GR	MIP FLOOR MAT-FRT-GRAY "B"	SUBURBAN	95-99 (1)	\$224.95

**Installation Tip:** Allow mats to lay unfolded for 48 hours at room temperature of 72° or more to help remove creases caused by packing. Test fit prior to making any permanent installations (some trimming may be necessary).

PART	DESCRIPTION	APPLICATION	REQD	PRICE
<b>Rear Molded Industrial Polyvinyl Floor Mats</b>				
<b>2 Door Blazer / Tahoe / Yukon</b>				
39-2908-BL	MIP FLOOR MAT-REAR-BLACK	2 DOOR	92-99 (1)	\$109.95
39-2908-GR	MIP FLOOR MAT-REAR-GRAY	2 DOOR	92-99 (1)	\$118.95
<b>4 Door Tahoe / Yukon</b>				
39-2909-BL	MIP FLOOR MAT-REAR-BLACK	4 DOOR	95-99 (1)	\$154.95
<b>Suburban</b>				
39-2910-BL	MIP FLOOR MAT-REAR-BLACK	SUBURBAN	92-99 (1)	\$140.95
39-2910-GR	MIP FLOOR MAT-REAR-GRAY	SUBURBAN	92-99 (1)	\$147.95

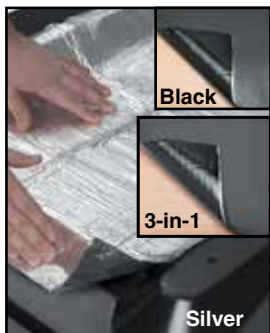
Note: "A" For models without rear floor vents under front seat.  
"B" For models with rear floor vents under front seat.

## Floor Liners ... Tough and Durable Protection for Your Truck



Floor Liners protect your truck's carpet from water, snow, mud and most chemicals. Molded for an exact fit from a patented rubberized thermo-plastic material, guaranteed not to crack or break. Raised outer rim traps up to 2 gallons of liquid. Driver's side mat is equipped with an extra thick heel pad to offer heel protection and guard against wear in this high use area. Floor mats conform to the shape of your vehicle's floor and have an anti-slip back. Cleanup is easy, just wipe up small areas with a cloth or remove the mat and hose it off.

PART	DESCRIPTION	APPLICATION	REQD	PRICE
37-7360-BL	FRONT FLOOR LINER SET-BLACK	CHEVY GMC 92-99	(1)	\$86.95
37-7360-TN	FRONT FLOOR LINER SET-TAN	CHEVY GMC 92-99	(1)	\$86.95
37-7370-BL	CENTER HUMP LINER-BLACK	2WD CHEVY GMC 92-99	(1)	\$53.95
37-7370-GR	CENTER HUMP LINER-GRAY	2WD CHEVY GMC 92-99	(1)	\$53.95
37-7370-TN	CENTER HUMP LINER-TAN	2WD CHEVY GMC 92-99	(1)	\$53.95
37-7371-BL	CENTER HUMP LINER-BLACK	4WD CHEVY GMC 92-99	(1)	\$53.95
37-7382-BL	REAR FLOOR LINER-BLACK	4DR CHEVY GMC 92-99	(1)	\$88.95
37-7382-GR	REAR FLOOR LINER-GRAY	4DR CHEVY GMC 92-99	(1)	\$88.95



## Sound Control Mat

Sound Control Mat reduces noise, vibration and heat created from the engine, road and structure of your vehicle. Can be applied to any interior surface area; cover as little as 25% of an area for a noticeable reduction. Each 2mm thick sheet consists of butyl rubber with a top layer of heat resistant aluminum that is easy to cut and conform to contoured surfaces, just peel and stick. Available in silver and black, each sheet measures 21" x 29".



**3-in-1 Sound Control Mat** combines the vibration absorption and heat-resistant capabilities of the 2mm thick Sound Control Mat with an additional 5mm thick layer of foam for more efficient sound deadening. This makes it our most effective product for eliminating road noise and vibrations in your truck. Each sheet is 7mm thick and measures 19" x 31".

PART	DESCRIPTION	APPLICATION	PRICE
<b>1 Sheet</b>			
38-2819	SOUND CONTROL MAT-SILVER	4.22 SQUARE FEET	\$12.95
38-2722	SOUND CONTROL MAT-BLACK	4.22 SQUARE FEET	\$12.95
38-2726	3-IN-1 SOUND CONTROL MAT	4.27 SQUARE FEET	\$14.95

PART	DESCRIPTION	APPLICATION	PRICE
<b>10 Sheet Packs</b>			
38-2809	SOUND CONTROL MAT-SILVER	42.2 SQUARE FEET	\$139.95
38-2723	SOUND CONTROL MAT-BLACK	42.2 SQUARE FEET	\$139.95
38-2727	3-IN-1 SOUND CONTROL MAT	42.7 SQUARE FEET	\$159.95

### Sound Control Mat Roller

Sound Control Mat Roller ensures proper adhesion and features a 2" wide rubber roller with a plastic handle.

PART	DESCRIPTION	PRICE
38-2816	ROLLER-SOUND CONTROL MAT 2" WIDE	\$12.95

### Replacement Radio Button and Knob Kits



37-4735



37-4737

PART	DESCRIPTION	APPLICATION	REQD	PRICE
37-4735	BUTTON KIT-RADIO 21PC	"A" CHEVY GMC 95-99	(1)	\$34.95
37-4737	KNOB KIT-RADIO 6PC	"A" CHEVY GMC 95-99	(1)	\$17.95

Note: "A" Fits models with factory radio/CD player.



Orders - Catalog Requests - Status  
**(800) 562-8782**

Customer Service  
**(800) 222-5664**

### Billet Interior Components Add Style



38-1952



38-1961



38-1954



38-1950



38-1994



38-1587



38-1588

PART	DESCRIPTION	APPLICATION	REQD	PRICE
<b>#38-1950 Billet Column Kit includes turn signal lever, tilt wheel lever and emergency flasher knob.</b>				
38-1952	COLUMN SHIFTER	POLISHED	92-94 (1)	\$29.95
38-1961	COLUMN SHIFTER	BLACK MACHINED	92-94 (1)	\$104.95
38-1954	COLUMN SHIFTER	POLISHED	95-99 (1)	\$59.95
38-1950	COLUMN KIT	POLISHED	92-99 (1)	\$19.95
38-1994	COLUMN KIT	BLACK MACHINED	92-99 (1)	\$69.95

### Replacement Rear View Mirrors



38-5120



38-1951

Replacement Rear View Mirrors include mirror mount.

PART	DESCRIPTION	APPLICATION	REQD	PRICE
38-5120	BLACK MIRROR 10"	DAY/NIGHT	92 (1)	\$11.95
39-5102	BLACK MIRROR 10"	"A" DAY/NIGHT	93-99 (1)	\$10.95
38-1951	CHROME MIRROR 9"	DAY/NIGHT	(1)	\$37.95
38-5119	MIRROR MOUNT		92 (1)	\$1.25
39-5116	MIRROR MOUNT		93-99 (1)	\$1.35
38-0710	GLUE-MIRROR MOUNT			\$3.95

Note: "A" Fits models without electronic compass.

### Custom Replacement Rear View Mirrors



38-5160

38-5170

1993-99 Trucks Require Mounting Adaptor #31-3600 for Installation

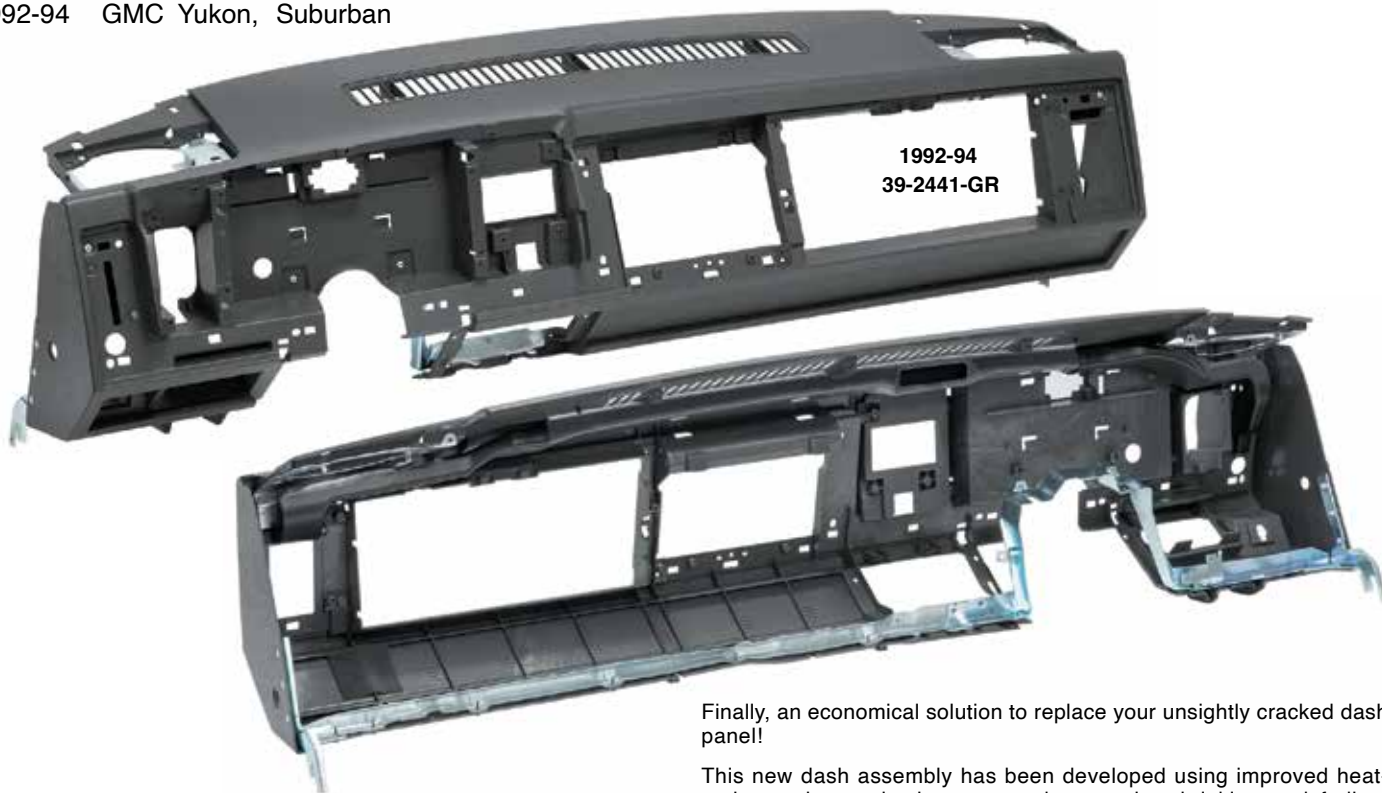
Replacement Rear View Mirrors Include Mirror Mount

PART	DESCRIPTION	APPLICATION	REQD	PRICE
38-5160	CHROME MIRROR 8" RIBBED BACK	DAY/NIGHT	(1)	\$30.95
38-5170	BILLET MIRROR 9" POLISHED		(1)	\$59.95
31-3600	MOUNTING ADAPTOR		93-99 (1)	\$.95
38-0710	GLUE-MIRROR MOUNT			\$3.95

Billet aluminum interior components are manufactured from the highest quality T-6 aircraft aluminum, resulting in strong and durable products that require little or no maintenance.

## Dash Panel Assembly ... A New, Permanent and Economical Solution to Your Cracked Dash

1992-94 Chevy Blazer, Suburban  
 1992-94 GMC Yukon, Suburban



1992-94  
39-2441-GR

**Tech Tip:** Dash Panels include installation tip instructions and hardware to reduce side gaps if required.

PART	DESCRIPTION	APPLICATION	REQD	PRICE
39-2441-GR	DASH PANEL ASSEMBLY-GRAY	CHEVY GMC 92-94	(1)	\$449.95**

\* Or \*\* after the sell price means your order will incur an Oversize Part Charge for each oversized part. \* Means extra charge will be \$20. \*\* Means extra charge will be \$50. Due to packing and/or transportation requirements, please allow additional time for delivery. Oversized Parts are not available for air delivery.

Finally, an economical solution to replace your unsightly cracked dash panel!

This new dash assembly has been developed using improved heat-resistant thermoplastic compounds to resist shrinking and fading. Dash panel comes complete with the new plastic shell attached with rivets and screws to a zinc-plated metal frame as original.

Dash panel is painted in gray using paint mixed with an ultraviolet inhibitor to help prevent damage from the exposure to sunlight. Panel is ready to be prepped and painted to match your interior using ColorBond, shown on page 71.

The dash assembly includes the air duct sealed to the panel as the original and ready to accept all your factory components.

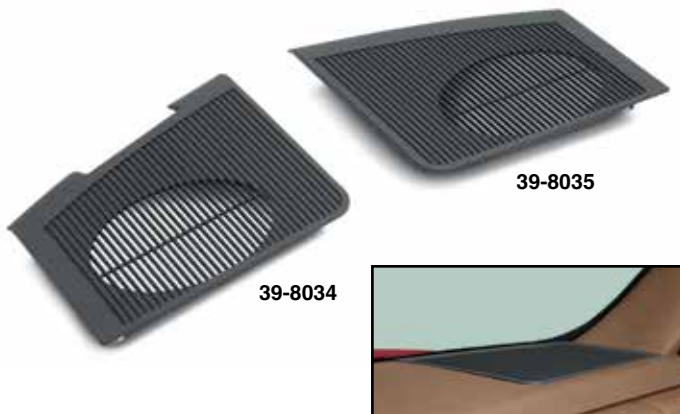
### Dash Vent Outlets

1992-94 Chevy Blazer, Suburban  
 1992-94 GMC Yukon, Suburban



PART	DESCRIPTION	APPLICATION	REQD	PRICE
39-2554	BLACK VENT OUTLET-LH	CHEVY GMC 92-94	(1)	\$9.45
39-2560	BLACK VENT OUTLET-CENTER	CHEVY GMC 92-94	(2)	\$14.95
39-2555	BLACK VENT OUTLET-RH	CHEVY GMC 92-94	(1)	\$6.95
39-2596	CHROME VENT OUTLET-LH	CHEVY GMC 92-94	(1)	\$14.95
39-2598	CHROME VENT OUTLET-CENTER	CHEVY GMC 92-94	(2)	\$17.95
39-2599	CHROME VENT OUTLET-RH	CHEVY GMC 92-94	(1)	\$14.95

### Dash Speaker Grilles



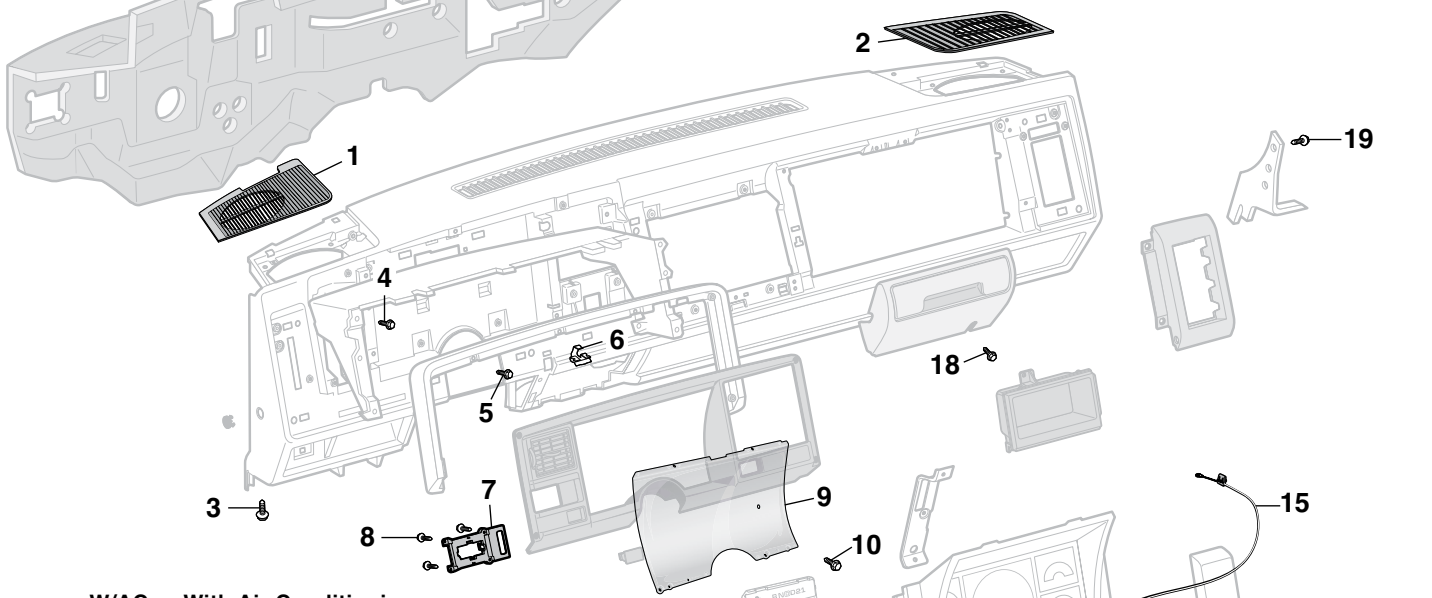
PART	DESCRIPTION	APPLICATION	REQD	PRICE
39-8034	GRILLE-DASH SPEAKER-LH	"A" CHEVY GMC 92-94	(1)	\$24.95
39-8035	GRILLE-DASH SPEAKER-RH	"A" CHEVY GMC 92-94	(1)	\$24.95

Note: "A" Does not include fabric cover; may be painted to match the color of your interior. See ColorBond on Page 71.



### Dashboard Components

1992-94 Chevy Blazer, Suburban  
1992-94 GMC Yukon, Suburban



W/AC = With Air Conditioning  
W/O AC = Without Air Conditioning

PART	ILL#	DESCRIPTION	APPLICATION	REQD	PRICE
39-8034	(1)	GRILLE-DASH SPEAKER-LH	"A" CHEVY GMC 92-94	(1)	\$24.95
39-8035	(2)	GRILLE-DASH SPEAKER-RH	"A" CHEVY GMC 92-94	(1)	\$24.95
31-0520	(3)	BOLT	CHEVY GMC 92-94 (AR)		\$1.95
30-0454	(4)	SCREW	CHEVY GMC 92-94 (AR)		\$.95
30-0454	(5)	SCREW	CHEVY GMC 92-94 (AR)		\$.95
31-1378	(6)	RETAINER	CHEVY GMC 92-94	(2)	\$9.95
39-8270	(7)	SWITCH PLATE	"B" CHEVY GMC 92-94	(1)	\$7.95
31-0552	(8)	SCREW	CHEVY GMC 92-94	(4)	\$.65
39-8006	(9)	LENS-INSTRUMENT CLUSTER	"C" CHEVY GMC 92-94	(1)	\$29.95
30-0454	(10)	SCREW	CHEVY GMC 92-94 (AR)		\$.95
30-0454	(11)	SCREW	CHEVY GMC 92-94	(20)	\$.95
39-8019	(12)	FUSE BOX COVER	"B" CHEVY GMC 92-94	(1)	\$9.95
39-8063	(13)	STEERING COLUMN FILLER	CHEVY GMC 92-94	(1)	\$34.95
39-8062	(14)	STEERING COLUMN FILLER	CHEVY GMC 92-94	(1)	\$9.95
		W/AC	"B"		
		W/O AC	"B"		

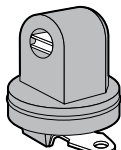
PART	ILL#	DESCRIPTION	APPLICATION	REQD	PRICE
39-2626	(15)	VENT CABLE-LH	W/O AC CHEVY GMC 92-94	(1)	\$9.95
39-2627		VENT CABLE-RH	W/O AC CHEVY GMC 92-94	(1)	\$9.95
31-0511	(16)	SCREW	CHEVY GMC 92-94 (AR)		\$1.85
30-0365	(17)	U-NUT	CHEVY GMC 92-94 (AR)		\$1.45
30-0454	(18)	SCREW	CHEVY GMC 93-94 (AR)		\$.95
30-0454	(19)	SCREW	CHEVY GMC 92-94	(20)	\$.95

Note: "A" Does not include fabric cover; may be painted to match the color of your interior.  
"B" Color will vary; may be painted to match the color of your interior.  
"C" Fits models with tach, without Sports Package.

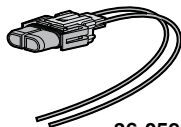
### Vehicle Speed Sensors

1992-99 Chevy Blazer, Tahoe, Suburban  
1992-99 GMC Yukon, Suburban

For proper identification, production option codes are listed for transmission mounted Vehicle Speed Sensors.



29-8554



36-0594

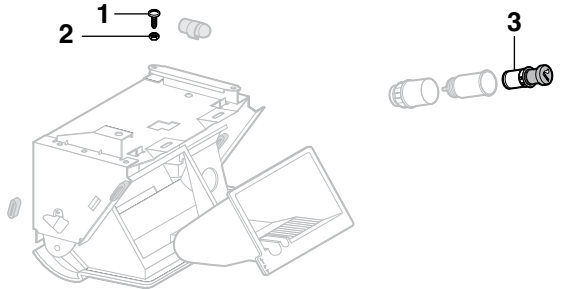
Transmission codes are located on identification tag mounted to transmission case.

PART	DESCRIPTION	APPLICATION	REQD	PRICE
<b>Located on Automatic Transmission</b>				
29-8554	VEHICLE SPEED SENSOR	CHEVY GMC 92-95	(1)	\$29.95
<b>Located on Transfer Case</b>				
29-8555	VEHICLE SPEED SENSOR "A"	CHEVY GMC 92-99	(1)	\$39.95
<b>Connector - Vehicle Speed Sensors</b>				
36-0594	CONNECTOR-SPEED SENSOR FITS SPEED SENSORS 29-8554, 29-8555	CHEVY GMC 92-99	(1)	\$3.95

Note: "A" Models without production option NP8.

### Ashtray Assembly Components

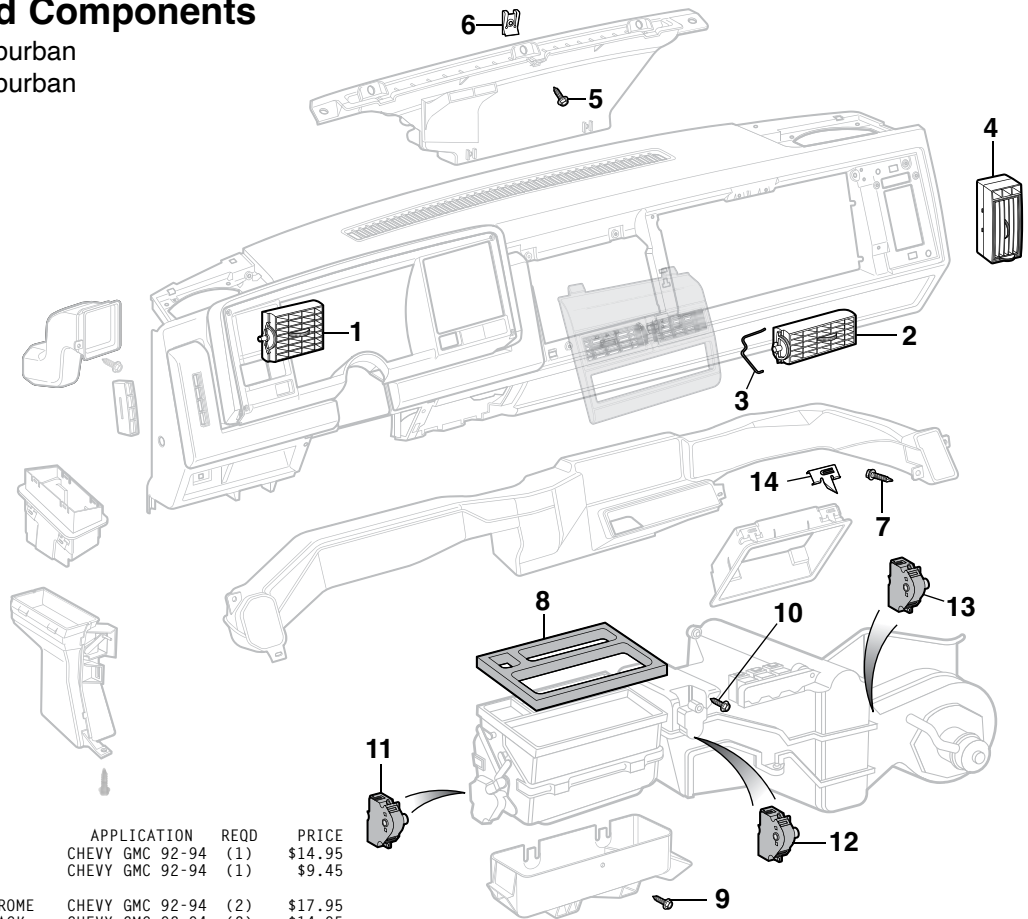
1992-94 Chevy Blazer, Suburban  
1992-94 GMC Yukon, Suburban



PART	ILL#	DESCRIPTION	APPLICATION	REQD	PRICE
30-0454	(1)	SCREW	CHEVY GMC 92-94	(4)	\$.95
30-0829	(2)	U-NUT	CHEVY GMC 92-94	(2)	\$1.25
38-5012	(3)	LIGHTER	CHEVY GMC 92-94	(1)	\$9.95

## Air Vent Outlets and Components

1992-94 Chevy Blazer, Suburban  
1992-94 GMC Yukon, Suburban

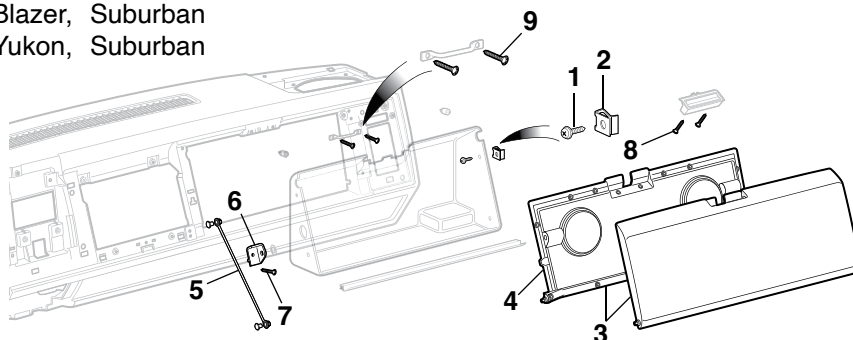


PART	ILL#	DESCRIPTION	APPLICATION	REQD	PRICE
39-2596	(1)	VENT OUTLET-LH-CHROME	CHEVY GMC 92-94	(1)	\$14.95
39-2554	(1)	VENT OUTLET-LH-BLACK	CHEVY GMC 92-94	(1)	\$9.45
39-2598	(2)	VENT OUTLET-CENTER-CHROME	CHEVY GMC 92-94	(2)	\$17.95
39-2560	(2)	VENT OUTLET-CENTER-BLACK	CHEVY GMC 92-94	(2)	\$14.95
31-1371	(3)	RETAINER	CHEVY GMC 92-94	(2)	\$1.25
39-2599	(4)	VENT OUTLET-RH-CHROME	CHEVY GMC 92-94	(1)	\$14.95
39-2555	(4)	VENT OUTLET-RH-BLACK	CHEVY GMC 92-94	(1)	\$6.95
29-0370	(5)	SCREW	CHEVY GMC 92-94	(3)	\$1.45
31-0904	(6)	NUT	CHEVY GMC 92-94	(3)	\$ .95
30-0454	(7)	SCREW	CHEVY GMC 92-94	(6)	\$ .95
31-2307	(8)	SEAL	CHEVY GMC 92-94	(1)	\$9.95
30-0454	(9)	SCREW-FLOOR AIR OUTLET	CHEVY GMC 92-94	(6)	\$ .95

PART	ILL#	DESCRIPTION	APPLICATION	REQD	PRICE
31-0317	(10)	SCREW	CHEVY GMC 92-94	(AR)	\$ .95
39-2600	(11)	AIR DOOR ACTUATOR-MODE SELECTOR	CHEVY GMC 92-94	(1)	\$24.95
39-2621	(12)	AIR DOOR ACTUATOR-HEATER BLEND DOOR	CHEVY GMC 92-94	(1)	\$34.45
39-2601	(13)	AIR DOOR ACTUATOR-AIR INLET	CHEVY GMC 92-94	(1)	\$34.45
31-1372	(14)	RETAINER	CHEVY GMC 92-94	(4)	\$9.95

## Glove Box Components

1992-94 Chevy Blazer, Suburban  
1992-94 GMC Yukon, Suburban



PART	ILL#	DESCRIPTION	APPLICATION	REQD	PRICE
30-0454	(1)	SCREW	CHEVY GMC 92-94	(4)	\$ .95
30-0365	(2)	U-NUT	CHEVY GMC 92-94	(4)	\$1.45
38-5227	(3)	GLOVE BOX DOOR ASSEMBLY "A"	CHEVY GMC 92-94	(1)	\$39.95
38-5228	(4)	GLOVE BOX DOOR-INNER "B"	CHEVY GMC 92	(1)	\$19.95
30-1863	(5)	GLOVE BOX STOP CABLE	CHEVY GMC 92-94	(2)	\$7.45

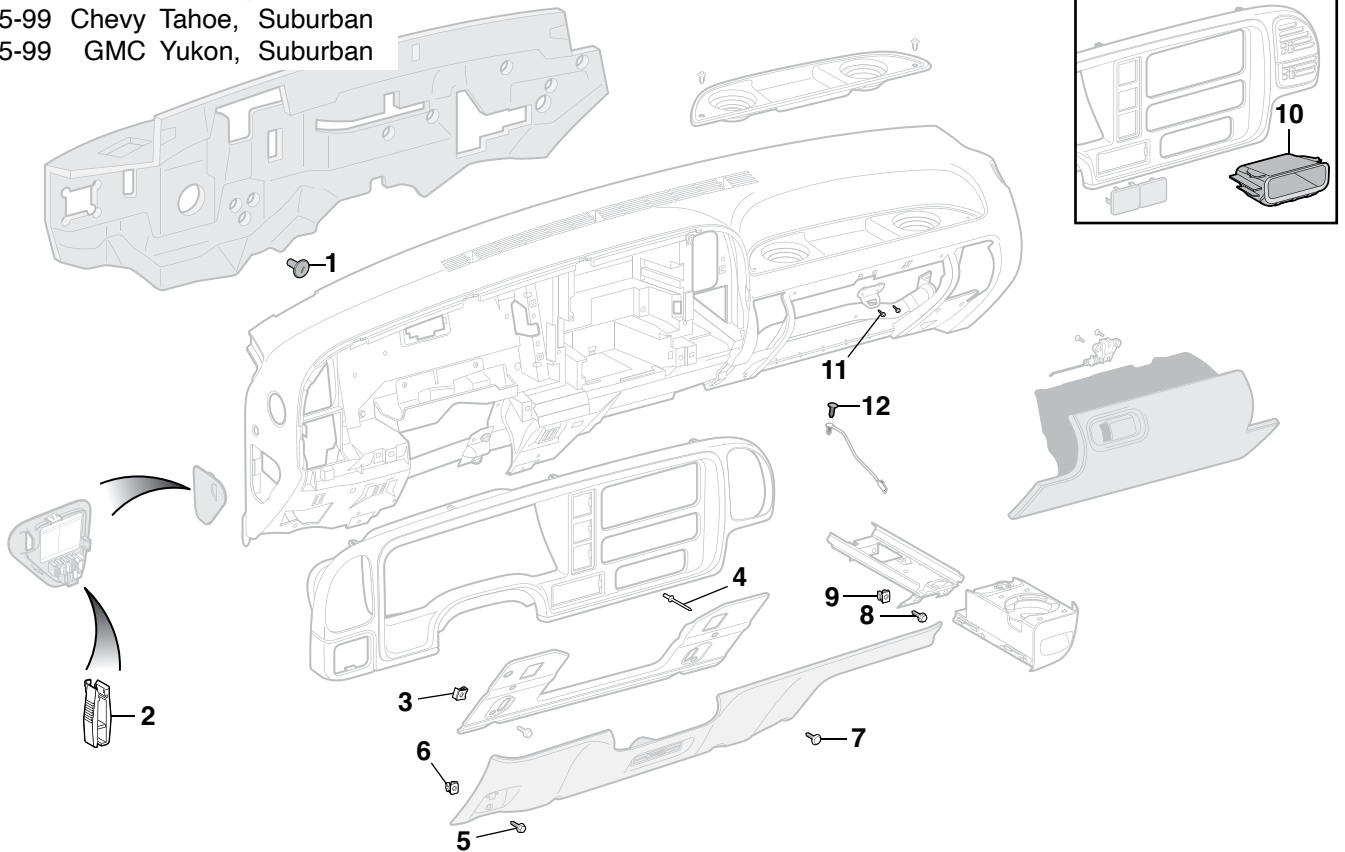
PART	ILL#	DESCRIPTION	APPLICATION	REQD	PRICE
38-5232	(6)	HINGE	CHEVY GMC 92-94	(1)	\$1.95
30-0572	(7)	SCREW	CHEVY GMC 92-94	(2)	\$ .85
30-0572	(8)	SCREW	CHEVY GMC 92-94	(2)	\$ .85
30-0572	(9)	SCREW	CHEVY GMC 92-94	(2)	\$ .85

Note: "A" Glove box pivots on outer door. Paint to match.  
"B" Glove box pivots on inner door.

38-5227 Glove Box Door Assembly is an updated design that pivots on the outer door and can be used on all 1992-94 models.

**Dashboard Components**

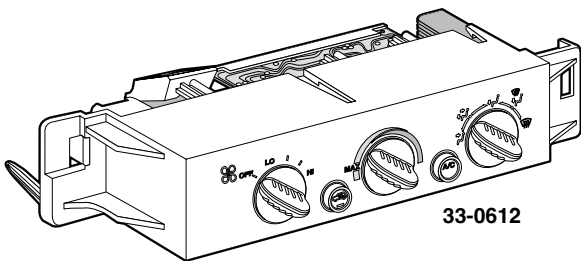
1995-99 Chevy Tahoe, Suburban  
1995-99 GMC Yukon, Suburban



PART	ILL#	DESCRIPTION	APPLICATION	REQD	PRICE	PART	ILL#	DESCRIPTION	APPLICATION	REQD	PRICE
31-1386	(1)	RETAINER-INSULATOR	CHEVY GMC 95-99	(6)	\$4.95	30-1865	(7)	RETAINER	CHEVY GMC 95-99	(1)	\$ .65
39-0180	(2)	FUSE PULLER	CHEVY GMC 95-99	(1)	\$6.75	30-0594	(8)	SCREW	CHEVY GMC 95-99	(1)	\$1.25
40-0871-C	(3)	NUT	CHEVY GMC 95-99	(4)	\$1.25	31-0805	(9)	NUT	CHEVY GMC 95-99	(1)	\$ .95
31-0805		NUT	CHEVY GMC 95-99	(4)	\$ .95	39-8267	(10)	COMPARTMENT	CHEVY GMC 95-99	(1)	\$9.95
31-0754	(4)	RIVET	CHEVY GMC 95-99	(2)	\$1.25	30-0599	(11)	SCREW	CHEVY GMC 97-98	(2)	\$1.95
29-0370	(5)	SCREW	CHEVY GMC 95-99	(4)	\$1.45	30-0418		SCREW	CHEVY GMC 97-98	(2)	\$1.45
31-0805	(6)	NUT	CHEVY GMC 95-99	(4)	\$ .95	30-1865	(12)	RETAINER	CHEVY GMC 95-99	(1)	\$ .65

**Temperature Control Assembly**

1996-99 Chevy Tahoe, Suburban  
1996-99 GMC Yukon, Suburban

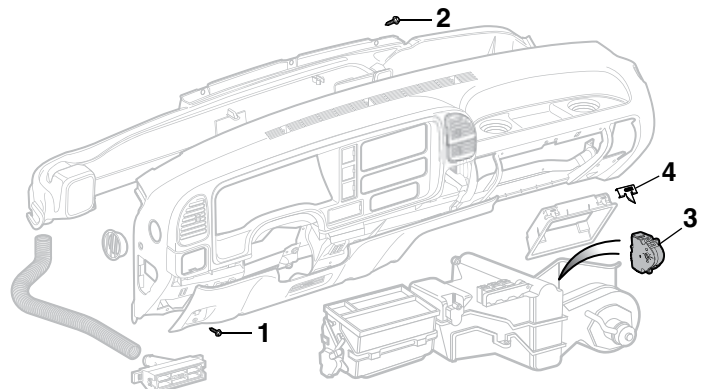


PART	DESCRIPTION	APPLICATION	REQD	PRICE
33-0612	TEMP CONTROL ASSEMBLY "A"	CHEVY GMC 96-99	(1)	\$139.95
33-0615	TEMP CONTROL ASSEMBLY "B"	CHEVY GMC 96-99	(1)	\$199.95

Note: "A" For models without rear window defroster.  
"B" For models with rear window defroster.

**Air Vent Components**

1995-99 Chevy Tahoe, Suburban  
1995-99 GMC Yukon, Suburban



PART	ILL#	DESCRIPTION	APPLICATION	REQD	PRICE
29-0370	(1)	SCREW	CHEVY GMC 95-99	(7)	\$1.45
29-0370	(2)	SCREW-AIR DISTRIB DUCT	CHEVY GMC 95-99	(7)	\$1.45
39-2603	(3)	AIR DOOR ACTUATOR-AIR INLET	CHEVY GMC 95-99	(1)	\$35.95
31-1372	(4)	RETAINER	CHEVY GMC 95-99	(4)	\$9.95





## InVision Digital Dash Kit

1995-99 Chevy Tahoe, Suburban  
1995-99 GMC Yukon, Suburban



The InVision direct-fit digital dash system for 1995-1999 is a one model solution for your entire dash. Monitor the speedometer, tachometer, fuel level, oil pressure, water temperature, and volts all in a high resolution and colorful display. Upgrade your dash with the latest, modern LCD offering from AutoMeter.

### Features:

- 12.3" LCD display with four user programmable screens.
- Integrated notifications for high beams and turn signals as well as instrument warnings and a user selectable warning light.
- Includes universal wiring harness and sending units for water temperature and oil pressure as well as a joystick for dash customization.
- Helps identify critical conditions with visual or audible alarms - low fuel level/oil pressure/voltage and high water temperature.
- Adjustable RPM range and displays in imperial or metric measurements.
- Speedometer easily calibrates to OEM or aftermarket vehicle speed sensors and the tachometer is capable of calibrating to many engine types.
- User-selectable fuel level resistance ranges designed for OEM and aftermarket sending units.
- 3/8" NPT and 1/2" NPT adapter fittings and brackets included.



PART	DESCRIPTION	APPLICATION	REQD	PRICE
37-8899	INVISION LCD DIGITAL DASH KIT	CHEVY GMC 95-99	(1)	\$1061.95

## Gift Cards Now Available

Call (800) 562-8782

Available in \$25 - \$50 - \$100

- Gift Cards are the perfect gift to ensure you are giving exactly what they want!
- Gift Cards don't expire.
- Orders must be pre-paid. Orders received before 3:00 p.m. Central Time will ship same day.
- Gift Cards can now be redeemed through the mail or by phone.



## AutoMeter GPS Module



AutoMeter GPS Module makes an electronic speedometer easier to connect while keeping all your connections in the cab, out of the elements. AutoMeter's GPS Speedometer Interface is the no-fuss solution to complete your speedometer installation. Features plug and play installation with AutoMeter LCD Gauge Clusters and features lightning quick 10 Hz signal update rate.

PART	DESCRIPTION	REQD	PRICE
37-8895	AUTOMETER GPS MODULE	(1)	\$269.95

**New Vintage USA Gauge Clusters**

**MADE IN U.S.A.** Period-styled and themed gauges for your truck. New Vintage USA gauge clusters easily interface with original engines as well as high-tech late-model engines, ignition systems, PCMs and speed sensors including GPS. High-tech mini-OLED displays give additional information with easy to read menus, set-up and programming features. Gauges have built-in performance timers, speed warnings and shift alert. Accepts additional auxiliary inputs without requiring separate modules. All parts are direct fit designs that fit the stock gauge mounting locations without any cutting or modification required. Made in Detroit, Michigan and backed by a 5-year warranty.

**1992-94 Chevy/GMC Gas**



**38-8184**

PART	DESCRIPTION	APPLICATION	REQD	PRICE
38-8184	GAUGE CLUSTER-WHITE GAS	CHEVY GMC 92-94	(1)	\$799.99
38-8185	GAUGE CLUSTER-BLACK GAS	CHEVY GMC 92-94	(1)	\$799.99

**1992-94 Chevy/GMC Diesel**



**38-8209**

PART	DESCRIPTION	APPLICATION	REQD	PRICE
38-8208	GAUGE CLUSTER-WHITE DIESEL	CHEVY GMC 92-94	(1)	\$799.99
38-8209	GAUGE CLUSTER-BLACK DIESEL	CHEVY GMC 92-94	(1)	\$799.99

**Each gauge cluster contains:**

- Programmable speedometer (0-140 mph) with trip meter, hour meter and standard odometer.
- Tachometer (0-8,000 rpm for gas and 0-4,000 rpm for diesel), fuel, oil pressure, coolant temperature and voltmeter gauges.
- Sending units for oil pressure and coolant temperature.
- LED indicators for turn signals, check engine, high beam and a warning lamp. Glow plug indicator included on diesel tachometers.
- Easy-to-follow, detailed installation instructions are included.

**1995-99 Chevy/GMC Gas**



**38-8212**

PART	DESCRIPTION	APPLICATION	REQD	PRICE
38-8212	GAUGE CLUSTER-WHITE GAS	CHEVY GMC 95-99	(1)	\$829.99
38-8213	GAUGE CLUSTER-BLACK GAS	CHEVY GMC 95-99	(1)	\$829.99

**1995-99 Chevy/GMC Diesel**



**38-8215**

PART	DESCRIPTION	APPLICATION	REQD	PRICE
38-8214	GAUGE CLUSTER-WHITE DIESEL	CHEVY GMC 95-99	(1)	\$829.99
38-8215	GAUGE CLUSTER-BLACK DIESEL	CHEVY GMC 95-99	(1)	\$829.99

**Electronic Fan Controller**



**37-8892**



**37-8898**

Dakota Digital Electronic Fan Controller has a fully programmable "fan on" and "fan off" temperature (selection range is 150°F - 250°F) to suit any setup. Works with a dedicated temperature sending unit or operates from a sending unit already installed. LED temperature display for simple programming. Key-off run time adjustable from 0-5 minutes. Compatible with single, dual or single two-speed fan applications. 70A relay included, a second relay will be required for dual fan or two speed fan operation, sold separately.

PART	DESCRIPTION	APPLICATION	REQD	PRICE
37-8892	ELECTRONIC FAN CONTROLLER		(1)	\$148.15
37-8898	RELAY W/SOCKET	30 AMP	(1)	\$11.35

**GPS Speed Sending Unit**



Make speedometer calibration a thing of the past, with the GPS Speedometer Sending Unit for your New Vintage USA Gauge Cluster. No longer will you have to recalibrate your speedometer after tire or differential gearing changes, as the GPS signal updates quickly and provides a precise reading for your speedometer to display. Can be mounted under your dash.

PART	DESCRIPTION	REQD	PRICE
38-8188	GPS SPEEDOMETER SENDING UNIT	(1)	\$154.99

**GPS Speed/Compass Sender**



PART	DESCRIPTION	REQD	PRICE
37-8891	GPS SPEED/COMPASS SENDER	(1)	\$213.70

Dakota Digital GPS Speed/Compass Sender is a simple connection to the gauge cluster that adds accurate speed information, compass heading, altimeter data, and automatic clock syncing, all with fully automatic calibration! No DIP switches, no guessing, no inaccuracies, period.



## Dakota Digital HDX Gauge Clusters



HDX Gauge Clusters add a modern look to your classic truck with a choice of black or silver alloy gauge-face styling. The built-in, capacitive-touch buttons let you easily change calibration and personal settings. Each needle hub is black nickel plated spun-aluminum to match the face-mounted buttons.

The digital message center can be configured to display just about any piece of information needed. Over 30 user-selectable LED color options are available with 12 factory preset color themes. Fully lit color needles, back-lighted color faces and a full color message center are dimmable for driving at night. Each analog gauge sweep (except speedometer) contains a red LED indicator for quick indication of a warning condition. Gauge clusters can also be completely configured through Bluetooth with Dakota Digital's Android and Apple free mobile app.

Includes water temp, oil pressure, and speed sensors. Existing fuel sending unit can be used. Detailed installation instructions and operation manual included. Optional expansion accessories add functionality and allow additional gauge readings to be displayed.

Over 30 Different LED Color Options to Choose From



37-8881

PART	DESCRIPTION	APPLICATION	REQD	PRICE
37-8881	GAUGE CLUSTER-HDX-BLACK	CHEVY GMC 88-94	(1)	\$1420.25



37-8882

PART	DESCRIPTION	APPLICATION	REQD	PRICE
37-8882	GAUGE CLUSTER-HDX-SILVER	CHEVY GMC 88-94	(1)	\$1420.25



## OBD-II/CAN Interface



Dakota Digital OBD-II/CAN Interface allows you to plug directly into the engine diagnostic port (on equipped models), extracting engine and transmission data from the vehicle's computer. The interface will collect and output the following information to Dakota Digital RTX and HDX gauge clusters: vehicle speed, engine speed, engine temp, check engine indicator, intake air temp, transmission temp, ambient temp, gear position and oil pressure. Available data varies by models.



PART	DESCRIPTION	REQD	PRICE
37-8893	OBD-II/CAN INTERFACE	(1)	\$113.95

## Gear Position Sensors



Dakota Digital Gear Position Sensor allows RTX and HDX gauge clusters to display the gear position in the message center on trucks with automatic transmissions. Features built-in outputs for reverse lights and neutral safety switch. Fits all transmissions with included mounting brackets. Easy setup and calibration.

PART	DESCRIPTION	APPLICATION	REQD	PRICE
37-8890	GEAR POSITION SENSOR W/AUTOMATIC TRANSMISSION		(1)	\$123.45



**Molded Plastic Dash Covers**

1992-94 Chevy Blazer, Suburban  
 1992-94 GMC Yukon, Suburban

39-2450-LL



Dash Covers are made from molded heat-resistant black plastic that expands and contracts with the temperature changes for durability. Painted in available colors with an ultraviolet inhibitor to prevent sun damage. They are designed to install quickly over your existing dash without use of special tools. Adhesive is included.

PART	DESCRIPTION	APPLICATION	REQD	PRICE
39-2450-BL DASH COVER	BLACK	CHEVY GMC 92-94	(1)	\$129.95
39-2450-LL DASH COVER	BLUE	CHEVY GMC 92-94	(1)	\$131.95
39-2450-GR DASH COVER	GRAY	CHEVY GMC 92-94	(1)	\$131.95
39-2450-DR DASH COVER	DARK RED	CHEVY GMC 92-94	(1)	\$131.95
39-2450-SD DASH COVER	SADDLE	CHEVY GMC 92-94	(1)	\$131.95



**Molded Plastic Dash Covers**

1995-99 Chevy Blazer, Suburban  
 1995-99 GMC Yukon, Suburban

1995-96



Black

Blue

1997-99



Gray

Dark Red

Tan

PART	DESCRIPTION	APPLICATION	REQD	PRICE
39-2481-BL DASH COVER	BLACK	CHEVY GMC 95-96	(1)	\$191.95*
39-2481-LL DASH COVER	BLUE	CHEVY GMC 95-96	(1)	\$191.95*
39-2481-GR DASH COVER	GRAY	CHEVY GMC 95-96	(1)	\$191.95*
39-2481-DR DASH COVER	DARK RED	CHEVY GMC 95-96	(1)	\$191.95*
39-2481-TN DASH COVER	TAN	CHEVY GMC 95-96	(1)	\$191.95*
39-2482-BL DASH COVER	BLACK	CHEVY GMC 97-99	(1)	\$214.95*
39-2482-LL DASH COVER	BLUE	CHEVY GMC 97-99	(1)	\$214.95*
39-2482-GR DASH COVER	GRAY	CHEVY GMC 97-99	(1)	\$214.95*
39-2482-DR DASH COVER	DARK RED	CHEVY GMC 97-99	(1)	\$214.95*
39-2481-TN DASH COVER	TAN	CHEVY GMC 97-99	(1)	\$191.95*

These Dash Covers are made from durable ABS plastic and vacuum molded for a perfect fit. Will not crack under extreme temperatures. They are designed to install quickly over your existing dash without use of special tools. Adhesive is included.

\* Or \*\* after the sell price means your order will incur an Oversize Part Charge for each oversized part. \* Means extra charge will be \$20. \*\* Means extra charge will be \$50. Due to packing and/or transportation requirements, please allow additional time for delivery. Oversized Parts are not available for air delivery.

**Dash Protector ... Prevents Fading and Cracking**

Dash Protector eliminates dash replacement and provides preventative care for the undamaged dash. Made from soft, velvety velour that has special UV inhibitors to block the sun and resist shrinking and fading. They are custom cut to fit your dash, and have pre-cut allowances for defrost vents, which makes installation easy using self-adhesive Velcro tabs.



38-2627-GR

**5-Year Warranty**



PART	DESCRIPTION	APPLICATION	REQD	PRICE
38-2625-BL DASH PROTECTOR-VELOUR	BLACK	CHEVY GMC 92-94	(1)	\$47.95
38-2625-LL DASH PROTECTOR-VELOUR	BLUE	CHEVY GMC 92-94	(1)	\$47.95
38-2625-GR DASH PROTECTOR-VELOUR	GRAY	CHEVY GMC 92-94	(1)	\$47.95
38-2625-RD DASH PROTECTOR-VELOUR	RED	CHEVY GMC 92-94	(1)	\$47.95
38-2625-TN DASH PROTECTOR-VELOUR	TAN	CHEVY GMC 92-94	(1)	\$47.95
38-2626-BL DASH PROTECTOR-VELOUR	BLACK	CHEVY GMC 95-96	(1)	\$47.95
38-2626-LL DASH PROTECTOR-VELOUR	BLUE	CHEVY GMC 95-96	(1)	\$47.95
38-2626-GR DASH PROTECTOR-VELOUR	GRAY	CHEVY GMC 95-96	(1)	\$47.95
38-2626-RD DASH PROTECTOR-VELOUR	RED	CHEVY GMC 95-96	(1)	\$47.95
38-2626-TN DASH PROTECTOR-VELOUR	TAN	CHEVY GMC 95-96	(1)	\$47.95

PART	DESCRIPTION	APPLICATION	REQD	PRICE
38-2627-BL DASH PROTECTOR-VELOUR	BLACK	CHEVY GMC 97-99	(1)	\$47.95
38-2627-LL DASH PROTECTOR-VELOUR	BLUE	CHEVY GMC 97-99	(1)	\$47.95
38-2627-GR DASH PROTECTOR-VELOUR	GRAY	CHEVY GMC 97-99	(1)	\$47.95
38-2627-RD DASH PROTECTOR-VELOUR	RED	CHEVY GMC 97-99	(1)	\$47.95
38-2627-TN DASH PROTECTOR-VELOUR	TAN	CHEVY GMC 97-99	(1)	\$47.95

**Santa Cruz AM/FM Stereo**

Retrosound's Santa Cruz Stereo is a direct-fit solution that looks like the original radio and installs in the factory position, but offers modern high-tech features including iPod and iPhone interface, built-in Bluetooth connectivity, dual USB ports and two auxiliary inputs for portable devices. Santa Cruz features 30 AM/FM station presets and a 32,000 color display, allowing it to be customized to match your interior. Includes built-in 25 watts x 4 channel RMS power amplifier with dual RCA pre-outs plus subwoofer output for adding external amplifiers. Santa Cruz radio is Sirius-XM ready (a Sirius-XM connect tuner and subscription are required).



PART	DESCRIPTION	APPLICATION	REQD	PRICE
38-8504	SANTA CRUZ AM/FM STEREO	CHEVY GMC 92-94	(1)	\$394.99

**Full Range Speaker Set**

Full Range Speaker Set is the perfect upgrade to add more thump behind the seat. Speaker enclosure is wedge shaped, made from MDF and protected by durable carpet. Enclosures are a mirror image of each other with each box containing one 8" woofer with port and a soft dome tweeter for 175 watts power handling, 60-22,000 Hz frequency response and 4 ohms impedance. Acoustic batting is used to increase sound quality and performance. Chrome spring loaded terminals for easy wire installation. Dimensions: 16-1/4" wide, 13-1/2" high, 7-1/2" deep at bottom, 3-3/4" deep at top.



PART	DESCRIPTION	APPLICATION	REQD	PRICE
38-8599	FULL RANGE SPEAKER SET	175 WATT	(1)	\$214.99

**8" Powered Subwoofer**

This 8-inch powered subwoofer is housed in a rigid die-cast aluminum chassis for better heat dissipation and powered by a built-in 100-watt amplifier with 200 watts max output. Has frequency response of 35-100Hz and total harmonic distortion of 0.08%.



**1-Year Warranty**

Features include a fully adjustable crossover network between 50-100Hz, independent gain (volume) and 0 or 180-degree phase control. Subwoofer can be connected to radio with low level input RCA connectors or wired directly to radio through the high level input using supplied wiring harness. Includes mounting brackets, wiring harness and wired remote bass control. Compact 9" x 2.75" x 13.75" size weighing 9 lbs.

PART	DESCRIPTION	APPLICATION	PRICE
38-8527	POWERED SUBWOOFER-8"	100 WATT	\$199.99

**NEW Quad 4 Amplifier**



**1-Year Warranty**

Efficient and powerful low distortion Class D Quad 4 Amplifier pushes 45 continuous watts into four channels for a total of 180 watts of pure listening enjoyment. Features ultra-low current draw, less than .2% total harmonic distortion, frequency response of 10Hz-40kHz and 100Hz high-pass crossover frequency. 15 amp fuse included. Compact Size: 7.16" x 2.9" x 1.78"

Quad 4 Amplifier can be plugged directly into any Retro Sound radio for easy system integration or can be used with any aftermarket stereo with the included front and rear RCA connectors and low level inputs.

PART	DESCRIPTION	APPLICATION	PRICE
38-8569	QUAD 4 AMPLIFIER	45 WATT X 4	\$219.99

**NEW Premium Stereo Speakers**

1992-99 Chevy Blazer, Tahoe, Suburban  
1992-99 GMC Yukon, Suburban



Premium Stereo Speakers provide the absolute best audio quality possible. Features high-power handling with an ultra-thin mounting depth, a Neodymium magnet structure is used with a dip-cut design to prevent distortion. The Santoprene® surrounds provide the most accurate audio reproduction possible, and the silk tweeters produce smooth and more natural-sounding highs.

PART	DESCRIPTION	APPLICATION	REQD	PRICE
39-8033	STEREO SPEAKER SET-4X6	CHEVY GMC 92-99	(1)	\$79.99

**A-Pillar Gauge Pods**



Gauge Pillar Pods and Full Pillars offer a unique mounting solution for 2-1/16" gauges. Each pod is custom molded for an exact fit using black ABS plastic and mounts directly to the A-pillar without cutting. Pillar Pods can be painted to match interior. Gauges sold separately.

PART	DESCRIPTION	APPLICATION	PRICE	PART	DESCRIPTION	APPLICATION	PRICE
37-8230	GAUGE POD - DUAL	CHEVY GMC 92-94	\$55.95	37-8240	FULL PILLAR GAUGE POD - TRIPLE	CHEVY GMC 92-94	\$39.95
37-8231	GAUGE POD - DUAL	CHEVY GMC 95-99	\$49.95	37-8241	FULL PILLAR GAUGE POD - TRIPLE	CHEVY GMC 95-99	\$114.95
				37-8232	FULL PILLAR GAUGE POD - DUAL	CHEVY GMC 92-94	\$109.95
				37-8233	FULL PILLAR GAUGE POD - DUAL	CHEVY GMC 95-99	\$107.95

**Truck Gauges ... A Functional New Look**

2-1/16" Electric Short Sweep



Truck Gauges are available with an Ultra White Face with Chrome Bezel or Black Face with Black Bezel and include a white bulb, wired bulb socket, green and orange light filters, mounting bracket, mounting hardware and installation instructions.

- Oil Pressure Gauge reads 0-100 psi and comes with 1/8" NPT electric sender and 1/4" NPT brass adaptor.
- Water Temperature Gauge reads 100-250°F and comes with 1/8" NPT electric sender, 3/8" and 1/2" NPT brass adaptors.
- Voltmeter Gauge reads 8-18 Volts.

PART	DESCRIPTION	APPLICATION	PRICE
37-8280	OIL PRESSURE GAUGE WHITE	0-100 PSI	\$27.95
37-8284	OIL PRESSURE GAUGE BLACK	0-100 PSI	\$30.95
37-8281	WATER TEMPERATURE GAUGE WHITE	100-250 DEGREES F	\$31.95
37-8285	WATER TEMPERATURE GAUGE BLACK	100-250 DEGREES F	\$29.95
37-8282	VOLTMETER GAUGE WHITE	8-18 VOLTS	\$21.95
37-8286	VOLTMETER GAUGE BLACK	8-18 VOLTS	\$14.95

**Gauge Panels**



These Steel Chrome and Black Gauge Panels make mounting your gauges quick and easy; includes attaching hardware. Gauges sold separately, see above.

PART	DESCRIPTION	PRICE
38-8274	CHROME 2 GAUGE PANEL	\$11.95
38-8275	CHROME 3 GAUGE PANEL	\$9.95
38-8276	BLACK 1 GAUGE PANEL	\$7.95
38-8277	BLACK 2 GAUGE PANEL	\$14.95
38-8278	BLACK 3 GAUGE PANEL	\$19.95

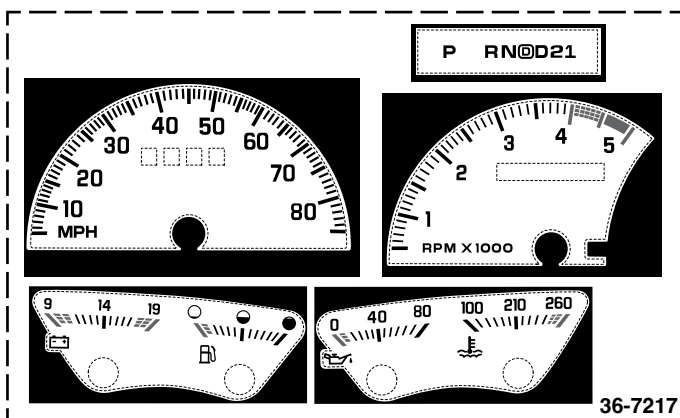
**Gauge Needle Paint**



Gauge Needle Paint is a specially formulated fluorescent orange paint that comes in a .5 oz. bottle and includes an in-cap brush for easy application. No need to mask off any parts or worry about overspray.

PART	DESCRIPTION	PRICE
38-0761	GAUGE NEEDLE PAINT-ORANGE	\$9.95

**White Face Gauge Overlays**



For Automatic Transmission Models Only.

White Face Gauge Overlays are computer printed on vinyl and pre-cut for a precise fit. They install easily over your stock gauge faces without removing the gauge needles and use the stock gauge lighting. No worries of broken needles or need for recalibrating gauges. Overlays will not wrinkle or bubble in hot or cold temperatures and can be removed with direct heat. Installation instructions included.

PART	DESCRIPTION	APPLICATION	REQD	PRICE
36-7216	WHITE GAUGE OVERLAY SET "A"	CHEVY GMC 92-94	(1)	\$27.45
36-7217	WHITE GAUGE OVERLAY SET "B"	CHEVY GMC 92-94	(1)	\$27.45
36-7218	WHITE GAUGE OVERLAY SET-GAS	CHEVY GMC 95	(1)	\$27.45
36-7219	WHITE GAUGE OVERLAY SET-GAS	CHEVY GMC 96	(1)	\$27.45
36-7220	WHITE GAUGE OVERLAY SET-GAS	CHEVY GMC 97-99	(1)	\$27.45
36-7221	WHITE GAUGE OVERLAY SET-DIESEL	CHEVY GMC 95-99	(1)	\$27.45

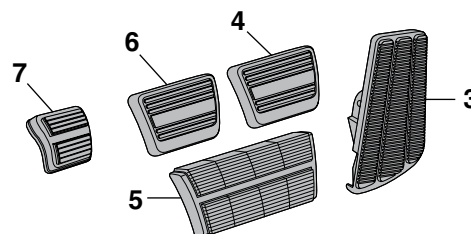
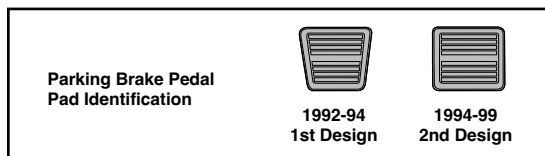
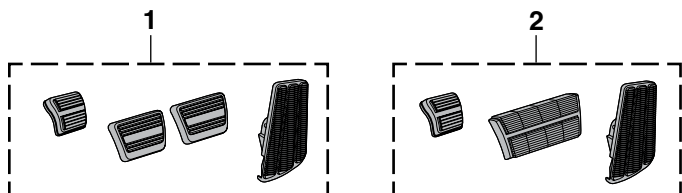
Note: "A" For models without tachometer.  
"B" For models with 5,000 rpm tachometer and 80 lb. oil pressure gauge.



## Pedal Pad Kits

1992-99 Chevy Blazer, Tahoe, Suburban

1992-99 GMC Yukon, Suburban



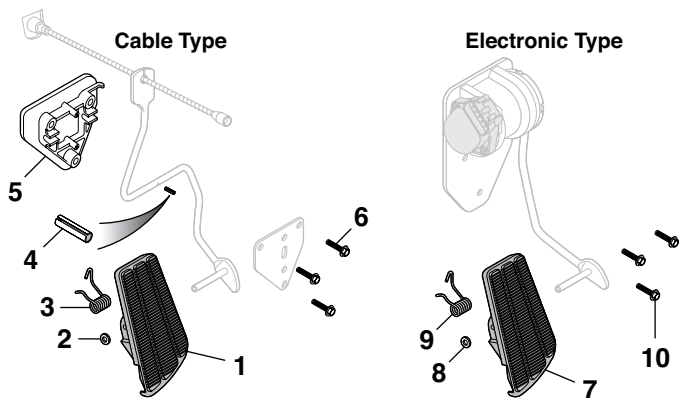
PART	ILL#	DESCRIPTION	APPLICATION	REQD	PRICE
31-2210	(1)	PEDAL PAD KIT-4PC	MANUAL CHEVY GMC 92-95	(1)	\$19.95
31-2211	(2)	PEDAL PAD KIT-3PC	AUTO CHEVY GMC 92-99	(1)	\$12.95
30-2223	(3)	ACCELERATOR PEDAL PAD	CHEVY GMC 92-99	(1)	\$4.95

PART	ILL#	DESCRIPTION	APPLICATION	REQD	PRICE
31-2216	(4)	BRAKE PEDAL PAD	MANUAL CHEVY GMC 92-95	(1)	\$5.45
31-2217	(5)	CLUTCH PEDAL PAD	AUTO CHEVY GMC 92-99	(1)	\$5.95
31-2216	(6)	CLUTCH PEDAL PAD	CHEVY GMC 92-95	(1)	\$5.45
29-1553	(7)	PARKING BRAKE PEDAL PAD 1ST	CHEVY GMC 92-94	(1)	\$4.45

## Accelerator Controls

1992-99 Chevy Blazer, Tahoe, Suburban

1992-99 GMC Yukon, Suburban

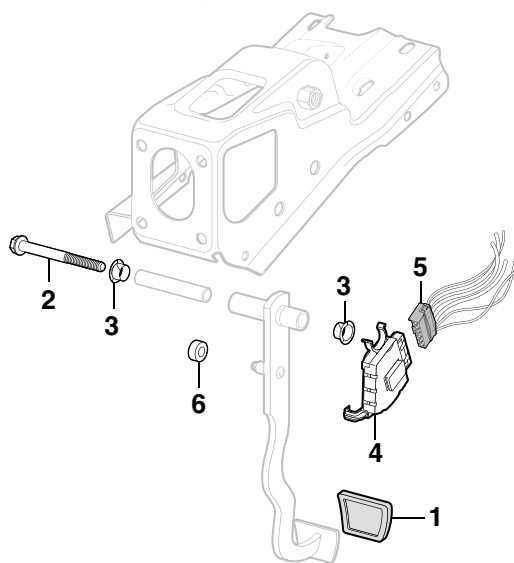


PART	ILL#	DESCRIPTION	APPLICATION	REQD	PRICE
<b>Cable Type</b>					
30-2223	(1)	ACCELERATOR PEDAL PAD	CHEVY GMC 92-99	(1)	\$4.95
30-0951	(2)	PUSH NUT	CHEVY GMC 92-99	(1)	\$1.25
30-3195	(3)	PEDAL RETURN SPRING	CHEVY GMC 92-99	(1)	\$3.95
30-3185	(4)	PIN-LEVER	CHEVY GMC 92-99	(1)	\$.65
30-3070	(5)	ROD SUPPORT	CHEVY GMC 92-99	(1)	\$10.95
31-0317	(6)	BOLT-RETAINING PLATE	CHEVY GMC 92-99	(3)	\$.95
<b>Electronic Type</b>					
30-2223	(7)	ACCELERATOR PEDAL PAD	CHEVY GMC 94-99	(1)	\$4.95
30-0951	(8)	PUSH NUT	CHEVY GMC 94-99	(1)	\$1.25
30-3195	(9)	PEDAL RETURN SPRING	CHEVY GMC 94-99	(1)	\$3.95
31-0317	(10)	BOLT	CHEVY GMC 94-99	(3)	\$.95

## Brake Pedal Assembly

1992-99 Chevy Blazer, Tahoe, Suburban

1992-99 GMC Yukon, Suburban



**MT = Manual Transmission**  
**AT = Automatic Transmission**

PART	ILL#	DESCRIPTION	APPLICATION	REQD	PRICE
31-2216	(1)	MT BRAKE PEDAL PAD	CHEVY GMC 92-95	(1)	\$5.45
31-2217	(1)	AT BRAKE PEDAL PAD	CHEVY GMC 92-99	(1)	\$5.95
31-0307	(2)	PIVOT BOLT	CHEVY GMC 92-99	(1)	\$5.95
32-6157	(3)	BUSHING	CHEVY GMC 92-99	(2)	\$2.45
37-0648	(4)	STOP LAMP SWITCH	CHEVY GMC 92-93	(1)	\$12.75
37-0649	(4)	STOP LAMP SWITCH	CHEVY GMC 94-99	(1)	\$7.95
37-0427	(5)	CONNECTOR-STOP LAMP SWITCH	CHEVY GMC 94-99	(1)	\$19.45
31-2306	(6)	SPACER-FOAM	CHEVY GMC 92-93	(1)	\$5.95



**Loctite Ready Gasket** makes leak-proof gaskets for temperatures from -75°F to 450°F. Blowout resistant, sensor-safe and ideal for sealing differential covers, valve covers, water pumps, thermostat housings and more. Applies with a standard caulking gun, dries black.

PART	DESCRIPTION	PRICE
38-0767	5 OZ TUBE	\$16.95



**Loctite RTV Red** is a high-temperature silicone gasket maker and adhesive. It forms a tough, flexible seal that is resistant to most chemicals without hardening, shrinking or cracking. RTV Red has a temperature range of -75°F to +600°F and is sensor-safe.

PART	DESCRIPTION	PRICE
38-0774	2.7 OZ TUBE	\$6.95



**Loctite Spray Adhesive** dries clear with superior bonding strength. Excels at attaching upholstery cloth, carpeting, insulation and has many other uses. Not recommended for use on headliners.

PART	DESCRIPTION	PRICE
38-0798	10.5 OZ CAN	\$8.95



**Loctite Rubberized Undercoating** is a heavy-duty undercoating that seals, protects and insulates frames, floor pans, wheel wells and other body panels. Rubberized for maximum durability.

PART	DESCRIPTION	PRICE
38-0766	16 OZ AEROSOL	\$6.95



**Permatex Weatherstrip Adhesive** is a flexible, water-resistant black adhesive for bonding rubber and metal surfaces. Withstands extreme temperatures and resistant to gasoline, antifreeze and most solvents.

PART	DESCRIPTION	PRICE
38-0759	5 OZ TUBE	\$8.95



**Permatex Anti-Seize Lubricant** is a highly refined blend of aluminum, copper and graphite lubricants. Use during assembly to prevent galling, corrosion and seizing due to weathering or chemicals. Anti-Seize Lubricant assures easier disassembly and is salt, corrosion and moisture resistant.

PART	DESCRIPTION	PRICE
38-0757	4 OZ JAR	\$8.45



**Penetrating Graphite Powder** is an extra fine graphite powder that is odorless dry powder lubricant, used to guard against sticking, wear, and corrosion. Keeps brake cables, speedometer cables, control cables, hinges, locks and other metal applications working smoothly. Helps prevent corrosion and rust.

PART	DESCRIPTION	PRICE
38-0751	.21 OZ TUBE	\$3.95



**Permatex Orange Threadlocker** is a hybrid formula that combines the strength of Red with the removability of Blue Threadlocker. Orange Threadlocker is ideal for heavy-duty, high vibration applications and can be removed with hand tools without heating.

PART	DESCRIPTION	PRICE
38-0749	.34 OZ TUBE	\$11.95



**Loctite Dielectric Grease** extends the life of electrical components by protecting them from moisture, salt and corrosion. Also prevents spark plugs from fusing to boots. Use on fuses, battery terminals, ignition components and other electrical connections.

PART	DESCRIPTION	PRICE
38-0770	.33 OZ TUBE	\$4.95



**Permatex Windshield and Glass Sealant** is a silicone sealant for windshields, windows and other glass. Flows into leaks like water and dries to form a flexible, tough, clear seal that is resistant to extreme temperatures, vibration and most chemicals.

PART	DESCRIPTION	PRICE
38-0783	1.5 OZ TUBE	\$6.25



**Permatex's Thread Sealant** with PTFE (a thermoplastic polymer) is an economical general-purpose fitting sealant. It outperforms traditional tapes and pipe dopes while it seals and resists pressure in air, oil, diesel fuel and hydraulic systems. Thread Sealant remains pliable at higher and lower temperatures.

PART	DESCRIPTION	PRICE
38-0753	4 OZ JAR	\$8.45



**Vinyl Edge Sealer Pen** is an ultraviolet light-blocking, fast-drying, clear acrylic sealer that protects the edges of vinyl decals, graphics and the ends of adhesive chrome body moldings. It features a wedge applicator tip for a smooth, even application.

PART	DESCRIPTION	PRICE
38-0921	.3 OZ PEN	\$12.95



**3M™ Adhesive Tape** is a high-performance, double-sided tape for all types of

accessories, both interior and exterior. The tape's foam core allows it to expand and contract with temperature changes and to conform to surface irregularities and gaps. Includes three 1" x 12" strips.

PART	DESCRIPTION	PRICE
38-0788	3M TAPE	\$8.95



**Strip Caulk** is a non-hardening, non-shrinking waterproof black caulking material with great adhesion

properties and is temperature resistant from -400°F to +500°F. Perfect for sealing around hoses, tubing, wiring or any other hole, joint, seam, void or gap to prevent fumes, moisture or noise penetration. Easy to apply and can be painted immediately. Contains twelve 1/4" x 12" strips.

PART	DESCRIPTION	PRICE
38-0779	STRIP CAULK	\$5.75



**Loctite Copper Anti-Seize Stick** protects against high-temp seizing and galling of fasteners up to 1,800°F. Perfect for spark plugs, exhaust manifold bolts, thermostat housing bolts and oxygen sensors.

PART	DESCRIPTION	PRICE
38-0765	20 GRAM STICK	\$5.95



**Seam Sealer** provides superior adhesion and flexibility without cracking or peeling. Its self-leveling qualities make it an excellent sealer on cowl, floor, doors and wheel house seams. Skin time is 1-2 minutes and can be painted in 30-60 minutes. Applies with a standard caulking gun.

PART	DESCRIPTION	PRICE
38-0781	11 OZ TUBE	\$16.45



**Look New Again ... The Easy Way!**

**Now You Can Be Sure All Your Interior Colors Match**

ColorBond permanently changes the color of your interior. Sprays on and dries to the touch in 45 seconds, forming a complete bond in 10 minutes. Original grain pattern is never altered or hidden, no matter how many times ColorBond is applied. Will not crack, flake, peel or rub off from solid or flexible materials because the color becomes part of the surface.



<b>Black</b> #37-8375	<b>Blue</b> #37-8382	<b>Burgundy</b> #37-8387	<b>Dark Gray</b> #37-8385
<b>Gray</b> #37-8383	<b>Dark Red</b> #37-8384	<b>Saddle</b> #37-8381	

**\$20.95**  
each

ColorBond can be used on:

- Vinyl
- Leather
- ABS Plastic
- PVC
- Polyurethane
- Polycarbonate
- Lexan
- Acrylic
- Recycled Plastics
- Carpet
- Cloth Upholstery

ColorBond is a semi-gloss finish that is OEM approved, UV stable and colorfast. Each 12 ounce can will cover 7 square feet. ColorBond Prep/Cleaner should be used prior to applying ColorBond.

**37-8396** **ColorBond Satin Clear Coat** provides a protective finish that won't wash off. Protects against fading, cracking and heat deterioration.  
12 oz Can \$20.95

**37-8395** **ColorBond Adhesion Promoter** is required for the use of ColorBond on materials such as Polypropylene, Thermoplastic Elastomer, Polyolefin, Fiberglass and metal.  
12 oz Can \$20.95

**Prep/Cleaner**

**ColorBond Prep/Cleaner** is a fast drying, non-solvent, multi-surface cleaner. It cleans and prepares the surface for use of ColorBond.  
**37-8399**  
12 oz Can \$13.95



**Exterior Trim Paint**

**ColorBond Exterior Trim Paint** has all the innovative features of ColorBond Interior Paint but is specially formulated to provide a stronger, more durable bond for exterior trim use. Exterior Trim Paint delivers a superior finish to exterior trim plastics and painted metal trim including: bumpers, mirrors, fender flares, wiper arms and window trim. Each 12 ounce can covers 6 square feet. Use ColorBond Adhesion Promoter #37-8395 prior to application for a long-lasting finish.

**37-8361**  
Satin Black  
\$21.45

**37-8362**  
Silver  
\$21.45



**Spitshine Tire Black and Silver Rally Wheel Paint ... Bring Back the Shine**



Before

After



**37-8370**  
\$21.45



**37-8365**  
\$19.95

**ColorBond Spitshine Tire Black** is a specially formulated paint, not a clear silicone dressing, designed to restore a military shine to faded and scuffed tires for a minimum of two months. Spitshine is not greasy or tacky, so it won't attract unsightly dirt and dust. Each 12 ounce can is easy to apply; first, clean tires of any existing dressings, silicones and dirt with ColorBond Prep/Cleaner. Mask the wheel or rim and apply in light coats. Reapply Spitshine Tire Black if tires become scuffed.

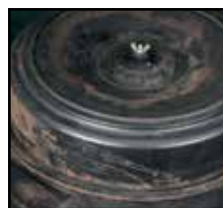
*Not for use on tires with white lettering or sidewalls.*

**ColorBond Rally Wheel Paint** is a specially formulated acrylic lacquer that provides a brilliant silver finish to the original rally wheels and withstands temperatures up to 250°F. Each 12 ounce can covers 6 square feet. ColorBond Prep/Cleaner should be used prior to applying ColorBond.

**Black Underhood Paint**

**Black Underhood Paint's** specially formulated acrylic lacquer restores the finish of brackets, core supports, heater boxes and all underhood components. Withstands temperatures up to 250°F but is not designed to be applied to engine, manifolds or headers. 12 ounce can covers 6 square feet. Call or go online and order yours today!

**37-8367**  
Black  
\$20.95



Before



After



# PaintUCATION Kevin Tetz Paintucation DVDs



**Paint Your Own Truck:** Instruction on proper paint gun techniques, panel alignment secrets, surface rust removal and application tips for fillers, primers and paints. Learn how to apply two-tone paint jobs, demonstrated in simple steps with detailed masking tips and tricks that yield professional results. 240 minutes

**Color Sanding & Buffing:** Explains what to do after the paint is dry and shows the difference between a "show" finish and a daily driver finish. Run repair techniques are shown in detail, as well as reviving old paint. Shows updated techniques using state-of-the-art compounds and pneumatic sanding systems designed to take the labor out of achieving a show-quality paint finish. 65 minutes

**Paintucation DVD Set:** Contains all five Paintucation DVDs to help you repair and restore your vehicle's body from start to finish.

PART	DESCRIPTION	PRICE
38-0448	PAINTUCATION DVD SET	\$169.95

**Body Shop Basics:** Provides fundamental information about basic tool selection, simple dent repair, blending colors, gun technique, proper safety techniques and surface defect repair. 90 minutes

PART	DESCRIPTION	PRICE
38-0347	DVD-BODY SHOP BASICS	\$35.95

PART	DESCRIPTION	PRICE
38-0449	DVD PAINT YOUR OWN TRUCK	\$35.95

**Metal Prep & Rust Repair:** Demonstrates stripping metal with chemicals and sanders and illustrates fixing a rust patch from start to finish. Metal finishing and body filler techniques are shown, as well as surface rust removal, conversion and primer application. 75 minutes

PART	DESCRIPTION	PRICE
38-0348	DVD-METAL PREP&RUST REPAIR	\$35.95

PART	DESCRIPTION	PRICE
38-0349	DVD-COLOR SANDING&BUFFING	\$35.95

**Body Panel Replacement:** Includes five different panel replacement projects covering welding sheet metal, gapping panels, "old school" leading, door skinning, partial panels, full quarter panel replacement, new sheet metal fitment, metal finishing and the latest panel adhesive. Double-sided DVD. 150 minutes

PART	DESCRIPTION	PRICE
38-0346	DVD-BODY PANEL REPLACEMENT	\$35.95

## Haynes Workshop Manuals



38-0429

**Automotive Computer Codes & Electronic Engine Management Systems:** Fully illustrated manual provides computer-controlled vehicle repair instructions using simple do-it-yourself diagnosis, on-board computer trouble codes and code charts. Covers 1980-95 trucks.

PART	DESCRIPTION	PRICE
38-0429	COMPUTER CODES 1980-95	\$33.25



38-0428

**Chevrolet & GMC Pickups 1988-98 & Blazer, Tahoe, Yukon & Suburban 1992-99:** Easy-to-follow, step-by-step procedures using "hands-on" experience and common tools. Covers gasoline engines only.

PART	DESCRIPTION	PRICE
38-0428	HAYNES MANUAL 1988-99	\$33.25



38-0409

**OBD-II & Electronic Engine Management Systems:** Fully illustrated manual provides computer-controlled car repair instructions for all car and light truck models manufactured since 1996. Learn how to read the codes for a "Check Engine" light and be able to diagnose and fix the problem as well as understand the vehicle's On-Board Diagnostic system. Includes comprehensive computer code lists.

PART	DESCRIPTION	PRICE
38-0409	OBD-II TECHBOOK 1996-0N	\$33.25

## Gift Cards Now Available

Call (800) 562-8782

Available in \$25 - \$50 - \$100

- Gift Cards are the perfect gift to ensure you are giving exactly what they want!
- Gift Cards don't expire.
- Orders must be pre-paid. Orders received before 3:00 p.m. Central Time will ship same day.
- Gift Cards can now be redeemed through the mail or by phone.



## Stacey David's Gearz Project Planning Book



Stacey David's Gearz Project Planning Book is a comprehensive guide to help you plan, budget, document and archive a complete project build from start to finish. This guide will help you stay more organized by planning ahead while keeping you on track and inspiring you to reach your project goals.

Each fill-in-the-blank section allows you to document the specific parts used, part numbers and costs involved. A table of contents breaks down the 22 color-coded sections. The 8 1/2" x 11" wire-bound book has 144 pages with a clear sleeve for receipts and photos.

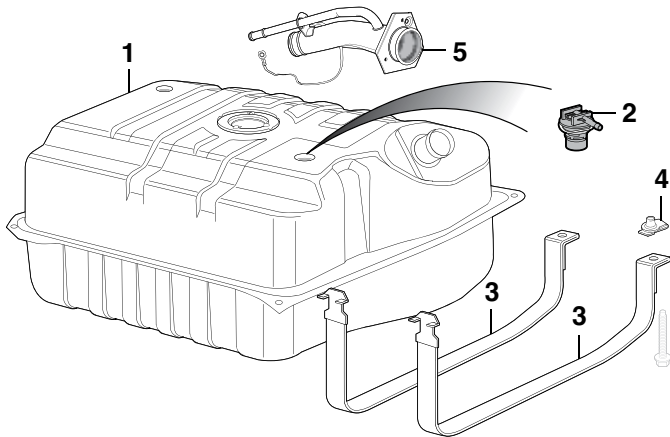
*Stacey David's Gearz Project Planning Book written by Stacey David copyright 2015 Rattle Trap Productions, Inc.*

PART	DESCRIPTION	PRICE
38-4680	GEARZ PROJECT PLANNING BOOK	\$19.95

## Gas Tank and Components

### 2 Door Models

1992-99 Chevy Blazer, Tahoe  
1992-99 GMC Yukon

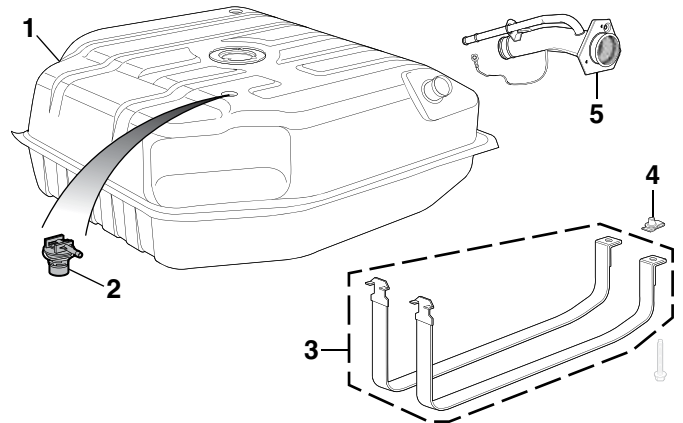


PART	ILL#	DESCRIPTION	APPLICATION	RECD	PRICE
32-5970	(1)	GAS TANK-30 GAL	GAS BLZ TAH YKN 92-97	(1)	\$129.95*
32-5971		GAS TANK-30 GAL	GAS TAH YKN 98-99	(1)	\$129.95*
32-5813	(2)	VENT VALVE	GAS BLZ TAH YKN 92-97	(1)	\$23.45
32-5833	(3)	GAS TANK STRAP	BLZ TAH YKN 92-99	(2)	\$32.95
29-0520	(4)	NUT	BLZ TAH YKN 92-99	(2)	\$1.95
33-3344	(5)	FILLER PIPE	GAS BLZ TAH YKN 92-99	(1)	\$49.95

\* Or \*\* after the sell price means your order will incur an Oversize Part Charge for each oversized part. \* Means extra charge will be \$20. \*\* Means extra charge will be \$50. Due to packing and/or transportation requirements, please allow additional time for delivery. Oversized Parts are not available for air delivery.

## Gas Tank and Components

1992-99 Chevy & GMC Suburban



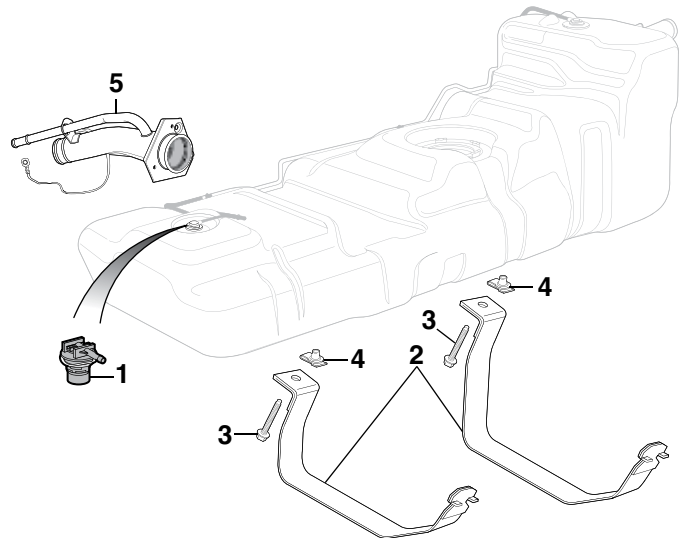
PART	ILL#	DESCRIPTION	APPLICATION	RECD	PRICE
32-5975	(1)	GAS TANK-42 GAL	GAS SUBURBAN 92-97	(1)	\$149.95*
32-5976		GAS TANK-42 GAL	GAS SUBURBAN 98-99	(1)	\$159.95*
32-5977		GAS TANK-42 GAL	DIESEL SUBURBAN 94-99	(1)	\$144.95*
32-5813	(2)	VENT VALVE	GAS SUBURBAN 92-97	(1)	\$23.45
32-5839	(3)	GAS TANK STRAP SET	SUBURBAN 92-99	(2)	\$25.95
29-0520	(4)	NUT	SUBURBAN 92-99	(2)	\$1.95
33-3344	(5)	FILLER PIPE	GAS SUBURBAN 92-99	(1)	\$49.95

\* Or \*\* after the sell price means your order will incur an Oversize Part Charge for each oversized part. \* Means extra charge will be \$20. \*\* Means extra charge will be \$50. Due to packing and/or transportation requirements, please allow additional time for delivery. Oversized Parts are not available for air delivery.

## Gas Tank Components

### 4 Door Models

1995-99 Chevy Tahoe  
1995-99 GMC Yukon



PART	ILL#	DESCRIPTION	APPLICATION	RECD	PRICE
32-5813	(1)	VENT VALVE	TAH YKN 95-97	(1)	\$23.45
32-5840	(2)	GAS TANK STRAP SET-FRT/RR	TAH YKN 95-97	(1)	\$44.95
29-0275	(3)	BOLT	TAH YKN 95-97	(2)	\$1.95
29-0520	(4)	NUT	TAH YKN 95-97	(2)	\$1.95
33-3344	(5)	FILLER PIPE	GAS TAH YKN 95-99	(1)	\$49.95

**PERFECT TORC Transmission Controller**



38-4558

PART	DESCRIPTION	PRICE
38-4558	PERFECT TORC TRANS CONTROLLER	\$699.99



The PERFECT TORC Transmission Controller is the stand-alone electronic transmission control unit you've been waiting for. Installation and initial setup is easy, and the controller is supplied with base calibrations for your transmission type, so you can be up and running immediately after installation. The PERFECT TORC Transmission Controller can be tuned using the provided calibration software and a Windows-based laptop, and basic tuning options are available without ever plugging into a laptop. With a digital display, two separate shift tables, and the ability to perform on-the-fly calibrations, the ultra-reliable and vibration-resistant controller supports paddle and simple push button shifting. The system is designed to work seamlessly with GM 4L60/65E and 4L80/85E transmissions on fuel-injected, carbureted, and diesel engines.

Note: GM 4L60E transmission must be 1996 or newer. GM 4L80E transmissions must be 1995 or newer.

**Black Transmission Pans with Drain Plug**



PART	ILL#	DESCRIPTION	APPLICATION	REQD	PRICE
38-1982	(1)	TRANSMISSION PAN-BLACK	TH400	(1)	\$21.95
38-1983	(2)	TRANSMISSION PAN-BLACK	TH350	(1)	\$22.95
38-1984	(3)	TRANSMISSION PAN-BLACK	TH700/4L60	(1)	\$26.95

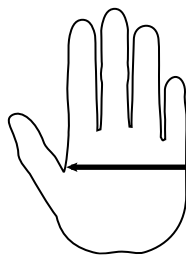
**Disposable Black Nitrile Gloves**



Disposable Black Nitrile Gloves are made from durable, powder-free 6 mil thick patented material for superior strength and tear-through resistance.

Gloves feature a fully textured finish for better grip with a two-ply construction that is tough enough to withstand exposure to grease, solvents and oil. Sold as a box of 100.

PART	DESCRIPTION	PRICE
38-0712-M	MEDIUM 100 GLOVE PACK	\$26.95
38-0712-L	LARGE 100 GLOVE PACK	\$26.95
38-0712-1X	X-LARGE 100 GLOVE PACK	\$26.95



**Glove Sizing:**

Place your hand on a flat ruler with your index finger next to the zero line:

- 3-1/2" = Medium
- 4" = Large
- 4-1/2" = X-Large

**Magnetic Glove Dispenser**



Glove Dispenser features two large magnets that hold the dispenser in place. You can also mount it on a wall using the screw slots provided. Fits all common sizes of disposable rubber glove boxes, both 50 and 100 packs. The dispenser has 3 adjusting springs which can be adjusted as necessary to hold various box sizes. Made of powder coated steel.

PART	DESCRIPTION	PRICE
38-0719	MAGNETIC GLOVE DISPENSER	\$25.95

**Deluxe Polishing Kit**



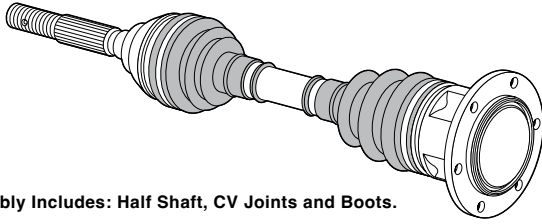
PART	DESCRIPTION	PRICE
38-1232	DELUXE POLISHING KIT	\$49.95

Deluxe Polishing Kit can be used on aluminum, brass, copper, iron, steel, stainless steel and chrome, wood or even plastic. Kit includes: six 4-ounce bars of assorted polishing compounds, 12 assorted buffing wheels with 1/4" diameter shank to allow use with any standard electric drill and instructions with color-coded chart.



## Front CV Axle Assembly - 4WD

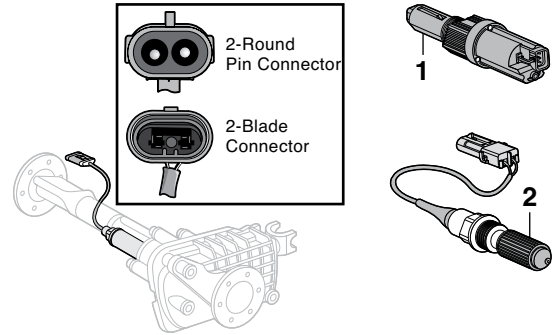
1995-99 Chevy Tahoe, Suburban  
1995-99 GMC Yukon, Suburban



Assembly Includes: Half Shaft, CV Joints and Boots.

PART	DESCRIPTION	APPLICATION	REQD	PRICE
<b>Tahoe / Yukon</b>				
35-2744	FRT AXLE SHAFT-NEW GAS	TAH YKN 95-99	(2)	\$99.95
35-2743	FRT AXLE SHAFT-NEW DIESEL	TAH YKN 95-99	(2)	\$126.95
<b>Suburban</b>				
35-2744	FRT AXLE SHAFT-NEW GAS	SUB 1500 95-99	(2)	\$99.95
35-2743	FRT AXLE SHAFT-NEW DIESEL	SUB 1500 95-99	(2)	\$126.95
35-2743	FRT AXLE SHAFT-NEW	SUB 2500 95-99	(2)	\$126.95

## 4WD Front Axle Actuator



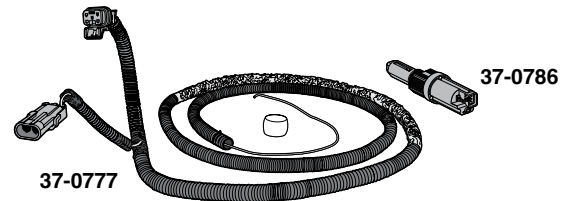
PART	ILL#	DESCRIPTION	APPLICATION	REQD	PRICE
37-0786	(1)	ACTUATOR-ELECTRONIC	CHEVY GMC 92-99	(1)	\$89.95
37-0787	(2)	ACTUATOR-THERMAL	"A" CHEVY GMC 92-99	(1)	\$89.95
37-0797		ACTUATOR-THERMAL	"B" CHEVY GMC 92-99	(1)	\$66.95

Note: "A" Fits models with 2-round pin connectors.  
"B" Fits models with 2-blade connectors.

## 4WD Actuator Harness Upgrade

Upgrade your thermal actuator to a quicker, more dependable electronic actuator with this 4WD Actuator Harness Upgrade. Fits trucks equipped with a thermal front axle actuator using a two round pin connector. Electronic Actuator #37-0786, sold separately, is required to complete conversion.

PART	DESCRIPTION	APPLICATION	REQD	PRICE
37-0777	ACTUATOR HARNESS UPGRADE	CHEVY GMC 92-99	(1)	\$57.95
37-0786	ACTUATOR-ELECTRONIC	CHEVY GMC 92-99	(1)	\$89.95



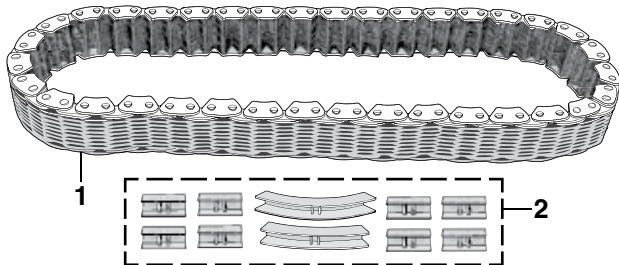
## Flip Socket Set

Flip Socket Set includes a comprehensive selection of reversible 1/2" drive sockets for a variety of lug nut sizes. The four piece set includes 3/4", 13/16", 7/8", 15/16", 19mm, and 21mm sockets and a 1/2" extension in a molded carrying case.



PART	DESCRIPTION	APPLICATION	REQD	PRICE
38-1378	FLIP SOCKET SET-4PC W/CASE	1/2" DRIVE		\$37.95

## 4WD Transfer Case Components



Transfer case chains can stretch due to heavy use or high mileage and cause damage to the transfer case housing increasing the chance of expensive repairs.

Transfer case shift fork pads allow smooth shifting between 2WD and 4WD modes by engaging the shift collars inside the transfer case. Pad failure can prevent shifting between drive modes, possibly damaging the gears inside the transfer case.

PART	ILL#	DESCRIPTION	APPLICATION	REQD	PRICE
56-3830	(1)	TRANSFER CASE CHAIN	NP241 CHEVY GMC 92-99	(1)	\$79.95
56-3835	(2)	PAD SET-SHIFT FORKS	NP241 CHEVY GMC 92-99	(1)	\$7.45

## Wheel Bearing Grease Packer

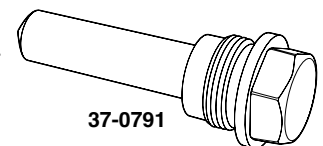


Wheel Bearing Grease Packer quickly flushes out old grease and repacks the bearing with less the mess. The Wheel Bearing Grease Packer works on bearings up to 3 1/2" outer diameter. The grease stays in the tool cavity, not on your hands. To pack a bearing, simply place the bearing on the piston, press down on the cap until the old grease is forced out and the new grease shows on top of the bearing.

PART	DESCRIPTION	APPLICATION	PRICE
34-0509	WHEEL BEARING GREASE PACKER	UNIVERSAL	\$26.95

## Front Axle Actuator Eliminator

Four-wheel drive when you need it. With the actuator eliminator installed, the front driveline will turn anytime your front wheels are in motion, thus eliminating the lag time associated with thermal actuators and the need for forward motion to engage the 4WD system. The 4WD operating mode is still engaged and disengaged at the transfer case, on demand, by the driver. Call or go online and order yours today!



PART	DESCRIPTION	APPLICATION	REQD	PRICE
37-0791	AXLE ACTUATOR ELIMINATOR	"A" CHEVY GMC 92-99	(1)	\$180.95

Note: "A" Fits models with thermal actuator.



**Chrome Blade Wheels** feature a tough rugged welded steel construction with a 5-blade directional design for the performance look. It has a triple chrome-plated finish for long-lasting wear.

PART	DESCRIPTION	REQD	PRICE
37-3352	15" X 8" 5 LUG X 5"	(4)	\$189.95
37-3353	15" X 10" 5 LUG X 5"	(4)	\$219.95
37-3354	15" X 8" 6 LUG X 5.5"	(4)	\$189.95
37-3355	15" X 10" 6 LUG X 5.5"	(4)	\$219.95
37-3356	16" X 8" 6 LUG X 5.5"	(4)	\$249.95
37-3357	16" X 8" 8 LUG X 6.5"	(4)	\$249.95



**Aluminum 5-Spoke Wheels** feature one-piece cast aluminum construction with a clear coat finish. Closed center cap included.

PART	DESCRIPTION	REQD	PRICE
37-3310	15" X 10" 5 LUG X 5"	(4)	\$199.95
37-3312	16" X 8" 6 LUG X 5.5"	(4)	\$209.95
48-3512-C	16" X 8" 8 LUG X 6.5"	(4)	\$199.95



**White Spoke Wheels** are a timeless 8-spoke design. Features tough, welded steel construction and gloss white finish for a classic look.

PART	DESCRIPTION	REQD	PRICE
37-3302	15" X 8" 5 LUG X 5"	(4)	\$114.95
37-3300	15" X 8" 6 LUG X 5.5"	(4)	\$129.95
48-3504-C	16" X 8" 8 LUG X 6.5"	(4)	\$189.95



**Black Daytona Wheels** feature a gloss black finish over rugged welded steel construction for a performance truck look.

PART	DESCRIPTION	REQD	PRICE
37-3322	15" X 8" 5 LUG X 5"	(4)	\$119.95
37-3324	15" X 8" 6 LUG X 5.5"	(4)	\$129.95
37-3325	15" X 10" 6 LUG X 5.5"	(4)	\$159.95
37-3326	16" X 8" 6 LUG X 5.5"	(4)	\$199.95



**Chrome Modular Wheels** feature tough, welded steel construction with a triple chrome-plated finish for maximum corrosion resistance.

PART	DESCRIPTION	REQD	PRICE
37-3342	15" X 8" 5 LUG X 5"	(4)	\$189.95
37-3343	15" X 10" 5 LUG X 5"	(4)	\$219.95
37-3344	15" X 8" 6 LUG X 5.5"	(4)	\$179.95
37-3345	15" X 10" 6 LUG X 5.5"	(4)	\$219.95
37-3346	16" X 8" 6 LUG X 5.5"	(4)	\$229.95
37-3347	16" X 8" 8 LUG X 6.5"	(4)	\$229.95



**Aluminum Modular Wheels** feature one-piece cast aluminum construction with a 12 hole modular design and clear coat finish. Closed center cap included.

PART	DESCRIPTION	REQD	PRICE
37-3330	15" X 8" 5 LUG X 5"	(4)	\$169.95
37-3331	15" X 10" 5 LUG X 5"	(4)	\$189.95
37-3332	15" X 8" 6 LUG X 5.5"	(4)	\$169.95
37-3333	15" X 10" 6 LUG X 5.5"	(4)	\$189.95
37-3335	16" X 8" 8 LUG X 6.5"	(4)	\$189.95
37-3334	16" X 8" 6 LUG X 5.5"	(4)	\$189.95



**Polished Aluminum Modular Wheels** feature one-piece cast aluminum construction with an 8 hole modular design fully polished to a high luster finish. Center Caps are included. Lug nuts are not included and must be purchased separately.

PART	DESCRIPTION	REQD	PRICE
37-3360	15" X 8" 5 LUG X 5"	(4)	\$204.95
37-3361	15" X 10" 5 LUG X 5"	(4)	\$215.95
37-3362	15" X 8" 6 LUG X 5.5"	(4)	\$199.95
37-3363	15" X 10" 6 LUG X 5.5"	(4)	\$219.95
37-3364	16" X 8" 6 LUG X 5.5"	(4)	\$237.95
48-3562-C	16" X 8" 8 LUG X 6.5"	(4)	\$229.95
37-3359	17" X 8" 6 LUG X 5.5"	(4)	\$249.95
37-3369	17" X 8" 8 LUG X 6.5"	(4)	\$239.95

**Chrome Center Caps and Lug Nuts**



38-3767



30-0931

PART	DESCRIPTION	REQD	PRICE
38-3765	2WD 5LUG X 5"		\$9.95
38-3767	2WD 4WD 6LUG X 5.5"	(AR)	\$11.95
48-3628-C	2WD 4WD 8LUG X 6.5"	(AR)	\$11.95

**Chrome Center Caps**

PART	DESCRIPTION	REQD	PRICE
30-0931	STEEL WHEELS 14MM	(AR)	\$2.95
30-0923	ALUMINUM WHEELS 14MM	(AR)	\$1.75

**Lug Nuts**

2WD 1/2 Ton w/o Diesel	1992-99	5 Lug x 5" Diameter	14mm Lug Nut
2WD 1/2 Ton w/Diesel	1994-99	8 Lug x 6.5" Diameter	14mm Lug Nut
2WD 3/4 Ton	1992-99	8 Lug x 6.5" Diameter	14mm Lug Nut
4WD 1/2 Ton w/o Diesel	1992-99	6 Lug x 5.5" Diameter	14mm Lug Nut
4WD 1/2 Ton w/Diesel	1994-99	8 Lug x 6.5" Diameter	14mm Lug Nut
4WD 3/4 Ton	1992-99	8 Lug x 6.5" Diameter	14mm Lug Nut



Orders - Catalog Requests - Status

**(800) 562-8782**

Customer Service

**(800) 222-5664**

## VISION Wheels ... Classic and Modern Styling for Your Truck

Old school looks using new school technology without breaking the bank! Vision Wheels are precision-crafted cast one-piece aluminum and are designed and tested to meet or exceed U.S. DOT and SAE requirements. Vision Wheels are available in painted center/machined outer or chrome finish. For 2WD applications only, will not fit 4WDs.

Each wheel carries a 1-year finish and lifetime structural warranty.

Wheels are sold individually. Center Caps are included. Lug Nuts are not included and must be purchased separately.



PART	DESCRIPTION	PRICE
37-3420	<b>Chrome 141 Legend 5</b> 15" X 8" 5 LUG X 5" 2WD	\$244.95



PART	DESCRIPTION	PRICE
37-3421	<b>Gun Metal 141 Legend 5</b> 15" X 8" 5 LUG X 5" 2WD	\$144.95



PART	DESCRIPTION	PRICE
37-3422	<b>Gloss Black 141 Legend 5</b> 15" X 8" 5 LUG X 5" 2WD	\$144.95



PART	DESCRIPTION	PRICE
37-3426	<b>Chrome 142 Legend 5</b> 18" X 8.5" 5 LUG X 5" 2WD	\$299.95
37-3430	20" X 8.5" 5 LUG X 5" 2WD	\$369.95



PART	DESCRIPTION	PRICE
37-3427	<b>Gun Metal 142 Legend 5</b> 18" X 8.5" 5 LUG X 5" 2WD	\$199.95
37-3431	20" X 8.5" 5 LUG X 5" 2WD	\$289.95



PART	DESCRIPTION	PRICE
37-3428	<b>Gloss Black 142 Legend 5</b> 18" X 8.5" 5 LUG X 5" 2WD	\$209.95
37-3432	20" X 8.5" 5 LUG X 5" 2WD	\$282.95



PART	DESCRIPTION	PRICE
37-3434	<b>Chrome 142 Legend 6</b> 20" X 9" 6 LUG X 5.5" 2WD	\$369.95



PART	DESCRIPTION	PRICE
37-3435	<b>Gun Metal 142 Legend 6</b> 20" X 9" 6 LUG X 5.5" 2WD	\$284.95



PART	DESCRIPTION	PRICE
37-3436	<b>Gloss Black 142 Legend 6</b> 20" X 9" 6 LUG X 5.5" 2WD	\$299.95

## Gorilla Wheel Locks ... Safety and Security



30-1038

Gorilla Wheel Locks protect your wheels from theft because they are virtually impossible to remove without the matching security pattern key. Made from case-hardened steel with triple chrome plating and comes with a patented key wrench adaptor and registration.

PART	DESCRIPTION	PRICE
30-1038	WHEEL LOCK SET 14MM	\$22.95

## 55 Rally Wheel Accessories

GM Official Licensed Product is purchased from an authorized GM Licensee.



37-3496



37-3497



37-3498



30-0922

PART	DESCRIPTION	PRICE
37-3496	CENTER CAP-DERBY STYLE	\$14.95
37-3497	CENTER CAP-W/DISC BRAKES	\$58.45
37-3498	CENTER CAP-W/O DISC BRAKES	\$41.95
30-0922	LUG NUT 1/2"	\$ .95

Center Cap Not Included. Must Be Purchased Separately.



PART	DESCRIPTION	PRICE
37-3490	<b>Silver 55 Rally</b> 17" X 8" 5 LUG X 5" 2WD	\$179.95
37-3491	17" X 8" 6 LUG X 5.5" 2WD	\$179.95



**Receiver Hitch and Components ... For All Your Towing Needs**

**Custom Towing Mirror  
See Page 42**



**37-7404**

This Hitch has a Class III rating for towing up to 5,000 lbs. with a 500 lb. tongue weight. It is a hitch that requires no drilling for fast and easy installation. Made from corrosion resistant powder coat black paint finish and has a standard 2" receiver.

PART	DESCRIPTION	APPLICATION	REQD	PRICE
37-7404	HITCH-NO DRILL	5000 LB CHEVY GMC 92-99	(1)	\$249.95*

\* Or \*\* after the sell price means your order will incur an Oversize Part Charge for each oversized part. \* Means extra charge will be \$20. \*\* Means extra charge will be \$50. Due to packing and/or transportation requirements, please allow additional time for delivery. Oversized Parts are not available for air delivery.



**Hitch Ball Mount** - Choose the best fitting Hitch Ball Mount with the right amount of rise or drop to even out the load. Raise or lower the height of your trailer ball by the amount listed for level towing.

PART	DESCRIPTION	APPLICATION	REQD	PRICE
37-7425	BALL MOUNT 3/4" RISE 2" DROP	7500 LB	(1)	\$22.95
37-7426	BALL MOUNT 2" RISE 4" DROP	7500 LB	(1)	\$23.95
37-7438	BALL MOUNT 4" RISE 6" DROP	7500 LB	(1)	\$39.95
37-7439	BALL MOUNT 6" RISE 8" DROP	5000 LB	(1)	\$44.95



5/8" Hitch Pin and Clip are made from zinc-plated steel.

**37-7441**

PART	DESCRIPTION	APPLICATION	REQD	PRICE
37-7441	HITCH PIN AND CLIP 5/8"		(1)	\$3.95



Complete your towing package with a wiring harness.

**37-7453**

PART	DESCRIPTION	APPLICATION	REQD	PRICE
37-7453	WIRING HARNESS T-CONNECT	CHEVY GMC 92-99	(1)	\$22.95



**Chrome Hitch Ball** features a 1" diameter shank and includes lock washer and nut. Trailer Balls are listed by diameter. Choose the diameter you need to match your trailer.

PART	DESCRIPTION	APPLICATION	REQD	PRICE
37-7427	HITCH BALL 1-7/8" 3500 LB		(1)	\$9.95
37-7428	HITCH BALL 2" 6000 LB		(1)	\$11.95
37-7429	HITCH BALL 2-5/16" 7500 LB		(1)	\$12.95

**Switch-Ball™ Set**



**37-7433**

**Switch-Ball™ Set** - Constructed from premium grade steel with nickel-chrome plating, the Switch-Ball™ Set has an exclusive 'J' Groove design that ensures that the ball is installed on the shank and engaged by a coupler, making the hitching system safe and secure. Weight bearing capacity rests on shank to relieve stress away from the ball, thus freeing the coupler from friction and binding for a smoother and safer towing.

Change between three different trailer hitch ball sizes quickly and easily. No attachment pin to remove or tools required to switch ball sizes. Weight ratings for each hitch ball size are: 1-7/8" = 3,500 lbs., 2" = 6,000 lbs. and 2-5/16" = 8,000 lbs.

PART	DESCRIPTION	APPLICATION	REQD	PRICE
37-7433	SWITCH-BALL SET	CHEVY GMC	(1)	\$57.95

**Chrome Spider Center Caps**



**36-8225**

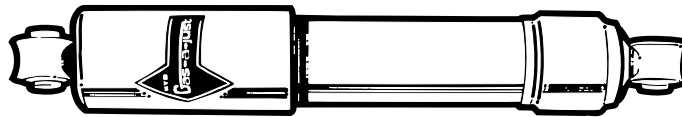


**36-8226**

Spider Center Caps are the perfect upgrade for your classic steel wheels. Center caps feature high quality chrome plated die-cast steel with chrome ABS lug nut covers. Lug nut covers easily fit over standard 3/4" or 13/16" hex lug nuts.

PART	DESCRIPTION	APPLICATION	REQD	PRICE
36-8225	SPIDER CENTER CAP	6 LUG X 5.5"	(4)	\$64.95
36-8226	SPIDER CENTER CAP SET OF 4	5 LUG X 5"	(1)	\$184.95

## KYB Shock Absorbers ... Driving Control, Even Ride and Performance Handling



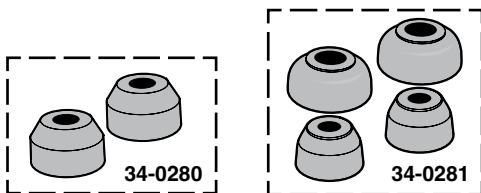
**Gas-A-Just Shock Absorbers:** Features higher gas pressure to provide unsurpassed control on even the most demanding roads. Eliminates the age-old problem of performance fade by eliminating aeration and foaming, a problem with other shocks that use two-tube construction that allows air to mix with fluid.

**GR-2 Gas Shock Absorbers:** Features lower pressure for riding comfort with improved handling and response only gas shocks can provide at an economical price. The economical way to step up from hydraulic shocks to the quality ride and control of gas.

PART	DESCRIPTION	APPLICATION	REQD	PRICE
39-1600	KYB GAS-A-JUST SHOCK-FRONT	2WD	92-99 (2)	\$67.58
39-1601	KYB GAS-A-JUST SHOCK-REAR	2WD 2 DOOR	92-99 (2)	\$85.37
39-1602	KYB GAS-A-JUST SHOCK-FRONT	4WD	92-99 (2)	\$76.91
39-1601	KYB GAS-A-JUST SHOCK-REAR	4WD 2 DOOR	92-99 (2)	\$85.37
39-1625	KYB GAS-A-JUST SHOCK-REAR	4WD 4 DOOR	92-99 (2)	\$72.95

PART	DESCRIPTION	APPLICATION	REQD	PRICE
39-1604	KYB GR2 SHOCK-FRONT	2WD	92-99 (2)	\$58.54
39-1605	KYB GR2 SHOCK-REAR	2WD 2 DOOR	92-99 (2)	\$60.97
39-1606	KYB GR2 SHOCK-FRONT	4WD	92-99 (2)	\$46.08
39-1605	KYB GR2 SHOCK-REAR	4WD 2 DOOR	92-99 (2)	\$60.97
39-1626	KYB GR2 SHOCK-REAR	4WD 4 DOOR	92-99 (2)	\$54.33

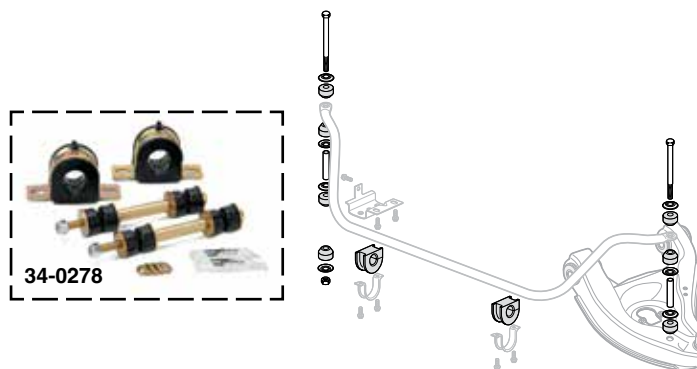
### Polyurethane Tie Rod and Ball Joint Boots



Replacements for when disassembly ruins existing rubber boots. Lasts longer, seals longer and looks better. They seal out contaminants and prevent loss of lubricant.

PART	DESCRIPTION	APPLICATION	REQD	PRICE
34-0280	TIE ROD END BOOT SET	CHEVY GMC 92-99	(1)	\$4.91
34-0281	BALL JOINT DUST BOOT SET	2WD 92-97	(1)	\$6.95

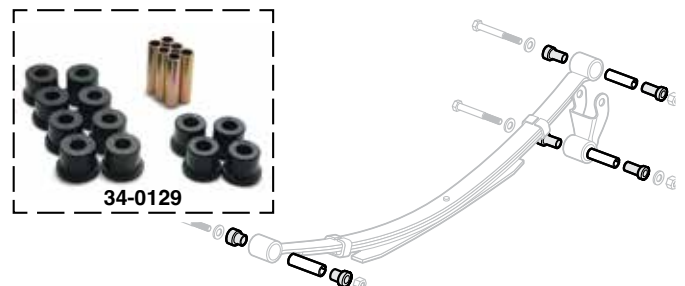
### Polyurethane Sway Bar Bushing Sets



Polyurethane Sway Bar Bushings provide one of the best improvements in your truck's handling without upscaling your stabilizer bar.

PART	DESCRIPTION	APPLICATION	REQD	PRICE
34-0278	FRT SWAY BAR BUSHING SET	1-1/4" 2WD	92-99 (1)	\$46.27
34-0289	FRT SWAY BAR BUSHING SET	30MM 4WD	92-97 (1)	\$46.58
34-0288	FRT SWAY BAR BUSHING SET	32MM 4WD	92-97 (1)	\$46.83

### Polyurethane Leaf Spring Bushings



The combination of heavy-duty Leaf Springs and Polyurethane Spring Bushings allows proper suspension function in takeoff, cornering, braking and bumps. #34-0129 is for trucks with a 1-3/8" outer diameter frame shackle bushing. #34-0099 is for trucks with a 1-1/2" outer diameter frame shackle bushing. Please check yours before ordering.

PART	DESCRIPTION	APPLICATION	REQD	PRICE
34-0129	LEAF SPRING BUSHING SET	CHEVY GMC 92-99	(1)	\$59.95
34-0099	LEAF SPRING BUSHING SET	CHEVY GMC 92-99	(1)	\$59.95

### Polyurethane Control Arm Bushing Sets

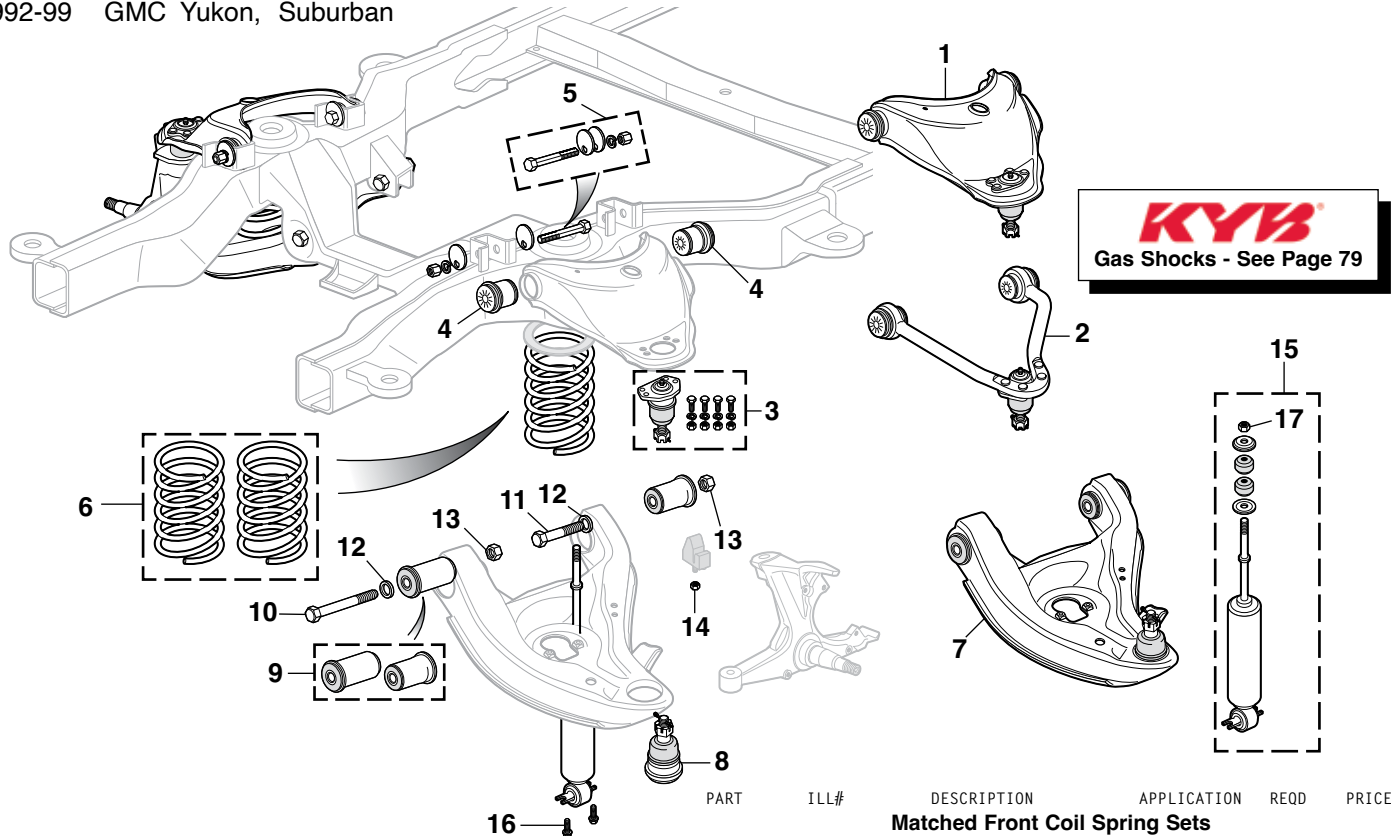


Front Control Arm Bushings are a must for increased control on cornering. Bushings are pre-lubricated with a synthetic teflon compound that inhibits squeaks. Existing outer shells must be reused.

PART	DESCRIPTION	APPLICATION	REQD	PRICE
34-0272	CONTROL ARM BUSHING SET	2WD CHEVY GMC 92-99	(1)	\$69.95
34-0273	CONTROL ARM BUSHING SET	4WD CHEVY GMC 92-97	(1)	\$66.95
34-0274	CONTROL ARM BUSHING SET	4WD CHEVY GMC 98-99	(1)	\$81.76

Front Suspension - 2 Wheel Drive

1992-99 Chevy Tahoe, Suburban  
1992-99 GMC Yukon, Suburban



**KYB**  
Gas Shocks - See Page 79

**Polyurethane Suspension Bushing Sets that Improve Handling**  
See Page 79

**W/O DSL = Without Diesel Engine**  
**W/DSL = With Diesel Engine**  
**STD = Standard Coil Spring**  
**HD = Heavy-Duty Coil Spring**  
**SD = Super-Duty Coil Spring**

Super-Duty Coil Springs provide additional stability and load capacity for trucks equipped with towing packages, campers and snow plows.

PART	ILL#	DESCRIPTION	APPLICATION	REQD	PRICE
35-2640	(1)	UPPER A-ARM ASSY-LH W/O DSL	1/2T	92-99 (1)	\$69.95
35-2641		UPPER A-ARM ASSY-RH W/O DSL	1/2T	92-99 (1)	\$69.95
35-2642	(2)	UPPER A-ARM ASSY-LH W/DSL	1/2T	94-99 (1)	\$69.95
35-2643		UPPER A-ARM ASSY-RH W/DSL	1/2T	94-99 (1)	\$69.95
35-2642		UPPER A-ARM ASSY-LH	3/4T	92-99 (1)	\$69.95
35-2643		UPPER A-ARM ASSY-RH	3/4T	92-99 (1)	\$69.95
35-1800	(3)	BALL JOINT-UPPER W/O DIESEL	1/2T	92-99 (2)	\$14.95
35-1801		BALL JOINT-UPPER W/DIESEL	1/2T	94-99 (2)	\$14.95
35-1801		BALL JOINT-UPPER	3/4T	92-99 (2)	\$14.95
35-0280	(4)	BUSHING-UPPER W/O DIESEL	1/2T	92-95 (4)	\$5.95
35-0282		BUSHING-UPPER W/O DIESEL	1/2T	95-00 (4)	\$4.95
35-0282		BUSHING-UPPER W/DIESEL	1/2T	94-99 (4)	\$4.95
35-0282		BUSHING-UPPER	3/4T	92-99 (4)	\$4.95
31-0100	(5)	CAM BOLT KIT	CHEVY GMC	92-99 (2)	\$9.95

**Variable Rate Matched Front Coil Spring Sets**

Variable Rate Coil Springs adjust to the load conditions in the trunk providing a stabilized ride loaded or unloaded, plus improved handling.

35-2802	(6)	COIL SPRING SET-STD	5.7L 1/2T	92-99 (1)	\$129.95
35-2803		COIL SPRING SET-HD	5.7L 1/2T	92-99 (1)	\$139.95
35-2804		COIL SPRING SET-SD	5.7L 1/2T	92-99 (1)	\$149.95
35-2803		COIL SPRING SET-STD	5.7L 3/4T	92-99 (1)	\$139.95
35-2804		COIL SPRING SET-SD	5.7L 3/4T	92-99 (1)	\$149.95

PART	ILL#	DESCRIPTION	APPLICATION	REQD	PRICE
<b>Matched Front Coil Spring Sets</b>					
35-2800		COIL SPRING SET-HD W/O 5.7L	3/4T	92-99 (1)	\$145.95
35-2801		COIL SPRING SET-SD W/O 5.7L	3/4T	92-99 (1)	\$134.45
35-2600	(7)	LOWER A-ARM ASSEMBLY-LH	CHEVY GMC	92-99 (1)	\$119.95
35-2601		LOWER A-ARM ASSEMBLY-RH	CHEVY GMC	92-99 (1)	\$99.95
35-1700	(8)	BALL JOINT ASSEMBLY-LOWER	CHEVY GMC	92-99 (2)	\$19.95
35-0270	(9)	BUSHING KIT-LOWER FRONT & REAR	CHEVY GMC	92-99 (2)	\$14.75
31-0265	(10)	BOLT-LOWER-FRONT	CHEVY GMC	92-99 (2)	\$5.95
31-0266	(11)	BOLT-LOWER-REAR	CHEVY GMC	92-99 (2)	\$5.95
31-0602	(12)	WASHER	CHEVY GMC	92-99 (8)	\$2.95
31-0881	(13)	TORQUE LOCK NUT	CHEVY GMC	92-99 (4)	\$2.95
31-0882	(14)	NUT-BUMPER	CHEVY GMC	92-99 (2)	\$1.35
34-2414	(15)	HD GAS-CHARGED SHOCK-FRONT	1/2T	92-99 (2)	\$29.95
34-2415		HD GAS-CHARGED SHOCK-FRONT	3/4T	92-99 (2)	\$31.45
39-1600		KYB GAS-A-JUST SHOCK-FRONT	CHEVY GMC	92-99 (2)	\$67.58
39-1604		KYB GR2 GAS SHOCK-FRONT	CHEVY GMC	92-99 (2)	\$58.54
31-0267	(16)	BOLT	CHEVY GMC	92-99 (4)	\$ .95
29-0514	(17)	NUT	CHEVY GMC	92-99 (2)	\$ .65

**Coil Spring Compressor**



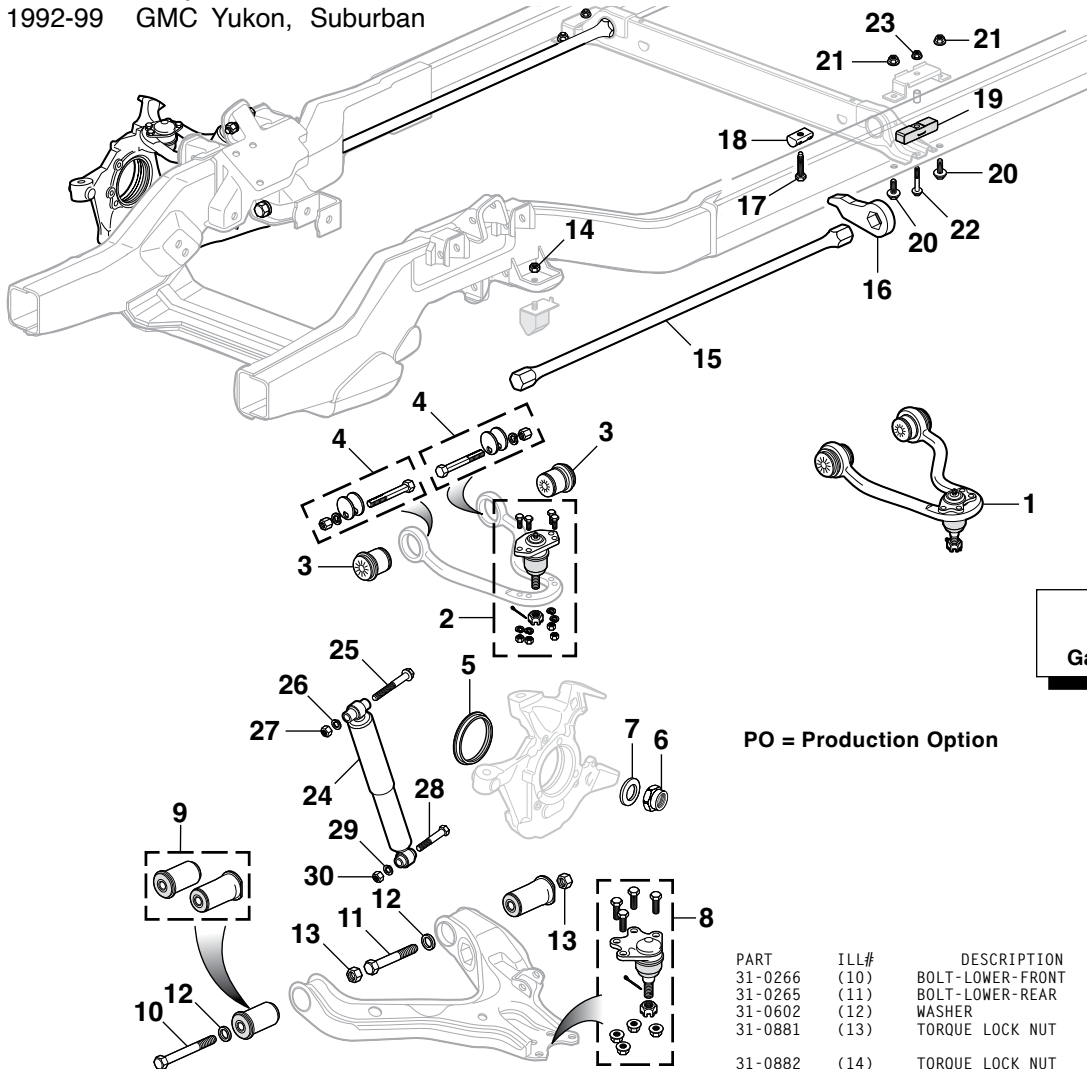
Remove and install coil springs with convenience and safety. Features safety U-bolt set, Acme threaded rods and ductile alloy cast hooks for safe and easy operation.

PART	DESCRIPTION	PRICE
34-2808	COIL SPRING COMPRESSOR	\$50.95



## Front Suspension - 4 Wheel Drive

1992-99 Chevy Blazer, Tahoe, Suburban  
1992-99 GMC Yukon, Suburban



PO = Production Option

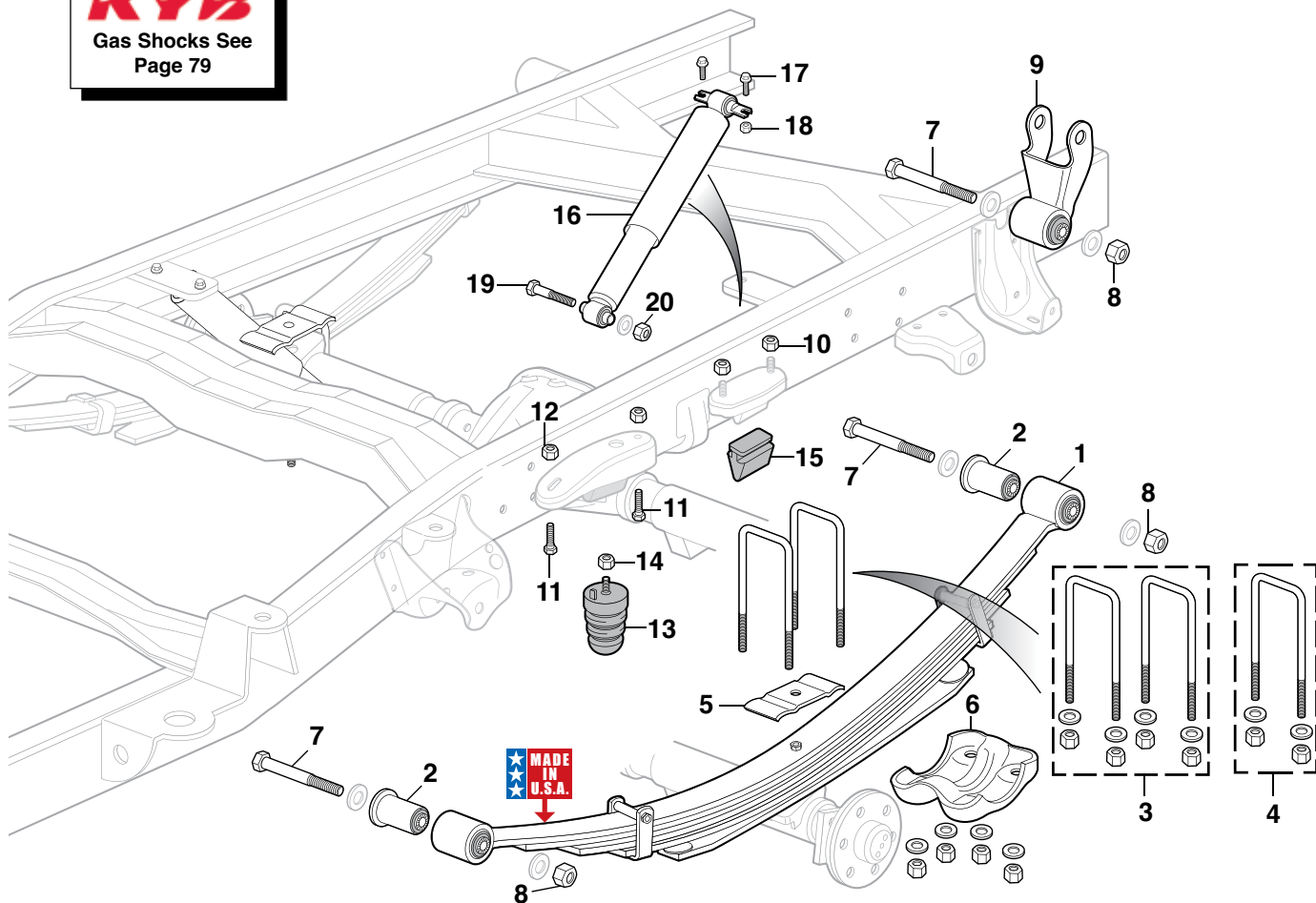
PART	ILL#	DESCRIPTION	APPLICATION	REQD	PRICE
<b>Upper A-Arm</b>					
35-2648	(1)	UPPER A-ARM ASSY-LH "A" 4DR 1/2T	94-99	(1)	\$69.95
35-2649		UPPER A-ARM ASSY-RH "A" 4DR 1/2T	94-99	(1)	\$89.95
35-2648		UPPER A-ARM ASSY-LH	3/4T	(1)	\$69.95
35-2649		UPPER A-ARM ASSY-RH	3/4T	(1)	\$89.95
35-1800	(2)	BALL JOINT ASSY-UPPER 2DR 1/2T	92-99	(2)	\$14.95
35-1800		BALL JOINT ASSY-UPPER"B"4DR 1/2T	92-99	(2)	\$14.95
35-1801		BALL JOINT ASSY-UPPER"A"4DR 1/2T	94-99	(2)	\$14.95
35-1801		BALL JOINT ASSY-UPPER	3/4T	(2)	\$14.95
35-0282	(3)	BUSHING-UPPER	CHEVY GMC 92-99	(4)	\$4.95
31-0100	(4)	CAM BOLT KIT	CHEVY GMC 92-99	(4)	\$9.95
<b>Steering Knuckle Components</b>					
35-0100	(5)	SEAL-KNUCKLE 2DR 1/2T	92-99	(1)	\$5.95
35-0100		SEAL-KNUCKLE "B" 4DR 1/2T	92-99	(1)	\$5.95
35-0101		SEAL-KNUCKLE "A" 4DR 1/2T	94-99	(1)	\$8.95
35-0101		SEAL-KNUCKLE	3/4T	(1)	\$8.95
31-0928	(6)	NUT-FRONT AXLE SHAFT	4WD	(2)	\$7.25
31-0929	(7)	WASHER-FRONT AXLE NUT	4WD	(2)	\$7.25
<b>Lower A-Arm Components</b>					
35-1702	(8)	BALL JOINT ASSY-LOWER "C"	CHEVY GMC 92-95	(2)	\$16.95
35-1703		BALL JOINT ASSY-LOWER "D"	CHEVY GMC 95	(2)	\$15.95
35-1703		BALL JOINT ASSY-LOWER "B"	1/2T	(2)	\$15.95
35-1704		BALL JOINT ASSY-LOWER "A"	1/2T	(2)	\$13.95
35-1704		BALL JOINT ASSY-LOWER	3/4T	(2)	\$13.95
35-0271	(9)	BUSHING-LOWER-FRONT & REAR	CHEVY GMC 92-95	(2)	\$21.45
35-0271		BUSHING-LWR-FRONT & REAR 2DR 1/2T	96-99	(2)	\$21.45
35-0271		BUSHING-LWR-FRT & RR "B" 4DR 1/2T	96-99	(2)	\$21.45

PART	ILL#	DESCRIPTION	APPLICATION	REQD	PRICE
31-0266	(10)	BOLT-LOWER-FRONT	CHEVY GMC 92-99	(2)	\$5.95
31-0265	(11)	BOLT-LOWER-REAR	CHEVY GMC 92-99	(2)	\$5.95
31-0602	(12)	WASHER	CHEVY GMC 92-99	(8)	\$2.95
31-0881	(13)	TORQUE LOCK NUT	CHEVY GMC 92-99	(4)	\$2.95
31-0882	(14)	TORQUE LOCK NUT	CHEVY GMC 92-99	(2)	\$1.35
<b>Torsion Bar</b>					
35-2520	(15)	TORSION BAR-LH	PO 6GK CHEVY GMC 92-99	(1)	\$359.95
35-2521		TORSION BAR-RH	PO 7GK CHEVY GMC 92-99	(1)	\$349.95
35-2542	(16)	ADJUSTING ARM	PO FK2/FK3 CHEVY GMC 92-99	(2)	\$47.75
35-2543		ADJUSTING ARM	PO FF4/FF5 CHEVY GMC 92-99	(2)	\$46.95
35-2549		ADJUSTING ARM	PO FF6/FF7 CHEVY GMC 92-99	(2)	\$44.95
35-2545		ADJUSTING ARM	PO FF8/FF9 CHEVY GMC 92-99	(2)	\$47.45
31-0268	(17)	BOLT	CHEVY GMC 92-99	(2)	\$2.95
29-0524	(18)	NUT	CHEVY GMC 92-99	(2)	\$26.25
31-1811	(19)	INSULATOR	CHEVY GMC 92-99	(2)	\$36.25
29-0206	(20)	BOLT-RETAINER	CHEVY GMC 92-99	(4)	\$1.45
40-0819-C	(21)	NUT-RETAINER	CHEVY GMC 92-99	(4)	\$ .95
31-0270	(22)	BOLT-MOUNT	CHEVY GMC 92-99	(2)	\$1.95
50-0811-D	(23)	NUT-MOUNT	CHEVY GMC 92-99	(2)	\$ .95
<b>Shock Absorber</b>					
34-2416	(24)	HD GAS-CHARGED SHOCK-FRONT	CHEVY GMC 92-99	(2)	\$34.95
39-1602		KYB GAS-A-JUST-SHOCK-FRONT	CHEVY GMC 92-99	(2)	\$76.91
39-1606		KYB GR2 GAS SHOCK-FRONT	CHEVY GMC 92-99	(2)	\$46.08
31-0271	(25)	BOLT-UPPER	CHEVY GMC 92-99	(2)	\$2.95
29-0413	(26)	WASHER	CHEVY GMC 92-99	(2)	\$9.25
40-0870-C	(27)	TORQUE LOCK NUT	CHEVY GMC 92-99	(2)	\$1.35
31-0272	(28)	BOLT-LOWER	CHEVY GMC 92-99	(2)	\$2.95
29-0413	(29)	WASHER	CHEVY GMC 92-99	(2)	\$9.25
40-0870-C	(30)	TORQUE LOCK NUT	CHEVY GMC 92-99	(2)	\$1.35

Note: "A" Fits models with diesel engine.  
"B" Fits models without diesel engine.  
"C" Replaces models with riveted ball joints. Installation hardware included.  
"D" Replaces models with pressed-in ball joints.

Rear Suspension

1992-99 Chevy Blazer, Tahoe, Suburban  
 1992-99 GMC Yukon, Suburban



W/O DSL = Without Diesel Engine  
 W/DSL = With Diesel Engine  
 W/O 5.7L = Without 5.7L Engine  
 W/5.7L = With 5.7L Engine

PART	ILL#	DESCRIPTION	APPLICATION	REQD	PRICE	PART	ILL#	DESCRIPTION	APPLICATION	REQD	PRICE
35-2870	(1)	LEAF SPRING 5 LEAF 4WD 2 DR	TAH YKN 92-99	(2)	\$279.95	35-1524	(9)	SHACKLE	CHEVY GMC 92-99	(2)	\$24.95
35-2871		LEAF SPRING 5 LEAF 2WD 4 DR	TAH YKN 95-99	(2)	\$269.95	50-0811-D	(10)	NUT-RUBBER BUMPER	2WD SUBURBAN 92-94	(4)	\$.95
35-2872		LEAF SPRING 5 LEAF 4WD 4 DR	TAH YKN 95-99	(2)	\$299.95	29-0271	(11)	BOLT		(4)	\$1.25
35-2873		LEAF SPRING-5 LEAF 2WD 4 DR	1/2T SUB 92-99	(2)	\$349.95	50-0811-D	(12)	NUT		(4)	\$.95
35-0208	(2)	BUSHING-SPRING EYE	CHEVY GMC 92-99	(4)	\$12.95	31-1896	(13)	RUBBER BUMPER	4WD 4DR TAH YKN 95-99	(2)	\$59.45
31-0492	(3)	U-BOLT SET	1/2T 92-99	(2)	\$31.95	50-0811-D	(14)	NUT-BUMPER	4WD 4DR TAH YKN 95-99	(2)	\$.95
31-0492		U-BOLT SET	W/5.7L 4DR 3/4T 92-99	(2)	\$31.95	30-1890	(15)	RUBBER BUMPER	4WD 2DR TAH YKN 92-99	(2)	\$9.95
31-0362	(4)	U-BOLT	W/O 5.7L 3/4T 92-99	(4)	\$30.95	30-1890		RUBBER BUMPER	4WD SUBURBAN 92-99	(2)	\$9.95
35-1512	(5)	SPACER	2DR CHEVY GMC 92-99	(2)	\$9.95	34-2426	(16)	HD GAS-CHARGED SHOCK-REAR	2DR 95-99	(2)	\$39.95
35-1512		SPACER	W/O DSL 4DR 1/2T 92-99	(2)	\$9.95	34-2428		HD GAS-CHARGED SHOCK-REAR	4WD 4DR 92-99	(2)	\$34.95
35-1513		SPACER	W/DSL 4DR 1/2T 94-99	(2)	\$7.95	39-1601		KYB GAS-A-JUST-SHOCK-REAR	2DR 92-99	(2)	\$85.37
35-1513		SPACER	W/5.7L 4DR 3/4T 92-99	(2)	\$7.95	39-1625		KYB GAS-A-JUST-SHOCK-REAR	4WD 4DR 92-99	(2)	\$72.95
35-1511		SPACER	W/O 5.7L 4DR 3/4T 92-99	(2)	\$10.95	39-1605		KYB GR2 GAS SHOCK-REAR	2DR 92-99	(2)	\$60.97
35-1515	(6)	ANCHOR PLATE	2DR CHEVY GMC 92-99	(2)	\$24.95	39-1625		KYB GR2 GAS SHOCK-REAR	4WD 4DR 92-99	(2)	\$72.95
35-1515		ANCHOR PLATE	W/O DSL 4DR 1/2T 92-99	(2)	\$24.95	31-0287	(17)	BOLT-UPPER	CHEVY GMC 92-99	(4)	\$.65
35-1516		ANCHOR PLATE	W/DSL 4DR 1/2T 94-99	(2)	\$19.95	29-0517	(18)	LOCK NUT-UPPER	CHEVY GMC 92-99	(4)	\$1.35
35-1516		ANCHOR PLATE	W/5.7L 3/4T 92-99	(2)	\$19.95	31-0288	(19)	BOLT-LOWER	CHEVY GMC 92-99	(2)	\$3.95
31-0286	(7)	BOLT	CHEVY GMC 92-99	(6)	\$3.95	29-0512	(20)	TORQUE LOCK NUT-LOWER	CHEVY GMC 92-99	(2)	\$1.95
29-0512	(8)	TORQUE LOCK NUT	CHEVY GMC 92-99	(6)	\$1.95						

## 3" Body Lift Kit ... Makes Room for Larger Tires

A Body Lift spaces the body away from the frame to make room for larger tires without altering the suspension. Body Lift Kit includes reinforced nylon spacers, compression tested to 50,000 psi and plated grade 5 hardware. Since the stock suspension is not affected, and larger tires are normally part of the plan, new shocks are recommended.



PART	DESCRIPTION	APPLICATION	REQD	PRICE
37-6534	3" BODY LIFT	"A" "B" CHEVY GMC 92-94	(1)	\$277.00
37-6540	FRONT BUMPER BRACKET KIT	CHEVY GMC 92-94	(1)	\$171.00

**Read This:** Installation of a body lift will change the center of gravity and the handling characteristics of the vehicle. Because of the higher center of gravity and larger tires, the vehicle will handle and react differently both on and off road. You must drive it safely! Extreme care must be taken to prevent vehicle rollover or loss of control, which could result in serious injury or death. Avoid sudden sharp turns or abrupt maneuvers and always make sure all vehicle occupants have their seat belts fastened.

Note: "A" Requires front bumper bracket kit #37-6540, sold separately.  
 "B" Will not fit models equipped with diesel engine.

## Drop Spindle Sets



Drop Spindles are the best way to lower the front of a truck without changing or affecting other components. Original ride quality and suspension geometry are maintained.

PART	DESCRIPTION	APPLICATION	REQD	PRICE
37-8507	DROP SPINDLE SET-2"	"A" 2WD TAH YKN 95-99	(1)	\$299.95
37-8508	DROP SPINDLE SET-2"	"B" 2WD TAH YKN 95-99	(1)	\$299.95
37-8507	DROP SPINDLE SET-2"	"A" 2WD SUB 1500 92-99	(1)	\$299.95
37-8508	DROP SPINDLE SET-2"	"B" 2WD SUB 1500 92-99	(1)	\$299.95

Note: "A" For models equipped with 1" wide front brake rotors.  
 "B" For models equipped with 1-1/4" wide front brake rotors.

## Drop Coil Spring Sets



Drop Coil Springs are a quick and easy way to lower the front of a truck. Improves handling by lowering ride height combined with more aggressive spring rates.

PART	DESCRIPTION	APPLICATION	REQD	PRICE
37-8517	DROP COIL SPRING SET-1"	FRT 2WD TAH YKN 95-99	(1)	\$169.95
37-8518	DROP COIL SPRING SET-2"	FRT 2WD TAH YKN 95-99	(1)	\$169.95
37-8517	DROP COIL SPRING SET-1"	FRT 2WD SUB 1500 92-99	(1)	\$169.95
37-8518	DROP COIL SPRING SET-2"	FRT 2WD SUB 1500 92-99	(1)	\$169.95



Wood and Leather Grained Vinyl Steering Wheels ...  
The Ultimate Look

GM Official Licensed Product is purchased from an authorized GM Licensee.

Steering Wheel Puller  
See Page 85



Back View



38-1048



38-1049



38-1171



38-1167



38-1188



38-1189



38-1178



38-1127



38-1128

Billet Horn Buttons include mounting hardware.

PART	DESCRIPTION	APPLICATION	REQD	PRICE
<b>Installation Kits</b>				
38-1186	INSTALLATION KIT-BILLET STYLE	CHEVY GMC 92-94	(1)	\$49.95
38-1182	INSTALLATION KIT-BLACK	CHEVY GMC 92-94	(1)	\$26.95
<b>Steering Wheels</b>				
38-1048	WOOD STEERING WHEEL-POLISHED			\$145.95
38-1049	WOOD STEERING WHEEL-BLACK			\$139.95
38-1171	VINYL STEERING WHEEL-POLISHED	CHEVY GMC 92-94		\$99.95
38-1167	VINYL STEERING WHEEL-BLACK	CHEVY GMC 92-94		\$99.95
<b>Billet Horn Buttons</b>				
38-1188	BILLET HORN BUTTON-POLISHED	PLAIN		\$29.95
38-1189	BILLET HORN BUTTON-POLISHED	BOWTIE		\$54.95
38-1178	BILLET HORN BUTTON-POLISHED	GMC		\$54.95

These 14" diameter, 3 spoke steering wheels have a half-wrap design featuring a billet back with a wood or leather grained vinyl front. Facing ring is available in hand-rubbed wood or black leather grained vinyl.



38-1186

Each steering wheel requires a horn button and an installation kit; sold separately below. Horn buttons are available plain or logoed and in black or polished finish.

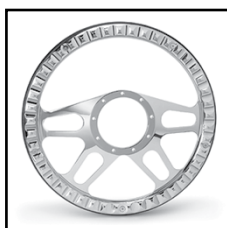
Wood Steering Wheel has been stained a rich mahogany color and urethane-coated for better heat resistance and long life. Leather Grained Vinyl Steering Wheels are available in matte black powder coat or high-polished finish. The one-piece billet backing ring has contoured finger notches.

PART	DESCRIPTION	APPLICATION	REQD	PRICE
38-1129	BILLET HORN BUTTON-BLACK	PLAIN		\$29.95
38-1127	BILLET HORN BUTTON-BLACK	BOWTIE		\$54.95
38-1128	BILLET HORN BUTTON-BLACK	GMC		\$54.95

Chromed Billet Leather Front Steering Wheel ... The Best of Both Worlds



38-1190



Back View

Steering Wheel Puller  
See Page 85

These 14" steering wheels feature four slotted spokes and a 3-3/4" dish and are manufactured from billet aluminum then chromed for a mirror finish.

The front of the rim is wrapped in a seamless single piece of leather and mounted to the wheel. The back of the wheel is chromed billet with contoured finger notches.

Steering wheel includes chromed billet installation kit and horn button that covers all mounting bolts. One kit includes everything needed to mount this steering wheel.

PART	DESCRIPTION	APPLICATION	REQD	PRICE
38-1190	CHROMED BILLET STEERING WHEEL	CHEVY GMC 92-94	(1)	\$257.75

**GRANT** Premium Leather Wrapped Billet Steering Wheel



Front



Back

These 14-3/4" diameter, 3-spoke steering wheels have a full hand-stitched leather wrap to provide a true premium feel. Each wheel features a black anodized wheel center with polished accents, a licensed steering wheel horn button and a full installation kit.

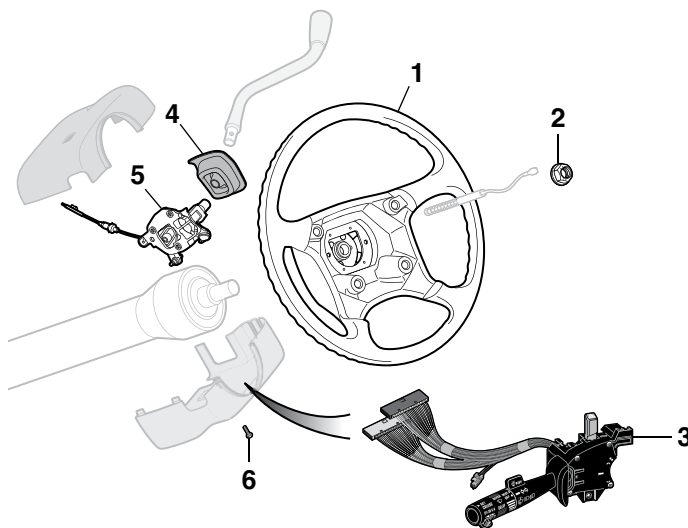
GM Official Licensed Product is purchased from an authorized GM Licensee.

PART	DESCRIPTION	APPLICATION	REQD	PRICE
38-1036	LEATHER STEERING WHEEL-BLACK	CHEVY 92-94	(1)	\$294.95

## Steering Wheel and Components

1995-99 Chevy Tahoe, Suburban

1995-99 GMC Yukon, Suburban

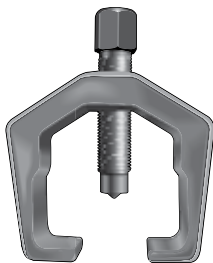


PART	ILL#	DESCRIPTION	APPLICATION	REQD	PRICE
34-0617	(1)	STEERING WHEEL	"A" "B"	CHEVY GMC 95-99 (1)	\$244.95
29-0516	(2)	NUT	CHEVY GMC 95-99	(1)	\$1.95
34-0802	(3)	TURN SIGNAL LEVER	"C"	CHEVY GMC 95-99 (1)	\$66.95
34-0803		TURN SIGNAL LEVER	"D"	CHEVY GMC 95-99 (1)	\$84.95
34-0880	(4)	SHIFT LEVER BOOT	CHEVY GMC 95-99	(1)	\$27.95
34-0881	(5)	STEERING COLUMN SHIFT ASSY	CHEVY GMC 95-99	(1)	\$142.95
31-0328	(6)	SCREW-COVER	CHEVY GMC 95-99	(2)	\$6.65

Note: "A" Fits models without driver side airbag.  
 "B" Fits models without leather wrapped steering wheel.  
 "C" Fits models without tilt or cruise control.  
 "D" Fits models with tilt and cruise control.

**Steering Wheel Puller**  
See Below

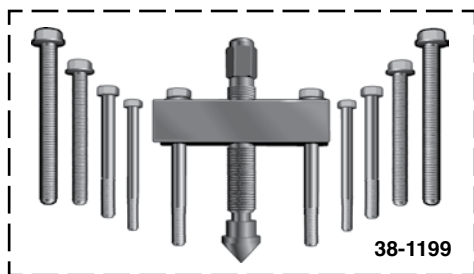
## Pitman Arm Puller



The Pitman Arm Puller features a forged, heat-treated steel yoke that is designed to wrap securely around the pitman arm to allow for easy removal. Heavy-duty center screw has pointed tip and 3/4" hex head. Opening: 1-5/16" (33mm). Depth: 2-1/2" (64mm).

PART	DESCRIPTION	PRICE
34-2202	PITMAN ARM PULLER	\$20.95

## Steering Wheel Puller



Steering Wheel Puller features forged, milled yoke and center screw with pointed/removable adaptor. Includes five sets of bolts in standard and metric sizes. Can also be used to remove pulleys, flanges and gears.

PART	DESCRIPTION	PRICE
38-1199	STEERING WHEEL PULLER	\$30.95

## Replacement Steering Shaft

1995-99 Chevy Blazer, Suburban

1995-99 GMC Yukon, Suburban



PART	DESCRIPTION	APPLICATION	REQD	PRICE
34-0873	STEERING SHAFT ASSEMBLY	CHEVY GMC 95-99	(1)	\$274.95

## Heavy-Duty Steering Shaft

1992-94 Chevy Blazer, Suburban

1992-94 GMC Yukon, Suburban



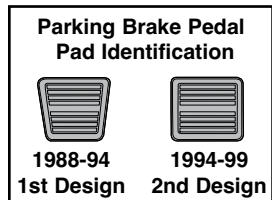
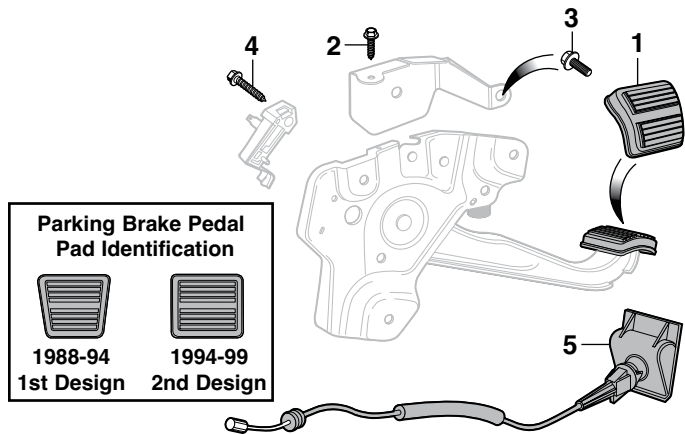
**MADE IN U.S.A.** This Steering Shaft Assembly is made from chrome moly steel billets and incorporates needle bearings for precise road handling. The universal joint uses sealed, permanently lubricated needle bearings making it maintenance free. This Assembly adds a measure of safety to the steering system with needle bearing U-joints and a telescoping shaft. If there is play in the steering system, your truck will have loose and vague steering. You may feel a looseness when you hit a bump or truck may wander in crosswinds. Order yours today!

Proudly made in the USA and carries a Five-Year/50,000 Mile Warranty (whichever comes first) against defects in materials and workmanship.

PART	DESCRIPTION	APPLICATION	REQD	PRICE
34-0872	HEAVY-DUTY STEERING SHAFT	CHEVY GMC 92-94	(1)	\$246.08

**Parking Brake Pedal Components - 1st Design**

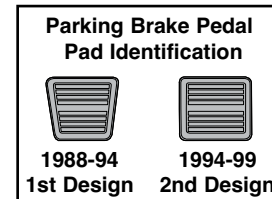
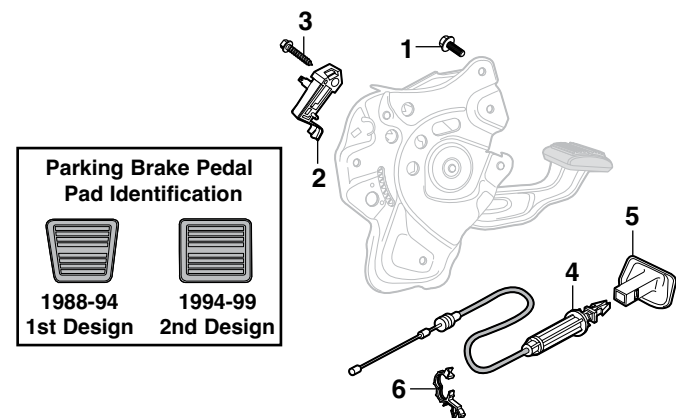
1992-94 Chevy Blazer, Suburban  
1992-94 GMC Yukon, Suburban



PART	ILL#	DESCRIPTION	APPLICATION	REQD	PRICE
29-1553	(1)	PEDAL PAD	CHEVY GMC 92-94	(1)	\$4.45
30-0533	(2)	SCREW-SHIELD	CHEVY GMC 92-94	(1)	\$.95
31-0520	(3)	BOLT-MOUNT	CHEVY GMC 92-94	(3)	\$1.95
31-0531	(4)	SCREW	CHEVY GMC 92-94	(1)	\$.65
31-1460	(5)	BRAKE RELEASE CABLE/HANDL	CHEVY GMC 92-94	(1)	\$9.95

**Parking Brake Pedal Components - 2nd Design**

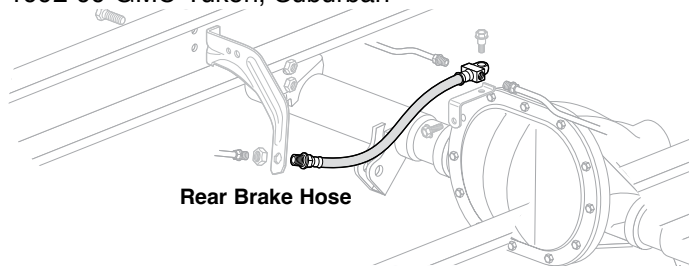
1994-99 Chevy Blazer, Tahoe, Suburban  
1994-99 GMC Yukon, Suburban



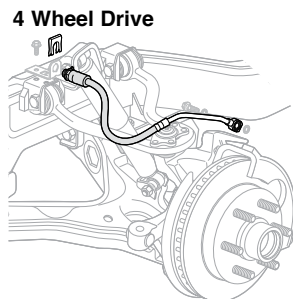
PART	ILL#	DESCRIPTION	APPLICATION	REQD	PRICE
31-0520	(1)	BOLT-MOUNT	CHEVY GMC 94-99	(3)	\$1.95
37-0653	(2)	SWITCH-PARKING BRAKE	CHEVY GMC 94-99	(1)	\$7.45
31-0531	(3)	SCREW	CHEVY GMC 94-99	(1)	\$.65
31-1461	(4)	RELEASE CABLE	CHEVY GMC 94-99	(1)	\$10.45
31-1462	(5)	RELEASE HANDLE	CHEVY GMC 94-99	(1)	\$7.95
31-1606	(6)	CLIP	CHEVY GMC 94-99	(1)	\$3.25

**Brake Hoses**

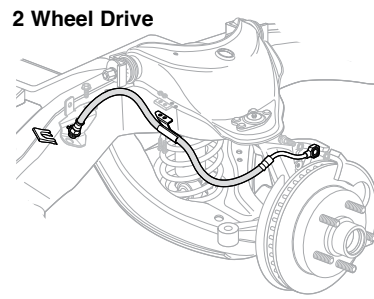
1992-99 Chevy Blazer, Tahoe, Suburban  
1992-99 GMC Yukon, Suburban



Rear Brake Hose



4 Wheel Drive



2 Wheel Drive

Brake Hoses will replace the damaged or leaking brake hoses on your truck's braking system.

PART	DESCRIPTION	APPLICATION	REQD	PRICE
<b>2 Wheel Drive</b>				
35-4474	FRONT BRAKE HOSE-LH	2WD 1/2T 92-99	(1)	\$11.95
35-4475	FRONT BRAKE HOSE-RH	2WD 1/2T 92-99	(1)	\$11.95
35-4474	FRONT BRAKE HOSE-LH	"A" 2WD 3/4T 92-99	(1)	\$11.95
35-4475	FRONT BRAKE HOSE-RH	"A" 2WD 3/4T 92-99	(1)	\$11.95
35-4476	FRONT BRAKE HOSE-LH	"B" 2WD 3/4T 92-99	(1)	\$12.95
35-4477	FRONT BRAKE HOSE-RH	"B" 2WD 3/4T 92-99	(1)	\$13.45
<b>4 Wheel Drive</b>				
35-4478	FRONT BRAKE HOSE-LH	4WD 1/2T 92-99	(1)	\$11.95
35-4479	FRONT BRAKE HOSE-RH	4WD 1/2T 92-99	(1)	\$11.95
35-4478	FRONT BRAKE HOSE-LH	"A" 4WD 3/4T 92-95	(1)	\$11.95
35-4479	FRONT BRAKE HOSE-RH	"A" 4WD 3/4T 92-95	(1)	\$11.95
35-4480	FRONT BRAKE HOSE-LH	"B" 4WD 3/4T 92-95	(1)	\$14.95
35-4481	FRONT BRAKE HOSE-RH	"B" 4WD 3/4T 92-95	(1)	\$14.95
35-4482	FRONT BRAKE HOSE-LH	"B" 4WD 3/4T 96-99	(1)	\$13.95
35-4483	FRONT BRAKE HOSE-RH	"B" 4WD 3/4T 96-99	(1)	\$13.95

**Rear Brake Hose**

35-4484	REAR BRAKE HOSE	CHEVY GMC 92-99	(1)	\$11.95
---------	-----------------	-----------------	-----	---------

**Rear Brake Hose Components**

30-1411	CLIP-HOSE RETAINER	CHEVY GMC 92-99	(1)	\$1.45
---------	--------------------	-----------------	-----	--------

Notes: "A" Fits models with production options C5Z, 7,200 lb. GVW.  
"B" Fits models with production options C6P, 8,600 lb. GVW.

**Brake Shoe Adjustment Tool**



Brake Shoe Adjustment Tool adjusts the clearance between the brake drum and the brake shoe through the backing plate (providing the manufacturer has made provisions). Simply remove the rubber plug to access the star adjustment bar without having to remove the drum.

PART	DESCRIPTION	REQD	PRICE
38-1291	BRAKE SHOE ADJUSTMENT TOOL	(1)	\$6.95



## Stainless Steel Brake Hose Sets

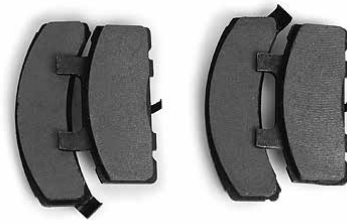


34-4582

Stainless Steel Brake Hoses feature stainless steel braided hose with factory assembled, zinc-plated fittings. These hoses increase braking performance and reduce pedal travel by eliminating hose expansion common to rubber hoses. Each set comes with all necessary hardware and fittings.

PART	DESCRIPTION	APPLICATION	REQD	PRICE
34-4582	SS BRAKE HOSE SET	2WD CHEVY GMC 92-99	(1)	\$64.95
34-4583	SS BRAKE HOSE SET	4WD BLZ TAH YKN 92-99	(1)	\$107.95
34-4586	SS BRAKE HOSE SET	4WD SUBURBAN 92-99	(1)	\$84.95

## Performance Non-Asbestos Disc Pads Deliver the Performance You Need



Extreme Performance Non-Asbestos Disc Brake Pads are proven performers that deliver the high braking performance you need, on demand under normal and rigorous driving conditions.

PART	DESCRIPTION	APPLICATION	REQD	PRICE
34-3343	BRAKE PAD SET W/O DIESEL	BLZ TAH YKN 92-99	(1)	\$49.45
34-3344	BRAKE PAD SET W/DIESEL	BLZ TAH YKN 94-99	(1)	\$64.95
34-3343	BRAKE PAD SET W/O DIESEL	SUB 1500 92-99	(1)	\$49.45
34-3344	BRAKE PAD SET W/DIESEL	SUB 1500 94-99	(1)	\$64.95
34-3344	BRAKE PAD SET	SUB 2500 92-99	(1)	\$64.95

## Edelbrock Performer 5.7 Liter TBI Power Parts ... Provide Incredible Power



38-4695

#38-4695 is not legal in California for use on emission controlled vehicles. 1966 and newer U.S. manufactured California Certified vehicles are considered emission controlled vehicles. Accepts all OE equipment and small bore 1-11/16" throttle body injector only.

For trucks originally equipped with TBI.

PART	DESCRIPTION	APPLICATION	REQD	PRICE
38-4695	PERFORMER TBI MANIFOLD	5.7L 92-95	(1)	\$494.95

Edelbrock Performer TBI Power parts are designed to greatly increase performance and driveability in the low to mid rpm range. Performer parts provide incredible power for passing, towing, climbing grades and daily driving. Your stock engine will be more efficient, with the potential for increased mileage.



38-4212

#38-4212 Cam Kit is designed for use with the #38-4695 TBI Manifold and is 50 State Street Legal.

PART	DESCRIPTION	APPLICATION	REQD	PRICE
38-4212	PERFORMER PLUS CAM KIT	5.7L 92-95	(1)	\$306.95

## Edelbrock TBI Small Block and Big Block Chrome Air Cleaner Top

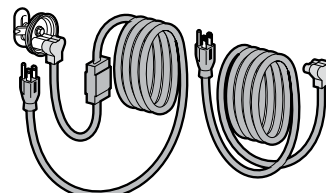


38-4616

Chrome Air Cleaner Tops are direct replacements for stock air cleaner tops on trucks with throttle body injection. Tops are stamped from 18-gauge steel and triple chrome plated for a high-quality finish and great looks. Sealing ring included.

PART	DESCRIPTION	APPLICATION	REQD	PRICE
38-4616	TBI AIR CLEANER TOP	CHEVY GMC 92	(1)	\$44.95

## Engine Block Heaters



32-2490

40-4855-C



A pre-heated engine saves on fuel costs, starts quicker, runs smoother, warms cab interior, defrosts quicker and reduces engine wear and tear.

Engine Block Heaters are complete with cord and detailed easy-to-follow instructions for a simple installation directly into your engine block.

PART	DESCRIPTION	APPLICATION	REQD	PRICE
32-2492	ENGINE BLOCK HEATER KIT W/O 7.4L	CHEVY GMC 92-99	(1)	\$29.95
32-2490	ENGINE BLOCK HEATER KIT 7.4L	CHEVY GMC 92-99	(1)	\$29.95
40-4855-C	REPLACEMENT CORD	CHEVY GMC	(AR)	\$17.95

**Remote Starter Switch**



Remote Starter Switch allows you to start or crank your engine without help. Ideal for conducting compression tests or bumping engine to top dead center for valve, distributor or camshaft adjustment. 36" long leads have alligator clips with insulated boots and feature a push button style switch and grip.

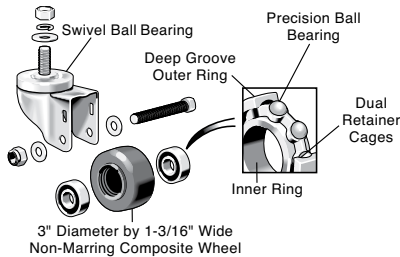
PART	DESCRIPTION	PRICE
38-1278	REMOTE STARTER SWITCH	\$12.95

**Extra Heavy-Duty Auto Dolly Set Makes Moving Your Vehicle Easy**



38-0328

XHD Auto Dolly Set, with 7,000 lbs. rating, makes it easy for one person to move a car, truck or SUV into a tight spot. Made of 1/4" thick mild steel x 12" x 16" formed plate and features 3" diameter by 1-3/16" wide swivel ball bearing caster wheels, one equipped with locking safety brake. Use on level, smooth surfaces.



PART	DESCRIPTION	PRICE
38-0328	XHD TRUCK DOLLY SET OF 4	\$229.95

**NotchHead Line Clamps**



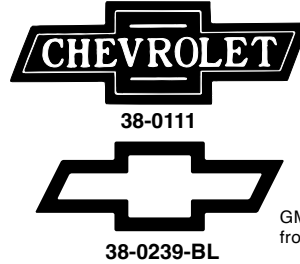
NotchHead Line Clamps organize both hard and soft lines and clamp them in place to keep from being chafed on sharp edges or crushed under moving components. Easily secure lines without marring paint. Can also be used as separators for running hoses in parallel by bolting two line clamps together. Flexible lines easily snap in for quick installation and mock-ups. Mounting hardware included in each kit.

PART	DESCRIPTION	APPLICATION	REQD	PRICE
30-1730	LINE CLAMP SET-HARDLINES-6PC	3/16" LINE	(AR)	\$16.96
30-1731	LINE CLAMP SET-HARDLINES-6PC	1/4" LINE	(AR)	\$17.91
30-1732	LINE CLAMP SET-HARDLINES-6PC	3/8" LINE	(AR)	\$19.80
30-1733	LINE CLAMP SET-HARDLINES-6PC	1/2" LINE	(AR)	\$23.58
30-1736	LINE CLAMP SET-SOFTLINES-6PC	1/2" LINE	(AR)	\$23.58
30-1737	LINE CLAMP SET-SOFTLINES-6PC	5/8" LINE	(AR)	\$25.47
30-1738	LINE CLAMP SET-SOFTLINES-6PC	3/4" LINE	(AR)	\$27.36

**Decals for Chevrolet**

1992-99 Chevy Blazer, Tahoe, Suburban

**Chevrolet Bowtie Decals**



**Engine Compartment**



36-9870

GM Official Licensed Product is purchased from an authorized GM Licensee.

PART	DESCRIPTION	REQD	PRICE
<b>Chevrolet Bowtie Decals</b>			
38-0111	DECAL-"BOWTIE" WHITE ON BLUE 7"	(1)	\$9.45
38-0112	DECAL-"BOWTIE" WHITE ON BLUE 13"	(1)	\$10.45
38-0202	DECAL-"BOWTIE" CLEAR ON BLUE 7"	(1)	\$9.45
38-0203	DECAL-"BOWTIE" CLEAR ON BLUE 13"	(1)	\$10.45
38-0239-BL	DECAL-CHEVY BOWTIE BLACK 12"	(1)	\$10.95
38-0239-LL	DECAL-CHEVY BOWTIE BLUE 12"	(1)	\$10.95
38-0239-GD	DECAL-CHEVY BOWTIE GOLD 12"	(1)	\$10.95
38-0239-RD	DECAL-CHEVY BOWTIE RED 12"	(1)	\$10.95
38-0239-WH	DECAL-CHEVY BOWTIE WHITE 12"	(1)	\$10.95

**Engine Compartment Decal**

36-9870	DECAL-DRIVE BELT	(1)	\$10.45
---------	------------------	-----	---------

**Decal for GMC**

1993-99 GMC Yukon, Suburban



Engine Compartment 36-9870

PART	DESCRIPTION	REQD	PRICE
<b>Engine Compartment Decal</b>			
36-9870	DECAL-DRIVE BELT	(1)	\$10.45

**Mini Tube Cutter**



Mini Tube Cutter allows quick and simple cutting of Fuel & Brake lines from 1/8" to 5/8" OD. The compact design ensures easy access to even the tightest of spots. Cutter will cut through Steel, Aluminum, Plastic, Copper and Brass line.

PART	DESCRIPTION	PRICE
38-1372	MINI TUBE CUTTER	\$8.95

**Flare Tool Set**



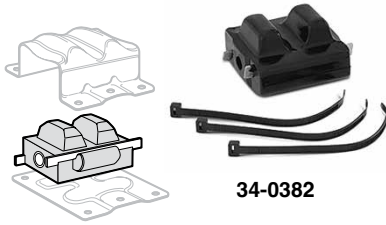
SAE Flare Tool Set allows quick repair of Fuel, Brake, Oil and Transmission lines, taking the guesswork out of creating single and double flares. Will work with 3/16", 1/4", 5/16", 3/8" and 1/2" tube. Capable of creating single flares in copper, aluminum and brass tubing, double flares in soft steel tubing.

PART	DESCRIPTION	PRICE
38-1374	SAE FLARE TOOL SET	\$34.95

## Front Engine Mount Insert

Hyper-Flex performance polyurethane mounts insert into existing metal shells. Must reuse existing outer shells and drill out welds or rivets to separate for installation.

#34-0382 is 3 bolt style.



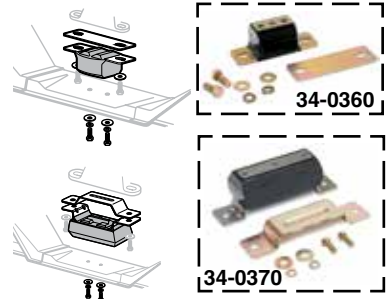
34-0382

PART	DESCRIPTION	APPLICATION	REQD	PRICE
34-0382	FRONT ENG MOUNT INSERT	2WD 5.7L	92-99 (2)	\$39.95
34-0382	FRONT ENG MOUNT INSERT	4WD 5.7L 7.4L	92-99 (2)	\$39.95

## Polyurethane Transmission Mounts

Transmission Mounts are soft enough for smooth operation on the street, yet strong enough for use at the drag strip, off-road and circle track.

#34-0360 has a unique built in safety locking feature for added confidence. This Transmission Mount will work for trucks that have a single stud that mounts to the crossmember or two studs that mount to the crossmember.



34-0360

34-0370

PART	DESCRIPTION	APPLICATION	REQD	PRICE
34-0360	TRANSMISSION MOUNT	2WD 5.7L	92-99 (1)	\$29.75
34-0370	TRANSMISSION MOUNT	4WD 5.7L 7.4L	92-99 (1)	\$81.21



## Performance Powr-Flo Throttle Body Spacers



Powr-Flo Throttle Body Spacers are CNC-machined from billet aluminum and feature a bore engineered to increase velocity of airflow into intake manifold. This allows more air to reach combustion chamber for denser air charge and increase in fuel efficiency. The result is improved throttle response and power gains in mid-range and upper rpm operating ranges. Includes gaskets, hardware and instructions for a simple, bolt-on installation with no other vehicle modifications required.



38-4640



38-4641

PART	DESCRIPTION	APPLICATION	REQD	PRICE
38-4640	POWR-FLO SPACER	5.7L	92-95 (1)	\$96.94
38-4641	POWR-FLO SPACER	5.7L	96-98 (1)	\$116.96

## JET Performance Powr-Flo Mass Air Flow Sensors

The JET Performance Powr-Flo Mass Air Flow Sensor delivers improved horsepower, torque and mileage by simply replacing the restrictive stock mass air flow sensor. JET Performance's flow bench-tested design provides up to a 45% increase in airflow. Sensors require no additional vehicle modifications and are fully compatible with other performance upgrades such as performance air filters, air intake kits, exhaust system modifications and throttle body spacers. Quick, easy installation.



38-4393

PART	DESCRIPTION	APPLICATION	REQD	PRICE
38-4393	POWR-FLO MAF SENSOR	4.3L 5.0L 5.7L	96-99 (1)	\$322.46
38-4394	POWR-FLO MASS AIR FLOW SENSOR	7.4L	96-99 (1)	\$322.46

## JET Adjustable Fuel Pressure Regulator Kit

The JET Performance Adjustable Fuel Pressure Regulator Kit is a direct replacement for the factory unit and contains a billet adjustable fuel pressure regulator with a steel insert on the adjuster to prevent stripped threads. Includes all necessary gaskets and a heavy-duty replacement diaphragm.

The fuel pressure regulator kit allows for precise tuning of fuel pressure to accompany other performance modifications such as performance air filters, air intake kits, exhaust system modifications, throttle body spacers, performance camshafts and intake manifold upgrades, etc. Restores lost performance due to a worn out stock regulator. Kit reuses factory spring.

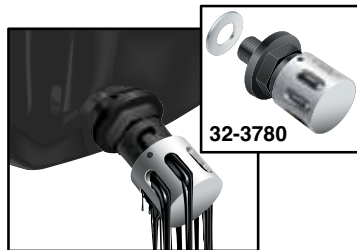


38-1937

PART	DESCRIPTION	APPLICATION	REQD	PRICE
38-1937	ADJ FUEL PRESSURE REGULATOR KIT	TBI GAS	92-95 (1)	\$134.96



**EZ Oil Drain Valve**



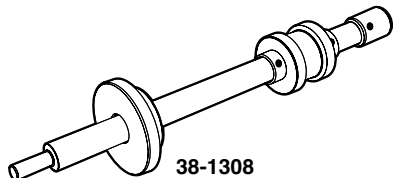
EZ Oil Drain Valve allows quick oil changes with little to no mess. Compact design has no lever to catch on obstacles. Adaptors are not required and easily installs with socket or wrench. Aluminum crush washer (included) ensures tight, leak-free seal.

Simple operation; push in cap, twist to the right and drain. Once drained, push in and twist to left to close. Spring-tensioned, double o-ring seal guarantees a long, leak-free life.

PART	DESCRIPTION	APPLICATION	REQD	PRICE
32-3780	EZ OIL DRAIN VALVE 1/2"	GAS	92-95 (1)	\$12.95
32-3781	EZ OIL DRAIN VALVE 12MM	GAS	96-98 (1)	\$13.95
32-3780	EZ OIL DRAIN VALVE 1/2"	"A" DIESEL	92-95 (1)	\$12.95
32-3781	EZ OIL DRAIN VALVE 12MM	DIESEL	92-98 (1)	\$13.95

Note: "A" Some pans have a 12mm thread. Measure your plug before ordering.

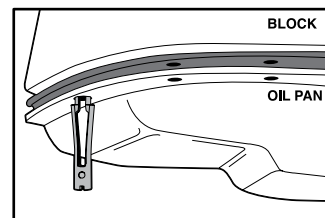
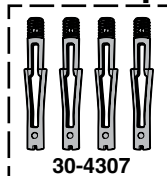
**Oil Pump Priming Tool**



Before starting a new or rebuilt motor for the first time, it's critical to prime the lubricating system to prevent premature wear. Failure to pressurize the oil could result in a dry start that can cause camshaft, bearing and/or piston ring failure. An Oil Pump Priming Tool makes this process easy — just remove the distributor, insert the priming tool and turn it clockwise with a 3/8" drill. The tool has a machined aluminum collar that simulates the distributor and helps to eliminate damaging side loading of the oil pump drive while priming.

PART	DESCRIPTION	APPLICATION	REQD	PRICE
38-1308	OIL PUMP PRIMING TOOL	V8 CHEVY GMC 92-99	(1)	\$20.95

**Oil Pan Snap-Ups**



Oil Pan Snap-Ups hold the oil pan in position and line up the mounting holes, saving you the trouble of trying to get the bolt threads started to hold the pan up. It saves time and frustration by holding oil pan and gasket in place for quick and easy bolt installation.

PART	DESCRIPTION	APPLICATION	REQD	PRICE
30-4307	ENGINE OIL PAN SNAP-UPS	W/O DIESEL	92-99 (1)	\$6.95
30-4308	ENGINE OIL PAN SNAP-UPS	W/ DIESEL	94-99 (1)	\$6.95
30-4308	TRANS OIL PAN SNAP-UPS		92-99 (1)	\$6.95

**Chrome Differential Cover**



PART	DESCRIPTION	APPLICATION	REQD	PRICE
38-1817	REAR COVER	CHEVY GMC 92-99	(1)	\$22.95
30-4352	COVER GASKET	CHEVY GMC 92-99	(1)	\$4.95
38-1816	REAR COVER	"A" CHEVY GMC 92-99	(1)	\$19.95
30-4355	COVER GASKET	"A" CHEVY GMC 92-99	(1)	\$5.25
38-1807	REAR COVER	"B" CHEVY GMC 92-99	(1)	\$21.45
30-4353	COVER GASKET	"B" CHEVY GMC 92-99	(1)	\$2.45

Note: "A" Fits models with 9-1/2" ring gear.  
"B" Fits models with 10-1/2" ring gear.

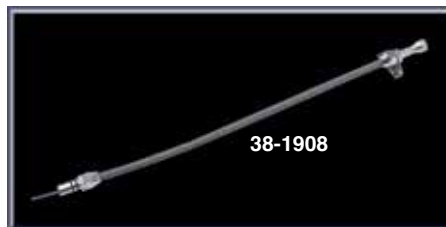
**Stainless Steel Coolant Overflow Kit**



Stainless Steel Coolant Overflow Kit works in place of any existing coolant overflow system or can be added to vehicles not originally equipped with a coolant overflow tank. Tank holds over 1 quart of coolant and measures 3 inches wide by 16 inches tall. Kit includes stainless steel coolant overflow tank, stainless steel twist-on style cap, mounting brackets and hardware.

PART	DESCRIPTION	PRICE
36-4087	COOLANT OVERFLOW KIT-SS	\$44.95
32-1941	OVERFLOW HOSE 4FT	\$9.95
30-3410	HOSE CLAMP	\$1.95

**Stainless Transmission Dipstick**



PART	DESCRIPTION	PRICE
38-1908	TRANS DIPSTICK-SS TH700R4	\$46.75

**Gift Cards Now Available**

Call (800) 562-8782

Available in \$25 - \$50 - \$100

- Gift Cards are the perfect gift to ensure you are giving exactly what they want!
- Gift Cards don't expire.
- Orders must be pre-paid. Orders received before 3:00 p.m. Central Time will ship same day.
- Gift Cards can now be redeemed through the mail or by phone.



## Chrome Valve Cover Sets and Accessories



PART	DESCRIPTION	APPLICATION	REQD	PRICE
38-1810	CHROME VALVE COVER SET	5.7L 92-99	(1)	\$49.95
30-4397	VALVE COVER GASKET SET	5.7L 92-99	(1)	\$15.25
30-2525	CHROME VALVE COVER BOLT	5.7L 92-99	(8)	\$1.95
38-1824	CHROME VALVE COVER SET	7.4L 92-95	(1)	\$24.95
30-4399	VALVE COVER GASKET SET	7.4L 92-95	(1)	\$14.45
30-2523	CHROME OIL CAP-PLAIN	PUSH IN 1-1/4" OD		\$4.95
38-1814	CHROME OIL CAP-"OIL"	PUSH IN 1-1-4" OD		\$4.95

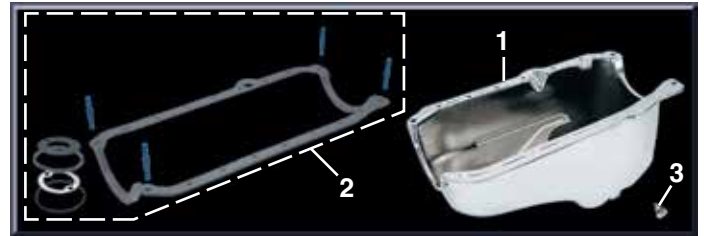
PART	DESCRIPTION	APPLICATION	REQD	PRICE
38-1802	BREATHER W/GROMMET	"A" 3/4" OD		\$5.25
38-1799	BREATHER W/TUBE & GROMMET	"A" 1" OD		\$5.95
30-2521	GROMMET-BREATHER/PCV	3/4" ID 1-1/4" OD		\$1.25
30-2520	GROMMET-BREATHER	1" ID 1-1/4" OD		\$1.95
30-2522	GROMMET SET INCLUDES 30-2521 & 30-2520			\$2.95

Note: "A" Not legal for sale or use on pollution controlled vehicles.

## Chrome Oil Pan and Magnetic Drain Plug

PART	ILL#	DESCRIPTION	APPLICATION	REQD	PRICE
38-1904	(1)	OIL PAN-CHROME W/PLUG	5.7L 92-99	(1)	\$54.95
30-4301	(2)	GASKET SET	5.7L 92-99	(1)	\$37.95
32-3770	(3)	DRAIN PLUG-MAGNETIC 1/2"	5.7L 7.4L 92-95	(1)	\$3.45
32-3772		DRAIN PLUG-MAGNETIC 12MM"A"	5.7L 7.4L 96-99	(1)	\$4.95
32-3770		DRAIN PLUG-MAGNETIC 1/2"	DIESEL 94-95	(1)	\$3.45
32-3772		DRAIN PLUG-MAGNETIC 12MM"A"	DIESEL 94-99	(1)	\$4.95

Note: "A" Original equipment oil pans are equipped with a 12mm drain plug, replacement oil pans are equipped with a 1/2" drain plug. Measure your pan before ordering.



## Polished Aluminum Swivel Neck Water Outlets

Swivel Neck Water Outlets are available with three different neck angles and swivel a full 360 degrees to meet virtually any configuration requirement. Made from polished aluminum for great looks.



Includes socket head bolts and o-ring seal for superior leak protection.



PART	DESCRIPTION	PRICE
38-1965	SWIVEL OUTLET 15 DEGREE	\$21.75
38-1966	SWIVEL OUTLET 45 DEGREE	\$17.45
38-1967	SWIVEL OUTLET 90 DEGREE	\$18.45
38-1979	O-RING-OUTLET	\$ .95

## Chrome Oil Filter Cover

Installs in seconds; simply slip it over your oil filter and secure it with the set screw on the cover. Fits most oil filters. Be sure to measure your oil filter before ordering. Because of some filter locations, it may be difficult to slip this over an installed oil filter; be sure to check for clearance before ordering.



PART	DESCRIPTION	PRICE
38-1878	CHROME OIL FILTER COVER 4-1/4"H X 3-11/16"W	\$15.95

## Chrome Transmission Pans

Oil Pan Snap-Ups - See Page 90



PART	DESCRIPTION	PRICE
38-1916	FINNED STOCK DEPTH	\$29.95
38-1914	FINNED +1" DEPTH	\$27.55

## Chrome Master Cylinder Cover, Water Reservoir/Power Steering Caps



PART	DESCRIPTION	PRICE
38-1928	CYL COVER CHEVY GMC 92-99	\$7.95
38-1854	WATER RESERVOIR CAP 92-99	\$5.95
38-1859	PWR STEERING-SAGINAW 92-99	\$3.95

## Chrome Air Cleaner Top



PART	DESCRIPTION	PRICE
38-1938	AIR CLEANER TOP TB1 92	\$19.95
38-1939	AIR CLEANER TOP TB1 93-95	\$21.95

## Chrome Water Outlet



PART	DESCRIPTION	PRICE
38-1850	WATER OUTLET 7.4L 96-99	\$21.95
38-1978	O-RING-OUTLET	\$1.25

## Chrome Flexplate Cover



PART	DESCRIPTION	PRICE
38-1798	FLEXPLATE DUST COVER 2WD TH700R4/4L60E	\$30.95

## Accessory Drive Systems

### Accessory Drive Systems include:

- Powermaster 170 amp alternator
- Aluminum water pump
- Sanden AC compressor (where applicable)
- Gates tensioner and serpentine belt
- GM Type II power steering pump
- SFI Approved balancer (LS models only)
- All necessary CNC billet aluminum brackets and pulleys
- Stainless steel hardware

Available in Black Anodized and Polished Aluminum

### Serpentine Drive Systems

#### Small Block and Big Block Engines

Serpentine Drive Systems are the most compact and easiest to install serpentine kits on the market. Change the appearance and performance of your engine with pulleys and brackets CNC-machined from high quality billet aluminum. Includes six rib serpentine belt with more contact area than a traditional v-belt setup to drive all of your accessories.



PART	DESCRIPTION	APPLICATION	REQD	PRICE
<b>Small Block Engines</b>				
30-3940-BL	SERPENTINE DRIVE SYSTEM-BLACK	WITHOUT AC	(1)	\$2325.00
30-3940-PL	SERPENTINE DRIVE SYSTEM-POLISHED WITHOUT AC	WITHOUT AC	(1)	\$2325.00
30-3941-BL	SERPENTINE DRIVE SYSTEM-BLACK	WITH AC	(1)	\$2525.00
30-3941-PL	SERPENTINE DRIVE SYSTEM-POLISHED WITH AC	WITH AC	(1)	\$2525.00
<b>Big Block Engines</b>				
30-3942-BL	SERPENTINE DRIVE SYSTEM-BLACK	WITH AC	(1)	\$2595.00
30-3942-PL	SERPENTINE DRIVE SYSTEM-POLISHED WITH AC	WITH AC	(1)	\$2595.00
<b>LS Engines</b>				
30-3943-BL	SERPENTINE DRIVE SYSTEM-BLACK	WITH AC	(1)	\$2495.00
30-3943-PL	SERPENTINE DRIVE SYSTEM-POLISHED WITH AC	WITH AC	(1)	\$2495.00
<b>Remote Reservoir</b>				
30-3950-BL	REMOTE RESERVOIR-BLACK		(1)	\$225.00
30-3950-PL	REMOTE RESERVOIR-POLISHED		(1)	\$225.00

Power steering reservoir and hoses are not included and must be purchased separately. LS Systems fit 4.8L, 5.3L and 6.0L Truck engines and will not work on engines with Variable Valve Timing (VVT).



### V-Drive Systems

#### Small Block and Big Block Engines

V-Drive Systems are the most compact and easiest to install belt drive kits on the market. Change the appearance and performance of your engine with pulleys and brackets CNC-machined from high quality billet aluminum. Includes v-belt setup to drive all of your accessories at a more affordable price than a serpentine belt setup. These kits work with mechanical and electric fans.



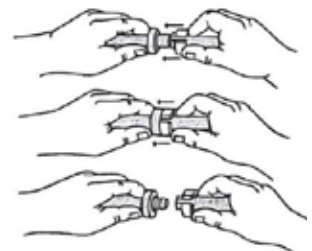
PART	DESCRIPTION	APPLICATION	REQD	PRICE
<b>Small Block Engines</b>				
30-3930-BL	V-DRIVE SYSTEM-BLACK	WITHOUT AC	(1)	\$1545.00
30-3930-PL	V-DRIVE SYSTEM-POLISHED	WITHOUT AC	(1)	\$1545.00
30-3931-BL	V-DRIVE SYSTEM-BLACK	WITH AC	(1)	\$1745.00
30-3931-PL	V-DRIVE SYSTEM-POLISHED	WITH AC	(1)	\$1745.00
<b>Big Block Engines</b>				
30-3932-BL	V-DRIVE SYSTEM-BLACK	WITHOUT AC	(1)	\$1615.00
30-3932-PL	V-DRIVE SYSTEM-POLISHED	WITHOUT AC	(1)	\$1615.00
30-3933-PL	V-DRIVE SYSTEM-POLISHED	WITH AC	(1)	\$1775.00
<b>Remote Reservoir</b>				
30-3950-BL	REMOTE RESERVOIR-BLACK		(1)	\$225.00
30-3950-PL	REMOTE RESERVOIR-POLISHED		(1)	\$225.00

## AC and Fuel Line Disconnect Tool Set

Disconnects Air Conditioning and Quick-Connect Fuel Lines.

This handy Disconnect Tool Set disconnects the spring lock couplings on air conditioning lines, and fuel line quick connect couplings.

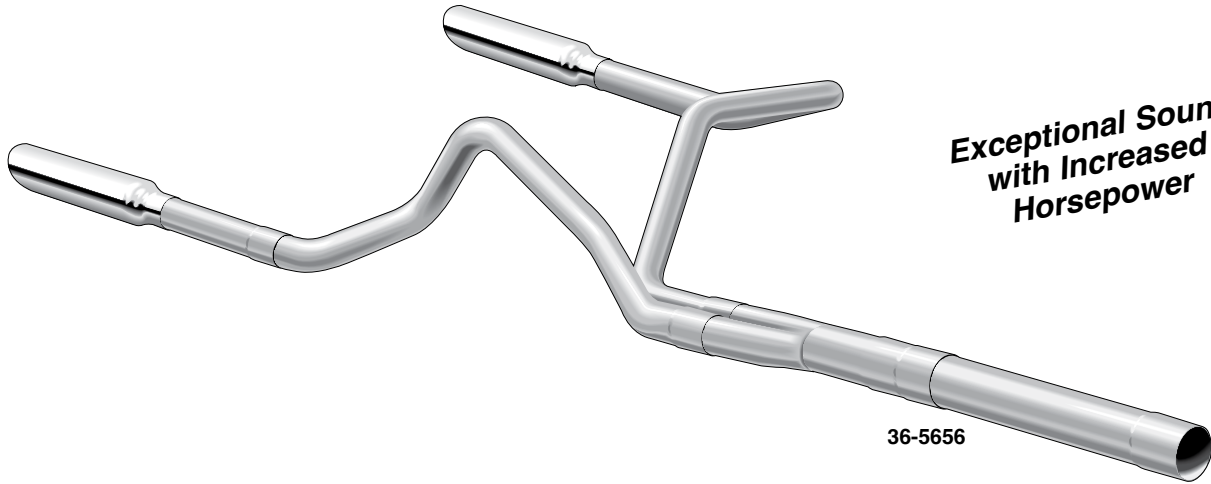
Easy to use in confined spaces. Set includes six sizes: 5/16", 3/8", 1/2", 5/8", 3/4" and 7/8".



PART	DESCRIPTION	PRICE
38-1373	AC-FUEL LINE DISCONNECT TOOL SET	\$9.95



**Cat-Back Performance Dual Exhaust System with Resonator Tips**



**Exceptional Sound  
with Increased  
Horsepower**

Cat-Back Exhaust Systems have a straight-through design that reduces back pressure for more low-end torque, increased horsepower and better fuel economy. Replaces the stock exhaust system from the catalytic converter back. Manufactured from 16-gauge, mandrel bent aluminized steel, increasing flow up to 20% more than stock. Exhaust systems have 3-1/2" diameter resonator tips that replace the original muffler. Easy bolt-on installation, no welding required. Hangers, fasteners and steel clamps are included. Exhaust exits the rear of truck.



**Replacement Resonator Tips**

The 3-1/2" diameter resonator tips replace the original muffler and give your truck that deep performance tone without being too loud. Available in stainless steel angle tip or black powder coat blunt tip.



PART	DESCRIPTION	APPLICATION	REQD	PRICE
36-5559	RESONATOR TIP-STAINLESS STEEL REPLACEMENT FOR PERFORMANCE	ANGLE CUT EXHAUST SYSTEMS	(2)	\$82.95
36-5557	RESONATOR TIP-BLACK POWDER COAT REPLACEMENT FOR PERFORMANCE	BLUNT CUT EXHAUST SYSTEMS	(2)	\$64.95

This system is designed for clearance of an original size spare tire mounted underneath the bed. If you have an oversize spare, it will have to be removed to use this system.

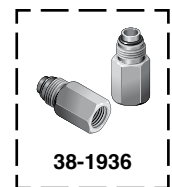
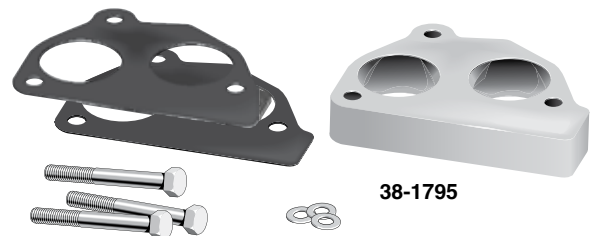
PART	DESCRIPTION	APPLICATION	REQD	PRICE
36-5656	CAT-BACK PERFORMANCE EXHAUST SYS W/STAINLESS ANGLE TIPS 5.7L	3" CAT SUBURBAN 92-95	(1)	\$469.95*
36-5666	CAT-BACK PERFORMANCE EXHAUST SYS W/BLACK POWDER BLUNT TIPS 5.7L	3" CAT SUBURBAN 92-95	(1)	\$399.95*

\* Or \*\* after the sell price means your order will incur an Oversize Part Charge for each oversized part. \* Means extra charge will be \$20. \*\* Means extra charge will be \$50. Due to packing and/or transportation requirements, please allow additional time for delivery. Oversized Parts are not available for air delivery.

**Throttle Body Spacer**

Improve performance and fuel economy ... The Throttle Body Spacer causes the fuel to travel further, which improves fuel dispersion making it easier for the fuel to ignite and burn thoroughly. Receive increased throttle response, a 10-15% improvement in torque and gas mileage increase of up to 8%. Easily installs between intake manifold and throttle body injection unit. Will not affect computer function.

Fuel Line Extension Set lengthens the fuel lines and is recommended for easier installation of throttle body spacers.



PART	DESCRIPTION	APPLICATION	REQD	PRICE
38-1795	THROTTLE BODY SPACER	5.7L	92 (1)	\$50.95
29-4871	THROTTLE BODY SPACER	5.7L	93-95 (1)	\$54.95
39-4370	THROTTLE BODY SPACER	5.7L	96-99 (1)	\$59.95

PART	DESCRIPTION	APPLICATION	REQD	PRICE
38-1797	THROTTLE BODY SPACER	7.4L	92-95 (1)	\$104.95
38-1936	FUEL LINE EXTENSION SET	USE W/TBI SPACER	(1)	\$46.95

### Header Wrap



Increase performance by keeping hot exhaust gasses inside the headers for maximum velocity, improved exhaust scavenging and protecting sensitive engine components from high temperatures.

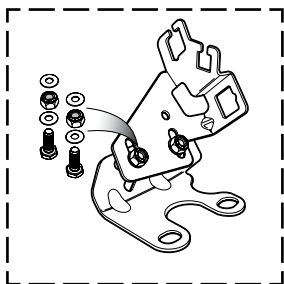
Header Wrap is able to withstand temperatures up to 1,200°F and is made from vermiculite-coated, textured fiberglass yarn woven into a strong, flexible wrap that can easily be cut with scissors.

Available in 25 or 50-foot rolls of 1" or 2" widths. Two 50-foot rolls of 2" wide are generally enough to wrap standard V8 headers. Stainless steel locking cable ties keep the wrap securely in place. *Header Wrap can void warranty of some headers. Check header manufacturer's warranty before installing.*

Headers with tight bends should use 1" wide wrap for coverage. Overlap wrap 1/4" for optimum heat dissipation.

PART	DESCRIPTION	APPLICATION	PRICE
36-6181	HEADER WRAP	1" X 25'	\$10.95
36-6182	HEADER WRAP	1" X 50'	\$20.95
36-6183	HEADER WRAP	2" X 25'	\$16.45
36-6184	HEADER WRAP	2" X 50'	\$29.95
30-1793	CABLE TIE-SS	7-1/2"	\$2.95
30-1794	CABLE TIE-SS	14-1/2"	\$3.95

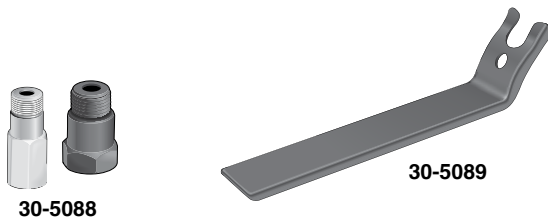
### Throttle Cable Bracket



Ideal for use in vehicles that have undergone engine and/or transmission swaps. Fits 1995 and earlier GM small block and big block V8 engines. Includes provisions for throttle, detent/throttle valve and cruise control cables. It mounts using the two rear intake manifold bolts and is adjustable for use with varying cable lengths and intake manifold heights. Call or go online and order yours today!

PART	DESCRIPTION	APPLICATION	PRICE
38-4708	THROTTLE CABLE BRACKET	CHEVY V8 92-95	\$68.95

### Air Hold Fittings and Valve Spring Compressor



Remove or replace valve springs and/or valve guide seals without taking the cylinder head off the engine. Use by removing rocker arm and fastening the tool to rocker stud with rocker nut, then use an air hold fitting and compressed air to hold valves up.

PART	DESCRIPTION	PRICE
30-5088	AIR HOLD FITTING SET	\$4.95
30-5089	VALVE SPRING COMPRESSOR	\$12.95

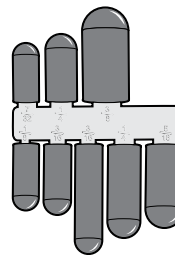
### Thermal Spark Plug Boot Sleeve Set



Thermal Spark Plug Boot Sleeves provide thermal protection against hot exhaust headers. Double-layer gray fiberglass sleeves are non-conductive and can directly contact hot surfaces without harmful effects. Chemically-resistant 3/4" diameter braided sleeves easily slip over any spark plug wire and boot configuration to protect from temperatures up to 1,200°F. Call or go online and order yours today!

PART	DESCRIPTION	PRICE
36-6190	SPARK PLUG BOOT SLEEVE SET	\$14.45

### Rubber Vacuum Caps



These Rubber Vacuum Caps are great for blocking off unused vacuum ports and lines, to prevent leaks and poor engine performance. Excellent for capping lines and hoses while testing carburetors, emission control systems, vacuum lines and more.

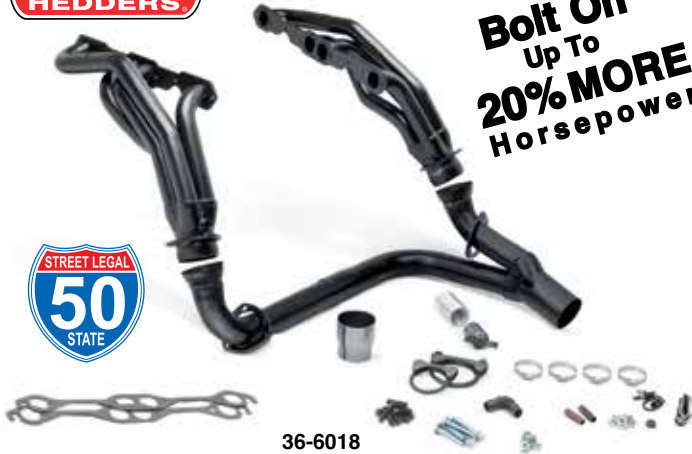
Caps are made from durable heat-resistant black rubber. Assortment contains one each of the following sizes: 5/32", 7/32", 5/16", 3/8" and two each of 3/16" and 1/4".

PART	DESCRIPTION	PRICE
30-1436	RUBBER VACUUM CAP ASSORTMENT	\$3.95



## Exhaust Headers

**Bolt On  
Up To  
20% MORE  
Horsepower**



36-6018

### Limited Lifetime Warranty

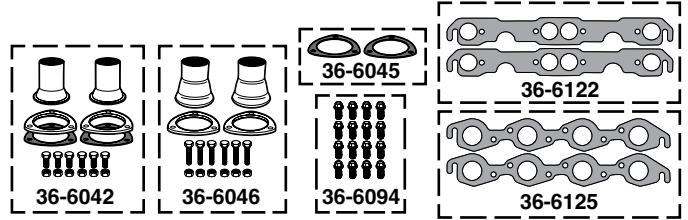
Hedman Headers have 3" collector tubes for excellent exhaust flow, reducing back pressure and improving performance. Includes hardware, gaskets and instructions needed for installation. Headers are painted black. Tests have shown a 1.1 second improvement in 0 to 60 second times. Expect up to a 20% increase in horsepower and up to a 10% increase in gas mileage. Call or go online and order yours today!

*Increases in fuel efficiency and horsepower are based on a truck operating at factory specifications. Increases may vary according to the condition of your truck and driving habits.*

PART	DESCRIPTION	APPLICATION	REQD	PRICE
36-6018	HEDMAN HEADER SET W/O A.I.R. "A"	5.7L	92-95 (1)	\$599.95

Note: "A" Must modify A/C rotary bracket.

## Header Components



If you're adding a new set of headers or building a new exhaust system, these are the pieces you'll need to complete the project. Header Reducers have 3" collectors and are available to fit exhaust pipe sizes from 2-1/4" to 3". Reducer Gasket Set is a replacement for 3" flange style reducers.

PART	DESCRIPTION	APPLICATION	REQD	PRICE
<b>3 Bolt Flange Style Reducers</b>				
36-6042	HEADER REDUCER SET	3" TO 2-1/4"	(1)	\$32.95
36-6043	HEADER REDUCER SET	3" TO 2-1/2"	(1)	\$29.95
36-6044	HEADER REDUCER SET	3" TO 3"	(1)	\$32.95
36-6045	GASKET SET-REDUCER	3"	(1)	\$4.35
<b>Ball Flange Style Reducers</b>				
36-6046	HEADER REDUCER SET	3" TO 2-1/4"	(1)	\$35.95
36-6047	HEADER REDUCER SET	3" TO 2-1/2"	(1)	\$35.95
36-6048	HEADER REDUCER SET	3" TO 3"	(1)	\$39.95
<b>Header Bolts</b>				
36-6094	HEADER BOLT SET	ALL 3/4" LONG 92-99	(1)	\$15.95
<b>Header Gaskets</b>				
36-6122	HEADER GASKET SET	V8 305-350	92-99 (1)	\$15.95
36-6125	HEADER GASKET SET	V8 454	92-99 (1)	\$16.95

# Share your Truck Story with us Online!

[lmctrucklife.com/shareyourstory](http://lmctrucklife.com/shareyourstory)



[TRUCK Stories](#) [WATCH Videos](#) [SHARE YOUR Truck Story](#) [REQUEST Catalog](#) [LMC Truck Events](#) [Q](#)



1972 Chevrolet C10 - Merle T.

The Green Hornet This was my dads truck up until his passing. It is an honor to carry on his memory with this dream of his. He was a deputy with the Knox County ... [read more >>](#)

[VIEW Chevy/GMC Stories](#)

[VIEW Ford Stories](#)

[VIEW Dodge Stories](#)



## Electric Cooling Fan Kit Keeps Your Engine Cool

**Electric Cooling Fan** and high-performance motor give maximum air delivery while working off the electrical system. Fan blade and shroud are constructed of glass-filled nylon for strength and durability; includes mounting hardware as well as easy-to-follow instructions.

**Fan Mounting Bracket Kit** is recommended for optimum mounting strength and performance on all electric cooling fans.

**#38-4894 Adjustable Thermostat**, sold separately, operates fan only when needed. Adjustable Thermostat is adjustable from 150°-240°F.

**Quick Re-Installation Kit** contains everything needed to reinstall cooling fan if removed.



PART	DESCRIPTION	APPLICATION	REQD	PRICE
38-4892	COOLING FAN KIT-16" 8 BLADE	1950 CFM	(1)	\$118.73
38-4896	FAN MOUNTING BRACKET KIT		(1)	\$44.95
38-4894	ADJUSTABLE THERMOSTAT		(1)	\$28.98
38-4895	QUICK RE-INSTALLATION KIT		(AR)	\$7.40

Part #	Size	Motor	CFM	Amp Draw
38-4892	16-7/8"W X 15-7/8"T X 3.87"D	160 watt	1950	13.1

## Dual Electric Cooling Fan Assembly ... For Improved Cooling, Fuel Economy and Power



**Dual Electric Cooling Fan Assembly** provides increased horsepower and improved MPG. Electric fans provide increased cooling at idle when needed most and eliminate the draw of a mechanical engine-driven fan. Increased airflow across A/C condenser gives cooler, more consistent A/C temperatures at low engine speeds.

Dual Electric Fan Assemblies have a quiet S-blade design and include a wiring harness, relay, adjustable fan temperature switch, mounting brackets and installation instructions.



PART	DESCRIPTION	APPLICATION	REQD	PRICE
<b>Models with 28" Wide Radiators</b> <i>Mounting Brackets Included</i>				
38-4889	COOLING FAN ASSEMBLY-DUAL 12"	2310 CFM	(1)	\$426.54
38-4890	COOLING FAN ASSEMBLY-DUAL 12"	2600 CFM	(1)	\$434.22
38-4897	MOUNTING BRACKET KIT		(1)	\$23.54
<b>Models with 34" Wide Radiators</b> <i>Does Not Include Mounting Brackets</i>				
38-4893	COOLING FAN ASSEMBLY-DUAL 16"	4320 CFM	(1)	\$562.41
38-4899	MOUNTING BRACKET KIT		(1)	\$91.74

Part #	Size	Motor	CFM	Amp Draw
38-4889	26"W X 15"H X 3.23"D	2 X 130 watt	2310	14.4
38-4890	26"W X 15"H X 3.62"D	2 X 160 watt	2600	24.8
38-4893	33.5"W X 17"H X 3.9"D	2 X 225 watt	4320	34.5

**A/C Cooling Fan Harness** activates the electric cooling fan when the A/C compressor clutch is engaged. Kit includes heavy-gauge wire harness, relay, 30 amp fuse, electrical connections and installation instructions.



38-4898

PART	DESCRIPTION	APPLICATION	REQD	PRICE
<b>Accessories</b>				
38-4898	A/C HARNESS W/RELAY		(1)	\$46.25

## Radiator Cap

1992-99 Chevy Blazer, Tahoe, Suburban

1992-99 GMC Yukon, Suburban

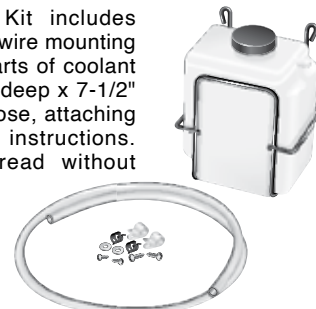


Prevent dangerous scalding situations with these unique radiator caps which utilize a lever that locks the cap to the filler neck, requiring the lever be lifted before removal. When the lever is lifted, the valve pressurizing in the cooling system is opened and pressure is vented through the overflow tube, making it safe to remove the radiator cap.

PART	DESCRIPTION	APPLICATION	REQD	PRICE
32-0036	RADIATOR CAP W/SAFETY LEVER	CHEVY GMC 92-99	(1)	\$6.95

## Universal Coolant Overflow Kit

**Universal Coolant Overflow Kit** includes coolant overflow tank with steel wire mounting bracket that holds over two quarts of coolant and measures 6" wide x 4-1/2" deep x 7-1/2" tall. It comes with four feet of hose, attaching hardware and easy-to-follow instructions. Fluid levels can easily be read without removing the twist-on style cap.



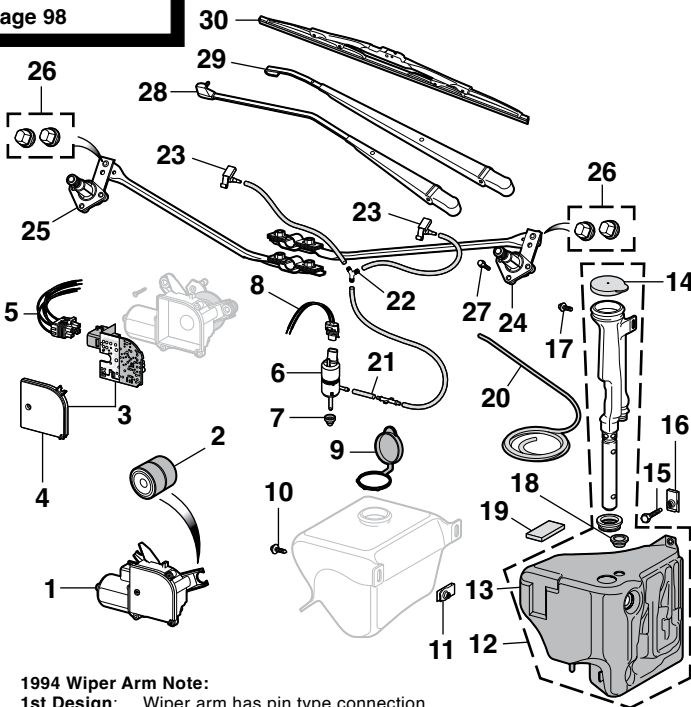
PART	DESCRIPTION	REQD	PRICE
36-4086	UNIVERSAL COOLANT OVERFLOW KIT	(1)	\$24.95

## Front Wiper and Components

1992-99 Chevy Blazer, Tahoe, Suburban  
1992-99 GMC Yukon, Suburban

Heated Windshield Washer Kit  
See Page 98

PART	ILL#	DESCRIPTION	APPLICATION	REQD	PRICE
37-4001	(1)	WIPER MOTOR-NEW	W/DELAY 92-99	(1)	\$69.95
30-1160	(2)	GROMMET-WIPER MOTOR	CHEVY GMC 92-99	(3)	\$2.95
37-4006	(3)	WIPER DELAY MODULE W/COVER	CHEVY GMC 92-99	(1)	\$39.95
37-4007	(4)	MOTOR COVER	CHEVY GMC 92-99	(1)	\$24.95
37-0403	(5)	CONNECTOR PLUG-WIPER MOTOR	CHEVY GMC 92-99	(1)	\$27.45
29-8042	(6)	WASHER PUMP	CHEVY GMC 92-99	(1)	\$12.45
30-1286	(7)	GROMMET	CHEVY GMC 92-99	(1)	\$1.95
37-0404	(8)	CONNECTOR PLUG-WASHER PUMP	CHEVY GMC 92-99	(1)	\$10.45
36-4096	(9)	CAP	CHEVY GMC 92-95	(1)	\$3.95
31-0306	(10)	BOLT	CHEVY GMC 92-95	(3)	\$1.95
40-0914-C	(11)	U-NUT	CHEVY GMC 92-95	(3)	\$1.95
37-4018	(12)	WASHER JAR ASSY W/O RR WIPR	CHEVY GMC 96-99	(1)	\$42.95
37-4025	(13)	WASHER JAR W/REAR WIPER	CHEVY GMC 96-99	(1)	\$81.45
36-4096	(14)	CAP	CHEVY GMC 96-99	(1)	\$3.95
31-0262	(15)	BOLT	CHEVY GMC 96-99	(1)	\$1.95
40-0888-C	(16)	U-NUT	CHEVY GMC 96-99	(1)	\$1.95
30-0981	(17)	BOLT	CHEVY GMC 96-99	(1)	\$1.25
31-1273	(18)	GROMMET-SMALL	CHEVY GMC 96-99	(1)	\$12.95
31-1274	(19)	INSULATOR	CHEVY GMC 96-99	(1)	\$1.99
36-4071	(20)	WASHER HOSE-12 FT	CHEVY GMC 92-99	(1)	\$3.95
31-1406	(21)	CONNECTOR-STRAIGHT	CHEVY GMC 92-99	(1)	\$1.25
30-1362	(22)	CONNECTOR-"Y"	CHEVY GMC 92-99	(1)	\$1.75
31-1407	(23)	WASHER NOZZLE	CHEVY GMC 92-99	(2)	\$3.95
37-4036	(24)	WIPER LINK-LH	CHEVY GMC 92-99	(1)	\$49.95
37-4037	(25)	WIPER LINK-RH	CHEVY GMC 92-99	(1)	\$49.95
37-4038	(26)	WIPER LINKAGE BUSHING SET	CHEVY GMC 92-99	(1)	\$8.45
30-0331	(27)	BOLT	CHEVY GMC 92-99	(6)	\$1.45



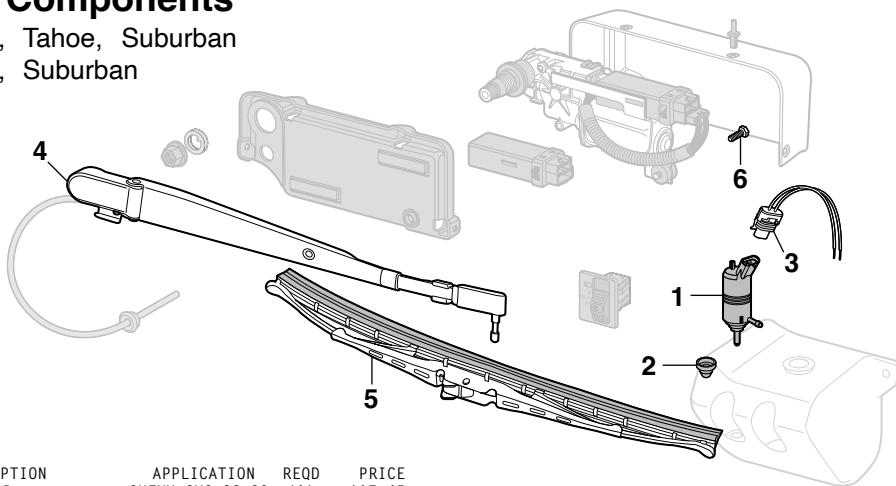
### 1994 Wiper Arm Note:

- 1st Design: Wiper arm has pin type connection.
- 2nd Design: Wiper arm has hook type connection.

PART	ILL#	DESCRIPTION	APPLICATION	REQD	PRICE
37-4040	(28)	WIPER ARM 1ST DESIGN	CHEVY GMC 92-94	(2)	\$15.95
37-4042	(29)	WIPER ARM 2ND DESIGN	CHEVY GMC 94-99	(2)	\$25.95
47-3998-C	(30)	WIPER BLADE 1ST DESIGN	CHEVY GMC 92-94	(2)	\$8.95
37-4045		WIPER BLADE 2ND DESIGN	CHEVY GMC 94-99	(2)	\$8.95

## Rear Wiper and Components

1992-99 Chevy Blazer, Tahoe, Suburban  
1992-99 GMC Yukon, Suburban



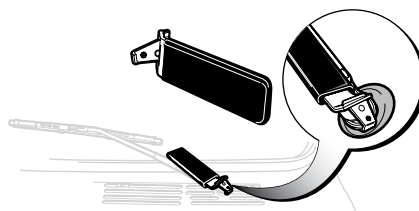
PART	ILL#	DESCRIPTION	APPLICATION	REQD	PRICE
29-8043	(1)	WASHER PUMP-REAR	CHEVY GMC 92-99	(1)	\$17.45
30-1286	(2)	GROMMET	CHEVY GMC 92-99	(1)	\$1.95
37-0404	(3)	CONNECTOR PLUG-WASHER PUMP	CHEVY GMC 92-99	(1)	\$10.45
37-4043	(4)	WIPER ARM W/WASHER NOZZLE	CHEVY GMC 92-99	(1)	\$39.95

PART	ILL#	DESCRIPTION	APPLICATION	REQD	PRICE
29-8011	(5)	WIPER BLADE	CHEVY GMC 92-99	(1)	\$7.95
31-0514	(6)	SCREW-MOTOR	CHEVY GMC 92-94	(1)	\$1.65

## Wiper Arm Tool

Wiper Arm Tool provides the leverage needed to safely remove and install wiper arms without damaging the vehicle.

**Tech Tip:** All locking pins or retaining nuts must be removed before using the Wiper Arm Tool.



PART	DESCRIPTION	PRICE
38-1335	WIPER ARM TOOL	\$5.95

**Amplified Hide-Away Antenna**



38-1145

Amplified Hide-Away Antenna allows you to get AM/FM reception without having to use standard fender-mount or window antenna. Features active magnetic field circuitry for enhanced radio reception and 105" cable allows installation almost anywhere in your vehicle. Connects to standard antenna plug and radio's power antenna wire (if equipped) or a switched 12V positive power source. Never worry about stolen or damaged antenna again.

PART	DESCRIPTION	PRICE
38-1145	HIDE-AWAY ANTENNA-AMPLIFIED	\$29.99

**Universal Windshield Washer Pump**



36-4081

This pump adapts to any 12-volt vehicle and installs in minutes with simple household tools.

Features a gear-driven positive replacement pump to ensure a constant spray under all conditions. All necessary parts and instructions are included with pump.

PART	DESCRIPTION	PRICE
36-4081	UNIVERSAL WASHER PUMP	\$11.95

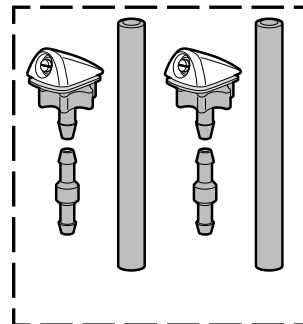
**Heated Windshield Washer Kit**



36-4085

PART	DESCRIPTION	PRICE
36-4085	HEATED WINDSHIELD WASHER KIT	\$99.45

**Universal Windshield Washer Nozzle Set**



Washer nozzle set replaces existing hood-mounted nozzles or can be added for a more effective spray. Kit includes two nozzles, connecting hose and spray adjust key. Drilling and extra hose are required on trucks not originally equipped with hood-mounted washer nozzles. Call or go online and order yours today!

PART	DESCRIPTION	PRICE
36-4099	WASHER NOZZLE SET	\$8.95

**Universal Windshield Washer Kit**



36-4083

Universal Windshield Washer Kit includes everything needed to replace worn or broken windshield washer system and adapts to any 12V vehicle. Washer bottle holds 1.5L of fluid and fluid levels can easily be read without removing the cap.

The kit includes washer bottle with attached cap, washer pump, 6-1/2 feet of washer hose, push-button switch with wire harness, nozzles and T-connector. Mounting brackets with hardware are also included.

PART	DESCRIPTION	PRICE
36-4083	WINDSHIELD WASHER KIT "A"	\$16.95

Note: "A" For front windshield only.

Heat your washer fluid to a temperature of 125-135°F for quick, effortless removal of frost, snow and ice this winter. Provides improved visibility for all driving conditions, while extending the service life of your windshield wipers by minimizing unnecessary wear. Ensures clog-free wiper spray nozzles for consistent spray pattern. Can also be used year-round to remove bird droppings, bugs, grime, road film and streaks.

Installs inline between windshield washer reservoir and spray nozzles. Connects directly to your battery with the included ground cable and fused power cable. Order yours today and see what a difference the Heated Windshield Washer Kit can make! Kit includes mounting bracket, hardware and instructions.



## Horns



36-2150

PART	DESCRIPTION	PRICE
36-2150	HORN UNIT-STANDARD-LOW	\$16.45
36-2152	HORN UNIT-STANDARD-HIGH	\$16.45

## Electronic Musical Horn Plays 46 Sounds

Electronic Musical Horn plugs into a cigarette lighter or power point to play sound three times and stop automatically or can be used as a loudspeaker with included microphone. Auxiliary input allows you to play music from your MP3 player or iPod. Command module is 7" wide by 3" high and mounts using included adhesive backed hook and loop patches. No drilling is required.

Adjustable rotary on/off volume control allows for easy sound level control, five bright LED lights on control module instantly indicate system mode and a 4" diameter weatherproof horn mounts under the hood. For 12 volt negative ground systems.



38-1503

3 Modes ... Animal, Alarm or Music ...  
46 Different Sounds

PART	DESCRIPTION	PRICE
38-1503	ELECTRONIC MUSICAL HORN	\$29.95



## Horns Make Your Presence Known



38-0372

Attractive set of Electric Twin Tone Horns. One high toned, the other low toned. Contains relay and mounting bracket.

PART	DESCRIPTION	PRICE
38-0372	TWIN TONE HORN SET	\$29.95

## WeatherPak Wire Extractor Tools



These WeatherPak Wire Extractor Tools will save you time and hassle when servicing your vehicle's wiring system. Tools are engineered to easily release and remove OEM terminals from their WeatherPak housings, as well as releasing the lock tab on Packard 56 and Pak-Con terminals. This 3-piece set comes with a narrow pick (.05" wide), wide pick (.09") and tubular-shaped extraction tool. Handles are color-coated for easy identification.

PART	DESCRIPTION	REQD	PRICE
38-1296	WEATHERPAK WIRE EXTRACTOR TOOLS	(1)	\$9.95

## Wiring/Tubing Grommet Assortment



30-1269

This 10-piece assortment of high-quality black rubber grommets protects wires and tubing from chafing when passed through sheet metal holes. Assortment contains: one each of 1/8", 3/8", 1/2", 5/8" I.D. and two each of 3/16", 1/4" and 5/16" I.D. grommets.

PART	DESCRIPTION	PRICE
30-1269	WIRING/TUBING GROMMET ASSORTMENT	\$2.95

## Wire Terminal Extractor Tools

This Wire Terminal Tool Kit is designed to release and extract wires from terminals without damage. The single blades have a bevel ground onto the end for working on small terminals found on newer vehicles. Red is specially designed for Pak-Con and WeatherPak terminals. Silver has prongs to depress the 'barbs' on conventional terminals. The handle slips over the probes to protect your hand as well as provide extra leverage. This complete kit comes in a sturdy blow-molded case for protection and long life and is a must-have for any do-it-yourselfer's toolbox.



PART	DESCRIPTION	PRICE
38-1297	WIRE TERMINAL TOOL KIT	\$54.95

## Split Braid Flex Loom and Wire Loom Installation Tool

Wire Loom Installation Tool makes feeding wires into split wire looms a snap. Insert the wiring into the channel of the tool, rotate the handle to lock wiring in place and insert the loom separator into the split loom. Gently pull the tool through the loom while holding onto the wires. Available in three convenient sizes.



36-2597

PART	DESCRIPTION	PRICE
36-2597	LOOM TOOL 1/4"	\$4.95
36-2598	LOOM TOOL 1/2"	\$5.95
36-2599	LOOM TOOL 3/4"	\$5.95

Unique black flexible braided construction features a 25% edge overlap that will allow for the sharpest of bends without distorting or splitting open. Lateral split design of the flex loom allows for easy installation of multiple wires. Self-wrapping feature ensures the flex loom will return to its original size and shape without the need to use fasteners or tape. Protect your vehicle's wiring, cables, hoses and tubing from unnecessary wear while adding a clean look. Available in three sizes: 1/4", 1/2" or 3/4" diameter.

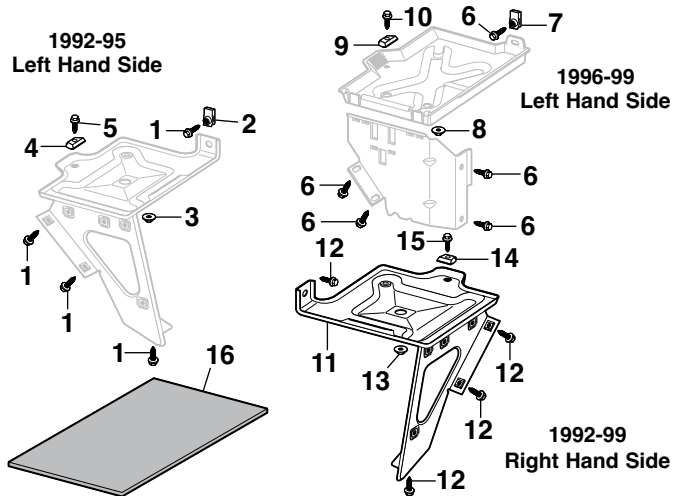


36-2600

PART	DESCRIPTION	PRICE
36-2600	FLEX LOOM 20' L X 1/4" DIA	\$16.45
36-2601	FLEX LOOM 10' L X 1/2" DIA	\$15.95
36-2604	FLEX LOOM 8' L X 3/4" DIA	\$14.95

**Battery Trays**

1992-99 Chevy Blazer, Tahoe, Suburban  
 1992-99 GMC Yukon, Suburban



Battery Mat is made from polypropylene needle punch felt which traps and neutralizes battery acid. The Battery Mat is safe to handle and takes only minutes to install.

PART	ILL#	DESCRIPTION	APPLICATION	REQD	PRICE
31-0262	(1)	BOLT	CHEVY GMC 92-95	(4)	\$ .95
40-0888-C	(2)	U-NUT	CHEVY GMC 92-95	(1)	\$ .95
31-0892	(3)	NUT	CHEVY GMC 92-95	(1)	\$1.35
38-6360	(4)	RETAINER-HOLD DOWN	CHEVY GMC 92-95	(1)	\$2.95
30-0321	(5)	BOLT	CHEVY GMC 92-95	(1)	\$1.45
31-0262	(6)	BOLT	CHEVY GMC 96-99	(5)	\$ .95
40-0888-C	(7)	U-NUT	CHEVY GMC 96-99	(1)	\$ .95
31-0892	(8)	NUT	CHEVY GMC 96-99	(1)	\$1.35
38-6360	(9)	RETAINER-HOLD DOWN	CHEVY GMC 96-99	(1)	\$2.95
30-0321	(10)	BOLT	CHEVY GMC 96-99	(1)	\$1.45
39-6303	(11)	BATTERY TRAY-RH	CHEVY GMC 92-99	(1)	\$17.95
31-0262	(12)	BOLT	CHEVY GMC 92-99	(4)	\$ .95
31-0892	(13)	NUT	CHEVY GMC 92-99	(1)	\$1.35
38-6360	(14)	RETAINER-HOLD DOWN	CHEVY GMC 92-99	(1)	\$2.95
30-0321	(15)	BOLT	CHEVY GMC 92-99	(1)	\$1.45
38-1039	(16)	BATTERY MAT-BLACK 8" X 12"	CHEVY GMC 92-99	(AR)	\$7.95

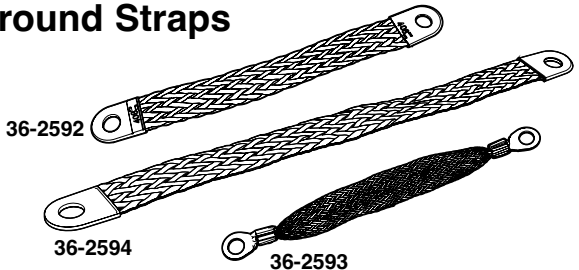
**Battery Disconnect Switches**



Battery Disconnect Switches are easy to install and stop battery drain and reduce the risk of fire while your vehicle is parked. With key or knob style disconnects, the key or knob can be totally removed as an additional deterrent against vehicle theft. A 15-amp Bypass Fuse is available to maintain memory on your radio, clock, etc., while your battery is disconnected.

PART	DESCRIPTION	APPLICATION	REQD	PRICE
36-0809	BATTERY DISCONNECT-KNOB STYLE	TOP POST	(1)	\$6.95
36-0813	BATTERY DISCONNECT-KNIFE STYLE	TOP POST	(1)	\$30.95
36-0814	BATTERY DISCONNECT-KNOB STYLE	SIDE POST	(1)	\$8.95
36-0811	BATTERY DISCONNECT-KNIFE STYLE	SIDE POST	(1)	\$30.95
36-0709	BATTERY DISCONNECT-KEY STYLE	IN LINE	(1)	\$10.95
36-0909	BYPASS FUSE-15 AMP	IN LINE	(1)	\$6.45

**Ground Straps**



Many electrical problems can be traced to poor engine and body ground. Protect yourself from these problems by installing a ground strap between the engine and frame of your truck, this will ensure you have a proper ground for your coil, spark plugs and computer control module. For complete protection, add a ground strap from the frame to the body. Straps are made of tin coated stranded copper braid for durability and are simple to install.

PART	DESCRIPTION	APPLICATION	REQD	PRICE
36-2592	GROUND STRAP-8" ENGINE TO FRAME	ENGINE TO FRAME	(1)	\$5.95
36-2594	GROUND STRAP-12" ENGINE TO FRAME	ENGINE TO FRAME	(1)	\$6.95
36-2593	GROUND STRAP-8" BODY TO FRAME	BODY TO FRAME	(1)	\$5.45

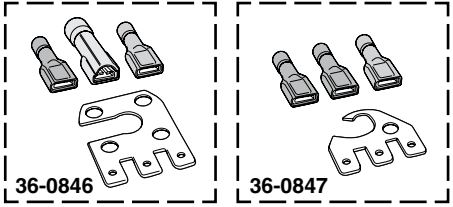
**Side Terminal Battery Bolt and Conversion Set**



#36-0845 converts a side terminal battery to accept top terminal cables and accessories. Also provides an easy connection for battery charging equipment.

PART	DESCRIPTION	PRICE
36-0848	SIDE TERMINAL BOLT	\$ .95
36-0845	TERMINAL CONVERSION SET	\$3.95

**Battery Tap Accessory Circuit Kit**



Battery Tap is an easy and reliable way to make direct connections at the battery with up to three new additional circuits. Designed to fit positive and/or negative battery terminals. The Battery Tap can be stacked to provide additional connection points or can be attached to vehicle frame for additional grounding points.

PART	DESCRIPTION	PRICE
36-0846	BATTERY TAP KIT-SIDE MOUNT	\$5.95
36-0847	BATTERY TAP KIT-TOP POST	\$6.95

**Battery Post and Terminal Cleaner**



Dual function tool – top brush cleans battery terminals and bottom brush cleans battery posts.

PART	DESCRIPTION	PRICE
38-1366	POST & TERMINAL CLEANER	\$4.95

## Headlight - Single

1992-99 Chevy Blazer, Tahoe, Suburban  
1992-99 GMC Yukon, Suburban



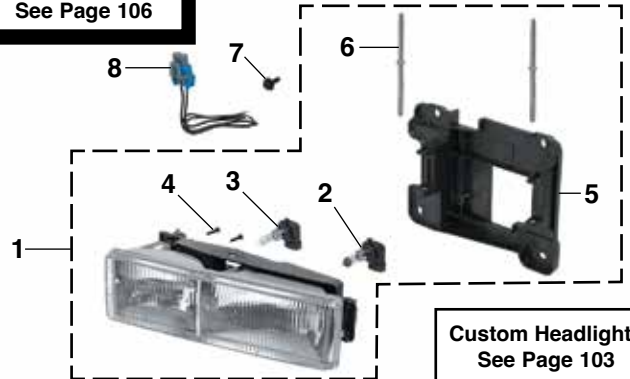
Custom Headlights See Page 102

PART	ILL#	DESCRIPTION	APPLICATION	REQD	PRICE
36-4496	(1)	HEADLIGHT ASSY	HALOGEN CHEVY GMC 92-99	(2)	\$45.95
36-0285	(2)	HEADLIGHT	HALOGEN CHEVY GMC 92-99	(2)	\$12.95
36-4730	(3)	HEADLIGHT MOUNT	CHEVY GMC 92-99	(2)	\$18.95
36-4835	(4)	HEADLIGHT RETAINER	CHEVY GMC 92-99	(2)	\$9.95
30-0440	(5)	SCREW	CHEVY GMC 92-99	(8)	\$ .95
29-0825	(6)	SPRING	CHEVY GMC 92-99	(2)	\$2.45
30-0730	(7)	HEADLIGHT ADJUSTER	CHEVY GMC 92-99	(4)	\$1.95

## Headlight - Composite

1992-99 Chevy Blazer, Tahoe, Suburban  
1992-99 GMC Yukon, Suburban

Custom Bulbs  
See Page 106



Custom Headlights  
See Page 103

PART	ILL#	DESCRIPTION	APPLICATION	REQD	PRICE
37-4404	(1)	HEADLIGHT ASSY-LH	CHEVY GMC 92-99	(1)	\$37.95
37-4405	(1)	HEADLIGHT ASSY-RH	CHEVY GMC 92-99	(1)	\$37.95
37-0200	(2)	BULB-LOW BEAM-WHITE	CHEVY GMC 92-99	(2)	\$3.75
37-0201	(3)	BULB-HIGH BEAM-WHITE	CHEVY GMC 92-99	(2)	\$3.75
29-0310	(4)	SCREW-ADJUSTER	CHEVY GMC 92-99	(8)	\$ .65
37-4707	(5)	BRACKET-RH	CHEVY GMC 92-99	(1)	\$39.95
31-2700	(6)	PIN-BRACKET	CHEVY GMC 92-99	(4)	\$7.95
31-0203	(7)	BOLT-BRACKET	CHEVY GMC 92-99	(8)	\$ .65
37-0405	(8)	BULB SOCKET-LOW BEAM	CHEVY GMC 92-99	(2)	\$1.95
37-0406	(2)	BULB SOCKET-HIGH BEAM	CHEVY GMC 92-99	(2)	\$1.95

## Custom Headlight Set

Easy-to-install Custom Headlight Sets are designed to OE specifications and are easy upgrades that dramatically improve a truck's look and style. Simple hookup; connects to existing factory wiring, no alterations necessary. Includes mounting bracket. White bulbs are included with headlights.



37-7366



PART	DESCRIPTION	APPLICATION	REQD	PRICE
37-7366	CUSTOM HEADLIGHT SET	CHROME CHEVY GMC 92-99	(1)	\$99.95
37-0200	BULB-LOW BEAM	WHITE CHEVY GMC 92-99	(2)	\$3.75
37-0201	BULB-HIGH BEAM	WHITE CHEVY GMC 92-99	(2)	\$3.75

## High-Performance Halogen Headlight



36-0305

High-Performance Halogen Headlights produce whiter and brighter light closer to natural daylight compared to standard halogen headlights' yellowish color. Upgraded bulbs not required. DOT and SAE approved.

For Models with Single Headlights

PART	DESCRIPTION	APPLICATION	REQD	PRICE
36-0305	HI-PERFORMANCE HEADLIGHT	200MM CHEVY GMC 92-99	(2)	\$24.95

## High Beam Headlight Relay Kit



36-3593



36-3595

Since the four-headlight system was introduced in 1988 on GM pickups, the low beams would go off when the high beams are turned on. This kit will increase the intensity and improve the spread pattern by keeping all four lights on when in high beam mode.

PART	DESCRIPTION	APPLICATION	REQD	PRICE
36-3595	HIGH BEAM HEADLIGHT RELAY	CHEVY GMC 92-99	(1)	\$19.95
36-3593	REPLACEMENT RELAY		(1)	\$3.95



### 1992-99 Custom Lights for Single Headlight Models



36-0282

Custom Light Bulbs See Page 106

These OE-quality headlights feature an aluminum die-cast housing with a protective finish coating, making the housing corrosion free. Maximum light output is produced by brighter light focused on the road for a greater distance.

The strong, semi-hardened, crystal clear glass lens does not diffuse the light like traditional headlight lenses. A high-efficiency white halogen 12V 60/55 watt replaceable bulb is included. DOT and SAE approved.

PART	DESCRIPTION	APPLICATION	REQD	PRICE
36-0282	CUSTOM HEADLIGHT-200MM	CHEVY GMC 92-99	(2)	\$35.95
36-0290	HALOGEN REPLACEMENT BULB	WHITE	(2)	\$2.45

### LED Headlights



37-0398

Low Beam High Beam



37-0398

37-0397

#37-0397 includes a white LED accent strip across the center that can be wired directly to any 12-volt circuit.



Conventional Low Beam High Beam Accent

LED Headlights dramatically improve safety and visibility with a bright white light output for superior night-time driving. Features a cast aluminum powder-coated housing with an impact-resistant polycarbonate lens and rugged aluminum reflector. Solid state bulb-free design is resistant to damage from shock and vibration. DOT approved headlight is energy efficient and lasts longer than conventional bulbs.

PART	DESCRIPTION	APPLICATION	REQD	PRICE
37-0398	200MM LED HEADLIGHT SET	CHEVY GMC 92-99	(1)	\$299.95
37-0397	200MM LED HEADLIGHT SET W/ACCENT	CHEVY GMC 92-99	(1)	\$409.95

### Custom Parklight Sets



37-4600

Replace stock parking lights with these quality crystal clear lenses that are street legal when used with amber bulbs, sold separately.

The best effect is achieved when installed with white sockets (sold below); check yours before ordering.

PART	DESCRIPTION	APPLICATION	REQD	PRICE
37-4600	CUSTOM PARKLIGHT SET	CLEAR CHEVY GMC 92-99	(1)	\$29.95
37-0202	BULB	AMBER CHEVY GMC 92-99	(4)	\$1.35
29-8234	BULB SOCKET	WHITE PARKLIGHT 92-99	(4)	\$5.95
31-0094	PARKLIGHT SCREW KIT-BLACK	4PC CHEVY GMC 92-99	(1)	\$2.25

### Heavy-Duty Headlight Harness



36-3580

Does not fit models with daytime running lights.

Heavy-Duty Headlight Harness draws power directly from the battery whereas the original wiring draws its power from the headlight switch. Harness has separate relays for low and high beams and features OE-style headlight sockets for easy installation. No splicing or cutting required. Call or go online and order yours today!

PART	DESCRIPTION	APPLICATION	REQD	PRICE
36-3580	HEAVY-DUTY HEADLIGHT HARNESS "A"	CHEVY GMC 92-99	(1)	\$24.95
36-3582	HEAVY-DUTY HEADLIGHT HARNESS "B"	CHEVY GMC 92-99	(1)	\$24.95
36-3592	REPLACEMENT RELAY-LOW/HIGH		(2)	\$4.45

Note: "A" Fits models with single sealed beam headlights only.  
"B" Fits models with composite headlights only.

### Custom Reflector Set



37-7422



Custom Reflector Set is made using brand new, previously unavailable tooling and is the latest in custom styling. Made to original equipment specifications to ensure proper fit. Features a durable, crystal clear lens and a chrome ABS plastic housing that is highly polished for a brilliant light output. Nuts included. Easily installs into original locations, no modification necessary. 50 state DOT/SAE legal.

PART	DESCRIPTION	APPLICATION	REQD	PRICE
37-7422	CUSTOM REFLECTOR SET	CLEAR CHEVY GMC 92-99	(1)	\$24.95

## Custom Headlight Sets ... Add Style to Your Truck

Easy-to-install Custom Headlight Sets are designed to OE specifications and are easy upgrades that dramatically improve a truck's look and style. Simple hookup; connects to existing factory wiring, no alterations necessary. Includes mounting bracket. White bulbs are included with headlights.

**Heavy-Duty Headlight Harness**  
See Page 102



37-7349



37-7361-CR



37-7361-BL



37-7366

#37-7349, #37-7361-CR and #37-7361-BL include an accent light on the high beam reflector and white LED halo that can be wired directly to any 12-volt circuit.

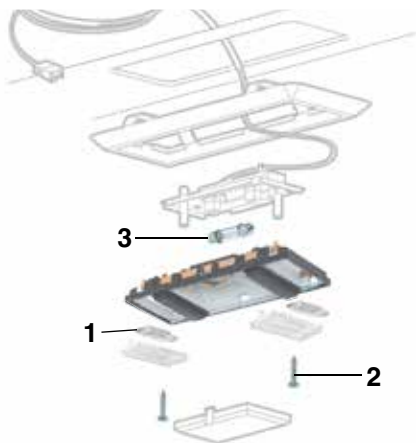
PART	DESCRIPTION	APPLICATION	REQD	PRICE
37-7366	CUSTOM HEADLIGHT SET	CHROME CHEVY GMC 92-99	(1)	\$99.95
37-0200	BULB-LOW BEAM	WHITE CHEVY GMC 92-99	(2)	\$3.75
37-0201	BULB-HIGH BEAM	WHITE CHEVY GMC 92-99	(2)	\$3.75

PART	DESCRIPTION	APPLICATION	REQD	PRICE
37-7349	CUSTOM HEADLIGHT SET-HALO	CHRM CHEVY GMC 92-99	(1)	\$199.95
37-7361-CR	CUSTOM HEADLIGHT SET-HALO	CHRM CHEVY GMC 92-99	(1)	\$199.95
37-7361-BL	CUSTOM HEADLIGHT SET-HALO	BLK CHEVY GMC 92-99	(1)	\$199.95
37-0200	BULB-LOW BEAM	WHITE CHEVY GMC 92-99	(2)	\$3.75
37-0201	BULB-HIGH BEAM	WHITE CHEVY GMC 92-99	(2)	\$3.75

### Dome Light Components

1992-99 Chevy Blazer, Tahoe, Suburban  
 1992-99 GMC Yukon, Suburban

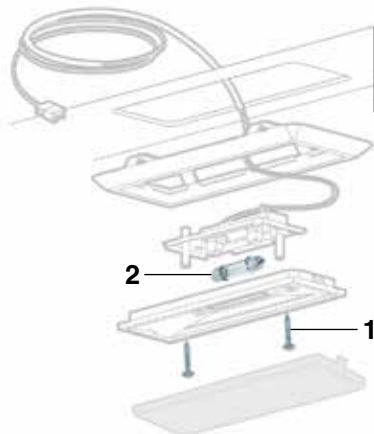
1992-99  
 With Fixed  
 Reading  
 Lights



Custom Bulbs See Page 106

PART	ILL#	DESCRIPTION	APPLICATION	REQD	PRICE
47-0230-C	(1)	BULB-READING	CHEVY GMC 92-99	(2)	\$ .99
30-0434	(2)	SCREW	CHEVY GMC 92-99	(2)	\$ .85
36-0220	(3)	BULB-DOME	CHEVY GMC 92-99	(1)	\$1.25

### 1992-94 Without Reading Lights



Custom Bulbs See  
 Page 106

PART	ILL#	DESCRIPTION	APPLICATION	REQD	PRICE
30-0434	(1)	SCREW	CHEVY GMC 92-94	(2)	\$ .85
36-0220	(2)	BULB	CHEVY GMC 92-94	(1)	\$1.25

### Mini Bulb Remover / Installer



Mini Bulb Remover/Installer features cushioned grips and rubber-coated ends for easy removal and safe installation of hard-to-reach bayonet, screw and wedge base bulbs.

PART	DESCRIPTION	PRICE
38-1398	MINI BULB REMOVER / INSTALLER	\$10.95

### License Plate Lamp

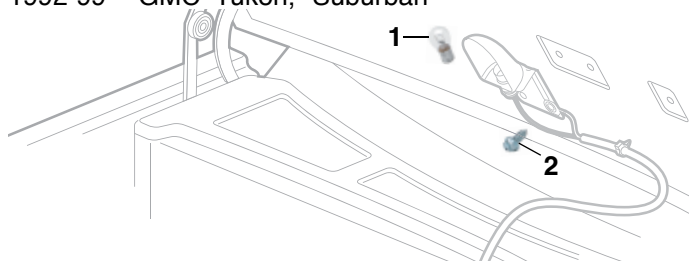
1992-99 Chevy Blazer, Tahoe, Suburban  
 1992-99 GMC Yukon, Suburban



PART	ILL#	DESCRIPTION	APPLICATION	REQD	PRICE
29-8427	(1)	LICENSE LAMP-CHROME	CHEVY GMC 92-99	(2)	\$5.95
37-4334		LICENSE LAMP-PRIMER	CHEVY GMC 92-99	(2)	\$6.95
29-8230	(2)	SOCKET	CHEVY GMC 92-99	(2)	\$1.95
36-0224	(3)	BULB	CHEVY GMC 92-99	(2)	\$ .65
29-0814	(4)	RETAINER	CHEVY GMC 92-99	(2)	\$1.95

### Underhood Light - Fixed Type

1992-99 Chevy Blazer, Tahoe, Suburban  
 1992-99 GMC Yukon, Suburban



PART	ILL#	DESCRIPTION	APPLICATION	REQD	PRICE
36-0227	(1)	BULB	CHEVY GMC 92-99	(1)	\$1.25
29-0315	(2)	SCREW	CHEVY GMC 92-99	(2)	\$ .95

### Underhood Lamp



36-4503

**Installation Tip:** Since all hoods and mounting locations are different, a slight adjustment to mounting bracket may be needed to assure light goes out when hood is closed. After mounting bracket and wires have been installed, apply pressure to the mounting bracket to change the angle as needed for proper operation.

Underhood Lamp adapts to any 12 volt truck and helps illuminate the engine bay. No need for wiring into a switch, bulb socket base is gravity activated; lamp comes on when hood is raised and goes out when hood is lowered. Mount underneath hood and connect lamp wire to any constant 12 volt source. Moisture proof in-line fuse is integrated into the wire for protection.

PART	DESCRIPTION	APPLICATION	REQD	PRICE
36-4503	UNDERHOOD LAMP	12 VOLT	(1)	\$59.95
36-0225	REPLACEMENT BULB CLEAR	FOR 36-4503	(1)	\$ .95
31-0575	INSTALLATION SCREW	FOR 36-4503	(2)	\$ .65

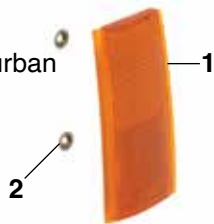


## Front Reflector

Models with Single Headlights

1992-99 Chevy Blazer, Tahoe, Suburban

1992-99 GMC Yukon, Suburban

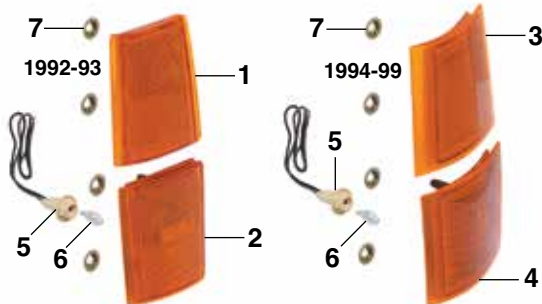


PART	ILL#	DESCRIPTION	APPLICATION	REQD	PRICE
37-4122	(1)	REFLECTOR-LH	AMBER CHEVY GMC 92-99	(1)	\$6.95
37-4123	(1)	REFLECTOR-RH	AMBER CHEVY GMC 92-99	(1)	\$6.95
31-0871	(2)	NUT	CHEVY GMC 92-99	(4)	\$ .49

## Front Sidemarker and Reflector for Chevrolet

Models with Composite Headlights

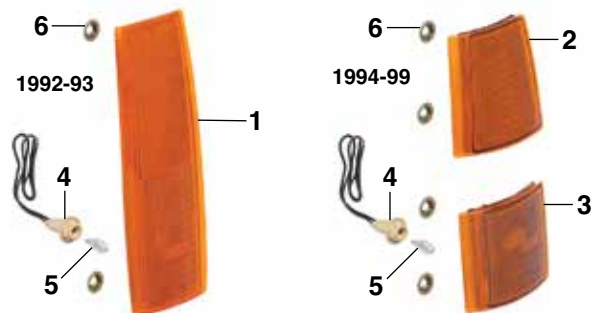
**Custom Bulbs**  
See Page 106



PART	ILL#	DESCRIPTION	APPLICATION	REQD	PRICE
37-4124	(1)	REFLECTOR-UPPER-LH	AMBER CHEVY 92-93	(1)	\$5.95
37-4125	(1)	REFLECTOR-UPPER-RH	AMBER CHEVY 92-93	(1)	\$3.95
37-4128	(2)	SIDEMARKER-LOWER-LH	AMBER CHEVY 92-93	(1)	\$5.45
37-4129	(2)	SIDEMARKER-LOWER-RH	AMBER CHEVY 92-93	(1)	\$5.45
37-4126	(3)	REFLECTOR-UPPER-LH	AMBER CHEVY 94-99	(1)	\$5.95
37-4127	(3)	REFLECTOR-UPPER-RH	AMBER CHEVY 94-99	(1)	\$5.95
37-4130	(4)	SIDEMARKER-LOWER-LH	AMBER CHEVY 94-99	(1)	\$3.95
37-4131	(4)	SIDEMARKER-LOWER-RH	AMBER CHEVY 94-99	(1)	\$3.95
36-0410	(5)	BULB SOCKET	CHEVY 92-99	(2)	\$2.95
36-0224	(6)	BULB	CLEAR CHEVY 92-99	(2)	\$.65
31-0871	(7)	NUT	CHEVY 92-99	(8)	\$ .49

## Front Sidemarker and Reflector for GMC

Models with Composite Headlights



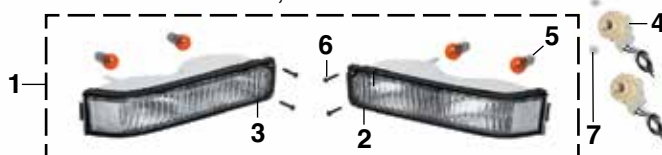
PART	ILL#	DESCRIPTION	APPLICATION	REQD	PRICE
37-4132	(1)	SIDEMARKER-LH	AMBER GMC 92-93	(1)	\$12.95
37-4133	(1)	SIDEMARKER-RH	AMBER GMC 92-93	(1)	\$12.95
37-4134	(2)	REFLECTOR-UPPER-LH	AMBER GMC 94-99	(1)	\$4.45
37-4135	(2)	REFLECTOR-UPPER-RH	AMBER GMC 94-99	(1)	\$4.45
37-4136	(3)	SIDEMARKER-LOWER-LH	AMBER GMC 94-99	(1)	\$5.95
37-4137	(3)	SIDEMARKER-LOWER-RH	AMBER GMC 94-99	(1)	\$5.95
36-0410	(4)	BULB SOCKET	GMC 92-99	(2)	\$2.95
36-0224	(5)	BULB	CLEAR GMC 92-99	(2)	\$.65
31-0871	(6)	NUT	GMC 92-93	(4)	\$ .49
31-0871	(6)	NUT	GMC 94-99	(8)	\$ .49

## Parklight

Models with Single Headlights

1992-99 Chevy Blazer, Tahoe, Suburban

1992-99 GMC Yukon, Suburban



PART	ILL#	DESCRIPTION	APPLICATION	REQD	PRICE
36-4520	(1)	CLEAR PARKLIGHT KIT	CHEVY GMC 92-99	(1)	\$22.95
37-4172	(2)	PARKLIGHT-LH	CLEAR CHEVY GMC 92-99	(1)	\$8.95
37-4173	(3)	PARKLIGHT-RH	CLEAR CHEVY GMC 92-99	(1)	\$8.95
29-8234	(4)	BULB SOCKET	CHEVY GMC 92-99	(4)	\$5.95
37-0202	(5)	BULB	AMBER CHEVY GMC 92-99	(4)	\$1.35
31-0505	(6)	SCREW	BLACK CHEVY GMC 92-99	(4)	\$.65
30-0815	(7)	ANCHOR NUT	CHEVY GMC 92-99	(4)	\$1.25

## Parklight

Models with Composite Headlight

1992-93 Chevy Blazer, Suburban

1992-93 GMC Yukon, Suburban



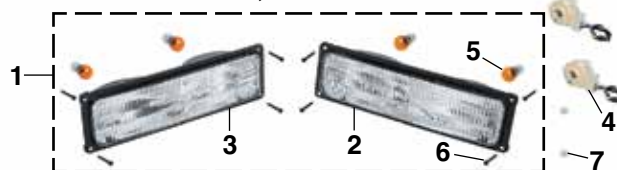
PART	ILL#	DESCRIPTION	BRITE RIM	APPLICATION	REQD	PRICE
36-4522	(1)	CLEAR PARKLIGHT KIT	CHROME	RIM 92-93	(1)	\$26.95
37-7493	(1)	CLEAR PARKLIGHT KIT	CHROME	RIM 92-93	(1)	\$49.95
37-4176	(2)	PARKLIGHT-LH	CLEAR	CHEVY GMC 92-93	(1)	\$9.95
37-4177	(3)	PARKLIGHT-RH	CLEAR	CHEVY GMC 92-93	(1)	\$9.95
29-8234	(4)	BULB SOCKET		CHEVY GMC 92-93	(4)	\$5.95
37-0202	(5)	BULB	AMBER	CHEVY GMC 92-93	(4)	\$1.35
31-0506	(6)	SCREW-BRITE		CHEVY GMC 92-93	(8)	\$.65
31-1352	(7)	RETAINER		CHEVY GMC 92-93	(4)	\$1.95

## Parklights

Models with Composite Headlights

1994-99 Chevy Blazer, Tahoe, Suburban

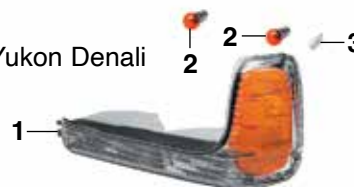
1994-99 GMC Yukon, Suburban



PART	ILL#	DESCRIPTION	BLACK RIM	APPLICATION	REQD	PRICE
36-4523	(1)	CLEAR PARKLIGHT KIT	BLACK	RIM 94-99	(1)	\$32.95
37-4178	(2)	PARKLIGHT-LH	CLEAR	CHEVY GMC 94-99	(1)	\$11.95
37-4179	(3)	PARKLIGHT-RH	CLEAR	CHEVY GMC 94-99	(1)	\$11.95
36-0417	(4)	BULB SOCKET		CHEVY GMC 94-99	(4)	\$5.95
37-0202	(5)	BULB	AMBER	CHEVY GMC 94-99	(4)	\$1.35
31-0540	(6)	SCREW	BLACK	CHEVY GMC 94-99	(8)	\$1.25
30-0815	(7)	ANCHOR NUT		CHEVY GMC 94-99	(8)	\$1.25

## Parklight

1999-00 GMC Yukon Denali



PART	ILL#	DESCRIPTION	APPLICATION	REQD	PRICE
37-4182	(1)	PARKLIGHT-LH	DENALI 99-00	(1)	\$21.95
37-4183	(1)	PARKLIGHT-RH	DENALI 99-00	(1)	\$21.95
37-0202	(2)	BULB-PARK/TURN	AMBER DENALI 99-00	(6)	\$1.35
36-0224	(3)	BULB-SIDEMARKER	CLEAR DENALI 99-00	(2)	\$.65

### Clear Parklight Kit with Chrome Rim

For Models with Composite Headlights



Custom Light Bulbs  
See Below



PART	DESCRIPTION	APPLICATION	REQD	PRICE
37-7493	CLEAR PARKLIGHT KIT W/CHROME RIM	CHEVY GMC 92-93	(1)	\$49.95

### Custom Light Bulbs

#### Superwhite Bulb Set Produces 30% More Light



36-0310

Superwhite headlight bulbs produce 30% more light while retaining the street legal wattage. Superwhite bulbs use a proprietary mixture of premium gases that includes Xenon, which cools the light filament, improving the efficiency and light output of the bulb, unlike standard halogen bulbs which use less efficient argon gas.

Superwhite bulbs operate in the Kelvin color temperature range of 4000-4200K, producing a brighter, white light. Traditional halogen bulbs operate at 2600-3000K, emitting a more yellowish appearance. Sold in sets of two. Call or go online and order yours today!

PART	DESCRIPTION	APPLICATION	REQD	PRICE
36-0310	SUPERWHITE BULB SET	200MM HEADLIGHT 92-99	(1)	\$10.45
36-0312	SUPERWHITE BULB SET	LOW BEAM COMPOSITE 92-99	(1)	\$12.95
36-0311	SUPERWHITE BULB SET	HIGH BEAM COMPOSITE 92-99	(1)	\$9.95

#### LED Bulbs



36-0377



36-0368



36-0370



36-0205

47-0205-C



36-0357



36-0358

LED bulbs have no filament, making them less sensitive to vibrations, and illuminate 140 times faster while lasting up to 20,000 hours, much longer than conventional incandescent bulbs. They emit less heat and use only 15% of the energy required by incandescent bulbs, reducing the load placed on a vehicle's electrical system.

**Halogen Bulb Tech Tip:** Always handle halogen bulbs by the plastic base to prevent contaminants on the glass from shortening the life of the bulb.

#### Halogen Blue-Coated Headlight Bulbs



36-0265

36-0266

Replace the white halogen bulbs with a halogen blue-coated bulb. Blue-coated bulb creates an intense white light, giving the cool look of HID (high intensity discharge) lighting without the high price; call or go online and order yours today!

PART	DESCRIPTION	APPLICATION	REQD	PRICE
36-0291	HALOGEN BULB-BLUE 200MM	HEADLIGHT 92-99	(2)	\$3.95
36-0265	HALOGEN BULB-BLUE	LOW BEAM COMPOSITE 92-99	(2)	\$4.95
36-0266	HALOGEN BULB-BLUE	HIGH BEAM COMPOSITE 92-99	(2)	\$5.95

#### Custom Bulb Sets



Custom high-performance light bulbs feature the latest breakthrough in interference coating technology which gives a cool, iridescent appearance when unlit and street-legal amber light when illuminated. Sold in sets of two. The best effect is achieved when installed with white sockets; check yours before ordering.

PART	DESCRIPTION	APPLICATION	REQD	PRICE
36-0275	CUSTOM BULB SET-AMBER	PARKLIGHT 92-99	(2)	\$7.95
29-8234	BULB SOCKET-WHITE	PARKLIGHT 92-99	(4)	\$5.95
36-0277	CUSTOM BULB SET-AMBER	SIDEMARKER 92-99	(1)	\$8.95
36-0410	BULB SOCKET-WHITE	SIDEMARKER 92-99	(2)	\$2.95

PART	DESCRIPTION	APPLICATION	REQD	PRICE
36-0377	LED BULB-AMBER	PARKLIGHT 92-95	(4)	\$14.95
36-0368	LED BULB-AMBER	FRONT SIDEMARKER 92-99	(2)	\$7.95
36-0410	BULB SOCKET-WHITE	FRONT SIDEMARKER 92-99	(2)	\$2.95
36-0370	LED BULB-RED	TAIL LIGHT 92-95	(4)	\$9.45
36-0369	LED BULB-CLEAR	BACKUP 92-99	(2)	\$8.95
36-0205	LED BULB-CLEAR	DOME LIGHT 92-99	(1)	\$5.95
47-0205-C	LED BULB-CLEAR	READING 92-99	(2)	\$6.95
36-0357	ELECTRONIC FLASHER	92-95	(1)	\$19.95
36-0358	ELECTRONIC FLASHER	96-99	(1)	\$19.95

## 1992-99 Custom Lights for Composite Headlight Models

Custom Light Bulbs  
See Page 106

LED Bulbs



Custom Parklight Bulbs



### Custom Parklight Sets

Sold as a Set of 2



Replace stock parking lights with these quality crystal clear lenses that are street-legal when used with amber bulbs, sold separately.

The best effect is achieved when installed with white sockets (sold below); check yours before ordering.

PART	DESCRIPTION	APPLICATION	REQD	PRICE
37-7416	CUSTOM PARKLIGHT SET CLEAR	CHEVY GMC 92-93	(1)	\$29.95
37-7336	CUSTOM PARKLIGHT SET CLEAR W/BLACK RIM	CHEVY GMC 94-99	(1)	\$37.95
37-7410	CUSTOM PARKLIGHT SET CLEAR W/SILVER RIM	CHEVY GMC 94-99	(1)	\$37.95

PART	DESCRIPTION	APPLICATION	REQD	PRICE
37-0202	BULB	CHEVY GMC 92-99	(4)	\$1.35
29-8234	BULB SOCKET	WHITE PARKLIGHT 92-99	(4)	\$5.95
31-0092	PARKLIGHT SCREW KIT-BLACK	CHEVY GMC 92-99	(1)	\$1.95
31-0093	PARKLIGHT SCREW KIT-BRITE	CHEVY GMC 92-99	(1)	\$1.95

### Custom Sidemarker Sets for Chevrolet



Custom Sidemarker Sets do not fit GMC models.



Custom Sidemarker Sets are made using brand new, previously unavailable tooling and are the latest in custom styling. Made to original equipment specifications to ensure proper fit. Features a durable, crystal clear lens and a chrome ABS plastic housing that is highly polished for a brilliant light output. Nuts, amber bulbs and new bulb sockets included. Easily installs into original locations, no modification necessary. 50 state DOT/SAE legal when used with included amber bulbs.

PART	DESCRIPTION	APPLICATION	REQD	PRICE
37-7418	CUSTOM SIDEMARKER SET CLEAR	CHEVY 92-93	(1)	\$29.45
37-7419	CUSTOM SIDEMARKER SET CLEAR	CHEVY 94-99	(1)	\$29.45

### LED Parklight Set ... The Future of Automotive Lighting



Additional LED benefits:

LED lights have no filament, which means they are less sensitive to vibrations, and they can last up to 20,000 hours. They use only 15% of the energy required by incandescent bulbs, reducing the load placed on your truck's charging system, and less heat is emitted.

LED parklights are a direct replacement for stock parklights and are made to factory specifications. No modifications to fit needed. They feature LEDs for parklights and turn signals.

PART	DESCRIPTION	APPLICATION	REQD	PRICE
37-7459	LED PARKLIGHT SET CRYSTAL CLEAR	CHEVY GMC 94-99	(1)	\$149.95
37-7368	LED PARKLIGHT SET BLACK	CHEVY GMC 94-99	(1)	\$149.95



## Clear Dome Light Lens ... For a Brighter Light and a Cleaner Look

Models with Fixed Reading Lights

Made to original equipment specifications, this clear-diffused dome light lens replaces your original opaque dome light lens. Fits original dome light housing; no modification is required for installation.

Combine with an LED dome light bulb for a dramatic change to the interior lighting at night.



PART	DESCRIPTION	APPLICATION	REQD	PRICE
37-4319	DOMI LIGHT LENS	CLEAR 92-99	(1)	\$2.95
36-0205	LED BULB-DOME LIGHT	CLEAR 92-99	(1)	\$5.95
47-0205-C	LED BULB-READING	CLEAR 92-99	(2)	\$6.95

For More Information on LED Bulbs - See Page 106

## Custom Tail Light Sets

Custom tail light sets feature uniquely styled lenses for a cool custom look and are fully DOT compliant. Parts #37-7292, #37-7293 and #37-4611 utilize a special molded housing that eliminates the use of the factory circuit boards. The housings on parts #37-7321 and #37-7322 retain the provision for circuit boards. Custom Tail Light Sets are an easy replacement for your stock tail lights. Order yours today!



PART	DESCRIPTION	APPLICATION	REQD	PRICE
<b>Custom Tail Light Sets</b>				
37-7292	CUSTOM TAIL LIGHT SET	CLEAR LENS	92-99 (1)	\$119.95
37-7293	CUSTOM TAIL LIGHT SET	SMOKE LENS	92-99 (1)	\$129.95
37-7321	CUSTOM TAIL LIGHT SET	CLEAR LENS	92-99 (1)	\$69.95
37-7322	CUSTOM TAIL LIGHT SET	CARBON FIBER	92-99 (1)	\$89.95
37-4611	CUSTOM TAIL LIGHT SET	CLEAR LENS	92-99 (1)	\$59.95

PART	DESCRIPTION	APPLICATION	REQD	PRICE
<b>Bulbs</b>				
37-0203	BULB-BRAKE/TURN	CLEAR	92-99 (4)	\$1.55
37-0213	BULB-BACKUP	CLEAR	92-99 (2)	\$1.55

## LED Tail Light Sets ... The Future of Automotive Lighting

**STREET LEGAL 50 STATE** New technology previously only on high-end luxury cars is now available for your truck! These tail lights quickly alert other drivers of your intentions with LED bulbs that illuminate 140 times faster than conventional incandescent bulbs, which translates to a gain of 20+ feet of reaction distance.

### Additional LED benefits:

LEDs have no filament, which means they are less sensitive to vibrations, and they can last up to 20,000 hours. They use only 15% of the energy required by incandescent bulbs, reducing the load placed on your truck's charging system and less heat is emitted.

Tail lights are a direct replacement for stock tail lights and are made to factory specifications. No modifications to fit required. They feature LEDs for brake lights, parking lights and turn signals. Backup lights use plain bulbs, included.



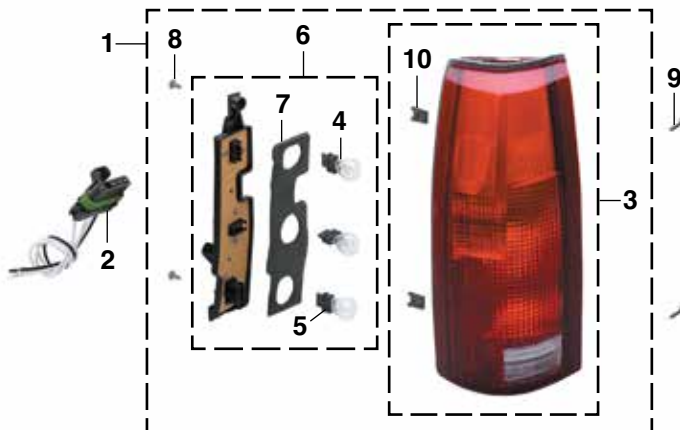
PART	DESCRIPTION	APPLICATION	REQD	PRICE
37-7289	LED TAIL LIGHT SET-BLACK	CHEVY GMC 92-99	(1)	\$223.95
37-7291	LED TAIL LIGHT SET-RED	CHEVY GMC 92-99	(1)	\$223.95
37-7295	LED TAIL LIGHT SET-BLACK	CHEVY GMC 92-99	(1)	\$297.95
37-7294	LED TAIL LIGHT SET-RED	CHEVY GMC 92-99	(1)	\$297.95

PART	DESCRIPTION	APPLICATION	REQD	PRICE
37-7296	LED TAIL LIGHT SET-BLACK	CHEVY GMC 92-99	(1)	\$249.95
37-7297	LED TAIL LIGHT SET-RED	CHEVY GMC 92-99	(1)	\$249.95
37-0206	BULB-BACKUP	CLEAR CHEVY GMC 92-99	(2)	\$1.25

## Tail Light

1992-99 Chevy Blazer, Tahoe, Suburban  
1992-99 GMC Yukon, Suburban

PART	ILL#	DESCRIPTION	APPLICATION	REQD	PRICE
37-4186	(1)	TAIL LIGHT ASSEMBLY-LH	CHEVY GMC 92-99	(1)	\$29.95
37-4187	(1)	TAIL LIGHT ASSEMBLY-RH	CHEVY GMC 92-99	(1)	\$29.95
37-0415	(2)	CONNECTOR-TAIL LIGHT	CHEVY GMC 92-99	(2)	\$10.95
37-4300	(3)	LENS/HOUSING-LH	CHEVY GMC 92-99	(1)	\$19.45
37-4301	(3)	LENS/HOUSING-RH	CHEVY GMC 92-99	(1)	\$19.45
37-0203	(4)	BULB-BRAKE/TURN	CLEAR CHEVY GMC 92-99	(4)	\$1.55
37-0213	(5)	BULB-BACKUP	CLEAR CHEVY GMC 92-99	(2)	\$1.55
37-4302	(6)	BULB MOUNTING PLATE-LH	CHEVY GMC 92-99	(1)	\$9.95
37-4303	(6)	BULB MOUNTING PLATE-RH	CHEVY GMC 92-99	(1)	\$9.95
37-4308	(7)	GASKET-MOUNTING PLATE	CHEVY GMC 92-99	(2)	\$1.95
29-0315	(8)	SCREW-PLATE	CHEVY GMC 92-99	(4)	\$.95
29-0309	(9)	SCREW-TAIL LIGHT	CHEVY GMC 92-99	(4)	\$.65
30-0829	(10)	U-NUT-TAIL LIGHT	CHEVY GMC 92-99	(4)	\$1.25



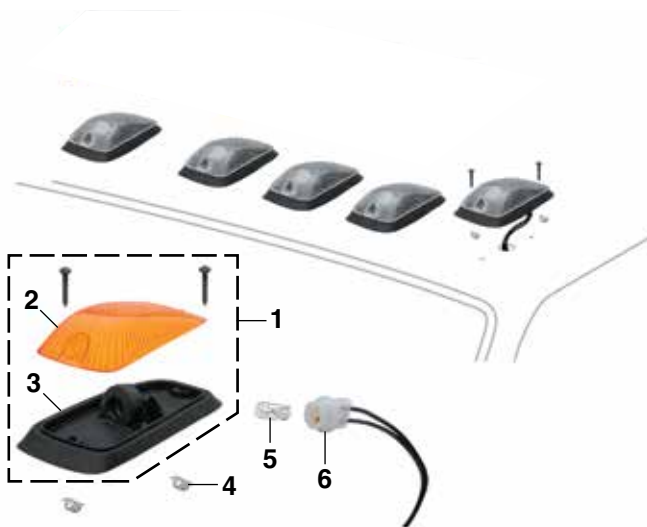
## Roof Marker Lamp

1992-99 Chevy Blazer, Tahoe, Suburban  
1992-99 GMC Yukon, Suburban

Custom Bulbs  
See Page 106

Cab Roof Light Kits See Page 111

PART	ILL#	DESCRIPTION	APPLICATION	REQD	PRICE
37-4305	(1)	ROOF MARKER LAMP	CHEVY GMC 92-99	(5)	\$11.95
37-4306	(2)	LENS	AMBER CHEVY GMC 92-99	(5)	\$19.95
37-4307	(3)	LENS PAD	CHEVY GMC 92-99	(5)	\$27.45
31-0870	(4)	NUT	CHEVY GMC 92-99	(10)	\$.95
36-0224	(5)	BULB	CLEAR CHEVY GMC 92-99	(5)	\$.65
36-0235		BULB	AMBER CHEVY GMC 92-99	(5)	\$1.25
36-0368		LED BULB	AMBER CHEVY GMC 92-99	(5)	\$7.95
36-0412	(6)	SOCKET	CHEVY GMC 92-99	(5)	\$5.95



## Fog Light

Models with Limited & Z71 Package  
1999-00 Chevy Tahoe

Fog lights mount in bumper air intake holes on 1999-00 models with Limited or Z71 package.



PART	ILL#	DESCRIPTION	APPLICATION	REQD	PRICE
37-4414	(1)	FOG LIGHT ASSEMBLY	TAHOE 99-00	(2)	\$59.95
29-8229	(2)	BULB	CLEAR TAHOE 99-00	(2)	\$4.25
36-0594	(3)	BULB SOCKET	TAHOE 99-00	(2)	\$3.95

## Third Brake Light

1994-99 Chevy Blazer, Tahoe  
1994-99 GMC Yukon



PART	ILL#	DESCRIPTION	APPLICATION	REQD	PRICE
29-8316	(1)	3RD BRAKE LIGHT-LED	CHEVY GMC 94-99	(1)	\$99.95
29-0307	(2)	SCREW	CHEVY GMC 94-99	(2)	\$.65
31-0870	(3)	NUT	CHEVY GMC 94-99	(2)	\$.95

## LED Bolt Set for Your License Plate



LED Bolt Set contains chrome bolts which feature an integrated white LED that illuminates at a 90° angle. Ideal for use where extra light is needed. For 12-volt systems only.

PART	DESCRIPTION	PRICE
36-4506	LED LICENSE PLATE BOLT SET	\$11.45

**Tail Light Cover Set**



Tail Light Cover Set will dramatically enhance the look of your truck. Mounts easily using 3M™ Automotive Dual Lock, included. Brake lights show through when on, but disappear when off. Available in smoke only.

*Tail Light Covers may not be legal in some states, please check with your state and local authorities before ordering.*

PART	DESCRIPTION	APPLICATION	REQD	PRICE
38-0891	TAIL LIGHT COVER SET	SMOKE CHEVY GMC 92-99	(1)	\$105.95

**Paint Protection Film**

Made from rugged, clear, 8-mil thick polyurethane paint protection film that features a clear-coat finish for maximum shine and durability. Once applied, this material is virtually invisible yet helps prevent chipping, scratching and scuffing to the vulnerable areas of your vehicle.

**Rocker Panel Protection Film**



Kit contains two 9" wide x 15' rolls, installation squeegees and instructions.

**Door Edge Protection Film**



Contains 3/8" wide x 12' roll and instructions.

**Threshold Protection Film**



Kit contains 2-3/4" wide x 5' roll, installation squeegee and instructions.

**Hood Protection Film**



Kit contains 12" wide x 6' roll and installation instructions.



**YOUR TRUCK  
YOUR STORY**  
**SHARE YOUR  
TRUCK  
JOURNEY®**

[lmctrucklife.com](http://lmctrucklife.com)



## Cab Roof Light Kits ... Add Visibility and Big Rig Style

For More Information on LED and Custom Bulbs - See Page 106

Cab Roof Light Kits are available in amber or clear. Kits meet SAE specifications when used with included bulbs. The two outside lights (clearance lights) and three inner ones (marker lights) give oncoming traffic a visual fix on the truck for additional safety.



All kits come complete with lights, bulbs, wire harness, quick splice connectors and a dash mount panel with toggle switch plus indicator light which allows the Cab Roof Lights to be operated independently of the headlights.

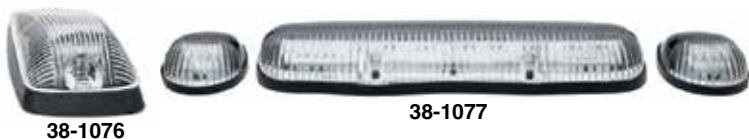


PART	DESCRIPTION	APPLICATION	REQD	PRICE
38-1070	CAB ROOF 5 LIGHT KIT	AMBER	(1)	\$43.95
36-0224	BULB	CLEAR	(5)	\$ .65
36-0368	LED BULB	AMBER	(5)	\$7.95
38-1072	CAB ROOF 5 LIGHT KIT	CLEAR	(1)	\$39.95
36-0235	BULB	AMBER	(5)	\$1.25
36-0277	CUSTOM BULB-SET OF 2	AMBER	(3)	\$8.95
36-0368	LED BULB	AMBER	(5)	\$7.95

PART	DESCRIPTION	APPLICATION	REQD	PRICE
38-1071	CAB ROOF 3 LIGHT KIT	AMBER	(1)	\$69.95
36-0224	BULB	CLEAR	(5)	\$ .65
36-0368	LED BULB	AMBER	(5)	\$7.95
38-1075	CAB ROOF 5 LIGHT KIT	AMBER CHROME	(1)	\$89.95
36-0222	BULB	CLEAR	(5)	\$ .65
38-1074	CAB ROOF 5 LIGHT KIT	CLEAR CHROME	(1)	\$79.95
36-0202	BULB	AMBER	(5)	\$1.35

### LED Cab Roof Light Kit benefits:

LED lights have no filament, which means they are less sensitive to vibrations, and they can last up to 20,000 hours. They use only 15% of the energy required by incandescent bulbs, reducing the load on the truck's charging system, and less heat is emitted.



PART	DESCRIPTION	APPLICATION	REQD	PRICE
38-1076	LED CAB ROOF 5 LIGHT KIT	CLEAR W/AMBER LEDS	(1)	\$80.95

PART	DESCRIPTION	APPLICATION	REQD	PRICE
38-1077	LED CAB ROOF 3 LIGHT KIT	CLEAR W/AMBER LEDS	(1)	\$80.95

## Driving Light Set



Driving lights provide a longer, more focused beam pattern for improved long-range vision. Features include reinforced steel housing with black finish and adjustable chrome mounting bracket with 10mm mounting stud; and state-of-the-art reflector which gives maximum light output from a 4-1/2" diameter light. Lights are complete with illuminated push button switch, 12-volt relay, all necessary wiring, mounting hardware, protective lens covers and high efficiency halogen 12V 55W replaceable bulbs.

For added style, replace the white halogen bulb with a halogen blue-coated bulb. The blue-coated bulb creates an intense white light which gives the cool look of HID (high intensity discharge) lighting without the high price.

For More Information on Superwhite Bulb Set - See Page 106

PART	DESCRIPTION	APPLICATION	REQD	PRICE
38-1274	DRIVING LIGHT SET		(1)	\$59.95
38-0374	HALOGEN BULB-WHITE	FOR 38-1274	(2)	\$1.95
36-0264	HALOGEN BULB-BLUE	FOR 38-1274	(2)	\$5.95
36-0316	SUPERWHITE BULB SET	FOR 38-1274	(1)	\$5.95

## Headlight Protection Film



Headlight Protection Film is made from scratch-resistant, 30-mil thick press-polished PVC material that features a UV inhibitor to prevent shrinking and discoloration, combined with the strongest clear adhesive available for maximum durability and distortion-free light transmission. Proven to withstand a barrage of 1" diameter stones at speeds up to 120 mph with no damage to lens. Kit contains pre-cut film, installation squeegee and instructions. Without cutouts for headlight alignment pins where equipped.

PART	DESCRIPTION	APPLICATION	REQD	PRICE
36-0330	HEADLIGHT/PARKLIGHT FILM	CHEVY GMC 92-99	(1)	\$29.95

## LED Backup Light Bar



Light will need to be wired into one of your reverse lights for a signal and grounded locally.

This LED Backup Light Bar easily bolts to the top of your license plate and wires into your existing reverse lights. The Backup Light Bar will bolt onto your vehicle's top two license plate mounts. It features a die-cast aluminum housing and is finished in a satin black powder coat.



PART	DESCRIPTION	APPLICATION	REQD	PRICE
37-7475	LED BACKUP LIGHT BAR	UNIVERSAL	(1)	\$69.95

## LMC Truck Cover ... Who Knew Protecting Your Vehicle's Finish Could Be So Inexpensive!

LMC universal fit truck covers provide protection from the elements and are not affected by temperature extremes. In summer a cover keeps the interior cooler and helps protect from the sun's damaging rays, which can cause fading and deterioration. In winter it can keep the snow and ice off your glass and finish.

Fabric will not stretch, shrink, rot or mildew. Elastic is sewn in front and rear hems to ensure snug fit. Call or go online and order your truck cover today.

*Antenna must be removed or an antenna grommet attached to your cover before use. See below for more information on antenna grommet.*



### **LMC 1000** **\$59.95** **GOOD** each

**For Moderate Weather Conditions**

Durable synthetic fabric has the look and feel of more expensive covers. Water resistant, yet breathable and features double-stitched seams for maximum strength.

**Chevy/GMC SUVs**

<b>38-8806</b>	2 Door	Blz Tah Ykn	1992-99
<b>38-8807</b>	4 Door	Tah Ykn	1995-99
<b>38-8808</b>		Suburban	1992-99

### **LMC 3000** **\$99.95** **BETTER** each

**Superior Protection at a Great Value**

Superior breathable 3-layer synthetic fabric is highly water resistant, even during downpours and provides a soft cushioning layer that protects your paint. No-leak construction is achieved through ultrasonic welding, and UV-stable materials ensure a long life, making them ideal for long-term vehicle storage.

**Chevy/GMC SUVs**

<b>38-8816</b>	2 Door	Blz Tah Ykn	1992-99
<b>38-8817</b>	4 Door	Tah Ykn	1995-99
<b>38-8818</b>		Suburban	1992-99

### **LMC 4000** **\$169.95** **BEST** each

**Best Protection for Your Truck**

Highly water resistant 4-layer synthetic fabric has fleece-lined bottom layer with durable outer layer, breathable 2nd layer, protective 3rd layer and soft fleece 4th layer. Patented UV Stabilizer and ultrasonic seam welding ensure a long life. Features tie-down strap and buckle attached with strap pocket built into cover for easy storage.

**Chevy/GMC SUVs**

<b>38-8826</b>	2 Door	Blz Tah Ykn	1992-99
<b>38-8827</b>	4 Door	Tah Ykn	1995-99
<b>38-8828</b>		Suburban	1992-99

### Antenna Grommet

Soft rubber antenna grommet will attach to any size cover and easily fit over any antenna mast up to 1/2" in diameter. Includes easy-to-follow instructions.



**30-1283**  
\$.95

### Truck Cover Lock Kit

Keep your new truck cover secure with this security cable and lock. Sides of LMC Truck Cover are equipped with plastic grommets to accommodate the security cable.



**38-3195**  
\$14.95

## Vintage Metal Chevrolet Coolers

GM Official Licensed Product is purchased from an authorized GM Licensee.

Coolers feature embossed logos, insulated all-metal construction, removable mini tray and side-mount bottle opener. (Beverages not included.)

Measures 18"L x 9"W x 14"H.



**38-0945**  
Blue  
\$129.95



**38-0996**  
Red  
\$129.95



**38-0997**  
Black  
\$129.95

## Retail Delivery Fee Notice

*Some states are starting to pass legislation requiring us to collect a Retail Delivery Fee on shipments. Check with your state's department of revenue for more information.*

*For those customers living in states that require this, the extra fee will be added to each purchase that is taxable under the state code.*



### What You Need to Know Before Ordering:

We are excited that you've decided to make us a part of your journey! Whether you are rebuilding from the ground up or just adding some distinctive touches to your vehicle, we are proud to give you a hand.

In addition, we'd love to see what you've been up to with your projects, so please log on to [lmctrucklife.com](http://lmctrucklife.com) and share your stories and pictures.

Understand that we are not trained automotive technicians. We want you to consult with mechanics regarding technical advice. Technical information is also included in the workshop manuals shown in this catalog. Please take the time to consult these resources if you feel you need to.

On those occasions that we've run out of a part on your order, chances are that it's already on its way to us. These items are listed as backordered on your invoice and will be sent your way as soon as possible. If you're not interested in waiting for your backordered product, just call our customer service line at (800) 222-5664, and we will cancel it and refund any money that has been paid.

You can also write "No Backorders" on your order form before you send it to us, and we'll make sure only to ship the products we currently have in stock.

Some parts have extra charges. Please consult below to make sure you understand these charges and so you aren't surprised later.

#### Part Number Definitions

**-T -** After a part number means that part must be shipped Truck Freight. An additional \$150.00 will be charged to your order for delivery in the 48 contiguous United States. Orders outside of the 48 states will be quoted. Additional delivery time required..

**\* -** After the sell price means Oversize Part Charge. Your order will incur a charge of \$20.00 for each oversized part. Due to packing and/or transportation requirements, please allow additional time for delivery. Oversized Parts are not available for air delivery.

**\*\* -** After the sell price means Oversize Part Charge. Your order will incur a charge of \$50.00 for each oversized part. Due to packing and/or transportation requirements, please allow additional time for delivery. Oversized Parts are not available for air delivery

**-R -** After a part number means Remanufactured Part. No core charge.

And one more thing, the part our lawyers make us say: We reserve the right to refuse service or shipment to anyone. We reserve the right to collect a service charge of \$20 for a returned check and to hold any shipments until the fee is collected.

Thank you for your support. Best of luck with all your projects!

### What You Need to Know Before Returning:

If only we lived in a perfect world! Unfortunately, we don't, and things can go wrong. When that happens, we do our best to try to make things right again. But we need your help as well.

All returns must be in like new condition and in the original packaging. Please include a copy of your invoice, as that will make the process quick and easy.

We refund your payment the same way you paid. Refunds of less than \$1 will not be made except by customer request.

We can't be responsible for damages, so please package your returned items carefully.

If you can ship the item back to us ground or USPS within the 48 contiguous United States, you don't need to call for authorization. Just send it to us at:

**15450 W. 108th St. Lenexa, KS 66219**

If we shipped you the wrong item, send it back, and we'll send the right item and reimburse you the ground rate for your return.

We can't accept anything that has been installed (unsuccessful attempts do count), disassembled, drilled, welded, cut, painted, or modified in any way, so please make sure to check and doublecheck the fit before starting any work.

If you are returning a kit, it needs to contain all the parts you received. No partial kits may be returned.

Electronic media (CDs, DVDs) cannot be refunded once they are opened. However, if it is not working properly, it can be exchanged for the same part number.

Please call our customer service line for a return authorization if your part was delivered outside of the 48 contiguous United States.

If you want to return something you bought over a year ago, please call our customer service line for return authorization.

You must call Customer Service when returning a Truck Freight item.

**Customer Service Line: (800) 222-5664**

**¿Habla Español? (855) 456-2288**

A 20% non-refundable restocking fee will be added to anything that's over a year old (unless the extended manufacturer warranty is still in effect, of course) as well as to any unauthorized Truck Freight returns.

And the legal part again: We have the right to refuse any return we deem unfit for resale. We also have the right to refuse any shipments where the shipping charges, duties, customs, etc., are not prepaid.



#### California Prop 65 Warning

**WARNING:** This product can expose you to chemicals including lead, which is known to the State of California to cause cancer. For more information, go to [www.p65warnings.ca.gov](http://www.p65warnings.ca.gov).

**ADVERTENCIA:** Este producto puede exponerlo a sustancias químicas, incluido el níquel reconocido por el estado de California como causante de cáncer. Para obtener más información, visite [www.p65warnings.ca.gov](http://www.p65warnings.ca.gov).

### Gift Cards

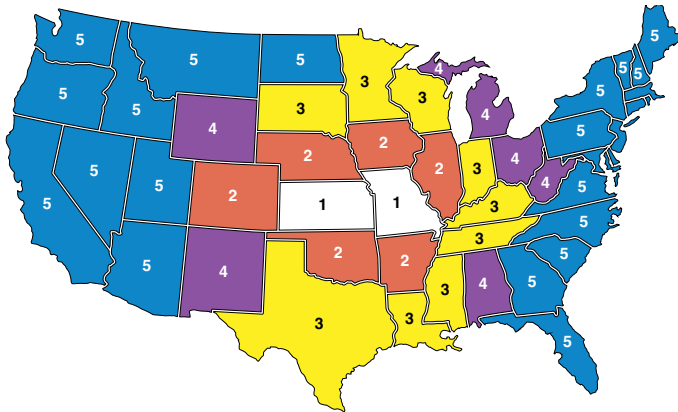


- Gift Cards are the perfect gift to ensure you are giving exactly what they want!
- Gift Cards don't expire.
- Orders must be pre-paid. Orders received before 3:00 p.m. Central Time will ship same day.
- Gift Cards can now be redeemed through the mail or by phone.



**What You Need to Know About Shipping within the 48 Contiguous States**

Shipping charges are based on the "Parts Total" on your order.



Order Parts Total	Zone 1	Zone 2	Zone 3	Zone 4	Zone 5
Up to \$ 10.00	\$ 5.00	\$ 5.00	\$ 5.00	\$ 5.00	\$ 5.00
\$ 10.01 to 25.00	8.00	8.00	8.00	8.00	8.00
25.01 to 50.00	11.00	11.00	11.00	11.00	11.95
50.01 to 100.00	16.50	16.50	16.50	17.50	18.75
100.01 to 150.00	24.50	25.00	26.50	27.50	28.75
150.01 to 250.00	31.50	32.25	34.50	36.25	38.50
250.01 to 350.00	35.75	36.50	38.25	41.50	43.25
350.01 to 500.00	38.50	40.75	42.50	44.75	47.25
500.01 to 1,000.00	44.75	46.25	48.50	49.75	51.25
1,000.01 to 1,250.00	62.00	64.75	68.00	70.00	72.00
1,250.01 to 1,500.00	75.50	77.75	82.00	84.00	86.50
1,500.01 to 1,750.00	90.00	93.50	98.50	100.00	104.00
1,750.01 to 2,000.00	108.00	110.50	120.00	125.00	130.00
2,000.01 to 2,499.99	110.00	115.75	125.50	135.00	145.00
2,500.00 and Up	Free Shipping				

If you are ordering Oversized Parts (indicated with a \* Or \*\* throughout this catalog), or if you are placing an extra large order, please allow for extra packing and delivery time.

In order to qualify for the free shipping, your entire \$2,500+ order must be placed at one time. We may have to split your shipment, but we will pick up the shipping charges.

**Customer Service Line: (800) 222-5664**  
**¿Habla Español? (855) 456-2288**

**What You Need to Know About Shipping to APO and FPO Addresses**

We are thrilled to be able to ship to those who are serving our country; however, there are some limitations on these shipments. We are unable to ship Truck Freight items to you at this time. All orders will be shipped complete, via Insured Priority Mail through the USPS. Size limitations will apply. Please make sure before you place your order that what you are ordering will be accepted and is deliverable to you in your location.

**What You Need to Know About Shipping to Canada**

Your orders will be shipped ground "Door to Door," which includes brokerage, duty and tax. Charges will be based on the value of your shipment. Document and preparation fees are included. Please call our customer service line for assistance.

**What You Need to Know About Shipping to Alaska, Hawaii and the U.S. Territories**

Order Parts Total	Shipping to Alaska, Hawaii & U.S. Territories
Up to \$20.00	\$ 19.95
\$20.01 to 50.00	25.95
50.01 to 75.00	36.95
75.01 to 100.00	41.95
100.01 to 150.00	49.95
150.01 to 250.00	65.95
250.01 to 350.00	72.95
350.01 to 500.00	79.95
500.01 and Up	Quote ❖

❖ You will be contacted with charges.

**We reserve the right to ship the most economical way. If you need your order shipped in a specific manner, contact customer service for a customized quote.**

**Customer Service Line: (800) 222-5664**  
**¿Habla Español? (855) 456-2288**

This chart shows shipping charges on orders up to \$500. Parts must be 108 inches or less and weigh 70 pounds or less to qualify. If any part does not meet these qualifications, your order will be delivered by ground for additional charges.

All orders will ship complete. Any additional delivery charges will be added to your total as needed, including Oversize Part charges or overweight charges.

We will need a daytime phone number with your order. If there is a problem with your order, we will attempt to contact you three times. If we are unsuccessful, your order will be cancelled 5 days after that third failed attempt.

**What You Need to Know When Shipping Problems Occur**

Please open your package(s) as soon as possible and make certain that everything is accounted for and nothing was damaged in shipment. Damaged shipments are the responsibility of the carrier and must be reported to the carrier within 15 days of receipt.

If the package looks damaged when it arrives, open it with the delivery person present, so that they can make an immediate report of damages and discrepancies. If the damage is not obvious at the time of delivery, or if the package was left for you by the shipping company, contact their customer service as soon as possible to make your claim.

On Truck Freight shipments, it is your responsibility to check your order and have the driver note any damage on the freight bill before you sign for your item(s).

Please keep all packing, packaging and contents until your claim has been settled with the shipping company.

**What You Need to Know About Shipping Internationally**

All international orders ship complete. Shipping charges must be prepaid in U.S. funds. Brokerage, duties, taxes, and fees associated with the order are paid by the customer. We do not accept personal checks on international orders.



JOIN THE  
**FAMILY**  
SHARE YOUR  
**TRUCK**  
**JOURNEY**<sup>®</sup>  
LMCTruckLife.com



## Turning it into My Dream Truck

### *Hanz Fonferek and His 1997 Chevy Suburban*

This is my 1997 Chevy Suburban LS that was in the family since new. It was originally my grandmother's that she bought brand new. When she passed away, my dad inherited it. I eventually bought it from my dad and have been working on it and turning it into my dream truck.

Some recent modifications have been a 6 in Rough Country lift, 35 in KM3 tires, Badland 12,000 lb winch, that yes, I have used. Roof rack, running boards, dual exhaust with MagnaFlow Magnapacks, etc. I plan on keeping this truck forever.

I hope you enjoy the story of my truck.

-Hanz

"Keep'em on the road"



[www.LMCTRUCK.com](http://www.LMCTRUCK.com)

Ordering Call  
(800) 562-8782



Scan Me!

Customer Service Call  
(800) 222-5664

P.O. Box 14991  
Lenexa, Kansas  
66285-4991



CSD.72

Follow Us On



Credit or Debit Cards Accepted for:



PRSRT STD  
U.S.  
POSTAGE  
**PAID**  
LMC  
TRUCK

## GM Style Reproduction Door Mirror

1992-99 Chevy Blazer, Tahoe, Suburban  
1992-00 GMC Yukon, Suburban



39-5888

Door Mirrors Include Mounting Hardware

PART	DESCRIPTION	APPLICATION	REQD	PRICE
<b>Manual Mirrors</b>				
39-5888	DOOR MIRROR-LH-BLACK	MANUAL CHEVY GMC 92-99	(1)	\$29.95
39-5889	DOOR MIRROR-RH-BLACK	MANUAL CHEVY GMC 92-99	(1)	\$29.95



39-5890

PART	DESCRIPTION	APPLICATION	REQD	PRICE
<b>Power Mirrors</b>				
39-5890	DOOR MIRROR-LH-BLACK	POWER CHEVY GMC 92-99	(1)	\$37.95
39-5891	DOOR MIRROR-RH-BLACK	POWER CHEVY GMC 92-99	(1)	\$37.95
39-5892	DOOR MIRROR-LH-BLACK "A"	POWER HEATED 98-00	(1)	\$49.95
39-5893	DOOR MIRROR-RH-BLACK "A"	POWER HEATED 98-00	(1)	\$49.95

Note: "A" Does not have auto-dimming function.

## Steel Rear Roll Pan



37-7849

Roll Pans can eliminate stock rear bumpers for a smoother look. Easy installation. Finished with Black Electro Deposit Primer ready for painting. Check local bumper laws before ordering.

PART	DESCRIPTION	APPLICATION	REQD	PRICE
37-7849	REAR ROLL PAN W/LICENSE "A"	CHEVY GMC 92-99	(1)	\$99.95

Note: "A" Roll Pan includes license plate lamp.

**NEW**

## Premium Stereo Speakers

1992-99 Chevy Blazer, Tahoe, Suburban  
1992-99 GMC Yukon, Suburban



Premium Stereo Speakers provide the absolute best audio quality possible. Features high-power handling with an ultra-thin mounting depth, a Neodymium magnet structure is used with a dip-cut design to prevent distortion. The Santoprene® surrounds provide the most accurate audio reproduction possible, and the silk tweeters produce smooth and more natural-sounding highs.

PART	DESCRIPTION	APPLICATION	REQD	PRICE
39-8033	STEREO SPEAKER SET-4X6	50 WATT CHEVY GMC 92-99	(1)	\$79.99