

Your Catalog of Accessories & Parts for  
**Dodge Truck**

**Ramcharger**

1/2 Ton, 3/4 Ton, 1 Ton 1972-93

2024 EDITION Vol. 2 **DC.40**



Zachary Edwards'  
1985 Dodge Ramcharger  
See Story on page 91



"Keeping Generations On The Road"®

Prices Valid From April 23, 2024 Through July 22, 2024

**LMCTRUCK.com**  
**(800) 562-8782**



**NEW** Woodgrain Vinyl Dash Insert Kit  
1981-93 Dodge Truck



This Vinyl Dash Insert Kit features simulated woodgrain vinyl inserts that will adhere to your dash.

PART	DESCRIPTION	APPLICATION	REQD	PRICE
56-7270	DASH VINYL KIT-3 PIECE	DODGE 81-93	(1)	\$59.95

**NEW** Firewall Insulation Pad  
1972-80 Dodge Truck



Three-piece Firewall Insulation Pad is designed to reduce noise and heat from the engine. Easily installs for a factory fit.

PART	DESCRIPTION	APPLICATION	REQD	PRICE
56-7266	FIREWALL INSULATION PAD-3 PIECE	DODGE 72-80	(1)	\$62.95

**NEW** Defrost Vent Set  
1972-80 Dodge Truck  
1974-80 Dodge Ramcharger



PART	DESCRIPTION	APPLICATION	REQD	PRICE
55-8000	DEFROST VENT SET	DODGE 72-80	(1)	\$52.95

**NEW** Chrome Bench Seat Hinge Cover Set  
1976-87 Dodge Truck



PART	DESCRIPTION	APPLICATION	REQD	PRICE
56-7265	BENCH SEAT HINGE COVER SET	CHROME 76-87	(1)	\$52.95

**NEW** Stepside Tailgate Link Set  
1972-85 Dodge Truck



Tailgate Link Set replaces the tailgate chains that can damage or scratch your bed. Set includes tailgate links, upper and lower pivots, and installation hardware. Instructions included.

This set requires modification to the bed sides and tailgate.

PART	DESCRIPTION	APPLICATION	REQD	PRICE
56-9150	TAILGATE LINK SET-SS	STEPSIDE 72-85	(1)	\$232.95
56-9151	TAILGATE LINK SET-ZINC	STEPSIDE 72-85	(1)	\$123.95

**NEW** Pedal Pads - Manual Transmission  
1972-93 Dodge Truck  
1974-93 Dodge Ramcharger



PART	ILL#	DESCRIPTION	APPLICATION	REQD	PRICE
55-2843	(1)	PEDAL PAD SET-BRAKE/CLUTCH	DODGE 72-93	(1)	\$19.95
55-2839	(2)	PEDAL PAD-PARKING BRAKE	DODGE 72-93	(1)	\$10.95



# NEW PRODUCTS!

Battery Cables, Cut to Fit	74
Bed Panel Parts, Stepside	15
Bench Seat Hinge Cover Set, Chrome	33
Dash Insert Kit, Woodgrain Vinyl	42
Defrost Vent Set	42
Firewall Insulation Pad	38
Keyless Remote Entry System	30
Pedal Pads	42
Quad 4 Amplifier	44
Seat Padding Material	34
Stake Pocket Latch Bracket, Stepside	15
Tailgate Latch, Stepside	15
Tailgate Link Set, Stepside	17
Washer Nozzle Set	75



Keyless Remote Entry System  
See Page 30



Bench Seat Hinge Cover Set, Chrome  
See Page 33

"Right Part ...  
Right Price ...  
Right Now"®  
Place your order today  
It's Fast, Simple & Safe!

**Body Parts**

**Tailgate**

**Exterior Accessories**

**Bumpers**

**Molding**

**Door Parts**

**Interior**

**Fuel**

**Suspension**

**Steering**

**Brakes**

**Wheels**

**Exhaust**

**Engine**

**Cooling & Heating**

**Electrical**

**Stock Lighting**

**Custom Lighting**

**Books**

**Order Policy**

## CONTACT US

CALL USA & CANADA: **(800) 562-8782**

¿Habla Español? **(855) 456-2288**

<b>Ordering Hours:</b> Central Time	Customer Service:	(800) 222-5664
<b>Monday - Friday:</b> 7:00 a.m. - 8:00 p.m.	Fax:	(800) 541-8525
<b>Saturday:</b> 8:00 a.m. - 6:00 p.m.	Kansas City:	(913) 492-8756
<b>Sunday:</b> Closed	International Orders:	1 (913) 541-0684
	International Fax Orders:	1 (913) 599-0323

Shop Online  
**LMCTRUCK.com**

## LOCAL CITY PICK-UP COUNTER



<b>Ordering Hours:</b> Central Time
<b>Monday - Friday:</b> 9:00 a.m. - 7:00 p.m.
<b>Saturday:</b> 9:00 a.m. - 6:00 p.m.
<b>Sunday:</b> Closed

If you're in the Kansas City area or plan on stopping by for a visit to LMC Truck, call ahead and we will have your order ready when you come in.

**15450 W. 108th Street, Lenexa, KS 66219**  
**Kansas City Area Call: (913) 562-8782**

LMC TRUCK is in no way affiliated with Chrysler LLC nor do we intend to imply that. The names Dodge and RAM are used for reference only.

Applications listed in this catalog are based on original factory information. However, variances will occur due to non-documented substitutions, and changes made during the vehicle's production.

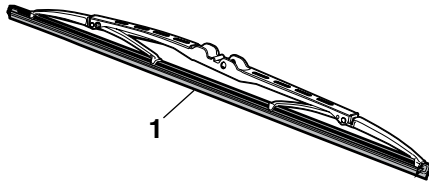
Long Motor Corporation © Copyright 2024  
Printed In The USA  
Effective: April 23, 2024

DC.40 Vol. 2, First Printing. This edition supersedes all previous publications, including prices. We reserve the right to change our prices at any time, without notice. All rights are reserved. No part of this publication may be copied, reproduced, stored in any retrieval system, communicated or transmitted in any form or by any means: photocopying, electronic recording or otherwise, without prior written permission.



# How to Use this Catalog

## Example: Wiper Blades



PART	ILL#	DESCRIPTION	APPLICATION	REQD	PRICE
47-3998-C	(1)	WIPER BLADE	DODGE	72-93 (2)	\$8.95

Please Note: Product drawings are only representations. Products supplied may vary from illustrations in this catalog.

ALL ITEMS ARE PRICED EACH IN THIS CATALOG.

"Kit" means the components that are required to do a replacement for one part, check required column. "Set" means a number of parts that complete one truck.

Explanation of policies is on pages 89 and 90.

# Listing Explanation:

- PART:** The part number you order, i.e. #47-3998-C.
- ILL #:** Illustration reference number, i.e. (1) is the Wiper Blade.
- DESCRIPTION:** Name of part, i.e. Wiper Blade.
- APPLICATION:** Model and year part fits, i.e. Dodge 1972-93.
- REQD:** Quantity of the part required for one truck, i.e. two (2) Wiper Blades are required for one truck.
- PRICE:** The low price you pay for one part, i.e. Wiper Blade is \$8.95, making your total net cost \$17.90 + Delivery & Handling for two Wiper Blades required for one truck.

## Part Number Definitions

-T After a part number means that part must be shipped Truck Freight. The prepaid order will include a \$150.00 charge for delivery in the 48 contiguous United States. Orders outside of the 48 states will be quoted. Additional delivery time required.

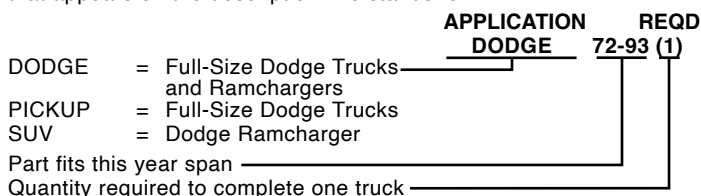
\* Or \*\* after the sell price means your order will incur an Oversize Part Charge for each oversized part. \* Means extra charge will be \$20. \*\* Means extra charge will be \$50. Due to packing and/or transportation requirements, please allow additional time for delivery. Oversized Parts are not available for air delivery.

<b>A</b>	Bench Seat Reupholstery Kit	32-33	Center Caps, Wheel	58-59	Door Edge Peep Mirror	27	
A-Pillar Gauge Pods	43	Bench Seat, Custom	31	Center Link, Steering	52	Door Edge Protection Film	18
A/C Disconnect Tool Set	46	Bezel, Headlight	77	Chassis Service Manual	86	Door Fastener Removal Tool	19
Accelerator Pedal Pad	42	Billet Parking Brake Handle	55	Chrome Bumpers	24-25	Door Glass & Seals	28-29
Adhesive Spray, LOCTITE	35,37,39,68	Billet Wire Loom Set	66	Chrome Differential Covers	67	Door Glass Run	28-29
Adhesive Tape Strips, 3M	68	Blind Spot Mirror	27	Chrome Door Mirror	27	Door Glass Sash Channel	29
Adhesive/Stripe Eraser Wheel	20	Blower Fan, Heater	70	Chrome Engine Dipstick	67	Door Handles & Parts	27
Adjusting Sleeves, Tie Rod	52	Blower Motor Switch	73	Chrome Engine Parts	66-67	Door Handles, Outside	28
Air Cleaner, Chrome	66	Blower Motor, Heater	70	Chrome Transmission Pan	67	Door Hinge Pin Repair Kit	28
Air Cleaner, Retro	69	Body Gap Filler Set	14	Chrome Wheels	59	Door Hinges & Parts	28
Amplifier, Quad 4	44	Body Lift Kit	50	CirKit Boss Fuse Center	72	Door Latch & Parts	28
Antenna Grommet	87	Body Mount Bushing Sets, Poly	8	Coil Spring Compressor Tool	48	Door Lock Knobs	28
Antenna, Amplified Hide-Away	76	Body Panel Alignment Shims	20	Coil Spring Insulator	48	Door Lock Switch	28,73
Antennas & Parts	76	Body Parts, Steel	9,11	Coil Spring Set, Front	48	Door Mirror & Parts	27
Anti-Seize Lubricant	68	Body Repair & Painting Manual	86	ColorBond Products	19,42,63,85	Door Panel Inserts	30
Anti-Seize Stick, LOCTITE	68	Body Repair Panels	11	Computer Code Manual	86	Door Panel Retainer	28
Armrests	44	Body Side Molding	19	Console, Bench Seat	33	Door Seal Set	28
Axle Shift Fork	56	Books	88	Control Arm Bushing, Poly	50	Door Seals	28
		Brake Line Sets, SS, Pre-Bent	55	Coolant Overflow Kit	66,70	Door Shell, Steel	9
		Brake Pedal Pad	42	Cooling Parts	70-71	Door Sill Plate Set	30
		Brake Shoe Adjustment Tool	55	Courtesy Light Kit	80	Door Skin, Steel	11
		Bucket Seat Parts	33-34	Courtesy Light Switch	73	Door Striker	28
<b>B</b>		Bucket Seat Rebuilding Kit	34	Cross Sill, Stepside Bed	15	Door Window Glass Holder	29
Backup Bulb, LED	80	Bucket Seat Reupholstery Kit	32	Curl Hole Cap Set, Bedside	15	Door Window Handles	27-29,66
Backup Light & Parts	24	Bucket Seat, Custom	31	Custom Bench Seats	31	Door Window Post Liner	29
Backup Light Bar, LED	80	Buckle Sleeves, Seat Belt	34	Custom Bucket Seats	31	Door Window Seals	29
Backup Light Switch	73	Bug Shield	10	Custom Bulbs	80	Drag Link, Steering	52
Backup Light Wiring Kit	24	Bulb Tool, Remove & Install	76	Custom Headlights	77-78	Drain Plug, Magnetic	63
Ball Joint	48-49	Bulb, Tail Light	82	Custom Wheels	59	Driveshaft Bearing	57
Battery Cables	74	Bulbs, Custom	80			Driving Light Set	80
Battery Disconnect Switches	74	Bumper & Parts	25	<b>D</b>		Dually Fender Marker Lights	81
Battery Hold Down	74	Bumper Bolt Kit	25	Dakota Digital Gauge Clusters	41	Dually Tailgate Lights	81
Battery Mat	74	Bumper Brackets	25	Dash Bulbs	40	Duct Hose, Pre Heater	69
Battery Post & Terminal Cleaner	74	Bumper Mounting Kit, Rear	24	Dash Gauges & Parts	43	DVDs, Kevin Tetz, Paintucation	20
Battery Tap Kit	74	Bumper, Rear	25	Dash Insert Kit, Vinyl	42		
Battery Tray & Parts	74	Bushing, Brake & Clutch Pedal	42	Dash Protector, Velour	42	<b>E</b>	
Bed Angle Strip Set	14			Daytime Running Light Kit	77	EFI Kit, Holley Sniper 2	65
Bed Bolt Kit, Stepside	14	<b>C</b>		Decals	26	Electric Door Lock Kit	30
Bed Cap Sets	18	Cab Corner	9	Defrost Vents	42	Electrical Manual, HAYNES	86
Bed Cross Sill, Stepside	15	Cab Floor	11	Dielectric Grease, LOCTITE	68	Electrical Parts	72,74
Bed End Panel, Stepside	15	Cab Floor Section, Rear	11	Diesel Exhaust System	61	Electronic Fan Controller	41
Bed Panel Hardware Kit	15	Cab Handle Set	66	Diesel Fuel Filter	47	Electronic Flasher	80
Bed Panels, Sweptline	13	Cab Mount Bushing Set, Poly	8	Diesel Fuel Filter Water Sensor	47	Electronic Musical Horn	76
Bed Rail Protection Film	18	Cab Roof Light Kit	85	Differential Cover, Chrome	67	Emblems	26
Bed Strip Kits	14	Cam Bolt Kit	48	Differential Drain Plug	56	Emission Control Manual, Haynes	86
Bed Strip Sets	14	Carburetor Stud Kit	69	Differential Lock Kit, Front	56,61	End Gate Strut	12
Bed Tie Down Anchor	16	Carburetor, Edelbrock	64	Dimmer Switch	73	End Link Bushings	48-49
Bed Trim Set, Li'l Red Express	15	Cargo Light Parts	81	Dimmer Switch Bezel	29	Engine Block Heaters	70
Bed Wood Kits	14	Cargo Light Set, LED	83	Distributor Gear Kit	73	Engine Dipstick, Chrome	67
Bedside & Parts	13	Carpet	35,37	Dolly Set, Auto	86	Engine Mount & Parts	63
Belt Molding Remover Tool	29	Carpet Set, Kick Panel	37	Dome Light Bulb, LED	80	Engine Parts, Chrome	66-67
Bench Seat Console	33	Carpet Set, Lower Door Panel	37	Dome Light Lens	81	Exhaust Header Wrap	60
Bench Seat Hinge Cover Set	33	Carpet, Molded	35	Dome Light Parts	81	Exhaust Headers	60
Bench Seat Parts	34	Carpeted Floor Mat	37	Door Bottom, Inner	11	Exhaust System, Glass Pack Dual	61
Bench Seat Rebuilding Kit	34						



## How to Read this Catalog

Throughout this catalog, the application line of the part number describes which model of Dodge that particular part will fit. The models this catalog covers are full-size Dodge Trucks and Dodge Ramcharger. Because not everyone can identify their truck by these model descriptions, here is an example of what each word and number that appears on the description line stands for:



## Part Number Example

PART	ILL#	DESCRIPTION	APPLICATION	REQD	PRICE
56-9842-T	(1)	FRONT FENDER-LH	"A" DODGE	81-93 (1)	\$149.95

The application line states that this part, **#56-9842-T**, fits Dodge Truck and Ramcharger models from 1981-93. On the description line of part you see "A", this means there is a special note about this particular part. At the bottom of the page the part appears on you will find a shadow box that will describe to you what the special note for this part is. Example:

Note: "A" Without radio antenna hole.

This note is telling you that this part, **#56-9842-T**, does not have a hole for the radio antenna.

Exhaust System, Single	61	Glass Tools	23	Hood Protection Film	18	Locking Strip Tool	23
Exhaust Tips	62	Gloves, Disposable	88	Hood Release Assembly	11	LOCTITE Products	68
Exhaust Tips, Chrome/SS	62	GPS Speed Sending Unit	41	Hood Scoop, Steel	10	Logo Floor Mat Sets	39
Exterior Trim Paint	19	Grille & Parts	26	Hook Tool	23	Lower Door Panel Carpet Set	37
<b>F</b>		Grille Inserts	26	Hoop Steps	22	Lubricants & Adhesives	68
Fastener Removal Tool	19	Grille Shell	26	Horn Buttons, Billet	53	Lug Nuts	59
Fender Flares	22	Ground Straps	74	Horns	76	<b>M</b>	
Fender Hardware	9	<b>H</b>		Hub Sets, Locking	57	Magnetic Glove Dispenser	88
Fender Marker Lights, LED	83	Hair Pin Style Hood Pin Set	66	Hubs, Locking	57	Manual Choke Conversion Kit	64
Fender Welt, Black	15	Halogen Bulbs	80	<b>I</b>		Manuals, Workshop	85-86
Firewall Insulation Pad	38	Halogen Headlight	77-78	Ignition Lock Cylinder W/Keys	73	MILE MARKER Locking Hub Sets	57
Flare Tool Set, SAE	46	Hand Riveter Set	19	Ignition Parts	67,72	Mirror, Door	27
Flex Edge Steel	20	Handle, Window	27-29,66	Ignition Switch	73	Mirror, Rear View	44-45
Flex Loom	72	Harness, HD Headlight	79	Ignition Wire Loom Set	67	Molded Carpet	35
Flexy-Flares Fender Extension	22	Hats W/Embroidered Logo	87	Ignition Wire Set	72	Molded Floor Mats	39
Flip Socket Set	56	HAYNES Manuals	86	Ignition, Performance	72	Molding Kit, Wheel Arch	19
Floor Mat Set, Carpet W/Logo	39	Header Bolt Set	60	In-Bed Tire Carrier	16	Movable Anchor Point	16
Floor Mats	37,39	Header Gasket Sets	60	Inlet Tube, Water Pump	71	Mufflers, HEDMAN HEDDERS	62
Floor Mats, Carpeted	37	Header Reducer Sets	60	Installation Kits, Steering Wheel	53	Musical Horn System	76
Floor Mats, Rubber	36	Header Set, HEDMAN HEDDERS	60	Insulation Material	38	<b>N</b>	
Frame Bracket, Rear	49	Header Wrap	60	Intake Manifold Gasket Set	64	Neutral Safety Switch	73
Frame Bushings	48-49	Headlight & Parts	77	Intake Manifold Parts	64	New Vintage Gauges	40
Frame Seal Set	9	Headlight Adjuster	77	Intake Manifold,EDELBROCK	64	<b>O</b>	
Front Axle Parts	56	Headlight Assemblies	77	Interior Parts	27,29,31-45,53,66	OBD-II/CAN Interface	41
Front Bed Panel Cap, SS	18	Headlight Bezel & Parts	77	<b>K</b>		Off Road Light	84
Front Bumper, Chrome	25	Headlight Connector	77	Keyless Access Kit, Remote	30	Oil Caps, Chrome	67
Front Door Parts	9,11,28-29	Headlight Harness, HD	79	Keyless Remote Entry System	30	Oil Drain Valve, EZ	63
Front Fender	9	Headlight Protection Film	84	Kick Panel Carpet Set	37	Oil Filler Cap	63
Front Sidemarkers	81	Headlight Switch	73	KYB Shock Absorbers	51	Oil Filter	63
Fuel Door Skin Kit, Chrome	22	Headlight Warning Buzzer	80	<b>L</b>		Oil Pan & Parts	63
Fuel Filler Parts	47	Headlight, LED	78-79	Lamp Bulbs	85	Oil Pan Gasket	63
Fuel Filler Pipe	47	Headlights, Custom	79	Lamps & Parts	79-80,83-85	Oil Pressure Gauge	43
Fuel Filter, Chrome & Clear	66	Headliner	45	Lap Seat Belts	34	Oil Pressure Sensor	73
Fuel Filter, Diesel	47	Headliners, ABS Plastic	45	Latches, Door	28	Oil Pressure Switch	73
Fuel Hoses	47	Heat Shield Kit	38	Latches, Hood	11	Overflow Kit, Coolant	66,70
Fuel Line Disconnect Tool Set	46	Heated Windshield Washer Kit	75	Leaf Spring Bolt	49	Owner's Manuals	85
Fuel Lines & Parts	46	Heater Core & Parts	70	Leaf Spring Bushing Set, Poly	50	<b>P</b>	
Fuel Lines, Pre-Bent	46	Heater Hose Fittings	69	Leaf Spring Bushings	49	Padding Material, Seat	34,38
Fuel Pump & Parts	46	Heater Parts	70	Leaf Spring Shackle	49	Paint Protection Film	18
Fuel Pump Control Module	47	Heater Valve	70	LED Bulbs	40,80	Painttocation DVDs, Kevin Tetz	20
Fuel Pump Strainer	46	Heating and AC Manual, Haynes	86	LED Cargo Lights	83	Panel & Trim Removal Tool Set	20
Fuel System Kit, HOLLEY	65	High-Performance Headlight	77	LED Fender Marker Lights, Dually	83	Parking Brake Cable Repair Kit	55
Fuel Vent Hoses	47	Highliner W/Speakers	45	LED Headlight	78-79	Parking Brake Handle, Billet	55
Fuse Center, 14 Circuit	72	Hitch	58	LED License Plate Bolt Set	80	Parklight & Parts	77,81
<b>G</b>		Hitch Ball Mounts	58	LED Tail Light	83	Parklight Bulb, LED	80
Gas Cap, Locking	47	Hitch Balls, Chrome	58	LED Tail Light Conversion Kit	83	Parklight Bulbs	77,81
Gas Caps	47	Hitch Pin & Clip	58	LED Tailgate Light	84	PCV Breathers	67
Gas Tank & Parts	47	Hog Ring Kit	32-33	License Plate Bolt Set, LED	80	Pedal Pads & Parts	42
Gas-Charged Shocks, HD	51	HOLLEY Sniper EFI 2	65	License Plate Bracket	82	Peep Mirror, Door Edge	27
Gasket Sealant, LOCTITE	68	Hood	9	License Plate Lamp	24	Penetrating Graphite Powder	68
Gauge Clusters	40-41	Hood Bumpers	11	Lift Gate Struts	12	Permatex Orange Threadlocker	68
Gauge Needle Paint	43	Hood Emblems	26	Lift Kit	50	Pillar Post Trim Kit, Chrome	22
Gauge Panels	43	Hood Hinge Spring Tool	11	Lighting	76-85	Pipe Plugs	69
Gauge Pods, A-Pillar	43	Hood Hinges	11	Lighting, Custom	78-80,83-84	Pitman Arm Puller	52
Gauge Refacing Kit	43	Hood Insulation Kit, ABS	10	Line Clamp Set, NotchHead	46	Plug Weld Pliers	20
Gauges & Parts	43	Hood Insulation Retainer	9,11	Locking Gas Caps	47	Polishing Kit, Deluxe	62
Gear Position Sensor	41	Hood Insulator	11	Locking Hub Sets	57		
Glass & Windshield Sealant	23,68	Hood Latch Striker	11				
		Hood Pin Set, Hair Pin Style	66				



Polyurethane Body Mount Set	8	Shift Collar	56	Tail Light Conversion Kit, LED	83	Vent Window Seal Set	27
Polyurethane Cab Mount Set	8	Shift Linkage Bushing, AT	57	Tail Light Lens	83	Vinyl Edge Sealer Pen	68
POR-15 Restoration Products	21	Shift Repair Kit	38	Tail Light, LED	83	Vinyl Seat Reupholstery Kits	33
Power Steering Filter, In-Line	54	Shims, Body Panel Alignment	20	Tailgate Band	17	Voltmeter Gauge	43
Power Steering Gears	54	Shock Absorbers	51	Tailgate Bumpers	13		
Power Steering Hose Kit	69	Shock Absorbers, KYB	51	Tailgate Cap	18	<b>W</b>	
Power Steering Parts	54	Shop Manual, USB	85	Tailgate Chain & Parts	15	WARN Locking Hub Sets	57
Power Steering Pumps	54	Side Window Deflectors	10	Tailgate Check Strap Kit	16	Washer Nozzles	75
Pre Heater Duct	69	Sidemarkers Bulb, LED	80	Tailgate Guard, Vinyl	18	Washer Pump	75
Protection Film, Headlight	84	Sidemarkers Light & Parts	81	Tailgate Latch	13	Washer Reservoir & Parts	75
Pry Bar Set, Plastic	17	Sill Plates, Door	30	Tailgate Latch Kit, Stepside	16	Water Outlet, Gasket	71
PUTCO LED Tailgate Light	84	Sound Control Mat	38	Tailgate Light, LED	84	Water Outlets & Parts	71
		Sound Deadener Kit, EVA	38	Tailgate Link, Sweptline	13	Water Pump & Parts	75
<b>Q</b>		Spare Tire Carrier, In-Bed	16	Tailgate Links	13,17	Water Temperature Gauge	43
Quarter Panels	13	Spark Plug Boot Sleeves	60	Tailgate Parts	13,15	WeatherPak Wire Extractor Tool	72
Quick Ratio Power Steering Gear	54	Spark Plug Wire Set	72	Tailgate Running Light Kit	76	Weatherstrip	12
		Speaker, Stereo	44	Tailgate Sealer	16	Weatherstrip Adhesive	68
<b>R</b>		Spot Weld Cutter	20	Tailgate, Stepside	15	Weatherstrip Kit	12
Radiator Cap	71	Spray Adhesive, LOCTITE	35,37,39,68	Temperature Gauge	43	Wheel Arch Molding Kit	19
Radiator Cap, Chrome	66	Starter Switch, Remote	69	Thermostat & Water Outlet	71	Wheel Arch Panels	13
Radiator Overflow Tank	71	Steering Controls	52	Thread Sealant	68	Wheel Arch, Upper	13
Radiator Parts	71	Steering Drag Link	52	Threshold Protection Film	18	Wheel Bearing Grease Packer	56
Radiator Seal	71	Steering Gear, Reman	54	Throttle Body Spacer	64	Wheel Lock Set	59
Radiators	71	Steering Manual, HAYNES	86	Tie Down Anchors	16	Wheel Lug Nuts	59
Radio Antenna	76	Steering Pump, Power	54	Tie Rod Adjusting Sleeve	52	Wheel Paint, ColorBond	85
Radio Speaker	44	Steering Shaft Assembly, HD	52	Tie Rod End Boot, Poly	52	Wheels	59
Rail-Guard Set, Vinyl	18	Steering Shaft Coupler	54	Tie Rod Ends	52	Wheels & Parts	59
Rear Bumper & Parts	25	Steering Shaft Coupler Repair Kit	54	Tire Black, ColorBond	85	White Face Gauge Overlays	43
Rear Door Parts	28	Steering Stabilizer Boot	52	Tire Carrier, In-Bed	16	Window Channel Kit, Door	29
Rear Main Seal	63	Steering Stabilizer Kit	52	Tool Set, Panel & Trim Removal	20	Window Deflectors, Side	10
Rear Suspension Parts	49	Steering Wheel Installation Kit	53	Torque Rod Bushing	57	Window Film Kit	23
Rear View Mirror	44	Steering Wheel Puller	54	Tow Hooks	66	Window Handle, Billet	27
Rear Window & Parts	22	Steering Wheels	53	Transfer Case Chain	56	Window Handles	28-29,66
Rear Window Seal & Trim	22-23	Steering Wheels, Leather/Wood	53	Transmission Bushing Sets	63	Window Latch, Rear	22
Rear Window, Sliding	22	Step Bumper, Diamond Tread	24	Transmission Cooler Lines	57	Window Motor, Power	29
Remote Starter Switch	69	Step Bumper, Star-Lite	24	Transmission Filter Kit	57	Window Regulator, Door	29
Repair Manual, Haynes	86	Step Pad, Rear Bumper	24	Transmission Lines, Pre-Bent	57	Window Seal Kit	29
Repair Manuals	86	Steps, Hoop	22	Transmission Mount, Poly	63	Window Seal, Rear	22-23
Retractable Seat Belt	34	Stepside Bed Parts	14-15	Transmission Mounts	63	Window Switch, Power	29,73
Riveter Set	19	Stepside Bed Wood Kit	14	Transmission Oil Cooler, Auxiliary	57	Window Visor Set	10
Rocker Panel Protection Film	18	Stepside Tailgate & Parts	15-16	Transmission Pan, Chrome	67	Window, Sliding Rear	22
Rocker Panel Trim	22	Stereo Equipment	44	Transmission Parts	57,67	Windshield & Glass Sealant	23,68
Rocker Panels	9	Stop Lamp Switch	73	Trim Paint, Exterior	19	Windshield & Parts	23
Roof Lamps & Parts	81	Strip Caulk	68	Truck Cover	87	Windshield Rubber	23
Roof Vent Seal	12	Strut Rod Bushings	50	Truck Cover Lock Kit	87	Windshield Stick	23
Rope-In Tool	23	Strut, Seat Lift	33	Truck Dolly, XHD	86	Windshield Washer Kit	75
RTV Red, LOCTITE	68	Subwoofer, Powered	44	Tube Cutter, Mini	46	Windshield Washer Parts	75
Rubber Floor Mats	36,39	Sun Visor Sets, Cloth	44	Turbo Mufflers	62	Windshield Wiper Parts	75
Rubberized Undercoating	68	Sun Visors	44	Turn Signal Switch	73	Wiper Arm Tool	75
		Superwhite Bulbs	80			Wiper Blade	75
<b>S</b>		Suspension Manual, HAYNES	86	<b>U</b>		Wiper Linkage Bushings	75
Sealants & Adhesives	23,68	Suspension Parts	48-49,51	Underhood Lamp	85	Wiper Motor & Parts	75
Seam Sealer	68	Suspension, Front	48-51	Underhood Light	82	Wire Loom Installation Tool	72
Seat Belts	34	Sway Bar & Parts	51	Underhood Paint, Black	63	Wire Loom Set	67
Seat Covers	32	Sway Bar Bushing, Poly	51	Urethane End Link Bushing Set	51	Wire Loom Set, Billet	66
Seat Heater Kit	32	Sway Bar End Link Kits	48	Urethane Frame Bushing Set	51	Wire Terminal Extractor Tool	72
Seat Hog Ring Kit	32-33	Sweptline Bed Panels	13			Wiring Grommet Assortment	72
Seat Lift Strut	33	Switch, 4WD Actuator	56	<b>V</b>		Wiring Harness, Trailer Hitch	58
Seat Padding Material	34,38	Switch, 4WD Indicator	56	Vacuum Cap Assortment, Rubber	62	Wood Steering Wheel	53
Seat Rebuilding Kit	34	Switch-Ball Set	58	Valve Cover & Parts	67		
Seats, Custom Bucket	31	Switches	56,69,73-74,80	Valve Cover Breather Cap	67		
Sending Unit, Fuel Pump	46-47			Valve Cover Gasket	67		
Sending Unit, Fuel Tank	47	<b>T</b>		Valve Cover, Chrome	67		
Shackle & Parts, Leaf Spring	49	Tail Light & Parts	82	Velour Seat Reupholstery Kits	33		
Sheet Metal & Flex Edge Steel	20	Tail Light Brackets	82	Vent Window Lock, Universal	27		
Sheet Metal Plugs	14	Tail Light Bulb, LED	80	Vent Window Parts	27		

## Abbreviations To help make your ordering easier, here is a list of the terms and abbreviations used throughout this catalog.

-T	Ships Truck Freight
2WD	2 Wheel Drive
4WD	4 Wheel Drive
6PC	6 Piece
A/C OR AC	Air Conditioning
A/R	As Required
ASSY	Assembly
AT	Automatic Transmission
FRT	Front
HD	Heavy Duty

LB	Longbed
LH	Left Hand (Driver)
LWR	Lower
PWR	Power
OE	Original Equipment
REMAN	Remanufactured
REPRO	Reproduction
REQD	Required
RH	Right Hand (Passenger)
RR	Rear

SB	Shortbed
SET	Complete Truck Set
SS	Stainless Steel
STD	Standard
STD CAB	Standard Cab
SYS	System
W/	With
W/O	Without

## Dodge Truck 1972-80 Serial Number

The Serial Number plate is mounted on the driver's side door lock pillar.

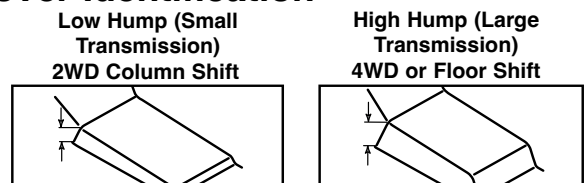
	<b>D</b>	<b>1</b>	<b>4</b>	<b>A</b>	<b>E</b>	<b>5</b>	<b>S</b>	<b>000105</b>
<b>Model</b>								
A = 4 Wheel Drive SUV								
D = 2 Wheel Drive Truck								
E = 2 Wheel Drive SUV								
W = 4 Wheel Drive Truck								
<b>Chassis Rating</b>								
A = 1/2 ton Plymouth								
1 = 1/2 ton Dodge								
2 = 3/4 ton								
3 = 1 ton								
<b>Body Code</b>								
0 = Ramcharger SUV								
3 = Standard Cab Utiline (Stepside)								
4 = Standard Cab Sweptline (Fleetside)								
5 = Crew Cab Utiline (Stepside)								
6 = Crew Cab Sweptline (Fleetside)								
7 = Club Cab Sweptline (Fleetside)								
<b>GVWR (Gross Vehicle Weight Rating)</b>								
A = under 6,000 lbs								
B = 6,001 lbs - 10,000 lbs								
<b>Engine Code</b>								
A = 440-3 V8      1972-78								
B = 225-1 6 Cyl    1972-80								
C = 225-2 6 Cyl    1972-80								
D = 440-1 V8        1972-78								
E = 318-1 V8        1972-80								
F = 360-1 V8        1972-80								
G = 318-3 V8        1971-78								
K = 360-3 V8        1974-80								
J = 400 V8            1972-78								
P = 318-1 V8        1978-80								
S = 360 V8            1978-79								
T = 360 V8            1974-80								
<b>Model Year</b>								
2 = 1972      8 = 1978								
3 = 1973      9 = 1979								
4 = 1974      A = 1980								
5 = 1975								
6 = 1976								
7 = 1977								
<b>Assembly Plant</b>								
J = Windsor, Ontario (Canada)								
S = Warren, Michigan								
T = Warren, Michigan								
U = St. Louis, Missouri (1972)								
V = Warren, Michigan								
X = St. Louis, Missouri (1973-80)								
K = Windsor, Ontario (Canada)								
<b>Sequence Number</b>								
000,105								

## 1972-93 Truck History

- 1972** Models incorporated more comfort, convenience and serviceability. Larger windshield and back window improved outward visibility. Curved door glass added four inches of shoulder room. Gauges were recessed to prevent glare. Fuse box and emergency flashers were located behind the glove box door for easy access. Two-wheel drive models featured coil link front suspension and four-wheel drive models featured leaf spring front suspension, heavy-duty chassis components and larger rear brakes. Available options included power front disc brakes, power steering and cruise control. In-cab fuel tank for standard cab models.
- 1973** Club Cab introduced, adding 18 more inches of cargo or passenger space. Electronic ignition now available on all engines as an option.
- 1974** New grille design and optional 440 cubic inch V8 replaced the 400 cubic inch V8. Fuel tank for standard cab trucks relocated inside the frame rail. Ramcharger SUV available only with four-wheel drive and either 318 or 440 cubic inch V8. Factory removable roof was optional.
- 1975** Revised instrument panel and side molding design. Four-wheel drive models received updated suspension geometry and components. Full-time four-wheel drive standard on all four-wheel drive models. Two-wheel drive Ramcharger model added as well as 225 cubic inch slant six cylinder engine.
- 1976** Bench seat back now hinged for easier access to storage behind the seat. Glide out spare tire carrier added.
- 1977** Warlock trim level introduced on standard cab shortbed Utiline pickup, featuring gold spoke wheels, gold pinstriping and real oak bed side boards. A new grille incorporated rectangular parking lights. New seat trim and door panels added.
- 1978** Macho Power Wagon and Macho Ramcharger introduced. Li'l Red Express Truck added with a heavy-duty 360 cubic inch V8 equipped with four-barrel carburetor backed by a 3.55:1 rear axle. The Midnight Express was available for the 1978 model year only. This truck was equipped much like the Li'l Red Express with exhaust stacks, wheels and gold pinstriping. The Midnight Express was painted black instead of red and featured a "Midnight Express Truck" decal on the door. Most Midnight Express trucks were powered by the 440 engine, instead of the 360 like the Li'l Red Express.
- 1979** New sheet metal, consisting of hood, cowl panel, grilles and headlights. Top trim levels equipped with four rectangular headlights. Lower trim levels were equipped with two round headlights. Li'l Red Express Truck dropped.
- 1980** Grille openings painted black. Four-wheel drive models changed to part-time four-wheel drive. D100 model was dropped.
- 1981** New hood, fender, grille and rectangular headlights created a more sculpted look. New instrument panel. Tailgate redesigned for easier use. Ramcharger updated with an integrated steel roof. Intermittent wipers. Models now referenced as Ram for two-wheel drive models and Power Ram for four-wheel drive models.
- 1982** Miser option package was offered. Featured 225 slant six engine, bright finish grille, bright wheel covers, ram's head hood ornament, gold body stripes (tape), deluxe pleated vinyl seat, wood-toned instrument panel and color-keyed carpeting.
- 1983** Auto-locking hubs available for four-wheel drive models.
- 1984** D100 returns as the entry level model.
- 1985** Four-wheel drive transfer cases could be shifted into and out of four-wheel drive at speeds up to 55 miles per hour.
- 1986** New grille style, featuring four large openings and new front bumper, gave the front end a cleaner look. Crew cab and Utiline bed options were dropped.
- 1987** Full length door panels added. Oil pressure gauge, temperature gauge and trip odometer standard on all trucks.
- 1988** 3.9L V6 introduced. Throttle body injection added to 3.9L and 5.2L engines. 5.2L engines gained a 20 percent increase in power.
- 1989** 5.9L direct injected Cummins turbo diesel engine added. 5.9L gasoline engine received throttle body fuel injection.
- 1990** Club Cab returns. New heavy-duty four-speed overdrive transmission was optional. Anti-lock rear brakes were standard for Ramcharger models.
- 1991** New grille design. Air charge intercooler added to diesel models, and modifications to cylinder heads and pistons further reduced emissions on diesel-equipped models. 150S replaces 100 as the entry level model.
- 1992** 3.9L V6 and 5.2L V8 engines were upgraded to sequential multi-port fuel injection and given the name Magnum. 3.9L V6 power increased 45 percent and 5.2L power increased 30 percent.
- 1993** 5.9L V8 engine is brought into the Magnum engine family, receiving multi-port fuel injection and an increase of 25 horsepower and 30 ft-lbs of torque.

## Low and High Hump Transmission Tunnel Cover Identification

Carpet Kits and MIP Mats are often defined as "Low Hump" or "High Hump" or "Small Transmission, Large Transmission." This refers to the size of the Transmission tunnel hump in the floor of the cab. Models originally equipped with 4 wheel drive or floor shift have a larger hump than 2 wheel drive, column shift models. The illustration on the right is a guide to help you verify the type of floor your truck is equipped with.







### Steel Body Panels and What to Expect

All sheet metal is inspected before it is shipped and careful steps are taken to package parts so there is no damage during shipping. Due to the nature of the product, sheet metal is easily damaged and scratches, dents, dings and other imperfections are normal and not considered damaged. These kinds of imperfections should be expected and can be easily fixed during installation and the paint preparation, sanding and priming stages of your restoration. It is recommended you inspect all sheet metal that is delivered before the delivery driver leaves. Test fitting of all panels before installation is recommended and the use of alignment shims and other adjustments during the install may be required.

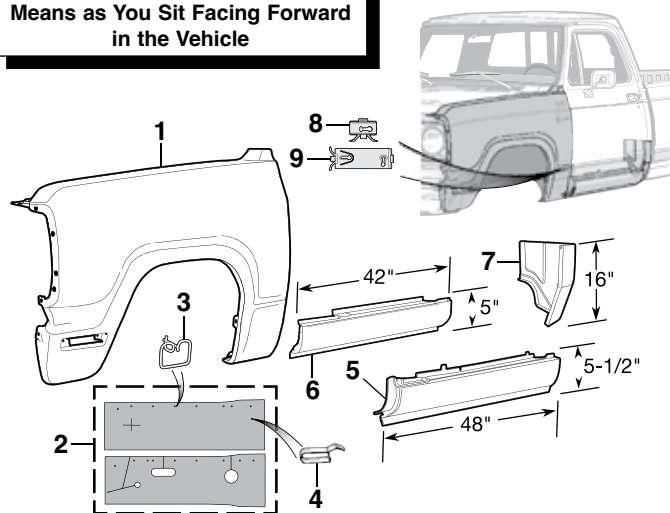
-T after a part number means that part must be shipped Truck Freight. An additional \$150.00 will be charged to your order for delivery in the 48 contiguous United States. Orders outside of the 48 states will be quoted. Additional delivery time required.

## Front Steel Body Parts

1972-80 Dodge Truck  
1974-80 Dodge Ramcharger

Seam Sealer  
See Page 68

Left Hand (LH) & Right Hand (RH)  
Means as You Sit Facing Forward  
in the Vehicle



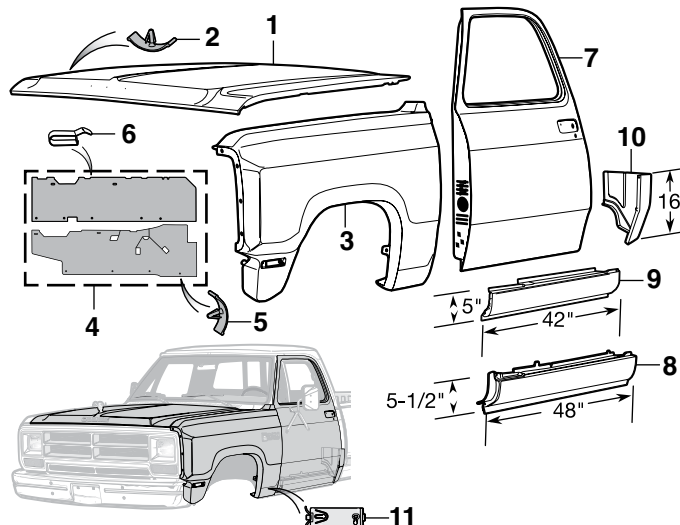
PART	ILL#	DESCRIPTION	APPLICATION	REQD	PRICE
56-9840-T	(1)	FRONT FENDER-LH	"A" DODGE	72-80 (1)	\$154.95
56-9841-T	(1)	FRONT FENDER-RH	DODGE	72-80 (1)	\$154.95
56-5361	(2)	FRAME SEAL SET-RUBBER	2PC DODGE	72-77 (1)	\$29.95
56-5362	(2)	FRAME SEAL SET-RUBBER	2PC DODGE	78-79 (1)	\$22.95
55-1129	(3)	RETAINER-INNER FENDER	DODGE	72-79 (AR)	\$9.95
40-1603-D	(4)	RETAINER-FRAME	DODGE	72-79 (AR)	\$6.65
56-9322	(5)	ROCKER PANEL-LH	OE STYLE PICKUP	72-80 (1)	\$22.95
56-9323	(5)	ROCKER PANEL-RH	OE STYLE PICKUP	72-80 (1)	\$22.95
56-9324	(6)	ROCKER PANEL-LH	SLIP ON DODGE	72-80 (1)	\$16.95
56-9325	(6)	ROCKER PANEL-RH	SLIP ON DODGE	72-80 (1)	\$16.95
56-9326	(7)	CAB CORNER-LH	STD CAB	72-80 (1)	\$39.95
56-9327	(7)	CAB CORNER-RH	STD CAB	72-80 (1)	\$39.95
55-1150	(8)	RETAINER-LOWER MOLDING	"B" DODGE	72-76 (AR)	\$9.99
55-1154	(9)	RETAINER-LOWER MOLDING	"C" DODGE	75-76 (AR)	\$3.45
55-1154	(9)	RETAINER-LOWER MOLDING	DODGE	77-80 (AR)	\$3.45

Note: "A" Without radio antenna hole.  
"B" Fits models with Custom or Adventurer trim with narrow lower side molding.  
"C" Fits models with Adventurer Sport or Adventurer SE trim with wide lower molding.

## Front Steel Body Parts

1981-93 Dodge Truck  
1981-93 Dodge Ramcharger

Threshold and Door  
Edge Protection Film  
See Page 18



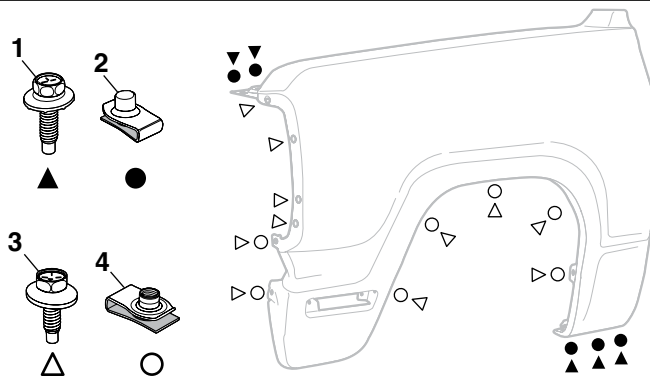
PART	ILL#	DESCRIPTION	APPLICATION	REQD	PRICE
56-9797-T	(1)	HOOD	DODGE	81-93 (1)	\$189.95
55-1130	(2)	RETAINER-HOOD INSULATION	DODGE	81-93 (AR)	\$7.75
56-9842-T	(3)	FRONT FENDER-LH	"A" DODGE	81-93 (1)	\$149.95
56-9843-T	(3)	FRONT FENDER-RH	DODGE	81-93 (1)	\$149.95
56-5363	(4)	FRAME SEAL SET-RUBBER	2PC DODGE	81-91 (1)	\$22.95
55-1130	(5)	RETAINER-INNER FENDER	OE STYLE DODGE	81-93 (AR)	\$7.75
40-1603-D	(6)	RETAINER-FRAME	DODGE	81-93 (AR)	\$6.65
56-9846-T	(7)	DOOR-LH	W/SPEAKER HOLE DODGE	85-93 (1)	\$284.95
56-9847-T	(7)	DOOR-RH	W/SPEAKER HOLE DODGE	85-93 (1)	\$284.95
56-9322	(8)	ROCKER PANEL-LH	OE STYLE DODGE	81-93 (1)	\$22.95
56-9323	(8)	ROCKER PANEL-RH	OE STYLE DODGE	81-93 (1)	\$22.95
56-9324	(9)	ROCKER PANEL-LH	SLIP ON DODGE	81-93 (1)	\$16.95
56-9325	(9)	ROCKER PANEL-RH	SLIP ON DODGE	81-93 (1)	\$16.95
56-9326	(10)	CAB CORNER-LH	STD CAB	81-93 (1)	\$39.95
56-9327	(10)	CAB CORNER-RH	STD CAB	81-93 (1)	\$39.95
55-1154	(11)	RETAINER-LOWER MOLDING	DODGE	81-90 (AR)	\$3.45

Note: "A" Without radio antenna hole.

## Front Fender Hardware

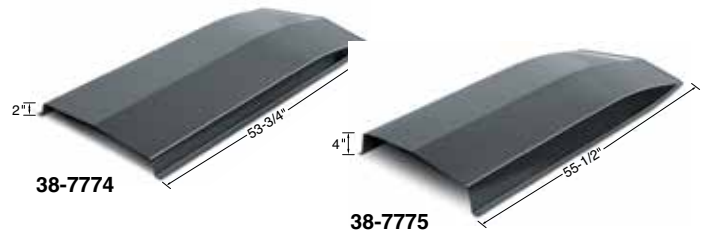
1972-93 Dodge Truck  
1974-93 Dodge Ramcharger

PART	ILL#	DESCRIPTION	APPLICATION	REQD	PRICE
55-0261	(1)	BOLT-FRONT FENDER	DODGE	72-93 (10)	\$1.35
30-0921	(2)	NUT-FRONT FENDER	DODGE	72-93 (10)	\$1.25
30-0591	(3)	BOLT-FRONT FENDER	DODGE	72-93 (22)	\$1.25
30-0948	(4)	NUT-FRONT FENDER	DODGE	72-93 (14)	\$1.45





**Steel Hood Scoops**



These 2" and 4" Universal Fit Hood Scoops are stamped from 18-gauge steel and coated with an Electro Deposit Primer (EDP) for a smooth surface. Installation will require cutting and forming the scoop to match the length and curvature of your truck's hood. Welding and body work will be required prior to painting.

\* Or \*\* after the sell price means your order will incur an Oversize Part Charge for each oversized part. \* Means extra charge will be \$20. \*\* Means extra charge will be \$50. Due to packing and/or transportation requirements, please allow additional time for delivery. Oversized Parts are not available for air delivery.

PART	DESCRIPTION	PRICE
38-7774	HOOD SCOOP-STEEL 2" RISE	\$185.95*
38-7775	HOOD SCOOP-STEEL 4" RISE	\$157.75*

**ABS Hood Insulation Kits**



**ABS Hood Insulation Kits Do Not Fit Cowl Induction Hoods**

Heat-resistant textured ABS Hood Insulation Kit covers up the underside of your hood and is available with or without officially licensed logo. Each kit includes pre-cut foil-backed insulation material, 14 oz. spray adhesive, 1 roll of aluminum tape, center punch, drill sleeve, mounting hardware and illustrated instructions. Drilling may be required on models not originally equipped with hood insulation.

PART	DESCRIPTION	APPLICATION	REQD	PRICE
56-7510	ABS HOOD INSULATION KIT-PLAIN	DODGE	72-80 (1)	\$199.95
56-7511	ABS HOOD INSULATION KIT-DODGE	DODGE	72-80 (1)	\$279.95
56-7512	ABS HOOD INSULATION KIT-PLAIN	DODGE	81-93 (1)	\$199.95
56-7513	ABS HOOD INSULATION KIT-DODGE	DODGE	81-93 (1)	\$279.95

**Side Window Deflectors ... Keep Your Window Open and the Weather Out**



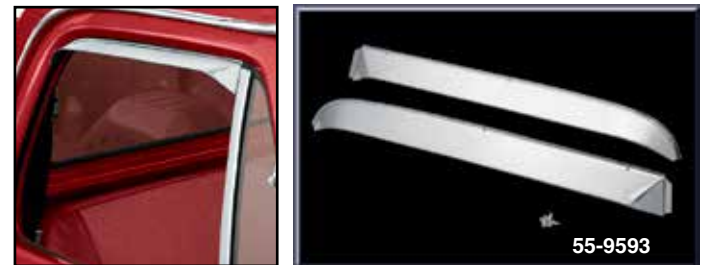
Made from durable ABS plastic which will bend but not break, absorbs road vibrations without fracturing. Will not discolor, fade or become brittle due to UV rays. Will not scratch or peel because it is not a laminate or painted on, but is infused into the plastic to give a hard, smooth finish.

Withstands exposure to rough conditions and extreme temperatures. Installs using 3M™ tape, included with set.

**Side Window Deflectors ...** The perfect addition to any truck. Keep your window open while still keeping out the wind and rain.

PART	DESCRIPTION	APPLICATION	REQD	PRICE
55-9594	WINDOW DEFLECTOR SET-2PC	DODGE	72-93 (1)	\$62.95

**Stainless Steel Window Visor ... Lets Fresh Air In and Keeps Rain Out**



Window Visor allows you to keep your windows partially open to have fresh air constantly circulating while keeping rain, wind and noise out. Helps reduce damaging heat build-up and comes with one Window Visor for each door. Mounting hardware included.

PART	DESCRIPTION	APPLICATION	REQD	PRICE
55-9593	WINDOW VISOR SET-STAINLESS-2PC	DODGE	72-93 (1)	\$39.95

**Bug Shield**



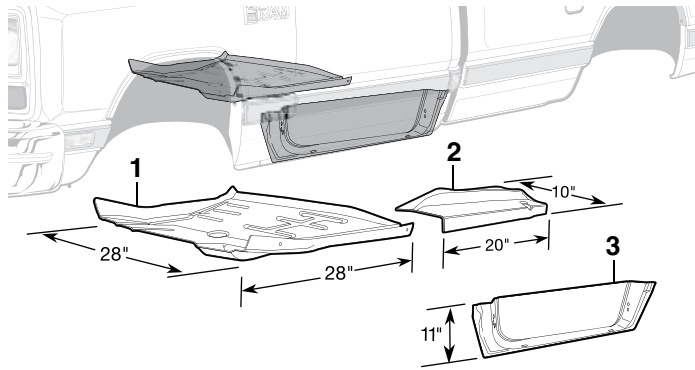
Bug Shield is made from durable impact-resistant materials and includes all mounting hardware and installation instructions.

PART	DESCRIPTION	APPLICATION	REQD	PRICE
55-9592	BUG SHIELD "A"	SMOKE DODGE	81-93 (1)	\$69.95

Note: "A" Drilling required for installation.

## Cab Floor Steel Body Parts

1972-93 Dodge Truck  
1974-93 Dodge Ramcharger

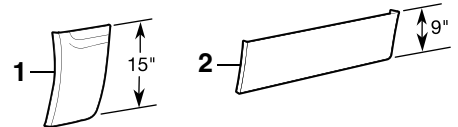
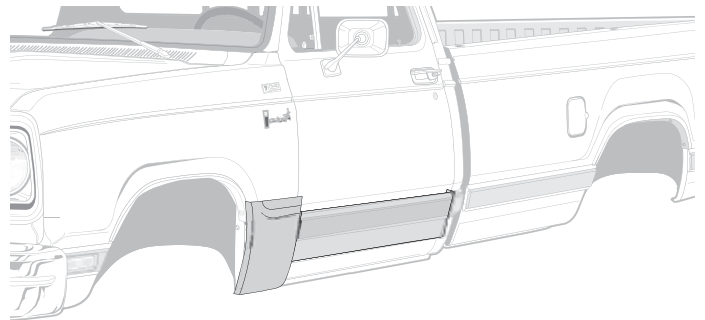


PART	ILL#	DESCRIPTION	APPLICATION	REQD	PRICE
56-9318	(1)	CAB FLOOR-LH	DODGE 72-93	(1)	\$42.45*
56-9319		CAB FLOOR-RH	DODGE 72-93	(1)	\$42.45*
56-9320	(2)	CAB FLOOR-REAR-OUTER-LH	CREW CAB 81-85	(1)	\$49.95
56-9321		CAB FLOOR-REAR-OUTER-RH	CREW CAB 81-85	(1)	\$49.95
56-9316	(3)	INNER DOOR BOTTOM-LH	DODGE 72-93	(1)	\$24.45
56-9317		INNER DOOR BOTTOM-RH	DODGE 72-93	(1)	\$24.45

\* Or \*\* after the sell price means your order will incur an Oversize Part Charge for each oversized part. \* Means extra charge will be \$20. \*\* Means extra charge will be \$50. Due to packing and/or transportation requirements, please allow additional time for delivery. Oversized Parts are not available for air delivery.

## Steel Body Repair Parts

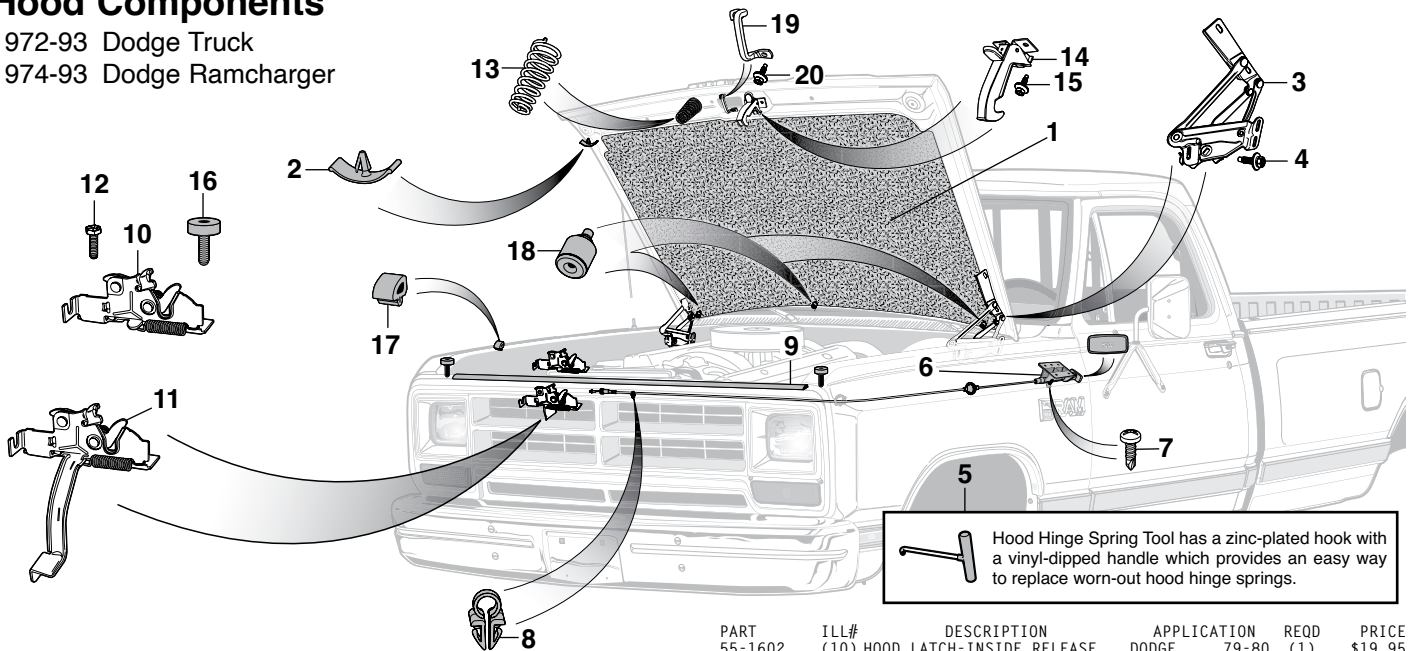
1972-80 Dodge Truck  
1974-80 Dodge Ramcharger



PART	ILL#	DESCRIPTION	APPLICATION	REQD	PRICE
56-9844	(1)	REPAIR PANEL-LOWER-REAR-LH	DODGE 72-80	(1)	\$14.95
56-9845		REPAIR PANEL-LOWER-REAR-RH	DODGE 72-80	(1)	\$14.95
56-9314	(2)	DOOR SKIN LOWER-LH	DODGE 72-80	(1)	\$19.95
56-9315		DOOR SKIN LOWER-RH	DODGE 72-80	(1)	\$19.95

## Hood Components

1972-93 Dodge Truck  
1974-93 Dodge Ramcharger



PART	ILL#	DESCRIPTION	APPLICATION	REQD	PRICE
38-7510	(1)	HOOD INSULATOR-GRAY "A"	DODGE 72-93	(1)	\$35.95
55-1130	(2)	RETAINER-HOOD INSULATOR	DODGE 72-93	(AR)	\$ .75
55-1622	(3)	HOOD HINGE-LH "B"	DODGE 72-93	(1)	\$44.95
55-1623		HOOD HINGE-RH "B"	DODGE 72-93	(1)	\$44.95
55-0261	(4)	BOLT-HINGE	DODGE 72-93	(10)	\$1.35
38-1258	(5)	HOOD HINGE SPRING TOOL	DODGE 72-78	(1)	\$4.95
55-1629	(6)	HOOD RELEASE ASSEMBLY	DODGE 81-93	(1)	\$19.95
40-0501	(7)	SCREW-HOOD RELEASE	DODGE 81-93	(4)	\$ .65
55-1127	(8)	RETAINER-RELEASE CABLE	DODGE 81-93	(AR)	\$ .85
56-5227	(9)	HOOD TO RADIATOR SEAL	SUV 74-77	(1)	\$33.95
56-5228		HOOD TO RADIATOR SEAL	SUV 78-80	(1)	\$35.95

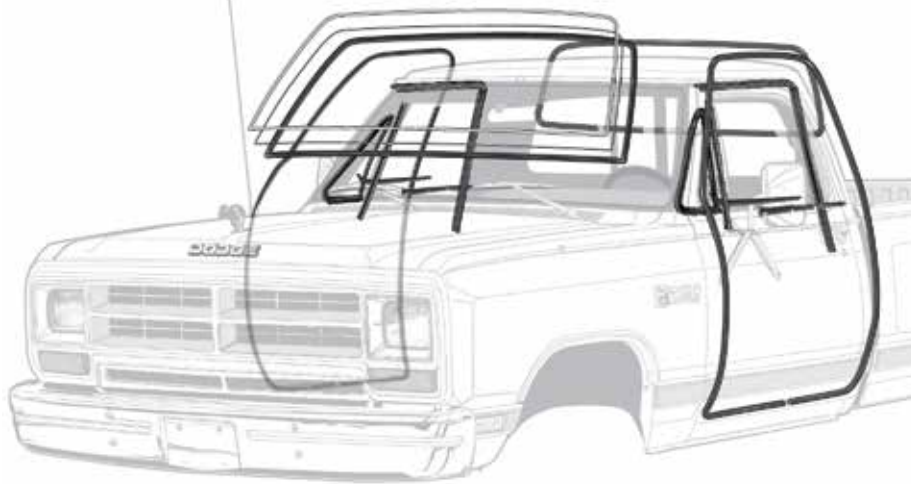
PART	ILL#	DESCRIPTION	APPLICATION	REQD	PRICE
55-1602	(10)	HOOD LATCH-INSIDE RELEASE	DODGE 79-80	(1)	\$19.95
55-1609		HOOD LATCH-INSIDE RELEASE	DODGE 81-93	(1)	\$20.95
55-1603	(11)	HOOD LATCH-OUTSIDE RELEASE	DODGE 79-80	(1)	\$14.95
55-1604		HOOD LATCH-OUTSIDE RELEASE	DODGE 81-89	(1)	\$14.95
30-0217	(12)	BOLT-HOOD LATCH	DODGE 72-93	(2)	\$ .65
55-1617	(13)	HOOD ASSIST SPRING	DODGE 72-93	(1)	\$5.45
55-1634	(14)	HOOD SAFETY CATCH	DODGE 72-93	(1)	\$9.95
30-0591	(15)	BOLT-CATCH	DODGE 72-93	(2)	\$1.25
55-2812	(16)	HOOD BUMPER-FRONT W/STUD	DODGE 72-93	(2)	\$5.25
55-2808	(17)	HOOD BUMPER-SIDE	DODGE 72-93	(4)	\$3.45
55-2813	(18)	HOOD BUMPER-REAR OF HOOD	DODGE 72-93	(3)	\$1.95
55-1618	(19)	STRIKER-HOOD LATCH	DODGE 72-78	(1)	\$7.95
55-1619		STRIKER-HOOD LATCH	DODGE 79-80	(1)	\$7.95
55-1614		STRIKER-HOOD LATCH	DODGE 81-93	(1)	\$7.95
30-0591	(20)	BOLT-HOOD LATCH	DODGE 72-93	(2)	\$1.25

Note: "A" Must size and cut to fit. Retainer holes are not pre-punched.  
"B" Original design for 1991-93 models. It is recommended 1972-90 models replace both sides due to different spring design.



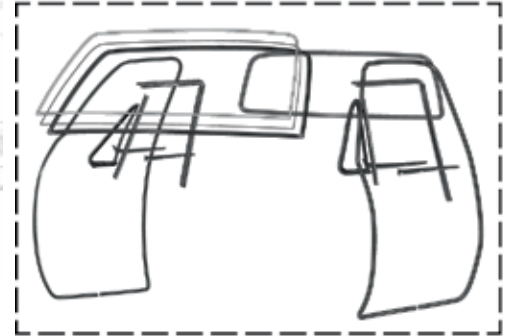
**Complete Cab Weatherstrip Kits**

1978-86 Dodge Truck



Complete Cab Weatherstrip Kit Contains:

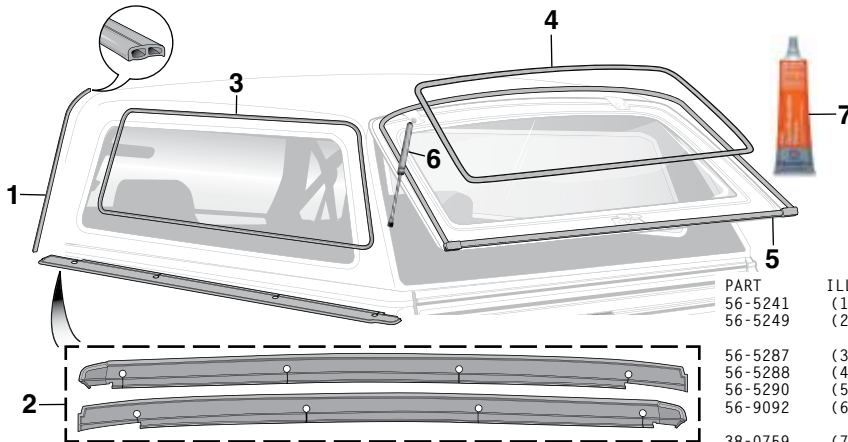
- 1 Windshield Seal
- 1 Windshield Trim - Black
- 1 Windshield Trim - Chrome
- 1 Windshield Trim Lockstrip
- 2 Cab Seals
- 2 Window Post Liners
- 2 Door Glass Runs
- 4 Door Window Seals - Inner and Outer
- 2 Vent Window Seals
- 1 Rear Window Seal



PART	DESCRIPTION	APPLICATION	REQD	PRICE
56-5270	COMPLETE CAB WEATHRSTRP KIT	DODGE 78-79	(1)	\$292.95
56-5271	COMPLETE CAB WEATHRSTRP KIT	DODGE 80-86	(1)	\$292.95

**Side Window Rubber and Lift Gate Components**

1974-80 Dodge Ramcharger

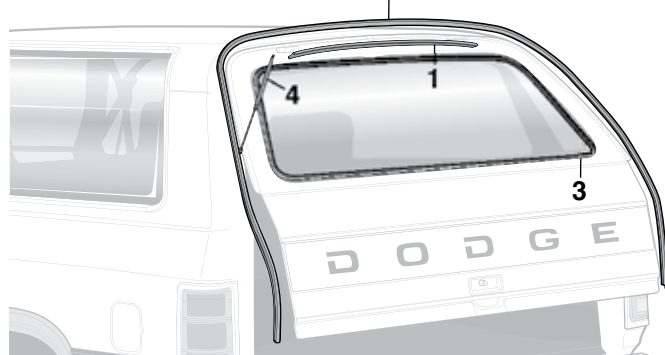


PART	ILL#	DESCRIPTION	APPLICATION	REQD	PRICE
56-5241	(1)	ROOF TO SHELL HEADER SEAL	SUV	74-77 (1)	\$45.95
56-5249	(2)	HARD TOP SIDE SEAL SET "A"	SUV	74-77 (1)	\$60.95
56-5287	(3)	SIDE WINDOW RUBBER W/O TRIM	SUV	74-80 (2)	\$89.95
56-5288	(4)	LIFT GATE WEATHERSTRIP	SUV	74-80 (1)	\$84.95
56-5290	(5)	LIFT GATE TO BODY SEAL	SUV	74-77 (1)	\$58.95
56-9092	(6)	LIFT GATE STRUT	SUV	74-80 (2)	\$24.95
38-0759	(7)	WEATHERSTRIP ADHESIVE-BLACK 5 OUNCE TUBE			\$8.95

Note: "A" Weatherstrip adhesive 38-0759 required for installation.

**End Gate Components**

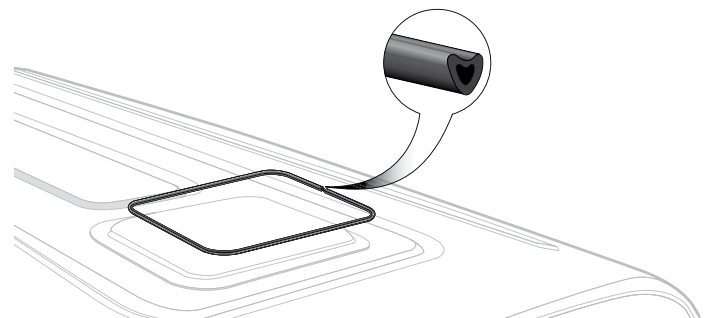
1981-93 Dodge Ramcharger



PART	ILL#	DESCRIPTION	APPLICATION	REQD	PRICE
56-5285	(1)	END GATE SEAL-UPPER-ON DOOR	SUV	81-93 (1)	\$6.95
56-5286	(2)	END GATE SEAL-ON BODY	SUV	81-93 (1)	\$34.95
56-5289	(3)	END GATE GLASS WEATHERSTRIP	SUV	81-93 (1)	\$74.95
56-9093	(4)	END GATE STRUT	SUV	81-90 (2)	\$18.95
56-9094		END GATE STRUT	SUV	91-93 (2)	\$15.95

**Roof Vent Seal**

1981-93 Dodge Ramcharger

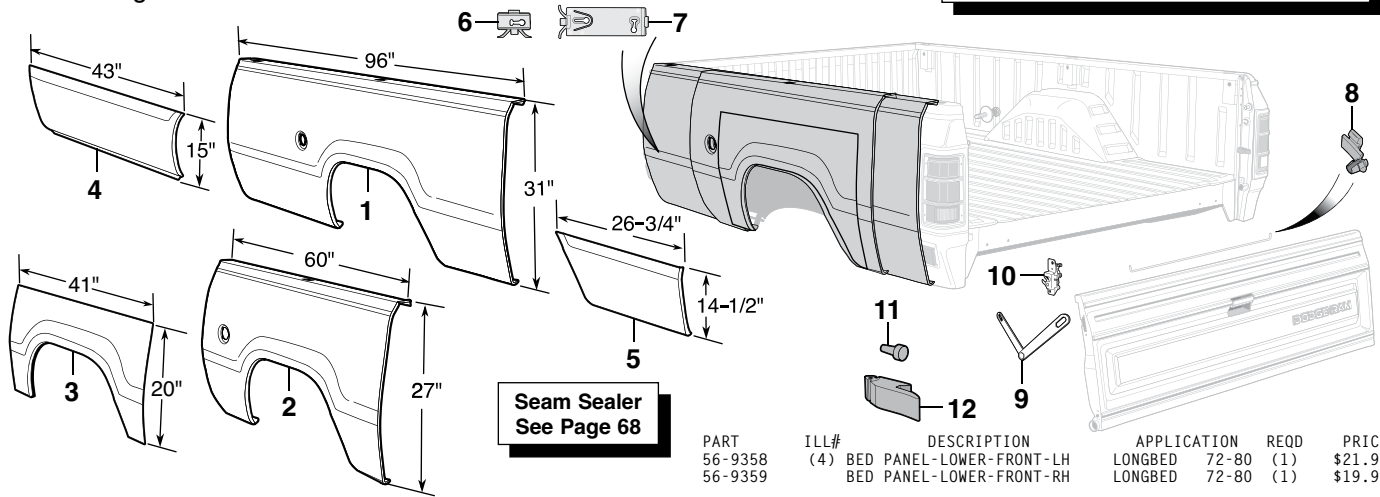


PART	DESCRIPTION	APPLICATION	REQD	PRICE
56-5284	ROOF VENT SEAL	RAMCHARGER 81-93	(1)	\$16.95

## Sweptline Bed and Tailgate Components

1972-93 Dodge Truck

Steel Body Panels and What to Expect  
See Page 9



**Seam Sealer**  
See Page 68

PART	ILL#	DESCRIPTION	APPLICATION	REQD	PRICE
56-9848-T	(1)	BEDSIDE-OUTER SKIN-LH	"A" LONGBED	72-80 (1)	\$189.95
56-9849-T		BEDSIDE-OUTER SKIN-RH	LONGBED	72-80 (1)	\$189.95
56-9348	(2)	WHEEL ARCH PANEL-LH	"A" SWEPTLINE	72-80 (1)	\$99.95**
56-9349		WHEEL ARCH PANEL-RH	72-80	(1)	\$99.95**
56-9352		WHEEL ARCH PANEL-LH	"A" SWEPTLINE	81-93 (1)	\$69.95**
56-9350		WHEEL ARCH PANEL-LH	"B" SWEPTLINE	81-93 (1)	\$69.95**
56-9353		WHEEL ARCH PANEL-RH	SWEPTLINE	81-93 (1)	\$59.95**
56-9354	(3)	UPPER WHEEL ARCH-LH 41"X20"	SWEPTLINE	72-80 (1)	\$25.95
56-9355		UPPER WHEEL ARCH-RH 41"X20"	SWEPTLINE	72-80 (1)	\$25.95
56-9356		UPPER WHEEL ARCH-LH 39"X16"	SWEPTLINE	81-93 (1)	\$36.95
56-9357		UPPER WHEEL ARCH-RH 39"X16"	SWEPTLINE	81-93 (1)	\$36.95

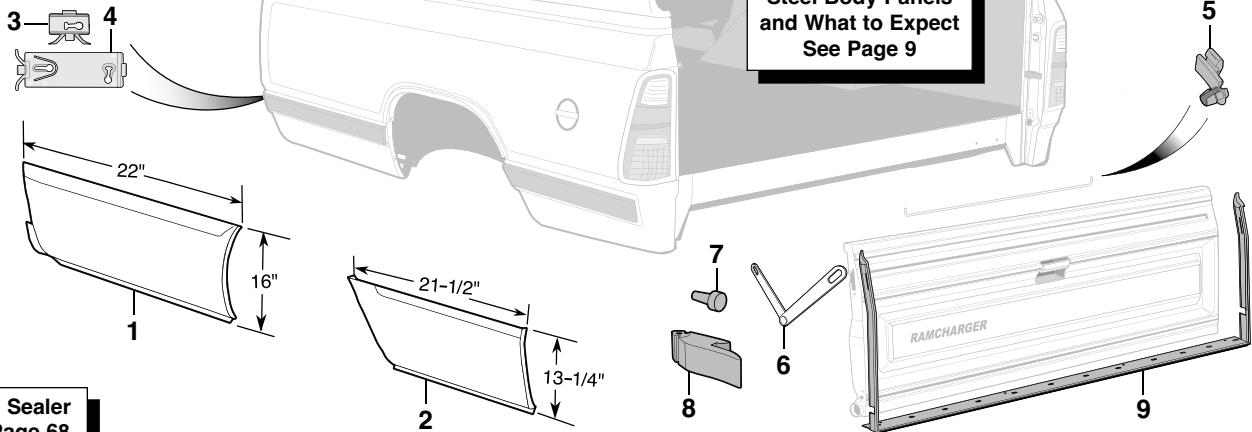
PART	ILL#	DESCRIPTION	APPLICATION	REQD	PRICE
56-9358	(4)	BED PANEL-LOWER-FRONT-LH	LONGBED	72-80 (1)	\$21.95
56-9359		BED PANEL-LOWER-FRONT-RH	LONGBED	72-80 (1)	\$19.95
56-9360	(5)	BED PANEL-LOWER-REAR-LH	LONGBED	72-80 (1)	\$15.95
56-9361		BED PANEL-LOWER-REAR-RH	LONGBED	72-80 (1)	\$15.95
55-1150	(6)	RETAINER-LOWER MOLDING "C"	SWEPTLINE	72-76 (AR)	\$.99
55-1154	(7)	RETAINER-LOWER MOLDING "D"	SWEPTLINE	75-76 (AR)	\$3.45
55-1154		RETAINER-LOWER MOLDING	SWEPTLINE	77-90 (AR)	\$3.45
55-1105	(8)	ROD CLIP-LH	SWEPTLINE	72-93 (2)	\$.75
55-1101		ROD CLIP-RH	SWEPTLINE	72-93 (2)	\$.95
56-9147	(9)	TAILGATE LINK	SWEPTLINE	72-93 (2)	\$19.95
56-9030	(10)	TAILGATE LATCH-LH	SWEPTLINE	81-93 (1)	\$49.95
56-9031		TAILGATE LATCH-RH	SWEPTLINE	81-93 (1)	\$42.95
55-2815	(11)	TAILGATE BUMPER-UPPER	SWEPTLINE	72-93 (2)	\$2.45
55-2825	(12)	TAILGATE BUMPER-LOWER	SWEPTLINE	72-93 (2)	\$4.95

Note: "A" With fuel filler hole.  
 "B" Without fuel filler hole.  
 "C" Fits models with Custom or Adventurer trim with narrow lower side molding.  
 "D" Fits models with Adventurer Sport or Adventurer SE trim with wide lower molding.

## Quarter Panel and Tailgate Components

1974-90 Dodge Ramcharger

Steel Body Panels and What to Expect  
See Page 9



**Seam Sealer**  
See Page 68

PART	ILL#	DESCRIPTION	APPLICATION	REQD	PRICE
56-9362	(1)	QUARTER PANEL-LOWER-FRT-LH	SUV	74-80 (1)	\$39.95
56-9363		QUARTER PANEL-LOWER-FRT-RH	SUV	74-80 (1)	\$39.95
56-9364	(2)	QUARTER PANEL-LOWER-REAR-LH	SUV	74-80 (1)	\$49.95
56-9365		QUARTER PANEL-LOWER-REAR-RH	SUV	74-80 (1)	\$49.95

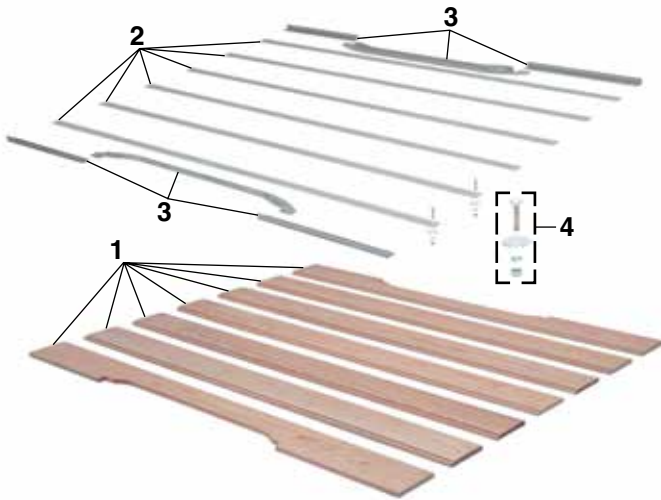
PART	ILL#	DESCRIPTION	APPLICATION	REQD	PRICE
55-1150	(3)	RETAINER-LOWER MOLDING "A"	SUV	74-76 (AR)	\$.99
55-1154	(4)	RETAINER-LOWER MOLDING "B"	SUV	75-76 (AR)	\$3.45
55-1154		RETAINER-LOWER MOLDING	SUV	77-90 (AR)	\$3.45
55-1105	(5)	TAILGATE ROD CLIP-LH	SUV	74-80 (1)	\$.75
55-1101		TAILGATE ROD CLIP-RH	SUV	74-80 (1)	\$.95
56-9147	(6)	TAILGATE LINK	SUV	74-80 (2)	\$19.95
55-2815	(7)	TAILGATE BUMPER-UPPER	SUV	74-80 (2)	\$2.45
55-2825	(8)	TAILGATE BUMPER-LOWER	SUV	74-80 (2)	\$4.95
56-5276	(9)	TAILGATE WEATHERSTRIP	SUV	74-77 (1)	\$59.95

Note: "A" Fits models with Custom or Adventurer trim with narrow lower side molding.  
 "B" Fits models with Adventurer Sport or Adventurer SE trim with wide lower molding.



# Stepside Bed Wood and Components

1972-85 Dodge Truck



Bed Wood Kit is unfinished and does not come with pre-drilled holes. Washers should be countersunk when installed. All Bed Strip Kits and Angle Strip Sets are pre-cut to fit and include pre-punched square holes. Hardware is not included and must be purchased separately.

**STL = Steel**  
**SS = Stainless Steel**  
**PSS = Polished Stainless Steel**

**Deluxe Polishing Kit**  
**See Page 62**

PART	ILL#	DESCRIPTION	APPLICATION	REQD	PRICE
56-9106	(1)	BED WOOD KIT-OAK	7PC SHORTBED 72-85	(1)	\$419.95*
56-9107	(2)	BED STRIP SET-STL	6PC SHORTBED 72-85	(1)	\$99.95
56-9108		BED STRIP SET-SS	6PC SHORTBED 72-85	(1)	\$154.95
56-9109		BED STRIP SET-PSS	6PC SHORTBED 72-85	(1)	\$219.95
56-9110	(3)	ANGLE STRIP SET-STL	6PC SHORTBED 72-85	(1)	\$199.95
56-9111		ANGLE STRIP SET-SS	6PC SHORTBED 72-85	(1)	\$349.95
56-9112		ANGLE STRIP SET-PSS	6PC SHORTBED 72-85	(1)	\$429.95
55-0234	(4)	BED BOLT KIT-STL	SHORTBED 72-85	(1)	\$49.95

\* Or \*\* after the sell price means your order will incur an Oversize Part Charge for each oversized part. \* Means extra charge will be \$20. \*\* Means extra charge will be \$50. Due to packing and/or transportation requirements, please allow additional time for delivery. Oversized Parts are not available for air delivery.

# Hidden Bed Strip Kits



Hidden Bed Strip Kits give your truck a custom look with a completely hidden fastening system. Strips are available in paintable cold rolled steel and polished magnetic stainless steel. Special T-Bolts slide into the groove on the underside of the bed strip to adjust to any bolt location. Each strip is 1 1/2" wide and cut to the proper length for your truck. Includes 1 1/4" long hidden steel fasteners. Bed wood sold separately.



**STL = Steel**  
**PSS = Polished Stainless Steel**

**Hidden Bed Strip Hardware Included**

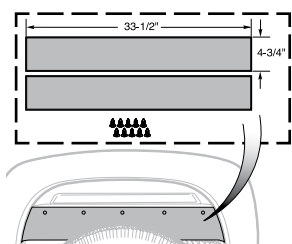
**Hidden Bed Strip Kits Fit Stepside Models Only**

PART	DESCRIPTION	APPLICATION	REQD	PRICE
56-9080	HIDDEN BED STRIP KIT-STL	SHORTBED 72-85	(1)	\$330.00*
56-9081	HIDDEN BED STRIP KIT-PSS	SHORTBED 72-85	(1)	\$450.00*

\* Or \*\* after the sell price means your order will incur an Oversize Part Charge for each oversized part. \* Means extra charge will be \$20. \*\* Means extra charge will be \$50. Due to packing and/or transportation requirements, please allow additional time for delivery. Oversized Parts are not available for air delivery.



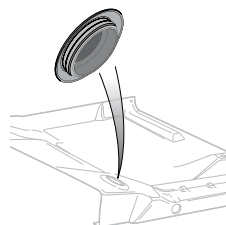
# Body Gap Filler Set



Body Gap Filler Set covers the gap between the frame and the bed of the truck. Body Gap Filler Set creates a clean backdrop for your wheels and is also used to cover the opening created by a body lift kit. Made from 3/16" thick industrial rubber, each piece measures 33-1/2" long by 4-3/4" wide and must be sized and cut to fit. Drilling is required for installation. Mounting hardware and installation instructions are included.

PART	DESCRIPTION	PRICE
30-2440	BODY GAP FILLER SET-REAR	\$17.95

# Sheet Metal Plugs

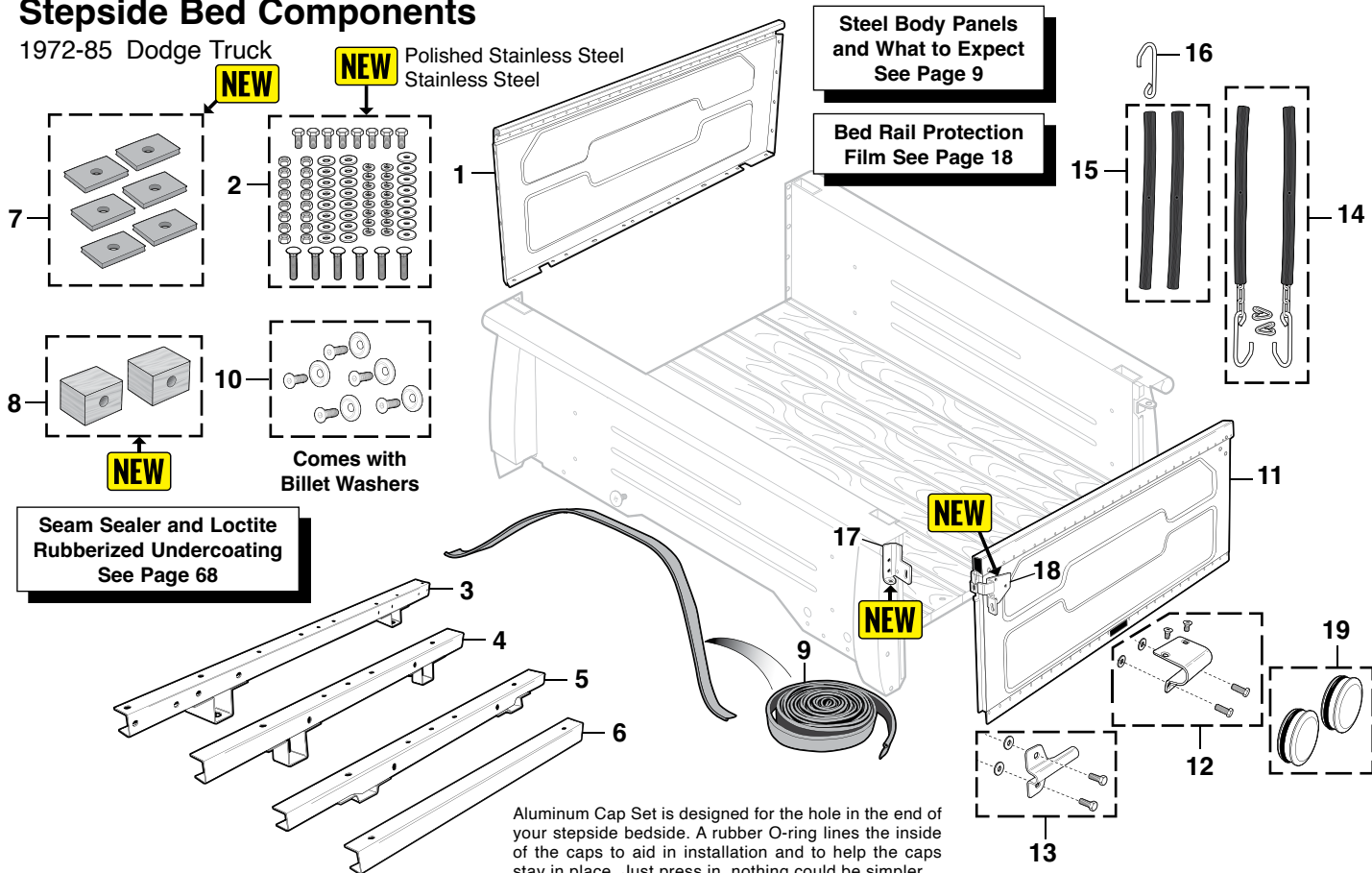


These flush mount Sheet Metal Plugs close unused holes in firewalls, floor pans and doors. Plugs are made of plastic and easily snap into 14 to 26 gauge sheet metal. Available in multiple sizes to fit 3/8" to 1" diameter holes.

PART	DESCRIPTION	REQD	PRICE
30-1972	PLUG 3/8" HOLE	(AR)	\$.65
30-1966	PLUG 1/2" HOLE	(AR)	\$.65
30-1973	PLUG 5/8" HOLE	(AR)	\$.65
30-1974	PLUG 3/4" HOLE	(AR)	\$.65
30-1975	PLUG 7/8" HOLE	(AR)	\$.65
30-1954	PLUG 1" HOLE	(AR)	\$1.45

## Stepside Bed Components

1972-85 Dodge Truck



SS = Stainless Steel

STL = Steel

PSS = Polished Stainless Steel

PART	ILL#	DESCRIPTION	APPLICATION	REQD	PRICE
56-9104	(1)	FRONT BED PANEL	STEPSIDE	72-85 (1)	\$379.95*
55-0230	(2)	HARDWARE KIT-BED PANEL-STL	STEPSIDE	72-85 (1)	\$15.95
55-0231		HARDWARE KIT-BED PANEL-SS	STEPSIDE	72-85 (1)	\$26.95
55-0232		HARDWARE KIT-BED PANEL-PSS	STEPSIDE	72-85 (1)	\$19.95
56-9113	(3)	CROSS SILL #1	SHORTBED	76-85 (1)	\$134.95
56-9114	(4)	CROSS SILL #2	SHORTBED	72-85 (1)	\$129.95
56-9115	(5)	CROSS SILL #3	SHORTBED	72-85 (1)	\$149.95
56-9116	(6)	CROSS SILL #4	"A" SHORTBED	72-85 (1)	\$84.95
56-9118	(7)	BED MOUNTING PAD SET-6PC	STEPSIDE	72-85 (1)	\$19.95
56-9119	(8)	BED MOUNTING BLOCK SET-2PC	STEPSIDE	72-85 (1)	\$17.95
38-5990	(9)	FENDER WELT-BLACK	25FT STEPSIDE	72-85 (1)	\$17.95
55-0245	(10)	FENDER SCREW KIT 10PC SILVER	STEPSIDE	72-85 (AR)	\$24.95
55-0246		FENDER SCREW KIT 10PC BLACK	STEPSIDE	72-85 (AR)	\$29.95
56-9126	(11)	TAILGATE-PLAIN	STEPSIDE	72-85 (1)	\$629.95*
56-9127	(12)	TAILGATE HINGE-CENTER	STEPSIDE	72-85 (1)	\$49.95
56-9128	(13)	TAILGATE HINGE-OUTER	STEPSIDE	72-85 (2)	\$59.95

PART	ILL#	DESCRIPTION	APPLICATION	REQD	PRICE
56-9129	(14)	TAILGATE CHAIN SET-ZINC	STEPSIDE	72-85 (1)	\$69.95
56-9130		TAILGATE CHAIN SET-PSS	STEPSIDE	72-85 (1)	\$189.95
56-9131	(15)	CHAIN COVER SET-BLACK	STEPSIDE	72-85 (1)	\$11.95
56-9132		CHAIN COVER SET-CLEAR	STEPSIDE	72-85 (1)	\$12.95
56-9133	(16)	TAILGATE CHAIN HOOK-STL	STEPSIDE	72-85 (2)	\$17.95
56-9135		TAILGATE CHAIN HOOK-PSS	STEPSIDE	72-85 (2)	\$31.95
56-9162	(17)	STAKE POCKET LATCH BRACKET-LH	STEPSIDE	72-85 (1)	\$51.95
56-9163		STAKE POCKET LATCH BRACKET-RH	STEPSIDE	72-85 (1)	\$51.95
56-9160	(18)	TAILGATE LATCH-LH	STEPSIDE	72-85 (1)	\$60.95
56-9161		TAILGATE LATCH-RH	STEPSIDE	72-85 (1)	\$60.95
55-0236	(19)	CURL HOLE CAP SET-ALUM WITH O-RINGS	72-85	(1)	\$74.95

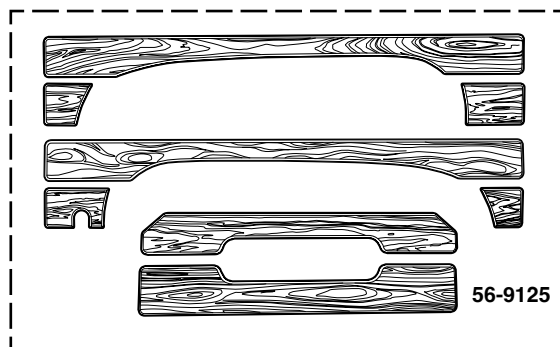
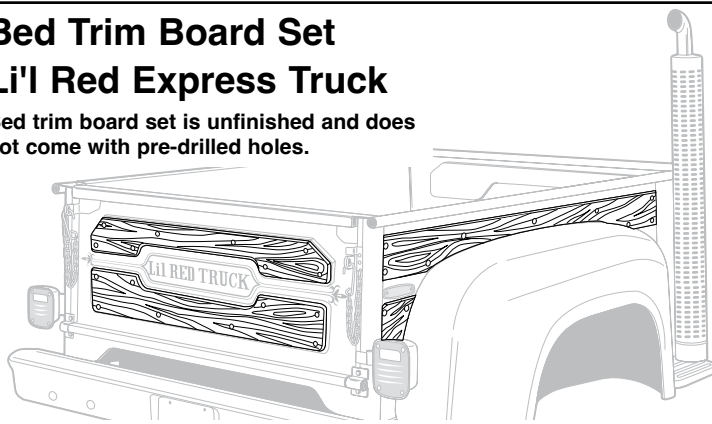
\* Or \*\* after the sell price means your order will incur an Oversize Part Charge for each oversized part. \* Means extra charge will be \$20. \*\* Means extra charge will be \$50. Due to packing and/or transportation requirements, please allow additional time for delivery. Oversized Parts are not available for air delivery.

Note: "A" Wood mounting blocks included.

## Bed Trim Board Set

### Li'l Red Express Truck

Bed trim board set is unfinished and does not come with pre-drilled holes.



PART	DESCRIPTION	APPLICATION	REQD	PRICE
56-9125	BED TRIM BOARD SET-OAK	LIL RED	78-79 (1)	\$369.95

**Hidden Tailgate Latch Kit**

Hidden Tailgate Latch Kit has spring-loaded locking pins which are contained in your choice of plain or stainless steel housings that are concealed inside of the upper edge of the tailgate, eliminating the bulk, noise and paint chips associated with stock tailgate chains.

Installation requires mounting holes to be drilled in the tailgate. Includes easy-to-follow, fully illustrated instructions. Call or go online and order yours today!



38-3024

PART	DESCRIPTION	APPLICATION	REQD	PRICE
38-3024	HIDDEN TAILGATE LATCH KIT-PLAIN	STEPSIDE 72-85	(1)	\$22.95
38-3025	HIDDEN TAILGATE LATCH KIT-SS	STEPSIDE 72-85	(1)	\$40.95

**Tailgate Check Strap Kit**

Tailgate Check Strap Kit perfectly complements the Hidden Tailgate Latch Kit. Check straps feature 5/8" wide woven nylon webbing with stainless steel end fittings for a worry-free way to hold the tailgate open. Kit includes two straps, stainless steel hardware and instructions.



38-3017

PART	DESCRIPTION	APPLICATION	REQD	PRICE
38-3017	TAILGATE CHECK STRAP KIT	STEPSIDE 72-85	(1)	\$60.45

**In-Bed Tire Carrier**



Tire carrier features sturdy construction with a rust-resistant black powder coat finish. Can be used on 14" to 16.5" diameter wheels with a maximum rim width of 7". Some drilling required.

PART	DESCRIPTION	APPLICATION	PRICE
38-3196	TIRE CARRIER-IN BED	14"-16.5" WHEEL	\$24.95

**Tie Down Anchors ... Easy to Use In and Out**



Tie Down Anchors install and uninstall in minutes with no tools required. Insert heavy-duty Tie Down Anchor into stake pocket hole and turn the eyebolt to expand the rubber block. Two loop styles to choose from: chrome-plated loop #38-3237 or standard zinc-plated loop #38-3238. Both styles have metal top plates and a rubber liner underneath to protect the truck's finish. Sold individually.

PART	DESCRIPTION	APPLICATION	REQD	PRICE
38-3237	TIE DOWN ANCHOR-CHROME LOOP	DODGE 72-93	(AR)	\$5.95
38-3238	TIE DOWN ANCHOR-ZINC LOOP	DODGE 72-93	(AR)	\$3.95

**Stepside Tailgate Latch Kit**



38-3010

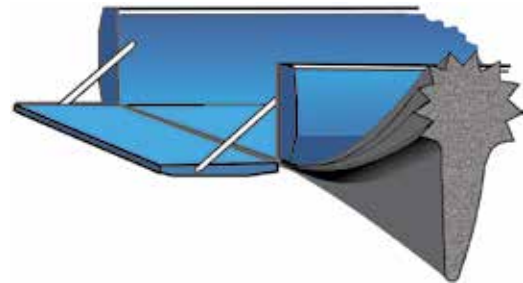


38-3048

Stepside Universal Tailgate Latch Kit utilizes modern rotary latches and black vinyl wrapped tailgate support cables in a one-piece design to provide simple and smooth tailgate operation. Kit can be bolted on or welded on any single wall tailgate. Drilling is required for bolt-on application. Some welding is required on double wall tailgates. Paint to match the color of your truck. Mounting brackets, hardware and illustrated instructions included.

PART	DESCRIPTION	APPLICATION	REQD	PRICE
38-3010	UNIVERSAL TAILGATE LATCH KIT	STEPSIDE 72-85	(1)	\$249.95
38-3048	REPLACEMENT SUPPORT CABLE SET	STEPSIDE 72-85	(1)	\$27.95

**Tailgate Sealer**



Tailgate Sealer keeps out water, dirt, wind and exhaust fumes. Excellent for use with camper shells and tonneaus. Made from high-quality EDPM rubber with easy peel-and-stick installation.

PART	DESCRIPTION	PRICE
38-3203	TAILGATE SEALER	\$15.95

**Movable Anchor Point**



These heavy-duty, steel anchor points have a unique "C" clamp design allowing installation where needed; just clamp to bed rail and secure the load. Point and plate are vinyl coated and will not rust or scratch the truck's finish. Can be used with "under the rail" style bed liners.

PART	DESCRIPTION	APPLICATION	REQD	PRICE
38-3239	MOVABLE ANCHOR POINT	SWEPTLINE 72-93	(AR)	\$5.95



## Tailgate Band with Emblem

1981-90 Dodge Truck  
1981-90 Ramcharger



Replace your faded, missing or damaged tailgate band with this Brushed Aluminum Tailgate Band that is a direct replacement for your original tailgate band. Brushed Dodge Ram emblem is preattached. Molding clips and mounting screws included.

PART	DESCRIPTION	APPLICATION	REQD	PRICE
56-8709	TAILGATE BAND W/EMBLEM	DODGE 81-90	(1)	\$244.95*

\* Or \*\* after the sell price means your order will incur an Oversize Part Charge for each oversized part. \* Means extra charge will be \$20. \*\* Means extra charge will be \$50. Due to packing and/or transportation requirements, please allow additional time for delivery. Oversized Parts are not available for air delivery.

## 7-Piece Plastic Pry Bar Set

These pry bars can be used for scraping, removing fasteners, and of course "prying" with many different configurations, the possibilities are unlimited. The plastic design prevents scratching or marring of sensitive surfaces. All the pry bars are 7" overall length.

PART	DESCRIPTION	REQD	PRICE
38-8247	PLASTIC PRY BAR SET-7PC	(1)	\$10.95



## **NEW** Stepside Tailgate Link Set

1972-85 Dodge Truck

Tailgate Link Set replaces the tailgate chains that can damage or scratch your bed. Set includes tailgate links, upper and lower pivots, and installation hardware. Instructions included.

This set requires modification to the bed sides and tailgate.



PART	DESCRIPTION	APPLICATION	REQD	PRICE
56-9151	TAILGATE LINK SET-ZINC	STEPSIDE 72-85	(1)	\$123.95



PART	DESCRIPTION	APPLICATION	REQD	PRICE
56-9150	TAILGATE LINK SET-SS	STEPSIDE 72-85	(1)	\$232.95

**Bed Caps Protect with Quality and Style**



Available in Polished Stainless Steel or Aluminum Diamond Plate.



Bed caps protect your bed rails with quality and style. Cover damaged rails or protect that new paint job from nicks and scratches. Installs easily with 3M™ tape, included.

Bed caps do not have stake pocket holes.

\* Or \*\* after the sell price means your order will incur an Oversize Part Charge for each oversized part. \* Means extra charge will be \$20. \*\* Means extra charge will be \$50. Due to packing and/or transportation requirements, please allow additional time for delivery. Oversized Parts are not available for air delivery.

PART	DESCRIPTION	APPLICATION	REQD	PRICE
<b>Polished Stainless Steel Bed Caps</b>				
56-0477	FRONT BED CAP-STAINLESS	DODGE 72-93	(1)	\$47.60
56-0458	BED CAPS-STAINLESS	SHORTBED 72-93	(1)	\$145.83*
56-0459	BED CAPS-STAINLESS	LONGBED 72-93	(1)	\$162.07*
<b>Aluminum Diamond Plate Bed Caps</b>				
56-0478	FRONT BED CAP-DIAMOND	DODGE 72-93	(1)	\$50.21
56-0468	BED CAPS-DIAMOND	SHORTBED 72-93	(1)	\$153.92*
56-0469	BED CAPS-DIAMOND	LONGBED 72-93	(1)	\$171.08*

**Rail-Guards Provide Protection for Your Truck's Bed Rails**



Rail-Guard is made of impact absorbing heavy-duty vinyl to protect your truck's bed rails. No drilling required. The full width 3M™ adhesive over the entire backside ensures maximum holding and means no condensation and dirt under the Rail-Guard. Can be used on running boards, rocker panels and in other applications where an attractive protection strip is needed.

Rail-Guard Set is a 22 foot roll of 3-3/4" wide vinyl for bedsides and tailgate with a 6 foot roll of 1" extrusion for the front bed panel. Tailgate Guard is a 6 foot roll of 3-3/4" material. Must be sized and cut to fit.

PART	DESCRIPTION	APPLICATION	REQD	PRICE
38-3202	VINYL RAIL-GUARD SET	DODGE	(1)	\$139.95
38-3200	VINYL TAILGATE GUARD	DODGE	(1)	\$25.95

**Paint Protection Film**

Made from rugged, clear, 8-mil thick polyurethane paint protection film that features a clear-coat finish for maximum shine and durability. Once applied, this material is virtually invisible yet helps prevent chipping, scratching and scuffing to the vulnerable areas of your vehicle.

**Rocker Panel Protection Film**



38-9035  
\$169.95

Kit contains two 9" wide x 15' rolls, installation squeegees and instructions.

**Door Edge Protection Film**



38-0308  
\$12.95

Contains 3/8" wide x 12' roll and instructions.

**Bed Rail Protection Film**



38-3199  
\$74.95

Kit contains 4" wide x 17' roll, installation squeegee and instructions.

**Threshold Protection Film**



37-8029  
\$19.95

Kit contains 2-3/4" wide x 5' roll, installation squeegee and instructions.

**Hood Protection Film**



38-0274  
\$54.95

Kit contains 12" wide x 6' roll and installation instructions.

## Wheel Arch Molding Kit

All necessary mounting hardware is included with kit.

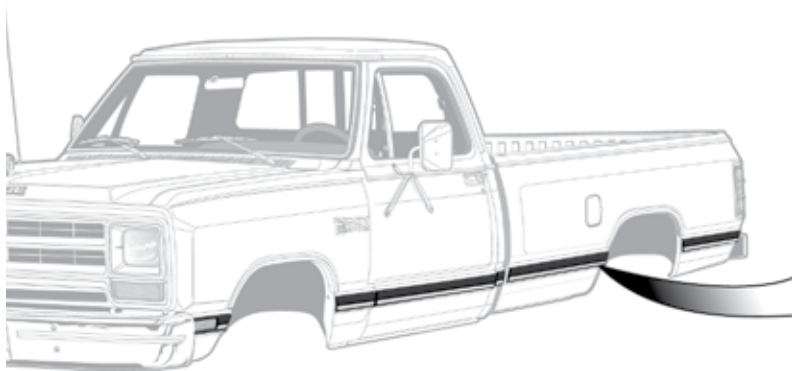


PART	DESCRIPTION	APPLICATION	REQD	PRICE
56-0305	WHEEL ARCH MOLDING KIT-4PC	DODGE 81-90	(1)	\$116.95
56-0306	FRONT WHEEL ARCH MOLDING-LH	DODGE 81-90	(1)	\$29.95
56-0307	FRONT WHEEL ARCH MOLDING-RH	DODGE 81-90	(1)	\$29.95

PART	DESCRIPTION	APPLICATION	REQD	PRICE
56-0308	REAR WHEEL ARCH MOLDING-LH	DODGE 81-90	(1)	\$34.95
56-0309	REAR WHEEL ARCH MOLDING-RH	DODGE 81-90	(1)	\$34.95
30-0462	SCREW-MOLDING	DODGE 81-90	(20)	\$1.45

## Body Side Molding

**Adhesive Roll Molding Tech Tip:** Use vinyl edge sealer pen #38-0921 on all cut ends to ensure maximum molding life.



38-0921



56-8399



Protect your truck from parking lot dings and scratches with this vinyl Body Side Molding. Clear top-coated chrome mylar molding closely matches the original molding on 1991-93 models and can be used on any year. Installation is easy using the pre-attached 3M™ tape; no drilling required. Must be sized and cut to fit.

**Vinyl Edge Sealer Pen** is an ultraviolet light-blocking, fast-drying, clear acrylic sealer that protects the edges of vinyl decals, graphics and the ends of adhesive chrome body moldings. It features a wedge applicator tip for a smooth, even application.

PART	DESCRIPTION	APPLICATION	REQD	PRICE
56-8399	MOLDING-BLACK/CHROME ROLL	40 FEET	(1)	\$144.95

PART	DESCRIPTION	APPLICATION	REQD	PRICE
38-0921	VINYL EDGE SEALER PEN	.3 OUNCE	(1)	\$12.95

## Exterior Trim Paint

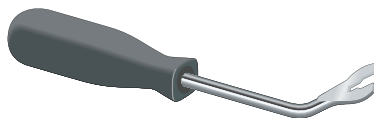
ColorBond Exterior Trim Paint has all the innovative features of ColorBond Interior Paint but is specially formulated to provide a stronger, more durable bond for exterior trim use. Exterior Trim Paint delivers a superior finish to exterior trim plastics and painted metal trim including: bumpers, mirrors, fender flares, wiper arms and window trim. Each 12 ounce can covers 6 square feet. Use ColorBond Adhesion Promoter #37-8395 prior to application for a long-lasting finish.



37-8361

PART	DESCRIPTION	APPLICATION	PRICE
37-8361	SATIN BLACK	12 OUNCE	\$21.45
37-8362	SILVER	12 OUNCE	\$21.45

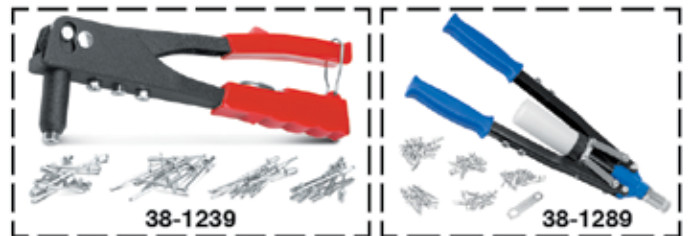
## Fastener Removal Tool



This tool effectively removes the plastic fasteners found on most door panels. Working end is offset for ease of access.

PART	DESCRIPTION	PRICE
38-1238	FASTENER REMOVAL TOOL	\$4.95

## Hand Riveter Set ... Makes Rivet Installation Easy



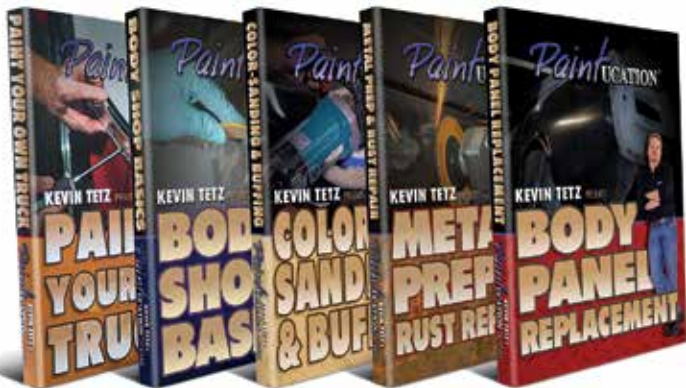
The Hand Riveter Set works great for body clips, door components, ID plates and sheet metal repairs. Comes with four nosepieces (3/32", 1/8", 5/32" and 3/16") and a wrench inside the gun's handle. 60 blind rivets included.

The Heavy-Duty Hand Riveter Set features extra long handles to give you more leverage setting rivets. A collection bottle keeps the workplace safe and clean. Includes 3/32", 1/8", 5/32", 3/16" nosepieces, plus 1/4" for larger projects like installing brackets and window regulators. Comes with a wrench and 50 blind rivets.

PART	DESCRIPTION	PRICE
38-1239	HAND RIVETER SET	\$13.95
38-1289	HAND RIVETER SET-HD	\$19.95



# Paintucation Kevin Tetz Paintucation DVDs



**Paintucation DVD Set:** Contains all five Paintucation DVDs to help you repair and restore your vehicle's body from start to finish.

PART	DESCRIPTION	PRICE
38-0448	PAINTUCATION DVD SET	\$169.95

**Color Sanding & Buffing:** Explains what to do after the paint is dry and shows the difference between a "show" finish and a daily driver finish. Run repair techniques are shown in detail, as well as reviving old paint. Shows updated techniques using state-of-the-art compounds and pneumatic sanding systems designed to take the labor out of achieving a show-quality paint finish. 65 minutes

PART	DESCRIPTION	PRICE
38-0349	DVD-COLOR SANDING&BUFFING	\$35.95

**Body Shop Basics:** Provides fundamental information about basic tool selection, simple dent repair, blending colors, gun technique, proper safety techniques and surface defect repair. 90 minutes

PART	DESCRIPTION	PRICE
38-0347	DVD-BODY SHOP BASICS	\$35.95

**Paint Your Own Truck:** Instruction on proper paint gun techniques, panel alignment secrets, surface rust removal and application tips for fillers, primers and paints. Learn how to apply two-tone paint jobs, demonstrated in simple steps with detailed masking tips and tricks that yield professional results. 240 minutes

PART	DESCRIPTION	PRICE
38-0449	DVD PAINT YOUR OWN TRUCK	\$35.95

**Body Panel Replacement:** Includes five different panel replacement projects covering welding sheet metal, gapping panels, "old school" leading, door skinning, partial panels, full quarter panel replacement, new sheet metal fitment, metal finishing and the latest panel adhesive. Double-sided DVD. 150 minutes

PART	DESCRIPTION	PRICE
38-0346	DVD-BODY PANEL REPLACEMENT	\$35.95

**Metal Prep & Rust Repair:** Demonstrates stripping metal with chemicals and sanders and illustrates fixing a rust patch from start to finish. Metal finishing and body filler techniques are shown, as well as surface rust removal, conversion and primer application. 75 minutes

PART	DESCRIPTION	PRICE
38-0348	DVD-METAL PREP&RUST REPAIR	\$35.95

## Adhesive/Stripe Eraser Wheel



Easily remove decals, pinstriping and adhesive tape residue without damaging your paint! This 3-1/2" diameter eraser wheel includes the arbor and is designed for use in air or electric drills at speeds up to 4,000 rpm.

PART	DESCRIPTION	PRICE
38-1314	ADHESIVE/STRIPE ERASER WHEEL	\$14.95

## Spot Weld Cutter



Quickly drills out spot welds on body panels. Features 1/4" arbor and double-ended 3/8" diameter cutting blade with retractable pilot to ensure accurate cuts without damage to underlying panel.

PART	DESCRIPTION	PRICE
38-1307	SPOT WELD CUTTER-3/8"	\$8.95
38-1396	REPL HEAD-3/8"-3 PACK	\$15.95

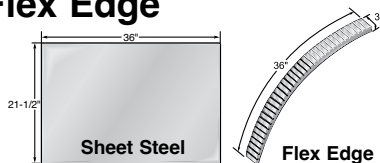
## Plug Weld Pliers



Spot weld your new rockers or other body panels with ease and have a factory style weld to show for it. The Plug Weld Pliers feature locking jaws and a replaceable copper alloy pad to prevent burn through. Replacement pads sold below.

PART	DESCRIPTION	PRICE
38-1318	PLUG WELD PLIERS	\$37.95
38-1319	REPLACEMENT PAD	\$11.95

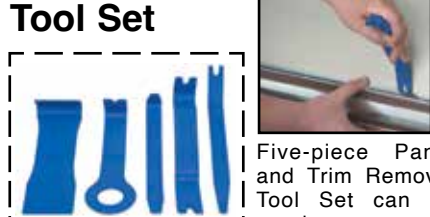
## Sheet Metal and Flex Edge



PART	DESCRIPTION	PRICE
38-7772	STEEL-36" X 43"	20GA \$37.95*
38-7773	STEEL-36"X21-1/2"	20GA \$20.95

38-7897 FLEX EDGE-3/4"X36"X3" 22GA \$9.95  
 \* Or \*\* after the sell price means your order will incur an Oversize Part Charge for each oversized part. \* Means extra charge will be \$20. \*\* Means extra charge will be \$50. Due to packing and/or transportation requirements, please allow additional time for delivery. Oversized Parts are not available for air delivery.

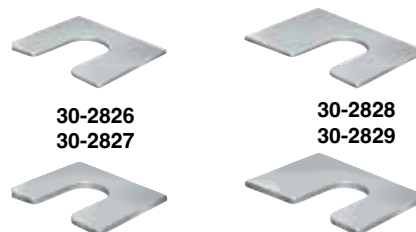
## Panel and Trim Removal Tool Set



Five-piece Panel and Trim Removal Tool Set can be used to remove interior and exterior trim, fasteners, moldings and panels. Constructed of heavy-duty plastic for strength and flexibility. Call or go online and order yours today!

PART	DESCRIPTION	PRICE
38-8245	PANEL & TRIM TOOL SET-5PC	\$9.95

## Body Panel Alignment Shims



PART	DESCRIPTION	PRICE
30-2826	SHIM 1/16" THICK 3/8" SLOT	\$1.45
30-2827	SHIM 1/8" THICK 3/8" SLOT	\$1.45
30-2828	SHIM 1/16" THICK 1/2" SLOT	\$1.45
30-2829	SHIM 1/8" THICK 1/2" SLOT	\$1.45

## POR-15 Restoration Products

**POR-15** is a high-performance rust preventative black paint designed to extend the life of new and rusted metal surfaces. It dries to a rock-hard, non-porous finish that will not rust, chip, crack or peel.



**Dry Time Accelerator** reduces the cure time of POR-15 by 30-50% without affecting the final physical properties of the paint. One 8 ounce bottle treats 64 pints or 32 quarts of POR-15.



Dries in 2 to 5 hours; body fillers and paint can be applied over POR-15. For maximum effectiveness, degrease metal surfaces with Cleaner Degreaser, then prime with Metal-Prep.

PART	DESCRIPTION	PRICE
37-8411	POR-15 SEMI-GLOSS-1 PINT	\$41.88
37-8412	POR-15 SEMI-GLOSS-1 QUART	\$63.89
37-8408	POR-15 GLOSS-1 PINT	\$41.88
37-8409	POR-15 GLOSS-1 QUART	\$63.89
37-8418	DRY TIME ACCELERATOR	\$34.05

**Approximate product coverage:**  
1 pint = 48 sq. ft.; 1 quart = 96 sq. ft.

**High Temp Paint** is an extreme temperature finish that maintains color without burning off or discoloring on manifolds and headers. Withstands high temperatures up to 1,200°F and resists cracking, chipping and peeling. It is weather-, salt- and moisture-resistant. Available in gray or aluminum color; can be brushed or sprayed on. Recommend sandblasting for optimal surface preparation.



PART	DESCRIPTION	PRICE
37-8484	HIGH TEMP PAINT-GRAY 8 OZ	\$25.51
37-8485	HIGH TEMP PAINT-ALUM 8 OZ	\$25.51

**Approximate coverage: 8 oz. covers a set of big block V8 headers with two coats.**

**Metal-Prep** provides adhesion for POR-15 on any metal surface. Gently etches metal, neutralizes rust and creates an ideal anchor for coatings such as POR-15, while leaving a zinc phosphate finish to ensure chemical bonding of paint and steel. Metal-Prep must be used on galvanized metal, aluminum, stainless steel and smooth, polished or new metal surfaces prior to applying POR-15. Metal-Prep is water-based so it is not caustic, corrosive, toxic or flammable.

PART	DESCRIPTION	PRICE
37-8415	METAL-PREP 1 QUART	\$22.14
37-8416	METAL-PREP 1 GALLON	\$44.74



**Cleaner Degreaser** cleans and degreases in one application without messy residues, noxious fumes or flammable solvents. Removes grease, oil, mildew, algae, musty odors, soap films and wax from canvas, vinyl, plastics, nylon, wood, fiberglass and all metal surfaces.

Cleaner Degreaser should be used as a surface prep prior to using Metal-Prep and POR-15.

PART	DESCRIPTION	PRICE
37-8413	CLEANER DEGREASER 1 QUART	\$14.67
37-8414	CLEANER DEGREASER 1 GALLON	\$29.61



**POR-15 Self Etch Primer** is a quick drying and easy-to-apply coating which enables a restorer to quickly topcoat POR-15 Rust Preventive Coating and other basecoats. You can even topcoat POR-15 that's been in place for months or years. This Self Etch Primer is NOT a high-build primer, it can be sprayed on almost any painted surface and can be top coated in 15 - 30 minutes. It bonds incredibly well to POR-15 Rust Preventive Coating, and all topcoats bond incredibly well to POR-15 Self Etch Primer. It can be sanded lightly, and, if desired, multiple coats may be applied.

PART	DESCRIPTION	PRICE
37-8401	SELF ETCH PRIMER-GRAY	\$39.15



**POR-15 Top Coat** can be applied directly to a clean prepped metal surface, but when used as a top coat over POR-15 Rust Preventive Coating it provides the toughest, most permanent protection against rust and corrosion. It has exceptional long-term gloss and color retention when exposed to sunlight and the elements, non-porous, extremely scratch and chip resistant, won't crack, peel or chip. Can be applied directly to metal substrates, with no need for a primer or undercoat, and is formulated to form a robust barrier that sheds moisture.



PART	DESCRIPTION	PRICE
37-8402	TOP COAT-CLEAR	\$28.39
37-8403	TOP COAT-GLOSS BLACK	\$28.39
37-8404	TOP COAT-CHASSIS BLACK	\$28.39

**Chassis Black** has a semi-gloss appearance. For maximum durability, Chassis Black should be clear coated.

**Bed Liner** is a water-based, rubberized coating ideal for protecting truck beds, and all other metal, aluminum, fiberglass and wood surfaces exposed to impacts and scuffs. It is UV stable and offers superior adhesion, impact resistance and flexibility. Features a textured semi-gloss black finish for good looks. Prior to application, surfaces should be degreased with Cleaner Degreaser and metal surfaces should be treated with Metal-Prep. Bed Liner can be applied over POR-15.



Shortbed trucks - 1 gallon for two coats on bed floor, sides and tailgate. Longbed trucks need an additional quart.

**Approximate product coverage:**  
1 quart = 25-30 sq. ft.; 1 gallon = 100-120 sq. ft.

PART	DESCRIPTION	PRICE
37-8480	BED LINER 1 QUART	\$37.94
37-8481	BED LINER 1 GALLON	\$142.96

**Fuel Tank Sealer** coats the inside of your tank to stop rust and seal pinholes and weld seams. It's a non-porous, flexible film that is resistant to all fuels, alcohols and fuel additives. This environmentally safe sealer does not contain the harmful chemical Methyl Ethyl Ketone (MEK) and is non-flammable. Cleaner Degreaser and Metal-Prep must be used to prep fuel tank prior to using fuel tank sealer.



**Approximate product coverage:**  
1 pint = to 12.5 gal tank; 1 quart = to 25 gal tank

PART	DESCRIPTION	PRICE
37-8488	FUEL TANK SEALER 1 PINT	\$31.44
37-8489	FUEL TANK SEALER 1 QUART	\$54.60



**POR-15 Stop Rust Kit** is designed to stop and/or prevent rust on metal surfaces and ensures the best results when applying POR-15 Rust Preventive Coating. The kit contains everything you need for the 3-step process; 8 ounce bottle of POR-15 Cleaner Degreaser, 8 ounce bottle of POR-15 Metal-Prep, 4 ounce can of POR-15 Gloss Black, two paint brushes, 1 pair of latex gloves, and detailed instructions and tips. The kit is ideal for small projects such as sub-frames, axle replacements, control arms, brake shields and much more! There is enough material in this kit to cover a 6 sq. ft. area with two coats.

PART	DESCRIPTION	PRICE
37-8405	STOP RUST KIT	\$27.84



**Sliding Rear Windows ... Easy Single Hand Access**



56-0509

A new rear window seal is required when installing replacement sliding rear window. Rear window seal sold separately.



Sliding Rear Windows are self-latching and the rocker design enables single hand operation to open or close window. Premium pile weatherstripping keeps the elements out and provides smooth sliding operation. Contoured frame is designed for a secure fit and won't obstruct your rear view. Glass is 1,000°F heat tempered and meets DOT and SAE specifications.

Standard Rubber Seals do not have a groove for trim.  
Custom Rubber Seals do have a groove for trim.

PART	DESCRIPTION	APPLICATION	REQD	PRICE
56-0509	SLIDING REAR WINDOW-DARK GRAY	PICKUP 72-93	(1)	\$299.95*
38-4806	LATCH ASSEMBLY-REPLACEMENT "A"	PICKUP	(1)	\$7.95
56-5115	REAR WINDOW SEAL-STANDARD	"A" PICKUP 72-93	(1)	\$66.45
56-5116	REAR WINDOW SEAL-CUSTOM	"A" PICKUP 72-93	(1)	\$46.95
56-5107	REAR WINDOW TRIM-CUSTOM	PICKUP 72-93	(1)	\$24.95

Note: "A" Fits sliding rear window listed above only.

\* Or \*\* after the sell price means your order will incur an Oversize Part Charge for each oversized part. \* Means extra charge will be \$20. \*\* Means extra charge will be \$50. Due to packing and/or transportation requirements, please allow additional time for delivery. Oversized Parts are not available for air delivery.

**Hoop Steps**



Hoop Steps are made of corrosion-resistant, durable cast aluminum alloy and feature a safe non-slip diamond tread pattern step. They feature an exclusive multi-mount system designed for a precision fit and easy installation. Available in polished or black powder coat finish. Sold as a set of two.

PART	DESCRIPTION	APPLICATION	REQD	PRICE
37-6340	HOOP STEPS-POLISHED	DODGE 74-93	(1)	\$110.60
37-6380	HOOP STEPS-BLACK	DODGE 74-93	(1)	\$114.55

**Flexy-Flares™ ... To Cover Those Wide Tires**



Flexy-Flares™ provide protection from mud, dirt, gravel and salt and are a necessity in many states where wide tires must be covered by a fender. Constructed from EDPM synthetic rubber, they won't crack, peel or droop in extreme temperatures. These heavy-duty flares use a wire insert on outer edge for extra strength and added rigidity, and the built-in curvature allows the flare to fit the fenderwell without wrinkles or buckling. Flexy-Flares™ come with complete hardware packs for easy installation. **Set of 4**

PART	DESCRIPTION	APPLICATION	REQD	PRICE
38-3204	FLEXY-FLARE SET UNIVERSAL 2-1/2" WIDE		(1)	\$104.95
38-3205	FLEXY-FLARE SET UNIVERSAL 1-3/4" WIDE		(1)	\$89.95

**Custom Flexible Chrome Trim ... Design it – Cut it – Install it**



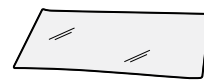
Add design accents and trim on your vehicle in traditional patterns or create a unique custom look with Flexible Universal Chrome Trim. Available in four widths, any combination of the kits can be used to achieve a desired look. Chrome ABS Trim is scratch-resistant, UV coated with a bright chrome finish and easily cuts with sharp scissors and features 3M™ adhesive peel-off backing. Pattern material is included for design and fitment of the flexible chrome laminate. Use provided sandpaper to clean up any edges or corners. Always double-check all measurements of materials needed for your design for your vehicle against available sizes of kits.

PART	DESCRIPTION	APPLICATION	REQD	PRICE
37-7280	CHROME ROCKER TRIM KIT	5PC 5" X 54"	(AR)	\$202.04
37-7281	CHROME ROCKER TRIM KIT	5PC 6" X 54"	(AR)	\$202.04
37-7282	CHROME ROCKER TRIM KIT	5PC 7" X 54"	(AR)	\$250.38
37-7283	CHROME ROCKER TRIM KIT	5PC 8" X 54"	(AR)	\$250.38
37-7284	CHROME PILLAR POST TRIM KIT	5PC 5" X 24"	(AR)	\$110.05
37-7285	CHROME FUEL DOOR SKIN KIT	1PC 8" X 8"	(AR)	\$34.28

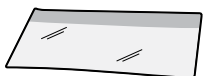


### Windshield and Rear Window Installation Tips:

1. Fit your new window rubber to your cab first, then install the window glass.
2. Use a rubber friendly lubricant such as WD40 and the Windshield Stick (#38-0796) to ease installation and avoid damaging your window rubber.
3. Window rubber shrinks; your new window rubber may appear slightly larger than the original prior to installation.



**TINTED** Window has a full light green tint to glass.



**SHADED** Window has a full light green tint with a dark band at the top of glass.

**Permatex Windshield and Glass Sealant** is a silicone sealant for windshields, windows and other glass. Flows into leaks like water and dries to form a flexible, tough, clear seal that is resistant to extreme temperatures, vibration and most chemicals.

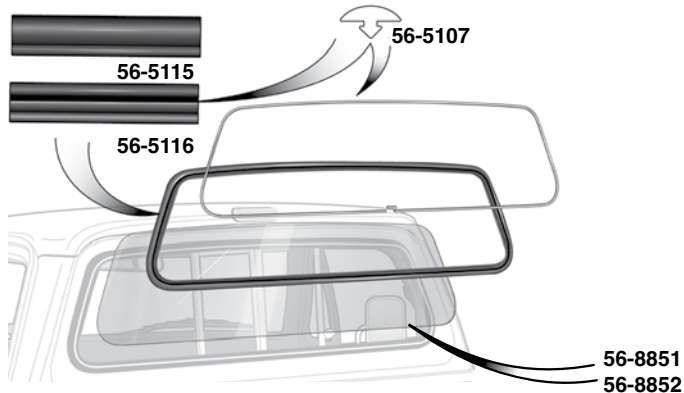


**STANDARD** = Standard Rubber Seals do not have a groove for trim.  
**CUSTOM** = Custom Rubber Seals do have a groove for trim.

PART	DESCRIPTION	PRICE
38-0783	1.5 OZ TUBE	\$6.25

## Rear Window and Seal

1972-93 Dodge Truck  
 1981-93 Dodge Ramcharger

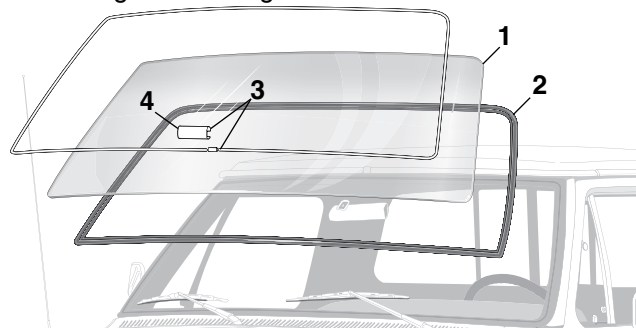


PART	DESCRIPTION	APPLICATION	REQD	PRICE
56-8851	REAR WINDOW-CLEAR 15" X 56"	PICKUP 75-93	(1)	\$82.95*
56-8852	REAR WINDOW-GREEN TINT 15" X 56"	PICKUP 75-93	(1)	\$82.95*
56-5115	REAR WINDOW SEAL-STD	PICKUP 72-93	(1)	\$66.45
56-5116	REAR WINDOW SEAL-CUSTOM	PICKUP 72-93	(1)	\$46.95
56-5107	REAR WINDOW TRIM-CUSTOM CHROME	PICKUP 72-93	(1)	\$24.95
56-5107	REAR WINDOW TRIM-CUSTOM CHROME	SUV 81-93	(1)	\$24.95

\* Or \*\* after the sell price means your order will incur an Oversize Part Charge for each oversized part. \* Means extra charge will be \$20. \*\* Means extra charge will be \$50. Due to packing and/or transportation requirements, please allow additional time for delivery. Oversized Parts are not available for air delivery.

## Windshield and Seal

1972-93 Dodge Truck  
 1974-93 Dodge Ramcharger



PART	ILL#	DESCRIPTION	APPLICATION	REQD	PRICE
56-9868-T	(1)	WINDSHIELD-SHADED	DODGE	72-93	(1) \$169.95
56-5108	(2)	WINDSHIELD RUBBER "A"	DODGE	72-93	(1) \$39.95
56-5106	(3)	WINDSHIELD LOCKSTRIP-CHROME	DODGE	72-93	(1) \$22.95
56-5109		WINDSHIELD LOCKSTRIP-BLACK	DODGE	72-93	(1) \$6.45
56-5111	(4)	MOLDING JOINT COVER-CHROME	DODGE	72-93	(1) \$1.45

-T after a part number means that part must be shipped Truck Freight. An additional \$150.00 will be charged to your order for delivery in the 48 contiguous United States. Orders outside of the 48 states will be quoted. Additional delivery time required.

Note: "A" Lockstrip required for installation is not included and must be purchased separately. For chrome lockstrip order #56-5106. For black lockstrip order #56-5109.

## Glass Tools



38-0763

**Hook Tool** helps remove and install rubber mounted glass. The tool has an angled end for easier fitting of the glass inside the rubber seal. Features a round steel ball on the tip to protect against damage to the rubber seal, glass and painted surfaces.

PART	DESCRIPTION	PRICE
38-0763	HOOK TOOL	\$8.95



38-0762

**Rope-In Tool** inserts 1/4" diameter nylon rope through its stem and seats it in the groove of the seal as it is pulled around the perimeter of the seal. With the glass properly positioned on the vehicle, simply pull the rope and the seal then pops over the pinchweld to hold the glass firmly in place. Includes enough rope to fit around even the largest truck windows.

PART	DESCRIPTION	PRICE
38-0762	ROPE-IN TOOL	\$12.95



38-0731

**Locking Strip Tool** is used to install the locking strip around windshields, side windows and rear windows. Features plastic screwdriver handle for a comfortable grip and steel shaft with double-ended tip for use on multiple applications.

PART	DESCRIPTION	PRICE
38-0731	LOCKING STRIP TOOL	\$6.45

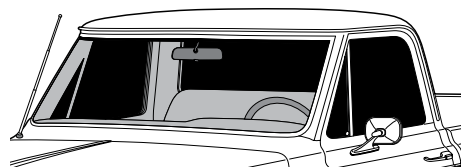


38-0796

**Windshield Stick** A glass installer's most useful tool! Can be used to install or remove windows or window rubber. This plastic tool measures 8" in length for an easy grip.

PART	DESCRIPTION	PRICE
38-0796	WINDSHIELD STICK	\$1.25

## Double Black Film Kit



38-0270

Easy-to-install Double Black Film Kit with self-adhesive backing measures 20" x 60", makes glass more shatter resistant and offers maximum protection from the sun while only allowing a 5% light transmission.

Check state and local laws before ordering.

PART	DESCRIPTION	PRICE
38-0270	DOUBLE BLACK WINDOW FILM KIT	\$7.95

**Chrome Rear Step Bumper ... Style and Utility All in One**

1972-93 Dodge Truck Sweptline  
1978-85 Dodge Ramcharger

Chrome Rear Step Bumpers give your truck the ability to tow up to 800 pounds tongue weight and 8,000 pounds trailer weight. These bumpers offer the ease of bolt-on installation, the convenience of a step and come complete with rear license plate lamps. Do not exceed truck manufacturer's recommended towing capacity. A Bumper Mounting Kit is required when installing these rear bumpers.



38-9731

**Chrome Rear Step Bumper - Diamond Tread**

This traditional utility bumper features a classic embossed steel top plate on a stylish and reliable step bumper.

PART	DESCRIPTION	APPLICATION	REQD	PRICE
38-9731	CHROME STEP BUMPER-DIAMOND TREAD	DODGE 72-93	(1)	\$369.95*
30-2098	REAR BUMPER MOUNTING KIT	SWEPTLINE 72-93	(1)	\$34.95
55-0214	REAR BUMPER MOUNTING KIT	SUV 78-85	(1)	\$66.45

\* Or \*\* after the sell price means your order will incur an Oversize Part Charge for each oversized part. \* Means extra charge will be \$20. \*\* Means extra charge will be \$50. Due to packing and/or transportation requirements, please allow additional time for delivery. Oversized Parts are not available for air delivery.

**Step Up with Star-Lite**



Star-Lite Bumper with Diamond Tread

**Chrome Rear Step Bumper - Star-Lite**

This Chrome Rear Star-Lite Step Bumper has a diamond tread on top for sure footing when bumper is used as a step. For more traction, #38-9737 features a step pad made from molded polymer to protect the bumper from scratches while the grid pattern adds more grip for sure footing. The internal mounted Backup Lights look great and make it safer to back up truck by illuminating a larger area, making it easier to see hazards.



38-9737

PART	DESCRIPTION	APPLICATION	REQD	PRICE
38-9734	CHROME STEP BUMPER-STAR-LITE	DODGE 72-93	(1)	\$399.95*
38-9737	CHROME STEP BUMPER-STAR-LITE W/TOP STEP PAD	DODGE 72-93	(1)	\$399.95*
30-2098	REAR BUMPER MOUNTING KIT	SWEPTLINE 72-93	(1)	\$34.95
55-0214	REAR BUMPER MOUNTING KIT	SUV 78-85	(1)	\$66.45

\* Or \*\* after the sell price means your order will incur an Oversize Part Charge for each oversized part. \* Means extra charge will be \$20. \*\* Means extra charge will be \$50. Due to packing and/or transportation requirements, please allow additional time for delivery. Oversized Parts are not available for air delivery.



38-9736

**Chrome Rear Step Bumper - Polymer Pad**

Classic style rear step bumper features a step pad made from molded polymer to protect the bumper from scratches. The grid pattern adds an excellent anti-skid surface for sure footing while loading and unloading.

PART	DESCRIPTION	APPLICATION	REQD	PRICE
38-9736	CHROME STEP BUMPER W/STEP PAD	DODGE 72-93	(1)	\$419.95*
30-2098	REAR BUMPER MOUNTING KIT	SWEPTLINE 72-93	(1)	\$34.95
55-0214	REAR BUMPER MOUNTING KIT	SUV 78-85	(1)	\$66.45

**Replacement License Plate Lamp Sets**

Fits Replacement Bumpers listed above only.

36-4505 set includes 2 lamps, 2 quick splice connectors, 2 license plate grommets and 2 license plate screws.



37-0385



LED

Regular

36-4505

PART	DESCRIPTION	APPLICATION	REQD	PRICE
37-0385	LED LICENSE LAMP SET		(1)	\$19.95
36-4505	REPLACEMENT LICENSE LAMP SET		(1)	\$8.95
36-0222	REPLACEMENT BULB	FITS 36-4505 LAMP	(2)	\$6.65

**Replacement Backup Light**



36-4416

Lights can be easily spliced into the existing backup light wires so they will come on each time you shift into reverse. The additional light is excellent for hooking up trailers or boats in the dark since they are located closer to the hitch area.

However, in some cases factory wiring may not transfer enough power to properly illuminate the lights. For full illumination install a Backup Light Wiring Kit (sold separately #36-0735).

PART	DESCRIPTION	REQD	PRICE
36-4416	BACKUP LIGHT-W/LENS	(AR)	\$9.95
36-4206	REPLACEMENT LENS		\$2.45
36-0227	REPLACEMENT BULB		\$1.25

**Backup Light Wiring Kit**

The wiring kit includes a separate switch, enabling you to turn the lights on and off, eliminating the need and danger of having to leave the vehicle in reverse to utilize the lights.



36-0735

Kit Includes:

- Illuminated rocker switch
- 30 amp relay
- 15 amp in-line fuse
- Connectors
- Wires

PART	DESCRIPTION	PRICE
36-0735	BACKUP LIGHT WIRING KIT	\$25.95

## Premium Chrome Bumpers

- Bumper is stamped from new tooling using OE-quality steel for strength and durability.
- Bumper is buffed and polished to achieve a smooth defect-free plating surface.
- Triple Nickel Plating process creates a brilliant, high-quality mirror-like finish.

## Chrome Bumpers and Primer Bumper

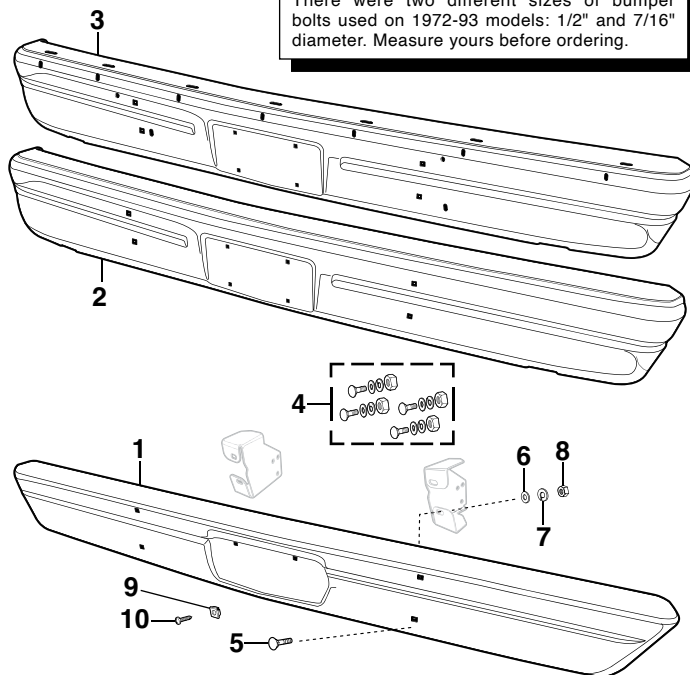
- Bumpers used by Collision Damage Repair Shops.
- Chrome Bumper is made using a computer-controlled process assuring consistent thickness of nickel and chrome plating.
- Primer Bumper is finished with an EDP (Electro Deposit Primer) coating that offers a smooth surface for applying your favorite color to match your truck.
- Economically priced replacements for your rusty, dull, scratched and pitted bumpers.
- Save money, call or go online and order your bumper today.

## Front Bumper

1972-93 Dodge Truck  
1974-93 Dodge Ramcharger

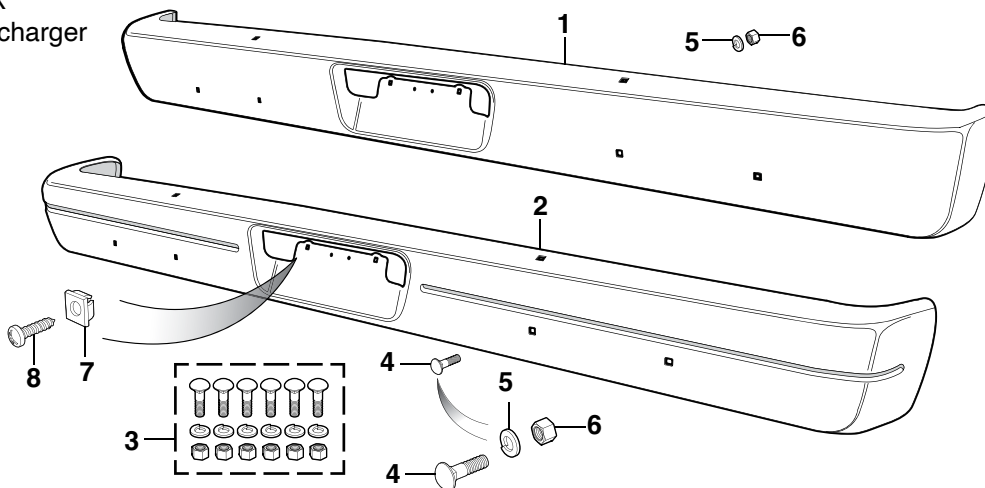
PART	ILL#	DESCRIPTION	APPLICATION	REQD	PRICE
56-9928	(1)	BUMPER-CHROME	DODGE	72-82	(1) \$299.95*
56-9935	(2)	BUMPER-PREMIUM CHROME	"A" DODGE	86-93	(1) \$399.95*
56-9930		BUMPER-CHROME	"A" DODGE	86-93	(1) \$269.95*
56-9936		BUMPER-PRIMER	"A" DODGE	86-93	(1) \$199.95*
56-9937	(3)	BUMPER-PREMIUM CHROME	"B" DODGE	90-93	(1) \$399.95*
56-9931		BUMPER-CHROME	"B" DODGE	90-93	(1) \$289.95*
56-9938		BUMPER-PRIMER	"B" DODGE	90-93	(1) \$189.95*
30-0191	(4)	BUMPER BOLT KIT-16PC	1/2" DODGE	72-93	(1) \$8.95
30-0236	(5)	BOLT-SS CAP	1/2" DODGE	72-93	(4) \$2.95
30-0649	(6)	FLAT WASHER	1/2" DODGE	72-93	(4) \$1.45
30-0680	(7)	LOCK WASHER	1/2" DODGE	72-93	(4) \$.85
30-0820	(8)	NUT	1/2" DODGE	72-93	(4) \$.75
40-0190-D		BUMPER BOLT KIT-12PC	7/16" DODGE	72-93	(1) \$11.95
40-0222-D		BOLT-SS CAP	7/16" DODGE	72-93	(4) \$1.95
30-0632		LOCK WASHER	7/16" DODGE	72-93	(4) \$1.45
30-0839		NUT	7/16" DODGE	72-93	(4) \$1.25
55-1117	(9)	GROMMET-LICENSE PLATE	DODGE	72-93	(2) \$1.55
55-0663	(10)	SCREW-LICENSE PLATE	DODGE	72-93	(2) \$.65

Note: "A" Models without bumper top pad.  
"B" Models with bumper top pad.



## Rear Bumper without Step Bumper

1972-93 Dodge Truck  
1974-93 Dodge Ramcharger



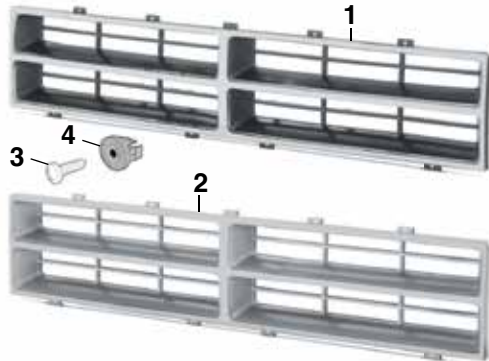
PART	ILL#	DESCRIPTION	APPLICATION	REQD	PRICE	PART	ILL#	DESCRIPTION	APPLICATION	REQD	PRICE
56-9405	(1)	CHROME BUMPER-PREMIUM-SUV & SWEPTLINE	72-85	(1)	\$369.95*	40-0199-D	(3)	BUMPER BOLT KIT	18PC 1/2T 3/4T	72-93	(1) \$15.75
56-9405		CHROME BUMPER-PREMIUM	78-85	(1)	\$369.95*	40-0222-D	(4)	BOLT	1/2T 3/4T	72-93	(6) \$1.95
56-9407	(2)	CHROME BUMPER-PREMIUM	1/2T 3/4T 86-93	(1)	\$399.95*	30-0632	(5)	LOCK WASHER	1/2T 3/4T	72-93	(6) \$1.45
56-9406		PRIMER BUMPER	SUV & SWEPTLINE	72-85	(1) \$159.95*	30-0839	(6)	NUT	1/2T 3/4T	72-93	(6) \$1.25
56-9406		PRIMER BUMPER	STEPSIDE	78-85	(1) \$159.95*	55-1117	(7)	GROMMET-LICENSE PLATE	1/2T 3/4T	72-93	(2) \$1.55
56-9408		PRIMER BUMPER	1/2T 3/4T 86-93	(1)	\$179.95*	55-0663	(8)	SCREW-LICENSE PLATE	1/2T 3/4T	72-93	(2) \$.65

\* Or \*\* after the sell price means your order will incur an Oversize Part Charge for each oversized part. \* Means extra charge will be \$20. \*\* Means extra charge will be \$50. Due to packing and/or transportation requirements, please allow additional time for delivery. Oversized Parts are not available for air delivery.



Reproduction Grilles

1986-90 Dodge Truck  
1986-90 Dodge Ramcharger



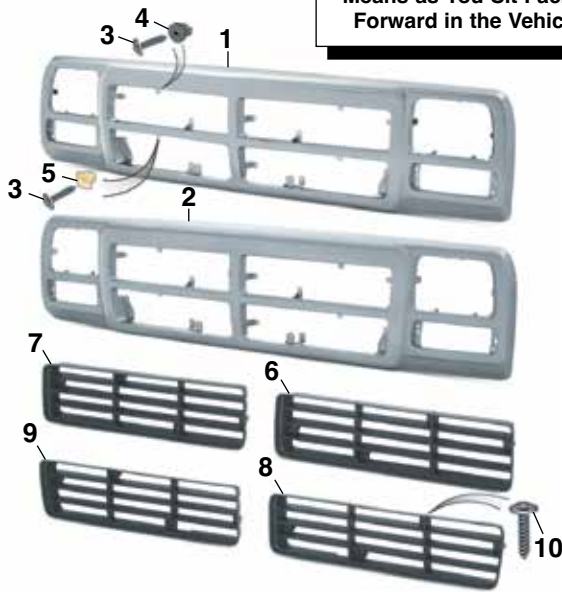
PART	ILL#	DESCRIPTION	APPLICATION	REQD	PRICE
55-2534	(1)	GRILLE-REPRO CHROME/DK GRAY	DODGE	86-90 (1)	\$74.95*
55-2535	(2)	GRILLE-REPRO SILVER	DODGE	86-90 (1)	\$59.95*
30-0506	(3)	SCREW-GRILLE	DODGE	86-90 (8)	\$.95
55-1125	(4)	NUT-GRILLE	DODGE	86-90 (8)	\$1.25

\* Or \*\* after the sell price means your order will incur an Oversize Part Charge for each oversized part. \* Means extra charge will be \$20. \*\* Means extra charge will be \$50. Due to packing and/or transportation requirements, please allow additional time for delivery. Oversized Parts are not available for air delivery.

Reproduction Grilles

1991-93 Dodge Truck  
1991-93 Dodge Ramcharger

Left Hand (LH) & Right Hand (RH)  
Means as You Sit Facing Forward in the Vehicle



PART	ILL#	DESCRIPTION	APPLICATION	REQD	PRICE
55-2539	(1)	GRILLE SHELL-REPRO CHROME	DODGE	91-93 (1)	\$99.95**
55-2540	(2)	GRILLE SHELL-REPRO SILVER	DODGE	91-93 (1)	\$89.95**
40-0535-C	(3)	SCREW-GRILLE SHELL-UPPER	DODGE	91-93 (4)	\$.95
55-1125	(4)	NUT-GRILLE SHELL-UPPER	DODGE	91-93 (4)	\$1.25
40-0535-C	(3)	SCREW-GRILLE SHELL-LOWER	DODGE	91-93 (4)	\$.95
55-1139	(5)	NUT-GRILLE SHELL-LOWER	DODGE	91-93 (4)	\$.65
55-2542	(6)	INSERT-UPPER-LH	BLACK DODGE	91-93 (1)	\$22.95
55-2543	(7)	INSERT-UPPER-RH	BLACK DODGE	91-93 (1)	\$22.95
55-2544	(8)	INSERT-LOWER-LH	BLACK DODGE	91-93 (1)	\$19.45
55-2545	(9)	INSERT-LOWER-RH	BLACK DODGE	91-93 (1)	\$19.45
50-0309-D	(10)	SCREW-GRILLE INSERT	DODGE	91-93 (16)	\$.65

\* Or \*\* after the sell price means your order will incur an Oversize Part Charge for each oversized part. \* Means extra charge will be \$20. \*\* Means extra charge will be \$50. Due to packing and/or transportation requirements, please allow additional time for delivery. Oversized Parts are not available for air delivery.

Emblems



56-8700



56-8707

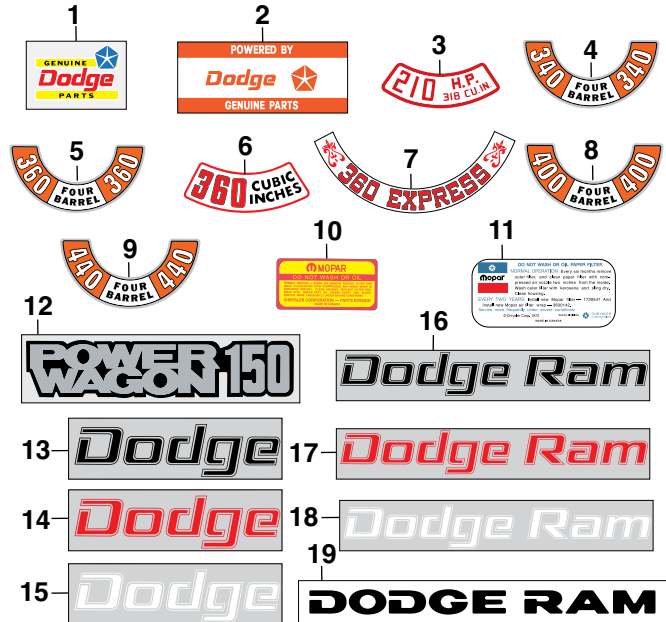


56-8708

PART	DESCRIPTION	APPLICATION	REQD	PRICE
56-8700	HOOD EMBLEM-CHROME "DODGE"	DODGE	79-85 (1)	\$52.95
56-8707	HOOD EMBLEM-CHROME "DODGE"	DODGE	86-90 (1)	\$62.95
56-8708	TAILGATE/HATCH EMBLEM"DODGE RAM"	DODGE	81-90 (1)	\$69.95

Decals

Vinyl Edge Sealer Pen See Page 68



PART	ILL#	DESCRIPTION	APPLICATION	PRICE
56-8780	(1)	DECAL-"GENUINE DODGE PARTS"	3-1/4" X 2-1/4"	\$9.95
56-8781	(2)	DECAL-"POWERED BY GENUINE DODGE PARTS"	5-5/8" X 2-3/8"	\$9.95

Air Cleaner Decals

56-8770	(3)	AIR CLEANER DECAL-318CI/210HP	1/2T 3/4T 72-74	\$9.45
56-8771	(4)	AIR CLEANER DECAL-340 4BARREL	1/2T 3/4T 72-74	\$10.95
56-8772	(5)	AIR CLEANER DECAL-360 4BARREL	1/2T 3/4T 72-74	\$10.95
56-8773	(6)	AIR CLEANER DECAL-360	1/2T 3/4T 75-77	\$9.45
56-8774	(7)	AIR CLEANER DECAL-360"EXPRESS"	1/2T 3/4T 79-80	\$13.95
56-8775	(8)	AIR CLEANER DECAL-400 4BARREL	1/2T 3/4T 72-74	\$10.95
56-8776	(9)	AIR CLEANER DECAL-440 4BARREL	1/2T 3/4T 72-74	\$10.95
56-8705	(10)	AIR FILTER SERVICE DECAL	1/2T 3/4T 72	\$9.45
56-8706	(11)	AIR FILTER SERVICE DECAL	1/2T 3/4T 78-80	\$9.45

Fender Decal

56-8790	(12)	FENDER DECAL-"POWERWAGON 150"	1/2T 3/4T 78-85	\$13.95
---------	------	-------------------------------	-----------------	---------

Tailgate Letter Set "Dodge"

56-8785-BL	(13)	LETTER SET-BLACK 5-1/2"X1-1/2"	DODGE	76-86	\$11.95
56-8785-RD	(14)	LETTER SET-RED 5-1/2"X1-1/2"	DODGE	76-86	\$11.95
56-8785-WH	(15)	LETTER SET-WHITE 5-1/2"X1-1/2"	DODGE	76-86	\$11.95

56-8786-BL	LETTER SET-BLACK	17"X4-1/2"	DODGE	77-84	\$15.95
56-8786-RD	LETTER SET-RED	17"X4-1/2"	DODGE	77-84	\$15.95

Tailgate Letter Set "Dodge Ram"

56-8787-BL	(16)	LETTER SET-BLACK 10"X1-1/2"	DODGE	78-84	\$13.95
56-8787-RD	(17)	LETTER SET-RED 10"X1-1/2"	DODGE	78-84	\$13.95
56-8787-WH	(18)	LETTER SET-WHITE 10"X1-1/2"	DODGE	78-84	\$13.95

56-8788-RD	LETTER SET-RED	21"X3"	DODGE	76-86	\$19.95
------------	----------------	--------	-------	-------	---------

56-8791-BL	(19)	LETTER SET-BLACK "A"	DODGE	81-93	\$39.95
56-8791-WH	LETTER SET-WHITE "A"	DODGE	81-93	\$39.95	

Note: "A" Models with embossed tailgate.

## Blind Spot Mirror



38-5890

Blind spot mirrors increase viewing angle, eliminating blind spots. The 2" Adjustable Blind Spot Mirror rotates 360° for a customized wide angle view. Mirrors attach to door mirror with included self-adhesive tape.

PART	DESCRIPTION	APPLICATION	REQD	PRICE
38-5890	BLIND SPOT MIRROR-2"	(AR)	(1)	\$1.95
38-5893	BLIND SPOT MIRROR-ADJUSTABLE-2"	(AR)	(1)	\$2.25
38-5892	BLIND SPOT MIRROR-3"	(AR)	(1)	\$1.95

## Premium Billet Window Handle Sets



**39-6693**  
Polished Cut Out  
\$99.95



**39-6694**  
Polished Milled  
\$99.95

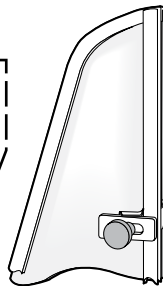
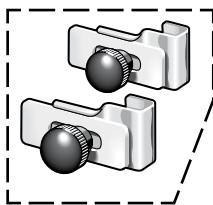


**39-6695**  
Black Milled  
\$109.95



Premium Window Handle Sets are manufactured with high-quality black oxide steel inserts and three set screws for maximum shaft grip strength. Handles are 4-5/8" long for greater leverage and feature smooth beveled edges for a comfortable grip. Available in a black anodized finish with machined accents or polished finish. Proudly made in the USA.

## Vent Window Lock Prevents Costly Break-ins



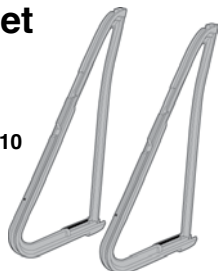
Help prevent break-ins with this universal Vent Window Lock Set. It is made from heavy-gauge steel, installs easily without tools and is removable when not in use. Order yours today!

PART	DESCRIPTION	APPLICATION	REQD	PRICE
38-1228	VENT WINDOW LOCK	SET OF 2	(1)	\$8.95

## Vent Window Seal Set

1972-93 Dodge Truck  
1974-93 Dodge Ramcharger

56-5010



PART	DESCRIPTION	APPLICATION	REQD	PRICE
56-5009	VENT WINDOW SEAL SET	DODGE 72-77	(1)	\$89.95
56-5010	VENT WINDOW SEAL SET	DODGE 78-86	(1)	\$41.95
56-5011	VENT WINDOW SEAL SET	DODGE 87-93	(1)	\$94.95

## Reproduction Chrome Door Mirrors



55-2574



55-2576

PART	DESCRIPTION	APPLICATION	REQD	PRICE
55-2574	MIRROR-LH CHROME	MANUAL DODGE 78-93	(1)	\$89.95
55-2575	MIRROR-RH CHROME	MANUAL DODGE 78-93	(1)	\$99.95
55-2576	MIRROR-LH CHROME	POWER DODGE 88-93	(1)	\$104.95
55-2577	MIRROR-RH CHROME	POWER DODGE 88-93	(1)	\$104.95

## Tripod and Lo-Mount Mirrors



38-5818



38-5820



38-5824

These are universal mirrors, not direct OE replacements; therefore, mounting locations may differ from OE. The Lo-Mount Mirror has a 5" x 7" mirror head and features a ball base. The mounting bracket is lo-mount style and includes hardware. Mounting hardware is included with all mirrors.

PART	DESCRIPTION	APPLICATION	PRICE
38-5818	MIRROR 4-POINT STAINLESS	7-1/2" X 10-1/2"	\$36.95
38-5820	MIRROR-TRIPOD STAINLESS	7-1/2" X 10-1/2"	\$21.95
38-5872	MIRROR HEAD STAINLESS	7-1/2" X 10-1/2"	\$16.25
38-5824	MIRROR-LO-MOUNT STAINLESS	5" X 7"	\$19.95
38-5848	MIRROR HEAD STAINLESS	5" X 7"	\$9.95

## Door Edge Peep Mirror



38-5815

38-5819

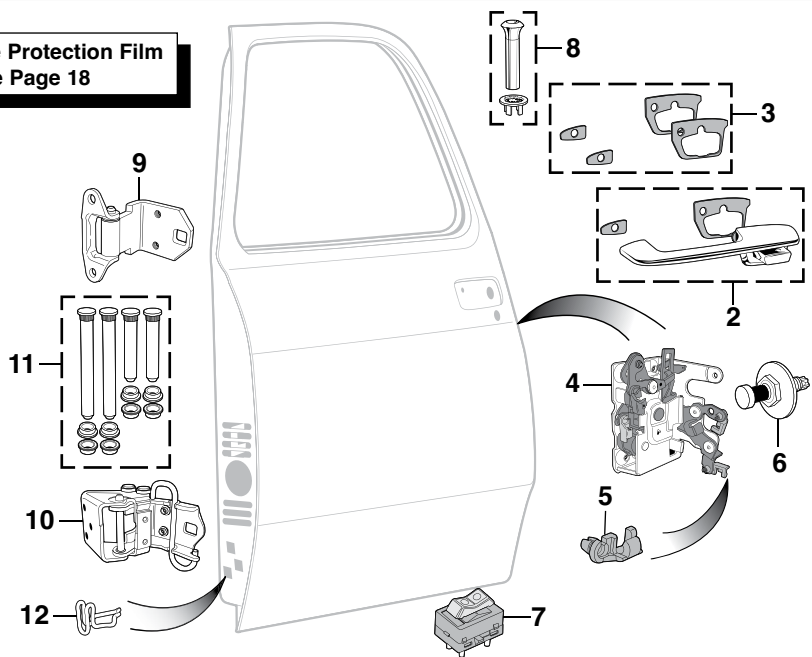
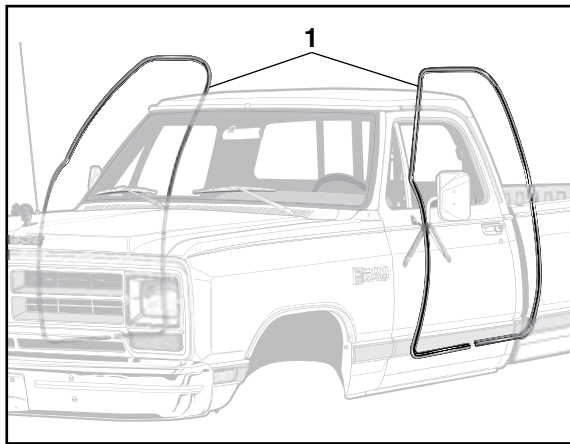
A Chrome Door Edge 4" Peep Mirror adds style and extra rear visibility to your truck. Attaches to the left or right side of the outer edge of the door window frame. A Chrome Convex 4" Peep Mirror provides a wider field of view than flat mirrors. A Chrome Peep Mirror Extension is available separately and adds 1-1/2" of length to the mirror arm for increased visibility. Reduce glare with a stainless steel 4" Peep Mirror Visor; sold separately.

PART	DESCRIPTION	APPLICATION	REQD	PRICE
38-5815	PEEP MIRROR-FLAT	CURVED ARM	(AR)	\$14.95
38-5813	PEEP MIRROR-CONVEX	CURVED ARM	(AR)	\$16.95
38-5819	PEEP MIRROR EXTENSION		(AR)	\$10.95
38-5817	PEEP MIRROR VISOR		(AR)	\$7.95

### Front Door Components

1972-93 Dodge Truck  
1974-93 Dodge Ramcharger

Door Edge Protection Film  
See Page 18

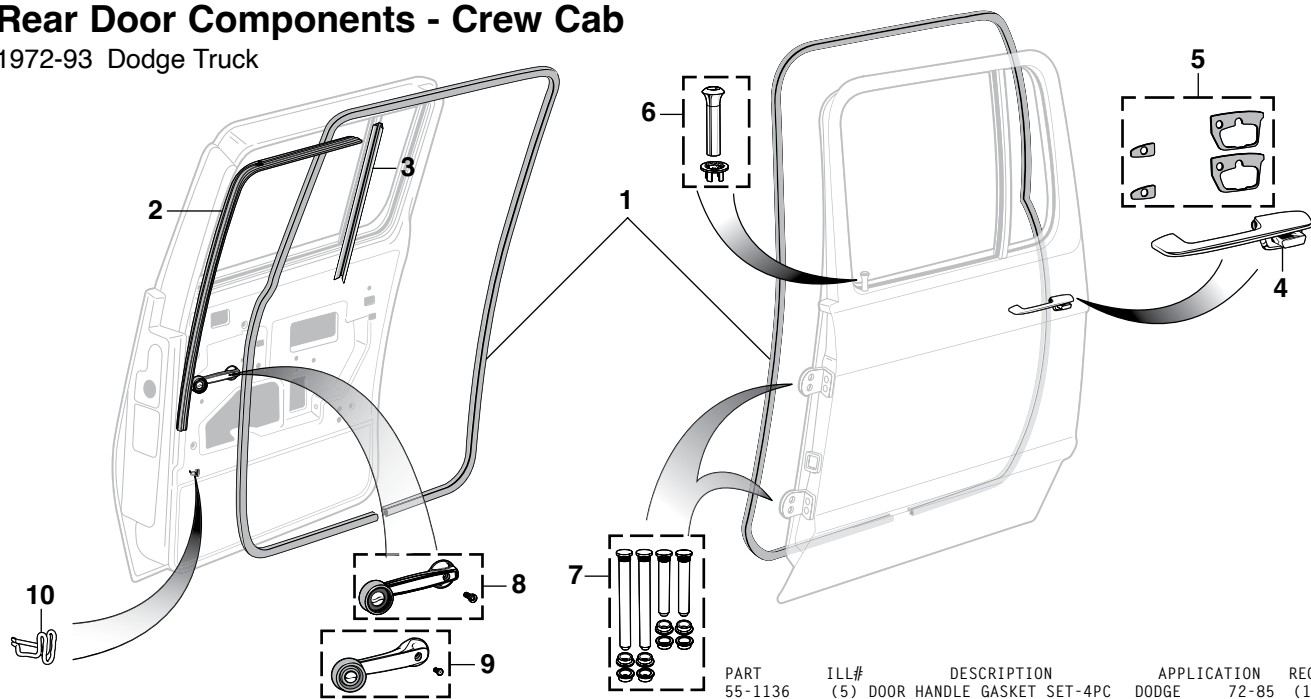


PART	ILL#	DESCRIPTION	APPLICATION	REQD	PRICE
56-5245	(1)	DOOR SEAL SET-ON CAB	PICKUP	72-93 (1)	\$34.95
56-5245		DOOR SEAL SET-ON CAB	SUV	75-93 (1)	\$34.95
55-2628	(2)	FRT HANDLE-OUTER-LH	CHROME DODGE	72-93 (1)	\$21.95
55-2629		FRT HANDLE-OUTER-RH	CHROME DODGE	72-93 (1)	\$21.95
55-1136	(3)	DOOR HANDLE GASKET SET-4PC	DODGE	72-93 (1)	\$ .99
56-5579	(4)	FRONT DOOR LATCH-RH	DODGE	85-93 (1)	\$152.95
55-1090	(5)	CLIP-LATCH-LH	GREEN DODGE	72-93 (AR)	\$ .85
55-1091		CLIP-LATCH-RH	RED DODGE	72-93 (AR)	\$ .75
55-1105		CLIP-LATCH-LH	BLACK DODGE	72-93 (AR)	\$ .75
55-1101		CLIP-LATCH-RH	WHITE DODGE	72-93 (AR)	\$ .95

PART	ILL#	DESCRIPTION	APPLICATION	REQD	PRICE
56-5610	(6)	FRONT DOOR STRIKER	DODGE	85-93 (2)	\$8.45
56-6345	(7)	DOOR LOCK SWITCH	SILVER DODGE	88-93 (2)	\$79.95
55-2618	(8)	LOCK KNOB-CHROME-PLAIN	W/GROMMET	72-93 (2)	\$3.45
56-5558	(9)	FRONT DOOR HINGE-UPPER	DODGE	72-93 (2)	\$54.95
56-5559	(10)	FRONT DOOR HINGE-LOWER	DODGE	72-93 (2)	\$64.95
56-5454	(11)	HINGE REPAIR KIT	DODGE	72-93 (1)	\$7.95
55-1137	(12)	RETAINER-DOOR PANEL	METAL DODGE	72-93 (AR)	\$ .85

### Rear Door Components - Crew Cab

1972-93 Dodge Truck



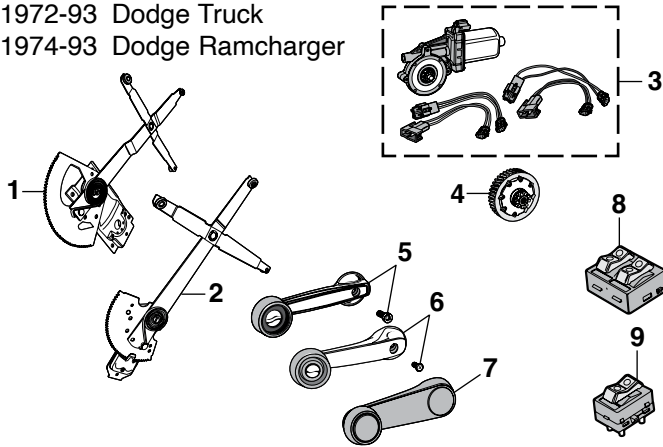
PART	ILL#	DESCRIPTION	APPLICATION	REQD	PRICE
56-5245	(1)	REAR DOOR SEAL SET-ON CAB	CREW CAB	72-85 (1)	\$34.95
56-5006	(2)	REAR DOOR GLASS RUN	CREW CAB	72-85 (2)	\$9.95
56-5007	(3)	REAR WINDOW POST LINER	CREW CAB	72-85 (2)	\$5.95
55-2628	(4)	REAR HANDLE-OUTER-LH	CHROME CREW CAB	72-85 (1)	\$21.95
55-2629		REAR HANDLE-OUTER-RH	CHROME CREW CAB	72-85 (1)	\$21.95

PART	ILL#	DESCRIPTION	APPLICATION	REQD	PRICE
55-1136	(5)	DOOR HANDLE GASKET SET-4PC	DODGE	72-85 (1)	\$ .99
55-2618	(6)	LOCK KNOB-CHROME-PLAIN	W/GROMMET	72-93 (2)	\$3.45
56-5454	(7)	REAR HINGE REPAIR KIT	CREW CAB	72-85 (1)	\$7.95
55-2625	(8)	WINDOW HANDLE-CHROME	CREW CAB	72-77 (1)	\$6.45
55-2626	(9)	WINDOW HANDLE-CHROME	CREW CAB	78-85 (1)	\$6.95
55-2624		WINDOW HANDLE-BLACK	CREW CAB	78-85 (2)	\$6.95
55-1137	(10)	RETAINER-DOOR PANEL	METAL DODGE	72-85 (AR)	\$ .85



## Front Door Window Components

1972-93 Dodge Truck  
1974-93 Dodge Ramcharger



PART	ILL#	DESCRIPTION	APPLICATION	REQD	PRICE
56-5380	(1)	REGULATOR-LH POWER NO MOTOR	DODGE	78-90 (1)	\$39.95
56-5381		REGULATOR-RH POWER NO MOTOR	DODGE	78-90 (1)	\$39.95
56-5382	(2)	REGULATOR-LH MANUAL	DODGE	77-78 (1)	\$45.95
56-5383		REGULATOR-RH MANUAL	DODGE	77-78 (1)	\$45.95
56-5570	(3)	WINDOW MOTOR-LH	DODGE	80-90 (1)	\$45.95
56-5571		WINDOW MOTOR-RH	DODGE	80-90 (1)	\$45.95
56-5574		WINDOW MOTOR-LH	DODGE	91-93 (1)	\$59.45
56-5575		WINDOW MOTOR-RH	DODGE	91-93 (1)	\$59.45
56-5499	(4)	WINDOW GEAR KIT	DODGE	80-90 (2)	\$12.95
55-2625	(5)	WINDOW HANDLE CHROME	DODGE	72-77 (2)	\$6.45
55-2626	(6)	WINDOW HANDLE CHROME	DODGE	78-89 (2)	\$6.95
55-2624		WINDOW HANDLE BLACK	DODGE	78-89 (2)	\$6.95
55-2627	(7)	WINDOW HANDLE BLACK	DODGE	90-93 (2)	\$8.95
56-6344	(8)	WINDOW SWITCH-LH SILVER	DODGE	88-93 (1)	\$38.95
56-6345	(9)	WINDOW SWITCH-RH SILVER	DODGE	88-93 (1)	\$79.95

## Door Window Glass Holder



Door Window Glass Holder supports the glass while you work on the window regulator. It works on all trucks with a top door frame. Simply loop cable over door frame and attach suction cups to each side of glass. The glass is then securely held above the door while your work is performed.

PART	DESCRIPTION	PRICE
39-6397	DOOR WINDOW GLASS HOLDER	\$18.95

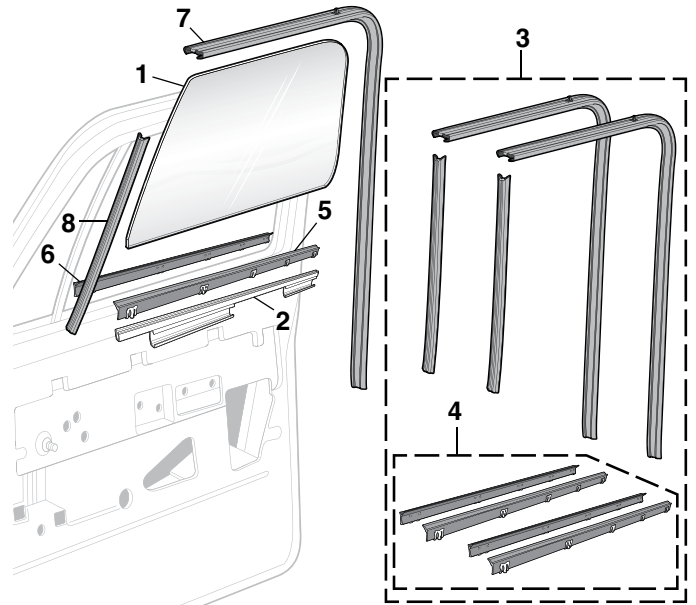
## Dimmer Switch Bezel



PART	DESCRIPTION	APPLICATION	REQD	PRICE
38-1536	BEZEL-DIMMER SWITCH BLACK	ALUMINUM	72-90 (1)	\$21.69
38-1537	BEZEL-DIMMER SWITCH POLISHED	ALUMINUM	72-90 (1)	\$12.95
38-1538	BEZEL-DIMMER SWITCH SATIN	ALUMINUM	72-90 (1)	\$18.85
30-1266	BEZEL-DIMMER SWITCH BLACK	PLASTIC	72-90 (1)	\$1.95

## Front Door Glass and Components

1972-93 Dodge Truck  
1974-93 Dodge Ramcharger



PART	ILL#	DESCRIPTION	APPLICATION	REQD	PRICE
56-8868	(1)	DOOR GLASS-LH-CLEAR	DODGE	72-93 (1)	\$59.95
56-8869		DOOR GLASS-RH-CLEAR	DODGE	72-93 (1)	\$59.95
56-8858		DOOR GLASS-LH GREEN TINT	DODGE	72-93 (1)	\$59.95
56-8859		DOOR GLASS-RH GREEN TINT	DODGE	72-93 (1)	\$59.95
56-5576	(2)	DOOR GLASS SASH CHANNEL-LH	DODGE	80-93 (1)	\$14.45
56-5577		DOOR GLASS SASH CHANNEL-RH	DODGE	80-93 (1)	\$14.45
56-5033	(3)	WINDOW CHANNEL KIT-8PC	DODGE	72-79 (1)	\$63.95
56-5034		WINDOW CHANNEL KIT-8PC	DODGE	80-93 (1)	\$63.95
56-5023	(4)	WINDOW SEAL KIT-4PC	DODGE	72-79 (1)	\$34.95
56-5024		WINDOW SEAL KIT-4PC	DODGE	80-93 (1)	\$34.95
56-5214	(5)	DOOR WINDOW SEAL	DODGE	72-79 (2)	\$9.95
56-5215		WINDOW SEAL-INNER-LH	DODGE	80-93 (1)	\$9.95
56-5216		WINDOW SEAL-INNER-RH	DODGE	80-93 (1)	\$9.95
56-5214	(6)	DOOR WINDOW SEAL	DODGE	72-79 (2)	\$9.95
56-5216		WINDOW SEAL-OUTER-LH	DODGE	80-93 (1)	\$9.95
56-5215		WINDOW SEAL-OUTER-RH	DODGE	80-93 (1)	\$9.95
56-5006	(7)	DOOR GLASS RUN	DODGE	72-93 (2)	\$9.95
56-5007	(8)	WINDOW POST LINER	DODGE	72-93 (2)	\$5.95

After installing new window rubber components window movement may be noticeably stiffer until the new rubber components are broken in.

## Belt Molding Remover



Window Belt Molding Remover allows quick removal of your window belt molding without damaging the sheet metal, glass or molding. Plasti-dipped handle provides a wide, comfortable grip.

PART	DESCRIPTION	PRICE
38-1395	BELT MOLDING REMOVER	\$14.55

**Door Panel Inserts**

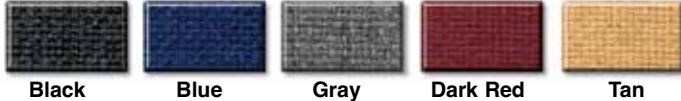
1987-93 Dodge Truck  
1987-93 Dodge Ramcharger

Sold in Sets of 2



Door Panel Inserts are made with the same fabric as our cloth and vinyl seat reupholstery kits for a perfect match. They mount easily using pre-attached velcro backed with 3M adhesive tape.

Inserts feature pre-cut holes for manual window handles and perforations for power window switches.



PART	DESCRIPTION	APPLICATION	REQD	PRICE
<b>Cloth Door Panel Inserts</b>				
56-7445-BL	CLOTH INSERT SET-BLACK	DODGE	87-93 (1)	\$117.95
56-7445-LL	CLOTH INSERT SET-BLUE	DODGE	87-93 (1)	\$117.95
56-7445-GR	CLOTH INSERT SET-GRAY	DODGE	87-93 (1)	\$117.95
56-7445-DR	CLOTH INSERT SET-DARK RED	DODGE	87-93 (1)	\$117.95
56-7445-TN	CLOTH INSERT SET-TAN	DODGE	87-93 (1)	\$117.95

PART	DESCRIPTION	APPLICATION	REQD	PRICE
<b>Vinyl Door Panel Inserts</b>				
56-7446-BL	VINYL INSERT SET-BLACK	DODGE	87-93 (1)	\$117.95
56-7446-LL	VINYL INSERT SET-BLUE	DODGE	87-93 (1)	\$117.95
56-7446-GR	VINYL INSERT SET-GRAY	DODGE	87-93 (1)	\$117.95
56-7446-DR	VINYL INSERT SET-DARK RED	DODGE	87-93 (1)	\$117.95
56-7446-TN	VINYL INSERT SET-TAN	DODGE	87-93 (1)	\$117.95

**Door Sill Plates**



PART	DESCRIPTION	APPLICATION	REQD	PRICE
56-5305	FRONT DOOR SILL PLATE-INNER	DODGE	72-93 (2)	\$19.95
56-5306	FRONT DOOR SILL PLATE-OUTER	DODGE	72-93 (2)	\$19.95
55-0494	CHROME SCREW-INNER	DODGE	72-93 (8)	\$.65
40-0435-C	CHROME SCREW-OUTER	DODGE	72-93 (12)	\$1.25

**Keyless Remote Kit**



Locks and unlocks doors with the keyless remote or the turn of a door key. Lock/unlock function is also activated when a door lock knob is pushed down or pulled up, eliminating the need for separate door switches. Fits 2 door models only.

PART	DESCRIPTION	PRICE
36-0693	KEYLESS REMOTE KIT-2 DOOR	\$52.95

**Electric Door Locks ... Easy to Install**



Easy-to-install Electric Door Locks allow driver to unlock passenger side door with just the turn of the regular door key. It also works from the inside if locking or unlocking the driver's side door.

PART	DESCRIPTION	PRICE
36-0697	DOOR LOCK KIT 2 DOOR	\$20.95

**NEW Keyless Remote Entry System**

*Klassic Keyless*



Fits Front Doors Only

PART	DESCRIPTION	APPLICATION	REQD	PRICE
56-6199	KEYLESS REMOTE ENTRY SYSTEM	DODGE	72-93 (1)	\$239.95

This complete, do-it-yourself 2 door keyless entry kit from Klassic Keyless is designed to fit your vehicle. This is not a "universal" collection of parts, but a comprehensive, vehicle-specific system that is engineered with the shade tree mechanic in mind. The kit comes with everything needed to install remote activated keyless entry into your truck using common hand tools.

**The Keyless Remote Entry System includes:**

- Keyless entry module with onboard relays for a clean installation.
- 2 two-button remote controls.
- 2 door lock actuators with 15 lbs. of pull and built-in overload protection.
- 2 actuator mounting brackets.
- 2 rubber doorjamb boots.
- 2 actuator connecting rods and clips.
- Wire harness.
- Full color step-by-step instruction manual and necessary hardware.

## LMC TRUCK Custom Split Back Bench Seat

### 60" Custom Split Back Bench Seat

- Bench Seats come assembled. Seat slider tracks and seat reclining mechanism are included.
- All steel, TIG-welded frame is electrostatically coated for strength and durability.
- Premium grade vinyl and stitching will stand up to years of wear and tear.
- Ergonomically shaped cushions are made with high-density, injection-molded foam to ensure comfort with the proper support.

LMC Truck Custom Bench Seats are universal. You will need to modify your existing bench seat bracket or build a new one.



Red  
Stitching

Black Stitching



PART	DESCRIPTION	APPLICATION	REQD	PRICE
38-2117-BB	LMC BENCH SEAT - 60" WITH BLACK STITCH	DODGE	72-93 (1)	\$1099.95**
38-2117-BR	LMC BENCH SEAT - 60" WITH RED STITCH	DODGE	72-93 (1)	\$1099.95**

\* Or \*\* after the sell price means your order will incur an Oversize Part Charge for each oversized part. \* Means extra charge will be \$20. \*\* Means extra charge will be \$50. Due to packing and/or transportation requirements, please allow additional time for delivery. Oversized Parts are not available for air delivery.

## LMC TRUCK Custom Bucket Seat Sets

The Affordable Bolt-In Custom Interior Upgrade For Your Truck!

- Seats come assembled. Seat slider tracks and seat reclining mechanism are included.
- Seats are universal and require mounting brackets for installation. Mounting brackets sold separately.
- All steel, TIG-welded frame is electrostatically coated for strength and durability.
- Premium grade vinyl and stitching will stand up to years of wear and tear.
- Ergonomically shaped cushions are made with high-density, injection-molded foam to ensure comfort with the proper support.



Red Stitching



2 Stitching Colors Available

Black  
Stitching

PART	DESCRIPTION	APPLICATION	REQD	PRICE
38-2115-BB	LMC BUCKET SEAT SET WITH BLACK STITCH	DODGE	72-93 (1)	\$899.95*
38-2115-BR	LMC BUCKET SEAT SET WITH RED STITCH	DODGE	72-93 (1)	\$899.95*

\* Or \*\* after the sell price means your order will incur an Oversize Part Charge for each oversized part. \* Means extra charge will be \$20. \*\* Means extra charge will be \$50. Due to packing and/or transportation requirements, please allow additional time for delivery. Oversized Parts are not available for air delivery.

### Bucket Seat Mounting Bracket Set

- Bucket Seat Mounting Bracket set is sold separately and is required when installing bucket seats.
- Sold as set of 2.
- Welding is required for installation.

PART	DESCRIPTION	APPLICATION	REQD	PRICE
38-2161	BUCKET SEAT MOUNT BRACKET SET	DODGE	72-93 (1)	\$159.95





Cloth Bucket Seat Reupholstery Kits



56-7482-DR

Original style reupholstery kits feature the original seat patterns. Cloth reupholstery kits have vinyl sides for durability.



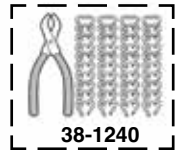
56-7486-GR



56-7483-DR



56-7487-GR



38-1240

Hog rings, hog ring pliers and easy-to-follow instructions are included to ensure a professional type installation and a snug, smooth fit.

Cloth Colors



PART	DESCRIPTION	APPLICATION	REQD	PRICE
56-7482-BL	FRONT BUCKET SEAT KIT BLACK	DODGE	81-93 (1)	\$394.95
56-7482-LL	FRONT BUCKET SEAT KIT BLUE	DODGE	81-93 (1)	\$394.95
56-7482-GR	FRONT BUCKET SEAT KIT GRAY	DODGE	81-93 (1)	\$394.95
56-7482-DR	FRONT BUCKET SEAT KIT DARK RED	DODGE	81-93 (1)	\$394.95
56-7482-TN	FRONT BUCKET SEAT KIT TAN	DODGE	81-93 (1)	\$394.95
56-7483-BL	REAR BENCH SEAT KIT BLACK	RAMCHARGER	81-93 (1)	\$299.95
56-7483-LL	REAR BENCH SEAT KIT BLUE	RAMCHARGER	81-93 (1)	\$299.95
56-7483-GR	REAR BENCH SEAT KIT GRAY	RAMCHARGER	81-93 (1)	\$299.95
56-7483-DR	REAR BENCH SEAT KIT DARK RED	RAMCHARGER	81-93 (1)	\$299.95
56-7483-TN	REAR BENCH SEAT KIT TAN	RAMCHARGER	81-93 (1)	\$299.95

PART	DESCRIPTION	APPLICATION	REQD	PRICE
56-7486-BL	FRONT BUCKET SEAT KIT BLACK	DODGE	89-93 (1)	\$394.95
56-7486-GR	FRONT BUCKET SEAT KIT GRAY	DODGE	89-93 (1)	\$394.95
56-7486-DR	FRONT BUCKET SEAT KIT DARK RED	DODGE	89-93 (1)	\$394.95
56-7486-TN	FRONT BUCKET SEAT KIT TAN	DODGE	89-93 (1)	\$394.95
56-7487-BL	REAR BENCH SEAT KIT BLACK	RAMCHARGER	89-93 (1)	\$299.95
56-7487-GR	REAR BENCH SEAT KIT GRAY	RAMCHARGER	89-93 (1)	\$299.95
56-7487-DR	REAR BENCH SEAT KIT DARK RED	RAMCHARGER	89-93 (1)	\$299.95
56-7487-TN	REAR BENCH SEAT KIT TAN	RAMCHARGER	89-93 (1)	\$299.95

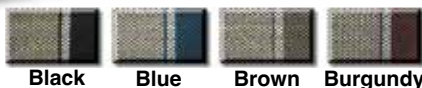
\* Or \*\* after the sell price means your order will incur an Oversize Part Charge for each oversized part. \* Means extra charge will be \$20. \*\* Means extra charge will be \$50. Due to packing and/or transportation requirements, please allow additional time for delivery. Oversized Parts are not available for air delivery.

38-1240	HOG RING KIT W/PLIERS	100PC	(AR)	\$8.95
56-7495	REAR SEAT BOTTOM COVER	RAMCHARGER	81-93 (1)	\$79.95*

Saddle Blanket Seat Covers



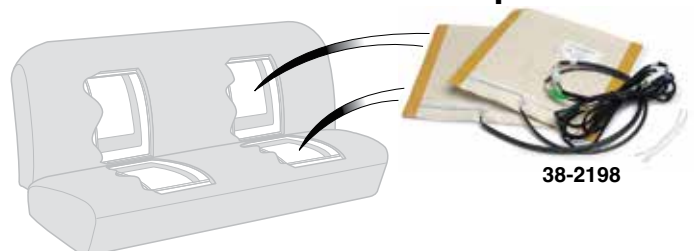
38-2346-BL



Saddle Blanket Seat Covers are handcrafted with a heavy-duty weave to resist wear and provide all-weather comfort. These universal seat covers feature seat belt pass-throughs and front pockets for convenient storage. Installation instructions included.

PART	DESCRIPTION	APPLICATION	REQD	PRICE
38-2346-BL	SADDLE BLANKET COVER BLACK	DODGE	72-93 (1)	\$91.95
38-2346-LL	SADDLE BLANKET COVER BLUE	DODGE	72-93 (1)	\$91.95
38-2346-BN	SADDLE BLANKET COVER BROWN	DODGE	72-93 (1)	\$91.95
38-2346-BG	SADDLE BLANKET COVER BURGUNDY	DODGE	72-93 (1)	\$91.95

Seat Heater Kits ... Warm Yourself Up Before Your Truck Warms Up



38-2198

Seat Heaters are constructed with patented carbon fiber heating elements which give consistent and controlled warmth. Paper thin heating elements are water-resistant and install between any seat cover material and seat cushion. Kit includes heating elements for seat back and bottom, three-way switch (Off/Low/High), pre-wired relay harness with fuse and instructions.

#38-2198 contains two 11" x 11" heater elements. (One for seat back and one for seat bottom.) Ideal for use in bucket seat applications.

#38-2199 contains two 11" x 22" heater elements. (One for seat back and one for seat bottom.) Ideal for use in bench seat applications.

PART	DESCRIPTION	APPLICATION	REQD	PRICE
38-2198	SEAT HEATER KIT-11 X 11 ELEMENTS	DODGE	(AR)	\$64.95
38-2199	SEAT HEATER KIT-11 X 22 ELEMENTS	DODGE	(AR)	\$89.95

## Velour Bench Seat Reupholstery Kits

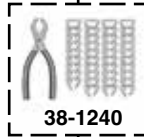
Original style reupholstery kits feature the original seat patterns with velour cloth inserts. Velour cloth reupholstery kits have vinyl sides for durability. Hog rings, hog ring pliers and instructions are included.

## Vinyl Bench Seat Reupholstery Kits

Original style reupholstery kits feature the original seat patterns in padded vinyl. Hog rings, hog ring pliers and instructions are included.



56-7471-LL



38-1240



**How-To Video Available**  
Featuring TV Personality Kevin Tetz

Visit [lmctruck.com/product-videos](http://lmctruck.com/product-videos)



56-7470-LL



56-7473-DR



56-7475-GR



56-7472-DR



56-7474-GR

### Velour Colors



### Vinyl Colors



PART	DESCRIPTION	APPLICATION	REQD	PRICE
56-7471-BL	BENCH SEAT KIT-VELOUR BLACK	DODGE	72-78 (1)	\$374.95
56-7471-LL	BENCH SEAT KIT-VELOUR BLUE	DODGE	72-78 (1)	\$374.95
56-7471-GN	BENCH SEAT KIT-VELOUR GREEN	DODGE	72-78 (1)	\$374.95
56-7471-RD	BENCH SEAT KIT-VELOUR RED	DODGE	72-78 (1)	\$374.95
56-7471-DR	BENCH SEAT KIT-VELOUR DARK RED	DODGE	72-78 (1)	\$374.95
56-7471-TN	BENCH SEAT KIT-VELOUR TAN	DODGE	72-78 (1)	\$374.95
56-7473-BL	BENCH SEAT KIT-VELOUR BLACK	DODGE	79-83 (1)	\$299.95
56-7473-LL	BENCH SEAT KIT-VELOUR BLUE	DODGE	79-83 (1)	\$299.95
56-7473-GR	BENCH SEAT KIT-VELOUR GRAY	DODGE	79-83 (1)	\$299.95
56-7473-GN	BENCH SEAT KIT-VELOUR GREEN	DODGE	79-83 (1)	\$299.95
56-7473-RD	BENCH SEAT KIT-VELOUR RED	DODGE	79-83 (1)	\$299.95
56-7473-DR	BENCH SEAT KIT-VELOUR DARK RED	DODGE	79-83 (1)	\$299.95
56-7473-TN	BENCH SEAT KIT-VELOUR TAN	DODGE	79-83 (1)	\$299.95
56-7475-BL	BENCH SEAT KIT-VELOUR BLACK	DODGE	90-93 (1)	\$374.95
56-7475-LL	BENCH SEAT KIT-VELOUR BLUE	DODGE	90-93 (1)	\$374.95
56-7475-GR	BENCH SEAT KIT-VELOUR GRAY	DODGE	90-93 (1)	\$374.95
56-7475-RD	BENCH SEAT KIT-VELOUR RED	DODGE	90-93 (1)	\$374.95
56-7475-DR	BENCH SEAT KIT-VELOUR DARK RED	DODGE	90-93 (1)	\$374.95
56-7475-TN	BENCH SEAT KIT-VELOUR TAN	DODGE	90-93 (1)	\$374.95
38-1240	HOG RING KIT W/PLIERS		100PC (AR)	\$8.95

PART	DESCRIPTION	APPLICATION	REQD	PRICE
56-7470-BL	BENCH SEAT KIT-VINYL BLACK	DODGE	72-78 (1)	\$344.95
56-7470-LL	BENCH SEAT KIT-VINYL BLUE	DODGE	72-78 (1)	\$344.95
56-7470-GN	BENCH SEAT KIT-VINYL GREEN	DODGE	72-78 (1)	\$344.95
56-7470-RD	BENCH SEAT KIT-VINYL RED	DODGE	72-78 (1)	\$344.95
56-7470-DR	BENCH SEAT KIT-VINYL DARK RED	DODGE	72-78 (1)	\$344.95
56-7470-TN	BENCH SEAT KIT-VINYL TAN	DODGE	72-78 (1)	\$344.95
56-7472-BL	BENCH SEAT KIT-VINYL BLACK	DODGE	79-83 (1)	\$289.95
56-7472-LL	BENCH SEAT KIT-VINYL BLUE	DODGE	79-83 (1)	\$289.95
56-7472-GR	BENCH SEAT KIT-VINYL GRAY	DODGE	79-83 (1)	\$289.95
56-7472-GN	BENCH SEAT KIT-VINYL GREEN	DODGE	79-83 (1)	\$289.95
56-7472-RD	BENCH SEAT KIT-VINYL RED	DODGE	79-83 (1)	\$289.95
56-7472-DR	BENCH SEAT KIT-VINYL DARK RED	DODGE	79-83 (1)	\$289.95
56-7472-TN	BENCH SEAT KIT-VINYL TAN	DODGE	79-83 (1)	\$289.95
56-7474-BL	BENCH SEAT KIT-VINYL BLACK	DODGE	90-93 (1)	\$344.95
56-7474-LL	BENCH SEAT KIT-VINYL BLUE	DODGE	90-93 (1)	\$344.95
56-7474-GR	BENCH SEAT KIT-VINYL GRAY	DODGE	90-93 (1)	\$344.95
56-7474-RD	BENCH SEAT KIT-VINYL RED	DODGE	90-93 (1)	\$344.95
56-7474-DR	BENCH SEAT KIT-VINYL DARK RED	DODGE	90-93 (1)	\$344.95
56-7474-TN	BENCH SEAT KIT-VINYL TAN	DODGE	90-93 (1)	\$344.95
38-1240	HOG RING KIT W/PLIERS		100PC (AR)	\$8.95

## Deluxe Bench Seat Console

Bench Seat Console features oversized, dual adjustable cup holders, dense foam padded armrest, bottom mount strap for seat belt mounting, large rear storage area with built-in CD/cassette holder and smaller front storage area. Can also be used in the rear seat. *Contents Not Included.*



PART	DESCRIPTION	PRICE
38-0644-GR	GRAY 16.5" L X 8.5" W X 9" H	\$59.95

## Chrome Bench Seat Hinge Cover Set

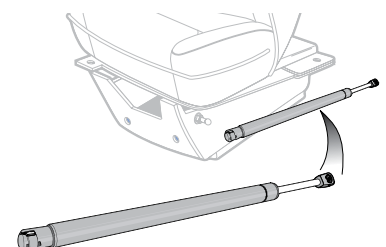
1976-87 Dodge Truck



PART	DESCRIPTION	PRICE
56-7265	BENCH SEAT HINGE COVER SET CHROME 76-87	\$52.95

## Gas Seat Lift Strut

1988-93 Dodge Ramcharger



PART	DESCRIPTION	PRICE
56-9091	SEAT LIFT STRUT-PASSENGER SUV 88-93	\$29.95

### 3 Point Retractable Seat Belt Set



3 Point Retractable Seat Belt Sets feature push button buckles and are constructed of OE-quality herringbone webbing. Sets include left and right seating positions, mounting hardware also included. Lap Seat Belts for center seating position are sold separately.

Seat belts are a simple, direct bolt-in installation using the original seat belt mounting holes. Federal regulations require seat belts in all trucks manufactured after July 1971.

PART	DESCRIPTION	APPLICATION	REQD	PRICE
56-7490-BL	3PT RETRACTABLE BELT SET BLACK	STD CAB	76-93 (1)	\$161.95
56-7490-LL	3PT RETRACTABLE BELT SET BLUE	STD CAB	76-93 (1)	\$161.95
56-7490-GR	3PT RETRACTABLE BELT SET GRAY	STD CAB	76-93 (1)	\$161.95
56-7490-RD	3PT RETRACTABLE BELT SET RED	STD CAB	76-93 (1)	\$161.95
56-7490-TN	3PT RETRACTABLE BELT SET TAN	STD CAB	76-93 (1)	\$161.95
56-7491-BL	LAP BELT-BLACK	CENTER SEAT STD CAB	76-93 (1)	\$30.95
56-7491-LL	LAP BELT-BLUE	CENTER SEAT STD CAB	76-93 (1)	\$30.95
56-7491-GR	LAP BELT-GRAY	CENTER SEAT STD CAB	76-93 (1)	\$30.95
56-7491-RD	LAP BELT-RED	CENTER SEAT STD CAB	76-93 (1)	\$30.95
56-7491-TN	LAP BELT-TAN	CENTER SEAT STD CAB	76-93 (1)	\$30.95

### Heavy-Duty Retractable Lap Seat Belts



PART	DESCRIPTION	APPLICATION	REQD	PRICE
38-2239-BL	RETRACTABLE LAP SEAT BELT-BLACK	DODGE 72-93	(2)	\$54.95
38-2239-LL	RETRACTABLE LAP SEAT BELT-BLUE	DODGE 72-93	(2)	\$54.95
38-2239-BG	RETRACTABLE LAP SEAT BELT-BURG	DODGE 72-93	(2)	\$54.95
38-2239-GR	RETRACTABLE LAP SEAT BELT-GRAY	DODGE 72-93	(2)	\$54.95
38-2239-TN	RETRACTABLE LAP SEAT BELT-TAN	DODGE 72-93	(2)	\$54.95

### Lap Seat Belts



Seat Belts are 74" long, designed with a quick release push-button buckle and are constructed of OE quality herringbone webbing. Federal regulations require seat belts in all trucks manufactured after July 1971. Existing attaching hardware must be reused.

PART	DESCRIPTION	APPLICATION	REQD	PRICE
38-2249-BL	LAP SEAT BELT-BLACK	DODGE 72-93	(AR)	\$26.65
38-2249-LL	LAP SEAT BELT-BLUE	DODGE 72-93	(AR)	\$26.65
38-2249-BG	LAP SEAT BELT-BURGUNDY	DODGE 72-93	(AR)	\$26.65
38-2249-GR	LAP SEAT BELT-GRAY	DODGE 72-93	(AR)	\$25.95
38-2249-TN	LAP SEAT BELT-TAN	DODGE 72-93	(AR)	\$26.65

### Seat Belt Buckle Sleeves for Your Bucket Seats



Buckle Sleeves are 12 inches long, made from rigid, textured plastic and are available in five colors. Keeps buckle side belt within reach making it ideal for bucket seat applications. Includes cap to cover mounting bolt hole. Sleeves sold individually. Belts not included.

PART	DESCRIPTION	APPLICATION	REQD	PRICE
38-2234-BL	BUCKLE SLEEVE BLACK		(2)	\$5.95
38-2234-LL	BUCKLE SLEEVE BLUE		(2)	\$5.95
38-2234-BG	BUCKLE SLEEVE BURGUNDY		(2)	\$5.95
38-2234-GR	BUCKLE SLEEVE GRAY		(2)	\$5.95
56-7496-TN	BUCKLE SLEEVE TAN		(2)	\$4.95

### Bench and Bucket Seat Rebuilding Kits

Seat Rebuild Kits contain the necessary parts to correct seat conditions such as missing padding; weakened, sagging or broken springs; and uneven seating areas. May also be used for preparing seats prior to installation of seat covers or replacement upholstery covers or to correct a condition under existing upholstery.

#### Bench Seat Kit:

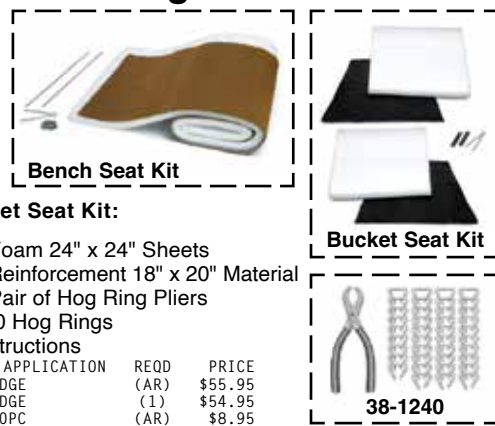
- 24" x 60" Foam Sheet
- 18" x 60" Reinforcement Material
- 1 Pair of Hog Ring Pliers
- 100 Hog Rings
- 2 Steel Rods and Instructions

PART	DESCRIPTION	APPLICATION	REQD	PRICE
38-2831	BENCH SEAT REBUILDING KIT	DODGE	(AR)	\$55.95
38-2832	BUCKET SEAT REBUILDING KIT	DODGE	(1)	\$54.95
38-1240	HOG RING KIT W/PLIERS	100PC	(AR)	\$8.95

#### Bucket Seat Kit:

- 2 Foam 24" x 24" Sheets
- 2 Reinforcement 18" x 20" Material
- 1 Pair of Hog Ring Pliers
- 100 Hog Rings
- Instructions

PART	DESCRIPTION	APPLICATION	REQD	PRICE
38-2831	BENCH SEAT REBUILDING KIT	DODGE	(AR)	\$55.95
38-2832	BUCKET SEAT REBUILDING KIT	DODGE	(1)	\$54.95
38-1240	HOG RING KIT W/PLIERS	100PC	(AR)	\$8.95



### NEW Seat Padding Material



This Seat Padding Material is 1/4"-thick jute-like material that is a great enhancement to your truck's bench seat when installing new upholstery. Padding material comes in a 4 foot by 6 foot roll and contains enough material to cover both the seat back and seat bottom. Trim to fit as needed.

PART	DESCRIPTION	PRICE
38-2834	PADDING MATERIAL - NON-FOIL	\$15.95



## Molded Carpet ... Fits and Looks Like Original

1972-93 Dodge Truck  
1974-93 Dodge Ramcharger

**How to Identify Low Hump and High Hump See Page 7**

Carpet is molded from the original floor pan for a perfect fit that covers the entire floor. It's made from 100% nylon with an OE type heel pad. The heavy 36 ounce jute padding under the front passenger area helps insulate against heat and reduces road noise.

Color coordinated original style heel pad is attached and an easy-to-install dimmer switch grommet is also included. The color coordinated vinyl binding helps prevent fraying and adds the finishing touch.



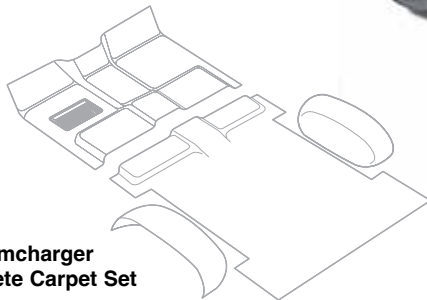
**1972-77  
Standard Cab Carpet**



**1978-93  
Standard Cab Carpet**



**38-0798**



**Ramcharger  
Complete Carpet Set**

**Shiftrod and Steering Column Holes are Not Pre-cut**

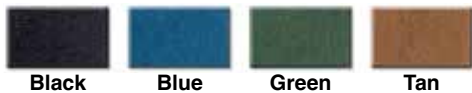
### 1978-93 Pickup Cut Pile Molded Carpet



PART	DESCRIPTION	APPLICATION	REQD	PRICE
	<b>Spray Adhesive</b>			
38-0798	SPRAY ADHESIVE	10.5 OUNCE CAN		\$8.95

**IMPORTANT:** Before choosing a floor covering, check the floor pan configuration of your vehicle. Was your vehicle originally equipped with an Automatic (Low Hump) or Manual (High Hump) transmission? Selecting the correct floor pan configuration is an important part of ensuring that your floor covering fits properly.

### 1972-77 Pickup Loop Pile Molded Carpet



PART	DESCRIPTION	APPLICATION	REQD	PRICE
<b>2WD Models with Column Shift (Low Hump)</b>				
56-7162-BL	MOLDED CARPET	BLACK STD CAB	72-77 (1)	\$194.95
56-7162-LL	MOLDED CARPET	BLUE STD CAB	72-77 (1)	\$194.95
56-7162-GN	MOLDED CARPET	GREEN STD CAB	72-77 (1)	\$194.95
56-7162-TN	MOLDED CARPET	TAN STD CAB	72-77 (1)	\$194.95
<b>2WD Models with Floor Shift • All 4WD (High Hump)</b>				
56-7166-BL	MOLDED CARPET	BLACK CLUB CAB	73-77 (1)	\$234.95
56-7166-LL	MOLDED CARPET	BLUE CLUB CAB	73-77 (1)	\$234.95
56-7166-GN	MOLDED CARPET	GREEN CLUB CAB	73-77 (1)	\$234.95
56-7166-TN	MOLDED CARPET	TAN CLUB CAB	73-77 (1)	\$234.95
<b>2WD Models with Column Shift (Low Hump)</b>				
56-7163-BL	MOLDED CARPET	BLACK STD CAB	72-77 (1)	\$194.95
56-7163-LL	MOLDED CARPET	BLUE STD CAB	72-77 (1)	\$194.95
56-7163-GN	MOLDED CARPET	GREEN STD CAB	72-77 (1)	\$194.95
56-7163-TN	MOLDED CARPET	TAN STD CAB	72-77 (1)	\$194.95
<b>2WD Models with Floor Shift • All 4WD (High Hump)</b>				
56-7167-BL	MOLDED CARPET	BLACK CLUB CAB	73-77 (1)	\$207.95
56-7167-LL	MOLDED CARPET	BLUE CLUB CAB	73-77 (1)	\$207.95
56-7167-GN	MOLDED CARPET	GREEN CLUB CAB	73-77 (1)	\$207.95
56-7167-TN	MOLDED CARPET	TAN CLUB CAB	73-77 (1)	\$207.95
<b>1974-77 Ramcharger Loop Pile Molded Carpet</b>				
PART	DESCRIPTION	APPLICATION	REQD	PRICE
56-7172-BL	MOLDED CARPET SET-4PC	BLACK RAMCHARGER	74-77 (1)	\$409.95
56-7172-LL	MOLDED CARPET SET-4PC	BLUE RAMCHARGER	74-77 (1)	\$409.95
56-7172-GN	MOLDED CARPET SET-4PC	GREEN RAMCHARGER	74-77 (1)	\$409.95
56-7172-TN	MOLDED CARPET SET-4PC	TAN RAMCHARGER	74-77 (1)	\$409.95

PART	DESCRIPTION	APPLICATION	REQD	PRICE
<b>2WD Models with Column Shift (Low Hump)</b>				
56-7164-BL	MOLDED CARPET	BLACK STD CAB	78-93 (1)	\$186.25
56-7164-LL	MOLDED CARPET	BLUE STD CAB	78-93 (1)	\$186.25
56-7164-GR	MOLDED CARPET	GRAY STD CAB	78-93 (1)	\$186.25
56-7164-GN	MOLDED CARPET	GREEN STD CAB	78-93 (1)	\$186.25
56-7164-RD	MOLDED CARPET	RED STD CAB	78-93 (1)	\$186.25
56-7164-DR	MOLDED CARPET	DARK RED STD CAB	78-93 (1)	\$186.25
56-7164-TN	MOLDED CARPET	TAN STD CAB	78-93 (1)	\$186.25
<b>2WD Models with Floor Shift • All 4WD (High Hump)</b>				
56-7168-BL	MOLDED CARPET	BLACK CLUB CAB	78-93 (1)	\$207.95
56-7168-LL	MOLDED CARPET	BLUE CLUB CAB	78-93 (1)	\$207.95
56-7168-GR	MOLDED CARPET	GRAY CLUB CAB	78-93 (1)	\$207.95
56-7168-GN	MOLDED CARPET	GREEN CLUB CAB	78-93 (1)	\$207.95
56-7168-RD	MOLDED CARPET	RED CLUB CAB	78-93 (1)	\$207.95
56-7168-DR	MOLDED CARPET	DARK RED CLUB CAB	78-93 (1)	\$207.95
56-7168-TN	MOLDED CARPET	TAN CLUB CAB	78-93 (1)	\$207.95
<b>2WD Models with Column Shift (Low Hump)</b>				
56-7165-BL	MOLDED CARPET	BLACK STD CAB	78-93 (1)	\$186.25
56-7165-LL	MOLDED CARPET	BLUE STD CAB	78-93 (1)	\$186.25
56-7165-GR	MOLDED CARPET	GRAY STD CAB	78-93 (1)	\$186.25
56-7165-GN	MOLDED CARPET	GREEN STD CAB	78-93 (1)	\$186.25
56-7165-RD	MOLDED CARPET	RED STD CAB	78-93 (1)	\$186.25
56-7165-DR	MOLDED CARPET	DARK RED STD CAB	78-93 (1)	\$186.25
56-7165-TN	MOLDED CARPET	TAN STD CAB	78-93 (1)	\$186.25
<b>2WD Models with Floor Shift • All 4WD (High Hump)</b>				
56-7169-BL	MOLDED CARPET	BLACK CLUB CAB	78-93 (1)	\$196.55
56-7169-LL	MOLDED CARPET	BLUE CLUB CAB	78-93 (1)	\$196.55
56-7169-GR	MOLDED CARPET	GRAY CLUB CAB	78-93 (1)	\$196.55
56-7169-GN	MOLDED CARPET	GREEN CLUB CAB	78-93 (1)	\$196.55
56-7169-RD	MOLDED CARPET	RED CLUB CAB	78-93 (1)	\$196.55
56-7169-DR	MOLDED CARPET	DARK RED CLUB CAB	78-93 (1)	\$196.55
56-7169-TN	MOLDED CARPET	TAN CLUB CAB	78-93 (1)	\$196.55
<b>1978-93 Ramcharger Cut Pile Molded Carpet</b>				
PART	DESCRIPTION	APPLICATION	REQD	PRICE
56-7173-BL	MOLDED CARPET SET-4PC	BLACK RAMCHARGER	78-93 (1)	\$409.95
56-7173-LL	MOLDED CARPET SET-4PC	BLUE RAMCHARGER	78-93 (1)	\$409.95
56-7173-GR	MOLDED CARPET SET-4PC	GRAY RAMCHARGER	78-93 (1)	\$409.95
56-7173-GN	MOLDED CARPET SET-4PC	GREEN RAMCHARGER	78-93 (1)	\$409.95
56-7173-RD	MOLDED CARPET SET-4PC	RED RAMCHARGER	78-93 (1)	\$409.95
56-7173-DR	MOLDED CARPET SET-4PC	DARK RED RAMCHARGER	78-93 (1)	\$409.95
56-7173-TN	MOLDED CARPET SET-4PC	TAN RAMCHARGER	78-93 (1)	\$409.95

Retro Floor Mats



RETRO FLOOR MATS DONE RIGHT

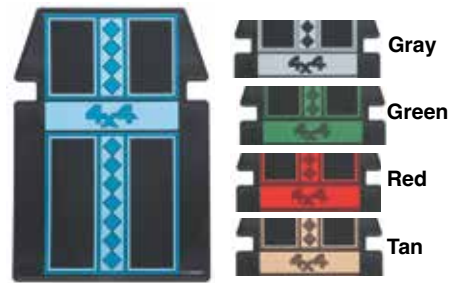
Protect your truck's carpet with these Retro Rubber Floor Mats from Dojamat. Patterned after the very popular floor mats available in the '70s and '80s, they're the perfect final touch to your truck's interior.

They are made from 100% premium grade durable black rubber, top and bottom. Retro rubber floor mats feature several gripping areas for non-slip fit.

Each set comes with two floor mats.

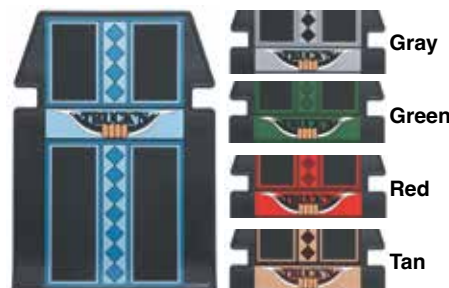


**Floor Mats Measure**  
19-3/4" Wide x 27-1/2" Tall  
**"4x4" Floor Mat Sets**



PART	DESCRIPTION	PRICE
37-5022-LL	"4X4" - BLUE	\$124.95
37-5022-GR	"4X4" - GRAY	\$124.95
37-5022-GN	"4X4" - GREEN	\$124.95
37-5022-RD	"4X4" - RED	\$124.95
37-5022-TN	"4X4" - TAN	\$124.95

**"TRUCK'N HORNS" Floor Mat Sets**



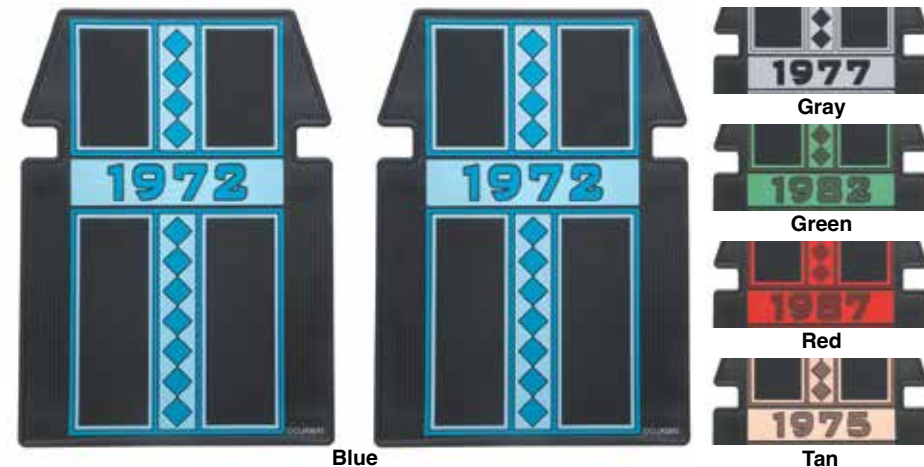
PART	DESCRIPTION	PRICE
37-5024-LL	"TRUCK'N HORNS" - BLUE	\$124.95
37-5024-GR	"TRUCK'N HORNS" - GRAY	\$124.95
37-5024-GN	"TRUCK'N HORNS" - GREEN	\$124.95
37-5024-RD	"TRUCK'N HORNS" - RED	\$124.95
37-5024-TN	"TRUCK'N HORNS" - TAN	\$124.95

**"HORNS" Floor Mat Sets**



PART	DESCRIPTION	PRICE
37-5023-LL	"PLAIN HORNS" - BLUE	\$124.95
37-5023-GR	"PLAIN HORNS" - GRAY	\$124.95
37-5023-GN	"PLAIN HORNS" - GREEN	\$124.95
37-5023-RD	"PLAIN HORNS" - RED	\$124.95
37-5023-TN	"PLAIN HORNS" - TAN	\$124.95

Floor Mat Sets with Years



PART DESCRIPTION PRICE

**1972-77 Floor Mats Measure:**

**18-1/2" Wide x 25-3/4" Tall**

37-5014-LL	"1972" - BLUE	\$124.95
37-5014-GR	"1972" - GRAY	\$124.95
37-5014-GN	"1972" - GREEN	\$124.95
37-5014-RD	"1972" - RED	\$124.95
37-5014-TN	"1972" - TAN	\$124.95
37-5015-LL	"1973" - BLUE	\$124.95
37-5015-GR	"1973" - GRAY	\$124.95
37-5015-GN	"1973" - GREEN	\$124.95
37-5015-RD	"1973" - RED	\$124.95
37-5015-TN	"1973" - TAN	\$124.95
37-5016-LL	"1974" - BLUE	\$124.95
37-5016-GR	"1974" - GRAY	\$124.95
37-5016-GN	"1974" - GREEN	\$124.95
37-5016-RD	"1974" - RED	\$124.95
37-5016-TN	"1974" - TAN	\$124.95
37-5017-LL	"1975" - BLUE	\$124.95
37-5017-GR	"1975" - GRAY	\$124.95
37-5017-GN	"1975" - GREEN	\$124.95
37-5017-RD	"1975" - RED	\$124.95
37-5017-TN	"1975" - TAN	\$124.95
37-5018-LL	"1976" - BLUE	\$124.95
37-5018-GR	"1976" - GRAY	\$124.95
37-5018-GN	"1976" - GREEN	\$124.95
37-5018-RD	"1976" - RED	\$124.95
37-5018-TN	"1976" - TAN	\$124.95
37-5019-LL	"1977" - BLUE	\$124.95
37-5019-GR	"1977" - GRAY	\$124.95
37-5019-GN	"1977" - GREEN	\$124.95
37-5019-RD	"1977" - RED	\$124.95
37-5019-TN	"1977" - TAN	\$124.95

**1978-92 Floor Mats Measure:**

**19-3/4" Wide x 27-1/2" Tall**

37-5020-LL	"1978" - BLUE	\$124.95
37-5020-GR	"1978" - GRAY	\$124.95
37-5020-GN	"1978" - GREEN	\$124.95
37-5020-RD	"1978" - RED	\$124.95
37-5020-TN	"1978" - TAN	\$124.95
37-5021-LL	"1979" - BLUE	\$124.95
37-5021-GR	"1979" - GRAY	\$124.95
37-5021-GN	"1979" - GREEN	\$124.95
37-5021-RD	"1979" - RED	\$124.95
37-5021-TN	"1979" - TAN	\$124.95
37-5027-LL	"1980" - BLUE	\$124.95
37-5027-GR	"1980" - GRAY	\$124.95
37-5027-GN	"1980" - GREEN	\$124.95
37-5027-RD	"1980" - RED	\$124.95
37-5027-TN	"1980" - TAN	\$124.95
37-5028-LL	"1981" - BLUE	\$124.95
37-5028-GR	"1981" - GRAY	\$124.95
37-5028-GN	"1981" - GREEN	\$124.95
37-5028-RD	"1981" - RED	\$124.95
37-5028-TN	"1981" - TAN	\$124.95

PART	DESCRIPTION	PRICE
37-5029-LL	"1982" - BLUE	\$124.95
37-5029-GR	"1982" - GRAY	\$124.95
37-5029-GN	"1982" - GREEN	\$124.95
37-5029-RD	"1982" - RED	\$124.95
37-5029-TN	"1982" - TAN	\$124.95
37-5030-LL	"1983" - BLUE	\$124.95
37-5030-GR	"1983" - GRAY	\$124.95
37-5030-GN	"1983" - GREEN	\$124.95
37-5030-RD	"1983" - RED	\$124.95
37-5030-TN	"1983" - TAN	\$124.95
37-5031-LL	"1984" - BLUE	\$124.95
37-5031-GR	"1984" - GRAY	\$124.95
37-5031-GN	"1984" - GREEN	\$124.95
37-5031-RD	"1984" - RED	\$124.95
37-5031-TN	"1984" - TAN	\$124.95
37-5032-LL	"1985" - BLUE	\$124.95
37-5032-GR	"1985" - GRAY	\$124.95
37-5032-GN	"1985" - GREEN	\$124.95
37-5032-RD	"1985" - RED	\$124.95
37-5032-TN	"1985" - TAN	\$124.95
37-5033-LL	"1986" - BLUE	\$124.95
37-5033-GR	"1986" - GRAY	\$124.95
37-5033-GN	"1986" - GREEN	\$124.95
37-5033-RD	"1986" - RED	\$124.95
37-5033-TN	"1986" - TAN	\$124.95
37-5034-LL	"1987" - BLUE	\$124.95
37-5034-GR	"1987" - GRAY	\$124.95
37-5034-GN	"1987" - GREEN	\$124.95
37-5034-RD	"1987" - RED	\$124.95
37-5034-TN	"1987" - TAN	\$124.95
37-5035-LL	"1988" - BLUE	\$124.95
37-5035-GR	"1988" - GRAY	\$124.95
37-5035-GN	"1988" - GREEN	\$124.95
37-5035-RD	"1988" - RED	\$124.95
37-5035-TN	"1988" - TAN	\$124.95
37-5036-LL	"1989" - BLUE	\$124.95
37-5036-GR	"1989" - GRAY	\$124.95
37-5036-GN	"1989" - GREEN	\$124.95
37-5036-RD	"1989" - RED	\$124.95
37-5036-TN	"1989" - TAN	\$124.95
37-5037-LL	"1990" - BLUE	\$124.95
37-5037-GR	"1990" - GRAY	\$124.95
37-5037-GN	"1990" - GREEN	\$124.95
37-5037-RD	"1990" - RED	\$124.95
37-5037-TN	"1990" - TAN	\$124.95
37-5038-LL	"1991" - BLUE	\$124.95
37-5038-GR	"1991" - GRAY	\$124.95
37-5038-GN	"1991" - GREEN	\$124.95
37-5038-RD	"1991" - RED	\$124.95
37-5038-TN	"1991" - TAN	\$124.95
37-5039-LL	"1992" - BLUE	\$124.95
37-5039-GR	"1992" - GRAY	\$124.95
37-5039-GN	"1992" - GREEN	\$124.95
37-5039-RD	"1992" - RED	\$124.95
37-5039-TN	"1992" - TAN	\$124.95

## Carpeted Floor Mats

How to Identify Low Hump and High Hump See Page 7



56-7192-TN



Black Blue Green Tan

These mats protect your carpets from the everyday wear and tear as well as mud, sand, snow and the sun which cause your carpet to fade. Floor mats are made from 100% nylon, trimmed with color coordinated vinyl binding and feature a grip lock non-skid backing to help them stay in place.

PART DESCRIPTION APPLICATION REQD PRICE

### 1972-77 Pickup Loop Pile Front Mats

#### 2WD Models with Column Shift (Low Hump)

56-7190-BL	FRONT MAT SET-BLACK	PICKUP	72-77 (1)	\$96.35
56-7190-LL	FRONT MAT SET-BLUE	PICKUP	72-77 (1)	\$96.35
56-7190-GN	FRONT MAT SET-GREEN	PICKUP	72-77 (1)	\$96.35
56-7190-TN	FRONT MAT SET-TAN	PICKUP	72-77 (1)	\$96.35

#### 2WD Models with Floor Shift \* All 4WD (High Hump)

56-7192-BL	FRONT MAT SET-BLACK	PICKUP	72-77 (1)	\$109.95
56-7192-LL	FRONT MAT SET-BLUE	PICKUP	72-77 (1)	\$109.95
56-7192-GN	FRONT MAT SET-GREEN	PICKUP	72-77 (1)	\$109.95
56-7192-TN	FRONT MAT SET-TAN	PICKUP	72-77 (1)	\$109.95

#### 1974-77 Ramcharger Loop Pile Front Mats

56-7192-BL	FRONT MAT SET-BLACK	RAMCHARGER	74-77 (1)	\$109.95
56-7192-LL	FRONT MAT SET-BLUE	RAMCHARGER	74-77 (1)	\$109.95
56-7192-GN	FRONT MAT SET-GREEN	RAMCHARGER	74-77 (1)	\$109.95
56-7192-TN	FRONT MAT SET-TAN	RAMCHARGER	74-77 (1)	\$109.95



56-7191-GR



Black Blue Gray Green Red Dark Red Tan

PART DESCRIPTION APPLICATION REQD PRICE

### 1978-93 Pickup Cut Pile Front Mats

#### 2WD Models with Column Shift (Low Hump)

56-7191-BL	FRONT MAT SET-BLACK	PICKUP	78-93 (1)	\$96.35
56-7191-LL	FRONT MAT SET-BLUE	PICKUP	78-93 (1)	\$96.35
56-7191-GR	FRONT MAT SET-GRAY	PICKUP	78-93 (1)	\$96.35
56-7191-GN	FRONT MAT SET-GREEN	PICKUP	78-93 (1)	\$96.35
56-7191-RD	FRONT MAT SET-RED	PICKUP	78-93 (1)	\$96.35
56-7191-DR	FRONT MAT SET-DARK RED	PICKUP	78-93 (1)	\$96.35
56-7191-TN	FRONT MAT SET-TAN	PICKUP	78-93 (1)	\$96.35

#### 2WD Models with Floor Shift \* All 4WD (High Hump)

56-7193-BL	FRONT MAT SET-BLACK	PICKUP	78-93 (1)	\$109.95
56-7193-LL	FRONT MAT SET-BLUE	PICKUP	78-93 (1)	\$109.95
56-7193-GR	FRONT MAT SET-GRAY	PICKUP	78-93 (1)	\$109.95
56-7193-GN	FRONT MAT SET-GREEN	PICKUP	78-93 (1)	\$109.95
56-7193-RD	FRONT MAT SET-RED	PICKUP	78-93 (1)	\$109.95
56-7193-DR	FRONT MAT SET-DARK RED	PICKUP	78-93 (1)	\$109.95
56-7193-TN	FRONT MAT SET-TAN	PICKUP	78-93 (1)	\$109.95

### 1978-93 Ramcharger Cut Pile Front Mats

56-7193-BL	FRONT MAT SET-BLACK	RAMCHARGER	78-93 (1)	\$109.95
56-7193-LL	FRONT MAT SET-BLUE	RAMCHARGER	78-93 (1)	\$109.95
56-7193-GR	FRONT MAT SET-GRAY	RAMCHARGER	78-93 (1)	\$109.95
56-7193-GN	FRONT MAT SET-GREEN	RAMCHARGER	78-93 (1)	\$109.95
56-7193-RD	FRONT MAT SET-RED	RAMCHARGER	78-93 (1)	\$109.95
56-7193-DR	FRONT MAT SET-DARK RED	RAMCHARGER	78-93 (1)	\$109.95
56-7193-TN	FRONT MAT SET-TAN	RAMCHARGER	78-93 (1)	\$109.95

## Kick Panel • Lower Door Panel Carpet

1972-77 Loop Carpet  
Dodge Truck & Ramcharger



Kick Panel Carpet Set

Front Lower Door Panel Carpet Set

38-0798

Made from 100% nylon carpet, Kick Panel and Lower Door Panel Carpet fits and looks like original. Color coordinated vinyl binding is used on exposed edges to help prevent fraying and separation of materials.

PART DESCRIPTION APPLICATION REQD PRICE

#### Kick Panel Carpet Set

56-7144-BL	KICK PANEL CARPET	BLACK	DODGE	72-77 (1)	\$46.55
56-7144-LL	KICK PANEL CARPET	BLUE	DODGE	72-77 (1)	\$46.55
56-7144-GN	KICK PANEL CARPET	GREEN	DODGE	72-77 (1)	\$46.55
56-7144-TN	KICK PANEL CARPET	TAN	DODGE	72-77 (1)	\$46.55

#### Lower Door Panel Carpet Set

56-7142-BL	DOOR PANEL CARPET	BLACK	DODGE	72-77 (1)	\$65.75
56-7142-LL	DOOR PANEL CARPET	BLUE	DODGE	72-77 (1)	\$65.75
56-7142-GN	DOOR PANEL CARPET	GREEN	DODGE	72-77 (1)	\$65.75
56-7142-TN	DOOR PANEL CARPET	TAN	DODGE	72-77 (1)	\$65.75

#### Spray Adhesive

38-0798	SPRAY ADHESIVE		10.5 OUNCE CAN	\$8.95
---------	----------------	--	----------------	--------

1978-93 Cut Pile Carpet  
Dodge Truck & Ramcharger



Kick Panel Carpet Set

56-7143-RD

56-7152-GR

PART DESCRIPTION APPLICATION REQD PRICE

#### Kick Panel Carpet Set

56-7145-BL	KICK PANEL CARPET	BLACK	DODGE	78-93 (1)	\$46.55
56-7145-LL	KICK PANEL CARPET	BLUE	DODGE	78-93 (1)	\$46.55
56-7145-GR	KICK PANEL CARPET	GRAY	DODGE	78-93 (1)	\$46.55
56-7145-GN	KICK PANEL CARPET	GREEN	DODGE	78-93 (1)	\$46.55
56-7145-RD	KICK PANEL CARPET	RED	DODGE	78-93 (1)	\$46.55
56-7145-DR	KICK PANEL CARPET	DARK RED	DODGE	78-93 (1)	\$46.55
56-7145-TN	KICK PANEL CARPET	TAN	DODGE	78-93 (1)	\$46.55

#### Lower Door Panel Carpet Set

56-7143-BL	DOOR PANEL CARPET	BLACK	DODGE	78-86 (1)	\$65.75
56-7143-LL	DOOR PANEL CARPET	BLUE	DODGE	78-86 (1)	\$65.75
56-7143-GR	DOOR PANEL CARPET	GRAY	DODGE	78-86 (1)	\$65.75
56-7143-GN	DOOR PANEL CARPET	GREEN	DODGE	78-86 (1)	\$65.75
56-7143-RD	DOOR PANEL CARPET	RED	DODGE	78-86 (1)	\$65.75
56-7143-DR	DOOR PANEL CARPET	DARK RED	DODGE	78-86 (1)	\$65.75
56-7143-TN	DOOR PANEL CARPET	TAN	DODGE	78-86 (1)	\$65.75

56-7152-BL	DOOR PANEL CARPET	BLACK	DODGE	87-93 (1)	\$35.25
56-7152-LL	DOOR PANEL CARPET	BLUE	DODGE	87-93 (1)	\$35.25
56-7152-GR	DOOR PANEL CARPET	GRAY	DODGE	87-93 (1)	\$35.25
56-7152-RD	DOOR PANEL CARPET	RED	DODGE	87-93 (1)	\$35.25
56-7152-DR	DOOR PANEL CARPET	DARK RED	DODGE	87-93 (1)	\$35.25
56-7152-TN	DOOR PANEL CARPET	TAN	DODGE	87-93 (1)	\$35.25



**EVA Sound Deadener and Heat Shield Kits**



**Heat Shield Kit**

Heat Shield Kit is die cut to match the EVA Sound Deadener Kit for easy installation. Consists of 1/4" thick, 24 ounce needle punched jute padding on one side which insulates against heat and cold. The other side has 2 layers of fiber reinforced aluminum foil reflecting up to 97% of radiant heat which helps to keep you warm in the winter and cool in the summer.

PART	DESCRIPTION	APPLICATION	REQD	PRICE
56-7151	HEAT SHIELD KIT	PICKUP	78-93 (1)	\$54.95

**Installation Tip:** To reach the maximum level of sound dampening and insulation, use Multi-Purpose Insulation #38-2829 to cover any areas not protected by the EVA Sound Deadener and Heat Shield Kits. Use #38-0798 Spray Adhesive, #38-0759 Weatherstrip Adhesive and #38-0716 Aluminum Tape to install sound deadener, heat shield and insulation.

**EVA Sound Deadener Kit**

The EVA Sound Deadener Kit is die cut for easy installation. Made from OE type, 1/16" thick Ethyl Vinyl Acetate (EVA) which is an asphalt based material used for sound dampening. Applies directly to the cab floor. Reduces road noise and cab harmonics to give you a quieter ride and also helps to insulate against heat and cold. To further insulate against heat and cold, use in combination with the Heat Shield Kit.

PART	DESCRIPTION	APPLICATION	REQD	PRICE
56-7146	EVA SOUND DEADENER KIT	PICKUP	72 (1)	\$54.95
56-7147	EVA SOUND DEADENER KIT	PICKUP	73-77 (1)	\$54.95
56-7148	EVA SOUND DEADENER KIT	PICKUP	78-93 (1)	\$54.95

**Multi-Purpose Heat and Sound Insulation**



**38-2829**



**38-0716**



**38-0759**



**38-0798**

Uses Space Age technology to insulate against heat, cold and noise under hoods, carpeting, headliners, door panels, firewalls or seats as well as other household uses. This 4-foot x 6-foot sheet is made of 3/8" sound deadening fiber padding. Highly reflective aluminum is bonded on one side to achieve 97% reflection of radiant heat. Use this Multi-Purpose Insulation with Sound Control Mat for maximum sound deadening. Call or go online and order both today!

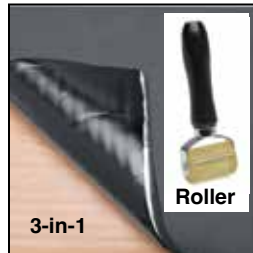
Use #38-0798 Spray Adhesive and #38-0716 Aluminum Tape or #38-0759 Weatherstrip Adhesive to easily install Insulation Material.

PART	DESCRIPTION	APPLICATION	REQD	PRICE
38-2829	MULTI-PURPOSE INSULATION	4FT X 6FT ROLL		\$29.95
38-0716	ALUMINUM TAPE	2" X 30FT ROLL		\$4.45
38-0759	WEATHERSTRIP ADHESIVE-BLACK	5 OUNCE TUBE		\$8.95
38-0798	SPRAY ADHESIVE	10.5 OUNCE CAN		\$8.95

**Sound Control Mat**



**Sound Control Mat** reduces noise, vibration and heat created from the engine, road and structure of your vehicle. Can be applied to any interior surface area; cover as little as 25% of an area for a noticeable reduction. Each 2mm thick sheet consists of butyl rubber with a top layer of heat resistant aluminum that is easy to cut and conform to contoured surfaces, just peel and stick. Available in silver and black, each sheet measures 21" x 29".



**3-in-1 Sound Control Mat** combines the vibration absorption and heat resistant capabilities of the 2mm thick Sound Control Mat with an additional 5mm thick layer of foam for more efficient sound deadening. This makes it our most effective product for eliminating road noise and vibrations in your truck. Each sheet is 7mm thick and measures 19" x 31".

PART	DESCRIPTION	APPLICATION	PRICE
38-2819	SOUND CONTROL MAT-SILVER	4.22 SQUARE FEET	\$12.95
38-2722	SOUND CONTROL MAT-BLACK	4.22 SQUARE FEET	\$12.95
38-2726	3-IN-1 SOUND CONTROL MAT	4.27 SQUARE FEET	\$14.95

**10 Sheet Packs**

38-2809	SOUND CONTROL MAT-SILVER	42.2 SQUARE FEET	\$139.95
38-2723	SOUND CONTROL MAT-BLACK	42.2 SQUARE FEET	\$139.95
38-2727	3-IN-1 SOUND CONTROL MAT	42.7 SQUARE FEET	\$159.95

**Sound Control Mat Roller**

Sound Control Mat Roller ensures proper adhesion and features a 2" wide rubber roller with a plastic handle.

38-2816	ROLLER-SOUND CONTROL MAT	2" WIDE	\$12.95
---------	--------------------------	---------	---------

**4 Speed Shifter Repair Kit**

1972-93 Dodge Truck  
1974-93 Dodge Ramcharger



PART	DESCRIPTION	APPLICATION	REQD	PRICE
34-0835	SHIFTER REPAIR KIT-NP435/445	1/2T 3/4T	72-93 (1)	\$14.95

**NEW**

**Firewall Insulation Pad**

1972-80 Dodge Truck



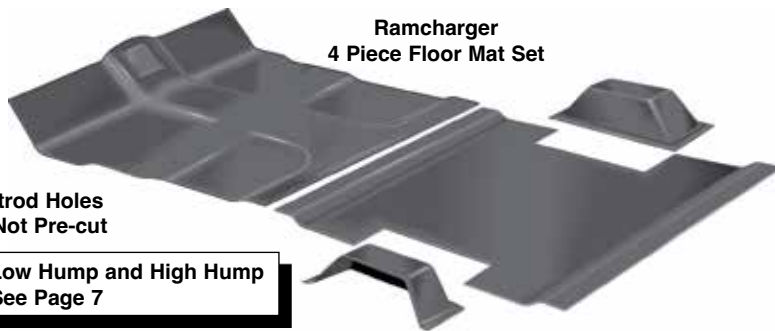
Three-piece Firewall Insulation Pad is designed to reduce noise and heat from the engine. Easily installs for a factory fit.

PART	DESCRIPTION	APPLICATION	REQD	PRICE
56-7266	FIREWALL INSULATION PAD-3 PIECE	DODGE	72-80 (1)	\$62.95

## 1/8" Thick Molded Industrial Polyvinyl (MIP) Floor Mats



**Standard Cab  
Pickup Floor Mat Set**



**Ramcharger  
4 Piece Floor Mat Set**

Shiftrud Holes  
are Not Pre-cut

**How to Identify Low Hump and High Hump  
See Page 7**

All MIP Mats are only available in black.

Heavy-duty Molded Industrial Polyvinyl (MIP) Floor Mats are made of durable 1/8" thick industrial Polyvinyl and are resistant to moisture and temperature; therefore, they will not dry rot or crack and last longer than rubber. They are vacuum molded from the original floor pan to cover the entire floor, making installation easy.

Mats are easy to clean and protect your interior from water, snow, mud and most chemicals. The MIP Floor Mat includes pre-cut 36 ounce jute padding under the passenger areas to provide a higher level of insulation against heat, cold and road noise.

**Installation Tip:** Allow mats to lay unfolded for 48 hours at room temperature of 72° or more to help remove creases caused by packing. Test fit prior to making any permanent installations (some trimming may be necessary).

PART	DESCRIPTION	APPLICATION	REQD	PRICE
<b>Pickup MIP Floor Mats</b>				
<b>2WD Models with Column Shift (Low Hump)</b>				
56-7106	MIP FLOOR MAT	STD CAB 72-77	(1)	\$186.25
56-7107	MIP FLOOR MAT	STD CAB 78-93	(1)	\$186.25
56-7109	MIP FLOOR MAT	CLUB CAB 73-93	(1)	\$207.95
<b>2WD Models with Floor Shift • All 4WD (High Hump)</b>				
56-7108	MIP FLOOR MAT	STD CAB 72-93	(1)	\$186.25
56-7110	MIP FLOOR MAT	CLUB CAB 73-93	(1)	\$196.55
56-7111	MIP FLOOR MAT	CREW CAB 75-85	(1)	\$234.95

PART	DESCRIPTION	APPLICATION	REQD	PRICE
<b>Ramcharger MIP Floor Mats</b>				
<b>Complete Molded Industrial Polyvinyl Floor Mat Sets</b> include floor mats for the passenger area, cargo area and 2 wheel wells.				
56-7112	MIP FLOOR MAT SET-4PC	RAMCHARGER 74-93	(1)	\$409.95
<b>Front Molded Industrial Polyvinyl Floor Mats</b> cover the floor from the firewall to just behind the rear of the front seat.				
56-7108	MIP FLOOR MAT-FRONT	RAMCHARGER 74-93	(1)	\$186.25
<b>Rear Molded Industrial Polyvinyl Floor Mat Sets</b> include floor mat for rear cargo area and 2 wheel wells.				
56-7113	MIP FLOOR MAT-REAR	RAMCHARGER 74-93	(1)	\$262.45
<b>Spray Adhesive</b>				
38-0798	SPRAY ADHESIVE	10.5 OUNCE CAN		\$8.95

## Rubber Floor Mats ... One Piece Replacements for OE Mats

These all black Rubber Floor Mats are molded to fit the front half of your cab's floor and are ready to go. They are a replacement of OE style mats for 1/2 and 3/4 ton pickups and are one piece for easy installation. Call or go online and order today!

PART	DESCRIPTION	APPLICATION	REQD	PRICE
<b>2WD Models with Column Shift (Low Hump)</b>				
56-7118	RUBBER FLOOR MAT-COLUMN SHIFT	DODGE 72-93	(1)	\$229.95
<b>2WD Models with Floor Shift and All 4WD Models (High Hump)</b>				
56-7119	RUBBER FLOOR MAT-FLOOR SHIFT "A"	DODGE 72-93	(1)	\$174.95

Note: "A" Without shifter cut out. Use old mat as a pattern.



56-7118

All rubber mats  
are only available  
in black.

**How to Identify  
Low Hump and  
High Hump  
See Page 7**

## Logo Floor Mat Set Protects Your Carpet

These mats protect your carpets from the everyday wear and tear as well as mud, sand, snow and the sun which cause your carpet to fade.

PART	DESCRIPTION	APPLICATION	REQD	PRICE
<b>1972-77 Pickup Loop Carpet Front Mats</b>				
<b>2WD Models with Column Shift (Low Hump)</b>				
56-7155-BL	FLOOR MAT SET-BLACK "DODGE"	PICKUP 72-77	(1)	\$134.95
<b>2WD Models with Floor Shift and All 4WD Models (High Hump)</b>				
56-7159-BL	FLOOR MAT SET-BLACK "DODGE"	PICKUP 72-77	(1)	\$147.95
<b>1974-77 Ramcharger Loop Carpet Front Mats</b>				
56-7159-BL	FLOOR MAT SET-BLACK "DODGE"	RAMCHARGER 74-77	(1)	\$147.95
<b>1978-93 Pickup Cut Pile Carpet Front Mats</b>				
<b>2WD Models with Column Shift (Low Hump)</b>				
56-7156-BL	FLOOR MAT SET-BLACK "DODGE"	PICKUP 78-93	(1)	\$134.95
<b>2WD Models with Floor Shift and All 4WD Models (High Hump)</b>				
56-7158-BL	FLOOR MAT SET-BLACK "DODGE"	PICKUP 78-93	(1)	\$147.95



56-7156-BL

Floor mats are made from OE 100% Nylon. They are trimmed with color coordinated vinyl binding and feature an embroidered logo and a grip lock non-skid backing to help them stay in place.

PART	DESCRIPTION	APPLICATION	REQD	PRICE
<b>1978-93 Ramcharger Cut Pile Carpet Front Mats</b>				
56-7158-BL	FLOOR MAT SET-BLACK "DODGE"	RAMCHARGER 78-93	(1)	\$147.95



**New Vintage USA Gauge Clusters**

1972-93 Dodge Truck  
1974-93 Dodge Ramcharger



**1972-80 Performance Series Gauge Clusters**



**Black 56-8830**

PART	DESCRIPTION	APPLICATION	REQD	PRICE
56-8830	GAUGE CLUSTER BLACK W/TACH	DODGE	72-80 (1)	\$699.99



**White 56-8831**

PART	DESCRIPTION	APPLICATION	REQD	PRICE
56-8831	GAUGE CLUSTER WHITE W/TACH	DODGE	72-80 (1)	\$699.99



NVU Performance Series Gauge Clusters for 5-hole dashes are a great way to update your dash and monitor your essential functions.

The Performance Series Gauges feature OEM-style performance graphics that look modern and racy and fit in the stock dash holes with minor trimming. These are the same shockproof, waterproof durable components used in NVU's commercial and military lines. With Phoenix features in the speedometer, scratch resistant stainless bezels and real glass lenses, your dash will look and function great! They also feature white LED perimeter lighting for easy viewing at night.

**Performance Series Gauges:**

- 4-3/8" Speedo/Tach combination gauge.
- 2-1/16" Fuel, Water Temperature, Oil Pressure and Voltmeter gauges.

**1981-93 Performance II Series Gauge Clusters**

**Black 56-8834**



PART	DESCRIPTION	APPLICATION	REQD	PRICE
56-8834	GAUGE CLUSTER BLACK W/TACH	DODGE	81-93 (1)	\$879.99

**White 56-8835**



PART	DESCRIPTION	APPLICATION	REQD	PRICE
56-8835	GAUGE CLUSTER WHITE W/TACH	DODGE	81-93 (1)	\$879.99



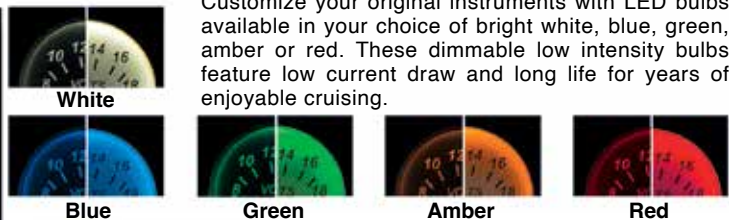
NVU Performance II Series Gauge Clusters are a great way to update your dash visually and functionally.

Performance II Series Gauges have the combined style of European sports car and racing gauges with a classic gauge feel that fit nicely in the stock dash holes with the provided filler piece. They feature full sweep stepper motors for higher dial resolution and blue LED backlighting at night. Stainless bezels and flat glass add to the high class, OE installed look.

**Performance II Series 4-3/8 inch Gauges:**

- Speedometer - programmable with OLED display, 140 MPH with turn signals and hi beam.
- Tachometer - programmable with OLED display with warning lamps.
- Quad Gauge - with Fuel (programmable inputs), water temperature, oil pressure and voltage.

**LED Instrument Panel Bulbs ... Gives You Longer Bulb Life**



Customize your original instruments with LED bulbs available in your choice of bright white, blue, green, amber or red. These dimmable low intensity bulbs feature low current draw and long life for years of enjoyable cruising.

PART	DESCRIPTION	APPLICATION	PRICE
36-0390	LED BULB - WHITE	72-93	\$4.95
36-0391	LED BULB - BLUE	72-93	\$4.95
36-0392	LED BULB - GREEN	72-93	\$4.95
36-0393	LED BULB - AMBER	72-93	\$4.95
36-0394	LED BULB - RED	72-93	\$4.95
36-0190	SOCKET-BULB 5/8"HOLE	72-80	\$2.95
47-0190-D	SOCKET-BULB 1/2"HOLE	72-93	\$1.25





## Dakota Digital VHX Gauge Clusters

1981-93 Dodge Truck  
1981-93 Dodge Ramcharger



56-8960

PART	DESCRIPTION	APPLICATION	REQD	PRICE
56-8960	GAUGE CLUSTER-VHX-BLACK	DODGE 81-93	(1)	\$850.25



56-8961

PART	DESCRIPTION	APPLICATION	REQD	PRICE
56-8961	GAUGE CLUSTER-VHX-SILVER	DODGE 81-93	(1)	\$850.25



VHX Gauge Clusters have the look of the stock instrumentation but the features and capabilities of a late model. Every effort has been put forth to incorporate OEM design elements regarding the layout, face styling and indicators. A casual glance may dismiss these as original equipment, but once you hit the switch and the LED backlighting comes on, all doubts will be removed.

The dual LCD message centers can be fully configured to display just about any piece of information needed like mph, gear selection, and mileage, plus incorporate expandability to mesh with late model and diesel drivetrain conversions. Gauges include speedometer, tachometer, oil pressure, water temperature, volts and fuel level and each analog gauge sweep (except speedometer) contains a red LED indicator for quick notice of a warning condition and features fully lit needles and backlit faces. Additional features include the micro-controlled precision stepper motors and solid-state sensors for unparalleled accuracy. Detailed installation instructions and operation manual included.

These are a drop-in replacement for 1981-93 Dodge Pickups and Ramchargers and require the stock instrument bezel for installation (not included).

## GPS Speed/Compass Sender



Dakota Digital GPS Speed/Compass Sender is a simple connection to the gauge cluster that adds accurate speed information, compass heading, altimeter data, and automatic clock syncing, all with fully automatic calibration! No DIP switches, no guessing, no inaccuracies, period.

PART	DESCRIPTION	REQD	PRICE
37-8891	GPS SPEED/COMPASS SENDER	(1)	\$213.70

## Gear Position Sensors



Dakota Digital Gear Position Sensor allows RTX and HDX gauge clusters to display the gear position in the message center on trucks with automatic transmissions. Features built-in outputs for reverse lights and neutral

safety switch. Fits all transmissions with included mounting brackets. Easy setup and calibration.

PART	DESCRIPTION	APPLICATION	REQD	PRICE
37-8890	GEAR POSITION SENSOR W/AUTOMATIC TRANSMISSION		(1)	\$123.45

## OBD-II/CAN Interface



Dakota Digital OBD-II/CAN Interface allows you to plug directly into the engine diagnostic port (on equipped models), extracting engine and transmission data from the vehicle's computer. The interface will collect and output the following information to Dakota Digital RTX and HDX gauge clusters: vehicle speed, engine speed, engine temp, check engine indicator, intake air temp, transmission temp, ambient temp, gear position and oil pressure. Available data varies by models.



37-8893

PART	DESCRIPTION	REQD	PRICE
37-8893	OBD-II/CAN INTERFACE	(1)	\$113.95

## Electronic Fan Controller



Dakota Digital Electronic Fan Controller has a fully programmable "fan on" and "fan off" temperature (selection range is 150°F - 250°F) to suit any setup. Works with a dedicated temperature sending unit or operates from a sending unit already installed. LED temperature display for simple programming. Key-off run time adjustable from 0-5 minutes. Compatible with single, dual or single two-speed fan applications. 70A relay included, a second relay will be required for dual fan or two speed fan operation, sold separately.



37-8892

PART	DESCRIPTION	APPLICATION	REQD	PRICE
37-8892	ELECTRONIC FAN CONTROLLER		(1)	\$148.15
37-8898	RELAY W/SOCKET	30 AMP	(1)	\$11.35

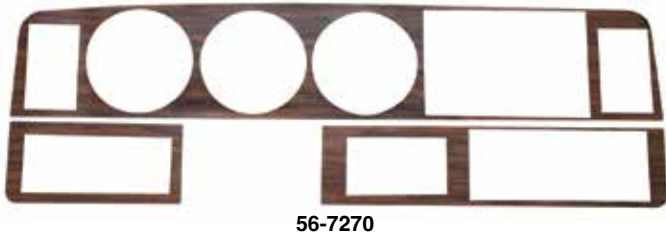
**Dash Protector ... Prevents Fading and Cracking**



Dash Protector eliminates dash replacement and provides preventative care for the undamaged dash. Made from soft, velvety velour that has special UV inhibitors to block the sun and resist shrinking and fading. They are custom cut to fit your dash, and have pre-cut allowances for defrost vents, which makes installation easy using self-adhesive Velcro tabs.

PART	DESCRIPTION	PRICE
56-7441-BL	PROTECTOR - BLACK 75-80	\$44.95
56-7441-LL	PROTECTOR - BLUE 75-80	\$44.95
56-7441-GR	PROTECTOR - GRAY 75-80	\$44.95
56-7441-RD	PROTECTOR - RED 75-80	\$44.95
56-7441-TN	PROTECTOR - TAN 75-80	\$44.95
56-7442-BL	PROTECTOR - BLACK 81-93	\$44.95
56-7442-LL	PROTECTOR - BLUE 81-93	\$44.95
56-7442-GR	PROTECTOR - GRAY 81-93	\$44.95
56-7442-RD	PROTECTOR - RED 81-93	\$44.95
56-7442-TN	PROTECTOR - TAN 81-93	\$44.95

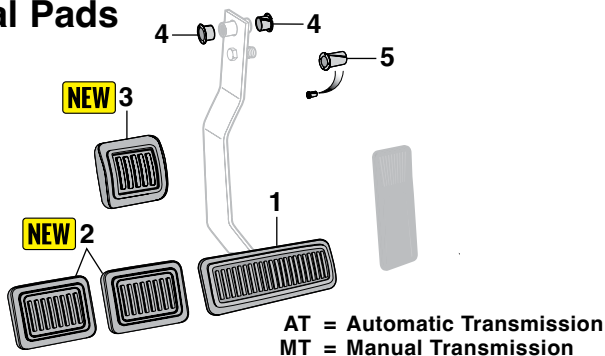
**NEW Woodgrain Vinyl Dash Insert Kit**  
1981-93 Dodge Truck



This Vinyl Dash Insert Kit features simulated woodgrain vinyl inserts that will adhere to your dash. Replace your faded dash insert today with this Woodgrain Dash Vinyl Kit.

PART	DESCRIPTION	APPLICATION	REQD	PRICE
56-7270	DASH VINYL KIT-3PC	DODGE 81-93	(1)	\$59.95

**Pedal Pads**



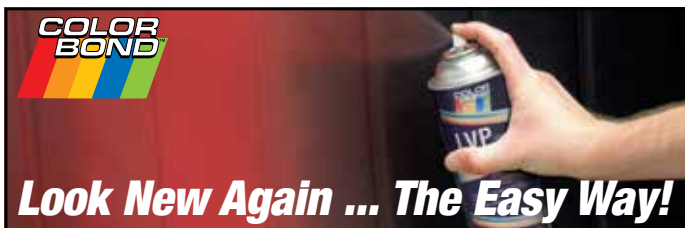
PART	ILL#	DESCRIPTION	APPLICATION	REQD	PRICE
55-2829	(1)	PEDAL PAD-BRAKE	W/AT 72-93	(1)	\$9.45
55-2843	(2)	PEDAL PAD SET-BRAKE/CLUTCH	W/MT 72-93	(1)	\$19.95
55-2839	(3)	PEDAL PAD-PARKING BRAKE	DODGE 72-93	(1)	\$10.95
55-1074	(4)	BUSHING-GAS PEDAL	DIESEL DODGE 89-93	(2)	\$15.95
55-1071	(5)	BUSHING-BRAKE/CLUTCH PEDAL	DODGE 72-93	(AR)	\$2.95

**NEW Defrost Vent Set**

1972-80 Dodge Truck  
1974-80 Dodge Ramcharger



PART	DESCRIPTION	APPLICATION	REQD	PRICE
55-8000	DEFROST VENT SET	DODGE 72-80	(1)	\$52.95



**Now You Can Be Sure All Your Interior Colors Match**

ColorBond permanently changes the color of your interior. Sprays on and dries to the touch in 45 seconds, forming a complete bond in 10 minutes. Original grain pattern is never altered or hidden, no matter how many times ColorBond is applied. Will not crack, flake, peel or rub off from solid or flexible materials because the color becomes part of the surface.

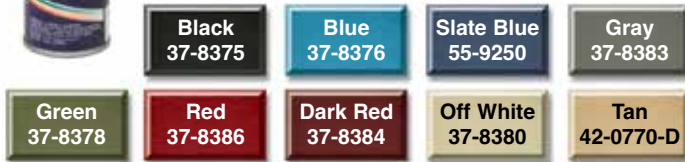
These colors are specially formulated to closely match the original dash pad for the corresponding year.

**\$20.95 each**



ColorBond can be used on:

- Vinyl
- Leather
- ABS Plastic
- PVC
- Polyurethane
- Polycarbonate
- Lexan
- Acrylic
- Recycled Plastics
- Carpet
- Cloth Upholstery



ColorBond is a semi-gloss finish that is OEM approved, UV stable and colorfast. Each 12 ounce can will cover 7 square feet.

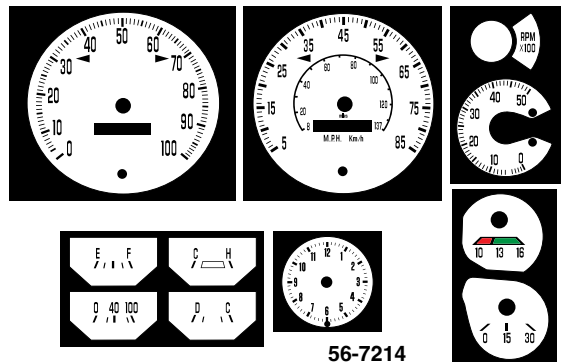
ColorBond Prep/Cleaner should be used prior to applying ColorBond.

**37-8396**  
12 oz Can  
\$20.95  
**ColorBond Satin Clear Coat** provides a protective finish that won't wash off. Protects against fading, cracking and heat deterioration.

**37-8395**  
12 oz Can  
\$20.95  
**ColorBond Adhesion Promoter** is required for the use of ColorBond on materials such as Polypropylene, Thermoplastic Elastomer, Polyolefin, Fiberglass and metal.

## White Face Gauge Overlays

White Face Gauge Overlays are computer printed on vinyl and pre-cut for a precise fit. They install easily over stock gauge faces without removing the gauge needles (except clock) and use the stock gauge lighting. No worries of broken needles or need for recalibrating gauges. Overlays will not wrinkle or bubble in hot or cold temperatures and can be removed with direct heat. Installation instructions included.



PART	DESCRIPTION	APPLICATION	REQD	PRICE
56-7214	WHITE GAUGE OVERLAY SET	DODGE 72-80	(1)	\$27.95
56-7215	WHITE GAUGE OVERLAY SET	DODGE 81-89	(1)	\$27.95
56-7216	WHITE GAUGE OVERLAY SET	DODGE 90-93	(1)	\$27.95

56-7214

## Gauge Refacing Kits



1972-80



1981-89



1990-93

PART	DESCRIPTION	APPLICATION	REQD	PRICE
56-7256	GAUGE REFACING KIT	DODGE 72-80	(1)	\$27.95
56-7257	GAUGE REFACING KIT	DODGE 81-89	(1)	\$27.95

PART	DESCRIPTION	APPLICATION	REQD	PRICE
56-7258	GAUGE REFACING KIT	DODGE 90-93	(1)	\$27.95

## Truck Gauges ... A Functional New Look

### 2-1/16" Electric Short Sweep

Truck Gauges are available with an Ultra White Face with Chrome Bezel or Black Face with Black Bezel and include a white bulb, wired bulb socket, green and orange light filters, mounting bracket, mounting hardware and installation instructions.

- Oil Pressure Gauge reads 0-100 psi and comes with 1/8" NPT electric sender and 1/4" NPT brass adaptor.
- Water Temperature Gauge reads 100-250°F and comes with 1/8" NPT electric sender, 3/8" and 1/2" NPT brass adaptors.
- Voltmeter Gauge reads 8-18 Volts.

PART	DESCRIPTION	APPLICATION	PRICE
37-8280	OIL PRESSURE GAUGE WHITE	0-100 PSI	\$27.95
37-8284	OIL PRESSURE GAUGE BLACK	0-100 PSI	\$30.95
37-8281	WATER TEMPERATURE GAUGE WHITE	100-250 DEGREES F	\$31.95
37-8285	WATER TEMPERATURE GAUGE BLACK	100-250 DEGREES F	\$29.95
37-8282	VOLTMETER GAUGE WHITE	8-18 VOLTS	\$21.95
37-8286	VOLTMETER GAUGE BLACK	8-18 VOLTS	\$14.95



Black Gauge with Orange Filter Installed

White Gauge with Green Filter Installed

## 2-1/16" Gauge Panels



38-8274

38-8275

38-8276

These Steel Chrome and Black Gauge Panels make mounting your 2-1/16" gauges quick and easy; includes attaching hardware. Gauges sold separately, see right.

PART	DESCRIPTION	PRICE
38-8274	CHROME 2 GAUGE PANEL	\$11.95
38-8275	CHROME 3 GAUGE PANEL	\$9.95
38-8276	BLACK 1 GAUGE PANEL	\$7.95
38-8277	BLACK 2 GAUGE PANEL	\$14.95
38-8278	BLACK 3 GAUGE PANEL	\$19.95

## A-Pillar Gauge Pods



55-9560

55-9561

A-Pillar Gauge Pods offer a unique mounting solution for 2-1/16" gauges. Each pod is custom molded for an exact fit using black ABS plastic. Pillar Pods can be painted to match interior. Gauges sold separately. Minor drilling required.

PART	DESCRIPTION	PRICE
55-9560	GAUGE POD-SINGLE	\$44.95
55-9561	GAUGE POD-DUAL	\$54.95

## Gauge Needle Paint



Gauge Needle Paint is a specially formulated fluorescent orange paint that comes in a .5 oz. bottle and includes an in-cap brush for easy application. No need to mask off any parts or worry about overspray.

PART	DESCRIPTION	PRICE
38-0761	GAUGE NEEDLE PAINT-ORANGE	\$9.95



Sun Visor Sets



56-7448-BL



56-7449-BL



56-7447-BL

Reproduction Sun Visors are designed like originals and are covered with cloth or leather-grained vinyl over synthetic fiber padding.

**Sun Visor Installation Tip:** If your sun visor is loose on the rod and won't stay in the up position, bend the rod slightly to tighten the sun visor on the rod.

Vinyl Colors



Cloth Colors



PART	DESCRIPTION	APPLICATION	REQD	PRICE
56-7448-BL	SUN VISOR SET-VINYL BLACK	DODGE 77-78	(1)	\$149.95
56-7449-BL	SUN VISOR SET-VINYL BLACK	DODGE 79-93	(1)	\$129.95
56-7449-LL	SUN VISOR SET-VINYL BLUE	DODGE 79-93	(1)	\$129.95
56-7449-GR	SUN VISOR SET-VINYL GRAY	DODGE 79-93	(1)	\$129.95
56-7449-GN	SUN VISOR SET-VINYL GREEN	DODGE 79-93	(1)	\$129.95
56-7449-RD	SUN VISOR SET-VINYL RED	DODGE 79-93	(1)	\$129.95
56-7449-DR	SUN VISOR SET-VINYL DARK RED	DODGE 79-93	(1)	\$129.95
56-7449-TN	SUN VISOR SET-VINYL TAN	DODGE 79-93	(1)	\$129.95

PART	DESCRIPTION	APPLICATION	REQD	PRICE
56-7447-BL	SUN VISOR SET-CLOTH BLACK	DODGE 79-93	(1)	\$129.95
56-7447-LL	SUN VISOR SET-CLOTH BLUE	DODGE 79-93	(1)	\$129.95
56-7447-GR	SUN VISOR SET-CLOTH GRAY	DODGE 79-93	(1)	\$129.95
56-7447-LG	SUN VISOR SET-CLOTH LIGHT GRAY	DODGE 79-93	(1)	\$129.95
56-7447-RD	SUN VISOR SET-CLOTH RED	DODGE 79-93	(1)	\$129.95
56-7497-DR	SUN VISOR SET-CLOTH DARK RED	DODGE 79-93	(1)	\$129.95
56-7497-TN	SUN VISOR SET-CLOTH TAN	DODGE 79-93	(1)	\$129.95

Padded Armrest Set

1990-93 Dodge Truck  
1990-93 Dodge Ramcharger



56-7350-BL  
Sold in Sets of 2

Armrests are only available in black but can be painted to match the color of your interior.

Reproduction Padded Armrests are molded by a state-of-the-art process for a lightweight and durable design. Hardware is included.

PART	DESCRIPTION	APPLICATION	REQD	PRICE
56-7350-BL	ARMREST SET-BLACK	DODGE 90-93	(1)	\$59.95
30-0434	SCREW-ARMREST	DODGE 90-93	(6)	\$.85

Full Range Speaker Set



Full Range Speaker Set is the perfect upgrade to add more thump behind the seat. Speaker enclosure is wedge shaped, made from MDF and protected by durable carpet. Enclosures are a mirror image of each other with each box containing one 8" woofer with port and a soft dome tweeter for 175 watts power handling, 60-22,000 Hz frequency response and 4 ohms impedance. Acoustic batting is used

to increase sound quality and performance. Chrome spring loaded terminals for easy wire installation. Dimensions: 16-1/4" wide, 13-1/2" high, 7-1/2" deep at bottom, 3-3/4" deep at top.

PART	DESCRIPTION	APPLICATION	REQD	PRICE
38-8599	FULL RANGE SPEAKER SET	175 WATT	(1)	\$214.99

8" Powered Subwoofer

1-Year Warranty



This 8-inch powered subwoofer is housed in a rigid die-cast aluminum chassis for better heat dissipation and powered by a built-in 100-watt amplifier with 200 watts max output. Has frequency response of 35-100Hz and total harmonic distortion of 0.08%.

Features include a fully adjustable crossover network between 50-100Hz, independent gain (volume) and 0 or 180-degree phase control. Subwoofer can be connected to radio with low level input RCA connectors or wired directly to radio through the high level input using supplied wiring harness. Includes mounting brackets, wiring harness and wired remote bass control. Compact 9" x 2.75" x 13.75" size weighing 9 lbs.

PART	DESCRIPTION	APPLICATION	REQD	PRICE
38-8527	POWERED SUBWOOFER-8"	100 WATT		\$199.99

**NEW** Quad 4 Amplifier

1-Year Warranty



Efficient and powerful low distortion Class D Quad 4 Amplifier pushes 45 continuous watts into four channels for a total of 180 watts of pure listening enjoyment. Features ultra-low current draw, less than .2% total harmonic distortion, frequency response of 10Hz-40kHz and 100Hz high-pass crossover

frequency. 15 amp fuse included. Compact Size: 7.16" x 2.9" x 1.78"

Quad 4 Amplifier can be plugged directly into any Retro Sound radio for easy system integration or can be used with any aftermarket stereo with the included front and rear RCA connectors and low level inputs.

PART	DESCRIPTION	APPLICATION	PRICE
38-8569	QUAD 4 AMPLIFIER	45 WATT X 4	\$219.99

Replacement Rear View Mirrors



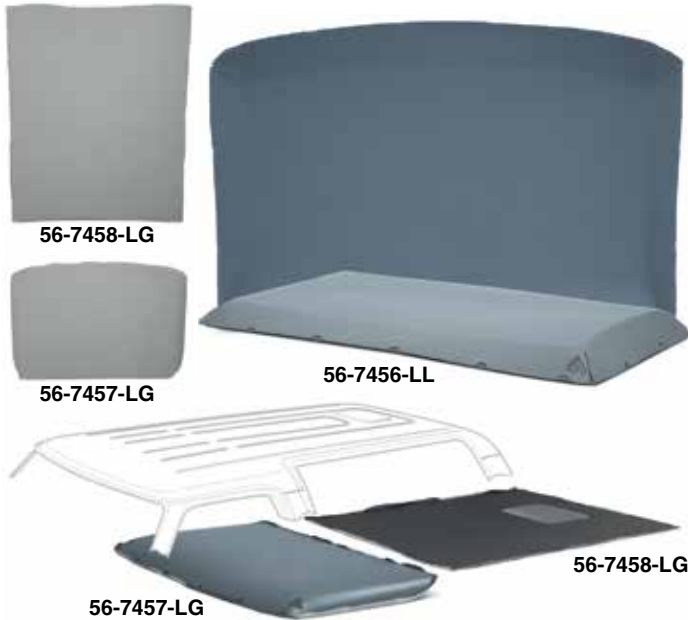
38-5122



38-1951

PART	DESCRIPTION	PRICE
38-5121	BLACK MIRROR 8"	\$11.95
38-5120	BLACK MIRROR 10"	\$11.95
38-5122	BLACK MIRROR 12"	\$12.95
38-1951	CHROME MIRROR 9"	\$37.95
38-0710	GLUE-MIRROR MOUNT	\$3.95

## ABS Plastic Headliners ... The Long-Term Solution to Sagging Headliners



- Easy Installation
- No Special Tools
- Instructions Included

Rear headliner for Ramcharger is bonded to a durable, flat fiberboard backing and is not molded.



The original headliners are made of pressed foam board. Over time the headlining material separates from the foam board and falls down with the foam board usually deteriorated beyond repair. These ABS plastic backed headliners are a simple, cost-effective, long-term solution to this problem.

Headliners are vacuum-formed ABS plastic covered with foam-backed cloth materials in colors that fit and function as original.

For models originally equipped with cloth headliner.

PART	DESCRIPTION	APPLICATION	REQD	PRICE
56-7456-BL	HEADLINER-DELUXE CLOTH BLACK	STD CAB	78-93 (1)	\$264.95*
56-7456-LL	HEADLINER-DELUXE CLOTH BLUE	STD CAB	78-93 (1)	\$264.95*
56-7456-GR	HEADLINER-DELUXE CLOTH GRAY	STD CAB	78-93 (1)	\$264.95*
56-7456-LG	HEADLINER-DELUXE CLOTH LT GRAY	STD CAB	78-93 (1)	\$264.95*
56-7456-RD	HEADLINER-DELUXE CLOTH RED	STD CAB	78-93 (1)	\$264.95*
56-7476-DR	HEADLINER-DELUXE CLOTH DARK RED	STD CAB	78-93 (1)	\$264.95*
56-7476-TN	HEADLINER-DELUXE CLOTH TAN	STD CAB	78-93 (1)	\$264.95*
56-7457-BL	FRONT HEADLINER-CLOTH BLACK	RAMCHARGER	81-93 (1)	\$279.95*
56-7457-LL	FRONT HEADLINER-CLOTH BLUE	RAMCHARGER	81-93 (1)	\$279.95*
56-7457-GR	FRONT HEADLINER-CLOTH GRAY	RAMCHARGER	81-93 (1)	\$279.95*
56-7457-LG	FRONT HEADLINER-CLOTH LT GRAY	RAMCHARGER	81-93 (1)	\$279.95*
56-7457-RD	FRONT HEADLINER-CLOTH RED	RAMCHARGER	81-93 (1)	\$279.95*
56-7477-DR	FRONT HEADLINER-CLOTH DARK RED	RAMCHARGER	81-93 (1)	\$279.95*
56-7477-TN	FRONT HEADLINER-CLOTH TAN	RAMCHARGER	81-93 (1)	\$279.95*
56-7458-BL	REAR HEADLINER-CLOTH BLACK	RAMCHARGER	81-93 (1)	\$199.95*
56-7458-LL	REAR HEADLINER-CLOTH BLUE	RAMCHARGER	81-93 (1)	\$199.95*
56-7458-GR	REAR HEADLINER-CLOTH GRAY	RAMCHARGER	81-93 (1)	\$199.95*
56-7458-LG	REAR HEADLINER-CLOTH LT GRAY	RAMCHARGER	81-93 (1)	\$199.95*
56-7458-RD	REAR HEADLINER-CLOTH RED	RAMCHARGER	81-93 (1)	\$199.95*
56-7478-DR	REAR HEADLINER-CLOTH DARK RED	RAMCHARGER	81-93 (1)	\$199.95*
56-7478-TN	REAR HEADLINER-CLOTH TAN	RAMCHARGER	81-93 (1)	\$199.95*

## Custom Replacement Rear View Mirrors

Replacement Rear View Mirrors include mirror mount.

PART	DESCRIPTION	APPLICATION	REQD	PRICE
38-5160	CHROME MIRROR 8" RIBBED BACK	DAY/NIGHT	(1)	\$30.95
38-5170	BILLET MIRROR 9" POLISHED		(1)	\$59.95
38-0710	GLUE-MIRROR MOUNT			\$3.95

\* Or \*\* after the sell price means your order will incur an Oversize Part Charge for each oversized part. \* Means extra charge will be \$20. \*\* Means extra charge will be \$50. Due to packing and/or transportation requirements, please allow additional time for delivery. Oversized Parts are not available for air delivery.

## Vinyl Headliner



High-quality reproduction headliner features leather-grained vinyl bonded to a durable fiberboard backing. It is color matched to the seat upholstery kits and sun visors.

For models without deluxe cloth headliner.

PART	DESCRIPTION	APPLICATION	REQD	PRICE
56-7455-BL	HEADLINER-STANDARD BLACK	STD CAB	72-93 (1)	\$139.95*
56-7455-LL	HEADLINER-STANDARD BLUE	STD CAB	72-93 (1)	\$139.95*
56-7455-GR	HEADLINER-STANDARD GRAY	STD CAB	72-93 (1)	\$139.95*
56-7455-GN	HEADLINER-STANDARD GREEN	STD CAB	72-93 (1)	\$139.95*
56-7455-RD	HEADLINER-STANDARD RED	STD CAB	72-93 (1)	\$139.95*
56-7455-DR	HEADLINER-STANDARD DARK RED	STD CAB	72-93 (1)	\$139.95*
56-7455-TN	HEADLINER-STANDARD TAN	STD CAB	72-93 (1)	\$139.95*

## Highliner with Built-In Speakers ... For a Stereo System Above the Rest



Highliner uses four built-in, uniquely placed speakers which guarantee true stereo separation as well as less distortion and ensures clarity at lower volume levels by neutralizing the echo effect found in most pickups. Radio console is designed to accept optional aftermarket stereo cassette players, CD players or CB radios.

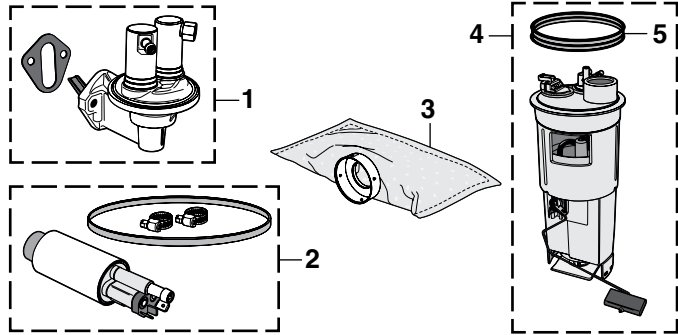
Highliner is manufactured from high-impact, leather-grained, black ABS plastic and can be painted to match the color of the interior. It installs easily and includes four 4" air suspension speakers with a 5.8 ounce magnet, which handles up to 10 watts of power. Features high-temperature resistant voice coils and comes with foam speaker baffle and suppression pads, antenna extension cable, bezel plate, installation hardware and instructions.

PART	DESCRIPTION	APPLICATION	PRICE
56-7459-BL	HIGHLINER MODELS WITHOUT CLOTH HEADLINER	STD CAB	\$439.95*



Fuel Pumps

1972-93 Dodge Truck



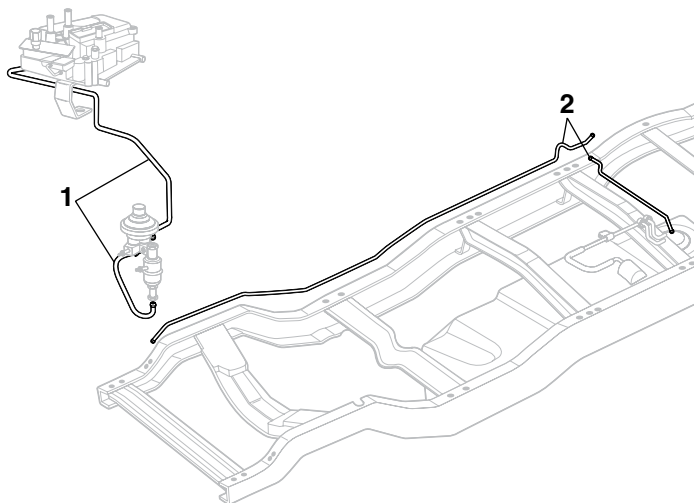
W/MPFI = Models with Multi-Port Fuel Injection

PART	ILL#	DESCRIPTION	APPLICATION	REQD	PRICE
55-6640	(1)	FUEL PUMP	225	72-87 (1)	\$21.95
55-6641		FUEL PUMP	318 360	72-75 (1)	\$21.95
55-6642		FUEL PUMP	318 360	76 (1)	\$21.95
55-6641		FUEL PUMP	318 360	77 (1)	\$21.95
55-6642		FUEL PUMP	318 360	78-87 (1)	\$21.95
55-6644		FUEL PUMP	400	72 (1)	\$26.95
55-6645		FUEL PUMP	400 440	73-78 (1)	\$29.95
55-6650	(2)	FUEL PUMP-ELECTRIC	3.9L 5.2L	88-90 (1)	\$29.95
55-6650		FUEL PUMP-ELECTRIC	5.9L	89-90 (1)	\$29.95
55-6791	(3)	STRAINER-FUEL PUMP	1/2T 3/4T	88-90 (1)	\$4.95
55-6651	(4)	SENDING UNIT-FUEL PUMP	3.9L 5.2L	91-93 (1)	\$129.95
55-6651		SENDING UNIT-FUEL PUMP	5.9L	91-92 (1)	\$129.95
55-6651		SENDING UNIT-FUEL PUMP "A"	5.9L	93 (1)	\$129.95
55-6652		SENDING UNIT-FUEL PUMP "B"	5.9L	93 (1)	\$159.95
55-6649	(5)	SEAL-SENDING UNIT	W/MPFI	91-93 (1)	\$23.95
55-6648	(6)	RETAINER-SENDING UNIT	W/MPFI	91-93 (1)	\$47.95

Note: "A" For 22 gallon tank with return fuel system.  
 "B" For 30 gallon tank without return fuel system.

Pre-Bent Stainless Steel Fuel Line Sets

1978-89 Dodge Truck



PART	ILL#	DESCRIPTION	APPLICATION	REQD	PRICE
55-7700	(1)	PUMP TO CARB SET-SS	360 4BBL 2WD	78-79 (1)	\$27.95
55-7700		PUMP TO CARB SET-SS	360 4BBL 4WD	78-79 (1)	\$27.95
55-7702	(2)	FUEL LINE SET-SS FR/RR SB	2WD 1/2T	80-89 (1)	\$109.95
55-7703		RETURN LINE SET-SS SHORTBED	2WD 1/2T	80-89 (1)	\$84.95
55-7704		VAPOR LINE SET-SS SHORTBED	2WD 1/2T	80-89 (1)	\$109.95
55-7705		FUEL LINE SET-SS FR/RR LB	4WD 1/2T	80-89 (1)	\$109.95
55-7706		RETURN LINE SET-SS LONGBED	4WD 1/2T	80-89 (1)	\$84.95
55-7707		VAPOR LINE SET-SS LONGBED	4WD 1/2T	80-89 (1)	\$84.95

AC and Fuel Line Disconnect Tool Set



Disconnects Air Conditioning and Quick-Connect Fuel Lines.

This handy Disconnect Tool Set disconnects the spring lock couplings on air conditioning lines, and fuel line quick connect couplings.

Easy to use in confined spaces. Set includes six sizes: 5/16", 3/8", 1/2", 5/8", 3/4" and 7/8".

PART	DESCRIPTION	REQD	PRICE
38-1373	AC-FUEL LINE DISCONNECT TOOL SET	(1)	\$9.95

Flare Tool Set



SAE Flare Tool Set allows quick repair of Fuel, Brake, Oil and Transmission lines, taking the guesswork out of creating single and double flares. Will work with 3/16", 1/4", 5/16", 3/8" and 1/2" tube. Capable of creating single flares in copper, aluminum and brass tubing, double flares in soft steel tubing.

PART	DESCRIPTION	PRICE
38-1374	SAE FLARE TOOL SET	\$34.95

Mini Tube Cutter



Mini Tube Cutter allows quick and simple cutting of Fuel & Brake lines from 1/8" to 5/8" OD. The compact design ensures easy access to even the tightest of spots. Cutter will cut through Steel, Aluminum, Plastic, Copper and Brass line.

PART	DESCRIPTION	PRICE
38-1372	MINI TUBE CUTTER	\$8.95

NotchHead Line Clamps



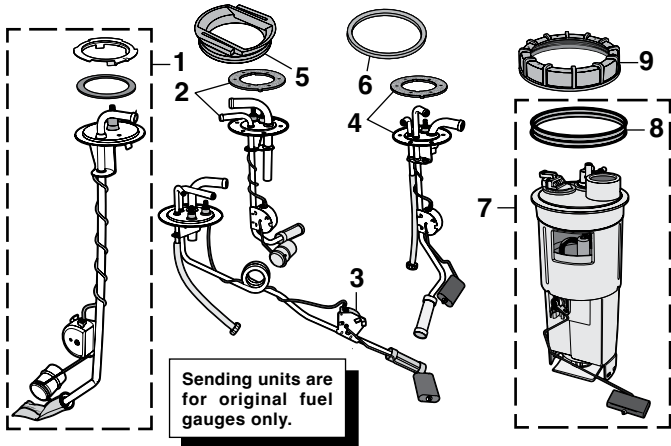
NotchHead Line Clamps organize both hard and soft lines and clamp them in place to keep from being chafed on sharp edges or crushed under moving components. Easily secure lines without marring paint. Can also be used as separators for running hoses in parallel by bolting two line clamps together. Flexible lines easily snap in for quick installation and mock-ups. Mounting hardware included in each kit.

PART	DESCRIPTION	APPLICATION	REQD	PRICE
30-1730	LINE CLAMP SET-HARDLINES-6PC	3/16" LINE	(AR)	\$16.96
30-1731	LINE CLAMP SET-HARDLINES-6PC	1/4" LINE	(AR)	\$17.91
30-1732	LINE CLAMP SET-HARDLINES-6PC	3/8" LINE	(AR)	\$19.80
30-1733	LINE CLAMP SET-HARDLINES-6PC	1/2" LINE	(AR)	\$23.58
30-1736	LINE CLAMP SET-SOFTLINES-6PC	1/2" LINE	(AR)	\$23.58
30-1737	LINE CLAMP SET-SOFTLINES-6PC	5/8" LINE	(AR)	\$25.47
30-1738	LINE CLAMP SET-SOFTLINES-6PC	3/4" LINE	(AR)	\$27.36



## Fuel Sending Units and Components

1972-93 Dodge Truck

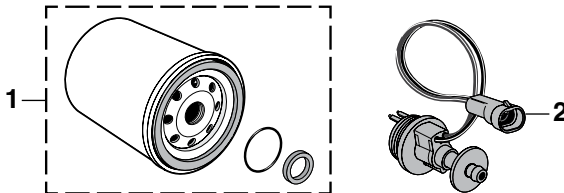


PART	ILL#	DESCRIPTION	APPLICATION	REQD	PRICE
55-6615	(1)	SENDING UNIT-IN-CAB TANK	1/2T 3/4T 72-75	(1)	\$44.95
55-6616	(2)	SENDING UNIT "A"	1/2T 3/4T 76-79	(1)	\$79.95
55-6616		SENDING UNIT W/O CA "A"	1/2T 3/4T 80	(1)	\$79.95
55-6617	(3)	SENDING UNIT-20 GALLON "A"	PICKUP 81-87	(1)	\$79.95
55-6618		SENDING UNIT-30 GALLON "A"	PICKUP 81-87	(1)	\$79.95
55-6619	(4)	SENDING UNIT-36 GALLON W/CA	SUV 80	(1)	\$79.95
55-6619		SENDING UNIT-36 GALLON	SUV 81-87	(1)	\$79.95
55-6646	(5)	RETAINER-SENDING UNIT	W/CARB 81-88	(1)	\$4.95
55-6654	(6)	O-RING	W/CARB 81-88	(1)	\$2.95
55-6651	(7)	SENDING UNIT-FUEL PUMP	3.9L 5.2L 91-93	(1)	\$129.95
55-6651		SENDING UNIT-FUEL PUMP	5.9L 91-92	(1)	\$129.95
55-6651		SENDING UNIT-FUEL PUMP "B"	5.9L 93	(1)	\$129.95
55-6652		SENDING UNIT-FUEL PUMP "C"	5.9L 93	(1)	\$159.95
55-6649	(8)	SEAL-SENDING UNIT	W/MPFI 91-93	(1)	\$23.95
55-6648	(9)	RETAINER/NUT-SENDING UNIT	W/MPFI 91-93	(1)	\$47.95

Note: "A" For side bed mounted gas tank.  
 "B" For 22 gallon tank with return fuel system.  
 "C" For 30 gallon tank without return fuel system.

## Diesel Fuel Filter and Components

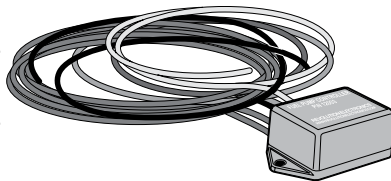
1989-93 Dodge Truck



55-6781	(1)	FUEL FILTER	DIESEL 89-93	(1)	\$12.95
55-6793	(2)	SENSOR/VALVE-WATER IN FUEL	DIESEL 89-93	(1)	\$36.95

## Fuel Pump Control Module

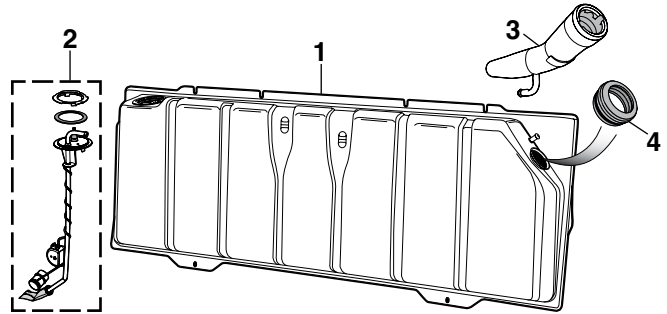
Updating your truck to an electric fuel pump? Wiring the pump to an on-off switch or to a simple ignition switched source isn't the best idea. If an accident occurs, your pump would run as long as the switch is active. With the Fuel Pump Control Module, when the key is turned, the fuel pump turns on to prime the system in a three-second cycle, just like modern vehicles. Then the module uses the tach signal so the pump only runs when engine is running, giving you quicker start-ups and improved operating safety.



PART	DESCRIPTION	PRICE
36-0906	FUEL PUMP CONTROL MODULE	\$62.95

## Gas Tank Components-In Cab

1972-75 Dodge Truck



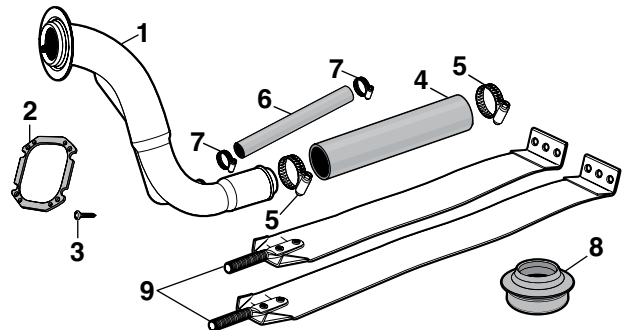
PART	ILL#	DESCRIPTION	APPLICATION	REQD	PRICE
55-6848	(1)	GAS TANK-18 GALLON-IN CAB	1/2T 3/4T 72-75	(1)	\$229.45*
55-6615	(2)	SENDING UNIT-IN CAB	1/2T 3/4T 72-75	(1)	\$44.95
55-6849	(3)	FUEL FILLER PIPE	1/2T 3/4T 72-75	(1)	\$39.95
55-6871	(4)	GROMMET-CAB FILLER	1/2T 3/4T 72-75	(1)	\$5.95

\* Or \*\* after the sell price means your order will incur an Oversize Part Charge for each oversized part. \* Means extra charge will be \$20. \*\* Means extra charge will be \$50. Due to packing and/or transportation requirements, please allow additional time for delivery. Oversized Parts are not available for air delivery.

## Gas Tank Components

1976-93 Dodge Truck Without Stepside

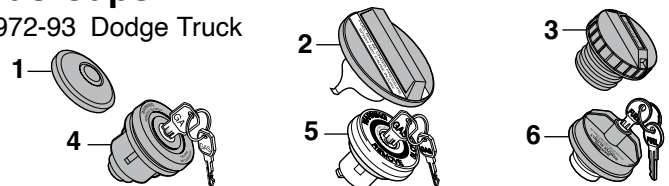
1976-93 Dodge Ramcharger



PART	ILL#	DESCRIPTION	APPLICATION	REQD	PRICE
55-6850	(1)	FUEL FILLER PIPE	1/2T 3/4T 76-80	(1)	\$54.45
55-6856		FUEL FILLER PIPE	1/2T 3/4T 81-87	(1)	\$59.95
55-6799		FUEL FILLER PIPE GAS	1/2T 3/4T 88-93	(1)	\$54.95
55-6859		FUEL FILLER PIPE DIESEL	1/2T 3/4T 89-93	(1)	\$54.95
55-6840	(2)	GASKET-FILLER HOUSING	1/2T 3/4T 81-93	(1)	\$2.95
30-0434	(3)	SCREW-FILLER HOUSING	1/2T 3/4T 81-93	(3)	\$ .85
32-3328	(4)	FUEL FILLER HOSE-26"	1/2T 3/4T 81-93	(1)	\$39.95
30-3426	(5)	CLAMP-FILLER HOSE	1/2T 3/4T 81-93	(2)	\$1.95
32-1951	(6)	FUEL VENT HOSE-24" 1/2" ID	1/2T 3/4T 81-87	(1)	\$11.95
30-3424	(7)	CLAMP-VENT HOSE	1/2T 3/4T 81-87	(2)	\$1.55
55-6870	(8)	GROMMET-FUEL FILLER NECK	1/2T 3/4T 76-81	(1)	\$5.95
55-6798		GROMMET-FUEL FILLER NECK	1/2T 3/4T 82-93	(1)	\$5.95
55-6599	(9)	GAS TANK STRAP SET	1/2T 3/4T 88-93	(1)	\$49.95

## Gas Caps

1972-93 Dodge Truck



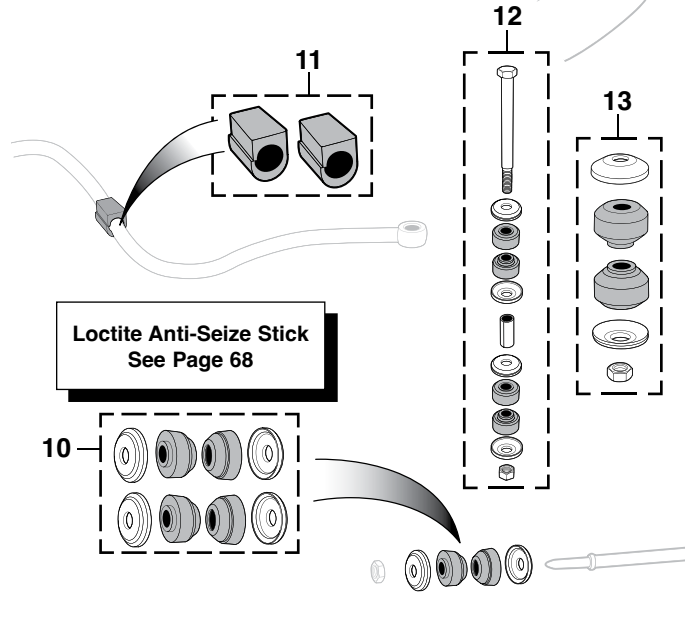
PART	ILL#	DESCRIPTION	APPLICATION	REQD	PRICE
55-6660	(1)	GAS CAP-NON LOCKING	"A" DODGE 72-75	(1)	\$5.95
32-4128	(2)	GAS CAP-NON LOCKING	"B" DODGE 76-80	(1)	\$8.95
32-4129	(3)	GAS CAP-NON LOCKING	DODGE 81-93	(1)	\$4.95
55-6661	(4)	GAS CAP-LOCKING	"A" DODGE 72-75	(1)	\$14.95
32-4133	(5)	GAS CAP-LOCKING	"B" DODGE 76-80	(1)	\$28.95
32-4135	(6)	GAS CAP-LOCKING	DODGE 81-93	(1)	\$8.95

Note: "A" For cab mounted gas tank.  
 "B" For bed mounted gas tank.

Front Suspension and Sway Bar

Components - 2WD

1972-93 Dodge Truck  
1975-93 Dodge Ramcharger



**Polyurethane Suspension Bushing Sets that Improve Handling**  
See Below and Pages 51 and 50

Super-Duty Coil Springs provide additional stability and load capacity for trucks equipped with towing packages, campers and snow plows.

**How to Identify Lower Ball Joint**

**Threaded Ball Joint:** Base of ball joint has four flattened sides and is removed with a wrench.

**Press-In Ball Joint:** Base of ball joint is round and ball joint must be pressed out for removal.

**STD = Standard Coil Spring**  
**HD = Heavy-Duty Coil Spring**  
**SD = Super-Duty Coil Spring**

PART	ILL#	DESCRIPTION	APPLICATION	REQD	PRICE
56-1819	(1)	COIL SPRING SET-STD	"A" 1/2T 3/4T 72-93	(1)	\$119.95
56-1820		COIL SPRING SET-HD	"A" 1/2T 3/4T 72-93	(1)	\$119.95
56-1821		COIL SPRING SET-SD	"A" 1/2T 3/4T 72-93	(1)	\$124.95
56-1823		COIL SPRING SET-SD	"B" 3/4T 72-93	(1)	\$219.95
56-0807	(2)	COIL SPRING INSULATOR	1/2T 3/4T 72-93	(2)	\$15.95
56-0808	(3)	BALL JOINT-UPPER	"A" 1/2T 3/4T 72-93	(2)	\$12.95
56-0809		BALL JOINT-UPPER	"B" 3/4T 72-93	(2)	\$14.95
56-0810	(4)	RUBBER BUMPER-UPPER	1/2T 3/4T 72-93	(2)	\$7.95
55-0677	(5)	CAM BOLT KIT	1/2T 3/4T 72-93	(2)	\$17.95
56-0811	(6)	BUSHING SET-UPPER	1/2T 3/4T 72-93	(2)	\$20.95
56-0812	(7)	BALL JOINT-LOWER-THREADED	1/2T 3/4T 72-93	(2)	\$35.95
56-0813		BALL JOINT-LOWER-PRESS-IN	1/2T 3/4T 72-93	(2)	\$9.95
56-0814		BALL JOINT-LOWER	"B" 3/4T 72-93	(2)	\$19.95
40-1864-D	(8)	RUBBER BUMPER-LOWER	1/2T 3/4T 72-93	(2)	\$11.45
56-0816	(9)	BUSHING-LOWER	1/2T 3/4T 72-93	(2)	\$14.95
56-0817		BUSHING-LOWER	3/4T 72-93	(2)	\$22.45
56-0818	(10)	STRUT ROD BUSHING KIT	1/2T 3/4T 72-93	(1)	\$17.95
<b>Sway Bar Components</b>					
56-0819	(11)	FRAME BUSHING SET	1/2T 3/4T 72-91	(1)	\$11.95
56-0820	(12)	END LINK KIT	1/2T 3/4T 72	(2)	\$8.45
56-0821	(13)	END LINK BUSHING SET	1/2T 3/4T 73-91	(2)	\$3.95

Note: "A" Without 4,000 lb. front axle.  
"B" With 4,000 lb. front axle.

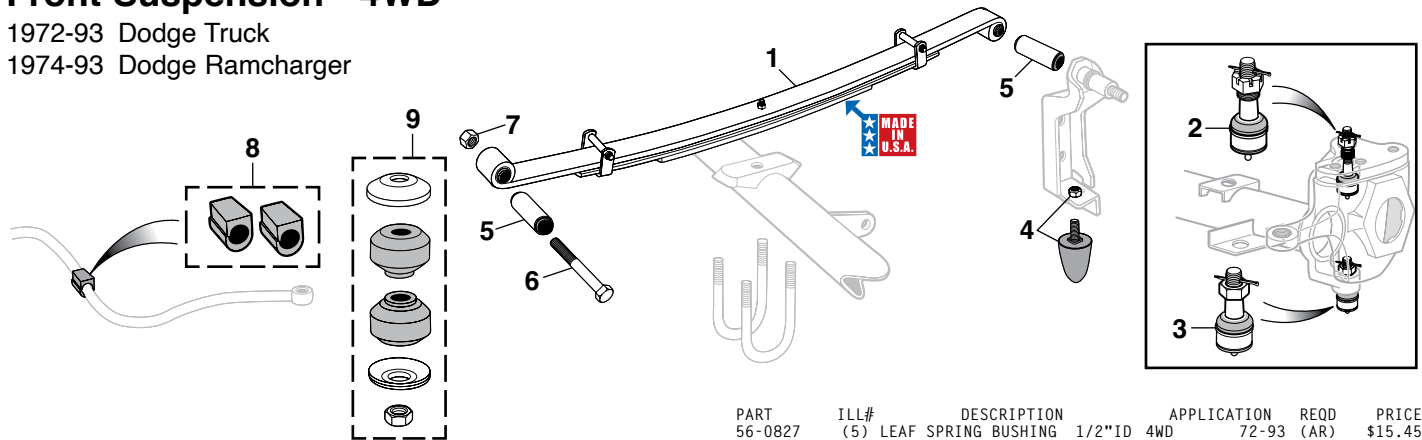
**Coil Spring Compressor**

Remove and install coil springs with convenience and safety. Features safety U-bolt set, Acme threaded rods and ductile alloy cast hooks for safe and easy operation.

PART	DESCRIPTION	PRICE
34-2808	COIL SPRING COMPRESSOR	\$50.95

## Front Suspension - 4WD

1972-93 Dodge Truck  
1974-93 Dodge Ramcharger



PART	ILL#	DESCRIPTION	APPLICATION	REQD	PRICE
56-0839	(1)	FRONT LEAF SPRING 3LEAF "A"	4WD 72-91	(2)	\$189.95*
56-0840		FRONT LEAF SPRING 6LEAF "B"	4WD 92-93	(2)	\$239.95*
34-2770	(2)	BALL JOINT-UPPER	"C" 1/2T 3/4T 72-93	(2)	\$11.95
34-2771	(3)	BALL JOINT-LOWER	"C" 1/2T 3/4T 72-93	(2)	\$9.95
40-1864-D	(4)	RUBBER BUMPER	4WD 72-93	(2)	\$11.45

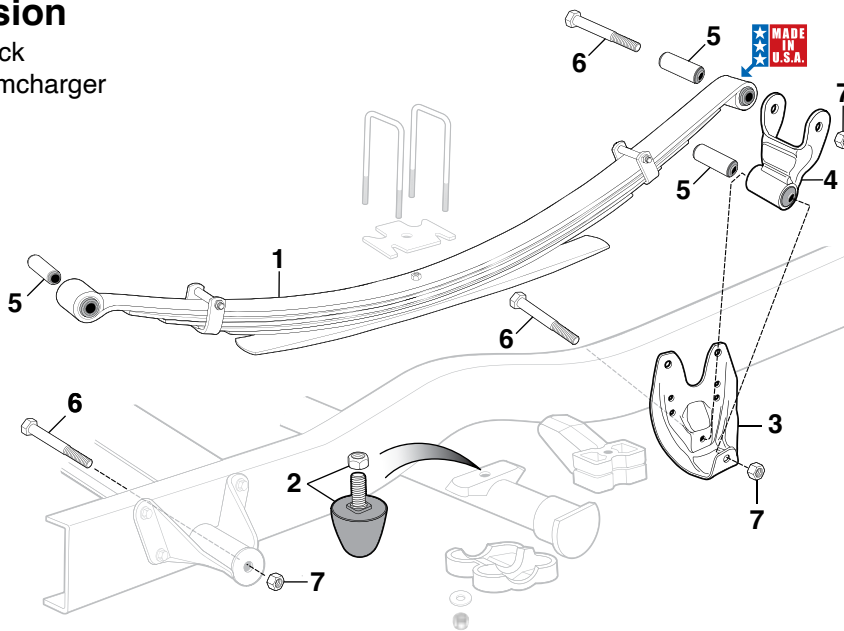
PART	ILL#	DESCRIPTION	APPLICATION	REQD	PRICE
56-0827	(5)	LEAF SPRING BUSHING 1/2"ID	4WD 72-93 (AR)	(2)	\$15.45
55-0492	(6)	LEAF SPRING BOLT 1/2"OD	4WD 72-93	(2)	\$1.95
40-0832-C	(7)	TORQUE LOCKNUT 1/2"ID	4WD 72-93	(2)	\$.65
56-0828		LEAF SPRING BUSHING 5/8"ID	1/2T 3/4T 90-93	(2)	\$12.95
55-0493		LEAF SPRING BOLT 5/8"OD	1/2T 3/4T 90-93	(2)	\$3.45
29-0510		TORQUE LOCKNUT 5/8"ID	1/2T 3/4T 90-93	(2)	\$1.35
56-0819	(8)	FRAME BUSHING SET 15/16"	4WD 72-93	(1)	\$11.95
56-0830		FRAME BUSHING SET 1-1/16"	4WD 72-93	(1)	\$11.95
56-0821	(9)	END LINK BUSHING SET	1/2T 3/4T 72-93	(2)	\$3.95

Note: "A" Models with 1,750 lb. springs  
"B" Models with 1,900 lb. springs  
"C" Models without 4,500 lb. front axle.

\* Or \*\* after the sell price means your order will incur an Oversize Part Charge for each oversized part. \* Means extra charge will be \$20. \*\* Means extra charge will be \$50. Due to packing and/or transportation requirements, please allow additional time for delivery. Oversized Parts are not available for air delivery.

## Rear Suspension

1972-93 Dodge Truck  
1974-93 Dodge Ramcharger



PART	ILL#	DESCRIPTION	APPLICATION	REQD	PRICE
56-0841	(1)	REAR LEAF SPRING 6 LEAF "A" DODGE	72-93	(2)	\$269.45*
56-0842		REAR LEAF SPRING 5 LEAF "B" 2WD	72-93	(2)	\$259.45*
56-0810	(2)	RUBBER BUMPER	1/2T 72-93	(2)	\$7.95
<b>Models with 1/2" Diameter Spring Eye Bolt</b>					
56-0835	(3)	FRAME BRACKET-REAR	1/2T 3/4T 72-93	(2)	\$29.95
56-0832	(4)	SHACKLE-SPRING	1/2T 3/4T 72-93	(2)	\$29.95
56-0827	(5)	BUSHING-SPRING/SHACKLE	1/2T 3/4T 72-93	(6)	\$15.45
55-0492	(6)	BOLT-SPRING	1/2T 3/4T 72-93	(6)	\$1.95
40-0832-C	(7)	TORQUE LOCKNUT	1/2T 3/4T 72-93	(6)	\$.65

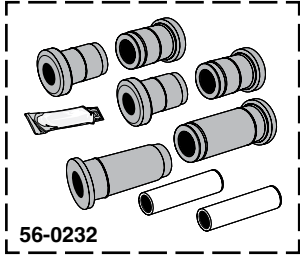
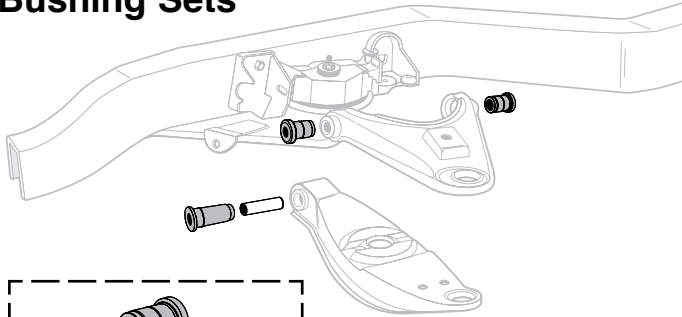
PART	ILL#	DESCRIPTION	APPLICATION	REQD	PRICE
<b>Models with 5/8" Diameter Spring Eye Bolt</b>					
56-0836	(3)	FRAME BRACKET-REAR	DODGE 72-93	(2)	\$29.95
56-0828	(5)	BUSHING-SPRING/SHACKLE	DODGE 72-93	(6)	\$12.95
55-0493	(6)	BOLT-SPRING	DODGE 72-93	(6)	\$3.45
29-0510	(7)	TORQUE LOCKNUT	DODGE 72-93	(6)	\$1.35
<b>Models with 3/4" Diameter Spring Eye Bolt</b>					
56-0837	(3)	FRAME BRACKET-REAR	DODGE 72-93	(2)	\$29.95
56-0829	(5)	BUSHING-SPRING/SHACKLE	DODGE 72-93	(6)	\$12.95
30-0204	(6)	BOLT-SPRING	"C" DODGE 72-93	(6)	\$2.95
40-0999-D	(7)	TORQUE LOCKNUT	"C" DODGE 72-93	(6)	\$1.95

\* Or \*\* after the sell price means your order will incur an Oversize Part Charge for each oversized part. \* Means extra charge will be \$20. \*\* Means extra charge will be \$50. Due to packing and/or transportation requirements, please allow additional time for delivery. Oversized Parts are not available for air delivery.

Note: "A" Fits Club Cab with 8 foot bed 149" wheel base.  
"B" Will not fit Club Cab with 8 foot bed 149" wheel base.  
"C" Replacement bolt and nut have a coarse thread pitch and should be purchased together. Original fine pitch hardware is not available.



**Polyurethane Front Control Arm Bushing Sets**

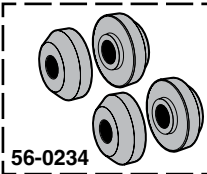
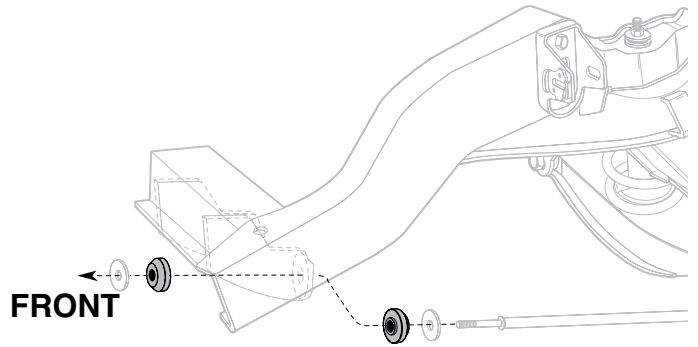


Front Control Arm Bushings provided increased control on cornering and are pre-lubricated with a synthetic Teflon compound that inhibits squeaks. Existing outer shells must be reused.

PART	DESCRIPTION	APPLICATION	REQD	PRICE
56-0232	CONTROL ARM BUSHING SET-POLY "A" 2 Wheel Drive	1/2T 3/4T 72-93	(1)	\$25.95
56-0233	CONTROL ARM BUSHING SET-POLY "B"	1/2T 3/4T 72-93	(1)	\$29.95

Note: "A" Models without 4,000 lb. front axle.  
 "B" Models with 4,000 lb. front axle.

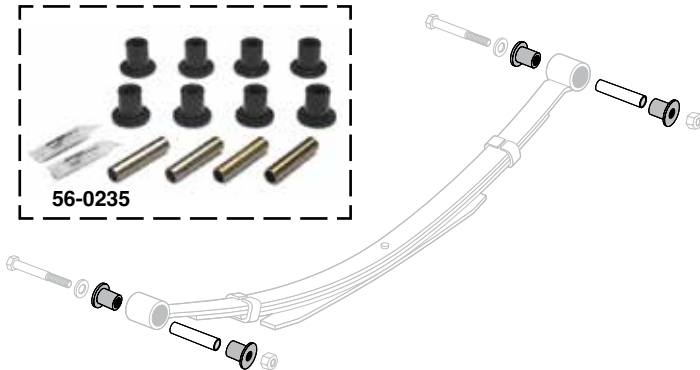
**Polyurethane Strut Rod Bushings**



Polyurethane Bushings allow your suspension to travel throughout its full range without binding, yet are firm enough to maintain proper alignment.

PART	DESCRIPTION	APPLICATION	REQD	PRICE
56-0234	STRUT ROD BUSHING SET-POLY 2WD	1/2T 3/4T 72-93	(1)	\$16.95

**Polyurethane Leaf Spring Bushings**



The combination of heavy-duty Leaf Springs and Polyurethane Spring Bushings allows proper suspension function in takeoff, cornering, braking and bumps.

PART	DESCRIPTION	APPLICATION	REQD	PRICE
56-0235	LEAF SPRING BUSHNG SET-FRT"A"4WD	1/2T 3/4T 72-93	(1)	\$16.95
56-0235	LEAF SPRING BUSHING SET-RR"A"	1/2T 3/4T 72-93	(1)	\$16.95

Note: "A" For leaf springs with main eye inside diameter measuring 1".

**3" Body Lift Kit ... Makes Room for Larger Tires**



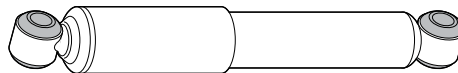
A Body Lift spaces the body away from the frame to make room for larger tires without altering the suspension. Body Lift Kit includes reinforced nylon spacers, compression tested to 50,000 psi and plated grade 5 hardware. Since the stock suspension is not affected, and larger tires are normally part of the plan, new shocks are recommended.

**Read This:** Installation of a body lift will change the center of gravity and the handling characteristics of the vehicle. Because of the higher center of gravity and larger tires, the vehicle will handle and react differently both on and off road. You must drive it safely! Extreme care must be taken to prevent vehicle rollover or loss of control, which could result in serious injury or death. Avoid sudden sharp turns or abrupt maneuvers and always make sure all vehicle occupants have their seat belts fastened.

PART	DESCRIPTION	APPLICATION	REQD	PRICE
56-0245	3" BODY LIFT KIT-STD CAB 1/2T	3/4T 1T 72-86	(1)	\$152.00
56-0246	3" BODY LIFT KIT-STD CAB 1/2T	3/4T 1T 87-93	(1)	\$152.00
56-0247	3" BODY LIFT KIT	SUV 74-90	(1)	\$152.00

## Heavy-Duty Gas-Charged Shocks

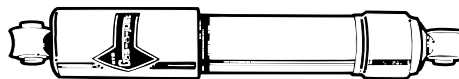
PART	DESCRIPTION	APPLICATION	REQD	PRICE
56-1830	HD GAS-CHARGED SHOCK-FRT "A"2WD	1/2T 3/4T 72-93	(2)	\$37.95
56-1831	HD GAS-CHARGED SHOCK-FRT "B"2WD	3/4T 72-93	(2)	\$37.65
56-1833	HD GAS-CHARGED SHOCK-REAR 2WD	1/2T 3/4T 72-93	(2)	\$36.55
56-1832	HD GAS-CHARGED SHOCK-FRT "C"4WD	1/2T 3/4T 72-93	(2)	\$31.75



Heavy-Duty (HD) Gas-Charged Shocks limit unsafe roll or sway when cornering and regain control of spring and suspension movement.

Note: "A" Models without 4,000 lb. front axle.  
 "B" Models with 4,000 lb. front axle.  
 "C" Models less than 8,150 lb. GVW.

## KYB Shock Absorbers ... Driving Control, Even Ride and Performance Handling



**Gas-A-Just Shock Absorbers:** Features higher gas pressure to provide unsurpassed control on even the most demanding roads. Eliminates the age old problem of performance fade by eliminating aeration and foaming, a problem with other shocks that use two-tube construction that allows air to mix with fluid.

**Excel-G (XLG) Gas Shock Absorbers:** Features lower pressure for riding comfort with improved handling and response only gas shocks can provide at an economical price. The economical way to step up from hydraulic shocks to the quality ride and control of gas.

PART	DESCRIPTION	APPLICATION	REQD	PRICE
<b>Gas-A-Just Shocks</b>				
56-1845	KYB GAS-A-JUST SHOCK-FRT "A" 2WD	1/2T 3/4T 72-93	(2)	\$68.72
56-1846	KYB GAS-A-JUST SHOCK-FRT "B" 2WD	3/4T 72-93	(2)	\$61.66
56-1848	KYB GAS-A-JUST SHOCK-REAR 2WD	1/2T 3/4T 72-78	(2)	\$63.91
56-1849	KYB GAS-A-JUST SHOCK-REAR 2WD	1/2T 3/4T 79-93	(2)	\$68.18
56-1847	KYB GAS-A-JUST SHOCK-FRONT 4WD	1/2T 3/4T 72-93	(2)	\$72.74
56-1849	KYB GAS-A-JUST SHOCK-REAR 4WD	1/2T 3/4T 72-93	(2)	\$68.18

PART	DESCRIPTION	APPLICATION	REQD	PRICE
<b>Excel-G (XLG) Gas Shocks</b>				
56-1840	KYB XLG SHOCK-FRONT "C"	1/2T 3/4T 72-93	(2)	\$47.20
56-1843	KYB XLG SHOCK-REAR	1/2T 3/4T 79-93	(2)	\$57.49
56-1841	KYB XLG SHOCK-FRONT	1/2T 3/4T 72-93	(2)	\$49.50
56-1843	KYB XLG SHOCK-REAR	1/2T 3/4T 72-93	(2)	\$57.49

Note: "A" Models without 4,000 lb. front axle.  
 "B" Models with 4,000 lb. front axle.  
 "C" Except crew cab.

## 15/16" Polyurethane Sway Bar Bushing Set

Polyurethane Sway Bar Bushings provide one of the best improvements in your truck's handling without upscaling your stabilizer bar.



PART	DESCRIPTION	APPLICATION	REQD	PRICE
56-0236	FRT SWAY BAR BUSHING SET 2WD	1/2T 3/4T 72-93	(1)	\$51.23

## Performance Sway Bars Give You Bolt-On Handling and Control ... Drive Faster Through Turns with Improved Traction



56-0251

Improve the handling ability and cornering traction of your vehicle with a Performance Sway Bar. Too much weight transfer in a corner destroys a vehicle's road-holding ability, causing the wheels to "drift" or "creep" sideways in the turn, resulting in poor handling and excessive tire wear. Sway bars give your vehicle the balance and stability it needs in curves, passing situations and uneven surfaces.

Performance Sway Bars are fully forged from hardened, high carbon steel and powder coated black for durability. Sway bars come with urethane end link and frame bushings. Brackets included for end link style attachment.

PART	DESCRIPTION	APPLICATION	REQD	PRICE
<b>Front Sway Bar</b>				
56-0251	SWAY BAR-FRONT 1" 2WD	1/2T 3/4T 72-93	(1)	\$229.95*
56-0252	SWAY BAR-FRONT 1" 4WD	1/2T 3/4T 72-93	(1)	\$169.95*

\* Or \*\* after the sell price means your order will incur an Oversize Part Charge for each oversized part. \* Means extra charge will be \$20. \*\* Means extra charge will be \$50. Due to packing and/or transportation requirements, please allow additional time for delivery. Oversized Parts are not available for air delivery.

	% Increase in Resistance	
Performance Sway Bar 1"	319%	171%
Stock Bar	3/4"	7/8"

**Urethane End Link Bushing Set** is a replacement for end link style bushings. These non-compressing bushings allow sway bars to exert maximum control and do not collapse like normal rubber bushings.



34-0120

PART	DESCRIPTION	APPLICATION	REQD	PRICE
34-0120	URETHANE ENDLINK BUSHING SET	1/2T 3/4T 72-93	(1)	\$10.95

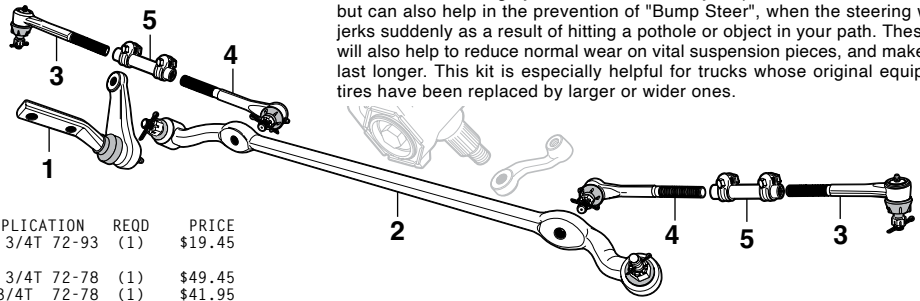
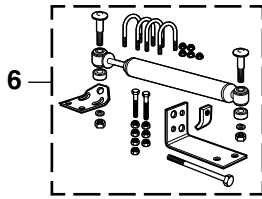
**Urethane Frame Bushing Set** includes heavy-duty brackets and urethane bushings that reduce "give" compared to rubber bushings. Applicable to almost all sway bars that attach with standard style frame bushings and brackets.



48-2240-C

PART	DESCRIPTION	APPLICATION	REQD	PRICE
48-2240-C	URETHANE FRAME BUSHING SET 1"	1/2T 3/4T 72-93	(1)	\$18.95

Steering Controls - 2WD



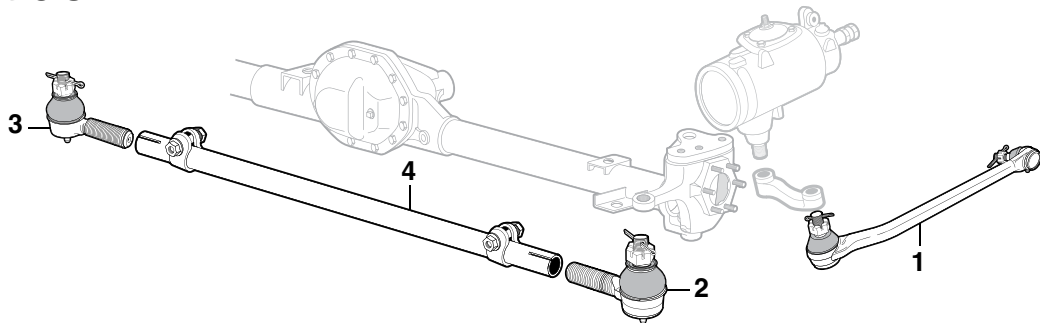
A Steering Stabilizer Kit is basically a horizontal shock absorber that helps to stabilize the steering system. The kit not only helps to stabilize the steering, but can also help in the prevention of "Bump Steer", when the steering wheel jerks suddenly as a result of hitting a pothole or object in your path. These kits will also help to reduce normal wear on vital suspension pieces, and make tires last longer. This kit is especially helpful for trucks whose original equipment tires have been replaced by larger or wider ones.

PART	ILL#	DESCRIPTION	APPLICATION	REQD	PRICE
56-0853	(1)	IDLER ARM	1/2T 3/4T 72-93	(1)	\$19.45
56-0870	(2)	CENTER LINK	"A" 1/2T 3/4T 72-78	(1)	\$49.45
56-0871		CENTER LINK	"B" 2WD 3/4T 72-78	(1)	\$41.95
56-0871		CENTER LINK	GAS 1/2T 3/4T 79-93	(1)	\$41.95
56-0872		CENTER LINK	DIESEL 2WD 3/4T 1T 88-93	(1)	\$59.45
56-0960	(3)	TIE ROD END-OUTER	"A" 1/2T 3/4T 72-78	(2)	\$9.95
56-0964	(4)	TIE ROD END-INNER	"A" 1/2T 3/4T 72-78	(2)	\$10.75
56-0961		TIE ROD END-OUTER	"B" 2WD 3/4T 72-78	(2)	\$19.95
56-0965		TIE ROD END-INNER	"B" 2WD 3/4T 72-78	(2)	\$19.95
56-0962		TIE ROD END-OUTER	GAS 1/2T 3/4T 79-93	(2)	\$9.95
56-0966		TIE ROD END-INNER	GAS 1/2T 3/4T 79-93	(2)	\$9.95
56-0963		TIE ROD END-OUTER DIESEL	2WD 3/4T 1T 88-93	(2)	\$29.95
56-0967		TIE ROD END-INNER DIESEL	2WD 3/4T 1T 88-93	(2)	\$26.95

PART	ILL#	DESCRIPTION	APPLICATION	REQD	PRICE
34-1122	(5)	ADJUSTING SLEEVE	"A" 1/2T 3/4T 72-78	(2)	\$7.95
56-0991		ADJUSTING SLEEVE	GAS 1/2T 3/4T 79-93	(2)	\$10.95
56-0992		ADJUSTING SLEEVE	DIESEL 2WD 3/4T 1T 88-93	(2)	\$9.95
34-2360	(6)	STEERING STABILIZER KIT	1/2T 3/4T 72-91	(1)	\$113.55

Note: "A" Without heavy-duty suspension.  
"B" With heavy-duty suspension.

Steering Controls - 4WD



PART	ILL#	DESCRIPTION	APPLICATION	REQD	PRICE
56-0878	(1)	DRAG LINK	1/2T 3/4T 78-93	(1)	\$36.45
56-0968	(2)	TIE ROD END-LH	"A" 1/2T 3/4T 72-85	(1)	\$11.95
56-0969	(3)	TIE ROD END-RH	"A" 1/2T 3/4T 72-85	(1)	\$9.95
56-0970		TIE ROD END-LH	"A" 1/2T 3/4T 86-93	(1)	\$9.95
56-0971		TIE ROD END-RH	"A" 1/2T 3/4T 86-93	(1)	\$9.95

PART	ILL#	DESCRIPTION	APPLICATION	REQD	PRICE
56-0972		TIE ROD END-LH	"B" 3/4T 1T 72-74	(1)	\$27.95
56-0974		TIE ROD END-LH	"B" 3/4T 76-93	(1)	\$11.95
56-0975		TIE ROD END-RH	"B" 3/4T 76-93	(1)	\$19.95
56-0993	(4)	ADJUSTING TUBE	4WD 1/2T 76-85	(1)	\$139.95
56-0994		ADJUSTING TUBE	4WD 3/4T 78-85	(1)	\$269.95

Note: "A" Without 4,500 lb. front axle.  
"B" With 4,500 lb. front axle.

Heavy-Duty Steering Shaft Assemblies



56-1604

PART	DESCRIPTION	APPLICATION	REQD	PRICE
56-1604	HD STEERING SHAFT ASSEMBLY	"A" DODGE 79-93	(1)	\$196.47
56-1605	HD STEERING SHAFT ASSEMBLY	"B" DODGE 79-93	(1)	\$246.08

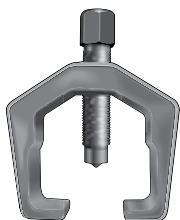
Heavy-Duty Steering Shaft Assemblies are made from chrome mild steel billets and incorporate needle bearings for precise road handling. The universal joints use sealed, permanently lubricated needle bearings making it maintenance-free for the life of your truck. This assembly adds a measure of safety to the steering system with two needle bearing U-joints and a telescoping shaft.



Proudly made in the USA and carries a Five Year, 50,000 Mile Warranty (whichever comes first) against defects in materials and workmanship.

Note: "A" Single U-joint shaft with rag joint flange. Connects to existing rag joint.  
"B" Double U-joint shaft. Original rag joint on vehicle must be removed.

Pitman Arm Puller

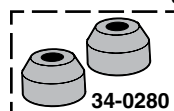


The Pitman Arm Puller features a forged, heat-treated steel yoke that is designed to wrap securely around the pitman arm to allow for easy removal. Heavy-duty center screw has pointed tip and 3/4" hex head. Opening: 1-5/16" (33mm). Depth: 2-1/2" (64mm).

PART	DESCRIPTION	PRICE
34-2202	PITMAN ARM PULLER	\$20.95

Polyurethane Tie Rod Boots

1972-93 Dodge Truck  
1975-93 Dodge Ramcharger



Replacements for when disassembly ruins existing rubber boots. Last longer, seal longer and look better. They seal out contaminants and prevent loss of lubricant.

PART	DESCRIPTION	APPLICATION	REQD	PRICE
34-0280	TIE ROD END BOOT SET	2WD 1/2T 3/4T 72-93	(1)	\$4.91



## Wood and Leather Grained Vinyl Steering Wheels ... The Ultimate Look



38-1048



38-1049



38-1171



38-1167



38-1188



38-1129

Billet Horn Buttons include mounting hardware.



38-1186



Back View

These 14" diameter, 3 spoke steering wheels have a half-wrap design featuring a billet back with a wood or leather grained vinyl front. Facing ring is available in hand-rubbed wood or black leather grained vinyl.

Each steering wheel requires a horn button and an installation kit; sold separately below. Horn buttons are available in black or polished finish.

Wood Steering Wheel has been stained a rich mahogany color and urethane-coated for better heat resistance and long life. Leather Grained Vinyl Steering Wheels are available in matte black powder coat or high-polished finish. The one-piece billet backing ring has contoured finger notches.

Steering Wheel Puller - See Page 54

PART	DESCRIPTION	APPLICATION	REQD	PRICE	PART	DESCRIPTION	APPLICATION	REQD	PRICE
<b>Steering Wheels</b>					<b>Installation Kits</b>				
38-1048	WOOD STEERING WHEEL-POLISHED	14" DODGE 72-92	(1)	\$145.95	56-1570	INSTALL KIT-BILLET STYLE	2WD W/O TILT	72-87	(1) \$50.95
38-1049	WOOD STEERING WHEEL-BLACK	14" DODGE 72-92	(1)	\$139.95	56-1571	INSTALL KIT-BILLET STYLE	4WD W/O TILT	74-87	(1) \$49.95
38-1171	VINYL STEERING WHEEL-POLISHED	14" DODGE 72-92	(1)	\$99.95	38-1186	INSTALLATION KIT-BILLET STYLE	W/TILT	79-81	(1) \$49.95
38-1167	VINYL STEERING WHEEL-BLACK	14" DODGE 72-92	(1)	\$99.95	56-1572	INSTALLATION KIT-BLACK	2WD W/O TILT	72-87	(1) \$27.55
<b>Horn Buttons</b>					56-1573	INSTALLATION KIT-BLACK	4WD W/O TILT	74-87	(1) \$27.55
38-1188	BILLET HORN BUTTON-POLISHED	PLAIN	(1)	\$29.95	56-1574	INSTALLATION KIT-BLACK	W/O TILT	88-92	(1) \$27.55
38-1129	BILLET HORN BUTTON-BLACK	PLAIN	(1)	\$29.95	38-1182	INSTALLATION KIT-BLACK	W/TILT	79-81	(1) \$26.95
					56-1575	INSTALLATION KIT-BLACK	W/TILT	82-91	(1) \$27.55
					56-1574	INSTALLATION KIT-BLACK	W/TILT	92	(1) \$27.55

## GRANT® Classic Foam and Classic Wood Steering Wheels



38-1169



38-1165



56-1562



56-1563



56-1564

Steering Wheel Puller - See Page 54



56-1572

Classic Foam Wheel has extra-thick foam cushion grip material around wheel.

Classic Wood Wheel is made from genuine walnut with brushed stainless steel spokes and has contoured finger notches.

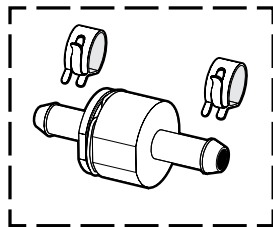
Steering Wheels measure 15" in diameter with 4-1/8" dish and must be installed using a Steering Wheel Installation Kit.

Steering wheels include a plain center cap, center cap with logo sold separately.

PART	DESCRIPTION	APPLICATION	REQD	PRICE
38-1169	FOAM STEERING WHEEL	W/PLAIN CAP	(1)	\$169.45
38-1165	WOOD STEERING WHEEL	W/PLAIN CAP	(1)	\$209.95
56-1562	HORN CAP-RAM HEAD	CHROME	(1)	\$22.75
56-1563	HORN CAP "MOPAR"	CHROME/BLUE	(1)	\$22.75
56-1564	HORN CAP "MOPAR"	BLACK/BLUE	(1)	\$22.95
56-1572	INSTALLATION KIT-BLACK	2WD W/O TILT	72-87	(1) \$27.55
56-1573	INSTALLATION KIT-BLACK	4WD W/O TILT	74-87	(1) \$27.55
56-1574	INSTALLATION KIT-BLACK	W/O TILT	88-92	(1) \$27.55
38-1182	INSTALLATION KIT-BLACK	W/TILT	79-81	(1) \$26.95
56-1575	INSTALLATION KIT-BLACK	W/TILT	82-91	(1) \$27.55
56-1574	INSTALLATION KIT-BLACK	W/TILT	92	(1) \$27.55

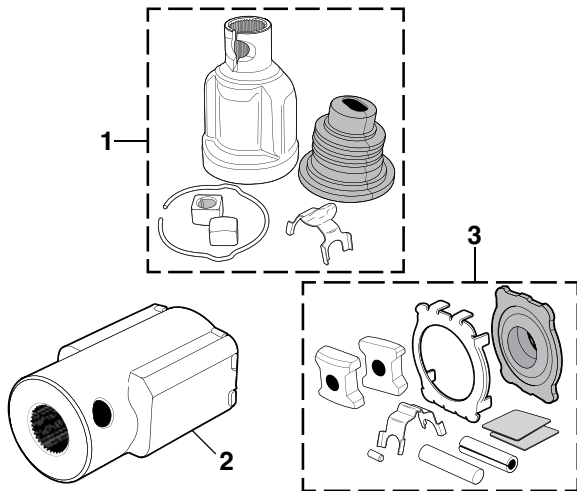
### In-Line Power Steering Filter Helps Prevent Power Steering Failure

Power Steering Filter is a serviceable magnetic filter element that helps prevent contamination from dangerous metal particles and installs easily in the return hose of the power steering pump. Measures 1-1/4" diameter x 3" long and fits power steering return hoses with a 3/8" inner diameter. Check yours before ordering. Includes hose clamps and instructions.



PART	DESCRIPTION	APPLICATION	REQD	PRICE
32-1961	POWER STEERING FILTER	ALUMINUM	(1)	\$29.95

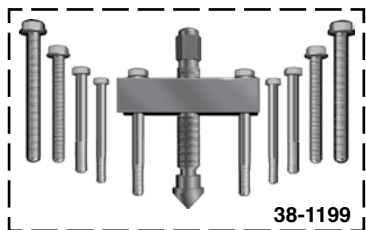
### Steering Shaft Coupler and Repair Kit



PART	ILL#	DESCRIPTION	APPLICATION	PRICE
56-1611	(1)	STEERING SHAFT COUPLER KIT 4WD	1/2T 3/4T 72-78	\$53.45
56-1615	(2)	STEERING SHAFT COUPLER-LOWER	DODGE 79-90	\$67.95
56-1616	(3)	COUPLER REPAIR KIT	DODGE 79-93	\$24.95

### Steering Wheel Puller

Steering Wheel Puller features forged, milled yoke and center screw with pointed/removable adaptor. Includes five sets of bolts in standard and metric sizes. Can also be used to remove pulleys, flanges and gears.

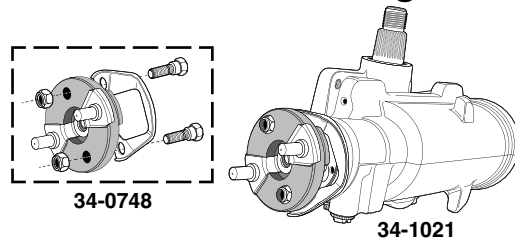


PART	DESCRIPTION	PRICE
38-1199	STEERING WHEEL PULLER	\$30.95

### Power Steering Pumps

PART	ILL#	DESCRIPTION	APPLICATION	REQD	PRICE
56-1225	(1)	STEERING PUMP	1/2T 3/4T 72-74	(1)	\$177.45
56-1226		STEERING PUMP	1/2T 3/4T 75-79	(1)	\$177.45
56-1227		STEERING PUMP "A"	1/2T 3/4T 80-85	(1)	\$177.45
56-1227		STEERING PUMP "A"	225 86-87	(1)	\$177.45
56-1228		STEERING PUMP "A"	318 360 86-87	(1)	\$177.45
56-1228		STEERING PUMP "A"	DODGE 88-91	(1)	\$177.45
56-1228		STEERING PUMP "A"	360 92-93	(1)	\$177.45
56-1229		STEERING PUMP 5.2L	1/2T 3/4T 92-93	(1)	\$179.95
56-1230		STEERING PUMP 5.2L	1/2T 84-88	(1)	\$177.45
56-1230		STEERING PUMP 5.9L	3/4T 84-93	(1)	\$177.45
56-1230		STEERING PUMP	SUV 84-88	(1)	\$177.45
56-1233		STEERING PUMP 5.9L	DIESEL 89-93	(1)	\$177.45
56-1231-R	(2)	STEERING PUMP-REMAN "B"	3.9L 89-93	(1)	\$79.95

### Quick Ratio Power Steering Gear

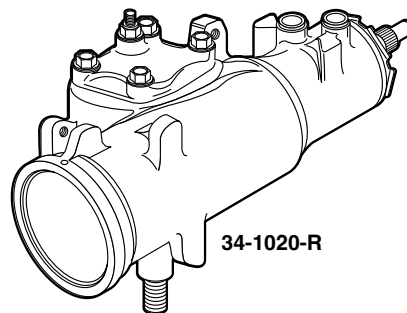


Improve the steering response and handling of your truck with a Quick Ratio Power Steering Gear. The Quick Ratio Gear only requires 3-1/4 turns lock-to-lock compared to the factory gear that requires 4-1/2 turns.

PART	DESCRIPTION	APPLICATION	REQD	PRICE
34-1021	QUICK RATIO GEAR-NEW "A"	1/2T 3/4T 72-77	(1)	\$499.95
34-0748	STEERING COUPLER-REPLACEMENT		(1)	\$30.95

Note: "A" Standard rotation gear with 25 spline input shaft. Pitman arm is mounted horizontal and pivots front to back.

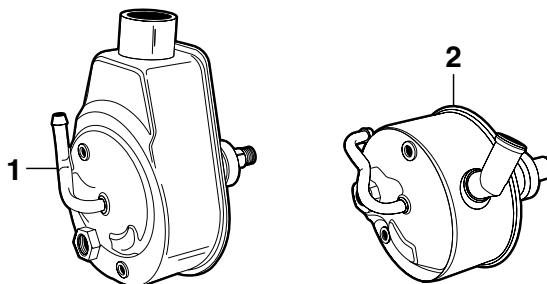
### Steering Gears



PART	DESCRIPTION	APPLICATION	REQD	PRICE
<b>Power Steering Gears</b>				
34-1020-R	STEERING GEAR-REMAN "A"C"	1/2T 3/4T 72-77	(1)	\$354.95
56-1210-R	STEERING GEAR-REMAN "B"C"	1/2T 3/4T 78-79	(1)	\$289.95
56-1211	STEERING GEAR "D"	1/2T 3/4T 72-77	(1)	\$459.95
56-1212-R	STEERING GEAR-REMAN "D"	1/2T 3/4T 78-79	(1)	\$219.95
56-1202	STEERING GEAR	DODGE 80-93	(1)	\$499.95

PART	DESCRIPTION	APPLICATION	REQD	PRICE
<b>Manual Steering Gears</b>				
34-1010	STEERING GEAR-NEW "C"	1/2T 3/4T 72-79	(1)	\$289.95
56-1214	STEERING GEAR	DODGE 80-89	(1)	\$329.95

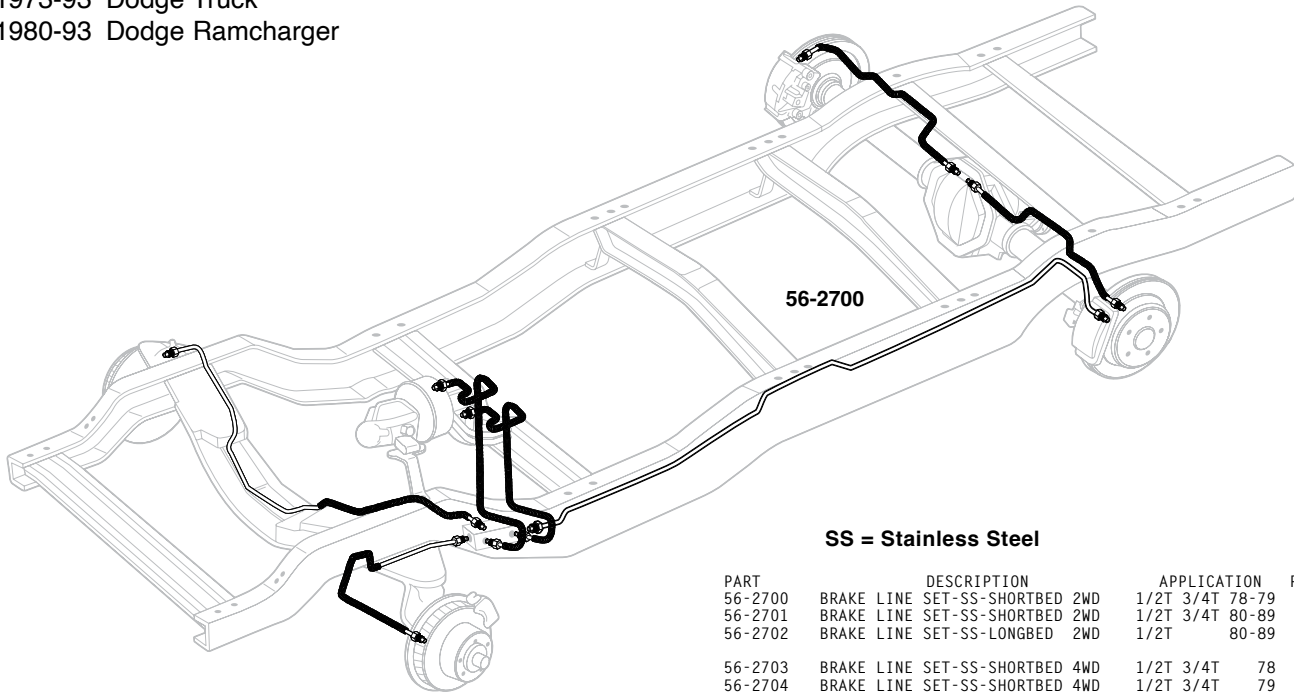
Note: "A" Steering gear has 25 spline input shaft.  
 "B" Steering gear has 32 spline input shaft.  
 "C" Standard rotation gear. Pitman arm is mounted horizontal and pivots front to back.  
 "D" Reverse rotation gear. Pitman arm is mounted vertical and pivots up and down.



Note: "A" With integrated fluid reservoir.  
 "B" With remote fluid reservoir.

## Pre-Bent Stainless Brake Line Sets

1973-93 Dodge Truck  
1980-93 Dodge Ramcharger



**Brake Line Sets fit models with power brakes only.**

Replacing the original brake lines with high-quality Stainless Steel Brake Lines increases the longevity of the brake line system. Call or go online and order your new Stainless Steel Brake Line Kit today.

**SS = Stainless Steel**

PART	DESCRIPTION	APPLICATION	REQD	PRICE
56-2700	BRAKE LINE SET-SS-SHORTBED 2WD	1/2T 3/4T 78-79	(1)	\$199.95
56-2701	BRAKE LINE SET-SS-SHORTBED 2WD	1/2T 3/4T 80-89	(1)	\$199.95
56-2702	BRAKE LINE SET-SS-LONGBED 2WD	1/2T 80-89	(1)	\$199.95
56-2703	BRAKE LINE SET-SS-SHORTBED 4WD	1/2T 3/4T 78	(1)	\$199.95
56-2704	BRAKE LINE SET-SS-SHORTBED 4WD	1/2T 3/4T 79	(1)	\$199.95
56-2705	BRAKE LINE SET-SS-SHORTBED 4WD	1/2T 3/4T 80-89	(1)	\$199.95
56-2714	BRAKE LINE SET-SS-SHORTBED 4WD	1/2T 3/4T 90-93	(1)	\$209.95
56-2706	BRAKE LINE SET-SS-LONGBED 4WD	1/2T 3/4T 73-77	(1)	\$199.95
56-2707	BRAKE LINE SET-SS-LONGBED 4WD	1/2T 3/4T 78	(1)	\$199.95
56-2708	BRAKE LINE SET-SS-LONGBED 4WD	1/2T 3/4T 79	(1)	\$199.95
56-2709	BRAKE LINE SET-SS-LONGBED 4WD	1/2T 80-89	(1)	\$199.95
56-2710	BRAKE LINE SET-SS-LONGBED 4WD	1/2T 90-93	(1)	\$209.95
56-2712	BRAKE LINE SET-SS 2WD	SUV 80-89	(1)	\$209.95
56-2711	BRAKE LINE SET-SS 4WD	SUV 80-89	(1)	\$209.95
56-2713	BRAKE LINE SET-SS 4WD	SUV 90-93	(1)	\$209.95

## Parking Brake Cable Repair Kit



Parking Brake Cable Repair Kit includes everything you need to repair one brake cable. Kit contains 10-foot cable, clamp, collar, bushing, ball end and detailed instructions.

PART	DESCRIPTION	REQD	PRICE
34-3063	PARKING BRAKE CABLE REPAIR KIT	(AR)	\$16.45

## Brake Shoe Adjustment Tool



Brake Shoe Adjustment Tool adjusts the clearance between the brake drum and the brake shoe through the backing plate (providing the manufacturer has made provisions). Simply remove the rubber plug to access the star adjustment bar without having to remove the drum.

PART	DESCRIPTION	REQD	PRICE
38-1291	BRAKE SHOE ADJUSTMENT TOOL	(1)	\$6.95

## Billet Parking Brake Handle



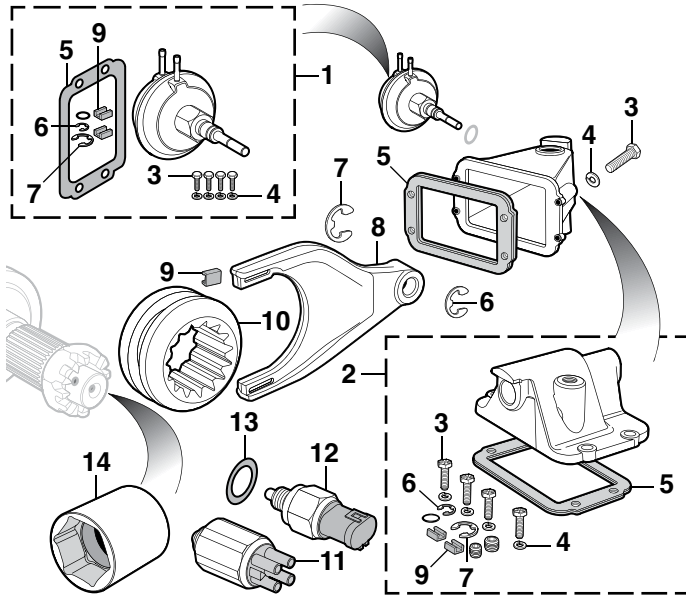
Billet aluminum parts are manufactured from the highest quality T-6 aircraft aluminum, resulting in strong and durable products that require little or no maintenance.

PART	DESCRIPTION	APPLICATION	REQD	PRICE
38-1585	PARKING BRAKE HANDLE	MACHINED 72-93	(1)	\$19.95
38-1586	PARKING BRAKE HANDLE	POLISHED 72-93	(1)	\$27.95



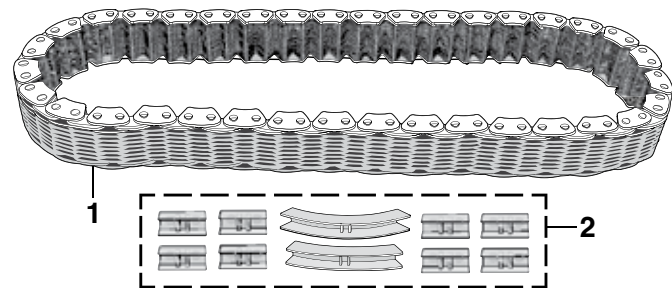
4WD Front Axle Components - DANA 44

1985-93 Dodge Truck  
1985-93 Dodge Ramcharger



PART	ILL#	DESCRIPTION	APPLICATION	REQD	PRICE
56-3840	(1)	ACTUATOR-FRONT DRIVE AXLE	1/2T 3/4T 89-93	(1)	\$118.95
56-3841	(2)	HOUSING-ACTUATOR	1/2T 3/4T 85-93	(1)	\$31.95
30-0217	(3)	BOLT-HOUSING	1/2T 3/4T 85-93	(4)	\$ .65
30-0682	(4)	LOCK WASHER-HOUSING	1/2T 3/4T 85-93	(4)	\$ .85
56-3845	(5)	GASKET-HOUSING	1/2T 3/4T 85-93	(1)	\$2.99
55-0710	(6)	SNAP RING-LH	1/2T 3/4T 85-93	(1)	\$ .65
55-0711	(7)	SNAP RING-RH	1/2T 3/4T 85-93	(1)	\$ .65
56-3842	(8)	AXLE SHIFT FORK	1/2T 3/4T 85-93	(1)	\$47.95
56-3844	(9)	PAD-SHIFT FORK	1/2T 3/4T 85-93	(2)	\$4.25
56-3843	(10)	SHIFT COLLAR	1/2T 3/4T 85-93	(1)	\$77.95
56-6240	(11)	SWITCH-4WD ACTUATOR	1/2T 3/4T 85-93	(1)	\$15.55
56-6241	(12)	SWITCH-4WD INDICATOR	1/2T 3/4T 85-93	(1)	\$13.45
56-6242	(13)	GASKET-INDICATOR SWITCH	1/2T 3/4T 85-93	(1)	\$ .75
56-2204	(14)	SOCKET-AXLE NUT 1-11/16"	1/2" DRIVE	(1)	\$19.95

4WD Transfer Case Components



Transfer case chains can stretch due to heavy use or high mileage and cause damage to the transfer case housing increasing the chance of expensive repairs.

Transfer case shift fork pads allow smooth shifting between 2WD and 4WD modes by engaging the shift collars inside the transfer case. Pad failure can prevent shifting between drive modes, possibly damaging the gears inside the transfer case.

PART	ILL#	DESCRIPTION	APPLICATION	REQD	PRICE
56-3830	(1)	TRANSFER CASE CHAIN	NP208 1/2T 3/4T 80-87	(1)	\$79.95
56-3830		TRANSFER CASE CHAIN	NP241 1/2T 3/4T 88-93	(1)	\$79.95
56-3835	(2)	PAD SET-SHIFT FORKS	NP208 NP241 80-93	(1)	\$7.45

Differential Lock Kit

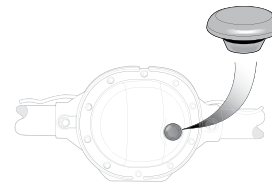
1985-93 Dodge Truck  
1985-93 Dodge Ramcharger



Differential Lock Kit is a permanent replacement for the original, vacuum-actuated central axle disconnect system (CAD). It permanently engages the CAD and couples both front axles. Axles automatically engage as soon as the transfer case is shifted into four wheel drive, ensuring proper function of the four wheel drive system with less risk of failure. Complete illustrated instructions and hardware included.

PART	DESCRIPTION	APPLICATION	REQD	PRICE
56-3847	FRONT DIFFERENTIAL LOCK KIT	1/2T 3/4T 85-93	(1)	\$79.95

Differential Drain Plug



PART	DESCRIPTION	APPLICATION	REQD	PRICE
55-3785	DIFF DRAIN PLUG-RUBBER "A"	1/2T 3/4T 77-93	(1)	\$3.45

Note: "A" Fits Chrysler made rear axles with 8-1/4", 8-3/8" or 9-1/4" ring gear.

Flip Socket Set



Flip Socket Set includes a comprehensive selection of reversible 1/2" drive sockets for a variety of lug nut sizes. The four piece set includes 3/4", 13/16", 7/8", 15/16", 19mm, and 21mm sockets and a 1/2" extension in a molded carrying case.

PART	DESCRIPTION	PRICE
38-1378	4PC W/CASE 1/2" DRIVE	\$37.95

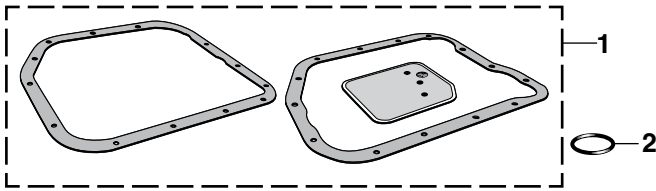
Wheel Bearing Grease Packer



Wheel Bearing Grease Packer quickly flushes out old grease and repacks the bearing with less the mess. The Wheel Bearing Grease Packer works on bearings up to 3 1/2" outer diameter. The grease stays in the tool cavity, not on your hands. To pack a bearing, simply place the bearing on the piston, press down on the cap until the old grease is forced out and the new grease shows on top of the bearing.

PART	DESCRIPTION	APPLICATION	PRICE
34-0509	WHEEL BEARING GREASE PACKER	UNIVERSAL	\$26.95

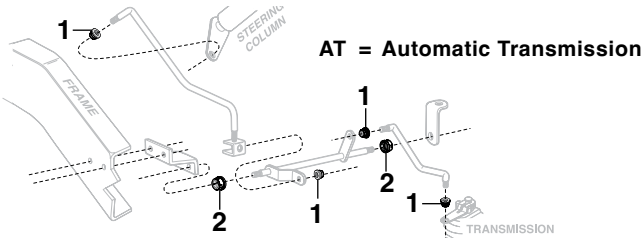
## Automatic Transmission Components



PART	ILL#	DESCRIPTION	APPLICATION	REQD	PRICE
55-7900	(1)	TRANSMISSION FILTER KIT-AT	1/2T 3/4T 72-93	(1)	\$4.95
32-7110	(2)	SEAL-DIPSTICK TUBE	1/2T 3/4T 72-93	(1)	\$1.95

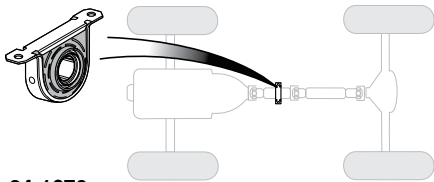
## Automatic Trans Shift Linkage Bushing

1972-93 Dodge Truck  
1974-93 Dodge Ramcharger



PART	ILL#	DESCRIPTION	APPLICATION	REQD	PRICE
56-1620	(1)	BUSHING-SHIFT LINKAGE	AT DODGE 72-93	(4)	\$10.95
56-1621	(2)	BUSHING-TORQUE ROD	DODGE 72-93	(2)	\$3.95

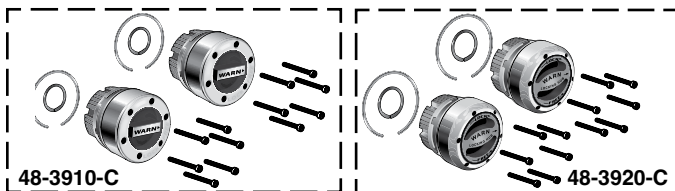
## Driveshaft Support Bearing



34-1670

PART	DESCRIPTION	APPLICATION	REQD	PRICE
34-1670	DRIVESHAFT BEARING 1.3780" ID GAS	72-93	(1)	\$15.95
34-1673	DRIVESHAFT BEARING 1.5478" ID DIESEL	89-93	(1)	\$15.95

## WARN Locking Hub

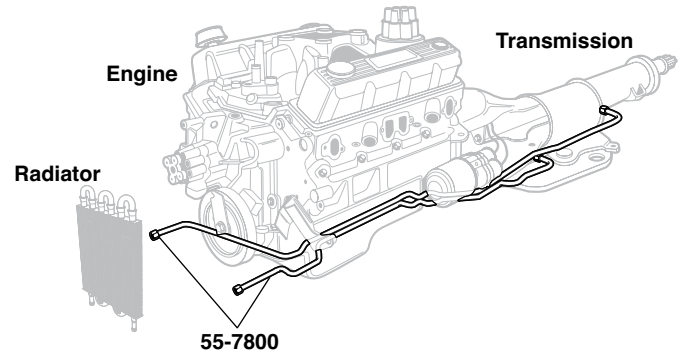


A WARN Locking Hub has an alloy housing and internal wave spring to give positive engagement of four-wheel drive to the front end. It is a quick and inexpensive replacement. Choose from the Standard Hub with plastic dial or the Premium Hub with brass-plated aluminum dial for optimum strength.

PART	DESCRIPTION	APPLICATION	REQD	PRICE
48-3910-C	WARN HUB SET-STANDARD	DANA 44 72-74	(1)	\$159.95
48-3920-C	WARN HUB SET-PREMIUM	DANA 44 72-74	(1)	\$198.95
48-3910-C	WARN HUB SET-STANDARD	DANA 44 80-93	(1)	\$159.95
48-3920-C	WARN HUB SET-PREMIUM	DANA 44 80-93	(1)	\$198.95

## Pre-Bent Stainless Steel Transmission Lines

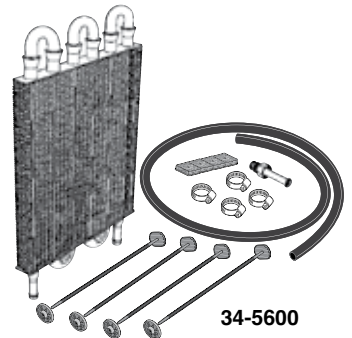
1978-89 Dodge Truck  
1978-89 Dodge Ramcharger



PART	DESCRIPTION	APPLICATION	REQD	PRICE
55-7800	TRANS COOLER LINE SET-SS-2WD	1/2T 3/4T 78-79	(1)	\$84.95
55-7801	TRANS COOLER LINE SET-SS-4WD	1/2T 3/4T 78-79	(1)	\$49.45
55-7802	TRANS COOLER LINE SET-SS-4WD	1/2T 3/4T 80-89	(1)	\$84.95

## Auxiliary Transmission Oil Cooler

Auxiliary Transmission Oil Cooler reduces the operating temperature and extends the life of a truck's transmission. Pressure tested at 150 psi with ultrasonically soldered aluminum tube and fin construction for reliability, this transmission cooler is compatible with OEM cooler systems and has an 18,000 lb. GVWR capacity when installed in line with existing transmission cooler. Features 3/8" push-on hose barb connections for quick and easy installation. Core dimensions are 7-1/2" x 8-3/4" x 3/4". Includes mounting hardware, hose and clamps.



34-5600

PART	DESCRIPTION	APPLICATION	REQD	PRICE
34-5600	AUX TRANSMISSION OIL COOLER	DODGE 72-93	(1)	\$42.95

## Mile Marker Hub

Mile Marker Hubs have superior quality and are built to exacting standards with improvements over the latest patents to give years of trouble-free service. Limited Lifetime Warranty.



**Street Master Hub** - Features a contrasting look of chrome with a virtually unbreakable black nylon reinforced fiberglass dial.

**Supreme Stainless Hub** - Features a "full metal jacket" cap with stainless steel exposed to the elements. Made using a new process of die-casting aluminum into a pre-made stainless jacket, it provides strength, is lightweight and corrosion-resistant.

PART	DESCRIPTION	APPLICATION	REQD	PRICE
48-3900-C	HUB SET-STREET MASTER	DANA 44 72-74	(1)	\$109.99
48-3905-C	HUB SET-SUPREME STAINLESS	DANA 44 72-74	(1)	\$134.99
48-3900-C	HUB SET-STREET MASTER	DANA 44 80-93	(1)	\$109.99
48-3905-C	HUB SET-SUPREME STAINLESS	DANA 44 80-93	(1)	\$134.99

Chrome Spider Center Caps



Spider Center Caps are the perfect upgrade for your classic steel wheels. Center caps feature high quality chrome plated die-cast steel with chrome ABS lug nut covers. Lug nut covers easily fit over standard 3/4" or 13/16" hex lug nuts.

PART	DESCRIPTION	APPLICATION	REQD	PRICE
48-3645-D	SPIDER CENTER CAP SET OF 4	5 LUG X 5.5"	(1)	\$186.95
55-9706	SPIDER CENTER CAP	5 LUG X 4.5"	(4)	\$49.95

Receiver Hitch and Components ... For All Your Towing Needs



This Hitch has a Class III rating for towing up to 6,000 lbs. with a 600 lb. tongue weight.

Made from corrosion resistant powder coat black paint finish and has a standard 2" receiver.

PART	DESCRIPTION	APPLICATION	REQD	PRICE
48-1761-D	HITCH	6000 LB PICKUP 72-93	(1)	\$239.95*



5/8" Locking Hitch Pin protects any hitch mounted item from theft. Dust cap seals out dirt and water for trouble-free use. Includes two keys. 5/8" Hitch Pin and Clip are made from zinc-plated steel.

PART	DESCRIPTION	REQD	PRICE
37-7442	LOCKING HITCH PIN	(1)	\$23.95
37-7441	HITCH PIN AND CLIP	(1)	\$3.95

Switch-Ball™ Set



Switch-Ball™ Set - Constructed from premium grade steel with nickel-chrome plating, the Switch-Ball™ Set has an exclusive 'J' Groove design that ensures that the ball is installed on the shank and engaged by a coupler, making the hitching system safe and secure. Weight bearing capacity rests on shank to relieve stress away from the ball, thus freeing the coupler from friction and binding for a smoother and safer towing.

Change between three different trailer hitch ball sizes quickly and easily. No attachment pin to remove or tools required to switch ball sizes. Weight ratings for each hitch ball size are: 1-7/8" = 3,500 lbs., 2" = 6,000 lbs. and 2-5/16" = 8,000 lbs.

PART	DESCRIPTION	REQD	PRICE
37-7433	SWITCH-BALL SET	(1)	\$57.95

**YOUR TRUCK** **SHARE YOUR TRUCK**  
**YOUR STORY** **JOURNEY**  
[Imctrucklife.com](http://Imctrucklife.com)



Hitch Ball Mount - Choose the best fitting Hitch Ball Mount with the right amount of rise or drop to even out the load. Raise or lower the height of your trailer ball by the amount listed for level towing.

PART	DESCRIPTION	APPLICATION	REQD	PRICE
37-7425	BALL MOUNT 3/4" RISE 2" DROP	7500 LB	(1)	\$22.95
37-7426	BALL MOUNT 2" RISE 4" DROP	7500 LB	(1)	\$23.95
37-7438	BALL MOUNT 4" RISE 6" DROP	7500 LB	(1)	\$39.95
37-7439	BALL MOUNT 6" RISE 8" DROP	5000 LB	(1)	\$44.95



Complete your towing package with a wiring harness.

PART	DESCRIPTION	APPLICATION	REQD	PRICE
56-0560	WIRING HARNESS	DODGE 86-93	(1)	\$34.95



Chrome Hitch Ball features a 1" diameter shank and includes lock washer and nut. Trailer Balls are listed by diameter. Choose the diameter you need to match your trailer.

PART	DESCRIPTION	REQD	PRICE
37-7427	HITCH BALL 1-7/8" 3500 LB	(1)	\$9.95
37-7428	HITCH BALL 2" 6000 LB	(1)	\$11.95
37-7429	HITCH BALL 2-5/16" 7500 LB	(1)	\$12.95

\* Or \*\* after the sell price means your order will incur an Oversize Part Charge for each oversized part. \* Means extra charge will be \$20. \*\* Means extra charge will be \$50. Due to packing and/or transportation requirements, please allow additional time for delivery. Oversized Parts are not available for air delivery.



Wheels are sold individually. Center Caps are not included and must be purchased separately, except where noted. Lug Nuts are not included and must be purchased separately.



**Chrome Blade Wheels**



**Aluminum 5 Spoke Wheels**



**White Spoke Wheels**



**Polished Aluminum Modular Wheels**

feature one-piece cast aluminum construction with an 8 hole modular design fully polished to a high luster finish. Center Caps are included. Lug nuts are not included and must be purchased separately.



**Black Daytona Wheels**



**Chrome Modular Wheels**



**Aluminum Modular Wheels**

**Chrome Blade Wheels** feature a tough rugged welded steel construction with a 5 blade directional design for the performance look. It has a triple chrome-plated finish for long-lasting wear.

PART	DESCRIPTION	PRICE
48-3552-D	15" X 8" 5 LUG X 5.5"	\$179.95
48-3553-D	15" X 10" 5 LUG X 5.5"	\$209.95
37-3357	16" X 8" 8 LUG X 6.5"	\$249.95

**Black Daytona Wheels** feature a gloss black finish over rugged welded steel construction for a performance truck look.

PART	DESCRIPTION	PRICE
48-3522-D	15" X 8" 5 LUG X 5.5"	\$136.95
48-3523-D	15" X 10" 5 LUG X 5.5"	\$178.95

**Aluminum 5 Spoke Wheels** feature one-piece cast aluminum construction with a clear coat finish. Closed center cap included.

PART	DESCRIPTION	PRICE
48-3510-D	15" X 8" 5 LUG X 5.5"	\$169.95
48-3511-D	15" X 10" 5 LUG X 5.5"	\$199.95
48-3512-C	16" X 8" 8 LUG X 6.5"	\$199.95

**Chrome Modular Wheels** feature tough, welded steel construction with a triple chrome-plated finish for maximum corrosion resistance.

PART	DESCRIPTION	PRICE
48-3542-D	15" X 8" 5 LUG X 5.5"	\$189.95
48-3543-D	15" X 10" 5 LUG X 5.5"	\$229.95
37-3347	16" X 8" 8 LUG X 6.5"	\$229.95

PART	DESCRIPTION	PRICE
48-3560-D	15" X 8" 5 LUG X 5.5"	\$219.95
48-3561-D	15" X 10" 5 LUG X 5.5"	\$219.95
48-3562-C	16" X 8" 8 LUG X 6.5"	\$229.95
48-3563-D	16" X 8" 5 LUG X 5.5"	\$229.95
48-3564-D	17" X 8" 5 LUG X 5.5"	\$239.95
37-3369	17" X 8" 8 LUG X 6.5"	\$239.95

**White Spoke Wheels** are a timeless 8-spoke design. Features tough, welded steel construction and gloss white finish for a classic look.

PART	DESCRIPTION	PRICE
48-3500-D	15" X 8" 5 LUG X 5.5"	\$127.95
48-3501-D	15" X 10" 5 LUG X 5.5"	\$165.95
48-3504-C	16" X 8" 8 LUG X 6.5"	\$189.95

**Aluminum Modular Wheels** feature one-piece cast aluminum construction with a 12 hole modular design and clear coat finish. Closed center cap included.

PART	DESCRIPTION	PRICE
48-3530-D	15" X 8" 5 LUG X 5.5"	\$164.95
48-3531-D	15" X 10" 5 LUG X 5.5"	\$189.95
37-3335	16" X 8" 8 LUG X 6.5"	\$189.95

## Chrome Center Caps and Lug Nuts



PART	DESCRIPTION	PRICE
<b>Chrome Center Caps</b>		
38-3766	OPEN 4WD 5 LUG X 5.5"	\$7.95
38-3767	CLOSED 2WD 4WD 5 LUG X 5.5"	\$11.95
48-3627-C	OPEN 4WD 8 LUG X 6.5"	\$13.45
48-3628-C	CLOSED 2WD 4WD 8 LUG X 6.5"	\$11.95
48-3638-D	CLOSED 2WD 4WD 8 LUG X 6.5"	\$14.95

### Lug Nuts

PART	DESCRIPTION	PRICE
40-0785-C	CHROME LUG NUT 1/2"	\$1.25
Dodge 1/2 Ton	1972-84 5 Lug x 4.5"	1/2" Lug Nut
Dodge 1/2 Ton	1980-93 5 Lug x 5.5"	1/2" Lug Nut
Dodge 3/4 Ton	1972-93 8 Lug x 6.5"	1/2" Lug Nut



## Gorilla Wheel Locks ... Safety and Security



Gorilla Wheel Locks protect your wheels from theft because they are virtually impossible to remove without the matching security pattern key. Made from case-hardened steel with triple chrome plating and comes with a patented key wrench adaptor and registration.

PART	DESCRIPTION	APPLICATION	REQD	PRICE
40-1045-C	WHEEL LOCK SET	1/2" CHROME	(1)	\$19.95



Exhaust Headers ... Bolt On up to 20% Horsepower Increase

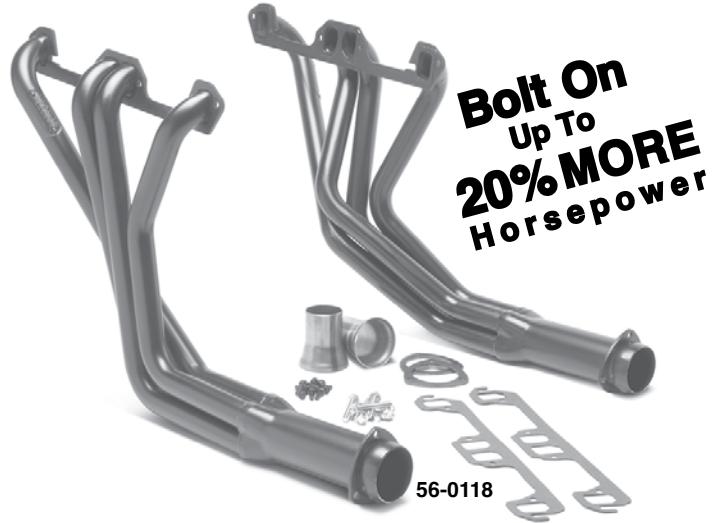
Hedman Headers offer excellent exhaust flow, reduced back pressure and improved performance. Includes hardware, 3" collector to 2-1/2" exhaust reducer, gaskets and instructions needed for installation. Headers are painted black. Tests have shown a 1.1 second improvement in 0 to 60 second times. Expect up to a 20% increase in horsepower and up to a 10% increase in gas mileage. Call or go online and order yours today!

*Increases in fuel efficiency and horsepower are based on a truck operating at factory specifications. Increases may vary according to the condition of your truck and driving habits.*

**Will not fit models with smog injection or injection heads. Will not fit late model vehicles with hi-torque starter.**

PART	DESCRIPTION	APPLICATION	REQD	PRICE
56-0118	HEADER SET "A"B"	318 360 2WD	72-91 (1)	\$369.95
56-0119	HEADER SET "A"B"	318 360 4WD	72-91 (1)	\$387.95
56-0123	HEADER SET	400 440 2WD	74-78 (1)	\$429.95
56-0124	HEADER SET	400 440 4WD	74-78 (1)	\$399.95

Note: "A" Will not fit Magnum series engines with multi-port fuel injection.  
 "B" Not legal in California for use on emission controlled vehicles. 1966 and newer U.S. manufactured California Certified vehicles are considered emission controlled vehicles.



Limited Lifetime Warranty

Header Wrap

Increase performance by keeping hot exhaust gasses inside the headers for maximum velocity, improved exhaust scavenging and protecting sensitive engine components from high temperatures.



Header Wrap is able to withstand temperatures up to 1,200°F and is made from vermiculite-coated, textured fiberglass yarn woven into a strong, flexible wrap that can easily be cut with scissors.

Available in 25 or 50-foot rolls of 1" or 2" widths. Two 50-foot rolls of 2" wide are generally enough to wrap standard V8 headers. Stainless steel locking cable ties keep the wrap securely in place. Header Wrap can void warranty of some headers. Check header manufacturer's warranty before installing.

Headers with tight bends should use 1" wide wrap for coverage. Overlap wrap 1/4" for optimum heat dissipation.

PART	DESCRIPTION	APPLICATION	PRICE
36-6181	HEADER WRAP	1" X 25'	\$10.95
36-6182	HEADER WRAP	1" X 50'	\$20.95
36-6183	HEADER WRAP	2" X 25'	\$16.45
36-6184	HEADER WRAP	2" X 50'	\$29.95
30-1793	CABLE TIE-SS	7-1/2"	\$2.95
30-1794	CABLE TIE-SS	14-1/2"	\$3.95

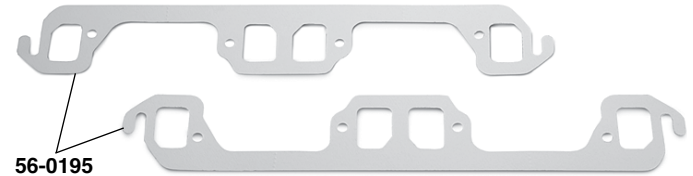
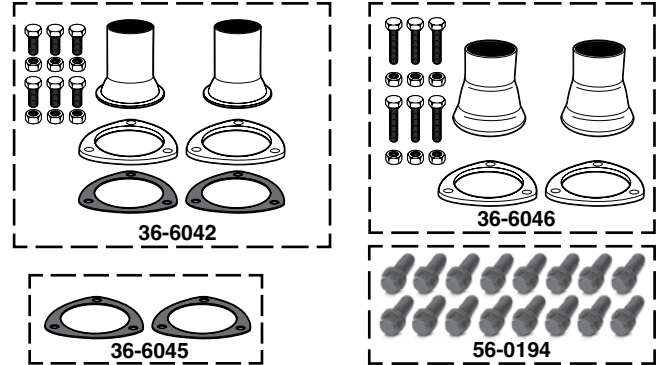
Thermal Spark Plug Boot Sleeve Set



Thermal Spark Plug Boot Sleeves provide thermal protection against hot exhaust headers. Double-layer gray fiberglass sleeves are non-conductive and can directly contact hot surfaces without harmful effects. Chemically-resistant 3/4" diameter braided sleeves easily slip over any spark plug wire and boot configuration to protect from temperatures up to 1,200°F. Call or go online and order yours today!

PART	DESCRIPTION	PRICE
36-6190	SPARK PLUG BOOT SLEEVE SET	\$14.45

Header Components



If you're adding a new set of headers or building a new exhaust system, these are the pieces you'll need to complete the project. Header Reducers have 3" collectors and are available to fit exhaust pipe sizes from 2-1/4" to 3". Reducer Gasket Set is a replacement for 3" flange style reducers.

PART	DESCRIPTION	APPLICATION	REQD	PRICE
<b>3 Bolt Flange Style Reducers</b>				
36-6042	HEADER REDUCER SET	3" TO 2-1/4"	(1)	\$32.95
36-6043	HEADER REDUCER SET	3" TO 2-1/2"	(1)	\$29.95
36-6044	HEADER REDUCER SET	3" TO 3"	(1)	\$32.95
36-6045	GASKET SET-REDUCER	3"	(1)	\$4.35
<b>Ball Flange Style Reducers</b>				
36-6046	HEADER REDUCER SET	3" TO 2-1/4"	(1)	\$35.95
36-6047	HEADER REDUCER SET	3" TO 2-1/2"	(1)	\$35.95
36-6048	HEADER REDUCER SET	3" TO 3"	(1)	\$39.95
<b>Header Bolts</b>				
56-0194	HEADER BOLT SET-16PC	3/4" LONG	318 360 72-93	(1) \$15.45
36-6094	HEADER BOLT SET-16PC	3/4" LONG	400 440 72-78	(1) \$15.95
36-6095	HEADER BOLT SET-16PC	1" LONG	400 440 72-78	(1) \$15.95
<b>Header Gaskets</b>				
56-0195	HEADER GASKET SET		318 360 72-93	(1) \$26.95
56-0198	HEADER GASKET SET		400 440 72-78	(1) \$16.95

## Front Differential Cable Lock Kit ... Cures Slow to No-engagement Blues !

Works like hubs with full control from inside the cab without stopping, in any temperature. Will not disengage when ignition is turned off or if differential is submerged in mud, water or snow. Two-wheel drive low range benefits from bind-free steering AND high rear axle torque. This feature is not available with factory systems and is beneficial when maneuvering trailers. Reduces front differential wear and right axle breakage.

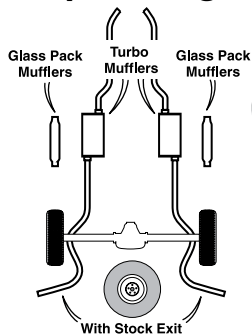
Differential Lock Kit is compatible with manually (lever) or electrically (push button) engaged transfer cases. Easily installed in one to two hours with basic hand tools. No internal axle or differential work required.



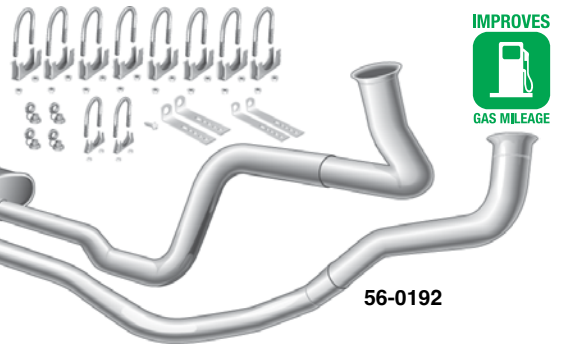
56-3846

PART	DESCRIPTION	APPLICATION	REQD	PRICE
56-3846	DIFFERENTIAL LOCK KIT	1/2T 3/4T 85-93	(1)	\$197.45

## Complete High Performance Bolt-On Exhaust Systems Connect without Welding



**Bolt On  
Up To  
18% MORE  
Horsepower**



56-0192

With 2-1/4" tailpipes, these Dual Exhaust Systems reduce exhaust restriction and back pressure for increased horsepower and better fuel economy. Complete with bolt-on connectors that adapt to your stock manifold ... no welding necessary! All parts and hardware for standard installation are included. The standard stock exhaust system of a truck with a 318 engine is a single 2-1/2" pipe. This means that you will be getting an 80% increase in exhaust flow, increasing horsepower by up to 18%, improving fuel efficiency and low-end torque at the same time. Increases in fuel efficiency and horsepower are based on a truck operating at factory specs.



**Only on Models Not Equipped with Factory Catalytic Converter**

Increases may vary according to the condition of your truck and driving habits. Manufactured from 16-gauge aluminized steel. Lasts up to twice as long as conventional plain steel systems. Made with modern tube benders utilizing mandrel bends, ensuring each bend is smooth flowing, increasing exhaust flow by up to 20% over stock systems. Call or go online and order yours today!

\* Or \*\* after the sell price means your order will incur an Oversize Part Charge for each oversized part. \* Means extra charge will be \$20. \*\* Means extra charge will be \$50. Due to packing and/or transportation requirements, please allow additional time for delivery. Oversized Parts are not available for air delivery.

PART	DESCRIPTION	APPLICATION	REQD	PRICE
<b>Stock Exit Systems</b>				
<b>Performance Glass Pack Dual Exhaust System</b>				
Glass pack exhaust systems have bullet shaped, straight through glass pack mufflers to reduce back pressure and give that aggressive rumble you want.				
56-0193	DUAL GLASS PACK	318 360 1/2T 3/4T 72-91	(1)	\$349.95*
<b>Performance Turbo Dual Exhaust System</b>				
Turbo exhaust systems have 2-1/4" in and out flow turbo mufflers to reduce back pressure and give that great low exhaust tone you expect from your truck.				
56-0192	DUAL TURBO	318 360 1/2T 3/4T 72-91	(1)	\$379.95*
36-5489	TAIL PIPE EXTENSION SET CREW CAB	1/2T 3/4T 72-91	(1)	\$39.95

These are longbed systems; front extension pipes will need to be cut to fit shortbed models. #36-5489 Tail Pipe Extension Set is required on all Crew Cab models. Exhaust systems are designed to route the exhaust pipes outside the frame.

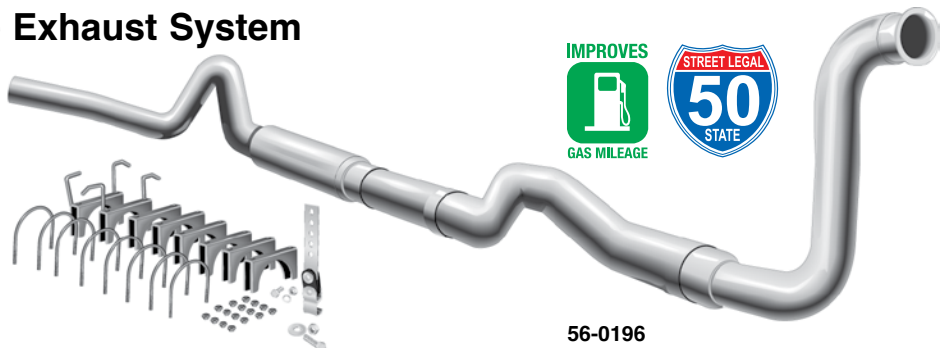
## Performance Diesel Single Exhaust System

With 4" pipe and a high flow muffler, this Performance Diesel Exhaust System reduces back pressure and lowers exhaust gas temperatures for increased horsepower and better fuel economy.

This Turbo-Back system is made with modern mandrel tube benders ensuring each bend is smooth and free flowing thus increasing exhaust flow by up to 20% over stock systems. Exhaust exits in stock location. Available in Aluminized Steel.

Easy bolt-on installation; no welding required. Hangers, fasteners, clamps and instructions are included.

This is designed to fit long wheelbase models. Front extension pipe may need to be cut, depending on the wheelbase of the truck.



56-0196

PART	DESCRIPTION	APPLICATION	REQD	PRICE
56-0196	SINGLE EXHAUST SYSTEM-4" TURBO DIESEL	89-93	(1)	\$469.95*

\* Or \*\* after the sell price means your order will incur an Oversize Part Charge for each oversized part. \* Means extra charge will be \$20. \*\* Means extra charge will be \$50. Due to packing and/or transportation requirements, please allow additional time for delivery. Oversized Parts are not available for air delivery.



Chrome Exhaust Tips



Chrome Exhaust Tips are triple chrome plated and available in both angle and blunt outlets. They are 9" long and available to fit two sizes: 2-1/4" and 2-1/2" outer diameter exhaust pipes.

Chrome Exhaust Tips can be easily installed with exhaust clamps that are included with tips or welded on for a smoother look.

PART	DESCRIPTION		PRICE
38-6834	BLUNT TIP-CHROME	2-1/4"	\$32.95
38-6835	ANGLE TIP-CHROME	2-1/4"	\$24.95
38-6836	BLUNT TIP-CHROME	2-1/2"	\$37.95
38-6837	ANGLE TIP-CHROME	2-1/2"	\$24.95

Stainless Steel Exhaust Tips



Made from 16-gauge 304 grade stainless steel for longer life and measure 15" long with 3-1/2" diameter outlets. Two inlet sizes are available to fit 2-1/4" and 2-1/2" outer diameter exhaust pipes. Exhaust Tips can be welded on or clamped on with #31-0560 or #31-0561 Stainless Steel Exhaust Clamps that must be purchased separately.

PART	DESCRIPTION	PRICE
38-6830	BLUNT TIP-STAINLESS 2-1/4"	\$46.95
38-6831	ANGLE TIP-STAINLESS 2-1/4"	\$52.95
31-0560	CLAMP-STAINLESS STEEL	\$9.60
38-6832	BLUNT TIP-STAINLESS 2-1/2"	\$59.95
38-6833	ANGLE TIP-STAINLESS 2-1/2"	\$59.95
31-0561	CLAMP-STAINLESS STEEL	\$10.40

Diesel Stainless Steel Exhaust Tip

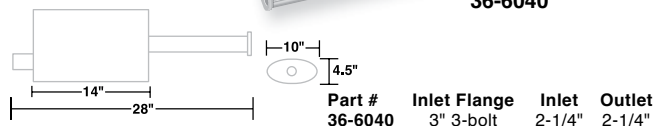
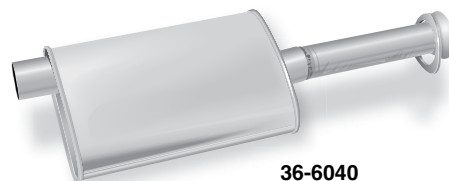
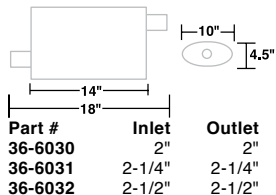


Complete the look of your diesel exhaust system with this Stainless Steel Exhaust Tip. Tip is 12" long with 5" diameter outlet and features an angle cut with a rolled tip. 4" inner diameter is made to fit 4" outer diameter exhaust pipe. Attaching hardware is included.

PART	DESCRIPTION		PRICE
56-0156	EXHAUST TIP-ROLLED	4"	\$44.95

**HEDMAN HEDDERS** Turbo Mufflers

Turbo Mufflers are specially designed to reduce and control noise without excessively restricting power. They are made from the finest quality materials and can be used as OE replacements as well as on custom exhaust systems.



Turbo Mufflers have a galvanized, double wrapped muffler casing for maximum rust protection. Louvered baffles eliminate vibration and spun end caps provide a gas tight seal. Reverse flow design allows muffler to be inverted.

PART	DESCRIPTION	APPLICATION	PRICE
36-6030	HEDMAN TURBO MUFFLER	2" X 2"	\$107.95
36-6031	HEDMAN TURBO MUFFLER	2-1/4" X 2-1/4"	\$107.95
36-6032	HEDMAN TURBO MUFFLER	2-1/2" X 2-1/2"	\$107.95

Turbo Header Mufflers have the same features as Turbo Mufflers and they have a 3" 3-bolt flange to bolt-up to most headers.

PART	DESCRIPTION	APPLICATION	PRICE
36-6040	HEDMAN TURBO HEADER MUFFLER	2-1/4" X 2-1/4"	\$114.95

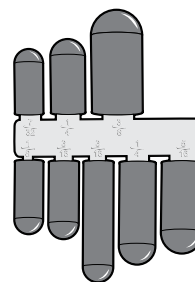
Deluxe Polishing Kit



Deluxe Polishing Kit can be used on aluminum, brass, copper, iron, steel, stainless steel and chrome, wood or even plastic. Kit includes: six 4-ounce bars of assorted polishing compounds, 12 assorted buffing wheels with 1/4" diameter shank to allow use with any standard electric drill and instructions with color-coded chart.

PART	DESCRIPTION	REQD	PRICE
38-1232	DELUXE POLISHING KIT	(1)	\$49.95

Rubber Vacuum Caps

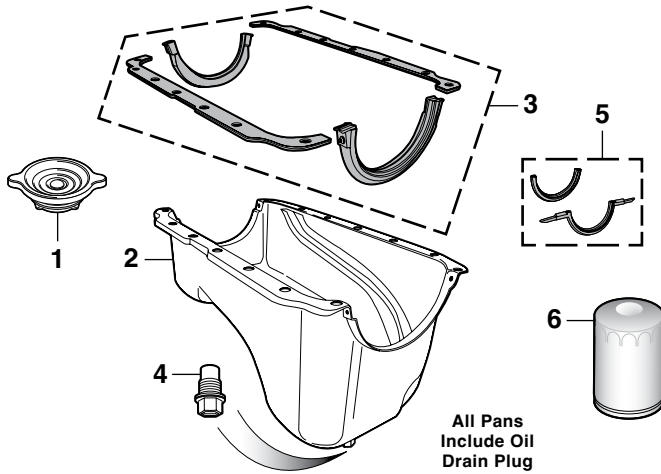


These Rubber Vacuum Caps are great for blocking off unused vacuum ports and lines, to prevent leaks and poor engine performance. Excellent for capping lines and hoses while testing carburetors, emission control systems, vacuum lines and more.

Caps are made from durable heat-resistant black rubber. Assortment contains one each of the following sizes: 5/32", 7/32", 5/16", 3/8" and two each of 3/16" and 1/4".

PART	DESCRIPTION	REQD	PRICE
30-1436	RUBBER VACUUM CAP ASSORTMENT	(1)	\$3.95

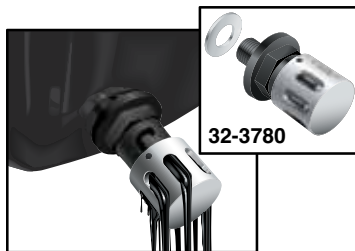
## Oil Pan and Components



Some replacement pans have a 14mm thread. Measure your plug before ordering.

PART	ILL#	DESCRIPTION	APPLICATION	REQD	PRICE
30-4122	(1)	OIL FILLER CAP	1/2T 3/4T 72-82	(1)	\$3.95
30-4122		OIL FILLER CAP	6 CYL 1/2T 3/4T 83-85	(1)	\$3.95
55-6796		OIL FILLER CAP	V8 1/2T 3/4T 83-85	(1)	\$2.45
30-4122		OIL FILLER CAP	GAS 1/2T 3/4T 86-93	(1)	\$3.95
55-6797		OIL FILLER CAP	DIESEL DODGE 89-92	(1)	\$4.75
55-3597	(2)	OIL PAN	318 72-91	(1)	\$84.95
55-3598		OIL PAN	V8 360 72-91	(1)	\$84.95
55-3606		OIL PAN	DIESEL DODGE 89-93	(1)	\$129.95
55-1544	(3)	GASKET-OIL PAN	3.9L 88-91	(1)	\$11.95
55-1546		GASKET-OIL PAN	318 72-91	(1)	\$10.45
55-1552		GASKET-OIL PAN	318 92-93	(1)	\$22.95
55-1547		GASKET-OIL PAN	V8 360 72-91	(1)	\$9.95
55-1554		GASKET-OIL PAN	V8 360 92-93	(1)	\$19.95
55-1555		GASKET-OIL PAN	DIESEL DODGE 89-93	(1)	\$14.95
32-3770	(4)	DRAIN PLUG-MAGNETIC-1/2 GAS	1/2T 3/4T 72-93	(1)	\$3.45
40-4077-D		DRAIN PLUG-MAGNETIC 14MM	1/2T 3/4T 72-93	(1)	\$5.95
55-1568	(5)	REAR MAIN SEAL	3.9L 87-91	(1)	\$10.45
55-1571		REAR MAIN SEAL	3.9L 92-93	(1)	\$13.95
55-1568		REAR MAIN SEAL	318 72-91	(1)	\$10.45
55-1571		REAR MAIN SEAL	318 92-93	(1)	\$13.95
55-1569		REAR MAIN SEAL	V8 360 72-91	(1)	\$9.95
55-1573		REAR MAIN SEAL	V8 360 92-93	(1)	\$17.95
55-1499	(6)	OIL FILTER	3.9L 88-90	(1)	\$1.95
55-1500		OIL FILTER	3.9L 91-93	(1)	\$4.25
43-5632-D		OIL FILTER	318 72-74	(1)	\$4.95
55-1500		OIL FILTER	V8 318 75-93	(1)	\$4.25
55-1500		OIL FILTER	V8 360 72-93	(1)	\$4.25

## EZ Oil Drain Valve

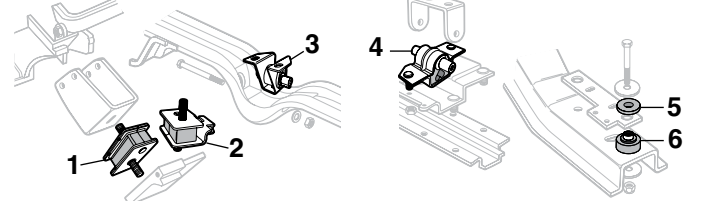


EZ Oil Drain Valve allows quick oil changes with little to no mess. Compact design has no lever to catch on obstacles. Adaptors are not required and easily installs with socket or wrench. Aluminum crush washer (included) ensures tight, leak-free seal.

Simple operation; push in cap, twist to the right and drain. Once drained, push in and twist to left to close. Spring-tensioned, double o-ring seal guarantees a long, leak-free life.

PART	DESCRIPTION	APPLICATION	REQD	PRICE
32-3780	EZ OIL DRAIN VALVE 1/2	GAS DODGE 72-93	(1)	\$12.95
40-4091-D	EZ OIL DRAIN VALVE 14MM	DODGE 72-93	(1)	\$13.95
32-3780	EZ OIL DRAIN VALVE 1/2	DIESEL DODGE 89	(1)	\$12.95
55-3793	EZ OIL DRAIN VALVE 18MM	DIESEL DODGE 90-93	(1)	\$12.95

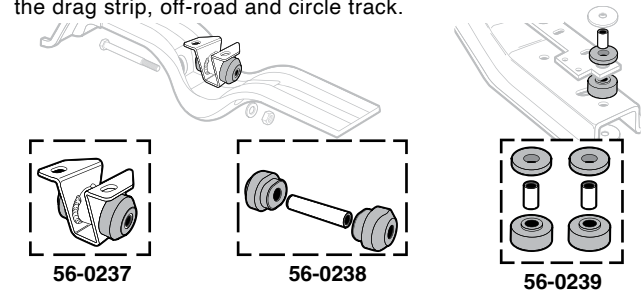
## Engine and Transmission Mounts



PART	ILL#	DESCRIPTION	APPLICATION	REQD	PRICE
55-3830	(1)	ENGINE MOUNT	GAS 1/2T 3/4T 72-78	(2)	\$8.95
55-3831	(2)	ENGINE MOUNT	GAS 1/2T 3/4T 79-93	(2)	\$9.95
55-3832		ENGINE MOUNT	DIESEL 1/2T 3/4T 89-93	(2)	\$12.75
55-3835	(3)	TRANSMISSION MOUNT	2WD 1/2T 3/4T 72-87	(1)	\$8.95
55-3836	(4)	TRANSMISSION MOUNT	2WD 6 CYL 88-89	(1)	\$7.95
55-3836		TRANSMISSION MOUNT	2WD V8 PICKUP 88-89	(1)	\$7.95
55-3835		TRANSMISSION MOUNT	2WD V8 SUV 88-89	(1)	\$8.95
55-3836		TRANSMISSION MOUNT	2WD 1/2T 3/4T 90-93	(1)	\$7.95
55-3835	(3)	TRANSMISSION MOUNT	4WD 6 CYL 72-77	(1)	\$8.95
55-3835		TRANSMISSION MOUNT	4WD V8 72-73	(1)	\$8.95
55-3837	(5)	TRANSMISSION MOUNT-UPR	4WD V8 74-77	(2)	\$3.95
55-3838	(6)	TRANSMISSION MOUNT-LWR	4WD V8 74-77	(2)	\$6.25
55-3837		TRANSMISSION MOUNT-UPR	4WD 1/2T 3/4T 78-93	(2)	\$3.95
55-3838		TRANSMISSION MOUNT-LWR	4WD 1/2T 3/4T 78-93	(2)	\$6.25

## Polyurethane Transmission Mounts

Transmission Mounts are soft enough for smooth operation on the street, yet strong enough for use at the drag strip, off-road and circle track.



PART	DESCRIPTION	APPLICATION	REQD	PRICE
56-0237	TRANSMISSION MOUNT-2WD	1/2T 3/4T 72-87	(1)	\$49.95
56-0237	TRANSMISSION MOUNT-4WD	6 CYL 1/2T 3/4T 72-77	(1)	\$49.95
56-0237	TRANSMISSION MOUNT-4WD	V8 1/2T 3/4T 72-73	(1)	\$49.95
56-0238	TRANS BUSHING SET-2WD	1/2T 3/4T 72-87	(1)	\$23.31
56-0238	TRANS BUSHING SET-4WD	6 CYL 1/2T 3/4T 72-77	(1)	\$23.31
56-0238	TRANS BUSHING SET-4WD	V8 1/2T 3/4T 72-73	(1)	\$23.31
56-0239	TRANS BUSHING SET-4WD	6 CYL 1/2T 3/4T 78-93	(1)	\$24.95
56-0239	TRANS BUSHING SET-4WD	V8 1/2T 3/4T 74-93	(1)	\$24.95

## Black Underhood Paint



Black Underhood Paint's specially formulated acrylic lacquer restores the finish of brackets, core supports, heater boxes and all underhood components. Withstands temperatures up to 250°F but is not designed to be applied to engine, manifolds or headers. 12 ounce can covers 6 square feet. Call or go online and order yours today!



**37-8367**  
Black  
\$20.95

## Prep/Cleaner



**37-8399**  
12 oz Can  
\$13.95

ColorBond Prep/Cleaner is a fast drying, non-solvent, multi-surface cleaner. It cleans and prepares the surface for use of ColorBond.

## Throttle Body Spacers

IMPROVES

GAS MILEAGE  
Up to 8%

Improve performance and fuel economy ... Throttle Body Spacer causes the fuel to travel further, which improves fuel dispersion, making it easier for the fuel to ignite and burn thoroughly. Receive increased throttle response, a 10-15% improvement in torque and gas mileage increase of up to 8%. Easily installs between intake manifold and throttle body injection unit. Will not affect computer function.

PART	DESCRIPTION	APPLICATION	REQD	PRICE
56-0050	THROTTLE BODY SPACER	3.9L 5.2L 92-93	(1)	\$56.45
56-0050	THROTTLE BODY SPACER	5.9L 93	(1)	\$56.45

## JET Performance Powr-Flo Throttle Body Spacers



Powr-Flo Throttle Body Spacers are CNC-machined from billet aluminum and feature a bore engineered to increase velocity of airflow into intake manifold. This allows more air to reach combustion chamber for denser air charge and increase in fuel efficiency. The result is improved throttle response and power gains in mid-range and upper rpm operating ranges. Includes gaskets, hardware and instructions for a simple, bolt-on installation with no other vehicle modifications required.

PART	DESCRIPTION	APPLICATION	REQD	PRICE
56-0100	POWR-FLO SPACER	3.9L 5.2L 92-93	(1)	\$98.63
56-0100	POWR-FLO SPACER	5.9L 93	(1)	\$98.63

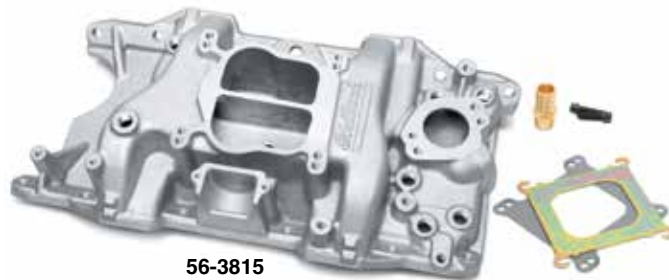
## Manual Choke Conversion Kit



Replace the broken or malfunctioning choke assembly on your truck with this universal Manual Choke Conversion Kit, designed to convert your carburetor choke to manual operation. Kit is constructed of high-quality materials for long-lasting service and contains a 5'-long pull cable, covers, and the mounting hardware needed to make the conversion. Will fit most carburetor-equipped vehicles.

PART	DESCRIPTION	REQD	PRICE
34-1242	MANUAL CHOKE CONVERSION KIT	(1)	\$13.45

## Edelbrock Performer Intake Manifold



56-3815

Edelbrock Aluminum Manifold Intakes have a patented design that delivers crisp throttle response from idle to 5,500 rpm.

PART	DESCRIPTION	APPLICATION	REQD	PRICE
56-3815	PERFORMER MANIFOLD W/EGR	318 360 72-87	(1)	\$449.95
55-1530	INTAKE MANIFOLD GASKET SET FOR	56-3815	(1)	\$10.95

## Edelbrock Performer Series Carburetor



38-4440

Bolts on and performs right out of the box - a direct replacement for stock 4-barrel carburetors. Calibrated to match Edelbrock Manifolds and others of similar design for a no-hassle combination. These dependable carbs are made of durable components with no plastic parts or power valves to blow. Their two-piece design with no gaskets below the fuel level means no leaks and easy adjustments without taking the carb off of the motor. Comes with installation kit and instructions. Includes both timed and full vacuum ports for ignition advance.

**#38-4440** - 600 cfm Electric Choke with square flange - Includes timed vacuum ports, EGR and fuel vapor outlet. Metering Jets: Primary .098, Secondary .095; Metering Rods: .073 x .047. Step-up Spring: Orange (5" Hg)

PART	DESCRIPTION	APPLICATION	REQD	PRICE
38-4440	EDELROCK PERFORMER CARB 600CFM	ELECTRIC CHOKE	(1)	\$498.95



38-4449



38-4451

The Fuel Line and Filter Kit designed for Edelbrock Performer carbs includes a chromed hard steel line and Russell fuel filter.

The Chromed Steel Fuel Line comes with a 3/8" barbed end and no filter.

PART	DESCRIPTION	APPLICATION	REQD	PRICE
38-4449	FUEL LINE & FILTER KIT	PERFORMER CARBS	(1)	\$47.95
38-4451	CHROMED STEEL FUEL LINE	PERFORMER CARBS	(1)	\$34.95



## Holley Sniper 2 Electronic Fuel Injection System



Holley Sniper 2 EFI is a self-tuning, easy-to-install Electronic Fuel Injection conversion for common 4-barrel (4150 flange) style carburetors. Make your classic truck drive like a modern fuel-injected vehicle, including easy cold starts, smooth drivability, and improved fuel economy!

If you're looking for a high-performance fuel injection system that delivers power, efficiency, and ease of use, look no further than the Sniper 2 EFI.

- Replaces 4-barrel (4150 flange) carburetors.
- Available in black or polished finishes.
- 4 wiring connections required: Battery+, Battery-, Switched Ignition, and RPM.
- Variety of tuning and gauge display interfaces: from a 3.5-inch full color LCD Handheld, 5-inch Digital Dash, or the Bluetooth dongle, which allows you to connect either an iOS or Android based cell phone to the Sniper 2.
- Inputs and outputs consist of: 2x Ground Inputs, 2x Ground Outputs, 1x TPS Output (0-5v), and 1x Tach Output.
- Onboard contactless magnetic TPS sensor ensures an accurate TPS reading.
- The included genuine Bosch LSU 4.9 wideband oxygen sensor provides real-time fuel map learning.
- Redesigned throttle shaft and plate geometry for a smoother throttle feel.
- Supports up to 650hp naturally aspirated or 575hp on boost with four 100 lb/hr injectors.
- Next generation ECU features improved RF noise and interference resistance.
- "Hidden Harness" wiring harnesses exits from the rear of throttle body for a clean appearance.
- Redesigned injector connector for improved reliability.
- Main harness includes plug-and-play HyperSpark distributor support, for integrated timing control, making your ignition setup hassle free.
- Included clamp-on oxygen sensor kit ensures a leak free oxygen sensor installation.
- Integrated transmission kick down provisions for GM TH350/400, 200-4R/700R4 and Ford C4/C6 applications.
- Calibration wizard only requires that you answer a few simple questions about your engine to create a base map and begin self-tuning – No laptop required.

### Black Finish



PART	DESCRIPTION	PRICE
38-4518	HOLLEY SNIPER 2 EFI-BLACK	\$1299.95

### Polished Finish



PART	DESCRIPTION	PRICE
38-4519	HOLLEY SNIPER 2 EFI-POLISHED	\$1299.95

## Holley Adaptor Plate - Square Bore to Spread Bore

Allows the Sniper EFI to mount directly to a spread bore manifold and seal properly. Includes metal plate and two gaskets.



PART	DESCRIPTION	APPLICATION	REQD	PRICE
38-4450	ADAPTOR PLATE SQUARE BORE TO	SPREAD BORE	(AR)	\$7.95

## Holley EFI Fuel System Kit

Holley EFI Fuel System Kit contains everything required to properly plumb a full return style fuel system. Includes 40 feet of 3/8" vapor guard fuel injection hose, a high pressure fuel injection pump, a set of pre and post fuel pump filters and all of the fittings required to install the system, including a fuel return bulkhead fitting for ease of return line installation in your factory fuel tank.

Not legal in California for use on emission controlled vehicles. 1966 and newer U.S. manufactured California Certified vehicles are considered emission controlled vehicles.



PART	DESCRIPTION	REQD	PRICE
38-4510	EFI FUEL SYSTEM KIT	(1)	\$459.95

**Stainless Steel Coolant Overflow Kit**



Stainless Steel Coolant Overflow Kit works in place of any existing coolant overflow system or can be added to vehicles not originally equipped with a coolant overflow tank. Tank holds over 1 quart of coolant and measures 3 inches wide by 16 inches tall. Kit includes stainless steel coolant overflow tank, stainless steel twist-on style cap, mounting brackets and hardware.

PART	DESCRIPTION	PRICE
36-4087	COOLANT OVERFLOW KIT-SS	\$44.95
32-1941	OVERFLOW HOSE 4FT	\$9.95
30-3410	HOSE CLAMP	\$1.95

**Chrome and Clear Fuel Filter**



Visually inspect the condition of your fuel and filter element. Durable chrome plated. For carb systems only.

PART	DESCRIPTION	PRICE
38-1886	FUEL FILTER-3/8" FUEL LINE	\$14.95
38-1887	FUEL FILTER-5/16" FUEL LINE	\$11.95
38-1888	REPLACEMENT FILTER	\$4.95

**Chrome Window Handle Set**



Chrome Window Handles measure 4-1/4" in length and are easy to install. Includes round, square and splined adaptors to fit a variety of window shaft styles.

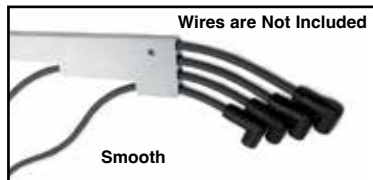
PART	DESCRIPTION	PRICE
38-6457	CHROME WINDOW HANDLE SET	\$34.95

**Chrome Radiator Cap**



PART	DESCRIPTION	PRICE
38-1968	CHROME RADIATOR CAP-16LB	\$22.55

**Billet Aluminum Wire Loom Set**



Billet Aluminum Wire Loom Set organizes and protects your spark plug wires. Available in smooth or ball-milled finish and fits spark plug wire sizes from 7mm to 9.5mm. Mounts with existing valve cover bolts and rests above factory exhaust manifolds or headers. May not clear some factory exhaust manifolds. A 3/4" clearance is required between the top of exhaust manifold or header and the bottom of the valve cover. Check yours before ordering.

PART	DESCRIPTION	APPLICATION	REQD	PRICE
38-1781	WIRE LOOM SET-SMOOTH	V8	72-93 (1)	\$49.95
38-1782	WIRE LOOM SET-BALL MILLED	V8	72-93 (1)	\$52.75

**Chrome Cab Handle Set and Tow Hook**

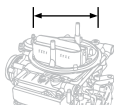


#38-1941 Chrome Cab Handles are 1" in diameter and 12" long. Mounting hardware is included.

#38-1942 Chrome Tow Hook has a 10,000 pound capacity.

PART	DESCRIPTION	APPLICATION	REQD	PRICE
38-1941	CHROME CAB HANDLE SET OF 2	1" X 12"	(1)	\$32.95
38-1942	CHROME TOW HOOK	10,000 LB CAPACITY		\$13.95

**Chrome Air Cleaners**



To determine the size of filter you need, measure the outside diameter of the carburetor neck where the filter mounts. 5-1/8" filters fit most popular 4BBL carbs including OE, Edelbrock and Holley. Smaller filters fit 1BBL and 2BBL carbs. Check yours before ordering.



PART	DESCRIPTION	PRICE
<b>For 5-1/8" Carb Mount</b>		
38-1818	AIR CLEANER 14" X 3" ELEMENT 3" TALL	\$34.95
38-1960	AIR CLEANER 10" X 2-1/8" ELEMENT 2-1/8" TALL	\$11.55
38-1820	AIR CLEANER 14" X 3" ELEMENT 3" TALL	\$21.95
38-1962	AIR CLEANER 10" X 2-1/8" ELEMENT 2-1/8" TALL	\$9.95
38-1977	TRI-FLOW AIR CLEANER 14" X 3" ELEMENT 3" TALL	\$47.55
38-1963	TRI-FLOW AIR CLEANER 10" X 2-1/8" ELEMENT 2-1/8" TALL	\$13.95
38-1976	HIGH FLOW W/WASHABLE FOAM ELEMENT 12" X 2-1/2" X 2-1/2" TALL	\$24.95
<b>For 2-5/8" Carb Mount</b>		
48-2066-C	LOUVERED AIR CLEANER 4-5/8" X 2-3/4" ELEMENT 2" TALL	\$9.95
43-5599-C	LOUVERED AIR CLEANER 4-5/8" X 2-3/4" ELEMENT 2" TALL	\$4.95
38-1973	AIR CLEANER 4" X 2-3/4" ELEMENT 2" TALL	\$14.45
43-5599-C	AIR CLEANER 4" X 2-3/4" ELEMENT 2" TALL	\$4.95
<b>Air Cleaner Accessories</b>		
38-1808	ADAPTOR 5-1/8" TO 3-1/16"	\$2.45
38-1819	AIR CLEANER NUT-CHROME	\$1.95
38-1842	AIR CLEANER STUD & NUT 4"	\$1.95

*Not legal for sale or use on pollution controlled vehicles.*

**Hair Pin Style Hood Pin Set**



PART	DESCRIPTION	PRICE
30-2550	HAIR PIN STYLE HOOD PIN SET	\$9.95

PART	DESCRIPTION	PRICE
30-2551	HAIR PIN SET-CHROME 2PC	\$3.95

## Chrome Valve Covers Dress up Your Engine



Each Valve Cover Set Requires a Different Number of Accessories See Below for Options

Valve Cover Set Number	Total Number of Accessory Holes
56-3805	2

PART	DESCRIPTION	APPLICATION	REQD	PRICE
<b>Chrome Valve Covers</b>				
56-3805	CHROME VALVE COVER SET	"A" 318 360	72-92 (1)	\$39.95
55-1525	VALVE COVER GASKET SET	"A" 318 360	72-92 (1)	\$7.95
<b>Chrome Valve Cover Accessories</b>				
30-2523	CHROME OIL CAP-PLAIN	PUSH IN		\$4.95
38-1814	CHROME OIL CAP-W/"OIL"	PUSH IN		\$4.95
38-1799	BREATHER CAP "B" W/GROMMET & TUBE 1" PUSH IN			\$5.95
30-2520	GROMMET-BREATHER "B" 1" INR DIA 1-1/4" OUTER DIA			\$1.95
38-1802	BREATHER/PCV CAP "B" W/GROMMET 3/4" PUSH IN			\$5.25
30-2521	GROMMET-BREATHER/PCV 3/4" INR DIA 1-1/4" OUTER DIA			\$1.25

Note: "A" Will not fit Magnum series engines with multi-port fuel injection.  
"B" Not legal for sale or use on pollution controlled vehicles.

## FREE Parts & Accessories Catalogs Available

Order Your Free Catalog Online at [www.LMCtruck.com](http://www.LMCtruck.com)  
(800) 562-8782

## Wire Loom Sets

Wire Loom Sets keep ignition wires organized and help protect them from crossfire and excessive engine heat. Separators fit up to 9mm diameter ignition wires and are available in black or chromed plastic. This 6-piece set includes (2) 2-hole separators, (2) 3-hole separators and (2) 4-hole separators.



PART	DESCRIPTION	PRICE
38-1785	WIRE LOOM SET-CHROME	\$5.65
38-1786	WIRE LOOM SET-BLACK	\$5.95

## Chrome Transmission Pan



PART	DESCRIPTION	PRICE
56-3809	FINNED STOCK DEPTH	\$26.95
55-1540	GASKET-TRANS	\$4.95

## Chrome Differential Cover and Chrome Differential Bolt Set



PART	DESCRIPTION	PRICE
56-3801	REAR W/CHRYSLER 12 BOLT COVER GASKET	\$29.95
56-3811		\$4.45
38-1809	FRONT W/DANA 44 10 BOLT COVER GASKET	\$21.95
30-4390		\$2.95
48-2019-C	REAR W/DANA 60 10 BOLT COVER GASKET	\$17.95
40-4022-C		\$3.95
56-3804	REAR W/DANA 80 10 BOLT COVER GASKET	\$39.95
56-3813		\$6.45
30-2543	CHRM BOLT SET-CHRY 12 BOLT	\$6.95
30-2543	CHROME BOLT SET-DANA 44	\$6.95
40-0176-D	CHROME BOLT SET-DANA 60	\$13.95
30-2543	CHROME BOLT SET-DANA 80	\$6.95

## Chrome Engine Dipsticks



PART	DESCRIPTION	PRICE
56-3807	DIPSTICK 318 360 "A" 72-92	\$12.95
56-3808	ENG DIPSTICK 400 440 72-78	\$13.95

Note: "A" Will not fit Magnum series engines with multi-port fuel injection.





**Loctite Ready Gasket** makes leak-proof gaskets for temperatures from -75°F to 450°F. Blowout resistant, sensor-safe and ideal for sealing differential covers, valve covers, water pumps, thermostat housings and more. Applies with a standard caulking gun, dries black.

PART	DESCRIPTION	PRICE
38-0767	5 OZ TUBE	\$16.95



**Loctite RTV Red** is a high-temperature silicone gasket maker and adhesive. It forms a tough, flexible seal that is resistant to most chemicals without hardening, shrinking or cracking. RTV Red has a temperature range of -75°F to +600°F and is sensor-safe.

PART	DESCRIPTION	PRICE
38-0774	2.7 OZ TUBE	\$6.95



**Loctite Spray Adhesive** dries clear with superior bonding strength. Excels at attaching upholstery cloth, carpeting, insulation and has many other uses. Not recommended for use on headliners.

PART	DESCRIPTION	PRICE
38-0798	10.5 OZ CAN	\$8.95



**Loctite Rubberized Undercoating** is a heavy-duty undercoating that seals, protects and insulates frames, floor pans, wheel wells and other body panels. Rubberized for maximum durability.

PART	DESCRIPTION	PRICE
38-0766	16 OZ AEROSOL	\$6.95



**Permatex Windshield and Glass Sealant** is a silicone sealant for windshields, windows and other glass. Flows into leaks like water and dries to form a flexible, tough, clear seal that is resistant to extreme temperatures, vibration and most chemicals.

PART	DESCRIPTION	PRICE
38-0783	1.5 OZ TUBE	\$6.25



**Permatex Anti-Seize Lubricant** is a highly refined blend of aluminum, copper and graphite lubricants. Use during assembly to prevent galling, corrosion and seizing due to weathering or chemicals. Anti-Seize Lubricant assures easier disassembly and is salt, corrosion and moisture resistant.

PART	DESCRIPTION	PRICE
38-0757	4 OZ JAR	\$8.45



**Penetrating Graphite Powder** is an extra fine graphite powder that is odorless dry powder lubricant, used to guard against sticking, wear, and corrosion. Keeps brake cables, speedometer cables, control cables, hinges, locks and other metal applications working smoothly. Helps prevent corrosion and rust.

PART	DESCRIPTION	PRICE
38-0751	.21 OZ TUBE	\$3.95



**Permatex Weatherstrip Adhesive** is a flexible, water-resistant black adhesive for bonding rubber and metal surfaces. Withstands extreme temperatures and resistant to gasoline, antifreeze and most solvents.

PART	DESCRIPTION	PRICE
38-0759	5 OZ TUBE	\$8.95



**Permatex Orange Threadlocker** is a hybrid formula that combines the strength of Red with the removability of Blue Threadlocker. Orange Threadlocker is ideal for heavy-duty, high vibration applications and can be removed with hand tools without heating.

PART	DESCRIPTION	PRICE
38-0749	.34 OZ TUBE	\$11.95



**Loctite Dielectric Grease** extends the life of electrical components by protecting them from moisture, salt and corrosion. Also prevents spark plugs from fusing to boots. Use on fuses, battery terminals, ignition components and other electrical connections.

PART	DESCRIPTION	PRICE
38-0759	5 OZ TUBE	\$8.95



**Permatex's Thread Sealant** with PTFE (a thermoplastic polymer) is an economical general-purpose fitting sealant. It outperforms traditional tapes and pipe dopes while it seals and resists pressure in air, oil, diesel fuel and hydraulic systems. Thread Sealant remains pliable at higher and lower temperatures.

PART	DESCRIPTION	PRICE
38-0753	4 OZ JAR	\$8.45



**Vinyl Edge Sealer Pen** is an ultraviolet light-blocking, fast-drying, clear acrylic sealer that protects the edges of vinyl decals, graphics and the ends of adhesive chrome body moldings. It features a wedge applicator tip for a smooth, even application.

PART	DESCRIPTION	PRICE
38-0921	.3 OZ PEN	\$12.95



**3M™ Adhesive Tape** is a high-performance, double-sided tape for all types of accessories, both interior and exterior. The tape's foam core allows it to expand and contract with temperature changes and to conform to surface irregularities and gaps. Includes three 1" x 12" strips.

PART	DESCRIPTION	PRICE
38-0788	3M TAPE	\$8.95



**Strip Caulk** is a non-hardening, non-shrinking waterproof black caulking material with great adhesion properties and is temperature resistant from -400°F to +500°F. Perfect for sealing around hoses, tubing, wiring or any other hole, joint, seam, void or gap to prevent fumes, moisture or noise penetration. Easy to apply and can be painted immediately. Contains twelve 1/4" x 12" strips.

PART	DESCRIPTION	PRICE
38-0779	STRIP CAULK	\$5.75



**Loctite Copper Anti-Seize Stick** protects against high-temp seizing and galling of fasteners up to 1,800°F. Perfect for spark plugs, exhaust manifold bolts, thermostat housing bolts and oxygen sensors.

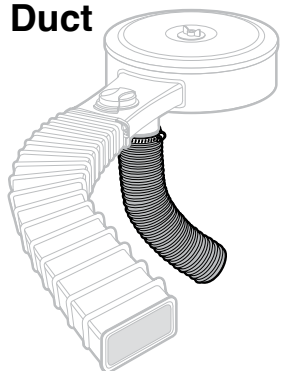
PART	DESCRIPTION	PRICE
38-0765	20 GRAM STICK	\$5.95



**Seam Sealer** provides superior adhesion and flexibility without cracking or peeling. Its self-leveling qualities make it an excellent sealer on cowl, floor, doors and wheel house seams. Skin time is 1-2 minutes and can be painted in 30-60 minutes. Applies with a standard caulking gun.

PART	DESCRIPTION	PRICE
38-0781	11 OZ TUBE	\$16.45

**Pre Heater Duct**



PART	DESCRIPTION	APPLICATION	REQD	PRICE
43-3560-D	DUCT-PRE HEATER	2" X 18" DODGE	72-92 (1)	\$5.95

**Power Steering Hose Components**

Designed for use with serpentine drive systems, the Power Steering Hose Kit includes all components necessary to plumb a remote reservoir power steering system. Power steering gear adaptor fitting set for inverted flare and o-ring style steering gears are sold separately, see below.

Kit includes supply and return fittings for remote reservoir, 3' of #10 AN braided stainless steel hose for supply line to pump, two 3' pieces of #6 AN braided stainless steel hose for pressure and return lines and six hose end fittings.



**38-1769**



**38-1767**



**38-1768**



**38-1788**

**#38-1788 P/S Pump Flow Control Valve** is for use with power rack and pinion steering systems.

PART	DESCRIPTION	APPLICATION	REQD	PRICE
38-1769	P/S HOSE KIT SERPENTINE DRIVE		(1)	\$249.95
38-1767	P/S GEAR ADAPTOR FITTING SET	INVERTED	(1)	\$28.95
38-1768	P/S GEAR ADAPTOR FITTING SET	O-RING	(1)	\$28.95
38-1788	P/S PUMP FLOW CONTROL VALVE		(1)	\$29.95

**Remote Starter Switch**

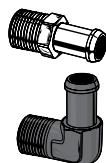


Remote Starter Switch allows you to start or crank your engine without help. Ideal for conducting compression tests or bumping engine to top dead center for valve, distributor or camshaft adjustment. 36" long leads have alligator clips with insulated boots and feature a push button style switch and grip.

PART	DESCRIPTION	PRICE
38-1278	REMOTE STARTER SWITCH	\$12.95

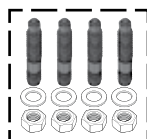
**Heater Hose Fittings, Carburetor Stud Kits and Pipe Plugs**

These often overlooked items are always good to have on hand when working on intake, carburetors, engine plumbing or vacuum accessories.



High-quality **Aluminum Heater Hose Fittings** are available in clear or black anodized finish with straight or 90° bends. The threaded NPT (National Pipe Thread) fitting ensures a leak-free seal, and the single barbed outlet allows proper hose connection.

PART	DESCRIPTION	APPLICATION	PRICE
55-3750	STRAIGHT FITTING-CLEAR	1/2"NPT 5/8" BARB	\$18.95
55-3751	STRAIGHT FITTING-BLACK	1/2"NPT 5/8" BARB	\$18.95
55-3752	STRAIGHT FITTING-CLEAR	1/2"NPT 3/4" BARB	\$29.95
55-3753	STRAIGHT FITTING-BLACK	1/2"NPT 3/4" BARB	\$29.95
55-3754	90 DEGREE FITTING-CLEAR	1/2"NPT 5/8" BARB	\$34.95
55-3755	90 DEGREE FITTING-BLACK	1/2"NPT 5/8" BARB	\$34.95
55-3756	90 DEGREE FITTING-CLEAR	1/2"NPT 3/4" BARB	\$39.95
55-3757	90 DEGREE FITTING-BLACK	1/2"NPT 3/4" BARB	\$39.95



**Carburetor Stud Kits** feature 5/16" black bullet-nosed studs complete with nuts and washers in 1-1/2" to 2" lengths for added depth when using carburetor spacers or adaptors. High strength grade 8 steel studs allow the use of an engine lift plate for engine removal and installation.

PART	DESCRIPTION	APPLICATION	PRICE
55-3760	CARBURETOR STUD KIT	5/16" X 1-1/2"	\$19.95
55-3761	CARBURETOR STUD KIT	5/16" X 2"	\$20.95



**Steel Pipe Plug Fitting Sets** are available in clear zinc or black finish and feature recessed Allen head fittings in eight convenient sizes. Sets contain 8 NPT (National Pipe Thread) plugs in 1/8", 1/4", 3/8", and 1/2" sizes.

PART	DESCRIPTION	APPLICATION	PRICE
55-3762	PIPE PLUG SET-CLEAR	8 PIECE	\$26.95
55-3763	PIPE PLUG SET-BLACK	8 PIECE	\$26.95

**Retro Air Cleaner**

Retro Air Cleaner gives a classic styling look with improved air filtration technology. Air cleaner top is made from heavy-gauge steel and powder coated in a black semi-gloss finish. Fits any 5-1/8" diameter carburetor neck and is notched at the rear to provide clearance for HEI distributors. A "rocket" wing nut, carburetor stud, paper filter element and decal are included. Available in two sizes.



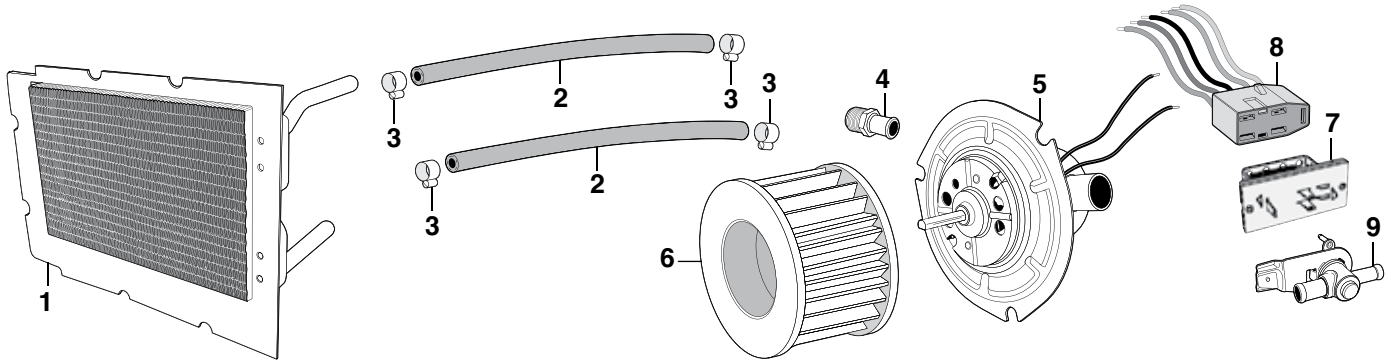
**38-1889**

Small: 15-1/2" wide; 12" x 3-7/16" tall element

Large: 18-1/4" wide; 14" x 4" tall element

PART	DESCRIPTION	APPLICATION	REQD	PRICE
38-1789	RETRO AIR CLEANER	SMALL	(1)	\$129.95
38-1889	RETRO AIR CLEANER	LARGE	(1)	\$149.95
32-3242	REPLACEMENT ELEMENT	LARGE	(AR)	\$12.95

Heating and A/C Components



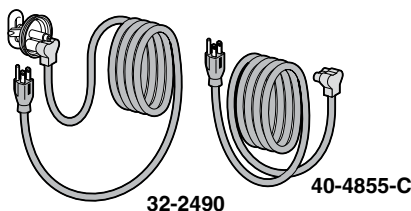
W/AC = With Air Conditioning  
W/O AC = Without Air Conditioning

PART	ILL#	DESCRIPTION	APPLICATION	REQD	PRICE
55-4614	(1)	HEATER CORE	W/O AC 1/2T 3/4T 72-80	(1)	\$209.95
55-4616		HEATER CORE	W/O AC 1/2T 3/4T 81-93	(1)	\$42.95
55-4617		HEATER CORE	W/AC DODGE 81-93	(1)	\$47.95
32-1930	(2)	HEATER HOSE-5FT	5/8" DODGE 72-93	(1)	\$4.95
30-3424	(3)	CLAMP-HOSE	DODGE 72-93 (AR)		\$1.55
32-1926	(4)	FITTING-HEATER HOSE	5/8" DODGE 72-93 (AR)		\$4.95
55-4460	(5)	BLOWER MOTOR	W/O AC 1/2T 3/4T 72-73	(1)	\$69.95
55-4460		BLOWER MOTOR "A"	W/O AC 1/2T 3/4T 74-80	(1)	\$69.95
55-4461		BLOWER MOTOR "B"	W/O AC 1/2T 3/4T 74-80	(1)	\$87.95
43-2422-C		BLOWER MOTOR	W/O AC 1/2T 3/4T 81-85	(1)	\$44.95
55-4460		BLOWER MOTOR	W/AC 1/2T 3/4T 72-73	(1)	\$69.95
55-4461		BLOWER MOTOR	W/AC 1/2T 3/4T 74-80	(1)	\$87.95
55-4462		BLOWER MOTOR	W/AC DODGE 81-93	(1)	\$39.95

Note: "A" Models with standard heater.  
"B" Models with deluxe heater.

PART	ILL#	DESCRIPTION	APPLICATION	REQD	PRICE
32-2455	(6)	BLOWER FAN	W/AC 1/2T 3/4T 72-73	(1)	\$21.95
43-2450-C		BLOWER FAN	W/O AC 1/2T 3/4T 74-80	(1)	\$29.95
55-4619	(7)	RESISTOR-MOTOR	W/AC DODGE 85-93	(1)	\$27.45
55-1076	(8)	CONNECTOR-BLOWER RESISTOR	DODGE 85-93	(1)	\$24.45
55-4470	(9)	HEATER VALVE-FRONT	W/O AC 1/2T 3/4T 72-81	(1)	\$31.95
55-4471		HEATER VALVE-FRONT	W/AC 1/2T 3/4T 72-80	(1)	\$69.95
43-0665-D		HEATER VALVE-FRONT	W/AC 1/2T 3/4T 81	(1)	\$10.95
43-0665-D		HEATER VALVE-FRONT	1/2T 3/4T 82-86	(1)	\$10.95
43-0665-D		HEATER VALVE-FRONT	W/O AC 1/2T 3/4T 87-93	(1)	\$10.95
55-4472		HEATER VALVE-FRONT	W/AC DODGE 87-93	(1)	\$9.95

Engine Block Heaters



A pre-heated engine saves on fuel costs, starts quicker, runs smoother, warms cab interior, defrosts quicker and reduces engine wear and tear.

Engine Block Heaters are complete with cord and detailed easy-to-follow instructions for a simple installation directly into your engine block.

PART	DESCRIPTION	APPLICATION	REQD	PRICE
55-3820	ENGINE BLOCK HEATER KIT	GAS 6 CYL 72-87	(1)	\$29.95
32-2490	ENGINE BLOCK HEATER KIT	GAS 6 CYL 88-93	(1)	\$29.95
32-2490	ENGINE BLOCK HEATER KIT	V8 72-90	(1)	\$29.95

PART	DESCRIPTION	APPLICATION	REQD	PRICE
40-4852-C	ENGINE BLOCK HEATER KIT	5.2L 91-93	(1)	\$34.95
32-2490	ENGINE BLOCK HEATER KIT	GAS 5.9L 91-92	(1)	\$29.95
40-4852-C	ENGINE BLOCK HEATER KIT	GAS 5.9L 93	(1)	\$34.95
55-3823	ENGINE BLOCK HEATER KIT	DIESEL 89-93	(1)	\$99.95
40-4855-C	REPLACEMENT CORD	DODGE 72-93 (AR)		\$17.95

Universal Coolant Overflow Kit



Universal Coolant Overflow Kit includes coolant overflow tank with steel wire mounting bracket that holds over two quarts of coolant and measures 6" wide x 4-1/2" deep x 7-1/2" tall. It comes with four feet of hose, attaching hardware and easy-to-follow instructions. Fluid levels can easily be read without removing the twist-on style cap.

PART	DESCRIPTION	REQD	PRICE
36-4086	UNIVERSAL COOLANT OVERFLOW KIT	(1)	\$19.95



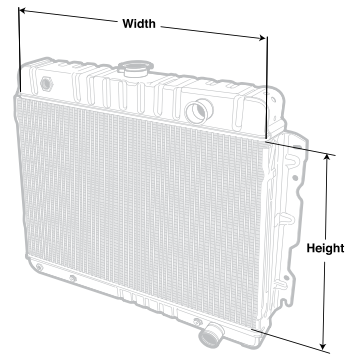
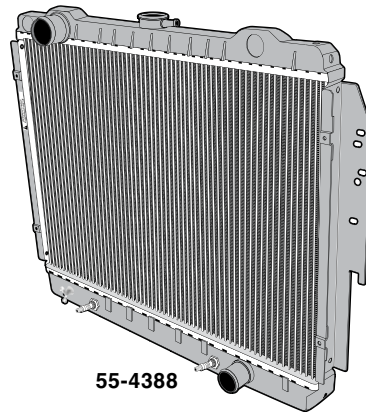
## Radiator

Radiator Part #	Radiator Core Size
55-4388	18" H x 26" W
55-4389	17-5/8" H x 25-5/8" W
55-4391	18" H x 26-1/4" W
55-4394	21" H x 25-3/4" W

**Radiator Core Size:** The height and width of the central part of the radiator that consists of parallel rows of tubes and fins.

**Transmission Oil Coolers:** These radiators are equipped with automatic transmission oil coolers. The oil cooler portion of the radiator is not used on manual transmission trucks.

There are many factors that determine which radiator is used in your vehicle. Measure the tube and fin area of your radiator and match it up to the Radiator Core Size Chart to find out which one you need.



**Radiator Core Measurements**

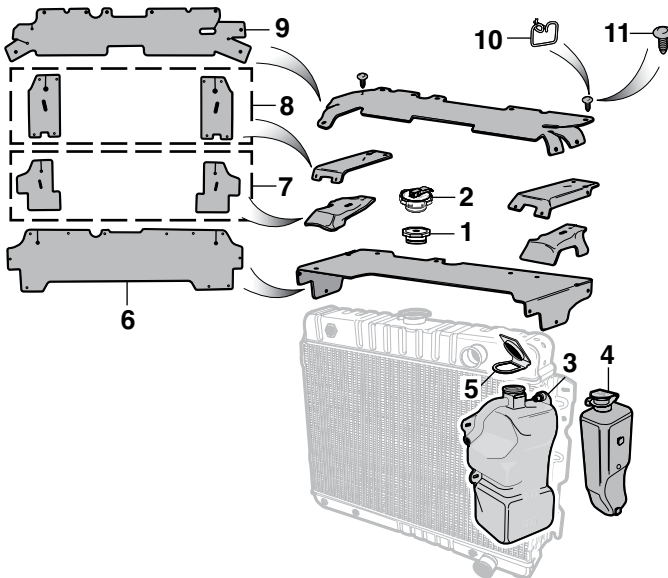
PART	DESCRIPTION	APPLICATION	REQD	PRICE
55-4388	RADIATOR	3.9L 88-91	(1)	\$187.95*
55-4389	RADIATOR	3.9L 92-93	(1)	\$214.95*
55-4391	RADIATOR	"A" 318 360 72-78	(1)	\$294.95*
55-4388	RADIATOR	"A"B" 318 360 79-83	(1)	\$187.95*

PART	DESCRIPTION	APPLICATION	REQD	PRICE
55-4388	RADIATOR	5.2L 5.9L 84-91	(1)	\$187.95*
55-4389	RADIATOR	5.2L 92-93	(1)	\$214.95*
55-4388	RADIATOR	5.9L 92-93	(1)	\$187.95*
55-4391	RADIATOR	400 440 72-78	(1)	\$294.95*
55-4394	RADIATOR W/INTERCOOLER	DIESEL 91-93	(1)	\$399.95*

\* Or \*\* after the sell price means your order will incur an Oversize Part Charge for each oversized part. \* Means extra charge will be \$20. \*\* Means extra charge will be \$50. Due to packing and/or transportation requirements, please allow additional time for delivery. Oversized Parts are not available for air delivery.

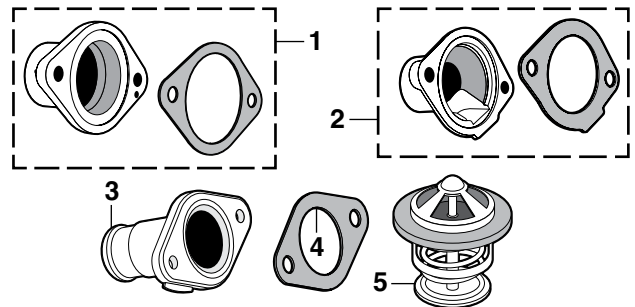
Note: "A" Models with air conditioning or heavy-duty cooling.  
"B" Core is 18" tall.

## Radiator Components



PART	ILL#	DESCRIPTION	APPLICATION	REQD	PRICE
32-0035	(1)	RADIATOR CAP	1/2T 3/4T 72-93	(1)	\$3.95
32-0036	(2)	RADIATOR CAP W/SAFETY LEVER	1/2T 3/4T 72-93	(1)	\$6.95
55-4434	(3)	RAD OVERFLOW TANK W/O CAP	1/2T 3/4T 81-89	(1)	\$19.95
55-4435	(4)	RAD OVERFLOW TANK W/CAP	3.9L 5.2L 90-92	(1)	\$14.95
55-4434	(4)	RAD OVERFLOW TANK W/O CAP	ALL 5.9L 90-92	(1)	\$19.95
55-4435	(4)	RAD OVERFLOW TANK W/CAP	1/2T 3/4T 93	(1)	\$14.95
55-4439	(5)	CAP-TANK	81-93	(1)	\$9.95
55-4380	(6)	UPPER RADIATOR SEAL 1PC	1/2T 3/4T 72-78	(1)	\$9.95
55-4381	(7)	RADIATOR/COOLANT SEAL SET	1/2T 3/4T 74-78	(1)	\$3.95
55-4382	(8)	RADIATOR/COOLANT SEAL SET	1/2T 3/4T 77-80	(1)	\$4.95
55-4383	(9)	UPPER RADIATOR SEAL 1PC	GAS 81-93	(1)	\$9.95
55-1129	(10)	RETAINER-SEAL METAL	1/2T 3/4T 72-80	(AR)	\$ .95
30-0762	(11)	RETAINER-SEAL PLASTIC	1/2T 3/4T 81-93	(AR)	\$ .85

## Water Outlets and Thermostats



Loctite Ready Gasket  
See Page 68

PART	ILL#	DESCRIPTION	APPLICATION	REQD	PRICE
55-4253	(1)	WATER OUTLET	GAS 6 CYL 88-91	(1)	\$7.45
55-4254	(2)	WATER OUTLET	V8 72-78	(1)	\$8.95
55-4253	(2)	WATER OUTLET	V8 79-91	(1)	\$7.45
55-4256	(3)	WATER OUTLET	GAS 1/2T 3/4T 92-93	(1)	\$14.95
55-4281	(4)	GASKET-OUTLET	GAS 6 CYL 72-93	(1)	\$1.25
55-4278		GASKET-OUTLET	V8 72-74	(1)	\$1.25
55-4279		GASKET-OUTLET	V8 75-78	(1)	\$1.25
55-4281		GASKET-OUTLET	V8 79-93	(1)	\$1.25
32-0123	(5)	THERMOSTAT 160-SUMMER	GAS 6 CYL 72-78	(1)	\$8.45
32-0124		THERMOSTAT 180-STANDARD	GAS 6 CYL 72-78	(1)	\$7.45
32-0125		THERMOSTAT 195-WINTER	GAS 6 CYL 72-78	(1)	\$6.45
43-0027-C		THERMOSTAT 160-SUMMER	V8 72-78	(1)	\$5.95
43-0028-C		THERMOSTAT 180-STANDARD	V8 72-78	(1)	\$5.95
43-0029-C		THERMOSTAT 195-WINTER	V8 72-78	(1)	\$5.95
32-0123		THERMOSTAT 160-SUMMER	GAS DODGE 79-93	(1)	\$8.45
32-0124		THERMOSTAT 180-STANDARD	GAS DODGE 79-93	(1)	\$7.45
32-0125		THERMOSTAT 195-WINTER	GAS DODGE 79-93	(1)	\$6.45

### High Performance Spark Plug Wire Set



Upgrade current spark plug wires to these low resistance, high performance 8mm silicone wire sets with eight pre-terminated spark plug boots. Due to varying exhaust manifold and header styles, ignition wires must be cut to length and terminals must be crimped with an ignition wire crimp tool; sold separately. Choose the application based on the spark plug boot configuration (straight, 45° or 90°) that will work best for your truck. Distributor end terminals, boots and detailed instructions are included. Call or go online and order yours today!

PART	DESCRIPTION	APPLICATION	PRICE
36-2870-BL	HIGH PERFORMANCE WIRE SET-BLACK	STRAIGHT BOOTS	\$77.45
36-2871-BL	HIGH PERFORMANCE WIRE SET-BLACK	45 DEG BOOTS	\$81.45
36-2872-BL	HIGH PERFORMANCE WIRE SET-BLACK	90 DEG BOOTS	\$81.45
36-2873	IGNITION WIRE CRIMP TOOL		\$14.95

### Split Braid Flex Loom and Wire Loom Installation Tool



Unique black flexible braided construction features a 25% edge overlap that will allow for the sharpest of bends without distorting or splitting open. Lateral split design of the flex loom allows for easy installation of multiple wires. Self-wrapping feature ensures the flex loom will return to its original size

and shape without the need to use fasteners or tape. Protect your vehicle's wiring, cables, hoses and tubing from unnecessary wear while adding a clean look. Available in three sizes: 1/4", 1/2" or 3/4" diameter.

PART	DESCRIPTION	PRICE
36-2600	FLEX LOOM 20' L X 1/4" DIA	\$16.45
36-2601	FLEX LOOM 10' L X 1/2" DIA	\$15.95
36-2604	FLEX LOOM 8' L X 3/4" DIA	\$14.95



Wire Loom Installation Tool makes feeding wires into split wire looms a snap. Insert the wiring into the channel of the tool, rotate the handle to lock wiring in place and insert the loom separator into the split loom. Gently pull the tool through the loom while holding onto the wires. Available in three convenient sizes.

PART	DESCRIPTION	PRICE
36-2597	LOOM TOOL 1/4"	\$4.95
36-2598	LOOM TOOL 1/2"	\$5.95
36-2599	LOOM TOOL 3/4"	\$5.95

### CirKit Boss Fuse Center



CirKit Boss Fuse Center provides the only available solution in the marketplace where additional electrical circuits are required or accessory equipment requires ignition hot and constant hot capabilities. Safety feature ensures that add-on circuits will only work if ignition key is on. This 3 circuit center features two ignition hot circuits and one constant hot circuit.

PART	DESCRIPTION	PRICE
36-3611	CIRKIT BOSS FUSE CENTER	\$67.99

### Wiring/Tubing Grommet Assortment



This 10-piece assortment of high-quality black rubber grommets protects wires and tubing from chafing when passed through sheet metal holes. Assortment contains: one each of 1/8", 3/8", 1/2", 5/8" I.D. and two each of 3/16", 1/4" and 5/16" I.D. grommets.

PART	DESCRIPTION	PRICE
30-1269	WIRING/TUBING GROMMET ASST	\$2.95

### WeatherPak Wire Extractor Tools



These WeatherPak Wire Extractor Tools will save you time and hassle when servicing your vehicle's wiring system. Tools are engineered to easily release and remove OEM terminals from their WeatherPak housings, as well as releasing the lock tab on Packard 56 and Pak-Con terminals. This 3-piece set comes with a narrow pick (.05" wide), wide pick (.09") and tubular-shaped extraction tool. Handles are color-coated for easy identification.

PART	DESCRIPTION	REQD	PRICE
38-1296	WEATHERPAK WIRE EXTRACTOR TOOLS	(1)	\$9.95

### 14-Circuit Fuse Center Connects to Your Existing Wiring



14-circuit pre-wired fuse block can be connected to existing vehicle wiring or used as a starting point for custom wiring. Factory assembled and completely terminated fuse block includes wiring provisions for starting, air conditioning/heat, brake lights, coil (anti-theft feature), dome light, electric fan, emergency flasher, gauges/dash instruments, headlights, horn, radio (ignition hot), turn signals, wipers and alternator.

Features include blade-type fuses, flasher, horn relay, large selection of terminal ends and anti-theft feature to deter theft. Measures just 4-1/2" x 5". Includes easy-to-follow instructions. Call or go online and order yours today.

PART	DESCRIPTION	PRICE
36-3609	14 CIRCUIT FUSE CENTER	\$149.99

### Wire Terminal Extractor Tools

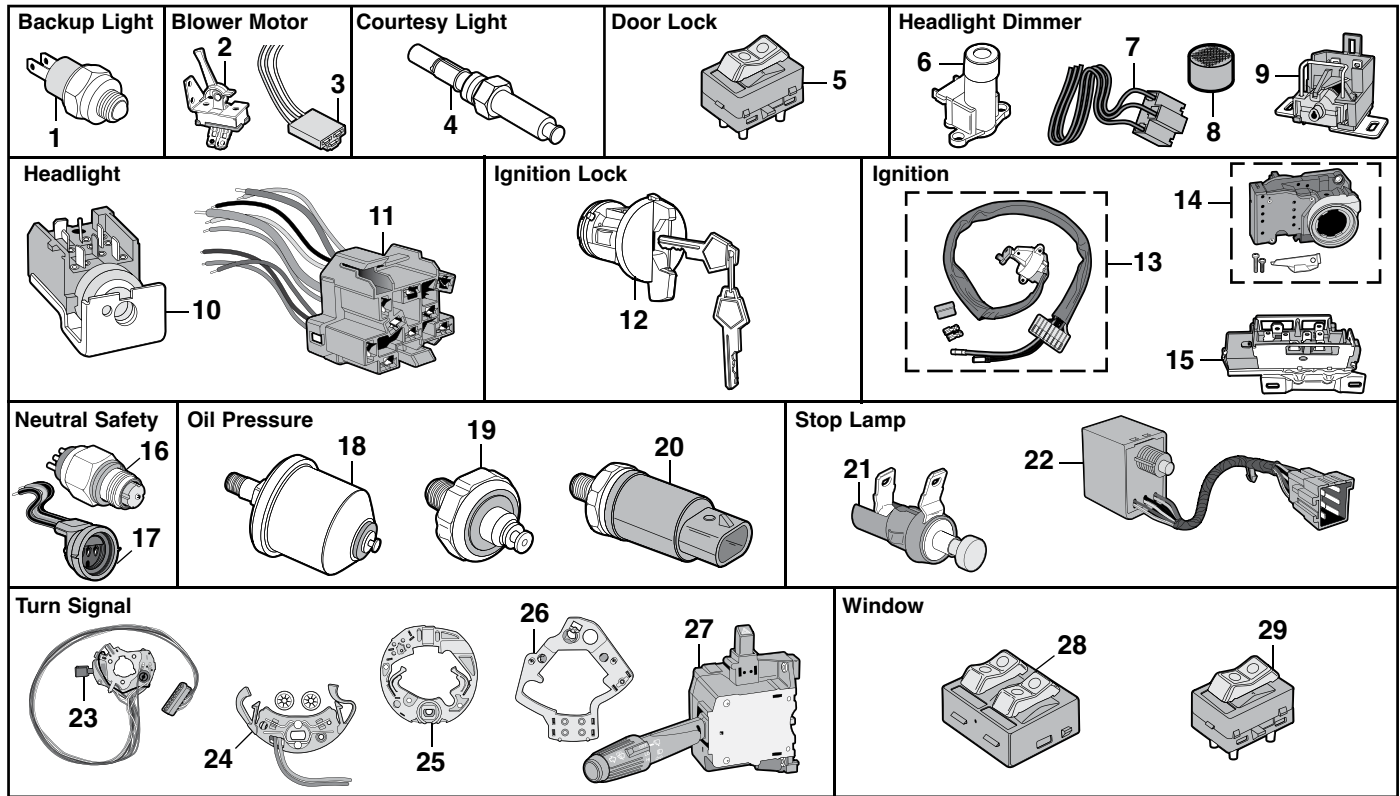


This Wire Terminal Tool Kit is designed to release and extract wires from terminals without damage. The single blades have a bevel ground onto the end for working on small terminals found on newer vehicles. Red is specially designed for Pak-Con and WeatherPak terminals. Silver has prongs to depress the 'barbs' on conventional terminals. The handle slips over the probes to protect your hand as well as provide extra leverage. This complete kit comes in a sturdy blow-molded case for protection and long life and is a must-have for any do-it-yourselfer's toolbox.



PART	DESCRIPTION	PRICE
38-1297	WIRE TERMINAL TOOL KIT	\$54.95

## Switches



PART	ILL#	DESCRIPTION	MT	APPLICATION	REQD	PRICE
47-0861-D	(1)	BACKUP LIGHT SWITCH	MT	DODGE 74-93	(1)	\$12.75
56-6228	(2)	BLOWER MOTOR SWITCH		DODGE 72-80	(1)	\$26.45
56-6229		BLOWER MOTOR SWITCH		DODGE 81-93	(1)	\$16.65
36-0585	(3)	CONNECTOR-BLOWER SWITCH		1/2T 3/4T 72-80	(1)	\$2.95
55-1075		CONNECTOR-BLOWER SWITCH		DODGE 81-93	(1)	\$7.95
36-0622	(4)	COURTESY LIGHT SWITCH		1/2T 3/4T 72-85	(2)	\$5.95
36-0623		COURTESY LIGHT SWITCH		1/2T 3/4T 86-93	(2)	\$6.95
56-6345	(5)	DOOR LOCK SWITCH	SILVER	1/2T 3/4T 88-93	(2)	\$79.95
56-6339	(6)	DIMMER-ON FLOOR		DODGE 72-90	(1)	\$6.95
47-0613-D	(7)	SOCKET-DIMMER SWITCH		DODGE 72-90	(1)	\$1.25
40-2205-C	(8)	PAD-DIMMER SWITCH		DODGE 72-90	(1)	\$2.95
56-6350	(9)	DIMMER-ON COLUMN W/O TILT		DODGE 88-90	(1)	\$41.95
56-6351		DIMMER-ON COLUMN W/TILT		DODGE 88-90	(1)	\$49.85
56-6332	(10)	HEADLIGHT SWITCH		DODGE 72-78	(1)	\$12.95
56-6333		HEADLIGHT SWITCH		DODGE 79-93	(1)	\$17.95
56-6336	(11)	CONNECTOR-HEADLIGHT SWITCH		DODGE 78-93	(1)	\$16.95
56-6276	(12)	IG LOCK CYL-CHROME W/O TILT	DODGE	72-85	(1)	\$15.95
56-6277		IG LOCK CYL-CHROME W/TILT	DODGE	72-85	(1)	\$19.95
56-6278		IG LOCK CYL-CHROME W/O TILT	DODGE	86-89	(1)	\$19.95
56-6279		IG LOCK CYL-CHROME W/TILT	DODGE	86-89	(1)	\$13.95
56-6280		IG LOCK CYL-CHROME W/O TILT	DODGE	90	(1)	\$17.95
56-6281		IG LOCK CYL-BLACK W/TILT	DODGE	90	(1)	\$24.95
56-6282		IG LOCK CYL-CHROME	DODGE	91-92	(1)	\$16.95
56-6283		IG LOCK CYL-BLACK	DODGE	93	(1)	\$39.95
56-6322	(13)	IGNITION SWITCH		DODGE 72-77	(1)	\$55.35
56-6323		IGNITION SWITCH W/O TILT	DODGE	78-87	(1)	\$29.95
56-6335		IGNITION SWITCH W/O TILT	DODGE	88-90	(1)	\$27.95
56-6328	(14)	IGNITION SWITCH W/O TILT	DODGE	91-93	(1)	\$29.95
56-6325	(15)	IGNITION SWITCH W/TILT	DODGE	78-87	(1)	\$25.45
56-6327		IGNITION SWITCH W/TILT	DODGE	88-93	(1)	\$75.35
56-6352	(16)	NEUTRAL SAFETY SWITCH	AT	DODGE 72-93	(1)	\$15.95
55-1077	(17)	CONNECTOR-NEUTRAL SAFETY		DODGE 72-93	(1)	\$16.45
56-6294	(18)	OIL PRESSURE SENDER		DODGE 72-85	(1)	\$21.95
56-6295		OIL PRESSURE SENDER		DODGE 86-88	(1)	\$29.95
56-6296	(19)	OIL PRESSURE SWITCH		6 CYL 72-81	(1)	\$13.55
56-6297		OIL PRESSURE SWITCH		V8 72-81	(1)	\$10.55
56-6298		OIL PRESSURE SWITCH		6 CYL 82-87	(1)	\$12.55
56-6299		OIL PRESSURE SWITCH		V8 82-88	(1)	\$8.95

MT = Manual Transmission AT = Automatic Transmission

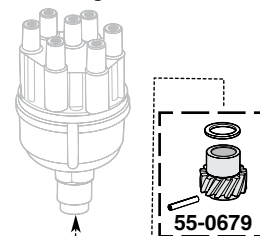
PART	ILL#	DESCRIPTION	APPLICATION	REQD	PRICE
56-6300	(20)	OIL PRESSURE SENSOR	W/O 5.2L 88-89	(1)	\$22.95
56-6301		OIL PRESSURE SENSOR	5.2L 88-89	(1)	\$34.95
56-6300		OIL PRESSURE SENSOR	DODGE 90-93	(1)	\$22.95
56-6235	(21)	STOP LAMP SWITCH W/O CRUISE	DODGE 72-89	(1)	\$7.95
56-6238	(22)	STOP LAMP SWITCH W/CRUISE	DODGE 88-93	(1)	\$31.45
56-6310	(23)	TURN SIGNAL SWITCH W/O TILT	DODGE 82-85	(1)	\$36.95
56-6311		TURN SIGNAL SWITCH W/O TILT	DODGE 86-87	(1)	\$39.95
36-0616		TURN SIGNAL SWITCH W/TILT	1/2T 3/4T 78-81	(1)	\$20.95
56-6315		TURN SIGNAL SWITCH W/TILT	1/2T 3/4T 82-90	(1)	\$89.45
56-6243	(24)	CAM-SWITCH W/O TILT	DODGE 72-87	(1)	\$8.95
56-6244	(25)	CAM-SWITCH W/O TILT	DODGE 88-90	(1)	\$8.95
56-6245	(26)	CAM-SWITCH W/TILT	1/2T 3/4T 78-81	(1)	\$6.95
56-6246		CAM-SWITCH W/TILT	1/2T 3/4T 82-90	(1)	\$8.95
56-6317	(27)	TURN SIGNAL SWITCH "A"	DODGE 91-93	(1)	\$79.45
56-6290		TURN SIGNAL SWITCH "B"	DODGE 91-93	(1)	\$49.95
56-6344	(28)	WINDOW SWITCH-LH	SILVER DODGE 88-93	(1)	\$38.95
56-6345	(29)	WINDOW SWITCH-RH	SILVER DODGE 88-93	(1)	\$79.95

Note: "A" Without intermittent wipers.  
"B" With intermittent wipers.

## Distributor Gear Kit - 6 Cylinder

1972-87 Dodge Truck

1974-87 Dodge Ramcharger

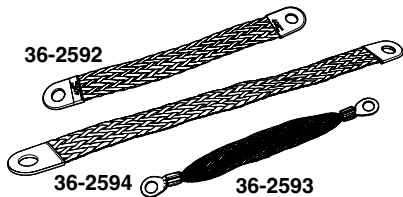


PART	DESCRIPTION	APPLICATION	REQD	PRICE
55-0679	DISTRIBUTOR GEAR KIT	6 CYL 72-87	(1)	\$1.65



**Ground Straps**

Many electrical problems can be traced to poor engine and body ground. Protect yourself from these problems by installing a ground strap between the engine and frame of your truck, this will ensure you have a proper ground for your coil, spark plugs and computer control module. For complete protection, add a ground strap from the frame to the body. Straps are made of tin coated stranded copper braid for durability and are simple to install.



PART	DESCRIPTION	REQD	PRICE
36-2592	GROUND STRAP-8" ENGINE TO FRAME	(1)	\$5.95
36-2594	GROUND STRAP-12" ENGINE TO FRAME	(1)	\$6.95
36-2593	GROUND STRAP-8" BODY TO FRAME	(1)	\$5.45

**Battery Disconnect Switches**



Battery Disconnect Switches are easy to install and stop battery drain and reduce the risk of fire while your vehicle is parked. With key or knob style disconnects, the key or knob can be totally removed as an additional deterrent against vehicle theft. A 15-amp Bypass Fuse is available to maintain memory on your radio, clock, etc., while your battery is disconnected.

PART	DESCRIPTION	APPLICATION	REQD	PRICE
36-0809	BATTERY DISCONNECT-KNOB STYLE	TOP POST	(1)	\$6.95
36-0813	BATTERY DISCONNECT-KNIFE STYLE	TOP POST	(1)	\$30.95
36-0709	BATTERY DISCONNECT-KEY STYLE	IN LINE	(1)	\$10.95
36-0909	BYPASS FUSE-15 AMP	IN LINE	(1)	\$6.45

**NEW Cut to Fit Battery Cables**

1972-93 Dodge Truck  
1974-93 Dodge Ramcharger



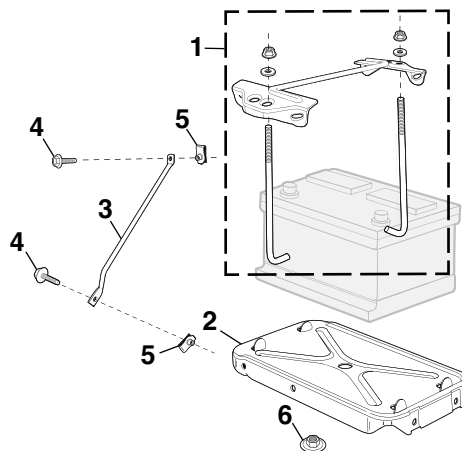
Tired of having to use pre-made lengths of battery cables, having way too much left over or just plain too tight after it's installed? Then try these new cut to fit battery cables that you can route as you see fit for a cleaner look, rather than an "it is what it is" look. Simply cut the outer sheath back, solder which terminal you need for your truck (solder pellet and terminals included) and finish the cable off with the shrink tube provided.

These cables are not OEM replacements, they are made for gas applications only and provide one cable with a top or side mount battery end.

PART	DESCRIPTION	APPLICATION	REQD	PRICE
36-2540-BL	CUT TO FIT CABLE-NEGATIVE-60"	TOP POST BLACK	(1)	\$18.95
36-2540-RD	CUT TO FIT CABLE-POSITIVE-60"	TOP POST RED	(1)	\$15.45
36-2542-BL	CUT TO FIT CABLE-NEGATIVE-60"	SIDE POST BLACK	(1)	\$18.95
36-2542-RD	CUT TO FIT CABLE-POSITIVE-60"	SIDE POST RED	(1)	\$18.95

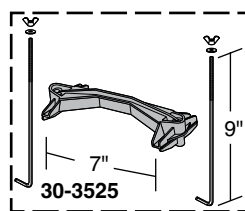
**Battery Tray and Components**

1972-93 Dodge Truck  
1974-93 Dodge Ramcharger



PART	ILL#	DESCRIPTION	APPLICATION	REQD	PRICE
56-8108	(1)	BATTERY HOLD DOWN	DODGE 72-93	(1)	\$25.95
56-8115	(2)	BATTERY TRAY W/O DIESEL	DODGE 72-93	(1)	\$20.95
56-8117	(3)	BRACE-BATTERY TRAY	DODGE 72-93	(1)	\$9.75
40-0484-D	(4)	SCREW-TRAY/BRACE	DODGE 72-93	(5)	\$ .95
30-0948	(5)	U-NUT	DODGE 72-93	(5)	\$1.45
56-8118	(6)	NUT-STUD	DODGE 72-93	(1)	\$ .85

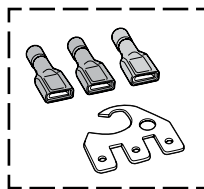
**7" Battery Hold Down and Battery Mat**



Battery Mat is made from polypropylene needle punch felt which traps and neutralizes battery acid. The Battery Mat is safe to handle and takes only minutes to install.

PART	DESCRIPTION	PRICE
30-3525	BATTERY HOLD DOWN-7"	\$4.45
38-1039	BATTERY MAT-BLK 8"X12"	\$7.95

**Battery Tap Accessory Circuit Kit**



Battery Tap is an easy and reliable way to make direct connections at the battery with up to three new additional circuits. Designed to fit positive and/or negative battery terminals. Kit contains one tap and three crimp connectors. The Battery Tap can be stacked to provide additional connection points or can be attached to vehicle frame for additional grounding points.

PART	DESCRIPTION	PRICE
36-0847	BATTERY TAP KIT-TOP POST	\$6.95

**Battery Post and Terminal Cleaner**



Dual function tool – top brush cleans battery terminals and bottom brush cleans battery posts.

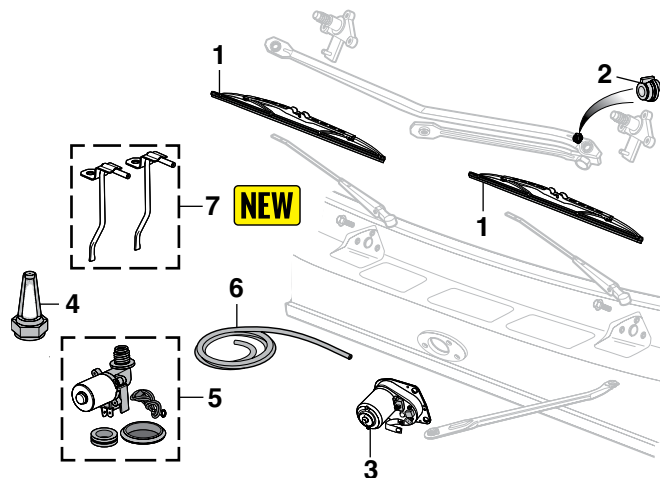
PART	DESCRIPTION	PRICE
38-1366	POST & TERMINAL CLEANER	\$4.95

## Windshield Wiper and Washer

1972-93 Dodge Truck  
1974-93 Dodge Ramcharger

PART	ILL#	DESCRIPTION	APPLICATION	REQD	PRICE
47-3998-C	(1)	WIPER BLADE	DODGE 72-93	(2)	\$8.95
55-1070	(2)	WIPER LINKAGE BUSHING	1/2T 3/4T 74-93	(4)	\$ .95
56-6032	(3)	WIPER MOTOR-NEW W/O DELAY	DODGE 72-84	(1)	\$127.95
56-6034-R		WIPER MOTOR-REMAN W/DELAY	DODGE 79-84	(1)	\$85.95
56-6035-R		WIPER MOTOR-REMAN	DODGE 85-87	(1)	\$114.95
56-6036-R		WIPER MOTOR-REMAN	DODGE 88-89	(1)	\$159.95
56-6031-R		WIPER MOTOR-REMAN	DODGE 89-93	(1)	\$89.95
56-6049	(4)	FILTER/NUT-PUMP "A"	1/2T 3/4T 72-93	(1)	\$10.95
56-6051	(5)	WASHER PUMP	1/2T 3/4T 72-93	(1)	\$13.95
36-4071	(6)	WASHER HOSE-12 FT	DODGE 72-93	(1)	\$3.95
56-6048	(7)	WASHER NOZZLE SET	DODGE 72-87	(1)	\$43.95

Note: "A" Filter/Nut appearance is different than original but fit and function is correct.



## Heated Windshield Washer Kit

Heat your washer fluid to a temperature of 125-135°F for quick, effortless removal of frost, snow and ice this winter. Provides improved visibility for all driving conditions, while extending the service life of your windshield wipers by minimizing unnecessary wear. Ensures clog-free wiper spray nozzles for consistent spray pattern. Can also be used year-round to remove bird droppings, bugs, grime, road film and streaks.

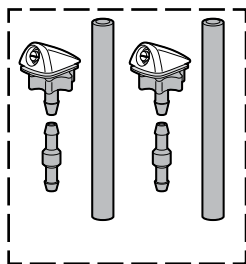
Installs inline between windshield washer reservoir and spray nozzles. Connects directly to your battery with the included ground cable and fused power cable. Order yours today and see what a difference the Heated Windshield Washer Kit can make! Kit includes mounting bracket, hardware and instructions.



PART	DESCRIPTION	REQD	PRICE
36-4085	HEATED WINDSHIELD WASHER KIT	(1)	\$99.45

## Universal Windshield Washer Nozzle Set

Washer nozzle set replaces existing hood-mounted nozzles or can be added for a more effective spray. Kit includes two nozzles, connecting hose and spray adjust key. Drilling and extra hose are required on trucks not originally equipped with hood-mounted washer nozzles. Call or go online and order yours today!

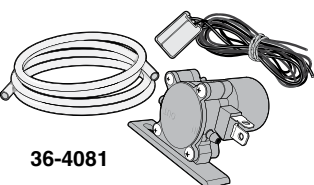


PART	DESCRIPTION	PRICE
36-4099	WASHER NOZZLE SET	\$8.95

## Universal Windshield Washer Pump

This pump adapts to any 12-volt vehicle and installs in minutes with simple household tools.

Features a gear-driven positive replacement pump to ensure a constant spray under all conditions. All necessary parts and instructions are included with pump.

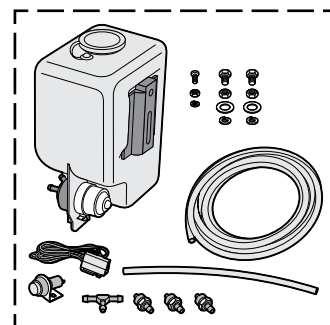


PART	DESCRIPTION	PRICE
36-4081	UNIVERSAL WASHER PUMP	\$11.95

## Universal Windshield Washer Kit

Universal Windshield Washer Kit includes everything needed to replace worn or broken windshield washer system and adapts to any 12V vehicle. Washer bottle holds 1.5L of fluid and fluid levels can easily be read without removing the cap.

The kit includes washer bottle with attached cap, washer pump, 6-1/2 feet of washer hose, push-button switch with wire harness, nozzles and T-connector. Mounting brackets with hardware are also included.

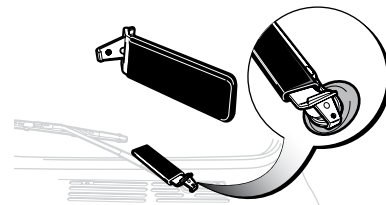


PART	DESCRIPTION	REQD	PRICE
36-4083	WINDSHIELD WASHER KIT	(1)	\$16.95

## Wiper Arm Tool

Wiper Arm Tool provides the leverage needed to safely remove and install wiper arms without damaging the vehicle.

**Tech Tip:** All locking pins or retaining nuts must be removed before using the Wiper Arm Tool.



PART	DESCRIPTION	PRICE
38-1335	WIPER ARM TOOL	\$5.95

### Amplified Hide-Away Antenna



38-1145

Amplified Hide-Away Antenna allows you to get AM/FM reception without having to use standard fender-mount or window antenna. Features active magnetic field circuitry for enhanced radio reception and 105" cable allows installation almost anywhere in your vehicle. Connects to standard antenna plug and radio's power antenna wire (if equipped) or a switched 12V positive power source. Never worry about stolen or damaged antenna again.

PART	DESCRIPTION	REQD	PRICE
38-1145	HIDE-AWAY ANTENNA-AMPLIFIED	(1)	\$29.99

### Electronic Musical Horn Plays 46 Sounds



38-1503

Electronic Musical Horn plugs into a cigarette lighter or power point to play sound three times and stop automatically or can be used as a loudspeaker with included microphone. Auxiliary input allows you to play music from your MP3 player or iPod. Command module is 7" wide by 3" high and mounts using included adhesive backed hook and loop patches. No drilling is required.

Adjustable rotary on/off volume control allows for easy sound level control, five bright LED lights on control module instantly indicate system mode and a 4" diameter weatherproof horn mounts under the hood. For 12 volt negative ground systems.

3 Modes ... Animal, Alarm or Music ... 46 Different Sounds

PART	DESCRIPTION	PRICE
38-0372	ELECTRONIC MUSICAL HORN	\$29.95

### HELLA Horns Make Your Presence Known



PART	DESCRIPTION	PRICE
38-0372	TWIN TONE HORN SET	\$29.95

Attractive set of Electric Twin Tone Horns. One high toned, the other low toned. Contains relay and mounting bracket.

### LED Tailgate Running Light Kit ... For Added Visibility



LED Tailgate Running Lights provide added visibility to following vehicles and have a distinctive styling popular for big Dually tailgates. A good alternative location for these lights is above the rear window. Lights are a two-piece design with the lens snapping to a chrome-plated plastic body. Concealed mount screws and neoprene gasket ensure a clean, easy installation. Five light kit comes complete with wire harness and mounting hardware.

PART	DESCRIPTION	APPLICATION	REQD	PRICE
38-1113	LED TAILGATE RUNNING LIGHT KIT	RED 5-LIGHT KIT	(1)	\$29.95

### AM/FM Antennas



38-1150

**Universal Rubber Mast Antenna:** This flexible antenna has a 180° adjustable base that makes top or side mounting easy. The removable mast measures 14" in length.

PART	DESCRIPTION	REQD	PRICE
38-1150	RUBBER MAST ANTENNA-BLACK	(1)	\$11.95



38-1152

38-1154

**Universal Stainless Steel Mast Antennas:** #38-1152 is a top mount, four-section antenna that extends 32" and is fully collapsible for convenience and security. Protective plastic tube requires 9" of clearance below mounting surface. Includes a key for raising the mast when retracted.

#38-1154 is a three-section antenna that extends 47" and collapses to 18". Can be used on top or side mount locations with the 180° adjustable base.

PART	DESCRIPTION	APPLICATION	REQD	PRICE
38-1152	STAINLESS MAST ANTENNA	4 SECTION	(1)	\$12.95
38-1154	STAINLESS MAST ANTENNA	3 SECTION	(1)	\$14.25

### Horns



36-2150

PART	DESCRIPTION	PRICE
36-2150	HORN UNIT-STANDARD-LOW	\$16.45
36-2152	HORN UNIT-STANDARD-HIGH	\$16.45

### Mini Bulb Remover / Installer



Mini Bulb Remover/Installer features cushioned grips and rubber-coated ends for easy removal and safe installation of hard-to-reach bayonet, screw and wedge base bulbs.

PART	DESCRIPTION	REQD	PRICE
38-1398	MINI BULB REMOVER / INSTALLER	(1)	\$10.95



## Headlight - Models with Dual Headlights

1979-80 Dodge Truck  
1979-80 Dodge Ramcharger



PART	ILL#	DESCRIPTION	APPLICATION	REQD	PRICE
36-0258	(1)	HEADLIGHT-LOW BEAM HALOGEN	DODGE	79-80 (2)	\$9.95
36-0257	(2)	HEADLIGHT-HIGH BEAM HALOGEN	DODGE	79-80 (2)	\$9.95
36-0583	(3)	CONNECTOR-LOW BEAM	DODGE	79-80 (2)	\$1.95
36-0584	(4)	CONNECTOR-HIGH BEAM	DODGE	79-80 (2)	\$1.95
55-0714	(5)	HEADLIGHT ADJUSTER	DODGE	79-80 (AR)	\$2.95

## Parklight with Headlight Bezel

1986-90 Dodge Truck  
1986-90 Dodge Ramcharger



PART	ILL#	DESCRIPTION	APPLICATION	REQD	PRICE
55-2632	(1)	PARKLIGHT-LH	CHROME DODGE	86-90 (1)	\$40.95
55-2633	(1)	PARKLIGHT-RH	CHROME DODGE	86-90 (1)	\$40.95
55-2634	(2)	PARKLIGHT-LH	SILVER DODGE	86-90 (1)	\$22.95
55-2635	(2)	PARKLIGHT-RH	SILVER DODGE	86-90 (1)	\$22.95
30-0506	(3)	SCREW-BLACK	DODGE	86-90 (10)	\$.95
30-0811	(4)	U-NUT	DODGE	86-90 (10)	\$1.35
56-6525	(5)	SOCKET	DODGE	86-90 (2)	\$9.95
36-0228	(6)	BULB	CLEAR DODGE	86-90 (2)	\$1.95

## High-Performance Halogen Headlight

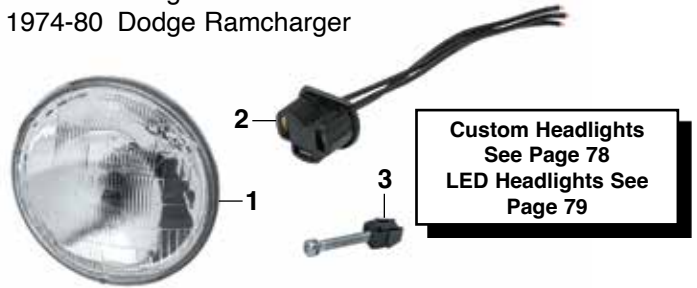


High-Performance Halogen Headlights produce whiter and brighter light closer to natural daylight compared to standard halogen headlights' yellowish color. Upgraded bulbs not required. DOT and SAE approved.

PART	DESCRIPTION	APPLICATION	REQD	PRICE
36-0304	HP HEADLIGHT 7" ROUND	DODGE	72-80 (2)	\$24.95
36-0306	HP HEADLIGHT 165MM LOW BEAM	DODGE	79-80 (2)	\$24.95
36-0307	HP HEADLIGHT 165MM HIGH BEAM	DODGE	79-80 (2)	\$24.95
36-0305	HP HEADLIGHT 200MM RECTANGLE	DODGE	81-93 (2)	\$24.95

## Headlight - Models with Single Headlight

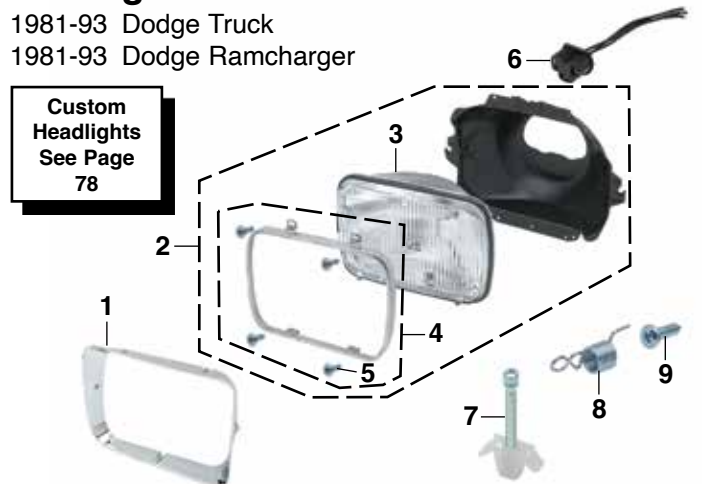
1972-80 Dodge Truck  
1974-80 Dodge Ramcharger



PART	ILL#	DESCRIPTION	APPLICATION	REQD	PRICE
36-0280	(1)	HEADLIGHT-7" HALOGEN	DODGE	72-80 (2)	\$12.95
36-0583	(2)	CONNECTOR-HEADLIGHT	DODGE	72-80 (2)	\$1.95
55-0715	(3)	HEADLIGHT ADJUSTER	DODGE	72-80 (4)	\$1.65

## Headlight

1981-93 Dodge Truck  
1981-93 Dodge Ramcharger



PART	ILL#	DESCRIPTION	APPLICATION	REQD	PRICE
55-2636	(1)	HEADLIGHT BEZEL-LH	CHROME DODGE	91-93 (1)	\$10.95
55-2637	(1)	HEADLIGHT BEZEL-RH	CHROME DODGE	91-93 (1)	\$10.95
55-2638	(1)	HEADLIGHT BEZEL-LH	GRAY DODGE	91-93 (1)	\$9.95
55-2639	(1)	HEADLIGHT BEZEL-RH	GRAY DODGE	91-93 (1)	\$9.95
55-2584	(2)	HEADLIGHT ASSEMBLY	HALOGEN DODGE	81-93 (2)	\$44.95
36-0285	(3)	HEADLIGHT-HALOGEN	DODGE	81-93 (2)	\$12.95
55-2591	(4)	HEADLIGHT RETAINER	DODGE	81-93 (2)	\$13.45
30-0574	(5)	SCREW-RETAINER	DODGE	81-93 (8)	\$.85
36-0583	(6)	CONNECTOR-HEADLIGHT	DODGE	81-93 (2)	\$1.95
55-0714	(7)	HEADLIGHT ADJUSTER	DODGE	81-90 (4)	\$2.95
55-1142	(8)	HEADLIGHT RETAINING SPRING	DODGE	81-93 (2)	\$3.25
40-0448-C	(9)	SCREW-SPRING	DODGE	81-93 (2)	\$.65

## Daytime Running Light Kit



Daytime Running Light Kit automatically turns on headlights whenever engine is running. Easy to install; just mount controller in the engine compartment with included hardware and connect crimp-connection wires.

PART	DESCRIPTION	PRICE
36-3590	DAYTIME RUNNING LIGHT KIT	\$19.45

## Custom Headlights ... Brighter Light for Greater Distance



These OE-quality headlights feature an aluminum die-cast housing with a protective finish coating, making the housing corrosion free. Maximum light output is produced by brighter light focused on the road for a greater distance.

The strong, semi-hardened, crystal clear glass lens does not diffuse the light like traditional headlight lenses. A high-efficiency white halogen 12V 60/55 watt replaceable bulb is included. DOT and SAE approved.



7 inch Round



7 inch Round w/LED Halo

#36-0299 includes a white LED Halo accent light that can be wired directly to any 12-volt circuit.

PART	DESCRIPTION	APPLICATION	REQD	PRICE
36-0281	CUSTOM HEADLIGHT 7" ROUND	DODGE 72-80	(2)	\$36.95
36-0290	HALOGEN REPLACEMENT BULB	WHITE	(2)	\$2.45
36-0299	CUSTOM HEADLIGHT-7" W/LED HALO	DODGE 72-80	(2)	\$59.95
47-0246-C	HALOGEN REPLACEMENT BULB	WHITE	(2)	\$4.95



200MM Rectangle



36-0282

PART	DESCRIPTION	APPLICATION	REQD	PRICE
36-0282	CUSTOM HEADLIGHT 200MM RECTANGLE	DODGE 81-93	(2)	\$35.95
36-0290	HALOGEN REPLACEMENT BULB	WHITE	(2)	\$2.45

Upper / Low Beam  
165MM Rectangle



Lower / High Beam  
165MM Rectangle



PART	DESCRIPTION	APPLICATION	REQD	PRICE
36-0283	CUSTOM HEADLIGHT 165MM LOW BEAM	1/2T 3/4T 79-80	(2)	\$37.95
36-0284	CUSTOM HEADLIGHT 165MM HIGH BEAM	1/2T 3/4T 79-80	(2)	\$37.95
47-0246-C	HALOGEN REPLACEMENT BULB	WHITE	(4)	\$4.95

## 200MM and 165MM LED Headlights



LED headlights dramatically improve safety and visibility with a bright white light output for superior night-time driving. Features a cast aluminum powder-coated housing with an impact-resistant polycarbonate lens and rugged aluminum reflector. Solid state bulb-free design is resistant to damage from shock and vibration.

DOT approved headlight is energy efficient and lasts longer than conventional bulbs.

### 200MM LED Headlight Set with Accent



#37-0397 includes a white LED accent strip across the center that can be wired directly to any 12-volt circuit.



Low Beam

High Beam

Accent

PART	DESCRIPTION	APPLICATION	REQD	PRICE
37-0397	200MM LED HEADLIGHT SET W/ACCENT	DODGE 81-93	(1)	\$409.95

### 200MM LED Headlight Set



Low Beam

High Beam

PART	DESCRIPTION	APPLICATION	REQD	PRICE
37-0398	200MM LED HEADLIGHT SET	DODGE 81-93	(1)	\$299.95

### 165MM LED Headlights



37-0392

PART	DESCRIPTION	APPLICATION	REQD	PRICE
37-0392	LED HEADLIGHT SET-165MM	1/2T 3/4T 79-80	(1)	\$429.95
37-0393	LED HEADLIGHT-165MM-LOW BEAM	1/2T 3/4T 79-80	(2)	\$125.95
37-0394	LED HEADLIGHT-165MM-HIGH BEAM	1/2T 3/4T 79-80	(2)	\$87.95



## Round 7" LED Headlights



LED headlights dramatically improve safety and visibility with a bright white light output for superior night-time driving. Features a cast aluminum powder-coated housing with an impact-resistant polycarbonate lens and rugged aluminum reflector. Solid state bulb-free design is resistant to damage from shock and vibration.

DOT approved headlight is energy efficient and lasts longer than conventional bulbs.

Headlight Mount may require modification for installation.

### 7" LED Headlight Set



7" Conventional

7" LED



Low Beam

High Beam

PART	DESCRIPTION	APPLICATION	REQD	PRICE
37-0390	7" LED HEADLIGHT SET	DODGE	72-80 (1)	\$299.95

### 7" LED Headlight Set with White Accent Strip

#37-0395 includes a white LED accent strip across the center that can be wired directly to any 12-volt circuit.



Low Beam

High Beam

Accent

PART	DESCRIPTION	APPLICATION	REQD	PRICE
37-0395	7" LED HEADLIGHT SET W/ACCENT	DODGE	72-80 (1)	\$399.95

## Heavy-Duty Headlight Harness

Not for use on models with daytime running lights.

36-3580

36-3592

Heavy-Duty Headlight Harness draws power directly from the battery whereas the original wiring draws its power from the headlight switch. Harness has separate relays for low and high beams and features OE-style headlight sockets for easy installation. No splicing or cutting required. Call or go online and order yours today!

W/Single = Models with Single Headlights  
W/Dual = Models with Dual Headlights

PART	DESCRIPTION	APPLICATION	REQD	PRICE
36-3580	HD HEADLIGHT HARNESS W/SINGLE	DODGE	72-93 (1)	\$24.95
36-3581	HD HEADLIGHT HARNESS W/DUAL	DODGE	79-80 (1)	\$24.95

### Replacement Relay

36-3592	REPLACEMENT RELAY-LOW/HIGH		(2)	\$4.45
---------	----------------------------	--	-----	--------

## 7" LED Headlight with Dual Accent Halo

#37-0318 is an LED projector with a dual color white/amber auxiliary LED halo ring with automatic amber turn signal override feature.



Low Beam

High Beam

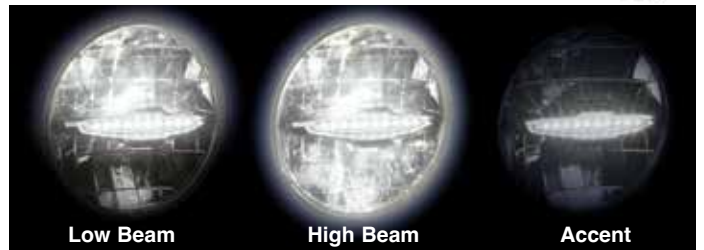
White Halo

Amber Halo

PART	DESCRIPTION	APPLICATION	REQD	PRICE
37-0318	7" LED HEADLIGHT W/DUAL ACCENT	DODGE	72-80 (2)	\$149.95

## 7" LED Headlight with White Accent Strip

#37-0319 includes a white LED accent strip across the center that can be wired directly to any 12-volt circuit.



Low Beam

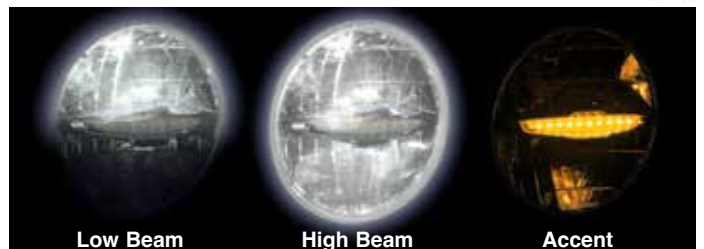
High Beam

Accent

PART	DESCRIPTION	APPLICATION	REQD	PRICE
37-0319	7" LED HEADLIGHT W/WHITE ACCENT	DODGE	72-80 (2)	\$184.45

## 7" LED Headlight with Amber Accent Strip

#37-0320 includes an amber LED accent strip across the center that can be wired directly to any 12-volt circuit.



Low Beam

High Beam

Accent

PART	DESCRIPTION	APPLICATION	REQD	PRICE
37-0320	7" LED HEADLIGHT W/AMBER ACCENT	DODGE	72-80 (2)	\$189.95



## LED Bulbs

36-0209 36-0208



LED bulbs have no filament, making them less sensitive to vibrations, and illuminate 140 times faster while lasting up to 20,000 hours, much longer than conventional incandescent bulbs. They emit less heat and use only 15% of the energy required by incandescent bulbs, reducing the load placed on a vehicle's electrical system. LED bulbs appear clear when unlit and emit a pure color when lit.

PART	DESCRIPTION	APPLICATION	REQD	PRICE
36-0377	LED BULB-PARKLIGHT	AMBER DODGE	72-93 (2)	\$14.95
36-0368	LED BULB-SIDEMARKER	AMBER DODGE	72-93 (2)	\$7.95
36-0376	LED BULB-TAIL LIGHT	RED DODGE	72-93 (2)	\$14.95
36-0375	LED BULB-BACKUP	WHITE DODGE	72-93 (2)	\$9.95
36-0209	LED BULB-CARGO LIGHT	DODGE	72-85 (2)	\$10.45
47-0310-D	LED BULB-CARGO LIGHT	WHITE STD CAB	86-93 (1)	\$10.95
36-0209	LED BULB-CARGO LIGHT	WHITE CLUB CAB	90-93 (2)	\$10.45
36-0208	LED BULB-DOME LIGHT "A"	WHITE DODGE	72-85 (1)	\$10.95
36-0205	LED BULB-DOME LIGHT "B"	WHITE DODGE	79-85 (1)	\$5.95
36-0208	LED BULB-DOME LIGHT	WHITE DODGE	86-93 (1)	\$10.95
36-0356	ELECTRONIC FLASHER	DODGE	72-93 (1)	\$12.45

Note: "A" Except Club Cab models with headliner.  
"B" For Club Cab models with headliner.

## LED Bolt Set for Your License Plate



LED Bolt Set contains chrome bolts which feature an integrated white LED that illuminates at a 90° angle. Ideal for use where extra light is needed. For 12-volt systems only.

PART	DESCRIPTION	REQD	PRICE
36-4506	LED LICENSE PLATE BOLT SET	(AR)	\$11.45

## LED Backup Light Bar



Light will need to be wired into one of your reverse lights for a signal and grounded locally.

This LED Backup Light Bar easily bolts to the top of your license plate and wires into your existing reverse lights. The Backup Light Bar will bolt onto your vehicle's top two license plate mounts. It features a die-cast aluminum housing and is finished in a satin black powder coat.



PART	DESCRIPTION	APPLICATION	REQD	PRICE
37-7475	LED BACKUP LIGHT BAR	UNIVERSAL	(1)	\$69.95

## Headlight Warning Buzzer



Headlight Warning Buzzer warns if headlights are left on when exiting the vehicle. It can be added to a truck that was never equipped with one or as a replacement for the original. Connects to fuse box and works with both glass and blade-type fuses. Easy-to-use instructions included.

PART	DESCRIPTION	PRICE
36-3617	HEADLIGHT WARNING BUZZER	\$11.95

## Custom Light Bulbs

**Halogen Bulb Tech Tip:** Always handle halogen bulbs by the plastic base to prevent contaminants on the glass from shortening the life of the bulb.

W/DUAL = Models with Dual Headlights

## Halogen Blue-Coated Headlight Bulbs



Replace the white halogen bulbs with a halogen blue-coated bulb. Blue-coated bulb creates an intense white light, giving the cool look of HID (high intensity discharge) lighting without the high price; call or go online and order yours today!

36-0291

PART	DESCRIPTION	APPLICATION	REQD	PRICE
36-0291	HALOGEN BULB-BLUE FOR HEADLIGHT	#36-0281	72-80 (2)	\$3.95
36-0294	HALOGEN BULB-BLUE FOR HEADLIGHT	#36-0299	72-80 (2)	\$4.95
36-0294	HALOGEN BULB-BLUE FOR HEADLIGHT	#36-0283	79-80 (2)	\$4.95
36-0294	HALOGEN BULB-BLUE FOR HEADLIGHT	#36-0284	79-80 (2)	\$4.95
36-0291	HALOGEN BULB-BLUE FOR HEADLIGHT	#36-0282	81-93 (2)	\$3.95
36-0294	HALOGEN BULB-BLUE W/DUAL	DODGE	79-80 (4)	\$4.95

## Superwhite Bulb Set Produces 30% More Light



Superwhite headlight bulbs produce 30% more light while retaining the street legal wattage. Superwhite bulbs use a proprietary mixture of premium gases that includes Xenon, which cools the light filament, improving the efficiency and light output of the bulb, unlike standard halogen bulbs which use less efficient argon gas.

Superwhite bulbs operate in the Kelvin color temperature range of 4000-4200K, producing a brighter, white light. Traditional halogen bulbs operate at 2600-3000K, emitting a more yellowish appearance. Sold in sets of two. Call or go online and order yours today!

PART	DESCRIPTION	APPLICATION	REQD	PRICE
36-0310	SUPERWHITE SET FOR HEADLIGHT	#36-0281	72-80 (1)	\$10.45
36-0298	SUPERWHITE SET FOR HEADLIGHT	#36-0299	72-80 (1)	\$15.95
36-0298	SUPERWHITE SET FOR HEADLIGHT	#36-0283	79-80 (2)	\$15.95
36-0298	SUPERWHITE SET FOR HEADLIGHT	#36-0284	79-80 (2)	\$15.95
36-0310	SUPERWHITE SET FOR HEADLIGHT	#36-0282	81-93 (1)	\$10.45
36-0298	SUPERWHITE BULB SET W/DUAL	DODGE	79-80 (2)	\$15.95

## Driving Light Set



38-1274

Driving lights provide a longer, more focused beam pattern for improved long-range vision. Features include reinforced steel housing with black finish and adjustable chrome mounting bracket with 10mm mounting stud; and state-of-the-art reflector which gives maximum light output from a 4-1/2" diameter light. Lights are complete with illuminated push button switch, 12-volt relay, all necessary wiring, mounting hardware, protective lens covers and high efficiency halogen 12V 55W replaceable bulbs.

For added style, replace the white halogen bulb with a halogen blue-coated bulb. The blue-coated bulb creates an intense white light which gives the cool look of HID (high intensity discharge) lighting without the high price.

PART	DESCRIPTION	APPLICATION	REQD	PRICE
38-1274	DRIVING LIGHT SET		(1)	\$59.95
38-0374	HALOGEN BULB-WHITE	FOR 38-1274	(2)	\$1.95
36-0264	HALOGEN BULB-BLUE	FOR 38-1274	(2)	\$5.95
36-0316	SUPERWHITE BULB SET	FOR 38-1274	(1)	\$5.95

## Courtesy Light Kit



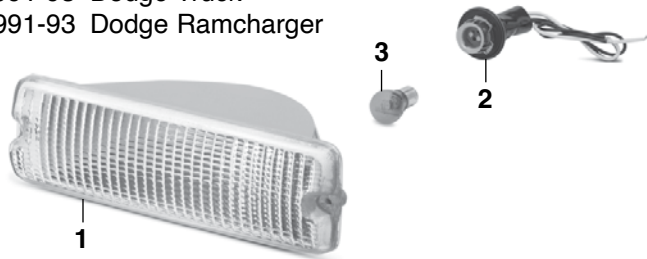
36-3614

Courtesy Light Kit includes two interior light assemblies with bulbs, connectors and terminals, door jamb switches and easy-to-follow instructions and schematics.

PART	DESCRIPTION	PRICE
36-3614	COURTESY LIGHT KIT	\$14.95
36-0222	REPLACEMENT BULB-CLEAR	\$ .65

## Parklight

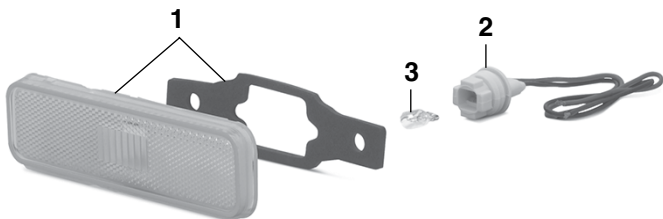
1991-93 Dodge Truck  
1991-93 Dodge Ramcharger



PART	ILL#	DESCRIPTION	APPLICATION	REQD	PRICE
55-2616	(1)	PARKLIGHT-LH	CLEAR DODGE	91-93 (1)	\$21.95
55-2617	(2)	PARKLIGHT-RH	CLEAR DODGE	91-93 (1)	\$21.95
56-6525	(2)	SOCKET	DODGE	91-93 (2)	\$9.95
36-0229	(3)	BULB	AMBER DODGE	91-93 (2)	\$1.55

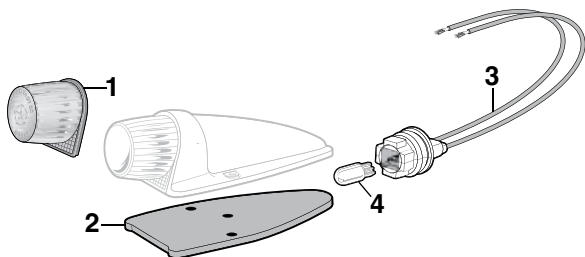
## Front Sidemarker

1972-93 Dodge Truck  
1974-93 Dodge Ramcharger



PART	ILL#	DESCRIPTION	APPLICATION	REQD	PRICE
55-2615	(1)	FRONT SIDEMARKER	AMBER DODGE	81-93 (2)	\$7.95
56-6516	(2)	SOCKET-SIDEMARKER	DODGE	81-93 (2)	\$5.45
36-0224	(3)	BULB-SIDEMARKER	CLEAR DODGE	72-93 (2)	\$.65

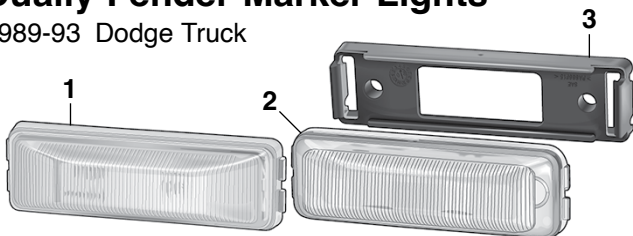
## Cab Roof Light Components



PART	ILL#	DESCRIPTION	APPLICATION	REQD	PRICE
56-6871	(1)	LENS-CAB ROOF LIGHT-AMBER	DODGE	74-93 (5)	\$23.45
56-6884	(2)	GASKET-CAB ROOF LIGHT	DODGE	74-93 (5)	\$.99
56-6516	(3)	SOCKET-CAB ROOF LIGHT	DODGE	74-93 (5)	\$5.45
36-0224	(4)	BULB-CAB ROOF LIGHT	DODGE	74-93 (5)	\$.65

## Dually Fender Marker Lights

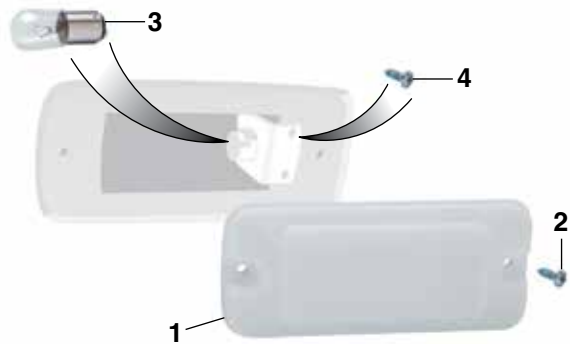
1989-93 Dodge Truck



PART	ILL#	DESCRIPTION	APPLICATION	REQD	PRICE
56-6896	(1)	MARKER LIGHT	AMBER DUALY	89-93 (2)	\$6.25
56-6924	(2)	MARKER LIGHT-LED	AMBER DUALY	89-93 (2)	\$12.95
56-6897	(1)	MARKER LIGHT	RED DUALY	89-93 (2)	\$6.25
56-6925	(2)	MARKER LIGHT-LED	RED DUALY	89-93 (2)	\$10.45
56-6898	(3)	MOUNTING PLATE-BLACK	DUALY	89-93 (4)	\$4.25
56-6909	(3)	MOUNTING PLATE-CHROME	DUALY	89-93 (4)	\$8.25

## Dome Light Components

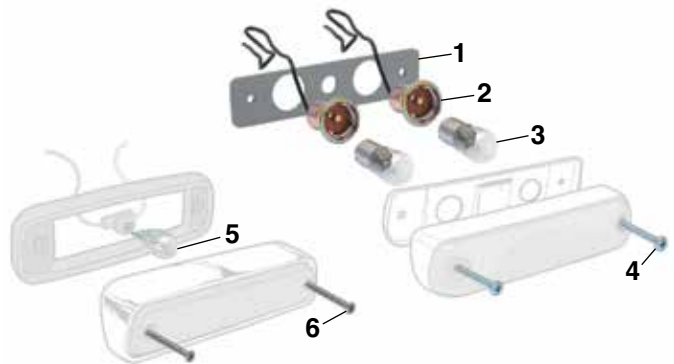
1972-80 Dodge Truck



PART	ILL#	DESCRIPTION	APPLICATION	REQD	PRICE
56-6720	(1)	DOMELIGHT LENS-WHITE	DODGE 72-80	(1)	\$3.95
30-0574	(2)	SCREW-LENS	DODGE 72-80	(2)	\$.85
36-0221	(3)	BULB	DODGE 72-80	(1)	\$.95
30-0574	(4)	SCREW-BULB BRACKET	DODGE 72-80	(2)	\$.85

## Cargo Light Components

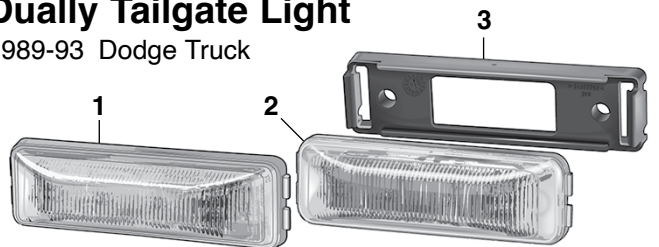
1972-93 Dodge Truck



PART	ILL#	DESCRIPTION	APPLICATION	REQD	PRICE
55-0830	(1)	CARGO LIGHT GASKET	DODGE 72-85	(1)	\$1.95
56-6505	(2)	SOCKET-CARGO LIGHT	DODGE 72-85	(2)	\$3.55
47-0222-C	(3)	BULB-CARGO LIGHT	DODGE 72-85	(2)	\$.49
40-0429-D	(4)	SCREW-CARGO LIGHT	DODGE 72-85	(2)	\$1.55
47-0235-C	(5)	BULB-CARGO LIGHT	STD CAB	86-93 (1)	\$.79
40-0462-C	(6)	SCREW-CARGO LIGHT	STD CAB	86-93 (2)	\$.65
55-0830	(1)	CARGO LIGHT GASKET	CLUB CAB	90-93 (1)	\$1.95
56-6505	(2)	SOCKET-CARGO LIGHT	CLUB CAB	90-93 (2)	\$3.55
47-0222-C	(3)	BULB-CARGO LIGHT	CLUB CAB	90-93 (2)	\$.49
40-0429-D	(4)	SCREW-CARGO LIGHT	CLUB CAB	90-93 (2)	\$1.55

## Dually Tailgate Light

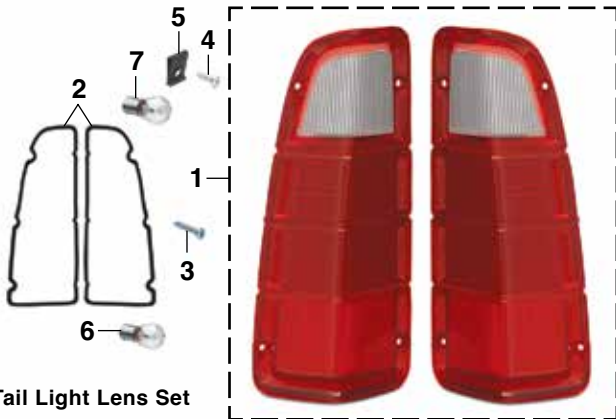
1989-93 Dodge Truck



PART	ILL#	DESCRIPTION	APPLICATION	REQD	PRICE
56-6897	(1)	MARKER LIGHT-REAR	RED DUALY	89-93 (5)	\$6.25
56-6925	(2)	MARKER LIGHT-REAR-LED	RED DUALY	89-93 (5)	\$10.45
56-6898	(3)	MOUNTING PLATE-BLACK	DUALY	89-93 (5)	\$4.25
56-6909	(3)	MOUNTING PLATE-CHROME	DUALY	89-93 (5)	\$8.25

**Tail Light Lens Set - without Stepside**

1972-80 Dodge Truck  
1974-80 Dodge Ramcharger



**Tail Light Lens Set**

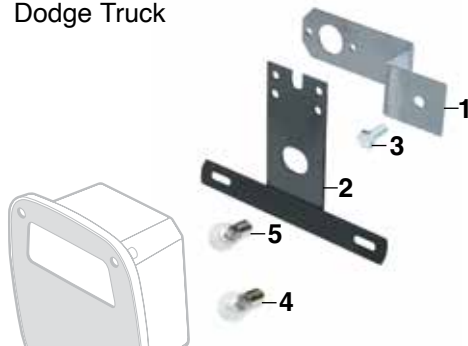
These quality tail light lenses are an exact reproduction of your truck's original lenses. Tail light lenses are the perfect solution to cracked, faded or missing lenses. Sold as a set of two.

Give your truck maximum safety and brightness, while retaining its original look, when you combine these tail light lenses with an LED Tail Light Conversion Kit, see page 83.

PART	ILL#	DESCRIPTION	APPLICATION	REQD	PRICE
55-2651	(1)	TAIL LIGHT LENS SET	DODGE 72-80	(1)	\$59.95
55-2652	(2)	TAIL LIGHT GASKET SET	DODGE 72-80	(1)	\$3.95
55-0698	(3)	SCREW-LENS	DODGE 72-80	(4)	\$ .65
40-0446-C	(4)	SCREW-HOUSING-ZINC	DODGE 72-80	(8)	\$ .65
30-0506	(5)	SCREW-HOUSING-BLACK	DODGE 72-80	(8)	\$ .95
30-0811	(5)	U-NUT-HOUSING	DODGE 72-80	(8)	\$1.35
36-0228	(6)	BULB-TAIL/TURN	CLEAR 72-80	(2)	\$ .95
36-0225	(7)	BULB-BACKUP	CLEAR 72-80	(2)	\$ .95

**Tail Light Components - Stepside**

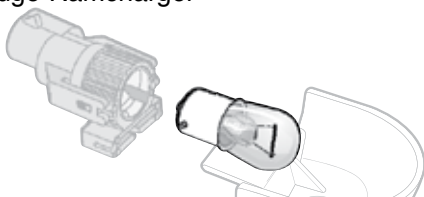
1972-85 Dodge Truck



PART	ILL#	DESCRIPTION	APPLICATION	REQD	PRICE
55-2655	(1)	TAIL LIGHT BRACKET-STEEL	STEPSIDE 72-85	(2)	\$44.95
55-2656	(2)	LICENSE PLATE BRACKET-STEEL	STEPSIDE 72-85	(1)	\$28.95
30-0253	(3)	BOLT-TAIL LIGHT BRACKET	STEPSIDE 72-85	(2)	\$ .95
36-0228	(4)	BULB-TAIL LIGHT-CLEAR	STEPSIDE 72-85	(2)	\$ .95
36-0225	(5)	BULB-BACKUP-CLEAR	STEPSIDE 78-85	(2)	\$ .95

**Underhood Light**

1992-93 Dodge Truck  
1992-93 Dodge Ramcharger



PART	DESCRIPTION	APPLICATION	REQD	PRICE
47-0222-C	BULB-CLEAR	DODGE 92-93	(1)	\$ .49

**Tail Light - without Stepside**

1981-87 Dodge Truck  
1981-87 Dodge Ramcharger



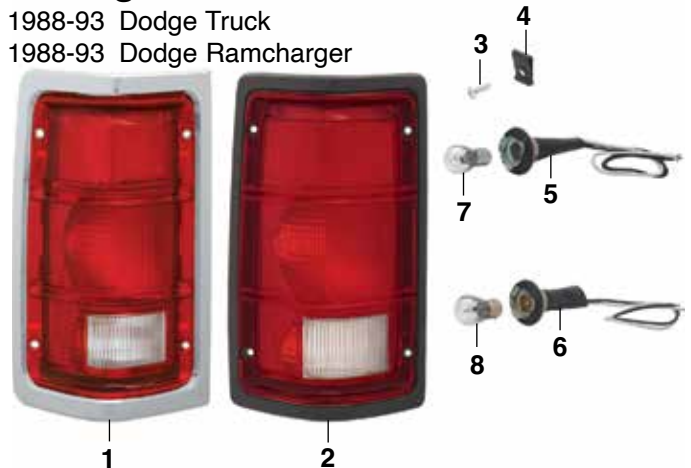
1988-93 Tail Lights can be used as a replacement for 1981-87 Tail Lights.

PART	ILL#	DESCRIPTION	APPLICATION	REQD	PRICE
55-2642	(1)	TAIL LIGHT-LH	"A" DODGE 81-87	(1)	\$34.95
55-2643	(1)	TAIL LIGHT-RH	"A" DODGE 81-87	(1)	\$34.95
55-2646	(2)	TAIL LIGHT-LH	"B" DODGE 81-87	(1)	\$49.95
55-2647	(2)	TAIL LIGHT-RH	"B" DODGE 81-87	(1)	\$49.95
40-0446-C	(3)	SCREW-ZINC	DODGE 81-87	(8)	\$ .65
30-0506	(4)	SCREW-BLACK	DODGE 81-87	(8)	\$ .95
30-0811	(4)	U-NUT	DODGE 81-87	(8)	\$1.35
56-6526	(5)	SOCKET-TAIL LIGHT	DODGE 81-87	(2)	\$9.95
56-6527	(6)	SOCKET-BACKUP	DODGE 81-87	(2)	\$9.95
36-0228	(7)	BULB-TAIL LIGHT	CLEAR 81-87	(2)	\$ .95
36-0225	(8)	BULB-BACKUP	CLEAR 81-87	(2)	\$ .95

Note: "A" With chrome bezel and chrome lens trim.  
"B" With black bezel and chrome lens trim.

**Tail Light**

1988-93 Dodge Truck  
1988-93 Dodge Ramcharger



1981-87 Tail Lights can be used as a replacement for 1988-93 Tail Lights.

PART	ILL#	DESCRIPTION	APPLICATION	REQD	PRICE
55-2644	(1)	TAIL LIGHT-LH	"A" DODGE 88-93	(1)	\$29.95
55-2645	(1)	TAIL LIGHT-RH	"A" DODGE 88-93	(1)	\$29.95
55-2648	(2)	TAIL LIGHT-LH	"B" DODGE 88-93	(1)	\$39.95
55-2649	(2)	TAIL LIGHT-RH	"B" DODGE 88-93	(1)	\$39.95
40-0446-C	(3)	SCREW-ZINC	DODGE 88-93	(8)	\$ .65
30-0506	(4)	SCREW-BLACK	DODGE 88-93	(8)	\$ .95
30-0811	(4)	U-NUT	DODGE 88-93	(8)	\$1.35
56-6526	(5)	SOCKET-TAIL LIGHT	DODGE 88-93	(2)	\$9.95
56-6527	(6)	SOCKET-BACKUP	DODGE 88-93	(2)	\$9.95
36-0228	(7)	BULB-TAIL LIGHT	CLEAR 88-93	(2)	\$ .95
36-0225	(8)	BULB-BACKUP	CLEAR 88-93	(2)	\$ .95

Note: "A" With chrome bezel, without chrome lens trim.  
"B" With black bezel, without chrome lens trim.



## LED Tail Light Conversion Kit

Enjoy the benefits and the intensity of LED tail lights while retaining the original look of your Classic Truck. This LED high-tech conversion kit bolts right into the stock tail light housing and adds safety and brightness. Converts the tail, stop and turn signals into very bright and visible LEDs.

Features new technology Rapid Fire stoplights, three flashes and then constant, or choose normal operation. 100 degree viewing angle and cool operation with long life.

Kit includes: 2 LED arrays with 14 high-intensity LEDs per side, solderless connectors, LED-to-truck electrical harness, rubber insulator pads and installation instructions. White LED backup bulbs are included.



55-2650



55-2651

PART	DESCRIPTION	APPLICATION	REQD	PRICE
55-2650	LED CONVERSION KIT	DODGE 72-80	(1)	\$122.95
55-2651	TAIL LIGHT LENS SET	DODGE 72-80	(1)	\$59.95

## LED Tail Light Set - Stepside

1972-85 Dodge Truck

New technology previously only on high-end luxury cars is now available for trucks! These tail lights quickly alert other drivers of your intentions with LED bulbs that illuminate 140 times faster than conventional incandescent bulbs, which translates to a gain of 20+ feet of reaction distance.

Replacement style tail lights require cutting and splicing wiring for installation.

### Additional LED benefits:

LED lights have no filament, which means they are less sensitive to vibrations, and they can last up to 20,000 hours. They use only 15% of the energy required by incandescent bulbs, reducing the load on the truck's charging system, and less heat is emitted. An Electronic Flasher is recommended when upgrading to LED bulbs or light assemblies. Due to the lower current draw of LED lighting, the factory flasher may cause inconsistent flash rates, no flash or indicate that a bulb is out.

PART	DESCRIPTION	APPLICATION	REQD	PRICE
55-2660	LED TAIL LIGHT SET-4" ROUND "A"	STEPSIDE 72-85	(1)	\$69.95
55-2657	LED TAIL LIGHT-GLO STYLE "B"	STEPSIDE 72-85	(1)	\$58.45
55-2658	LED TAIL LIGHT-GLO STYLE	STEPSIDE 72-85	(1)	\$58.45

Note: "A" One Tail light has LED license lamp.  
"B" With LED license lamp.

Electronic Flasher - See Page 80



55-2660



55-2657



## LED Cargo Lights ... Light Up Your Bed

LED Cargo Lights provide great lighting and visibility with 8 LED modules (two 69" sets of four evenly spaced pre-wired LED modules). Each module has 6 super bright cool white LEDs and mounts easily below bed rail with pre-applied 3M™ tape and included wiring clips. Install with the included optional switch or wire into existing cargo light.



PART	DESCRIPTION	APPLICATION	REQD	PRICE
38-1063	LED CARGO LIGHT SET	SWEPTLINE	(1)	\$35.95



## Dually LED Fender Marker Light Sets

1989-93 Dodge Truck

LED Fender Marker Light Sets are designed to replace your original fender marker lights. Choose from crystal clear or smoke lenses; each set comes with two front amber and two rear red fender marker lights. Installation instructions included.

PART	DESCRIPTION	APPLICATION	REQD	PRICE
55-9475	LED FENDER MARKER SET-CLEAR	DUALLY 89-93	(1)	\$69.95
55-9476	LED FENDER MARKER SET-SMOKE	DUALLY 89-93	(1)	\$69.95

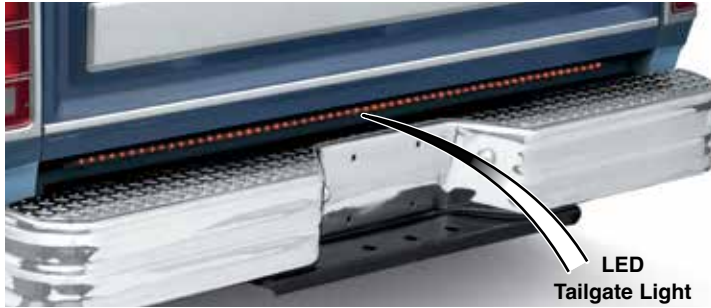


55-9475



55-9476

**LED Tailgate Lights ... For Increased Safety with Style**



**3 Color LED Tailgate Light**



**Red LED Tailgate Light**



LED Tailgate Light turns on with the tail lights, brightens with the brake lights and flashes with the turn signals. Mounts in the space between tailgate and bumper with included self-stick tape; no drilling required. Simple hook-up with attached 4-prong adaptor that connects to factory hitch plug or can be hardwired, if required.

PART	DESCRIPTION	RED	49"	APPLICATION	REQD	PRICE
37-7328	LED TAILGATE LIGHT	RED	49"	STEPSIDE	(1)	\$20.09
37-7329	LED TAILGATE LIGHT	RED	60"	SWEPTLINE	(1)	\$39.95

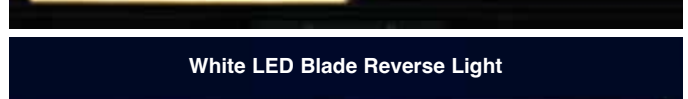
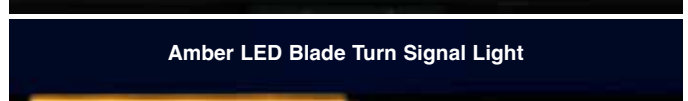
**How-To Video Available**  
Featuring TV Personality Kevin Tetz  
Visit [lmctruck.com/product-videos](http://lmctruck.com/product-videos)

This 3 Color LED Tailgate Light offers full-length, dual-brightness red LEDs for running lights and brake lights; outer amber LEDs for turn signals; and a wide center section of white LEDs for reverse lights. Mounts in the space

between tailgate and bumper with included self-adhesive tape; no drilling required. Includes 4-prong adaptor for easy hook-up to factory hitch plug or can be hardwired for a permanent solution. A power and reverse light wire will need to be connected to the control box for proper function.

PART	DESCRIPTION	3 COLOR	49"	APPLICATION	REQD	PRICE
37-7378	LED TAILGATE LIGHT	3 COLOR	49"	STEPSIDE	(1)	\$44.95
37-7379	LED TAILGATE LIGHT	3 COLOR	60"	SWEPTLINE	(1)	\$55.95

**PUTCO LED Blade Tailgate Light ... Over 2,000 LEDs for a Distinctive Look**



**LED Blade Tailgate Light**

Blade Tailgate Light features over 2,000 high-power COB (chip on board) LEDs that increase safety with distinctive red running and brake lights, amber turn signals and white reverse lights.

Blade Tailgate Light features a fully encapsulated tinted polycarbonate housing and is IP69K rated, to be fully sealed from weather, dust and water.

Includes a four-prong wiring harness for easy hook up to a receiver hitch.

PART	DESCRIPTION	PRICE
37-7497	LED TAILGATE LIGHT 48" LIGHT	\$292.99
37-7498	LED TAILGATE LIGHT 60" LIGHT	\$321.99

**Off Road Light**



Off Road Light has a four layer nickel chrome finish and features a spot beam pattern using a powerful 100 watt halogen bulb to provide extra light. The light measures 6.3" in diameter, 4.9" deep and has a 7/16" mounting stud with rubber mounting bracket and reinforced steel housing. Light is sold each.

Order #38-1275 Wiring Harness for a quick and easy installation.

PART	DESCRIPTION	PRICE
38-1272	LIGHT-CHROME 100W	\$24.95
36-0287	HALOGEN BULB-100W	\$4.75
38-1275	WIRING HARNESS	\$25.95

**Headlight Protection Film**

Headlight Protection Film is made from scratch-resistant, 30-mil thick press-polished PVC material that features a UV inhibitor to prevent shrinking and discoloration, combined with the strongest clear adhesive available for maximum durability and distortion-free light transmission. Proven to withstand a barrage of 1" diameter stones at speeds up to 120 mph with no damage to lens. Kit contains pre-cut film, installation squeegee and instructions. Without cutouts for headlight alignment pins where equipped.



PART	DESCRIPTION	APPLICATION	REQD	PRICE
<b>Models with Single Headlights</b>				
36-0317	HEADLIGHT FILM "A"	7" CUSTOM	(1)	\$15.75
<b>Models with Dual Headlights</b>				
36-0319	HEADLIGHT FILM	165MM CUSTOM	(1)	\$16.95

Note: "A" Without cutouts for headlight alignment pins. Some trimming required.

**Cab Roof Light Kits ... Add Visibility and Big Rig Style**

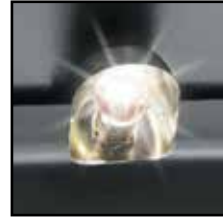


Cab Roof Light Kits are available in amber or clear. Kits meet SAE specifications when used with included bulbs. The two outside lights (clearance lights) and three inner ones (marker lights) give oncoming traffic a visual fix on the truck for additional safety.

All kits come complete with lights, bulbs, wire harness, quick splice connectors and a dash mount panel with toggle switch plus indicator light which allows the Cab Roof Lights to be operated independently of the headlights.

PART	DESCRIPTION	APPLICATION	REQD	PRICE
38-1075	CAB ROOF 5 LIGHT KIT	AMBER CHROME	(1)	\$89.95
36-0222	BULB	CLEAR	(5)	\$1.65
38-1074	CAB ROOF 5 LIGHT KIT	CLEAR CHROME	(1)	\$79.95
36-0202	BULB	AMBER	(5)	\$1.35

**Underhood Lamp**



Underhood Lamp adapts to any 12 volt truck and helps illuminate the engine bay. No need for wiring into a switch, bulb socket base is gravity activated; lamp comes on when hood is raised and goes out when hood is lowered. Mount underneath hood and connect lamp wire to any constant 12 volt source. Moisture proof in-line fuse is integrated into the wire for protection.

Installation Tip: Since all hoods and mounting locations are different, a slight adjustment to mounting bracket may be needed to assure light goes out when hood is closed. After mounting bracket and wires have been installed, apply pressure to the mounting bracket to change the angle as needed for proper operation.

PART	DESCRIPTION	APPLICATION	REQD	PRICE
36-4503	UNDERHOOD LAMP	12 VOLT	(1)	\$59.95
36-0225	REPLACEMENT BULB CLEAR	FOR 36-4503	(1)	\$.95
31-0575	INSTALLATION SCREW	FOR 36-4503	(2)	\$.65

**Spitshine Tire Black and Silver Rally Wheel Paint ... Bring Back the Shine**

Not for use on tires with white lettering or sidewalls.



**ColorBond Spitshine Tire Black** is a specially formulated paint, not a clear silicone dressing, designed to restore a military shine to faded and scuffed tires for a minimum of two months. Spitshine is not greasy or tacky, so it won't attract unsightly dirt and dust. Each 12 ounce can is easy to apply; first, clean tires of any existing dressings, silicones and dirt with ColorBond Prep/Cleaner. Mask the wheel or rim and apply in light coats. Reapply Spitshine Tire Black if tires become scuffed.

**37-8370**  
Colorbond Spitshine Tire Black  
\$21.45

**ColorBond Rally Wheel Paint** is a specially formulated acrylic lacquer that provides a brilliant silver finish to the original rally wheels and withstands temperatures up to 250°F. Each 12 ounce can covers 6 square feet. ColorBond Prep/Cleaner should be used prior to applying ColorBond.

**37-8365**  
Rally Wheel Paint-Silver  
\$19.95

**Owner's Manuals**



**55-3212**

PART	DESCRIPTION	PRICE
55-3212	OWNERS MANUAL DODGE 1972	\$13.95



**55-3214**

PART	DESCRIPTION	PRICE
55-3214	OWNERS MANUAL DODGE 1974	\$13.95



**55-3213**

PART	DESCRIPTION	PRICE
55-3213	OWNERS MANUAL DODGE 1973	\$13.95



**55-3215**

PART	DESCRIPTION	PRICE
55-3215	OWNERS MANUAL DODGE 1975	\$13.95

**Shop Manual on USB Drive**



Replace your paper shop manual with a Shop Manual on a USB drive. USB drives contain scanned original shop manuals, complete with illustrations.

Choose the category you need and print the necessary pages for each project, as many times as you want. The PDF manual on a USB flash drive is totally portable and is compatible with Windows, MAC iOS, and Android operating systems. (Adobe Acrobat Reader or similar required to view). Each PDF features bookmarked sections, allowing you to easily navigate the entire manual in seconds and print only the pages you need.

PART	DESCRIPTION	PRICE
55-3238-72	SHOP MANUAL-USB 72-73	\$25.95
55-3238-74	SHOP MANUAL-USB 74	\$25.95
55-3238-75	SHOP MANUAL-USB 75-76	\$25.95
55-3238-77	SHOP MANUAL-USB 77-78	\$25.95
55-3238-79	SHOP MANUAL-USB 79	\$25.95
55-3238-80	SHOP MANUAL-USB 80	\$25.95
55-3238-81	SHOP MANUAL-USB 81	\$25.95
55-3238-82	SHOP MANUAL-USB 82-83	\$25.95
55-3238-87	SHOP MANUAL-USB 87	\$25.95
55-3238-90	SHOP MANUAL-USB 90	\$25.95
55-3238-92	SHOP MANUAL-USB 92	\$25.95



Haynes Repair Manual



55-3210

**Haynes Repair Manual:** Based on a complete teardown and rebuild and includes information on engine overhaul, emission controls, fuel system, chassis, electrical, drive train, suspension and steering, brakes, body repair and mechanic's data.

PART	DESCRIPTION	PRICE
55-3210	HAYNES REPAIR MANUAL 74-93	\$33.25

Haynes Techbook



38-0429

**Automotive Computer Codes & Electronic Engine Management Systems:** Fully illustrated manual provides computer-controlled vehicle repair instructions using simple do-it-yourself diagnosis, on-board computer trouble codes and code charts. Covers 1980-95 trucks.

PART	DESCRIPTION	PRICE
38-0429	AUTO COMPUTER CODES 80-95	\$33.25

Dodge Repair Manual



55-3250

**Chassis Service:** Dodge Series 100 thru 800 explains disassembly and assembly of major components, maintenance and adjustments, minor service operations, removal as well as installation.

PART	DESCRIPTION	PRICE
55-3250	CHASSIS SERVICE MANUAL 72	\$39.95

Haynes Workshop Manuals

**Heating & Air Conditioning:** Covers step-by-step procedures for diagnosis, maintenance and repair of all domestic and import heating and air conditioning systems in use today.

PART	DESCRIPTION	PRICE
38-0410	HAYNES HEATING/AIR MANUAL	\$33.25

**Body Repair & Painting:** A complete photographic guide showing car care and detailing, rust prevention, body repair from minor dents to major structural repair as well as painting.

PART	DESCRIPTION	PRICE
38-0411	HAYNES REPAIR & PAINTING	\$33.25

**Electrical:** Covers basic electrical fundamentals, troubleshooting and repair for both domestic and foreign vehicles. It includes engine starting and charging systems, lights, gauges, accessories and more.

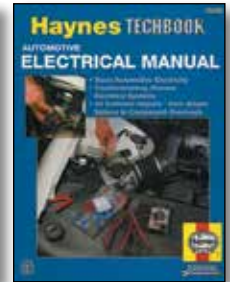
PART	DESCRIPTION	PRICE
38-0414	HAYNES ELECTRICAL MANUAL	\$33.25



38-0410



38-0411



38-0414

**Suspension, Steering & Driveline Manual:** Covers troubleshooting, maintenance and repair for most foreign and domestic suspension, steering and driveline systems. Includes rear differential overhaul procedures and modifications for improved handling.

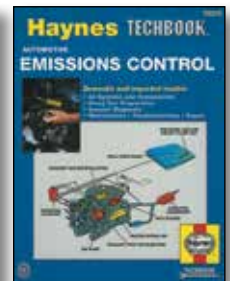
PART	DESCRIPTION	PRICE
38-0352	HAYNES SUSP STEERING DRIVE	\$33.25

**Automotive Emission Control Manual:** A simple do-it-yourself approach to automotive emissions controls. Basic information, diagnosis and repair for all Domestic and Import models, including computer controlled vehicles.

PART	DESCRIPTION	PRICE
38-0356	HAYNES EMISSION CONTROL	\$33.25

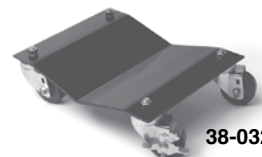


38-0352

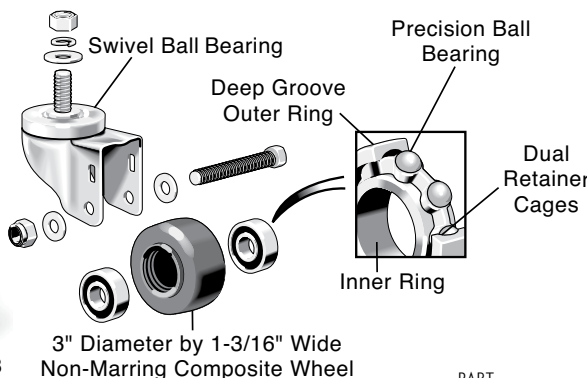


38-0356

Extra Heavy-Duty Auto Dolly Set Makes Moving Your Vehicle Easy



38-0328



XHD Auto Dolly Set, with 7,000 lbs. rating, makes it easy for one person to move a car, truck or SUV into a tight spot. Made of 1/4" thick mild steel x 12" x 16" formed plate and features 3" diameter by 1-3/16" wide swivel ball bearing caster wheels, one equipped with locking safety brake. Use on level, smooth surfaces.

PART	DESCRIPTION	APPLICATION	PRICE
38-0328	XHD TRUCK DOLLY SET OF 4	7,000 LB CAPACITY	\$229.95

## LMC Truck Cover ... Who Knew Protecting Your Vehicle's Finish Could Be So Inexpensive!

LMC universal fit truck covers provide protection from the elements and are not affected by temperature extremes. In summer a cover keeps the interior cooler and helps protect from the sun's damaging rays, which can cause fading and deterioration. In winter it can keep the snow and ice off your glass and finish.

Fabric will not stretch, shrink, rot or mildew. Elastic is sewn in front and rear hems to ensure snug fit. Call or go online and order your truck cover today.

Antenna must be removed or an antenna grommet attached to your cover before use. See below for more information on antenna grommet.



**LMC 1000** **\$59.95**  
**GOOD** each

**For Moderate Weather Conditions**

Durable synthetic fabric has the look and feel of more expensive covers. Water resistant, yet breathable and features double-stitched seams for maximum strength.

Dodge Trucks / Ramcharger		
<b>38-8800</b>	Std Cab Shortbed	1972-93
<b>38-8801</b>	Std Cab Longbed	1972-93
<b>38-8802</b>	Club Cab Shortbed	1972-93
<b>38-8803</b>	Club Cab Longbed	1972-93
<b>38-8805</b>	Crew Cab Longbed	1972-85
<b>38-8806</b>	SUV	1974-93

**LMC 3000** **\$99.95**  
**BETTER** each

**Superior Protection at a Great Value**

Superior breathable 3-layer synthetic fabric is highly water resistant, even during downpours and provides a soft cushioning layer that protects your paint. No-leak construction is achieved through ultrasonic welding, and UV-stable materials ensure a long life, making them ideal for long-term vehicle storage.

Dodge Trucks / Ramcharger		
<b>38-8810</b>	Std Cab Shortbed	1972-93
<b>38-8811</b>	Std Cab Longbed	1972-93
<b>38-8812</b>	Club Cab Shortbed	1972-93
<b>38-8813</b>	Club Cab Longbed	1972-93
<b>38-8815</b>	Crew Cab Longbed	1972-93
<b>38-8816</b>	SUV	1974-93

**LMC 4000** **\$160.95**  
**BEST** each

**Best Protection for Your Truck**

Highly water resistant 4-layer synthetic fabric has fleece-lined bottom layer with durable outer layer, breathable 2nd layer, protective 3rd layer and soft fleece 4th layer. Patented UV Stabilizer and ultrasonic seam welding ensure a long life. Features tie-down strap and buckle attached with strap pocket built into cover for easy storage.

Dodge Trucks / Ramcharger		
<b>38-8820</b>	Std Cab Shortbed	1972-93
<b>38-8821</b>	Std Cab Longbed	1972-93
<b>38-8822</b>	Club Cab Shortbed	1972-93
<b>38-8823</b>	Club Cab Longbed	1972-93
<b>38-8825</b>	Crew Cab Longbed	1972-93
<b>38-8826</b>	SUV	1974-93

### Antenna Grommet

Soft rubber antenna grommet will attach to any size cover and easily fit over any antenna mast up to 1/2" in diameter. Includes easy-to-follow instructions.



**30-1283**  
\$ .95

### Truck Cover Lock Kit

Keep your new truck cover secure with this security cable and lock. Sides of LMC Truck Cover are equipped with plastic grommets to accommodate the security cable.



**38-3195**  
\$14.95

### Mesh Back Logo Hat

Dodge logos are officially licensed by Dodge. One size fits all with the adjustable rear strap.



55-9525-CM  
**\$16.95**

### 4 EASY WAYS TO ORDER PARTS

**ONLINE** [www.LMCtruck.com](http://www.LMCtruck.com)  
Fast, Simple & Safe!

**PHONE** (800) 562-8782

**FAX** (800) 541-8525 USA & Canada  
(913) 599-0323 Worldwide

**MAIL** P.O. Box 14991  
Lenexa, KS 66285-4991

## Stacey David's Gearz Project Planning Book



Stacey David's Gearz Project Planning Book is a comprehensive guide to help you plan, budget, document and archive a complete project build from start to finish. This guide will help you stay more organized by planning ahead while keeping you on track and inspiring you to reach your project goals.

Each fill-in-the-blank section allows you to document the specific parts used, part numbers and costs involved. A table of contents breaks down the 22 color-coded sections. The 8 1/2" x 11" wire-bound book has 144 pages with a clear sleeve for receipts and photos.

*Stacey David's Gearz Project Planning Book* written by Stacey David  
copyright 2015 Rattle Trap Productions, Inc.

PART	DESCRIPTION	PRICE
38-4680	GEARZ PROJECT PLANNING BOOK	\$19.95

## Disposable Black Nitrile Gloves

Disposable Black Nitrile Gloves are made from durable, powder-free 6 mil thick patented material for superior strength and tear-through resistance.

Gloves feature a fully textured finish for better grip with a two-ply construction that is tough enough to withstand exposure to grease, solvents and oil. Sold as a box of 100.

3-1/2" = Medium  
4" = Large  
4-1/2" = X-Large

PART	DESCRIPTION	PRICE
38-0712-M	MEDIUM 100 GLOVE PACK	\$26.95
38-0712-L	LARGE 100 GLOVE PACK	\$26.95
38-0712-1X	X-LARGE 100 GLOVE PACK	\$26.95



**Glove Sizing:**  
Place your hand on a flat ruler with your index finger next to the zero line:



## Magnetic Glove Dispenser



Glove Dispenser features two large magnets that hold the dispenser in place. You can also mount it on a wall using the screw slots provided. Fits all common sizes of disposable rubber glove boxes, both 50 and 100 packs. The dispenser has 3 adjusting springs which can be adjusted as necessary to hold various box sizes. Made of powder coated steel.

PART	DESCRIPTION	PRICE
38-0719	MAGNETIC GLOVE DISPENSER	\$25.95

# FREE Truck Parts Catalogs

## Over 30,000 Parts & Accessories ... In Stock

### Dodge Trucks & SUVs 1972-2015



# LMC TRUCK

(800) 562-8782  
Order Your Free Catalog Online at  
[www.LMCTRUCK.com](http://www.LMCTRUCK.com)



## Retail Delivery Fee Notice

Some states are starting to pass legislation requiring us to collect a Retail Delivery Fee on shipments. Check with your state's department of revenue for more information.

For those customers living in states that require this, the extra fee will be added to each purchase that is taxable under the state code.



### What You Need to Know Before Ordering:

We are excited that you've decided to make us a part of your journey! Whether you are rebuilding from the ground up or just adding some distinctive touches to your vehicle, we are proud to give you a hand.

In addition, we'd love to see what you've been up to with your projects, so please log on to [lmctrucklife.com](http://lmctrucklife.com) and share your stories and pictures.

Understand that we are not trained automotive technicians. We want you to consult with mechanics regarding technical advice. Technical information is also included in the workshop manuals shown in this catalog. Please take the time to consult these resources if you feel you need to.

On those occasions that we've run out of a part on your order, chances are that it's already on its way to us. These items are listed as backordered on your invoice and will be sent your way as soon as possible. If you're not interested in waiting for your backordered product, just call our customer service line at (800) 222-5664, and we will cancel it and refund any money that has been paid.

You can also write "No Backorders" on your order form before you send it to us, and we'll make sure only to ship the products we currently have in stock.

Some parts have extra charges. Please consult below to make sure you understand these charges and so you aren't surprised later.

#### Part Number Definitions

- T - After a part number means that part must be shipped Truck Freight. An additional \$150.00 will be charged to your order for delivery in the 48 contiguous United States. Orders outside of the 48 states will be quoted. Additional delivery time required..
- \* - After the sell price means Oversize Part Charge. Your order will incur a charge of \$20.00 for each oversized part. Due to packing and/or transportation requirements, please allow additional time for delivery. Oversized Parts are not available for air delivery.
- \*\* - After the sell price means Oversize Part Charge. Your order will incur a charge of \$50.00 for each oversized part. Due to packing and/or transportation requirements, please allow additional time for delivery. Oversized Parts are not available for air delivery
- R - After a part number means Remanufactured Part. No core charge.

And one more thing, the part our lawyers make us say: We reserve the right to refuse service or shipment to anyone. We reserve the right to collect a service charge of \$20 for a returned check and to hold any shipments until the fee is collected.

Thank you for your support. Best of luck with all your projects!

### What You Need to Know Before Returning:

If only we lived in a perfect world! Unfortunately, we don't, and things can go wrong. When that happens, we do our best to try to make things right again. But we need your help as well.

All returns must be in like new condition and in the original packaging. Please include a copy of your invoice, as that will make the process quick and easy.

We refund your payment the same way you paid. Refunds of less than \$1 will not be made except by customer request.

We can't be responsible for damages, so please package your returned items carefully.

If you can ship the item back to us ground or USPS within the 48 contiguous United States, you don't need to call for authorization. Just send it to us at:

**15450 W. 108th St. Lenexa, KS 66219**

If we shipped you the wrong item, send it back, and we'll send the right item and reimburse you the ground rate for your return.

We can't accept anything that has been installed (unsuccessful attempts do count), disassembled, drilled, welded, cut, painted, or modified in any way, so please make sure to check and doublecheck the fit before starting any work.

If you are returning a kit, it needs to contain all the parts you received. No partial kits may be returned.

Electronic media (CDs, DVDs) cannot be refunded once they are opened. However, if it is not working properly, it can be exchanged for the same part number.

Please call our customer service line for a return authorization if your part was delivered outside of the 48 contiguous United States.

If you want to return something you bought over a year ago, please call our customer service line for return authorization.

You must call Customer Service when returning a Truck Freight item.

**Customer Service Line: (800) 222-5664**

**¿Habla Español? (855) 456-2288**

A 20% non-refundable restocking fee will be added to anything that's over a year old (unless the extended manufacturer warranty is still in effect, of course) as well as to any unauthorized Truck Freight returns.

And the legal part again: We have the right to refuse any return we deem unfit for resale. We also have the right to refuse any shipments where the shipping charges, duties, customs, etc., are not prepaid.



#### California Prop 65 Warning

**WARNING:** This product can expose you to chemicals including lead, which is known to the State of California to cause cancer. For more information, go to [www.p65warnings.ca.gov](http://www.p65warnings.ca.gov).

**ADVERTENCIA:** Este producto puede exponerlo a sustancias químicas, incluido el níquel reconocido por el estado de California como causante de cáncer. Para obtener más información, visite [www.p65warnings.ca.gov](http://www.p65warnings.ca.gov).

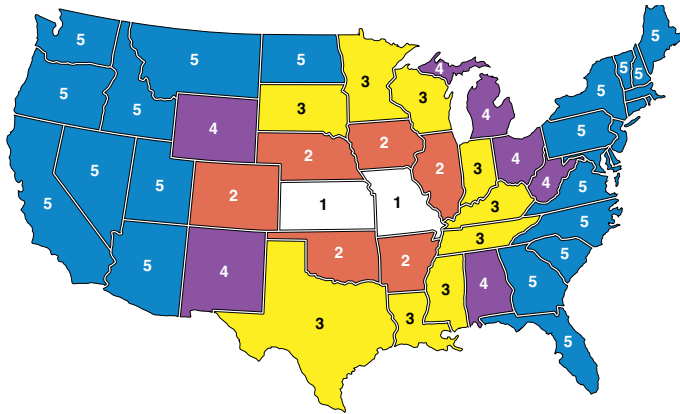
## Gift Cards



- Gift Cards are the perfect gift to ensure you are giving exactly what they want!
- Gift Cards don't expire.
- Orders must be pre-paid. Orders received before 3:00 p.m. Central Time will ship same day.
- Gift Cards can now be redeemed through the mail or by phone.

**What You Need to Know About Shipping within the 48 Contiguous States**

Shipping charges are based on the "Parts Total" on your order.



Order Parts Total	Zone 1	Zone 2	Zone 3	Zone 4	Zone 5
Up to \$ 10.00	\$ 5.00	\$ 5.00	\$ 5.00	\$ 5.00	\$ 5.00
\$ 10.01 to 25.00	8.00	8.00	8.00	8.00	8.00
25.01 to 50.00	11.00	11.00	11.00	11.00	11.95
50.01 to 100.00	16.50	16.50	16.50	17.50	18.75
100.01 to 150.00	24.50	25.00	26.50	27.50	28.75
150.01 to 250.00	31.50	32.25	34.50	36.25	38.50
250.01 to 350.00	35.75	36.50	38.25	41.50	43.25
350.01 to 500.00	38.50	40.75	42.50	44.75	47.25
500.01 to 1,000.00	44.75	46.25	48.50	49.75	51.25
1,000.01 to 1,250.00	62.00	64.75	68.00	70.00	72.00
1,250.01 to 1,500.00	75.50	77.75	82.00	84.00	86.50
1,500.01 to 1,750.00	90.00	93.50	98.50	100.00	104.00
1,750.01 to 2,000.00	108.00	110.50	120.00	125.00	130.00
2,000.01 to 2,499.99	110.00	115.75	125.50	135.00	145.00
2,500.00 and Up	Free Shipping				

If you are ordering Oversized Parts (indicated with a \* Or \*\* throughout this catalog), or if you are placing an extra large order, please allow for extra packing and delivery time.

In order to qualify for the free shipping, your entire \$2,500+ order must be placed at one time. We may have to split your shipment, but we will pick up the shipping charges.

**Customer Service Line: (800) 222-5664**  
**¿Habla Español? (855) 456-2288**

**What You Need to Know About Shipping to APO and FPO Addresses**

We are thrilled to be able to ship to those who are serving our country; however, there are some limitations on these shipments. We are unable to ship Truck Freight items to you at this time. All orders will be shipped complete, via Insured Priority Mail through the USPS. Size limitations will apply. Please make sure before you place your order that what you are ordering will be accepted and is deliverable to you in your location.

**What You Need to Know About Shipping to Canada**

Your orders will be shipped ground "Door to Door," which includes brokerage, duty and tax. Charges will be based on the value of your shipment. Document and preparation fees are included. Please call our customer service line for assistance.

**What You Need to Know About Shipping to Alaska, Hawaii and the U.S. Territories**

Order Parts Total	Shipping to Alaska, Hawaii & U.S. Territories
Up to \$20.00	\$ 19.95
\$20.01 to 50.00	25.95
50.01 to 75.00	36.95
75.01 to 100.00	41.95
100.01 to 150.00	49.95
150.01 to 250.00	65.95
250.01 to 350.00	72.95
350.01 to 500.00	79.95
500.01 and Up	Quote ❖

❖ You will be contacted with charges.

**We reserve the right to ship the most economical way. If you need your order shipped in a specific manner, contact customer service for a customized quote.**

**Customer Service Line: (800) 222-5664**  
**¿Habla Español? (855) 456-2288**

This chart shows shipping charges on orders up to \$500. Parts must be 108 inches or less and weigh 70 pounds or less to qualify. If any part does not meet these qualifications, your order will be delivered by ground for additional charges.

All orders will ship complete. Any additional delivery charges will be added to your total as needed, including Oversize Part charges or overweight charges.

We will need a daytime phone number with your order. If there is a problem with your order, we will attempt to contact you three times. If we are unsuccessful, your order will be cancelled 5 days after that third failed attempt.

**What You Need to Know When Shipping Problems Occur**

Please open your package(s) as soon as possible and make certain that everything is accounted for and nothing was damaged in shipment. Damaged shipments are the responsibility of the carrier and must be reported to the carrier within 15 days of receipt.

If the package looks damaged when it arrives, open it with the delivery person present, so that they can make an immediate report of damages and discrepancies. If the damage is not obvious at the time of delivery, or if the package was left for you by the shipping company, contact their customer service as soon as possible to make your claim.

On Truck Freight shipments, it is your responsibility to check your order and have the driver note any damage on the freight bill before you sign for your item(s).

Please keep all packing, packaging and contents until your claim has been settled with the shipping company.

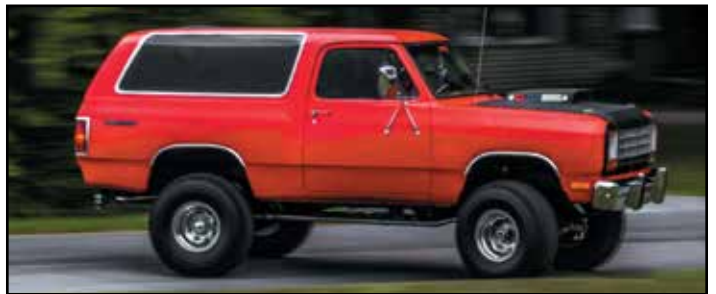
**What You Need to Know About Shipping Internationally**

All international orders ship complete. Shipping charges must be prepaid in U.S. funds. Brokerage, duties, taxes, and fees associated with the order are paid by the customer. We do not accept personal checks on international orders.





JOIN THE  
**FAMILY**  
SHARE YOUR  
**TRUCK**  
**JOURNEY**  
LMCTruckLife.com



## My Whole Family Helped with the Rebuild

### *Zachary Edwards and His 1985 Dodge Ramcharger*

This project started about 7 years ago. I remember riding in it to Land between the Lakes in the back seat with my dad going fishing thinking it was the coolest truck ever. Fast forward 10 years, and it has just been sitting, getting worse as the years went by. I talked my father into a trade and got it for my own. I did everything on this vehicle myself, with friends and my family, beside the transmission.

It was in pretty rough shape when I got it. The floorboard was rotted out in front, and behind both rear wheel wells rotted out, and one of the fenders and rockers also had cancer in them. I did all the metal work myself, replacing with all new metals and rustproofing the internals. Bodywork took the longest of all the restoration. A question I always get asked is, where did you get the hood, and the answer to that is I made it, and it is functional.

My whole family helped with rebuilding this ride including my 3 sons, Nathan (12), Luke (7) and Tyler (5). They helped with many projects including body work and engine work. My wife Kayla helped with lots of interior work and did a great job. I was glad to have her help. Now I look forward to taking my sons to LBL like my dad did with me and making more great memories in this 1985 Dodge Ramcharger prospector edition.

I'm sure I have forgotten lots of stuff, but there is nothing on this vehicle that I didn't change or rebuild. I also put a 1986 bumper on the front new grille and steel rear roll pan for a sleeker look and had a custom hitch built for it by a good friend. The mirrors came off of my grandpaw's old service truck I found laying in a pile of parts in his garage when he passed away. It was good to be able to bring some use back to them and they fit perfectly. The pictures were taken by photographer Sean Wilson.

*For the Full Story, see [LMCTruckLife.com](http://LMCTruckLife.com)*



[www.LMCtruck.com](http://www.LMCtruck.com)

**Ordering Call**  
**(800) 562-8782**



**Scan Me!**

**Customer Service Call**  
**(800) 222-5664**



DC.40

P.O. Box 14991  
Lenexa, Kansas  
66285-4991

Follow Us On



Credit or Debit Cards Accepted for:



PRSRT STD  
U.S.  
POSTAGE  
**PAID**  
LMC  
TRUCK

### 3 Point Retractable Seat Belt Set



56-7490-BL 3 Point Seat Belt Set



56-7491-BL Center Seat Lap Seat Belt



3 Point Retractable Seat Belt Sets feature push button buckles and are constructed of OE-quality herringbone webbing. Sets include left and right seating positions, mounting hardware also included. Lap Seat Belts for center seating position are sold separately.

Seat belts are a simple, direct bolt-in installation using the original seat belt mounting holes.

PART	DESCRIPTION	APPLICATION	REQD	PRICE	
56-7490-BL	3PT RETRACTABLE BELT SET BLACK	STD CAB	76-93 (1)	\$161.95	
56-7490-LL	3PT RETRACTABLE BELT SET BLUE	STD CAB	76-93 (1)	\$161.95	
56-7490-GR	3PT RETRACTABLE BELT SET GRAY	STD CAB	76-93 (1)	\$161.95	
56-7490-RD	3PT RETRACTABLE BELT SET RED	STD CAB	76-93 (1)	\$161.95	
56-7490-TN	3PT RETRACTABLE BELT SET TAN	STD CAB	76-93 (1)	\$161.95	
56-7491-BL	LAP BELT-BLACK	CENTER SEAT	STD CAB	76-93 (1)	\$30.95
56-7491-LL	LAP BELT-BLUE	CENTER SEAT	STD CAB	76-93 (1)	\$30.95
56-7491-GR	LAP BELT-GRAY	CENTER SEAT	STD CAB	76-93 (1)	\$30.95
56-7491-RD	LAP BELT-RED	CENTER SEAT	STD CAB	76-93 (1)	\$30.95
56-7491-TN	LAP BELT-TAN	CENTER SEAT	STD CAB	76-93 (1)	\$30.95

### Front Door Seal Set

1972-93 Dodge Truck  
1975-93 Dodge Ramcharger



Door Seal Set  
56-5245

PART	DESCRIPTION	APPLICATION	REQD	PRICE
56-5245	DOOR SEAL SET-ON CAB	PICKUP	72-93 (1)	\$34.95
56-5245	DOOR SEAL SET-ON CAB	SUV	75-93 (1)	\$34.95
56-5245	REAR DOOR SEAL SET-ON CAB	CREW CAB	72-85 (1)	\$34.95

### **NEW** *Klassic Keyless* Keyless Remote Entry System

1972-93 Dodge Truck  
1974-93 Ramcharger



Fits Front Doors Only

PART	DESCRIPTION	APPLICATION	REQD	PRICE
56-6199	KEYLESS REMOTE ENTRY SYSTEM	DODGE	72-93 (1)	\$239.95

This complete, do-it-yourself 2 door keyless entry kit from Klassic Keyless is designed to fit your vehicle. This is not a "universal" collection of parts, but a comprehensive, vehicle-specific system that is engineered with the shade tree mechanic in mind. The kit comes with everything needed to install remote activated keyless entry into your truck using common hand tools.

#### The Keyless Remote Entry System includes:

- Keyless entry module with onboard relays for a clean installation.
- 2 two-button remote controls.
- 2 door lock actuators with 15 lbs. of pull and built-in overload protection.
- 2 actuator mounting brackets.
- 2 rubber doorjamb boots.
- 2 actuator connecting rods and clips.
- Wire harness.
- Full color step-by-step instruction manual, and all necessary hardware.