

1999-2016 SUPER DUTY



1999 - 2004



2005 - 2007



2008 - 2010



2011 - 2016

Leaf Spring & Parts	142
Leaf Spring Bushing Set, Poly	141
LED Bulbs	165,168
LED Fender Marker Lights, Dually	168
LED Headlight	165
LED Tail Light	168
LED Third Brake/Cargo Light	164
License Lamp Lens	127
License Plate Bracket	124-126
License Plate Lamp & Parts	159
License Plate Lamp Harness	127,159
License Plate Retainer Set	127
Lighter Knob and Element	157
Lighting	159-168
Lighting, Custom	163-168
Lock Actuators, Door	130-131
Locking Hub Sets	146
Lug Nuts	146

M

Map Light Parts	159
Marker Lens Sets, Clear	162
Mass Air Flow Sensors, JET	151
Master Cylinder Caps	144
Mirror Cover Set	128
Mirror Switch	157
Mirror, Door	128-129
Mirror, Rear View	134
Molded Carpet	133
Mud Guards	128

N

Neutral Safety Switch	139,157
-----------------------	---------

O

Oil Dipstick	147
Oil Drain Valve, EZ	147
Oil Filler Cap	147
Oil Filter & Parts	147
Oil Pan & Parts	147
Oil Pressure Switch	157
Overdrive Shift Button Cap	157
Overdrive Shift Button Set	145,157

P

Parking Brake Release Switch	158
Parklight & Parts	160-163
Parklight Assemblies	160-162
Parklight Bulbs	160-163
Parklight Set, Custom	165
Pedal Pads	132
Pedal Pads & Parts	132
Pedal Sensor	132
Pitman Arm	144
Power Steering Gears	145
Power Steering Parts	144-145
Power Steering Reservoir Cap	144
Power Sunroof Switch	158
Projector Headlights	166

R

Radiator & Parts	111-112,153
Radiator Core Mounting	113
Radiator Core Mounting Set	113
Radiator Drain Taps	153
Radiator Mount Bracket	153
Radius Arm Bushings, Poly	141
Rear Bumper & Parts	127
Rear Fenders, Dually	116
Rear Marker Light	159
Rear Splash Shield	119
Rear View Mirror	134
Rear Wheel Well Liners	120
Rear Window Glass & Parts	118
Resonator Tips, Exhaust	149
Rocker Panel & Parts	113
Rocker Panels	113
Roof Marker Light & Parts	162
Roof Marker Light Assembly	162
Roof Marker Light Lens Sets	162

S

Seat Cushions	132
Seat Switches	158
Selector Switch, 4WD	156
Sending Unit Strainer, Diesel	137
Shackle, Leaf Spring	142
Shift Boot	132

Shift Knob	132
Shift Lever	145
Shift Lever Parts	132
Shift Tube Kit	145
Shiftdown Actuator, Column	158
Shock Absorber, Front	140
Shock Absorber, Rear	140
Shock Absorbers, KYB	140
Sidemarkers Bulbs	160,163
Sliding Rear Window & Parts	118
Sliding Rear Window Latch	118
Spare Tire Hoist	118
Spare Tire Tool Kit	118
Speed Control Switch	158
Splash Guard, Rear Fender	116
Spring Hanger, Rear	142
Starter Solenoid	154
Steel Body Parts	111-112,115-117
Steering Bearing Sleeve	145
Steering Column Bearings	145
Steering Column Parts	145
Steering Gear	145
Steering Stabilizer Kit	144
Step Bars	120
Step Bumper, Rear	127
Stop Lamp Switch	158
Superwhite Bulbs	163-166
Suspension, Front	140-142
Sway Bar Bushing, Poly	140
Switches	154-158

T

Tail Light & Parts	167-168
Tail Light Assembly	167
Tail Light Covers	168
Tail Light Set, Custom	168
Tailgate	117
Tailgate & Parts	117
Tailgate Assembly	117
Tailgate Bumpers	117,119
Tailgate Cables	117
Tailgate Component Kit	117
Tailgate Control Assemblies	117
Tailgate Emblem	117,121
Tailgate Handle	117,121
Tailgate Handle, Chrome	117,121
Tailgate Hinges	117
Tailgate Latch	117

Tailgate Latch Rod	117
Tailgate Molding	117
Tailgate Striker	117
Temperature Switch	153
Third Brake Light & Parts	164
Third Brake Light Assembly	159
Third Brake Light, LED	164
Threshold Plate Set, Door	130
Throttle Body	151
Throttle Body Spacer	151
Tie Rod End & Parts	144
Tilt Lever, Steering	145
Timing Chain Tensioners	151
Tire Black, ColorBond	146
Tow Mirror	128-129
Tow Mirror Light Set	129
Tow Mirror Light Set, LED	129
Track Arm Bushings, Poly	141
Track Bar & Parts	145
Transfer Case Motor	138
Transmission Filter Kit	139
Trim Paint, Exterior	136
Turbo Outlet Hose	147
Turn Signal Switch	145,158

U

Under Seat Storage Tray	132
Underhood Light	159

V

Vacuum Control Solenoid, EGR	150
Vacuum Motor	152
Vacuum Pump, Diesel	150
Vent Valve, Gas Tank	137

W

Washer Pump	154
Washer Reservoir & Parts	154
Washer Spray Nozzle	154
Water in Fuel Sensor	154
Water Pump Outlet Tube	153
Water Separator Valve	138
Weatherstrip, Door	119,130-131
Wheel Arches	116
Wheel Bearing	139
Wheel Bearing Seal	139
Wheel Cover Set, Chrome	146
Wheel Lock Set	146

Wheel Well Liner	120
Wheels & Accessories	146
Wheels & Parts	146
White Face Gauge Overlays	135
Window Deflectors, Side	128
Window Glass, Rear	118
Window Glass, Side	118
Window Handles	130-131
Window Regulator, Door	130-131
Window Seal	119
Window Seal Kit	130-131
Window Switch, Power	158
Windshield & Glass Sealant	118
Windshield Glass & Parts	118
Wiper Arm & Parts	154
Wiper Blade	154
Wiper Motor & Parts	154
Wiper Switch	145,158
Wrench, Fuel Filter Cap	138



www.LMCtruck.com

Shop Online - Online Catalogs - 24/7

Fast, Simple, Safe!



Vehicle ID Number

The VIN plate is mounted on the driver's side of the instrument panel and is visible through the windshield.

Super Duty 1999-16

1F T N X20 L 7 X K B69,783

World Mfr. Identifier

- 1F = Ford Motor Company USA
- 2F = Ford Motor Company Canada
- 3F = Ford Motor Company Mexico

Model Type

T = Truck

GVWR Code

- 8,000 to 8,500 = V or P
- 8,501 to 9,000 = 1, C, H or N
- 9,001 to 10,000 = 2, 7, B, D, J or S

Series Code

F20 or F2A = F250 SD 2WD Standard Cab SNGL RR WHL
 F21 or F2B = F250 SD 4WD Standard Cab SNGL RR WHL
 F22 or F2C = F250 SD 2WD Standard Cab Dual RR WHL
 F23 or F2D = F250 SD 4WD Standard Cab Dual RR WHL
 (F350 = F3_, F450 = F4_, F550 = F5_)

X20 or X2A = F250 SD 2WD Super Cab SNGL RR WHL
 X21 or X2B = F250 SD 4WD Super Cab SNGL RR WHL
 X22 or X2C = F250 SD 2WD Super Cab Dual RR WHL
 X23 or X2D = F250 SD 4WD Super Cab Dual RR WHL
 (F350 = X3_, F450 = X4_, F550 = X5_)

W20 or W2A = F250 SD 2WD Crew Cab SNGL RR WHL
 W21 or W2B = F250 SD 4WD Crew Cab SNGL RR WHL
 W22 or W2C = F250 SD 2WD Crew Cab Dual RR WHL
 W23 or W2D = F250 SD 4WD Crew Cab Dual RR WHL
 (F350 = W3_, F450 = W4_, F550 = W5_)

Engine Code

- 1999**
 L = V8 5.4L MFI
 N = V8 5.4L MFI
 S = V10 6.8L MFI
 F = V8 7.3L Turbo Diesel
- 2000-02**
 L = V8 5.4L MFI
 S = V10 6.8L MFI
 F = V8 7.3L Turbo Diesel
- 2003**
 L = V8 5.4L MFI
 S = V10 6.8L MFI
 P = V8 6.0L Turbo Diesel
 F = V8 7.3L Turbo Diesel
- 2004-07**
 L = V8 5.4L MFI 2-Valve
 S = V10 6.8L MFI 2-Valve
 P = V8 6.0L Turbo Diesel
- 2008-10**
 5 = V8 5.4L MFI 3-Valve
 Y = V10 6.8L MFI 3-Valve
 R = V8 6.4L Turbo Diesel
- 2011-16**
 6 = V8 6.2L MFI 2-Valve
 Y = V10 6.8L MFI 3-Valve
 T = V8 6.7L Turbo Diesel

Check Digit (internal usage)

Model Year Code

- X = 1999 5 = 2005 B = 2011
- Y = 2000 6 = 2006 C = 2012
- 1 = 2001 7 = 2007 D = 2013
- 2 = 2002 8 = 2008 E = 2014
- 3 = 2003 9 = 2009 F = 2015
- 4 = 2004 A = 2010 G = 2016

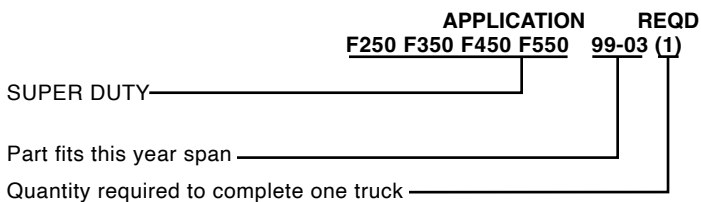
Assembly Plant

- B = Oakville, Ontario-Canada
- C = Ontario-Canada
- D = Ohio
- E = Kentucky
- F = Dearborn, Michigan
- G = Chicago, Illinois
- H = Lorain
- I = Ipiranga, Brazil
- J = Monterrey, Mexico
- K = Kansas City
- L = Wayne, Michigan
- M = Cuautitlan, Mexico
- N = Norfolk
- P = Twin Cities, Minnesota
- R = Hermosillo, Mexico
- S = Allen Park
- T = Edison
- U = Louisville
- V = Valencia
- X = St. Thomas, Ontario
- Z = St. Louis
- 5 = Flat Rock, Michigan

Numerical Sequence of Assembly

How to Read this Catalog

Throughout this catalog, the application line of the part number describes which model of Ford Truck that particular part will fit. This catalog covers all Super Duty models. Here is an example of what each word and number that appears on the description line stands for:



1999-2016 Engine Identification

Super Duty 1999-16

Year	VIN	Liters		
1999	N	V8 5.4L	SOHC MFI W/EEC-V	Super Duty
	L	V8 5.4L	SOHC MFI W/EEC-V	Super Duty
	S	V10 6.8L	SOHC MFI W/EEC-V	Super Duty
	F	V8 7.3L Turbo Diesel	OHV Fuel Injected	Super Duty
2000-02	L	V8 5.4L	SOHC MFI W/EEC-V	Super Duty
	S	V10 6.8L	SOHC MFI W/EEC-V	Super Duty
	F	V8 7.3L Turbo Diesel	OHV Fuel Injected	Super Duty
2003	L	V8 5.4L	SOHC MFI W/EEC-V	Super Duty
	S	V10 6.8L	SOHC MFI W/EEC-V	Super Duty
	P	V8 6.0L Turbo Diesel	OHV Fuel Injected	Super Duty
	F	V8 7.3L Turbo Diesel	OHV Fuel Injected	Super Duty
2004-07	L	V8 5.4L	SOHC MFI W/EEC-V	Super Duty
	S	V10 6.8L	SOHC MFI W/EEC-V	Super Duty
	P	V8 6.0L Turbo Diesel	OHV Fuel Injected	Super Duty
2008-10	5	V8 5.4L	SOHC MFI 3-Valve	Super Duty
	Y	V10 6.8L	SOHC MFI 3-Valve	Super Duty
	R	V8 6.4L Turbo Diesel	OHV Fuel Injected	Super Duty
2011-16	6	V8 6.2L	SOHC EFI 2-Valve	Super Duty
	Y	V10 6.8L	SOHC MFI 3-Valve	Super Duty
	T	V8 6.7L Turbo Diesel	OHV Power Stroke	Super Duty

Bed Length and Wheelbase Identification

Super Duty 1999-16

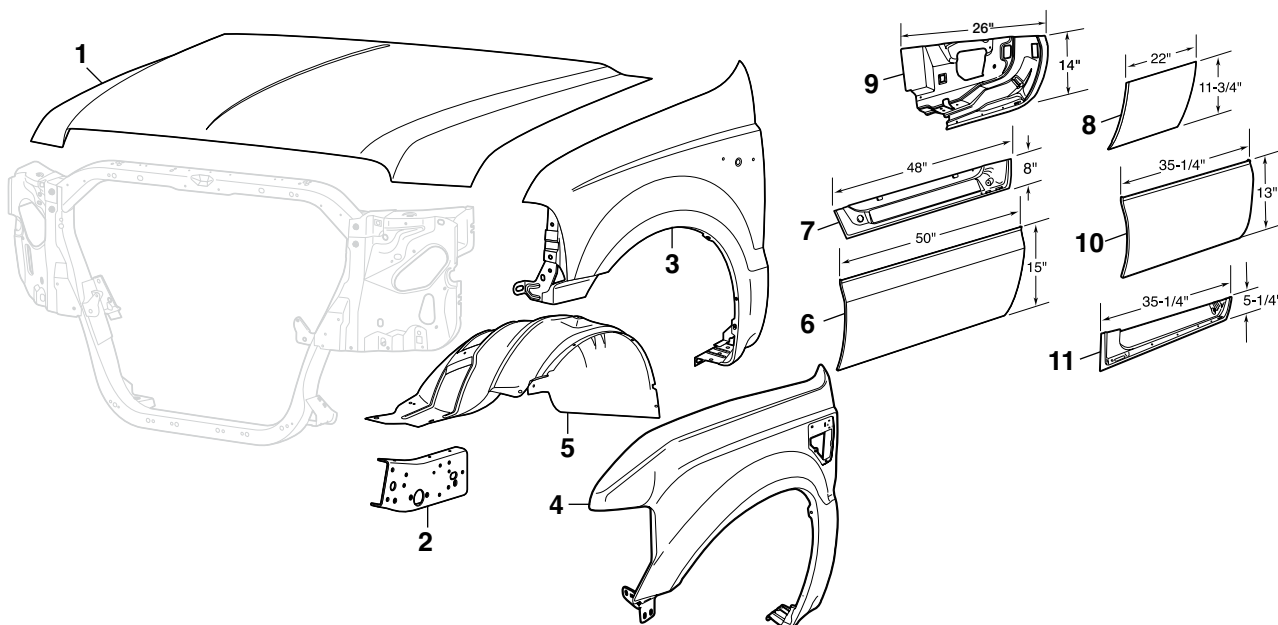
Year	Cab	Bed	Length	Wheelbase
1999-16	Standard Cab	Styleside	8'	137
1999-16	Super Cab	Styleside	6.75'	141.8
1999-16	Super Cab	Styleside	8'	158
1999-16	Crew Cab	Styleside	6.75'	156.2
1999-16	Crew Cab	Styleside	8'	172.4

LMC TRUCK is in no way affiliated with the Ford Motor Company nor do we intend to imply that. The name Ford is used for reference only.

Applications listed in this catalog are based on original factory information. However, variances will occur due to non-documented substitutions, and changes made during the vehicle's production.

Steel Body Parts

1999-10 F250 F350 F450 F550 Super Duty



PART	ILL#	DESCRIPTION	APPLICATION	REQD	PRICE
49-9989-T	(1)	HOOD	SUPERDUTY 99-07	(1)	\$179.95
49-9995-T		HOOD	SUPERDUTY 08-10	(1)	\$379.95
40-3660	(2)	FRAME SUPPORT-LH	SUPERDUTY 99-07	(1)	\$24.95
40-3661		FRAME SUPPORT-RH	SUPERDUTY 99-07	(1)	\$24.95
49-8684-T	(3)	FRONT FENDER-LH	SUPERDUTY 99-04	(1)	\$119.95
49-8685-T		FRONT FENDER-RH	SUPERDUTY 99-04	(1)	\$119.95
49-8684-T		FRONT FENDER-LH	F250 F350 05-07	(1)	\$119.95
49-8685-T		FRONT FENDER-RH	F250 F350 05-07	(1)	\$119.95
49-8716-T	(4)	FRONT FENDER-LH	F250 F350 08-10	(1)	\$84.95
49-8717-T		FRONT FENDER-RH	F250 F350 08-10	(1)	\$84.95
49-8718-T		FRONT FENDER-LH	F450 F550 08-10	(1)	\$84.95
49-8719-T		FRONT FENDER-RH	F450 F550 08-10	(1)	\$84.95
49-8674	(5)	INNER FENDER LINER-LH	SUPERDUTY 99-04	(1)	\$17.95*
49-8675		INNER FENDER LINER-RH	SUPERDUTY 99-04	(1)	\$17.95*
49-8712		INNER FENDER LINER-LH	SUPERDUTY 05-07	(1)	\$14.95*
49-8713		INNER FENDER LINER-RH	SUPERDUTY 05-07	(1)	\$14.95*
49-8714		INNER FENDER LINER-LH	GAS SUPERDUTY 08-10	(1)	\$20.95*
49-8715		INNER FENDER LINER-RH	GAS SUPERDUTY 08-10	(1)	\$20.95*

-T after a part number means that part must be shipped Truck Freight. An additional \$150.00 will be charged to your order for delivery in the 48 contiguous United States. Orders outside of the 48 states will be quoted. Additional delivery time required.

Seam Sealer See
Page 97

PART	ILL#	DESCRIPTION	APPLICATION	REQD	PRICE
49-7788	(6)	LOWER FRONT DOOR SKIN-LH	SUPERDUTY 99-10	(1)	\$73.45*
49-7789		LOWER FRONT DOOR SKIN-RH	SUPERDUTY 99-10	(1)	\$73.45*
49-9154	(7)	INNER FRONT DOOR BOTTOM-LH	SUPERDUTY 99-10	(1)	\$69.95*
49-9155		INNER FRONT DOOR BOTTOM-RH	SUPERDUTY 99-10	(1)	\$69.95*
49-7752	(8)	LOWER REAR DOOR SKIN-LH	SUPER CAB 99-10	(1)	\$59.95
49-7753		LOWER REAR DOOR SKIN-RH	SUPER CAB 99-10	(1)	\$59.95
49-7735	(9)	INNER REAR DOOR BOTTOM-LH	SUPER CAB 99-10	(1)	\$79.95
49-7736		INNER REAR DOOR BOTTOM-RH	SUPER CAB 99-10	(1)	\$79.95
49-9157	(10)	LOWER REAR DOOR SKIN	CREW CAB 99-10	(2)	\$92.95
49-9158	(11)	INNER REAR DOOR BOTTOM-LH	CREW CAB 99-10	(1)	\$89.95
49-9159		INNER REAR DOOR BOTTOM-RH	CREW CAB 99-10	(1)	\$89.95

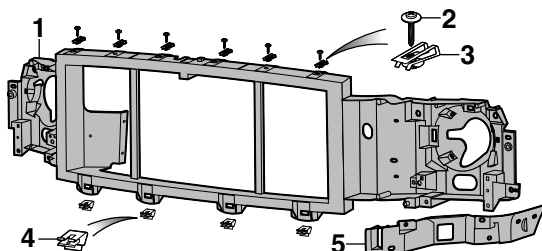
* Or ** after the sell price means your order will incur an Oversize Part Charge for each oversized part. * Means extra charge will be \$20. ** Means extra charge will be \$50. Due to packing and/or transportation requirements, please allow additional time for delivery. Oversized Parts are not available for air delivery.

Grille Components

1999-07 F250 F350 F450 F550 Super Duty

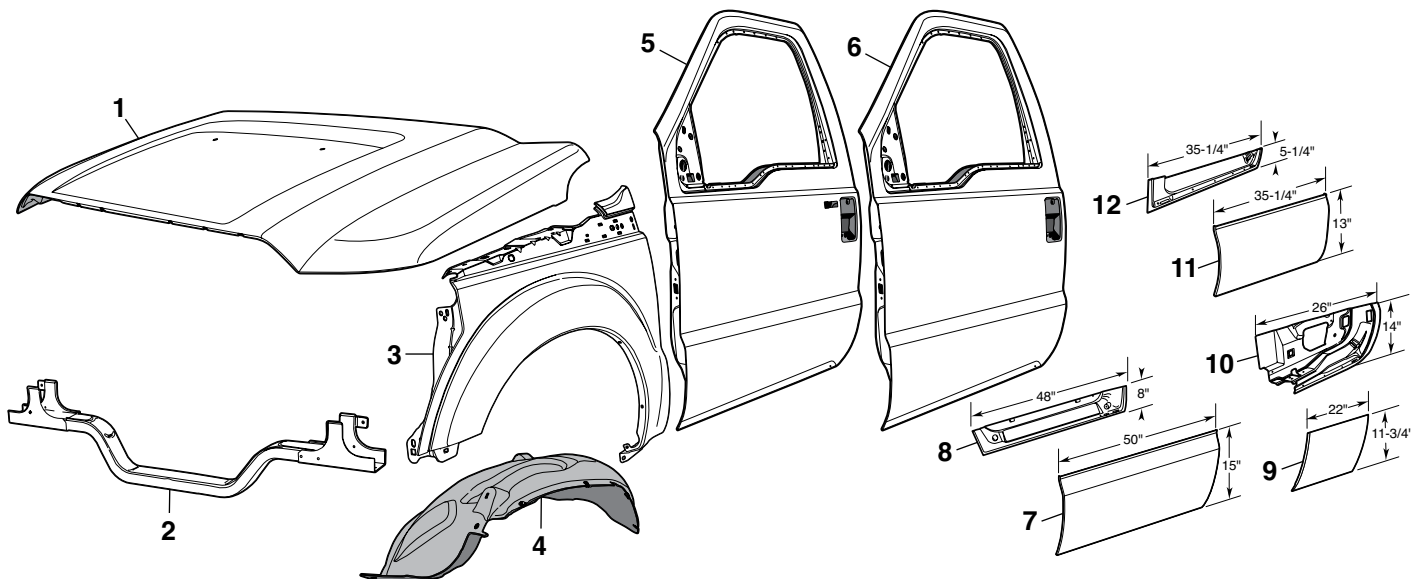
PART	ILL#	DESCRIPTION	APPLICATION	REQD	PRICE
49-2460	(1)	GRILLE REINFORCEMENT PANEL	SUPERDUTY 99-04	(1)	\$97.95**
49-2461		GRILLE REINFORCEMENT PANEL	SUPERDUTY 05-07	(1)	\$84.95**
50-0307	(2)	SCREW-GRILLE	SUPERDUTY 99-04	(6)	\$1.95
50-0307		SCREW-GRILLE	SUPERDUTY 05-07	(4)	\$1.95
40-0536	(3)	U-NUT-GRILLE	SUPERDUTY 99-04	(6)	\$1.25
40-0536		U-NUT-GRILLE	SUPERDUTY 05-07	(4)	\$1.25
40-0538	(4)	CLIP-GRILLE	SUPERDUTY 99-07	(4)	\$1.45
40-0538		CLIP-GRILLE	SUPERDUTY 99-07	(5)	\$1.45
49-9472	(5)	BUMPER FILLER-LH	SUPERDUTY 99-07	(1)	\$7.95
49-9473		BUMPER FILLER-RH	SUPERDUTY 99-07	(1)	\$7.95

* Or ** after the sell price means your order will incur an Oversize Part Charge for each oversized part. * Means extra charge will be \$20. ** Means extra charge will be \$50. Due to packing and/or transportation requirements, please allow additional time for delivery. Oversized Parts are not available for air delivery.



Steel Body Parts

2011-16 F250 F350 F450 F550 Super Duty



Seam Sealer See Page 97

PART	ILL#	DESCRIPTION	APPLICATION	REQD	PRICE
49-9964-T	(1)	HOOD	SUPERDUTY 11-16	(1)	\$729.95
43-2869-T	(2)	RADIATOR SUPPORT LOWER ASSY	SUPERDUTY 11-16	(1)	\$104.95
49-8698-T	(3)	FRONT FENDER-LH	"A" SUPERDUTY 11-16	(1)	\$299.95
49-8709-T		FRONT FENDER-RH	"A" SUPERDUTY 11-16	(1)	\$339.95
49-9296	(4)	INNER FENDER LINER-LH	F250 F350 11-16	(1)	\$69.95
49-9297		INNER FENDER LINER-RH	F250 F350 11-16	(1)	\$69.95
44-9952-T	(5)	DOOR SHELL-LH W/KEYLESS ENTRY	SUPERDUTY 11-16	(1)	\$659.95
44-9953-T	(6)	DOOR SHELL-LH W/O KEYLESS ENTRY	SUPERDUTY 11-16	(1)	\$659.95
44-9954-T		DOOR SHELL-RH	SUPERDUTY 11-16	(1)	\$659.95

-T after a part number means that part must be shipped Truck Freight. An additional \$150.00 will be charged to your order for delivery in the 48 contiguous United States. Orders outside of the 48 states will be quoted. Additional delivery time required.

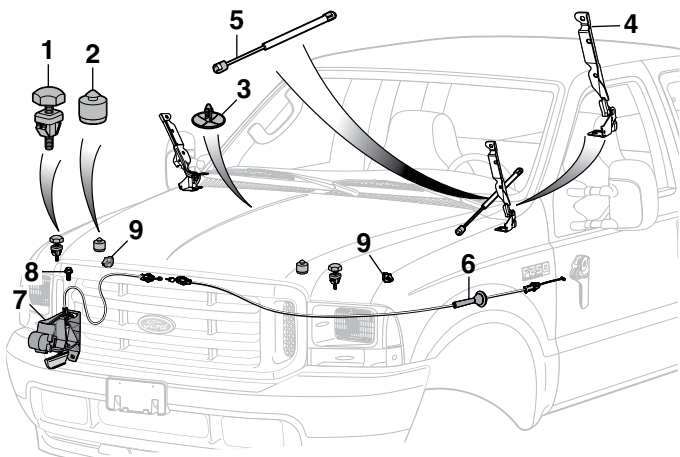
PART	ILL#	DESCRIPTION	APPLICATION	REQD	PRICE
49-7788	(7)	LOWER FRONT DOOR SKIN-LH	SUPERDUTY 11-16	(1)	\$73.45*
49-7789		LOWER FRONT DOOR SKIN-RH	SUPERDUTY 11-16	(1)	\$73.45*
49-9154	(8)	INNER FRONT DOOR BOTTOM-LH	SUPERDUTY 11-16	(1)	\$69.95*
49-9155		INNER FRONT DOOR BOTTOM-RH	SUPERDUTY 11-16	(1)	\$69.95*
49-7752	(9)	LOWER REAR DOOR SKIN-LH	SUPER CAB 11-16	(1)	\$59.95
49-7753		LOWER REAR DOOR SKIN-RH	SUPER CAB 11-16	(1)	\$59.95
49-7735	(10)	INNER REAR DOOR BOTTOM-LH	SUPER CAB 11-16	(1)	\$79.95
49-7736		INNER REAR DOOR BOTTOM-RH	SUPER CAB 11-16	(1)	\$79.95
49-9157	(11)	LOWER REAR DOOR SKIN	CREW CAB 11-16	(2)	\$92.95
49-9158	(12)	INNER REAR DOOR BOTTOM-LH	CREW CAB 11-16	(1)	\$89.95
49-9159		INNER REAR DOOR BOTTOM-RH	CREW CAB 11-16	(1)	\$89.95

Note: "A" For models without molding. From 02-22-2010 to 07-05-2016.

* Or ** after the sell price means your order will incur an Oversize Part Charge for each oversized part. * Means extra charge will be \$20. ** Means extra charge will be \$50. Due to packing and/or transportation requirements, please allow additional time for delivery. Oversized Parts are not available for air delivery.

Hood Components

1999-16 F250 F350 F450 F550 Super Duty



Signs of strut failure are: hood will not stay in the full open position, especially in cold weather, and difficulty in lifting the hood.

PART	ILL#	DESCRIPTION	APPLICATION	REQD	PRICE
41-1626	(1)	HOOD BUMPER-RAD SUPPORT	SUPERDUTY 99-07	(2)	\$5.45
41-1638	(2)	HOOD BUMPER-HOOD	SUPERDUTY 99-10	(2)	\$4.95
40-1399	(3)	RETAINER-HOOD INSULATION	SUPERDUTY 00-10	(AR)	\$.75
40-3938	(4)	HOOD HINGE-LH	SUPERDUTY 11-16	(1)	\$30.95
40-3939		HOOD HINGE-RH	SUPERDUTY 11-16	(1)	\$30.95
40-3899	(5)	HOOD LIFT STRUT	SUPERDUTY 99-07	(2)	\$16.95
40-3901		HOOD LIFT STRUT	SUPERDUTY 08-10	(2)	\$24.95
40-3996		HOOD LIFT STRUT-LH	SUPERDUTY 11-16	(1)	\$15.95
40-3997		HOOD LIFT STRUT-RH	SUPERDUTY 11-16	(1)	\$15.95
40-3831	(6)	HOOD RELEASE CABLE	SUPERDUTY 99-07	(1)	\$33.45
40-3832	(7)	CABLE & HANDLE-HOOD LATCH	SUPERDUTY 08-10	(1)	\$73.95
29-0366-F	(8)	BOLT-HANDLE	SUPERDUTY 08-10	(1)	\$.75
50-0509	(9)	RETAINER-CABLE	SUPERDUTY 99-10	(2)	\$.85

Bug Shields

Bug Shields are made from durable impact-resistant materials and include all mounting hardware and installation instructions.

Low Profile Bug Shield features lower profile contoured styling to give your truck a sleek wrap design.

49-0858



PART	DESCRIPTION	APPLICATION	REQD	PRICE
49-0858	BUG SHIELD-LOW PROFILE SMOKE	SUPERDUTY 08-10	(1)	\$64.95*

Premium Bug Shield features a contoured wrap-around aerodynamic shape for complete nose and fender protection.

49-0853



PART	DESCRIPTION	APPLICATION	REQD	PRICE
49-0853	BUG SHIELD-PREMIUM SMOKE	SUPERDUTY 99-07	(1)	\$64.95*

49-0881



PART	DESCRIPTION	APPLICATION	REQD	PRICE
49-0881	BUG SHIELD-PREMIUM SMOKE	SUPERDUTY 11-16	(1)	\$64.95

* Or ** after the sell price means your order will incur an Oversize Part Charge for each oversized part. * Means extra charge will be \$20. ** Means extra charge will be \$50. Due to packing and/or transportation requirements, please allow additional time for delivery. Oversized Parts are not available for air delivery.

ABS Hood Insulation Kits



Heat-resistant textured ABS Hood Insulation Kit covers up the underside of your hood. Each kit includes pre-cut foil-backed insulation material, 14 oz. spray adhesive, 1 roll of aluminum tape, center punch, drill sleeve, mounting hardware and illustrated instructions. Drilling may be required on models not originally equipped with hood insulation.

PART	DESCRIPTION	APPLICATION	REQD	PRICE
49-5280	ABS HOOD INSULATION KIT-PLAIN	F250 99-07	(1)	\$199.95
49-5288	ABS HOOD INSULATION KIT-PLAIN	F350-F550 99-07	(1)	\$199.95
49-5286	ABS HOOD INSULATION KIT-PLAIN	SUPERDUTY 08-10	(1)	\$199.95
49-5282	ABS HOOD INSULATION KIT-PLAIN	SUPERDUTY 11-16	(1)	\$199.95

Super Duty Style Chrome Simulated Fender Vent Sets



42-1278



42-1278



42-1277

Chrome Simulated Fender Vent Sets are made from chrome-plated ABS plastic and feature 3M™ tape with peel-off backing for super strong adhesion. Vents install in minutes. No cutting or drilling required.

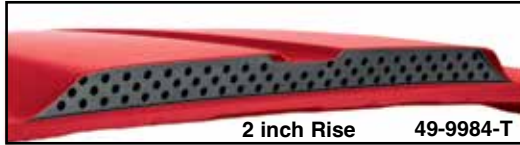
Ford Official Licensed Product is purchased from an authorized Ford Licensee.

PART	DESCRIPTION	APPLICATION	REQD	PRICE
42-1277	FENDER VENT SET-CHROME MESH	SUPERDUTY 99-04	(1)	\$22.95
42-1278	FENDER VENT SET-CHROME MESH	SUPERDUTY 05-07	(1)	\$75.95

Cowl Induction Steel Hoods ... Give Your Truck a High Performance Look

Cowl Induction Steel Hood helps cool the engine for increased airflow and increased performance. The outside cold fresh air carries a denser air/fuel mixture to an engine's combustion chambers than the warm underhood air. Hoods are made from primed high-quality steel with full inner frame that reuses original factory latch and hinges for an easy bolt-on application and must be painted.

Cowl Induction Emblem Set
See Below



49-9984-T



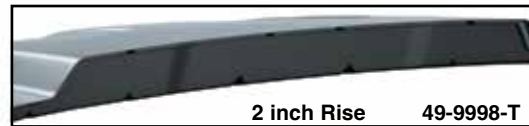
49-9985-T



PART	DESCRIPTION	APPLICATION	REQD	PRICE
49-9984-T	COWL HOOD-DUAL	2" RISE SUPERDUTY 99-07	(1)	\$399.95
49-9985-T	COWL HOOD-TAPERED	2" RISE SUPERDUTY 99-07	(1)	\$789.95



49-9997-T



49-9998-T



PART	DESCRIPTION	APPLICATION	REQD	PRICE
49-9997-T	COWL HOOD	2" RISE SUPERDUTY 08-10	(1)	\$639.95
49-9998-T	COWL HOOD-RAM AIR LOOK	2" RISE SUPERDUTY 08-10	(1)	\$669.95

-T after a part number means that part must be shipped Truck Freight. An additional \$150.00 will be charged to your order for delivery in the 48 contiguous United States. Orders outside of the 48 states will be quoted. Additional delivery time required.

Cowl Induction Emblem Set



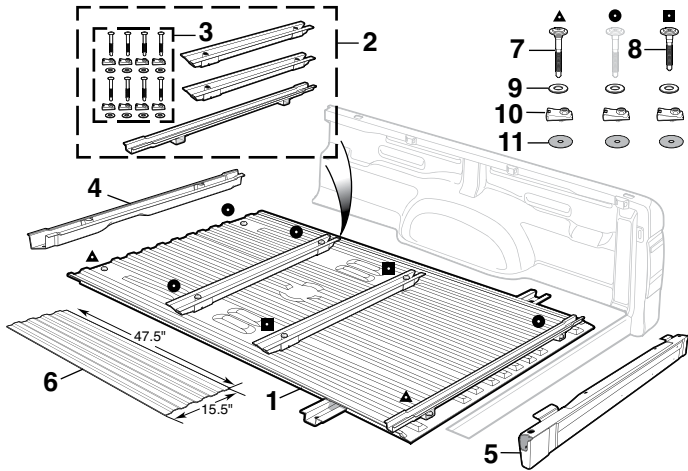
Emblems attach with push nuts and adhesive tape, included. Holes will need to be drilled for installation.

PART	DESCRIPTION	REQD	PRICE
38-3698-F	EMBLEM SET "COWL INDUCTION" 4PC	(1)	\$15.95



Bed Floor and Components

1999-16 F250 F350 F450 F550 Super Duty



PART	ILL#	DESCRIPTION	APPLICATION	REQD	PRICE
------	------	-------------	-------------	------	-------

Free Shipping does not apply to Bed Floor Assemblies.

Shipping will be quoted at time of order.

You must call 1-800-562-8782 to order Bed Floors.

49-9792-T	(1)	BED FLOOR ASSY-LONGBED "A"	SUPERDUTY 99-16	(1)	\$799.95
49-9793-T	(1)	BED FLOOR ASSY-SHORTBED "A"	SUPERDUTY 99-16	(1)	\$699.95
49-8176	(2)	CROSSMEMBER SET W/HARDWARE	SHORTBED 99-16	(1)	\$394.95*
49-8177	(2)	CROSSMEMBER SET W/HARDWARE	LONGBED 99-16	(1)	\$454.95*
40-0003	(3)	BED MOUNT KIT	SUPERDUTY 99-16	(1)	\$49.45
49-8193	(4)	FRONT CROSS SILL	SUPERDUTY 99-16	(1)	\$119.95
49-8173	(5)	REAR CROSS SILL	SUPERDUTY 99-16	(1)	\$149.95*
47-9795	(6)	BED FLOOR REPAIR PANEL	SUPERDUTY 99-16	(AR)	\$59.95
40-0000	(7)	BED MOUNT BOLT-BLACK-OE	SUPERDUTY 99-16	(2)	\$13.45
40-0002	(8)	BED MOUNT BOLT-BLACK-OE	SUPERDUTY 99-16	(2)	\$17.95
40-0701	(9)	WASHER-BLACK-OE	"B" SUPERDUTY 05-16	(8)	\$10.95
40-0706	(10)	U-NUT-BLACK-OE	SUPERDUTY 99-16	(8)	\$4.95
40-0138	(11)	INSULATOR-BED TO FRAME	SUPERDUTY 99-16	(AR)	\$1.25

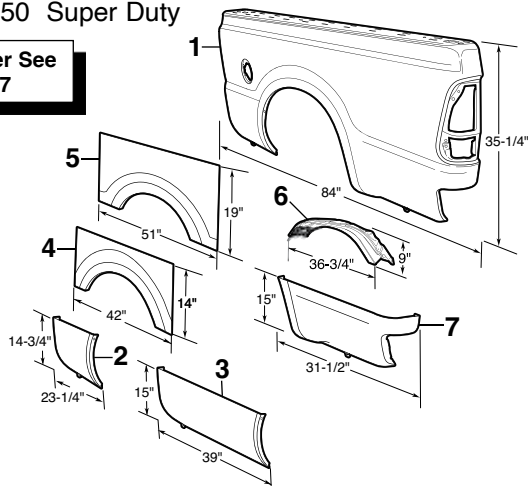
Note: "A" Comes with middle cross sills welded into place. Front and rear cross sills available separately.
"B" For models with spray-in bed liner.

Bed Panels - With Single Rear Wheel

1999-16 F250 F350 Super Duty

2008-16 F450 Super Duty

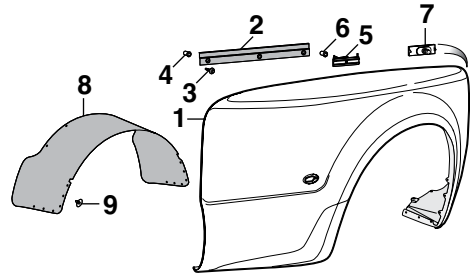
Seam Sealer See Page 97



* Or ** after the sell price means your order will incur an Oversize Part Charge for each oversized part. * Means extra charge will be \$20. ** Means extra charge will be \$50. Due to packing and/or transportation requirements, please allow additional time for delivery. Oversized Parts are not available for air delivery.

Dually Rear Fender and Components

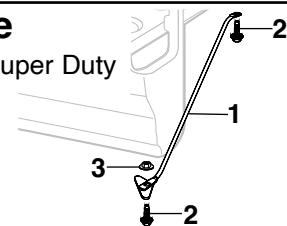
1999-10 F350 F450 F550 Super Duty



PART	ILL#	DESCRIPTION	APPLICATION	REQD	PRICE
------	------	-------------	-------------	------	-------

Bed Panel Brace

2002-16 F250 F350 Super Duty



PART	ILL#	DESCRIPTION	APPLICATION	REQD	PRICE
------	------	-------------	-------------	------	-------

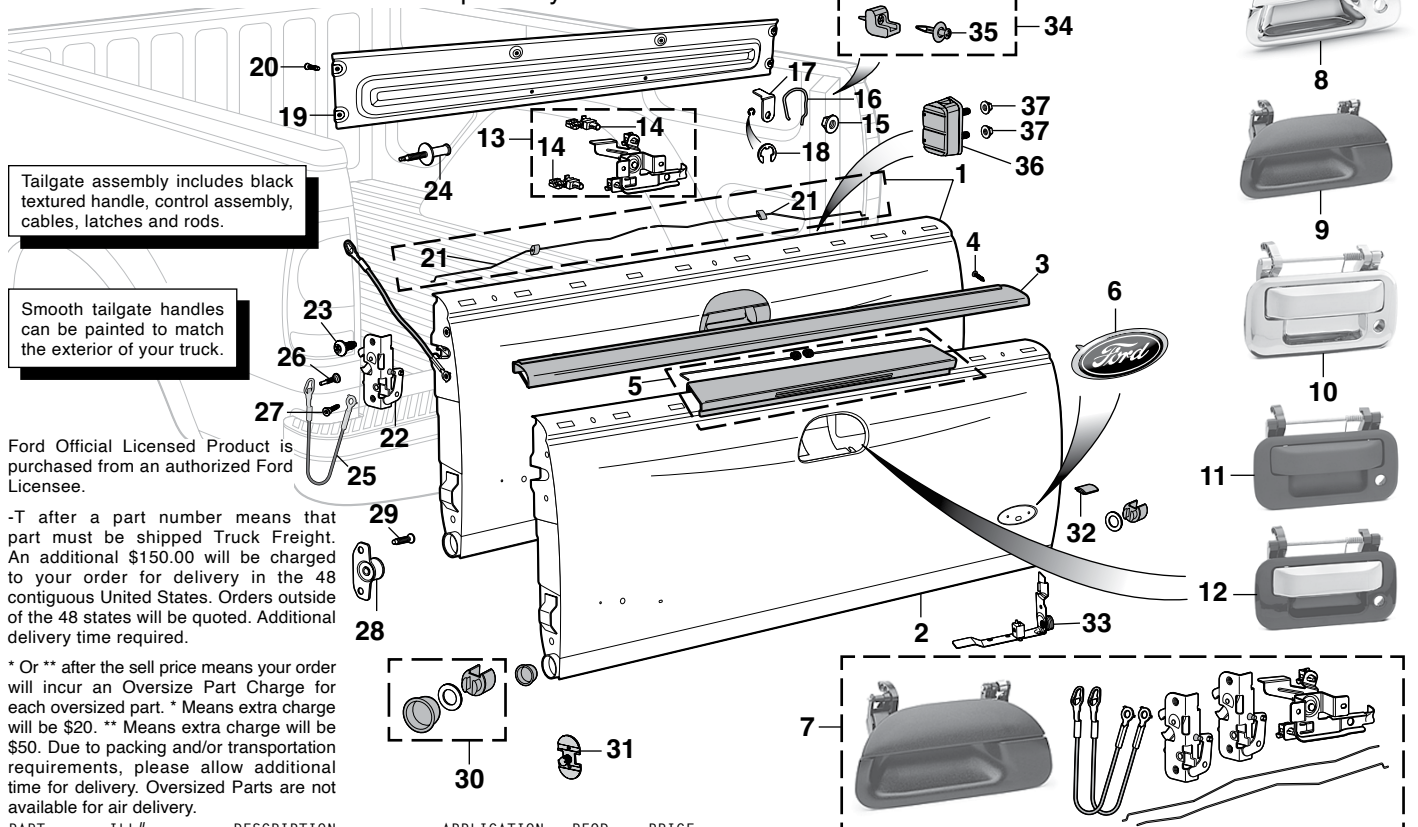
Note: "A" From 02/22/2010 to 09/02/2014.
"B" From 09/02/2014 to 07/05/2016.
"C" From 02/22/2010 to 07/05/2016.

PART	ILL#	DESCRIPTION	APPLICATION	REQD	PRICE
------	------	-------------	-------------	------	-------

-T after a part number means that part must be shipped Truck Freight. An additional \$150.00 will be charged to your order for delivery in the 48 contiguous United States. Orders outside of the 48 states will be quoted. Additional delivery time required.

Tailgate and Components

1999-16 F250 F350 F450 F550 Super Duty



Tailgate assembly includes black textured handle, control assembly, cables, latches and rods.

Smooth tailgate handles can be painted to match the exterior of your truck.

Ford Official Licensed Product is purchased from an authorized Ford Licensee.

-T after a part number means that part must be shipped Truck Freight. An additional \$150.00 will be charged to your order for delivery in the 48 contiguous United States. Orders outside of the 48 states will be quoted. Additional delivery time required.

* Or ** after the sell price means your order will incur an Oversize Part Charge for each oversized part. * Means extra charge will be \$20. ** Means extra charge will be \$50. Due to packing and/or transportation requirements, please allow additional time for delivery. Oversized Parts are not available for air delivery.

PART	ILL#	DESCRIPTION	APPLICATION	REQD	PRICE
49-8346-T	(1)	TAILGATE ASSEMBLY	"A" SUPERDUTY 99-07	(1)	\$269.95
49-8340-T	(2)	TAILGATE	SUPERDUTY 99-07	(1)	\$169.95
49-8375-DG	(3)	TAILGATE MOLDING-DARK GRAY	SUPERDUTY 99-04	(1)	\$39.95*
49-8375-BL		TAILGATE MOLDING-BLACK	SUPERDUTY 02-07	(1)	\$39.95*
49-8375-TN		TAILGATE MOLDING-TAN	SUPERDUTY 03-07	(1)	\$54.95*
49-8379-BL		TAILGATE MOLDING-BLACK	"B" SUPERDUTY 08-16	(1)	\$49.45*
49-8379-TN		TAILGATE MOLDING-TAN	"B" SUPERDUTY 08-10	(1)	\$45.95*
29-0836-F	(4)	RETAINER-MOLDING	SUPERDUTY 99-07	(4)	\$.65
49-8385-BL	(5)	TAILGATE MOLDING-BLACK	"C" SUPERDUTY 08-16	(1)	\$49.95
42-3485	(6)	TAILGATE EMBLEM "FORD"	SUPERDUTY 99-07	(1)	\$31.95
42-3501		TAILGATE EMBLEM "FORD"	SUPERDUTY 08-12	(1)	\$59.95
42-3501		EMBLEM "FORD"	"D" SUPERDUTY 13-16	(1)	\$59.95
42-3504		EMBLEM "FORD"	"E" SUPERDUTY 13	(1)	\$44.95
42-3506		EMBLEM "FORD"	"E" SUPERDUTY 14-16	(1)	\$44.95
49-8365	(7)	TAILGATE COMPONENT KIT W/BLACK HANDLE	"A" SUPERDUTY 99-07	(1)	\$74.95
49-8364		TAILGATE COMPONENT KIT W/BLACK HANDLE	"F" SUPERDUTY 99-07	(1)	\$94.95
49-8426	(8)	HANDLE-CHROME	"F" SUPERDUTY 99-07	(1)	\$20.95
49-8439		HANDLE-CHROME	"A" SUPERDUTY 99-07	(1)	\$21.95
49-8424	(9)	HANDLE-BLACK TEXTURED	"A" SUPERDUTY 99-07	(1)	\$9.95
49-8442		HANDLE-BLACK SMOOTH	"A" SUPERDUTY 99-07	(1)	\$8.95
49-8427		HANDLE-BLACK TEXTURED	"F" SUPERDUTY 99-07	(1)	\$9.95
49-8438		HANDLE-BLACK SMOOTH	"F" SUPERDUTY 99-07	(1)	\$8.95
42-1092	(10)	HANDLE-CHROME	"D" SUPERDUTY 08-16	(1)	\$19.95
49-8390		HANDLE-CHROME	"E" SUPERDUTY 08-12	(1)	\$28.95
49-8444	(11)	HANDLE-BLACK TEXTURED	"D" SUPERDUTY 08-16	(1)	\$15.95
49-8448		HANDLE-BLACK SMOOTH	"D" SUPERDUTY 08-16	(1)	\$28.95
49-8394		HANDLE-BLACK SMOOTH	"E" SUPERDUTY 08-12	(1)	\$14.95
49-8466	(12)	HANDLE-BLACK TEXTURED CHROME LEVER	"D" SUPERDUTY 08-16	(1)	\$15.95
49-8445		HANDLE-BLACK SMOOTH CHROME LEVER	"D" SUPERDUTY 08-16	(1)	\$38.95
49-8396		HANDLE-BLACK SMOOTH CHROME LEVER	"E" SUPERDUTY 08-12	(1)	\$24.95
49-8436	(13)	CONTROL ASSY W/ROD CLIPS"A"	SUPERDUTY 99-07	(1)	\$12.95
49-8435		CONTROL ASSY W/ROD CLIPS"F"	SUPERDUTY 99-10	(1)	\$12.95
49-8435		CONTROL ASSY W/ROD CLIPS	SUPERDUTY 08-16	(1)	\$12.95

PART	ILL#	DESCRIPTION	APPLICATION	REQD	PRICE
31-1605-F	(14)	ROD CLIP	SUPERDUTY 99-16	(2)	\$1.35
40-0948	(15)	NUT-CONTROL ASSEMBLY	SUPERDUTY 99-16	(2)	\$.95
40-1378	(16)	LOCK RETAINER	"F" SUPERDUTY 99-07	(1)	\$38.95
49-7204	(17)	TAILGATE LOCK LEVER	SUPERDUTY 99-16	(1)	\$4.45
40-1332	(18)	C-CLIP-LEVER	SUPERDUTY 99-16	(1)	\$.65
49-8372	(19)	TAILGATE ACCESS COVER	"B" SUPERDUTY 99-16	(1)	\$55.95*
40-0500	(20)	SCREW-ACCESS COVER	SUPERDUTY 99-16	(8)	\$2.85
49-8461	(21)	TAILGATE LATCH ROD	SUPERDUTY 99-07	(2)	\$7.95
49-8498	(22)	TAILGATE LATCH	SUPERDUTY 99-15	(2)	\$14.95
40-0303	(23)	BOLT-LATCH	SUPERDUTY 99-15	(2)	\$2.45
40-2779	(24)	STRIKER	SUPERDUTY 99-16	(2)	\$21.45
40-3144	(25)	TAILGATE CABLE-LH	SUPERDUTY 99-12	(1)	\$6.95
40-3145		TAILGATE CABLE-RH	SUPERDUTY 99-12	(1)	\$7.95
40-0402	(26)	BOLT-CABLE UPPER	SUPERDUTY 99-12	(2)	\$5.95
40-0283	(27)	BOLT-CABLE LOWER	SUPERDUTY 99-16	(2)	\$1.95
49-8486	(28)	TAILGATE HINGE-LH	SUPERDUTY 99-07	(1)	\$11.95
49-8488		TAILGATE HINGE-LH	SUPERDUTY 08-16	(1)	\$13.95
49-8487		TAILGATE HINGE-RH	SUPERDUTY 99-16	(1)	\$11.25
40-0287	(29)	SCREW-HINGE	SUPERDUTY 99-16	(4)	\$2.45
49-8484	(30)	HINGE INSERT SET	"G" SUPERDUTY 99-16	(1)	\$4.95
41-1655	(31)	TAILGTE HINGE SHIM-LH 1MM	SUPERDUTY 08-16	(AR)	\$5.45
41-1656		TAILGTE HINGE SHIM-LH 2MM	SUPERDUTY 08-16	(AR)	\$5.45
41-1657		TAILGTE HINGE SHIM-LH 3MM	SUPERDUTY 08-16	(AR)	\$5.45
41-1658		TAILGTE HINGE SHIM-LH 4MM	SUPERDUTY 08-16	(AR)	\$5.95
49-8485	(32)	HINGE ROLLER INSERT-RH	SUPERDUTY 99-16	(1)	\$1.95
44-8486	(33)	TAILGATE HINGE RETAINER	SUPERDUTY 11-16	(1)	\$63.95
41-1640	(34)	TAILGATE BUMPER-UPPER	SUPERDUTY 99-16	(2)	\$8.95
40-1394	(35)	RETAINER	SUPERDUTY 99-16	(2)	\$.95
41-1645	(36)	TAILGATE BUMPER-LOWER	SUPERDUTY 99-16	(2)	\$19.95
40-0948	(37)	NUT-TAILGATE BUMPER	SUPERDUTY 99-16	(4)	\$.95

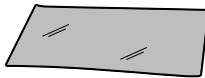
Note: "A" Models without tailgate lock.
 "B" Models without tailgate step.
 "C" Models with tailgate step.
 "D" For models without backup camera.
 "E" For models with backup camera.
 "F" Models with tailgate lock.
 "G" Includes left hand insert which is not used on 2008-15 trucks.



SHADED
Window has a full light green tint with a dark band at the top of glass.



TINTED
Window has a full light green tint to glass.



DEEP TINTED
Window has full dark gray tint to glass.

Permatex Windshield and Glass Sealant is silicone and seals windshields, windows, sunroofs and more. Flows into leaks like water but dries to form a flexible, tough, clear seal resistant to extreme temperatures, vibration, shock and most chemicals.

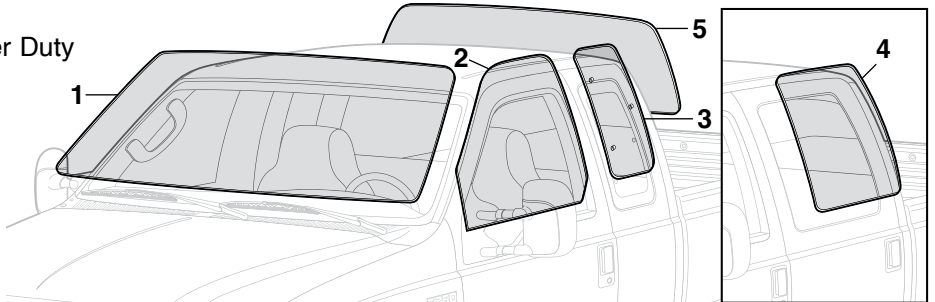


PART	DESCRIPTION	PRICE
38-0783-F	GLASS SEALANT 1.5 OZ TUBE	\$5.95

Body Glass

1999-16 F250 F350 F450 F550 Super Duty

Super Duty windshields are attached with urethane adhesive. Professional installation is required. Contact your local glass installer for installation.



PART	ILL#	DESCRIPTION	APPLICATION	REQD	PRICE
Windshield Glass					
49-9700-T	(1)	WINDSHIELD SHADED	SUPERDUTY 99-02	(1)	\$199.95
49-9701-T		WINDSHIELD TINTED	SUPERDUTY 99-02	(1)	\$289.95
Front Door Glass					
49-7480	(2)	FRONT DOOR-LH TINTED	SUPERDUTY 99-12	(1)	\$49.95
49-7481		FRONT DOOR-RH TINTED	SUPERDUTY 99-12	(1)	\$49.95
Rear Door Glass					
49-7488	(3)	REAR DOOR-LH DEEP TINTED	SUPER CAB 99-16	(1)	\$139.95
49-7489		REAR DOOR-RH DEEP TINTED	SUPER CAB 99-16	(1)	\$99.95
49-7496	(4)	REAR DOOR-LH DEEP TINTED	CREW CAB 99-12	(1)	\$89.45
49-7497		REAR DOOR-RH DEEP TINTED	CREW CAB 99-12	(1)	\$89.45
Rear Window Glass - 1 Piece Design					
49-9745	(5)	REAR WINDOW TINTED	SUPERDUTY 99-07	(1)	\$99.45*

* Or ** after the sell price means your order will incur an Oversize Part Charge for each oversized part. * Means extra charge will be \$20. ** Means extra charge will be \$50. Due to packing and/or transportation requirements, please allow additional time for delivery. Oversized Parts are not available for air delivery.

Spare Tire Tool Kit

2000-16 F250 F350 F450 F550 Super Duty

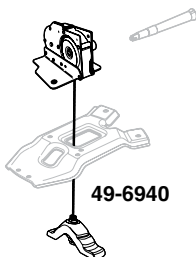


PART	DESCRIPTION	APPLICATION	REQD	PRICE
42-1355	SPARE TIRE TOOL KIT "A"	F250 F350 00-07	(1)	\$39.95
42-1356	SPARE TIRE TOOL KIT "B"	SUPERDUTY 08-16	(1)	\$59.95

Note: "A" For models with single rear wheel only.
"B" For models with two ton mechanical jack only.

Spare Tire Hoist Assembly

1999-16 F250 F350 F450 F550 Super Duty



Failure of the spare tire hoist can cause your spare tire to be dropped onto the roadway creating a hazard for fellow motorists. Inspect yours for signs of corrosion or damage.

PART	DESCRIPTION	APPLICATION	REQD	PRICE
49-6940	SPARE TIRE HOIST ASSEMBLY	SUPERDUTY 99-07	(1)	\$107.95
49-6941	SPARE TIRE HOIST ASSEMBLY	SUPERDUTY 08-16	(1)	\$160.95

**Sliding Rear Window ...
Easy Single Hand Access**



Sliding Rear Window gives the widest possible opening for great airflow and convenient access to the bed. Three-panel Sliding Rear Window is complete with tight sealing weatherstrip to protect the interior of the cab and features tempered glass, black frame and locking latches for safety and security. Outer gasket not included, sold separately.

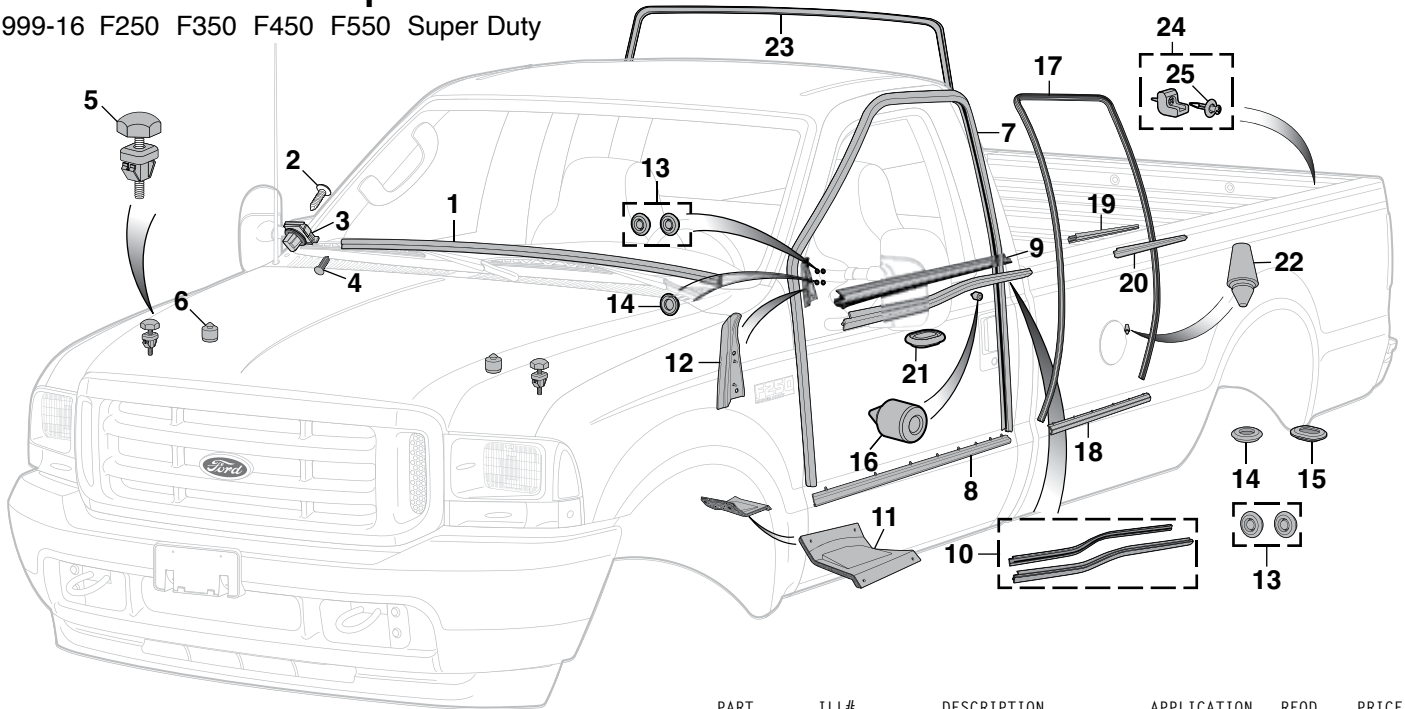
PART	DESCRIPTION	APPLICATION	REQD	PRICE
49-6859	SLIDING REAR WINDOW-DARK GRAY	SUPERDUTY 99-07	(1)	\$389.95*
49-6860	SLIDING REAR WINDOW-DARK GRAY	SUPERDUTY 08-16	(1)	\$469.95**
49-9284	GASKET-REAR WINDOW "A"	SUPERDUTY 99-10	(1)	\$34.95
55-1610-F	LATCH ASSEMBLY-REPLACEMENT "B"	99-16	(1)	\$5.95
38-0710-F	ADHESIVE-LATCH ASSEMBLY	99-16	(1)	\$3.49

Note: "A" For use with OE fixed glass rear windows or aftermarket sliding windows. Will not fit OE sliding windows.
"B" Fits Sliding Rear Windows listed above only.

* Or ** after the sell price means your order will incur an Oversize Part Charge for each oversized part. * Means extra charge will be \$20. ** Means extra charge will be \$50. Due to packing and/or transportation requirements, please allow additional time for delivery. Oversized Parts are not available for air delivery.

Exterior Rubber Components

1999-16 F250 F350 F450 F550 Super Duty



W/AT = Automatic Transmission

PART	ILL#	DESCRIPTION	APPLICATION	REQD	PRICE
41-1480	(1)	HOOD TO COWL SEAL	SUPERDUTY 99-07	(1)	\$34.95
30-0531-F	(2)	SCREW-COWL PANEL	SUPERDUTY 05-10	(9)	\$.75
40-1356	(3)	RETAINER-COWL PANEL	SUPERDUTY 05-10	(9)	\$1.95
29-0836-F	(4)	PUSH RETAINER-COWL	SUPERDUTY 05-10	(6)	\$.65
41-1626	(5)	HOOD BUMPER-RAD SUPPORT	SUPERDUTY 99-07	(2)	\$5.45
41-1638	(6)	HOOD BUMPER-HOOD	SUPERDUTY 99-10	(2)	\$4.95
49-7016	(7)	FRONT DOOR WEATHERSTRIP	STD CAB 99-16	(2)	\$40.95
49-7017		FRONT DOOR WEATHERSTRIP	SUPER CAB 99-16	(2)	\$40.95
49-7016		FRONT DOOR WEATHERSTRIP	CREW CAB 99-16	(2)	\$40.95
49-7018	(8)	FRT DOOR LWR WEATHERSTRIP	SUPERDUTY 99-16	(2)	\$13.95
49-7096	(9)	WINDOW SEAL-INNER-LH	SUPERDUTY 99-16	(1)	\$43.95
49-7097		WINDOW SEAL-INNER-RH	SUPERDUTY 99-16	(1)	\$42.95
49-7138	(10)	WINDOW SEAL SET-OUTER	SUPERDUTY 99-16	(1)	\$47.95
40-1297	(11)	CLUTCH HOLE COVER W/AT	SUPERDUTY 99-10	(1)	\$20.95
49-7108	(12)	DOOR MIRROR SEAL-LH	SUPERDUTY 08-16	(1)	\$20.95
49-7109		DOOR MIRROR SEAL-RH	SUPERDUTY 08-16	(1)	\$20.95
41-1593	(13)	MIRROR PLUG SET 3/4" HOLE	SUPERDUTY 99-16	(1)	\$4.95
50-1470	(14)	MIRROR PLUG 1" HOLE	SUPERDUTY 99-16 (AR)		\$.98

PART	ILL#	DESCRIPTION	APPLICATION	REQD	PRICE
41-1593	(13)	ROUND FLOOR PLUG SET 3/4" HOLE	99-16 (AR)		\$4.95
50-1470	(14)	ROUND FLOOR PLUG 1" HOLE	99-16 (AR)		\$.98
41-1453		ROUND FLOOR PLUG 1-5/8" HOLE	99-16 (AR)		\$.95
40-1292	(15)	OVAL FLOOR PLUG 3/4" X 1" HOLE	99-16 (AR)		\$1.95
50-1510		OVAL FLR PLUG 3/4" X 1-1/4" HOLE	99-16 (AR)		\$1.25
41-1609		OVAL FLOOR PLUG 1" X 1-1/2" HOLE	99-16 (AR)		\$2.25
40-1289		OVAL FLOOR PLUG 2" X 3" HOLE	99-16 (AR)		\$8.15
40-1296		OVAL FLOOR PLUG 2" X 3-1/2" HOLE	99-16 (AR)		\$4.95
41-1569	(16)	DOOR BUMPER	SUPERDUTY 99-16 (AR)		\$1.95
49-7035	(17)	REAR DOOR WEATHERSTRIP	CREW CAB 99-16 (2)		\$36.95
49-7034	(18)	REAR DOOR LWR WEATHERSTRIP	SUPER CAB 99-16 (2)		\$8.95
49-7036		REAR DOOR LWR WEATHERSTRIP	CREW CAB 99-16 (2)		\$10.95
49-7135	(19)	REAR WINDOW SEAL-INNER	CREW CAB 99-16 (2)		\$41.95
49-7136	(20)	REAR WINDOW SEAL-OUTER	CREW CAB 99-16 (2)		\$45.95
40-1289	(21)	BED FRONT PANEL PLUG	SUPERDUTY 99-16 (2)		\$8.15
41-1606	(22)	FUEL DOOR BUMPER	SUPERDUTY 99-16 (2)		\$1.75
49-9284	(23)	REAR WINDOW RUBBER "A"	SUPERDUTY 99-10 (1)		\$34.95
41-1640	(24)	TAILGATE BUMPER W/RETAINER	SUPERDUTY 99-16 (2)		\$8.95
40-1394	(25)	RETAINER	SUPERDUTY 99-16 (2)		\$.95

Note: "A" For models with fixed rear glass or aftermarket sliding window. Will not fit original equipment rear sliding window.

4 EASY WAYS TO ORDER PARTS

ONLINE

www.LMCtruck.com
Fast, Simple, Safe!

PHONE

(800) 562-8782

FAX

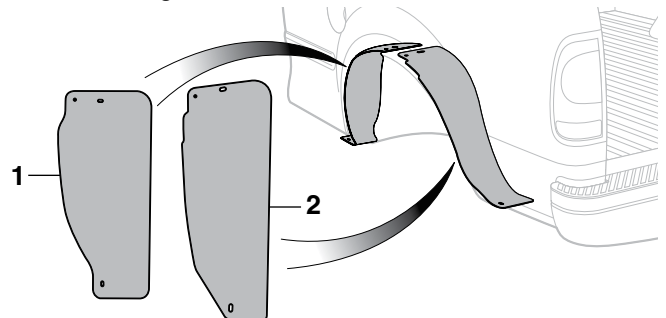
(800) 541-8525 USA & Canada
(800) 599-0323 Worldwide

MAIL

P.O. Box 14991
Lenexa, KS 66285-4991

Rear Splash Shields

1999-16 F250 F350 F450 F550 Super Duty
Models with Single Rear Wheel



PART	ILL#	DESCRIPTION	APPLICATION	REQD	PRICE
49-8001	(1)	REAR SPLASH SHIELD-FRONT	SUPERDUTY 99-10	(2)	\$9.95
49-8014	(2)	REAR SPLASH SHIELD-REAR	SUPERDUTY 99-10	(2)	\$17.95
49-8014		REAR SPLASH SHIELD-REAR	SUPERDUTY 11-16	(2)	\$17.95

Polished Stainless Steel Fender Trim



Custom fit Polished Stainless Steel Fender Trim Molding features a mirror finish that dresses up your truck while protecting your wheel wells.

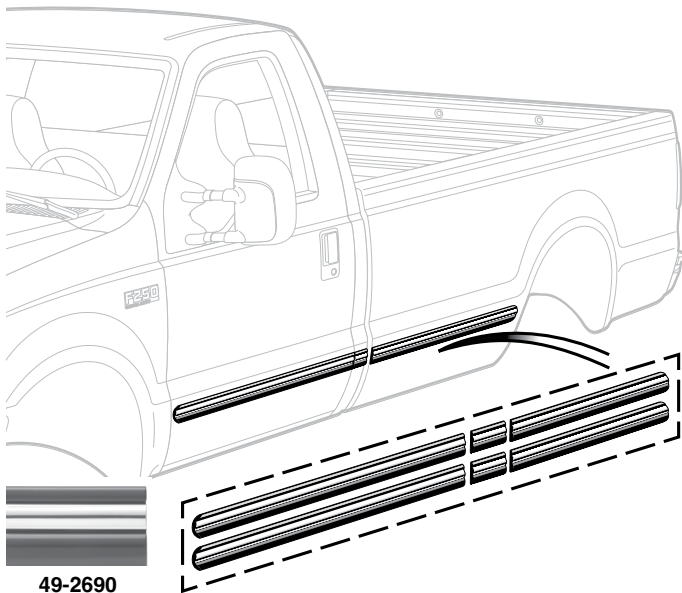
Guaranteed to fit and installs easily without bending or cutting. Rubber trim and hardware is included, drilling is required to the bottom of the wheel wells for installation.

PART	DESCRIPTION	APPLICATION	REQD	PRICE
49-3737	FENDER TRIM MOLDING "A"B"	F250 F350 99-07	(1)	\$119.95
49-3768	FENDER TRIM MOLDING "A"C"	F250 F350 99-07	(1)	\$119.95
49-3771	FENDER TRIM MOLDING "A"B"	F250 F350 11-16	(1)	\$119.95
49-3794	FENDER TRIM MOLDING "A"C"	F250 F350 11-16	(1)	\$119.95

Note: "A" Fits models without factory fender flares.
 "B" Fits models with single rear wheels.
 "C" Fits models with dual rear wheels.

Pre-Cut Body Side Molding Sets

1999-07 F250 F350 Super Duty



Pre-cut, no hassle, ready-to-install truck molding with factory formed or factory die-cut end treatments. Clear top-coated chrome mylar moldings make your truck look new again. Each pre-cut section has 3M™ tape pre-attached for an easy installation. Due to varying option packages, modification of kit contents may be required for your truck.

PART	DESCRIPTION	APPLICATION	REQD	PRICE
49-2690	PRE-CUT MOLDING SET STD CAB	LONGBED 99-07	(1)	\$74.95
49-2691	PRE-CUT MOLDING SET SUPER CAB	SHORTBED 99-07	(1)	\$74.95
49-2692	PRE-CUT MOLDING SET SUPER CAB	LONGBED 99-07	(1)	\$95.95
49-2693	PRE-CUT MOLDING SET CREW CAB	LONGBED 99-07	(1)	\$95.95

Oval Step Bars

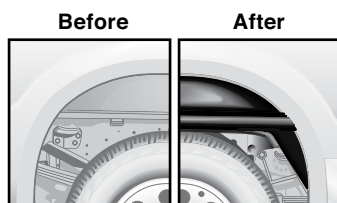
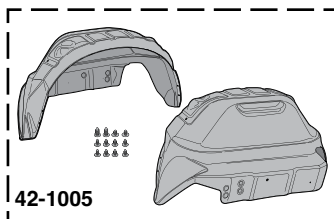


Oval Step Bars feature 4" tubes and are completely bolt-on, no drilling required, and feature built-in steps with raised step pads and 30° bends at each end with welded end caps to give a superior, finished look.

PART	DESCRIPTION	APPLICATION	REQD	PRICE
49-4676	OVAL STEP BARS-STAINLESS	SUPER CAB 99-16	(1)	\$389.95*
49-4677	OVAL STEP BARS-STAINLESS	CREW CAB 99-16	(1)	\$389.95**
49-4678	OVAL STEP BARS-BLACK	SUPER CAB 99-16	(1)	\$289.95*
49-4679	OVAL STEP BARS-BLACK	CREW CAB 99-16	(1)	\$289.95**

* Or ** after the sell price means your order will incur an Oversize Part Charge for each oversized part. * Means extra charge will be \$20. ** Means extra charge will be \$50. Due to packing and/or transportation requirements, please allow additional time for delivery. Oversized Parts are not available for air delivery.

Molded Rear Wheel Well Liners



Molded Rear Wheel Well Liners protect against damage from dirt, rocks, road debris, salt and weather elements. The plastic composition also reduces snow build-up and dampens sound. Mounting hardware and instructions included. Depending on truck's options, installation may require drilling.

PART	DESCRIPTION	APPLICATION	REQD	PRICE
Models with Single Rear Wheels				
42-1005	MOLDED REAR WHEEL WELL LINER SET	SUPERDUTY 99-04	(1)	\$139.00*
42-1006	MOLDED REAR WHEEL WELL LINER SET	SUPERDUTY 05-08	(1)	\$139.00*
42-1007	MOLDED REAR WHEEL WELL LINER SET	SUPERDUTY 09-16	(1)	\$139.00*

* Or ** after the sell price means your order will incur an Oversize Part Charge for each oversized part. * Means extra charge will be \$20. ** Means extra charge will be \$50. Due to packing and/or transportation requirements, please allow additional time for delivery. Oversized Parts are not available for air delivery.

All Chrome Grille

1999-04 F250 F350 F450 F550 Super Duty



49-2470

This All Chrome Grille is a replacement for your stock grille. Change your black or gray grille to chrome or replace your old scratched and chipped chrome grille with a new one.

Ford Official Licensed Product is purchased from an authorized Ford Licensee.

PART	DESCRIPTION	APPLICATION	REQD	PRICE
49-2470	ALL CHROME GRILLE	SUPERDUTY 99-04	(1)	\$119.95*
42-3493	GRILLE EMBLEM	SUPERDUTY 99-04	(1)	\$39.95

* Or ** after the sell price means your order will incur an Oversize Part Charge for each oversized part. * Means extra charge will be \$20. ** Means extra charge will be \$50. Due to packing and/or transportation requirements, please allow additional time for delivery. Oversized Parts are not available for air delivery.

Emblems

1999-16 F250 F350 F450 F550 Super Duty

Ford Official Licensed Product is purchased from an authorized Ford Licensee.

Grille Emblems



42-3493



42-3502

PART	DESCRIPTION	APPLICATION	REQD	PRICE
Grille Emblems				
42-3493	EMBLEM "FORD"	SUPERDUTY 99-04	(1)	\$39.95
42-3502	EMBLEM "FORD"	SUPERDUTY 05-07	(1)	\$89.95
42-3503	EMBLEM "FORD"	SUPERDUTY 08-10	(1)	\$69.95

Fender Emblems



42-3155



42-3156

PART	DESCRIPTION	APPLICATION	REQD	PRICE
Fender Emblems				
42-3155	EMBLEM "F250 XLT SUPERDUTY"	F250	05-07 (2)	\$30.45
42-3156	EMBLEM "F250 LARIAT SUPERDUTY"	F250	05-07 (2)	\$29.95

Tailgate Emblems



42-3485



42-3189

PART	DESCRIPTION	APPLICATION	REQD	PRICE
Tailgate Emblems				
42-3485	EMBLEM "FORD"	SUPERDUTY 99-07	(1)	\$31.95
42-3501	EMBLEM "FORD"	SUPERDUTY 08-12	(1)	\$59.95
42-3501	EMBLEM "FORD"	"A" SUPERDUTY 13-16	(1)	\$59.95
42-3504	EMBLEM "FORD"	"B" SUPERDUTY 13	(1)	\$44.95
42-3506	EMBLEM "FORD"	"B" SUPERDUTY 14-16	(1)	\$44.95
42-3189	EMBLEM "F250 SUPERDUTY"	F250	05-07 (1)	\$29.95

Note: "A" For models without backup camera.
"B" For models with backup camera.

Chrome Door and Tailgate Handles

1999-16 F250 F350 F450 F550 Super Duty

Chrome Inside Door Handles

Replace your original plastic Interior Door Handles with #49-7622 and #49-7623 all-metal Chrome Interior Door Handles today.



49-7622

PART	DESCRIPTION	APPLICATION	REQD	PRICE
49-7622	CHROME HANDLE-FRONT/REAR-LH	SUPERDUTY 99-16	(AR)	\$9.95
49-7623	CHROME HANDLE-FRONT/REAR-RH	SUPERDUTY 99-16	(AR)	\$10.95

Chrome Tailgate Handles



49-8426



49-8439



42-1092



49-8390

PART	DESCRIPTION	APPLICATION	REQD	PRICE
49-8426	CHROME TAILGATE HANDLE FITS MODELS W/TAILGATE LOCK	SUPERDUTY 99-07	(1)	\$20.95
49-8439	CHROME TAILGATE HANDLE FITS MODELS W/O TAILGATE LOCK	SUPERDUTY 99-07	(1)	\$21.95
42-1092	CHROME TAILGATE HANDLE	"A" SUPERDUTY 08-16	(1)	\$19.95
49-8390	CHROME TAILGATE HANDLE	"B" SUPERDUTY 08-12	(1)	\$28.95

Note: "A" For models without backup camera.
"B" For models with backup camera.

Grilles

1999-04 F250 F350 F450 F550 Super Duty



49-2470



49-2471

49-2472



42-3493

Ford Official Licensed Product is purchased from an authorized Ford Licensee.

PART	DESCRIPTION	APPLICATION	REQD	PRICE
49-2470	GRILLE-REPRO-ALL CHROME	SUPERDUTY 99-04	(1)	\$119.95*
49-2471	GRILLE-REPRO-CHROME/DK GRAY	SUPERDUTY 99-04	(1)	\$109.45*
49-2472	GRILLE-REPRO-DARK GRAY	SUPERDUTY 99-04	(1)	\$69.45*
42-3493	GRILLE EMBLEM "FORD"	SUPERDUTY 99-04	(1)	\$39.95

Grilles - Excursion Style

1999-04 F250 F350 F450 F550 Super Duty



49-2474



49-2475



42-3493

Ford Official Licensed Product is purchased from an authorized Ford Licensee.

PART	DESCRIPTION	APPLICATION	REQD	PRICE
49-2474	GRILLE-REPRO-CHROME/LT GRAY	"A" SUPERDUTY 99-04	(1)	\$139.95*
49-2475	GRILLE-REPRO-PAINTABLE	"A" SUPERDUTY 99-04	(1)	\$109.95*
42-3493	GRILLE EMBLEM "FORD"	SUPERDUTY 99-04	(1)	\$39.95

Note: "A" Original style for 2000-04 Excursion models. Will fit all 1999-04 Super Duty models.

Grille - Billet Style

2005-07 F250 F350 F450 F550 Super Duty



49-2484

All 2005-07 Super Duty Grilles are interchangeable.

Ford Official Licensed Product is purchased from an authorized Ford Licensee.



42-3502

PART	DESCRIPTION	APPLICATION	REQD	PRICE
49-2484	GRILLE-REPRO CHROME/BLACK	SUPERDUTY 05-07	(1)	\$149.95*
42-3502	GRILLE EMBLEM "FORD"	SUPERDUTY 05-07	(1)	\$89.95

Grilles with Honeycomb Insert

2005-07 F250 F350 F450 F550 Super Duty



49-2476



49-2478

All 2005-07 Super Duty Grilles are interchangeable.

Ford Official Licensed Product is purchased from an authorized Ford Licensee.



42-3502

PART	DESCRIPTION	APPLICATION	REQD	PRICE
49-2476	GRILLE-REPRO-CHROME/DK GRAY	SUPERDUTY 05-07	(1)	\$169.95*
49-2478	GRILLE-REPRO-PAINTABLE/DK GRAY	SUPERDUTY 05-07	(1)	\$99.95*
42-3502	GRILLE EMBLEM "FORD"	SUPERDUTY 05-07	(1)	\$89.95

Grilles with Bar Insert

2005-07 F250 F350 F450 F550 Super Duty



49-2482

All 2005-07 Super Duty Grilles are interchangeable.

Ford Official Licensed Product is purchased from an authorized Ford Licensee.



42-3502

PART	DESCRIPTION	APPLICATION	REQD	PRICE
49-2482	GRILLE-REPRODUCTION-BLACK	"A" SUPERDUTY 05-07	(1)	\$79.95*
42-3502	GRILLE EMBLEM "FORD"	SUPERDUTY 05-07	(1)	\$89.95

Note: "A" Grille can be painted to match the exterior of your truck. Emblem is not included.

* Or ** after the sell price means your order will incur an Oversize Part Charge for each oversized part. * Means extra charge will be \$20. ** Means extra charge will be \$50. Due to packing and/or transportation requirements, please allow additional time for delivery. Oversized Parts are not available for air delivery.

Grille - Harley Davidson Series

2005-07 F250 F350 F450 F550 Super Duty



49-2483



42-3502

All 2005-07 Super Duty Grilles are interchangeable.

Ford Official Licensed Product is purchased from an authorized Ford Licensee.

PART	DESCRIPTION	APPLICATION	REQD	PRICE
49-2483	GRILLE-REPRO-PAINTABLE/CHROME	SUPERDUTY 05-07	(1)	\$149.95*
42-3502	GRILLE EMBLEM "FORD"	SUPERDUTY 05-07	(1)	\$89.95

Grilles

2008-10 F250 F350 F450 F550 Super Duty



49-2487



49-2488



49-2489



42-3503



30-0809-F

Ford Official Licensed Product is purchased from an authorized Ford Licensee.

PART	DESCRIPTION	APPLICATION	REQD	PRICE
49-2487	GRILLE-REPRO-CHROME/GRAY	SUPERDUTY 08-10	(1)	\$514.95*
49-2488	GRILLE-REPRO-PAINTABLE	SUPERDUTY 08-10	(1)	\$469.95*
49-2489	GRILLE-REPRO-BLACK TEXTURED	SUPERDUTY 08-10	(1)	\$299.95*
42-3503	GRILLE EMBLEM-"FORD"	SUPERDUTY 08-10	(1)	\$69.95
30-0809-F	NUT-EMBLEM	SUPERDUTY 08-10	(1)	\$.65

Grille and Components

2011-16 F250 F350 F450 F550 Super Duty



Ford Official Licensed Product is purchased from an authorized Ford Licensee.

PART	ILL#	DESCRIPTION	APPLICATION	REQD	PRICE
44-2474	(1)	GRILLE ASSY-DARK GRAY	SUPERDUTY 11-16	(1)	\$499.95
42-3507	(2)	GRILLE EMBLEM-"FORD"	SUPERDUTY 11-16	(1)	\$99.95
44-2475	(3)	GRILLE BEZEL-PRIMER	"A" SUPERDUTY 11-16	(1)	\$269.95
44-2476		GRILLE BEZEL-CHROME	"A" SUPERDUTY 11-16	(1)	\$509.95
44-2477	(4)	GRILLE MOLDING-UPPER-CHROME	SUPERDUTY 11-16	(1)	\$179.95
44-2478	(5)	GRILLE MOLDING-LOWER-CHROME	SUPERDUTY 11-16	(1)	\$155.95

PART	ILL#	DESCRIPTION	APPLICATION	REQD	PRICE
44-2480	(6)	GRILLE MOLDING-CHROME-LH	SUPERDUTY 11-16	(1)	\$69.95
44-2479	(7)	GRILLE MOLDING-CHROME-RH	SUPERDUTY 11-16	(1)	\$69.95
44-2482	(8)	GRILLE SUPPORT-LH	SUPERDUTY 11-16	(1)	\$63.95
44-2481	(9)	GRILLE SUPPORT-RH	SUPERDUTY 11-16	(1)	\$67.95
44-2484	(10)	UPPER GRILLE REINFORCEMENT	SUPERDUTY 11-16	(1)	\$69.95
44-2485	(11)	GRILLE MOUNTING PANEL-LOWER	SUPERDUTY 11-16	(1)	\$164.95
44-2483	(12)	GRILLE CENTER-W/O MOLDINGS	SUPERDUTY 11-16	(1)	\$429.95

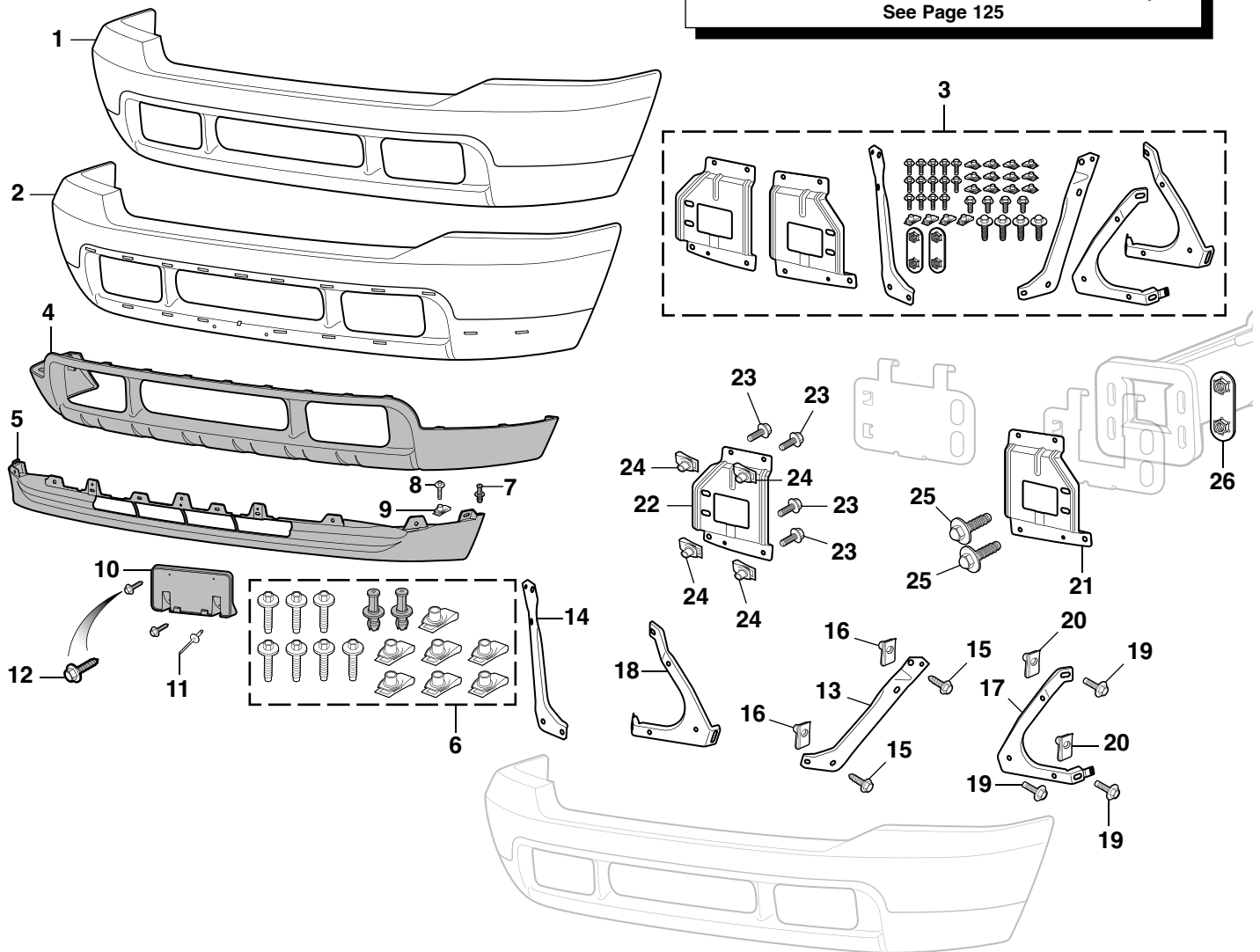
Note: "A" Without 'SUPER DUTY' logo.

* Or ** after the sell price means your order will incur an Oversize Part Charge for each oversized part. * Means extra charge will be \$20. ** Means extra charge will be \$50. Due to packing and/or transportation requirements, please allow additional time for delivery. Oversized Parts are not available for air delivery.

Front Bumper and Components

1999-04 F250 F350 F450 F550 Super Duty

For More Information on Chrome and Primer Bumpers See Page 125



**Left Hand (LH) & Right Hand (RH)
Means as You Sit Facing Forward in the Vehicle**

PART	ILL#	DESCRIPTION	APPLICATION	REQD	PRICE	PART	ILL#	DESCRIPTION	APPLICATION	REQD	PRICE
49-9560-T	(1)	CHROME BUMPER	"A" SUPERDUTY 99-04	(1)	\$329.95	40-3622	(10)	LICENSE PLATE BRACKET	SUPERDUTY 99-04	(1)	\$16.45
49-9561-T		PRIMER BUMPER	"A" SUPERDUTY 99-04	(1)	\$249.95	40-1369	(11)	RIVET-BRACKET	SUPERDUTY 99-04	(4)	\$1.25
						40-0560	(12)	BOLT-LICENSE PLATE	SUPERDUTY 99-04	(2)	\$.75
49-9562-T	(2)	CHROME BUMPER	"B" SUPERDUTY 99-04	(1)	\$399.95	40-3806	(13)	BUMPER BRACE-LH	SUPERDUTY 99-04	(1)	\$8.95
49-9563-T		PRIMER BUMPER	"B" SUPERDUTY 99-04	(1)	\$249.95	40-3807	(14)	BUMPER BRACE-RH	SUPERDUTY 99-04	(1)	\$8.95
40-0155	(3)	BUMPER MOUNTING KIT	SUPERDUTY 99-04	(1)	\$206.95	40-0277	(15)	BOLT-BRACE	SUPERDUTY 99-04	(4)	\$1.25
49-9478	(4)	FRONT VALANCE	"C" SUPERDUTY 99-04	(1)	\$22.95**	40-0888	(16)	U-NUT-BRACE	SUPERDUTY 99-04	(4)	\$.95
49-9479	(5)	AIR DEFLECTOR	SUPERDUTY 99-04	(1)	\$21.95**	40-3810	(17)	BUMPER BRACKET-LH	SUPERDUTY 99-04	(1)	\$15.95
40-0157	(6)	AIR DEFLECTOR HARDWARE KIT	SUPERDUTY 99-04	(1)	\$14.95	40-3811	(18)	BUMPER BRACKET-RH	SUPERDUTY 99-04	(1)	\$15.95
40-1379	(7)	RETAINER-AIR DEFLECTOR	SUPERDUTY 99-04	(2)	\$1.25	40-0185	(19)	BOLT-BRACKET	SUPERDUTY 99-04	(6)	\$7.95
29-0366-F	(8)	BOLT-AIR DEFLECTOR	SUPERDUTY 99-04	(7)	\$.75	29-0520-F	(20)	U-NUT-BRACKET	SUPERDUTY 99-04	(4)	\$1.35
29-0515-F	(9)	U-NUT-AIR DEFLECTOR	SUPERDUTY 99-04	(7)	\$1.35	40-3814	(21)	BUMPER MOUNTING PLATE-LH	SUPERDUTY 99-04	(1)	\$10.95
						40-3815	(22)	BUMPER MOUNTING PLATE-RH	SUPERDUTY 99-04	(1)	\$10.95
						40-0185	(23)	BOLT-PLATE	SUPERDUTY 99-04	(8)	\$7.95
						29-0520-F	(24)	U-NUT-PLATE	SUPERDUTY 99-04	(8)	\$1.35
						50-0226	(25)	BOLT-PLATE	SUPERDUTY 99-04	(4)	\$2.95
						40-0789	(26)	NUT-SET-PLATE	SUPERDUTY 99-04	(2)	\$7.95

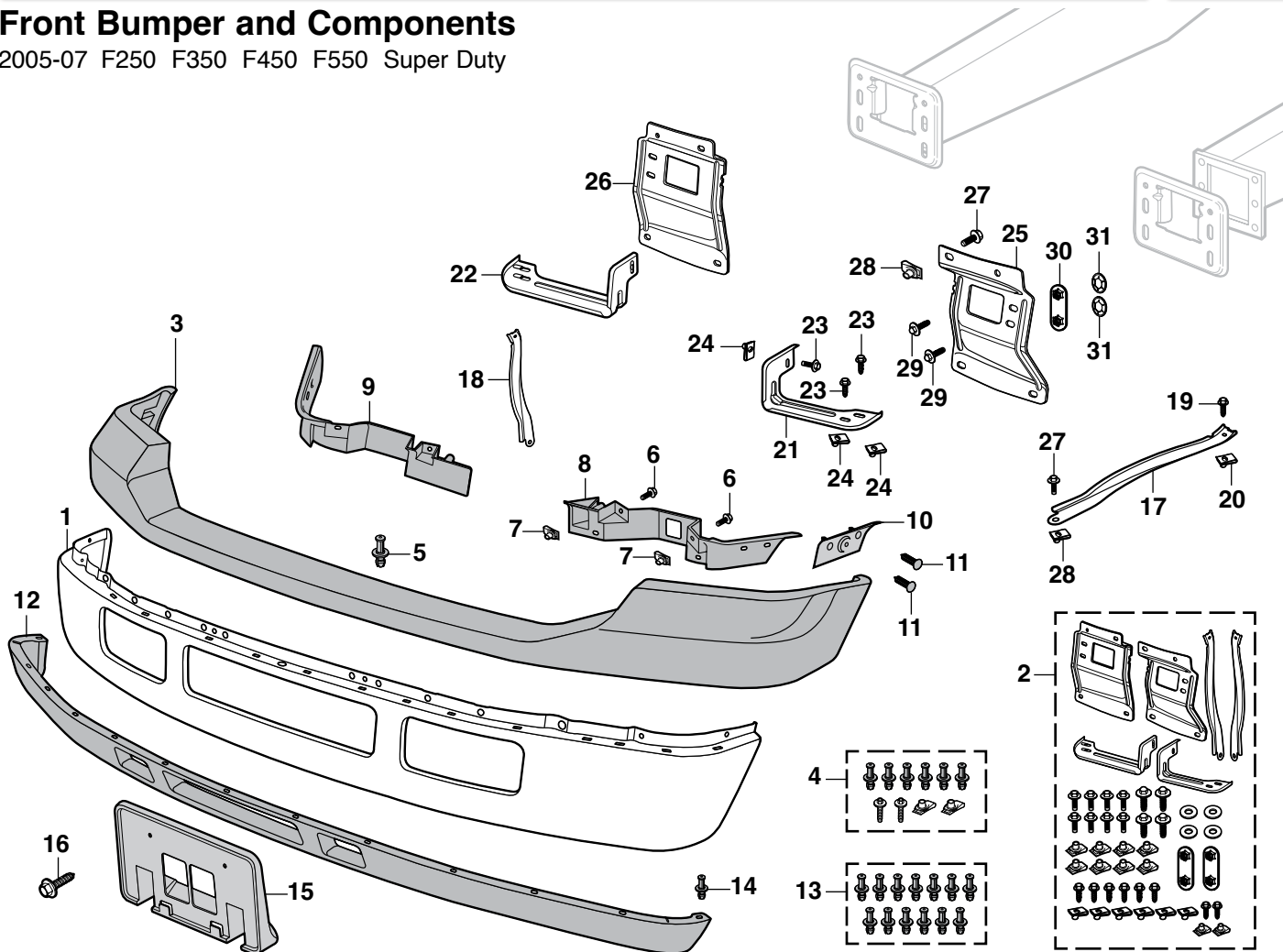
-T after a part number means that part must be shipped Truck Freight. An additional \$150.00 will be charged to your order for delivery in the 48 contiguous United States. Orders outside of the 48 states will be quoted. Additional delivery time required.

Note: "A" Without valance mounting holes.
 "B" With valance mounting holes.
 "C" Will not fit Harley Davidson models.

* Or ** after the sell price means your order will incur an Oversize Part Charge for each oversized part. * Means extra charge will be \$20. ** Means extra charge will be \$50. Due to packing and/or transportation requirements, please allow additional time for delivery. Oversized Parts are Not available for air delivery.

Front Bumper and Components

2005-07 F250 F350 F450 F550 Super Duty



Chrome Bumper and Primer Bumper

- Bumpers used by Collision Damage Repair Shops.
- Chrome Bumper is made with a computer-controlled process assuring consistent thickness of nickel and chrome plating.
- Primer Bumper is finished with an EDP (Electro Deposit Primer) coating that offers a smooth surface for applying your favorite color to match your truck.
- Economically priced replacements for your rusty, dull, scratched and pitted bumper.
- Save money, call or go online and order your bumper today.

PART	ILL#	DESCRIPTION	APPLICATION	REQD	PRICE
49-9564-T	(1)	CHROME BUMPER	F250 F350 05-07	(1)	\$249.95
49-9567-T		PRIMER BUMPER	F250 F350 05-07	(1)	\$199.95
49-9568-T		CHROME BUMPER	F450 F550 05-07	(1)	\$309.95
49-9569-T		PRIMER BUMPER	F450 F550 05-07	(1)	\$169.95
40-0149	(2)	BUMPER MOUNTING KIT	SUPERDUTY 05-07	(1)	\$236.95
40-3801	(3)	BUMPER PAD-BLACK PAINTABLE SMOOTH	SUPERDUTY 05-07	(1)	\$99.45**
40-3821		BUMPER PAD-BLACK TEXTURED	SUPERDUTY 05-07	(1)	\$99.95**
40-0151	(4)	BUMPER PAD HARDWARE KIT	SUPERDUTY 05-07	(1)	\$9.95
40-1379	(5)	RETAINER-BUMPER PAD	SUPERDUTY 05-07	(6)	\$1.25
29-0366-F	(6)	BOLT-BUMPER PAD	SUPERDUTY 05-07	(2)	\$.75
29-0515-F	(7)	U-NUT-BUMPER PAD	SUPERDUTY 05-07	(2)	\$1.35
49-9472	(8)	FRONT-FILLER-LH	SUPERDUTY 05-07	(1)	\$7.95
49-9473	(9)	FRONT-FILLER-RH	SUPERDUTY 05-07	(1)	\$7.95
29-0366-F	(6)	BOLT-FILLER	SUPERDUTY 05-07	(4)	\$.75
29-0515-F	(7)	U-NUT-FILLER	SUPERDUTY 05-07	(4)	\$1.35
49-9456	(10)	SIDE-FILLER-LH	SUPERDUTY 05-07	(1)	\$9.95
49-9457		SIDE-FILLER-RH	SUPERDUTY 05-07	(1)	\$9.95

Left Hand (LH) & Right Hand (RH) Means as You Sit Facing Forward in the Vehicle

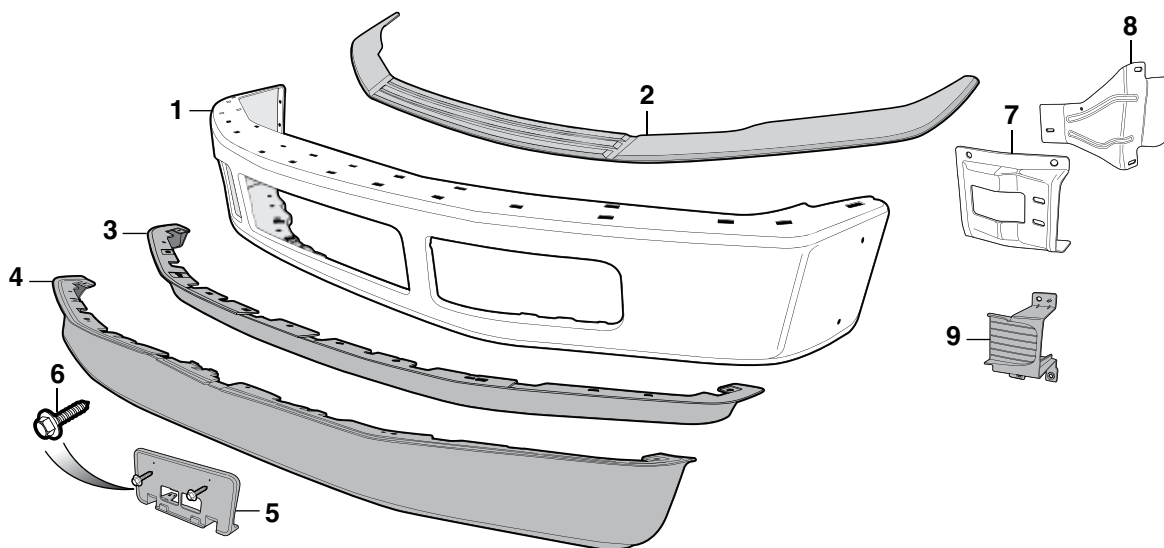
PART	ILL#	DESCRIPTION	APPLICATION	REQD	PRICE
29-0836-F	(11)	RETAINER-FILLER	SUPERDUTY 05-07	(4)	\$.65
49-9474	(12)	AIR DEFLECTOR	SUPERDUTY 05-07	(1)	\$24.95*
40-0159	(13)	AIR DEFLECTOR HARDWARE KIT	SUPERDUTY 05-07	(1)	\$13.95
40-1379	(14)	RETAINER-AIR DEFLECTOR	SUPERDUTY 05-07	(13)	\$1.25
40-3625	(15)	LICENSE PLATE BRACKET	SUPERDUTY 05-07	(1)	\$19.45
40-0560	(16)	BOLT-LICENSE PLATE	SUPERDUTY 05-07	(2)	\$.75
40-3808	(17)	BUMPER BRACE-LH	SUPERDUTY 05-07	(1)	\$25.95
40-3809	(18)	BUMPER BRACE-RH	SUPERDUTY 05-07	(1)	\$25.95
29-0366-F	(19)	BOLT-BRACE	SUPERDUTY 05-07	(2)	\$.75
29-0515-F	(20)	U-NUT-BRACE	SUPERDUTY 05-07	(2)	\$1.35
40-3706	(21)	BUMPER BRACKET-LH	SUPERDUTY 05-07	(1)	\$9.95
40-3707	(22)	BUMPER BRACKET-RH	SUPERDUTY 05-07	(1)	\$9.95
40-0185	(23)	BOLT-BRACKET	SUPERDUTY 05-07	(6)	\$7.95
29-0520-F	(24)	U-NUT-BRACKET	SUPERDUTY 05-07	(6)	\$1.35
40-3812	(25)	BUMPER MOUNTING PLATE-LH	SUPERDUTY 05-07	(1)	\$34.95
40-3813	(26)	BUMPER MOUNTING PLATE-RH	SUPERDUTY 05-07	(1)	\$34.95
50-0236	(27)	BOLT-PLATE	SUPERDUTY 05-07	(8)	\$3.95
40-0888	(28)	U-NUT-PLATE	SUPERDUTY 05-07	(8)	\$.95
50-0226	(29)	BOLT-PLATE	SUPERDUTY 05-07	(4)	\$2.95
40-0789	(30)	NUT SET-PLATE	SUPERDUTY 05-07	(2)	\$7.95
40-0667	(31)	PUSH NUT-PLATE	SUPERDUTY 05-07	(4)	\$.65

* Or ** after the sell price means your order will incur an Oversize Part Charge for each oversized part. * Means extra charge will be \$20. ** Means extra charge will be \$50. Due to packing and/or transportation requirements, please allow additional time for delivery. Oversized Parts are not available for air delivery.

-T after a part number means that part must be shipped Truck Freight. An additional \$150.00 will be charged to your order for delivery in the 48 contiguous United States. Orders outside of the 48 states will be quoted. Additional delivery time required.

Front Bumper and Components

2008-10 F250 F350 F450 F550 Super Duty



PART	ILL#	DESCRIPTION	APPLICATION	REQD	PRICE
49-9574-T	(1)	CHROME BUMPER	F250 F350 08-10	(1)	\$459.95
49-9648-T		CHROME BUMPER	F450 F550 08-10	(1)	\$379.95
49-9649-T		PRIMER BUMPER	F450 F550 08-10	(1)	\$499.95
40-3694	(2)	BUMPER PAD-BLACK	SUPERDUTY 08-10	(1)	\$52.95*
49-9446	(3)	VALANCE-DARK GRAY	2WD SUPERDUTY 08-10	(1)	\$44.95*
49-9447	(4)	VALANCE-DARK GRAY	4WD SUPERDUTY 08-10	(1)	\$75.95*
40-3626	(5)	LICENSE PLATE BRACKET	SUPERDUTY 08-10	(1)	\$26.45
40-0560	(6)	BOLT-LICENSE PLATE	SUPERDUTY 08-10	(2)	\$.75

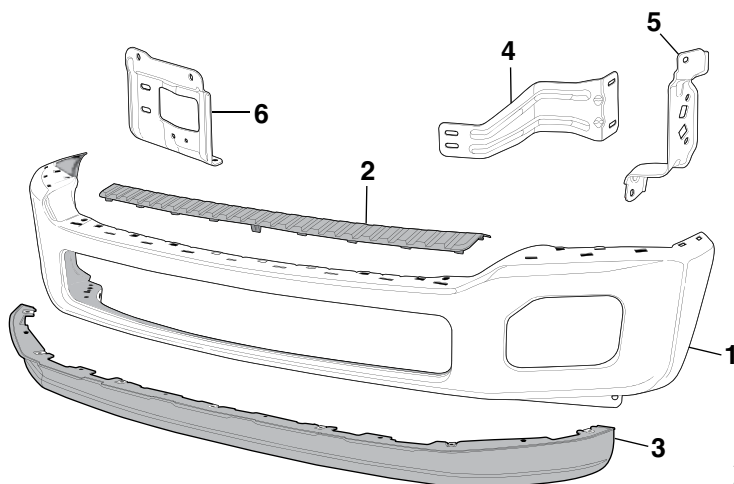
PART	ILL#	DESCRIPTION	APPLICATION	REQD	PRICE
40-3672	(7)	BUMPER MOUNT PLATE-LH	F250 F350 08-10	(1)	\$39.95
40-3673		BUMPER MOUNT PLATE-RH	F250 F350 08-10	(1)	\$39.95
40-3674	(8)	BUMPER MOUNT BRACKET-LH	F250 F350 08-10	(1)	\$29.95
40-3675		BUMPER MOUNT BRACKET-RH	F250 F350 08-10	(1)	\$26.95
40-3678	(9)	FOG LIGHT HOLE COVER-LH	F250 F350 08-10	(1)	\$12.95
40-3679		FOG LIGHT HOLE COVER-RH	F250 F350 08-10	(1)	\$10.95

-T after a part number means that part must be shipped Truck Freight. An additional \$150.00 will be charged to your order for delivery in the 48 contiguous United States. Orders outside of the 48 states will be quoted. Additional delivery time required.

* Or ** after the sell price means your order will incur an Oversize Part Charge for each oversized part. * Means extra charge will be \$20. ** Means extra charge will be \$50. Due to packing and/or transportation requirements, please allow additional time for delivery. Oversized Parts are not available for air delivery.

Front Bumper and Components

2011-16 F250 F350 F450 F550 Super Duty



Chrome Bumper and Primer Bumper

- Bumpers used by Collision Damage Repair Shops.
- Chrome Bumper is made with a computer-controlled process assuring consistent thickness of nickel and chrome plating.
- Primer Bumper is finished with an EDP (Electro Deposit Primer) coating that offers a smooth surface for applying your favorite color to match your truck.
- Economically priced replacements for your rusty, dull, scratched and pitted bumper.

PART	ILL#	DESCRIPTION	APPLICATION	REQD	PRICE
49-9597-T	(1)	CHROME BUMPER "A"	SUPERDUTY 11-16	(1)	\$899.95
49-9599-T		PRIMER BUMPER "A"	SUPERDUTY 11-16	(1)	\$899.95
40-3834	(2)	FRONT BUMPER STEP PAD	SUPERDUTY 11-16	(1)	\$39.90
44-9478	(3)	LOWER VALANCE PANEL-2WD	F250 F350 11-16	(1)	\$89.45
44-9479		LOWER VALANCE PANEL-4WD	F250 F350 11-16	(1)	\$89.45

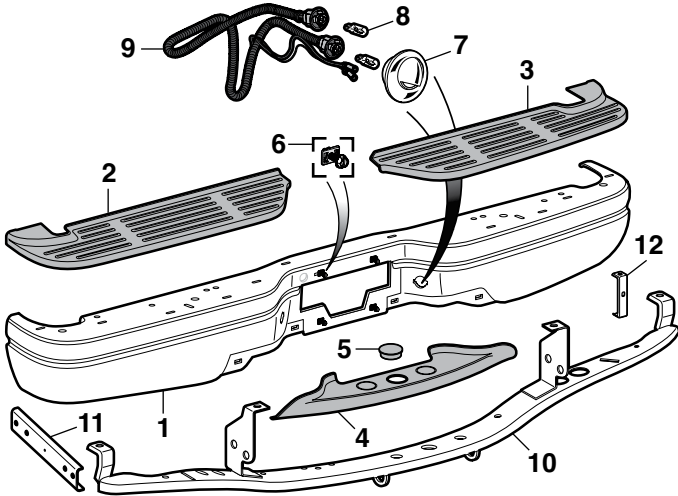
PART	ILL#	DESCRIPTION	APPLICATION	REQD	PRICE
44-3800	(4)	BUMPER BRACKET-INNER-LH	SUPERDUTY 11-16	(1)	\$17.95
44-3801		BUMPER BRACKET-INNER-RH	SUPERDUTY 11-16	(1)	\$17.95
44-3802	(5)	BUMPER BRACKET-OUTER-LH	SUPERDUTY 11-16	(1)	\$22.95
44-3803		BUMPER BRACKET-OUTER-RH	SUPERDUTY 11-16	(1)	\$19.95
44-3804	(6)	BUMPER MOUNTING PLATE-LH	SUPERDUTY 11-16	(1)	\$29.95
44-3805		BUMPER MOUNTING PLATE-RH	SUPERDUTY 11-16	(1)	\$29.95

Note: "A" Without valance mounting holes.

-T after a part number means that part must be shipped Truck Freight. An additional \$150.00 will be charged to your order for delivery in the 48 contiguous United States. Orders outside of the 48 states will be quoted. Additional delivery time required.

Rear Step Bumper and Components

1999-07 F250 F350 F450 F550 Super Duty



PART	ILL#	DESCRIPTION	APPLICATION	REQD	PRICE
49-9557	(1)	CHROME REAR BUMPER	"A"C" SUPERDUTY 99-07	(1)	\$229.95*
49-9554		CHROME REAR BUMPER	"B"C" SUPERDUTY 99-07	(1)	\$239.95*
49-9558		PRIMER REAR BUMPER	"A"C" SUPERDUTY 99-07	(1)	\$129.95*
49-9555		PRIMER REAR BUMPER	"B"C" SUPERDUTY 99-07	(1)	\$149.95*
40-3700	(2)	BUMPER PAD-UPPER-LH-BLACK	SUPERDUTY 99-07	(1)	\$15.95
40-3701	(3)	BUMPER PAD-UPPER-RH-BLACK	SUPERDUTY 99-07	(1)	\$15.95
49-9806-BL	(4)	HITCH COVER PAD-BLACK	SUPERDUTY 99-07	(1)	\$19.95
40-3797	(5)	INSERT-COVER PAD-BLACK	SUPERDUTY 99-07	(1)	\$6.95
40-3805		INSERT-COVER PAD-TAN	SUPERDUTY 03-07	(1)	\$5.95
40-0711	(6)	RETAINER SET-LICENSE PLATE	SUPERDUTY 99-07	(4)	\$.85
50-8482	(7)	LICENSE LAMP LENS-CHROME	SUPERDUTY 99-07	(2)	\$5.95
47-4247		LICENSE LAMP LENS-SILVER	SUPERDUTY 99-07	(2)	\$6.95
50-8481		LICENSE LAMP LENS-BLACK	SUPERDUTY 99-07	(2)	\$4.95
36-0224-F	(8)	BULB-CLEAR	SUPERDUTY 99-07	(2)	\$1.25
47-4255	(9)	LICENSE PLATE LAMP HARNESS	SUPERDUTY 99-07	(1)	\$9.45
49-9553	(10)	BUMPER REINFORCEMENT	SUPERDUTY 99-07	(1)	\$99.95*
40-3817	(11)	BUMPER BRACKET	SUPERDUTY 99-07	(2)	\$9.95
40-3760	(12)	BUMPER BRACE-OUTER	SUPERDUTY 99-04	(2)	\$12.95

Note: "A" For models without backup parking sensor.
 "B" For models with backup sensors; sensors not included.
 "C" Must reuse original bumper reinforcement or order new #49-9553.

* Or ** after the sell price means your order will incur an Oversize Part Charge for each oversized part. * Means extra charge will be \$20. ** Means extra charge will be \$50. Due to packing and/or transportation requirements, please allow additional time for delivery. Oversized Parts are not available for air delivery.

Rear Step Bumper Pad

2008-12 F250 F350 F450 F550



PART	DESCRIPTION	APPLICATION	REQD	PRICE
44-3700	BUMPER STEP PAD	"A"	SUPERDUTY 08-12 (1)	\$84.95*
44-3701	BUMPER STEP PAD	"B"	SUPERDUTY 08-12 (1)	\$84.95*

Note: "A" For models without backup parking sensors.
 "B" For models with backup parking sensors, sensors not included.

* Or ** after the sell price means your order will incur an Oversize Part Charge for each oversized part. * Means extra charge will be \$20. ** Means extra charge will be \$50. Due to packing and/or transportation requirements, please allow additional time for delivery. Oversized Parts are not available for air delivery.

OE Style Rear Step Bumper



49-9900



49-9828



49-9817



49-9839

Replacement Pads and Mounting Hardware See Left

OE Style Replacement Rear Bumpers are made from die-formed construction and match the original rear bumper from the hitch assembly and step pad design to the lighting assembly. Meets all your replacement needs and includes OE style brackets and necessary mounting hardware. Tested to maximum 500 lbs. tongue weight and 5,000 lbs. trailer weight. Do not exceed truck manufacturer's recommended towing capacity.

PART	DESCRIPTION	APPLICATION	REQD	PRICE
Chrome Bumper				
49-9900	CHROME STEP BUMPER W/BLK PAD "A"	SUPERDUTY 99-07	(1)	\$399.95*
49-9912	CHROME STEP BUMPER W/BLK PAD "B"	SUPERDUTY 99-07	(1)	\$379.95*
49-9828	CHROME STEP BUMPER W/BLK PAD "A"	SUPERDUTY 08-16	(1)	\$359.95*
49-9829	CHROME STEP BUMPER W/BLK PAD "B"	SUPERDUTY 08-16	(1)	\$359.95*
Primer Bumper				
49-9817	PRIMER STEP BUMPER W/BLK PAD "A"	SUPERDUTY 99-07	(1)	\$339.95*
49-9913	PRIMER STEP BUMPER W/BLK PAD "B"	SUPERDUTY 99-07	(1)	\$339.95*
49-9838	PRIMER STEP BUMPER W/BLK PAD "A"	SUPERDUTY 08-16	(1)	\$289.95*
49-9839	PRIMER STEP BUMPER W/BLK PAD "B"	SUPERDUTY 08-16	(1)	\$299.95*

* Or ** after the sell price means your order will incur an Oversize Part Charge for each oversized part. * Means extra charge will be \$20. ** Means extra charge will be \$50. Due to packing and/or transportation requirements, please allow additional time for delivery. Oversized Parts are not available for air delivery.

Note: "A" For models without backup sensors.
 "B" For models with backup sensors, sensors not included.

Blind Spot Mirror



38-5890-F

Blind spot mirrors increase viewing angle, eliminating blind spots. The 2" Adjustable Blind Spot Mirror rotates 360° for a customized wide angle view. Mirrors attach to door mirror with included self-adhesive tape.

PART	DESCRIPTION	REQD	PRICE
38-5890-F	BLIND SPOT MIRROR-2"	(AR)	\$1.95
38-5893-F	BLIND SPOT MIRROR-ADJUSTABLE-2"	(AR)	\$2.25
38-5892-F	BLIND SPOT MIRROR-3"	(AR)	\$1.95

Custom Towing Mirror Set

1999-16 F250 F350 F450 F550 Super Duty



49-6513

This Custom Towing Mirror slides over your mirror without obstructing its view. It provides an extended view for towing and leaves no marks on your truck. All durable corrosion resistant construction installs easily and securely with no tools required. Fits all door mirrors except tow mirrors.

Towing mirrors are required in many states so call or go online and order yours today.

PART	DESCRIPTION	APPLICATION	REQD	PRICE
49-6513	CUSTOM TOWING MIRROR SET	SUPERDUTY 99-16	(1)	\$59.95

Custom Molded Mud Guards Protect Your Truck from Rock Chips



49-6055

Mud Guards are custom molded and help protect the sides of the vehicle from rock chips, mud and tar buildup. Mud guards are molded in a standard black matte finish that can be painted.

Sold in Sets of 2

SRW = Single Rear Wheels

PART	DESCRIPTION	APPLICATION	REQD	PRICE
49-6055	MUD GUARDS-FRONT	"A" SUPERDUTY 99-07	(1)	\$39.95
49-6057	MUD GUARDS-REAR	"A" SRW SUPERDUTY 99-10	(1)	\$41.95
49-6056	MUD GUARDS-FRONT	"B" SUPERDUTY 99-10	(1)	\$41.95
49-6058	MUD GUARDS-REAR	"B" SRW SUPERDUTY 99-10	(1)	\$41.95
49-6059	MUD GUARDS-REAR	DUALLY SUPERDUTY 99-10	(1)	\$76.95

Note: "A" For models without factory fender flares.
"B" For models with factory fender flares.

Chrome Door Tow Mirror Cover Sets



42-1090



42-1147

Chrome Mirror Covers are made from automotive grade ABS plastic finished with a high-quality chrome finish. Designed to withstand harsh conditions, they install securely with preapplied 3M™ tape. Mirror covers require no drilling or cutting and install in seconds!

PART	DESCRIPTION	APPLICATION	REQD	PRICE
42-1090	MIRROR COVER SET-CHROME	"A" SUPERDUTY 99-07	(1)	\$43.95
42-1147	MIRROR COVER SET-CHROME	"A" SUPERDUTY 08-16	(1)	\$76.95
42-1148	MIRROR COVER SET-CHROME	"B" SUPERDUTY 08-16	(1)	\$69.95

Note: "A" For models without turn signal indicators mounted on mirror housing.
"B" For models with turn signal indicators mounted on mirror housing.

Flared Side Window Deflectors ... Keep Your Window Open and Weather Out



48-0695



48-0696

Flared Side Window Deflectors ... The perfect addition to any truck. Keep your window open while still keeping out the wind and rain.

Made from durable ABS plastic which will bend but not break, absorbs road vibrations without fracturing. Will not discolor, fade or become brittle due to UV rays. Will not scratch or peel because it is not a laminate or painted on, but is infused into the plastic to give a hard, smooth finish.

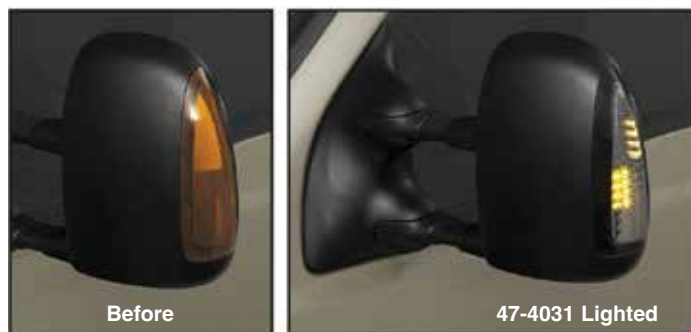
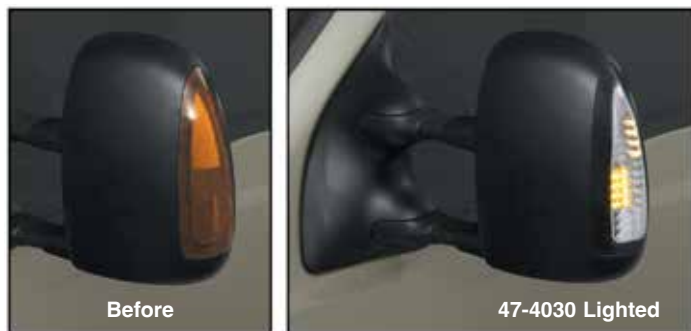
Withstands exposure to rough conditions and extreme temperatures. Installs using 3M™ tape, included with set.

PART	DESCRIPTION	APPLICATION	REQD	PRICE
48-0694	DEFLECTOR SET-2PC "A"	STD CAB SUPERDUTY 99-16	(1)	\$21.95
48-0695	DEFLECTOR SET-4PC	SUPER CAB SUPERDUTY 99-16	(1)	\$31.95
48-0696	DEFLECTOR SET-4PC	CREW CAB SUPERDUTY 99-16	(1)	\$31.95

Note: "A" Fits Super Cab and Crew Cab front doors.

LED Tow Mirror Signal Light Sets

2003-07 F250 F350 F450 F550 Super Duty



Replace the factory tow mirror signal lights with these innovative LED light sets available with clear or smoke lenses. Lights install easily; requires no cutting or splicing. Installation instructions included.



Chrome Door Mirror Cover Set See Page 128

PART	DESCRIPTION	APPLICATION	REQD	PRICE
47-4030	LED TOW MIRROR LIGHT SET-CLEAR	SUPERDUTY 03-07	(1)	\$65.95
47-4031	LED TOW MIRROR LIGHT SET-SMOKE	SUPERDUTY 03-07	(1)	\$61.95

Tow Mirror Light Set

2008-16 F250 F350 F450 F550 Super Duty



PART	DESCRIPTION	APPLICATION	REQD	PRICE
47-4045	TOW MIRROR LIGHT SET-AMBER	W/BULBS 08-16	(1)	\$32.95
36-0224-F	BULB-TOW MIRROR LIGHT	SUPERDUTY 08-16	(4)	\$1.25

Reproduction Tow and Door Mirrors

1999-16 F250 F350 F450 F550 Super Duty



49-6720
Tow Mirror



49-6724
Tow Mirror

1999-12 Manual Door Tow Mirrors are interchangeable.



49-6722



49-6728



49-6734
Tow Mirror



49-6736
Tow Mirror

Door Mirror Sockets

For the 2001 model year, there are two types of designs used for the door mirror sockets. Check your truck before ordering to ensure you order the correct part.



1st Design



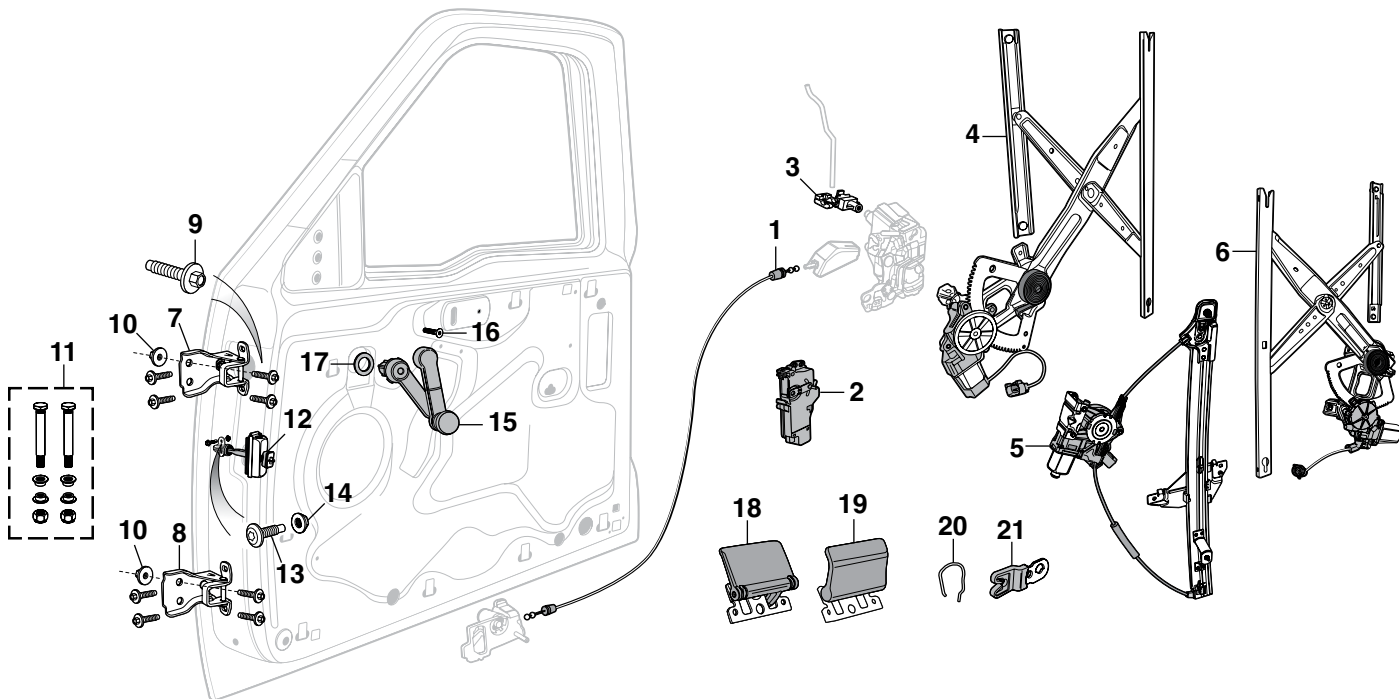
2nd Design

PART	DESCRIPTION	APPLICATION	REQD	PRICE
Manual Door Mirror				
49-6720	DOOR TOW MIRROR-BLACK-LH	TEXTURED 99-07	(1)	\$91.55
49-6721	DOOR TOW MIRROR-BLACK-RH	TEXTURED 99-07	(1)	\$91.95
49-6724	DOOR TOW MIRROR-BLACK-LH	SUPERDUTY 08-12	(1)	\$139.95
49-6725	DOOR TOW MIRROR-BLACK-RH	SUPERDUTY 08-12	(1)	\$139.95
49-6722	DOOR MIRROR-BLACK-LH	SUPERDUTY 99-16	(1)	\$42.95
49-6723	DOOR MIRROR-BLACK-RH	SUPERDUTY 99-16	(1)	\$42.95
Power Door Mirror				
49-6726	DOOR TOW MIRROR-BLACK-LH	"A" TEXTURED 99-04	(1)	\$99.45
49-6727	DOOR TOW MIRROR-BLACK-RH	"A" TEXTURED 99-04	(1)	\$99.45
49-6728	DOOR MIRROR-BLACK-LH	"A" SUPERDUTY 99-07	(1)	\$58.95
49-6729	DOOR MIRROR-BLACK-RH	"A" SUPERDUTY 99-07	(1)	\$58.95
Power Door Mirror with Turn Signal and Heated Glass				
49-6732	DOOR TOW MIRROR-BLACK-LH	2ND TEXTURED 03-07	(1)	\$139.45
49-6733	DOOR TOW MIRROR-BLACK-RH	2ND TEXTURED 03-07	(1)	\$139.45
49-6734	DOOR TOW MIRROR-BLACK-LH	2ND SMOOTH 03-07	(1)	\$150.95
49-6735	DOOR TOW MIRROR-BLACK-RH	2ND SMOOTH 03-07	(1)	\$150.95
49-6736	DOOR TOW MIRROR-CHROME-LH	2ND SMOOTH 03-07	(1)	\$164.95
49-6737	DOOR TOW MIRROR-CHROME-RH	2ND SMOOTH 03-07	(1)	\$164.95

Note: "A" Adaptor included to fit 1999-01 1st design sockets.

Door Components

1999-16 F250 F350 F450 F550 Super Duty



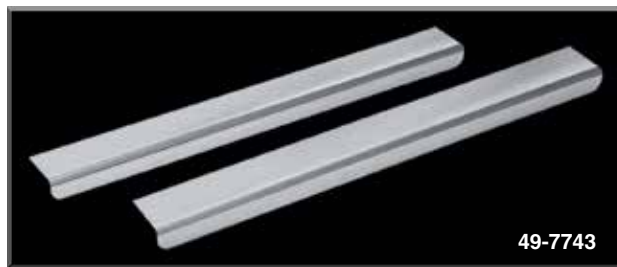
PART	ILL#	DESCRIPTION	APPLICATION	REQD	PRICE
49-7273	(1)	FRONT DOOR LATCH CABLE	SUPERDUTY 99-16	(2)	\$7.95
50-7802	(2)	LOCK ACTUATOR-LH FRONT/REAR	SUPERDUTY 99-16 (AR)		\$19.95
50-7803		LOCK ACTUATOR-RH FRONT/REAR	SUPERDUTY 99-16 (AR)		\$19.95
31-1605-F	(3)	CLIP-OUTSIDE HANDLE ROD	SUPERDUTY 99-16 (AR)		\$1.35
49-7900	(4)	REGULATOR-FRONT-LH POWER	W/MOTOR 99-12	(1)	\$59.95
49-7901		REGULATOR-FRONT-RH POWER	W/MOTOR 99-12	(1)	\$64.45
44-7902	(5)	REGULATOR-FRONT-LH-POWER	W/MOTOR 13-16	(1)	\$139.95
44-7903		REGULATOR-FRONT-RH-POWER	W/MOTOR 13-16	(1)	\$139.95
49-7902	(6)	REGULATOR-REAR-LH POWER	W/MOTOR 99-16	(1)	\$69.95
49-7903		REGULATOR-REAR-RH POWER	W/MOTOR 99-16	(1)	\$56.95
49-7296	(7)	FRONT DOOR HINGE-UPPER	SUPERDUTY 99-16	(2)	\$34.75
49-7297	(8)	FRONT DOOR HINGE-LOWER	SUPERDUTY 99-16	(2)	\$29.95
40-0277	(9)	BOLT-DOOR HINGE	SUPERDUTY 99-16	(16)	\$1.25
31-0892-F	(10)	NUT-DOOR HINGE	SUPERDUTY 99-16	(4)	\$1.25
49-7416	(11)	FRONT DOOR HINGE PIN KIT	SUPERDUTY 99-16	(2)	\$9.95

PART	ILL#	DESCRIPTION	APPLICATION	REQD	PRICE
49-7257	(12)	DOOR CHECK-FRONT	SUPERDUTY 99-16	(2)	\$33.75
29-0333-F	(13)	SCREW-DOOR CHECK	SUPERDUTY 99-04	(2)	\$1.25
31-0542-F		SCREW-DOOR CHECK	SUPERDUTY 05-16	(2)	\$.95
31-0876-F	(14)	NUT-DOOR CHECK	SUPERDUTY 99-16	(2)	\$.65
50-7220	(15)	WINDOW HANDLE-BLACK	SUPERDUTY 99-16 (AR)		\$4.95
40-0480	(16)	SCREW-HANDLE	SUPERDUTY 99-16 (AR)		\$.65
50-7213	(17)	SPACER-HANDLE	SUPERDUTY 99-16 (AR)		\$8.95
49-7446	(18)	DOOR HANDLE-LH BLK PLASTIC	SUPERDUTY 99-16	(1)	\$5.95
49-7447		DOOR HANDLE-RH BLK PLASTIC	SUPERDUTY 99-16	(1)	\$6.95
49-7472	(19)	DOOR HANDLE-LH BLK STEEL	SUPERDUTY 99-16	(1)	\$16.45
49-7473		DOOR HANDLE-RH BLK STEEL	SUPERDUTY 99-16	(1)	\$16.45
40-1378	(20)	LOCK RETAINER	SUPERDUTY 99-04	(2)	\$38.95
49-7278	(21)	DOOR LOCK LEVER-LH	SUPERDUTY 99-16	(1)	\$4.95
49-7279		DOOR LOCK LEVER-RH	SUPERDUTY 99-16	(1)	\$11.95

Polished Stainless Steel Threshold Plate Sets



Polished Stainless Steel Threshold Plate Set is made from grade 304 stainless steel with a mirror-like polished finish. Quick and easy installation with pre-applied 3M™ tape.

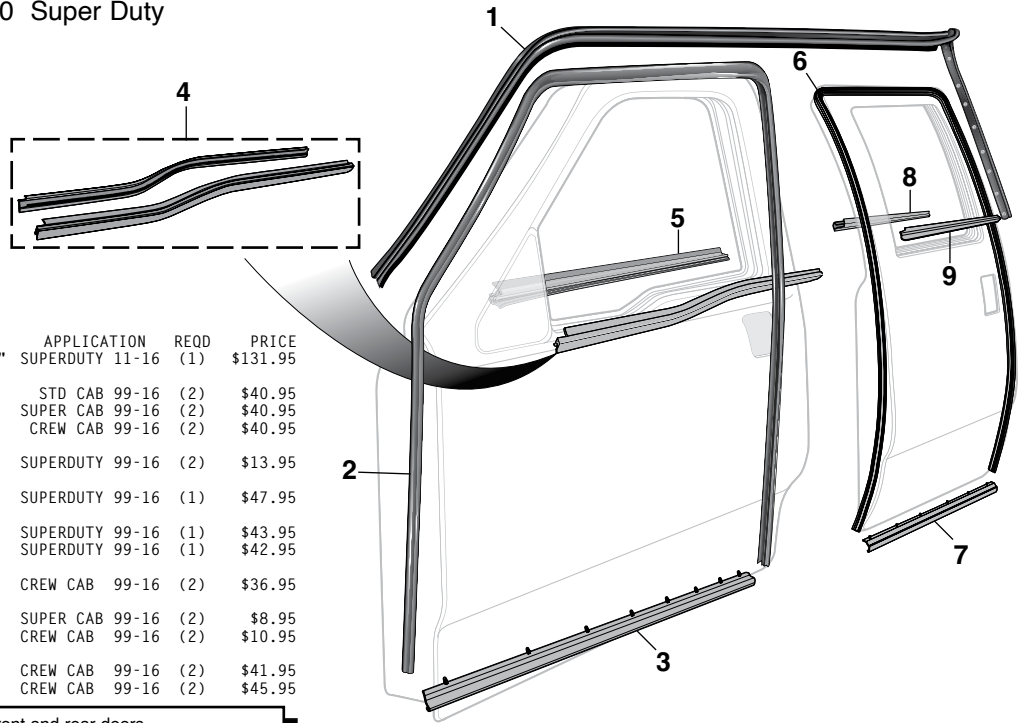


49-7743

PART	DESCRIPTION	APPLICATION	REQD	PRICE
49-7743	THRESHOLD PLATE SET-SS	2PC STD CAB 99-16	(1)	\$35.95
49-7744	THRESHOLD PLATE SET-SS	4PC CREW CAB 99-16	(1)	\$69.95

Door Weatherstrip

1999-16 F250 F350 F450 F550 Super Duty



PART	ILL#	DESCRIPTION	APPLICATION	REQD	PRICE
49-7068	(1)	DOOR WEATHERSTRIP-PAIR "A"	SUPERDUTY 11-16	(1)	\$131.95
49-7016	(2)	FRONT DOOR WEATHERSTRIP	STD CAB 99-16	(2)	\$40.95
49-7017		FRONT DOOR WEATHERSTRIP	SUPER CAB 99-16	(2)	\$40.95
49-7016		FRONT DOOR WEATHERSTRIP	CREW CAB 99-16	(2)	\$40.95
49-7018	(3)	FRT DOOR LWR WEATHERSTRIP	SUPERDUTY 99-16	(2)	\$13.95
49-7138	(4)	WINDOW SEAL SET-OUTER	SUPERDUTY 99-16	(1)	\$47.95
49-7096	(5)	WINDOW SEAL-INNER-LH	SUPERDUTY 99-16	(1)	\$43.95
49-7097		WINDOW SEAL-INNER-RH	SUPERDUTY 99-16	(1)	\$42.95
49-7035	(6)	REAR DOOR WEATHERSTRIP	CREW CAB 99-16	(2)	\$36.95
49-7034	(7)	REAR DOOR LWR WEATHERSTRIP	SUPER CAB 99-16	(2)	\$8.95
49-7036		REAR DOOR LWR WEATHERSTRIP	CREW CAB 99-16	(2)	\$10.95
49-7135	(8)	REAR WINDOW SEAL-INNER	CREW CAB 99-16	(2)	\$41.95
49-7136	(9)	REAR WINDOW SEAL-OUTER	CREW CAB 99-16	(2)	\$45.95

Note: "A" Mounts on body. Runs the length of front and rear doors.

Outside Door Handles

1999-16 F250 F350 F450 F550 Super Duty



PART	ILL#	DESCRIPTION	APPLICATION	REQD	PRICE
Textured Outside Door Handle					
49-7434	(1)	HANDLE-FRONT-LH-STEEL	SUPERDUTY 99-16	(1)	\$48.95
49-7438	(2)	HANDLE-FRONT-LH-PLASTIC	SUPERDUTY 99-16	(1)	\$9.95
49-7443	(3)	HANDLE-FRONT-RH-PLASTIC	W/O KEYHOLE 99-16	(1)	\$10.95
49-7439	(4)	HANDLE-FRONT-RH-PLASTIC	W/ KEYHOLE 99-16	(1)	\$9.95
49-7442	(5)	HANDLE-REAR-LH-PLASTIC	CREW CAB 99-16	(1)	\$9.95
49-7443	(3)	HANDLE-REAR-RH-PLASTIC	CREW CAB 99-16	(1)	\$10.95
49-7448	(6)	HANDLE-REAR-LH-PLASTIC	SUPER CAB 99-16	(1)	\$15.95
49-7449	(7)	HANDLE-REAR-RH-PLASTIC	SUPER CAB 99-16	(1)	\$15.95

Smooth door handles can be painted to match the color of your truck.

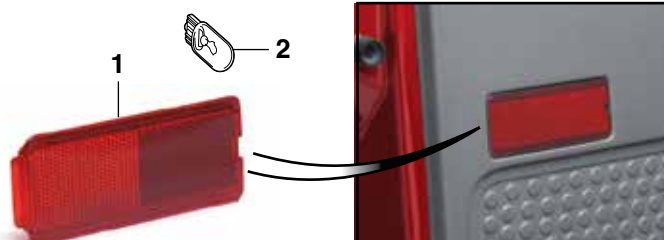
PART	ILL#	DESCRIPTION	APPLICATION	REQD	PRICE
Smooth Outside Door Handle					
49-7444	(8)	HANDLE-FRONT-LH-PLASTIC	SUPERDUTY 99-16	(1)	\$9.95
49-7451	(9)	HANDLE-FRONT-RH-PLASTIC	W/O KEYHOLE 99-16	(1)	\$10.95
49-7445	(10)	HANDLE-FRONT-RH-PLASTIC	W/ KEYHOLE 99-16	(1)	\$9.95
49-7450	(11)	HANDLE-REAR-LH-PLASTIC	CREW CAB 99-16	(1)	\$10.45
49-7451	(9)	HANDLE-REAR-RH-PLASTIC	CREW CAB 99-16	(1)	\$10.95

Door Panel Lens

1999-07 F250 F350 F450 F550 Super Duty

Original 1999-02 red/clear lens was replaced with the all red lens sold below.

PART	ILL#	DESCRIPTION	APPLICATION	REQD	PRICE
47-4353	(1)	DOOR PANEL LENS-RED	SUPERDUTY 99-07	(AR)	\$8.45
36-0232-F	(2)	BULB-CLEAR	SUPERDUTY 99-04	(AR)	\$1.25



Replacement Seat Cushion

2001-07 F250 F350 F450 F550 Super Duty



This Seat Bottom Cushion is designed to match the fit, appearance and function of the original seat pad and is engineered for durability and reliable performance. Restores functionality to an original pad that is damaged or crushed from fatigue.

PART	DESCRIPTION	APPLICATION	REQD	PRICE
49-5774	SEAT BOTTOM CUSHION-LH-FRONT "A"	SUPERDUTY 01-07	(1)	\$85.95

Note "A" For trim codes that begin with E, M, P, 6 or 7.

Cupholder Insert 40/20/40 Bench Seat

1999-04 F250 F350 F450 F550



PART	DESCRIPTION	APPLICATION	REQD	PRICE
48-1270	CUPHOLDER INSERT 40/20/40 BENCH	SUPERDUTY 99-04	(1)	\$79.95

Under Seat Storage Tray



49-5613



49-5613

Under Seat Storage Tray is molded from a dual layer material consisting of a rigid substrate for strength and a soft, textured, impact-resistant surface that reduces noise and minimizes cargo shifting. Custom fit for each application, the storage tray features large capacity bins with removable dividers to suit your cargo needs. Installs easily under the rear seat, requires no drilling and can be removed in minutes.

PART	DESCRIPTION	APPLICATION	REQD	PRICE
49-5613	UNDER SEAT STORAGE TRAY	SUPER CAB 00-16	(1)	\$169.95

Shift Knobs

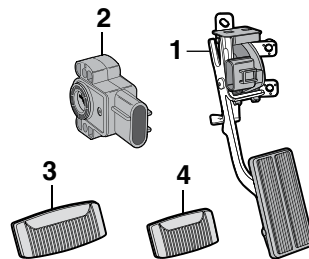
40-1933



PART	DESCRIPTION	APPLICATION	REQD	PRICE
40-2640	SHIFT KNOB-5 SPEED	SUPERDUTY 99-04	(1)	\$11.95
40-2641	SHIFT KNOB-6 SPEED	SUPERDUTY 99-10	(1)	\$16.95
40-2649	SHIFT KNOB-TRANSFER CASE	SUPERDUTY 99-16	(1)	\$21.95
40-1931	SHIFT LEVER BOOT	5 & 6 SPEED GAS	99-07 (1)	\$52.95
40-1932	SHIFT LEVER BOOT	6 SPEED DIESEL	99-07 (1)	\$52.95
40-1933	INNER SHIFT BOOT	6 SPEED SUPERDUTY	05-07 (1)	\$34.95

Accelerator, Brake and Clutch Pedals

1999-13 F250 F350 F450 F550 Super Duty



AT = Automatic Transmission
MT = Manual Transmission
DSL = Diesel

PART	ILL#	DESCRIPTION	APPLICATION	REQD	PRICE
40-2259	(1)	ACCEL PEDAL ASSEMBLY "A"B"	DSL 7.3L 01-03	(1)	\$79.60
43-6133	(2)	ACCELERATOR PEDAL SENSOR	DSL 7.3L 99-00	(1)	\$56.95
40-2253	(3)	PEDAL PAD-BRAKE	AT SUPERDUTY 99-13	(1)	\$2.95
40-2254	(4)	PEDAL PAD-BRAKE & CLUTCH MT	SUPERDUTY 99-10	(2)	\$2.95

Note: "A" For models without heavy-duty adjustable pedals.
"B" Includes accelerator pedal sensor.

Custom Pedal Pads and Trim

1999-13 F250 F350 F450 F550 Super Duty



40-2270

40-2268

AT = Automatic Transmission
MT = Manual Transmission

PART	DESCRIPTION	W/TRIM	APPLICATION	REQD	PRICE
40-2270	BRAKE/CLUTCH PEDAL PAD	MT	99-10	(2)	\$9.95
40-2268	BRAKE PEDAL PAD	AT	99-13	(1)	\$9.95

Brake and Clutch Pedal Pads

1999-13 F250 F350 F450 F550 Super Duty



40-2254

40-2253

AT = Automatic Transmission
MT = Manual Transmission

PART	DESCRIPTION	APPLICATION	REQD	PRICE
40-2254	BRAKE/CLUTCH PEDAL PAD	MT SUPERDUTY 99-10	(2)	\$2.95
40-2253	BRAKE PEDAL PAD	AT SUPERDUTY 99-13	(1)	\$2.95

Molded Carpet ... Fits and Looks Like Original

Complete Truck Molded Carpet replaces all interior floor carpets. Cut-pile carpet is molded from the original floor pan for a perfect fit that covers the entire floor. It's made from 100% nylon with an OE type heel pad. The heavy 36 ounce jute padding under the front passenger area helps insulate against heat and reduces road noise.



49-5943-DG

Color coordinated original style heel pad is attached

PART	DESCRIPTION	APPLICATION	REQD	PRICE
49-5942-BL	MOLDED CARPET BLACK	STD CAB 99-07	(1)	\$184.95
49-5942-DG	MOLDED CARPET DARK GRAY	STD CAB 99-07	(1)	\$184.95
49-5942-TN	MOLDED CARPET TAN	STD CAB 99-07	(1)	\$184.95
49-5943-BL	MOLDED CARPET BLACK	SUPER CAB 99-07	(1)	\$217.95
49-5943-DG	MOLDED CARPET DARK GRAY	SUPER CAB 99-07	(1)	\$217.95
49-5943-TN	MOLDED CARPET TAN	SUPER CAB 99-07	(1)	\$217.95

PART	DESCRIPTION	APPLICATION	REQD	PRICE
49-5944-BL	MOLDED CARPET BLACK	CREW CAB 99-07	(1)	\$217.95
49-5944-DG	MOLDED CARPET DARK GRAY	CREW CAB 99-07	(1)	\$217.95
49-5944-TN	MOLDED CARPET TAN	CREW CAB 99-07	(1)	\$217.95

Carpeted Floor Mats

These mats protect your carpets from the everyday wear and tear as well as mud, sand, snow and the sun which cause your carpet to fade. Floor mats are made from 100% nylon, trimmed with color coordinated vinyl binding and feature a grip lock non-skid backing to help them stay in place.

PART	DESCRIPTION	APPLICATION	REQD	PRICE
48-2577-BL	FRONT MAT SET-BLACK	SUPERDUTY 99-07	(1)	\$87.95
48-2577-DG	FRONT MAT SET-DARK GRAY	SUPERDUTY 99-07	(1)	\$87.95
48-2577-TN	FRONT MAT SET-TAN	SUPERDUTY 99-07	(1)	\$87.95



48-2577-DG

1/8" Thick Molded Industrial Polyvinyl (MIP) Floor Mats

Heavy-duty Molded Industrial Polyvinyl (MIP) Floor Mats are made of durable 1/8" thick industrial Polyvinyl and are resistant to moisture and temperature; therefore, they will not dry rot or crack and last longer than rubber. They are vacuum molded from the original floor pan to cover the entire floor, making installation easy.

Mats are easy to clean and protect your interior from water, snow, mud and most chemicals. The MIP Floor Mat includes pre-cut 36 ounce jute padding under the passenger areas to provide a higher level of insulation against heat, cold and road noise.

All MIP Mats are only available in black.



49-5890-BL

Installation Tip: Allow mats to lay unfolded for 48 hours at room temperature of 72° or more to help remove creases caused by packing. Test fit prior to making any permanent installations (some trimming may be necessary).

PART	DESCRIPTION	APPLICATION	REQD	PRICE
49-5890-BL	MIP FLOOR MAT-BLACK	STD CAB 99-07	(1)	\$184.95
49-5891-BL	MIP FLOOR MAT-BLACK	SUPER CAB 99-07	(1)	\$217.95
49-5892-BL	MIP FLOOR MAT-BLACK	CREW CAB 99-07	(1)	\$217.95

PART	DESCRIPTION	APPLICATION	REQD	PRICE
49-5893-BL	MIP FLOOR MAT-BLACK	STD CAB 08-16	(1)	\$184.95
49-5894-BL	MIP FLOOR MAT-BLACK	SUPER CAB 08-16	(1)	\$199.95
49-5895-BL	MIP FLOOR MAT-BLACK	CREW CAB 08-16	(1)	\$234.95

Floor Liners ... Tough and Durable Protection for Your Truck



Front and Center Hump Floor Liners

Floor Liners protect your truck's carpet from water, snow, mud and most chemicals. Molded for an exact fit from a patented rubberized thermo-plastic material, guaranteed not to crack or break. Raised outer rim traps up to 2 gallons of liquid. Driver's side mat is equipped with an extra thick heel pad to offer heel protection and guard against wear in this high use area. Floor mats conform to the shape of your vehicle's floor and have an anti-slip back. Cleanup is easy, just wipe up small areas with a cloth or remove the mat and hose it off.

PART	DESCRIPTION	APPLICATION	PRICE
Front Floor Liner Set			
49-6065-BL	FLOOR LINER SET BLACK	SUPERDUTY 99	\$92.95
49-6066-BL	FLOOR LINER SET BLACK	SUPERDUTY 00-07	\$92.95



Rear Floor Liner

W/AT = With Automatic Transmission

PART	DESCRIPTION	APPLICATION	PRICE
Center Hump Liner			
49-6074-BL	CENTER LINER BLACK W/AT	SUPERDUTY 00-07	\$55.95
Rear Floor Liner			
49-6085-BL	REAR FLOOR LINER BLACK	SUPER CAB SUPERDUTY 99-07	\$92.95
49-6086-BL	REAR FLOOR LINER BLACK	CREW CAB SUPERDUTY 99-07	\$89.95
49-6086-GR	REAR FLOOR LINER GRAY	CREW CAB SUPERDUTY 99-07	\$74.95

Overhead Consoles

2002-04 F250 F350 F450 F550 Super Duty



PART	DESCRIPTION	APPLICATION	REQD	PRICE
49-5090-TN	OVERHEAD CONSOLE-TAN	SUPERDUTY 02-04	(1)	\$143.62

Custom Replacement Rear View Mirrors



To re-use original mirror mount, mounting adaptor #31-3600-F is required.

PART	DESCRIPTION	APPLICATION	REQD	PRICE
38-5160-F	CHROME MIRROR 8" RIBBED BACK	DAY/NIGHT	(1)	\$30.95
38-5170-F	BILLET MIRROR 9" POLISHED		(1)	\$59.95
31-3600-F	MOUNTING ADAPTOR		(1)	\$9.95
38-0710-F	GLUE-MIRROR MOUNT			\$3.49

Replacement Rear View Mirrors



Replacement Rear View Mirrors Include Mirror Mount

To re-use original mirror mount, mounting adaptor #31-3600-F is required.

PART	DESCRIPTION	APPLICATION	REQD	PRICE
38-5121-F	BLACK MIRROR 8"	DAY/NIGHT	(1)	\$11.95
38-5120-F	BLACK MIRROR 10"	DAY/NIGHT	(1)	\$11.95
38-5122-F	BLACK MIRROR 12"	DAY/NIGHT	(1)	\$12.95
38-1951-F	CHROME MIRROR 9"	DAY/NIGHT	(1)	\$30.95
31-3600-F	MOUNTING ADAPTOR		(1)	\$9.95
38-0710-F	GLUE-MIRROR MOUNT			\$3.49

Key Fob and Key Fob Case



This complete three button Key Fob includes door lock, door unlock and panic button features. Installation is quick and easy. Instructions included.

Key Fob Case is an inexpensive replacement for a broken case or obscured button symbols. Front case, back case and rubber key pad included. (Circuit board not included.)

All existing key fobs must be present and reprogrammed when programming the Key Fob. Key Fob is not compatible with two or four button key fobs.

PART	DESCRIPTION	APPLICATION	REQD	PRICE
40-1325	KEY FOB-THREE BUTTON	SUPERDUTY 02-13	(1)	\$37.95
40-1326	KEY FOB CASE-THREE BUTTON	SUPERDUTY 02-13	(1)	\$9.95

Keyless Entry Remote with Integrated Key

2011-16 F250 F350 F450 F550 Super Duty



This 3-button Keyless Entry Remote with integrated key can be programmed to your vehicle in minutes via an on-vehicle pairing sequence (scan tool required to program - not included). Once properly programmed, it will duplicate the functions of the OE remote, while closely resembling it in appearance.

PART	DESCRIPTION	APPLICATION	PRICE
40-1319	KEYLESS ENTRY REMOTE 3 BUTTON "A"	11-16	\$55.45

Note: "A" Without remote start, without dongle.

4 EASY WAYS TO ORDER PARTS

ONLINE www.LMCtruck.com
Fast, Simple, Safe!

PHONE (800) 562-8782

FAX (800) 541-8525 USA & Canada
(800) 599-0323 Worldwide

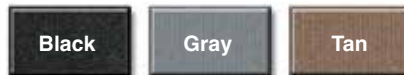
MAIL P.O. Box 14991
Lenexa, KS 66285-4991

Dash Protector ... Prevents Fading and Cracking



49-5538-TN

5 Year Warranty



Dash Protector eliminates dash replacement and provides preventative care for the undamaged dash. Made from soft, velvety velour that has special UV inhibitors to block the sun and resist shrinking and fading. They are custom cut to fit your dash, and have pre-cut allowances for defrost vents, which makes installation easy using self-adhesive Velcro tabs.

PART	DESCRIPTION	APPLICATION	REQD	PRICE
49-5537-BL	DASH PROTECTOR-VELOUR "A" BLACK	SUPERDUTY 99-04	(1)	\$46.95
49-5537-GR	DASH PROTECTOR-VELOUR "A" GRAY	SUPERDUTY 99-04	(1)	\$46.95
49-5537-TN	DASH PROTECTOR-VELOUR "A" TAN	SUPERDUTY 99-04	(1)	\$46.95
49-5538-BL	DASH PROTECTOR-VELOUR "B" BLACK	SUPERDUTY 03-04	(1)	\$46.95
49-5538-GR	DASH PROTECTOR-VELOUR "B" GRAY	SUPERDUTY 03-04	(1)	\$46.95
49-5538-TN	DASH PROTECTOR-VELOUR "B" TAN	SUPERDUTY 03-04	(1)	\$46.95
49-5539-BL	DASH PROTECTOR-VELOUR BLACK	SUPERDUTY 05-07	(1)	\$46.95
49-5539-GR	DASH PROTECTOR-VELOUR GRAY	SUPERDUTY 05-07	(1)	\$46.95
49-5539-TN	DASH PROTECTOR-VELOUR TAN	SUPERDUTY 05-07	(1)	\$46.95

Note: "A" Except King Ranch models.
"B" For King Ranch models.

A-Pillar Gauge Pods



48-8646

48-8645

Full Pillar Gauge Pods offer a unique mounting solution for 2-1/16" gauges. Each pod is custom molded for an exact fit using black ABS plastic and mounts directly to the A-pillar without cutting. Pillar Pods can be painted to match interior. Gauges sold separately.

PART	DESCRIPTION	APPLICATION	REQD	PRICE
48-8645	FULL PILLAR GAUGE POD-DUAL	SUPERDUTY 99-07	(1)	\$114.95
48-8647	FULL PILLAR GAUGE POD-DUAL	SUPERDUTY 08-10	(1)	\$109.95
44-8649	FULL PILLAR GAUGE POD-DUAL	SUPERDUTY 11-16	(1)	\$119.95
48-8646	FULL PILLAR GAUGE POD-TRIPLE	SUPERDUTY 99-07	(1)	\$119.95
48-8648	FULL PILLAR GAUGE POD-TRIPLE	SUPERDUTY 08-10	(1)	\$114.95
44-8650	FULL PILLAR GAUGE POD-TRIPLE	SUPERDUTY 11-16	(1)	\$130.95

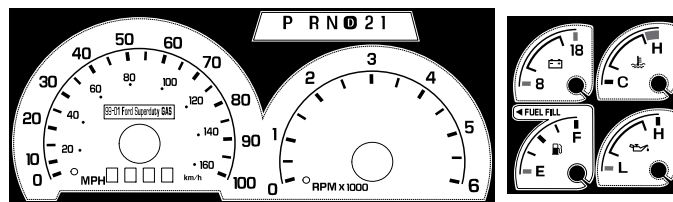
Dash Cupholder Repair

1999-07 F250 F350 F450 F550 Super Duty



PART	DESCRIPTION	APPLICATION	REQD	PRICE
48-1280	DASH CUPHOLDER REPAIR	SUPERDUTY 99-07	(1)	\$26.95

White Face Gauge Overlays



48-8879

White Face Gauge Overlays are computer printed on vinyl and pre-cut for a precise fit. They install easily over stock gauge faces without removing the gauge needles (except clock) and use the stock gauge lighting. No worries of broken needles or need for recalibrating gauges. Overlays will not wrinkle or bubble in hot or cold temperatures and can be removed with direct heat. Installation instructions included.

AT = Automatic Transmission

PART	DESCRIPTION	APPLICATION	REQD	PRICE
48-8879	WHITE GAUGE OVERLAY SET-GAS	SUPERDUTY 99-01	(1)	\$27.95
48-8880	WHITE GAUGE OVERLAY SET-DIESEL	SUPERDUTY 99-01	(1)	\$27.95
48-8882	WHITE GAUGE OVERLAY SET-DSL AT	SUPERDUTY 03-04	(1)	\$27.95
48-8883	WHITE GAUGE OVERLAY SET-DIESEL	SUPERDUTY 05-07	(1)	\$27.95
48-8884	WHITE GAUGE OVERLAY SET-DIESEL	SUPERDUTY 08-10	(1)	\$27.95

Dash Vents

2011-16 F250 F350 F450 F550 Super Duty



49-6236

49-6237

These replacement Dash Vents are engineered to match the fit and function of the stock vent assembly and are designed to withstand extreme temperature changes for years of reliable service.

PART	DESCRIPTION	APPLICATION	REQD	PRICE
49-6236	DASH VENT-CHROME/GRAY	SUPERDUTY 11-16	(4)	\$28.95
49-6237	DASH VENT-BLACK	SUPERDUTY 11-16	(4)	\$27.95

ColorBond permanently changes the color of your interior. Sprays on and dries to the touch in 45 seconds, forming a complete bond in 10 minutes. Original grain pattern is never altered or hidden, no matter how many times ColorBond is applied. Will not crack, flake, peel or rub off from solid or flexible materials because the color becomes part of the surface.

These colors are formulated to closely match the original dash pad for the corresponding year. Dashes on some year ranges are two tone and both colors are listed in the chart for the corresponding year. Black is listed first in each chart and color codes are not listed since multiple interior color codes were used.



Look New Again ... The Easy Way!



Interior Color Code

The interior color code can be found on the label affixed to either the driver's side door or driver's side door latch pillar. The two character INT TR code is the third code listed located at the bottom of the label. The first character represents the seat style and material and the second character is the interior color code. First determine your interior color code; then find the code and corresponding year range on the chart listed below to order your ColorBond.

Now You Can Be Sure All Your Interior Colors Match



\$20.95
each

ColorBond can be used on:

- Vinyl
- Leather
- ABS Plastic
- PVC
- Polyurethane
- Polycarbonate
- Lexan
- Acrylic
- Recycled Plastics
- Carpet
- Cloth Upholstery

Black 37-8375-F	Dark Denim Blue 42-0763 Code D or R
---------------------------	--

Medium Graphite 42-0778 Code 2	Dark Graphite 42-0780 Code 2 or T
---	--

Medium Flint 42-0781 Code D or E

Dark Flint 42-0782 Code B, D or E
--

Medium Stone 42-0784 Code S
--

Medium Prairie Tan 42-0787 Code X
--

Dark Prairie Tan 42-0788 Code X
--

Medium Dark Parchment 42-0790 Code H

Dark Parchment 42-0791 Code H
--

Medium Pebble 42-0792 Code W

Camel 42-0793 Code C

ColorBond is a semi-gloss finish that is OEM approved, UV stable and colorfast. Each 12 ounce can will cover 7 square feet. ColorBond Prep/Cleaner should be used prior to applying ColorBond.

F250 F350 F450 F550 Super Duty 1999-10

Color Code	Year	Description	Part Number
	99-10	Black	37-8375-F
2	99-01	Medium Graphite	42-0778
		Dark Graphite	42-0780
B	02-07	Dark Flint	42-0782
C	08-10	Camel	42-0793
D	1999	Dark Denim Blue	42-0763
D or E	02-07	Medium Flint	42-0781
		Dark Flint	42-0782
H	00-04	Medium Dark Parchment	42-0790
		Dark Parchment	42-0791
S	08-10	Medium Stone	42-0784
R	00-01	Dark Denim Blue	42-0763
W	05-07	Medium Pebble	42-0792
X	1999	Medium Prairie Tan	42-0787
		Dark Prairie Tan	42-0788

Prep/Cleaner



37-8361-F
Satin Black
\$21.45

37-8362-F
Silver
\$21.45

ColorBond Exterior Trim Paint has all the innovative features of ColorBond Interior Paint but is specially formulated to provide a stronger, more durable bond for exterior trim use. Exterior Trim Paint delivers a superior finish to exterior trim plastics and painted metal trim including: bumpers, mirrors, fender flares, wiper arms and window trim. Each 12 ounce can covers 6 square feet. Use ColorBond Adhesion Promoter #37-8395-F prior to application for a long-lasting finish.

37-8396-F ColorBond Satin Clear Coat provides a protective finish that won't wash off. Protects against fading, cracking and heat deterioration. 12 oz Can \$20.95

37-8395-F ColorBond Adhesion Promoter is required for the use of ColorBond on materials such as Polypropylene, Thermoplastic Elastomer, Polyolefin, Fiberglass and metal. 12 oz Can \$20.95



Prep/Cleaner

37-8399-F ColorBond Prep/Cleaner is a fast drying, non-solvent, multi-surface cleaner. It cleans and prepares the surface for use of ColorBond. 12 oz Can \$13.95

Gas Tank Filler Components

1999-16 F250 F350 F450 F550 Super Duty



DSL = Diesel
SRW = Single Rear Wheel
DRW = Dual Rear Wheels

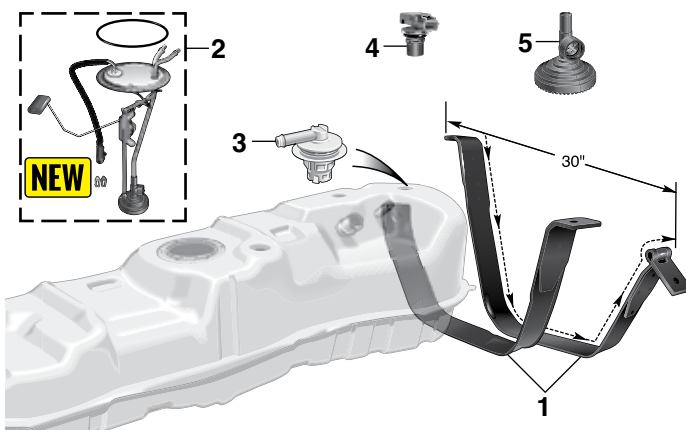
STB = Standard Bed
LB = Longbed

PART	ILL#	DESCRIPTION	APPLICATION	REQD	PRICE
43-3368	(1)	FUEL FILLER DOOR HOUSING	SUPERDUTY 99-10	(1)	\$32.95
43-3369	(2)	FUEL FILLER DOOR HOUSING	SUPERDUTY 11-16	(1)	\$74.95
40-0178	(3)	SCREW-FUEL DOOR	SUPERDUTY 99-12	(2)	\$.65
41-1606	(4)	FUEL DOOR BUMPER	SUPERDUTY 99-16	(2)	\$1.75
43-3337	(5)	FILLER NECK-STB SRW DSL"A"B"	F250 F350 99-10	(1)	\$79.95
43-3340		FILLER NECK-LB SRW DSL"A"B"	F250 F350 99-10	(1)	\$59.95
43-3344	(6)	FILLER NECK-STB DRW DSL "A"	F250 F350 00-04	(1)	\$99.95
43-3345	(7)	FILLER NECK-STB DRW DSL "A"	F250 F350 05-10	(1)	\$89.95
43-3365	(8)	FILLER NECK-STB SRW	"C" F250 F350 99-04	(1)	\$89.95
43-3365		FILLER NECK-STB SRW	"C" F450 F550 99-04	(1)	\$89.95
43-3366		FILLER NECK-LB	GAS SUPERDUTY 99-04	(1)	\$59.95
30-0454-F	(9)	SCREW-FILLER NECK	SUPERDUTY 99-04	(3)	\$.65
30-3426-F	(10)	CLAMP-MAIN HOSE	F250 F350 99-10	(2)	\$1.95
30-3424-F	(11)	CLAMP-VENT HOSE	F250 F350 99-10	(2)	\$1.35
43-4119	(12)	GAS CAP-NON LOCKING	"D" SUPERDUTY 99-04	(1)	\$6.95
43-4127		GAS CAP-NON LOCKING	"E" SUPERDUTY 99-04	(1)	\$7.95
43-4128		GAS CAP-NON LOCKING	GAS SUPERDUTY 05-07	(1)	\$6.95
43-4119		GAS CAP-NON LOCKING	DIESEL SUPERDUTY 05-07	(1)	\$6.95
43-4128		GAS CAP-NON LOCKING	SUPERDUTY 08-10	(1)	\$7.95
43-4129		GAS CAP-NON LOCKING	6.2L SUPERDUTY 11-16	(1)	\$11.95
43-4128		GAS CAP-NON LOCK	6.7L 6.8L SUPERDUTY 11-16	(1)	\$7.95
43-4139	(13)	GAS CAP-LOCKING	"D" SUPERDUTY 99-04	(1)	\$19.95
43-4137		GAS CAP-LOCKING	"E" SUPERDUTY 99-04	(1)	\$17.95
43-4141		GAS CAP-LOCKING	GAS SUPERDUTY 05-07	(1)	\$16.95
43-4139		GAS CAP-LOCKING	DIESEL SUPERDUTY 05-07	(1)	\$19.95
43-4141		GAS CAP-LOCKING	SUPERDUTY 08-10	(1)	\$16.95
43-4142		GAS CAP-LOCKING	6.2L SUPERDUTY 11-16	(1)	\$15.95
43-4141		GAS CAP-LOCKING	6.7L 6.8L SUPERDUTY 11-16	(1)	\$16.95

Note: "A" Fits side mount tank only.
 "B" Fits models with screw-in cap only.
 "C" Does not fit Crew Cab models.
 "D" For models with screw-in style gas cap.
 "E" For models with snap-in gas cap; 1/8th turn to lock.

Gas Tank Components

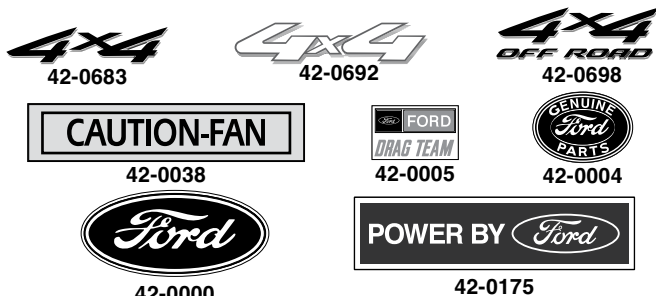
1999-10 F250 F350 F450 F550 Super Duty



PART	ILL#	DESCRIPTION	APPLICATION	REQD	PRICE
43-4063	(1)	STRAP SET-STEEL TANK "A"B"	F250 F350 99-10	(1)	\$89.95
43-4065		STRAP SET-STEEL TANK "A"C"	F250 F350 99-10	(1)	\$69.45
43-4189	(2)	SENDING UNIT-DSL-MIDSHIP"D"	F250 F350 03-07	(1)	\$79.45
43-4191		SENDING UNIT-DSL-REAR "E"	F250 F350 03-07	(1)	\$89.45
43-4192		SENDING UNIT-DSL-MIDSHIP"F"	F250 F350 03-07	(1)	\$89.45
40-1957	(3)	VENT VALVE-SINGLE PORT	SUPERDUTY 99-04	(1)	\$33.95
40-1959	(4)	FUEL PRESSURE SENSOR-GAS	SUPERDUTY 99-04	(1)	\$69.95
40-1959		PRESSURE SENSOR 5.4L 6.8L	SUPERDUTY 05-10	(1)	\$69.95
43-4195	(5)	STRAINER-SENDING UNIT-DSL	6.0L 7.3L 99-07	(1)	\$17.95

Note: "A" Fits side mount tank only.
 "B" Fits shortbed models only.
 "C" Fits longbed models only.
 "D" 6.0L diesel with 137", 158", 172.4" wheelbase.
 "E" 6.0L diesel with 137", 141.8", 156.2", 158", 172.4" wheelbase.
 "F" 6.0L diesel with 141.8", 156.2" wheelbase.

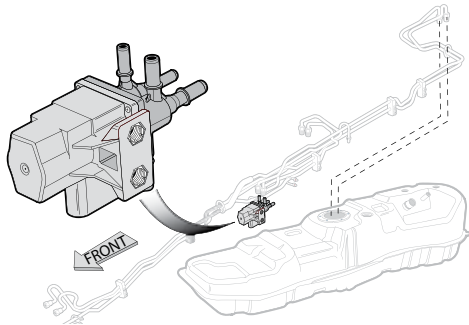
Decals



PART	DESCRIPTION	APPLICATION	REQD	PRICE
42-0683	4x4	SRW 00-04	(2)	\$44.95
42-0692	4x4	SRW 00-04	(2)	\$44.95
42-0698	4x4 OFF ROAD	SRW 00-04	(2)	\$44.95
42-0038	CAUTION-FAN	SRW 99-04	(1)	\$8.45
42-0000	Ford logo	SRW 00-04	(2)	\$46.95
42-0005	Ford Drag Team	SRW 00-04	(2)	\$46.95
42-0004	Ford Genuine Parts	SRW 00-04	(2)	\$46.95
42-0000	POWER BY Ford	SRW 99-04	(1)	\$8.45
42-0000	DECAL-FORD OVAL BLUE	W/WHITE SCRIPT 3-1/2"	(1)	\$8.95
42-0001	DECAL-FORD OVAL BLUE	W/WHITE SCRIPT 6-1/2"	(1)	\$8.95
42-0002	DECAL-FORD OVAL BLUE	W/WHITE SCRIPT 9-1/2"	(1)	\$9.45
42-0003	DECAL-FORD OVAL BLUE	W/WHITE SCRIPT 17"	(1)	\$10.95
42-0175	DECAL-"POWER BY FORD"	BLUE 7-3/4" X 2"	(1)	\$8.95

Fuel Tank Selector Valve Assembly

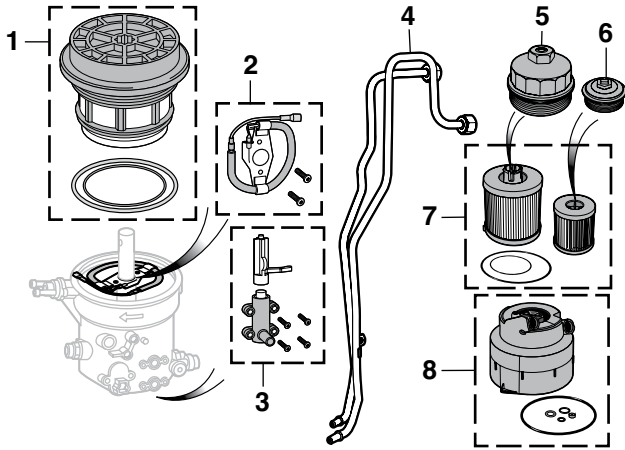
2005-16 F250 F350 F450 F550 Super Duty
With Diesel and Dual Tanks



PART	DESCRIPTION	APPLICATION	REQD	PRICE
44-0855	FUEL TANK SELECTOR VALVE	SUPERDUTY 05-16	(1)	\$110.95

Fuel Filter and Components

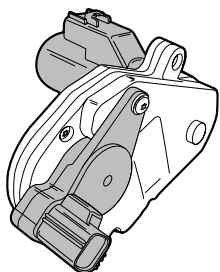
1999-15 F250 F350 F450 F550 Super Duty



PART	ILL#	DESCRIPTION	APPLICATION	REQD	PRICE
43-5679	(1)	FUEL FILTER CAP WITH FILTER	7.3L DSL 99-03	(1)	\$26.95
43-5693	(2)	FUEL HEATING ELEMENT	7.3L DSL 99-03	(1)	\$56.95
43-5695	(3)	WATER SEPARATOR VALVE	7.3L DSL 99-03	(1)	\$45.95
43-5486	(4)	FUEL LINE SET TO FILTER	7.3L DSL 99-03	(1)	\$105.95
43-5680	(5)	FUEL FILTER CAP-PRIMARY	6.0L DSL 03-07	(1)	\$31.95
43-5681	(6)	FUEL FILTER CAP-SECONDARY	6.0L DSL 03-07	(1)	\$44.45
43-5690	(7)	FUEL FILTER SET	6.0L DSL 03-07	(1)	\$28.95
43-5682	(8)	FUEL FILTER CAP W/GASKET	SUPERDUTY 11-15	(1)	\$37.95

NEW Transfer Case Motor

1999-12 F250 F350 F450 F550 Super Duty

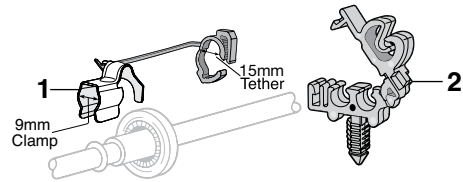


Transfer Case Identification: All transfer cases have an assembly tag attached to their case. The tag may be bolted, riveted or screwed on or as an adhesive decal. The transfer case must be identified by the assembly number listed on the tag.

PART	DESCRIPTION	APPLICATION	REQD	PRICE
43-7456	TRANSFER CASE MOTOR NEW VENTURE GEAR 273	SUPERDUTY 99-12	(1)	\$135.95

Fuel Line Retainers

1999-10 F250 F350 F450 F550 Super Duty



PART	ILL#	DESCRIPTION	APPLICATION	REQD	PRICE
43-5100	(1)	RETAINER-9MM CLAMP X 15MM	TETHER 05-10 (AR)		\$10.95
43-5115	(2)	RETAINER-BRAKE/FUEL LINE	99-04 (AR)		\$4.45

Fuel Pump Driver Module



Fuel Pump Driver Module has been re-engineered to provide longer service life and improved fuel pump performance. Module has powder coated finish for improved corrosion resistance and uses rubber mounting bushings to space the module away from the vehicle frame, providing protection against vibration. Module also features an improved microprocessor that precisely controls fuel pump pulse timing and response.

PART	DESCRIPTION	APPLICATION	REQD	PRICE
43-4770	FUEL PUMP DRIVER MODULE W/O DSL	SUPERDUTY 05-10	(1)	\$70.99

Gift Cards Now Available

Call (800) 562-8782

Available in \$25 - \$50 - \$100

- Gift Cards are the perfect gift to ensure you are giving exactly what they want!
- Gift Cards don't expire.
- Orders must be pre-paid. Orders received before 3:00 p.m. Central Time will ship same day.
- Gift Cards can now be redeemed through the mail or by phone.

NEW Driveshaft Flange Bolt Set

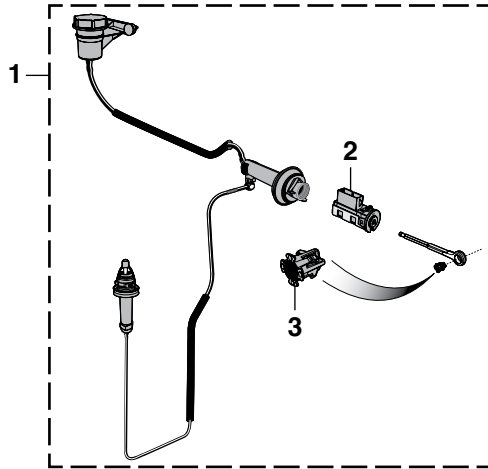


This carbon steel Driveshaft Flange Bolt Set is a direct replacement for the OE driveshaft flange bolts that have been lost or damaged. Driveshaft flange bolts are coated with thread sealer to prevent loss due to vibration. Sold as a set of four.

PART	DESCRIPTION	APPLICATION	REQD	PRICE
40-0747	DRIVESHAFT FLANGE BOLT SET	SUPERDUTY 99-16 (1)		\$15.95

Clutch Components

1999-10 F250 F350 F450 F550 Super Duty



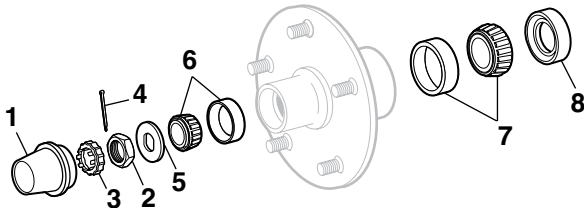
Pre-filled System

This fully bled Pre-filled System includes a master cylinder and slave cylinder connected by the hydraulic line. No additional components required. The bleed procedure on a dry system can take an hour or more. The Pre-filled System reduces installation time and eliminates complex bleed procedures.

PART	ILL#	DESCRIPTION	APPLICATION	REQD	PRICE
43-6410	(1)	PRE-FILLED SYSTEM GAS	SUPERDUTY 99-04	(1)	\$152.95
43-6415		PRE-FILLED SYSTEM DIESEL	SUPERDUTY 99-04	(1)	\$144.95
50-8171	(2)	NEUTRAL SAFETY SWITCH	SUPERDUTY 99-10	(1)	\$35.75
40-4429	(3)	BUSHING-CLUTCH PUSHROD	SUPERDUTY 99-10	(1)	\$4.45

Front Wheel Bearings - 2 Wheel Drive

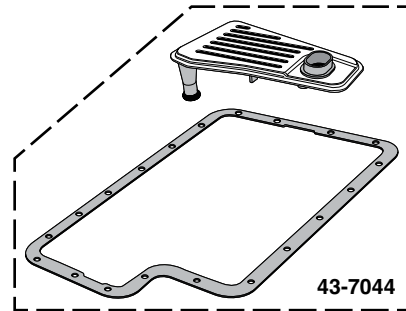
1999-07 F250 F350 Super Duty



PART	ILL#	DESCRIPTION	APPLICATION	REQD	PRICE
40-1963	(1)	GREASE CAP	F250 F350 99-07	(2)	\$4.95
40-0692	(2)	SPINDLE NUT	F250 F350 99-07	(2)	\$3.95
40-0693	(3)	NUT RETAINER	F250 F350 99-07	(2)	\$2.45
30-2730-F	(4)	COTTER PIN	F250 F350 99-07	(2)	\$.65
40-0697	(5)	WASHER	F250 F350 99-07	(2)	\$1.95
45-0513	(6)	WHEEL BEARING-OUTER	F250 F350 99-07	(2)	\$12.95
45-0541	(7)	WHEEL BEARING-INNER	F250 F350 99-07	(2)	\$12.95
45-0127	(8)	SEAL	F250 F350 99-07	(2)	\$5.95

Transmission Filter Kit

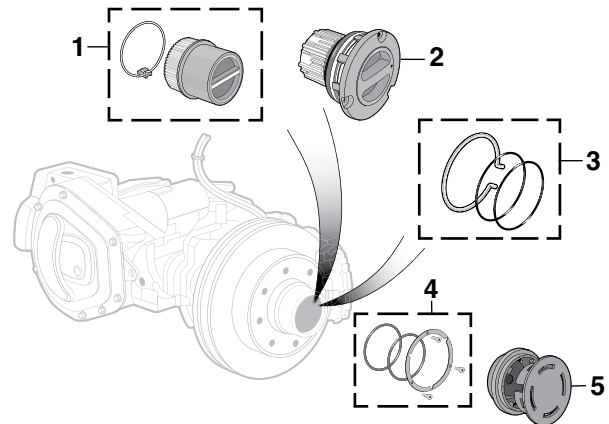
1999-04 F250 F350 F450 F550 Super Duty



PART	DESCRIPTION	APPLICATION	REQD	PRICE
43-7044	TRANS FILTER KIT 2WD	4R100 99-04	(1)	\$17.95
43-7046	TRANS FILTER KIT 4WD	4R100 99-04	(1)	\$15.95

4WD Components

1999-16 F250 F350 F450 F550 Super Duty



PART	ILL#	DESCRIPTION	APPLICATION	REQD	PRICE
48-3930	(1)	LOCKING HUB-AUTO	SUPERDUTY 99-04	(2)	\$189.95
48-3925		LOCKING HUB-MANUAL	SUPERDUTY 99-04	(2)	\$199.95
48-3931	(2)	LOCKING HUB-AUTO	SUPERDUTY 05-10	(2)	\$143.95
48-3926		LOCKING HUB-MANUAL	SUPERDUTY 05-16	(2)	\$122.95
48-3843	(3)	HUB O-RING SET	SUPERDUTY 00-04	(2)	\$16.95
48-3844	(4)	HUB O-RING SET	SUPERDUTY 05-16	(2)	\$37.95
48-3851	(5)	ACTUATOR-AUTO LOCKING HUB	SUPERDUTY 99-04	(2)	\$39.95

Chrome Differential Covers and Bolt Sets

DANA 60

Heavy-Duty Sterling 12 Bolt

PART	DESCRIPTION	APPLICATION	REQD	PRICE
48-2019	CHROME COVER-FRONT	DANA 60 SUPERDUTY 99-12	(1)	\$17.95
40-4022	GASKET-DANA 60	SUPERDUTY 99-12	(1)	\$3.95
48-2043	CHROME COVER-REAR-HD STERLING	SUPERDUTY 99-16	(1)	\$30.95
40-4032	GASKET-HD STERLING	SUPERDUTY 99-16	(1)	\$2.95
40-0176	CHROME DIFFERENTIAL BOLT SET DANA 60 ONLY	SUPERDUTY 99-12	(1)	\$13.95
30-2543-F	CHROME DIFFERENTIAL BOLT SET HD STERLING ONLY	SUPERDUTY 99-16	(1)	\$6.95



KYB Shock Absorbers ... Control, Even Ride and Performance Handling

1999-16 F250 F350 Super Duty



48-1627

GR-2/Excel-G (XLG) Gas Shock Absorbers: Features lower pressure for riding comfort, with improved handling and response only gas shocks can provide at an economical price. The economical way to step up from hydraulic shocks to the quality ride and control of gas.

Note: GR-2 and Excel-G (XLG) shock absorbers are identical except for the product name and paint color.

PART	DESCRIPTION	APPLICATION	REQD	PRICE
48-1627	KYB GR2 SHOCK-FRONT	2WD F250 F350 99-07	(2)	\$56.24
48-1703	KYB XLG SHOCK-FRONT	2WD F250 F350 08-16	(2)	\$125.25
48-1631	KYB GR2 SHOCK-REAR	"A" 2WD F250 F350 05-07	(2)	\$82.56
48-1705	KYB XLG SHOCK-REAR	2WD F250 F350 08-16	(2)	\$86.31
48-1638	KYB GR2 SHOCK-FRONT	"B" 4WD F250 F350 99-04	(2)	\$57.24
48-1622	KYB GR2 SHOCK-REAR	"B" 4WD F250 F350 99-04	(2)	\$67.79
48-1632	KYB GR2 SHOCK-REAR	4WD F250 F350 05-16	(2)	\$93.33

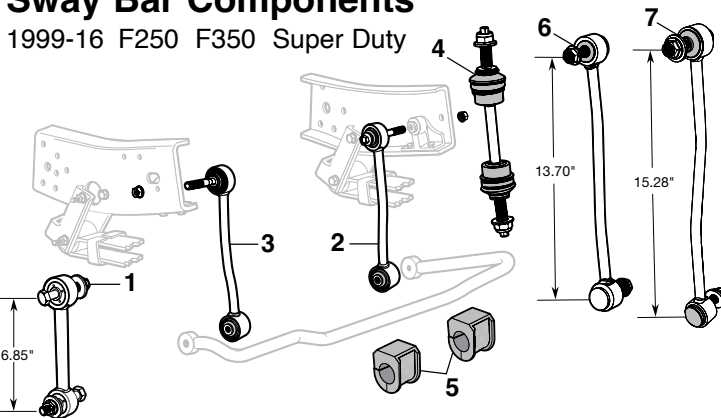
Gas-A-Just Shock Absorbers: Features higher gas pressure to provide unsurpassed control on even the most demanding roads. Eliminates the age old problem of performance fade by eliminating aeration and foaming, a problem with other shocks that use two-tube construction that allows air to mix with fluid.

PART	DESCRIPTION	APPLICATION	REQD	PRICE
48-1687	KYB GAS-A-JUST SHOCK-FRONT	2WD F250 F350 99-07	(2)	\$66.99
48-1698	KYB GAS-A-JUST SHOCK-FRONT	2WD F250 F350 08-16	(2)	\$112.24
48-1689	KYB GAS-A-JUST SHOCK-REAR	2WD F250 F350 99-04	(2)	\$77.04
48-1696	KYB GAS-A-JUST SHOCK-RR	"A" 2WD F250 F350 05-16	(2)	\$90.35
48-1666	KYB GAS-A-JUST SHOCK-FRT	"B" 4WD F250 F350 99-04	(2)	\$70.56
48-1686	KYB GAS-A-JUST SHOCK-FRT	"C" 4WD F250 F350 03-04	(2)	\$82.85
48-1690	KYB GAS-A-JUST SHOCK-RR	"B" 4WD F250 F350 99-04	(2)	\$82.74
48-1688	KYB GAS-A-JUST SHOCK-RR	"C" 4WD F250 F350 03-04	(2)	\$84.50

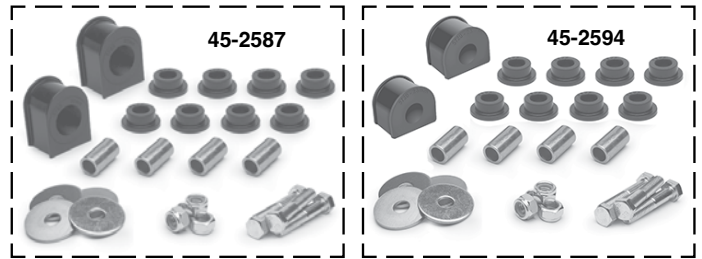
Note: "A" Models without dual rear wheels.
 "B" Models without 137" and 156" wheel base.
 "C" Models with 137" and 156" wheel base.

Sway Bar Components

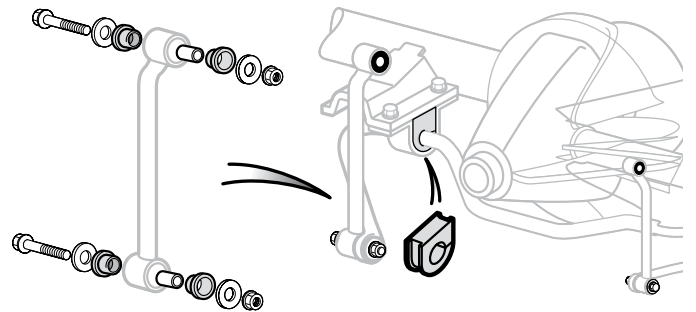
1999-16 F250 F350 Super Duty



Polyurethane Sway Bar Bushing Sets



Specially formulated bushings will not mush out or distort like original rubber and improve handling characteristics dramatically. Use with existing mounting brackets.



PART	DESCRIPTION	APPLICATION	REQD	PRICE
45-2587	BUSHING SET-32MM-FRONT	4WD SUPERDUTY 99	(1)	\$45.95
45-2588	BUSHING SET-32MM-FRONT	4WD SUPERDUTY 00-04	(1)	\$49.95
45-2596	BUSHING SET-30MM-REAR	F250 99-04	(1)	\$53.82
45-2593	BUSHING SET-FRONT	SUPERDUTY 05-07	(1)	\$36.85
45-2594	BUSHING SET-REAR	SUPERDUTY 05-07	(1)	\$49.40

Heavy-Duty Gas-Charged Shocks

1999-04 F250 F350 Super Duty



Heavy-Duty (HD) Gas-Charged Shocks limit unsafe roll or sway when cornering and regain control of spring and suspension movement.

PART	DESCRIPTION	APPLICATION	REQD	PRICE
45-2347	HD GAS-CHARGED SHOCK-FRONT	4WD F250 F350 99-04	(2)	\$34.95
45-2348	HD GAS-CHARGED SHOCK-REAR	4WD F250 F350 99-04	(2)	\$34.95

PART	ILL#	DESCRIPTION	APPLICATION	REQD	PRICE
45-2086	(1)	END LINK ASSEMBLY	2WD F250 F350 00-16	(2)	\$13.95
45-2098	(2)	END LINK ASSEMBLY-LH	4WD F250 F350 00-04	(1)	\$23.95
45-2099	(3)	END LINK ASSEMBLY-RH	4WD F250 F350 00-04	(1)	\$23.95
45-2094	(4)	END LINK ASSEMBLY	4WD F250 F350 11-16	(2)	\$21.95
45-2102	(5)	SWAYBAR BUSHING KIT "A"	2WD SUPERDUTY 08-10	(1)	\$10.95
45-2103	(5)	SWAYBAR BUSHING KIT "A"	4WD SUPERDUTY 08-16	(1)	\$11.45
45-2087	(6)	END LINK ASSEMBLY-REAR "B"	F250 F350 99-16	(2)	\$22.95
45-2089	(7)	END LINK ASSY-REAR-4WD "C"	F250 13-16	(2)	\$29.95
45-2089	(7)	END LINK ASSY-REAR-4WD "D"	F350 08-16	(2)	\$29.95

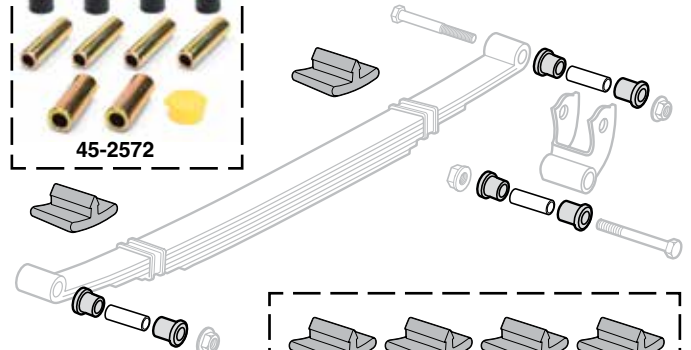
Note: "A" With single rear wheels.
 "B" Fits 2WD and 4WD, with single rear wheel, without Snow Plow or Camper package.
 "C" W/Snow Plow or Camper Package.
 "D" W/Single Rear Wheel; w/Wide Frame.

Polyurethane Leaf Spring Bushings

The combination of heavy-duty Leaf Springs and Polyurethane Spring Bushings allows proper suspension function in takeoff, cornering, braking and bumps.



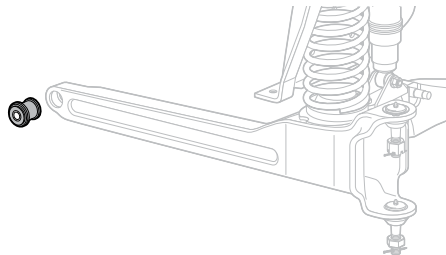
45-2572



45-2595

PART	DESCRIPTION	APPLICATION	REQD	PRICE
45-2572	FRONT SPRING BUSHING SET	4WD SUPERDUTY 99-04	(1)	\$89.34
45-2575	REAR SPRING BUSHING SET	SUPERDUTY 99-04	(1)	\$97.47
45-2595	REAR AUXILIARY SPRING BUMPER SET	F250 F350 99-16	(1)	\$47.04
45-2595	REAR AUXILIARY SPRING BUMPER SET	F450 F550 08-16	(1)	\$47.04

Polyurethane Axle Pivot Bushings



Polyurethane Axle Pivot Bushings feature a firm center and soft outside to allow flex when needed. Complete with thrust washers. Unaffected by chemical spills, ozone, road salt or other atmospheric contaminants.

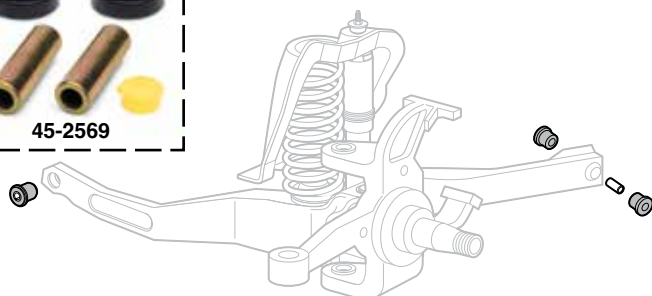
PART	DESCRIPTION	APPLICATION	REQD	PRICE
45-1521	AXLE PIVOT BUSHING SET	2WD SUPERDUTY 99-16	(1)	\$17.95

Polyurethane Radius Arm Bushing Sets



45-2569

Polyurethane Bushings enable suspension to travel throughout its full range without binding, yet are firm enough to maintain proper alignment.

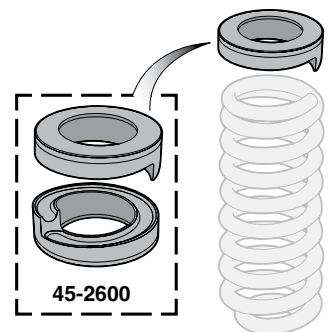


PART	DESCRIPTION	APPLICATION	REQD	PRICE
45-2569	RADIUS ARM BUSHING SET	2WD SUPERDUTY 99-04	(1)	\$49.41

Polyurethane Coil Spring Isolator Set

2005-07 F250 F350 Super Duty 4WD

Replace your original crushed or cracked rubber isolators with this Polyurethane Coil Spring Isolator Set. This Polyurethane Coil Spring Isolator Set lasts longer and resists road contaminants better than original rubber isolators.



45-2600

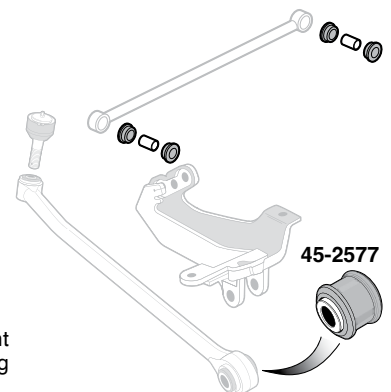
PART	DESCRIPTION	APPLICATION	REQD	PRICE
45-2600	COIL SPRING ISOLATOR SET	4WD F250 F350 05-07	(1)	\$78.23

Polyurethane Tracking Arm Bushing Set

Tracking Arm Bushings prevent the front end from switching left to right unannounced.



45-2564

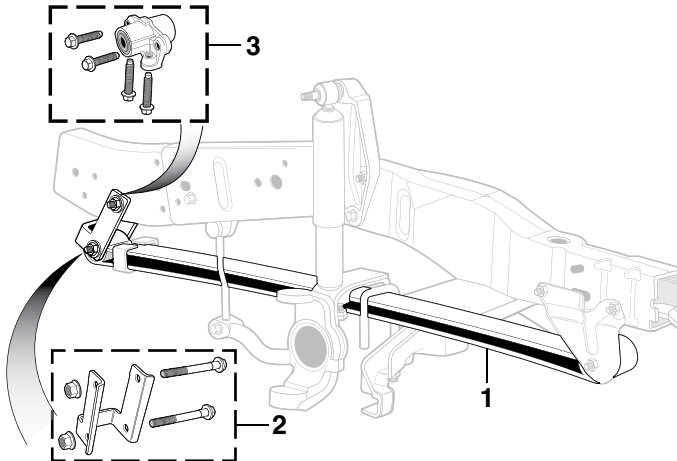


45-2577

PART	DESCRIPTION	APPLICATION	REQD	PRICE
45-2564	TRACK ARM BUSHING SET-FRONT	4WD SUPERDUTY 99	(1)	\$13.95
45-2565	TRACK ARM BUSHING SET-FRONT	4WD SUPERDUTY 00-04	(1)	\$12.95
45-2577	TRACK ARM BUSHING-FRONT	4WD SUPERDUTY 05-16	(1)	\$14.48

Front Leaf Spring Suspension - 4WD

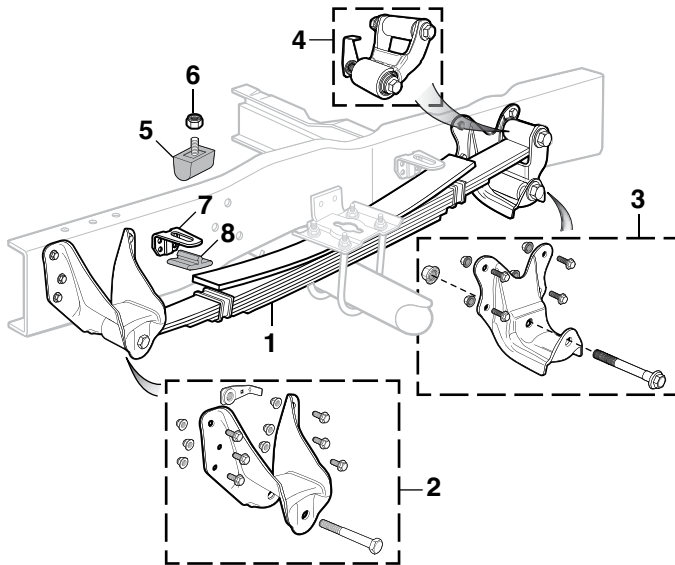
1999-04 F250 F350 F450 F550 Super Duty



PART	ILL#	DESCRIPTION	APPLICATION	REQD	PRICE
45-3094	(1)	LEAF SPRING 2 LEAF 2630LB CAPACITY	99-04	(2)	\$199.95
45-1295	(2)	SHACKLE ASSEMBLY-REAR SUPERDUTY	99-04	(2)	\$34.95
45-1296	(3)	SPRING HANGER ASSEMBLY-REAR SUPERDUTY	99-04	(2)	\$127.95

Rear Suspension

1999-16 F250 F350 F450 F550 Super Duty

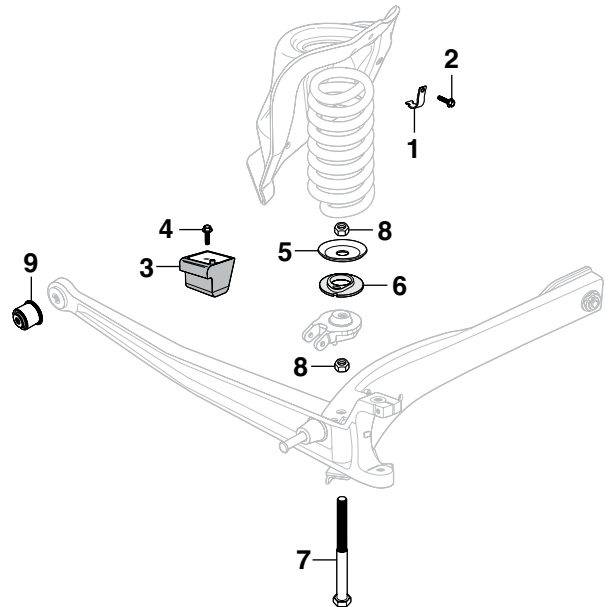


PART	ILL#	DESCRIPTION	APPLICATION	REQD	PRICE
45-3097	(1)	LEAF SPRING 5 LEAF 3300LB CAPACITY	99-07	(2)	\$269.95*
45-3098	(1)	LEAF SPRING 7 LEAF 4400LB CAPACITY	99-07	(2)	\$379.95*
45-1281	(2)	FRONT SPRING HANGER ASSY	F250 F350 99-10	(2)	\$53.95
45-1418	(3)	REAR SPRING HANGER ASSEMBLY	F250 F350 99-16	(2)	\$55.95
45-1418	(3)	REAR SPRING HANGER ASSEMBLY	F450 F550 08-16	(2)	\$55.95
45-1298	(4)	SHACKLE ASSEMBLY-REAR	F250 F350 99-07	(2)	\$43.95
45-1298	(4)	SHACKLE ASSEMBLY-REAR	F450 F550 99-03	(2)	\$43.95
45-1284	(4)	SHACKLE ASSEMBLY-REAR	SUPERDUTY 08-16	(2)	\$59.95
40-1858	(5)	AXLE BUMPER 1-1/2" STUD	F250 F350 99-04	(2)	\$9.45
40-1858	(5)	AXLE BUMPER 2" STUD	F250 F350 99-04	(2)	\$9.45
40-1859	(5)	AXLE BUMPER 1" STUD	F450 F550 99-07	(2)	\$5.95
40-0871	(6)	NUT-AXLE BUMPER	F250 F350 99-04	(2)	\$.79
40-0871	(6)	NUT-AXLE BUMPER	F450 F550 99-07	(2)	\$.79
45-1212	(7)	BRACKET-AUX SPRING FRONT	F250 F350 99-16	(2)	\$14.95
45-1212	(7)	BRACKET-AUX SPRING FRONT	F450 F550 05-16	(2)	\$14.95
40-1866	(8)	BUMPER-AUXILIARY SPRING	F250 F350 99-16	(4)	\$4.95

* Or ** after the sell price means your order will incur an Oversize Part Charge for each oversized part. * Means extra charge will be \$20. ** Means extra charge will be \$50. Due to packing and/or transportation requirements, please allow additional time for delivery. Oversized Parts are not available for air delivery.

Front Coil Spring Suspension - 2WD

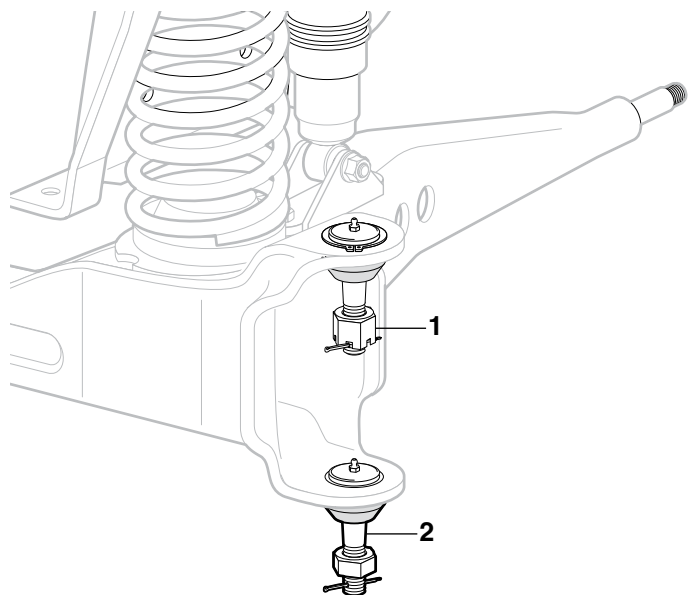
1999-16 F250 F350 Super Duty



PART	ILL#	DESCRIPTION	APPLICATION	REQD	PRICE
40-2070	(1)	UPPER SPRING BRACKET	F250 F350 99-16	(2)	\$6.95
40-0316	(2)	BOLT-BRACKET	F250 F350 99-16	(2)	\$1.45
40-1876	(3)	AXLE BUMPER	F250 F350 99-04	(2)	\$14.95
40-0316	(4)	BOLT-AXLE BUMPER	F250 F350 99-04	(2)	\$1.45
40-2071	(5)	LOWER SPRING BRACKET	F250 F350 99-16	(2)	\$5.95
40-2065	(6)	LOWER SPRING INSULATOR	F250 F350 99-16	(2)	\$10.95
40-0725	(7)	BOLT-LOWER SPRING	F250 F350 99-16	(2)	\$17.95
40-0999	(8)	NUT-LOWER SPRING	F250 F350 99-16	(4)	\$1.95
45-1414	(9)	AXLE PIVOT BUSHING	F250 F350 99-16	(2)	\$14.95

Ball Joints

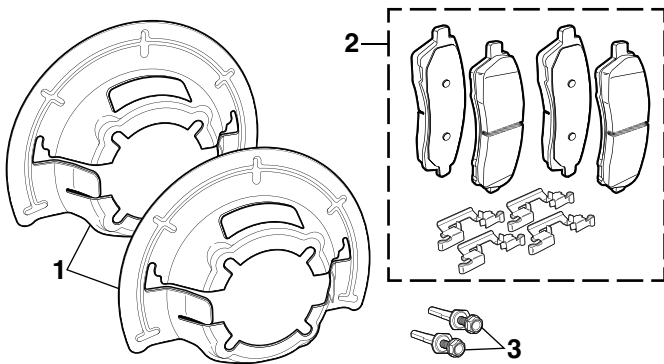
1999-16 F250 F350 F450 F550 Super Duty



PART	ILL#	DESCRIPTION	APPLICATION	REQD	PRICE
45-2787	(1)	BALL JOINT-UPPER	2WD F250 F350 99-16	(2)	\$9.95
45-2792	(1)	BALL JOINT-UPPER	4WD F250 F350 99-16	(2)	\$10.95
45-2792	(1)	BALL JOINT-UPPER	F450 F550 99-16	(2)	\$10.95
45-2796	(2)	BALL JOINT-LOWER	2WD F250 F350 99-16	(2)	\$15.95
56-0756-F	(2)	BALL JOINT-LOWER	4WD F250 F350 99-16	(2)	\$12.95
56-0756-F	(2)	BALL JOINT-LOWER	F450 F550 99-16	(2)	\$12.95

Disc Brake Components

1999-04 F250 F350 F450 F550 Super Duty

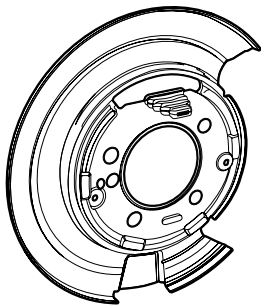


PART	ILL#	DESCRIPTION	APPLICATION	REQD	PRICE
45-3360	(1)	FRONT BRAKE SHIELD SET "A"	4WD 99-04	(1)	\$50.95
45-3361		FRONT BRAKE SHIELD SET "B"	4WD 99-04	(1)	\$57.95
45-3315	(2)	REAR CALIPER BOLT SET	F250 F350 99-04	(2)	\$7.95
45-3542	(3)	REAR BRAKE PAD SET	F250 F350 99-04	(1)	\$16.95

Note: "A" For models with 3.73, 4.10, or 4.30 axle ratio.
 "B" For models with 5.38 axle ratio.

Disc Brake Backing Plate

2013-16 F250 F350 Super Duty

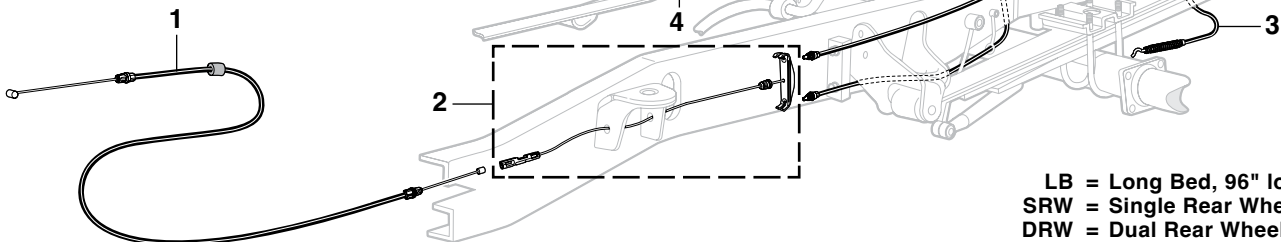


PART	DESCRIPTION	APPLICATION	REQD	PRICE
45-3988	BRAKE BACKING PLATE-LH REAR "A"	F250 F350 13-16	(1)	\$87.95
45-3989	BRAKE BACKING PLATE-RH REAR "A"	F250 F350 13-16	(1)	\$80.95

Note: "A" With single rear wheel.

Brake Cables

1999-04 F250 F350 Super Duty

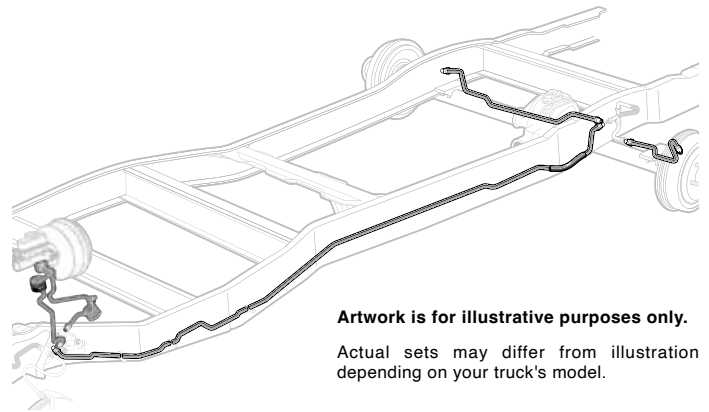


PART	ILL#	DESCRIPTION	APPLICATION	REQD	PRICE
45-3728	(1)	BRAKE CABLE-FRONT	F250 F350 99-04	(1)	\$14.95
45-3746	(2)	BRAKE CABLE-CENTER	LB STD CAB 99-04	(1)	\$18.45
45-3748		BRAKE CABLE-CENTER	LB SUPER CAB 99-04	(1)	\$22.45
45-3778	(3)	BRAKE CABLE-REAR-LH	SRW F250 99-1/4/00	(1)	\$30.45
45-3780		BRAKE CABLE-REAR-LH	SRW F250 1/5/00-04	(1)	\$28.95

Note: "A" For models without load leveling suspension.

NEW Pre-Bent Stainless Steel Brake Line Sets

1999-04 F250 F350 F450 F550 Super Duty



Artwork is for illustrative purposes only.

Actual sets may differ from illustration depending on your truck's model.

Replacement Brake Line Sets are made of stainless steel for greater corrosion resistance and reliable service life. The lines are pre-formed and made in easy-to-install sections to fit your truck. Sets include all tubes and fittings for complete brake line replacement.

PART	DESCRIPTION	APPLICATION	REQD	PRICE
Standard Cab 2WD				
45-4746	BRAKE LINE SET-SS "A"C"D"	F250 F350 99-00	(1)	\$144.95
45-4746	BRAKE LINE SET-SS "D"	F450 F550 99-00	(1)	\$144.95
Standard Cab 4WD				
45-4743	BRAKE LINE SET-SS "A"E"F"	F250 01-04	(1)	\$151.95
45-4743	BRAKE LINE SET-SS "A"E"	F350 01-04	(1)	\$151.95
Super Cab 4WD				
45-4744	BRAKE LINE SET-SS "B"C"D"	F250 F350 99-00	(1)	\$170.95
45-4737	BRAKE LINE SET-SS "A"C"D"	F250 F350 99-00	(1)	\$172.95
45-4745	BRAKE LINE SET-SS "B"C"E"	F250 F350 01-04	(1)	\$159.95
45-4739	BRAKE LINE SET-SS "A"C"E"	F250 F350 01-04	(1)	\$172.95
Crew Cab 4WD				
45-4738	BRAKE LINE SET-SS "B"C"D"	F250 F350 99-00	(1)	\$170.95
45-4740	BRAKE LINE SET-SS "B"C"E"	F250 F350 01-04	(1)	\$171.95

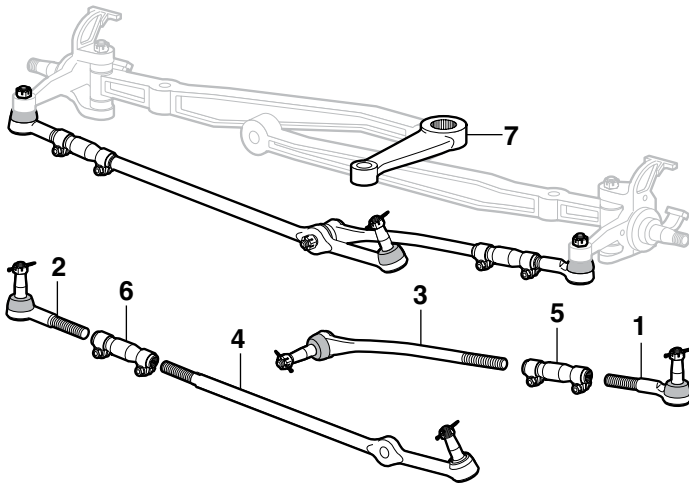
Note "A" 96" Bed Length.
 "B" 81" Bed Length.
 "C" F350 with Single Rear Wheel (SRW).
 "D" 2-Wheel ABS.
 "E" 4-Wheel ABS.
 "F" From 12/01/00.

PART	ILL#	DESCRIPTION	APPLICATION	REQD	PRICE
45-3778	(4)	BRAKE CABLE-REAR-RH	SRW F250 99-12/4/99	(1)	\$27.95
45-3781		BRAKE CABLE-REAR-RH	SRW F250 12/5/99-04	(1)	\$46.95
45-3778		BRAKE CABLE-REAR-LH "A"	SRW F350 99-1/4/00	(1)	\$30.45
45-3780		BRAKE CABLE-REAR-LH "A"	SRW F350 1/5/00-04	(1)	\$28.95
45-3781		BRAKE CABLE-REAR-RH "A"	SRW F350 99-04	(1)	\$46.95
45-3784		BRAKE CABLE-REAR-LH "A"	DRW F350 99-04	(1)	\$32.95
45-3785		BRAKE CABLE-REAR-RH "A"	DRW F350 99-04	(1)	\$32.95

LB = Long Bed, 96" long
 SRW = Single Rear Wheels
 DRW = Dual Rear Wheels

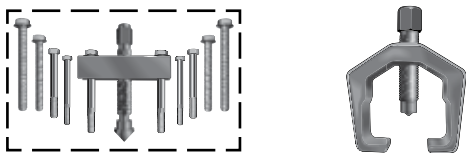
Steering Components - 2 Wheel Drive

1999-04 F250 F350 Super Duty



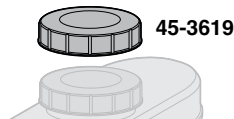
PART	ILL#	DESCRIPTION	APPLICATION	REQD	PRICE
45-2150	(1)	TIE ROD END-OUTER-LH	F250 F350 99-04	(1)	\$14.95
45-2151	(2)	TIE ROD END-OUTER-RH	F250 F350 99-04	(1)	\$17.95
45-2156	(3)	CENTER LINK	F250 F350 99-04	(1)	\$19.95
45-2157	(4)	DRAG LINK	F250 F350 99-04	(1)	\$37.95
45-2192	(5)	ADJUSTING SLEEVE-LH	F250 F350 99-04	(1)	\$9.95
45-2193	(6)	ADJUSTING SLEEVE-RH	F250 F350 99-04	(1)	\$10.95
45-2224	(7)	PITMAN ARM-32 TOOTH	F250 F350 99-04	(1)	\$35.95
45-2225		PITMAN ARM-36 TOOTH	F250 F350 99-04	(1)	\$29.95

Pitman Arm Puller and Steering Wheel Puller See Page 94



Brake Master Cylinder Cap

1999-16 F250 F350 F450 F550 Super Duty

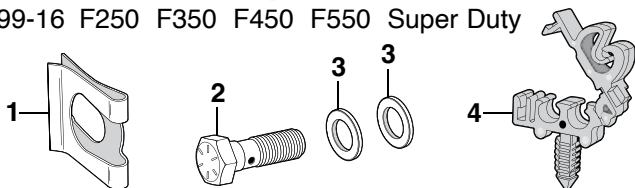


PART	DESCRIPTION	APPLICATION	REQD	PRICE
45-3619	CAP W/GASKET	SUPERDUTY 99-04	(1)	\$8.95
45-3619	CAP W/GASKET "A"	SUPERDUTY 05-10	(1)	\$8.95
50-6300	CAP W/GASKET	SUPERDUTY 11-16	(1)	\$2.95

Note: "A" For models without power four wheel disc vacuum booster.

Brake Hose Components

1999-16 F250 F350 F450 F550 Super Duty

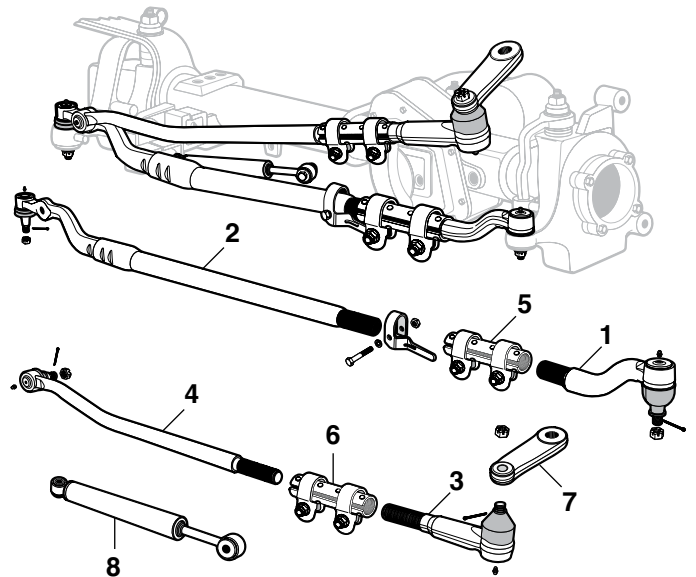


PART	ILL#	DESCRIPTION	APPLICATION	REQD	PRICE
40-1348	(1)	RETAINER-BRAKE HOSE	SUPERDUTY 99-04	(AR)	\$4.95
40-0383	(2)	BANJO BOLT	SUPERDUTY 99-16	(AR)	\$2.45
40-0715	(3)	COPPER WASHER	SUPERDUTY 99-16	(AR)	\$.99
43-5115	(4)	RETAINER-BRAKE/FUEL LINE	SUPERDUTY 99-04	(AR)	\$4.45

Steering Components - Mono Beam

1999-04 F250 F350 Super Duty 4WD

1999-04 F450 F550 Super Duty

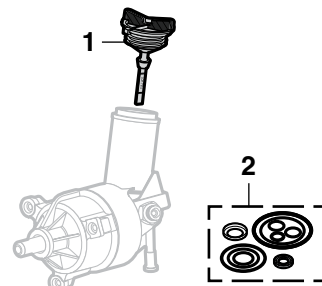


PART	ILL#	DESCRIPTION	APPLICATION	REQD	PRICE
45-2152	(1)	TIE ROD END-OUTER-LH	SUPERDUTY 99-04	(1)	\$29.95
45-2153	(2)	DRAG LINK-OUTER-RH	SUPERDUTY 99-04	(1)	\$64.95
45-2158	(3)	TIE ROD END-INNER-LH	SUPERDUTY 99-04	(1)	\$18.95
45-2159	(4)	TIE ROD END-INNER-RH	SUPERDUTY 99-04	(1)	\$41.95
45-2194	(5)	ADJUSTING SLEEVE-DRAG LINK	SUPERDUTY 99-04	(1)	\$14.95
45-2195	(6)	ADJUSTING SLEEVE	SUPERDUTY 99-04	(1)	\$9.95
45-2227	(7)	PITMAN ARM-36 TOOTH	SUPERDUTY 99-04	(1)	\$24.95
45-2332	(8)	STEERING STABILIZER "A"	SUPERDUTY 99-04	(1)	\$39.95
45-2333	(9)	STEERING STABILIZER KIT	SUPERDUTY 99-04	(1)	\$75.89

Note: "A" Replaces original steering stabilizer only.

Power Steering Components

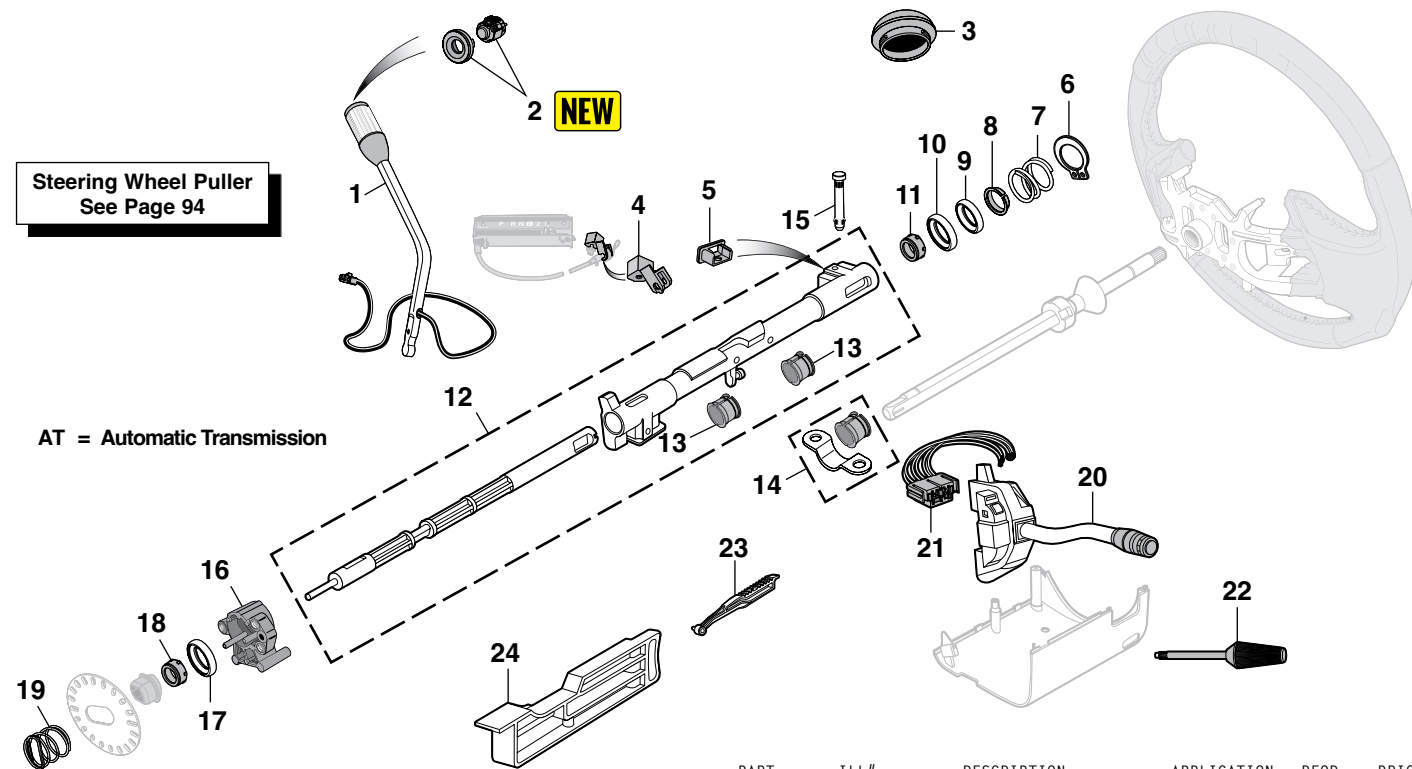
1999-03 F250 F350 F450 F550 Super Duty



PART	ILL#	DESCRIPTION	APPLICATION	REQD	PRICE
43-1820	(1)	RESERVOIR CAP	DIESEL SUPERDUTY 99-03	(1)	\$4.95
43-1823		RESERVOIR CAP	GAS SUPERDUTY 99-03	(1)	\$26.45
43-1827	(2)	SEAL KIT-PUMP	SUPERDUTY 99-03	(1)	\$12.95

Steering Column Components

1999-07 F250 F350 F450 F550 Super Duty

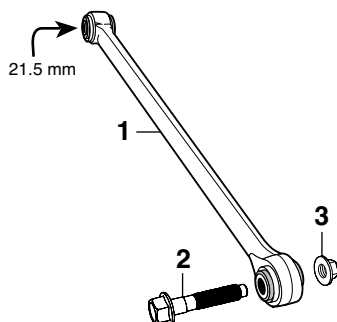


PART	ILL#	DESCRIPTION	APPLICATION	REQD	PRICE	PART	ILL#	DESCRIPTION	APPLICATION	REQD	PRICE
45-0789	(1)	SHIFT LEVER W/OVERDRIVE	AT SUPERDUTY 99-04	(1)	\$54.95	45-0836	(14)	CLAMP W/BUSHING-TUBE	AT SUPERDUTY 99-04	(2)	\$16.95
45-0792	(2)	OVERDRIVE SHIFT BUTTON SET	SUPERDUTY 99-03	(1)	\$10.95	45-0840	(15)	PIN-SHIFT TUBE	AT SUPERDUTY 99-04	(1)	\$4.25
50-8149	(3)	SHIFT BUTTON CAP	SUPERDUTY 05-07	(1)	\$9.45	45-0840		PIN-SHIFT TUBE W/TILT	AT SUPERDUTY 05-07	(1)	\$4.25
49-6300	(4)	SHIFT INDICATOR BRACKET	AT SUPERDUTY 03-04	(1)	\$14.95	45-0806	(16)	RETAINER-LOWER BEARING	SUPERDUTY 99-07	(1)	\$20.95
45-0837	(5)	SHIFT TUBE DAMPER-RUBBER	AT SUPERDUTY 99-07	(1)	\$6.45	45-0743	(17)	LOWER COLUMN BEARING	SUPERDUTY 99-07	(1)	\$5.25
40-1376	(6)	RETAINER	SUPERDUTY 99-07	(1)	\$7.95	45-0798	(18)	SLEEVE-LOWER BEARING	SUPERDUTY 99-07	(1)	\$4.45
40-3222	(7)	UPPER COLUMN SPRING	SUPERDUTY 99-07	(1)	\$19.95	40-3223	(19)	LOWER COLUMN SPRING W/TILT	SUPERDUTY 99-07	(1)	\$32.95
40-3224	(8)	TOLERANCE RING	SUPERDUTY 99-07	(1)	\$31.95	47-0812	(20)	TURN/WIPER SWITCH	SUPERDUTY 99-00	(1)	\$49.95
45-0743	(9)	UPPER BEARING-SMALL	SUPERDUTY 99-07	(1)	\$5.25	47-0813		TURN/WIPER SWITCH	SUPERDUTY 01	(1)	\$49.95
45-0745	(10)	UPPER BEARING-LARGE	W/TILT SUPERDUTY 99-07	(1)	\$7.95	47-0819		TURN/WIPER SWITCH	SUPERDUTY 02-07	(1)	\$59.45
45-0799	(11)	SLEEVE	W/TILT SUPERDUTY 99-07	(1)	\$7.95	47-3595	(21)	SOCKET-SWITCH	SUPERDUTY 99-01	(1)	\$9.95
45-0829	(12)	SHIFT TUBE KIT	AT SUPERDUTY 99-07	(1)	\$35.95	45-0812	(22)	TILT LEVER	SUPERDUTY 99-04	(1)	\$31.95
45-0835	(13)	BUSHING-SHIFT TUBE	AT SUPERDUTY 99-07	(2)	\$1.95	45-0768	(23)	COLUMN ACTUATOR	SUPERDUTY 99-07	(1)	\$9.45
						45-0773	(24)	STEERING LOCK LEVER	SUPERDUTY 99-07	(1)	\$29.95

Track Bar - Mono Beam

1999-04 F250 F350 Super Duty 4WD

1999-04 F450 F550 Super Duty



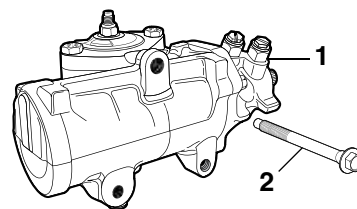
PART	ILL#	DESCRIPTION	APPLICATION	REQD	PRICE
45-2756	(1)	TRACK BAR W/21.5MM EYELET	SUPERDUTY 99-04	(1)	\$49.95
40-0381	(2)	BOLT-TRACK BAR	"A" SUPERDUTY 99-04	(2)	\$12.95
40-0767	(3)	NUT-TRACK BAR	"A" SUPERDUTY 99-04	(2)	\$7.95

Note: "A" For models with 21.5 mm track bar eyelet holes.

Power Steering Gears

1999-08 F250 F350 Super Duty

1999-04 F450 F550 Super Duty



PART	ILL#	DESCRIPTION	APPLICATION	REQD	PRICE
45-1030-R	(1)	STEERING GEAR "A"	SUPERDUTY 99-02	(1)	\$339.95
45-1031		STEERING GEAR NEW	F250 F350 99-04	(1)	\$459.95
45-1032		STEERING GEAR NEW	F250 F350 05-08	(1)	\$459.95
40-0191	(2)	BOLT-5-1/4" LONG	SUPERDUTY 99-04	(3)	\$14.45

Note: "A" For models with 32 spline pitman arm shaft.

Polished Aluminum Modular Wheels

Polished Aluminum Modular Wheels feature one-piece cast aluminum construction with an 8 hole modular design fully polished to a high luster finish. Closed center cap included.



48-3627



48-3628



48-3567

Center Caps are not included and must be purchased separately, except where noted. Lug Nuts are not included and must be purchased separately.

PART	DESCRIPTION	APPLICATION	REQD	PRICE
48-3567	POLISHED MODULAR WHEEL 17"X 8"	8 LUG X 170MM	(4)	\$252.95
48-3627	CHROME CENTER CAP-OPEN 4WD	8 LUG X 170MM	(2)	\$13.45
48-3628	CHROME CENTER CAP-CLOSED 2WD 4WD	8 LUG X 170MM	(AR)	\$11.95
40-0929	CHROME LUG NUT	14MM X 2.00	(AR)	\$1.65
30-0923-F	CHROME LUG NUT	14MM X 1.50	(AR)	\$1.45

Super Duty	1999-02	8 Lug x 170MM Diameter	14MM x 2.00 Lug Nut
Super Duty	2003-16	8 Lug x 170MM Diameter	14MM x 1.50 Lug Nut

Chrome Wheel Covers



49-4970



49-4984



49-4975



49-4244

Triple chrome plated Chrome Wheel Covers are constructed from high-impact ABS and engineered to match the shape and design of OE wheels for a perfect fit and instant transformation from stock to chrome. Wheel Covers simply snap into place over stock wheels.

PART	DESCRIPTION	APPLICATION	REQD	PRICE
49-4970	WHEEL COVER SET OF 4 "A" 16"	F250 F350 99-04	(1)	\$124.95
49-4975	CHROME CENTER CAP SET OF 4	F250 F350 99-04	(1)	\$109.95
49-4244	CHROME FRONT CENTER CAP "B"	4WD F350 99-04	(2)	\$80.95
49-4984	CHROME WHEEL COVER SET OF 4 17"	SUPERDUTY 05-10	(1)	\$94.95

Note: "A" Wheel covers have a silver body with chrome outer ring, center cap and simulated lug nuts.
 "B" Fits models with dual rear wheels.

Lug Nuts

1999-15 F250 F350 F450 F550 Super Duty



40-0763



40-0758

PART	DESCRIPTION	APPLICATION	REQD	PRICE
40-0763	LUG NUT-OPEN END	M14 X 2.0 SUPERDUTY 99-02	(24)	\$2.25
40-0758	LUG NUT-CHROME CAP	M14 X 1.5 SUPERDUTY 05-15	(24)	\$4.75
40-0758	LUG NUT-CHROME CAP	M14 X 1.5 HARLEY 04-13	(24)	\$4.75

**Spitshine Tire Black ...
Bring Back the Shine**



ColorBond Spitshine Tire Black is a specially formulated paint, not a clear silicone dressing, designed to restore a military shine to faded and scuffed tires for a minimum of two months. Spitshine is not greasy or tacky, so it won't attract unsightly dirt and dust. Each 12 ounce can is easy to apply; first, clean tires of any existing dressings, silicones

and dirt with ColorBond Prep/Cleaner. Mask the wheel or rim and apply in light coats. Reapply Spitshine Tire Black if tires become scuffed.

Not for use on tires with white lettering or sidewalls.

PART	DESCRIPTION	APPLICATION	REQD	PRICE
37-8370-F	COLORBOND SPITSHINE TIRE BLACK	12 OUNCE CAN		\$21.45



**Gorilla Wheel Locks ...
Safety and Security**

Not for Original Style Alloy Wheels



Gorilla Wheel Locks protect your wheels from theft because they are virtually impossible to remove without the matching security pattern key. Made from case-hardened steel with triple chrome plating and comes with a patented key wrench adaptor and registration.

PART	DESCRIPTION	APPLICATION	REQD	PRICE
40-1049	WHEEL LOCK SET	14MM X 2.00 SUPERDUTY 99-02	(1)	\$22.95
30-1038-F	WHEEL LOCK SET	14MM X 1.50 SUPERDUTY 03-15	(1)	\$25.95

Mile Marker Hub

1999-04 F250 F350 F450 F550 Super Duty

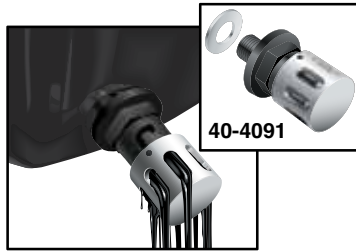


Marker Hubs have superior quality and are built to exacting standards with improvements over the latest patents to give years of trouble-free service. Limited Lifetime Warranty on Street Master and Supreme Locking Hubs; 1 year warranty on Auto to Manual Hub Conversion Kit.

Supreme Stainless Hub - Features a "full metal jacket" cap with stainless steel exposed to the elements. Made using a new process of die-casting aluminum into a pre-made stainless jacket, it provides strength, is lightweight and corrosion-resistant.

PART	DESCRIPTION	APPLICATION	REQD	PRICE
48-3915	LOCK HUB SET-SUPREME STAINLESS	SUPERDUTY 99-04	(1)	\$279.99

EZ Oil Drain Valve



EZ Oil Drain Valve allows quick oil changes with little to no mess. Compact design has no lever to catch on obstacles. Adaptors are not required and easily installs with socket or wrench. Aluminum crush washer (included) ensures tight, leak-free seal.

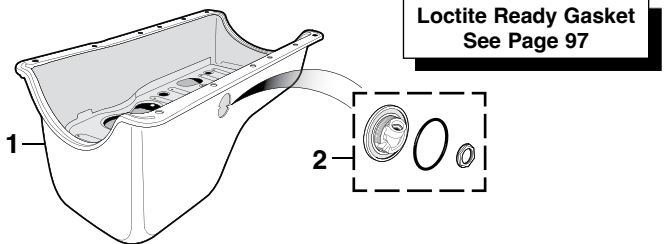
Simple operation; push in cap, twist to the right and drain. Once drained, push in and twist to left to close. Spring-tensioned, double o-ring seal guarantees a long, leak-free life.

PART	DESCRIPTION	APPLICATION	REQD	PRICE
40-4091	EZ OIL DRAIN VALVE	5.4L 6.2L 6.8L 99-16	(1)	\$13.95
40-4094	EZ OIL DRAIN VALVE	DIESEL 99-11	(1)	\$14.45
40-4091	EZ OIL DRAIN VALVE "A"	DIESEL 12-16	(1)	\$13.95

Note: "A" For models without a plastic drain plug.

Oil Pan and Components

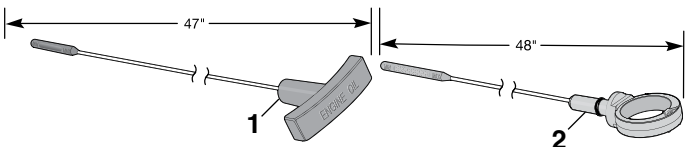
7.3L Diesel
1999-03 F250 F350 F450 F550 Super Duty



PART	ILL#	DESCRIPTION	APPLICATION	REQD	PRICE
40-4652	(1)	OIL PAN W/PLUG & O-RING	7.3L 99-03	(1)	\$99.95
40-4664	(2)	DIPSTICK HOLDER SET	7.3L 99-03	(1)	\$39.95

Oil Pan Dipsticks

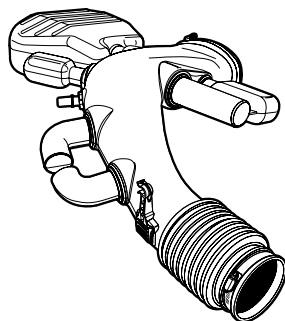
2003-10 F250 F350 F450 F550 Super Duty



PART	ILL#	DESCRIPTION	APPLICATION	REQD	PRICE
40-4741	(1)	OIL DIPSTICK-47"	6.0L DSL SUPERDUTY 03-05	(1)	\$29.95
40-4742	(2)	OIL DIPSTICK-48"	6.0L DSL SUPERDUTY 06-07	(1)	\$10.45
40-4743		OIL DIPSTICK-43"	6.4L DSL SUPERDUTY 08-10	(1)	\$16.95

Engine Air Intake Hose

6.8L V10
2008-16 F250 F350 F450 F550 Super Duty



PART	DESCRIPTION	APPLICATION	REQD	PRICE
40-3434	ENGINE AIR INTAKE HOSE	SUPERDUTY 08-16	(1)	\$135.95

Intercooler Hose



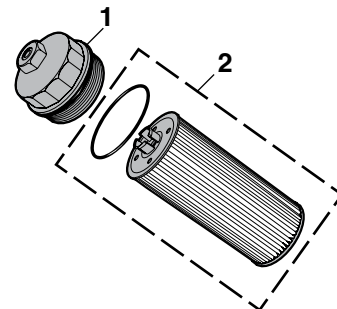
Intercooler Hose is a 1-piece design that attaches to the intake manifold. It fixes hoses that have developed a hole from excessive vibration and rubbing. Includes hose clamps.

PART	ILL#	DESCRIPTION	APPLICATION	PRICE
48-4048		INTERCOOLER HOSE "A"	6.0L SUPERDUTY 04-07	\$169.95

Note: "A" Fits 2004 models built after 12/14/03.

Oil Filter and Cap

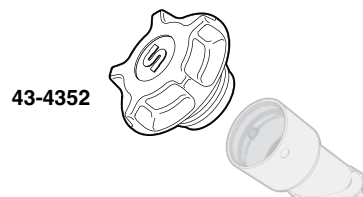
2003-10 F250 F350 F450 F550 Super Duty



PART	ILL#	DESCRIPTION	APPLICATION	REQD	PRICE
43-5680	(1)	OIL FILTER CAP	6.0L 6.4L DSL 03-10	(1)	\$31.95
43-5685	(2)	OIL FILTER ELEMENT	6.0L 6.4L DSL 03-10	(1)	\$18.95

Oil Filler Cap

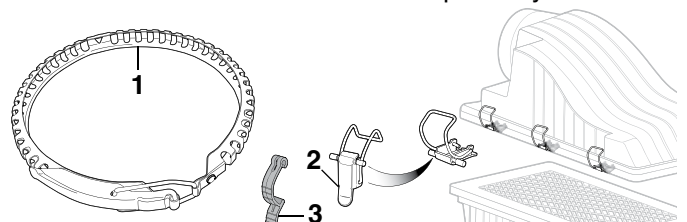
1999-16 F250 F350 F450 F550 Super Duty



PART	DESCRIPTION	APPLICATION	REQD	PRICE
43-4352	OIL FILLER CAP	GAS SUPERDUTY 99-04	(1)	\$3.95
43-4355	OIL FILLER CAP	GAS SUPERDUTY 05-16	(1)	\$5.95
43-4352	OIL FILLER CAP	DIESEL SUPERDUTY 99-10	(1)	\$3.95
43-4355	OIL FILLER CAP	DIESEL SUPERDUTY 11-16	(1)	\$5.95

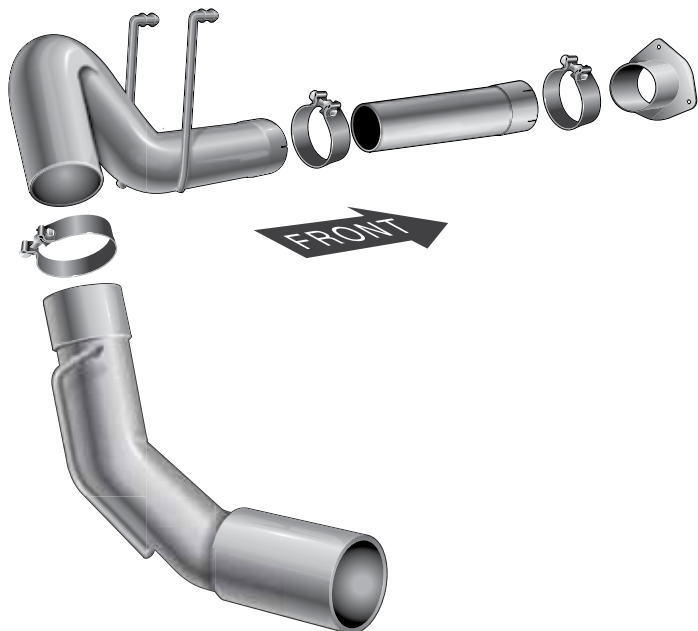
Air Cleaner Clamps

1999-16 F250 F350 F450 F550 Super Duty



PART	ILL#	DESCRIPTION	APPLICATION	REQD	PRICE
40-3438	(1)	CLAMP-AIR CLEANER	5.4L 6.8L SUPERDUTY 99-04	(AR)	\$21.95
40-3440	(2)	CLAMP-AIR CLEANER	7.3L SUPERDUTY 99-03	(6)	\$4.25
40-3440		CLAMP-AIR CLEANER	6.0L SUPERDUTY 03-07	(AR)	\$4.25
40-3440		CLAMP-AIR CLEANER	6.8L SUPERDUTY 05-07	(6)	\$4.25
40-3443	(3)	CLAMP-AIR CLEANER	SUPERDUTY 08-16	(AR)	\$4.95

Diesel Performance Exhaust System ... Bolt-On Performance



MagnaFlow Pro Series Aluminized Diesel Performance Exhaust is dyno-tested and proven to make power with performance gains in horsepower and torque, as well as improved fuel mileage and lower exhaust gas temperatures.

Each system is designed to fit any cab style or bed length configuration, with pre-bent pipe options or simple straight pipe trimming, as referenced in the included installation instructions. MagnaFlow Performance Exhaust Systems are easy to install, using simple hand tools, and include all necessary installation hardware.

Features include an intercooled tip (on filter-back systems only); mandrel-bent, high-flow aluminized steel tubing with high-quality overlapped welds and backed by a one-year warranty.

Filter-Back Exhaust System - Replaces stock exhaust system from the DPF (Diesel Particulate Filter) back. These systems do not include a muffler, but they do include a muffler delete pipe.

PART	DESCRIPTION	APPLICATION	REQD	PRICE
Aluminized Steel Filter-Back Exhaust System				
49-5554	EXHAUST SYSTEM 4"	6.7L SUPERDUTY 11-16 (1)		\$189.95*

* Or ** after the sell price means your order will incur an Oversize Part Charge for each oversized part. * Means extra charge will be \$20. ** Means extra charge will be \$50. Due to packing and/or transportation requirements, please allow additional time for delivery. Oversized Parts are not available for air delivery.

Stainless Steel Exhaust Tips



Blunt Tip



Angle Tip



31-0560-F

Made from 16-gauge 304 grade stainless steel for longer life and measure 15" long with 3-1/2" diameter outlets. Two inlet sizes are available to fit 2-1/4" and 2-1/2" outer diameter exhaust pipes. Exhaust Tips can be welded on or clamped on with #31-0560-F or #31-0561-F Stainless Steel Exhaust Clamps that must be purchased separately.

PART	DESCRIPTION	APPLICATION	PRICE
38-6830-F	EXHAUST TIP-STAINLESS STEEL	2-1/4" BLUNT TIP	\$46.95
38-6831-F	EXHAUST TIP-STAINLESS STEEL	2-1/4" ANGLE TIP	\$52.95
31-0560-F	CLAMP-STAINLESS STEEL	2-1/4"	\$9.60
38-6832-F	EXHAUST TIP-STAINLESS STEEL	2-1/2" BLUNT TIP	\$59.95
38-6833-F	EXHAUST TIP-STAINLESS STEEL	2-1/2" ANGLE TIP	\$59.95
31-0561-F	CLAMP-STAINLESS STEEL	2-1/2"	\$10.40

Chrome Exhaust Tips



Blunt Tip



Angle Tip

Chrome Exhaust Tips are triple chrome plated and available in both angle and blunt outlets. They are 9" long and available to fit two sizes: 2-1/4" and 2-1/2" outer diameter exhaust pipes.

Chrome Exhaust Tips can be easily installed with exhaust clamps that are included with tips or welded on for a smoother look.

PART	DESCRIPTION	APPLICATION	PRICE
38-6834-F	EXHAUST TIP-CHROME W/CLAMP	2-1/4" BLUNT TIP	\$32.95
38-6835-F	EXHAUST TIP-CHROME W/CLAMP	2-1/4" ANGLE TIP	\$24.95
38-6836-F	EXHAUST TIP-CHROME W/CLAMP	2-1/2" BLUNT TIP	\$37.95
38-6837-F	EXHAUST TIP-CHROME W/CLAMP	2-1/2" ANGLE TIP	\$24.95

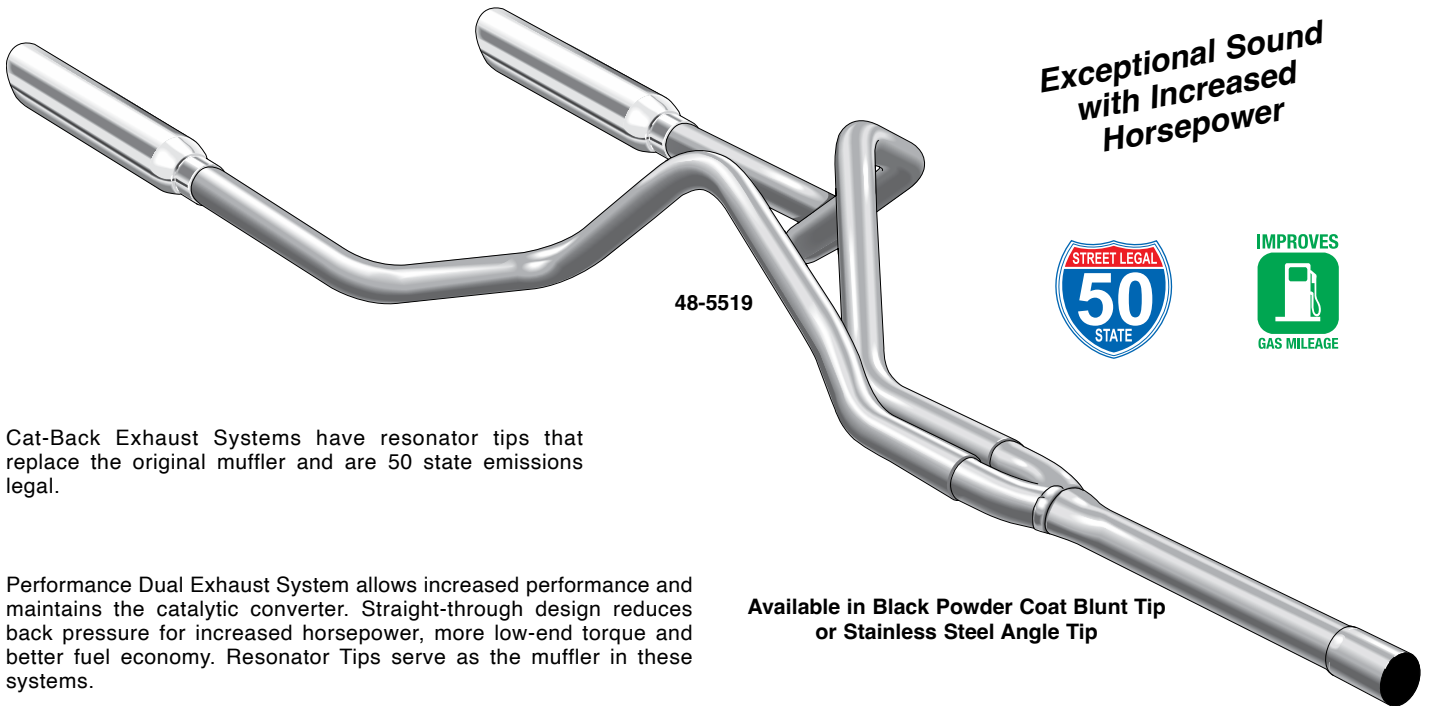
Diesel Stainless Steel Exhaust Tip



Complete the look of your diesel exhaust system with this Stainless Steel Exhaust Tip. Tip is 12" long with 5" diameter outlet and features an angle cut with a rolled tip. 4" inner diameter is made to fit 4" outer diameter exhaust pipe. Attaching hardware is included.

PART	DESCRIPTION	APPLICATION	PRICE
56-0156-F	EXHAUST TIP-ROLLED	4" ANGLE TIP	\$44.95

Cat-Back Performance Dual Exhaust Systems with Resonator Tips



Cat-Back Exhaust Systems have resonator tips that replace the original muffler and are 50 state emissions legal.

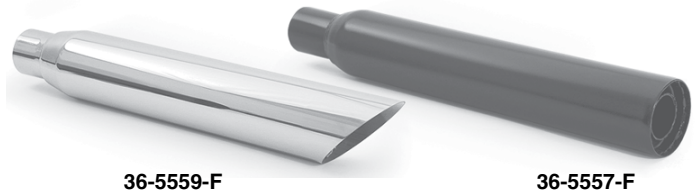
Performance Dual Exhaust System allows increased performance and maintains the catalytic converter. Straight-through design reduces back pressure for increased horsepower, more low-end torque and better fuel economy. Resonator Tips serve as the muffler in these systems.

Systems are made with modern tube benders utilizing mandrel bends, ensuring each bend is smooth flowing, increasing exhaust flow by up to 20% over stock systems.

Manufactured from 16-gauge aluminized steel that lasts longer than conventional plain steel systems. Easy bolt-on installation; no welding required. Hangers, fasteners and steel clamps are included. Exhaust exits the rear of truck.

Designed to fit long wheelbase models. Front extension pipe may need to be cut, depending on wheelbase of truck.

Available in Black Powder Coat Blunt Tip or Stainless Steel Angle Tip



Cat-Back Performance Dual Exhaust Systems

The Cat-Back System replaces the stock exhaust system from the catalytic converter back.

PART	DESCRIPTION	APPLICATION	REQD	PRICE
48-5519	CAT-BACK EXHAUST SYS	3" CAT W/STAINLESS TIPS 5.4L 6.8L SUPERDUTY 99-01	(1)	\$484.95*
48-5529	CAT-BACK EXHAUST SYS	3" CAT W/BLACK TIPS 5.4L 6.8L SUPERDUTY 99-01	(1)	\$399.95*

* Or ** after the sell price means your order will incur an Oversize Part Charge for each oversized part. * Means extra charge will be \$20. ** Means extra charge will be \$50. Due to packing and/or transportation requirements, please allow additional time for delivery. Oversized Parts are not available for air delivery.

Replacement Resonator Tips

The 3-1/2" diameter Resonator Tips replace the original muffler and give your truck that deep performance tone without being too loud. Available in black powder coat blunt tip or stainless steel angle tip.

PART	DESCRIPTION	APPLICATION	REQD	PRICE
36-5559-F	RESONATOR TIP-STAINLESS STEEL REPLACEMENT FOR PERFORMANCE	ANGLE CUT EXHAUST SYSTEMS	(2)	\$82.95
36-5557-F	RESONATOR TIP-BLACK POWDER COAT REPLACEMENT FOR PERFORMANCE	BLUNT CUT EXHAUST SYSTEMS	(2)	\$64.95

Gift Cards Now Available

Call (800) 562-8782

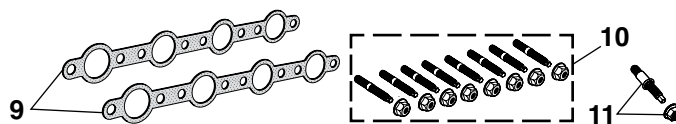
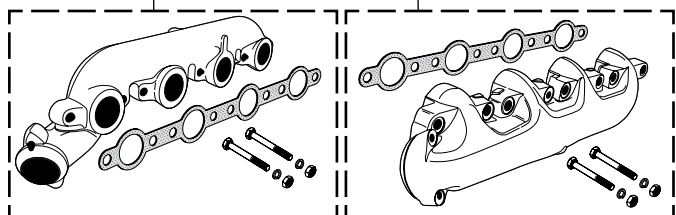
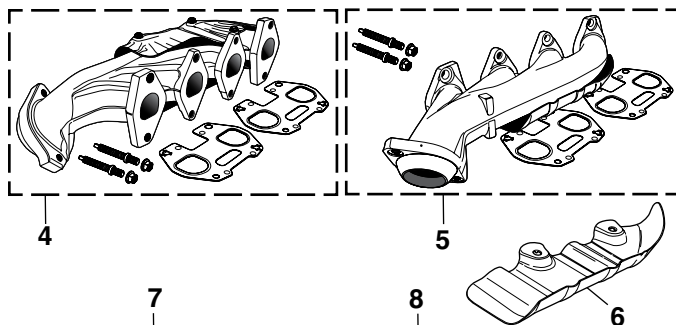
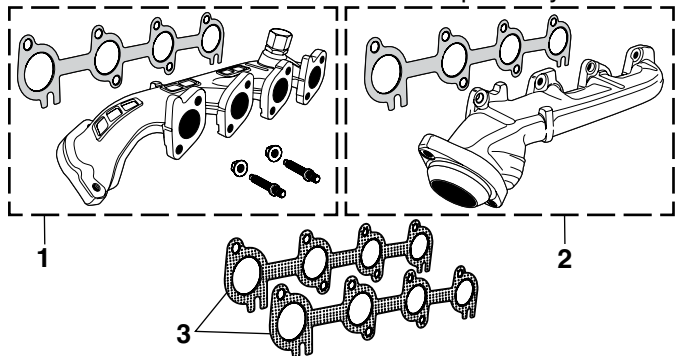
Available in \$25 - \$50 - \$100

- Gift Cards are the perfect gift to ensure you are giving exactly what they want!
- Gift Cards don't expire.
- Orders must be pre-paid. Orders received before 3:00 p.m. Central Time will ship same day.
- Gift Cards can now be redeemed through the mail or by phone.



Exhaust Manifolds and Components

1999-16 F250 F350 F450 F550 Super Duty



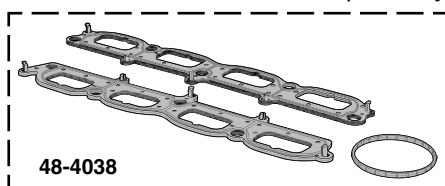
48-5992 is used to attach the exhaust manifold to the block.

48-5993 is used to attach the exhaust downpipe to the manifold.

PART	ILL#	DESCRIPTION	APPLICATION	REQD	PRICE
48-5966	(1)	EXHAUST MANIFOLD-LH	5.4L F250 F350 00-04	(1)	\$76.95
48-5963	(2)	EXHAUST MANIFOLD-RH	5.4L F250 F350 00-04	(1)	\$59.95
40-4172	(3)	GASKET SET	5.4L F250 F350 99-04	(1)	\$6.95
48-6008	(4)	EXH MANIFOLD KIT-LH	5.4L F250 F350 05-10	(1)	\$117.95
48-5965	(5)	EXH MANIFOLD KIT-RH	5.4L F250 F350 06-10	(1)	\$90.95
40-4165	(6)	MANIFOLD HEAT SHIELD-RH	5.4L F250 F350 09-10	(1)	\$18.95
48-5968	(7)	EXHAUST MANIFOLD-LH	7.3L SUPERDUTY 99-03	(1)	\$99.95
48-5969	(8)	EXHAUST MANIFOLD-RH	7.3L SUPERDUTY 99-03	(1)	\$99.95
40-4183	(9)	GASKET SET	7.3L SUPERDUTY 99-03	(1)	\$22.95
48-5992	(10)	MANIFOLD HARDWARE KIT	SUPERDUTY 99-16	(2)	\$24.95
48-5993	(11)	EXHAUST FLANGE HARDWARE KIT	SUPERDUTY 11-16	(4)	\$9.45

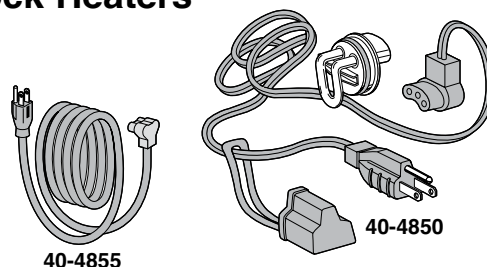
Intake Manifold Gasket Set

2005-10 F250 F350 F450 F550 Super Duty



PART	DESCRIPTION	APPLICATION	REQD	PRICE
48-4038	GASKET SET-INTAKE MANIFOLD	5.4L 05-10	(1)	\$42.95

Engine Block Heaters



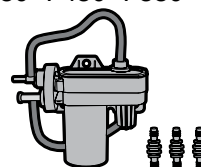
A pre-heated engine saves on fuel costs, starts quicker, runs smoother, warms cab interior, defrosts quicker and reduces engine wear and tear.

Engine Block Heaters are complete with cord and detailed easy-to-follow instructions for a simple installation directly into your engine block.

PART	DESCRIPTION	APPLICATION	REQD	PRICE
40-4850	ENGINE BLOCK HEATER KIT-GAS	5.4L 99-10	(1)	\$34.95
40-4853	ENGINE BLOCK HEATER KIT-GAS	6.8L 99-10	(1)	\$34.95
40-4861	ENGINE BLOCK HEATER KIT-DIESEL	7.3L 99-03	(1)	\$64.95
40-4862	ENGINE BLOCK HEATER KIT-DIESEL	6.0L 03-07	(1)	\$69.95
40-4862	ENGINE BLOCK HEATER KIT-DIESEL	6.4L 6.7L 08-16	(1)	\$69.95
40-4855	REPLACEMENT CORD-GAS	99-10	(1)	\$17.95
40-4856	REPLACEMENT CORD-DIESEL	99-16	(1)	\$29.95

Vacuum Pump

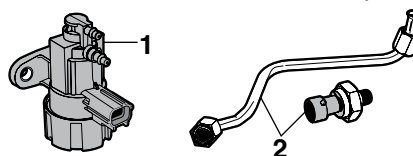
1999-07 F250 F350 F450 F550 Super Duty



43-7445	VACUUM PUMP-DIESEL	SUPERDUTY 99-07	(1)	\$100.95
---------	--------------------	-----------------	-----	----------

EGR Components

1999-05 F250 F350 F450 F550 Super Duty

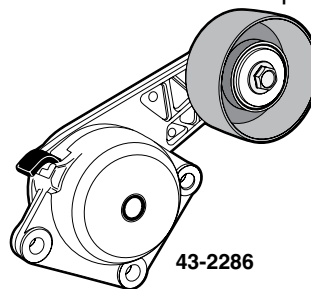


PART	ILL#	DESCRIPTION	APPLICATION	REQD	PRICE
42-5241	(1)	EGR VACUUM CONTROL SOLENOID	5.4L 6.8L 99-04	(1)	\$24.95
42-5242	(2)	EGR RECIRCULATION TUBE KIT	"A" 6.0L DSL 03-05	(1)	\$164.95

Note: "A" From Serial 6030201 (1/30/03 to 11/29/04)

Auto Belt Tensioner

1999-13 F250 F350 F450 F550 Super Duty



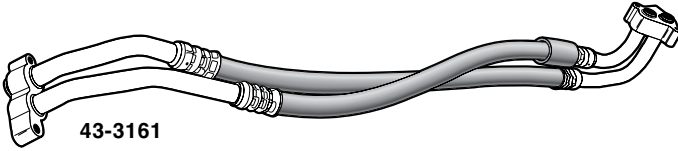
PART	DESCRIPTION	APPLICATION	REQD	PRICE
43-2286	AUTO BELT TENSIONER 5.4L 6.8L "A"	SUPERDUTY 99-10	(1)	\$37.95
43-2286	AUTO BELT TENSIONER 6.8L "A/B"	SUPERDUTY 11-13	(1)	\$37.95

Note: "A" Fits models with smooth pulley. "B" Fits models with air conditioning.

NEW

Engine Oil Cooler Line

1999-04 F250 F350 4WD Super Duty



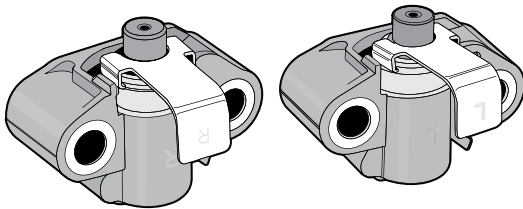
PART	DESCRIPTION	APPLICATION	REQD	PRICE
43-3161	ENGINE OIL COOLER LINES "A"	4.6L 5.4L 99-04	(1)	\$134.95

Note: "A" Inlet and outlet assembly; with tapped hole for pressure sender at engine end of hose assembly.

NEW

Timing Chain Tensioner Kit

2000-16 F250 F350 F450 F550 Super Duty

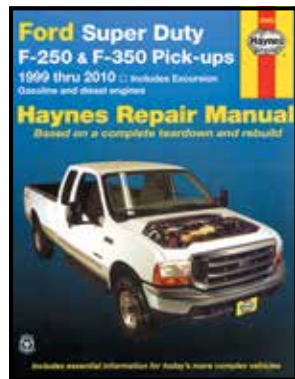


PART	DESCRIPTION	APPLICATION	REQD	PRICE
40-9499	TIMING CHAIN TENSIONER KIT 4.6L 5.4L 6.8L 6.8L	SUPERDUTY 00-10 F450 F550 11-16	(1)	\$65.95

Haynes Workshop Manual

Ford F250 & 350 Super Duty 1999-16: Contains step-by-step procedures for the 1996-16 Ford Pickups and Super Duty with hundreds of easy-to-follow photos. Written from "hands-on" experience using common tools.

Covers gasoline and diesel engines. Call or go online and order yours today!



PART	DESCRIPTION	PRICE
42-0236	HAYNES MNL F250 F350 99-10	\$36.95
42-0237	HAYNES MNL F250 F350 11-16	\$30.95

NEW

Throttle Body

2001-04 F250 F350 Super Duty



Bore Diameter: 70mm
Airflow Rate: 100 CFM

This replacement Throttle Body matches the original equipment throttle body for fit and performance. With a corrosion-resistant aluminum body, it features a new sensor and circuit board for reliable performance and plugs into the original equipment wiring harness with no adapter required for a quick and easy installation.

PART	DESCRIPTION	APPLICATION	REQD	PRICE
48-4410	THROTTLE BODY 5.4L	F250 F350 01-04	(1)	\$219.95



JET Performance Powr-Flo Mass Air Flow Sensors

48-4392



48-4394



The JET Performance Powr-Flo Mass Air Flow Sensor delivers improved horsepower, torque and mileage by simply replacing the restrictive stock mass air flow sensor. JET Performance's flow bench-tested design provides up to a 45% increase in airflow. Sensors require no additional vehicle modifications and are fully compatible with other performance upgrades such as performance air filters, air intake kits, exhaust system modifications and throttle body spacers. Quick, easy installation.

PART	DESCRIPTION	APPLICATION	REQD	PRICE
48-4392	POWR-FLO MAF SENSOR 5.4 6.8L	SUPERDUTY 99-03	(1)	\$322.46
48-4394	POWR-FLO MAF SENSOR "A" 5.4 6.8L	SUPERDUTY 04-10	(1)	\$187.46
48-4398	POWR-FLO MAF SENSOR "A" 6.0L	SUPERDUTY 03-07	(1)	\$209.96
48-4397	POWR-FLO MAF SENSOR "A" 6.2L	SUPERDUTY 11-16	(1)	\$187.46

Note: "A" Sensor only. Must reuse original housing.



Powr-Flo Throttle Body Spacers

Powr-Flo Throttle Body Spacers are CNC-machined from billet aluminum and feature a bore engineered to increase velocity of airflow into intake manifold. This allows more air to reach combustion chamber for denser air charge and increase in fuel efficiency. The result is improved throttle response and power gains in mid-range and upper rpm operating ranges. Includes gaskets, hardware and instructions for a simple, bolt-on installation with no other vehicle modifications required.

PART	DESCRIPTION	APPLICATION	REQD	PRICE
48-4408	POWR-FLO SPACER 5.4L	SUPERDUTY 99-04	(1)	\$89.21
48-4405	POWR-FLO SPACER 5.4L	SUPERDUTY 05-10	(1)	\$114.71



HVAC Vacuum Motors & Actuators

1999-16 F250 F350 F450 F550 Super Duty



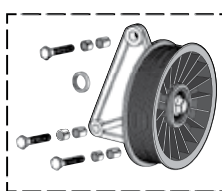
Since many vehicles have several different air door actuators, please review the descriptions and notes to ensure you get the actuator you need. If you don't know which one needs replaced, please consult a qualified service technician.

PART	ILL#	DESCRIPTION	APPLICATION	REQD	PRICE
44-1812	(1)	VACUUM MOTOR	"A" SUPERDUTY 99-07	(1)	\$109.10
44-1813	(2)	AIR INLET DOOR-DEFROST VACUUM MOTOR "A"	SUPERDUTY 99-07	(1)	\$124.95
43-2481	(3)	ACTUATOR-HOT/COLD BLEND MANUAL TEMP CONTROL	SUPERDUTY 99-07	(1)	\$22.95
44-1814	(4)	VACUUM MOTOR AIR INLET DOOR-RECIRCULATION	SUPERDUTY 05-07	(1)	\$76.95
44-1815	(5)	ACTUATOR AIR INLET MODE DOOR	SUPERDUTY 08-10	(1)	\$19.95
43-2487	(6)	ACTUATOR-HOT/COLD BLEND RH/LH TEMP BLEND DOOR	SUPERDUTY 08-10	(2)	\$14.95
43-2491		ACTUATOR "B" DEFROST/PANEL/FLOOR	SUPERDUTY 08-10	(1)	\$14.95
44-1820	(7)	ACTUATOR-HOT/COLD BLEND RH/LH TEMP BLEND DOOR	SUPERDUTY 11-16	(1)	\$44.95
44-1821	(8)	ACTUATOR-HOT/COLD BLEND DEFROST/PANEL/FLOOR	SUPERDUTY 11-16	(1)	\$56.95

Note: "A" Attached to plenum chamber.
"B" 6 Pin (pin #5 is not used - no connection).

Air Conditioner Bypass Pulley

1999-04 F250 F350 F450 F550 Super Duty



A/C Bypass Pulley

Your truck will not run with a seized A/C compressor. Save time and money with an A/C bypass pulley. Remove A/C compressor, install A/C bypass pulley and original size belt and then you are back on the road.

PART	DESCRIPTION	APPLICATION	REQD	PRICE
43-2288	A/C BYPASS PULLEY 5.4L 6.8L	SUPERDUTY 99-04	(1)	\$57.95

Heater Components

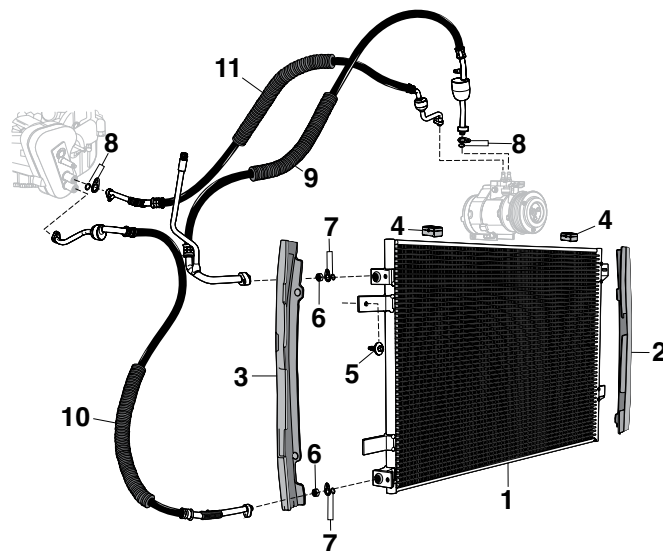
2008-16 F250 F350 F450 F550 Super Duty

PART	ILL#	DESCRIPTION	APPLICATION	REQD	PRICE
43-2448	(1)	BLOWER MOTOR W/FAN	SUPERDUTY 08-10	(1)	\$55.95
47-1010	(2)	BLOWER MOTOR RESISTOR "A"	SUPERDUTY 08-10	(1)	\$26.95
47-1011	(3)	BLOWER MOTOR RESISTOR "B"	SUPERDUTY 08-10	(1)	\$41.95
43-2449	(4)	BLOWER MOTOR W/FAN	SUPERDUTY 11-16	(1)	\$57.95

Note: "A" With manual A/C controls.
"B" With dual-zone auto A/C controls.

Air Conditioning Condenser and Components

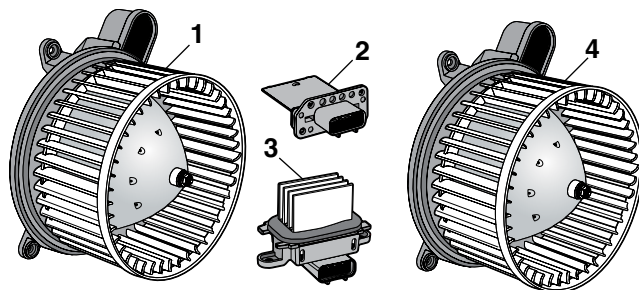
2005-16 F250 F350 F450 F550 Super Duty



PART	ILL#	DESCRIPTION	APPLICATION	REQD	PRICE
49-0323	(1)	A/C CONDENSER	GAS 08-10	(1)	\$89.95*
49-0325		A/C CONDENSER	GAS 11-16	(1)	\$99.95*
49-0326		A/C CONDENSER	6.7L DIESEL 11-16	(1)	\$99.95*
43-0332	(2)	SEAL-CONDENSER-LH	GAS 11-16	(1)	\$67.95
43-0333	(3)	SEAL-CONDENSER-RH	GAS 11-16	(1)	\$67.95
49-0329	(4)	A/C CONDENSER INSULATOR "A"	05-10	(4)	\$33.95
50-0235	(5)	BOLT	08-16	(2)	\$.75
40-0889	(6)	NUT	08-16	(2)	\$1.95
43-0171	(7)	SEAL KIT-ACCUMULATOR-1/2"	10-16	(AR)	\$4.95
43-0145	(8)	SEAL KIT-5/8"	11-16	(AR)	\$3.95
43-0135	(9)	A/C HOSE-DISCHARGE "B"	GAS 11-16	(1)	\$33.95
43-0136		A/C HOSE-DISCHARGE "B"	DIESEL 11-16	(1)	\$27.95
43-0137	(10)	A/C HOSE-SUCTION-LIQUID "C"	GAS 11-16	(1)	\$30.95
43-0138		A/C HOSE-SUCTION-LIQUID "D"	DIESEL 11-16	(1)	\$30.95
43-0143	(11)	A/C HOSE-SUCTION "D"	GAS 11-16	(1)	\$34.95
43-0144		A/C HOSE-SUCTION "D"	DIESEL 11-16	(1)	\$24.99

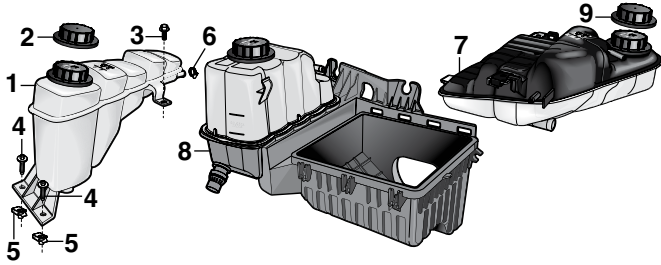
Note: "A" With gas or 6.0 diesel engines.
"B" Compressor to condenser.
"C" Condenser to evaporator.
"D" Evaporator to compressor.

* Or ** after the sell price means your order will incur an Oversize Part Charge for each oversized part. * Means extra charge will be \$20. ** Means extra charge will be \$50. Due to packing and/or transportation requirements, please allow additional time for delivery. Oversized Parts are not available for air delivery.



Coolant Reservoir

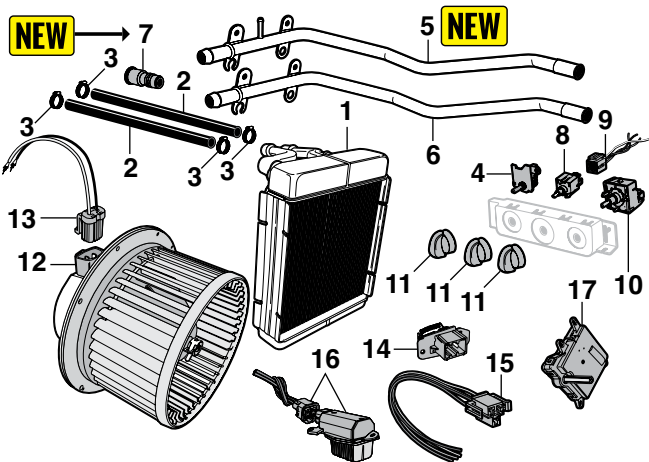
1999-10 F250 F350 F450 F550 Super Duty



PART	ILL#	DESCRIPTION	APPLICATION	REQD	PRICE
43-0105	(1)	COOLANT RESERVOIR W/CAP	W/O 6.0L 99-04	(1)	\$59.45
43-0023	(2)	CAP-RESERVOIR	5.4L 6.8L 7.3L 99-04	(1)	\$6.95
40-0174	(3)	SCREW-TOP	5.4L 6.8L 7.3L 99-04	(1)	\$.75
40-0539	(4)	BOLT-BOTTOM	5.4L 6.8L 7.3L 99-04	(2)	\$1.25
40-0940	(5)	U-NUT-BOTTOM	5.4L 6.8L 7.3L 99-04	(2)	\$.95
30-3410-F	(6)	CLAMP-OVERFLOW HOSE	5.4L 6.8L 7.3L 99-04	(2)	\$1.75
43-0113	(7)	COOLANT RESERVOIR W/CAP	6.0L 03-04	(1)	\$69.95
43-0113		COOLANT RESERVOIR W/CAP	SUPERDUTY 05-07	(1)	\$69.95
43-0114	(8)	COOLANT RESERVOIR W/CAP	SUPERDUTY 08-10	(1)	\$179.95
43-0023	(9)	CAP-RESERVOIR	SUPERDUTY 03-10	(1)	\$6.95

Heater Components

1999-10 F250 F350 F450 F550 Super Duty

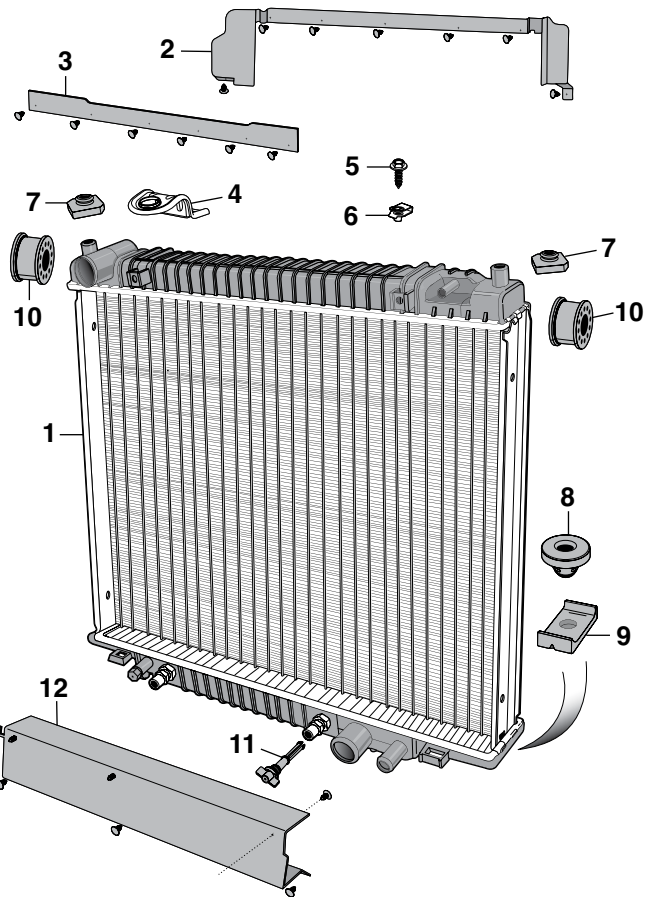


PART	ILL#	DESCRIPTION	APPLICATION	REQD	PRICE
43-2550	(1)	HEATER CORE	SUPERDUTY 99-02	(1)	\$42.95
43-2551		HEATER CORE	SUPERDUTY 03-07	(1)	\$42.95
32-1930-F	(2)	HEATER HOSE 5/8"	5 FEET SUPERDUTY 99-02	(2)	\$4.95
40-3425	(3)	CLAMP-HOSE	SUPERDUTY 99-02	(4)	\$1.95
47-0977	(4)	TEMP SWITCH W/MANUAL AC	SUPERDUTY 99-07	(1)	\$30.95
43-3064	(5)	HEATER HOSE ASSY	5.4L "A" SUPERDUTY 02-04	(1)	\$42.95
43-3056	(6)	WATER PUMP OUTLET TUBE	5.4L 99-04	(1)	\$47.95
43-0083	(7)	COOLANT NIPPLE 5.4L	"B" SUPERDUTY 99-10	(1)	\$9.95
47-0842	(8)	FAN SWITCH	SUPERDUTY 99-07	(1)	\$19.25
47-3608	(9)	SOCKET-FAN SWITCH	SUPERDUTY 99-07	(1)	\$8.95
47-0986	(10)	SELECTOR SWITCH W/MANUAL AC	SUPERDUTY 99-07	(1)	\$34.95
50-2364	(11)	KNOB W/BLUE LENS	SUPERDUTY 99-04	(3)	\$9.95
40-2614		KNOB W/GREEN LENS	SUPERDUTY 05-07	(3)	\$10.95
43-2447	(12)	BLOWER MOTOR W/FAN	SUPERDUTY 99-07	(1)	\$52.95
47-0911	(13)	SOCKET-BLOWER MOTOR	SUPERDUTY 99-07	(1)	\$8.95
47-1008	(14)	HEATER RESISTOR	"C" SUPERDUTY 99-07	(1)	\$16.95
47-1002	(15)	SOCKET-RESISTOR	"D" SUPERDUTY 99-07	(1)	\$7.95
47-1012	(16)	BLOWER MOTOR RESISTOR	SUPERDUTY 05-07	(1)	\$144.95
43-2481	(17)	ACTUATOR-HOT/COLD BLEND	"C" SUPERDUTY 99-07	(1)	\$22.95

Note: "A" With additional water port at rear of engine. Has additional nipple between brackets.
 "B" Pressed In block behind water pump.
 "C" For models with manual temperature control.
 "D" For models without AC or with manual AC.

Radiator and Components

1999-16 F250 F350 F450 F550 Super Duty



AT = Automatic Transmission
 MT = Manual Transmission

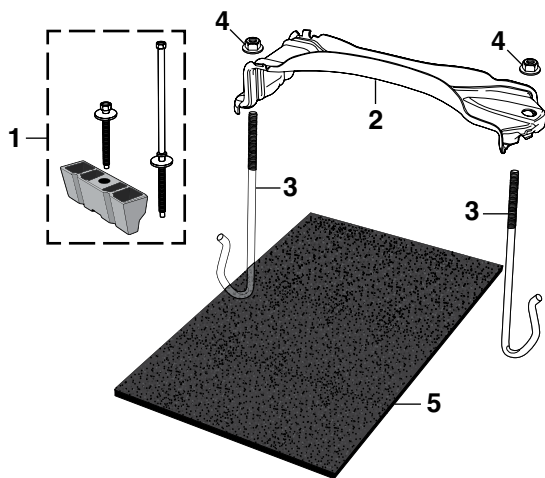
PART	ILL#	DESCRIPTION	APPLICATION	REQD	PRICE
43-3058	(1)	RADIATOR	5.4L F250 F350 99-04	(1)	\$219.95*
43-3059		RADIATOR	6.8L SUPERDUTY 99-04	(1)	\$239.95*
43-3059		RADIATOR	7.3L SUPERDUTY 99-03	(1)	\$239.95*
43-3060		RADIATOR-AT	6.0L SUPERDUTY 03-04	(1)	\$209.95*
43-3061		RADIATOR-MT	6.0L F250 03-04	(1)	\$345.95*
44-1610	(2)	AIR DEFLECTOR-UPPER-6.2L"A"	SUPERDUTY 11-16	(1)	\$22.95
44-1611		AIR DEFLECTOR-UPPER-6.2L"B"	SUPERDUTY 11-16	(1)	\$19.95
44-1612	(3)	AIR DEFLECTOR-UPPER-6.7L	SUPERDUTY 11-16	(1)	\$19.95
43-2892	(4)	UPPER BRACKET-LH	6.0L DSL SUPERDUTY 03-04	(1)	\$12.95
43-2892		UPPER BRACKET	SUPERDUTY 05-07	(2)	\$12.95
31-0542-F	(5)	SCREW	SUPERDUTY 99-07	(AR)	\$.95
40-0940	(6)	U-NUT	SUPERDUTY 99-07	(AR)	\$.95
43-0935	(7)	INSULATOR-UPPER	SUPERDUTY 99-10	(2)	\$16.95
43-0945	(8)	INSULATOR-LOWER ROUND	SUPERDUTY 99-16	(1)	\$12.95
43-0946	(9)	INSULATOR-LOWER RECTANGLE	5.4L 6.8L 99-04	(1)	\$16.95
43-0947	(10)	INSULATOR-UPPER RADIATOR	SUPERDUTY 08-16	(2)	\$11.95
43-0082	(11)	RADIATOR DRAIN TAP	SUPERDUTY 99-07	(1)	\$5.50
44-1613	(12)	AIR DEFLECTOR-LOWER-6.7L	F250 F350 11-16	(1)	\$49.95

* Or ** after the sell price means your order will incur an Oversize Part Charge for each oversized part. * Means extra charge will be \$20. ** Means extra charge will be \$50. Due to packing and/or transportation requirements, please allow additional time for delivery. Oversized Parts are not available for air delivery.

Note: "A" With XL.
 "B" Without XL.

Battery Tray Components

1999-16 F250 F350 F450 F550 Super Duty



Battery Mat is made from polypropylene needle punch felt which traps and neutralizes battery acid. The Battery Mat is safe to handle and takes only minutes to install.

PART	ILL#	DESCRIPTION	APPLICATION	REQD	PRICE
49-7557	(1)	BATTERY HOLD DOWN SET	99-10	(1)	\$4.95
49-7552	(2)	BATTERY HOLD DOWN	11-16	(1)	\$14.95
49-7553	(3)	J-BOLT	11-16	(2)	\$4.75
31-0876-F	(4)	NUT	11-16	(2)	\$.65
38-1039-F	(5)	BATTERY MAT-BLACK	8" X 12" 99-16	(1)	\$7.95

For Battery Disconnect Switches See Page 102



36-0809



36-0909

Antenna Mast

1999-16 F250 F350 F450 F550 Super Duty



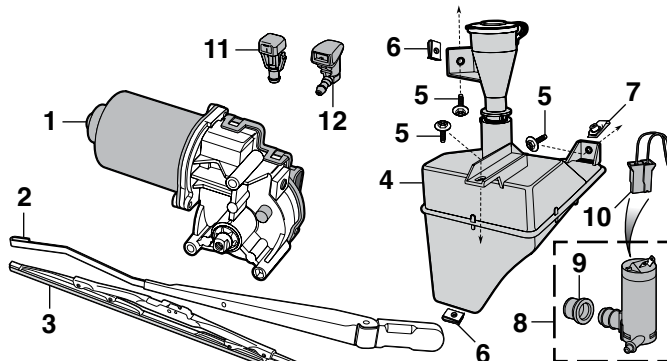
49-1000

PART	DESCRIPTION	APPLICATION	REQD	PRICE
49-1000	ANTENNA MAST-SILVER	"A" 99-16	(1)	\$13.75
49-1001	ANTENNA MAST-BLACK	"A" 99-16	(1)	\$20.95

Note: "A" For models without satellite radio.

Windshield Wiper Components

1999-16 F250 F350 F450 F550 Super Duty



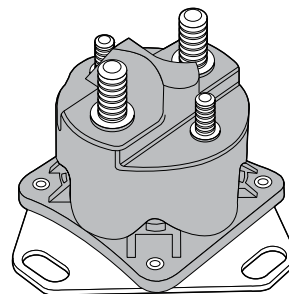
Wiper Arm Removal Tool
See Page 94

PART	ILL#	DESCRIPTION	APPLICATION	REQD	PRICE
47-4069	(1)	WIPER MOTOR	SUPERDUTY 99-01	(1)	\$66.95
47-4070		WIPER MOTOR-FRONT	"A" SUPERDUTY 02-07	(1)	\$119.95
47-4072		WIPER MOTOR-FRONT	12 PIN SUPERDUTY 08-10	(1)	\$109.95
47-3880	(2)	WIPER ARM-LH	SUPERDUTY 99-07	(1)	\$23.95
47-3881		WIPER ARM-RH	SUPERDUTY 99-07	(1)	\$25.95
47-3882		WIPER ARM-LH	SUPERDUTY 08-16	(1)	\$59.95
47-3883		WIPER ARM-RH	SUPERDUTY 08-16	(1)	\$69.95
47-3991	(3)	WIPER BLADE	SUPERDUTY 99-07	(2)	\$3.95
37-4046-F		WIPER BLADE	SUPERDUTY 08-16	(2)	\$10.25
47-3840	(4)	WASHER RESERVOIR W/CAP	SUPERDUTY 99-07	(1)	\$44.95
40-0539	(5)	BOLT W/WASHER	SUPERDUTY 99-04	(3)	\$1.25
50-0235		BOLT W/WASHER	SUPERDUTY 05-07	(3)	\$.75
40-0914	(6)	U-NUT-RESERVOIR	SUPERDUTY 99-07	(2)	\$.95
40-0940	(7)	U-NUT-RESERVOIR	SUPERDUTY 99-07	(1)	\$.95
50-8062	(8)	WASHER PUMP	SUPERDUTY 99-06	(1)	\$14.95
50-8069	(9)	GROMMET-WASHER PUMP	SUPERDUTY 99-06	(1)	\$3.45
50-8063	(10)	SOCKET-WASHER PUMP	SUPERDUTY 99-06	(1)	\$8.95
47-3865	(11)	SPRAY NOZZLE	SUPERDUTY 99-07	(2)	\$10.95
47-3866	(12)	SPRAY NOZZLE	SUPERDUTY 08-10	(2)	\$10.55
47-3867		SPRAY NOZZLE	SUPERDUTY 11-16	(2)	\$6.45

Note: "A" Without speed-sensitive wipers.

Starter Solenoid

1999-04 F250 F350 F450 F550 Super Duty



PART	DESCRIPTION	REQD	PRICE
47-0677	STARTER SOLENOID	(1)	\$13.95

Water in Fuel Sensor

2011-16 F250 F350 F450 F550 Super Duty



PART	DESCRIPTION	APPLICATION	REQD	PRICE
45-4001	WATER IN FUEL SENSOR-DIESEL	SUPERDUTY 11-16	(1)	\$26.95

ABS Speed Sensors

1999-16 F250 F350 F450 F550 Super Duty



PART	ILL#	DESCRIPTION	APPLICATION	REQD	PRICE	PART	ILL#	DESCRIPTION	APPLICATION	REQD	PRICE
2WD Models						4WD Models					
47-0552	(1)	ABS SPEED SENSOR-LH-FRONT	F250 F350 99-04	(1)	\$36.95	47-0554	(3)	ABS SPEED SENSOR-REAR	SUPERDUTY 99-04	(1)	\$14.95
47-0553	(1)	ABS SPEED SENSOR-RH-FRONT	F250 F350 99-04	(1)	\$46.95	47-1369	(4)	SOCKET-ABS SENSOR	SUPERDUTY 99-04	(1)	\$5.95
47-1372	(2)	SOCKET-ABS SENSOR	F250 F350 99-04	(2)	\$27.95	47-0569	(12)	ABS SPEED SENSOR-FRONT	SUPERDUTY 99-04	(1)	\$24.45
47-0554	(3)	ABS SPEED SENSOR-REAR	SUPERDUTY 99-04	(1)	\$14.95	47-1372	(13)	SOCKET-ABS SENSOR	SUPERDUTY 99-04	(1)	\$27.95
47-1369	(4)	SOCKET-ABS SENSOR	SUPERDUTY 99-04	(1)	\$5.95	44-0577	(14)	ABS SPEED SENSOR-FRONT	F250 F350 05-10	(2)	\$34.95
44-0576	(5)	ABS SPEED SENSOR-FRONT	SUPERDUTY 05-10	(2)	\$48.95	47-1372	(15)	SOCKET-ABS SENSOR	F250 F350 05-10	(2)	\$27.95
44-0580	(6)	ABS SPEED SENSOR-FRONT "A"	SUPERDUTY 11-16	(2)	\$37.25	44-0578	(16)	ABS SPEED SENSOR-FRONT	SUPERDUTY 11-12	(2)	\$19.45
47-1374	(7)	SOCKET-ABS SENSOR	SUPERDUTY 11-16	(2)	\$25.95	44-0579	(17)	ABS SPEED SENSOR-FRONT	SUPERDUTY 13-16	(2)	\$121.95
47-0556	(8)	ABS SPEED SENSOR-REAR	F250 05-13	(1)	\$29.45	47-1374	(18)	SOCKET-ABS SENSOR	SUPERDUTY 11-16	(2)	\$25.95
47-1371	(9)	SOCKET-ABS SENSOR	F250 05-13	(1)	\$27.05	47-0556	(19)	ABS SPEED SENSOR-REAR	F250 05-13	(1)	\$29.45
47-0556	(8)	ABS SPEED SENSOR-REAR F350	F450 F550 05-16	(1)	\$29.45	47-1371	(20)	SOCKET-ABS SENSOR	F250 05-13	(1)	\$27.05
47-1371	(9)	SOCKET-ABS SENSOR F350	F450 F550 05-16	(1)	\$27.05	47-0556	(19)	ABS SPEED SENSOR-REAR F350	F450 F550 05-16	(1)	\$29.45
44-0582	(10)	ABS SPEED SENSOR-LH-REAR	SUPERDUTY 11-16	(1)	\$18.95	47-1371	(20)	SOCKET-ABS SENSOR F350	F450 F550 05-16	(1)	\$27.05
44-0583	(1)	ABS SPEED SENSOR-RH-REAR	SUPERDUTY 11-16	(1)	\$20.95	44-0582	(21)	ABS SPEED SENSOR-LH-REAR	F250 11-16	(1)	\$18.95
47-1374	(11)	SOCKET-ABS SENSOR	SUPERDUTY 11-16	(1)	\$25.95	44-0583	(21)	ABS SPEED SENSOR-RH-REAR	F250 11-16	(1)	\$20.95

Note: "A" Without Traction Control.

Backup Light Switch

1999-10 F250 F350 F450 F550 Super Duty



PART	ILL#	DESCRIPTION	APPLICATION	REQD	PRICE
47-0862	(1)	BACKUP LIGHT-MANUAL TRANS	SUPERDUTY 99-04	(1)	\$13.55
47-0901	(2)	SOCKET-BACKUP SWITCH	SUPERDUTY 99-04	(1)	\$2.95
44-0862	(3)	BACKUP LIGHT-MANUAL TRANS	SUPERDUTY 05-10	(1)	\$13.05

Backup Parking Sensor

2001-15 F250 F350 F450 F550 Super Duty



PART	DESCRIPTION	APPLICATION	REQD	PRICE
47-0557	BACKUP PARKING SENSOR	SUPERDUTY 01-15	(4)	\$40.95

Brake Fluid Level Sensor

2011-16 F250 F350 Super Duty



PART	ILL#	DESCRIPTION	APPLICATION	REQD	PRICE
45-4000	(1)	BRAKE FLUID LEVEL SENSOR	F250 F350 11-16	(1)	\$25.95
44-0313	(2)	SOCKET-FLUID SENSOR	F250 F350 11-16	(1)	\$32.95

Door Lock Switches

1999-07 F250 F350 F450 F550 Super Duty

2011-16 F250 F350 F450 F550 Super Duty



PART	ILL#	DESCRIPTION	APPLICATION	REQD	PRICE
47-0000	(1)	DOOR LOCK SWITCH-LH	SUPERDUTY 99-01	(1)	\$84.95
47-0001		DOOR LOCK SWITCH-RH	SUPERDUTY 99-01	(1)	\$99.95
47-0004	(2)	DOOR LOCK SWITCH-LH	SUPERDUTY 02-07	(1)	\$31.95
47-0005		DOOR LOCK SWITCH-RH	SUPERDUTY 02-07	(1)	\$29.95
47-0010	(3)	DOOR LOCK SWITCH	SUPERDUTY 11-16	(2)	\$32.95

Door Open Warning Switches

1999-15 F250 F350 F450 F550 Super Duty



PART	ILL#	DESCRIPTION	APPLICATION	REQD	PRICE
47-0614	(1)	DOOR OPEN WARNING-FRONT-LH	SUPERDUTY 99-01	(1)	\$23.25
50-8117		DOOR OPEN WARNING-FRONT-RH	SUPERDUTY 99-01	(1)	\$13.95
47-0614		DOOR OPEN WARNING-REAR	SUPERDUTY 99-01	(2)	\$23.25
44-0618	(2)	DOOR OPEN WARNING-LH	SUPERDUTY 02-03	(1)	\$39.95
44-0619		DOOR OPEN WARNING-RH	SUPERDUTY 02-03	(1)	\$43.95
44-0303	(3)	SOCKET-DOOR OPEN WARN	SUPERDUTY 02-03	(1)	\$14.95
44-0616	(4)	DOOR OPEN WARNING-LH	"A" F250 F450 08-15	(1)	\$22.25
44-0617		DOOR OPEN WARNING-RH	"A" F250 F450 08-15	(1)	\$6.45
44-0616		DOOR OPEN WARNING-LH	"A" F350 08-14	(1)	\$22.25
44-0617		DOOR OPEN WARNING-RH	"A" F350 08-14	(1)	\$6.45
44-0616		DOOR OPEN WARNING-LH	"A" F550 08-15	(1)	\$22.25
44-0617		DOOR OPEN WARNING-RH	"A" F550 08-15	(1)	\$6.45
44-0620	(5)	DOOR OPEN WARNING-RH	"B" F250 08-15	(1)	\$17.95
44-0620		DOOR OPEN WARNING-RH	"B" F350 08-14	(1)	\$17.95

Note "A" Fits standard cab front, super cab front and crew cab rear.
"B" Fits super cab rear.

4WD Selector Switch

2011-16 F250 F350 F450 F550 Super Duty



PART	DESCRIPTION	APPLICATION	REQD	PRICE
44-0983	4WD SELECTOR SWITCH "A"	SUPERDUTY 11-16	(1)	\$44.95
44-0984	4WD SELECTOR SWITCH "B"	SUPERDUTY 11-16	(1)	\$54.95

Note: "A" For models with electronic locking differential, manual transfer case and manual hubs.
"B" For models with limited-slip differential, electric transfer case and auto hubs.

Flasher

1999-10 F250 F350 F450 F550 Super Duty



PART	DESCRIPTION	APPLICATION	REQD	PRICE
47-0596	FLASHER	SUPERDUTY 99-10	(1)	\$12.95

Fuel Pump Shutoff Switch

1999-04 F250 F350 F450 F550 Super Duty



PART	DESCRIPTION	APPLICATION	REQD	PRICE
47-0858	FUEL PUMP SHUTOFF SWITCH	SUPERDUTY 99-04	(1)	\$54.95

Fuel Tank Selector Valve

2000-10 F250 F350 F450 F550 Super Duty



PART	DESCRIPTION	APPLICATION	REQD	PRICE
44-0855	FUEL TANK SELECT VALVE-DIESEL	SUPERDUTY 00-10	(1)	\$110.95

Ignition Switches

1999-07 F250 F350 F450 F550 Super Duty

2011-16 F250 F350 F450 F550 Super Duty



PART	ILL#	DESCRIPTION	APPLICATION	REQD	PRICE
47-0717	(1)	IGNITION CYLINDER W/KEYS	SUPERDUTY 99-07	(1)	\$30.55
47-0737	(2)	IGNITION SWITCH	SUPERDUTY 99-04	(1)	\$14.25
44-0652	(3)	IGNITION STARTER SWITCH	SUPERDUTY 11-16	(1)	\$27.95
44-0307	(4)	SOCKET-IGNITION SWITCH	SUPERDUTY 11-16	(1)	\$69.95

Headlight Switches

1999-16 F250 F350 F450 F550 Super Duty



PART	ILL#	DESCRIPTION	APPLICATION	REQD	PRICE
47-0062	(1)	HEADLIGHT SWITCH-W/KNOB	SUPERDUTY 99-00	(1)	\$92.25
47-0065	(2)	HEADLIGHT SWITCH-W/KNOB "A"	SUPERDUTY 01-04	(1)	\$99.95
47-0069	(3)	HEADLIGHT SWITCH-W/KNOB "B"	KINGRANCH 02-04	(1)	\$99.25
47-0070	(4)	HEADLIGHT SWITCH-W/KNOB "B"	SUPERDUTY 03-04	(1)	\$139.15
47-0078	(5)	KNOB-HEADLIGHT SWITCH	SUPERDUTY 99-04	(1)	\$6.45
47-0071	(6)	HEADLIGHT SWITCH-W/KNOB "C"	SUPERDUTY 05-07	(1)	\$79.95
47-0073	(7)	HEADLIGHT SWITCH-W/KNOB "D"	SUPERDUTY 05-07	(1)	\$104.95
47-0074	(8)	HEADLIGHT SWITCH-W/KNOB "B"	SUPERDUTY 05-07	(1)	\$132.95
44-0304	(9)	SOCKET-SWITCH 6 PIN	SUPERDUTY 05-07	(1)	\$44.95
44-0305	(10)	SOCKET-SWITCH 12 PIN	SUPERDUTY 05-07	(1)	\$45.95
44-0637	(11)	HEADLIGHT SWITCH-W/KNOB "C"	SUPERDUTY 08-10	(1)	\$57.15
44-0639	(12)	HEADLIGHT SWITCH-W/KNOB "B"	SUPERDUTY 08-10	(1)	\$68.85
44-0640	(13)	HEADLIGHT SWITCH-W/KNOB "C"	F250 11-16	(1)	\$34.15
44-0640		HEADLIGHT SWITCH-W/KNOB "C"	F350 11-14	(1)	\$34.15
44-0640		HEADLIGHT SWITCH-W/KNOB "C"	F450 F550 11-14	(1)	\$34.15

PART	ILL#	DESCRIPTION	APPLICATION	REQD	PRICE
44-0642	(14)	HEADLIGHT SWITCH-W/KNOB "D"	F250 11-16	(1)	\$37.95
44-0642		HEADLIGHT SWITCH-W/KNOB "D"	F350 11-14	(1)	\$37.95
44-0642		HEADLIGHT SWITCH-W/KNOB "D"	F450 F550 11-14	(1)	\$37.95
44-0643	(15)	HEADLIGHT SWITCH-W/KNOB "B"	F250 11-16	(1)	\$129.95
44-0643		HEADLIGHT SWITCH-W/KNOB "B"	F350 11-14	(1)	\$129.95
44-0643		HEADLIGHT SWITCH-W/KNOB "B"	F450 F550 11-14	(1)	\$129.95
44-0306	(16)	SOCKET-HEADLIGHT SWITCH	SUPERDUTY 08-16	(1)	\$77.95

Note: "A" For models with fog lights and without automatic headlights.
 "B" For models with fog lights and with automatic headlights.
 "C" For models without fog lights and without automatic headlights.
 "D" For models without fog lights and with automatic headlights

Lighter Knob & Element

1999-04 F250 F350 F450 F550 Super Duty



PART	DESCRIPTION	APPLICATION	REQD	PRICE
40-2535	LIGHTER KNOB & ELEMENT	SUPERDUTY 99-04	(1)	\$4.95

Mirror Switches

1999-16 F250 F350 F450 F550 Super Duty



PART	ILL#	DESCRIPTION	APPLICATION	REQD	PRICE
47-0030	(1)	MIRROR SWITCH	SUPERDUTY 99-05	(1)	\$17.95
47-0034	(2)	MIRROR SWITCH	"A" SUPERDUTY 08-10	(1)	\$21.25
47-0034		MIRROR SWITCH	"B" SUPERDUTY 08-16	(1)	\$21.25
47-0035	(3)	MIRROR SWITCH	"C" SUPERDUTY 08-16	(1)	\$17.95

Note: "A" For models without tow mirrors.
 "B" For models with tow mirrors without telescoping arms.
 "C" For models with tow mirrors with telescoping arms.

Neutral Safety Switch

1999-16 F250 F350 F450 F550 Super Duty



MT = Manual Transmission

PART	ILL#	DESCRIPTION	APPLICATION	REQD	PRICE
50-8171	(1)	NEUTRAL SAFETY SWITCH-MT	SUPERDUTY 99-10	(1)	\$35.75
44-0871	(2)	NEUTRAL SAFETY SWITCH-MT	SUPERDUTY 11-16	(1)	\$46.25

Oil Pressure Switches

1999-16 F250 F350 F450 F550 Super Duty



PART	ILL#	DESCRIPTION	APPLICATION	REQD	PRICE
47-0944	(1)	OIL PRESSURE SWITCH-GAS	SUPERDUTY 99-16	(1)	\$9.95
47-0945	(2)	OIL PRESSURE SWITCH-DIESEL	SUPERDUTY 99-10	(1)	\$22.45
47-0944		OIL PRESSURE SWITCH-DIESEL	SUPERDUTY 11-16	(1)	\$9.95

Overdrive Shift Button Cap

2005-07 F250 F350 F450 F550 Super Duty



PART	DESCRIPTION	APPLICATION	REQD	PRICE
50-8149	SHIFT BUTTON CAP	SUPERDUTY 05-07	(1)	\$9.45

Park Brake Release Switch

1999-04 F250 F350 F450 F550 Super Duty



PART	ILL#	DESCRIPTION	APPLICATION	REQD	PRICE
47-0843	(1)	PARK BRAKE RELEASE SWITCH	SUPERDUTY 99-02	(1)	\$16.55
47-0608	(2)	PARK BRAKE RELEASE SWITCH	SUPERDUTY 03-04	(1)	\$8.95
44-0311	(3)	SOCKET-BRAKE RELEASE	SUPERDUTY 03-04	(1)	\$40.95

Seat Switches

2010-16 F250 F350 F450 F550 Super Duty



PART	ILL#	DESCRIPTION	APPLICATION	REQD	PRICE
44-0668	(1)	SEAT SWITCH-LH-FRONT-6 WAY	SUPERDUTY 10-16	(1)	\$64.95
44-0666	(2)	SEAT SWITCH-LH-FRONT-10 WAY	SUPERDUTY 10-16	(1)	\$64.95

Shiftlock Actuator

1999-04 F250 F350 F450 F550 Super Duty



PART	DESCRIPTION	APPLICATION	REQD	PRICE
47-0970	SHIFTLOCK ACTUATOR-COLUMN	SUPERDUTY 99-04	(1)	\$49.95

Speed Control Switch

1999-07 F250 F350 F450 F550 Super Duty



PART	ILL#	DESCRIPTION	APPLICATION	REQD	PRICE
47-1370	(1)	SPEED CONTROL SWITCH	SUPERDUTY 99-04	(1)	\$24.95
47-0631	(2)	SPEED CONTROL SWITCH	SUPERDUTY 05-07	(1)	\$34.95
44-0312	(3)	SOCKET-SPEED CONTROL	SUPERDUTY 05-07	(1)	\$27.75

Stop Lamp Switch Socket

1999-10 F250 F350 F450 F550 Super Duty



PART	DESCRIPTION	APPLICATION	REQD	PRICE
47-3613	SOCKET-STOP LAMP SWITCH	SUPERDUTY 99-10	(1)	\$15.95

NEW

Power Sunroof Switch

2011-16 F250 F350 F450 F550 Super Duty with Power Sliding Rear Window



This Power Sunroof Switch mounts up above the driver in the overhead console and also controls the sliding rear window, for trucks so equipped.

PART	DESCRIPTION	APPLICATION	REQD	PRICE
47-0038	POWER SUNROOF SWITCH	SUPERDUTY 11-16	(1)	\$39.95

Turn Signal/Wiper Switches

1999-10 F250 F350 F450 F550 Super Duty



PART	ILL#	DESCRIPTION	APPLICATION	REQD	PRICE
47-0812	(1)	TURN/WIPER SWITCH	SUPERDUTY 99-00	(1)	\$49.95
47-0813	(1)	TURN/WIPER SWITCH	SUPERDUTY 01	(1)	\$49.95
47-3595	(2)	SOCKET-SWITCH	SUPERDUTY 99-01	(1)	\$9.95
47-0819	(3)	TURN/WIPER SWITCH	SUPERDUTY 02-07	(1)	\$59.45
47-0607	(4)	TURN/WIPER SWITCH	SUPERDUTY 08-10	(1)	\$69.95

Window Switches

1999-16 F250 F350 F450 F550 Super Duty

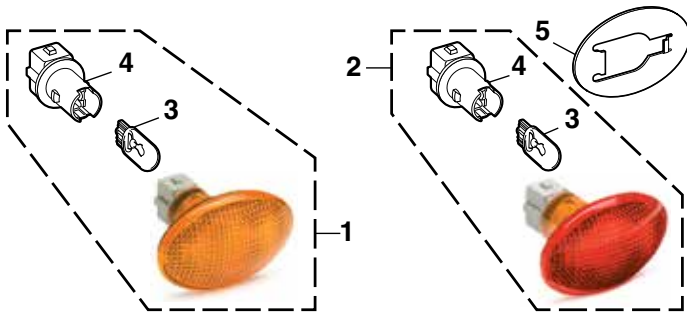


PART	ILL#	DESCRIPTION	APPLICATION	REQD	PRICE
47-0080	(1)	WINDOW SWITCH-LH	STD/SUPER 99	(1)	\$89.95
47-0090	(1)	WINDOW SWITCH-LH	STD/SUPER 00-01	(1)	\$85.55
47-0098	(2)	WINDOW SWITCH-LH	CREW CAB 00-01	(1)	\$109.95
47-0081	(3)	WINDOW SWITCH-RH	SUPERDUTY 99-01	(1)	\$44.95
47-0081	(2)	WINDOW SWITCH-REAR	CREW CAB 99-01	(2)	\$44.95
47-0092	(4)	WINDOW SWITCH-LH	STD/SUPER 02-06	(1)	\$49.95
47-0102	(5)	WINDOW SWITCH-LH	STD/SUPER 02-04	(1)	\$64.95
47-0104	(1)	WINDOW SWITCH-LH	CREW CAB 05-06	(1)	\$99.95
47-0085	(6)	WINDOW SWITCH-RH	SUPERDUTY 02-06	(1)	\$10.50
47-0085	(2)	WINDOW SWITCH-REAR	CREW CAB 02-06	(2)	\$10.50
47-0094	(7)	WINDOW SWITCH-LH	STD/SUPER 07-10	(1)	\$49.95
47-0148	(8)	WINDOW SWITCH-LH	CREW CAB 07-10	(1)	\$54.95
47-0087	(9)	WINDOW SWITCH-RH	SUPERDUTY 07-10	(1)	\$19.95
47-0087	(2)	WINDOW SWITCH-REAR	CREW CAB 07-10	(2)	\$19.95
44-0080	(10)	WINDOW SWITCH-LH-FRONT	SUPERDUTY 11-12	(1)	\$74.25
44-0083	(11)	WINDOW SWITCH-RH-FRONT	STD/SUPER 11-16	(1)	\$32.95
44-0301	(12)	SOCKET-WINDOW SWITCH	STD/SUPER 11-16	(1)	\$42.95
44-0083	(11)	WINDOW SWITCH-RH-REAR	CREW CAB 11-16	(1)	\$32.95
44-0301	(12)	SOCKET-WINDOW SWITCH	CREW CAB 11-16	(1)	\$42.95

Fender Marker Light and Components

Models with Dual Rear Wheels

1999-10 F250 F350 F450 F550 Super Duty



PART	ILL#	DESCRIPTION	APPLICATION	REQD	PRICE
47-4458	(1)	FENDER MARKER LIGHT-AMBER	SUPERDUTY 99-10	(2)	\$9.95
47-4459	(2)	FENDER MARKER LIGHT-RED	SUPERDUTY 99-10	(2)	\$14.95
36-0232-F	(3)	BULB-CLEAR	SUPERDUTY 99-10	(4)	\$1.25
47-0434	(4)	SOCKET	SUPERDUTY 99-10	(4)	\$10.95
47-4460	(5)	RETAINER	SUPERDUTY 99-10	(4)	\$14.95

Glove Box Light Bulb

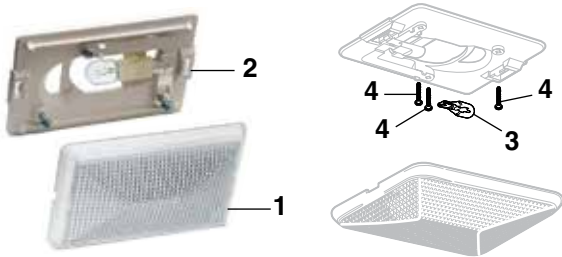
1999-04 F250 F350 F450 F550 Super Duty



PART	DESCRIPTION	APPLICATION	REQD	PRICE
36-0224-F	BULB-CLEAR	SUPERDUTY 99-04	(1)	\$1.25

Dome Light - Single Beam

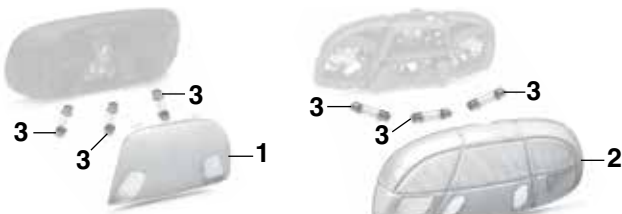
1999-04 F250 F350 F450 F550 Super Duty



PART	ILL#	DESCRIPTION	APPLICATION	REQD	PRICE
50-8492	(1)	LENS-DOME LIGHT-CLEAR	SUPERDUTY 99-04	(1)	\$12.45
50-8493	(2)	DOME LIGHT BODY	SUPERDUTY 99-04	(1)	\$22.95
47-0235	(3)	BULB-CLEAR	SUPERDUTY 99-04	(1)	\$.79
30-0433-F	(4)	SCREW	SUPERDUTY 99-04	(3)	\$.75

Dome / Map Light Components

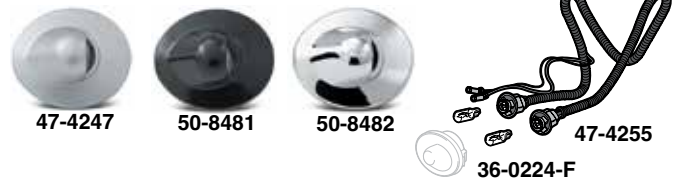
1999-16 F250 F350 F450 F550 Super Duty



PART	ILL#	DESCRIPTION	APPLICATION	REQD	PRICE
47-4273	(1)	LENS-DOME/MAP LIGHT-CLEAR	SUPERDUTY 99-07	(1)	\$12.95
47-4292	(2)	LENS-DOME/MAP LIGHT-CLEAR	SUPERDUTY 08-16	(1)	\$16.95
47-0223	(3)	BULB-CLEAR	SUPERDUTY 99-16	(3)	\$1.95

Rear License Lamp

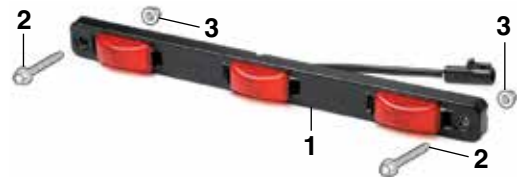
1999-16 F250 F350 F450 F550 Super Duty



PART	DESCRIPTION	APPLICATION	REQD	PRICE	
47-4247	LICENSE LAMP LENS-SILVER CLEAR	SUPERDUTY 99-16	(2)	\$6.95	
50-8481	LICENSE LAMP LENS-BLACK CLEAR	SUPERDUTY 99-16	(2)	\$4.95	
50-8482	LICENSE LAMP LENS-CHROME CLEAR	SUPERDUTY 99-16	(2)	\$5.95	
36-0224-F	BULB	CLEAR	SUPERDUTY 99-16	(2)	\$1.25
47-0366	LED BULB-WHITE		SUPERDUTY 99-16	(2)	\$7.95
47-4255	LICENSE PLATE LAMP HARNESS		SUPERDUTY 99-16	(1)	\$9.45

Rear Marker Light

1999-16 F250 F350 F450 F550 Super Duty



PART	ILL#	DESCRIPTION	APPLICATION	REQD	PRICE
47-4179	(1)	REAR MARKER LIGHT-RED	SUPERDUTY 99-16	(1)	\$52.95
40-0514	(2)	BOLT	SUPERDUTY 99-16	(2)	\$3.95
40-0986	(3)	NUT	SUPERDUTY 99-16	(2)	\$.75

Underhood Light

1999-14 F250 F350 F450 F550 Super Duty



PART	DESCRIPTION	APPLICATION	REQD	PRICE
47-4296	UNDERHOOD LIGHT	SUPERDUTY 99-14	(1)	\$24.95
47-0241	BULB-CLEAR	SUPERDUTY 99-14	(1)	\$.75

Third Brake Light

1999-16 F250 F350 F450 F550 Super Duty

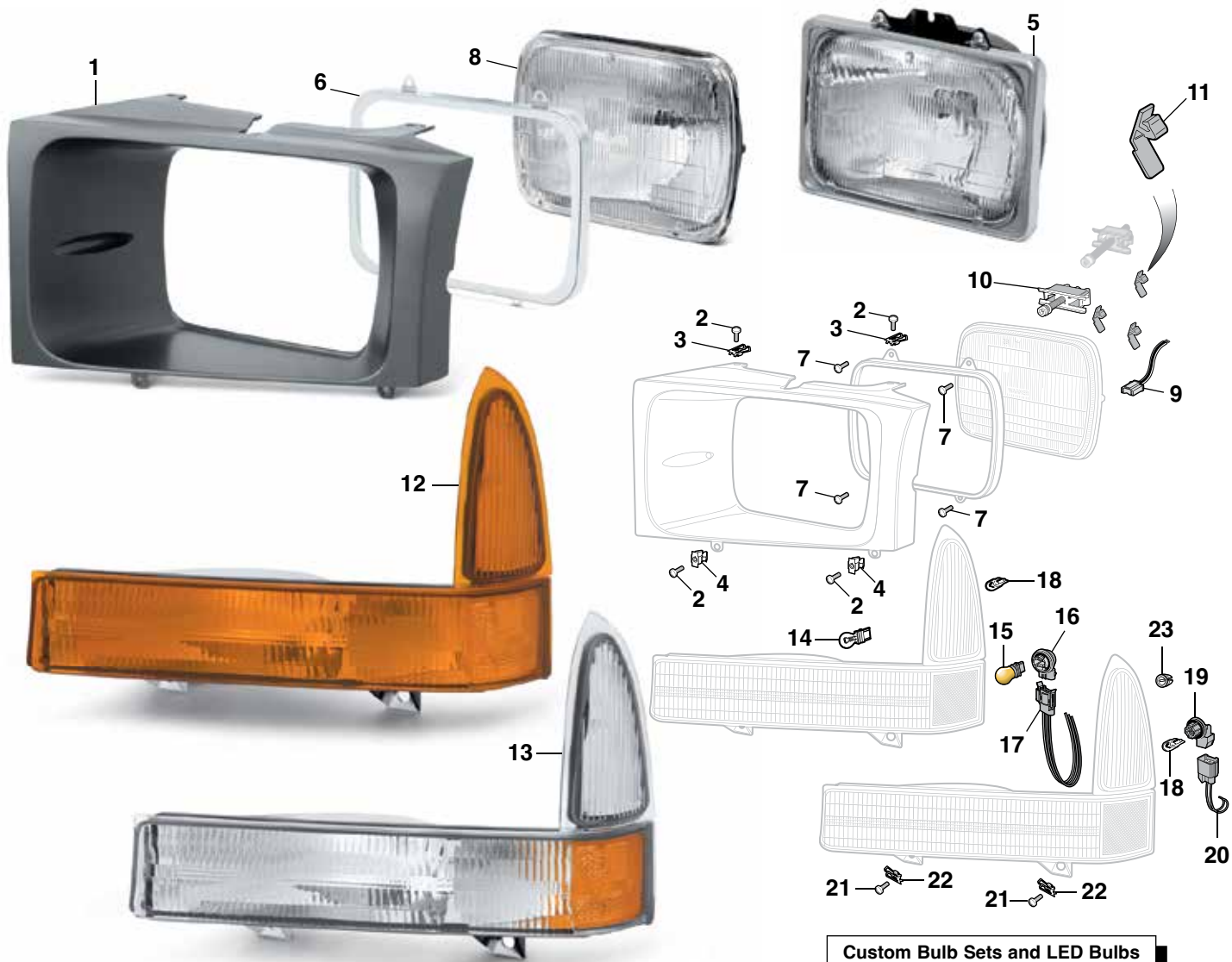


PART	ILL#	DESCRIPTION	APPLICATION	REQD	PRICE
47-4168	(1)	THIRD BRAKE LIGHT ASSEMBLY	RED 99-04	(1)	\$123.95
47-4169	(2)	THIRD BRAKE LIGHT ASSY "A"	RED/CLEAR 99-11	(1)	\$59.95
47-4257		THIRD BRAKE LIGHT ASSY	RED/CLEAR 12-16	(1)	\$56.95
47-0241	(3)	BULB-BRAKE LIGHT	CLEAR 99-16	(1)	\$.75
47-0241	(4)	BULB-CARGO LIGHT	CLEAR 99-16	(2)	\$.75
50-0314	(5)	SCREW-BLACK	SUPERDUTY 99-16	(2)	\$.65
40-0927	(6)	WELL NUT-LIGHT	SUPERDUTY 99-16	(2)	\$.75

Note: "A" For models with cargo light option.

Headlight and Parklight - Sealed Beam Style

1999-04 F250 F350 F450 F550 Super Duty



1999-2004 Parklights are interchangeable when purchased in pairs.

Custom Bulb Sets and LED Bulbs for Parklights and Sidemarkers See Page 165

Custom Headlights See Page 165

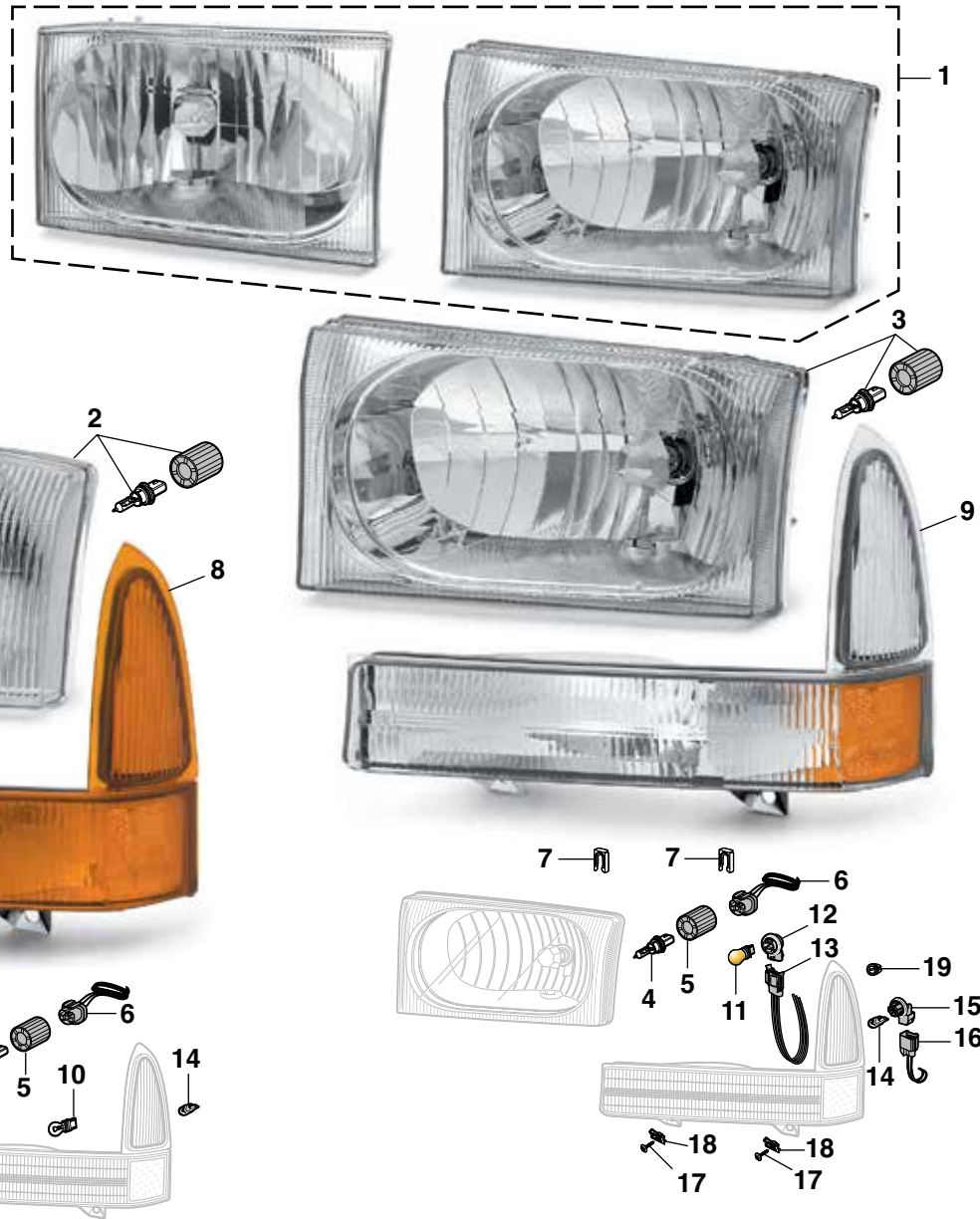
PART	ILL#	DESCRIPTION	APPLICATION	REQD	PRICE
49-6800	(1)	BEZEL-DARK GRAY-LH	SUPERDUTY 99-04	(1)	\$12.95
49-6801		BEZEL-DARK GRAY-RH	SUPERDUTY 99-04	(1)	\$12.95
50-0307	(2)	SCREW-BEZEL	SUPERDUTY 99-04	(8)	\$1.95
40-0536	(3)	U-NUT-BEZEL	SUPERDUTY 99-04	(4)	\$1.25
40-0556	(4)	WELL NUT-BEZEL	SUPERDUTY 99-04	(4)	\$2.95
47-0306	(5)	HEADLIGHT ASSY-LH HALOGEN	SUPERDUTY 99-04	(1)	\$47.95
47-0307		HEADLIGHT ASSY-RH HALOGEN	SUPERDUTY 99-04	(1)	\$47.95
47-4826	(6)	HEADLIGHT RETAINER	SUPERDUTY 99-04	(2)	\$12.45
40-0415	(7)	SCREW-RETAINER	SUPERDUTY 99-04	(4)	\$.65
36-0285-F	(8)	HALOGEN HEADLIGHT	SUPERDUTY 99-04	(2)	\$12.95
36-0583-F	(9)	SOCKET-HEADLIGHT	SUPERDUTY 99-04	(4)	\$1.95
40-0762	(10)	ADJUSTER ASSEMBLY-SIDE	SUPERDUTY 99-04	(2)	\$53.95
40-0979	(11)	HEADLIGHT ANTI-RATTLE	SUPERDUTY 99-04	(6)	\$1.55
47-4334	(12)	PARKLIGHT-LH AMBER	SUPERDUTY 99-01	(1)	\$19.95
47-4335		PARKLIGHT-RH AMBER	SUPERDUTY 99-01	(1)	\$19.95

PART	ILL#	DESCRIPTION	APPLICATION	REQD	PRICE
47-4338	(13)	PARKLIGHT-LH CLEAR/CLEAR	SUPERDUTY 02-04	(1)	\$21.95
47-4339		PARKLIGHT-RH CLEAR/CLEAR	SUPERDUTY 02-04	(1)	\$21.95
50-8200	(14)	BULB-PARKLIGHT CLEAR	SUPERDUTY 99-01	(2)	\$.95
47-0212	(15)	BULB-PARKLIGHT AMBER	SUPERDUTY 02-04	(2)	\$1.49
50-8206	(16)	SOCKET-PARKLIGHT BULB	SUPERDUTY 99-04	(2)	\$6.95
50-8271	(17)	SOCKET-PARKLIGHT	SUPERDUTY 99-04	(2)	\$7.95
36-0224-F	(18)	BULB-SIDEMARKER CLEAR	SUPERDUTY 99-04	(2)	\$1.25
50-8208	(19)	SOCKET-SIDEMARKER BULB	SUPERDUTY 99-04	(2)	\$8.95
47-0432	(20)	SOCKET-SIDEMARKER	SUPERDUTY 99-04	(2)	\$10.45
50-0307	(21)	SCREW-PARKLIGHT	SUPERDUTY 99-04	(4)	\$1.95
40-0536	(22)	U-NUT-PARKLIGHT	SUPERDUTY 99-04	(4)	\$1.25
50-0512	(23)	RETAINER-PARKLIGHT	SUPERDUTY 99-04	(2)	\$.75

Headlight and Parklight - With Composite Style Headlights

1999-04 F250 F350 F450 F550 Super Duty

1999-2004 Composite headlights and parklights are interchangeable when purchased in pairs.



PART	ILL#	DESCRIPTION	APPLICATION	REQD	PRICE
42-1620	(1)	HEADLIGHT SET	SUPERDUTY 99-04	(1)	\$86.95
47-4700	(2)	HEADLIGHT ASSEMBLY-LH	SUPERDUTY 99-01	(1)	\$37.95
47-4701		HEADLIGHT ASSEMBLY-RH	SUPERDUTY 99-01	(1)	\$37.95
47-4702	(3)	HEADLIGHT ASSEMBLY-LH	SUPERDUTY 02-04	(1)	\$49.95
47-4703		HEADLIGHT ASSEMBLY-RH	SUPERDUTY 02-04	(1)	\$45.95
47-0246	(4)	BULB-HEADLIGHT-WHITE	SUPERDUTY 99-04	(2)	\$5.95
36-0294-F		BULB-HEADLIGHT-BLUE	SUPERDUTY 99-04	(2)	\$4.95
36-0298-F		SUPERWHITE BULB SET	SUPERDUTY 99-04	(1)	\$15.95
40-0973	(5)	BULB RETAINER	SUPERDUTY 99-04	(2)	\$10.95
47-0260	(6)	SOCKET-HEADLIGHT	SUPERDUTY 99-04	(2)	\$1.95
40-0968	(7)	RETAINER-HEADLIGHT	SUPERDUTY 99-04	(4)	\$21.95
47-4334	(8)	PARKLIGHT-LH AMBER	SUPERDUTY 99-01	(1)	\$19.95
47-4335		PARKLIGHT-RH AMBER	SUPERDUTY 99-01	(1)	\$19.95
47-4338	(9)	PARKLIGHT-LH CLEAR/CLEAR	SUPERDUTY 02-04	(1)	\$21.95
47-4339		PARKLIGHT-RH CLEAR/CLEAR	SUPERDUTY 02-04	(1)	\$21.95

**Custom Bulb Sets and LED Bulbs
for Parklights and Sidemarkers
See Page 165**

PART	ILL#	DESCRIPTION	APPLICATION	REQD	PRICE
50-8200	(10)	BULB-PARKLIGHT-CLEAR	SUPERDUTY 99-01	(2)	\$.95
47-0212	(11)	BULB-PARKLIGHT-AMBER	SUPERDUTY 02-04	(2)	\$1.49
50-8206	(12)	SOCKET-PARKLIGHT BULB	SUPERDUTY 99-04	(2)	\$6.95
50-8271	(13)	SOCKET-PARKLIGHT	SUPERDUTY 99-04	(2)	\$7.95
36-0224-F	(14)	BULB-SIDEMARKER-CLEAR	SUPERDUTY 99-04	(2)	\$1.25
50-8208	(15)	SOCKET-SIDEMARKER BULB	SUPERDUTY 99-04	(2)	\$8.95
47-0432	(16)	SOCKET-SIDEMARKER	SUPERDUTY 99-04	(2)	\$10.45
50-0307	(17)	SCREW-PARKLIGHT	SUPERDUTY 99-04	(4)	\$1.95
40-0536	(18)	U-NUT-PARKLIGHT	SUPERDUTY 99-04	(4)	\$1.25
50-0512	(19)	RETAINER-PARKLIGHT	SUPERDUTY 99-04	(2)	\$.75

Headlight and Parklight - Sealed Beam Style

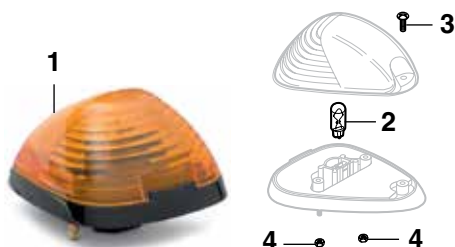
2005-11 F250 F350 F450 F550 Super Duty



PART	ILL#	DESCRIPTION	APPLICATION	REQD	PRICE	PART	ILL#	DESCRIPTION	APPLICATION	REQD	PRICE	
47-4344	(1)	PARKLIGHT ASSY-LH AMBER "A"	SUPERDUTY 06-07	(1)	\$41.95	47-0306	(9)	HEADLIGHT ASSY-LH	HALOGEN	SUPERDUTY 05-11	(1)	\$47.95
47-4345	(1)	PARKLIGHT ASSY-RH AMBER "A"	SUPERDUTY 06-07	(1)	\$129.95	47-0307	(9)	HEADLIGHT ASSY-RH	HALOGEN	SUPERDUTY 05-11	(1)	\$47.95
47-0429	(2)	SOCKET-PARKLIGHT BULB	SUPERDUTY 05-07	(2)	\$7.95	47-4826	(10)	HEADLIGHT RETAINER		SUPERDUTY 05-11	(2)	\$12.45
36-0224-F	(3)	BULB-SIDEMARKER-CLEAR	SUPERDUTY 05-07	(2)	\$1.25	40-0415	(11)	SCREW-RETAINER		SUPERDUTY 05-11	(4)	\$.65
47-0431	(4)	SOCKET-SIDEMARKER BULB	SUPERDUTY 05-07	(2)	\$8.45	36-0285-F	(12)	HALOGEN HEADLIGHT		SUPERDUTY 05-11	(2)	\$12.95
47-0432	(5)	SOCKET-SIDEMARKER	SUPERDUTY 05-07	(2)	\$10.45	36-0583-F	(13)	SOCKET-HEADLIGHT		SUPERDUTY 05-11	(4)	\$1.95
Note: "A" Parklight assembly includes black bezel.						40-0761	(14)	ADJUSTER ASSEMBLY-UPPER		SUPERDUTY 05-10	(2)	\$60.95
						40-0762	(15)	ADJUSTER ASSEMBLY-SIDE		SUPERDUTY 05-10	(2)	\$53.95
						40-0979	(16)	HEADLIGHT ANTI-RATTLE		SUPERDUTY 05-10	(6)	\$1.55

Roof Marker Light and Components

1999-16 F250 F350 F450 F550 Super Duty



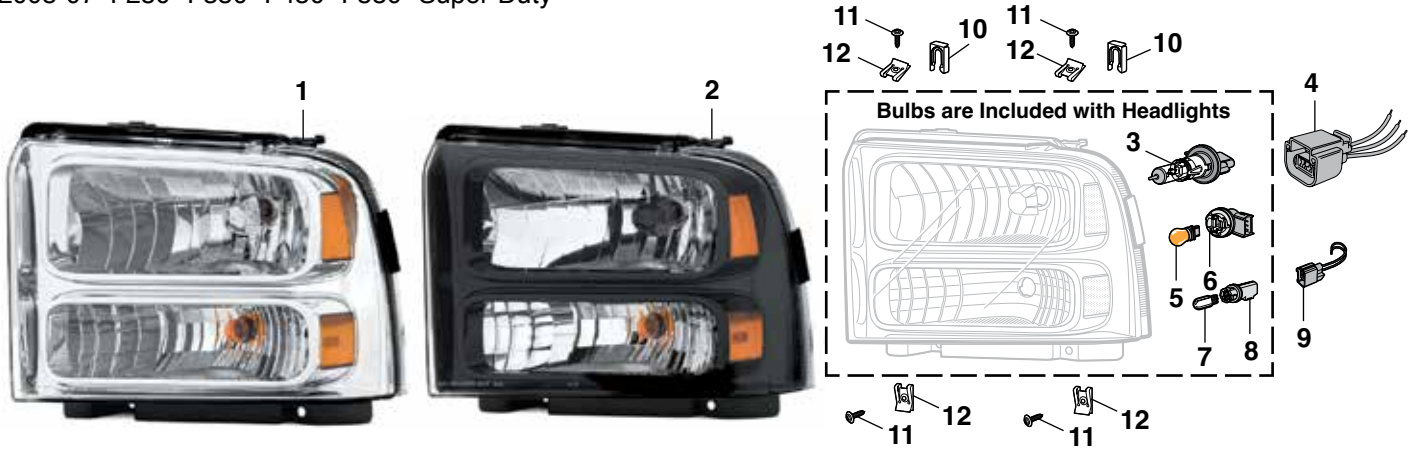
Bulb is Included with Roof Marker

For More Information on LED Bulbs See Page 165

PART	ILL#	DESCRIPTION	APPLICATION	REQD	PRICE	PART	ILL#	DESCRIPTION	APPLICATION	REQD	PRICE
47-4174	(1)	ROOF MARKER ASSEMBLY-AMBER	SUPERDUTY 99-16	(5)	\$16.95	36-0224-F	(2)	BULB-CLEAR	SUPERDUTY 99-16	(5)	\$1.25
						36-0235-F	(2)	BULB-AMBER	SUPERDUTY 99-16	(5)	\$1.25
						36-0368-F	(3)	LED BULB-AMBER	SUPERDUTY 99-16	(5)	\$7.95
						40-0553	(4)	SCREW	SUPERDUTY 99-16	(5)	\$.65
						29-0575-F	(4)	NUT	SUPERDUTY 99-16	(10)	\$.75

Combination Headlight Assembly

2005-07 F250 F350 F450 F550 Super Duty



Custom Bulb Sets and LED Bulbs for Parklights and Sidemarkers See Page 165

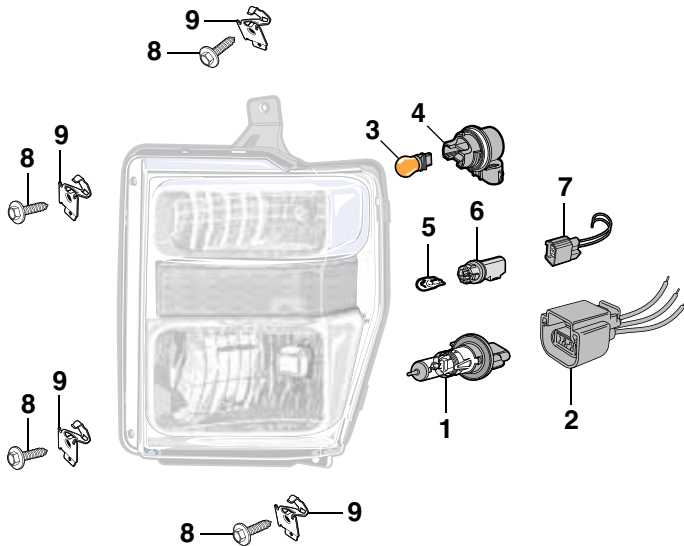
PART	ILL#	DESCRIPTION	APPLICATION	REQD	PRICE
47-4704	(1)	HEADLIGHT ASSY-LH CHROME	SUPERDUTY 05-07	(1)	\$94.95
47-4705		HEADLIGHT ASSY-RH CHROME	SUPERDUTY 05-07	(1)	\$94.95
47-4706	(2)	HEADLIGHT ASSY-LH BLACK "A"	HARLEY 05-07	(1)	\$99.95
47-4707		HEADLIGHT ASSY-RH BLACK "A"	HARLEY 05-07	(1)	\$99.95
47-0258	(3)	BULB-HEADLIGHT-WHITE	SUPERDUTY 05-07	(2)	\$8.95
47-0265	(4)	SOCKET-HEADLIGHT BULB	SUPERDUTY 05-07	(2)	\$6.95
47-0212	(5)	BULB-PARKLIGHT-AMBER	SUPERDUTY 05-07	(2)	\$1.49
47-0429	(6)	SOCKET-PARKLIGHT BULB	SUPERDUTY 05-07	(2)	\$7.95

PART	ILL#	DESCRIPTION	APPLICATION	REQD	PRICE
36-0224-F	(7)	BULB-SIDEMARKER-CLEAR	SUPERDUTY 05-07	(2)	\$1.25
47-0431	(8)	SOCKET-SIDEMARKER BULB	SUPERDUTY 05-07	(2)	\$8.45
47-0432	(9)	SOCKET-SIDEMARKER	SUPERDUTY 05-07	(2)	\$10.45
40-0968	(10)	RETAINER	SUPERDUTY 05-07	(4)	\$21.95
50-0307	(11)	SCREW	SUPERDUTY 05-07	(8)	\$1.95
40-0536	(12)	U-NUT	SUPERDUTY 05-07	(8)	\$1.25

Note: "A" Original style for F250 and F350 Super Duty Harley Davidson models, will fit all 2005-07 Super Duty models.

Combination Headlight Assembly Components

2008-10 F250 F350 F450 F550 Super Duty



PART	ILL#	DESCRIPTION	APPLICATION	REQD	PRICE
47-0258	(1)	BULB-HEADLIGHT-WHITE	SUPERDUTY 08-10	(2)	\$8.95
47-0265	(2)	SOCKET-HEADLIGHT BULB	SUPERDUTY 08-10	(2)	\$6.95
47-0212	(3)	BULB-PARKLIGHT-AMBER	SUPERDUTY 08-10	(2)	\$1.49
50-8276	(4)	SOCKET-PARKLIGHT	SUPERDUTY 08-10	(2)	\$15.95
36-0224-F	(5)	BULB-SIDEMARKER-CLEAR	SUPERDUTY 08-10	(2)	\$1.25
47-0431	(6)	SOCKET-SIDEMARKER BULB	SUPERDUTY 08-10	(2)	\$8.45
47-0432	(7)	SOCKET-SIDEMARKER	SUPERDUTY 08-10	(2)	\$10.45
40-0703	(8)	BOLT	SUPERDUTY 08-10	(8)	\$5.95
40-0707	(9)	RETAINING NUT	SUPERDUTY 08-10	(8)	\$15.95

Combination Headlight Assembly

2011-15 F250 F350 F450 F550 Super Duty



PART	ILL#	DESCRIPTION	APPLICATION	REQD	PRICE
44-4704	(1)	HEADLIGHT ASSEMBLY-LH	SUPERDUTY 11-15	(1)	\$377.95
44-4705		HEADLIGHT ASSEMBLY-RH	SUPERDUTY 11-15	(1)	\$377.95
47-0258	(2)	BULB-HEADLIGHT-WHITE	"A" SUPERDUTY 11-15	(2)	\$8.95
44-0435	(3)	BOOT-HEADLIGHT BULB	"B" SUPERDUTY 11-15	(2)	\$29.95
47-0212	(4)	BULB-PARK LIGHT-AMBER	"A" SUPERDUTY 11-15	(2)	\$1.49
44-0430	(5)	SOCKET ASSEMBLY	"A" SUPERDUTY 11-15	(2)	\$14.95
36-0232-F	(6)	BULB SIDEMARKER-CLEAR	SUPERDUTY 11-15	(2)	\$1.25
44-0429	(7)	SOCKET-SIDEMARKER-FRONT	"A" SUPERDUTY 11-15	(2)	\$19.95
40-0777	(8)	NUT	SUPERDUTY 11-15	(4)	\$1.35

Note: "A" From 2/22/10 to 7/5/16.
"B" Without HID lamps. With halogen headlamps.

Custom Headlight Set

1999-04 F250 F350 F450 F550 Super Duty



42-1659



Easy-to-install headlight sets are designed to OE specifications and are easy upgrades that dramatically improve a truck's look and style. Simple hookup; connects to existing factory wiring, no alterations necessary. White bulbs are included with headlights.



42-1620

PART	DESCRIPTION	APPLICATION	REQD	PRICE
42-1620	CUSTOM HEADLIGHT SET	SUPERDUTY 99-04	(1)	\$86.95
36-0298-F	SUPERWHITE BULB SET	SUPERDUTY 99-04	(1)	\$15.95
47-0246	BULB-HEADLIGHT	WHITE SUPERDUTY 99-04	(2)	\$5.95
36-0294-F	BULB-HEADLIGHT	BLUE SUPERDUTY 99-04	(2)	\$4.95
42-1659	CUSTOM HEADLIGHT SET-BLACK W/LED	SUPERDUTY 99-04	(1)	\$139.95

#42-1659 Headlights also feature LED accent lights.

Heavy-Duty Headlight Harness



Not for use on models with daytime running lights.

36-3580-F

Heavy-Duty Headlight Harness draws power directly from the battery whereas the original wiring draws its power from the headlight switch. Harness has separate relays for low and high beams and features OE-style headlight sockets for easy installation. No splicing or cutting required. Call or go online and order yours today!

PART	DESCRIPTION	APPLICATION	REQD	PRICE
36-3580-F	HEAVY-DUTY HEADLIGHT HARNESS "A"	SUPERDUTY 99-11	(1)	\$24.95
47-3662	HEAVY-DUTY HEADLIGHT HARNESS "B"	SUPERDUTY 99-04	(1)	\$20.95
36-3592-F	REPLACEMENT RELAY-LOW/HIGH		(1)	\$4.45

Note: "A" For models with sealed beam headlights.
"B" For models with composite headlights.

LED Third Brake/Cargo Light ...
The Future of Automotive Lighting

1999-16 F250 F350 F450 F550 Super Duty



47-4025



47-4034 Smoke

New technology previously available only on high-end luxury cars is now available for trucks! This third brake light quickly alerts other drivers of your intentions with LED bulbs that illuminate 140 times faster than conventional incandescent bulbs, which translates to a gain of 20+ feet of reaction distance.

Additional LED benefits:

LED lights have no filament, which means they are less sensitive to vibrations and can last up to 20,000 hours. They use only 15% of the energy required by incandescent bulbs, reducing the load placed on your truck's charging system, and less heat is emitted.

LED Third Brake/Cargo Light is a direct replacement for stock unit and is made to factory specifications. No modifications needed. Features LEDs for brake and cargo lights.

PART	DESCRIPTION	APPLICATION	REQD	PRICE
47-4025	LED 3RD BRAKE/CARGO LIGHT-CLEAR	SUPERDUTY 99-16	(1)	\$57.95
47-4034	LED 3RD BRAKE/CARGO LIGHT-SMOKE	SUPERDUTY 99-16	(1)	\$79.95

Custom Headlight for Sealed Beam Headlights

1999-11 F250 F350 F450 F550 Super Duty



36-0282-F



36-0291-F

These OE-quality headlights feature an aluminum die-cast housing with a protective finish coating, making the housing corrosion free. Maximum light output is produced by brighter light focused on the road for a greater distance.

The strong, semi-hardened, crystal clear glass lens does not diffuse the light like traditional headlight lenses. A high-efficiency white halogen 12V 60/55 watt replaceable bulb is included. DOT and SAE approved.

If adding brighter bulbs or upgrading to high power halogen lights, use a Heavy-Duty Headlight Harness. For more information, see page 164.

PART	DESCRIPTION	APPLICATION	REQD	PRICE
36-0282-F	CUSTOM HEADLIGHT-200MM	99-11 (2)	(2)	\$35.95
36-0290-F	HALOGEN REPLACEMENT BULB	WHITE	99-11 (2)	\$2.45
36-0291-F	HALOGEN REPLACEMENT BULB	BLUE	99-11 (2)	\$3.95
36-0310-F	SUPERWHITE BULB SET		99-11 (1)	\$10.45
36-3580-F	HEAVY-DUTY HEADLIGHT HARNESS		99-11 (1)	\$24.95

Custom Parklight Sets



42-1607

42-1623

Replace stock parking lights with these quality Custom Parklight Sets that are street legal when used with amber bulbs, sold separately.

PART	DESCRIPTION	APPLICATION	REQD	PRICE
42-1607	CUSTOM PARKLIGHT SET	CLEAR SUPERDUTY	99-04 (1)	\$49.95
42-1623	CUSTOM PARKLIGHT SET	SMOKE SUPERDUTY	99-04 (1)	\$48.95
47-0212	BULB-PARKLIGHT	AMBER SUPERDUTY	99-04 (2)	\$1.49
36-0224-F	BULB-SIDEMARKER	CLEAR SUPERDUTY	99-04 (2)	\$1.25

Custom Bulbs

1999-16 F250 F350 F450 F550 Super Duty

Custom Bulb Sets

Custom high-performance light bulbs feature the latest breakthrough in interference coating technology which gives a cool, iridescent appearance when unlit and street legal amber light when illuminated. Sold in sets of two.



36-0276-F

PART	DESCRIPTION	APPLICATION	REQD	PRICE
36-0276-F	CUSTOM BULB SET-AMBER	PARKLIGHT	99-16 (1)	\$7.95
36-0277-F	CUSTOM BULB SET-AMBER	SIDEMARKER	99-16 (1)	\$8.95

LED Headlights



Low Beam

High Beam



37-0398-F

#37-0397-F includes a white LED accent strip across the center that can be wired directly to any 12-volt circuit.



37-0397-F



Conventional

Low Beam

High Beam

Accent

LED Headlights dramatically improve safety and visibility with a bright white light output for superior night-time driving. Features a cast aluminum powder-coated housing with an impact-resistant polycarbonate lens and rugged aluminum reflector. Solid state bulb-free design is resistant to damage from shock and vibration. DOT approved headlight is energy efficient and lasts longer than conventional bulbs.



PART	DESCRIPTION	APPLICATION	REQD	PRICE
37-0398-F	200MM LED HEADLIGHT SET	99-11 (1)	(1)	\$299.95
37-0397-F	200MM LED HEADLIGHT SET W/ACCENT	99-11 (1)	(1)	\$409.95

High-Performance Halogen Headlights for Sealed Beam Headlights

1999-11 F250 F350 F450 F550 Super Duty



High-Performance Halogen Headlights produce whiter and brighter light closer to natural daylight compared to standard halogen headlights' yellowish color. Upgraded bulbs not required. DOT and SAE approved.

PART	DESCRIPTION	APPLICATION	REQD	PRICE
36-0305-F	HI-PERFORMANCE HEADLIGHT 200MM	99-11 (2)	(2)	\$24.95

LED Bulbs

LED bulbs have no filament, making them less sensitive to vibrations, and illuminate 140 times faster while lasting up to 20,000 hours, much longer than conventional incandescent bulbs. They emit less heat and use only 15% of the energy required by incandescent bulbs, reducing the load placed on a vehicle's electrical system. LED bulbs appear clear when unlit and emit a pure color when lit.



36-0368-F

47-0310

36-0205-F

PART	DESCRIPTION	APPLICATION	REQD	PRICE
36-0368-F	LED BULB-AMBER	SIDEMARKER	99-16 (2)	\$7.95
47-0310	LED BULB-WHITE-SINGLE BEAM	DOME LIGHT	99-04 (1)	\$10.95
36-0205-F	LED BULB-CLEAR	DOME/MAP LIGHT	99-16 (3)	\$5.95

Projector headlights focus the light pattern on the road farther and without lost light associated with traditional headlights. A convex lens projects the light accurately on the road giving better vision and minimum glare.



Custom Bulb Sets and LED Bulbs for Parklights and Sidemarkers
See Page 165

Projector Headlights with CCFL Rim

2005-07 F250 F350 F450 F550 Super Duty



Before

Headlights feature CCFL (Cold Cathode Fluorescent Light) halo rim around the low beam projector and high beam headlights. Headlights include LED sidemarker lights and 3 LED accent lights.

White headlight bulbs and amber parklight bulbs are included with headlights.



PART	DESCRIPTION	APPLICATION	REQD	PRICE
42-1660	PROJECTOR HEADLIGHT SET-CHROME	SUPERDUTY 05-07	(1)	\$299.95
42-1661	PROJECTOR HEADLIGHT SET-BLACK	SUPERDUTY 05-07	(1)	\$299.95
37-0227-F	BULB-LOW PROJECTOR	WHITE SUPERDUTY 05-07	(2)	\$4.95
36-0315-F	SUPERWHITE BULB SET-HIGH BEAM	SUPERDUTY 05-07	(1)	\$8.45
56-6413-F	BULB-HIGH BEAM	WHITE SUPERDUTY 05-07	(2)	\$3.95
56-6414-F	BULB-HIGH BEAM	BLUE SUPERDUTY 05-07	(2)	\$3.95
47-0212	BULB-PARKLIGHT	AMBER SUPERDUTY 05-07	(2)	\$1.49



42-1660



42-1661

Projector Headlight Combination Set

1999-04 F250 F350 F450 F550 Super Duty
For Models with Composite Headlights



42-1616

One-piece assembly to replace the OE two-piece Headlight/Parklight.

Low beam halogen light comes with Ion-coated lens giving a slight bluish light similar to Xenon or High Intensity Discharge (HID) lights found on many of today's sports cars.

White halogen headlight bulbs included.

PART	DESCRIPTION	APPLICATION	REQD	PRICE
42-1616	PROJECTOR HEADLIGHT SET	CHROME 99-04	(1)	\$239.95
42-1617	PROJECTOR HEADLIGHT SET	BLACK 99-04	(1)	\$239.95



42-1617

LED Halo Rims circle the high beam, low beam and (3) side mounted LED lights. This easy upgrade will improve the style of your truck.

Low Beam Light with Ion-Coated Lens and LED Halo Rim
High Beam Light with LED Halo Rim

PART	DESCRIPTION	APPLICATION	REQD	PRICE
36-0315-F	SUPERWHITE BULB SET	SUPERDUTY 99-04	(2)	\$8.45
56-6413-F	BULB-HEADLIGHT	WHITE SUPERDUTY 99-04	(4)	\$3.95
56-6414-F	BULB-HEADLIGHT	BLUE SUPERDUTY 99-04	(4)	\$3.95
47-0212	BULB-PARKLIGHT	AMBER SUPERDUTY 99-04	(2)	\$1.49
36-0224-F	BULB-SIDEMARKER	CLEAR SUPERDUTY 99-04	(2)	\$1.25

Fog Lights - Factory Installed

1999-10 F250 F350 F450 F550 Super Duty

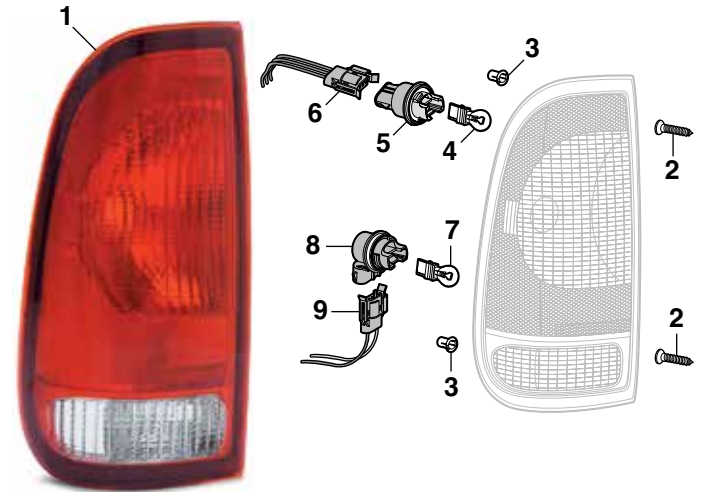


Bulbs are Included with Fog Lights

PART	ILL#	DESCRIPTION	APPLICATION	REQD	PRICE
47-4758	(1)	FOG LIGHT ASSEMBLY-LH	SUPERDUTY 01-04	(1)	\$34.95
47-4759	(1)	FOG LIGHT ASSEMBLY-RH	SUPERDUTY 01-04	(1)	\$34.95
47-4762	(2)	FOG LIGHT ASSEMBLY-LH	SUPERDUTY 05-07	(1)	\$28.95
47-4763	(2)	FOG LIGHT ASSEMBLY-RH	SUPERDUTY 05-07	(1)	\$28.95
47-4768	(3)	FOG LIGHT ASSEMBLY-LH	SUPERDUTY 08-10	(1)	\$33.95
47-4769	(3)	FOG LIGHT ASSEMBLY-RH	SUPERDUTY 08-10	(1)	\$36.95
37-0216-F	(4)	BULB-FOG LIGHT-CLEAR	SUPERDUTY 01-10	(2)	\$5.95
37-0406-F	(5)	SOCKET	SUPERDUTY 99-10	(2)	\$1.95
40-0571	(6)	BOLT-UPPER	SUPERDUTY 05-07	(4)	\$7.95
50-0235	(7)	BOLT-UPPER	SUPERDUTY 08-10	(2)	\$7.75
50-0235	(8)	BOLT-LOWER	SUPERDUTY 05-07	(2)	\$7.75
29-0515-F	(9)	U-NUT	SUPERDUTY 05-10	(6)	\$1.35

Tail Light and Components

1999-07 F250 F350 F450 F550 Super Duty



PART	ILL#	DESCRIPTION	APPLICATION	REQD	PRICE
47-4378	(1)	TAIL LIGHT ASSEMBLY-LH	SUPERDUTY 99-07	(1)	\$19.95
47-4379	(1)	TAIL LIGHT ASSEMBLY-RH	SUPERDUTY 99-07	(1)	\$19.95
40-0547	(2)	SCREW	SUPERDUTY 99-07	(4)	\$3.75
40-0939	(3)	RETAINER	SUPERDUTY 99-07	(4)	\$2.95
50-8200	(4)	BULB-STOP/TURN-CLEAR	SUPERDUTY 99-07	(2)	\$9.95
50-8209	(5)	SOCKET-STOP/TURN BULB	SUPERDUTY 99-04	(2)	\$7.95
47-0430	(6)	SOCKET-STOP/TURN BULB	SUPERDUTY 05-07	(2)	\$6.95
50-8275	(6)	SOCKET-STOP/TURN	SUPERDUTY 99-04	(2)	\$8.95
37-0213-F	(7)	BULB-BACKUP-CLEAR	SUPERDUTY 99-07	(2)	\$1.55
50-8212	(8)	SOCKET-BACKUP BULB	SUPERDUTY 99-04	(2)	\$5.95
47-0433	(8)	SOCKET-BACKUP BULB	SUPERDUTY 05-07	(2)	\$14.95
50-8274	(9)	SOCKET-BACKUP	SUPERDUTY 99-04	(2)	\$7.45

Fog Lights - Dealer Installed

1999-00 F250 F350 F450 F550 Super Duty

Bulb is Included with Fog Light



PART	ILL#	DESCRIPTION	APPLICATION	REQD	PRICE
47-4756	(1)	FOG LIGHT ASSEMBLY	SUPERDUTY 99-00	(2)	\$109.95
38-0374-F	(2)	BULB-WHITE	SUPERDUTY 99-00	(2)	\$1.95
36-0264-F	(2)	BULB-BLUE	SUPERDUTY 99-00	(2)	\$5.95

Fog Lights - Factory Installed

2011-16 F250 F350 F450 F550 Super Duty

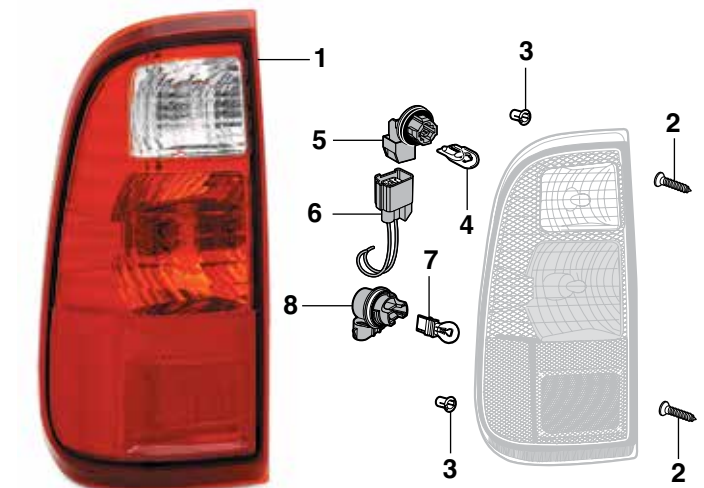
Bulbs are Included with Fog Lights



PART	ILL#	DESCRIPTION	APPLICATION	REQD	PRICE
47-4796	(1)	FOG LIGHT ASSEMBLY-LH	SUPERDUTY 11-16	(1)	\$59.95
47-4797	(1)	FOG LIGHT ASSEMBLY-RH	SUPERDUTY 11-16	(1)	\$59.95
37-0216-F	(2)	BULB-FOG LIGHT-CLEAR	SUPERDUTY 11-16	(2)	\$5.95

Tail Light and Components

2008-16 F250 F350 F450 F550 Super Duty



PART	ILL#	DESCRIPTION	APPLICATION	REQD	PRICE
47-4396	(1)	TAIL LIGHT ASSEMBLY-LH	SUPERDUTY 08-16	(1)	\$27.95
47-4397	(1)	TAIL LIGHT ASSEMBLY-RH	SUPERDUTY 08-16	(1)	\$27.95
40-0547	(2)	SCREW	SUPERDUTY 08-16	(4)	\$3.75
40-0939	(3)	RETAINER	SUPERDUTY 08-16	(4)	\$2.95
37-0206-F	(4)	BULB-BACKUP-CLEAR	SUPERDUTY 08-16	(2)	\$1.25
50-8208	(5)	SOCKET-BACKUP BULB	SUPERDUTY 08-16	(2)	\$8.95
47-0432	(6)	SOCKET-BACKUP BULB	SUPERDUTY 08-16	(2)	\$10.45
50-8200	(7)	BULB-STOP/TURN-CLEAR	SUPERDUTY 08-16	(2)	\$9.95
47-0430	(8)	SOCKET-STOP/TURN-CLEAR	SUPERDUTY 08-16	(2)	\$6.95

LED Tail Light Set ... The Future of Automotive Lighting

2008-16 F250 F350 F450 F550 Super Duty



42-1651

New technology previously only on high-end luxury cars is now available for your truck! These tail lights quickly alert other drivers of your intentions with LED bulbs that illuminate 140 times faster than conventional incandescent bulbs which translates to a gain of 20+ feet of reaction distance!

Additional LED benefits:

LEDs have no filament, which means they are less sensitive to vibrations, and they can last up to 20,000 hours. They use only 15% of the energy required by incandescent bulbs, reducing the load placed on your truck's charging system and less heat is emitted. Tail lights are a direct replacement for stock tail lights and are made to factory specifications. No modifications to fit required. They feature LEDs for brake lights, parking lights and turn signals. Use original bulbs, sold separately, for the backup lights.

PART	DESCRIPTION	APPLICATION	REQD	PRICE
42-1651	LED TAIL LIGHT SET-BLACK	SUPERDUTY 08-16	(1)	\$329.95
37-0206-F	BULB-BACKUP-CLEAR	SUPERDUTY 08-16	(2)	\$1.25

Tail Light Cover Set



49-3677

Tail Light Cover Set will dramatically enhance the look of your truck. Mounts easily using 3M™ Automotive Dual Lock, included. Brake lights show through when on, but disappear when off. Available in smoke only.

Tail Light Covers may not be legal in some states, please check with your state and local authorities before ordering.

PART	DESCRIPTION	APPLICATION	REQD	PRICE
49-3677	TAIL LIGHT COVER SET	SUPERDUTY 99-07	(1)	\$89.95

Custom Tail Light Sets

1999-07 F250 F350 F450 F550 Super Duty



42-1602



Custom Tail Light Sets have an ultra clear lens with a black fiber housing and red reflector lenses that use the original clear bulbs, sold separately. Lens assembly complies with all federal regulations. All required test functions are indicated on each lens assembly, as required by law. Custom Tail Light Sets easily replace stock factory lenses.

PART	DESCRIPTION	APPLICATION	REQD	PRICE
42-1602	CUSTOM TAIL LIGHT SET-BLACK	SUPERDUTY 99-07	(1)	\$69.95
50-8200	BULB-STOP/TURN-CLEAR	SUPERDUTY 99-07	(2)	\$.95
37-0213-F	BULB-BACKUP-CLEAR	SUPERDUTY 99-07	(2)	\$1.55

Dually LED Fender Marker Light Set

1999-10 Super Duty

LED Fender Marker Light Sets are designed to replace your original fender marker lights. Choose from crystal clear or smoke lenses. Each set comes with two front amber and two rear red fender marker lights.



47-4027



PART	DESCRIPTION	APPLICATION	REQD	PRICE
47-4027	LED FENDER MARKER SET-SMOKE	SUPERDUTY 99-10	(1)	\$59.95

Retail Delivery Fee Notice

Some states are starting to pass legislation requiring us to collect a Retail Delivery Fee on shipments. Check with your state's department of revenue for more information.

For those customers living in states that require this, the extra fee will be added to each purchase that is taxable under the state code.



What You Need to Know Before Ordering:

We are excited that you've decided to make us a part of your journey! Whether you are rebuilding from the ground up or just adding some distinctive touches to your vehicle, we are proud to give you a hand.

In addition, we'd love to see what you've been up to with your projects, so please log on to lmctrucklife.com and share your stories and pictures.

Understand that we are not trained automotive technicians. We want you to consult with mechanics regarding technical advice. Technical information is also included in the workshop manuals shown in this catalog. Please take the time to consult these resources if you feel you need to.

On those occasions that we've run out of a part on your order, chances are that it's already on its way to us. These items are listed as backordered on your invoice and will be sent your way as soon as possible. If you're not interested in waiting for your backordered product, just call our customer service line at (800) 222-5664, and we will cancel it and refund any money that has been paid.

You can also write "No Backorders" on your order form before you send it to us, and we'll make sure only to ship the products we currently have in stock.

Some parts have extra charges. Please consult below to make sure you understand these charges and so you aren't surprised later.

Part Number Definitions

- T - After a part number means that part must be shipped Truck Freight. An additional \$150.00 will be charged to your order for delivery in the 48 contiguous United States. Orders outside of the 48 states will be quoted. Additional delivery time required.
- * - After the sell price means Oversize Part Charge. Your order will incur a charge of \$20.00 for each oversized part. Due to packing and/or transportation requirements, please allow additional time for delivery. Oversized Parts are not available for air delivery.
- ** - After the sell price means Oversize Part Charge. Your order will incur a charge of \$50.00 for each oversized part. Due to packing and/or transportation requirements, please allow additional time for delivery. Oversized Parts are not available for air delivery.
- R - After a part number means Remanufactured Part. No core charge.

And one more thing, the part our lawyers make us say: We reserve the right to refuse service or shipment to anyone. We reserve the right to collect a service charge of \$20 for a returned check and to hold any shipments until the fee is collected.

Thank you for your support. Best of luck with all your projects!

What You Need to Know Before Returning:

If only we lived in a perfect world! Unfortunately, we don't, and things can go wrong. When that happens, we do our best to try to make things right again. But we need your help as well.

All returns must be in like new condition and in the original packaging. Please include a copy of your invoice, as that will make the process quick and easy.

We refund your payment the same way you paid. Refunds of less than \$1 will not be made except by customer request.

We can't be responsible for damages, so please package your returned items carefully.

If you can ship the item back to us ground or USPS within the 48 contiguous United States, you don't need to call for authorization. Just send it to us at:

17301 W. 113th St, Lenexa, KS 66219

If we shipped you the wrong item, send it back, and we'll send the right item and reimburse you the ground rate for your return.

We can't accept anything that has been installed (unsuccessful attempts do count), disassembled, drilled, welded, cut, painted, or modified in any way, so please make sure to check and doublecheck the fit before starting any work.

If you are returning a kit, it needs to contain all the parts you received. No partial kits may be returned.

Electronic media (CDs, DVDs) cannot be refunded once they are opened. However, if it is not working properly, it can be exchanged for the same part number.

Please call our customer service line for a return authorization if your part was delivered outside of the 48 contiguous United States.

If you want to return something you bought over a year ago, please call our customer service line for return authorization.

You must call Customer Service when returning a Truck Freight item.

Customer Service Line: (800) 222-5664

¿Habla Español? (855) 456-2288

A 20% non-refundable restocking fee will be added to anything that's over a year old (unless the extended manufacturer warranty is still in effect, of course) as well as to any unauthorized Truck Freight returns.

And the legal part again: We have the right to refuse any return we deem unfit for resale. We also have the right to refuse any shipments where the shipping charges, duties, customs, etc., are not prepaid.



California Prop 65 Warning

WARNING: This product can expose you to chemicals including lead, which is known to the State of California to cause cancer. For more information, go to www.p65warnings.ca.gov.

ADVERTENCIA: Este producto puede exponerlo a sustancias químicas, incluido el níquel reconocido por el estado de California como causante de cáncer. Para obtener más información, visite www.p65warnings.ca.gov.

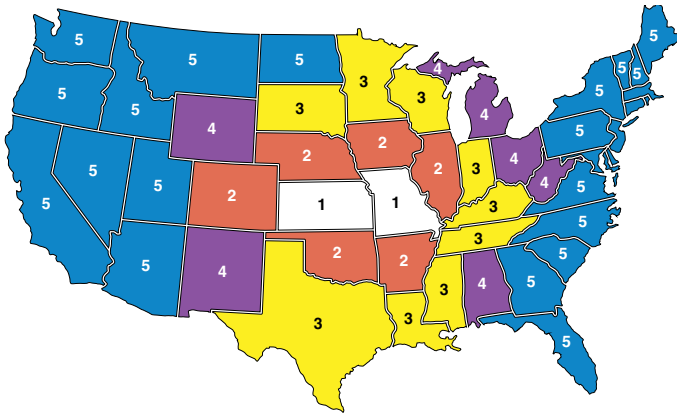
Gift Cards



- Gift Cards are the perfect gift to ensure you are giving exactly what they want!
- Gift Cards don't expire.
- Orders must be pre-paid. Orders received before 3:00 p.m. Central Time will ship same day.
- Gift Cards can now be redeemed through the mail or by phone.

What You Need to Know About Shipping within the 48 Contiguous States

Shipping charges are based on the "Parts Total" on your order.



Order Parts Total	Zone 1	Zone 2	Zone 3	Zone 4	Zone 5
Up to \$ 10.00	\$ 5.00	\$ 5.00	\$ 5.00	\$ 5.00	\$ 5.00
\$ 10.01 to 25.00	8.00	8.00	8.00	8.00	8.00
25.01 to 50.00	11.00	11.00	11.00	11.00	11.95
50.01 to 100.00	16.50	16.50	16.50	17.50	18.75
100.01 to 150.00	24.50	25.00	26.50	27.50	28.75
150.01 to 250.00	31.50	32.25	34.50	36.25	38.50
250.01 to 350.00	35.75	36.50	38.25	41.50	43.25
350.01 to 500.00	38.50	40.75	42.50	44.75	47.25
500.01 to 1,000.00	44.75	46.25	48.50	49.75	51.25
1,000.01 to 1,250.00	62.00	64.75	68.00	70.00	72.00
1,250.01 to 1,500.00	75.50	77.75	82.00	84.00	86.50
1,500.01 to 1,750.00	90.00	93.50	98.50	100.00	104.00
1,750.01 to 2,000.00	108.00	110.50	120.00	125.00	130.00
2,000.01 to 2,499.99	110.00	115.75	125.50	135.00	145.00
2,500.00 and Up	Free Shipping				

If you are ordering Oversized Parts (indicated with a * Or ** throughout this catalog), or if you are placing an extra large order, please allow for extra packing and delivery time.

In order to qualify for the free shipping, your entire \$2,500+ order must be placed at one time. We may have to split your shipment, but we will pick up the shipping charges.

Customer Service Line: (800) 222-5664
¿Habla Español? (855) 456-2288

What You Need to Know About Shipping to APO and FPO Addresses

We are thrilled to be able to ship to those who are serving our country; however, there are some limitations on these shipments. We are unable to ship Truck Freight items to you at this time. All orders will be shipped complete, via Insured Priority Mail through the USPS. Size limitations will apply. Please make sure before you place your order that what you are ordering will be accepted and is deliverable to you in your location.

What You Need to Know About Shipping to Canada

Your orders will be shipped ground "Door to Door," which includes brokerage, duty and tax. Charges will be based on the value of your shipment. Document and preparation fees are included. Please call our customer service line for assistance.

What You Need to Know About Shipping to Alaska, Hawaii and the U.S. Territories

Order Parts Total	Shipping to Alaska, Hawaii & U.S. Territories
Up to \$20.00	\$ 19.95
\$20.01 to 50.00	25.95
50.01 to 75.00	36.95
75.01 to 100.00	41.95
100.01 to 150.00	49.95
150.01 to 250.00	65.95
250.01 to 350.00	72.95
350.01 to 500.00	79.95
500.01 and Up	Quote ❖

❖ You will be contacted with charges.

We reserve the right to ship the most economical way. If you need your order shipped in a specific manner, contact customer service for a customized quote.

Customer Service Line: (800) 222-5664
¿Habla Español? (855) 456-2288

This chart shows shipping charges on orders up to \$500. Parts must be 108 inches or less and weigh 70 pounds or less to qualify. If any part does not meet these qualifications, your order will be delivered by ground for additional charges.

All orders will ship complete. Any additional delivery charges will be added to your total as needed, including Oversize Part charges or overweight charges.

We will need a daytime phone number with your order. If there is a problem with your order, we will attempt to contact you three times. If we are unsuccessful, your order will be cancelled 5 days after that third failed attempt.

What You Need to Know When Shipping Problems Occur

Please open your package(s) as soon as possible and make certain that everything is accounted for and nothing was damaged in shipment. Damaged shipments are the responsibility of the carrier and must be reported to the carrier within 15 days of receipt.

If the package looks damaged when it arrives, open it with the delivery person present, so that they can make an immediate report of damages and discrepancies. If the damage is not obvious at the time of delivery, or if the package was left for you by the shipping company, contact their customer service as soon as possible to make your claim.

On Truck Freight shipments, it is your responsibility to check your order and have the driver note any damage on the freight bill before you sign for your item(s).

Please keep all packing, packaging and contents until your claim has been settled with the shipping company.

What You Need to Know About Shipping Internationally

All international orders ship complete. Shipping charges must be prepaid in U.S. funds. Brokerage, duties, taxes, and fees associated with the order are paid by the customer. We do not accept personal checks on international orders.



JOIN THE
FAMILY
SHARE YOUR
TRUCK
JOURNEY
LMCTruckLife.com



This Truck Will Never Be Sold

Joseph Breakall and His 2001 Ford F250 Super Duty

My father bought the truck used from a dealer back in 2012. I believe it was not in the greatest shape. My father just passed away in February of 2023, but he did get to ride in the truck after I got it repaired back to its former state.

I have added a lot of original items that had not been repaired in a long time. It has been completely restored and repainted. I added dual front shocks, 285/75R/16 tires, LINE-X in the bed, backup camera, and all lights upgraded to LEDs. I had the wheels powder coated and added lots of parts from LMC Truck.

This truck will never be sold, it reminds me of my father every day. So thanks, LMC, for keeping my memory of my father with me.

www.LMCTRUCK.com

Ordering Call
(800) 562-8782



Scan Me!

Customer Service Call
(800) 222-5664



FE.69



FS.47

Follow Us On



Credit or Debit Cards Accepted for:



PRSRT STD
U.S.
POSTAGE
PAID
LMC
TRUCK

OE Style Chrome Rear Step Bumper

1997-03 F150 2004 Heritage
1997-99 F250



PART	DESCRIPTION	APPLICATION	REQD	PRICE
49-9894	CHROME STEP BUMPER	STYLESIDE 97-03	(1)	\$389.95*
49-9815	CHROME STEP BUMPER	FLARESIDE 97-03	(1)	\$649.95*
49-9815	CHROME STEP BUMPER	SUPERCREW 01-03	(1)	\$649.95*
49-9894	CHROME STEP BUMPER	HERITAGE STYLESIDE 04	(1)	\$389.95*
49-9815	CHROME STEP BUMPER	HERITAGE FLARESIDE 04	(1)	\$649.95*

OE Style Replacement Rear Bumpers are made from die-formed construction and match the original rear bumper from the hitch assembly and step pad design to the lighting assembly. Meets all your replacement needs and includes OE style brackets and necessary mounting hardware. Tested to maximum 500 lbs. tongue weight and 5,000 lbs. trailer weight. Do not exceed truck manufacturer's recommended towing capacity.

OE Style Chrome Rear Step Bumper

1999-16 F250 F350 F450 F550 Super Duty



PART	DESCRIPTION	APPLICATION	REQD	PRICE
49-9900	CHROME STEP BUMPER W/BLK PAD "A"	SUPERDUTY 99-07	(1)	\$399.95*
49-9912	CHROME STEP BUMPER W/BLK PAD "B"	SUPERDUTY 99-07	(1)	\$379.95*
49-9828	CHROME STEP BUMPER W/BLK PAD "A"	SUPERDUTY 08-16	(1)	\$359.95*
49-9829	CHROME STEP BUMPER W/BLK PAD "B"	SUPERDUTY 08-16	(1)	\$359.95*



Note: "A" For models without backup sensors.
"B" For models with backup sensors, sensors not included.

* Or ** after the sell price means your order will incur an Oversize Part Charge for each oversized part. * Means extra charge will be \$20. ** Means extra charge will be \$50. Due to packing and/or transportation requirements, please allow additional time for delivery. Oversized Parts are not available for air delivery.