



BOATS & HARBORS®

THIRD JUNE ISSUE 2017 • VOLUME 60 NO. 5

Covering The East Coast, Gulf Coast, West Coast & All Inland Waterways

PH: (931) 484-6100

Email:

FAX: (931) 456-2337

gdonnelly@boats-and-harbors.com



\$4.00

Now Online!! "The" Marine Marketplace - Visit us at www.boats-and-harbors.com

Lakeland Marine Builders, LLC

www.lakelandmarinebuilders.com

Vessels Built to U.S. & Canada Transport Regulations

**Truckable Tugs
Barges
Boats of All Types
and Sizes**

CONTACT: (417) 380-3459 ---- onsitemarine@aol.com

25' 6" Long x 14' Wide x 5' Deep (Standard & Heavy Duty Models) • Other Versions 31' 6" Long & 39' Long Truckable Tug

Undeniably The Toughest Truckable Tugs Made



True 18" Marine Framing, Multiple Bulkheads and Shipped Complete and Ready For Action With All Required Equipment Plus Navigation Lights, Horn, Radio & Wiper.

Please See Specifications and Various Models at Our Web Site or Have Us build a Custom Vessel to Meet Your Specific Needs

On Site Construction Available For Larger Projects If Required



Sure, Bobby,
Boats and Harbors
Can Sell Her, but why
let one bad trip with
your ex upset you?



Contents of this publication either in whole or in part may not be reproduced without the express permission of the publisher.
Copyright © 2017 Donnelly Advertising & Publishing.



BOATS & HARBORS is Published 3 Times Each Month and Each Issue Goes by Direct Mail and Internet to Thousands of Individual Boat Owners, Builders and Operators, Tug, Pushboat and Barge Owners and Builders, Boat Yards, Commercial Fishermen, Packers and Processors, Divers and Diving Companies, Docks, Dredgers, Exporters, Ferryman, Freighters, Harbor Personnel, Longshoremen, Marinas, Steamship Companies, Marine Contractors, Off-Shore and Inland Oil Exploration Firms, Pile Drivers, Marine Salvage Firms, Ship Yards, Terminals, Towing Companies, Marine Warehouses, Government Agencies & other Related Businesses in the U. S. Possessions, Canada, Mexico & most other Foreign Countries. Boats and Harbors is Published in Crossville TN 38557.



SOMERSET, Mass. – June 5, 2017 – Gladding-Hearn Shipbuilding, Duclos Corporation, has delivered the second of three new sightseeing vessels for Circle Line Sightseeing Cruises, Inc., in New York City. This follows the shipyard's delivery of three sister ships to the company in 2009. Like the earlier vessels, the new 599-passenger all-steel vessel, designed by DeJong and Lebet, N.A., in Jacksonville, Fla., measures 165 feet in length and features a 34-foot beam. With a top speed of 14 knots, the vessel is powered by twin Cummins QSK-38M1 diesel engines, delivering a total of 2600 hp and connected to ZF W3355 gear boxes, spinning 60-inch, 5-bladed bronze propellers. Contact: Peter Duclos, (508) 676-8596, peterd@gladding-hearn.com.

BOATS & HARBORS®
P. O. Drawer 647
Crossville, Tennessee 38557-0647 • USA

40' x 12' TUG BOAT




Mostly Freshwater Use. Detroit 671, Air Shift Transmission. Cambridge, MD.
\$30K OBO • (443) 521-7748

43' Classic Wood Excursion Vessel



Bottom Refastened 2014, Strong 671 Detroit Diesel, was C.G. 42 + 2.
\$35,000 • (207) 546-2927

WATER COOLED EXHAUST MANIFOLDS
 For 3-71, 4-71, & 6-71 Detroit Diesel



DD-1-6710

3-71 & 6V71.....	\$225.00
4-71 & 8V71.....	\$250.00
6-71 & 12V71.....	\$325.00
4" NPT EXHAUST END PLATE.....	\$40.00
Water Cover Plate (Specify Pipe Size).....	\$9.00

BARR MARINE BY EDM
 100 Douglas Way, P.O. Box 190
 Natural Bridge Station, VA 24579
 Toll Free (866) 255-9265 Fax (540) 291-4185

20 Years PACIFIC BOAT BROKERS.COM
 1997 - 2017

BUYING OR SELLING?
 What Are You Doing With Your Boat?

List your vessel with us today...for free

Our website is viewed by thousands daily. Buying? We have hundreds of vessels to choose from.

THIS MONTH'S FEATURE

MUD PUPPY • 52'8" x 14'5" x 7

Grafton Boat Works Built in 1969 • Speed: 8.5 Knots
 Engine: Twin 67A Detroit Diesels • Genset: 6 kw Onan
 All Steel Construction • Bilge Pumps: 2 • VHF • Radar
 GPS • Location: Washington

\$110,000 (USD) • Stock #WS4998



Head Office Toll Free: 1-877-448-0010
 Email: sales@pacificboatbrokers.com
WWW.PACIFICBOATBROKERS.COM

LIFETIME CUSTOM ALUMINUM BOATS



25' LANDING CRAFT



WORK BOAT 20', 24' - IN STOCK



DECK BARGE 24' HYDRAULIC CRANE



24' PATROL LANDING CRAFT - IN STOCK



30' LANDING CRAFT - IN STOCK



PILOTHOUSE 40'

~ Stock Workboats Available ~
Workboats and Landing Craft in Stock

LIFETIME BOATS, INC.
 14104 Hwy 84, Jonesville, LA 71343
 Phone (318) 339-4007
bodie@lifetymeboats.com
www.lifetymeboats.com

BOATS & HARBORS

Phone: (931) 484-6100 • (931) 484-8708 • Email: gdonnelly@boats-and-harbors.com

DISPLAY ADVERTISING RATES
 Based on the column inch: 2 1/4" (14 picas) wide x 1" deep.
 Rates listed cover insertion in three consecutive issues and are no less for two or one insertion.
 Advertising may begin with the First, Second, or Third Issue of the month.
 For Process Color Add 35%

BASE RATES

Size	Price	Size	Price
1"	\$73.00	26"	\$1118.00
2"	\$118.00	27"	\$1161.00
3"	\$174.00	28"	\$1204.00
4"	\$232.00	30"	\$1260.00
5"	\$290.00	32" (Half Page)	\$1344.00
6"	\$348.00	33"	\$1353.00
7"	\$406.00	36"	\$1404.00
8" (1/8 Page)	\$432.00	39"	\$1521.00
9"	\$450.00	40"	\$1560.00
10"	\$480.00	42"	\$1596.00
11"	\$506.00	44"	\$1628.00
12"	\$552.00	45"	\$1665.00
13"	\$585.00	48"	\$1728.00
14"	\$630.00	52"	\$1820.00
15"	\$675.00	56"	\$1960.00
16" (1/4 Page)	\$688.00	60"	\$2040.00
18"	\$774.00	64" (Full Page)	\$2176.00
20"	\$860.00	Double Page	\$4224.00
21" (1/3 Page)	\$903.00	Center Spread	\$4608.00
22"	\$946.00	Back Cover	\$2496.00
24"	\$1032.00	Front Cover (When Available)	\$2144.00

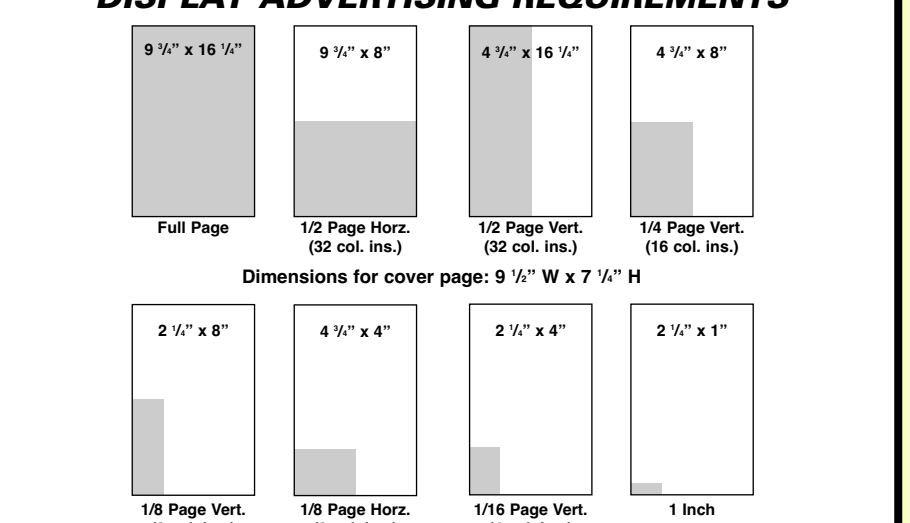
Front Cover 2x6 (When Available) \$1296.00

For Spot Color Add 25%

*Contracted in advance - no rebates.
 *Blind ads: \$8.00 extra per month.

CLOSING DATES FOR DISPLAY
 Normally the 5th, 15th and 25th (9:00 A.M. C.S.T.)
 (Unless Otherwise Published)

DISPLAY ADVERTISING REQUIREMENTS



Dimensions for cover page: 9 1/2" W x 7 1/4" H

- Printing process: Web offset.
- Binding method: Saddle stitched.
- Trim Size 10 1/4" wide by 17" deep.
- 4 column page format.
- Width of single column: 2 1/4" (14 picas)
 Width of two columns: 4 3/4" (28 1/2 picas).
 Width of three columns: 7 1/4" (43 picas).
 Width of four columns: 9 3/4" (57 1/2 picas).
- Depth of column: 16 1/4".
- Minimum size space unit; one column in. (2 1/4" W x 1" D).
- All display ads must be full inches (no fractions).
- Ad must be as many inches in depth as it is columns wide.
- Publisher accepts: PDF files are preferable in our pre-press workflow. PDF files should be in CMYK color space, contain high-resolution CMYK graphic elements (or Grayscale for Black and White graphic elements) and have all fonts embedded. Publisher also accepts files in Quark XPress 5. When sending files of this kind, please remember to include all supporting fonts and graphics.
- Black and white halftones: 80 to 100 line screen.
- For best quality, submit clear sharp photos.
- Page number or position on a page not guaranteed.
- Contract advertisers are entitled to one complete change of copy every three issues. When change of copy is not received by closing date, copy run in previous issue will be inserted.
- The publisher assumes no liability if for any reason it becomes necessary to omit any advertisement.
- No cancellations or changes in orders will be accepted after closing date.

TERMS

- Payment in advance unless credit is established. 2 percent discount with payment within 10 days of date of invoice. Net 30 days.
- Agency Commissions: 15 percent allowed when computer ready copy covering entire advertisement is furnished. There will be charges made for typesetting and composition.

GENERAL RATE POLICY
 Short Term Rate Applicable If Contract Is Cancelled.
 Proper Notification will be given of all rate changes. Space orders may be cancelled at the time the change in rate becomes effective without incurring a short rate adjustment, provided the billing rate has been earned up to day of cancellation.
 We Reserve The Right To Reject Any or All Advertising.



CS Marine Constructors Inc.

CS MARINE CONSTRUCTORS, INC.
425 15TH Street Vallejo, CA 94592
WWW.CSMARINE.COM

Rental/Services: Mark@csmarine.com
Sales: Terry@csmarine.com
(707) 562-4100

Barges for Charter

Hopper Barge (3000 Ton)
Jackup Barge, Portable
Spud Barges
Deck Barges



Services

Dockside Mobilization
Floating Crane Service

Equipment for Rent

Anchors Ramps, Fenders
Buoys Concrete Buckets
Fairleads Bardex Jacking System

For Sale - Good running
2900 Manitowoc Truck
Crane, outriggers bad,
makes good pedestal
mount @ \$15K



For Sale - Mixer Truck
last used as remixer on
barge @ \$5K

For Sale

Manitowoc 123 Jib @ \$5K, Manitowoc 124 Jib @ \$5K
Tank Barge 35' x 174' Recent Dry Docking @ \$250K
#9A Boom 40' Piece & 20' Piece - Repairable
#8 Boom 40'
#8 Butt Section - Repairable



DON'T LET MOTHER NATURE AFFECT YOUR BOTTOM LINE

Our custom-built fabric structures are designed to withstand the harshest conditions, while ensuring that your business needs are met. Everything from covering large refit projects to storing equipment and cargo is a cinch with a Big Top Fabric Structure.

The high clearance and open design of our shelters make them ideal for the marine industry.

- Boat Fabrication/Refit
- Paint & Blasting
- Warehouse
- Equipment Storage



BIGTOPSHELTERS.COM
1.800.277.8677

LOOKING AHEAD

AHEAD TANK™

WILL BE THE **LAST** SEWAGE TREATMENT SYSTEM YOU WILL EVER BUY

USCG Certified Type II
Marine Sanitation Device

In Compliance with Title 33 CFR
159.015 for Inspected and
Non Inspected Vessels

Also Accepted Worldwide in
accordance with the NEW 2016
IMO Resolution MEPC.227 (64)



Model AT-12T

#1 in the #2 Business

NEXT GENERATION TECHNOLOGY

Sewage Treatment Systems, Products, Parts & Supplies



FOR MORE INFORMATION
Phone: 337-330-4407

Email: headflusher@aheadtank.com

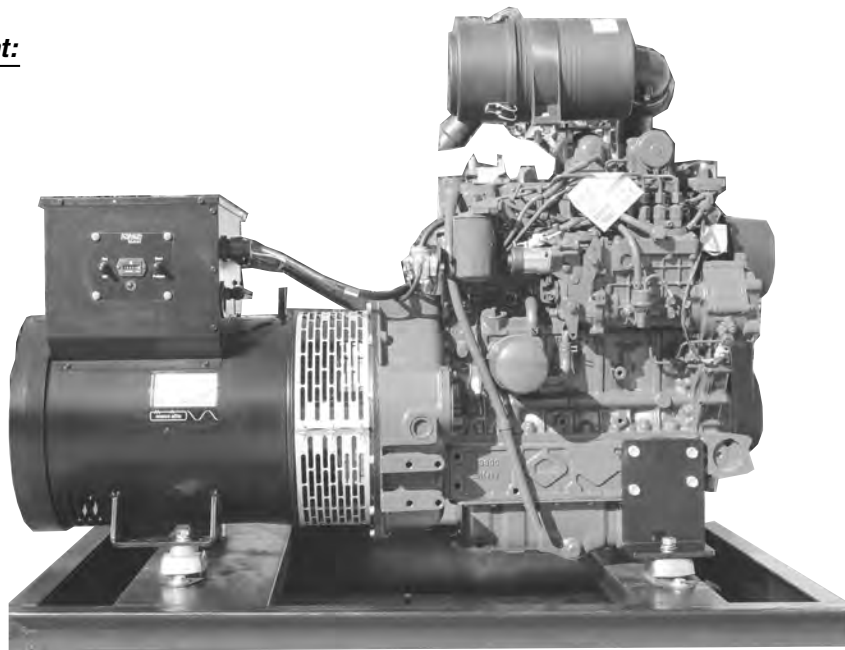
VISIT US ONLINE:

www.aheadsanitationsystems.com
facebook.com/aheadsanitationsystems

Kubota

1800 RPM Standard Equipment:

- Kubota Diesel Engine
- 12 Volt Electric Starter
- 12 Volt Battery Charging Alternator
- Automatic Engine Shutdown for Low Oil Pressure / High Coolant Temperature
- Fuel Filter
- Built in Fuel Transfer Pump
- Dry Air Cleaner
- Heavy Duty Steel Frame with Isolation Mounts
- High Ambient Radiator Cooling
- MeccAlte Industrial Generator
- Brushless Exciter
- Unit Mounted Solid State Voltage Regulator
- Ship-loose Muffler with Raincap
- Toggle Switch Start
- Engine Hour Meter
- 3 Year Kubota Engine Warranty
- EPA Tier 4i Compliant



KK4-50.0 kW

Optional Equipment:

- Sound / Weather Enclosures
- Auto Start / Stop
- ATS
- Fuel Tanks
- Block Heater
- Critical Silencers
- Gauge Panels
- RACOR Filters
- Circuit Breakers

KEEL COOLED MODELS

MODEL	PRICE	MODEL	PRICE
DRY EXHAUST MANIFOLD			
KK3-7.0KW	\$ 5,891	KK4-21.0KW	\$ 9,634
KK3-8.5KW	6,321	KK4-25.0KW	9,955
KK3-9.5KW	6,542	KK4-30.0KW	10,406
KK4-12.5KW	7,245	KK4-40.0KW	14,506
KK4-15.0KW	8,306	KK4-50.0KW	15,708
KK4-17.5KW	8,511	JD4-60.0KW	17,627

Southeastern Power Products is the Authorized KUBOTA Industrial Engine America Distributor for the State of Florida, Bahamas and the Caribbean.

Supplying Genuine KUBOTA Parts and factory Remanufactured components.

WE SHIP GENERATORS WORLDWIDE

RADIATOR COOLED GENERATORS

Model	KW Rating	Net Price
SEP 7.0I	7.0 KW	6,285
SEP 8.5I	8.5 KW	6,631
SEP 9.5I	9.5 KW	6,925
SEP 12.5I	12.5 KW	7,686
SEP 15.0I	15.0 KW	8,474
SEP 17.5I	17.5 KW	8,973
SEP 21.0I	21.0 KW	9,755
SEP 25.0I	25.0 KW	10,353
SEP 30.0I	30.0 KW	10,983
SEP 40.0I	40.0 KW	12,579
SEP 50.0I	50.0 KW	13,934



GL7000 - USA \$4,600
GL11000 - USA \$5,800



COMPONENTS AVAILABLE

SOUTHEASTERN POWER PRODUCTS

2880 Hammondville Road, Pompano Beach, FL 33069

Phone: (954) 979-5899 • Fax: (954) 979-4349

900 Industrial Park Rd #10, Deep River, CT

Phone: (860) 526-9773 • Fax: (860) 526-2090

www.southeasternpower.com

Prices and Specifications
Subject to Change



**Quality Custom Built Aluminum Workboats & Pleasure Craft
Located In Harvey, Louisiana Just South Of New Orleans.**



27' Harbor Patrol Vessel



75' Quick Response Fire Fighting Vessel



35' Collar Style Supply Vessel



38' In Shore Supply Vessel



30' Aluminum Supply Vessel



30' Collar Style Supply Vessel

Aluminum Never Looked So Good!

We Also Offer A Variety Of Services Including:

- Repairs
- Conversions
- Sandblasting & Painting
- Aluminum & Steel Fabrication
- Dockside Service Including A 65 Ton Crane
- Experience With State & Local Government

Let Us Build A Boat For You!

Contact Darren or Chad at (504) 347-7898

Visit us on the web at WWW.ALUMAMARINE.COM. For further info, contact us by email at chad@alumamarine.com or darren@alumamarine.com

BAIER

Hatch Company, Inc.

**THE STRONGEST
HATCH TO EVER
HIT THE DECK!**



ROUNDS



OVALS



**MULTI-BOLT
MANHOLES**



SQUARES

Hatches Available in Cast Aluminum & Cast Steel

TO ORDER

800 - 455 - 3917

Seattle, WA • Costa Mesa, CA
www.baiermarine.com



Ingersoll Rand EP26000
Single Drum | 26,000 lb



Timberland 500-1-30E
Single Drum | 50,000 lb



AmCon 270
Double Drum | 65,000 lb



AmCon 385
Double Drum | 135,000 lb



American 180
Double Drum | 36,000 lb



Clyde AD175
Double Drum | 300,000 lb



Clyde Frame 5
Double Drum | 21,000 lb



Clyde Frame 6
Double Drum | 36,000 lb



Skagit BU140
Double Drum | 203,000 lb



American 90B
Three Drum | 18,000 lb



Clyde Frame 5
Three Drum | 21,000 lb



Clyde Frame 7
Three Drum | 41,000 lb



Skagit G120
Three Drum | 65,000 lb



Skagit G120
Three Drum | 65,000 lb



Timberland HR280
Three Drum | 28,000 lb

FMMAFCO

The Powerful Solutions People!

TOLL-FREE 866.883.7221 | WORLD-WIDE 513.202.8901
bhsales@fmmafco.com | www.fmmafco.com

HOOK BLOCKS

Ansell Jones

30 ton | 26" 1 sheave

Gunnebo Johnson

20 ton | 20" 1 sheave

20 ton | 18" 1 sheave

Johnson

45 ton | 18" 4 sheave

60 ton | 24" 2 sheave

75 ton | 15" 6 sheave

140 ton | 24" 5 sheave

150 ton | 24" 4 sheave

Krupp

63 ton | 22" 3 sheave

Manitowoc

150 ton | 24" 6 sheave

McKissick

10 ton | 10" 2 sheave

25 ton | 12" 1 sheave

50 ton | 24" 1 sheave

75 ton | 36" 1 sheave

75 ton | 24" 2 sheave

75 ton | 24" 2 sheave

75 ton | 20" 3 sheave

80 ton | 20" 3 sheave

80 ton | 27" 5 sheave

100 ton | 30" 5 sheave

100 ton | 24" 2 sheave

110 ton | 24" 4 sheave

112.5 ton | 24" 7 sheave

125 ton | 20" 5 sheave

125 ton | 24" 4 sheave

140 ton | 24" 4 sheave

165 ton | 24" 4 sheave

225 ton | 24" 6 sheave

Rope Block

35 ton | 24" 1 sheave

150 ton | 24" 5 sheave

176 ton | 24" 6 sheave

Shaw Box

10 ton | 8" 3 sheave

Terex

160 ton | 26" 5 sheave

160 ton | 26" 5 sheave

320 ton | 26" 10 sheave

BICYCLE BLOCKS

McKissick

25 ton | 24" 2 sheave

HEADACHE BALLS

Ansell Jones

5 ton

LOAD BLOCKS

McKissick

165 ton | 24" 5 sheave

225 ton | 24" 6 sheave

RIGGING BLOCKS

Johnson

65 ton | 24" 3 sheave

65 ton | 24" 3 sheave

100 ton | 10" 6 sheave

McKissick

40 ton | 30" 2 sheave

50 ton | 17" 4 sheave

65 ton | 24" 2 sheave

65 ton | 18" 4 sheave

65 ton | 20" 4 sheave

80 ton | 18" 5 sheave

175 ton | 30" 4 sheave

175 ton | 30" 3 sheave

300 ton | 30" 12 sheave

SNATCH BLOCKS

Crosby

80 ton | 20" 3 sheave

McKissick

15 ton | 16" 2 sheave

15 ton | 12" 1 sheave

Rope Block

35 ton | 15-13/16" 1 sheave

60 ton | 29" 1 sheave

MIDSHIP MARINE INC.

MIDSHIP MARINE

OUR QUALITY SAYS IT ALL!
WHEN IT COMES TO BUILDING ALUMINUM BOATS
WE HAVE NO LIMITATIONS

• Passenger Vessels • Crew Boats • Pilot Boats • Patrol Boats • Dive Boats • Water Taxis • Fishing Boats



210' x 32' HIGH SPEED CREWBOAT



65' SAILING CAT - 120 PASS



95' OIL SPILL FRV



42' CREWBOAT



97' EXCURSION VESSEL



70' x 21' PASSENGER FERRY



90' CATAMARANS - 250 PASS



55' PASSENGER HEADBOAT - 49 PASS



55' SEMI SUB - 49 PASS



58' ALUMINUM VESSEL

MIDSHIP MARINE ALSO SPECIALIZES IN CONVERSIONS OF CREW BOATS INTO: DIVE VESSELS, CHARTER YACHTS, PASSENGER FERRIES, ETC. W/LOW PRICING & HIGH QUALITY. LET US DESIGN & QUOTE YOUR NEXT VESSEL.

MIDSHIP MARINE will quote on building any vessel to meet your specific needs. All work is done at our yard in Harvey.

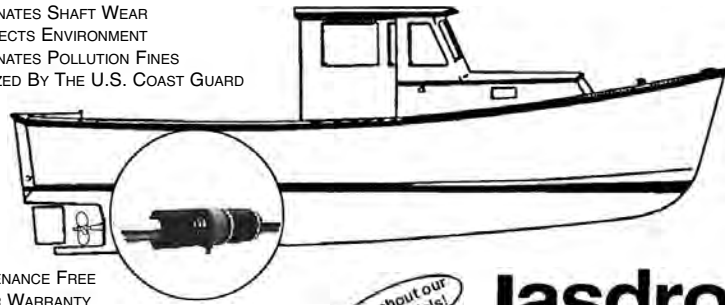
CONTACT MIKE or RANDY - PHONE (504) 341-4359 • FAX (504)-340-8997

Email: Midboats@aol.com • Website: www.MidshipMarine.net

MAILING ADDRESS: P.O. BOX 125, HARVEY, LOUISIANA 70059

- RATED "BEST" BY POWERBOAT REPORTS
- REPLACES STUFFING BOX
- DRIPLESS
- ELIMINATES SHAFT WEAR
- PROTECTS ENVIRONMENT
- ELIMINATES POLLUTION FINES
- UTILIZED BY THE U.S. COAST GUARD

The most advanced.
The most reliable.



- MAINTENANCE FREE
- 3 YEAR WARRANTY
- SINCE 1975
- METRIC AND CUSTOM SIZES AVAILABLE
- FROM 3/4" TO 8" SHAFT SIZES
- MADE IN USA
- 3 MODELS TO CHOOSE FROM
- COMPLETE LINE OF RUDDER SEALS
- PRICES STARTING AT \$95

Ask about our fall specials!

Lasdrop
SHAFT-SEAL

nautical 11x 1-800-940-SEAL

3615 Dove St., Port Huron, Michigan 48060 USA

Phone: 810.388-9718 • Fax: 810.388-9753

Visit Us Online At: lasdrop.com

TO REDUCE, RECOVER
AND SAVE ON
ELECTRICITY COSTS,
JUST CALL LEAH.



Leah, the Hialeah Meter Maid



120/208V meters also available

Remanufactured meters with everything you need to install on existing power box or pedestal* now only **\$37.99**

- Meter (Single Phase) with 2 Year Guarantee
- New Nipple
- New Meter Socket
- New Mounting Hub
- New Sealing Ring
- Security Seal

*We have power boxes and pedestals should you need them as well.

HIALEAH METER

Meters you can believe in since 1954.

www.hialeahmeter.com • 800-654-0821 • 800-521-9925

MARINE EQUIPMENT FOR SALE



120' x 24' x 10'
Aluminum Crew Boat

Main Engines: (4) Detroit 12V71 TI
Passengers: 50 • Speed: 20 Knots
CB# 355 • Asking Price: \$525,000



105' x 28' x 5'
Steel Barge
Living Quarters

Sleeps 15+ 6 Bedrooms • 6 Baths
Great Condition
HB# 250 • Asking Price \$310,000



115' x 24' Utility Vessel

Built: 1976 • Berths: 12
Main Engines: (2) Detroit 16V-92
Deck Space: 55' x 24'
Running Condition • UTB# 186
Asking Price: \$160,000



Aluminum
V-Bottom Deck Boat

47' x 10' • Year Built: 2011
Main Engines: (2) 300HP
Yamaha 4-Stroke • CB# 242
Asking Price: \$120,000



60' x 21' x 5.4'
Steel Hull Pushboat

Max Draft: 6' • Horsepower: 600
Main Engines: (2) - Detroit 8V71
PB# 209 • Asking Price: \$75,000



Truckable Barges
New and Used

Multiple In Stock
All Price Ranges
Bulk Heads • Spud Guides
Blasted & Painted
Pin Together, Etc
Very Reasonable Prices
Contact for more info.

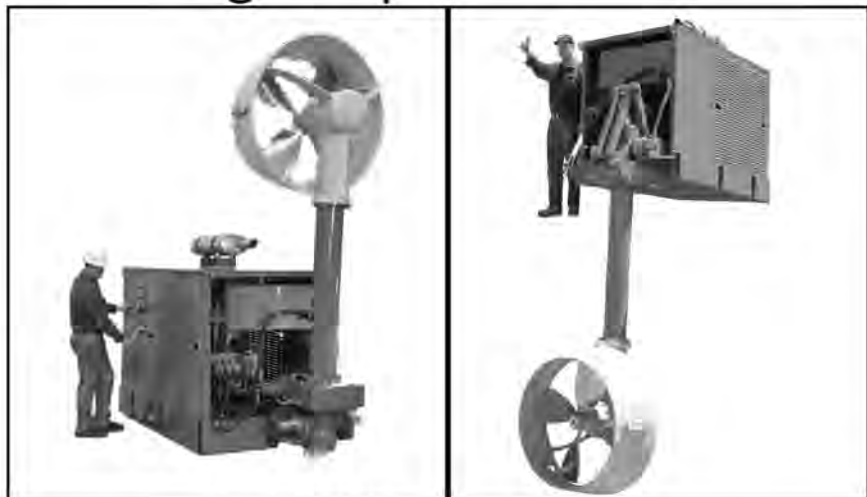


LEE FELTERMAN AND ASSOCIATES, LLC

Ph: (985) 397-2848 • Website: www.leefelتمان.com



Barge Propulsion Units



Available for rental

For over 30 years, Thrustmaster of Texas has been building outboard propulsion units for propulsion and maneuvering of barges used in brown water for marine construction projects. Powered by a Cummins QSB6.7 diesel engine, the Thrustmaster barge propulsion unit is a completely self-contained, hydraulic unit that can quickly be installed on the deck of any barge to provide pinpoint maneuverability and propulsion. Thrustmaster outboard drives freely azimuth through 360 degrees of steering range making them extremely responsive and ideal for tight quarter maneuvering and positioning applications. The units are extremely robust and equipped with a hydraulic power tilt system capable of elevating the outboard drive assembly through an arc of 180 degrees to allow instant access for clearing ropes or logs fouling the propeller. Thrustmaster units are ideal for your construction project and available for immediate shipment.

Contact: Bert Ault - International Sales Manager
bert@thrustmastertexas.com

Phone: 713-937-6295
Mobile: 713-249-2375

www.Thrustmaster.net

Opdyke Inc.
specialized trucks & equipment sales
3123 Northem Pike, Hochfeld, PA. 19440
DESA, MEXICO: 001-25-721-4446
866-204-2545
www.Trucks123.com

100+ specialized trucks in stock!
20 TANDEM KNUCKLEBOOM TRUCKS IN STOCK!! \$34K-\$100K

179,500 6887



9 TON
24,656 mi.

2005 INTERNATIONAL 7400; 61465 HT 6 C/L (285 HP); ALLISON 5 SP; A/C; 58K GVW; EFFER 210-65 KNUCKLE BOOM; 9 TON; RADIO REMOTE; 96" STEEL BED.

UNMOUNTED KNUCKLEBOOMS



20+ USED 19,900 & up

HIAB • PALFINGER • EFFER • FASSI • ETC.

164,500 6803



22 TON
112,401 mi.

1996 MACK RD688S; E-7400 (400 HP); FULLER 8SP; A/C; 73,280 GVW. MANITEX 2284 CRANE; 22 TON; 94' HOOK HT; 20'6" WOOD FLATBED.

10+ FUEL TRUCKS IN STOCK!


BROKERS WANTED
we pay competitive commissions on sales!

\$50,000 Turnkey Headboat



Twin Detroit 671 Engines, complete refit and replank 2016/17. NEW autopilot, radar, chirpdown fishfinder, GPS Chart/Plotter, 3 battery banks, Hydroslave Anchor Switch, Night Lights, Spotlight, anchor, bow, stern, spring lines and Live Well. Northern Lights Generator 6.5 KW, Dual 250. 2021 COI 88 Pass, 3 Crew.
(305) 978-2299

65' Steel



Great Lakes. Fresh water boat. CG certified 73 Pass. Any waters route. 871 Det. 11 KW Gen. 10 mph boat. Turn key.
Great Condition & Priced at \$160,000
Call (586) 531-9749

Brand New 10' x 25' Aluminum Dock Building Barge



New 1,000 lb. air hammer and triple axle trailer. Crane is a 050 HIAB, 6,000 lb. 28' reach. Tower and controls, no motor.
Call For Information • (239) 980-9540

FIBERGLASS SUPPLIES

Epoxy, Vinylester, Polyester
Gelcoats, Barrier Coats
FG Laminate Angle & Panels
Carbon Fiber, Kevlar
Fairing & Bonding Compounds
Marine Plywood, Core & More!

DURATEC Divinycell H
The High Performance Core

CARBON CORE
HONEYCOMB CORE

Technical Assistance
800-231-6537
www.lbfiberglass.com

LBI

Central Boat Rentals, Inc.
Morgan City, LA

For Charter: 2000 HP Push Tug
10K & 30K BBL Double Skin Oil Barges

(985) 384-8200 www.centralboat.com

FERRIES FOR SALE



<p>Year Built: 1990 Flag: Panama Builder: Fjellstrand (Italy) LOA: 120 ft. Beam: 31 ft. Draft: 6 ft. (Loaded) Mains: MTU 2000 x 2 Gen. Sets: Mercedes x 2 Speed: Kamewa Water Jets 36 kts. Passengers: 357 Class: RINA HSC</p>	<p>Year Built: 1990 Flag: Panama Builder: Fjellstrand (Norway) LOA: 131 ft. • Beam: 32 ft. Draft: 6 ft. (Loaded) Mains: Dietz MWM TBD x 2 (Totally Rebuilt) Gen. Sets: Iveco 200 KW x 2 (200kw) Speed: Kamewa Water Jets 36 kts. Passengers: 282 Class: DNV GL HSC</p>
------------------------------------------------------------------------------------------------------------------------------------------------------------------------------------------------------------------------------------------------------------------------	------------------------------------------------------------------------------------------------------------------------------------------------------------------------------------------------------------------------------------------------------------------------------------------------------------

Class has recently expired but re-entry is obtainable on both
Very well maintained in warm stack
Liquidation Due to Overland Route Competed
Price Is Firm @ \$700,000 Ea. Or \$1.2 Mil. USD For Pair
Location Is South Florida
Call Owners For Details: (305) 766-8226 or mrosandich@fastcatferries.com



OIL PADS
Only \$19.95 Per Bale
Five Stocking Locations
We Have The Best Prices On
Oil Absorbents, Booms, Pads
and Socks.
800-9-BUYNET
www.buyingnetwork.com

**A & D SHIPYARD
BROOKLYN NY
718-404-4285 (HAUL)**



7
1
8
4
0
4
H
A
U
L

Brooklyn's
First
120 Ton Lift
Servicing
Your Complete
Shipyards Needs
Hauling
Painting
Welding
Shaft & Prop Work
50 Years of Experience

RENTALS & SALES



Hydraulic Winches & Power Units
For Sale & For Rent.



Diesel Mechanical Winches
For Sale & For Rent.

Seattle, WA Tel: 206-762-3700 Info@rasmussenco.com

RASMUSSEN EQUIPMENT COMPANY
Your one stop marine project supplier!

Belle Chasse, LA Tel: 504-392-0442 www.rasmussenco.com



Marine Fenders For Sale & For Rent

New, Used, & Reconditioned Sales & Rentals

Diesel Mechanical Winches, Hydraulic winches, Hydraulic Power Units, Air Winches, Hand/Barge Winches, Portable/modular barges, Anchors, Chain, Wire Rope, Rigging Hardware, Fairleads & Deck Sheaves, Marine Fenders, Buoys, Blocks, & Winch Parts.



Since 1936



Locations: Seattle, WA & Anderson, CA

Poseidon, Flexifloat, Skagit, Amclyde/Clyde, & Manitowoc Lantec, Pullmaster, Thern

Please call, or email for a quote.
Seattle: 206-762-3700 Belle Chasse: 504-392-0442
info@rasmussenco.com ~ www.rasmussenco.com

Patterson, Wintech, Ingersoll Rand Smith Berger, Rope Block, Skookum Johnson, McKissick, & many others.

TheGPSStore.com

Automotive ■ Outdoor ■ Marine Electronics

Toll Free 1-800-477-2611 • Check Out Our Weekly Web Specials

FURUNO Furuno 1815 Color 36nm Radar

Furuno 1815
#FU1815 **\$1995⁰⁰** **NEW!**

Furuno's 1815 Radar includes a 8.4" Color Display and a 4kw Dome with 36nm range. Low power consumption features include Target Tracking, True Trail Mode and True View mode.

FURUNO




Furuno GP39 GPS/WAAS Navigator

Furuno GP39 GPS
#FUGP39 **\$395⁰⁰**

Furuno's GP39 GPS features a 12 Channel receiver with integrated SBAS (WASS/EGNOS/MSAS) technology and a 4.2" LCD Color Display. Mark up to 3,000 track points, 10,000 waypoints and 100 routes (each with up to 30 waypoints). The GP39 can also display Loran TD Position Format.

FURUNO



SPECIAL PURCHASE

Garmin GPSMAP 1040xs Chartplotter / Sounder

- High Sensitivity GPS GLONASS Receiver.
- 10.4" High Resolution Color Screen.
- Preloaded US BlueChart G2 and US LakeVu Mapping.
- Built in CHIRP and DownVu Sonar.
- Garmin Helm, Mobile Planning, and SiriusXM Compatible.
- Available with and without Transducer.



GPSMAP 1040xs with Transducer
#GA01184

\$1199⁰⁰

GPSMAP 1040xs without Transducer
#GA0118401

\$1099⁰⁰

FLIR Ocean Scout TK Thermal Camera

FLIR Ocean Scout TK
#FL43200122200S **\$599⁹⁵** MAP*

The FLIR Ocean Scout TK features a thermal imaging core in a compact and affordable unit. Rugged and waterproof the TK will show a man in the water at 130 yards when no light is available.



McMurdo SmartFind E5 Cat I EPIRB

McMurdo SmartFind E5 Cat 1 EPIRB
#MC82800004A2 **\$439⁹⁵** **McMURDO**

The McMurdo SmartFind E5 Category 1 EPIRB alerts search and rescue with your position in the event of an emergency. Supplied with a "Float-Free" Housing, the E5 EPIRB will automatically deploy and activate when submerged over 2-4M. Bright, flashing LED light, 6 Year Battery Storage Life and Minimum 48hr continuous operation.



Standard Horizon HX400 VHF

with Land Mobile Channels

Standard Horizon HX400
#STHX400 **\$164⁹⁵** Standard Horizon HX400IS
#STHX400IS **\$249⁹⁵**

Submersible 5 Watt VHF radio with 40 programmable land mobile channels. User selectable 5 or 1 Watt power and noise cancelling microphone. Also available in an Intrinsically Safe model.

STANDARD HORIZON



Icom M605 VHF

Icom M605 Fixed Mount VHF Radio
#IC60511 **\$799⁹⁵** *MAP

Full featured Fixed Mount 4.3" color LCD Display, 25W VHF and Class D DSC. Connect up to 3 HM-195 COMMANDMIC's. NMEA 2000 and NMEA 0183 Connectivity.

ICOM

*MAP Minimum Advertised Price



Your Best Source for Discount Marine Electronics!



Call for our Latest Catalog!

Or check out **TheGPSStore.com** to see our complete selection of marine electronics from all the major manufacturers.



TheGPSStore.com

Automotive ■ Outdoor ■ Marine Electronics

The GPS Store, Inc.
6899 Beach Drive
Ocean Isle Beach, NC 28469

Same Day Shipping!

Order by 4 PM Eastern

Friendly Customer Service

1-800-477-2611



TRUCKABLE TUGS FOR LEASE

330 - 660 HP • UNDER 26' • NO CG LICENSE REQUIRED



5 Jones Street, Dubuque, IA 52001
Office: (563) 583-0556 • Fax: (563) 556-2293
sunflower-enterprises.com



TAPPAN ZEE
CONSTRUCTORS, LLC
Marine and Construction
Equipment for Sale
 Tarrytown, NY
www.tappanzeesales.com

CREWBOATS FOR SALE

- 23' Lobell 2380 (1996) \$40,000
- 26' MonArk (1978) \$35,000
- 36' 3612-V Dauntless (2005) \$140,000
- 36' 3612-V Dauntless (2005) \$160,000

VISIT WEBSITE FOR DETAILS

60' x 16' x 4'
Pilot/Crew/Launch

Breaux 1991, Twin Cat 3406B Turbo w/Twin Disc MG 5114A. 24kW Genset, cold A/C, 800 gal fuel, 18 knot cruise. Reduced to \$179,000 Tampa, FL.

50' x 15' x 6'
Pilot/Crew/Launch

Completely rebuilt 12V-71 TA 530 HP 22 Knots, New props, shafts, rebuilt clutches on ZF gears. New paint bottom & topsides, Furuno electronics. Excellent condition, Try \$189,000, New Orleans, LA.

For More Info & Pics
(251) 610-3111 or
Email: oceanicservicesllc@gmail.com

Harbor / Coastal Tug For Sale

102 x 30 x 13 M.E. 16-645 Turbo Falk Gear, 4:1 ratio. 110 x 80 S.S. Prop. 6-71 Gen Sets. 2000 gal / minute. Fire monitor, full electronics, C.G. inspected, Boat in excellent shape.

Priced To Sell • Call (207) 780-8847

TOUGH Kubota PARTS

LARGE INVENTORY SAME DAY SHIPPING

KUBOTA Reman

STARTERS / ALTERNATORS / TURBO'S

Kubota

AUTHORIZED DISTRIBUTOR (800) 925-4966

ENGINES / GENERATORS / PARTS

LIST OF SPECIFICATIONS	
Kubota Diesel Engine	
1800 RPM Generator Single or 3 Phase	
Brushless Exciter	
Automatic Voltage Regulator	
High Temp and Low oil shutdown system	
Air Cleaner	
Belt Guard	
Hour Meter	
Key Switch	
Stable Flex Neoprene Vibration Isolators	
Fuel Filter	
Mechanical Fuel Transfer Pump	

OPTIONAL EQUIPMENT ACCESSORIES	
Weather Proof Enclosures	
Drip Pan For Skid	
Fuel Tanks	
Circuit Breakers	
110/220 Outlets	
Fuel Water Separators	
Deluxe Gauge Panels	
Extended Deluxe Gauge Panels to 50 ft.	

Marine and Industrial Generators

KEEL COOLED MODELS		
MODEL	KW	PRICE
KG8KWKC-ECS	8	\$5,920.00
KG10KWKC-ECS	10	\$6,130.00
KG12KWKC-ECS	12	\$6,800.00
KG15KWKC-ECS	15	\$7,810.00
KG17KWKC-ECS	17	\$8,050.00
KG21KWKC-ECS	21	\$9,075.00
KG25KWKC-ECS	25	\$9,355.00
KG30KWKC-ECS	30	\$9,810.00
KG40KWKC-ECS	40	\$12,715.00
KG50KWKC-ECS	50	\$13,860.00

TIER 4 GENERATORS AVAILABLE

GL SERIES LOWBOY II

GL7000-USA	\$4,650.00
GL11000-USA	\$5,750.00

Pressure Washer
 3K to 10K Cold Water
 3K to 5K Hot Water

Trash Pumps 3 to 6 Inch

HPU Units

GULF ENGINE.COM **GULF & TEK.COM** **CAVI & TEK.COM** **HYDRA COMP.COM** **RENT**

2306 Engineers Road, Belle Chasse, LA 70037
 Office: (504) 393-1701 * Fax: (504) 393-1627 * Toll Free: (800) 925-4966



**PHILLIPPI
EQUIPMENT
COMPANY**

**2875 HWY, 55
EAGAN, MN 55121**

**Quality Certified Cranes
For Sale / Rent**



**600 Ton
Demag
AC500-2 AT
RENTAL**





651-406-4900
www.pecoequip.com



**90 Ton AM 7460
Lattice Truck Crane
\$95,000**



**125 Ton 7530
Lattice Truck
Crane
\$325,000**



**225 Ton AM 9310
w/ Skyhorse
\$675,000**



**200 Ton L-Belt
LS248H Crawler
\$700,000**



**100 Ton Man 3900
Vicon
\$149,500**



**100 Ton AM 7260
Crawler, Reman
\$275,000**



**Sumitomo SC800
Crawler Crane
\$325,000**



**70 Ton Grove
ATS 870B
All Terrain
\$350,000**

600 Ton Demag AC500-2 AT Crane.....	RENTAL
500 Ton Demag AC400 AT Crane.....	RENTAL
350 Ton Grove GMK 6350B AT Crane.....	RENTAL
300 Ton Manitowoc 2250s (2) '99, '08 Crawlers.....	RENTAL
275 Ton Grove GMK 5275 AT Crane.....	RENTAL
225 Ton American 9310 Crawler.....	4SALE/RENT \$675,000
200 Ton Link-Belt 248H Crawler.....	4SALE/RENT \$700,000
200 Ton Liebherr 1160-2 AT Crane.....	RENTAL
150 Ton Demag AC395-1 AT Crane.....	RENTAL
100 Ton Sumitomo SC800 Crawler.....	4SALE/RENT \$325,000
100 Ton American 7260 Crawler, Reman.....	4SALE/RENT \$275,000
100 Ton Manitowoc 3900 Vicon Crawler 150' #8 Boom Hyd. 3rd Drum.....	\$149,500
75 Ton Grove RT 875C (2) Rough Terrain.....	RENTAL
Hendrix 5 & 6 Yd. Drag Bkts. & Misc. Clam Bkts. 3 to 6 Yd. & Parts.....	CALL

Call us for American Crane Parts

Introducing static grounding reels made of stainless steel.

Ideal around fuels, combustibles and salt environments.

Why risk a discharge of static electricity sparking an explosion? These 20-50' stainless steel static grounding reels eliminate the danger. They outlast powder-coated steel reels in tough environments, and their clip jaws open a full 1-1/16" for easy attaching to structural assemblies or bars. With long-life springs and easy auto-retract, they're the safer solution for docks, watercraft fueling, barge loading/unloading and other marine applications.




AMETEK®
HUNTER SPRING PRODUCTS

© 2017 by AMETEK Inc. All rights reserved. www.ametekhunterspring.com



WEEKS 190 - 190 x 54 x 12 DECK BARGE W/(3) SPUD WELLS & BIN WALLS



CONTACT: Jim Irwin
PHONE: 908-272-4010
E-MAIL: HJIRWIN@WEEKSMARINE.COM
WEBSITE: WWW.WEEKSMARINE.COM

Barges For Sale in Hawaii

WEEKS 190 - \$50,000
HT 39 - \$30,000
WEEKS 142, 143, 144 - \$10,000 ea.
PACKAGE PRICE - \$100,000 For 5



HT - 39 - 180 x 54 x 12 DECK BARGE W/ BIN WALLS



WEEKS 142, 143, 144 - 124 x 35 x 10.8 DUMP SCOWS

MASTER MECHANIC MARINE™

A Certified Power Business

www.mastermechanicmarine.com

For ALL of your Hydraulic Systems & Components Needs!

Thousands of items in stock!

TO ORDER CALL: 800-877-8350 ISSUE # BHQ117
OR EMAIL: mmmsales@certifiedpower.com

We specialize in Custom built Gas, Diesel and Electric Hydraulic Power Packs with Reservoirs, Filters, etc. We'll help you design it, then quote you a price!

MASTER DESIGNED GAS & DIESEL POWER UNITS

GAS MODELS

ITEM #	HP	GPM	PRICE
BH-K5.5H-10	5.5HP	11 GPM @ 800PSI	CALL FOR PRICE
BH-K9.5H-20	9.5HP	8 GPM @ 2000PSI	CALL FOR PRICE
BH-K14H-20	14HP	10 GPM @ 2000PSI	CALL FOR PRICE
BH-K19H-20	19HP	15 GPM @ 2000PSI	CALL FOR PRICE
BH-K25H-30	25HP	20 GPM @ 2000PSI	CALL FOR PRICE
BH-K37H-40	37HP	30 GPM @ 2000PSI	CALL FOR PRICE



DIESEL MODELS AIR-COOLED

ITEM #	HP	GPM	PRICE
BH-KD350-10	6.1HP	11GPM @ 800PSI (2-STAGE PUMP)	CALL FOR PRICE
BH-KD440-20	9.1HP	7GPM @ 2000PSI	CALL FOR PRICE
BH-KD6252-20	22.1HP	17GPM @ 2000PSI	CALL FOR PRICE

• IF A HIGHER HP IS REQUIRED PLEASE CALL FOR PRICING! • STAND ALONE POWER UNITS AVAILABLE! •

MARINE CLUTCH PUMP KITS (SINGLE & DOUBLE PUMPS)

Drive off truck or equipment engines. Drive-shaft or belt driven options.

Clutch pump kits come with: Bi-Rotational Pump, Clutch, Switch and Mounting Bracket.

ITEM #	MAX PRESSURE	GPM@1200	GPM@2000	GPM@3000	PRICE
BH119	3000	9.6	16	24.1	\$429.00
BH119X	3000	12.8	21.5	32.2	\$429.00
BH119XX	3000	17	26	43.4	\$589.00
BH119XXX	3000	23	34.8	N/A	CALL FOR PRICE



Just added drive-shaft driven clutch pump assembly:

ITEM #	MAX PRESSURE	GPM@1200	GPM@2000	GPM@3000	PRICE
BH200	3000	30	51	77	\$2,699.00

STAINLESS STEEL BOOM WINCHES, PLANETARY WINCHES & ANCHOR HOISTS

Planetary winches can hold up to 300 ft. of 1/2" cable.

Boom winches hold up to 230 ft. 5/16" cable.

ITEM #	MAX CONT. FLOW	LINE PULL	MAX LINE SPEED	PRICE
BHPSVH-10000	15.9 GPM	10,000 LBS	46 FPM	\$1,200.00
BHPSVH-15000	15.9 GPM	15,000 LBS	30 FPM	\$1,575.00
BHPSVH-18000	15.9 GPM	18,000 LBS	23 FPM	\$1,826.00
BHPSVH-20000	15.9 GPM	20,000 LBS	7.1 FPM	\$4,850.00



ITEM #	DESC.	RPM @ RATED FLOW	LINE PULL	PRICE
BH1008	ANCHOR HOIST	300RPM @ 12GPM	900 LBS	\$795.00

DESC. (12GPM @ 2000 PSI: 4700 LBS LINE PULL EMPTY SPOOL)	PRICE
S.S. BOOM WINCH W/BRAKE	\$1,999.00
PAINTED STEEL BOOM WINCH W/BRAKE	\$1,699.00

(custom brake motor available)

1, 2, 3 SPOOL MONO-BLOCK VALVES AND STACK VALVES UP TO 1-10 SECTIONS PER STACK

Perfect for operating winches, cylinders, reels, pot haulers and much more.

- 2 GPM - 75 GPM
- 1500 PSI - 5000 PSI
- Stainless Steel



DESCRIPTION	PRICE
Spring Return Control Valve	\$85.50
1, 2, 3 Spool Control Valves	\$118.50
4-Spool Valve	\$779.50

HYDRAULIC ACCESSORIES

- S.S. Gauges
- Relief Valves
- Return Filters
- S.S. Check Valves
- Cushion Valves
- Handle Kits
- Seal Kits
- Hose & Fittings
- Bushings
- Hydraulic Oil
- S.S. Ball Valves
- Brass Ball Valves
- Reservoirs
- Love Joy Coupling

Master Mechanic Marine
 970 Campus Drive • Mundelein, IL 60060
 Prices F.O.B. Factory - Subject to Change Without Notice

STAINLESS STEEL GRESEN & BRAND HYDRAULICS ROTARY SPOOL VALVES

- Great for Pot Haulers
- 1500psi - 3000psi
- Up to 45gpm
- Stainless Steel
- Built-in Flow Control
- Built-in Relief Valve

ITEM #	DESC.	PRICE
BH449	GRESEN ROTARY SPOOL	\$499.00
BH449-SS	GRESEN ROTARY SPOOL	\$755.00
BH1072-SS	BRAND ROTARY SPOOL	\$379.50
BH755-SS	S.S. BRAND ROTARY SPOOL	\$226.50

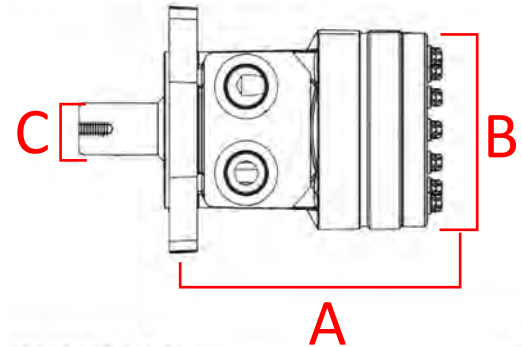


LOW SPEED, HIGH TORQUE HYDRAULIC MOTORS

Master Mechanic Marine provides you with today's leading manufactured hydraulic motors. **NO TAG? NO PROBLEM!**

Our hydraulic specialists can get you a replacement motor with little dimensional data from your motor. (Imports are available).

- 1000 PSI - 3000 PSI
- 2 GPM - 70 GPM
- 2,000 in/lbs - 16,000 in/lbs
- All Straight Key Shafts and Splined Shafts Available
- 2-Bolt, 4-Bolt, 6-Bolt, Wheel Mounts



PRICES STARTING AT\$239.00

VANE PUMPS & DOUBLE PUMPS

GRESEN TC24, TB12, V10, V20, 25VQ & VTM42

- 500 PSI - 3000 PSI
- 3 GPM - 55 GPM
- Up to 3,000 RPM
- Straight Key Shafts
- Splined Shafts

ITEM #	PRICE
V10	\$233.23
V20	\$250.79
VTM42	\$325.99
TB12	\$429.78
TC24	\$489.50



POT HAULERS - 8", 10", 12", 14", 17"

- Completely Stainless Steel Options
- Top-Performing Hydraulic Motors
- Higher Speed or Higher Torque Options
- Line Speeds from 275-350 ft/min.
- Line Pulls from 310-1750 lbs.



PRICES STARTING AT.....\$699.00

MONTHLY SPECIAL

DRIVE-SHAFT ASSEMBLY



- DRIVE PUMPS
- ELECTRIC CLUTCHES
- U-JOINTS INCLUDED
- COMPANION FLANGES
- SLIP YOKES

ITEM #	PRICE
BH-1310	\$325.00
BH-1410	\$375.00
BH-1550	\$425.00

STAINLESS STEEL STEERING UNITS

Master Mechanic Marine provides top of the line steering units. We can calculate your requirements and size the ram for you as well.

(Stainless Steel Helm Sold Separately)

ITEM #	PRICE
Class II	\$779.00
Class III	\$879.00
Class IV	\$979.00



TIE-ROD AND WELDED HYDRAULIC CYLINDERS

ALL bores and strokes available! A few applications: • A-Frames
 Top leading manufactureres • Steering • Log Splitters
 and imports available.

BORE & STROKE	TYPE	PRICE
2 X 8	TIE-ROD CYLINDER	\$69.38
2.5 X 8	TIE-ROD CYLINDER	\$82.41
3 X 8	TIE-ROD CYLINDER	\$83.99



J & B BOAT RENTAL LLC

Has Crew Boats, Work Boats, Tug Boats and Living Quarters for
J & B MANUFACTURING

J & B Manufacturing Builds Work Boats and Crew Boats to Your Specifications

We also have Coast Guard Plans to choose from, tell us what you want and we can build it
Below are a few vessels built by J & B Manufacturing.

You can contact us @ (985) 594-5831 or
Visit our website: www.jbboatrentals.com



VESSELS FOR SALE

150' Aluminum Welded Crew Boat



- 150' Aluminum Crew Boat with 5 Cummins K19, Very Clean, New COI
- 65' Aluminum Crew with Cummins Diesel Engines, Clean & Fast, New COI
- (4) 50 Aluminum Crew Boats with Cummins Diesel Engines, Clean & Fast, All New COI
- 68' 3 Level Steel Push Boat, with Cummins Diesel Engines, New COI
- (10) Aluminum Deck Boats from 20' - 47'

CLOSING DATES • FIRST JULY ISSUE 2017

• To Be Mailed June 29th •

FOR DISPLAY June 26th
(9:00 A.M. C.S.T)

FOR CLASSIFIED June 28th
(10:00 A.M. C.S.T)

NEUVILLE BOAT WORKS, INC.

**BUILDERS OF ALUMINUM BOATS
IN BUSINESS SINCE 1969**



180' Jet Powered USCG T, ABS Classed A-1 HSC AMS DPS-2



170' Crew Supply USCG T/L ABS Classed A-1 HSC AMS DPS-1

**Slots Currently Available
neuvilleboatworks@gmail.com**



167' WATERJET POWERED USCG T/L ABS CLASS A-1 HSC



47' CREWBOAT (30 PASS.)



50' PILOT BOAT

TOP QUALITY CUSTOMIZED BOATS TO MEET YOUR NEEDS

**Passenger Boats • Pilot Boats • Party Boats
Patrol Boats • FSV's**

**PH: (337) 229-6507 CONTACT: KERRY OR ERROL
www.neuvilleboatworks.com • New Iberia, LA**

ISLAND WIDE MARINE INSURANCE

Superior Service Since 1977

**CUSTOMIZED POLICIES
Designed Specifically For:**

- Passenger Vessels**
- Sightseeing - Dinner Cruise**
- Headboats - 6 Packs - Ferry**
- Dolphin - Whale Watch**

FEATURING:

- ★ **Basic & Enhanced Policies**
- ★ **Competitive Pricing**
- ★ **Easy Payment Terms**
- ★ **Discounts For Seasonal Operations**



**Marine Insurance is
Our ONLY Business**

1-800-635-6097



JOHNSON DIESEL SERVICE

Dealer for Cummins, Detroit, & Volvo Marine & Industrial Engines, Power Units and Generator sets. New, exchanges and used engines. We carry exchange and new Twin Disc and ZF Marine transmission and all parts necessary for overhaul's.

Phone (228) 392-1311 Fax (228) 392-0096

Email: johnsondiesel@cableone.net • Website: JohnsonDiesel.com



P C Industries

www.powerlinecomponents.com

Specializing in Detroit Diesel 2 Cycle Engines

Complete Line of Remanufactured Subassemblies
Blowers, Con Rods, Cylinder Heads, Injectors,
Fuel Pumps, Oil Pumps, Water Pumps and More!



Large Inventory of New Parts

Pistons, Cylinder Liners, Ring Sets, Gasket Sets, Bearings



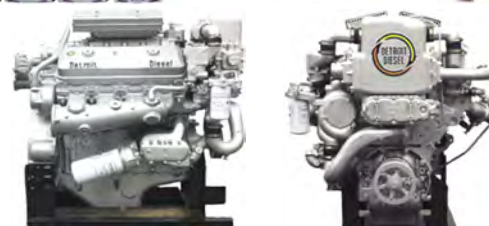
North West Distributor
Kocsis Hydraulic Starting Systems

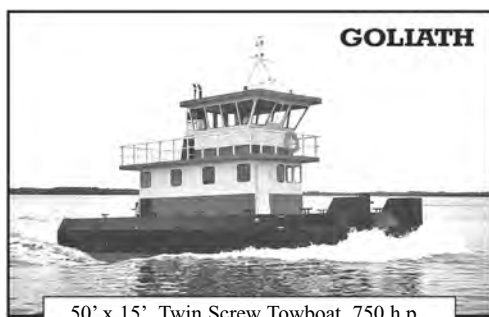
**New Water Cooled Exhaust Manifolds & Accessories
for Caterpillar, Cummins & Detroit Diesel Engines**



P C Industries, LLC
1088 N. Washington, P.O. Box 490
Afton, Wyoming 83110 USA
Phone # (307) 885-4724
Fax # (307) 885-3215
Toll Free # (877) 885-4724

Remanufactured & Dynamometer
Tested Detroit Diesel Engines





GOLIATH

50' x 15', Twin Screw Towboat, 750 h.p.,
5:1 Gears, 46" Props, 20 K.W. Gen.



TRIUMPH

25.5' x 14', Twin Screw Towboat, 450 h.p.,
with Deckhouse, 3.5' Draft.



VICTORY

25.5' x 14', Twin Screw Towboat, 450 h.p.,
3.5' Draft.

AMERICA'S PREMIER TRUCKABLE BOAT BUILDER

IS OFFERING SUPERIOR BOATS AT PRICES LOWER THAN YOU'VE SEEN IN YEARS



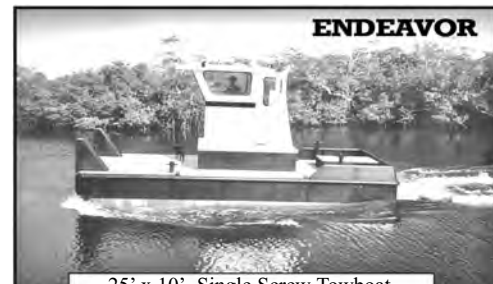
FULLY EQUIPPED

**THIS BOAT AND OTHER MODELS ARE
IN STOCK FOR DELIVERY TODAY!**



CONQUEST

25.5' x 12', Single Screw Towboat,
225 h.p., Flanking Rudders.



ENDEAVOR

25' x 10', Single Screw Towboat,
225 h.p., Flanking Rudders.

**Just Turn the Key.
Everything is Included.**

- Towing Bitt and Four Cleats
- Running Lights
- Lockable Pilot House and Engine Room
- Non-skid Deck
- Engine Room and Pilot House Lights
- Opening Front Window in Pilot House
- Coolant Tanks with Level Indicators
- Large-Capacity Fuel Tank
- Full Instrumentation
- 1200 G.P.M Bilge Pump



**BORN
TOUGH.**



PROGRESSIVE INDUSTRIAL, INC.
PALMETTO, FL

(941) 723-0201

PUSHBOATS-BARGES.COM

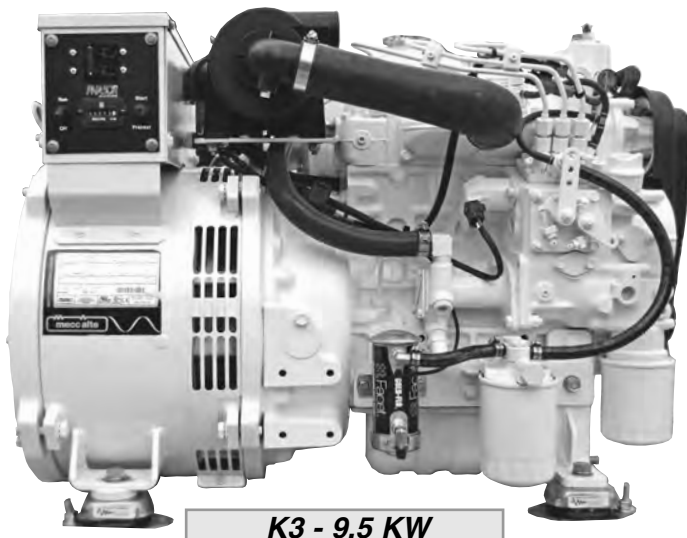
Sectional Barges
8' x 20' to 15' x 60' per section pin together
to form as large a platform as needed.

**Fast Delivery!
Call Now for a Quote!**

PHASOR MARINE

Powered By Kubota

Phasor Marine, has begun delivering EPA Tier IV compliant marine generators. These machines are not utilizing EPA flex credit engines as are other marine generator manufacturers, which is illegal. The Kubota diesel engines utilized by **Phasor** are either Tier IV Final or EPA Tier IV Marine Certified up to and including the K4-30.0 kw model. All standard machines continue to utilize the Kubota or John Deere diesel engines coupled to the electrical ends. These engines approved for use with Bio-Diesel B5. New for the 2014 model year are two Ignition Protection Certified models rated at 4.5 kw and 7.0 kw operating at 1800 rpm. These machines are certified for use in gasoline powered boats. All **Phasor's** continue to offer a 5 year limited warranty.



K3 - 9.5 KW

Kubota
**WE SHIP GENERATORS
WORLDWIDE**

Standard Equipment: 1800 RPM Sets

- Kubota or John Deere Diesel Engine
- Single Bearing Generator
With Epoxy Coated Stator Windings
- ± 1% Solid-State Voltage Regulation
- Low 1,800 RPM Operating Speed
- Four Point Isolation Mounts
- Automatic Low Oil Pressure and High Water Temperature Safety Shutdown Systems
- Fresh Water Heat Exchanger Cooling
- Water Cooled Manifold and
Stainless Steel Exhaust Elbow
- Direct Driven raw Water Pump
- Spin On Fuel Filter
- Electric Fuel Transfer Pump
- Toggle Switch Start with Preheat, Start, Run, & Stop Positions
- Awl-Craft 2000 Urethane Finish
- Oil Drain Valve
- Zinc Anode in Heat Exchanger
- Air Intake Silencer
- Spin On Oil Filter
- 5 Year Limited Warranty

BOATS & HARBORS SPECIALS

MODEL	PRICE	MODEL	PRICE
K2 - 4.5 IPC	\$ 7,518.00	K4 - 12.5 KW	\$11,829.00
K3 - 7.0 IPC	9,011.00	K4 - 15.0 KW	12,458.00
K3 - 6.5 KWC	8,436.00	K4 - 17.5 KW	13,572.00
K3 - 7.0 KW	8,642.00	K4 - 21.0 KW	14,685.00
K3 - 8.0 KWC	9,161.00	K4 - 30.0 KW	20,160.00
K3 - 8.5 KW	8,998.00	K4 - 34.0 KW	22,234.00
K3 - 9.5 KW	9,986.00	J4 - 65.0 KW	32,367.00
K3 - 10.0 KWC	10,679.00	J4 - 80.0 KW	40,688.00
K4 - 12.0 KWC	11,954.00	J4 - 99.0 KW	41,187.00

**SOUTHEASTERN
POWER PRODUCTS**

2880 Hammondville Road, Pompano Beach, FL 33069
Phone: (954) 979-5899 • Fax: (954) 979-4349
900 Industrial Park Rd #10 Deep River CT
Phone 860-526-9773 • Fax 860-526-2090

www.phasormarine.com

Prices and Specifications
Subject to Change

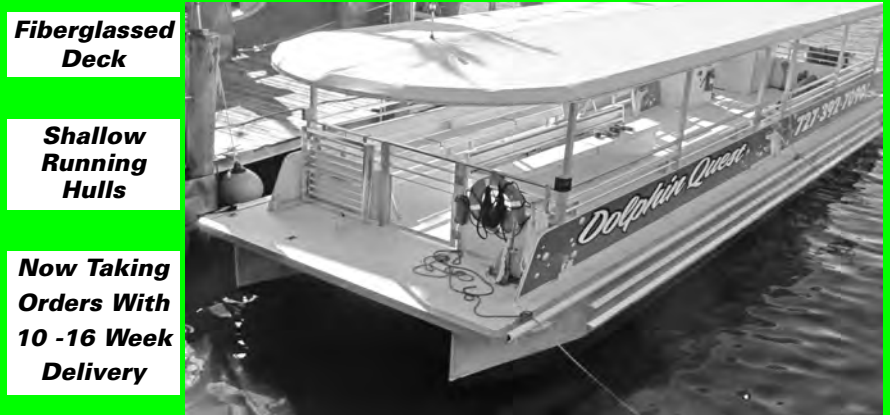
www.Sightseerboats.com

Quality and Affordability

All Boats Built To USCG Partially Protected Criteria
Eco-Tour, City Tour, Party Cruise, Water Taxi's Boats
30', 35', 40', 45' & 50' Lengths x 10, 12, 13 & 14 Ft. Widths



All Aluminum Construction Means Lower Operational Costs & Requires Smaller HP Motors.
Up to 49 Passenger • Multiple Route COI's Available



Fiberglassed Deck

Shallow Running Hulls

Now Taking Orders With 10 -16 Week Delivery



40' • 42 Passenger 35' • 36 Passenger

"V" Bottomed Catamaran Hulls
FACTORY DIRECT SERVICE & PRICING
BUILT TO MEET YOUR SPECIFIC APPLICATION & SITUATION
Full Turnkey Boats Starting Under \$100K
Call to Discuss Your Project & For Free Quotation

727.856.6900

BUYING OR SELLING?

New & pre-owned vessels, Pinnacle Marine Corporation can help.



Great Point 1,120 Passenger Ferry



Mystere 88 Passenger Yacht



Argosy IV 1,900 Passenger Paddlewheel



Royal Argosy 752 Passenger Packet

PINNACLE MARINE CORPORATION

We are the only brokerage service specializing in the passenger vessel industry. We also provide assistance locating financing, vessel transportation, securing insurance, marketing and business consulting, and auction services.

608-788-3210 • email: info@pinnaclemarine.com • www.pinnaclemarine.com

JEMISON MARINE SHIPYARD

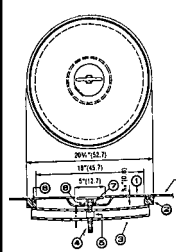
New Constructions,
Repairs And Conversions

(NEW) BOATS FOR SALE

251-824-7878 • 251-824-4575 (Fax)
9315 Little River Rd • PO Box 645
Bayou La Batre, Alabama 36509

Contact: **Tim Jemison**
website: www.jemisonmarine.com

NEW FLUSH HATCHES



PIECE NUMBER	NAME	MATERIAL
1	COVER ASSEMBLY	MILD STEEL
2	DECK RING	MILD STEEL
3	STRONG BACK	MILD STEEL
4	TEE HANDLE	STAINLESS STEEL
5	NUT	BRASS
6	GASKET	NEOPRENE
7	WASHER	BRASS
8	WASHER	NEOPRENE

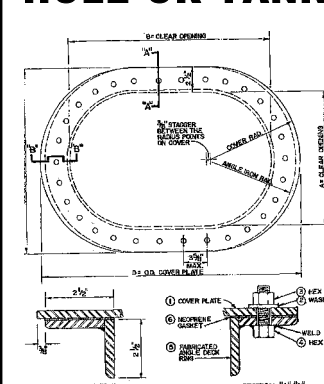
PRICE ON REQUEST

NEW 18" & 24" HATCH COVERS



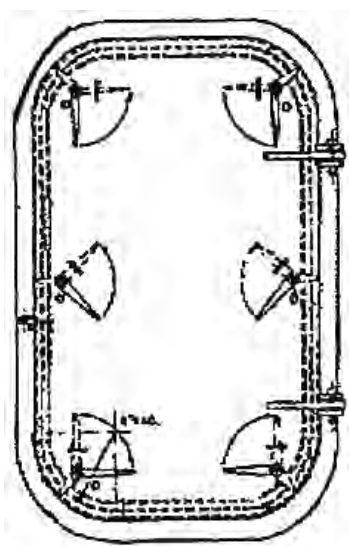
Flush mounting watertight hatch with machined steel mounting ring. T-handle is recessed and hand tightens against a strongback across mounting ring: 18" 90lbs. - 24" 120lbs.

FACTORY NEW - SIZE 15x23 RAISED BOLTED PLATE MAN HOLE OR TANK TOP COVER



1/2" Thick-Cover 3/8" Thick Coaming 2-1/2" High Overall dims. of cover 20" x 28-3/4" Overlap for lifting No handles necessary

6-Dog Watertight ABS Steel Doors



1/4" Panel
5/16" Frame
Righthand & Lefthand
Clear Opening Sizes:
26 x 60
30 x 60
30 x 66
30 x 72
Available in either Manual or Quick-Acting Operation (4-Dog doors also available) Other sizes available by special order.



NEW 15" x 23" TANK TOP COVERS

3/8" COVER & 3/4" DECK RING
Complete with Neoprene Gasket w/Brass Washers & S.S. Nuts 20 Bolts - Wt. 95 lbs.



24"- 36"- 48" KEVEL CHOCKS

NEW 7" RADIUS PANAMA CHOCKS
(Meet Panama regulations)
14" x 10" CLEAR OPENING
With extended legs for welding to deck.
14" Wide on base - 28" Length - 27-1/4" High
In Stock Immediate • Delivery

4-DOG GENERAL PURPOSE 15" x 23" x 5" HATCH

ALSO AVAILABLE
Open and Closed Chocks
Single and Double Bitts
All types of Marine Equipment

ELLICOTT 370HP



Ready For Work - New Pump, Gear Box, Service Water Pump Has a 20' Dredging Depth Newly Painted Priced to Sell - \$170,000 Cape Mining • (609) 374-2995 - NJ

53' EXCURSION BOAT



PRICE REDUCED \$115,000 OBO
USCG Inspected • Current COI Licensed for 126 Pax • 3 Crew Detroit Diesel • Isuzu Genset 2 Decks, 2 Heads, Bar Cooler. Built for Great Lakes Use. Currently Charters for Tours, Parties, Weddings, Events. **Contact Bill at (989) 233-4424 or bill@baycityboatlines.com**

65' Bonner Twin GM Naturals



PRICED TO SELL AT \$125,000 (732) 278-4402 OR (732) 477-6441

1985 MANITOWOC 4100-W SERIES II CONTAINER HANDLING CRANE



Serial #41809 Year Model 1985 80' Boom With 33' Stationary Tower Elevated Cab Cummins NTA-855-C400 Diesel, Container Lifting Attachment Inc. Exc. Undercarriage Work Ready. Can Be Barge Loaded Located In The West Palm Beach, FL Area **SPECIAL PRICE: AS IS West Palm Bch, FL \$250,000** "Subject To Prior Sale"

Harold Howell Const. Equip. Co.
Ph: (561) 744-5091 • Fax (561) 743-0915
www.haroldhowell.com • hh@haroldhowell.com

Two Certified Landing Crafts For Sale



76 x 22.5 Landing Craft. Over 500k spent in refurbished and extensively modified in 2010, including new Tier 2 John Deere 6125 engines w/ low hrs. & Twin Disc gears, 20kw and 40kw gen sets, 12T RO Stinger crane w/ 60' boom, widened 22 x 56 cargo area, galley/accommodations, full electronics, stern anchor winch, two stern mooring winches and lots more. Legal to haul freight for hire. Feb 2017 100k drydocking incl complete blast/paint, new gate, new wheelhouse main deck, much more" **Reduced \$100,000 to \$585,000**



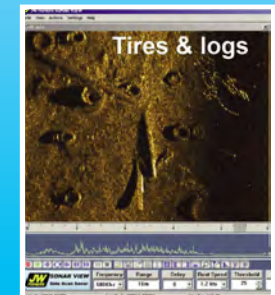
76 x 22.5 Aluminum Coast Guard certified Landing Craft. Refurbished and extensively modified in 2003 including Twin Detroit Series 60 engines. (2) 30kw gen sets, 10T crane w/ 60' boom, galley/accommodations, full electronics, stern anchor winch, and lots more..... **Reduced \$100,000 to \$585,000**

To Duplicate Modification/Conversion Work done on these vessels would run several hundred thousand dollars. 619-533-7932 • Located West Coast • Delivery Available "Special Delivery Price on freighter to FL or Bahamas - \$75k, (About 1/2 the normal rate)" grant@pacifictugboats.com

"Your search begins by removing the water with Fishers Side Scan Sonars"



-Jack Fisher, Founder



Side Scan System From \$20,995



Tablet mounted in control box cover available



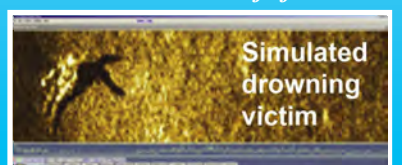
Side scan sonars are one of the most effective tools for underwater searches because they create a detailed picture of what's on the bottom." The resultant display "removes the water" giving a clear image of the bottom. Fishers SSS-100K side scan lets you search large areas quickly, the 600K and 1200K find even the small soft targets, and the dual frequency combines the best features of high and low frequencies. The image is displayed on a PC or tablet showing a detailed high resolution picture of the bottom. An optional mapping window shows the boat's path and the size of the scanned area.



CMS From \$2,995



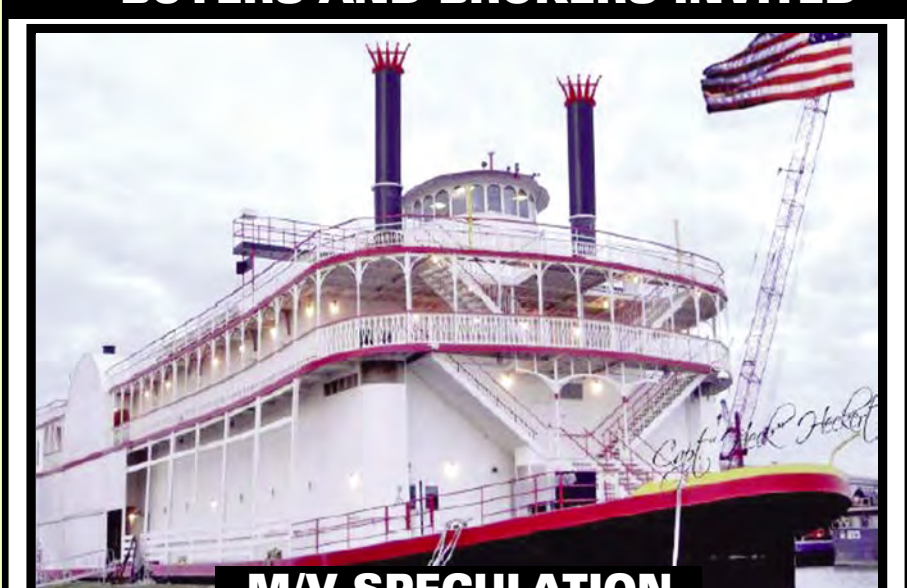
DDW-1 \$1,395



Simulated drowning victim

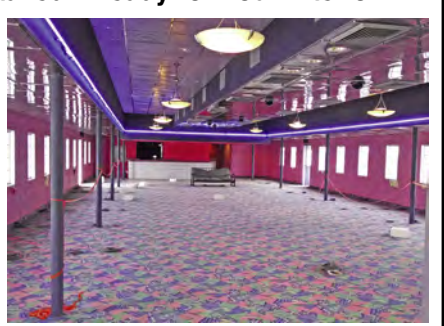
1953 County St., E. Taunton, MA 02718 USA • (800)822-4744 (508)822-7330 • FAX: (508)880-8949 • email: info@jwfishers.com • www.jwfishers.com

230' x 72' RIVERBOAT DRYDOCKING JUNE 19-23 AT BOLLINGER'S HARVEY, LA CALL FOR APPOINTMENT & SHOWING BUYERS AND BROKERS INVITED



M/V SPECULATION

This 230' x 72' - Four Deck Side Wheeler US Built - 1995 / Refit & USCG Doc in 2014 / Never Been Used 4 Decks / 2 Elevators / 25,000 Gal of Fuel + Fresh Water / Galley Uses: Dinner Cruises/ Casino / Exhibitions / Entertainment / Relief All Major Mech & Elec. Sys. Installed - Ready for Your Interior.



Denison yacht sales
An American Yachting Family Since 1948

KIT DENISON
Kit@DenisonYachtSales.com
Cell: (954) 614-2888
Tel: (954) 763-3971
850 N E 3rd St. #205
Dania Beach, FL 33004



VECLOADER® 616 DOUBLE DUMP

Performance Proven Vacuum Solutions™
The VecLoader® 616 Double Dump offers 2,400 CFM & 28" Hg vacuum for greater job flexibility when conveying longer distances or handling dense material. The VecLoader® self-pulsing baghouse represents a 40-year legacy of proven safety and performance! All VecLoaders® are easily maintained and simple to use without complicated set-up. Call us today at 1-800-832-4010 or email us at inquiry@vector-vacuums.com to learn more!

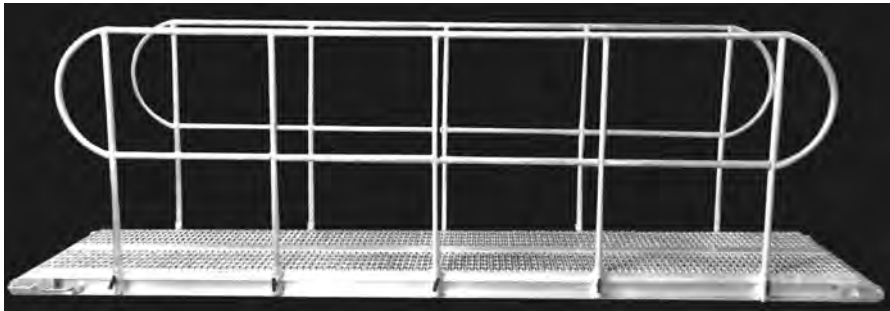


The Original Since 1976
Vector Technologies Ltd.
8301 W Parkland Court | Milwaukee WI, USA 53223
Toll Free: (800) 832-4010 | Main: (414) 247-7100 | Fax: (414) 354-4314
web site: www.vector-vacuums.com
Email: inquiry@vector-vacuums.com
*2 year warranty applies to the engine and the blower; 1 year structural excluding wear parts

- Continuous Duty**
- 170HP John Deere**
- 2,400 CFM/ 28" Hg**
- 54" Baghouse**
- 100 Gal Fuel Tank**
- Heavy Duty Trailer**
- Four Point Lift**
- 2 Year Warranty***
- 33% More Efficient**

PROUDLY MADE IN THE USA

Standard 12' Aluminum Gangways
\$2200.00 • 12' x 30"



Grip Strut Grating • Removable Handrails
Handles and Retractable Wheels for easy one man use
 Contact for more information and pics:
bwyble@sup-us.com / 409-985-2448
 Sabine Universal Products, Port Arthur, TX



**DON'T BUILD A FERRY.
 BUILD A LEGEND.**

www.gladding-hearn.com

INCINOLET® electric incinerating toilets

PROBLEM SOLVED!

Need a toilet in "no discharge" zones?

For boat or dock, home or cabin –
 INCINOLET, your best solution!

SIMPLE to install, maintain.
 120 or 240 volts

US Coast Guard Certified

ULTRA CLEAN: waste
 reduced to sterile ash.
 As little as a cupful weekly.
 Dump in garbage.

TOP QUALITY: stainless steel,
 platinum odor control, quality
 controls assure long life.



1-800-527-5551
www.incinolet.com

RESEARCH PRODUCTS/Blankenship • 2639 Andjon • Dallas, TX 75220

Acadian
Marine Transmission



Allison Marine Gear Specialist

217 Burgess Dr., Broussard, LA 70518

Ph (337) 837-3636 • Fax (337) 837-3633

www.acadianmarinetransmission.com

**Marine Transmissions & Parts,
 Hydraulic Pumps & Parts,
 Flywheel Assembly & Parts, Service**

- Repair/Exchange/Outright – Allison M & MH Transmissions
- M, MH, Twin & Quad Units
- Repair/Parts – Twin Disc & ZF Transmissions
- Repair/Exchange - New Hydreco Pump & Eaton Pumps

I
NLAND
BOAT WORKS

**VISIT OUR
 SHIPYARD
 ORANGE, TEXAS**

CALL (409) 988-0005
 for SPECS OR QUOTE
www.inlandboats.com
 Email:
inlandboatworks@gmail.com

The ORIGINAL
Truckable Boat Builders

**CUSTOM BUILT PUSHBOATS AND
 DECK BARGES YOUR DESIGN OR OURS**

STANDARD MODELS • CONTINUOUS PRODUCTION OVER 45 YEARS BUILDING BOATS & BARGES



MODEL 2516
 25'9" x 16'0" x 5'6"
 650-750 H.P. Twin Engine



MODEL 2510
 25'9" x 10'0" x 4'0"
 200 H.P. Single Engine



MODEL 2512
 25'9" x 12'0" x 4'6"
 400 H.P. Twin Engine



MODEL 2514
 25'9" x 14'0" x 4'6"
 600 H.P. Twin Engine



DECK BARGES
 120'0" x 30' 0" x 7'0"
 Double or Single Rake



MODEL 2520
 25'9" x 20'0" x 6'0"
 750 H.P. Twin Engine



NEW MODEL
MODEL 2523 with Quarters
 25'9" x 23'0" x 6'8"
 1125 H.P. Triple Engine



MODEL 2520 with Quarters
 25'9" x 20'0" x 6'0"
 750 H.P. Twin Engine

NEW ENGINES WITH FACTORY WARRANTY
JOHN DEERE & CUMMINS TIER III COMPLIANT
EXTENDED WARRANTY AVAILABLE

NEW TWIN DISC TRANSMISSIONS
AQUAMET 17 PROPELLER SHAFTS
NEW BRONZE 4-BLADE PROPS
HEAVY DUTY QUALITY CONSTRUCTION

Questions to ask before ordering your sectional barge:

1. Will my barge be designed by experienced engineers?
2. Will my barge be built to my exact requirements?
3. Will my complete satisfaction be guaranteed?

If it's important that the answer to these questions is "YES", then contact us at:

RPS Barge Co.

Built to your requirements.
Built to last. Guaranteed.

877-826-2617 502-747-5540

www.rpsbarge.com

bill@rpsbarge.com



2 CrewBoats For Sale in Mexico Foreign Flag



Both Built in USA • 100' x 21'6" x 9' • 3 - GM12V71 • Passengers: 70 • 20 Tons of Cargo



91'8" x 21'6" • 3 - GM12V71 • Passengers: 60 • 20 Tons of Cargo

For Complete Specifications Please Call (985) 397-3983
Bayou Maritime Corp. • Larry Vauclin

Thompson Longline Vessel



Upgraded in 2012. \$149,000. Separate crew quarters for 4 with head, captain stateroom and 3 bunks, galley @, head in main cabin. Longline and electric reels 65' - 671 GM Detroit - Allison MH. 3:1 Trans (2) Kubota Diesel Gensets. 15KW (2) Longline Spools 30 MI.- 8 MI. Electronics, 3,000 LB Freezer Hold. 30,000 LB Ice Hold. Permits: Directed Swordfish, Shark, Tuna included with Boat!!! Reef Fish Permit and longline permit available with Purchase of Vessel at separate cost. Will Not Sell Permits Alone. Call Jason (727) 631-2420 or Email Madbchjason@gmail.com

STERLING EQUIPMENT

TUGBOATS FOR SALE

Tug "Jay Michael"
68' x 24' x 7'
MODEL BOW TUG FOR SALE



98 Gross Tons • Official Number: 630308
Built 1980 - Gibson, LA • 2 CAT 3508 – (2200 HP)
Twin Disc MG 540 Reverse Reduction Gear
(2) John Deere 4045TFM75 • 65KW Generators
Towing Winch • Smatco Winch • DPS44 • Cable Size: 1 1/8"
36,700 Gal. Fuel Capacity • Location: New York
\$575,000.00

Tug "Lynx"
73.5' x 25' x 9'
MODEL BOW TUG FOR SALE



119 Gross Tons • Official Number: 507788
Built 1967 – Tacoma, WA • *Rebuilt - 1990
(2) CAT D398 Engines – (1800 HP) • CAT 3192 reduction gear
(2) John Deere 4045TFM75 – 65KW Generators
24,000 Gallon Fuel Capacity • Quarters for 5 crew • Location: Quincy, MA
\$475,000.00

Financing Available For Qualified Buyers • Lease Purchase Options Also Available



Whether you have been working on the water for years or starting your first job, Sterling can provide the equipment and the expertise to get your project off the ground.

For More Information, Visit:
www.SterlingEquipment.com
or call (888) MR-BARGE or (617) 984-0022 x117



1-800-960-0068 CALL TODAY!
 1212 St. Charles St., Houma, Louisiana 70360
 www.mlengine.com sales@mlengine.com

Gas Inboard / Mud boat Power train
 Up to 44 Horsepower!
 Electronic Fuel Injection
 ZF Transmission
 Air Cooled



KOHLER engines 

Marine Diesel Generators
 6kW up to 200kW
 Keel Cooled
 Heat Exchanger Cooled



ISUZU DIESEL
JOHN DEERE
YANMAR

Gas and Diesel Pumps
 2" - 48" Pumps
 Skid Mounted
 Trailer Mounted
 Dry Prime
 Wet Prime



YANMAR **KOHLER** **CORNELL**
Lo-Lift **GR**
 SINCE 1955 **GOODMAN-HOPF PUMPS**

Packaged Generators
 6kW up to 800kW
 Sound Enclosures
 Fuel Tanks
 Trailer Mounted
 Panels and Accessories



YANMAR **KOHLER** **MAGNUM**
JOHN DEERE **kwjet** **GILLETTE**
ISUZU **POWER** **GENERATORS**

Replacement Engines
 Tier 2 Mechanical In Stock!
 Tier 3 & Tier 4 Available



ISUZU DIESEL **JOHN DEERE**
YANMAR **KOHLER**

Pressure Washers



KOHLER **YANMAR**
 Heavy Duty Diesel and Electric

Generator Alternator Ends



MARATHON ELECTRIC **STAMFORD** **meccalte**

Custom Power Units
 6hp up to 400hp
 Diesel
 Natural Gas
 Gasoline
 Propane
 Accessories



ISUZU **JOHN DEERE** **GM**
YANMAR **KOHLER**

PRICE MATCH GUARANTEE
 We will match or beat any competitors price!




FOR RENT

FLEXIFLOAT JACK-UP BARGE
 - Truckable, Maximum 100 Ton Crane
TUGS
HIGH SPEED CREW BOAT
CRANES
OTHER MISC. EQUIPMENT



Contact Stan Andrie At: (231) 332-9227 Or sandrie@andrie.com
www.andrietg.com

Is Your Advertising Program Blooming? or Being Dug Up by The Dogs?



This Ad Can Be Working For You In No Time!!
 Call or Email Now and Let Us Help Your Advertising Results Grow!!
 Call 931.484.6100 or Email: gdonnelly@boats-and-harbors.com



WEEKS 2220
 NEW YORK, NY

FULL SERVICE PROJECT CARGO RATES A SPECIALTY

CHARTER BARGES AVAILABLE ON EAST & GULF COASTS. OCEAN & INLAND DECK BARGES, HOPPER BARGES, SPUD BARGES, MATERIAL AND CARFLOATS, ABS 340 78 x 19; 260 x 72 x 16; 222 x 60 x 14 & 180 x 54 x 14 DECK BARGES AVAILABLE ON EAST & GULF COASTS. TUGS TO 4000 HP AVAILABLE. FLOATING LIFT CRANES TO 500 TON. FLOATING DUTY CYCLE CRANES TO 30 CY BUCKETS. FULL SERVICE YARDS ON EAST AND GULF COASTS FOR MOBE SERVICES. CALL FOR COMPETITIVE BARE-BOAT CHARTER, MARINE TRANSPORTATION, HEAVY LIFT AND STEVEDORE RATES.



WEEKS 2901 ABS CLASS 180 x 54 x 14 DECK BARGE BUILT 2015 FEATURES A 3500#/SQ FT DECK RATING



Weeks Marine, Inc.

CONTACT: Jim Irwin

PHONE: 908-272-4010

E-MAIL: HJIRWIN@WEEKSMARINE.COM

WEBSITE: WWW.WEEKSMARINE.COM



4600 Series 4 Crawler Lift Crane w/ Series 3 Ringer Attachment



CREW BOAT STEVE L

ABS BARGES FOR CHARTER

Weeks 184	150 x 40 x 8 ABS deck barge
Weeks 185	150 x 40 x 8 ABS deck barge
Weeks 186	150 x 40 x 8 ABS deck barge
Weeks 188	150 x 40 x 8 ABS deck barge
Weeks 176	140 x 40 x 12 ABS deck barge
Weeks 177	140 x 40 x 12 ABS deck barge
Weeks 178	140 x 40 x 12 ABS deck barge
Weeks 179	140 x 40 x 12 ABS deck barge
Weeks 290	180 x 54 x 14 ABS deck barge
Weeks 291	180 x 54 x 14 ABS deck barge
Weeks 292	180 x 54 x 14 ABS deck barge
Weeks 293	180 x 54 x 14 ABS deck barge
Weeks 294	180 x 54 x 14 ABS deck barge
Weeks 295	180 x 54 x 14 ABS deck barge
Weeks 298	180 x 54 x 14 ABS deck barge
Weeks 2220	222 x 60 x 14 ABS deck barge
Weeks 2221	222 x 60 x 14 ABS deck barge
Weeks 2222	222 x 60 x 14 ABS deck / spuds
Weeks 2223	222 x 60 x 14 ABS deck / spuds
Weeks 2600	260 x 72 x 16 ABS deck barge
Weeks 2901	180 x 54 x 14 ABS deck barge
Weeks 2902	180 x 54 x 14 ABS deck barge

CREW BOAT FOR SALE

Steve L 41' Aluminum Crew Boat \$75K

CRANE FOR SALE

Manitowoc 4600 Ringer 750T \$POR

WINCH FOR SALE

Clyde Frame 6 (3) Drum, Good Shape, No Power \$75K

Buckets, Cranes, Hammers, Winches and Other Heavy Equipment Also Available.
 See Website www.weeksmarine.com

Boats & Harbors

CLASSIFIEDS

Experience
The Selling Power of The
Yellow Sheet!Place Your Ad (931) 484-8708 or Email: Tlewis@boats-and-harbors.com • Fax: (931) 456-2337 • Submit Online: www.boats-and-harbors.com

★ BOATS FOR SALE

1966 65 FT by 29 FT BEAM, Blount built T-boat, original stability letter to 300 as a ferry boat. Now has new bottom paint, new zinc plates, and new C.O.I as of Sept. '16 for 158 POB as a dinner / dance boat. Twin Detroit V-8 diesels, 10kW generator all recently rebuilt. Was asking \$378K now \$325K for the boat OBO. Call Randy (231) 744-0101 or (231) 343-4142. For more info please visit: www.portcitycruiseline.com

1970 46' DUBUQUE Steel Tour Boat. 353 D.D. Velvet drive, keel cooled. Rebuilt in 2000, dry docked since 2007. Was a houseboat. Truckable. \$15,750 (218) 732-5318

1972, ALUMSHIP INC. 27' Crew Boat. Welded aluminum hull, self bailing. Great condition. Fresh bottom job. Cummins 4BT, 150 HP diesel. 80 gal. fuel cap. 40 gal. fresh water. Fresh batteries, new charger. Shore power, new wiring throughout. Custom top. Garmin 3210 plotter, finder, depth. Head. Cabin beautifully trimmed Sapele. V-berth. Loud stereo. Tri axle aluminum trailer. Ready for work or play. \$20,000.00. (843) 870-6337

1984 WILLARD 50 FT NAVY Utility Boat, 671 Detroit Diesel engine, Serial: 50UB847. Engine shows 48 hours and has been started and checks out good. Asking \$20,000 OBO. (270) 535-2886
ebogle4@gmail.com

2006 SHAMROCK 247 Open Diesel! Under 1,000 Hours Yanmar 260 BY professionally maintained. Furuno electronics, radar, etc. Fully loaded. Good condition. \$29K OBO. (252) 453-9500

35x13 FG / Low HR CAT 21KTCR, SS Tanks, reduced \$33,000. 37' FG O-HR-OM 6-71TI, SS tanks. Beautiful sea boat. \$35,000. Appraised @ \$60,000. (843) 385-2301

36' LCVP 1965 FG 671. \$5,000. (415) 601-7858

36' LCVP 1972 FG, 671Det, Seneca Lake, NY. \$10,000. (607) 351-6934

36' TOPAZ Currently Used In Charter Fishing. Going out of business. 3,500 hrs since major over haul on both engines, 3208 TA Cats. Survey at \$78,000, asking \$55,000. Capt. Charlie (251) 633-8075.
To view boat: www.Beachscharters.com

37' BAYLINER, Grouper Snapper Boat, GOM permit, Furuno electronics, up to date safety, 4-71, \$45,000. Phone: (813) 546-7553

39' KEY WEST #1 Grouper Snapper Boat, with GOM permit, V-671, ZF gear, all safety up to date, \$60,000. Phone (813) 546-7553

HAVE MARINE PARTS YOU NEED TO sell? Let Boats & Harbors help you! (931) 484-6100 or place your ad online at www.boats-and-harbors.com

43' BERTRAM 1991, Fresh Water Since New. 600 SMOH, 6-92 DD, super clean. Asking \$179,000.00. Call Jason Tilly (727) 423-3308.

45' HATTERAS SPORTS FISHING 1969, 41 years of updates and maintenance. Great condition, runs great. Many above and under water modifications. She is loaded with many extras. This boat is nearly bullet proof. Must be seen to appreciate. \$69K. (561) 747-7733

52 FT, 60 PASSENGER, CHESAPEAKE, twin 671's converted headboat to tourboat, 2017 COI, very clean, wood, \$95,000 OBO. (781) 925-2404
AcushnetMarine@gmail.com

ALUMINUM CREW BOAT 32' x 10' w/ Detroit 8V-71. 76 hours on full rebuilt engine. Very good condition. \$22,900 OBO (801) 870-5848

34' UNIFLITE GEOLOGICAL Survey Boat, 3208T Caterpillar diesel engine, 255 HP, 9 beam. \$18,000 OBO. Eddie Bogle (270) 535-2886
ebogle4@gmail.com

1/2 CHARTER FISHING BUSINESS 38' Hatteras & Equipment. Established 35 years. Key Largo, FL. Asking \$29K OBO. Captain Tony (305) 619-5221

CHESAPEAKE BAY BUILT Classic 110 Passenger Vessel. 65 LOA, 60 ton, two 6-71 Detroit, current COI. Business and / or boat for sale, ready to cruise this season. (240) 463-1510
www.WestRiverCruises.com

CLASSIC WOOD Passenger Vessel. New COI for 169. Original stability letter for 224. Excellent condition ready to work. 65 ft. Biloxi Lugger design. Expertly rebuilt in 1985. 1-3/4 inch mahogany with stainless fasteners. Twin 8-71s. 10 kW Kubota. Appraised at \$350K. Will consider trades. (228) 326-1668

TIME IS MONEY! When you need an item or wish to sell something advertise with us.

COMMERCIAL FISHING VESSEL. Solid 44.3' 1983 Chesapeake Boat Works, fiberglass construction, single 12/71 natural Detroit Diesel 450 HP w/ Twin Disc clutch 2.5/1, 32/38 four blade propeller w/ 2 1/2 shaft, single level cabin w/ 2 helm stations, cabin seating, berths, galley, open aft deck w/ deck holds, kinematic dual net reels installed, Marine Twister gear box. New deck, fuel tank, strut and shoeing installed 2 years ago. New 4 person life boat. Located in Wanchese, NC. \$50,000.00 w/ net reels, \$40,000.00 w/o net reels OBO. Photos available.
Email: erobbins@nagsheadlaw.com

SEA BREEZE. Alum. Crewboat, Built 1978, 45 x 15 x 5.6'. Cert. for 44 pax, ON 602377. Twin 8V71's, 700 Hp, 13 KW Kohler Gen. \$250,000.00. Location: New York. Call office for additional information:
1-888-MR-BARGE, (617) 984-0022
Mark@Sterlingequipment.com

FOR SALE: COMMERCIAL Tugs, Barges, dredges, work boats, passenger vessels, ferries, landing craft, air boats, hovercraft, anchors, propellers, winches, ship parts from Great Lakes freighters, marine diesel engines & transmissions, generators, marine antiques. Listings welcome. Scruton Marine Services (519) 583-1636, Fax (519) 583-2189
www.scrutonmarine.com

GOOD STEEL BOATS Made for Work, Self-Bailing Assist, Utility and Bridge Construction Boats. (508) 264-6863
www.americanworkboat.com

GREBE 65 FT CUSTOM One Off Yacht 1950, wooden recent 671s, genset, a/c, bow thruster, was X-dinner / private party, C.O.I. for 35 in 2016 has exp., commercial galley, used in Boston Harbor last year as the Full Moon, \$35,000, or B/O. (781) 925-2404

MISS KATHIE. 40' 8" x 13' 5" x 4' 1", EX CG Boat, HP: 680, year built: '78, GT: 15 GRT, Cummins 909's rblt. 2013, eng. gen.: (2) 24V alts. on eng. \$225,000.00. Location: Staten Island, NY. Call office for additional information:
1-888-MR-BARGE, (617) 984-0022
Mark@Sterlingequipment.com

46 FT, GLASS OVER WOOD, 671 Detroit, 30 pass., enclosure with heat, 2017 COI, a workhorse, \$45,000 OBO. (781) 925-2404
AcushnetMarine@gmail.com

34' PREMIUM PARASAIL / DIVE Boat with Trailer, 12 ft beam, good shape, 2 rebuilt 300 HP 6B Cummins diesel engines, has room for toilet under steering console. Refurbishing, 90% done. Asking \$60,000 OBO. (270) 535-2886
ebogle4@gmail.com

36' LCPL NAVY BOAT. Super Solid, No Motor, in good shape. Asking \$4,500.00 OBO. (321) 482-1336

62 FT BREAUX CRAFT Crewboat, Twin 12V71's, Poll Master deck winch, \$75,000. (781) 925-2404
AcushnetMarine@gmail.com

WEST COAST, 180' OSV, Cat power, winch, stern roller, crane. Hard coated tanks. Call (281) 635-7151.
Email: marineone1st@yahoo.com

★ BOATS FOR SALE OR LEASE

220' OFFSHORE SUPPLY VESSEL, USCG Certified and ABS Class. Call for pictures and detailed specs. (415) 616-3472
tmonroe@atel.com

★ SAILBOATS FOR SALE

39 FT CUSTOM ONE OFF, Fiberglass, Sam Crocker Designed Ketch. Masterpiece, constructed to highest standards by yacht builder as his around the world dream boat. Highest quality workmanship and fittings. Fully found with best of everything. Monitor wind vane, ship mate stove, Simpson windlass, etc. New sails and bunk cushions. Beautiful mahogany interior. Needs someone to love it again. Retired shipwright will mentor project, if desired. Photo available. \$20,000.00. Offers: trade, land, aircraft, cars, etc. (904) 477-0151

★ BOATS FOR LEASE

CREWBOATS / SAFETY Boats For Lease. Truckable aluminum crewboats 22' - 44', 6-15 pax, up to 40 knts., available bareboat or w/ crew. Can deliver anywhere. Contact Kevin @ (410) 977-0028
Email: smithequipment@verizon.net

TRUCKABLE TUGS, Small Workboats, barge rentals, towing, diving, small salvage. Celebrating 102 years. Dispatch 24 hr (206) 632-0151.
www.FremontTugboat.com

★ FLOATING DOCKS FOR SALE

FLOATING DOCK With Water And Electric Hook Ups For Sale. 200 ft. concrete floating dock ready to use. Located in Essex, MD. Call or email for pictures and additional questions. (410) 686-6998
jennifer@westshoreyachtcenter.com

A PICTURE IS WORTH a thousand words! Run a display ad today! (931) 484-6100 or You can place your ad at
www.boats-and-harbors.com

★ DOCK FENDER MATERIAL FOR SALE

WE HAVE UHMW Plastic Bar Stock From a US Coast Guard Project. This UHMW was rejected b/c it was wrong color of orange. 35 pcs @ 4"x 12" x 18' in Denver. Damon with repurposed MATERIALS at (303) 321-1471.

★ SAILBOAT HULLS FOR SALE

CARGO / TRADE SCHOONER Under Construction as T-boat, steel, 48 GRT, 61' LOA. <1 year to complete. \$275K OBO. Seller exiting. For info, call Matt (252) 626-1699.

★ BOAT DELIVERIES

EXPERIENCED PROFESSIONAL, Worldwide, licensed masters and crews. Bayfront Marine, Inc. Mel or Diane Longo. (904) 824-8970
www.bayfrontmarineinc.com

★ PERMITS FOR SALE

GULF OF MEXICO Directed Shark Permit. (727) 492-4907

CAN LOCATE ANY PERMIT, Commercial or Charter. 28, 33, 48 Passenger charter permits available now. (361) 356-1172
permits@greatsageinc.com

CURRENT TEXAS Gulf of Mexico Shrimp License For Sale. \$6,500.00. Call Mike at (281) 788-9101.

FEDERAL FISHING PERMITS For Sale. GOM charter headboat for reef fish. GOM charter headboat for coastal migratory pelagics. (813) 220-4243

GULF OF MEXICO Charter/Headboat, 22 passengers, reef and pelagic permits. Can be used as 22 passenger headboat or as six pack. \$30,000. (352) 453-9215

GULF OF MEXICO Shrimp Moratorium Permit, up to date. \$15,000. Moratorium extended to 2026. (361) 655-2113

IFQ ALLOCATIONS. Have Red Grouper Allocations For Lease, 10,000-100,000 lbs., 10,000 lb. lots for .25/lb. Gag grouper, 10,000-20,000 lbs. Call (727) 492-4907.

KING MACKEREL PERMIT. \$6,000.00 Call (917) 435-8332

★ PERMITS WANTED

I BUY AND SELL South Atlantic Snapper / Grouper, Gulf reef, red snapper, shark, sword, king mac, etc. Dave (904) 708-0893, (904) 262-2869

FULL PERMIT SERVICES: Buy, Sell, Renew, Transfer, Broker your federal fisheries permits. File no fish reports, vessel documentation, VMS activation. Expired permit solutions. (361) 356-1172

ONE MAN'S JUNK, ANOTHER MAN'S TREASURE! Sell it or find it through Boats & Harbors.

★ PUSHBOATS FOR SALE

3,000 HP PUSHBOAT. MV Gladys Ford, Reduced Price \$1.69 million. (850) 255-5266
www.mbbrokerage.net

PUSHBOAT 25' Progressive Triumph, Twin John Deeres 6068 with Twin Disc trans., deck winches, \$165,000. (781) 925-2404
AcushnetMarine@gmail.com

TWO 2,000 HP PUSHBOATS For Sale. (850) 255-5266
cgonsoul@gmail.com
www.mbbrokerage.net

★ TUGBOATS FOR SALE

JAY MICHAEL. 68 x 24 x 7', 98 GRT, Built 1980, ON 630308, Twin Cat 3508's, 2200 hp, 2 x 40 KW gensets, 37,000 gal. fuel, Smatco single drum winch, complete electronics. \$POR. Location: Staten Island, NY. Call office for additional information:
1-888-MR-BARGE, (617) 984-0022
Mark@Sterlingequipment.com

'LEONA B' Model Bow 1972, Twin V12 149 DT. 1,450 hp, 30kW & 40kW. Towing machine, 63 x 24 x 10, GT99. Great Lakes. \$450,000 OBO. (414) 588-7784

LYNX. MODEL BOW Tug, 73.5 x 25 x 9', 119 GRT, off. #: 507788. Blt. 1967, rblt. '90, Martinolich Shipbld., Tacoma WA. Twin screw open wheel. Cat D398 main engs. rated at 915 hp ea. Cat 3192 reduction gear at 5.31:1. Gens: 2 Cat D320, 50 KW ea.. Towing winch: Almond Johnson 320SS, 1450' of 1-1/2" wire. Bow winch: Foss conversion, 200' of 1-1/8" shipwire. Fuel: 10 Tanks, 24,000 gal. Water: 3 tanks, 3,000 gal. Quarters for 5 crew. Comp. elects inc. SSB, AIS, Furuno FR 811 Radar. \$POR. Location in NY Harbor. Call office for additional information:
1-888-MR-BARGE, (617) 984-0022
Mark@Sterlingequipment.com

MODEL BOW 2400 hp, 90 Ft., 12 cyl EMD 645 E-7 turbo single screw. 3-1 Falk Gear. (2) 4-71 75KW gen sets, fully equipped. Sleeps 6. East Coast U.S. \$75,000.00 USD. Strong working tug or make great liveaboard. (443) 324-6457

MODEL BOW TUG, 42'Lx14'Wx7'D, Heavy Riveted Steel Hull, recently bottom coated, single screw GM 871 diesel, 350 HP. Price \$25,000. (410) 507-5553

★ BARGES FOR SALE

(3) 195'x35'x10' HEAVY BUILT Deck / Stone Barges, \$150K each. Located in Paducah. Call (270) 832-2712.

(3) SINGLE SKIN BARGES 120x30x7, 125x35x6, 139x35x7. Can convert to deck barges. (850) 255-5266
www.mbbrokerage.net

110' x 34' 1943 STEEL Ex-Navy. Very Good Overall, two-story, electronics repair. Always clean, in & out. \$249,500. Seattle. (206) 225-3360
Details: www.PacificMarine.org
E-mail: david@pacificmarine.org

30 x 90 DECK BARGE, \$95,000, with Spud Wells. (781) 925-2404
AcushnetMarine@gmail.com

HYD PILEDRIVER, 140 Johnson, 12x30, Finger Lakes, NY. \$60,000. (607) 351-6934

110 x 35 DECK BARGE, \$65,000, with Spud Wells. (781) 925-2404
AcushnetMarine@gmail.com

SECTIONAL BARGES Built. Any Truckable Size. Portable pushboats. Madison Boat and Barge, Madison Indiana, (812) 265-6255.
www.madisonboatandbarge.com

CONTINUED ON PAGE 26



Scarano 65' x 14' Water Ferry Launch



Scarano 80' x 16' Motor Launch



**115' PV Adirondack
350 Passenger Capacity**



Adirondack 65 LOD

SCARANO BOATBUILDING, INC.

Port of Albany, Albany NY 12202

Custom Design Construction

518-463-3401 • FAX 463-3403 • www.scaranoboot.com

Available for Monthly or Yearly Lease



Manitowoc 4100W Series II Heavy Lift Crane Barge • Price: \$1,200,000.00

1992, 230 Ton Crawler Manitowoc 4100W Series II sitting on a 155' x 54' x 10' Steel Barge. Barge also equipped with Generator, Welding Machine, Air Compressor, Sewage Treatment System, Office Building and Equipment Shed. Crane has 200' of boom and a 60' jib.

Contact: Troy Lombardo - 1414 River Road, Berwick, LA 70342 • Of: (985) 384-8770 • Cell: (985) 637-8775

MARINA EQUIPMENT FOR SALE

(305) 882-7000
gwork@wejohnson-fl.com

2004 75 Ton Marine Travelift



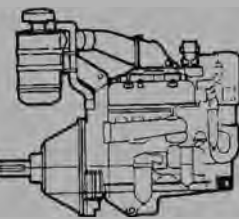
with Remote in exc. cond. Late model 75 BFM11 metric ton cap., (165,000 lbs) w/lots of extras. (2) speed hoist, (2) speed drive, remote control. John Deere dsl engine 4045TF w/low hrs.

PRICE REDUCED!

35-50 Ton Boat Hoist



In good working order. Used every day by major national firm, diesel engine, moving to larger hoist. ICW-21' 4", ICH-18', Data tag missing\$19,950



INDUSTRIAL DIESEL, INC.

8705 HARMON • FORT WORTH, TX 76177 • Ph: 817-232-1071 • FAX: 817-232-0354 • WATS: 800-323-3659

WORLD WEB WEBSITE • <http://www.industrialdiesel.net> • EMAIL: sales@industrialdiesel.net

SEE OUR COMPLETE INVENTORY ON THE WORLD WIDE WEB

**NO C.O.D'S PLEASE
WE ACCEPT VISA AND MASTERCARD
Se Habla Español**

POWER UNITS



Caterpillar C4.4 Power Unit
Tier III, 100 HP RTO - Call For Pricing



Perkins 1104 Tier IV Power Unit
100-117 HP RTO, Low Hours
Call For Pricing



Caterpillar 3126 Tier II Power Unit
200 HP RTO, Low Hours - \$7,500



3054C Caterpillar Power Unit
160 HP, Low Hours
\$6,000

INVENTORY & COMPONENTS!



KT38 Cummins Engine
950-1200 HP, Rebuilt
\$65,000

Rebuilt Detroit Diesel Marine Engines

Keel Cooled	Exch Price US	Outright Price US
3-71	\$ 7,000	\$ 10,500
4-71	\$ 8,200	\$ 11,700
6-71	\$ 10,000	\$ 13,500
8V71	\$ 12,200	\$ 16,000
8V92 N	\$ 14,000	\$ 19,700
12V71 N	\$ 20,500	\$ 28,550
16V92 N	\$ 36,000	\$ 46,000

Exchange Price Includes New Air Silencer. Outright Price Includes Exhaust Manifold, Flywheel, Tank Silencers.

Heat Exchanger	Exch Price US	Outright Price US
3-71	\$ 9,500	\$ 12,500
4-71	\$ 10,000	\$ 14,000
6-71	\$ 11,500	\$ 15,000
8V71	\$ 14,500	\$ 18,500
8V92 N	\$ 16,500	\$ 24,500
12V71 N	\$ 22,500	\$ 32,000
16V92 N	\$ 38,000	\$ 47,500

Exchange Price Includes New Air Silencer. Outright Price Includes Exhaust Manifold, Flywheel, Tank W/P, Pipes For Raw W/P, Air Silencers.

Rebuilt Cummins Diesel Engines

	Exchange	Outright
KT19 / 1150 / 450	\$ 28,000	\$ 38,000
KTA19 / 1150 / 525	\$ 32,000	\$ 42,000
QSK19	\$ 47,500	\$ 60,000
KTA38 High Profile	\$ 75,000	\$ 95,000
KTA38 Low Profile	\$ 102,000	\$ 137,000
KTA50 High Profile	\$ 90,000	\$ 125,000
KTA50 Low Profile	\$ 105,000	\$ 145,000
QSK50 Engine	\$ 185,000	Includes Swing

Prices are for standard industrial engines. Prices subject to change for non-standard engines.

CALL NOW!!

Inquire about our used DDA parts Inventory & Components

CUMMINS

KT 19/1150	BLOCK NEW STYLE 12 BOLT FRONT.....	\$ 5,000
KT 19/1150	BLOCK NEW STYLE 11 BOLT FRONT.....	\$ 4,500
KT 19/1150	CRANKSHAFT NEW STYLE STD/STD.....	\$ 4,500
KV 50/3067	CRANKSHAFT NEW STYLE STD/STD.....	\$ 10,000
VT 28/1710	CRANKSHAFT NEW STYLE STD/STD.....	\$ 5,000
KV 38/2300	CRANKSHAFT NEW STYLE STD/STD.....	\$ 8,000
QSK 19	CRANKSHAFT NEW STYLE STD/STD.....	\$ 5,000
KV 38/2300	BLOCK NEW STYLE VALLEY COOLED STD.....	\$ 8,500
QSK 19	FRONT COVER NEW STYLE NEW TAKE OFF.....	\$ 500
QSK 19	AFTER COOLER ASSY. NEW STYLE NEW TAKE OFF.....	\$ 3,000
QSK 19	OIL PANS NEW STYLE NEW TAKE OFF.....	\$ 350

NEW MARINE PARTS

NT 855	WET EXHAUST MANIFOLD NEW.....	\$ 950
NT 855	MARINE THERMOSTAT HOUSING NEW.....	\$ 350
NT 855	MARINE FLYWHEEL SAE #1 NEW.....	\$ 750
NT 855	MARINE BELL HOUSING NEW.....	\$ 1,000
KT 19/1150	WET EXHAUST MANIFOLD NEW.....	\$ 1,100
KT 19/1150	3003657 CONNECTOR NEW.....	\$ 105
KT 19/1150	3004718 CONNECTOR NEW.....	\$ 115
KT 19/1150	3003662 TUBE NEW.....	\$ 80
KT 19/1150	3004716 TUBE NEW.....	\$ 85

REBUILT BLOWERS

3-53, 4-53, 6V53, 4-71, 3-71, 2-71, 6-71, 12V71, 6V92T & 8V92T
EXCHANGED - \$600.00 • OUTRIGHT - \$800.00 - \$1,000.00

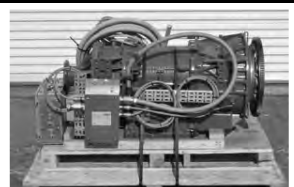
NEW SURPLUS • NEW SURPLUS



SPM 3000 HP Pump
BAS3000, G0214-10000
3000BHP, 12 Stroke, 7.68 Gear
Ration, MFG 2/2014,
*No Fluid End - \$295,000



FMCWT2450 Pump 4.5 FLUID END
WT2450, Part# P540619,
2400HP, Speed 1950, Gear
Ration: 6:39:1 - \$110,000



OFS 4700 Transmission
SN# 6610392590, 600HP,
Pyroban Equipment,
Cert# PYROBAN06ATEX0121X
\$40,000



Pacemaker Pumps 700BHP
BS# 322656, 141111PTL7/576
Fluid End BSPAR# 322690
SN: F0914-25960, MFG 2014
\$105,000



Cummins QSK19 800HP
800HP @2100RPM, Marine
Application ABS Certified,
4 Available - \$50,000 Ea.



SPM QWS 1000 Pump
SN# F0613-21599, 60514-10175
1000BHP, 4.61 Gear Ration
MFG 12/2012
2 Available, 1 Left and 1 Right
\$105,000



QSB 6.7 Cummins Power Unit
260HP, SN# 46941797, CPL 8611
260HP @2200RPM, MFG 2008
\$20,000

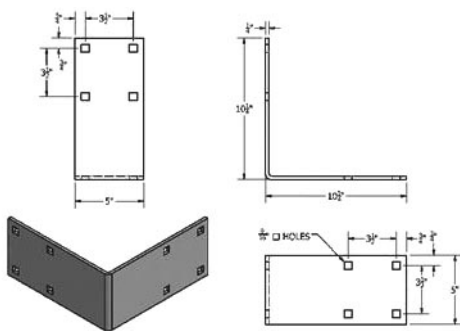


Cummins QSX15 Power Unit
Tier IV Compliant, CPL 3350,
600HP @2100, MFG 4/2012
7 Available - \$55,000

**NEW SURPLUS
NEW SURPLUS
CALL NOW!!**

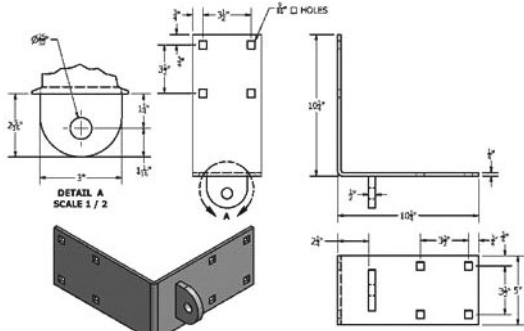
WOOD DOCK HARDWARE

MADE WITH 1/4" HIGH STRENGTH STEEL THEN HOT DIPPED GALVANIZED

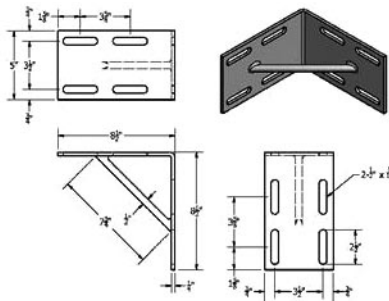


Outside Corner End (H-OCE) is used at the ends of fingers, ends of dock or for swim platforms.

H-OCE Ship#7 \$12.98



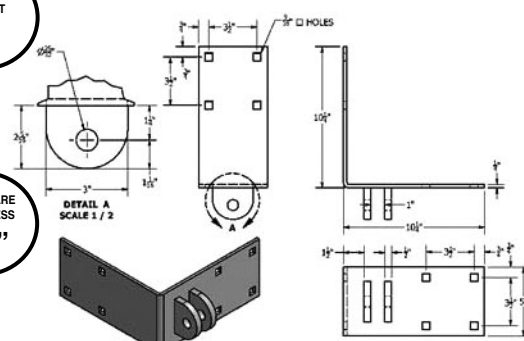
Outside Corner Male (H-OCM) has one 1/2" tab and a hole for a 3/4" bolt or B-PIN. Would be used with an Outside Corner Female (H-OCF) or with a Single "T" Female (H-SF). **H-OCM Ship#8 \$18.71**



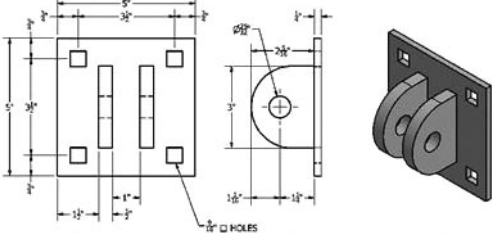
Inside Corner (H-IC) has slots and can be used with 1-1/2" - 3" thick wood. The inside corner sandwiches the wood between the opposite outside corner, keeping bolts from burying themselves in the wood. A corner gusset gives the unit a lot of strength and helps from racking the dock. **H-IC Ship#7 \$13.95**

HARDWARE HEIGHT
5"

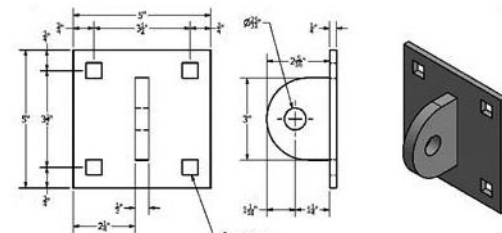
HARDWARE THICKNESS
1/4"



Outside Corner Female (H-OCF) has two 1/2" tabs and a hole for a 3/4" bolt or B-PIN. Would be used with an Outside Corner Male (H-OCM) or with a Single "T" Male (H-SM). **H-OCF Ship#9 \$22.23**



Single "T" Female (H-SF) has two 1/2" tabs and is used with an Outside Corner Male (H-OCM) or a Single "T" Male (H-SM). Both male and female singles can be bolted to the side of a dock to make finger attachments. They can also be bolted to seawalls to make ramps. **H-SF Ship#4 \$13.04**



Single "T" Male (H-SM) has one 1/2" tab and is used with an Outside Corner Female (H-OCF) or Single "T" Female (H-SF). **H-SM Ship#3 \$9.22**

WOOD DOCK HARDWARE



MERCO MARINE

Merco Marine is a manufacturer of boat dock building components and accessories. We were established in 1979. Everything we manufacture is made in the United States, with US Steel, and US workers.

The products shown here are only a small portion of the over 2000 items that we manufacture and keep in inventory for boat dock building and marinas.

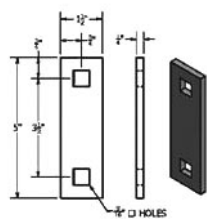
For a complete list of our products check us out on the web at www.mercoboatdocks.com or give us a call at 304-737-3006. You can also request a free copy of our 65 page catalog.

Merco Marine can provide simple parts and pieces for your small pond or lake dock to build on site, or we can build entire marinas from start to finish.

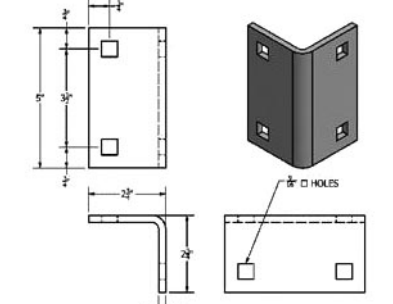
WOOD DOCK HARDWARE WWW.MERCOMARINE.COM 1-304-737-3006

WOOD DOCK HARDWARE

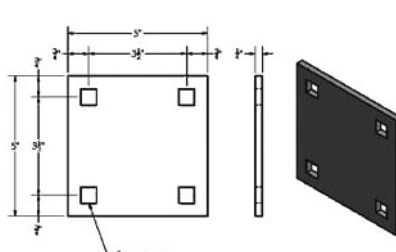
MADE WITH 1/4" HIGH STRENGTH STEEL THEN HOT DIPPED GALVANIZED



Washer Plates (H-W) are used mostly with Angles (H-A) and Cleat Angles (H-CA). The square hole in the plate keeps the carriage bolts from turning when the bolts are tightened. **H-W Ship#1 \$1.24**

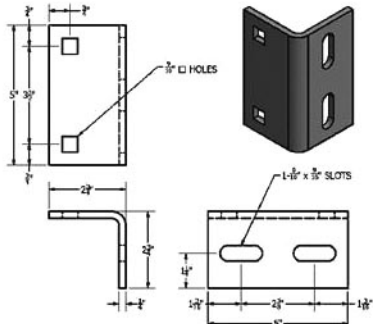


Angles (H-A) used to hold all cross stringers to side stringers using a Washer Plate (H-W). The wood is sandwiched between the steel and creates a solid corner. **H-A Ship#2 \$3.45**



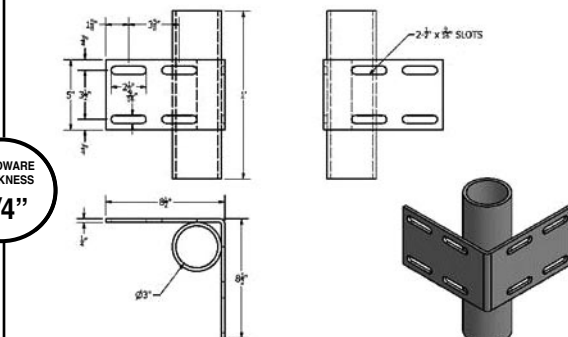
Backup Plates (H-B) are used with Single "T" Males (H-SM) and Single "T" Females (H-SF) for additional strength and to keep bolts from pulling through the wood. **H-B Ship#2 \$3.30**

WOOD DOCK HARDWARE

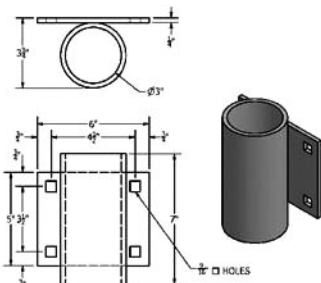


Cleat Angles (H-CA) have slots for various sizes of cleats. The cleat angle is bolted to the side stringer using a Washer Plate (H-W). The cleat is then bolted through the deck into the cleat angle. This keeps the cleat from pulling out of the deck. **H-CA Ship#2 \$4.88**

HARDWARE THICKNESS
1/4"

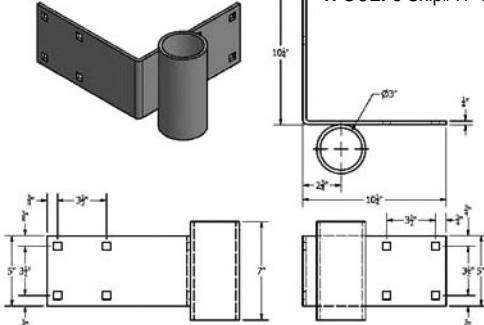


Inside Corners/3" I.D. Pipe Holder (H-IC3) has a 3" I.D. pipe holder welded in place. It can be used to replace a regular inside corner. It will accommodate a 2" I.D. pipe. **H-IC3 Ship#13 \$26.31**



3" Pipe Holder (P-3) can bolt to the side stringer and uses 2" standard pipe to anchor docks in place. **P-3 Ship# 6 \$16.41**

3" Pipe Holder (H-OCEP3) outside corner end with a pipe holder welded to the end. 3" opening for 2" pipe. Save money by getting 2 pieces of hardware in one. **H-OCEP3 Ship#11 \$23.19**



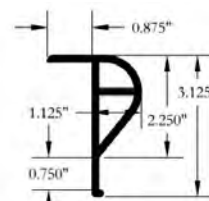
We also stock

PILE GUIDES



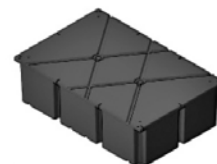
DOCK EDGING

Our **DE-40W** 40' Dock Edging (Shown above) comes 40' per box in easy to install 4' sections (10 per box) and includes 180 stainless ring shank nails.



DE-40W White 40' Length 31 Lbs. \$89.95

FLOAT DRUMS



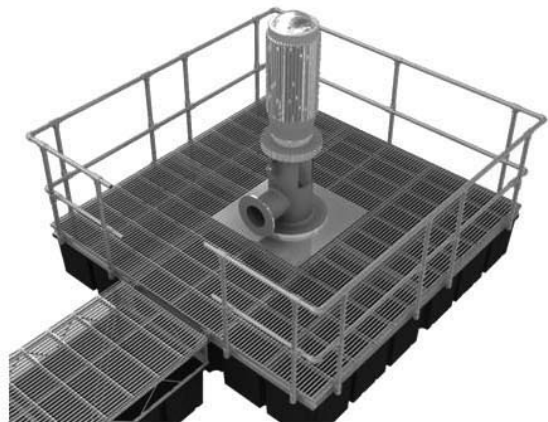
CLEATS



We also stock

SQUARE INTERNAL PILE GUIDES

For replacement roller assembly or parts see page 17.



PUMP PLATFORMS

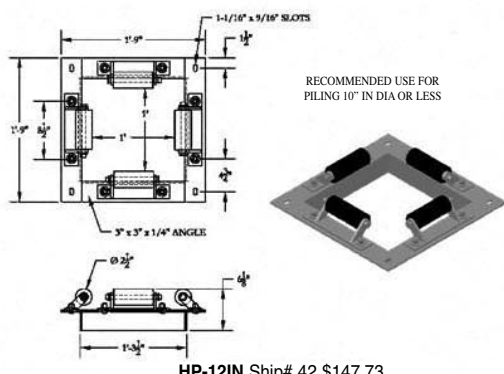


PILE CAPS

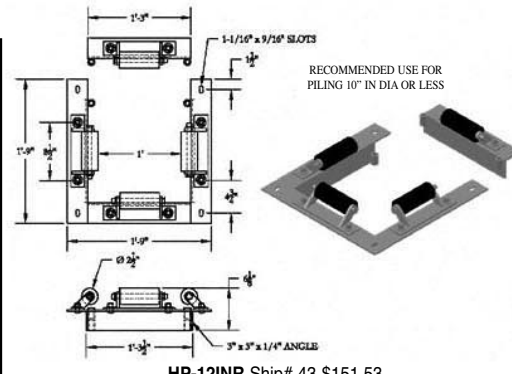


CORNER BUMPERS

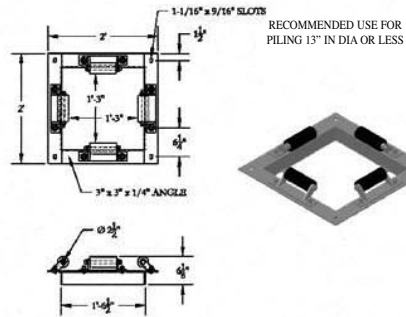
View our complete product line on our website...



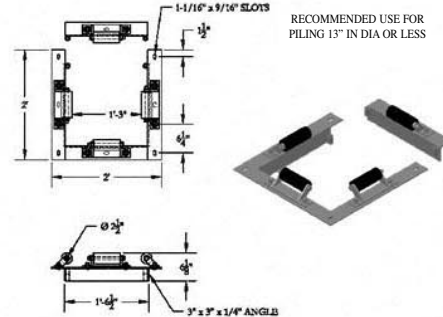
HP-12IN Ship# 42 \$147.73



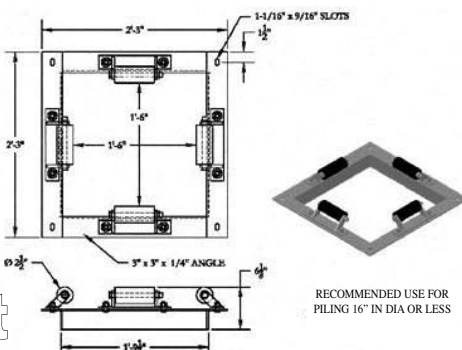
HP-12INR Ship# 43 \$151.53



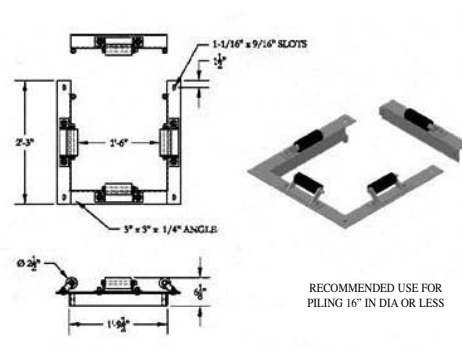
HP-15IN Ship# 53 \$162.37



HP-15INR Ship# 54 \$167.11



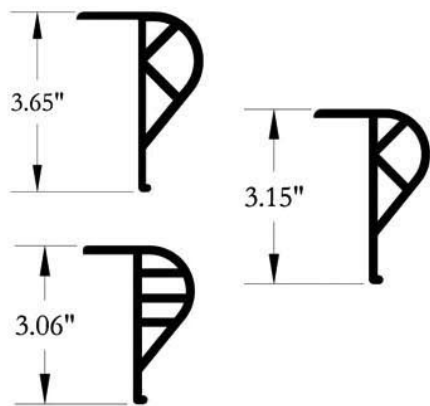
HP-18IN Ship# 58 \$170.98



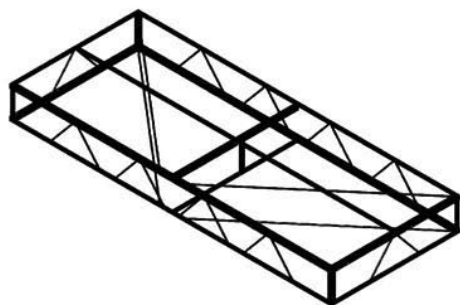
HP-18INR Ship# 59 \$175.26

PILE GUIDES

WWW.MERCOMARINE.COM 1-304-737-3006



RUBRAIL



TRUSS FRAMES



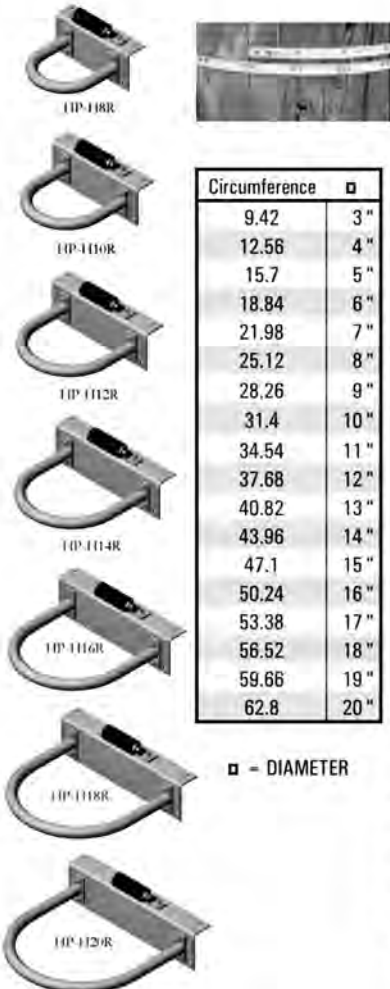
MERCO MARINE

HOOP PILE HOLDERS

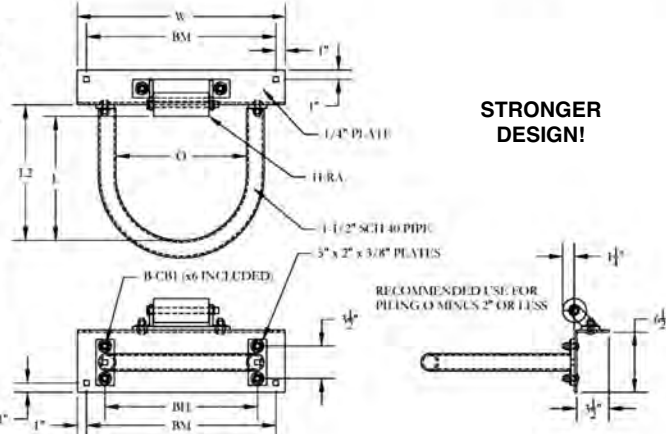
Our convertible Hoop Pile Holders have 3 basic pieces, a deck plate, a hoop and a roller assembly. This allows you to have a hoop pile holder the way you want it, whether it be a permanent hoop, a removable hoop or a hoop with a roller. You can use the roller assembly on the deck plate or bolt it directly to the dock. All parts are hot dipped galvanized. Add a UHMW Roller to any assembly as shown at the bottom of page 19. All assemblies include a deck plate, hoop, roller assembly, and 6 carriage bolts. Fasteners required to bolt to your dock sold separately on page 28.

Assembly Number	Assembled Weight	□	L	L2	W	BH	BM	Hoop Number	Hoop Weight	Deck Plate Number	Deck Plate Weight
HP-H8R	25 lbs	8"	8 3/4"	10"	15 3/4"	9-3/4"	13 3/4"	HP-H8	8 lbs	HP-DP8	12 lbs
HP-H10R	28 lbs	10"	10 1/8"	11 3/8"	18 1/2"	12-1/2"	16 1/2"	HP-H10	8 lbs	HP-DP10	14 lbs
HP-H12R	30 lbs	12"	11 1/2"	12 3/4"	20 1/2"	14-1/2"	18 1/2"	HP-H12	10 lbs	HP-DP12	15 lbs
HP-H14R	32 lbs	14"	13 1/2"	14 3/4"	22 1/2"	16-1/2"	20 1/2"	HP-H14	10 lbs	HP-DP14	16 lbs
HP-H16R	35 lbs	16"	15 3/4"	17"	24"	18-1/2"	22"	HP-H16	12 lbs	HP-DP16	18 lbs
HP-H18R	37 lbs	18"	17 1/4"	18 1/2"	26"	20-1/2"	24"	HP-H18	13 lbs	HP-DP18	19 lbs
HP-H20R	38 lbs	20"	19 5/8"	20 7/8"	27 1/4"	21-7/8"	25 1/4"	HP-H20	13 lbs	HP-DP20	20 lbs

NOTES: ALL DIMENSIONS NOMINAL. DIAMETER TOLERANCE IS +/- 1/4". □ = DIAMETER



1-1/2" HOOP PILE HOLDERS



STRONGER DESIGN!

Our mounting plates are 5" x 2" x 3/8" which are welded to the hoop and are used to mount the hoop to the deck plate. Our mounting plates are 33% thicker and 25% wider than most other hoop mounting plates on the market.

An easy way to determine the diameter of your existing pipe or piling is to measure the circumference and divide by 3.14. We've done the math for you with our Circumference chart to the left.

Circumference	□
9.42	3"
12.56	4"
15.7	5"
18.84	6"
21.98	7"
25.12	8"
28.26	9"
31.4	10"
34.54	11"
37.68	12"
40.82	13"
43.96	14"
47.1	15"
50.24	16"
53.38	17"
56.52	18"
59.66	19"
62.8	20"

□ - DIAMETER

Part Number	Assembled Price	Hoop Number	Hoop Price	Deck Plate Number	Deck Plate Price
HP-H8R	\$94.88	HP-H8	\$35.93	HP-DP8	\$33.28
HP-H10R	\$99.53	HP-H10	\$38.55	HP-DP10	\$35.31
HP-H12R	\$106.43	HP-H12	\$43.42	HP-DP12	\$37.34
HP-H14R	\$111.31	HP-H14	\$47.34	HP-DP14	\$38.30
HP-H16R	\$119.62	HP-H16	\$51.91	HP-DP16	\$42.04
HP-H18R	\$125.87	HP-H18	\$56.26	HP-DP18	\$43.94
HP-H20R	\$132.16	HP-H20	\$60.61	HP-DP20	\$45.88



Manufacturer of Marine Air Conditioning Systems, Chillers, Water and Air Cooled Package Units, Refrigeration, Explosion Proof



6,000 to 40,000 BTU



16k to 320k BTU Air Cooled Heavy Duty, Explosion Proof



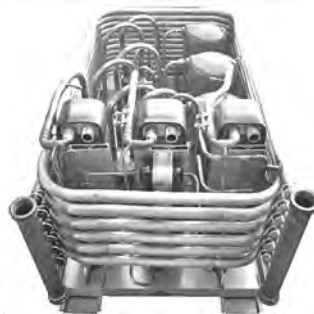
Air Conditioning Condenser Unit / Ref. Unit up to 50 HP



60,000 to 360,000 BTU Self Contained



Chiller 60,000-180,000 BTU



Triple Compressor up to 500,000 BTU

- Custom Engineering On Site
- Fast Delivery
- We ship world wide
- Water Cooled Self Contained Units for boats from 24 feet to Cargo Vessels
- Specialist to the Military, Shipbuilders
- Air-Cooled Marine Package AC for Pilot Houses
- Oil Rigs
- Marine Load Bank

**On Site Manufacturing since 1993
Contact Us Now Toll Free 1 866 227 7773**

Phone: 772 220 0038 Fax: 772 220 0260

Email us at: obr@oceanbreezeac.com

Visit us online at: <http://www.oceanbreezeac.com>

Quorum Marine and Electronics Inc.

D / B / A Ocean Breeze 3920 SE Commerce Avenue
Stuart, Florida 34997

FOR SALE
1994 - 85' ALUMINUM YANK

150 Passenger. Complete overhaul in 2013 by Yank Marine. 3X John Deere 650 HP 2.5:1 ZF gears, 1,700 hrs since new. 2 Kubota 33 KW generators. Excellent condition.
SERIOUS INQUIRIES ONLY
Call Dan (718) 877-5815

35' Legnos

Needs Motor and Wiring Work
Very Well Made Hull
\$15,000 • (631) 335-5150

SUTTON 46'- CUSTOM STEEL SCHOONER - BY SCHREIBER BOATS

*World Class Cruiser - Fully Equipped and Ready To Go Launched Feb 2014
A Must See Vessel - Too Much To List • Price Reduced to \$179,000
Call and Make an Offer • Will Consider Trade For Property • Motivated Seller!
Location: Stuart, Florida • 772-260-5863 Ken*

(2) Inspected Vessels with Current COI's

(1) 24' Willard RIB with Cummins diesel. 13 passengers + 2 crew. (1) 32' Hunt RIB with twin CATS. 23 Passengers + 2 crew. Both refit from stem to stern, tubes wiring, pumps etc. Both show like new. Email for complete specs. Jeff Stanley.
(954) 249-0360 • jeff@gilmanyachts.com

44' Tempest Former USCG Chase Boat

Twin Cat 3126, 420 HP
300 Hrs. Since New
Surface Drives, Runs Good
Needs Cosmetic's
\$95,000
(772) 473-6070

Paradiso Yacht Charters and Boat Rental Company For Sale

85' Yacht, USCG certified for 75 passengers with new engines, with 4 additional rental vessels. The business has a prime Newport Beach, CA location, with commercial docks, parking, office, websites. It is a turn key, profitable, well known and established operation. Financing Available.
(949) 233-6464

110' x 29' ALUMINUM
\$1,250,000

All Aluminum, Derektor Built. (2) Deutz TBD 616, 818 hp ea., (2) John Deere 6135SFM85, 650 hp ea. Top speed 20.5 knots. 40Kw Gen & 55Kw Northern Lights. Full electronics, USCG inspected. Presently fishing Brielle, NJ, Lic. 150 passengers, 100 miles.
Day: (732) 245-1592

For Sale or Charter
2010 • 2,600 hrs
Since New,
25.9' x 16'
Complete Redo
After Last Off
Charter
(251) 599-5906

1977 70 Ton P&H Truck Crane For Sale

With special boat lift frame & slings. Cummins engine runs good. 90' boom with 20' jib. Located Waukegan, IL. Crane has had limited service the last 25 years.
Anxious Seller • Price \$16,900
Larsen Marine Service
(847) 336-5456

HMS GLOBAL MARITIME

SEEKING FOUR (4) CATERPILLAR 3516C MARINE ENGINES

Please provide Serial Number,
Rating and Power (bhp/kW) to:
info@hmsgm.com

Landing Craft

Available for Charter

(2) LCM-8 - 74' x 21' x 4'
Capacity 50 Tons

(1) LCM-6, 56' x 14' x 3.5'
Capacity 25 Tons

All Equipped w/ Hydraulic Cranes
DAVE ALLAN • (207) 882-5400

PILOT HOUSES



- Custom Built
- No Minimum Qty
- Carbon
- Stainless
- Aluminum

Est. 1992
Lake Superior Cabs, Inc.
800-328-1823
www.lakesuperiorcabs.com

BOATS FOR SALE

FROM THE MARINE DIVISION OF CAT FINANCIAL

Check out the list at
www.cat.com/boats4sale

Financing is available worldwide for all types of commercial applications, including fishing vessels.

We provide terms, competitive rates and repayment plans as unique as each of our customers.

For additional information or to obtain an application:
e-mail: CatBoats4Sale@cat.com
phone: 615-341-8258
fax: 615-341-8588



Caterpillar Financial Services Corporation
2120 West End Avenue | Nashville, Tennessee 37203

Scully's Customized Boats



Up to 60' U.S.C.G. Certified Vessels



Various Sizes of Stock Boats Available
Phone: 1-866-238-8353 • Fax: 1-985-384-5146
1015 Stephenville Road • Morgan City, LA 70380
Email: info@scullyboats.com
www.scullyboats.com
Available On GSA Contract

AHOY PROPELLERS

QUALITY & PERFORMANCE THROUGH FLUID INNOVATION

2614 OAK DRIVE, HARVEY, LA 70058

504-367-5710

AHOYPROPELLERS.COM



ACCELERATE TO DOMINATE

TORKING

EXPERIENCE THE POWER OF TORQUE



BRONZE - NIBRAL - STAINLESS
SIZES 24 INCH AND UP



Phone: 504-367-5710

Fax: 504-367-5733

Vessels, Barges,
& Cranes For Sale



32' x 40' x 4' Sectional Spud Barge and Crane.



20' x 8' x 4' Truck-Able Push Boat, (1) GM 471, Flanking Rudder, Keel Cooled.



Dry Dock 220' x 70' x 6', Capacity 2800 Tons, Reported to be in excellent working condition.



New Shugart Compatible Sectional Barges. Call today for a quote, and lead time.

- | | |
|------------------------------------------------|----------------------|
| (30) Crewboats 22' to 150' | Starting at \$18,000 |
| (110) Inland and Ocean Deck Barges 30' to 400' | Starting at \$15,000 |
| (31) Spud Barges 40' to 250' | Starting at \$22,000 |
| (45) Inland & Ocean Hopper Barges 175' to 600' | Starting at \$45,000 |
| (7) Landing Crafts 40' to 250' | Starting at \$22,000 |
| (6) Travel Lifts 25 ton & Up | Starting at \$25,000 |
| (29) Utility / Supply Vessels | Starting at \$95,000 |
| (65) Pushboats 200hp & Up | Starting at \$25,000 |
| (70) Model Bow Tugboats 200hp & Up | Starting at \$65,000 |

New & Used Truckable Pushboats & Sectional Barges
Used Cranes and Draglines

OVER 600 ITEMS LISTED ON OUR WEBSITE

WWW.TMT-LLC.COM

**Commissioned 1999
73' Sabre Catamaran**



175 passenger, Twin MTU 16V2000 late Model 35KW Generator. Boat is in running condition, needs some TLC.
Asking \$300,000.00 • (772) 260-1021

50 x 14 Push




Cargo steel hull twin 671 with 400 hr, cargo area 12 x 22. Very good condition, located in MS.
\$50K OBO • (228) 617-8699

**65' Sewart Sea Craft
For Sale**

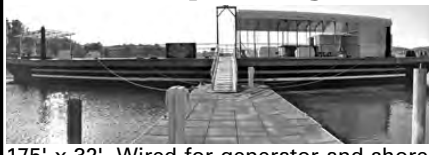


**Very Good Condition
\$180,000.00 • (504) 329-0451
gauthierboat@aol.com**

65' Lydia - Double Diagonal Plank, Epoxy in and out. Twin 6-71's, 10 KW Northern Light, 8 KW Phasor, Full Dual Electronics. Ready to go. For Info Call Walter at (718) 763-9265



**Deck
(Party Barge)**



175' x 32'. Wired for generator and shore-power. Two bathrooms, ramp, galley and retractable spuds.
**\$150,000.00
(270) 860-5826**

1966 Seaduction



48' x 18' 16V96 Detroit, single screw, flanking rudders, new propeller, new keel cool, new bottom job, all electronics, good runner. \$65,000

OceanMarine
Brokerage Services



COMMERCIAL VESSEL BROKERS


BUYING OR SELLING
SPECIALIZING IN
OILFIELD & FISHING VESSELS
EMAIL: comboats@oceanmarine.com
www.oceanmarine.com
Phone: (985) 448-0409 • Fax (985) 448-1070

BOATS & HARBORS®

**Buy and sell
anything
connected to the
commercial
marine industry
using the power
of the internet!**


To View Our DIGITAL EDITION or
Contact Us Online Go To:
www.boats-and-harbors.com
For More Information Call:
(931) 484-6100

**1981
Hopper Barge**



Built by Nashville Bridge Co. 195' x 35', no leaks, good condition. \$60,000
**All Vessels Lake Charles, LA.
Blane Devillier (337) 304-1277**

**Empire
Foam Solutions**



**Manufacturing Cost Effective,
Polyurethane Foam for
Flotation and Insulation
in the Marine Industry
(MIL-P-21929C Compliant).**

Uses:











- Greatly extend the life of otherwise ready to retire barges, boats, docks, and more...
- Save tens of thousands of dollars over replacement or repair costs.
- Insulate spaces requiring efficient temperature control (i.e. living quarters, storage to prevent freezing or storage for cooling/freezing).

Installation:

- Our installers will come to you.
- We also offer do-it-yourself training and sell the necessary equipment for your business to install.

518-587-0285
www.bargerepair.com

**PILE DRIVING AND
FOUNDATION EQUIPMENT**

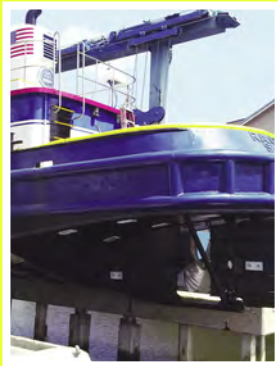
<p>2010 LIEBHERR / LEFFER VRM Casing Oscillator, Stock #156609 Waipahu, HI - \$407,825</p> 	<p>2010 LIEBHERR / LEFFER VRM Casing Oscillator, Stock #145430 Waipahu, HI - \$256,480</p> 	<p>2014 APE 375 PILE DRIVING POWER UNIT, STOCK #159054 WAIPAHU, HI - \$87,107</p> 
<p>2010 LIEBHERR LB36 DRILL, STOCK #136988 Waipahu, HI - \$900,000 Ships to Portland, OR on 6/23/17</p> 	<p>2009 SOILMEC SR-90 DRILL, STOCK #145829, WAIPAHU, HI \$750,000 Ships to Portland, OR on 6/23/17</p> 	<p>1995 HAIN 754 / 8V71 DRILL, STOCK #148501 - \$75,000</p> 
		
		<p>2014 APE 375 PILE DRIVING POWER UNIT, STOCK #159053 WAIPAHU, HI - \$108,231</p> 

**Contact: John Swanson (402) 271-2807 or (800) 531-5087
Email: equipment@kiewit.com**

**Visit our website for Cranes, Construction and
Marine Equipment For Sale
<http://equipment.kiewit.com>**

Tugboat For Sale

Reduced Price!! - \$199,900.00



Model Bow Tug
 49 x 16.7 x 6.7
 Single Screw
 Cummins 800 HP
 Overhauled 11/16,
 Transmission
 Rebuilt 11/16,
 Onan 20 KW gen
 New Paint / New Shaft,
 Wheel Reconditioned,
 3500 gal Fuel,
 500 gal Water
 USCG Inspected 7/14



For additional information contact Ferreira Construction 772-286-5123

65' 1974 Gulf Craft Aluminum Head Boat



Twin 1271 naturals, 100 passenger, 20 mile.
 Boat easily converted to 100 miles. 20KW
 generator. Engines tired.

\$395,000 • All inquires (E-mail only)
 office@flyingfishfleet.com



**Historic 1911
Fishing Schooner Project**
 78', was C.G. certified 42 + 3, J.D. Diesel,
 Bottom Refastened / Recalked 2012.
 \$40,000 • (207) 546-2927

FOR SALE M/V HOUSTON 62' Swath Ocean Pilot Boat



Shipyards Swath Ocean Systems, LLC. Year Built 1993, Gross Tons: 169, Net Tons: 85, Dead Weight Tons: 88, Hailing Port: Galveston, Texas. 2 Caterpillar 3412's Total Horsepower 1500, Fuel: 5,500 Gallons (Reportedly), Potable Water: 1,500 Gallons (Reportedly). Ballast Water: 6,500 (Reportedly), Black Water: 500 Gallons (Reportedly), Lube Oil: 220 Gallons (Reportedly), Dirty Oil/Slops: 220 Gallons (Reportedly), 2 Furuno FAR-28x7, Integrated Navigation Display Systems. Crew 2, Total Crew and Passengers 12.

**FOR MORE INFORMATION AND PRICING CALL
(713) 805-6229**

Buy • Sell • Trade • Rent • Lease

Place An Ad In

Boats And Harbors Today!!

931.484.6100

60' MODEL BOW TUG



Twin 16-V71 Detroit's • Twin Disc Gears 5.17:1

\$150,000 • (561) 383-1756



BYRNE Rentals and Sales, LLC.

Marine & Construction Supplies

24 HR Phone (985) 702-9500

Toll Free 1 (800) 99-BYRNE

Trusted Over 30 years



SMATCO 66 DOUBLE DRUM WINCH



YOKOHAMA BOAT FENDERS - All Sizes



NEW AND USED ANCHORS



NEW AND USES ANCHOR CHAIN

BUILT TO ORDER CUSTOMIZED WINCHES AND PEDESTAL CRANES



SEAHORSE

**4 DRUM
DIESEL POWERED WINCH
MODEL WDW-100**

100,000 Lbs. S.L.P. 1 St Layer
 Holds 3,000 Ft. of 1-1/8" Cable
READY TO GO



Snatch Blocks	Swivels	Pulling Blocks	Marine Fittings
Yokohama Fenders	Headache Balls	Capstans	Air Tuggers
Shackles	Marine Fairleads	Windlasses	Winches
Buckets	Tow Plates	Buoys	Anchors
Deck Blocks	Generators	Crane Blocks	Ship's Chain

www.BYRNERENTALS.com

SALES@BYRNERENTALS.com



**2005 Pontoon Deck/Work Boat with Pump Out Unit
36' x 14', Triple Pontoon, Twin Merc. 3.0 I/O, with Custom Trailer • \$75K**
www.northstateauctions.com/classifieds/43/item/60720



**(2) Barge Propulsion Units • Sea Mules with Shottel Rudderpropeller Leg
Ex-Navy, Detroit 6-71, Low Hours • \$75K Each**
www.northstateauctions.com/classifieds/43/item/5446

Surplus City • Walter (530) 370-8444

VESSELS FOR SALE



TYPE: OSV • YEAR BUILT: 2002
 CERTIFIED: I & L
 USCG INSP: YES
 ABS LOADLINE: YES
 DP SYSTEM: DP-1
 LENGTH: 185' • BEAM: 46'
 CLEAR DECK: 120' x 39'
 DECK CARGO: 850 LONG TONS
 MAIN ENGINES: CATERPILLAR
 BOW THRUSTER: (1) SCHOTTEL
 FUEL CAP: 58,540 / 119,440 GALS
 LIQ. MUD: 60,900 GALS
 DRY BULK CAP: 3,300 CU. FT
 POTABLE WATER: 15,000 GALS
 FIRE MONITOR: 4" EKHART
 ANCHOR: (2) 1,500 LBS
 CERTIFIED TO CARRY: 40
 BERTH: 17
 TWO (2) 99 KW: CAT 3304
 RADARS: (2) FURUNO
 RADIOS: (3) VHF (1) SSB / ICOM
 FATHOMETER: (YES) FURUNO
 GPS: (2) INTERFACED CP PLOTTER
 BEIER: MODEL IVCS4000 DP-1



YEAR BUILT: 2007
 USCG INSP: YES
 ABS LOADLINE: YES
 ABS: ADP11...DP1
 LENGTH: 150'
 BEAM: 36' • DEPTH: 12'
 CLEAR DECK: 90' x 30'
 DECK CARGO: 335 LONG TONS
 MAIN ENGINES: CATERPILLAR
 SPEED: 12 KNOTS
 BOW THRUSTER: 300 HP
 FUEL CAP: 43,000 / 95,920 GALS
 LIQ. MUD: 1,260 BLS
 POTABLE WATER: 10,000 GALS
 FIRE MONITOR: 4" EKHART
 CERTIFIED TO CARRY: 20
 BERTH: 20
 TWO (2) 150 KW: CAT C-9
 RADARS: (2) FURUNO
 RADIOS: (3) VHF (1) SSB / ICOM
 FATHOMETER: YES • GPS: (2)
 NAVTEC: YES
 PLOTTER: YES

Please Call (337) 319-8123

If Interested Or Need More Information

Boats & Harbors**CLASSIFIEDS**Experience
The Selling Power of The
Yellow Sheet!Place Your Ad (931) 484-8708 or Email: Tlewis@boats-and-harbors.com • Fax: (931) 456-2337 • Submit Online: www.boats-and-harbors.com**★ BARGES FOR SALE**

SMALL STEEL BARGES: (1) 32 x 16 x 7 @ \$25,000.00; (1) 48 x 17 x 8 @ \$55,000.00; (1) 52 x 20 x 8 @ \$55,000.00. Located: S.E. Massachusetts
Email: Lynchmarine@comcast.net

SPUD BARGE 140x80x15' Ex-Navy Barge. Located in Staten Island, NY. Call Bobby D at Sterling Equipment (617) 984-0022 for further details. Barge is ballasted with concrete counterweight and is suitable for a large crane.

WANTED: Your advertisement here! Now is the time to let Boats and Harbors expose your business to a National and International readership! Increase your sales with a classified ad. Call Now: 931-484-6100 or Email: tlewis@boats-and-harbors.com

★ BARGES FOR CHARTER

NEW 10K & 30K Double-Skin Rank Barges. Central Boat Rentals, Inc. (985) 384-8200
www.centralboat.com

SPUD, CRANE, HOPPER, Material, Car-floats, Sectionals, Ocean-going and Inland. Services include floating crane, Brooklyn NY loading berth, transportation and project cargoes, marine construction support, etc. Equipment located throughout the east coast. Call or email us for a free quote: Hughes Marine Firms. (800) 357-7744 or info@hughesmarine.com
www.hughesmarine.com

★ BARGE FOR SALE OR CHARTER

FOR SALE BY OWNER: Deck Barges, Spud Barges, Material Barges, Hopper Barges: 60' x 26' to 300' x 100'. ABS and inland barges. East Coast, Gulf Coast, upper rivers. (800) 227-4348

SECTIONAL BARGES, Deck Barges, Dump Scows, Hopper Barges and Spud Barges. From 10' x 20' to 85' x 140'. Located on East Coast & NY Canal System. J-Way Leasing (440) 934-1020

★ BARGES FOR RENT

SECTIONAL BARGES RENTAL Located in Florida, 40x10x5 & 60x11x4. Contact (305) 965-8852
Email: barge@bargerent.com

SECTIONAL BARGES. Located in Southern Calif. and can ship anywhere. Best prices. Contact (619) 533-7932
grant@pacifictugboats.com

SPUD BARGE FOR RENT, 36' x 65' 8", two round spuds 30" x 45', two winches with power pack, small tool / crew house, 600 gal fuel tank, ready to work. \$10,000 / month. (978) 745-1788

★ BARGES FOR SALE OR LEASE

1992 30,000 BBL HOT OIL BARGE with thermal oil heaters and 5 year COI just renewed 3/17. (504) 466-5648 or
Email: lowerivershipservic@yahoo.com

30,000 BBL DOUBLE SKIN Tank Barge For Sale or Lease. Less than 4 years old, asking \$2.65M. Call (985) 384-8200

FOR SALE / LEASE: 140x40x9 ABS Barge with Covers. Deck tanks 2 (54x27x6). Central Boat Rentals (985) 384-8200

★ BARGES FOR LEASE

BARGES SIZED from 8'x18' to 45'x120'. Also "Shugart" sectional barges & small tugs. Smith Brothers, Inc. Galesville, Maryland 20765. (410) 867-1818.

CLASSED & UNCLASSED Flatdeck, Crane and Spud Barges from 24' x 12' x 4' to 160' x 54' x 8'. Norfolk Barge Co., Norfolk, Virginia. (757) 545-2414 ext 245

★ AMPHIBIOUS EXCAVATORS WANTED/FOR SALE

WANTED, AVAILABLE Marsh Buggies / Amphibious Excavators. We want to know about owners & users of these units. We will pay finders / fee rewards. Percy Ransome (888) 988-5747, (856) 797-6999.
www.longreachhighreach.com
percy.res@gmail.com

★ DREDGES FOR SALE

AAMCO DREDGE 12" CAT 3412 & 3306, diesel powered, 50' ladder, in excellent condition. Also rebuilt 12" booster available + 4000' SDR17, job ready. Call for details (215) 624-2221.

**DREDGES FOR SALE, Rent, Lease, Purchase. New, used, rebuilt. We can build to meet your needs or we can sell you one you can rebuild. From the smallest to the largest, call us first! We will save you money! If you need to sell a dredge, call us, we are also buyers. Western Dredge & Supply Co. (936) 273-3228
www.westerndredge.com**

HYDRAULIC DREDGE For Sale, In Working Order, comes with a few hundred feet of 10 inch pipe, \$40,000. (386) 252-6421
david@thedaytonamarina.com

MUDCAT MC-915, Good Running 671 Detroit Engine, needs some welding. (540) 492-3836
steviesclassics@gmail.com

WE SELL USED / Refurbished Dredges! Dredge Central, LLC is your best source for used cutter-suction dredges. Our team has more experience refurbishing and rebuilding used dredges than anyone else in the industry. We have dredges ranging in size from 8" to 14" or 16" in our inventory right now, with more on the way. And call us first for good used pumps, boosters, push boats and dredge parts of all kinds. We're buying dredges, too! Call Don King, James Morris, Larry Fleeman, Bobby Prince, or Rick King. Dredge Central, LLC - Goodlettsville, TN. (615) 859-3733
www.DredgeCentral.com

★ DREDGES FOR RENT

10" DREDGE FOR LEASE. 28' Digging Depth. Contact: (207) 233-9268

★ DREDGE EQUIPMENT FOR SALE

(1) CUTTERHEAD DREDGE, 12"x10" Kenner Marine, Billie Goat on a 50 ton trailer, hydr. lay down spuds, hinged toons (1 trailer load), excellent condition, 30' digging depth. (1) MacElroy 4-12 fusing machine with 8"x10" bushing (reconditioned), 6", 8", 10" & 12" poly pipe (cheap). (1) 12"x10" booster pump, 400 hp. CAT in floating barge. (2) 2'x42"x12" bolt on floats (excellent condition). (231) 420-2667
dmc@src-milp.com

DREDGE EQUIPMENT - Booster Pump For Sale or Lease 12" x 10" Cat 3406. 4,000' 12" SDR 17, 6,000' SDR 10", 12" ball joints. Call (440) 934-1020

PLACE YOUR CLASSIFIED TODAY! Call us at (931) 484-6100 or place order online www.boats-and-harbors.com

McELROY ROLLING FUSION Machine 4-12 (for Fusion dredge pipes), year 2000, price \$17,500. (305) 965-8852
Email: barge@bargerent.com

USED 12" HDPE SDR 17 Pipe, Approx. 9,000 LF. Used 8" HDPE SDR 17 pipe, approx. 2,000 LF. Call for pricing. (207) 233-9268

★ DREDGE EQUIPMENT SALE OR LEASE

FOR LEASE OR SALE. 1980 KORI Marsh Buggy - GM Power. (440) 934-1020

★ DREDGING EQUIPMENT FOR RENT

FOR RENT 6" VMI Dredge with Pipeline. (440) 934-1020

★ DREDGING EQUIPMENT FOR SALE

800' OF 14" STEEL DREDGE PIPE With Balljoints and Pontoon Tanks. Email Justin Tassin for pricing at
Justin@mdi-dredging.com

★ DREDGE PIPE FOR SALE

USED 10" HDPE SDR 17 Pipe Available, 7,000 LF, in Florida, price \$6.00 LF. (305) 965-8852
Email: barge@bargerent.com

8" SDR17 HDPE pipe, +/- 5500 LF, 40' with few 20', some irrigation-type connectors, excellent condition, \$5 LF, (801) 870-5848.

★ ENGINES FOR SALE

(2) DETROIT 12V71's, Fresh Water Diesels, low hrs., L&R turn, \$8,500 for both. (920) 712-4794

(2) 3116TA CAT 300 HP Rebuilt. (2) 3208TA 355 HP with gears. Call Mike Cobb @ Key Power (888) 463-0099.
kpsi1@msn.com

(2) DETROIT V127TI, 650 HP With ZF Gears For Sale. Also including newer Mathers electronic controls. One overhauled April 2010, and one this year. Running engines in passenger vessel were just removed in December. Price reduced \$27K for everything. (727) 410-1000

(2) MAN LE409, 1550 HP, 1 RTO, 1 Blown, no gears, \$20,000 pair. (772) 475-8900

(2) REBUILT MARINIZED C-15/C-18 Engines, stainless manifolds and coolers, currently set up as twin turbo @ 1000 hp, can be detuned to 600 hp, \$25K per engine. Please call Chris (757) 286-5143.

HAVE MARINE PARTS YOU NEED to sell? Let Boats & Harbors help you! (931) 484-6100 or place your ad online at www.boats-and-harbors.com

(1) DETROIT 6V-92TAB, Running Take-Out, bobtail, \$6,500.00. (2) Detroit 6V-53 cores, \$3,200.00 pair. (2) Detroit 8V92TI, with Allison gears, 1.5 running take outs, \$29,500.00 pair. (2) Detroit 6-71 N, take outs, \$4,000.00 pair. (2) Detroit 16V 92TA for parts. (2) Cummins 6BTA 330 HP bobtail, rebuilt, \$17,500.00 each. Cummins 903 parts. (2) MAN 1300 HP, running take outs with Twin Disc MG5145 gears 1.75:1, \$65,000.00 pair. Florida Marine Tech (561) 844-7007

(2) CATERPILLAR 3126, 420 HP Rebuilt Marine Engines. All new fuel systems turbos, including starters, and alternators. TD gears available. (616) 299-3148

2 DETROIT 871's Nat., one is good, the other needs work, \$6,500.00 pair. (781) 925-2404

2016 CUMMINS QSC600 with ZF286A IV 2.00-1 gear. Engine is 0 hour with brand new long block with warranty!! Panel, controls, wiring included. Priced at \$32,995.00. (407) 725-1257

450 HP CUMMINS 8.3 liter marine diesels, total reman incl. Heat exchanger cooling plus Twin Disc MG507-2 transmission, straight drive or angle drive, ratio 2:1. Special low price complete of only \$19,750 each. Call General Propulsion, LLC (760) 567-3646
Email: nortondiesels@gmail.com

6.2 and 6.5 OPTIMIZER GM Diesel Engines. Very low mileage from de-milled military HMMWVs. Container quantities available. Dothan, AL. (334) 983-1091
ted@tedstrucks.com

(1) MAN LE 406 1999, Complete, Running Take-out, Performance Diesel went thru engine (we have paperwork from them). (631) 589-7779
tom@oakdaleyacht.com

2 EA. ENGINES 16 Cylinder EMD 645E8 and 2 Falk gears. The engines are very good running take out with attachments. Price for package: \$200,000. Contact (206) 310-5342 or
msi4152@hotmail.com

**CATERPILLAR REBUILT Marine Engines: All models: 3116's, 3126's, 3208's, 3196's 3412's OEM parts and warranty. (781) 837-5424
twindiscgears@verizon.net**

CUMMINS KTA 19, 500 HP, Very Low Hours; Cummins KTA 38, very low hours; & KTA 50, very low hours. All Cummins models available. Phone: (978) 767-3489
Email: jamesfsheehy@yahoo.com

3208 CAT., Runs Well, Marine Conversion, \$5,000, offers, older style engine. (781) 925-2404
AcushnetMarine@gmail.com

1) CATERPILLAR 3412, Marine Diesel Engine, year 1994, serial# 3JK00292, AR# 105-4832, 1200 HP / 895 kW @ 2300 RPM, used / running take out, removed from a RNLI lifeboat (British Coast Guard), reported 2,577 hours, weighs 4500 lbs., \$69,500.00 OBO. 1) Deutz MWM TBD 616 V16, marine diesel engine, year 1996, serial# 616.16.001057, 1850 HP / 1360 kW @ 2300 RPM, used / running take out, removed from private pleasure yacht, reported 3,310 hours, weighs 8200 lbs., \$84,950.00 OBO. Both engines stored indoors, ready to demo run on our floor.
Contact: LRM@MarineSalvageSale.com

CUMMINS NEW MARINE Long Blocks. Cummins new 6BT5.9 Marine Diamond series long block 280-370 HP in-line pump. CPL's 1975, through 8457. Cummins new 6BT5.9 marine long block 250-300 HP Nippondenso pump. CPL's 953, through 1928. (901) 833-1347

(2) DETROIT 12V71 Naturals w/ MH 20 Allison gears, RTO's, a few external parts are damaged, \$8,500/pr. (772) 475-4904

2 EA. CAT 3408 Completely Rebuilt, Mechanical Propulsion Engine, 0 hrs. S/N 99Uxxxx. Equipment owned by seller. Call for more information (206) 310-5342 or
Email: msi4152@hotmail.com

EIGHT (8) NEW CATERPILLAR C8.7 650 MHP, tier 3 recreational compliant, 2300 RPM, "E" rating, \$46,500 each. Call Ring Power: Lyndon Schultz (904) 494-1278 or Victor Flores (904) 494-7311.

EMD 16-645 MARINE'S Roots Blown 12-645E2 Marine. Good condition. Also: FALK-Reintjes reduction gears. Buddy Garrett (662) 347-4869
buddyinc1@yahoo.com

(1) LE 406, Missing 7 Heads, Everything Else Is There, manifold new, elbows new, new circ pump, new raw water pump. Engine over speed damage, internal, don't know to what extent. (631) 589-7779
tom@oakdaleyacht.com

12V71's, NATURALS With Capital Gears, nice shape, 2 available, \$10,000 each. (781) 925-2404
AcushnetMarine@gmail.com

CAT 3412 REBUILT ENGINES, Serial Prefix on engines 60 M. DIT 540 HP, DITA 670 HP, DITA 720 HP. Many more Cat engines, send your requirements. Phone: (978) 767-3489
Email: jamesfsheehy@yahoo.com

**KEY POWER SYSTEMS DDC/MTU, CAT, Cummins. Surplus new, used, rebuilt. Many models avail. Your source for all your engine needs. Many So. Fla. yacht repower removals. ZF Twin Disc & Allison gears avail. Contact Mike Cobb TL Free (888) 463-0099.
E-mail: kpsi1@msn.com
keypowersystems.us**

FORD LEHMAN 120 HP, 6 Cylinder RTO In Storage since 1994. Injection pump rebuilt, have receipts. Velvet Drive 2.91:1 gear. \$2,500 OBO. Located in Friday Harbor, WA. John (360) 472-0172

FORD LEHMAN SIX Cylinder Diesel with 2:10 to 1 transmission, good condition, \$4,600.00. (321) 536-4893

PROPULSION ENGINE CAT 3516, running take out, S/N 29Z1024, 1,650 HP @ 1,600 RPM. Contact for more details (206) 310-5342 or
msi4152@hotmail.com

JOHN DEERE 6068, Complete Block + Head, rebuildable, \$500. (781) 925-2404
AcushnetMarine@gmail.com

ACTION REQUIRED: If you wish to sell your vessel or equipment all you have to do is go to our website and place your ad. It's simple, it's easy and it's effective!
www.boats-and-harbors.com

(1) LE 406, Hole In Block, Repairable. (631) 589-7779
tom@oakdaleyacht.com

CAT 3508 A's, 850 HP, Low Hour & High Hour Engines, & (1) Cat 3508 B, 1,050 HP, high hours but running very good, had recent top end rebuild. 4 matching gears, ratios 6-1 & 7-1. Call for details. Phone: (978) 767-3489
Email: jamesfsheehy@yahoo.com

CONTINUED ON PAGE 28

Modular Plastic pontoons

The Best Idea Since the Indian Canoe

36 and 24-inch Diameter Sizes



The Alley Cat "Pilot House"
Triple Tube 24" DIA

NEW 36" DIA MODULES

Bow Module (36")



Middle Module (36")



Stern Module (36")

Wilson pontoons are used for pontoon boats, houseboats, barges, bridges, work boats, party boats, pumping stations—they're perfect for any application that uses pontoons. Features include:

- Molded from sturdy, medium density polyethylene (MDPE)
- **Heavy-duty:** modules have 1/4" - 3/8" thick walls and are filled with closed cell polyurethane foam for greater structural stability—Wilson pontoons will withstand greater impact than aluminum pontoons
- **Modular:** separate bow, middle, and stern modules allow for configurations of the most popular application sizes
- Rectangular collar has threaded stainless 3/8" molded inserts for quick attachment
- **Maintenance free:** no bottom painting is needed—just pressure-wash to clean
- UV protected



2869 Charlevoix St.
The Villages, FL 32163
419-675-0002
toll free: 877-456-2531
email: info@wilsonpontoons.com

www.plasticpontoon.com

HIGH SPEED CATAMARAN FOR CHARTER



New 150 Passenger
Ava Pearl
Trim Tab Ride
Control System

Gladding-Hearn "INCAT" high-speed ferry is available for Charter with crew beginning September 2015 through May 2016.

AVA PEARL - 150 Passengers, two levels, 2 restrooms, 5 Flat Screen TV's, full AC or heated climate controlled Business-Class interior and features the latest MDI Trim Tab Ride-Control System. This ferry is powered by (2) MTU 12V4000 M53 engines and (2) ZF Propellers. Service speed is 29.5 kts. fully loaded with luggage - top speed 30 kts.

If you are looking for a reliable fast ferry that has a proven track record to supplement your fleet or start up a new service call Rhode Island Fast Ferry. We also offer various fast ferry Consulting Services as well.

Charles A. Donadio 401.255.9118 or email charlie@vineyardfastferry.com

CLOSING DATES • FIRST JULY ISSUE 2017

FOR DISPLAY

June 26th, 2017
9:00 A.M. C.S.T

To Be Mailed

June 29th, 2017

FOR CLASSIFIED

June 28th, 2017
10:00 A.M. C.S.T

SERVING THE MARINE AND OIL INDUSTRY FOR OVER 50 YEARS

ANCHORS
CHAIN
CONN. LINKS

FENDERS
CHOCKS
BITTS

KEVELS
DOORS
HATCHES

FAIRLEADS
CAPSTANS
WINCHES
WINDLASSES



Detachable Conn. Links
Kenter Joining Links
Anchor Joining Links
Towing Plates

We Are Direct Importers
and Factory Distributors

Gigantic Inventory
New & Used
In Stock Now on the
West and Gulf Coasts

Exclusive Distributors for



Products

• Anchors • Chain • Hardware • Fittings

www.watermansupply.com

Call Toll-Free
(800) 322-3131

STEEL PIPE

NEW & USED STEEL PIPE

FOR: Piling, Spuds, Dredging,
Ballards, Floats, Casing, Etc.

CURRENT SPECIALS

- 30,000' 8-5/8" O.D. x .188"/.500" wall pipe
- 15,000' 10-3/4" O.D. x .250"/.500" wall pipe
- 20,000' 11-3/4" O.D. x .534" wall pipe
- 40,000' 12-3/4" O.D. x .250"/.750" wall pipe
- 10,000' 16" O.D. x .250"/.500" wall pipe
- 15,000' 24" O.D. x .312"/.750" wall pipe
- 30,000' 36" O.D. x .375"/.750" wall pipe

Plus many more sizes!

Call Anytime on 2"-46" Dia pipe

DELIVERY ANYWHERE IN:

US/CANADA/MEXICO/CARIBBEAN

CRESTWOOD TUBULARS, INC

Phone: (314) 842-8604

Fax: (314) 842-9064

Toll Free (US) 800-238-7473

Email: info@crestwoodtubulars.com

www.crestwoodtubulars.com

"EQUIPMENT DETAILS ARE ON WEBSITE"

www.triplecmarine.com



1, 2 & 3 Drum Friction Winches,
2 Ea. Clyde Frame 8 Double Drum,
American 55B, 70B, 90B, 120B.



2 Ea., 38" Westec Power Blocks
\$30,000 Ea.

TRIPLE "C" MARINE

PO Box 885

Morgan City, LA 70381-0885

Phone: 985-384-9517

www.triplecmarine.com

Boats & Harbors

CLASSIFIEDSExperience
The Selling Power of The
Yellow Sheet!Place Your Ad (931) 484-8708 or Email: Tlewis@boats-and-harbors.com • Fax: (931) 456-2337 • Submit Online: www.boats-and-harbors.com

★ ENGINES FOR SALE

Pair 3406 DITA 402 HP & Rebuilt 3208TA 435 HP. Call (781) 837-5424.

PAIR CATERPILLAR Marine Diesels, Heat exchanger cooled, 1200 to 1500 HP, presently with 300 KW alternators, mounted convertible to propulsion. Good condition, medium hours usage. Lowest priced \$25,000 each. Call General Propulsion, LLC. (760) 567-3646 today.

ECONOMY GETTING YOU DOWN? Sell that unused marine item through Boats & Harbors. Call us today (931) 484-6100 or place ad online
www.boats-and-harbors.com

PAIR DETROIT 6V92 Twin Turbos w/ 2-1 gears, good running take outs from current repower. \$22,000.00 or best offer. (732) 492-8340

REBUILT DETROIT DIESEL Engines - 4-71's, 6-71's, 8-71's, 8V92's, 12V71's. Marine, industrial or automotive. Power units. Also Allison or Twin Disc marine gears. A complete line of Cummins parts and engines. We are authorized Detroit and Cummins "Dealers". For more information contact Johnson's Diesel Service, Inc., at (228) 392-1311 or 12262 Parker Creek Road, Biloxi, MS 39532. Fax number (228) 392-0096. Special discounts for large quantity orders. We have a full inventory of rebuilt engines ready for delivery.

REBUILT V12-71 Series TURBO, Short Block Assembly. For pricing & additional information, call (504) 416-2864.

TWO (2) CATERPILLAR C32 Marine Engines. 1,800 HP, heat exchanger cooled, throttle position sensor, Ring Power warranty, \$106,500 each. Call Ring Power: Lyndon Schultz (904) 494-1278 or Victor Flores (904) 494-7311.

TWO 8V92 DETROIT DIESEL J&T 735 HP. Less than 4,000 SMOH. One runs well, other needs OH. Both with Capital 2:1 gears. All extraneous systems included. \$7,500 OBO. (850) 324-3265
Sledpeddler@gmail.com

VOLVO TAMD 72A Running Take Outs, plus spare parts and new, including head, liner / pistons / bearings. (305) 360-1360

YANMAR MARINE DIESEL Model 6LY2M-STE 420 hp with ZF gears and Conrad outdrives. Set of 2 each. Low hours and run excellent. Have 4 engines available. Priced to sell at \$39,995.00 for a pair!! (407) 725-1257

PAIR OF CAT 3512 B's, 1,400 HP, Year 2005, with matching Twin Disc gears, ratio 6-1. Call for details. Phone: (978) 767-3489
Email: jamesfsheehy@yahoo.com

★ ENGINES WANTED

ALWAYS BUYING Caterpillar, Cummins and Detroit Diesel Engines Any Condition. Matt / Randy (307) 885-4724.

DET., CAT., CUMM., Always Buying Complete Engines or Good Cores. Large export demand. Call Mike Cobb @ Key Power Sys. (888) 463-0099 or Fax (954) 927-6621.
kpsi1@msn.com

WANTED: ALL CAT Engines and Gen Sets, especially marine 3408 & 3412 and industrial & gen set, 3406, 3408, 3412, 3512 and 3516. Also, natural gas Cat & Waukesha. We pay top \$. Kris Davenport phone (602) 333-5619 or fax (602) 333-5618.

★ ENGINE PARTS FOR SALE

CASTING / MACHINING, If it's broken we can mfg. a new one. Heads, blocks, manifolds, gears, bell housing, pumps, bronze plaques, hard to find gaskets. Other cast items mfg'd, on request. EMI, 13451 Montana Ave, El Paso, TX 79938 USA. Ph. (915) 856-9607, Fax No. (915) 856-9637.
E-mail: info@empiremotorsinc.com

CAT RAW WATER PUMP For 3508 Bronze, complete overhaul, \$1,000. Call Sal (781) 883-4204 or
Email: bravatore@yahoo.com

CUMMINS DIESEL Parts - Used, Rebuilt, New VT8370M, V8300M, V903M, V555M. Phone: (954) 321-6863

DIESEL ENGINE PARTS, Alco 539, 244, 251, Fairbanks, Cleveland, G.E., many others. Vintage 1940's, 1950's, 1960's, etc... Striegel Supply Inc. (425) 423-9100 ssiwa@frontier.com

NEW AND USED Detroit Diesel Engine Parts, S53, 71, 92 and S60, heads, blower, blocks, cylinder kits, injectors, manifolds, raw water pumps, fresh water pumps, fuel pumps, intake silencers and much more. Leid Diesel Service, 2952 West Carson City Road, Sheridan MI. 48884, (616) 754-5871, Fax (616) 754-8359,
Email: timothy@leiddiesel.net

TURBOCHARGERS!!! One Year Warranty. Cat, Cummins, Yanmar, Perkins, Det. Diesel, Volvo, MTU, ABB, MAN, EMD. Int. Sales & Service. KKK, Rajay. (305) 743-2920
ramturbo@bellsouth.net

★ GEARS FOR SALE

(1) LUFKIN GEAR VSQ 3924S. 2,875 HP, ratio 3.7:1, input 900 rpm, output 240 rpm. Vertical offset. (2) 2 each Reintjes gears WAB4800, 4000 HP, ratio 5:1, vertical offset, L.R. rotation. Recent overhaul. WAB1850, ratio 3.95:1 @ HP 1500, RPM 900, vertical offset. Contact for details (206) 310-5342 or
msi4152@hotmail.com

RARE (1) Z/F BW 255 gear, 2.03 ratio. (1) Z/F 280, 1.7 ratio. (1) Z/F 63IV, 2.5 ratio. Bob (941) 238-8046.

REBUILT TWIN DISC MG502-540's. All models and ratio's. MG 527, 5.17:1's. Used parts & gears. (781) 837-5424
Email: twindiscgears@verizon.net

1 x PHILADELPHIA GEAR 3.52:1, 900 RPM at 2500 HP, removed from a 3606 engine, has been inspected by a Philadelphia surveyor, \$25,000.00 FOB Houston. (337) 302-3499
kevin@koservicesllc.com

2 V DRIVE DD-5112AC, Ratio 1.52:1 Twin Disc, never used. Frank at (727) 742-4041

(2) ZF 550A, 1.75, #1 Housing \$9,500.00 Each. (1) ZF BW165, rebuilt with warranty, 1.5 #1 housing, trolling valve, \$5,900.00 OBO. (1) ZF BW165 take out 1.5, #1 housing, \$4,600.00. (2) ZF BW 195A, 1.75 T.V., #1 housing, \$9,500.00. (2) ZF BW 195, 1.5, #1 housing, \$6,500.00 each. (2) Twin Disc MGNV 232 E, 1.5 #1 housing, trolling valves, \$5,900.00 each. (1) Twin Disc MG-506, 2:1, #3 housing, \$2,500.00. (2) Twin Disc MG 509-1, 2.0 #2 housing, \$4,750.00 each. (1) Twin Disc MGX 6599A, 2.48 #1 housing, \$16,000.00. (1) Twin Disc 5111A, 2.1, #2 housing rebuilt, \$6,500.00. (2) Twin Disc MG 5111, 1.74:1, #2 housing, trolling valves, \$9,500.00 pair. (2) Twin Disc MG 510A, #2 housing, 1.5, \$8,000.00 pair. (1) Allison M20L, \$2,500.00. (1) Borg Warner Velvet Drive, rebuilt 1:1, \$1,200.00. (1) Capitol 25,000, 2:1, \$7,500.00. (1) Capitol 24,000, 2:1, \$6,500.00. (2) Capitol 10,200, 1.5, \$2,500.00. Florida Marine Tech (561) 844-7007

(2 EACH) ZF Transmission, ZF/BW165AP3, ratio 1.971/1. (631) 589-7779
tom@oakdaleyacht.com

BRAND NEW ZF286A 2.011-1 Ratio. Paid almost \$14,000.00 for this gear (electric shift) and we need something different in the boat. Taking all offers now??? (407) 725-1257

TWIN DISC GEARS: New, Surplus, Rebuilt. OEM warranty, all models, dealer pricing. (781) 837-5424
Email: twindiscgears@verizon.net

POWERFUL RESULTS: Increase your sales with a classified ad. Boats and Harbors can give your business the kick in the right direction it has been needing. Call Now: 931-484-6100 or
Email: tlewis@boats-and-harbors.com

CALL FOR BEST PRICING on ZF, Twin Disc, Allison, and Capitol marine gears, new, used, or rebuilt. Contact: Mike Cobb @ Key Power Systems (888) 463-0099, Fax (954) 927-6621
kpsi1@msn.com

CAPITOL MARINE GEARS and Parts, HY22000, 4HE10200, 4HE12400. All models. (954) 321-6863

MG507 3:1 & MG506 2:1's. Twin Disc MG514C & MG507-1 any ratios. Call (781) 837-5424.

HURTH MARINE GEAR Transmission Pair, model HSW 800 VI-1.6, ratio: A=1.64; B=1.64, serial number: 0111867C; 0111866C. \$3,600.00 for pair. Call Norm at Hays Marine (850) 243-7873.

TWIN DISC Direct Replacement Gears: MG 509, MG514, MG516, MG5170 MG5135, MG5222 & others at half the cost. C & B pad LPTO drives. Trolling valves. Full factory warranty. Call (781) 837-5424 or
Email: twindiscgears@verizon.net

(1 EACH) ZF 285A, Ratio 1.962. (631) 589-7779
tom@oakdaleboats.com

REINTJES GEAR Vertical Offset WAB 4800, 4800 hp, ratio 5:1 completely rebuilt by factory, records available upon request. For more details contact (206) 310-5342 or msi4152@hotmail.com

RMI services.com (504) 347-4361 New Orleans, LA. Twin Disc: all torque converters CF 10,000 Series; gears (MG509, 512, 514, 520, 521, 527, 540) all ratio, exchange or outright! Free tear down with itemized rebuild quote, don't be fooled by half rebuilders.

TWIN DISC MG514 5:1, MG514 6:1, MG520 7:1, MG527 5.17:1, MG5050A 1.5:1 and other gears available daily. We overhaul, sell parts and buy old cores. (409) 682-5118, (409) 256-6066
Twin_clutch@yahoo.com

TWIN DISC, PAIR, MG507-1 Straight Gears. 1.51-1 gear ratio, (1) left, (1) right. Factory reman. (1) \$5,000.00 each, both \$9,500.00. MG506, LH 1.97:1, remanned, \$3,000. David (904) 262-2869

VELVET DRIVE By Borg-Warner, Hurth, Capitol, Paragon, Twin Disc, Newage, Walter, Crusader V-drives, BPM, PCM & ZF, large inventory of new & rebuilt units. Complete repair facility with factory trained technicians! Transmission Marine, Inc. (800) 462-8848 ext. 427
Visit: www.marinegears.com

YOU MAY HAVE THE MARINE item someone is looking for! List it in Boats & Harbors today! Call (931) 484-6100 or place your ad online at
www.boats-and-harbors.com

TWIN DISC & ZF, New or Rebuilt, All Models, OEM warranty. Torsional couplings and coolers. (781) 837-5424
Email: twindiscgears@verizon.net

ZF TRANSMISSIONS 1 Pair of BW 165, completely rebuilt, including clutches with zero hours since rebuild. 2/1 ratio. (305) 600-7523

★ GEAR PARTS FOR SALE

ALLGIRE FOR SALE. Parts and Service On Allgire Boat Drive Units. Call for pricing. (337) 334-5117 or
E-mail: marvinsengine@bellsouth.net

LARGE INVENTORY of New, Used, Obsolete & Rebuilt Transmission Parts & Related Accessories. Stocking: dampers, couplings, oil coolers, heat exchangers, suredrives, & Globe impellers, mounts & drivesavers. Up to 50% off on used items. Transmission Marine, Inc. (800) 462-8848 ext. 435
Visit: www.marinegears.com

TWIN DISC PARTS, Transmissions, PTO's, torsional couplings, coolers. (781) 837-5424
Email: twindiscgears@verizon.net

★ GENERATORS FOR SALE

NEW REPLACEMENT MARATHON Generator Ends In Stock, all sizes. Call Ring Power Cat: Lyndon Schultz (904) 494-1278, Victor Flores (904) 494-7311

(1) ONAN 6500 RV Gas Unit, 2,800 Hours, \$1,600.00. (1) Onan MDKBF 27.5, 24 volt, \$9,800.00. (2) Onan MDKBR 21.5, 24 volt, \$9,300.00 each. (1) Kilo Pak 27 KW, \$6,500.00. (1) Kilo Pak 27 KW, running takeouts, \$6,900.00. Florida Marine Tech (561) 844-7007

2 EA. CAT 3508 Generators 650 kW, Back Up Powers Marines, 671 hrs & 732 hrs. 23zxxxx back up powers, marine configuration, hospital takeout. Equipment owned by seller. Call for more details (206) 310-5342 or
msi4152@hotmail.com

LOW HOUR QUALITY Pre-Owned CAT Diesel Generator Sets and Other. Call Ring Power Cat: Lyndon Shultz (904) 494-1278, Victor Flores (904) 494-7311

(1 EACH) 11.0/8.3 BTD Westerbeke, 12V Generator, runs, makes electric. (631) 589-7779
tom@oakdaleboats.com

ONE (1) PRE-OWNED CATERPILLAR 29 kW, C2.2 Marine Genset, 240V phase 1, elec governor, heat exchanger cooled, \$6,500. Call Ring Power: Lyndon Schultz (904) 494-1278 or Victor Flores (904) 494-7311.

BOAT GENERATOR REBUILDERS. Sale, Service and Repair. (844) GEN-KING. All brands available. Nationwide delivery. 3-100 KW. Load bank tested with warranty.

ADVERTISING WITH US is easy as 1, 2, 3. Give us a call! (931) 484-6100 or see us on the web at
www.boats-and-harbors.com
to place display or classified ad.

TWO (2) NEW CATERPILLAR 113 kW SR4B Prime Power Marine Generator, \$24,500 each. Call Ring Power: Lyndon Schultz (904) 494-1278 or Victor Flores (904) 494-7311.

REBUILT DELCO GENERATOR 40 KW, 3 phase, 60 Hz marine generator. No Engine, just generator. For pricing & additional information, call (504) 416-2864.

LARGEST STOCK DETROIT 2-71 Generators and Parts in the Whole World. Emerson & Matkin "The Deuce" 1-(800) 387-4972 (208) 234-4436
www.deucepower.com

(1 EACH) 11.0/8.3 BTD Westerbeke, 12V, runs, does not make electric. (631) 589-7779
tom@oakdaleboats.com

ONE (1) NEW CATERPILLAR 275 kW SR4B Prime Power Marine Generator, \$15,800. Call Ring Power: Lyndon Schultz (904) 494-1278 or Victor Flores (904) 494-7311.

ONAN ISUZU 20 KW diesel, 485 hrs., \$2,900 each. (920) 712-4794

(1 EACH) 12.8/10 4BTD, 24V Westerbeke, run and makes electric. (631) 589-7779
tom@oakdaleboats.com

(2) CATERPILLAR SR4B Prime Power Marine Generators. Single bearing, 12 lead, 386 frame, arrgt. 4424741, housing SAE 1. Ring Power warranty. Call Ring Power, contact Lyndon Schultz (904) 494-1278 / Victor Flores (904) 494-7311.

★ PROPELLERS FOR SALE

(1) LH 36 x 36 x 3 MICHIGAN HY-TORQUE propeller. Light use as a spare, \$2,600.00. (508) 748-1036

BEST BRONZE PROPELLERS. Sick Of Pitted & Pink Props after one season? Ours hold the pitch longer & recondition more times than brand name props you have been buying & reconditioning every year for the few years they last. (781) 837-5424 or
Email at: twindiscgears@verizon.net

MARINE PROPELLERS Used & Reconditioned. Aluminum / Bronze / Nibral / SS. From 12" - 60". 2, 3, 4, 5 blades. Sausalito, Calif. (415) 601-7858

NEW AND USED Propellers For Sale. Large inventory available in BRZ, Nibral, and stainless steel. New nozzles also available. Call Texas Wheel Works, Inc. (800) 238-9402 or Fax: (409) 984-5690

NEW AND USED Propellers. Call for Availability and Pricing. Best prices and service. Various sizes, styles & metals. Used and reconditioned. Johnny's Propeller Shop. (985) 384-6940

NEW PROPELLERS For Sale. Speed, high thrust, trawler, ship, Kaplan, and other styles. Bronze, Nibral & Stainless. 24" to 190" dia. Lowest prices guaranteed! Contact Ahoy Marine at (504) 367-5710 or
Visit: www.ahoymarine.com

CONTINUED ON PAGE 30

EVERYTHING YOU NEED FROM THE DECK UP

DF-565 STAINLESS STEEL BUTTON CHOCK

- 100% stainless steel alloy
- High-polished finish

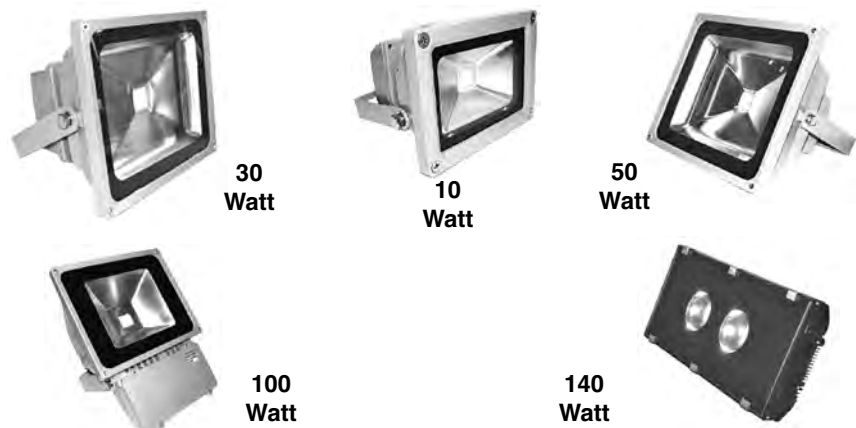
nabrico-marine.com
615.442.1300

NABRICO

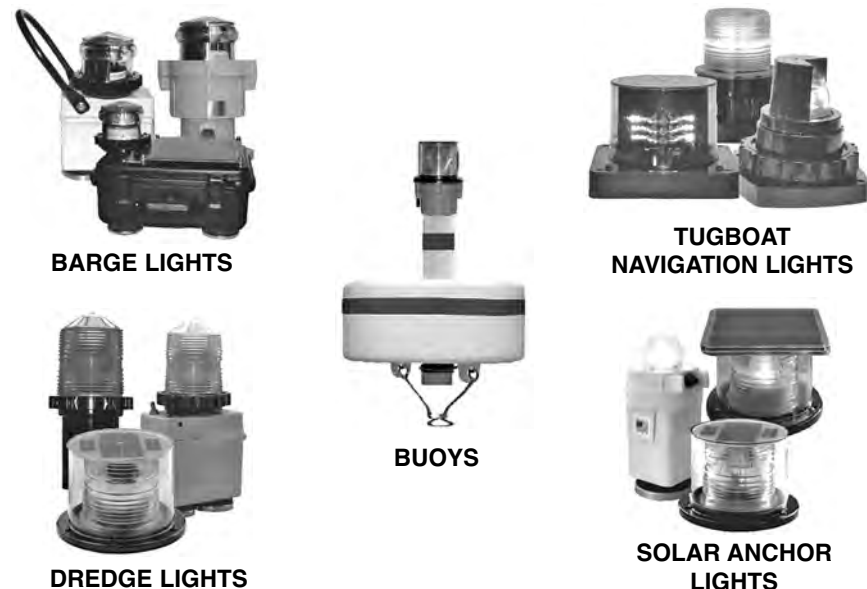


McDermott Light & Signal

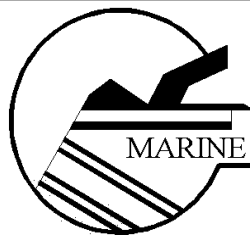
Our LED Floodlights provide durability with a low amperage draw that maintains the lifespan of your alternator. Avoid Damaging your charging system by replacing your high power consumption halogen with our green, low-energy consumption LED lights.



*Most models available in Spot or Flood type



McDermott Light & Signal
718.456.3606 - www.mcdermottlight.com
fishing@mcdermottlight.com



MARINE EXHAUST SYSTEMS
OF ALABAMA INC.

P.O. Box 698
757 Nichols Ave
Fairhope, AL 36533
1-251-928-1234 Phone & Fax
Mesamarine@Earthlink.net
http://www.mesamarine.com



CAT D398



PERKINS 6.354



SUPERIOR 8G825

Water Cooled Manifolds, Heat Exchangers, and Collector Risers For Caterpillar, Cummins, Detroit, Perkins, Waukesha, Hercules, Mack, Isuzu, John Deere, Kubota, Daewoo, Isotta Fraschini, Guascor, Superior, Ford, Palmer, International, Fairbanks Morse, Lister, Wisconsin, and More. Custom Fabrication, Mufflers, Marinization, and Duplication of Obsolete Parts Available Upon Request. CALL, E-MAIL, OR WRITE TODAY



DETROIT 12V149N



DETROIT 16V71/92N



CUSTOM RISERS



CUMMINS 6BT

Unlock Your Potential By Advertising With Us

Place An Ad Today In **Boats & Harbors**
gdonnelly@boats-and-harbors.com • (931) 484-6100

Kubota

Tier 4 Final Kubota Powered Industrial Diesel Generators

1800 RPM Standard Equipment:

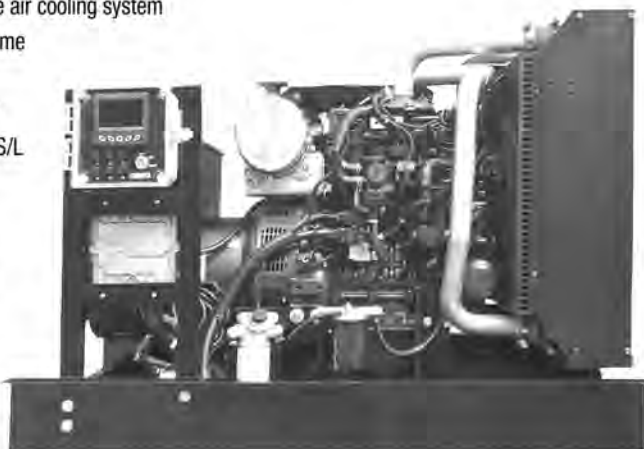
- Kubota Tier 4 Final Diesel Engine
- Epoxy-coated, brushless 1800 rpm generator
- 12VDC starting and charging system
- Murphy starting and monitoring system
- DOC-only aftertreatment
- Fuel filtration system
- Fuel priming system with transfer pump
- High ambient charge air cooling system
- Heavy-duty steel frame
- Vibration isolators
- Dry-type air cleaner
- Industrial muffler – S/L
- Solid state AVR

Southeastern Power Products is the Authorized KUBOTA Industrial Engine Distributor for the state of Florida, the Bahamas and the Caribbean.

Supplying genuine Kubota parts and factory remanufactured components.

Optional Equipment:

- Enclosures
- Fuel tanks
- Auto start/stop
- Transfer switches
- Circuit breakers
- Critical silencers
- Battery, rack, cables



20 kW – \$14,480
Kubota D1803BGCR

30 kW – \$15,730
Kubota V2403BGCR

SOUTHEASTERN POWER PRODUCTS

2880 Hammondville Road Pompano Beach, FL 33069
Phone: (954) 979-5899
Fax: (954) 979-4349

www.southeasternpower.com

Marine Equipment For Sale

From Maine Coast Marine

Phone: 207.266.0178



Email: BJGrindle@gmail.com



Model Bow Tug

1000 Horsepower
Year: 1999 • Length: 44'
Beam: 15' • Draft: 6'

Twin Detroit Diesel Engines.
Twin Screw. 3 Ton Knuckle Boom Crane.
Tow Bit, Teaxs Bar. Accommodation,
200 Gallons Heated Fresh Water, Shower,
Galley, 950 Fuel Capacity. Ready For Work.
Fresh Exterior Paint
(In Progress, Photo Is Current).

ASKING \$175,000



2006 58' x 24' x 5' Deck Barge

With 35' Spuds

ASKING \$37,500

Pair Of Larc-LX

(Lighter, Amphibious Resupply, Cargo) • Hulls #52 And #53

FOR SALE TOGETHER OR SEPARATELY \$50,000 EA



96' x 32' x 6' Deck Barge • 65' Spuds, Internal Hydraulic Power, Fuel Storage, Office, Tool Room, And More.

ASKING \$150,000

FOR SALE SEPARATELY OR TOGETHER

1966 Link-Belt LS-1088 Crawler Crane, Completely Rebuilt 2 Years Ago, 3,000 Original Hours. Plumbed For Pile Driving.

ASKING \$35,000

Boats & Harbors

CLASSIFIEDSExperience
The Selling Power of The
Yellow Sheet!Place Your Ad (931) 484-8708 or Email: Tlewis@boats-and-harbors.com • Fax: (931) 456-2337 • Submit Online: www.boats-and-harbors.com

★ PROPELLERS FOR SALE

OVER 1000 USED Propellers. See Listings w/ Photos at www.fjprop.com. Largest inventory of new propellers. Frank & Jimmie's Propeller 1-(800) 228-6077

PROPELLERS AND NOZZLES, Various Conditions and Metals 18" to 180". Best buys. Spirit Marine (337) 839-2468, Fax (337) 839-2470
Email: ken@spiritmarine.org

★ PROPELLERS WANTED

PROPELLERS WANTED 20" and Up, Any Condition or Metals. (337) 839-2468 or Email: ken@spiritmarine.org

PROPELLERS WANTED: 26" and Ip. Any Material. Please call Texas Wheel Works, Inc. (800) 238-9402 or Fax: (409) 984-5690

OPPORTUNITY KNOCKS: Advertising your vessels or equipment in Boats and Harbors will put your business ahead of the game! With Both Print and Online Editions Boats and Harbors can place your classified ad in front of thousands of loyal buyers. Call Now 931-484-6100 or Email: tlewis@boats-and-harbors.com

WE BUY PROPELLERS. Any Material or Condition. 20" and up. Johnny's Propeller Shop. (985) 384-6940

★ PROPELLER SHAFTING FOR SALE

ABSOLUTE BEST PRICING: Aquamet HS Shafting & Dynatorc Props. (781) 837-5424

BOAT SHAFTING 3/4" to 29" Diameter, various lengths and metals. (337) 839-2468

BOAT SHAFTING, Up to 6", Bar Stock or Machined as Required, will ship worldwide. Lauderdale Propeller, deep discounts. (800) 329-7767

SHAFTING, ALL SIZES, Bar Stock or Machined. Best pricing. Frank & Jimmie's Propeller 1-(800) 228-6077

★ PUMPS FOR SALE

GORMAN RUPP T8A3-B, 8-Inch Self Priming Pump, diesel, skid-mounted, zero hours on rebuilt pump, 910 hours on engine, excellent, \$8,250.00 OBO. (801) 870-5848

★ DIVING EQUIPMENT FOR SALE

HULL SCRUBBERS & Dive Compressors. We manufacture, you save. Armada Systems. USA. Phone (850) 912-8962, Fax (850) 912-8965
Email: armadahull@aol.com
Website: armadahull.com

★ BOAT HANDLING EQUIPMENT FOR SALE

1980 MARINE TRAVELIFT, Model 60 AMO, 120,000 lb lifting capacity, Ford 300 gas engine, 23' inside clear height, 20' inside clear width, any reasonable offer accepted. 1(866) 744-9921
info@kendrickequipment.com

1981 ACME MARINE Travel Lift For Sale. In great operating condition currently in use at Dana Point Shipyard. 300 cubic inch, 6 cylinder, gasoline Ford engine. Inside clear height is 26'. Inside clear width is 25.9' with a 76.5" removable center beam. Without center beam, inside clear width is 19.5'. Lifting capacity is 50GT. Asking \$50,000 OBO. Lift will be available on February 10th. For additional information, please call Steve Morris at (949) 542-3368 or call our office at (949) 661-1313 and ask for Steve.

HOSTAR - HYDRAULIC Trailers New and Used, road / yard. Boat stands, dollies. (800) 783-9303, (508) 295-2900, Fax (508) 295-2922
www.hostarmarine.com

MARINASANDTRANSPORT.COM New & Pre-Owned. Hydraulic trailers, sling lifts, transport trailers. Buy or sell boatyard equipment. (508) 758-9409
boattransport@comcast.net

USED MARINE TRAVELIFT Boat Hoists For Sale. Call (781) 347-1201 or go to www.walterco.com for listings.

MARINE TRAVELIFT 35BFM 1994 Boat Hoist. 70,000 lb. capacity, John Deere diesel engine, 2 speed hoists, 19 ft. inside height, 18 ft. inside width. Located in Northeast, available early August. Call Jack @ (781) 347-1201 or Email: sales@walterco.com. Pics at www.walterco.com.

MARINE TRAVELIFT For Sale. 1990 70 BFM with Ford 300 C.I. gas engine \$100,000. Well maintained with 18'-8" ICW. For additional details, call (251) 987-1696 or Email: charlesj@gulfnet.com

★ BOAT HANDLING EQUIPMENT WANTED

TRAVEL HOIST WANTED: 15 to 100 Ton Needed. Any brand. Call Mike Mazzeo. (609) 263-6900
mikemazzeo@gantrytrading.com

WANTED: 100 TON Travel Lift, In Good Condition. East coast preferred. Dave Allan. (207) 841-7257

★ PILING FOR SALE

STEEL PIPE For Piling, Spuds, Dredging, Etc. See our display ad in this issue. (800) 238-7473.
www.crestwoodtubulars.com

★ PILE DRIVING EQUIPMENT FOR SALE

180M LINK BELT Diesel With Leads And Manual, \$5,000.00, can load and ship. (713) 898-0655
howard@houstonvalve.com

★ BUOYS FOR SALE

6 OBY ORB BUOYS, \$500 each, batteries not included. (231) 571-8130

★ AIRCRAFT TIRES FOR SALE

USED FOR FENDERS or Bumpers. All sizes of aircraft and special service tires for marine uses. Tire Traders Inc. Cell phone: (516) 526-6363. Fax: (516) 897-7426.
Email: tiremw@aol.com

★ CRANES FOR SALE

LATTICE BOOM CRAWLER CRANES, In Fair Condition and Recently Inspected. (1) 1980 Koehring model 665 with 90' boom and dragline fairlead, 65 ton capacity, \$25,000; (2) 1972 Link-Belt model 108B with 100' boom, 45 ton, \$35,000; (3) 1977 American model 599C with 100' boom, 40 ton, \$20,000. (410) 507-5553

MANITOWOC 3900 CRANE, works great, Chicago, \$6,500. (920) 712-4794

MARINE PEDESTAL CRANES For Sale. Nautilus mod-3084, 50' boom, \$7,500.00. Coastal Hydraulics 2-section boom, 40' model CTL-18-2, electric power pack, \$12,500.00. These units are perfect hose handlers for fuel barges, etc. For photos or info call 1(514) 386-7507 or Email: sergeharrison2@gmail.com

★ HOIST/WINCHES FOR SALE

AMERICAN 120-B 2-Drum Deck Winch \$10,500.00. 1(514) 386-7507
sergeharrison2@gmail.com

CAPSTAN 21" DIAMETER, Anchor / Deck Winch, 440 v., new never installed government surplus. Acquisition cost to military \$441,000. For sale \$150,000 USD. Other winches available. Contact: Fred (206) 465-7981
tridentllc@me.com
www.tridentllc.net

MATCHED SET Small Trawl Winches off from research vessel. Includes all pumps, controls, hoses, nets, cables, reservoir tank. No leaks or corrosion. Came off 28' aluminum US fish and game boat. Can arrange delivery to West Coast. \$3,750.00 (925) 550-8207

POWERFUL RESULTS: Increase your sales with a classified ad. Boats and Harbors can give your business the kick in the right direction it has been needing. Call Now: 931-484-6100 or Email: tlewis@boats-and-harbors.com

NEW 40 TON NABRICO TYPE Barge Connection Winches \$3,500.00 ea. Gerard 1(985) 702-9500

★ HELP WANTED

200T AND UP Captains with Master of Tow Wanted. San Diego and Long Beach, CA. Pacific Tugboat Service. Ask for Bob. (619) 533-7932

ECONOMY GETTING YOU DOWN? Sell that unused marine item through Boats & Harbors. Call us today (931) 484-6100 or place ad online
www.boats-and-harbors.com

APPRENTICE/PARTNER WANTED By Well Known Shipwright. Trainee will learn fiberglass & wood work, painting, mechanical, electrical, and sailboat rigging. Three projects presently underway, power and sail. Experience unnecessary; good work ethic and desire to learn mandatory. Small stipend, room & board, and share of profits. Location Virginia. (904) 477-0151

MATES, DECKHANDS, CAPTAINS, and Servers Needed for Dinner Cruise Boat in Ft. Lauderdale, Fla. Call (954) 448-1044

SHIPYARD WORKING FOREMAN. Mon. thru Sat. 7:30 am - 5 pm min. Preferably experienced in sandblasting and spray painting. Will oversee crew of 30 workers. Pre-employment drug test required. Full benefits. New London, CT. (860) 442-3499

TOPS LLC Is Reviewing Resume's For Hire of Derrick Barge Personnel as follows. All applicants must have 5 years expertise documented "on a Derrick barge," working as either an Able Bodied Marine Diesel Mechanic, Able Bodied Marine Electrician and/or AB Seamen. They must be able to follow directions and mail resume with copy of certifications to: TOPS, LLC, PO Box 9157, Houma, LA 70361.

★ INSTRUCTION

BECOME A PROFESSIONAL Marine Surveyor, commercial and recreational courses. Navtech US surveyors nationwide home study guide. Survey forms, check lists, USCG NVCS, accreditation. USCG approved for fishing vessels. Advertise your boating business with us on the web! Toll-free: 1-(800) 245-4425.

CAPTAIN'S LICENSE PREP GUIDE For 6 Passenger and 100 Ton Master's Licenses. 2017 Edition. Actual exam questions, answers, Flashcards, Rules of the Road, Chart Lessons. Guaranteed! Still \$37.50. Best nationwide prices on Rules CD, DVDs. Other DVDs and CDs available. Renewal test assistance. National Captain's Institute, Box 11834-H, St. Petersburg, FL 33733. Order online at
www.Captains.com
or Toll Free at 1-(800) 345-6901. Immediate Shipment!

★ MISCELLANEOUS FOR SALE

2 VERINALIFT DUAL Stage Mufflers. 12 inch exhaust, new, never used. \$1,200.00 each. (757) 287-4153

USED GM ENGINES For Sale. Used 671's, 8V71's, V12's, V16's, and used pumps & generators. Large or small starting @ \$2,000. For pictures and specs & more marine misc. equipment, call (956) 943-2648 or visit our website: www.marineservice.us

NEED POWER TO YOUR ISLAND? For Sale: 1500 feet of 15KV, 2-conductor / single phase copper cable. Weight 3 lbs/ft. This cable has been tested and certified to Central Maine Power Co's engineering standards to be submerged in either salt or fresh water. Manufactured by Kerite, Bridgeport, CT. Cable plus reel weigh 5,000 lbs +/- . Price: \$35,000 firm, you pay shipping. For pictures, specs or sample, contact (207) 712-0201
rknedler@fairpoint.net

PORTABLE FRAMING SQUARES. These are resistant to salt water corrosion. Packaged and ready to mail.
www.portableframingsquare.com

PUMPS, COMPRESSORS, Diving Equipment, construction equipment for sale. (414) 248-0811
sales@divegearhere.com
www.divegearhere.com

★ BUSINESSES FOR SALE

MARINE SERVICE COMPANY Based in the BVI. Servicing mainly yachts and industrial generators. Good location, air-conditioned workshop and showroom. Service vehicles including small crane-truck. Owner retiring but will stay to help transition as required. For more information, contact 1(284) 441-8630 or
caribbigd-bvi@yahoo.com

★ BUSINESSES WANTED

SEEKING BOAT & BUSINESS from NC or South to FL: speedboat, dolphin watch, sightseeing/cruise, ferry, etc. Ideas?
alnd214@aol.com

★ BUSINESS OPPORTUNITIES

ORIENTAL, NC Harbor 1 Acre Unrestricted Commercial Boatyard, marine business property, nice house, rental cottage, dockage, steel dredge barge w/ pile driver on deep channel, 500 boats in water in walking distance. We have No "Sea Tow" or Rack & Stack. \$550,000. Travelift and one additional acre w/ house available. Capt. Ron Diamond (518) 294-6181

ENHANCE YOUR BUSINESS! Buy and Sell Anything Connected to the Commercial Marine Industry Using Our Time Proven Print Edition and the Power of the Internet! Call Now: 931-484-6100 or Email: gdonnelly@boats-and-harbors.com

★ MARINAS FOR SALE

COMMERCIAL MARINE Zoned Lot, 50x100 with large docks and stoned parking lot in West Ocean City, Md., perfect location for any marine business, charter / headboat service, jet ski / parasail, boat sales, restaurant or residence. \$499K. (302) 841-9765

MARINA & CAMPGROUND For Sale. 20 acre Marina Campground in Maryland. Full to capacity, campground, 80 percent Marina. Call (301) 370-9874.

★ WATERFRONT PROPERTY FOR LEASE

WATERFRONT SHOP For Lease. 2,000 SQ FT, for \$3,000 per month. Great for boat mechanic use or any marine business. Located in Essex, MD. Email for pictures and call with questions. (410) 686-6998
jennifer@westshoreyachtcenter.com

FOR SALE
127 x 28 Dinner Cruise/Party Boat

Current USCG Certified For 150 + 16 Crew. Built 1978 Palatka, Florida, Steel Hull and Aluminum Super Structure. 3 GM V 12 T1. 2 Northern Lights Gen Sets 40 KW Each. Both decks have heat and A/C. Currently operating in NY Harbor. Well maintained. Turn Key Operation. Hull inspection good for 2 years. 5 years new inspection & yearly done.

\$665,000.00**Contact: Metin @ (347) 556-9424 • amberjack@live.com**

RATES, ETC.

CLASSIFIED ADVERTISING

Rates for classified advertising: 88 cents per word, minimum 20 words for \$17.60 (charge covers two consecutive issues), \$1.32 per word, minimum 20 words for \$26.40 (covers three consecutive issues), \$1.76 per word, minimum 20 words for \$35.20 (covers four consecutive issues). Each additional consecutive issue .44 cents per word. For "Blind Ads" (B&H Box # Replies) add \$4.00 for 2 issues or \$6.00 for 3 issues. Include in count words in name, address, phone numbers & count each initial or number as a separate word unless considered good style to group, as P.O., H.P., 16-278A, etc., but if more than seven characters count as two words. **Bold Type:** \$1.20 per word 20 word minimum for \$24.00 (charge covers two consecutive issues) \$1.80 per word 20 word minimum for \$36.00 (covers three consecutive issues) \$2.40 per word 20 word minimum for \$48.00 (covers four consecutive issues), etc.

Terms: Payment With Order • Closing Dates: 7th, 17th, 27th, 10:00AM C.S.T. (Unless Otherwise Published) We Reserve The Right To Reject Any or All Advertising.

DISPLAY ADVERTISING

(3 ISSUES / ONE MONTH)

DISPLAY RATES Are Based on the column inch which is 1" deep and 2 1/4" (14 picas) wide

Ad prices below are quoted for Black and White Only. Please call for Color Rates.

SIZE	RATE	SIZE	RATE	SIZE	RATE	Full Page
1"	\$ 73.00	15"	\$675.00	39"	\$1521.00	\$2176.00
2"	\$118.00	16"	\$688.00	40"	\$1560.00	Half Page \$1344.00
3"	\$174.00	18"	\$774.00	42"	\$1596.00	1/3 Page \$903.00
4"	\$232.00	20"	\$860.00	44"	\$1628.00	1/4 Page \$688.00
5"	\$290.00	21"	\$903.00	45"	\$1665.00	
6"	\$348.00	22"	\$946.00	48"	\$1728.00	Double Page \$4224.00
7"	\$406.00	24"	\$1032.00	52"	\$1820.00	Center Spread \$4608.00
8"	\$432.00	26"	\$1118.00	56"	\$1960.00	Cover Page \$2144.00
9"	\$450.00	27"	\$1161.00	60"	\$2040.00	
10"	\$480.00	28"	\$1204.00			
11"	\$506.00	30"	\$1260.00			
12"	\$552.00	32"	\$1344.00			
13"	\$585.00	33"	\$1353.00			
14"	\$630.00	36"	\$1404.00			

For Color Rates Please Call Closing Dates For Display: 4th, 14th, 24th unless otherwise published

ADDRESSES - (MAILING) Boats & Harbors, P.O. Drawer 647, Crossville, TN 38557
 Physical Delivery Address: Boats & Harbors, 175 4th St. Crossville, TN 38555-4302
 Phone: (931) 484-6100 • (931) 484-8708 • Fax: (931) 456-2337
 Email: dhale@boats-and-harbors.com • www.boats-and-harbors.com

MECHANICAL REQUIREMENTS FOR DISPLAY ADVERTISING

1. Printing process: Web offset.
2. Binding method: Saddle stitched.
3. Trim size 10-1/4" wide by 17" deep
4. 4 column page format.
5. Width of single column: 2-1/4" (14 picas)
 Width of two columns: 4-3/4" (28-1/2 picas)
 Width of three columns: 7-1/4" (43 picas)
 Width of four columns: 9-3/4" (58-1/2 picas)
6. Depth of column: 16-1/4"
7. Minimum size space unit; one column in. (2-1/4"W x 1"D)
8. All display ads must be full inches (no fractions).
9. Ad must be as many inches in depth as it is columns wide.
10. Publisher accepts: Negatives (right reading emulsion side down); repro proofs; camera-ready art; copy to be set in type. For best results, we recommend the submissions of quality white proofs rather than negatives. (Mail repro proofs flat or in mailing tube).
11. Black and white halftones: 80 to 100 line screen.
12. For best quality, submit clear sharp photos.
13. Page number or position on page not guaranteed.
14. Contract advertisers are entitled to one complete change of copy every three issues. When change of copy is not received by closing date, copy run in previous issue will be inserted.
15. The publisher assumes no liability if for any reason it becomes necessary to omit any advertisement.
16. No cancellations or changes in orders will be accepted after closing dates.

SUBSCRIPTION ORDER FORM

You May Submit Your Subscription Request Online At:
www.boats-and-harbors.com

- * Standard Mail - (One Year - 36 Issues - 3 Per Month)..... **\$39.95**
- * Standard Mail - (Two Years - 24 Issues - 1 per month)..... **\$35.90**
- * Standard Mail - (One Year - 12 Issues - 1 per month)..... **\$17.95**

***USA & POSSESSIONS ONLY**

- * First Class Mail - (One Year - 36 Issues - 3 Per Month)..... **\$81.95**
- * First Class Mail - (Six Months - 18 Issues - 3 Per Month)..... **\$41.95**
- * First Class Mail - (One Year - 12 Issues - 1 Per Month)..... **\$31.95**

- Remittance Enclosed \$ _____
- Foreign (Send For Rates) or go to www.boats-and-harbors.com**

Name.....
 Business Name.....
 P.O Box or Street Address.....
 City..... State..... Zip Code.....
 Type of boat or business.....
 Ph. No. ()..... Fax No.....

PH: (931) 484-6100 **BOATS & HARBORS** P.O. Drawer 647 Crossville, TN 38557
 FAX: (931) 456-2337
 Email: gdonnelly@boats-and-harbors.com • www.boats-and-harbors.com

ISLAND WIDE MARINE INSURANCE

Superior Service Since 1977

CUSTOMIZED POLICIES

Designed Specifically For:

- Passenger Vessels**
- Sightseeing - Dinner Cruise**
- Headboats - 6 Packs - Ferry**
- Dolphin - Whale Watch**

FEATURING:

- ★ **Basic & Enhanced Policies**
- ★ **Competitive Pricing**
- ★ **Easy Payment Terms**
- ★ **Discounts For Seasonal Operations**



Marine Insurance is Our ONLY Business

1-800-635-6097



2001 Zodiac LRI
Great Shape - 2 Ea. Available



2006 Sea Ark Center Console Dive/Rescue
Twin Suzuki 225 For Strokes. Ready To Go!!



2005 36 Sea Ark Patrol Fire Boat
Excellent Condition



25' SafeBoat Defender
Great Shape, NO POWER
Call For Pricing • 11 Available



2001 28' Sea Ark Dauntless
With Triple Axle Trailer.



2002 27 Safeboat Defender
Needs Power Excellent Shape



41 UTB 41446 "Detroit"
Freshwater Boat, Nicest Original 41 Around.



2001 25' Sea Ark VC Commander
Excellent Condition

ALL VESSELS ARE IN STOCK AND AVAILABLE FOR IMMEDIATE PURCHASE

For More Information On All These Boats Please Call:
Mike (850) 221-5138 Or
 Visit Our Website: www.kclmsales.com

FOR SALE
Triple Screw



1200 HP Deck Lugger For Sale • \$950,000
Please Contact Jay Barrois
(504) 628-6469

NEW 12 PACK CAT
Never Launched



65' x 27' Inland Cruiser, Twin Cummins, 10kw Generator, 4 Staterooms, 3 1/2 Baths, Workshop, Huge 01 Deck, Walkaround Main Deck.
\$250,000 • Call (321) 432-3068



Bertram - '87 Convertible 37 ft., Twin 6V71 Detroit Engine, Onan Generator 8.0kw, Vacuum flush toilet, Satellite TV, Redone interior, autopilot, New subzero refrigerator & freezer & icemaker, Nova Suede interior. Eng. are disassembled & are awaiting remanufacturing.
(212)732-2292 or (516)850-1966 • \$135,000 As Is

ADVERTISE
"IT"
WITH US!

Our Display Advertising Charge covers insertion in **three** consecutive issues!

Owner Ready to sell NOW!

Brokers Welcome • Commission 7%



89' LOA Custom Motor Yacht

Powered by Twin Cummins 903s, Onan 20K Gen, Cummins 4 Cyl Bow Thruster. Full array of navigational equipment including auto-pilot. Recently ran 40 mi up the Potomac River flawlessly. Interior has been demoed for refit. Beam: 20', Draft: 6', Steel Hull.

For Sale at \$174,900 As-Is, Where-is.



60' x 18' Custom Barge

2 Liveable Levels with third level for storage in the hull. Build cost \$700,000. Can be refit into a variety of uses, currently demoed for refit. Plans available for lower level clubhouse/office, upper level 2 bedroom condo. Ideal for waterfront business. House style heat and A/C, high ceilings, 11 skylights in roof, multiple heads, large fresh water and waste holding tanks.

For Immediate Sale at \$350,000 As-Is, Where-Is.

All Offers Considered! Call or Email for Additional Photos and Video.

Sales Managed by **Gladys Marine**
Herschel or Kevin at 804-410-2119 or
Herschel@GladysMarine.com • AquaHersch@gmail.com

CLOSING DATES • FIRST JULY ISSUE 2017

FOR DISPLAY June 26th, 2017 9:00 A.M. C.S.T	To Be Mailed June 29th, 2017	FOR CLASSIFIED June 28th, 2017 10:00 A.M. C.S.T
----------------------------------------------------------	----------------------------------------	--------------------------------------------------------------

STEINER CONSTRUCTION COMPANY, INC
Bubba Steiner, Owner
8690 Hemley Street - P. O. Box 609 - Bayou La Batre, AL 36509

Quality Construction, Competitive Prices, Outstanding Service



Steiner Construction has a limited number of keels that were "certified" prior to 1 July 2012 (Pre-Dates ABS Requirements)

***** Order Now to Beat the Tier 4 Requirements *****
805 - 1341 bhp Tier 4 goes into effect 1 October 2017

Steiner Construction has 4 sets of NEW TIER 3, 3512C Caterpillar Engines Available (1505 HP)
Engines Can Be Installed In Push Boats, Fishing & Research Vessels
Engines Available for New Construction or Re-power
400MT Travel Lift for Repair/Conversion/New Construction

251-824-2320 • www.steinermarine.com • steinermarine@yahoo.com

EQUIPMENT

- ✓ TUGS
- ✓ ABS UNRESTRICTED HOPPER BARGES

SERVICES

- ✓ MARINE TRANSPORTATION
- ✓ PROJECT CARGO
- ✓ SHIP ASSISTS
- ✓ ICE BREAKING
- ✓ SALVAGE





FOR MORE INFORMATION, CONTACT **SETH ANDRIE** AT
(231) 220-5530 OR SETH@ASHTONTUGS.COM
 OR VISIT ASHTONTUGS.COM



SAMS®

Society of Accredited Marine Surveyors®

An International Organization of Professional Marine Surveyors

Use SAMS® Surveyors in your area
www.marinesurvey.org
 1-800-344-9077

SCRATCH & DENT SALE

High Tensile Galvaluma Steel



100% U.S. Made No Drilling Required

Military Spec. Quonsets
SAVE \$\$\$\$

20 x 30	40 x 60	55 x 120
25 x 40	45 x 72	60 x 150
30 x 50	51 x 96	70 x 200

Archway Steel Buildings
1-800-344-2724
Fax (412) 771-4191

4000 HP TUGBOAT

US Flag Coastwise Endorsement



Fresh 5 year ABS International Loadline.
 111' x 30' x 15'6" (12' Draft with full load of fuel).
 Main Engines: (2) EMD Model 16-645 Roots Blown
 Generators: (2) Detroit Diesel 6-71/75Kw • GT 193 • NT 131
 58 Ton Bollard Pull • Fuel Capacity: 63,175 Gal. • Accommodations: 9 Men
 Tow Winch Smatco 55DADT 170 2" x 1800' Diesel Hydraulic Drive

PRICE: \$650,000.00
Contact: (305) 820-9225 • lohunt@gimrock.com




1984 - 38' Monark Crew Boat
 Twin 671 225 HP ea., Twin Disc 507 2:1 gears 27 x 26 SS wheels, ready to customize for your mission.
\$49,900.00 • Call (302) 462-5205
 or captdrone@aol.com

Capstan

21" diameter, anchor / deck winch, 440 v., New never installed government surplus. Acquisition cost to military \$441,000.
For sale \$150,000 USD
 Other winches available.
Contact: Fred
 (206) 465-7981
tridentllc@me.com
www.tridentllc.net



WELL - MAINTAINED CREWBOATS FOR SALE BY OWNER



James Robert 65' 1970 Swiftship	Jonathan Woodward 65' 1977 Breux	Capt Gene 65' 1972 Breux
Janie 42' 1981 Lafco	Sandy 42' 1981 Lafco	Miss Judy 32' 1973 Neuville

View specs at coastalcrewboats.com
 Call 361-438-9742 or
 e-mail wbrown@coastalcrewboats.com

119' x 34' Army LCU Landing Craft



180 Ton Deck Capacity w/ 5' Draft
Hauled 2015 New Shafts/Props
\$795,000 w/ Partial Trade for LCM-8 California Delta
(415) 686-0907 • John

ACCOMMODATION BARGE



POOL



MOVIE THEATER



70' MARINA



MOTIVATED SELLER

MUST SELL!



STAIR WELL



11,000LB HELIDECK



FULL RESTAURANT



WINE CELLAR

370' Long x 85' Wide x 55' Tall

Features: 38 Rooms, Up To 300 People • Pool • Movie Theater • Bar • Full Restaurant • Aquarium • 11,000 lb Helideck Boat Crane For Lifting 32' Boats • 70' Marina • 2 Water Makers • 4 CAT Generators • 14,000 sq ft Unused Space Ready For Casino Or More Accommodation Rooms • Perfect For Oil Rig Support, Fishing / Gaming Lodge, Private Island, Floating Hotel.

Ready For Immediate Delivery! • Contact Us At: 727-441-3474

MERTON'S

FIBERGLASS AND MARINE SUPPLY

- Complete hand lay-up fiberglass supplies for light & heavy fiberglass or wood boat repair & construction.
- Polyester, Epoxy, Vinylester Marine Grade Resins.
- Marine Topside Enamels & Antifouling Bottom Paint.
- Silicon Bronze & Stainless Steel Fasteners

Quality Brand Name Products
Competitive Pricing
All items in stock for Immediate shipment

Online catalog
www.mertons.com

Call 800-333-0314
P.O. Box 399
East Longmeadow, MA 01028

Supplying Quality Products
To Boat Owners.
Hull Finishers & Boatyards for over 20 years

800-333-0314

Anchors
Barges
Compressors
Cranes
Crew Boats
Dredges
Engines/Gears
Ferry Boats
Fishing Vessels
Generators
Landing Craft
Passenger Vessels
Propellers
Ship Parts
Tugboats
Winches
Work Boats
Yachts/
Pleasure Craft
"SCRUTONIZE YOUR INVENTORY"

Scruton Marine Services

Peggy or Mike Scruton
MARINE BROKERS
49 John Street
Port Dover Ontario,
NOA 1N7
Website:
www.scrutonmarine.com
Email:
sms@scrutonmarine.com
Ph: (519) 583-1636
Fax: (519) 583-2189




12+ Passenger, 1994 25' Classic Turn Of The Century Style Fantail Launch. Fiberglass Hull, 10 HP - 2 Cylinder Vetus Diesel, Model M205. Coast Guard Certified For 12+ Persons. Current COI, Expiration Date: 18, May 2016. Many Upgrades.
Reduced \$44,000.00
Call (617) 828-9250

50' Atlantic Boat



Built in 1986. Solid fiberglass hull, repowered in 2012, 12Kt cruise, boat in excellent condition, COI 47.
\$165,000 • (508) 295-9402



1999 Cape Island Novi Cruiser
32' L x 12' W. Fiberglass, 4.8 depth, 4 blade prop, repowered '09 Cummins 6BTA, 292 hours, hydraulic steering, inverter, auto pilot, depth meter, fish finder, Honda generator, rooftop AC, enclosed head, galley, 4 bunks.
Price \$45,000.00
Call Mark (910) 520-5298

www.WaterTaxiMarine.Com Ph: 513-909-8563

WATER TAXI MARINE

Fiberglass Catamarans with C.O.I. 35 to 49 PAX




Turn Key - 38' x 11' 40 PAX	\$135,000.00
Turn Key - 42' x 12' 49 PAX	\$189,000.00
Monohull - 32' x 9' 16 PAX	\$99,000.00

NOW taking orders for delivery in three months
WaterTaxiMarine.Com 513-909-8563

Central Boat Rentals, Inc.

Morgan City, LA

Ocean Barges:	180 x 54 x 12	260 x 72 x 16
Tank Barges:	10K & 30K bbl Double Skin	
Ocean Towing		Barge Fleeting
	Shipyard Services	

(985) 384-8200 centralboat.com

PRICE REDUCED





180' x 42' x 5' Spud Barge



Tier 3 100 KW Gens. Quarters, office, double wall SS fuel tanks, potable water tanks, 10 x 10 tool container, walk-in cooler, elec panels. Many extras.
Mike Smith (985) 380-8246
Smithsuntow@gmail.com

COMMERCIAL MARINE SUPPORT SALVAGE, DIVING & CONSTRUCTION

Cranes, Barges, Tugs, Ferry & Dredging Services • Crew, Tow, Film, Spill Security & Safety Boats.
Sales & Equipment Rentals • Meet The Fleet At www.CustomMarine1.com
Capt. Dwayne Reith • 646-235-9546 Tel. • 914-930-8907 Fax. • 710 Washington St., Peekskill, NY 10511

 95' Warring Tug, Twin Detroit Diesel 8 Cyl. Engines, Winch Power Assisted Drum Allison MH30L Transmissions, 360 Degree Water Jet Propulsion. Asking \$99k W/O Winch	 2004 46' Dauntless Sea Ark, Twin Diesel Cummins (QSM-11) Engines. 580 HP @ 2300 RPM. Transmission is ZF Marine (ZF 325-1A). Fuel Capacity 500 Gallons (200 FWD Saddle Tank, 300 AFT Saddle Tank). 25 Knot Cruise.....\$295K	 2 - LCM-8, 1987, Freshwater Only, 700 Hrs., 80 Ton Capacity. \$329,000	 1985 American 9220, 125 Ton, 100' Boom, Cummins, 4 1/2 Yard Clamp Bucket. On Bulkhead In NY Barge Accessible For Pickup. - \$149,000	 2004 Nautica Rib, 42'. Cost \$500K New. A/C, Genset, 440 Yanmar w/Jets. - \$119,000
------------------------------------------------------------------------------------------------------------------------------------------------------------------------------------------------------------------------------------------------------------	--------------------------------------------------------------------------------------------------------------------------------------------------------------------------------------------------------------------------------------------------------------------------------------------------------------------	----------------------------------------------------------------------------------------------------------------------------------------------------------------	-------------------------------------------------------------------------------------------------------------------------------------------------------------------------------------------------------------------------------	------------------------------------------------------------------------------------------------------------------------------------------------------------------------------

 1991 Thomas, 28' Pilothouse, Inboard Cummins, 6 Cylinder 6BTA 250 HP, Keel Cooled, 1,200 Hours. All Aluminum. - \$34,000	 2003 23' Rescue Boat, BH-HR7 Steyr 236 Diesel, 30 Hrs. \$50,000	 2000 32' Aluminum Breaux Brothers Work Boat, Mercruiser 454 FWC, Bravo 2, Fast Fuel Efficient. - \$44,000
 3- 1- 25' Steel Push/Work Boat, 1993, Twin 453, Both Diesels & Trans. Rebuilt Last Season, 24" 4 Blade Props. - \$64,000	 24' Henley Aluminum Work Boat, 4 Cyl Gas Volvo I/O, Just Rebuilt. - \$19,000	 1999 Metal Craft King Fisher 22', 150 HP Volvo I/O Penta Diesel, Trailer Included. - \$49,000
 Shugart (4) 40' x 12' x 5'3, 25 Ton Capacity Ea. 2- 20" Spud Wells, 2- 40-80' Spuds Avail. - For Lease	 2003 Sea Ark 28' Enforcer, Aluminum, Twin Yanmar 200 HP, Genset. - \$78,000	 Flat Deck Bin Wall Barge 130' x 38' x 11' x 1/2" Sides Mostly Freshwater. - \$120,000

FOR LEASE:

(2) 2007 25' x 12 TRUCKABLE PUSH BOATS - (1) FOR SALE - \$159K FIRM

15' Eye Level, Twin Screw John Deere's, Flanking Rudders, Used Only In Fresh Water, Excellent Condition, Very Low Hours.



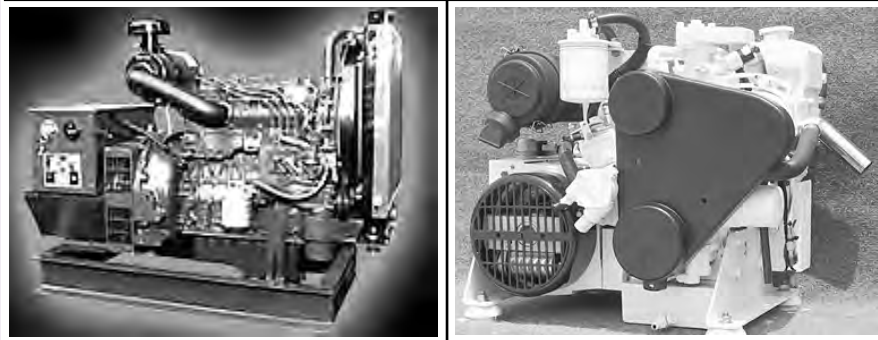
FOR LEASE OR SALE (2) 2015 Marine Inland Truckable Push Tugs • \$275K

2 - 300 H.P. John Deere 6068 turbo tier 3 diesels 700 hrs. Flanking rudders with 21' eye level upper station and 15' from house 10 kW Genset. Fire pump, diesel mounted on deck 2- 10 ton winches 3/4 cable. 2 - 36" x 24" x 2.5" work horse props. 9' Push knees. Very Low Hours



NEXT GEN

DIESEL GENERATORS



Kubota

1800 RPM Generators

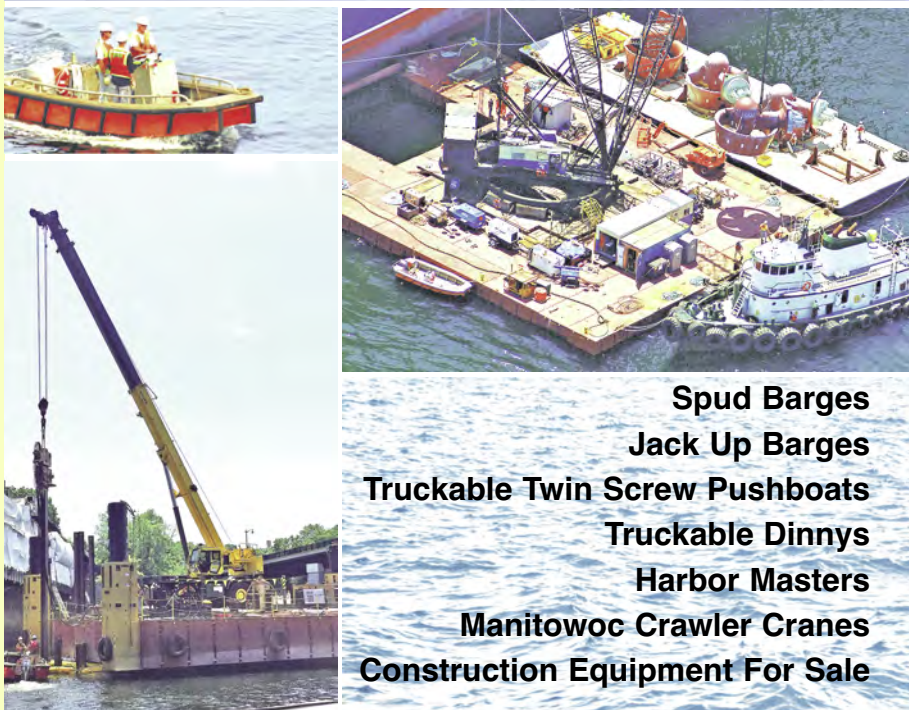
	Heat Exchange Cooled		Keel Cooled	Radiator Cooled Remote Radiator Only	
1cyl	3.5kw	\$ 5,775.00	\$ n/a	\$ 4,525.00	
2cyl	5.5kw	6,975.00	5,400.00	5,575.00	
3cyl	7.0kw	8,642.00	6,050.00	6,465.00	Prices include ISO mounts, switch start with hour meter, other accessories and options available.
3cyl	8.5kw	8,998.00	6,250.00	6,575.00	
3cyl	9.5kw	9,986.00	6,475.00	6,935.00	
4cyl	12.5kw	11,829.00	7,200.00	7,600.00	
4cyl	15kw	12,458.00	8,200.00	8,525.00	
4cyl	17.5kw	13,572.00	8,600.00	9,125.00	
4cyl	21kw	14,685.00	9,450.00	9,675.00	
4cyl	25kw	n/a	10,100.00	10,450.00	
4cyl	30kw	20,160.00	10,500.00	11,120.00	
4cyl	40kw	n/a	14,475.00	12,500.00	
4cyl	50kw	n/a	15,600.00	13,950.00	

1732 St. Johns Bluff Road, Jacksonville, FL 32246
www.nextgenerationpower.com

904-642-8555

Marine Equipment Rentals

S-70 Flexi Floats & Accessories



Spud Barges
Jack Up Barges
Truckable Twin Screw Pushboats
Truckable Dinnys
Harbor Masters
Manitowoc Crawler Cranes
Construction Equipment For Sale



Chris Jarvais
207 679 2359
cjarvais@cianbro.com

CIANBRO

CLOSING DATES • FIRST JULY ISSUE 2017

• To Be Mailed June 29th •

FOR DISPLAY June 26th
(9:00 A.M. C.S.T)

FOR CLASSIFIED June 28th
(10:00 A.M. C.S.T)

"MARINE INDUSTRY SALES AND CHARTERS"

DAMCO MARINE MANAGEMENT, INC.

MORGAN CITY • NEW ORLEANS

PHONE (985) 384-2614 • FAX (985) 384-3741

BRITT CELL: (985) 714-0974 • DON CELL: (985) 397-1941

BOATS

Crew Boats • Lugger Boats
Tug Boats • Push Boats
Supply Boats
Utility Boats • Lift Boats

BARGES

Deck Barges • Hopper Barges
Living Quarters Barges
Spud Barges • Tank Barges
Crane Barges

CRANES

American Cranes
Lima Cranes • Terex Cranes
Manitowoc Cranes
Linkbelt Cranes

NEW CONST.

DRYDOCKS

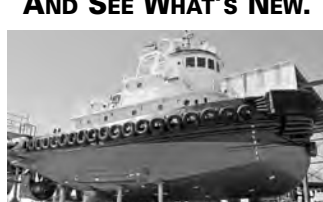
MISC. EQUIP.

WE ARE LOOKING FOR NEW LISTINGS IF ANYONE IS LOOKING TO SELL.
PLEASE CONTACT US ON INFO ABOUT HOW TO LIST WITH US.



OUR INVENTORY IS GROWING DAILY,
PRICES ARE STARTING TO DROP, AND IT'S A BUYERS' MARKET.

COME VISIT OUR WEBSITE AND SEE WHAT'S NEW.



DAMCO MARINE MANAGEMENT, INC., with over 30 years in the marine brokerage & consulting business, offers quality marine equip., including new & used Boats, Barges, Cranes, & Dry Docks, & many other miscellaneous equip. available under U.S. or foreign flags. We have financing options available, we will arrange for NAMS Surveys and Valuations, we can help you ship, transport domestically or internationally, help with reflagging, redocumenting, transferring ownership, we also have charter and bareboat options. We will facilitate the purchase/sale transaction from start to finish.

••• IF IT FLOATS WE CAN HELP YOU BUY OR SELL IT •••

• Call For Details And Additional Pictures •

E-mail: britt@damcomarine.com • don@damcomarine.com • www.DAMCOMARINE.com



WORLD LEADER IN ALUMINUM LANDING CRAFT



MUNSON & YAMAHA

A Winning Combination



WWW.MUNSONBOATS.COM

(360)707-2752 | jesse@munsonboats.com | 15806 Preston Place, Burlington, WA 98233

KOHLER Commercial Marine Generators

Open - Frame and Keel Cooled Units

MODEL	COST
9EKOZD	\$8,250.00
11EKOZD	\$8,785.00
13EKOZD	\$9,990.00
15EKOZD	\$11,100.00
20EKOD	\$12,800.00
23EKOD	\$13,725.00

24 Hour Emergency Service!!
 Monmouth Marine Engines, Inc.
 536 Union Lane • Brielle, NJ 08730
 Phone: (732) 988-0245 • Fax: (732) 988-0246



100' (149) Passenger Triple Screw Aluminum Tour Boat / Ferry
 1971 Camcraft conversion. 3412 Caterpillar powered with two 30 KW 3-71 Gensets. Currently working in Hawaii but will deliver to West Coast. May partial finance to approved party. \$275K. This is our vessel and will give courtesy to brokers. New 5 year COI for USCG haul inspection and dry dock 2-1-17.
 Email: maucaptaindave@yahoo.com
 For Details

"Down East" 48' Chesapeake Bay Deadrise



1970 48' x 14' x 3', New Detroit 671, Hull just re-glassed & painted, Dual Steering. Lying Oriental, NC. See article on "sister ship" in Soundings June 2016 Page 82. Price \$45,000. Capt Ron (518) 294-6181




46' 1988 Trojan Int'l 14 Meter Conv. Twin 750 hp wet turbo diesels 900 orig. hrs., 12.5 Onan 1600 hrs., 16' 3" beam 2 SR 2 head layout
Health Forces Sale
Make All Offers
(813) 641-8886
valbelle@tampabay.rr.com

(2) 60' x 10' x 4' SECTIONAL BARGES



Barely Used, Freshly Sandblasted to Bare Metal, Painted. Cambridge, MD.
\$100K • (443) 521-7748



48', 1978 Rose Brothers 18' beam, 37 gross ton, Twin 3208 375 hp Caterpillar with Caterpillar transmissions, 4 blade propellers have two extra sets and one Cat motor for parts. 6.5kw Phasor generator, 200 hrs. New COI 4/14, 35 passenger. Pilot house renovated, A/C installed, two Furuno radars, 2 VHF radios, 2 GPS chart plotters, Sitex fish finder, fore deck new, aft deck new, new Cutlass bearings, new rudder shafts, ports and bearings, freshwater tank, head with holding tank, V-berth sleeps 4, 25 person IBA, 37 new life jackets, freezer, fridge, microwave. Needs nothing, ready to work. Asking \$75,000.00 • Call: (203) 509-0409

Specify PITTS Heavy Duty Electric Clutches & Mounts

Adaptable, Dependable... Easy to Install & Maintain
SHAFT OR V-BELT DRIVEN MARINE CLUTCHES

- 75 to 1500 lbs - ft • 12 or 24 VDC power supply • Compact
- Zinc plated-meets ASTM B-117 salt spray test
- SAE pump mount-several options available

- Standard drive shaft flange input requires fewer parts to connect to drive train
- Sealed bearings-no lubrication required
- Inexpensive



PITTS
 The Clutch People
 Distributed/Represented in Canada and the East Coast by:

Coastal Hydraulics
 28 Route 286, Seabrook, NH 03874
 (603) 474-1914 • FAX (603) 474-1902

PROCK MARINE COMPANY

Specializing In
 Residential & Custom Docks, Commercial Work, and Shore Stabilization, Mainly Along the Coast of Maine
 Barge Rental Also Available



Rockland, Maine
 207-594-9565
www.prockmarinecompany.com

PINE HILL EQUIPMENT

655 Pine Hill Rd. - Westport, MA 02790 • E-mail: sales@pinehillequipment.com
 "Pictures of all equipment can be emailed upon request. Dimension sheets also available"


Winch Inventory

NEW PULLMASTERS IN STOCK

(1) PL1-12-227-1 • (2) PL2-12-228-1-B
 (3) PL5-12-210-1 • (4) PL5-12-210-2 • (2) H12-3-97-1


Our Winch Inventory is constantly changing! Please give us a call about any of your hydraulic winch needs.

M12-6-97-6 PullMaster Winch - PHE Rebuilt



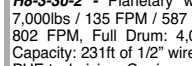
Planetary winch with equal speed forward and reverse. Bare Drum = 9,756 LBS / 129 FPM, Mean Drum = 8,003 LBS / 165 FPM, Full Drum = 6,250 LBS / 201 FPM. Wire Capacity: 365 ft of 1/2" wire rope or 1510 ft of 1/4" wire rope. Rebuilt by PHE technician. Carries a 90 day warranty.

H10-3-97-7 PullMaster Winch PHE Rebuilt



(Old model number. Current equivalent model H12) Planetary winch with rapid reverse. Bare Drum 12,101 LBS / 104 FPM / 449 FPM. Mean Drum 9,186 LBS / 152 FPM / 660 FPM. Full Drum 6,250 LBS / 201 FPM / 871 FPM. Wire Capacity: 636ft of 1/2" wire rope, 2,237ft of 1/4" wire rope. Rebuilt by PHE technician. Carries a 6 month warranty.

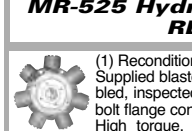
H8-3-30-2 - Planetary winch with rapid reverse. Bare Drum: 7,000lbs / 135 FPM / 587 FPM, Mean Drum: 5,519lbs / 184 FPM / 802 FPM, Full Drum: 4,038lbs / 235 FPM / 1,018 FPM. Wire Capacity: 231ft of 1/2" wire rope, 812ft of 1/4" wire rope. Rebuilt by PHE technician. Carries a 6 month warranty.



(2) USED ROTZLER WINCHES


10,000 Bare drum line pull winches. Equal speed. 2000 PSI @ 65 GPM. Black powder coated with stainless steel fasteners. Condition: Like brand new & warranted by PHE for 6 months.

MR-525 Hydrostar Radial Piston Motor RECONDITIONED



(1) Reconditioned Unit - Spline shaft is 85%, motor is clean inside. Supplied blasted and in zinc primer. Motor was entirely disassembled, inspected & resealed w/shaft saver on shaft. Motor has four bolt flange connections, not typical 6 bolt flange style. Heavy Duty, High torque, Low speed. 523.9 Cubic Inch, Max Continuous Speed: 80 RPM, Max Continuous Output: 220 HP, Max Continuous Pressure: 3000 PSI, Max Continuous Output torque: 19520 FT/LBS, Dry Wgt: 1698lbs, Call for price. See website for pictures & spec sheet.

(1) ZF IRM 320 PL-1 REVERSE GEAR



1-12:1, SAE No. 1 Bell Housing, serial no. 320-672, new never used cond. Call for price.

Marine Cranes | Launch and Recovery | Boats | Spare Parts

Pine Hill Equipment is proud to offer marine products by:

PALFINGER & PALFINGER NED-DECK

CRANES - Off-shore, ship-mounted & dock mounted cranes • Knuckle boom, telescopic boom, and stiff boom configurations • Cranes from 2.5 mt to 400 mt • Heavy Lift cranes to 3000 mt • Certified for ABS, DNV & others.
LAUNCH AND RECOVERY - Davits for rescue boats and life rafts • Manual, hydraulic and electric operation • A-frame, swing arm, telescopic arm, outrigger & dual point types. Automatic release safety hooks.
BOATS - Life rafts & fully enclosed life boats • Rescue & fast rescue craft. As well as Navy & USCG specified vessels • Daughter craft, workboats, push/pull boats • Rigid hulled inflatable boats
PARTS - Spare parts for all things Palfinger Marine and Palfinger NedDeck Many in stock. Fast reliable ordering service.
PACKAGES - Power units, winches, radio remote controls, anti-2-block systems, scales & weight systems, platforms, seats, cabs & crane skids. Spare parts, pipes & hoses. After sales & service.

NEW MARINE CRANES IN STOCK

PALFINGER MARINE MODELS IN STOCK

PK4501MC - 4.2 MT/29,500 FT-LBS
 PK8501MA&C - 8.2 MT/59,984 FT-LBS
 PK11001MD - 10.7 MT/77,416 FT-LBS

See <http://pinehillequipment.com/marine-cranes/>
 For Full Spec Sheets & Availability • Used & Reconditioned Cranes Also Available • Please Call For pricing.

MR 375 HYDROSTAR RADIAL PISTON MOTOR - CURRENTLY BEING REBUILT

Once reconditioned this unit will be - Spline shaft 85%, motor clean inside. Supplied blasted and in zinc primer. Motor will be entirely disassembled, inspected and resealed with shaft saver on shaft. Motor has six bolt flange connections. Single Speed, Heavy Duty, High torque, Low speed., 374.2 Cubic Inch, Max Continuous Speed: 90 RPM, Max Continuous Output: 165 HP, Max Continuous Pressure: 3000 PSI, Max Continuous Output torque: 13,750 FT/LBS, Dry Weight: 1444 LBS - Price upon request.

NEW Kawasaki "STAFFA" Radial Piston Motor



Brand New - Take Off Hydraulic Radial Piston Motor. Heavy Duty, High Torque, Low Speed. Model: HMHDB200/T/FM4 /30/PL130, Serial: 01A10151-188 Cubic Inch, Max Continuous Speed: 175 RPM, Max Continuous Output: 174 HP, Max Cont. Pressure: 3625 PSI. Full specs & price upon request.

Custom Hydraulic Power Units! Rent or Own!

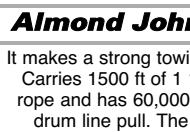
Any HP, wireless control capabilities, any GPM, any size!
 They are fully customizable and marine tested and proven.
 Below are the pictures of our standard 80HP!

DIESEL POWER UNITS FOR RENT



Available quickly. Standard diesel HPUs up to 173 HP. Built to spec. Buy or rent. We can deliver to your jobsite. Call for availability.

Almond Johnson LST Anchor Winch



It makes a strong towing winch. Carries 1500 ft of 1 1/2 wire rope and has 60,000 lb. bare drum line pull. The winch has been converted to hydraulic and air operated brake/clutch. The winch appears to never have been used. Hydraulics are new, installed by Pine Hill Equipment. Includes level wind.

Call ex 215 for pricing

WIRELESS RADIO REMOTE CONTROLS



Wirelessly control all of your hydraulic equipment. Don't be stuck behind a console! Safely run your equipment with the ability to be in a better line of sight. Push button stop features allow you to remotely shut down equipment in case of machinery failure or other emergency. Remotely control your cranes, winches, deck equipment, power units and motor starters, etc. We can safely and remotely control just about anything. Call with your specifications.

200 TON SHACKLE LIKE NEW • \$1,250



DESIGN & CONSTRUCTION OF HYDRAULICALLY POWERED WINCHES AND LINE/MATERIAL HANDLING MACHINERY FOR ALL APPLICATIONS

Often Times It Is More Cost Effective To Replace Old Mechanically Driven Winch Systems With NEW Hydraulic Winches and Power Units!

WE ARE DISTRIBUTORS OF



PLANETARY WINCHES AND PLANEMATIC PLANETARY DRIVES FROM 1,000 LBS. TO 75,000 LBS. LINE PULL

CALL OR FAX US FOR A QUOTE ON YOUR NEXT WINCH REQUIREMENT!

Website: www.PineHillEquipment.com
PHONE (508) 636-5971 x212
FAX: (508) 636-9067

HYDRO-SLAVE

★ SAME DAY SERVICE ★

QUALITY MARINE HYDRAULIC EQUIPMENT

STANDARD BOOM WINCH



SPECIFICATIONS

PULL - EMPTY SPOOL - 24 CID MOTOR
12 GPM @ 1500 PSI - 3580 LBS
12 GPM @ 2000 PSI - 4730 LBS
PULL - FULL SPOOL - 24 CID MOTOR
12 GPM @ 1500 PSI - 1375 LBS
12 GPM @ 2000 PSI - 1813 LBS

BRAKE BOOM WINCH

WIRE CAPACITY

5/16" WIRE - 321 FEET • 3/8" WIRE - 223 FEET
1/2" WIRE - 125 FEET



Available in Both Powder Coated Steel and Stainless Steel

BUY THE BEST - BUY THE ORIGINAL BUY HYDRO-SLAVE

HYDRAULIC PUMP WITH ELECTRIC CLUTCH

2 Bolt B Auxiliary Drive Assembly

2 BOLT B 13 TOOTH MOUNTING FLANGE

- Precision Machined Aluminum 2 Bolt B Mounting Flange
- Precision Machined Steel Pump-Clutch Mounting Bracket
- 250 Ft. Lb. 2 Bolt B 13 Tooth Clutch
- 25VQC High Performance Vane Pump 2 Bolt B 13 Tooth Spline 21 GPM @ 3000 PSI, 1200 RPM
- Dimensions: 13" Long, 8-1/2" Wide



THIS ASSEMBLY IS SUITABLE FOR INSTALLATION ON ANY 2 BOLT B 13 TOOTH DRIVE ADAPTER SUCH AS A TWIN DISC OR ZF TRANSMISSION

WORLD'S LARGEST POT HAULER MFG. FOR OVER 40 YEARS

For more information call: 1-800-747-7550 or visit us on the internet: www.marine-hydraulic-engineering.com

MARINE HYDRAULIC ENGINEERING CO., INC.

17 Gordon Drive Rockland Maine 04841 Fax: 207-594-9721
Email: marinhyd@midcoast.com

YOUR BUSINESS ANCHOR

Buying or Selling a Passenger Vessel or Business?



Fort Warren 150 Passenger Charter Yacht



Mark Twain 149 Passenger Sternwheel



Kingston Express 147 Passenger Ferry



Catfish Bend 1,389 Passenger Paddlewheeler

PINNACLE MARINE CORPORATION

We are the only brokerage service specializing in the passenger vessel industry. We also provide assistance locating financing, vessel transportation, securing insurance, marketing and business consulting, and auction services.

608-788-3210 • email: info@pinnaclemarine.com • www.pinnaclemarine.com

BEAT THIS



Beat This Against Your Barge
Tough Self-Bailing Steel Workboats
Good Steel Boats Made For Work!
www.AMERICANWORKBOAT.com
(508) 264-6863

BUY SELL RENT

CLAMSHELL BUCKETS HOISTS & WINCHES PILE DRIVING EQUIPMENT



GREG DUNN

(724) 228-5560
FAX (724) 228-8776
www.needist.com

400 Country Club Road
P.O. Box 358
Meadow Lands, PA 15347-0358

119' Navy Landing Craft



\$700K + In Recent Upgrades.
200T Cargo Capacity. Excellent Condition.
Very Shallow Draft - 3'9", Freshwater Docked,
Fresh Rebuilds, Electronics.
Location - US Gulf • \$900K
(228) 918-6090
gulfstreamcorp.com

Looking for Marine parts?

Save time and money!

We will find marine parts from around the world including engines, generators, & oil platform cranes.

OVER 25 YEARS
EXPERIENCE



MyMarineTracker.com
Marine Purchasing Services

1-866-717-2053
or 608-783-2766



CALL FOR PRICING

Johnson Stevens
(843) 889-2254 Office
j.stevens@stevens-towing.com

For over 100 years, Stevens Towing has conducted business in marine towing, barge charter, and marine repair. Located 25 miles south of Charleston, SC, (mile marker 490 ICW) the shipyard is equipped with 2 Marine Railways, a 150-ton Marine Travel Lift, as well as 500' of dock space for topside marine repairs.

Equipment For Charter

Deck Barges

- (3) 120 x 30 x 7
- (2) 120 x 33 x 10
- (1) 150 x 55 x 8
- (1) 162 x 52 x 10
- (1) 175 x 39 x 9
- (1) 260 x 50 x 10.5
- (1) 250 x 54 x 13 ABS

US FLAG JONES ACT SHIP "M/V Coastal Venture" For Charter

Length Overall: 247' • Draft: 11'
Speed At Sea Loaded: 12 KTS • GT: 497
Capacities: Hold 1 Cubic Capacity 8,640 FT+, Hold 2 Cubic Capacity 30,800 FT+, Hold 3 Cubic Capacity 45,760 FT+.
Capable of carrying a wide variety of cargo from Break Bulk to Containers as well as Hazardous Goods Class 1-9



Equipment For Sale

Hopper Barge

- (1) 260 x 52.5 x 12

Crane Barge

- (1) 199 x 52 x 14 w/ 28 ton Crane at 90' Intercon Hydraulic Crane w/Cat Engines



Cranes

We have two 500 ton barge mounted cranes that are strategically placed in Savannah, GA and Charleston, SC. These cranes have the ability to move via the Intercoastal Waterway or Offshore to any job. We also have a barge mtd Clyde 32 which is a rotating 140 ton crane at 45ft.

Savannah Giant

Crane Capacity: 500 Tons
Barge Dimensions: 180' x 80' x 10'

Ocean Ranger

Crane Capacity: 500 Tons
Barge Dimensions: ABS 200' x 72' x 14'

Stevens 1401

Crane Capacity: 140 Tons
Barge Dimensions: 142' x 58' with spuds

Stevens Towing Shipyard

Railways

We Have Two Large Marine Railways With A Weight Capacity Up To 1650 ST And Dimension Up To 300' Long x 80' Wide.

Travel Lift

Weight Capacity: 150 ST • Length Unlimited x 37' Wide

STEVENS TOWING - A RESPECTED NAME IN THE MARITIME INDUSTRY FOR OVER 100 YEARS.

FOR SALE M/V HORIZON'S EDGE



MOTIVATED SELLER
\$2,950,000.00

Length: 161.3' (registered) - LOA: 186'
Year Built: 2000

For more information visit

www.horizonsedgeboston.com or contact
Owner's attorney David S. Smith at 978-744-8918

**1980 MARINE TRAVELIFT
Model 60 AMO**



120,000 lb. lifting capacity. Ford 300 gas engine. 23' Inside clear height. 20' Inside clear width.
Any reasonable offer accepted
info@kendrickequipment.com
(866) 744-9921



**For Sale
SunCruz VII
Casino Vessel**

Name Reserved: Yes, Ex-Name Diamond Royale, Andrew Fletcher. Manufacture: Offshore Shipbuilding, Inc. Model Year: 1985, MFG. Year: 1985, Boat Type: Casino Vessel, Boat Is: Used, Length Overall: 184', Beam: 40', Weight (Displ): Gross tons ITC: 1,314 REG: 99/ NT, ITC: 413 REG: 67, Hull Material: Welded steel, Hull Configuration: Traverse, Speed (knots) Cruise@ RPM 10 Speed (knots) Max@RPM 10 Fuel Tank (Gal / Mtrl) 7,500 total gal. Certification & Class: K Class, Boat just had \$327,000 worth of work done by the Detyens Shipyard. At time of work the boat was seized by the U.S Marshall's Office for taxes. The boat is sail-able per U.S Coast Guard. The keel & hull below water line have been repaired. The decks & pilot house need some blasting & painting. The boat has around 175-180 Slot machines, 20 Black Jack tables, 4 Roulette wheels, 2 Craps tables & 2 Texas holdem tables. There are three bars on board. The ship has set for the last eight months so it needs to be cleaned out. The main propulsion is (2) 3812 CAT motors which are working, Generators are 3408 CAT motors (3).

Can be viewed any time with appointment in the Port of Charleston, SC, USA
Price: \$375,000.00
For More Information Call: Mike Bruce
(864) 270-4945

FOR SALE

**M.V. Cisco
60' x 16.5' x 8'**



Built 1950 in Sturgeon Bay, WI
Rebuilt on Beaver Island 2006
Extensive equipment, 2008 survey.
Much work has been done since.
For complete list and more photos:
theresamm@tds.net
\$150,000 \$130,000
(50% of what's been invested)
Ready for work or play!

**1989 28' Spencer
Retrofitted 2012**



New Yanmar 315 hp. Transmission, shaft, prop, strut, deck, & electronics, 1,200 hrs.
\$27,500 • (3/17) • (941) 716-3202

For Sale Or Lease



1980 Blount 350 passenger. 2x CAT Main, 2x Isuzu Gen. Fresh dry dock credit 4/17 and topside 6/17. Available September 2017.
\$500,000 • (718) 877-5815

For Sale: 2003 Zodiac H920 Fireboat



Powered by Twin Yanmar 440 Diesel engines and Twin Disc water jets. 200 gallon fuel capacity. Features include generator, 1750 GPM fire pump, roof-mounted deck gun, 30 gallon foam tank, air conditioning and heat, remote ACR searchlights, Whelen hailer, Raytheon electronics package, and numerous other extras.

For more information contact Dean at (561) 909-9788

STERLING EQUIPMENT



**FOR SALE
Hopper Barges 225' x 42' x 12' • Built 2013**

Located in:
Staten Island, NY - Quincy MA and FT Lauderdale FL
953 Gross Tons • 2500 Ton Capacity



Contact: mark@sterlingequipment.com • 617-984-0022 x117

CLOSE OUT specials

**WHILE SUPPLIES LAST • FOB SHIPPING WAREHOUSE
SUBJECT TO PRIOR SALES**

DECK HARDWARE

12" OPEN CHOCK \$525.00

310261 (06242-301A)

14" CLOSED CHOCK \$885.00

310312 (06241-301A) Clear Opening: 9.38" x 18.75"

12" x 18" MOORING EYE \$370.00

310358 (08371-301A)

12" x 18" PANAMA CHOCK \$655.00

310415 (08372-301A) 12" x 18" Panama Chock

8" DOUBLE BITT WITH HORN \$200.00

310252 (04200-301A)

8" BUTTON CHOCK \$40.00

309766 (DF129)



877-366-2366
ASK FOR COMMERCIAL SALES
NEW ORLEANS, LA

PASSENGER VESSEL

ASKING \$3,450,000

**FOR SALE, LEASE OR JOINT VENTURE
OWNER WILL CONSIDER FINANCING**

The M/V Deacon is an 120' x 43' all aluminum vessel designed to transport 250 passengers at 30 knots. The swath design provides dramatically better ride in high seas than a mono-hull or a catamaran vessel.

How does the swath compare to a conventional vessel? Watch our online video.



www.mvdeacon.com

Possible Uses:

- Crew Boat • Yacht • Dinner Cruises
- Whale Watching • Research Vessel • Casino
- Military • Passenger Ferry • Seismic Vessel
- Live Aboard Dive Vessel • Dive Support Vessel

For more information contact: Daniel Haines at 985-631-2628 or daniel@hainescompanies.com

www.YachtSalvage.com



44' Beneteau 2001
(Brokerage)
YS170158



35' Formula 1998
(Insurance Salvage)
YS170112



46' Amel Maramu 1989
(Insurance Salvage)
YS170117



29' Blackfin 1986
(Donation)
YS170202



58' Tecnomarine 1999
(Brokerage)
YS170166



30' Proline 1994
(Insurance Salvage)
YS170142

Hundreds Of Boats For Sale

For More Information Please Call One Of Our Offices
Warwick, RI (401) 732-6300 • Charleston, SC (843) 789-0357
Mendon, MA (508) 478-0200 • St. George, SC (843) 563-9199



METAL SHARK

METALSHARKBOATS.COM



36' Courageous



38' Defiant



75' Endurance

337.364.0777 • sales@metalsarkboats.com

OFFSHORE FIRE RESCUE 1 • 12,000 GPM FOR SALE

A RAPID RESPONSE 20+ KNOTS FIRE RESCUE VESSEL



Main Characteristics
Length Overall 33.5 m (110.00 ft)
Beam 6.7 m (22.0 ft)
Draft 1.9 m (6.50 ft)
Displacement 126 tons
Speed 20+ knots

Capacities
Fuel Oil 5.7 m3 (1,500 gal)
Foam 3.8 m3 (1,000 gal)
Fresh Water 0.4 m3 (100 gal)

Registration
Type Firefighting Craft
Designer Guido Perla & Associates, Inc.
Owner Vogel Equipment LLC
Builder Halter Moss Point Marine



Vogel Equipment LLC announces the sale of the Offshore Fire Rescue 1 vessel. Builder Halter Moss Point Marine, Inc., Escatawpa, Miss., a member of the Trinity Marine Group. The vessel is equipped with four water monitors or nozzles with a collective capacity of up to 12,000 gallons per minute of water and foam. One of the fire monitors is located atop a telescoping tower which can rise 50 feet above the water to allow placement of a stream on the deck of a large ship in ballast. The vessel was designed by Guido Perla & Associates, Inc., Seattle. Propulsion and pumping power is provided by two Detroit Diesel 16V92TA engines developing 1,100 horsepower at 2,100 rpm. The Generators are 2 x Detroit 353 Generator @ 180 KW. They drive fixed-pitch propellers through two Twin Disc marine transmissions. 2 x 6,000-gpm fire pump is driven off of each propulsion engine through a front mounted pump with Fawick air clutch. Fire suppressant foam is supplied from stainless steel tanks located below decks. The vessel's four fire monitors include one 5,000-gpm remote operated unit mounted on the foredeck, two 2,500-gpm manually operated water monitors on the bridge deck aft, and one 2,000-gpm remote operated foam/water monitor on top of the pilothouse. Starting, operating, and stopping of the propulsion, electrical, and firefighting systems is automated for control from the wheelhouse, and the vessel and all systems can be operated by a crew of two. This great vessel from Hawaii was made for rapid intervention response is a very special made vessel with towing capacity capabilities. Vessel formally known as Moku Ahi.

\$1.75 million, with an Additional \$300,000 Spare Parts Package, All Offers Considered. Additionally, if Someone Identifies a Buyer to Us and We Complete the Sale with that Party, that Person is Entitled to a 20% Commission of the Gross Sale.

**Contact: Marc Vogel, Director Vogel Equipment LLC • marc@vogelequipment.com
Office: (415) 576-9007 • Cell: (415) 828-2848 • Web: www.VogelEquipment.com**

BARGES FOR RENT



Sectional Barges • Located In Florida

40 x 10 x 5 & 60 x 11 x 4

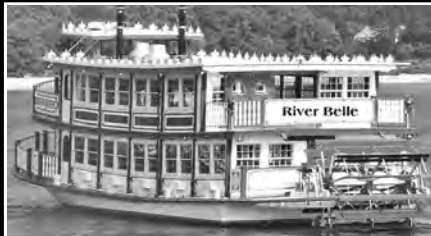
Contact: (305) 965-8852

Email: barge@bargerent.com

For Sale



Cl80 Liftboat with Side Tanks
Contact: (609) 675-8611 For Details



65' Mississippi Like River Boat - 78' Overall, Includ. Stern Paddle. USCG Lic. For 150 + 10 Crew. Full Electronics, USCG Insp. Both Decks Heat & A/C. 2 - 671 GM Diesels. 2-371 - 50 KW GM Gens @ 1200 RPM. Brielle, NJ.

\$450,000 • (732) 245-1592

MARINE PILOT HOUSE CHAIRS

Adjustable Swivel Seat Aluminum Inland and Offshore Bases

\$780.00

F.O.B.

Port Arthur, TX



Texas Wheel Works, Inc
PO Box 1276 • Port Arthur, TX 77641-1276
PHONE: (800) 238-9402
FAX: (409) 984-5690



For Sale

57', 17.6 breadth. Long line or bandit, (2) 671 with Isuzu 20 kw gen. ice hold 20,000 lbs, nice working vessel \$175,000.00, or will trade IFQ shares. Permits also available tuna and reef. Call: (850) 265-1145 or (850) 866-1564 or Email: floridaboats2@gmail.com with any questions or additional pictures.

84' CATAMARAN Ex-Cruise Yacht For Sale



All Fiberglass Construction Built 2001 Twin 4LHA Yanmar Diesels

40 kw Isuzu Genset
Elegant 7 Staterooms / 7 Bathrooms
Commercial Galley
Large Entertainment Area (Former USCG COI 49 Pax.)
GREAT AIRBNB or BOATEL
Located St. Petersburg, FL
Asking \$475,000.00
More Info At
www.usshipbrokers.com
(954) 850-1878

Northeast Industrial & Marine Equipment Supplies

661 Route 9 Cape May, NJ 08204

1-800-884-3152 609-884-3152 609-884-3510

Fax: 609-884-3170, Check Us Out @www.northeastindustrialnj.com

EQUIPMENT SUPPLIES FOR ALL PHASES OF THE FISHING, DREDGING, MARINE CONSTRUCTION, AND TRANSPORTATION INDUSTRIES



- Pullmaster, Superwinch, Lantec, Kinematic
- Custom Built Power Units
- Winches - Planetary, Worm Gear
- Control Valves 4 GPM - 400 GPM
- Hydraulic Pumps - Gear, Piston
- Hydraulic Motors - Staffa, KYB, Char-lynn
- Free Fall Winches - 5,000 lb. to 75,000 lb.
- Wintech Winches - Electric, Air, Hand Cranked
- Transmissions - ZF, Twin Disc



John Deere / Yanmar Industrial Engines

- Custom Winch Systems 1,000 to 300,000 Line Pulls
- Custom Built Winches - 1,000 lb. to 200,000 lb. Line Pull & Diesel HPU Units
 - Electric HPU Units
- Spud Handling Systems & Barge Anchoring Systems
- Used Equipment Refurbishing
- Equipment Rentals - Winches, Power Units

• Custom Built Barges

National & International Services

Hydraulic, Welding, Machine Shop Service

Email us @ neindustrial@hotmail.com or contact@northeastindustrialnj.com



VIKING ENHANCED SOFTLOOP FENDER

When Push Comes to Shove Have a Viking on Your Side

- The softest, most forgiving ship assist fender on market
- Designed for greater energy absorption and gripping ability
- Ideal for tractor tugs, bow, stern and side fenders
- Side hip fenders for tug and barge units
- Pier cell fenders



Quality Recycled Materials

a division of Viking Marine Products, Inc.

977 New Durham Rd, Edison, NJ 08817

Tel: +1 732-826-4552 • Fax: +1 732-826-5533

Complete Brochure at: www.vikingfender.com

CLOSING DATES • FIRST JULY ISSUE 2017

FOR DISPLAY

June 26th, 2017
9:00 A.M. C.S.T

To Be Mailed

June 29th, 2017

FOR CLASSIFIED

June 28th, 2017
10:00 A.M. C.S.T



FLOATING DOCKS, GANGWAYS, SEAWALLS RAVENS MARINE, INC.



3295 ORANGE AVENUE
KISSIMMEE, FL 34744
PH: 407-935-9799
TOLL FREE: 800-676-3023
FAX: 407-935-9436
www.ravensmarine.com
ravens@ravensmarine.com



AT RAVENS MARINE, QUALITY IS #1



FROM THE BACKYARD DOCK TO THE FULL SCALE MARINA, WE MANUFACTURE THE COMPLETE "PICTURE"





HL130M DRI-PRIME PUMP



6X6 JET PUMP



ANVIL 25T GRAPPLE



ICE 416 VIBRO HAMMER



ATLAS 20T GRAPPLE



3 Each Allis Chalmers 475 KW GENSETS



D200 PILE HAMMER



- COMPRESSORS
- CHAMBERS
- COMM'S
- COMPLETE PACKAGES

DIVE EQUIPMENT AVAILABLE FOR LEASE



PRECON MARINE, INC.

CONTACT: MACON HODGES, (757) 439-9963
MHODGES@PRECONMARINE.COM
FOR ADDITIONAL EQUIPMENT CHECK OUT:
PRECONMARINE.COM/EQUIPMENT
ALL EQUIPMENT—FOR SALE OR LEASE

MANITOWOC 4600 SERIES III

COMPLETE RESTORATION

- CUMMINS RE-POWER
- 240 TON CAP.
- 160' BOOM
- RINGER READY

CRANES AVAILABLE FOR RENT/LEASE/PURCHASE:

- MANITOWOC 4100 SERIES II - 230 TON CRAWLER
- 2015 LINKBELT 348 HYLAB - 300 TON LATTICE CRAWLER
- 2016 LINKBELT ATC 32210- 210 TON HYD. TRUCK CRANE
- 2014 LINKBELT HTC 86100- 100 TON HYD. TRUCK CRANE
- 2014 GROVE TMS 700E- 60 TON HYD. TRUCK CRANE
- 2010 STERLING- 30 TON HYD. BOOM TRUCK
- 1999 STERLING- 20 TON HYD. BOOM TRUCK
- 1992 FORD L-8000 "SNOOPER" BRIDGE INSP. TRUCK

ALL CRANES HAVE CURRENT INSPECTIONS AND READY TO WORK. OPERATORS AVAILABLE ALSO.

64' X 32' X 7' LIFT BOAT
8-71 DETROITS
70' CRANE

THRU-DECK DRILL WELL

SUPER JUMBO'S - 260' X 52.5' X 12'

THE TAMPA
2014 TRUCKABLE TUG

ROBISHAW S-50 FLEXI FLOATS

ECB SECTIONAL BARGES
41'x10'x5'

120x30 Material Barges
Lease or Purchase

WATERFRONT AVAILABLE FOR LEASE

ELIZABETH RIVER- CHESAPEAKE, VA.
 FLEET YOUR BARGES OR STEVEDORE

350 FT

500 FT

YARD ACCESS & STORAGE ALSO AVAIL.

BARGES/TRUCKABLE TUGS BUILT TO SUIT!!

CONTACT: ALLEN CUTLER, (757) 754-0767
ACUTLER@INLANDMARINEVA.COM
ALL EQUIPMENT—FOR SALE OR LEASE UPON AVAILABILITY

1979 Lydia 62' Excursion Boat



Twin 300hp Isuzu diesels, 10KW Maspower genset, bar. Certified 116 passengers Lakes, Bays and Sounds. COI good through July 2021. 29GRT

Price \$115,000.00
Call for more info: (941) 204-3474

70' Fiberglass Party Boat




90 Passenger Certified. Dry Dock 2018 (3) Detroit Diesel Motors 615 HP
\$245,000 OBO
Contact Danny (786) 897-4458

1988 Marine Travelift 35 BFM



80,000 lb capacity. 20' ICH, 18' 7" ICW. Recent diesel repower. Dual power sling adjustment. Well maintained, ready to work. Includes spreader bars. Call for more info and price.
info@kendrickequipment.com
Dave: (604) 644-4498

Portable Pushboats For Charter



430/330 HP Twin Screw
25' x 12' x 5', 3.5' Draft
J-Way Leasing & Marine, LLC
(440) 934-1020

SELLING
535 HP 3406 CAT

Running Takeout
On A Two Year
Rebuild
Asking \$30,000

(305) 853-6222
cnfisheries@gmail.com

600 HP TWIN SCREW TUG BOAT




50' Dive Boat



1984. COI expired February of 2017. Taking Offers. Can text more pictures if interested.
\$49,999 • (848) 565-0519

Built 1958 by Blount Boats. 60' x 17.5' x 8', Main engines: (2) Detroit 6-110s. Serviced every 50 hours. Great oil pressure. Very fuel efficient. Recent oil lube change and upgrades. Excellent creek and shifting tug, multiple control station, burn 25 gph total approximate. Transmission: (2) Allison 5-1. Micro commander shifters. Garmin GPS. Radar. Firefighting equipment. Boat Command monitor system. Generators: (2) 12.5 Kw Yanmar. Fuel capacity: (1) 1,000 gal day tank, (1) 3,000 gal tank. Full electronics: Radar, VHF's, AIS. Located Northeast USA. **Price: \$160,000**
(516) 944-7154 • eleanors@scobbo.com

Key West Charter Boat For Sale



Eco charters fishing, snorkeling, and dolphin watch. Been in business for 3 years. Lots of fun. Great for beginner captain. Training available.
(305) 901-2404

COOPER CAPITAL
SPECIALTY SALVAGE, LLC

860-395-4745
info@cooperss.com

The complete salvage management company
Building relationships, not transactions

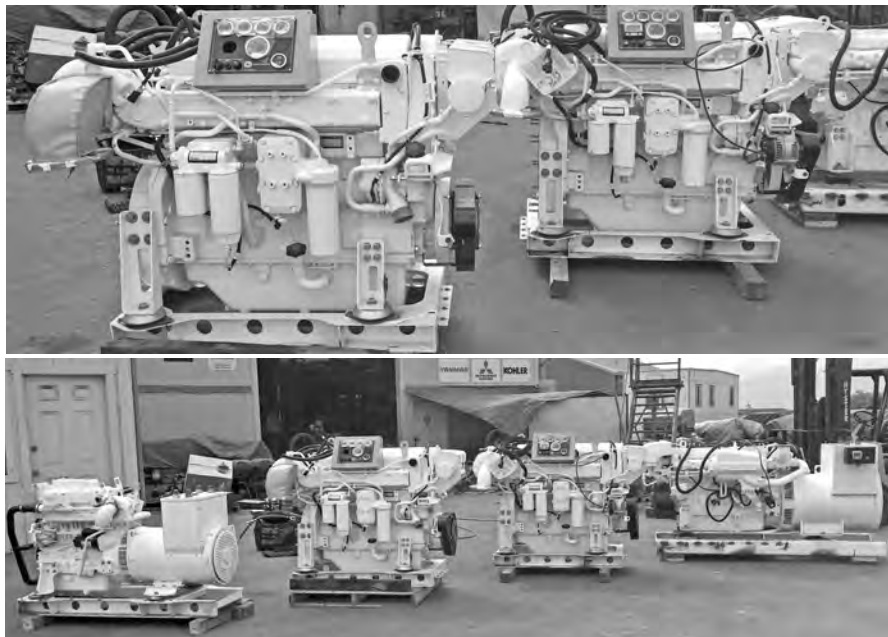
www.cooperss.com
Register to bid and receive information via email

FOUR HARBORMASTER JEEP UNITS



\$90,000.00 For All Four
Details • Email or Call Mark Guin: (334) 749-5045 • mguin@scottbridge.com


Peninsula Diesel
7501 Sandholdt Road • Moss Landing, CA 95039
Phone: (831) 633-1345 • Fax: (831) 633-1344
Email: haipdiesel@yahoo.com • www.Peninsula-Diesel.com




Caterpillar 3306TA Marine Low Hours on Rebuilt	\$9,000
Caterpillar 3412E Marine 600HP RTO Good Condition	\$22,000
Caterpillar 3406E Marine 475HP	\$9,000
Caterpillar 3406C Marine 440HP 4,900 Hours from New	\$14,000
Caterpillar 3406B Marine 350HP @ 1,800 RPM RTO	\$11,000
Caterpillar 3208TA 375HP	\$7,500
Caterpillar 3208T 300HP	\$6,500
John Deere 6135AFM85 2016 New No Hours with Panel, Still has Warranty..Call For Pricing	
John Deere Marine Genset 6090AFM85 195KW with No Hours. Still has Warranty.....	\$30,000
John Deere Marine Genset 4045TFM85 2015 Zero Hours 100KW.....	\$22,000
Northern Lights 65KW Marine Genset RTO.....	\$6,500
Northern Lights 20KW Radiator Cooled RTO.....	\$3,500
Cummins 6CTA 450HP Rebuilt.....	\$17,000
Cummins 6BTA 330HP Needs to be Rebuilt	\$8,500
Cummins 6BTA 315HP Rebuilt.....	\$16,000
John Deere 6081AFM 375HP Low Hours with ZF 280 1.75:1	\$8,500
Twin Disc MG 521 4:1	\$6,000
Twin Disc MG 521 3:1	\$4,000
Twin Disc MG 5170 6:1	\$17,500
Twin Disc MG 514B 6:1	\$6,000
Twin Disc MG 514B 5:1	\$5,000
Twin Disc MG 509 3.83:1	\$6,500
Twin Disc MG 509 3:1	\$5,500
Twin Disc MG 5091 1.74:1	\$4,000
Twin Disc MG 507 1.5:1	\$3,500
Twin Disc MG 509 1.5:1	\$2,500
ZF 350 6:1	\$2,000
ZF 280A 2.5:1	\$2,000

Hydraulic Marine Systems

Hydraulic Thruster Manufacturer



Self-propel your barges & sectional Floats



Featuring
VOLVO PENTA
Industrial Engines

1-386-734-0020
www.hydraulicmarinesystems.com

Dames Point Workboats, Jacksonville, FL
 (904) 757-0407 www.damespointworkboats.com



Services Offered:
 Contractor Mobilization • Marine Towing
 Launch Services • Marine Salvage

Equipment Available for Rent:
 Push Boats • Sectional Barges
 Utility Boats
 50' x 14' Truckable Hopper Barge

For details and availability please visit our website

EVANS BOATS, INC.

www.evansboats.com 1-800-545-2592 443-783-0529
 evansboats@hotmail.com



45' x 14' Plywood Glassed Inside and Out • 38" Draft • Twin 3208T, 375 HP
 Fish Hole Below Deck, 41" Deep, 57" Wide, 50" Long • 36 Mile Furuno Radar
 Hydraulic System for Trap Haulers • 1 1/4" Electric Washdown Pump • 3 Bilge
 Pumps • VHF Radio • Dual Station Controls • New Deck in Entire Boat, Glassed
 Watertight Hatches • Battery Charger for Shore Power • Dinette

For More Information See This Listing on evansboats.com

100% Stainless Steel Construction

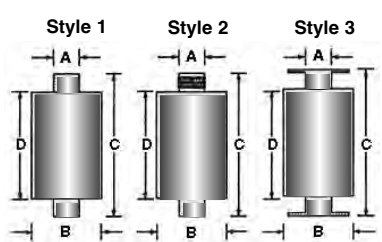
This Muffler can go to **HELL**
 and take the **HEAT!!!**

www.the-flex.com

Exhaust System Silencers Style 1-2

PART #	A	B	C	D	PRICE
AIM-03	3.500"	6.625"	15"	9"	\$360
AIM-04	4.500"	8.625"	18"	12"	\$385
AIM-05	5.563"	10.750"	21"	15"	\$415
AIM-06	6.625"	12.75"	24"	18"	\$580
AIM-08	8.625"	16.00"	30"	24"	\$715
AIM-14	4.500"	8.625"	22"	16"	\$470
AIM-15	5.563"	10.750"	26"	20"	\$550
AIM-16	6.625"	12.75"	30"	24"	\$745
AIM-18	8.625"	16.00"	38"	32"	\$965
AIM-24	4.500"	8.625"	46"	40"	\$910
AIM-25	5.563"	10.750"	56"	50"	\$1,210
AIM-26	6.625"	12.75"	66"	60"	\$1,450
AIM-28	8.625"	16.00"	86"	80"	\$2,250

Call for price of Style 3



CUSTOM FABRICATION AVAILABLE.

All items can be purchased online.

NOTE: Above is styles 1 & 2 only!

Carbon Steel Beveled Pipe Stainless Flexible Exhaust



PART #	HOSE I.D.	A	B	C	D	PRICE
WW-150	1.5"	6.000"	.145"	3.000"	1.900"	\$40
WW-2	2.0"	-	.154"	-	2.375"	45
WW-250	2.5"	-	.203"	-	2.875"	55
WW-3	3.0"	-	.216"	-	3.500"	75
WW-4	4.0"	-	.237"	-	4.500"	90
WW-5	5.0"	-	.258"	-	5.563"	100
WW-6	6.0"	-	.280"	-	6.625"	115
WW-8	8.0"	-	.322"	-	8.625"	150

Carbon Steel Flanged Pipe Stainless Flexible Exhaust



PART #	HOSE I.D.	A	B	C	D	PRICE
FF-150	1.5"	10.52"	.875"	12.000"	1.950"	\$70
FF-2	2.0"	10.00"	1.000"	-	2.440"	85
FF-250	2.5"	9.750"	1.125"	-	2.940"	115
FF-3	3.0"	9.625"	1.1875"	-	3.570"	135
FF-4	4.0"	9.375"	1.3125"	-	4.570"	200
FF-5	5.0"	9.250"	1.4375"	-	5.660"	240
FF-6	6.0"	8.875"	1.5625"	-	6.720"	265
FF-8	8.0"	8.500"	1.750"	-	8.720"	350

Thermal Insulation Blanket Kits

PART #	PRICE
TIB-3-4	3" & 4" Exhaust Connector 1" Thick & 18" Long x Circum. \$45
TIB-5	5" Exhaust Connector 1" Thick & 18" Long x Circum. \$60
TIB-6	6" Exhaust Connector 1" Thick & 18" Long x Circum. \$70

• Crafted from high-purity alumina-silica ceramic fiber blanket and woven fiberglass impregnated with silicone resins. Blanket is firmly stitched with Kevlar thread and is reusable.

• Resists damage, absorbs sound, suitable for operating temperatures up to 1000° F.

• Thermal and physical properties are restored after drying if water, steam or oil wets TIB-kit.

• Built to wrap circumferences in multiples of 6" (6", 12", 18"+) or spiral wrap around long lengths. (Custom widths available)

Fire resistance - meets requirements for combustibility as specified by U.S. Coast Guard 164.009



We Stand by our work.

AIM
 APPLIGATE INDUSTRIAL MATERIALS INC.
 P. O. Box 428, Baton Rouge, LA 70821-0428
 1-225-336-4116 • fax 1-225-336-4317
 1-800-843-3539 • www.the-flex.com
 E-mail: info@The-flex.com

AIM has set the standard for reliability, durability & service for over 25 years. Run silent, run deep.

Most items are shipped within 24 hours. We offer shipping by Fed-Ex, Emery, US Postal Service, Motor Freight, Greyhound Package Express, or Will Call. Easy payment options including: Visa, Mastercard, American Express, Discover, C.O.D. or 30 day invoicing with approved credit.

INSURANCE SOLUTIONS

NOT EXCUSES...

- Tugs & Barges
- Charter Boats
- Marine Contractors
- Marinas
- Workers Comp.
- Equipment
- General Liability
- Fishing Vessels
- Live Aboards
- Diving Contractors
- ROVs
- Jones Act
- USL&H
- Bonds

Paul Lynch & Associates, Inc.
 Insurance Consultants & Agents

701 N. Federal Highway, Suite #401, Stuart, FL 34994
 Telephone (772) 232-9371 Facsimile (772) 232-9375
info@insuremarine.com www.insuremarine.com

(3) EA. 55' Derecktor Ex-USCG Workboats



All three boats are a matched set and are in good operational condition. Surveys Available.
 For more information please contact Mike Majewski 850-221-5138 or majewski4@bellsouth.net • For photos please go to www.kclmsales.com

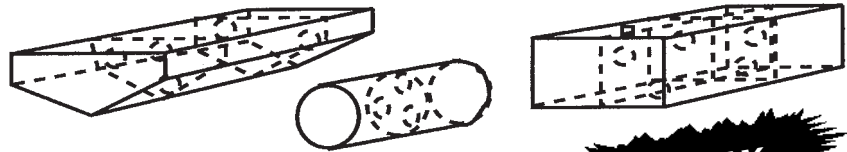
MARINE FUEL TANKS

www.speedytanks.com

ANY SIZE - ANY SHAPE

ALUMINUM TANKS FOR GAS OR DIESEL

TESTED & BUILT TO U.S.C.G. SPEC.



UPS DAILY

5 DAY TURNAROUND

ATLANTIC COASTAL WELDING INC.

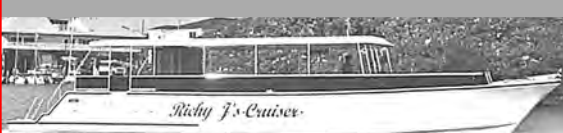
[800] 434-TANK (8265)

OR FAX A DRAWING 1-732-269-7992

Ron Cooper Catamarans

THE MONEY MAKERS

✓ WE BUILD ONE OF THE MOST FUEL EFFICIENT PASSENGER VESSELS IN THE WORLD



63' x 24' Catamaran, base price \$399,000 plus power, stability test for 200

- The perfect vessels for:
- Day/Snorkel Trips
 - Sightseeing
 - Booze Cruises
 - Cruise Ship Tenders
 - Over 130 Built



All New 47' x 15.5' Catamaran • USCG Stability test for up to 70 passengers • Introductory base price \$139,000 plus power • Economical and very stable • Glass bottom available • Set up for beach loading • Fast delivery

Call Ron Cooper (727) 804-6389 www.coopermarine.com

1-800-THE FLEX

Type I Offshore Life Vest
KENT

USCG Approved with reflective tape, light loop and whistle attachment.



\$32⁹⁹

Adult Universal PFD-1A
Order# 748930

Premium Adult Universal USCG Approved Immersion Suit
KENT

High visibility yellow inflatable head pillow, face mask, mitts and ankle adjustments. Removable head pillow. Articulated arms for easier donning. Includes buddy line and whistle.

KNT-1540-AU **\$249⁹⁹**
Order# 753274

Adult Universal USCG Approved Cold Water Immersion Suit

RVS-1409A **\$259⁹⁹** **IMPERIAL**

Order# 743829



HM4

HAMILTON MARINE

40th Anniversary

1977  2017

800-639-2715
hamiltonmarine.com

KENT In-Sight Offshore Automatic/Manual Inflatable PFD

USCG APPROVED Type V with Type II Performance

Heavy-duty 420 denier nylon shell. Neoprene comfort collar. SOLAS grade reflective tape. In-Sight window shows armed status. Full 35 lbs buoyancy.

LIMITED QUANTITIES!
\$99⁹⁹

SAVE \$50



Reg 149.99

Color Order#
Orange 752862
Red 761645

GME ACCUSat™ EPIRBs

406 MHz. 6 Year Non-Haz Mat battery, 6 Year warranty. Stainless steel antenna. USCG/GMDSS Approved.

6 Year Battery!

Cat II Manual
Order# 731676
\$349⁹⁹

Cat I Auto
Order# 731678
\$469⁹⁹



Foul Weather Gear GRUNDENS

Search# GRD-

HUGE SELECTION IN STOCK!



RIGID High Performance LED Lights

Patented specter and hybrid optics allow combinations of flood and spot lighting for multiple marine lighting needs. High purity aluminum housing. Superior light with ultra low power consumption.

Search# RIL-

Starting At **\$113⁹⁹**



Refleks Heavy Gauge Stainless Steel Oil Stoves

Refleks replacement parts in stock!



Search# REF-

Anti-Fatigue Mat

2-Sided Interlocking Design, 1/2" thick, 3' x 3' mat. 100% re-vulcanized rubber.

SAVE \$5⁴⁹

\$14⁵⁰

Reg 19.99
HTV-179873
Order# 754535



WE MARK AND SWAGE WIRE!



Galvanized or Stainless Steel wire, from 1/4" to 1" diameter. We hand and machine (commercial) swage wire and mark wire for fishermen the old fashioned way.

Electric Rope Cutting Guns

100 Watts **\$29⁹⁹**
PUR-15463
Order# 127675

120 Watts **\$39⁹⁹**
PUR-15463HD
Order# 735613



Traditional Steering Wheels

The classic look in a handsome and rugged wheel. 3/4" tapered bore.




Description	Order#	SELL
16" Bronze	156329	159.99
18" Bronze	156330	169.99
16" Stainless Steel	739009	159.99
18" Stainless Steel	740740	169.99

SPECIAL! BEST DEALS ON ROPE!

3-Strand Nylon

High-tenacity white nylon multifilament fiber. Four-stage construction produces a torque-balanced rope with medium lay. Meets or exceeds Cordage Institute, US and Canadian Military standards.




600 ft Spools

Size	Order#	Tensile Strength	Ft Price per Reel	600' Reel
3/8"	118628	3700 lbs	0.16	96.99
7/16"	118630	5000 lbs	0.22	129.46
1/2"	118631	6400 lbs	0.29	171.04
5/8"	118632	10400 lbs	0.45	270.65
3/4"	118633	14200 lbs	0.64	385.35
7/8"	118634	17280 lbs	0.88	533.26
1"	118635	25000 lbs	1.10	658.41
1-1/8"	118636	33000 lbs	1.32	789.45
1-1/4"	118637	37500 lbs	1.61	964.60
1-1/2"	118639	53000 lbs	2.29	1374.46

Polypropylene

General purpose, monofilament fiber, balanced construction, medium lay, good strength, moderate stretch, lightweight and buoyant. Good UV resistance. Yellow.




600 ft Spools

Size	Order#	Tensile Strength	Ft Price per Reel	600' Reel
3/8"	118671	2700 lbs	0.09	51.58
7/16"	118673	3300 lbs	0.12	69.97
1/2"	118675	4200 lbs	0.16	93.18
5/8"	118677	6200 lbs	0.24	141.57
3/4"	118678	8500 lbs	0.34	206.05
7/8"	118680	11500 lbs	0.47	280.00
1"	118681	14000 lbs	0.56	335.88
1-1/4"	118683	21000 lbs	0.86	516.82
1-1/2"	118684	29700 lbs	1.23	735.04

Poly Plus Rope

High-tenacity polyester with polypropylene core, medium lay, good strength/low stretch, good abrasion resistance, excellent UV resistance. White with orange tracers.



600 ft Spools

Size	Order#	Tensile Strength	Ft Price per Reel	600' Reel
3/8"	118655	3200 lbs	0.14	83.36
7/16"	118656	3900 lbs	0.18	109.09
1/2"	118657	5400 lbs	0.23	138.32
5/8"	118658	7200 lbs	0.36	213.04
3/4"	118659	9800 lbs	0.50	302.31
7/8"	118660	13500 lbs	0.69	416.68
1"	118661	17000 lbs	0.82	490.98
1-1/8"	118662	21000 lbs	1.00	601.78
1-1/4"	118663	25000 lbs	1.24	745.03
1-1/2"	118664	41000 lbs	1.75	1047.02

FISHING • SAFETY • HARDWARE

PORTLAND ROCKLAND SEARSPORT SOUTHWEST HARBOR JONESPORT

Typographical errors are unintentional and subject to correction.



HAMILTON MARINE

40th Anniversary

1977  2017

800-639-2715
hamiltonmarine.com

General Purpose Pump

Designed for use as a washdown pump and/or to circulate water to your livewell tank(s). Heavy duty construction. 1-1/2" (38mm) inlet and 1-1/2" (38mm) discharge outlet. Mount below waterline. Does not deliver high pressure, nor is it self priming. Provides lots of water, but at low pressure.



Best Seller!



\$216⁹⁹

RUL-017A
Order# 129020

1" Bronze Ball Bearing Pump

Corrosion resistant bronze pump, ideal for engine cooling. Self-priming, operates in either direction at variable speeds. Also used for washdown, circulation, and many general purpose and dockside applications. Neoprene impeller with removable end cover for easy service. 25.5 GPM. 5/8" shaft.



\$364⁹⁹

JAB-00777-9001
Order# 120101

PACER

Hydraulic Pumps

Lightweight, chemically resistant pumps for general service on fresh, salt and waste water. Molded of tough, glass reinforced, non corrosive polyester. Pumps include a built-in check valve and feature easy servicing. A self-cleaning double volute keeps pump free of settled solids.

2" NPT. Maximum head pressure 70'. 110 GPM.

PAP-SE2EBLHYC
Order# 739257 **\$599⁹⁹**

2" NPT, 160 GPM.
PAP-SE2FBHYC
Order# 746865 **\$599⁹⁹**

3" NPT, 280 GPM.
PAP-SE3LBLEHYC
Order# 743652 **\$689⁹⁹**

Plug Kit for S-Series Pumps
PAP-58-0211 Order# 740972 SELL 9.59



Electric Pump
2" NPT, 2 hp. Maximum head pressure 70'. 110 GPM.
\$886⁹⁹



PAP-SE2EBC2.0C
Order# 739258

High Performance Transfer Pump

2" NPT. 5 HP Honda Series GC160. 195 GPM. Overhead cam design for quiet, dependable operation. Fast, easy, reliable starting. Meets CARB and EPA emission standards. Reduced fuel and oil consumption.

\$419⁹⁹



PAP-SE2UB5HOC
Order# 739699

xtreme Control Cables

Patented Splined Core provides easy movement and minimal lost motion, CCX633 Series 4" minimum bend radius, CCX433 Series 5" minimum bend radius. Suitable for long runs, twin stations or difficult routings with multiple cable bends.

33c and 43c Series,
6'-50' lengths



Fuel Hose Feed and Fill



SAE J1527-USCG Type A1-15 Fuel Feed line
Low perm and alcohol resistant
Search# HMH-368



SAE J1527-USCG Type A2 Fuel Fill/Vent line
Search# HMH-350

Series 250 Water/Exhaust Flex Marine Exhaust



Heavy wall with double helical wire between 4 spirals. Resists panting, collapse, heat, ozone, and exhaust fumes. Excellent flexibility and bend radius. Meets or exceeds USCG and ABYC recommendations. For intake and exhaust.
Search# HMH-250

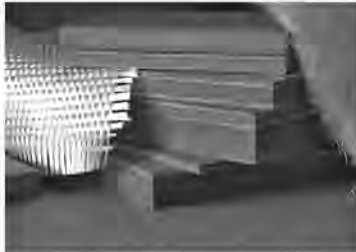


Coosa Composite Panels

Use in place of plywood!

High density, polyurethane foam, reinforced with layers of fiberglass strands throughout. Lightweight, non-rotting.

SEARCH# CSA-



Extren® Fiberglass Structural Shapes & Plates

GET THE WOOD OUT!



Corrosion and UV resistant, lightweight, high-strength, low maintenance!

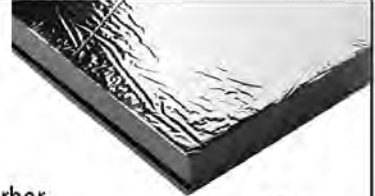
SEARCH# SGW-



Noise Control

Reinforced metallized polyester film facing with adhesive backing. 32" x 54" sheets.

1" Thick Sound Absorber
HMQ-SA3254M1 **\$81⁹⁹**
Order# 154807



Sound Barrier Composite Shown

1" Thick Sound Barrier Composite
HMQ-SBC3254M1 **\$99⁹⁹**
Order# 154810



Cast Aluminum Commercial Hatches

Fast acting, flush, watertight. Easily installed in any deck style.

15" x 24" **\$599⁹⁹**

SAVE \$120



Reg 719.99
FMN-2433-0002
Order# 754527

24" x 24" **\$1099⁹⁹**

SAVE \$230



Reg 1329.99
FMN-2424-0002
Order# 754529

Anchor Inspection Hatches

Anodized Aluminum with Stainless Steel Flange

Many Sizes Available!

Search HM-H



Commercial Bumper

Black. Up to 60 ft lengths.

2-1/8" Base Width, 2" High, 7/16" Wall Thickness

DAM-DB-50 **\$789 FT**
Order# 107117

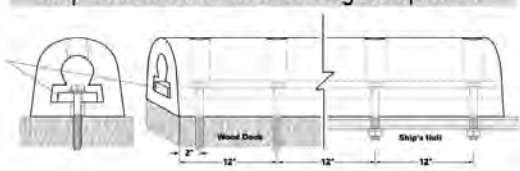
3-1/8" Base Width, 2-7/8" High, 11/16" Wall Thickness

DAM-DB-75 **\$1579 FT**
Order# 107128

Insert Strips and Molded Corners Available



Strip inserts here. Sold in lengths up to 10'



Fan Nose Bumper

Black. Up to 60 ft lengths.



2-1/2"W x 3" OD, 5/8" Wall Thickness
DAM-DB-503 **\$1679 FT**
Order# 148198

3-3/4"W x 4-1/2" OD, 3/4" Wall Thickness
DAM-DB-504 **\$2369 FT**
Order# 147124

COMMERCIAL SUPPLIES

PORTLAND ROCKLAND SEARSPORT SOUTHWEST HARBOR JONESPORT

Typographical errors are unintentional and subject to correction.

The Diesel Fuel Purifier
Ever get a bad load of fuel?
YES you have! - Don't kid yourself...
Get The Diesel Fuel Purifier
 Bubba-Proof - Filter-less Filter Separator

NO Moving Parts or Maintenance
NO Replacement Filters Needed
NO BS, Smoke, Mirrors or Magnets

YES! YES! YES!
 Removes Water and Dirt
SAY YES! To Simply Cleaner Fuel - **YES!**
 Protects your primary filters

Sizes For All Engines - From 1/2 to 400 GPM
 Simple in-line installation - No moving parts

Ever Get Wet / Dirty Fuel? YAP!

TheFuelPurifier.com • Simply removes water & dirt.
Skimoil Inc. Call (314) 579-9755

Portable Tank Cleaner Unit

Fits Thru Any Door Stairway Hatch

Cart Mounted - Move from tank to tank
 Complete system with pump, controls & hoses
 Sizes from 8-50 GPM -- Take it to your dirty tank

TWIN DISC
 Marine Gears, Torque-Converters - ALL
 Supplier & Rebuilder "Since 1982"
www.RMIservices.com
 (504) 347-4361

ATLASS INSURANCE QUOTE LINE:
800-330-3370

ATLASS INSURANCE

FOR FAST RESPONSE ON
**Tugs • Barges • Rigs Crew,
 Work & Supply Boats,
 Sightseeing**

MARINE INSURANCE
 1300 SE 17th Street, Ste. 220
 Ft. Lauderdale, Florida 33316
 Tel: (954) 525-0582 • Fax: (954) 525-0588
www.atlassinsurance.com

OOPS Oily Bilge Filters
 Sizes for all boats
 Simple Inline Filter
 Works With Any Pump

Overboard oil prevention system
 1/10 the size and cost of oil water separator
www.TheBilgeFilter.com - (314) 579-9755

Oily Water Separators
BRUTE marine oily water separators (OWS)
 Quality made in USA - sizes from 0.5 to 45 GPM

USCG/ABS/BV Approved
 Meets IMO/MEPC 107 (49)
 See new Mini-Brute 1/2 the size and cost
www.BRUTEows.com - (314) 579-9755

Marine Sanitation Device
 "the POOP plant"

USCG Approved 4/12/16 Man Type II MSD Compact
 EZ Install/retrofit

complete MSD systems starting under \$4k!
 SkimOil Inc. (314) 579-9755 - www.TheTankMSD.com

Check Out Our Classified Ads
 Starting on Page 18

Automatic Pot Line Coilers

FREE SHIPPING

The Extra Deckhand®
 Hydraulic Line Coilers
 The patented 40# wonder that's
 Made in Alaska to be Alaskan Tough

WWW.EXTRADECKHAND.COM

E.D. Industries LLC - 10006 Crazyhorse Drive
 Juneau, Alaska 99801
 Tel./Fax - (907) 789-9164

FOR SALE OR RENT

Army Bridge Boats
 27' x 8' Twin Diesel GM 353,
 3-1 Trans, 25 x 19 Prop.

For Location & Price
(916) 539-8199 or
osmsinc@gmail.com
 Trailers May Be Available Separate

Offshore Oil Rigs & Marina WINDSOCKS

FACTORY DIRECT
 IN STOCK AND READY FOR IMMEDIATE SHIPMENT

AIRPORT WINDSOCK CORPORATION
 1-800-579-5135 952-890-9214
www.airportwindssocks.com

Serving Both Coasts Of The United States And The Gulf Of Mexico

Vessels Built Over 70 Years Of Fabrication Include: Double Hull Tank Barges, Hydraulic Dump Scows, Deck Cargo Barges, ATB Barges, Ro-Ro Barges And Many Custom Vessels.

GUNDERSON MARINE

Call Chuck Garman At Gunderson Marine (800) 253-4350
 A GREENBRIER COMPANY 4350 NW Front Avenue, Portland, Oregon 97210
 Call Chris Cole At Our Gulf Coast Office (504) 722-3526

COMMERCIAL ALUMINUM JETBOATS

SMOKY MOUNTAIN JETBOATS
 12 passenger COI - PARTIALLY PROTECTED
 25 passenger COI - LIMITED COASTWISE
smokymountainjetboats.com
 1828 488 0522 - 1888 900 9091



NYS MARINE HIGHWAY TRANSPORTATION CO., LLC
WWW.NYSMARINEHIGHWAY.COM
SHIP BY CANAL

FABRICATED PRODUCTS DREDGES, DEAD SHIPS & CONTRACTORS EQUIPMENT PROJECT CARGO

WE CAN TOW YOUR EQUIPMENT BETWEEN THE EAST COAST & GREAT LAKES VIA THE NYS CANAL SYSTEM
QUOTES ROB (518) 365-3305 rob@nysmarinehighway.com

Commercial-Duty Walker AIRSEPS®

The NEW Standard for Diesel Breathing Systems Used in Today's Workboats.

Fleet Supply Warehouse, Inc.
 205 Venture Blvd., Houma, LA 70360
 Tel: 985.868.0430 Fax: 985.868.0436

Your Louisiana Headquarters for Walker Air Filters and New CCE Replacement Elements.

W AIRSEP
 Walker Engineering
www.walkerairsep.com

Marine Grade • Commercial Duty LED Lighting Fixtures
 GREEN GENERATION LEADING EDGE TECHNOLOGY

LED FLOODLIGHTS

Low Maintenance and Low Power Consumption. Up to 90% less power when compared to Halogen Lights. Low Operating Temperature and Vibration and Shock Resistant Design. Marine Grade 316 Stainless Steel Hardware and Bracket. Water Resistant IP 67 Rating. UL/CE and SAA Compliant. 2 Year Limited Warranty. Available from 10Watt up to 400Watt. 100 to 130 Lumen per Watt Light Output. AC & DC Versions Available.

NEW DHR LED Navigation Lights

SAFETY FIRST IN ALL WEATHER CONDITIONS

40 SERIES 60 SERIES 80 SERIES

USCG Approved Certified to 72 COLREGS
 The Only LED Navigation Lights Completely User Serviceable

OCEANUS - LED MARINE UTILITY LIGHT
 Designed to replace fluorescent light fixtures. Low power consumption, minimal maintenance. 3900K natural white light color is used to achieve the best CRI. Dual Color version, white and red, for night time illumination. The light can be surface or flush mounted. Available in 85vac-265vac or 10-30vdc.

E-LED LIGHTING Inc.
 PHONE: (561) 845-7460, FAX: (561) 214-4928
info@E-LEDLighting.com, www.E-LEDLighting.com